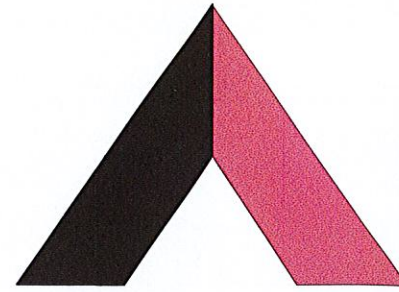


VICINITY MAP

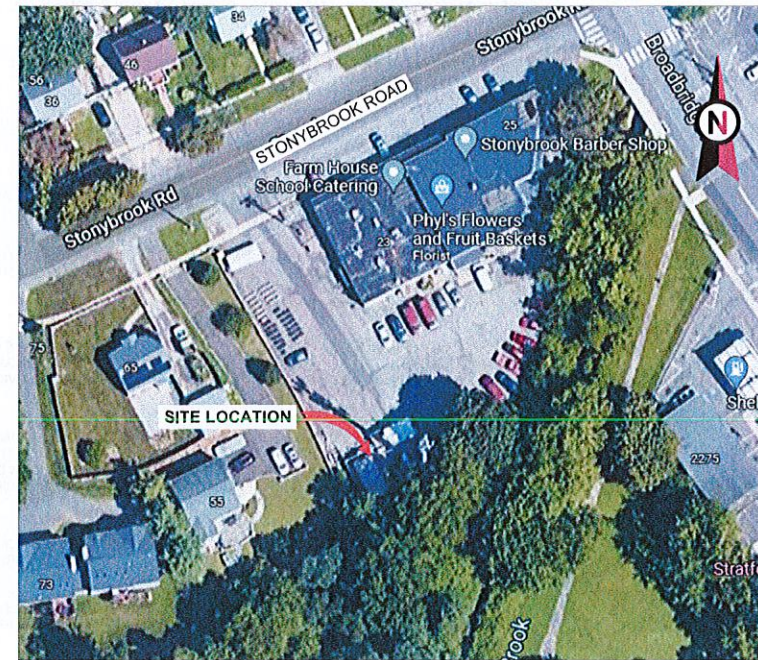


AMERICAN TOWER®

ATC SITE NAME: STONEYBROOK RD CT
 ATC SITE NUMBER: 283420
 AT&T PACE NUMBERS: MRCTB052098, MRCTB051448,
 MRCTB053107

AT&T SITE ID: CTL02381
 AT&T FA CODE: 12906923
 AT&T SITE NAME: STRATFORD STONYBROOK RD
 SITE ADDRESS: 23 STONYBROOK ROAD
 STRATFORD, CT 06614

**AT&T LTE 7C/5G NR 1SR CBAND
 AMENDMENT PLAN**



LOCATION MAP



Dewberry®
 Dewberry Engineers Inc.
 99 SUMMER STREET
 SUITE 700
 BOSTON, MA 02110
 PHONE: 617.695.3400
 FAX: 617.695.3310

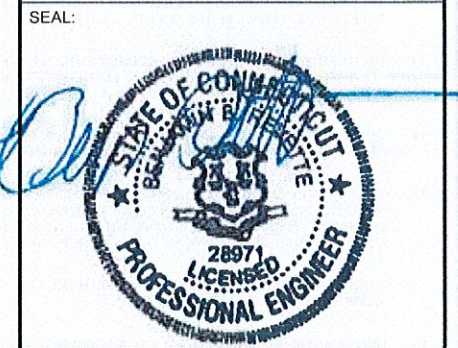
REV.	DESCRIPTION	BY	DATE
A	PRELIM	BR	01/14/22
0	FINAL	BR	04/20/22
1	FINAL	HMP	03/10/23

ATC SITE NUMBER:
283420

ATC SITE NAME:
STONEYBROOK RD CT

AT&T SITE NAME:
STRATFORD STONYBROOK RD

SITE ADDRESS:
23 STONYBROOK ROAD
STRATFORD, CT 06614



DATE DRAWN:	01/14/22
ATC JOB NO:	13682835_D1
CUSTOMER ID:	CTL02381
CUSTOMER #:	12906923

TITLE SHEET

SHEET NUMBER:	REVISION:
G-001	1

COMPLIANCE CODE

ALL WORK SHALL BE PERFORMED AND MATERIALS INSTALLED IN ACCORDANCE WITH THE CURRENT EDITIONS OF THE FOLLOWING CODES AS ADOPTED BY THE LOCAL GOVERNMENT AUTHORITIES. NOTHING IN THESE PLANS IS TO BE CONSTRUED TO PERMIT WORK NOT CONFORMING TO THESE CODES.

- 2022 CONNECTICUT STATE BUILDING CODE-AMENDMENTS TO IBC 2021
- INTERNATIONAL BUILDING CODE 2021, INTERNATIONAL CODE COUNCIL
- TIA-222-H, STRUCTURAL STANDARD FOR ANTENNA SUPPORTING STRUCTURES AND ANTENNAS
- ASCE 7-10 MINIMUM DESIGN LOADS FOR BUILDINGS AND OTHER STRUCTURES, AMERICAN SOCIETY OF CIVIL ENGINEERS
- STEEL CONSTRUCTION MANUAL 15TH EDITION, AMERICAN INSTITUTE OF STEEL CONSTRUCTION
- CITY/COUNTY ORDINANCES

UTILITY COMPANIES

POWER COMPANY: N/A
PHONE: N/A

TELEPHONE COMPANY: N/A
PHONE: N/A



PROJECT SUMMARY

SITE ADDRESS:
23 STONYBROOK ROAD
STRATFORD, CT 06614
COUNTY: FAIRFIELD

GEOGRAPHIC COORDINATES:
LATITUDE: 41.20327777
LONGITUDE: -73.148625
GROUND ELEVATION: 77' AMSL

PROJECT TEAM

TOWER OWNER:
AMERICAN TOWER
10 PRESIDENTIAL WAY
WOBURN, MA 01801

APPLICANT:
AT&T MOBILITY
550 COCHITUATE ROAD
SUITES 13 & 14
FRAMINGHAM, MA 01701

ENGINEER:
DEWBERRY ENGINEERS INC.
99 SUMMER STREET
SUITE 700
BOSTON, MA 02110
PHONE: 617.695.3400
FAX: 617.695.3310

PROPERTY OWNER:
JOHN D MIRANDA
23 STONYBROOK ROAD
STRATFORD, CT 06614-3715

PROJECT DESCRIPTION

THE PROPOSED PROJECT INCLUDES MODIFYING GROUND BASED AND TOWER MOUNTED EQUIPMENT AS INDICATED PER BELOW:

TOWER WORK:
REMOVE (3) T-ARM MOUNT(S), (9) ANTENNA(S) AND (1) SQUID(S)
INSTALL (1) MOUNT REPLACEMENT W/ SUPPORT RAIL KIT, (12) ANTENNA(S), (4) RRH(S) AND (2) SQUID(S)
EXISTING (15) RRH(S), (3) DC TRUNK(S), (1) SQUID(S) AND (1) FIBER TRUNK(S) TO REMAIN

GROUND WORK:
INSTALL (1) FRONTHAUL GATEWAY, (1) IDLE XCEDE

PROJECT NOTES

- THE FACILITY IS UNMANNED.
- A TECHNICIAN WILL VISIT THE SITE APPROXIMATELY ONCE A MONTH FOR ROUTINE INSPECTION AND MAINTENANCE.
- THE PROJECT WILL NOT RESULT IN ANY SIGNIFICANT LAND DISTURBANCE OR EFFECT OF STORM WATER DRAINAGE.
- NO SANITARY SEWER, POTABLE WATER OR TRASH DISPOSAL IS REQUIRED.
- HANDICAP ACCESS IS NOT REQUIRED.
- THE PROJECT DEPICTED IN THESE PLANS QUALIFIES AS AN ELIGIBLE FACILITIES REQUEST ENTITLED TO EXPEDITED REVIEW UNDER 47 U.S.C. § 1455(A) AS A MODIFICATION OF AN EXISTING WIRELESS TOWER THAT INVOLVES THE COLLOCATION, REMOVAL, AND/OR REPLACEMENT OF TRANSMISSION EQUIPMENT THAT IS NOT A SUBSTANTIAL CHANGE UNDER CFR § 1.61000 (B)(7).

PROJECT LOCATION DIRECTIONS

FROM DOWNTOWN NEW HAVEN START OUT GOING NORTHEAST ON CHURCH ST TOWARD WALL ST. CHURCH ST BECOMES WHITNEY AVE. TURN RIGHT ONTO TRUMBULL ST. TURN SLIGHT LEFT TO TAKE THE I-91 S/I-91 N RAMP. MERGE ONTO I-91 S TOWARD I-95/NEW LONDON/N.Y.CITY. MERGE ONTO I-95 S VIA THE EXIT ON THE LEFT TOWARD N Y CITY. TAKE EXIT 32 TOWARD W BROAD ST/STRATFORD. MERGE ONTO LINDEN AVE. TAKE THE 1ST RIGHT ONTO W BROAD ST. TAKE THE 1ST RIGHT ONTO W BROAD ST. TURN RIGHT ONTO BARNUM AVE/US-1 N. TAKE THE 2ND LEFT ONTO BROADBRIDGE AVE. TURN LEFT ONTO STONYBROOK RD. SITE IS ON THE LEFT.

SHEET INDEX

SHEET NO:	DESCRIPTION:	REV:	DATE:	BY:
G-001	TITLE SHEET	1	03/10/23	HMP
G-002	GENERAL NOTES	1	03/10/23	HMP
C-101	DETAILED SITE PLAN	1	03/10/23	HMP
C-201	TOWER ELEVATION	1	03/10/23	HMP
C-401	RF SCHEDULE AND ANTENNA INSTALLATION	1	03/10/23	HMP
C-501	CONSTRUCTION DETAILS	1	03/10/23	HMP
E-501	GROUNDING DETAILS	1	03/10/23	HMP
R-601	SUPPLEMENTAL			
R-602	SUPPLEMENTAL			
R-603	SUPPLEMENTAL			

GENERAL CONSTRUCTION NOTES:

1. OWNER FURNISHED MATERIALS. AT&T "THE COMPANY" WILL PROVIDE AND THE CONTRACTOR WILL INSTALL
 - A. BTS EQUIPMENT FRAME (PLATFORM) AND ICEBRIDGE SHELTER (GROUND BUILD/CO-LOCATE ONLY)
 - B. AC/TELCO INTERFACE BOX (PPC)
 - C. ICE BRIDGE (CABLE TRAY WITH COVER) (GROUND BUILD/CO-LOCATE ONLY, GC TO FURNISH AND INSTALL FOR ROOFTOP INSTALLATION)
 - D. TOWERS, MONOPOLES
 - E. TOWER LIGHTING
 - F. GENERATORS & LIQUID PROPANE TANK
 - G. ANTENNA STANDARD BRACKETS, FRAMES AND PIPES FOR MOUNTING
 - H. ANTENNAS (INSTALLED BY OTHERS)
 - I. TRANSMISSION LINE
 - J. TRANSMISSION LINE JUMPERS
 - K. TRANSMISSION LINE CONNECTORS WITH WEATHERPROOFING KITS
 - L. TRANSMISSION LINE GROUND KITS
 - M. HANGERS
 - N. HOISTING GRIPS
 - O. BTS EQUIPMENT
2. THE CONTRACTOR IS RESPONSIBLE TO PROVIDE ALL OTHER MATERIALS FOR THE COMPLETE INSTALLATION OF THE SITE INCLUDING, BUT NOT LIMITED TO, SUCH MATERIALS AS FENCING, STRUCTURAL STEEL SUPPORTING SUB-FRAME FOR PLATFORM, ROOFING LABOR AND MATERIALS, GROUNDING RINGS, GROUNDING WIRES, COPPER-CLAD OR XIT CHEMICAL GROUND ROD(S), BUSS BARS, TRANSFORMERS AND DISCONNECT SWITCHES WHERE APPLICABLE, TEMPORARY ELECTRICAL POWER, CONDUIT, LANDSCAPING COMPOUND STONE, CRANES, CORE DRILLING, SLEEPERS AND RUBBER MATTING, REBAR, CONCRETE CAISSONS, PADS AND/OR AUGER MOUNTS, MISCELLANEOUS FASTENERS, CABLE TRAYS, NON-STANDARD ANTENNA FRAMES AND ALL OTHER MATERIAL AND LABOR REQUIRED TO COMPLETE THE JOB ACCORDING TO THE DRAWINGS AND SPECIFICATIONS. IT IS THE POSITION OF AT&T TO APPLY FOR PERMITTING AND CONTRACTOR RESPONSIBLE FOR PICKUP AND PAYMENT OF REQUIRED PERMITS.
3. ALL WORK SHALL CONFORM TO ALL CURRENT APPLICABLE FEDERAL, STATE, AND LOCAL CODES, INCLUDING ANSI/EIA/TIA-222, AND COMPLY WITH ATC CONSTRUCTION SPECIFICATIONS.
4. CONTRACTOR SHALL CONTACT LOCAL 811 FOR IDENTIFICATION OF UNDERGROUND UTILITIES PRIOR TO START OF CONSTRUCTION.
5. CONTRACTOR SHALL BE RESPONSIBLE FOR COORDINATING ALL REQUIRED INSPECTIONS.
6. ALL DIMENSIONS TO, OF, AND ON EXISTING BUILDINGS, DRAINAGE STRUCTURES, AND SITE IMPROVEMENTS SHALL BE VERIFIED IN FIELD BY CONTRACTOR WITH ALL DISCREPANCIES REPORTED TO THE ENGINEER.
7. DO NOT CHANGE SIZE OR SPACING OF STRUCTURAL ELEMENTS.
8. DETAILS SHOWN ARE TYPICAL; SIMILAR DETAILS APPLY TO SIMILAR CONDITIONS UNLESS OTHERWISE NOTED.
9. THESE DRAWINGS DO NOT INCLUDE NECESSARY COMPONENTS FOR CONSTRUCTION SAFETY WHICH SHALL BE THE SOLE RESPONSIBILITY OF THE CONTRACTOR.
10. CONTRACTOR SHALL BRACE STRUCTURES UNTIL ALL STRUCTURAL ELEMENTS NEEDED FOR STABILITY ARE INSTALLED. THESE ELEMENTS ARE AS FOLLOWS: LATERAL BRACING, ANCHOR BOLTS, ETC.
11. CONTRACTOR SHALL DETERMINE EXACT LOCATION OF EXISTING UTILITIES, GROUNDS DRAINS, DRAIN PIPES, VENTS, ETC. BEFORE COMMENCING WORK.
12. INCORRECTLY FABRICATED, DAMAGED, OR OTHERWISE MISFITTING OR NONCONFORMING MATERIALS OR CONDITIONS SHALL BE REPORTED TO THE AT&T REP PRIOR TO REMEDIAL OR CORRECTIVE ACTION. ANY SUCH REMEDIAL ACTION SHALL REQUIRE WRITTEN APPROVAL BY THE AT&T REP PRIOR TO PROCEEDING.
13. EACH CONTRACTOR SHALL COOPERATE WITH THE AT&T REP, AND COORDINATE HIS WORK WITH THE WORK OF OTHERS.
14. CONTRACTOR SHALL REPAIR ANY DAMAGE CAUSED BY CONSTRUCTION OF THIS PROJECT TO MATCH EXISTING PRE-CONSTRUCTION CONDITIONS TO THE SATISFACTION OF THE AT&T CONSTRUCTION MANAGER.
15. ALL CABLE/CONDUIT ENTRY/EXIT PORTS SHALL BE WEATHERPROOFED DURING INSTALLATION USING A SILICONE SEALANT.
16. WHERE EXISTING CONDITIONS DO NOT MATCH THOSE SHOWN IN THIS PLAN SET, CONTRACTOR SHALL NOTIFY THE AT&T AND ENGINEER OF RECORD IMMEDIATELY.
17. CONTRACTOR SHALL ENSURE ALL SUBCONTRACTORS ARE PROVIDED WITH A COMPLETE AND CURRENT SET OF DRAWINGS AND SPECIFICATIONS FOR THIS PROJECT.
18. CONTRACTOR SHALL REMOVE ALL RUBBISH AND DEBRIS FROM THE SITE AT THE END OF EACH DAY.
19. CONTRACTOR SHALL COORDINATE WORK SCHEDULE WITH AMERICAN TOWER CORPORATION (ATC) AND TAKE PRECAUTIONS TO MINIMIZE IMPACT AND DISRUPTION OF OTHER OCCUPANTS OF THE FACILITY.
20. CONTRACTOR SHALL FURNISH AT&T AND AMERICAN TOWER CORPORATION (ATC) WITH A PDF MARKED UP AS-BUILT SET OF DRAWINGS UPON COMPLETION OF WORK.
21. PRIOR TO SUBMISSION OF BID, CONTRACTOR SHALL COORDINATE WITH AT&T REP TO DETERMINE WHAT, IF ANY, ITEMS WILL BE PROVIDED. ALL ITEMS NOT PROVIDED SHALL BE PROVIDED AND INSTALLED BY THE CONTRACTOR. CONTRACTOR WILL INSTALL ALL ITEMS PROVIDED.
22. PRIOR TO SUBMISSION OF BID, CONTRACTOR SHALL COORDINATE WITH AT&T REP TO

- DETERMINE IF ANY PERMITS WILL BE OBTAINED BY CONTRACTOR. ALL REQUIRED PERMITS NOT OBTAINED BY AT&T MUST BE OBTAINED, AND PAID FOR, BY THE CONTRACTOR.
23. CONTRACTOR SHALL INSTALL ALL SITE SIGNAGE IN ACCORDANCE WITH AT&T SPECIFICATIONS AND REQUIREMENTS.
 24. CONTRACTOR SHALL SUBMIT ALL SHOP DRAWINGS TO AT&T FOR REVIEW AND APPROVAL PRIOR TO FABRICATION.
 25. ALL EQUIPMENT SHALL BE INSTALLED ACCORDING TO MANUFACTURER'S SPECIFICATIONS AND LOCATED ACCORDING TO AT&T SPECIFICATIONS, AND AS SHOWN IN THESE PLANS.
 26. THE CONTRACTOR SHALL SUPERVISE AND DIRECT THE PROJECT DESCRIBED HEREIN. THE CONTRACTOR SHALL BE SOLELY RESPONSIBLE FOR ALL THE CONSTRUCTION MEANS, METHODS, TECHNIQUES, SEQUENCES AND PROCEDURES AND FOR COORDINATING ALL PORTIONS OF THE WORK UNDER THE CONTRACT.
 27. CONTRACTOR SHALL NOTIFY AT&T REP A MINIMUM OF 48 HOURS IN ADVANCE OF POURING CONCRETE OR BACKFILLING ANY UNDERGROUND UTILITIES, FOUNDATIONS OR SEALING ANY WALL, FLOOR OR ROOF PENETRATIONS FOR ENGINEERING REVIEW AND APPROVAL.
 28. CONTRACTOR SHALL BE RESPONSIBLE FOR SITE SAFETY INCLUDING COMPLIANCE WITH ALL APPLICABLE OSHA STANDARDS AND RECOMMENDATIONS AND SHALL PROVIDE ALL NECESSARY SAFETY DEVICES INCLUDING PPE AND PPM AND CONSTRUCTION DEVICES SUCH AS WELDING AND FIRE PREVENTION, TEMPORARY SHORING, SCAFFOLDING, TRENCH BOXES/SLOPING, BARRIERS, ETC.
 29. THE CONTRACTOR SHALL PROTECT AT HIS OWN EXPENSE, ALL EXISTING FACILITIES AND SUCH OF HIS NEW WORK LIABLE TO INJURY DURING THE CONSTRUCTION PERIOD. ANY DAMAGE CAUSED BY NEGLIGENCE ON THE PART OF THIS CONTRACTOR OR HIS REPRESENTATIVES, OR BY THE ELEMENTS DUE TO NEGLIGENCE ON THE PART OF THIS CONTRACTOR OR HIS REPRESENTATIVES, EITHER TO THE EXISTING WORK, OR TO HIS WORK OR THE WORK OF ANY OTHER CONTRACTOR, SHALL BE REPAIRED AT HIS EXPENSE TO THE OWNER'S SATISFACTION.
 30. ALL WORK SHALL BE INSTALLED IN A FIRST CLASS, NEAT AND WORKMANLIKE MANNER BY MECHANICS SKILLED IN THE TRADE INVOLVED. THE QUALITY OF WORKMANSHIP SHALL BE SUBJECT TO THE APPROVAL OF THE AT&T REP. ANY WORK FOUND BY THE AT&T REP TO BE OF INFERIOR QUALITY AND/OR WORKMANSHIP SHALL BE REPLACED AND/OR REWORKED AT CONTRACTOR EXPENSE UNTIL APPROVAL IS OBTAINED.
 31. IN ORDER TO ESTABLISH STANDARDS OF QUALITY AND PERFORMANCE, ALL TYPES OF MATERIALS LISTED HEREINAFTER BY MANUFACTURER'S NAMES AND/OR MANUFACTURER'S CATALOG NUMBER SHALL BE PROVIDED BY THESE MANUFACTURERS AS SPECIFIED.
 32. AT&T FURNISHED EQUIPMENT SHALL BE PICKED-UP AT THE AT&T WAREHOUSE, NO LATER THAN 48HR AFTER BEING NOTIFIED INSURED, STORED, UNCRATE, PROTECTED AND INSTALLED BY THE CONTRACTOR WITH ALL APPURTENANCES REQUIRED TO PLACE THE EQUIPMENT IN OPERATION, READY FOR USE. THE CONTRACTOR SHALL BE RESPONSIBLE FOR THE EQUIPMENT AFTER PICKING IT UP.
 33. AT&T OR HIS ARCHITECT/ENGINEER RESERVES THE RIGHT TO REJECT ANY EQUIPMENT OR MATERIALS WHICH, IN HIS OWN OPINION ARE NOT IN COMPLIANCE WITH THE CONTRACT DOCUMENTS, EITHER BEFORE OR AFTER INSTALLATION AND THE EQUIPMENT SHALL BE REPLACED WITH EQUIPMENT CONFIRMING TO THE REQUIREMENTS OF THE CONTRACT DOCUMENTS BY THE CONTRACTOR AT NO COST TO AT&T OR THEIR ARCHITECT/ENGINEER.

SPECIAL CONSTRUCTION

ANTENNA INSTALLATION NOTES:

1. WORK INCLUDED:
 - A. ANTENNA AND COAXIAL CABLES ARE FURNISHED BY AT&T UNDER A SEPARATE CONTRACT. THE CONTRACTOR SHALL ASSIST ANTENNA INSTALLATION CONTRACTOR IN TERMS OF COORDINATION AND SITE ACCESS. ERECTION SUBCONTRACTOR SHALL BE RESPONSIBLE FOR THE PROTECTION OF PERSONNEL.
 - B. INSTALL ANTENNAS AS INDICATED ON DRAWINGS AND AT&T SPECIFICATIONS.
 - C. INSTALL GALVANIZED STEEL ANTENNA MOUNTS AS INDICATED ON DRAWINGS.
 - D. INSTALL FURNISHED GALVANIZED STEEL OR ALUMINUM WAVEGUIDE.
 - E. CONTRACTOR SHALL PROVIDE FOUR (4) SETS OF SWEEP TESTS USING ANRITZU-PACKARD 8713B RF SCALAR NETWORK ANALYZER. SUBMIT FREQUENCY DOMAIN REFLECTOMETER(FDR) TESTS RESULTS TO THE PROJECT MANAGER. SWEEP TESTS SHALL BE AS PER ATTACHED RFS "MINIMUM FIELD TESTING RECOMMENDED FOR ANTENNA AND HELIAX COAXIAL CABLE SYSTEMS" DATED 10/5/93. TESTING SHALL BE PERFORMED BY AN INDEPENDENT TESTING SERVICE AND BE BOUND AND SUBMITTED WITHIN ONE WEEK OF WORK COMPLETION.
 - F. INSTALL COAXIAL CABLES AND TERMINATING BETWEEN ANTENNAS AND EQUIPMENT PER MANUFACTURER'S RECOMMENDATIONS. WEATHERPROOF ALL CONNECTIONS BETWEEN THE ANTENNA AND EQUIPMENT PER MANUFACTURER'S REQUIREMENTS. TERMINATE ALL COAXIAL CABLE THREE (3) FEET IN EXCESS OF ENTRY PORT LOCATION UNLESS OTHERWISE STATED.
 - G. ANTENNA AND COAXIAL CABLE GROUNDING:
 2. ALL EXTERIOR #6 GREEN GROUND WIRE "DAISY CHAIN" CONNECTIONS ARE TO BE WEATHER SEALED WITH RFS CONNECTORS/SPLICE WEATHERPROOFING KIT #221213 OR EQUAL.
 3. ALL COAXIAL CABLE GROUNDING KITS ARE TO BE INSTALLED ON STRAIGHT RUNS OF COAXIAL CABLE (NOT WITHIN BENDS)

ALL DISCREPANCIES FROM WHAT IS SHOWN ON THESE CONSTRUCTION DRAWINGS SHALL BE COMMUNICATED TO ATC ENGINEERING IMMEDIATELY FOR CORRECTION OR RE-DESIGN. FAILURE TO COMMUNICATE DIRECTLY WITH ATC ENGINEERING OR ANY CHANGES FROM THE DESIGN CONDUCTED WITHOUT PRIOR APPROVAL FROM ATC ENGINEERING SHALL BE THE SOLE RESPONSIBILITY OF THE GENERAL CONTRACTOR.



Dewberry®
 Dewberry Engineers Inc.
 99 SUMMER STREET
 SUITE 700
 BOSTON, MA 02110
 PHONE: 617.695.3400
 FAX: 617.695.3310

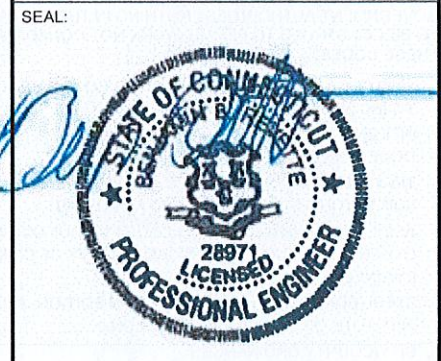
REV.	DESCRIPTION	BY	DATE
A	PRELIM	BR	01/14/22
0	FINAL	BR	04/20/22
1	FINAL	HMP	03/10/23

ATC SITE NUMBER:
283420

ATC SITE NAME:
STONEBROOK RD CT

AT&T SITE NAME:
STRATFORD STONYBROOK RD

SITE ADDRESS:
23 STONYBROOK ROAD
STRATFORD, CT 06614



DATE DRAWN:	01/14/22
ATC JOB NO:	13682835_D1
CUSTOMER ID:	CTL02381
CUSTOMER #:	12906923

GENERAL NOTES

SHEET NUMBER: G-002	REVISION: 1
-------------------------------	-----------------------

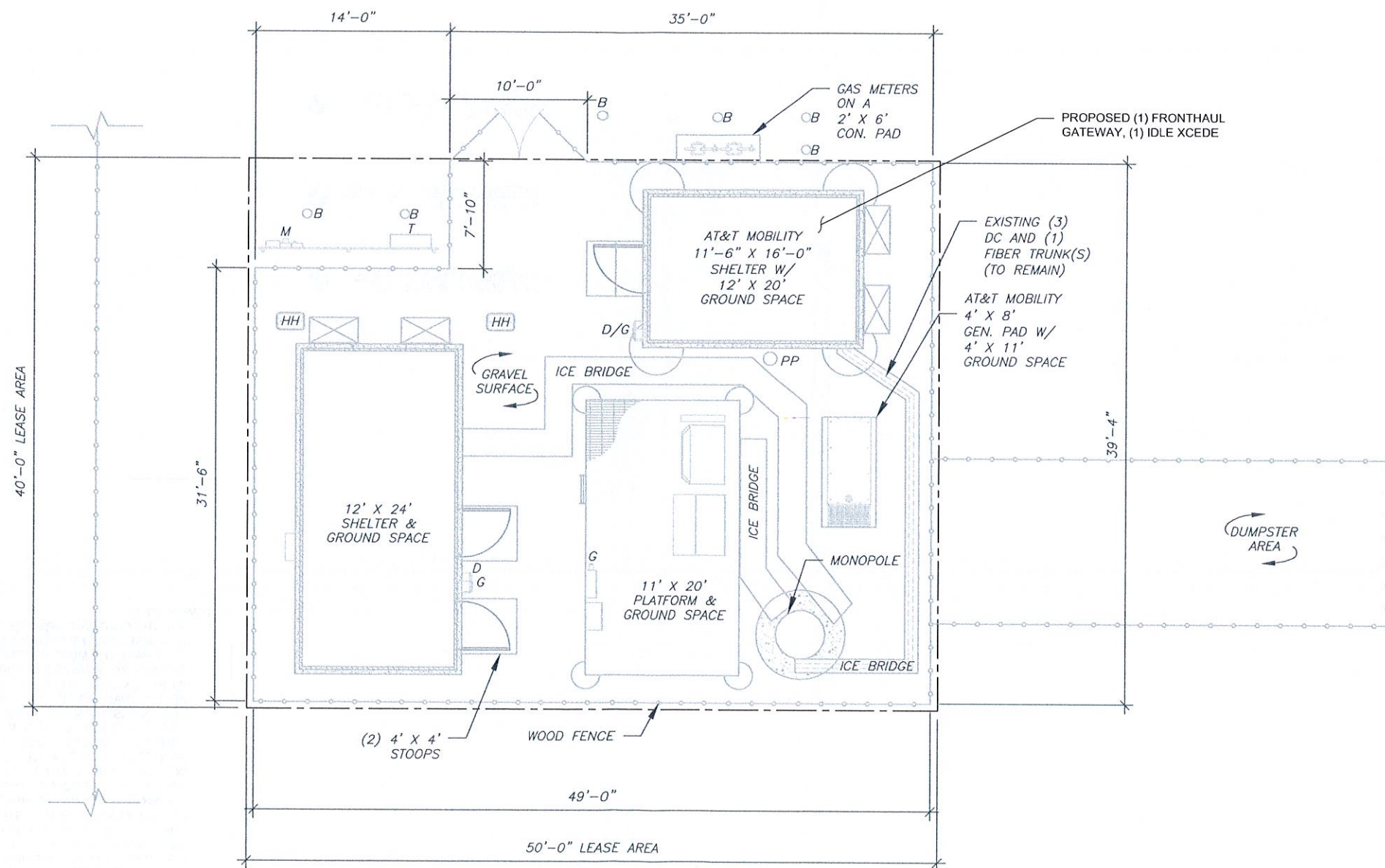
Copyright © 2023 ATC IP, LLC. All Rights Reserved.

SITE PLAN NOTES:

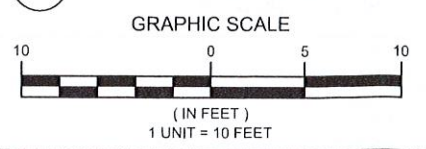
1. THIS SITE PLAN REPRESENTS THE BEST PRESENT KNOWLEDGE AVAILABLE TO THE ENGINEER AT THE TIME OF THIS DESIGN. THE CONTRACTOR SHALL VISIT THE SITE PRIOR TO CONSTRUCTION AND VERIFY ALL EXISTING CONDITIONS RELATED TO THE SCOPE OF WORK FOR THIS PROJECT.
2. ICE BRIDGE, CABLE LADDER, COAX PORT, AND COAX CABLE ARE SHOWN FOR REFERENCE ONLY. CONTRACTOR SHALL CONFIRM THE EXACT LOCATION OF ALL PROPOSED AND EXISTING EQUIPMENT AND STRUCTURES DEPICTED ON THIS PLAN. BEFORE UTILIZING EXISTING CABLE SUPPORTS, COAX PORTS, INSTALLING NEW PORTS OR ANY OTHER EQUIPMENT, CONTRACTOR SHALL VERIFY ALL ASPECTS OF THE COMPONENTS MEET THE ATC SPECIFICATIONS.
3. THIS PROJECT INCLUDES NO INSTALL OR MODIFICATION AT GRADE.

LEGEND

⊗	GROUNDING TEST WELL
ATS	AUTOMATIC TRANSFER SWITCH
B	BOLLARD
CSC	CELL SITE CABINET
D	DISCONNECT
E	ELECTRICAL
F	FIBER
GEN	GENERATOR
G	GENERATOR RECEPTACAL
HH, V	HAND HOLE, VAULT
IB	ICE BRIDGE
K	KENTROX BOX
LC	LIGHTING CONTROL
M	METER
PB	PULL BOX
PP	POWER POLE
T	TELCO
TRN	TRANSFORMER
— — — — —	CHAINLINK FENCE



1 DETAILED SITE PLAN



Dewberry®
 Dewberry Engineers Inc.
 99 SUMMER STREET
 SUITE 700
 BOSTON, MA 02110
 PHONE: 617.695.3400
 FAX: 617.695.3310

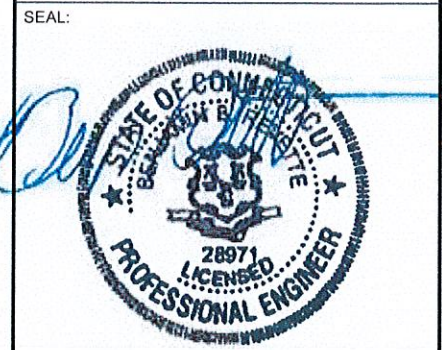
REV.	DESCRIPTION	BY	DATE
A	PRELIM	BR	01/14/22
0	FINAL	BR	04/20/22
1	FINAL	HMP	03/10/23

ATC SITE NUMBER:
 283420

ATC SITE NAME:
 STONEYBROOK RD CT

AT&T SITE NAME:
 STRATFORD STONYBROOK RD

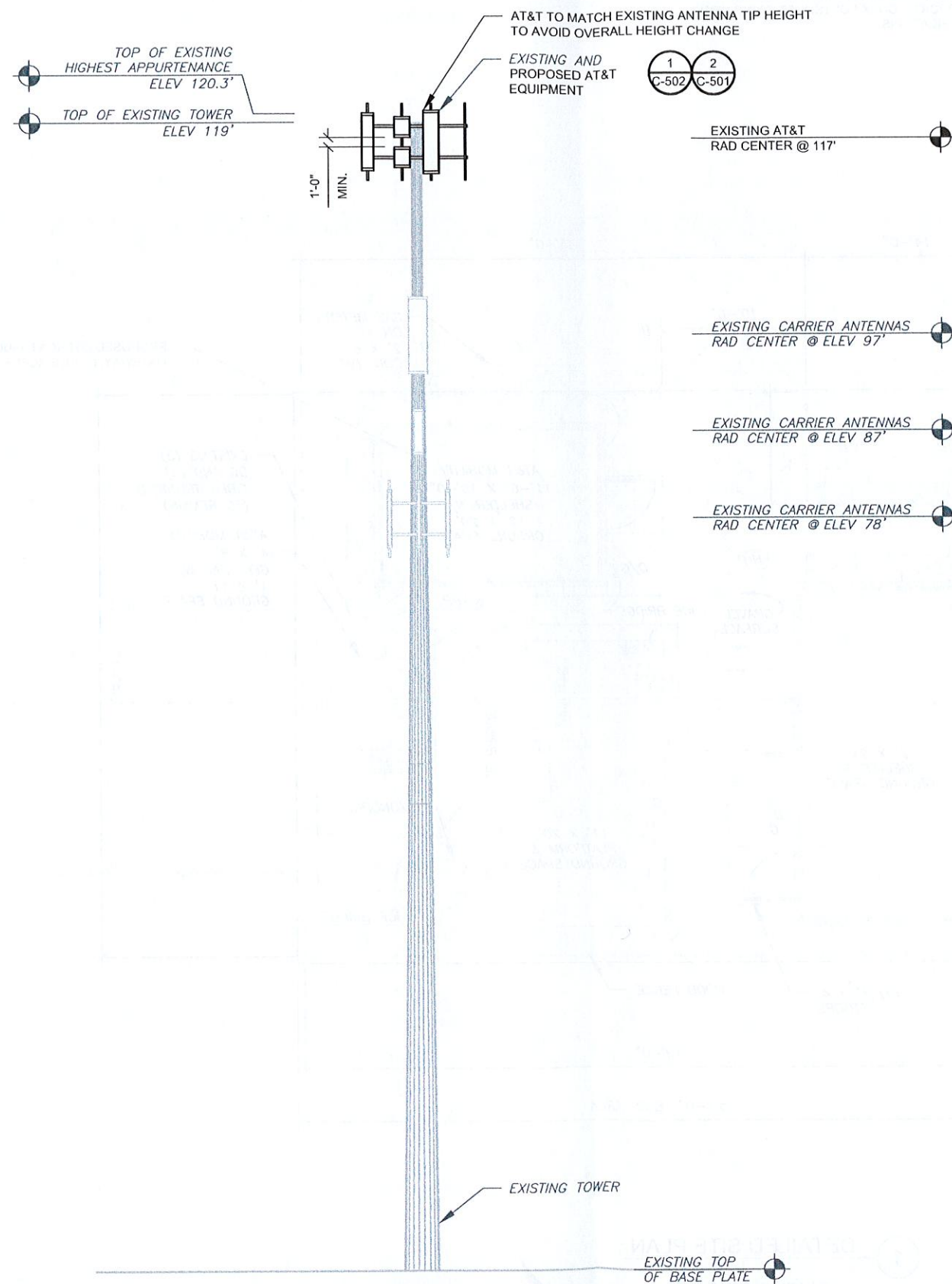
SITE ADDRESS:
 23 STONYBROOK ROAD
 STRATFORD, CT 06614



DATE DRAWN:	01/14/22
ATC JOB NO:	13682835_D1
CUSTOMER ID:	CTL02381
CUSTOMER #:	12906923

DETAILED SITE PLAN

SHEET NUMBER: **C-101** REVISION: **1**



PER MOUNT ANALYSIS COMPLETED BY AMERICAN TOWER CORPORATION, DATED 02/27/23, THE EXISTING MOUNT CAN NOT ADEQUATELY SUPPORT THE PROPOSED LOADING. THE MOUNT REPLACEMENT PROPOSED IN THE MOUNT ANALYSIS, INCLUDED AT THE END OF THIS PLAN SET, MUST BE INSTALLED PRIOR TO THE INSTALLATION OF THE PROPOSED ANTENNAS AND OTHER EQUIPMENT.



Dewberry®
 Dewberry Engineers Inc.
 99 SUMMER STREET
 SUITE 700
 BOSTON, MA 02110
 PHONE: 617.695.3400
 FAX: 617.695.3310

REV.	DESCRIPTION	BY	DATE
A	PRELIM	BR	01/14/22
0	FINAL	BR	04/20/22
1	FINAL	HMP	03/10/23

ATC SITE NUMBER:
283420

ATC SITE NAME:
STONEBROOK RD CT

AT&T SITE NAME:
STRATFORD STONYBROOK RD

SITE ADDRESS:
 23 STONYBROOK ROAD
 STRATFORD, CT 06614



DATE DRAWN:	01/14/22
ATC JOB NO:	13682835_D1
CUSTOMER ID:	CTL02381
CUSTOMER #:	12906923

TOWER ELEVATION	
SHEET NUMBER: C-201	REVISION: 1

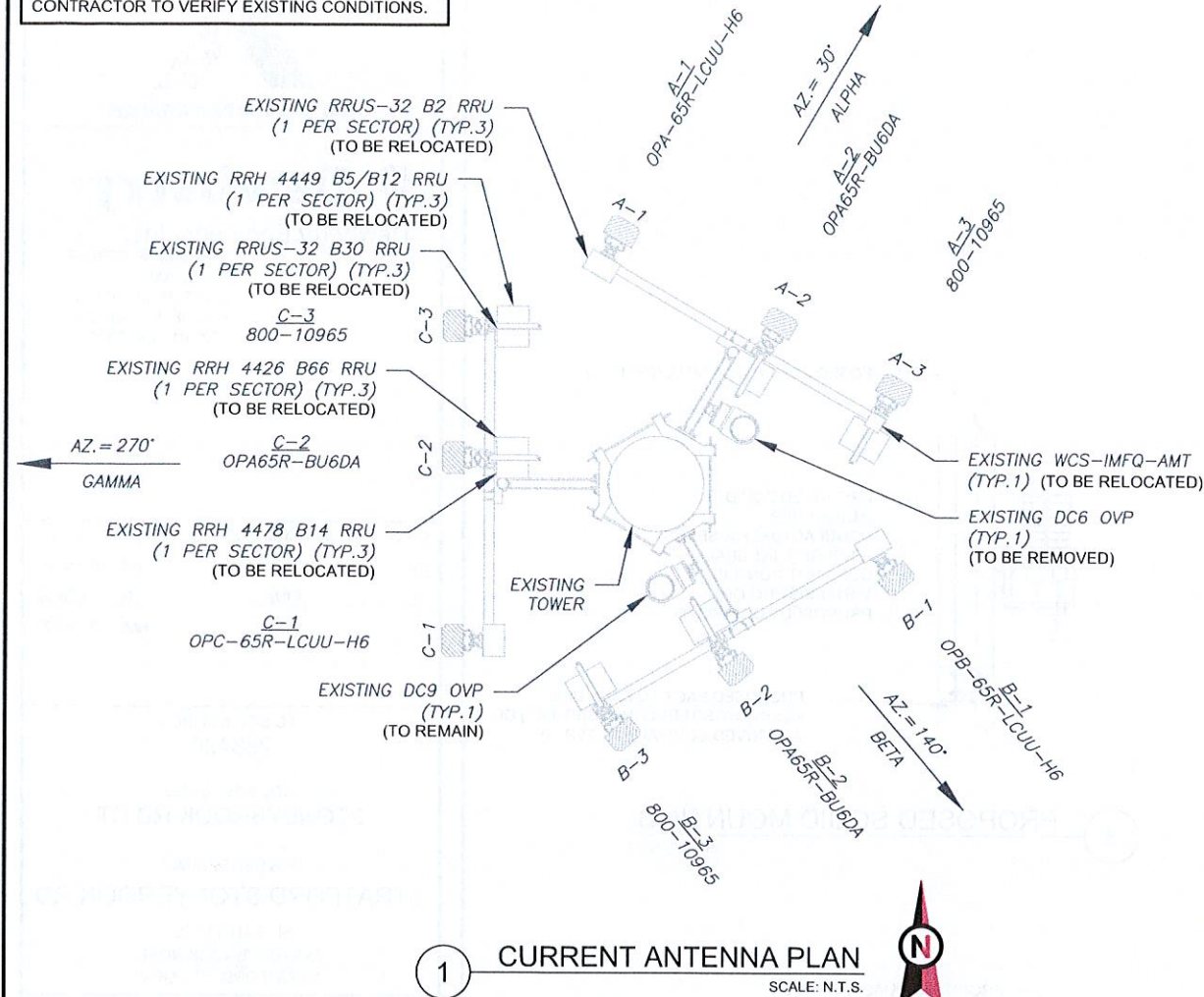
TOWER NOTE:

- IT IS THE CONTRACTOR'S RESPONSIBILITY TO CONFIRM WITH THE PROJECT MANAGER THAT THEY HAVE THE MOST RECENT VERSION OF THE STRUCTURAL ANALYSIS BEFORE COMMENCING WORK. EXISTING AND PROPOSED TOWER APPURTENANCES, MOUNTS, AND ANTENNAS ARE SHOWN BASED ON THE STRUCTURAL ANALYSIS. WHERE APPLICABLE, ALL NEW ANTENNAS, EQUIPMENT, MOUNTS, CABLING, ETC. SHALL BE PAINTED/SOCKED TO MATCH EXISTING EQUIPMENT IN ACCORDANCE WITH FAA, JURISDICTION, AND/OR OTHER LOCAL REQUIREMENTS.
- TOWER ELEVATIONS ARE MEASURED FROM TOP OF BASE PLATE TO MATCH STRUCTURAL ANALYSIS. ELEVATIONS DO NOT REFLECT TRUE ABOVE GROUND LEVEL (A.G.L.)
- TOWER ELEVATION DEPICTION MAY NOT REFLECT ALL EQUIPMENT INCLUDED IN STRUCTURAL ANALYSIS. REFER TO STRUCTURAL ANALYSIS FOR FULL TOWER LOADING.

1 TOWER ELEVATION
 SCALE: N.T.S.

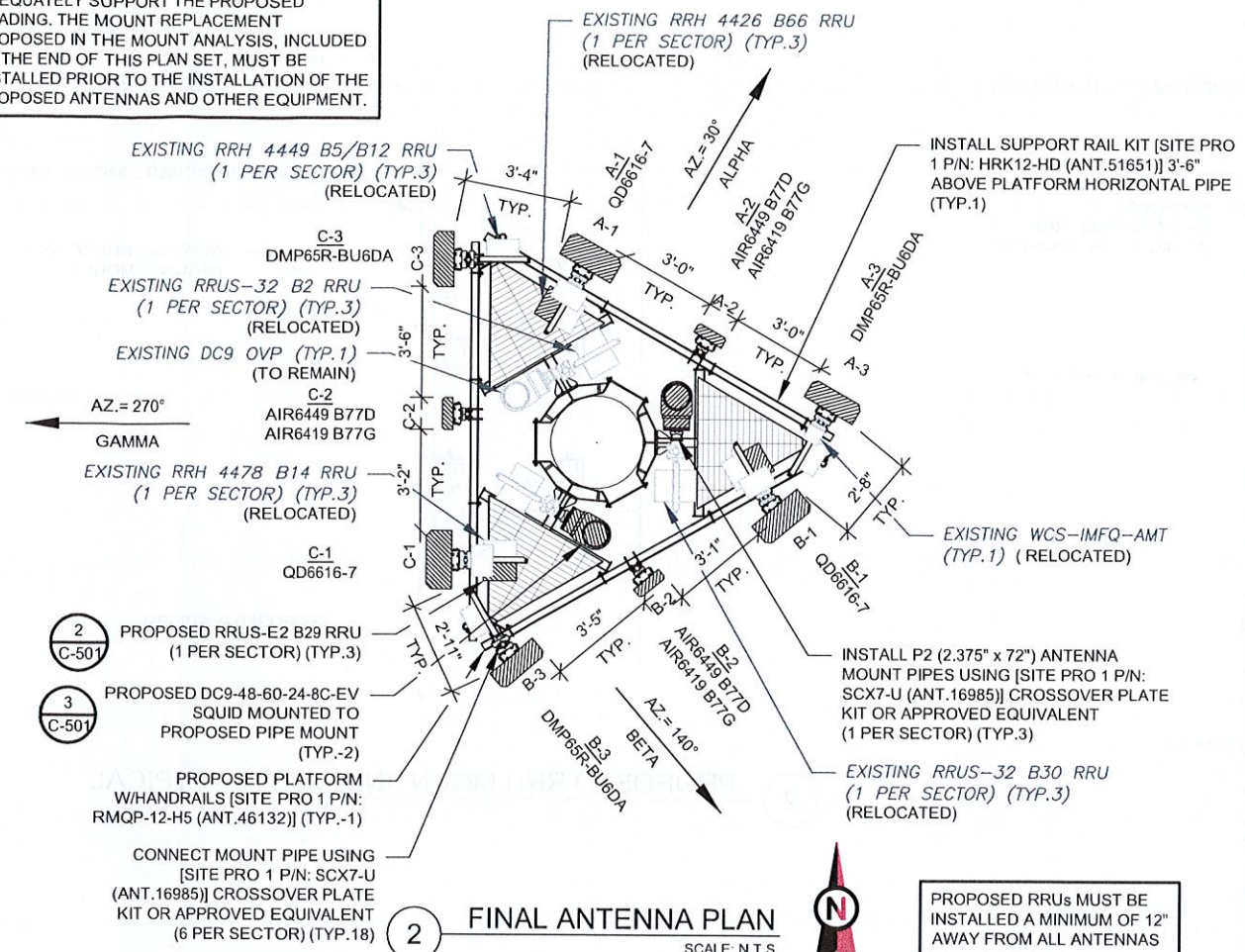
Copyright © 2023 ATC IP, LLC. All Rights Reserved.

EXISTING CONFIGURATIONS ARE BASED ON RFDS.
CONTRACTOR TO VERIFY EXISTING CONDITIONS.



1 CURRENT ANTENNA PLAN
SCALE: N.T.S.

PER MOUNT ANALYSIS COMPLETED BY AMERICAN TOWER CORPORATION, DATED 02/27/23, THE EXISTING MOUNT CAN NOT ADEQUATELY SUPPORT THE PROPOSED LOADING. THE MOUNT REPLACEMENT PROPOSED IN THE MOUNT ANALYSIS, INCLUDED AT THE END OF THIS PLAN SET, MUST BE INSTALLED PRIOR TO THE INSTALLATION OF THE PROPOSED ANTENNAS AND OTHER EQUIPMENT.



2 FINAL ANTENNA PLAN
SCALE: N.T.S.

PROPOSED RRUS MUST BE INSTALLED A MINIMUM OF 12" AWAY FROM ALL ANTENNAS

EXISTING ANTENNA SCHEDULE								
LOCATION			ANTENNA SUMMARY				NON ANTENNA SUMMARY	
SECTOR	RAD	AZ	POS	ANTENNA	BAND	STATUS	ADDITIONAL TOWER MOUNTED EQUIPMENT	STATUS
ALPHA	117'	30°	A1	OPA-65R-LCUU-H6	LTE 1900	RMV	RRUS-32 B2	REL
			A2	OPA65R-BU6DA	LTE AWS, LTE 700	RMV	RRH 4478 B14 RRH 4426 B66	REL REL
			A3	800-10965	LTE 850, 5G 850, LTE WCS, LTE 700	RMV	RRH 4449 B5/B12 RRUS-32 B30 WCS-IMFQ-AMT	REL REL REL
BETA	117'	140°	B1	OPA-65R-LCUU-H6	LTE 1900	RMV	RRUS-32 B2	REL
			B2	OPA65R-BU6DA	LTE AWS, LTE 700	RMV	RRH 4478 B14 RRH 4426 B66	REL REL
			B3	800-10965	LTE 850, 5G 850, LTE WCS, LTE 700	RMV	RRH 4449 B5/B12 RRUS-32 B30	REL REL
GAMMA	117'	270°	C1	OPA-65R-LCUU-H6	LTE 1900	RMV	RRUS-32 B2	REL
			C2	OPA65R-BU6DA	LTE AWS, LTE 700	RMV	RRH 4478 B14 RRH 4426 B66	REL REL
			C3	800-10965	LTE 850, 5G 850, LTE WCS, LTE 700	RMV	RRH 4449 B5/B12 RRUS-32 B30	REL REL

NOTES

- CONFIRM WITH AT&T REP FOR APPLICABLE UPDATES/REVISIONS AND MOST RECENT RFDS FOR NSN CONFIGURATION (CONFIG). GC TO CAP ALL UNUSED PORTS.
- CONFIRM SPACING OF PROPOSED EQUIP DOES NOT CAUSE TOWER CONFLICTS NOR IMPEDE TOWER CLIMBING PEGS.
- THE ANTENNA ORIENTATION PLAN IS A SCHEMATIC. ATC DID NOT CONFIRM EXISTING SITE CONDITIONS INCLUDING, BUT NOT LIMITED TO, ANTENNA AZIMUTHS, MOUNT CONFIGURATIONS AND TOWER ORIENTATION. SCALES SHOWN ARE FOR REFERENCE ONLY AND EXISTING DIMENSIONS ARE APPROXIMATE. THE CONTRACTOR SHALL VERIFY ALL EXISTING CONDITIONS PRIOR TO INSTALLATION AND NOTIFY ATC OF ANY DISCREPANCIES.
- CONTRACTOR TO ENSURE PROPER SEPARATION IN ACCORDANCE WITH AT&T'S FIRSTNET REQUIREMENTS (SEE SHEET R-602)

FINAL ANTENNA SCHEDULE								
LOCATION			ANTENNA SUMMARY				NON ANTENNA SUMMARY	
SECTOR	RAD	AZ	POS	ANTENNA	BAND	STATUS	ADDITIONAL TOWER MOUNTED EQUIPMENT	STATUS
ALPHA	117'	30°	A1	QD6616-7	LTE 700, 5G 1900, 5G AWS	ADD	RRH 4426 B66 RRH 4478 B14 RRUS-32 B2	REL REL REL
			A2	AIR6449 B77D AIR6419 B77G	5C CBAND	ADD ADD	-	-
			A3	DMP65R-BU6DA	5G 850	ADD	RRH 4449 B5/B12 RRUS-32 B30 WCS-IMFQ-AMT	REL REL REL
BETA	117'	140°	B1	QD6616-7	LTE 700, 5G 1900, 5G AWS	ADD	RRH 4426 B66 RRH 4478 B14 RRUS-32 B2	REL REL REL
			B2	AIR6449 B77D AIR6419 B77G	5C CBAND	ADD ADD	-	-
			B3	DMP65R-BU6DA	5G 850	ADD	RRH 4449 B5/B12 RRUS-32 B30	REL REL
GAMMA	117'	270°	C1	QD6616-7	LTE 700, 5G 1900, 5G AWS	ADD	RRH 4426 B66 RRH 4478 B14 RRUS-32 B2	REL REL REL
			C2	AIR6449 B77D AIR6419 B77G	5C CBAND	ADD ADD	-	-
			C3	DMP65R-BU6DA	5G 850	ADD	RRH 4449 B5/B12 RRUS-32 B30	REL REL

EXISTING FIBER DISTRIBUTION/SQUID		EXISTING CABLING SUMMARY			
MODEL NUMBER	STATUS	COAX	DC	FIBER	STATUS
(1) DC6-48-60-18-8F	RMV	-	(3)	(1)	RMN
(1) DC9-48-60-24-8C-EV	RMN	-	-	-	-

STATUS ABBREVIATIONS
RMV: TO BE REMOVED
RMN: TO REMAIN
REL: TO BE RELOCATED
ADD: TO BE ADDED

CABLE LENGTHS FOR JUMPERS
JUNCTION BOX TO RRU: 15'
RRU TO ANTENNA: 10'

THIS PAGE CONTAINS CONFIDENTIAL, PROPRIETARY OR TRADE SECRET INFORMATION EXEMPT FROM DISCLOSURE UNDER APPLICABLE LAW.

FINAL FIBER DISTRIBUTION/SQUID		FINAL CABLING SUMMARY			
MODEL NUMBER	STATUS	COAX	DC	FIBER	STATUS
(2) DC9-48-60-24-8C-EV	ADD	-	(3)	(1)	RMN
(1) DC9-48-60-24-8C-EV	RMN	-	-	-	-

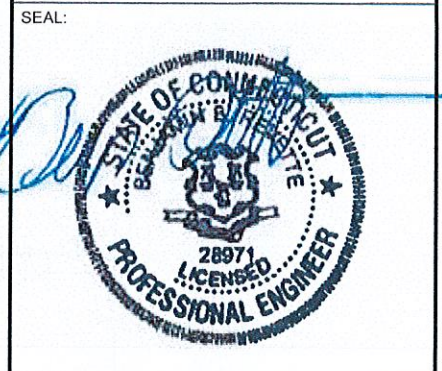
3 EQUIPMENT SCHEDULES



Dewberry
Dewberry Engineers Inc.
99 SUMMER STREET
SUITE 700
BOSTON, MA 02110
PHONE: 617.695.3400
FAX: 617.695.3310

REV.	DESCRIPTION	BY	DATE
A	PRELIM	BR	01/14/22
0	FINAL	BR	04/20/22
1	FINAL	HMP	03/10/23

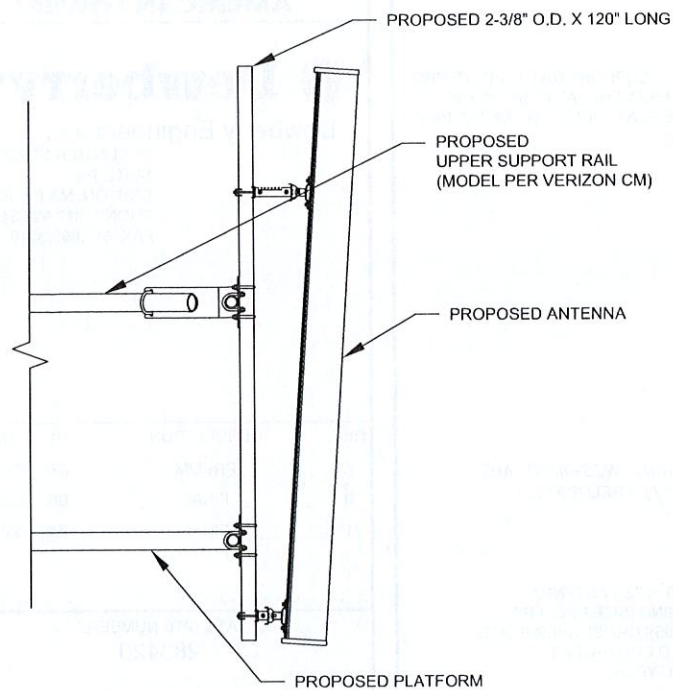
ATC SITE NUMBER:
283420
ATC SITE NAME:
STONEBROOK RD CT
AT&T SITE NAME:
STRATFORD STONYBROOK RD
SITE ADDRESS:
23 STONYBROOK ROAD
STRATFORD, CT 06614



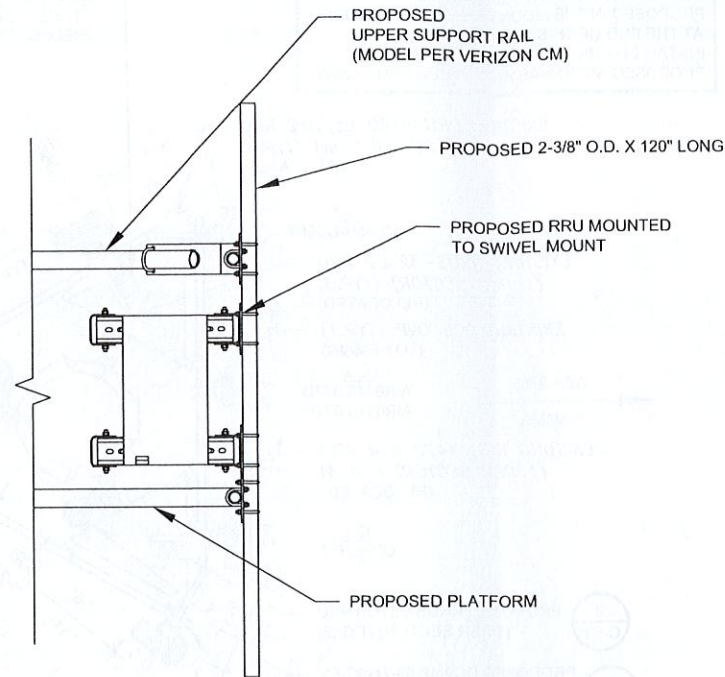
DATE DRAWN:	01/14/22
ATC JOB NO:	13682835_D1
CUSTOMER ID:	CTL02381
CUSTOMER #:	12906923

RF SCHEDULE AND ANTENNA INSTALLATION

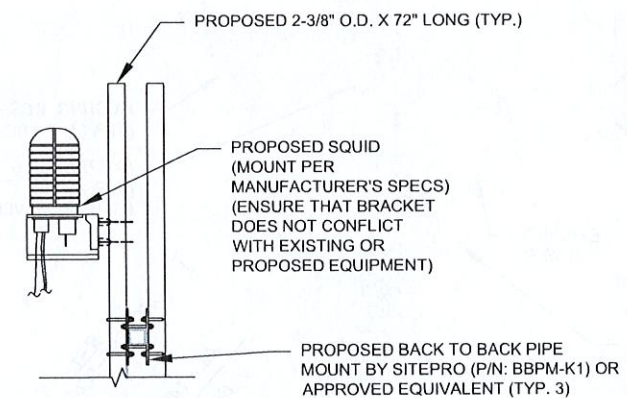
SHEET NUMBER: C-401
REVISION: 1



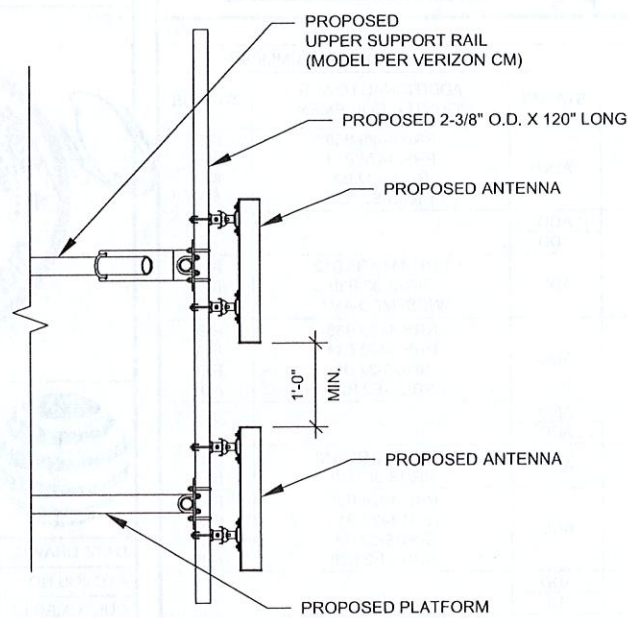
1 ANTENNA DETAIL
SCALE: N.T.S.



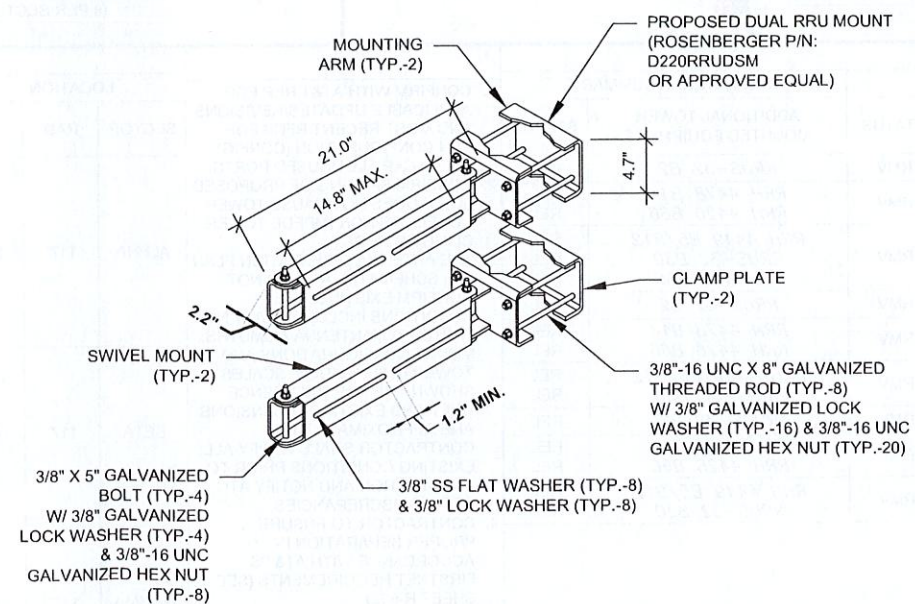
2 PROPOSED RRU MOUNTING DETAIL - TYPICAL
SCALE: N.T.S.



3 PROPOSED SQUID MOUNTING
SCALE: N.T.S.



4 PROPOSED 5G ANTENNA MOUNTING DETAIL - TYPICAL
SCALE: N.T.S.



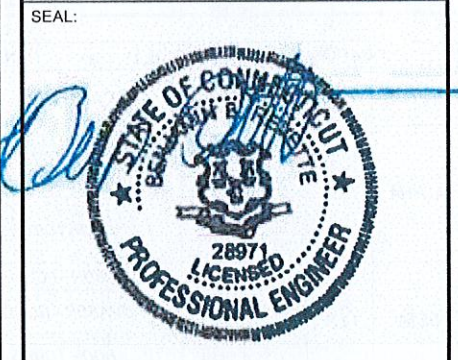
5 PROPOSED SWIVEL MOUNT DETAIL
SCALE: N.T.S.



Dewberry®
Dewberry Engineers Inc.
99 SUMMER STREET
SUITE 700
BOSTON, MA 02110
PHONE: 617.695.3400
FAX: 617.695.3310

REV.	DESCRIPTION	BY	DATE
A	PRELIM	BR	01/14/22
0	FINAL	BR	04/20/22
1	FINAL	HMP	03/10/23

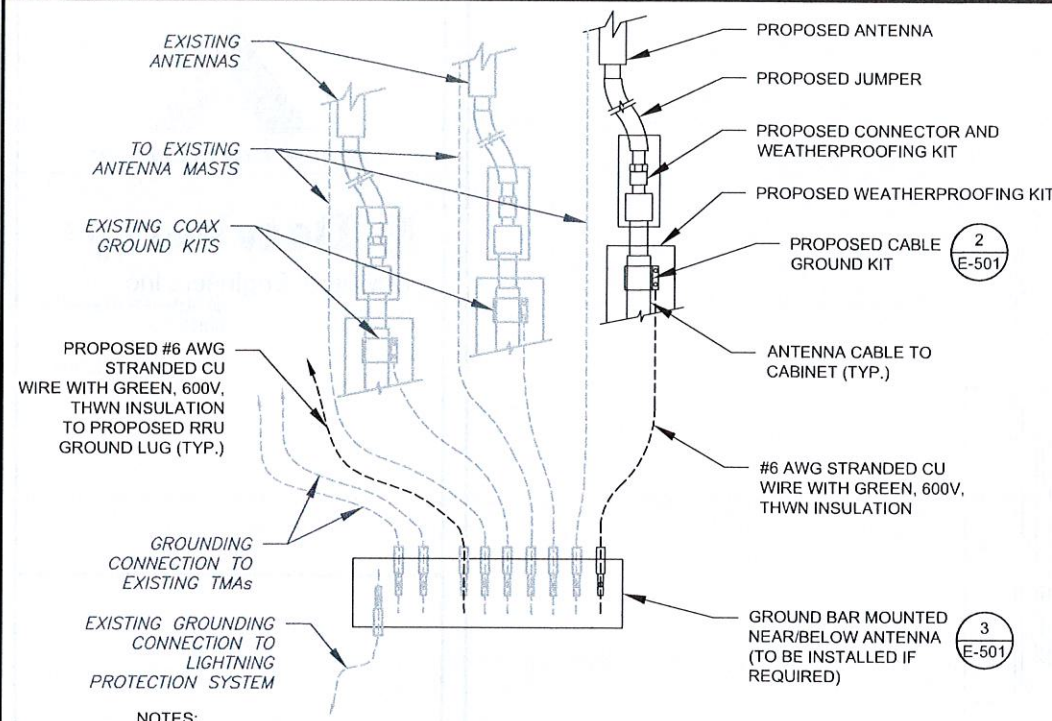
ATC SITE NUMBER:
283420
ATC SITE NAME:
STONEBROOK RD CT
AT&T SITE NAME:
STRATFORD STONYBROOK RD
SITE ADDRESS:
23 STONYBROOK ROAD
STRATFORD, CT 06614



DATE DRAWN:	01/14/22
ATC JOB NO:	13682835_D1
CUSTOMER ID:	CTL02381
CUSTOMER #:	12906923

CONSTRUCTION DETAILS	
SHEET NUMBER: C-501	REVISION: 1

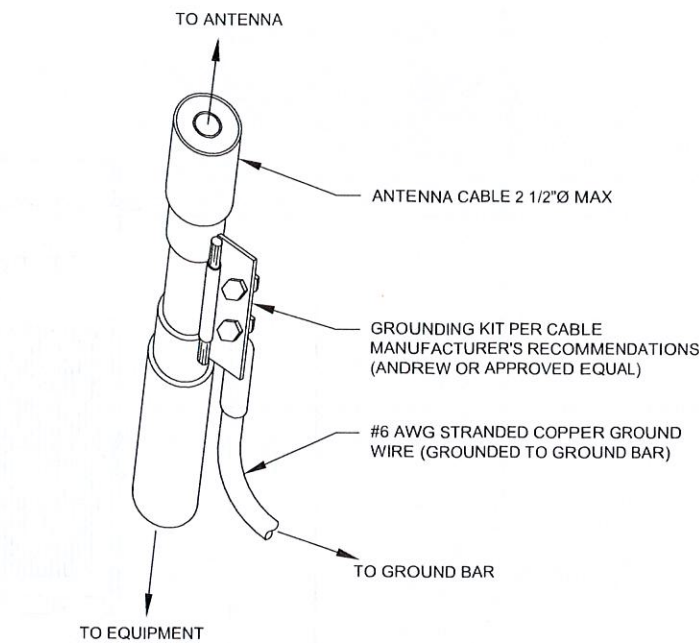
Copyright © 2023 AT&T IP, LLC. All Rights Reserved.



NOTES:

1. THIS DETAIL IS INTENDED TO SHOW THE GENERAL GROUNDING REQUIREMENTS. SLIGHT ADJUSTMENTS MAY BE REQUIRED BASED ON EXISTING SITE CONDITIONS. THE CONTRACTOR SHALL MAKE FIELD ADJUSTMENTS AS NEEDED AND INFORM THE CONSTRUCTION MANAGER OF ANY CONFLICTS.
2. SITE GROUNDING SHALL COMPLY WITH AT&T GROUNDING STANDARDS, LATEST EDITION, AND COMPLY WITH AT&T GROUNDING CHECKLIST, LATEST VERSION. WHEN NATIONAL AND LOCAL GROUNDING CODES ARE MORE STRINGENT THEY SHALL GOVERN.

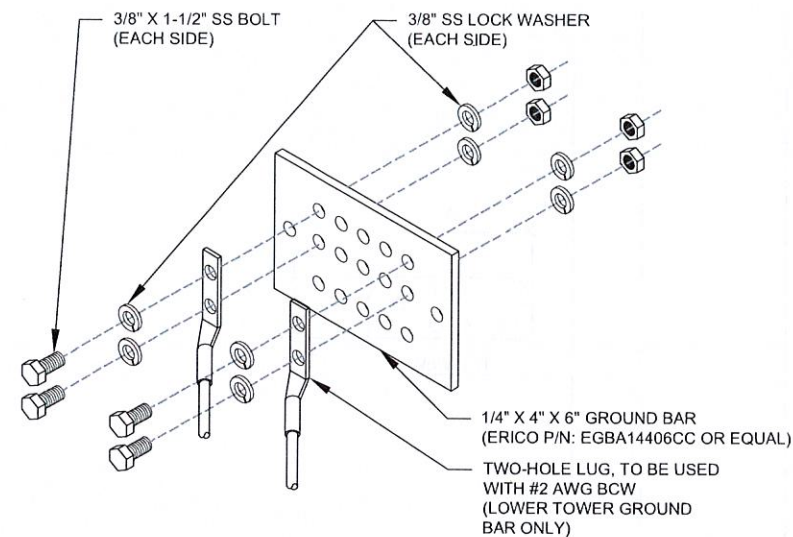
1 TYPICAL ANTENNA GROUNDING DIAGRAM
SCALE: N.T.S.



GROUND KIT NOTES:

1. DO NOT INSTALL CABLE GROUND KIT AT A BEND AND ALWAYS DIRECT GROUND WIRE DOWN TO GROUND BAR.
2. CONTRACTOR SHALL PROVIDE WEATHERPROOFING KIT (ANDREW PART NUMBER 221213) AND INSTALL/TAPE PER MANUFACTURER'S SPECIFICATIONS.

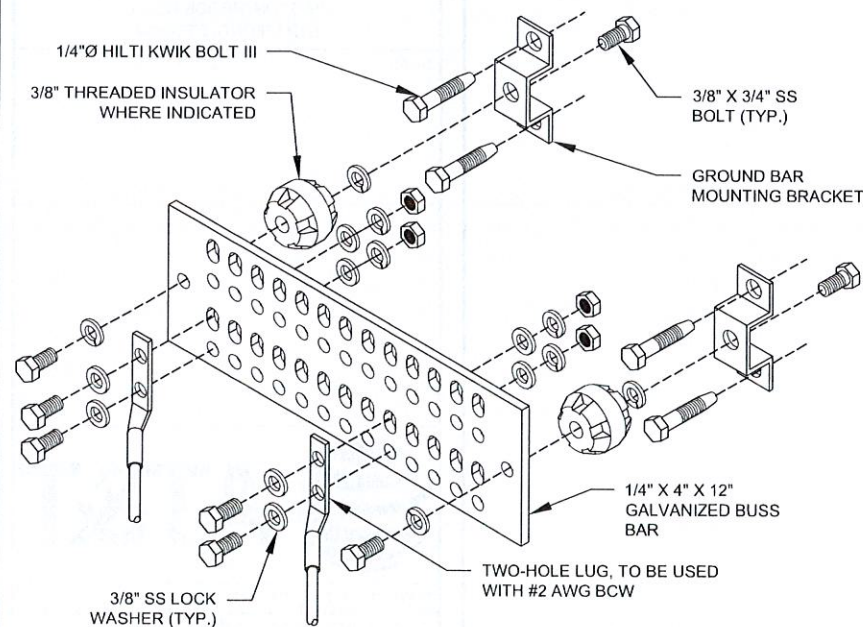
2 CABLE GROUND KIT CONNECTION DETAIL
SCALE: N.T.S.



GROUND BAR NOTES:

1. GROUND BAR KITS COME WITH ALL HARDWARE, NUTS, BOLTS, WASHERS, ETC. EXCEPT THE STRUCTURAL MOUNTING MEMBER(S).
2. GROUND BAR TO BE BONDED DIRECTLY TO TOWER.

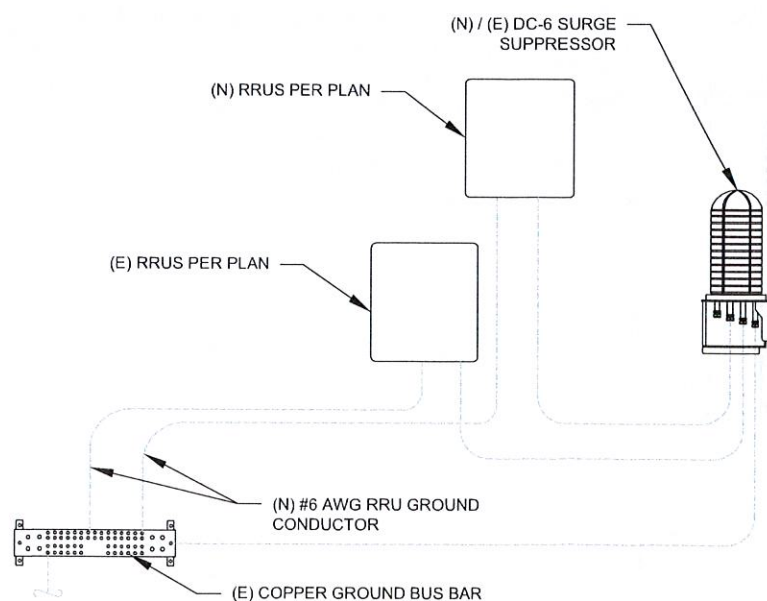
3 TOWER GROUND BAR DETAIL
SCALE: N.T.S.



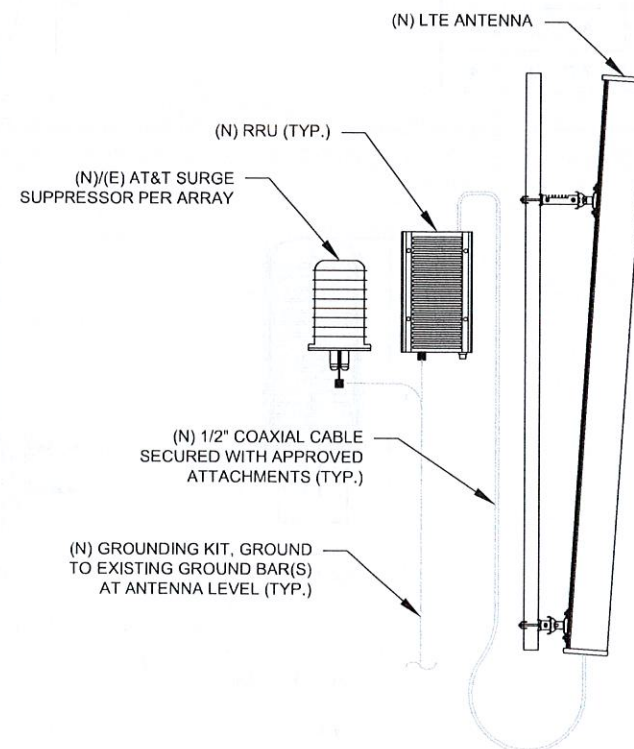
GROUND BAR NOTES

1. GROUND KITS COME WITH ALL HARDWARE, NUTS, BOLTS, WASHERS, ETC. EXCEPT THE STRUCTURAL MOUNTING MEMBER(S).
2. GROUND BAR SHALL BE BOLTED TO STRUCTURAL MEMBER OR ANCHORED TO CONCRETE SLAB W/ HILTI KWIK BOLT III.

4 MAIN GROUND BAR DETAIL
SCALE: N.T.S.



5 RRU GROUNDING
SCALE: N.T.S.



6 ANTENNA/RRU GROUNDING
SCALE: N.T.S.



Dewberry
Dewberry Engineers Inc.
99 SUMMER STREET
SUITE 700
BOSTON, MA 02110
PHONE: 617.695.3400
FAX: 617.695.3310

REV.	DESCRIPTION	BY	DATE
A	PRELIM	BR	01/14/22
0	FINAL	BR	04/20/22
1	FINAL	HMP	03/10/23

ATC SITE NUMBER:
283420

ATC SITE NAME:
STONEBROOK RD CT

AT&T SITE NAME:
STRATFORD STONYBROOK RD

SITE ADDRESS:
23 STONYBROOK ROAD
STRATFORD, CT 06614

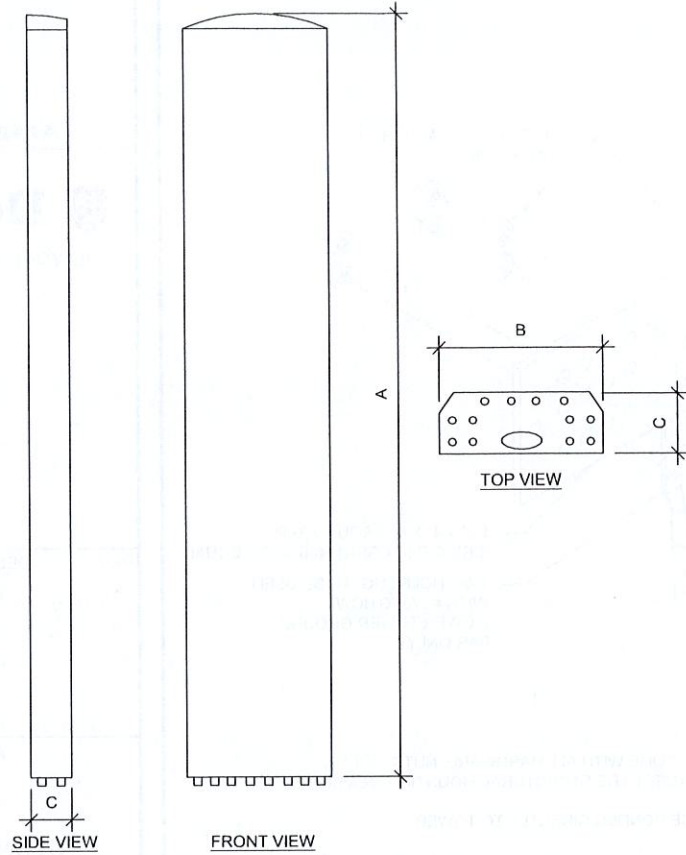
SEAL:



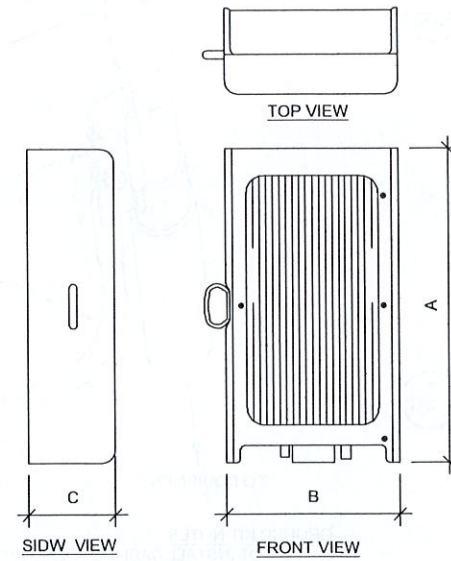
DATE DRAWN:	01/14/22
ATC JOB NO:	13682835_D1
CUSTOMER ID:	CTL02381
CUSTOMER #:	12906923

GROUNDING DETAILS

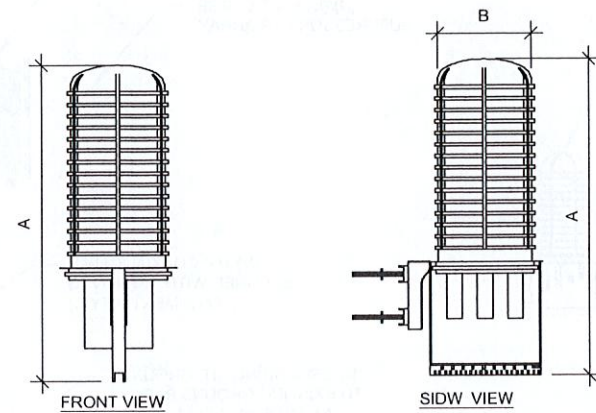
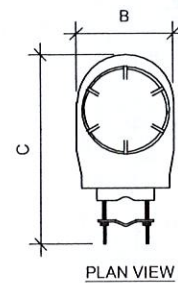
SHEET NUMBER:	REVISION:
E-501	1



ANTENNA SPECIFICATIONS				
ANTENNA MODEL	A	B	C	WEIGHT (LBS)
QD6616-7	72.0"	22.0"	9.6"	59.1
AIR6449 B77D	30.4"	15.9"	8.1"	81.6
AIR6419 B77G	30.4"	15.9"	8.1"	81.6
DMP65R-BU6DA	71.2"	20.2"	7.7"	79.4



RRU SPECIFICATIONS				
RRU MODEL	A	B	C	WEIGHT (LBS)
4415 B30	16.5"	13.4"	5.9"	46.0



RAYCAP SPECIFICATIONS				
RAYCAP MODEL	A	B	C	WEIGHT (LBS)
DC9-48-60-24-8C-EV	31.4"	18.3"	10.2"	16.0

1 EQUIPMENT SPECIFICATIONS
SCALE: N.T.S.



Dewberry Engineers Inc.
99 SUMMER STREET
SUITE 700
BOSTON, MA 02110
PHONE: 617.695.3400
FAX: 617.695.3310

ATC SITE NUMBER:
283420

ATC SITE NAME:
STONEBROOK RD CT

AT&T SITE NAME:
STRATFORD STONYBROOK RD

SITE ADDRESS:
23 STONYBROOK ROAD
STRATFORD, CT 06614

SEAL:



DATE DRAWN:	01/14/22
ATC JOB NO:	13682835_D1
CUSTOMER ID:	CTL02381
CUSTOMER #:	12906923

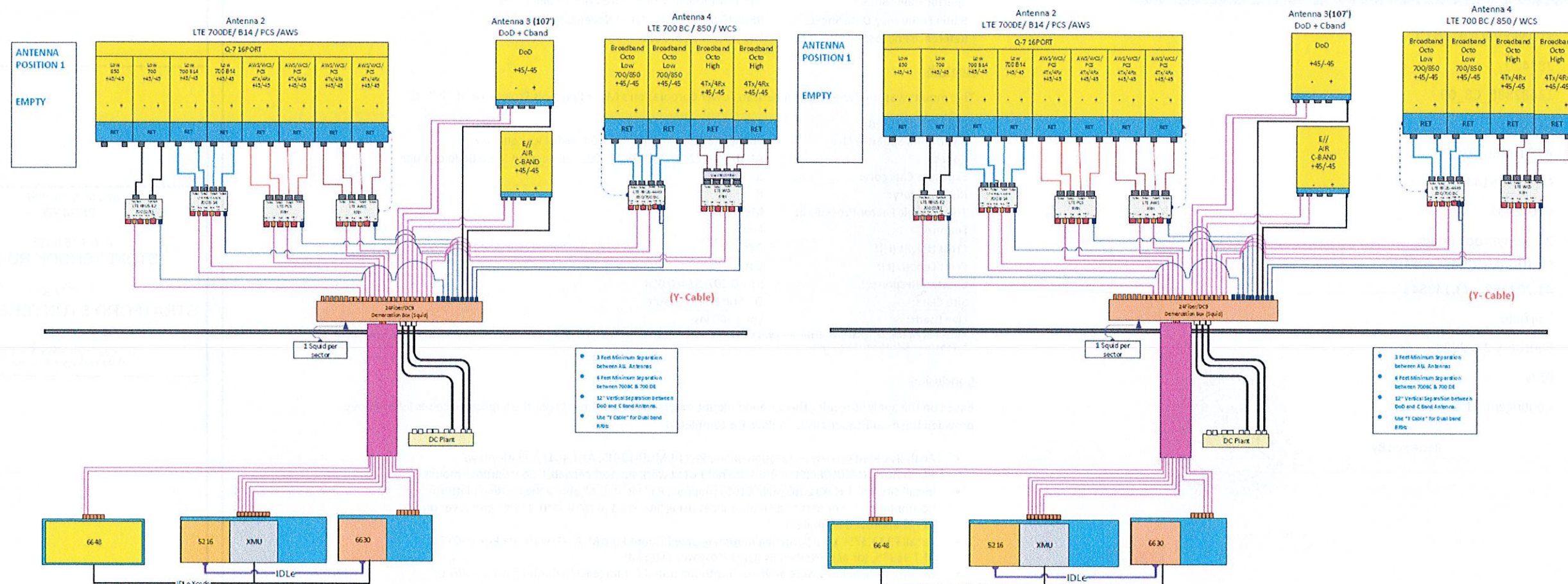
SUPPLEMENTAL

SHEET NUMBER:
R-601

Copyright © 2020 ATC IP, LLC. All Rights Reserved.



Dewberry Engineers Inc.
99 SUMMER STREET
SUITE 700
BOSTON, MA 02110
PHONE: 617.695.3400
FAX: 617.695.3310



ATC SITE NUMBER:
283420
ATC SITE NAME:
STONEBROOK RD CT
AT&T SITE NAME:
STRATFORD STONYBROOK RD
SITE ADDRESS:
23 STONYBROOK ROAD
STRATFORD, CT 06614

SEAL:



DATE DRAWN: 01/14/22
ATC JOB NO: 13682835_D1
CUSTOMER ID: CTL02381
CUSTOMER #: 12906923

SUPPLEMENTAL

SHEET NUMBER:
R-602

NOTE: THIS SHEET WAS CREATED BY OTHERS AND PROVIDED AT THE REQUEST OF THE CUSTOMER WITHOUT EDIT. GENERAL CONTRACTOR IS TO CHECK WITH THE AT&T CM TO ENSURE THIS IS THE MOST RECENT VERSION OF THE RFDS.



Eng. Number 13682835_C8_09
February 27, 2023
Page 1

Mount Analysis Report

ATC Asset Name : STONEYBROOK RD CT
 ATC Asset Number : 283420
 Engineering Number : 13682835_C8_09
 Mount Elevation : 118.75 ft
 Proposed Carrier : AT&T Mobility
 Carrier Site Name : MRCTB051448
 Carrier Site Number : CTL02381
 Site Location : 23 Stonybrook Road
 Stratford, CT 06614-3715
 41.203358, -73.148543
 County : Fairfield
 Date : February 27, 2023
 Max Usage : 65%
 Analysis Result : Contingent Pass

Prepared By:
Aviskar Ghansam
Structural Engineer I

Aviskar Ghansam

Reviewed By:



Authorized by "EOR"
28 Feb 2023 08:06:55 cosign

COA: PEC.0001553

A.T. Engineering Service, PLLC - 3300 Regency Parkway, Suite 100 - Cary, NC 27518 - 919.468.0112 Office - 919.466.5414 Fax - www.americantower.com

A.T. Engineering Service, PLLC - 3300 Regency Parkway, Suite 100 - Cary, NC 27518 - 919.468.0112 Office - 919.466.5414 Fax - www.americantower.com

Introduction

The purpose of this report is to summarize results of the mount analysis performed for AT&T Mobility at 118.75 ft.

Supporting Documents

Specifications Sheet:	Site Pro 1 RMQP-12-H5, dated November 1, 2017
Radio Frequency Data Sheet:	RFDS ID #12906923, dated November 15, 2021
Reference Photos:	Site photos from 2020

Analysis

This mount was analyzed using American Tower Corporation's Mount Analysis Program and RISA-3D

Basic Wind Speed:	119 mph (3-Second Gust)
Basic Wind Speed w/ Ice:	50 mph (3-Second Gust) w/ 1.00" radial ice concurrent
Codes:	ANSI/TIA-222-H/ 2021 IBC / 2022 Connecticut State Building Code
Exposure Category:	B
Risk Category:	II
Topographic Factor Procedure:	Method 2
Feature:	Flat
Crest Height (H):	0 ft
Crest Length (L):	0 ft
Spectral Response:	Ss = 0.207, S1 = 0.054
Site Class:	D - Stiff Soil - Default
Live Loads:	Lm = 500 lbs

* Based on experience, it has been determined that the Lv load cases will not control over Lm load cases in platform mount analyses. Therefore, these load cases have been excluded from this analysis.

Conclusion

Based on the analysis results, the antenna mount meets the requirements per the applicable codes listed above provided the modifications listed below are completed:

- Analysis based on new installation of Site Pro 1 RMQP-12-H5, ANT.46132, Platform w/ Handrails(s) (M2050R(2500)-4[6]). Do not install work support catwalk below purpose mount.
- Install Site Pro 1 HRK12-HD (ANT.51651) Support Rail kit at 3'-6" above the existing platform horizontal pipe. Connect to all mount pipes using Site Pro 1 SCX7-U, ANT.16985, crossover plate kits or approved equivalent.
- Install P2 (2.375" x 72") antenna mounting pipe (Mount Pipe M, N, O) with Site Pro 1 SCX7-U, ANT.16985, (or approved equivalent) crossover plate kits.
- No structural failures were addressed with the noted contingencies. Contingencies address Carrier's antenna spacing requirements.
- The rough cost estimate, pre-MOD design, is estimated to be ≤\$10k.

If you have any questions or require additional information, please contact American Tower via email at Engineering@americantower.com. Please include the American Tower site name, site number, and engineering number in the subject line for any questions.



Dewberry
Dewberry Engineers Inc.
99 SUMMER STREET
SUITE 700
BOSTON, MA 02110
PHONE: 617.695.3400
FAX: 617.695.3310

ATC SITE NUMBER:
283420
 ATC SITE NAME:
STONEYBROOK RD CT
 AT&T SITE NAME:
STRATFORD STONEYBROOK RD
 SITE ADDRESS:
23 STONEYBROOK ROAD
STRATFORD, CT 06614

SEAL:



DATE DRAWN: 01/14/22
 ATC JOB NO: 13682835_D1
 CUSTOMER ID: CTL02381
 CUSTOMER #: 12906923

SUPPLEMENTAL

SHEET NUMBER:
R-603

NOTE: THIS SHEET WAS CREATED BY OTHERS AND PROVIDED AT THE REQUEST OF THE CUSTOMER WITHOUT EDIT. PLEASE REFERENCE THE MOUNT ANALYSIS REPORT FOR COMPLETE MOUNT ANALYSIS CALCULATIONS AND DETAILS. SUPPLEMENTAL PAGES INCLUDED IN THE CONSTRUCTION DRAWINGS ARE FOR REFERENCE ONLY. GENERAL CONTRACTOR IS TO VERIFY THEY HAVE THE MOST RECENT MOUNT ANALYSIS PRIOR TO CONSTRUCTION.

Copyright © 2023 ATC IP, LLC. All Rights Reserved.