



Colliers Engineering & Design CT, PC  
1055 Washington Boulevard  
Stamford, CT 06901  
203.324.0800  
peter.albano@collierseng.com

---

## Antenna Mount Analysis Report and PMI Requirements

Mount ReAnalysis

SMART Tool Project #: 10206812  
Colliers Engineering & Design CT, PC Project #: 23777114

July 12, 2023

### Site Information

Site ID: 5000386016-VZW / SOUTHBURY CT  
Site Name: SOUTHBURY CT  
Carrier Name: Verizon Wireless  
Address: 1432 Old Waterbury Rd.  
Southbury, Connecticut 06488  
New Haven County  
Latitude: 41.493589°  
Longitude: -73.331939°

### Structure Information

Tower Type: 225-Ft Monopole  
Mount Type: 10.75-Ft Platform

FUZE ID # 17123836

### Analysis Results

Platform: 84.4% Pass\*

**\*Antennas and equipment to be installed in compliance with PMI Requirements of this mount analysis.**

### \*\*\*Contractor PMI Requirements:

**Included at the end of this MA report**

**Available & Submitted via portal at <https://pmi.vzwsmart.com>**

**For additional questions and support, please reach out to:**

**[pmisupport@colliersengineering.com](mailto:pmisupport@colliersengineering.com)**

Report Prepared By: Vincent DiGirolamo

## **Executive Summary:**

The objective of this report is to determine the capacity of the antenna support mount at the subject facility for the final wireless telecommunications configuration, per the applicable codes and standards. Any modification listed under Sources of Information was assumed completed and was included in this analysis.

This analysis is inclusive of the mount structure only and does not address the structural capacity of the supporting structure. This mounting frame was not analyzed as an anchor attachment point for fall protection. All climbing activities are required to have a fall protection plan completed by a competent person.

## **Sources of Information:**

<b>Document Type</b>	<b>Remarks</b>
<i>Radio Frequency Data Sheet (RFDS)</i>	<i>Verizon RFDS Site ID: 324864 Dated January 4, 2022</i>
<i>Previous Mount Analysis Report</i>	<i>Maser Consulting Connecticut Project #: 22777005, Rev 1 Dated May 2, 2023</i>
<i>Mount Mapping Report</i>	<i>RKS Design &amp; Engineering, LLC Site ID: CC: 806358, VZW: 467553 Dated March 24, 2022</i>
<i>Filter Add Scope</i>	<i>Provided by Verizon Wireless</i>

## **Analysis Criteria:**

Codes and Standards:	ANSI/TIA-222-H 2022 Connecticut State Building Code (DSBC), Effective October 1, 2022
Wind Parameters:	Basic Wind Speed (Ultimate 3-sec. Gust), $V_{ULT}$ : 120 mph Ice Wind Speed (3-sec. Gust): 50 mph Design Ice Thickness: 1.00 in Risk Category: II Exposure Category: B Topographic Category: 1 Topographic Feature Considered: N/A Topographic Method: N/A Ground Elevation Factor, $K_e$ : 0.976
Seismic Parameters:	$S_s$ : 0.199 g $S_1$ : 0.054 g
Maintenance Parameters:	Wind Speed (3-sec. Gust): 30 mph Maintenance Live Load, $L_v$ : 250 lbs. Maintenance Live Load, $L_m$ : 500 lbs.
Analysis Software:	RISA-3D (V17)

**Final Loading Configuration:**

The following equipment has been considered for the analysis of the mount:

Mount Elevation (ft)	Equipment Elevation (ft)	Quantity	Manufacturer	Model	Status
228.00	230.00	6	JMA Wireless	MX06FRO660-03	Retained
		3	Samsung	MT6407-77A	
		3	Samsung	RF4440d-13A	
		3	Samsung	RF4439d-25A	
		2	Raycap	RRFDC-3315-PF-48	
		4	KAelus	BSF0020F3V1-1	Added

\*Equipment to be flush mounted directly to the Monopole. They are not mounted on the platform mount and are not included in this mount analysis.

It is acceptable to install up to any three (3) of the OVP model numbers listed below as required at any location other than the mount face without affecting the structural capacity of the mount. If OVP units are installed on the mount face, a mount re-analysis may be required unless replacing an existing OVP.

Model Number	Ports	AKA
DB-B1-6C-12AB-0Z	6	OVP-6
RVZDC-6627-PF-48	12	OVP-12

**Standard Conditions:**

1. All engineering services are performed on the basis that the information provided to Colliers Engineering & Design CT, PC and used in this analysis is current and correct. The existing equipment loading has been applied at locations determined from the supplied documentation. Any deviation from the loading locations specified in this report shall be communicated to Colliers Engineering & Design CT, PC to verify deviation will not adversely impact the analysis.
2. Mounts are assumed to have been properly fabricated, installed and maintained in good condition, twist free and plumb in accordance with its original design and manufacturer’s specifications.

Obvious safety and structural issues/deficiencies noticed at the time of the mount mapping and reported in the Mount Mapping Report are assumed to be corrected and documented as part of the PMI process and are not considered in the mount analysis.

The mount analysis and the mount mapping are not a condition assessment of the mount. Proper maintenance and condition assessments are still required post analysis.

3. For mount analyses completed from other data sources (including new replacement mounts) and not specifically mapped in accordance with the NSTD-446 Standard, the mounts are assumed to have been properly fabricated, installed and maintained in good condition, twist free and plumb in accordance with its original design and manufacturer’s specifications.
4. All member connections are assumed to have been designed to meet or exceed the load carrying capacity of the connected member unless otherwise specified in this report.
5. The mount was checked up to, and including, the bolts that fasten it to the mount collar/attachment and threaded rod connections in collar members if applicable. Local deformation and interaction between the mount collar/attachment and the supporting tower structure are outside the scope of this analysis.

6. All services are performed, results obtained, and recommendations made in accordance with generally accepted engineering principles and practices. Colliers Engineering & Design CT, PC is not responsible for the conclusion, opinions, and recommendations made by others based on the information supplied.
7. Structural Steel Grades have been assumed as follows, if applicable, unless otherwise noted in this analysis:
  - o Channel, Solid Round, Angle, Plate      ASTM A36 (Gr. 36)
  - o HSS (Rectangular)                              ASTM 500 (Gr. B-46)
  - o Pipe    ASTM A53 (Gr. B-35)
  - o Threaded Rod                                        F1554 (Gr. 36)
  - o Bolts    ASTM A325
8. It is assumed that the mount modifications listed under Sources of Information have been installed per the design specifications.

**Discrepancies between in-field conditions and the assumptions listed above may render this analysis invalid unless explicitly approved by Colliers Engineering & Design CT, PC.**

**Analysis Results:**

Component	Utilization %	Pass/Fail
Mount Pipe	11.9	Pass
Face Horizontal	28.5	Pass
Crossmember	26.9	Pass
Ladder	10.2	Pass
Support Rail	38.0	Pass
Ladder Rungs	2.2	Pass
Face Bracing	84.4	Pass
Corner Plate	4.8	Pass
Threaded Rods	73.0	Pass
Corner Angle	1.7	Pass
Mount Connection	40.1	Pass

<b>Structure Rating – (Controlling Utilization of all Components)</b>	<b>84.4%</b>
---	--------------

**Mount Steel (EPA)a per ANSI/TIA-222-H Section 2.6.11.2:**

Ice Thickness (In)	Mount Pipes Excluded		Mount Pipes Included	
	Front (EPA)a (Sq. Ft.)	Side (EPA)a (Sq. Ft.)	Front (EPA)a (Sq. Ft.)	Side (EPA)a (Sq. Ft.)
0	57.0	56.4	72.1	71.5
0.5	73.1	73.4	94.9	93.9
1	87.2	87.4	115.1	113.9

**Notes:**

- (EPA)a values listed above may be used in the absence of more precise information
- (EPA)a values in the table above include 3 sector(s).
- Ka factors included in (EPA)a calculations

### **Requirements:**

The existing mount is **SUFFICIENT** for the final loading configuration shown in attachment 2 and do not require modifications. Additional requirements are noted below.

Contractor shall verify that the corner extensions were removed per previous mount analysis completed by Colliers Engineering & Design Project #: 22777005, Rev 1 dated May 2, 2023.

If required, ANSI/ASSP rigging plan review services compliant with the requirements of ANSI/TIA 322 are available for a Construction Class IV site or other. Separate review fees will apply.

### **Attachments:**

1. **Contractor Required Post Installation Inspection (PMI) Report Deliverables**
2. Antenna Placement Diagrams
3. Mount Photos
4. Mount Mapping Report (for reference only)
5. Analysis Calculations

# Mount Desktop – Post Modification Inspection (PMI) Report Requirements

## Documents & Photos Required from Contractor – **Passing Mount Analysis**

Passing Mount Analysis requires a PMI due to a modification in loading.

Electronic pdf version of this can be downloaded at <https://pmi.vzwsmart.com>.

For additional questions and support, please reach out to [pmisupport@colliersengineering.com](mailto:pmisupport@colliersengineering.com)

---

MDG #: 5000386016

SMART Project #: 10206812

Fuze Project ID: 17123836

**Purpose** – to provide SMART Tool structural vendor the proper documentation in order to complete the required Mount Desktop review of the Post Modification Inspection Report.

- Contractor is responsible for making certain the photos provided as noted below provide confirmation that the installation was completed in accordance with this Passing Mount Analysis.
- Contractor shall relay any data that can impact the performance of the mount, this includes safety issues.

### **Base Requirements:**

- If installation will cause damage to the structure, the climbing facility, or safety climb if present or any installed system, SMART Tool vendor to be notified prior to install. Any special photos outside of the standard requirements will be indicated on the drawings.
- Provide “as built mount drawings” showing contractor’s name, contact information, preparer’s signature, and date. Any deviations from the drawings (Proposed modification) shall be shown. NOTE: If loading is different than what is conveyed in the passing mount analysis (MA) contact the SMART Tool vendor immediately.
- Each photo should be time and date stamped
- Photos should be high resolution.
- Contractor shall ensure that the safety climb wire rope is supported and not adversely impacted by the install of the modification components. This may involve the install of wire rope guides, or other items to protect the wire rope. If there is conflict, contact the SMART Tool engineer for recommendations.
- The PMI can be accessed at the following portal: <https://pmi.vzwsmart.com>

### **Photo Requirements:**

- Photos taken at ground level
  - Photo of Gate Signs showing the tower owner, site name, and number.
  - Overall tower structure after installation.
  - Photos of the mount after installation; if the mounts are at different rad elevations, pictures must be provided for all elevations that equipment was installed.
- Photos taken at Mount Elevation
  - Photos showing the safety climb wire rope above and below the mount prior to installation.
  - Photos showing the climbing facility and safety climb if present.
  - Photos showing each individual sector after installation. Each entire sector shall be in one photo to show the interconnection of members.

- These photos shall also certify that the placement and geometry of the equipment on the mount is as depicted in the antenna placement diagram in this form.
- Photos that show the model number of each antenna and piece of equipment installed per sector.

**Antenna & equipment placement and Geometry Confirmation:**

- The contractor shall certify that the antenna & equipment placement and geometry is in accordance with the sketch and table as included in the mount analysis and noted below.
  - The contractor certifies that the photos support and the equipment on the mount is as depicted on the sketch and table included in this form and with the mount analysis provided.

OR

- The contractor notes that the equipment on the mount is not in accordance with the sketch and has noted the differences below and provided photo documentation of any alterations.

**Special Instructions / Validation as required from the MA or any other information the contractor deems necessary to share that was identified:**

**Issue:**

Contractor shall verify that the corner extensions were removed per previous mount analysis completed by Colliers Engineering & Design Project #: 22777005, Rev 1 dated May 2, 2023.

**Response:**

**Special Instruction Confirmation:**

- The contractor has read and acknowledges the above special instructions.
- All hardware listed in the Special Instructions above (if applicable) has been properly installed, and the existing hardware was inspected.
- The material utilized was as specified in the SMART Tool engineering vendor Special Instructions above (if applicable) and included in the material certification folder is a packing list or invoice for these materials.

OR

- The material utilized was approved by a SMART Tool engineering vendor as an “equivalent” and this approval is included as part of the contractor submission.

**Comments:**

--

**Contractor certifies that the climbing facility / safety climb was not damaged prior to starting work:**

Yes       No

**Contractor certifies no new damage created during the current installation:**

Yes       No

**Contractor to certify the condition of the safety climb and verify no damage when leaving the site:**

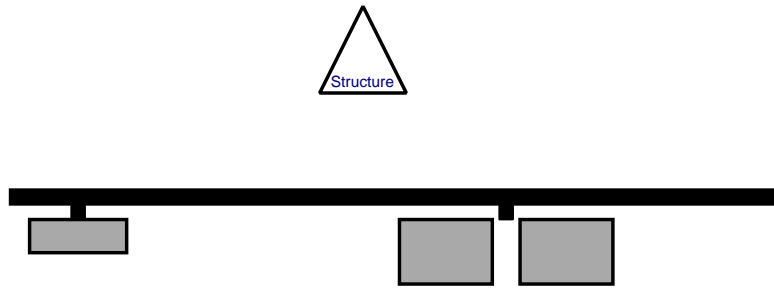
Safety Climb in Good Condition                       Safety Climb Damaged

**Certifying Individual:**

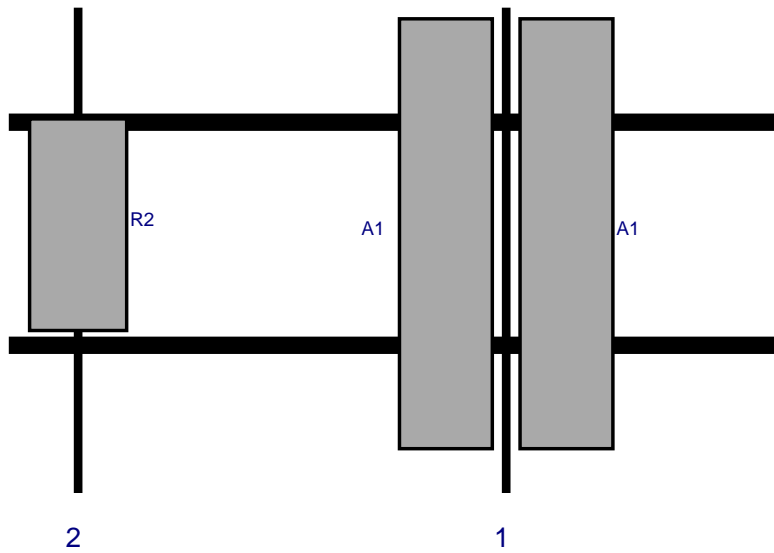
Company:	
Employee Name:	
Contact Phone:	
Email:	
Date:	



Plan View

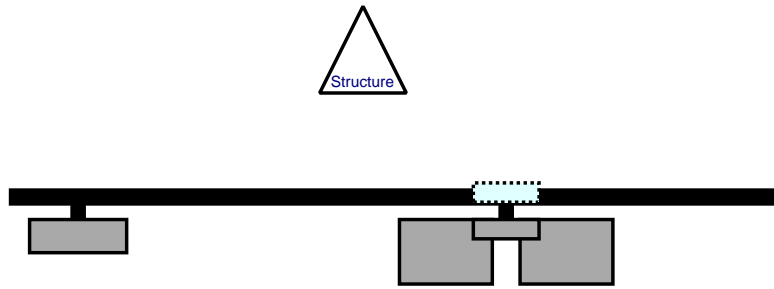


Front View - Looking at Structure

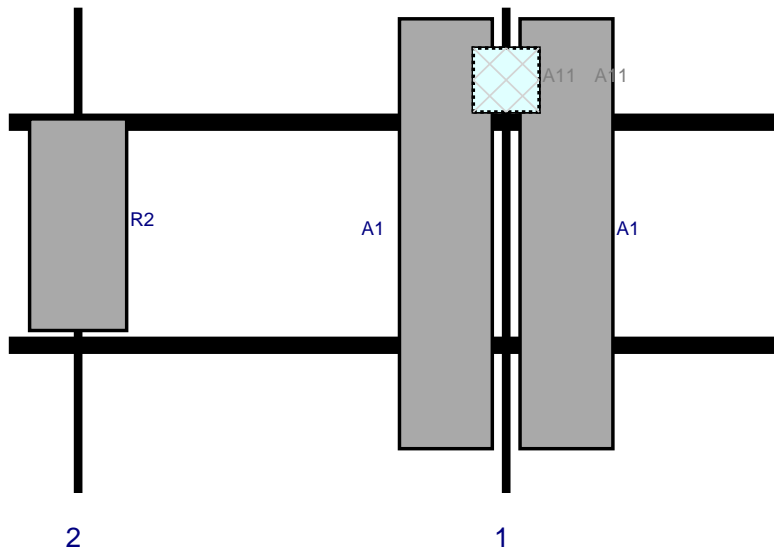


Ref#	Model	Height (in)	Width (in)	H Dist Frm L.	Pipe #	Pipe Pos V	Ant Pos	C. Ant Frm T.	Ant H Off	Status	Validation
A1	MX06FRO660-03	71.3	15.4	82.5	1	a	Front	37.5	10	Retained	
A1	MX06FRO660-03	71.3	15.4	82.5	1	b	Front	37.5	-10	Retained	
R2	MT6407-77A	35.1	16.1	11.5	2	a	Front	36	0	Retained	

Plan View

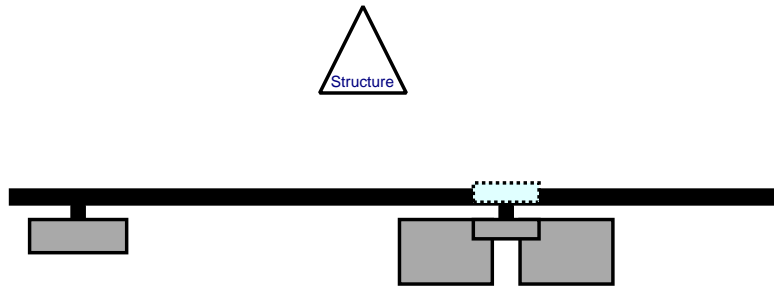


Front View - Looking at Structure

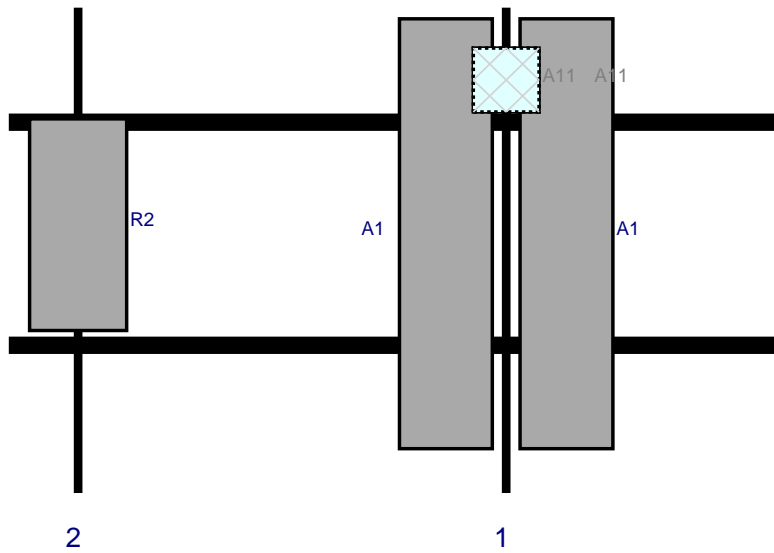


Ref#	Model	Height (in)	Width (in)	H Dist Frm L.	Pipe #	Pipe Pos V	Ant Pos	C. Ant Frm T.	Ant H Off	Status	Validation
A1	MX06FRO660-03	71.3	15.4	82.5	1	a	Front	37.5	10	Retained	
A1	MX06FRO660-03	71.3	15.4	82.5	1	b	Front	37.5	-10	Retained	
A11	BSF0020F3V1-1	10.6	10.9	82.5	1	a	Front	12	0	Added	
A11	BSF0020F3V1-1	10.6	10.9	82.5	1	b	Behind	12	0	Added	
R2	MT6407-77A	35.1	16.1	11.5	2	a	Front	36	0	Retained	

Plan View



Front View - Looking at Structure



Ref#	Model	Height (in)	Width (in)	H Dist Frm L.	Pipe #	Pipe Pos V	Ant Pos	C. Ant Frm T.	Ant H Off	Status	Validation
A1	MX06FRO660-03	71.3	15.4	82.5	1	a	Front	37.5	10	Retained	
A1	MX06FRO660-03	71.3	15.4	82.5	1	b	Front	37.5	-10	Retained	
A11	BSF0020F3V1-1	10.6	10.9	82.5	1	a	Front	12	0	Added	
A11	BSF0020F3V1-1	10.6	10.9	82.5	1	b	Behind	12	0	Added	
R2	MT6407-77A	35.1	16.1	11.5	2	a	Front	36	0	Retained	



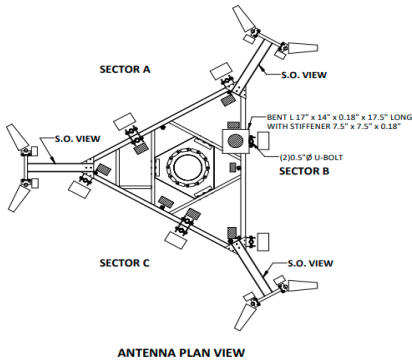


### Antenna Mount Mapping Form (PATENT PENDING)

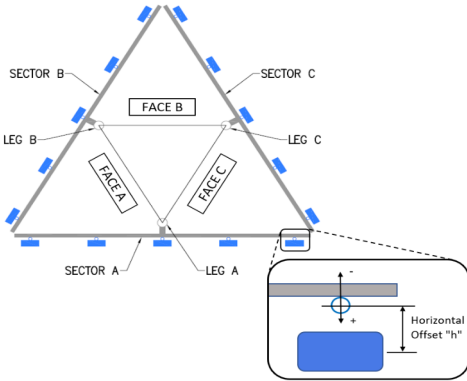
FCC #  
1055868

<b>Tower Owner:</b>	CC	<b>Mapping Date:</b>	3/24/2022
<b>Site Name:</b>	VZW:SOUTHBURY	<b>Tower Type:</b>	Monopole
<b>Site Number or ID:</b>	CC-806358 VZW:467553	<b>Tower Height (Ft.):</b>	225
<b>Mapping Contractor:</b>	RKS Design & Engineering, LLC	<b>Mount Elevation (Ft.):</b>	226.7

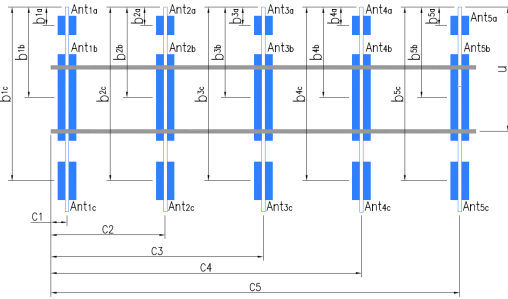
This antenna mapping form is the property of TES and under PATENT PENDING. The formation contained herein is considered confidential in nature and is to be used only for the specific customer it was intended for. Reproduction, transmission, publication, modification or disclosure by any method is prohibited except by express written permission of TES. All means and methods are the responsibility of the contractor and the work shall be compliant with ANSI/ASSE A 10.48, OSHA, FCC, FAA and other safety requirements that may apply. TES is not warranting the usability of the safety climb as it must be assessed prior to each use in compliance with OSHA requirements.



Mount Pipe Configuration and Geometries [Unit = Inches]							
Sector / Position	Mount Pipe Size & Length	Vertical Offset Dimension "u"	Horizontal Offset "C1, C2, C3, etc."	Sector / Position	Mount Pipe Size & Length	Vertical Offset Dimension "u"	Horizontal Offset "C1, C2, C3, etc."
A1	Pipe 2.39"Ø X 0.16" X 80.5" Long	58.50	45.50	C1	Pipe 2.39"Ø X 0.16" X 80.5" Long	58.50	45.50
A2	Pipe 2.39"Ø X 0.16" X 80.5" Long	58.50	116.50	C2	Pipe 2.39"Ø X 0.16" X 80.5" Long	58.50	116.50
A3				C3			
A4				C4			
A5				C5			
A6				C6			
B1	Pipe 2.39"Ø X 0.16" X 80.5" Long	58.50	45.50	D1			
B2	Pipe 2.39"Ø X 0.16" X 80.5" Long	58.50	116.50	D2			
B3				D3			
B4				D4			
B5				D5			
B6				D6			
Distance from top of bottom support rail to lowest tip of ant./eqpt. of Carrier above. (N/A if > 10 ft.):							
Distance from top of bottom support rail to highest tip of ant./eqpt. of Carrier below. (N/A if > 10 ft.):							
Please enter additional information or comments below.							
Tower Face Width at Mount Elev. (ft.):		Tower Leg Size or Pole Shaft Diameter at Mount Elev. (in.):		25			



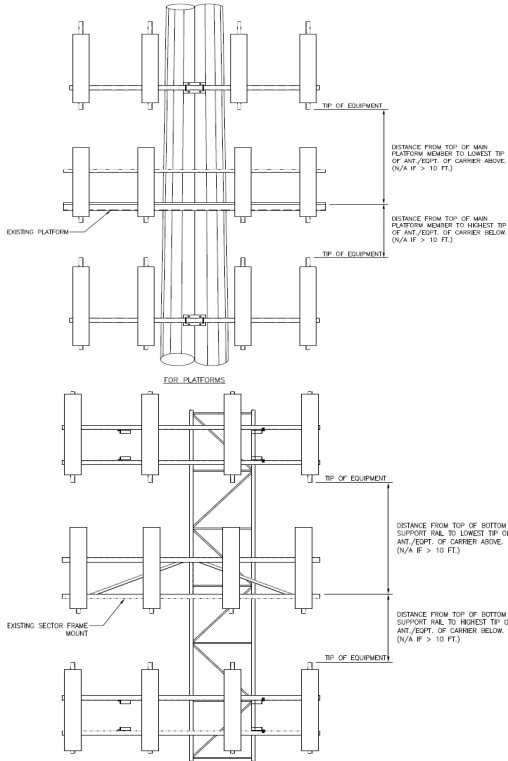
Ants. Items	Enter antenna model. If not labeled, enter "Unknown".					Mounting Locations [Units are inches and degrees]				Photos of antennas Photo Numbers
	Antenna Models if Known	Width (in.)	Depth (in.)	Height (in.)	Coax Size and Qty	Antenna Center-line (Ft.)	Vertical Distances "b <sub>1a</sub> , b <sub>2a</sub> , b <sub>3a</sub> , b <sub>1b</sub> ,..." (Inches)	Horiz. Offset "h" (Use "-" if Ant. is behind)	Antenna Azimuth (Degrees)	
<b>Sector A</b>										
Ant <sub>1a</sub>	B4 RRH2x60-48	10.50	5.75	36.50		229.72	22.25	-6.25		182
Ant <sub>1b</sub>	SBNHH-1D65B	12.00	7.00	73.00		228.79	33.50	9.00	30.00	11, 182
Ant <sub>1c</sub>										
Ant <sub>2a</sub>	B13 RRH4x30	12.00	9.00	21.50		228.64	35.25	-6.25		184
Ant <sub>2b</sub>	SBNHH-1D65B	12.00	7.00	73.00		228.875	32.50	8.50	30.00	11, 184
Ant <sub>2c</sub>										
Ant <sub>3a</sub>										
Ant <sub>3b</sub>										
Ant <sub>3c</sub>										
Ant <sub>4a</sub>										
Ant <sub>4b</sub>										
Ant <sub>4c</sub>										
Ant <sub>5a</sub>										
Ant <sub>5b</sub>										
Ant <sub>5c</sub>										
Ant on Standoff	(2)LPA 80080/6CF E-D	5.75	12.50	71.50		228.93	31.75	16.00	30.00	182, 184
Ant on Standoff	(2)UNKNOWN-TME	7.00	1.50	5.00		227.83	45.00			400
Ant on Tower										
Ant on Tower										



**Antenna Layout (Looking Out From Tower)**

Mount Azimuth (Degree) for Each Sector				Tower Leg Azimuth (Degree) for Each Sector				Sector B											
Sector A:	30.00	Deg	Leg A:		Deg	Leg B:		Deg	Ant <sub>1a</sub>	B4 RRH2x60-48	10.50	5.75	36.50		229.72	22.25	-6.25		187
Sector A:	30.00	Deg	Leg A:		Deg	Leg B:		Deg	Ant <sub>1b</sub>	SBNHH-1D65B	12.00	7.00	73.00		228.79	33.50	9.00	150.00	22, 186
Sector B:	150.00	Deg	Leg B:		Deg	Leg C:		Deg	Ant <sub>1c</sub>	FLASH LIGHT	16.00	16.00	7.00		232.16	-7.00	-9.00		414
Sector C:	270.00	Deg	Leg C:		Deg	Leg D:		Deg	Ant <sub>2a</sub>	B13 RRH4x30	12.00	9.00	21.50		228.64	35.25	-6.25		188
Sector D:		Deg	Leg D:		Deg			Deg	Ant <sub>2b</sub>	SBNHH-1D65B	12.00	7.00	73.00		228.875	32.50	8.50	150.00	22, 188, 189
Climbing Facility Information																			
Location:	0.00	Deg	N/A						Ant <sub>2c</sub>										
Climbing Facility	Corrosion Type:		N/A						Ant <sub>3a</sub>										
	Access:		Climbing path was unobstructed.						Ant <sub>3b</sub>										
	Condition:		Good condition.						Ant <sub>3c</sub>										
									Ant <sub>4a</sub>										
									Ant <sub>4b</sub>										
									Ant <sub>4c</sub>										
									Ant <sub>5a</sub>										
									Ant <sub>5b</sub>										
									Ant <sub>5c</sub>										
									Ant on Standoff	RRFDC-3315-PF-48	10.50	5.75	36.50		225.75				133
									Ant on Standoff	(2)LPA 80080/6CF E-D	5.75	12.50	71.50		228.93	31.75	16.00	150.00	408, 453
									Ant on Tower	(2)UNKNOW-N-TME	7.00	1.50	5.00		227.83	45.00	-4.00		409, 452
									Ant on Tower	LIGHTNING ROD	0.63	0.63	48.00		232				22
Sector C																			
									Ant <sub>1a</sub>	B4 RRH2x60-48	10.50	5.75	36.50		229.72	22.25	-6.25		146
									Ant <sub>1b</sub>	SBNHH-1D65B	12.00	7.00	73.00		228.79	33.50	9.00	270.00	27, 144, 145
									Ant <sub>1c</sub>										
									Ant <sub>2a</sub>	B13 RRH4x30	12.00	9.00	21.50		228.64	35.25	-6.25		162
									Ant <sub>2b</sub>	SBNHH-1D65B	12.00	7.00	73.00		228.875	32.50	8.50	270.00	27, 160, 161
									Ant <sub>2c</sub>										
									Ant <sub>3a</sub>										
									Ant <sub>3b</sub>										
									Ant <sub>3c</sub>										
									Ant <sub>4a</sub>										
									Ant <sub>4b</sub>										
									Ant <sub>4c</sub>										
									Ant <sub>5a</sub>										
									Ant <sub>5b</sub>										
									Ant <sub>5c</sub>										
									Ant on Standoff	(2)LPA 80080/6CF E-D	5.75	12.50	71.50		228.93	31.75	16.00	270.00	141
									Ant on Standoff	RRFDC-3315-PF-48	15.75	10.25	25.00		225.75				153
									Ant on Tower	(2)UNKNOW-N-TME	7.00	1.50	5.00		227.83	45.00	-4.00		400
									Ant on Tower										
Sector D																			
									Ant <sub>1a</sub>										
									Ant <sub>1b</sub>										
									Ant <sub>1c</sub>										
									Ant <sub>2a</sub>										
									Ant <sub>2b</sub>										
									Ant <sub>2c</sub>										
									Ant <sub>3a</sub>										
									Ant <sub>3b</sub>										
									Ant <sub>3c</sub>										
									Ant <sub>4a</sub>										
									Ant <sub>4b</sub>										
									Ant <sub>4c</sub>										
									Ant <sub>5a</sub>										
									Ant <sub>5b</sub>										
									Ant <sub>5c</sub>										
									Ant on Standoff										
									Ant on Standoff										
									Ant on Tower										
									Ant on Tower										

Please insert a photo of the mount centerline measurement here.



**Observed Safety and Structural Issues During the Mount Mapping**

Issue #	Description of Issue	Photo #
1	COAX TOTAL (14): (12) FH 1 5/8 ACTIVE, (2) 1.56"Ø HYBRID	
2		
3		
4		
5		
6		
7		
8		

**Mapping Notes**

1. Please report any visible structural or safety issues observed on the antenna mounts (Damaged members, loose connections, tilting mounts, safety climb issues, etc.)
2. If the thickness of the existing pipes or tubing can't be obtained from a general tool (such as Caliper), please use an ultrasonic measurement tool (thickness gauge) to measure the thickness.
3. Please create all required detail sketches of the mounts and insert them into the "Sketches" tab.
4. Please measure and enter the bolt sizes and types under the Members Box in the spreadsheet of the mount type.
5. Take and label the photos of the tower, mounts, connections, antennas and all measurements. Minimum 50 photos are required.
6. Please measure and report the size and length of all existing antenna mounting pipes.
7. Please measure and report the antenna information for all sectors.
8. Don't delete or rearrange any sheet or contents of any sheet from this mapping form.

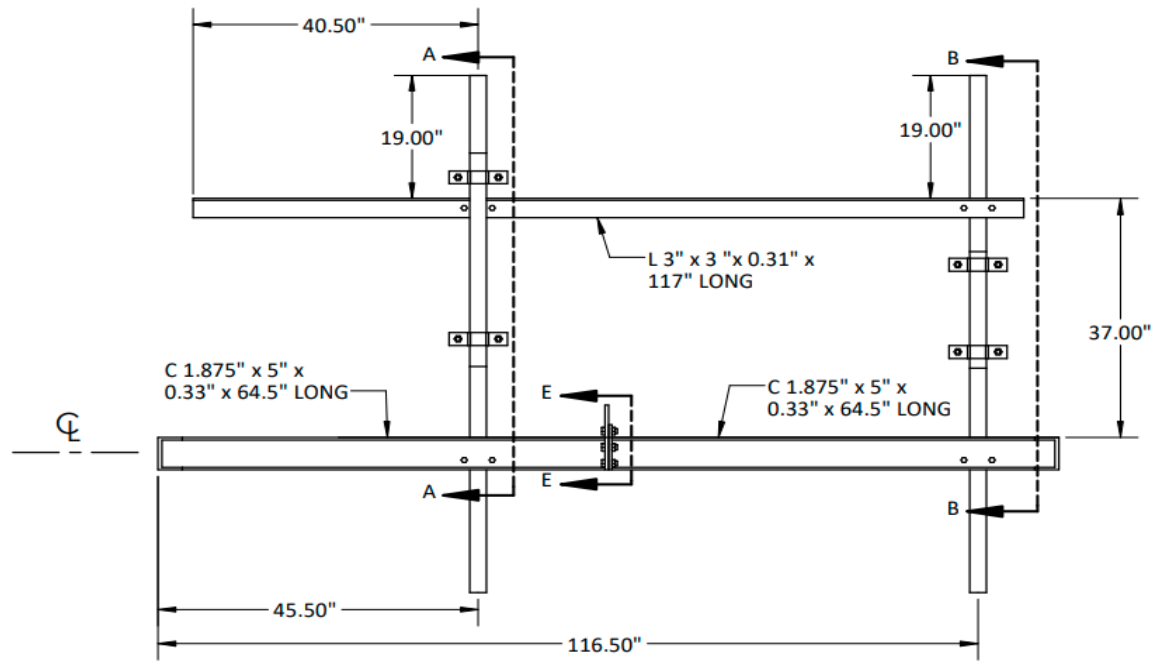
**Standard Conditions**

1. Obvious safety and structural issues/deficiencies noticed at the time of the mount mapping are to be reported in this mapping. However, this mount mapping is not a condition assessment of the mount.

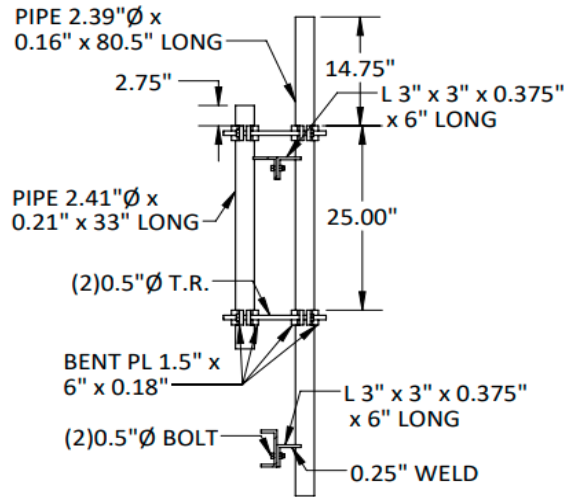
<b>SMART Tool<sup>®</sup></b> <b>Vendor</b>	<b>Antenna Mount Mapping Form (PATENT PENDING)</b>			FCC #
				1055868
Tower Owner:	CC	Mapping Date:	3/24/2022	
Site Name:	VZW-SOUTHURBY	Tower Type:	Monopole	
Site Number or ID:	CC:806358 VZW:467553	Tower Height (Ft.):	225	
Mapping Contractor:	RKS Design & Engineering, LLC	Mount Elevation (Ft.):	226.7	

This antenna mapping form is the property of TES and under **PATENT PENDING**. The formation contained herein is considered confidential in nature and is to be used only for the specific customer it was intended for. Reproduction, transmission, publication, modification or disclosure by any method is prohibited except by express written permission of TES. All means and methods are the responsibility of the contractor and the work shall be compliant with ANSI/ASSE A 10.48, OSHA, FCC, FAA and other safety requirements that may apply. TES is not warranting the usability of the safety climb as it must be assessed prior to each use in compliance with OSHA requirements.

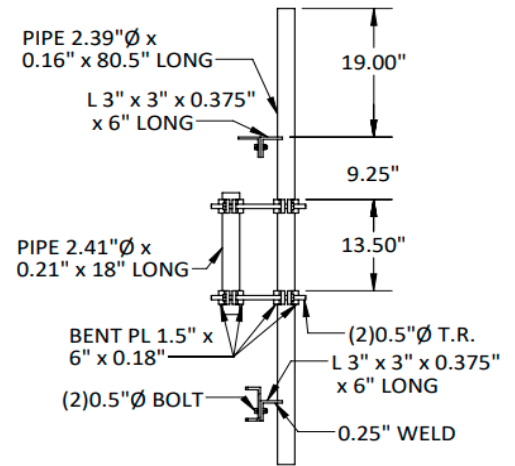
**Please Insert Sketches of the Antenna Mount**



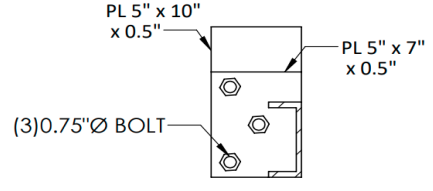
**SECTOR A, B & C**



**SECTION A-A**

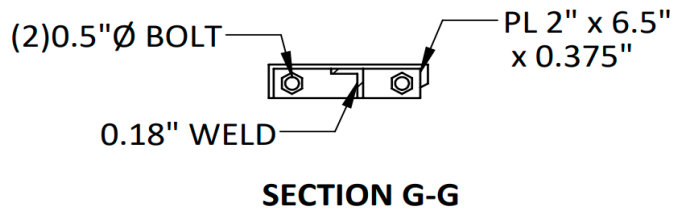
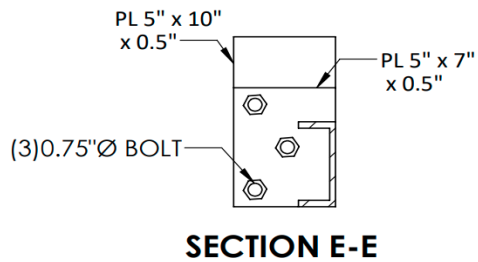
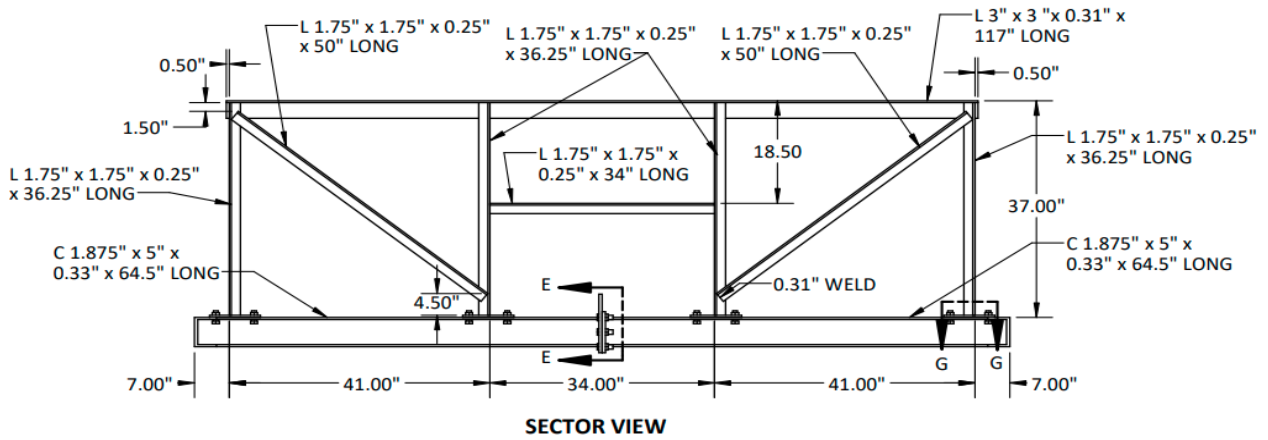


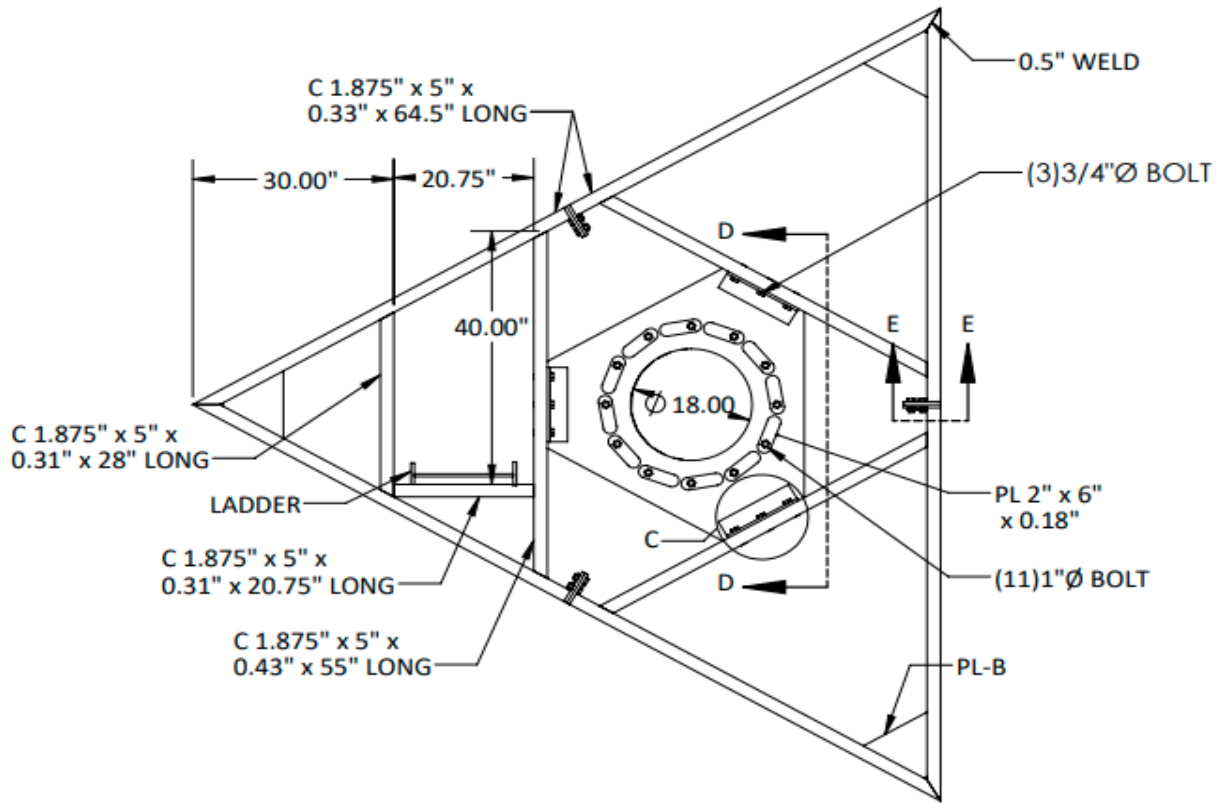
**SECTION B-B**



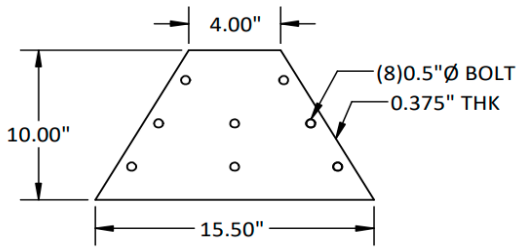
**SECTION E-E**



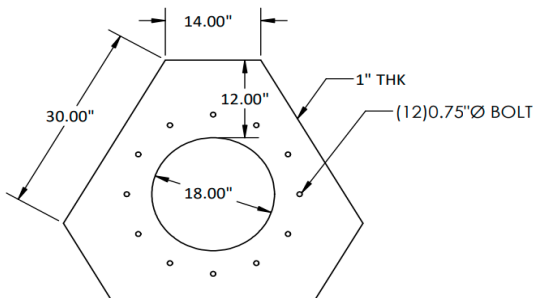




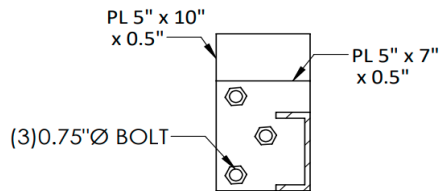
**MOUNT PLAN VIEW**



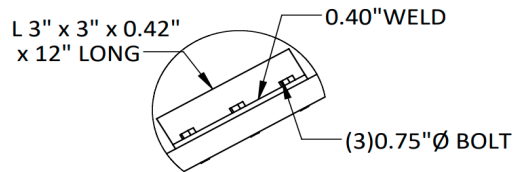
**PL-2 DETAIL**



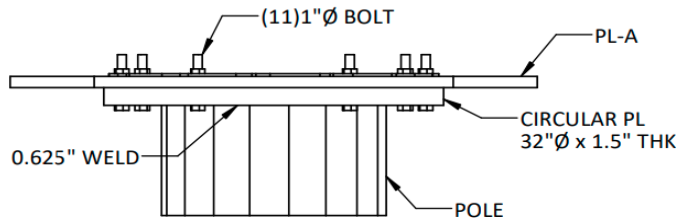
**PL-A DETAIL**



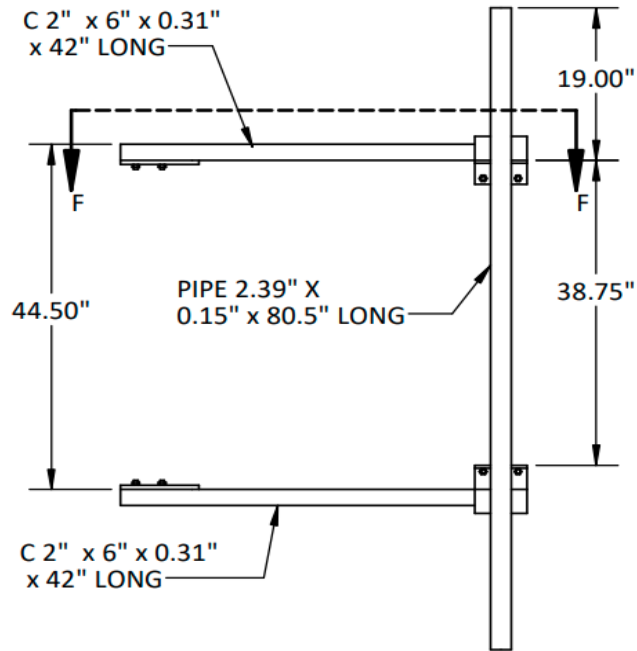
**SECTION E-E**



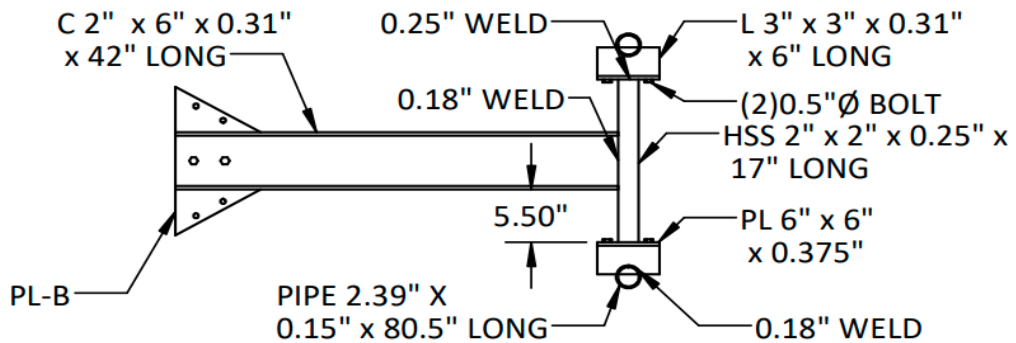
**DETAIL C**



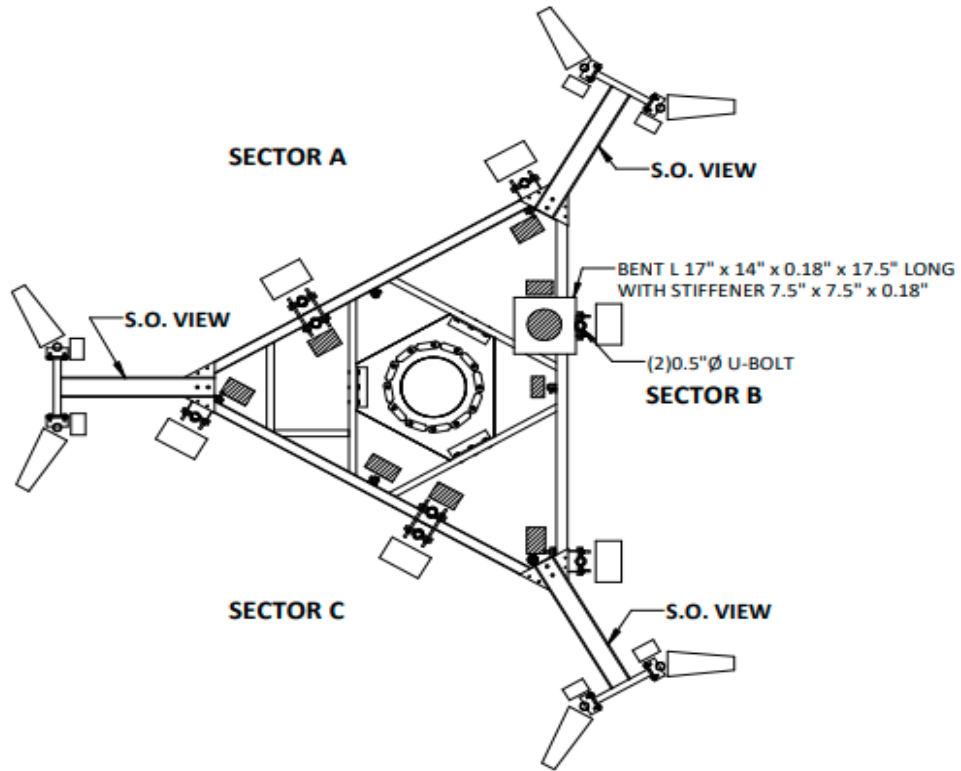
**SECTION D-D**



**STAND OFF VIEW**



**SECTION F-F**



ANTENNA PLAN VIEW



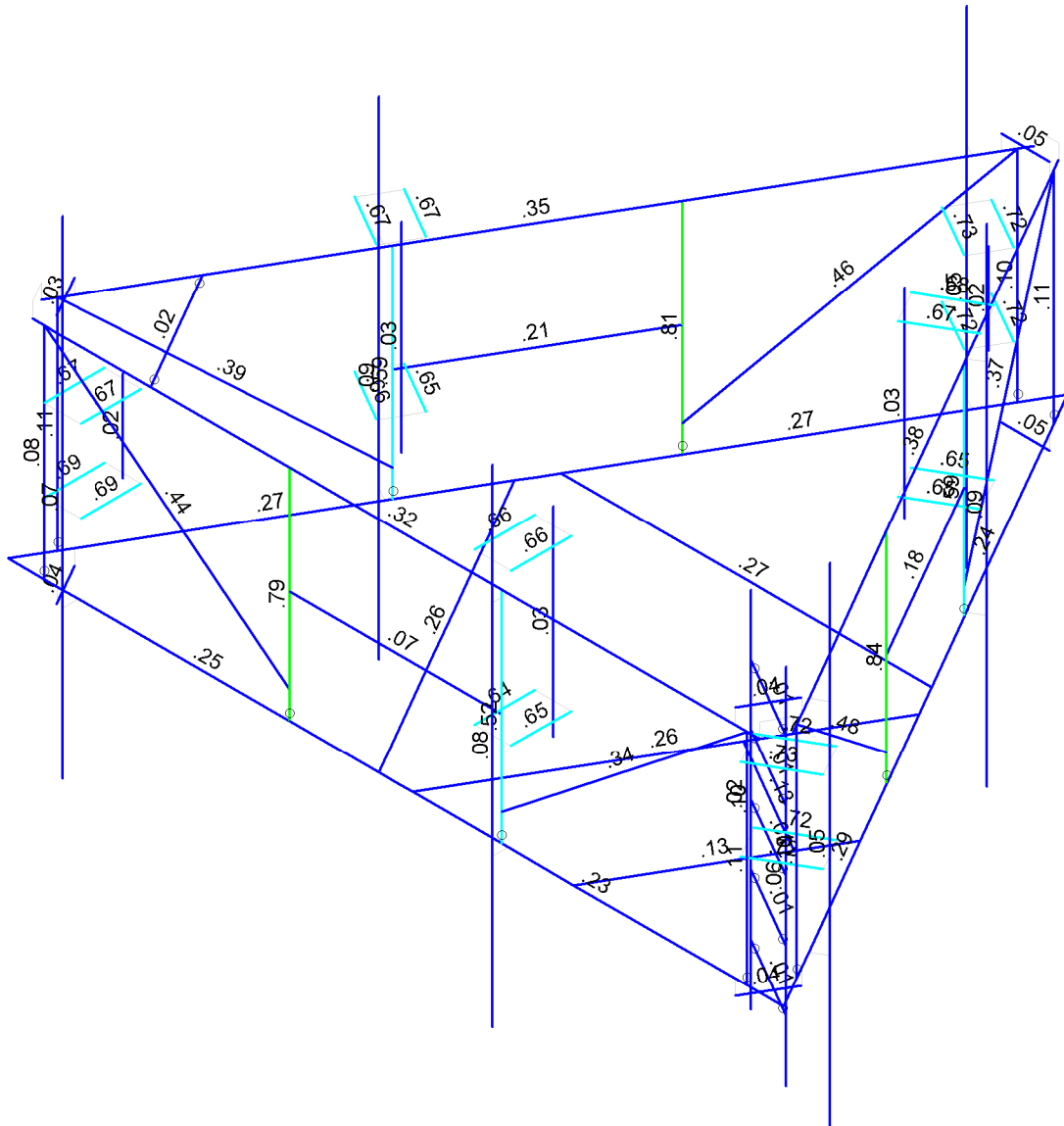
Envelope Only Solution

		SK - 1
		July 12, 2023 at 9:33 AM
	Rendered Model	5000386016-VZW_MT_LO_H.r3d



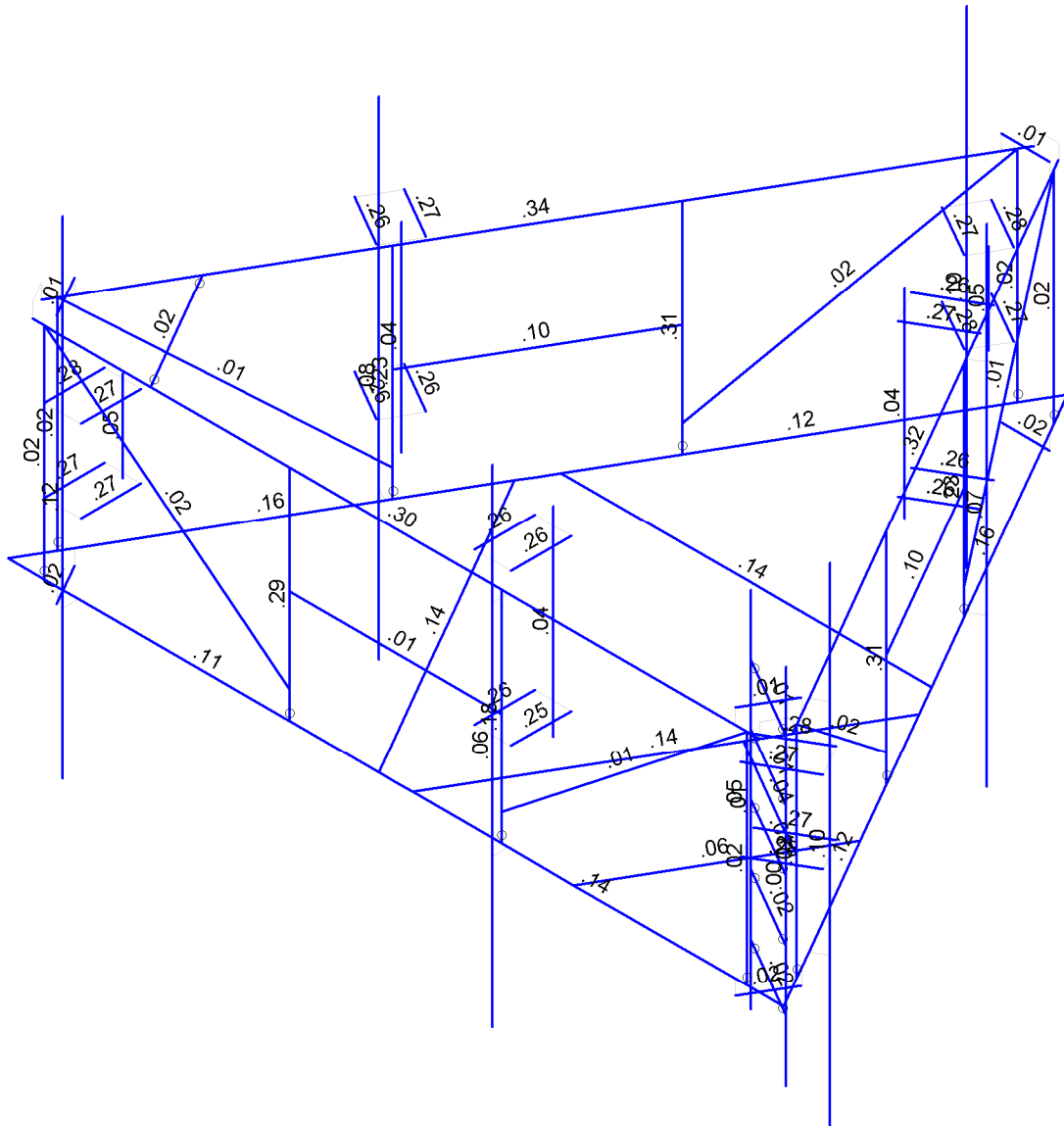
Code Check (Env)

No Calc
> 1.0
99-1.0
75-99
50-75
0-50



Member Code Checks Displayed (Enveloped)  
Envelope Only Solution

		SK - 2
		July 12, 2023 at 9:33 AM
	Bending Check	5000386016-VZW_MT_LO_H.r3d



Member Shear Checks Displayed (Enveloped)  
Envelope Only Solution

		SK - 3
		July 12, 2023 at 9:33 AM
	Shear Check	5000386016-VZW_MT_LO_H.r3d



Company :  
 Designer :  
 Job Number :  
 Model Name :

July 12, 2023  
 9:33 AM  
 Checked By: \_\_\_\_\_

**Basic Load Cases**

	BLC Description	Category	X Gravity	Y Gravity	Z Gravity	Joint	Point	Distributed Area(Me...	Surface(P...
1	Antenna D	None					90		
2	Antenna Di	None					90		
3	Antenna Wo (0 Deg)	None					90		
4	Antenna Wo (30 Deg)	None					90		
5	Antenna Wo (60 Deg)	None					90		
6	Antenna Wo (90 Deg)	None					90		
7	Antenna Wo (120 Deg)	None					90		
8	Antenna Wo (150 Deg)	None					90		
9	Antenna Wo (180 Deg)	None					90		
10	Antenna Wo (210 Deg)	None					90		
11	Antenna Wo (240 Deg)	None					90		
12	Antenna Wo (270 Deg)	None					90		
13	Antenna Wo (300 Deg)	None					90		
14	Antenna Wo (330 Deg)	None					90		
15	Antenna Wi (0 Deg)	None					90		
16	Antenna Wi (30 Deg)	None					90		
17	Antenna Wi (60 Deg)	None					90		
18	Antenna Wi (90 Deg)	None					90		
19	Antenna Wi (120 Deg)	None					90		
20	Antenna Wi (150 Deg)	None					90		
21	Antenna Wi (180 Deg)	None					90		
22	Antenna Wi (210 Deg)	None					90		
23	Antenna Wi (240 Deg)	None					90		
24	Antenna Wi (270 Deg)	None					90		
25	Antenna Wi (300 Deg)	None					90		
26	Antenna Wi (330 Deg)	None					90		
27	Antenna Wm (0 Deg)	None					90		
28	Antenna Wm (30 Deg)	None					90		
29	Antenna Wm (60 Deg)	None					90		
30	Antenna Wm (90 Deg)	None					90		
31	Antenna Wm (120 Deg)	None					90		
32	Antenna Wm (150 Deg)	None					90		
33	Antenna Wm (180 Deg)	None					90		
34	Antenna Wm (210 Deg)	None					90		
35	Antenna Wm (240 Deg)	None					90		
36	Antenna Wm (270 Deg)	None					90		
37	Antenna Wm (300 Deg)	None					90		
38	Antenna Wm (330 Deg)	None					90		
39	Structure D	None		-1					3
40	Structure Di	None						85	3
41	Structure Wo (0 Deg)	None						170	
42	Structure Wo (30 Deg)	None						170	
43	Structure Wo (60 Deg)	None						170	
44	Structure Wo (90 Deg)	None						170	
45	Structure Wo (120 D...	None						170	
46	Structure Wo (150 D...	None						170	
47	Structure Wo (180 D...	None						170	
48	Structure Wo (210 D...	None						170	
49	Structure Wo (240 D...	None						170	
50	Structure Wo (270 D...	None						170	
51	Structure Wo (300 D...	None						170	
52	Structure Wo (330 D...	None						170	
53	Structure Wi (0 Deg)	None						170	





Company :  
 Designer :  
 Job Number :  
 Model Name :

July 12, 2023  
 9:33 AM  
 Checked By: \_\_\_\_\_

**Basic Load Cases (Continued)**

BLC Description	Category	X Gravity	Y Gravity	Z Gravity	Joint	Point	Distributed Area(Me...)	Surface(P...
54 Structure Wi (30 Deg)	None						170	
55 Structure Wi (60 Deg)	None						170	
56 Structure Wi (90 Deg)	None						170	
57 Structure Wi (120 De..)	None						170	
58 Structure Wi (150 De..)	None						170	
59 Structure Wi (180 De..)	None						170	
60 Structure Wi (210 De..)	None						170	
61 Structure Wi (240 De..)	None						170	
62 Structure Wi (270 De..)	None						170	
63 Structure Wi (300 De..)	None						170	
64 Structure Wi (330 De..)	None						170	
65 Structure Wm (0 Deg)	None						170	
66 Structure Wm (30 De..)	None						170	
67 Structure Wm (60 De..)	None						170	
68 Structure Wm (90 De..)	None						170	
69 Structure Wm (120 D..)	None						170	
70 Structure Wm (150 D..)	None						170	
71 Structure Wm (180 D..)	None						170	
72 Structure Wm (210 D..)	None						170	
73 Structure Wm (240 D..)	None						170	
74 Structure Wm (270 D..)	None						170	
75 Structure Wm (300 D..)	None						170	
76 Structure Wm (330 D..)	None						170	
77 Lm1	None					1		
78 Lm2	None					1		
79 Lv1	None					1		
80 Lv2	None					1		
81 Antenna Ev	None					90		
82 Antenna Eh (0 Deg)	None					60		
83 Antenna Eh (90 Deg)	None					60		
84 Structure Ev	ELY		-0.042					3
85 Structure Eh (0 Deg)	ELZ			-0.106				3
86 Structure Eh (90 Deg)	ELX	.106						3
87 BLC 39 Transient Are..	None						38	
88 BLC 40 Transient Are..	None						38	
89 BLC 84 Transient Are..	None						38	
90 BLC 85 Transient Are..	None						38	
91 BLC 86 Transient Are..	None						38	

**Load Combinations**

Description	S... P...	S... B...	Fa... B...	Fa... B...	Fa... B...	Fa... B...	Fa... B...	Fa... B...	Fa... B...	Fa... B...	Fa... B...	Fa... B...	Fa... B...	Fa... B...	Fa... B...	Fa... B...	Fa... B...
1 1.2D+1.0Wo (0 Deg)	Yes Y	1	1.2	39	1.2	3	1	41	1								
2 1.2D+1.0Wo (30 Deg)	Yes Y	1	1.2	39	1.2	4	1	42	1								
3 1.2D+1.0Wo (60 Deg)	Yes Y	1	1.2	39	1.2	5	1	43	1								
4 1.2D+1.0Wo (90 Deg)	Yes Y	1	1.2	39	1.2	6	1	44	1								
5 1.2D+1.0Wo (120 Deg)	Yes Y	1	1.2	39	1.2	7	1	45	1								
6 1.2D+1.0Wo (150 Deg)	Yes Y	1	1.2	39	1.2	8	1	46	1								
7 1.2D+1.0Wo (180 Deg)	Yes Y	1	1.2	39	1.2	9	1	47	1								
8 1.2D+1.0Wo (210 Deg)	Yes Y	1	1.2	39	1.2	10	1	48	1								
9 1.2D+1.0Wo (240 Deg)	Yes Y	1	1.2	39	1.2	11	1	49	1								
10 1.2D+1.0Wo (270 Deg)	Yes Y	1	1.2	39	1.2	12	1	50	1								
11 1.2D+1.0Wo (300 Deg)	Yes Y	1	1.2	39	1.2	13	1	51	1								
12 1.2D+1.0Wo (330 Deg)	Yes Y	1	1.2	39	1.2	14	1	52	1								
13 1.2D + 1.0Di + 1.0Wi (0 Deg)	Yes Y	1	1.2	39	1.2	2	1	40	1	15	1	53	1				
14 1.2D + 1.0Di + 1.0Wi (30 Deg)	Yes Y	1	1.2	39	1.2	2	1	40	1	16	1	54	1				



Company :  
 Designer :  
 Job Number :  
 Model Name :

July 12, 2023  
 9:33 AM  
 Checked By: \_\_\_\_\_

**Load Combinations (Continued)**

	Description	S...	P...	S...	B...	Fa...	B...	Fa...	B...	Fa...	B...	Fa...	B...	Fa...	B...	Fa...	B...	Fa...	B...	Fa...	B...	
15	1.2D + 1.0Di + 1.0Wi (60 Deg)	Yes	Y		1	1.2	39	1.2	2	1	40	1	17	1	55	1						
16	1.2D + 1.0Di + 1.0Wi (90 Deg)	Yes	Y		1	1.2	39	1.2	2	1	40	1	18	1	56	1						
17	1.2D + 1.0Di + 1.0Wi (120 Deg)	Yes	Y		1	1.2	39	1.2	2	1	40	1	19	1	57	1						
18	1.2D + 1.0Di + 1.0Wi (150 Deg)	Yes	Y		1	1.2	39	1.2	2	1	40	1	20	1	58	1						
19	1.2D + 1.0Di + 1.0Wi (180 Deg)	Yes	Y		1	1.2	39	1.2	2	1	40	1	21	1	59	1						
20	1.2D + 1.0Di + 1.0Wi (210 Deg)	Yes	Y		1	1.2	39	1.2	2	1	40	1	22	1	60	1						
21	1.2D + 1.0Di + 1.0Wi (240 Deg)	Yes	Y		1	1.2	39	1.2	2	1	40	1	23	1	61	1						
22	1.2D + 1.0Di + 1.0Wi (270 Deg)	Yes	Y		1	1.2	39	1.2	2	1	40	1	24	1	62	1						
23	1.2D + 1.0Di + 1.0Wi (300 Deg)	Yes	Y		1	1.2	39	1.2	2	1	40	1	25	1	63	1						
24	1.2D + 1.0Di + 1.0Wi (330 Deg)	Yes	Y		1	1.2	39	1.2	2	1	40	1	26	1	64	1						
25	1.2D + 1.5Lm1 + 1.0Wm (0 Deg)	Yes	Y		1	1.2	39	1.2	77	1.5	27	1	65	1								
26	1.2D + 1.5Lm1 + 1.0Wm (30 Deg)	Yes	Y		1	1.2	39	1.2	77	1.5	28	1	66	1								
27	1.2D + 1.5Lm1 + 1.0Wm (60 Deg)	Yes	Y		1	1.2	39	1.2	77	1.5	29	1	67	1								
28	1.2D + 1.5Lm1 + 1.0Wm (90 Deg)	Yes	Y		1	1.2	39	1.2	77	1.5	30	1	68	1								
29	1.2D + 1.5Lm1 + 1.0Wm (120 Deg)	Yes	Y		1	1.2	39	1.2	77	1.5	31	1	69	1								
30	1.2D + 1.5Lm1 + 1.0Wm (150 Deg)	Yes	Y		1	1.2	39	1.2	77	1.5	32	1	70	1								
31	1.2D + 1.5Lm1 + 1.0Wm (180 Deg)	Yes	Y		1	1.2	39	1.2	77	1.5	33	1	71	1								
32	1.2D + 1.5Lm1 + 1.0Wm (210 Deg)	Yes	Y		1	1.2	39	1.2	77	1.5	34	1	72	1								
33	1.2D + 1.5Lm1 + 1.0Wm (240 Deg)	Yes	Y		1	1.2	39	1.2	77	1.5	35	1	73	1								
34	1.2D + 1.5Lm1 + 1.0Wm (270 Deg)	Yes	Y		1	1.2	39	1.2	77	1.5	36	1	74	1								
35	1.2D + 1.5Lm1 + 1.0Wm (300 Deg)	Yes	Y		1	1.2	39	1.2	77	1.5	37	1	75	1								
36	1.2D + 1.5Lm1 + 1.0Wm (330 Deg)	Yes	Y		1	1.2	39	1.2	77	1.5	38	1	76	1								
37	1.2D + 1.5Lm2 + 1.0Wm (0 Deg)	Yes	Y		1	1.2	39	1.2	78	1.5	27	1	65	1								
38	1.2D + 1.5Lm2 + 1.0Wm (30 Deg)	Yes	Y		1	1.2	39	1.2	78	1.5	28	1	66	1								
39	1.2D + 1.5Lm2 + 1.0Wm (60 Deg)	Yes	Y		1	1.2	39	1.2	78	1.5	29	1	67	1								
40	1.2D + 1.5Lm2 + 1.0Wm (90 Deg)	Yes	Y		1	1.2	39	1.2	78	1.5	30	1	68	1								
41	1.2D + 1.5Lm2 + 1.0Wm (120 Deg)	Yes	Y		1	1.2	39	1.2	78	1.5	31	1	69	1								
42	1.2D + 1.5Lm2 + 1.0Wm (150 Deg)	Yes	Y		1	1.2	39	1.2	78	1.5	32	1	70	1								
43	1.2D + 1.5Lm2 + 1.0Wm (180 Deg)	Yes	Y		1	1.2	39	1.2	78	1.5	33	1	71	1								
44	1.2D + 1.5Lm2 + 1.0Wm (210 Deg)	Yes	Y		1	1.2	39	1.2	78	1.5	34	1	72	1								
45	1.2D + 1.5Lm2 + 1.0Wm (240 Deg)	Yes	Y		1	1.2	39	1.2	78	1.5	35	1	73	1								
46	1.2D + 1.5Lm2 + 1.0Wm (270 Deg)	Yes	Y		1	1.2	39	1.2	78	1.5	36	1	74	1								
47	1.2D + 1.5Lm2 + 1.0Wm (300 Deg)	Yes	Y		1	1.2	39	1.2	78	1.5	37	1	75	1								
48	1.2D + 1.5Lm2 + 1.0Wm (330 Deg)	Yes	Y		1	1.2	39	1.2	78	1.5	38	1	76	1								
49	1.2D + 1.5Lv1	Yes	Y		1	1.2	39	1.2	79	1.5												
50	1.2D + 1.5Lv2	Yes	Y		1	1.2	39	1.2	80	1.5												
51	1.4D	Yes	Y		1	1.4	39	1.4														
52	1.2D + 1.0Ev + 1.0Eh (0 Deg)	Yes	Y		1	1.2	39	1.2	81	1	E...	1	82	1	83	E...	1	E...				
53	1.2D + 1.0Ev + 1.0Eh (30 Deg)	Yes	Y		1	1.2	39	1.2	81	1	E...	1	82	.866	83	.5	E...	.866	E...	.5		
54	1.2D + 1.0Ev + 1.0Eh (60 Deg)	Yes	Y		1	1.2	39	1.2	81	1	E...	1	82	.5	83	.866	E...	.5	E...	.866		
55	1.2D + 1.0Ev + 1.0Eh (90 Deg)	Yes	Y		1	1.2	39	1.2	81	1	E...	1	82		83	1	E...		E...	1		
56	1.2D + 1.0Ev + 1.0Eh (120 Deg)	Yes	Y		1	1.2	39	1.2	81	1	E...	1	82	-5	83	.866	E...	-5	E...	.866		
57	1.2D + 1.0Ev + 1.0Eh (150 Deg)	Yes	Y		1	1.2	39	1.2	81	1	E...	1	82	-8...	83	.5	E...	-8...	E...	.5		
58	1.2D + 1.0Ev + 1.0Eh (180 Deg)	Yes	Y		1	1.2	39	1.2	81	1	E...	1	82	-1	83		E...	-1	E...			
59	1.2D + 1.0Ev + 1.0Eh (210 Deg)	Yes	Y		1	1.2	39	1.2	81	1	E...	1	82	-8...	83	-.5	E...	-8...	E...	-.5		
60	1.2D + 1.0Ev + 1.0Eh (240 Deg)	Yes	Y		1	1.2	39	1.2	81	1	E...	1	82	-.5	83	-.8...	E...	-.5	E...	-.8...		
61	1.2D + 1.0Ev + 1.0Eh (270 Deg)	Yes	Y		1	1.2	39	1.2	81	1	E...	1	82		83	-1	E...		E...	-1		
62	1.2D + 1.0Ev + 1.0Eh (300 Deg)	Yes	Y		1	1.2	39	1.2	81	1	E...	1	82	.5	83	-.8...	E...	.5	E...	-.8...		
63	1.2D + 1.0Ev + 1.0Eh (330 Deg)	Yes	Y		1	1.2	39	1.2	81	1	E...	1	82	.866	83	-.5	E...	.866	E...	-.5		
64	0.9D - 1.0Ev + 1.0Eh (0 Deg)	Yes	Y		1	.9	39	.9	81	-1	E...	-1	82	1	83	E...	1	E...				
65	0.9D - 1.0Ev + 1.0Eh (30 Deg)	Yes	Y		1	.9	39	.9	81	-1	E...	-1	82	.866	83	.5	E...	.866	E...	.5		
66	0.9D - 1.0Ev + 1.0Eh (60 Deg)	Yes	Y		1	.9	39	.9	81	-1	E...	-1	82	.5	83	.866	E...	.5	E...	.866		
67	0.9D - 1.0Ev + 1.0Eh (90 Deg)	Yes	Y		1	.9	39	.9	81	-1	E...	-1	82		83	1	E...		E...	1		
68	0.9D - 1.0Ev + 1.0Eh (120 Deg)	Yes	Y		1	.9	39	.9	81	-1	E...	-1	82	-.5	83	.866	E...	-.5	E...	.866		
69	0.9D - 1.0Ev + 1.0Eh (150 Deg)	Yes	Y		1	.9	39	.9	81	-1	E...	-1	82	-8...	83	.5	E...	-8...	E...	.5		
70	0.9D - 1.0Ev + 1.0Eh (180 Deg)	Yes	Y		1	.9	39	.9	81	-1	E...	-1	82	-1	83		E...	-1	E...			
71	0.9D - 1.0Ev + 1.0Eh (210 Deg)	Yes	Y		1	.9	39	.9	81	-1	E...	-1	82	-.8...	83	-.5	E...	-.8...	E...	-.5		



Company :  
 Designer :  
 Job Number :  
 Model Name :

July 12, 2023  
 9:33 AM  
 Checked By: \_\_\_\_\_

**Load Combinations (Continued)**

Description	S...	P...	S...	B...	Fa...		B...		Fa...		B...		Fa...		B...		Fa...		B...	
					1	.9	39	.9	81	-1	E...	-1	82	-.5	83	-8...	E...	-.5	E...	-.8...
72 0.9D - 1.0Ev + 1.0Eh (240 Deg)	Yes	Y			1	.9	39	.9	81	-1	E...	-1	82	-.5	83	-8...	E...	-.5	E...	-.8...
73 0.9D - 1.0Ev + 1.0Eh (270 Deg)	Yes	Y			1	.9	39	.9	81	-1	E...	-1	82		83	-1	E...		E...	-1
74 0.9D - 1.0Ev + 1.0Eh (300 Deg)	Yes	Y			1	.9	39	.9	81	-1	E...	-1	82	.5	83	-8...	E...	.5	E...	-.8...
75 0.9D - 1.0Ev + 1.0Eh (330 Deg)	Yes	Y			1	.9	39	.9	81	-1	E...	-1	82	.866	83	-.5	E...	.866	E...	-.5

**Joint Coordinates and Temperatures**

	Label	X [ft]	Y [ft]	Z [ft]	Temp [F]	Detach From Diap...
1	N1	0	0	3.0792	0	
2	N2	5.333333	0	3.0792	0	
3	N3	-5.333333	0	3.0792	0	
4	N4	-2.666667	0	-1.539602	0	
5	N5	-0.	0	-6.158404	0	
6	N7	2.666667	0	-1.539602	0	
7	N7A	0	0	-0.000001	0	
8	N8	-0.	0	-1.741738	0	
9	N11	2.549964	0	-1.741738	0	
10	N12	-2.549964	0	-1.741738	0	
11	N11A	-2.783371	0	-1.337465	0	
12	N12A	-0.233408	0	3.0792	0	
13	N13	0.233408	0	3.0792	0	
14	N14	2.783371	0	-1.337465	0	
15	N15	-4.666667	0	3.0792	0	
16	N20	-5.000001	0	2.501852	0	
17	N25	-4.666667	-0.208333	3.0792	0	
18	N26	-4.999999	-0.208333	2.501852	0	
19	N22	5.000001	0	2.501852	0	
20	N23	4.666667	0	3.0792	0	
21	N25A	4.999999	-0.208333	2.501852	0	
22	N26A	4.666667	-0.208333	3.0792	0	
23	N29	-0.333335	0	-5.581052	0	
24	N30	0.333335	0	-5.581052	0	
25	N32	-0.333332	-0.208333	-5.581052	0	
26	N33	0.333332	-0.208333	-5.581052	0	
27	N36	0	3.020833	3.0792	0	
28	N39	-2.666667	3.020833	-1.539602	0	
29	N41	2.666667	3.020833	-1.539602	0	
30	N50	-4.666667	3.020833	3.0792	0	
31	N51	-4.999999	3.020833	2.501852	0	
32	N52	4.999999	3.020833	2.501852	0	
33	N53	4.666667	3.020833	3.0792	0	
34	N54	-0.333332	3.020833	-5.581052	0	
35	N55	0.333332	3.020833	-5.581052	0	
36	N56	-5	3.020833	3.0792	0	
37	N57	5	3.020833	3.0792	0	
38	N58	5.166665	3.020833	2.790527	0	
39	N59	0.166665	3.020833	-5.869727	0	
40	N60	-0.166665	3.020833	-5.869727	0	
41	N61	-5.166665	3.020833	2.790527	0	
42	N55A	-4.666667	3.229167	3.0792	0	
43	N56A	-4.999999	3.229167	2.501852	0	
44	N57A	-5	3.229167	3.0792	0	
45	N58A	-5.166665	3.229167	2.790527	0	
46	N60A	-5.083333	3.229167	2.934864	0	
47	N64	4.999999	3.229167	2.501852	0	
48	N65	4.666667	3.229167	3.0792	0	



Company :  
 Designer :  
 Job Number :  
 Model Name :

July 12, 2023  
 9:33 AM  
 Checked By: \_\_\_\_\_

**Joint Coordinates and Temperatures (Continued)**

	Label	X [ft]	Y [ft]	Z [ft]	Temp [F]	Detach From Diap...
49	N66	5.166665	3.229167	2.790527	0	
50	N67	5	3.229167	3.0792	0	
51	N69	5.083333	3.229167	2.934864	0	
52	N75	-0.333332	3.229167	-5.581052	0	
53	N76	0.333332	3.229167	-5.581052	0	
54	N77	-0.166665	3.229167	-5.869727	0	
55	N78	0.166665	3.229167	-5.869727	0	
56	N80	-0.	3.229167	-5.869727	0	
57	N72	0.416667	0	-1.741738	0	
58	N73	-0.416667	0	-1.741738	0	
59	N74	-1.508389	0	0.870869	0	
60	N75A	-1.716722	0	0.510025	0	
61	N76A	-1.300056	0	1.231713	0	
62	N77A	1.508389	0	0.870869	0	
63	N78A	1.300056	0	1.231713	0	
64	N79A	1.716722	0	0.510025	0	
65	N80A	1.458333	0	3.0792	0	
66	N81A	1.458333	3.020833	3.0792	0	
67	N82	-1.458333	0	3.0792	0	
68	N83	-1.458333	3.020833	3.0792	0	
69	N84	-1.458333	1.541667	3.0792	0	
70	N85	1.458333	1.541667	3.0792	0	
71	N86	4.833333	0	3.0792	0	
72	N87	4.833333	3.020833	3.0792	0	
73	N88	-4.833333	0	3.0792	0	
74	N89	-4.833333	3.020833	3.0792	0	
75	N90	1.937501	0	-2.802554	0	
76	N91	1.937499	3.020833	-2.802554	0	
77	N92	3.395835	0	-0.276646	0	
78	N93	3.395832	3.020833	-0.276646	0	
79	N94	3.395835	1.541667	-0.276646	0	
80	N95	1.937501	1.541667	-2.802554	0	
81	N96	0.250001	0	-5.725389	0	
82	N97	0.249999	3.020833	-5.725389	0	
83	N98	5.083335	0	2.646189	0	
84	N99	5.083332	3.020833	2.646189	0	
85	N100	-3.395835	0	-0.276646	0	
86	N101	-3.395832	3.020833	-0.276646	0	
87	N102	-1.937501	0	-2.802554	0	
88	N103	-1.937499	3.020833	-2.802554	0	
89	N104	-1.937501	1.541667	-2.802554	0	
90	N105	-3.395835	1.541667	-0.276646	0	
91	N106	-5.083335	0	2.646189	0	
92	N107	-5.083332	3.020833	2.646189	0	
93	N108	-0.250001	0	-5.725389	0	
94	N109	-0.249999	3.020833	-5.725389	0	
95	N152	1.541667	0	3.0792	0	
96	N154	1.541667	3.020833	3.0792	0	
97	N157	1.541667	0	3.287533	0	
98	N158	1.541667	3.020833	3.287533	0	
99	N159	1.541667	-2.041667	3.287533	0	
100	N160	1.541667	4.666667	3.287533	0	
101	N220	2.446583	0	3.079202	0	
102	N221	3.889959	0	0.579202	0	
103	N220A	3.556626	0	1.156552	0	
104	N222	1.896744	0	0.198219	0	
105	N222A	2.726685	0	0.677386	0	



Company :  
 Designer :  
 Job Number :  
 Model Name :

July 12, 2023  
 9:33 AM  
 Checked By: \_\_\_\_\_

**Joint Coordinates and Temperatures (Continued)**

	Label	X [ft]	Y [ft]	Z [ft]	Temp [F]	Detach From Diap...
106	N223	2.149334	0	0.344052	0	
107	N224	3.304035	0	1.010719	0	
108	N225	2.149334	2	0.344052	0	
109	N226	3.304035	2	1.010719	0	
110	N227	2.149334	-3	0.344052	0	
111	N228	3.304035	-3	1.010719	0	
112	N229	2.149334	1.166667	0.344052	0	
113	N230	2.149334	0.333333	0.344052	0	
114	N231	2.149334	-.5	0.344052	0	
115	N232	2.149334	-1.333333	0.344052	0	
116	N233	2.149334	-2.166667	0.344052	0	
117	N234	3.304035	-2.166667	1.010719	0	
118	N235	3.304035	-1.333333	1.010719	0	
119	N236	3.304035	-.5	1.010719	0	
120	N237	3.304035	0.333333	1.010719	0	
121	N238	3.304035	1.166667	1.010719	0	
122	N197	1.458333	.375	3.0792	0	
123	N198A	-1.458333	.375	3.0792	0	
124	N199	1.937501	.375	-2.802554	0	
125	N200	3.395835	.375	-0.276646	0	
126	N201A	-3.395835	.375	-0.276646	0	
127	N202A	-1.937501	.375	-2.802554	0	
128	N191	1.541667	3.520833	3.287533	0	
129	N192B	1.791667	3.520833	3.287533	0	
130	N193	1.291667	3.520833	3.287533	0	
131	N194A	1.791667	3.520833	2.4542	0	
132	N195A	1.291667	3.520833	2.4542	0	
133	N196B	1.541667	3.520833	2.4542	0	
134	N197B	1.541667	3.75	2.4542	0	
135	N198C	1.541667	1	2.4542	0	
136	N199B	1.541667	1.4375	3.287533	0	
137	N200B	1.791667	1.4375	3.287533	0	
138	N201C	1.291667	1.4375	3.287533	0	
139	N202C	1.791667	1.4375	2.4542	0	
140	N203B	1.291667	1.4375	2.4542	0	
141	N204B	1.541667	1.4375	2.4542	0	
142	N193A	-4.375	0	3.0792	0	
143	N194B	-4.375	3.020833	3.0792	0	
144	N195B	-4.375	0	3.287533	0	
145	N196	-4.375	3.020833	3.287533	0	
146	N197C	-4.375	-2.041667	3.287533	0	
147	N198	-4.375	4.666667	3.287533	0	
148	N199C	-4.375	2.3125	3.287533	0	
149	N200C	-4.125	2.3125	3.287533	0	
150	N201	-4.625	2.3125	3.287533	0	
151	N202	-4.125	2.3125	2.4542	0	
152	N203	-4.625	2.3125	2.4542	0	
153	N204	-4.375	2.3125	2.4542	0	
154	N205A	-4.375	2.375	2.4542	0	
155	N206A	-4.375	1.125	2.4542	0	
156	N207	-4.375	1.1875	3.287533	0	
157	N208	-4.125	1.1875	3.287533	0	
158	N209A	-4.625	1.1875	3.287533	0	
159	N210	-4.125	1.1875	2.4542	0	
160	N211	-4.625	1.1875	2.4542	0	
161	N212	-4.375	1.1875	2.4542	0	
162	N213A	1.895832	0	-2.874722	0	



Company :  
 Designer :  
 Job Number :  
 Model Name :

July 12, 2023  
 9:33 AM  
 Checked By: \_\_\_\_\_

**Joint Coordinates and Temperatures (Continued)**

	Label	X [ft]	Y [ft]	Z [ft]	Temp [F]	Detach From Diap...
163	N214	1.895832	3.020833	-2.874722	0	
164	N215	2.076254	0	-2.978889	0	
165	N216	2.076254	3.020833	-2.978889	0	
166	N217	2.076254	-2.041667	-2.978889	0	
167	N218	2.076254	4.666667	-2.978889	0	
168	N219	2.076254	3.520833	-2.978889	0	
169	N220B	1.951254	3.520833	-3.195396	0	
170	N221A	2.201254	3.520833	-2.762383	0	
171	N222B	1.229566	3.520833	-2.778729	0	
172	N223A	1.479566	3.520833	-2.345716	0	
173	N224A	1.354566	3.520833	-2.562222	0	
174	N225A	1.354566	3.75	-2.562222	0	
175	N226A	1.354566	1	-2.562222	0	
176	N227A	2.076254	1.4375	-2.978889	0	
177	N228A	1.951254	1.4375	-3.195396	0	
178	N229A	2.201254	1.4375	-2.762383	0	
179	N230A	1.229566	1.4375	-2.778729	0	
180	N231A	1.479566	1.4375	-2.345716	0	
181	N232A	1.354566	1.4375	-2.562222	0	
182	N233A	4.854165	0	2.249261	0	
183	N234A	4.854165	3.020833	2.249261	0	
184	N235A	5.034587	0	2.145094	0	
185	N236A	5.034587	3.020833	2.145094	0	
186	N237A	5.034587	-2.041667	2.145094	0	
187	N238A	5.034587	4.666667	2.145094	0	
188	N239	5.034587	2.3125	2.145094	0	
189	N240	4.909587	2.3125	1.928588	0	
190	N241	5.159587	2.3125	2.361601	0	
191	N242	4.1879	2.3125	2.345255	0	
192	N243	4.4379	2.3125	2.778267	0	
193	N244	4.3129	2.3125	2.561761	0	
194	N245	4.3129	2.375	2.561761	0	
195	N246	4.3129	1.125	2.561761	0	
196	N247	5.034587	1.1875	2.145094	0	
197	N248	4.909587	1.1875	1.928588	0	
198	N249	5.159587	1.1875	2.361601	0	
199	N250	4.1879	1.1875	2.345255	0	
200	N251	4.4379	1.1875	2.778267	0	
201	N252	4.3129	1.1875	2.561761	0	
202	N253	-3.437499	0	-0.204478	0	
203	N254	-3.437499	3.020833	-0.204478	0	
204	N255	-3.617921	0	-0.308644	0	
205	N256	-3.617921	3.020833	-0.308644	0	
206	N257	-3.617921	-2.041667	-0.308644	0	
207	N258	-3.617921	4.666667	-0.308644	0	
208	N259	-3.617921	3.520833	-0.308644	0	
209	N260	-3.742921	3.520833	-0.092138	0	
210	N261	-3.492921	3.520833	-0.525151	0	
211	N262	-3.021233	3.520833	0.324529	0	
212	N263	-2.771233	3.520833	-0.108484	0	
213	N264	-2.896233	3.520833	0.108022	0	
214	N265	-2.896233	3.75	0.108022	0	
215	N266	-2.896233	1	0.108022	0	
216	N267	-3.617921	1.4375	-0.308644	0	
217	N268	-3.742921	1.4375	-0.092138	0	
218	N269	-3.492921	1.4375	-0.525151	0	
219	N270	-3.021233	1.4375	0.324529	0	

### Joint Coordinates and Temperatures (Continued)

	Label	X [ft]	Y [ft]	Z [ft]	Temp [F]	Detach From Diap...
220	N271	-2.771233	1.4375	-0.108484	0	
221	N272	-2.896233	1.4375	0.108022	0	
222	N273	-0.479165	0	-5.328461	0	
223	N274	-0.479165	3.020833	-5.328461	0	
224	N275	-0.659587	0	-5.432628	0	
225	N276	-0.659587	3.020833	-5.432628	0	
226	N277	-0.659587	-2.041667	-5.432628	0	
227	N278	-0.659587	4.666667	-5.432628	0	
228	N279	-0.659587	2.3125	-5.432628	0	
229	N280	-0.784587	2.3125	-5.216121	0	
230	N281	-0.534587	2.3125	-5.649134	0	
231	N282	-0.0629	2.3125	-4.799455	0	
232	N283	0.1871	2.3125	-5.232467	0	
233	N284	0.0621	2.3125	-5.015961	0	
234	N285	0.0621	2.375	-5.015961	0	
235	N286	0.0621	1.125	-5.015961	0	
236	N287	-0.659587	1.1875	-5.432628	0	
237	N288	-0.784587	1.1875	-5.216121	0	
238	N289	-0.534587	1.1875	-5.649134	0	
239	N290	-0.0629	1.1875	-4.799455	0	
240	N291	0.1871	1.1875	-5.232467	0	
241	N292	0.0621	1.1875	-5.015961	0	
242	N293	-3.375	3.020833	3.0792	0	
243	N294	-4.354165	3.020833	1.383236	0	

### Hot Rolled Steel Section Sets

	Label	Shape	Type	Design List	Material	Design R...	A [in <sup>2</sup> ]	I <sub>yy</sub> [in <sup>4</sup> ]	I <sub>zz</sub> [in <sup>4</sup> ]	J [in <sup>4</sup> ]
1	Mount Pipe	PIPE 2.0	Beam	Pipe	A53 Gr. B	Typical	1.02	.627	.627	1.25
2	Face Horizontal	C5X9	Beam	Channel	A36 Gr.36	Typical	2.64	.624	8.89	.109
3	Crossmember	C5X9	Beam	Channel	A36 Gr.36	Typical	2.64	.624	8.89	.109
4	Corner Channel	C6X8.2	Beam	Channel	A36 Gr.36	Typical	2.39	.687	13.1	.074
5	TES Face Bracing	L2x2x4	Beam	Single Angle	A36 Gr.36	Typical	.944	.346	.346	.021
6	Ladder	L2x2x4	Beam	Single Angle	A36 Gr.36	Typical	.944	.346	.346	.021
7	Support Rail	L3X3X5	Beam	Single Angle	A36 Gr.36	Typical	1.78	1.5	1.5	.06
8	Ladder Rungs	SR_0.75	Beam	Single Angle	A36 Gr.36	Typical	.442	.016	.016	.031
9	Face Bracing	L1.75X1.75X4	Beam	Single Angle	A36 Gr.36	Typical	.813	.227	.227	.015
10	Corner Plate	PL3/8x8	Beam	RECT	A36 Gr.36	Typical	3	.035	16	.136
11	Corner HHS	HSS2X2X4	Beam	SquareTube	A500 Gr. B 42	Typical	1.51	.747	.747	1.31
12	Threaded Rods	SR_0.5	Beam	BAR	A36 Gr.36	Typical	.196	.003	.003	.006
13	Proposed Pipe	PIPE 2.5	Beam	Pipe	A53 Gr. B	Typical	1.61	1.45	1.45	2.89
14	Corner Angle	L3X3X5	Beam	Single Angle	A53 Gr. B	Typical	1.78	1.5	1.5	.06

### Hot Rolled Steel Properties

	Label	E [ksi]	G [ksi]	Nu	Therm (/1E...	Density[k/ft...	Yield[ksi]	Ry	Fu[ksi]	Rt
1	A36 Gr.36	29000	11154	.3	.65	.49	36	1.5	58	1.2
2	A53 Gr. B	29000	11154	.3	.65	.49	35	1.5	60	1.2
3	A572 Gr.50	29000	11154	.3	.65	.49	50	1.1	65	1.1
4	A992	29000	11154	.3	.65	.49	50	1.1	65	1.1
5	A500 Gr. B 42	29000	11154	.3	.65	.49	42	1.4	58	1.3
6	A500 Gr. B 46	29000	11154	.3	.65	.49	46	1.4	58	1.3

**Member Primary Data**

	Label	I Joint	J Joint	K Joint	Rotate(deg)	Section/Shape	Type	Design List	Material	Design Rules
1	M1	N3	N1		180	Face Horizontal	Beam	Channel	A36 Gr.36	Typical
2	M2	N1	N2		180	Face Horizontal	Beam	Channel	A36 Gr.36	Typical
3	M3	N2	N7		180	Face Horizontal	Beam	Channel	A36 Gr.36	Typical
4	M4	N7	N5		180	Face Horizontal	Beam	Channel	A36 Gr.36	Typical
5	M5	N5	N4		180	Face Horizontal	Beam	Channel	A36 Gr.36	Typical
6	M6	N4	N3		180	Face Horizontal	Beam	Channel	A36 Gr.36	Typical
7	M7	N12	N11		180	Crossmember	Beam	Channel	A36 Gr.36	Typical
8	M8	N12A	N11A		180	Crossmember	Beam	Channel	A36 Gr.36	Typical
9	M9	N14	N13		180	Crossmember	Beam	Channel	A36 Gr.36	Typical
10	M13	N25	N26		90	Corner Plate	Beam	RECT	A36 Gr.36	Typical
11	M14	N15	N25			RIGID	None	None	RIGID	Typical
12	M15	N20	N26			RIGID	None	None	RIGID	Typical
13	M14A	N25A	N26A		90	Corner Plate	Beam	RECT	A36 Gr.36	Typical
14	M16	N22	N25A			RIGID	None	None	RIGID	Typical
15	M17	N23	N26A			RIGID	None	None	RIGID	Typical
16	M18	N32	N33		90	Corner Plate	Beam	RECT	A36 Gr.36	Typical
17	M20	N29	N32			RIGID	None	None	RIGID	Typical
18	M21	N30	N33			RIGID	None	None	RIGID	Typical
19	M25	N61	N60		90	Support Rail	Beam	Single Angle	A36 Gr.36	Typical
20	M26	N57	N56		90	Support Rail	Beam	Single Angle	A36 Gr.36	Typical
21	M27	N59	N58		90	Support Rail	Beam	Single Angle	A36 Gr.36	Typical
22	M28	N61	N58A			RIGID	None	None	RIGID	Typical
23	M29	N58A	N60A			RIGID	None	None	RIGID	Typical
24	M30	N56	N57A			RIGID	None	None	RIGID	Typical
25	M31	N57A	N60A			RIGID	None	None	RIGID	Typical
26	M32	N50	N55A			RIGID	None	None	RIGID	Typical
27	M33	N51	N56A			RIGID	None	None	RIGID	Typical
28	M34	N56A	N55A		90	Corner Plate	Beam	RECT	A36 Gr.36	Typical
29	M36	N57	N67			RIGID	None	None	RIGID	Typical
30	M37	N67	N69			RIGID	None	None	RIGID	Typical
31	M38	N58	N66			RIGID	None	None	RIGID	Typical
32	M39	N66	N69			RIGID	None	None	RIGID	Typical
33	M40	N52	N64			RIGID	None	None	RIGID	Typical
34	M41	N53	N65			RIGID	None	None	RIGID	Typical
35	M42	N65	N64		90	Corner Plate	Beam	RECT	A36 Gr.36	Typical
36	M44	N59	N78			RIGID	None	None	RIGID	Typical
37	M45	N78	N80			RIGID	None	None	RIGID	Typical
38	M46	N60	N77			RIGID	None	None	RIGID	Typical
39	M47	N77	N80			RIGID	None	None	RIGID	Typical
40	M48	N54	N75			RIGID	None	None	RIGID	Typical
41	M49	N55	N76			RIGID	None	None	RIGID	Typical
42	M50	N76	N75		90	Corner Plate	Beam	RECT	A36 Gr.36	Typical
43	M52	N82	N83		270	Face Bracing	Beam	Single Angle	A36 Gr.36	Typical
44	M53	N80A	N81A		180	Face Bracing	Beam	Single Angle	A36 Gr.36	Typical
45	M54	N85	N84		90	Face Bracing	Beam	Single Angle	A36 Gr.36	Typical
46	M55	N86	N87		270	Face Bracing	Beam	Single Angle	A36 Gr.36	Typical
47	M56	N88	N89		180	Face Bracing	Beam	Single Angle	A36 Gr.36	Typical
48	M57	N198A	N89			Face Bracing	Beam	Single Angle	A36 Gr.36	Typical
49	M58	N197	N87		90	Face Bracing	Beam	Single Angle	A36 Gr.36	Typical
50	M59	N92	N93		30	Face Bracing	Beam	Single Angle	A36 Gr.36	Typical
51	M60	N90	N91		300	Face Bracing	Beam	Single Angle	A36 Gr.36	Typical
52	M61	N95	N94		90	Face Bracing	Beam	Single Angle	A36 Gr.36	Typical
53	M62	N96	N97		30	Face Bracing	Beam	Single Angle	A36 Gr.36	Typical
54	M63	N98	N99		300	Face Bracing	Beam	Single Angle	A36 Gr.36	Typical
55	M64	N200	N99			Face Bracing	Beam	Single Angle	A36 Gr.36	Typical
56	M65	N199	N97		90	Face Bracing	Beam	Single Angle	A36 Gr.36	Typical





Company :  
 Designer :  
 Job Number :  
 Model Name :

July 12, 2023  
 9:33 AM  
 Checked By: \_\_\_\_\_

**Member Primary Data (Continued)**

	Label	I Joint	J Joint	K Joint	Rotate(deg)	Section/Shape	Type	Design List	Material	Design Rules
57	M66	N102	N103		150	Face Bracing	Beam	Single Angle	A36 Gr.36	Typical
58	M67	N100	N101		60	Face Bracing	Beam	Single Angle	A36 Gr.36	Typical
59	M68	N105	N104		90	Face Bracing	Beam	Single Angle	A36 Gr.36	Typical
60	M69	N106	N107		150	Face Bracing	Beam	Single Angle	A36 Gr.36	Typical
61	M70	N108	N109		60	Face Bracing	Beam	Single Angle	A36 Gr.36	Typical
62	M71	N202A	N109			Face Bracing	Beam	Single Angle	A36 Gr.36	Typical
63	M72	N201A	N107		90	Face Bracing	Beam	Single Angle	A36 Gr.36	Typical
64	M96	N154	N158			RIGID	None	None	RIGID	Typical
65	M97	N152	N157			RIGID	None	None	RIGID	Typical
66	MP1A	N160	N159			Proposed Pipe	Beam	Pipe	A53 Gr. B	Typical
67	M127	N221	N220		180	Crossmember	Beam	Channel	A36 Gr.36	Typical
68	M128	N220A	N222			Crossmember	Beam	Channel	A36 Gr.36	Typical
69	M129	N225	N227		90	Ladder	Beam	Single Angle	A36 Gr.36	Typical
70	M130	N228	N226		90	Ladder	Beam	Single Angle	A36 Gr.36	Typical
71	M131	N229	N238			Ladder Rungs	Beam	Single Angle	A36 Gr.36	Typical
72	M132	N237	N230			Ladder Rungs	Beam	Single Angle	A36 Gr.36	Typical
73	M133	N231	N236			Ladder Rungs	Beam	Single Angle	A36 Gr.36	Typical
74	M134	N235	N232			Ladder Rungs	Beam	Single Angle	A36 Gr.36	Typical
75	M135	N233	N234			Ladder Rungs	Beam	Single Angle	A36 Gr.36	Typical
76	M115	N191	N193			RIGID	None	None	RIGID	Typical
77	M116	N191	N192B			RIGID	None	None	RIGID	Typical
78	M117	N193	N195A			Threaded Rods	Beam	BAR	A36 Gr.36	Typical
79	M118A	N192B	N194A			Threaded Rods	Beam	BAR	A36 Gr.36	Typical
80	M119A	N196B	N195A			RIGID	None	None	RIGID	Typical
81	M120A	N196B	N194A			RIGID	None	None	RIGID	Typical
82	M121	N197B	N198C			Mount Pipe	Beam	Pipe	A53 Gr. B	Typical
83	M122	N199B	N201C			RIGID	None	None	RIGID	Typical
84	M123	N199B	N200B			RIGID	None	None	RIGID	Typical
85	M124	N201C	N203B			Threaded Rods	Beam	BAR	A36 Gr.36	Typical
86	M125	N200B	N202C			Threaded Rods	Beam	BAR	A36 Gr.36	Typical
87	M126	N204B	N203B			RIGID	None	None	RIGID	Typical
88	M127A	N204B	N202C			RIGID	None	None	RIGID	Typical
89	M122A	N194B	N196			RIGID	None	None	RIGID	Typical
90	M123A	N193A	N195B			RIGID	None	None	RIGID	Typical
91	MP2A	N198	N197C			Mount Pipe	Beam	Pipe	A53 Gr. B	Typical
92	M125A	N199C	N201			RIGID	None	None	RIGID	Typical
93	M126A	N199C	N200C			RIGID	None	None	RIGID	Typical
94	M127B	N201	N203			Threaded Rods	Beam	BAR	A36 Gr.36	Typical
95	M128A	N200C	N202			Threaded Rods	Beam	BAR	A36 Gr.36	Typical
96	M129A	N204	N203			RIGID	None	None	RIGID	Typical
97	M130A	N204	N202			RIGID	None	None	RIGID	Typical
98	M131A	N205A	N206A			Mount Pipe	Beam	Pipe	A53 Gr. B	Typical
99	M132A	N207	N209A			RIGID	None	None	RIGID	Typical
100	M133A	N207	N208			RIGID	None	None	RIGID	Typical
101	M134A	N209A	N211			Threaded Rods	Beam	BAR	A36 Gr.36	Typical
102	M135A	N208	N210			Threaded Rods	Beam	BAR	A36 Gr.36	Typical
103	M136	N212	N211			RIGID	None	None	RIGID	Typical
104	M137	N212	N210			RIGID	None	None	RIGID	Typical
105	M138	N214	N216			RIGID	None	None	RIGID	Typical
106	M139	N213A	N215			RIGID	None	None	RIGID	Typical
107	MP1C	N218	N217			Proposed Pipe	Beam	Pipe	A53 Gr. B	Typical
108	M141	N219	N221A			RIGID	None	None	RIGID	Typical
109	M142	N219	N220B			RIGID	None	None	RIGID	Typical
110	M143	N221A	N223A			Threaded Rods	Beam	BAR	A36 Gr.36	Typical
111	M144	N220B	N222B			Threaded Rods	Beam	BAR	A36 Gr.36	Typical
112	M145	N224A	N223A			RIGID	None	None	RIGID	Typical
113	M146	N224A	N222B			RIGID	None	None	RIGID	Typical



Company :  
 Designer :  
 Job Number :  
 Model Name :

July 12, 2023  
 9:33 AM  
 Checked By: \_\_\_\_\_

**Member Primary Data (Continued)**

	Label	I Joint	J Joint	K Joint	Rotate(deg)	Section/Shape	Type	Design List	Material	Design Rules
114	M147	N225A	N226A			Mount Pipe	Beam	Pipe	A53 Gr. B	Typical
115	M148	N227A	N229A			RIGID	None	None	RIGID	Typical
116	M149	N227A	N228A			RIGID	None	None	RIGID	Typical
117	M150	N229A	N231A			Threaded Rods	Beam	BAR	A36 Gr.36	Typical
118	M151	N228A	N230A			Threaded Rods	Beam	BAR	A36 Gr.36	Typical
119	M152	N232A	N231A			RIGID	None	None	RIGID	Typical
120	M153	N232A	N230A			RIGID	None	None	RIGID	Typical
121	M154	N234A	N236A			RIGID	None	None	RIGID	Typical
122	M155	N233A	N235A			RIGID	None	None	RIGID	Typical
123	MP2C	N238A	N237A			Mount Pipe	Beam	Pipe	A53 Gr. B	Typical
124	M157	N239	N241			RIGID	None	None	RIGID	Typical
125	M158	N239	N240			RIGID	None	None	RIGID	Typical
126	M159	N241	N243			Threaded Rods	Beam	BAR	A36 Gr.36	Typical
127	M160	N240	N242			Threaded Rods	Beam	BAR	A36 Gr.36	Typical
128	M161	N244	N243			RIGID	None	None	RIGID	Typical
129	M162	N244	N242			RIGID	None	None	RIGID	Typical
130	M163	N245	N246			Mount Pipe	Beam	Pipe	A53 Gr. B	Typical
131	M164	N247	N249			RIGID	None	None	RIGID	Typical
132	M165	N247	N248			RIGID	None	None	RIGID	Typical
133	M166	N249	N251			Threaded Rods	Beam	BAR	A36 Gr.36	Typical
134	M167	N248	N250			Threaded Rods	Beam	BAR	A36 Gr.36	Typical
135	M168	N252	N251			RIGID	None	None	RIGID	Typical
136	M169	N252	N250			RIGID	None	None	RIGID	Typical
137	M170	N254	N256			RIGID	None	None	RIGID	Typical
138	M171	N253	N255			RIGID	None	None	RIGID	Typical
139	MP1B	N258	N257			Proposed Pipe	Beam	Pipe	A53 Gr. B	Typical
140	M173	N259	N261			RIGID	None	None	RIGID	Typical
141	M174	N259	N260			RIGID	None	None	RIGID	Typical
142	M175	N261	N263			Threaded Rods	Beam	BAR	A36 Gr.36	Typical
143	M176	N260	N262			Threaded Rods	Beam	BAR	A36 Gr.36	Typical
144	M177	N264	N263			RIGID	None	None	RIGID	Typical
145	M178	N264	N262			RIGID	None	None	RIGID	Typical
146	M179	N265	N266			Mount Pipe	Beam	Pipe	A53 Gr. B	Typical
147	M180	N267	N269			RIGID	None	None	RIGID	Typical
148	M181	N267	N268			RIGID	None	None	RIGID	Typical
149	M182	N269	N271			Threaded Rods	Beam	BAR	A36 Gr.36	Typical
150	M183	N268	N270			Threaded Rods	Beam	BAR	A36 Gr.36	Typical
151	M184	N272	N271			RIGID	None	None	RIGID	Typical
152	M185	N272	N270			RIGID	None	None	RIGID	Typical
153	M186	N274	N276			RIGID	None	None	RIGID	Typical
154	M187	N273	N275			RIGID	None	None	RIGID	Typical
155	MP2B	N278	N277			Mount Pipe	Beam	Pipe	A53 Gr. B	Typical
156	M189	N279	N281			RIGID	None	None	RIGID	Typical
157	M190	N279	N280			RIGID	None	None	RIGID	Typical
158	M191	N281	N283			Threaded Rods	Beam	BAR	A36 Gr.36	Typical
159	M192	N280	N282			Threaded Rods	Beam	BAR	A36 Gr.36	Typical
160	M193	N284	N283			RIGID	None	None	RIGID	Typical
161	M194	N284	N282			RIGID	None	None	RIGID	Typical
162	M195	N285	N286			Mount Pipe	Beam	Pipe	A53 Gr. B	Typical
163	M196	N287	N289			RIGID	None	None	RIGID	Typical
164	M197	N287	N288			RIGID	None	None	RIGID	Typical
165	M198	N289	N291			Threaded Rods	Beam	BAR	A36 Gr.36	Typical
166	M199	N288	N290			Threaded Rods	Beam	BAR	A36 Gr.36	Typical
167	M200	N292	N291			RIGID	None	None	RIGID	Typical
168	M201	N292	N290			RIGID	None	None	RIGID	Typical
169	M202	N293	N294		180	Corner Angle	Beam	Single Angle	A53 Gr. B	Typical

**Member Advanced Data**

	Label	I Release	J Release	I Offset[in]	J Offset[in]	T/C Only	Physical	Defl Rat..	Analysis ...	Inactive	Seismic...
1	M1						Yes				None
2	M2						Yes				None
3	M3						Yes				None
4	M4						Yes				None
5	M5						Yes				None
6	M6						Yes				None
7	M7						Yes				None
8	M8						Yes				None
9	M9						Yes				None
10	M13						Yes				None
11	M14						Yes	** NA **			None
12	M15						Yes	** NA **			None
13	M14A						Yes				None
14	M16						Yes	** NA **			None
15	M17						Yes	** NA **			None
16	M18						Yes				None
17	M20						Yes	** NA **			None
18	M21						Yes	** NA **			None
19	M25						Yes				None
20	M26						Yes				None
21	M27						Yes				None
22	M28						Yes	** NA **			None
23	M29						Yes	** NA **			None
24	M30						Yes	** NA **			None
25	M31						Yes	** NA **			None
26	M32						Yes	** NA **			None
27	M33						Yes	** NA **			None
28	M34						Yes				None
29	M36						Yes	** NA **			None
30	M37						Yes	** NA **			None
31	M38						Yes	** NA **			None
32	M39						Yes	** NA **			None
33	M40						Yes	** NA **			None
34	M41						Yes	** NA **			None
35	M42						Yes				None
36	M44						Yes	** NA **			None
37	M45						Yes	** NA **			None
38	M46						Yes	** NA **			None
39	M47						Yes	** NA **			None
40	M48						Yes	** NA **			None
41	M49						Yes	** NA **			None
42	M50						Yes				None
43	M52	OOOOXO					Yes	Default			None
44	M53	OOOOOX					Yes	Default			None
45	M54						Yes				None
46	M55	OOOOXO					Yes				None
47	M56	OOOOOX					Yes				None
48	M57						Yes				None
49	M58						Yes				None
50	M59	OOOOXO					Yes	Default			None
51	M60	OOOOOX					Yes	Default			None
52	M61						Yes				None
53	M62	OOOOXO					Yes				None
54	M63	OOOOOX					Yes				None
55	M64						Yes				None
56	M65						Yes				None

**Member Advanced Data (Continued)**

	Label	I Release	J Release	I Offset[in]	J Offset[in]	T/C Only	Physical	Defl Rat..	Analysis ...	Inactive	Seismic..
57	M66	OOOXO					Yes	Default			None
58	M67	OOOOX					Yes	Default			None
59	M68						Yes				None
60	M69	OOOXO					Yes				None
61	M70	OOOOX					Yes				None
62	M71						Yes				None
63	M72						Yes				None
64	M96		OOOXOO				Yes	** NA **			None
65	M97		OOOXOO				Yes	** NA **			None
66	MP1A						Yes	Default			None
67	M127						Yes				None
68	M128						Yes				None
69	M129						Yes				None
70	M130						Yes				None
71	M131	BenPIN	BenPIN				Yes				None
72	M132	BenPIN	BenPIN				Yes				None
73	M133	BenPIN	BenPIN				Yes				None
74	M134	BenPIN	BenPIN				Yes				None
75	M135	BenPIN	BenPIN				Yes				None
76	M115						Yes	** NA **			None
77	M116						Yes	** NA **			None
78	M117						Yes				None
79	M118A						Yes				None
80	M119A	OOOXO					Yes	** NA **			None
81	M120A	OOOXO					Yes	** NA **			None
82	M121						Yes				None
83	M122						Yes	** NA **			None
84	M123						Yes	** NA **			None
85	M124						Yes				None
86	M125						Yes				None
87	M126	OOOXO					Yes	** NA **			None
88	M127A	OOOXO					Yes	** NA **			None
89	M122A		OOOXOO				Yes	** NA **			None
90	M123A		OOOXOO				Yes	** NA **			None
91	MP2A						Yes	Default			None
92	M125A						Yes	** NA **			None
93	M126A						Yes	** NA **			None
94	M127B						Yes				None
95	M128A						Yes				None
96	M129A	OOOXO					Yes	** NA **			None
97	M130A	OOOXO					Yes	** NA **			None
98	M131A						Yes	Default			None
99	M132A						Yes	** NA **			None
100	M133A						Yes	** NA **			None
101	M134A						Yes				None
102	M135A						Yes				None
103	M136	OOOXO					Yes	** NA **			None
104	M137	OOOXO					Yes	** NA **			None
105	M138		OOOXOO				Yes	** NA **			None
106	M139		OOOXOO				Yes	** NA **			None
107	MP1C						Yes	Default			None
108	M141						Yes	** NA **			None
109	M142						Yes	** NA **			None
110	M143						Yes				None
111	M144						Yes				None
112	M145	OOOXO					Yes	** NA **			None
113	M146	OOOXO					Yes	** NA **			None

**Member Advanced Data (Continued)**

	Label	I Release	J Release	I Offset[in]	J Offset[in]	T/C Only	Physical	Defl Rat...	Analysis ...	Inactive	Seismic...
114	M147						Yes				None
115	M148						Yes	** NA **			None
116	M149						Yes	** NA **			None
117	M150						Yes				None
118	M151						Yes				None
119	M152	OOOXOX					Yes	** NA **			None
120	M153	OOOXOX					Yes	** NA **			None
121	M154		OOOXOO				Yes	** NA **			None
122	M155		OOOXOO				Yes	** NA **			None
123	MP2C						Yes	Default			None
124	M157						Yes	** NA **			None
125	M158						Yes	** NA **			None
126	M159						Yes				None
127	M160						Yes				None
128	M161	OOOXOX					Yes	** NA **			None
129	M162	OOOXOX					Yes	** NA **			None
130	M163						Yes	Default			None
131	M164						Yes	** NA **			None
132	M165						Yes	** NA **			None
133	M166						Yes				None
134	M167						Yes				None
135	M168	OOOXOX					Yes	** NA **			None
136	M169	OOOXOX					Yes	** NA **			None
137	M170		OOOXOO				Yes	** NA **			None
138	M171		OOOXOO				Yes	** NA **			None
139	MP1B						Yes	Default			None
140	M173						Yes	** NA **			None
141	M174						Yes	** NA **			None
142	M175						Yes				None
143	M176						Yes				None
144	M177	OOOXOX					Yes	** NA **			None
145	M178	OOOXOX					Yes	** NA **			None
146	M179						Yes				None
147	M180						Yes	** NA **			None
148	M181						Yes	** NA **			None
149	M182						Yes				None
150	M183						Yes				None
151	M184	OOOXOX					Yes	** NA **			None
152	M185	OOOXOX					Yes	** NA **			None
153	M186		OOOXOO				Yes	** NA **			None
154	M187		OOOXOO				Yes	** NA **			None
155	MP2B						Yes	Default			None
156	M189						Yes	** NA **			None
157	M190						Yes	** NA **			None
158	M191						Yes				None
159	M192						Yes				None
160	M193	OOOXOX					Yes	** NA **			None
161	M194	OOOXOX					Yes	** NA **			None
162	M195						Yes	Default			None
163	M196						Yes	** NA **			None
164	M197						Yes	** NA **			None
165	M198						Yes				None
166	M199						Yes				None
167	M200	OOOXOX					Yes	** NA **			None
168	M201	OOOXOX					Yes	** NA **			None
169	M202	BenPIN	BenPIN				Yes				None

**Member Point Loads (BLC 1 : Antenna D)**

	Member Label	Direction	Magnitude[lb.k-ft]	Location[ft, %]
1	MP1A	Y	-23	.25
2	MP1A	My	-.015	.25
3	MP1A	Mz	.019	.25
4	MP1A	Y	-23	6
5	MP1A	My	-.015	6
6	MP1A	Mz	.019	6
7	MP1B	Y	-23	.25
8	MP1B	My	-.009	.25
9	MP1B	Mz	-.023	.25
10	MP1B	Y	-23	6
11	MP1B	My	-.009	6
12	MP1B	Mz	-.023	6
13	MP1C	Y	-23	.25
14	MP1C	My	.024	.25
15	MP1C	Mz	.004	.25
16	MP1C	Y	-23	6
17	MP1C	My	.024	6
18	MP1C	Mz	.004	6
19	MP1A	Y	-23	.25
20	MP1A	My	-.015	.25
21	MP1A	Mz	-.019	.25
22	MP1A	Y	-23	6
23	MP1A	My	-.015	6
24	MP1A	Mz	-.019	6
25	MP1B	Y	-23	.25
26	MP1B	My	.024	.25
27	MP1B	Mz	-.004	.25
28	MP1B	Y	-23	6
29	MP1B	My	.024	6
30	MP1B	Mz	-.004	6
31	MP1C	Y	-23	.25
32	MP1C	My	-.009	.25
33	MP1C	Mz	.023	.25
34	MP1C	Y	-23	6
35	MP1C	My	-.009	6
36	MP1C	Mz	.023	6
37	MP2A	Y	-43.55	2
38	MP2A	My	-.022	2
39	MP2A	Mz	0	2
40	MP2A	Y	-43.55	4
41	MP2A	My	-.022	4
42	MP2A	Mz	0	4
43	MP2B	Y	-43.55	2
44	MP2B	My	.011	2
45	MP2B	Mz	-.019	2
46	MP2B	Y	-43.55	4
47	MP2B	My	.011	4
48	MP2B	Mz	-.019	4
49	MP2C	Y	-43.55	2
50	MP2C	My	.011	2
51	MP2C	Mz	.019	2
52	MP2C	Y	-43.55	4
53	MP2C	My	.011	4
54	MP2C	Mz	.019	4
55	M131A	Y	-84.4	.63
56	M131A	My	.042	.63



Company :  
 Designer :  
 Job Number :  
 Model Name :

July 12, 2023  
 9:33 AM  
 Checked By: \_\_\_\_\_

**Member Point Loads (BLC 1 : Antenna D) (Continued)**

	Member Label	Direction	Magnitude[lb.k-ft]	Location[ft.%]
57	M131A	Mz	0	.63
58	M121	Y	-70.3	1.38
59	M121	My	.035	1.38
60	M121	Mz	0	1.38
61	M68	Y	-32	1.5
62	M68	My	.004	1.5
63	M68	Mz	-.007	1.5
64	M61	Y	-32	1.5
65	M61	My	.004	1.5
66	M61	Mz	-.007	1.5
67	M195	Y	-84.4	.63
68	M195	My	.042	.63
69	M195	Mz	0	.63
70	M163	Y	-84.4	.63
71	M163	My	.042	.63
72	M163	Mz	0	.63
73	M179	Y	-70.3	1.38
74	M179	My	.035	1.38
75	M179	Mz	0	1.38
76	M147	Y	-70.3	1.38
77	M147	My	.035	1.38
78	M147	Mz	0	1.38
79	MP1B	Y	-17.6	1
80	MP1B	My	.004	1
81	MP1B	Mz	-.008	1
82	MP1C	Y	-17.6	1
83	MP1C	My	.004	1
84	MP1C	Mz	.008	1
85	MP1B	Y	-17.6	1
86	MP1B	My	-.004	1
87	MP1B	Mz	.008	1
88	MP1C	Y	-17.6	1
89	MP1C	My	-.004	1
90	MP1C	Mz	-.008	1

**Member Point Loads (BLC 2 : Antenna Di)**

	Member Label	Direction	Magnitude[lb.k-ft]	Location[ft.%]
1	MP1A	Y	-87.148	.25
2	MP1A	My	-.058	.25
3	MP1A	Mz	.073	.25
4	MP1A	Y	-87.148	6
5	MP1A	My	-.058	6
6	MP1A	Mz	.073	6
7	MP1B	Y	-87.148	.25
8	MP1B	My	-.034	.25
9	MP1B	Mz	-.087	.25
10	MP1B	Y	-87.148	6
11	MP1B	My	-.034	6
12	MP1B	Mz	-.087	6
13	MP1C	Y	-87.148	.25
14	MP1C	My	.092	.25
15	MP1C	Mz	.014	.25
16	MP1C	Y	-87.148	6
17	MP1C	My	.092	6
18	MP1C	Mz	.014	6
19	MP1A	Y	-87.148	.25



Company :  
 Designer :  
 Job Number :  
 Model Name :

July 12, 2023  
 9:33 AM  
 Checked By: \_\_\_\_\_

**Member Point Loads (BLC 2 : Antenna Di) (Continued)**

	Member Label	Direction	Magnitude[lb.k-ft]	Location[ft.%]
20	MP1A	My	-.058	.25
21	MP1A	Mz	-.073	.25
22	MP1A	Y	-87.148	6
23	MP1A	My	-.058	6
24	MP1A	Mz	-.073	6
25	MP1B	Y	-87.148	.25
26	MP1B	My	.092	.25
27	MP1B	Mz	-.014	.25
28	MP1B	Y	-87.148	6
29	MP1B	My	.092	6
30	MP1B	Mz	-.014	6
31	MP1C	Y	-87.148	.25
32	MP1C	My	-.034	.25
33	MP1C	Mz	.087	.25
34	MP1C	Y	-87.148	6
35	MP1C	My	-.034	6
36	MP1C	Mz	.087	6
37	MP2A	Y	-37.697	2
38	MP2A	My	-.019	2
39	MP2A	Mz	0	2
40	MP2A	Y	-37.697	4
41	MP2A	My	-.019	4
42	MP2A	Mz	0	4
43	MP2B	Y	-37.697	2
44	MP2B	My	.009	2
45	MP2B	Mz	-.016	2
46	MP2B	Y	-37.697	4
47	MP2B	My	.009	4
48	MP2B	Mz	-.016	4
49	MP2C	Y	-37.697	2
50	MP2C	My	.009	2
51	MP2C	Mz	.016	2
52	MP2C	Y	-37.697	4
53	MP2C	My	.009	4
54	MP2C	Mz	.016	4
55	M131A	Y	-47.567	.63
56	M131A	My	.024	.63
57	M131A	Mz	0	.63
58	M121	Y	-42.796	1.38
59	M121	My	.021	1.38
60	M121	Mz	0	1.38
61	M68	Y	-92.966	1.5
62	M68	My	.012	1.5
63	M68	Mz	-.02	1.5
64	M61	Y	-92.966	1.5
65	M61	My	.012	1.5
66	M61	Mz	-.02	1.5
67	M195	Y	-47.567	.63
68	M195	My	.024	.63
69	M195	Mz	0	.63
70	M163	Y	-47.567	.63
71	M163	My	.024	.63
72	M163	Mz	0	.63
73	M179	Y	-42.796	1.38
74	M179	My	.021	1.38
75	M179	Mz	0	1.38
76	M147	Y	-42.796	1.38



**Member Point Loads (BLC 2 : Antenna Di) (Continued)**

	Member Label	Direction	Magnitude[lb.k-ft]	Location[ft. %]
77	M147	My	.021	1.38
78	M147	Mz	0	1.38
79	MP1B	Y	-18.439	1
80	MP1B	My	.005	1
81	MP1B	Mz	-.008	1
82	MP1C	Y	-18.439	1
83	MP1C	My	.005	1
84	MP1C	Mz	.008	1
85	MP1B	Y	-18.439	1
86	MP1B	My	-.005	1
87	MP1B	Mz	.008	1
88	MP1C	Y	-18.439	1
89	MP1C	My	-.005	1
90	MP1C	Mz	-.008	1

**Member Point Loads (BLC 3 : Antenna Wo (0 Deg))**

	Member Label	Direction	Magnitude[lb.k-ft]	Location[ft. %]
1	MP1A	X	0	.25
2	MP1A	Z	-91.206	.25
3	MP1A	Mx	-.076	.25
4	MP1A	X	0	6
5	MP1A	Z	-91.206	6
6	MP1A	Mx	-.076	6
7	MP1B	X	0	.25
8	MP1B	Z	-73.996	.25
9	MP1B	Mx	.074	.25
10	MP1B	X	0	6
11	MP1B	Z	-73.996	6
12	MP1B	Mx	.074	6
13	MP1C	X	0	.25
14	MP1C	Z	-73.996	.25
15	MP1C	Mx	-.012	.25
16	MP1C	X	0	6
17	MP1C	Z	-73.996	6
18	MP1C	Mx	-.012	6
19	MP1A	X	0	.25
20	MP1A	Z	-91.206	.25
21	MP1A	Mx	.076	.25
22	MP1A	X	0	6
23	MP1A	Z	-91.206	6
24	MP1A	Mx	.076	6
25	MP1B	X	0	.25
26	MP1B	Z	-73.996	.25
27	MP1B	Mx	.012	.25
28	MP1B	X	0	6
29	MP1B	Z	-73.996	6
30	MP1B	Mx	.012	6
31	MP1C	X	0	.25
32	MP1C	Z	-73.996	.25
33	MP1C	Mx	-.074	.25
34	MP1C	X	0	6
35	MP1C	Z	-73.996	6
36	MP1C	Mx	-.074	6
37	MP2A	X	0	2
38	MP2A	Z	-75.587	2
39	MP2A	Mx	0	2



Company :  
 Designer :  
 Job Number :  
 Model Name :

July 12, 2023  
 9:33 AM  
 Checked By: \_\_\_\_\_

**Member Point Loads (BLC 3 : Antenna Wo (0 Deg)) (Continued)**

	Member Label	Direction	Magnitude[lb.k-ft]	Location[ft.%]
40	MP2A	X	0	4
41	MP2A	Z	-75.587	4
42	MP2A	Mx	0	4
43	MP2B	X	0	2
44	MP2B	Z	-38.42	2
45	MP2B	Mx	.017	2
46	MP2B	X	0	4
47	MP2B	Z	-38.42	4
48	MP2B	Mx	.017	4
49	MP2C	X	0	2
50	MP2C	Z	-38.42	2
51	MP2C	Mx	-.017	2
52	MP2C	X	0	4
53	MP2C	Z	-38.42	4
54	MP2C	Mx	-.017	4
55	M131A	X	0	.63
56	M131A	Z	-59.776	.63
57	M131A	Mx	0	.63
58	M121	X	0	1.38
59	M121	Z	-59.776	1.38
60	M121	Mx	0	1.38
61	M68	X	0	1.5
62	M68	Z	-100.269	1.5
63	M68	Mx	.022	1.5
64	M61	X	0	1.5
65	M61	Z	-100.269	1.5
66	M61	Mx	.022	1.5
67	M195	X	0	.63
68	M195	Z	-59.776	.63
69	M195	Mx	0	.63
70	M163	X	0	.63
71	M163	Z	-59.776	.63
72	M163	Mx	0	.63
73	M179	X	0	1.38
74	M179	Z	-59.776	1.38
75	M179	Mx	0	1.38
76	M147	X	0	1.38
77	M147	Z	-59.776	1.38
78	M147	Mx	0	1.38
79	MP1B	X	0	1
80	MP1B	Z	-17.633	1
81	MP1B	Mx	.008	1
82	MP1C	X	0	1
83	MP1C	Z	-17.633	1
84	MP1C	Mx	-.008	1
85	MP1B	X	0	1
86	MP1B	Z	-17.633	1
87	MP1B	Mx	-.008	1
88	MP1C	X	0	1
89	MP1C	Z	-17.633	1
90	MP1C	Mx	.008	1

**Member Point Loads (BLC 4 : Antenna Wo (30 Deg))**

	Member Label	Direction	Magnitude[lb.k-ft]	Location[ft.%]
1	MP1A	X	42.735	.25
2	MP1A	Z	-74.019	.25

**Member Point Loads (BLC 4 : Antenna Wo (30 Deg)) (Continued)**

	Member Label	Direction	Magnitude[lb.k-ft]	Location[ft.%]
3	MP1A	Mx	-.09	.25
4	MP1A	X	42.735	6
5	MP1A	Z	-74.019	6
6	MP1A	Mx	-.09	6
7	MP1B	X	34.13	.25
8	MP1B	Z	-59.115	.25
9	MP1B	Mx	.046	.25
10	MP1B	X	34.13	6
11	MP1B	Z	-59.115	6
12	MP1B	Mx	.046	6
13	MP1C	X	42.735	.25
14	MP1C	Z	-74.019	.25
15	MP1C	Mx	.033	.25
16	MP1C	X	42.735	6
17	MP1C	Z	-74.019	6
18	MP1C	Mx	.033	6
19	MP1A	X	42.735	.25
20	MP1A	Z	-74.019	.25
21	MP1A	Mx	.033	.25
22	MP1A	X	42.735	6
23	MP1A	Z	-74.019	6
24	MP1A	Mx	.033	6
25	MP1B	X	34.13	.25
26	MP1B	Z	-59.115	.25
27	MP1B	Mx	.046	.25
28	MP1B	X	34.13	6
29	MP1B	Z	-59.115	6
30	MP1B	Mx	.046	6
31	MP1C	X	42.735	.25
32	MP1C	Z	-74.019	.25
33	MP1C	Mx	-.09	.25
34	MP1C	X	42.735	6
35	MP1C	Z	-74.019	6
36	MP1C	Mx	-.09	6
37	MP2A	X	31.599	2
38	MP2A	Z	-54.731	2
39	MP2A	Mx	-.016	2
40	MP2A	X	31.599	4
41	MP2A	Z	-54.731	4
42	MP2A	Mx	-.016	4
43	MP2B	X	13.016	2
44	MP2B	Z	-22.544	2
45	MP2B	Mx	.013	2
46	MP2B	X	13.016	4
47	MP2B	Z	-22.544	4
48	MP2B	Mx	.013	4
49	MP2C	X	31.599	2
50	MP2C	Z	-54.731	2
51	MP2C	Mx	-.016	2
52	MP2C	X	31.599	4
53	MP2C	Z	-54.731	4
54	MP2C	Mx	-.016	4
55	M131A	X	27.429	.63
56	M131A	Z	-47.509	.63
57	M131A	Mx	.014	.63
58	M121	X	26.513	1.38
59	M121	Z	-45.923	1.38



Company :  
 Designer :  
 Job Number :  
 Model Name :

July 12, 2023  
 9:33 AM  
 Checked By: \_\_\_\_\_

**Member Point Loads (BLC 4 : Antenna Wo (30 Deg)) (Continued)**

	Member Label	Direction	Magnitude[lb.k-ft]	Location[ft.%]
60	M121	Mx	.013	1.38
61	M68	X	46.471	1.5
62	M68	Z	-80.49	1.5
63	M68	Mx	.023	1.5
64	M61	X	46.471	1.5
65	M61	Z	-80.49	1.5
66	M61	Mx	.023	1.5
67	M195	X	27.429	.63
68	M195	Z	-47.509	.63
69	M195	Mx	.014	.63
70	M163	X	27.429	.63
71	M163	Z	-47.509	.63
72	M163	Mx	.014	.63
73	M179	X	26.513	1.38
74	M179	Z	-45.923	1.38
75	M179	Mx	.013	1.38
76	M147	X	26.513	1.38
77	M147	Z	-45.923	1.38
78	M147	Mx	.013	1.38
79	MP1B	X	5.601	1
80	MP1B	Z	-9.7	1
81	MP1B	Mx	.006	1
82	MP1C	X	15.249	1
83	MP1C	Z	-26.412	1
84	MP1C	Mx	-.008	1
85	MP1B	X	5.601	1
86	MP1B	Z	-9.7	1
87	MP1B	Mx	-.006	1
88	MP1C	X	15.249	1
89	MP1C	Z	-26.412	1
90	MP1C	Mx	.008	1

**Member Point Loads (BLC 5 : Antenna Wo (60 Deg))**

	Member Label	Direction	Magnitude[lb.k-ft]	Location[ft.%]
1	MP1A	X	64.083	.25
2	MP1A	Z	-36.998	.25
3	MP1A	Mx	-.074	.25
4	MP1A	X	64.083	6
5	MP1A	Z	-36.998	6
6	MP1A	Mx	-.074	6
7	MP1B	X	64.083	.25
8	MP1B	Z	-36.998	.25
9	MP1B	Mx	.012	.25
10	MP1B	X	64.083	6
11	MP1B	Z	-36.998	6
12	MP1B	Mx	.012	6
13	MP1C	X	78.987	.25
14	MP1C	Z	-45.603	.25
15	MP1C	Mx	.076	.25
16	MP1C	X	78.987	6
17	MP1C	Z	-45.603	6
18	MP1C	Mx	.076	6
19	MP1A	X	64.083	.25
20	MP1A	Z	-36.998	.25
21	MP1A	Mx	-.012	.25
22	MP1A	X	64.083	6



Company :  
 Designer :  
 Job Number :  
 Model Name :

July 12, 2023  
 9:33 AM  
 Checked By: \_\_\_\_\_

**Member Point Loads (BLC 5 : Antenna Wo (60 Deg)) (Continued)**

	Member Label	Direction	Magnitude[lb.k-ft]	Location[ft.%]
23	MP1A	Z	-36.998	6
24	MP1A	Mx	-.012	6
25	MP1B	X	64.083	.25
26	MP1B	Z	-36.998	.25
27	MP1B	Mx	.074	.25
28	MP1B	X	64.083	6
29	MP1B	Z	-36.998	6
30	MP1B	Mx	.074	6
31	MP1C	X	78.987	.25
32	MP1C	Z	-45.603	.25
33	MP1C	Mx	-.076	.25
34	MP1C	X	78.987	6
35	MP1C	Z	-45.603	6
36	MP1C	Mx	-.076	6
37	MP2A	X	33.273	2
38	MP2A	Z	-19.21	2
39	MP2A	Mx	-.017	2
40	MP2A	X	33.273	4
41	MP2A	Z	-19.21	4
42	MP2A	Mx	-.017	4
43	MP2B	X	33.273	2
44	MP2B	Z	-19.21	2
45	MP2B	Mx	.017	2
46	MP2B	X	33.273	4
47	MP2B	Z	-19.21	4
48	MP2B	Mx	.017	4
49	MP2C	X	65.461	2
50	MP2C	Z	-37.794	2
51	MP2C	Mx	0	2
52	MP2C	X	65.461	4
53	MP2C	Z	-37.794	4
54	MP2C	Mx	0	4
55	M131A	X	38.992	.63
56	M131A	Z	-22.512	.63
57	M131A	Mx	.019	.63
58	M121	X	34.233	1.38
59	M121	Z	-19.765	1.38
60	M121	Mx	.017	1.38
61	M68	X	86.835	1.5
62	M68	Z	-50.134	1.5
63	M68	Mx	.022	1.5
64	M61	X	86.835	1.5
65	M61	Z	-50.134	1.5
66	M61	Mx	.022	1.5
67	M195	X	38.992	.63
68	M195	Z	-22.512	.63
69	M195	Mx	.019	.63
70	M163	X	38.992	.63
71	M163	Z	-22.512	.63
72	M163	Mx	.019	.63
73	M179	X	34.233	1.38
74	M179	Z	-19.765	1.38
75	M179	Mx	.017	1.38
76	M147	X	34.233	1.38
77	M147	Z	-19.765	1.38
78	M147	Mx	.017	1.38
79	MP1B	X	15.271	1



Company :  
 Designer :  
 Job Number :  
 Model Name :

July 12, 2023  
 9:33 AM  
 Checked By: \_\_\_\_\_

**Member Point Loads (BLC 5 : Antenna Wo (60 Deg)) (Continued)**

	Member Label	Direction	Magnitude[lb.k-ft]	Location[ft.%]
80	MP1B	Z	-8.817	1
81	MP1B	Mx	.008	1
82	MP1C	X	31.982	1
83	MP1C	Z	-18.465	1
84	MP1C	Mx	0	1
85	MP1B	X	15.271	1
86	MP1B	Z	-8.817	1
87	MP1B	Mx	-.008	1
88	MP1C	X	31.982	1
89	MP1C	Z	-18.465	1
90	MP1C	Mx	0	1

**Member Point Loads (BLC 6 : Antenna Wo (90 Deg))**

	Member Label	Direction	Magnitude[lb.k-ft]	Location[ft.%]
1	MP1A	X	68.26	.25
2	MP1A	Z	0	.25
3	MP1A	Mx	-.046	.25
4	MP1A	X	68.26	6
5	MP1A	Z	0	6
6	MP1A	Mx	-.046	6
7	MP1B	X	85.47	.25
8	MP1B	Z	0	.25
9	MP1B	Mx	-.033	.25
10	MP1B	X	85.47	6
11	MP1B	Z	0	6
12	MP1B	Mx	-.033	6
13	MP1C	X	85.47	.25
14	MP1C	Z	0	.25
15	MP1C	Mx	.09	.25
16	MP1C	X	85.47	6
17	MP1C	Z	0	6
18	MP1C	Mx	.09	6
19	MP1A	X	68.26	.25
20	MP1A	Z	0	.25
21	MP1A	Mx	-.046	.25
22	MP1A	X	68.26	6
23	MP1A	Z	0	6
24	MP1A	Mx	-.046	6
25	MP1B	X	85.47	.25
26	MP1B	Z	0	.25
27	MP1B	Mx	.09	.25
28	MP1B	X	85.47	6
29	MP1B	Z	0	6
30	MP1B	Mx	.09	6
31	MP1C	X	85.47	.25
32	MP1C	Z	0	.25
33	MP1C	Mx	-.033	.25
34	MP1C	X	85.47	6
35	MP1C	Z	0	6
36	MP1C	Mx	-.033	6
37	MP2A	X	26.031	2
38	MP2A	Z	0	2
39	MP2A	Mx	-.013	2
40	MP2A	X	26.031	4
41	MP2A	Z	0	4
42	MP2A	Mx	-.013	4



Company :  
 Designer :  
 Job Number :  
 Model Name :

July 12, 2023  
 9:33 AM  
 Checked By: \_\_\_\_\_

**Member Point Loads (BLC 6 : Antenna Wo (90 Deg)) (Continued)**

	Member Label	Direction	Magnitude[lb.k-ft]	Location[ft.%]
43	MP2B	X	63.198	2
44	MP2B	Z	0	2
45	MP2B	Mx	.016	2
46	MP2B	X	63.198	4
47	MP2B	Z	0	4
48	MP2B	Mx	.016	4
49	MP2C	X	63.198	2
50	MP2C	Z	0	2
51	MP2C	Mx	.016	2
52	MP2C	X	63.198	4
53	MP2C	Z	0	4
54	MP2C	Mx	.016	4
55	M131A	X	40.108	.63
56	M131A	Z	0	.63
57	M131A	Mx	.02	.63
58	M121	X	32.78	1.38
59	M121	Z	0	1.38
60	M121	Mx	.016	1.38
61	M68	X	114.924	1.5
62	M68	Z	0	1.5
63	M68	Mx	.014	1.5
64	M61	X	114.924	1.5
65	M61	Z	0	1.5
66	M61	Mx	.014	1.5
67	M195	X	40.108	.63
68	M195	Z	0	.63
69	M195	Mx	.02	.63
70	M163	X	40.108	.63
71	M163	Z	0	.63
72	M163	Mx	.02	.63
73	M179	X	32.78	1.38
74	M179	Z	0	1.38
75	M179	Mx	.016	1.38
76	M147	X	32.78	1.38
77	M147	Z	0	1.38
78	M147	Mx	.016	1.38
79	MP1B	X	30.498	1
80	MP1B	Z	0	1
81	MP1B	Mx	.008	1
82	MP1C	X	30.498	1
83	MP1C	Z	0	1
84	MP1C	Mx	.008	1
85	MP1B	X	30.498	1
86	MP1B	Z	0	1
87	MP1B	Mx	-.008	1
88	MP1C	X	30.498	1
89	MP1C	Z	0	1
90	MP1C	Mx	-.008	1

**Member Point Loads (BLC 7 : Antenna Wo (120 Deg))**

	Member Label	Direction	Magnitude[lb.k-ft]	Location[ft.%]
1	MP1A	X	64.083	.25
2	MP1A	Z	36.998	.25
3	MP1A	Mx	-.012	.25
4	MP1A	X	64.083	6
5	MP1A	Z	36.998	6



Company :  
 Designer :  
 Job Number :  
 Model Name :

July 12, 2023  
 9:33 AM  
 Checked By: \_\_\_\_\_

**Member Point Loads (BLC 7 : Antenna Wo (120 Deg)) (Continued)**

	Member Label	Direction	Magnitude[lb.k-ft]	Location[ft.%]
6	MP1A	Mx	-.012	6
7	MP1B	X	78.987	.25
8	MP1B	Z	45.603	.25
9	MP1B	Mx	-.076	.25
10	MP1B	X	78.987	6
11	MP1B	Z	45.603	6
12	MP1B	Mx	-.076	6
13	MP1C	X	64.083	.25
14	MP1C	Z	36.998	.25
15	MP1C	Mx	.074	.25
16	MP1C	X	64.083	6
17	MP1C	Z	36.998	6
18	MP1C	Mx	.074	6
19	MP1A	X	64.083	.25
20	MP1A	Z	36.998	.25
21	MP1A	Mx	-.074	.25
22	MP1A	X	64.083	6
23	MP1A	Z	36.998	6
24	MP1A	Mx	-.074	6
25	MP1B	X	78.987	.25
26	MP1B	Z	45.603	.25
27	MP1B	Mx	.076	.25
28	MP1B	X	78.987	6
29	MP1B	Z	45.603	6
30	MP1B	Mx	.076	6
31	MP1C	X	64.083	.25
32	MP1C	Z	36.998	.25
33	MP1C	Mx	.012	.25
34	MP1C	X	64.083	6
35	MP1C	Z	36.998	6
36	MP1C	Mx	.012	6
37	MP2A	X	33.273	2
38	MP2A	Z	19.21	2
39	MP2A	Mx	-.017	2
40	MP2A	X	33.273	4
41	MP2A	Z	19.21	4
42	MP2A	Mx	-.017	4
43	MP2B	X	65.461	2
44	MP2B	Z	37.794	2
45	MP2B	Mx	0	2
46	MP2B	X	65.461	4
47	MP2B	Z	37.794	4
48	MP2B	Mx	0	4
49	MP2C	X	33.273	2
50	MP2C	Z	19.21	2
51	MP2C	Mx	.017	2
52	MP2C	X	33.273	4
53	MP2C	Z	19.21	4
54	MP2C	Mx	.017	4
55	M131A	X	38.992	.63
56	M131A	Z	22.512	.63
57	M131A	Mx	.019	.63
58	M121	X	34.233	1.38
59	M121	Z	19.765	1.38
60	M121	Mx	.017	1.38
61	M68	X	105.872	1.5
62	M68	Z	61.125	1.5



**Member Point Loads (BLC 7 : Antenna Wo (120 Deg)) (Continued)**

	Member Label	Direction	Magnitude[lb.k-ft]	Location[ft.%]
63	M68	Mx	0	1.5
64	M61	X	105.872	1.5
65	M61	Z	61.125	1.5
66	M61	Mx	0	1.5
67	M195	X	38.992	.63
68	M195	Z	22.512	.63
69	M195	Mx	.019	.63
70	M163	X	38.992	.63
71	M163	Z	22.512	.63
72	M163	Mx	.019	.63
73	M179	X	34.233	1.38
74	M179	Z	19.765	1.38
75	M179	Mx	.017	1.38
76	M147	X	34.233	1.38
77	M147	Z	19.765	1.38
78	M147	Mx	.017	1.38
79	MP1B	X	31.982	1
80	MP1B	Z	18.465	1
81	MP1B	Mx	0	1
82	MP1C	X	15.271	1
83	MP1C	Z	8.817	1
84	MP1C	Mx	.008	1
85	MP1B	X	31.982	1
86	MP1B	Z	18.465	1
87	MP1B	Mx	0	1
88	MP1C	X	15.271	1
89	MP1C	Z	8.817	1
90	MP1C	Mx	-.008	1

**Member Point Loads (BLC 8 : Antenna Wo (150 Deg))**

	Member Label	Direction	Magnitude[lb.k-ft]	Location[ft.%]
1	MP1A	X	42.735	.25
2	MP1A	Z	74.019	.25
3	MP1A	Mx	.033	.25
4	MP1A	X	42.735	6
5	MP1A	Z	74.019	6
6	MP1A	Mx	.033	6
7	MP1B	X	42.735	.25
8	MP1B	Z	74.019	.25
9	MP1B	Mx	-.09	.25
10	MP1B	X	42.735	6
11	MP1B	Z	74.019	6
12	MP1B	Mx	-.09	6
13	MP1C	X	34.13	.25
14	MP1C	Z	59.115	.25
15	MP1C	Mx	.046	.25
16	MP1C	X	34.13	6
17	MP1C	Z	59.115	6
18	MP1C	Mx	.046	6
19	MP1A	X	42.735	.25
20	MP1A	Z	74.019	.25
21	MP1A	Mx	-.09	.25
22	MP1A	X	42.735	6
23	MP1A	Z	74.019	6
24	MP1A	Mx	-.09	6
25	MP1B	X	42.735	.25



Company :  
 Designer :  
 Job Number :  
 Model Name :

July 12, 2023  
 9:33 AM  
 Checked By: \_\_\_\_\_

**Member Point Loads (BLC 8 : Antenna Wo (150 Deg)) (Continued)**

	Member Label	Direction	Magnitude[lb.k-ft]	Location[ft.%]
26	MP1B	Z	74.019	.25
27	MP1B	Mx	.033	.25
28	MP1B	X	42.735	6
29	MP1B	Z	74.019	6
30	MP1B	Mx	.033	6
31	MP1C	X	34.13	.25
32	MP1C	Z	59.115	.25
33	MP1C	Mx	.046	.25
34	MP1C	X	34.13	6
35	MP1C	Z	59.115	6
36	MP1C	Mx	.046	6
37	MP2A	X	31.599	2
38	MP2A	Z	54.731	2
39	MP2A	Mx	-.016	2
40	MP2A	X	31.599	4
41	MP2A	Z	54.731	4
42	MP2A	Mx	-.016	4
43	MP2B	X	31.599	2
44	MP2B	Z	54.731	2
45	MP2B	Mx	-.016	2
46	MP2B	X	31.599	4
47	MP2B	Z	54.731	4
48	MP2B	Mx	-.016	4
49	MP2C	X	13.016	2
50	MP2C	Z	22.544	2
51	MP2C	Mx	.013	2
52	MP2C	X	13.016	4
53	MP2C	Z	22.544	4
54	MP2C	Mx	.013	4
55	M131A	X	27.429	.63
56	M131A	Z	47.509	.63
57	M131A	Mx	.014	.63
58	M121	X	26.513	1.38
59	M121	Z	45.923	1.38
60	M121	Mx	.013	1.38
61	M68	X	57.462	1.5
62	M68	Z	99.527	1.5
63	M68	Mx	-.014	1.5
64	M61	X	57.462	1.5
65	M61	Z	99.527	1.5
66	M61	Mx	-.014	1.5
67	M195	X	27.429	.63
68	M195	Z	47.509	.63
69	M195	Mx	.014	.63
70	M163	X	27.429	.63
71	M163	Z	47.509	.63
72	M163	Mx	.014	.63
73	M179	X	26.513	1.38
74	M179	Z	45.923	1.38
75	M179	Mx	.013	1.38
76	M147	X	26.513	1.38
77	M147	Z	45.923	1.38
78	M147	Mx	.013	1.38
79	MP1B	X	15.249	1
80	MP1B	Z	26.412	1
81	MP1B	Mx	-.008	1
82	MP1C	X	5.601	1

**Member Point Loads (BLC 8 : Antenna Wo (150 Deg)) (Continued)**

	Member Label	Direction	Magnitude[lb.k-ft]	Location[ft.%]
83	MP1C	Z	9.7	1
84	MP1C	Mx	.006	1
85	MP1B	X	15.249	1
86	MP1B	Z	26.412	1
87	MP1B	Mx	.008	1
88	MP1C	X	5.601	1
89	MP1C	Z	9.7	1
90	MP1C	Mx	-.006	1

**Member Point Loads (BLC 9 : Antenna Wo (180 Deg))**

	Member Label	Direction	Magnitude[lb.k-ft]	Location[ft.%]
1	MP1A	X	0	.25
2	MP1A	Z	91.206	.25
3	MP1A	Mx	.076	.25
4	MP1A	X	0	6
5	MP1A	Z	91.206	6
6	MP1A	Mx	.076	6
7	MP1B	X	0	.25
8	MP1B	Z	73.996	.25
9	MP1B	Mx	-.074	.25
10	MP1B	X	0	6
11	MP1B	Z	73.996	6
12	MP1B	Mx	-.074	6
13	MP1C	X	0	.25
14	MP1C	Z	73.996	.25
15	MP1C	Mx	.012	.25
16	MP1C	X	0	6
17	MP1C	Z	73.996	6
18	MP1C	Mx	.012	6
19	MP1A	X	0	.25
20	MP1A	Z	91.206	.25
21	MP1A	Mx	-.076	.25
22	MP1A	X	0	6
23	MP1A	Z	91.206	6
24	MP1A	Mx	-.076	6
25	MP1B	X	0	.25
26	MP1B	Z	73.996	.25
27	MP1B	Mx	-.012	.25
28	MP1B	X	0	6
29	MP1B	Z	73.996	6
30	MP1B	Mx	-.012	6
31	MP1C	X	0	.25
32	MP1C	Z	73.996	.25
33	MP1C	Mx	.074	.25
34	MP1C	X	0	6
35	MP1C	Z	73.996	6
36	MP1C	Mx	.074	6
37	MP2A	X	0	2
38	MP2A	Z	75.587	2
39	MP2A	Mx	0	2
40	MP2A	X	0	4
41	MP2A	Z	75.587	4
42	MP2A	Mx	0	4
43	MP2B	X	0	2
44	MP2B	Z	38.42	2
45	MP2B	Mx	-.017	2



Company :  
 Designer :  
 Job Number :  
 Model Name :

July 12, 2023  
 9:33 AM  
 Checked By: \_\_\_\_\_

**Member Point Loads (BLC 9 : Antenna Wo (180 Deg)) (Continued)**

	Member Label	Direction	Magnitude[lb.k-ft]	Location[ft.%]
46	MP2B	X	0	4
47	MP2B	Z	38.42	4
48	MP2B	Mx	-.017	4
49	MP2C	X	0	2
50	MP2C	Z	38.42	2
51	MP2C	Mx	.017	2
52	MP2C	X	0	4
53	MP2C	Z	38.42	4
54	MP2C	Mx	.017	4
55	M131A	X	0	.63
56	M131A	Z	59.776	.63
57	M131A	Mx	0	.63
58	M121	X	0	1.38
59	M121	Z	59.776	1.38
60	M121	Mx	0	1.38
61	M68	X	0	1.5
62	M68	Z	100.269	1.5
63	M68	Mx	-.022	1.5
64	M61	X	0	1.5
65	M61	Z	100.269	1.5
66	M61	Mx	-.022	1.5
67	M195	X	0	.63
68	M195	Z	59.776	.63
69	M195	Mx	0	.63
70	M163	X	0	.63
71	M163	Z	59.776	.63
72	M163	Mx	0	.63
73	M179	X	0	1.38
74	M179	Z	59.776	1.38
75	M179	Mx	0	1.38
76	M147	X	0	1.38
77	M147	Z	59.776	1.38
78	M147	Mx	0	1.38
79	MP1B	X	0	1
80	MP1B	Z	17.633	1
81	MP1B	Mx	-.008	1
82	MP1C	X	0	1
83	MP1C	Z	17.633	1
84	MP1C	Mx	.008	1
85	MP1B	X	0	1
86	MP1B	Z	17.633	1
87	MP1B	Mx	.008	1
88	MP1C	X	0	1
89	MP1C	Z	17.633	1
90	MP1C	Mx	-.008	1

**Member Point Loads (BLC 10 : Antenna Wo (210 Deg))**

	Member Label	Direction	Magnitude[lb.k-ft]	Location[ft.%]
1	MP1A	X	-42.735	.25
2	MP1A	Z	74.019	.25
3	MP1A	Mx	.09	.25
4	MP1A	X	-42.735	6
5	MP1A	Z	74.019	6
6	MP1A	Mx	.09	6
7	MP1B	X	-34.13	.25
8	MP1B	Z	59.115	.25



Company :  
 Designer :  
 Job Number :  
 Model Name :

July 12, 2023  
 9:33 AM  
 Checked By: \_\_\_\_\_

**Member Point Loads (BLC 10 : Antenna Wo (210 Deg)) (Continued)**

	Member Label	Direction	Magnitude[lb.k-ft]	Location[ft.%]
9	MP1B	Mx	-.046	.25
10	MP1B	X	-34.13	6
11	MP1B	Z	59.115	6
12	MP1B	Mx	-.046	6
13	MP1C	X	-42.735	.25
14	MP1C	Z	74.019	.25
15	MP1C	Mx	-.033	.25
16	MP1C	X	-42.735	6
17	MP1C	Z	74.019	6
18	MP1C	Mx	-.033	6
19	MP1A	X	-42.735	.25
20	MP1A	Z	74.019	.25
21	MP1A	Mx	-.033	.25
22	MP1A	X	-42.735	6
23	MP1A	Z	74.019	6
24	MP1A	Mx	-.033	6
25	MP1B	X	-34.13	.25
26	MP1B	Z	59.115	.25
27	MP1B	Mx	-.046	.25
28	MP1B	X	-34.13	6
29	MP1B	Z	59.115	6
30	MP1B	Mx	-.046	6
31	MP1C	X	-42.735	.25
32	MP1C	Z	74.019	.25
33	MP1C	Mx	.09	.25
34	MP1C	X	-42.735	6
35	MP1C	Z	74.019	6
36	MP1C	Mx	.09	6
37	MP2A	X	-31.599	2
38	MP2A	Z	54.731	2
39	MP2A	Mx	.016	2
40	MP2A	X	-31.599	4
41	MP2A	Z	54.731	4
42	MP2A	Mx	.016	4
43	MP2B	X	-13.016	2
44	MP2B	Z	22.544	2
45	MP2B	Mx	-.013	2
46	MP2B	X	-13.016	4
47	MP2B	Z	22.544	4
48	MP2B	Mx	-.013	4
49	MP2C	X	-31.599	2
50	MP2C	Z	54.731	2
51	MP2C	Mx	.016	2
52	MP2C	X	-31.599	4
53	MP2C	Z	54.731	4
54	MP2C	Mx	.016	4
55	M131A	X	-27.429	.63
56	M131A	Z	47.509	.63
57	M131A	Mx	-.014	.63
58	M121	X	-26.513	1.38
59	M121	Z	45.923	1.38
60	M121	Mx	-.013	1.38
61	M68	X	-46.471	1.5
62	M68	Z	80.49	1.5
63	M68	Mx	-.023	1.5
64	M61	X	-46.471	1.5
65	M61	Z	80.49	1.5

**Member Point Loads (BLC 10 : Antenna Wo (210 Deg)) (Continued)**

	Member Label	Direction	Magnitude[lb.k-ft]	Location[ft.%]
66	M61	Mx	-.023	1.5
67	M195	X	-27.429	.63
68	M195	Z	47.509	.63
69	M195	Mx	-.014	.63
70	M163	X	-27.429	.63
71	M163	Z	47.509	.63
72	M163	Mx	-.014	.63
73	M179	X	-26.513	1.38
74	M179	Z	45.923	1.38
75	M179	Mx	-.013	1.38
76	M147	X	-26.513	1.38
77	M147	Z	45.923	1.38
78	M147	Mx	-.013	1.38
79	MP1B	X	-5.601	1
80	MP1B	Z	9.7	1
81	MP1B	Mx	-.006	1
82	MP1C	X	-15.249	1
83	MP1C	Z	26.412	1
84	MP1C	Mx	.008	1
85	MP1B	X	-5.601	1
86	MP1B	Z	9.7	1
87	MP1B	Mx	.006	1
88	MP1C	X	-15.249	1
89	MP1C	Z	26.412	1
90	MP1C	Mx	-.008	1

**Member Point Loads (BLC 11 : Antenna Wo (240 Deg))**

	Member Label	Direction	Magnitude[lb.k-ft]	Location[ft.%]
1	MP1A	X	-64.083	.25
2	MP1A	Z	36.998	.25
3	MP1A	Mx	.074	.25
4	MP1A	X	-64.083	6
5	MP1A	Z	36.998	6
6	MP1A	Mx	.074	6
7	MP1B	X	-64.083	.25
8	MP1B	Z	36.998	.25
9	MP1B	Mx	-.012	.25
10	MP1B	X	-64.083	6
11	MP1B	Z	36.998	6
12	MP1B	Mx	-.012	6
13	MP1C	X	-78.987	.25
14	MP1C	Z	45.603	.25
15	MP1C	Mx	-.076	.25
16	MP1C	X	-78.987	6
17	MP1C	Z	45.603	6
18	MP1C	Mx	-.076	6
19	MP1A	X	-64.083	.25
20	MP1A	Z	36.998	.25
21	MP1A	Mx	.012	.25
22	MP1A	X	-64.083	6
23	MP1A	Z	36.998	6
24	MP1A	Mx	.012	6
25	MP1B	X	-64.083	.25
26	MP1B	Z	36.998	.25
27	MP1B	Mx	-.074	.25
28	MP1B	X	-64.083	6



Company :  
 Designer :  
 Job Number :  
 Model Name :

July 12, 2023  
 9:33 AM  
 Checked By: \_\_\_\_\_

**Member Point Loads (BLC 11 : Antenna Wo (240 Deg)) (Continued)**

	Member Label	Direction	Magnitude[lb.k-ft]	Location[ft.%]
29	MP1B	Z	36.998	6
30	MP1B	Mx	-.074	6
31	MP1C	X	-78.987	.25
32	MP1C	Z	45.603	.25
33	MP1C	Mx	.076	.25
34	MP1C	X	-78.987	6
35	MP1C	Z	45.603	6
36	MP1C	Mx	.076	6
37	MP2A	X	-33.273	2
38	MP2A	Z	19.21	2
39	MP2A	Mx	.017	2
40	MP2A	X	-33.273	4
41	MP2A	Z	19.21	4
42	MP2A	Mx	.017	4
43	MP2B	X	-33.273	2
44	MP2B	Z	19.21	2
45	MP2B	Mx	-.017	2
46	MP2B	X	-33.273	4
47	MP2B	Z	19.21	4
48	MP2B	Mx	-.017	4
49	MP2C	X	-65.461	2
50	MP2C	Z	37.794	2
51	MP2C	Mx	0	2
52	MP2C	X	-65.461	4
53	MP2C	Z	37.794	4
54	MP2C	Mx	0	4
55	M131A	X	-38.992	.63
56	M131A	Z	22.512	.63
57	M131A	Mx	-.019	.63
58	M121	X	-34.233	1.38
59	M121	Z	19.765	1.38
60	M121	Mx	-.017	1.38
61	M68	X	-86.835	1.5
62	M68	Z	50.134	1.5
63	M68	Mx	-.022	1.5
64	M61	X	-86.835	1.5
65	M61	Z	50.134	1.5
66	M61	Mx	-.022	1.5
67	M195	X	-38.992	.63
68	M195	Z	22.512	.63
69	M195	Mx	-.019	.63
70	M163	X	-38.992	.63
71	M163	Z	22.512	.63
72	M163	Mx	-.019	.63
73	M179	X	-34.233	1.38
74	M179	Z	19.765	1.38
75	M179	Mx	-.017	1.38
76	M147	X	-34.233	1.38
77	M147	Z	19.765	1.38
78	M147	Mx	-.017	1.38
79	MP1B	X	-15.271	1
80	MP1B	Z	8.817	1
81	MP1B	Mx	-.008	1
82	MP1C	X	-31.982	1
83	MP1C	Z	18.465	1
84	MP1C	Mx	0	1
85	MP1B	X	-15.271	1



Company :  
 Designer :  
 Job Number :  
 Model Name :

July 12, 2023  
 9:33 AM  
 Checked By: \_\_\_\_\_

**Member Point Loads (BLC 11 : Antenna Wo (240 Deg)) (Continued)**

	Member Label	Direction	Magnitude[lb.k-ft]	Location[ft.%]
86	MP1B	Z	8.817	1
87	MP1B	Mx	.008	1
88	MP1C	X	-31.982	1
89	MP1C	Z	18.465	1
90	MP1C	Mx	0	1

**Member Point Loads (BLC 12 : Antenna Wo (270 Deg))**

	Member Label	Direction	Magnitude[lb.k-ft]	Location[ft.%]
1	MP1A	X	-68.26	.25
2	MP1A	Z	0	.25
3	MP1A	Mx	.046	.25
4	MP1A	X	-68.26	6
5	MP1A	Z	0	6
6	MP1A	Mx	.046	6
7	MP1B	X	-85.47	.25
8	MP1B	Z	0	.25
9	MP1B	Mx	.033	.25
10	MP1B	X	-85.47	6
11	MP1B	Z	0	6
12	MP1B	Mx	.033	6
13	MP1C	X	-85.47	.25
14	MP1C	Z	0	.25
15	MP1C	Mx	-.09	.25
16	MP1C	X	-85.47	6
17	MP1C	Z	0	6
18	MP1C	Mx	-.09	6
19	MP1A	X	-68.26	.25
20	MP1A	Z	0	.25
21	MP1A	Mx	.046	.25
22	MP1A	X	-68.26	6
23	MP1A	Z	0	6
24	MP1A	Mx	.046	6
25	MP1B	X	-85.47	.25
26	MP1B	Z	0	.25
27	MP1B	Mx	-.09	.25
28	MP1B	X	-85.47	6
29	MP1B	Z	0	6
30	MP1B	Mx	-.09	6
31	MP1C	X	-85.47	.25
32	MP1C	Z	0	.25
33	MP1C	Mx	.033	.25
34	MP1C	X	-85.47	6
35	MP1C	Z	0	6
36	MP1C	Mx	.033	6
37	MP2A	X	-26.031	2
38	MP2A	Z	0	2
39	MP2A	Mx	.013	2
40	MP2A	X	-26.031	4
41	MP2A	Z	0	4
42	MP2A	Mx	.013	4
43	MP2B	X	-63.198	2
44	MP2B	Z	0	2
45	MP2B	Mx	-.016	2
46	MP2B	X	-63.198	4
47	MP2B	Z	0	4
48	MP2B	Mx	-.016	4





Company :  
 Designer :  
 Job Number :  
 Model Name :

July 12, 2023  
 9:33 AM  
 Checked By: \_\_\_\_\_

**Member Point Loads (BLC 12 : Antenna Wo (270 Deg)) (Continued)**

	Member Label	Direction	Magnitude[lb.k-ft]	Location[ft. %]
49	MP2C	X	-63.198	2
50	MP2C	Z	0	2
51	MP2C	Mx	-.016	2
52	MP2C	X	-63.198	4
53	MP2C	Z	0	4
54	MP2C	Mx	-.016	4
55	M131A	X	-40.108	.63
56	M131A	Z	0	.63
57	M131A	Mx	-.02	.63
58	M121	X	-32.78	1.38
59	M121	Z	0	1.38
60	M121	Mx	-.016	1.38
61	M68	X	-114.924	1.5
62	M68	Z	0	1.5
63	M68	Mx	-.014	1.5
64	M61	X	-114.924	1.5
65	M61	Z	0	1.5
66	M61	Mx	-.014	1.5
67	M195	X	-40.108	.63
68	M195	Z	0	.63
69	M195	Mx	-.02	.63
70	M163	X	-40.108	.63
71	M163	Z	0	.63
72	M163	Mx	-.02	.63
73	M179	X	-32.78	1.38
74	M179	Z	0	1.38
75	M179	Mx	-.016	1.38
76	M147	X	-32.78	1.38
77	M147	Z	0	1.38
78	M147	Mx	-.016	1.38
79	MP1B	X	-30.498	1
80	MP1B	Z	0	1
81	MP1B	Mx	-.008	1
82	MP1C	X	-30.498	1
83	MP1C	Z	0	1
84	MP1C	Mx	-.008	1
85	MP1B	X	-30.498	1
86	MP1B	Z	0	1
87	MP1B	Mx	.008	1
88	MP1C	X	-30.498	1
89	MP1C	Z	0	1
90	MP1C	Mx	.008	1

**Member Point Loads (BLC 13 : Antenna Wo (300 Deg))**

	Member Label	Direction	Magnitude[lb.k-ft]	Location[ft. %]
1	MP1A	X	-64.083	.25
2	MP1A	Z	-36.998	.25
3	MP1A	Mx	.012	.25
4	MP1A	X	-64.083	6
5	MP1A	Z	-36.998	6
6	MP1A	Mx	.012	6
7	MP1B	X	-78.987	.25
8	MP1B	Z	-45.603	.25
9	MP1B	Mx	.076	.25
10	MP1B	X	-78.987	6
11	MP1B	Z	-45.603	6



Company :  
 Designer :  
 Job Number :  
 Model Name :

July 12, 2023  
 9:33 AM  
 Checked By: \_\_\_\_\_

**Member Point Loads (BLC 13 : Antenna Wo (300 Deg)) (Continued)**

	Member Label	Direction	Magnitude[lb.k-ft]	Location[ft.%]
12	MP1B	Mx	.076	6
13	MP1C	X	-64.083	25
14	MP1C	Z	-36.998	.25
15	MP1C	Mx	-.074	.25
16	MP1C	X	-64.083	6
17	MP1C	Z	-36.998	6
18	MP1C	Mx	-.074	6
19	MP1A	X	-64.083	.25
20	MP1A	Z	-36.998	.25
21	MP1A	Mx	.074	.25
22	MP1A	X	-64.083	6
23	MP1A	Z	-36.998	6
24	MP1A	Mx	.074	6
25	MP1B	X	-78.987	.25
26	MP1B	Z	-45.603	.25
27	MP1B	Mx	-.076	.25
28	MP1B	X	-78.987	6
29	MP1B	Z	-45.603	6
30	MP1B	Mx	-.076	6
31	MP1C	X	-64.083	.25
32	MP1C	Z	-36.998	.25
33	MP1C	Mx	-.012	.25
34	MP1C	X	-64.083	6
35	MP1C	Z	-36.998	6
36	MP1C	Mx	-.012	6
37	MP2A	X	-33.273	2
38	MP2A	Z	-19.21	2
39	MP2A	Mx	.017	2
40	MP2A	X	-33.273	4
41	MP2A	Z	-19.21	4
42	MP2A	Mx	.017	4
43	MP2B	X	-65.461	2
44	MP2B	Z	-37.794	2
45	MP2B	Mx	0	2
46	MP2B	X	-65.461	4
47	MP2B	Z	-37.794	4
48	MP2B	Mx	0	4
49	MP2C	X	-33.273	2
50	MP2C	Z	-19.21	2
51	MP2C	Mx	-.017	2
52	MP2C	X	-33.273	4
53	MP2C	Z	-19.21	4
54	MP2C	Mx	-.017	4
55	M131A	X	-38.992	.63
56	M131A	Z	-22.512	.63
57	M131A	Mx	-.019	.63
58	M121	X	-34.233	1.38
59	M121	Z	-19.765	1.38
60	M121	Mx	-.017	1.38
61	M68	X	-105.872	1.5
62	M68	Z	-61.125	1.5
63	M68	Mx	0	1.5
64	M61	X	-105.872	1.5
65	M61	Z	-61.125	1.5
66	M61	Mx	0	1.5
67	M195	X	-38.992	.63
68	M195	Z	-22.512	.63

**Member Point Loads (BLC 13 : Antenna Wo (300 Deg)) (Continued)**

	Member Label	Direction	Magnitude[lb.k-ft]	Location[ft.%]
69	M195	Mx	-.019	.63
70	M163	X	-38.992	.63
71	M163	Z	-22.512	.63
72	M163	Mx	-.019	.63
73	M179	X	-34.233	1.38
74	M179	Z	-19.765	1.38
75	M179	Mx	-.017	1.38
76	M147	X	-34.233	1.38
77	M147	Z	-19.765	1.38
78	M147	Mx	-.017	1.38
79	MP1B	X	-31.982	1
80	MP1B	Z	-18.465	1
81	MP1B	Mx	0	1
82	MP1C	X	-15.271	1
83	MP1C	Z	-8.817	1
84	MP1C	Mx	-.008	1
85	MP1B	X	-31.982	1
86	MP1B	Z	-18.465	1
87	MP1B	Mx	0	1
88	MP1C	X	-15.271	1
89	MP1C	Z	-8.817	1
90	MP1C	Mx	.008	1

**Member Point Loads (BLC 14 : Antenna Wo (330 Deg))**

	Member Label	Direction	Magnitude[lb.k-ft]	Location[ft.%]
1	MP1A	X	-42.735	.25
2	MP1A	Z	-74.019	.25
3	MP1A	Mx	-.033	.25
4	MP1A	X	-42.735	6
5	MP1A	Z	-74.019	6
6	MP1A	Mx	-.033	6
7	MP1B	X	-42.735	.25
8	MP1B	Z	-74.019	.25
9	MP1B	Mx	.09	.25
10	MP1B	X	-42.735	6
11	MP1B	Z	-74.019	6
12	MP1B	Mx	.09	6
13	MP1C	X	-34.13	.25
14	MP1C	Z	-59.115	.25
15	MP1C	Mx	-.046	.25
16	MP1C	X	-34.13	6
17	MP1C	Z	-59.115	6
18	MP1C	Mx	-.046	6
19	MP1A	X	-42.735	.25
20	MP1A	Z	-74.019	.25
21	MP1A	Mx	.09	.25
22	MP1A	X	-42.735	6
23	MP1A	Z	-74.019	6
24	MP1A	Mx	.09	6
25	MP1B	X	-42.735	.25
26	MP1B	Z	-74.019	.25
27	MP1B	Mx	-.033	.25
28	MP1B	X	-42.735	6
29	MP1B	Z	-74.019	6
30	MP1B	Mx	-.033	6
31	MP1C	X	-34.13	.25



Company :  
 Designer :  
 Job Number :  
 Model Name :

July 12, 2023  
 9:33 AM  
 Checked By: \_\_\_\_\_

**Member Point Loads (BLC 14 : Antenna Wo (330 Deg)) (Continued)**

	Member Label	Direction	Magnitude[lb.k-ft]	Location[ft.%]
32	MP1C	Z	-59.115	.25
33	MP1C	Mx	-.046	.25
34	MP1C	X	-34.13	6
35	MP1C	Z	-59.115	6
36	MP1C	Mx	-.046	6
37	MP2A	X	-31.599	2
38	MP2A	Z	-54.731	2
39	MP2A	Mx	.016	2
40	MP2A	X	-31.599	4
41	MP2A	Z	-54.731	4
42	MP2A	Mx	.016	4
43	MP2B	X	-31.599	2
44	MP2B	Z	-54.731	2
45	MP2B	Mx	.016	2
46	MP2B	X	-31.599	4
47	MP2B	Z	-54.731	4
48	MP2B	Mx	.016	4
49	MP2C	X	-13.016	2
50	MP2C	Z	-22.544	2
51	MP2C	Mx	-.013	2
52	MP2C	X	-13.016	4
53	MP2C	Z	-22.544	4
54	MP2C	Mx	-.013	4
55	M131A	X	-27.429	.63
56	M131A	Z	-47.509	.63
57	M131A	Mx	-.014	.63
58	M121	X	-26.513	1.38
59	M121	Z	-45.923	1.38
60	M121	Mx	-.013	1.38
61	M68	X	-57.462	1.5
62	M68	Z	-99.527	1.5
63	M68	Mx	.014	1.5
64	M61	X	-57.462	1.5
65	M61	Z	-99.527	1.5
66	M61	Mx	.014	1.5
67	M195	X	-27.429	.63
68	M195	Z	-47.509	.63
69	M195	Mx	-.014	.63
70	M163	X	-27.429	.63
71	M163	Z	-47.509	.63
72	M163	Mx	-.014	.63
73	M179	X	-26.513	1.38
74	M179	Z	-45.923	1.38
75	M179	Mx	-.013	1.38
76	M147	X	-26.513	1.38
77	M147	Z	-45.923	1.38
78	M147	Mx	-.013	1.38
79	MP1B	X	-15.249	1
80	MP1B	Z	-26.412	1
81	MP1B	Mx	.008	1
82	MP1C	X	-5.601	1
83	MP1C	Z	-9.7	1
84	MP1C	Mx	-.006	1
85	MP1B	X	-15.249	1
86	MP1B	Z	-26.412	1
87	MP1B	Mx	-.008	1
88	MP1C	X	-5.601	1



Company :  
 Designer :  
 Job Number :  
 Model Name :

July 12, 2023  
 9:33 AM  
 Checked By: \_\_\_\_\_

**Member Point Loads (BLC 14 : Antenna Wo (330 Deg)) (Continued)**

	Member Label	Direction	Magnitude[lb.k-ft]	Location[ft.%]
89	MP1C	Z	-9.7	1
90	MP1C	Mx	.006	1

**Member Point Loads (BLC 15 : Antenna Wi (0 Deg))**

	Member Label	Direction	Magnitude[lb.k-ft]	Location[ft.%]
1	MP1A	X	0	.25
2	MP1A	Z	-36.192	.25
3	MP1A	Mx	-.03	.25
4	MP1A	X	0	6
5	MP1A	Z	-36.192	6
6	MP1A	Mx	-.03	6
7	MP1B	X	0	.25
8	MP1B	Z	-29.602	.25
9	MP1B	Mx	.029	.25
10	MP1B	X	0	6
11	MP1B	Z	-29.602	6
12	MP1B	Mx	.029	6
13	MP1C	X	0	.25
14	MP1C	Z	-29.602	.25
15	MP1C	Mx	-.005	.25
16	MP1C	X	0	6
17	MP1C	Z	-29.602	6
18	MP1C	Mx	-.005	6
19	MP1A	X	0	.25
20	MP1A	Z	-36.192	.25
21	MP1A	Mx	.03	.25
22	MP1A	X	0	6
23	MP1A	Z	-36.192	6
24	MP1A	Mx	.03	6
25	MP1B	X	0	.25
26	MP1B	Z	-29.602	.25
27	MP1B	Mx	.005	.25
28	MP1B	X	0	6
29	MP1B	Z	-29.602	6
30	MP1B	Mx	.005	6
31	MP1C	X	0	.25
32	MP1C	Z	-29.602	.25
33	MP1C	Mx	-.029	.25
34	MP1C	X	0	6
35	MP1C	Z	-29.602	6
36	MP1C	Mx	-.029	6
37	MP2A	X	0	2
38	MP2A	Z	-17.884	2
39	MP2A	Mx	0	2
40	MP2A	X	0	4
41	MP2A	Z	-17.884	4
42	MP2A	Mx	0	4
43	MP2B	X	0	2
44	MP2B	Z	-10.21	2
45	MP2B	Mx	.004	2
46	MP2B	X	0	4
47	MP2B	Z	-10.21	4
48	MP2B	Mx	.004	4
49	MP2C	X	0	2
50	MP2C	Z	-10.21	2
51	MP2C	Mx	-.004	2



Company :  
 Designer :  
 Job Number :  
 Model Name :

July 12, 2023  
 9:33 AM  
 Checked By: \_\_\_\_\_

**Member Point Loads (BLC 15 : Antenna Wi (0 Deg)) (Continued)**

	Member Label	Direction	Magnitude[lb.k-ft]	Location[ft.%]
52	MP2C	X	0	4
53	MP2C	Z	-10.21	4
54	MP2C	Mx	-.004	4
55	M131A	X	0	.63
56	M131A	Z	-15.117	.63
57	M131A	Mx	0	.63
58	M121	X	0	1.38
59	M121	Z	-15.117	1.38
60	M121	Mx	0	1.38
61	M68	X	0	1.5
62	M68	Z	-25.94	1.5
63	M68	Mx	.006	1.5
64	M61	X	0	1.5
65	M61	Z	-25.94	1.5
66	M61	Mx	.006	1.5
67	M195	X	0	.63
68	M195	Z	-15.117	.63
69	M195	Mx	0	.63
70	M163	X	0	.63
71	M163	Z	-15.117	.63
72	M163	Mx	0	.63
73	M179	X	0	1.38
74	M179	Z	-15.117	1.38
75	M179	Mx	0	1.38
76	M147	X	0	1.38
77	M147	Z	-15.117	1.38
78	M147	Mx	0	1.38
79	MP1B	X	0	1
80	MP1B	Z	-4.453	1
81	MP1B	Mx	.002	1
82	MP1C	X	0	1
83	MP1C	Z	-4.453	1
84	MP1C	Mx	-.002	1
85	MP1B	X	0	1
86	MP1B	Z	-4.453	1
87	MP1B	Mx	-.002	1
88	MP1C	X	0	1
89	MP1C	Z	-4.453	1
90	MP1C	Mx	.002	1

**Member Point Loads (BLC 16 : Antenna Wi (30 Deg))**

	Member Label	Direction	Magnitude[lb.k-ft]	Location[ft.%]
1	MP1A	X	16.998	.25
2	MP1A	Z	-29.441	.25
3	MP1A	Mx	-.036	.25
4	MP1A	X	16.998	6
5	MP1A	Z	-29.441	6
6	MP1A	Mx	-.036	6
7	MP1B	X	13.703	.25
8	MP1B	Z	-23.734	.25
9	MP1B	Mx	.018	.25
10	MP1B	X	13.703	6
11	MP1B	Z	-23.734	6
12	MP1B	Mx	.018	6
13	MP1C	X	16.998	.25
14	MP1C	Z	-29.441	.25

**Member Point Loads (BLC 16 : Antenna Wi (30 Deg)) (Continued)**

	Member Label	Direction	Magnitude[lb.k-ft]	Location[ft.%]
15	MP1C	Mx	.013	.25
16	MP1C	X	16.998	6
17	MP1C	Z	-29.441	6
18	MP1C	Mx	.013	6
19	MP1A	X	16.998	.25
20	MP1A	Z	-29.441	.25
21	MP1A	Mx	.013	.25
22	MP1A	X	16.998	6
23	MP1A	Z	-29.441	6
24	MP1A	Mx	.013	6
25	MP1B	X	13.703	.25
26	MP1B	Z	-23.734	.25
27	MP1B	Mx	.018	.25
28	MP1B	X	13.703	6
29	MP1B	Z	-23.734	6
30	MP1B	Mx	.018	6
31	MP1C	X	16.998	.25
32	MP1C	Z	-29.441	.25
33	MP1C	Mx	-.036	.25
34	MP1C	X	16.998	6
35	MP1C	Z	-29.441	6
36	MP1C	Mx	-.036	6
37	MP2A	X	7.663	2
38	MP2A	Z	-13.273	2
39	MP2A	Mx	-.004	2
40	MP2A	X	7.663	4
41	MP2A	Z	-13.273	4
42	MP2A	Mx	-.004	4
43	MP2B	X	3.826	2
44	MP2B	Z	-6.627	2
45	MP2B	Mx	.004	2
46	MP2B	X	3.826	4
47	MP2B	Z	-6.627	4
48	MP2B	Mx	.004	4
49	MP2C	X	7.663	2
50	MP2C	Z	-13.273	2
51	MP2C	Mx	-.004	2
52	MP2C	X	7.663	4
53	MP2C	Z	-13.273	4
54	MP2C	Mx	-.004	4
55	M131A	X	6.986	.63
56	M131A	Z	-12.1	.63
57	M131A	Mx	.003	.63
58	M121	X	6.768	1.38
59	M121	Z	-11.723	1.38
60	M121	Mx	.003	1.38
61	M68	X	12.129	1.5
62	M68	Z	-21.008	1.5
63	M68	Mx	.006	1.5
64	M61	X	12.129	1.5
65	M61	Z	-21.008	1.5
66	M61	Mx	.006	1.5
67	M195	X	6.986	.63
68	M195	Z	-12.1	.63
69	M195	Mx	.003	.63
70	M163	X	6.986	.63
71	M163	Z	-12.1	.63



Company :  
 Designer :  
 Job Number :  
 Model Name :

July 12, 2023  
 9:33 AM  
 Checked By: \_\_\_\_\_

**Member Point Loads (BLC 16 : Antenna Wi (30 Deg)) (Continued)**

	Member Label	Direction	Magnitude[lb.k-ft]	Location[ft.%]
72	M163	Mx	.003	.63
73	M179	X	6.768	1.38
74	M179	Z	-11.723	1.38
75	M179	Mx	.003	1.38
76	M147	X	6.768	1.38
77	M147	Z	-11.723	1.38
78	M147	Mx	.003	1.38
79	MP1B	X	1.583	1
80	MP1B	Z	-2.742	1
81	MP1B	Mx	.002	1
82	MP1C	X	3.514	1
83	MP1C	Z	-6.086	1
84	MP1C	Mx	-.002	1
85	MP1B	X	1.583	1
86	MP1B	Z	-2.742	1
87	MP1B	Mx	-.002	1
88	MP1C	X	3.514	1
89	MP1C	Z	-6.086	1
90	MP1C	Mx	.002	1

**Member Point Loads (BLC 17 : Antenna Wi (60 Deg))**

	Member Label	Direction	Magnitude[lb.k-ft]	Location[ft.%]
1	MP1A	X	25.636	.25
2	MP1A	Z	-14.801	.25
3	MP1A	Mx	-.029	.25
4	MP1A	X	25.636	6
5	MP1A	Z	-14.801	6
6	MP1A	Mx	-.029	6
7	MP1B	X	25.636	.25
8	MP1B	Z	-14.801	.25
9	MP1B	Mx	.005	.25
10	MP1B	X	25.636	6
11	MP1B	Z	-14.801	6
12	MP1B	Mx	.005	6
13	MP1C	X	31.343	.25
14	MP1C	Z	-18.096	.25
15	MP1C	Mx	.03	.25
16	MP1C	X	31.343	6
17	MP1C	Z	-18.096	6
18	MP1C	Mx	.03	6
19	MP1A	X	25.636	.25
20	MP1A	Z	-14.801	.25
21	MP1A	Mx	-.005	.25
22	MP1A	X	25.636	6
23	MP1A	Z	-14.801	6
24	MP1A	Mx	-.005	6
25	MP1B	X	25.636	.25
26	MP1B	Z	-14.801	.25
27	MP1B	Mx	.029	.25
28	MP1B	X	25.636	6
29	MP1B	Z	-14.801	6
30	MP1B	Mx	.029	6
31	MP1C	X	31.343	.25
32	MP1C	Z	-18.096	.25
33	MP1C	Mx	-.03	.25
34	MP1C	X	31.343	6





Company :  
 Designer :  
 Job Number :  
 Model Name :

July 12, 2023  
 9:33 AM  
 Checked By: \_\_\_\_\_

**Member Point Loads (BLC 17 : Antenna Wi (60 Deg)) (Continued)**

	Member Label	Direction	Magnitude[lb.k-ft]	Location[ft.%]
35	MP1C	Z	-18.096	6
36	MP1C	Mx	-.03	6
37	MP2A	X	8.842	2
38	MP2A	Z	-5.105	2
39	MP2A	Mx	-.004	2
40	MP2A	X	8.842	4
41	MP2A	Z	-5.105	4
42	MP2A	Mx	-.004	4
43	MP2B	X	8.842	2
44	MP2B	Z	-5.105	2
45	MP2B	Mx	.004	2
46	MP2B	X	8.842	4
47	MP2B	Z	-5.105	4
48	MP2B	Mx	.004	4
49	MP2C	X	15.488	2
50	MP2C	Z	-8.942	2
51	MP2C	Mx	0	2
52	MP2C	X	15.488	4
53	MP2C	Z	-8.942	4
54	MP2C	Mx	0	4
55	M131A	X	10.117	.63
56	M131A	Z	-5.841	.63
57	M131A	Mx	.005	.63
58	M121	X	8.987	1.38
59	M121	Z	-5.188	1.38
60	M121	Mx	.004	1.38
61	M68	X	22.465	1.5
62	M68	Z	-12.97	1.5
63	M68	Mx	.006	1.5
64	M61	X	22.465	1.5
65	M61	Z	-12.97	1.5
66	M61	Mx	.006	1.5
67	M195	X	10.117	.63
68	M195	Z	-5.841	.63
69	M195	Mx	.005	.63
70	M163	X	10.117	.63
71	M163	Z	-5.841	.63
72	M163	Mx	.005	.63
73	M179	X	8.987	1.38
74	M179	Z	-5.188	1.38
75	M179	Mx	.004	1.38
76	M147	X	8.987	1.38
77	M147	Z	-5.188	1.38
78	M147	Mx	.004	1.38
79	MP1B	X	3.857	1
80	MP1B	Z	-2.227	1
81	MP1B	Mx	.002	1
82	MP1C	X	7.201	1
83	MP1C	Z	-4.158	1
84	MP1C	Mx	0	1
85	MP1B	X	3.857	1
86	MP1B	Z	-2.227	1
87	MP1B	Mx	-.002	1
88	MP1C	X	7.201	1
89	MP1C	Z	-4.158	1
90	MP1C	Mx	0	1



Company :  
 Designer :  
 Job Number :  
 Model Name :

July 12, 2023  
 9:33 AM  
 Checked By: \_\_\_\_\_

**Member Point Loads (BLC 18 : Antenna Wi (90 Deg))**

	Member Label	Direction	Magnitude[lb.k-ft]	Location[ft.%]
1	MP1A	X	27.406	.25
2	MP1A	Z	0	.25
3	MP1A	Mx	-.018	.25
4	MP1A	X	27.406	6
5	MP1A	Z	0	6
6	MP1A	Mx	-.018	6
7	MP1B	X	33.996	.25
8	MP1B	Z	0	.25
9	MP1B	Mx	-.013	.25
10	MP1B	X	33.996	6
11	MP1B	Z	0	6
12	MP1B	Mx	-.013	6
13	MP1C	X	33.996	.25
14	MP1C	Z	0	.25
15	MP1C	Mx	.036	.25
16	MP1C	X	33.996	6
17	MP1C	Z	0	6
18	MP1C	Mx	.036	6
19	MP1A	X	27.406	.25
20	MP1A	Z	0	.25
21	MP1A	Mx	-.018	.25
22	MP1A	X	27.406	6
23	MP1A	Z	0	6
24	MP1A	Mx	-.018	6
25	MP1B	X	33.996	.25
26	MP1B	Z	0	.25
27	MP1B	Mx	.036	.25
28	MP1B	X	33.996	6
29	MP1B	Z	0	6
30	MP1B	Mx	.036	6
31	MP1C	X	33.996	.25
32	MP1C	Z	0	.25
33	MP1C	Mx	-.013	.25
34	MP1C	X	33.996	6
35	MP1C	Z	0	6
36	MP1C	Mx	-.013	6
37	MP2A	X	7.652	2
38	MP2A	Z	0	2
39	MP2A	Mx	-.004	2
40	MP2A	X	7.652	4
41	MP2A	Z	0	4
42	MP2A	Mx	-.004	4
43	MP2B	X	15.326	2
44	MP2B	Z	0	2
45	MP2B	Mx	.004	2
46	MP2B	X	15.326	4
47	MP2B	Z	0	4
48	MP2B	Mx	.004	4
49	MP2C	X	15.326	2
50	MP2C	Z	0	2
51	MP2C	Mx	.004	2
52	MP2C	X	15.326	4
53	MP2C	Z	0	4
54	MP2C	Mx	.004	4
55	M131A	X	10.537	.63
56	M131A	Z	0	.63
57	M131A	Mx	.005	.63

**Member Point Loads (BLC 18 : Antenna Wi (90 Deg)) (Continued)**

	Member Label	Direction	Magnitude[lb.k-ft]	Location[ft. %]
58	M121	X	8.797	1.38
59	M121	Z	0	1.38
60	M121	Mx	.004	1.38
61	M68	X	29.304	1.5
62	M68	Z	0	1.5
63	M68	Mx	.004	1.5
64	M61	X	29.304	1.5
65	M61	Z	0	1.5
66	M61	Mx	.004	1.5
67	M195	X	10.537	.63
68	M195	Z	0	.63
69	M195	Mx	.005	.63
70	M163	X	10.537	.63
71	M163	Z	0	.63
72	M163	Mx	.005	.63
73	M179	X	8.797	1.38
74	M179	Z	0	1.38
75	M179	Mx	.004	1.38
76	M147	X	8.797	1.38
77	M147	Z	0	1.38
78	M147	Mx	.004	1.38
79	MP1B	X	7.028	1
80	MP1B	Z	0	1
81	MP1B	Mx	.002	1
82	MP1C	X	7.028	1
83	MP1C	Z	0	1
84	MP1C	Mx	.002	1
85	MP1B	X	7.028	1
86	MP1B	Z	0	1
87	MP1B	Mx	-.002	1
88	MP1C	X	7.028	1
89	MP1C	Z	0	1
90	MP1C	Mx	-.002	1

**Member Point Loads (BLC 19 : Antenna Wi (120 Deg))**

	Member Label	Direction	Magnitude[lb.k-ft]	Location[ft. %]
1	MP1A	X	25.636	.25
2	MP1A	Z	14.801	.25
3	MP1A	Mx	-.005	.25
4	MP1A	X	25.636	6
5	MP1A	Z	14.801	6
6	MP1A	Mx	-.005	6
7	MP1B	X	31.343	.25
8	MP1B	Z	18.096	.25
9	MP1B	Mx	-.03	.25
10	MP1B	X	31.343	6
11	MP1B	Z	18.096	6
12	MP1B	Mx	-.03	6
13	MP1C	X	25.636	.25
14	MP1C	Z	14.801	.25
15	MP1C	Mx	.029	.25
16	MP1C	X	25.636	6
17	MP1C	Z	14.801	6
18	MP1C	Mx	.029	6
19	MP1A	X	25.636	.25
20	MP1A	Z	14.801	.25



Company :  
 Designer :  
 Job Number :  
 Model Name :

July 12, 2023  
 9:33 AM  
 Checked By: \_\_\_\_\_

**Member Point Loads (BLC 19 : Antenna Wi (120 Deg)) (Continued)**

	Member Label	Direction	Magnitude[lb.k-ft]	Location[ft.%]
21	MP1A	Mx	-.029	.25
22	MP1A	X	25.636	6
23	MP1A	Z	14.801	6
24	MP1A	Mx	-.029	6
25	MP1B	X	31.343	.25
26	MP1B	Z	18.096	.25
27	MP1B	Mx	.03	.25
28	MP1B	X	31.343	6
29	MP1B	Z	18.096	6
30	MP1B	Mx	.03	6
31	MP1C	X	25.636	.25
32	MP1C	Z	14.801	.25
33	MP1C	Mx	.005	.25
34	MP1C	X	25.636	6
35	MP1C	Z	14.801	6
36	MP1C	Mx	.005	6
37	MP2A	X	8.842	2
38	MP2A	Z	5.105	2
39	MP2A	Mx	-.004	2
40	MP2A	X	8.842	4
41	MP2A	Z	5.105	4
42	MP2A	Mx	-.004	4
43	MP2B	X	15.488	2
44	MP2B	Z	8.942	2
45	MP2B	Mx	0	2
46	MP2B	X	15.488	4
47	MP2B	Z	8.942	4
48	MP2B	Mx	0	4
49	MP2C	X	8.842	2
50	MP2C	Z	5.105	2
51	MP2C	Mx	.004	2
52	MP2C	X	8.842	4
53	MP2C	Z	5.105	4
54	MP2C	Mx	.004	4
55	M131A	X	10.117	.63
56	M131A	Z	5.841	.63
57	M131A	Mx	.005	.63
58	M121	X	8.987	1.38
59	M121	Z	5.188	1.38
60	M121	Mx	.004	1.38
61	M68	X	26.834	1.5
62	M68	Z	15.493	1.5
63	M68	Mx	0	1.5
64	M61	X	26.834	1.5
65	M61	Z	15.493	1.5
66	M61	Mx	0	1.5
67	M195	X	10.117	.63
68	M195	Z	5.841	.63
69	M195	Mx	.005	.63
70	M163	X	10.117	.63
71	M163	Z	5.841	.63
72	M163	Mx	.005	.63
73	M179	X	8.987	1.38
74	M179	Z	5.188	1.38
75	M179	Mx	.004	1.38
76	M147	X	8.987	1.38
77	M147	Z	5.188	1.38



Company :  
 Designer :  
 Job Number :  
 Model Name :

July 12, 2023  
 9:33 AM  
 Checked By: \_\_\_\_\_

**Member Point Loads (BLC 19 : Antenna Wi (120 Deg)) (Continued)**

	Member Label	Direction	Magnitude[lb.k-ft]	Location[ft.%]
78	M147	Mx	.004	1.38
79	MP1B	X	7.201	1
80	MP1B	Z	4.158	1
81	MP1B	Mx	0	1
82	MP1C	X	3.857	1
83	MP1C	Z	2.227	1
84	MP1C	Mx	.002	1
85	MP1B	X	7.201	1
86	MP1B	Z	4.158	1
87	MP1B	Mx	0	1
88	MP1C	X	3.857	1
89	MP1C	Z	2.227	1
90	MP1C	Mx	-.002	1

**Member Point Loads (BLC 20 : Antenna Wi (150 Deg))**

	Member Label	Direction	Magnitude[lb.k-ft]	Location[ft.%]
1	MP1A	X	16.998	.25
2	MP1A	Z	29.441	.25
3	MP1A	Mx	.013	.25
4	MP1A	X	16.998	6
5	MP1A	Z	29.441	6
6	MP1A	Mx	.013	6
7	MP1B	X	16.998	.25
8	MP1B	Z	29.441	.25
9	MP1B	Mx	-.036	.25
10	MP1B	X	16.998	6
11	MP1B	Z	29.441	6
12	MP1B	Mx	-.036	6
13	MP1C	X	13.703	.25
14	MP1C	Z	23.734	.25
15	MP1C	Mx	.018	.25
16	MP1C	X	13.703	6
17	MP1C	Z	23.734	6
18	MP1C	Mx	.018	6
19	MP1A	X	16.998	.25
20	MP1A	Z	29.441	.25
21	MP1A	Mx	-.036	.25
22	MP1A	X	16.998	6
23	MP1A	Z	29.441	6
24	MP1A	Mx	-.036	6
25	MP1B	X	16.998	.25
26	MP1B	Z	29.441	.25
27	MP1B	Mx	.013	.25
28	MP1B	X	16.998	6
29	MP1B	Z	29.441	6
30	MP1B	Mx	.013	6
31	MP1C	X	13.703	.25
32	MP1C	Z	23.734	.25
33	MP1C	Mx	.018	.25
34	MP1C	X	13.703	6
35	MP1C	Z	23.734	6
36	MP1C	Mx	.018	6
37	MP2A	X	7.663	2
38	MP2A	Z	13.273	2
39	MP2A	Mx	-.004	2
40	MP2A	X	7.663	4



Company :  
 Designer :  
 Job Number :  
 Model Name :

July 12, 2023  
 9:33 AM  
 Checked By: \_\_\_\_\_

**Member Point Loads (BLC 20 : Antenna Wi (150 Deg)) (Continued)**

	Member Label	Direction	Magnitude[lb.k-ft]	Location[ft.%]
41	MP2A	Z	13.273	4
42	MP2A	Mx	-.004	4
43	MP2B	X	7.663	2
44	MP2B	Z	13.273	2
45	MP2B	Mx	-.004	2
46	MP2B	X	7.663	4
47	MP2B	Z	13.273	4
48	MP2B	Mx	-.004	4
49	MP2C	X	3.826	2
50	MP2C	Z	6.627	2
51	MP2C	Mx	.004	2
52	MP2C	X	3.826	4
53	MP2C	Z	6.627	4
54	MP2C	Mx	.004	4
55	M131A	X	6.986	.63
56	M131A	Z	12.1	.63
57	M131A	Mx	.003	.63
58	M121	X	6.768	1.38
59	M121	Z	11.723	1.38
60	M121	Mx	.003	1.38
61	M68	X	14.652	1.5
62	M68	Z	25.378	1.5
63	M68	Mx	-.004	1.5
64	M61	X	14.652	1.5
65	M61	Z	25.378	1.5
66	M61	Mx	-.004	1.5
67	M195	X	6.986	.63
68	M195	Z	12.1	.63
69	M195	Mx	.003	.63
70	M163	X	6.986	.63
71	M163	Z	12.1	.63
72	M163	Mx	.003	.63
73	M179	X	6.768	1.38
74	M179	Z	11.723	1.38
75	M179	Mx	.003	1.38
76	M147	X	6.768	1.38
77	M147	Z	11.723	1.38
78	M147	Mx	.003	1.38
79	MP1B	X	3.514	1
80	MP1B	Z	6.086	1
81	MP1B	Mx	-.002	1
82	MP1C	X	1.583	1
83	MP1C	Z	2.742	1
84	MP1C	Mx	.002	1
85	MP1B	X	3.514	1
86	MP1B	Z	6.086	1
87	MP1B	Mx	.002	1
88	MP1C	X	1.583	1
89	MP1C	Z	2.742	1
90	MP1C	Mx	-.002	1

**Member Point Loads (BLC 21 : Antenna Wi (180 Deg))**

	Member Label	Direction	Magnitude[lb.k-ft]	Location[ft.%]
1	MP1A	X	0	.25
2	MP1A	Z	36.192	.25
3	MP1A	Mx	.03	.25



Company :  
 Designer :  
 Job Number :  
 Model Name :

July 12, 2023  
 9:33 AM  
 Checked By: \_\_\_\_\_

**Member Point Loads (BLC 21 : Antenna Wi (180 Deg)) (Continued)**

	Member Label	Direction	Magnitude[lb.k-ft]	Location[ft.%]
4	MP1A	X	0	6
5	MP1A	Z	36.192	6
6	MP1A	Mx	.03	6
7	MP1B	X	0	.25
8	MP1B	Z	29.602	.25
9	MP1B	Mx	-.029	.25
10	MP1B	X	0	6
11	MP1B	Z	29.602	6
12	MP1B	Mx	-.029	6
13	MP1C	X	0	.25
14	MP1C	Z	29.602	.25
15	MP1C	Mx	.005	.25
16	MP1C	X	0	6
17	MP1C	Z	29.602	6
18	MP1C	Mx	.005	6
19	MP1A	X	0	.25
20	MP1A	Z	36.192	.25
21	MP1A	Mx	-.03	.25
22	MP1A	X	0	6
23	MP1A	Z	36.192	6
24	MP1A	Mx	-.03	6
25	MP1B	X	0	.25
26	MP1B	Z	29.602	.25
27	MP1B	Mx	-.005	.25
28	MP1B	X	0	6
29	MP1B	Z	29.602	6
30	MP1B	Mx	-.005	6
31	MP1C	X	0	.25
32	MP1C	Z	29.602	.25
33	MP1C	Mx	.029	.25
34	MP1C	X	0	6
35	MP1C	Z	29.602	6
36	MP1C	Mx	.029	6
37	MP2A	X	0	2
38	MP2A	Z	17.884	2
39	MP2A	Mx	0	2
40	MP2A	X	0	4
41	MP2A	Z	17.884	4
42	MP2A	Mx	0	4
43	MP2B	X	0	2
44	MP2B	Z	10.21	2
45	MP2B	Mx	-.004	2
46	MP2B	X	0	4
47	MP2B	Z	10.21	4
48	MP2B	Mx	-.004	4
49	MP2C	X	0	2
50	MP2C	Z	10.21	2
51	MP2C	Mx	.004	2
52	MP2C	X	0	4
53	MP2C	Z	10.21	4
54	MP2C	Mx	.004	4
55	M131A	X	0	.63
56	M131A	Z	15.117	.63
57	M131A	Mx	0	.63
58	M121	X	0	1.38
59	M121	Z	15.117	1.38
60	M121	Mx	0	1.38

**Member Point Loads (BLC 21 : Antenna Wi (180 Deg)) (Continued)**

	Member Label	Direction	Magnitude[lb.k-ft]	Location[ft.%]
61	M68	X	0	1.5
62	M68	Z	25.94	1.5
63	M68	Mx	-.006	1.5
64	M61	X	0	1.5
65	M61	Z	25.94	1.5
66	M61	Mx	-.006	1.5
67	M195	X	0	.63
68	M195	Z	15.117	.63
69	M195	Mx	0	.63
70	M163	X	0	.63
71	M163	Z	15.117	.63
72	M163	Mx	0	.63
73	M179	X	0	1.38
74	M179	Z	15.117	1.38
75	M179	Mx	0	1.38
76	M147	X	0	1.38
77	M147	Z	15.117	1.38
78	M147	Mx	0	1.38
79	MP1B	X	0	1
80	MP1B	Z	4.453	1
81	MP1B	Mx	-.002	1
82	MP1C	X	0	1
83	MP1C	Z	4.453	1
84	MP1C	Mx	.002	1
85	MP1B	X	0	1
86	MP1B	Z	4.453	1
87	MP1B	Mx	.002	1
88	MP1C	X	0	1
89	MP1C	Z	4.453	1
90	MP1C	Mx	-.002	1

**Member Point Loads (BLC 22 : Antenna Wi (210 Deg))**

	Member Label	Direction	Magnitude[lb.k-ft]	Location[ft.%]
1	MP1A	X	-16.998	.25
2	MP1A	Z	29.441	.25
3	MP1A	Mx	.036	.25
4	MP1A	X	-16.998	6
5	MP1A	Z	29.441	6
6	MP1A	Mx	.036	6
7	MP1B	X	-13.703	.25
8	MP1B	Z	23.734	.25
9	MP1B	Mx	-.018	.25
10	MP1B	X	-13.703	6
11	MP1B	Z	23.734	6
12	MP1B	Mx	-.018	6
13	MP1C	X	-16.998	.25
14	MP1C	Z	29.441	.25
15	MP1C	Mx	-.013	.25
16	MP1C	X	-16.998	6
17	MP1C	Z	29.441	6
18	MP1C	Mx	-.013	6
19	MP1A	X	-16.998	.25
20	MP1A	Z	29.441	.25
21	MP1A	Mx	-.013	.25
22	MP1A	X	-16.998	6
23	MP1A	Z	29.441	6





Company :  
 Designer :  
 Job Number :  
 Model Name :

July 12, 2023  
 9:33 AM  
 Checked By: \_\_\_\_\_

**Member Point Loads (BLC 22 : Antenna Wi (210 Deg)) (Continued)**

	Member Label	Direction	Magnitude[lb.k-ft]	Location[ft.%]
24	MP1A	Mx	-.013	6
25	MP1B	X	-13.703	25
26	MP1B	Z	23.734	.25
27	MP1B	Mx	-.018	.25
28	MP1B	X	-13.703	6
29	MP1B	Z	23.734	6
30	MP1B	Mx	-.018	6
31	MP1C	X	-16.998	.25
32	MP1C	Z	29.441	.25
33	MP1C	Mx	.036	.25
34	MP1C	X	-16.998	6
35	MP1C	Z	29.441	6
36	MP1C	Mx	.036	6
37	MP2A	X	-7.663	2
38	MP2A	Z	13.273	2
39	MP2A	Mx	.004	2
40	MP2A	X	-7.663	4
41	MP2A	Z	13.273	4
42	MP2A	Mx	.004	4
43	MP2B	X	-3.826	2
44	MP2B	Z	6.627	2
45	MP2B	Mx	-.004	2
46	MP2B	X	-3.826	4
47	MP2B	Z	6.627	4
48	MP2B	Mx	-.004	4
49	MP2C	X	-7.663	2
50	MP2C	Z	13.273	2
51	MP2C	Mx	.004	2
52	MP2C	X	-7.663	4
53	MP2C	Z	13.273	4
54	MP2C	Mx	.004	4
55	M131A	X	-6.986	.63
56	M131A	Z	12.1	.63
57	M131A	Mx	-.003	.63
58	M121	X	-6.768	1.38
59	M121	Z	11.723	1.38
60	M121	Mx	-.003	1.38
61	M68	X	-12.129	1.5
62	M68	Z	21.008	1.5
63	M68	Mx	-.006	1.5
64	M61	X	-12.129	1.5
65	M61	Z	21.008	1.5
66	M61	Mx	-.006	1.5
67	M195	X	-6.986	.63
68	M195	Z	12.1	.63
69	M195	Mx	-.003	.63
70	M163	X	-6.986	.63
71	M163	Z	12.1	.63
72	M163	Mx	-.003	.63
73	M179	X	-6.768	1.38
74	M179	Z	11.723	1.38
75	M179	Mx	-.003	1.38
76	M147	X	-6.768	1.38
77	M147	Z	11.723	1.38
78	M147	Mx	-.003	1.38
79	MP1B	X	-1.583	1
80	MP1B	Z	2.742	1

**Member Point Loads (BLC 22 : Antenna Wi (210 Deg)) (Continued)**

	Member Label	Direction	Magnitude[lb.k-ft]	Location[ft.%]
81	MP1B	Mx	-.002	1
82	MP1C	X	-3.514	1
83	MP1C	Z	6.086	1
84	MP1C	Mx	.002	1
85	MP1B	X	-1.583	1
86	MP1B	Z	2.742	1
87	MP1B	Mx	.002	1
88	MP1C	X	-3.514	1
89	MP1C	Z	6.086	1
90	MP1C	Mx	-.002	1

**Member Point Loads (BLC 23 : Antenna Wi (240 Deg))**

	Member Label	Direction	Magnitude[lb.k-ft]	Location[ft.%]
1	MP1A	X	-25.636	.25
2	MP1A	Z	14.801	.25
3	MP1A	Mx	.029	.25
4	MP1A	X	-25.636	6
5	MP1A	Z	14.801	6
6	MP1A	Mx	.029	6
7	MP1B	X	-25.636	.25
8	MP1B	Z	14.801	.25
9	MP1B	Mx	-.005	.25
10	MP1B	X	-25.636	6
11	MP1B	Z	14.801	6
12	MP1B	Mx	-.005	6
13	MP1C	X	-31.343	.25
14	MP1C	Z	18.096	.25
15	MP1C	Mx	-.03	.25
16	MP1C	X	-31.343	6
17	MP1C	Z	18.096	6
18	MP1C	Mx	-.03	6
19	MP1A	X	-25.636	.25
20	MP1A	Z	14.801	.25
21	MP1A	Mx	.005	.25
22	MP1A	X	-25.636	6
23	MP1A	Z	14.801	6
24	MP1A	Mx	.005	6
25	MP1B	X	-25.636	.25
26	MP1B	Z	14.801	.25
27	MP1B	Mx	-.029	.25
28	MP1B	X	-25.636	6
29	MP1B	Z	14.801	6
30	MP1B	Mx	-.029	6
31	MP1C	X	-31.343	.25
32	MP1C	Z	18.096	.25
33	MP1C	Mx	.03	.25
34	MP1C	X	-31.343	6
35	MP1C	Z	18.096	6
36	MP1C	Mx	.03	6
37	MP2A	X	-8.842	2
38	MP2A	Z	5.105	2
39	MP2A	Mx	.004	2
40	MP2A	X	-8.842	4
41	MP2A	Z	5.105	4
42	MP2A	Mx	.004	4
43	MP2B	X	-8.842	2



Company :  
 Designer :  
 Job Number :  
 Model Name :

July 12, 2023  
 9:33 AM  
 Checked By: \_\_\_\_\_

**Member Point Loads (BLC 23 : Antenna Wi (240 Deg)) (Continued)**

	Member Label	Direction	Magnitude[lb.k-ft]	Location[ft.%]
44	MP2B	Z	5.105	2
45	MP2B	Mx	-.004	2
46	MP2B	X	-8.842	4
47	MP2B	Z	5.105	4
48	MP2B	Mx	-.004	4
49	MP2C	X	-15.488	2
50	MP2C	Z	8.942	2
51	MP2C	Mx	0	2
52	MP2C	X	-15.488	4
53	MP2C	Z	8.942	4
54	MP2C	Mx	0	4
55	M131A	X	-10.117	.63
56	M131A	Z	5.841	.63
57	M131A	Mx	-.005	.63
58	M121	X	-8.987	1.38
59	M121	Z	5.188	1.38
60	M121	Mx	-.004	1.38
61	M68	X	-22.465	1.5
62	M68	Z	12.97	1.5
63	M68	Mx	-.006	1.5
64	M61	X	-22.465	1.5
65	M61	Z	12.97	1.5
66	M61	Mx	-.006	1.5
67	M195	X	-10.117	.63
68	M195	Z	5.841	.63
69	M195	Mx	-.005	.63
70	M163	X	-10.117	.63
71	M163	Z	5.841	.63
72	M163	Mx	-.005	.63
73	M179	X	-8.987	1.38
74	M179	Z	5.188	1.38
75	M179	Mx	-.004	1.38
76	M147	X	-8.987	1.38
77	M147	Z	5.188	1.38
78	M147	Mx	-.004	1.38
79	MP1B	X	-3.857	1
80	MP1B	Z	2.227	1
81	MP1B	Mx	-.002	1
82	MP1C	X	-7.201	1
83	MP1C	Z	4.158	1
84	MP1C	Mx	0	1
85	MP1B	X	-3.857	1
86	MP1B	Z	2.227	1
87	MP1B	Mx	.002	1
88	MP1C	X	-7.201	1
89	MP1C	Z	4.158	1
90	MP1C	Mx	0	1

**Member Point Loads (BLC 24 : Antenna Wi (270 Deg))**

	Member Label	Direction	Magnitude[lb.k-ft]	Location[ft.%]
1	MP1A	X	-27.406	.25
2	MP1A	Z	0	.25
3	MP1A	Mx	.018	.25
4	MP1A	X	-27.406	6
5	MP1A	Z	0	6
6	MP1A	Mx	.018	6



Company :  
 Designer :  
 Job Number :  
 Model Name :

July 12, 2023  
 9:33 AM  
 Checked By: \_\_\_\_\_

**Member Point Loads (BLC 24 : Antenna Wi (270 Deg)) (Continued)**

	Member Label	Direction	Magnitude[lb.k-ft]	Location[ft.%]
7	MP1B	X	-33.996	.25
8	MP1B	Z	0	.25
9	MP1B	Mx	.013	.25
10	MP1B	X	-33.996	6
11	MP1B	Z	0	6
12	MP1B	Mx	.013	6
13	MP1C	X	-33.996	.25
14	MP1C	Z	0	.25
15	MP1C	Mx	-.036	.25
16	MP1C	X	-33.996	6
17	MP1C	Z	0	6
18	MP1C	Mx	-.036	6
19	MP1A	X	-27.406	.25
20	MP1A	Z	0	.25
21	MP1A	Mx	.018	.25
22	MP1A	X	-27.406	6
23	MP1A	Z	0	6
24	MP1A	Mx	.018	6
25	MP1B	X	-33.996	.25
26	MP1B	Z	0	.25
27	MP1B	Mx	-.036	.25
28	MP1B	X	-33.996	6
29	MP1B	Z	0	6
30	MP1B	Mx	-.036	6
31	MP1C	X	-33.996	.25
32	MP1C	Z	0	.25
33	MP1C	Mx	.013	.25
34	MP1C	X	-33.996	6
35	MP1C	Z	0	6
36	MP1C	Mx	.013	6
37	MP2A	X	-7.652	2
38	MP2A	Z	0	2
39	MP2A	Mx	.004	2
40	MP2A	X	-7.652	4
41	MP2A	Z	0	4
42	MP2A	Mx	.004	4
43	MP2B	X	-15.326	2
44	MP2B	Z	0	2
45	MP2B	Mx	-.004	2
46	MP2B	X	-15.326	4
47	MP2B	Z	0	4
48	MP2B	Mx	-.004	4
49	MP2C	X	-15.326	2
50	MP2C	Z	0	2
51	MP2C	Mx	-.004	2
52	MP2C	X	-15.326	4
53	MP2C	Z	0	4
54	MP2C	Mx	-.004	4
55	M131A	X	-10.537	.63
56	M131A	Z	0	.63
57	M131A	Mx	-.005	.63
58	M121	X	-8.797	1.38
59	M121	Z	0	1.38
60	M121	Mx	-.004	1.38
61	M68	X	-29.304	1.5
62	M68	Z	0	1.5
63	M68	Mx	-.004	1.5



Company :  
 Designer :  
 Job Number :  
 Model Name :

July 12, 2023  
 9:33 AM  
 Checked By: \_\_\_\_\_

**Member Point Loads (BLC 24 : Antenna Wi (270 Deg)) (Continued)**

	Member Label	Direction	Magnitude[lb.k-ft]	Location[ft.%]
64	M61	X	-29.304	1.5
65	M61	Z	0	1.5
66	M61	Mx	-.004	1.5
67	M195	X	-10.537	.63
68	M195	Z	0	.63
69	M195	Mx	-.005	.63
70	M163	X	-10.537	.63
71	M163	Z	0	.63
72	M163	Mx	-.005	.63
73	M179	X	-8.797	1.38
74	M179	Z	0	1.38
75	M179	Mx	-.004	1.38
76	M147	X	-8.797	1.38
77	M147	Z	0	1.38
78	M147	Mx	-.004	1.38
79	MP1B	X	-7.028	1
80	MP1B	Z	0	1
81	MP1B	Mx	-.002	1
82	MP1C	X	-7.028	1
83	MP1C	Z	0	1
84	MP1C	Mx	-.002	1
85	MP1B	X	-7.028	1
86	MP1B	Z	0	1
87	MP1B	Mx	.002	1
88	MP1C	X	-7.028	1
89	MP1C	Z	0	1
90	MP1C	Mx	.002	1

**Member Point Loads (BLC 25 : Antenna Wi (300 Deg))**

	Member Label	Direction	Magnitude[lb.k-ft]	Location[ft.%]
1	MP1A	X	-25.636	.25
2	MP1A	Z	-14.801	.25
3	MP1A	Mx	.005	.25
4	MP1A	X	-25.636	6
5	MP1A	Z	-14.801	6
6	MP1A	Mx	.005	6
7	MP1B	X	-31.343	.25
8	MP1B	Z	-18.096	.25
9	MP1B	Mx	.03	.25
10	MP1B	X	-31.343	6
11	MP1B	Z	-18.096	6
12	MP1B	Mx	.03	6
13	MP1C	X	-25.636	.25
14	MP1C	Z	-14.801	.25
15	MP1C	Mx	-.029	.25
16	MP1C	X	-25.636	6
17	MP1C	Z	-14.801	6
18	MP1C	Mx	-.029	6
19	MP1A	X	-25.636	.25
20	MP1A	Z	-14.801	.25
21	MP1A	Mx	.029	.25
22	MP1A	X	-25.636	6
23	MP1A	Z	-14.801	6
24	MP1A	Mx	.029	6
25	MP1B	X	-31.343	.25
26	MP1B	Z	-18.096	.25

**Member Point Loads (BLC 25 : Antenna Wi (300 Deg)) (Continued)**

	Member Label	Direction	Magnitude[lb.k-ft]	Location[ft.%]
27	MP1B	Mx	-.03	.25
28	MP1B	X	-31.343	6
29	MP1B	Z	-18.096	6
30	MP1B	Mx	-.03	6
31	MP1C	X	-25.636	.25
32	MP1C	Z	-14.801	.25
33	MP1C	Mx	-.005	.25
34	MP1C	X	-25.636	6
35	MP1C	Z	-14.801	6
36	MP1C	Mx	-.005	6
37	MP2A	X	-8.842	2
38	MP2A	Z	-5.105	2
39	MP2A	Mx	.004	2
40	MP2A	X	-8.842	4
41	MP2A	Z	-5.105	4
42	MP2A	Mx	.004	4
43	MP2B	X	-15.488	2
44	MP2B	Z	-8.942	2
45	MP2B	Mx	0	2
46	MP2B	X	-15.488	4
47	MP2B	Z	-8.942	4
48	MP2B	Mx	0	4
49	MP2C	X	-8.842	2
50	MP2C	Z	-5.105	2
51	MP2C	Mx	-.004	2
52	MP2C	X	-8.842	4
53	MP2C	Z	-5.105	4
54	MP2C	Mx	-.004	4
55	M131A	X	-10.117	.63
56	M131A	Z	-5.841	.63
57	M131A	Mx	-.005	.63
58	M121	X	-8.987	1.38
59	M121	Z	-5.188	1.38
60	M121	Mx	-.004	1.38
61	M68	X	-26.834	1.5
62	M68	Z	-15.493	1.5
63	M68	Mx	0	1.5
64	M61	X	-26.834	1.5
65	M61	Z	-15.493	1.5
66	M61	Mx	0	1.5
67	M195	X	-10.117	.63
68	M195	Z	-5.841	.63
69	M195	Mx	-.005	.63
70	M163	X	-10.117	.63
71	M163	Z	-5.841	.63
72	M163	Mx	-.005	.63
73	M179	X	-8.987	1.38
74	M179	Z	-5.188	1.38
75	M179	Mx	-.004	1.38
76	M147	X	-8.987	1.38
77	M147	Z	-5.188	1.38
78	M147	Mx	-.004	1.38
79	MP1B	X	-7.201	1
80	MP1B	Z	-4.158	1
81	MP1B	Mx	0	1
82	MP1C	X	-3.857	1
83	MP1C	Z	-2.227	1



Company :  
 Designer :  
 Job Number :  
 Model Name :

July 12, 2023  
 9:33 AM  
 Checked By: \_\_\_\_\_

**Member Point Loads (BLC 25 : Antenna Wi (300 Deg)) (Continued)**

	Member Label	Direction	Magnitude[lb.k-ft]	Location[ft.%]
84	MP1C	Mx	-.002	1
85	MP1B	X	-7.201	1
86	MP1B	Z	-4.158	1
87	MP1B	Mx	0	1
88	MP1C	X	-3.857	1
89	MP1C	Z	-2.227	1
90	MP1C	Mx	.002	1

**Member Point Loads (BLC 26 : Antenna Wi (330 Deg))**

	Member Label	Direction	Magnitude[lb.k-ft]	Location[ft.%]
1	MP1A	X	-16.998	.25
2	MP1A	Z	-29.441	.25
3	MP1A	Mx	-.013	.25
4	MP1A	X	-16.998	6
5	MP1A	Z	-29.441	6
6	MP1A	Mx	-.013	6
7	MP1B	X	-16.998	.25
8	MP1B	Z	-29.441	.25
9	MP1B	Mx	.036	.25
10	MP1B	X	-16.998	6
11	MP1B	Z	-29.441	6
12	MP1B	Mx	.036	6
13	MP1C	X	-13.703	.25
14	MP1C	Z	-23.734	.25
15	MP1C	Mx	-.018	.25
16	MP1C	X	-13.703	6
17	MP1C	Z	-23.734	6
18	MP1C	Mx	-.018	6
19	MP1A	X	-16.998	.25
20	MP1A	Z	-29.441	.25
21	MP1A	Mx	.036	.25
22	MP1A	X	-16.998	6
23	MP1A	Z	-29.441	6
24	MP1A	Mx	.036	6
25	MP1B	X	-16.998	.25
26	MP1B	Z	-29.441	.25
27	MP1B	Mx	-.013	.25
28	MP1B	X	-16.998	6
29	MP1B	Z	-29.441	6
30	MP1B	Mx	-.013	6
31	MP1C	X	-13.703	.25
32	MP1C	Z	-23.734	.25
33	MP1C	Mx	-.018	.25
34	MP1C	X	-13.703	6
35	MP1C	Z	-23.734	6
36	MP1C	Mx	-.018	6
37	MP2A	X	-7.663	2
38	MP2A	Z	-13.273	2
39	MP2A	Mx	.004	2
40	MP2A	X	-7.663	4
41	MP2A	Z	-13.273	4
42	MP2A	Mx	.004	4
43	MP2B	X	-7.663	2
44	MP2B	Z	-13.273	2
45	MP2B	Mx	.004	2
46	MP2B	X	-7.663	4

**Member Point Loads (BLC 26 : Antenna Wi (330 Deg)) (Continued)**

	Member Label	Direction	Magnitude[lb.k-ft]	Location[ft.%]
47	MP2B	Z	-13.273	4
48	MP2B	Mx	.004	4
49	MP2C	X	-3.826	2
50	MP2C	Z	-6.627	2
51	MP2C	Mx	-.004	2
52	MP2C	X	-3.826	4
53	MP2C	Z	-6.627	4
54	MP2C	Mx	-.004	4
55	M131A	X	-6.986	.63
56	M131A	Z	-12.1	.63
57	M131A	Mx	-.003	.63
58	M121	X	-6.768	1.38
59	M121	Z	-11.723	1.38
60	M121	Mx	-.003	1.38
61	M68	X	-14.652	1.5
62	M68	Z	-25.378	1.5
63	M68	Mx	.004	1.5
64	M61	X	-14.652	1.5
65	M61	Z	-25.378	1.5
66	M61	Mx	.004	1.5
67	M195	X	-6.986	.63
68	M195	Z	-12.1	.63
69	M195	Mx	-.003	.63
70	M163	X	-6.986	.63
71	M163	Z	-12.1	.63
72	M163	Mx	-.003	.63
73	M179	X	-6.768	1.38
74	M179	Z	-11.723	1.38
75	M179	Mx	-.003	1.38
76	M147	X	-6.768	1.38
77	M147	Z	-11.723	1.38
78	M147	Mx	-.003	1.38
79	MP1B	X	-3.514	1
80	MP1B	Z	-6.086	1
81	MP1B	Mx	.002	1
82	MP1C	X	-1.583	1
83	MP1C	Z	-2.742	1
84	MP1C	Mx	-.002	1
85	MP1B	X	-3.514	1
86	MP1B	Z	-6.086	1
87	MP1B	Mx	-.002	1
88	MP1C	X	-1.583	1
89	MP1C	Z	-2.742	1
90	MP1C	Mx	.002	1

**Member Point Loads (BLC 27 : Antenna Wm (0 Deg))**

	Member Label	Direction	Magnitude[lb.k-ft]	Location[ft.%]
1	MP1A	X	0	.25
2	MP1A	Z	-5.7	.25
3	MP1A	Mx	-.005	.25
4	MP1A	X	0	6
5	MP1A	Z	-5.7	6
6	MP1A	Mx	-.005	6
7	MP1B	X	0	.25
8	MP1B	Z	-4.625	.25
9	MP1B	Mx	.005	.25





Company :  
 Designer :  
 Job Number :  
 Model Name :

July 12, 2023  
 9:33 AM  
 Checked By: \_\_\_\_\_

**Member Point Loads (BLC 27 : Antenna Wm (0 Deg)) (Continued)**

	Member Label	Direction	Magnitude[lb.k-ft]	Location[ft.%]
10	MP1B	X	0	6
11	MP1B	Z	-4.625	6
12	MP1B	Mx	.005	6
13	MP1C	X	0	.25
14	MP1C	Z	-4.625	.25
15	MP1C	Mx	-.000743	.25
16	MP1C	X	0	6
17	MP1C	Z	-4.625	6
18	MP1C	Mx	-.000743	6
19	MP1A	X	0	.25
20	MP1A	Z	-5.7	.25
21	MP1A	Mx	.005	.25
22	MP1A	X	0	6
23	MP1A	Z	-5.7	6
24	MP1A	Mx	.005	6
25	MP1B	X	0	.25
26	MP1B	Z	-4.625	.25
27	MP1B	Mx	.000743	.25
28	MP1B	X	0	6
29	MP1B	Z	-4.625	6
30	MP1B	Mx	.000743	6
31	MP1C	X	0	.25
32	MP1C	Z	-4.625	.25
33	MP1C	Mx	-.005	.25
34	MP1C	X	0	6
35	MP1C	Z	-4.625	6
36	MP1C	Mx	-.005	6
37	MP2A	X	0	2
38	MP2A	Z	-4.724	2
39	MP2A	Mx	0	2
40	MP2A	X	0	4
41	MP2A	Z	-4.724	4
42	MP2A	Mx	0	4
43	MP2B	X	0	2
44	MP2B	Z	-2.401	2
45	MP2B	Mx	.001	2
46	MP2B	X	0	4
47	MP2B	Z	-2.401	4
48	MP2B	Mx	.001	4
49	MP2C	X	0	2
50	MP2C	Z	-2.401	2
51	MP2C	Mx	-.001	2
52	MP2C	X	0	4
53	MP2C	Z	-2.401	4
54	MP2C	Mx	-.001	4
55	M131A	X	0	.63
56	M131A	Z	-3.736	.63
57	M131A	Mx	0	.63
58	M121	X	0	1.38
59	M121	Z	-3.736	1.38
60	M121	Mx	0	1.38
61	M68	X	0	1.5
62	M68	Z	-6.267	1.5
63	M68	Mx	.001	1.5
64	M61	X	0	1.5
65	M61	Z	-6.267	1.5
66	M61	Mx	.001	1.5



Company :  
 Designer :  
 Job Number :  
 Model Name :

July 12, 2023  
 9:33 AM  
 Checked By: \_\_\_\_\_

**Member Point Loads (BLC 27 : Antenna Wm (0 Deg)) (Continued)**

	Member Label	Direction	Magnitude[lb.k-ft]	Location[ft.%]
67	M195	X	0	.63
68	M195	Z	-3.736	.63
69	M195	Mx	0	.63
70	M163	X	0	.63
71	M163	Z	-3.736	.63
72	M163	Mx	0	.63
73	M179	X	0	1.38
74	M179	Z	-3.736	1.38
75	M179	Mx	0	1.38
76	M147	X	0	1.38
77	M147	Z	-3.736	1.38
78	M147	Mx	0	1.38
79	MP1B	X	0	1
80	MP1B	Z	-1.102	1
81	MP1B	Mx	.000477	1
82	MP1C	X	0	1
83	MP1C	Z	-1.102	1
84	MP1C	Mx	-.000477	1
85	MP1B	X	0	1
86	MP1B	Z	-1.102	1
87	MP1B	Mx	-.000477	1
88	MP1C	X	0	1
89	MP1C	Z	-1.102	1
90	MP1C	Mx	.000477	1

**Member Point Loads (BLC 28 : Antenna Wm (30 Deg))**

	Member Label	Direction	Magnitude[lb.k-ft]	Location[ft.%]
1	MP1A	X	2.671	.25
2	MP1A	Z	-4.626	.25
3	MP1A	Mx	-.006	.25
4	MP1A	X	2.671	6
5	MP1A	Z	-4.626	6
6	MP1A	Mx	-.006	6
7	MP1B	X	2.133	.25
8	MP1B	Z	-3.695	.25
9	MP1B	Mx	.003	.25
10	MP1B	X	2.133	6
11	MP1B	Z	-3.695	6
12	MP1B	Mx	.003	6
13	MP1C	X	2.671	.25
14	MP1C	Z	-4.626	.25
15	MP1C	Mx	.002	.25
16	MP1C	X	2.671	6
17	MP1C	Z	-4.626	6
18	MP1C	Mx	.002	6
19	MP1A	X	2.671	.25
20	MP1A	Z	-4.626	.25
21	MP1A	Mx	.002	.25
22	MP1A	X	2.671	6
23	MP1A	Z	-4.626	6
24	MP1A	Mx	.002	6
25	MP1B	X	2.133	.25
26	MP1B	Z	-3.695	.25
27	MP1B	Mx	.003	.25
28	MP1B	X	2.133	6
29	MP1B	Z	-3.695	6



Company :  
 Designer :  
 Job Number :  
 Model Name :

July 12, 2023  
 9:33 AM  
 Checked By: \_\_\_\_\_

**Member Point Loads (BLC 28 : Antenna Wm (30 Deg)) (Continued)**

	Member Label	Direction	Magnitude[lb.k-ft]	Location[ft.%]
30	MP1B	Mx	.003	6
31	MP1C	X	2.671	25
32	MP1C	Z	-4.626	.25
33	MP1C	Mx	-.006	.25
34	MP1C	X	2.671	6
35	MP1C	Z	-4.626	6
36	MP1C	Mx	-.006	6
37	MP2A	X	1.975	2
38	MP2A	Z	-3.421	2
39	MP2A	Mx	-.000988	2
40	MP2A	X	1.975	4
41	MP2A	Z	-3.421	4
42	MP2A	Mx	-.000988	4
43	MP2B	X	.813	2
44	MP2B	Z	-1.409	2
45	MP2B	Mx	.000813	2
46	MP2B	X	.813	4
47	MP2B	Z	-1.409	4
48	MP2B	Mx	.000813	4
49	MP2C	X	1.975	2
50	MP2C	Z	-3.421	2
51	MP2C	Mx	-.000988	2
52	MP2C	X	1.975	4
53	MP2C	Z	-3.421	4
54	MP2C	Mx	-.000988	4
55	M131A	X	1.714	.63
56	M131A	Z	-2.969	.63
57	M131A	Mx	.000857	.63
58	M121	X	1.657	1.38
59	M121	Z	-2.87	1.38
60	M121	Mx	.000828	1.38
61	M68	X	2.904	1.5
62	M68	Z	-5.031	1.5
63	M68	Mx	.001	1.5
64	M61	X	2.904	1.5
65	M61	Z	-5.031	1.5
66	M61	Mx	.001	1.5
67	M195	X	1.714	.63
68	M195	Z	-2.969	.63
69	M195	Mx	.000857	.63
70	M163	X	1.714	.63
71	M163	Z	-2.969	.63
72	M163	Mx	.000857	.63
73	M179	X	1.657	1.38
74	M179	Z	-2.87	1.38
75	M179	Mx	.000828	1.38
76	M147	X	1.657	1.38
77	M147	Z	-2.87	1.38
78	M147	Mx	.000828	1.38
79	MP1B	X	.35	1
80	MP1B	Z	-.606	1
81	MP1B	Mx	.00035	1
82	MP1C	X	.953	1
83	MP1C	Z	-1.651	1
84	MP1C	Mx	-.000477	1
85	MP1B	X	.35	1
86	MP1B	Z	-.606	1



Company :  
 Designer :  
 Job Number :  
 Model Name :

July 12, 2023  
 9:33 AM  
 Checked By: \_\_\_\_\_

**Member Point Loads (BLC 28 : Antenna Wm (30 Deg)) (Continued)**

	Member Label	Direction	Magnitude[lb.k-ft]	Location[ft.%]
87	MP1B	Mx	-0.0035	1
88	MP1C	X	.953	1
89	MP1C	Z	-1.651	1
90	MP1C	Mx	.000477	1

**Member Point Loads (BLC 29 : Antenna Wm (60 Deg))**

	Member Label	Direction	Magnitude[lb.k-ft]	Location[ft.%]
1	MP1A	X	4.005	.25
2	MP1A	Z	-2.312	.25
3	MP1A	Mx	-.005	.25
4	MP1A	X	4.005	6
5	MP1A	Z	-2.312	6
6	MP1A	Mx	-.005	6
7	MP1B	X	4.005	.25
8	MP1B	Z	-2.312	.25
9	MP1B	Mx	.000743	.25
10	MP1B	X	4.005	6
11	MP1B	Z	-2.312	6
12	MP1B	Mx	.000743	6
13	MP1C	X	4.937	.25
14	MP1C	Z	-2.85	.25
15	MP1C	Mx	.005	.25
16	MP1C	X	4.937	6
17	MP1C	Z	-2.85	6
18	MP1C	Mx	.005	6
19	MP1A	X	4.005	.25
20	MP1A	Z	-2.312	.25
21	MP1A	Mx	-.000743	.25
22	MP1A	X	4.005	6
23	MP1A	Z	-2.312	6
24	MP1A	Mx	-.000743	6
25	MP1B	X	4.005	.25
26	MP1B	Z	-2.312	.25
27	MP1B	Mx	.005	.25
28	MP1B	X	4.005	6
29	MP1B	Z	-2.312	6
30	MP1B	Mx	.005	6
31	MP1C	X	4.937	.25
32	MP1C	Z	-2.85	.25
33	MP1C	Mx	-.005	.25
34	MP1C	X	4.937	6
35	MP1C	Z	-2.85	6
36	MP1C	Mx	-.005	6
37	MP2A	X	2.08	2
38	MP2A	Z	-1.201	2
39	MP2A	Mx	-.001	2
40	MP2A	X	2.08	4
41	MP2A	Z	-1.201	4
42	MP2A	Mx	-.001	4
43	MP2B	X	2.08	2
44	MP2B	Z	-1.201	2
45	MP2B	Mx	.001	2
46	MP2B	X	2.08	4
47	MP2B	Z	-1.201	4
48	MP2B	Mx	.001	4
49	MP2C	X	4.091	2



Company :  
 Designer :  
 Job Number :  
 Model Name :

July 12, 2023  
 9:33 AM  
 Checked By: \_\_\_\_\_

**Member Point Loads (BLC 29 : Antenna Wm (60 Deg)) (Continued)**

	Member Label	Direction	Magnitude[lb.k-ft]	Location[ft.%]
50	MP2C	Z	-2.362	2
51	MP2C	Mx	0	2
52	MP2C	X	4.091	4
53	MP2C	Z	-2.362	4
54	MP2C	Mx	0	4
55	M131A	X	2.437	.63
56	M131A	Z	-1.407	.63
57	M131A	Mx	.001	.63
58	M121	X	2.14	1.38
59	M121	Z	-1.235	1.38
60	M121	Mx	.001	1.38
61	M68	X	5.427	1.5
62	M68	Z	-3.133	1.5
63	M68	Mx	.001	1.5
64	M61	X	5.427	1.5
65	M61	Z	-3.133	1.5
66	M61	Mx	.001	1.5
67	M195	X	2.437	.63
68	M195	Z	-1.407	.63
69	M195	Mx	.001	.63
70	M163	X	2.437	.63
71	M163	Z	-1.407	.63
72	M163	Mx	.001	.63
73	M179	X	2.14	1.38
74	M179	Z	-1.235	1.38
75	M179	Mx	.001	1.38
76	M147	X	2.14	1.38
77	M147	Z	-1.235	1.38
78	M147	Mx	.001	1.38
79	MP1B	X	.954	1
80	MP1B	Z	-.551	1
81	MP1B	Mx	.000477	1
82	MP1C	X	1.999	1
83	MP1C	Z	-1.154	1
84	MP1C	Mx	0	1
85	MP1B	X	.954	1
86	MP1B	Z	-.551	1
87	MP1B	Mx	-.000477	1
88	MP1C	X	1.999	1
89	MP1C	Z	-1.154	1
90	MP1C	Mx	0	1

**Member Point Loads (BLC 30 : Antenna Wm (90 Deg))**

	Member Label	Direction	Magnitude[lb.k-ft]	Location[ft.%]
1	MP1A	X	4.266	.25
2	MP1A	Z	0	.25
3	MP1A	Mx	-.003	.25
4	MP1A	X	4.266	6
5	MP1A	Z	0	6
6	MP1A	Mx	-.003	6
7	MP1B	X	5.342	.25
8	MP1B	Z	0	.25
9	MP1B	Mx	-.002	.25
10	MP1B	X	5.342	6
11	MP1B	Z	0	6
12	MP1B	Mx	-.002	6



Company :  
 Designer :  
 Job Number :  
 Model Name :

July 12, 2023  
 9:33 AM  
 Checked By: \_\_\_\_\_

**Member Point Loads (BLC 30 : Antenna Wm (90 Deg)) (Continued)**

	Member Label	Direction	Magnitude[lb.k-ft]	Location[ft.%]
13	MP1C	X	5.342	.25
14	MP1C	Z	0	.25
15	MP1C	Mx	.006	.25
16	MP1C	X	5.342	6
17	MP1C	Z	0	6
18	MP1C	Mx	.006	6
19	MP1A	X	4.266	.25
20	MP1A	Z	0	.25
21	MP1A	Mx	-.003	.25
22	MP1A	X	4.266	6
23	MP1A	Z	0	6
24	MP1A	Mx	-.003	6
25	MP1B	X	5.342	.25
26	MP1B	Z	0	.25
27	MP1B	Mx	.006	.25
28	MP1B	X	5.342	6
29	MP1B	Z	0	6
30	MP1B	Mx	.006	6
31	MP1C	X	5.342	.25
32	MP1C	Z	0	.25
33	MP1C	Mx	-.002	.25
34	MP1C	X	5.342	6
35	MP1C	Z	0	6
36	MP1C	Mx	-.002	6
37	MP2A	X	1.627	2
38	MP2A	Z	0	2
39	MP2A	Mx	-.000814	2
40	MP2A	X	1.627	4
41	MP2A	Z	0	4
42	MP2A	Mx	-.000814	4
43	MP2B	X	3.95	2
44	MP2B	Z	0	2
45	MP2B	Mx	.000988	2
46	MP2B	X	3.95	4
47	MP2B	Z	0	4
48	MP2B	Mx	.000988	4
49	MP2C	X	3.95	2
50	MP2C	Z	0	2
51	MP2C	Mx	.000988	2
52	MP2C	X	3.95	4
53	MP2C	Z	0	4
54	MP2C	Mx	.000988	4
55	M131A	X	2.507	.63
56	M131A	Z	0	.63
57	M131A	Mx	.001	.63
58	M121	X	2.049	1.38
59	M121	Z	0	1.38
60	M121	Mx	.001	1.38
61	M68	X	7.183	1.5
62	M68	Z	0	1.5
63	M68	Mx	.000898	1.5
64	M61	X	7.183	1.5
65	M61	Z	0	1.5
66	M61	Mx	.000898	1.5
67	M195	X	2.507	.63
68	M195	Z	0	.63
69	M195	Mx	.001	.63



Company :  
 Designer :  
 Job Number :  
 Model Name :

July 12, 2023  
 9:33 AM  
 Checked By: \_\_\_\_\_

**Member Point Loads (BLC 30 : Antenna Wm (90 Deg)) (Continued)**

	Member Label	Direction	Magnitude[lb.k-ft]	Location[ft.%]
70	M163	X	2.507	.63
71	M163	Z	0	.63
72	M163	Mx	.001	.63
73	M179	X	2.049	1.38
74	M179	Z	0	1.38
75	M179	Mx	.001	1.38
76	M147	X	2.049	1.38
77	M147	Z	0	1.38
78	M147	Mx	.001	1.38
79	MP1B	X	1.906	1
80	MP1B	Z	0	1
81	MP1B	Mx	.000476	1
82	MP1C	X	1.906	1
83	MP1C	Z	0	1
84	MP1C	Mx	.000476	1
85	MP1B	X	1.906	1
86	MP1B	Z	0	1
87	MP1B	Mx	-.000476	1
88	MP1C	X	1.906	1
89	MP1C	Z	0	1
90	MP1C	Mx	-.000476	1

**Member Point Loads (BLC 31 : Antenna Wm (120 Deg))**

	Member Label	Direction	Magnitude[lb.k-ft]	Location[ft.%]
1	MP1A	X	4.005	.25
2	MP1A	Z	2.312	.25
3	MP1A	Mx	-.000743	.25
4	MP1A	X	4.005	6
5	MP1A	Z	2.312	6
6	MP1A	Mx	-.000743	6
7	MP1B	X	4.937	.25
8	MP1B	Z	2.85	.25
9	MP1B	Mx	-.005	.25
10	MP1B	X	4.937	6
11	MP1B	Z	2.85	6
12	MP1B	Mx	-.005	6
13	MP1C	X	4.005	.25
14	MP1C	Z	2.312	.25
15	MP1C	Mx	.005	.25
16	MP1C	X	4.005	6
17	MP1C	Z	2.312	6
18	MP1C	Mx	.005	6
19	MP1A	X	4.005	.25
20	MP1A	Z	2.312	.25
21	MP1A	Mx	-.005	.25
22	MP1A	X	4.005	6
23	MP1A	Z	2.312	6
24	MP1A	Mx	-.005	6
25	MP1B	X	4.937	.25
26	MP1B	Z	2.85	.25
27	MP1B	Mx	.005	.25
28	MP1B	X	4.937	6
29	MP1B	Z	2.85	6
30	MP1B	Mx	.005	6
31	MP1C	X	4.005	.25
32	MP1C	Z	2.312	.25



Company :  
 Designer :  
 Job Number :  
 Model Name :

July 12, 2023  
 9:33 AM  
 Checked By: \_\_\_\_\_

**Member Point Loads (BLC 31 : Antenna Wm (120 Deg)) (Continued)**

	Member Label	Direction	Magnitude[lb.k-ft]	Location[ft.%]
33	MP1C	Mx	.000743	.25
34	MP1C	X	4.005	6
35	MP1C	Z	2.312	6
36	MP1C	Mx	.000743	6
37	MP2A	X	2.08	2
38	MP2A	Z	1.201	2
39	MP2A	Mx	-.001	2
40	MP2A	X	2.08	4
41	MP2A	Z	1.201	4
42	MP2A	Mx	-.001	4
43	MP2B	X	4.091	2
44	MP2B	Z	2.362	2
45	MP2B	Mx	0	2
46	MP2B	X	4.091	4
47	MP2B	Z	2.362	4
48	MP2B	Mx	0	4
49	MP2C	X	2.08	2
50	MP2C	Z	1.201	2
51	MP2C	Mx	.001	2
52	MP2C	X	2.08	4
53	MP2C	Z	1.201	4
54	MP2C	Mx	.001	4
55	M131A	X	2.437	.63
56	M131A	Z	1.407	.63
57	M131A	Mx	.001	.63
58	M121	X	2.14	1.38
59	M121	Z	1.235	1.38
60	M121	Mx	.001	1.38
61	M68	X	6.617	1.5
62	M68	Z	3.82	1.5
63	M68	Mx	0	1.5
64	M61	X	6.617	1.5
65	M61	Z	3.82	1.5
66	M61	Mx	0	1.5
67	M195	X	2.437	.63
68	M195	Z	1.407	.63
69	M195	Mx	.001	.63
70	M163	X	2.437	.63
71	M163	Z	1.407	.63
72	M163	Mx	.001	.63
73	M179	X	2.14	1.38
74	M179	Z	1.235	1.38
75	M179	Mx	.001	1.38
76	M147	X	2.14	1.38
77	M147	Z	1.235	1.38
78	M147	Mx	.001	1.38
79	MP1B	X	1.999	1
80	MP1B	Z	1.154	1
81	MP1B	Mx	0	1
82	MP1C	X	.954	1
83	MP1C	Z	.551	1
84	MP1C	Mx	.000477	1
85	MP1B	X	1.999	1
86	MP1B	Z	1.154	1
87	MP1B	Mx	0	1
88	MP1C	X	.954	1
89	MP1C	Z	.551	1





Company :  
 Designer :  
 Job Number :  
 Model Name :

July 12, 2023  
 9:33 AM  
 Checked By: \_\_\_\_\_

**Member Point Loads (BLC 31 : Antenna Wm (120 Deg)) (Continued)**

Member Label	Direction	Magnitude[lb.k-ft]	Location[ft.%]
90 MP1C	Mx	-0.00477	1

**Member Point Loads (BLC 32 : Antenna Wm (150 Deg))**

Member Label	Direction	Magnitude[lb.k-ft]	Location[ft.%]
1 MP1A	X	2.671	.25
2 MP1A	Z	4.626	.25
3 MP1A	Mx	.002	.25
4 MP1A	X	2.671	6
5 MP1A	Z	4.626	6
6 MP1A	Mx	.002	6
7 MP1B	X	2.671	.25
8 MP1B	Z	4.626	.25
9 MP1B	Mx	-.006	.25
10 MP1B	X	2.671	6
11 MP1B	Z	4.626	6
12 MP1B	Mx	-.006	6
13 MP1C	X	2.133	.25
14 MP1C	Z	3.695	.25
15 MP1C	Mx	.003	.25
16 MP1C	X	2.133	6
17 MP1C	Z	3.695	6
18 MP1C	Mx	.003	6
19 MP1A	X	2.671	.25
20 MP1A	Z	4.626	.25
21 MP1A	Mx	-.006	.25
22 MP1A	X	2.671	6
23 MP1A	Z	4.626	6
24 MP1A	Mx	-.006	6
25 MP1B	X	2.671	.25
26 MP1B	Z	4.626	.25
27 MP1B	Mx	.002	.25
28 MP1B	X	2.671	6
29 MP1B	Z	4.626	6
30 MP1B	Mx	.002	6
31 MP1C	X	2.133	.25
32 MP1C	Z	3.695	.25
33 MP1C	Mx	.003	.25
34 MP1C	X	2.133	6
35 MP1C	Z	3.695	6
36 MP1C	Mx	.003	6
37 MP2A	X	1.975	2
38 MP2A	Z	3.421	2
39 MP2A	Mx	-.000988	2
40 MP2A	X	1.975	4
41 MP2A	Z	3.421	4
42 MP2A	Mx	-.000988	4
43 MP2B	X	1.975	2
44 MP2B	Z	3.421	2
45 MP2B	Mx	-.000988	2
46 MP2B	X	1.975	4
47 MP2B	Z	3.421	4
48 MP2B	Mx	-.000988	4
49 MP2C	X	.813	2
50 MP2C	Z	1.409	2
51 MP2C	Mx	.000813	2
52 MP2C	X	.813	4



Company :  
 Designer :  
 Job Number :  
 Model Name :

July 12, 2023  
 9:33 AM  
 Checked By: \_\_\_\_\_

**Member Point Loads (BLC 32 : Antenna Wm (150 Deg)) (Continued)**

	Member Label	Direction	Magnitude[lb.k-ft]	Location[ft. %]
53	MP2C	Z	1.409	4
54	MP2C	Mx	.000813	4
55	M131A	X	1.714	.63
56	M131A	Z	2.969	.63
57	M131A	Mx	.000857	.63
58	M121	X	1.657	1.38
59	M121	Z	2.87	1.38
60	M121	Mx	.000828	1.38
61	M68	X	3.591	1.5
62	M68	Z	6.22	1.5
63	M68	Mx	-.000898	1.5
64	M61	X	3.591	1.5
65	M61	Z	6.22	1.5
66	M61	Mx	-.000898	1.5
67	M195	X	1.714	.63
68	M195	Z	2.969	.63
69	M195	Mx	.000857	.63
70	M163	X	1.714	.63
71	M163	Z	2.969	.63
72	M163	Mx	.000857	.63
73	M179	X	1.657	1.38
74	M179	Z	2.87	1.38
75	M179	Mx	.000828	1.38
76	M147	X	1.657	1.38
77	M147	Z	2.87	1.38
78	M147	Mx	.000828	1.38
79	MP1B	X	.953	1
80	MP1B	Z	1.651	1
81	MP1B	Mx	-.000477	1
82	MP1C	X	.35	1
83	MP1C	Z	.606	1
84	MP1C	Mx	.00035	1
85	MP1B	X	.953	1
86	MP1B	Z	1.651	1
87	MP1B	Mx	.000477	1
88	MP1C	X	.35	1
89	MP1C	Z	.606	1
90	MP1C	Mx	-.00035	1

**Member Point Loads (BLC 33 : Antenna Wm (180 Deg))**

	Member Label	Direction	Magnitude[lb.k-ft]	Location[ft. %]
1	MP1A	X	0	.25
2	MP1A	Z	5.7	.25
3	MP1A	Mx	.005	.25
4	MP1A	X	0	6
5	MP1A	Z	5.7	6
6	MP1A	Mx	.005	6
7	MP1B	X	0	.25
8	MP1B	Z	4.625	.25
9	MP1B	Mx	-.005	.25
10	MP1B	X	0	6
11	MP1B	Z	4.625	6
12	MP1B	Mx	-.005	6
13	MP1C	X	0	.25
14	MP1C	Z	4.625	.25
15	MP1C	Mx	.000743	.25



Company :  
 Designer :  
 Job Number :  
 Model Name :

July 12, 2023  
 9:33 AM  
 Checked By: \_\_\_\_\_

**Member Point Loads (BLC 33 : Antenna Wm (180 Deg)) (Continued)**

	Member Label	Direction	Magnitude[lb.k-ft]	Location[ft.%]
16	MP1C	X	0	6
17	MP1C	Z	4.625	6
18	MP1C	Mx	.000743	6
19	MP1A	X	0	.25
20	MP1A	Z	5.7	.25
21	MP1A	Mx	-.005	.25
22	MP1A	X	0	6
23	MP1A	Z	5.7	6
24	MP1A	Mx	-.005	6
25	MP1B	X	0	.25
26	MP1B	Z	4.625	.25
27	MP1B	Mx	-.000743	.25
28	MP1B	X	0	6
29	MP1B	Z	4.625	6
30	MP1B	Mx	-.000743	6
31	MP1C	X	0	.25
32	MP1C	Z	4.625	.25
33	MP1C	Mx	.005	.25
34	MP1C	X	0	6
35	MP1C	Z	4.625	6
36	MP1C	Mx	.005	6
37	MP2A	X	0	2
38	MP2A	Z	4.724	2
39	MP2A	Mx	0	2
40	MP2A	X	0	4
41	MP2A	Z	4.724	4
42	MP2A	Mx	0	4
43	MP2B	X	0	2
44	MP2B	Z	2.401	2
45	MP2B	Mx	-.001	2
46	MP2B	X	0	4
47	MP2B	Z	2.401	4
48	MP2B	Mx	-.001	4
49	MP2C	X	0	2
50	MP2C	Z	2.401	2
51	MP2C	Mx	.001	2
52	MP2C	X	0	4
53	MP2C	Z	2.401	4
54	MP2C	Mx	.001	4
55	M131A	X	0	.63
56	M131A	Z	3.736	.63
57	M131A	Mx	0	.63
58	M121	X	0	1.38
59	M121	Z	3.736	1.38
60	M121	Mx	0	1.38
61	M68	X	0	1.5
62	M68	Z	6.267	1.5
63	M68	Mx	-.001	1.5
64	M61	X	0	1.5
65	M61	Z	6.267	1.5
66	M61	Mx	-.001	1.5
67	M195	X	0	.63
68	M195	Z	3.736	.63
69	M195	Mx	0	.63
70	M163	X	0	.63
71	M163	Z	3.736	.63
72	M163	Mx	0	.63



Company :  
 Designer :  
 Job Number :  
 Model Name :

July 12, 2023  
 9:33 AM  
 Checked By: \_\_\_\_\_

**Member Point Loads (BLC 33 : Antenna Wm (180 Deg)) (Continued)**

	Member Label	Direction	Magnitude[lb.k-ft]	Location[ft.%]
73	M179	X	0	1.38
74	M179	Z	3.736	1.38
75	M179	Mx	0	1.38
76	M147	X	0	1.38
77	M147	Z	3.736	1.38
78	M147	Mx	0	1.38
79	MP1B	X	0	1
80	MP1B	Z	1.102	1
81	MP1B	Mx	-.000477	1
82	MP1C	X	0	1
83	MP1C	Z	1.102	1
84	MP1C	Mx	.000477	1
85	MP1B	X	0	1
86	MP1B	Z	1.102	1
87	MP1B	Mx	.000477	1
88	MP1C	X	0	1
89	MP1C	Z	1.102	1
90	MP1C	Mx	-.000477	1

**Member Point Loads (BLC 34 : Antenna Wm (210 Deg))**

	Member Label	Direction	Magnitude[lb.k-ft]	Location[ft.%]
1	MP1A	X	-2.671	.25
2	MP1A	Z	4.626	.25
3	MP1A	Mx	.006	.25
4	MP1A	X	-2.671	6
5	MP1A	Z	4.626	6
6	MP1A	Mx	.006	6
7	MP1B	X	-2.133	.25
8	MP1B	Z	3.695	.25
9	MP1B	Mx	-.003	.25
10	MP1B	X	-2.133	6
11	MP1B	Z	3.695	6
12	MP1B	Mx	-.003	6
13	MP1C	X	-2.671	.25
14	MP1C	Z	4.626	.25
15	MP1C	Mx	-.002	.25
16	MP1C	X	-2.671	6
17	MP1C	Z	4.626	6
18	MP1C	Mx	-.002	6
19	MP1A	X	-2.671	.25
20	MP1A	Z	4.626	.25
21	MP1A	Mx	-.002	.25
22	MP1A	X	-2.671	6
23	MP1A	Z	4.626	6
24	MP1A	Mx	-.002	6
25	MP1B	X	-2.133	.25
26	MP1B	Z	3.695	.25
27	MP1B	Mx	-.003	.25
28	MP1B	X	-2.133	6
29	MP1B	Z	3.695	6
30	MP1B	Mx	-.003	6
31	MP1C	X	-2.671	.25
32	MP1C	Z	4.626	.25
33	MP1C	Mx	.006	.25
34	MP1C	X	-2.671	6
35	MP1C	Z	4.626	6



Company :  
 Designer :  
 Job Number :  
 Model Name :

July 12, 2023  
 9:33 AM  
 Checked By: \_\_\_\_\_

**Member Point Loads (BLC 34 : Antenna Wm (210 Deg)) (Continued)**

	Member Label	Direction	Magnitude[lb.k-ft]	Location[ft.%]
36	MP1C	Mx	.006	6
37	MP2A	X	-1.975	2
38	MP2A	Z	3.421	2
39	MP2A	Mx	.000988	2
40	MP2A	X	-1.975	4
41	MP2A	Z	3.421	4
42	MP2A	Mx	.000988	4
43	MP2B	X	-.813	2
44	MP2B	Z	1.409	2
45	MP2B	Mx	-.000813	2
46	MP2B	X	-.813	4
47	MP2B	Z	1.409	4
48	MP2B	Mx	-.000813	4
49	MP2C	X	-1.975	2
50	MP2C	Z	3.421	2
51	MP2C	Mx	.000988	2
52	MP2C	X	-1.975	4
53	MP2C	Z	3.421	4
54	MP2C	Mx	.000988	4
55	M131A	X	-1.714	.63
56	M131A	Z	2.969	.63
57	M131A	Mx	-.000857	.63
58	M121	X	-1.657	1.38
59	M121	Z	2.87	1.38
60	M121	Mx	-.000828	1.38
61	M68	X	-2.904	1.5
62	M68	Z	5.031	1.5
63	M68	Mx	-.001	1.5
64	M61	X	-2.904	1.5
65	M61	Z	5.031	1.5
66	M61	Mx	-.001	1.5
67	M195	X	-1.714	.63
68	M195	Z	2.969	.63
69	M195	Mx	-.000857	.63
70	M163	X	-1.714	.63
71	M163	Z	2.969	.63
72	M163	Mx	-.000857	.63
73	M179	X	-1.657	1.38
74	M179	Z	2.87	1.38
75	M179	Mx	-.000828	1.38
76	M147	X	-1.657	1.38
77	M147	Z	2.87	1.38
78	M147	Mx	-.000828	1.38
79	MP1B	X	-.35	1
80	MP1B	Z	.606	1
81	MP1B	Mx	-.00035	1
82	MP1C	X	-.953	1
83	MP1C	Z	1.651	1
84	MP1C	Mx	.000477	1
85	MP1B	X	-.35	1
86	MP1B	Z	.606	1
87	MP1B	Mx	.00035	1
88	MP1C	X	-.953	1
89	MP1C	Z	1.651	1
90	MP1C	Mx	-.000477	1



Company :  
 Designer :  
 Job Number :  
 Model Name :

July 12, 2023  
 9:33 AM  
 Checked By: \_\_\_\_\_

**Member Point Loads (BLC 35 : Antenna Wm (240 Deg))**

	Member Label	Direction	Magnitude[lb.k-ft]	Location[ft.%]
1	MP1A	X	-4.005	.25
2	MP1A	Z	2.312	.25
3	MP1A	Mx	.005	.25
4	MP1A	X	-4.005	6
5	MP1A	Z	2.312	6
6	MP1A	Mx	.005	6
7	MP1B	X	-4.005	.25
8	MP1B	Z	2.312	.25
9	MP1B	Mx	-.000743	.25
10	MP1B	X	-4.005	6
11	MP1B	Z	2.312	6
12	MP1B	Mx	-.000743	6
13	MP1C	X	-4.937	.25
14	MP1C	Z	2.85	.25
15	MP1C	Mx	-.005	.25
16	MP1C	X	-4.937	6
17	MP1C	Z	2.85	6
18	MP1C	Mx	-.005	6
19	MP1A	X	-4.005	.25
20	MP1A	Z	2.312	.25
21	MP1A	Mx	.000743	.25
22	MP1A	X	-4.005	6
23	MP1A	Z	2.312	6
24	MP1A	Mx	.000743	6
25	MP1B	X	-4.005	.25
26	MP1B	Z	2.312	.25
27	MP1B	Mx	-.005	.25
28	MP1B	X	-4.005	6
29	MP1B	Z	2.312	6
30	MP1B	Mx	-.005	6
31	MP1C	X	-4.937	.25
32	MP1C	Z	2.85	.25
33	MP1C	Mx	.005	.25
34	MP1C	X	-4.937	6
35	MP1C	Z	2.85	6
36	MP1C	Mx	.005	6
37	MP2A	X	-2.08	2
38	MP2A	Z	1.201	2
39	MP2A	Mx	.001	2
40	MP2A	X	-2.08	4
41	MP2A	Z	1.201	4
42	MP2A	Mx	.001	4
43	MP2B	X	-2.08	2
44	MP2B	Z	1.201	2
45	MP2B	Mx	-.001	2
46	MP2B	X	-2.08	4
47	MP2B	Z	1.201	4
48	MP2B	Mx	-.001	4
49	MP2C	X	-4.091	2
50	MP2C	Z	2.362	2
51	MP2C	Mx	0	2
52	MP2C	X	-4.091	4
53	MP2C	Z	2.362	4
54	MP2C	Mx	0	4
55	M131A	X	-2.437	.63
56	M131A	Z	1.407	.63
57	M131A	Mx	-.001	.63



Company :  
 Designer :  
 Job Number :  
 Model Name :

July 12, 2023  
 9:33 AM  
 Checked By: \_\_\_\_\_

**Member Point Loads (BLC 35 : Antenna Wm (240 Deg)) (Continued)**

	Member Label	Direction	Magnitude[lb.k-ft]	Location[ft.%]
58	M121	X	-2.14	1.38
59	M121	Z	1.235	1.38
60	M121	Mx	-.001	1.38
61	M68	X	-5.427	1.5
62	M68	Z	3.133	1.5
63	M68	Mx	-.001	1.5
64	M61	X	-5.427	1.5
65	M61	Z	3.133	1.5
66	M61	Mx	-.001	1.5
67	M195	X	-2.437	.63
68	M195	Z	1.407	.63
69	M195	Mx	-.001	.63
70	M163	X	-2.437	.63
71	M163	Z	1.407	.63
72	M163	Mx	-.001	.63
73	M179	X	-2.14	1.38
74	M179	Z	1.235	1.38
75	M179	Mx	-.001	1.38
76	M147	X	-2.14	1.38
77	M147	Z	1.235	1.38
78	M147	Mx	-.001	1.38
79	MP1B	X	-.954	1
80	MP1B	Z	.551	1
81	MP1B	Mx	-.000477	1
82	MP1C	X	-1.999	1
83	MP1C	Z	1.154	1
84	MP1C	Mx	0	1
85	MP1B	X	-.954	1
86	MP1B	Z	.551	1
87	MP1B	Mx	.000477	1
88	MP1C	X	-1.999	1
89	MP1C	Z	1.154	1
90	MP1C	Mx	0	1

**Member Point Loads (BLC 36 : Antenna Wm (270 Deg))**

	Member Label	Direction	Magnitude[lb.k-ft]	Location[ft.%]
1	MP1A	X	-4.266	.25
2	MP1A	Z	0	.25
3	MP1A	Mx	.003	.25
4	MP1A	X	-4.266	6
5	MP1A	Z	0	6
6	MP1A	Mx	.003	6
7	MP1B	X	-5.342	.25
8	MP1B	Z	0	.25
9	MP1B	Mx	.002	.25
10	MP1B	X	-5.342	6
11	MP1B	Z	0	6
12	MP1B	Mx	.002	6
13	MP1C	X	-5.342	.25
14	MP1C	Z	0	.25
15	MP1C	Mx	-.006	.25
16	MP1C	X	-5.342	6
17	MP1C	Z	0	6
18	MP1C	Mx	-.006	6
19	MP1A	X	-4.266	.25
20	MP1A	Z	0	.25

**Member Point Loads (BLC 36 : Antenna Wm (270 Deg)) (Continued)**

	Member Label	Direction	Magnitude[lb.k-ft]	Location[ft.%]
21	MP1A	Mx	.003	.25
22	MP1A	X	-4.266	6
23	MP1A	Z	0	6
24	MP1A	Mx	.003	6
25	MP1B	X	-5.342	.25
26	MP1B	Z	0	.25
27	MP1B	Mx	-.006	.25
28	MP1B	X	-5.342	6
29	MP1B	Z	0	6
30	MP1B	Mx	-.006	6
31	MP1C	X	-5.342	.25
32	MP1C	Z	0	.25
33	MP1C	Mx	.002	.25
34	MP1C	X	-5.342	6
35	MP1C	Z	0	6
36	MP1C	Mx	.002	6
37	MP2A	X	-1.627	2
38	MP2A	Z	0	2
39	MP2A	Mx	.000814	2
40	MP2A	X	-1.627	4
41	MP2A	Z	0	4
42	MP2A	Mx	.000814	4
43	MP2B	X	-3.95	2
44	MP2B	Z	0	2
45	MP2B	Mx	-.000988	2
46	MP2B	X	-3.95	4
47	MP2B	Z	0	4
48	MP2B	Mx	-.000988	4
49	MP2C	X	-3.95	2
50	MP2C	Z	0	2
51	MP2C	Mx	-.000988	2
52	MP2C	X	-3.95	4
53	MP2C	Z	0	4
54	MP2C	Mx	-.000988	4
55	M131A	X	-2.507	.63
56	M131A	Z	0	.63
57	M131A	Mx	-.001	.63
58	M121	X	-2.049	1.38
59	M121	Z	0	1.38
60	M121	Mx	-.001	1.38
61	M68	X	-7.183	1.5
62	M68	Z	0	1.5
63	M68	Mx	-.000898	1.5
64	M61	X	-7.183	1.5
65	M61	Z	0	1.5
66	M61	Mx	-.000898	1.5
67	M195	X	-2.507	.63
68	M195	Z	0	.63
69	M195	Mx	-.001	.63
70	M163	X	-2.507	.63
71	M163	Z	0	.63
72	M163	Mx	-.001	.63
73	M179	X	-2.049	1.38
74	M179	Z	0	1.38
75	M179	Mx	-.001	1.38
76	M147	X	-2.049	1.38
77	M147	Z	0	1.38



**Member Point Loads (BLC 36 : Antenna Wm (270 Deg)) (Continued)**

	Member Label	Direction	Magnitude[lb.k-ft]	Location[ft.%]
78	M147	Mx	-.001	1.38
79	MP1B	X	-1.906	1
80	MP1B	Z	0	1
81	MP1B	Mx	-.000476	1
82	MP1C	X	-1.906	1
83	MP1C	Z	0	1
84	MP1C	Mx	-.000476	1
85	MP1B	X	-1.906	1
86	MP1B	Z	0	1
87	MP1B	Mx	.000476	1
88	MP1C	X	-1.906	1
89	MP1C	Z	0	1
90	MP1C	Mx	.000476	1

**Member Point Loads (BLC 37 : Antenna Wm (300 Deg))**

	Member Label	Direction	Magnitude[lb.k-ft]	Location[ft.%]
1	MP1A	X	-4.005	.25
2	MP1A	Z	-2.312	.25
3	MP1A	Mx	.000743	.25
4	MP1A	X	-4.005	6
5	MP1A	Z	-2.312	6
6	MP1A	Mx	.000743	6
7	MP1B	X	-4.937	.25
8	MP1B	Z	-2.85	.25
9	MP1B	Mx	.005	.25
10	MP1B	X	-4.937	6
11	MP1B	Z	-2.85	6
12	MP1B	Mx	.005	6
13	MP1C	X	-4.005	.25
14	MP1C	Z	-2.312	.25
15	MP1C	Mx	-.005	.25
16	MP1C	X	-4.005	6
17	MP1C	Z	-2.312	6
18	MP1C	Mx	-.005	6
19	MP1A	X	-4.005	.25
20	MP1A	Z	-2.312	.25
21	MP1A	Mx	.005	.25
22	MP1A	X	-4.005	6
23	MP1A	Z	-2.312	6
24	MP1A	Mx	.005	6
25	MP1B	X	-4.937	.25
26	MP1B	Z	-2.85	.25
27	MP1B	Mx	-.005	.25
28	MP1B	X	-4.937	6
29	MP1B	Z	-2.85	6
30	MP1B	Mx	-.005	6
31	MP1C	X	-4.005	.25
32	MP1C	Z	-2.312	.25
33	MP1C	Mx	-.000743	.25
34	MP1C	X	-4.005	6
35	MP1C	Z	-2.312	6
36	MP1C	Mx	-.000743	6
37	MP2A	X	-2.08	2
38	MP2A	Z	-1.201	2
39	MP2A	Mx	.001	2
40	MP2A	X	-2.08	4

**Member Point Loads (BLC 37 : Antenna Wm (300 Deg)) (Continued)**

	Member Label	Direction	Magnitude[lb.k-ft]	Location[ft. %]
41	MP2A	Z	-1.201	4
42	MP2A	Mx	.001	4
43	MP2B	X	-4.091	2
44	MP2B	Z	-2.362	2
45	MP2B	Mx	0	2
46	MP2B	X	-4.091	4
47	MP2B	Z	-2.362	4
48	MP2B	Mx	0	4
49	MP2C	X	-2.08	2
50	MP2C	Z	-1.201	2
51	MP2C	Mx	-0.001	2
52	MP2C	X	-2.08	4
53	MP2C	Z	-1.201	4
54	MP2C	Mx	-.001	4
55	M131A	X	-2.437	.63
56	M131A	Z	-1.407	.63
57	M131A	Mx	-.001	.63
58	M121	X	-2.14	1.38
59	M121	Z	-1.235	1.38
60	M121	Mx	-.001	1.38
61	M68	X	-6.617	1.5
62	M68	Z	-3.82	1.5
63	M68	Mx	0	1.5
64	M61	X	-6.617	1.5
65	M61	Z	-3.82	1.5
66	M61	Mx	0	1.5
67	M195	X	-2.437	.63
68	M195	Z	-1.407	.63
69	M195	Mx	-.001	.63
70	M163	X	-2.437	.63
71	M163	Z	-1.407	.63
72	M163	Mx	-.001	.63
73	M179	X	-2.14	1.38
74	M179	Z	-1.235	1.38
75	M179	Mx	-.001	1.38
76	M147	X	-2.14	1.38
77	M147	Z	-1.235	1.38
78	M147	Mx	-.001	1.38
79	MP1B	X	-1.999	1
80	MP1B	Z	-1.154	1
81	MP1B	Mx	0	1
82	MP1C	X	-.954	1
83	MP1C	Z	-.551	1
84	MP1C	Mx	-.000477	1
85	MP1B	X	-1.999	1
86	MP1B	Z	-1.154	1
87	MP1B	Mx	0	1
88	MP1C	X	-.954	1
89	MP1C	Z	-.551	1
90	MP1C	Mx	.000477	1

**Member Point Loads (BLC 38 : Antenna Wm (330 Deg))**

	Member Label	Direction	Magnitude[lb.k-ft]	Location[ft. %]
1	MP1A	X	-2.671	.25
2	MP1A	Z	-4.626	.25
3	MP1A	Mx	-.002	.25



Company :  
 Designer :  
 Job Number :  
 Model Name :

July 12, 2023  
 9:33 AM  
 Checked By: \_\_\_\_\_

**Member Point Loads (BLC 38 : Antenna Wm (330 Deg)) (Continued)**

	Member Label	Direction	Magnitude[lb.k-ft]	Location[ft.%]
4	MP1A	X	-2.671	6
5	MP1A	Z	-4.626	6
6	MP1A	Mx	-.002	6
7	MP1B	X	-2.671	.25
8	MP1B	Z	-4.626	.25
9	MP1B	Mx	.006	.25
10	MP1B	X	-2.671	6
11	MP1B	Z	-4.626	6
12	MP1B	Mx	.006	6
13	MP1C	X	-2.133	.25
14	MP1C	Z	-3.695	.25
15	MP1C	Mx	-.003	.25
16	MP1C	X	-2.133	6
17	MP1C	Z	-3.695	6
18	MP1C	Mx	-.003	6
19	MP1A	X	-2.671	.25
20	MP1A	Z	-4.626	.25
21	MP1A	Mx	.006	.25
22	MP1A	X	-2.671	6
23	MP1A	Z	-4.626	6
24	MP1A	Mx	.006	6
25	MP1B	X	-2.671	.25
26	MP1B	Z	-4.626	.25
27	MP1B	Mx	-.002	.25
28	MP1B	X	-2.671	6
29	MP1B	Z	-4.626	6
30	MP1B	Mx	-.002	6
31	MP1C	X	-2.133	.25
32	MP1C	Z	-3.695	.25
33	MP1C	Mx	-.003	.25
34	MP1C	X	-2.133	6
35	MP1C	Z	-3.695	6
36	MP1C	Mx	-.003	6
37	MP2A	X	-1.975	2
38	MP2A	Z	-3.421	2
39	MP2A	Mx	.000988	2
40	MP2A	X	-1.975	4
41	MP2A	Z	-3.421	4
42	MP2A	Mx	.000988	4
43	MP2B	X	-1.975	2
44	MP2B	Z	-3.421	2
45	MP2B	Mx	.000988	2
46	MP2B	X	-1.975	4
47	MP2B	Z	-3.421	4
48	MP2B	Mx	.000988	4
49	MP2C	X	-.813	2
50	MP2C	Z	-1.409	2
51	MP2C	Mx	-.000813	2
52	MP2C	X	-.813	4
53	MP2C	Z	-1.409	4
54	MP2C	Mx	-.000813	4
55	M131A	X	-1.714	.63
56	M131A	Z	-2.969	.63
57	M131A	Mx	-.000857	.63
58	M121	X	-1.657	1.38
59	M121	Z	-2.87	1.38
60	M121	Mx	-.000828	1.38

**Member Point Loads (BLC 38 : Antenna Wm (330 Deg)) (Continued)**

	Member Label	Direction	Magnitude[lb.k-ft]	Location[ft.%]
61	M68	X	-3.591	1.5
62	M68	Z	-6.22	1.5
63	M68	Mx	.000898	1.5
64	M61	X	-3.591	1.5
65	M61	Z	-6.22	1.5
66	M61	Mx	.000898	1.5
67	M195	X	-1.714	.63
68	M195	Z	-2.969	.63
69	M195	Mx	-.000857	.63
70	M163	X	-1.714	.63
71	M163	Z	-2.969	.63
72	M163	Mx	-.000857	.63
73	M179	X	-1.657	1.38
74	M179	Z	-2.87	1.38
75	M179	Mx	-.000828	1.38
76	M147	X	-1.657	1.38
77	M147	Z	-2.87	1.38
78	M147	Mx	-.000828	1.38
79	MP1B	X	-.953	1
80	MP1B	Z	-1.651	1
81	MP1B	Mx	.000477	1
82	MP1C	X	-.35	1
83	MP1C	Z	-.606	1
84	MP1C	Mx	-.00035	1
85	MP1B	X	-.953	1
86	MP1B	Z	-1.651	1
87	MP1B	Mx	-.000477	1
88	MP1C	X	-.35	1
89	MP1C	Z	-.606	1
90	MP1C	Mx	.00035	1

**Member Point Loads (BLC 77 : Lm1)**

	Member Label	Direction	Magnitude[lb.k-ft]	Location[ft.%]
1	M123A	Y	-500	0

**Member Point Loads (BLC 78 : Lm2)**

	Member Label	Direction	Magnitude[lb.k-ft]	Location[ft.%]
1	M97	Y	-500	0

**Member Point Loads (BLC 79 : Lv1)**

	Member Label	Direction	Magnitude[lb.k-ft]	Location[ft.%]
1	M1	Y	-250	0

**Member Point Loads (BLC 80 : Lv2)**

	Member Label	Direction	Magnitude[lb.k-ft]	Location[ft.%]
1	M1	Y	-250	%100

**Member Point Loads (BLC 81 : Antenna Ev)**

	Member Label	Direction	Magnitude[lb.k-ft]	Location[ft.%]
1	MP1A	Y	-.976	.25
2	MP1A	My	-.000651	.25
3	MP1A	Mz	.000814	.25
4	MP1A	Y	-.976	6
5	MP1A	My	-.000651	6



Company :  
 Designer :  
 Job Number :  
 Model Name :

July 12, 2023  
 9:33 AM  
 Checked By: \_\_\_\_\_

**Member Point Loads (BLC 81 : Antenna Ev) (Continued)**

	Member Label	Direction	Magnitude[lb.k-ft]	Location[ft.%]
6	MP1A	Mz	.000814	6
7	MP1B	Y	-.976	.25
8	MP1B	My	-.000379	.25
9	MP1B	Mz	-.000971	.25
10	MP1B	Y	-.976	6
11	MP1B	My	-.000379	6
12	MP1B	Mz	-.000971	6
13	MP1C	Y	-.976	.25
14	MP1C	My	.001	.25
15	MP1C	Mz	.000157	.25
16	MP1C	Y	-.976	6
17	MP1C	My	.001	6
18	MP1C	Mz	.000157	6
19	MP1A	Y	-.976	.25
20	MP1A	My	-.000651	.25
21	MP1A	Mz	-.000814	.25
22	MP1A	Y	-.976	6
23	MP1A	My	-.000651	6
24	MP1A	Mz	-.000814	6
25	MP1B	Y	-.976	.25
26	MP1B	My	.001	.25
27	MP1B	Mz	-.000157	.25
28	MP1B	Y	-.976	6
29	MP1B	My	.001	6
30	MP1B	Mz	-.000157	6
31	MP1C	Y	-.976	.25
32	MP1C	My	-.000379	.25
33	MP1C	Mz	.000971	.25
34	MP1C	Y	-.976	6
35	MP1C	My	-.000379	6
36	MP1C	Mz	.000971	6
37	MP2A	Y	-1.849	2
38	MP2A	My	-.000924	2
39	MP2A	Mz	0	2
40	MP2A	Y	-1.849	4
41	MP2A	My	-.000924	4
42	MP2A	Mz	0	4
43	MP2B	Y	-1.849	2
44	MP2B	My	.000462	2
45	MP2B	Mz	-.000801	2
46	MP2B	Y	-1.849	4
47	MP2B	My	.000462	4
48	MP2B	Mz	-.000801	4
49	MP2C	Y	-1.849	2
50	MP2C	My	.000462	2
51	MP2C	Mz	.000801	2
52	MP2C	Y	-1.849	4
53	MP2C	My	.000462	4
54	MP2C	Mz	.000801	4
55	M131A	Y	-3.583	.63
56	M131A	My	.002	.63
57	M131A	Mz	0	.63
58	M121	Y	-2.984	1.38
59	M121	My	.001	1.38
60	M121	Mz	0	1.38
61	M68	Y	-1.359	1.5
62	M68	My	.00017	1.5



Company :  
 Designer :  
 Job Number :  
 Model Name :

July 12, 2023  
 9:33 AM  
 Checked By: \_\_\_\_\_

**Member Point Loads (BLC 81 : Antenna Ev) (Continued)**

	Member Label	Direction	Magnitude[lb.k-ft]	Location[ft.%]
63	M68	Mz	-.000294	1.5
64	M61	Y	-1.359	1.5
65	M61	My	.00017	1.5
66	M61	Mz	-.000294	1.5
67	M195	Y	-3.583	.63
68	M195	My	.002	.63
69	M195	Mz	0	.63
70	M163	Y	-3.583	.63
71	M163	My	.002	.63
72	M163	Mz	0	.63
73	M179	Y	-2.984	1.38
74	M179	My	.001	1.38
75	M179	Mz	0	1.38
76	M147	Y	-2.984	1.38
77	M147	My	.001	1.38
78	M147	Mz	0	1.38
79	MP1B	Y	-.747	1
80	MP1B	My	.000187	1
81	MP1B	Mz	-.000324	1
82	MP1C	Y	-.747	1
83	MP1C	My	.000187	1
84	MP1C	Mz	.000324	1
85	MP1B	Y	-.747	1
86	MP1B	My	-.000187	1
87	MP1B	Mz	.000324	1
88	MP1C	Y	-.747	1
89	MP1C	My	-.000187	1
90	MP1C	Mz	-.000324	1

**Member Point Loads (BLC 82 : Antenna Eh (0 Deg))**

	Member Label	Direction	Magnitude[lb.k-ft]	Location[ft.%]
1	MP1A	Z	-2.441	.25
2	MP1A	Mx	-.002	.25
3	MP1A	Z	-2.441	6
4	MP1A	Mx	-.002	6
5	MP1B	Z	-2.441	.25
6	MP1B	Mx	.002	.25
7	MP1B	Z	-2.441	6
8	MP1B	Mx	.002	6
9	MP1C	Z	-2.441	.25
10	MP1C	Mx	-.000392	.25
11	MP1C	Z	-2.441	6
12	MP1C	Mx	-.000392	6
13	MP1A	Z	-2.441	.25
14	MP1A	Mx	.002	.25
15	MP1A	Z	-2.441	6
16	MP1A	Mx	.002	6
17	MP1B	Z	-2.441	.25
18	MP1B	Mx	.000392	.25
19	MP1B	Z	-2.441	6
20	MP1B	Mx	.000392	6
21	MP1C	Z	-2.441	.25
22	MP1C	Mx	-.002	.25
23	MP1C	Z	-2.441	6
24	MP1C	Mx	-.002	6
25	MP2A	Z	-4.622	2

**Member Point Loads (BLC 82 : Antenna Eh (0 Deg)) (Continued)**

	Member Label	Direction	Magnitude[lb.k-ft]	Location[ft.%]
26	MP2A	Mx	0	2
27	MP2A	Z	-4.622	4
28	MP2A	Mx	0	4
29	MP2B	Z	-4.622	2
30	MP2B	Mx	.002	2
31	MP2B	Z	-4.622	4
32	MP2B	Mx	.002	4
33	MP2C	Z	-4.622	2
34	MP2C	Mx	-.002	2
35	MP2C	Z	-4.622	4
36	MP2C	Mx	-.002	4
37	M131A	Z	-8.958	.63
38	M131A	Mx	0	.63
39	M121	Z	-7.461	1.38
40	M121	Mx	0	1.38
41	M68	Z	-3.396	1.5
42	M68	Mx	.000735	1.5
43	M61	Z	-3.396	1.5
44	M61	Mx	.000735	1.5
45	M195	Z	-8.958	.63
46	M195	Mx	0	.63
47	M163	Z	-8.958	.63
48	M163	Mx	0	.63
49	M179	Z	-7.461	1.38
50	M179	Mx	0	1.38
51	M147	Z	-7.461	1.38
52	M147	Mx	0	1.38
53	MP1B	Z	-1.868	1
54	MP1B	Mx	.000809	1
55	MP1C	Z	-1.868	1
56	MP1C	Mx	-.000809	1
57	MP1B	Z	-1.868	1
58	MP1B	Mx	-.000809	1
59	MP1C	Z	-1.868	1
60	MP1C	Mx	.000809	1

**Member Point Loads (BLC 83 : Antenna Eh (90 Deg))**

	Member Label	Direction	Magnitude[lb.k-ft]	Location[ft.%]
1	MP1A	X	2.441	.25
2	MP1A	Mx	-.002	.25
3	MP1A	X	2.441	6
4	MP1A	Mx	-.002	6
5	MP1B	X	2.441	.25
6	MP1B	Mx	-.000948	.25
7	MP1B	X	2.441	6
8	MP1B	Mx	-.000948	6
9	MP1C	X	2.441	.25
10	MP1C	Mx	.003	.25
11	MP1C	X	2.441	6
12	MP1C	Mx	.003	6
13	MP1A	X	2.441	.25
14	MP1A	Mx	-.002	.25
15	MP1A	X	2.441	6
16	MP1A	Mx	-.002	6
17	MP1B	X	2.441	.25
18	MP1B	Mx	.003	.25

**Member Point Loads (BLC 83 : Antenna Eh (90 Deg)) (Continued)**

	Member Label	Direction	Magnitude[lb.k-ft]	Location[ft.%]
19	MP1B	X	2.441	6
20	MP1B	Mx	.003	6
21	MP1C	X	2.441	.25
22	MP1C	Mx	-.000948	.25
23	MP1C	X	2.441	6
24	MP1C	Mx	-.000948	6
25	MP2A	X	4.622	2
26	MP2A	Mx	-.002	2
27	MP2A	X	4.622	4
28	MP2A	Mx	-.002	4
29	MP2B	X	4.622	2
30	MP2B	Mx	.001	2
31	MP2B	X	4.622	4
32	MP2B	Mx	.001	4
33	MP2C	X	4.622	2
34	MP2C	Mx	.001	2
35	MP2C	X	4.622	4
36	MP2C	Mx	.001	4
37	M131A	X	8.958	.63
38	M131A	Mx	.004	.63
39	M121	X	7.461	1.38
40	M121	Mx	.004	1.38
41	M68	X	3.396	1.5
42	M68	Mx	.000425	1.5
43	M61	X	3.396	1.5
44	M61	Mx	.000425	1.5
45	M195	X	8.958	.63
46	M195	Mx	.004	.63
47	M163	X	8.958	.63
48	M163	Mx	.004	.63
49	M179	X	7.461	1.38
50	M179	Mx	.004	1.38
51	M147	X	7.461	1.38
52	M147	Mx	.004	1.38
53	MP1B	X	1.868	1
54	MP1B	Mx	.000467	1
55	MP1C	X	1.868	1
56	MP1C	Mx	.000467	1
57	MP1B	X	1.868	1
58	MP1B	Mx	-.000467	1
59	MP1C	X	1.868	1
60	MP1C	Mx	-.000467	1

**Joint Loads and Enforced Displacements**

Joint Label	L,D,M	Direction	Magnitude[(lb.k-ft), (in.rad), (lb*s^2/ft, lb*s^2*ft)]
No Data to Print ...			

**Member Distributed Loads (BLC 40 : Structure Di)**

	Member Label	Direction	Start Magnitude[lb/ft.F,ksf]	End Magnitude[lb/ft.F,ksf]	Start Location[ft..End Location[ft..
1	M1	Y	-9.719	-9.719	0 %100
2	M2	Y	-9.719	-9.719	0 %100
3	M3	Y	-9.719	-9.719	0 %100
4	M4	Y	-9.719	-9.719	0 %100
5	M5	Y	-9.719	-9.719	0 %100



**Member Distributed Loads (BLC 40 : Structure Di) (Continued)**

Member Label	Direction	Start Magnitude[lb/ft.F.ksf]	End Magnitude[lb/ft.F.ksf]	Start Locationf..	End Locationft..
6	M6	Y	-9.719	0	%100
7	M7	Y	-9.719	0	%100
8	M8	Y	-9.719	0	%100
9	M9	Y	-9.719	0	%100
10	M13	Y	-13.669	0	%100
11	M14A	Y	-13.669	0	%100
12	M18	Y	-13.669	0	%100
13	M25	Y	-8.087	0	%100
14	M26	Y	-8.087	0	%100
15	M27	Y	-8.087	0	%100
16	M34	Y	-13.669	0	%100
17	M42	Y	-13.669	0	%100
18	M50	Y	-13.669	0	%100
19	M52	Y	-5.467	0	%100
20	M53	Y	-5.467	0	%100
21	M54	Y	-5.467	0	%100
22	M55	Y	-5.467	0	%100
23	M56	Y	-5.467	0	%100
24	M57	Y	-5.467	0	%100
25	M58	Y	-5.467	0	%100
26	M59	Y	-5.467	0	%100
27	M60	Y	-5.467	0	%100
28	M61	Y	-5.467	0	%100
29	M62	Y	-5.467	0	%100
30	M63	Y	-5.467	0	%100
31	M64	Y	-5.467	0	%100
32	M65	Y	-5.467	0	%100
33	M66	Y	-5.467	0	%100
34	M67	Y	-5.467	0	%100
35	M68	Y	-5.467	0	%100
36	M69	Y	-5.467	0	%100
37	M70	Y	-5.467	0	%100
38	M71	Y	-5.467	0	%100
39	M72	Y	-5.467	0	%100
40	MP1A	Y	-6.06	0	%100
41	M127	Y	-9.719	0	%100
42	M128	Y	-9.719	0	%100
43	M129	Y	-5.991	0	%100
44	M130	Y	-5.991	0	%100
45	M131	Y	-2.91	0	%100
46	M132	Y	-2.91	0	%100
47	M133	Y	-2.91	0	%100
48	M134	Y	-2.91	0	%100
49	M135	Y	-2.91	0	%100
50	M117	Y	-2.539	0	%100
51	M118A	Y	-2.539	0	%100
52	M121	Y	-5.319	0	%100
53	M124	Y	-2.539	0	%100
54	M125	Y	-2.539	0	%100
55	MP2A	Y	-5.319	0	%100
56	M127B	Y	-2.539	0	%100
57	M128A	Y	-2.539	0	%100
58	M131A	Y	-5.319	0	%100
59	M134A	Y	-2.539	0	%100
60	M135A	Y	-2.539	0	%100
61	MP1C	Y	-6.06	0	%100
62	M143	Y	-2.539	0	%100



Company :  
 Designer :  
 Job Number :  
 Model Name :

July 12, 2023  
 9:33 AM  
 Checked By: \_\_\_\_\_

**Member Distributed Loads (BLC 40 : Structure Di) (Continued)**

	Member Label	Direction	Start Magnitude[lb/ft,F,ksf]	End Magnitude[lb/ft,F,ksf]	Start Location[f..	End Location[ft..
63	M144	Y	-2.539	-2.539	0	%100
64	M147	Y	-5.319	-5.319	0	%100
65	M150	Y	-2.539	-2.539	0	%100
66	M151	Y	-2.539	-2.539	0	%100
67	MP2C	Y	-5.319	-5.319	0	%100
68	M159	Y	-2.539	-2.539	0	%100
69	M160	Y	-2.539	-2.539	0	%100
70	M163	Y	-5.319	-5.319	0	%100
71	M166	Y	-2.539	-2.539	0	%100
72	M167	Y	-2.539	-2.539	0	%100
73	MP1B	Y	-6.06	-6.06	0	%100
74	M175	Y	-2.539	-2.539	0	%100
75	M176	Y	-2.539	-2.539	0	%100
76	M179	Y	-5.319	-5.319	0	%100
77	M182	Y	-2.539	-2.539	0	%100
78	M183	Y	-2.539	-2.539	0	%100
79	MP2B	Y	-5.319	-5.319	0	%100
80	M191	Y	-2.539	-2.539	0	%100
81	M192	Y	-2.539	-2.539	0	%100
82	M195	Y	-5.319	-5.319	0	%100
83	M198	Y	-2.539	-2.539	0	%100
84	M199	Y	-2.539	-2.539	0	%100
85	M202	Y	-8.087	-8.087	0	%100

**Member Distributed Loads (BLC 41 : Structure Wo (0 Deg))**

	Member Label	Direction	Start Magnitude[lb/ft,F,ksf]	End Magnitude[lb/ft,F,ksf]	Start Location[f..	End Location[ft..
1	M1	X	0	0	0	%100
2	M1	Z	-25.539	-25.539	0	%100
3	M2	X	0	0	0	%100
4	M2	Z	-25.539	-25.539	0	%100
5	M3	X	0	0	0	%100
6	M3	Z	-6.385	-6.385	0	%100
7	M4	X	0	0	0	%100
8	M4	Z	-6.385	-6.385	0	%100
9	M5	X	0	0	0	%100
10	M5	Z	-6.385	-6.385	0	%100
11	M6	X	0	0	0	%100
12	M6	Z	-6.385	-6.385	0	%100
13	M7	X	0	0	0	%100
14	M7	Z	-25.24	-25.24	0	%100
15	M8	X	0	0	0	%100
16	M8	Z	-6.31	-6.31	0	%100
17	M9	X	0	0	0	%100
18	M9	Z	-6.31	-6.31	0	%100
19	M13	X	0	0	0	%100
20	M13	Z	-.361	-.361	0	%100
21	M14A	X	0	0	0	%100
22	M14A	Z	-.361	-.361	0	%100
23	M18	X	0	0	0	%100
24	M18	Z	-1.443	-1.443	0	%100
25	M25	X	0	0	0	%100
26	M25	Z	-4.809	-4.809	0	%100
27	M26	X	0	0	0	%100
28	M26	Z	-19.234	-19.234	0	%100
29	M27	X	0	0	0	%100
30	M27	Z	-4.809	-4.809	0	%100

**Member Distributed Loads (BLC 41 : Structure Wo (0 Deg)) (Continued)**

Member Label	Direction	Start Magnitude[lb/ft,F,ksf]	End Magnitude[lb/ft,F,ksf]	Start Location[f..	End Location[ft..
31	M34	X	0	0	%100
32	M34	Z	-.361	0	%100
33	M42	X	0	0	%100
34	M42	Z	-.361	0	%100
35	M50	X	0	0	%100
36	M50	Z	-1.443	0	%100
37	M52	X	0	0	%100
38	M52	Z	-10.419	0	%100
39	M53	X	0	0	%100
40	M53	Z	-10.419	0	%100
41	M54	X	0	0	%100
42	M54	Z	-10.285	0	%100
43	M55	X	0	0	%100
44	M55	Z	-10.419	0	%100
45	M56	X	0	0	%100
46	M56	Z	-10.419	0	%100
47	M57	X	0	0	%100
48	M57	Z	-11.22	0	%100
49	M58	X	0	0	%100
50	M58	Z	-11.22	0	%100
51	M59	X	0	0	%100
52	M59	Z	-10.419	0	%100
53	M60	X	0	0	%100
54	M60	Z	-10.419	0	%100
55	M61	X	0	0	%100
56	M61	Z	-2.571	0	%100
57	M62	X	0	0	%100
58	M62	Z	-10.419	0	%100
59	M63	X	0	0	%100
60	M63	Z	-10.419	0	%100
61	M64	X	0	0	%100
62	M64	Z	-6.008	0	%100
63	M65	X	0	0	%100
64	M65	Z	-6.008	0	%100
65	M66	X	0	0	%100
66	M66	Z	-10.419	0	%100
67	M67	X	0	0	%100
68	M67	Z	-10.419	0	%100
69	M68	X	0	0	%100
70	M68	Z	-2.571	0	%100
71	M69	X	0	0	%100
72	M69	Z	-10.419	0	%100
73	M70	X	0	0	%100
74	M70	Z	-10.419	0	%100
75	M71	X	0	0	%100
76	M71	Z	-6.008	0	%100
77	M72	X	0	0	%100
78	M72	Z	-6.008	0	%100
79	MP1A	X	0	0	%100
80	MP1A	Z	-11.06	0	%100
81	M127	X	0	0	%100
82	M127	Z	-5.597	0	%100
83	M128	X	0	0	%100
84	M128	Z	-15.548	0	%100
85	M129	X	0	0	%100
86	M129	Z	-12.823	0	%100
87	M130	X	0	0	%100

**Member Distributed Loads (BLC 41 : Structure Wo (0 Deg)) (Continued)**

Member Label	Direction	Start Magnitude[lb/ft.F.ksf]	End Magnitude[lb/ft.F.ksf]	Start Locationf..	End Locationft..
88	M130	Z	-12.823	0	%100
89	M131	X	0	0	%100
90	M131	Z	-2.017	0	%100
91	M132	X	0	0	%100
92	M132	Z	-2.017	0	%100
93	M133	X	0	0	%100
94	M133	Z	-2.017	0	%100
95	M134	X	0	0	%100
96	M134	Z	-2.017	0	%100
97	M135	X	0	0	%100
98	M135	Z	-2.017	0	%100
99	M117	X	0	0	%100
100	M117	Z	0	0	%100
101	M118A	X	0	0	%100
102	M118A	Z	0	0	%100
103	M121	X	0	0	%100
104	M121	Z	-7.257	0	%100
105	M124	X	0	0	%100
106	M124	Z	0	0	%100
107	M125	X	0	0	%100
108	M125	Z	0	0	%100
109	MP2A	X	0	0	%100
110	MP2A	Z	-9.136	0	%100
111	M127B	X	0	0	%100
112	M127B	Z	0	0	%100
113	M128A	X	0	0	%100
114	M128A	Z	0	0	%100
115	M131A	X	0	0	%100
116	M131A	Z	-5.975	0	%100
117	M134A	X	0	0	%100
118	M134A	Z	0	0	%100
119	M135A	X	0	0	%100
120	M135A	Z	0	0	%100
121	MP1C	X	0	0	%100
122	MP1C	Z	-11.06	0	%100
123	M143	X	0	0	%100
124	M143	Z	-1.309	0	%100
125	M144	X	0	0	%100
126	M144	Z	-1.309	0	%100
127	M147	X	0	0	%100
128	M147	Z	-7.257	0	%100
129	M150	X	0	0	%100
130	M150	Z	-1.309	0	%100
131	M151	X	0	0	%100
132	M151	Z	-1.309	0	%100
133	MP2C	X	0	0	%100
134	MP2C	Z	-9.136	0	%100
135	M159	X	0	0	%100
136	M159	Z	-1.309	0	%100
137	M160	X	0	0	%100
138	M160	Z	-1.309	0	%100
139	M163	X	0	0	%100
140	M163	Z	-5.975	0	%100
141	M166	X	0	0	%100
142	M166	Z	-1.309	0	%100
143	M167	X	0	0	%100
144	M167	Z	-1.309	0	%100

**Member Distributed Loads (BLC 41 : Structure Wo (0 Deg)) (Continued)**

	Member Label	Direction	Start Magnitude[lb/ft,F,ksf]	End Magnitude[lb/ft,F,ksf]	Start Location[f...]	End Location[ft...]
145	MP1B	X	0	0	0	%100
146	MP1B	Z	-11.06	-11.06	0	%100
147	M175	X	0	0	0	%100
148	M175	Z	-1.309	-1.309	0	%100
149	M176	X	0	0	0	%100
150	M176	Z	-1.309	-1.309	0	%100
151	M179	X	0	0	0	%100
152	M179	Z	-7.257	-7.257	0	%100
153	M182	X	0	0	0	%100
154	M182	Z	-1.309	-1.309	0	%100
155	M183	X	0	0	0	%100
156	M183	Z	-1.309	-1.309	0	%100
157	MP2B	X	0	0	0	%100
158	MP2B	Z	-9.136	-9.136	0	%100
159	M191	X	0	0	0	%100
160	M191	Z	-1.309	-1.309	0	%100
161	M192	X	0	0	0	%100
162	M192	Z	-1.309	-1.309	0	%100
163	M195	X	0	0	0	%100
164	M195	Z	-5.975	-5.975	0	%100
165	M198	X	0	0	0	%100
166	M198	Z	-1.309	-1.309	0	%100
167	M199	X	0	0	0	%100
168	M199	Z	-1.309	-1.309	0	%100
169	M202	X	0	0	0	%100
170	M202	Z	-3.433	-3.433	0	%100

**Member Distributed Loads (BLC 42 : Structure Wo (30 Deg))**

	Member Label	Direction	Start Magnitude[lb/ft,F,ksf]	End Magnitude[lb/ft,F,ksf]	Start Location[f...]	End Location[ft...]
1	M1	X	9.577	9.577	0	%100
2	M1	Z	-16.588	-16.588	0	%100
3	M2	X	9.577	9.577	0	%100
4	M2	Z	-16.588	-16.588	0	%100
5	M3	X	9.577	9.577	0	%100
6	M3	Z	-16.588	-16.588	0	%100
7	M4	X	9.577	9.577	0	%100
8	M4	Z	-16.588	-16.588	0	%100
9	M5	X	0	0	0	%100
10	M5	Z	0	0	0	%100
11	M6	X	0	0	0	%100
12	M6	Z	0	0	0	%100
13	M7	X	9.465	9.465	0	%100
14	M7	Z	-16.394	-16.394	0	%100
15	M8	X	9.465	9.465	0	%100
16	M8	Z	-16.394	-16.394	0	%100
17	M9	X	0	0	0	%100
18	M9	Z	0	0	0	%100
19	M13	X	.541	.541	0	%100
20	M13	Z	-.937	-.937	0	%100
21	M14A	X	0	0	0	%100
22	M14A	Z	0	0	0	%100
23	M18	X	.541	.541	0	%100
24	M18	Z	-.937	-.937	0	%100
25	M25	X	0	0	0	%100
26	M25	Z	0	0	0	%100
27	M26	X	7.213	7.213	0	%100



Company :  
 Designer :  
 Job Number :  
 Model Name :

July 12, 2023  
 9:33 AM  
 Checked By: \_\_\_\_\_

**Member Distributed Loads (BLC 42 : Structure Wo (30 Deg)) (Continued)**

Member Label	Direction	Start Magnitude[lb/ft.F,ksf]	End Magnitude[lb/ft.F,ksf]	Start Locationf..	End Locationft..
28	M26	Z	-12.493	0	%100
29	M27	X	7.213	0	%100
30	M27	Z	-12.493	0	%100
31	M34	X	.541	0	%100
32	M34	Z	-.937	0	%100
33	M42	X	0	0	%100
34	M42	Z	0	0	%100
35	M50	X	.541	0	%100
36	M50	Z	-.937	0	%100
37	M52	X	5.209	0	%100
38	M52	Z	-9.023	0	%100
39	M53	X	5.209	0	%100
40	M53	Z	-9.023	0	%100
41	M54	X	3.857	0	%100
42	M54	Z	-6.68	0	%100
43	M55	X	5.209	0	%100
44	M55	Z	-9.023	0	%100
45	M56	X	5.209	0	%100
46	M56	Z	-9.023	0	%100
47	M57	X	4.741	0	%100
48	M57	Z	-8.212	0	%100
49	M58	X	4.741	0	%100
50	M58	Z	-8.212	0	%100
51	M59	X	5.209	0	%100
52	M59	Z	-9.023	0	%100
53	M60	X	5.209	0	%100
54	M60	Z	-9.023	0	%100
55	M61	X	3.857	0	%100
56	M61	Z	-6.68	0	%100
57	M62	X	5.209	0	%100
58	M62	Z	-9.023	0	%100
59	M63	X	5.209	0	%100
60	M63	Z	-9.023	0	%100
61	M64	X	4.741	0	%100
62	M64	Z	-8.212	0	%100
63	M65	X	4.741	0	%100
64	M65	Z	-8.212	0	%100
65	M66	X	5.209	0	%100
66	M66	Z	-9.023	0	%100
67	M67	X	5.209	0	%100
68	M67	Z	-9.023	0	%100
69	M68	X	0	0	%100
70	M68	Z	0	0	%100
71	M69	X	5.209	0	%100
72	M69	Z	-9.023	0	%100
73	M70	X	5.209	0	%100
74	M70	Z	-9.023	0	%100
75	M71	X	2.135	0	%100
76	M71	Z	-3.699	0	%100
77	M72	X	2.135	0	%100
78	M72	Z	-3.699	0	%100
79	MP1A	X	5.53	0	%100
80	MP1A	Z	-9.578	0	%100
81	M127	X	0	0	%100
82	M127	Z	0	0	%100
83	M128	X	10.365	0	%100
84	M128	Z	-17.953	0	%100



Company :  
 Designer :  
 Job Number :  
 Model Name :

July 12, 2023  
 9:33 AM  
 Checked By: \_\_\_\_\_

**Member Distributed Loads (BLC 42 : Structure Wo (30 Deg)) (Continued)**

Member Label	Direction	Start Magnitude[lb/ft,F,ksf]	End Magnitude[lb/ft,F,ksf]	Start Location[f..	End Location[f..
85	M129	X	6.411	6.411	0 %100
86	M129	Z	-11.105	-11.105	0 %100
87	M130	X	6.411	6.411	0 %100
88	M130	Z	-11.105	-11.105	0 %100
89	M131	X	1.345	1.345	0 %100
90	M131	Z	-2.329	-2.329	0 %100
91	M132	X	1.345	1.345	0 %100
92	M132	Z	-2.329	-2.329	0 %100
93	M133	X	1.345	1.345	0 %100
94	M133	Z	-2.329	-2.329	0 %100
95	M134	X	1.345	1.345	0 %100
96	M134	Z	-2.329	-2.329	0 %100
97	M135	X	1.345	1.345	0 %100
98	M135	Z	-2.329	-2.329	0 %100
99	M117	X	.218	.218	0 %100
100	M117	Z	-.378	-.378	0 %100
101	M118A	X	.218	.218	0 %100
102	M118A	Z	-.378	-.378	0 %100
103	M121	X	3.629	3.629	0 %100
104	M121	Z	-6.285	-6.285	0 %100
105	M124	X	.218	.218	0 %100
106	M124	Z	-.378	-.378	0 %100
107	M125	X	.218	.218	0 %100
108	M125	Z	-.378	-.378	0 %100
109	MP2A	X	4.568	4.568	0 %100
110	MP2A	Z	-7.912	-7.912	0 %100
111	M127B	X	.218	.218	0 %100
112	M127B	Z	-.378	-.378	0 %100
113	M128A	X	.218	.218	0 %100
114	M128A	Z	-.378	-.378	0 %100
115	M131A	X	2.988	2.988	0 %100
116	M131A	Z	-5.175	-5.175	0 %100
117	M134A	X	.218	.218	0 %100
118	M134A	Z	-.378	-.378	0 %100
119	M135A	X	.218	.218	0 %100
120	M135A	Z	-.378	-.378	0 %100
121	MP1C	X	5.53	5.53	0 %100
122	MP1C	Z	-9.578	-9.578	0 %100
123	M143	X	.218	.218	0 %100
124	M143	Z	-.378	-.378	0 %100
125	M144	X	.218	.218	0 %100
126	M144	Z	-.378	-.378	0 %100
127	M147	X	3.629	3.629	0 %100
128	M147	Z	-6.285	-6.285	0 %100
129	M150	X	.218	.218	0 %100
130	M150	Z	-.378	-.378	0 %100
131	M151	X	.218	.218	0 %100
132	M151	Z	-.378	-.378	0 %100
133	MP2C	X	4.568	4.568	0 %100
134	MP2C	Z	-7.912	-7.912	0 %100
135	M159	X	.218	.218	0 %100
136	M159	Z	-.378	-.378	0 %100
137	M160	X	.218	.218	0 %100
138	M160	Z	-.378	-.378	0 %100
139	M163	X	2.988	2.988	0 %100
140	M163	Z	-5.175	-5.175	0 %100
141	M166	X	.218	.218	0 %100

**Member Distributed Loads (BLC 42 : Structure Wo (30 Deg)) (Continued)**

	Member Label	Direction	Start Magnitude[lb/ft.F,ksf]	End Magnitude[lb/ft.F,ksf]	Start Locationf..	End Locationft..
142	M166	Z	-.378	-.378	0	%100
143	M167	X	.218	.218	0	%100
144	M167	Z	-.378	-.378	0	%100
145	MP1B	X	5.53	5.53	0	%100
146	MP1B	Z	-9.578	-9.578	0	%100
147	M175	X	.873	.873	0	%100
148	M175	Z	-1.512	-1.512	0	%100
149	M176	X	.873	.873	0	%100
150	M176	Z	-1.512	-1.512	0	%100
151	M179	X	3.629	3.629	0	%100
152	M179	Z	-6.285	-6.285	0	%100
153	M182	X	.873	.873	0	%100
154	M182	Z	-1.512	-1.512	0	%100
155	M183	X	.873	.873	0	%100
156	M183	Z	-1.512	-1.512	0	%100
157	MP2B	X	4.568	4.568	0	%100
158	MP2B	Z	-7.912	-7.912	0	%100
159	M191	X	.873	.873	0	%100
160	M191	Z	-1.512	-1.512	0	%100
161	M192	X	.873	.873	0	%100
162	M192	Z	-1.512	-1.512	0	%100
163	M195	X	2.988	2.988	0	%100
164	M195	Z	-5.175	-5.175	0	%100
165	M198	X	.873	.873	0	%100
166	M198	Z	-1.512	-1.512	0	%100
167	M199	X	.873	.873	0	%100
168	M199	Z	-1.512	-1.512	0	%100
169	M202	X	5.149	5.149	0	%100
170	M202	Z	-8.919	-8.919	0	%100

**Member Distributed Loads (BLC 43 : Structure Wo (60 Deg))**

	Member Label	Direction	Start Magnitude[lb/ft.F,ksf]	End Magnitude[lb/ft.F,ksf]	Start Locationf..	End Locationft..
1	M1	X	5.529	5.529	0	%100
2	M1	Z	-3.192	-3.192	0	%100
3	M2	X	5.529	5.529	0	%100
4	M2	Z	-3.192	-3.192	0	%100
5	M3	X	22.117	22.117	0	%100
6	M3	Z	-12.77	-12.77	0	%100
7	M4	X	22.117	22.117	0	%100
8	M4	Z	-12.77	-12.77	0	%100
9	M5	X	5.529	5.529	0	%100
10	M5	Z	-3.192	-3.192	0	%100
11	M6	X	5.529	5.529	0	%100
12	M6	Z	-3.192	-3.192	0	%100
13	M7	X	5.465	5.465	0	%100
14	M7	Z	-3.155	-3.155	0	%100
15	M8	X	21.858	21.858	0	%100
16	M8	Z	-12.62	-12.62	0	%100
17	M9	X	5.465	5.465	0	%100
18	M9	Z	-3.155	-3.155	0	%100
19	M13	X	1.249	1.249	0	%100
20	M13	Z	-.721	-.721	0	%100
21	M14A	X	.312	.312	0	%100
22	M14A	Z	-.18	-.18	0	%100
23	M18	X	.312	.312	0	%100
24	M18	Z	-.18	-.18	0	%100



**Member Distributed Loads (BLC 43 : Structure Wo (60 Deg)) (Continued)**

Member Label	Direction	Start Magnitude[lb/ft,F,ksf]	End Magnitude[lb/ft,F,ksf]	Start Location[f..	End Location[ft..
25	M25	X	4.164	4.164	0 %100
26	M25	Z	-2.404	-2.404	0 %100
27	M26	X	4.164	4.164	0 %100
28	M26	Z	-2.404	-2.404	0 %100
29	M27	X	16.657	16.657	0 %100
30	M27	Z	-9.617	-9.617	0 %100
31	M34	X	1.249	1.249	0 %100
32	M34	Z	-.721	-.721	0 %100
33	M42	X	.312	.312	0 %100
34	M42	Z	-.18	-.18	0 %100
35	M50	X	.312	.312	0 %100
36	M50	Z	-.18	-.18	0 %100
37	M52	X	9.023	9.023	0 %100
38	M52	Z	-5.209	-5.209	0 %100
39	M53	X	9.023	9.023	0 %100
40	M53	Z	-5.209	-5.209	0 %100
41	M54	X	2.227	2.227	0 %100
42	M54	Z	-1.286	-1.286	0 %100
43	M55	X	9.023	9.023	0 %100
44	M55	Z	-5.209	-5.209	0 %100
45	M56	X	9.023	9.023	0 %100
46	M56	Z	-5.209	-5.209	0 %100
47	M57	X	5.203	5.203	0 %100
48	M57	Z	-3.004	-3.004	0 %100
49	M58	X	5.203	5.203	0 %100
50	M58	Z	-3.004	-3.004	0 %100
51	M59	X	9.023	9.023	0 %100
52	M59	Z	-5.209	-5.209	0 %100
53	M60	X	9.023	9.023	0 %100
54	M60	Z	-5.209	-5.209	0 %100
55	M61	X	8.907	8.907	0 %100
56	M61	Z	-5.143	-5.143	0 %100
57	M62	X	9.023	9.023	0 %100
58	M62	Z	-5.209	-5.209	0 %100
59	M63	X	9.023	9.023	0 %100
60	M63	Z	-5.209	-5.209	0 %100
61	M64	X	9.717	9.717	0 %100
62	M64	Z	-5.61	-5.61	0 %100
63	M65	X	9.717	9.717	0 %100
64	M65	Z	-5.61	-5.61	0 %100
65	M66	X	9.023	9.023	0 %100
66	M66	Z	-5.209	-5.209	0 %100
67	M67	X	9.023	9.023	0 %100
68	M67	Z	-5.209	-5.209	0 %100
69	M68	X	2.227	2.227	0 %100
70	M68	Z	-1.286	-1.286	0 %100
71	M69	X	9.023	9.023	0 %100
72	M69	Z	-5.209	-5.209	0 %100
73	M70	X	9.023	9.023	0 %100
74	M70	Z	-5.209	-5.209	0 %100
75	M71	X	5.203	5.203	0 %100
76	M71	Z	-3.004	-3.004	0 %100
77	M72	X	5.203	5.203	0 %100
78	M72	Z	-3.004	-3.004	0 %100
79	MP1A	X	9.578	9.578	0 %100
80	MP1A	Z	-5.53	-5.53	0 %100
81	M127	X	4.847	4.847	0 %100

**Member Distributed Loads (BLC 43 : Structure Wo (60 Deg)) (Continued)**

Member Label	Direction	Start Magnitude[lb/ft.F.ksf]	End Magnitude[lb/ft.F.ksf]	Start Locationf..	End Locationft..
82	M127	Z	-2.799	0	%100
83	M128	X	13.465	0	%100
84	M128	Z	-7.774	0	%100
85	M129	X	11.105	0	%100
86	M129	Z	-6.411	0	%100
87	M130	X	11.105	0	%100
88	M130	Z	-6.411	0	%100
89	M131	X	1.747	0	%100
90	M131	Z	-1.008	0	%100
91	M132	X	1.747	0	%100
92	M132	Z	-1.008	0	%100
93	M133	X	1.747	0	%100
94	M133	Z	-1.008	0	%100
95	M134	X	1.747	0	%100
96	M134	Z	-1.008	0	%100
97	M135	X	1.747	0	%100
98	M135	Z	-1.008	0	%100
99	M117	X	1.134	0	%100
100	M117	Z	-0.655	0	%100
101	M118A	X	1.134	0	%100
102	M118A	Z	-0.655	0	%100
103	M121	X	6.285	0	%100
104	M121	Z	-3.629	0	%100
105	M124	X	1.134	0	%100
106	M124	Z	-0.655	0	%100
107	M125	X	1.134	0	%100
108	M125	Z	-0.655	0	%100
109	MP2A	X	7.912	0	%100
110	MP2A	Z	-4.568	0	%100
111	M127B	X	1.134	0	%100
112	M127B	Z	-0.655	0	%100
113	M128A	X	1.134	0	%100
114	M128A	Z	-0.655	0	%100
115	M131A	X	5.175	0	%100
116	M131A	Z	-2.988	0	%100
117	M134A	X	1.134	0	%100
118	M134A	Z	-0.655	0	%100
119	M135A	X	1.134	0	%100
120	M135A	Z	-0.655	0	%100
121	MP1C	X	9.578	0	%100
122	MP1C	Z	-5.53	0	%100
123	M143	X	0	0	%100
124	M143	Z	0	0	%100
125	M144	X	0	0	%100
126	M144	Z	0	0	%100
127	M147	X	6.285	0	%100
128	M147	Z	-3.629	0	%100
129	M150	X	0	0	%100
130	M150	Z	0	0	%100
131	M151	X	0	0	%100
132	M151	Z	0	0	%100
133	MP2C	X	7.912	0	%100
134	MP2C	Z	-4.568	0	%100
135	M159	X	0	0	%100
136	M159	Z	0	0	%100
137	M160	X	0	0	%100
138	M160	Z	0	0	%100

**Member Distributed Loads (BLC 43 : Structure Wo (60 Deg)) (Continued)**

	Member Label	Direction	Start Magnitude[lb/ft,F,ksf]	End Magnitude[lb/ft,F,ksf]	Start Location[f..	End Location[ft..
139	M163	X	5.175	5.175	0	%100
140	M163	Z	-2.988	-2.988	0	%100
141	M166	X	0	0	0	%100
142	M166	Z	0	0	0	%100
143	M167	X	0	0	0	%100
144	M167	Z	0	0	0	%100
145	MP1B	X	9.578	9.578	0	%100
146	MP1B	Z	-5.53	-5.53	0	%100
147	M175	X	1.134	1.134	0	%100
148	M175	Z	-655	-655	0	%100
149	M176	X	1.134	1.134	0	%100
150	M176	Z	-655	-655	0	%100
151	M179	X	6.285	6.285	0	%100
152	M179	Z	-3.629	-3.629	0	%100
153	M182	X	1.134	1.134	0	%100
154	M182	Z	-655	-655	0	%100
155	M183	X	1.134	1.134	0	%100
156	M183	Z	-655	-655	0	%100
157	MP2B	X	7.912	7.912	0	%100
158	MP2B	Z	-4.568	-4.568	0	%100
159	M191	X	1.134	1.134	0	%100
160	M191	Z	-655	-655	0	%100
161	M192	X	1.134	1.134	0	%100
162	M192	Z	-655	-655	0	%100
163	M195	X	5.175	5.175	0	%100
164	M195	Z	-2.988	-2.988	0	%100
165	M198	X	1.134	1.134	0	%100
166	M198	Z	-655	-655	0	%100
167	M199	X	1.134	1.134	0	%100
168	M199	Z	-655	-655	0	%100
169	M202	X	11.892	11.892	0	%100
170	M202	Z	-6.866	-6.866	0	%100

**Member Distributed Loads (BLC 44 : Structure Wo (90 Deg))**

	Member Label	Direction	Start Magnitude[lb/ft,F,ksf]	End Magnitude[lb/ft,F,ksf]	Start Location[f..	End Location[ft..
1	M1	X	0	0	0	%100
2	M1	Z	0	0	0	%100
3	M2	X	0	0	0	%100
4	M2	Z	0	0	0	%100
5	M3	X	19.154	19.154	0	%100
6	M3	Z	0	0	0	%100
7	M4	X	19.154	19.154	0	%100
8	M4	Z	0	0	0	%100
9	M5	X	19.154	19.154	0	%100
10	M5	Z	0	0	0	%100
11	M6	X	19.154	19.154	0	%100
12	M6	Z	0	0	0	%100
13	M7	X	0	0	0	%100
14	M7	Z	0	0	0	%100
15	M8	X	18.93	18.93	0	%100
16	M8	Z	0	0	0	%100
17	M9	X	18.93	18.93	0	%100
18	M9	Z	0	0	0	%100
19	M13	X	1.082	1.082	0	%100
20	M13	Z	0	0	0	%100
21	M14A	X	1.082	1.082	0	%100

**Member Distributed Loads (BLC 44 : Structure Wo (90 Deg)) (Continued)**

Member Label	Direction	Start Magnitude[lb/ft.F,ksf]	End Magnitude[lb/ft.F,ksf]	Start Locationf..	End Locationft..
22	M14A	Z	0	0	%100
23	M18	X	0	0	%100
24	M18	Z	0	0	%100
25	M25	X	14.426	14.426	0
26	M25	Z	0	0	%100
27	M26	X	0	0	%100
28	M26	Z	0	0	%100
29	M27	X	14.426	14.426	0
30	M27	Z	0	0	%100
31	M34	X	1.082	1.082	0
32	M34	Z	0	0	%100
33	M42	X	1.082	1.082	0
34	M42	Z	0	0	%100
35	M50	X	0	0	%100
36	M50	Z	0	0	%100
37	M52	X	10.419	10.419	0
38	M52	Z	0	0	%100
39	M53	X	10.419	10.419	0
40	M53	Z	0	0	%100
41	M54	X	0	0	%100
42	M54	Z	0	0	%100
43	M55	X	10.419	10.419	0
44	M55	Z	0	0	%100
45	M56	X	10.419	10.419	0
46	M56	Z	0	0	%100
47	M57	X	4.271	4.271	0
48	M57	Z	0	0	%100
49	M58	X	4.271	4.271	0
50	M58	Z	0	0	%100
51	M59	X	10.419	10.419	0
52	M59	Z	0	0	%100
53	M60	X	10.419	10.419	0
54	M60	Z	0	0	%100
55	M61	X	7.714	7.714	0
56	M61	Z	0	0	%100
57	M62	X	10.419	10.419	0
58	M62	Z	0	0	%100
59	M63	X	10.419	10.419	0
60	M63	Z	0	0	%100
61	M64	X	9.483	9.483	0
62	M64	Z	0	0	%100
63	M65	X	9.483	9.483	0
64	M65	Z	0	0	%100
65	M66	X	10.419	10.419	0
66	M66	Z	0	0	%100
67	M67	X	10.419	10.419	0
68	M67	Z	0	0	%100
69	M68	X	7.714	7.714	0
70	M68	Z	0	0	%100
71	M69	X	10.419	10.419	0
72	M69	Z	0	0	%100
73	M70	X	10.419	10.419	0
74	M70	Z	0	0	%100
75	M71	X	9.483	9.483	0
76	M71	Z	0	0	%100
77	M72	X	9.483	9.483	0
78	M72	Z	0	0	%100



Company :  
 Designer :  
 Job Number :  
 Model Name :

July 12, 2023  
 9:33 AM  
 Checked By: \_\_\_\_\_

**Member Distributed Loads (BLC 44 : Structure Wo (90 Deg)) (Continued)**

	Member Label	Direction	Start Magnitude[lb/ft,F,ksf]	End Magnitude[lb/ft,F,ksf]	Start Location[f..	End Location[ft..
79	MP1A	X	11.06	11.06	0	%100
80	MP1A	Z	0	0	0	%100
81	M127	X	16.792	16.792	0	%100
82	M127	Z	0	0	0	%100
83	M128	X	5.183	5.183	0	%100
84	M128	Z	0	0	0	%100
85	M129	X	12.823	12.823	0	%100
86	M129	Z	0	0	0	%100
87	M130	X	12.823	12.823	0	%100
88	M130	Z	0	0	0	%100
89	M131	X	.672	.672	0	%100
90	M131	Z	0	0	0	%100
91	M132	X	.672	.672	0	%100
92	M132	Z	0	0	0	%100
93	M133	X	.672	.672	0	%100
94	M133	Z	0	0	0	%100
95	M134	X	.672	.672	0	%100
96	M134	Z	0	0	0	%100
97	M135	X	.672	.672	0	%100
98	M135	Z	0	0	0	%100
99	M117	X	1.745	1.745	0	%100
100	M117	Z	0	0	0	%100
101	M118A	X	1.745	1.745	0	%100
102	M118A	Z	0	0	0	%100
103	M121	X	7.257	7.257	0	%100
104	M121	Z	0	0	0	%100
105	M124	X	1.745	1.745	0	%100
106	M124	Z	0	0	0	%100
107	M125	X	1.745	1.745	0	%100
108	M125	Z	0	0	0	%100
109	MP2A	X	9.136	9.136	0	%100
110	MP2A	Z	0	0	0	%100
111	M127B	X	1.745	1.745	0	%100
112	M127B	Z	0	0	0	%100
113	M128A	X	1.745	1.745	0	%100
114	M128A	Z	0	0	0	%100
115	M131A	X	5.975	5.975	0	%100
116	M131A	Z	0	0	0	%100
117	M134A	X	1.745	1.745	0	%100
118	M134A	Z	0	0	0	%100
119	M135A	X	1.745	1.745	0	%100
120	M135A	Z	0	0	0	%100
121	MP1C	X	11.06	11.06	0	%100
122	MP1C	Z	0	0	0	%100
123	M143	X	.436	.436	0	%100
124	M143	Z	0	0	0	%100
125	M144	X	.436	.436	0	%100
126	M144	Z	0	0	0	%100
127	M147	X	7.257	7.257	0	%100
128	M147	Z	0	0	0	%100
129	M150	X	.436	.436	0	%100
130	M150	Z	0	0	0	%100
131	M151	X	.436	.436	0	%100
132	M151	Z	0	0	0	%100
133	MP2C	X	9.136	9.136	0	%100
134	MP2C	Z	0	0	0	%100
135	M159	X	.436	.436	0	%100



Company :  
 Designer :  
 Job Number :  
 Model Name :

July 12, 2023  
 9:33 AM  
 Checked By: \_\_\_\_\_

**Member Distributed Loads (BLC 44 : Structure Wo (90 Deg)) (Continued)**

	Member Label	Direction	Start Magnitude[lb/ft.F,ksf]	End Magnitude[lb/ft.F,ksf]	Start Locationf...	End Locationft...
136	M159	Z	0	0	0	%100
137	M160	X	.436	.436	0	%100
138	M160	Z	0	0	0	%100
139	M163	X	5.975	5.975	0	%100
140	M163	Z	0	0	0	%100
141	M166	X	.436	.436	0	%100
142	M166	Z	0	0	0	%100
143	M167	X	.436	.436	0	%100
144	M167	Z	0	0	0	%100
145	MP1B	X	11.06	11.06	0	%100
146	MP1B	Z	0	0	0	%100
147	M175	X	.436	.436	0	%100
148	M175	Z	0	0	0	%100
149	M176	X	.436	.436	0	%100
150	M176	Z	0	0	0	%100
151	M179	X	7.257	7.257	0	%100
152	M179	Z	0	0	0	%100
153	M182	X	.436	.436	0	%100
154	M182	Z	0	0	0	%100
155	M183	X	.436	.436	0	%100
156	M183	Z	0	0	0	%100
157	MP2B	X	9.136	9.136	0	%100
158	MP2B	Z	0	0	0	%100
159	M191	X	.436	.436	0	%100
160	M191	Z	0	0	0	%100
161	M192	X	.436	.436	0	%100
162	M192	Z	0	0	0	%100
163	M195	X	5.975	5.975	0	%100
164	M195	Z	0	0	0	%100
165	M198	X	.436	.436	0	%100
166	M198	Z	0	0	0	%100
167	M199	X	.436	.436	0	%100
168	M199	Z	0	0	0	%100
169	M202	X	10.298	10.298	0	%100
170	M202	Z	0	0	0	%100

**Member Distributed Loads (BLC 45 : Structure Wo (120 Deg))**

	Member Label	Direction	Start Magnitude[lb/ft.F,ksf]	End Magnitude[lb/ft.F,ksf]	Start Locationf...	End Locationft...
1	M1	X	5.529	5.529	0	%100
2	M1	Z	3.192	3.192	0	%100
3	M2	X	5.529	5.529	0	%100
4	M2	Z	3.192	3.192	0	%100
5	M3	X	5.529	5.529	0	%100
6	M3	Z	3.192	3.192	0	%100
7	M4	X	5.529	5.529	0	%100
8	M4	Z	3.192	3.192	0	%100
9	M5	X	22.117	22.117	0	%100
10	M5	Z	12.77	12.77	0	%100
11	M6	X	22.117	22.117	0	%100
12	M6	Z	12.77	12.77	0	%100
13	M7	X	5.465	5.465	0	%100
14	M7	Z	3.155	3.155	0	%100
15	M8	X	5.465	5.465	0	%100
16	M8	Z	3.155	3.155	0	%100
17	M9	X	21.858	21.858	0	%100
18	M9	Z	12.62	12.62	0	%100



Company :  
 Designer :  
 Job Number :  
 Model Name :

July 12, 2023  
 9:33 AM  
 Checked By: \_\_\_\_\_

**Member Distributed Loads (BLC 45 : Structure Wo (120 Deg)) (Continued)**

	Member Label	Direction	Start Magnitude[lb/ft,F,ksf]	End Magnitude[lb/ft,F,ksf]	Start Location[f..	End Location[ft..
19	M13	X	.312	.312	0	%100
20	M13	Z	.18	.18	0	%100
21	M14A	X	1.249	1.249	0	%100
22	M14A	Z	.721	.721	0	%100
23	M18	X	.312	.312	0	%100
24	M18	Z	.18	.18	0	%100
25	M25	X	16.657	16.657	0	%100
26	M25	Z	9.617	9.617	0	%100
27	M26	X	4.164	4.164	0	%100
28	M26	Z	2.404	2.404	0	%100
29	M27	X	4.164	4.164	0	%100
30	M27	Z	2.404	2.404	0	%100
31	M34	X	.312	.312	0	%100
32	M34	Z	.18	.18	0	%100
33	M42	X	1.249	1.249	0	%100
34	M42	Z	.721	.721	0	%100
35	M50	X	.312	.312	0	%100
36	M50	Z	.18	.18	0	%100
37	M52	X	9.023	9.023	0	%100
38	M52	Z	5.209	5.209	0	%100
39	M53	X	9.023	9.023	0	%100
40	M53	Z	5.209	5.209	0	%100
41	M54	X	2.227	2.227	0	%100
42	M54	Z	1.286	1.286	0	%100
43	M55	X	9.023	9.023	0	%100
44	M55	Z	5.209	5.209	0	%100
45	M56	X	9.023	9.023	0	%100
46	M56	Z	5.209	5.209	0	%100
47	M57	X	5.203	5.203	0	%100
48	M57	Z	3.004	3.004	0	%100
49	M58	X	5.203	5.203	0	%100
50	M58	Z	3.004	3.004	0	%100
51	M59	X	9.023	9.023	0	%100
52	M59	Z	5.209	5.209	0	%100
53	M60	X	9.023	9.023	0	%100
54	M60	Z	5.209	5.209	0	%100
55	M61	X	2.227	2.227	0	%100
56	M61	Z	1.286	1.286	0	%100
57	M62	X	9.023	9.023	0	%100
58	M62	Z	5.209	5.209	0	%100
59	M63	X	9.023	9.023	0	%100
60	M63	Z	5.209	5.209	0	%100
61	M64	X	5.203	5.203	0	%100
62	M64	Z	3.004	3.004	0	%100
63	M65	X	5.203	5.203	0	%100
64	M65	Z	3.004	3.004	0	%100
65	M66	X	9.023	9.023	0	%100
66	M66	Z	5.209	5.209	0	%100
67	M67	X	9.023	9.023	0	%100
68	M67	Z	5.209	5.209	0	%100
69	M68	X	8.907	8.907	0	%100
70	M68	Z	5.143	5.143	0	%100
71	M69	X	9.023	9.023	0	%100
72	M69	Z	5.209	5.209	0	%100
73	M70	X	9.023	9.023	0	%100
74	M70	Z	5.209	5.209	0	%100
75	M71	X	9.717	9.717	0	%100

**Member Distributed Loads (BLC 45 : Structure Wo (120 Deg)) (Continued)**

Member Label	Direction	Start Magnitude[lb/ft,F,ksf]	End Magnitude[lb/ft,F,ksf]	Start Locationft.	End Locationft.
76	M71	Z	5.61	0	%100
77	M72	X	9.717	0	%100
78	M72	Z	5.61	0	%100
79	MP1A	X	9.578	0	%100
80	MP1A	Z	5.53	0	%100
81	M127	X	19.389	0	%100
82	M127	Z	11.195	0	%100
83	M128	X	0	0	%100
84	M128	Z	0	0	%100
85	M129	X	11.105	0	%100
86	M129	Z	6.411	0	%100
87	M130	X	11.105	0	%100
88	M130	Z	6.411	0	%100
89	M131	X	0	0	%100
90	M131	Z	0	0	%100
91	M132	X	0	0	%100
92	M132	Z	0	0	%100
93	M133	X	0	0	%100
94	M133	Z	0	0	%100
95	M134	X	0	0	%100
96	M134	Z	0	0	%100
97	M135	X	0	0	%100
98	M135	Z	0	0	%100
99	M117	X	1.134	0	%100
100	M117	Z	.655	0	%100
101	M118A	X	1.134	0	%100
102	M118A	Z	.655	0	%100
103	M121	X	6.285	0	%100
104	M121	Z	3.629	0	%100
105	M124	X	1.134	0	%100
106	M124	Z	.655	0	%100
107	M125	X	1.134	0	%100
108	M125	Z	.655	0	%100
109	MP2A	X	7.912	0	%100
110	MP2A	Z	4.568	0	%100
111	M127B	X	1.134	0	%100
112	M127B	Z	.655	0	%100
113	M128A	X	1.134	0	%100
114	M128A	Z	.655	0	%100
115	M131A	X	5.175	0	%100
116	M131A	Z	2.988	0	%100
117	M134A	X	1.134	0	%100
118	M134A	Z	.655	0	%100
119	M135A	X	1.134	0	%100
120	M135A	Z	.655	0	%100
121	MP1C	X	9.578	0	%100
122	MP1C	Z	5.53	0	%100
123	M143	X	1.134	0	%100
124	M143	Z	.655	0	%100
125	M144	X	1.134	0	%100
126	M144	Z	.655	0	%100
127	M147	X	6.285	0	%100
128	M147	Z	3.629	0	%100
129	M150	X	1.134	0	%100
130	M150	Z	.655	0	%100
131	M151	X	1.134	0	%100
132	M151	Z	.655	0	%100



**Member Distributed Loads (BLC 45 : Structure Wo (120 Deg)) (Continued)**

	Member Label	Direction	Start Magnitude[lb/ft,F,ksf]	End Magnitude[lb/ft,F,ksf]	Start Location[f..	End Location[ft..
133	MP2C	X	7.912	7.912	0	%100
134	MP2C	Z	4.568	4.568	0	%100
135	M159	X	1.134	1.134	0	%100
136	M159	Z	.655	.655	0	%100
137	M160	X	1.134	1.134	0	%100
138	M160	Z	.655	.655	0	%100
139	M163	X	5.175	5.175	0	%100
140	M163	Z	2.988	2.988	0	%100
141	M166	X	1.134	1.134	0	%100
142	M166	Z	.655	.655	0	%100
143	M167	X	1.134	1.134	0	%100
144	M167	Z	.655	.655	0	%100
145	MP1B	X	9.578	9.578	0	%100
146	MP1B	Z	5.53	5.53	0	%100
147	M175	X	0	0	0	%100
148	M175	Z	0	0	0	%100
149	M176	X	0	0	0	%100
150	M176	Z	0	0	0	%100
151	M179	X	6.285	6.285	0	%100
152	M179	Z	3.629	3.629	0	%100
153	M182	X	0	0	0	%100
154	M182	Z	0	0	0	%100
155	M183	X	0	0	0	%100
156	M183	Z	0	0	0	%100
157	MP2B	X	7.912	7.912	0	%100
158	MP2B	Z	4.568	4.568	0	%100
159	M191	X	0	0	0	%100
160	M191	Z	0	0	0	%100
161	M192	X	0	0	0	%100
162	M192	Z	0	0	0	%100
163	M195	X	5.175	5.175	0	%100
164	M195	Z	2.988	2.988	0	%100
165	M198	X	0	0	0	%100
166	M198	Z	0	0	0	%100
167	M199	X	0	0	0	%100
168	M199	Z	0	0	0	%100
169	M202	X	2.973	2.973	0	%100
170	M202	Z	1.716	1.716	0	%100

**Member Distributed Loads (BLC 46 : Structure Wo (150 Deg))**

	Member Label	Direction	Start Magnitude[lb/ft,F,ksf]	End Magnitude[lb/ft,F,ksf]	Start Location[f..	End Location[ft..
1	M1	X	9.577	9.577	0	%100
2	M1	Z	16.588	16.588	0	%100
3	M2	X	9.577	9.577	0	%100
4	M2	Z	16.588	16.588	0	%100
5	M3	X	0	0	0	%100
6	M3	Z	0	0	0	%100
7	M4	X	0	0	0	%100
8	M4	Z	0	0	0	%100
9	M5	X	9.577	9.577	0	%100
10	M5	Z	16.588	16.588	0	%100
11	M6	X	9.577	9.577	0	%100
12	M6	Z	16.588	16.588	0	%100
13	M7	X	9.465	9.465	0	%100
14	M7	Z	16.394	16.394	0	%100
15	M8	X	0	0	0	%100



Company :  
 Designer :  
 Job Number :  
 Model Name :

July 12, 2023  
 9:33 AM  
 Checked By: \_\_\_\_\_

**Member Distributed Loads (BLC 46 : Structure Wo (150 Deg)) (Continued)**

Member Label	Direction	Start Magnitude[lb/ft.F,ksf]	End Magnitude[lb/ft.F,ksf]	Start Locationf..	End Locationft..
16	M8	Z	0	0	%100
17	M9	X	9.465	9.465	%100
18	M9	Z	16.394	16.394	%100
19	M13	X	0	0	%100
20	M13	Z	0	0	%100
21	M14A	X	.541	.541	%100
22	M14A	Z	.937	.937	%100
23	M18	X	.541	.541	%100
24	M18	Z	.937	.937	%100
25	M25	X	7.213	7.213	%100
26	M25	Z	12.493	12.493	%100
27	M26	X	7.213	7.213	%100
28	M26	Z	12.493	12.493	%100
29	M27	X	0	0	%100
30	M27	Z	0	0	%100
31	M34	X	0	0	%100
32	M34	Z	0	0	%100
33	M42	X	.541	.541	%100
34	M42	Z	.937	.937	%100
35	M50	X	.541	.541	%100
36	M50	Z	.937	.937	%100
37	M52	X	5.209	5.209	%100
38	M52	Z	9.023	9.023	%100
39	M53	X	5.209	5.209	%100
40	M53	Z	9.023	9.023	%100
41	M54	X	3.857	3.857	%100
42	M54	Z	6.68	6.68	%100
43	M55	X	5.209	5.209	%100
44	M55	Z	9.023	9.023	%100
45	M56	X	5.209	5.209	%100
46	M56	Z	9.023	9.023	%100
47	M57	X	4.741	4.741	%100
48	M57	Z	8.212	8.212	%100
49	M58	X	4.741	4.741	%100
50	M58	Z	8.212	8.212	%100
51	M59	X	5.209	5.209	%100
52	M59	Z	9.023	9.023	%100
53	M60	X	5.209	5.209	%100
54	M60	Z	9.023	9.023	%100
55	M61	X	0	0	%100
56	M61	Z	0	0	%100
57	M62	X	5.209	5.209	%100
58	M62	Z	9.023	9.023	%100
59	M63	X	5.209	5.209	%100
60	M63	Z	9.023	9.023	%100
61	M64	X	2.135	2.135	%100
62	M64	Z	3.699	3.699	%100
63	M65	X	2.135	2.135	%100
64	M65	Z	3.699	3.699	%100
65	M66	X	5.209	5.209	%100
66	M66	Z	9.023	9.023	%100
67	M67	X	5.209	5.209	%100
68	M67	Z	9.023	9.023	%100
69	M68	X	3.857	3.857	%100
70	M68	Z	6.68	6.68	%100
71	M69	X	5.209	5.209	%100
72	M69	Z	9.023	9.023	%100

**Member Distributed Loads (BLC 46 : Structure Wo (150 Deg)) (Continued)**

Member Label	Direction	Start Magnitude[lb/ft,F,ksf]	End Magnitude[lb/ft,F,ksf]	Start Location[f..	End Location[ft..
73	M70	X	5.209	0	%100
74	M70	Z	9.023	0	%100
75	M71	X	4.741	0	%100
76	M71	Z	8.212	0	%100
77	M72	X	4.741	0	%100
78	M72	Z	8.212	0	%100
79	MP1A	X	5.53	0	%100
80	MP1A	Z	9.578	0	%100
81	M127	X	8.396	0	%100
82	M127	Z	14.542	0	%100
83	M128	X	2.591	0	%100
84	M128	Z	4.488	0	%100
85	M129	X	6.411	0	%100
86	M129	Z	11.105	0	%100
87	M130	X	6.411	0	%100
88	M130	Z	11.105	0	%100
89	M131	X	.336	0	%100
90	M131	Z	.582	0	%100
91	M132	X	.336	0	%100
92	M132	Z	.582	0	%100
93	M133	X	.336	0	%100
94	M133	Z	.582	0	%100
95	M134	X	.336	0	%100
96	M134	Z	.582	0	%100
97	M135	X	.336	0	%100
98	M135	Z	.582	0	%100
99	M117	X	.218	0	%100
100	M117	Z	.378	0	%100
101	M118A	X	.218	0	%100
102	M118A	Z	.378	0	%100
103	M121	X	3.629	0	%100
104	M121	Z	6.285	0	%100
105	M124	X	.218	0	%100
106	M124	Z	.378	0	%100
107	M125	X	.218	0	%100
108	M125	Z	.378	0	%100
109	MP2A	X	4.568	0	%100
110	MP2A	Z	7.912	0	%100
111	M127B	X	.218	0	%100
112	M127B	Z	.378	0	%100
113	M128A	X	.218	0	%100
114	M128A	Z	.378	0	%100
115	M131A	X	2.988	0	%100
116	M131A	Z	5.175	0	%100
117	M134A	X	.218	0	%100
118	M134A	Z	.378	0	%100
119	M135A	X	.218	0	%100
120	M135A	Z	.378	0	%100
121	MP1C	X	5.53	0	%100
122	MP1C	Z	9.578	0	%100
123	M143	X	.873	0	%100
124	M143	Z	1.512	0	%100
125	M144	X	.873	0	%100
126	M144	Z	1.512	0	%100
127	M147	X	3.629	0	%100
128	M147	Z	6.285	0	%100
129	M150	X	.873	0	%100



Company :  
 Designer :  
 Job Number :  
 Model Name :

July 12, 2023  
 9:33 AM  
 Checked By: \_\_\_\_\_

**Member Distributed Loads (BLC 46 : Structure Wo (150 Deg)) (Continued)**

	Member Label	Direction	Start Magnitude[lb/ft.F,ksf]	End Magnitude[lb/ft.F,ksf]	Start Locationf...	End Locationft...
130	M150	Z	1.512	1.512	0	%100
131	M151	X	.873	.873	0	%100
132	M151	Z	1.512	1.512	0	%100
133	MP2C	X	4.568	4.568	0	%100
134	MP2C	Z	7.912	7.912	0	%100
135	M159	X	.873	.873	0	%100
136	M159	Z	1.512	1.512	0	%100
137	M160	X	.873	.873	0	%100
138	M160	Z	1.512	1.512	0	%100
139	M163	X	2.988	2.988	0	%100
140	M163	Z	5.175	5.175	0	%100
141	M166	X	.873	.873	0	%100
142	M166	Z	1.512	1.512	0	%100
143	M167	X	.873	.873	0	%100
144	M167	Z	1.512	1.512	0	%100
145	MP1B	X	5.53	5.53	0	%100
146	MP1B	Z	9.578	9.578	0	%100
147	M175	X	.218	.218	0	%100
148	M175	Z	.378	.378	0	%100
149	M176	X	.218	.218	0	%100
150	M176	Z	.378	.378	0	%100
151	M179	X	3.629	3.629	0	%100
152	M179	Z	6.285	6.285	0	%100
153	M182	X	.218	.218	0	%100
154	M182	Z	.378	.378	0	%100
155	M183	X	.218	.218	0	%100
156	M183	Z	.378	.378	0	%100
157	MP2B	X	4.568	4.568	0	%100
158	MP2B	Z	7.912	7.912	0	%100
159	M191	X	.218	.218	0	%100
160	M191	Z	.378	.378	0	%100
161	M192	X	.218	.218	0	%100
162	M192	Z	.378	.378	0	%100
163	M195	X	2.988	2.988	0	%100
164	M195	Z	5.175	5.175	0	%100
165	M198	X	.218	.218	0	%100
166	M198	Z	.378	.378	0	%100
167	M199	X	.218	.218	0	%100
168	M199	Z	.378	.378	0	%100
169	M202	X	0	0	0	%100
170	M202	Z	0	0	0	%100

**Member Distributed Loads (BLC 47 : Structure Wo (180 Deg))**

	Member Label	Direction	Start Magnitude[lb/ft.F,ksf]	End Magnitude[lb/ft.F,ksf]	Start Locationf...	End Locationft...
1	M1	X	0	0	0	%100
2	M1	Z	25.539	25.539	0	%100
3	M2	X	0	0	0	%100
4	M2	Z	25.539	25.539	0	%100
5	M3	X	0	0	0	%100
6	M3	Z	6.385	6.385	0	%100
7	M4	X	0	0	0	%100
8	M4	Z	6.385	6.385	0	%100
9	M5	X	0	0	0	%100
10	M5	Z	6.385	6.385	0	%100
11	M6	X	0	0	0	%100
12	M6	Z	6.385	6.385	0	%100

**Member Distributed Loads (BLC 47 : Structure Wo (180 Deg)) (Continued)**

Member Label	Direction	Start Magnitude[lb/ft,F,ksf]	End Magnitude[lb/ft,F,ksf]	Start Location[f..	End Location[ft..
13	M7	X	0	0	%100
14	M7	Z	25.24	25.24	%100
15	M8	X	0	0	%100
16	M8	Z	6.31	6.31	%100
17	M9	X	0	0	%100
18	M9	Z	6.31	6.31	%100
19	M13	X	0	0	%100
20	M13	Z	.361	.361	%100
21	M14A	X	0	0	%100
22	M14A	Z	.361	.361	%100
23	M18	X	0	0	%100
24	M18	Z	1.443	1.443	%100
25	M25	X	0	0	%100
26	M25	Z	4.809	4.809	%100
27	M26	X	0	0	%100
28	M26	Z	19.234	19.234	%100
29	M27	X	0	0	%100
30	M27	Z	4.809	4.809	%100
31	M34	X	0	0	%100
32	M34	Z	.361	.361	%100
33	M42	X	0	0	%100
34	M42	Z	.361	.361	%100
35	M50	X	0	0	%100
36	M50	Z	1.443	1.443	%100
37	M52	X	0	0	%100
38	M52	Z	10.419	10.419	%100
39	M53	X	0	0	%100
40	M53	Z	10.419	10.419	%100
41	M54	X	0	0	%100
42	M54	Z	10.285	10.285	%100
43	M55	X	0	0	%100
44	M55	Z	10.419	10.419	%100
45	M56	X	0	0	%100
46	M56	Z	10.419	10.419	%100
47	M57	X	0	0	%100
48	M57	Z	11.22	11.22	%100
49	M58	X	0	0	%100
50	M58	Z	11.22	11.22	%100
51	M59	X	0	0	%100
52	M59	Z	10.419	10.419	%100
53	M60	X	0	0	%100
54	M60	Z	10.419	10.419	%100
55	M61	X	0	0	%100
56	M61	Z	2.571	2.571	%100
57	M62	X	0	0	%100
58	M62	Z	10.419	10.419	%100
59	M63	X	0	0	%100
60	M63	Z	10.419	10.419	%100
61	M64	X	0	0	%100
62	M64	Z	6.008	6.008	%100
63	M65	X	0	0	%100
64	M65	Z	6.008	6.008	%100
65	M66	X	0	0	%100
66	M66	Z	10.419	10.419	%100
67	M67	X	0	0	%100
68	M67	Z	10.419	10.419	%100
69	M68	X	0	0	%100

**Member Distributed Loads (BLC 47 : Structure Wo (180 Deg)) (Continued)**

Member Label	Direction	Start Magnitude[lb/ft,F,ksf]	End Magnitude[lb/ft,F,ksf]	Start Locationf..	End Locationft..
70	M68	Z	2.571	0	%100
71	M69	X	0	0	%100
72	M69	Z	10.419	0	%100
73	M70	X	0	0	%100
74	M70	Z	10.419	0	%100
75	M71	X	0	0	%100
76	M71	Z	6.008	0	%100
77	M72	X	0	0	%100
78	M72	Z	6.008	0	%100
79	MP1A	X	0	0	%100
80	MP1A	Z	11.06	0	%100
81	M127	X	0	0	%100
82	M127	Z	5.597	0	%100
83	M128	X	0	0	%100
84	M128	Z	15.548	0	%100
85	M129	X	0	0	%100
86	M129	Z	12.823	0	%100
87	M130	X	0	0	%100
88	M130	Z	12.823	0	%100
89	M131	X	0	0	%100
90	M131	Z	2.017	0	%100
91	M132	X	0	0	%100
92	M132	Z	2.017	0	%100
93	M133	X	0	0	%100
94	M133	Z	2.017	0	%100
95	M134	X	0	0	%100
96	M134	Z	2.017	0	%100
97	M135	X	0	0	%100
98	M135	Z	2.017	0	%100
99	M117	X	0	0	%100
100	M117	Z	0	0	%100
101	M118A	X	0	0	%100
102	M118A	Z	0	0	%100
103	M121	X	0	0	%100
104	M121	Z	7.257	0	%100
105	M124	X	0	0	%100
106	M124	Z	0	0	%100
107	M125	X	0	0	%100
108	M125	Z	0	0	%100
109	MP2A	X	0	0	%100
110	MP2A	Z	9.136	0	%100
111	M127B	X	0	0	%100
112	M127B	Z	0	0	%100
113	M128A	X	0	0	%100
114	M128A	Z	0	0	%100
115	M131A	X	0	0	%100
116	M131A	Z	5.975	0	%100
117	M134A	X	0	0	%100
118	M134A	Z	0	0	%100
119	M135A	X	0	0	%100
120	M135A	Z	0	0	%100
121	MP1C	X	0	0	%100
122	MP1C	Z	11.06	0	%100
123	M143	X	0	0	%100
124	M143	Z	1.309	0	%100
125	M144	X	0	0	%100
126	M144	Z	1.309	0	%100

**Member Distributed Loads (BLC 47 : Structure Wo (180 Deg)) (Continued)**

	Member Label	Direction	Start Magnitude[lb/ft,F,ksf]	End Magnitude[lb/ft,F,ksf]	Start Location[f..	End Location[ft..
127	M147	X	0	0	0	%100
128	M147	Z	7.257	7.257	0	%100
129	M150	X	0	0	0	%100
130	M150	Z	1.309	1.309	0	%100
131	M151	X	0	0	0	%100
132	M151	Z	1.309	1.309	0	%100
133	MP2C	X	0	0	0	%100
134	MP2C	Z	9.136	9.136	0	%100
135	M159	X	0	0	0	%100
136	M159	Z	1.309	1.309	0	%100
137	M160	X	0	0	0	%100
138	M160	Z	1.309	1.309	0	%100
139	M163	X	0	0	0	%100
140	M163	Z	5.975	5.975	0	%100
141	M166	X	0	0	0	%100
142	M166	Z	1.309	1.309	0	%100
143	M167	X	0	0	0	%100
144	M167	Z	1.309	1.309	0	%100
145	MP1B	X	0	0	0	%100
146	MP1B	Z	11.06	11.06	0	%100
147	M175	X	0	0	0	%100
148	M175	Z	1.309	1.309	0	%100
149	M176	X	0	0	0	%100
150	M176	Z	1.309	1.309	0	%100
151	M179	X	0	0	0	%100
152	M179	Z	7.257	7.257	0	%100
153	M182	X	0	0	0	%100
154	M182	Z	1.309	1.309	0	%100
155	M183	X	0	0	0	%100
156	M183	Z	1.309	1.309	0	%100
157	MP2B	X	0	0	0	%100
158	MP2B	Z	9.136	9.136	0	%100
159	M191	X	0	0	0	%100
160	M191	Z	1.309	1.309	0	%100
161	M192	X	0	0	0	%100
162	M192	Z	1.309	1.309	0	%100
163	M195	X	0	0	0	%100
164	M195	Z	5.975	5.975	0	%100
165	M198	X	0	0	0	%100
166	M198	Z	1.309	1.309	0	%100
167	M199	X	0	0	0	%100
168	M199	Z	1.309	1.309	0	%100
169	M202	X	0	0	0	%100
170	M202	Z	3.433	3.433	0	%100

**Member Distributed Loads (BLC 48 : Structure Wo (210 Deg))**

	Member Label	Direction	Start Magnitude[lb/ft,F,ksf]	End Magnitude[lb/ft,F,ksf]	Start Location[f..	End Location[ft..
1	M1	X	-9.577	-9.577	0	%100
2	M1	Z	16.588	16.588	0	%100
3	M2	X	-9.577	-9.577	0	%100
4	M2	Z	16.588	16.588	0	%100
5	M3	X	-9.577	-9.577	0	%100
6	M3	Z	16.588	16.588	0	%100
7	M4	X	-9.577	-9.577	0	%100
8	M4	Z	16.588	16.588	0	%100
9	M5	X	0	0	0	%100



Company :  
 Designer :  
 Job Number :  
 Model Name :

July 12, 2023  
 9:33 AM  
 Checked By: \_\_\_\_\_

**Member Distributed Loads (BLC 48 : Structure Wo (210 Deg)) (Continued)**

Member Label	Direction	Start Magnitude[lb/ft.F,ksf]	End Magnitude[lb/ft.F,ksf]	Start Locationf..	End Locationft..	
10	M5	Z	0	0	%100	
11	M6	X	0	0	%100	
12	M6	Z	0	0	%100	
13	M7	X	-9.465	-9.465	0	%100
14	M7	Z	16.394	16.394	0	%100
15	M8	X	-9.465	-9.465	0	%100
16	M8	Z	16.394	16.394	0	%100
17	M9	X	0	0	0	%100
18	M9	Z	0	0	0	%100
19	M13	X	-.541	-.541	0	%100
20	M13	Z	.937	.937	0	%100
21	M14A	X	0	0	0	%100
22	M14A	Z	0	0	0	%100
23	M18	X	-.541	-.541	0	%100
24	M18	Z	.937	.937	0	%100
25	M25	X	0	0	0	%100
26	M25	Z	0	0	0	%100
27	M26	X	-7.213	-7.213	0	%100
28	M26	Z	12.493	12.493	0	%100
29	M27	X	-7.213	-7.213	0	%100
30	M27	Z	12.493	12.493	0	%100
31	M34	X	-.541	-.541	0	%100
32	M34	Z	.937	.937	0	%100
33	M42	X	0	0	0	%100
34	M42	Z	0	0	0	%100
35	M50	X	-.541	-.541	0	%100
36	M50	Z	.937	.937	0	%100
37	M52	X	-5.209	-5.209	0	%100
38	M52	Z	9.023	9.023	0	%100
39	M53	X	-5.209	-5.209	0	%100
40	M53	Z	9.023	9.023	0	%100
41	M54	X	-3.857	-3.857	0	%100
42	M54	Z	6.68	6.68	0	%100
43	M55	X	-5.209	-5.209	0	%100
44	M55	Z	9.023	9.023	0	%100
45	M56	X	-5.209	-5.209	0	%100
46	M56	Z	9.023	9.023	0	%100
47	M57	X	-4.741	-4.741	0	%100
48	M57	Z	8.212	8.212	0	%100
49	M58	X	-4.741	-4.741	0	%100
50	M58	Z	8.212	8.212	0	%100
51	M59	X	-5.209	-5.209	0	%100
52	M59	Z	9.023	9.023	0	%100
53	M60	X	-5.209	-5.209	0	%100
54	M60	Z	9.023	9.023	0	%100
55	M61	X	-3.857	-3.857	0	%100
56	M61	Z	6.68	6.68	0	%100
57	M62	X	-5.209	-5.209	0	%100
58	M62	Z	9.023	9.023	0	%100
59	M63	X	-5.209	-5.209	0	%100
60	M63	Z	9.023	9.023	0	%100
61	M64	X	-4.741	-4.741	0	%100
62	M64	Z	8.212	8.212	0	%100
63	M65	X	-4.741	-4.741	0	%100
64	M65	Z	8.212	8.212	0	%100
65	M66	X	-5.209	-5.209	0	%100
66	M66	Z	9.023	9.023	0	%100





Company :  
 Designer :  
 Job Number :  
 Model Name :

July 12, 2023  
 9:33 AM  
 Checked By: \_\_\_\_\_

**Member Distributed Loads (BLC 48 : Structure Wo (210 Deg)) (Continued)**

	Member Label	Direction	Start Magnitude[lb/ft,F,ksf]	End Magnitude[lb/ft,F,ksf]	Start Location[f..	End Location[ft..
67	M67	X	-5.209	-5.209	0	%100
68	M67	Z	9.023	9.023	0	%100
69	M68	X	0	0	0	%100
70	M68	Z	0	0	0	%100
71	M69	X	-5.209	-5.209	0	%100
72	M69	Z	9.023	9.023	0	%100
73	M70	X	-5.209	-5.209	0	%100
74	M70	Z	9.023	9.023	0	%100
75	M71	X	-2.135	-2.135	0	%100
76	M71	Z	3.699	3.699	0	%100
77	M72	X	-2.135	-2.135	0	%100
78	M72	Z	3.699	3.699	0	%100
79	MP1A	X	-5.53	-5.53	0	%100
80	MP1A	Z	9.578	9.578	0	%100
81	M127	X	0	0	0	%100
82	M127	Z	0	0	0	%100
83	M128	X	-10.365	-10.365	0	%100
84	M128	Z	17.953	17.953	0	%100
85	M129	X	-6.411	-6.411	0	%100
86	M129	Z	11.105	11.105	0	%100
87	M130	X	-6.411	-6.411	0	%100
88	M130	Z	11.105	11.105	0	%100
89	M131	X	-1.345	-1.345	0	%100
90	M131	Z	2.329	2.329	0	%100
91	M132	X	-1.345	-1.345	0	%100
92	M132	Z	2.329	2.329	0	%100
93	M133	X	-1.345	-1.345	0	%100
94	M133	Z	2.329	2.329	0	%100
95	M134	X	-1.345	-1.345	0	%100
96	M134	Z	2.329	2.329	0	%100
97	M135	X	-1.345	-1.345	0	%100
98	M135	Z	2.329	2.329	0	%100
99	M117	X	-.218	-.218	0	%100
100	M117	Z	.378	.378	0	%100
101	M118A	X	-.218	-.218	0	%100
102	M118A	Z	.378	.378	0	%100
103	M121	X	-3.629	-3.629	0	%100
104	M121	Z	6.285	6.285	0	%100
105	M124	X	-.218	-.218	0	%100
106	M124	Z	.378	.378	0	%100
107	M125	X	-.218	-.218	0	%100
108	M125	Z	.378	.378	0	%100
109	MP2A	X	-4.568	-4.568	0	%100
110	MP2A	Z	7.912	7.912	0	%100
111	M127B	X	-.218	-.218	0	%100
112	M127B	Z	.378	.378	0	%100
113	M128A	X	-.218	-.218	0	%100
114	M128A	Z	.378	.378	0	%100
115	M131A	X	-2.988	-2.988	0	%100
116	M131A	Z	5.175	5.175	0	%100
117	M134A	X	-.218	-.218	0	%100
118	M134A	Z	.378	.378	0	%100
119	M135A	X	-.218	-.218	0	%100
120	M135A	Z	.378	.378	0	%100
121	MP1C	X	-5.53	-5.53	0	%100
122	MP1C	Z	9.578	9.578	0	%100
123	M143	X	-.218	-.218	0	%100



Company :  
 Designer :  
 Job Number :  
 Model Name :

July 12, 2023  
 9:33 AM  
 Checked By: \_\_\_\_\_

**Member Distributed Loads (BLC 48 : Structure Wo (210 Deg)) (Continued)**

	Member Label	Direction	Start Magnitude[lb/ft.F,ksf]	End Magnitude[lb/ft.F,ksf]	Start Locationf...	End Locationft...
124	M143	Z	.378	.378	0	%100
125	M144	X	-.218	-.218	0	%100
126	M144	Z	.378	.378	0	%100
127	M147	X	-3.629	-3.629	0	%100
128	M147	Z	6.285	6.285	0	%100
129	M150	X	-.218	-.218	0	%100
130	M150	Z	.378	.378	0	%100
131	M151	X	-.218	-.218	0	%100
132	M151	Z	.378	.378	0	%100
133	MP2C	X	-4.568	-4.568	0	%100
134	MP2C	Z	7.912	7.912	0	%100
135	M159	X	-.218	-.218	0	%100
136	M159	Z	.378	.378	0	%100
137	M160	X	-.218	-.218	0	%100
138	M160	Z	.378	.378	0	%100
139	M163	X	-2.988	-2.988	0	%100
140	M163	Z	5.175	5.175	0	%100
141	M166	X	-.218	-.218	0	%100
142	M166	Z	.378	.378	0	%100
143	M167	X	-.218	-.218	0	%100
144	M167	Z	.378	.378	0	%100
145	MP1B	X	-5.53	-5.53	0	%100
146	MP1B	Z	9.578	9.578	0	%100
147	M175	X	-.873	-.873	0	%100
148	M175	Z	1.512	1.512	0	%100
149	M176	X	-.873	-.873	0	%100
150	M176	Z	1.512	1.512	0	%100
151	M179	X	-3.629	-3.629	0	%100
152	M179	Z	6.285	6.285	0	%100
153	M182	X	-.873	-.873	0	%100
154	M182	Z	1.512	1.512	0	%100
155	M183	X	-.873	-.873	0	%100
156	M183	Z	1.512	1.512	0	%100
157	MP2B	X	-4.568	-4.568	0	%100
158	MP2B	Z	7.912	7.912	0	%100
159	M191	X	-.873	-.873	0	%100
160	M191	Z	1.512	1.512	0	%100
161	M192	X	-.873	-.873	0	%100
162	M192	Z	1.512	1.512	0	%100
163	M195	X	-2.988	-2.988	0	%100
164	M195	Z	5.175	5.175	0	%100
165	M198	X	-.873	-.873	0	%100
166	M198	Z	1.512	1.512	0	%100
167	M199	X	-.873	-.873	0	%100
168	M199	Z	1.512	1.512	0	%100
169	M202	X	-5.149	-5.149	0	%100
170	M202	Z	8.919	8.919	0	%100

**Member Distributed Loads (BLC 49 : Structure Wo (240 Deg))**

	Member Label	Direction	Start Magnitude[lb/ft.F,ksf]	End Magnitude[lb/ft.F,ksf]	Start Locationf...	End Locationft...
1	M1	X	-5.529	-5.529	0	%100
2	M1	Z	3.192	3.192	0	%100
3	M2	X	-5.529	-5.529	0	%100
4	M2	Z	3.192	3.192	0	%100
5	M3	X	-22.117	-22.117	0	%100
6	M3	Z	12.77	12.77	0	%100



Company :  
 Designer :  
 Job Number :  
 Model Name :

July 12, 2023  
 9:33 AM  
 Checked By: \_\_\_\_\_

**Member Distributed Loads (BLC 49 : Structure Wo (240 Deg)) (Continued)**

	Member Label	Direction	Start Magnitude[lb/ft,F,ksf]	End Magnitude[lb/ft,F,ksf]	Start Location[f..	End Location[f..
7	M4	X	-22.117	-22.117	0	%100
8	M4	Z	12.77	12.77	0	%100
9	M5	X	-5.529	-5.529	0	%100
10	M5	Z	3.192	3.192	0	%100
11	M6	X	-5.529	-5.529	0	%100
12	M6	Z	3.192	3.192	0	%100
13	M7	X	-5.465	-5.465	0	%100
14	M7	Z	3.155	3.155	0	%100
15	M8	X	-21.858	-21.858	0	%100
16	M8	Z	12.62	12.62	0	%100
17	M9	X	-5.465	-5.465	0	%100
18	M9	Z	3.155	3.155	0	%100
19	M13	X	-1.249	-1.249	0	%100
20	M13	Z	.721	.721	0	%100
21	M14A	X	-.312	-.312	0	%100
22	M14A	Z	.18	.18	0	%100
23	M18	X	-.312	-.312	0	%100
24	M18	Z	.18	.18	0	%100
25	M25	X	-4.164	-4.164	0	%100
26	M25	Z	2.404	2.404	0	%100
27	M26	X	-4.164	-4.164	0	%100
28	M26	Z	2.404	2.404	0	%100
29	M27	X	-16.657	-16.657	0	%100
30	M27	Z	9.617	9.617	0	%100
31	M34	X	-1.249	-1.249	0	%100
32	M34	Z	.721	.721	0	%100
33	M42	X	-.312	-.312	0	%100
34	M42	Z	.18	.18	0	%100
35	M50	X	-.312	-.312	0	%100
36	M50	Z	.18	.18	0	%100
37	M52	X	-9.023	-9.023	0	%100
38	M52	Z	5.209	5.209	0	%100
39	M53	X	-9.023	-9.023	0	%100
40	M53	Z	5.209	5.209	0	%100
41	M54	X	-2.227	-2.227	0	%100
42	M54	Z	1.286	1.286	0	%100
43	M55	X	-9.023	-9.023	0	%100
44	M55	Z	5.209	5.209	0	%100
45	M56	X	-9.023	-9.023	0	%100
46	M56	Z	5.209	5.209	0	%100
47	M57	X	-5.203	-5.203	0	%100
48	M57	Z	3.004	3.004	0	%100
49	M58	X	-5.203	-5.203	0	%100
50	M58	Z	3.004	3.004	0	%100
51	M59	X	-9.023	-9.023	0	%100
52	M59	Z	5.209	5.209	0	%100
53	M60	X	-9.023	-9.023	0	%100
54	M60	Z	5.209	5.209	0	%100
55	M61	X	-8.907	-8.907	0	%100
56	M61	Z	5.143	5.143	0	%100
57	M62	X	-9.023	-9.023	0	%100
58	M62	Z	5.209	5.209	0	%100
59	M63	X	-9.023	-9.023	0	%100
60	M63	Z	5.209	5.209	0	%100
61	M64	X	-9.717	-9.717	0	%100
62	M64	Z	5.61	5.61	0	%100
63	M65	X	-9.717	-9.717	0	%100



Company :  
 Designer :  
 Job Number :  
 Model Name :

July 12, 2023  
 9:33 AM  
 Checked By: \_\_\_\_\_

**Member Distributed Loads (BLC 49 : Structure Wo (240 Deg)) (Continued)**

Member Label	Direction	Start Magnitude[lb/ft.F,ksf]	End Magnitude[lb/ft.F,ksf]	Start Locationf..	End Locationft..
64	M65	Z	5.61	0	%100
65	M66	X	-9.023	0	%100
66	M66	Z	5.209	0	%100
67	M67	X	-9.023	0	%100
68	M67	Z	5.209	0	%100
69	M68	X	-2.227	0	%100
70	M68	Z	1.286	0	%100
71	M69	X	-9.023	0	%100
72	M69	Z	5.209	0	%100
73	M70	X	-9.023	0	%100
74	M70	Z	5.209	0	%100
75	M71	X	-5.203	0	%100
76	M71	Z	3.004	0	%100
77	M72	X	-5.203	0	%100
78	M72	Z	3.004	0	%100
79	MP1A	X	-9.578	0	%100
80	MP1A	Z	5.53	0	%100
81	M127	X	-4.847	0	%100
82	M127	Z	2.799	0	%100
83	M128	X	-13.465	0	%100
84	M128	Z	7.774	0	%100
85	M129	X	-11.105	0	%100
86	M129	Z	6.411	0	%100
87	M130	X	-11.105	0	%100
88	M130	Z	6.411	0	%100
89	M131	X	-1.747	0	%100
90	M131	Z	1.008	0	%100
91	M132	X	-1.747	0	%100
92	M132	Z	1.008	0	%100
93	M133	X	-1.747	0	%100
94	M133	Z	1.008	0	%100
95	M134	X	-1.747	0	%100
96	M134	Z	1.008	0	%100
97	M135	X	-1.747	0	%100
98	M135	Z	1.008	0	%100
99	M117	X	-1.134	0	%100
100	M117	Z	.655	0	%100
101	M118A	X	-1.134	0	%100
102	M118A	Z	.655	0	%100
103	M121	X	-6.285	0	%100
104	M121	Z	3.629	0	%100
105	M124	X	-1.134	0	%100
106	M124	Z	.655	0	%100
107	M125	X	-1.134	0	%100
108	M125	Z	.655	0	%100
109	MP2A	X	-7.912	0	%100
110	MP2A	Z	4.568	0	%100
111	M127B	X	-1.134	0	%100
112	M127B	Z	.655	0	%100
113	M128A	X	-1.134	0	%100
114	M128A	Z	.655	0	%100
115	M131A	X	-5.175	0	%100
116	M131A	Z	2.988	0	%100
117	M134A	X	-1.134	0	%100
118	M134A	Z	.655	0	%100
119	M135A	X	-1.134	0	%100
120	M135A	Z	.655	0	%100

**Member Distributed Loads (BLC 49 : Structure Wo (240 Deg)) (Continued)**

Member Label	Direction	Start Magnitude[lb/ft,F,ksf]	End Magnitude[lb/ft,F,ksf]	Start Location[f...]	End Location[ft...]
121	MP1C	X	-9.578	-9.578	0 %100
122	MP1C	Z	5.53	5.53	0 %100
123	M143	X	0	0	0 %100
124	M143	Z	0	0	0 %100
125	M144	X	0	0	0 %100
126	M144	Z	0	0	0 %100
127	M147	X	-6.285	-6.285	0 %100
128	M147	Z	3.629	3.629	0 %100
129	M150	X	0	0	0 %100
130	M150	Z	0	0	0 %100
131	M151	X	0	0	0 %100
132	M151	Z	0	0	0 %100
133	MP2C	X	-7.912	-7.912	0 %100
134	MP2C	Z	4.568	4.568	0 %100
135	M159	X	0	0	0 %100
136	M159	Z	0	0	0 %100
137	M160	X	0	0	0 %100
138	M160	Z	0	0	0 %100
139	M163	X	-5.175	-5.175	0 %100
140	M163	Z	2.988	2.988	0 %100
141	M166	X	0	0	0 %100
142	M166	Z	0	0	0 %100
143	M167	X	0	0	0 %100
144	M167	Z	0	0	0 %100
145	MP1B	X	-9.578	-9.578	0 %100
146	MP1B	Z	5.53	5.53	0 %100
147	M175	X	-1.134	-1.134	0 %100
148	M175	Z	.655	.655	0 %100
149	M176	X	-1.134	-1.134	0 %100
150	M176	Z	.655	.655	0 %100
151	M179	X	-6.285	-6.285	0 %100
152	M179	Z	3.629	3.629	0 %100
153	M182	X	-1.134	-1.134	0 %100
154	M182	Z	.655	.655	0 %100
155	M183	X	-1.134	-1.134	0 %100
156	M183	Z	.655	.655	0 %100
157	MP2B	X	-7.912	-7.912	0 %100
158	MP2B	Z	4.568	4.568	0 %100
159	M191	X	-1.134	-1.134	0 %100
160	M191	Z	.655	.655	0 %100
161	M192	X	-1.134	-1.134	0 %100
162	M192	Z	.655	.655	0 %100
163	M195	X	-5.175	-5.175	0 %100
164	M195	Z	2.988	2.988	0 %100
165	M198	X	-1.134	-1.134	0 %100
166	M198	Z	.655	.655	0 %100
167	M199	X	-1.134	-1.134	0 %100
168	M199	Z	.655	.655	0 %100
169	M202	X	-11.892	-11.892	0 %100
170	M202	Z	6.866	6.866	0 %100

**Member Distributed Loads (BLC 50 : Structure Wo (270 Deg))**

Member Label	Direction	Start Magnitude[lb/ft,F,ksf]	End Magnitude[lb/ft,F,ksf]	Start Location[f...]	End Location[ft...]
1	M1	X	0	0	%100
2	M1	Z	0	0	%100
3	M2	X	0	0	%100



Company :  
 Designer :  
 Job Number :  
 Model Name :

July 12, 2023  
 9:33 AM  
 Checked By: \_\_\_\_\_

**Member Distributed Loads (BLC 50 : Structure Wo (270 Deg)) (Continued)**

	Member Label	Direction	Start Magnitude[lb/ft.F,ksf]	End Magnitude[lb/ft.F,ksf]	Start Locationf..	End Locationft..
4	M2	Z	0	0	0	%100
5	M3	X	-19.154	-19.154	0	%100
6	M3	Z	0	0	0	%100
7	M4	X	-19.154	-19.154	0	%100
8	M4	Z	0	0	0	%100
9	M5	X	-19.154	-19.154	0	%100
10	M5	Z	0	0	0	%100
11	M6	X	-19.154	-19.154	0	%100
12	M6	Z	0	0	0	%100
13	M7	X	0	0	0	%100
14	M7	Z	0	0	0	%100
15	M8	X	-18.93	-18.93	0	%100
16	M8	Z	0	0	0	%100
17	M9	X	-18.93	-18.93	0	%100
18	M9	Z	0	0	0	%100
19	M13	X	-1.082	-1.082	0	%100
20	M13	Z	0	0	0	%100
21	M14A	X	-1.082	-1.082	0	%100
22	M14A	Z	0	0	0	%100
23	M18	X	0	0	0	%100
24	M18	Z	0	0	0	%100
25	M25	X	-14.426	-14.426	0	%100
26	M25	Z	0	0	0	%100
27	M26	X	0	0	0	%100
28	M26	Z	0	0	0	%100
29	M27	X	-14.426	-14.426	0	%100
30	M27	Z	0	0	0	%100
31	M34	X	-1.082	-1.082	0	%100
32	M34	Z	0	0	0	%100
33	M42	X	-1.082	-1.082	0	%100
34	M42	Z	0	0	0	%100
35	M50	X	0	0	0	%100
36	M50	Z	0	0	0	%100
37	M52	X	-10.419	-10.419	0	%100
38	M52	Z	0	0	0	%100
39	M53	X	-10.419	-10.419	0	%100
40	M53	Z	0	0	0	%100
41	M54	X	0	0	0	%100
42	M54	Z	0	0	0	%100
43	M55	X	-10.419	-10.419	0	%100
44	M55	Z	0	0	0	%100
45	M56	X	-10.419	-10.419	0	%100
46	M56	Z	0	0	0	%100
47	M57	X	-4.271	-4.271	0	%100
48	M57	Z	0	0	0	%100
49	M58	X	-4.271	-4.271	0	%100
50	M58	Z	0	0	0	%100
51	M59	X	-10.419	-10.419	0	%100
52	M59	Z	0	0	0	%100
53	M60	X	-10.419	-10.419	0	%100
54	M60	Z	0	0	0	%100
55	M61	X	-7.714	-7.714	0	%100
56	M61	Z	0	0	0	%100
57	M62	X	-10.419	-10.419	0	%100
58	M62	Z	0	0	0	%100
59	M63	X	-10.419	-10.419	0	%100
60	M63	Z	0	0	0	%100

**Member Distributed Loads (BLC 50 : Structure Wo (270 Deg)) (Continued)**

Member Label	Direction	Start Magnitude[lb/ft,F,ksf]	End Magnitude[lb/ft,F,ksf]	Start Location[f..	End Location[f..
61	M64	X	-9.483	0	%100
62	M64	Z	0	0	%100
63	M65	X	-9.483	0	%100
64	M65	Z	0	0	%100
65	M66	X	-10.419	0	%100
66	M66	Z	0	0	%100
67	M67	X	-10.419	0	%100
68	M67	Z	0	0	%100
69	M68	X	-7.714	0	%100
70	M68	Z	0	0	%100
71	M69	X	-10.419	0	%100
72	M69	Z	0	0	%100
73	M70	X	-10.419	0	%100
74	M70	Z	0	0	%100
75	M71	X	-9.483	0	%100
76	M71	Z	0	0	%100
77	M72	X	-9.483	0	%100
78	M72	Z	0	0	%100
79	MP1A	X	-11.06	0	%100
80	MP1A	Z	0	0	%100
81	M127	X	-16.792	0	%100
82	M127	Z	0	0	%100
83	M128	X	-5.183	0	%100
84	M128	Z	0	0	%100
85	M129	X	-12.823	0	%100
86	M129	Z	0	0	%100
87	M130	X	-12.823	0	%100
88	M130	Z	0	0	%100
89	M131	X	-.672	0	%100
90	M131	Z	0	0	%100
91	M132	X	-.672	0	%100
92	M132	Z	0	0	%100
93	M133	X	-.672	0	%100
94	M133	Z	0	0	%100
95	M134	X	-.672	0	%100
96	M134	Z	0	0	%100
97	M135	X	-.672	0	%100
98	M135	Z	0	0	%100
99	M117	X	-1.745	0	%100
100	M117	Z	0	0	%100
101	M118A	X	-1.745	0	%100
102	M118A	Z	0	0	%100
103	M121	X	-7.257	0	%100
104	M121	Z	0	0	%100
105	M124	X	-1.745	0	%100
106	M124	Z	0	0	%100
107	M125	X	-1.745	0	%100
108	M125	Z	0	0	%100
109	MP2A	X	-9.136	0	%100
110	MP2A	Z	0	0	%100
111	M127B	X	-1.745	0	%100
112	M127B	Z	0	0	%100
113	M128A	X	-1.745	0	%100
114	M128A	Z	0	0	%100
115	M131A	X	-5.975	0	%100
116	M131A	Z	0	0	%100
117	M134A	X	-1.745	0	%100

**Member Distributed Loads (BLC 50 : Structure Wo (270 Deg)) (Continued)**

Member Label	Direction	Start Magnitude[lb/ft,F,ksf]	End Magnitude[lb/ft,F,ksf]	Start Locationf...	End Location[ft...
118	M134A	Z	0	0	%100
119	M135A	X	-1.745	-1.745	%100
120	M135A	Z	0	0	%100
121	MP1C	X	-11.06	-11.06	%100
122	MP1C	Z	0	0	%100
123	M143	X	-.436	-.436	%100
124	M143	Z	0	0	%100
125	M144	X	-.436	-.436	%100
126	M144	Z	0	0	%100
127	M147	X	-7.257	-7.257	%100
128	M147	Z	0	0	%100
129	M150	X	-.436	-.436	%100
130	M150	Z	0	0	%100
131	M151	X	-.436	-.436	%100
132	M151	Z	0	0	%100
133	MP2C	X	-9.136	-9.136	%100
134	MP2C	Z	0	0	%100
135	M159	X	-.436	-.436	%100
136	M159	Z	0	0	%100
137	M160	X	-.436	-.436	%100
138	M160	Z	0	0	%100
139	M163	X	-5.975	-5.975	%100
140	M163	Z	0	0	%100
141	M166	X	-.436	-.436	%100
142	M166	Z	0	0	%100
143	M167	X	-.436	-.436	%100
144	M167	Z	0	0	%100
145	MP1B	X	-11.06	-11.06	%100
146	MP1B	Z	0	0	%100
147	M175	X	-.436	-.436	%100
148	M175	Z	0	0	%100
149	M176	X	-.436	-.436	%100
150	M176	Z	0	0	%100
151	M179	X	-7.257	-7.257	%100
152	M179	Z	0	0	%100
153	M182	X	-.436	-.436	%100
154	M182	Z	0	0	%100
155	M183	X	-.436	-.436	%100
156	M183	Z	0	0	%100
157	MP2B	X	-9.136	-9.136	%100
158	MP2B	Z	0	0	%100
159	M191	X	-.436	-.436	%100
160	M191	Z	0	0	%100
161	M192	X	-.436	-.436	%100
162	M192	Z	0	0	%100
163	M195	X	-5.975	-5.975	%100
164	M195	Z	0	0	%100
165	M198	X	-.436	-.436	%100
166	M198	Z	0	0	%100
167	M199	X	-.436	-.436	%100
168	M199	Z	0	0	%100
169	M202	X	-10.298	-10.298	%100
170	M202	Z	0	0	%100

**Member Distributed Loads (BLC 51 : Structure Wo (300 Deg))**

Member Label	Direction	Start Magnitude[lb/ft,F,ksf]	End Magnitude[lb/ft,F,ksf]	Start Locationf...	End Location[ft...
--------------	-----------	------------------------------	----------------------------	--------------------	--------------------





Company :  
 Designer :  
 Job Number :  
 Model Name :

July 12, 2023  
 9:33 AM  
 Checked By: \_\_\_\_\_

**Member Distributed Loads (BLC 51 : Structure Wo (300 Deg)) (Continued)**

	Member Label	Direction	Start Magnitude[lb/ft,F,ksf]	End Magnitude[lb/ft,F,ksf]	Start Location[f..	End Location[ft..
1	M1	X	-5.529	-5.529	0	%100
2	M1	Z	-3.192	-3.192	0	%100
3	M2	X	-5.529	-5.529	0	%100
4	M2	Z	-3.192	-3.192	0	%100
5	M3	X	-5.529	-5.529	0	%100
6	M3	Z	-3.192	-3.192	0	%100
7	M4	X	-5.529	-5.529	0	%100
8	M4	Z	-3.192	-3.192	0	%100
9	M5	X	-22.117	-22.117	0	%100
10	M5	Z	-12.77	-12.77	0	%100
11	M6	X	-22.117	-22.117	0	%100
12	M6	Z	-12.77	-12.77	0	%100
13	M7	X	-5.465	-5.465	0	%100
14	M7	Z	-3.155	-3.155	0	%100
15	M8	X	-5.465	-5.465	0	%100
16	M8	Z	-3.155	-3.155	0	%100
17	M9	X	-21.858	-21.858	0	%100
18	M9	Z	-12.62	-12.62	0	%100
19	M13	X	-.312	-.312	0	%100
20	M13	Z	-.18	-.18	0	%100
21	M14A	X	-1.249	-1.249	0	%100
22	M14A	Z	-.721	-.721	0	%100
23	M18	X	-.312	-.312	0	%100
24	M18	Z	-.18	-.18	0	%100
25	M25	X	-16.657	-16.657	0	%100
26	M25	Z	-9.617	-9.617	0	%100
27	M26	X	-4.164	-4.164	0	%100
28	M26	Z	-2.404	-2.404	0	%100
29	M27	X	-4.164	-4.164	0	%100
30	M27	Z	-2.404	-2.404	0	%100
31	M34	X	-.312	-.312	0	%100
32	M34	Z	-.18	-.18	0	%100
33	M42	X	-1.249	-1.249	0	%100
34	M42	Z	-.721	-.721	0	%100
35	M50	X	-.312	-.312	0	%100
36	M50	Z	-.18	-.18	0	%100
37	M52	X	-9.023	-9.023	0	%100
38	M52	Z	-5.209	-5.209	0	%100
39	M53	X	-9.023	-9.023	0	%100
40	M53	Z	-5.209	-5.209	0	%100
41	M54	X	-2.227	-2.227	0	%100
42	M54	Z	-1.286	-1.286	0	%100
43	M55	X	-9.023	-9.023	0	%100
44	M55	Z	-5.209	-5.209	0	%100
45	M56	X	-9.023	-9.023	0	%100
46	M56	Z	-5.209	-5.209	0	%100
47	M57	X	-5.203	-5.203	0	%100
48	M57	Z	-3.004	-3.004	0	%100
49	M58	X	-5.203	-5.203	0	%100
50	M58	Z	-3.004	-3.004	0	%100
51	M59	X	-9.023	-9.023	0	%100
52	M59	Z	-5.209	-5.209	0	%100
53	M60	X	-9.023	-9.023	0	%100
54	M60	Z	-5.209	-5.209	0	%100
55	M61	X	-2.227	-2.227	0	%100
56	M61	Z	-1.286	-1.286	0	%100
57	M62	X	-9.023	-9.023	0	%100



Company :  
 Designer :  
 Job Number :  
 Model Name :

July 12, 2023  
 9:33 AM  
 Checked By: \_\_\_\_\_

**Member Distributed Loads (BLC 51 : Structure Wo (300 Deg)) (Continued)**

Member Label	Direction	Start Magnitude[lb/ft.F.ksf]	End Magnitude[lb/ft.F.ksf]	Start Locationf..	End Locationft..
58	M62	Z	-5.209	0	%100
59	M63	X	-9.023	0	%100
60	M63	Z	-5.209	0	%100
61	M64	X	-5.203	0	%100
62	M64	Z	-3.004	0	%100
63	M65	X	-5.203	0	%100
64	M65	Z	-3.004	0	%100
65	M66	X	-9.023	0	%100
66	M66	Z	-5.209	0	%100
67	M67	X	-9.023	0	%100
68	M67	Z	-5.209	0	%100
69	M68	X	-8.907	0	%100
70	M68	Z	-5.143	0	%100
71	M69	X	-9.023	0	%100
72	M69	Z	-5.209	0	%100
73	M70	X	-9.023	0	%100
74	M70	Z	-5.209	0	%100
75	M71	X	-9.717	0	%100
76	M71	Z	-5.61	0	%100
77	M72	X	-9.717	0	%100
78	M72	Z	-5.61	0	%100
79	MP1A	X	-9.578	0	%100
80	MP1A	Z	-5.53	0	%100
81	M127	X	-19.389	0	%100
82	M127	Z	-11.195	0	%100
83	M128	X	0	0	%100
84	M128	Z	0	0	%100
85	M129	X	-11.105	0	%100
86	M129	Z	-6.411	0	%100
87	M130	X	-11.105	0	%100
88	M130	Z	-6.411	0	%100
89	M131	X	0	0	%100
90	M131	Z	0	0	%100
91	M132	X	0	0	%100
92	M132	Z	0	0	%100
93	M133	X	0	0	%100
94	M133	Z	0	0	%100
95	M134	X	0	0	%100
96	M134	Z	0	0	%100
97	M135	X	0	0	%100
98	M135	Z	0	0	%100
99	M117	X	-1.134	0	%100
100	M117	Z	-.655	0	%100
101	M118A	X	-1.134	0	%100
102	M118A	Z	-.655	0	%100
103	M121	X	-6.285	0	%100
104	M121	Z	-3.629	0	%100
105	M124	X	-1.134	0	%100
106	M124	Z	-.655	0	%100
107	M125	X	-1.134	0	%100
108	M125	Z	-.655	0	%100
109	MP2A	X	-7.912	0	%100
110	MP2A	Z	-4.568	0	%100
111	M127B	X	-1.134	0	%100
112	M127B	Z	-.655	0	%100
113	M128A	X	-1.134	0	%100
114	M128A	Z	-.655	0	%100

**Member Distributed Loads (BLC 51 : Structure Wo (300 Deg)) (Continued)**

Member Label	Direction	Start Magnitude[lb/ft,F,ksf]	End Magnitude[lb/ft,F,ksf]	Start Location[f..	End Location[ft..
115	M131A	X	-5.175	-5.175	0 %100
116	M131A	Z	-2.988	-2.988	0 %100
117	M134A	X	-1.134	-1.134	0 %100
118	M134A	Z	-.655	-.655	0 %100
119	M135A	X	-1.134	-1.134	0 %100
120	M135A	Z	-.655	-.655	0 %100
121	MP1C	X	-9.578	-9.578	0 %100
122	MP1C	Z	-5.53	-5.53	0 %100
123	M143	X	-1.134	-1.134	0 %100
124	M143	Z	-.655	-.655	0 %100
125	M144	X	-1.134	-1.134	0 %100
126	M144	Z	-.655	-.655	0 %100
127	M147	X	-6.285	-6.285	0 %100
128	M147	Z	-3.629	-3.629	0 %100
129	M150	X	-1.134	-1.134	0 %100
130	M150	Z	-.655	-.655	0 %100
131	M151	X	-1.134	-1.134	0 %100
132	M151	Z	-.655	-.655	0 %100
133	MP2C	X	-7.912	-7.912	0 %100
134	MP2C	Z	-4.568	-4.568	0 %100
135	M159	X	-1.134	-1.134	0 %100
136	M159	Z	-.655	-.655	0 %100
137	M160	X	-1.134	-1.134	0 %100
138	M160	Z	-.655	-.655	0 %100
139	M163	X	-5.175	-5.175	0 %100
140	M163	Z	-2.988	-2.988	0 %100
141	M166	X	-1.134	-1.134	0 %100
142	M166	Z	-.655	-.655	0 %100
143	M167	X	-1.134	-1.134	0 %100
144	M167	Z	-.655	-.655	0 %100
145	MP1B	X	-9.578	-9.578	0 %100
146	MP1B	Z	-5.53	-5.53	0 %100
147	M175	X	0	0	0 %100
148	M175	Z	0	0	0 %100
149	M176	X	0	0	0 %100
150	M176	Z	0	0	0 %100
151	M179	X	-6.285	-6.285	0 %100
152	M179	Z	-3.629	-3.629	0 %100
153	M182	X	0	0	0 %100
154	M182	Z	0	0	0 %100
155	M183	X	0	0	0 %100
156	M183	Z	0	0	0 %100
157	MP2B	X	-7.912	-7.912	0 %100
158	MP2B	Z	-4.568	-4.568	0 %100
159	M191	X	0	0	0 %100
160	M191	Z	0	0	0 %100
161	M192	X	0	0	0 %100
162	M192	Z	0	0	0 %100
163	M195	X	-5.175	-5.175	0 %100
164	M195	Z	-2.988	-2.988	0 %100
165	M198	X	0	0	0 %100
166	M198	Z	0	0	0 %100
167	M199	X	0	0	0 %100
168	M199	Z	0	0	0 %100
169	M202	X	-2.973	-2.973	0 %100
170	M202	Z	-1.716	-1.716	0 %100

**Member Distributed Loads (BLC 52 : Structure Wo (330 Deg))**

	Member Label	Direction	Start Magnitude[lb/ft,F,ksf]	End Magnitude[lb/ft,F,ksf]	Start Location[f..	End Location[f..
1	M1	X	-9.577	-9.577	0	%100
2	M1	Z	-16.588	-16.588	0	%100
3	M2	X	-9.577	-9.577	0	%100
4	M2	Z	-16.588	-16.588	0	%100
5	M3	X	0	0	0	%100
6	M3	Z	0	0	0	%100
7	M4	X	0	0	0	%100
8	M4	Z	0	0	0	%100
9	M5	X	-9.577	-9.577	0	%100
10	M5	Z	-16.588	-16.588	0	%100
11	M6	X	-9.577	-9.577	0	%100
12	M6	Z	-16.588	-16.588	0	%100
13	M7	X	-9.465	-9.465	0	%100
14	M7	Z	-16.394	-16.394	0	%100
15	M8	X	0	0	0	%100
16	M8	Z	0	0	0	%100
17	M9	X	-9.465	-9.465	0	%100
18	M9	Z	-16.394	-16.394	0	%100
19	M13	X	0	0	0	%100
20	M13	Z	0	0	0	%100
21	M14A	X	-.541	-.541	0	%100
22	M14A	Z	-.937	-.937	0	%100
23	M18	X	-.541	-.541	0	%100
24	M18	Z	-.937	-.937	0	%100
25	M25	X	-7.213	-7.213	0	%100
26	M25	Z	-12.493	-12.493	0	%100
27	M26	X	-7.213	-7.213	0	%100
28	M26	Z	-12.493	-12.493	0	%100
29	M27	X	0	0	0	%100
30	M27	Z	0	0	0	%100
31	M34	X	0	0	0	%100
32	M34	Z	0	0	0	%100
33	M42	X	-.541	-.541	0	%100
34	M42	Z	-.937	-.937	0	%100
35	M50	X	-.541	-.541	0	%100
36	M50	Z	-.937	-.937	0	%100
37	M52	X	-5.209	-5.209	0	%100
38	M52	Z	-9.023	-9.023	0	%100
39	M53	X	-5.209	-5.209	0	%100
40	M53	Z	-9.023	-9.023	0	%100
41	M54	X	-3.857	-3.857	0	%100
42	M54	Z	-6.68	-6.68	0	%100
43	M55	X	-5.209	-5.209	0	%100
44	M55	Z	-9.023	-9.023	0	%100
45	M56	X	-5.209	-5.209	0	%100
46	M56	Z	-9.023	-9.023	0	%100
47	M57	X	-4.741	-4.741	0	%100
48	M57	Z	-8.212	-8.212	0	%100
49	M58	X	-4.741	-4.741	0	%100
50	M58	Z	-8.212	-8.212	0	%100
51	M59	X	-5.209	-5.209	0	%100
52	M59	Z	-9.023	-9.023	0	%100
53	M60	X	-5.209	-5.209	0	%100
54	M60	Z	-9.023	-9.023	0	%100
55	M61	X	0	0	0	%100
56	M61	Z	0	0	0	%100
57	M62	X	-5.209	-5.209	0	%100

**Member Distributed Loads (BLC 52 : Structure Wo (330 Deg)) (Continued)**

Member Label	Direction	Start Magnitude[lb/ft.F.ksf]	End Magnitude[lb/ft.F.ksf]	Start Locationf..	End Locationft..
58	M62	Z	-9.023	0	%100
59	M63	X	-5.209	0	%100
60	M63	Z	-9.023	0	%100
61	M64	X	-2.135	0	%100
62	M64	Z	-3.699	0	%100
63	M65	X	-2.135	0	%100
64	M65	Z	-3.699	0	%100
65	M66	X	-5.209	0	%100
66	M66	Z	-9.023	0	%100
67	M67	X	-5.209	0	%100
68	M67	Z	-9.023	0	%100
69	M68	X	-3.857	0	%100
70	M68	Z	-6.68	0	%100
71	M69	X	-5.209	0	%100
72	M69	Z	-9.023	0	%100
73	M70	X	-5.209	0	%100
74	M70	Z	-9.023	0	%100
75	M71	X	-4.741	0	%100
76	M71	Z	-8.212	0	%100
77	M72	X	-4.741	0	%100
78	M72	Z	-8.212	0	%100
79	MP1A	X	-5.53	0	%100
80	MP1A	Z	-9.578	0	%100
81	M127	X	-8.396	0	%100
82	M127	Z	-14.542	0	%100
83	M128	X	-2.591	0	%100
84	M128	Z	-4.488	0	%100
85	M129	X	-6.411	0	%100
86	M129	Z	-11.105	0	%100
87	M130	X	-6.411	0	%100
88	M130	Z	-11.105	0	%100
89	M131	X	-.336	0	%100
90	M131	Z	-.582	0	%100
91	M132	X	-.336	0	%100
92	M132	Z	-.582	0	%100
93	M133	X	-.336	0	%100
94	M133	Z	-.582	0	%100
95	M134	X	-.336	0	%100
96	M134	Z	-.582	0	%100
97	M135	X	-.336	0	%100
98	M135	Z	-.582	0	%100
99	M117	X	-.218	0	%100
100	M117	Z	-.378	0	%100
101	M118A	X	-.218	0	%100
102	M118A	Z	-.378	0	%100
103	M121	X	-3.629	0	%100
104	M121	Z	-6.285	0	%100
105	M124	X	-.218	0	%100
106	M124	Z	-.378	0	%100
107	M125	X	-.218	0	%100
108	M125	Z	-.378	0	%100
109	MP2A	X	-4.568	0	%100
110	MP2A	Z	-7.912	0	%100
111	M127B	X	-.218	0	%100
112	M127B	Z	-.378	0	%100
113	M128A	X	-.218	0	%100
114	M128A	Z	-.378	0	%100

**Member Distributed Loads (BLC 52 : Structure Wo (330 Deg)) (Continued)**

Member Label	Direction	Start Magnitude[lb/ft,F,ksf]	End Magnitude[lb/ft,F,ksf]	Start Location[f..	End Location[f..
115	M131A	X	-2.988	-2.988	0 %100
116	M131A	Z	-5.175	-5.175	0 %100
117	M134A	X	-.218	-.218	0 %100
118	M134A	Z	-.378	-.378	0 %100
119	M135A	X	-.218	-.218	0 %100
120	M135A	Z	-.378	-.378	0 %100
121	MP1C	X	-5.53	-5.53	0 %100
122	MP1C	Z	-9.578	-9.578	0 %100
123	M143	X	-.873	-.873	0 %100
124	M143	Z	-1.512	-1.512	0 %100
125	M144	X	-.873	-.873	0 %100
126	M144	Z	-1.512	-1.512	0 %100
127	M147	X	-3.629	-3.629	0 %100
128	M147	Z	-6.285	-6.285	0 %100
129	M150	X	-.873	-.873	0 %100
130	M150	Z	-1.512	-1.512	0 %100
131	M151	X	-.873	-.873	0 %100
132	M151	Z	-1.512	-1.512	0 %100
133	MP2C	X	-4.568	-4.568	0 %100
134	MP2C	Z	-7.912	-7.912	0 %100
135	M159	X	-.873	-.873	0 %100
136	M159	Z	-1.512	-1.512	0 %100
137	M160	X	-.873	-.873	0 %100
138	M160	Z	-1.512	-1.512	0 %100
139	M163	X	-2.988	-2.988	0 %100
140	M163	Z	-5.175	-5.175	0 %100
141	M166	X	-.873	-.873	0 %100
142	M166	Z	-1.512	-1.512	0 %100
143	M167	X	-.873	-.873	0 %100
144	M167	Z	-1.512	-1.512	0 %100
145	MP1B	X	-5.53	-5.53	0 %100
146	MP1B	Z	-9.578	-9.578	0 %100
147	M175	X	-.218	-.218	0 %100
148	M175	Z	-.378	-.378	0 %100
149	M176	X	-.218	-.218	0 %100
150	M176	Z	-.378	-.378	0 %100
151	M179	X	-3.629	-3.629	0 %100
152	M179	Z	-6.285	-6.285	0 %100
153	M182	X	-.218	-.218	0 %100
154	M182	Z	-.378	-.378	0 %100
155	M183	X	-.218	-.218	0 %100
156	M183	Z	-.378	-.378	0 %100
157	MP2B	X	-4.568	-4.568	0 %100
158	MP2B	Z	-7.912	-7.912	0 %100
159	M191	X	-.218	-.218	0 %100
160	M191	Z	-.378	-.378	0 %100
161	M192	X	-.218	-.218	0 %100
162	M192	Z	-.378	-.378	0 %100
163	M195	X	-2.988	-2.988	0 %100
164	M195	Z	-5.175	-5.175	0 %100
165	M198	X	-.218	-.218	0 %100
166	M198	Z	-.378	-.378	0 %100
167	M199	X	-.218	-.218	0 %100
168	M199	Z	-.378	-.378	0 %100
169	M202	X	0	0	0 %100
170	M202	Z	0	0	0 %100

**Member Distributed Loads (BLC 53 : Structure Wi (0 Deg))**

	Member Label	Direction	Start Magnitude[lb/ft,F,ksf]	End Magnitude[lb/ft,F,ksf]	Start Location[f..	End Location[f..
1	M1	X	0	0	0	%100
2	M1	Z	-6.054	-6.054	0	%100
3	M2	X	0	0	0	%100
4	M2	Z	-6.054	-6.054	0	%100
5	M3	X	0	0	0	%100
6	M3	Z	-1.514	-1.514	0	%100
7	M4	X	0	0	0	%100
8	M4	Z	-1.514	-1.514	0	%100
9	M5	X	0	0	0	%100
10	M5	Z	-1.514	-1.514	0	%100
11	M6	X	0	0	0	%100
12	M6	Z	-1.514	-1.514	0	%100
13	M7	X	0	0	0	%100
14	M7	Z	-6.002	-6.002	0	%100
15	M8	X	0	0	0	%100
16	M8	Z	-1.501	-1.501	0	%100
17	M9	X	0	0	0	%100
18	M9	Z	-1.501	-1.501	0	%100
19	M13	X	0	0	0	%100
20	M13	Z	-.305	-.305	0	%100
21	M14A	X	0	0	0	%100
22	M14A	Z	-.305	-.305	0	%100
23	M18	X	0	0	0	%100
24	M18	Z	-1.22	-1.22	0	%100
25	M25	X	0	0	0	%100
26	M25	Z	-1.24	-1.24	0	%100
27	M26	X	0	0	0	%100
28	M26	Z	-4.96	-4.96	0	%100
29	M27	X	0	0	0	%100
30	M27	Z	-1.24	-1.24	0	%100
31	M34	X	0	0	0	%100
32	M34	Z	-.305	-.305	0	%100
33	M42	X	0	0	0	%100
34	M42	Z	-.305	-.305	0	%100
35	M50	X	0	0	0	%100
36	M50	Z	-1.22	-1.22	0	%100
37	M52	X	0	0	0	%100
38	M52	Z	-3.127	-3.127	0	%100
39	M53	X	0	0	0	%100
40	M53	Z	-3.127	-3.127	0	%100
41	M54	X	0	0	0	%100
42	M54	Z	-3.089	-3.089	0	%100
43	M55	X	0	0	0	%100
44	M55	Z	-3.127	-3.127	0	%100
45	M56	X	0	0	0	%100
46	M56	Z	-3.127	-3.127	0	%100
47	M57	X	0	0	0	%100
48	M57	Z	-3.455	-3.455	0	%100
49	M58	X	0	0	0	%100
50	M58	Z	-3.455	-3.455	0	%100
51	M59	X	0	0	0	%100
52	M59	Z	-3.127	-3.127	0	%100
53	M60	X	0	0	0	%100
54	M60	Z	-3.127	-3.127	0	%100
55	M61	X	0	0	0	%100
56	M61	Z	-.772	-.772	0	%100
57	M62	X	0	0	0	%100

**Member Distributed Loads (BLC 53 : Structure Wi (0 Deg)) (Continued)**

Member Label	Direction	Start Magnitude[lb/ft,F,ksf]	End Magnitude[lb/ft,F,ksf]	Start Locationf..	End Locationft..
58	M62	Z	-3.127	0	%100
59	M63	X	0	0	%100
60	M63	Z	-3.127	0	%100
61	M64	X	0	0	%100
62	M64	Z	-1.85	0	%100
63	M65	X	0	0	%100
64	M65	Z	-1.85	0	%100
65	M66	X	0	0	%100
66	M66	Z	-3.127	0	%100
67	M67	X	0	0	%100
68	M67	Z	-3.127	0	%100
69	M68	X	0	0	%100
70	M68	Z	-.772	0	%100
71	M69	X	0	0	%100
72	M69	Z	-3.127	0	%100
73	M70	X	0	0	%100
74	M70	Z	-3.127	0	%100
75	M71	X	0	0	%100
76	M71	Z	-1.85	0	%100
77	M72	X	0	0	%100
78	M72	Z	-1.85	0	%100
79	MP1A	X	0	0	%100
80	MP1A	Z	-3.541	0	%100
81	M127	X	0	0	%100
82	M127	Z	-1.296	0	%100
83	M128	X	0	0	%100
84	M128	Z	-3.565	0	%100
85	M129	X	0	0	%100
86	M129	Z	-3.839	0	%100
87	M130	X	0	0	%100
88	M130	Z	-3.839	0	%100
89	M131	X	0	0	%100
90	M131	Z	-1.151	0	%100
91	M132	X	0	0	%100
92	M132	Z	-1.151	0	%100
93	M133	X	0	0	%100
94	M133	Z	-1.151	0	%100
95	M134	X	0	0	%100
96	M134	Z	-1.151	0	%100
97	M135	X	0	0	%100
98	M135	Z	-1.151	0	%100
99	M117	X	0	0	%100
100	M117	Z	0	0	%100
101	M118A	X	0	0	%100
102	M118A	Z	0	0	%100
103	M121	X	0	0	%100
104	M121	Z	-2.538	0	%100
105	M124	X	0	0	%100
106	M124	Z	0	0	%100
107	M125	X	0	0	%100
108	M125	Z	0	0	%100
109	MP2A	X	0	0	%100
110	MP2A	Z	-3.207	0	%100
111	M127B	X	0	0	%100
112	M127B	Z	0	0	%100
113	M128A	X	0	0	%100
114	M128A	Z	0	0	%100



**Member Distributed Loads (BLC 53 : Structure Wi (0 Deg)) (Continued)**

Member Label	Direction	Start Magnitude[lb/ft,F,ksf]	End Magnitude[lb/ft,F,ksf]	Start Location[f..	End Location[f..	
115	M131A	X	0	0	%100	
116	M131A	Z	-2.093	-2.093	0	%100
117	M134A	X	0	0	0	%100
118	M134A	Z	0	0	0	%100
119	M135A	X	0	0	0	%100
120	M135A	Z	0	0	0	%100
121	MP1C	X	0	0	0	%100
122	MP1C	Z	-3.541	-3.541	0	%100
123	M143	X	0	0	0	%100
124	M143	Z	-0.973	-0.973	0	%100
125	M144	X	0	0	0	%100
126	M144	Z	-0.973	-0.973	0	%100
127	M147	X	0	0	0	%100
128	M147	Z	-2.538	-2.538	0	%100
129	M150	X	0	0	0	%100
130	M150	Z	-0.973	-0.973	0	%100
131	M151	X	0	0	0	%100
132	M151	Z	-0.973	-0.973	0	%100
133	MP2C	X	0	0	0	%100
134	MP2C	Z	-3.207	-3.207	0	%100
135	M159	X	0	0	0	%100
136	M159	Z	-0.973	-0.973	0	%100
137	M160	X	0	0	0	%100
138	M160	Z	-0.973	-0.973	0	%100
139	M163	X	0	0	0	%100
140	M163	Z	-2.093	-2.093	0	%100
141	M166	X	0	0	0	%100
142	M166	Z	-0.973	-0.973	0	%100
143	M167	X	0	0	0	%100
144	M167	Z	-0.973	-0.973	0	%100
145	MP1B	X	0	0	0	%100
146	MP1B	Z	-3.541	-3.541	0	%100
147	M175	X	0	0	0	%100
148	M175	Z	-0.973	-0.973	0	%100
149	M176	X	0	0	0	%100
150	M176	Z	-0.973	-0.973	0	%100
151	M179	X	0	0	0	%100
152	M179	Z	-2.538	-2.538	0	%100
153	M182	X	0	0	0	%100
154	M182	Z	-0.973	-0.973	0	%100
155	M183	X	0	0	0	%100
156	M183	Z	-0.973	-0.973	0	%100
157	MP2B	X	0	0	0	%100
158	MP2B	Z	-3.207	-3.207	0	%100
159	M191	X	0	0	0	%100
160	M191	Z	-0.973	-0.973	0	%100
161	M192	X	0	0	0	%100
162	M192	Z	-0.973	-0.973	0	%100
163	M195	X	0	0	0	%100
164	M195	Z	-2.093	-2.093	0	%100
165	M198	X	0	0	0	%100
166	M198	Z	-0.973	-0.973	0	%100
167	M199	X	0	0	0	%100
168	M199	Z	-0.973	-0.973	0	%100
169	M202	X	0	0	0	%100
170	M202	Z	-0.886	-0.886	0	%100



Company :  
 Designer :  
 Job Number :  
 Model Name :

July 12, 2023  
 9:33 AM  
 Checked By: \_\_\_\_\_

**Member Distributed Loads (BLC 54 : Structure Wi (30 Deg))**

	Member Label	Direction	Start Magnitude[lb/ft,F,ksf]	End Magnitude[lb/ft,F,ksf]	Start Location[f..	End Location[ft..
1	M1	X	2.27	2.27	0	%100
2	M1	Z	-3.932	-3.932	0	%100
3	M2	X	2.27	2.27	0	%100
4	M2	Z	-3.932	-3.932	0	%100
5	M3	X	2.27	2.27	0	%100
6	M3	Z	-3.932	-3.932	0	%100
7	M4	X	2.27	2.27	0	%100
8	M4	Z	-3.932	-3.932	0	%100
9	M5	X	0	0	0	%100
10	M5	Z	0	0	0	%100
11	M6	X	0	0	0	%100
12	M6	Z	0	0	0	%100
13	M7	X	2.251	2.251	0	%100
14	M7	Z	-3.899	-3.899	0	%100
15	M8	X	2.251	2.251	0	%100
16	M8	Z	-3.899	-3.899	0	%100
17	M9	X	0	0	0	%100
18	M9	Z	0	0	0	%100
19	M13	X	.457	.457	0	%100
20	M13	Z	-.792	-.792	0	%100
21	M14A	X	0	0	0	%100
22	M14A	Z	0	0	0	%100
23	M18	X	.457	.457	0	%100
24	M18	Z	-.792	-.792	0	%100
25	M25	X	0	0	0	%100
26	M25	Z	0	0	0	%100
27	M26	X	1.86	1.86	0	%100
28	M26	Z	-3.222	-3.222	0	%100
29	M27	X	1.86	1.86	0	%100
30	M27	Z	-3.222	-3.222	0	%100
31	M34	X	.457	.457	0	%100
32	M34	Z	-.792	-.792	0	%100
33	M42	X	0	0	0	%100
34	M42	Z	0	0	0	%100
35	M50	X	.457	.457	0	%100
36	M50	Z	-.792	-.792	0	%100
37	M52	X	1.564	1.564	0	%100
38	M52	Z	-2.708	-2.708	0	%100
39	M53	X	1.564	1.564	0	%100
40	M53	Z	-2.708	-2.708	0	%100
41	M54	X	1.158	1.158	0	%100
42	M54	Z	-2.006	-2.006	0	%100
43	M55	X	1.564	1.564	0	%100
44	M55	Z	-2.708	-2.708	0	%100
45	M56	X	1.564	1.564	0	%100
46	M56	Z	-2.708	-2.708	0	%100
47	M57	X	1.46	1.46	0	%100
48	M57	Z	-2.529	-2.529	0	%100
49	M58	X	1.46	1.46	0	%100
50	M58	Z	-2.529	-2.529	0	%100
51	M59	X	1.564	1.564	0	%100
52	M59	Z	-2.708	-2.708	0	%100
53	M60	X	1.564	1.564	0	%100
54	M60	Z	-2.708	-2.708	0	%100
55	M61	X	1.158	1.158	0	%100
56	M61	Z	-2.006	-2.006	0	%100
57	M62	X	1.564	1.564	0	%100



Company :  
 Designer :  
 Job Number :  
 Model Name :

July 12, 2023  
 9:33 AM  
 Checked By: \_\_\_\_\_

**Member Distributed Loads (BLC 54 : Structure Wi (30 Deg)) (Continued)**

Member Label	Direction	Start Magnitude[lb/ft.F.ksf]	End Magnitude[lb/ft.F.ksf]	Start Locationf.	End Locationft.
58	M62	Z	-2.708	0	%100
59	M63	X	1.564	0	%100
60	M63	Z	-2.708	0	%100
61	M64	X	1.46	0	%100
62	M64	Z	-2.529	0	%100
63	M65	X	1.46	0	%100
64	M65	Z	-2.529	0	%100
65	M66	X	1.564	0	%100
66	M66	Z	-2.708	0	%100
67	M67	X	1.564	0	%100
68	M67	Z	-2.708	0	%100
69	M68	X	0	0	%100
70	M68	Z	0	0	%100
71	M69	X	1.564	0	%100
72	M69	Z	-2.708	0	%100
73	M70	X	1.564	0	%100
74	M70	Z	-2.708	0	%100
75	M71	X	.658	0	%100
76	M71	Z	-1.139	0	%100
77	M72	X	.658	0	%100
78	M72	Z	-1.139	0	%100
79	MP1A	X	1.77	0	%100
80	MP1A	Z	-3.066	0	%100
81	M127	X	0	0	%100
82	M127	Z	0	0	%100
83	M128	X	2.377	0	%100
84	M128	Z	-4.117	0	%100
85	M129	X	1.919	0	%100
86	M129	Z	-3.324	0	%100
87	M130	X	1.919	0	%100
88	M130	Z	-3.324	0	%100
89	M131	X	.768	0	%100
90	M131	Z	-1.329	0	%100
91	M132	X	.768	0	%100
92	M132	Z	-1.329	0	%100
93	M133	X	.768	0	%100
94	M133	Z	-1.329	0	%100
95	M134	X	.768	0	%100
96	M134	Z	-1.329	0	%100
97	M135	X	.768	0	%100
98	M135	Z	-1.329	0	%100
99	M117	X	.162	0	%100
100	M117	Z	-.281	0	%100
101	M118A	X	.162	0	%100
102	M118A	Z	-.281	0	%100
103	M121	X	1.269	0	%100
104	M121	Z	-2.198	0	%100
105	M124	X	.162	0	%100
106	M124	Z	-.281	0	%100
107	M125	X	.162	0	%100
108	M125	Z	-.281	0	%100
109	MP2A	X	1.603	0	%100
110	MP2A	Z	-2.777	0	%100
111	M127B	X	.162	0	%100
112	M127B	Z	-.281	0	%100
113	M128A	X	.162	0	%100
114	M128A	Z	-.281	0	%100

**Member Distributed Loads (BLC 54 : Structure Wi (30 Deg)) (Continued)**

Member Label	Direction	Start Magnitude[lb/ft,F,ksf]	End Magnitude[lb/ft,F,ksf]	Start Location[f..	End Location[ft..
115	M131A	X	1.047	0	%100
116	M131A	Z	-1.813	0	%100
117	M134A	X	.162	0	%100
118	M134A	Z	-.281	0	%100
119	M135A	X	.162	0	%100
120	M135A	Z	-.281	0	%100
121	MP1C	X	1.77	0	%100
122	MP1C	Z	-3.066	0	%100
123	M143	X	.162	0	%100
124	M143	Z	-.281	0	%100
125	M144	X	.162	0	%100
126	M144	Z	-.281	0	%100
127	M147	X	1.269	0	%100
128	M147	Z	-2.198	0	%100
129	M150	X	.162	0	%100
130	M150	Z	-.281	0	%100
131	M151	X	.162	0	%100
132	M151	Z	-.281	0	%100
133	MP2C	X	1.603	0	%100
134	MP2C	Z	-2.777	0	%100
135	M159	X	.162	0	%100
136	M159	Z	-.281	0	%100
137	M160	X	.162	0	%100
138	M160	Z	-.281	0	%100
139	M163	X	1.047	0	%100
140	M163	Z	-1.813	0	%100
141	M166	X	.162	0	%100
142	M166	Z	-.281	0	%100
143	M167	X	.162	0	%100
144	M167	Z	-.281	0	%100
145	MP1B	X	1.77	0	%100
146	MP1B	Z	-3.066	0	%100
147	M175	X	.648	0	%100
148	M175	Z	-1.123	0	%100
149	M176	X	.648	0	%100
150	M176	Z	-1.123	0	%100
151	M179	X	1.269	0	%100
152	M179	Z	-2.198	0	%100
153	M182	X	.648	0	%100
154	M182	Z	-1.123	0	%100
155	M183	X	.648	0	%100
156	M183	Z	-1.123	0	%100
157	MP2B	X	1.603	0	%100
158	MP2B	Z	-2.777	0	%100
159	M191	X	.648	0	%100
160	M191	Z	-1.123	0	%100
161	M192	X	.648	0	%100
162	M192	Z	-1.123	0	%100
163	M195	X	1.047	0	%100
164	M195	Z	-1.813	0	%100
165	M198	X	.648	0	%100
166	M198	Z	-1.123	0	%100
167	M199	X	.648	0	%100
168	M199	Z	-1.123	0	%100
169	M202	X	1.329	0	%100
170	M202	Z	-2.302	0	%100

**Member Distributed Loads (BLC 55 : Structure Wi (60 Deg))**

	Member Label	Direction	Start Magnitude[lb/ft,F,ksf]	End Magnitude[lb/ft,F,ksf]	Start Location[f..	End Location[ft..
1	M1	X	1.311	1.311	0	%100
2	M1	Z	-.757	-.757	0	%100
3	M2	X	1.311	1.311	0	%100
4	M2	Z	-.757	-.757	0	%100
5	M3	X	5.243	5.243	0	%100
6	M3	Z	-3.027	-3.027	0	%100
7	M4	X	5.243	5.243	0	%100
8	M4	Z	-3.027	-3.027	0	%100
9	M5	X	1.311	1.311	0	%100
10	M5	Z	-.757	-.757	0	%100
11	M6	X	1.311	1.311	0	%100
12	M6	Z	-.757	-.757	0	%100
13	M7	X	1.3	1.3	0	%100
14	M7	Z	-.75	-.75	0	%100
15	M8	X	5.198	5.198	0	%100
16	M8	Z	-3.001	-3.001	0	%100
17	M9	X	1.3	1.3	0	%100
18	M9	Z	-.75	-.75	0	%100
19	M13	X	1.056	1.056	0	%100
20	M13	Z	-.61	-.61	0	%100
21	M14A	X	.264	.264	0	%100
22	M14A	Z	-.152	-.152	0	%100
23	M18	X	.264	.264	0	%100
24	M18	Z	-.152	-.152	0	%100
25	M25	X	1.074	1.074	0	%100
26	M25	Z	-.62	-.62	0	%100
27	M26	X	1.074	1.074	0	%100
28	M26	Z	-.62	-.62	0	%100
29	M27	X	4.295	4.295	0	%100
30	M27	Z	-2.48	-2.48	0	%100
31	M34	X	1.056	1.056	0	%100
32	M34	Z	-.61	-.61	0	%100
33	M42	X	.264	.264	0	%100
34	M42	Z	-.152	-.152	0	%100
35	M50	X	.264	.264	0	%100
36	M50	Z	-.152	-.152	0	%100
37	M52	X	2.708	2.708	0	%100
38	M52	Z	-1.564	-1.564	0	%100
39	M53	X	2.708	2.708	0	%100
40	M53	Z	-1.564	-1.564	0	%100
41	M54	X	.669	.669	0	%100
42	M54	Z	-.386	-.386	0	%100
43	M55	X	2.708	2.708	0	%100
44	M55	Z	-1.564	-1.564	0	%100
45	M56	X	2.708	2.708	0	%100
46	M56	Z	-1.564	-1.564	0	%100
47	M57	X	1.602	1.602	0	%100
48	M57	Z	-.925	-.925	0	%100
49	M58	X	1.602	1.602	0	%100
50	M58	Z	-.925	-.925	0	%100
51	M59	X	2.708	2.708	0	%100
52	M59	Z	-1.564	-1.564	0	%100
53	M60	X	2.708	2.708	0	%100
54	M60	Z	-1.564	-1.564	0	%100
55	M61	X	2.675	2.675	0	%100
56	M61	Z	-1.544	-1.544	0	%100
57	M62	X	2.708	2.708	0	%100

**Member Distributed Loads (BLC 55 : Structure Wi (60 Deg)) (Continued)**

Member Label	Direction	Start Magnitude[lb/ft.F.ksf]	End Magnitude[lb/ft.F.ksf]	Start Locationf..	End Locationft..
58	M62	Z	-1.564	0	%100
59	M63	X	2.708	0	%100
60	M63	Z	-1.564	0	%100
61	M64	X	2.992	0	%100
62	M64	Z	-1.727	0	%100
63	M65	X	2.992	0	%100
64	M65	Z	-1.727	0	%100
65	M66	X	2.708	0	%100
66	M66	Z	-1.564	0	%100
67	M67	X	2.708	0	%100
68	M67	Z	-1.564	0	%100
69	M68	X	.669	0	%100
70	M68	Z	-.386	0	%100
71	M69	X	2.708	0	%100
72	M69	Z	-1.564	0	%100
73	M70	X	2.708	0	%100
74	M70	Z	-1.564	0	%100
75	M71	X	1.602	0	%100
76	M71	Z	-.925	0	%100
77	M72	X	1.602	0	%100
78	M72	Z	-.925	0	%100
79	MP1A	X	3.066	0	%100
80	MP1A	Z	-1.77	0	%100
81	M127	X	1.123	0	%100
82	M127	Z	-.648	0	%100
83	M128	X	3.088	0	%100
84	M128	Z	-1.783	0	%100
85	M129	X	3.324	0	%100
86	M129	Z	-1.919	0	%100
87	M130	X	3.324	0	%100
88	M130	Z	-1.919	0	%100
89	M131	X	.997	0	%100
90	M131	Z	-.576	0	%100
91	M132	X	.997	0	%100
92	M132	Z	-.576	0	%100
93	M133	X	.997	0	%100
94	M133	Z	-.576	0	%100
95	M134	X	.997	0	%100
96	M134	Z	-.576	0	%100
97	M135	X	.997	0	%100
98	M135	Z	-.576	0	%100
99	M117	X	.842	0	%100
100	M117	Z	-.486	0	%100
101	M118A	X	.842	0	%100
102	M118A	Z	-.486	0	%100
103	M121	X	2.198	0	%100
104	M121	Z	-1.269	0	%100
105	M124	X	.842	0	%100
106	M124	Z	-.486	0	%100
107	M125	X	.842	0	%100
108	M125	Z	-.486	0	%100
109	MP2A	X	2.777	0	%100
110	MP2A	Z	-1.603	0	%100
111	M127B	X	.842	0	%100
112	M127B	Z	-.486	0	%100
113	M128A	X	.842	0	%100
114	M128A	Z	-.486	0	%100

**Member Distributed Loads (BLC 55 : Structure Wi (60 Deg)) (Continued)**

Member Label	Direction	Start Magnitude[lb/ft,F,ksf]	End Magnitude[lb/ft,F,ksf]	Start Location[f..	End Location[ft..
115	M131A	X	1.813	1.813	0 %100
116	M131A	Z	-1.047	-1.047	0 %100
117	M134A	X	.842	.842	0 %100
118	M134A	Z	-.486	-.486	0 %100
119	M135A	X	.842	.842	0 %100
120	M135A	Z	-.486	-.486	0 %100
121	MP1C	X	3.066	3.066	0 %100
122	MP1C	Z	-1.77	-1.77	0 %100
123	M143	X	0	0	0 %100
124	M143	Z	0	0	0 %100
125	M144	X	0	0	0 %100
126	M144	Z	0	0	0 %100
127	M147	X	2.198	2.198	0 %100
128	M147	Z	-1.269	-1.269	0 %100
129	M150	X	0	0	0 %100
130	M150	Z	0	0	0 %100
131	M151	X	0	0	0 %100
132	M151	Z	0	0	0 %100
133	MP2C	X	2.777	2.777	0 %100
134	MP2C	Z	-1.603	-1.603	0 %100
135	M159	X	0	0	0 %100
136	M159	Z	0	0	0 %100
137	M160	X	0	0	0 %100
138	M160	Z	0	0	0 %100
139	M163	X	1.813	1.813	0 %100
140	M163	Z	-1.047	-1.047	0 %100
141	M166	X	0	0	0 %100
142	M166	Z	0	0	0 %100
143	M167	X	0	0	0 %100
144	M167	Z	0	0	0 %100
145	MP1B	X	3.066	3.066	0 %100
146	MP1B	Z	-1.77	-1.77	0 %100
147	M175	X	.842	.842	0 %100
148	M175	Z	-.486	-.486	0 %100
149	M176	X	.842	.842	0 %100
150	M176	Z	-.486	-.486	0 %100
151	M179	X	2.198	2.198	0 %100
152	M179	Z	-1.269	-1.269	0 %100
153	M182	X	.842	.842	0 %100
154	M182	Z	-.486	-.486	0 %100
155	M183	X	.842	.842	0 %100
156	M183	Z	-.486	-.486	0 %100
157	MP2B	X	2.777	2.777	0 %100
158	MP2B	Z	-1.603	-1.603	0 %100
159	M191	X	.842	.842	0 %100
160	M191	Z	-.486	-.486	0 %100
161	M192	X	.842	.842	0 %100
162	M192	Z	-.486	-.486	0 %100
163	M195	X	1.813	1.813	0 %100
164	M195	Z	-1.047	-1.047	0 %100
165	M198	X	.842	.842	0 %100
166	M198	Z	-.486	-.486	0 %100
167	M199	X	.842	.842	0 %100
168	M199	Z	-.486	-.486	0 %100
169	M202	X	3.07	3.07	0 %100
170	M202	Z	-1.772	-1.772	0 %100



Company :  
 Designer :  
 Job Number :  
 Model Name :

July 12, 2023  
 9:33 AM  
 Checked By: \_\_\_\_\_

**Member Distributed Loads (BLC 56 : Structure Wi (90 Deg))**

	Member Label	Direction	Start Magnitude[lb/ft,F,ksf]	End Magnitude[lb/ft,F,ksf]	Start Location[f..	End Location[ft..
1	M1	X	0	0	0	%100
2	M1	Z	0	0	0	%100
3	M2	X	0	0	0	%100
4	M2	Z	0	0	0	%100
5	M3	X	4.541	4.541	0	%100
6	M3	Z	0	0	0	%100
7	M4	X	4.541	4.541	0	%100
8	M4	Z	0	0	0	%100
9	M5	X	4.541	4.541	0	%100
10	M5	Z	0	0	0	%100
11	M6	X	4.541	4.541	0	%100
12	M6	Z	0	0	0	%100
13	M7	X	0	0	0	%100
14	M7	Z	0	0	0	%100
15	M8	X	4.502	4.502	0	%100
16	M8	Z	0	0	0	%100
17	M9	X	4.502	4.502	0	%100
18	M9	Z	0	0	0	%100
19	M13	X	.915	.915	0	%100
20	M13	Z	0	0	0	%100
21	M14A	X	.915	.915	0	%100
22	M14A	Z	0	0	0	%100
23	M18	X	0	0	0	%100
24	M18	Z	0	0	0	%100
25	M25	X	3.72	3.72	0	%100
26	M25	Z	0	0	0	%100
27	M26	X	0	0	0	%100
28	M26	Z	0	0	0	%100
29	M27	X	3.72	3.72	0	%100
30	M27	Z	0	0	0	%100
31	M34	X	.915	.915	0	%100
32	M34	Z	0	0	0	%100
33	M42	X	.915	.915	0	%100
34	M42	Z	0	0	0	%100
35	M50	X	0	0	0	%100
36	M50	Z	0	0	0	%100
37	M52	X	3.127	3.127	0	%100
38	M52	Z	0	0	0	%100
39	M53	X	3.127	3.127	0	%100
40	M53	Z	0	0	0	%100
41	M54	X	0	0	0	%100
42	M54	Z	0	0	0	%100
43	M55	X	3.127	3.127	0	%100
44	M55	Z	0	0	0	%100
45	M56	X	3.127	3.127	0	%100
46	M56	Z	0	0	0	%100
47	M57	X	1.315	1.315	0	%100
48	M57	Z	0	0	0	%100
49	M58	X	1.315	1.315	0	%100
50	M58	Z	0	0	0	%100
51	M59	X	3.127	3.127	0	%100
52	M59	Z	0	0	0	%100
53	M60	X	3.127	3.127	0	%100
54	M60	Z	0	0	0	%100
55	M61	X	2.317	2.317	0	%100
56	M61	Z	0	0	0	%100
57	M62	X	3.127	3.127	0	%100



**Member Distributed Loads (BLC 56 : Structure Wi (90 Deg)) (Continued)**

Member Label	Direction	Start Magnitude[lb/ft,F,ksf]	End Magnitude[lb/ft,F,ksf]	Start Locationf..	End Locationft..
58	M62	Z	0	0	%100
59	M63	X	3.127	0	%100
60	M63	Z	0	0	%100
61	M64	X	2.92	0	%100
62	M64	Z	0	0	%100
63	M65	X	2.92	0	%100
64	M65	Z	0	0	%100
65	M66	X	3.127	0	%100
66	M66	Z	0	0	%100
67	M67	X	3.127	0	%100
68	M67	Z	0	0	%100
69	M68	X	2.317	0	%100
70	M68	Z	0	0	%100
71	M69	X	3.127	0	%100
72	M69	Z	0	0	%100
73	M70	X	3.127	0	%100
74	M70	Z	0	0	%100
75	M71	X	2.92	0	%100
76	M71	Z	0	0	%100
77	M72	X	2.92	0	%100
78	M72	Z	0	0	%100
79	MP1A	X	3.541	0	%100
80	MP1A	Z	0	0	%100
81	M127	X	3.889	0	%100
82	M127	Z	0	0	%100
83	M128	X	1.188	0	%100
84	M128	Z	0	0	%100
85	M129	X	3.839	0	%100
86	M129	Z	0	0	%100
87	M130	X	3.839	0	%100
88	M130	Z	0	0	%100
89	M131	X	.384	0	%100
90	M131	Z	0	0	%100
91	M132	X	.384	0	%100
92	M132	Z	0	0	%100
93	M133	X	.384	0	%100
94	M133	Z	0	0	%100
95	M134	X	.384	0	%100
96	M134	Z	0	0	%100
97	M135	X	.384	0	%100
98	M135	Z	0	0	%100
99	M117	X	1.297	0	%100
100	M117	Z	0	0	%100
101	M118A	X	1.297	0	%100
102	M118A	Z	0	0	%100
103	M121	X	2.538	0	%100
104	M121	Z	0	0	%100
105	M124	X	1.297	0	%100
106	M124	Z	0	0	%100
107	M125	X	1.297	0	%100
108	M125	Z	0	0	%100
109	MP2A	X	3.207	0	%100
110	MP2A	Z	0	0	%100
111	M127B	X	1.297	0	%100
112	M127B	Z	0	0	%100
113	M128A	X	1.297	0	%100
114	M128A	Z	0	0	%100

**Member Distributed Loads (BLC 56 : Structure Wi (90 Deg)) (Continued)**

Member Label	Direction	Start Magnitude[lb/ft,F,ksf]	End Magnitude[lb/ft,F,ksf]	Start Location[f..	End Location[ft..
115	M131A	X	2.093	2.093	0 %100
116	M131A	Z	0	0	0 %100
117	M134A	X	1.297	1.297	0 %100
118	M134A	Z	0	0	0 %100
119	M135A	X	1.297	1.297	0 %100
120	M135A	Z	0	0	0 %100
121	MP1C	X	3.541	3.541	0 %100
122	MP1C	Z	0	0	0 %100
123	M143	X	.324	.324	0 %100
124	M143	Z	0	0	0 %100
125	M144	X	.324	.324	0 %100
126	M144	Z	0	0	0 %100
127	M147	X	2.538	2.538	0 %100
128	M147	Z	0	0	0 %100
129	M150	X	.324	.324	0 %100
130	M150	Z	0	0	0 %100
131	M151	X	.324	.324	0 %100
132	M151	Z	0	0	0 %100
133	MP2C	X	3.207	3.207	0 %100
134	MP2C	Z	0	0	0 %100
135	M159	X	.324	.324	0 %100
136	M159	Z	0	0	0 %100
137	M160	X	.324	.324	0 %100
138	M160	Z	0	0	0 %100
139	M163	X	2.093	2.093	0 %100
140	M163	Z	0	0	0 %100
141	M166	X	.324	.324	0 %100
142	M166	Z	0	0	0 %100
143	M167	X	.324	.324	0 %100
144	M167	Z	0	0	0 %100
145	MP1B	X	3.541	3.541	0 %100
146	MP1B	Z	0	0	0 %100
147	M175	X	.324	.324	0 %100
148	M175	Z	0	0	0 %100
149	M176	X	.324	.324	0 %100
150	M176	Z	0	0	0 %100
151	M179	X	2.538	2.538	0 %100
152	M179	Z	0	0	0 %100
153	M182	X	.324	.324	0 %100
154	M182	Z	0	0	0 %100
155	M183	X	.324	.324	0 %100
156	M183	Z	0	0	0 %100
157	MP2B	X	3.207	3.207	0 %100
158	MP2B	Z	0	0	0 %100
159	M191	X	.324	.324	0 %100
160	M191	Z	0	0	0 %100
161	M192	X	.324	.324	0 %100
162	M192	Z	0	0	0 %100
163	M195	X	2.093	2.093	0 %100
164	M195	Z	0	0	0 %100
165	M198	X	.324	.324	0 %100
166	M198	Z	0	0	0 %100
167	M199	X	.324	.324	0 %100
168	M199	Z	0	0	0 %100
169	M202	X	2.659	2.659	0 %100
170	M202	Z	0	0	0 %100



Company :  
 Designer :  
 Job Number :  
 Model Name :

July 12, 2023  
 9:33 AM  
 Checked By: \_\_\_\_\_

**Member Distributed Loads (BLC 57 : Structure Wi (120 Deg))**

	Member Label	Direction	Start Magnitude[lb/ft,F,ksf]	End Magnitude[lb/ft,F,ksf]	Start Location[f..	End Location[ft..
1	M1	X	1.311	1.311	0	%100
2	M1	Z	.757	.757	0	%100
3	M2	X	1.311	1.311	0	%100
4	M2	Z	.757	.757	0	%100
5	M3	X	1.311	1.311	0	%100
6	M3	Z	.757	.757	0	%100
7	M4	X	1.311	1.311	0	%100
8	M4	Z	.757	.757	0	%100
9	M5	X	5.243	5.243	0	%100
10	M5	Z	3.027	3.027	0	%100
11	M6	X	5.243	5.243	0	%100
12	M6	Z	3.027	3.027	0	%100
13	M7	X	1.3	1.3	0	%100
14	M7	Z	.75	.75	0	%100
15	M8	X	1.3	1.3	0	%100
16	M8	Z	.75	.75	0	%100
17	M9	X	5.198	5.198	0	%100
18	M9	Z	3.001	3.001	0	%100
19	M13	X	.264	.264	0	%100
20	M13	Z	.152	.152	0	%100
21	M14A	X	1.056	1.056	0	%100
22	M14A	Z	.61	.61	0	%100
23	M18	X	.264	.264	0	%100
24	M18	Z	.152	.152	0	%100
25	M25	X	4.295	4.295	0	%100
26	M25	Z	2.48	2.48	0	%100
27	M26	X	1.074	1.074	0	%100
28	M26	Z	.62	.62	0	%100
29	M27	X	1.074	1.074	0	%100
30	M27	Z	.62	.62	0	%100
31	M34	X	.264	.264	0	%100
32	M34	Z	.152	.152	0	%100
33	M42	X	1.056	1.056	0	%100
34	M42	Z	.61	.61	0	%100
35	M50	X	.264	.264	0	%100
36	M50	Z	.152	.152	0	%100
37	M52	X	2.708	2.708	0	%100
38	M52	Z	1.564	1.564	0	%100
39	M53	X	2.708	2.708	0	%100
40	M53	Z	1.564	1.564	0	%100
41	M54	X	.669	.669	0	%100
42	M54	Z	.386	.386	0	%100
43	M55	X	2.708	2.708	0	%100
44	M55	Z	1.564	1.564	0	%100
45	M56	X	2.708	2.708	0	%100
46	M56	Z	1.564	1.564	0	%100
47	M57	X	1.602	1.602	0	%100
48	M57	Z	.925	.925	0	%100
49	M58	X	1.602	1.602	0	%100
50	M58	Z	.925	.925	0	%100
51	M59	X	2.708	2.708	0	%100
52	M59	Z	1.564	1.564	0	%100
53	M60	X	2.708	2.708	0	%100
54	M60	Z	1.564	1.564	0	%100
55	M61	X	.669	.669	0	%100
56	M61	Z	.386	.386	0	%100
57	M62	X	2.708	2.708	0	%100



Company :  
 Designer :  
 Job Number :  
 Model Name :

July 12, 2023  
 9:33 AM  
 Checked By: \_\_\_\_\_

**Member Distributed Loads (BLC 57 : Structure Wi (120 Deg)) (Continued)**

Member Label	Direction	Start Magnitude[lb/ft.F.ksf]	End Magnitude[lb/ft.F.ksf]	Start Locationf.	End Locationft.
58	M62	Z	1.564	0	%100
59	M63	X	2.708	0	%100
60	M63	Z	1.564	0	%100
61	M64	X	1.602	0	%100
62	M64	Z	.925	0	%100
63	M65	X	1.602	0	%100
64	M65	Z	.925	0	%100
65	M66	X	2.708	0	%100
66	M66	Z	1.564	0	%100
67	M67	X	2.708	0	%100
68	M67	Z	1.564	0	%100
69	M68	X	2.675	0	%100
70	M68	Z	1.544	0	%100
71	M69	X	2.708	0	%100
72	M69	Z	1.564	0	%100
73	M70	X	2.708	0	%100
74	M70	Z	1.564	0	%100
75	M71	X	2.992	0	%100
76	M71	Z	1.727	0	%100
77	M72	X	2.992	0	%100
78	M72	Z	1.727	0	%100
79	MP1A	X	3.066	0	%100
80	MP1A	Z	1.77	0	%100
81	M127	X	4.491	0	%100
82	M127	Z	2.593	0	%100
83	M128	X	0	0	%100
84	M128	Z	0	0	%100
85	M129	X	3.324	0	%100
86	M129	Z	1.919	0	%100
87	M130	X	3.324	0	%100
88	M130	Z	1.919	0	%100
89	M131	X	0	0	%100
90	M131	Z	0	0	%100
91	M132	X	0	0	%100
92	M132	Z	0	0	%100
93	M133	X	0	0	%100
94	M133	Z	0	0	%100
95	M134	X	0	0	%100
96	M134	Z	0	0	%100
97	M135	X	0	0	%100
98	M135	Z	0	0	%100
99	M117	X	.842	0	%100
100	M117	Z	.486	0	%100
101	M118A	X	.842	0	%100
102	M118A	Z	.486	0	%100
103	M121	X	2.198	0	%100
104	M121	Z	1.269	0	%100
105	M124	X	.842	0	%100
106	M124	Z	.486	0	%100
107	M125	X	.842	0	%100
108	M125	Z	.486	0	%100
109	MP2A	X	2.777	0	%100
110	MP2A	Z	1.603	0	%100
111	M127B	X	.842	0	%100
112	M127B	Z	.486	0	%100
113	M128A	X	.842	0	%100
114	M128A	Z	.486	0	%100

**Member Distributed Loads (BLC 57 : Structure Wi (120 Deg)) (Continued)**

Member Label	Direction	Start Magnitude[lb/ft,F,ksf]	End Magnitude[lb/ft,F,ksf]	Start Location[f..	End Location[ft..
115	M131A	X	1.813	0	%100
116	M131A	Z	1.047	0	%100
117	M134A	X	.842	0	%100
118	M134A	Z	.486	0	%100
119	M135A	X	.842	0	%100
120	M135A	Z	.486	0	%100
121	MP1C	X	3.066	0	%100
122	MP1C	Z	1.77	0	%100
123	M143	X	.842	0	%100
124	M143	Z	.486	0	%100
125	M144	X	.842	0	%100
126	M144	Z	.486	0	%100
127	M147	X	2.198	0	%100
128	M147	Z	1.269	0	%100
129	M150	X	.842	0	%100
130	M150	Z	.486	0	%100
131	M151	X	.842	0	%100
132	M151	Z	.486	0	%100
133	MP2C	X	2.777	0	%100
134	MP2C	Z	1.603	0	%100
135	M159	X	.842	0	%100
136	M159	Z	.486	0	%100
137	M160	X	.842	0	%100
138	M160	Z	.486	0	%100
139	M163	X	1.813	0	%100
140	M163	Z	1.047	0	%100
141	M166	X	.842	0	%100
142	M166	Z	.486	0	%100
143	M167	X	.842	0	%100
144	M167	Z	.486	0	%100
145	MP1B	X	3.066	0	%100
146	MP1B	Z	1.77	0	%100
147	M175	X	0	0	%100
148	M175	Z	0	0	%100
149	M176	X	0	0	%100
150	M176	Z	0	0	%100
151	M179	X	2.198	0	%100
152	M179	Z	1.269	0	%100
153	M182	X	0	0	%100
154	M182	Z	0	0	%100
155	M183	X	0	0	%100
156	M183	Z	0	0	%100
157	MP2B	X	2.777	0	%100
158	MP2B	Z	1.603	0	%100
159	M191	X	0	0	%100
160	M191	Z	0	0	%100
161	M192	X	0	0	%100
162	M192	Z	0	0	%100
163	M195	X	1.813	0	%100
164	M195	Z	1.047	0	%100
165	M198	X	0	0	%100
166	M198	Z	0	0	%100
167	M199	X	0	0	%100
168	M199	Z	0	0	%100
169	M202	X	.767	0	%100
170	M202	Z	.443	0	%100



Company :  
 Designer :  
 Job Number :  
 Model Name :

July 12, 2023  
 9:33 AM  
 Checked By: \_\_\_\_\_

**Member Distributed Loads (BLC 58 : Structure Wi (150 Deg))**

	Member Label	Direction	Start Magnitude[lb/ft,F,ksf]	End Magnitude[lb/ft,F,ksf]	Start Location[f..	End Location[ft..
1	M1	X	2.27	2.27	0	%100
2	M1	Z	3.932	3.932	0	%100
3	M2	X	2.27	2.27	0	%100
4	M2	Z	3.932	3.932	0	%100
5	M3	X	0	0	0	%100
6	M3	Z	0	0	0	%100
7	M4	X	0	0	0	%100
8	M4	Z	0	0	0	%100
9	M5	X	2.27	2.27	0	%100
10	M5	Z	3.932	3.932	0	%100
11	M6	X	2.27	2.27	0	%100
12	M6	Z	3.932	3.932	0	%100
13	M7	X	2.251	2.251	0	%100
14	M7	Z	3.899	3.899	0	%100
15	M8	X	0	0	0	%100
16	M8	Z	0	0	0	%100
17	M9	X	2.251	2.251	0	%100
18	M9	Z	3.899	3.899	0	%100
19	M13	X	0	0	0	%100
20	M13	Z	0	0	0	%100
21	M14A	X	.457	.457	0	%100
22	M14A	Z	.792	.792	0	%100
23	M18	X	.457	.457	0	%100
24	M18	Z	.792	.792	0	%100
25	M25	X	1.86	1.86	0	%100
26	M25	Z	3.222	3.222	0	%100
27	M26	X	1.86	1.86	0	%100
28	M26	Z	3.222	3.222	0	%100
29	M27	X	0	0	0	%100
30	M27	Z	0	0	0	%100
31	M34	X	0	0	0	%100
32	M34	Z	0	0	0	%100
33	M42	X	.457	.457	0	%100
34	M42	Z	.792	.792	0	%100
35	M50	X	.457	.457	0	%100
36	M50	Z	.792	.792	0	%100
37	M52	X	1.564	1.564	0	%100
38	M52	Z	2.708	2.708	0	%100
39	M53	X	1.564	1.564	0	%100
40	M53	Z	2.708	2.708	0	%100
41	M54	X	1.158	1.158	0	%100
42	M54	Z	2.006	2.006	0	%100
43	M55	X	1.564	1.564	0	%100
44	M55	Z	2.708	2.708	0	%100
45	M56	X	1.564	1.564	0	%100
46	M56	Z	2.708	2.708	0	%100
47	M57	X	1.46	1.46	0	%100
48	M57	Z	2.529	2.529	0	%100
49	M58	X	1.46	1.46	0	%100
50	M58	Z	2.529	2.529	0	%100
51	M59	X	1.564	1.564	0	%100
52	M59	Z	2.708	2.708	0	%100
53	M60	X	1.564	1.564	0	%100
54	M60	Z	2.708	2.708	0	%100
55	M61	X	0	0	0	%100
56	M61	Z	0	0	0	%100
57	M62	X	1.564	1.564	0	%100



Company :  
 Designer :  
 Job Number :  
 Model Name :

July 12, 2023  
 9:33 AM  
 Checked By: \_\_\_\_\_

**Member Distributed Loads (BLC 58 : Structure Wi (150 Deg)) (Continued)**

Member Label	Direction	Start Magnitude[lb/ft.F.ksf]	End Magnitude[lb/ft.F.ksf]	Start Locationf..	End Locationft..
58	M62	Z	2.708	0	%100
59	M63	X	1.564	0	%100
60	M63	Z	2.708	0	%100
61	M64	X	.658	0	%100
62	M64	Z	1.139	0	%100
63	M65	X	.658	0	%100
64	M65	Z	1.139	0	%100
65	M66	X	1.564	0	%100
66	M66	Z	2.708	0	%100
67	M67	X	1.564	0	%100
68	M67	Z	2.708	0	%100
69	M68	X	1.158	0	%100
70	M68	Z	2.006	0	%100
71	M69	X	1.564	0	%100
72	M69	Z	2.708	0	%100
73	M70	X	1.564	0	%100
74	M70	Z	2.708	0	%100
75	M71	X	1.46	0	%100
76	M71	Z	2.529	0	%100
77	M72	X	1.46	0	%100
78	M72	Z	2.529	0	%100
79	MP1A	X	1.77	0	%100
80	MP1A	Z	3.066	0	%100
81	M127	X	1.945	0	%100
82	M127	Z	3.368	0	%100
83	M128	X	.594	0	%100
84	M128	Z	1.029	0	%100
85	M129	X	1.919	0	%100
86	M129	Z	3.324	0	%100
87	M130	X	1.919	0	%100
88	M130	Z	3.324	0	%100
89	M131	X	.192	0	%100
90	M131	Z	.332	0	%100
91	M132	X	.192	0	%100
92	M132	Z	.332	0	%100
93	M133	X	.192	0	%100
94	M133	Z	.332	0	%100
95	M134	X	.192	0	%100
96	M134	Z	.332	0	%100
97	M135	X	.192	0	%100
98	M135	Z	.332	0	%100
99	M117	X	.162	0	%100
100	M117	Z	.281	0	%100
101	M118A	X	.162	0	%100
102	M118A	Z	.281	0	%100
103	M121	X	1.269	0	%100
104	M121	Z	2.198	0	%100
105	M124	X	.162	0	%100
106	M124	Z	.281	0	%100
107	M125	X	.162	0	%100
108	M125	Z	.281	0	%100
109	MP2A	X	1.603	0	%100
110	MP2A	Z	2.777	0	%100
111	M127B	X	.162	0	%100
112	M127B	Z	.281	0	%100
113	M128A	X	.162	0	%100
114	M128A	Z	.281	0	%100

**Member Distributed Loads (BLC 58 : Structure Wi (150 Deg)) (Continued)**

Member Label	Direction	Start Magnitude[lb/ft,F,ksf]	End Magnitude[lb/ft,F,ksf]	Start Location[f..	End Location[ft..
115	M131A	X	1.047	0	%100
116	M131A	Z	1.813	0	%100
117	M134A	X	.162	0	%100
118	M134A	Z	.281	0	%100
119	M135A	X	.162	0	%100
120	M135A	Z	.281	0	%100
121	MP1C	X	1.77	0	%100
122	MP1C	Z	3.066	0	%100
123	M143	X	.648	0	%100
124	M143	Z	1.123	0	%100
125	M144	X	.648	0	%100
126	M144	Z	1.123	0	%100
127	M147	X	1.269	0	%100
128	M147	Z	2.198	0	%100
129	M150	X	.648	0	%100
130	M150	Z	1.123	0	%100
131	M151	X	.648	0	%100
132	M151	Z	1.123	0	%100
133	MP2C	X	1.603	0	%100
134	MP2C	Z	2.777	0	%100
135	M159	X	.648	0	%100
136	M159	Z	1.123	0	%100
137	M160	X	.648	0	%100
138	M160	Z	1.123	0	%100
139	M163	X	1.047	0	%100
140	M163	Z	1.813	0	%100
141	M166	X	.648	0	%100
142	M166	Z	1.123	0	%100
143	M167	X	.648	0	%100
144	M167	Z	1.123	0	%100
145	MP1B	X	1.77	0	%100
146	MP1B	Z	3.066	0	%100
147	M175	X	.162	0	%100
148	M175	Z	.281	0	%100
149	M176	X	.162	0	%100
150	M176	Z	.281	0	%100
151	M179	X	1.269	0	%100
152	M179	Z	2.198	0	%100
153	M182	X	.162	0	%100
154	M182	Z	.281	0	%100
155	M183	X	.162	0	%100
156	M183	Z	.281	0	%100
157	MP2B	X	1.603	0	%100
158	MP2B	Z	2.777	0	%100
159	M191	X	.162	0	%100
160	M191	Z	.281	0	%100
161	M192	X	.162	0	%100
162	M192	Z	.281	0	%100
163	M195	X	1.047	0	%100
164	M195	Z	1.813	0	%100
165	M198	X	.162	0	%100
166	M198	Z	.281	0	%100
167	M199	X	.162	0	%100
168	M199	Z	.281	0	%100
169	M202	X	0	0	%100
170	M202	Z	0	0	%100





Company :  
 Designer :  
 Job Number :  
 Model Name :

July 12, 2023  
 9:33 AM  
 Checked By: \_\_\_\_\_

**Member Distributed Loads (BLC 59 : Structure Wi (180 Deg))**

	Member Label	Direction	Start Magnitude[lb/ft,F,ksf]	End Magnitude[lb/ft,F,ksf]	Start Location[f..	End Location[ft..
1	M1	X	0	0	0	%100
2	M1	Z	6.054	6.054	0	%100
3	M2	X	0	0	0	%100
4	M2	Z	6.054	6.054	0	%100
5	M3	X	0	0	0	%100
6	M3	Z	1.514	1.514	0	%100
7	M4	X	0	0	0	%100
8	M4	Z	1.514	1.514	0	%100
9	M5	X	0	0	0	%100
10	M5	Z	1.514	1.514	0	%100
11	M6	X	0	0	0	%100
12	M6	Z	1.514	1.514	0	%100
13	M7	X	0	0	0	%100
14	M7	Z	6.002	6.002	0	%100
15	M8	X	0	0	0	%100
16	M8	Z	1.501	1.501	0	%100
17	M9	X	0	0	0	%100
18	M9	Z	1.501	1.501	0	%100
19	M13	X	0	0	0	%100
20	M13	Z	.305	.305	0	%100
21	M14A	X	0	0	0	%100
22	M14A	Z	.305	.305	0	%100
23	M18	X	0	0	0	%100
24	M18	Z	1.22	1.22	0	%100
25	M25	X	0	0	0	%100
26	M25	Z	1.24	1.24	0	%100
27	M26	X	0	0	0	%100
28	M26	Z	4.96	4.96	0	%100
29	M27	X	0	0	0	%100
30	M27	Z	1.24	1.24	0	%100
31	M34	X	0	0	0	%100
32	M34	Z	.305	.305	0	%100
33	M42	X	0	0	0	%100
34	M42	Z	.305	.305	0	%100
35	M50	X	0	0	0	%100
36	M50	Z	1.22	1.22	0	%100
37	M52	X	0	0	0	%100
38	M52	Z	3.127	3.127	0	%100
39	M53	X	0	0	0	%100
40	M53	Z	3.127	3.127	0	%100
41	M54	X	0	0	0	%100
42	M54	Z	3.089	3.089	0	%100
43	M55	X	0	0	0	%100
44	M55	Z	3.127	3.127	0	%100
45	M56	X	0	0	0	%100
46	M56	Z	3.127	3.127	0	%100
47	M57	X	0	0	0	%100
48	M57	Z	3.455	3.455	0	%100
49	M58	X	0	0	0	%100
50	M58	Z	3.455	3.455	0	%100
51	M59	X	0	0	0	%100
52	M59	Z	3.127	3.127	0	%100
53	M60	X	0	0	0	%100
54	M60	Z	3.127	3.127	0	%100
55	M61	X	0	0	0	%100
56	M61	Z	.772	.772	0	%100
57	M62	X	0	0	0	%100

**Member Distributed Loads (BLC 59 : Structure Wi (180 Deg)) (Continued)**

Member Label	Direction	Start Magnitude[lb/ft,F,ksf]	End Magnitude[lb/ft,F,ksf]	Start Locationf..	End Locationft..
58	M62	Z	3.127	0	%100
59	M63	X	0	0	%100
60	M63	Z	3.127	0	%100
61	M64	X	0	0	%100
62	M64	Z	1.85	0	%100
63	M65	X	0	0	%100
64	M65	Z	1.85	0	%100
65	M66	X	0	0	%100
66	M66	Z	3.127	0	%100
67	M67	X	0	0	%100
68	M67	Z	3.127	0	%100
69	M68	X	0	0	%100
70	M68	Z	.772	0	%100
71	M69	X	0	0	%100
72	M69	Z	3.127	0	%100
73	M70	X	0	0	%100
74	M70	Z	3.127	0	%100
75	M71	X	0	0	%100
76	M71	Z	1.85	0	%100
77	M72	X	0	0	%100
78	M72	Z	1.85	0	%100
79	MP1A	X	0	0	%100
80	MP1A	Z	3.541	0	%100
81	M127	X	0	0	%100
82	M127	Z	1.296	0	%100
83	M128	X	0	0	%100
84	M128	Z	3.565	0	%100
85	M129	X	0	0	%100
86	M129	Z	3.839	0	%100
87	M130	X	0	0	%100
88	M130	Z	3.839	0	%100
89	M131	X	0	0	%100
90	M131	Z	1.151	0	%100
91	M132	X	0	0	%100
92	M132	Z	1.151	0	%100
93	M133	X	0	0	%100
94	M133	Z	1.151	0	%100
95	M134	X	0	0	%100
96	M134	Z	1.151	0	%100
97	M135	X	0	0	%100
98	M135	Z	1.151	0	%100
99	M117	X	0	0	%100
100	M117	Z	0	0	%100
101	M118A	X	0	0	%100
102	M118A	Z	0	0	%100
103	M121	X	0	0	%100
104	M121	Z	2.538	0	%100
105	M124	X	0	0	%100
106	M124	Z	0	0	%100
107	M125	X	0	0	%100
108	M125	Z	0	0	%100
109	MP2A	X	0	0	%100
110	MP2A	Z	3.207	0	%100
111	M127B	X	0	0	%100
112	M127B	Z	0	0	%100
113	M128A	X	0	0	%100
114	M128A	Z	0	0	%100

**Member Distributed Loads (BLC 59 : Structure Wi (180 Deg)) (Continued)**

Member Label	Direction	Start Magnitude[lb/ft,F,ksf]	End Magnitude[lb/ft,F,ksf]	Start Location[f..	End Location[f..
115	M131A	X	0	0	%100
116	M131A	Z	2.093	2.093	%100
117	M134A	X	0	0	%100
118	M134A	Z	0	0	%100
119	M135A	X	0	0	%100
120	M135A	Z	0	0	%100
121	MP1C	X	0	0	%100
122	MP1C	Z	3.541	3.541	%100
123	M143	X	0	0	%100
124	M143	Z	.973	.973	%100
125	M144	X	0	0	%100
126	M144	Z	.973	.973	%100
127	M147	X	0	0	%100
128	M147	Z	2.538	2.538	%100
129	M150	X	0	0	%100
130	M150	Z	.973	.973	%100
131	M151	X	0	0	%100
132	M151	Z	.973	.973	%100
133	MP2C	X	0	0	%100
134	MP2C	Z	3.207	3.207	%100
135	M159	X	0	0	%100
136	M159	Z	.973	.973	%100
137	M160	X	0	0	%100
138	M160	Z	.973	.973	%100
139	M163	X	0	0	%100
140	M163	Z	2.093	2.093	%100
141	M166	X	0	0	%100
142	M166	Z	.973	.973	%100
143	M167	X	0	0	%100
144	M167	Z	.973	.973	%100
145	MP1B	X	0	0	%100
146	MP1B	Z	3.541	3.541	%100
147	M175	X	0	0	%100
148	M175	Z	.973	.973	%100
149	M176	X	0	0	%100
150	M176	Z	.973	.973	%100
151	M179	X	0	0	%100
152	M179	Z	2.538	2.538	%100
153	M182	X	0	0	%100
154	M182	Z	.973	.973	%100
155	M183	X	0	0	%100
156	M183	Z	.973	.973	%100
157	MP2B	X	0	0	%100
158	MP2B	Z	3.207	3.207	%100
159	M191	X	0	0	%100
160	M191	Z	.973	.973	%100
161	M192	X	0	0	%100
162	M192	Z	.973	.973	%100
163	M195	X	0	0	%100
164	M195	Z	2.093	2.093	%100
165	M198	X	0	0	%100
166	M198	Z	.973	.973	%100
167	M199	X	0	0	%100
168	M199	Z	.973	.973	%100
169	M202	X	0	0	%100
170	M202	Z	.886	.886	%100

**Member Distributed Loads (BLC 60 : Structure Wi (210 Deg))**

	Member Label	Direction	Start Magnitude[lb/ft,F,ksf]	End Magnitude[lb/ft,F,ksf]	Start Location[f..	End Location[ft..
1	M1	X	-2.27	-2.27	0	%100
2	M1	Z	3.932	3.932	0	%100
3	M2	X	-2.27	-2.27	0	%100
4	M2	Z	3.932	3.932	0	%100
5	M3	X	-2.27	-2.27	0	%100
6	M3	Z	3.932	3.932	0	%100
7	M4	X	-2.27	-2.27	0	%100
8	M4	Z	3.932	3.932	0	%100
9	M5	X	0	0	0	%100
10	M5	Z	0	0	0	%100
11	M6	X	0	0	0	%100
12	M6	Z	0	0	0	%100
13	M7	X	-2.251	-2.251	0	%100
14	M7	Z	3.899	3.899	0	%100
15	M8	X	-2.251	-2.251	0	%100
16	M8	Z	3.899	3.899	0	%100
17	M9	X	0	0	0	%100
18	M9	Z	0	0	0	%100
19	M13	X	-.457	-.457	0	%100
20	M13	Z	.792	.792	0	%100
21	M14A	X	0	0	0	%100
22	M14A	Z	0	0	0	%100
23	M18	X	-.457	-.457	0	%100
24	M18	Z	.792	.792	0	%100
25	M25	X	0	0	0	%100
26	M25	Z	0	0	0	%100
27	M26	X	-1.86	-1.86	0	%100
28	M26	Z	3.222	3.222	0	%100
29	M27	X	-1.86	-1.86	0	%100
30	M27	Z	3.222	3.222	0	%100
31	M34	X	-.457	-.457	0	%100
32	M34	Z	.792	.792	0	%100
33	M42	X	0	0	0	%100
34	M42	Z	0	0	0	%100
35	M50	X	-.457	-.457	0	%100
36	M50	Z	.792	.792	0	%100
37	M52	X	-1.564	-1.564	0	%100
38	M52	Z	2.708	2.708	0	%100
39	M53	X	-1.564	-1.564	0	%100
40	M53	Z	2.708	2.708	0	%100
41	M54	X	-1.158	-1.158	0	%100
42	M54	Z	2.006	2.006	0	%100
43	M55	X	-1.564	-1.564	0	%100
44	M55	Z	2.708	2.708	0	%100
45	M56	X	-1.564	-1.564	0	%100
46	M56	Z	2.708	2.708	0	%100
47	M57	X	-1.46	-1.46	0	%100
48	M57	Z	2.529	2.529	0	%100
49	M58	X	-1.46	-1.46	0	%100
50	M58	Z	2.529	2.529	0	%100
51	M59	X	-1.564	-1.564	0	%100
52	M59	Z	2.708	2.708	0	%100
53	M60	X	-1.564	-1.564	0	%100
54	M60	Z	2.708	2.708	0	%100
55	M61	X	-1.158	-1.158	0	%100
56	M61	Z	2.006	2.006	0	%100
57	M62	X	-1.564	-1.564	0	%100

**Member Distributed Loads (BLC 60 : Structure Wi (210 Deg)) (Continued)**

Member Label	Direction	Start Magnitude[lb/ft,F,ksf]	End Magnitude[lb/ft,F,ksf]	Start Locationf..	End Locationft..
58	M62	Z	2.708	0	%100
59	M63	X	-1.564	0	%100
60	M63	Z	2.708	0	%100
61	M64	X	-1.46	0	%100
62	M64	Z	2.529	0	%100
63	M65	X	-1.46	0	%100
64	M65	Z	2.529	0	%100
65	M66	X	-1.564	0	%100
66	M66	Z	2.708	0	%100
67	M67	X	-1.564	0	%100
68	M67	Z	2.708	0	%100
69	M68	X	0	0	%100
70	M68	Z	0	0	%100
71	M69	X	-1.564	0	%100
72	M69	Z	2.708	0	%100
73	M70	X	-1.564	0	%100
74	M70	Z	2.708	0	%100
75	M71	X	-.658	0	%100
76	M71	Z	1.139	0	%100
77	M72	X	-.658	0	%100
78	M72	Z	1.139	0	%100
79	MP1A	X	-1.77	0	%100
80	MP1A	Z	3.066	0	%100
81	M127	X	0	0	%100
82	M127	Z	0	0	%100
83	M128	X	-2.377	0	%100
84	M128	Z	4.117	0	%100
85	M129	X	-1.919	0	%100
86	M129	Z	3.324	0	%100
87	M130	X	-1.919	0	%100
88	M130	Z	3.324	0	%100
89	M131	X	-.768	0	%100
90	M131	Z	1.329	0	%100
91	M132	X	-.768	0	%100
92	M132	Z	1.329	0	%100
93	M133	X	-.768	0	%100
94	M133	Z	1.329	0	%100
95	M134	X	-.768	0	%100
96	M134	Z	1.329	0	%100
97	M135	X	-.768	0	%100
98	M135	Z	1.329	0	%100
99	M117	X	-.162	0	%100
100	M117	Z	.281	0	%100
101	M118A	X	-.162	0	%100
102	M118A	Z	.281	0	%100
103	M121	X	-1.269	0	%100
104	M121	Z	2.198	0	%100
105	M124	X	-.162	0	%100
106	M124	Z	.281	0	%100
107	M125	X	-.162	0	%100
108	M125	Z	.281	0	%100
109	MP2A	X	-1.603	0	%100
110	MP2A	Z	2.777	0	%100
111	M127B	X	-.162	0	%100
112	M127B	Z	.281	0	%100
113	M128A	X	-.162	0	%100
114	M128A	Z	.281	0	%100

**Member Distributed Loads (BLC 60 : Structure Wi (210 Deg)) (Continued)**

Member Label	Direction	Start Magnitude[lb/ft,F,ksf]	End Magnitude[lb/ft,F,ksf]	Start Location[f..	End Location[ft..
115	M131A	X	-1.047	0	%100
116	M131A	Z	1.813	0	%100
117	M134A	X	-.162	0	%100
118	M134A	Z	.281	0	%100
119	M135A	X	-.162	0	%100
120	M135A	Z	.281	0	%100
121	MP1C	X	-1.77	0	%100
122	MP1C	Z	3.066	0	%100
123	M143	X	-.162	0	%100
124	M143	Z	.281	0	%100
125	M144	X	-.162	0	%100
126	M144	Z	.281	0	%100
127	M147	X	-1.269	0	%100
128	M147	Z	2.198	0	%100
129	M150	X	-.162	0	%100
130	M150	Z	.281	0	%100
131	M151	X	-.162	0	%100
132	M151	Z	.281	0	%100
133	MP2C	X	-1.603	0	%100
134	MP2C	Z	2.777	0	%100
135	M159	X	-.162	0	%100
136	M159	Z	.281	0	%100
137	M160	X	-.162	0	%100
138	M160	Z	.281	0	%100
139	M163	X	-1.047	0	%100
140	M163	Z	1.813	0	%100
141	M166	X	-.162	0	%100
142	M166	Z	.281	0	%100
143	M167	X	-.162	0	%100
144	M167	Z	.281	0	%100
145	MP1B	X	-1.77	0	%100
146	MP1B	Z	3.066	0	%100
147	M175	X	-.648	0	%100
148	M175	Z	1.123	0	%100
149	M176	X	-.648	0	%100
150	M176	Z	1.123	0	%100
151	M179	X	-1.269	0	%100
152	M179	Z	2.198	0	%100
153	M182	X	-.648	0	%100
154	M182	Z	1.123	0	%100
155	M183	X	-.648	0	%100
156	M183	Z	1.123	0	%100
157	MP2B	X	-1.603	0	%100
158	MP2B	Z	2.777	0	%100
159	M191	X	-.648	0	%100
160	M191	Z	1.123	0	%100
161	M192	X	-.648	0	%100
162	M192	Z	1.123	0	%100
163	M195	X	-1.047	0	%100
164	M195	Z	1.813	0	%100
165	M198	X	-.648	0	%100
166	M198	Z	1.123	0	%100
167	M199	X	-.648	0	%100
168	M199	Z	1.123	0	%100
169	M202	X	-1.329	0	%100
170	M202	Z	2.302	0	%100



Company :  
 Designer :  
 Job Number :  
 Model Name :

July 12, 2023  
 9:33 AM  
 Checked By: \_\_\_\_\_

**Member Distributed Loads (BLC 61 : Structure Wi (240 Deg))**

	Member Label	Direction	Start Magnitude[lb/ft,F,ksf]	End Magnitude[lb/ft,F,ksf]	Start Location[f..	End Location[ft..
1	M1	X	-1.311	-1.311	0	%100
2	M1	Z	.757	.757	0	%100
3	M2	X	-1.311	-1.311	0	%100
4	M2	Z	.757	.757	0	%100
5	M3	X	-5.243	-5.243	0	%100
6	M3	Z	3.027	3.027	0	%100
7	M4	X	-5.243	-5.243	0	%100
8	M4	Z	3.027	3.027	0	%100
9	M5	X	-1.311	-1.311	0	%100
10	M5	Z	.757	.757	0	%100
11	M6	X	-1.311	-1.311	0	%100
12	M6	Z	.757	.757	0	%100
13	M7	X	-1.3	-1.3	0	%100
14	M7	Z	.75	.75	0	%100
15	M8	X	-5.198	-5.198	0	%100
16	M8	Z	3.001	3.001	0	%100
17	M9	X	-1.3	-1.3	0	%100
18	M9	Z	.75	.75	0	%100
19	M13	X	-1.056	-1.056	0	%100
20	M13	Z	.61	.61	0	%100
21	M14A	X	-.264	-.264	0	%100
22	M14A	Z	.152	.152	0	%100
23	M18	X	-.264	-.264	0	%100
24	M18	Z	.152	.152	0	%100
25	M25	X	-1.074	-1.074	0	%100
26	M25	Z	.62	.62	0	%100
27	M26	X	-1.074	-1.074	0	%100
28	M26	Z	.62	.62	0	%100
29	M27	X	-4.295	-4.295	0	%100
30	M27	Z	2.48	2.48	0	%100
31	M34	X	-1.056	-1.056	0	%100
32	M34	Z	.61	.61	0	%100
33	M42	X	-.264	-.264	0	%100
34	M42	Z	.152	.152	0	%100
35	M50	X	-.264	-.264	0	%100
36	M50	Z	.152	.152	0	%100
37	M52	X	-2.708	-2.708	0	%100
38	M52	Z	1.564	1.564	0	%100
39	M53	X	-2.708	-2.708	0	%100
40	M53	Z	1.564	1.564	0	%100
41	M54	X	-.669	-.669	0	%100
42	M54	Z	.386	.386	0	%100
43	M55	X	-2.708	-2.708	0	%100
44	M55	Z	1.564	1.564	0	%100
45	M56	X	-2.708	-2.708	0	%100
46	M56	Z	1.564	1.564	0	%100
47	M57	X	-1.602	-1.602	0	%100
48	M57	Z	.925	.925	0	%100
49	M58	X	-1.602	-1.602	0	%100
50	M58	Z	.925	.925	0	%100
51	M59	X	-2.708	-2.708	0	%100
52	M59	Z	1.564	1.564	0	%100
53	M60	X	-2.708	-2.708	0	%100
54	M60	Z	1.564	1.564	0	%100
55	M61	X	-2.675	-2.675	0	%100
56	M61	Z	1.544	1.544	0	%100
57	M62	X	-2.708	-2.708	0	%100



Company :  
 Designer :  
 Job Number :  
 Model Name :

July 12, 2023  
 9:33 AM  
 Checked By: \_\_\_\_\_

**Member Distributed Loads (BLC 61 : Structure Wi (240 Deg)) (Continued)**

Member Label	Direction	Start Magnitude[lb/ft,F,ksf]	End Magnitude[lb/ft,F,ksf]	Start Locationf..	End Locationft..
58	M62	Z	1.564	0	%100
59	M63	X	-2.708	0	%100
60	M63	Z	1.564	0	%100
61	M64	X	-2.992	0	%100
62	M64	Z	1.727	0	%100
63	M65	X	-2.992	0	%100
64	M65	Z	1.727	0	%100
65	M66	X	-2.708	0	%100
66	M66	Z	1.564	0	%100
67	M67	X	-2.708	0	%100
68	M67	Z	1.564	0	%100
69	M68	X	-.669	0	%100
70	M68	Z	.386	0	%100
71	M69	X	-2.708	0	%100
72	M69	Z	1.564	0	%100
73	M70	X	-2.708	0	%100
74	M70	Z	1.564	0	%100
75	M71	X	-1.602	0	%100
76	M71	Z	.925	0	%100
77	M72	X	-1.602	0	%100
78	M72	Z	.925	0	%100
79	MP1A	X	-3.066	0	%100
80	MP1A	Z	1.77	0	%100
81	M127	X	-1.123	0	%100
82	M127	Z	.648	0	%100
83	M128	X	-3.088	0	%100
84	M128	Z	1.783	0	%100
85	M129	X	-3.324	0	%100
86	M129	Z	1.919	0	%100
87	M130	X	-3.324	0	%100
88	M130	Z	1.919	0	%100
89	M131	X	-.997	0	%100
90	M131	Z	.576	0	%100
91	M132	X	-.997	0	%100
92	M132	Z	.576	0	%100
93	M133	X	-.997	0	%100
94	M133	Z	.576	0	%100
95	M134	X	-.997	0	%100
96	M134	Z	.576	0	%100
97	M135	X	-.997	0	%100
98	M135	Z	.576	0	%100
99	M117	X	-.842	0	%100
100	M117	Z	.486	0	%100
101	M118A	X	-.842	0	%100
102	M118A	Z	.486	0	%100
103	M121	X	-2.198	0	%100
104	M121	Z	1.269	0	%100
105	M124	X	-.842	0	%100
106	M124	Z	.486	0	%100
107	M125	X	-.842	0	%100
108	M125	Z	.486	0	%100
109	MP2A	X	-2.777	0	%100
110	MP2A	Z	1.603	0	%100
111	M127B	X	-.842	0	%100
112	M127B	Z	.486	0	%100
113	M128A	X	-.842	0	%100
114	M128A	Z	.486	0	%100



**Member Distributed Loads (BLC 61 : Structure Wi (240 Deg)) (Continued)**

Member Label	Direction	Start Magnitude[lb/ft,F,ksf]	End Magnitude[lb/ft,F,ksf]	Start Location[f..	End Location[ft..
115	M131A	X	-1.813	0	%100
116	M131A	Z	1.047	0	%100
117	M134A	X	-.842	0	%100
118	M134A	Z	.486	0	%100
119	M135A	X	-.842	0	%100
120	M135A	Z	.486	0	%100
121	MP1C	X	-3.066	0	%100
122	MP1C	Z	1.77	0	%100
123	M143	X	0	0	%100
124	M143	Z	0	0	%100
125	M144	X	0	0	%100
126	M144	Z	0	0	%100
127	M147	X	-2.198	0	%100
128	M147	Z	1.269	0	%100
129	M150	X	0	0	%100
130	M150	Z	0	0	%100
131	M151	X	0	0	%100
132	M151	Z	0	0	%100
133	MP2C	X	-2.777	0	%100
134	MP2C	Z	1.603	0	%100
135	M159	X	0	0	%100
136	M159	Z	0	0	%100
137	M160	X	0	0	%100
138	M160	Z	0	0	%100
139	M163	X	-1.813	0	%100
140	M163	Z	1.047	0	%100
141	M166	X	0	0	%100
142	M166	Z	0	0	%100
143	M167	X	0	0	%100
144	M167	Z	0	0	%100
145	MP1B	X	-3.066	0	%100
146	MP1B	Z	1.77	0	%100
147	M175	X	-.842	0	%100
148	M175	Z	.486	0	%100
149	M176	X	-.842	0	%100
150	M176	Z	.486	0	%100
151	M179	X	-2.198	0	%100
152	M179	Z	1.269	0	%100
153	M182	X	-.842	0	%100
154	M182	Z	.486	0	%100
155	M183	X	-.842	0	%100
156	M183	Z	.486	0	%100
157	MP2B	X	-2.777	0	%100
158	MP2B	Z	1.603	0	%100
159	M191	X	-.842	0	%100
160	M191	Z	.486	0	%100
161	M192	X	-.842	0	%100
162	M192	Z	.486	0	%100
163	M195	X	-1.813	0	%100
164	M195	Z	1.047	0	%100
165	M198	X	-.842	0	%100
166	M198	Z	.486	0	%100
167	M199	X	-.842	0	%100
168	M199	Z	.486	0	%100
169	M202	X	-3.07	0	%100
170	M202	Z	1.772	0	%100

**Member Distributed Loads (BLC 62 : Structure Wi (270 Deg))**

	Member Label	Direction	Start Magnitude[lb/ft,F,ksf]	End Magnitude[lb/ft,F,ksf]	Start Location[f..	End Location[ft..
1	M1	X	0	0	0	%100
2	M1	Z	0	0	0	%100
3	M2	X	0	0	0	%100
4	M2	Z	0	0	0	%100
5	M3	X	-4.541	-4.541	0	%100
6	M3	Z	0	0	0	%100
7	M4	X	-4.541	-4.541	0	%100
8	M4	Z	0	0	0	%100
9	M5	X	-4.541	-4.541	0	%100
10	M5	Z	0	0	0	%100
11	M6	X	-4.541	-4.541	0	%100
12	M6	Z	0	0	0	%100
13	M7	X	0	0	0	%100
14	M7	Z	0	0	0	%100
15	M8	X	-4.502	-4.502	0	%100
16	M8	Z	0	0	0	%100
17	M9	X	-4.502	-4.502	0	%100
18	M9	Z	0	0	0	%100
19	M13	X	-.915	-.915	0	%100
20	M13	Z	0	0	0	%100
21	M14A	X	-.915	-.915	0	%100
22	M14A	Z	0	0	0	%100
23	M18	X	0	0	0	%100
24	M18	Z	0	0	0	%100
25	M25	X	-3.72	-3.72	0	%100
26	M25	Z	0	0	0	%100
27	M26	X	0	0	0	%100
28	M26	Z	0	0	0	%100
29	M27	X	-3.72	-3.72	0	%100
30	M27	Z	0	0	0	%100
31	M34	X	-.915	-.915	0	%100
32	M34	Z	0	0	0	%100
33	M42	X	-.915	-.915	0	%100
34	M42	Z	0	0	0	%100
35	M50	X	0	0	0	%100
36	M50	Z	0	0	0	%100
37	M52	X	-3.127	-3.127	0	%100
38	M52	Z	0	0	0	%100
39	M53	X	-3.127	-3.127	0	%100
40	M53	Z	0	0	0	%100
41	M54	X	0	0	0	%100
42	M54	Z	0	0	0	%100
43	M55	X	-3.127	-3.127	0	%100
44	M55	Z	0	0	0	%100
45	M56	X	-3.127	-3.127	0	%100
46	M56	Z	0	0	0	%100
47	M57	X	-1.315	-1.315	0	%100
48	M57	Z	0	0	0	%100
49	M58	X	-1.315	-1.315	0	%100
50	M58	Z	0	0	0	%100
51	M59	X	-3.127	-3.127	0	%100
52	M59	Z	0	0	0	%100
53	M60	X	-3.127	-3.127	0	%100
54	M60	Z	0	0	0	%100
55	M61	X	-2.317	-2.317	0	%100
56	M61	Z	0	0	0	%100
57	M62	X	-3.127	-3.127	0	%100

**Member Distributed Loads (BLC 62 : Structure Wi (270 Deg)) (Continued)**

Member Label	Direction	Start Magnitude[lb/ft,F,ksf]	End Magnitude[lb/ft,F,ksf]	Start Locationf..	End Locationft..
58	M62	Z	0	0	%100
59	M63	X	-3.127	0	%100
60	M63	Z	0	0	%100
61	M64	X	-2.92	0	%100
62	M64	Z	0	0	%100
63	M65	X	-2.92	0	%100
64	M65	Z	0	0	%100
65	M66	X	-3.127	0	%100
66	M66	Z	0	0	%100
67	M67	X	-3.127	0	%100
68	M67	Z	0	0	%100
69	M68	X	-2.317	0	%100
70	M68	Z	0	0	%100
71	M69	X	-3.127	0	%100
72	M69	Z	0	0	%100
73	M70	X	-3.127	0	%100
74	M70	Z	0	0	%100
75	M71	X	-2.92	0	%100
76	M71	Z	0	0	%100
77	M72	X	-2.92	0	%100
78	M72	Z	0	0	%100
79	MP1A	X	-3.541	0	%100
80	MP1A	Z	0	0	%100
81	M127	X	-3.889	0	%100
82	M127	Z	0	0	%100
83	M128	X	-1.188	0	%100
84	M128	Z	0	0	%100
85	M129	X	-3.839	0	%100
86	M129	Z	0	0	%100
87	M130	X	-3.839	0	%100
88	M130	Z	0	0	%100
89	M131	X	-.384	0	%100
90	M131	Z	0	0	%100
91	M132	X	-.384	0	%100
92	M132	Z	0	0	%100
93	M133	X	-.384	0	%100
94	M133	Z	0	0	%100
95	M134	X	-.384	0	%100
96	M134	Z	0	0	%100
97	M135	X	-.384	0	%100
98	M135	Z	0	0	%100
99	M117	X	-1.297	0	%100
100	M117	Z	0	0	%100
101	M118A	X	-1.297	0	%100
102	M118A	Z	0	0	%100
103	M121	X	-2.538	0	%100
104	M121	Z	0	0	%100
105	M124	X	-1.297	0	%100
106	M124	Z	0	0	%100
107	M125	X	-1.297	0	%100
108	M125	Z	0	0	%100
109	MP2A	X	-3.207	0	%100
110	MP2A	Z	0	0	%100
111	M127B	X	-1.297	0	%100
112	M127B	Z	0	0	%100
113	M128A	X	-1.297	0	%100
114	M128A	Z	0	0	%100

**Member Distributed Loads (BLC 62 : Structure Wi (270 Deg)) (Continued)**

Member Label	Direction	Start Magnitude[lb/ft,F,ksf]	End Magnitude[lb/ft,F,ksf]	Start Location[f..	End Location[f..
115	M131A	X	-2.093	-2.093	0 %100
116	M131A	Z	0	0	0 %100
117	M134A	X	-1.297	-1.297	0 %100
118	M134A	Z	0	0	0 %100
119	M135A	X	-1.297	-1.297	0 %100
120	M135A	Z	0	0	0 %100
121	MP1C	X	-3.541	-3.541	0 %100
122	MP1C	Z	0	0	0 %100
123	M143	X	-.324	-.324	0 %100
124	M143	Z	0	0	0 %100
125	M144	X	-.324	-.324	0 %100
126	M144	Z	0	0	0 %100
127	M147	X	-2.538	-2.538	0 %100
128	M147	Z	0	0	0 %100
129	M150	X	-.324	-.324	0 %100
130	M150	Z	0	0	0 %100
131	M151	X	-.324	-.324	0 %100
132	M151	Z	0	0	0 %100
133	MP2C	X	-3.207	-3.207	0 %100
134	MP2C	Z	0	0	0 %100
135	M159	X	-.324	-.324	0 %100
136	M159	Z	0	0	0 %100
137	M160	X	-.324	-.324	0 %100
138	M160	Z	0	0	0 %100
139	M163	X	-2.093	-2.093	0 %100
140	M163	Z	0	0	0 %100
141	M166	X	-.324	-.324	0 %100
142	M166	Z	0	0	0 %100
143	M167	X	-.324	-.324	0 %100
144	M167	Z	0	0	0 %100
145	MP1B	X	-3.541	-3.541	0 %100
146	MP1B	Z	0	0	0 %100
147	M175	X	-.324	-.324	0 %100
148	M175	Z	0	0	0 %100
149	M176	X	-.324	-.324	0 %100
150	M176	Z	0	0	0 %100
151	M179	X	-2.538	-2.538	0 %100
152	M179	Z	0	0	0 %100
153	M182	X	-.324	-.324	0 %100
154	M182	Z	0	0	0 %100
155	M183	X	-.324	-.324	0 %100
156	M183	Z	0	0	0 %100
157	MP2B	X	-3.207	-3.207	0 %100
158	MP2B	Z	0	0	0 %100
159	M191	X	-.324	-.324	0 %100
160	M191	Z	0	0	0 %100
161	M192	X	-.324	-.324	0 %100
162	M192	Z	0	0	0 %100
163	M195	X	-2.093	-2.093	0 %100
164	M195	Z	0	0	0 %100
165	M198	X	-.324	-.324	0 %100
166	M198	Z	0	0	0 %100
167	M199	X	-.324	-.324	0 %100
168	M199	Z	0	0	0 %100
169	M202	X	-2.659	-2.659	0 %100
170	M202	Z	0	0	0 %100



Company :  
 Designer :  
 Job Number :  
 Model Name :

July 12, 2023  
 9:33 AM  
 Checked By: \_\_\_\_\_

**Member Distributed Loads (BLC 63 : Structure Wi (300 Deg))**

	Member Label	Direction	Start Magnitude[lb/ft,F,ksf]	End Magnitude[lb/ft,F,ksf]	Start Location[f..	End Location[ft..
1	M1	X	-1.311	-1.311	0	%100
2	M1	Z	-.757	-.757	0	%100
3	M2	X	-1.311	-1.311	0	%100
4	M2	Z	-.757	-.757	0	%100
5	M3	X	-1.311	-1.311	0	%100
6	M3	Z	-.757	-.757	0	%100
7	M4	X	-1.311	-1.311	0	%100
8	M4	Z	-.757	-.757	0	%100
9	M5	X	-5.243	-5.243	0	%100
10	M5	Z	-3.027	-3.027	0	%100
11	M6	X	-5.243	-5.243	0	%100
12	M6	Z	-3.027	-3.027	0	%100
13	M7	X	-1.3	-1.3	0	%100
14	M7	Z	-.75	-.75	0	%100
15	M8	X	-1.3	-1.3	0	%100
16	M8	Z	-.75	-.75	0	%100
17	M9	X	-5.198	-5.198	0	%100
18	M9	Z	-3.001	-3.001	0	%100
19	M13	X	-.264	-.264	0	%100
20	M13	Z	-.152	-.152	0	%100
21	M14A	X	-1.056	-1.056	0	%100
22	M14A	Z	-.61	-.61	0	%100
23	M18	X	-.264	-.264	0	%100
24	M18	Z	-.152	-.152	0	%100
25	M25	X	-4.295	-4.295	0	%100
26	M25	Z	-2.48	-2.48	0	%100
27	M26	X	-1.074	-1.074	0	%100
28	M26	Z	-.62	-.62	0	%100
29	M27	X	-1.074	-1.074	0	%100
30	M27	Z	-.62	-.62	0	%100
31	M34	X	-.264	-.264	0	%100
32	M34	Z	-.152	-.152	0	%100
33	M42	X	-1.056	-1.056	0	%100
34	M42	Z	-.61	-.61	0	%100
35	M50	X	-.264	-.264	0	%100
36	M50	Z	-.152	-.152	0	%100
37	M52	X	-2.708	-2.708	0	%100
38	M52	Z	-1.564	-1.564	0	%100
39	M53	X	-2.708	-2.708	0	%100
40	M53	Z	-1.564	-1.564	0	%100
41	M54	X	-.669	-.669	0	%100
42	M54	Z	-.386	-.386	0	%100
43	M55	X	-2.708	-2.708	0	%100
44	M55	Z	-1.564	-1.564	0	%100
45	M56	X	-2.708	-2.708	0	%100
46	M56	Z	-1.564	-1.564	0	%100
47	M57	X	-1.602	-1.602	0	%100
48	M57	Z	-.925	-.925	0	%100
49	M58	X	-1.602	-1.602	0	%100
50	M58	Z	-.925	-.925	0	%100
51	M59	X	-2.708	-2.708	0	%100
52	M59	Z	-1.564	-1.564	0	%100
53	M60	X	-2.708	-2.708	0	%100
54	M60	Z	-1.564	-1.564	0	%100
55	M61	X	-.669	-.669	0	%100
56	M61	Z	-.386	-.386	0	%100
57	M62	X	-2.708	-2.708	0	%100

**Member Distributed Loads (BLC 63 : Structure Wi (300 Deg)) (Continued)**

Member Label	Direction	Start Magnitude[lb/ft.F.ksf]	End Magnitude[lb/ft.F.ksf]	Start Locationf..	End Locationft..
58	M62	Z	-1.564	0	%100
59	M63	X	-2.708	0	%100
60	M63	Z	-1.564	0	%100
61	M64	X	-1.602	0	%100
62	M64	Z	-.925	0	%100
63	M65	X	-1.602	0	%100
64	M65	Z	-.925	0	%100
65	M66	X	-2.708	0	%100
66	M66	Z	-1.564	0	%100
67	M67	X	-2.708	0	%100
68	M67	Z	-1.564	0	%100
69	M68	X	-2.675	0	%100
70	M68	Z	-1.544	0	%100
71	M69	X	-2.708	0	%100
72	M69	Z	-1.564	0	%100
73	M70	X	-2.708	0	%100
74	M70	Z	-1.564	0	%100
75	M71	X	-2.992	0	%100
76	M71	Z	-1.727	0	%100
77	M72	X	-2.992	0	%100
78	M72	Z	-1.727	0	%100
79	MP1A	X	-3.066	0	%100
80	MP1A	Z	-1.77	0	%100
81	M127	X	-4.491	0	%100
82	M127	Z	-2.593	0	%100
83	M128	X	0	0	%100
84	M128	Z	0	0	%100
85	M129	X	-3.324	0	%100
86	M129	Z	-1.919	0	%100
87	M130	X	-3.324	0	%100
88	M130	Z	-1.919	0	%100
89	M131	X	0	0	%100
90	M131	Z	0	0	%100
91	M132	X	0	0	%100
92	M132	Z	0	0	%100
93	M133	X	0	0	%100
94	M133	Z	0	0	%100
95	M134	X	0	0	%100
96	M134	Z	0	0	%100
97	M135	X	0	0	%100
98	M135	Z	0	0	%100
99	M117	X	-.842	0	%100
100	M117	Z	-.486	0	%100
101	M118A	X	-.842	0	%100
102	M118A	Z	-.486	0	%100
103	M121	X	-2.198	0	%100
104	M121	Z	-1.269	0	%100
105	M124	X	-.842	0	%100
106	M124	Z	-.486	0	%100
107	M125	X	-.842	0	%100
108	M125	Z	-.486	0	%100
109	MP2A	X	-2.777	0	%100
110	MP2A	Z	-1.603	0	%100
111	M127B	X	-.842	0	%100
112	M127B	Z	-.486	0	%100
113	M128A	X	-.842	0	%100
114	M128A	Z	-.486	0	%100

**Member Distributed Loads (BLC 63 : Structure Wi (300 Deg)) (Continued)**

Member Label	Direction	Start Magnitude[lb/ft,F,ksf]	End Magnitude[lb/ft,F,ksf]	Start Location[f..	End Location[f..
115	M131A	X	-1.813	0	%100
116	M131A	Z	-1.047	0	%100
117	M134A	X	-.842	0	%100
118	M134A	Z	-.486	0	%100
119	M135A	X	-.842	0	%100
120	M135A	Z	-.486	0	%100
121	MP1C	X	-3.066	0	%100
122	MP1C	Z	-1.77	0	%100
123	M143	X	-.842	0	%100
124	M143	Z	-.486	0	%100
125	M144	X	-.842	0	%100
126	M144	Z	-.486	0	%100
127	M147	X	-2.198	0	%100
128	M147	Z	-1.269	0	%100
129	M150	X	-.842	0	%100
130	M150	Z	-.486	0	%100
131	M151	X	-.842	0	%100
132	M151	Z	-.486	0	%100
133	MP2C	X	-2.777	0	%100
134	MP2C	Z	-1.603	0	%100
135	M159	X	-.842	0	%100
136	M159	Z	-.486	0	%100
137	M160	X	-.842	0	%100
138	M160	Z	-.486	0	%100
139	M163	X	-1.813	0	%100
140	M163	Z	-1.047	0	%100
141	M166	X	-.842	0	%100
142	M166	Z	-.486	0	%100
143	M167	X	-.842	0	%100
144	M167	Z	-.486	0	%100
145	MP1B	X	-3.066	0	%100
146	MP1B	Z	-1.77	0	%100
147	M175	X	0	0	%100
148	M175	Z	0	0	%100
149	M176	X	0	0	%100
150	M176	Z	0	0	%100
151	M179	X	-2.198	0	%100
152	M179	Z	-1.269	0	%100
153	M182	X	0	0	%100
154	M182	Z	0	0	%100
155	M183	X	0	0	%100
156	M183	Z	0	0	%100
157	MP2B	X	-2.777	0	%100
158	MP2B	Z	-1.603	0	%100
159	M191	X	0	0	%100
160	M191	Z	0	0	%100
161	M192	X	0	0	%100
162	M192	Z	0	0	%100
163	M195	X	-1.813	0	%100
164	M195	Z	-1.047	0	%100
165	M198	X	0	0	%100
166	M198	Z	0	0	%100
167	M199	X	0	0	%100
168	M199	Z	0	0	%100
169	M202	X	-.767	0	%100
170	M202	Z	-.443	0	%100



Company :  
 Designer :  
 Job Number :  
 Model Name :

July 12, 2023  
 9:33 AM  
 Checked By: \_\_\_\_\_

**Member Distributed Loads (BLC 64 : Structure Wi (330 Deg))**

	Member Label	Direction	Start Magnitude[lb/ft,F,ksf]	End Magnitude[lb/ft,F,ksf]	Start Location[f..	End Location[ft..
1	M1	X	-2.27	-2.27	0	%100
2	M1	Z	-3.932	-3.932	0	%100
3	M2	X	-2.27	-2.27	0	%100
4	M2	Z	-3.932	-3.932	0	%100
5	M3	X	0	0	0	%100
6	M3	Z	0	0	0	%100
7	M4	X	0	0	0	%100
8	M4	Z	0	0	0	%100
9	M5	X	-2.27	-2.27	0	%100
10	M5	Z	-3.932	-3.932	0	%100
11	M6	X	-2.27	-2.27	0	%100
12	M6	Z	-3.932	-3.932	0	%100
13	M7	X	-2.251	-2.251	0	%100
14	M7	Z	-3.899	-3.899	0	%100
15	M8	X	0	0	0	%100
16	M8	Z	0	0	0	%100
17	M9	X	-2.251	-2.251	0	%100
18	M9	Z	-3.899	-3.899	0	%100
19	M13	X	0	0	0	%100
20	M13	Z	0	0	0	%100
21	M14A	X	-0.457	-0.457	0	%100
22	M14A	Z	-0.792	-0.792	0	%100
23	M18	X	-0.457	-0.457	0	%100
24	M18	Z	-0.792	-0.792	0	%100
25	M25	X	-1.86	-1.86	0	%100
26	M25	Z	-3.222	-3.222	0	%100
27	M26	X	-1.86	-1.86	0	%100
28	M26	Z	-3.222	-3.222	0	%100
29	M27	X	0	0	0	%100
30	M27	Z	0	0	0	%100
31	M34	X	0	0	0	%100
32	M34	Z	0	0	0	%100
33	M42	X	-0.457	-0.457	0	%100
34	M42	Z	-0.792	-0.792	0	%100
35	M50	X	-0.457	-0.457	0	%100
36	M50	Z	-0.792	-0.792	0	%100
37	M52	X	-1.564	-1.564	0	%100
38	M52	Z	-2.708	-2.708	0	%100
39	M53	X	-1.564	-1.564	0	%100
40	M53	Z	-2.708	-2.708	0	%100
41	M54	X	-1.158	-1.158	0	%100
42	M54	Z	-2.006	-2.006	0	%100
43	M55	X	-1.564	-1.564	0	%100
44	M55	Z	-2.708	-2.708	0	%100
45	M56	X	-1.564	-1.564	0	%100
46	M56	Z	-2.708	-2.708	0	%100
47	M57	X	-1.46	-1.46	0	%100
48	M57	Z	-2.529	-2.529	0	%100
49	M58	X	-1.46	-1.46	0	%100
50	M58	Z	-2.529	-2.529	0	%100
51	M59	X	-1.564	-1.564	0	%100
52	M59	Z	-2.708	-2.708	0	%100
53	M60	X	-1.564	-1.564	0	%100
54	M60	Z	-2.708	-2.708	0	%100
55	M61	X	0	0	0	%100
56	M61	Z	0	0	0	%100
57	M62	X	-1.564	-1.564	0	%100



**Member Distributed Loads (BLC 64 : Structure Wi (330 Deg)) (Continued)**

Member Label	Direction	Start Magnitude[lb/ft.F.ksf]	End Magnitude[lb/ft.F.ksf]	Start Locationf..	End Locationft..
58	M62	Z	-2.708	0	%100
59	M63	X	-1.564	0	%100
60	M63	Z	-2.708	0	%100
61	M64	X	-.658	0	%100
62	M64	Z	-1.139	0	%100
63	M65	X	-.658	0	%100
64	M65	Z	-1.139	0	%100
65	M66	X	-1.564	0	%100
66	M66	Z	-2.708	0	%100
67	M67	X	-1.564	0	%100
68	M67	Z	-2.708	0	%100
69	M68	X	-1.158	0	%100
70	M68	Z	-2.006	0	%100
71	M69	X	-1.564	0	%100
72	M69	Z	-2.708	0	%100
73	M70	X	-1.564	0	%100
74	M70	Z	-2.708	0	%100
75	M71	X	-1.46	0	%100
76	M71	Z	-2.529	0	%100
77	M72	X	-1.46	0	%100
78	M72	Z	-2.529	0	%100
79	MP1A	X	-1.77	0	%100
80	MP1A	Z	-3.066	0	%100
81	M127	X	-1.945	0	%100
82	M127	Z	-3.368	0	%100
83	M128	X	-.594	0	%100
84	M128	Z	-1.029	0	%100
85	M129	X	-1.919	0	%100
86	M129	Z	-3.324	0	%100
87	M130	X	-1.919	0	%100
88	M130	Z	-3.324	0	%100
89	M131	X	-.192	0	%100
90	M131	Z	-.332	0	%100
91	M132	X	-.192	0	%100
92	M132	Z	-.332	0	%100
93	M133	X	-.192	0	%100
94	M133	Z	-.332	0	%100
95	M134	X	-.192	0	%100
96	M134	Z	-.332	0	%100
97	M135	X	-.192	0	%100
98	M135	Z	-.332	0	%100
99	M117	X	-.162	0	%100
100	M117	Z	-.281	0	%100
101	M118A	X	-.162	0	%100
102	M118A	Z	-.281	0	%100
103	M121	X	-1.269	0	%100
104	M121	Z	-2.198	0	%100
105	M124	X	-.162	0	%100
106	M124	Z	-.281	0	%100
107	M125	X	-.162	0	%100
108	M125	Z	-.281	0	%100
109	MP2A	X	-1.603	0	%100
110	MP2A	Z	-2.777	0	%100
111	M127B	X	-.162	0	%100
112	M127B	Z	-.281	0	%100
113	M128A	X	-.162	0	%100
114	M128A	Z	-.281	0	%100

**Member Distributed Loads (BLC 64 : Structure Wi (330 Deg)) (Continued)**

Member Label	Direction	Start Magnitude[lb/ft,F,ksf]	End Magnitude[lb/ft,F,ksf]	Start Location[f..	End Location[ft..
115	M131A	X	-1.047	0	%100
116	M131A	Z	-1.813	0	%100
117	M134A	X	-.162	0	%100
118	M134A	Z	-.281	0	%100
119	M135A	X	-.162	0	%100
120	M135A	Z	-.281	0	%100
121	MP1C	X	-1.77	0	%100
122	MP1C	Z	-3.066	0	%100
123	M143	X	-.648	0	%100
124	M143	Z	-1.123	0	%100
125	M144	X	-.648	0	%100
126	M144	Z	-1.123	0	%100
127	M147	X	-1.269	0	%100
128	M147	Z	-2.198	0	%100
129	M150	X	-.648	0	%100
130	M150	Z	-1.123	0	%100
131	M151	X	-.648	0	%100
132	M151	Z	-1.123	0	%100
133	MP2C	X	-1.603	0	%100
134	MP2C	Z	-2.777	0	%100
135	M159	X	-.648	0	%100
136	M159	Z	-1.123	0	%100
137	M160	X	-.648	0	%100
138	M160	Z	-1.123	0	%100
139	M163	X	-1.047	0	%100
140	M163	Z	-1.813	0	%100
141	M166	X	-.648	0	%100
142	M166	Z	-1.123	0	%100
143	M167	X	-.648	0	%100
144	M167	Z	-1.123	0	%100
145	MP1B	X	-1.77	0	%100
146	MP1B	Z	-3.066	0	%100
147	M175	X	-.162	0	%100
148	M175	Z	-.281	0	%100
149	M176	X	-.162	0	%100
150	M176	Z	-.281	0	%100
151	M179	X	-1.269	0	%100
152	M179	Z	-2.198	0	%100
153	M182	X	-.162	0	%100
154	M182	Z	-.281	0	%100
155	M183	X	-.162	0	%100
156	M183	Z	-.281	0	%100
157	MP2B	X	-1.603	0	%100
158	MP2B	Z	-2.777	0	%100
159	M191	X	-.162	0	%100
160	M191	Z	-.281	0	%100
161	M192	X	-.162	0	%100
162	M192	Z	-.281	0	%100
163	M195	X	-1.047	0	%100
164	M195	Z	-1.813	0	%100
165	M198	X	-.162	0	%100
166	M198	Z	-.281	0	%100
167	M199	X	-.162	0	%100
168	M199	Z	-.281	0	%100
169	M202	X	0	0	%100
170	M202	Z	0	0	%100

**Member Distributed Loads (BLC 65 : Structure Wm (0 Deg))**

	Member Label	Direction	Start Magnitude[lb/ft,F,ksf]	End Magnitude[lb/ft,F,ksf]	Start Location[f..	End Location[f..
1	M1	X	0	0	0	%100
2	M1	Z	-1.596	-1.596	0	%100
3	M2	X	0	0	0	%100
4	M2	Z	-1.596	-1.596	0	%100
5	M3	X	0	0	0	%100
6	M3	Z	-.399	-.399	0	%100
7	M4	X	0	0	0	%100
8	M4	Z	-.399	-.399	0	%100
9	M5	X	0	0	0	%100
10	M5	Z	-.399	-.399	0	%100
11	M6	X	0	0	0	%100
12	M6	Z	-.399	-.399	0	%100
13	M7	X	0	0	0	%100
14	M7	Z	-1.577	-1.577	0	%100
15	M8	X	0	0	0	%100
16	M8	Z	-.394	-.394	0	%100
17	M9	X	0	0	0	%100
18	M9	Z	-.394	-.394	0	%100
19	M13	X	0	0	0	%100
20	M13	Z	-.023	-.023	0	%100
21	M14A	X	0	0	0	%100
22	M14A	Z	-.023	-.023	0	%100
23	M18	X	0	0	0	%100
24	M18	Z	-.09	-.09	0	%100
25	M25	X	0	0	0	%100
26	M25	Z	-.301	-.301	0	%100
27	M26	X	0	0	0	%100
28	M26	Z	-1.202	-1.202	0	%100
29	M27	X	0	0	0	%100
30	M27	Z	-.301	-.301	0	%100
31	M34	X	0	0	0	%100
32	M34	Z	-.023	-.023	0	%100
33	M42	X	0	0	0	%100
34	M42	Z	-.023	-.023	0	%100
35	M50	X	0	0	0	%100
36	M50	Z	-.09	-.09	0	%100
37	M52	X	0	0	0	%100
38	M52	Z	-.651	-.651	0	%100
39	M53	X	0	0	0	%100
40	M53	Z	-.651	-.651	0	%100
41	M54	X	0	0	0	%100
42	M54	Z	-.643	-.643	0	%100
43	M55	X	0	0	0	%100
44	M55	Z	-.651	-.651	0	%100
45	M56	X	0	0	0	%100
46	M56	Z	-.651	-.651	0	%100
47	M57	X	0	0	0	%100
48	M57	Z	-.701	-.701	0	%100
49	M58	X	0	0	0	%100
50	M58	Z	-.701	-.701	0	%100
51	M59	X	0	0	0	%100
52	M59	Z	-.651	-.651	0	%100
53	M60	X	0	0	0	%100
54	M60	Z	-.651	-.651	0	%100
55	M61	X	0	0	0	%100
56	M61	Z	-.161	-.161	0	%100
57	M62	X	0	0	0	%100

**Member Distributed Loads (BLC 65 : Structure Wm (0 Deg)) (Continued)**

Member Label	Direction	Start Magnitude[lb/ft,F,ksf]	End Magnitude[lb/ft,F,ksf]	Start Locationf..	End Locationft..
58	M62	Z	-.651	0	%100
59	M63	X	0	0	%100
60	M63	Z	-.651	0	%100
61	M64	X	0	0	%100
62	M64	Z	-.376	0	%100
63	M65	X	0	0	%100
64	M65	Z	-.376	0	%100
65	M66	X	0	0	%100
66	M66	Z	-.651	0	%100
67	M67	X	0	0	%100
68	M67	Z	-.651	0	%100
69	M68	X	0	0	%100
70	M68	Z	-.161	0	%100
71	M69	X	0	0	%100
72	M69	Z	-.651	0	%100
73	M70	X	0	0	%100
74	M70	Z	-.651	0	%100
75	M71	X	0	0	%100
76	M71	Z	-.376	0	%100
77	M72	X	0	0	%100
78	M72	Z	-.376	0	%100
79	MP1A	X	0	0	%100
80	MP1A	Z	-.691	0	%100
81	M127	X	0	0	%100
82	M127	Z	-.35	0	%100
83	M128	X	0	0	%100
84	M128	Z	-.972	0	%100
85	M129	X	0	0	%100
86	M129	Z	-.801	0	%100
87	M130	X	0	0	%100
88	M130	Z	-.801	0	%100
89	M131	X	0	0	%100
90	M131	Z	-.126	0	%100
91	M132	X	0	0	%100
92	M132	Z	-.126	0	%100
93	M133	X	0	0	%100
94	M133	Z	-.126	0	%100
95	M134	X	0	0	%100
96	M134	Z	-.126	0	%100
97	M135	X	0	0	%100
98	M135	Z	-.126	0	%100
99	M117	X	0	0	%100
100	M117	Z	0	0	%100
101	M118A	X	0	0	%100
102	M118A	Z	0	0	%100
103	M121	X	0	0	%100
104	M121	Z	-.454	0	%100
105	M124	X	0	0	%100
106	M124	Z	0	0	%100
107	M125	X	0	0	%100
108	M125	Z	0	0	%100
109	MP2A	X	0	0	%100
110	MP2A	Z	-.571	0	%100
111	M127B	X	0	0	%100
112	M127B	Z	0	0	%100
113	M128A	X	0	0	%100
114	M128A	Z	0	0	%100

**Member Distributed Loads (BLC 65 : Structure Wm (0 Deg)) (Continued)**

Member Label	Direction	Start Magnitude[lb/ft,F,ksf]	End Magnitude[lb/ft,F,ksf]	Start Location[f..	End Location[ft..
115	M131A	X	0	0	%100
116	M131A	Z	-.373	0	%100
117	M134A	X	0	0	%100
118	M134A	Z	0	0	%100
119	M135A	X	0	0	%100
120	M135A	Z	0	0	%100
121	MP1C	X	0	0	%100
122	MP1C	Z	-.691	0	%100
123	M143	X	0	0	%100
124	M143	Z	-.082	0	%100
125	M144	X	0	0	%100
126	M144	Z	-.082	0	%100
127	M147	X	0	0	%100
128	M147	Z	-.454	0	%100
129	M150	X	0	0	%100
130	M150	Z	-.082	0	%100
131	M151	X	0	0	%100
132	M151	Z	-.082	0	%100
133	MP2C	X	0	0	%100
134	MP2C	Z	-.571	0	%100
135	M159	X	0	0	%100
136	M159	Z	-.082	0	%100
137	M160	X	0	0	%100
138	M160	Z	-.082	0	%100
139	M163	X	0	0	%100
140	M163	Z	-.373	0	%100
141	M166	X	0	0	%100
142	M166	Z	-.082	0	%100
143	M167	X	0	0	%100
144	M167	Z	-.082	0	%100
145	MP1B	X	0	0	%100
146	MP1B	Z	-.691	0	%100
147	M175	X	0	0	%100
148	M175	Z	-.082	0	%100
149	M176	X	0	0	%100
150	M176	Z	-.082	0	%100
151	M179	X	0	0	%100
152	M179	Z	-.454	0	%100
153	M182	X	0	0	%100
154	M182	Z	-.082	0	%100
155	M183	X	0	0	%100
156	M183	Z	-.082	0	%100
157	MP2B	X	0	0	%100
158	MP2B	Z	-.571	0	%100
159	M191	X	0	0	%100
160	M191	Z	-.082	0	%100
161	M192	X	0	0	%100
162	M192	Z	-.082	0	%100
163	M195	X	0	0	%100
164	M195	Z	-.373	0	%100
165	M198	X	0	0	%100
166	M198	Z	-.082	0	%100
167	M199	X	0	0	%100
168	M199	Z	-.082	0	%100
169	M202	X	0	0	%100
170	M202	Z	-.215	0	%100

**Member Distributed Loads (BLC 66 : Structure Wm (30 Deg))**

	Member Label	Direction	Start Magnitude[lb/ft,F,ksf]	End Magnitude[lb/ft,F,ksf]	Start Location[f..	End Location[ft..
1	M1	X	.599	.599	0	%100
2	M1	Z	-1.037	-1.037	0	%100
3	M2	X	.599	.599	0	%100
4	M2	Z	-1.037	-1.037	0	%100
5	M3	X	.599	.599	0	%100
6	M3	Z	-1.037	-1.037	0	%100
7	M4	X	.599	.599	0	%100
8	M4	Z	-1.037	-1.037	0	%100
9	M5	X	0	0	0	%100
10	M5	Z	0	0	0	%100
11	M6	X	0	0	0	%100
12	M6	Z	0	0	0	%100
13	M7	X	.592	.592	0	%100
14	M7	Z	-1.025	-1.025	0	%100
15	M8	X	.592	.592	0	%100
16	M8	Z	-1.025	-1.025	0	%100
17	M9	X	0	0	0	%100
18	M9	Z	0	0	0	%100
19	M13	X	.034	.034	0	%100
20	M13	Z	-.059	-.059	0	%100
21	M14A	X	0	0	0	%100
22	M14A	Z	0	0	0	%100
23	M18	X	.034	.034	0	%100
24	M18	Z	-.059	-.059	0	%100
25	M25	X	0	0	0	%100
26	M25	Z	0	0	0	%100
27	M26	X	.451	.451	0	%100
28	M26	Z	-.781	-.781	0	%100
29	M27	X	.451	.451	0	%100
30	M27	Z	-.781	-.781	0	%100
31	M34	X	.034	.034	0	%100
32	M34	Z	-.059	-.059	0	%100
33	M42	X	0	0	0	%100
34	M42	Z	0	0	0	%100
35	M50	X	.034	.034	0	%100
36	M50	Z	-.059	-.059	0	%100
37	M52	X	.326	.326	0	%100
38	M52	Z	-.564	-.564	0	%100
39	M53	X	.326	.326	0	%100
40	M53	Z	-.564	-.564	0	%100
41	M54	X	.241	.241	0	%100
42	M54	Z	-.418	-.418	0	%100
43	M55	X	.326	.326	0	%100
44	M55	Z	-.564	-.564	0	%100
45	M56	X	.326	.326	0	%100
46	M56	Z	-.564	-.564	0	%100
47	M57	X	.296	.296	0	%100
48	M57	Z	-.513	-.513	0	%100
49	M58	X	.296	.296	0	%100
50	M58	Z	-.513	-.513	0	%100
51	M59	X	.326	.326	0	%100
52	M59	Z	-.564	-.564	0	%100
53	M60	X	.326	.326	0	%100
54	M60	Z	-.564	-.564	0	%100
55	M61	X	.241	.241	0	%100
56	M61	Z	-.418	-.418	0	%100
57	M62	X	.326	.326	0	%100



Company :  
 Designer :  
 Job Number :  
 Model Name :

July 12, 2023  
 9:33 AM  
 Checked By: \_\_\_\_\_

**Member Distributed Loads (BLC 66 : Structure Wm (30 Deg)) (Continued)**

Member Label	Direction	Start Magnitude[lb/ft.F.ksf]	End Magnitude[lb/ft.F.ksf]	Start Locationf.	End Locationft.
58	M62	Z	-.564	0	%100
59	M63	X	.326	0	%100
60	M63	Z	-.564	0	%100
61	M64	X	.296	0	%100
62	M64	Z	-.513	0	%100
63	M65	X	.296	0	%100
64	M65	Z	-.513	0	%100
65	M66	X	.326	0	%100
66	M66	Z	-.564	0	%100
67	M67	X	.326	0	%100
68	M67	Z	-.564	0	%100
69	M68	X	0	0	%100
70	M68	Z	0	0	%100
71	M69	X	.326	0	%100
72	M69	Z	-.564	0	%100
73	M70	X	.326	0	%100
74	M70	Z	-.564	0	%100
75	M71	X	.133	0	%100
76	M71	Z	-.231	0	%100
77	M72	X	.133	0	%100
78	M72	Z	-.231	0	%100
79	MP1A	X	.346	0	%100
80	MP1A	Z	-.599	0	%100
81	M127	X	0	0	%100
82	M127	Z	0	0	%100
83	M128	X	.648	0	%100
84	M128	Z	-1.122	0	%100
85	M129	X	.401	0	%100
86	M129	Z	-.694	0	%100
87	M130	X	.401	0	%100
88	M130	Z	-.694	0	%100
89	M131	X	.084	0	%100
90	M131	Z	-.146	0	%100
91	M132	X	.084	0	%100
92	M132	Z	-.146	0	%100
93	M133	X	.084	0	%100
94	M133	Z	-.146	0	%100
95	M134	X	.084	0	%100
96	M134	Z	-.146	0	%100
97	M135	X	.084	0	%100
98	M135	Z	-.146	0	%100
99	M117	X	.014	0	%100
100	M117	Z	-.024	0	%100
101	M118A	X	.014	0	%100
102	M118A	Z	-.024	0	%100
103	M121	X	.227	0	%100
104	M121	Z	-.393	0	%100
105	M124	X	.014	0	%100
106	M124	Z	-.024	0	%100
107	M125	X	.014	0	%100
108	M125	Z	-.024	0	%100
109	MP2A	X	.286	0	%100
110	MP2A	Z	-.495	0	%100
111	M127B	X	.014	0	%100
112	M127B	Z	-.024	0	%100
113	M128A	X	.014	0	%100
114	M128A	Z	-.024	0	%100

**Member Distributed Loads (BLC 66 : Structure Wm (30 Deg)) (Continued)**

Member Label	Direction	Start Magnitude[lb/ft,F,ksf]	End Magnitude[lb/ft,F,ksf]	Start Location[f..	End Location[f..
115	M131A	X	.187	0	%100
116	M131A	Z	-.323	0	%100
117	M134A	X	.014	0	%100
118	M134A	Z	-.024	0	%100
119	M135A	X	.014	0	%100
120	M135A	Z	-.024	0	%100
121	MP1C	X	.346	0	%100
122	MP1C	Z	-.599	0	%100
123	M143	X	.014	0	%100
124	M143	Z	-.024	0	%100
125	M144	X	.014	0	%100
126	M144	Z	-.024	0	%100
127	M147	X	.227	0	%100
128	M147	Z	-.393	0	%100
129	M150	X	.014	0	%100
130	M150	Z	-.024	0	%100
131	M151	X	.014	0	%100
132	M151	Z	-.024	0	%100
133	MP2C	X	.286	0	%100
134	MP2C	Z	-.495	0	%100
135	M159	X	.014	0	%100
136	M159	Z	-.024	0	%100
137	M160	X	.014	0	%100
138	M160	Z	-.024	0	%100
139	M163	X	.187	0	%100
140	M163	Z	-.323	0	%100
141	M166	X	.014	0	%100
142	M166	Z	-.024	0	%100
143	M167	X	.014	0	%100
144	M167	Z	-.024	0	%100
145	MP1B	X	.346	0	%100
146	MP1B	Z	-.599	0	%100
147	M175	X	.055	0	%100
148	M175	Z	-.094	0	%100
149	M176	X	.055	0	%100
150	M176	Z	-.094	0	%100
151	M179	X	.227	0	%100
152	M179	Z	-.393	0	%100
153	M182	X	.055	0	%100
154	M182	Z	-.094	0	%100
155	M183	X	.055	0	%100
156	M183	Z	-.094	0	%100
157	MP2B	X	.286	0	%100
158	MP2B	Z	-.495	0	%100
159	M191	X	.055	0	%100
160	M191	Z	-.094	0	%100
161	M192	X	.055	0	%100
162	M192	Z	-.094	0	%100
163	M195	X	.187	0	%100
164	M195	Z	-.323	0	%100
165	M198	X	.055	0	%100
166	M198	Z	-.094	0	%100
167	M199	X	.055	0	%100
168	M199	Z	-.094	0	%100
169	M202	X	.322	0	%100
170	M202	Z	-.557	0	%100





Company :  
 Designer :  
 Job Number :  
 Model Name :

July 12, 2023  
 9:33 AM  
 Checked By: \_\_\_\_\_

**Member Distributed Loads (BLC 67 : Structure Wm (60 Deg))**

	Member Label	Direction	Start Magnitude[lb/ft,F,ksf]	End Magnitude[lb/ft,F,ksf]	Start Location[f..	End Location[ft..
1	M1	X	.346	.346	0	%100
2	M1	Z	-.2	-.2	0	%100
3	M2	X	.346	.346	0	%100
4	M2	Z	-.2	-.2	0	%100
5	M3	X	1.382	1.382	0	%100
6	M3	Z	-.798	-.798	0	%100
7	M4	X	1.382	1.382	0	%100
8	M4	Z	-.798	-.798	0	%100
9	M5	X	.346	.346	0	%100
10	M5	Z	-.2	-.2	0	%100
11	M6	X	.346	.346	0	%100
12	M6	Z	-.2	-.2	0	%100
13	M7	X	.342	.342	0	%100
14	M7	Z	-.197	-.197	0	%100
15	M8	X	1.366	1.366	0	%100
16	M8	Z	-.789	-.789	0	%100
17	M9	X	.342	.342	0	%100
18	M9	Z	-.197	-.197	0	%100
19	M13	X	.078	.078	0	%100
20	M13	Z	-.045	-.045	0	%100
21	M14A	X	.02	.02	0	%100
22	M14A	Z	-.011	-.011	0	%100
23	M18	X	.02	.02	0	%100
24	M18	Z	-.011	-.011	0	%100
25	M25	X	.26	.26	0	%100
26	M25	Z	-.15	-.15	0	%100
27	M26	X	.26	.26	0	%100
28	M26	Z	-.15	-.15	0	%100
29	M27	X	1.041	1.041	0	%100
30	M27	Z	-.601	-.601	0	%100
31	M34	X	.078	.078	0	%100
32	M34	Z	-.045	-.045	0	%100
33	M42	X	.02	.02	0	%100
34	M42	Z	-.011	-.011	0	%100
35	M50	X	.02	.02	0	%100
36	M50	Z	-.011	-.011	0	%100
37	M52	X	.564	.564	0	%100
38	M52	Z	-.326	-.326	0	%100
39	M53	X	.564	.564	0	%100
40	M53	Z	-.326	-.326	0	%100
41	M54	X	.139	.139	0	%100
42	M54	Z	-.08	-.08	0	%100
43	M55	X	.564	.564	0	%100
44	M55	Z	-.326	-.326	0	%100
45	M56	X	.564	.564	0	%100
46	M56	Z	-.326	-.326	0	%100
47	M57	X	.325	.325	0	%100
48	M57	Z	-.188	-.188	0	%100
49	M58	X	.325	.325	0	%100
50	M58	Z	-.188	-.188	0	%100
51	M59	X	.564	.564	0	%100
52	M59	Z	-.326	-.326	0	%100
53	M60	X	.564	.564	0	%100
54	M60	Z	-.326	-.326	0	%100
55	M61	X	.557	.557	0	%100
56	M61	Z	-.321	-.321	0	%100
57	M62	X	.564	.564	0	%100

**Member Distributed Loads (BLC 67 : Structure Wm (60 Deg)) (Continued)**

Member Label	Direction	Start Magnitude[lb/ft,F,ksf]	End Magnitude[lb/ft,F,ksf]	Start Locationf..	End Locationft..
58	M62	Z	-.326	0	%100
59	M63	X	.564	0	%100
60	M63	Z	-.326	0	%100
61	M64	X	.607	0	%100
62	M64	Z	-.351	0	%100
63	M65	X	.607	0	%100
64	M65	Z	-.351	0	%100
65	M66	X	.564	0	%100
66	M66	Z	-.326	0	%100
67	M67	X	.564	0	%100
68	M67	Z	-.326	0	%100
69	M68	X	.139	0	%100
70	M68	Z	-.08	0	%100
71	M69	X	.564	0	%100
72	M69	Z	-.326	0	%100
73	M70	X	.564	0	%100
74	M70	Z	-.326	0	%100
75	M71	X	.325	0	%100
76	M71	Z	-.188	0	%100
77	M72	X	.325	0	%100
78	M72	Z	-.188	0	%100
79	MP1A	X	.599	0	%100
80	MP1A	Z	-.346	0	%100
81	M127	X	.303	0	%100
82	M127	Z	-.175	0	%100
83	M128	X	.842	0	%100
84	M128	Z	-.486	0	%100
85	M129	X	.694	0	%100
86	M129	Z	-.401	0	%100
87	M130	X	.694	0	%100
88	M130	Z	-.401	0	%100
89	M131	X	.109	0	%100
90	M131	Z	-.063	0	%100
91	M132	X	.109	0	%100
92	M132	Z	-.063	0	%100
93	M133	X	.109	0	%100
94	M133	Z	-.063	0	%100
95	M134	X	.109	0	%100
96	M134	Z	-.063	0	%100
97	M135	X	.109	0	%100
98	M135	Z	-.063	0	%100
99	M117	X	.071	0	%100
100	M117	Z	-.041	0	%100
101	M118A	X	.071	0	%100
102	M118A	Z	-.041	0	%100
103	M121	X	.393	0	%100
104	M121	Z	-.227	0	%100
105	M124	X	.071	0	%100
106	M124	Z	-.041	0	%100
107	M125	X	.071	0	%100
108	M125	Z	-.041	0	%100
109	MP2A	X	.495	0	%100
110	MP2A	Z	-.286	0	%100
111	M127B	X	.071	0	%100
112	M127B	Z	-.041	0	%100
113	M128A	X	.071	0	%100
114	M128A	Z	-.041	0	%100



Company :  
 Designer :  
 Job Number :  
 Model Name :

July 12, 2023  
 9:33 AM  
 Checked By: \_\_\_\_\_

**Member Distributed Loads (BLC 67 : Structure Wm (60 Deg)) (Continued)**

Member Label	Direction	Start Magnitude[lb/ft,F,ksf]	End Magnitude[lb/ft,F,ksf]	Start Location[f..	End Location[ft..
115	M131A	X	.323	.323	0 %100
116	M131A	Z	-.187	-.187	0 %100
117	M134A	X	.071	.071	0 %100
118	M134A	Z	-.041	-.041	0 %100
119	M135A	X	.071	.071	0 %100
120	M135A	Z	-.041	-.041	0 %100
121	MP1C	X	.599	.599	0 %100
122	MP1C	Z	-.346	-.346	0 %100
123	M143	X	0	0	0 %100
124	M143	Z	0	0	0 %100
125	M144	X	0	0	0 %100
126	M144	Z	0	0	0 %100
127	M147	X	.393	.393	0 %100
128	M147	Z	-.227	-.227	0 %100
129	M150	X	0	0	0 %100
130	M150	Z	0	0	0 %100
131	M151	X	0	0	0 %100
132	M151	Z	0	0	0 %100
133	MP2C	X	.495	.495	0 %100
134	MP2C	Z	-.286	-.286	0 %100
135	M159	X	0	0	0 %100
136	M159	Z	0	0	0 %100
137	M160	X	0	0	0 %100
138	M160	Z	0	0	0 %100
139	M163	X	.323	.323	0 %100
140	M163	Z	-.187	-.187	0 %100
141	M166	X	0	0	0 %100
142	M166	Z	0	0	0 %100
143	M167	X	0	0	0 %100
144	M167	Z	0	0	0 %100
145	MP1B	X	.599	.599	0 %100
146	MP1B	Z	-.346	-.346	0 %100
147	M175	X	.071	.071	0 %100
148	M175	Z	-.041	-.041	0 %100
149	M176	X	.071	.071	0 %100
150	M176	Z	-.041	-.041	0 %100
151	M179	X	.393	.393	0 %100
152	M179	Z	-.227	-.227	0 %100
153	M182	X	.071	.071	0 %100
154	M182	Z	-.041	-.041	0 %100
155	M183	X	.071	.071	0 %100
156	M183	Z	-.041	-.041	0 %100
157	MP2B	X	.495	.495	0 %100
158	MP2B	Z	-.286	-.286	0 %100
159	M191	X	.071	.071	0 %100
160	M191	Z	-.041	-.041	0 %100
161	M192	X	.071	.071	0 %100
162	M192	Z	-.041	-.041	0 %100
163	M195	X	.323	.323	0 %100
164	M195	Z	-.187	-.187	0 %100
165	M198	X	.071	.071	0 %100
166	M198	Z	-.041	-.041	0 %100
167	M199	X	.071	.071	0 %100
168	M199	Z	-.041	-.041	0 %100
169	M202	X	.743	.743	0 %100
170	M202	Z	-.429	-.429	0 %100



Company :  
 Designer :  
 Job Number :  
 Model Name :

July 12, 2023  
 9:33 AM  
 Checked By: \_\_\_\_\_

**Member Distributed Loads (BLC 68 : Structure Wm (90 Deg))**

	Member Label	Direction	Start Magnitude[lb/ft,F,ksf]	End Magnitude[lb/ft,F,ksf]	Start Location[f..	End Location[ft..
1	M1	X	0	0	0	%100
2	M1	Z	0	0	0	%100
3	M2	X	0	0	0	%100
4	M2	Z	0	0	0	%100
5	M3	X	1.197	1.197	0	%100
6	M3	Z	0	0	0	%100
7	M4	X	1.197	1.197	0	%100
8	M4	Z	0	0	0	%100
9	M5	X	1.197	1.197	0	%100
10	M5	Z	0	0	0	%100
11	M6	X	1.197	1.197	0	%100
12	M6	Z	0	0	0	%100
13	M7	X	0	0	0	%100
14	M7	Z	0	0	0	%100
15	M8	X	1.183	1.183	0	%100
16	M8	Z	0	0	0	%100
17	M9	X	1.183	1.183	0	%100
18	M9	Z	0	0	0	%100
19	M13	X	.068	.068	0	%100
20	M13	Z	0	0	0	%100
21	M14A	X	.068	.068	0	%100
22	M14A	Z	0	0	0	%100
23	M18	X	0	0	0	%100
24	M18	Z	0	0	0	%100
25	M25	X	.902	.902	0	%100
26	M25	Z	0	0	0	%100
27	M26	X	0	0	0	%100
28	M26	Z	0	0	0	%100
29	M27	X	.902	.902	0	%100
30	M27	Z	0	0	0	%100
31	M34	X	.068	.068	0	%100
32	M34	Z	0	0	0	%100
33	M42	X	.068	.068	0	%100
34	M42	Z	0	0	0	%100
35	M50	X	0	0	0	%100
36	M50	Z	0	0	0	%100
37	M52	X	.651	.651	0	%100
38	M52	Z	0	0	0	%100
39	M53	X	.651	.651	0	%100
40	M53	Z	0	0	0	%100
41	M54	X	0	0	0	%100
42	M54	Z	0	0	0	%100
43	M55	X	.651	.651	0	%100
44	M55	Z	0	0	0	%100
45	M56	X	.651	.651	0	%100
46	M56	Z	0	0	0	%100
47	M57	X	.267	.267	0	%100
48	M57	Z	0	0	0	%100
49	M58	X	.267	.267	0	%100
50	M58	Z	0	0	0	%100
51	M59	X	.651	.651	0	%100
52	M59	Z	0	0	0	%100
53	M60	X	.651	.651	0	%100
54	M60	Z	0	0	0	%100
55	M61	X	.482	.482	0	%100
56	M61	Z	0	0	0	%100
57	M62	X	.651	.651	0	%100

**Member Distributed Loads (BLC 68 : Structure Wm (90 Deg)) (Continued)**

Member Label	Direction	Start Magnitude[lb/ft,F,ksf]	End Magnitude[lb/ft,F,ksf]	Start Locationf..	End Locationft..
58	M62	Z	0	0	%100
59	M63	X	.651	.651	%100
60	M63	Z	0	0	%100
61	M64	X	.593	.593	%100
62	M64	Z	0	0	%100
63	M65	X	.593	.593	%100
64	M65	Z	0	0	%100
65	M66	X	.651	.651	%100
66	M66	Z	0	0	%100
67	M67	X	.651	.651	%100
68	M67	Z	0	0	%100
69	M68	X	.482	.482	%100
70	M68	Z	0	0	%100
71	M69	X	.651	.651	%100
72	M69	Z	0	0	%100
73	M70	X	.651	.651	%100
74	M70	Z	0	0	%100
75	M71	X	.593	.593	%100
76	M71	Z	0	0	%100
77	M72	X	.593	.593	%100
78	M72	Z	0	0	%100
79	MP1A	X	.691	.691	%100
80	MP1A	Z	0	0	%100
81	M127	X	1.049	1.049	%100
82	M127	Z	0	0	%100
83	M128	X	.324	.324	%100
84	M128	Z	0	0	%100
85	M129	X	.801	.801	%100
86	M129	Z	0	0	%100
87	M130	X	.801	.801	%100
88	M130	Z	0	0	%100
89	M131	X	.042	.042	%100
90	M131	Z	0	0	%100
91	M132	X	.042	.042	%100
92	M132	Z	0	0	%100
93	M133	X	.042	.042	%100
94	M133	Z	0	0	%100
95	M134	X	.042	.042	%100
96	M134	Z	0	0	%100
97	M135	X	.042	.042	%100
98	M135	Z	0	0	%100
99	M117	X	.109	.109	%100
100	M117	Z	0	0	%100
101	M118A	X	.109	.109	%100
102	M118A	Z	0	0	%100
103	M121	X	.454	.454	%100
104	M121	Z	0	0	%100
105	M124	X	.109	.109	%100
106	M124	Z	0	0	%100
107	M125	X	.109	.109	%100
108	M125	Z	0	0	%100
109	MP2A	X	.571	.571	%100
110	MP2A	Z	0	0	%100
111	M127B	X	.109	.109	%100
112	M127B	Z	0	0	%100
113	M128A	X	.109	.109	%100
114	M128A	Z	0	0	%100

**Member Distributed Loads (BLC 68 : Structure Wm (90 Deg)) (Continued)**

Member Label	Direction	Start Magnitude[lb/ft,F,ksf]	End Magnitude[lb/ft,F,ksf]	Start Location[f..	End Location[ft..
115	M131A	X	.373	0	%100
116	M131A	Z	0	0	%100
117	M134A	X	.109	0	%100
118	M134A	Z	0	0	%100
119	M135A	X	.109	0	%100
120	M135A	Z	0	0	%100
121	MP1C	X	.691	0	%100
122	MP1C	Z	0	0	%100
123	M143	X	.027	0	%100
124	M143	Z	0	0	%100
125	M144	X	.027	0	%100
126	M144	Z	0	0	%100
127	M147	X	.454	0	%100
128	M147	Z	0	0	%100
129	M150	X	.027	0	%100
130	M150	Z	0	0	%100
131	M151	X	.027	0	%100
132	M151	Z	0	0	%100
133	MP2C	X	.571	0	%100
134	MP2C	Z	0	0	%100
135	M159	X	.027	0	%100
136	M159	Z	0	0	%100
137	M160	X	.027	0	%100
138	M160	Z	0	0	%100
139	M163	X	.373	0	%100
140	M163	Z	0	0	%100
141	M166	X	.027	0	%100
142	M166	Z	0	0	%100
143	M167	X	.027	0	%100
144	M167	Z	0	0	%100
145	MP1B	X	.691	0	%100
146	MP1B	Z	0	0	%100
147	M175	X	.027	0	%100
148	M175	Z	0	0	%100
149	M176	X	.027	0	%100
150	M176	Z	0	0	%100
151	M179	X	.454	0	%100
152	M179	Z	0	0	%100
153	M182	X	.027	0	%100
154	M182	Z	0	0	%100
155	M183	X	.027	0	%100
156	M183	Z	0	0	%100
157	MP2B	X	.571	0	%100
158	MP2B	Z	0	0	%100
159	M191	X	.027	0	%100
160	M191	Z	0	0	%100
161	M192	X	.027	0	%100
162	M192	Z	0	0	%100
163	M195	X	.373	0	%100
164	M195	Z	0	0	%100
165	M198	X	.027	0	%100
166	M198	Z	0	0	%100
167	M199	X	.027	0	%100
168	M199	Z	0	0	%100
169	M202	X	.644	0	%100
170	M202	Z	0	0	%100



Company :  
 Designer :  
 Job Number :  
 Model Name :

July 12, 2023  
 9:33 AM  
 Checked By: \_\_\_\_\_

**Member Distributed Loads (BLC 69 : Structure Wm (120 Deg))**

	Member Label	Direction	Start Magnitude[lb/ft,F,ksf]	End Magnitude[lb/ft,F,ksf]	Start Location[f..	End Location[ft..
1	M1	X	.346	.346	0	%100
2	M1	Z	.2	.2	0	%100
3	M2	X	.346	.346	0	%100
4	M2	Z	.2	.2	0	%100
5	M3	X	.346	.346	0	%100
6	M3	Z	.2	.2	0	%100
7	M4	X	.346	.346	0	%100
8	M4	Z	.2	.2	0	%100
9	M5	X	1.382	1.382	0	%100
10	M5	Z	.798	.798	0	%100
11	M6	X	1.382	1.382	0	%100
12	M6	Z	.798	.798	0	%100
13	M7	X	.342	.342	0	%100
14	M7	Z	.197	.197	0	%100
15	M8	X	.342	.342	0	%100
16	M8	Z	.197	.197	0	%100
17	M9	X	1.366	1.366	0	%100
18	M9	Z	.789	.789	0	%100
19	M13	X	.02	.02	0	%100
20	M13	Z	.011	.011	0	%100
21	M14A	X	.078	.078	0	%100
22	M14A	Z	.045	.045	0	%100
23	M18	X	.02	.02	0	%100
24	M18	Z	.011	.011	0	%100
25	M25	X	1.041	1.041	0	%100
26	M25	Z	.601	.601	0	%100
27	M26	X	.26	.26	0	%100
28	M26	Z	.15	.15	0	%100
29	M27	X	.26	.26	0	%100
30	M27	Z	.15	.15	0	%100
31	M34	X	.02	.02	0	%100
32	M34	Z	.011	.011	0	%100
33	M42	X	.078	.078	0	%100
34	M42	Z	.045	.045	0	%100
35	M50	X	.02	.02	0	%100
36	M50	Z	.011	.011	0	%100
37	M52	X	.564	.564	0	%100
38	M52	Z	.326	.326	0	%100
39	M53	X	.564	.564	0	%100
40	M53	Z	.326	.326	0	%100
41	M54	X	.139	.139	0	%100
42	M54	Z	.08	.08	0	%100
43	M55	X	.564	.564	0	%100
44	M55	Z	.326	.326	0	%100
45	M56	X	.564	.564	0	%100
46	M56	Z	.326	.326	0	%100
47	M57	X	.325	.325	0	%100
48	M57	Z	.188	.188	0	%100
49	M58	X	.325	.325	0	%100
50	M58	Z	.188	.188	0	%100
51	M59	X	.564	.564	0	%100
52	M59	Z	.326	.326	0	%100
53	M60	X	.564	.564	0	%100
54	M60	Z	.326	.326	0	%100
55	M61	X	.139	.139	0	%100
56	M61	Z	.08	.08	0	%100
57	M62	X	.564	.564	0	%100



Company :  
 Designer :  
 Job Number :  
 Model Name :

July 12, 2023  
 9:33 AM  
 Checked By: \_\_\_\_\_

**Member Distributed Loads (BLC 69 : Structure Wm (120 Deg)) (Continued)**

Member Label	Direction	Start Magnitude[lb/ft,F,ksf]	End Magnitude[lb/ft,F,ksf]	Start Locationf..	End Locationft..
58	M62	Z	.326	.326	0 %100
59	M63	X	.564	.564	0 %100
60	M63	Z	.326	.326	0 %100
61	M64	X	.325	.325	0 %100
62	M64	Z	.188	.188	0 %100
63	M65	X	.325	.325	0 %100
64	M65	Z	.188	.188	0 %100
65	M66	X	.564	.564	0 %100
66	M66	Z	.326	.326	0 %100
67	M67	X	.564	.564	0 %100
68	M67	Z	.326	.326	0 %100
69	M68	X	.557	.557	0 %100
70	M68	Z	.321	.321	0 %100
71	M69	X	.564	.564	0 %100
72	M69	Z	.326	.326	0 %100
73	M70	X	.564	.564	0 %100
74	M70	Z	.326	.326	0 %100
75	M71	X	.607	.607	0 %100
76	M71	Z	.351	.351	0 %100
77	M72	X	.607	.607	0 %100
78	M72	Z	.351	.351	0 %100
79	MP1A	X	.599	.599	0 %100
80	MP1A	Z	.346	.346	0 %100
81	M127	X	1.212	1.212	0 %100
82	M127	Z	.7	.7	0 %100
83	M128	X	0	0	0 %100
84	M128	Z	0	0	0 %100
85	M129	X	.694	.694	0 %100
86	M129	Z	.401	.401	0 %100
87	M130	X	.694	.694	0 %100
88	M130	Z	.401	.401	0 %100
89	M131	X	0	0	0 %100
90	M131	Z	0	0	0 %100
91	M132	X	0	0	0 %100
92	M132	Z	0	0	0 %100
93	M133	X	0	0	0 %100
94	M133	Z	0	0	0 %100
95	M134	X	0	0	0 %100
96	M134	Z	0	0	0 %100
97	M135	X	0	0	0 %100
98	M135	Z	0	0	0 %100
99	M117	X	.071	.071	0 %100
100	M117	Z	.041	.041	0 %100
101	M118A	X	.071	.071	0 %100
102	M118A	Z	.041	.041	0 %100
103	M121	X	.393	.393	0 %100
104	M121	Z	.227	.227	0 %100
105	M124	X	.071	.071	0 %100
106	M124	Z	.041	.041	0 %100
107	M125	X	.071	.071	0 %100
108	M125	Z	.041	.041	0 %100
109	MP2A	X	.495	.495	0 %100
110	MP2A	Z	.286	.286	0 %100
111	M127B	X	.071	.071	0 %100
112	M127B	Z	.041	.041	0 %100
113	M128A	X	.071	.071	0 %100
114	M128A	Z	.041	.041	0 %100



**Member Distributed Loads (BLC 69 : Structure Wm (120 Deg)) (Continued)**

Member Label	Direction	Start Magnitude[lb/ft,F,ksf]	End Magnitude[lb/ft,F,ksf]	Start Location[f..	End Location[ft..
115	M131A	X	.323	.323	0 %100
116	M131A	Z	.187	.187	0 %100
117	M134A	X	.071	.071	0 %100
118	M134A	Z	.041	.041	0 %100
119	M135A	X	.071	.071	0 %100
120	M135A	Z	.041	.041	0 %100
121	MP1C	X	.599	.599	0 %100
122	MP1C	Z	.346	.346	0 %100
123	M143	X	.071	.071	0 %100
124	M143	Z	.041	.041	0 %100
125	M144	X	.071	.071	0 %100
126	M144	Z	.041	.041	0 %100
127	M147	X	.393	.393	0 %100
128	M147	Z	.227	.227	0 %100
129	M150	X	.071	.071	0 %100
130	M150	Z	.041	.041	0 %100
131	M151	X	.071	.071	0 %100
132	M151	Z	.041	.041	0 %100
133	MP2C	X	.495	.495	0 %100
134	MP2C	Z	.286	.286	0 %100
135	M159	X	.071	.071	0 %100
136	M159	Z	.041	.041	0 %100
137	M160	X	.071	.071	0 %100
138	M160	Z	.041	.041	0 %100
139	M163	X	.323	.323	0 %100
140	M163	Z	.187	.187	0 %100
141	M166	X	.071	.071	0 %100
142	M166	Z	.041	.041	0 %100
143	M167	X	.071	.071	0 %100
144	M167	Z	.041	.041	0 %100
145	MP1B	X	.599	.599	0 %100
146	MP1B	Z	.346	.346	0 %100
147	M175	X	0	0	0 %100
148	M175	Z	0	0	0 %100
149	M176	X	0	0	0 %100
150	M176	Z	0	0	0 %100
151	M179	X	.393	.393	0 %100
152	M179	Z	.227	.227	0 %100
153	M182	X	0	0	0 %100
154	M182	Z	0	0	0 %100
155	M183	X	0	0	0 %100
156	M183	Z	0	0	0 %100
157	MP2B	X	.495	.495	0 %100
158	MP2B	Z	.286	.286	0 %100
159	M191	X	0	0	0 %100
160	M191	Z	0	0	0 %100
161	M192	X	0	0	0 %100
162	M192	Z	0	0	0 %100
163	M195	X	.323	.323	0 %100
164	M195	Z	.187	.187	0 %100
165	M198	X	0	0	0 %100
166	M198	Z	0	0	0 %100
167	M199	X	0	0	0 %100
168	M199	Z	0	0	0 %100
169	M202	X	.186	.186	0 %100
170	M202	Z	.107	.107	0 %100

**Member Distributed Loads (BLC 70 : Structure Wm (150 Deg))**

	Member Label	Direction	Start Magnitude[lb/ft,F,ksf]	End Magnitude[lb/ft,F,ksf]	Start Location[f..	End Location[ft..
1	M1	X	.599	.599	0	%100
2	M1	Z	1.037	1.037	0	%100
3	M2	X	.599	.599	0	%100
4	M2	Z	1.037	1.037	0	%100
5	M3	X	0	0	0	%100
6	M3	Z	0	0	0	%100
7	M4	X	0	0	0	%100
8	M4	Z	0	0	0	%100
9	M5	X	.599	.599	0	%100
10	M5	Z	1.037	1.037	0	%100
11	M6	X	.599	.599	0	%100
12	M6	Z	1.037	1.037	0	%100
13	M7	X	.592	.592	0	%100
14	M7	Z	1.025	1.025	0	%100
15	M8	X	0	0	0	%100
16	M8	Z	0	0	0	%100
17	M9	X	.592	.592	0	%100
18	M9	Z	1.025	1.025	0	%100
19	M13	X	0	0	0	%100
20	M13	Z	0	0	0	%100
21	M14A	X	.034	.034	0	%100
22	M14A	Z	.059	.059	0	%100
23	M18	X	.034	.034	0	%100
24	M18	Z	.059	.059	0	%100
25	M25	X	.451	.451	0	%100
26	M25	Z	.781	.781	0	%100
27	M26	X	.451	.451	0	%100
28	M26	Z	.781	.781	0	%100
29	M27	X	0	0	0	%100
30	M27	Z	0	0	0	%100
31	M34	X	0	0	0	%100
32	M34	Z	0	0	0	%100
33	M42	X	.034	.034	0	%100
34	M42	Z	.059	.059	0	%100
35	M50	X	.034	.034	0	%100
36	M50	Z	.059	.059	0	%100
37	M52	X	.326	.326	0	%100
38	M52	Z	.564	.564	0	%100
39	M53	X	.326	.326	0	%100
40	M53	Z	.564	.564	0	%100
41	M54	X	.241	.241	0	%100
42	M54	Z	.418	.418	0	%100
43	M55	X	.326	.326	0	%100
44	M55	Z	.564	.564	0	%100
45	M56	X	.326	.326	0	%100
46	M56	Z	.564	.564	0	%100
47	M57	X	.296	.296	0	%100
48	M57	Z	.513	.513	0	%100
49	M58	X	.296	.296	0	%100
50	M58	Z	.513	.513	0	%100
51	M59	X	.326	.326	0	%100
52	M59	Z	.564	.564	0	%100
53	M60	X	.326	.326	0	%100
54	M60	Z	.564	.564	0	%100
55	M61	X	0	0	0	%100
56	M61	Z	0	0	0	%100
57	M62	X	.326	.326	0	%100

**Member Distributed Loads (BLC 70 : Structure Wm (150 Deg)) (Continued)**

Member Label	Direction	Start Magnitude[lb/ft,F,ksf]	End Magnitude[lb/ft,F,ksf]	Start Locationft.	End Locationft.
58	M62	Z	.564	0	%100
59	M63	X	.326	0	%100
60	M63	Z	.564	0	%100
61	M64	X	.133	0	%100
62	M64	Z	.231	0	%100
63	M65	X	.133	0	%100
64	M65	Z	.231	0	%100
65	M66	X	.326	0	%100
66	M66	Z	.564	0	%100
67	M67	X	.326	0	%100
68	M67	Z	.564	0	%100
69	M68	X	.241	0	%100
70	M68	Z	.418	0	%100
71	M69	X	.326	0	%100
72	M69	Z	.564	0	%100
73	M70	X	.326	0	%100
74	M70	Z	.564	0	%100
75	M71	X	.296	0	%100
76	M71	Z	.513	0	%100
77	M72	X	.296	0	%100
78	M72	Z	.513	0	%100
79	MP1A	X	.346	0	%100
80	MP1A	Z	.599	0	%100
81	M127	X	.525	0	%100
82	M127	Z	.909	0	%100
83	M128	X	.162	0	%100
84	M128	Z	.281	0	%100
85	M129	X	.401	0	%100
86	M129	Z	.694	0	%100
87	M130	X	.401	0	%100
88	M130	Z	.694	0	%100
89	M131	X	.021	0	%100
90	M131	Z	.036	0	%100
91	M132	X	.021	0	%100
92	M132	Z	.036	0	%100
93	M133	X	.021	0	%100
94	M133	Z	.036	0	%100
95	M134	X	.021	0	%100
96	M134	Z	.036	0	%100
97	M135	X	.021	0	%100
98	M135	Z	.036	0	%100
99	M117	X	.014	0	%100
100	M117	Z	.024	0	%100
101	M118A	X	.014	0	%100
102	M118A	Z	.024	0	%100
103	M121	X	.227	0	%100
104	M121	Z	.393	0	%100
105	M124	X	.014	0	%100
106	M124	Z	.024	0	%100
107	M125	X	.014	0	%100
108	M125	Z	.024	0	%100
109	MP2A	X	.286	0	%100
110	MP2A	Z	.495	0	%100
111	M127B	X	.014	0	%100
112	M127B	Z	.024	0	%100
113	M128A	X	.014	0	%100
114	M128A	Z	.024	0	%100

**Member Distributed Loads (BLC 70 : Structure Wm (150 Deg)) (Continued)**

Member Label	Direction	Start Magnitude[lb/ft,F,ksf]	End Magnitude[lb/ft,F,ksf]	Start Location[f..	End Location[f..
115	M131A	X	.187	0	%100
116	M131A	Z	.323	0	%100
117	M134A	X	.014	0	%100
118	M134A	Z	.024	0	%100
119	M135A	X	.014	0	%100
120	M135A	Z	.024	0	%100
121	MP1C	X	.346	0	%100
122	MP1C	Z	.599	0	%100
123	M143	X	.055	0	%100
124	M143	Z	.094	0	%100
125	M144	X	.055	0	%100
126	M144	Z	.094	0	%100
127	M147	X	.227	0	%100
128	M147	Z	.393	0	%100
129	M150	X	.055	0	%100
130	M150	Z	.094	0	%100
131	M151	X	.055	0	%100
132	M151	Z	.094	0	%100
133	MP2C	X	.286	0	%100
134	MP2C	Z	.495	0	%100
135	M159	X	.055	0	%100
136	M159	Z	.094	0	%100
137	M160	X	.055	0	%100
138	M160	Z	.094	0	%100
139	M163	X	.187	0	%100
140	M163	Z	.323	0	%100
141	M166	X	.055	0	%100
142	M166	Z	.094	0	%100
143	M167	X	.055	0	%100
144	M167	Z	.094	0	%100
145	MP1B	X	.346	0	%100
146	MP1B	Z	.599	0	%100
147	M175	X	.014	0	%100
148	M175	Z	.024	0	%100
149	M176	X	.014	0	%100
150	M176	Z	.024	0	%100
151	M179	X	.227	0	%100
152	M179	Z	.393	0	%100
153	M182	X	.014	0	%100
154	M182	Z	.024	0	%100
155	M183	X	.014	0	%100
156	M183	Z	.024	0	%100
157	MP2B	X	.286	0	%100
158	MP2B	Z	.495	0	%100
159	M191	X	.014	0	%100
160	M191	Z	.024	0	%100
161	M192	X	.014	0	%100
162	M192	Z	.024	0	%100
163	M195	X	.187	0	%100
164	M195	Z	.323	0	%100
165	M198	X	.014	0	%100
166	M198	Z	.024	0	%100
167	M199	X	.014	0	%100
168	M199	Z	.024	0	%100
169	M202	X	0	0	%100
170	M202	Z	0	0	%100



Company :  
 Designer :  
 Job Number :  
 Model Name :

July 12, 2023  
 9:33 AM  
 Checked By: \_\_\_\_\_

**Member Distributed Loads (BLC 71 : Structure Wm (180 Deg))**

	Member Label	Direction	Start Magnitude[lb/ft,F,ksf]	End Magnitude[lb/ft,F,ksf]	Start Location[f..	End Location[ft..
1	M1	X	0	0	0	%100
2	M1	Z	1.596	1.596	0	%100
3	M2	X	0	0	0	%100
4	M2	Z	1.596	1.596	0	%100
5	M3	X	0	0	0	%100
6	M3	Z	.399	.399	0	%100
7	M4	X	0	0	0	%100
8	M4	Z	.399	.399	0	%100
9	M5	X	0	0	0	%100
10	M5	Z	.399	.399	0	%100
11	M6	X	0	0	0	%100
12	M6	Z	.399	.399	0	%100
13	M7	X	0	0	0	%100
14	M7	Z	1.577	1.577	0	%100
15	M8	X	0	0	0	%100
16	M8	Z	.394	.394	0	%100
17	M9	X	0	0	0	%100
18	M9	Z	.394	.394	0	%100
19	M13	X	0	0	0	%100
20	M13	Z	.023	.023	0	%100
21	M14A	X	0	0	0	%100
22	M14A	Z	.023	.023	0	%100
23	M18	X	0	0	0	%100
24	M18	Z	.09	.09	0	%100
25	M25	X	0	0	0	%100
26	M25	Z	.301	.301	0	%100
27	M26	X	0	0	0	%100
28	M26	Z	1.202	1.202	0	%100
29	M27	X	0	0	0	%100
30	M27	Z	.301	.301	0	%100
31	M34	X	0	0	0	%100
32	M34	Z	.023	.023	0	%100
33	M42	X	0	0	0	%100
34	M42	Z	.023	.023	0	%100
35	M50	X	0	0	0	%100
36	M50	Z	.09	.09	0	%100
37	M52	X	0	0	0	%100
38	M52	Z	.651	.651	0	%100
39	M53	X	0	0	0	%100
40	M53	Z	.651	.651	0	%100
41	M54	X	0	0	0	%100
42	M54	Z	.643	.643	0	%100
43	M55	X	0	0	0	%100
44	M55	Z	.651	.651	0	%100
45	M56	X	0	0	0	%100
46	M56	Z	.651	.651	0	%100
47	M57	X	0	0	0	%100
48	M57	Z	.701	.701	0	%100
49	M58	X	0	0	0	%100
50	M58	Z	.701	.701	0	%100
51	M59	X	0	0	0	%100
52	M59	Z	.651	.651	0	%100
53	M60	X	0	0	0	%100
54	M60	Z	.651	.651	0	%100
55	M61	X	0	0	0	%100
56	M61	Z	.161	.161	0	%100
57	M62	X	0	0	0	%100

**Member Distributed Loads (BLC 71 : Structure Wm (180 Deg)) (Continued)**

Member Label	Direction	Start Magnitude[lb/ft,F,ksf]	End Magnitude[lb/ft,F,ksf]	Start Locationft.	End Locationft.
58	M62	Z	.651	0	%100
59	M63	X	0	0	%100
60	M63	Z	.651	0	%100
61	M64	X	0	0	%100
62	M64	Z	.376	0	%100
63	M65	X	0	0	%100
64	M65	Z	.376	0	%100
65	M66	X	0	0	%100
66	M66	Z	.651	0	%100
67	M67	X	0	0	%100
68	M67	Z	.651	0	%100
69	M68	X	0	0	%100
70	M68	Z	.161	0	%100
71	M69	X	0	0	%100
72	M69	Z	.651	0	%100
73	M70	X	0	0	%100
74	M70	Z	.651	0	%100
75	M71	X	0	0	%100
76	M71	Z	.376	0	%100
77	M72	X	0	0	%100
78	M72	Z	.376	0	%100
79	MP1A	X	0	0	%100
80	MP1A	Z	.691	0	%100
81	M127	X	0	0	%100
82	M127	Z	.35	0	%100
83	M128	X	0	0	%100
84	M128	Z	.972	0	%100
85	M129	X	0	0	%100
86	M129	Z	.801	0	%100
87	M130	X	0	0	%100
88	M130	Z	.801	0	%100
89	M131	X	0	0	%100
90	M131	Z	.126	0	%100
91	M132	X	0	0	%100
92	M132	Z	.126	0	%100
93	M133	X	0	0	%100
94	M133	Z	.126	0	%100
95	M134	X	0	0	%100
96	M134	Z	.126	0	%100
97	M135	X	0	0	%100
98	M135	Z	.126	0	%100
99	M117	X	0	0	%100
100	M117	Z	0	0	%100
101	M118A	X	0	0	%100
102	M118A	Z	0	0	%100
103	M121	X	0	0	%100
104	M121	Z	.454	0	%100
105	M124	X	0	0	%100
106	M124	Z	0	0	%100
107	M125	X	0	0	%100
108	M125	Z	0	0	%100
109	MP2A	X	0	0	%100
110	MP2A	Z	.571	0	%100
111	M127B	X	0	0	%100
112	M127B	Z	0	0	%100
113	M128A	X	0	0	%100
114	M128A	Z	0	0	%100

**Member Distributed Loads (BLC 71 : Structure Wm (180 Deg)) (Continued)**

Member Label	Direction	Start Magnitude[lb/ft,F,ksf]	End Magnitude[lb/ft,F,ksf]	Start Location[f..	End Location[f..
115	M131A	X	0	0	%100
116	M131A	Z	.373	.373	%100
117	M134A	X	0	0	%100
118	M134A	Z	0	0	%100
119	M135A	X	0	0	%100
120	M135A	Z	0	0	%100
121	MP1C	X	0	0	%100
122	MP1C	Z	.691	.691	%100
123	M143	X	0	0	%100
124	M143	Z	.082	.082	%100
125	M144	X	0	0	%100
126	M144	Z	.082	.082	%100
127	M147	X	0	0	%100
128	M147	Z	.454	.454	%100
129	M150	X	0	0	%100
130	M150	Z	.082	.082	%100
131	M151	X	0	0	%100
132	M151	Z	.082	.082	%100
133	MP2C	X	0	0	%100
134	MP2C	Z	.571	.571	%100
135	M159	X	0	0	%100
136	M159	Z	.082	.082	%100
137	M160	X	0	0	%100
138	M160	Z	.082	.082	%100
139	M163	X	0	0	%100
140	M163	Z	.373	.373	%100
141	M166	X	0	0	%100
142	M166	Z	.082	.082	%100
143	M167	X	0	0	%100
144	M167	Z	.082	.082	%100
145	MP1B	X	0	0	%100
146	MP1B	Z	.691	.691	%100
147	M175	X	0	0	%100
148	M175	Z	.082	.082	%100
149	M176	X	0	0	%100
150	M176	Z	.082	.082	%100
151	M179	X	0	0	%100
152	M179	Z	.454	.454	%100
153	M182	X	0	0	%100
154	M182	Z	.082	.082	%100
155	M183	X	0	0	%100
156	M183	Z	.082	.082	%100
157	MP2B	X	0	0	%100
158	MP2B	Z	.571	.571	%100
159	M191	X	0	0	%100
160	M191	Z	.082	.082	%100
161	M192	X	0	0	%100
162	M192	Z	.082	.082	%100
163	M195	X	0	0	%100
164	M195	Z	.373	.373	%100
165	M198	X	0	0	%100
166	M198	Z	.082	.082	%100
167	M199	X	0	0	%100
168	M199	Z	.082	.082	%100
169	M202	X	0	0	%100
170	M202	Z	.215	.215	%100

**Member Distributed Loads (BLC 72 : Structure Wm (210 Deg))**

	Member Label	Direction	Start Magnitude[lb/ft,F,ksf]	End Magnitude[lb/ft,F,ksf]	Start Location[f..	End Location[ft..
1	M1	X	-.599	-.599	0	%100
2	M1	Z	1.037	1.037	0	%100
3	M2	X	-.599	-.599	0	%100
4	M2	Z	1.037	1.037	0	%100
5	M3	X	-.599	-.599	0	%100
6	M3	Z	1.037	1.037	0	%100
7	M4	X	-.599	-.599	0	%100
8	M4	Z	1.037	1.037	0	%100
9	M5	X	0	0	0	%100
10	M5	Z	0	0	0	%100
11	M6	X	0	0	0	%100
12	M6	Z	0	0	0	%100
13	M7	X	-.592	-.592	0	%100
14	M7	Z	1.025	1.025	0	%100
15	M8	X	-.592	-.592	0	%100
16	M8	Z	1.025	1.025	0	%100
17	M9	X	0	0	0	%100
18	M9	Z	0	0	0	%100
19	M13	X	-.034	-.034	0	%100
20	M13	Z	.059	.059	0	%100
21	M14A	X	0	0	0	%100
22	M14A	Z	0	0	0	%100
23	M18	X	-.034	-.034	0	%100
24	M18	Z	.059	.059	0	%100
25	M25	X	0	0	0	%100
26	M25	Z	0	0	0	%100
27	M26	X	-.451	-.451	0	%100
28	M26	Z	.781	.781	0	%100
29	M27	X	-.451	-.451	0	%100
30	M27	Z	.781	.781	0	%100
31	M34	X	-.034	-.034	0	%100
32	M34	Z	.059	.059	0	%100
33	M42	X	0	0	0	%100
34	M42	Z	0	0	0	%100
35	M50	X	-.034	-.034	0	%100
36	M50	Z	.059	.059	0	%100
37	M52	X	-.326	-.326	0	%100
38	M52	Z	.564	.564	0	%100
39	M53	X	-.326	-.326	0	%100
40	M53	Z	.564	.564	0	%100
41	M54	X	-.241	-.241	0	%100
42	M54	Z	.418	.418	0	%100
43	M55	X	-.326	-.326	0	%100
44	M55	Z	.564	.564	0	%100
45	M56	X	-.326	-.326	0	%100
46	M56	Z	.564	.564	0	%100
47	M57	X	-.296	-.296	0	%100
48	M57	Z	.513	.513	0	%100
49	M58	X	-.296	-.296	0	%100
50	M58	Z	.513	.513	0	%100
51	M59	X	-.326	-.326	0	%100
52	M59	Z	.564	.564	0	%100
53	M60	X	-.326	-.326	0	%100
54	M60	Z	.564	.564	0	%100
55	M61	X	-.241	-.241	0	%100
56	M61	Z	.418	.418	0	%100
57	M62	X	-.326	-.326	0	%100



**Member Distributed Loads (BLC 72 : Structure Wm (210 Deg)) (Continued)**

Member Label	Direction	Start Magnitude[lb/ft,F,ksf]	End Magnitude[lb/ft,F,ksf]	Start Locationf..	End Locationft..
58	M62	Z	.564	0	%100
59	M63	X	-.326	0	%100
60	M63	Z	.564	0	%100
61	M64	X	-.296	0	%100
62	M64	Z	.513	0	%100
63	M65	X	-.296	0	%100
64	M65	Z	.513	0	%100
65	M66	X	-.326	0	%100
66	M66	Z	.564	0	%100
67	M67	X	-.326	0	%100
68	M67	Z	.564	0	%100
69	M68	X	0	0	%100
70	M68	Z	0	0	%100
71	M69	X	-.326	0	%100
72	M69	Z	.564	0	%100
73	M70	X	-.326	0	%100
74	M70	Z	.564	0	%100
75	M71	X	-.133	0	%100
76	M71	Z	.231	0	%100
77	M72	X	-.133	0	%100
78	M72	Z	.231	0	%100
79	MP1A	X	-.346	0	%100
80	MP1A	Z	.599	0	%100
81	M127	X	0	0	%100
82	M127	Z	0	0	%100
83	M128	X	-.648	0	%100
84	M128	Z	1.122	0	%100
85	M129	X	-.401	0	%100
86	M129	Z	.694	0	%100
87	M130	X	-.401	0	%100
88	M130	Z	.694	0	%100
89	M131	X	-.084	0	%100
90	M131	Z	.146	0	%100
91	M132	X	-.084	0	%100
92	M132	Z	.146	0	%100
93	M133	X	-.084	0	%100
94	M133	Z	.146	0	%100
95	M134	X	-.084	0	%100
96	M134	Z	.146	0	%100
97	M135	X	-.084	0	%100
98	M135	Z	.146	0	%100
99	M117	X	-.014	0	%100
100	M117	Z	.024	0	%100
101	M118A	X	-.014	0	%100
102	M118A	Z	.024	0	%100
103	M121	X	-.227	0	%100
104	M121	Z	.393	0	%100
105	M124	X	-.014	0	%100
106	M124	Z	.024	0	%100
107	M125	X	-.014	0	%100
108	M125	Z	.024	0	%100
109	MP2A	X	-.286	0	%100
110	MP2A	Z	.495	0	%100
111	M127B	X	-.014	0	%100
112	M127B	Z	.024	0	%100
113	M128A	X	-.014	0	%100
114	M128A	Z	.024	0	%100

**Member Distributed Loads (BLC 72 : Structure Wm (210 Deg)) (Continued)**

Member Label	Direction	Start Magnitude[lb/ft,F,ksf]	End Magnitude[lb/ft,F,ksf]	Start Location[f..	End Location[ft..
115	M131A	X	-.187	0	%100
116	M131A	Z	.323	0	%100
117	M134A	X	-.014	0	%100
118	M134A	Z	.024	0	%100
119	M135A	X	-.014	0	%100
120	M135A	Z	.024	0	%100
121	MP1C	X	-.346	0	%100
122	MP1C	Z	.599	0	%100
123	M143	X	-.014	0	%100
124	M143	Z	.024	0	%100
125	M144	X	-.014	0	%100
126	M144	Z	.024	0	%100
127	M147	X	-.227	0	%100
128	M147	Z	.393	0	%100
129	M150	X	-.014	0	%100
130	M150	Z	.024	0	%100
131	M151	X	-.014	0	%100
132	M151	Z	.024	0	%100
133	MP2C	X	-.286	0	%100
134	MP2C	Z	.495	0	%100
135	M159	X	-.014	0	%100
136	M159	Z	.024	0	%100
137	M160	X	-.014	0	%100
138	M160	Z	.024	0	%100
139	M163	X	-.187	0	%100
140	M163	Z	.323	0	%100
141	M166	X	-.014	0	%100
142	M166	Z	.024	0	%100
143	M167	X	-.014	0	%100
144	M167	Z	.024	0	%100
145	MP1B	X	-.346	0	%100
146	MP1B	Z	.599	0	%100
147	M175	X	-.055	0	%100
148	M175	Z	.094	0	%100
149	M176	X	-.055	0	%100
150	M176	Z	.094	0	%100
151	M179	X	-.227	0	%100
152	M179	Z	.393	0	%100
153	M182	X	-.055	0	%100
154	M182	Z	.094	0	%100
155	M183	X	-.055	0	%100
156	M183	Z	.094	0	%100
157	MP2B	X	-.286	0	%100
158	MP2B	Z	.495	0	%100
159	M191	X	-.055	0	%100
160	M191	Z	.094	0	%100
161	M192	X	-.055	0	%100
162	M192	Z	.094	0	%100
163	M195	X	-.187	0	%100
164	M195	Z	.323	0	%100
165	M198	X	-.055	0	%100
166	M198	Z	.094	0	%100
167	M199	X	-.055	0	%100
168	M199	Z	.094	0	%100
169	M202	X	-.322	0	%100
170	M202	Z	.557	0	%100

**Member Distributed Loads (BLC 73 : Structure Wm (240 Deg))**

	Member Label	Direction	Start Magnitude[lb/ft,F,ksf]	End Magnitude[lb/ft,F,ksf]	Start Location[f..	End Location[ft..
1	M1	X	-.346	-.346	0	%100
2	M1	Z	.2	.2	0	%100
3	M2	X	-.346	-.346	0	%100
4	M2	Z	.2	.2	0	%100
5	M3	X	-1.382	-1.382	0	%100
6	M3	Z	.798	.798	0	%100
7	M4	X	-1.382	-1.382	0	%100
8	M4	Z	.798	.798	0	%100
9	M5	X	-.346	-.346	0	%100
10	M5	Z	.2	.2	0	%100
11	M6	X	-.346	-.346	0	%100
12	M6	Z	.2	.2	0	%100
13	M7	X	-.342	-.342	0	%100
14	M7	Z	.197	.197	0	%100
15	M8	X	-1.366	-1.366	0	%100
16	M8	Z	.789	.789	0	%100
17	M9	X	-.342	-.342	0	%100
18	M9	Z	.197	.197	0	%100
19	M13	X	-.078	-.078	0	%100
20	M13	Z	.045	.045	0	%100
21	M14A	X	-.02	-.02	0	%100
22	M14A	Z	.011	.011	0	%100
23	M18	X	-.02	-.02	0	%100
24	M18	Z	.011	.011	0	%100
25	M25	X	-.26	-.26	0	%100
26	M25	Z	.15	.15	0	%100
27	M26	X	-.26	-.26	0	%100
28	M26	Z	.15	.15	0	%100
29	M27	X	-1.041	-1.041	0	%100
30	M27	Z	.601	.601	0	%100
31	M34	X	-.078	-.078	0	%100
32	M34	Z	.045	.045	0	%100
33	M42	X	-.02	-.02	0	%100
34	M42	Z	.011	.011	0	%100
35	M50	X	-.02	-.02	0	%100
36	M50	Z	.011	.011	0	%100
37	M52	X	-.564	-.564	0	%100
38	M52	Z	.326	.326	0	%100
39	M53	X	-.564	-.564	0	%100
40	M53	Z	.326	.326	0	%100
41	M54	X	-.139	-.139	0	%100
42	M54	Z	.08	.08	0	%100
43	M55	X	-.564	-.564	0	%100
44	M55	Z	.326	.326	0	%100
45	M56	X	-.564	-.564	0	%100
46	M56	Z	.326	.326	0	%100
47	M57	X	-.325	-.325	0	%100
48	M57	Z	.188	.188	0	%100
49	M58	X	-.325	-.325	0	%100
50	M58	Z	.188	.188	0	%100
51	M59	X	-.564	-.564	0	%100
52	M59	Z	.326	.326	0	%100
53	M60	X	-.564	-.564	0	%100
54	M60	Z	.326	.326	0	%100
55	M61	X	-.557	-.557	0	%100
56	M61	Z	.321	.321	0	%100
57	M62	X	-.564	-.564	0	%100

**Member Distributed Loads (BLC 73 : Structure Wm (240 Deg)) (Continued)**

Member Label	Direction	Start Magnitude[lb/ft.F,ksf]	End Magnitude[lb/ft.F,ksf]	Start Locationf.	End Locationft.
58	M62	Z	.326	0	%100
59	M63	X	-.564	0	%100
60	M63	Z	.326	0	%100
61	M64	X	-.607	0	%100
62	M64	Z	.351	0	%100
63	M65	X	-.607	0	%100
64	M65	Z	.351	0	%100
65	M66	X	-.564	0	%100
66	M66	Z	.326	0	%100
67	M67	X	-.564	0	%100
68	M67	Z	.326	0	%100
69	M68	X	-.139	0	%100
70	M68	Z	.08	0	%100
71	M69	X	-.564	0	%100
72	M69	Z	.326	0	%100
73	M70	X	-.564	0	%100
74	M70	Z	.326	0	%100
75	M71	X	-.325	0	%100
76	M71	Z	.188	0	%100
77	M72	X	-.325	0	%100
78	M72	Z	.188	0	%100
79	MP1A	X	-.599	0	%100
80	MP1A	Z	.346	0	%100
81	M127	X	-.303	0	%100
82	M127	Z	.175	0	%100
83	M128	X	-.842	0	%100
84	M128	Z	.486	0	%100
85	M129	X	-.694	0	%100
86	M129	Z	.401	0	%100
87	M130	X	-.694	0	%100
88	M130	Z	.401	0	%100
89	M131	X	-.109	0	%100
90	M131	Z	.063	0	%100
91	M132	X	-.109	0	%100
92	M132	Z	.063	0	%100
93	M133	X	-.109	0	%100
94	M133	Z	.063	0	%100
95	M134	X	-.109	0	%100
96	M134	Z	.063	0	%100
97	M135	X	-.109	0	%100
98	M135	Z	.063	0	%100
99	M117	X	-.071	0	%100
100	M117	Z	.041	0	%100
101	M118A	X	-.071	0	%100
102	M118A	Z	.041	0	%100
103	M121	X	-.393	0	%100
104	M121	Z	.227	0	%100
105	M124	X	-.071	0	%100
106	M124	Z	.041	0	%100
107	M125	X	-.071	0	%100
108	M125	Z	.041	0	%100
109	MP2A	X	-.495	0	%100
110	MP2A	Z	.286	0	%100
111	M127B	X	-.071	0	%100
112	M127B	Z	.041	0	%100
113	M128A	X	-.071	0	%100
114	M128A	Z	.041	0	%100

**Member Distributed Loads (BLC 73 : Structure Wm (240 Deg)) (Continued)**

Member Label	Direction	Start Magnitude[lb/ft,F,ksf]	End Magnitude[lb/ft,F,ksf]	Start Location[f..	End Location[ft..
115	M131A	X	-.323	0	%100
116	M131A	Z	.187	0	%100
117	M134A	X	-.071	0	%100
118	M134A	Z	.041	0	%100
119	M135A	X	-.071	0	%100
120	M135A	Z	.041	0	%100
121	MP1C	X	-.599	0	%100
122	MP1C	Z	.346	0	%100
123	M143	X	0	0	%100
124	M143	Z	0	0	%100
125	M144	X	0	0	%100
126	M144	Z	0	0	%100
127	M147	X	-.393	0	%100
128	M147	Z	.227	0	%100
129	M150	X	0	0	%100
130	M150	Z	0	0	%100
131	M151	X	0	0	%100
132	M151	Z	0	0	%100
133	MP2C	X	-.495	0	%100
134	MP2C	Z	.286	0	%100
135	M159	X	0	0	%100
136	M159	Z	0	0	%100
137	M160	X	0	0	%100
138	M160	Z	0	0	%100
139	M163	X	-.323	0	%100
140	M163	Z	.187	0	%100
141	M166	X	0	0	%100
142	M166	Z	0	0	%100
143	M167	X	0	0	%100
144	M167	Z	0	0	%100
145	MP1B	X	-.599	0	%100
146	MP1B	Z	.346	0	%100
147	M175	X	-.071	0	%100
148	M175	Z	.041	0	%100
149	M176	X	-.071	0	%100
150	M176	Z	.041	0	%100
151	M179	X	-.393	0	%100
152	M179	Z	.227	0	%100
153	M182	X	-.071	0	%100
154	M182	Z	.041	0	%100
155	M183	X	-.071	0	%100
156	M183	Z	.041	0	%100
157	MP2B	X	-.495	0	%100
158	MP2B	Z	.286	0	%100
159	M191	X	-.071	0	%100
160	M191	Z	.041	0	%100
161	M192	X	-.071	0	%100
162	M192	Z	.041	0	%100
163	M195	X	-.323	0	%100
164	M195	Z	.187	0	%100
165	M198	X	-.071	0	%100
166	M198	Z	.041	0	%100
167	M199	X	-.071	0	%100
168	M199	Z	.041	0	%100
169	M202	X	-.743	0	%100
170	M202	Z	.429	0	%100

**Member Distributed Loads (BLC 74 : Structure Wm (270 Deg))**

	Member Label	Direction	Start Magnitude[lb/ft,F,ksf]	End Magnitude[lb/ft,F,ksf]	Start Location[f..	End Location[ft..
1	M1	X	0	0	0	%100
2	M1	Z	0	0	0	%100
3	M2	X	0	0	0	%100
4	M2	Z	0	0	0	%100
5	M3	X	-1.197	-1.197	0	%100
6	M3	Z	0	0	0	%100
7	M4	X	-1.197	-1.197	0	%100
8	M4	Z	0	0	0	%100
9	M5	X	-1.197	-1.197	0	%100
10	M5	Z	0	0	0	%100
11	M6	X	-1.197	-1.197	0	%100
12	M6	Z	0	0	0	%100
13	M7	X	0	0	0	%100
14	M7	Z	0	0	0	%100
15	M8	X	-1.183	-1.183	0	%100
16	M8	Z	0	0	0	%100
17	M9	X	-1.183	-1.183	0	%100
18	M9	Z	0	0	0	%100
19	M13	X	-0.068	-0.068	0	%100
20	M13	Z	0	0	0	%100
21	M14A	X	-0.068	-0.068	0	%100
22	M14A	Z	0	0	0	%100
23	M18	X	0	0	0	%100
24	M18	Z	0	0	0	%100
25	M25	X	-0.902	-0.902	0	%100
26	M25	Z	0	0	0	%100
27	M26	X	0	0	0	%100
28	M26	Z	0	0	0	%100
29	M27	X	-0.902	-0.902	0	%100
30	M27	Z	0	0	0	%100
31	M34	X	-0.068	-0.068	0	%100
32	M34	Z	0	0	0	%100
33	M42	X	-0.068	-0.068	0	%100
34	M42	Z	0	0	0	%100
35	M50	X	0	0	0	%100
36	M50	Z	0	0	0	%100
37	M52	X	-0.651	-0.651	0	%100
38	M52	Z	0	0	0	%100
39	M53	X	-0.651	-0.651	0	%100
40	M53	Z	0	0	0	%100
41	M54	X	0	0	0	%100
42	M54	Z	0	0	0	%100
43	M55	X	-0.651	-0.651	0	%100
44	M55	Z	0	0	0	%100
45	M56	X	-0.651	-0.651	0	%100
46	M56	Z	0	0	0	%100
47	M57	X	-0.267	-0.267	0	%100
48	M57	Z	0	0	0	%100
49	M58	X	-0.267	-0.267	0	%100
50	M58	Z	0	0	0	%100
51	M59	X	-0.651	-0.651	0	%100
52	M59	Z	0	0	0	%100
53	M60	X	-0.651	-0.651	0	%100
54	M60	Z	0	0	0	%100
55	M61	X	-0.482	-0.482	0	%100
56	M61	Z	0	0	0	%100
57	M62	X	-0.651	-0.651	0	%100

**Member Distributed Loads (BLC 74 : Structure Wm (270 Deg)) (Continued)**

Member Label	Direction	Start Magnitude[lb/ft,F,ksf]	End Magnitude[lb/ft,F,ksf]	Start Locationf..	End Locationft..
58	M62	Z	0	0	%100
59	M63	X	-.651	0	%100
60	M63	Z	0	0	%100
61	M64	X	-.593	0	%100
62	M64	Z	0	0	%100
63	M65	X	-.593	0	%100
64	M65	Z	0	0	%100
65	M66	X	-.651	0	%100
66	M66	Z	0	0	%100
67	M67	X	-.651	0	%100
68	M67	Z	0	0	%100
69	M68	X	-.482	0	%100
70	M68	Z	0	0	%100
71	M69	X	-.651	0	%100
72	M69	Z	0	0	%100
73	M70	X	-.651	0	%100
74	M70	Z	0	0	%100
75	M71	X	-.593	0	%100
76	M71	Z	0	0	%100
77	M72	X	-.593	0	%100
78	M72	Z	0	0	%100
79	MP1A	X	-.691	0	%100
80	MP1A	Z	0	0	%100
81	M127	X	-1.049	0	%100
82	M127	Z	0	0	%100
83	M128	X	-.324	0	%100
84	M128	Z	0	0	%100
85	M129	X	-.801	0	%100
86	M129	Z	0	0	%100
87	M130	X	-.801	0	%100
88	M130	Z	0	0	%100
89	M131	X	-.042	0	%100
90	M131	Z	0	0	%100
91	M132	X	-.042	0	%100
92	M132	Z	0	0	%100
93	M133	X	-.042	0	%100
94	M133	Z	0	0	%100
95	M134	X	-.042	0	%100
96	M134	Z	0	0	%100
97	M135	X	-.042	0	%100
98	M135	Z	0	0	%100
99	M117	X	-.109	0	%100
100	M117	Z	0	0	%100
101	M118A	X	-.109	0	%100
102	M118A	Z	0	0	%100
103	M121	X	-.454	0	%100
104	M121	Z	0	0	%100
105	M124	X	-.109	0	%100
106	M124	Z	0	0	%100
107	M125	X	-.109	0	%100
108	M125	Z	0	0	%100
109	MP2A	X	-.571	0	%100
110	MP2A	Z	0	0	%100
111	M127B	X	-.109	0	%100
112	M127B	Z	0	0	%100
113	M128A	X	-.109	0	%100
114	M128A	Z	0	0	%100

**Member Distributed Loads (BLC 74 : Structure Wm (270 Deg)) (Continued)**

Member Label	Direction	Start Magnitude[lb/ft,F,ksf]	End Magnitude[lb/ft,F,ksf]	Start Location[f..	End Location[ft..
115	M131A	X	-.373	0	%100
116	M131A	Z	0	0	%100
117	M134A	X	-.109	0	%100
118	M134A	Z	0	0	%100
119	M135A	X	-.109	0	%100
120	M135A	Z	0	0	%100
121	MP1C	X	-.691	0	%100
122	MP1C	Z	0	0	%100
123	M143	X	-.027	0	%100
124	M143	Z	0	0	%100
125	M144	X	-.027	0	%100
126	M144	Z	0	0	%100
127	M147	X	-.454	0	%100
128	M147	Z	0	0	%100
129	M150	X	-.027	0	%100
130	M150	Z	0	0	%100
131	M151	X	-.027	0	%100
132	M151	Z	0	0	%100
133	MP2C	X	-.571	0	%100
134	MP2C	Z	0	0	%100
135	M159	X	-.027	0	%100
136	M159	Z	0	0	%100
137	M160	X	-.027	0	%100
138	M160	Z	0	0	%100
139	M163	X	-.373	0	%100
140	M163	Z	0	0	%100
141	M166	X	-.027	0	%100
142	M166	Z	0	0	%100
143	M167	X	-.027	0	%100
144	M167	Z	0	0	%100
145	MP1B	X	-.691	0	%100
146	MP1B	Z	0	0	%100
147	M175	X	-.027	0	%100
148	M175	Z	0	0	%100
149	M176	X	-.027	0	%100
150	M176	Z	0	0	%100
151	M179	X	-.454	0	%100
152	M179	Z	0	0	%100
153	M182	X	-.027	0	%100
154	M182	Z	0	0	%100
155	M183	X	-.027	0	%100
156	M183	Z	0	0	%100
157	MP2B	X	-.571	0	%100
158	MP2B	Z	0	0	%100
159	M191	X	-.027	0	%100
160	M191	Z	0	0	%100
161	M192	X	-.027	0	%100
162	M192	Z	0	0	%100
163	M195	X	-.373	0	%100
164	M195	Z	0	0	%100
165	M198	X	-.027	0	%100
166	M198	Z	0	0	%100
167	M199	X	-.027	0	%100
168	M199	Z	0	0	%100
169	M202	X	-.644	0	%100
170	M202	Z	0	0	%100





Company :  
 Designer :  
 Job Number :  
 Model Name :

July 12, 2023  
 9:33 AM  
 Checked By: \_\_\_\_\_

**Member Distributed Loads (BLC 75 : Structure Wm (300 Deg))**

	Member Label	Direction	Start Magnitude[lb/ft,F,ksf]	End Magnitude[lb/ft,F,ksf]	Start Location[f..	End Location[f..
1	M1	X	-.346	-.346	0	%100
2	M1	Z	-.2	-.2	0	%100
3	M2	X	-.346	-.346	0	%100
4	M2	Z	-.2	-.2	0	%100
5	M3	X	-.346	-.346	0	%100
6	M3	Z	-.2	-.2	0	%100
7	M4	X	-.346	-.346	0	%100
8	M4	Z	-.2	-.2	0	%100
9	M5	X	-1.382	-1.382	0	%100
10	M5	Z	-.798	-.798	0	%100
11	M6	X	-1.382	-1.382	0	%100
12	M6	Z	-.798	-.798	0	%100
13	M7	X	-.342	-.342	0	%100
14	M7	Z	-.197	-.197	0	%100
15	M8	X	-.342	-.342	0	%100
16	M8	Z	-.197	-.197	0	%100
17	M9	X	-1.366	-1.366	0	%100
18	M9	Z	-.789	-.789	0	%100
19	M13	X	-.02	-.02	0	%100
20	M13	Z	-.011	-.011	0	%100
21	M14A	X	-.078	-.078	0	%100
22	M14A	Z	-.045	-.045	0	%100
23	M18	X	-.02	-.02	0	%100
24	M18	Z	-.011	-.011	0	%100
25	M25	X	-1.041	-1.041	0	%100
26	M25	Z	-.601	-.601	0	%100
27	M26	X	-.26	-.26	0	%100
28	M26	Z	-.15	-.15	0	%100
29	M27	X	-.26	-.26	0	%100
30	M27	Z	-.15	-.15	0	%100
31	M34	X	-.02	-.02	0	%100
32	M34	Z	-.011	-.011	0	%100
33	M42	X	-.078	-.078	0	%100
34	M42	Z	-.045	-.045	0	%100
35	M50	X	-.02	-.02	0	%100
36	M50	Z	-.011	-.011	0	%100
37	M52	X	-.564	-.564	0	%100
38	M52	Z	-.326	-.326	0	%100
39	M53	X	-.564	-.564	0	%100
40	M53	Z	-.326	-.326	0	%100
41	M54	X	-.139	-.139	0	%100
42	M54	Z	-.08	-.08	0	%100
43	M55	X	-.564	-.564	0	%100
44	M55	Z	-.326	-.326	0	%100
45	M56	X	-.564	-.564	0	%100
46	M56	Z	-.326	-.326	0	%100
47	M57	X	-.325	-.325	0	%100
48	M57	Z	-.188	-.188	0	%100
49	M58	X	-.325	-.325	0	%100
50	M58	Z	-.188	-.188	0	%100
51	M59	X	-.564	-.564	0	%100
52	M59	Z	-.326	-.326	0	%100
53	M60	X	-.564	-.564	0	%100
54	M60	Z	-.326	-.326	0	%100
55	M61	X	-.139	-.139	0	%100
56	M61	Z	-.08	-.08	0	%100
57	M62	X	-.564	-.564	0	%100

**Member Distributed Loads (BLC 75 : Structure Wm (300 Deg)) (Continued)**

Member Label	Direction	Start Magnitude[lb/ft,F,ksf]	End Magnitude[lb/ft,F,ksf]	Start Locationf..	End Locationft..
58	M62	Z	-.326	0	%100
59	M63	X	-.564	0	%100
60	M63	Z	-.326	0	%100
61	M64	X	-.325	0	%100
62	M64	Z	-.188	0	%100
63	M65	X	-.325	0	%100
64	M65	Z	-.188	0	%100
65	M66	X	-.564	0	%100
66	M66	Z	-.326	0	%100
67	M67	X	-.564	0	%100
68	M67	Z	-.326	0	%100
69	M68	X	-.557	0	%100
70	M68	Z	-.321	0	%100
71	M69	X	-.564	0	%100
72	M69	Z	-.326	0	%100
73	M70	X	-.564	0	%100
74	M70	Z	-.326	0	%100
75	M71	X	-.607	0	%100
76	M71	Z	-.351	0	%100
77	M72	X	-.607	0	%100
78	M72	Z	-.351	0	%100
79	MP1A	X	-.599	0	%100
80	MP1A	Z	-.346	0	%100
81	M127	X	-1.212	0	%100
82	M127	Z	-.7	0	%100
83	M128	X	0	0	%100
84	M128	Z	0	0	%100
85	M129	X	-.694	0	%100
86	M129	Z	-.401	0	%100
87	M130	X	-.694	0	%100
88	M130	Z	-.401	0	%100
89	M131	X	0	0	%100
90	M131	Z	0	0	%100
91	M132	X	0	0	%100
92	M132	Z	0	0	%100
93	M133	X	0	0	%100
94	M133	Z	0	0	%100
95	M134	X	0	0	%100
96	M134	Z	0	0	%100
97	M135	X	0	0	%100
98	M135	Z	0	0	%100
99	M117	X	-.071	0	%100
100	M117	Z	-.041	0	%100
101	M118A	X	-.071	0	%100
102	M118A	Z	-.041	0	%100
103	M121	X	-.393	0	%100
104	M121	Z	-.227	0	%100
105	M124	X	-.071	0	%100
106	M124	Z	-.041	0	%100
107	M125	X	-.071	0	%100
108	M125	Z	-.041	0	%100
109	MP2A	X	-.495	0	%100
110	MP2A	Z	-.286	0	%100
111	M127B	X	-.071	0	%100
112	M127B	Z	-.041	0	%100
113	M128A	X	-.071	0	%100
114	M128A	Z	-.041	0	%100

**Member Distributed Loads (BLC 75 : Structure Wm (300 Deg)) (Continued)**

Member Label	Direction	Start Magnitude[lb/ft,F,ksf]	End Magnitude[lb/ft,F,ksf]	Start Location[f..	End Location[ft..
115	M131A	X	- .323	- .323	0 %100
116	M131A	Z	- .187	- .187	0 %100
117	M134A	X	- .071	- .071	0 %100
118	M134A	Z	- .041	- .041	0 %100
119	M135A	X	- .071	- .071	0 %100
120	M135A	Z	- .041	- .041	0 %100
121	MP1C	X	- .599	- .599	0 %100
122	MP1C	Z	- .346	- .346	0 %100
123	M143	X	- .071	- .071	0 %100
124	M143	Z	- .041	- .041	0 %100
125	M144	X	- .071	- .071	0 %100
126	M144	Z	- .041	- .041	0 %100
127	M147	X	- .393	- .393	0 %100
128	M147	Z	- .227	- .227	0 %100
129	M150	X	- .071	- .071	0 %100
130	M150	Z	- .041	- .041	0 %100
131	M151	X	- .071	- .071	0 %100
132	M151	Z	- .041	- .041	0 %100
133	MP2C	X	- .495	- .495	0 %100
134	MP2C	Z	- .286	- .286	0 %100
135	M159	X	- .071	- .071	0 %100
136	M159	Z	- .041	- .041	0 %100
137	M160	X	- .071	- .071	0 %100
138	M160	Z	- .041	- .041	0 %100
139	M163	X	- .323	- .323	0 %100
140	M163	Z	- .187	- .187	0 %100
141	M166	X	- .071	- .071	0 %100
142	M166	Z	- .041	- .041	0 %100
143	M167	X	- .071	- .071	0 %100
144	M167	Z	- .041	- .041	0 %100
145	MP1B	X	- .599	- .599	0 %100
146	MP1B	Z	- .346	- .346	0 %100
147	M175	X	0	0	0 %100
148	M175	Z	0	0	0 %100
149	M176	X	0	0	0 %100
150	M176	Z	0	0	0 %100
151	M179	X	- .393	- .393	0 %100
152	M179	Z	- .227	- .227	0 %100
153	M182	X	0	0	0 %100
154	M182	Z	0	0	0 %100
155	M183	X	0	0	0 %100
156	M183	Z	0	0	0 %100
157	MP2B	X	- .495	- .495	0 %100
158	MP2B	Z	- .286	- .286	0 %100
159	M191	X	0	0	0 %100
160	M191	Z	0	0	0 %100
161	M192	X	0	0	0 %100
162	M192	Z	0	0	0 %100
163	M195	X	- .323	- .323	0 %100
164	M195	Z	- .187	- .187	0 %100
165	M198	X	0	0	0 %100
166	M198	Z	0	0	0 %100
167	M199	X	0	0	0 %100
168	M199	Z	0	0	0 %100
169	M202	X	- .186	- .186	0 %100
170	M202	Z	- .107	- .107	0 %100



Company :  
 Designer :  
 Job Number :  
 Model Name :

July 12, 2023  
 9:33 AM  
 Checked By: \_\_\_\_\_

**Member Distributed Loads (BLC 76 : Structure Wm (330 Deg))**

	Member Label	Direction	Start Magnitude[lb/ft,F,ksf]	End Magnitude[lb/ft,F,ksf]	Start Location[f..	End Location[ft..
1	M1	X	- .599	- .599	0	%100
2	M1	Z	-1.037	-1.037	0	%100
3	M2	X	- .599	- .599	0	%100
4	M2	Z	-1.037	-1.037	0	%100
5	M3	X	0	0	0	%100
6	M3	Z	0	0	0	%100
7	M4	X	0	0	0	%100
8	M4	Z	0	0	0	%100
9	M5	X	- .599	- .599	0	%100
10	M5	Z	-1.037	-1.037	0	%100
11	M6	X	- .599	- .599	0	%100
12	M6	Z	-1.037	-1.037	0	%100
13	M7	X	- .592	- .592	0	%100
14	M7	Z	-1.025	-1.025	0	%100
15	M8	X	0	0	0	%100
16	M8	Z	0	0	0	%100
17	M9	X	- .592	- .592	0	%100
18	M9	Z	-1.025	-1.025	0	%100
19	M13	X	0	0	0	%100
20	M13	Z	0	0	0	%100
21	M14A	X	- .034	- .034	0	%100
22	M14A	Z	- .059	- .059	0	%100
23	M18	X	- .034	- .034	0	%100
24	M18	Z	- .059	- .059	0	%100
25	M25	X	- .451	- .451	0	%100
26	M25	Z	- .781	- .781	0	%100
27	M26	X	- .451	- .451	0	%100
28	M26	Z	- .781	- .781	0	%100
29	M27	X	0	0	0	%100
30	M27	Z	0	0	0	%100
31	M34	X	0	0	0	%100
32	M34	Z	0	0	0	%100
33	M42	X	- .034	- .034	0	%100
34	M42	Z	- .059	- .059	0	%100
35	M50	X	- .034	- .034	0	%100
36	M50	Z	- .059	- .059	0	%100
37	M52	X	- .326	- .326	0	%100
38	M52	Z	- .564	- .564	0	%100
39	M53	X	- .326	- .326	0	%100
40	M53	Z	- .564	- .564	0	%100
41	M54	X	- .241	- .241	0	%100
42	M54	Z	- .418	- .418	0	%100
43	M55	X	- .326	- .326	0	%100
44	M55	Z	- .564	- .564	0	%100
45	M56	X	- .326	- .326	0	%100
46	M56	Z	- .564	- .564	0	%100
47	M57	X	- .296	- .296	0	%100
48	M57	Z	- .513	- .513	0	%100
49	M58	X	- .296	- .296	0	%100
50	M58	Z	- .513	- .513	0	%100
51	M59	X	- .326	- .326	0	%100
52	M59	Z	- .564	- .564	0	%100
53	M60	X	- .326	- .326	0	%100
54	M60	Z	- .564	- .564	0	%100
55	M61	X	0	0	0	%100
56	M61	Z	0	0	0	%100
57	M62	X	- .326	- .326	0	%100

**Member Distributed Loads (BLC 76 : Structure Wm (330 Deg)) (Continued)**

Member Label	Direction	Start Magnitude[lb/ft,F,ksf]	End Magnitude[lb/ft,F,ksf]	Start Locationft.	End Locationft.
58	M62	Z	-564	0	%100
59	M63	X	-326	0	%100
60	M63	Z	-564	0	%100
61	M64	X	-133	0	%100
62	M64	Z	-231	0	%100
63	M65	X	-133	0	%100
64	M65	Z	-231	0	%100
65	M66	X	-326	0	%100
66	M66	Z	-564	0	%100
67	M67	X	-326	0	%100
68	M67	Z	-564	0	%100
69	M68	X	-241	0	%100
70	M68	Z	-418	0	%100
71	M69	X	-326	0	%100
72	M69	Z	-564	0	%100
73	M70	X	-326	0	%100
74	M70	Z	-564	0	%100
75	M71	X	-296	0	%100
76	M71	Z	-513	0	%100
77	M72	X	-296	0	%100
78	M72	Z	-513	0	%100
79	MP1A	X	-346	0	%100
80	MP1A	Z	-599	0	%100
81	M127	X	-525	0	%100
82	M127	Z	-909	0	%100
83	M128	X	-162	0	%100
84	M128	Z	-281	0	%100
85	M129	X	-401	0	%100
86	M129	Z	-694	0	%100
87	M130	X	-401	0	%100
88	M130	Z	-694	0	%100
89	M131	X	-021	0	%100
90	M131	Z	-036	0	%100
91	M132	X	-021	0	%100
92	M132	Z	-036	0	%100
93	M133	X	-021	0	%100
94	M133	Z	-036	0	%100
95	M134	X	-021	0	%100
96	M134	Z	-036	0	%100
97	M135	X	-021	0	%100
98	M135	Z	-036	0	%100
99	M117	X	-014	0	%100
100	M117	Z	-024	0	%100
101	M118A	X	-014	0	%100
102	M118A	Z	-024	0	%100
103	M121	X	-227	0	%100
104	M121	Z	-393	0	%100
105	M124	X	-014	0	%100
106	M124	Z	-024	0	%100
107	M125	X	-014	0	%100
108	M125	Z	-024	0	%100
109	MP2A	X	-286	0	%100
110	MP2A	Z	-495	0	%100
111	M127B	X	-014	0	%100
112	M127B	Z	-024	0	%100
113	M128A	X	-014	0	%100
114	M128A	Z	-024	0	%100

**Member Distributed Loads (BLC 76 : Structure Wm (330 Deg)) (Continued)**

Member Label	Direction	Start Magnitude[lb/ft,F,ksf]	End Magnitude[lb/ft,F,ksf]	Start Location[f..	End Location[f..
115	M131A	X	- .187	0	%100
116	M131A	Z	- .323	0	%100
117	M134A	X	- .014	0	%100
118	M134A	Z	- .024	0	%100
119	M135A	X	- .014	0	%100
120	M135A	Z	- .024	0	%100
121	MP1C	X	- .346	0	%100
122	MP1C	Z	- .599	0	%100
123	M143	X	- .055	0	%100
124	M143	Z	- .094	0	%100
125	M144	X	- .055	0	%100
126	M144	Z	- .094	0	%100
127	M147	X	- .227	0	%100
128	M147	Z	- .393	0	%100
129	M150	X	- .055	0	%100
130	M150	Z	- .094	0	%100
131	M151	X	- .055	0	%100
132	M151	Z	- .094	0	%100
133	MP2C	X	- .286	0	%100
134	MP2C	Z	- .495	0	%100
135	M159	X	- .055	0	%100
136	M159	Z	- .094	0	%100
137	M160	X	- .055	0	%100
138	M160	Z	- .094	0	%100
139	M163	X	- .187	0	%100
140	M163	Z	- .323	0	%100
141	M166	X	- .055	0	%100
142	M166	Z	- .094	0	%100
143	M167	X	- .055	0	%100
144	M167	Z	- .094	0	%100
145	MP1B	X	- .346	0	%100
146	MP1B	Z	- .599	0	%100
147	M175	X	- .014	0	%100
148	M175	Z	- .024	0	%100
149	M176	X	- .014	0	%100
150	M176	Z	- .024	0	%100
151	M179	X	- .227	0	%100
152	M179	Z	- .393	0	%100
153	M182	X	- .014	0	%100
154	M182	Z	- .024	0	%100
155	M183	X	- .014	0	%100
156	M183	Z	- .024	0	%100
157	MP2B	X	- .286	0	%100
158	MP2B	Z	- .495	0	%100
159	M191	X	- .014	0	%100
160	M191	Z	- .024	0	%100
161	M192	X	- .014	0	%100
162	M192	Z	- .024	0	%100
163	M195	X	- .187	0	%100
164	M195	Z	- .323	0	%100
165	M198	X	- .014	0	%100
166	M198	Z	- .024	0	%100
167	M199	X	- .014	0	%100
168	M199	Z	- .024	0	%100
169	M202	X	0	0	%100
170	M202	Z	0	0	%100

**Member Distributed Loads (BLC 87 : BLC 39 Transient Area Loads)**

	Member Label	Direction	Start Magnitude[lb/ft.F,ksf]	End Magnitude[lb/ft.F,ksf]	Start Location[f..	End Location[ft..
1	M1	Y	-1.904	-4.196	0	1.067
2	M1	Y	-4.196	-6.535	1.067	2.133
3	M1	Y	-6.535	-5.639	2.133	3.2
4	M1	Y	-5.639	-3.14	3.2	4.267
5	M1	Y	-3.14	-2.321	4.267	5.333
6	M6	Y	-1.703	-4.63	0	1.6
7	M6	Y	-4.63	-4.267	1.6	3.2
8	M6	Y	-4.267	-.613	3.2	4.8
9	M8	Y	-.505	-5.144	.51	1.87
10	M8	Y	-5.144	-6.755	1.87	3.23
11	M8	Y	-6.755	-4.242	3.23	4.59
12	M2	Y	-3.219	-2.435	0	2.667
13	M2	Y	-2.435	-1.651	2.667	5.333
14	M3	Y	-2.606	-3.011	.533	1.387
15	M3	Y	-3.011	-2.302	1.387	2.24
16	M3	Y	-2.302	-1.351	2.24	3.093
17	M3	Y	-1.351	-1.657	3.093	3.947
18	M3	Y	-1.657	-2.349	3.947	4.8
19	M9	Y	-.691	-3.361	0	1.36
20	M9	Y	-3.361	-5.082	1.36	2.72
21	M9	Y	-5.082	-5.854	2.72	4.08
22	M127	Y	-1.734	-3.374	0	.577
23	M127	Y	-3.374	-5.939	.577	1.155
24	M127	Y	-5.939	-6.658	1.155	1.732
25	M127	Y	-6.658	-5.742	1.732	2.309
26	M127	Y	-5.742	-5.962	2.309	2.887
27	M128	Y	-5.97	-5.97	.349	1.3
28	M4	Y	-1.703	-4.631	0	1.6
29	M4	Y	-4.631	-4.267	1.6	3.2
30	M4	Y	-4.267	-.613	3.2	4.8
31	M5	Y	-1.904	-4.196	0	1.067
32	M5	Y	-4.196	-6.535	1.067	2.133
33	M5	Y	-6.535	-5.639	2.133	3.2
34	M5	Y	-5.639	-3.14	3.2	4.267
35	M5	Y	-3.14	-2.321	4.267	5.333
36	M7	Y	-.505	-5.144	.51	1.87
37	M7	Y	-5.144	-6.755	1.87	3.23
38	M7	Y	-6.755	-4.242	3.23	4.59

**Member Distributed Loads (BLC 88 : BLC 40 Transient Area Loads)**

	Member Label	Direction	Start Magnitude[lb/ft.F,ksf]	End Magnitude[lb/ft.F,ksf]	Start Location[f..	End Location[ft..
1	M1	Y	-1.792	-10.444	0	1.067
2	M1	Y	-10.444	-12.301	1.067	2.133
3	M1	Y	-12.301	-10.734	2.133	3.2
4	M1	Y	-10.734	-9.217	3.2	4.267
5	M1	Y	-9.217	-4.374	4.267	5.333
6	M6	Y	-1.603	-13.177	.533	1.956
7	M6	Y	-13.177	-14.042	1.956	3.378
8	M6	Y	-14.042	-1.603	3.378	4.8
9	M8	Y	-1.363	-9.451	.51	2.04
10	M8	Y	-9.451	-10.251	2.04	3.57
11	M8	Y	-10.251	-3.763	3.57	5.1
12	M2	Y	-6.809	-5.151	0	2.667
13	M2	Y	-5.151	-3.493	2.667	5.333
14	M3	Y	-5.513	-6.369	.533	1.387
15	M3	Y	-6.369	-4.869	1.387	2.24



Company :  
 Designer :  
 Job Number :  
 Model Name :

July 12, 2023  
 9:33 AM  
 Checked By: \_\_\_\_\_

**Member Distributed Loads (BLC 88 : BLC 40 Transient Area Loads) (Continued)**

	Member Label	Direction	Start Magnitude[lb/ft.F,ksf]	End Magnitude[lb/ft.F,ksf]	Start Location[f..	End Location[ft..
16	M3	Y	-4.869	-2.858	2.24	3.093
17	M3	Y	-2.858	-3.506	3.093	3.947
18	M3	Y	-3.506	-4.969	3.947	4.8
19	M9	Y	-1.461	-7.11	0	1.36
20	M9	Y	-7.11	-10.75	1.36	2.72
21	M9	Y	-10.75	-12.383	2.72	4.08
22	M127	Y	-3.668	-7.137	0	.577
23	M127	Y	-7.137	-12.564	.577	1.155
24	M127	Y	-12.564	-14.085	1.155	1.732
25	M127	Y	-14.085	-12.146	1.732	2.309
26	M127	Y	-12.146	-12.613	2.309	2.887
27	M128	Y	-12.629	-12.629	.349	1.3
28	M4	Y	-1.603	-13.177	.533	1.956
29	M4	Y	-13.177	-14.042	1.956	3.378
30	M4	Y	-14.042	-1.603	3.378	4.8
31	M5	Y	-1.792	-10.444	0	1.067
32	M5	Y	-10.444	-12.301	1.067	2.133
33	M5	Y	-12.301	-10.734	2.133	3.2
34	M5	Y	-10.734	-9.217	3.2	4.267
35	M5	Y	-9.217	-4.374	4.267	5.333
36	M7	Y	-1.363	-9.451	.51	2.04
37	M7	Y	-9.451	-10.251	2.04	3.57
38	M7	Y	-10.251	-3.763	3.57	5.1

**Member Distributed Loads (BLC 89 : BLC 84 Transient Area Loads)**

	Member Label	Direction	Start Magnitude[lb/ft.F,ksf]	End Magnitude[lb/ft.F,ksf]	Start Location[f..	End Location[ft..
1	M1	Y	-.081	-.178	0	1.067
2	M1	Y	-.178	-.278	1.067	2.133
3	M1	Y	-.278	-.24	2.133	3.2
4	M1	Y	-.24	-.133	3.2	4.267
5	M1	Y	-.133	-.099	4.267	5.333
6	M6	Y	-.072	-.197	0	1.6
7	M6	Y	-.197	-.181	1.6	3.2
8	M6	Y	-.181	-.026	3.2	4.8
9	M8	Y	-.021	-.219	.51	1.87
10	M8	Y	-.219	-.287	1.87	3.23
11	M8	Y	-.287	-.18	3.23	4.59
12	M2	Y	-.137	-.103	0	2.667
13	M2	Y	-.103	-.07	2.667	5.333
14	M3	Y	-.111	-.128	.533	1.387
15	M3	Y	-.128	-.098	1.387	2.24
16	M3	Y	-.098	-.057	2.24	3.093
17	M3	Y	-.057	-.07	3.093	3.947
18	M3	Y	-.07	-.1	3.947	4.8
19	M9	Y	-.029	-.143	0	1.36
20	M9	Y	-.143	-.216	1.36	2.72
21	M9	Y	-.216	-.249	2.72	4.08
22	M127	Y	-.074	-.143	0	.577
23	M127	Y	-.143	-.252	.577	1.155
24	M127	Y	-.252	-.283	1.155	1.732
25	M127	Y	-.283	-.244	1.732	2.309
26	M127	Y	-.244	-.253	2.309	2.887
27	M128	Y	-.254	-.254	.349	1.3
28	M4	Y	-.072	-.197	0	1.6
29	M4	Y	-.197	-.181	1.6	3.2
30	M4	Y	-.181	-.026	3.2	4.8





Company :  
 Designer :  
 Job Number :  
 Model Name :

July 12, 2023  
 9:33 AM  
 Checked By: \_\_\_\_\_

**Member Distributed Loads (BLC 89 : BLC 84 Transient Area Loads) (Continued)**

	Member Label	Direction	Start Magnitude[lb/ft,F,ksf]	End Magnitude[lb/ft,F,ksf]	Start Location[ft..	End Location[ft..
31	M5	Y	-.081	-.178	0	1.067
32	M5	Y	-.178	-.278	1.067	2.133
33	M5	Y	-.278	-.24	2.133	3.2
34	M5	Y	-.24	-.133	3.2	4.267
35	M5	Y	-.133	-.099	4.267	5.333
36	M7	Y	-.021	-.219	.51	1.87
37	M7	Y	-.219	-.287	1.87	3.23
38	M7	Y	-.287	-.18	3.23	4.59

**Member Distributed Loads (BLC 90 : BLC 85 Transient Area Loads)**

	Member Label	Direction	Start Magnitude[lb/ft,F,ksf]	End Magnitude[lb/ft,F,ksf]	Start Location[ft..	End Location[ft..
1	M1	Z	-.202	-.445	0	1.067
2	M1	Z	-.445	-.694	1.067	2.133
3	M1	Z	-.694	-.599	2.133	3.2
4	M1	Z	-.599	-.333	3.2	4.267
5	M1	Z	-.333	-.246	4.267	5.333
6	M6	Z	-.181	-.492	0	1.6
7	M6	Z	-.492	-.453	1.6	3.2
8	M6	Z	-.453	-.065	3.2	4.8
9	M8	Z	-.054	-.546	.51	1.87
10	M8	Z	-.546	-.717	1.87	3.23
11	M8	Z	-.717	-.45	3.23	4.59
12	M2	Z	-.342	-.258	0	2.667
13	M2	Z	-.258	-.175	2.667	5.333
14	M3	Z	-.277	-.32	.533	1.387
15	M3	Z	-.32	-.244	1.387	2.24
16	M3	Z	-.244	-.143	2.24	3.093
17	M3	Z	-.143	-.176	3.093	3.947
18	M3	Z	-.176	-.249	3.947	4.8
19	M9	Z	-.073	-.357	0	1.36
20	M9	Z	-.357	-.539	1.36	2.72
21	M9	Z	-.539	-.621	2.72	4.08
22	M127	Z	-.184	-.358	0	.577
23	M127	Z	-.358	-.63	.577	1.155
24	M127	Z	-.63	-.707	1.155	1.732
25	M127	Z	-.707	-.61	1.732	2.309
26	M127	Z	-.61	-.633	2.309	2.887
27	M128	Z	-.634	-.634	.349	1.3
28	M4	Z	-.181	-.492	0	1.6
29	M4	Z	-.492	-.453	1.6	3.2
30	M4	Z	-.453	-.065	3.2	4.8
31	M5	Z	-.202	-.445	0	1.067
32	M5	Z	-.445	-.694	1.067	2.133
33	M5	Z	-.694	-.599	2.133	3.2
34	M5	Z	-.599	-.333	3.2	4.267
35	M5	Z	-.333	-.246	4.267	5.333
36	M7	Z	-.054	-.546	.51	1.87
37	M7	Z	-.546	-.717	1.87	3.23
38	M7	Z	-.717	-.45	3.23	4.59

**Member Distributed Loads (BLC 91 : BLC 86 Transient Area Loads)**

	Member Label	Direction	Start Magnitude[lb/ft,F,ksf]	End Magnitude[lb/ft,F,ksf]	Start Location[ft..	End Location[ft..
1	M1	X	.202	.445	0	1.067
2	M1	X	.445	.694	1.067	2.133
3	M1	X	.694	.599	2.133	3.2
4	M1	X	.599	.333	3.2	4.267

**Member Distributed Loads (BLC 91 : BLC 86 Transient Area Loads) (Continued)**

Member Label	Direction	Start Magnitude[lb/ft,F,ksf]	End Magnitude[lb/ft,F,ksf]	Start Location[f...]	End Location[ft...]
5	M1	X	.333	.246	4.267 5.333
6	M6	X	.181	.492	0 1.6
7	M6	X	.492	.453	1.6 3.2
8	M6	X	.453	.065	3.2 4.8
9	M8	X	.054	.546	.51 1.87
10	M8	X	.546	.717	1.87 3.23
11	M8	X	.717	.45	3.23 4.59
12	M2	X	.342	.258	0 2.667
13	M2	X	.258	.175	2.667 5.333
14	M3	X	.277	.32	.533 1.387
15	M3	X	.32	.244	1.387 2.24
16	M3	X	.244	.143	2.24 3.093
17	M3	X	.143	.176	3.093 3.947
18	M3	X	.176	.249	3.947 4.8
19	M9	X	.073	.357	0 1.36
20	M9	X	.357	.539	1.36 2.72
21	M9	X	.539	.621	2.72 4.08
22	M127	X	.184	.358	0 .577
23	M127	X	.358	.63	.577 1.155
24	M127	X	.63	.707	1.155 1.732
25	M127	X	.707	.61	1.732 2.309
26	M127	X	.61	.633	2.309 2.887
27	M128	X	.634	.634	.349 1.3
28	M4	X	.181	.492	0 1.6
29	M4	X	.492	.453	1.6 3.2
30	M4	X	.453	.065	3.2 4.8
31	M5	X	.202	.445	0 1.067
32	M5	X	.445	.694	1.067 2.133
33	M5	X	.694	.599	2.133 3.2
34	M5	X	.599	.333	3.2 4.267
35	M5	X	.333	.246	4.267 5.333
36	M7	X	.054	.546	.51 1.87
37	M7	X	.546	.717	1.87 3.23
38	M7	X	.717	.45	3.23 4.59

**Member Area Loads (BLC 39 : Structure D)**

	Joint A	Joint B	Joint C	Joint D	Direction	Distribution	Magnitude[ksf]
1	N12A	N11A	N3		Y	Two Way	-.005
2	N13	N14	N2		Y	Two Way	-.005
3	N12	N11	N5		Y	Two Way	-.005

**Member Area Loads (BLC 40 : Structure Di)**

	Joint A	Joint B	Joint C	Joint D	Direction	Distribution	Magnitude[ksf]
1	N12A	N11A	N3		Y	Two Way	-.011
2	N13	N14	N2		Y	Two Way	-.011
3	N12	N11	N5		Y	Two Way	-.011

**Member Area Loads (BLC 84 : Structure Ev)**

	Joint A	Joint B	Joint C	Joint D	Direction	Distribution	Magnitude[ksf]
1	N12A	N11A	N3		Y	Two Way	-.000221
2	N13	N14	N2		Y	Two Way	-.000221
3	N12	N11	N5		Y	Two Way	-.000221



Company :  
 Designer :  
 Job Number :  
 Model Name :

July 12, 2023  
 9:33 AM  
 Checked By: \_\_\_\_\_

**Member Area Loads (BLC 85 : Structure Eh (0 Deg))**

	Joint A	Joint B	Joint C	Joint D	Direction	Distribution	Magnitude[ksf]
1	N12A	N11A	N3		Z	Two Way	-0.00552
2	N13	N14	N2		Z	Two Way	-0.00552
3	N12	N11	N5		Z	Two Way	-0.00552

**Member Area Loads (BLC 86 : Structure Eh (90 Deg))**

	Joint A	Joint B	Joint C	Joint D	Direction	Distribution	Magnitude[ksf]
1	N12A	N11A	N3		X	Two Way	.000552
2	N13	N14	N2		X	Two Way	.000552
3	N12	N11	N5		X	Two Way	.000552

**Envelope Joint Reactions**

Joint	X [lb]	LC	Y [lb]	LC	Z [lb]	LC	MX [k-ft]	LC	MY [k-ft]	LC	MZ [k-ft]	LC
1	N8	max	3.944	12	-541.258	7	747.787	7	0	75	0	75
2		min	-3.944	2	-7178.667	13	-748.411	2	0	1	0	1
3	N72	max	1609.589	12	5578.659	15	578.688	2	0	75	0	75
4		min	-1564.755	6	-1216.96	9	-603.23	8	0	1	0	1
5	N73	max	1619.909	9	5296.408	11	541.567	1	0	75	0	75
6		min	-1646.049	3	-1563.463	5	-518.838	7	0	1	0	1
7	N74	max	621.325	3	-294.3	3	342.176	9	0	75	0	75
8		min	-592.665	9	-6666.299	21	-358.722	3	0	1	0	1
9	N75A	max	572.869	12	5516.139	23	1609.782	2	0	75	0	75
10		min	-619.066	6	-1309.397	5	-1602.808	8	0	1	0	1
11	N76A	max	1070.935	10	5000.595	7	1063.799	11	0	75	0	75
12		min	-1073.42	4	-1871.78	1	-1057.444	5	0	1	0	1
13	N77A	max	710.299	5	-400.721	11	410.091	5	0	75	0	75
14		min	-706.593	11	-6783.478	17	-407.952	11	0	1	0	1
15	N78A	max	1038.625	11	4868.146	7	988.503	3	0	75	0	75
16		min	-1038.463	5	-1640.175	1	-982.683	9	0	1	0	1
17	N79A	max	837.064	8	5675.848	15	1850.917	1	0	75	0	75
18		min	-836.782	2	-1387.192	9	-1853.225	7	0	1	0	1
19	Totals:	max	4064.7	10	6787.424	18	4106.806	1				
20		min	-4064.706	4	2132.44	75	-4106.823	7				

**Envelope AISC 15th(360-16): LRFD Steel Code Checks**

Member	Shape	Code Check	L...	LC	Shear Check	Loc[ft]	Dir	LC	phi*Pn...	phi*Pnt...	phi*Mn...	phi*Mn...Cb	Eqn
1	M1	C5X9	.255	5...	.113	5.333	z	4	34351...	85536	1.909	11.853	3...H1-1b
2	M2	C5X9	.226	....	.138	1.556	z	8	34351...	85536	1.909	11.853	3...H1-1b
3	M3	C5X9	.285	5...	.120	5.333	z	12	34351...	85536	1.909	11.853	3...H1-1b
4	M4	C5X9	.241	....	.157	.278	y	4	34351...	85536	1.909	11.853	3...H1-1b
5	M5	C5X9	.271	5...	.116	5.333	z	8	34351...	85536	1.909	11.853	3...H1-1b
6	M6	C5X9	.266	....	.162	.278	y	12	34351...	85536	1.909	11.853	3...H1-1b
7	M7	C5X9	.269	2...	.136	2.922	y	15	37142...	85536	1.909	11.853	1...H1-1b
8	M8	C5X9	.255	2...	.136	2.922	y	23	37142...	85536	1.909	11.853	1...H1-1b
9	M9	C5X9	.256	2...	.141	2.178	y	3	37142...	85536	1.909	11.853	1...H1-1b
10	M13	PL3/8x8	.045	0	.018	0	y	6	72912...	97200	.759	16.2	1...H1-1b
11	M14A	PL3/8x8	.036	0	.015	0	y	3	72912...	97200	.759	16.2	1...H1-1b
12	M18	PL3/8x8	.047	0	.019	0	y	11	72912...	97200	.759	16.2	1...H1-1b
13	M25	L3X3X5	.347	3...	.338	3.542	z	14	9491.4...	57672	2.015	3.923	1...H2-1
14	M26	L3X3X5	.324	3...	.298	3.542	z	24	9491.4...	57672	2.015	3.939	1...H2-1
15	M27	L3X3X5	.380	3...	.323	3.542	z	18	9491.4...	57672	2.015	3.99	1...H2-1
16	M34	PL3/8x8	.028	0	.013	0	y	6	72912...	97200	.759	16.2	1...H1-1b
17	M42	PL3/8x8	.044	....	.013	0	y	2	72912...	97200	.759	16.2	1...H1-1b
18	M50	PL3/8x8	.048	....	.013	0	y	10	72912...	97200	.759	16.2	1...H1-1b



Company :  
 Designer :  
 Job Number :  
 Model Name :

July 12, 2023  
 9:33 AM  
 Checked By: \_\_\_\_\_

**Envelope AISC 15th(360-16): LRFD Steel Code Checks (Continued)**

Member	Shape	Code Check	L...	LC	Shear Check	Loc[ft]	Dir	LC	phi*Pn...	phi*Pnt...	phi*Mn...	phi*Mn...	Cb	Eqn
19	M52	L1.75X1.7...	.788	....	6	.293	0	z	6	22516....	26325	.513	1.177	2... H2-1
20	M53	L1.75X1.7...	.523	....	8	.176	0	y	8	14539....	26325	.513	1.177	2... H2-1
21	M54	L1.75X1.7...	.065	2...	19	.007	2.917	y	2	15136....	26325	.513	1.177	3... H2-1
22	M55	L1.75X1.7...	.113	3...	9	.020	0	y	2	14539....	26325	.513	1.177	2... H2-1
23	M56	L1.75X1.7...	.079	3...	6	.018	0	y	11	14539....	26325	.513	1.177	1... H2-1
24	M57	L1.75X1.7...	.444	0	6	.017	4.288	y	6	8076.2...	26325	.513	1.102	1... H2-1
25	M58	L1.75X1.7...	.335	0	8	.010	0	y	12	8076.2...	26325	.513	1.064	1... H2-1
26	M59	L1.75X1.7...	.844	....	2	.314	0	z	2	22516....	26325	.513	1.177	2... H2-1
27	M60	L1.75X1.7...	.585	....	4	.226	0	y	4	14539....	26325	.513	1.177	2... H2-1
28	M61	L1.75X1.7...	.184	1...	9	.104	0	y	8	15136....	26325	.513	1.17	1... H2-1
29	M62	L1.75X1.7...	.106	3...	5	.019	0	y	3	14539....	26325	.513	1.177	2... H2-1
30	M63	L1.75X1.7...	.096	3...	1	.017	0	y	1	14539....	26325	.513	1.177	1... H2-1
31	M64	L1.75X1.7...	.476	0	2	.022	4.288	y	2	8076.2...	26325	.513	1.121	1... H2-1
32	M65	L1.75X1.7...	.369	0	4	.012	0	y	3	8076.2...	26325	.513	1.065	1... H2-1
33	M66	L1.75X1.7...	.808	....	10	.313	0	z	10	22516....	26325	.513	1.177	2... H2-1
34	M67	L1.75X1.7...	.594	....	12	.229	0	y	12	14539....	26325	.513	1.177	2... H2-1
35	M68	L1.75X1.7...	.211	1...	5	.102	2.917	z	2	15136....	26325	.513	1.171	1... H2-1
36	M69	L1.75X1.7...	.107	0	12	.020	0	y	12	14539....	26325	.513	1.177	2... H2-1
37	M70	L1.75X1.7...	.100	3...	3	.017	0	y	3	14539....	26325	.513	1.177	1... H2-1
38	M71	L1.75X1.7...	.458	0	10	.020	4.288	y	10	8076.2...	26325	.513	1.11	1... H2-1
39	M72	L1.75X1.7...	.386	0	1	.010	0	y	11	8076.2...	26325	.513	1.077	1... H2-1
40	MP1A	PIPE 2.5	.085	4...	1	.060	4.612	12	35091....	50715	3.596	3.596	1... H1-1b	
41	M127	C5X9	.134	0	3	.060	.662	z	15	65474....	85536	1.909	11.853	2... H1-1b
42	M128	C5X9	.129	0	8	.038	.28	z	8	76029....	85536	1.909	11.853	2... H1-1b
43	M129	L2x2x4	.102	2...	4	.006	2.031	z	4	8872.1...	30585.6	.691	1.561	2... H2-1
44	M130	L2x2x4	.063	2...	9	.004	2.969	y	1	8872.1...	30585.6	.691	1.546	1... H2-1
45	M131	SR 0.75	.006	....	14	.011	1.333	16	9756.1...	14313....	.179	.179	1... H1-1b	
46	M132	SR 0.75	.007	....	20	.011	1.333	16	9756.1...	14313....	.179	.179	1... H1-1b	
47	M133	SR 0.75	.007	....	14	.013	0	8	9756.1...	14313....	.179	.179	1... H1-1b	
48	M134	SR 0.75	.006	....	14	.020	1.333	9	9756.1...	14313....	.179	.179	1... H1-1b	
49	M135	SR 0.75	.006	....	14	.022	0	9	9756.1...	14313....	.179	.179	1... H1-1b	
50	M117	SR 0.5	.655	0	19	.265	0	18	4502.2...	6350.4	.052	.052	1... H1-1b	
51	M118A	SR 0.5	.656	0	18	.262	0	20	4502.2...	6350.4	.052	.052	1... H1-1b	
52	M121	PIPE 2.0	.031	1...	1	.037	.229	12	29344....	32130	1.872	1.872	1 H1-1b	
53	M124	SR 0.5	.644	0	13	.259	0	13	4502.2...	6350.4	.052	.052	1... H1-1b	
54	M125	SR 0.5	.650	0	13	.255	0	14	4502.2...	6350.4	.052	.052	1... H1-1b	
55	MP2A	PIPE 2.0	.071	3...	7	.119	3.983	11	18731....	32130	1.872	1.872	1 H1-1b	
56	M127B	SR 0.5	.668	0	14	.276	0	24	4502.2...	6350.4	.052	.052	1... H1-1b	
57	M128A	SR 0.5	.670	0	23	.272	0	17	4502.2...	6350.4	.052	.052	1... H1-1b	
58	M131A	PIPE 2.0	.024	....	1	.053	1.185	11	31533....	32130	1.872	1.872	1 H1-1b	
59	M134A	SR 0.5	.687	0	23	.269	0	17	4502.2...	6350.4	.052	.052	1... H1-1b	
60	M135A	SR 0.5	.685	0	18	.271	0	23	4502.2...	6350.4	.052	.052	1... H1-1b	
61	MP1C	PIPE 2.5	.092	1...	3	.070	4.612	3	35091....	50715	3.596	3.596	1... H1-1b	
62	M143	SR 0.5	.670	0	14	.266	0	15	4502.2...	6350.4	.052	.052	1... H1-1b	
63	M144	SR 0.5	.677	0	14	.261	0	15	4502.2...	6350.4	.052	.052	1... H1-1b	
64	M147	PIPE 2.0	.031	1...	1	.036	.229	9	29344....	32130	1.872	1.872	1 H1-1b	
65	M150	SR 0.5	.652	0	19	.261	0	21	4502.2...	6350.4	.052	.052	1... H1-1b	
66	M151	SR 0.5	.654	0	19	.257	0	21	4502.2...	6350.4	.052	.052	1... H1-1b	
67	MP2C	PIPE 2.0	.053	3...	3	.102	3.983	2	18731....	32130	1.872	1.872	2... H1-1b	
68	M159	SR 0.5	.730	0	13	.269	0	20	4502.2...	6350.4	.052	.052	1... H1-1b	
69	M160	SR 0.5	.719	0	24	.276	0	13	4502.2...	6350.4	.052	.052	1... H1-1b	
70	M163	PIPE 2.0	.024	....	1	.055	.638	2	31533....	32130	1.872	1.872	1 H1-1b	
71	M166	SR 0.5	.719	0	18	.280	0	14	4502.2...	6350.4	.052	.052	1... H1-1b	
72	M167	SR 0.5	.723	0	18	.273	0	20	4502.2...	6350.4	.052	.052	1... H1-1b	
73	MP1B	PIPE 2.5	.093	1...	11	.079	4.612	5	35091....	50715	3.596	3.596	1... H1-1b	
74	M175	SR 0.5	.670	0	13	.266	0	23	4502.2...	6350.4	.052	.052	1... H1-1b	
75	M176	SR 0.5	.672	0	23	.262	0	24	4502.2...	6350.4	.052	.052	1... H1-1b	



Company :  
 Designer :  
 Job Number :  
 Model Name :

July 12, 2023  
 9:33 AM  
 Checked By: \_\_\_\_\_

**Envelope AISC 15th(360-16): LRFD Steel Code Checks (Continued)**

Member	Shape	Code Check	L...	LC	Shear Check	Loc[ft]	Dir	LC	phi*Pn...	phi*Pnt...	phi*Mn...	phi*Mn...	Cb	Eqn	
76	M179	PIPE 2.0	.031	1..	1	.040	2.292	10	29344...	32130	1.872	1.872	1	H1-1b	
77	M182	SR 0.5	.655	0	19	.262	0	17	4502.2...	6350.4	.052	.052	1..	H1-1b	
78	M183	SR 0.5	.657	0	18	.256	0	19	4502.2...	6350.4	.052	.052	1..	H1-1b	
79	MP2B	PIPE 2.0	.052	3..	11	.105	1.677	10	18731...	32130	1.872	1.872	2..	H1-1b	
80	M191	SR 0.5	.722	0	13	.276	0	16	4502.2...	6350.4	.052	.052	1..	H1-1b	
81	M192	SR 0.5	.727	0	14	.270	0	22	4502.2...	6350.4	.052	.052	1..	H1-1b	
82	M195	PIPE 2.0	.024	....	1	.055	.065	4	31533...	32130	1.872	1.872	1	H1-1b	
83	M198	SR 0.5	.723	0	20	.275	0	21	4502.2...	6350.4	.052	.052	1..	H1-1b	
84	M199	SR 0.5	.721	0	20	.277	0	16	4502.2...	6350.4	.052	.052	1..	H1-1b	
85	M202	L3X3X5	.017	....	10	.016	1.958	y	12	51595...	56070	1.959	4.445	1..	H2-1

