



STATE OF CONNECTICUT

CONNECTICUT SITING COUNCIL

Ten Franklin Square, New Britain, CT 06051

Phone: (860) 827-2935 Fax: (860) 827-2950

E-Mail: siting.council@ct.gov

www.ct.gov/csc

VIA ELECTRONIC MAIL

April 5, 2019

Kyle Richers
Transcend Wireless
10 Industrial Avenue, Suite 3
Mahwah, NJ 07430

RE: **EM-T-MOBILE-126-190301** – T-Mobile notice of intent to modify an existing telecommunications facility located at 161 (a/k/a 219) Nells Rock Road, Shelton, Connecticut.

Dear Mr. Richers:

The Connecticut Siting Council (Council) is in receipt of your correspondence of March 27, 2019 and April 2, 2019 submitted in response to the Council's March 5, 2019 and March 27, 2019 notifications of an incomplete request for exempt modification with regard to the above-referenced matter.

The submissions render the request for exempt modification complete and the Council will process the request in accordance with the Federal Communications Commission 60-day timeframe.

Thank you for your attention and cooperation.

Sincerely,

Melanie A. Bachman
Executive Director

MAB/IN/emr



Robidoux, Evan

From: Kyle Richers <krichers@transcendwireless.com>
Sent: Tuesday, April 02, 2019 4:27 PM
To: Robidoux, Evan
Cc: CSC-DL Siting Council; 'dreid'
Subject: RE: Council 2nd Incomplete Letter for EM-T-MOBILE-126-190301-NellsRockRd-Shelton
Attachments: 18058.75 - CT11199A - CDs Rev 1 (S&S) 19.04.01.pdf

Follow Up Flag: Follow up
Flag Status: Flagged

Evan,

Attached are the updated drawings. Please let me know if anything else is needed.

Thanks!

From: Robidoux, Evan <Evan.Robidoux@ct.gov>
Sent: Thursday, March 28, 2019 4:11 PM
To: 'Kyle Richers' <krichers@transcendwireless.com>
Cc: CSC-DL Siting Council <Siting.Council@ct.gov>
Subject: Council 2nd Incomplete Letter for EM-T-MOBILE-126-190301-NellsRockRd-Shelton

Please see the attached correspondence.

Evan Robidoux
Clerk Typist
Connecticut Siting Council
10 Franklin Square
New Britain, CT 06051



WIRELESS COMMUNICATIONS FACILITY

SHELTON/BUDDINGTON RD_1

SITE ID: CT1199A

219 NELLS ROCK ROAD

SHELTON, CT 06484

GENERAL NOTES

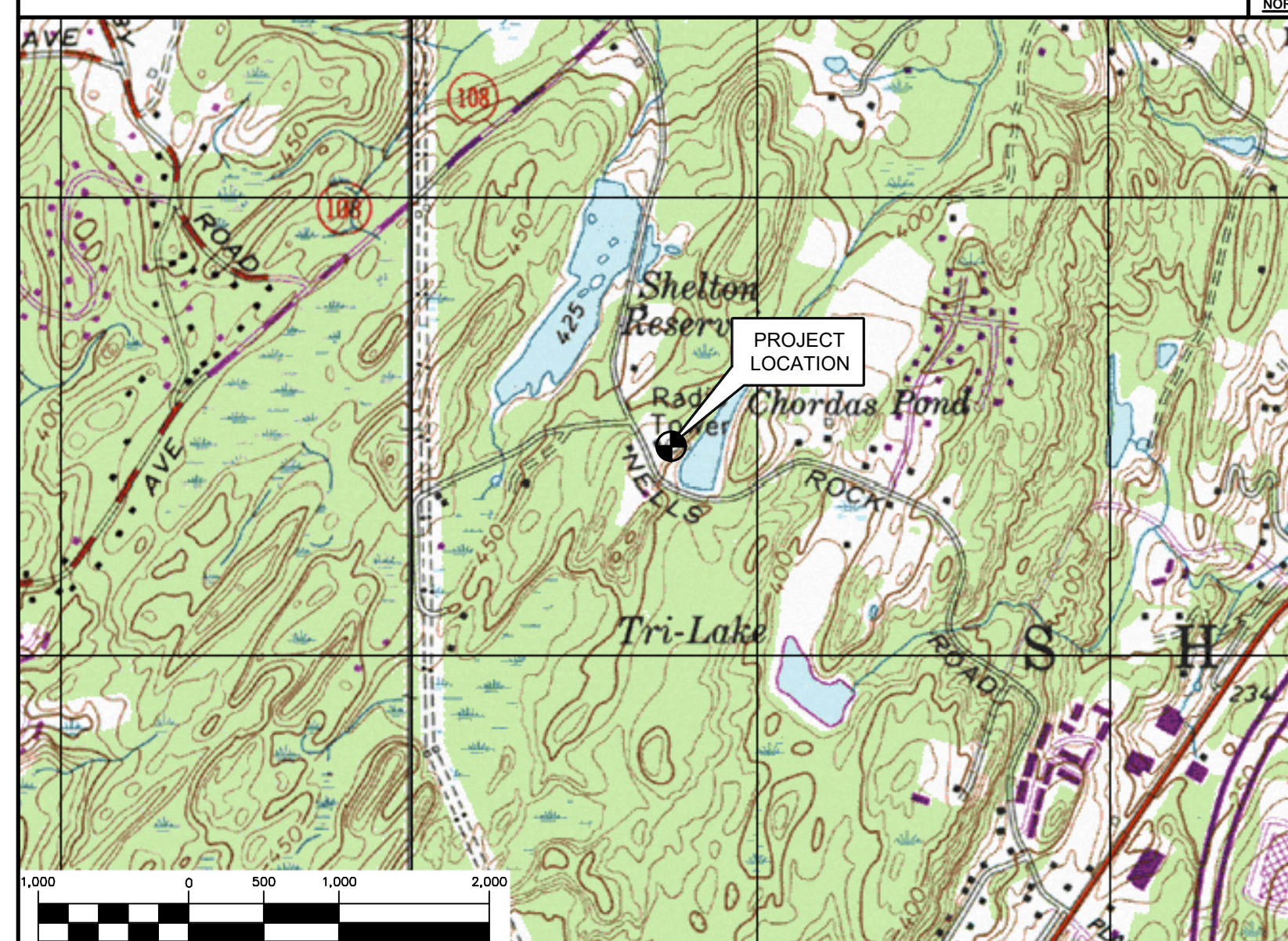
- ALL WORK SHALL BE IN ACCORDANCE WITH THE 2015 INTERNATIONAL BUILDING CODE AS MODIFIED BY THE 2018 CONNECTICUT SUPPLEMENT, INCLUDING THE TIA/EIA-222 REVISION "G" "STRUCTURAL STANDARDS FOR STEEL ANTENNA TOWERS AND SUPPORTING STRUCTURES." 2018 CONNECTICUT FIRE SAFETY CODE, 2017 NATIONAL ELECTRICAL CODE AND LOCAL CODES.
- CONTRACTOR SHALL REVIEW ALL DRAWINGS AND SPECIFICATIONS IN THE CONTRACT DOCUMENT SET. CONTRACTOR SHALL COORDINATE ALL WORK SHOWN IN THE SET OF DRAWINGS. THE CONTRACTOR SHALL PROVIDE A COMPLETE SET OF DRAWINGS TO ALL SUBCONTRACTORS AND ALL RELATED PARTIES. THE SUBCONTRACTORS SHALL EXAMINE ALL THE DRAWINGS AND SPECIFICATIONS FOR THE INFORMATION THAT AFFECTS THEIR WORK.
- CONTRACTOR SHALL PROVIDE A COMPLETE BUILD-OUT WITH ALL FINISHES, STRUCTURAL, MECHANICAL, AND ELECTRICAL COMPONENTS AND PROVIDE ALL ITEMS AS SHOWN OR INDICATED ON THE DRAWINGS OR IN THE WRITTEN SPECIFICATIONS.
- CONTRACTOR SHALL FURNISH ALL MATERIAL, LABOR AND EQUIPMENT TO COMPLETE THE WORK AND FURNISH A COMPLETED JOB ALL IN ACCORDANCE WITH LOCAL AND STATE GOVERNING AUTHORITIES AND OTHER AUTHORITIES HAVING LAWFUL JURISDICTION OVER THE WORK.
- CONTRACTOR SHALL SECURE AND PAY FOR ALL PERMITS AND ALL INSPECTIONS REQUIRED AND SHALL ALSO PAY FEES REQUIRED FOR THE GENERAL CONSTRUCTION, PLUMBING, ELECTRICAL AND HVAC. PERMITS SHALL BE PAID FOR BY THE RESPECTIVE SUBCONTRACTORS.
- CONTRACTOR SHALL MAINTAIN A CURRENT SET OF DRAWINGS AND SPECIFICATIONS ON SITE AT ALL TIMES AND INSURE DISTRIBUTION OF NEW DRAWINGS TO SUBCONTRACTORS AND OTHER RELEVANT PARTIES AS SOON AS THEY ARE MADE AVAILABLE. ALL OLD DRAWINGS SHALL BE MARKED VOID AND REMOVED FROM THE CONTRACT AREA. THE CONTRACTOR SHALL FURNISH AN "AS-BUILT" SET OF DRAWINGS TO OWNER UPON COMPLETION OF PROJECT.
- LOCATION OF EQUIPMENT, AND WORK SUPPLIED BY OTHERS THAT IS DIAGRAMMATICALLY INDICATED ON THE DRAWINGS SHALL BE DETERMINED BY THE CONTRACTOR. THE CONTRACTOR SHALL DETERMINE LOCATIONS AND DIMENSIONS SUBJECT TO STRUCTURAL CONDITIONS AND WORK OF THE SUBCONTRACTORS.
- THE CONTRACTOR IS SOLELY RESPONSIBLE TO DETERMINE CONSTRUCTION PROCEDURE AND SEQUENCE, AND TO ENSURE THE SAFETY OF THE EXISTING STRUCTURES AND ITS COMPONENT PARTS DURING CONSTRUCTION. THIS INCLUDES THE ADDITION OF WHATEVER SHORING, BRACING, UNDERPINNING, ETC. THAT MAY BE NECESSARY.
- DRAWINGS INDICATE THE MINIMUM STANDARDS, BUT IF ANY WORK SHOULD BE INDICATED TO BE SUBSTANDARD TO ANY ORDINANCES, LAWS, CODES, RULES, OR REGULATIONS BEARING ON THE WORK, THE CONTRACTOR SHALL INCLUDE IN HIS WORK AND SHALL EXECUTE THE WORK CORRECTLY IN ACCORDANCE WITH SUCH ORDINANCES, LAWS, CODES, RULES OR REGULATIONS WITH NO INCREASE IN COSTS.
- ALL UTILITY WORK SHALL BE IN ACCORDANCE WITH LOCAL UTILITY COMPANY REQUIREMENTS AND SPECIFICATIONS.
- ALL EQUIPMENT AND PRODUCTS PURCHASED ARE TO BE REVIEWED BY CONTRACTOR AND ALL APPLICABLE SUBCONTRACTORS FOR ANY CONDITION PER MFR.'S RECOMMENDATIONS. CONTRACTOR TO SUPPLY THESE ITEMS AT NO COST TO OWNER OR CONSTRUCTION MANAGER.
- ANY AND ALL ERRORS, DISCREPANCIES, AND "MISSED" ITEMS ARE TO BE BROUGHT TO THE ATTENTION OF THE T-MOBILE CONSTRUCTION MANAGER DURING THE BIDDING PROCESS BY THE CONTRACTOR. ALL THESE ITEMS ARE TO BE INCLUDED IN THE BID. NO "EXTRA" WILL BE ALLOWED FOR MISSED ITEMS.
- CONTRACTOR SHALL BE RESPONSIBLE FOR ALL ON-SITE SAFETY FROM THE TIME THE JOB IS AWARDED UNTIL ALL WORK IS COMPLETE AND ACCEPTED BY THE OWNER.
- CONTRACTOR TO REVIEW ALL SHOP DRAWINGS AND SUBMIT COPY TO ENGINEER FOR APPROVAL. DRAWINGS MUST BEAR THE CHECKER'S INITIALS BEFORE SUBMITTING TO THE CONSTRUCTION MANAGER FOR REVIEW.
- THE CONTRACTOR SHALL FIELD VERIFY ALL DIMENSIONS, ELEVATIONS, ANGLES, AND EXISTING CONDITIONS AT THE SITE, PRIOR TO FABRICATION AND/OR INSTALLATION OF ANY WORK IN THE CONTRACT AREA.
- COORDINATION, LAYOUT, FURNISHING AND INSTALLATION OF CONDUIT AND ALL APPURTENANCES REQUIRED FOR PROPER INSTALLATION OF ELECTRICAL AND TELECOMMUNICATION SERVICE SHALL BE THE SOLE RESPONSIBILITY OF THE CONTRACTOR.
- ALL DAMAGE CAUSED TO ANY EXISTING STRUCTURE SHALL BE THE SOLE RESPONSIBILITY OF THE CONTRACTOR. THE CONTRACTOR WILL BE HELD LIABLE FOR ALL REPAIRS REQUIRED FOR EXISTING STRUCTURES IF DAMAGED DURING CONSTRUCTION ACTIVITIES.
- THE CONTRACTOR SHALL CONTACT "CALL BEFORE YOU DIG" AT LEAST 48 HOURS PRIOR TO ANY EXCAVATIONS AT 1-800-922-4455. ALL UTILITIES SHALL BE IDENTIFIED AND CLEARLY MARKED. CONTRACTOR SHALL MAINTAIN AND PROTECT MARKED UTILITIES THROUGHOUT PROJECT COMPLETION.
- CONTRACTOR SHALL COMPLY WITH OWNERS ENVIRONMENTAL ENGINEER ON ALL METHODS AND PROVISIONS FOR ALL EXCAVATION ACTIVITIES INCLUDING SOIL DISPOSAL. ALL BACKFILL MATERIALS TO BE PROVIDED BY THE CONTRACTOR.

SITE DIRECTIONS

FROM:	TO:
35 GRIFFIN ROAD SOUTH BLOOMFIELD, CT 06002	219 NELLS ROCK RD SHELTON, CT 06484
1. HEAD SOUTHEAST ON W NEWBERRY RD TOWARD GRIFFIN RD S.	0.10 MI.
2. TURN LEFT ONTO GRIFFIN RD S.	0.60 MI.
3. TURN RIGHT ONTO DAY HILL RD.	3.60 MI.
4. USE THE RIGHT LANE TO MERGE ONTO I-91 S VIA THE RAMP TO HARTFORD.	0.40 MI.
5. MERGE ONTO I-91 S.	26.00 MI.
6. TAKE EXIT 17 TO MERGE ONTO CT-15 S/WILBUR CROSS PKWY.	21.80 MI.
7. TAKE EXIT 58 TO MERGE ONTO CT-34 W/DERBY AVE/DERBY TURNPIKE TOWARD DERBY.	0.20 MI.
8. MERGE ONTO CT-34 W/DERBY AVE/DERBY TURNPIKE.	3.00 MI.
9. USE THE LEFT 2 LANES TO TURN LEFT ONTO MAIN ST.	0.20 MI.
10. USE THE LEFT 2 LANES TO TURN LEFT ON MERGE ONTO CT-8 S TOWARD BRIDGEPORT.	0.20 MI.
11. MERGE ONTO CT-8 S.	1.20 MI.
12. TAKE EXIT 13 FOR BRIDGEPORT AVE.	0.20 MI.
13. TURN LEFT ONTO BRIDGEPORT AVE.	0.60 MI.
14. TURN RIGHT ONTO NELLS ROCK RD.	1.20 MI.

VICINITY MAP

SCALE: 1" = 1000'



T-MOBILE RF CONFIGURATION

67D91DB_1xAIR+1OP

PROJECT SUMMARY

- THE PROPOSED SCOPE OF WORK CONSISTS OF A MODIFICATION TO THE EXISTING UNMANNED TELECOMMUNICATIONS FACILITY INCLUDING THE FOLLOWING:
 - REMOVE (6) EXISTING PANEL ANTENNAS.
 - INSTALL (6) PROPOSED PANEL ANTENNAS.
 - REMOVE (6) EXISTING REMOTE RADIO HEADS.
 - INSTALL (3) PROPOSED REMOTE RADIO HEADS.
 - RELOCATE (3) EXISTING TOWERS TO NEW MOUNTS.
 - REPLACE EXISTING PIPE MOUNTS WITH (3) NEW MOUNTS.
 - INSTALL (3) 6X12 HYBRID CABLES / (1) PER SECTOR.
 - UPGRADE MAIN ELECTRICAL PANEL TO 150A AND INDOOR CABINET TO 100A.

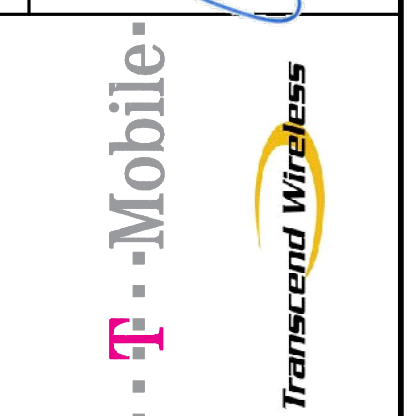
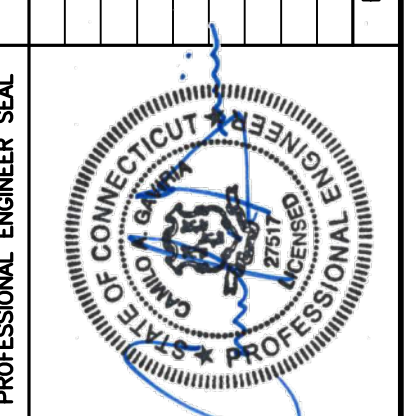
PROJECT INFORMATION

SITE NAME:	SHELTON/BUDDINGTON RD_1
SITE ID:	CT11199A
SITE ADDRESS:	219 NELLS ROCK RD SHELTON, CT 06484
APPLICANT:	T-MOBILE NORTHEAST, LLC 35 GRIFFIN ROAD SOUTH BLOOMFIELD, CT 06002
CONTACT PERSON:	DAN REID (PROJECT MANAGER) TRANSCEND WIRELESS, LLC (203) 592-8291
ENGINEER:	CENITEK ENGINEERING, INC. 63-2 NORTH BRANFORD RD. BRANFORD, CT 06405
PROJECT COORDINATES:	LATITUDE: 41°-18'-14.99" N LONGITUDE: 73°-07'-05.80" W GROUND ELEVATION: 460± AMSL
	SITE COORDINATES AND GROUND ELEVATION REFERENCED FROM GOOGLE EARTH.

SHEET INDEX

SHT. NO.	DESCRIPTION	REV.
T-1	TITLE SHEET	1
N-1	DESIGN BASIS AND SITE NOTES	1
C-1	SITE LOCATION PLAN	1
C-2	COMPOUND PLAN AND ELEVATION	1
C-3	ANTENNA MOUNTING CONFIG.	1
E-1	TYPICAL ELECTRICAL DETAILS	1

REV.	DATE	BY	CHK'D BY	DESCRIPTION
1	04/01/19	KAWJR	CAG	ISSUED FOR CONSTRUCTION - REVISED PER UPDATED BUILDING CODE
0	07/17/19	TLL	CAG	ISSUED FOR CONSTRUCTION



CENITEK engineering
Center of Solutions
(203) 488-0380
(203) 488-3897
632 North Branford Road
Branford, CT 06405
www.CenitekEng.com

T-MOBILE NORTHEAST LLC
WIRELESS COMMUNICATIONS FACILITY
SHELTON/BUDDINGTON RD_1
SITE ID: CT1199A
219 NELLS ROCK RD
SHELTON, CT 06484

DATE: 9/11/18
SCALE: AS NOTED
JOB NO. 18058.75

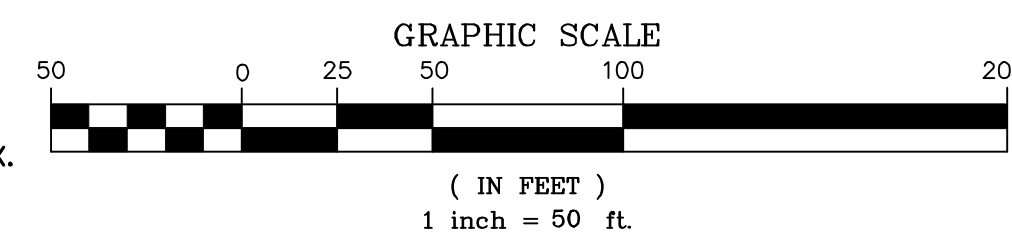
TITLE SHEET

T-1



1 SITE LOCATION PLAN
C-1

SCALE: 1" = 50'



T-MOBILE NORTHEAST LLC

WIRELESS COMMUNICATIONS FACILITY

SHELTON/BUDDINGTON RD_1

SITE ID: CT1199A

219 NELLIS ROCK RD
SHELTON, CT 06484

CEN TEK engineering
Center of Solutions

(203) 488-0380
(203) 488-3397 Fax
652 North Branford Road
Branford, CT 06405
www.CenTelEng.com

T-Mobile

Transcend Wireless

PROFESSIONAL ENGINEER SEAL



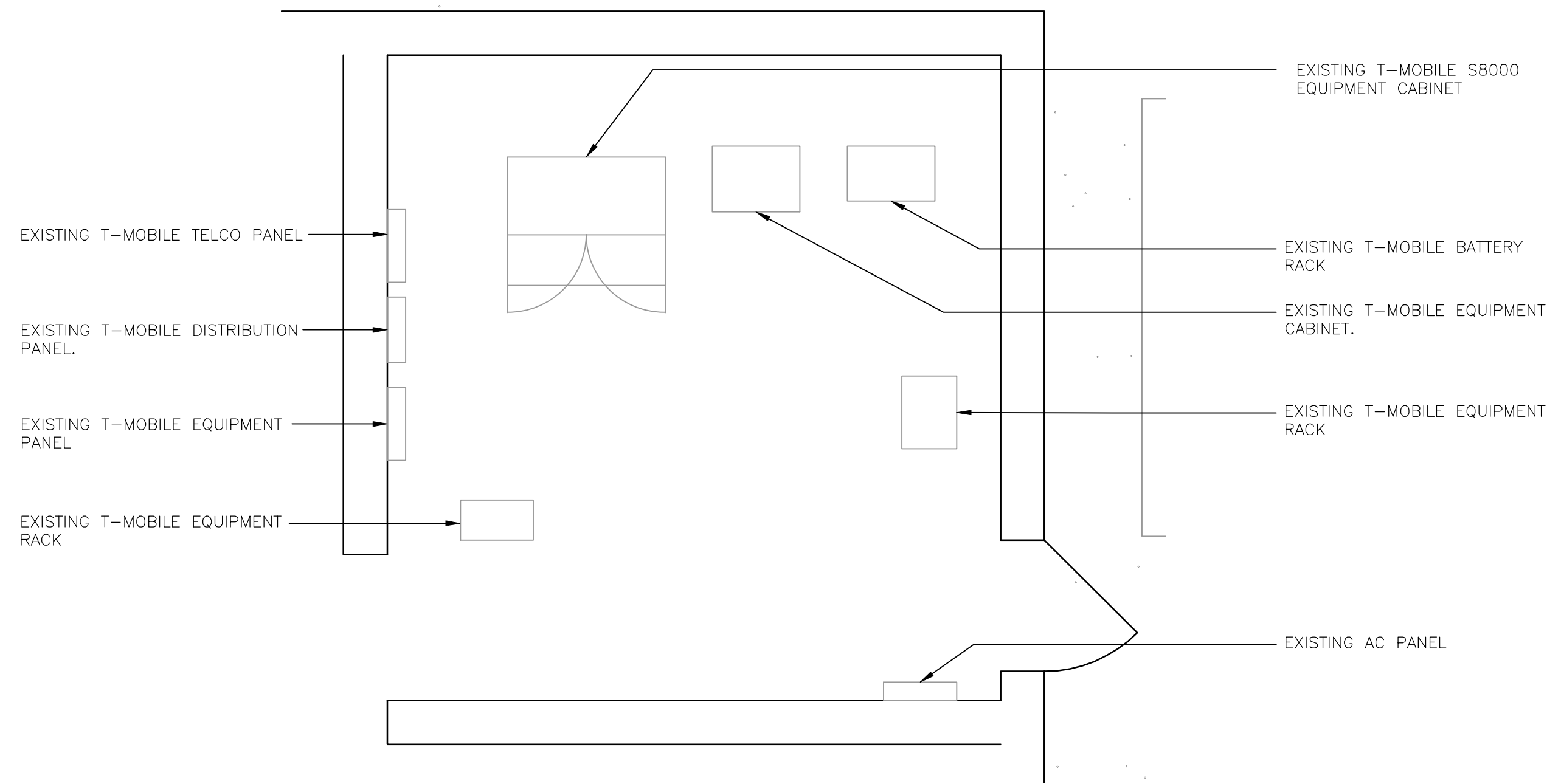
REV.	DATE	DRAWN BY	CHK'D BY	DESCRIPTION
1	04/01/18	KAWJR	CAG	ISSUED FOR CONSTRUCTION - REVISED PER UPDATED BUILDING CODE
0	02/17/18	TJK	CAG	ISSUED FOR CONSTRUCTION

DATE: 9/11/18
SCALE: AS NOTED
JOB NO. 18058.75

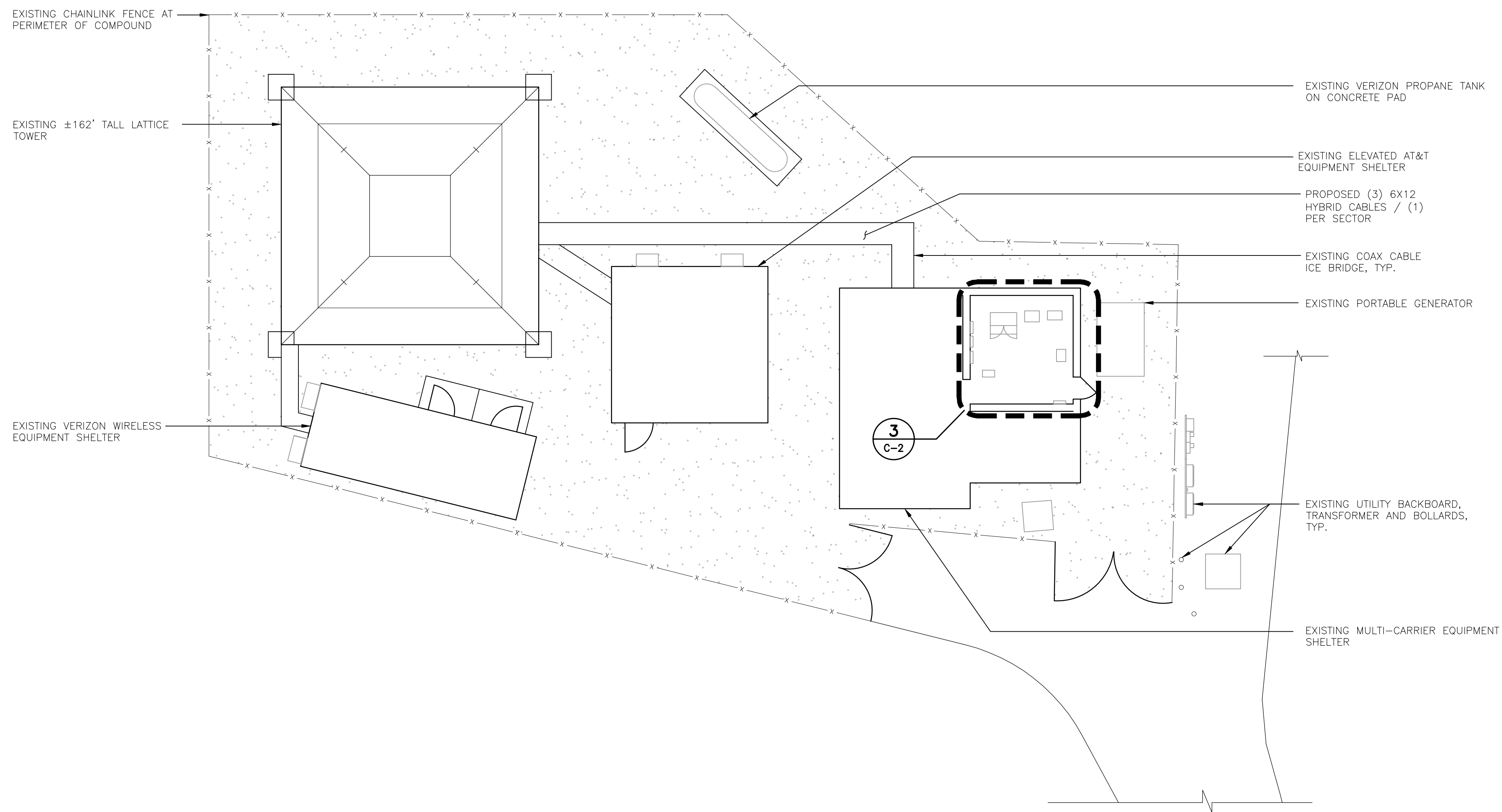
SITE LOCATION PLAN

C-1

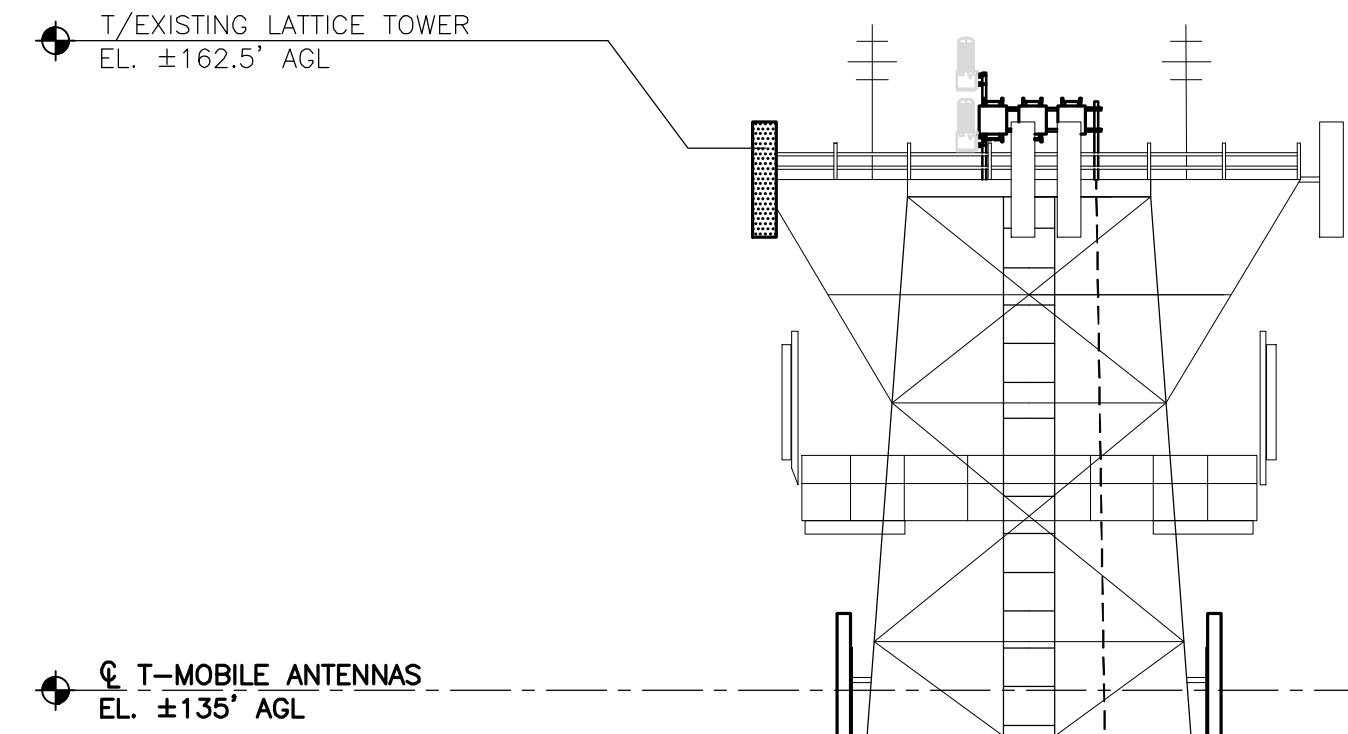
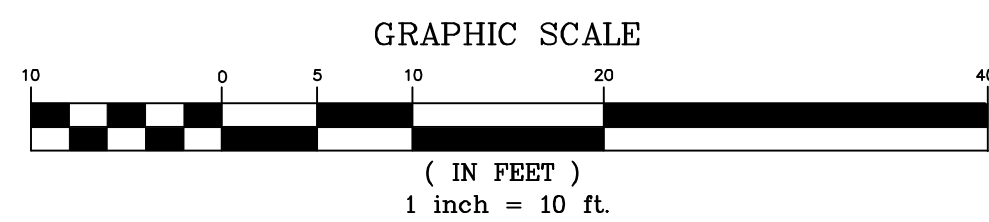
Sheet No. 3 of 6



3 EQUIPMENT ROOM PLAN
 C-2 SCALE: 3/8" = 1'
 TRUE NORTH



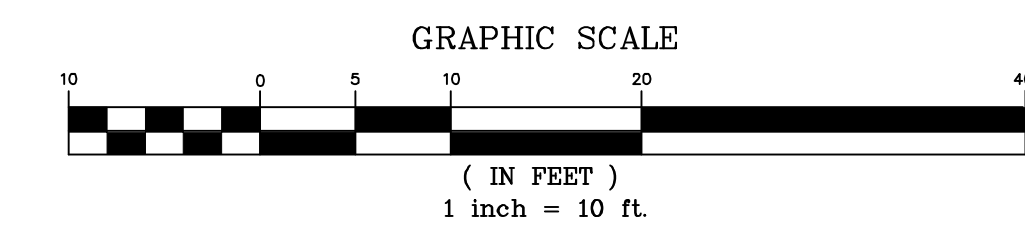
1 COMPOUND PLAN
 C-2 SCALE: 1" = 10'
 TRUE NORTH



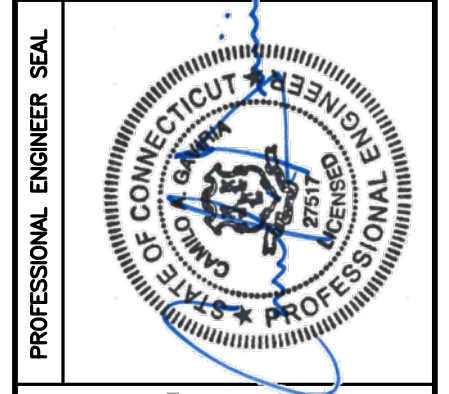
STRUCTURAL NOTES:

- REFER TO ANTENNA MOUNT ANALYSIS REPORT PREPARED BY CENTEK ENGINEERING, INC., PROJ. NO. 18058.75, DATED MARCH 08, 2019 FOR ADDITIONAL INFORMATION AND REQUIREMENTS.
- REFER TO STRUCTURAL ANALYSIS REPORT PREPARED BY GFD GROUP PROJ. NO. 2019723.01.SNET025.12, DATED FEBRUARY 1, 2019 FOR ADDITIONAL INFORMATION AND REQUIREMENTS.
- ALL ANTENNAS AND COAX TO BE INSTALLED IN ACCORDANCE WITH STRUCTURAL ANALYSIS PROVIDED MALOUF ENGINEERING AND FINAL T-MOBILE RF DATA SHEET.

2 TOWER ELEVATION
 C-2 SCALE: 1" = 10'



REV.	DATE	BY	CHK'D BY	DESCRIPTION
1	04/01/18	KAWJR	CAG	ISSUED FOR CONSTRUCTION - REVISED PER UPDATED BUILDING CODE
0	02/17/18	TLL	CAG	ISSUED FOR CONSTRUCTION

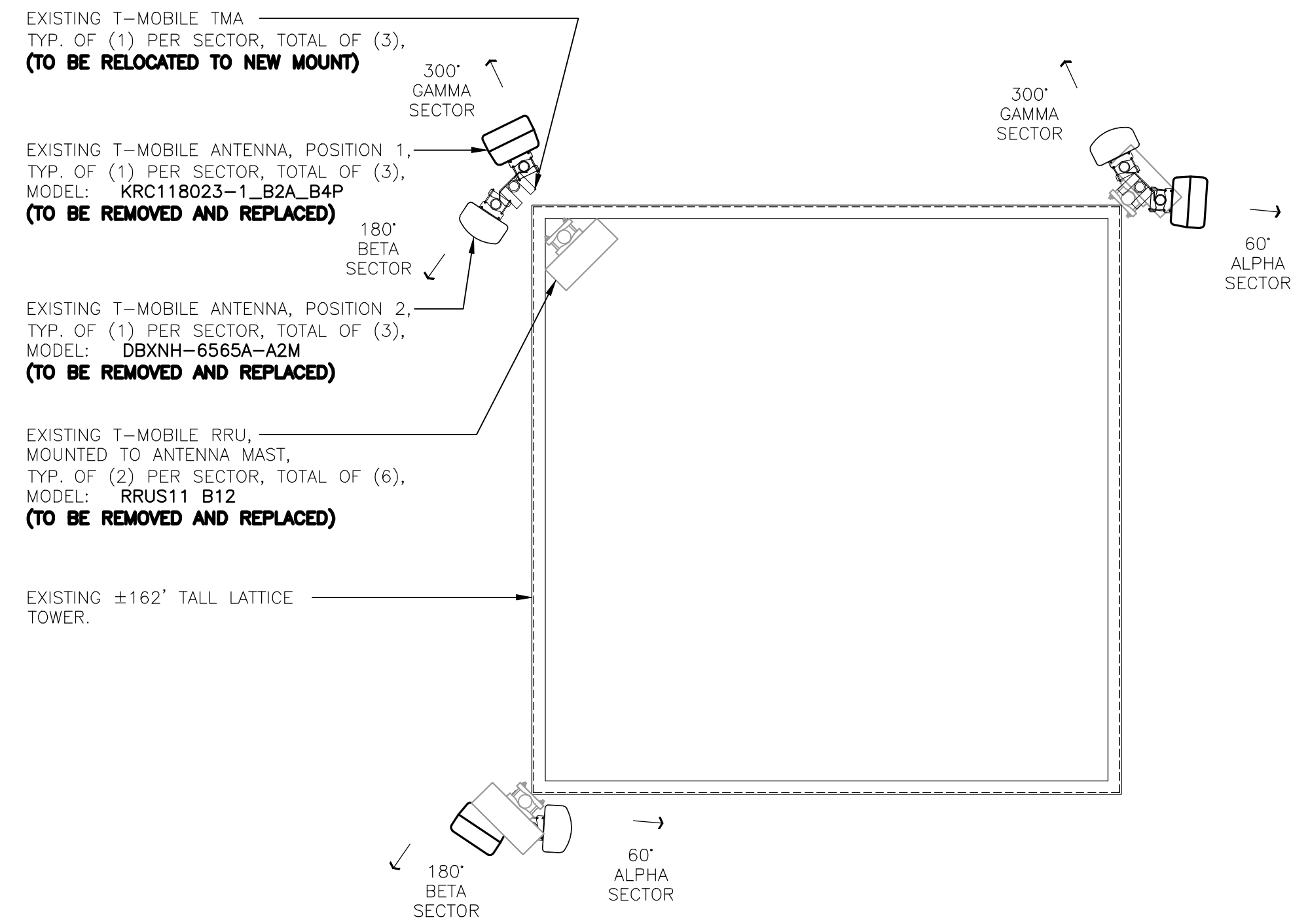


CEN TEK engineering
 Centered on Solutions
 (203) 488-0380
 (203) 488-3897 Fax
 652 North Branford Road
 Branford, CT 06405
 www.CenTekEng.com

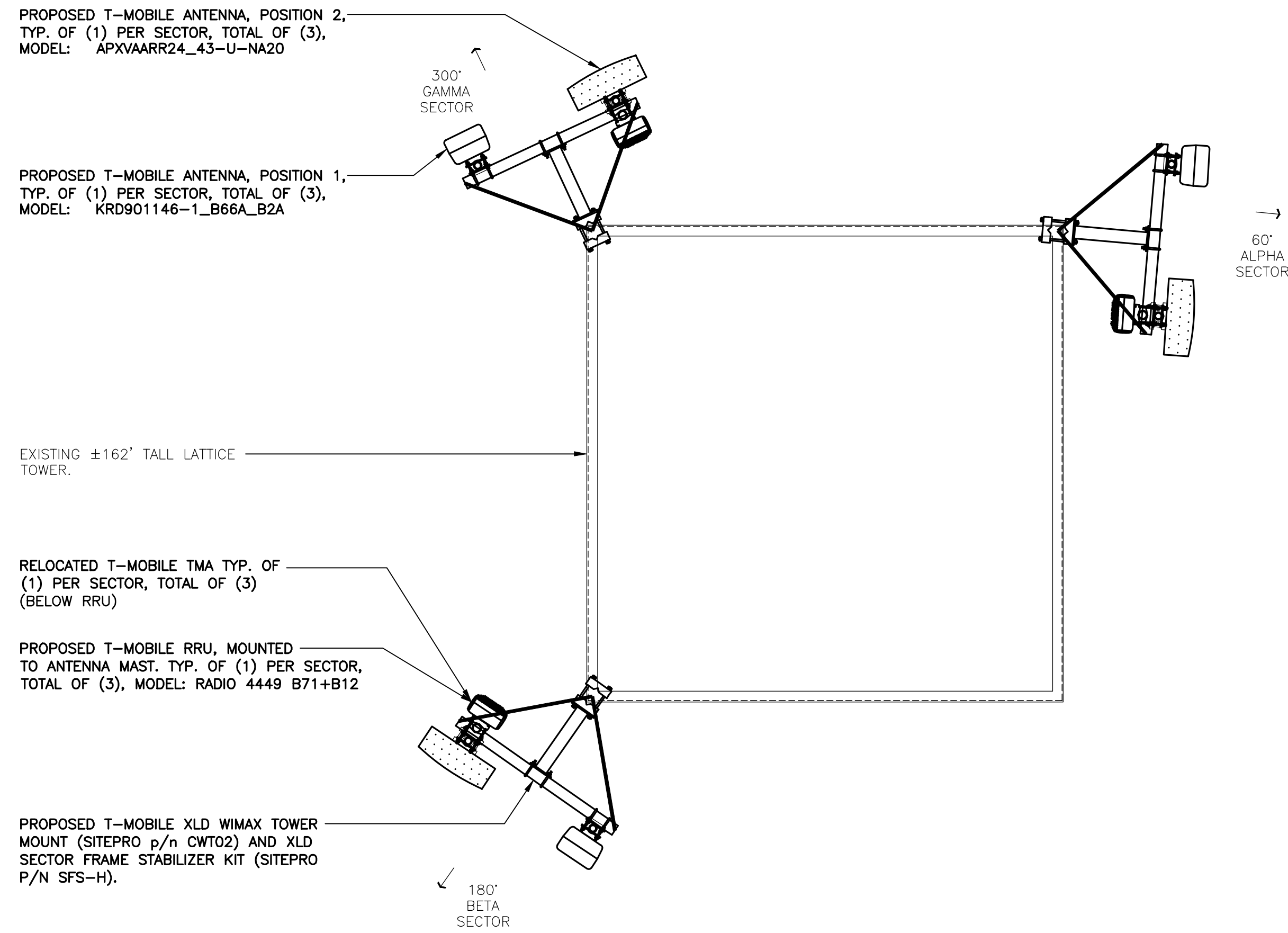
T-MOBILE NORTHEAST LLC
 WIRELESS COMMUNICATIONS FACILITY
SHELTON/BUDDINGTON RD_1
SITE ID: CT1199A
 219 NELLS ROCK RD
 SHELTON, CT 06484

DATE: 9/11/18
 SCALE: AS NOTED
 JOB NO. 18058.75

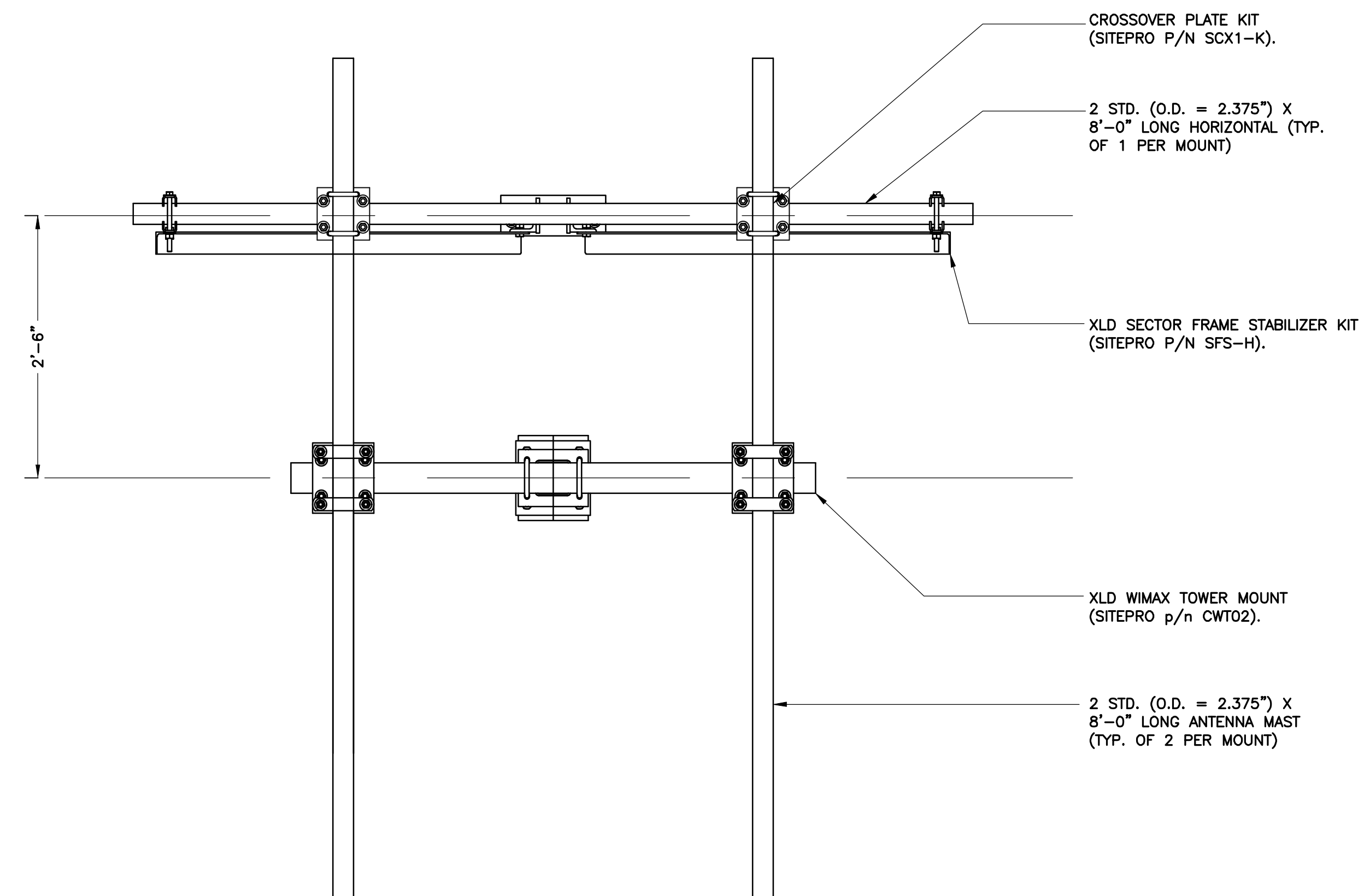
COMPOUND PLAN AND ELEVATION



1 EXISTING ANTENNA MOUNTING CONFIGURATION
 C-3 SCALE: 3/8" = 1' 135' ELEVATION TRUE NORTH

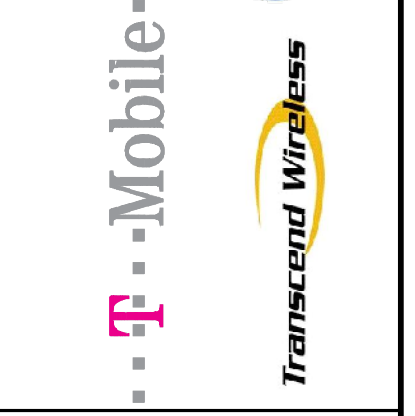
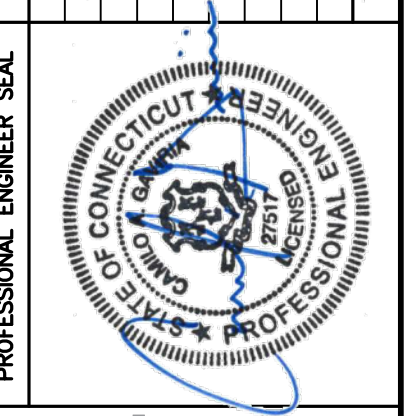


2 PROPOSED ANTENNA MOUNTING CONFIGURATION
 C-3 SCALE: 3/8" = 1' 135' ELEVATION TRUE NORTH



3 PROPOSED TOWER MOUNT DETAIL
 C-3 SCALE: 1" = 1'

REV.	DATE	ISSUED FOR CONSTRUCTION - REVISED PER UPDATED BUILDING CODE	ISSUED FOR CONSTRUCTION
1	04/01/18	CAG	CAG
0	02/13/18	TLL	CAG

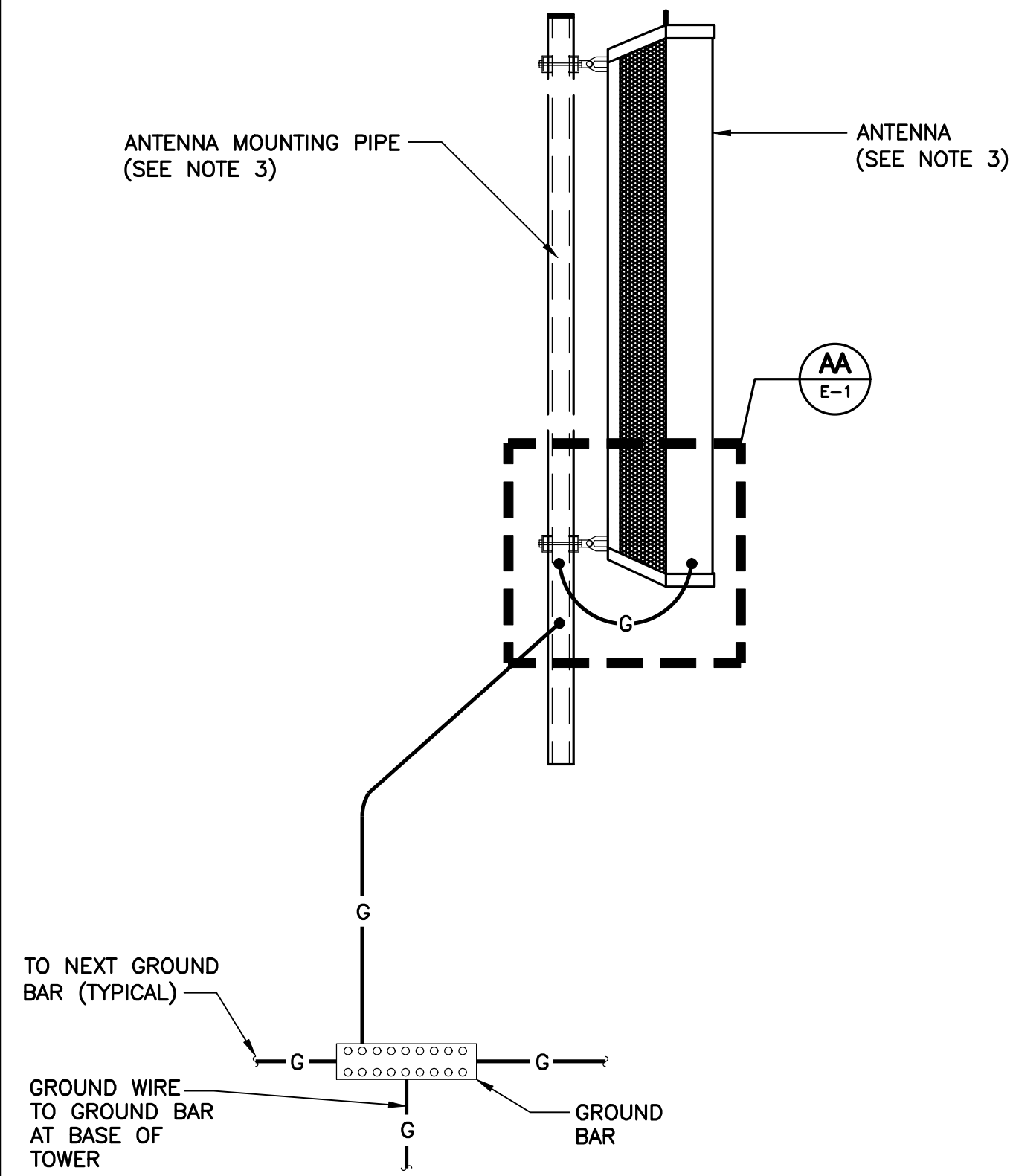


CENTEK engineering
 Center of Solutions
 (203) 488-0380
 (203) 488-3397 Fax
 652 North Branford Road
 Branford, CT 06403
 www.CentekEng.com

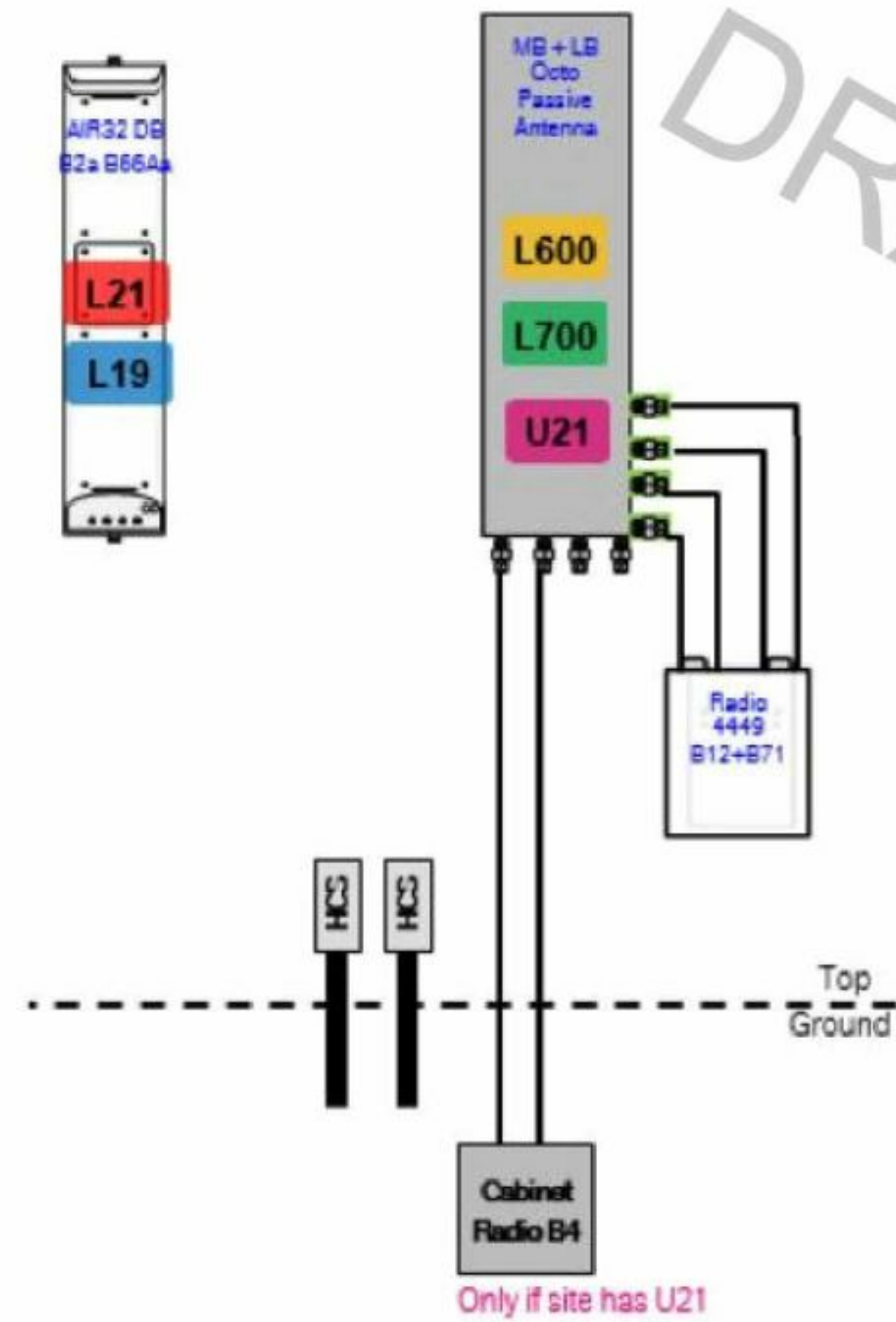
T-MOBILE NORTHEAST LLC
 WIRELESS COMMUNICATIONS FACILITY
SHELTON/BUDDINGTON RD_1
SITE ID: CT1199A
 219 NELLIS ROCK RD
 SHELTON, CT 06484

DATE: 9/11/18
 SCALE: AS NOTED
 JOB NO. 18058.75

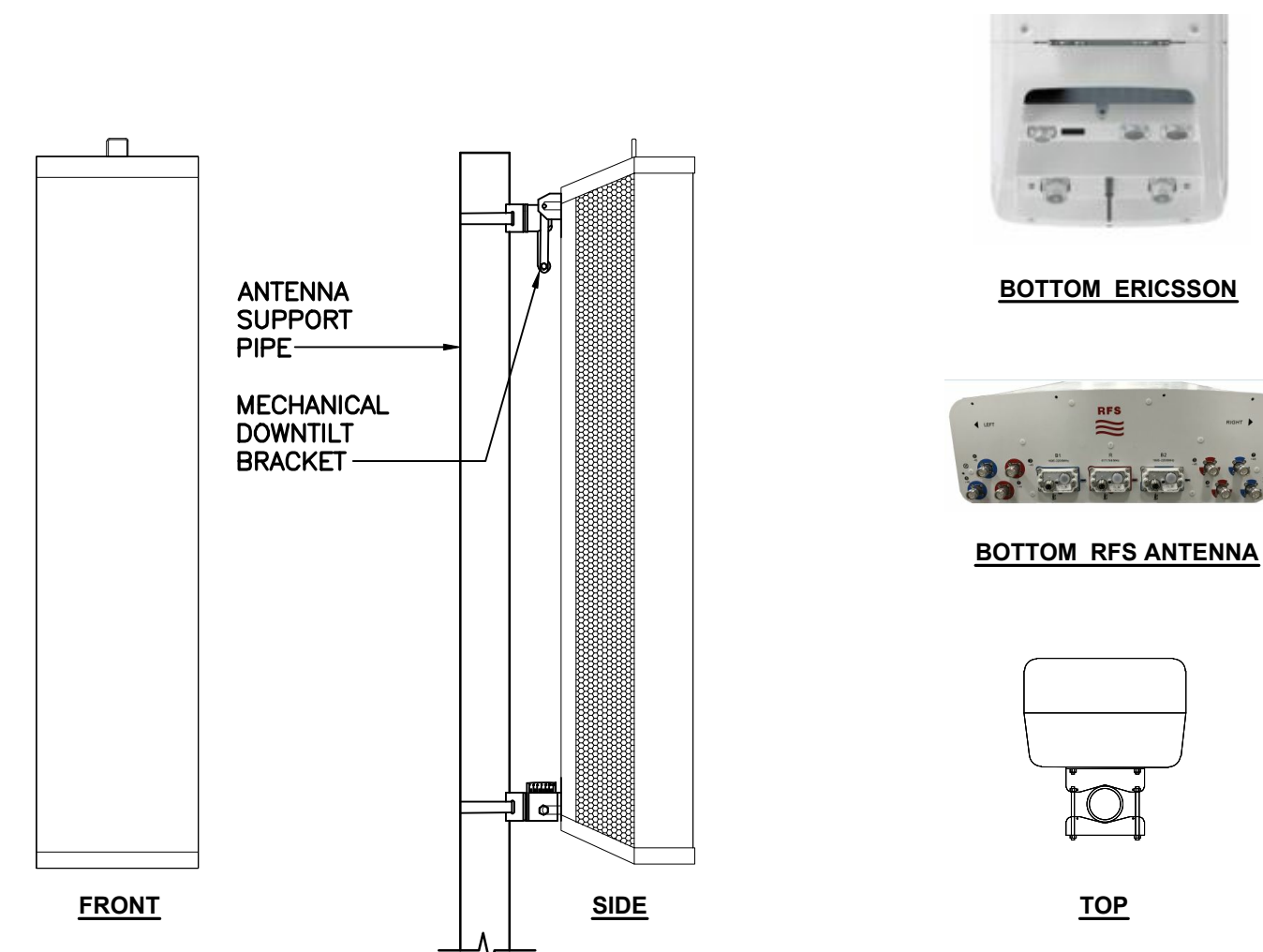
ANTENNA MOUNTING CONFIG.



1 TYPICAL ANTENNA GROUNDING DETAIL
E-1 SCALE: NONE

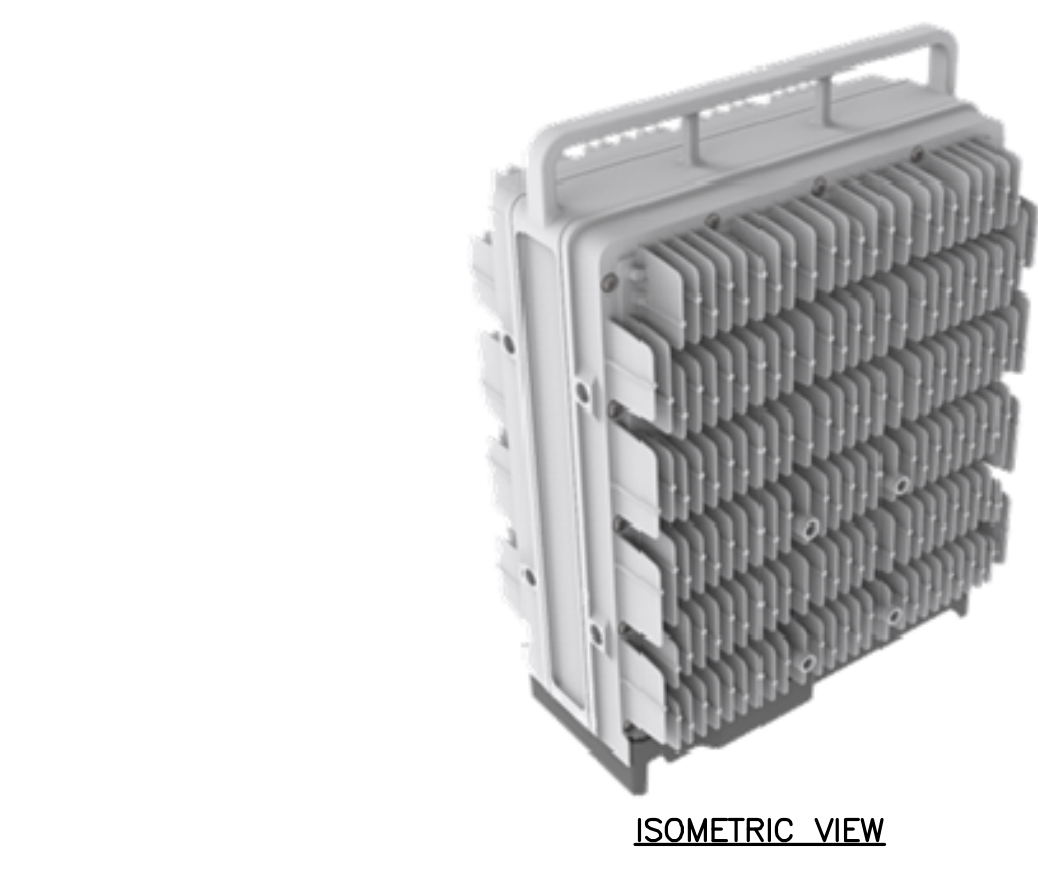


2 PROPOSED PLUMBING DIAGRAM
E-1 SCALE: NONE



ALPHA/BETA/GAMMA ANTENNA		
EQUIPMENT	DIMENSIONS	WEIGHT
MAKE: ERICSSON MODEL: KR901146-1_B66A_B2A	56.65"L x 12.87"W x 8.66"D	132.2 LBS.
MAKE: RFS MODEL: APXVAARR24_43-U-NA20	95.9"L x 24"W x 8.7"D	128 LBS.

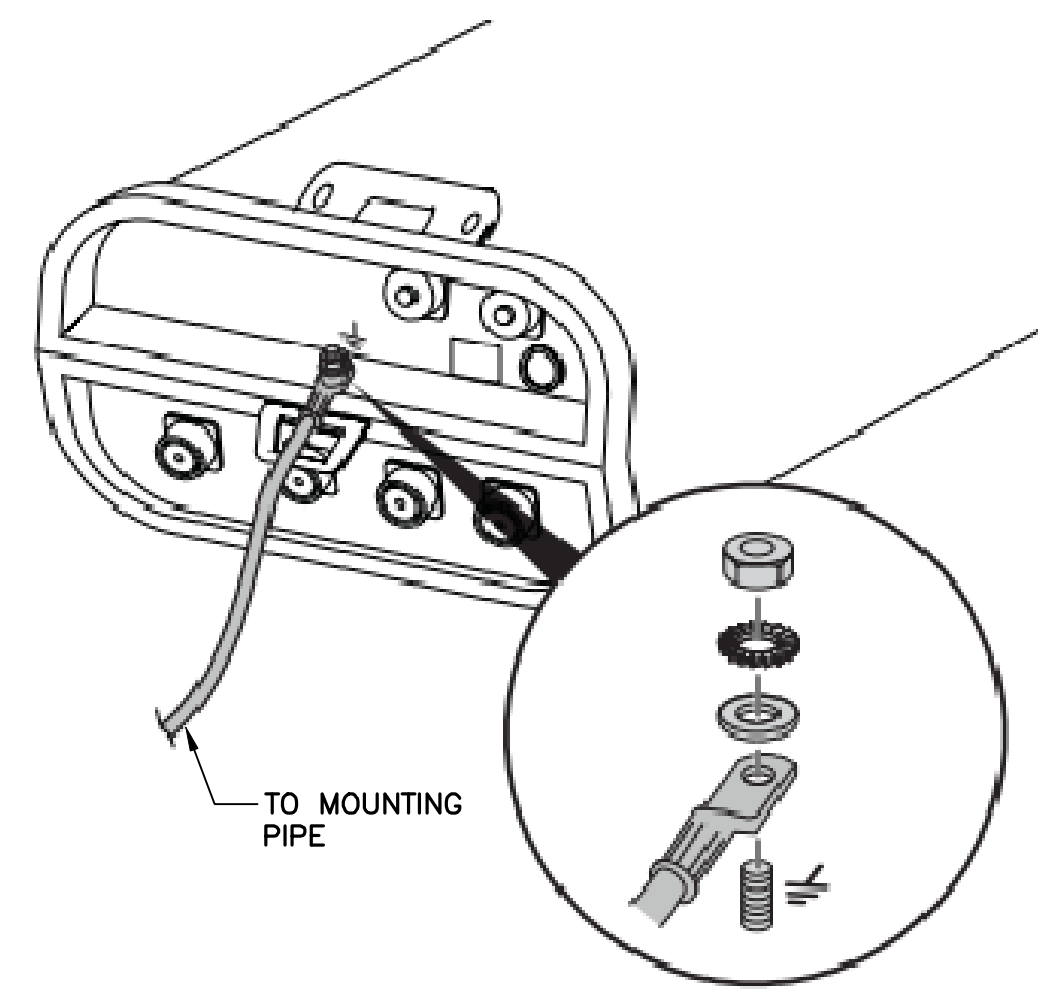
3 PROPOSED ANTENNA DETAIL
E-1 SCALE: NONE



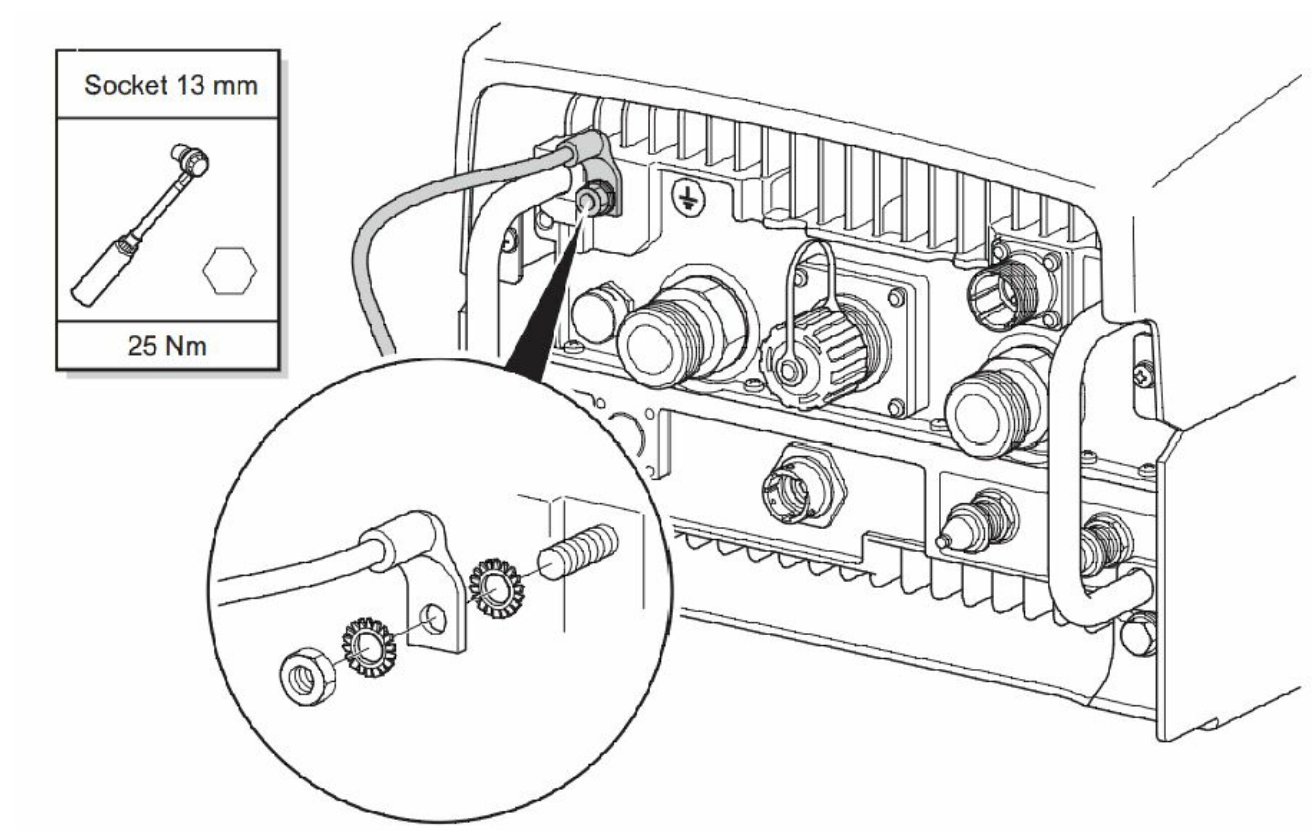
RRU (REMOTE RADIO UNIT)			
EQUIPMENT	DIMENSIONS	WEIGHT	CLEARANCES
MAKE: ERICSSON MODEL: RADIO 4449 B71B12	14.9"L x 13.2"W x 10.4"D	74 LBS.	ABOVE: 16" MIN. BELOW: 12" MIN. FRONT: 36" MIN.

NOTES:
1. CONTRACTOR TO COORDINATE FINAL EQUIPMENT MODEL SELECTION WITH T-MOBILE CONSTRUCTION MANAGER PRIOR TO ORDERING.

4 PROPOSED RRU DETAIL
E-1 SCALE: NONE

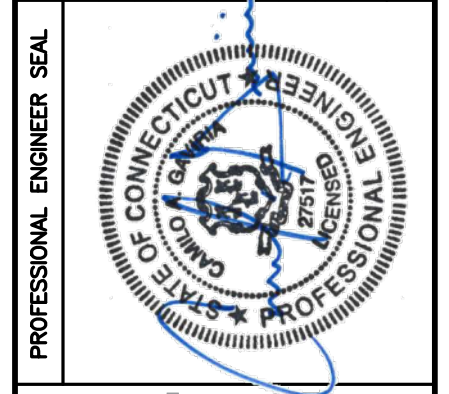


AA TYPICAL ANTENNA GROUNDING DETAIL
E-1 SCALE: NONE



4 TYPICAL RRU GROUNDING DETAIL
E-1 NOT TO SCALE

REV.	DATE	BY	CHK'D BY	DESCRIPTION
1	04/01/18	KAWJ	TJL	ISSUED FOR CONSTRUCTION - REVISED PER UPDATED BUILDING CODE
0	02/13/18	CAG	CAG	ISSUED FOR CONSTRUCTION



CENTEK engineering
Centered on Solutions
(203) 488-0380
(203) 488-3397 Fax
652 North Branford Road
Branford, CT 06405
www.CentekEng.com

T-MOBILE NORTHEAST LLC
WIRELESS COMMUNICATIONS FACILITY
SHELTON/BUDDINGTON RD_1
SITE ID: CT1199A
219 NELLS ROCK RD
SHELTON, CT 06484

DATE: 9/11/18
SCALE: AS NOTED
JOB NO. 18058.75

TYPICAL ELECTRICAL DETAILS