

GDIT

March 23, 2023

VIA ELECTRONIC AND FEDERAL EXPRESS

Melanie A. Bachman, Executive Director
Connecticut Siting Council
10 Franklin Square
New Britain, CT 06051

New Cingular Wireless PCS, LLC (“AT&T”)
Notice of Exempt Modification
Emergency Back-up Generator
153 East Haddam Road, Salem, CT 06420
Lat.: 41.46846390; Long.: -072.27330500

Dear Ms. Bachman:

This letter and enclosures are respectfully submitted on behalf of New Cingular Wireless PCS, LLC (“AT&T”). AT&T currently maintains its wireless telecommunications facility on the existing tower located at 153 East Haddam Road in the Town of Salem, Connecticut. The underlying property and tower are owned by American Tower Corp. AT&T submits this letter and enclosures to the Connecticut Siting Council (“Council”) to notify the Council of AT&T’s intent to perform modifications to the existing facility that do not have substantial adverse environmental effects and thus do not require a certificate pursuant to Section 16-50k of the Connecticut General Statutes.

AT&T intends to install one (1) new Generac 30kW Diesel Generator within the existing grade-level fenced equipment compound as demonstrated on the plans enclosed as Attachment 1. AT&T’s existing facility supports its FirstNet program which provides first responders with priority access to AT&T’s network to ensure adequate communication capabilities in the event of emergency. AT&T’s proposed generator will ensure that critical communication capability for first responders and the public are not lost in the event of a loss of power.

AT&T’s proposed generator will also advance the State’s goal of natural disaster and emergency preparedness. As discussed in the Council’s Docket 432 Findings and Report and Docket 440 proceedings and Findings of Fact (Nos. 76- 77), in response to two significant storm events in 2011, the State formed a Two Storm Panel (the “Panel”) that evaluated Connecticut’s approach to planning and mitigation of impacts associated with emergencies and natural disasters. The Panel found that “wireless telecommunications service providers were not prepared to serve residential and business customers during a power outage” because certain companies had limited backup generator capacity.

GDIT

The Panel also noted that “[t]he failure of a large portion of Connecticut’s telecommunications system during the two storms is a life safety issue.” The Panel recommended that State regulatory bodies review “telecommunications services currently in place to verify that the vendors have sufficient generator and backhaul capacity to meet the emergency needs of consumers and businesses” and that the “Connecticut Siting Council should require continuity of service plans for any cellular tower to be erected.” The planned modifications will ensure continuity of services by reinforcing AT&T’s backup power and backhaul capacity to meet the emergency needs of first responders, consumers, and businesses in the event of a power outage.

The planned modifications to the facility fall squarely within the activities explicitly provided for in R.C.S.A. § 16-50j-72(b)(2) as the planned modifications:

- Will not result in an increase in the height of the existing structure;
- Will not require the extension of the site boundary;
- Will not increase noise levels at the facility by more than six decibels or more, or to levels that exceed state or local criteria since emergency backup generators are exempt from noise regulations as “noise created as a result of, or relating to, an emergency”;
- Will not increase radio frequency emission at the facility to a level at or above the Federal Communications Commission safety standards;
- Will not cause a change or alteration in the physical or environmental characteristics of the site; and
- Will not impair the structural integrity of the facility.

This modification complies with the aforementioned approval. AT&T’s proposed modification will maintain compliance with any relevant conditions these original approvals and any other subsequent approvals. The proposed modifications will have no impact on the existing tower structure itself or the radiofrequency emissions as the proposed modifications only consist of the addition of one new generator within the grade-level equipment compound. Thus, AT&T respectfully requests a waiver from submission of information relating to the existing tower structure or the radio-frequency emissions.

Please accept this letter as notification pursuant to R.C.S.A. § 16-50j-73 for construction that constitutes an exempt modification pursuant to R.C.S.A. § 16-50j-73. In accordance with R.C.S.A.

§ 16-50j-73, a copy of this letter and enclosure are being sent to Ed Chmielewski, Town of Salem First Selectman, Nicole Haggerty, Town Planner, Matt Allen, Zoning Enforcement Officer, and Property/Tower Owner as stated above. Certification of Service is enclosed as Attachment 3.

GDIT

For the foregoing reasons, AT&T respectfully submits that the proposed modification to the above referenced wireless telecommunications facility constitutes an exempt modification under R.C.S.A. § 16-50j-72(b)(2).

Very truly yours

Catherine Conklin

Catherine Conklin, Site Acquisition Specialist
General Dynamics Wireless Services
2586 Industry Lane, Suite 100
Norristown, PA 19403
(202) 568-0437
catherine.conklin@gdit.com

GENERAL DYNAMICS
Information Technology

CC:

Ed Chmielewski, First Selectman
Salem Town Office Building
270 Hartford Road
Salem, CT 06420
(860) 859-3873

Matt Allen, Zoning Enforcement Officer
Salem Town Office Building
270 Hartford Road
Salem, CT 06420
(860) 859-1184

Nicole Haggerty, Town Planner
Salem Town Office Building
270 Hartford Road
Salem, CT 06420
(860) 859-1184

American Tower Corp., Property & Tower Owner via email

ATTACHMENT 1



at&t Mobility

SITE NAME: SALEM E. HADDAM RD
FA LOCATION CODE: 10035321

GENERATOR PROJECT
30KW GENERAC DIESEL GENERATOR
200A GENERAC ATS

153 EAST HADDAM ROAD
SALEM, CT 06420



PREPARED FOR:



CONSULTANT:
GENERAL DYNAMICS
 Information Technology, Inc.
 GENERAL DYNAMICS
 101 STATION DR
 WESTWOOD, MA 02090

Certification & Seal:
 I hereby certify that this plan, specification, or report was prepared by me or under my direct supervision and that I am a duly Licensed Professional Engineer under the laws of the State of Connecticut.



[Signature] 3/21/2023
 Signature: Date:

AT&T MGR.	DATE
GENERAL DYNAMICS CONSTRUCTION MGR.	DATE
SITE ACQUISITION	DATE

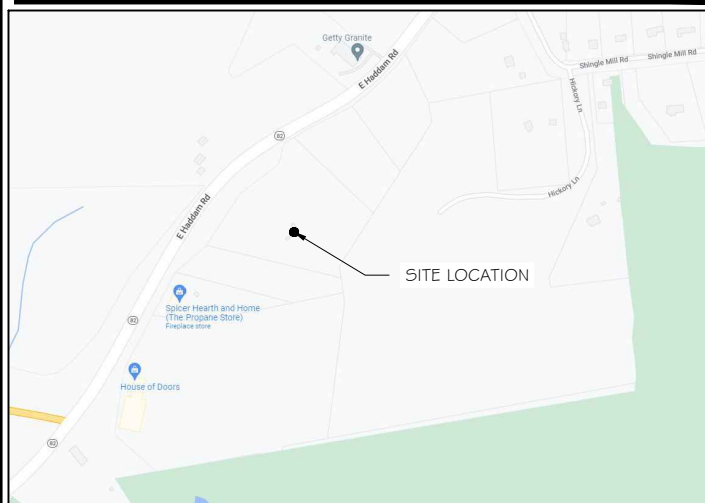
PROJECT TITLE:
SALEM E. HADDAM RD
FA ID # 10035321

SHEET TITLE:
TITLE SHEET

SCALE: NONE

PROJECT NUMBER: 57131
 SHEET NUMBER: T-1

VICINITY MAP



SCOPE OF WORK

ADD STANDBY GENERATOR, ASSOCIATED CONCRETE PAD, AND UTILITY EQUIPMENT TO EXISTING AT&T EQUIPMENT AREA. THERE WILL BE NO CHANGE IN THE SIZE OR HEIGHT OF THE TOWER OR ANTENNAS.

APPLICABLE BUILDING CODE & STANDARDS

ALL WORK AND MATERIALS SHALL BE PERFORMED AND INSTALLED IN ACCORDANCE WITH THE CURRENT EDITION OF THE FOLLOWING CODES AS ADOPTED BY THE GOVERNING LOCAL AUTHORITIES. NOTHING IN THESE PLANS ARE TO BE CONSTRUCTED TO PERMIT WORK NOT CONFORMING TO THESE CODES:

- INTERNATIONAL BUILDING CODE 2021
- NATIONAL ELECTRIC CODE 2020
- AMERICAN CONCRETE INSTITUTE (ACI) 318, BUILDING CODE REQUIREMENTS FOR STRUCTURAL CONCRETE
- AMERICAN INSTITUTE OF STEEL CONSTRUCTION (AISC), MANUAL OF STEEL CONSTRUCTION
- TELECOMMUNICATIONS INDUSTRY ASSOCIATION (TIA) 222-G, STRUCTURAL STANDARDS FOR STEEL TOWER AND ANTENNA SUPPORTING STRUCTURES
- TIA 607, COMMERCIAL BUILDING GROUNDING AND BONDING REQUIREMENTS FOR TELECOMMUNICATIONS

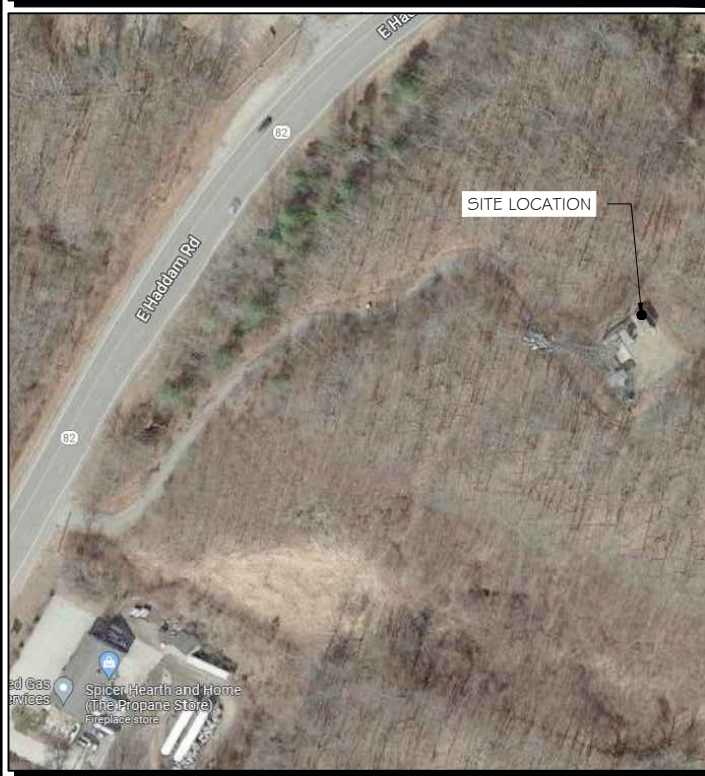


TO OBTAIN LOCATION OF PARTICIPANTS' UNDERGROUND FACILITIES BEFORE YOU DIG IN CONNECTICUT

CALL BEFORE YOU DIG
811 OR 1-800-922-4455

CONNECTICUT PUBLIC ACT 87-71 REQUIRES MIN. 2 WORKING DAYS NOTICE BEFORE YOU EXCAVATE.

AERIAL VIEW OF SITE



PROJECT INFORMATION

PROJECT MANAGER:
 MATTHEW HIGGINS
 GENERAL DYNAMICS WIRELESS SERVICES
 101 STATION DRIVE
 WESTWOOD, MA 02090
 EMAIL: Matthew.Higgins@GDIT.com

SITE DATA:
 SITE NAME: SALEM E. HADDAM RD
 FA NUMBER: 10035321

PROPERTY OWNER:
 AMERICAN TOWER COMPANY
 10 PRESIDENTIAL WAY
 WOBURN, MA 01801

ENGINEER:
 RAMAKER & ASSOCIATES, INC.
 855 COMMUNITY DRIVE
 SAUK CITY, WI 53583
 PH.: (608) 643-4100
 FAX: (608) 643-7999
 CONTACT: TYLER BEATTY
 EMAIL: tbeatty@ramaker.com

ADDRESS:
 153 EAST HADDAM ROAD
 SALEM, CT 06420

COUNTY: NEW LONDON
 LAT.: 41.468463°
 LONG.: -72.273305°

GROUND ELEVATION: 348 FT AMSL

APPLICANT INFORMATION:
 AT&T MOBILITY
 7150 STANDARD DR
 HANOVER, MD 21076

DO NOT SCALE DRAWINGS:
 CONTRACTOR SHALL VERIFY ALL PLANS & EXISTING DIMENSIONS & CONDITIONS ON THE JOB SITE & SHALL IMMEDIATELY NOTIFY THE ENGINEER IN WRITING OF ANY DISCREPANCIES BEFORE PROCEEDING WITH THE WORK OR BE RESPONSIBLE FOR SAME.

THE INFORMATION CONTAINED IN THIS SET OF DOCUMENTS IS PROPRIETARY BY NATURE. ANY USE OR DISCLOSURE OTHER THAN THAT WHICH RELATES TO THE CLIENT IS STRICTLY PROHIBITED.

SHEET INDEX

- GENERAL:
 T-1 TITLE SHEET
- NOTES:
 N-1 GENERAL NOTES
- SITE:
 A-1 SITE PLAN
 A-2 SITE PLAN & EQUIPMENT LAYOUT
 S-1 FOUNDATION DETAILS
- ELECTRICAL & GROUNDING:
 E-1 WIRING DETAILS
 E-2 PANEL AND PENETRATION DETAILS
 E-3 ATS, CONDUIT & GROUND ROD DETAILS
 E-4 GENERAC GENERATOR SPECIFICATIONS
 E-4.1 GENERAC GENERATOR SPECIFICATIONS
 E-4.2 GENERAC GENERATOR SPECIFICATIONS
 E-5 GENERAC ATS SPECIFICATIONS
 E-5.1 GENERAC ATS SPECIFICATIONS

SIGNATURE BLOCK

NOTES TO SUBCONTRACTOR:

1. THE GENERAL SUBCONTRACTOR MUST VERIFY ALL DIMENSIONS, CONDITIONS AND ELEVATIONS BEFORE PROCEEDING WITH THE WORK. ALL WORK SHALL BE PERFORMED IN A WORKMANLIKE MANNER IN ACCORDANCE WITH ACCEPTED CONSTRUCTION PRACTICES.
2. IT IS THE INTENTION OF THESE DRAWINGS TO SHOW THE COMPLETED INSTALLATION. THE SUBCONTRACTOR SHALL BE RESPONSIBLE FOR ALL TEMPORARY BRACING, SHORING, TIES, FORM WORK, ETC. IN ACCORDANCE WITH ALL NATIONAL, STATE, AND LOCAL ORDINANCES, TO SAFELY EXECUTE ALL WORK AND SHALL BE RESPONSIBLE FOR SAME. ALL WORK SHALL BE IN ACCORDANCE WITH LOCAL CODES.
3. THE SUBCONTRACTOR SHALL USE ADEQUATE NUMBER OF SKILLED WORKMAN WHO ARE THOROUGHLY TRAINED AND EXPERIENCED IN THE NECESSARY CRAFTS AND WHO ARE COMPLETELY FAMILIAR WITH THE SPECIFIED REQUIREMENTS AND METHOD NEEDED FOR PROPER PERFORMANCE OF THE WORK.
4. CONSTRUCTION SUBCONTRACTOR AGREES THAT IN ACCORDANCE WITH GENERALLY ACCEPTED CONSTRUCTION PRACTICES, CONSTRUCTION SUBCONTRACTOR WILL BE REQUIRED TO ASSUME SOLE AND COMPLETE RESPONSIBILITY FOR JOB SITE CONDITIONS DURING THE COURSE OF CONSTRUCTION OF THE PROJECT, INCLUDING THE SAFETY OF ALL PERSONS AND PROPERTY, THAT THIS REQUIREMENT SHALL BE MADE TO APPLY CONTINUOUSLY AND NOT BE LIMITED TO NORMAL WORKING HOURS AND CONSTRUCTION SUBCONTRACTOR FURTHER AGREES TO INDEMNIFY AND HOLD DESIGN ENGINEER HARMLESS FROM ANY AND ALL LIABILITY, REAL OR ALLEGED, IN CONNECTION WITH PERFORMANCE OF WORK ON THIS PROJECT.
5. SITE GROUNDING SHALL COMPLY WITH AT&T WIRELESS SERVICES TECHNICAL SPECIFICATIONS FOR FACILITY GROUNDING FOR CELL SITE STANDARDS, LATEST EDITION, AND COMPLY WITH AT&T TOWERS GROUNDING CHECKLIST, LATEST VERSION. WHEN NATIONAL AND LOCAL GROUNDING CODES ARE MORE STRINGENT THEY SHALL GOVERN. GROUNDING SHALL BE COMPLETED BEFORE ERECTION OF TOWER.
6. ALL WORK SHALL COMPLY WITH OSHA AND STATE SAFETY REQUIREMENTS. PROCEDURES FOR THE PROTECTION OF EXCAVATIONS, EXISTING CONSTRUCTION AND UTILITIES SHALL BE ESTABLISHED PRIOR TO FOUNDATION INSTALLATION. IF TEMPORARY LIGHTING AND MARKING IS REQUIRED BY THE FEDERAL AVIATION ADMINISTRATION (FAA), IT IS THE SUBCONTRACTOR'S RESPONSIBILITY TO MAINTAIN THE NECESSARY LIGHTS AND NOTIFY THE PROPER AUTHORITIES IN THE EVENT OF A PROBLEM.
7. ALL WORK SHALL BE ACCOMPLISHED IN ACCORDANCE WITH ALL LOCAL, STATE, AND FEDERAL CODES OR ORDINANCES. THE MOST STRINGENT CODE WILL APPLY IN THE CASE OF DISCREPANCIES OR DIFFERENCES IN THE CODE REQUIREMENTS.
8. ANY DAMAGE TO THE ADJACENT PROPERTIES WILL BE CORRECTED AT THE SUBCONTRACTOR'S EXPENSE TO THE SATISFACTION OF THE LANDOWNER AND THE ENGINEER.
9. THE COMPLETE BID PACKAGE INCLUDES THESE CONSTRUCTION DRAWINGS ALONG WITH THE SPECIFICATIONS. SUBCONTRACTOR IS RESPONSIBLE FOR REVIEW OF TOTAL BID PACKAGE PRIOR TO BID SUBMITTAL..
10. SUBCONTRACTOR SHALL VERIFY LOCATION OF ALL EXISTING UTILITIES WITHIN CONSTRUCTION LIMITS PRIOR TO CONSTRUCTION.
11. THE SUBCONTRACTOR IS RESPONSIBLE FOR MAINTAINING POSITIVE DRAINAGE ON THE SITE AT ALL TIMES. SILT AND EROSION CONTROL SHALL BE MAINTAINED ON THE DOWNSTREAM SIDE OF THE SITE AT ALL TIMES. ANY DAMAGE TO ADJACENT PROPERTIES WILL BE CORRECTED AT THE SUBCONTRACTOR'S EXPENSE.
12. CLEARING OF TREES AND VEGETATION ON THE SITE SHOULD BE HELD TO A MINIMUM. ONLY THE TREES NECESSARY FOR CONSTRUCTION OF THE FACILITIES SHALL BE REMOVED. ANY DAMAGE TO THE PROPERTY OUTSIDE THE LEASED PROPERTY SHALL BE REPAIRED BY THE SUBCONTRACTOR.
13. ALL SUITABLE BORROW MATERIAL FOR BACK FILL OF THE SITE SHALL BE INCLUDED IN THE BID. EXCESS TOPSOIL AND UNSUITABLE MATERIAL SHALL BE DISPOSED OF OFF SITE AT LOCATIONS APPROVED BY GOVERNING AGENCIES PRIOR TO DISPOSAL.
14. SEEDING AND MULCHING OF THE SITE WILL BE ACCOMPLISHED AS SOON AS POSSIBLE AFTER COMPLETION OF THE SITE DEVELOPMENT. THE SUBCONTRACTOR IS RESPONSIBLE FOR PROVIDING AND MAINTAIN AN ADEQUATE COVER OF VEGETATION OVER THE SITE FOR A ONE YEAR PERIOD.
15. PERMITS: THE SUBCONTRACTOR SHALL BE RESPONSIBLE FOR OBTAINING AND INCURRING THE COST OF ALL REQUIRED PERMITS, INSPECTIONS, CERTIFICATES, ETC.
16. RECORD DRAWINGS: MAINTAIN A RECORD OF ALL CHANGES, SUBSTITUTIONS BETWEEN WORK AS SPECIFIED AND INSTALLED. RECORD CHANGES ON A CLEAN SET OF CONTRACT DRAWINGS WHICH SHALL BE TURNED OVER TO THE CONSTRUCTION MANAGER UPON COMPLETION OF THE PROJECT.
17. THE PLANS SHOW SOME KNOWN SUBSURFACE STRUCTURES, ABOVE GROUND STRUCTURES AND/OR EXISTING UTILITIES BELIEVED TO BE IN THE WORKING AREA. IT IS THE RESPONSIBILITY OF THE SUBCONTRACTOR TO VERIFY ALL UTILITIES, PIPELINES AND OTHER STRUCTURES SHOWN OR NOT SHOWN ON THESE PLANS. THE SUBCONTRACTOR SHALL CONTACT THE LOCAL JURISDICTION'S DIGGER'S HOTLINE BEFORE DIGGING OR DRILLING. ANY DAMAGE TO EXISTING UTILITIES SHALL BE REPAIRED TO THE SATISFACTION OF THE OWNER AND ENGINEER AT THE SUBCONTRACTOR'S EXPENSE.

GENERAL NOTES:

1. THIS PROPOSAL IS FOR THE ADDITION OF A NEW GENERATOR ON A CONCRETE PAD TO AN EXISTING UNMANNED TELECOMMUNICATIONS FACILITY CONSISTING OF AN EQUIPMENT SHELTER AND TOWER.
2. THE PROPOSED FACILITY WILL BE UNMANNED AND DOES NOT REQUIRE POTABLE WATER OR SEWER SERVICE.
3. THE PROPOSED FACILITY IS UNMANNED AND IS NOT FOR HUMAN HABITAT. (NO HANDICAP

ACCESS IS REQUIRED)

4. OCCUPANCY IS LIMITED TO PERIODIC MAINTENANCE AND INSPECTION, APPROXIMATELY 2 TIMES PER MONTH BY AT&T TECHNICIANS.
5. OUTDOOR STORAGE AND SOLID WASTE CONTAINERS ARE NOT PROPOSED.
6. ALL MATERIAL SHALL BE FURNISHED AND WORK SHALL BE PERFORMED IN ACCORDANCE WITH THE PROJECT SPECIFICATIONS.
7. SUBCONTRACTOR SHALL BE RESPONSIBLE FOR REPAIRING ANY DAMAGE CAUSED BY THE CONSTRUCTION OPERATION.
8. SUBCONTRACTOR SHALL BE RESPONSIBLE FOR OBTAINING ALL PERMITS AND INSPECTION REQUIRED FOR CONSTRUCTION.
9. SUBCONTRACTOR SHALL REMOVE ALL TRASH AND DEBRIS FROM THE SITE ON A DAILY BASIS.

ELECTRICAL NOTES:

A. GENERAL

1. COORDINATE LOCATION AND POWER REQUIREMENTS OF ALL EQUIPMENT WITH AT&T AND EQUIPMENT SUPPLIER PRIOR TO INSTALLATION.
2. COORDINATE LOCATION AND REQUIREMENTS FOR ELECTRICAL AND TELEPHONE SERVICES WITH THE PROPERTY REPRESENTATIVE, AT&T AND UTILITY COMPANIES. ROUTING OF CONDUITS MAY BE MODIFIED TO MEET SITE REQUIREMENTS. EXACT CONDUIT ROUTING TO BE DETERMINED IN THE FIELD.
3. ALL WIRING AND EQUIPMENT SHOWN ON ELECTRICAL SHEETS SHALL BE FURNISHED AND INSTALLED UNDER ELECTRICAL PORTION OF CONTRACT UNLESS OTHERWISE NOTED
4. UNINTERRUPTED ELECTRICAL SERVICE FOR EXISTING EQUIPMENT SHALL BE MAINTAINED DURING THE INSTALLATION OF THE WORK DESCRIBED UNDER THESE DOCUMENTS. TEMPORARY EQUIPMENT, CABLES AND WHATEVER ELSE IS NECESSARY SHALL BE PROVIDED AS REQUIRED TO MAINTAIN ELECTRICAL SERVICE. TEMPORARY SERVICE FACILITIES, IF REQUIRED AT ANY TIME, SHALL NOT BE DISCONNECTED OR REMOVED UNTIL NEW SERVICE EQUIPMENT IS IN PROPER OPERATION. IF ANY SERVICE OR SYSTEM MUST BE INTERRUPTED, THE CONTRACTOR SHALL REQUEST PERMISSION IN WRITING STATING THE DATE, TIME, ETC. THE SERVICE WILL BE INTERRUPTED AND THE AREAS AFFECTED. THIS REQUEST SHALL BE MADE IN SUFFICIENT TIME FOR PROPER ARRANGEMENTS TO BE MADE. WRITTEN PERMISSION SHALL BE OBTAINED FROM THE OWNER BEFORE INTERRUPTING ELECTRICAL SERVICE.
5. COORDINATE NEW WORK WITH OTHER TRADES AND VERIFY EXISTING CONDITIONS TO AVOID INTERFERENCE. IN CASE OF INTERFERENCE, AT&T'S REPRESENTATIVE WILL DECIDE WHICH WORK IS TO BE RELOCATED, REGARDLESS OF WHICH WAS FIRST INSTALLED.
6. THE INSTALLATION MUST COMPLY WITH NEC AND ALL FEDERAL, STATE AND LOCAL RULES AND REGULATIONS.
7. THE DRAWINGS ARE DIAGRAMMATIC AND INDICATE THE GENERAL ARRANGEMENT OF SYSTEMS AND EQUIPMENT UNLESS OTHERWISE DEFINED BY DIMENSIONS OR DETAILS. EXACT EQUIPMENT LOCATIONS AND RACEWAY ROUTING SHALL BE GOVERNED BY ACTUAL FIELD CONDITIONS AND/OR DIRECTIONS FROM AT&T'S REPRESENTATIVE.
8. CONTRACTOR SHALL PAY ALL PERMITS AND FEES REQUIRED.
9. ALL MATERIALS SHALL BE FURNISHED AND WORK SHALL BE PERFORMED IN ACCORDANCE WITH THE APPLICABLE SECTIONS OF THE STANDARDS REFERENCED BELOW:
 - a. ANSI (AMERICAN NATIONAL STANDARDS INSTITUTE)
 - b. ASTM (AMERICAN SOCIETY FOR TESTING MATERIALS)
 - c. ETL (ELECTRICAL TESTING LABORATORY)
 - d. ICEA (INSULATED CABLE ENGINEERS ASSOCIATION)
 - e. IEEE (INSTITUTE OF ELECTRICAL AND ELECTRONIC ENGINEERS)
 - f. MBFU (NATIONAL BOARD OF FIRE UNDERWRITERS)
 - g. NESC (NATIONAL ELECTRICAL SAFETY CODE)
 - h. NEMA (NATIONAL ELECTRICAL MANUFACTURER'S ASSOCIATION)
 - i. NFPA (NATIONAL FIRE PROTECTION ASSOCIATION)
 - j. UL (UNDERWRITER'S LABORATORY)
10. CONTRACTOR SHALL REVIEW PLANS, DETAILS AND SPECIFICATIONS IN DETAIL AND ADJUST WORK TO CONFORM WITH ACTUAL SITE CONDITIONS SO THAT ELECTRICAL DEVICES AND EQUIPMENT WILL BE LOCATED AND READILY ACCESSIBLE. QUANTITIES LISTED IN MATERIAL LISTS ON THE DRAWINGS ARE FOR INFORMATION ONLY. THE CONTRACTOR SHALL PROVIDE HIS OWN TAKEOFF FOR MATERIAL QUANTITY AND TYPES BASED ON ACTUAL SITE CONDITIONS, IN ADDITION, CONTRACTOR SHALL PROVIDE ALL NECESSARY MATERIALS TO INSTALL EQUIPMENT FURNISHED BY AT&T OR ITS SUPPLIERS. ALL ITEMS NOT SPECIFICALLY MENTIONED HEREIN OR SHOWN ON THE DRAWINGS, BUT WHICH ARE OBVIOUSLY NECESSARY TO MAKE A COMPLETE WORKING INSTALLATION, SHALL BE INCLUDED.

11. THE CONTRACTOR OR BIDDER SHALL BEAR THE RESPONSIBILITY OF NOTIFYING (IN WRITING) AT&T'S REPRESENTATIVE OF ANY CONFLICTS PRIOR TO THE SUBMISSION OF CONTRACTOR'S PROPOSAL OR PERFORMANCE OF WORK, IN THE EVENT OF DISCREPANCIES THE CONTRACTOR SHALL PRICE THE MORE COSTLY OR EXTENSIVE WORK, UNLESS DIRECTED IN WRITING OTHERWISE.
12. ALL FLOORS WHERE PENETRATIONS ARE REQUIRED IN BUILDING ARE TO BE CORE DRILLED AND THEN FIREPROOFED.

B. WIRING/CONDUIT

1. PROVIDE PULL BOXES AND JUNCTION BOXES WHERE SHOWN OR AS REQUIRED BY CODE SUCH THAT NO MORE THAN THE EQUIVALENT OF FOUR QUARTER BENDS (380 DEGREES TOTAL) EXIST IN A CONDUIT RUN.
2. ALL POWER AND CONTROL/INDICATION WIRING SHALL BE TYPE THHN/THWN 800V RATED 75 DEGREES CELSIUS, UNLESS NOTED OTHERWISE.

3. SCHEDULE 80 PVC CONDUIT SHALL BE USED ABOVE GROUND, WHERE ABOVE GRADE IS DEFINED AS THE GROUND OF THE TURN-UP
4. BELL END OR TERMINAL ADAPTER MUST BE INSTALLED ON END OF PVC CONDUIT PER NEC 352.4G. 300.4 F. (3)
5. CONDUIT BENDS SHALL BE MADE IN ACCORDANCE WITH NEC TABLE 346-10. NO RIGHT ANGLE DEVICE OTHER THAN STANDARD CONDUIT ELBOWS WITH 1/2" MINIMUM INSIDE SWEEPS FOR ALL CONDUITS 2" OR LARGER.
6. POWER WIRING SIZE SHALL NOT BE SMALLER THAN #12 AWG.
7. ALL WIRING SHALL BE COPPER. ALUMINUM WILL NOT BE ACCEPTABLE ALL POWER CIRCUITS SHALL CONTAIN A GROUND WIRE.
8. PHASE MARKINGS TO BE USED AT POWER CONDUCTOR TERMINATIONS.
9. CONTRACTOR SHALL ENSURE INTEGRITY IS MAINTAINED WHEN INSTALLING CONDUIT AND WIRING.
10. INSTALL PULL STRING IN ALL CONDUIT.

11. FOR ROOFTOP INSTALLS AND BUILD-OUTS, CONDUITS INSIDE BUILDING AND ON ROOF SHALL BE RGS, UNLESS OTHERWISE NOTED. FOR RAW LAND SITES AND CO-LOCATES, PVC SCHEDULE 80 SHALL BE UTILIZED UNLESS NOTED OTHERWISE.
12. MAINTAIN MINIMUM 1'-0" VERTICAL AND 1'-0" HORIZONTAL SEPARATIONS FROM ANY MECHANICAL GAS PIPING.
13. ALL WIRING ROUTED IN PLENUM TO BE RATED OR IN METALLIC FLEX (LIQUIDITE) CONDUIT.

C. EQUIPMENT

1. EQUIPMENT/PARTS CONNECTED TO EXISTING PANELS, DUCTS, ETC. SHALL MATCH THE CHARACTERISTICS (A/C, V, A) OF THAT EQUIPMENT.
2. ALL ELECTRICAL EQUIPMENT OUTSIDE SHALL BE NEMA OR 3R RATED.

D. GROUNDING

1. ALL GROUND CONNECTIONS TO BUILDING SHALL BE MADE USING TWO-HOLE CONNECTORS. PROVIDE STAINLESS STEEL BOLTS AND LOCK WASHERS ON ALL MECHANICAL GROUND CONNECTIONS.
2. ALL EQUIPMENT SURFACES TO BE BONDED TO GROUNDING SYSTEM SHALL BE STRIPPED OF ALL PAINT AND DIRT. CONNECTIONS TO VARIOUS METALS SHALL BE OF A TYPE AS TO CAUSE A GALVANIC OR CORROSIVE REACTION. AREA SHALL BE REPAINTED FOLLOWING BONDING.
3. ANY METALLIC ITEM WITHIN 6' OF GROUND CONDUCTORS MUST BE CONNECTED TO THE GROUNDING SYSTEM.
4. EXTERIOR, ABOVE GRADE GROUND CONNECTIONS SHALL BE FURNISHED WITH A LIBERAL PROTECTIVE COATING OF ANTI-OXIDE COMPOUND.
5. ALL MATERIALS AND LABOR REQUIRED FOR THE GROUNDING SYSTEM AS INDICATED ON THE PLANS AND DETAILS, AND AS DESCRIBED HEREIN SHALL BE FURNISHED BY THIS CONTRACTOR UNLESS OTHERWISE NOTED.
6. EXACT LOCATION OF GROUND CONNECTION POINTS SHALL BE DETERMINED IN FIELD. ADJUST LOCATIONS INDICATED ON PLANS ACCORDING TO ACTUAL EQUIPMENT LOCATIONS TO KEEP THE GROUND CONNECTION CABLES AS SHORT AS PRACTICAL.
7. PROVIDE ALL ELECTRICAL SYSTEM AND EQUIPMENT GROUNDS AS REQUIRED BY THE CURRENT EDITION OF THE NATIONAL ELECTRIC CODE AND THE CURRENT EDITION OF THE NATIONAL ELECTRICAL SAFETY CODE. BONDING JUMPERS WITH APPROVED GROUND FITTINGS SHALL BE INSTALLED AT ALL RACEWAYS, EQUIPMENT ENCLOSURES, PULL BOXES, ETC. TO MAINTAIN GROUND CONTINUITY WHERE REQUIRED BY CODE.
8. ALL EQUIPMENT GROUND CONDUCTORS SHALL BE TIN COATED, #2 AWG COPPER UNLESS NOTED OTHERWISE ON THE DRAWINGS.
9. PROVIDE PRE AND POST GROUND TEST RESULTS, USING CLAMP-ON TESTER. TEST RESULTS SHALL BE PHOTOS WITH DIGITAL TIME AND GPS STAMPED/EMBEDDED.

E. INSPECTION/DOCUMENTATION

1. THE CONTRACTOR, UPON COMPLETION OF HIS WORK, SHALL PROVIDE AS-BUILT DRAWINGS. INFORMATION SHOULD BE GIVEN TO THE GENERAL CONTRACTOR FOR INCLUSION IN FINAL AS-BUILT SURVEY DOCUMENTS TO BE GIVEN TO THE OWNER.
2. CONTRACTOR SHALL SUPPLY DOCUMENTATION ATTESTING TO THE COMPLETE GROUND SYSTEM'S RECEPTIVITY (MAX. 5 OHMS).
3. AN ELECTRICAL INSPECTION SHALL BE MADE BY AND INSPECTING AGENCY APPROVED BY AT&T'S REPRESENTATIVE. CONTRACTOR SHALL COORDINATE ALL INSPECTIONS AND OBTAIN POWER COMPANY APPROVAL.
4. CONTRACTOR SHALL HAVE ATS AND GENERATOR RELAY INSTALLATION AND CONNECTIONS INSPECTED BY OTHERS TO ENSURE THAT UL LISTING FOR THAT EQUIPMENT IS NOT VOIDED.



RAMAKER
employee-owned
(608) 643-4100 www.ramaker.com

PREPARED FOR:



CONSULTANT:
GENERAL DYNAMICS
Information Technology, Inc.
GENERAL DYNAMICS
101 STATION DR
WESTWOOD, MA 02090

Certification & Seal:
I hereby certify that this plan, specification, or report was prepared by me or under my direct supervision and that I am a duly Licensed Professional Engineer under the laws of the State of Connecticut.



Signature:  Date: 3/21/2023

MARK	DATE	DESCRIPTION
A	12/08/22	REVISED PCDs
ISSUE PHASE	FINAL	DATE ISSUED 03/21/2023

PROJECT TITLE:
**SALEM E. HADDAM RD
FA ID # 10035321**

PROJECT INFORMATION:
153 EAST HADDAM ROAD
SALEM, CT 06420

SHEET TITLE:
GENERAL NOTES

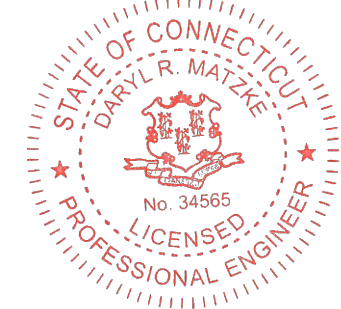
SCALE: NONE

PROJECT NUMBER: 57131
SHEET NUMBER: N-1



CONSULTANT:
GENERAL DYNAMICS
 Information Technology, Inc.
 GENERAL DYNAMICS
 101 STATION DR
 WESTWOOD, MA 02090

Certification & Seal:
 I hereby certify that this plan, specification, or report was prepared by me or under my direct supervision and that I am a duly Licensed Professional Engineer under the laws of the State of Connecticut.



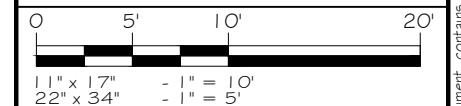
[Signature]
 Signature: _____ Date: 3/21/2023

MARK	DATE	DESCRIPTION
A	12/08/22	REVISED PCDs
ISSUE PHASE	FINAL	DATE ISSUED 03/21/2023

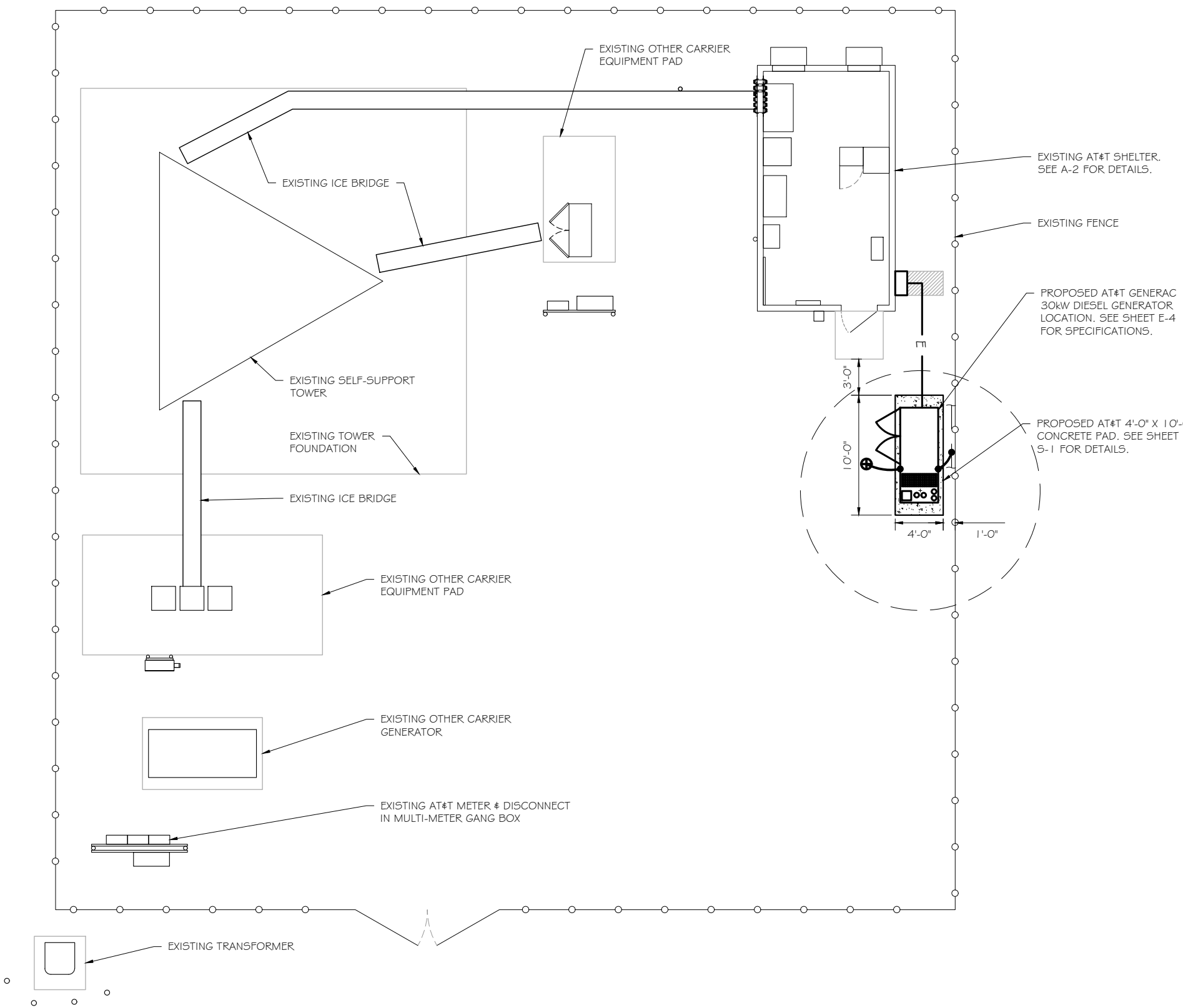
PROJECT TITLE:
**SALEM E. HADDAM RD
 FA ID # 10035321**

PROJECT INFORMATION:
 153 EAST HADDAM ROAD
 SALEM, CT 06420

SHEET TITLE:
SITE PLAN



PROJECT NUMBER: 57131
 SHEET NUMBER: A-1



SITE PLAN
 SCALE: 1" = 10'

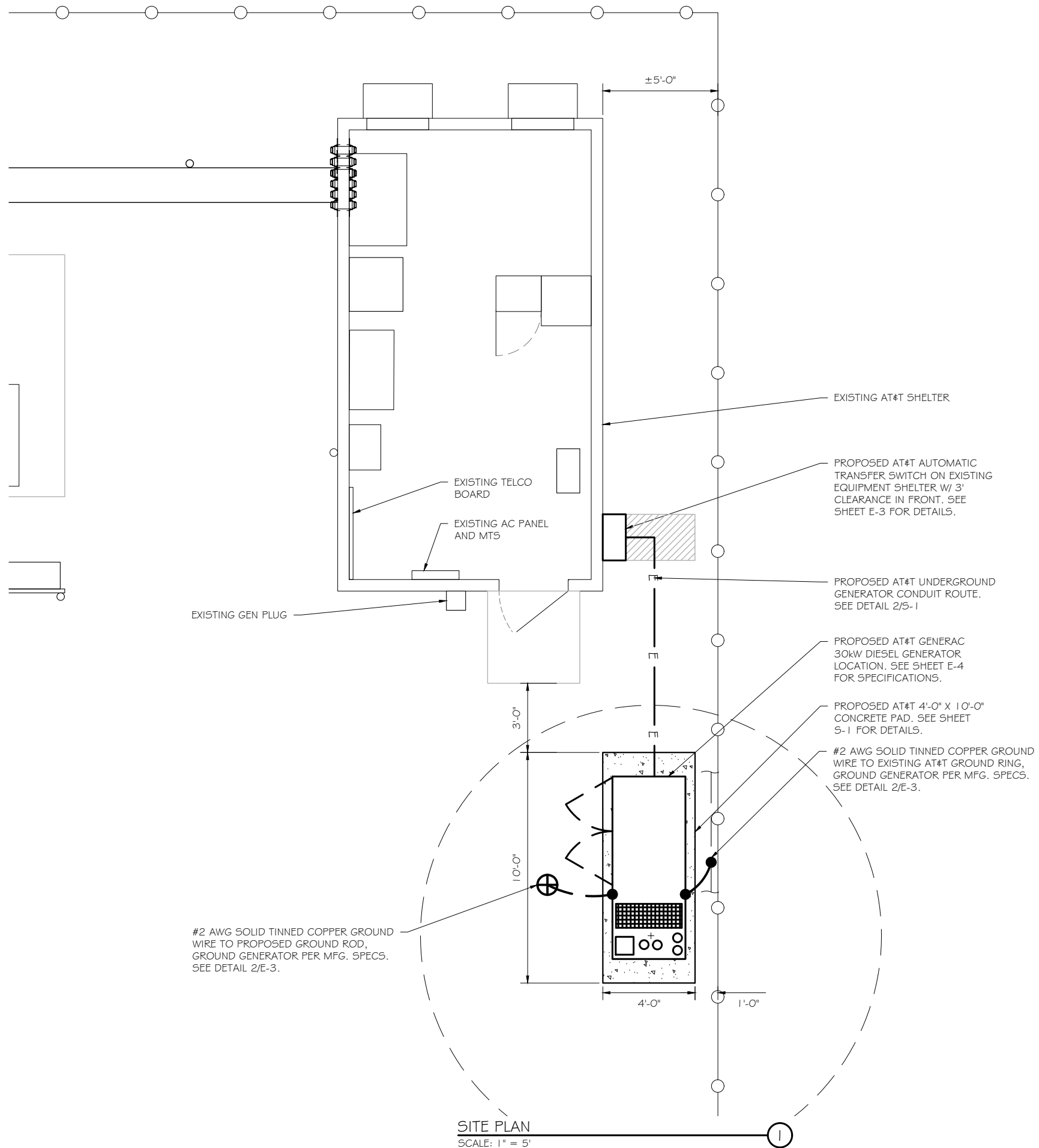
This document contains confidential or proprietary information of Ramaker & Associates, Inc. Neither this document nor the information herein is to be reproduced, distributed, used or disclosed either in whole or in part except as authorized by Ramaker and Associates, Inc.

SCOPE OF WORK DETAILS

- GENERAL:**
- NEW GENERAC DIESEL GENERATOR PROVIDED BY GENERAL DYNAMICS & INSTALLED BY GENERAL CONTRACTOR, SEE E-4.
 - NEW 4'-0" X 1'-0" CONCRETE PAD PROVIDED & INSTALLED BY GENERAL CONTRACTOR (AS REQUIRED) SEE S-1
 - NEW GENERAC AUTOMATIC TRANSFER SWITCH PROVIDED BY GENERAL DYNAMICS & INSTALLED BY CONTRACTOR (AS REQUIRED) SEE E-3 & E-5.
 - CONTRACTOR TO VERIFY ALL EXISTING UTILITIES PRIOR TO CONSTRUCTION
 - CONTRACTOR SHALL RESTORE & REPAIR ANY DAMAGED AREAS CAUSED BY CONSTRUCTION TO ORIGINAL OR BETTER CONDITION

- CONDUITS:**
- INSTALL PULL STRING IN EACH CONDUIT
 - (1) NEW 2" AND (1) NEW 1" ELECTRICAL CONDUITS WITH CONDUCTORS TO RUN FROM NEW GENERATOR TO NEW ATS. CONDUIT PROVIDED AND INSTALLED BY GENERAL CONTRACTOR. SEE E-1, E-2 & E-3.
 - (1) NEW 1" ELECTRICAL CONDUIT WITH CONDUCTORS TO RUN FROM NEW GENERATOR TO AC PANEL. CONDUIT PROVIDED & INSTALLED BY GENERAL CONTRACTOR. SEE E-1, E-2 & E-3.
 - (1) NEW 1" ALARM CONDUIT & CABLING PROVIDED & INSTALLED BY GENERAL CONTRACTOR. SEE E-1, E-2 & E-3.

- GROUNDING:**
- NEW EXOTHERMIC CONNECTION FROM EXISTING GROUND RING TO NEW MECHANICAL CONNECTION AT GENERATOR CHASSIS. GENERAL CONTRACTOR TO VERIFY LOCATION IN FIELD. LOCATE GROUND RODS NO MORE THAN 8'-0" APART.



SITE PLAN
 SCALE: 1" = 5'



PREPARED FOR:

CONSULTANT:
GENERAL DYNAMICS
 Information Technology, Inc.
 GENERAL DYNAMICS
 101 STATION DR
 WESTWOOD, MA 02090

Certification & Seal:
 I hereby certify that this plan, specification, or report was prepared by me or under my direct supervision and that I am a duly Licensed Professional Engineer under the laws of the State of Connecticut.



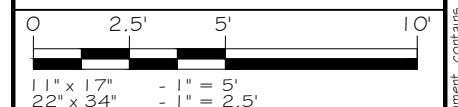
Signature: *[Signature]* Date: 3/21/2023

MARK	DATE	DESCRIPTION
A	12/08/22	REVISED PCDs
ISSUE PHASE	FINAL	DATE ISSUED 03/21/2023

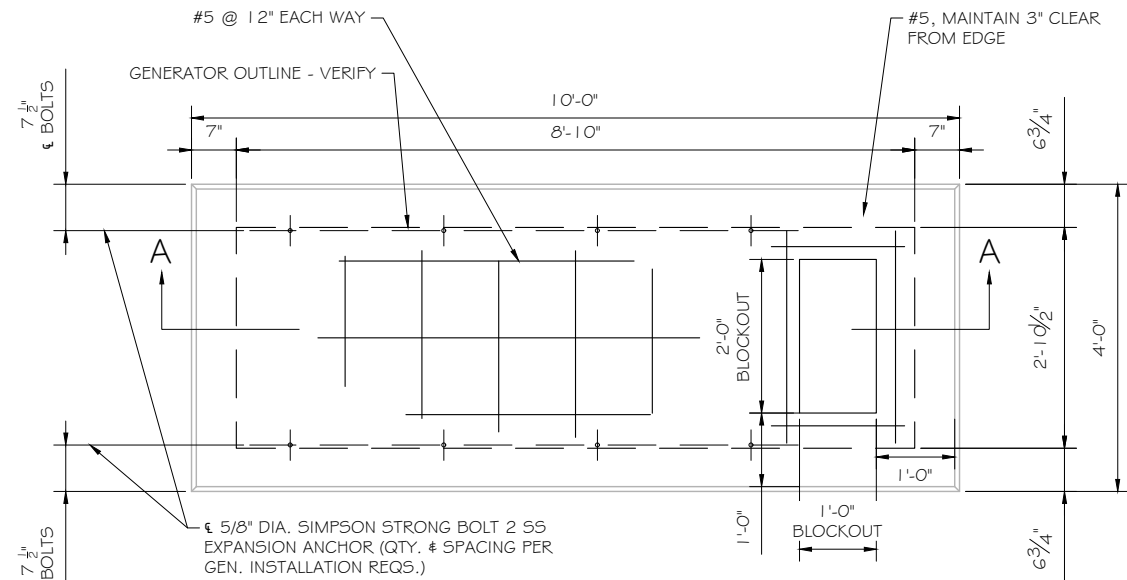
PROJECT TITLE:
 SALEM E. HADDAM RD
 FA ID # 10035321

PROJECT INFORMATION:
 153 EAST HADDAM ROAD
 SALEM, CT 06420

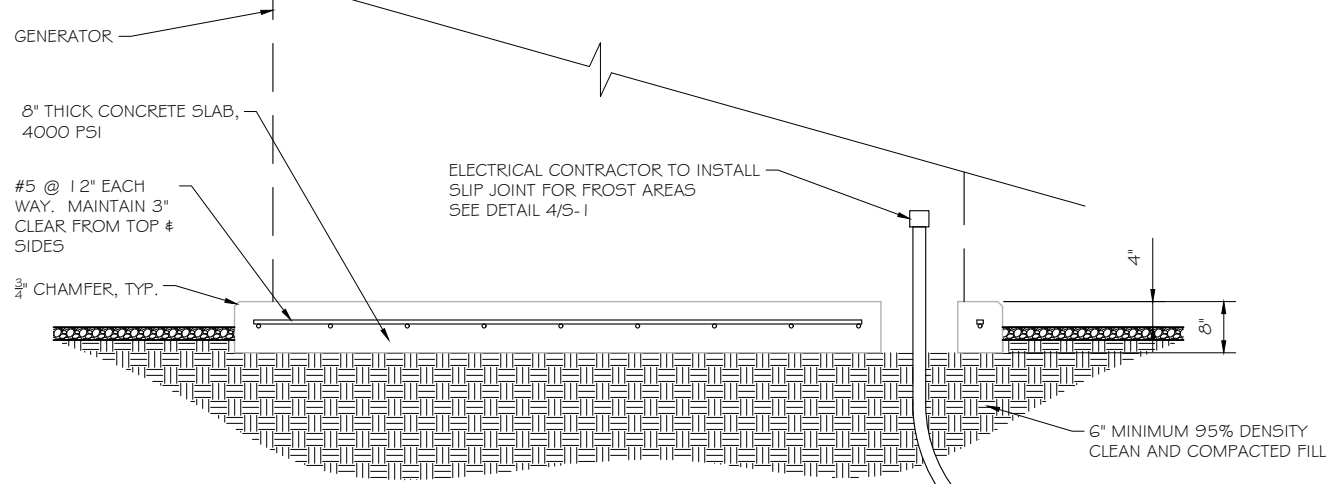
SHEET TITLE:
 SITE PLAN & EQUIPMENT LAYOUT



PROJECT NUMBER: 57131
 SHEET NUMBER: A-2



FOUNDATION PLAN
 SCALE: NTS



SECTION A-A
 SCALE: NTS

DOUBLE WALL FUEL TANK BASE SPECIFICATION

REF: ATT 30KW GENERATOR PACKAGE
 UL REGISTRATION NUMBER: MH18459
 U.L. 142 DOUBLE WALL FUEL TANK BASE SPECIFICATION
 FUEL TANK BASE CONSTRUCTION:

- BE CONSTRUCTED IN ACCORDANCE WITH UNDERWRITERS LABORATORIES STANDARD UL-142. BE CONSTRUCTED IN ACCORDANCE WITH FLAMMABLE & COMBUSTIBLE LIQUIDS CODE, NFPA 30; THE STANDARD FOR INSTALLATION & USE OF STATIONARY COMBUSTIBLE ENGINE & GAS TURBINES, NFPA 37; AND THE STANDARD FOR EMERGENCY & STANDBY POWER SYSTEMS, NFPA 110.
- ANCHORS MINIMUM (4) @ 5/8" FOR GEN-SET MOUNTING

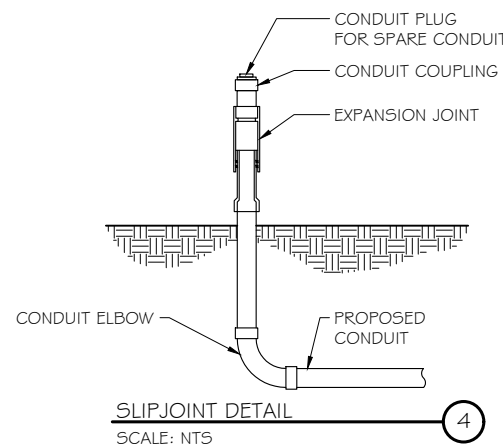
SUB BASE TANK TESTING: PRIMARY TANK & SECONDARY CONTAINMENT BASIN SECTIONS SHALL BE PRESSURIZED AT 3-5 PSI AND LEAK-CHECKED TO ENSURE INTEGRITY OF SUB BASE WELD SEAMS PER UL-142 STANDARDS

FUEL FILL: 5 GALLON SPILL CONTAINMENT WITH ALARM

- 40% REMAINING FOR ALARM
- 20% REMAINING FOR SHUT-DOWN

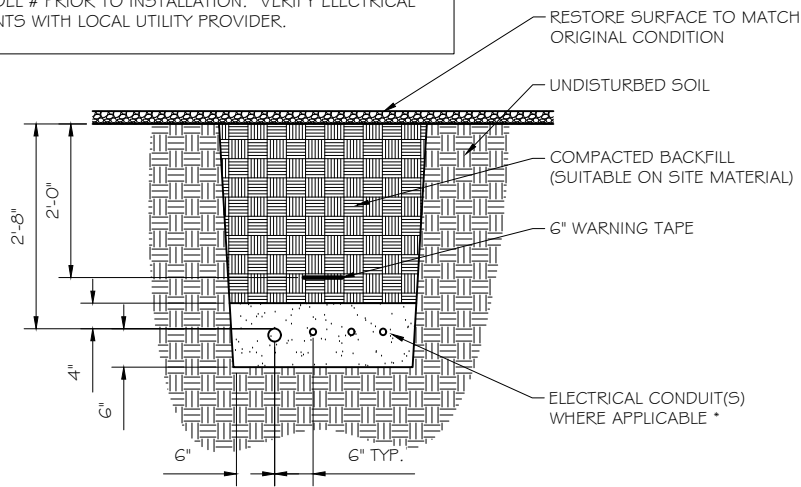
FACTORY PRE-SET AT 95% FULL FOR ALARM

FUEL CONTAINMENT BASIN: SUB BASE TANK SHALL INCLUDE A WELDED STEEL CONTAINMENT BASIN, SIZED AT A MINIMUM OF 110% OF THE TANK CAPACITY TO PREVENT ESCAPE OF FUEL INTO THE ENVIRONMENT IN THE EVENT OF A TANK RUPTURE. A FUEL CONTAINMENT BASIN LEAK DETECTOR SWITCH SHALL BE PROVIDED.



SLIPJOINT DETAIL
 SCALE: NTS

NOTE:
 VERIFY WIRE AND CONDUIT QUANTITY & SIZES WITH GENERATOR MAKE & MODEL # PRIOR TO INSTALLATION. VERIFY ELECTRICAL REQUIREMENTS WITH LOCAL UTILITY PROVIDER.



* SEPARATION DIMENSION TO BE VERIFIED WITH LOCAL UTILITY COMPANY REQUIREMENTS

- NOTES:
- PROVIDE PVC CONDUIT BELOW GRADE EXCEPT AS NOTED BELOW.
 - PROVIDE RGS CONDUIT AND ELBOWS AT STUB UP LOCATIONS (I.E. SERVICE POLE, BTS EQUIPMENT, ETC.)
 - INSTALL UTILITY PULLBOXES PER NEC.

UTILITY CONDUIT TRENCH
 SCALE: NTS

STRUCTURAL GENERAL NOTES

- GENERAL CONDITIONS
 - DESIGN & CONSTRUCTION OF ALL WORK SHALL CONFORM TO LOCAL BUILDING CODES, ACI 318-11. IN CASE OF CONFLICT BETWEEN THE CODES, STANDARDS, REGULATIONS, SPECIFICATIONS, GENERAL NOTES AND/OR MANUFACTURER'S REQUIREMENTS, USE THE MOST STRINGENT PROVISIONS.
 - IT IS THE EXPRESS INTENT OF PARTIES INVOLVED IN THIS PROJECT THAT THE CONTRACTOR OR SUBCONTRACTOR OR INDEPENDENT CONTRACTOR OR THE RESPECTIVE EMPLOYEES SHALL EXCULPATE THE ARCHITECT, THE ENGINEER, TECH. CONSTRUCTION MANAGER, THE OWNER, & THEIR AGENTS FROM ANY LIABILITY WHATSOEVER & HOLD THEM HARMLESS AGAINST LOSS, DAMAGES, LIABILITY OR ANY EXPENSE ARISING IN ANY MATTER FROM THE WRONGFUL OR NEGLIGENT ACT, OR FAILURE TO CARRY METHODS, TECHNIQUES OR PROCEDURES OR FAILURE TO CONFORM TO THE STATE SCAFFOLDING ACT IN CONNECTIONS WITH THE WORK.
 - DO NOT SCALE DRAWINGS
 - VERIFY ALL EQUIPMENT MOUNTING DIMENSIONS PER MANUFACTURER DRAWINGS
 - DESIGN LOADS ARE (GENERAC):

LIVE LOAD	: 100 PSF
EQUIPMENT SIZE	: 889.1" H, 106" W, 38" D
WEIGHT WITH WOODEN SHIPPING SKID	
ENCLOSED GENERATOR	: 3974 LBS
- FOR DESIGN & ANALYSIS OF THE FOUNDATION, THE MINIMUM NET SOIL BEARING CAPACITY SHALL BE ASSUMED TO BE 2000 PSF.
- CONCRETE
 - MEET OR EXCEED THE FOLLOWING CODES & STANDARDS:

DESIGN	: ACI 318-11
CONSTRUCTION	: ACI 301
DETAILING	: CRSI MANUAL OF STANDARD PRACTICE
REINF. STEEL	: ASTM A 615 GRADE 60, DEFORMED
MIXING	: ASTM C 94. READY MIX CONCRETE
AIR ENTRAINMENT	: ACI 318 AND ASTM C-260
AGGREGATE	: ASTM C 33 AND C 330 (FOR LIGHT WEIGHT)
 - CONCRETE STRENGTH AT 28 DAYS SHALL BE 4000 PSI MINIMUM
 - DO NOT FIELD BEND OR WELD TO GRADE 60 REINFORCED STEEL
 - PROVIDE AIR ENTRAINED CONCRETE WITH AIR CONTENT OF 5 TO 7% FOR ALL CONCRETE EXPOSED TO EARTH OR WEATHER.
 - MAXIMUM AGGREGATE SIZE: 3/4"
 - DO NOT USE IN ADMIXTURE, WATER OR OTHER CONSTITUENTS OF CONCRETE WHICH HAS CALCIUM CHLORIDE.
 - MINIMUM COVER FOR REINFORCING STEEL SHALL BE AS SHOWN ON PLAN.
 - FOUNDATION & EXCAVATION NOTES
 - SLAB SHALL BE CONSTRUCTED UPON UNDISTURBED, NATURAL SUBGRADE OR COMPACTED GRANULAR FILL WITH AN ASSUMED MINIMUM NET ALLOWABLE BEARING CAPACITY OF 1800 PSF.
 - ALL ORGANIC AND/OR OTHER UNSUITABLE MATERIAL SHALL BE REMOVED FROM FOUNDATION & SLAB SUBGRADE & BACKFILL AREAS, & THEN BACKFILLED WITH ACCEPTABLE GRANULAR FILL COMPACTED TO 95% OF MAXIMUM DENSITY AT OPTIMUM MOISTURE CONTENT (ASTM D 1557).
 - THE CONTRACTOR SHALL PROVIDE ALL NECESSARY MEASURES TO PREVENT ANY WATER, FROST, OR ICE FROM PENETRATING ANY FOOTING OR STRUCTURAL SUBGRADE BEFORE & AFTER PLACING OF CONCRETE, AND UNTIL SUCH CONCRETE HAS FULLY CURED.

PREPARED FOR:

CONSULTANT:
GENERAL DYNAMICS
 Information Technology, Inc.
 GENERAL DYNAMICS
 101 STATION DR
 WESTWOOD, MA 02090

Certification & Seal:
 I hereby certify that this plan, specification, or report was prepared by me or under my direct supervision and that I am a duly Licensed Professional Engineer under the laws of the State of Connecticut.



Signature: _____ Date: 3/21/2023

MARK	DATE	DESCRIPTION
A	12/08/22	REVISED PCDs
ISSUE PHASE	FINAL	DATE ISSUED 03/21/2023

PROJECT TITLE:
**SALEM E. HADDAM RD
 FA ID # 10035321**

PROJECT INFORMATION:
 153 EAST HADDAM ROAD
 SALEM, CT 06420

SHEET TITLE:
FOUNDATION DETAILS

SCALE: NONE

PROJECT NUMBER: 57131
 SHEET NUMBER: S-1

DIAGRAM CIRCUIT SCHEDULE

NO.	FROM	TO	WIRES	GROUND	CONDUIT SIZE	FUNCTION
1	NORMAL POWER SOURCE	AUTOMATIC TRANSFER SWITCH	(3) 3/0	(1) #4	2"	NORMAL POWER FEEDER TO ATS (CUT BACK EXISTING)
2	AUTOMATIC TRANSFER SWITCH	LOAD CENTER	(3) 3/0	(1) #4	2"	POWER FEEDER FROM ATS TO PANEL
3	GENERATOR	AUTOMATIC TRANSFER SWITCH	(3) #1	(1) #6	1-1/2"	EMERGENCY POWER FEEDER TO ATS
4	AUTOMATIC TRANSFER SWITCH	GENERATOR	(2) #10	(1) #10	1"	START CIRCUIT
5	LOAD CENTER (DISTRIBUTION CENTER)	GENERATOR, ATS	(2) #12 (2) #12 (2) #12	(1) #12 (1) #12 (1) #12	1" 1" 1"	CIRCUIT FOR GENERATOR BLOCK HEATER & BATTERY HEATER CIRCUIT FOR BATTERY CHARGER CIRCUIT FOR ATS
6	GENERATOR	AUTOMATIC TRANSFER SWITCH	12-PAIR 24 AWG OR 2EA 6-PAIR CAT5	N/A	1"	ALARM CABLES (1) 12 PAIR 24 AWG. PROVIDE 24" OF SLACK CABLE. FINAL PUNCH DOWN IS BY AT&T TECH. LABEL ALL WIRES
7	AUTOMATIC TRANSFER SWITCH	ALARM BLOCK	12-PAIR 24 AWG OR 2EA 6-PAIR CAT5	N/A	1"	ALARM CABLES (1) 12 PAIR 24 AWG (RUN TO PURCELL CABINET & INTO ALARM BOX). PROVIDE 24" OF SLACK CABLE. FINAL PUNCH DOWN IS BY AT&T TECH. LABEL ALL WIRES

ALARM WIRE IDENTIFICATION CHART

WIRE	ALARM
BROWN BROWN / WHITE	GENERATOR RUNNING
GREEN GREEN / WHITE	CRITICAL FAULT
BLUE BLUE / WHITE	MINOR FAULT
ORANGE	LOW FUEL
ORANGE / WHITE	LOW FUEL
BROWN *	FUEL LEAK
BROWN / WHITE *	FUEL LEAK

*CAT5 CABLE ONLY, FROM 2ND CAT5 CABLE

CIRCUIT DETAIL

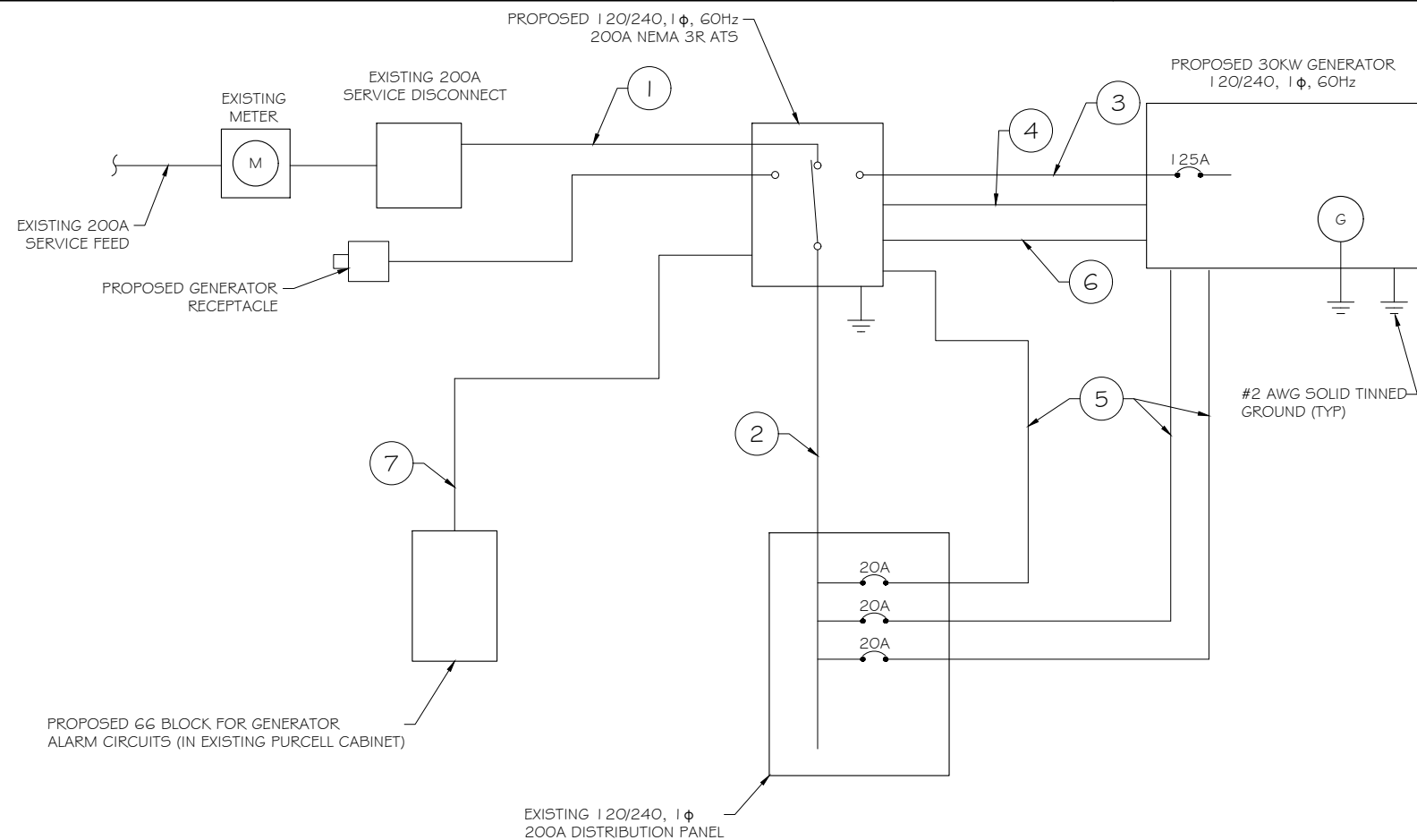
SCALE: NTS

1

ALARM WIRING IDENTIFICATION CHART

SCALE: NTS

2



PROPOSED WIRING DIAGRAM

SCALE: NTS

3



PREPARED FOR:



CONSULTANT:

GENERAL DYNAMICS
Information Technology, Inc.

GENERAL DYNAMICS
101 STATION DR
WESTWOOD, MA 02090

Certification & Seal:

I hereby certify that this plan, specification, or report was prepared by me or under my direct supervision and that I am a duly Licensed Professional Engineer under the laws of the State of Connecticut.



Signature: *[Signature]* Date: 3/21/2023

MARK	DATE	DESCRIPTION
A	12/08/22	REVISED PCDs
ISSUE PHASE	FINAL	DATE ISSUED 03/21/2023

PROJECT TITLE:
SALEM E. HADDAM RD
FA ID # 10035321

PROJECT INFORMATION:
153 EAST HADDAM ROAD
SALEM, CT 06420

SHEET TITLE:
WIRING DETAILS

SCALE: NONE

PROJECT NUMBER: 57131
SHEET NUMBER: E-1

AC Distribution Panel - Layout Diagram

Breaker Position	Breaker Type	On/Off	Size	Circuit Label	Breaker Position	Breaker Type	On/Off	Size	Circuit Label
1	2P	ON	50	HVAC 1	2	1P	ON	20	OUTLET
3					4	1P	ON	20	OUTLET
5	1P	ON	20	INDOOR LIGHTS	6	1P	ON	20	OUTLET
7	1P	ON	20	UNKNOWN	8				
9	1P	ON	20	OUTSIDE LIGHTS	10	2P	ON	50	HVAC 2
11					12	2P	ON	30	EMERSON PP RECTIFIER 1
13	2P	ON	30	EMERSON PP RECTIFIER 1	14	2P	ON	30	EMERSON PP RECTIFIER 2
15	2P	ON	30	EMERSON PP RECTIFIER 3	16	2P	ON	30	EMERSON PP RECTIFIER 4
17					18				
19	2P	ON	30	EMERSON PP RECTIFIER 5	20	2P	ON	30	EMERSON PP RECTIFIER 6
21					22				
23	2P	OFF	30	UNKNOWN	24	2P	OFF	30	UNKNOWN
25					26				
27	2P	OFF	30	UNKNOWN	28	1P	ON	20	OUTLET
29					30	1P	ON	20	OUTLET
31	1P	ON	20	OUTLET	32	1P	ON	20	OUTLET
33	1P	ON	20	OUTLET	34				EMPTY
35	1P	ON	20	ATS	36				EMPTY
37	1P	ON	20	BLOCK HEATER	38				EMPTY
39	1P	ON	20	BATTERY CHARGER	40				EMPTY
41					42				EMPTY

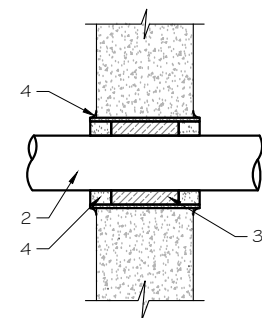
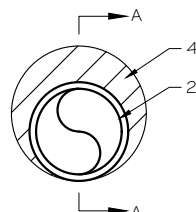
PROPOSED 20A BREAKERS FOR ATS, BLOCK HEATER AND BATTERY CHARGER ON NEW AT&T GENERATOR

EXISTING PANEL SCHEDULE

SCALE: NTS



NOTE:
 1. IF EXISTING CONSTRUCTION VARIES FROM THIS DETAIL, AN EQUAL 3-HR U.L. PENETRATION APPROPRIATE FOR THE EXISTING WALL TYPE SHALL BE CONSTRUCTED
 2. GC SHALL USE NON-SHRINKING CAULK TO WEATHERSEAL ALL PENETRATIONS INTO OR THRU SHELTER WALL.



U.L. SYSTEM NO. C-AJ-1150
 CONDUIT THROUGH BEARING WALL SIMILAR TO U.L. DESIGN NO. U902
 F RATING = 3 HR
 T RATING = 0 HR

- FLOOR OR WALL ASSEMBLY : MINIMUM 4-1/2" THICK REINFORCED LIGHTWEIGHT OR NORMAL WEIGHT (100-150 PCF) CONCRETE. WALL MAY ALSO BE CONSTRUCTED OF ANY UL CLASSIFIED CONCRETE BLOCKS*. MAX DIAMETER OF OPENING IS 4". SEE CONCRETE BLOCKS (9CATZ) CATEGORY IN THE FIRE RESISTANCE DIRECTORY FOR NAMES OF MANUFACTURERS.
- THROUGH PENETRATIONS : ONE METALLIC PIPE OR CONDUIT TO BE RIGIDLY SUPPORTED ON BOTH SIDES OF FLOOR OR WALL ASSEMBLY. THE ANNULAR SPACE SHALL BE MINIMUM 0". (POINT CONTACT) TO MAXIMUM 1-3/8". THE FOLLOWING TYPES AND SIZES OF METALLIC PIPES OR CONDUITS MAY BE USED:
 - A. STEEL PIPE-NOMINAL 6" DIAMETER (OR SMALLER) SCHEDULE 40 (OR HEAVIER) STEEL PIPE.
 - B. IRON PIPE-NOMINAL 6" DIAMETER (OR SMALLER) CAST OR DUCTILE IRON PIPE.
 - C. CONDUIT - NOMINAL 4" DIAMETER (OR SMALLER) STEEL ELECTRICAL METALLIC TUBING OR NOMINAL 3-1/2" DIAMETER (OR SMALLER) STEEL CONDUIT.
- PACKING MATERIAL: MINIMUM 6" THICKNESS OF MIN 4.0 PCF MINERAL WOOL BATTING INSULATION FIRMLY PACKED INTO OPENING AS A PERMANENT FORM. PACKING MATERIAL TO BE RECESSED FROM TOP SURFACE OF FLOOR OR FROM BOTH SURFACES OF WALL AS REQUIRED TO ACCOMMODATE THE REQUIRED THICKNESS OF FILL MATERIAL.
- FILL, VOID, OR CAVITY MATERIAL*: SEALANT: MINIMUM 1/4" THICKNESS OF FILL MATERIAL APPLIED WITHIN THE ANNULUS, FLUSH WITH TOP SURFACE OF FLOOR AND WITH BOTH SURFACES OF WALL. AT THE POINT CONTACT LOCATION BETWEEN PIPE AND CONCRETE, A MINIMUM 1/2" DIAMETER BEAD OF FILL MATERIAL SHALL BE APPLIED AT THE CONCRETE/PIPE INTERFACE ON THE TOP SURFACE OF FLOOR AND ON BOTH SURFACES OF WALL. W RATING APPLIES ONLY WHEN CP6015 OR CP604 SEALANT IS USED.

HILTI CONSTRUCTION CHEMICALS, DIV OF HILTI INC. : CP6015, CP604, CP606, OR F5-ONE SEALANT.

* BEARING THE UL CLASSIFICATION MARK.

OUTER WALL PENETRATION DETAIL (IF APPLICABLE)

SCALE: NTS



 Type GR CABLE TAP TO TOP OF GROUND ROD	 Type GT THROUGH CABLE TO TOP OF GROUND ROD.	 Type GY THROUGH CABLE TO SIDE OF GROUND ROD	 Type HS HORIZONTAL CABLE TAP TO HORIZONTAL STEEL SURFACE OR PIPE. CABLE OFF SURFACE.	 Type TA TEE OF HORIZONTAL RUN AND TAP CABLES.
 Type VN HORIZONTAL CABLE TAP TO VERTICAL STEEL SURFACE OR THE SIDE OF HORIZONTAL PIPE	 Type VS CABLE TAP DOWN AT 45° TO VERTICAL STEEL SURFACE OR SIDE OF HORIZONTAL OR VERTICAL PIPE.	 Type VV THROUGH VERTICAL CABLE TO VERTICAL STEEL SURFACE OR TO THE SIDE OF EITHER HORIZONTAL OR VERTICAL PIPE	 Type WR CABLE TAP TO TOP OF GROUND ROD	

NOTE:
 CONTRACTOR TO LABEL WIRES WITH P-TOUCH OR SIMILAR LABELS ONLY. ABSOLUTELY NO HANDWRITTEN LABELS.

*CONTRACTOR TO UTILIZE NEXT AVAILABLE IN SEQUENCE SINGLE BREAKER POSITION FOR GENERATOR, BATTERY CHARGER, BATTERY HEATER AND BLOCK HEATER

CADWELD DETAILS

SCALE: NTS

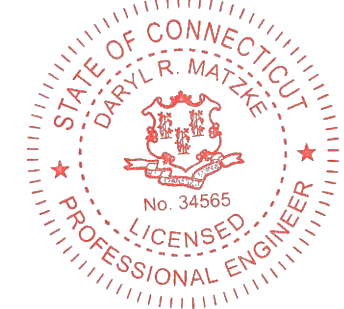


RAMAKER
 employee-owned
 (608) 643-4100 www.ramaker.com

PREPARED FOR:

CONSULTANT:
GENERAL DYNAMICS
 Information Technology, Inc.
 GENERAL DYNAMICS
 101 STATION DR
 WESTWOOD, MA 02090

Certification & Seal:
 I hereby certify that this plan, specification, or report was prepared by me or under my direct supervision and that I am a duly Licensed Professional Engineer under the laws of the State of Connecticut.



Signature: Date: 3/21/2023

MARK	DATE	DESCRIPTION
A	12/08/22	REVISED PCDs
ISSUE PHASE	FINAL	DATE ISSUED 03/21/2023

PROJECT TITLE:
 SALEM E. HADDAM RD
 FA ID # 10035321

PROJECT INFORMATION:
 153 EAST HADDAM ROAD
 SALEM, CT 06420

SHEET TITLE:
 PANEL AND PENETRATION DETAILS

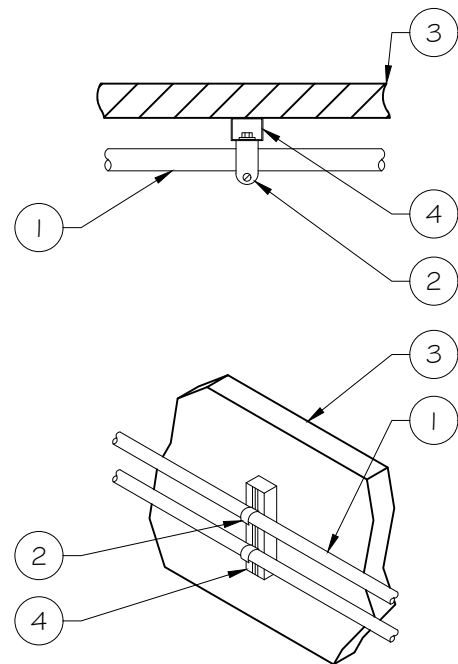
SCALE: NONE

PROJECT NUMBER: 57131
 SHEET NUMBER: E-2

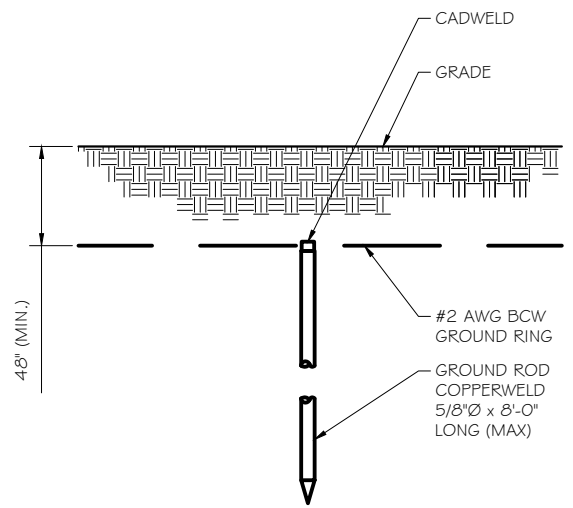
- 1 CONDUIT (TYP)
- 2 BUTTERFLY CLAMP AS REQUIRED
- 3 EXISTING WALL/CEILING
- 4 VERTICAL "UNISTRUT" P1000 T SERIES LENGTH BASED ON NUMBER OF CONDUIT TO BE MOUNTED

WALL CONSTRUCTION TYPE	USE
HOLLOW	3/8" DIA. TOGGLE BOLT
HOLLOW, AT STUD	3/8" DIA. LAG SCREW
CONCRETE BLOCK (HOLLOW)	3/8" DIA. HILTI HY-20 WITH SCREEN, MINIMUM EMBEDMENT 2-1/2"
CONCRETE (SOLID)	3/8" DIA. HILTI HY-150 WITH SCREEN, MINIMUM EMBEDMENT 2-1/2"

NOTE: USE GALVANIZED OR STAINLESS STEEL HARDWARE FOR WALL MOUNT & CONNECTIONS OF CHANNELS SPACE UNITS @ 5'-0" O.C. LENGTH OF RUN



CONDUIT WALL MOUNT
 SCALE: NTS

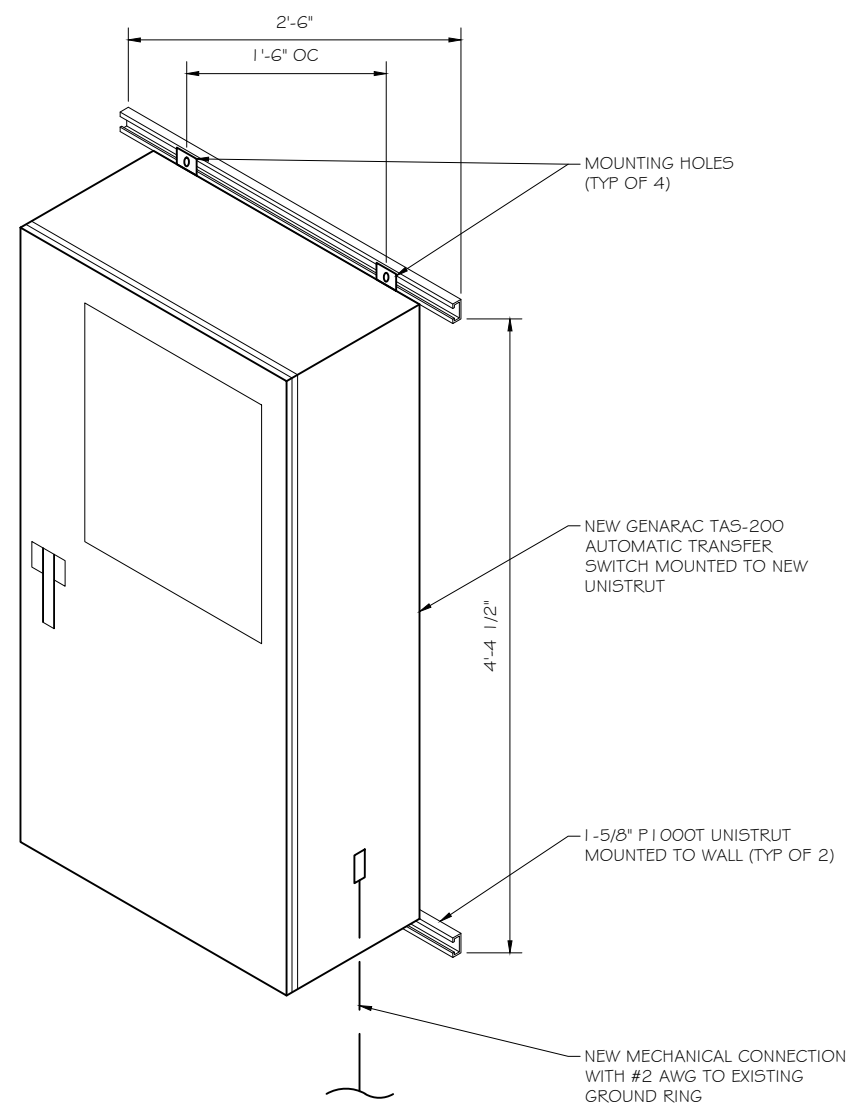


GROUND ROD DETAIL
 SCALE: NTS

NOTE:
 1. GROUND RODS MAY BE:
 - COPPER CLAD STEEL
 - SOLID COPPER
 2. GROUND RODS SHALL HAVE A MAXIMUM SPACING TWICE THE LENGTH OF ROD
 3. SEE RESISTIVITY REPORT FOR VERIFICATION AS AVAILABLE
 4. A LARGER CONDUCTOR SHALL BE REQUIRED IN AREAS HIGHLY PRONE TO LIGHTNING AND/OR AREAS WITH HIGHLY ACIDIC SOIL
 5. GROUND RODS INSTALLED WITHIN CLOSE PROXIMITY TO TOWER OR WHEN SOIL IS AT OR BELOW 2,000 OHM-CM, SHALL BE GALVANIZED TO PREVENT GALVANIC CORROSION OF TOWER, (SEE ANSI/TIA-EIA-222-G)
 6. PROVIDE (1) GROUND LEAD TO EACH SIDE OF THE GENERATOR

WALL CONSTRUCTION TYPE	USE
HOLLOW	3/8" DIA. TOGGLE BOLT
HOLLOW, AT STUD	3/8" DIA. LAG SCREW
CONCRETE BLOCK (HOLLOW)	7/16" DIA. HILTI HY-20 WITH SCREEN MINIMUM EMBEDMENT 2-1/2"
CONCRETE (SOLID)	7/16" DIA. HILTI HY-150 WITH SCREEN MINIMUM EMBEDMENT 2-1/2"

NOTE:
 1. USE GALVANIZED OR STAINLESS STEEL HARDWARE FOR WALL MOUNT AND CONNECTION OF CHANNELS
 2. GC SHALL USE NON-SHRINKING CAULK TO WEATHER SEAL ALL PENETRATIONS INTO OR THROUGH SHELTER WALL



GENERAC ATS MOUNTING DETAIL
 SCALE: NTS

RAMAKER
 employee-owned
 (608) 643-4100 www.ramaker.com

PREPARED FOR:

CONSULTANT:
GENERAL DYNAMICS
 Information Technology, Inc.
 GENERAL DYNAMICS
 101 STATION DR
 WESTWOOD, MA 02090

Certification & Seal:
 I hereby certify that this plan, specification, or report was prepared by me or under my direct supervision and that I am a duly Licensed Professional Engineer under the laws of the State of Connecticut.



Signature: *[Signature]* Date: 3/21/2023

MARK	DATE	DESCRIPTION
A	12/08/22	REVISED PCDs
ISSUE PHASE	FINAL	DATE ISSUED 03/21/2023

PROJECT TITLE:
SALEM E. HADDAM RD
FA ID # 10035321

PROJECT INFORMATION:
 153 EAST HADDAM ROAD
 SALEM, CT 06420

SHEET TITLE:
ATS, CONDUIT & GROUND ROD
DETAILS

SCALE: NONE

PROJECT NUMBER: 57131
 SHEET NUMBER: E-3

SD030 | 2.2L | 30 kW
INDUSTRIAL DIESEL GENERATOR SET
 EPA Certified Stationary Emergency



Standby Power Rating
 30 kW, 38 kVA, 60 Hz

Prime Power Rating*
 27 kW, 34 kVA, 60 Hz

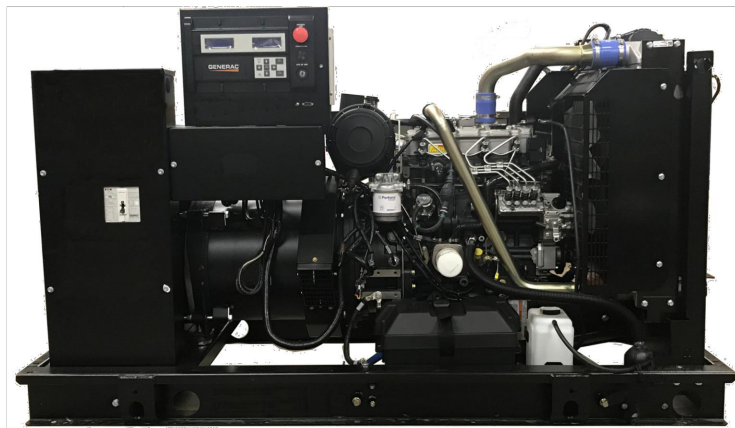


Image used for illustration purposes only



*EPA Certified Prime ratings are not available in the US or its Territories

Codes and Standards

Not all codes and standards apply to all configurations. Contact factory for details.

- UL2200, UL508, UL489, UL142
- CSA C22.2
- BS5514 and DIN 6271
- SAE J1349
- NFPA 37, 70, 99, 110
- NEC700, 701, 702, 708
- ISO 3046, 7637, 8528, 9001
- NEMA ICS10, MG1, 250, ICS6, AB1
- ANSI C62.41

Powering Ahead

For over 50 years, Generac has provided innovative design and superior manufacturing.

Generac ensures superior quality by designing and manufacturing most of its generator components, including alternators, enclosures and base tanks, control systems and communications software.

Generac gensets utilize a wide variety of options, configurations and arrangements, allowing us to meet the standby power needs of practically every application.

Generac searched globally to ensure the most reliable engines power our generators. We choose only engines that have already been proven in heavy-duty industrial applications under adverse conditions.

Generac is committed to ensuring our customers' service support continues after their generator purchase.

SD030 | 2.2L | 30 kW
INDUSTRIAL DIESEL GENERATOR SET
 EPA Certified Stationary Emergency



STANDARD FEATURES

ENGINE SYSTEM

- Oil Drain Extension
- Air Cleaner
- Fan Guard
- Stainless Steel Flexible Exhaust Connection
- Factory Filled Oil and Coolant
- Radiator Duct Adapter (Open Set Only)
- Critical Silencer (Enclosed Unit Only)
- Engine Coolant Heater

Fuel System

- Fuel Lockoff Solenoid
- Primary Fuel Filter

Cooling System

- Closed Coolant Recovery System
- UV/Ozone Resistant Hoses
- Factory-Installed Radiator
- Radiator Drain Extension
- 50/50 Ethylene Glycol Antifreeze

Electrical System

- Battery Charging Alternator
- Battery Cables
- Battery Tray
- Rubber-Booted Engine Electrical Connections
- Solenoid Activated Starter Motor

ALTERNATOR SYSTEM

- UL2200 GENprotect™
- Class H Insulation Material
- 2/3 Pitch
- Skewed Stator
- Brushless Excitation
- Sealed Bearing
- Rotor Dynamically Spin Balanced
- Amortisseur Winding (3-Phase Only)
- Full Load Capacity Alternator
- Protective Thermal Switch

GENERATOR SET

- Internal Genset Vibration Isolation
- Separation of Circuits - High/Low Voltage
- Separation of Circuits - Multiple Breakers
- Wrapped Exhaust Piping
- Standard Factory Testing
- 2 Year Limited Warranty (Standby Rated Units)
- 1 Year Limited Warranty (Prime Rated Units)
- Silencer Mounted in the Discharge Hood (Enclosed Unit Only)

ENCLOSURE (If Selected)

- Rust-Proof Fasteners with Nylon Washers to Protect Finish
- High Performance Sound-Absorbing Material (Sound Attenuation Enclosures)
- Gasketed Doors
- Stamped Air-Intake Louvers
- Upward Facing Discharge Hoods (Radiator and Exhaust)
- Stainless Steel Lift Off Door Hinges
- Stainless Steel Lockable Handles
- RhinoCoat™ - Textured Polyester Powder Coat Paint

FUEL TANKS (If Selected)

- UL 142/ULC S601
- Double Wall
- Normal and Emergency Vents
- Sloped Top
- Sloped Bottom
- Factory Pressure Tested
- Rupture Basin Alarm
- Fuel Level
- Check Valve In Supply and Return Lines
- RhinoCoat™ - Textured Polyester Powder Coat Paint
- Stainless Steel Hardware

CONTROL SYSTEM



Digital H Control Panel- Dual 4x20 Display

Program Functions

- Programmable Crank Limiter
- 7-Day Programmable Exerciser
- Special Applications Programmable Logic Controller
- RS-232/485 Communications
- All Phase Sensing Digital Voltage Regulator
- 2-Wire Start Capability
- Data/Time Fault History (Event Log)
- Isochronous Governor Control
- Waterproof/Sealed Connectors

- Audible Alarms and Shutdowns
- Not in Auto (Flashing Light)
- Auto/Off/Manual Switch
- E-Stop (Red Mushroom-Type)
- NFPA110 Level I and II (Programmable)
- Customizable Alarms, Warnings, and Events
- Modbus® Protocol
- Predictive Maintenance Algorithm
- Sealed Boards
- Password Parameter Adjustment Protection
- Single Point Ground
- 16 Channel Remote Trending
- 0.2 msec High Speed Remote Trending
- Alarm Information Automatically Annunciated on the Display

Full System Status Display

- Power Output (kW)
- Power Factor
- kW Hours, Total, and Last Run
- Real/Reactive/Apparent Power
- All Phase AC Voltage
- All Phase Currents

- Oil Pressure
- Coolant Temperature
- Coolant Level
- Engine Speed
- Battery Voltage
- Frequency

Alarms and Warnings

- Oil Pressure
- Coolant Temperature
- Coolant Level
- Engine Overspeed
- Battery Voltage
- Alarms and Warnings Time and Date Stamped
- Snap Shots of Key Operation Parameters During Alarms and Warnings
- Alarms and Warnings Spelled Out (No Alarm Codes)



CONSULTANT:
GENERAL DYNAMICS
 Information Technology, Inc.

GENERAL DYNAMICS
 101 STATION DR
 WESTWOOD, MA 02090

Certification & Seal:
 I hereby certify that this plan, specification, or report was prepared by me or under my direct supervision and that I am a duly Licensed Professional Engineer under the laws of the State of Connecticut.



Signature: _____ Date: 3/21/2023

MARK	DATE	DESCRIPTION
A	12/08/22	REVISED PCDs
ISSUE PHASE	FINAL	DATE ISSUED 03/21/2023

PROJECT TITLE:
SALEM E. HADDAM RD
FA ID # 10035321

PROJECT INFORMATION:
 153 EAST HADDAM ROAD
 SALEM, CT 06420

SHEET TITLE:
GENERAC 30KW GENERATOR SPECIFICATIONS

SCALE: NONE

PROJECT NUMBER: 57131
 SHEET NUMBER: E-4

SPEC SHEET

1 of 6

SPEC SHEET

2 of 6

SD030 | 2.2L | 30 kW
INDUSTRIAL DIESEL GENERATOR SET
 EPA Certified Stationary Emergency



CONFIGURABLE OPTIONS

ENGINE SYSTEM

- Oil Heater
- Critical Silencer (Open Set Only)
- Radiator Stone Guard
- Level 1 Fan and Belt Guards (Open Set Only)

FUEL SYSTEM

- NPT Flexible Fuel Line

ELECTRICAL SYSTEM

- 10A UL Listed Battery Charger
- Battery Warmer

ALTERNATOR SYSTEM

- Alternator Upsizing
- Anti-Condensation Heater
- Tropical Coating
- Permanent Magnet Excitation

GENERATOR SET

- Extended Factory Testing
- 8 Position Load Center
- Pad Vibration Isolation

ENGINEERED OPTIONS

ENGINE SYSTEM

- Coolant Heater Isolation Ball Valves
- Fluid Containment Pan

CONTROL SYSTEM

- Spare Inputs (x4) / Outputs (x4)
- Battery Disconnect Switch

CIRCUIT BREAKER OPTIONS

- Main Line Circuit Breaker
- 2nd Main Line Circuit Breaker
- Shunt Trip and Auxiliary Contact
- Electronic Trip Breakers

ENCLOSURE

- Weather Protected Enclosure
- Level 1 Sound Attenuation
- Level 2 Sound Attenuation
- Level 2 Sound Attenuation with Motorized Dampers
- Steel Enclosure
- Aluminum Enclosure
- Up to 200 MPH Wind Load Rating (Contact Factory for Availability)
- AC/DC Enclosure Lighting Kit
- Door Alarm Switch
- Enclosure Heater
- Damper Alarm Contacts

WARRANTY (Standby Gensets Only)

- 2 Year Extended Limited Warranty
- 5 Year Limited Warranty
- 5 Year Extended Limited Warranty
- 7 Year Extended Limited Warranty
- 10 Year Extended Limited Warranty

ALTERNATOR SYSTEM

- 3rd Breaker System

GENERATOR SET

- Special Testing

CONTROL SYSTEM

- NFPA 110 Compliant 21-Light Remote Annunciator
- Remote Relay Assembly (8 or 16)
- Oil Temperature Indication and Alarm
- Remote E-Stop (Break Glass-Type, Surface Mount)
- Remote E-Stop (Red Mushroom-Type, Surface Mount)
- Remote E-Stop (Red Mushroom-Type, Flush Mount)
- 100 dB Alarm Horn
- Ground Fault Annunciation
- 120V GFCI and 240V Outlets
- Remote Communication - Modem
- 10A Engine Run Relay

FUEL TANKS (Size On Last Page)

- 8 in (203.2 mm) Fill Extension
- 13 in (330.2 mm) Fill Extension
- 19 in (482.6 mm) Fill Extension
- Overfill Protection Valve
- 5 Gallon Spill Box Return Hose
- 5 Gallon Spill Box
- Tank Risers
- Fuel Level Switch and Alarm
- 12' Vent System
- Fire Rated Stainless Steel Fuel Hose

FUEL TANKS

- UL2085 Tank
- Stainless Steel Tanks
- Special Fuel Tanks
- Vent Extensions

SD030 | 2.2L | 30 kW
INDUSTRIAL DIESEL GENERATOR SET
 EPA Certified Stationary Emergency



APPLICATION AND ENGINEERING DATA

ENGINE SPECIFICATIONS

General

Make	Perkins
EPA Emissions Compliance	Stationary Emergency
EPA Emissions Reference	See Emission Data Sheet
Cylinder #	4
Type	In-Line
Displacement - in ³ (L)	135 (2.22)
Bore - in (mm)	3.3 (84)
Stroke - in (mm)	3.9 (100)
Compression Ratio	23.3:1
Intake Air Method	Turbocharged
Cylinder Head	Cast Iron
Piston Type	Aluminum
Crankshaft Type	Forged Steel

Engine Governing

Governor	Electronic Isochronous
Frequency Regulation (Steady State)	±0.5%

Lubrication System

Oil Pump Type	Gear
Oil Filter Type	Full-Flow
Crankcase Capacity - qt (L)	11.2 (10.6)

Cooling System

Cooling System Type	Closed Recovery
Water Pump Type	Pre-Lubed, Self Sealing
Fan Type	Pusher
Fan Speed - RPM	1,980
Fan Diameter - in (mm)	18 (457)

Fuel System

Fuel Type	Ultra Low Sulfur Diesel Fuel #2
Fuel Specifications	ASTM
Fuel Filtering (Microns)	5
Fuel Inject Pump	Distribution Injection Pump
Fuel Pump Type	Engine Driven Gear
Injector Type	Mechanical
Fuel Supply Line - in (mm)	0.31 (7.9) ID
Fuel Return Line - in (mm)	0.2 (4.8) ID

Engine Electrical System

System Voltage	12 VDC
Battery Charger Alternator	Standard
Battery Size	See Battery Index 0161970SBY
Battery Voltage	12 VDC
Ground Polarity	Negative

ALTERNATOR SPECIFICATIONS

Standard Model	K0035124Y21
Poles	4
Field Type	Revolving
Insulation Class - Rotor	H
Insulation Class - Stator	H
Total Harmonic Distortion	<5% (3-Phase)
Telephone Interference Factor (TIF)	< 50

Standard Excitation	Brushless
Bearings	Single Sealed
Coupling	Direct via Flexible Disc
Load Capacity - Standby	100%
Prototype Short Circuit Test	Yes
Voltage Regulator Type	Digital
Number of Sensed Phases	All
Regulation Accuracy (Steady State)	±0.25%



PREPARED FOR:



CONSULTANT:

GENERAL DYNAMICS
 Information Technology, Inc.

GENERAL DYNAMICS
 101 STATION DR
 WESTWOOD, MA 02090

Certification & Seal:

I hereby certify that this plan, specification, or report was prepared by me or under my direct supervision and that I am a duly Licensed Professional Engineer under the laws of the State of Connecticut.



Signature: *[Signature]* Date: 3/21/2023

MARK	DATE	DESCRIPTION
A	12/08/22	REVISED PCDs
ISSUE PHASE	FINAL	DATE ISSUED 03/21/2023

PROJECT TITLE:
SALEM E. HADDAM RD
FA ID # 10035321

PROJECT INFORMATION:
 153 EAST HADDAM ROAD
 SALEM, CT 06420

SHEET TITLE:
GENERAC 30KW GENERATOR SPECIFICATIONS

SCALE: NONE

PROJECT NUMBER: 57131
 SHEET NUMBER: E-4.1

SPEC SHEET

3 of 6

SPEC SHEET

4 of 6

SD030 | 2.2L | 30 kW
INDUSTRIAL DIESEL GENERATOR SET

EPA Certified Stationary Emergency



OPERATING DATA

POWER RATINGS

	Standby
Single-Phase 120/240 VAC @1.0pf	30 kW Amps: 125
Three-Phase 120/208 VAC @0.8pf	30 kW Amps: 104
Three-Phase 120/240 VAC @0.8pf	30 kW Amps: 90
Three-Phase 277/480 VAC @0.8pf	30 kW Amps: 45
Three-Phase 346/600 VAC @0.8pf	30 kW Amps: 36

MOTOR STARTING CAPABILITIES (skVA)

skVA vs. Voltage Dip			
277/480 VAC	30%	208/240 VAC	30%
K0035124Y21	61	K0035124Y21	46
K0040124Y21	76	K0040124Y21	58
K0050124Y21	98	K0050124Y21	75

FUEL CONSUMPTION RATES*

Fuel Pump Lift- ft (m)	Diesel - gph (Lph)	
	Percent Load	Standby
3 (1)	25%	1.0 (3.7)
	50%	1.4 (5.2)
	75%	2.0 (7.5)
	100%	2.8 (10.5)

* Fuel supply installation must accommodate fuel consumption rates at 100% load.

Total Fuel Pump Flow (Combustion + Return) - gph (Lph)
 16.6 (63)

COOLING

	Standby
Coolant Flow	gpm (Lpm) 14.9 (56.2)
Coolant System Capacity	gal (L) 2.5 (9.5)
Heat Rejection to Coolant	BTU/hr (kW) 128,638 (136)
Inlet Air	scfm (m³/hr) 2,800 (4,757)
Maximum Operating Ambient Temperature	°F (°C) 122 (50)
Maximum Operating Ambient Temperature (Before Derate)	See Bulletin No. 0199280SSD
Maximum Radiator Backpressure	in H ₂ O (kPa) 0.5 (0.12)

COMBUSTION AIR REQUIREMENTS

Standby	
Flow at Rated Power scfm (m³/min)	88 (2.5)

ENGINE

	Standby
Rated Engine Speed	RPM 1,800
Horsepower at Rated kW**	hp 49
Piston Speed	ft/min (m/min) 1,181 (360)
BMEP	psi (kPa) 159 (1,096)

EXHAUST

	Standby
Exhaust Flow (Rated Output)	scfm (m³/min) 296.6 (8.4)
Max. Allowable Backpressure (Post Turbocharger)	inHg (kPa) 1.5 (5.1)
Exhaust Temp (Rated Output)	°F (°C) 892 (478)

** Refer to "Emissions Data Sheet" for maximum bHP for EPA and SCAQMD permitting purposes.

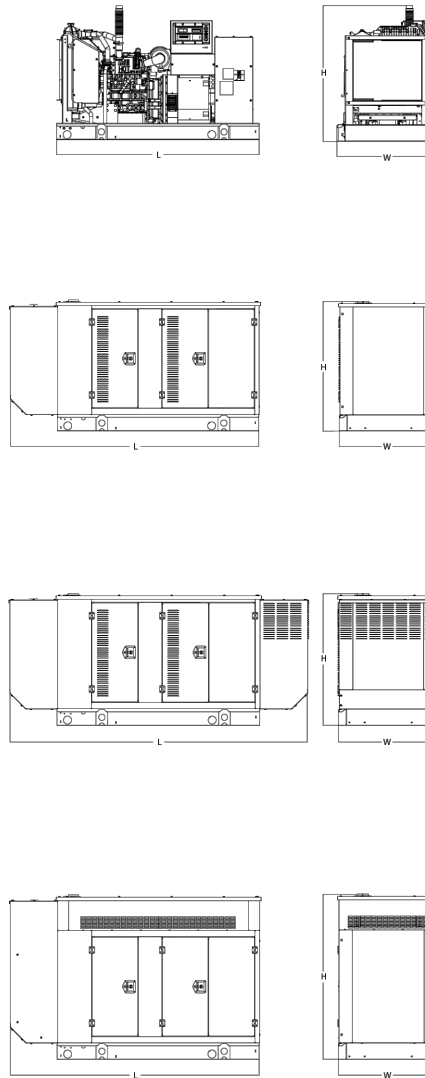
Deration - Operational characteristics consider maximum ambient conditions. Derate factors may apply under atypical site conditions. Please contact a Generac Power Systems Industrial Dealer for additional details. All performance ratings in accordance with ISO3046, BS5514, ISO8528, and DIN6271 standards. Standby - See Bulletin 0187500SSB Prime - See Bulletin 0187510SSB

SD030 | 2.2L | 30 kW
INDUSTRIAL DIESEL GENERATOR SET

EPA Certified Stationary Emergency



DIMENSIONS AND WEIGHTS*



OPEN SET (Includes Exhaust Flex)

Run Time - Hours	Usable Capacity - Gal (L)	L x W x H - in (mm)	Weight - lbs (kg)
No Tank	-	76.0 (1,930) x 37.4 (950) x 44.8 (1,138)	1,641 (745)
19	54 (204)	76.0 (1,930) x 37.4 (950) x 57.8 (1,468)	2,121 (963)
47	132 (501)	76.0 (1,930) x 37.4 (950) x 69.8 (1,773)	2,351 (1,067)
75	211 (799)	76.0 (1,930) x 37.4 (950) x 81.8 (2,078)	2,560 (1,162)
107	300 (1,136)	92.9 (2,360) x 37.4 (950) x 81.8 (2,078)	2,623 (1,190)

WEATHER PROTECTED ENCLOSURE

Run Time - Hours	Usable Capacity - Gal (L)	L x W x H - in (mm)	Weight - lbs (kg) Enclosure Only	
			Steel	Aluminum
No Tank	-	94.8 (2,409) x 38.0 (965) x 49.5 (1,258)		
19	54 (204)	94.8 (2,409) x 38.0 (965) x 62.5 (1,588)	372 (170)	241 (110)
47	132 (501)	94.8 (2,409) x 38.0 (965) x 74.5 (1,893)		
75	211 (799)	94.8 (2,409) x 38.0 (965) x 86.5 (2,198)		
107	300 (1,136)	94.8 (2,409) x 38.0 (965) x 86.5 (2,198)		

LEVEL 1 ACOUSTIC ENCLOSURE

Run Time - Hours	Usable Capacity - Gal (L)	L x W x H - in (mm)	Weight - lbs (kg) Enclosure Only	
			Steel	Aluminum
No Tank	-	112.5 (2,857) x 38.0 (965) x 49.5 (1,258)		
19	54 (204)	112.5 (2,857) x 38.0 (965) x 62.5 (1,582)		
47	132 (501)	112.5 (2,857) x 38.0 (965) x 74.5 (1,893)	505 (230)	338 (154)
75	211 (799)	112.5 (2,857) x 38.0 (965) x 86.5 (2,198)		
107	300 (1,136)	112.5 (2,857) x 38.0 (965) x 86.5 (2,198)		

LEVEL 2 ACOUSTIC ENCLOSURE

Run Time - Hours	Usable Capacity - Gal (L)	L x W x H - in (mm)	Weight - lbs (kg) Enclosure Only	
			Steel	Aluminum
No Tank	-	94.8 (2,407) x 38.0 (965) x 61.1 (1,551)		
19	54 (204)	94.8 (2,407) x 38.0 (965) x 74.1 (1,881)		
47	132 (501)	94.8 (2,407) x 38.0 (965) x 86.1 (2,186)	510 (232)	341 (155)
75	211 (799)	94.8 (2,407) x 38.0 (965) x 98.1 (2,491)		
107	300 (1,136)	94.8 (2,407) x 38.0 (965) x 98.1 (2,491)		

* All measurements are approximate and for estimation purposes only. Specification characteristics may change without notice. Please contact a Generac Power Systems Industrial Dealer for detailed installation drawings.

Generac Power Systems, Inc. | P.O. Box 8 | Waukesha, WI 53189
 P: (262) 544-4811 ©2018 Generac Power Systems, Inc. All rights reserved. All specifications are subject to change without notice.

Part No. 10000024842
 Rev. B 08/27/18

SPEC SHEET

5 of 6



PREPARED FOR:



CONSULTANT:
GENERAL DYNAMICS
 Information Technology, Inc.

GENERAL DYNAMICS
 101 STATION DR
 WESTWOOD, MA 02090

Certification & Seal:
 I hereby certify that this plan, specification, or report was prepared by me or under my direct supervision and that I am a duly Licensed Professional Engineer under the laws of the State of Connecticut.



Signature: *[Signature]* Date: 3/21/2023

MARK	DATE	DESCRIPTION
A	1/2/08/22	REVISED PCDs
ISSUE PHASE	FINAL	DATE ISSUED 03/21/2023

PROJECT TITLE:
SALEM E. HADDAM RD
FA ID # 1003532 I

PROJECT INFORMATION:
 153 EAST HADDAM ROAD
 SALEM, CT 06420

SHEET TITLE:
GENERAC 30KW GENERATOR SPECIFICATIONS

SCALE: NONE

PROJECT NUMBER: 57131
 SHEET NUMBER: E-4.2

SPEC SHEET

6 of 6

**TTS Series
Switches**

**200 Amps
600 VAC**

GENERAC | INDUSTRIAL
POWER

TAS200

200A Automatic Transfer Switch

**TAS200
TAS200**

1 of 3 2 of 3



Image used for illustration purposes only.

The Generac TAS200 Automatic Transfer Switch

- Flexibility for multiple application installations
- Multiple generator support with 3 source panel
- Designed with a 6 inch touch screen controller for improved user interface
- Camlock functionality for mobile generator sources

Features

- STEEL CONSTRUCTION
- NEMA 3R ENCLOSURE WITH HINGED "PADLOCKING" DOORS
- STAINLESS STEEL HARDWARE
- CAMLOCK "QUICK CONNECT" CAPABILITY
- OPERATIONAL STATUS VIEW VIA 6 INCH TOUCH SCREEN
- TEST FUNCTION - FAST TEST & NORMAL TEST
- UL1008 LISTED - FOR EMERGENCY SYSTEMS

Optional Features

- EXTENDED WARRANTY
- THREE-PHASE VOLTAGE CONFIGURATIONS

Codes and Standards

Generac products are designed to the following standards:



UL1008,
UL508,
UL50,
CSA C22.2 No. 178



NEC 700, 701 and 702



NEMA 250

Application and Engineering Data

Cabinet Specifications	
Dimensions	24"W x 12"D x 48"H
Weight	210 lbs.
Construction	Single Chamber with Main Door
	Steel
	UL Type / NEMA 3R Rated
	Powder Coat Finish for Corrosion Resistance
	C-UL-US Listed - Automatic Transfer Switch
Mounting Options	Stainless Steel Hardware
	3-Point Latching System with Pad-Lockable Handles
Installed	Wall
	H-frame
Installed	Pre-wired alarm terminal strip

Electrical Specifications	
Voltage/Phase/Amps	120/240 Single-Phase, 200A 120/208 3-Phase, 200A 120/240 3-Phase, 200A
Breaker	Eaton 200 amp Utility Breaker
	Eaton 200 amp Generator Breaker
Maximum RMS Symmetrical Fault Current - Amps	25k AIC Rated
Protective Device Continuous Rating (Max) Amp	200
Input to Generator	350MCM - #6 AWG
Output to Site	350MCM - #6 AWG
Generator Annunciator Connector	Deutsch DTM04-12PA-L012
Alarm Terminal Board	Generator Run Alarm
	Generator Fail - Shutdown Alarm
	Generator Fail - Non Shutdown Alarm
	Low Fuel Alarm
	Generator Theft Alarm
	AC Utility Fail Alarm

Camlock Component	
Camlock Component	Shipped loose for multiple installation options
Dimensions	9" W x 9.4" D x 24.25" H
200A Camlock Generator Connection	Single-Phase: Black L1, Red L2, White-Neutral, Green-Ground
	3-Phase: Black L1, Red L2, Blue L3, White-Neutral, Green-Ground
	Uses 4 CH E1016 Male Connectors
	Mating Connector - CH E1016 Female




RAMAKER
 employee-owned
 (608) 643-4100 www.ramaker.com

PREPARED FOR:


CONSULTANT:
GENERAL DYNAMICS
 Information Technology, Inc.
 GENERAL DYNAMICS
 101 STATION DR
 WESTWOOD, MA 02090

Certification & Seal:
 I hereby certify that this plan, specification, or report was prepared by me or under my direct supervision and that I am a duly Licensed Professional Engineer under the laws of the State of Connecticut.



 3/21/2023
 Date:

MARK	DATE	DESCRIPTION
A	12/08/22	REVISED PCDs
ISSUE PHASE	FINAL	DATE ISSUED 03/21/2023

PROJECT TITLE:
**SALEM E. HADDAM RD
 FA ID # 1003532 I**

PROJECT INFORMATION:
 153 EAST HADDAM ROAD
 SALEM, CT 06420

SHEET TITLE:
GENERAC ATS SPECIFICATIONS

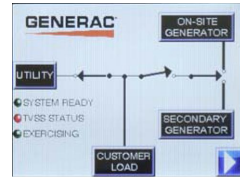
SCALE: NONE

PROJECT NUMBER: 57131
 SHEET NUMBER: E-5

TTS Control Systems

TAS200
3 of 3

Touch Screen Interface



INDICATORS AND BUTTONS

- | | |
|---|---|
| <ul style="list-style-type: none"> System Ready indicator Standby Operating indicator Utility Available indicator GEN/UTIL Switch Position indicator TVSS status | <ul style="list-style-type: none"> Normal Test button Fast Test button Return to Normal button Reset button Exercising indicator |
|---|---|

DETAILS SCREEN

<p>System Settings:</p> <ul style="list-style-type: none"> System Voltage/Phases: <ul style="list-style-type: none"> 120/240V single phase (standard) 120/208V three phase (optional) 120/240V three phase (optional) Utility Fail Monitor: <ul style="list-style-type: none"> Under Voltage: 75-95% of nominal voltage Over Voltage: 105%-125% of nominal voltage Pickup (hysteresis): fixed at 5 volts Delay time: 0-60s Utility Interrupt Delay: 0-60s Return to Utility Timer: 1-30 minutes Transfer: <ul style="list-style-type: none"> In-phase, or Time-Delay-Neutral at 0.0-10.0s in 1 second increments 	<p>Exercise Settings:</p> <ul style="list-style-type: none"> Time of day Day of week Exercise: <ul style="list-style-type: none"> Exercise with/without load Exercise once every 1, 2, or 4 weeks. Exercise time-of-day Exercise day of week Exercise duration: 15-30 minutes
	<p>Screen Settings:</p> <ul style="list-style-type: none"> Brightness & Contrast button Screen Calibration button Startup/Clean screen
	<p>Diagnostics:</p> <ul style="list-style-type: none"> Digital I/O bits status Voltage A/D readings
<p>Engine Settings:</p> <ul style="list-style-type: none"> Engine Warm-up timer: 0-20 minutes Generator Load Accept: <ul style="list-style-type: none"> Time-Delay-Neutral at 0.0-10.0s in 1 second increments Voltage: 85-95% of nominal Frequency: 85-95% of nominal Engine Minimum Run Timer: 5-30 minutes Engine Cooldown Timer: 0-20 minutes 	<p>Mimic Diagram:</p> <ul style="list-style-type: none"> System Ready Transfer switch position Utility available Standby available Maintenance/Auto switch position Generator source TS position TVSS status

Generac Power Systems, Inc. • S45 W29290 HWY. 59, Waukesha, WI 53189 • generac.com
 ©2013 Generac Power Systems, Inc. All rights reserved. All specifications are subject to change without notice. Bulletin 0195670S8Y-B / Printed in U.S.A. 03/13/13



CONSULTANT:
GENERAL DYNAMICS
 Information Technology, Inc.
 GENERAL DYNAMICS
 101 STATION DR
 WESTWOOD, MA 02090

Certification & Seal:
 I hereby certify that this plan, specification, or report was prepared by me or under my direct supervision and that I am a duly Licensed Professional Engineer under the laws of the State of Connecticut.



 3/21/2023
 Signature: Date:

A	12/08/22	REVISED PCDs
MARK	DATE	DESCRIPTION
ISSUE PHASE	FINAL	DATE ISSUED 03/21/2023

PROJECT TITLE:
 SALEM E. HADDAM RD
 FA ID # 1003532 I

PROJECT INFORMATION:
 153 EAST HADDAM ROAD
 SALEM, CT 06420

SHEET TITLE:
 GENERAC ATS SPECIFICATIONS

SCALE: NONE

PROJECT NUMBER: 57131
 SHEET NUMBER: E-5.1

ATTACHMENT 2

Proof of Delivery

Dear Customer,

This notice serves as proof of delivery for the shipment listed below.

Tracking Number 1ZV257420393917310	Weight 0.50 LBS
Service UPS Ground	Shipped / Billed On 07/14/2021
Delivered On 07/28/2021 12:38 P.M.	Received By EISENBERG
Delivered To SALEM, CT, US	Left At Office

Thank you for giving us this opportunity to serve you. Details are only available for shipments delivered within the last 120 days. Please print for your records if you require this information after 120 days.

Sincerely,

UPS

Tracking results provided by UPS: 07/30/2021 11:08 A.M. EST

[Print this page](#)

Proof of Delivery

Dear Customer,

This notice serves as proof of delivery for the shipment listed below.

Tracking Number 1ZV257420390847320	Weight 0.50 LBS
Service UPS Ground	Shipped / Billed On 07/14/2021
Delivered On 07/28/2021 12:38 P.M.	Received By EISENBERG
Delivered To SALEM, CT, US	Left At Office

Thank you for giving us this opportunity to serve you. Details are only available for shipments delivered within the last 120 days. Please print for your records if you require this information after 120 days.

Sincerely,

UPS

Tracking results provided by UPS: 07/30/2021 11:09 A.M. EST

[Print this page](#)



Property Information

Property Location	153 EAST HADDAM RD
Owner	AMERICAN TOWER CORP
Co-Owner	na
Mailing Address	P O BOX 723597 ATLANTA GA 31139
Land Use	4331 Cell Tower
Land Class	I
Zoning Code	HC
Census Tract	7151

Neighborhood	C100
Acreage	6.21
Utilities	UNKNOWN
Lot Setting/Desc	UNKNOWN UNKNOWN
Book / Page	0122/0251
Additional Info	

Primary Construction Details

Year Built	0
Building Desc.	Cell Tower
Building Style	UNKNOWN
Building Grade	
Stories	
Occupancy	
Exterior Walls	
Exterior Walls 2	NA
Roof Style	
Roof Cover	
Interior Walls	
Interior Walls 2	NA
Interior Floors 1	
Interior Floors 2	NA

Heating Fuel	
Heating Type	
AC Type	
Bedrooms	0
Full Bathrooms	0
Half Bathrooms	0
Extra Fixtures	0
Total Rooms	0
Bath Style	NA
Kitchen Style	NA
Rec Rm Area	NA
Rec Rm Quality	NA
Bsmnt Gar	NA
Fireplaces	NA

(*Industrial / Commercial Details)

Building Use	Vacant
Building Condition	
Sprinkler %	NA
Heat / AC	NA
Frame Type	NA
Baths / Plumbing	NA
Ceiling / Wall	NA
Rooms / Prtns	NA
Wall Height	NA
First Floor Use	NA
Foundation	NA

Photo



Sketch

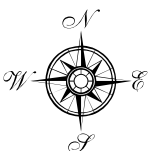
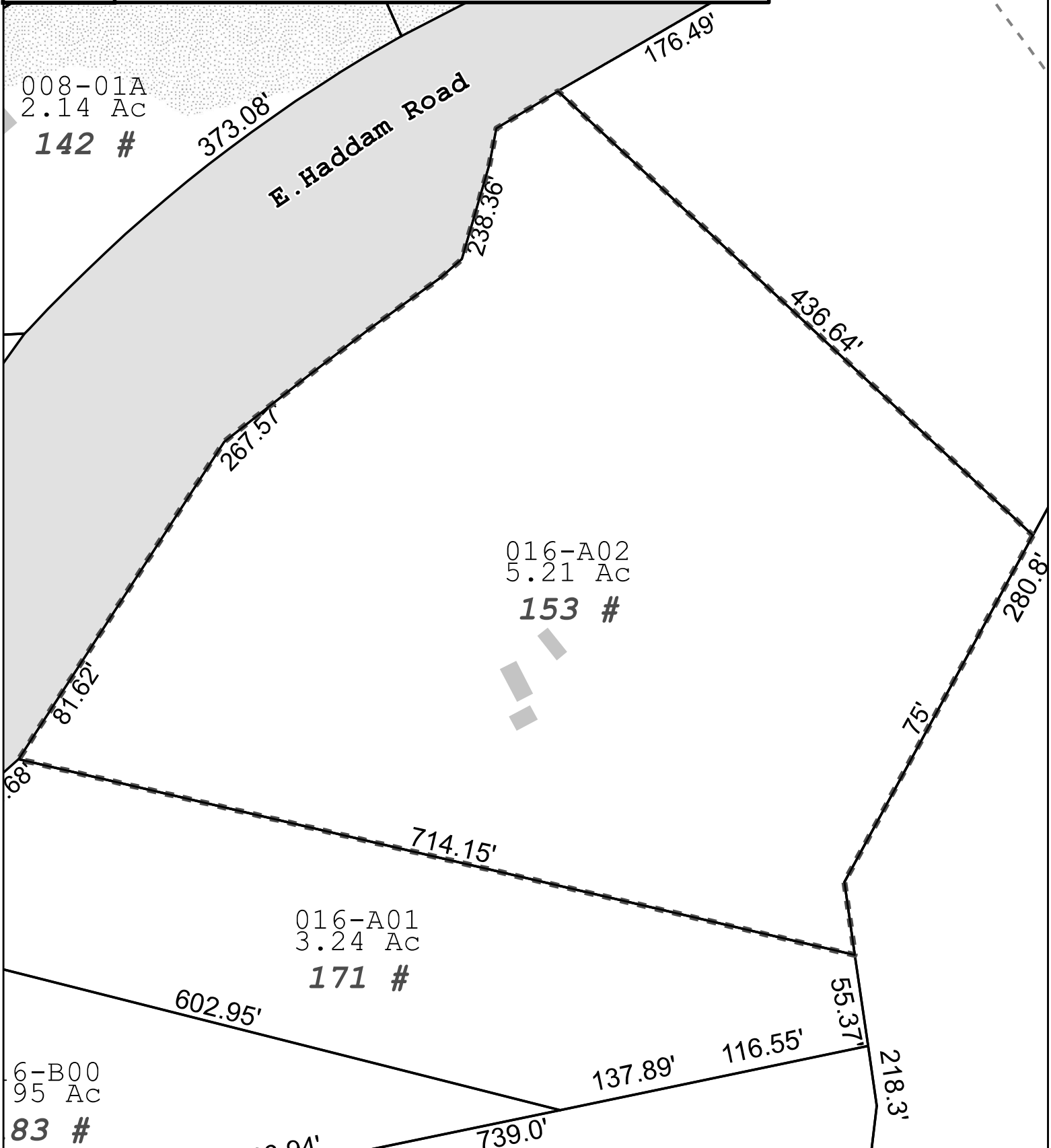




Town of Salem, CT. Assessment Parcel Map

Parcel ID:05-016-A02

Address: 153 EAST HADDAM RD



Map Produced: March 2021

Disclaimer: This map is for informational purposes only.
 All information is subject to verification by any user.
 The Town of Salem and its mapping contractors assume
 no legal responsibility for the information contained herein.

Town of Salem
Building Department
Certificate of Occupancy

This is to certify that the structure at: 153 East Haddam Road (Existing Tower)

constructed as Antenna(s) & Equipment Building

under Building Permit No. B2004-078 conforms substantially to the requirements of the Building Code Ordinances and Zoning Regulations as adopted by the Town of Salem and the State of Connecticut and is hereby approved for use and occupancy under Use Group B of the 1996 BOCA Building Code of Connecticut.

Type Construction:

Owner: American Tower Corp.

 116 Huntington Avenue

 Boston, MA 02116

Special Conditions: none



Building Official Signature



Date



STATE OF CONNECTICUT

CONNECTICUT SITING COUNCIL

Ten Franklin Square, New Britain, CT 06051

Phone: (860) 827-2935 Fax: (860) 827-2950

E-Mail: siting.council@ct.gov

www.ct.gov/csc

September 6, 2016

Gregg Shappy
Transcend Wireless
10 Industrial Avenue, Suite 3
Mahwah, NJ 07430

RE: **TS-T-MOBILE-121-160712** - T-Mobile Northeast LLC request for an order to approve tower sharing at an existing telecommunications facility located at 160 Witch Meadow Road, Salem, Connecticut.

Dear Mr. Shappy:

At a public meeting held on September 1, 2016, the Connecticut Siting Council (Council) ruled that the shared use of this existing tower site is technically, legally, environmentally, and economically feasible and meets public safety concerns, and therefore, in compliance with General Statutes § 16-50aa, the Council has ordered the shared use of this facility to avoid the unnecessary proliferation of tower structures with the following conditions:

1. Any deviation from the proposed installation as specified in the original tower share request and supporting materials with the Council shall render this decision invalid;
2. Any material changes to the proposed installation as specified in the original tower share request and supporting materials filed with the Council shall require an explicit request for modification to the Council pursuant to Connecticut General Statutes § 16-50aa, including all relevant information regarding the proposed change with cumulative worst-case modeling of radio frequency exposure at the closest point of uncontrolled access to the tower base, consistent with Federal Communications Commission, Office of Engineering and Technology, Bulletin 65;
3. Not less than 45 days after completion of the proposed installation, the Council shall be notified in writing that the installation has been completed;
4. Any nonfunctioning antenna and associated antenna mounting equipment on this facility owned and operated by T-Mobile Northeast LLC shall be removed within 60 days of the date the antenna ceased to function;
5. The validity of this action shall expire one year from the date of this letter; and
6. The applicant may file a request for an extension of time beyond the one year deadline provided that such request is submitted to the Council not less than 60 days prior to the expiration.

This decision is under the exclusive jurisdiction of the Council and applies only to this request for tower sharing dated July 20, 2016. This facility has been carefully modeled to ensure that radio frequency emissions are conservatively below State and federal standards applicable to the frequencies now used on this tower. Any deviation from the approved tower sharing request is enforceable under the provisions of Connecticut General Statutes § 16-50u.

The proposed shared use is to be implemented as specified in your letter dated July 20, 2016, including the placement of all necessary equipment and shelters within the tower compound.



CONNECTICUT SITING COUNCIL
Affirmative Action / Equal Opportunity Employer

Please be advised that the validity of this action shall expire one year from the date of this letter.

Thank you for your attention and cooperation.

Very truly yours,

Robert Stein ^{NAB}

Robert Stein
Chairman

RS/FOC/lm

c: The Honorable Kevin T. Lyden, First Selectman, Town of Salem
Richard Serra, Town Planner, Town of Salem
SBA Communications Corporation
Renz Construction Corporation

ATTACHMENT 3

ORIGIN ID:GAA (301) 266-0258
CATHERINE CONKLIN
GENERAL DYNAMICS
4603 KEMPER STREET
ROCKVILLE, MD 20853

SHIP DATE: 22MAR23
ACTWGT: 2.00 LB
CAD: 105486753/NET4580

UNITED STATES US

BILL SENDER

TO ED CHMIELEWSKI, FIRST SELECTMAN
TOWN OF SALEM
270 HARTFORD ROAD

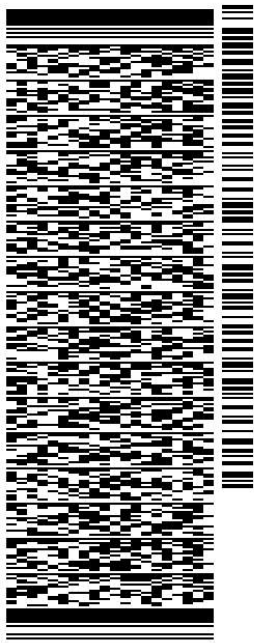
SALEM CT 06420

(860) 859-3873

REF:

INV/

DEPT:



J231023011101uv

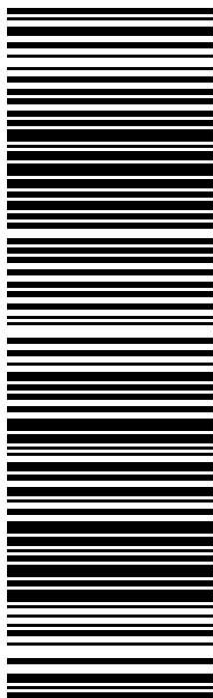
581J79982FE2D

TRK# 7716 2477 9086
0201

THU - 23 MAR 12:00P
PRIORITY OVERNIGHT

EB SKKA

06420
CT-US BDL



After printing this label:

1. Use the 'Print' button on this page to print your label to your laser or inkjet printer.
2. Fold the printed page along the horizontal line.
3. Place label in shipping pouch and affix it to your shipment so that the barcode portion of the label can be read and scanned.

Warning: Use only the printed original label for shipping. Using a photocopy of this label for shipping purposes is fraudulent and could result in additional billing charges, along with the cancellation of your FedEx account number.

Use of this system constitutes your agreement to the service conditions in the current FedEx Service Guide, available on fedex.com. FedEx will not be responsible for any claim in excess of \$100 per package, whether the result of loss, damage, delay, non-delivery, misdelivery, or misinformation, unless you declare a higher value, pay an additional charge, document your actual loss and file a timely claim. Limitations found in the current FedEx Service Guide apply. Your right to recover from FedEx for any loss, including intrinsic value of the package, loss of sales, income interest, profit, attorney's fees, costs, and other forms of damage whether direct, incidental, consequential, or special is limited to the greater of \$100 or the authorized declared value. Recovery cannot exceed actual documented loss. Maximum for items of extraordinary value is \$1,000, e.g. jewelry, precious metals, negotiable instruments and other items listed in our Service Guide. Written claims must be filed within strict time limits, see current FedEx Service Guide.

Dear Customer,

The following is the proof-of-delivery for tracking number: 771624779086

Delivery Information:

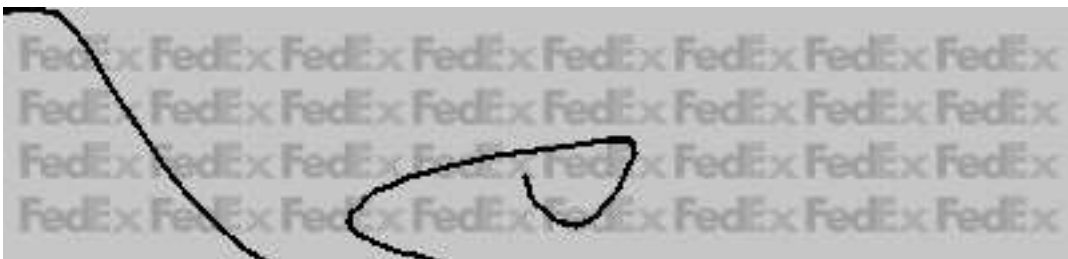
Status:	Delivered	Delivered To:	Receptionist/Front Desk
Signed for by:	K.KAPINOS	Delivery Location:	270 HARTFORD RD
Service type:	FedEx Priority Overnight		
Special Handling:	Deliver Weekday		SALEM, CT, 06420
		Delivery date:	Mar 23, 2023 10:31

Shipping Information:

Tracking number:	771624779086	Ship Date:	Mar 22, 2023
		Weight:	2.0 LB/0.91 KG

Recipient:
Ed Chmielewski, First Selectman, Town of Salem
270 Hartford Road
SALEM, CT, US, 06420

Shipper:
Catherine Conklin, General Dynamics
4603 Kemper Street
ROCKVILLE, MD, US, 20853



ORIGIN ID:GAA (301) 266-0258
CATHERINE CONKLIN
GENERAL DYNAMICS
4603 KEMPER STREET
ROCKVILLE, MD 20853
UNITED STATES US

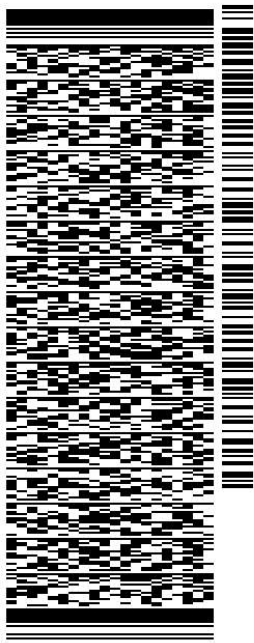
SHIP DATE: 22MAR23
ACT WGT: 2.00 LB
CAD: 105486753/NET4580

BILL SENDER

TO NICOLE HAGGERTY, TOWN PLANNER
TOWN OF SALEM
270 HARTFORD ROAD

SALEM CT 06420

REF: (860) 859-1184
INV/ PO/ DEPT:



J231023011101uv

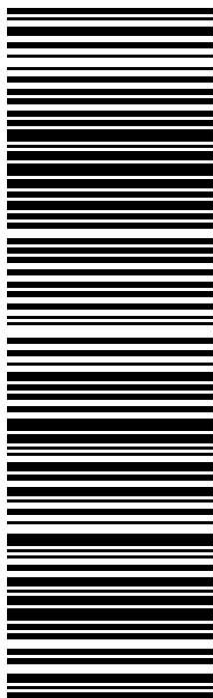
581J79982FE2D

TRK# 0201 7716 2479 1499

THU - 23 MAR 12:00P
PRIORITY OVERNIGHT

EB SKKA

06420
CT-US BDL



After printing this label:

1. Use the 'Print' button on this page to print your label to your laser or inkjet printer.
2. Fold the printed page along the horizontal line.
3. Place label in shipping pouch and affix it to your shipment so that the barcode portion of the label can be read and scanned.

Warning: Use only the printed original label for shipping. Using a photocopy of this label for shipping purposes is fraudulent and could result in additional billing charges, along with the cancellation of your FedEx account number.

Use of this system constitutes your agreement to the service conditions in the current FedEx Service Guide, available on fedex.com. FedEx will not be responsible for any claim in excess of \$100 per package, whether the result of loss, damage, delay, non-delivery, misdelivery, or misinformation, unless you declare a higher value, pay an additional charge, document your actual loss and file a timely claim. Limitations found in the current FedEx Service Guide apply. Your right to recover from FedEx for any loss, including intrinsic value of the package, loss of sales, income interest, profit, attorney's fees, costs, and other forms of damage whether direct, incidental, consequential, or special is limited to the greater of \$100 or the authorized declared value. Recovery cannot exceed actual documented loss. Maximum for items of extraordinary value is \$1,000, e.g. jewelry, precious metals, negotiable instruments and other items listed in our Service Guide. Written claims must be filed within strict time limits, see current FedEx Service Guide.

Dear Customer,

The following is the proof-of-delivery for tracking number: 771624791499

Delivery Information:

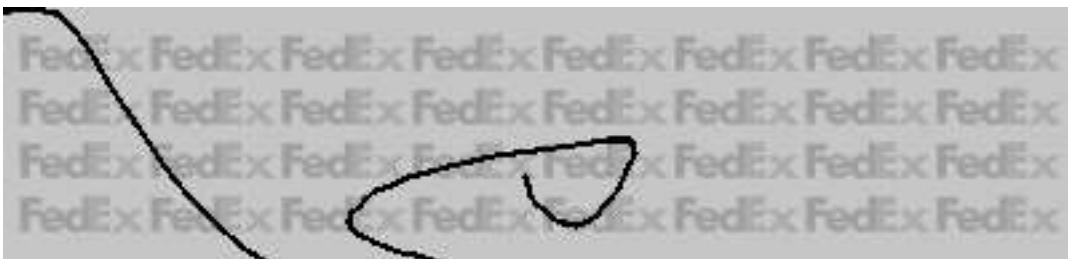
Status:	Delivered	Delivered To:	Receptionist/Front Desk
Signed for by:	K.KAPINOS	Delivery Location:	270 HARTFORD RD
Service type:	FedEx Priority Overnight		
Special Handling:	Deliver Weekday		SALEM, CT, 06420
		Delivery date:	Mar 23, 2023 10:31

Shipping Information:

Tracking number:	771624791499	Ship Date:	Mar 22, 2023
		Weight:	1.0 LB/0.45 KG

Recipient:
Nicole Haggerty, Town Planner, Town of Salem
270 Hartford Road
SALEM, CT, US, 06420

Shipper:
Catherine Conklin, General Dynamics
4603 Kemper Street
ROCKVILLE, MD, US, 20853



ORIGIN ID:GAA (301) 266-0258
CATHERINE CONKLIN
GENERAL DYNAMICS
4603 KEMPER STREET
ROCKVILLE, MD 20853
UNITED STATES US

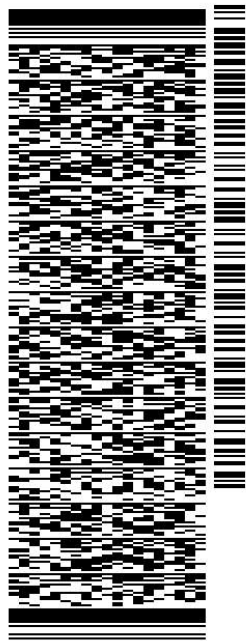
SHIP DATE: 22MAR23
ACT WGT: 2.00 LB
CAD: 105486753/IN/ET4580

BILL SENDER

TO **MATT ALLEN, ZEO**
TOWN OF SALEM
270 HARTFORD ROAD

SALEM CT 06420

REF: (860) 859-1184
INV/ PO/ DEPT:



J231023011101uv

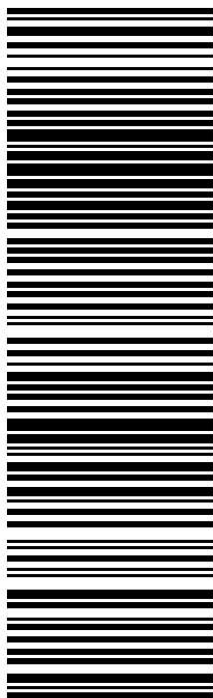
581J79982FE2D

TRK# 0201
7716 2478 7658

THU - 23 MAR 12:00P
PRIORITY OVERNIGHT

EB SKKA

06420
CT-US **BDL**



After printing this label:

1. Use the 'Print' button on this page to print your label to your laser or inkjet printer.
2. Fold the printed page along the horizontal line.
3. Place label in shipping pouch and affix it to your shipment so that the barcode portion of the label can be read and scanned.

Warning: Use only the printed original label for shipping. Using a photocopy of this label for shipping purposes is fraudulent and could result in additional billing charges, along with the cancellation of your FedEx account number. Use of this system constitutes your agreement to the service conditions in the current FedEx Service Guide, available on fedex.com. FedEx will not be responsible for any claim in excess of \$100 per package, whether the result of loss, damage, delay, non-delivery, misdelivery, or misinformation, unless you declare a higher value, pay an additional charge, document your actual loss and file a timely claim. Limitations found in the current FedEx Service Guide apply. Your right to recover from FedEx for any loss, including intrinsic value of the package, loss of sales, income interest, profit, attorney's fees, costs, and other forms of damage whether direct, incidental, consequential, or special is limited to the greater of \$100 or the authorized declared value. Recovery cannot exceed actual documented loss. Maximum for items of extraordinary value is \$1,000, e.g. jewelry, precious metals, negotiable instruments and other items listed in our Service Guide. Written claims must be filed within strict time limits, see current FedEx Service Guide.

Dear Customer,

The following is the proof-of-delivery for tracking number: 771624787658

Delivery Information:

Status:	Delivered	Delivered To:	Receptionist/Front Desk
Signed for by:	K.KAPINOS	Delivery Location:	270 HARTFORD RD
Service type:	FedEx Priority Overnight		
Special Handling:	Deliver Weekday		SALEM, CT, 06420
		Delivery date:	Mar 23, 2023 10:31

Shipping Information:

Tracking number:	771624787658	Ship Date:	Mar 22, 2023
		Weight:	1.0 LB/0.45 KG

Recipient:
Matt Allen, ZEO, Town of Salem
270 Hartford Road
SALEM, CT, US, 06420

Shipper:
Catherine Conklin, General Dynamics
4603 Kemper Street
ROCKVILLE, MD, US, 20853

