

From: Katie Adams <kadams@nbcllc.com>

Sent: Tuesday, April 11, 2023 3:35 PM

To: Fontaine, Lisa <Lisa.Fontaine@ct.gov>

Cc: CSC-DL Siting Council <Siting.Council@ct.gov>

Subject: RE: Council Extension Decision - TS-VER-109-230106 - 954 Norwich Road, Plainfield - Request for Extension to submit documentation to make filing complete

Good afternoon,

Attached please find an updated RF analysis (cumulative far field) as well as updated mount analysis with current codes. These were not requested as part of the incomplete letter, but since the standard changed in the fall, we wanted to be pro active on this one. Please let me know if you need any more information.

Thank you!

Katie Adams

SR Site Acquisition Specialist

NETWORK BUILDING + CONSULTING

100 Apollo Drive | Suite 303 | Chelmsford, MA | 01824
M 781-392-7547



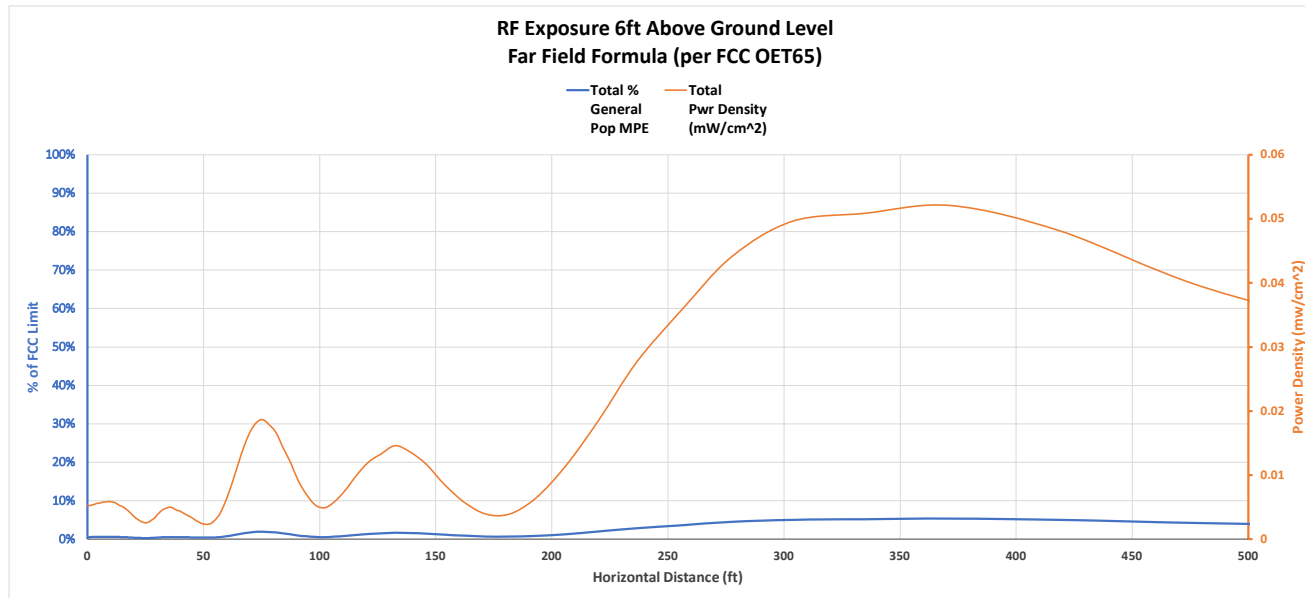
CUMULATIVE MPE TABLE

Carrier	MPE %
T-Mobile	14.02%
AT&T	6.71%
VERIZON WIRELESS	5.40%
Site Total	26.17%

See attached Verizon Wireless far field tables for full detail

Note: the data for the carriers in the above table was compiled from the EBI Consulting Radio frequency Emmissions Analysis Report, dated October 5, 2021 submitted by Crown Castle on October 19, 2021 (EM- T- MOBILE 109-2112022).

Location	Plainfield South 2 CT					
Date	10/5/2022					
Band	C-Band	AWS	PCS	850-LTE	850-CDMA	700
Operating Frequency (MHz)	3,700	2,145	1,970	880	869	746
General Population MPE (mW/cm ²)	1	1	1	0.586666667	0.579333333	0.497333333
ERP Per Transmitter (Watts)	6,531	1,202	1,030	492	369	514
Number of Transmitters	4	4	4	4	2	4
Antenna Centerline (feet)	104	104	104	104	104	104
Total ERP (Watts)	26,124	4,809	4,119	1,967	738	2,056
Total ERP (dBm)	74	67	66	63	59	63
Maximum % of General Population Limit	5.4%					



Angle Below Horizon	Power Density (mW/cm ²)						Percent of General Population MPE										Distance	Total Pwr Density (mW/cm ²)	Total % General Pop MPE
	C-Band	AWS	PCS	850-LTE	850-CDMA	700 MHz	39GHz	28GHz	C-Band	CBRS	AWS	PCS	Cellular	CDMA	700 MHz				
90	0.004835388	6.21513E-06	0.000109686	0.000179576	2.76328E-06	9.94142E-05	0.00%	0.00%	0.48%	0.00%	0.00%	0.01%	0.03%	0.00%	0.02%	0	0.005233043	0.55%	
89	0.004834854	5.57702E-06	0.000121367	0.000184162	2.76297E-06	9.625E-05	0.00%	0.00%	0.48%	0.00%	0.00%	0.01%	0.03%	0.00%	0.02%	1.029848831	0.005244974	0.55%	
88	0.004945833	7.29891E-06	0.000129705	0.000194114	2.76206E-06	9.20994E-05	0.00%	0.00%	0.49%	0.00%	0.00%	0.01%	0.03%	0.00%	0.02%	2.0603254	0.005371813	0.56%	
87	0.005011863	1.2417E-05	0.000134499	0.000206451	2.76053E-06	8.75017E-05	0.00%	0.00%	0.50%	0.00%	0.00%	0.01%	0.04%	0.00%	0.02%	3.092058978	0.005455492	0.57%	
86	0.005124628	2.01688E-05	0.000137842	0.000220029	2.75839E-06	8.3115E-05	0.00%	0.00%	0.51%	0.00%	0.00%	0.01%	0.04%	0.00%	0.02%	4.125681905	0.005588541	0.58%	
85	0.005119507	2.78129E-05	0.000143531	0.000233908	2.75563E-06	7.89306E-05	0.00%	0.00%	0.51%	0.00%	0.00%	0.01%	0.04%	0.00%	0.02%	5.161831148	0.005606446	0.59%	
84	0.00523234	3.37066E-05	0.000156464	0.000248035	2.75226E-06	7.51127E-05	0.00%	0.00%	0.52%	0.00%	0.00%	0.02%	0.04%	0.00%	0.02%	6.201149881	0.00574841	0.60%	
83	0.00522474	3.84666E-05	0.000180212	0.000262956	2.74826E-06	7.11348E-05	0.00%	0.00%	0.52%	0.00%	0.00%	0.02%	0.04%	0.00%	0.01%	7.244289093	0.005780257	0.60%	
82	0.005215948	4.39898E-05	0.000212839	0.000280641	2.74364E-06	6.67345E-05	0.00%	0.00%	0.52%	0.00%	0.00%	0.02%	0.05%	0.00%	0.01%	8.291909247	0.005822897	0.61%	
81	0.005205955	5.20618E-05	0.000250161	0.000300136	3.14408E-06	6.18754E-05	0.00%	0.00%	0.52%	0.00%	0.01%	0.03%	0.05%	0.00%	0.01%	9.344681979	0.005873333	0.61%	
80	0.005076503	6.43552E-05	0.000285945	0.000320909	3.52012E-06	5.69616E-05	0.00%	0.00%	0.51%	0.00%	0.01%	0.03%	0.05%	0.00%	0.01%	10.40329186	0.005808194	0.61%	
79	0.004949076	8.13847E-05	0.000317134	0.000339893	3.8505E-06	5.19447E-05	0.00%	0.00%	0.49%	0.00%	0.01%	0.03%	0.06%	0.00%	0.01%	11.46843824	0.005743282	0.60%	
78	0.004713864	0.00010337	0.000344426	0.000353342	4.30894E-06	4.79056E-05	0.00%	0.00%	0.47%	0.00%	0.01%	0.03%	0.06%	0.00%	0.01%	12.54083714	0.005567217	0.59%	
77	0.004386532	0.000129461	0.000370544	0.000358046	4.93304E-06	4.54086E-05	0.00%	0.00%	0.44%	0.00%	0.01%	0.04%	0.06%	0.00%	0.01%	13.62122328	0.005294925	0.56%	
76	0.004175943	0.000159138	0.000401304	0.000354464	5.39197E-06	4.4851E-05	0.00%	0.00%	0.42%	0.00%	0.02%	0.04%	0.06%	0.00%	0.01%	14.71035217	0.005141091	0.54%	
75	0.003883956	0.000188927	0.000436508	0.000345217	5.89206E-06	4.68049E-05	0.00%	0.00%	0.39%	0.00%	0.02%	0.04%	0.06%	0.00%	0.01%	15.80900235	0.004907305	0.52%	
74	0.003529211	0.000218623	0.000471407	0.000333807	6.00718E-06	5.08973E-05	0.00%	0.00%	0.35%	0.00%	0.02%	0.05%	0.06%	0.00%	0.01%	16.91797776	0.004609953	0.49%	
73	0.003133009	0.0002506	0.000496227	0.000323429	6.71359E-06	5.67517E-05	0.00%	0.00%	0.31%	0.00%	0.03%	0.05%	0.06%	0.00%	0.01%	18.03811021	0.00426673	0.46%	
72	0.002655358	0.000293861	0.000496411	0.000317644	7.00029E-06	6.25375E-05	0.00%	0.00%	0.27%	0.00%	0.03%	0.05%	0.05%	0.00%	0.01%	19.17026208	0.003832812	0.41%	

Date: **November 7, 2022**



POD Group
1033 E Turkeyfoot Lake Rd. Suite 206
Akron, OH 44312
(330) 961.7432
mhoudeshell@podgrp.com

Subject: **Mount Analysis - Conditional Passing Report**

Carrier Designation: **Verizon Wireless**
Carrier Site Number: **720950**
Carrier Site Name: **Plainfield South 2 CT**

Crown Castle Designation: **Crown Castle BU Number:** **876359**
Crown Castle Site Name: **NORWICH**
Crown Castle JDE Job Number: **723295**
Crown Castle Order Number: **623747 Rev.3**

Engineering Firm Designation: **POD Report Designation:** **22-143199**

Site Data: **954 Norwich Road, Plainfield, Windham County, CT 06062**
Latitude 41° 39' 31.46" Longitude -71° 55' 29.75"

Structure Information: **Tower Height & Type:** **130 ft Monopole**
Mount Elevation: **104 ft**
Mount Type: **12.5 ft Platform with Support Rail**

POD Group is pleased to submit this "Mount Analysis - Conditional Passing Report" to determine the structural integrity of Verizon Wireless's antenna mounting system with the proposed appurtenance and equipment addition on the abovementioned supporting tower structure. Analysis of the existing supporting tower structure is to be completed by others and therefore is not part of this analysis. Analysis of the antenna mounting system as a tie-off point for fall protection or rigging is not part of this document.

The purpose of the analysis is to determine acceptability of the mount stress level. Based on our analysis we have determined the mount stress level to be:

12.5 ft Platform with Support Rail (Multiple Sector) Sufficient*
***See Section 4.1 of this report for the loading and structural modifications required in order for the mount to support the loading listed in Table 1.**

This analysis utilizes an ultimate 3-second gust wind speed of 124 mph as required by the 2022 Connecticut State Building Code. Applicable Standard references and design criteria are listed in Section 2 - Analysis Criteria.

Mount structural analysis prepared by: **Josiah Hirschler**
Respectfully submitted by:

A handwritten signature in black ink, appearing to read 'Jason Cheronis', is written over the text.

Jason Cheronis, PE
Connecticut PE#: 0032793

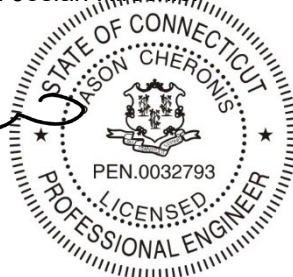


TABLE OF CONTENTS

- 1) **INTRODUCTION**
- 2) **ANALYSIS CRITERIA**
 - Table 1 – Proposed Equipment Configuration
- 3) **ANALYSIS PROCEDURE**
 - Table 2 – Documents Provided
 - 3.1) Analysis Method
 - 3.2) Assumptions
- 4) **ANALYSIS RESULTS**
 - Table 3 - Mount Component Stresses vs. Capacity
 - 4.1) Recommendations
 - Table 4 - Verizon Specification
- 5) **APPENDIX A**
 - Wire Frame and Rendered Models
- 6) **APPENDIX B**
 - Software Input Calculations
- 7) **APPENDIX C**
 - Software Analysis Output
- 8) **APPENDIX D**
 - Additional Calculations
- 9) **APPENDIX E**
 - Mount Specification Sheets

1) INTRODUCTION

This is a proposed 3-sector 12.5 ft Platform with Support Rail, designed by SitePro1 (P/N: F3P-12W and P/N: F3P-HRK12).

2) ANALYSIS CRITERIA

Building Code:	2022 CSBC & 2021 IBC
TIA-222 Revision:	TIA-222-H
Risk Category:	II
Ultimate Wind Speed:	124 mph
Exposure Category:	B
Topographic Factor at Base:	1.000
Topographic Factor at Mount:	1.000
Ice Thickness:	1.00 in
Wind Speed with Ice:	50 mph
Seismic S_s:	0.187
Seismic S₁:	0.054
Live Loading Wind Speed:	30 mph
Man Live Load at Mid/End-Points:	250 lb
Man Live Load at Mount Pipes:	500 lb

Table 1 - Proposed Equipment Configuration

Mount Centerline (ft)	Antenna Centerline (ft)	Number of Antennas	Antenna Manufacturer	Antenna Model	Mount / Modification Details	Note
104	104	6	COMMSCOPE	NHH-65B-R2B	12.5 ft Platform with Support Rail	1
		3	SAMSUNG TELECOMMUNICATIONS	MT6407-77A		
		1	RAYCAP	RVZDC-6627-PF-48_CCIV2	(SitePro1 P/N: F3P-12W and P/N: F3P-HRK12)	-
		3	SAMSUNG TELECOMMUNICATIONS	RFV01U-D1A		
		3	SAMSUNG TELECOMMUNICATIONS	RFV01U-D2A		

Notes:

- 1) Proposed equipment is to be dual mounted using dual mounting brackets

3) ANALYSIS PROCEDURE

Table 2 - Documents Provided

Document	Remarks	Reference	Source
Crown Application	-	Crown Castle App #: 623747 Rev.3 Dated:06/21/2022	Crown Castle
RFDS	-	Verizon Wireless Project Name: Plainfield South 2 CT Dated: 09/14/2022	Crown Castle
Structural Analysis	-	Morrison Hershfield Report #: CN7-449R2 / 2200039 Dated: 09/23/2022	Crown Castle
Proposed Base Levels Drawings	-	Crown Castle Sheet #: A1-104 Dated: 09/20/2022	Crown Castle
Mount Specification Sheets	-	SitePro1 Part #: F3P-12W Dated: 08/30/2017	SitePro1
Support Rail Kit Specification Sheets	-	SitePro1 Part #: F3P-HRK12 Dated: 09/14/2017	SitePro1

3.1) Analysis Method

RISA-3D (Version 17.0.4), a commercially available analysis software package, was used to create a three-dimensional model of the antenna mounting system and calculate member stresses for various loading cases. Selected output from the analysis are included in the Appendices.

A tool internally developed, using Microsoft Excel, by POD Group, was used to calculate wind loading on all appurtenances, dishes, and mount members for various load cases. Selected output from the calculations is included in Appendix B.

This analysis was performed in accordance with Crown Castle's ENG-SOW-10208 Tower Mount Analysis (Revision E). In addition, this analysis is in accordance with Verizon's NSTD-445 Antenna Mounting System Classification Standard.

3.2) Assumptions

- 1) The antenna mounting system was properly fabricated, installed, and maintained in good condition in accordance with its original design, TIA Standards, and/or manufacturer's specifications. This is not a condition assessment of the mount, structure, or foundation.
- 2) The configuration of antennas, mounts, and other appurtenances are as specified in Table 1 and the referenced drawings.
- 3) All member connections are assumed to have been designed to meet or exceed the load carrying capacity of the connected member unless otherwise specified in this report.
- 4) The weight of the mount was increased 10% in the analysis to account for connections, coax, and jumpers.
- 5) The purpose of this report is to assess the feasibility of adding appurtenances usually accompanied by transmission lines to the structure. POD Group does not analyze the fabrication of the mount or structure (including welding).
- 6) The analysis will be required to be revised if the existing conditions in the field differ from those shown in the above-referenced documents or assumed in this analysis. No allowance was made for any damaged, missing, or rusted members.
- 7) Steel grades have been used as follows, unless noted otherwise:
 - a. Standoff Weldment ASTM A992 (GR 50)
 - b. Corner Weldment, Rail Connection Q235 (GR35)
 - c. Pipe ASTM A53 (GR 35)
 - d. Connection Bolts ASTM A325

If any of these assumptions are not valid or have been made in error, this analysis may be affected, and POD Group should be allowed to review any new information to determine its effect on the structural integrity of the mount.

4) ANALYSIS RESULTS

Table 3 - Mount Component Stresses vs. Capacity (12.5 ft Platform with Support Rail)

Notes	Component	Critical Member	Centerline (ft)	% Capacity	Pass / Fail
1	Face	FACE1	104	20.9	Pass
	Rail	RAIL3		15.8	Pass
	Standoff Weldment	VERT10		33.5	Pass
	Corner Weldment	SUPPORT9		20.2	Pass
	Rail Connection	RAIL CON2		13.0	Pass
	Mount Pipe	MP GAMMA3		16.8	Pass
	Bolts	-		6.3	Pass

Structure Rating (max from all components) =	33.5%
---	--------------

Notes:

- 1) See additional documentation in "Appendix C – Software Analysis Output" and "Appendix D – Additional Calculations" for calculations supporting the % capacity

4.1) Recommendations

The proposed mount has sufficient capacity to support the proposed loading configuration. In order for the results of this analysis to be considered valid, the mount listed below shall be installed and all specified instructions followed.

1. Install (1) 12.5 ft Platform Mount, SitePro1 P/N: F3P-12W, with the collar centered at the 102' elevation, with face azimuths of 45/165/285 degrees
2. Install (4 per sector, 12 total) 8'-0" P2.5 STD Mount Pipes, vertically centered at the 104' elevation, with even horizontal spacing across the face of the mount, using (4 per sector, 12 total) crossover kits included with the mount.
3. Install (1) Support Rail Kit, SitePro1 P/N: F3P-HRK12, 4'-0" above the face of the mount, using (4 per sector, 12 total) included crossover kits to connect it to the mount pipes.
4. Install (1 per sector, 3 total) dual mounting brackets, CommScope P/N: BSAMNT-SBS-1-2, on Mount Pipe 1 on each sector to accommodate proposed equipment.

Beyond the new mount install, no structural modifications are required at this time, provided that the above-listed changes are implemented.

Table 4 – Verizon Mount Classification

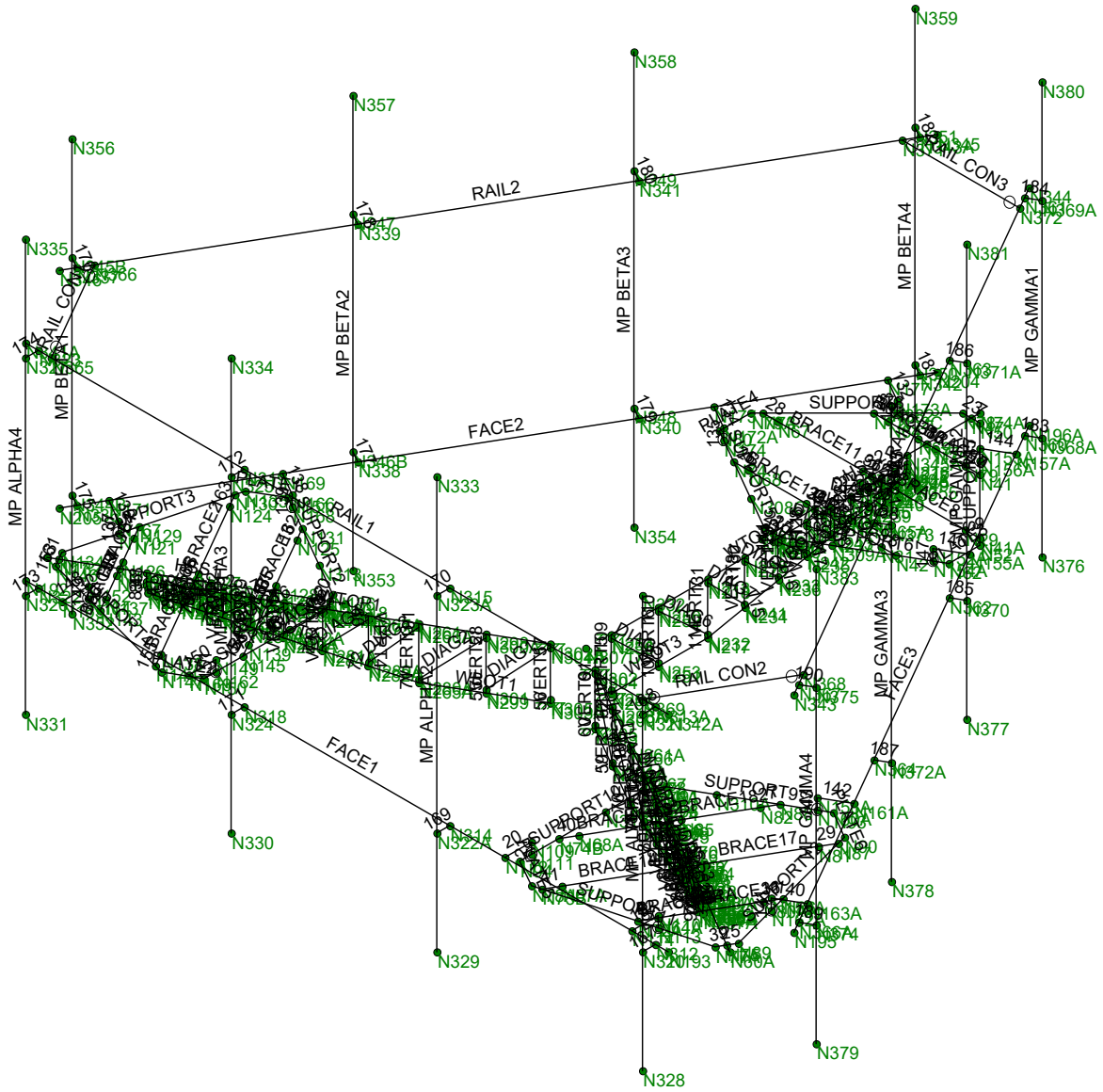
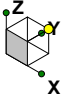
Notes	Classification	% Capacity
1,2,3	M1050R1450-4(0)	99.4
	M900R1400-4(6)	99.1
	M800R1375-4(12)	100.2

Notes:

- 1) Classification is based upon analysis design criteria as specified above.
- 2) Classification is based upon equal distribution of loads across the face.
- 3) This analysis is certifying the mount for the specified loads in the loading tables and the rating the mount at the specified load classification. Any variation from the loading scenarios/classifications specified shall be verified adequate through a new structural analysis and is beyond the scope of this report.

APPENDIX A

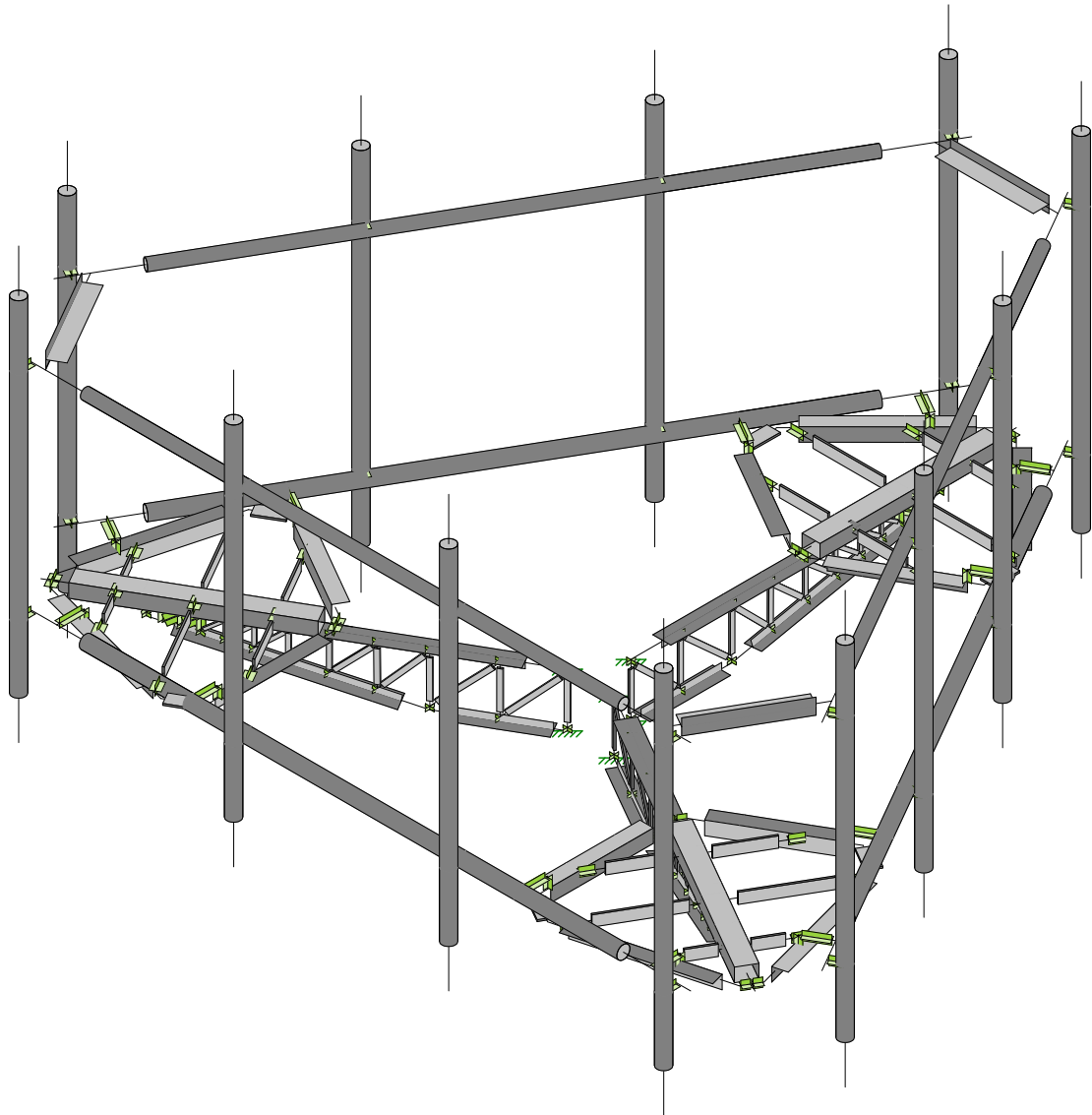
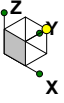
Wire Frame and Rendered Models



POD
JH
22-143199

876359

SK - 1
Nov 7, 2022 at 8:37 AM
F3P-12W.r3d



POD

JH

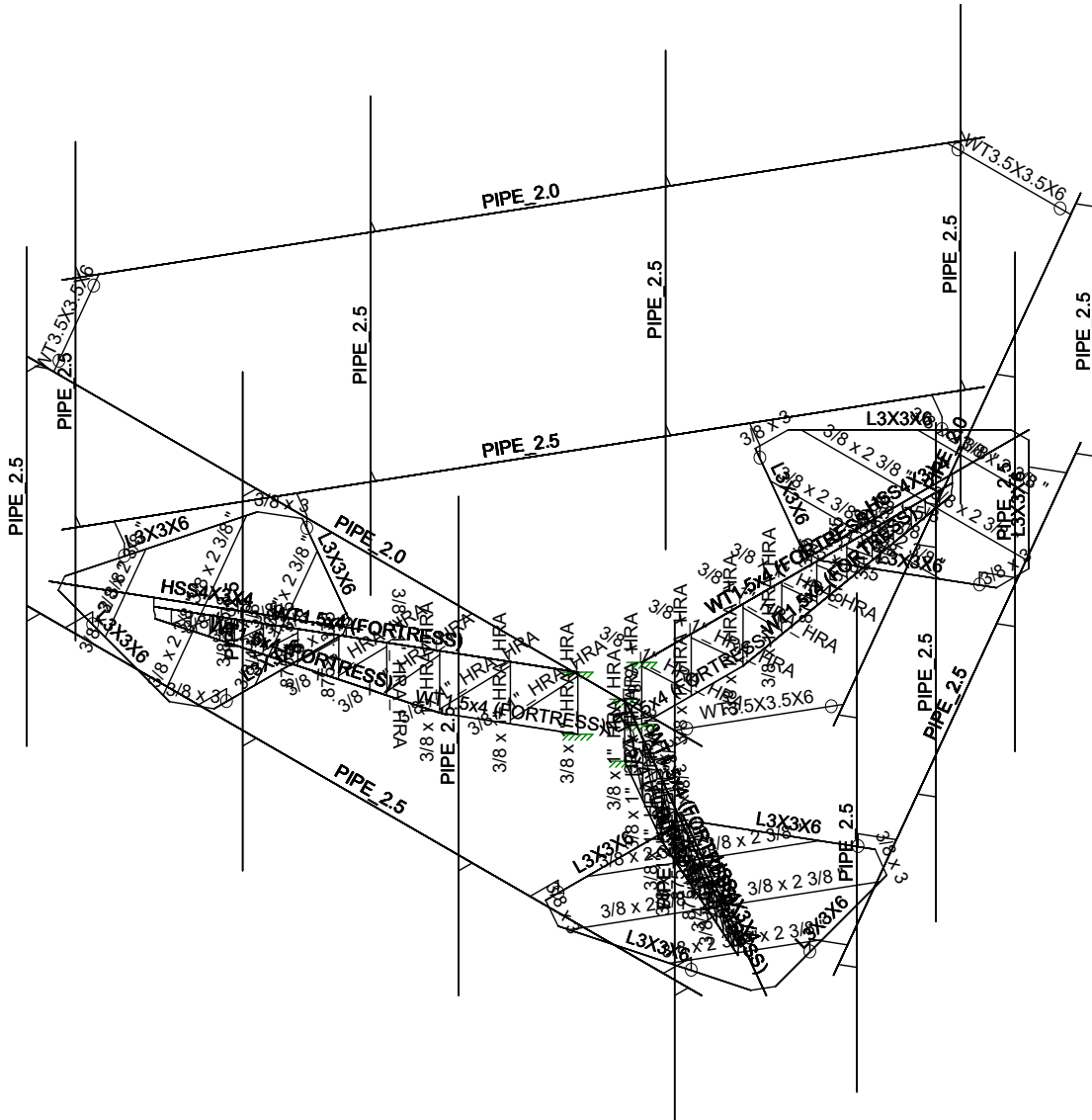
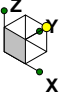
22-143199

876359

SK - 2

Nov 7, 2022 at 8:37 AM

F3P-12W.r3d



POD

JH

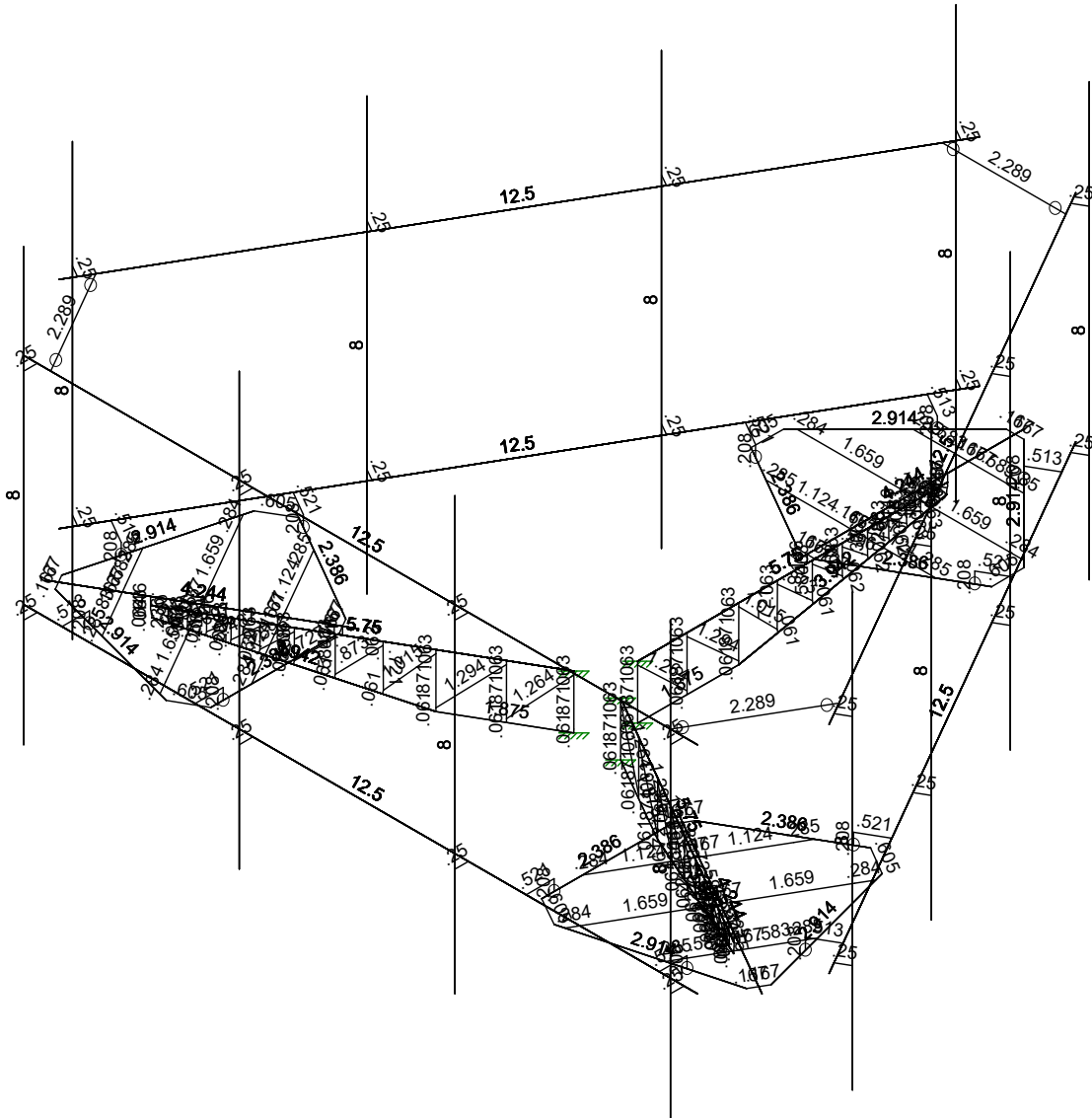
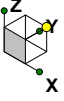
22-143199

876359

SK - 3

Nov 7, 2022 at 8:38 AM

F3P-12W.r3d



Member Length (ft) Displayed

POD

JH

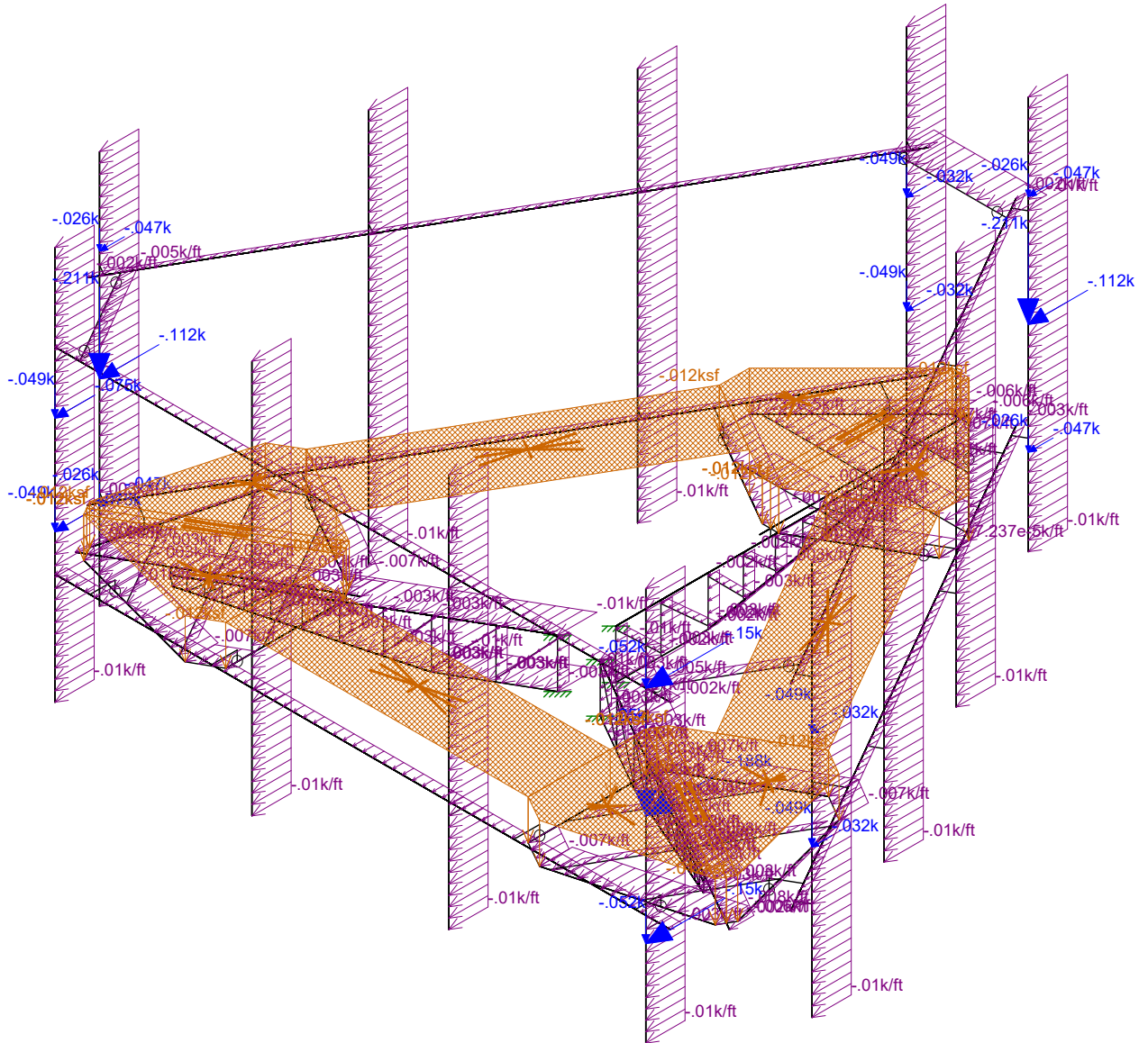
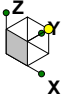
22-143199

876359

SK - 4

Nov 7, 2022 at 8:38 AM

F3P-12W.r3d

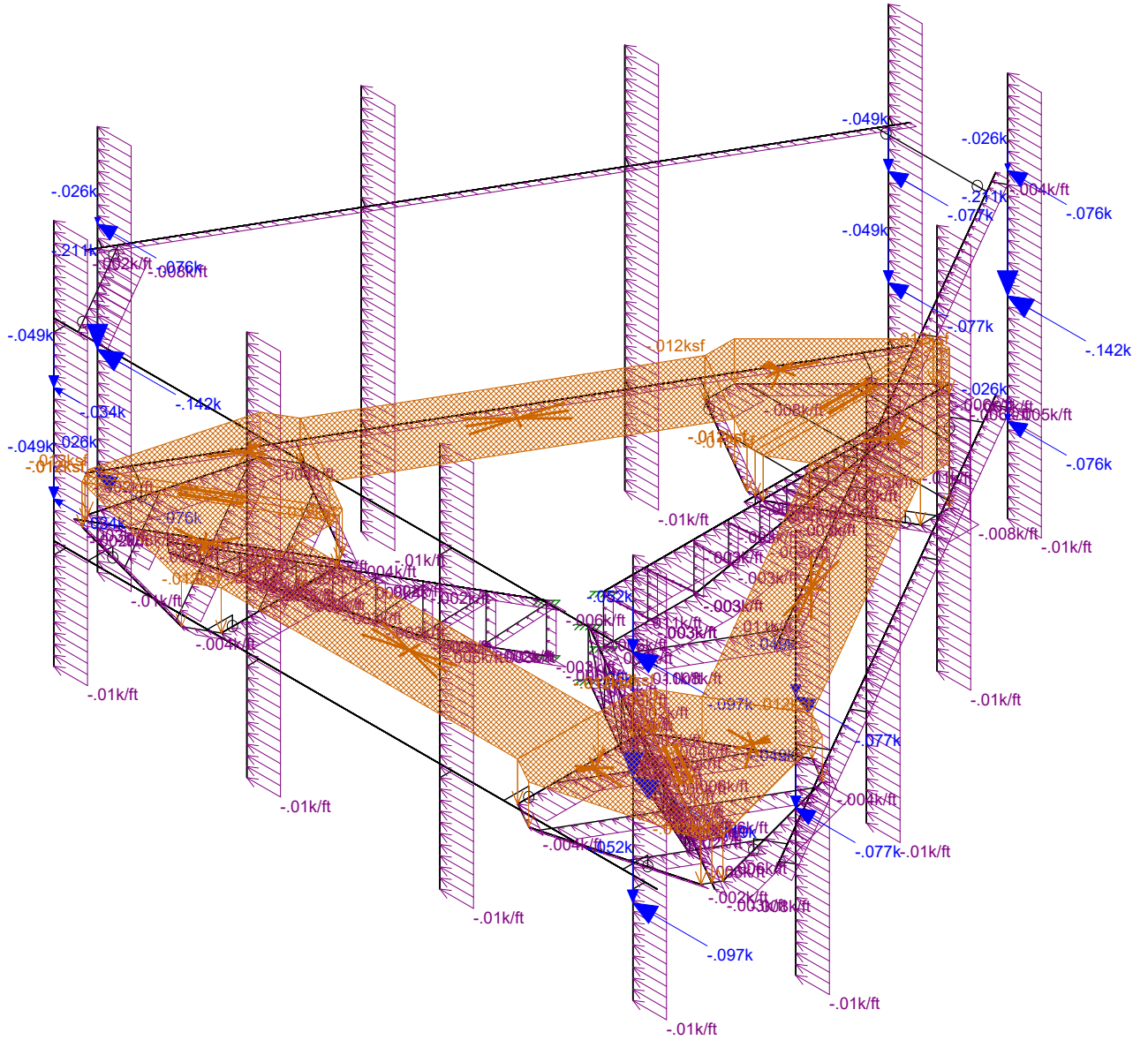
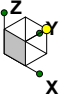


Loads: LC 2, 1.2D + 1.0W(0)

POD
JH
22-143199

876359

SK - 5
Nov 7, 2022 at 8:38 AM
F3P-12W.r3d



Loads: LC 11, 1.2D + 1.0W(90)

POD

JH

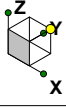
22-143199

876359

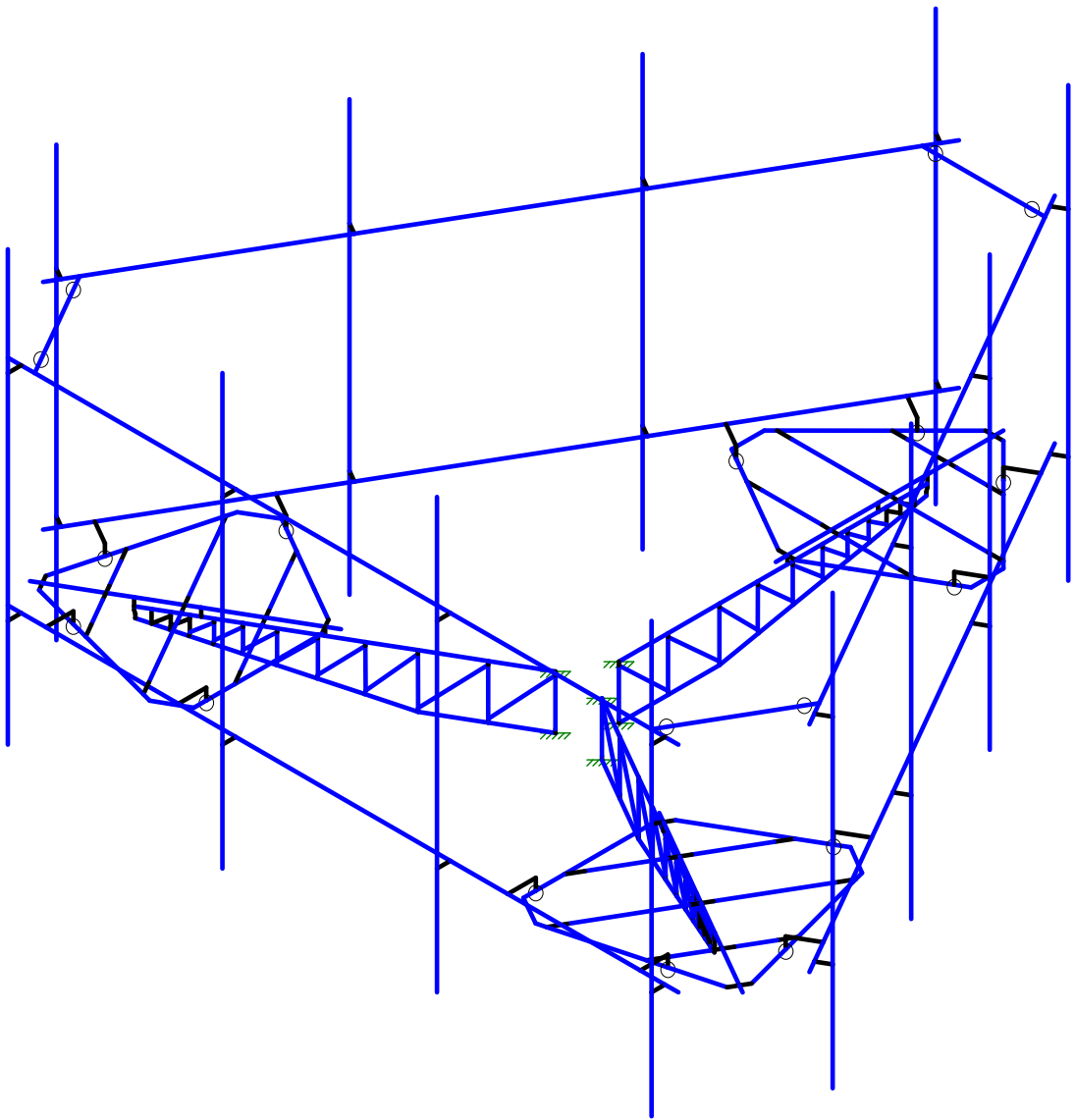
SK - 8

Nov 7, 2022 at 8:38 AM

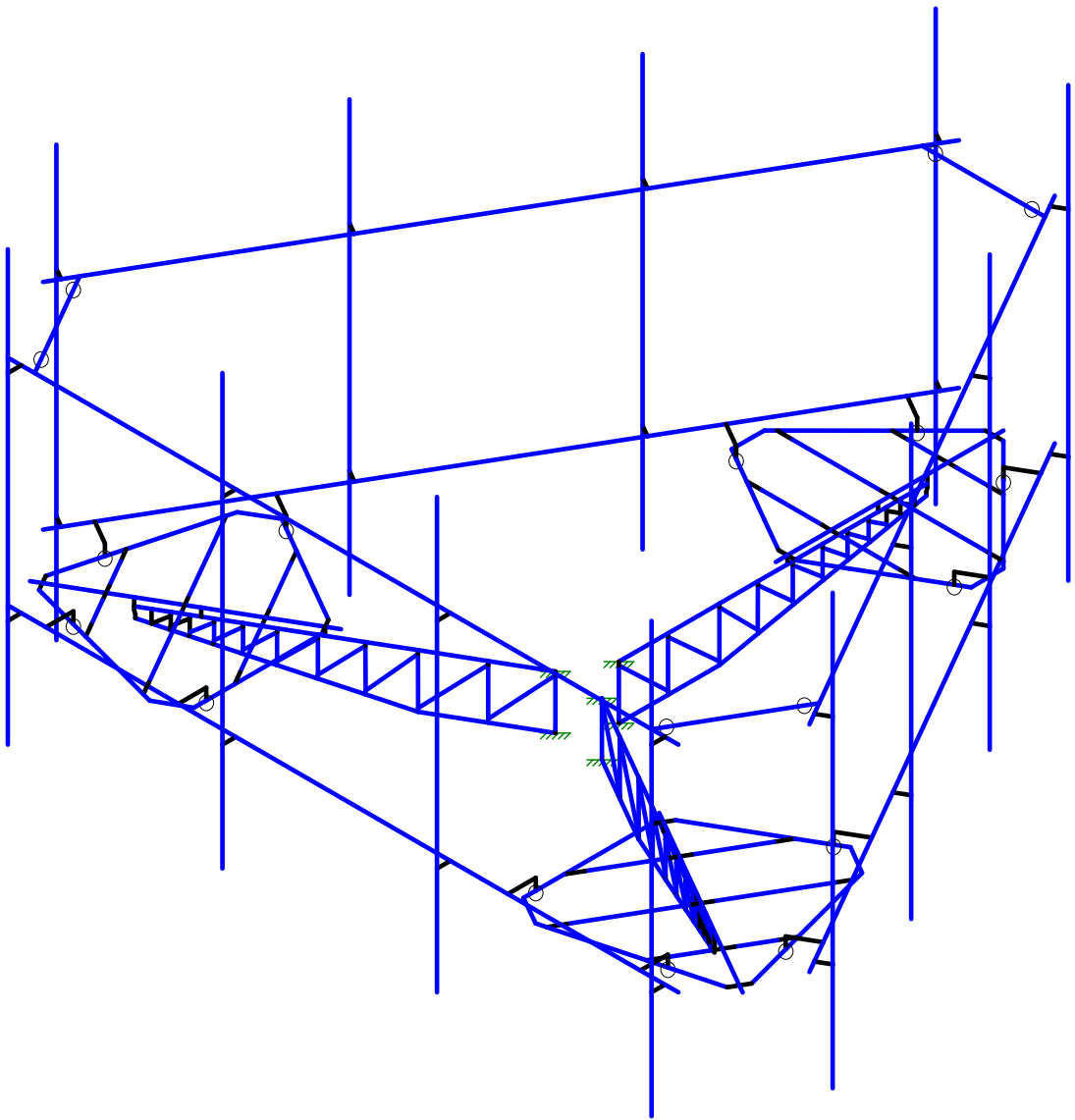
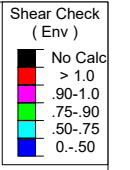
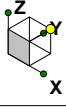
F3P-12W.r3d



Code Check (Env)	
Black	No Calc
Red	> 1.0
Pink	.90-1.0
Green	.75-.90
Cyan	.50-.75
Blue	0-.50



POD	876359	SK - 9
JH		Nov 7, 2022 at 8:39 AM
22-143199		F3P-12W.r3d



POD
JH
22-143199

876359

SK - 10
Nov 7, 2022 at 8:39 AM
F3P-12W.r3d

APPENDIX B
Software Input Calculations



POD Job # 22-143199
 Site Number 876359
 Site Name NORWICH

General Site Information

Mount Type	SFP	Risk Category	II	I (seismic)	1	Use CFD	Yes
V (Wind Speed)	124	I(ice)	1	Sms	0.299		
Zs	181.69			Sm1	0.130	width (ft)	height (ft)
ti	1	Ss	4	Sds	0.199	12.5	4
VI	50	S1	0.054	Sd1	0.086		
Kzt	1	Soil Site Class	D (assumed)	Seismic Design Category			
Exposure	B	Fa	1.600		B		
g	1200	Fv	2.400	Seismic Analysis Not Required			
R	7	Tower Type	Monopole	R	2	TIA-222-H 16.7	
Kmin	0.7	Tower Height	130	As	1	TIA-222-H 16.7	
G _t	1			Cs, Min	0.03	TIA-222-H 2.7.7.1.1	
K _e	0.99			Cs	0.099733333	TIA-222-H 2.7.7.1.1	
K _o	0.95						
K _p	0.9						

Appurtenance Information

Model	Shielded	% Shielded	Centerline	Centerline on MP	Spacing (in)	Alzimuth	Sector	Quantity	MP #
NHH-ESB-R28			104	4	54	-15	A	2	1
MT6407-77A			104	4	24	-15	A	1	4
NHH-ESB-R28			104	4	54	-20	B	1	1
MT6407-77A			104	4	24	-20	B	1	4
NHH-ESB-R28			104	4	54	20	C	1	1
MT6407-77A			104	4	24	20	C	1	4
RVZDC-6627-PF-48_CCIV2			104	4			A	1	1
RFV01U-D1A			104	4			A/B/C	1	1
RFV01U-D2A			104	4			A/B/C	1	1
BSAMNT-SBS-1-2			104	4			A/B/C	1	1

Mount Information

Elevation (ft)	104	Grating Thickness (in)	1
K _g	1.00	Grating ice Weight (k/ft ²)	0.014
K _{iz}	1.12		
t _{iz}	1.12		

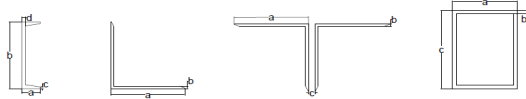
Mount Pipes	Length (ft)	Width (in)	Centerline
	8	2.875	104

Round Members

Member	Length (ft)	Width (in)	Frame Member	# of Members
Face On	12.5	2.875	Yes	2
Face Off	12.5	2.875	No	1
Rail On	12.5	2.375	Yes	2
Rail Off	12.5	2.375	No	1

Flat Members

Member	Length (ft)	Width (in)	Shape	A	B	C	D	Frame Member	# of Members
WBOT	5.75	4	D, Angle	2	0.5	0	0	No	3
WBOT	4	4	D, Angle	2	0.5	0	0	No	6
VERT	0.9	1	Channel	0	1	0	0.375	No	24
Support	3	3	Angle	3	0.375	0	0	No	12
Plate	0.605	3	Channel	0	3	0	0.375	No	6
HSS	4.25	4	Square HSS	4	0.25	3	0	No	3
DIAG	1.3	1	Channel	0	1	0	0.375	No	24
CW	0.8	1	D, Angle	1	0.375	0	0	No	15
Angle	1.6	2	Angle	2	0.125	0	0	No	3
Brace	1.7	2.375	Channel	0	2.375	0	0.375	No	18
Rail Connection	2.289	3.5	D, Angle	1.75	0.375	0	0	No	3



Appurtenance Wind Calculations

Model	Height	Width	Depth	Weight (lbs)	Kz	qz (lb/ft ²)	EPA _w (ft ²)	EPA _e (ft ²)	Front	Wind Force (Kips)			
										Side	Alpha	Beta	Gamma
NHH-65B-R2B	72.0	11.9	7.1	43.7	1.00	37.13	4.16	2.49	0.154	0.092	0.123	0.123	0.097
MT6407-77A	35.1	16.1	5.5	81.6	1.00	37.13	4.24	1.66	0.157	0.061	0.109	0.109	0.068
NHH-65B-R2B	72.0	11.9	7.1	43.7	1.00	37.13	4.16	2.49	0.154	0.092	0.118	0.118	0.100
MT6407-77A	35.1	16.1	5.5	81.6	1.00	37.13	4.24	1.66	0.157	0.061	0.101	0.101	0.073
NHH-65B-R2B	72.0	11.9	7.1	43.7	1.00	37.13	4.16	2.49	0.154	0.092	0.153	0.153	0.100
MT6407-77A	35.1	16.1	5.5	81.6	1.00	37.13	4.24	1.66	0.157	0.061	0.154	0.154	0.073
RVZDC-6627-PF-48_CCIV2	29.5	16.5	12.6	32.0	1.00	37.13	0.85	0.59	0.032	0.022	0.029	0.029	0.022
RFV01U-D1A	15.0	15.0	10.0	84.4	1.00	37.13	1.69	1.13	0.063	0.042	0.057	0.057	0.042
RFV01U-D2A	15.0	15.0	8.1	70.3	1.00	37.13	1.69	0.91	0.063	0.034	0.055	0.055	0.034
BSAMNT-SBS-1-2	6.3	22.5	8.0	21.5	1.00	37.13	0.85	0.59	0.032	0.022	0.029	0.029	0.022

Appurtenance Ice Calculations

Model	tiz (in)	Height	Width	Depth	Weight (lbs)	Kz	qz (lb/ft ²)	EPA _w (ft ²)	EPA _e (ft ²)	Front	Wind Force (Kips)				
											Side	Alpha	Beta	Gamma	
NHH-65B-R2B	1.12	74.24	14.14	14.14	9.34	120.80	1.12	6.04	4.58	3.03	0.028	0.018	0.018	0.018	0.020
MT6407-77A	1.12	37.34	18.34	7.74	71.17	1.12	6.04	3.00	1.36	0.018	0.008	0.011	0.011	0.009	
NHH-65B-R2B	1.12	74.24	14.14	14.14	9.34	120.80	1.12	6.04	4.58	3.03	0.028	0.018	0.016	0.016	0.022
MT6407-77A	1.12	37.34	18.34	7.74	71.17	1.12	6.04	3.00	1.36	0.018	0.008	0.010	0.010	0.010	
NHH-65B-R2B	1.12	74.24	14.14	14.14	9.34	120.80	1.12	6.04	4.58	3.03	0.028	0.018	0.031	0.031	0.022
MT6407-77A	1.12	37.34	18.34	7.74	71.17	1.12	6.04	3.00	1.36	0.018	0.008	0.020	0.020	0.010	
RVZDC-6627-PF-48_CCIV2	1.12	31.74	18.74	14.84	87.44	1.12	6.04	1.53	1.25	0.009	0.008	0.009	0.009	0.008	
RFV01U-D1A	1.12	17.24	17.24	12.24	45.06	1.12	6.04	1.30	0.93	0.008	0.006	0.007	0.007	0.006	
RFV01U-D2A	1.12	17.24	17.24	10.24	40.60	1.12	6.04	1.30	0.78	0.008	0.005	0.007	0.007	0.005	
BSAMNT-SBS-1-2	1.12	8.54	24.72	10.24	33.40	1.12	6.04	1.53	1.25	0.009	0.008	0.009	0.009	0.008	

Round Members

Member	q _w (lb/ft ²)	Ar	C	Wind Calculations				Ice Calculations							
				Rr	EPA (ft ²)	Load (k/ft)	Width (in)	Weight (k/ft)	q _i (lb/ft ²)	Arice	Rrice	Cf	EPA (ft ²)	Load (k/ft)	
Face On	37.13	5.99	28.95	0.58	1.20	1.87	0.006	5.12	0.01	6.04	10.66	0.63	1.20	3.62	0.002
Face Off	37.13	2.99	28.95	0.58	1.20	1.87	0.003	5.12	0.01	6.04	5.33	0.63	1.20	3.62	0.001
Rail On	37.13	4.95	23.91	0.58	1.20	1.54	0.005	4.62	0.00	6.04	9.62	0.63	1.20	3.27	0.002
Rail Off	37.13	2.47	23.91	0.58	1.20	1.54	0.002	4.62	0.00	6.04	4.81	0.63	1.20	3.27	0.001

Flat Members

Member	q _w (lb/ft ²)	Af	Cf	Wind Calculations				Ice Calculations					
				EPA	Load (k/ft)	Width (in)	Weight (k/ft)	q _i (lb/ft ²)	Arice	Rrice	Cf	EPA	Load (k/ft)
WTOP	37.13	5.75	2.00	3.45	0.011	6.24	0.01	6.04	8.97	0.63	2.00	3.38	0.002
WSOT	37.13	8.00	2.00	2.40	0.011	6.24	0.01	6.04	12.49	0.63	2.00	2.35	0.002
VERT	37.13	1.80	2.00	0.14	0.003	3.24	0.00	6.04	5.84	0.63	2.00	0.28	0.001
Support	37.13	9.00	2.00	1.35	0.008	5.24	0.01	6.04	15.73	0.63	2.00	1.48	0.001
Plate	37.13	0.91	2.00	0.27	0.008	5.24	0.00	6.04	1.59	0.63	2.00	0.30	0.001
HSS	37.13	4.25	1.25	1.59	0.007	6.24	0.01	6.04	6.63	0.63	1.25	1.56	0.001
DIAG	37.13	2.60	2.00	0.20	0.003	3.24	0.00	6.04	8.43	0.63	2.00	0.40	0.001
CW	37.13	1.00	2.00	0.12	0.003	3.24	0.01	6.04	3.24	0.63	2.00	0.24	0.001
Angle	37.13	0.80	2.00	0.48	0.006	4.24	0.01	6.04	1.70	0.63	2.00	0.64	0.001
Brace	37.13	6.06	2.00	0.61	0.007	4.62	0.00	6.04	11.78	0.63	2.00	0.74	0.001
Rail Connection	37.13	2.00	2.00	1.20	0.010	5.74	0.01	6.04	3.29	0.63	2.00	1.24	0.002

Appurtenance Seismic Calculations

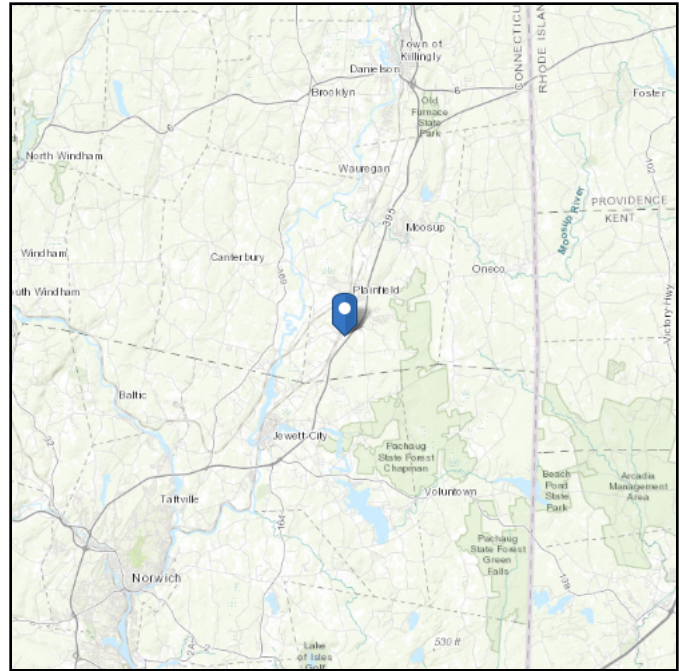
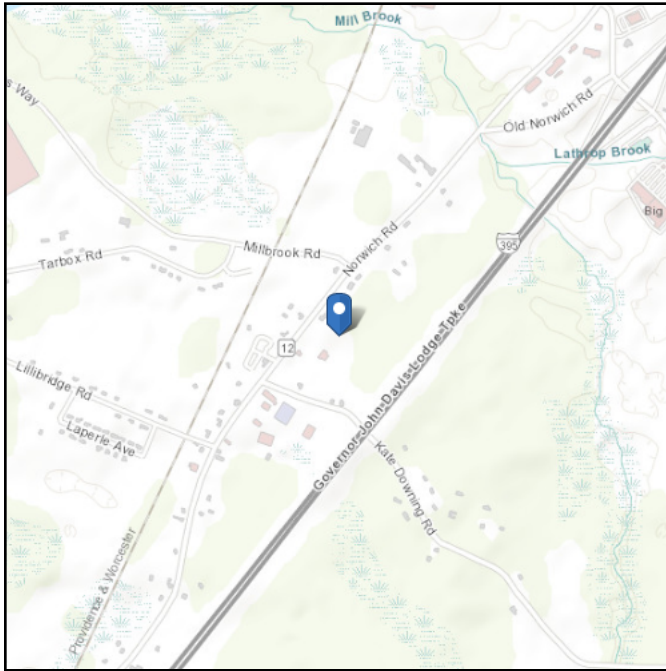
Model	Weight	Sds	ρ	Cs	As	Ev	Eh
NHH-65B-R2B	43.7	0.199	1.000	0.100	1.000	0.002	0.004
MT6407-77A	81.6	0.199	1.000	0.100	1.000	0.003	0.008
NHH-65B-R2B	43.7	0.199	1.000	0.100	1.000	0.002	0.004
MT6407-77A	81.6	0.199	1.000	0.100	1.000	0.003	0.008
NHH-65B-R2B	43.7	0.199	1.000	0.100	1.000	0.002	0.004
MT6407-77A	81.6	0.199	1.000	0.100	1.000	0.003	0.008
RVZDC-6627-PF-48_CCIV2	32.0	0.199	1.000	0.100	1.000	0.001	0.003
RFV01U-D1A	84.4	0.199	1.000	0.100	1.000	0.003	0.008
RFV01U-D2A	70.3	0.199	1.000	0.100	1.000	0.003	0.007
BSAMNT-SBS-1-2	21.5	0.199	1.000	0.100	1.000	0.001	0.002

ASCE 7 Hazards Report

Address:
No Address at This Location

Standard: ASCE/SEI 7-16
Risk Category: II
Soil Class: D - Default (see Section 11.4.3)

Elevation: 181.69 ft (NAVD 88)
Latitude: 41.658739
Longitude: -71.924931



Wind

Results:

Wind Speed	124 Vmph
10-year MRI	75 Vmph
25-year MRI	85 Vmph
50-year MRI	96 Vmph
100-year MRI	101 Vmph

Data Source: ASCE/SEI 7-16, Fig. 26.5-1B and Figs. CC.2-1–CC.2-4, and Section 26.5.2
Date Accessed: Fri Nov 04 2022

Value provided is 3-second gust wind speeds at 33 ft above ground for Exposure C Category, based on linear interpolation between contours. Wind speeds are interpolated in accordance with the 7-16 Standard. Wind speeds correspond to approximately a 7% probability of exceedance in 50 years (annual exceedance probability = 0.00143, MRI = 700 years).

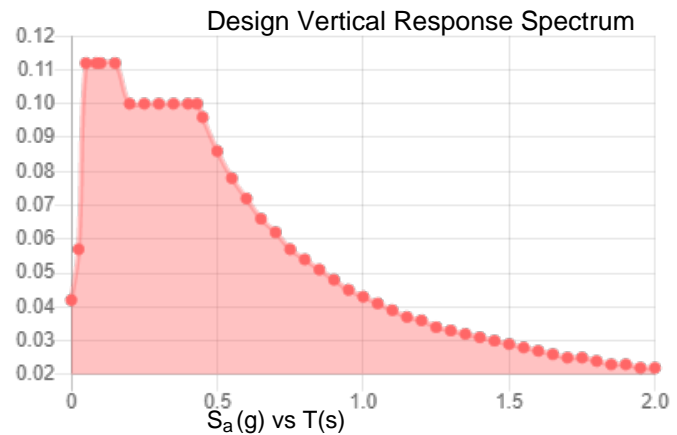
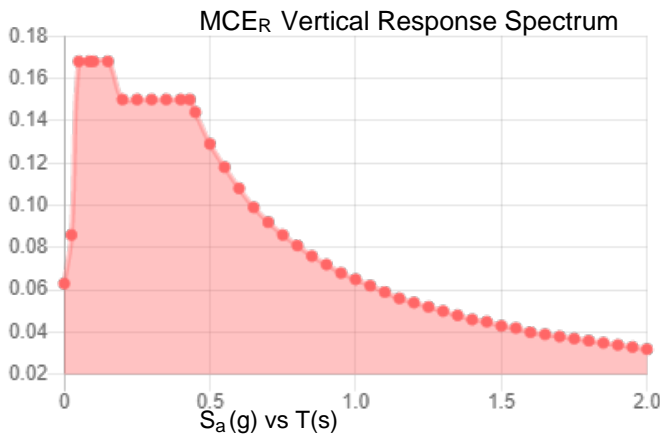
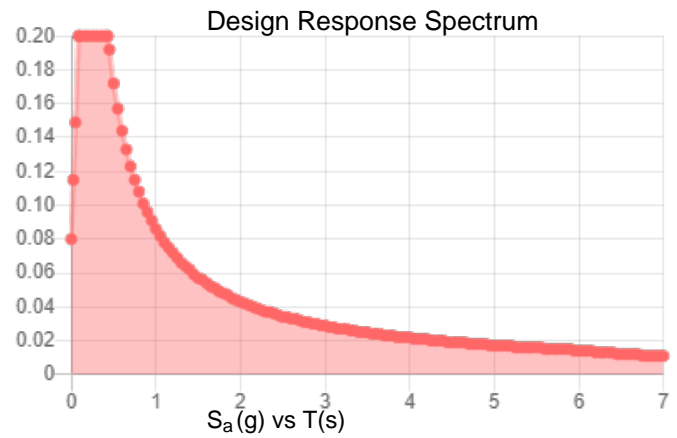
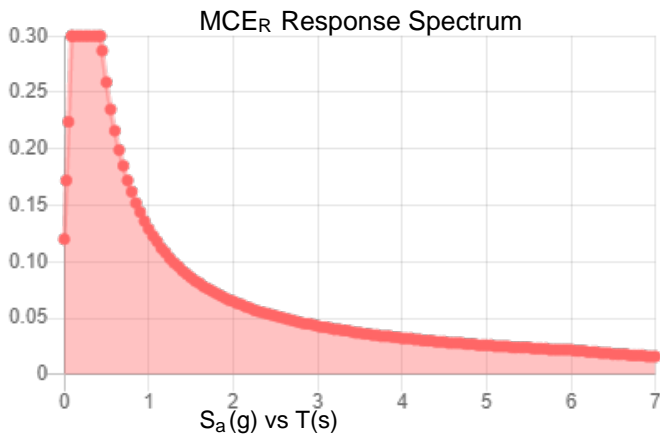
Site is in a hurricane-prone region as defined in ASCE/SEI 7-16 Section 26.2. Glazed openings need not be protected against wind-borne debris.

Site Soil Class: D - Default (see Section 11.4.3)

Results:

S_s :	0.187	S_{D1} :	0.086
S_1 :	0.054	T_L :	6
F_a :	1.6	PGA :	0.102
F_v :	2.4	PGA _M :	0.163
S_{MS} :	0.3	F_{PGA} :	1.596
S_{M1} :	0.129	I_e :	1
S_{DS} :	0.2	C_v :	0.7

Seismic Design Category B



Data Accessed: Fri Nov 04 2022

Date Source:

USGS Seismic Design Maps based on ASCE/SEI 7-16 and ASCE/SEI 7-16 Table 1.5-2. Additional data for site-specific ground motion procedures in accordance with ASCE/SEI 7-16 Ch. 21 are available from USGS.

Ice

Results:

Ice Thickness: 1.00 in.
Concurrent Temperature: 15 F
Gust Speed 50 mph

Data Source: Standard ASCE/SEI 7-16, Figs. 10-2 through 10-8

Date Accessed: Fri Nov 04 2022

Ice thicknesses on structures in exposed locations at elevations higher than the surrounding terrain and in valleys and gorges may exceed the mapped values.

Values provided are equivalent radial ice thicknesses due to freezing rain with concurrent 3-second gust speeds, for a 500-year mean recurrence interval, and temperatures concurrent with ice thicknesses due to freezing rain. Thicknesses for ice accretions caused by other sources shall be obtained from local meteorological studies. Ice thicknesses in exposed locations at elevations higher than the surrounding terrain and in valleys and gorges may exceed the mapped values.

The ASCE 7 Hazard Tool is provided for your convenience, for informational purposes only, and is provided “as is” and without warranties of any kind. The location data included herein has been obtained from information developed, produced, and maintained by third party providers; or has been extrapolated from maps incorporated in the ASCE 7 standard. While ASCE has made every effort to use data obtained from reliable sources or methodologies, ASCE does not make any representations or warranties as to the accuracy, completeness, reliability, currency, or quality of any data provided herein. Any third-party links provided by this Tool should not be construed as an endorsement, affiliation, relationship, or sponsorship of such third-party content by or from ASCE.

ASCE does not intend, nor should anyone interpret, the results provided by this Tool to replace the sound judgment of a competent professional, having knowledge and experience in the appropriate field(s) of practice, nor to substitute for the standard of care required of such professionals in interpreting and applying the contents of this Tool or the ASCE 7 standard.

In using this Tool, you expressly assume all risks associated with your use. Under no circumstances shall ASCE or its officers, directors, employees, members, affiliates, or agents be liable to you or any other person for any direct, indirect, special, incidental, or consequential damages arising from or related to your use of, or reliance on, the Tool or any information obtained therein. To the fullest extent permitted by law, you agree to release and hold harmless ASCE from any and all liability of any nature arising out of or resulting from any use of data provided by the ASCE 7 Hazard Tool.

APPENDIX C
Software Analysis Output

<chFc`YX`GhY`8 Ygll b`DU`Ua Yhfg`f7`cbh`bi YXL

	Sää^	Ú@^	Š\}* dE	Sä`^Zá	Sä::Zá	S&{ } Á	Š&{ } Á	ŠEŠE	ŠE S`	S::	Ôa	Ø`&ç
H	ÚWUUUVI	ŠYHYI	GFI			Sä^						Sää^æ
HJ	ÚWUUUVI	ŠYHYI	GFI			Sä^						Sää^æ
I€	ÚWUUUVI	ŠYHYI	GHI			Sä^						Sää^æ
IF	ÚWUUUVI	ŠYHYI	GHI			Sä^						Sää^æ
IG	ÚWUUUVI	ŠYHYI	GFI			Sä^						Sää^æ
IH	ÚWUUUVH	ŠYHYI	GFI			Sä^						Sää^æ
II	ÚWUUUVG	ŠYHYI	GHI			Sä^						Sää^æ
IÍ	ÚWUUUVF	ŠYHYI	GHI			Sä^						Sää^æ
IÏ	ÚOESH	ÚWÓ`GE	FGE			Sä^						Sää^æ
Iï	ÚOESG	ÚWÓ`GE	FGE			Sä^						Sää^æ
Iì	ÚOESF	ÚWÓ`GE	FGE			Sä^						Sää^æ
IJ	ÚOESA`OU`PH	YVH`E`YH`E`YI	GGE`J			Sä^						Sää^æ
I€	ÚOESA`OU`PG	YVH`E`YH`E`YI	GGE`J			Sä^						Sää^æ
IF	ÚOESA`OU`PF	YVH`E`YH`E`YI	GGE`J			Sä^						Sää^æ
IG	ÚOEOI	HDA`A	E`E			Sä^						Sää^æ
IH	ÚOEOI	HDA`A	E`E			Sä^						Sää^æ
II	ÚOEOI	HDA`A	E`E			Sä^						Sää^æ
IÍ	ÚOEOH	HDA`A	E`E			Sä^						Sää^æ
Iï	ÚOEOG	HDA`A	E`E			Sä^						Sää^æ
Iì	ÚOEOF	HDA`A	E`E			Sä^						Sää^æ
IÏ	T`ÚAO`E`T`O`E	ÚWÓ`GE	I			Sä^						Sää^æ
Iï	T`ÚAO`E`T`O`E	ÚWÓ`GE	I			Sä^						Sää^æ
Iì	T`ÚAO`E`T`O`E	ÚWÓ`GE	I			Sä^						Sää^æ
IÏ	T`ÚAO`E`T`O`E	ÚWÓ`GE	I			Sä^						Sää^æ
IJ	T`ÚAO`O`V`O`E	ÚWÓ`GE	I			Sä^						Sää^æ
I€	T`ÚAO`O`V`O`E	ÚWÓ`GE	I			Sä^						Sää^æ
IF	T`ÚAO`O`V`O`E	ÚWÓ`GE	I			Sä^						Sää^æ
IG	T`ÚAO`O`V`O`E	ÚWÓ`GE	I			Sä^						Sää^æ
IH	T`ÚAO`O`V`O`E	ÚWÓ`GE	I			Sä^						Sää^æ
II	T`ÚAO`O`V`O`E	ÚWÓ`GE	I			Sä^						Sää^æ
IÍ	T`ÚAO`O`V`O`E	ÚWÓ`GE	I			Sä^						Sää^æ
Iï	T`ÚAO`O`V`O`E	ÚWÓ`GE	I			Sä^						Sää^æ
Iì	T`ÚAO`O`V`O`E	ÚWÓ`GE	I			Sä^						Sää^æ
IÏ	T`ÚAO`O`V`O`E	ÚWÓ`GE	I			Sä^						Sää^æ
IJ	T`ÚAO`O`V`O`E	ÚWÓ`GE	I			Sä^						Sää^æ
I€	PUUH	PUUI`YHYI	I`E`G`I			Sä^						Sää^æ
IF	PUUG	PUUI`YHYI	I`E`G`I			Sä^						Sää^æ
IG	PUUF	PUUI`YHYI	I`E`G`I			Sä^						Sää^æ
IH	ØEOH	ÚWÓ`GE	FGE			Sä^						Sää^æ
II	ØEOG	ÚWÓ`GE	FGE			Sä^						Sää^æ
IÍ	ØEOF	ÚWÓ`GE	FGE			Sä^						Sää^æ
IÏ	ØEOG	HDA`A`D	E`U`I			Sä^						Sää^æ
Iï	ØEOGH	HDA`A`D	E`U`I			Sä^						Sää^æ
Iì	ØEOGG	HDA`A`D	E`U`I			Sä^						Sää^æ
IJ	ØEOGF	HDA`A`D	E`I`I			Sä^						Sää^æ
I€	ØEOGE	HDA`A`D	E`J`I			Sä^						Sää^æ
IF	ØEOFJ	HDA`A`D	E`I`I			Sä^						Sää^æ
IG	ØEOFI	HDA`A`D	E`J`I			Sä^						Sää^æ
IH	ØEOFI	HDA`A`D	E`I`I			Sä^						Sää^æ
II	ØEOFI	HDA`A`D	E`J`I			Sä^						Sää^æ
IÍ	ØEOFI	E`I`I`A`E`H`I	E`G			Sä^						Sää^æ
Iï	ØEOFI	E`I`I`A`E`H`I	E`G			Sä^						Sää^æ
Iì	ØEOFH	E`I`I`A`E`H`I	E`G			Sä^						Sää^æ
IÏ	ØEOFG	HDA`A`P`U`O`E`E	E`I`H			Sä^						Sää^æ
IJ	ØEOF	HDA`A`P`U`O`E`E	F`E`F`I			Sä^						Sää^æ

A Ya Vyf Df ja Ufm8 UUf7 cbHbi YXL

	Sæa\	QRác	RRác	SRác	Ú[œæ	Û&ç)	D]œæ^	V^ˆ	Ö•ã) Áac	Tæiæþ	Ö•ã) Áæ
GE	XÓUVFI	BGECE	BGI CE		FG€	ÈÏÏ ÁcÁÈÏÏ	Óˆæ	ÜÖÖV	œJG	V^ˆ	Áæ
GF	XÓUVFH	BGFCE	BGI CE		FG€	ÈÏÏ ÁcÁÈÏÏ	Óˆæ	ÜÖÖV	œJG	V^ˆ	Áæ
GG	XÓUVFG	BG J	BG H		Í€	Hð ÁcÁ PÜCE PÜCE	Óˆæ	ÜÖÖV	œJG	V^ˆ	Áæ
GH	XÓUVFF	BG €	BG Í		Í€	Hð ÁcÁ PÜCE PÜCE	Óˆæ	ÜÖÖV	œJG	V^ˆ	Áæ
G	XÓUVF€	BHECE	BHE€		Í€	Hð ÁcÁ PÜCE PÜCE	Óˆæ	ÜÖÖV	œJG	V^ˆ	Áæ
GÍ	XÓUVJ	BHEÍ	BHEI		Í€	Hð ÁcÁ PÜCE PÜCE	Óˆæ	ÜÖÖV	œJG	V^ˆ	Áæ
GÏ	XÓUVI	BGF	BGÍ			Hð ÁcÁ PÜCE PÜCE	Óˆæ	ÜÖÖV	œJG	V^ˆ	Áæ
GÏ	XÓUVI	BGHG	BGÍ			Hð ÁcÁ PÜCE PÜCE	Óˆæ	ÜÖÖV	œJG	V^ˆ	Áæ
GÏ	XÓUVI	BGH	BGG			Hð ÁcÁ PÜCE PÜCE	Óˆæ	ÜÖÖV	œJG	V^ˆ	Áæ
GJ	XÓUVI	BGÍ	BGÍ			Hð ÁcÁ PÜCE PÜCE	Óˆæ	ÜÖÖV	œJG	V^ˆ	Áæ
H€	XÓUVI	BGJCE	BGHCE		FG€	Hð ÁcÁ PÜCE PÜCE	Óˆæ	ÜÖÖV	œJG	V^ˆ	Áæ
HF	XÓUVH	BG€CE	BGÍ CE		FG€	Hð ÁcÁ PÜCE PÜCE	Óˆæ	ÜÖÖV	œJG	V^ˆ	Áæ
HG	XÓUVG	BHEF	BHE€CE		FG€	Hð ÁcÁ PÜCE PÜCE	Óˆæ	ÜÖÖV	œJG	V^ˆ	Áæ
HH	XÓUVF	BHE CE	BHE CE		FG€	Hð ÁcÁ PÜCE PÜCE	Óˆæ	ÜÖÖV	œJG	V^ˆ	Áæ
HI	ÚWUUUVFG	ÞÍJ	ÞJE			ŠHYHÏ	Óˆæ	Úã *ˆ Ác *ˆ	ÛGH	V^ˆ	Áæ
HÍ	ÚWUUUVFF	ÞÍ CE	ÞÍ CE		J€	ŠHYHÏ	Óˆæ	Úã *ˆ Ác *ˆ	ÛGH	V^ˆ	Áæ
HÏ	ÚWUUUVF€	ÞÍJÓ	ÞJI			ŠHYHÏ	Óˆæ	Úã *ˆ Ác *ˆ	ÛGH	V^ˆ	Áæ
HÏ	ÚWUUUVJ	ÞJF	ÞJH		G€	ŠHYHÏ	Óˆæ	Úã *ˆ Ác *ˆ	ÛGH	V^ˆ	Áæ
HÏ	ÚWUUUVI	ÞÍ	ÞJCE			ŠHYHÏ	Óˆæ	Úã *ˆ Ác *ˆ	ÛGH	V^ˆ	Áæ
HJ	ÚWUUUVI	ÞÍ€	ÞÍG		G€	ŠHYHÏ	Óˆæ	Úã *ˆ Ác *ˆ	ÛGH	V^ˆ	Áæ
I €	ÚWUUUVI	ÞÍGCE	ÞÍG		FÍ€	ŠHYHÏ	Óˆæ	Úã *ˆ Ác *ˆ	ÛGH	V^ˆ	Áæ
IF	ÚWUUUVI	ÞÍ€	ÞÍ€		J€	ŠHYHÏ	Óˆæ	Úã *ˆ Ác *ˆ	ÛGH	V^ˆ	Áæ
IG	ÚWUUUVI	ÞFÍ	ÞFÍ		FÍ€	ŠHYHÏ	Óˆæ	Úã *ˆ Ác *ˆ	ÛGH	V^ˆ	Áæ
I H	ÚWUUUVH	ÞFH	ÞFH		G€	ŠHYHÏ	Óˆæ	Úã *ˆ Ác *ˆ	ÛGH	V^ˆ	Áæ
I I	ÚWUUUVG	ÞFH	ÞF F			ŠHYHÏ	Óˆæ	Úã *ˆ Ác *ˆ	ÛGH	V^ˆ	Áæ
I Í	ÚWUUUVF	ÞFÍ	ÞFÍ€		J€	ŠHYHÏ	Óˆæ	Úã *ˆ Ác *ˆ	ÛGH	V^ˆ	Áæ
IÏ	ÚCSH	ÞHI	ÞHH			ÚWÖ G€	Óˆæ	Úã ^	œ HÖ:ÉÖ	V^ˆ	Áæ
IÏ	ÚCSG	ÞHÍ	ÞHÍ			ÚWÖ G€	Óˆæ	Úã ^	œ HÖ:ÉÖ	V^ˆ	Áæ
IÏ	ÚCSF	ÞH G€	ÞH FCE			ÚWÖ G€	Óˆæ	Úã ^	œ HÖ:ÉÖ	V^ˆ	Áæ
I J	ÚCSÁU ÞH	ÞHG	ÞHF			Y VHÉ YHE YÍ	Óˆæ	Y ^ V^ˆ	ÛGH	V^ˆ	Áæ
I €	ÚCSÁU ÞG	ÞH J	ÞHÍ		FÍ€	Y VHÉ YHE YÍ	Óˆæ	Y ^ V^ˆ	ÛGH	V^ˆ	Áæ
I F	ÚCSÁU ÞF	ÞHÍ	ÞHÍ		FÍ€	Y VHÉ YHE YÍ	Óˆæ	Y ^ V^ˆ	ÛGH	V^ˆ	Áæ
I G	ÚSCVÖI	ÞJE	ÞJH			Hð Ác ÁH	Óˆæ	ÜÖÖV	ÛGH	V^ˆ	Áæ
I H	ÚSCVÖI	ÞÍ CE	ÞJI			Hð Ác ÁH	Óˆæ	ÜÖÖV	ÛGH	V^ˆ	Áæ
I I	ÚSCVÖI	ÞÍJCE	ÞÍ€			Hð Ác ÁH	Óˆæ	ÜÖÖV	ÛGH	V^ˆ	Áæ
I Í	ÚSCVÖH	ÞÍG	ÞÍG			Hð Ác ÁH	Óˆæ	ÜÖÖV	ÛGH	V^ˆ	Áæ
IÏ	ÚSCVÖG	ÞFÍ	ÞFÍ€			Hð Ác ÁH	Óˆæ	ÜÖÖV	ÛGH	V^ˆ	Áæ
IÏ	ÚSCVÖF	ÞFH	ÞF F			Hð Ác ÁH	Óˆæ	ÜÖÖV	ÛGH	V^ˆ	Áæ
IÏ	T ÚÁÖCE T œ	ÞH J	ÞHH		FG€	ÚWÖ G€	Óˆæ	Úã ^	œ HÖ:ÉÖ	V^ˆ	Áæ
I J	T ÚÁÖCE T œH	ÞHÍ	ÞHG		FG€	ÚWÖ G€	Óˆæ	Úã ^	œ HÖ:ÉÖ	V^ˆ	Áæ
I €	T ÚÁÖCE T œG	ÞHÍ	ÞHF		FG€	ÚWÖ G€	Óˆæ	Úã ^	œ HÖ:ÉÖ	V^ˆ	Áæ
I F	T ÚÁÖCE T œ€	ÞHÍ	ÞH€		FG€	ÚWÖ G€	Óˆæ	Úã ^	œ HÖ:ÉÖ	V^ˆ	Áæ
I G	T ÚÁÖVOœ	ÞHÍ	ÞH J		G€	ÚWÖ G€	Óˆæ	Úã ^	œ HÖ:ÉÖ	V^ˆ	Áæ
I H	T ÚÁÖVOœH	ÞHI	ÞHÍ		G€	ÚWÖ G€	Óˆæ	Úã ^	œ HÖ:ÉÖ	V^ˆ	Áæ
I I	T ÚÁÖVOœG	ÞHH	ÞHÍ		G€	ÚWÖ G€	Óˆæ	Úã ^	œ HÖ:ÉÖ	V^ˆ	Áæ
I Í	T ÚÁÖVOœ€	ÞHG	ÞHÍ		G€	ÚWÖ G€	Óˆæ	Úã ^	œ HÖ:ÉÖ	V^ˆ	Áæ
IÏ	T ÚÁÖSUPœ	ÞHF	ÞHI			ÚWÖ G€	Óˆæ	Úã ^	œ HÖ:ÉÖ	V^ˆ	Áæ
IÏ	T ÚÁÖSUPœH	ÞHE	ÞHI			ÚWÖ G€	Óˆæ	Úã ^	œ HÖ:ÉÖ	V^ˆ	Áæ
IÏ	T ÚÁÖSUPœG	ÞHG	ÞHH			ÚWÖ G€	Óˆæ	Úã ^	œ HÖ:ÉÖ	V^ˆ	Áæ
I J	T ÚÁÖSUPœ€	ÞHG	ÞHG			ÚWÖ G€	Óˆæ	Úã ^	œ HÖ:ÉÖ	V^ˆ	Áæ
I €	PUUH	ÞÍ€CE	ÞÍ F			PÚUÍ YHÏ	Óˆæ	V^ˆ à^	ÛGH	V^ˆ	Áæ
I F	PUUG	ÞÍ CE	ÞÍ CE			PÚUÍ YHÏ	Óˆæ	V^ˆ à^	ÛGH	V^ˆ	Áæ

A Ya Vyf Dfja Ufm8 UUf7 cbhbi YXL

	Sää\	Qñ äc	Rñ äc	Sñ äc	Ü ææ	Û&ç	Ü ææ^	V^ ^	Ô•ã) Æac	Tæ æþ	Ô•ã) ÆÆ
ĪG	PŪUF	ÞFFĪ	ÞFFĪ			PŪUĪ	ÝHYĪ	Óˆæ	Vˆ àˆ	ÛGHĪ	Vˆ Ææ
ĪH	ØØÖÖH	ÞFJĪ	ØE ÞFJĪ			ÚŪŪ	Ó GĒ	Óˆæ	Ūā ^	ØĒ HÓ! ÈÖ	Vˆ Ææ
ĪI	ØØÖÖG	ÞGEĪ	ÞGEĪ			ÚŪŪ	Ó GĒ	Óˆæ	Ūā ^	ØĒ HÓ! ÈÖ	Vˆ Ææ
ĪÍ	ØØÖÖF	ÞFJH	ÞFJG			ÚŪŪ	Ó GĒ	Óˆæ	Ūā ^	ØĒ HÓ! ÈÖ	Vˆ Ææ
ĪÏ	ÖÖÖÖG	ÞGJH	ÞGĪ		Ī €	HĐ	À Á Đ	Óˆæ	ÛÖÖV	ØEJG	Vˆ Ææ
ĪÏ	ÖÖÖÖH	ÞGĪ	ÞGGJ			HĐ	À Á Đ	Óˆæ	ÛÖÖV	ØEJG	Vˆ Ææ
ĪÏ	ÖÖÖÖG	ÞGJHØE	ÞGĪ ØE		FF€	HĐ	À Á Đ	Óˆæ	ÛÖÖV	ØEJG	Vˆ Ææ
ĪJ	ÖÖÖÖF	ÞGJG	ÞGĪ		Ī €	HĐ	À Á Đ	Óˆæ	ÛÖÖV	ØEJG	Vˆ Ææ
Ī€	ÖÖÖÖE	ÞGJF	ÞGĪ		Ī €	HĐ	À Á Đ	Óˆæ	ÛÖÖV	ØEJG	Vˆ Ææ
ĪF	ÖÖÖÖFJ	ÞGI	ÞGG			HĐ	À Á Đ	Óˆæ	ÛÖÖV	ØEJG	Vˆ Ææ
ĪG	ÖÖÖÖFĪ	ÞGH	ÞGGĪ			HĐ	À Á Đ	Óˆæ	ÛÖÖV	ØEJG	Vˆ Ææ
ĪH	ÖÖÖÖFĪ	ÞGJØE	ÞGĪ ØE		FF€	HĐ	À Á Đ	Óˆæ	ÛÖÖV	ØEJG	Vˆ Ææ
ĪI	ÖÖÖÖFĪ	ÞGJØE	ÞGĪ ØE		FF€	HĐ	À Á Đ	Óˆæ	ÛÖÖV	ØEJG	Vˆ Ææ
ĪÍ	ÖÖÖÖFĪ	ÞGJ€	ÞGĪ		Ī €	ÈĪĪ	À Á ÈĪĪ	Óˆæ	ÛÖÖV	ØEJG	Vˆ Ææ
ĪÏ	ÖÖÖÖFĪ	ÞGG	ÞGGĪ			ÈĪĪ	À Á ÈĪĪ	Óˆæ	ÛÖÖV	ØEJG	Vˆ Ææ
ĪÏ	ÖÖÖÖFH	ÞGJØE	ÞGĪ ØE		FF€	ÈĪĪ	À Á ÈĪĪ	Óˆæ	ÛÖÖV	ØEJG	Vˆ Ææ
ĪÏ	ÖÖÖÖFG	ÞGH	ÞGF		FF€	HĐ	À Á PŪCE PŪCE	Óˆæ	ÛÖÖV	ØEJG	Vˆ Ææ
ĪJ	ÖÖÖÖFF	ÞGĪ	ÞGJ		FF€	HĐ	À Á PŪCE PŪCE	Óˆæ	ÛÖÖV	ØEJG	Vˆ Ææ
J€	ÖÖÖÖF€	ÞG€	ÞHE€		Ī €	HĐ	À Á PŪCE PŪCE	Óˆæ	ÛÖÖV	ØEJG	Vˆ Ææ
JF	ÖÖÖÖJ	ÞHEØE	ÞHE		Ī €	HĐ	À Á PŪCE PŪCE	Óˆæ	ÛÖÖV	ØEJG	Vˆ Ææ
JG	ÖÖÖÖĪ	ÞGG	ÞGH			HĐ	À Á PŪCE PŪCE	Óˆæ	ÛÖÖV	ØEJG	Vˆ Ææ
JH	ÖÖÖÖĪ	ÞGF	ÞGF			HĐ	À Á PŪCE PŪCE	Óˆæ	ÛÖÖV	ØEJG	Vˆ Ææ
JI	ÖÖÖÖĪ	ÞGH	ÞGG			HĐ	À Á PŪCE PŪCE	Óˆæ	ÛÖÖV	ØEJG	Vˆ Ææ
JÍ	ÖÖÖÖĪ	ÞGH	ÞGĪ			HĐ	À Á PŪCE PŪCE	Óˆæ	ÛÖÖV	ØEJG	Vˆ Ææ
JÏ	ÖÖÖÖĪ	ÞGJØE	ÞGFØE		Ï	HĐ	À Á PŪCE PŪCE	Óˆæ	ÛÖÖV	ØEJG	Vˆ Ææ
JÏ	ÖÖÖÖH	ÞGĪØE	ÞGJØE		Ï	HĐ	À Á PŪCE PŪCE	Óˆæ	ÛÖÖV	ØEJG	Vˆ Ææ
JÌ	ÖÖÖÖG	ÞG€ØE	ÞHE€ØE		FF€	HĐ	À Á PŪCE PŪCE	Óˆæ	ÛÖÖV	ØEJG	Vˆ Ææ
JJ	ÖÖÖÖF	ÞHEF	ÞHEØE		FF€	HĐ	À Á PŪCE PŪCE	Óˆæ	ÛÖÖV	ØEJG	Vˆ Ææ
F€€	ÖÜÖÖÖFĪ	ÞĪĪ	ÞĪG		J€	HĐ	À Á ÇAD Ā	Óˆæ	ÛÖÖV	ÛGHĪ	Vˆ Ææ
F€F	ÖÜÖÖÖFĪ	ÞĪĪ	ÞĪF		J€	HĐ	À Á ÇAD Ā	Óˆæ	ÛÖÖV	ÛGHĪ	Vˆ Ææ
F€G	ÖÜÖÖÖFĪ	ÞĪH	ÞĪ€ØE		J€	HĐ	À Á ÇAD Ā	Óˆæ	ÛÖÖV	ÛGHĪ	Vˆ Ææ
F€H	ÖÜÖÖÖFĪ	ÞĪFØE	ÞĪØE		J€	HĐ	À Á ÇAD Ā	Óˆæ	ÛÖÖV	ÛGHĪ	Vˆ Ææ
F€I	ÖÜÖÖÖFĪ	ÞĪ€ØE	ÞĪØE		J€	HĐ	À Á ÇAD Ā	Óˆæ	ÛÖÖV	ÛGHĪ	Vˆ Ææ
F€Ī	ÖÜÖÖÖFH	ÞĪJØE	ÞĪØE		J€	HĐ	À Á ÇAD Ā	Óˆæ	ÛÖÖV	ÛGHĪ	Vˆ Ææ
F€Ī	ÖÜÖÖÖFG	ÞĪF	ÞĪĪ		J€	HĐ	À Á ÇAD Ā	Óˆæ	ÛÖÖV	ÛGHĪ	Vˆ Ææ
F€Ī	ÖÜÖÖÖFF	ÞĪ€	ÞĪĪ		J€	HĐ	À Á ÇAD Ā	Óˆæ	ÛÖÖV	ÛGHĪ	Vˆ Ææ
F€Ī	ÖÜÖÖÖF€	ÞĪJ	ÞĪĪ		J€	HĐ	À Á ÇAD Ā	Óˆæ	ÛÖÖV	ÛGHĪ	Vˆ Ææ
F€J	ÖÜÖÖÖJ	ÞĪJ	ÞĪF		J€	HĐ	À Á ÇAD Ā	Óˆæ	ÛÖÖV	ÛGHĪ	Vˆ Ææ
FF€	ÖÜÖÖÖĪ	ÞĪH	ÞĪG		J€	HĐ	À Á ÇAD Ā	Óˆæ	ÛÖÖV	ÛGHĪ	Vˆ Ææ
FFF	ÖÜÖÖÖĪ	ÞĪH	ÞĪJ		J€	HĐ	À Á ÇAD Ā	Óˆæ	ÛÖÖV	ÛGHĪ	Vˆ Ææ
FFG	ÖÜÖÖÖĪ	ÞĪFG	ÞĪFH		J€	HĐ	À Á ÇAD Ā	Óˆæ	ÛÖÖV	ÛGHĪ	Vˆ Ææ
FFH	ÖÜÖÖÖĪ	ÞĪFF	ÞĪFH		J€	HĐ	À Á ÇAD Ā	Óˆæ	ÛÖÖV	ÛGHĪ	Vˆ Ææ
FFI	ÖÜÖÖÖĪ	ÞĪF€	ÞĪFH		J€	HĐ	À Á ÇAD Ā	Óˆæ	ÛÖÖV	ÛGHĪ	Vˆ Ææ
FFĪ	ÖÜÖÖÖH	ÞĪFG	ÞĪFG		J€	HĐ	À Á ÇAD Ā	Óˆæ	ÛÖÖV	ÛGHĪ	Vˆ Ææ
FFĪ	ÖÜÖÖÖG	ÞĪFG	ÞĪFG		J€	HĐ	À Á ÇAD Ā	Óˆæ	ÛÖÖV	ÛGHĪ	Vˆ Ææ
FFĪ	ÖÜÖÖÖF	ÞĪFG	ÞĪFGF		J€	HĐ	À Á ÇAD Ā	Óˆæ	ÛÖÖV	ÛGHĪ	Vˆ Ææ
FFĪ	FJ€	ÞĪĪ	ÞĪĪ		FĪ€	ÛÖÖ		Þ }^	Þ }^	ÛÖÖ	Vˆ Ææ
FFJ	FĪJ	ÞĪĪØE	ÞĪĪ		FĪ€	ÛÖÖ		Þ }^	Þ }^	ÛÖÖ	Vˆ Ææ
FF€	FĪĪ	ÞĪĪØE	ÞĪĪH		FĪ€	ÛÖÖ		Þ }^	Þ }^	ÛÖÖ	Vˆ Ææ
FFG	FĪĪ	ÞĪĪ	ÞĪĪØE		FĪ€	ÛÖÖ		Þ }^	Þ }^	ÛÖÖ	Vˆ Ææ
FFG	FĪĪ	ÞĪĪH	ÞĪĪFØE		FĪ€	ÛÖÖ		Þ }^	Þ }^	ÛÖÖ	Vˆ Ææ
FGH	FĪĪ	ÞĪHG	ÞĪH€		FĪ€	ÛÖÖ		Þ }^	Þ }^	ÛÖÖ	Vˆ Ææ

A Ya Vyf'Df]a Ufm8 UU'f7 cb]bi YXL

Šaa\	Q[ác	R[ác	S[ác	Ü[œæ	Û^&ç] D]œæ^	V^]ˆ	Ö•ã) Áæc	Tæ]æ	Ô•ã) ÁÆ
FÍ Î	FHG	ÞFI Hœ	ÞFI Í		ÜÖÖ	Þ]}ˆ	Þ]}ˆ	ÜÖÖ	V^] Áæ
FÏ	FHF	ÞGF	ÞGFH		ÜÖÖ	Þ]}ˆ	Þ]}ˆ	ÜÖÖ	V^] Áæ
FÏ	FHE	ÞGG	ÞGFJ		ÜÖÖ	Þ]}ˆ	Þ]}ˆ	ÜÖÖ	V^] Áæ
FÏ J	FGJ	ÞGG	ÞGGœ		ÜÖÖ	Þ]}ˆ	Þ]}ˆ	ÜÖÖ	V^] Áæ
FÏ €	FG	ÞGG	ÞGGF		ÜÖÖ	Þ]}ˆ	Þ]}ˆ	ÜÖÖ	V^] Áæ
FÏ F	FG	ÞGG	ÞGGG		ÜÖÖ	Þ]}ˆ	Þ]}ˆ	ÜÖÖ	V^] Áæ
FÏ G	FG	ÞGGJ	ÞGFÍ		ÜÖÖ	Þ]}ˆ	Þ]}ˆ	ÜÖÖ	V^] Áæ
FÏ H	FG	ÞGHœ	ÞGGH		ÜÖÖ	Þ]}ˆ	Þ]}ˆ	ÜÖÖ	V^] Áæ
FÏ I	FG	ÞGHF	ÞGG		ÜÖÖ	Þ]}ˆ	Þ]}ˆ	ÜÖÖ	V^] Áæ
FÏ Í	FGH	ÞGÍ	ÞGFÍ		ÜÖÖ	Þ]}ˆ	Þ]}ˆ	ÜÖÖ	V^] Áæ
FÏ Î	FGG	ÞGJ	ÞGÌ		ÜÖÖ	Þ]}ˆ	Þ]}ˆ	ÜÖÖ	V^] Áæ
FÏ Ï	FGF	ÞG€	ÞGÍ		ÜÖÖ	Þ]}ˆ	Þ]}ˆ	ÜÖÖ	V^] Áæ
FÏ Ò	Fœ	ÞGU	ÞGÍ		ÜÖÖ	Þ]}ˆ	Þ]}ˆ	ÜÖÖ	V^] Áæ
FÏ J	FFJ	ÞGÍ	ÞGI		ÜÖÖ	Þ]}ˆ	Þ]}ˆ	ÜÖÖ	V^] Áæ
FÏ €	FF	ÞGÍ	ÞGH		ÜÖÖ	Þ]}ˆ	Þ]}ˆ	ÜÖÖ	V^] Áæ
FÏ F	FF	ÞGÍ	ÞGG		ÜÖÖ	Þ]}ˆ	Þ]}ˆ	ÜÖÖ	V^] Áæ
FÏ G	FF	ÞGÍ	ÞGH		ÜÖÖ	Þ]}ˆ	Þ]}ˆ	ÜÖÖ	V^] Áæ
FÏ H	FF	ÞGÍ	ÞGF		ÜÖÖ	Þ]}ˆ	Þ]}ˆ	ÜÖÖ	V^] Áæ
FÏ I	FF	ÞGF	ÞGHG		ÜÖÖ	Þ]}ˆ	Þ]}ˆ	ÜÖÖ	V^] Áæ
FÏ Í	FFH	ÞGÌ	ÞGÍ		ÜÖÖ	Þ]}ˆ	Þ]}ˆ	ÜÖÖ	V^] Áæ
FÏ Î	FFG	ÞGÍ	ÞFG		ÜÖÖ	Þ]}ˆ	Þ]}ˆ	ÜÖÖ	V^] Áæ
FÏ Ï	FFF	ÞGF	ÞIJ		ÜÖÖ	Þ]}ˆ	Þ]}ˆ	ÜÖÖ	V^] Áæ
FÏ Ò	FFE	ÞGG	ÞG€		ÜÖÖ	Þ]}ˆ	Þ]}ˆ	ÜÖÖ	V^] Áæ
FÏ J	FEJ	ÞGÍ	ÞGI		ÜÖÖ	Þ]}ˆ	Þ]}ˆ	ÜÖÖ	V^] Áæ
FÏ €	FE	ÞGÍ	ÞGÍ		ÜÖÖ	Þ]}ˆ	Þ]}ˆ	ÜÖÖ	V^] Áæ
FÏ F	FE	ÞGF	ÞGH		ÜÖÖ	Þ]}ˆ	Þ]}ˆ	ÜÖÖ	V^] Áæ
FÏ G	FE	ÞGÍ	ÞGFOE		ÜÖÖ	Þ]}ˆ	Þ]}ˆ	ÜÖÖ	V^] Áæ
FÏ H	FE	ÞGH	ÞGÍ		ÜÖÖ	Þ]}ˆ	Þ]}ˆ	ÜÖÖ	V^] Áæ
FÏ I	FE	ÞGÍ	ÞGÌ		ÜÖÖ	Þ]}ˆ	Þ]}ˆ	ÜÖÖ	V^] Áæ
FÏ Í	FEH	ÞGÍ	ÞGJ		ÜÖÖ	Þ]}ˆ	Þ]}ˆ	ÜÖÖ	V^] Áæ
FÏ Î	FEG	ÞGÍ	ÞG€		ÜÖÖ	Þ]}ˆ	Þ]}ˆ	ÜÖÖ	V^] Áæ
FÏ Ï	FEF	ÞGÍœ	ÞGF		ÜÖÖ	Þ]}ˆ	Þ]}ˆ	ÜÖÖ	V^] Áæ
FÏ Ò	FE€	ÞGÍ	ÞGH		ÜÖÖ	Þ]}ˆ	Þ]}ˆ	ÜÖÖ	V^] Áæ
FÏ J	JJ	ÞGHœ	ÞGÍœ		ÜÖÖ	Þ]}ˆ	Þ]}ˆ	ÜÖÖ	V^] Áæ
FÏ €	JÌ	ÞGÍ	ÞGF		ÜÖÖ	Þ]}ˆ	Þ]}ˆ	ÜÖÖ	V^] Áæ
FÏ F	JÍ	ÞGÍœ	ÞGÍœ		ÜÖÖ	Þ]}ˆ	Þ]}ˆ	ÜÖÖ	V^] Áæ
FÏ G	JÍ	ÞGJ	ÞGG		ÜÖÖ	Þ]}ˆ	Þ]}ˆ	ÜÖÖ	V^] Áæ
FÏ H	JÍ	ÞGÍœ	ÞGJœ		ÜÖÖ	Þ]}ˆ	Þ]}ˆ	ÜÖÖ	V^] Áæ
FÏ I	JÌ	ÞGJœ	ÞGÍ		ÜÖÖ	Þ]}ˆ	Þ]}ˆ	ÜÖÖ	V^] Áæ
FÏ Í	JH	ÞGÍœ	ÞGÍœ		ÜÖÖ	Þ]}ˆ	Þ]}ˆ	ÜÖÖ	V^] Áæ
FÏ Î	JG	ÞGJœ	ÞGJœ		ÜÖÖ	Þ]}ˆ	Þ]}ˆ	ÜÖÖ	V^] Áæ
FÏ Ï	JF	ÞGÍœ	ÞGHœ		ÜÖÖ	Þ]}ˆ	Þ]}ˆ	ÜÖÖ	V^] Áæ
FÏ Ò	J€	ÞGÌ	ÞGI		ÜÖÖ	Þ]}ˆ	Þ]}ˆ	ÜÖÖ	V^] Áæ
FÏ J	ÌJ	ÞGÍœ	ÞGFOE		ÜÖÖ	Þ]}ˆ	Þ]}ˆ	ÜÖÖ	V^] Áæ
FÏ €	ÌÌ	ÞGÍ	ÞGH		ÜÖÖ	Þ]}ˆ	Þ]}ˆ	ÜÖÖ	V^] Áæ
FÏ F	ÌÍ	ÞGJœ	ÞGGœ		ÜÖÖ	Þ]}ˆ	Þ]}ˆ	ÜÖÖ	V^] Áæ
FÏ G	ÌÍ	ÞGÍ	ÞGG		ÜÖÖ	Þ]}ˆ	Þ]}ˆ	ÜÖÖ	V^] Áæ
FÏ H	ÌÍ	ÞGÍ	ÞGÍœ		ÜÖÖ	Þ]}ˆ	Þ]}ˆ	ÜÖÖ	V^] Áæ
FÏ I	ÌÍ	ÞGÍ	ÞGF		ÜÖÖ	Þ]}ˆ	Þ]}ˆ	ÜÖÖ	V^] Áæ
FÏ Í	ÌH	ÞGÍ	ÞGÍ		ÜÖÖ	Þ]}ˆ	Þ]}ˆ	ÜÖÖ	V^] Áæ
FÏ Î	ÌG	ÞGH	ÞGÍœ		ÜÖÖ	Þ]}ˆ	Þ]}ˆ	ÜÖÖ	V^] Áæ
FÏ Ï	ÌF	ÞGÍœ	ÞGJœ		ÜÖÖ	Þ]}ˆ	Þ]}ˆ	ÜÖÖ	V^] Áæ

A Ya Vyf'Df]a Ufm8 UU'f7 cb]bi YXL

	Sää\	Öñ äc	Rñ äc	Sñ äc	Ü ææ	Û^&ç	Ü ææ^	V^] ^	Ö•ã) Ääc	Tæç ææ	Ö•ã) ÄÆ
GÛ	Ï€	ÞG I	ÞG F			ÛÖÖ	Þ } ^	Þ } ^	ÛÖÖ	V^] Äæ	
GJ	ÏJ	ÞG I ÖE	ÞGJ HÖE			ÛÖÖ	Þ } ^	Þ } ^	ÛÖÖ	V^] Äæ	
GHE	ÏÏ	ÞG G	ÞG J			ÛÖÖ	Þ } ^	Þ } ^	ÛÖÖ	V^] Äæ	
GF	ÏÏ	ÞG I ÖE	ÞGJ ÖE			ÛÖÖ	Þ } ^	Þ } ^	ÛÖÖ	V^] Äæ	
GH	ÏÏ	ÞG Í	ÞG €			ÛÖÖ	Þ } ^	Þ } ^	ÛÖÖ	V^] Äæ	
GH	ÏÏ	ÞG I ÖE	ÞGJ FÖE			ÛÖÖ	Þ } ^	Þ } ^	ÛÖÖ	V^] Äæ	
GH	ÏÏ	ÞG HÖE	ÞGJ €ÖE			ÛÖÖ	Þ } ^	Þ } ^	ÛÖÖ	V^] Äæ	
GH	ÏH	ÞG I ÖE	ÞG FÖE			ÛÖÖ	Þ } ^	Þ } ^	ÛÖÖ	V^] Äæ	
GH	ÏG	ÞG ÖE	ÞG JÖE			ÛÖÖ	Þ } ^	Þ } ^	ÛÖÖ	V^] Äæ	
GH	ÏF	ÞG I ÖE	ÞG €ÖE			ÛÖÖ	Þ } ^	Þ } ^	ÛÖÖ	V^] Äæ	
GH	Ï€	ÞG I ÖE	ÞG J ÖE			ÛÖÖ	Þ } ^	Þ } ^	ÛÖÖ	V^] Äæ	
GJ	ÏJ	ÞG I	ÞG I			ÛÖÖ	Þ } ^	Þ } ^	ÛÖÖ	V^] Äæ	
G€	ÏÏ	ÞGJ H	ÞG I			ÛÖÖ	Þ } ^	Þ } ^	ÛÖÖ	V^] Äæ	
GF	ÏÏ	ÞGJ I	ÞG J			ÛÖÖ	Þ } ^	Þ } ^	ÛÖÖ	V^] Äæ	
GG	ÏÏ	ÞHE I	ÞHE I			ÛÖÖ	Þ } ^	Þ } ^	ÛÖÖ	V^] Äæ	
GH	ÏÏ	ÞG G	ÞI I ÖE			ÛÖÖ	Þ } ^	Þ } ^	ÛÖÖ	V^] Äæ	
GI	ÏÏ	ÞHE ÖE	ÞG €			ÛÖÖ	Þ } ^	Þ } ^	ÛÖÖ	V^] Äæ	
GI	ÏH	ÞG ÖE	ÞFH H			ÛÖÖ	Þ } ^	Þ } ^	ÛÖÖ	V^] Äæ	
GI	ÏG	ÞHE ÖE	ÞGJ ÖE			ÛÖÖ	Þ } ^	Þ } ^	ÛÖÖ	V^] Äæ	
GI	ÏF	ÞHE I	ÞHE G			ÛÖÖ	Þ } ^	Þ } ^	ÛÖÖ	V^] Äæ	
GI	Ï€	ÞHE H	ÞHE I			ÛÖÖ	Þ } ^	Þ } ^	ÛÖÖ	V^] Äæ	
GJ	ÏJ	ÞGJ ÖE	ÞHE FÖE			ÛÖÖ	Þ } ^	Þ } ^	ÛÖÖ	V^] Äæ	
G€	ÏÏ	ÞHE ÖE	ÞG I			ÛÖÖ	Þ } ^	Þ } ^	ÛÖÖ	V^] Äæ	
GF	ÏÏ	ÞHE ÖE	ÞHE GÖE			ÛÖÖ	Þ } ^	Þ } ^	ÛÖÖ	V^] Äæ	
GG	ÏÏ	ÞHE HÖE	ÞHE ÖE			ÛÖÖ	Þ } ^	Þ } ^	ÛÖÖ	V^] Äæ	
GH	ÏÏ	ÞGJ I	ÞHE F			ÛÖÖ	Þ } ^	Þ } ^	ÛÖÖ	V^] Äæ	
GI	ÏÏ	ÞGHE	ÞG I			ÛÖÖ	Þ } ^	Þ } ^	ÛÖÖ	V^] Äæ	
GI	ÏH	ÞGH F	ÞG J			ÛÖÖ	Þ } ^	Þ } ^	ÛÖÖ	V^] Äæ	
GI	ÏG	ÞG I	ÞG I			ÛÖÖ	Þ } ^	Þ } ^	ÛÖÖ	V^] Äæ	
GI	ÏF	ÞG J	ÞHE Ö			ÛÖÖ	Þ } ^	Þ } ^	ÛÖÖ	V^] Äæ	
GI	Ï€	ÞG I ÖE	ÞGJ ÖE			ÛÖÖ	Þ } ^	Þ } ^	ÛÖÖ	V^] Äæ	
GJ	ÏJ	ÞGJ ÖE	ÞHE Ö			ÛÖÖ	Þ } ^	Þ } ^	ÛÖÖ	V^] Äæ	
G€	ÏÏ	ÞG I ÖE	ÞHI ÖE			ÛÖÖ	Þ } ^	Þ } ^	ÛÖÖ	V^] Äæ	
GF	ÏÏ	ÞG I	ÞHI ÖE			ÛÖÖ	Þ } ^	Þ } ^	ÛÖÖ	V^] Äæ	
GG	ÏÏ	ÞG I	ÞHI ÖE			ÛÖÖ	Þ } ^	Þ } ^	ÛÖÖ	V^] Äæ	
GH	ÏÏ	ÞI H	ÞI JÖE			ÛÖÖ	Þ } ^	Þ } ^	ÛÖÖ	V^] Äæ	
GI	ÏÏ	ÞI I	ÞI €ÖE			ÛÖÖ	Þ } ^	Þ } ^	ÛÖÖ	V^] Äæ	
GI	ÏH	ÞI I	ÞI FÖE			ÛÖÖ	Þ } ^	Þ } ^	ÛÖÖ	V^] Äæ	
GI	ÏG	ÞI I ÖE	ÞI ÖE			ÛÖÖ	Þ } ^	Þ } ^	ÛÖÖ	V^] Äæ	
GI	ÏF	ÞI I ÖE	ÞI HÖ			ÛÖÖ	Þ } ^	Þ } ^	ÛÖÖ	V^] Äæ	
GI	Ï€	ÞI I ÖE	ÞI Ö			ÛÖÖ	Þ } ^	Þ } ^	ÛÖÖ	V^] Äæ	
GJ	ÏJ	ÞI I	ÞI I ÖE			ÛÖÖ	Þ } ^	Þ } ^	ÛÖÖ	V^] Äæ	
G€	ÏÏ	ÞI I	ÞI J			ÛÖÖ	Þ } ^	Þ } ^	ÛÖÖ	V^] Äæ	
GF	ÏÏ	ÞI I ÖE	ÞI J Ö			ÛÖÖ	Þ } ^	Þ } ^	ÛÖÖ	V^] Äæ	
GG	ÏÏ	ÞG	ÞI €			ÛÖÖ	Þ } ^	Þ } ^	ÛÖÖ	V^] Äæ	
GH	ÏÏ	ÞG	ÞI F			ÛÖÖ	Þ } ^	Þ } ^	ÛÖÖ	V^] Äæ	
GI	ÏÏ	ÞI H	ÞI H			ÛÖÖ	Þ } ^	Þ } ^	ÛÖÖ	V^] Äæ	
GI	ÏH	ÞI I	ÞI I			ÛÖÖ	Þ } ^	Þ } ^	ÛÖÖ	V^] Äæ	
GI	ÏG	ÞI I	ÞI I			ÛÖÖ	Þ } ^	Þ } ^	ÛÖÖ	V^] Äæ	
GI	ÏF	ÞI €ÖE	ÞI I			ÛÖÖ	Þ } ^	Þ } ^	ÛÖÖ	V^] Äæ	
GI	Ï€	ÞI I	ÞI G			ÛÖÖ	Þ } ^	Þ } ^	ÛÖÖ	V^] Äæ	
GJ	ÏJ	ÞI F	ÞI I			ÛÖÖ	Þ } ^	Þ } ^	ÛÖÖ	V^] Äæ	

A Ya Vyf Dfja Ufm8 UuVf7 cbHbi YXL

	Sää\	Q\äc R\äc S\äc Ü\cæ Æ	Ü&ç) D\ç^	V^ ^	Ö•ã) Áæc	Tæ\äæ	Ö•ã) ÄË
G€	G	PİI PİH		ÜÖÖ	P[]^	P[]^	ÜÖÖ V^]Æ
GF	G	PİG PİI		ÜÖÖ	P[]^	P[]^	ÜÖÖ V^]Æ
GG	G	PİI PİI		ÜÖÖ	P[]^	P[]^	ÜÖÖ V^]Æ
GH	G	PİI PİJ		ÜÖÖ	P[]^	P[]^	ÜÖÖ V^]Æ
GI	G	Pİİ OE PJF		ÜÖÖ	P[]^	P[]^	ÜÖÖ V^]Æ
GÍ	GH	PİI PİI		ÜÖÖ	P[]^	P[]^	ÜÖÖ V^]Æ
Gİ	GG	PİJ PİÉ		ÜÖÖ	P[]^	P[]^	ÜÖÖ V^]Æ
GÏ	GF	pFFF pFEJ		ÜÖÖ	P[]^	P[]^	ÜÖÖ V^]Æ
Gì	G€	pFEJ pFFG		ÜÖÖ	P[]^	P[]^	ÜÖÖ V^]Æ
GJ	FJ	pFFH pFFÉ		ÜÖÖ	P[]^	P[]^	ÜÖÖ V^]Æ
G€	FÌ	pFFÉ pFFI		ÜÖÖ	P[]^	P[]^	ÜÖÖ V^]Æ
GJF	FÌ	pFGE pFG		ÜÖÖ	P[]^	P[]^	ÜÖÖ V^]Æ
GJG	FÌ	pGJHE pGİ OE		ÜÖÖ	P[]^	P[]^	ÜÖÖ V^]Æ
GJH	FÌ	PİJ PİG OE		ÜÖÖ	P[]^	P[]^	ÜÖÖ V^]Æ
GJI	FI	pGJ OE pGİ OE		ÜÖÖ	P[]^	P[]^	ÜÖÖ V^]Æ
GÍ	FH	PİI PH		ÜÖÖ	P[]^	P[]^	ÜÖÖ V^]Æ
GÏ	FG	pG PH		ÜÖÖ	P[]^	P[]^	ÜÖÖ V^]Æ
GÏ	FF	pG PHJ		ÜÖÖ	P[]^	P[]^	ÜÖÖ V^]Æ
GÏ	F€	PİJ PIF		ÜÖÖ	P[]^	P[]^	ÜÖÖ V^]Æ
GJ	J	pGJ PIF OE		ÜÖÖ	P[]^	P[]^	ÜÖÖ V^]Æ
H€€	İ	pHF PİG		ÜÖÖ	P[]^	P[]^	ÜÖÖ V^]Æ
H€F	İ	PİI PİÉ		ÜÖÖ	P[]^	P[]^	ÜÖÖ V^]Æ
H€G	İ	pG İ pGHE		ÜÖÖ	P[]^	P[]^	ÜÖÖ V^]Æ
H€H	İ	pG İ pGHF		ÜÖÖ	P[]^	P[]^	ÜÖÖ V^]Æ
H€I	I	pHE Ó PIFÉ		ÜÖÖ	P[]^	P[]^	ÜÖÖ V^]Æ
H€Í	H	pG É OE pG J		ÜÖÖ	P[]^	P[]^	ÜÖÖ V^]Æ
H€Ï	G	pHE OE pHE Ó		ÜÖÖ	P[]^	P[]^	ÜÖÖ V^]Æ

A Ya Vyf 5 Xj Ub WX 8 Uu

	Sää\	Q\^ \æ^ R\^ \æ^ S\^ \æ^ Ü\cæ Æ	Ü&ç) D\ç^	V^ ^	Ö•ã) Áæc	Tæ\äæ	Ö•ã) ÄË
F	Y VUUH			ÿ^.			P[]^
G	Y VUUG			ÿ^.			P[]^
H	Y VUUF			ÿ^.			P[]^
I	Y ÖUVÍ			ÿ^.			P[]^
Í	Y ÖUVÍ			ÿ^.			P[]^
Ï	Y ÖUVH			ÿ^.			P[]^
ì	Y ÖUVG			ÿ^.			P[]^
J	Y ÖUVF			ÿ^.			P[]^
F€	XÖÜVG			ÿ^.			P[]^
FF	XÖÜVGH			ÿ^.			P[]^
FG	XÖÜVGG			ÿ^.			P[]^
FH	XÖÜVGF			ÿ^.			P[]^
FI	XÖÜVGE			ÿ^.			P[]^
FÍ	XÖUVFJ			ÿ^.			P[]^
FÏ	XÖUVFÌ			ÿ^.			P[]^
Fì	XÖUVFÌ			ÿ^.			P[]^
FÏ	XÖUVFÌ			ÿ^.			P[]^
FJ	XÖUVFÍ			ÿ^.			P[]^
G€	XÖUVFI			ÿ^.			P[]^

A Ya Vyf'5 Xj Ub WX'8 Uu f7 cbhbi YxL

	Sæ^	Q^ æ^ R^ æ^ Q^~^ç^R^~^ç^D^ Ú@•æ^ Uæ^ U] ç Æ Ç æ'ã Á~^ç^ á Qæç^ Ú^{ Æ
GG	ÏJ	ÿ^• EÆ ÇÆ
G€	ÏÏ	ÿ^• EÆ ÇÆ
GF	ÏÏ	ÿ^• EÆ ÇÆ
GG	ÏÏ	ÿ^• EÆ ÇÆ
GH	ÏÏ	ÿ^• EÆ ÇÆ
GH	ÏÏ	ÿ^• EÆ ÇÆ
GÍ	ÏH	ÿ^• EÆ ÇÆ
GÎ	ÏG	ÿ^• EÆ ÇÆ
GÏ	ÏF	ÿ^• EÆ ÇÆ
GÌ	Ï€	ÿ^• EÆ ÇÆ
GJ	ÏJ	ÿ^• EÆ ÇÆ
G€	ÏÏ	ÿ^• EÆ ÇÆ
GF	ÏÏ	ÿ^• EÆ ÇÆ
GG	ÏÏ	ÿ^• EÆ ÇÆ
GH	ÏÏ	ÿ^• EÆ ÇÆ
GH	ÏÏ	ÿ^• EÆ ÇÆ
GÍ	ÏH	ÿ^• EÆ ÇÆ
GÎ	ÏG	ÿ^• EÆ ÇÆ
GÏ	ÏF	ÿ^• EÆ ÇÆ
GÌ	Ï€	ÿ^• EÆ ÇÆ
GJ	ÏJ	ÿ^• EÆ ÇÆ
G€	ÏÏ	ÿ^• EÆ ÇÆ
GF	ÏÏ	ÿ^• EÆ ÇÆ
GG	ÏÏ	ÿ^• EÆ ÇÆ
GH	ÏÏ	ÿ^• EÆ ÇÆ
GH	ÏÏ	ÿ^• EÆ ÇÆ
GÍ	ÏH	ÿ^• EÆ ÇÆ
GÎ	ÏG	ÿ^• EÆ ÇÆ
GÏ	ÏF	ÿ^• EÆ ÇÆ
GÌ	Ï€	ÿ^• EÆ ÇÆ
GJ	HJ	ÿ^• EÆ ÇÆ
G€	HÏ	ÿ^• EÆ ÇÆ
GF	HÏ	ÿ^• EÆ ÇÆ
GG	HÏ	ÿ^• EÆ ÇÆ
GH	HÏ	ÿ^• EÆ ÇÆ
GH	HÏ	ÿ^• EÆ ÇÆ
GÍ	HH	ÿ^• EÆ ÇÆ
GÎ	HG	ÿ^• EÆ ÇÆ
GÏ	HF	ÿ^• EÆ ÇÆ
GÌ	H€	ÿ^• EÆ ÇÆ
GJ	GJ	ÿ^• EÆ ÇÆ
G€	GÏ	ÿ^• EÆ ÇÆ

A Ya Vyf'Dc]bh@UXg'f6 @ '&: 'K]bX' @ UX'f\$LL'f7 c bh]bi YXL

	T^{ à^!Áæ^}	Öá^&ç}	T æ} æ á^Ž È Éçá	Š } &ç} ŽçÁ á
FI	T ÚÁÖÖVOE	Ÿ	FF F	I
FJ	T ÚÁÖÉF T ÖE	Ÿ	FF F	I
GE	T ÚÁÖSÚPOE	Ÿ	FFHG	I
GF	T ÚÁÖÖVOE	Ÿ	FFG	I
GG	T ÚÁÖÉF T ÖE	Ÿ	FFG	I

A Ya Vyf'Dc]bh@UXg'f6 @ ' ' : '8 YUX' @ UXL

	T^{ à^!Áæ^}	Öá^&ç}	T æ} æ á^Ž È Éçá	Š } &ç} ŽçÁ á
F	T ÚÁÖSÚPOE	Z	FF I	Í É
G	T ÚÁÖSÚPOE	Z	FF I	FÉ Í
H	T ÚÁÖSÚPOE	Z	FF F	Í
I	T ÚÁÖSÚPOE	Z	FF F	H
Í	T ÚÁÖÖVOE	Z	FFGG	Í É
Î	T ÚÁÖÖVOE	Z	FFGG	FÉ Í
Ï	T ÚÁÖÖVOE	Z	FF F	Í
Ì	T ÚÁÖÖVOE	Z	FF F	H
J	T ÚÁÖÉF T ÖE	Z	FFGG	Í É
F€	T ÚÁÖÉF T ÖE	Z	FFGG	FÉ Í
FF	T ÚÁÖÉF T ÖE	Z	FF F	Í
FG	T ÚÁÖÉF T ÖE	Z	FF F	H
FH	T ÚÁÖSÚPOE	Z	FFHG	I
FI	T ÚÁÖSÚPOE	Z	FF I	I
FÍ	T ÚÁÖÖVOE	Z	FF I	I
FÎ	T ÚÁÖÉF T ÖE	Z	FF I	I
FÏ	T ÚÁÖSÚPOE	Z	FF	I
FÌ	T ÚÁÖÖVOE	Z	FF	I
FJ	T ÚÁÖÉF T ÖE	Z	FF	I
GE	T ÚÁÖSÚPOE	Z	FFGF	I
GF	T ÚÁÖÖVOE	Z	FFGF	I
GG	T ÚÁÖÉF T ÖE	Z	FFGF	I

A Ya Vyf'Dc]bh@UXg'f6 @ ' (: 'K]bX' @ UX'f \$LL

	T^{ à^!Áæ^}	Öá^&ç}	T æ} æ á^Ž È Éçá	Š } &ç} ŽçÁ á
F	T ÚÁÖSÚPOE	Ÿ	FFH	Í É
G	T ÚÁÖSÚPOE	Ÿ	FFH	FÉ Í
H	T ÚÁÖSÚPOE	Ÿ	FF Í	Í É
I	T ÚÁÖSÚPOE	Ÿ	FF Í	FÉ Í
Í	T ÚÁÖSÚPOE	Ÿ	FF Í	Í
Î	T ÚÁÖSÚPOE	Ÿ	FF Í	H
Ï	T ÚÁÖSÚPOE	Ÿ	FFH	Í
Ì	T ÚÁÖSÚPOE	Ÿ	FFH	H
J	T ÚÁÖÖVOE	Ÿ	FF H	Í É
F€	T ÚÁÖÖVOE	Ÿ	FF H	FÉ Í
FF	T ÚÁÖÖVOE	Ÿ	FFG	Í É
FG	T ÚÁÖÖVOE	Ÿ	FFG	FÉ Í
FH	T ÚÁÖÖVOE	Ÿ	FFHF	Í
FI	T ÚÁÖÖVOE	Ÿ	FFHF	H
FÍ	T ÚÁÖÖVOE	Ÿ	FFI	Í
FÎ	T ÚÁÖÖVOE	Ÿ	FFI	H
FÏ	T ÚÁÖÉF T ÖE	Ÿ	FF F	Í É
FÌ	T ÚÁÖÉF T ÖE	Ÿ	FF F	FÉ Í

A Ya Vyf'Dc]bhi@UXg'f6 @ (' : 'K]bX' @ UX'fi \$L'L'f7 c b]h]i YXL

	T ^{ à^!Áæ^}	Öá^&çá}	T æ} æ à^Z Æ Eçá	Š &æá} ŽeĀ á
FJ	T ÚÁÖCE T ÖE	Ý	ÆEH	Í Ě
GE	T ÚÁÖCE T ÖE	Ý	ÆEH	FĚ Í
GF	T ÚÁÖCE T ÖE	Ý	ÆE I	Í
GG	T ÚÁÖCE T ÖE	Ý	ÆE I	H
GH	T ÚÁÖCE T ÖE	Ý	ÆEG	Í
GI	T ÚÁÖCE T ÖE	Ý	ÆEG	H
GĪ	T ÚÁÖSŮP ÖE	Ý	ÆEG	I
GĪ	T ÚÁÖSŮP ÖE	Ý	ÆEÍ	I
GĪ	T ÚÁÖSŮP ÖE	Ý	ÆE	I
GĪ	T ÚÁÖSŮP ÖE	Ý	ÆEGJ	I
GJ	T ÚÁÖÖVÖE	Ý	ÆEÍ	I
HE	T ÚÁÖÖVÖE	Ý	ÆEGF	I
HF	T ÚÁÖCE T ÖE	Ý	ÆE	I
HG	T ÚÁÖCE T ÖE	Ý	ÆEGJ	I
HH	T ÚÁÖSŮP ÖE	Ý	ÆE I	I
HI	T ÚÁÖSŮP ÖE	Ý	ÆEG	I
HĪ	T ÚÁÖÖVÖE	Ý	ÆEGJ	I
HĪ	T ÚÁÖÖVÖE	Ý	ÆEÍ	I
HĪ	T ÚÁÖCE T ÖE	Ý	ÆE I	I
HĪ	T ÚÁÖCE T ÖE	Ý	ÆEG	I
HJ	T ÚÁÖSŮP ÖE	Ý	ÆEG	I
I €	T ÚÁÖSŮP ÖE	Ý	ÆEÍ	I
IF	T ÚÁÖÖVÖE	Ý	ÆEFJ	I
IG	T ÚÁÖÖVÖE	Ý	ÆEFF	I
I H	T ÚÁÖCE T ÖE	Ý	ÆEG	I
II	T ÚÁÖCE T ÖE	Ý	ÆEÍ	I

A Ya Vyf'Dc]bhi@UXg'f6 @ (' : 'K]bX' @ UX'fi \$L

	T ^{ à^!Áæ^}	Öá^&çá}	T æ} æ à^Z Æ Eçá	Š &æá} ŽeĀ á
F	T ÚÁÖSŮP ÖE	Ý	ÆE G	Í Ě
G	T ÚÁÖSŮP ÖE	Ý	ÆE G	FĚ Í
H	T ÚÁÖSŮP ÖE	Ý	ÆEí	Í Ě
I	T ÚÁÖSŮP ÖE	Ý	ÆEí	FĚ Í
Ī	T ÚÁÖSŮP ÖE	Ý	ÆEG	Í
Ī	T ÚÁÖSŮP ÖE	Ý	ÆEG	H
Ī	T ÚÁÖSŮP ÖE	Ý	ÆE I	Í
Ī	T ÚÁÖSŮP ÖE	Ý	ÆE I	H
J	T ÚÁÖÖVÖE	Ý	ÆEHG	Í Ě
F€	T ÚÁÖÖVÖE	Ý	ÆEHG	FĚ Í
FF	T ÚÁÖÖVÖE	Ý	ÆEÍ	Í Ě
FG	T ÚÁÖÖVÖE	Ý	ÆEÍ	FĚ Í
FH	T ÚÁÖÖVÖE	Ý	ÆEGJ	Í
FI	T ÚÁÖÖVÖE	Ý	ÆEGJ	H
FĪ	T ÚÁÖÖVÖE	Ý	ÆE F	Í
FĪ	T ÚÁÖÖVÖE	Ý	ÆE F	H
FĪ	T ÚÁÖCE T ÖE	Ý	ÆEH	Í Ě
FĪ	T ÚÁÖCE T ÖE	Ý	ÆEH	FĚ Í
FJ	T ÚÁÖCE T ÖE	Ý	ÆE I	Í Ě
GE	T ÚÁÖCE T ÖE	Ý	ÆE I	FĚ Í
GF	T ÚÁÖCE T ÖE	Ý	ÆEH	Í
GG	T ÚÁÖCE T ÖE	Ý	ÆEH	H

A Ya Vyf'Dc]bh@UXg'f6 @ ') : 'K]bX' @ UX'ft \$Ll'f7 c]h]i YXL

	T^{\ à^!Àæ^}	Öä^&ç}	T æ} æ à^Ž È Eçá	Š &æç} ŽeĀ á
GH	T ÚÁÖË T ÖE	Ý	ĚĚ H	Í
G	T ÚÁÖË T ÖE	Ý	ĚĚ H	H
Ġ	T ÚÁÖŠ P ÖE	Ý	ĚĚ FG	Í
Ġ	T ÚÁÖŠ P ÖE	Ý	ĚĚ GF	Í
Ġ	T ÚÁÖŠ P ÖE	Ý	ĚĚ GH	Í
Ġ	T ÚÁÖŠ P ÖE	Ý	ĚĚ F	Í
GJ	T ÚÁÖÖV ÖE	Ý	ĚĚ GH	Í
HĚ	T ÚÁÖÖV ÖE	Ý	ĚĚ F	Í
HF	T ÚÁÖË T ÖE	Ý	ĚĚ H	Í
HG	T ÚÁÖË T ÖE	Ý	ĚĚ I	Í
HH	T ÚÁÖŠ P ÖE	Ý	ĚĚ GF	Í
HI	T ÚÁÖŠ P ÖE	Ý	ĚĚ Í	Í
HÍ	T ÚÁÖÖV ÖE	Ý	ĚĚ GF	Í
HÎ	T ÚÁÖÖV ÖE	Ý	ĚĚ Í	Í
HÏ	T ÚÁÖË T ÖE	Ý	ĚĚ H	Í
HÌ	T ÚÁÖË T ÖE	Ý	ĚĚ I	Í
HJ	T ÚÁÖŠ P ÖE	Ý	ĚĚ FG	Í
I €	T ÚÁÖŠ P ÖE	Ý	ĚĚ GF	Í
I F	T ÚÁÖÖV ÖE	Ý	ĚĚ FG	Í
I G	T ÚÁÖÖV ÖE	Ý	ĚĚ GF	Í
I H	T ÚÁÖË T ÖE	Ý	ĚĚ Í	Í
I I	T ÚÁÖË T ÖE	Ý	ĚĚ Ġ	Í

A Ya Vyf'Dc]bh@UXg'f6 @ '* : 'K]bX' @ UX'f' \$Ll

	T^{\ à^!Àæ^}	Öä^&ç}	T æ} æ à^Ž È Eçá	Š &æç} ŽeĀ á
F	T ÚÁÖŠ P ÖE	Ý	ĚĚ Í	Í ĚĚ
G	T ÚÁÖŠ P ÖE	Ý	ĚĚ Í	F ĚĚ Í
H	T ÚÁÖŠ P ÖE	Ý	ĚĚ H	Í
I	T ÚÁÖŠ P ÖE	Ý	ĚĚ H	H
Í	T ÚÁÖÖV ÖE	Ý	ĚĚ Í	Í ĚĚ
Î	T ÚÁÖÖV ÖE	Ý	ĚĚ Í	F ĚĚ Í
Ï	T ÚÁÖÖV ÖE	Ý	ĚĚ Í	Í
Ì	T ÚÁÖÖV ÖE	Ý	ĚĚ Í	H
J	T ÚÁÖË T ÖE	Ý	ĚĚ Í	Í ĚĚ
F€	T ÚÁÖË T ÖE	Ý	ĚĚ Í	F ĚĚ Í
FF	T ÚÁÖË T ÖE	Ý	ĚĚ Í	Í
FG	T ÚÁÖË T ÖE	Ý	ĚĚ Í	H
FH	T ÚÁÖŠ P ÖE	Ý	ĚĚ GG	Í
FI	T ÚÁÖŠ P ÖE	Ý	ĚĚ G	Í
FÍ	T ÚÁÖÖV ÖE	Ý	ĚĚ Í	Í
FÎ	T ÚÁÖË T ÖE	Ý	ĚĚ Í	Í
FÏ	T ÚÁÖŠ P ÖE	Ý	ĚĚ H	Í
FÌ	T ÚÁÖÖV ÖE	Ý	ĚĚ Í	Í
FJ	T ÚÁÖË T ÖE	Ý	ĚĚ Í	Í
G€	T ÚÁÖŠ P ÖE	Ý	ĚĚ GG	Í
GF	T ÚÁÖÖV ÖE	Ý	ĚĚ GJ	Í
GG	T ÚÁÖË T ÖE	Ý	ĚĚ GJ	Í

A Ya Vyf'Dc]bh@UXg'f6 @ '+ : 'K]bX' @ UX'f' &\$Ll

	T^{\ à^!Àæ^}	Öä^&ç}	T æ} æ à^Ž È Eçá	Š &æç} ŽeĀ á
F	T ÚÁÖŠ P ÖE	Ý	ĚĚ Í	Í ĚĚ

A Ya Vyf Dc]bh@UXg f6 @ +: 'K JbX' @ UX'fV&\$L'f'7 cbh]bi YXL

	T^{ à^!Áæ^}	Öá^&çá}	T æ} æ à^Ž È Éçá	Š &çá} ŽeĀ á
G	T ÚÁÖSÚP ÖE	Ÿ	È Ì	F È Í
H	T ÚÁÖSÚP ÖE	Ÿ	È È Ì	Ì È
I	T ÚÁÖSÚP ÖE	Ÿ	È È Ì	F È Í
Í	T ÚÁÖSÚP ÖE	Ÿ	È F Í	Í
Ī	T ÚÁÖSÚP ÖE	Ÿ	È F Í	H
Ĭ	T ÚÁÖSÚP ÖE	Ÿ	È È G J	Í
Ī	T ÚÁÖSÚP ÖE	Ÿ	È È G J	H
J	T ÚÁÖÖVÖE	Ÿ	È Ī	Ī È
FE	T ÚÁÖÖVÖE	Ÿ	È Ī	F È Í
FF	T ÚÁÖÖVÖE	Ÿ	È È Ì	Ī È
FG	T ÚÁÖÖVÖE	Ÿ	È È Ì	F È Í
FH	T ÚÁÖÖVÖE	Ÿ	È Ī	Í
FI	T ÚÁÖÖVÖE	Ÿ	È Ī	H
FĪ	T ÚÁÖÖVÖE	Ÿ	È È H	Í
FĪ	T ÚÁÖÖVÖE	Ÿ	È È H	H
FĬ	T ÚÁÖEĬ T ÖE	Ÿ	È H G	Ī È
FĪ	T ÚÁÖEĬ T ÖE	Ÿ	È H G	F È Í
FJ	T ÚÁÖEĬ T ÖE	Ÿ	È È Ì	Ī È
GE	T ÚÁÖEĬ T ÖE	Ÿ	È È Ì	F È Í
GF	T ÚÁÖEĬ T ÖE	Ÿ	È È J	Í
GG	T ÚÁÖEĬ T ÖE	Ÿ	È È J	H
GH	T ÚÁÖEĬ T ÖE	Ÿ	È È F	Í
G	T ÚÁÖEĬ T ÖE	Ÿ	È È F	H
Ḡ	T ÚÁÖSÚP ÖE	Ÿ	È F G	Í
Ḡ	T ÚÁÖSÚP ÖE	Ÿ	È È G F	Í
Ḡ	T ÚÁÖSÚP ÖE	Ÿ	È È H	Í
Ḡ	T ÚÁÖSÚP ÖE	Ÿ	È È F	Í
GJ	T ÚÁÖÖVÖE	Ÿ	È Ī F	Í
HE	T ÚÁÖÖVÖE	Ÿ	È È Ì	Í
HF	T ÚÁÖEĬ T ÖE	Ÿ	È È H	Í
HG	T ÚÁÖEĬ T ÖE	Ÿ	È È F	Í
HH	T ÚÁÖSÚP ÖE	Ÿ	È È F	Í
HI	T ÚÁÖSÚP ÖE	Ÿ	È È Ī	Í
HĪ	T ÚÁÖÖVÖE	Ÿ	È Ī F	Í
HĪ	T ÚÁÖÖVÖE	Ÿ	È È Ì	Í
HĬ	T ÚÁÖEĬ T ÖE	Ÿ	È È F	Í
HĪ	T ÚÁÖEĬ T ÖE	Ÿ	È È Ī	Í
HJ	T ÚÁÖSÚP ÖE	Ÿ	È F G	Í
I €	T ÚÁÖSÚP ÖE	Ÿ	È È G F	Í
IF	T ÚÁÖÖVÖE	Ÿ	È F Í	Í
IG	T ÚÁÖÖVÖE	Ÿ	È È G	Í
I H	T ÚÁÖEĬ T ÖE	Ÿ	È F G	Í
II	T ÚÁÖEĬ T ÖE	Ÿ	È È G F	Í

A Ya Vyf Dc]bh@UXg f6 @ +: 'K JbX' @ UX'fV) \$L

	T^{ à^!Áæ^}	Öá^&çá}	T æ} æ à^Ž È Éçá	Š &çá} ŽeĀ á
F	T ÚÁÖSÚP ÖE	Ÿ	È È Ī	Ī È
G	T ÚÁÖSÚP ÖE	Ÿ	È È Ī	F È Í
H	T ÚÁÖSÚP ÖE	Ÿ	È È G	Ī È
I	T ÚÁÖSÚP ÖE	Ÿ	È È G	F È Í
Í	T ÚÁÖSÚP ÖE	Ÿ	È È Ī	Í

A Ya Vyf'Dc]bh@UXg f6 @ ; : 'K]bX' @ UX'f% \$L'f' cb]bi YXL

	T^{ à^!Áæ^}	Öá^&ç}	T æ} æ à^Ž È Éçá	Š &æ} ŽçÁ á
Í	T ÚÁÖSÚP ÖE	Ÿ	Æ Í	H
İ	T ÚÁÖSÚP ÖE	Ÿ	ÆG	Í
Î	T ÚÁÖSÚP ÖE	Ÿ	ÆG	H
J	T ÚÁÖÖVÖE	Ÿ	Æ F	Í È
F€	T ÚÁÖÖVÖE	Ÿ	Æ F	F È Í
FF	T ÚÁÖÖVÖE	Ÿ	ÆH	Í È
FG	T ÚÁÖÖVÖE	Ÿ	ÆH	F È Í
FH	T ÚÁÖÖVÖE	Ÿ	Æ I	Í
FI	T ÚÁÖÖVÖE	Ÿ	Æ I	H
FÍ	T ÚÁÖÖVÖE	Ÿ	ÆG	Í
FÎ	T ÚÁÖÖVÖE	Ÿ	ÆG	H
Fİ	T ÚÁÖE T ÖE	Ÿ	Æ H	Í È
FÌ	T ÚÁÖE T ÖE	Ÿ	Æ H	F È Í
FJ	T ÚÁÖE T ÖE	Ÿ	ÆG	Í È
G€	T ÚÁÖE T ÖE	Ÿ	ÆG	F È Í
GF	T ÚÁÖE T ÖE	Ÿ	ÆH	Í
GG	T ÚÁÖE T ÖE	Ÿ	ÆH	H
GH	T ÚÁÖE T ÖE	Ÿ	ÆF	Í
G	T ÚÁÖE T ÖE	Ÿ	ÆF	H
G	T ÚÁÖSÚP ÖE	Ÿ	ÆG	Í
G	T ÚÁÖSÚP ÖE	Ÿ	ÆG	Í
G	T ÚÁÖSÚP ÖE	Ÿ	Æ	Í
G	T ÚÁÖSÚP ÖE	Ÿ	ÆG	Í
GJ	T ÚÁÖÖVÖE	Ÿ	Æ	Í
H€	T ÚÁÖÖVÖE	Ÿ	ÆG	Í
HF	T ÚÁÖE T ÖE	Ÿ	ÆÍ	Í
HG	T ÚÁÖE T ÖE	Ÿ	ÆGF	Í
HH	T ÚÁÖSÚP ÖE	Ÿ	Æ Í	Í
HI	T ÚÁÖSÚP ÖE	Ÿ	ÆG	Í
HÍ	T ÚÁÖÖVÖE	Ÿ	Æ Í	Í
HÎ	T ÚÁÖÖVÖE	Ÿ	ÆG	Í
Hİ	T ÚÁÖE T ÖE	Ÿ	ÆG	Í
HÌ	T ÚÁÖE T ÖE	Ÿ	ÆF	Í
HJ	T ÚÁÖSÚP ÖE	Ÿ	ÆG	Í
I€	T ÚÁÖSÚP ÖE	Ÿ	ÆF	Í
IF	T ÚÁÖÖVÖE	Ÿ	ÆG	Í
IG	T ÚÁÖÖVÖE	Ÿ	ÆF	Í
IH	T ÚÁÖE T ÖE	Ÿ	ÆFJ	Í
II	T ÚÁÖE T ÖE	Ÿ	ÆFF	Í

A Ya Vyf'Dc]bh@UXg f6 @ - : 'K]bX' @ UX'f% \$L'

	T^{ à^!Áæ^}	Öá^&ç}	T æ} æ à^Ž È Éçá	Š &æ} ŽçÁ á
F	T ÚÁÖSÚP ÖE	Ÿ	Æ Í	Í È
G	T ÚÁÖSÚP ÖE	Ÿ	Æ Í	F È Í
H	T ÚÁÖSÚP ÖE	Ÿ	Æ Í	Í
I	T ÚÁÖSÚP ÖE	Ÿ	Æ Í	H
Í	T ÚÁÖÖVÖE	Ÿ	Æ Í	Í È
Î	T ÚÁÖÖVÖE	Ÿ	Æ Í	F È Í
İ	T ÚÁÖÖVÖE	Ÿ	ÆHG	Í
Î	T ÚÁÖÖVÖE	Ÿ	ÆHG	H
J	T ÚÁÖE T ÖE	Ÿ	Æ Í	Í È

A Ya Vyf'Dc]bhi@UXg'f6 @ - : 'K]pX' @ UX'f% \$L'f7 cb]bi YXL

	T ^{ à^!Áæ^}	Öá^&ç}	T æ} æ á^Ž È Èçá	Š &ç} ŽçÁ á
F€	T ÚÁÓÇE T ÇE	Ÿ	Æ Í	Æ Í
FF	T ÚÁÓÇE T ÇE	Ÿ	ÆHG	Í
FG	T ÚÁÓÇE T ÇE	Ÿ	ÆHG	H
FH	T ÚÁÓÇSÚP ÇE	Ÿ	ÆHG	I
FI	T ÚÁÓÇSÚP ÇE	Ÿ	Æ H	I
FÍ	T ÚÁÓÇVÇE	Ÿ	Æ Í	I
FÌ	T ÚÁÓÇE T ÇE	Ÿ	Æ Í	I
FÏ	T ÚÁÓÇSÚP ÇE	Ÿ	Æ H	I
Fì	T ÚÁÓÇVÇE	Ÿ	Æ F	I
FJ	T ÚÁÓÇE T ÇE	Ÿ	Æ F	I
G€	T ÚÁÓÇSÚP ÇE	Ÿ	ÆHG	I
GF	T ÚÁÓÇVÇE	Ÿ	ÆG	I
GG	T ÚÁÓÇE T ÇE	Ÿ	ÆG	I

A Ya Vyf'Dc]bhi@UXg'f6 @ '%\$: 'K]pX' @ UX'fB:\$L

	T ^{ à^!Áæ^}	Öá^&ç}	T æ} æ á^Ž È Èçá	Š &ç} ŽçÁ á
F	T ÚÁÓÇSÚP ÇE	Ÿ	ÆH	Í Æ
G	T ÚÁÓÇSÚP ÇE	Ÿ	ÆH	Æ Í
H	T ÚÁÓÇSÚP ÇE	Ÿ	Æ Í	Í Æ
I	T ÚÁÓÇSÚP ÇE	Ÿ	Æ Í	Æ Í
Í	T ÚÁÓÇSÚP ÇE	Ÿ	Æ Í	Í
Ì	T ÚÁÓÇSÚP ÇE	Ÿ	Æ Í	H
Ï	T ÚÁÓÇSÚP ÇE	Ÿ	ÆH	Í
ì	T ÚÁÓÇSÚP ÇE	Ÿ	ÆH	H
J	T ÚÁÓÇVÇE	Ÿ	Æ H	Í Æ
F€	T ÚÁÓÇVÇE	Ÿ	Æ H	Æ Í
FF	T ÚÁÓÇVÇE	Ÿ	ÆG	Í Æ
FG	T ÚÁÓÇVÇE	Ÿ	ÆG	Æ Í
FH	T ÚÁÓÇVÇE	Ÿ	ÆF	Í
FI	T ÚÁÓÇVÇE	Ÿ	ÆF	H
FÍ	T ÚÁÓÇVÇE	Ÿ	ÆF	Í
FÌ	T ÚÁÓÇVÇE	Ÿ	ÆF	H
FÏ	T ÚÁÓÇE T ÇE	Ÿ	Æ F	Í Æ
Fì	T ÚÁÓÇE T ÇE	Ÿ	Æ F	Æ Í
FJ	T ÚÁÓÇE T ÇE	Ÿ	ÆH	Í Æ
G€	T ÚÁÓÇE T ÇE	Ÿ	ÆH	Æ Í
GF	T ÚÁÓÇE T ÇE	Ÿ	Æ I	Í
GG	T ÚÁÓÇE T ÇE	Ÿ	Æ I	H
GH	T ÚÁÓÇE T ÇE	Ÿ	ÆG	Í
G	T ÚÁÓÇE T ÇE	Ÿ	ÆG	H
Ğ	T ÚÁÓÇSÚP ÇE	Ÿ	ÆG	I
Ġ	T ÚÁÓÇSÚP ÇE	Ÿ	ÆF	I
ġ	T ÚÁÓÇSÚP ÇE	Ÿ	Æ	I
Ģ	T ÚÁÓÇSÚP ÇE	Ÿ	ÆG	I
GJ	T ÚÁÓÇVÇE	Ÿ	ÆH	I
H€	T ÚÁÓÇVÇE	Ÿ	ÆG	I
HF	T ÚÁÓÇE T ÇE	Ÿ	Æ	I
HG	T ÚÁÓÇE T ÇE	Ÿ	ÆG	I
HH	T ÚÁÓÇSÚP ÇE	Ÿ	Æ Í	I
HI	T ÚÁÓÇSÚP ÇE	Ÿ	ÆG	I
Hì	T ÚÁÓÇVÇE	Ÿ	ÆG	I

A Ya Vyf Dc]bh@UXg f6 @ '%\$. 'K jx' @UX fB%\$L'f7 cb]bi YXL

	T^{ à^!Äæ^}	Öä^&ç}	T æ} æ à^Ž È Éçá	Š &æç} ŽçÁ á
HÍ	T ÚÁÖÖVOE	Ý	ÉFI	I
Hİ	T ÚÁÖE T OE	Ý	ÉI	I
Hİ	T ÚÁÖE T OE	Ý	ÉG	I
HJ	T ÚÁÖSÚPOE	Ý	ÉG	I
I €	T ÚÁÖSÚPOE	Ý	ÉFI	I
IF	T ÚÁÖÖVOE	Ý	ÉFJ	I
IG	T ÚÁÖÖVOE	Ý	ÉFF	I
I H	T ÚÁÖE T OE	Ý	ÉG	I
I I	T ÚÁÖE T OE	Ý	ÉFI	I

A Ya Vyf Dc]bh@UXg f6 @ '%%. 'K jx' @UX fB(\$L'

	T^{ à^!Äæ^}	Öä^&ç}	T æ} æ à^Ž È Éçá	Š &æç} ŽçÁ á
F	T ÚÁÖSÚPOE	Ý	ÉI G	Í ÉG
G	T ÚÁÖSÚPOE	Ý	ÉI G	FÉI
H	T ÚÁÖSÚPOE	Ý	ÉÉI	Í ÉG
I	T ÚÁÖSÚPOE	Ý	ÉÉI	FÉI
Í	T ÚÁÖSÚPOE	Ý	ÉG	Í
Î	T ÚÁÖSÚPOE	Ý	ÉG	H
İ	T ÚÁÖSÚPOE	Ý	ÉI	Í
Ï	T ÚÁÖSÚPOE	Ý	ÉI	H
J	T ÚÁÖÖVOE	Ý	ÉHG	Í ÉG
F€	T ÚÁÖÖVOE	Ý	ÉHG	FÉI
FF	T ÚÁÖÖVOE	Ý	ÉÍ	Í ÉG
FG	T ÚÁÖÖVOE	Ý	ÉÍ	FÉI
FH	T ÚÁÖÖVOE	Ý	ÉGJ	Í
FI	T ÚÁÖÖVOE	Ý	ÉGJ	H
FÍ	T ÚÁÖÖVOE	Ý	ÉI F	Í
FÎ	T ÚÁÖÖVOE	Ý	ÉI F	H
Fİ	T ÚÁÖE T OE	Ý	ÉHI	Í ÉG
Fİ	T ÚÁÖE T OE	Ý	ÉHI	FÉI
FJ	T ÚÁÖE T OE	Ý	ÉI	Í ÉG
G€	T ÚÁÖE T OE	Ý	ÉI	FÉI
GF	T ÚÁÖE T OE	Ý	ÉHI	Í
GG	T ÚÁÖE T OE	Ý	ÉHI	H
GH	T ÚÁÖE T OE	Ý	ÉI H	Í
G	T ÚÁÖE T OE	Ý	ÉI H	H
G	T ÚÁÖSÚPOE	Ý	ÉFG	I
G	T ÚÁÖSÚPOE	Ý	ÉGF	I
G	T ÚÁÖSÚPOE	Ý	ÉGH	I
G	T ÚÁÖSÚPOE	Ý	ÉI F	I
GJ	T ÚÁÖÖVOE	Ý	ÉGH	I
H€	T ÚÁÖÖVOE	Ý	ÉI F	I
HF	T ÚÁÖE T OE	Ý	ÉHF	I
HG	T ÚÁÖE T OE	Ý	ÉI	I
HH	T ÚÁÖSÚPOE	Ý	ÉGF	I
HI	T ÚÁÖSÚPOE	Ý	ÉHI	I
HÍ	T ÚÁÖÖVOE	Ý	ÉGF	I
Hİ	T ÚÁÖÖVOE	Ý	ÉHI	I
Hİ	T ÚÁÖE T OE	Ý	ÉHF	I
Hİ	T ÚÁÖE T OE	Ý	ÉI	I
HJ	T ÚÁÖSÚPOE	Ý	ÉFG	I

A Ya Vyf'Dc]bh@UXg'f6 @ '%% 'K]bX' @ UX'fB(\$L'f7 cb]bi YXL

	T^{\ à^!Áæ^}	Öá^&ç}	T æ} æ á^Ž È Éçá	Š } &æç} ŽçÁ á
I €	T ÚÁÇSÚP OÉ	Ý	ÉGF	Í
I F	T ÚÁÇÓVOÉ	Ý	ÉFG	Í
I G	T ÚÁÇÓVOÉ	Ý	ÉGF	Í
I H	T ÚÁÇÉ T OÉ	Ý	ÉFÍ	Í
I I	T ÚÁÇÉ T OÉ	Ý	ÉGÍ	Í

A Ya Vyf'Dc]bh@UXg'f6 @ '%& 'K]bX' @ UX'fB+\$L

	T^{\ à^!Áæ^}	Öá^&ç}	T æ} æ á^Ž È Éçá	Š } &æç} ŽçÁ á
F	T ÚÁÇSÚP OÉ	Ý	ÉJÍ	Í É
G	T ÚÁÇSÚP OÉ	Ý	ÉJÍ	FÉÍ
H	T ÚÁÇSÚP OÉ	Ý	ÉHI	Í
I	T ÚÁÇSÚP OÉ	Ý	ÉHI	H
Í	T ÚÁÇÓVOÉ	Ý	ÉÍ	Í É
Î	T ÚÁÇÓVOÉ	Ý	ÉÍ	FÉÍ
Ï	T ÚÁÇÓVOÉ	Ý	ÉÍ	Í
Ì	T ÚÁÇÓVOÉ	Ý	ÉÍ	H
J	T ÚÁÇÉ T OÉ	Ý	ÉÍ	Í É
F€	T ÚÁÇÉ T OÉ	Ý	ÉÍ	FÉÍ
FF	T ÚÁÇÉ T OÉ	Ý	ÉÍ	Í
FG	T ÚÁÇÉ T OÉ	Ý	ÉÍ	H
FH	T ÚÁÇSÚP OÉ	Ý	ÉGG	Í
FI	T ÚÁÇSÚP OÉ	Ý	ÉG	Í
FÍ	T ÚÁÇÓVOÉ	Ý	ÉÍ	Í
FÏ	T ÚÁÇÉ T OÉ	Ý	ÉÍ	Í
FÌ	T ÚÁÇSÚP OÉ	Ý	ÉHI	Í
FÌ	T ÚÁÇÓVOÉ	Ý	ÉÍ	Í
FJ	T ÚÁÇÉ T OÉ	Ý	ÉÍ	Í
G€	T ÚÁÇSÚP OÉ	Ý	ÉGG	Í
GF	T ÚÁÇÓVOÉ	Ý	ÉGJ	Í
GG	T ÚÁÇÉ T OÉ	Ý	ÉGJ	Í

A Ya Vyf'Dc]bh@UXg'f6 @ '% 'K]bX' @ UX'fI \$\$L

	T^{\ à^!Áæ^}	Öá^&ç}	T æ} æ á^Ž È Éçá	Š } &æç} ŽçÁ á
F	T ÚÁÇSÚP OÉ	Ý	ÉJÍ	Í É
G	T ÚÁÇSÚP OÉ	Ý	ÉJÍ	FÉÍ
H	T ÚÁÇSÚP OÉ	Ý	ÉI	Í É
I	T ÚÁÇSÚP OÉ	Ý	ÉI	FÉÍ
Í	T ÚÁÇSÚP OÉ	Ý	ÉFÍ	Í
Î	T ÚÁÇSÚP OÉ	Ý	ÉFÍ	H
Ï	T ÚÁÇSÚP OÉ	Ý	ÉGJ	Í
Ì	T ÚÁÇSÚP OÉ	Ý	ÉGJ	H
J	T ÚÁÇÓVOÉ	Ý	ÉHI	Í É
F€	T ÚÁÇÓVOÉ	Ý	ÉHI	FÉÍ
FF	T ÚÁÇÓVOÉ	Ý	ÉI	Í É
FG	T ÚÁÇÓVOÉ	Ý	ÉI	FÉÍ
FH	T ÚÁÇÓVOÉ	Ý	ÉHI	Í
FI	T ÚÁÇÓVOÉ	Ý	ÉHI	H
FÍ	T ÚÁÇÓVOÉ	Ý	ÉH	Í
FÏ	T ÚÁÇÓVOÉ	Ý	ÉH	H
FÌ	T ÚÁÇÉ T OÉ	Ý	ÉHG	Í É
FÌ	T ÚÁÇÉ T OÉ	Ý	ÉHG	FÉÍ

A Ya Vyf'Dc]bh@UXg'f6 @ '% ' : 'K]bX' @UX'fi \$\$\$f'f' cb]bi YXL

	T ^{ à^!Äæ^}	Öä^&çä}	T æ} æ à^Z È Éçá	Š &æä} ŽeĀ á
FJ	T ÚÁÖE T OE	Ý	ÉÍ	Í É
GE	T ÚÁÖE T OE	Ý	ÉÍ	FÉÍ
GF	T ÚÁÖE T OE	Ý	ÉÉJ	Í
GG	T ÚÁÖE T OE	Ý	ÉÉJ	H
GH	T ÚÁÖE T OE	Ý	ÉÍ F	Í
G	T ÚÁÖE T OE	Ý	ÉÍ F	H
Gí	T ÚÁÖE T OE	Ý	ÉÉFG	I
Gĭ	T ÚÁÖE T OE	Ý	ÉÉFG	I
G̃	T ÚÁÖE T OE	Ý	ÉÉGH	I
Ḡ	T ÚÁÖE T OE	Ý	ÉÍ F	I
GJ	T ÚÁÖE T OE	Ý	ÉÉHF	I
HE	T ÚÁÖE T OE	Ý	ÉÍ I	I
HF	T ÚÁÖE T OE	Ý	ÉÉGH	I
HG	T ÚÁÖE T OE	Ý	ÉÍ F	I
HH	T ÚÁÖE T OE	Ý	ÉÉGF	I
HI	T ÚÁÖE T OE	Ý	ÉÍ H	I
Hí	T ÚÁÖE T OE	Ý	ÉÉHF	I
Hĭ	T ÚÁÖE T OE	Ý	ÉÍ I	I
H̃	T ÚÁÖE T OE	Ý	ÉÉGF	I
H̄	T ÚÁÖE T OE	Ý	ÉÍ H	I
HJ	T ÚÁÖE T OE	Ý	ÉÉFG	I
I €	T ÚÁÖE T OE	Ý	ÉÉGF	I
IF	T ÚÁÖE T OE	Ý	ÉÉÍ	I
IG	T ÚÁÖE T OE	Ý	ÉÉÍ	I
I H	T ÚÁÖE T OE	Ý	ÉÉFG	I
II	T ÚÁÖE T OE	Ý	ÉÉGF	I

A Ya Vyf'Dc]bh@UXg'f6 @ '% ' : 'K]bX' @UX'fi ' \$fL

	T ^{ à^!Äæ^}	Öä^&çä}	T æ} æ à^Z È Éçá	Š &æä} ŽeĀ á
F	T ÚÁÖE T OE	Ý	ÉÉÍ	Í É
G	T ÚÁÖE T OE	Ý	ÉÉÍ	FÉÍ
H	T ÚÁÖE T OE	Ý	ÉÍ G	Í É
I	T ÚÁÖE T OE	Ý	ÉÍ G	FÉÍ
Í	T ÚÁÖE T OE	Ý	ÉÉÍ	Í
ĭ	T ÚÁÖE T OE	Ý	ÉÉÍ	H
̃	T ÚÁÖE T OE	Ý	ÉÉÍ	Í
̄	T ÚÁÖE T OE	Ý	ÉÉÍ	H
J	T ÚÁÖE T OE	Ý	ÉÉ F	Í É
F€	T ÚÁÖE T OE	Ý	ÉÉ F	FÉÍ
FF	T ÚÁÖE T OE	Ý	ÉÉ H	Í É
FG	T ÚÁÖE T OE	Ý	ÉÉ H	FÉÍ
FH	T ÚÁÖE T OE	Ý	ÉÉ I	Í
FI	T ÚÁÖE T OE	Ý	ÉÉ I	H
Fí	T ÚÁÖE T OE	Ý	ÉÉÍ	Í
Fĭ	T ÚÁÖE T OE	Ý	ÉÉÍ	H
F̃	T ÚÁÖE T OE	Ý	ÉÉ H	Í É
F̄	T ÚÁÖE T OE	Ý	ÉÉ H	FÉÍ
FJ	T ÚÁÖE T OE	Ý	ÉÉÍ	Í É
GE	T ÚÁÖE T OE	Ý	ÉÉÍ	FÉÍ
GF	T ÚÁÖE T OE	Ý	ÉÉHF	Í
GG	T ÚÁÖE T OE	Ý	ÉÉHF	H

A Ya Vyf'Dc]bh@UXg'f6 @ '% : 'K]bX' @UX'fi ' \$L'f7 cb]bi YXL

	T^{ à^!Áæ^}	Öá^&á}	T æ} æ à^Ž É Écá	Š } &æ} } ŽcÁ á
GH	T ÚÁÓCEf T OE	Ý	ÉFI	Í
G	T ÚÁÓCEf T OE	Ý	ÉFI	H
Q	T ÚÁÓSÚP OE	Ý	ÉEG	I
Q	T ÚÁÓSÚP OE	Ý	ÉFI	I
Q	T ÚÁÓSÚP OE	Ý	ÉÉ	I
Q	T ÚÁÓSÚP OE	Ý	ÉGJ	I
GJ	T ÚÁÓÓV OE	Ý	ÉÉ	I
HÉ	T ÚÁÓÓV OE	Ý	ÉGJ	I
HF	T ÚÁÓCEf T OE	Ý	ÉÉÍ	I
HG	T ÚÁÓCEf T OE	Ý	ÉGF	I
HH	T ÚÁÓSÚP OE	Ý	ÉÉ I	I
HI	T ÚÁÓSÚP OE	Ý	ÉG	I
HÍ	T ÚÁÓÓV OE	Ý	ÉÉ I	I
HÍ	T ÚÁÓÓV OE	Ý	ÉG	I
HÏ	T ÚÁÓCEf T OE	Ý	ÉÉGJ	I
HÌ	T ÚÁÓCEf T OE	Ý	ÉFI	I
HJ	T ÚÁÓSÚP OE	Ý	ÉEG	I
I €	T ÚÁÓSÚP OE	Ý	ÉFI	I
IF	T ÚÁÓÓV OE	Ý	ÉEG	I
IG	T ÚÁÓÓV OE	Ý	ÉFI	I
I H	T ÚÁÓCEf T OE	Ý	ÉÉFJ	I
II	T ÚÁÓCEf T OE	Ý	ÉFF	I

A Ya Vyf'Dc]bh@UXg'f6 @ '% : 'A U]b]Lb YbW'f\$L

	T^{ à^!Áæ^}	Öá^&á}	T æ} æ à^Ž É Écá	Š } &æ} } ŽcÁ á
F	T ÚÁÓSÚP OE	Ý	ÉÉJ	Í ÉG
G	T ÚÁÓSÚP OE	Ý	ÉÉJ	FÉ Í
H	T ÚÁÓSÚP OE	Ý	ÉÉI	Í
I	T ÚÁÓSÚP OE	Ý	ÉÉI	H
Í	T ÚÁÓÓV OE	Ý	ÉÉCH	Í ÉG
Ï	T ÚÁÓÓV OE	Ý	ÉÉCH	FÉ Í
Ì	T ÚÁÓÓV OE	Ý	ÉÉEG	Í
Ì	T ÚÁÓÓV OE	Ý	ÉÉEG	H
J	T ÚÁÓCEf T OE	Ý	ÉÉCH	Í ÉG
F€	T ÚÁÓCEf T OE	Ý	ÉÉCH	FÉ Í
FF	T ÚÁÓCEf T OE	Ý	ÉÉEG	Í
FG	T ÚÁÓCEf T OE	Ý	ÉÉEG	H
FH	T ÚÁÓSÚP OE	Ý	ÉÉEG	I
FI	T ÚÁÓSÚP OE	Ý	ÉÉI	I
FÍ	T ÚÁÓÓV OE	Ý	ÉÉCH	I
FÌ	T ÚÁÓCEf T OE	Ý	ÉÉCH	I
FÏ	T ÚÁÓSÚP OE	Ý	ÉÉI	I
FÌ	T ÚÁÓÓV OE	Ý	ÉÉEG	I
FJ	T ÚÁÓCEf T OE	Ý	ÉÉEG	I
G€	T ÚÁÓSÚP OE	Ý	ÉÉEG	I
GF	T ÚÁÓÓV OE	Ý	ÉÉEF	I
GG	T ÚÁÓCEf T OE	Ý	ÉÉEF	I

A Ya Vyf'Dc]bh@UXg'f6 @ '% : 'A U]b]Lb YbW'fi \$L

	T^{ à^!Áæ^}	Öá^&á}	T æ} æ à^Ž É Écá	Š } &æ} } ŽcÁ á
F	T ÚÁÓSÚP OE	Ý	ÉÉI	Í ÉG

A Ya Vyf Dc]bh@UXg f6 @ '%: 'A UjblLb YbW'fi \$L'f7 cb]bi YXL

	T ^{ à^!Áæ^}	Öá^&çá}	T æ} æ à^Z Ê Éçá	Š &çá} ŽeÁ á
G	T ÚÁÖSÚP ÖE	Ý	ÉÉÉ	FÉ Í
H	T ÚÁÖSÚP ÖE	Ý	ÉÉÉ	Í É
I	T ÚÁÖSÚP ÖE	Ý	ÉÉÉ	FÉ Í
Í	T ÚÁÖSÚP ÖE	Ý	ÉÉÉ	Í
Ī	T ÚÁÖSÚP ÖE	Ý	ÉÉÉ	H
İ	T ÚÁÖSÚP ÖE	Ý	ÉÉÉ	Í
Ĭ	T ÚÁÖSÚP ÖE	Ý	ÉÉÉ	H
J	T ÚÁÖÖVÖE	Ý	ÉÉÉ	Í É
ƒ€	T ÚÁÖÖVÖE	Ý	ÉÉÉ	FÉ Í
FF	T ÚÁÖÖVÖE	Ý	ÉÉÉ	Í É
FG	T ÚÁÖÖVÖE	Ý	ÉÉÉ	FÉ Í
FH	T ÚÁÖÖVÖE	Ý	ÉÉÉ	Í
FI	T ÚÁÖÖVÖE	Ý	ÉÉÉ	H
FÍ	T ÚÁÖÖVÖE	Ý	ÉÉÉ	Í
FĪ	T ÚÁÖÖVÖE	Ý	ÉÉÉ	H
Fİ	T ÚÁÖÖVÖE	Ý	ÉÉÉ	Í É
FĬ	T ÚÁÖÖVÖE	Ý	ÉÉÉ	FÉ Í
FJ	T ÚÁÖÖVÖE	Ý	ÉÉÉ	Í É
ƒ€	T ÚÁÖÖVÖE	Ý	ÉÉÉ	FÉ Í
GF	T ÚÁÖÖVÖE	Ý	ÉÉÉ	Í
GG	T ÚÁÖÖVÖE	Ý	ÉÉÉ	H
GH	T ÚÁÖÖVÖE	Ý	ÉÉÉ	Í
G	T ÚÁÖÖVÖE	Ý	ÉÉÉ	H
Ĝ	T ÚÁÖSÚP ÖE	Ý	ÉÉÉ	Í
Ĝ	T ÚÁÖSÚP ÖE	Ý	ÉÉÉ Í H	Í
Ĝ	T ÚÁÖSÚP ÖE	Ý	ÉÉÉ	Í
Ĝ	T ÚÁÖSÚP ÖE	Ý	ÉÉÉ	Í
GJ	T ÚÁÖÖVÖE	Ý	ÉÉÉ	Í
ƒ€	T ÚÁÖÖVÖE	Ý	ÉÉÉ	Í
HF	T ÚÁÖÖVÖE	Ý	ÉÉÉ	Í
HG	T ÚÁÖÖVÖE	Ý	ÉÉÉ	Í
HH	T ÚÁÖSÚP ÖE	Ý	ÉÉÉ	Í
HI	T ÚÁÖSÚP ÖE	Ý	ÉÉÉ	Í
HĪ	T ÚÁÖÖVÖE	Ý	ÉÉÉ	Í
Hİ	T ÚÁÖÖVÖE	Ý	ÉÉÉ	J
HĬ	T ÚÁÖÖVÖE	Ý	ÉÉÉ	Í
Hİ	T ÚÁÖÖVÖE	Ý	ÉÉÉ	Í
HJ	T ÚÁÖSÚP ÖE	Ý	ÉÉÉ	Í
l €	T ÚÁÖSÚP ÖE	Ý	ÉÉÉ Í H	Í
l F	T ÚÁÖÖVÖE	Ý	ÉÉÉ	Í
l G	T ÚÁÖÖVÖE	Ý	ÉÉÉ	Í
l H	T ÚÁÖÖVÖE	Ý	ÉÉÉ	Í
l l	T ÚÁÖÖVÖE	Ý	ÉÉÉ Í H	Í

A Ya Vyf Dc]bh@UXg f6 @ '%: 'A UjblLb YbW'f7 \$L

	T ^{ à^!Áæ^}	Öá^&çá}	T æ} æ à^Z Ê Éçá	Š &çá} ŽeÁ á
F	T ÚÁÖSÚP ÖE	Ý	ÉÉÉ	Í É
G	T ÚÁÖSÚP ÖE	Ý	ÉÉÉ	FÉ Í
H	T ÚÁÖSÚP ÖE	Ý	ÉÉÉ	Í É
I	T ÚÁÖSÚP ÖE	Ý	ÉÉÉ	FÉ Í
Í	T ÚÁÖSÚP ÖE	Ý	ÉÉÉ	Í

A Ya Vyf'Dc]bh@UXg f6 @ %' : 'A UjblLb YbW'ft \$L'f7 cb]bi YXL

	T^{ à^!Aæ^}	Öá^&ç}	T æ} æ à^Ž È Eçá	Š &æ} ŽçÁ á
Í	T ÚÁÖSÚP ÖE	Ý	ÆEGG	H
İ	T ÚÁÖSÚP ÖE	Ý	ÆEÇH	Í
Ï	T ÚÁÖSÚP ÖE	Ý	ÆEÇH	H
J	T ÚÁÖÖVOE	Ý	ÆEGG	Í È
F€	T ÚÁÖÖVOE	Ý	ÆEGG	F È Í
FF	T ÚÁÖÖVOE	Ý	ÆEÇH	Í È
FG	T ÚÁÖÖVOE	Ý	ÆEÇH	F È Í
FH	T ÚÁÖÖVOE	Ý	ÆEGG	Í
FI	T ÚÁÖÖVOE	Ý	ÆEGG	H
FÍ	T ÚÁÖÖVOE	Ý	ÆEÇH	Í
FÎ	T ÚÁÖÖVOE	Ý	ÆEÇH	H
FÏ	T ÚÁÖÇE T ÇE	Ý	ÆEGG	Í È
FÌ	T ÚÁÖÇE T ÇE	Ý	ÆEGG	F È Í
FJ	T ÚÁÖÇE T ÇE	Ý	ÆEÇ	Í È
G€	T ÚÁÖÇE T ÇE	Ý	ÆEÇ	F È Í
GF	T ÚÁÖÇE T ÇE	Ý	ÆEGG	Í
GG	T ÚÁÖÇE T ÇE	Ý	ÆEGG	H
GH	T ÚÁÖÇE T ÇE	Ý	ÆEÇ	Í
G	T ÚÁÖÇE T ÇE	Ý	ÆEÇ	H
G	T ÚÁÖSÚP ÖE	Ý	ÆEÇ FF	Í
G	T ÚÁÖSÚP ÖE	Ý	ÆEÇ	Í
G	T ÚÁÖSÚP ÖE	Ý	ÆEÇ	Í
G	T ÚÁÖSÚP ÖE	Ý	ÆEGG	Í
GJ	T ÚÁÖÖVOE	Ý	ÆEÇ	Í
H€	T ÚÁÖÖVOE	Ý	ÆEGG	Í
HF	T ÚÁÖÇE T ÇE	Ý	ÆEGG	Í
HG	T ÚÁÖÇE T ÇE	Ý	ÆEÇH	Í
HH	T ÚÁÖSÚP ÖE	Ý	ÆEÇ	Í
HI	T ÚÁÖSÚP ÖE	Ý	ÆEGG	Í
HÍ	T ÚÁÖÖVOE	Ý	ÆEÇ	Í
HÎ	T ÚÁÖÖVOE	Ý	ÆEGG	Í
HÏ	T ÚÁÖÇE T ÇE	Ý	ÆEGG	Í
HÌ	T ÚÁÖÇE T ÇE	Ý	ÆEÇH	Í
HJ	T ÚÁÖSÚP ÖE	Ý	ÆEÇ FF	Í
I€	T ÚÁÖSÚP ÖE	Ý	ÆEÇ	Í
IF	T ÚÁÖÖVOE	Ý	ÆEÇ FF	Í
IG	T ÚÁÖÖVOE	Ý	ÆEÇ	Í
IH	T ÚÁÖÇE T ÇE	Ý	ÆEÇJGH	Í
II	T ÚÁÖÇE T ÇE	Ý	ÆEGG	Í

A Ya Vyf'Dc]bh@UXg f6 @ %' : 'A UjblLb YbW'ft \$L'

	T^{ à^!Aæ^}	Öá^&ç}	T æ} æ à^Ž È Eçá	Š &æ} ŽçÁ á
F	T ÚÁÖSÚP ÖE	Ý	ÆEÇ	Í È
G	T ÚÁÖSÚP ÖE	Ý	ÆEÇ	F È Í
H	T ÚÁÖSÚP ÖE	Ý	ÆEGG	Í
I	T ÚÁÖSÚP ÖE	Ý	ÆEGG	H
Í	T ÚÁÖÖVOE	Ý	ÆEÇ	Í È
Î	T ÚÁÖÖVOE	Ý	ÆEÇ	F È Í
Ï	T ÚÁÖÖVOE	Ý	ÆEÇ	Í
Ì	T ÚÁÖÖVOE	Ý	ÆEÇ	H
J	T ÚÁÖÇE T ÇE	Ý	ÆEÇ	Í È

A Ya Vyf'Dc]bhi@UXg'f6 @ '% : 'A UjblLbYbW'f' \$L'f'7 cb]jbi YXL

	T ^{ à^!Áæ^}	Öá^&ç}	T æ} æ à^Ž È Eçá	Š } &ç} ŽečA á
F€	T ÚÁÓCE T OE	Ý	ÆEE	FÈ Í
FF	T ÚÁÓCE T OE	Ý	ÆEE	Í
FG	T ÚÁÓCE T OE	Ý	ÆEE	H
FH	T ÚÁÓCE T OE	Ý	ÆEE	I
FI	T ÚÁÓCE T OE	Ý	ÆEE	I
FÍ	T ÚÁÓCE T OE	Ý	ÆEE	I
FÌ	T ÚÁÓCE T OE	Ý	ÆEE	I
FĪ	T ÚÁÓCE T OE	Ý	ÆEE	I
Fİ	T ÚÁÓCE T OE	Ý	ÆEE	I
FJ	T ÚÁÓCE T OE	Ý	ÆEE	I
G€	T ÚÁÓCE T OE	Ý	ÆEE	I
GF	T ÚÁÓCE T OE	Ý	ÆEE	I
GG	T ÚÁÓCE T OE	Ý	ÆEE	I

A Ya Vyf'Dc]bhi@UXg'f6 @ '% : 'A UjblLbYbW'f'&\$L

	T ^{ à^!Áæ^}	Öá^&ç}	T æ} æ à^Ž È Eçá	Š } &ç} ŽečA á
F	T ÚÁÓCE T OE	Ý	ÆEE	Í È
G	T ÚÁÓCE T OE	Ý	ÆEE	FÈ Í
H	T ÚÁÓCE T OE	Ý	ÆEE	Í È
I	T ÚÁÓCE T OE	Ý	ÆEE	FÈ Í
Í	T ÚÁÓCE T OE	Ý	ÆEEJI	Í
Ì	T ÚÁÓCE T OE	Ý	ÆEEJI	H
Ī	T ÚÁÓCE T OE	Ý	ÆEE	Í
İ	T ÚÁÓCE T OE	Ý	ÆEE	H
J	T ÚÁÓCE T OE	Ý	ÆEE	Í È
F€	T ÚÁÓCE T OE	Ý	ÆEE	FÈ Í
FF	T ÚÁÓCE T OE	Ý	ÆEE	Í È
FG	T ÚÁÓCE T OE	Ý	ÆEE	FÈ Í
FH	T ÚÁÓCE T OE	Ý	ÆEE	Í
FI	T ÚÁÓCE T OE	Ý	ÆEE	H
FÍ	T ÚÁÓCE T OE	Ý	ÆEE	Í
FÌ	T ÚÁÓCE T OE	Ý	ÆEE	H
FĪ	T ÚÁÓCE T OE	Ý	ÆEE	Í È
Fİ	T ÚÁÓCE T OE	Ý	ÆEE	FÈ Í
FJ	T ÚÁÓCE T OE	Ý	ÆEE	Í È
G€	T ÚÁÓCE T OE	Ý	ÆEE	FÈ Í
GF	T ÚÁÓCE T OE	Ý	ÆEE	Í
GG	T ÚÁÓCE T OE	Ý	ÆEE	H
GH	T ÚÁÓCE T OE	Ý	ÆEE	Í
G	T ÚÁÓCE T OE	Ý	ÆEE	H
Ĝ	T ÚÁÓCE T OE	Ý	ÆEE FF	I
Ĝ	T ÚÁÓCE T OE	Ý	ÆEE	I
Ĝ	T ÚÁÓCE T OE	Ý	ÆEE	I
Ĝ	T ÚÁÓCE T OE	Ý	ÆEE	I
GJ	T ÚÁÓCE T OE	Ý	ÆEE	I
H€	T ÚÁÓCE T OE	Ý	ÆEE	I
HF	T ÚÁÓCE T OE	Ý	ÆEE	I
HG	T ÚÁÓCE T OE	Ý	ÆEE	I
HH	T ÚÁÓCE T OE	Ý	ÆEE	I
HI	T ÚÁÓCE T OE	Ý	ÆEE	I
Hİ	T ÚÁÓCE T OE	Ý	ÆEE	I

A Ya Vyf Dc]bh @ UXg f6 @ ' & . ' A UjbhLb YbW'fB % \$ LL'fT cbh]bi YXL

	T ^{ à^! Æ ^! }	Ö ä ^ & ç }	T æ } ã à ^ Ž È É ç á	Š } & ç á } Ž è Ā á
FJ	T U Á Ö C E T O E	Ÿ	È È G	Í È Ĭ
GE	T U Á Ö C E T O E	Ÿ	È È G	F È Í
GF	T U Á Ö C E T O E	Ÿ	È È H	Í
GG	T U Á Ö C E T O E	Ÿ	È È H	H
GH	T U Á Ö C E T O E	Ÿ	È È F	Í
GI	T U Á Ö C E T O E	Ÿ	È È F	H
Gİ	T U Á Ö Ç Š Ü P O E	Ÿ	È È F	I
Gİ	T U Á Ö Ç Š Ü P O E	Ÿ	È È Ç Í H	I
Gİ	T U Á Ö Ç Š Ü P O E	Ÿ	È È H	I
Gİ	T U Á Ö Ç Š Ü P O E	Ÿ	È È G	I
GJ	T U Á Ö Ö V O E	Ÿ	È È G	I
HE	T U Á Ö Ö V O E	Ÿ	È È F	I
HF	T U Á Ö C E T O E	Ÿ	È È H	I
HG	T U Á Ö C E T O E	Ÿ	È È G	I
HH	T U Á Ö Ç Š Ü P O E	Ÿ	È È H	I
HI	T U Á Ö Ç Š Ü P O E	Ÿ	È È G	I
Hİ	T U Á Ö Ö V O E	Ÿ	È È G	I
Hİ	T U Á Ö Ö V O E	Ÿ	È È Ç J	I
Hİ	T U Á Ö C E T O E	Ÿ	È È H	I
Hİ	T U Á Ö C E T O E	Ÿ	È È G	I
HJ	T U Á Ö Ç Š Ü P O E	Ÿ	È È F	I
I €	T U Á Ö Ç Š Ü P O E	Ÿ	È È Ç Í H	I
IF	T U Á Ö Ö V O E	Ÿ	È È F	I
IG	T U Á Ö Ö V O E	Ÿ	È È Ç I	I
IH	T U Á Ö C E T O E	Ÿ	È È F	I
II	T U Á Ö C E T O E	Ÿ	È È Ç Í H	I

A Ya Vyf Dc]bh @ UXg f6 @ ' & . ' A UjbhLb YbW'fB (\$ LL

	T ^{ à^! Æ ^! }	Ö ä ^ & ç }	T æ } ã à ^ Ž È É ç á	Š } & ç á } Ž è Ā á
F	T U Á Ö Ç Š Ü P O E	Ÿ	È È I	Í È Ĭ
G	T U Á Ö Ç Š Ü P O E	Ÿ	È È I	F È Í
H	T U Á Ö Ç Š Ü P O E	Ÿ	È È I	Í È Ĭ
I	T U Á Ö Ç Š Ü P O E	Ÿ	È È I	F È Í
İ	T U Á Ö Ç Š Ü P O E	Ÿ	È È G	Í
İ	T U Á Ö Ç Š Ü P O E	Ÿ	È È G	H
İ	T U Á Ö Ç Š Ü P O E	Ÿ	È È H	Í
İ	T U Á Ö Ç Š Ü P O E	Ÿ	È È H	H
J	T U Á Ö Ö V O E	Ÿ	È È G	Í È Ĭ
F €	T U Á Ö Ö V O E	Ÿ	È È G	F È Í
FF	T U Á Ö Ö V O E	Ÿ	È È H	Í È Ĭ
FG	T U Á Ö Ö V O E	Ÿ	È È H	F È Í
FH	T U Á Ö Ö V O E	Ÿ	È È G	Í
FI	T U Á Ö Ö V O E	Ÿ	È È G	H
Fİ	T U Á Ö Ö V O E	Ÿ	È È H	Í
Fİ	T U Á Ö Ö V O E	Ÿ	È È H	H
Fİ	T U Á Ö C E T O E	Ÿ	È È G	Í È Ĭ
Fİ	T U Á Ö C E T O E	Ÿ	È È G	F È Í
FJ	T U Á Ö C E T O E	Ÿ	È È I	Í È Ĭ
GE	T U Á Ö C E T O E	Ÿ	È È I	F È Í
GF	T U Á Ö C E T O E	Ÿ	È È G	Í
GG	T U Á Ö C E T O E	Ÿ	È È G	H

A Ya Vyf'Dc]bh@UXg'f6 @ '&' : 'A UjblLb YbW'fB(\$L'f7 cbh]bi YXL

	T^(\ à^!Áæ^)	Öá^&á}	T æ} æ à^Ž É Écá	Š &æ} ŽcÁ á
GH	T ÚÁÓCE T OE	Ý	ÉÉI	I
G	T ÚÁÓCE T OE	Ý	ÉÉI	H
Q	T ÚÁÓŠUP OE	Ý	ÉÉÉ FF	I
Q	T ÚÁÓŠUP OE	Ý	ÉÉF	I
Q	T ÚÁÓŠUP OE	Ý	ÉÉF	I
Q	T ÚÁÓŠUP OE	Ý	ÉÉG	I
GJ	T ÚÁÓÓVOE	Ý	ÉÉF	I
HÉ	T ÚÁÓÓVOE	Ý	ÉÉG	I
HF	T ÚÁÓCE T OE	Ý	ÉÉG	I
HG	T ÚÁÓCE T OE	Ý	ÉÉH	I
HH	T ÚÁÓŠUP OE	Ý	ÉÉF	I
HI	T ÚÁÓŠUP OE	Ý	ÉÉG	I
HÍ	T ÚÁÓÓVOE	Ý	ÉÉF	I
HÍ	T ÚÁÓÓVOE	Ý	ÉÉG	I
Hİ	T ÚÁÓCE T OE	Ý	ÉÉG	I
Hİ	T ÚÁÓCE T OE	Ý	ÉÉH	I
HJ	T ÚÁÓŠUP OE	Ý	ÉÉÉ FF	I
I €	T ÚÁÓŠUP OE	Ý	ÉÉF	I
IF	T ÚÁÓÓVOE	Ý	ÉÉÉ FF	I
IG	T ÚÁÓÓVOE	Ý	ÉÉF	I
I H	T ÚÁÓCE T OE	Ý	ÉÉÉJGH	I
II	T ÚÁÓCE T OE	Ý	ÉÉG	I

A Ya Vyf'Dc]bh@UXg'f6 @ '&' : 'A UjblLb YbW'fB+\$L

	T^(\ à^!Áæ^)	Öá^&á}	T æ} æ à^Ž É Écá	Š &æ} ŽcÁ á
F	T ÚÁÓŠUP OE	Ý	ÉÉI	I ÉI
G	T ÚÁÓŠUP OE	Ý	ÉÉI	FÉI
H	T ÚÁÓŠUP OE	Ý	ÉÉG	I
I	T ÚÁÓŠUP OE	Ý	ÉÉG	H
Í	T ÚÁÓÓVOE	Ý	ÉÉI	I ÉI
İ	T ÚÁÓÓVOE	Ý	ÉÉI	FÉI
İ	T ÚÁÓÓVOE	Ý	ÉÉI	I
İ	T ÚÁÓÓVOE	Ý	ÉÉI	H
J	T ÚÁÓCE T OE	Ý	ÉÉI	I ÉI
F€	T ÚÁÓCE T OE	Ý	ÉÉI	FÉI
FF	T ÚÁÓCE T OE	Ý	ÉÉI	I
FG	T ÚÁÓCE T OE	Ý	ÉÉI	H
FH	T ÚÁÓŠUP OE	Ý	ÉÉF	I
FI	T ÚÁÓŠUP OE	Ý	ÉÉG	I
FÍ	T ÚÁÓÓVOE	Ý	ÉÉH	I
Fİ	T ÚÁÓCE T OE	Ý	ÉÉH	I
Fİ	T ÚÁÓŠUP OE	Ý	ÉÉG	I
Fİ	T ÚÁÓÓVOE	Ý	ÉÉH	I
FJ	T ÚÁÓCE T OE	Ý	ÉÉH	I
G€	T ÚÁÓŠUP OE	Ý	ÉÉF	I
GF	T ÚÁÓÓVOE	Ý	ÉÉG	I
GG	T ÚÁÓCE T OE	Ý	ÉÉG	I

A Ya Vyf'Dc]bh@UXg'f6 @ '&' : 'A UjblLb YbW'fI \$L

	T^(\ à^!Áæ^)	Öá^&á}	T æ} æ à^Ž É Écá	Š &æ} ŽcÁ á
F	T ÚÁÓŠUP OE	Ý	ÉÉH	I ÉI

ÜÖÖHÖÁ^!•ã} Á ÉÉGMMÁKÖI[, } áííHÍJaGGFHFJJAT[~}Öæ æ^•ã ŽZY dÜÖÖZHUÉGY ÉHáÁ Úæ^ÁIG

A Ya Vyf Dc]bh@UXg f6 @ ' & ' : ' A UjblLb YbW'fi \$ \$L'f'7 cbh]bi YXL

	T ^{ à^!Áæ^}	Öá^&á}	T æ} æ à^Ž È Écá	Š &á} ŽcÁ á
G	T ÚÁÖSÚP ÖE	Ÿ	ÉÉEH	FÉÍ
H	T ÚÁÖSÚP ÖE	Ÿ	ÉÉÍ	Í ÉG
I	T ÚÁÖSÚP ÖE	Ÿ	ÉÉÍ	FÉÍ
Í	T ÚÁÖSÚP ÖE	Ÿ	ÉÉÉUJI	Í
Ī	T ÚÁÖSÚP ÖE	Ÿ	ÉÉÉUJI	H
Ĭ	T ÚÁÖSÚP ÖE	Ÿ	ÉÉEG	Í
Ī	T ÚÁÖSÚP ÖE	Ÿ	ÉÉEG	H
J	T ÚÁÖÖVOE	Ÿ	ÉÉEG	Í ÉG
FE	T ÚÁÖÖVOE	Ÿ	ÉÉEG	FÉÍ
FF	T ÚÁÖÖVOE	Ÿ	ÉÉÍ	Í ÉG
FG	T ÚÁÖÖVOE	Ÿ	ÉÉÍ	FÉÍ
FH	T ÚÁÖÖVOE	Ÿ	ÉÉEG	Í
FI	T ÚÁÖÖVOE	Ÿ	ÉÉEG	H
FÍ	T ÚÁÖÖVOE	Ÿ	ÉÉÍ	Í
FĪ	T ÚÁÖÖVOE	Ÿ	ÉÉÍ	H
FĬ	T ÚÁÖCE T ÖE	Ÿ	ÉÉEG	Í ÉG
FĪ	T ÚÁÖCE T ÖE	Ÿ	ÉÉEG	FÉÍ
FJ	T ÚÁÖCE T ÖE	Ÿ	ÉÉH	Í ÉG
GE	T ÚÁÖCE T ÖE	Ÿ	ÉÉH	FÉÍ
GF	T ÚÁÖCE T ÖE	Ÿ	ÉÉEG	Í
GG	T ÚÁÖCE T ÖE	Ÿ	ÉÉEG	H
GH	T ÚÁÖCE T ÖE	Ÿ	ÉÉH	Í
G	T ÚÁÖCE T ÖE	Ÿ	ÉÉH	H
Ĝ	T ÚÁÖSÚP ÖE	Ÿ	ÉÉÉ FF	Í
Ĝ	T ÚÁÖSÚP ÖE	Ÿ	ÉÉF	Í
Ĝ	T ÚÁÖSÚP ÖE	Ÿ	ÉÉEF	Í
Ĝ	T ÚÁÖSÚP ÖE	Ÿ	ÉÉEG	Í
GJ	T ÚÁÖÖVOE	Ÿ	ÉÉEG	Í
HE	T ÚÁÖÖVOE	Ÿ	ÉÉH	Í
HF	T ÚÁÖCE T ÖE	Ÿ	ÉÉEF	Í
HG	T ÚÁÖCE T ÖE	Ÿ	ÉÉEG	Í
HH	T ÚÁÖSÚP ÖE	Ÿ	ÉÉEF	Í
HI	T ÚÁÖSÚP ÖE	Ÿ	ÉÉEG	Í
HÍ	T ÚÁÖÖVOE	Ÿ	ÉÉEG	Í
HĪ	T ÚÁÖÖVOE	Ÿ	ÉÉH	Í
HĬ	T ÚÁÖCE T ÖE	Ÿ	ÉÉEF	Í
HĪ	T ÚÁÖCE T ÖE	Ÿ	ÉÉEG	Í
HJ	T ÚÁÖSÚP ÖE	Ÿ	ÉÉÉ FF	Í
I €	T ÚÁÖSÚP ÖE	Ÿ	ÉÉF	Í
IF	T ÚÁÖÖVOE	Ÿ	ÉÉÉUJH	Í
IG	T ÚÁÖÖVOE	Ÿ	ÉÉEG	Í
IH	T ÚÁÖCE T ÖE	Ÿ	ÉÉÉ FF	Í
II	T ÚÁÖCE T ÖE	Ÿ	ÉÉF	Í

A Ya Vyf Dc]bh@UXg f6 @ ' & * ' : ' A UjblLb YbW'fi ' \$L

	T ^{ à^!Áæ^}	Öá^&á}	T æ} æ à^Ž È Écá	Š &á} ŽcÁ á
F	T ÚÁÖSÚP ÖE	Ÿ	ÉÉÍ	Í ÉG
G	T ÚÁÖSÚP ÖE	Ÿ	ÉÉÍ	FÉÍ
H	T ÚÁÖSÚP ÖE	Ÿ	ÉÉÍ	Í ÉG
I	T ÚÁÖSÚP ÖE	Ÿ	ÉÉÍ	FÉÍ
Í	T ÚÁÖSÚP ÖE	Ÿ	ÉÉH	Í

A Ya Vyf'Dc]bh@UXg f6 @ ' & ' : ' A UjblLb YbWY'fi ' \$L'f7 cbh]bi YXL

	T^{ à^!Áæ^}	Öá^&ç}	T æ} æ à^Z Æ Eçá	Š &ç} ŽçÁ á
Í	T ÚÁÖSÚP ÖE	Ý	ËËCH	H
İ	T ÚÁÖSÚP ÖE	Ý	ËËEG	Í
Ï	T ÚÁÖSÚP ÖE	Ý	ËËEG	H
J	T ÚÁÖÖVOE	Ý	ËËCH	Í Æ
F€	T ÚÁÖÖVOE	Ý	ËËCH	FË Í
FF	T ÚÁÖÖVOE	Ý	ËËEG	Í Æ
FG	T ÚÁÖÖVOE	Ý	ËËEG	FË Í
FH	T ÚÁÖÖVOE	Ý	ËËCH	Í
FI	T ÚÁÖÖVOE	Ý	ËËCH	H
FÍ	T ÚÁÖÖVOE	Ý	ËËEF	Í
FÏ	T ÚÁÖÖVOE	Ý	ËËEF	H
Fİ	T ÚÁÖÇE T ÇE	Ý	ËËCH	Í Æ
FÌ	T ÚÁÖÇE T ÇE	Ý	ËËCH	FË Í
FJ	T ÚÁÖÇE T ÇE	Ý	ËËEF	Í Æ
G€	T ÚÁÖÇE T ÇE	Ý	ËËEF	FË Í
GF	T ÚÁÖÇE T ÇE	Ý	ËËEG	Í
GG	T ÚÁÖÇE T ÇE	Ý	ËËEG	H
GH	T ÚÁÖÇE T ÇE	Ý	ËËEF	Í
G	T ÚÁÖÇE T ÇE	Ý	ËËEF	H
G	T ÚÁÖSÚP ÖE	Ý	ËËEF	Í
G	T ÚÁÖSÚP ÖE	Ý	ËËÇ Í H	Í
G	T ÚÁÖSÚP ÖE	Ý	ËËCH	Í
G	T ÚÁÖSÚP ÖE	Ý	ËËEG	Í
GJ	T ÚÁÖÖVOE	Ý	ËËCH	Í
H€	T ÚÁÖÖVOE	Ý	ËËEG	Í
HF	T ÚÁÖÇE T ÇE	Ý	ËËEG	Í
HG	T ÚÁÖÇE T ÇE	Ý	ËËEF	Í
HH	T ÚÁÖSÚP ÖE	Ý	ËËCH	Í
HI	T ÚÁÖSÚP ÖE	Ý	ËËEG	Í
HÍ	T ÚÁÖÖVOE	Ý	ËËCH	Í
HÏ	T ÚÁÖÖVOE	Ý	ËËEG	Í
Hİ	T ÚÁÖÇE T ÇE	Ý	ËËEG	Í
HÌ	T ÚÁÖÇE T ÇE	Ý	ËËÇJ	Í
HJ	T ÚÁÖSÚP ÖE	Ý	ËËEF	Í
I €	T ÚÁÖSÚP ÖE	Ý	ËËÇ Í H	Í
IF	T ÚÁÖÖVOE	Ý	ËËEF	Í
IG	T ÚÁÖÖVOE	Ý	ËËÇ Í H	Í
I H	T ÚÁÖÇE T ÇE	Ý	ËËEF	Í
I I	T ÚÁÖÇE T ÇE	Ý	ËËÇ Í	Í

A Ya Vyf'Dc]bh@UXg f6 @ ' & ' : ' WY'8 YUX' @UXL

	T^{ à^!Áæ^}	Öá^&ç}	T æ} æ à^Z Æ Eçá	Š &ç} ŽçÁ á
F	T ÚÁÖSÚP ÖE	Z	ËËGF	Í Æ
G	T ÚÁÖSÚP ÖE	Z	ËËGF	FË Í
H	T ÚÁÖSÚP ÖE	Z	ËËÍ	Í
I	T ÚÁÖSÚP ÖE	Z	ËËÍ	H
Í	T ÚÁÖÖVOE	Z	ËËÍ	Í Æ
İ	T ÚÁÖÖVOE	Z	ËËÍ	FË Í
Ï	T ÚÁÖÖVOE	Z	ËËÍ	Í
Ï	T ÚÁÖÖVOE	Z	ËËÍ	H
J	T ÚÁÖÇE T ÇE	Z	ËËÍ	Í Æ

A Ya Vyf'Dc]bh@UXg'f6 @ '&.' :WY'8 YUX'@UXL'f7 cb]bi YXL

	T^{\ à^!Áæ^}	Öá^&ç}	T æ} æ à^Z É Écá	Š &ç} ŽeÁ á
F€	T ÚÁÖCE T OE	Z	ÉÉ	FÉ Í
FF	T ÚÁÖCE T OE	Z	ÉÉÍ	Í
FG	T ÚÁÖCE T OE	Z	ÉÉÍ	H
FH	T ÚÁÖSÚP OE	Z	ÉÉ Í	I
FI	T ÚÁÖSÚP OE	Z	ÉÉ Í	I
FÍ	T ÚÁÖÖVCE	Z	ÉÉ Í	I
FĪ	T ÚÁÖCE T OE	Z	ÉÉ Í	I
Fİ	T ÚÁÖSÚP OE	Z	ÉÉ F	I
Fì	T ÚÁÖÖVCE	Z	ÉÉ F	I
FJ	T ÚÁÖCE T OE	Z	ÉÉ F	I
G€	T ÚÁÖSÚP OE	Z	ÉÉ H	I
GF	T ÚÁÖÖVCE	Z	ÉÉ H	I
GG	T ÚÁÖCE T OE	Z	ÉÉ H	I

A Ya Vyf'Dc]bh@UXg'f6 @ '&.' :WY'K]bX'@UX'f\$££

	T^{\ à^!Áæ^}	Öá^&ç}	T æ} æ à^Z É Écá	Š &ç} ŽeÁ á
F	T ÚÁÖSÚP OE	Y	ÉÉG	Í ÉG
G	T ÚÁÖSÚP OE	Y	ÉÉG	FÉ Í
H	T ÚÁÖSÚP OE	Y	ÉÉÉ	Í
I	T ÚÁÖSÚP OE	Y	ÉÉÉ	H
Í	T ÚÁÖÖVCE	Y	ÉÉÉ	Í ÉG
Ī	T ÚÁÖÖVCE	Y	ÉÉÉ	FÉ Í
İ	T ÚÁÖÖVCE	Y	ÉÉEH	Í
ì	T ÚÁÖÖVCE	Y	ÉÉEH	H
J	T ÚÁÖCE T OE	Y	ÉÉÉ	Í ÉG
F€	T ÚÁÖCE T OE	Y	ÉÉÉ	FÉ Í
FF	T ÚÁÖCE T OE	Y	ÉÉEH	Í
FG	T ÚÁÖCE T OE	Y	ÉÉEH	H
FH	T ÚÁÖSÚP OE	Y	ÉÉÉJ	I
FI	T ÚÁÖSÚP OE	Y	ÉÉÉ	I
FÍ	T ÚÁÖÖVCE	Y	ÉÉÉ	I
FĪ	T ÚÁÖCE T OE	Y	ÉÉÉ	I
Fİ	T ÚÁÖSÚP OE	Y	ÉÉÉ	I
Fì	T ÚÁÖÖVCE	Y	ÉÉÉ	I
FJ	T ÚÁÖCE T OE	Y	ÉÉÉ	I
G€	T ÚÁÖSÚP OE	Y	ÉÉÉJ	I
GF	T ÚÁÖÖVCE	Y	ÉÉÉ	I
GG	T ÚÁÖCE T OE	Y	ÉÉÉ	I

A Ya Vyf'Dc]bh@UXg'f6 @ '&.' :WY'K]bX'@UX'f! \$££

	T^{\ à^!Áæ^}	Öá^&ç}	T æ} æ à^Z É Écá	Š &ç} ŽeÁ á
F	T ÚÁÖSÚP OE	Y	ÉÉG	Í ÉG
G	T ÚÁÖSÚP OE	Y	ÉÉG	FÉ Í
H	T ÚÁÖSÚP OE	Y	ÉÉFÍ	Í ÉG
I	T ÚÁÖSÚP OE	Y	ÉÉFÍ	FÉ Í
Í	T ÚÁÖSÚP OE	Y	ÉÉÉ	Í
Ī	T ÚÁÖSÚP OE	Y	ÉÉÉ	H
İ	T ÚÁÖSÚP OE	Y	ÉÉÉ	Í
ì	T ÚÁÖSÚP OE	Y	ÉÉÉ	H
J	T ÚÁÖÖVCE	Y	ÉÉÉJ	Í ÉG
F€	T ÚÁÖÖVCE	Y	ÉÉÉJ	FÉ Í

A Ya Vyf'Dc]bhi@UXg'f6 @ '&.' :WYK]bX'@UX'fl \$L'f7 cb]bi YXL

	T^{ à^/Å æ^}	Öá^&ç}	T æ} æ á^Ž È Eçá	Š &æ} ŽeĀ á
FF	T ÚÁÖÖVÖE	Ÿ	ÆÆÍ	Í ÆÍ
FG	T ÚÁÖÖVÖE	Ÿ	ÆÆÍ	FÆÍ
FH	T ÚÁÖÖVÖE	Ÿ	ÆÆÍ	Í
FI	T ÚÁÖÖVÖE	Ÿ	ÆÆÍ	H
FÍ	T ÚÁÖÖVÖE	Ÿ	ÆÆH	Í
FÎ	T ÚÁÖÖVÖE	Ÿ	ÆÆH	H
FÏ	T ÚÁÖÖE T ÖE	Ÿ	ÆÆÍ	Í ÆÍ
FÌ	T ÚÁÖÖE T ÖE	Ÿ	ÆÆÍ	FÆÍ
FJ	T ÚÁÖÖE T ÖE	Ÿ	ÆÆÍ	Í ÆÍ
G€	T ÚÁÖÖE T ÖE	Ÿ	ÆÆÍ	FÆÍ
GF	T ÚÁÖÖE T ÖE	Ÿ	ÆÆÍ	Í
GG	T ÚÁÖÖE T ÖE	Ÿ	ÆÆÍ	H
GH	T ÚÁÖÖE T ÖE	Ÿ	ÆÆGG	Í
G	T ÚÁÖÖE T ÖE	Ÿ	ÆÆGG	H
Ġ	T ÚÁÖÖE T ÖE	Ÿ	ÆÆÍ	Í
G̈	T ÚÁÖÖE T ÖE	Ÿ	ÆÆÍ	Í
G̉	T ÚÁÖÖE T ÖE	Ÿ	ÆÆÍ	Í
G̊	T ÚÁÖÖE T ÖE	Ÿ	ÆÆÍ	Í
G̋	T ÚÁÖÖE T ÖE	Ÿ	ÆÆÍ	Í
Ǧ	T ÚÁÖÖE T ÖE	Ÿ	ÆÆÍ	Í
G̍	T ÚÁÖÖE T ÖE	Ÿ	ÆÆÍ	Í
G̎	T ÚÁÖÖE T ÖE	Ÿ	ÆÆÍ	Í
G̏	T ÚÁÖÖE T ÖE	Ÿ	ÆÆÍ	Í
G̐	T ÚÁÖÖE T ÖE	Ÿ	ÆÆÍ	Í
G̑	T ÚÁÖÖE T ÖE	Ÿ	ÆÆÍ	Í
G̒	T ÚÁÖÖE T ÖE	Ÿ	ÆÆÍ	Í
G̓	T ÚÁÖÖE T ÖE	Ÿ	ÆÆÍ	Í
G̔	T ÚÁÖÖE T ÖE	Ÿ	ÆÆÍ	Í
G̕	T ÚÁÖÖE T ÖE	Ÿ	ÆÆÍ	Í
G̖	T ÚÁÖÖE T ÖE	Ÿ	ÆÆÍ	Í
G̗	T ÚÁÖÖE T ÖE	Ÿ	ÆÆÍ	Í
G̘	T ÚÁÖÖE T ÖE	Ÿ	ÆÆÍ	Í
G̙	T ÚÁÖÖE T ÖE	Ÿ	ÆÆÍ	Í
G̚	T ÚÁÖÖE T ÖE	Ÿ	ÆÆÍ	Í
G̛	T ÚÁÖÖE T ÖE	Ÿ	ÆÆÍ	Í
G̜	T ÚÁÖÖE T ÖE	Ÿ	ÆÆÍ	Í
G̝	T ÚÁÖÖE T ÖE	Ÿ	ÆÆÍ	Í
G̞	T ÚÁÖÖE T ÖE	Ÿ	ÆÆÍ	Í
G̟	T ÚÁÖÖE T ÖE	Ÿ	ÆÆÍ	Í
G̠	T ÚÁÖÖE T ÖE	Ÿ	ÆÆÍ	Í
G̡	T ÚÁÖÖE T ÖE	Ÿ	ÆÆÍ	Í
G̢	T ÚÁÖÖE T ÖE	Ÿ	ÆÆÍ	Í
G̣	T ÚÁÖÖE T ÖE	Ÿ	ÆÆÍ	Í
G̤	T ÚÁÖÖE T ÖE	Ÿ	ÆÆÍ	Í
G̥	T ÚÁÖÖE T ÖE	Ÿ	ÆÆÍ	Í
G̦	T ÚÁÖÖE T ÖE	Ÿ	ÆÆÍ	Í
Ģ	T ÚÁÖÖE T ÖE	Ÿ	ÆÆÍ	Í
G̨	T ÚÁÖÖE T ÖE	Ÿ	ÆÆÍ	Í
G̩	T ÚÁÖÖE T ÖE	Ÿ	ÆÆÍ	Í
G̪	T ÚÁÖÖE T ÖE	Ÿ	ÆÆÍ	Í
G̫	T ÚÁÖÖE T ÖE	Ÿ	ÆÆÍ	Í
G̬	T ÚÁÖÖE T ÖE	Ÿ	ÆÆÍ	Í
G̭	T ÚÁÖÖE T ÖE	Ÿ	ÆÆÍ	Í
G̮	T ÚÁÖÖE T ÖE	Ÿ	ÆÆÍ	Í
G̯	T ÚÁÖÖE T ÖE	Ÿ	ÆÆÍ	Í
G̰	T ÚÁÖÖE T ÖE	Ÿ	ÆÆÍ	Í
G̱	T ÚÁÖÖE T ÖE	Ÿ	ÆÆÍ	Í
G̲	T ÚÁÖÖE T ÖE	Ÿ	ÆÆÍ	Í
G̳	T ÚÁÖÖE T ÖE	Ÿ	ÆÆÍ	Í
G̴	T ÚÁÖÖE T ÖE	Ÿ	ÆÆÍ	Í
G̵	T ÚÁÖÖE T ÖE	Ÿ	ÆÆÍ	Í
G̶	T ÚÁÖÖE T ÖE	Ÿ	ÆÆÍ	Í
G̷	T ÚÁÖÖE T ÖE	Ÿ	ÆÆÍ	Í
G̸	T ÚÁÖÖE T ÖE	Ÿ	ÆÆÍ	Í
G̹	T ÚÁÖÖE T ÖE	Ÿ	ÆÆÍ	Í
G̺	T ÚÁÖÖE T ÖE	Ÿ	ÆÆÍ	Í
G̻	T ÚÁÖÖE T ÖE	Ÿ	ÆÆÍ	Í
G̼	T ÚÁÖÖE T ÖE	Ÿ	ÆÆÍ	Í
G̽	T ÚÁÖÖE T ÖE	Ÿ	ÆÆÍ	Í
G̾	T ÚÁÖÖE T ÖE	Ÿ	ÆÆÍ	Í
G̿	T ÚÁÖÖE T ÖE	Ÿ	ÆÆÍ	Í

A Ya Vyf'Dc]bhi@UXg'f6 @ " \$.' :WYK]bX'@UX'fl \$L

	T^{ à^/Å æ^}	Öá^&ç}	T æ} æ á^Ž È Eçá	Š &æ} ŽeĀ á
F	T ÚÁÖÖE T ÖE	Ÿ	ÆÆÍ	Í ÆÍ
G	T ÚÁÖÖE T ÖE	Ÿ	ÆÆÍ	FÆÍ
H	T ÚÁÖÖE T ÖE	Ÿ	ÆÆÍ	Í ÆÍ
I	T ÚÁÖÖE T ÖE	Ÿ	ÆÆÍ	FÆÍ
Í	T ÚÁÖÖE T ÖE	Ÿ	ÆÆÍ	Í
Î	T ÚÁÖÖE T ÖE	Ÿ	ÆÆÍ	H
Ï	T ÚÁÖÖE T ÖE	Ÿ	ÆÆÍ	Í
Ì	T ÚÁÖÖE T ÖE	Ÿ	ÆÆÍ	H
J	T ÚÁÖÖE T ÖE	Ÿ	ÆÆÍ	Í ÆÍ
F€	T ÚÁÖÖE T ÖE	Ÿ	ÆÆÍ	FÆÍ
FF	T ÚÁÖÖE T ÖE	Ÿ	ÆÆFH	Í ÆÍ
FG	T ÚÁÖÖE T ÖE	Ÿ	ÆÆFH	FÆÍ
FH	T ÚÁÖÖE T ÖE	Ÿ	ÆÆÍ	Í
FI	T ÚÁÖÖE T ÖE	Ÿ	ÆÆÍ	H

A Ya Vyf'Dc]bhi@UXg'f6 @ ' '\$: 'W'K]bX'@UX'f' \$L'f'7 cb]bi YXL

	T ^{ à^!Áæ^}	Öá^&ç}	T æ} æ á^Ž Æ Éçá	Š } &æç} ŽečA á
FÍ	T ÚÁÓÓVOE	Ý	ÆEÍ	Í
FÌ	T ÚÁÓÓVOE	Ý	ÆEÍ	H
FĪ	T ÚÁÓCE T OE	Ý	ÆEĪ	Ī Ě
FĪ	T ÚÁÓCE T OE	Ý	ÆEĪ	FĚ Ī
FJ	T ÚÁÓCE T OE	Ý	ÆE F	Ī Ě
GE	T ÚÁÓCE T OE	Ý	ÆE F	FĚ Ī
GF	T ÚÁÓCE T OE	Ý	ÆE	Í
GG	T ÚÁÓCE T OE	Ý	ÆE	H
GH	T ÚÁÓCE T OE	Ý	ÆE	Í
G	T ÚÁÓCE T OE	Ý	ÆE	H
Ġ	T ÚÁÓŠÚPOE	Ý	ÆE	Í
Ġ	T ÚÁÓŠÚPOE	Ý	ÆE	Í
Ġ	T ÚÁÓŠÚPOE	Ý	ÆE H	Í
Ġ	T ÚÁÓŠÚPOE	Ý	ÆE	Í
GJ	T ÚÁÓÓVOE	Ý	ÆE H	Í
HE	T ÚÁÓÓVOE	Ý	ÆE	Í
HF	T ÚÁÓCE T OE	Ý	ÆE	Í
HG	T ÚÁÓCE T OE	Ý	ÆE	Í
HH	T ÚÁÓŠÚPOE	Ý	ÆE H	Í
H	T ÚÁÓŠÚPOE	Ý	ÆE	Í
Ḣ	T ÚÁÓÓVOE	Ý	ÆE H	Í
Ḣ	T ÚÁÓÓVOE	Ý	ÆE	Í
Ḣ	T ÚÁÓCE T OE	Ý	ÆE	Í
Ḣ	T ÚÁÓCE T OE	Ý	ÆE	Í
HJ	T ÚÁÓŠÚPOE	Ý	ÆE	Í
I €	T ÚÁÓŠÚPOE	Ý	ÆE	Í
IF	T ÚÁÓÓVOE	Ý	ÆE	Í
IG	T ÚÁÓÓVOE	Ý	ÆE	Í
I H	T ÚÁÓCE T OE	Ý	ÆE	Í
II	T ÚÁÓCE T OE	Ý	ÆE	Í

A Ya Vyf'Dc]bhi@UXg'f6 @ ' '\$: 'W'K]bX'@UX'f' \$L

	T ^{ à^!Áæ^}	Öá^&ç}	T æ} æ á^Ž Æ Éçá	Š } &æç} ŽečA á
F	T ÚÁÓŠÚPOE	Ý	ÆEG	Ī Ě
G	T ÚÁÓŠÚPOE	Ý	ÆEG	FĚ Ī
H	T ÚÁÓŠÚPOE	Ý	ÆEĪ	Í
I	T ÚÁÓŠÚPOE	Ý	ÆEĪ	H
Í	T ÚÁÓÓVOE	Ý	ÆEĪ	Ī Ě
Ī	T ÚÁÓÓVOE	Ý	ÆEĪ	FĚ Ī
Ī	T ÚÁÓÓVOE	Ý	ÆE	Í
Ì	T ÚÁÓÓVOE	Ý	ÆE	H
J	T ÚÁÓCE T OE	Ý	ÆEĪ	Ī Ě
F€	T ÚÁÓCE T OE	Ý	ÆEĪ	FĚ Ī
FF	T ÚÁÓCE T OE	Ý	ÆE	Í
FG	T ÚÁÓCE T OE	Ý	ÆE	H
FH	T ÚÁÓŠÚPOE	Ý	ÆE	Í
FI	T ÚÁÓŠÚPOE	Ý	ÆEĪ	Í
FÍ	T ÚÁÓÓVOE	Ý	ÆE	Í
FÌ	T ÚÁÓCE T OE	Ý	ÆE	Í
FĪ	T ÚÁÓŠÚPOE	Ý	ÆE	Í
FĪ	T ÚÁÓÓVOE	Ý	ÆE	Í

A Ya Vyf Dc]bh@ UXg f6 @ " ' ' : =WYK]bX' @ UX'fp% \$H

	T ^{ à^!Aæ^}	Öâ^&ç}	T æ} æ à^Z È Eçá	Š { &ç} ŽečA á
F	T ÚÁÖSÚP ÖE	Ÿ	REFÍ	Í EG
G	T ÚÁÖSÚP ÖE	Ÿ	REFÍ	FÈ Í
H	T ÚÁÖSÚP ÖE	Ÿ	ÈÈEJ	Í EG
I	T ÚÁÖSÚP ÖE	Ÿ	ÈÈEJ	FÈ Í
Í	T ÚÁÖSÚP ÖE	Ÿ	ÈÈÍ	Í
Î	T ÚÁÖSÚP ÖE	Ÿ	ÈÈÍ	H
Ï	T ÚÁÖSÚP ÖE	Ÿ	ÈÈCH	Í
Ï	T ÚÁÖSÚP ÖE	Ÿ	ÈÈCH	H
J	T ÚÁÖÖVÖE	Ÿ	ÈÈÍ	Í EG
FE	T ÚÁÖÖVÖE	Ÿ	ÈÈÍ	FÈ Í
FF	T ÚÁÖÖVÖE	Ÿ	ÈÈE	Í EG
FG	T ÚÁÖÖVÖE	Ÿ	ÈÈE	FÈ Í
FH	T ÚÁÖÖVÖE	Ÿ	ÈÈÍ	Í
FI	T ÚÁÖÖVÖE	Ÿ	ÈÈÍ	H
FÍ	T ÚÁÖÖVÖE	Ÿ	ÈÈEG	Í
FÎ	T ÚÁÖÖVÖE	Ÿ	ÈÈEG	H
FÏ	T ÚÁÖCE T ÖE	Ÿ	ÈÈEJ	Í EG
FÏ	T ÚÁÖCE T ÖE	Ÿ	ÈÈEJ	FÈ Í
FJ	T ÚÁÖCE T ÖE	Ÿ	ÈÈÍ	Í EG
GE	T ÚÁÖCE T ÖE	Ÿ	ÈÈÍ	FÈ Í
GF	T ÚÁÖCE T ÖE	Ÿ	ÈÈÍ	Í
GG	T ÚÁÖCE T ÖE	Ÿ	ÈÈÍ	H
GH	T ÚÁÖCE T ÖE	Ÿ	ÈÈCH	Í
G	T ÚÁÖCE T ÖE	Ÿ	ÈÈCH	H
G	T ÚÁÖSÚP ÖE	Ÿ	ÈÈÍ	Í
G	T ÚÁÖSÚP ÖE	Ÿ	ÈÈE	Í
G	T ÚÁÖSÚP ÖE	Ÿ	ÈÈÍ	Í
G	T ÚÁÖSÚP ÖE	Ÿ	ÈÈE	Í
GJ	T ÚÁÖÖVÖE	Ÿ	ÈÈÍ	Í
HE	T ÚÁÖÖVÖE	Ÿ	ÈÈE	Í
HF	T ÚÁÖCE T ÖE	Ÿ	ÈÈÍ	Í
HG	T ÚÁÖCE T ÖE	Ÿ	ÈÈCH	Í
HH	T ÚÁÖSÚP ÖE	Ÿ	ÈÈÍ	Í
H	T ÚÁÖSÚP ÖE	Ÿ	ÈÈE	Í
H	T ÚÁÖÖVÖE	Ÿ	ÈÈÍ	Í
H	T ÚÁÖÖVÖE	Ÿ	ÈÈE	Í
H	T ÚÁÖCE T ÖE	Ÿ	ÈÈÍ	Í
H	T ÚÁÖCE T ÖE	Ÿ	ÈÈEG	Í
HJ	T ÚÁÖSÚP ÖE	Ÿ	ÈÈÍ	Í
I €	T ÚÁÖSÚP ÖE	Ÿ	ÈÈE	Í
IF	T ÚÁÖÖVÖE	Ÿ	ÈÈÍ	Í
IG	T ÚÁÖÖVÖE	Ÿ	ÈÈE	Í
I H	T ÚÁÖCE T ÖE	Ÿ	ÈÈÍ	Í
II	T ÚÁÖCE T ÖE	Ÿ	ÈÈE	Í

A Ya Vyf Dc]bh@ UXg f6 @ " (: =WYK]bX' @ UX'fp% \$H

	T ^{ à^!Aæ^}	Öâ^&ç}	T æ} æ à^Z È Eçá	Š { &ç} ŽečA á
F	T ÚÁÖSÚP ÖE	Ÿ	REG	Í EG
G	T ÚÁÖSÚP ÖE	Ÿ	REG	FÈ Í
H	T ÚÁÖSÚP ÖE	Ÿ	ÈÈÍ	Í
I	T ÚÁÖSÚP ÖE	Ÿ	ÈÈÍ	H

A Ya Vyf'Dc]bhi@UXg'f6 @ " (: 'WYK]bX'@UX'f% \$L'f' cb]bi YXL

	T\{ à^!Àæ^}	Öá^&ç}	T æ} æ à^Ž È Éçá	Š &æç} ŽčĀ á
Í	T ÚÁÖVOE	Ÿ	ÉÉÍ	Í ÉÍ
Î	T ÚÁÖVOE	Ÿ	ÉÉÍ	FÉ Í
Ï	T ÚÁÖVOE	Ÿ	ÉÉH	Í
Ï	T ÚÁÖVOE	Ÿ	ÉÉH	H
J	T ÚÁÖE T OE	Ÿ	ÉÉÍ	Í ÉÍ
F€	T ÚÁÖE T OE	Ÿ	ÉÉÍ	FÉ Í
FF	T ÚÁÖE T OE	Ÿ	ÉÉH	Í
FG	T ÚÁÖE T OE	Ÿ	ÉÉH	H
FH	T ÚÁÖSÚP OE	Ÿ	ÉÉJ	I
FI	T ÚÁÖSÚP OE	Ÿ	ÉÉÍ	I
FÍ	T ÚÁÖVOE	Ÿ	ÉÉÍ	I
FÎ	T ÚÁÖE T OE	Ÿ	ÉÉÍ	I
FÏ	T ÚÁÖSÚP OE	Ÿ	ÉÉÍ	I
FÌ	T ÚÁÖVOE	Ÿ	ÉÉÍ	I
FJ	T ÚÁÖE T OE	Ÿ	ÉÉÍ	I
G€	T ÚÁÖSÚP OE	Ÿ	ÉÉJ	I
GF	T ÚÁÖVOE	Ÿ	ÉÉÍ	I
GG	T ÚÁÖE T OE	Ÿ	ÉÉÍ	I

A Ya Vyf'Dc]bhi@UXg'f6 @ ") : 'WYK]bX'@UX'fB,\$L

	T\{ à^!Àæ^}	Öá^&ç}	T æ} æ à^Ž È Éçá	Š &æç} ŽčĀ á
F	T ÚÁÖSÚP OE	Ÿ	ÉÉÍ	Í ÉÍ
G	T ÚÁÖSÚP OE	Ÿ	ÉÉÍ	FÉ Í
H	T ÚÁÖSÚP OE	Ÿ	ÉÉÍ	Í ÉÍ
I	T ÚÁÖSÚP OE	Ÿ	ÉÉÍ	FÉ Í
Í	T ÚÁÖSÚP OE	Ÿ	ÉÉÍ	Í
Î	T ÚÁÖSÚP OE	Ÿ	ÉÉÍ	H
Ï	T ÚÁÖSÚP OE	Ÿ	ÉÉÍ	Í
Ï	T ÚÁÖSÚP OE	Ÿ	ÉÉÍ	H
J	T ÚÁÖVOE	Ÿ	ÉÉJ	Í ÉÍ
F€	T ÚÁÖVOE	Ÿ	ÉÉJ	FÉ Í
FF	T ÚÁÖVOE	Ÿ	ÉÉÍ	Í ÉÍ
FG	T ÚÁÖVOE	Ÿ	ÉÉÍ	FÉ Í
FH	T ÚÁÖVOE	Ÿ	ÉÉÍ	Í
FI	T ÚÁÖVOE	Ÿ	ÉÉÍ	H
FÍ	T ÚÁÖVOE	Ÿ	ÉÉH	Í
FÎ	T ÚÁÖVOE	Ÿ	ÉÉH	H
FÏ	T ÚÁÖE T OE	Ÿ	ÉÉÍ	Í ÉÍ
FÌ	T ÚÁÖE T OE	Ÿ	ÉÉÍ	FÉ Í
FJ	T ÚÁÖE T OE	Ÿ	ÉÉÍ	Í ÉÍ
G€	T ÚÁÖE T OE	Ÿ	ÉÉÍ	FÉ Í
GF	T ÚÁÖE T OE	Ÿ	ÉÉÍ	Í
GG	T ÚÁÖE T OE	Ÿ	ÉÉÍ	H
GH	T ÚÁÖE T OE	Ÿ	ÉÉG	Í
G	T ÚÁÖE T OE	Ÿ	ÉÉG	H
Ĝ	T ÚÁÖSÚP OE	Ÿ	ÉÉÍ	I
Ĝ	T ÚÁÖSÚP OE	Ÿ	ÉÉÍ	I
Ĝ	T ÚÁÖSÚP OE	Ÿ	ÉÉÍ	I
Ĝ	T ÚÁÖSÚP OE	Ÿ	ÉÉÍ	I
Ĝ	T ÚÁÖSÚP OE	Ÿ	ÉÉÍ	I
GJ	T ÚÁÖVOE	Ÿ	ÉÉÍ	I
HE	T ÚÁÖVOE	Ÿ	ÉÉH	I

A Ya Vyf'Dc]bhi@UXg'f6 @ ') : 'W'K]bX' @UX'fB%'\$H'f7 cb]bi YXL

	T^{\ à^!Äæ^}	Öä^&ç}	T æ} æ à^ Ž È Eca	Š &æç} ŽeĀ á
HF	T ÚÁÖE T ÖE	Ÿ	ÆEÍ	Í
HG	T ÚÁÖE T ÖE	Ÿ	ÆEÍ	Í
HH	T ÚÁÖSÚP ÖE	Ÿ	ÆEÍ	Í
HI	T ÚÁÖSÚP ÖE	Ÿ	ÆEÍ	Í
HÍ	T ÚÁÖÖVÖE	Ÿ	ÆEÍ	Í
HĪ	T ÚÁÖÖVÖE	Ÿ	ÆEG	Í
Hĩ	T ÚÁÖE T ÖE	Ÿ	ÆEÍ	Í
Hİ	T ÚÁÖE T ÖE	Ÿ	ÆEÍ	Í
HJ	T ÚÁÖSÚP ÖE	Ÿ	ÆEÍ	Í
I €	T ÚÁÖSÚP ÖE	Ÿ	ÆEÍ	Í
IF	T ÚÁÖÖVÖE	Ÿ	ÆEÍ	Í
IG	T ÚÁÖÖVÖE	Ÿ	ÆEÍ	Í
IH	T ÚÁÖE T ÖE	Ÿ	ÆEÍ	Í
II	T ÚÁÖE T ÖE	Ÿ	ÆEÍ	Í

A Ya Vyf'Dc]bhi@UXg'f6 @ ' * : 'W'K]bX' @UX'fB(\$H

	T^{\ à^!Äæ^}	Öä^&ç}	T æ} æ à^ Ž È Eca	Š &æç} ŽeĀ á
F	T ÚÁÖSÚP ÖE	Ÿ	ÆFI	Í Ę
G	T ÚÁÖSÚP ÖE	Ÿ	ÆFI	FĪ Í
H	T ÚÁÖSÚP ÖE	Ÿ	ÆG	Í Ę
I	T ÚÁÖSÚP ÖE	Ÿ	ÆG	FĪ Í
Í	T ÚÁÖSÚP ÖE	Ÿ	ÆEÍ	Í
Ī	T ÚÁÖSÚP ÖE	Ÿ	ÆEÍ	H
ĩ	T ÚÁÖSÚP ÖE	Ÿ	ÆEÍ	Í
İ	T ÚÁÖSÚP ÖE	Ÿ	ÆEÍ	H
J	T ÚÁÖÖVÖE	Ÿ	ÆEÍ	Í Ę
F€	T ÚÁÖÖVÖE	Ÿ	ÆEÍ	FĪ Í
FF	T ÚÁÖÖVÖE	Ÿ	ÆFH	Í Ę
FG	T ÚÁÖÖVÖE	Ÿ	ÆFH	FĪ Í
FH	T ÚÁÖÖVÖE	Ÿ	ÆEÍ	Í
FI	T ÚÁÖÖVÖE	Ÿ	ÆEÍ	H
FÍ	T ÚÁÖÖVÖE	Ÿ	ÆEÍ	Í
FĪ	T ÚÁÖÖVÖE	Ÿ	ÆEÍ	H
Fĩ	T ÚÁÖE T ÖE	Ÿ	ÆEÍ	Í Ę
Fİ	T ÚÁÖE T ÖE	Ÿ	ÆEÍ	FĪ Í
FJ	T ÚÁÖE T ÖE	Ÿ	ÆFF	Í Ę
G€	T ÚÁÖE T ÖE	Ÿ	ÆFF	FĪ Í
GF	T ÚÁÖE T ÖE	Ÿ	ÆEÍ	Í
GG	T ÚÁÖE T ÖE	Ÿ	ÆEÍ	H
GH	T ÚÁÖE T ÖE	Ÿ	ÆEÍ	Í
G	T ÚÁÖE T ÖE	Ÿ	ÆEÍ	H
Ĝ	T ÚÁÖSÚP ÖE	Ÿ	ÆEÍ	Í
Ĝ	T ÚÁÖSÚP ÖE	Ÿ	ÆEÍ	Í
Ĝ	T ÚÁÖSÚP ÖE	Ÿ	ÆEH	Í
Ĝ	T ÚÁÖSÚP ÖE	Ÿ	ÆEÍ	Í
GJ	T ÚÁÖÖVÖE	Ÿ	ÆEH	Í
H€	T ÚÁÖÖVÖE	Ÿ	ÆEÍ	Í
HF	T ÚÁÖE T ÖE	Ÿ	ÆEÍ	Í
HG	T ÚÁÖE T ÖE	Ÿ	ÆEÍ	Í
HH	T ÚÁÖSÚP ÖE	Ÿ	ÆEH	Í
HI	T ÚÁÖSÚP ÖE	Ÿ	ÆEÍ	Í

A Ya Vyf'Dc]bh@UXg'f6 @ " * : 'WY'K]bX' @UX'fB(\$H'f7 cb]bi YXL

	T ^{ à^! /Àæ^! }	Öä^&çá}	T æ} æ à^ Ž È Ècá	Š } &æç } ŽcĀ á
HÍ	T ÚÁÖÖVOE	Ý	ĚEH	Í
HĪ	T ÚÁÖÖVOE	Ý	ĚÉÍ	Í
HĪ	T ÚÁÖÖE T ÖE	Ý	ĚÉÍ	Í
HĪ	T ÚÁÖÖE T ÖE	Ý	ĚÉÍ	Í
HJ	T ÚÁÖŠÜP ÖE	Ý	ĚÉÍ	Í
I €	T ÚÁÖŠÜP ÖE	Ý	ĚÉÍ	Í
I F	T ÚÁÖÖVOE	Ý	ĚÉÍ	Í
I G	T ÚÁÖÖVOE	Ý	ĚÉÍ	Í
I H	T ÚÁÖÖE T ÖE	Ý	ĚÉÍ	Í
I I	T ÚÁÖÖE T ÖE	Ý	ĚÉÍ	Í

A Ya Vyf'Dc]bh@UXg'f6 @ " + : 'WY'K]bX' @UX'fB+\$H

	T ^{ à^! /Àæ^! }	Öä^&çá}	T æ} æ à^ Ž È Ècá	Š } &æç } ŽcĀ á
F	T ÚÁÖŠÜP ÖE	Ý	ĚEG	Í ĚÍ
G	T ÚÁÖŠÜP ÖE	Ý	ĚEG	FĚ Í
H	T ÚÁÖŠÜP ÖE	Ý	ĚÉÍ	Í
I	T ÚÁÖŠÜP ÖE	Ý	ĚÉÍ	H
Í	T ÚÁÖÖVOE	Ý	ĚÉÍ	Í ĚÍ
Ī	T ÚÁÖÖVOE	Ý	ĚÉÍ	FĚ Í
Ī	T ÚÁÖÖVOE	Ý	ĚEF	Í
Ī	T ÚÁÖÖVOE	Ý	ĚEF	H
J	T ÚÁÖÖE T ÖE	Ý	ĚÉÍ	Í ĚÍ
F€	T ÚÁÖÖE T ÖE	Ý	ĚÉÍ	FĚ Í
FF	T ÚÁÖÖE T ÖE	Ý	ĚEF	Í
FG	T ÚÁÖÖE T ÖE	Ý	ĚEF	H
FH	T ÚÁÖŠÜP ÖE	Ý	ĚÉÍ	Í
FI	T ÚÁÖŠÜP ÖE	Ý	ĚÉÍ	Í
FÍ	T ÚÁÖÖVOE	Ý	ĚÉÍ	Í
FĪ	T ÚÁÖÖE T ÖE	Ý	ĚÉÍ	Í
FĪ	T ÚÁÖŠÜP ÖE	Ý	ĚÉÍ	Í
FĪ	T ÚÁÖÖVOE	Ý	ĚÉÍ	Í
FJ	T ÚÁÖÖE T ÖE	Ý	ĚÉÍ	Í
G€	T ÚÁÖŠÜP ÖE	Ý	ĚÉÍ	Í
GF	T ÚÁÖÖVOE	Ý	ĚÉJ	Í
GG	T ÚÁÖÖE T ÖE	Ý	ĚÉJ	Í

A Ya Vyf'Dc]bh@UXg'f6 @ " , : 'WY'K]bX' @UX'fI \$H

	T ^{ à^! /Àæ^! }	Öä^&çá}	T æ} æ à^ Ž È Ècá	Š } &æç } ŽcĀ á
F	T ÚÁÖŠÜP ÖE	Ý	ĚÉÍ	Í ĚÍ
G	T ÚÁÖŠÜP ÖE	Ý	ĚÉÍ	FĚ Í
H	T ÚÁÖŠÜP ÖE	Ý	ĚFH	Í ĚÍ
I	T ÚÁÖŠÜP ÖE	Ý	ĚFH	FĚ Í
Í	T ÚÁÖŠÜP ÖE	Ý	ĚÉEG	Í
Ī	T ÚÁÖŠÜP ÖE	Ý	ĚÉEG	H
Ī	T ÚÁÖŠÜP ÖE	Ý	ĚEH	Í
Ī	T ÚÁÖŠÜP ÖE	Ý	ĚEH	H
J	T ÚÁÖÖVOE	Ý	ĚÉÍ	Í ĚÍ
F€	T ÚÁÖÖVOE	Ý	ĚÉÍ	FĚ Í
FF	T ÚÁÖÖVOE	Ý	ĚFF	Í ĚÍ
FG	T ÚÁÖÖVOE	Ý	ĚFF	FĚ Í
FH	T ÚÁÖÖVOE	Ý	ĚÉÍ	Í

A Ya Vyf'Dc]bh@UXg'f6 @' , : 'WYK]bX'@UX'fl \$SLL'f7 cb]bi YXL

	T ^{ à^!Áæ^}	Öá^&ç}	T æ} æ à^Ž È Éçá	Š } &ç} ŽçÁ á
FI	T ÚÁÖÖVOE	Ÿ	ÉÉÉ	H
FÍ	T ÚÁÖÖVOE	Ÿ	ÉÉÍ	Í
FÎ	T ÚÁÖÖVOE	Ÿ	ÉÉÍ	H
FÏ	T ÚÁÖCF T ÖE	Ÿ	ÉÉÍ	Î É
FÌ	T ÚÁÖCF T ÖE	Ÿ	ÉÉÍ	FÉ Í
FJ	T ÚÁÖCF T ÖE	Ÿ	ÉFH	Î É
GE	T ÚÁÖCF T ÖE	Ÿ	ÉFH	FÉ Í
GF	T ÚÁÖCF T ÖE	Ÿ	ÉÉÉ	Í
GG	T ÚÁÖCF T ÖE	Ÿ	ÉÉÉ	H
GH	T ÚÁÖCF T ÖE	Ÿ	ÉÉÍ	Í
GI	T ÚÁÖCF T ÖE	Ÿ	ÉÉÍ	H
GÏ	T ÚÁÖSÛP ÖE	Ÿ	ÉÉÉ	Í
GÌ	T ÚÁÖSÛP ÖE	Ÿ	ÉÉÍ	Í
GÎ	T ÚÁÖSÛP ÖE	Ÿ	ÉÉCH	Í
GÌ	T ÚÁÖSÛP ÖE	Ÿ	ÉÉÍ	Í
GJ	T ÚÁÖÖVOE	Ÿ	ÉÉÉ	Í
HE	T ÚÁÖÖVOE	Ÿ	ÉÉÍ	Í
HF	T ÚÁÖCF T ÖE	Ÿ	ÉÉCH	Í
HG	T ÚÁÖCF T ÖE	Ÿ	ÉÉÍ	Í
HH	T ÚÁÖSÛP ÖE	Ÿ	ÉÉCH	Í
HÏ	T ÚÁÖSÛP ÖE	Ÿ	ÉÉÍ	Í
HÌ	T ÚÁÖÖVOE	Ÿ	ÉÉÉ	Í
HÎ	T ÚÁÖÖVOE	Ÿ	ÉÉÍ	Í
HÏ	T ÚÁÖCF T ÖE	Ÿ	ÉÉCH	Í
HÌ	T ÚÁÖCF T ÖE	Ÿ	ÉÉÍ	Í
HJ	T ÚÁÖSÛP ÖE	Ÿ	ÉÉÉ	Í
I €	T ÚÁÖSÛP ÖE	Ÿ	ÉÉÍ	Í
IF	T ÚÁÖÖVOE	Ÿ	ÉÉÉ	Í
IG	T ÚÁÖÖVOE	Ÿ	ÉÉÍ	Í
IH	T ÚÁÖCF T ÖE	Ÿ	ÉÉÉ	Í
I I	T ÚÁÖCF T ÖE	Ÿ	ÉÉÍ	Í

A Ya Vyf'Dc]bh@UXg'f6 @' - : 'WYK]bX'@UX'fl ' \$LL

	T ^{ à^!Áæ^}	Öá^&ç}	T æ} æ à^Ž È Éçá	Š } &ç} ŽçÁ á
F	T ÚÁÖSÛP ÖE	Ÿ	ÉÉÍ	Î É
G	T ÚÁÖSÛP ÖE	Ÿ	ÉÉÍ	FÉ Í
H	T ÚÁÖSÛP ÖE	Ÿ	ÉÉJ	Î É
I	T ÚÁÖSÛP ÖE	Ÿ	ÉÉJ	FÉ Í
Í	T ÚÁÖSÛP ÖE	Ÿ	ÉÉÍ	Í
Î	T ÚÁÖSÛP ÖE	Ÿ	ÉÉÉ	H
Ï	T ÚÁÖSÛP ÖE	Ÿ	ÉÉCH	Í
Ì	T ÚÁÖSÛP ÖE	Ÿ	ÉÉCH	H
J	T ÚÁÖÖVOE	Ÿ	ÉÉÉ	Î É
F€	T ÚÁÖÖVOE	Ÿ	ÉÉÉ	FÉ Í
FF	T ÚÁÖÖVOE	Ÿ	ÉÉÉ	Î É
FG	T ÚÁÖÖVOE	Ÿ	ÉÉÉ	FÉ Í
FH	T ÚÁÖÖVOE	Ÿ	ÉÉÉ	Í
FI	T ÚÁÖÖVOE	Ÿ	ÉÉÉ	H
FÍ	T ÚÁÖÖVOE	Ÿ	ÉÉG	Í
FÎ	T ÚÁÖÖVOE	Ÿ	ÉÉG	H
FÏ	T ÚÁÖCF T ÖE	Ÿ	ÉÉJ	Î É

A Ya Vyf'Dc]bh@UXg'f6 @ ' - : 'WYK]bX'@UX'fi ' \$L'f7 cb]bi YXL

	T^{\ à^!Áæ^}	Öá^&çá}	T æ} æ à^Z Ê Éçá	Š &æá} ŽeĀ á
FI	T ÚÁÖÇE T ÖE	Ý	ĚĚJ	FĚ Í
FJ	T ÚÁÖÇE T ÖE	Ý	ĚĚÍ	Í ĚĚ
GE	T ÚÁÖÇE T ÖE	Ý	ĚĚÍ	FĚ Í
GF	T ÚÁÖÇE T ÖE	Ý	ĚĚÍ	Í
GG	T ÚÁÖÇE T ÖE	Ý	ĚĚÍ	H
GH	T ÚÁÖÇE T ÖE	Ý	ĚĚH	Í
GI	T ÚÁÖÇE T ÖE	Ý	ĚĚH	H
GÍ	T ÚÁÖÇŠP ÖE	Ý	ĚĚÍ	Í
GĪ	T ÚÁÖÇŠP ÖE	Ý	ĚĚÍ	Í
GĚ	T ÚÁÖÇŠP ÖE	Ý	ĚĚÍ	Í
GĚ	T ÚÁÖÇŠP ÖE	Ý	ĚĚÍ	Í
GJ	T ÚÁÖÇVÖE	Ý	ĚĚÍ	Í
HE	T ÚÁÖÇVÖE	Ý	ĚĚÍ	Í
HF	T ÚÁÖÇE T ÖE	Ý	ĚĚÍ	Í
HG	T ÚÁÖÇE T ÖE	Ý	ĚĚH	Í
HH	T ÚÁÖÇŠP ÖE	Ý	ĚĚÍ	Í
HI	T ÚÁÖÇŠP ÖE	Ý	ĚĚÍ	Í
HÍ	T ÚÁÖÇVÖE	Ý	ĚĚÍ	Í
HĪ	T ÚÁÖÇVÖE	Ý	ĚĚÍ	Í
HĚ	T ÚÁÖÇE T ÖE	Ý	ĚĚÍ	Í
HĚ	T ÚÁÖÇE T ÖE	Ý	ĚĚG	Í
HJ	T ÚÁÖÇŠP ÖE	Ý	ĚĚÍ	Í
I €	T ÚÁÖÇŠP ÖE	Ý	ĚĚÍ	Í
IF	T ÚÁÖÇVÖE	Ý	ĚĚÍ	Í
IG	T ÚÁÖÇVÖE	Ý	ĚĚÍ	Í
I H	T ÚÁÖÇE T ÖE	Ý	ĚĚÍ	Í
II	T ÚÁÖÇE T ÖE	Ý	ĚĚÍ	Í

A Ya Vyf'Dc]bh@UXg'f6 @ ('\$' :9Ufh ei U_Y'fi !X]f WY]cbL

	T^{\ à^!Áæ^}	Öá^&çá}	T æ} æ à^Z Ê Éçá	Š &æá} ŽeĀ á
F	T ÚÁÖÇŠP ÖE	Ý	ĚĚÍ	Í ĚĚ
G	T ÚÁÖÇŠP ÖE	Ý	ĚĚÍ	FĚ Í
H	T ÚÁÖÇŠP ÖE	Ý	ĚĚÍ	Í
I	T ÚÁÖÇŠP ÖE	Ý	ĚĚÍ	H
Í	T ÚÁÖÇVÖE	Ý	ĚĚG	Í ĚĚ
Ī	T ÚÁÖÇVÖE	Ý	ĚĚG	FĚ Í
Ě	T ÚÁÖÇVÖE	Ý	ĚĚÍ	Í
Ě	T ÚÁÖÇVÖE	Ý	ĚĚÍ	H
J	T ÚÁÖÇE T ÖE	Ý	ĚĚG	Í ĚĚ
F€	T ÚÁÖÇE T ÖE	Ý	ĚĚG	FĚ Í
FF	T ÚÁÖÇE T ÖE	Ý	ĚĚÍ	Í
FG	T ÚÁÖÇE T ÖE	Ý	ĚĚÍ	H
FH	T ÚÁÖÇŠP ÖE	Ý	ĚĚH	Í
FI	T ÚÁÖÇŠP ÖE	Ý	ĚĚÍ	Í
FÍ	T ÚÁÖÇVÖE	Ý	ĚĚÍ	Í
FĪ	T ÚÁÖÇE T ÖE	Ý	ĚĚÍ	Í
FĚ	T ÚÁÖÇŠP ÖE	Ý	ĚĚÍ	Í
FĚ	T ÚÁÖÇVÖE	Ý	ĚĚÍ	Í
FJ	T ÚÁÖÇE T ÖE	Ý	ĚĚÍ	Í
GE	T ÚÁÖÇŠP ÖE	Ý	ĚĚG	Í
GF	T ÚÁÖÇVÖE	Ý	ĚĚG	Í

A Ya Vyf'Dc]bh@UXg'f6 @ '(\$: '9Ufh ei U_Y'fi!XjfYWhjcbkŁ'f' cbh]bi YXŁ

	T^{\ à^!Àæ^}	Öä^&öä}	T æ} æ à^Ž Ě Ěcá	Š &œš} ŽeĀ á
GG	T ÚÁÖÖE T ÖE	Ÿ	ÆGEG	I

A Ya Vyf'Dc]bh@UXg'f6 @ '(% '9Ufh ei U_Y'fh!XjfYWhjcbkŁ

	T^{\ à^!Àæ^}	Öä^&öä}	T æ} æ à^Ž Ě Ěcá	Š &œš} ŽeĀ á
F	T ÚÁÖÖÖP ÖE	Ÿ	ÆEEL	Í ĚÍ
G	T ÚÁÖÖÖP ÖE	Ÿ	ÆEEL	FĚ Í
H	T ÚÁÖÖÖP ÖE	Ÿ	ÆEEL	Í
I	T ÚÁÖÖÖP ÖE	Ÿ	ÆEEL	H
Í	T ÚÁÖÖÖE	Ÿ	ÆGEG	Í ĚÍ
Î	T ÚÁÖÖÖE	Ÿ	ÆGEG	FĚ Í
Ï	T ÚÁÖÖÖE	Ÿ	ÆEEL	Í
Ī	T ÚÁÖÖÖE	Ÿ	ÆEEL	H
J	T ÚÁÖÖE T ÖE	Ÿ	ÆGEG	Í ĚÍ
F€	T ÚÁÖÖE T ÖE	Ÿ	ÆGEG	FĚ Í
FF	T ÚÁÖÖE T ÖE	Ÿ	ÆEEL	Í
FG	T ÚÁÖÖE T ÖE	Ÿ	ÆEEL	H
FH	T ÚÁÖÖP ÖE	Ÿ	ÆEEL	I
FI	T ÚÁÖÖP ÖE	Ÿ	ÆEEL	I
FÍ	T ÚÁÖÖÖE	Ÿ	ÆEEL	I
FÎ	T ÚÁÖÖE T ÖE	Ÿ	ÆEEL	I
FÏ	T ÚÁÖÖP ÖE	Ÿ	ÆEEL	I
FĪ	T ÚÁÖÖÖE	Ÿ	ÆEEL	I
FJ	T ÚÁÖÖE T ÖE	Ÿ	ÆEEL	I
G€	T ÚÁÖÖP ÖE	Ÿ	ÆGEG	I
GF	T ÚÁÖÖÖE	Ÿ	ÆGEG	I
GG	T ÚÁÖÖE T ÖE	Ÿ	ÆGEG	I

A Ya Vyf'Dc]bh@UXg'f6 @ '(& '9Ufh ei U_Y'fh!XjfYWhjcbkŁ

	T^{\ à^!Àæ^}	Öä^&öä}	T æ} æ à^Ž Ě Ěcá	Š &œš} ŽeĀ á
F	T ÚÁÖÖÖP ÖE	Z	ÆGEG	Í ĚÍ
G	T ÚÁÖÖÖP ÖE	Z	ÆGEG	FĚ Í
H	T ÚÁÖÖÖP ÖE	Z	ÆGEG	Í
I	T ÚÁÖÖÖP ÖE	Z	ÆGEG	H
Í	T ÚÁÖÖÖE	Z	ÆEEL Ě G	Í ĚÍ
Î	T ÚÁÖÖÖE	Z	ÆEEL Ě G	FĚ Í
Ï	T ÚÁÖÖÖE	Z	ÆGEG	Í
Ī	T ÚÁÖÖÖE	Z	ÆGEG	H
J	T ÚÁÖÖE T ÖE	Z	ÆEEL Ě G	Í ĚÍ
F€	T ÚÁÖÖE T ÖE	Z	ÆEEL Ě G	FĚ Í
FF	T ÚÁÖÖE T ÖE	Z	ÆGEG	Í
FG	T ÚÁÖÖE T ÖE	Z	ÆGEG	H
FH	T ÚÁÖÖP ÖE	Z	ÆEEL	I
FI	T ÚÁÖÖP ÖE	Z	ÆEEL	I
FÍ	T ÚÁÖÖÖE	Z	ÆEEL	I
FÎ	T ÚÁÖÖE T ÖE	Z	ÆEEL	I
FÏ	T ÚÁÖÖP ÖE	Z	ÆEEL	I
FĪ	T ÚÁÖÖÖE	Z	ÆEEL	I
FJ	T ÚÁÖÖE T ÖE	Z	ÆEEL	I
G€	T ÚÁÖÖP ÖE	Z	ÆEEL Ě Í	I
GF	T ÚÁÖÖÖE	Z	ÆEEL Ě Í	I
GG	T ÚÁÖÖE T ÖE	Z	ÆEEL Ě Í	I



Ô[{]æ^ K ÚUÖ
 Ô•á}^! K RP
 R àÁ { à^! K GEF HFJJ
 T[à^!Áæ ^ K IÏÍHÍJ

P[çÁ ÖGEG
 Ì KUÁÇ
 Ô@&^áÁÓK''''

A Ya Vyf '8]gIf]Vi hYX' @ UXg'f6 @' (: ' K]bX' @ UX'f' \$H'f'7 cb]bi YXL

	T^ { à^!Áæ^ }	Ôá^&çI }	ÚçæÓ Á æ } á^ á' Ž DæIÍÈ Ò } á Á Á æ } á^ á' Ž DæIÍÈ ÚçæÓ Á &çæI } ŽçÁ á	Ò } á Á Á &çæI } ŽçÁ á	€	€
FJF	ÛÙÖÖG	ÚÝ	ÈÈÈÈ	ÈÈÈÈ	€	€
FJG	ÛÙÖÖF	ÚÝ	ÈÈÈÈ	ÈÈÈÈ	€	€
FJH	ÖÙÖÖG	ÚÝ	ÈÈÈÈ	ÈÈÈÈ	€	€
FJI	ÖÙÖÖGH	ÚÝ	ÈÈÈÈ	ÈÈÈÈ	€	€
FJÍ	ÖÙÖÖGG	ÚÝ	ÈÈÈÈ	ÈÈÈÈ	€	€
FJĪ	ÖÙÖÖGF	ÚÝ	ÈÈÈÈ	ÈÈÈÈ	€	€
FJÏ	ÖÙÖÖGE	ÚÝ	ÈÈÈÈ	ÈÈÈÈ	€	€
FJȷ	ÖÙÖÖFJ	ÚÝ	ÈÈÈÈ	ÈÈÈÈ	€	€
FJJ	ÖÙÖÖFÌ	ÚÝ	ÈÈÈÈ	ÈÈÈÈ	€	€
G€€	ÖÙÖÖFÌ	ÚÝ	ÈÈÈÈ	ÈÈÈÈ	€	€
G€F	ÖÙÖÖFÌ	ÚÝ	ÈÈÈÈ	ÈÈÈÈ	€	€
G€G	ÖÙÖÖFÌ	ÚÝ	ÈÈÈÈ	ÈÈÈÈ	€	€
G€H	ÖÙÖÖFÌ	ÚÝ	ÈÈÈÈ	ÈÈÈÈ	€	€
G€I	ÖÙÖÖFH	ÚÝ	ÈÈÈÈ	ÈÈÈÈ	€	€
G€Ì	ÖÙÖÖFG	ÚÝ	ÈÈÈÈ	ÈÈÈÈ	€	€
G€Ī	ÖÙÖÖFF	ÚÝ	ÈÈÈÈ	ÈÈÈÈ	€	€
G€Ï	ÖÙÖÖFe	ÚÝ	ÈÈÈÈ	ÈÈÈÈ	€	€
G€ȷ	ÖÙÖÖJ	ÚÝ	ÈÈÈÈ	ÈÈÈÈ	€	€
G€J	ÖÙÖÖÌ	ÚÝ	ÈÈÈÈ	ÈÈÈÈ	€	€
G€€	ÖÙÖÖÌ	ÚÝ	ÈÈÈÈ	ÈÈÈÈ	€	€
G€F	ÖÙÖÖÌ	ÚÝ	ÈÈÈÈ	ÈÈÈÈ	€	€
G€G	ÖÙÖÖÌ	ÚÝ	ÈÈÈÈ	ÈÈÈÈ	€	€
G€H	ÖÙÖÖÌ	ÚÝ	ÈÈÈÈ	ÈÈÈÈ	€	€
G€I	ÖÙÖÖH	ÚÝ	ÈÈÈÈ	ÈÈÈÈ	€	€
G€Ì	ÖÙÖÖG	ÚÝ	ÈÈÈÈ	ÈÈÈÈ	€	€
G€Ī	ÖÙÖÖF	ÚÝ	ÈÈÈÈ	ÈÈÈÈ	€	€
G€Ï	ÓÙÖÖÖFÌ	ÚÝ	ÈÈÈÈ	ÈÈÈÈ	€	€
G€ȷ	ÓÙÖÖÖFÌ	ÚÝ	ÈÈÈÈ	ÈÈÈÈ	€	€
G€J	ÓÙÖÖÖFÌ	ÚÝ	ÈÈÈÈ	ÈÈÈÈ	€	€
G€€	ÓÙÖÖÖFÌ	ÚÝ	ÈÈÈÈ	ÈÈÈÈ	€	€
G€F	ÓÙÖÖÖFÌ	ÚÝ	ÈÈÈÈ	ÈÈÈÈ	€	€
G€G	ÓÙÖÖÖFH	ÚÝ	ÈÈÈÈ	ÈÈÈÈ	€	€
G€H	ÓÙÖÖÖFG	ÚÝ	ÈÈÈÈ	ÈÈÈÈ	€	€
G€I	ÓÙÖÖÖFF	ÚÝ	ÈÈÈÈ	ÈÈÈÈ	€	€
G€Ì	ÓÙÖÖÖFe	ÚÝ	ÈÈÈÈ	ÈÈÈÈ	€	€
G€ȷ	ÓÙÖÖÖÙ	ÚÝ	ÈÈÈÈ	ÈÈÈÈ	€	€
G€J	ÓÙÖÖÖÌ	ÚÝ	ÈÈÈÈ	ÈÈÈÈ	€	€
G€€	ÓÙÖÖÖÌ	ÚÝ	ÈÈÈÈ	ÈÈÈÈ	€	€
G€F	ÓÙÖÖÖÌ	ÚÝ	ÈÈÈÈ	ÈÈÈÈ	€	€
G€G	ÓÙÖÖÖÌ	ÚÝ	ÈÈÈÈ	ÈÈÈÈ	€	€
G€H	ÓÙÖÖÖH	ÚÝ	ÈÈÈÈ	ÈÈÈÈ	€	€
G€I	ÓÙÖÖÖG	ÚÝ	ÈÈÈÈ	ÈÈÈÈ	€	€
G€Ī	ÓÙÖÖÖF	ÚÝ	ÈÈÈÈ	ÈÈÈÈ	€	€

A Ya Vyf '8]gIf]Vi hYX' @ UXg'f6 @') : ' K]bX' @ UX'f' \$H

	T^ { à^!Áæ^ }	Ôá^&çI }	ÚçæÓ Á æ } á^ á' Ž DæIÍÈ Ò } á Á Á æ } á^ á' Ž DæIÍÈ ÚçæÓ Á &çæI } ŽçÁ á	Ò } á Á Á &çæI } ŽçÁ á	€	€
F	Y VUUH	ÚÝ	ÈÈÈÈ	ÈÈÈÈ	€	€
G	Y VUUG	ÚÝ	ÈÈÈÈ	ÈÈÈÈ	€	€
H	Y VUUF	ÚÝ	ÈÈÈÈ	ÈÈÈÈ	€	€
I	Y ÓUVÌ	ÚÝ	ÈÈÈÈ	ÈÈÈÈ	€	€

ÚÙÖH ÖÁ^!•á } Á ĚĚĚĚĚĚĚKÓ[, } á Ī Ī Ī Ī JaGGĚ HFJJ D [^ } ÓĚ á^•á ŽZY dŮŮŮŮ HŮEGY ÈĚáÁ Úæ^Á G

A Ya Vyf'8]gfl]Vi hyX' @ UXg'f6 @ ') : ' K]bX' @ UX'ft \$H'f7 cb]ibi YXL

	T { à ^ Á æ ^ }	Ö ä ^ & ç }	Ú ç æ Á æ } à á ^ Ž Đ Ę Ő à Á æ } à á ^ Ž Đ Ę Ú ç æ Á æ } & ç }	Ž Ď Á á	Ő) á Á æ } Ž Ď Á á	
I	Y ÓUVÍ	ÜY	ÜEEI	ÜEEI	€	€
Í	Y ÓUVI	ÜY	ÜEEI	ÜEEI	€	€
Ī	Y ÓUVH	ÜY	ÜEEI	ÜEEI	€	€
Ĭ	Y ÓUVG	ÜY	ÜEEI	ÜEEI	€	€
J	Y ÓUVF	ÜY	ÜEEI	ÜEEI	€	€
F€	XÓUVG	ÜY	ÜEEF	ÜEEF	€	€
FF	XÓUVGH	ÜY	ÜEEF	ÜEEF	€	€
FG	XÓUVGG	ÜY	ÜEEF	ÜEEF	€	€
FH	XÓUVGF	ÜY	ÜEEF	ÜEEF	€	€
FI	XÓUVGE	ÜY	ÜEEF	ÜEEF	€	€
FÍ	XÓUVFJ	ÜY	ÜEEF	ÜEEF	€	€
FĪ	XÓUVFĪ	ÜY	ÜEEF	ÜEEF	€	€
FĬ	XÓUVFĪ	ÜY	ÜEEF	ÜEEF	€	€
FĪ	XÓUVFĪ	ÜY	ÜEEF	ÜEEF	€	€
FĪ	XÓUVFĪ	ÜY	ÜEEF	ÜEEF	€	€
FJ	XÓUVFĪ	ÜY	ÜEEF	ÜEEF	€	€
G€	XÓUVFI	ÜY	ÜEEF	ÜEEF	€	€
GF	XÓUVFH	ÜY	ÜEEF	ÜEEF	€	€
GG	XÓUVFG	ÜY	ÜEEF	ÜEEF	€	€
GH	XÓUVFF	ÜY	ÜEEF	ÜEEF	€	€
G	XÓUVF€	ÜY	ÜEEF	ÜEEF	€	€
G	XÓUVJ	ÜY	ÜEEF	ÜEEF	€	€
G	XÓUVI	ÜY	ÜEEF	ÜEEF	€	€
G	XÓUVI	ÜY	ÜEEF	ÜEEF	€	€
G	XÓUVI	ÜY	ÜEEF	ÜEEF	€	€
GJ	XÓUVI	ÜY	ÜEEF	ÜEEF	€	€
H€	XÓUVI	ÜY	ÜEEF	ÜEEF	€	€
HF	XÓUVH	ÜY	ÜEEF	ÜEEF	€	€
HG	XÓUVG	ÜY	ÜEEF	ÜEEF	€	€
HH	XÓUVF	ÜY	ÜEEF	ÜEEF	€	€
HI	ÜWÜÜÜVFG	ÜY	ÜEEI	ÜEEI	€	€
HÍ	ÜWÜÜÜVFF	ÜY	ÜEEI	ÜEEI	€	€
HĪ	ÜWÜÜÜVF€	ÜY	ÜEEI	ÜEEI	€	€
HĬ	ÜWÜÜÜVJ	ÜY	ÜEEI	ÜEEI	€	€
H	ÜWÜÜÜVĪ	ÜY	ÜEEI	ÜEEI	€	€
HJ	ÜWÜÜÜVĪ	ÜY	ÜEEI	ÜEEI	€	€
I€	ÜWÜÜÜVĪ	ÜY	ÜEEI	ÜEEI	€	€
IF	ÜWÜÜÜVÍ	ÜY	ÜEEI	ÜEEI	€	€
IG	ÜWÜÜÜVĪ	ÜY	ÜEEI	ÜEEI	€	€
IH	ÜWÜÜÜVH	ÜY	ÜEEI	ÜEEI	€	€
IĪ	ÜWÜÜÜVG	ÜY	ÜEEI	ÜEEI	€	€
IĬ	ÜWÜÜÜVF	ÜY	ÜEEI	ÜEEI	€	€
IĪ	ÜÖŠH	ÜY	ÜEEG	ÜEEG	€	€
IĪ	ÜÖŠG	ÜY	ÜEEG	ÜEEG	€	€
IĪ	ÜÖŠF	ÜY	ÜEEF	ÜEEF	€	€
IJ	ÜÖŠ/ÖPH	ÜY	ÜEEI	ÜEEI	€	€
I€	ÜÖŠ/ÖPG	ÜY	ÜEEI	ÜEEI	€	€
IF	ÜÖŠ/ÖPF	ÜY	ÜEEI	ÜEEI	€	€
IG	ÜÖŠ/ÖI	ÜY	ÜEEI	ÜEEI	€	€
IH	ÜÖŠ/ÖI	ÜY	ÜEEI	ÜEEI	€	€
IĪ	ÜÖŠ/ÖI	ÜY	ÜEEI	ÜEEI	€	€
IĪ	ÜÖŠ/ÖH	ÜY	ÜEEI	ÜEEI	€	€
IĪ	ÜÖŠ/ÖG	ÜY	ÜEEI	ÜEEI	€	€

A Ya Vyf'8 jgfvIvi hYX' @ UXg'f6 @') : 'K jbx' @UX'ft \$H'f7 cbjbi YXL

	T^{ à^!Áæ^}	Öã^&ç}	ÚæçÁ æ } á à^Z DeÍEÖ) áÁ æ } á à^Z DeÍEÖ	ÚæçÁ } &çá } ZçÁ á	Ö) áÁ } &çá } ZçÁ á	
F€J	ÓÚÖÓÚ	ÚÝ	ÆE€H	ÆE€H	€	€
FF€	ÓÚÖÓÒ	ÚÝ	ÆE€H	ÆE€H	€	€
FFF	ÓÚÖÓÏ	ÚÝ	ÆE€H	ÆE€H	€	€
FFG	ÓÚÖÓÖ	ÚÝ	ÆE€H	ÆE€H	€	€
FFH	ÓÚÖÓÓ	ÚÝ	ÆE€H	ÆE€H	€	€
FFI	ÓÚÖÓÌ	ÚÝ	ÆE€H	ÆE€H	€	€
FFÍ	ÓÚÖÓÒH	ÚÝ	ÆE€H	ÆE€H	€	€
FFÎ	ÓÚÖÓÒG	ÚÝ	ÆE€H	ÆE€H	€	€
FFÏ	ÓÚÖÓÒF	ÚÝ	ÆE€H	ÆE€H	€	€
FFÒ	Y VUÚH	ÚÝ	ÆE€	ÆE€	€	€
FFJ	Y VUÚG	ÚÝ	ÆE€	ÆE€	€	€
F€E	Y VUÚF	ÚÝ	ÆE€	ÆE€	€	€
FGF	Y ÓU VÍ	ÚÝ	ÆE€	ÆE€	€	€
FGG	Y ÓU VÍ	ÚÝ	ÆE€	ÆE€	€	€
FGH	Y ÓU VI	ÚÝ	ÆE€	ÆE€	€	€
FG	Y ÓU VH	ÚÝ	ÆE€	ÆE€	€	€
FG	Y ÓU VG	ÚÝ	ÆE€	ÆE€	€	€
FG	Y ÓU VF	ÚÝ	ÆE€	ÆE€	€	€
FG	XÓUVG	ÚÝ	ÆE€G	ÆE€G	€	€
FG	XÓUVGH	ÚÝ	ÆE€G	ÆE€G	€	€
FGJ	XÓUVGG	ÚÝ	ÆE€G	ÆE€G	€	€
FHE	XÓUVGF	ÚÝ	ÆE€G	ÆE€G	€	€
FHF	XÓUVGE	ÚÝ	ÆE€G	ÆE€G	€	€
FHG	XÓUVFJ	ÚÝ	ÆE€G	ÆE€G	€	€
FHH	XÓUVFI	ÚÝ	ÆE€G	ÆE€G	€	€
FH	XÓUVFÍ	ÚÝ	ÆE€G	ÆE€G	€	€
FH	XÓUVFÎ	ÚÝ	ÆE€G	ÆE€G	€	€
FH	XÓUVFÏ	ÚÝ	ÆE€G	ÆE€G	€	€
FH	XÓUVFI	ÚÝ	ÆE€G	ÆE€G	€	€
FH	XÓUVFH	ÚÝ	ÆE€G	ÆE€G	€	€
FHU	XÓUVFG	ÚÝ	ÆE€G	ÆE€G	€	€
FI €	XÓUVFF	ÚÝ	ÆE€G	ÆE€G	€	€
FI F	XÓUVF€	ÚÝ	ÆE€G	ÆE€G	€	€
FI G	XÓUVJ	ÚÝ	ÆE€G	ÆE€G	€	€
FI H	XÓUVÍ	ÚÝ	ÆE€G	ÆE€G	€	€
FI I	XÓUVÍ	ÚÝ	ÆE€G	ÆE€G	€	€
FI Í	XÓUVÍ	ÚÝ	ÆE€G	ÆE€G	€	€
FI Î	XÓUVÍ	ÚÝ	ÆE€G	ÆE€G	€	€
FI Ï	XÓUVI	ÚÝ	ÆE€G	ÆE€G	€	€
FI Ì	XÓUVH	ÚÝ	ÆE€G	ÆE€G	€	€
FI J	XÓUVG	ÚÝ	ÆE€G	ÆE€G	€	€
FÍ €	XÓUVF	ÚÝ	ÆE€G	ÆE€G	€	€
FÍ F	ÚWÚUÚVFG	ÚÝ	ÆE€Í	ÆE€Í	€	€
FÍ G	ÚWÚUÚVFF	ÚÝ	ÆE€Í	ÆE€Í	€	€
FÍ H	ÚWÚUÚVFE	ÚÝ	ÆE€Í	ÆE€Í	€	€
FÍ I	ÚWÚUÚVJ	ÚÝ	ÆE€Í	ÆE€Í	€	€
FÍ Í	ÚWÚUÚVÍ	ÚÝ	ÆE€Í	ÆE€Í	€	€
FÍ Î	ÚWÚUÚVÍ	ÚÝ	ÆE€Í	ÆE€Í	€	€
FÍ Ï	ÚWÚUÚVÍ	ÚÝ	ÆE€Í	ÆE€Í	€	€
FÍ Ì	ÚWÚUÚVÍ	ÚÝ	ÆE€Í	ÆE€Í	€	€
FÍ J	ÚWÚUÚVI	ÚÝ	ÆE€Í	ÆE€Í	€	€
FÍ €	ÚWÚUÚVH	ÚÝ	ÆE€Í	ÆE€Í	€	€

A Ya Vvf'8 jgfljVi hYX' @ UXg'f6 @'): 'K]bX' @ UX'fl \$L'f7 cb]bi YXL

	T^{ à^Aa^}	Öã^&çj}	ÚcáoA aē} aē á^Z BóÈÈÖ) áA aē} aē á^Z BóÈÈ ÚcáoG &caj} Zcá á	Ö) áA} &caj} Zcá á		
GFH	ÖÖÖI	ÚY	RGG	RGG	€	€
GFI	ÖÖÖH	ÚY	RGG	RGG	€	€
GFÍ	ÖÖÖG	ÚY	RGG	RGG	€	€
GFI	ÖÖÖF	ÚY	RGG	RGG	€	€
GFI	ÓÜÓÖFI	ÚY	RGG	RGG	€	€
GFI	ÓÜÓÖFI	ÚY	RGG	RGG	€	€
GFJ	ÓÜÓÖFI	ÚY	RGG	RGG	€	€
GGE	ÓÜÓÖFI	ÚY	RGG	RGG	€	€
GF	ÓÜÓÖFI	ÚY	RGG	RGG	€	€
GGG	ÓÜÓÖFH	ÚY	RGG	RGG	€	€
GGH	ÓÜÓÖFG	ÚY	RGG	RGG	€	€
GG	ÓÜÓÖFF	ÚY	RGG	RGG	€	€
GĞ	ÓÜÓÖF€	ÚY	RGG	RGG	€	€
GĞ	ÓÜÓÖÜ	ÚY	RGG	RGG	€	€
GĞ	ÓÜÓÖÒ	ÚY	RGG	RGG	€	€
GĞ	ÓÜÓÖÏ	ÚY	RGG	RGG	€	€
GĞ	ÓÜÓÖİ	ÚY	RGG	RGG	€	€
GĞ	ÓÜÓÖÍ	ÚY	RGG	RGG	€	€
G€	ÓÜÓÖÌ	ÚY	RGG	RGG	€	€
G€	ÓÜÓÖÓ	ÚY	RGG	RGG	€	€
G€	ÓÜÓÖÖ	ÚY	RGG	RGG	€	€
G€	ÓÜÓÖG	ÚY	RGG	RGG	€	€
G€	ÓÜÓÖF	ÚY	RGG	RGG	€	€

A Ya Vvf'8 jgfljVi hYX' @ UXg'f6 @ '*: 'K]bX' @ UX'fl \$L'

	T^{ à^Aa^}	Öã^&çj}	ÚcáoA aē} aē á^Z BóÈÈÖ) áA aē} aē á^Z BóÈÈ ÚcáoG &caj} Zcá á	Ö) áA} &caj} Zcá á		
F	Y VUÜH	ÚY	RFF	RFF	€	€
G	Y VUÜG	ÚY	RFF	RFF	€	€
H	Y VUÜF	ÚY	RFF	RFF	€	€
I	Y ÓÜVÍ	ÚY	RFF	RFF	€	€
Í	Y ÓÜVÍ	ÚY	RFF	RFF	€	€
Î	Y ÓÜVI	ÚY	RFF	RFF	€	€
Ï	Y ÓÜVH	ÚY	RFF	RFF	€	€
Ì	Y ÓÜVG	ÚY	RFF	RFF	€	€
J	Y ÓÜVF	ÚY	RFF	RFF	€	€
F€	XÓÜVG	ÚY	RFF	RFF	€	€
FF	XÓÜVGH	ÚY	RFF	RFF	€	€
FG	XÓÜVGG	ÚY	RFF	RFF	€	€
FH	XÓÜVGF	ÚY	RFF	RFF	€	€
FI	XÓÜVGE	ÚY	RFF	RFF	€	€
FÍ	XÓÜVFJ	ÚY	RFF	RFF	€	€
FÎ	XÓÜVFI	ÚY	RFF	RFF	€	€
FÏ	XÓÜVFI	ÚY	RFF	RFF	€	€
FÌ	XÓÜVFI	ÚY	RFF	RFF	€	€
FJ	XÓÜVFI	ÚY	RFF	RFF	€	€
G€	XÓÜVFI	ÚY	RFF	RFF	€	€
GF	XÓÜVFI	ÚY	RFF	RFF	€	€
GG	XÓÜVFI	ÚY	RFF	RFF	€	€
GH	XÓÜVFI	ÚY	RFF	RFF	€	€
G	XÓÜVFE	ÚY	RFF	RFF	€	€
G	XÓÜVJ	ÚY	RFF	RFF	€	€
G	XÓÜVI	ÚY	RFF	RFF	€	€

A Ya Vyf'8 jgf|Vi hYX'@ UXg'f6 @' *: 'K jbx'@UX'f| \$H'f7 cbljbi YXL

	T ^ { a ^ / A a ^	O ä ^ & a }	Ú ç a Ó Á a } a ^ á Z D a H H Ö) á Á a } a ^ á Z D a H H Ö) á Á a }	Ú ç a Ó Á a } a ^ á Z D a H H Ö) á Á a }	Ú ç a Ó Á a } a ^ á Z D a H H Ö) á Á a }	Z d Á á	Ö) á Á a }	Z d Á á
G	XÖUVI	ÚÝ	EEH	EEH	€		€	
G	XÖUVI	ÚÝ	EEH	EEH	€		€	
GJ	XÖUVI	ÚÝ	EEH	EEH	€		€	
H€	XÖUVI	ÚÝ	EEH	EEH	€		€	
HF	XÖUVH	ÚÝ	EEH	EEH	€		€	
HG	XÖUVG	ÚÝ	EEH	EEH	€		€	
HH	XÖUVF	ÚÝ	EEH	EEH	€		€	
HI	ÚWÚÚÚVFG	ÚÝ	EEI	EEI	€		€	
HÍ	ÚWÚÚÚVFF	ÚÝ	EEI	EEI	€		€	
HĪ	ÚWÚÚÚVFE	ÚÝ	EEI	EEI	€		€	
Hİ	ÚWÚÚÚVJ	ÚÝ	EEI	EEI	€		€	
HĪ	ÚWÚÚÚVİ	ÚÝ	EEI	EEI	€		€	
HJ	ÚWÚÚÚVİ	ÚÝ	EEI	EEI	€		€	
I€	ÚWÚÚÚVİ	ÚÝ	EEI	EEI	€		€	
IF	ÚWÚÚÚVİ	ÚÝ	EEI	EEI	€		€	
IG	ÚWÚÚÚVİ	ÚÝ	EEI	EEI	€		€	
IH	ÚWÚÚÚVH	ÚÝ	EEI	EEI	€		€	
II	ÚWÚÚÚVG	ÚÝ	EEI	EEI	€		€	
IĪ	ÚWÚÚÚVF	ÚÝ	EEI	EEI	€		€	
IÎ	ÚÖŠF	ÚÝ	EEI	EEI	€		€	
Iİ	ÚÖŠH	ÚÝ	EEI	EEI	€		€	
IĪ	ÚÖŠG	ÚÝ	EEEG	EEEG	€		€	
IJ	ÚÖŠÖP̂H	ÚÝ	EEF	EEF	€		€	
I€	ÚÖŠÖP̂G	ÚÝ	EEF	EEF	€		€	
IF	ÚÖŠÖP̂F	ÚÝ	EEF	EEF	€		€	
IG	ÚÖŠÖĪ	ÚÝ	EEI	EEI	€		€	
IH	ÚÖŠÖĪ	ÚÝ	EEI	EEI	€		€	
II	ÚÖŠÖĪ	ÚÝ	EEI	EEI	€		€	
IĪ	ÚÖŠÖĪH	ÚÝ	EEI	EEI	€		€	
IÎ	ÚÖŠÖĪG	ÚÝ	EEI	EEI	€		€	
Iİ	ÚÖŠÖĪF	ÚÝ	EEI	EEI	€		€	
IĪ	T ÚÁÖÇE T ÇE	ÚÝ	EEF	EEF	€		€	
IJ	T ÚÁÖÇE T ÇEH	ÚÝ	EEF	EEF	€		€	
I€	T ÚÁÖÇE T ÇEG	ÚÝ	EEF	EEF	€		€	
IF	T ÚÁÖÇE T ÇEF	ÚÝ	EEF	EEF	€		€	
IG	T ÚÁÖÖVÇE	ÚÝ	EEF	EEF	€		€	
IH	T ÚÁÖÖVÇEH	ÚÝ	EEF	EEF	€		€	
II	T ÚÁÖÖVÇEG	ÚÝ	EEF	EEF	€		€	
IĪ	T ÚÁÖÖVÇEF	ÚÝ	EEF	EEF	€		€	
IÎ	T ÚÁÖŠP̂ÇE	ÚÝ	EEF	EEF	€		€	
Iİ	T ÚÁÖŠP̂ÇEH	ÚÝ	EEF	EEF	€		€	
IĪ	T ÚÁÖŠP̂ÇEG	ÚÝ	EEF	EEF	€		€	
IJ	T ÚÁÖŠP̂ÇEF	ÚÝ	EEF	EEF	€		€	
I€	PÚUH	ÚÝ	EEI	EEI	€		€	
IF	PÚUG	ÚÝ	EEI	EEI	€		€	
IG	PÚUF	ÚÝ	EEI	EEI	€		€	
IH	ÖÖÖÖF	ÚÝ	EEI	EEI	€		€	
II	ÖÖÖÖH	ÚÝ	EEI	EEI	€		€	
IĪ	ÖÖÖÖG	ÚÝ	EEEH	EEEH	€		€	
IÎ	ÖÖÖÖG	ÚÝ	EEEH	EEEH	€		€	
Iİ	ÖÖÖÖGH	ÚÝ	EEEH	EEEH	€		€	
IĪ	ÖÖÖÖGG	ÚÝ	EEEH	EEEH	€		€	

A Ya Vyf'8 jgfljvi hyx' @ UXg'f6 @ * . ' K jbx' @ UX'fl \$H'f7 cbjbi YXL

	T { à^!Àæ^	Öá^&ç	ÚæçÁ æ } à^ à^Z ÐæHÏÒ) áÁ æ } à^ à^Z ÐæHÏ ÚæçÁ &æç } ZçÁ á	Ò) áÁ &æç } ZçÁ á		
Í J	ÖÖÖG	ÚÝ	ËËË	ËËË	€	€
Ì €	ÖÖÖGE	ÚÝ	ËËË	ËËË	€	€
Ì F	ÖÖÖFJ	ÚÝ	ËËË	ËËË	€	€
Ì G	ÖÖÖFÍ	ÚÝ	ËËË	ËËË	€	€
Ì H	ÖÖÖFÌ	ÚÝ	ËËË	ËËË	€	€
Ì I	ÖÖÖFÌ	ÚÝ	ËËË	ËËË	€	€
Ì Í	ÖÖÖFÍ	ÚÝ	ËËË	ËËË	€	€
Ì Î	ÖÖÖFÌ	ÚÝ	ËËË	ËËË	€	€
Ì Ï	ÖÖÖFH	ÚÝ	ËËË	ËËË	€	€
Ì Ì	ÖÖÖFG	ÚÝ	ËËË	ËËË	€	€
Ì J	ÖÖÖFF	ÚÝ	ËËË	ËËË	€	€
J €	ÖÖÖFE	ÚÝ	ËËË	ËËË	€	€
J F	ÖÖÖJ	ÚÝ	ËËË	ËËË	€	€
J G	ÖÖÖÌ	ÚÝ	ËËË	ËËË	€	€
J H	ÖÖÖÌ	ÚÝ	ËËË	ËËË	€	€
J I	ÖÖÖÌ	ÚÝ	ËËË	ËËË	€	€
J Í	ÖÖÖÍ	ÚÝ	ËËË	ËËË	€	€
J Î	ÖÖÖÌ	ÚÝ	ËËË	ËËË	€	€
J Ï	ÖÖÖH	ÚÝ	ËËË	ËËË	€	€
J Ì	ÖÖÖG	ÚÝ	ËËË	ËËË	€	€
J J	ÖÖÖF	ÚÝ	ËËË	ËËË	€	€
F €€	ÓÚÖÖÖFÌ	ÚÝ	ËËË	ËËË	€	€
F €	ÓÚÖÖÖFÌ	ÚÝ	ËËË	ËËË	€	€
F €G	ÓÚÖÖÖFÌ	ÚÝ	ËËË	ËËË	€	€
F €H	ÓÚÖÖÖFÌ	ÚÝ	ËËË	ËËË	€	€
F €I	ÓÚÖÖÖFÌ	ÚÝ	ËËË	ËËË	€	€
F €Í	ÓÚÖÖÖFH	ÚÝ	ËËË	ËËË	€	€
F €Ì	ÓÚÖÖÖFG	ÚÝ	ËËË	ËËË	€	€
F €Î	ÓÚÖÖÖFF	ÚÝ	ËËË	ËËË	€	€
F €J	ÓÚÖÖÖF€	ÚÝ	ËËË	ËËË	€	€
F €J	ÓÚÖÖÖÚ	ÚÝ	ËËË	ËËË	€	€
FF €	ÓÚÖÖÖÌ	ÚÝ	ËËË	ËËË	€	€
FFF	ÓÚÖÖÖÌ	ÚÝ	ËËË	ËËË	€	€
FFG	ÓÚÖÖÖÌ	ÚÝ	ËËË	ËËË	€	€
FFH	ÓÚÖÖÖÌ	ÚÝ	ËËË	ËËË	€	€
FFI	ÓÚÖÖÖÌ	ÚÝ	ËËË	ËËË	€	€
FFÍ	ÓÚÖÖÖH	ÚÝ	ËËË	ËËË	€	€
FFÌ	ÓÚÖÖÖG	ÚÝ	ËËË	ËËË	€	€
FFÎ	ÓÚÖÖÖF	ÚÝ	ËËË	ËËË	€	€

A Ya Vyf'8 jgfljvi hyx' @ UXg'f6 @ + . ' K jbx' @ UX'fl &\$H

	T { à^!Àæ^	Öá^&ç	ÚæçÁ æ } à^ à^Z ÐæHÏÒ) áÁ æ } à^ à^Z ÐæHÏ ÚæçÁ &æç } ZçÁ á	Ò) áÁ &æç } ZçÁ á		
F	Y VUÚH	ÚÝ	ËËË	ËËË	€	€
G	Y VUÚG	ÚÝ	ËËË	ËËË	€	€
H	Y VUÚF	ÚÝ	ËËË	ËËË	€	€
I	Y ÓU VÍ	ÚÝ	ËËË	ËËË	€	€
Í	Y ÓU VÍ	ÚÝ	ËËË	ËËË	€	€
Î	Y ÓU VÍ	ÚÝ	ËËË	ËËË	€	€
Ï	Y ÓU VH	ÚÝ	ËËË	ËËË	€	€
Ì	Y ÓU VG	ÚÝ	ËËË	ËËË	€	€
J	Y ÓU VF	ÚÝ	ËËË	ËËË	€	€



Ó{]æ^ K ÚÚÖ
 Ô•ã}^! K RP
 R àÁ{ à^! K GGFHFJJ
 T[à^!Aæ ^ K IÌÍHÍJ

ƀ[çÁ ÈGG
 ÌKUÁÇ
 Ô@&^áÓ'K''''

A Ya Vyf'8 jgfv]vi hYX' @UXg'f6 @' +: 'K]bX' @UX'fP&SL'fT' cb]bi YXL

T^ { à^!Aæ^}	Öá^&ç]	ÚçæA æ } æ à^Z ÈHÈÖ) áÁ æ } æ à^Z ÈÈÈ ÈçæA} &çç] çÆ á	Ò) áÁ} &çç] çÆ á	€	€
FE	XÖÜVG	ÜY	EEF	EEF	€
FF	XÖÜVGH	ÜY	EEF	EEF	€
FG	XÖÜVGG	ÜY	EEF	EEF	€
FH	XÖÜVGF	ÜY	EEF	EEF	€
FI	XÖÜVGÈ	ÜY	EEF	EEF	€
FÍ	XÖÜVFJ	ÜY	EEF	EEF	€
FĪ	XÖÜVFI	ÜY	EEF	EEF	€
Fĩ	XÖÜVFi	ÜY	EEF	EEF	€
Fİ	XÖÜVFİ	ÜY	EEF	EEF	€
FJ	XÖÜVFI	ÜY	EEF	EEF	€
GE	XÖÜVFI	ÜY	EEF	EEF	€
GF	XÖÜVFH	ÜY	EEF	EEF	€
GG	XÖÜVFG	ÜY	EEF	EEF	€
GH	XÖÜVFF	ÜY	EEF	EEF	€
G	XÖÜVÈ	ÜY	EEF	EEF	€
G	XÖÜVJ	ÜY	EEF	EEF	€
G	XÖÜVİ	ÜY	EEF	EEF	€
G	XÖÜVĩ	ÜY	EEF	EEF	€
G	XÖÜVİ	ÜY	EEF	EEF	€
GJ	XÖÜVİ	ÜY	EEF	EEF	€
HÈ	XÖÜVI	ÜY	EEF	EEF	€
HF	XÖÜVH	ÜY	EEF	EEF	€
HG	XÖÜVG	ÜY	EEF	EEF	€
HH	XÖÜVF	ÜY	EEF	EEF	€
Hİ	ÜWÜÜÜVFG	ÜY	EEI	EEI	€
HÍ	ÜWÜÜÜVFF	ÜY	EEI	EEI	€
HĪ	ÜWÜÜÜVFE	ÜY	EEI	EEI	€
Hĩ	ÜWÜÜÜVJ	ÜY	EEI	EEI	€
Hİ	ÜWÜÜÜVİ	ÜY	EEI	EEI	€
HJ	ÜWÜÜÜVİ	ÜY	EEI	EEI	€
I €	ÜWÜÜÜVİ	ÜY	EEI	EEI	€
IF	ÜWÜÜÜVİ	ÜY	EEI	EEI	€
IG	ÜWÜÜÜVİ	ÜY	EEI	EEI	€
IH	ÜWÜÜÜVH	ÜY	EEI	EEI	€
II	ÜWÜÜÜVG	ÜY	EEI	EEI	€
IĪ	ÜWÜÜÜVF	ÜY	EEI	EEI	€
Iĩ	ÜÇS	ÜY	EEG	EEG	€
IÌ	ÜÇS	ÜY	EEG	EEG	€
IÏ	ÜÇS	ÜY	EEF	EEF	€
IJ	ÜÇS	ÜY	EEI	EEI	€
Í €	ÜÇS	ÜY	EEI	EEI	€
ÍF	ÜÇS	ÜY	EEI	EEI	€
ÍG	ÜÇS	ÜY	EEI	EEI	€
ÍH	ÜÇS	ÜY	EEI	EEI	€
ÍI	ÜÇS	ÜY	EEI	EEI	€
Íĩ	ÜÇS	ÜY	EEI	EEI	€
ÍÌ	ÜÇS	ÜY	EEI	EEI	€
ÍÏ	ÜÇS	ÜY	EEI	EEI	€
ÍJ	T UÁÇE T ÇE	ÜY	EEI	EEI	€
ÍJ	T UÁÇE T ÇH	ÜY	EEI	EEI	€
Í €	T UÁÇE T ÇG	ÜY	EEI	EEI	€
Í F	T UÁÇE T ÇE	ÜY	EEI	EEI	€

A Ya Vyf'8]gfl]Vi hYX' @ UXg'f6 @' ; : 'K]bX' @ UX'f6) \$L'f7' cb]bi YXL

	T ^{ à^!Aæ^}	Öá^&ç}	ÚçæA æ } æ à^Z DeHÈÖ) áA æ } æ à^Z DeHÈÖ	ÚçæA ç } ææ } ZçÁ á	Ö) áA ç } ææ } ZçÁ á
HG	XÖÜVG	ÚÝ	ÆEG	ÆEG	€
HH	XÖÜVF	ÚÝ	ÆEG	ÆEG	€
H	ÚWÜÜÜVFG	ÚÝ	ÆEÍ	ÆEÍ	€
HÍ	ÚWÜÜÜVFF	ÚÝ	ÆEÍ	ÆEÍ	€
HÌ	ÚWÜÜÜVFE	ÚÝ	ÆEÍ	ÆEÍ	€
HĪ	ÚWÜÜÜVJ	ÚÝ	ÆEÍ	ÆEÍ	€
Hİ	ÚWÜÜÜVİ	ÚÝ	ÆEÍ	ÆEÍ	€
HJ	ÚWÜÜÜVÍ	ÚÝ	ÆEÍ	ÆEÍ	€
I €	ÚWÜÜÜVÍ	ÚÝ	ÆEÍ	ÆEÍ	€
IF	ÚWÜÜÜVÍ	ÚÝ	ÆEÍ	ÆEÍ	€
IG	ÚWÜÜÜVİ	ÚÝ	ÆEÍ	ÆEÍ	€
IH	ÚWÜÜÜVH	ÚÝ	ÆEÍ	ÆEÍ	€
II	ÚWÜÜÜVG	ÚÝ	ÆEÍ	ÆEÍ	€
IÍ	ÚWÜÜÜVF	ÚÝ	ÆEÍ	ÆEÍ	€
IĪ	ÚÖSF	ÚÝ	ÆEÍ	ÆEÍ	€
Iİ	ÚÖSH	ÚÝ	ÆEÍ	ÆEÍ	€
IĲ	ÚÖSG	ÚÝ	ÆEG	ÆEG	€
IJ	ÚÖSÖPH	ÚÝ	ÆEÍ	ÆEÍ	€
I €	ÚÖSÖPG	ÚÝ	ÆEÍ	ÆEÍ	€
IF	ÚÖSÖPF	ÚÝ	ÆEÍ	ÆEÍ	€
IG	ÚÖSÖOI	ÚÝ	ÆEÍ	ÆEÍ	€
IH	ÚÖSÖOI	ÚÝ	ÆEÍ	ÆEÍ	€
IĪ	ÚÖSÖOI	ÚÝ	ÆEÍ	ÆEÍ	€
Iİ	ÚÖSÖOH	ÚÝ	ÆEÍ	ÆEÍ	€
IĲ	ÚÖSÖOG	ÚÝ	ÆEÍ	ÆEÍ	€
IĴ	ÚÖSÖOF	ÚÝ	ÆEÍ	ÆEÍ	€
IĴ	T ÚÁÖE T ÖE	ÚÝ	ÆEÍ	ÆEÍ	€
I J	T ÚÁÖE T ÖEH	ÚÝ	ÆEÍ	ÆEÍ	€
I €	T ÚÁÖE T ÖEG	ÚÝ	ÆEÍ	ÆEÍ	€
I F	T ÚÁÖE T ÖEF	ÚÝ	ÆEÍ	ÆEÍ	€
I G	T ÚÁÖOÖE	ÚÝ	ÆEÍ	ÆEÍ	€
I H	T ÚÁÖOÖEH	ÚÝ	ÆEÍ	ÆEÍ	€
I I	T ÚÁÖOÖEG	ÚÝ	ÆEÍ	ÆEÍ	€
I Ī	T ÚÁÖOÖEF	ÚÝ	ÆEÍ	ÆEÍ	€
I İ	T ÚÁÖSÖP ÖE	ÚÝ	ÆEÍ	ÆEÍ	€
I J	T ÚÁÖSÖP ÖEH	ÚÝ	ÆEÍ	ÆEÍ	€
I I	T ÚÁÖSÖP ÖEG	ÚÝ	ÆEÍ	ÆEÍ	€
I J	T ÚÁÖSÖP ÖEF	ÚÝ	ÆEÍ	ÆEÍ	€
I €	PÜUH	ÚÝ	ÆEÍ	ÆEÍ	€
I F	PÜUG	ÚÝ	ÆEÍ	ÆEÍ	€
I G	PÜUF	ÚÝ	ÆEÍ	ÆEÍ	€
I H	ØÖÖÖF	ÚÝ	ÆEÍ	ÆEÍ	€
I I	ØÖÖÖH	ÚÝ	ÆEÍ	ÆEÍ	€
I Ī	ØÖÖÖG	ÚÝ	ÆEG	ÆEG	€
I İ	ÖÖÖÖG	ÚÝ	ÆEG	ÆEG	€
I Ĳ	ÖÖÖÖGH	ÚÝ	ÆEG	ÆEG	€
I Ĵ	ÖÖÖÖGG	ÚÝ	ÆEG	ÆEG	€
I J	ÖÖÖÖGF	ÚÝ	ÆEG	ÆEG	€
I €	ÖÖÖÖGE	ÚÝ	ÆEG	ÆEG	€
I F	ÖÖÖÖFJ	ÚÝ	ÆEG	ÆEG	€
I G	ÖÖÖÖFI	ÚÝ	ÆEG	ÆEG	€
I H	ÖÖÖÖFI	ÚÝ	ÆEG	ÆEG	€



Ó{]æ^ K ÚÜÖ
 Ô•ã }^! K RP
 RãÀ }{ à^! K GGF HFFJ
 T{ à^!Àæ ^ K IÏIÏIJ

PlçÁ ÆGG
 I KUÁET
 Ô@&^áO'K''''

A Ya Vyf'8 jgf|Vi hYX'@ UXg'f6 @' ; : K jbx'@ UX'fD \$fL'f7 cbh|bi YXL

	T { à^!Àæ^ }	Ôã^&ç }	ÚçæA æ' } æ' à^Z DeHÏÏO) à^T æ' } æ' à^Z DeHÏÏE ÚçæA } &çæ }	ZæÁ á	O) à^!Àæ^ } ZæÁ á	
II	ÖÜÖF	ÜY	ÆEG	ÆEG	€	€
IÍ	ÖÜÖF	ÜY	ÆEG	ÆEG	€	€
ÎÏ	ÖÜÖF	ÜY	ÆEG	ÆEG	€	€
ÏÏ	ÖÜÖFH	ÜY	ÆEG	ÆEG	€	€
ÏÎ	ÖÜÖFG	ÜY	ÆEG	ÆEG	€	€
ÏJ	ÖÜÖFF	ÜY	ÆEG	ÆEG	€	€
J€	ÖÜÖFE	ÜY	ÆEG	ÆEG	€	€
JF	ÖÜÖJ	ÜY	ÆEG	ÆEG	€	€
JG	ÖÜÖI	ÜY	ÆEG	ÆEG	€	€
JH	ÖÜÖI	ÜY	ÆEG	ÆEG	€	€
Jl	ÖÜÖI	ÜY	ÆEG	ÆEG	€	€
JÍ	ÖÜÖI	ÜY	ÆEG	ÆEG	€	€
JÏ	ÖÜÖI	ÜY	ÆEG	ÆEG	€	€
JÌ	ÖÜÖH	ÜY	ÆEG	ÆEG	€	€
Jì	ÖÜÖG	ÜY	ÆEG	ÆEG	€	€
JJ	ÖÜÖF	ÜY	ÆEG	ÆEG	€	€
F€€	ÜÜÜÖF	ÜY	ÆEÉ	ÆEÉ	€	€
F€F	ÜÜÜÖF	ÜY	ÆEÉ	ÆEÉ	€	€
F€G	ÜÜÜÖF	ÜY	ÆEÉ	ÆEÉ	€	€
F€H	ÜÜÜÖF	ÜY	ÆEÉ	ÆEÉ	€	€
F€I	ÜÜÜÖF	ÜY	ÆEÉ	ÆEÉ	€	€
F€Í	ÜÜÜÖFH	ÜY	ÆEÉ	ÆEÉ	€	€
F€Ï	ÜÜÜÖFG	ÜY	ÆEÉ	ÆEÉ	€	€
F€Ì	ÜÜÜÖFF	ÜY	ÆEÉ	ÆEÉ	€	€
F€J	ÜÜÜÖFE	ÜY	ÆEÉ	ÆEÉ	€	€
F€J	ÜÜÜÖJ	ÜY	ÆEÉ	ÆEÉ	€	€
FF€	ÜÜÜÖI	ÜY	ÆEÉ	ÆEÉ	€	€
FFF	ÜÜÜÖI	ÜY	ÆEÉ	ÆEÉ	€	€
FFG	ÜÜÜÖI	ÜY	ÆEÉ	ÆEÉ	€	€
FFH	ÜÜÜÖI	ÜY	ÆEÉ	ÆEÉ	€	€
FFI	ÜÜÜÖI	ÜY	ÆEÉ	ÆEÉ	€	€
FFI	ÜÜÜÖH	ÜY	ÆEÉ	ÆEÉ	€	€
FFI	ÜÜÜÖG	ÜY	ÆEÉ	ÆEÉ	€	€
FFI	ÜÜÜÖF	ÜY	ÆEÉ	ÆEÉ	€	€
FFI	Y VUÜH	ÜY	ÆEÉ	ÆEÉ	€	€
FFJ	Y VUÜG	ÜY	ÆEÉ	ÆEÉ	€	€
FGE	Y VUÜF	ÜY	ÆEÉ	ÆEÉ	€	€
FGF	Y ÖUVÍ	ÜY	ÆEÉ	ÆEÉ	€	€
FGG	Y ÖUVÍ	ÜY	ÆEÉ	ÆEÉ	€	€
FGH	Y ÖUVI	ÜY	ÆEÉ	ÆEÉ	€	€
FGI	Y ÖUVH	ÜY	ÆEÉ	ÆEÉ	€	€
FGÍ	Y ÖUVG	ÜY	ÆEÉ	ÆEÉ	€	€
FGÏ	Y ÖUVF	ÜY	ÆEÉ	ÆEÉ	€	€
FGì	XÖÜVG	ÜY	ÆEEF	ÆEEF	€	€
FGî	XÖÜVGH	ÜY	ÆEEF	ÆEEF	€	€
FGj	XÖÜVGG	ÜY	ÆEEF	ÆEEF	€	€
FHE	XÖÜVGf	ÜY	ÆEEF	ÆEEF	€	€
FHF	XÖÜVGE	ÜY	ÆEEF	ÆEEF	€	€
FHG	XÖÜVFJ	ÜY	ÆEEF	ÆEEF	€	€
FHH	XÖÜVFI	ÜY	ÆEEF	ÆEEF	€	€
FHl	XÖÜVFI	ÜY	ÆEEF	ÆEEF	€	€
FHÍ	XÖÜVFI	ÜY	ÆEEF	ÆEEF	€	€
FHÏ	XÖÜVFI	ÜY	ÆEEF	ÆEEF	€	€
FHÌ	XÖÜVFI	ÜY	ÆEEF	ÆEEF	€	€

ÜÜÜÖHÖA^!•ã } A ÆEËMÄKÖ|, } àÏIÏI JaGG F HFFJ D T{ } ÖÜ æ' •ã ÄZY dÜÜÜÖHÜFEGY ÈHáÁ Úæ^ÄÎ

A Ya Vyf'8]gh]Vi hYX' @ UXg'f6 @ ' ; : 'K]bX' @UX'f6 \$tL'f7 cb]bi YxL

	T{ à^!Áæ^	Öå^&ç	ÚççóÁ æ} æ à^ZÉççÖ) áÁ æ} æ à^ZÉççÖ	ÚççóÁ } &çç	ZçÁ á	Ö) áÁ } &çç	ZçÁ á
Fì	PÙUG	ÚÝ	ÉÉÉ	ÉÉÉ	€		€
FìJ	PÙUF	ÚÝ	ÉÉÉ	ÉÉÉ	€		€
FJ€	ØØØF	ÚÝ	ÉÉÉ	ÉÉÉ	€		€
FJF	ØØØH	ÚÝ	ÉÉÉ	ÉÉÉ	€		€
FJG	ØØØG	ÚÝ	ÉÉÉ	ÉÉÉ	€		€
FJH	ØØØG	ÚÝ	ÉÉÉ	ÉÉÉ	€		€
FJI	ØØØGH	ÚÝ	ÉÉÉ	ÉÉÉ	€		€
FJÍ	ØØØGG	ÚÝ	ÉÉÉ	ÉÉÉ	€		€
FJÎ	ØØØGF	ÚÝ	ÉÉÉ	ÉÉÉ	€		€
FJÏ	ØØØGE	ÚÝ	ÉÉÉ	ÉÉÉ	€		€
FJì	ØØØFJ	ÚÝ	ÉÉÉ	ÉÉÉ	€		€
FJJ	ØØØFI	ÚÝ	ÉÉÉ	ÉÉÉ	€		€
G€€	ØØØFI	ÚÝ	ÉÉÉ	ÉÉÉ	€		€
G€F	ØØØFI	ÚÝ	ÉÉÉ	ÉÉÉ	€		€
G€G	ØØØFI	ÚÝ	ÉÉÉ	ÉÉÉ	€		€
G€H	ØØØFI	ÚÝ	ÉÉÉ	ÉÉÉ	€		€
G€I	ØØØFH	ÚÝ	ÉÉÉ	ÉÉÉ	€		€
G€J	ØØØFG	ÚÝ	ÉÉÉ	ÉÉÉ	€		€
G€K	ØØØFF	ÚÝ	ÉÉÉ	ÉÉÉ	€		€
G€L	ØØØF€	ÚÝ	ÉÉÉ	ÉÉÉ	€		€
G€M	ØØØJ	ÚÝ	ÉÉÉ	ÉÉÉ	€		€
G€N	ØØØI	ÚÝ	ÉÉÉ	ÉÉÉ	€		€
G€O	ØØØI	ÚÝ	ÉÉÉ	ÉÉÉ	€		€
G€P	ØØØI	ÚÝ	ÉÉÉ	ÉÉÉ	€		€
G€Q	ØØØI	ÚÝ	ÉÉÉ	ÉÉÉ	€		€
G€R	ØØØH	ÚÝ	ÉÉÉ	ÉÉÉ	€		€
G€S	ØØØG	ÚÝ	ÉÉÉ	ÉÉÉ	€		€
G€T	ØØØF	ÚÝ	ÉÉÉ	ÉÉÉ	€		€
G€U	ÓÚÓØÓFI	ÚÝ	ÉÉÉ	ÉÉÉ	€		€
G€V	ÓÚÓØÓFI	ÚÝ	ÉÉÉ	ÉÉÉ	€		€
G€W	ÓÚÓØÓFI	ÚÝ	ÉÉÉ	ÉÉÉ	€		€
G€X	ÓÚÓØÓFI	ÚÝ	ÉÉÉ	ÉÉÉ	€		€
G€Y	ÓÚÓØÓFH	ÚÝ	ÉÉÉ	ÉÉÉ	€		€
G€Z	ÓÚÓØÓFG	ÚÝ	ÉÉÉ	ÉÉÉ	€		€
G€aa	ÓÚÓØÓFF	ÚÝ	ÉÉÉ	ÉÉÉ	€		€
G€ab	ÓÚÓØÓF€	ÚÝ	ÉÉÉ	ÉÉÉ	€		€
G€ac	ÓÚÓØÓU	ÚÝ	ÉÉÉ	ÉÉÉ	€		€
G€ad	ÓÚÓØÓI	ÚÝ	ÉÉÉ	ÉÉÉ	€		€
G€ae	ÓÚÓØÓI	ÚÝ	ÉÉÉ	ÉÉÉ	€		€
G€af	ÓÚÓØÓI	ÚÝ	ÉÉÉ	ÉÉÉ	€		€
G€ag	ÓÚÓØÓH	ÚÝ	ÉÉÉ	ÉÉÉ	€		€
G€ah	ÓÚÓØÓG	ÚÝ	ÉÉÉ	ÉÉÉ	€		€
G€ai	ÓÚÓØÓF	ÚÝ	ÉÉÉ	ÉÉÉ	€		€

A Ya Vyf'8]gh]Vi hYX' @ UXg'f6 @ ' - : 'K]bX' @UX'f6 \$tL

	T{ à^!Áæ^	Öå^&ç	ÚççóÁ æ} æ à^ZÉççÖ) áÁ æ} æ à^ZÉççÖ	ÚççóÁ } &çç	ZçÁ á	Ö) áÁ } &çç	ZçÁ á
F	Y VUÚH	ÚÝ	ÉÉF	ÉÉF	€		€

A Ya Vyf'8]gfl]Vi hYX' @ UXg'f6 @' - : 'K]bX' @UX'f%, \$L'f7 cb]bi YXL

T { à^!Áæ^	Öá^&ç	ÚçæÁ æ } æ à^Z DeEÖ) áÁ æ } æ à^Z DeEÖ	ÚçæÁ } &ç	ZdÁ á	Ö) áÁ } ZdÁ á
G	Y VUUG	ÚY	EFF	EFF	€
H	Y VUUF	ÚY	EFF	EFF	€
I	Y ÓUVÍ	ÚY	EFF	EFF	€
Í	Y ÓUVÍ	ÚY	EFF	EFF	€
Î	Y ÓUVI	ÚY	EFF	EFF	€
Ï	Y ÓUVH	ÚY	EFF	EFF	€
Ï	Y ÓUVG	ÚY	EFF	EFF	€
J	Y ÓUVF	ÚY	EFF	EFF	€
F€	XÓUVG	ÚY	EEH	EEH	€
FF	XÓUVGH	ÚY	EEH	EEH	€
FG	XÓUVGG	ÚY	EEH	EEH	€
FH	XÓUVGF	ÚY	EEH	EEH	€
FI	XÓUVGE	ÚY	EEH	EEH	€
FÍ	XÓUVFJ	ÚY	EEH	EEH	€
FÎ	XÓUVFI	ÚY	EEH	EEH	€
FÏ	XÓUVFI	ÚY	EEH	EEH	€
FÌ	XÓUVFI	ÚY	EEH	EEH	€
FJ	XÓUVFI	ÚY	EEH	EEH	€
G€	XÓUVI	ÚY	EEH	EEH	€
GF	XÓUVFH	ÚY	EEH	EEH	€
GG	XÓUVFG	ÚY	EEH	EEH	€
GH	XÓUVFF	ÚY	EEH	EEH	€
G	XÓUV€	ÚY	EEH	EEH	€
G	XÓUVJ	ÚY	EEH	EEH	€
G	XÓUVÍ	ÚY	EEH	EEH	€
G	XÓUVÍ	ÚY	EEH	EEH	€
G	XÓUVÍ	ÚY	EEH	EEH	€
GJ	XÓUVÍ	ÚY	EEH	EEH	€
H€	XÓUVI	ÚY	EEH	EEH	€
HF	XÓUVH	ÚY	EEH	EEH	€
HG	XÓUVG	ÚY	EEH	EEH	€
HH	XÓUVF	ÚY	EEH	EEH	€
HI	ÚWUUUVFG	ÚY	EEI	EEI	€
HÍ	ÚWUUUVFF	ÚY	EEI	EEI	€
HÎ	ÚWUUUVFE	ÚY	EEI	EEI	€
HÏ	ÚWUUUVJ	ÚY	EEI	EEI	€
HÌ	ÚWUUUVÍ	ÚY	EEI	EEI	€
HJ	ÚWUUUVÍ	ÚY	EEI	EEI	€
I€	ÚWUUUVÍ	ÚY	EEI	EEI	€
IF	ÚWUUUVÍ	ÚY	EEI	EEI	€
IG	ÚWUUUVI	ÚY	EEI	EEI	€
IH	ÚWUUUVH	ÚY	EEI	EEI	€
II	ÚWUUUVG	ÚY	EEI	EEI	€
IÍ	ÚWUUUVF	ÚY	EEI	EEI	€
IÎ	ÚÖSF	ÚY	EEI	EEI	€
IÏ	ÚÖSH	ÚY	EEI	EEI	€
IÌ	ÚÖSG	ÚY	EEG	EEG	€
IJ	ÚÖSÓUÞH	ÚY	EEF	EEF	€
I€	ÚÖSÓUÞG	ÚY	EEF	EEF	€
IF	ÚÖSÓUÞF	ÚY	EEF	EEF	€
IG	ÚSÖVÖI	ÚY	EEI	EEI	€
IH	ÚSÖVÖI	ÚY	EEI	EEI	€

A Ya Vyf'8 jgfvI hYX' @ UXg'f6 @' - : 'K jbx' @ UX'f%, \$L'f'7 cbjbi YXL

	T{ à^!Aæ^	Öã&ç	ÚçæA æ} æ' à^Z DeÏÏÖ) áA æ} æ' à^Z DeÏÏÖ	ÚçæA ç} &ç	ZdÁ á	Ö) áA ç} &ç	ZdÁ á
ÍI	ÚSÖE/OI	ÚY	ÆE	ÆE	€		€
ÍI	ÚSÖE/OH	ÚY	ÆE	ÆE	€		€
ÍI	ÚSÖE/OG	ÚY	ÆE	ÆE	€		€
ÍI	ÚSÖE/OF	ÚY	ÆE	ÆE	€		€
ÍI	T ÚÁÖE T OE	ÚY	ÆE	ÆE	€		€
ÍJ	T ÚÁÖE T OH	ÚY	ÆE	ÆE	€		€
Í€	T ÚÁÖE T OG	ÚY	ÆE	ÆE	€		€
ÍF	T ÚÁÖE T OF	ÚY	ÆE	ÆE	€		€
ÍG	T ÚÁÖÖVE	ÚY	ÆE	ÆE	€		€
ÍH	T ÚÁÖÖVEH	ÚY	ÆE	ÆE	€		€
ÍI	T ÚÁÖÖVEG	ÚY	ÆE	ÆE	€		€
ÍI	T ÚÁÖÖVEF	ÚY	ÆE	ÆE	€		€
ÍI	T ÚÁÖSÛP OE	ÚY	ÆE	ÆE	€		€
ÍI	T ÚÁÖSÛP OH	ÚY	ÆE	ÆE	€		€
ÍI	T ÚÁÖSÛP OG	ÚY	ÆE	ÆE	€		€
ÍJ	T ÚÁÖSÛP OF	ÚY	ÆE	ÆE	€		€
Í€	PÚUH	ÚY	ÆE	ÆE	€		€
ÍF	PÚUG	ÚY	ÆE	ÆE	€		€
ÍG	PÚUF	ÚY	ÆE	ÆE	€		€
ÍH	ØØØF	ÚY	ÆE	ÆE	€		€
ÍI	ØØØH	ÚY	ÆE	ÆE	€		€
ÍI	ØØØG	ÚY	ÆEH	ÆEH	€		€
ÍI	ØØØG	ÚY	ÆEH	ÆEH	€		€
ÍI	ØØØGH	ÚY	ÆEH	ÆEH	€		€
ÍI	ØØØGG	ÚY	ÆEH	ÆEH	€		€
ÍJ	ØØØGF	ÚY	ÆEH	ÆEH	€		€
Í€	ØØØGE	ÚY	ÆEH	ÆEH	€		€
ÍF	ØØØFJ	ÚY	ÆEH	ÆEH	€		€
ÍG	ØØØFI	ÚY	ÆEH	ÆEH	€		€
ÍH	ØØØFI	ÚY	ÆEH	ÆEH	€		€
ÍI	ØØØFI	ÚY	ÆEH	ÆEH	€		€
ÍI	ØØØFI	ÚY	ÆEH	ÆEH	€		€
ÍI	ØØØFH	ÚY	ÆEH	ÆEH	€		€
ÍI	ØØØFG	ÚY	ÆEH	ÆEH	€		€
ÍJ	ØØØFF	ÚY	ÆEH	ÆEH	€		€
J€	ØØØFE	ÚY	ÆEH	ÆEH	€		€
JF	ØØØJ	ÚY	ÆEH	ÆEH	€		€
JG	ØØØI	ÚY	ÆEH	ÆEH	€		€
JH	ØØØI	ÚY	ÆEH	ÆEH	€		€
JI	ØØØI	ÚY	ÆEH	ÆEH	€		€
JÍ	ØØØI	ÚY	ÆEH	ÆEH	€		€
JÏ	ØØØI	ÚY	ÆEH	ÆEH	€		€
JÏ	ØØØH	ÚY	ÆEH	ÆEH	€		€
JÌ	ØØØG	ÚY	ÆEH	ÆEH	€		€
JJ	ØØØF	ÚY	ÆEH	ÆEH	€		€
F€€	ÓÚÖÖÖFI	ÚY	ÆE	ÆE	€		€
F€F	ÓÚÖÖÖFI	ÚY	ÆE	ÆE	€		€
F€G	ÓÚÖÖÖFI	ÚY	ÆE	ÆE	€		€
F€H	ÓÚÖÖÖFI	ÚY	ÆE	ÆE	€		€
F€I	ÓÚÖÖÖFI	ÚY	ÆE	ÆE	€		€
F€I	ÓÚÖÖÖFH	ÚY	ÆE	ÆE	€		€

A Ya Vyf'8 jgfvI hYX' @ UXg'f6 @' - : 'K jbx' @UX'f% \$L'f7 cbhbi YXL

	T{ à^!Áæ^	Öá^&ç	ÚçæÁ æ} à^ à^Z DeIII Ö) áÁ æ} à^ à^Z DeIII	ÚçæÁ æ} à^ à^Z DeIII	ÚçæÁ æ} à^ à^Z DeIII	ÚçæÁ æ} à^ à^Z DeIII	ÚçæÁ æ} à^ à^Z DeIII
F€	ÓÚÖÓFG	ÚÝ	€€€	€€€	€	€	
F€	ÓÚÖÓFF	ÚÝ	€€€	€€€	€	€	
F€	ÓÚÖÓF€	ÚÝ	€€€	€€€	€	€	
F€J	ÓÚÖÓÚ	ÚÝ	€€€	€€€	€	€	
FF€	ÓÚÖÓÖ	ÚÝ	€€€	€€€	€	€	
FFF	ÓÚÖÓÖ	ÚÝ	€€€	€€€	€	€	
FFG	ÓÚÖÓÖ	ÚÝ	€€€	€€€	€	€	
FFH	ÓÚÖÓÖ	ÚÝ	€€€	€€€	€	€	
FFI	ÓÚÖÓÖ	ÚÝ	€€€	€€€	€	€	
FFÍ	ÓÚÖÓÖH	ÚÝ	€€€	€€€	€	€	
FFÎ	ÓÚÖÓÖG	ÚÝ	€€€	€€€	€	€	
FFÏ	ÓÚÖÓÖF	ÚÝ	€€€	€€€	€	€	

A Ya Vyf'8 jgfvI hYX' @ UXg'f6 @' '%\$: 'K jbx' @UX'f&,\$L

	T{ à^!Áæ^	Öá^&ç	ÚçæÁ æ} à^ à^Z DeIII Ö) áÁ æ} à^ à^Z DeIII	ÚçæÁ æ} à^ à^Z DeIII	ÚçæÁ æ} à^ à^Z DeIII	ÚçæÁ æ} à^ à^Z DeIII	ÚçæÁ æ} à^ à^Z DeIII
F	Y VUÚH	ÚÝ	€€F	€€F	€	€	
G	Y VUÚG	ÚÝ	€€F	€€F	€	€	
H	Y VUÚF	ÚÝ	€€F	€€F	€	€	
I	Y ÓUVÍ	ÚÝ	€€F	€€F	€	€	
Í	Y ÓUVÍ	ÚÝ	€€F	€€F	€	€	
Î	Y ÓUVI	ÚÝ	€€F	€€F	€	€	
Ï	Y ÓUVH	ÚÝ	€€F	€€F	€	€	
Ï	Y ÓUVG	ÚÝ	€€F	€€F	€	€	
J	Y ÓUVF	ÚÝ	€€F	€€F	€	€	
F€	XÓUVG	ÚÝ	€€G	€€G	€	€	
FF	XÓUVGH	ÚÝ	€€G	€€G	€	€	
FG	XÓUVGG	ÚÝ	€€G	€€G	€	€	
FH	XÓUVGF	ÚÝ	€€G	€€G	€	€	
FI	XÓUVG€	ÚÝ	€€G	€€G	€	€	
FÍ	XÓUVFJ	ÚÝ	€€G	€€G	€	€	
FÎ	XÓUVFÍ	ÚÝ	€€G	€€G	€	€	
FÏ	XÓUVFÏ	ÚÝ	€€G	€€G	€	€	
FJ	XÓUVFÍ	ÚÝ	€€G	€€G	€	€	
G€	XÓUVFÍ	ÚÝ	€€G	€€G	€	€	
GF	XÓUVFH	ÚÝ	€€G	€€G	€	€	
GG	XÓUVFG	ÚÝ	€€G	€€G	€	€	
GH	XÓUVFF	ÚÝ	€€G	€€G	€	€	
G	XÓUVF€	ÚÝ	€€G	€€G	€	€	
G	XÓUVJ	ÚÝ	€€G	€€G	€	€	
G	XÓUVÍ	ÚÝ	€€G	€€G	€	€	
G	XÓUVÍ	ÚÝ	€€G	€€G	€	€	
G	XÓUVÍ	ÚÝ	€€G	€€G	€	€	
GJ	XÓUVÍ	ÚÝ	€€G	€€G	€	€	
H€	XÓUVI	ÚÝ	€€G	€€G	€	€	
HF	XÓUVH	ÚÝ	€€G	€€G	€	€	
HG	XÓUVG	ÚÝ	€€G	€€G	€	€	
HH	XÓUVF	ÚÝ	€€G	€€G	€	€	
HI	ÚWUUUVFG	ÚÝ	€€€	€€€	€	€	
HÍ	ÚWUUUVFF	ÚÝ	€€€	€€€	€	€	
HÎ	ÚWUUUVF€	ÚÝ	€€€	€€€	€	€	

A Ya Vyf'8]ghf]Vi hYX' @ UXg'f6 @ ' % : ' K]bX' @ UX'fB%\$H'f7 cb]bi YXL

	T^{ à^!Áæ^}	Öá^&ç}	ÚçæÁ æ } á à^Z DeÏÏÖ) áÁ æ } á à^Z DeÏÏÖ	ÚçæÁ } &ç} ZçÁ á	Ö) áÁ } &ç} ZçÁ á
HÍ	ÚWÚÚÚVJ	ÚY	ÆÉÍ	ÆÉÍ	€
HÌ	ÚWÚÚÚVÌ	ÚY	ÆÉÍ	ÆÉÍ	€
HJ	ÚWÚÚÚVÍ	ÚY	ÆÉÍ	ÆÉÍ	€
I €	ÚWÚÚÚVÍ	ÚY	ÆÉÍ	ÆÉÍ	€
I F	ÚWÚÚÚVÍ	ÚY	ÆÉÍ	ÆÉÍ	€
I G	ÚWÚÚÚVÍ	ÚY	ÆÉÍ	ÆÉÍ	€
I H	ÚWÚÚÚVH	ÚY	ÆÉÍ	ÆÉÍ	€
I I	ÚWÚÚÚVG	ÚY	ÆÉÍ	ÆÉÍ	€
I Í	ÚWÚÚÚVF	ÚY	ÆÉÍ	ÆÉÍ	€
I Î	ÚÖSG	ÚY	ÆÉÍ	ÆÉÍ	€
I Ï	ÚÖSF	ÚY	ÆÉÍ	ÆÉÍ	€
I Ì	ÚÖSH	ÚY	ÆEG	ÆEG	€
I J	ÚÖSÁÓU ÞH	ÚY	ÆÉÍ	ÆÉÍ	€
I €	ÚÖSÁÓU ÞG	ÚY	ÆÉÍ	ÆÉÍ	€
I F	ÚÖSÁÓU ÞF	ÚY	ÆÉÍ	ÆÉÍ	€
I G	ÚÖSÖ/OÍ	ÚY	ÆÉÍ	ÆÉÍ	€
I H	ÚÖSÖ/OÍ	ÚY	ÆÉÍ	ÆÉÍ	€
I I	ÚÖSÖ/OÍ	ÚY	ÆÉÍ	ÆÉÍ	€
I Í	ÚÖSÖ/OH	ÚY	ÆÉÍ	ÆÉÍ	€
I Î	ÚÖSÖ/OG	ÚY	ÆÉÍ	ÆÉÍ	€
I Ï	ÚÖSÖ/OF	ÚY	ÆÉÍ	ÆÉÍ	€
I Î	T ÚÁÖÇE T ÖE	ÚY	ÆÉÍ	ÆÉÍ	€
I J	T ÚÁÖÇE T ÖH	ÚY	ÆÉÍ	ÆÉÍ	€
I €	T ÚÁÖÇE T ÖG	ÚY	ÆÉÍ	ÆÉÍ	€
I F	T ÚÁÖÇE T ÖF	ÚY	ÆÉÍ	ÆÉÍ	€
I G	T ÚÁÖÖVÖE	ÚY	ÆÉÍ	ÆÉÍ	€
I H	T ÚÁÖÖVÖH	ÚY	ÆÉÍ	ÆÉÍ	€
I I	T ÚÁÖÖVÖG	ÚY	ÆÉÍ	ÆÉÍ	€
I Í	T ÚÁÖÖVÖF	ÚY	ÆÉÍ	ÆÉÍ	€
I Î	T ÚÁÖSÚP ÖE	ÚY	ÆÉÍ	ÆÉÍ	€
I Ï	T ÚÁÖSÚP ÖH	ÚY	ÆÉÍ	ÆÉÍ	€
I Î	T ÚÁÖSÚP ÖG	ÚY	ÆÉÍ	ÆÉÍ	€
I J	T ÚÁÖSÚP ÖF	ÚY	ÆÉÍ	ÆÉÍ	€
I €	PÚUH	ÚY	ÆÉÍ	ÆÉÍ	€
I F	PÚUG	ÚY	ÆÉÍ	ÆÉÍ	€
I G	PÚUF	ÚY	ÆÉÍ	ÆÉÍ	€
I H	ØÖÖG	ÚY	ÆÉÍ	ÆÉÍ	€
I I	ØÖÖF	ÚY	ÆÉÍ	ÆÉÍ	€
I Í	ØÖÖH	ÚY	ÆEG	ÆEG	€
I Î	ÖÖÖG	ÚY	ÆEG	ÆEG	€
I Ï	ÖÖÖGH	ÚY	ÆEG	ÆEG	€
I Î	ÖÖÖGG	ÚY	ÆEG	ÆEG	€
I J	ÖÖÖGF	ÚY	ÆEG	ÆEG	€
I €	ÖÖÖGE	ÚY	ÆEG	ÆEG	€
I F	ÖÖÖFJ	ÚY	ÆEG	ÆEG	€
I G	ÖÖÖFI	ÚY	ÆEG	ÆEG	€
I H	ÖÖÖFI	ÚY	ÆEG	ÆEG	€
I I	ÖÖÖFI	ÚY	ÆEG	ÆEG	€
I Í	ÖÖÖFI	ÚY	ÆEG	ÆEG	€
I Î	ÖÖÖFI	ÚY	ÆEG	ÆEG	€
I Ï	ÖÖÖFH	ÚY	ÆEG	ÆEG	€
I Î	ÖÖÖFG	ÚY	ÆEG	ÆEG	€

A Ya Vyf 8 jgfv Vi hYX @ UXg f6 @ ' % : ' K jbx' @ UX'fB%\$H'f' cbhji YXL

	T { à^!Áæ^ }	Öá^&ç }	ÚæçÁ æ } æ à^Z DeHÍE Ö) áÁ æ } æ à^Z DeHÍE ÚæçÁ } æçá }	ÚæçÁ } æçá }	ZdÁ á	Ö) áÁ } æçá }	ZdÁ á
ì j	ÖÖÖFF	ÚÝ	ÆEG	ÆEG	€	€	€
j€	ÖÖÖF€	ÚÝ	ÆEG	ÆEG	€	€	€
jF	ÖÖÖJ	ÚÝ	ÆEG	ÆEG	€	€	€
jG	ÖÖÖÌ	ÚÝ	ÆEG	ÆEG	€	€	€
jH	ÖÖÖÍ	ÚÝ	ÆEG	ÆEG	€	€	€
jI	ÖÖÖÏ	ÚÝ	ÆEG	ÆEG	€	€	€
jÍ	ÖÖÖÓ	ÚÝ	ÆEG	ÆEG	€	€	€
jÏ	ÖÖÖH	ÚÝ	ÆEG	ÆEG	€	€	€
jÌ	ÖÖÖG	ÚÝ	ÆEG	ÆEG	€	€	€
jJ	ÖÖÖF	ÚÝ	ÆEG	ÆEG	€	€	€
F€€	ÖÜÖÖÖFÌ	ÚÝ	ÆEÌ	ÆEÌ	€	€	€
F€F	ÖÜÖÖÖFÌ	ÚÝ	ÆEÌ	ÆEÌ	€	€	€
F€G	ÖÜÖÖÖFÌ	ÚÝ	ÆEÌ	ÆEÌ	€	€	€
F€H	ÖÜÖÖÖFÌ	ÚÝ	ÆEÌ	ÆEÌ	€	€	€
F€I	ÖÜÖÖÖFÌ	ÚÝ	ÆEÌ	ÆEÌ	€	€	€
F€Ì	ÖÜÖÖÖFH	ÚÝ	ÆEÌ	ÆEÌ	€	€	€
F€Í	ÖÜÖÖÖFG	ÚÝ	ÆEÌ	ÆEÌ	€	€	€
F€Ï	ÖÜÖÖÖFF	ÚÝ	ÆEÌ	ÆEÌ	€	€	€
F€J	ÖÜÖÖÖF€	ÚÝ	ÆEÌ	ÆEÌ	€	€	€
F€Ú	ÖÜÖÖÖJ	ÚÝ	ÆEÌ	ÆEÌ	€	€	€
FF€	ÖÜÖÖÖÌ	ÚÝ	ÆEÌ	ÆEÌ	€	€	€
FFF	ÖÜÖÖÖÌ	ÚÝ	ÆEÌ	ÆEÌ	€	€	€
FFG	ÖÜÖÖÖÌ	ÚÝ	ÆEÌ	ÆEÌ	€	€	€
FFH	ÖÜÖÖÖÌ	ÚÝ	ÆEÌ	ÆEÌ	€	€	€
FFI	ÖÜÖÖÖÌ	ÚÝ	ÆEÌ	ÆEÌ	€	€	€
FFÌ	ÖÜÖÖÖH	ÚÝ	ÆEÌ	ÆEÌ	€	€	€
FFÍ	ÖÜÖÖÖG	ÚÝ	ÆEÌ	ÆEÌ	€	€	€
FFÏ	ÖÜÖÖÖF	ÚÝ	ÆEÌ	ÆEÌ	€	€	€
FFJ	Y VUÚH	ÚÝ	ÆEÌ	ÆEÌ	€	€	€
FFJ	Y VUÚG	ÚÝ	ÆEÌ	ÆEÌ	€	€	€
FG€	Y VUÚF	ÚÝ	ÆEÌ	ÆEÌ	€	€	€
FGF	Y ÓU VÌ	ÚÝ	ÆEÌ	ÆEÌ	€	€	€
FGG	Y ÓU VÌ	ÚÝ	ÆEÌ	ÆEÌ	€	€	€
FGH	Y ÓU VÌ	ÚÝ	ÆEÌ	ÆEÌ	€	€	€
FGI	Y ÓU VH	ÚÝ	ÆEÌ	ÆEÌ	€	€	€
FGÌ	Y ÓU VG	ÚÝ	ÆEÌ	ÆEÌ	€	€	€
FGÏ	Y ÓU VF	ÚÝ	ÆEÌ	ÆEÌ	€	€	€
FGJ	XÓU VG	ÚÝ	ÆEÌ	ÆEÌ	€	€	€
FGJ	XÓU VGH	ÚÝ	ÆEÌ	ÆEÌ	€	€	€
FGJ	XÓU VGG	ÚÝ	ÆEÌ	ÆEÌ	€	€	€
FH€	XÓU VGF	ÚÝ	ÆEÌ	ÆEÌ	€	€	€
FHF	XÓU VGE	ÚÝ	ÆEÌ	ÆEÌ	€	€	€
FHG	XÓU VFJ	ÚÝ	ÆEÌ	ÆEÌ	€	€	€
FHH	XÓU VFI	ÚÝ	ÆEÌ	ÆEÌ	€	€	€
FHI	XÓU VFI	ÚÝ	ÆEÌ	ÆEÌ	€	€	€
FHÌ	XÓU VFI	ÚÝ	ÆEÌ	ÆEÌ	€	€	€
FHÍ	XÓU VFI	ÚÝ	ÆEÌ	ÆEÌ	€	€	€
FHÏ	XÓU VFI	ÚÝ	ÆEÌ	ÆEÌ	€	€	€
FHJ	XÓU VFH	ÚÝ	ÆEÌ	ÆEÌ	€	€	€
FHJ	XÓU VFG	ÚÝ	ÆEÌ	ÆEÌ	€	€	€
FI€	XÓU VFF	ÚÝ	ÆEÌ	ÆEÌ	€	€	€

A Ya Vyf'8]gf]Vi hYX' @ UXg'f6 @ ' % : ' K]bX' @ UX'fB;%H'f' cb]bi YXL

	T ^{ à^/Aæ ^}	Öã^&ç	ÚçæA æ } æ à^Z DeHÉÒ) áA æ } æ à^Z DeHÉ ÚçæA } &ç	ÚçæA } &ç	ZdÁ á	Ò) áA } &ç	ZdÁ á
FI F	XÖUV€	ÚÝ	ÆEF	ÆEF	€		€
FI G	XÖUVJ	ÚÝ	ÆEF	ÆEF	€		€
FI H	XÖUVÌ	ÚÝ	ÆEF	ÆEF	€		€
FI I	XÖUVÍ	ÚÝ	ÆEF	ÆEF	€		€
FI Í	XÖUVÍ	ÚÝ	ÆEF	ÆEF	€		€
FI Î	XÖUVI	ÚÝ	ÆEF	ÆEF	€		€
FI Ì	XÖUVH	ÚÝ	ÆEF	ÆEF	€		€
FI J	XÖUVG	ÚÝ	ÆEF	ÆEF	€		€
FÍ €	XÖUVF	ÚÝ	ÆEF	ÆEF	€		€
FÍ F	ÚWÚUÚVFG	ÚÝ	ÆEI	ÆEI	€		€
FÍ G	ÚWÚUÚVFF	ÚÝ	ÆEI	ÆEI	€		€
FÍ H	ÚWÚUÚVFE	ÚÝ	ÆEI	ÆEI	€		€
FÍ I	ÚWÚUÚVJ	ÚÝ	ÆEI	ÆEI	€		€
FÍ Í	ÚWÚUÚVÌ	ÚÝ	ÆEI	ÆEI	€		€
FÍ Î	ÚWÚUÚVÍ	ÚÝ	ÆEI	ÆEI	€		€
FÍ Ì	ÚWÚUÚVH	ÚÝ	ÆEI	ÆEI	€		€
FÍ J	ÚWÚUÚVG	ÚÝ	ÆEI	ÆEI	€		€
FÍ €	ÚWÚUÚVF	ÚÝ	ÆEI	ÆEI	€		€
FÍ H	ÚÇS G	ÚÝ	ÆEG	ÆEG	€		€
FÍ I	ÚÇS F	ÚÝ	ÆEG	ÆEG	€		€
FÍ Í	ÚÇS H	ÚÝ	ÆEF	ÆEF	€		€
FÍ Î	ÚÇS ÖUPH	ÚÝ	ÆEI	ÆEI	€		€
FÍ Ì	ÚÇS ÖUPG	ÚÝ	ÆEI	ÆEI	€		€
FÍ Ì	ÚÇS ÖUPF	ÚÝ	ÆEI	ÆEI	€		€
FÍ J	ÚÇS ÖI	ÚÝ	ÆEI	ÆEI	€		€
FÍ €	ÚÇS ÖI	ÚÝ	ÆEI	ÆEI	€		€
FÍ F	ÚÇS ÖI	ÚÝ	ÆEI	ÆEI	€		€
FÍ G	ÚÇS ÖH	ÚÝ	ÆEI	ÆEI	€		€
FÍ H	ÚÇS ÖG	ÚÝ	ÆEI	ÆEI	€		€
FÍ I	ÚÇS ÖF	ÚÝ	ÆEI	ÆEI	€		€
FÍ Í	T ÚÁÇE T ÇE	ÚÝ	ÆEI	ÆEI	€		€
FÍ Î	T ÚÁÇE T ÇH	ÚÝ	ÆEI	ÆEI	€		€
FÍ Ì	T ÚÁÇE T ÇG	ÚÝ	ÆEI	ÆEI	€		€
FÍ Ì	T ÚÁÇE T ÇE	ÚÝ	ÆEI	ÆEI	€		€
FÍ J	T ÚÁÇE T ÇE	ÚÝ	ÆEI	ÆEI	€		€
FÍ €	T ÚÁÇE T ÇE	ÚÝ	ÆEI	ÆEI	€		€
FÍ F	T ÚÁÇE T ÇG	ÚÝ	ÆEI	ÆEI	€		€
FÍ G	T ÚÁÇE T ÇE	ÚÝ	ÆEI	ÆEI	€		€
FÍ H	T ÚÁÇE T ÇE	ÚÝ	ÆEI	ÆEI	€		€
FÍ I	T ÚÁÇE T ÇH	ÚÝ	ÆEI	ÆEI	€		€
FÍ Í	T ÚÁÇE T ÇG	ÚÝ	ÆEI	ÆEI	€		€
FÍ Î	T ÚÁÇE T ÇE	ÚÝ	ÆEI	ÆEI	€		€
FÍ Ì	PÚUH	ÚÝ	ÆEH	ÆEH	€		€
FÍ Ì	PÚUG	ÚÝ	ÆEH	ÆEH	€		€
FÍ J	PÚUF	ÚÝ	ÆEH	ÆEH	€		€
FJ €	ØØØØG	ÚÝ	ÆEH	ÆEH	€		€
FJ F	ØØØØF	ÚÝ	ÆEH	ÆEH	€		€
FJ G	ØØØØH	ÚÝ	ÆEF	ÆEF	€		€

A Ya Vyf'8]gh|Vi hyX' @ UXg'f6 @ '%\$. 'K]bX' @ UX'fB;\$H'f' cbh|bi YXL

	T^{ à^!Aæ^}	Öã^&ç }	ÚçæÓÆ æ} æ à^Z ÆHÍÏÖ) áÁÆ æ} æ à^Z ÆHÍÏÏ ÚçæÓÆ &æç } ŽčÄ á	Ò) áÁÆ &æç } ŽčÄ á		
FJH	ÖÖÖG	ÚÝ	ÆÆÆ	ÆÆÆ	€	€
FJI	ÖÖÖGH	ÚÝ	ÆÆÆ	ÆÆÆ	€	€
FJÍ	ÖÖÖGG	ÚÝ	ÆÆÆ	ÆÆÆ	€	€
FJĪ	ÖÖÖGF	ÚÝ	ÆÆÆ	ÆÆÆ	€	€
FJĲ	ÖÖÖGÆ	ÚÝ	ÆÆÆ	ÆÆÆ	€	€
FJĴ	ÖÖÖFJ	ÚÝ	ÆÆÆ	ÆÆÆ	€	€
FJJ	ÖÖÖFĪ	ÚÝ	ÆÆÆ	ÆÆÆ	€	€
GÆ	ÖÖÖFĪ	ÚÝ	ÆÆÆ	ÆÆÆ	€	€
GÆF	ÖÖÖFĪ	ÚÝ	ÆÆÆ	ÆÆÆ	€	€
GÆG	ÖÖÖFĪ	ÚÝ	ÆÆÆ	ÆÆÆ	€	€
GÆH	ÖÖÖFĪ	ÚÝ	ÆÆÆ	ÆÆÆ	€	€
GÆĪ	ÖÖÖFH	ÚÝ	ÆÆÆ	ÆÆÆ	€	€
GÆĲ	ÖÖÖFG	ÚÝ	ÆÆÆ	ÆÆÆ	€	€
GÆĴ	ÖÖÖFF	ÚÝ	ÆÆÆ	ÆÆÆ	€	€
GÆĶ	ÖÖÖFÆ	ÚÝ	ÆÆÆ	ÆÆÆ	€	€
GÆĴ	ÖÖÖJ	ÚÝ	ÆÆÆ	ÆÆÆ	€	€
GÆJ	ÖÖÖĪ	ÚÝ	ÆÆÆ	ÆÆÆ	€	€
GÆ€	ÖÖÖĪ	ÚÝ	ÆÆÆ	ÆÆÆ	€	€
GFF	ÖÖÖĪ	ÚÝ	ÆÆÆ	ÆÆÆ	€	€
GFG	ÖÖÖĪ	ÚÝ	ÆÆÆ	ÆÆÆ	€	€
GFH	ÖÖÖĪ	ÚÝ	ÆÆÆ	ÆÆÆ	€	€
GFI	ÖÖÖH	ÚÝ	ÆÆÆ	ÆÆÆ	€	€
GĪ	ÖÖÖG	ÚÝ	ÆÆÆ	ÆÆÆ	€	€
GĲ	ÖÖÖF	ÚÝ	ÆÆÆ	ÆÆÆ	€	€
GĴ	ÓÚÖÖÖFĪ	ÚÝ	ÆÆH	ÆÆH	€	€
GĴ	ÓÚÖÖÖFĪ	ÚÝ	ÆÆH	ÆÆH	€	€
GĴJ	ÓÚÖÖÖFĪ	ÚÝ	ÆÆH	ÆÆH	€	€
GÆ	ÓÚÖÖÖFĪ	ÚÝ	ÆÆH	ÆÆH	€	€
GGF	ÓÚÖÖÖFĪ	ÚÝ	ÆÆH	ÆÆH	€	€
GGG	ÓÚÖÖÖFH	ÚÝ	ÆÆH	ÆÆH	€	€
GGH	ÓÚÖÖÖFG	ÚÝ	ÆÆH	ÆÆH	€	€
GGĪ	ÓÚÖÖÖFF	ÚÝ	ÆÆH	ÆÆH	€	€
GGĲ	ÓÚÖÖÖFÆ	ÚÝ	ÆÆH	ÆÆH	€	€
GGĴ	ÓÚÖÖÖJ	ÚÝ	ÆÆH	ÆÆH	€	€
GGĴ	ÓÚÖÖÖĪ	ÚÝ	ÆÆH	ÆÆH	€	€
GGĴ	ÓÚÖÖÖĪ	ÚÝ	ÆÆH	ÆÆH	€	€
GGĴ	ÓÚÖÖÖĪ	ÚÝ	ÆÆH	ÆÆH	€	€
GHE	ÓÚÖÖÖĪ	ÚÝ	ÆÆH	ÆÆH	€	€
GHF	ÓÚÖÖÖĪ	ÚÝ	ÆÆH	ÆÆH	€	€
GHG	ÓÚÖÖÖH	ÚÝ	ÆÆH	ÆÆH	€	€
GHĪ	ÓÚÖÖÖG	ÚÝ	ÆÆH	ÆÆH	€	€
GHĲ	ÓÚÖÖÖF	ÚÝ	ÆÆH	ÆÆH	€	€

A Ya Vyf'8]gh|Vi hyX' @ UXg'f6 @ '%\$. 'K]bX' @ UX'fB(\$H

	T^{ à^!Aæ^}	Öã^&ç }	ÚçæÓÆ æ} æ à^Z ÆHÍÏÖ) áÁÆ æ} æ à^Z ÆHÍÏÏ ÚçæÓÆ &æç } ŽčÄ á	Ò) áÁÆ &æç } ŽčÄ á		
F	Y VUÚH	ÚÝ	ÆÆĪ	ÆÆĪ	€	€
G	Y VUÚG	ÚÝ	ÆÆĪ	ÆÆĪ	€	€
H	Y VUÚF	ÚÝ	ÆÆĪ	ÆÆĪ	€	€
I	Y ÓU VĪ	ÚÝ	ÆÆĪ	ÆÆĪ	€	€
Í	Y ÓU VĪ	ÚÝ	ÆÆĪ	ÆÆĪ	€	€
Î	Y ÓU VĪ	ÚÝ	ÆÆĪ	ÆÆĪ	€	€

A Ya Vyf'8]gfl]Vi hYX' @ UXg'f6 @ '>%.'K]bX' @ UX'fB(\$H'f'7 cb]bi YXL

	T^{ à^!Áæ^}	Öá^&á}	ÚçæÁ æ} æ à^!Áæ} áÁ æ} æ à^!Áæ} ÚçæÁ &æá} ŽdÁ á	Ó) áÁ &æá} ŽdÁ á		
Ì	Y ÓUVH	ÚÝ	ÆÉÍ	ÆÉÍ	€	€
Ì	Y ÓUVG	ÚÝ	ÆÉÍ	ÆÉÍ	€	€
J	Y ÓUVF	ÚÝ	ÆÉÍ	ÆÉÍ	€	€
F€	XÓUVG	ÚÝ	ÆÉF	ÆÉF	€	€
FF	XÓUVGH	ÚÝ	ÆÉF	ÆÉF	€	€
FG	XÓUVGG	ÚÝ	ÆÉF	ÆÉF	€	€
FH	XÓUVGF	ÚÝ	ÆÉF	ÆÉF	€	€
FI	XÓUVGE	ÚÝ	ÆÉF	ÆÉF	€	€
FÍ	XÓUVFJ	ÚÝ	ÆÉF	ÆÉF	€	€
FÎ	XÓUVFÌ	ÚÝ	ÆÉF	ÆÉF	€	€
FÏ	XÓUVFÎ	ÚÝ	ÆÉF	ÆÉF	€	€
FÌ	XÓUVFÌ	ÚÝ	ÆÉF	ÆÉF	€	€
FJ	XÓUVFÍ	ÚÝ	ÆÉF	ÆÉF	€	€
G€	XÓUVFI	ÚÝ	ÆÉF	ÆÉF	€	€
GF	XÓUVFH	ÚÝ	ÆÉF	ÆÉF	€	€
GG	XÓUVFG	ÚÝ	ÆÉF	ÆÉF	€	€
GH	XÓUVFF	ÚÝ	ÆÉF	ÆÉF	€	€
G	XÓUVF€	ÚÝ	ÆÉF	ÆÉF	€	€
G	XÓUVJ	ÚÝ	ÆÉF	ÆÉF	€	€
G	XÓUVÌ	ÚÝ	ÆÉF	ÆÉF	€	€
G	XÓUVÎ	ÚÝ	ÆÉF	ÆÉF	€	€
G	XÓUVÍ	ÚÝ	ÆÉF	ÆÉF	€	€
GJ	XÓUVÍ	ÚÝ	ÆÉF	ÆÉF	€	€
H€	XÓUVI	ÚÝ	ÆÉF	ÆÉF	€	€
HF	XÓUVH	ÚÝ	ÆÉF	ÆÉF	€	€
HG	XÓUVG	ÚÝ	ÆÉF	ÆÉF	€	€
HH	XÓUVF	ÚÝ	ÆÉF	ÆÉF	€	€
HÌ	ÚWÚUÚVFG	ÚÝ	ÆÉÍ	ÆÉÍ	€	€
HÍ	ÚWÚUÚVFF	ÚÝ	ÆÉÍ	ÆÉÍ	€	€
HÎ	ÚWÚUÚVFE	ÚÝ	ÆÉÍ	ÆÉÍ	€	€
HÏ	ÚWÚUÚVJ	ÚÝ	ÆÉÍ	ÆÉÍ	€	€
HÌ	ÚWÚUÚVÌ	ÚÝ	ÆÉÍ	ÆÉÍ	€	€
HJ	ÚWÚUÚVÍ	ÚÝ	ÆÉÍ	ÆÉÍ	€	€
I€	ÚWÚUÚVÌ	ÚÝ	ÆÉÍ	ÆÉÍ	€	€
IF	ÚWÚUÚVÍ	ÚÝ	ÆÉÍ	ÆÉÍ	€	€
IG	ÚWÚUÚVÌ	ÚÝ	ÆÉÍ	ÆÉÍ	€	€
IH	ÚWÚUÚVH	ÚÝ	ÆÉÍ	ÆÉÍ	€	€
II	ÚWÚUÚVG	ÚÝ	ÆÉÍ	ÆÉÍ	€	€
IÍ	ÚWÚUÚVF	ÚÝ	ÆÉÍ	ÆÉÍ	€	€
IÏ	ÚÇS	ÚÝ	ÆÉG	ÆÉG	€	€
IÌ	ÚÇS	ÚÝ	ÆÉG	ÆÉG	€	€
IÌ	ÚÇS	ÚÝ	ÆÉF	ÆÉF	€	€
IJ	ÚÇS/ÓPH	ÚÝ	ÆÉÍ	ÆÉÍ	€	€
I€	ÚÇS/ÓPG	ÚÝ	ÆÉÍ	ÆÉÍ	€	€
IF	ÚÇS/ÓPF	ÚÝ	ÆÉÍ	ÆÉÍ	€	€
IG	ÚÇS/ÓI	ÚÝ	ÆÉÍ	ÆÉÍ	€	€
IH	ÚÇS/ÓI	ÚÝ	ÆÉÍ	ÆÉÍ	€	€
IÌ	ÚÇS/ÓI	ÚÝ	ÆÉÍ	ÆÉÍ	€	€
IÌ	ÚÇS/ÓH	ÚÝ	ÆÉÍ	ÆÉÍ	€	€
IÌ	ÚÇS/ÓG	ÚÝ	ÆÉÍ	ÆÉÍ	€	€
IÌ	ÚÇS/ÓF	ÚÝ	ÆÉÍ	ÆÉÍ	€	€
IÌ	T ÚÁÇÆ T ÇÆ	ÚÝ	ÆÉÍ	ÆÉÍ	€	€

A Ya Vyf'8 jgfvI hYX' @ UXg'f6 @ '>%.'K jbx' @ UX'fB(\$H'f7 cbhjbí YXL

	T^{ à^!Áæ^}	Öá^&ç}	ÚçæÓ æ } æ à^Z ÆGG Ò) áÁ æ } æ à^Z ÆGG ÚçæÓ } &ç} ZçÁ á	Ò) áÁ } &ç} ZçÁ á		
FFF	ÓÚÖÓÌ	ÚÝ	ÆEH	ÆEH	€	€
FFG	ÓÚÖÓÌ	ÚÝ	ÆEH	ÆEH	€	€
FFH	ÓÚÖÓÌ	ÚÝ	ÆEH	ÆEH	€	€
FFI	ÓÚÖÓÌ	ÚÝ	ÆEH	ÆEH	€	€
FFÍ	ÓÚÖÓH	ÚÝ	ÆEH	ÆEH	€	€
FFĪ	ÓÚÖÓG	ÚÝ	ÆEH	ÆEH	€	€
FFĬ	ÓÚÖÓF	ÚÝ	ÆEH	ÆEH	€	€
FFĪ	Y VUÚH	ÚÝ	ÆEF	ÆEF	€	€
FFJ	Y VUÚG	ÚÝ	ÆEF	ÆEF	€	€
FGÆ	Y VUÚF	ÚÝ	ÆEF	ÆEF	€	€
FGF	Y ÓU VÍ	ÚÝ	ÆEF	ÆEF	€	€
FGG	Y ÓU VÍ	ÚÝ	ÆEF	ÆEF	€	€
FGH	Y ÓU VÍ	ÚÝ	ÆEF	ÆEF	€	€
FG	Y ÓU VH	ÚÝ	ÆEF	ÆEF	€	€
FG	Y ÓU VG	ÚÝ	ÆEF	ÆEF	€	€
FG	Y ÓU VF	ÚÝ	ÆEF	ÆEF	€	€
FG	XÓUVG	ÚÝ	ÆEG	ÆEG	€	€
FG	XÓUVGH	ÚÝ	ÆEG	ÆEG	€	€
FGJ	XÓUVGG	ÚÝ	ÆEG	ÆEG	€	€
FHÆ	XÓUVGF	ÚÝ	ÆEG	ÆEG	€	€
FHF	XÓUVGÆ	ÚÝ	ÆEG	ÆEG	€	€
FHG	XÓUVFJ	ÚÝ	ÆEG	ÆEG	€	€
FHH	XÓUVFÌ	ÚÝ	ÆEG	ÆEG	€	€
FH	XÓUVĪ	ÚÝ	ÆEG	ÆEG	€	€
FH	XÓUVĬ	ÚÝ	ÆEG	ÆEG	€	€
FH	XÓUVĪ	ÚÝ	ÆEG	ÆEG	€	€
FH	XÓUVĪ	ÚÝ	ÆEG	ÆEG	€	€
FH	XÓUVĪ	ÚÝ	ÆEG	ÆEG	€	€
FH	XÓUVFH	ÚÝ	ÆEG	ÆEG	€	€
FHJ	XÓUVFG	ÚÝ	ÆEG	ÆEG	€	€
FI €	XÓUVFF	ÚÝ	ÆEG	ÆEG	€	€
FI F	XÓUVFÆ	ÚÝ	ÆEG	ÆEG	€	€
FI G	XÓUVJ	ÚÝ	ÆEG	ÆEG	€	€
FI H	XÓUVI	ÚÝ	ÆEG	ÆEG	€	€
FI I	XÓUVI	ÚÝ	ÆEG	ÆEG	€	€
FI Í	XÓUVI	ÚÝ	ÆEG	ÆEG	€	€
FI Ī	XÓUVI	ÚÝ	ÆEG	ÆEG	€	€
FI Ĭ	XÓUVI	ÚÝ	ÆEG	ÆEG	€	€
FI Ī	XÓUVH	ÚÝ	ÆEG	ÆEG	€	€
FI J	XÓUVG	ÚÝ	ÆEG	ÆEG	€	€
FÍ €	XÓUVF	ÚÝ	ÆEG	ÆEG	€	€
FÍ F	ÚWÚUÚVFG	ÚÝ	ÆEÍ	ÆEÍ	€	€
FÍ G	ÚWÚUÚVFF	ÚÝ	ÆEÍ	ÆEÍ	€	€
FÍ H	ÚWÚUÚVFE	ÚÝ	ÆEÍ	ÆEÍ	€	€
FÍ I	ÚWÚUÚVJ	ÚÝ	ÆEÍ	ÆEÍ	€	€
FÍ Í	ÚWÚUÚVI	ÚÝ	ÆEÍ	ÆEÍ	€	€
FÍ Ī	ÚWÚUÚVĪ	ÚÝ	ÆEÍ	ÆEÍ	€	€
FÍ Ĭ	ÚWÚUÚVĪ	ÚÝ	ÆEÍ	ÆEÍ	€	€
FÍ J	ÚWÚUÚVI	ÚÝ	ÆEÍ	ÆEÍ	€	€
FÍ €	ÚWÚUÚVH	ÚÝ	ÆEÍ	ÆEÍ	€	€
FÍ F	ÚWÚUÚVG	ÚÝ	ÆEÍ	ÆEÍ	€	€
FÍ G	ÚWÚUÚVF	ÚÝ	ÆEÍ	ÆEÍ	€	€

A Ya Vyf'8 jgfvIvi hYX' @ UXg'f6 @ '>%.'K jbx' @ UX'fB(\$H'f' cbhjb i YXL

	T^{ à^!Áæ^}	Öá^&ç}	ÚçæÓ æ} æ à^Z DeHÍE Ó) áÁ æ} æ à^Z DeHÍE ÚçæÓ &ç} ZçÁ á	Ó) áÁ &ç} ZçÁ á		
FÍ H	ÜÖSG	ÚÝ	ÆÆ	ÆÆ	€	€
FÍ I	ÜÖSF	ÚÝ	ÆÆ	ÆÆ	€	€
FÍ Í	ÜÖSH	ÚÝ	ÆEG	ÆEG	€	€
FÍ Î	ÜÖSÓUÞH	ÚÝ	ÆÆ	ÆÆ	€	€
FÍ Ï	ÜÖSÓUÞG	ÚÝ	ÆÆ	ÆÆ	€	€
FÍ Ñ	ÜÖSÓUÞF	ÚÝ	ÆÆ	ÆÆ	€	€
FÍ J	ÚSÖVÖI	ÚÝ	ÆÆ	ÆÆ	€	€
FÍ €	ÚSÖVÖI	ÚÝ	ÆÆ	ÆÆ	€	€
FÍ F	ÚSÖVÖI	ÚÝ	ÆÆ	ÆÆ	€	€
FÍ G	ÚSÖVÖH	ÚÝ	ÆÆ	ÆÆ	€	€
FÍ H	ÚSÖVÖG	ÚÝ	ÆÆ	ÆÆ	€	€
FÍ I	ÚSÖVÖF	ÚÝ	ÆÆ	ÆÆ	€	€
FÍ Í	T ÚÁÖÆ T ÖE	ÚÝ	ÆÆ	ÆÆ	€	€
FÍ Î	T ÚÁÖÆ T ÖH	ÚÝ	ÆÆ	ÆÆ	€	€
FÍ Ï	T ÚÁÖÆ T ÖG	ÚÝ	ÆÆ	ÆÆ	€	€
FÍ Ñ	T ÚÁÖÆ T ÖF	ÚÝ	ÆÆ	ÆÆ	€	€
FÍ J	T ÚÁÖVÖE	ÚÝ	ÆÆ	ÆÆ	€	€
FÍ €	T ÚÁÖVÖH	ÚÝ	ÆÆ	ÆÆ	€	€
FÍ F	T ÚÁÖVÖG	ÚÝ	ÆÆ	ÆÆ	€	€
FÍ G	T ÚÁÖVÖF	ÚÝ	ÆÆ	ÆÆ	€	€
FÍ H	T ÚÁÖSÚPÖE	ÚÝ	ÆÆ	ÆÆ	€	€
FÍ I	T ÚÁÖSÚPÖH	ÚÝ	ÆÆ	ÆÆ	€	€
FÍ Í	T ÚÁÖSÚPÖG	ÚÝ	ÆÆ	ÆÆ	€	€
FÍ Ñ	T ÚÁÖSÚPÖF	ÚÝ	ÆÆ	ÆÆ	€	€
FÍ Ò	PÚUH	ÚÝ	ÆÆ	ÆÆ	€	€
FÍ Ó	PÚUG	ÚÝ	ÆÆ	ÆÆ	€	€
FÍ J	PÚUF	ÚÝ	ÆÆ	ÆÆ	€	€
FJ€	ØÖÖÖG	ÚÝ	ÆÆ	ÆÆ	€	€
FJF	ØÖÖÖF	ÚÝ	ÆÆ	ÆÆ	€	€
FJG	ØÖÖÖH	ÚÝ	ÆEG	ÆEG	€	€
FJH	ÖÖÖÖG	ÚÝ	ÆEG	ÆEG	€	€
FJI	ÖÖÖÖH	ÚÝ	ÆEG	ÆEG	€	€
FJÍ	ÖÖÖÖG	ÚÝ	ÆEG	ÆEG	€	€
FJÏ	ÖÖÖÖF	ÚÝ	ÆEG	ÆEG	€	€
FJÑ	ÖÖÖÖE	ÚÝ	ÆEG	ÆEG	€	€
FJÒ	ÖÖÖÖFJ	ÚÝ	ÆEG	ÆEG	€	€
FJJ	ÖÖÖÖFI	ÚÝ	ÆEG	ÆEG	€	€
G€€	ÖÖÖÖFI	ÚÝ	ÆEG	ÆEG	€	€
G€F	ÖÖÖÖFI	ÚÝ	ÆEG	ÆEG	€	€
G€G	ÖÖÖÖFI	ÚÝ	ÆEG	ÆEG	€	€
G€H	ÖÖÖÖFI	ÚÝ	ÆEG	ÆEG	€	€
G€I	ÖÖÖÖFH	ÚÝ	ÆEG	ÆEG	€	€
G€Í	ÖÖÖÖFG	ÚÝ	ÆEG	ÆEG	€	€
G€Ï	ÖÖÖÖFF	ÚÝ	ÆEG	ÆEG	€	€
G€Ñ	ÖÖÖÖFE	ÚÝ	ÆEG	ÆEG	€	€
G€Ò	ÖÖÖÖJ	ÚÝ	ÆEG	ÆEG	€	€
G€J	ÖÖÖÖI	ÚÝ	ÆEG	ÆEG	€	€
G€€	ÖÖÖÖI	ÚÝ	ÆEG	ÆEG	€	€
G€F	ÖÖÖÖI	ÚÝ	ÆEG	ÆEG	€	€
G€G	ÖÖÖÖI	ÚÝ	ÆEG	ÆEG	€	€
G€H	ÖÖÖÖI	ÚÝ	ÆEG	ÆEG	€	€
G€I	ÖÖÖÖH	ÚÝ	ÆEG	ÆEG	€	€

A Ya Vyf'8 jgfv|vi hyx' @ Uxg'f6 @ '%. 'K jbx' @ Ux'fB \$tL'f' cbjbi YxL

	T ^{ à^! Áæ ^}	Öä^&çj	ÚçeoÁ æ } æ à^Ž DôDÍÈ Ö) áÁ æ } æ à^Ž DôDÍÈ ÚçeoÁ j &ççj	ŽçÁ á	Ö) áÁ j &ççj	ŽçÁ á
GF	ÖÜÖG	ÚÝ	ËEG	ËEG	€	€
GF	ÖÜÖF	ÚÝ	ËEG	ËEG	€	€
GF	ÖÜÖÖF	ÚÝ	ËÉÍ	ËÉÍ	€	€
GF	ÖÜÖÖF	ÚÝ	ËÉÍ	ËÉÍ	€	€
GFJ	ÖÜÖÖF	ÚÝ	ËÉÍ	ËÉÍ	€	€
GGE	ÖÜÖÖF	ÚÝ	ËÉÍ	ËÉÍ	€	€
GGF	ÖÜÖÖF	ÚÝ	ËÉÍ	ËÉÍ	€	€
GGG	ÖÜÖÖFH	ÚÝ	ËÉÍ	ËÉÍ	€	€
GGH	ÖÜÖÖFG	ÚÝ	ËÉÍ	ËÉÍ	€	€
GG	ÖÜÖÖFF	ÚÝ	ËÉÍ	ËÉÍ	€	€
GÁ	ÖÜÖÖF€	ÚÝ	ËÉÍ	ËÉÍ	€	€
GÄ	ÖÜÖÖÜ	ÚÝ	ËÉÍ	ËÉÍ	€	€
GË	ÖÜÖÖÒ	ÚÝ	ËÉÍ	ËÉÍ	€	€
GÌ	ÖÜÖÖÒ	ÚÝ	ËÉÍ	ËÉÍ	€	€
GGJ	ÖÜÖÖÒ	ÚÝ	ËÉÍ	ËÉÍ	€	€
GHE	ÖÜÖÖÒ	ÚÝ	ËÉÍ	ËÉÍ	€	€
GH	ÖÜÖÖÒ	ÚÝ	ËÉÍ	ËÉÍ	€	€
GHG	ÖÜÖÖÒH	ÚÝ	ËÉÍ	ËÉÍ	€	€
GHI	ÖÜÖÖÒG	ÚÝ	ËÉÍ	ËÉÍ	€	€
GH	ÖÜÖÖÖF	ÚÝ	ËÉÍ	ËÉÍ	€	€

A Ya Vyf'8 jgfv|vi hyx' @ Uxg'f6 @ '%. 'K jbx' @ Ux'fB+\$tL

	T ^{ à^! Áæ ^}	Öä^&çj	ÚçeoÁ æ } æ à^Ž DôDÍÈ Ö) áÁ æ } æ à^Ž DôDÍÈ ÚçeoÁ j &ççj	ŽçÁ á	Ö) áÁ j &ççj	ŽçÁ á
F	Y VUÜH	ÚÝ	ËFF	ËFF	€	€
G	Y VUÜG	ÚÝ	ËFF	ËFF	€	€
H	Y VUÜF	ÚÝ	ËFF	ËFF	€	€
I	Y ÖUVÍ	ÚÝ	ËFF	ËFF	€	€
Í	Y ÖUVÍ	ÚÝ	ËFF	ËFF	€	€
Î	Y ÖUVI	ÚÝ	ËFF	ËFF	€	€
Ï	Y ÖUVH	ÚÝ	ËFF	ËFF	€	€
Ì	Y ÖUVG	ÚÝ	ËFF	ËFF	€	€
J	Y ÖUVF	ÚÝ	ËFF	ËFF	€	€
F€	XÖÜVG	ÚÝ	ËEH	ËEH	€	€
FF	XÖÜVGH	ÚÝ	ËEH	ËEH	€	€
FG	XÖÜVGG	ÚÝ	ËEH	ËEH	€	€
FH	XÖÜVGF	ÚÝ	ËEH	ËEH	€	€
FI	XÖÜVGE	ÚÝ	ËEH	ËEH	€	€
FÍ	XÖÜVFJ	ÚÝ	ËEH	ËEH	€	€
FÏ	XÖÜVFI	ÚÝ	ËEH	ËEH	€	€
FÌ	XÖÜVFI	ÚÝ	ËEH	ËEH	€	€
FJ	XÖÜVFI	ÚÝ	ËEH	ËEH	€	€
G€	XÖÜVFI	ÚÝ	ËEH	ËEH	€	€
GF	XÖÜVFH	ÚÝ	ËEH	ËEH	€	€
GG	XÖÜVFG	ÚÝ	ËEH	ËEH	€	€
GH	XÖÜVFF	ÚÝ	ËEH	ËEH	€	€
G	XÖÜVFE	ÚÝ	ËEH	ËEH	€	€
G	XÖÜVJ	ÚÝ	ËEH	ËEH	€	€
G	XÖÜVÍ	ÚÝ	ËEH	ËEH	€	€
G	XÖÜVÍ	ÚÝ	ËEH	ËEH	€	€
G	XÖÜVÍ	ÚÝ	ËEH	ËEH	€	€

A Ya Vyf'8]gfv]vi hYX' @ UXg'f6 @ ' %& : ' K]bX' @ UX'fB+ \$H'f7 cb]bi YXL

	T ^{ à^/Aæ ^}	Öã^&ç	ÚæçA æ } æ à^Z DeIII Ö) áA æ } æ à^Z DeIII ÚæçA ç &ç	ÚæçA ç &ç } ZcÁ á	Ö) áA ç &ç } ZcÁ á	
GJ	XÖUVÍ	ÚÝ	ÆEH	ÆEH	€	€
H€	XÖUVI	ÚÝ	ÆEH	ÆEH	€	€
HF	XÖUVH	ÚÝ	ÆEH	ÆEH	€	€
HG	XÖUVG	ÚÝ	ÆEH	ÆEH	€	€
HH	XÖUVF	ÚÝ	ÆEH	ÆEH	€	€
HI	ÚWÚUÚVFG	ÚÝ	ÆEÍ	ÆEÍ	€	€
HÍ	ÚWÚUÚVFF	ÚÝ	ÆEÍ	ÆEÍ	€	€
HÏ	ÚWÚUÚVFE	ÚÝ	ÆEÍ	ÆEÍ	€	€
HÍ	ÚWÚUÚVJ	ÚÝ	ÆEÍ	ÆEÍ	€	€
HÌ	ÚWÚUÚVÌ	ÚÝ	ÆEÍ	ÆEÍ	€	€
HJ	ÚWÚUÚVÍ	ÚÝ	ÆEÍ	ÆEÍ	€	€
I€	ÚWÚUÚVÍ	ÚÝ	ÆEÍ	ÆEÍ	€	€
IF	ÚWÚUÚVÍ	ÚÝ	ÆEÍ	ÆEÍ	€	€
IG	ÚWÚUÚVÍ	ÚÝ	ÆEÍ	ÆEÍ	€	€
IH	ÚWÚUÚVH	ÚÝ	ÆEÍ	ÆEÍ	€	€
II	ÚWÚUÚVG	ÚÝ	ÆEÍ	ÆEÍ	€	€
IÍ	ÚWÚUÚVF	ÚÝ	ÆEÍ	ÆEÍ	€	€
IÏ	ÚÖKSG	ÚÝ	ÆEÍ	ÆEÍ	€	€
IÌ	ÚÖKSF	ÚÝ	ÆEÍ	ÆEÍ	€	€
IÏ	ÚÖKSH	ÚÝ	ÆEKG	ÆEKG	€	€
IJ	ÚÖKSÓPH	ÚÝ	ÆEF	ÆEF	€	€
I€	ÚÖKSÓPG	ÚÝ	ÆEF	ÆEF	€	€
IF	ÚÖKSÓPF	ÚÝ	ÆEF	ÆEF	€	€
IG	ÚSÖVÓI	ÚÝ	ÆEÍ	ÆEÍ	€	€
IH	ÚSÖVÓI	ÚÝ	ÆEÍ	ÆEÍ	€	€
II	ÚSÖVÓI	ÚÝ	ÆEÍ	ÆEÍ	€	€
IÍ	ÚSÖVÓH	ÚÝ	ÆEÍ	ÆEÍ	€	€
IÏ	ÚSÖVÓG	ÚÝ	ÆEÍ	ÆEÍ	€	€
IÏ	ÚSÖVÓF	ÚÝ	ÆEÍ	ÆEÍ	€	€
IÌ	T ÚÁÖE T ÖE	ÚÝ	ÆEF	ÆEF	€	€
IJ	T ÚÁÖE T ÖH	ÚÝ	ÆEF	ÆEF	€	€
I€	T ÚÁÖE T ÖG	ÚÝ	ÆEF	ÆEF	€	€
IF	T ÚÁÖE T ÖE	ÚÝ	ÆEF	ÆEF	€	€
IG	T ÚÁÖOVÖE	ÚÝ	ÆEF	ÆEF	€	€
IH	T ÚÁÖOVÖH	ÚÝ	ÆEF	ÆEF	€	€
II	T ÚÁÖOVÖG	ÚÝ	ÆEF	ÆEF	€	€
IÍ	T ÚÁÖOVÖF	ÚÝ	ÆEF	ÆEF	€	€
IÏ	T ÚÁÖSÚPÖE	ÚÝ	ÆEF	ÆEF	€	€
IÌ	T ÚÁÖSÚPÖH	ÚÝ	ÆEF	ÆEF	€	€
IÏ	T ÚÁÖSÚPÖG	ÚÝ	ÆEF	ÆEF	€	€
IJ	T ÚÁÖSÚPÖF	ÚÝ	ÆEF	ÆEF	€	€
I€	PÚUH	ÚÝ	ÆEÍ	ÆEÍ	€	€
IF	PÚUG	ÚÝ	ÆEÍ	ÆEÍ	€	€
IG	PÚUF	ÚÝ	ÆEÍ	ÆEÍ	€	€
IH	ÖÖÖÖG	ÚÝ	ÆEÍ	ÆEÍ	€	€
II	ÖÖÖÖF	ÚÝ	ÆEÍ	ÆEÍ	€	€
IÍ	ÖÖÖÖH	ÚÝ	ÆEH	ÆEH	€	€
IÏ	ÖÖÖÖG	ÚÝ	ÆEH	ÆEH	€	€
IÌ	ÖÖÖÖH	ÚÝ	ÆEH	ÆEH	€	€
IÏ	ÖÖÖÖG	ÚÝ	ÆEH	ÆEH	€	€
IJ	ÖÖÖÖF	ÚÝ	ÆEH	ÆEH	€	€
I€	ÖÖÖÖE	ÚÝ	ÆEH	ÆEH	€	€

A Ya Vyf'8]g|f]Vi hYX' @ UXg'f6 @ '%& : 'K]bX' @ UX'fB+\$tL'f' cb]bi YXL

	T\{ à^!Áæ^	Öá^&ç}	ÚæóÁ æ} æ á^Z De]]Ö) áÁ æ} æ á^Z De]]Ö	ÚæóÁ] &æá} ŽdÁ á	Ò) áÁ] &æá} ŽdÁ á
Ì F	ÖÖÖFJ	ÚÝ	ÆEH	ÆEH	€
Ì G	ÖÖÖFÌ	ÚÝ	ÆEH	ÆEH	€
Ì H	ÖÖÖFÌ	ÚÝ	ÆEH	ÆEH	€
Ì I	ÖÖÖFÌ	ÚÝ	ÆEH	ÆEH	€
Ì Í	ÖÖÖFÌ	ÚÝ	ÆEH	ÆEH	€
Ì Î	ÖÖÖFÌ	ÚÝ	ÆEH	ÆEH	€
Ì Ï	ÖÖÖFH	ÚÝ	ÆEH	ÆEH	€
Ì Ì	ÖÖÖFG	ÚÝ	ÆEH	ÆEH	€
Ì J	ÖÖÖFF	ÚÝ	ÆEH	ÆEH	€
J€	ÖÖÖF€	ÚÝ	ÆEH	ÆEH	€
JF	ÖÖÖFJ	ÚÝ	ÆEH	ÆEH	€
JG	ÖÖÖFÌ	ÚÝ	ÆEH	ÆEH	€
JH	ÖÖÖFÌ	ÚÝ	ÆEH	ÆEH	€
JI	ÖÖÖFÌ	ÚÝ	ÆEH	ÆEH	€
JÍ	ÖÖÖFÌ	ÚÝ	ÆEH	ÆEH	€
JÎ	ÖÖÖFÌ	ÚÝ	ÆEH	ÆEH	€
JÏ	ÖÖÖFH	ÚÝ	ÆEH	ÆEH	€
JÌ	ÖÖÖFG	ÚÝ	ÆEH	ÆEH	€
JJ	ÖÖÖFF	ÚÝ	ÆEH	ÆEH	€
F€€	ÓÚÖÖÖFÌ	ÚÝ	ÆEÌ	ÆEÌ	€
F€F	ÓÚÖÖÖFÌ	ÚÝ	ÆEÌ	ÆEÌ	€
F€G	ÓÚÖÖÖFÌ	ÚÝ	ÆEÌ	ÆEÌ	€
F€H	ÓÚÖÖÖFÌ	ÚÝ	ÆEÌ	ÆEÌ	€
F€I	ÓÚÖÖÖFÌ	ÚÝ	ÆEÌ	ÆEÌ	€
F€Í	ÓÚÖÖÖFÌ	ÚÝ	ÆEÌ	ÆEÌ	€
F€Î	ÓÚÖÖÖFH	ÚÝ	ÆEÌ	ÆEÌ	€
F€Ï	ÓÚÖÖÖFG	ÚÝ	ÆEÌ	ÆEÌ	€
F€J	ÓÚÖÖÖFF	ÚÝ	ÆEÌ	ÆEÌ	€
F€€	ÓÚÖÖÖF€	ÚÝ	ÆEÌ	ÆEÌ	€
F€J	ÓÚÖÖÖÚ	ÚÝ	ÆEÌ	ÆEÌ	€
FF€	ÓÚÖÖÖÒ	ÚÝ	ÆEÌ	ÆEÌ	€
FFF	ÓÚÖÖÖÒ	ÚÝ	ÆEÌ	ÆEÌ	€
FFG	ÓÚÖÖÖÒ	ÚÝ	ÆEÌ	ÆEÌ	€
FFH	ÓÚÖÖÖÒ	ÚÝ	ÆEÌ	ÆEÌ	€
FFI	ÓÚÖÖÖÒ	ÚÝ	ÆEÌ	ÆEÌ	€
FFÍ	ÓÚÖÖÖH	ÚÝ	ÆEÌ	ÆEÌ	€
FFÏ	ÓÚÖÖÖG	ÚÝ	ÆEÌ	ÆEÌ	€
FFJ	ÓÚÖÖÖF	ÚÝ	ÆEÌ	ÆEÌ	€

A Ya Vyf'8]g|f]Vi hYX' @ UXg'f6 @ '% : 'K]bX' @ UX'fI \$\$\$tL

	T\{ à^!Áæ^	Öá^&ç}	ÚæóÁ æ} æ á^Z De]]Ö) áÁ æ} æ á^Z De]]Ö	ÚæóÁ] &æá} ŽdÁ á	Ò) áÁ] &æá} ŽdÁ á
F	Y VUÜH	ÚÝ]]EÈ]]EÈ	€
G	Y VUÜG	ÚÝ]]EÈ]]EÈ	€
H	Y VUÜF	ÚÝ]]EÈ]]EÈ	€
I	Y ÓU VÌ	ÚÝ]]EÈ]]EÈ	€
Í	Y ÓU VÌ	ÚÝ]]EÈ]]EÈ	€
Î	Y ÓU VÌ	ÚÝ]]EÈ]]EÈ	€
Ï	Y ÓU VH	ÚÝ]]EÈ]]EÈ	€
Ì	Y ÓU VG	ÚÝ]]EÈ]]EÈ	€
J	Y ÓU VF	ÚÝ]]EÈ]]EÈ	€
F€	XÓU VG	ÚÝ]]EÈF]]EÈF	€
FF	XÓU VGH	ÚÝ]]EÈF]]EÈF	€



Ô [] æ ^ K Ú Ú Ö
 Ô • à } ^ K R P
 R à À ~ { à ^ K G E F I H F J J
 T [à ^ / À æ ^ K I I I H J J

P [ç Á Æ G G
 I K U Á Ç E
 Ô @ & ^ à Á Ö K ' ' ' '

A Ya Vyf 8 jgfv Ivi hYX @ UXg f6 @ ' % : K JbX ' @ UX' fl \$\$\$ f7 cbhjb i YXL

	T { à ^ / À æ ^ }	Ö à ^ & ç }	Ú ç æ Ö à æ } à à ^ Z D æ Æ Ö } à Á æ } à à ^ Z D æ Æ Ö } Ú ç æ Ö } & ç }	Z à Á á	Ö } à Á } & ç }	Z à Á á
FG	XÓUVGG	ÚÝ	ÆÆÆ	ÆÆÆ	€	€
FH	XÓUVGF	ÚÝ	ÆÆÆ	ÆÆÆ	€	€
FI	XÓUVGE	ÚÝ	ÆÆÆ	ÆÆÆ	€	€
FÍ	XÓUVFJ	ÚÝ	ÆÆÆ	ÆÆÆ	€	€
FĪ	XÓUVFİ	ÚÝ	ÆÆÆ	ÆÆÆ	€	€
Fİ	XÓUVFĪ	ÚÝ	ÆÆÆ	ÆÆÆ	€	€
FÌ	XÓUVFÌ	ÚÝ	ÆÆÆ	ÆÆÆ	€	€
FJ	XÓUVFÍ	ÚÝ	ÆÆÆ	ÆÆÆ	€	€
G€	XÓUVFI	ÚÝ	ÆÆÆ	ÆÆÆ	€	€
GF	XÓUVFH	ÚÝ	ÆÆÆ	ÆÆÆ	€	€
GG	XÓUVFG	ÚÝ	ÆÆÆ	ÆÆÆ	€	€
GH	XÓUVFF	ÚÝ	ÆÆÆ	ÆÆÆ	€	€
G	XÓUVF€	ÚÝ	ÆÆÆ	ÆÆÆ	€	€
G	XÓUVJ	ÚÝ	ÆÆÆ	ÆÆÆ	€	€
G	XÓUVÌ	ÚÝ	ÆÆÆ	ÆÆÆ	€	€
G	XÓUVĪ	ÚÝ	ÆÆÆ	ÆÆÆ	€	€
G	XÓUVİ	ÚÝ	ÆÆÆ	ÆÆÆ	€	€
GJ	XÓUVÍ	ÚÝ	ÆÆÆ	ÆÆÆ	€	€
H€	XÓUVI	ÚÝ	ÆÆÆ	ÆÆÆ	€	€
HF	XÓUVH	ÚÝ	ÆÆÆ	ÆÆÆ	€	€
HG	XÓUVG	ÚÝ	ÆÆÆ	ÆÆÆ	€	€
HH	XÓUVF	ÚÝ	ÆÆÆ	ÆÆÆ	€	€
H	ÚWÚÚÚVFG	ÚÝ	ÆÆÆ	ÆÆÆ	€	€
H	ÚWÚÚÚVFF	ÚÝ	ÆÆÆ	ÆÆÆ	€	€
H	ÚWÚÚÚVFE	ÚÝ	ÆÆÆ	ÆÆÆ	€	€
H	ÚWÚÚÚVJ	ÚÝ	ÆÆÆ	ÆÆÆ	€	€
H	ÚWÚÚÚVÌ	ÚÝ	ÆÆÆ	ÆÆÆ	€	€
HJ	ÚWÚÚÚVÍ	ÚÝ	ÆÆÆ	ÆÆÆ	€	€
I€	ÚWÚÚÚVĪ	ÚÝ	ÆÆÆ	ÆÆÆ	€	€
IF	ÚWÚÚÚVİ	ÚÝ	ÆÆÆ	ÆÆÆ	€	€
IG	ÚWÚÚÚVÌ	ÚÝ	ÆÆÆ	ÆÆÆ	€	€
IH	ÚWÚÚÚVH	ÚÝ	ÆÆÆ	ÆÆÆ	€	€
II	ÚWÚÚÚVG	ÚÝ	ÆÆÆ	ÆÆÆ	€	€
IÍ	ÚWÚÚÚVF	ÚÝ	ÆÆÆ	ÆÆÆ	€	€
I	ÚÖŠG	ÚÝ	ÆÆÆ	ÆÆÆ	€	€
I	ÚÖŠF	ÚÝ	ÆÆÆ	ÆÆÆ	€	€
I	ÚÖŠH	ÚÝ	ÆÆÆ	ÆÆÆ	€	€
IJ	ÚÖŠAÚPH	ÚÝ	ÆÆÆ	ÆÆÆ	€	€
I€	ÚÖŠAÚPG	ÚÝ	ÆÆÆ	ÆÆÆ	€	€
IF	ÚÖŠAÚPF	ÚÝ	ÆÆÆ	ÆÆÆ	€	€
IG	ÚŠÖVÖI	ÚÝ	ÆÆÆ	ÆÆÆ	€	€
IH	ÚŠÖVÖI	ÚÝ	ÆÆÆ	ÆÆÆ	€	€
II	ÚŠÖVÖI	ÚÝ	ÆÆÆ	ÆÆÆ	€	€
IÍ	ÚŠÖVÖH	ÚÝ	ÆÆÆ	ÆÆÆ	€	€
IĪ	ÚŠÖVÖG	ÚÝ	ÆÆÆ	ÆÆÆ	€	€
IÌ	ÚŠÖVÖF	ÚÝ	ÆÆÆ	ÆÆÆ	€	€
I	T ÚÁÖÇE T ÇE	ÚÝ	ÆÆÆ	ÆÆÆ	€	€
IJ	T ÚÁÖÇE T ÇEH	ÚÝ	ÆÆÆ	ÆÆÆ	€	€
I€	T ÚÁÖÇE T ÇEG	ÚÝ	ÆÆÆ	ÆÆÆ	€	€
IF	T ÚÁÖÇE T ÇEF	ÚÝ	ÆÆÆ	ÆÆÆ	€	€
IG	T ÚÁÖÇE T ÇEV	ÚÝ	ÆÆÆ	ÆÆÆ	€	€
IH	T ÚÁÖÇE T ÇEH	ÚÝ	ÆÆÆ	ÆÆÆ	€	€



Ô{ } a^ ̂ K UUÖ
 Ô• a} ^! K RP
 R̂ a^̂ { a^! K GGFHFJJ
 T[a^̂ a^ a^ ^ K I I I H I J

P[çÁ ËGG
 Ì KUÁÇ
 Ô@&^ a^ K ' ' ' '

A Ya Vyf'8 jgfl'Vi hYX' @ UXg'f6 @ ' % : ' K JbX' @ UX'fl \$\$\$t'f7 cbhji YXL

	T ^ { a^ a^ a^ }	Oä ^ & a^ }	Ú ç a^ A a^ } a^ á ^ Z De III E Ö) á A^ a^ } a^ á ^ Z De III E Ö Ú ç a^ Ö S } & a^ } Z d A á	Ö) á A^ S } & a^ } Z d A á	Ö) á A^ S } & a^ } Z d A á	Ö) á A^ S } & a^ } Z d A á
FÏ	ÜÖSÁÖU P F	ÚY	ËË	ËË	€	€
FÏ J	ÜSÖVÖI	ÚY	ËË	ËË	€	€
FÏ €	ÜSÖVÖI	ÚY	ËË	ËË	€	€
FÏ F	ÜSÖVÖI	ÚY	ËË	ËË	€	€
FÏ G	ÜSÖVÖH	ÚY	ËË	ËË	€	€
FÏ H	ÜSÖVÖG	ÚY	ËË	ËË	€	€
FÏ I	ÜSÖVÖF	ÚY	ËË	ËË	€	€
FÏ Í	T ÚÁÖÇ T Ç	ÚY	ËË	ËË	€	€
FÏ Î	T ÚÁÖÇ T ÇH	ÚY	ËË	ËË	€	€
FÏ Ï	T ÚÁÖÇ T ÇG	ÚY	ËË	ËË	€	€
FÏ Ì	T ÚÁÖÇ T ÇF	ÚY	ËË	ËË	€	€
FÏ J	T ÚÁÖÖV Ç	ÚY	ËË	ËË	€	€
FÏ €	T ÚÁÖÖV ÇH	ÚY	ËË	ËË	€	€
FÏ F	T ÚÁÖÖV ÇG	ÚY	ËË	ËË	€	€
FÏ G	T ÚÁÖÖV ÇF	ÚY	ËË	ËË	€	€
FÏ H	T ÚÁÖSÜP Ç	ÚY	ËË	ËË	€	€
FÏ I	T ÚÁÖSÜP ÇH	ÚY	ËË	ËË	€	€
FÏ Í	T ÚÁÖSÜP ÇG	ÚY	ËË	ËË	€	€
FÏ Î	T ÚÁÖSÜP ÇF	ÚY	ËË	ËË	€	€
FÏ Ï	PÜUH	ÚY	ËË	ËË	€	€
FÏ Ì	PÜUG	ÚY	ËË	ËË	€	€
FÏ J	PÜUF	ÚY	ËË	ËË	€	€
FJ€	ÖÖÖG	ÚY	ËË	ËË	€	€
FJF	ÖÖÖF	ÚY	ËË	ËË	€	€
FJG	ÖÖÖH	ÚY	ËËG	ËËG	€	€
FJH	ÖÖÖG	ÚY	ËËG	ËËG	€	€
FJI	ÖÖÖGH	ÚY	ËËG	ËËG	€	€
FJÍ	ÖÖÖGG	ÚY	ËËG	ËËG	€	€
FJÎ	ÖÖÖGF	ÚY	ËËG	ËËG	€	€
FJÏ	ÖÖÖGE	ÚY	ËËG	ËËG	€	€
FJÌ	ÖÖÖFJ	ÚY	ËËG	ËËG	€	€
FJJ	ÖÖÖFÍ	ÚY	ËËG	ËËG	€	€
G€€	ÖÖÖFÍ	ÚY	ËËG	ËËG	€	€
G€F	ÖÖÖFÍ	ÚY	ËËG	ËËG	€	€
G€G	ÖÖÖFÍ	ÚY	ËËG	ËËG	€	€
G€H	ÖÖÖFÍ	ÚY	ËËG	ËËG	€	€
G€I	ÖÖÖFH	ÚY	ËËG	ËËG	€	€
G€Í	ÖÖÖFG	ÚY	ËËG	ËËG	€	€
G€Î	ÖÖÖFF	ÚY	ËËG	ËËG	€	€
G€Ï	ÖÖÖF€	ÚY	ËËG	ËËG	€	€
G€Ì	ÖÖÖJ	ÚY	ËËG	ËËG	€	€
G€J	ÖÖÖÍ	ÚY	ËËG	ËËG	€	€
G€€	ÖÖÖÍ	ÚY	ËËG	ËËG	€	€
G€F	ÖÖÖÍ	ÚY	ËËG	ËËG	€	€
G€G	ÖÖÖÍ	ÚY	ËËG	ËËG	€	€
G€H	ÖÖÖI	ÚY	ËËG	ËËG	€	€
G€I	ÖÖÖH	ÚY	ËËG	ËËG	€	€
G€Í	ÖÖÖG	ÚY	ËËG	ËËG	€	€
G€Î	ÖÖÖF	ÚY	ËËG	ËËG	€	€
G€Ï	ÖÖÖÖFÍ	ÚY	ËË	ËË	€	€
G€Ì	ÖÖÖÖFÍ	ÚY	ËË	ËË	€	€
G€J	ÖÖÖÖFÍ	ÚY	ËË	ËË	€	€

Ü Ö Ö H Ö A ^ ! a } A ^ I Ë G M M M K Ö [, } a ^ I H J a G G F H F J J D [~ } Ö Ö a^ • a^ Ä Z Y d J Ö Ö Ö H Ü F G Y È H á Á Ú a^ A ^ I

A Ya Vyf 8 jgf jvi hyx' @ UXg f6 @ ' % : ' K jbx' @ UX' fi \$\$\$ f7 cb hj bi YxL

	T { à ^! Á æ ^	Ô à ^! Á æ ^	Ú ç æ Ö Á æ } à ^! Á æ ^	Ú ç æ Ö Á æ } à ^! Á æ ^	Ú ç æ Ö Á æ } à ^! Á æ ^	Ú ç æ Ö Á æ } à ^! Á æ ^
GOE	ÓÛÔÖFÍ	ÚÝ	ËËË	ËËË	€	€
GGF	ÓÛÔÖFI	ÚÝ	ËËË	ËËË	€	€
GGG	ÓÛÔÖFH	ÚÝ	ËËË	ËËË	€	€
GGH	ÓÛÔÖFG	ÚÝ	ËËË	ËËË	€	€
GGI	ÓÛÔÖFF	ÚÝ	ËËË	ËËË	€	€
GGJ	ÓÛÔÖF€	ÚÝ	ËËË	ËËË	€	€
GGK	ÓÛÔÖÓJ	ÚÝ	ËËË	ËËË	€	€
GGL	ÓÛÔÖÒI	ÚÝ	ËËË	ËËË	€	€
GGM	ÓÛÔÖÒI	ÚÝ	ËËË	ËËË	€	€
GGN	ÓÛÔÖÒI	ÚÝ	ËËË	ËËË	€	€
GGE	ÓÛÔÖÒI	ÚÝ	ËËË	ËËË	€	€
GHF	ÓÛÔÖÒI	ÚÝ	ËËË	ËËË	€	€
GHG	ÓÛÔÖÒH	ÚÝ	ËËË	ËËË	€	€
GHI	ÓÛÔÖÒG	ÚÝ	ËËË	ËËË	€	€
GHJ	ÓÛÔÖÒF	ÚÝ	ËËË	ËËË	€	€

A Ya Vyf 8 jgf jvi hyx' @ UXg f6 @ ' % : ' K jbx' @ UX' fi ' \$\$\$

	T { à ^! Á æ ^	Ô à ^! Á æ ^	Ú ç æ Ö Á æ } à ^! Á æ ^	Ú ç æ Ö Á æ } à ^! Á æ ^	Ú ç æ Ö Á æ } à ^! Á æ ^	Ú ç æ Ö Á æ } à ^! Á æ ^
F	Y VUÚH	ÚÝ	ËËË	ËËË	€	€
G	Y VUÚG	ÚÝ	ËËË	ËËË	€	€
H	Y VUÚF	ÚÝ	ËËË	ËËË	€	€
I	Y ÓU VÍ	ÚÝ	ËËË	ËËË	€	€
Í	Y ÓU VÍ	ÚÝ	ËËË	ËËË	€	€
İ	Y ÓU VI	ÚÝ	ËËË	ËËË	€	€
Ï	Y ÓU VH	ÚÝ	ËËË	ËËË	€	€
Ì	Y ÓU VG	ÚÝ	ËËË	ËËË	€	€
J	Y ÓU VF	ÚÝ	ËËË	ËËË	€	€
F€	XÓU V G	ÚÝ	ËËË	ËËË	€	€
FF	XÓU V GH	ÚÝ	ËËË	ËËË	€	€
FG	XÓU V GG	ÚÝ	ËËË	ËËË	€	€
FH	XÓU V GF	ÚÝ	ËËË	ËËË	€	€
FI	XÓU V G€	ÚÝ	ËËË	ËËË	€	€
FÍ	XÓU VFJ	ÚÝ	ËËË	ËËË	€	€
Fİ	XÓU VFI	ÚÝ	ËËË	ËËË	€	€
FÏ	XÓU VFI	ÚÝ	ËËË	ËËË	€	€
FJ	XÓU VFÍ	ÚÝ	ËËË	ËËË	€	€
G€	XÓU VFI	ÚÝ	ËËË	ËËË	€	€
GF	XÓU VFH	ÚÝ	ËËË	ËËË	€	€
GG	XÓU VFG	ÚÝ	ËËË	ËËË	€	€
GH	XÓU VFF	ÚÝ	ËËË	ËËË	€	€
G	XÓU V F€	ÚÝ	ËËË	ËËË	€	€
GÍ	XÓU VJ	ÚÝ	ËËË	ËËË	€	€
Gİ	XÓU VÍ	ÚÝ	ËËË	ËËË	€	€
GÏ	XÓU VÍ	ÚÝ	ËËË	ËËË	€	€
GJ	XÓU VÍ	ÚÝ	ËËË	ËËË	€	€
H€	XÓU VI	ÚÝ	ËËË	ËËË	€	€
HF	XÓU VH	ÚÝ	ËËË	ËËË	€	€
HG	XÓU VG	ÚÝ	ËËË	ËËË	€	€
HH	XÓU VF	ÚÝ	ËËË	ËËË	€	€

A Ya Vyf'8 jgfvIv hYX'@ Uxg'f6 @' %' : A UjbIub YbWYfBLL'f7 cbIjbi YXL

	T^{ à^!Áæ^}	Öã^&ç}	ÚçæÓ Á æ } á à^ Á DæHÉÖ) á Á Á æ } á à^ Á DæHÉÖ	ÚçæÓ Á æ } á à^ Á DæHÉÖ	ÚçæÓ Á æ } á à^ Á DæHÉÖ	ÚçæÓ Á æ } á à^ Á DæHÉÖ
íí	ÚŠÇ/ÖG	ÚÝ	ÛÛÛÛ Ì J	ÛÛÛÛ Ì J	€	€
íî	ÚŠÇ/ÖF	ÚÝ	ÛÛÛÛ Ì J	ÛÛÛÛ Ì J	€	€
íï	T ÚÁÖÇE T ÇE	ÚÝ	ÛÛÛÛ Í G	ÛÛÛÛ Í G	€	€
íj	T ÚÁÖÇE T ÇH	ÚÝ	ÛÛÛÛ Í G	ÛÛÛÛ Í G	€	€
í€	T ÚÁÖÇE T ÇG	ÚÝ	ÛÛÛÛ Í G	ÛÛÛÛ Í G	€	€
íF	T ÚÁÖÇE T ÇF	ÚÝ	ÛÛÛÛ Í G	ÛÛÛÛ Í G	€	€
íG	T ÚÁÖÖVÇE	ÚÝ	ÛÛÛÛ Í G	ÛÛÛÛ Í G	€	€
íH	T ÚÁÖÖVÇH	ÚÝ	ÛÛÛÛ Í G	ÛÛÛÛ Í G	€	€
íI	T ÚÁÖÖVÇG	ÚÝ	ÛÛÛÛ Í G	ÛÛÛÛ Í G	€	€
íÍ	T ÚÁÖÖVÇF	ÚÝ	ÛÛÛÛ Í G	ÛÛÛÛ Í G	€	€
íÎ	T ÚÁÖŠÚPÇE	ÚÝ	ÛÛÛÛ Í G	ÛÛÛÛ Í G	€	€
íÏ	T ÚÁÖŠÚPÇH	ÚÝ	ÛÛÛÛ Í G	ÛÛÛÛ Í G	€	€
íÏ	T ÚÁÖŠÚPÇG	ÚÝ	ÛÛÛÛ Í G	ÛÛÛÛ Í G	€	€
íJ	T ÚÁÖŠÚPÇF	ÚÝ	ÛÛÛÛ Í G	ÛÛÛÛ Í G	€	€
í€	PÚUH	ÚÝ	ÛÛÛÛ È	ÛÛÛÛ È	€	€
íF	PÚUG	ÚÝ	ÛÛÛÛ È	ÛÛÛÛ È	€	€
íG	PÚUF	ÚÝ	ÛÛÛÛ È	ÛÛÛÛ È	€	€
íH	ÖÖÖÖH	ÚÝ	ÛÛÛÛ G	ÛÛÛÛ G	€	€
íI	ÖÖÖÖG	ÚÝ	ÛÛÛÛ G	ÛÛÛÛ G	€	€
íÍ	ÖÖÖÖF	ÚÝ	ÛÛÛÛ Í H	ÛÛÛÛ Í H	€	€
íÎ	ÖÖÖÖG	ÚÝ	ÛÛÛÛ Í H	ÛÛÛÛ Í H	€	€
íÏ	ÖÖÖÖH	ÚÝ	ÛÛÛÛ Í H	ÛÛÛÛ Í H	€	€
íÏ	ÖÖÖÖG	ÚÝ	ÛÛÛÛ Í H	ÛÛÛÛ Í H	€	€
íJ	ÖÖÖÖF	ÚÝ	ÛÛÛÛ Í H	ÛÛÛÛ Í H	€	€
í€	ÖÖÖÖÇE	ÚÝ	ÛÛÛÛ Í H	ÛÛÛÛ Í H	€	€
íF	ÖÖÖÖFJ	ÚÝ	ÛÛÛÛ Í H	ÛÛÛÛ Í H	€	€
íG	ÖÖÖÖFÍ	ÚÝ	ÛÛÛÛ Í H	ÛÛÛÛ Í H	€	€
íH	ÖÖÖÖFÍ	ÚÝ	ÛÛÛÛ Í H	ÛÛÛÛ Í H	€	€
íI	ÖÖÖÖFÍ	ÚÝ	ÛÛÛÛ Í H	ÛÛÛÛ Í H	€	€
íÍ	ÖÖÖÖFÍ	ÚÝ	ÛÛÛÛ Í H	ÛÛÛÛ Í H	€	€
íÎ	ÖÖÖÖFH	ÚÝ	ÛÛÛÛ Í H	ÛÛÛÛ Í H	€	€
íÏ	ÖÖÖÖFG	ÚÝ	ÛÛÛÛ Í H	ÛÛÛÛ Í H	€	€
íJ	ÖÖÖÖFF	ÚÝ	ÛÛÛÛ Í H	ÛÛÛÛ Í H	€	€
J€	ÖÖÖÖFE	ÚÝ	ÛÛÛÛ Í H	ÛÛÛÛ Í H	€	€
JF	ÖÖÖÖJ	ÚÝ	ÛÛÛÛ Í H	ÛÛÛÛ Í H	€	€
JG	ÖÖÖÖÍ	ÚÝ	ÛÛÛÛ Í H	ÛÛÛÛ Í H	€	€
JH	ÖÖÖÖÍ	ÚÝ	ÛÛÛÛ Í H	ÛÛÛÛ Í H	€	€
JI	ÖÖÖÖÍ	ÚÝ	ÛÛÛÛ Í H	ÛÛÛÛ Í H	€	€
JÍ	ÖÖÖÖÍ	ÚÝ	ÛÛÛÛ Í H	ÛÛÛÛ Í H	€	€
JÏ	ÖÖÖÖI	ÚÝ	ÛÛÛÛ Í H	ÛÛÛÛ Í H	€	€
JÎ	ÖÖÖÖH	ÚÝ	ÛÛÛÛ Í H	ÛÛÛÛ Í H	€	€
JÌ	ÖÖÖÖG	ÚÝ	ÛÛÛÛ Í H	ÛÛÛÛ Í H	€	€
JJ	ÖÖÖÖF	ÚÝ	ÛÛÛÛ Í H	ÛÛÛÛ Í H	€	€
F€€	ÖÜÖÖÖFÍ	ÚÝ	ÛÛÛÛ Í	ÛÛÛÛ Í	€	€
F€F	ÖÜÖÖÖFÍ	ÚÝ	ÛÛÛÛ Í	ÛÛÛÛ Í	€	€
F€G	ÖÜÖÖÖFÍ	ÚÝ	ÛÛÛÛ Í	ÛÛÛÛ Í	€	€
F€H	ÖÜÖÖÖFÍ	ÚÝ	ÛÛÛÛ Í	ÛÛÛÛ Í	€	€
F€I	ÖÜÖÖÖFÍ	ÚÝ	ÛÛÛÛ Í	ÛÛÛÛ Í	€	€
F€Í	ÖÜÖÖÖFH	ÚÝ	ÛÛÛÛ Í	ÛÛÛÛ Í	€	€
F€Ï	ÖÜÖÖÖFG	ÚÝ	ÛÛÛÛ Í	ÛÛÛÛ Í	€	€
F€Ï	ÖÜÖÖÖFF	ÚÝ	ÛÛÛÛ Í	ÛÛÛÛ Í	€	€



Ó{|]æ^ K ÚÚÖ
 Ô•â}^! K RP
 R{à^|{ à^! K GGFHFJJ
 T| à^|Aæ ^ K IÍHÍJ

É|çÁ ÉEGG
 ÌKUAÉF
 Ô@&^aÁ'K''''

A Ya Vyf 8 jgf JVi hYX @ UXg f6 @ % : A Uj bU b Yb WY fl \$ L l T c b J b i YX L

	T ^ { à ^ A æ ^	Ö ä ^ & ç }	Ú ç æ Ö A æ } æ à ^ Z D æ È Ö } á Á T æ } æ à ^ Z D æ È Ö Ú ç æ Ö A æ } & ç æ }	Z d Á á	Ö } á Á } & ç æ }	Z d Á á
HJ	ÚWÚUUÜVÍ	ÚÛ	ÉÉÉÉ GH	ÉÉÉÉ GH	€	€
ÍÉ	ÚWÚUUÜVÍ	ÚÛ	ÉÉÉÉ GH	ÉÉÉÉ GH	€	€
ÍF	ÚWÚUUÜVÍ	ÚÛ	ÉÉÉÉ GH	ÉÉÉÉ GH	€	€
ÍG	ÚWÚUUÜVÍ	ÚÛ	ÉÉÉÉ GH	ÉÉÉÉ GH	€	€
ÍH	ÚWÚUUÜVH	ÚÛ	ÉÉÉÉ GH	ÉÉÉÉ GH	€	€
ÍI	ÚWÚUUÜVG	ÚÛ	ÉÉÉÉ GH	ÉÉÉÉ GH	€	€
ÍÍ	ÚWÚUUÜVF	ÚÛ	ÉÉÉÉ GH	ÉÉÉÉ GH	€	€
ÍÎ	ÚÜSH	ÚÛ	ÉÉÉÉGH	ÉÉÉÉGH	€	€
ÍÏ	ÚÜSG	ÚÛ	ÉÉÉÉGH	ÉÉÉÉGH	€	€
ÍÌ	ÚÜSF	ÚÛ	ÉÉÉÉFÍ	ÉÉÉÉFÍ	€	€
ÍJ	ÚÜSÁÜPΦ	ÚÛ	ÉÉÉÉ JI	ÉÉÉÉ JI	€	€
ÍÉ	ÚÜSÁÜPΓ	ÚÛ	ÉÉÉÉ JI	ÉÉÉÉ JI	€	€
ÍF	ÚÜSÁÜPΦ	ÚÛ	ÉÉÉÉ JI	ÉÉÉÉ JI	€	€
ÍG	ÚSÖVÖÍ	ÚÛ	ÉÉÉÉ GH	ÉÉÉÉ GH	€	€
ÍH	ÚSÖVÖÍ	ÚÛ	ÉÉÉÉ GH	ÉÉÉÉ GH	€	€
ÍI	ÚSÖVÖÍ	ÚÛ	ÉÉÉÉ GH	ÉÉÉÉ GH	€	€
ÍÍ	ÚSÖVÖH	ÚÛ	ÉÉÉÉ GH	ÉÉÉÉ GH	€	€
ÍÏ	ÚSÖVÖG	ÚÛ	ÉÉÉÉ GH	ÉÉÉÉ GH	€	€
ÍÌ	ÚSÖVÖF	ÚÛ	ÉÉÉÉ GH	ÉÉÉÉ GH	€	€
ÍJ	T Ú Á Ö Ç È T Ö È	ÚÛ	ÉÉÉÉ ÍÍ	ÉÉÉÉ ÍÍ	€	€
ÍÉ	T Ú Á Ö Ç È T Ö È	ÚÛ	ÉÉÉÉ ÍÍ	ÉÉÉÉ ÍÍ	€	€
ÍF	T Ú Á Ö Ç È T Ö È	ÚÛ	ÉÉÉÉ ÍÍ	ÉÉÉÉ ÍÍ	€	€
ÍG	T Ú Á Ö Ç È T Ö È	ÚÛ	ÉÉÉÉ ÍÍ	ÉÉÉÉ ÍÍ	€	€
ÍH	T Ú Á Ö Ç È T Ö È	ÚÛ	ÉÉÉÉ ÍÍ	ÉÉÉÉ ÍÍ	€	€
ÍI	T Ú Á Ö Ç È T Ö È	ÚÛ	ÉÉÉÉ ÍÍ	ÉÉÉÉ ÍÍ	€	€
ÍÍ	T Ú Á Ö Ç È T Ö È	ÚÛ	ÉÉÉÉ ÍÍ	ÉÉÉÉ ÍÍ	€	€
ÍÏ	T Ú Á Ö Ç È T Ö È	ÚÛ	ÉÉÉÉ ÍÍ	ÉÉÉÉ ÍÍ	€	€
ÍÌ	T Ú Á Ö Ç È T Ö È	ÚÛ	ÉÉÉÉ ÍÍ	ÉÉÉÉ ÍÍ	€	€
ÍJ	T Ú Á Ö Ç È T Ö È	ÚÛ	ÉÉÉÉ ÍÍ	ÉÉÉÉ ÍÍ	€	€
ÍÉ	P Ú U H	ÚÛ	ÉÉÉÉ H I	ÉÉÉÉ H I	€	€
ÍF	P Ú U G	ÚÛ	ÉÉÉÉ H I	ÉÉÉÉ H I	€	€
ÍG	P Ú U F	ÚÛ	ÉÉÉÉ H I	ÉÉÉÉ H I	€	€
ÍH	Ö Ü Ö Ö H	ÚÛ	ÉÉÉÉ F	ÉÉÉÉ F	€	€
ÍI	Ö Ü Ö Ö G	ÚÛ	ÉÉÉÉ F	ÉÉÉÉ F	€	€
ÍÍ	Ö Ü Ö Ö F	ÚÛ	ÉÉÉÉ F	ÉÉÉÉ F	€	€
ÍÎ	Ö Ü Ö Ö G	ÚÛ	ÉÉÉÉ F	ÉÉÉÉ F	€	€
ÍÏ	Ö Ü Ö Ö H	ÚÛ	ÉÉÉÉ F	ÉÉÉÉ F	€	€
ÍÌ	Ö Ü Ö Ö G	ÚÛ	ÉÉÉÉ F	ÉÉÉÉ F	€	€
ÍJ	Ö Ü Ö Ö F	ÚÛ	ÉÉÉÉ F	ÉÉÉÉ F	€	€
ÍÉ	Ö Ü Ö Ö F	ÚÛ	ÉÉÉÉ F	ÉÉÉÉ F	€	€
ÍF	Ö Ü Ö Ö F	ÚÛ	ÉÉÉÉ F	ÉÉÉÉ F	€	€
ÍG	Ö Ü Ö Ö F	ÚÛ	ÉÉÉÉ F	ÉÉÉÉ F	€	€
ÍH	Ö Ü Ö Ö F	ÚÛ	ÉÉÉÉ F	ÉÉÉÉ F	€	€
ÍI	Ö Ü Ö Ö F	ÚÛ	ÉÉÉÉ F	ÉÉÉÉ F	€	€
ÍÍ	Ö Ü Ö Ö F	ÚÛ	ÉÉÉÉ F	ÉÉÉÉ F	€	€
ÍÏ	Ö Ü Ö Ö F	ÚÛ	ÉÉÉÉ F	ÉÉÉÉ F	€	€
ÍÌ	Ö Ü Ö Ö F	ÚÛ	ÉÉÉÉ F	ÉÉÉÉ F	€	€
ÍJ	Ö Ü Ö Ö F	ÚÛ	ÉÉÉÉ F	ÉÉÉÉ F	€	€
ÍÉ	Ö Ü Ö Ö F	ÚÛ	ÉÉÉÉ F	ÉÉÉÉ F	€	€
ÍF	Ö Ü Ö Ö F	ÚÛ	ÉÉÉÉ F	ÉÉÉÉ F	€	€
ÍG	Ö Ü Ö Ö F	ÚÛ	ÉÉÉÉ F	ÉÉÉÉ F	€	€
ÍH	Ö Ü Ö Ö F	ÚÛ	ÉÉÉÉ F	ÉÉÉÉ F	€	€
ÍI	Ö Ü Ö Ö F	ÚÛ	ÉÉÉÉ F	ÉÉÉÉ F	€	€
ÍÍ	Ö Ü Ö Ö F	ÚÛ	ÉÉÉÉ F	ÉÉÉÉ F	€	€
ÍÏ	Ö Ü Ö Ö F	ÚÛ	ÉÉÉÉ F	ÉÉÉÉ F	€	€
ÍÌ	Ö Ü Ö Ö F	ÚÛ	ÉÉÉÉ F	ÉÉÉÉ F	€	€
ÍJ	Ö Ü Ö Ö F	ÚÛ	ÉÉÉÉ F	ÉÉÉÉ F	€	€
ÍÉ	Ö Ü Ö Ö F	ÚÛ	ÉÉÉÉ F	ÉÉÉÉ F	€	€

Ú Ü Ö Ç È Ö Á ^ • â } ^ ! Á Í É É G A A A A M A A K Ó | , } á Í HÍ J æ GGF HFJJ A T | } Ö È æ • Å ZY d Ú Ü Ö Ç È H UÉGY É H á Á Ú æ ^ A Í

A Ya Vyf'8]gf]Vi hyX' @ UXg'f6 @ ' % : ' A UjbuYbWYfl \$L'f' cb]bi YXL

	T^{ à^!Aæ^ }	Oã^&ç]	ÚæoÁ æ } æ à^Z DeHÉO) áÁ æ } æ à^Z DeHÉ ÚæoÁ &æ] ZcÁ á	Ò) áÁ &æ] ZcÁ á		
JF	ÓÓÓJ	ÚÝ	ÆÆÆFI F	ÆÆÆFI F	€	€
JG	ÓÓÓÌ	ÚÝ	ÆÆÆFI F	ÆÆÆFI F	€	€
JH	ÓÓÓÎ	ÚÝ	ÆÆÆFI F	ÆÆÆFI F	€	€
JI	ÓÓÓÍ	ÚÝ	ÆÆÆFI F	ÆÆÆFI F	€	€
JÍ	ÓÓÓÏ	ÚÝ	ÆÆÆFI F	ÆÆÆFI F	€	€
JĲ	ÓÓÓI	ÚÝ	ÆÆÆFI F	ÆÆÆFI F	€	€
JÏ	ÓÓÓH	ÚÝ	ÆÆÆFI F	ÆÆÆFI F	€	€
JÌ	ÓÓÓG	ÚÝ	ÆÆÆFI F	ÆÆÆFI F	€	€
JJ	ÓÓÓF	ÚÝ	ÆÆÆFI F	ÆÆÆFI F	€	€
F€	ÓÚÓÓÓFI	ÚÝ	ÆÆÆHI	ÆÆÆHI	€	€
F€	ÓÚÓÓÓFI	ÚÝ	ÆÆÆHI	ÆÆÆHI	€	€
F€	ÓÚÓÓÓFI	ÚÝ	ÆÆÆHI	ÆÆÆHI	€	€
F€	ÓÚÓÓÓFI	ÚÝ	ÆÆÆHI	ÆÆÆHI	€	€
F€	ÓÚÓÓÓFI	ÚÝ	ÆÆÆHI	ÆÆÆHI	€	€
F€	ÓÚÓÓÓFH	ÚÝ	ÆÆÆHI	ÆÆÆHI	€	€
F€	ÓÚÓÓÓFG	ÚÝ	ÆÆÆHI	ÆÆÆHI	€	€
F€	ÓÚÓÓÓFF	ÚÝ	ÆÆÆHI	ÆÆÆHI	€	€
F€	ÓÚÓÓÓF€	ÚÝ	ÆÆÆHI	ÆÆÆHI	€	€
F€	ÓÚÓÓÓÚ	ÚÝ	ÆÆÆHI	ÆÆÆHI	€	€
FF€	ÓÚÓÓÓÌ	ÚÝ	ÆÆÆHI	ÆÆÆHI	€	€
FFF	ÓÚÓÓÓÌ	ÚÝ	ÆÆÆHI	ÆÆÆHI	€	€
FFG	ÓÚÓÓÓÌ	ÚÝ	ÆÆÆHI	ÆÆÆHI	€	€
FFH	ÓÚÓÓÓÌ	ÚÝ	ÆÆÆHI	ÆÆÆHI	€	€
FFI	ÓÚÓÓÓÌ	ÚÝ	ÆÆÆHI	ÆÆÆHI	€	€
FFÍ	ÓÚÓÓÓH	ÚÝ	ÆÆÆHI	ÆÆÆHI	€	€
FFĲ	ÓÚÓÓÓG	ÚÝ	ÆÆÆHI	ÆÆÆHI	€	€
FFÏ	ÓÚÓÓÓF	ÚÝ	ÆÆÆHI	ÆÆÆHI	€	€
FFÌ	Y VUÚH	ÚÝ	ÆÆÆGI	ÆÆÆGI	€	€
FFJ	Y VUÚG	ÚÝ	ÆÆÆGI	ÆÆÆGI	€	€
F€	Y VUÚF	ÚÝ	ÆÆÆGI	ÆÆÆGI	€	€
FG€	Y ÓU VÍ	ÚÝ	ÆÆÆGI	ÆÆÆGI	€	€
FGG	Y ÓU VÍ	ÚÝ	ÆÆÆGI	ÆÆÆGI	€	€
FGH	Y ÓU VI	ÚÝ	ÆÆÆGI	ÆÆÆGI	€	€
FG	Y ÓU VH	ÚÝ	ÆÆÆGI	ÆÆÆGI	€	€
FG	Y ÓU VG	ÚÝ	ÆÆÆGI	ÆÆÆGI	€	€
FG	Y ÓU VF	ÚÝ	ÆÆÆGI	ÆÆÆGI	€	€
FG	XÓUVG	ÚÝ	ÆÆÆGÍ	ÆÆÆGÍ	€	€
FG	XÓUVGH	ÚÝ	ÆÆÆGÍ	ÆÆÆGÍ	€	€
FGJ	XÓUVGG	ÚÝ	ÆÆÆGÍ	ÆÆÆGÍ	€	€
FH€	XÓUVGF	ÚÝ	ÆÆÆGÍ	ÆÆÆGÍ	€	€
FHF	XÓUVG€	ÚÝ	ÆÆÆGÍ	ÆÆÆGÍ	€	€
FHG	XÓUVFJ	ÚÝ	ÆÆÆGÍ	ÆÆÆGÍ	€	€
FHI	XÓUVFI	ÚÝ	ÆÆÆGÍ	ÆÆÆGÍ	€	€
FH	XÓUVFI	ÚÝ	ÆÆÆGÍ	ÆÆÆGÍ	€	€
FH	XÓUVFI	ÚÝ	ÆÆÆGÍ	ÆÆÆGÍ	€	€
FH	XÓUVFI	ÚÝ	ÆÆÆGÍ	ÆÆÆGÍ	€	€
FH	XÓUVFI	ÚÝ	ÆÆÆGÍ	ÆÆÆGÍ	€	€
FH	XÓUVFI	ÚÝ	ÆÆÆGÍ	ÆÆÆGÍ	€	€
FH	XÓUVFH	ÚÝ	ÆÆÆGÍ	ÆÆÆGÍ	€	€
FHJ	XÓUVFG	ÚÝ	ÆÆÆGÍ	ÆÆÆGÍ	€	€
FI€	XÓUVFF	ÚÝ	ÆÆÆGÍ	ÆÆÆGÍ	€	€
FIF	XÓUVF€	ÚÝ	ÆÆÆGÍ	ÆÆÆGÍ	€	€
FIG	XÓUVJ	ÚÝ	ÆÆÆGÍ	ÆÆÆGÍ	€	€

A Ya VYf '8 Jglf]Vi hYX' @ UXg' f6 @ ' % ' : A Uj b K u b Y b WY f l \$ Ě Ě f' c b] Ī b i YX Ě

	T ^ { à^ Aæ ^ }	Öä ^ & c ā }	Úcæœ A æ } æ à ^ Ž DĪĪĪ Ö) à A Ě æ } æ à ^ Ž DĪĪĪ	Úcæœ A Ě } æā }	ŽĚ Ā á	Ö) à Ě } æā }	ŽĚ Ā á
FJÍ	ÖĚÖGG	ÚÝ	ĚĚĚĚ	ĚĚĚĚ	€		€
FJĪ	ÖĚÖGF	ÚÝ	ĚĚĚĚ	ĚĚĚĚ	€		€
FJĪ	ÖĚÖGE	ÚÝ	ĚĚĚĚ	ĚĚĚĚ	€		€
FJĪ	ÖĚÖFJ	ÚÝ	ĚĚĚĚ	ĚĚĚĚ	€		€
FJJ	ÖĚÖFĪ	ÚÝ	ĚĚĚĚ	ĚĚĚĚ	€		€
GĚĚ	ÖĚÖFĪ	ÚÝ	ĚĚĚĚ	ĚĚĚĚ	€		€
GĚF	ÖĚÖFĪ	ÚÝ	ĚĚĚĚ	ĚĚĚĚ	€		€
GĚG	ÖĚÖFĪ	ÚÝ	ĚĚĚĚ	ĚĚĚĚ	€		€
GĚH	ÖĚÖFĪ	ÚÝ	ĚĚĚĚ	ĚĚĚĚ	€		€
GĚĪ	ÖĚÖFH	ÚÝ	ĚĚĚĚ	ĚĚĚĚ	€		€
GĚĪ	ÖĚÖFG	ÚÝ	ĚĚĚĚ	ĚĚĚĚ	€		€
GĚĪ	ÖĚÖFF	ÚÝ	ĚĚĚĚ	ĚĚĚĚ	€		€
GĚĪ	ÖĚÖFĚ	ÚÝ	ĚĚĚĚ	ĚĚĚĚ	€		€
GĚĪ	ÖĚÖJ	ÚÝ	ĚĚĚĚ	ĚĚĚĚ	€		€
GĚJ	ÖĚÖĪ	ÚÝ	ĚĚĚĚ	ĚĚĚĚ	€		€
GĚĚ	ÖĚÖĪ	ÚÝ	ĚĚĚĚ	ĚĚĚĚ	€		€
GĚF	ÖĚÖĪ	ÚÝ	ĚĚĚĚ	ĚĚĚĚ	€		€
GĚG	ÖĚÖĪ	ÚÝ	ĚĚĚĚ	ĚĚĚĚ	€		€
GĚH	ÖĚÖĪ	ÚÝ	ĚĚĚĚ	ĚĚĚĚ	€		€
GĚĪ	ÖĚÖH	ÚÝ	ĚĚĚĚ	ĚĚĚĚ	€		€
GĚĪ	ÖĚÖG	ÚÝ	ĚĚĚĚ	ĚĚĚĚ	€		€
GĚĪ	ÖĚÖF	ÚÝ	ĚĚĚĚ	ĚĚĚĚ	€		€
GĚĪ	ÖÜÖÖFĪ	ÚÝ	ĚĚĚĚFJĪ	ĚĚĚĚFJĪ	€		€
GĚĪ	ÖÜÖÖFĪ	ÚÝ	ĚĚĚĚFJĪ	ĚĚĚĚFJĪ	€		€
GĚJ	ÖÜÖÖFĪ	ÚÝ	ĚĚĚĚFJĪ	ĚĚĚĚFJĪ	€		€
GĚĚ	ÖÜÖÖFĪ	ÚÝ	ĚĚĚĚFJĪ	ĚĚĚĚFJĪ	€		€
GĚF	ÖÜÖÖFĪ	ÚÝ	ĚĚĚĚFJĪ	ĚĚĚĚFJĪ	€		€
GĚG	ÖÜÖÖFH	ÚÝ	ĚĚĚĚFJĪ	ĚĚĚĚFJĪ	€		€
GĚH	ÖÜÖÖFG	ÚÝ	ĚĚĚĚFJĪ	ĚĚĚĚFJĪ	€		€
GĚĪ	ÖÜÖÖFF	ÚÝ	ĚĚĚĚFJĪ	ĚĚĚĚFJĪ	€		€
GĚĪ	ÖÜÖÖFĚ	ÚÝ	ĚĚĚĚFJĪ	ĚĚĚĚFJĪ	€		€
GĚĪ	ÖÜÖÖJ	ÚÝ	ĚĚĚĚFJĪ	ĚĚĚĚFJĪ	€		€
GĚĪ	ÖÜÖÖĪ	ÚÝ	ĚĚĚĚFJĪ	ĚĚĚĚFJĪ	€		€
GĚĪ	ÖÜÖÖĪ	ÚÝ	ĚĚĚĚFJĪ	ĚĚĚĚFJĪ	€		€
GĚJ	ÖÜÖÖĪ	ÚÝ	ĚĚĚĚFJĪ	ĚĚĚĚFJĪ	€		€
GĚĚ	ÖÜÖÖĪ	ÚÝ	ĚĚĚĚFJĪ	ĚĚĚĚFJĪ	€		€
GĚF	ÖÜÖÖĪ	ÚÝ	ĚĚĚĚFJĪ	ĚĚĚĚFJĪ	€		€
GĚG	ÖÜÖÖH	ÚÝ	ĚĚĚĚFJĪ	ĚĚĚĚFJĪ	€		€
GĚH	ÖÜÖÖG	ÚÝ	ĚĚĚĚFJĪ	ĚĚĚĚFJĪ	€		€
GĚĪ	ÖÜÖÖF	ÚÝ	ĚĚĚĚFJĪ	ĚĚĚĚFJĪ	€		€

A Ya VYf '8 Jglf]Vi hYX' @ UXg' f6 @ ' % ' : A Uj b K u b Y b WY f l \$ Ě

	T ^ { à^ Aæ ^ }	Öä ^ & c ā }	Úcæœ A æ } æ à ^ Ž DĪĪĪ Ö) à A Ě æ } æ à ^ Ž DĪĪĪ	Úcæœ A Ě } æā }	ŽĚ Ā á	Ö) à Ě } æā }	ŽĚ Ā á
F	Y VUÜH	ÚÝ	ĚĚĚĚHĚ	ĚĚĚĚHĚ	€		€
G	Y VUÜG	ÚÝ	ĚĚĚĚHĚ	ĚĚĚĚHĚ	€		€
H	Y VUÜF	ÚÝ	ĚĚĚĚHĚ	ĚĚĚĚHĚ	€		€
I	Y ÖU VĪ	ÚÝ	ĚĚĚĚHĚ	ĚĚĚĚHĚ	€		€
Ī	Y ÖU VĪ	ÚÝ	ĚĚĚĚHĚ	ĚĚĚĚHĚ	€		€
Ī	Y ÖU VĪ	ÚÝ	ĚĚĚĚHĚ	ĚĚĚĚHĚ	€		€
Ī	Y ÖU VH	ÚÝ	ĚĚĚĚHĚ	ĚĚĚĚHĚ	€		€
Ī	Y ÖU VG	ÚÝ	ĚĚĚĚHĚ	ĚĚĚĚHĚ	€		€

A Ya Vvf 8 jg|Vi hYX' @ UXg r6 @ r '% : A Ujb Iub Yb Wv ft \$L fT cbljbi YXL

T ^ { à ^! Å æ ^	Ö à ^ & ç	Ú ç æ Ö Å æ } ã à ^ Ž Đ Ì È Ò) á Á æ } ã à ^ Ž Đ Ì È Ú ç æ Ö Å } & ç æ } Ž ä Á á	Ò) á Á } & ç æ } Ž ä Á á
FÍ Í	ÜÖFS	ÚÝ	€
FÎ Î	ÜÖFS Ö UPH	ÚÝ	€
FÏ Ï	ÜÖFS Ö UPG	ÚÝ	€
FÏ Ì	ÜÖFS Ö UPF	ÚÝ	€
FÍ J	ÜÖS Ö ÖI	ÚÝ	€
FÍ €	ÜÖS Ö ÖI	ÚÝ	€
FÍ F	ÜÖS Ö ÖI	ÚÝ	€
FÍ G	ÜÖS Ö ÖH	ÚÝ	€
FÍ H	ÜÖS Ö ÖG	ÚÝ	€
FÍ I	ÜÖS Ö ÖF	ÚÝ	€
FÍ Í	T Ú Ö Ö È T Ö È	ÚÝ	€
FÍ Î	T Ú Ö Ö È T Ö È I	ÚÝ	€
FÍ Ï	T Ú Ö Ö È T Ö È G	ÚÝ	€
FÍ Ì	T Ú Ö Ö È T Ö È F	ÚÝ	€
FÍ J	T Ú Ö Ö V Ö È	ÚÝ	€
FÍ €	T Ú Ö Ö V Ö È I	ÚÝ	€
FÍ F	T Ú Ö Ö V Ö È G	ÚÝ	€
FÍ G	T Ú Ö Ö V Ö È F	ÚÝ	€
FÍ H	T Ú Ö Ö S Ö P Ö È	ÚÝ	€
FÍ I	T Ú Ö Ö S Ö P Ö È I	ÚÝ	€
FÍ Í	T Ú Ö Ö S Ö P Ö È G	ÚÝ	€
FÍ Î	T Ú Ö Ö S Ö P Ö È F	ÚÝ	€
FÍ Ï	P Ü Ü H	ÚÝ	€
FÍ Î	P Ü Ü G	ÚÝ	€
FÍ J	P Ü Ü F	ÚÝ	€
FJ €	Ö Ö Ö Ö H	ÚÝ	€
FJ F	Ö Ö Ö Ö G	ÚÝ	€
FJ G	Ö Ö Ö Ö F	ÚÝ	€
FJ H	Ö Ö Ö Ö G	ÚÝ	€
FJ I	Ö Ö Ö Ö G H	ÚÝ	€
FJ Í	Ö Ö Ö Ö G G	ÚÝ	€
FJ Ï	Ö Ö Ö Ö G F	ÚÝ	€
FJ Ì	Ö Ö Ö Ö G È	ÚÝ	€
FJ Ï	Ö Ö Ö Ö F J	ÚÝ	€
FJ J	Ö Ö Ö Ö F I	ÚÝ	€
G€€	Ö Ö Ö Ö F I	ÚÝ	€
G€ F	Ö Ö Ö Ö F I	ÚÝ	€
G€ G	Ö Ö Ö Ö F I	ÚÝ	€
G€ H	Ö Ö Ö Ö F I	ÚÝ	€
G€ I	Ö Ö Ö Ö F H	ÚÝ	€
G€ Í	Ö Ö Ö Ö F G	ÚÝ	€
G€ Î	Ö Ö Ö Ö F F	ÚÝ	€
G€ Ï	Ö Ö Ö Ö F È	ÚÝ	€
G€ Î	Ö Ö Ö Ö J	ÚÝ	€
G€ J	Ö Ö Ö Ö Ì	ÚÝ	€
G€€	Ö Ö Ö Ö Í	ÚÝ	€
G€ F	Ö Ö Ö Ö Í	ÚÝ	€
G€ G	Ö Ö Ö Ö Í	ÚÝ	€
G€ H	Ö Ö Ö Ö Í	ÚÝ	€
G€ I	Ö Ö Ö Ö H	ÚÝ	€
G€ Í	Ö Ö Ö Ö G	ÚÝ	€
G€ Î	Ö Ö Ö Ö F	ÚÝ	€



Ô[{]æ^ K ÚUÖ
 Ô•ã}^! K RP
 R àÀ`{ à^! K GGF HFJJ
 T[à^/Aæ ^ K IiIHJ

P[çÁ ÆGG
 I KUÁE
 Ô@&^áÓK''''

A Ya Vyf'8 jgfvIvi hYX' @ Uxg'f6 @ '% : A UjBub YbWvfi \$Ll'f' cbjbi YXL

	T ^{ à^/Aæ ^}	Oã^&ç{ }	ÚcæOÁ æ } æ à^Z DeHÈO) áÁr æ } æ à^Z DeHÈ ÚcæOÁ &ç{ } ZcÁ á	Ò) áÁr &ç{ } ZcÁ á		
HF	XÒUVH	ÚÝ	ÆÆÆÆÍ H	ÆÆÆÆÍ H	€	€
HG	XÒUVG	ÚÝ	ÆÆÆÆÍ H	ÆÆÆÆÍ H	€	€
HH	XÒUVF	ÚÝ	ÆÆÆÆÍ H	ÆÆÆÆÍ H	€	€
HI	ÚWÚUÚVFG	ÚÝ	ÆÆÆÆ Í J	ÆÆÆÆ Í J	€	€
HÍ	ÚWÚUÚVFF	ÚÝ	ÆÆÆÆ Í J	ÆÆÆÆ Í J	€	€
HÏ	ÚWÚUÚVFE	ÚÝ	ÆÆÆÆ Í J	ÆÆÆÆ Í J	€	€
Hİ	ÚWÚUÚVJ	ÚÝ	ÆÆÆÆ Í J	ÆÆÆÆ Í J	€	€
Hİ	ÚWÚUÚVİ	ÚÝ	ÆÆÆÆ Í J	ÆÆÆÆ Í J	€	€
HJ	ÚWÚUÚVİ	ÚÝ	ÆÆÆÆ Í J	ÆÆÆÆ Í J	€	€
I €	ÚWÚUÚVİ	ÚÝ	ÆÆÆÆ Í J	ÆÆÆÆ Í J	€	€
IF	ÚWÚUÚVİ	ÚÝ	ÆÆÆÆ Í J	ÆÆÆÆ Í J	€	€
IG	ÚWÚUÚVİ	ÚÝ	ÆÆÆÆ Í J	ÆÆÆÆ Í J	€	€
IH	ÚWÚUÚVH	ÚÝ	ÆÆÆÆ Í J	ÆÆÆÆ Í J	€	€
II	ÚWÚUÚVG	ÚÝ	ÆÆÆÆ Í J	ÆÆÆÆ Í J	€	€
Iİ	ÚWÚUÚVF	ÚÝ	ÆÆÆÆ Í J	ÆÆÆÆ Í J	€	€
Iİ	ÚOËSF	ÚÝ	ÆÆÆÆ Í	ÆÆÆÆ Í	€	€
Iİ	ÚOËSH	ÚÝ	ÆÆÆÆ Í	ÆÆÆÆ Í	€	€
Iİ	ÚOËSG	ÚÝ	ÆÆÆÆ HI	ÆÆÆÆ HI	€	€
I J	ÚOËSÓUPH	ÚÝ	ÆÆÆÆ Í	ÆÆÆÆ Í	€	€
I €	ÚOËSÓUPG	ÚÝ	ÆÆÆÆ Í	ÆÆÆÆ Í	€	€
I F	ÚOËSÓUPF	ÚÝ	ÆÆÆÆ Í	ÆÆÆÆ Í	€	€
I G	ÚSÇVÖI	ÚÝ	ÆÆÆÆ Í J	ÆÆÆÆ Í J	€	€
I H	ÚSÇVÖI	ÚÝ	ÆÆÆÆ Í J	ÆÆÆÆ Í J	€	€
I İ	ÚSÇVÖI	ÚÝ	ÆÆÆÆ Í J	ÆÆÆÆ Í J	€	€
I İ	ÚSÇVÖH	ÚÝ	ÆÆÆÆ Í J	ÆÆÆÆ Í J	€	€
I İ	ÚSÇVÖG	ÚÝ	ÆÆÆÆ Í J	ÆÆÆÆ Í J	€	€
I İ	ÚSÇVÖF	ÚÝ	ÆÆÆÆ Í J	ÆÆÆÆ Í J	€	€
I İ	T ÚÁOÇE T ÖE	ÚÝ	ÆÆÆÆ Í G	ÆÆÆÆ Í G	€	€
I J	T ÚÁOÇE T ÖEH	ÚÝ	ÆÆÆÆ Í G	ÆÆÆÆ Í G	€	€
I €	T ÚÁOÇE T ÖEG	ÚÝ	ÆÆÆÆ Í G	ÆÆÆÆ Í G	€	€
I F	T ÚÁOÇE T ÖEF	ÚÝ	ÆÆÆÆ Í G	ÆÆÆÆ Í G	€	€
I G	T ÚÁOÇVOE	ÚÝ	ÆÆÆÆ Í G	ÆÆÆÆ Í G	€	€
I H	T ÚÁOÇVOEH	ÚÝ	ÆÆÆÆ Í G	ÆÆÆÆ Í G	€	€
I İ	T ÚÁOÇVOEG	ÚÝ	ÆÆÆÆ Í G	ÆÆÆÆ Í G	€	€
I İ	T ÚÁOÇVOEF	ÚÝ	ÆÆÆÆ Í G	ÆÆÆÆ Í G	€	€
I İ	T ÚÁOÇSÚP ÖE	ÚÝ	ÆÆÆÆ Í G	ÆÆÆÆ Í G	€	€
I İ	T ÚÁOÇSÚP ÖEH	ÚÝ	ÆÆÆÆ Í G	ÆÆÆÆ Í G	€	€
I İ	T ÚÁOÇSÚP ÖEG	ÚÝ	ÆÆÆÆ Í G	ÆÆÆÆ Í G	€	€
I J	T ÚÁOÇSÚP ÖEF	ÚÝ	ÆÆÆÆ Í G	ÆÆÆÆ Í G	€	€
I €	PÚUH	ÚÝ	ÆÆÆÆ Eİ	ÆÆÆÆ Eİ	€	€
I F	PÚUG	ÚÝ	ÆÆÆÆ Eİ	ÆÆÆÆ Eİ	€	€
I G	PÚUF	ÚÝ	ÆÆÆÆ Eİ	ÆÆÆÆ Eİ	€	€
I H	ØØØØF	ÚÝ	ÆÆÆÆ Gİ	ÆÆÆÆ Gİ	€	€
I İ	ØØØØH	ÚÝ	ÆÆÆÆ Gİ	ÆÆÆÆ Gİ	€	€
I İ	ØØØØG	ÚÝ	ÆÆÆÆ Í H	ÆÆÆÆ Í H	€	€
I İ	ØØØØG	ÚÝ	ÆÆÆÆ Í H	ÆÆÆÆ Í H	€	€
I İ	ØØØØGH	ÚÝ	ÆÆÆÆ Í H	ÆÆÆÆ Í H	€	€
I İ	ØØØØGG	ÚÝ	ÆÆÆÆ Í H	ÆÆÆÆ Í H	€	€
I J	ØØØØGF	ÚÝ	ÆÆÆÆ Í H	ÆÆÆÆ Í H	€	€
I €	ØØØØGE	ÚÝ	ÆÆÆÆ Í H	ÆÆÆÆ Í H	€	€
I F	ØØØØFJ	ÚÝ	ÆÆÆÆ Í H	ÆÆÆÆ Í H	€	€
I G	ØØØØFI	ÚÝ	ÆÆÆÆ Í H	ÆÆÆÆ Í H	€	€

ÚOÇE OÁ^!ã} Á EGGMMÄ/KÖ[, } á IiIHJ GGF HFJJ T[] ÖE æ à^Z KZY dÚOÇE HUEGY ÈHáÁ Úæ^ÁÆE

A Ya Vyf'8 jgf|Vi hYX' @ UXg'f6 @ ' % : ' A Ujb|Uyb Yb WYfp&\$H'f7' c bh|bi YXL

	T{ à^! Áæ ^	Öā &ā }	ÚcáoÁ æ } á à^ Z D&H E Ö) áÁ æ } á à^ Z D&H E ÚcáoÁ } &æā } ZcÁ á	ÚcáoÁ } &æā } ZcÁ á	Ö) áÁ } &æā } ZcÁ á	ÚcáoÁ } &æā } ZcÁ á
GG	ÓÚÓÓFH	ÚÝ	ËËËË HÍ	ËËËË HÍ	€	€
GGH	ÓÚÓÓFG	ÚÝ	ËËËË HÍ	ËËËË HÍ	€	€
GGI	ÓÚÓÓFF	ÚÝ	ËËËË HÍ	ËËËË HÍ	€	€
GGJ	ÓÚÓÓF€	ÚÝ	ËËËË HÍ	ËËËË HÍ	€	€
GGK	ÓÚÓÓÓU	ÚÝ	ËËËË HÍ	ËËËË HÍ	€	€
GGL	ÓÚÓÓÓI	ÚÝ	ËËËË HÍ	ËËËË HÍ	€	€
GGM	ÓÚÓÓÓJ	ÚÝ	ËËËË HÍ	ËËËË HÍ	€	€
GGN	ÓÚÓÓÓK	ÚÝ	ËËËË HÍ	ËËËË HÍ	€	€
GGO	ÓÚÓÓÓL	ÚÝ	ËËËË HÍ	ËËËË HÍ	€	€
GGP	ÓÚÓÓÓM	ÚÝ	ËËËË HÍ	ËËËË HÍ	€	€
GHQ	ÓÚÓÓÓN	ÚÝ	ËËËË HÍ	ËËËË HÍ	€	€
GHR	ÓÚÓÓÓO	ÚÝ	ËËËË HÍ	ËËËË HÍ	€	€
GHS	ÓÚÓÓÓP	ÚÝ	ËËËË HÍ	ËËËË HÍ	€	€

A Ya Vyf'8 jgf|Vi hYX' @ UXg'f6 @ ' & \$: ' A Ujb|Uyb Yb WYfp&\$H'f7' \$H

	T{ à^! Áæ ^	Öā &ā }	ÚcáoÁ æ } á à^ Z D&H E Ö) áÁ æ } á à^ Z D&H E ÚcáoÁ } &æā } ZcÁ á	ÚcáoÁ } &æā } ZcÁ á	Ö) áÁ } &æā } ZcÁ á	ÚcáoÁ } &æā } ZcÁ á
F	Y VUÚH	ÚÝ	ËËËË ÍÍ	ËËËË ÍÍ	€	€
G	Y VUÚG	ÚÝ	ËËËË ÍÍ	ËËËË ÍÍ	€	€
H	Y VUÚF	ÚÝ	ËËËË ÍÍ	ËËËË ÍÍ	€	€
I	Y ÓU VÍ	ÚÝ	ËËËË ÍÍ	ËËËË ÍÍ	€	€
Í	Y ÓU VÍ	ÚÝ	ËËËË ÍÍ	ËËËË ÍÍ	€	€
Î	Y ÓU VÍ	ÚÝ	ËËËË ÍÍ	ËËËË ÍÍ	€	€
Ï	Y ÓU VÍ	ÚÝ	ËËËË ÍÍ	ËËËË ÍÍ	€	€
Ë	Y ÓU VÍ	ÚÝ	ËËËË ÍÍ	ËËËË ÍÍ	€	€
Ï	Y ÓU VÍ	ÚÝ	ËËËË ÍÍ	ËËËË ÍÍ	€	€
J	Y ÓU VF	ÚÝ	ËËËË ÍÍ	ËËËË ÍÍ	€	€
F€	XÓUVG	ÚÝ	ËËËË FÍ	ËËËË FÍ	€	€
FF	XÓUVGH	ÚÝ	ËËËË FÍ	ËËËË FÍ	€	€
FG	XÓUVGG	ÚÝ	ËËËË FÍ	ËËËË FÍ	€	€
FH	XÓUVGF	ÚÝ	ËËËË FÍ	ËËËË FÍ	€	€
FI	XÓUVG€	ÚÝ	ËËËË FÍ	ËËËË FÍ	€	€
FÍ	XÓUVFJ	ÚÝ	ËËËË FÍ	ËËËË FÍ	€	€
FĪ	XÓUVFĪ	ÚÝ	ËËËË FÍ	ËËËË FÍ	€	€
Fİ	XÓUVFİ	ÚÝ	ËËËË FÍ	ËËËË FÍ	€	€
FÏ	XÓUVFÏ	ÚÝ	ËËËË FÍ	ËËËË FÍ	€	€
FJ	XÓUVFÍ	ÚÝ	ËËËË FÍ	ËËËË FÍ	€	€
G€	XÓUVFI	ÚÝ	ËËËË FÍ	ËËËË FÍ	€	€
GF	XÓUVFH	ÚÝ	ËËËË FÍ	ËËËË FÍ	€	€
GG	XÓUVFG	ÚÝ	ËËËË FÍ	ËËËË FÍ	€	€
GH	XÓUVFF	ÚÝ	ËËËË FÍ	ËËËË FÍ	€	€
G	XÓUVF€	ÚÝ	ËËËË FÍ	ËËËË FÍ	€	€
G	XÓUVJ	ÚÝ	ËËËË FÍ	ËËËË FÍ	€	€
G	XÓUVI	ÚÝ	ËËËË FÍ	ËËËË FÍ	€	€
G	XÓUVÍ	ÚÝ	ËËËË FÍ	ËËËË FÍ	€	€
G	XÓUVĪ	ÚÝ	ËËËË FÍ	ËËËË FÍ	€	€
G	XÓUVİ	ÚÝ	ËËËË FÍ	ËËËË FÍ	€	€
G	XÓUVÏ	ÚÝ	ËËËË FÍ	ËËËË FÍ	€	€
GJ	XÓUVÍ	ÚÝ	ËËËË FÍ	ËËËË FÍ	€	€
H€	XÓUVI	ÚÝ	ËËËË FÍ	ËËËË FÍ	€	€
HF	XÓUVH	ÚÝ	ËËËË FÍ	ËËËË FÍ	€	€
HG	XÓUVG	ÚÝ	ËËËË FÍ	ËËËË FÍ	€	€
HH	XÓUVF	ÚÝ	ËËËË FÍ	ËËËË FÍ	€	€
HI	ÚWUÚUÚVFG	ÚÝ	ËËËË GH	ËËËË GH	€	€
HÍ	ÚWUÚUÚVFF	ÚÝ	ËËËË GH	ËËËË GH	€	€

A Ya Vyf'8]ghf]Vi hyX' @ UXg'f6 @ ' &\$: A Uj b Iub Yb WY fP) \$H'f' c bh]bi YXL

	T ^{ à^/Aæ ^	Öá^&á}	ÚçæÓÆ æ} æ á^Z ÐæHÈÒ) áÁÆ æ} æ á^Z ÐæHÈ ÚçæÓÆ &æá} ZæÁ á	Ò) áÁÆ &æá} ZæÁ á		
HÍ	ÚWUUUVFE	ÚY	ÆGGH GH	ÆGGH GH	€	€
HÏ	ÚWUUUVJ	ÚY	ÆGGH GH	ÆGGH GH	€	€
HÌ	ÚWUUUVÌ	ÚY	ÆGGH GH	ÆGGH GH	€	€
HJ	ÚWUUUVÍ	ÚY	ÆGGH GH	ÆGGH GH	€	€
I€	ÚWUUUVÍ	ÚY	ÆGGH GH	ÆGGH GH	€	€
IF	ÚWUUUVÍ	ÚY	ÆGGH GH	ÆGGH GH	€	€
IG	ÚWUUUVI	ÚY	ÆGGH GH	ÆGGH GH	€	€
IH	ÚWUUUVH	ÚY	ÆGGH GH	ÆGGH GH	€	€
IÌ	ÚWUUUVG	ÚY	ÆGGH GH	ÆGGH GH	€	€
IÍ	ÚWUUUVF	ÚY	ÆGGH GH	ÆGGH GH	€	€
IÏ	ÚKSF	ÚY	ÆGGH GH	ÆGGH GH	€	€
IÏ	ÚKSH	ÚY	ÆGGH GH	ÆGGH GH	€	€
IÌ	ÚKSG	ÚY	ÆGGH GH	ÆGGH GH	€	€
IJ	ÚKSAÓUÞH	ÚY	ÆGGH JI	ÆGGH JI	€	€
I€	ÚKSAÓUÞG	ÚY	ÆGGH JI	ÆGGH JI	€	€
IF	ÚKSAÓUÞF	ÚY	ÆGGH JI	ÆGGH JI	€	€
IG	ÚSÇVOÌ	ÚY	ÆGGH GH	ÆGGH GH	€	€
IH	ÚSÇVOÌ	ÚY	ÆGGH GH	ÆGGH GH	€	€
IÌ	ÚSÇVOÌ	ÚY	ÆGGH GH	ÆGGH GH	€	€
IÍ	ÚSÇVOH	ÚY	ÆGGH GH	ÆGGH GH	€	€
IÏ	ÚSÇVOG	ÚY	ÆGGH GH	ÆGGH GH	€	€
IÏ	ÚSÇVOF	ÚY	ÆGGH GH	ÆGGH GH	€	€
IÌ	T ÚÁOÇT OÈ	ÚY	ÆGGH ÌÌ	ÆGGH ÌÌ	€	€
IJ	T ÚÁOÇT OÈH	ÚY	ÆGGH ÌÌ	ÆGGH ÌÌ	€	€
I€	T ÚÁOÇT OÈG	ÚY	ÆGGH ÌÌ	ÆGGH ÌÌ	€	€
IF	T ÚÁOÇT OÈF	ÚY	ÆGGH ÌÌ	ÆGGH ÌÌ	€	€
IG	T ÚÁOÇVOÈ	ÚY	ÆGGH ÌÌ	ÆGGH ÌÌ	€	€
IH	T ÚÁOÇVOÈH	ÚY	ÆGGH ÌÌ	ÆGGH ÌÌ	€	€
IÌ	T ÚÁOÇVOÈG	ÚY	ÆGGH ÌÌ	ÆGGH ÌÌ	€	€
IÍ	T ÚÁOÇVOÈF	ÚY	ÆGGH ÌÌ	ÆGGH ÌÌ	€	€
IÏ	T ÚÁOÇSÚP OÈ	ÚY	ÆGGH ÌÌ	ÆGGH ÌÌ	€	€
IÏ	T ÚÁOÇSÚP OÈH	ÚY	ÆGGH ÌÌ	ÆGGH ÌÌ	€	€
IÌ	T ÚÁOÇSÚP OÈG	ÚY	ÆGGH ÌÌ	ÆGGH ÌÌ	€	€
IJ	T ÚÁOÇSÚP OÈF	ÚY	ÆGGH ÌÌ	ÆGGH ÌÌ	€	€
I€	PÚUH	ÚY	ÆGGH H	ÆGGH H	€	€
IF	PÚUG	ÚY	ÆGGH H	ÆGGH H	€	€
IG	PÚUF	ÚY	ÆGGH H	ÆGGH H	€	€
IH	ØØÓOF	ÚY	ÆGGH F	ÆGGH F	€	€
IÌ	ØØÓOH	ÚY	ÆGGH F	ÆGGH F	€	€
IÍ	ØØÓOG	ÚY	ÆGGH F	ÆGGH F	€	€
IÏ	ØØÓG	ÚY	ÆGGH F	ÆGGH F	€	€
IÏ	ØØÓGH	ÚY	ÆGGH F	ÆGGH F	€	€
IÌ	ØØÓGG	ÚY	ÆGGH F	ÆGGH F	€	€
IJ	ØØÓGF	ÚY	ÆGGH F	ÆGGH F	€	€
I€	ØØÓGE	ÚY	ÆGGH F	ÆGGH F	€	€
IF	ØØÓFJ	ÚY	ÆGGH F	ÆGGH F	€	€
IG	ØØÓFI	ÚY	ÆGGH F	ÆGGH F	€	€
IH	ØØÓFI	ÚY	ÆGGH F	ÆGGH F	€	€
IÌ	ØØÓFI	ÚY	ÆGGH F	ÆGGH F	€	€
IÍ	ØØÓFI	ÚY	ÆGGH F	ÆGGH F	€	€
IÏ	ØØÓFI	ÚY	ÆGGH F	ÆGGH F	€	€
IÏ	ØØÓFH	ÚY	ÆGGH F	ÆGGH F	€	€

A Ya VYf 8 jgfv]vi hYX' @ Uxg'f6 @ ' & \$: A Ujbub YbWVfP) \$H'f7 c b]bi YXL

	T ^ { à ^ Á æ ^ }	Ö ä ^ & ç }	Ú ç è Á æ } æ à ^ Z D G G H Ö) á Á Á } æ à ^ Z D G G H Ö) á Á Á } ç è Á á	Ú ç è Á } & ç æ }	Z è Á á	Ö) á Á Á } ç è Á á
FI €	XÖUVFF	ÚÝ	Ê Ê ^ Ê Ê	Ê Ê ^ Ê Ê	€	€
FI F	XÖUVF€	ÚÝ	Ê Ê ^ Ê Ê	Ê Ê ^ Ê Ê	€	€
FI G	XÖUVJ	ÚÝ	Ê Ê ^ Ê Ê	Ê Ê ^ Ê Ê	€	€
FI H	XÖUVİ	ÚÝ	Ê Ê ^ Ê Ê	Ê Ê ^ Ê Ê	€	€
FI I	XÖUVİ	ÚÝ	Ê Ê ^ Ê Ê	Ê Ê ^ Ê Ê	€	€
FI Í	XÖUVÍ	ÚÝ	Ê Ê ^ Ê Ê	Ê Ê ^ Ê Ê	€	€
FI Î	XÖUVÍ	ÚÝ	Ê Ê ^ Ê Ê	Ê Ê ^ Ê Ê	€	€
FI Ī	XÖUVĪ	ÚÝ	Ê Ê ^ Ê Ê	Ê Ê ^ Ê Ê	€	€
FI Ì	XÖUVH	ÚÝ	Ê Ê ^ Ê Ê	Ê Ê ^ Ê Ê	€	€
FI J	XÖUVG	ÚÝ	Ê Ê ^ Ê Ê	Ê Ê ^ Ê Ê	€	€
FÍ €	XÖUVF	ÚÝ	Ê Ê ^ Ê Ê	Ê Ê ^ Ê Ê	€	€
FÍ F	ÚWÚÚÚVFG	ÚÝ	Ê Ê Ê Ê G	Ê Ê Ê Ê G	€	€
FÍ G	ÚWÚÚÚVFF	ÚÝ	Ê Ê Ê Ê G	Ê Ê Ê Ê G	€	€
FÍ H	ÚWÚÚÚVF€	ÚÝ	Ê Ê Ê Ê G	Ê Ê Ê Ê G	€	€
FÍ I	ÚWÚÚÚVJ	ÚÝ	Ê Ê Ê Ê G	Ê Ê Ê Ê G	€	€
FÍ Í	ÚWÚÚÚVİ	ÚÝ	Ê Ê Ê Ê G	Ê Ê Ê Ê G	€	€
FÍ Î	ÚWÚÚÚVİ	ÚÝ	Ê Ê Ê Ê G	Ê Ê Ê Ê G	€	€
FÍ Ī	ÚWÚÚÚVĪ	ÚÝ	Ê Ê Ê Ê G	Ê Ê Ê Ê G	€	€
FÍ Ì	ÚWÚÚÚVĪ	ÚÝ	Ê Ê Ê Ê G	Ê Ê Ê Ê G	€	€
FÍ J	ÚWÚÚÚVİ	ÚÝ	Ê Ê Ê Ê G	Ê Ê Ê Ê G	€	€
FÍ €	ÚWÚÚÚVH	ÚÝ	Ê Ê Ê Ê G	Ê Ê Ê Ê G	€	€
FÍ F	ÚWÚÚÚVG	ÚÝ	Ê Ê Ê Ê G	Ê Ê Ê Ê G	€	€
FÍ G	ÚWÚÚÚVF	ÚÝ	Ê Ê Ê Ê G	Ê Ê Ê Ê G	€	€
FÍ H	ÚÖŠF	ÚÝ	Ê Ê Ê Ê H I	Ê Ê Ê Ê H I	€	€
FÍ I	ÚÖŠH	ÚÝ	Ê Ê Ê Ê H I	Ê Ê Ê Ê H I	€	€
FÍ Í	ÚÖŠG	ÚÝ	Ê Ê ^ Ê Ê	Ê Ê ^ Ê Ê	€	€
FÍ Î	ÚÖŠ Ö Þ H	ÚÝ	Ê Ê Ê Ê G	Ê Ê Ê Ê G	€	€
FÍ Ī	ÚÖŠ Ö Þ G	ÚÝ	Ê Ê Ê Ê G	Ê Ê Ê Ê G	€	€
FÍ Ì	ÚÖŠ Ö Þ F	ÚÝ	Ê Ê Ê Ê G	Ê Ê Ê Ê G	€	€
FÍ J	ÚŠÖ/Öİ	ÚÝ	Ê Ê Ê Ê G	Ê Ê Ê Ê G	€	€
FÍ €	ÚŠÖ/Öİ	ÚÝ	Ê Ê Ê Ê G	Ê Ê Ê Ê G	€	€
FÍ F	ÚŠÖ/Öİ	ÚÝ	Ê Ê Ê Ê G	Ê Ê Ê Ê G	€	€
FÍ G	ÚŠÖ/ÖH	ÚÝ	Ê Ê Ê Ê G	Ê Ê Ê Ê G	€	€
FÍ H	ÚŠÖ/ÖG	ÚÝ	Ê Ê Ê Ê G	Ê Ê Ê Ê G	€	€
FÍ I	ÚŠÖ/ÖF	ÚÝ	Ê Ê Ê Ê G	Ê Ê Ê Ê G	€	€
FÍ Í	T Ú Á Ö Ç F T Ö F	ÚÝ	Ê Ê Ê Ê G F	Ê Ê Ê Ê G F	€	€
FÍ Î	T Ú Á Ö Ç F T Ö H	ÚÝ	Ê Ê Ê Ê G F	Ê Ê Ê Ê G F	€	€
FÍ Ī	T Ú Á Ö Ç F T Ö G	ÚÝ	Ê Ê Ê Ê G F	Ê Ê Ê Ê G F	€	€
FÍ Ì	T Ú Á Ö Ç F T Ö F	ÚÝ	Ê Ê Ê Ê G F	Ê Ê Ê Ê G F	€	€
FÍ J	T Ú Á Ö Ö V Ö F	ÚÝ	Ê Ê Ê Ê G F	Ê Ê Ê Ê G F	€	€
FÍ €	T Ú Á Ö Ö V Ö H	ÚÝ	Ê Ê Ê Ê G F	Ê Ê Ê Ê G F	€	€
FÍ F	T Ú Á Ö Ö V Ö G	ÚÝ	Ê Ê Ê Ê G F	Ê Ê Ê Ê G F	€	€
FÍ G	T Ú Á Ö Ö V Ö F	ÚÝ	Ê Ê Ê Ê G F	Ê Ê Ê Ê G F	€	€
FÍ H	T Ú Á Ö Š Ü P Ö F	ÚÝ	Ê Ê Ê Ê G F	Ê Ê Ê Ê G F	€	€
FÍ I	T Ú Á Ö Š Ü P Ö H	ÚÝ	Ê Ê Ê Ê G F	Ê Ê Ê Ê G F	€	€
FÍ Í	T Ú Á Ö Š Ü P Ö G	ÚÝ	Ê Ê Ê Ê G F	Ê Ê Ê Ê G F	€	€
FÍ Î	T Ú Á Ö Š Ü P Ö F	ÚÝ	Ê Ê Ê Ê G F	Ê Ê Ê Ê G F	€	€
FÍ Ī	P U U H	ÚÝ	Ê Ê Ê Ê G E I	Ê Ê Ê Ê G E I	€	€
FÍ Ì	P U U G	ÚÝ	Ê Ê Ê Ê G E I	Ê Ê Ê Ê G E I	€	€
FÍ J	P U U F	ÚÝ	Ê Ê Ê Ê G E I	Ê Ê Ê Ê G E I	€	€
FJ €	ØØØØF	ÚÝ	Ê Ê Ê Ê F Í H	Ê Ê Ê Ê F Í H	€	€
FJ F	ØØØØH	ÚÝ	Ê Ê Ê Ê F Í H	Ê Ê Ê Ê F Í H	€	€

A Ya Vyf'8]gfh]Vi hYX' @ UXg'f6 @ ' &% . 'A Uj b l u b Yb WY f l % \$ t t' c b h j b i Y X L

T { à^!Àæ^	Ôã&ç	ÚçæÁ æ } æ à^!Z DæÏÏ Ò) áÁ æ } æ à^!Z DæÏÏ	ÚçæÁ ÆGG	ZdÁ á	Ò) áÁ ÆGG	ZdÁ á
Î	Y ÓU VI	ÚÝ	ËËË Í G	ËËË Í G	€	€
Ï	Y ÓU VH	ÚÝ	ËËË Í G	ËËË Í G	€	€
Ë	Y ÓU VG	ÚÝ	ËËË Í G	ËËË Í G	€	€
J	Y ÓU VF	ÚÝ	ËËË Í G	ËËË Í G	€	€
F€	XÓUVG	ÚÝ	ËËË F H	ËËË F H	€	€
FF	XÓUVGH	ÚÝ	ËËË F H	ËËË F H	€	€
FG	XÓUVGG	ÚÝ	ËËË F H	ËËË F H	€	€
FH	XÓUVGF	ÚÝ	ËËË F H	ËËË F H	€	€
FI	XÓUVGE	ÚÝ	ËËË F H	ËËË F H	€	€
FÍ	XÓUVFJ	ÚÝ	ËËË F H	ËËË F H	€	€
FÏ	XÓUVFÌ	ÚÝ	ËËË F H	ËËË F H	€	€
FË	XÓUVFË	ÚÝ	ËËË F H	ËËË F H	€	€
FÌ	XÓUVFÌ	ÚÝ	ËËË F H	ËËË F H	€	€
FJ	XÓUVFÍ	ÚÝ	ËËË F H	ËËË F H	€	€
G€	XÓUVFI	ÚÝ	ËËË F H	ËËË F H	€	€
GF	XÓUVFH	ÚÝ	ËËË F H	ËËË F H	€	€
GG	XÓUVFG	ÚÝ	ËËË F H	ËËË F H	€	€
GH	XÓUVFF	ÚÝ	ËËË F H	ËËË F H	€	€
G	XÓUVF€	ÚÝ	ËËË F H	ËËË F H	€	€
G	XÓUVJ	ÚÝ	ËËË F H	ËËË F H	€	€
G	XÓUVÌ	ÚÝ	ËËË F H	ËËË F H	€	€
G	XÓUVÍ	ÚÝ	ËËË F H	ËËË F H	€	€
G	XÓUVË	ÚÝ	ËËË F H	ËËË F H	€	€
GJ	XÓUVÍ	ÚÝ	ËËË F H	ËËË F H	€	€
H€	XÓUVI	ÚÝ	ËËË F H	ËËË F H	€	€
HF	XÓUVH	ÚÝ	ËËË F H	ËËË F H	€	€
HG	XÓUVG	ÚÝ	ËËË F H	ËËË F H	€	€
HH	XÓUVF	ÚÝ	ËËË F H	ËËË F H	€	€
HI	ÚWÚUÚVFG	ÚÝ	ËËË Í J	ËËË Í J	€	€
HÍ	ÚWÚUÚVFF	ÚÝ	ËËË Í J	ËËË Í J	€	€
HË	ÚWÚUÚVFE	ÚÝ	ËËË Í J	ËËË Í J	€	€
HÌ	ÚWÚUÚVJ	ÚÝ	ËËË Í J	ËËË Í J	€	€
H	ÚWÚUÚVÌ	ÚÝ	ËËË Í J	ËËË Í J	€	€
HJ	ÚWÚUÚVÍ	ÚÝ	ËËË Í J	ËËË Í J	€	€
I€	ÚWÚUÚVÌ	ÚÝ	ËËË Í J	ËËË Í J	€	€
IF	ÚWÚUÚVÍ	ÚÝ	ËËË Í J	ËËË Í J	€	€
IG	ÚWÚUÚVÌ	ÚÝ	ËËË Í J	ËËË Í J	€	€
IH	ÚWÚUÚVH	ÚÝ	ËËË Í J	ËËË Í J	€	€
II	ÚWÚUÚVG	ÚÝ	ËËË Í J	ËËË Í J	€	€
IÍ	ÚWÚUÚVF	ÚÝ	ËËË Í J	ËËË Í J	€	€
IË	ÚÇS F	ÚÝ	ËËË Í	ËËË Í	€	€
IÌ	ÚÇS H	ÚÝ	ËËË Í	ËËË Í	€	€
IË	ÚÇS G	ÚÝ	ËËË F H	ËËË F H	€	€
I J	ÚÇS ÓU Þ H	ÚÝ	ËËË Í	ËËË Í	€	€
I €	ÚÇS ÓU Þ G	ÚÝ	ËËË Í	ËËË Í	€	€
I F	ÚÇS ÓU Þ F	ÚÝ	ËËË Í	ËËË Í	€	€
I G	ÚÇS ÓU Þ	ÚÝ	ËËË Í J	ËËË Í J	€	€
I H	ÚÇS ÓU Þ	ÚÝ	ËËË Í J	ËËË Í J	€	€
I I	ÚÇS ÓU Þ	ÚÝ	ËËË Í J	ËËË Í J	€	€
I Í	ÚÇS ÓU Þ	ÚÝ	ËËË Í J	ËËË Í J	€	€
I Ë	ÚÇS ÓU Þ	ÚÝ	ËËË Í J	ËËË Í J	€	€
I Ì	ÚÇS ÓU Þ	ÚÝ	ËËË Í J	ËËË Í J	€	€

A Ya Vyf'8]gfi]Vi hYX' @ UXg'f6 @ '8%.' A UjbHUb YbWVf% \$H'f7 c bh]bi YXL

	T^{ à^!Aæ^}	Öã^&ç}	ÚcæA æ} æ à^Z DæHÖ) áÁ æ} æ à^Z DæHÖ	ÚcæA ç} ææ} ŽdÁ á	Ò) áÁ ç} ææ} ŽdÁ á	
FF€	ÓÚÖÓÌ	ÚÝ	ÉÉÉH Í	ÉÉÉH Í	€	€
FFF	ÓÚÖÓÌ	ÚÝ	ÉÉÉH Í	ÉÉÉH Í	€	€
FFG	ÓÚÖÓÌ	ÚÝ	ÉÉÉH Í	ÉÉÉH Í	€	€
FFH	ÓÚÖÓÌ	ÚÝ	ÉÉÉH Í	ÉÉÉH Í	€	€
FFI	ÓÚÖÓÌ	ÚÝ	ÉÉÉH Í	ÉÉÉH Í	€	€
FFÍ	ÓÚÖÓH	ÚÝ	ÉÉÉH Í	ÉÉÉH Í	€	€
FFĪ	ÓÚÖÓG	ÚÝ	ÉÉÉH Í	ÉÉÉH Í	€	€
FFİ	ÓÚÖÓF	ÚÝ	ÉÉÉH Í	ÉÉÉH Í	€	€

A Ya Vyf'8]gfi]Vi hYX' @ UXg'f6 @ '&&.' A UjbHUb YbWVfB%\$H

	T^{ à^!Aæ^}	Öã^&ç}	ÚcæA æ} æ à^Z DæHÖ) áÁ æ} æ à^Z DæHÖ	ÚcæA ç} ææ} ŽdÁ á	Ò) áÁ ç} ææ} ŽdÁ á	
F	Y VUÚH	ÚÝ	ÉÉÉ Í Í	ÉÉÉ Í Í	€	€
G	Y VUÚG	ÚÝ	ÉÉÉ Í Í	ÉÉÉ Í Í	€	€
H	Y VUÚF	ÚÝ	ÉÉÉ Í Í	ÉÉÉ Í Í	€	€
I	Y ÓU VÍ	ÚÝ	ÉÉÉ Í Í	ÉÉÉ Í Í	€	€
Í	Y ÓU VÍ	ÚÝ	ÉÉÉ Í Í	ÉÉÉ Í Í	€	€
Ī	Y ÓU VÍ	ÚÝ	ÉÉÉ Í Í	ÉÉÉ Í Í	€	€
İ	Y ÓU VÍ	ÚÝ	ÉÉÉ Í Í	ÉÉÉ Í Í	€	€
J	Y ÓU VÍ	ÚÝ	ÉÉÉ Í Í	ÉÉÉ Í Í	€	€
F€	XÓUVG	ÚÝ	ÉÉÉF Í	ÉÉÉF Í	€	€
FF	XÓUVGH	ÚÝ	ÉÉÉF Í	ÉÉÉF Í	€	€
FG	XÓUVGG	ÚÝ	ÉÉÉF Í	ÉÉÉF Í	€	€
FH	XÓUVGF	ÚÝ	ÉÉÉF Í	ÉÉÉF Í	€	€
FI	XÓUVGE	ÚÝ	ÉÉÉF Í	ÉÉÉF Í	€	€
FÍ	XÓUVFJ	ÚÝ	ÉÉÉF Í	ÉÉÉF Í	€	€
FĪ	XÓUVFĪ	ÚÝ	ÉÉÉF Í	ÉÉÉF Í	€	€
Fİ	XÓUVFİ	ÚÝ	ÉÉÉF Í	ÉÉÉF Í	€	€
FJ	XÓUVFÍ	ÚÝ	ÉÉÉF Í	ÉÉÉF Í	€	€
G€	XÓUVFI	ÚÝ	ÉÉÉF Í	ÉÉÉF Í	€	€
GF	XÓUVFH	ÚÝ	ÉÉÉF Í	ÉÉÉF Í	€	€
GG	XÓUVFG	ÚÝ	ÉÉÉF Í	ÉÉÉF Í	€	€
GH	XÓUVFF	ÚÝ	ÉÉÉF Í	ÉÉÉF Í	€	€
G	XÓUVF€	ÚÝ	ÉÉÉF Í	ÉÉÉF Í	€	€
G	XÓUVJ	ÚÝ	ÉÉÉF Í	ÉÉÉF Í	€	€
G	XÓUVÍ	ÚÝ	ÉÉÉF Í	ÉÉÉF Í	€	€
G	XÓUVÍ	ÚÝ	ÉÉÉF Í	ÉÉÉF Í	€	€
G	XÓUVÍ	ÚÝ	ÉÉÉF Í	ÉÉÉF Í	€	€
GJ	XÓUVÍ	ÚÝ	ÉÉÉF Í	ÉÉÉF Í	€	€
H€	XÓUVI	ÚÝ	ÉÉÉF Í	ÉÉÉF Í	€	€
HF	XÓUVH	ÚÝ	ÉÉÉF Í	ÉÉÉF Í	€	€
HG	XÓUVG	ÚÝ	ÉÉÉF Í	ÉÉÉF Í	€	€
HH	XÓUVF	ÚÝ	ÉÉÉF Í	ÉÉÉF Í	€	€
HI	ÚWÚUÚVFG	ÚÝ	ÉÉÉ GH	ÉÉÉ GH	€	€
HÍ	ÚWÚUÚVFF	ÚÝ	ÉÉÉ GH	ÉÉÉ GH	€	€
HĪ	ÚWÚUÚVFE	ÚÝ	ÉÉÉ GH	ÉÉÉ GH	€	€
Hİ	ÚWÚUÚVJ	ÚÝ	ÉÉÉ GH	ÉÉÉ GH	€	€
Hİ	ÚWÚUÚVÍ	ÚÝ	ÉÉÉ GH	ÉÉÉ GH	€	€
HJ	ÚWÚUÚVÍ	ÚÝ	ÉÉÉ GH	ÉÉÉ GH	€	€
I €	ÚWÚUÚVÍ	ÚÝ	ÉÉÉ GH	ÉÉÉ GH	€	€

A Ya Vyf'8]gfh]Vi hYX' @ UXg'f6 @ ' & : A Uj b l u b Y b WY f B \$ % & # f f c b h j b i Y X L

	T^{ à^!Aæ^}	Öã^&ç}	ÚçæÁ æ } æ à^Z DeÏÏÖ) áÁ æ } æ à^Z DeÏÏÖ	ÚçæÁç &çã } ZçÁ á	Ö) áÁç &çã } ZçÁ á	
I F	ÚWÚÚÚVÍ	ÚY	ÆGG GH	ÆGG GH	€	€
I G	ÚWÚÚÚVÍ	ÚY	ÆGG GH	ÆGG GH	€	€
I H	ÚWÚÚÚVH	ÚY	ÆGG GH	ÆGG GH	€	€
I I	ÚWÚÚÚVG	ÚY	ÆGG GH	ÆGG GH	€	€
I Í	ÚWÚÚÚVF	ÚY	ÆGG GH	ÆGG GH	€	€
I Î	ÚÖSG	ÚY	ÆGGGH	ÆGGGH	€	€
I Ï	ÚÖSF	ÚY	ÆGGGH	ÆGGGH	€	€
I Ì	ÚÖSH	ÚY	ÆGGFÍ	ÆGGFÍ	€	€
I J	ÚÖSÁÓUPH	ÚY	ÆGG JI	ÆGG JI	€	€
I €	ÚÖSÁÓUPG	ÚY	ÆGG JI	ÆGG JI	€	€
I F	ÚÖSÁÓUPF	ÚY	ÆGG JI	ÆGG JI	€	€
I G	ÚSÖVÖÍ	ÚY	ÆGG GH	ÆGG GH	€	€
I H	ÚSÖVÖÍ	ÚY	ÆGG GH	ÆGG GH	€	€
I I	ÚSÖVÖÍ	ÚY	ÆGG GH	ÆGG GH	€	€
I Í	ÚSÖVÖH	ÚY	ÆGG GH	ÆGG GH	€	€
I Î	ÚSÖVÖG	ÚY	ÆGG GH	ÆGG GH	€	€
I Ï	ÚSÖVÖF	ÚY	ÆGG GH	ÆGG GH	€	€
I J	T ÚÁÖÇE T ÖE	ÚY	ÆGG ÍÍ	ÆGG ÍÍ	€	€
I €	T ÚÁÖÇE T ÖH	ÚY	ÆGG ÍÍ	ÆGG ÍÍ	€	€
I F	T ÚÁÖÇE T ÖG	ÚY	ÆGG ÍÍ	ÆGG ÍÍ	€	€
I G	T ÚÁÖÇE T ÖF	ÚY	ÆGG ÍÍ	ÆGG ÍÍ	€	€
I H	T ÚÁÖÖVÖE	ÚY	ÆGG ÍÍ	ÆGG ÍÍ	€	€
I I	T ÚÁÖÖVÖH	ÚY	ÆGG ÍÍ	ÆGG ÍÍ	€	€
I J	T ÚÁÖÖVÖG	ÚY	ÆGG ÍÍ	ÆGG ÍÍ	€	€
I K	T ÚÁÖÖVÖF	ÚY	ÆGG ÍÍ	ÆGG ÍÍ	€	€
I L	T ÚÁÖSÚPÖE	ÚY	ÆGG ÍÍ	ÆGG ÍÍ	€	€
I M	T ÚÁÖSÚPÖH	ÚY	ÆGG ÍÍ	ÆGG ÍÍ	€	€
I N	T ÚÁÖSÚPÖG	ÚY	ÆGG ÍÍ	ÆGG ÍÍ	€	€
I O	T ÚÁÖSÚPÖF	ÚY	ÆGG ÍÍ	ÆGG ÍÍ	€	€
I P	PÚUH	ÚY	ÆGGH H	ÆGGH H	€	€
I Q	PÚUG	ÚY	ÆGGH H	ÆGGH H	€	€
I R	PÚUF	ÚY	ÆGGH H	ÆGGH H	€	€
I S	ÖÖÖÖG	ÚY	ÆGGG F	ÆGGG F	€	€
I T	ÖÖÖÖF	ÚY	ÆGGG F	ÆGGG F	€	€
I U	ÖÖÖÖH	ÚY	ÆGGFI F	ÆGGFI F	€	€
I V	ÖÖÖÖG	ÚY	ÆGGFI F	ÆGGFI F	€	€
I W	ÖÖÖÖGH	ÚY	ÆGGFI F	ÆGGFI F	€	€
I X	ÖÖÖÖGG	ÚY	ÆGGFI F	ÆGGFI F	€	€
I Y	ÖÖÖÖGF	ÚY	ÆGGFI F	ÆGGFI F	€	€
I Z	ÖÖÖÖGE	ÚY	ÆGGFI F	ÆGGFI F	€	€
I AA	ÖÖÖÖFJ	ÚY	ÆGGFI F	ÆGGFI F	€	€
I AB	ÖÖÖÖFI	ÚY	ÆGGFI F	ÆGGFI F	€	€
I AC	ÖÖÖÖFI	ÚY	ÆGGFI F	ÆGGFI F	€	€
I AD	ÖÖÖÖFI	ÚY	ÆGGFI F	ÆGGFI F	€	€
I AE	ÖÖÖÖFI	ÚY	ÆGGFI F	ÆGGFI F	€	€
I AF	ÖÖÖÖFI	ÚY	ÆGGFI F	ÆGGFI F	€	€
I AG	ÖÖÖÖFH	ÚY	ÆGGFI F	ÆGGFI F	€	€
I AH	ÖÖÖÖFG	ÚY	ÆGGFI F	ÆGGFI F	€	€
I AI	ÖÖÖÖFF	ÚY	ÆGGFI F	ÆGGFI F	€	€
I AJ	ÖÖÖÖFE	ÚY	ÆGGFI F	ÆGGFI F	€	€
I AK	ÖÖÖÖFJ	ÚY	ÆGGFI F	ÆGGFI F	€	€
I AL	ÖÖÖÖFI	ÚY	ÆGGFI F	ÆGGFI F	€	€

A Ya Vyf'8 jgfvIvi hYX' @ UXg'f6 @ ' & : A UjbIub YbWYfB? \$t'f' c bhjbi YXL

	T { à^!Áæ^	Öá^&á}	ÚçæÓÁ æ } á à^Z DæÍEÓ) áÁ æ } á à^Z DæÍE ÚçæÓÁ &æá } ZæÁ á	Ó) áÁ &æá } ZæÁ á		
JH	ÓÖÖÍ	ÚÝ	ËËËFI F	ËËËFI F	€	€
JI	ÓÖÖÎ	ÚÝ	ËËËFI F	ËËËFI F	€	€
JÍ	ÓÖÖÏ	ÚÝ	ËËËFI F	ËËËFI F	€	€
JÎ	ÓÖÖÌ	ÚÝ	ËËËFI F	ËËËFI F	€	€
JÏ	ÓÖÖH	ÚÝ	ËËËFI F	ËËËFI F	€	€
JÌ	ÓÖÖG	ÚÝ	ËËËFI F	ËËËFI F	€	€
JJ	ÓÖÖF	ÚÝ	ËËËFI F	ËËËFI F	€	€
F€	ÓÚÖÓÖFÌ	ÚÝ	ËËËGHÍ	ËËËGHÍ	€	€
FÆ	ÓÚÖÓÖFÌ	ÚÝ	ËËËGHÍ	ËËËGHÍ	€	€
FĞ	ÓÚÖÓÖFÌ	ÚÝ	ËËËGHÍ	ËËËGHÍ	€	€
FĦ	ÓÚÖÓÖFÌ	ÚÝ	ËËËGHÍ	ËËËGHÍ	€	€
FĪ	ÓÚÖÓÖFÌ	ÚÝ	ËËËGHÍ	ËËËGHÍ	€	€
FĬ	ÓÚÖÓÖFH	ÚÝ	ËËËGHÍ	ËËËGHÍ	€	€
FĪ	ÓÚÖÓÖFG	ÚÝ	ËËËGHÍ	ËËËGHÍ	€	€
FĪ	ÓÚÖÓÖFF	ÚÝ	ËËËGHÍ	ËËËGHÍ	€	€
FĪ	ÓÚÖÓÖF€	ÚÝ	ËËËGHÍ	ËËËGHÍ	€	€
FĪ	ÓÚÖÓÖJ	ÚÝ	ËËËGHÍ	ËËËGHÍ	€	€
FF€	ÓÚÖÓÖÌ	ÚÝ	ËËËGHÍ	ËËËGHÍ	€	€
FFF	ÓÚÖÓÖÌ	ÚÝ	ËËËGHÍ	ËËËGHÍ	€	€
FFG	ÓÚÖÓÖÌ	ÚÝ	ËËËGHÍ	ËËËGHÍ	€	€
FFH	ÓÚÖÓÖÌ	ÚÝ	ËËËGHÍ	ËËËGHÍ	€	€
FFI	ÓÚÖÓÖÌ	ÚÝ	ËËËGHÍ	ËËËGHÍ	€	€
FFÌ	ÓÚÖÓÖH	ÚÝ	ËËËGHÍ	ËËËGHÍ	€	€
FFÌ	ÓÚÖÓÖG	ÚÝ	ËËËGHÍ	ËËËGHÍ	€	€
FFÌ	ÓÚÖÓÖF	ÚÝ	ËËËGHÍ	ËËËGHÍ	€	€
FFÌ	Y VUÚH	ÚÝ	ËËËGHÍ	ËËËGHÍ	€	€
FFJ	Y VUÚG	ÚÝ	ËËËGHÍ	ËËËGHÍ	€	€
FĞ€	Y VUÚF	ÚÝ	ËËËGHÍ	ËËËGHÍ	€	€
FĞF	Y ÓU VÌ	ÚÝ	ËËËGHÍ	ËËËGHÍ	€	€
FĞG	Y ÓU VÌ	ÚÝ	ËËËGHÍ	ËËËGHÍ	€	€
FĞH	Y ÓU VÌ	ÚÝ	ËËËGHÍ	ËËËGHÍ	€	€
FĞ	Y ÓU VH	ÚÝ	ËËËGHÍ	ËËËGHÍ	€	€
FĞ	Y ÓU VG	ÚÝ	ËËËGHÍ	ËËËGHÍ	€	€
FĞ	Y ÓU VF	ÚÝ	ËËËGHÍ	ËËËGHÍ	€	€
FĞ	XÓUVG	ÚÝ	ËËËGHÍ	ËËËGHÍ	€	€
FĞ	XÓUVGH	ÚÝ	ËËËGHÍ	ËËËGHÍ	€	€
FĞ	XÓUVGG	ÚÝ	ËËËGHÍ	ËËËGHÍ	€	€
FĞ€	XÓUVGF	ÚÝ	ËËËGHÍ	ËËËGHÍ	€	€
FĞF	XÓUVĞ€	ÚÝ	ËËËGHÍ	ËËËGHÍ	€	€
FĞG	XÓUVFJ	ÚÝ	ËËËGHÍ	ËËËGHÍ	€	€
FĞH	XÓUVFÌ	ÚÝ	ËËËGHÍ	ËËËGHÍ	€	€
FĞ	XÓUVFÌ	ÚÝ	ËËËGHÍ	ËËËGHÍ	€	€
FĞ	XÓUVFÌ	ÚÝ	ËËËGHÍ	ËËËGHÍ	€	€
FĞ	XÓUVFÌ	ÚÝ	ËËËGHÍ	ËËËGHÍ	€	€
FĞ	XÓUVFÌ	ÚÝ	ËËËGHÍ	ËËËGHÍ	€	€
FĞ	XÓUVFH	ÚÝ	ËËËGHÍ	ËËËGHÍ	€	€
FĞ	XÓUVFG	ÚÝ	ËËËGHÍ	ËËËGHÍ	€	€
FĞ€	XÓUVFF	ÚÝ	ËËËGHÍ	ËËËGHÍ	€	€
FĞF	XÓUVF€	ÚÝ	ËËËGHÍ	ËËËGHÍ	€	€
FĞG	XÓUVJ	ÚÝ	ËËËGHÍ	ËËËGHÍ	€	€
FĞH	XÓUVÌ	ÚÝ	ËËËGHÍ	ËËËGHÍ	€	€
FĞ	XÓUVÌ	ÚÝ	ËËËGHÍ	ËËËGHÍ	€	€

A Ya Vyf'8]gfh]Vi hYX' @ UXg'f6 @ ' & : A Ujb]Ub YbWYfB%\$H'f7 c bh]bi YXL

	T ^{ à^!Áæ ^	Öã^&ç	ÚçæÁ æ } æ à^Z DeÏÏÖ) áÁ æ } æ à^Z DeÏÏÖ	ÚçæÁ ÆGG } ZçÁ á	Ö) áÁ ÆGG } ZçÁ á	
FÍÍ	XÖUVÍ	ÚÝ	Ì È^È	Ì È^È	€	€
FÍÎ	XÖUVÍ	ÚÝ	Ì È^È	Ì È^È	€	€
FÍÏ	XÖUVI	ÚÝ	Ì È^È	Ì È^È	€	€
FÍÌ	XÖUVH	ÚÝ	Ì È^È	Ì È^È	€	€
FÍJ	XÖUVG	ÚÝ	Ì È^È	Ì È^È	€	€
FÍ€	XÖUVF	ÚÝ	Ì È^È	Ì È^È	€	€
FÍF	ÚWÚUÚVFG	ÚÝ	ÈGGG I	ÈGGG I	€	€
FÍG	ÚWÚUÚVFF	ÚÝ	ÈGGG I	ÈGGG I	€	€
FÍH	ÚWÚUÚVFE	ÚÝ	ÈGGG I	ÈGGG I	€	€
FÍI	ÚWÚUÚVJ	ÚÝ	ÈGGG I	ÈGGG I	€	€
FÍÍ	ÚWÚUÚVÌ	ÚÝ	ÈGGG I	ÈGGG I	€	€
FÍÎ	ÚWÚUÚVÍ	ÚÝ	ÈGGG I	ÈGGG I	€	€
FÍÏ	ÚWÚUÚVÌ	ÚÝ	ÈGGG I	ÈGGG I	€	€
FÍÌ	ÚWÚUÚVÍ	ÚÝ	ÈGGG I	ÈGGG I	€	€
FÍJ	ÚWÚUÚVI	ÚÝ	ÈGGG I	ÈGGG I	€	€
FÍ€	ÚWÚUÚVH	ÚÝ	ÈGGG I	ÈGGG I	€	€
FÍF	ÚWÚUÚVG	ÚÝ	ÈGGG I	ÈGGG I	€	€
FÍG	ÚWÚUÚVF	ÚÝ	ÈGGG I	ÈGGG I	€	€
FÍH	ÚÖSG	ÚÝ	ÈGGFH	ÈGGFH	€	€
FÍI	ÚÖSF	ÚÝ	ÈGGFH	ÈGGFH	€	€
FÍÍ	ÚÖSH	ÚÝ	Ì È^È	Ì È^È	€	€
FÍÎ	ÚÖSÖPH	ÚÝ	ÈGGG Í	ÈGGG Í	€	€
FÍÏ	ÚÖSÖPG	ÚÝ	ÈGGG Í	ÈGGG Í	€	€
FÍÌ	ÚÖSÖPF	ÚÝ	ÈGGG Í	ÈGGG Í	€	€
FÍJ	ÚSÖVÖI	ÚÝ	ÈGGG I	ÈGGG I	€	€
FÍ€	ÚSÖVÖI	ÚÝ	ÈGGG I	ÈGGG I	€	€
FÍF	ÚSÖVÖI	ÚÝ	ÈGGG I	ÈGGG I	€	€
FÍG	ÚSÖVÖH	ÚÝ	ÈGGG I	ÈGGG I	€	€
FÍH	ÚSÖVÖG	ÚÝ	ÈGGG I	ÈGGG I	€	€
FÍI	ÚSÖVÖF	ÚÝ	ÈGGG I	ÈGGG I	€	€
FÍÍ	T ÚÁÖÇE T ÇE	ÚÝ	ÈGGG F	ÈGGG F	€	€
FÍÎ	T ÚÁÖÇE T ÇH	ÚÝ	ÈGGG F	ÈGGG F	€	€
FÍÏ	T ÚÁÖÇE T ÇG	ÚÝ	ÈGGG F	ÈGGG F	€	€
FÍÌ	T ÚÁÖÇE T ÇF	ÚÝ	ÈGGG F	ÈGGG F	€	€
FÍJ	T ÚÁÖÇE T ÇE	ÚÝ	ÈGGG F	ÈGGG F	€	€
FÍ€	T ÚÁÖÇE T ÇH	ÚÝ	ÈGGG F	ÈGGG F	€	€
FÍF	T ÚÁÖÇE T ÇG	ÚÝ	ÈGGG F	ÈGGG F	€	€
FÍG	T ÚÁÖÇE T ÇF	ÚÝ	ÈGGG F	ÈGGG F	€	€
FÍH	T ÚÁÖÇE T ÇE	ÚÝ	ÈGGG F	ÈGGG F	€	€
FÍI	T ÚÁÖÇE T ÇH	ÚÝ	ÈGGG F	ÈGGG F	€	€
FÍÍ	T ÚÁÖÇE T ÇG	ÚÝ	ÈGGG F	ÈGGG F	€	€
FÍÎ	T ÚÁÖÇE T ÇF	ÚÝ	ÈGGG F	ÈGGG F	€	€
FÍÏ	PÚUH	ÚÝ	ÈGGGEI	ÈGGGEI	€	€
FÍÌ	PÚUG	ÚÝ	ÈGGGEI	ÈGGGEI	€	€
FÍJ	PÚUF	ÚÝ	ÈGGGEI	ÈGGGEI	€	€
FÍ€	ÖÖÖÖG	ÚÝ	ÈGGGFI H	ÈGGGFI H	€	€
FÍF	ÖÖÖÖF	ÚÝ	ÈGGGFI H	ÈGGGFI H	€	€
FÍG	ÖÖÖÖH	ÚÝ	Ì È^È	Ì È^È	€	€
FÍH	ÖÖÖÖG	ÚÝ	Ì È^È	Ì È^È	€	€
FÍI	ÖÖÖÖH	ÚÝ	Ì È^È	Ì È^È	€	€
FÍÍ	ÖÖÖÖG	ÚÝ	Ì È^È	Ì È^È	€	€
FÍÎ	ÖÖÖÖF	ÚÝ	Ì È^È	Ì È^È	€	€

A Ya Vyf'8 jgfvVi hYX'@ UXg'f6 @' &' : A UjbHUb YbWYfB(\$H'f7 c bhjbi YXL

	T^{ à^!Àæ^}	Öá^&á}	ÚcæA æ } æ à^Z DeHÉO) áA æ } æ à^Z DeHÉ	ÚcæA Sj &æá } ZcÁ á	Ó) áA Sj &æá } ZcÁ á	
FF	XÖUVGH	ÜY	Ï È^È	Ï È^È	€	€
FG	XÖUVGG	ÜY	Ï È^È	Ï È^È	€	€
FH	XÖUVGF	ÜY	Ï È^È	Ï È^È	€	€
FI	XÖUVGE	ÜY	Ï È^È	Ï È^È	€	€
FÍ	XÖUVFJ	ÜY	Ï È^È	Ï È^È	€	€
FĪ	XÖUVFĪ	ÜY	Ï È^È	Ï È^È	€	€
FĪ	XÖUVFĪ	ÜY	Ï È^È	Ï È^È	€	€
FĪ	XÖUVFĪ	ÜY	Ï È^È	Ï È^È	€	€
FJ	XÖUVFĪ	ÜY	Ï È^È	Ï È^È	€	€
G€	XÖUVFI	ÜY	Ï È^È	Ï È^È	€	€
GF	XÖUVFH	ÜY	Ï È^È	Ï È^È	€	€
GG	XÖUVFG	ÜY	Ï È^È	Ï È^È	€	€
GH	XÖUVFF	ÜY	Ï È^È	Ï È^È	€	€
G	XÖUVF€	ÜY	Ï È^È	Ï È^È	€	€
G	XÖUVJ	ÜY	Ï È^È	Ï È^È	€	€
G	XÖUVĪ	ÜY	Ï È^È	Ï È^È	€	€
G	XÖUVĪ	ÜY	Ï È^È	Ï È^È	€	€
G	XÖUVĪ	ÜY	Ï È^È	Ï È^È	€	€
GJ	XÖUVĪ	ÜY	Ï È^È	Ï È^È	€	€
H€	XÖUVI	ÜY	Ï È^È	Ï È^È	€	€
HF	XÖUVH	ÜY	Ï È^È	Ï È^È	€	€
HG	XÖUVG	ÜY	Ï È^È	Ï È^È	€	€
HH	XÖUVF	ÜY	Ï È^È	Ï È^È	€	€
HI	ÜWÜUÜVFG	ÜY	Ï È^È	Ï È^È	€	€
HÍ	ÜWÜUÜVFF	ÜY	Ï È^È	Ï È^È	€	€
HĪ	ÜWÜUÜVFE	ÜY	Ï È^È	Ï È^È	€	€
HĪ	ÜWÜUÜVJ	ÜY	Ï È^È	Ï È^È	€	€
HĪ	ÜWÜUÜVĪ	ÜY	Ï È^È	Ï È^È	€	€
HJ	ÜWÜUÜVĪ	ÜY	Ï È^È	Ï È^È	€	€
I€	ÜWÜUÜVĪ	ÜY	Ï È^È	Ï È^È	€	€
IF	ÜWÜUÜVĪ	ÜY	Ï È^È	Ï È^È	€	€
IG	ÜWÜUÜVĪ	ÜY	Ï È^È	Ï È^È	€	€
IH	ÜWÜUÜVH	ÜY	Ï È^È	Ï È^È	€	€
II	ÜWÜUÜVG	ÜY	Ï È^È	Ï È^È	€	€
IĪ	ÜWÜUÜVF	ÜY	Ï È^È	Ï È^È	€	€
IĪ	ÜÖKS	ÜY	Ï È^È	Ï È^È	€	€
IĪ	ÜÖKS	ÜY	Ï È^È	Ï È^È	€	€
IĪ	ÜÖKSH	ÜY	Ï È^È	Ï È^È	€	€
IJ	ÜÖKSÜPH	ÜY	Ï È^È	Ï È^È	€	€
I€	ÜÖKSÜPG	ÜY	Ï È^È	Ï È^È	€	€
IF	ÜÖKSÜPF	ÜY	Ï È^È	Ï È^È	€	€
IG	ÜÖS/ÖĪ	ÜY	Ï È^È	Ï È^È	€	€
IH	ÜÖS/ÖĪ	ÜY	Ï È^È	Ï È^È	€	€
II	ÜÖS/ÖĪ	ÜY	Ï È^È	Ï È^È	€	€
IĪ	ÜÖS/ÖH	ÜY	Ï È^È	Ï È^È	€	€
IĪ	ÜÖS/ÖG	ÜY	Ï È^È	Ï È^È	€	€
IĪ	ÜÖS/ÖF	ÜY	Ï È^È	Ï È^È	€	€
IĪ	T ÜÁÖE T ÖE	ÜY	Ï È^È F	Ï È^È F	€	€
IJ	T ÜÁÖE T ÖH	ÜY	Ï È^È F	Ï È^È F	€	€
I€	T ÜÁÖE T ÖG	ÜY	Ï È^È F	Ï È^È F	€	€
IF	T ÜÁÖE T ÖE	ÜY	Ï È^È F	Ï È^È F	€	€
IG	T ÜÁÖÖE	ÜY	Ï È^È F	Ï È^È F	€	€

A Ya Vyf'8]gfl]Vi hYX' @ UXg'f6 @ ' & ' : A UjbIub YbWYfB(\$H'f7 c bh]bi YXL

T ^{ à^!Aæ^	Öã^&ç	ÚcæA æ } æ à^Z DeíEÒ) áA æ } æ à^Z DeíE ÚcæA } &ç	ZdÁ á	Ò) áA } &ç	ZdÁ á	
FÍ Ì	ÜÖSÁÓUÞG	ÚÝ	ÆEÇ JI	ÆEÇ JI	€	€
FÍ Ì	ÜÖSÁÓUÞF	ÚÝ	ÆEÇ JI	ÆEÇ JI	€	€
FÍ J	ÚSÇVÓI	ÚÝ	ÆEÇ GH	ÆEÇ GH	€	€
FÍ €	ÚSÇVÓI	ÚÝ	ÆEÇ GH	ÆEÇ GH	€	€
FÍ F	ÚSÇVÓI	ÚÝ	ÆEÇ GH	ÆEÇ GH	€	€
FÍ G	ÚSÇVÓH	ÚÝ	ÆEÇ GH	ÆEÇ GH	€	€
FÍ H	ÚSÇVÓG	ÚÝ	ÆEÇ GH	ÆEÇ GH	€	€
FÍ I	ÚSÇVÓF	ÚÝ	ÆEÇ GH	ÆEÇ GH	€	€
FÍ Í	T ÚÁÓÇE T ÇE	ÚÝ	ÆEÇ ÍÍ	ÆEÇ ÍÍ	€	€
FÍ Î	T ÚÁÓÇE T ÇH	ÚÝ	ÆEÇ ÍÍ	ÆEÇ ÍÍ	€	€
FÍ Ï	T ÚÁÓÇE T ÇG	ÚÝ	ÆEÇ ÍÍ	ÆEÇ ÍÍ	€	€
FÍ Ì	T ÚÁÓÇE T ÇE	ÚÝ	ÆEÇ ÍÍ	ÆEÇ ÍÍ	€	€
FÍ J	T ÚÁÓÇVÇE	ÚÝ	ÆEÇ ÍÍ	ÆEÇ ÍÍ	€	€
FÍ €	T ÚÁÓÇVÇH	ÚÝ	ÆEÇ ÍÍ	ÆEÇ ÍÍ	€	€
FÍ F	T ÚÁÓÇVÇG	ÚÝ	ÆEÇ ÍÍ	ÆEÇ ÍÍ	€	€
FÍ G	T ÚÁÓÇVÇE	ÚÝ	ÆEÇ ÍÍ	ÆEÇ ÍÍ	€	€
FÍ H	T ÚÁÓÇSÞÇE	ÚÝ	ÆEÇ ÍÍ	ÆEÇ ÍÍ	€	€
FÍ I	T ÚÁÓÇSÞÇH	ÚÝ	ÆEÇ ÍÍ	ÆEÇ ÍÍ	€	€
FÍ Í	T ÚÁÓÇSÞÇG	ÚÝ	ÆEÇ ÍÍ	ÆEÇ ÍÍ	€	€
FÍ Ï	T ÚÁÓÇSÞÇE	ÚÝ	ÆEÇ ÍÍ	ÆEÇ ÍÍ	€	€
FÍ Î	PÚUH	ÚÝ	ÆEÇ HÍ	ÆEÇ HÍ	€	€
FÍ Ï	PÚUG	ÚÝ	ÆEÇ HÍ	ÆEÇ HÍ	€	€
FÍ J	PÚUF	ÚÝ	ÆEÇ HÍ	ÆEÇ HÍ	€	€
FJ €	ØÇÓÓG	ÚÝ	ÆEÇ G F	ÆEÇ G F	€	€
FJ F	ØÇÓÓF	ÚÝ	ÆEÇ G F	ÆEÇ G F	€	€
FJ G	ØÇÓÓH	ÚÝ	ÆEÇ F I	ÆEÇ F I	€	€
FJ H	ØÇÓÓG	ÚÝ	ÆEÇ F I	ÆEÇ F I	€	€
FJ I	ØÇÓÓGH	ÚÝ	ÆEÇ F I	ÆEÇ F I	€	€
FJ Í	ØÇÓÓGG	ÚÝ	ÆEÇ F I	ÆEÇ F I	€	€
FJ Ï	ØÇÓÓGF	ÚÝ	ÆEÇ F I	ÆEÇ F I	€	€
FJ Î	ØÇÓÓGE	ÚÝ	ÆEÇ F I	ÆEÇ F I	€	€
FJ Ï	ØÇÓÓFJ	ÚÝ	ÆEÇ F I	ÆEÇ F I	€	€
FJ J	ØÇÓÓFÍ	ÚÝ	ÆEÇ F I	ÆEÇ F I	€	€
G€€	ØÇÓÓFÍ	ÚÝ	ÆEÇ F I	ÆEÇ F I	€	€
G€F	ØÇÓÓFÍ	ÚÝ	ÆEÇ F I	ÆEÇ F I	€	€
G€G	ØÇÓÓFÍ	ÚÝ	ÆEÇ F I	ÆEÇ F I	€	€
G€H	ØÇÓÓFÍ	ÚÝ	ÆEÇ F I	ÆEÇ F I	€	€
G€I	ØÇÓÓFH	ÚÝ	ÆEÇ F I	ÆEÇ F I	€	€
G€Í	ØÇÓÓFG	ÚÝ	ÆEÇ F I	ÆEÇ F I	€	€
G€Ï	ØÇÓÓFF	ÚÝ	ÆEÇ F I	ÆEÇ F I	€	€
G€Î	ØÇÓÓFE	ÚÝ	ÆEÇ F I	ÆEÇ F I	€	€
G€Ï	ØÇÓÓJ	ÚÝ	ÆEÇ F I	ÆEÇ F I	€	€
G€J	ØÇÓÓÍ	ÚÝ	ÆEÇ F I	ÆEÇ F I	€	€
G€€	ØÇÓÓÍ	ÚÝ	ÆEÇ F I	ÆEÇ F I	€	€
G€F	ØÇÓÓÍ	ÚÝ	ÆEÇ F I	ÆEÇ F I	€	€
G€G	ØÇÓÓÍ	ÚÝ	ÆEÇ F I	ÆEÇ F I	€	€
G€H	ØÇÓÓÍ	ÚÝ	ÆEÇ F I	ÆEÇ F I	€	€
G€I	ØÇÓÓH	ÚÝ	ÆEÇ F I	ÆEÇ F I	€	€
G€Í	ØÇÓÓG	ÚÝ	ÆEÇ F I	ÆEÇ F I	€	€
G€Ï	ØÇÓÓF	ÚÝ	ÆEÇ F I	ÆEÇ F I	€	€
G€Î	ÓÚÇÓÓFÍ	ÚÝ	ÆEÇ HÍ	ÆEÇ HÍ	€	€
G€Ï	ÓÚÇÓÓFÍ	ÚÝ	ÆEÇ HÍ	ÆEÇ HÍ	€	€

A Ya VYf'8]gf]Vi HYX' @ UXg'f6 @ ' & : A UjbHUb YbWVfB(\$tL'f7 c bh]bi YXL

	T^{ à^!Áæ^}	Öá^&ç}	ÚçæÓ æ } æ à^Z ÐæHÖ) áÁ æ } æ à^Z ÐæHÖ	ÚçæÓ æ } æ à^Z ÐæHÖ	ÚçæÓ æ } æ à^Z ÐæHÖ	ÚçæÓ æ } æ à^Z ÐæHÖ	ÚçæÓ æ } æ à^Z ÐæHÖ
GFJ	ÓÚÓÓÓFÍ	ÚÝ	ÆÇÇHÍ	ÆÇÇHÍ	€	€	
GGE	ÓÚÓÓÓFÍ	ÚÝ	ÆÇÇHÍ	ÆÇÇHÍ	€	€	
GF	ÓÚÓÓÓFI	ÚÝ	ÆÇÇHÍ	ÆÇÇHÍ	€	€	
GGG	ÓÚÓÓÓFH	ÚÝ	ÆÇÇHÍ	ÆÇÇHÍ	€	€	
GGH	ÓÚÓÓÓFG	ÚÝ	ÆÇÇHÍ	ÆÇÇHÍ	€	€	
GG	ÓÚÓÓÓFF	ÚÝ	ÆÇÇHÍ	ÆÇÇHÍ	€	€	
GÇ	ÓÚÓÓÓF€	ÚÝ	ÆÇÇHÍ	ÆÇÇHÍ	€	€	
GÇ	ÓÚÓÓÓJ	ÚÝ	ÆÇÇHÍ	ÆÇÇHÍ	€	€	
GÇ	ÓÚÓÓÓÌ	ÚÝ	ÆÇÇHÍ	ÆÇÇHÍ	€	€	
GÇ	ÓÚÓÓÓÌ	ÚÝ	ÆÇÇHÍ	ÆÇÇHÍ	€	€	
GGJ	ÓÚÓÓÓÌ	ÚÝ	ÆÇÇHÍ	ÆÇÇHÍ	€	€	
GHE	ÓÚÓÓÓÌ	ÚÝ	ÆÇÇHÍ	ÆÇÇHÍ	€	€	
GH	ÓÚÓÓÓÌ	ÚÝ	ÆÇÇHÍ	ÆÇÇHÍ	€	€	
GHG	ÓÚÓÓÓH	ÚÝ	ÆÇÇHÍ	ÆÇÇHÍ	€	€	
GHI	ÓÚÓÓÓG	ÚÝ	ÆÇÇHÍ	ÆÇÇHÍ	€	€	
GH	ÓÚÓÓÓF	ÚÝ	ÆÇÇHÍ	ÆÇÇHÍ	€	€	

A Ya VYf'8]gf]Vi HYX' @ UXg'f6 @ ' & : A UjbHUb YbWVfB+\$tL

	T^{ à^!Áæ^}	Öá^&ç}	ÚçæÓ æ } æ à^Z ÐæHÖ) áÁ æ } æ à^Z ÐæHÖ	ÚçæÓ æ } æ à^Z ÐæHÖ	ÚçæÓ æ } æ à^Z ÐæHÖ	ÚçæÓ æ } æ à^Z ÐæHÖ	ÚçæÓ æ } æ à^Z ÐæHÖ
F	Y VUÚH	ÚÝ	ÆÇÇÍ G	ÆÇÇÍ G	€	€	
G	Y VUÚG	ÚÝ	ÆÇÇÍ G	ÆÇÇÍ G	€	€	
H	Y VUÚF	ÚÝ	ÆÇÇÍ G	ÆÇÇÍ G	€	€	
I	Y ÓU VÍ	ÚÝ	ÆÇÇÍ G	ÆÇÇÍ G	€	€	
Í	Y ÓU VÍ	ÚÝ	ÆÇÇÍ G	ÆÇÇÍ G	€	€	
Î	Y ÓU VI	ÚÝ	ÆÇÇÍ G	ÆÇÇÍ G	€	€	
Ï	Y ÓU VH	ÚÝ	ÆÇÇÍ G	ÆÇÇÍ G	€	€	
Ì	Y ÓU VG	ÚÝ	ÆÇÇÍ G	ÆÇÇÍ G	€	€	
J	Y ÓU VF	ÚÝ	ÆÇÇÍ G	ÆÇÇÍ G	€	€	
F€	XÓUVG	ÚÝ	ÆÇÇÍ H	ÆÇÇÍ H	€	€	
FF	XÓUVGH	ÚÝ	ÆÇÇÍ H	ÆÇÇÍ H	€	€	
FG	XÓUVGG	ÚÝ	ÆÇÇÍ H	ÆÇÇÍ H	€	€	
FH	XÓUVGF	ÚÝ	ÆÇÇÍ H	ÆÇÇÍ H	€	€	
FI	XÓUVG€	ÚÝ	ÆÇÇÍ H	ÆÇÇÍ H	€	€	
FÍ	XÓUVFJ	ÚÝ	ÆÇÇÍ H	ÆÇÇÍ H	€	€	
FÎ	XÓUVFI	ÚÝ	ÆÇÇÍ H	ÆÇÇÍ H	€	€	
FÏ	XÓUVFI	ÚÝ	ÆÇÇÍ H	ÆÇÇÍ H	€	€	
FÌ	XÓUVFI	ÚÝ	ÆÇÇÍ H	ÆÇÇÍ H	€	€	
FJ	XÓUVFI	ÚÝ	ÆÇÇÍ H	ÆÇÇÍ H	€	€	
G€	XÓUVFI	ÚÝ	ÆÇÇÍ H	ÆÇÇÍ H	€	€	
GF	XÓUVFH	ÚÝ	ÆÇÇÍ H	ÆÇÇÍ H	€	€	
GG	XÓUVFG	ÚÝ	ÆÇÇÍ H	ÆÇÇÍ H	€	€	
GH	XÓUVFF	ÚÝ	ÆÇÇÍ H	ÆÇÇÍ H	€	€	
G	XÓUVF€	ÚÝ	ÆÇÇÍ H	ÆÇÇÍ H	€	€	
G	XÓUVJ	ÚÝ	ÆÇÇÍ H	ÆÇÇÍ H	€	€	
G	XÓUVÌ	ÚÝ	ÆÇÇÍ H	ÆÇÇÍ H	€	€	
G	XÓUVÌ	ÚÝ	ÆÇÇÍ H	ÆÇÇÍ H	€	€	
G	XÓUVÌ	ÚÝ	ÆÇÇÍ H	ÆÇÇÍ H	€	€	
GJ	XÓUVÌ	ÚÝ	ÆÇÇÍ H	ÆÇÇÍ H	€	€	
H€	XÓUVI	ÚÝ	ÆÇÇÍ H	ÆÇÇÍ H	€	€	
HF	XÓUVH	ÚÝ	ÆÇÇÍ H	ÆÇÇÍ H	€	€	
HG	XÓUVG	ÚÝ	ÆÇÇÍ H	ÆÇÇÍ H	€	€	

A Ya Vyf'8]gfl]Vi hYX' @ UXg'f6 @ ' & : A UjbIub YbWYfB+\$tL'f7 c bh]bi YXL

T ^{ à^Àæ ^	Öã^&ç	ÚçæÓ æ } æ à^Z DæHËÖ) áÁ æ } æ à^Z DæHË ÚçæÓ &ç } ZçÁ á	Ö) áÁ &ç } ZçÁ á
HH	XÖUVF	ËËËË H	ËËËË H
H	ÜWÜÜÜVFG	ËËË Ì J	ËËË Ì J
HÍ	ÜWÜÜÜVFF	ËËË Ì J	ËËË Ì J
HÎ	ÜWÜÜÜVFE	ËËË Ì J	ËËË Ì J
HÏ	ÜWÜÜÜVJ	ËËË Ì J	ËËË Ì J
HË	ÜWÜÜÜVÌ	ËËË Ì J	ËËË Ì J
HJ	ÜWÜÜÜVÍ	ËËË Ì J	ËËË Ì J
I €	ÜWÜÜÜVÌ	ËËË Ì J	ËËË Ì J
I F	ÜWÜÜÜVÍ	ËËË Ì J	ËËË Ì J
I G	ÜWÜÜÜVI	ËËË Ì J	ËËË Ì J
I H	ÜWÜÜÜVH	ËËË Ì J	ËËË Ì J
I I	ÜWÜÜÜVG	ËËË Ì J	ËËË Ì J
I Í	ÜWÜÜÜVF	ËËË Ì J	ËËË Ì J
I Î	ÜÖSG	ËËËË Ì	ËËËË Ì
I Ï	ÜÖSF	ËËËË Ì	ËËËË Ì
I Ë	ÜÖSH	ËËËË H	ËËËË H
I J	ÜÖSÖUPH	ËËË Ì	ËËË Ì
I €	ÜÖSÖUPG	ËËË Ì	ËËË Ì
I F	ÜÖSÖUPF	ËËË Ì	ËËË Ì
I G	ÜSÖVÖI	ËËË Ì J	ËËË Ì J
I H	ÜSÖVÖI	ËËË Ì J	ËËË Ì J
I I	ÜSÖVÖI	ËËË Ì J	ËËË Ì J
I Í	ÜSÖVÖH	ËËË Ì J	ËËË Ì J
I Î	ÜSÖVÖG	ËËË Ì J	ËËË Ì J
I Ë	ÜSÖVÖF	ËËË Ì J	ËËË Ì J
I Ì	T ÜÁÖÆ T ÖE	ËËË Ì G	ËËË Ì G
I J	T ÜÁÖÆ T ÖH	ËËË Ì G	ËËË Ì G
I €	T ÜÁÖÆ T ÖG	ËËË Ì G	ËËË Ì G
I F	T ÜÁÖÆ T ÖF	ËËË Ì G	ËËË Ì G
I G	T ÜÁÖÖVÖE	ËËË Ì G	ËËË Ì G
I H	T ÜÁÖÖVÖH	ËËË Ì G	ËËË Ì G
I I	T ÜÁÖÖVÖG	ËËË Ì G	ËËË Ì G
I Í	T ÜÁÖÖVÖF	ËËË Ì G	ËËË Ì G
I Î	T ÜÁÖSÜPÖE	ËËË Ì G	ËËË Ì G
I Ï	T ÜÁÖSÜPÖH	ËËË Ì G	ËËË Ì G
I Ë	T ÜÁÖSÜPÖG	ËËË Ì G	ËËË Ì G
I J	T ÜÁÖSÜPÖF	ËËË Ì G	ËËË Ì G
I €	PÜUH	ËËË Ë	ËËË Ë
I F	PÜUG	ËËË Ë	ËËË Ë
I G	PÜUF	ËËË Ë	ËËË Ë
I H	ØÖÖÖG	ËËË G	ËËË G
I I	ØÖÖÖF	ËËË G	ËËË G
I Í	ØÖÖÖH	ËËËË H	ËËËË H
I Î	ÖÖÖÖG	ËËËË H	ËËËË H
I Ï	ÖÖÖÖGH	ËËËË H	ËËËË H
I Ë	ÖÖÖÖGG	ËËËË H	ËËËË H
I J	ÖÖÖÖGF	ËËËË H	ËËËË H
I €	ÖÖÖÖGE	ËËËË H	ËËËË H
I F	ÖÖÖÖFJ	ËËËË H	ËËËË H
I G	ÖÖÖÖFÌ	ËËËË H	ËËËË H
I H	ÖÖÖÖFÍ	ËËËË H	ËËËË H
I I	ÖÖÖÖFÎ	ËËËË H	ËËËË H

A Ya Vyf'8]gfh]Vi hYX' @ UXg'f6 @ ' & : A Ujb]ub YbWVfB+\$tL'f7 c bh]bi YXL

	T^{ à^!Áæ^}	Öã^&ç}	ÚçæÓÁ æ} æ à^Z ÐæÏÏÖ) áÁÁ æ} æ à^Z ÐæÏÏ ÖçæÓÁ &æç} ŽdÁ á	Ö) áÁÁ &æç} ŽdÁ á		
Íí	ÖÖÖFí	ÚÝ	ÆÆÆFí H	ÆÆÆFí H	€	€
Ìì	ÖÖÖFì	ÚÝ	ÆÆÆFì H	ÆÆÆFì H	€	€
Ïï	ÖÖÖFH	ÚÝ	ÆÆÆFí H	ÆÆÆFí H	€	€
Ìì	ÖÖÖFG	ÚÝ	ÆÆÆFí H	ÆÆÆFí H	€	€
Ìj	ÖÖÖFF	ÚÝ	ÆÆÆFí H	ÆÆÆFí H	€	€
J€	ÖÖÖF€	ÚÝ	ÆÆÆFí H	ÆÆÆFí H	€	€
JF	ÖÖÖFJ	ÚÝ	ÆÆÆFí H	ÆÆÆFí H	€	€
JG	ÖÖÖFì	ÚÝ	ÆÆÆFí H	ÆÆÆFí H	€	€
JH	ÖÖÖFí	ÚÝ	ÆÆÆFí H	ÆÆÆFí H	€	€
Jì	ÖÖÖFì	ÚÝ	ÆÆÆFí H	ÆÆÆFí H	€	€
Jí	ÖÖÖFí	ÚÝ	ÆÆÆFí H	ÆÆÆFí H	€	€
Jï	ÖÖÖFí	ÚÝ	ÆÆÆFí H	ÆÆÆFí H	€	€
Jï	ÖÖÖFH	ÚÝ	ÆÆÆFí H	ÆÆÆFí H	€	€
Jì	ÖÖÖFG	ÚÝ	ÆÆÆFí H	ÆÆÆFí H	€	€
JJ	ÖÖÖFF	ÚÝ	ÆÆÆFí H	ÆÆÆFí H	€	€
F€€	ÖÜÖÖÖFí	ÚÝ	ÆÆÆHí	ÆÆÆHí	€	€
F€F	ÖÜÖÖÖFì	ÚÝ	ÆÆÆHí	ÆÆÆHí	€	€
F€G	ÖÜÖÖÖFH	ÚÝ	ÆÆÆHí	ÆÆÆHí	€	€
F€H	ÖÜÖÖÖFG	ÚÝ	ÆÆÆHí	ÆÆÆHí	€	€
F€ì	ÖÜÖÖÖFF	ÚÝ	ÆÆÆHí	ÆÆÆHí	€	€
F€í	ÖÜÖÖÖF€	ÚÝ	ÆÆÆHí	ÆÆÆHí	€	€
F€J	ÖÜÖÖÖFJ	ÚÝ	ÆÆÆHí	ÆÆÆHí	€	€
FF€	ÖÜÖÖÖFì	ÚÝ	ÆÆÆHí	ÆÆÆHí	€	€
FFF	ÖÜÖÖÖFH	ÚÝ	ÆÆÆHí	ÆÆÆHí	€	€
FFG	ÖÜÖÖÖFG	ÚÝ	ÆÆÆHí	ÆÆÆHí	€	€
FFH	ÖÜÖÖÖFF	ÚÝ	ÆÆÆHí	ÆÆÆHí	€	€
FFì	ÖÜÖÖÖF€	ÚÝ	ÆÆÆHí	ÆÆÆHí	€	€
FFí	ÖÜÖÖÖFJ	ÚÝ	ÆÆÆHí	ÆÆÆHí	€	€
FFï	ÖÜÖÖÖFH	ÚÝ	ÆÆÆHí	ÆÆÆHí	€	€
FFì	ÖÜÖÖÖFG	ÚÝ	ÆÆÆHí	ÆÆÆHí	€	€
FFï	ÖÜÖÖÖFF	ÚÝ	ÆÆÆHí	ÆÆÆHí	€	€

A Ya Vyf'8]gfh]Vi hYX' @ UXg'f6 @ ' & : A Ujb]ub YbWVfI \$\$\$tL

	T^{ à^!Áæ^}	Öã^&ç}	ÚçæÓÁ æ} æ à^Z ÐæÏÏÖ) áÁÁ æ} æ à^Z ÐæÏÏ ÖçæÓÁ &æç} ŽdÁ á	Ö) áÁÁ &æç} ŽdÁ á		
F	Y VUÜH	ÚÝ	ÆÆÆGHí	ÆÆÆGHí	€	€
G	Y VUÜG	ÚÝ	ÆÆÆGHí	ÆÆÆGHí	€	€
H	Y VUÜF	ÚÝ	ÆÆÆGHí	ÆÆÆGHí	€	€
I	Y ÖU VÍ	ÚÝ	ÆÆÆGHí	ÆÆÆGHí	€	€
Í	Y ÖU VÍ	ÚÝ	ÆÆÆGHí	ÆÆÆGHí	€	€
Ì	Y ÖU VÍ	ÚÝ	ÆÆÆGHí	ÆÆÆGHí	€	€
Ï	Y ÖU VH	ÚÝ	ÆÆÆGHí	ÆÆÆGHí	€	€
Ì	Y ÖU VG	ÚÝ	ÆÆÆGHí	ÆÆÆGHí	€	€
J	Y ÖU VF	ÚÝ	ÆÆÆGHí	ÆÆÆGHí	€	€
F€	XÖÜVG	ÚÝ	ÆÆÆ^Æ	ÆÆÆ^Æ	€	€
FF	XÖÜVGH	ÚÝ	ÆÆÆ^Æ	ÆÆÆ^Æ	€	€
FG	XÖÜVGG	ÚÝ	ÆÆÆ^Æ	ÆÆÆ^Æ	€	€
FH	XÖÜVGF	ÚÝ	ÆÆÆ^Æ	ÆÆÆ^Æ	€	€
FI	XÖÜVGE	ÚÝ	ÆÆÆ^Æ	ÆÆÆ^Æ	€	€
FÍ	XÖÜVFJ	ÚÝ	ÆÆÆ^Æ	ÆÆÆ^Æ	€	€

A Ya Vyf'8]gfl]Vi hYX' @ UXg'f6 @' &) : A U]b]ub YbWYfl \$\$\$t'f' c bh]bi YXL

	T ^{ à^!Áæ^}	Öá^&á}	ÚçæÓ æ } æ à^Z DeÍÍÖ) áÁ æ } æ à^Z DeÍÍÖ	ÚçæÓÁ } &æá } ZcÁ á	Ö) áÁ } &æá } ZcÁ á
FÍ	XÓUVFÍ	ÚÝ	Ë È^È	Ë È^È	€
FÌ	XÓUVFÌ	ÚÝ	Ë È^È	Ë È^È	€
FĪ	XÓUVFĪ	ÚÝ	Ë È^È	Ë È^È	€
FJ	XÓUVFÍ	ÚÝ	Ë È^È	Ë È^È	€
GE	XÓUVFI	ÚÝ	Ë È^È	Ë È^È	€
GF	XÓUVFH	ÚÝ	Ë È^È	Ë È^È	€
GG	XÓUVFG	ÚÝ	Ë È^È	Ë È^È	€
GH	XÓUVFF	ÚÝ	Ë È^È	Ë È^È	€
G	XÓUV€	ÚÝ	Ë È^È	Ë È^È	€
GÍ	XÓUVJ	ÚÝ	Ë È^È	Ë È^È	€
GÌ	XÓUVÌ	ÚÝ	Ë È^È	Ë È^È	€
GĪ	XÓUVĪ	ÚÝ	Ë È^È	Ë È^È	€
G	XÓUVÍ	ÚÝ	Ë È^È	Ë È^È	€
GJ	XÓUVÍ	ÚÝ	Ë È^È	Ë È^È	€
H€	XÓUVI	ÚÝ	Ë È^È	Ë È^È	€
HF	XÓUVH	ÚÝ	Ë È^È	Ë È^È	€
HG	XÓUVG	ÚÝ	Ë È^È	Ë È^È	€
HH	XÓUVF	ÚÝ	Ë È^È	Ë È^È	€
H	ÚWÚUÚVFG	ÚÝ	Ë È^È	Ë È^È	€
HÍ	ÚWÚUÚVFF	ÚÝ	Ë È^È	Ë È^È	€
HÌ	ÚWÚUÚVFE	ÚÝ	Ë È^È	Ë È^È	€
HĪ	ÚWÚUÚVJ	ÚÝ	Ë È^È	Ë È^È	€
H	ÚWÚUÚVÍ	ÚÝ	Ë È^È	Ë È^È	€
HJ	ÚWÚUÚVÍ	ÚÝ	Ë È^È	Ë È^È	€
I €	ÚWÚUÚVÍ	ÚÝ	Ë È^È	Ë È^È	€
I F	ÚWÚUÚVÍ	ÚÝ	Ë È^È	Ë È^È	€
I G	ÚWÚUÚVÍ	ÚÝ	Ë È^È	Ë È^È	€
I H	ÚWÚUÚVH	ÚÝ	Ë È^È	Ë È^È	€
I I	ÚWÚUÚVG	ÚÝ	Ë È^È	Ë È^È	€
I Í	ÚWÚUÚVF	ÚÝ	Ë È^È	Ë È^È	€
I Î	ÚÖS	ÚÝ	Ë È^È	Ë È^È	€
I Ï	ÚÖSF	ÚÝ	Ë È^È	Ë È^È	€
I Ì	ÚÖSH	ÚÝ	Ë È^È	Ë È^È	€
I J	ÚÖSÓU PH	ÚÝ	Ë È^È	Ë È^È	€
I €	ÚÖSÓU PG	ÚÝ	Ë È^È	Ë È^È	€
I F	ÚÖSÓU PF	ÚÝ	Ë È^È	Ë È^È	€
I G	ÚSÖVÖI	ÚÝ	Ë È^È	Ë È^È	€
I H	ÚSÖVÖI	ÚÝ	Ë È^È	Ë È^È	€
I I	ÚSÖVÖI	ÚÝ	Ë È^È	Ë È^È	€
I Í	ÚSÖVÖH	ÚÝ	Ë È^È	Ë È^È	€
I Î	ÚSÖVÖG	ÚÝ	Ë È^È	Ë È^È	€
I Ï	ÚSÖVÖF	ÚÝ	Ë È^È	Ë È^È	€
I Ì	T ÚÁÖE T ÖE	ÚÝ	Ë È^È F	Ë È^È F	€
I J	T ÚÁÖE T ÖH	ÚÝ	Ë È^È F	Ë È^È F	€
I €	T ÚÁÖE T ÖG	ÚÝ	Ë È^È F	Ë È^È F	€
I F	T ÚÁÖE T ÖE	ÚÝ	Ë È^È F	Ë È^È F	€
I G	T ÚÁÖVÖE	ÚÝ	Ë È^È F	Ë È^È F	€
I H	T ÚÁÖVÖH	ÚÝ	Ë È^È F	Ë È^È F	€
I I	T ÚÁÖVÖG	ÚÝ	Ë È^È F	Ë È^È F	€
I Í	T ÚÁÖVÖE	ÚÝ	Ë È^È F	Ë È^È F	€
I Î	T ÚÁÖSJP ÖE	ÚÝ	Ë È^È F	Ë È^È F	€
I Ï	T ÚÁÖSJP ÖH	ÚÝ	Ë È^È F	Ë È^È F	€

A Ya Vyf'8]gf]Vi hyX' @ UXg'f6 @ ' & : ' A UjbHUb YbWVfI \$ \$t'f7 c bhjbi YXL

	T^{ à^!Áæ^}	Öã^&çá}	ÚçæóÁ æ} æ' à^!Áæ^ Ö) áÁ æ} æ' à^!Áæ^ ÚçæóÁ &çá} ŽdÁ á	Ö) áÁ &çá} ŽdÁ á		
GG	ÓÚÖÓÖFF	ÚÝ	ÆÇÇHÍ	ÆÇÇHÍ	€	€
GG	ÓÚÖÓÖFE	ÚÝ	ÆÇÇHÍ	ÆÇÇHÍ	€	€
GG	ÓÚÖÓÖU	ÚÝ	ÆÇÇHÍ	ÆÇÇHÍ	€	€
GG	ÓÚÖÓÖI	ÚÝ	ÆÇÇHÍ	ÆÇÇHÍ	€	€
GG	ÓÚÖÓÖÍ	ÚÝ	ÆÇÇHÍ	ÆÇÇHÍ	€	€
GGJ	ÓÚÖÓÖÍ	ÚÝ	ÆÇÇHÍ	ÆÇÇHÍ	€	€
GHE	ÓÚÖÓÖÍ	ÚÝ	ÆÇÇHÍ	ÆÇÇHÍ	€	€
GH	ÓÚÖÓÖI	ÚÝ	ÆÇÇHÍ	ÆÇÇHÍ	€	€
GHG	ÓÚÖÓÖH	ÚÝ	ÆÇÇHÍ	ÆÇÇHÍ	€	€
GHI	ÓÚÖÓÖG	ÚÝ	ÆÇÇHÍ	ÆÇÇHÍ	€	€
GH	ÓÚÖÓÖF	ÚÝ	ÆÇÇHÍ	ÆÇÇHÍ	€	€

A Ya Vyf'8]gf]Vi hyX' @ UXg'f6 @ ' & : ' A UjbHUb YbWVfI ' \$t'

	T^{ à^!Áæ^}	Öã^&çá}	ÚçæóÁ æ} æ' à^!Áæ^ Ö) áÁ æ} æ' à^!Áæ^ ÚçæóÁ &çá} ŽdÁ á	Ö) áÁ &çá} ŽdÁ á		
F	Y VUÜH	ÚÝ	ÆÇÇÍÍ	ÆÇÇÍÍ	€	€
G	Y VUÜG	ÚÝ	ÆÇÇÍÍ	ÆÇÇÍÍ	€	€
H	Y VUÜF	ÚÝ	ÆÇÇÍÍ	ÆÇÇÍÍ	€	€
I	Y ÓUVÍ	ÚÝ	ÆÇÇÍÍ	ÆÇÇÍÍ	€	€
Í	Y ÓUVÍ	ÚÝ	ÆÇÇÍÍ	ÆÇÇÍÍ	€	€
Î	Y ÓUVI	ÚÝ	ÆÇÇÍÍ	ÆÇÇÍÍ	€	€
Ï	Y ÓUVH	ÚÝ	ÆÇÇÍÍ	ÆÇÇÍÍ	€	€
Ï	Y ÓUVG	ÚÝ	ÆÇÇÍÍ	ÆÇÇÍÍ	€	€
J	Y ÓUVF	ÚÝ	ÆÇÇÍÍ	ÆÇÇÍÍ	€	€
F€	XÓÜVG	ÚÝ	ÆÇÇFI F	ÆÇÇFI F	€	€
FF	XÓÜVGH	ÚÝ	ÆÇÇFI F	ÆÇÇFI F	€	€
FG	XÓÜVGG	ÚÝ	ÆÇÇFI F	ÆÇÇFI F	€	€
FH	XÓÜVGF	ÚÝ	ÆÇÇFI F	ÆÇÇFI F	€	€
FI	XÓÜVGE	ÚÝ	ÆÇÇFI F	ÆÇÇFI F	€	€
FÍ	XÓÜVFJ	ÚÝ	ÆÇÇFI F	ÆÇÇFI F	€	€
FÎ	XÓÜVFI	ÚÝ	ÆÇÇFI F	ÆÇÇFI F	€	€
FÏ	XÓÜVFI	ÚÝ	ÆÇÇFI F	ÆÇÇFI F	€	€
FÌ	XÓÜVFI	ÚÝ	ÆÇÇFI F	ÆÇÇFI F	€	€
FJ	XÓÜVFI	ÚÝ	ÆÇÇFI F	ÆÇÇFI F	€	€
G€	XÓÜVFI	ÚÝ	ÆÇÇFI F	ÆÇÇFI F	€	€
GF	XÓÜVFH	ÚÝ	ÆÇÇFI F	ÆÇÇFI F	€	€
GG	XÓÜVFG	ÚÝ	ÆÇÇFI F	ÆÇÇFI F	€	€
GH	XÓÜVFF	ÚÝ	ÆÇÇFI F	ÆÇÇFI F	€	€
G	XÓÜVFE	ÚÝ	ÆÇÇFI F	ÆÇÇFI F	€	€
GÍ	XÓÜVJ	ÚÝ	ÆÇÇFI F	ÆÇÇFI F	€	€
GÏ	XÓÜVÍ	ÚÝ	ÆÇÇFI F	ÆÇÇFI F	€	€
GÌ	XÓÜVÍ	ÚÝ	ÆÇÇFI F	ÆÇÇFI F	€	€
G	XÓÜVÍ	ÚÝ	ÆÇÇFI F	ÆÇÇFI F	€	€
GJ	XÓÜVÍ	ÚÝ	ÆÇÇFI F	ÆÇÇFI F	€	€
H€	XÓÜVI	ÚÝ	ÆÇÇFI F	ÆÇÇFI F	€	€
HF	XÓÜVH	ÚÝ	ÆÇÇFI F	ÆÇÇFI F	€	€
HG	XÓÜVG	ÚÝ	ÆÇÇFI F	ÆÇÇFI F	€	€
HH	XÓÜVF	ÚÝ	ÆÇÇFI F	ÆÇÇFI F	€	€
HI	ÚWUUUVFG	ÚÝ	ÆÇÇGH	ÆÇÇGH	€	€
HÍ	ÚWUUUVFF	ÚÝ	ÆÇÇGH	ÆÇÇGH	€	€
HÏ	ÚWUUUVFE	ÚÝ	ÆÇÇGH	ÆÇÇGH	€	€
HÌ	ÚWUUUVJ	ÚÝ	ÆÇÇGH	ÆÇÇGH	€	€



Ô{]æ ^ K ÚUÖ
 Ô• ã} ^! K RP
 R àÀ´{ à^! K GÖFI HFJJ
 T[á^!Aæ ^ K IÏÎHJ

P[çÁ ÖGG
 Ì KUAÖE
 Ô@&^ÁÓ'K''''

A Ya VYf '8 jgfhVl hYX' @ UXg'f6 @' &* : 'A UJbKUb YbWYfl' \$H'f7 c bhjbi YXL

	T^{ à^!Aæ ^}	Oä^&a}	ÜçeoÁ æ} ä á^Z DeHÉÖ) áÁ æ} ä á^Z DeHÉ ÜçeoÁ &a}	ZdÄ á	O) áÁ &a}	ZdÄ á
Hì	ÙWÚUUÜVÌ	ÚÝ	ÛÛÛÛ GH	ÛÛÛÛ GH	€	€
HJ	ÙWÚUUÜVÌ	ÚÝ	ÛÛÛÛ GH	ÛÛÛÛ GH	€	€
Ì €	ÙWÚUUÜVÌ	ÚÝ	ÛÛÛÛ GH	ÛÛÛÛ GH	€	€
Ì F	ÙWÚUUÜVÌ	ÚÝ	ÛÛÛÛ GH	ÛÛÛÛ GH	€	€
Ì G	ÙWÚUUÜVÌ	ÚÝ	ÛÛÛÛ GH	ÛÛÛÛ GH	€	€
Ì H	ÙWÚUUÜVH	ÚÝ	ÛÛÛÛ GH	ÛÛÛÛ GH	€	€
Ì Ì	ÙWÚUUÜVG	ÚÝ	ÛÛÛÛ GH	ÛÛÛÛ GH	€	€
Ì Í	ÙWÚUUÜVF	ÚÝ	ÛÛÛÛ GH	ÛÛÛÛ GH	€	€
Ì Î	ÛÖSH	ÚÝ	ÛÛÛÛ GH	ÛÛÛÛ GH	€	€
Ì Ï	ÛÖSG	ÚÝ	ÛÛÛÛ GH	ÛÛÛÛ GH	€	€
Ì Ì	ÛÖSF	ÚÝ	ÛÛÛÛ FÌ	ÛÛÛÛ FÌ	€	€
Ì J	ÛÖSÀ ÒU ÞH	ÚÝ	ÛÛÛÛ JÌ	ÛÛÛÛ JÌ	€	€
Ì €	ÛÖSÀ ÒU ÞG	ÚÝ	ÛÛÛÛ JÌ	ÛÛÛÛ JÌ	€	€
Ì F	ÛÖSÀ ÒU ÞF	ÚÝ	ÛÛÛÛ JÌ	ÛÛÛÛ JÌ	€	€
Ì G	ÛÖSØ ÒÌ	ÚÝ	ÛÛÛÛ GH	ÛÛÛÛ GH	€	€
Ì H	ÛÖSØ ÒÌ	ÚÝ	ÛÛÛÛ GH	ÛÛÛÛ GH	€	€
Ì Ì	ÛÖSØ ÒÌ	ÚÝ	ÛÛÛÛ GH	ÛÛÛÛ GH	€	€
Ì Í	ÛÖSØ ÒH	ÚÝ	ÛÛÛÛ GH	ÛÛÛÛ GH	€	€
Ì Î	ÛÖSØ ÒG	ÚÝ	ÛÛÛÛ GH	ÛÛÛÛ GH	€	€
Ì Ï	ÛÖSØ ÒF	ÚÝ	ÛÛÛÛ GH	ÛÛÛÛ GH	€	€
Ì Ì	T ÚÁÖÖE T ÖE	ÚÝ	ÛÛÛÛ ÌÌ	ÛÛÛÛ ÌÌ	€	€
Ì J	T ÚÁÖÖE T ÖH	ÚÝ	ÛÛÛÛ ÌÌ	ÛÛÛÛ ÌÌ	€	€
Ì €	T ÚÁÖÖE T ÖG	ÚÝ	ÛÛÛÛ ÌÌ	ÛÛÛÛ ÌÌ	€	€
Ì F	T ÚÁÖÖE T ÖE	ÚÝ	ÛÛÛÛ ÌÌ	ÛÛÛÛ ÌÌ	€	€
Ì G	T ÚÁÖÖÖE	ÚÝ	ÛÛÛÛ ÌÌ	ÛÛÛÛ ÌÌ	€	€
Ì H	T ÚÁÖÖÖH	ÚÝ	ÛÛÛÛ ÌÌ	ÛÛÛÛ ÌÌ	€	€
Ì Ì	T ÚÁÖÖÖG	ÚÝ	ÛÛÛÛ ÌÌ	ÛÛÛÛ ÌÌ	€	€
Ì Í	T ÚÁÖÖÖE	ÚÝ	ÛÛÛÛ ÌÌ	ÛÛÛÛ ÌÌ	€	€
Ì Î	T ÚÁÖSÚP ÖE	ÚÝ	ÛÛÛÛ ÌÌ	ÛÛÛÛ ÌÌ	€	€
Ì Ï	T ÚÁÖSÚP ÖH	ÚÝ	ÛÛÛÛ ÌÌ	ÛÛÛÛ ÌÌ	€	€
Ì Ì	T ÚÁÖSÚP ÖG	ÚÝ	ÛÛÛÛ ÌÌ	ÛÛÛÛ ÌÌ	€	€
Ì J	T ÚÁÖSÚP ÖE	ÚÝ	ÛÛÛÛ ÌÌ	ÛÛÛÛ ÌÌ	€	€
Ì €	PÚUH	ÚÝ	ÛÛÛÛ HÌ	ÛÛÛÛ HÌ	€	€
Ì F	PÚUG	ÚÝ	ÛÛÛÛ HÌ	ÛÛÛÛ HÌ	€	€
Ì G	PÚUF	ÚÝ	ÛÛÛÛ HÌ	ÛÛÛÛ HÌ	€	€
Ì H	ØØØØH	ÚÝ	ÛÛÛÛ FÌ	ÛÛÛÛ FÌ	€	€
Ì Ì	ØØØØG	ÚÝ	ÛÛÛÛ FÌ	ÛÛÛÛ FÌ	€	€
Ì Í	ØØØØF	ÚÝ	ÛÛÛÛ FÌ	ÛÛÛÛ FÌ	€	€
Ì Î	ØØØØG	ÚÝ	ÛÛÛÛ FÌ	ÛÛÛÛ FÌ	€	€
Ì Ï	ØØØØGH	ÚÝ	ÛÛÛÛ FÌ	ÛÛÛÛ FÌ	€	€
Ì Ì	ØØØØGG	ÚÝ	ÛÛÛÛ FÌ	ÛÛÛÛ FÌ	€	€
Ì J	ØØØØGF	ÚÝ	ÛÛÛÛ FÌ	ÛÛÛÛ FÌ	€	€
Ì €	ØØØØGE	ÚÝ	ÛÛÛÛ FÌ	ÛÛÛÛ FÌ	€	€
Ì F	ØØØØFJ	ÚÝ	ÛÛÛÛ FÌ	ÛÛÛÛ FÌ	€	€
Ì G	ØØØØFÌ	ÚÝ	ÛÛÛÛ FÌ	ÛÛÛÛ FÌ	€	€
Ì H	ØØØØFÌ	ÚÝ	ÛÛÛÛ FÌ	ÛÛÛÛ FÌ	€	€
Ì Ì	ØØØØFÌ	ÚÝ	ÛÛÛÛ FÌ	ÛÛÛÛ FÌ	€	€
Ì Í	ØØØØFÌ	ÚÝ	ÛÛÛÛ FÌ	ÛÛÛÛ FÌ	€	€
Ì Î	ØØØØFÌ	ÚÝ	ÛÛÛÛ FÌ	ÛÛÛÛ FÌ	€	€
Ì Ï	ØØØØFH	ÚÝ	ÛÛÛÛ FÌ	ÛÛÛÛ FÌ	€	€
Ì Ì	ØØØØFG	ÚÝ	ÛÛÛÛ FÌ	ÛÛÛÛ FÌ	€	€
Ì J	ØØØØFF	ÚÝ	ÛÛÛÛ FÌ	ÛÛÛÛ FÌ	€	€



Ô{| } a^ ^ K ÚUÖ
 Ô• a} ^! K RP
 R à Á~ { à^! K GGFHFJJ
 T [à^! Á a^ ^ K IÏÏHÍJ

P[çÁ ÆGG
 I KUÁCE
 Ô@&^áÁ'K''''

A Ya Vyf'8]gfh]Vi hYX' @ UXg'f6 @' &+ : =W8 YUX' @ UKL'f7 c bh]bi YXL

	T ^{ à^! Á a^ ^}	Ö a^ & ç }	Ú ç è Á a^ } á à^ Ž Ð Ì Í Ò) á Á a^ } á à^ Ž Ð Ì Í Ò) á Á a^ } á à^ Ž Ð Ì Í Ò) á Á a^ }	Ú ç è Á a^ } á à^ Ž Ð Ì Í Ò) á Á a^ }	Ú ç è Á a^ } á à^ Ž Ð Ì Í Ò) á Á a^ }	Ž Ì Á á	Ò) á Á a^ } á à^ Ž Ð Ì Í Ò) á Á a^ }	Ž Ì Á á
Ì	Y ÓUVG	Z	ÏÏÏÏ	ÏÏÏÏ		€	€	
J	Y ÓUVF	Z	ÏÏÏÏ	ÏÏÏÏ		€	€	
F€	XÓUVG	Z	ÏÏÏÏ	ÏÏÏÏ		€	€	
FF	XÓUVGH	Z	ÏÏÏÏ	ÏÏÏÏ		€	€	
FG	XÓUVGG	Z	ÏÏÏÏ	ÏÏÏÏ		€	€	
FH	XÓUVGF	Z	ÏÏÏÏ	ÏÏÏÏ		€	€	
FI	XÓUVG€	Z	ÏÏÏÏ	ÏÏÏÏ		€	€	
FÍ	XÓUVFJ	Z	ÏÏÏÏ	ÏÏÏÏ		€	€	
FĪ	XÓUVFI	Z	ÏÏÏÏ	ÏÏÏÏ		€	€	
FĪ	XÓUVFĪ	Z	ÏÏÏÏ	ÏÏÏÏ		€	€	
FĪ	XÓUVFĪ	Z	ÏÏÏÏ	ÏÏÏÏ		€	€	
FĪ	XÓUVFĪ	Z	ÏÏÏÏ	ÏÏÏÏ		€	€	
FJ	XÓUVFĪ	Z	ÏÏÏÏ	ÏÏÏÏ		€	€	
G€	XÓUVFI	Z	ÏÏÏÏ	ÏÏÏÏ		€	€	
GF	XÓUVFH	Z	ÏÏÏÏ	ÏÏÏÏ		€	€	
GG	XÓUVFG	Z	ÏÏÏÏ	ÏÏÏÏ		€	€	
GH	XÓUVFF	Z	ÏÏÏÏ	ÏÏÏÏ		€	€	
G	XÓUVF€	Z	ÏÏÏÏ	ÏÏÏÏ		€	€	
G	XÓUVJ	Z	ÏÏÏÏ	ÏÏÏÏ		€	€	
G	XÓUVĪ	Z	ÏÏÏÏ	ÏÏÏÏ		€	€	
G	XÓUVĪ	Z	ÏÏÏÏ	ÏÏÏÏ		€	€	
G	XÓUVĪ	Z	ÏÏÏÏ	ÏÏÏÏ		€	€	
GJ	XÓUVĪ	Z	ÏÏÏÏ	ÏÏÏÏ		€	€	
H€	XÓUVI	Z	ÏÏÏÏ	ÏÏÏÏ		€	€	
HF	XÓUVH	Z	ÏÏÏÏ	ÏÏÏÏ		€	€	
HG	XÓUVG	Z	ÏÏÏÏ	ÏÏÏÏ		€	€	
HH	XÓUVF	Z	ÏÏÏÏ	ÏÏÏÏ		€	€	
HI	ÚWÚUÚVFG	Z	ÏÏÏÏ	ÏÏÏÏ		€	€	
HÍ	ÚWÚUÚVFF	Z	ÏÏÏÏ	ÏÏÏÏ		€	€	
HĪ	ÚWÚUÚVFE	Z	ÏÏÏÏ	ÏÏÏÏ		€	€	
HĪ	ÚWÚUÚVJ	Z	ÏÏÏÏ	ÏÏÏÏ		€	€	
HĪ	ÚWÚUÚVĪ	Z	ÏÏÏÏ	ÏÏÏÏ		€	€	
HJ	ÚWÚUÚVĪ	Z	ÏÏÏÏ	ÏÏÏÏ		€	€	
I €	ÚWÚUÚVĪ	Z	ÏÏÏÏ	ÏÏÏÏ		€	€	
IF	ÚWÚUÚVĪ	Z	ÏÏÏÏ	ÏÏÏÏ		€	€	
IG	ÚWÚUÚVĪ	Z	ÏÏÏÏ	ÏÏÏÏ		€	€	
I H	ÚWÚUÚVH	Z	ÏÏÏÏ	ÏÏÏÏ		€	€	
I I	ÚWÚUÚVG	Z	ÏÏÏÏ	ÏÏÏÏ		€	€	
I Í	ÚWÚUÚVF	Z	ÏÏÏÏ	ÏÏÏÏ		€	€	
I Ī	ÚŒŠ	Z	ÏÏÏÏ	ÏÏÏÏ		€	€	
I Ī	ÚŒŠG	Z	ÏÏÏÏ	ÏÏÏÏ		€	€	
I Ī	ÚŒŠF	Z	ÏÏÏÏ	ÏÏÏÏ		€	€	
I J	ÚŒŠÓUPH	Z	ÏÏÏÏ	ÏÏÏÏ		€	€	
I €	ÚŒŠÓUPG	Z	ÏÏÏÏ	ÏÏÏÏ		€	€	
I F	ÚŒŠÓUPF	Z	ÏÏÏÏ	ÏÏÏÏ		€	€	
I G	ÚŒŠÓI	Z	ÏÏÏÏ	ÏÏÏÏ		€	€	
I H	ÚŒŠÓI	Z	ÏÏÏÏ	ÏÏÏÏ		€	€	
I I	ÚŒŠÓI	Z	ÏÏÏÏ	ÏÏÏÏ		€	€	
I Ī	ÚŒŠÓH	Z	ÏÏÏÏ	ÏÏÏÏ		€	€	
I Ī	ÚŒŠÓG	Z	ÏÏÏÏ	ÏÏÏÏ		€	€	
I Ī	ÚŒŠÓF	Z	ÏÏÏÏ	ÏÏÏÏ		€	€	
I Ī	T ÚÁŒE T Œ	Z	ÏÏÏÏ	ÏÏÏÏ		€	€	
I J	T ÚÁŒE T Œ	Z	ÏÏÏÏ	ÏÏÏÏ		€	€	

A Ya VYf'8]gf]Vi hYX' @ UXg'f6 @ ' &+ : :=W8 YUX' @ UKL'f7 c bh]bi YXL

	T ^ { à^! / Saa^ \}	Öã^&çã } }	ÚcãöÁ æ } æ à^Z DeHHE Ö) áÁ æ } æ à^Z DeHHE ÚcãöÁ S &çã } ŽcÁ á	Ö) áÁ S &çã } ŽcÁ á		
FFG	ÓÚÖÓÌ	Z	ÆEE	ÆEE	€	€
FFH	ÓÚÖÓÌ	Z	ÆEE	ÆEE	€	€
FFI	ÓÚÖÓÌ	Z	ÆEE	ÆEE	€	€
FFÍ	ÓÚÖÓÒH	Z	ÆEE	ÆEE	€	€
FFĪ	ÓÚÖÓÒG	Z	ÆEE	ÆEE	€	€
FFĬ	ÓÚÖÓÒF	Z	ÆEE	ÆEE	€	€

A Ya VYf'8]gf]Vi hYX' @ UXg'f6 @ ' & : :=WK]bX' @ UX'f6LL

	T ^ { à^! / Saa^ \}	Öã^&çã } }	ÚcãöÁ æ } æ à^Z DeHHE Ö) áÁ æ } æ à^Z DeHHE ÚcãöÁ S &çã } ŽcÁ á	Ö) áÁ S &çã } ŽcÁ á		
F	Y VUÚH	ÚY	ÆEEG	ÆEEG	€	€
G	Y VUÚG	ÚY	ÆEEG	ÆEEG	€	€
H	Y VUÚF	ÚY	ÆEEG	ÆEEG	€	€
I	Y ÓU VÍ	ÚY	ÆEEG	ÆEEG	€	€
Í	Y ÓU VĪ	ÚY	ÆEEG	ÆEEG	€	€
Ī	Y ÓU VĬ	ÚY	ÆEEG	ÆEEG	€	€
I	Y ÓU VH	ÚY	ÆEEG	ÆEEG	€	€
Ì	Y ÓU VG	ÚY	ÆEEG	ÆEEG	€	€
J	Y ÓU VF	ÚY	ÆEEG	ÆEEG	€	€
F€	XÓUVG	ÚY	ÆEEG GH	ÆEEG GH	€	€
FF	XÓUVGH	ÚY	ÆEEG GH	ÆEEG GH	€	€
FG	XÓUVGG	ÚY	ÆEEG GH	ÆEEG GH	€	€
FH	XÓUVGF	ÚY	ÆEEG GH	ÆEEG GH	€	€
FI	XÓUVGE	ÚY	ÆEEG GH	ÆEEG GH	€	€
FÍ	XÓUVFJ	ÚY	ÆEEG GH	ÆEEG GH	€	€
FĪ	XÓUVFĪ	ÚY	ÆEEG GH	ÆEEG GH	€	€
FĬ	XÓUVFĬ	ÚY	ÆEEG GH	ÆEEG GH	€	€
FĪ	XÓUVFĪ	ÚY	ÆEEG GH	ÆEEG GH	€	€
FĪ	XÓUVFĪ	ÚY	ÆEEG GH	ÆEEG GH	€	€
FĪ	XÓUVFĪ	ÚY	ÆEEG GH	ÆEEG GH	€	€
FJ	XÓUVFĪ	ÚY	ÆEEG GH	ÆEEG GH	€	€
G€	XÓUVFI	ÚY	ÆEEG GH	ÆEEG GH	€	€
GF	XÓUVFH	ÚY	ÆEEG GH	ÆEEG GH	€	€
GG	XÓUVFG	ÚY	ÆEEG GH	ÆEEG GH	€	€
GH	XÓUVFF	ÚY	ÆEEG GH	ÆEEG GH	€	€
G	XÓUVF€	ÚY	ÆEEG GH	ÆEEG GH	€	€
G	XÓUVJ	ÚY	ÆEEG GH	ÆEEG GH	€	€
G	XÓUVĪ	ÚY	ÆEEG GH	ÆEEG GH	€	€
G	XÓUVĪ	ÚY	ÆEEG GH	ÆEEG GH	€	€
G	XÓUVĪ	ÚY	ÆEEG GH	ÆEEG GH	€	€
G	XÓUVĪ	ÚY	ÆEEG GH	ÆEEG GH	€	€
GJ	XÓUVĪ	ÚY	ÆEEG GH	ÆEEG GH	€	€
H€	XÓUVI	ÚY	ÆEEG GH	ÆEEG GH	€	€
HF	XÓUVH	ÚY	ÆEEG GH	ÆEEG GH	€	€
HG	XÓUVG	ÚY	ÆEEG GH	ÆEEG GH	€	€
HH	XÓUVF	ÚY	ÆEEG GH	ÆEEG GH	€	€
HI	ÚWÚUÚVFG	ÚY	ÆEEF	ÆEEF	€	€
HÍ	ÚWÚUÚVFF	ÚY	ÆEEF	ÆEEF	€	€
HĪ	ÚWÚUÚVFE	ÚY	ÆEEF	ÆEEF	€	€
HĪ	ÚWÚUÚVJ	ÚY	ÆEEF	ÆEEF	€	€
HĪ	ÚWÚUÚVĪ	ÚY	ÆEEF	ÆEEF	€	€
HJ	ÚWÚUÚVĪ	ÚY	ÆEEF	ÆEEF	€	€
I€	ÚWÚUÚVĪ	ÚY	ÆEEF	ÆEEF	€	€
IF	ÚWÚUÚVĪ	ÚY	ÆEEF	ÆEEF	€	€
IG	ÚWÚUÚVĪ	ÚY	ÆEEF	ÆEEF	€	€

A Ya Vyf'8 jgfvIvi hYX'@ UXg'f6 @' & , : =W'K jbx'@ UX'f6L'f7 cbjbi YXL

	T^ { à^!Áæ^ }	Öá^&á }	ÚæóÁ æ } æ á^Z DeÏÏ Ö) áÁ æ } æ á^Z DeÏÏ ÚæóÁ } &æá } ZcÁ á	Ö) áÁ } &æá } ZcÁ á		
I H	ÚWÚÚÚVH	ÚÝ	ËËËË	ËËËË	€	€
I I	ÚWÚÚÚVG	ÚÝ	ËËËË	ËËËË	€	€
I Í	ÚWÚÚÚVF	ÚÝ	ËËËË	ËËËË	€	€
I Î	ÚÖSH	ÚÝ	ËËËË	ËËËË	€	€
I Ï	ÚÖSG	ÚÝ	ËËËË	ËËËË	€	€
I Ì	ÚÖSF	ÚÝ	ËËËË Ì J	ËËËË Ì J	€	€
I J	ÚÖSÁ ÖP H	ÚÝ	ËËËË	ËËËË	€	€
I €	ÚÖSÁ ÖP G	ÚÝ	ËËËË	ËËËË	€	€
I F	ÚÖSÁ ÖP F	ÚÝ	ËËËË	ËËËË	€	€
I G	ÚÖV ÖI	ÚÝ	ËËËË	ËËËË	€	€
I H	ÚÖV ÖI	ÚÝ	ËËËË	ËËËË	€	€
I I	ÚÖV ÖI	ÚÝ	ËËËË	ËËËË	€	€
I Í	ÚÖV ÖH	ÚÝ	ËËËË	ËËËË	€	€
I Î	ÚÖV ÖG	ÚÝ	ËËËË	ËËËË	€	€
I Ï	ÚÖV ÖF	ÚÝ	ËËËË	ËËËË	€	€
I Ì	T ÚÁÖÆ T ÖE	ÚÝ	ËËËË	ËËËË	€	€
I J	T ÚÁÖÆ T ÖH	ÚÝ	ËËËË	ËËËË	€	€
I €	T ÚÁÖÆ T ÖG	ÚÝ	ËËËË	ËËËË	€	€
I F	T ÚÁÖÆ T ÖF	ÚÝ	ËËËË	ËËËË	€	€
I G	T ÚÁÖV ÖE	ÚÝ	ËËËË	ËËËË	€	€
I H	T ÚÁÖV ÖH	ÚÝ	ËËËË	ËËËË	€	€
I I	T ÚÁÖV ÖG	ÚÝ	ËËËË	ËËËË	€	€
I Í	T ÚÁÖV ÖF	ÚÝ	ËËËË	ËËËË	€	€
I Ï	T ÚÁÖS ÖP ÖE	ÚÝ	ËËËË	ËËËË	€	€
I Ì	T ÚÁÖS ÖP ÖH	ÚÝ	ËËËË	ËËËË	€	€
I I	T ÚÁÖS ÖP ÖG	ÚÝ	ËËËË	ËËËË	€	€
I J	T ÚÁÖS ÖP ÖF	ÚÝ	ËËËË	ËËËË	€	€
I €	P ÚU H	ÚÝ	ËËËË	ËËËË	€	€
I F	P ÚU G	ÚÝ	ËËËË	ËËËË	€	€
I G	P ÚU F	ÚÝ	ËËËË	ËËËË	€	€
I H	ÖÖÖ ÖH	ÚÝ	ËËËË	ËËËË	€	€
I I	ÖÖÖ ÖG	ÚÝ	ËËËË	ËËËË	€	€
I Í	ÖÖÖ ÖF	ÚÝ	ËËËË Ì I	ËËËË Ì I	€	€
I Ï	ÖÖÖ ÖG	ÚÝ	ËËËË G H	ËËËË G H	€	€
I Î	ÖÖÖ ÖH	ÚÝ	ËËËË G H	ËËËË G H	€	€
I Î	ÖÖÖ ÖG	ÚÝ	ËËËË G H	ËËËË G H	€	€
I J	ÖÖÖ ÖF	ÚÝ	ËËËË G H	ËËËË G H	€	€
I €	ÖÖÖ ÖE	ÚÝ	ËËËË G H	ËËËË G H	€	€
I F	ÖÖÖ ÖF J	ÚÝ	ËËËË G H	ËËËË G H	€	€
I G	ÖÖÖ ÖF I	ÚÝ	ËËËË G H	ËËËË G H	€	€
I H	ÖÖÖ ÖF I	ÚÝ	ËËËË G H	ËËËË G H	€	€
I I	ÖÖÖ ÖF I	ÚÝ	ËËËË G H	ËËËË G H	€	€
I Í	ÖÖÖ ÖF I	ÚÝ	ËËËË G H	ËËËË G H	€	€
I Î	ÖÖÖ ÖF H	ÚÝ	ËËËË G H	ËËËË G H	€	€
I Ï	ÖÖÖ ÖF G	ÚÝ	ËËËË G H	ËËËË G H	€	€
I J	ÖÖÖ ÖF F	ÚÝ	ËËËË G H	ËËËË G H	€	€
I €	ÖÖÖ ÖF E	ÚÝ	ËËËË G H	ËËËË G H	€	€
I F	ÖÖÖ ÖF J	ÚÝ	ËËËË G H	ËËËË G H	€	€
I G	ÖÖÖ ÖF I	ÚÝ	ËËËË G H	ËËËË G H	€	€
I H	ÖÖÖ ÖF I	ÚÝ	ËËËË G H	ËËËË G H	€	€
I I	ÖÖÖ ÖF I	ÚÝ	ËËËË G H	ËËËË G H	€	€

A Ya VYf'8 jgf|Vi hYX'@ UXg'f6 @' & :=WK jBX'@ UX'f6ŁŁf7 cbjbi YXL

	T^\{ à^!Áæ^	Öä^&ä}	ÚçæÓ Á æ} æ à^Z DdŁŁE Ö) áÁ Á æ} æ à^Z DdŁŁE	ÚçæÓ Šj &æä} ŽdŹ á	Ö) áÁ Šj &æä} ŽdŹ á	
JÍ	ÖÖÍ	ÚÛ	ÉÉÉJ GH	ÉÉÉJ GH	€	€
JĪ	ÖÖİ	ÚÛ	ÉÉÉJ GH	ÉÉÉJ GH	€	€
JĪ	ÖÖĪ	ÚÛ	ÉÉÉJ GH	ÉÉÉJ GH	€	€
Jì	ÖÖì	ÚÛ	ÉÉÉJ GH	ÉÉÉJ GH	€	€
Jĵ	ÖÖĵ	ÚÛ	ÉÉÉJ GH	ÉÉÉJ GH	€	€
F€€	ÖÜÖÖFİ	ÚÛ	ÉÉÉF	ÉÉÉF	€	€
F€F	ÖÜÖÖFİ	ÚÛ	ÉÉÉF	ÉÉÉF	€	€
F€G	ÖÜÖÖFİ	ÚÛ	ÉÉÉF	ÉÉÉF	€	€
F€H	ÖÜÖÖFİ	ÚÛ	ÉÉÉF	ÉÉÉF	€	€
F€İ	ÖÜÖÖFİ	ÚÛ	ÉÉÉF	ÉÉÉF	€	€
F€í	ÖÜÖÖFH	ÚÛ	ÉÉÉF	ÉÉÉF	€	€
F€Ī	ÖÜÖÖFG	ÚÛ	ÉÉÉF	ÉÉÉF	€	€
F€ĳ	ÖÜÖÖFF	ÚÛ	ÉÉÉF	ÉÉÉF	€	€
F€Ĺ	ÖÜÖÖF€	ÚÛ	ÉÉÉF	ÉÉÉF	€	€
F€ĵ	ÖÜÖÖÖJ	ÚÛ	ÉÉÉF	ÉÉÉF	€	€
FF€	ÖÜÖÖÖİ	ÚÛ	ÉÉÉF	ÉÉÉF	€	€
FFF	ÖÜÖÖÖİ	ÚÛ	ÉÉÉF	ÉÉÉF	€	€
FFG	ÖÜÖÖÖİ	ÚÛ	ÉÉÉF	ÉÉÉF	€	€
FFH	ÖÜÖÖÖİ	ÚÛ	ÉÉÉF	ÉÉÉF	€	€
FFİ	ÖÜÖÖÖİ	ÚÛ	ÉÉÉF	ÉÉÉF	€	€
FFí	ÖÜÖÖÖH	ÚÛ	ÉÉÉF	ÉÉÉF	€	€
FFĪ	ÖÜÖÖÖG	ÚÛ	ÉÉÉF	ÉÉÉF	€	€
FFĳ	ÖÜÖÖÖF	ÚÛ	ÉÉÉF	ÉÉÉF	€	€

A Ya VYf'8 jgf|Vi hYX'@ UXg'f6 @' & :=WK jBX'@ UX'fŁŁ\$ŁŁ

	T^\{ à^!Áæ^	Öä^&ä}	ÚçæÓ Á æ} æ à^Z DdŁŁE Ö) áÁ Á æ} æ à^Z DdŁŁE	ÚçæÓ Šj &æä} ŽdŹ á	Ö) áÁ Šj &æä} ŽdŹ á	
F	Y VUÚH	ÚÛ	ÉÉÉG	ÉÉÉG	€	€
G	Y VUÚG	ÚÛ	ÉÉÉG	ÉÉÉG	€	€
H	Y VUÚF	ÚÛ	ÉÉÉG	ÉÉÉG	€	€
I	Y ÓU Vİ	ÚÛ	ÉÉÉG	ÉÉÉG	€	€
İ	Y ÓU Vİ	ÚÛ	ÉÉÉG	ÉÉÉG	€	€
Ī	Y ÓU Vİ	ÚÛ	ÉÉÉG	ÉÉÉG	€	€
ĳ	Y ÓU VH	ÚÛ	ÉÉÉG	ÉÉÉG	€	€
Ĵ	Y ÓU VG	ÚÛ	ÉÉÉG	ÉÉÉG	€	€
J	Y ÓU VF	ÚÛ	ÉÉÉG	ÉÉÉG	€	€
F€	XÓUVG	ÚÛ	ÉÉÉJ JJ	ÉÉÉJ JJ	€	€
FF	XÓUVGH	ÚÛ	ÉÉÉJ JJ	ÉÉÉJ JJ	€	€
FG	XÓUVGG	ÚÛ	ÉÉÉJ JJ	ÉÉÉJ JJ	€	€
FH	XÓUVGF	ÚÛ	ÉÉÉJ JJ	ÉÉÉJ JJ	€	€
Fİ	XÓUVG€	ÚÛ	ÉÉÉJ JJ	ÉÉÉJ JJ	€	€
Fí	XÓUVFJ	ÚÛ	ÉÉÉJ JJ	ÉÉÉJ JJ	€	€
FĪ	XÓUVFİ	ÚÛ	ÉÉÉJ JJ	ÉÉÉJ JJ	€	€
Fĳ	XÓUVFİ	ÚÛ	ÉÉÉJ JJ	ÉÉÉJ JJ	€	€
Fì	XÓUVFİ	ÚÛ	ÉÉÉJ JJ	ÉÉÉJ JJ	€	€
Fĵ	XÓUVFİ	ÚÛ	ÉÉÉJ JJ	ÉÉÉJ JJ	€	€
G€	XÓUVFİ	ÚÛ	ÉÉÉJ JJ	ÉÉÉJ JJ	€	€
GF	XÓUVFH	ÚÛ	ÉÉÉJ JJ	ÉÉÉJ JJ	€	€
GG	XÓUVFG	ÚÛ	ÉÉÉJ JJ	ÉÉÉJ JJ	€	€
GH	XÓUVFF	ÚÛ	ÉÉÉJ JJ	ÉÉÉJ JJ	€	€
G	XÓUVF€	ÚÛ	ÉÉÉJ JJ	ÉÉÉJ JJ	€	€
Ğ	XÓUVJ	ÚÛ	ÉÉÉJ JJ	ÉÉÉJ JJ	€	€

A Ya Vyf'8 jgfvIvi hYX' @ UXg'f6 @ ' & : =WYK jbx' @ UX'fl \$tL'f7 cbhbi YXL

	T ^ { à^! Àæ ^	Öã ^ & çã }	ÚçæÓÀ æ } æ à^ Z Dæ I I Ò) àÁ æ } æ à^ Z Dæ I I Ò) àÁ æ } æ à^ Z Dæ I I Ò) àÁ æ }	ÚçæÓÀ æ } æ à^ Z Dæ I I Ò) àÁ æ }	ÚçæÓÀ æ } æ à^ Z Dæ I I Ò) àÁ æ }	ZdÁ á	Ò) àÁ æ } ZdÁ á
G	XÖUVI	ÜY	ÆEEI JJ	ÆEEI JJ	€	€	
G	XÖUVI	ÜY	ÆEEI JJ	ÆEEI JJ	€	€	
G	XÖUVI	ÜY	ÆEEI JJ	ÆEEI JJ	€	€	
GJ	XÖUVI	ÜY	ÆEEI JJ	ÆEEI JJ	€	€	
H€	XÖUVI	ÜY	ÆEEI JJ	ÆEEI JJ	€	€	
HF	XÖUVH	ÜY	ÆEEI JJ	ÆEEI JJ	€	€	
HG	XÖUVG	ÜY	ÆEEI JJ	ÆEEI JJ	€	€	
HH	XÖUVF	ÜY	ÆEEI JJ	ÆEEI JJ	€	€	
HI	ÜWÜUÜVFG	ÜY	ÆEEI	ÆEEI	€	€	
HÍ	ÜWÜUÜVFF	ÜY	ÆEEI	ÆEEI	€	€	
HÎ	ÜWÜUÜVFE	ÜY	ÆEEI	ÆEEI	€	€	
HÏ	ÜWÜUÜVJ	ÜY	ÆEEI	ÆEEI	€	€	
HÏ	ÜWÜUÜVÌ	ÜY	ÆEEI	ÆEEI	€	€	
HJ	ÜWÜUÜVÍ	ÜY	ÆEEI	ÆEEI	€	€	
I €	ÜWÜUÜVÎ	ÜY	ÆEEI	ÆEEI	€	€	
IF	ÜWÜUÜVÍ	ÜY	ÆEEI	ÆEEI	€	€	
IG	ÜWÜUÜVI	ÜY	ÆEEI	ÆEEI	€	€	
IH	ÜWÜUÜVH	ÜY	ÆEEI	ÆEEI	€	€	
II	ÜWÜUÜVG	ÜY	ÆEEI	ÆEEI	€	€	
IÍ	ÜWÜUÜVF	ÜY	ÆEEI	ÆEEI	€	€	
IÏ	ÜÖSH	ÜY	ÆEEI	ÆEEI	€	€	
IÏ	ÜÖSG	ÜY	ÆEEI	ÆEEI	€	€	
IÏ	ÜÖSF	ÜY	ÆEEI I H	ÆEEI I H	€	€	
I J	ÜÖSÖUPH	ÜY	ÆEEI	ÆEEI	€	€	
I €	ÜÖSÖUPG	ÜY	ÆEEI	ÆEEI	€	€	
I F	ÜÖSÖUPF	ÜY	ÆEEI	ÆEEI	€	€	
I G	ÜÖSÖOI	ÜY	ÆEEI	ÆEEI	€	€	
I H	ÜÖSÖOI	ÜY	ÆEEI	ÆEEI	€	€	
I I	ÜÖSÖOI	ÜY	ÆEEI	ÆEEI	€	€	
I Í	ÜÖSÖOH	ÜY	ÆEEI	ÆEEI	€	€	
I Ï	ÜÖSÖOG	ÜY	ÆEEI	ÆEEI	€	€	
I Ï	ÜÖSÖOF	ÜY	ÆEEI	ÆEEI	€	€	
I Ï	T ÜÁÖÆ T ÖE	ÜY	ÆEEG	ÆEEG	€	€	
I J	T ÜÁÖÆ T ÖH	ÜY	ÆEEG	ÆEEG	€	€	
I €	T ÜÁÖÆ T ÖG	ÜY	ÆEEG	ÆEEG	€	€	
I F	T ÜÁÖÆ T ÖE	ÜY	ÆEEG	ÆEEG	€	€	
I G	T ÜÁÖÖVÖE	ÜY	ÆEEG	ÆEEG	€	€	
I H	T ÜÁÖÖVÖH	ÜY	ÆEEG	ÆEEG	€	€	
I I	T ÜÁÖÖVÖG	ÜY	ÆEEG	ÆEEG	€	€	
I Í	T ÜÁÖÖVÖE	ÜY	ÆEEG	ÆEEG	€	€	
I Ï	T ÜÁÖSÜPÖE	ÜY	ÆEEG	ÆEEG	€	€	
I Ï	T ÜÁÖSÜPÖH	ÜY	ÆEEG	ÆEEG	€	€	
I Ï	T ÜÁÖSÜPÖG	ÜY	ÆEEG	ÆEEG	€	€	
I J	T ÜÁÖSÜPÖE	ÜY	ÆEEG	ÆEEG	€	€	
I €	PÜUH	ÜY	ÆEEG I G	ÆEEG I G	€	€	
I F	PÜUG	ÜY	ÆEEG I G	ÆEEG I G	€	€	
I G	PÜUF	ÜY	ÆEEG I G	ÆEEG I G	€	€	
I H	ÖÖÖÖH	ÜY	ÆEEG	ÆEEG	€	€	
I I	ÖÖÖÖG	ÜY	ÆEEG	ÆEEG	€	€	
I Í	ÖÖÖÖF	ÜY	ÆEEI I I	ÆEEI I I	€	€	
I Ï	ÖÖÖÖG	ÜY	ÆEEI JJ	ÆEEI JJ	€	€	
I Ï	ÖÖÖÖH	ÜY	ÆEEI JJ	ÆEEI JJ	€	€	

A Ya Vyf'8]gfh]Vi hYX'@ UXg'f6 @' & : =WYK]bX'@ UX'fl \$tL'f7 cbh]bi YXL

	T{ à^!Aæ^	Öã^&ç	ÚçæÓÀ æ} æ à^!Z DæÏÏÖ) áÁ æ} æ à^!Z DæÏÏ ÖçæÓÀ &æç} ZçÁ á	Ö) áÁ &æç} ZçÁ á		
Ï	ÖÖÖGG	ÚY	ÆÆÆ JJ	ÆÆÆ JJ	€	€
ÏJ	ÖÖÖGF	ÚY	ÆÆÆ JJ	ÆÆÆ JJ	€	€
Ï€	ÖÖÖGÆ	ÚY	ÆÆÆ JJ	ÆÆÆ JJ	€	€
ÏF	ÖÖÖFJ	ÚY	ÆÆÆ JJ	ÆÆÆ JJ	€	€
ÏG	ÖÖÖFÍ	ÚY	ÆÆÆ JJ	ÆÆÆ JJ	€	€
ÏH	ÖÖÖFÍ	ÚY	ÆÆÆ JJ	ÆÆÆ JJ	€	€
ÏI	ÖÖÖFÍ	ÚY	ÆÆÆ JJ	ÆÆÆ JJ	€	€
ÏÍ	ÖÖÖFÍ	ÚY	ÆÆÆ JJ	ÆÆÆ JJ	€	€
ÏÏ	ÖÖÖFÍ	ÚY	ÆÆÆ JJ	ÆÆÆ JJ	€	€
ÏÏ	ÖÖÖFH	ÚY	ÆÆÆ JJ	ÆÆÆ JJ	€	€
ÏÏ	ÖÖÖFG	ÚY	ÆÆÆ JJ	ÆÆÆ JJ	€	€
ÏJ	ÖÖÖFF	ÚY	ÆÆÆ JJ	ÆÆÆ JJ	€	€
J€	ÖÖÖF€	ÚY	ÆÆÆ JJ	ÆÆÆ JJ	€	€
JF	ÖÖÖFJ	ÚY	ÆÆÆ JJ	ÆÆÆ JJ	€	€
JG	ÖÖÖFÍ	ÚY	ÆÆÆ JJ	ÆÆÆ JJ	€	€
JH	ÖÖÖFÍ	ÚY	ÆÆÆ JJ	ÆÆÆ JJ	€	€
JÍ	ÖÖÖFÍ	ÚY	ÆÆÆ JJ	ÆÆÆ JJ	€	€
JÍ	ÖÖÖFÍ	ÚY	ÆÆÆ JJ	ÆÆÆ JJ	€	€
JÍ	ÖÖÖFH	ÚY	ÆÆÆ JJ	ÆÆÆ JJ	€	€
JÍ	ÖÖÖFG	ÚY	ÆÆÆ JJ	ÆÆÆ JJ	€	€
JJ	ÖÖÖFF	ÚY	ÆÆÆ JJ	ÆÆÆ JJ	€	€
F€€	ÖÜÖÖFÍ	ÚY	ÆÆÆ	ÆÆÆ	€	€
F€F	ÖÜÖÖFÍ	ÚY	ÆÆÆ	ÆÆÆ	€	€
F€G	ÖÜÖÖFÍ	ÚY	ÆÆÆ	ÆÆÆ	€	€
F€H	ÖÜÖÖFÍ	ÚY	ÆÆÆ	ÆÆÆ	€	€
F€Í	ÖÜÖÖFÍ	ÚY	ÆÆÆ	ÆÆÆ	€	€
F€Í	ÖÜÖÖFH	ÚY	ÆÆÆ	ÆÆÆ	€	€
F€Í	ÖÜÖÖFG	ÚY	ÆÆÆ	ÆÆÆ	€	€
F€Í	ÖÜÖÖFF	ÚY	ÆÆÆ	ÆÆÆ	€	€
F€Í	ÖÜÖÖF€	ÚY	ÆÆÆ	ÆÆÆ	€	€
F€J	ÖÜÖÖFJ	ÚY	ÆÆÆ	ÆÆÆ	€	€
FF€	ÖÜÖÖFÍ	ÚY	ÆÆÆ	ÆÆÆ	€	€
FFF	ÖÜÖÖFÍ	ÚY	ÆÆÆ	ÆÆÆ	€	€
FFG	ÖÜÖÖFÍ	ÚY	ÆÆÆ	ÆÆÆ	€	€
FFH	ÖÜÖÖFÍ	ÚY	ÆÆÆ	ÆÆÆ	€	€
FFÍ	ÖÜÖÖFÍ	ÚY	ÆÆÆ	ÆÆÆ	€	€
FFÍ	ÖÜÖÖFH	ÚY	ÆÆÆ	ÆÆÆ	€	€
FFÍ	ÖÜÖÖFG	ÚY	ÆÆÆ	ÆÆÆ	€	€
FFÍ	ÖÜÖÖFF	ÚY	ÆÆÆ	ÆÆÆ	€	€
FFÍ	Y VUUH	ÚY	ÆÆÆ Í	ÆÆÆ Í	€	€
FFJ	Y VUUG	ÚY	ÆÆÆ Í	ÆÆÆ Í	€	€
F€	Y VUUF	ÚY	ÆÆÆ Í	ÆÆÆ Í	€	€
FGF	Y ÓUVÍ	ÚY	ÆÆÆ Í	ÆÆÆ Í	€	€
FGG	Y ÓUVÍ	ÚY	ÆÆÆ Í	ÆÆÆ Í	€	€
FGH	Y ÓUVÍ	ÚY	ÆÆÆ Í	ÆÆÆ Í	€	€
FG	Y ÓUVH	ÚY	ÆÆÆ Í	ÆÆÆ Í	€	€
FG	Y ÓUVG	ÚY	ÆÆÆ Í	ÆÆÆ Í	€	€
FG	Y ÓUVF	ÚY	ÆÆÆ Í	ÆÆÆ Í	€	€
FG	XÓUVG	ÚY	ÆÆÆ Í F	ÆÆÆ Í F	€	€
FG	XÓUVGH	ÚY	ÆÆÆ Í F	ÆÆÆ Í F	€	€
FGJ	XÓUVGG	ÚY	ÆÆÆ Í F	ÆÆÆ Í F	€	€



Ó{]æ^ K ÚUÖ
 Ô•ã}^! K RP
 R àÁ`{ à^! K GGF HFJJ
 T[à^Áaæ ^ K IÍHÍJ

Þ[çÁ ÆGG
 ÌKUÁE
 Ô@&^aÁ'K''''

A Ya Vyf 8]ghf]Vi hYX' @ UXg'f6 @ ' & : =WYK]bX' @ UX'fl \$tL'f7 cb]bi YXL

T ^{ à^!Áaæ ^}	Oã^&ç]	ÚçaoÁ aæ } à ^ á Z DeHÍE Ó) áÁ aæ } à ^ á Z DeHÍE	ÚçaoÁ } &aæ] ZçÁ á	O) áÁ } &aæ] ZçÁ á
FHE	XÓUVGF	ÚÝ	€	€
FHF	XÓUVGE	ÚÝ	€	€
FHG	XÓUVFJ	ÚÝ	€	€
FHH	XÓUVFI	ÚÝ	€	€
FH	XÓUVFÍ	ÚÝ	€	€
FHí	XÓUVFÍ	ÚÝ	€	€
FHí	XÓUVFÍ	ÚÝ	€	€
FHí	XÓUVFÍ	ÚÝ	€	€
FHí	XÓUVFI	ÚÝ	€	€
FHí	XÓUVFH	ÚÝ	€	€
FHU	XÓUVFG	ÚÝ	€	€
FI €	XÓUVFF	ÚÝ	€	€
FI F	XÓUVF€	ÚÝ	€	€
FI G	XÓUVJ	ÚÝ	€	€
FI H	XÓUVÌ	ÚÝ	€	€
FI I	XÓUVÌ	ÚÝ	€	€
FI Í	XÓUVÌ	ÚÝ	€	€
FI Î	XÓUVÌ	ÚÝ	€	€
FI Ì	XÓUVÌ	ÚÝ	€	€
FI Ï	XÓUVH	ÚÝ	€	€
FI J	XÓUVG	ÚÝ	€	€
FI €	XÓUVF	ÚÝ	€	€
FÍ F	ÚWÚUÚVFG	ÚÝ	€	€
FÍ G	ÚWÚUÚVFF	ÚÝ	€	€
FÍ H	ÚWÚUÚVF€	ÚÝ	€	€
FÍ I	ÚWÚUÚVJ	ÚÝ	€	€
FÍ Í	ÚWÚUÚVÌ	ÚÝ	€	€
FÍ Í	ÚWÚUÚVÌ	ÚÝ	€	€
FÍ Î	ÚWÚUÚVÌ	ÚÝ	€	€
FÍ Ì	ÚWÚUÚVÌ	ÚÝ	€	€
FÍ J	ÚWÚUÚVÌ	ÚÝ	€	€
FÍ €	ÚWÚUÚVH	ÚÝ	€	€
FÍ F	ÚWÚUÚVG	ÚÝ	€	€
FÍ G	ÚWÚUÚVF	ÚÝ	€	€
FÍ H	ÚÖSH	ÚÝ	€	€
FÍ I	ÚÖSG	ÚÝ	€	€
FÍ Í	ÚÖSF	ÚÝ	€	€
FÍ Î	ÚÖS ÓUPH	ÚÝ	€	€
FÍ Ï	ÚÖS ÓUPG	ÚÝ	€	€
FÍ Ì	ÚÖS ÓUPF	ÚÝ	€	€
FÍ J	ÚSÖVÓI	ÚÝ	€	€
FÍ €	ÚSÖVÓI	ÚÝ	€	€
FÍ F	ÚSÖVÓI	ÚÝ	€	€
FÍ G	ÚSÖVÓH	ÚÝ	€	€
FÍ H	ÚSÖVÓG	ÚÝ	€	€
FÍ I	ÚSÖVÓF	ÚÝ	€	€
FÍ Í	T ÚÁÓE T ÖE	ÚÝ	€	€
FÍ Î	T ÚÁÓE T ÖH	ÚÝ	€	€
FÍ Ï	T ÚÁÓE T ÖG	ÚÝ	€	€
FÍ Ì	T ÚÁÓE T ÖF	ÚÝ	€	€
FÍ J	T ÚÁÓVOE	ÚÝ	€	€
FÍ €	T ÚÁÓVOE	ÚÝ	€	€
FÍ F	T ÚÁÓVOEG	ÚÝ	€	€

A Ya Vyf'8]gfl]Vi hyX'@ UXg'f6 @' & : =\Y'K]bX'@ UX'fl \$H'f7 cb]bi YXL

	T { à^!Aæ^	Öã^&ç	ÚçæÔ æ } æ à^Z DeÏÏÖ) àÁ æ } æ à^Z DeÏÏË	ÚçæÔ] &æç } ZçÁ á	Ö) àÁ] &æç } ZçÁ á	
FÌ G	T ÚÁÖÓVØF	ÚÝ	ÆÆÆÆ	ÆÆÆÆ	€	€
FÌ H	T ÚÁÖÓUPØE	ÚÝ	ÆÆÆÆ	ÆÆÆÆ	€	€
FÌ I	T ÚÁÖÓUPØH	ÚÝ	ÆÆÆÆ	ÆÆÆÆ	€	€
FÌ Í	T ÚÁÖÓUPØG	ÚÝ	ÆÆÆÆ	ÆÆÆÆ	€	€
FÌ Î	T ÚÁÖÓUPØF	ÚÝ	ÆÆÆÆ	ÆÆÆÆ	€	€
FÌ Ï	P ÚÙH	ÚÝ	ÆÆÆÆ Ì Ì	ÆÆÆÆ Ì Ì	€	€
FÌ Ë	P ÚÙG	ÚÝ	ÆÆÆÆ Ì Ì	ÆÆÆÆ Ì Ì	€	€
FÌ J	P ÚÙF	ÚÝ	ÆÆÆÆ Ì Ì	ÆÆÆÆ Ì Ì	€	€
FJ€	ØØÖØH	ÚÝ	ÆÆÆÆ Ì Ì	ÆÆÆÆ Ì Ì	€	€
FJF	ØØÖØG	ÚÝ	ÆÆÆÆ Ì Ì	ÆÆÆÆ Ì Ì	€	€
FJG	ØØÖØF	ÚÝ	ÆÆÆÆ H Ì	ÆÆÆÆ H Ì	€	€
FJH	ÖÖÖÖG	ÚÝ	ÆÆÆÆ Î F	ÆÆÆÆ Î F	€	€
FJI	ÖÖÖÖGH	ÚÝ	ÆÆÆÆ Î F	ÆÆÆÆ Î F	€	€
FJÍ	ÖÖÖÖGG	ÚÝ	ÆÆÆÆ Î F	ÆÆÆÆ Î F	€	€
FJÎ	ÖÖÖÖGF	ÚÝ	ÆÆÆÆ Î F	ÆÆÆÆ Î F	€	€
FJÏ	ÖÖÖÖGE	ÚÝ	ÆÆÆÆ Î F	ÆÆÆÆ Î F	€	€
FJ Æ	ÖÖÖÖFJ	ÚÝ	ÆÆÆÆ Î F	ÆÆÆÆ Î F	€	€
FJJ	ÖÖÖÖFÌ	ÚÝ	ÆÆÆÆ Î F	ÆÆÆÆ Î F	€	€
G€€	ÖÖÖÖFÌ	ÚÝ	ÆÆÆÆ Î F	ÆÆÆÆ Î F	€	€
G€F	ÖÖÖÖFÌ	ÚÝ	ÆÆÆÆ Î F	ÆÆÆÆ Î F	€	€
G€G	ÖÖÖÖFÌ	ÚÝ	ÆÆÆÆ Î F	ÆÆÆÆ Î F	€	€
G€H	ÖÖÖÖFÌ	ÚÝ	ÆÆÆÆ Î F	ÆÆÆÆ Î F	€	€
G€I	ÖÖÖÖFH	ÚÝ	ÆÆÆÆ Î F	ÆÆÆÆ Î F	€	€
G€Í	ÖÖÖÖFG	ÚÝ	ÆÆÆÆ Î F	ÆÆÆÆ Î F	€	€
G€Î	ÖÖÖÖFF	ÚÝ	ÆÆÆÆ Î F	ÆÆÆÆ Î F	€	€
G€Ï	ÖÖÖÖFE	ÚÝ	ÆÆÆÆ Î F	ÆÆÆÆ Î F	€	€
G€ Æ	ÖÖÖÖJ	ÚÝ	ÆÆÆÆ Î F	ÆÆÆÆ Î F	€	€
G€J	ÖÖÖÖÌ	ÚÝ	ÆÆÆÆ Î F	ÆÆÆÆ Î F	€	€
G€€	ÖÖÖÖÌ	ÚÝ	ÆÆÆÆ Î F	ÆÆÆÆ Î F	€	€
G€F	ÖÖÖÖÌ	ÚÝ	ÆÆÆÆ Î F	ÆÆÆÆ Î F	€	€
G€G	ÖÖÖÖÌ	ÚÝ	ÆÆÆÆ Î F	ÆÆÆÆ Î F	€	€
G€H	ÖÖÖÖÌ	ÚÝ	ÆÆÆÆ Î F	ÆÆÆÆ Î F	€	€
G€I	ÖÖÖÖH	ÚÝ	ÆÆÆÆ Î F	ÆÆÆÆ Î F	€	€
G€Í	ÖÖÖÖG	ÚÝ	ÆÆÆÆ Î F	ÆÆÆÆ Î F	€	€
G€Î	ÖÖÖÖF	ÚÝ	ÆÆÆÆ Î F	ÆÆÆÆ Î F	€	€
G€Ï	ÓÚÁÖÓFÌ	ÚÝ	ÆÆÆÆ Ì Ì	ÆÆÆÆ Ì Ì	€	€
G€ Æ	ÓÚÁÖÓFÌ	ÚÝ	ÆÆÆÆ Ì Ì	ÆÆÆÆ Ì Ì	€	€
G€J	ÓÚÁÖÓFÌ	ÚÝ	ÆÆÆÆ Ì Ì	ÆÆÆÆ Ì Ì	€	€
G€€	ÓÚÁÖÓFÌ	ÚÝ	ÆÆÆÆ Ì Ì	ÆÆÆÆ Ì Ì	€	€
G€F	ÓÚÁÖÓFÌ	ÚÝ	ÆÆÆÆ Ì Ì	ÆÆÆÆ Ì Ì	€	€
G€G	ÓÚÁÖÓFH	ÚÝ	ÆÆÆÆ Ì Ì	ÆÆÆÆ Ì Ì	€	€
G€H	ÓÚÁÖÓFG	ÚÝ	ÆÆÆÆ Ì Ì	ÆÆÆÆ Ì Ì	€	€
G€I	ÓÚÁÖÓFF	ÚÝ	ÆÆÆÆ Ì Ì	ÆÆÆÆ Ì Ì	€	€
G€Í	ÓÚÁÖÓFe	ÚÝ	ÆÆÆÆ Ì Ì	ÆÆÆÆ Ì Ì	€	€
G€Î	ÓÚÁÖÓÙ	ÚÝ	ÆÆÆÆ Ì Ì	ÆÆÆÆ Ì Ì	€	€
G€Ï	ÓÚÁÖÓÒ	ÚÝ	ÆÆÆÆ Ì Ì	ÆÆÆÆ Ì Ì	€	€
G€ Æ	ÓÚÁÖÓÒ	ÚÝ	ÆÆÆÆ Ì Ì	ÆÆÆÆ Ì Ì	€	€
G€J	ÓÚÁÖÓÒ	ÚÝ	ÆÆÆÆ Ì Ì	ÆÆÆÆ Ì Ì	€	€
G€€	ÓÚÁÖÓÒ	ÚÝ	ÆÆÆÆ Ì Ì	ÆÆÆÆ Ì Ì	€	€
G€F	ÓÚÁÖÓÒ	ÚÝ	ÆÆÆÆ Ì Ì	ÆÆÆÆ Ì Ì	€	€
G€G	ÓÚÁÖÓÒ	ÚÝ	ÆÆÆÆ Ì Ì	ÆÆÆÆ Ì Ì	€	€
G€H	ÓÚÁÖÓÒ	ÚÝ	ÆÆÆÆ Ì Ì	ÆÆÆÆ Ì Ì	€	€
G€I	ÓÚÁÖÓH	ÚÝ	ÆÆÆÆ Ì Ì	ÆÆÆÆ Ì Ì	€	€
G€Í	ÓÚÁÖÓG	ÚÝ	ÆÆÆÆ Ì Ì	ÆÆÆÆ Ì Ì	€	€

A Ya Vyf'8 jgfh]vi hyx'@ UXg'f6 @ ' & : =WYK]bX'@ UX'fl \$tL'ff cbh]bi YXL

GH	T^{ à^!Aæ^}	Öã^&ç)	ÚcæÓT æ} æ à^Z Dæ]O) áÁT æ} æ à^Z Dæ]O) ÚcæÓT &æ] } ZcÃ á	Ó) áÁT &æ] } ZcÃ á
	ÓUÖÓF	ÚY	Æææ Î Î	€

A Ya Vyf'8 jgfh]vi hyx'@ UXg'f6 @ ' " \$: =WYK]bX'@ UX'ff \$tL

	T^{ à^!Aæ^}	Öã^&ç)	ÚcæÓT æ} æ à^Z Dæ]O) áÁT æ} æ à^Z Dæ]O) ÚcæÓT &æ] } ZcÃ á	Ó) áÁT &æ] } ZcÃ á
F	Y VUÜH	ÚY	Æææ Î Î	€
G	Y VUÜG	ÚY	Æææ Î Î	€
H	Y VUÜF	ÚY	Æææ Î Î	€
I	Y ÓU VÍ	ÚY	Æææ Î Î	€
Í	Y ÓU VÍ	ÚY	Æææ Î Î	€
Î	Y ÓU VÍ	ÚY	Æææ Î Î	€
Ï	Y ÓU VH	ÚY	Æææ Î Î	€
Ï	Y ÓU VG	ÚY	Æææ Î Î	€
J	Y ÓU VF	ÚY	Æææ Î Î	€
F€	XÓUVG	ÚY	Æææ Î F	€
FF	XÓUVGH	ÚY	Æææ Î F	€
FG	XÓUVGG	ÚY	Æææ Î F	€
FH	XÓUVGF	ÚY	Æææ Î F	€
FI	XÓUVGE	ÚY	Æææ Î F	€
FÍ	XÓUVFJ	ÚY	Æææ Î F	€
FÎ	XÓUVFÍ	ÚY	Æææ Î F	€
FÏ	XÓUVFÍ	ÚY	Æææ Î F	€
FÌ	XÓUVFÌ	ÚY	Æææ Î F	€
FJ	XÓUVFÍ	ÚY	Æææ Î F	€
G€	XÓUVFI	ÚY	Æææ Î F	€
GF	XÓUVFH	ÚY	Æææ Î F	€
GG	XÓUVFG	ÚY	Æææ Î F	€
GH	XÓUVFF	ÚY	Æææ Î F	€
G	XÓUVF€	ÚY	Æææ Î F	€
G	XÓUVJ	ÚY	Æææ Î F	€
G	XÓUVÍ	ÚY	Æææ Î F	€
G	XÓUVÍ	ÚY	Æææ Î F	€
G	XÓUVÍ	ÚY	Æææ Î F	€
GJ	XÓUVÍ	ÚY	Æææ Î F	€
H€	XÓUVI	ÚY	Æææ Î F	€
HF	XÓUVH	ÚY	Æææ Î F	€
HG	XÓUVG	ÚY	Æææ Î F	€
HH	XÓUVF	ÚY	Æææ Î F	€
H	ÚWÚUÚVFG	ÚY	Æææ Î Î	€
H	ÚWÚUÚVFF	ÚY	Æææ Î Î	€
H	ÚWÚUÚVFE	ÚY	Æææ Î Î	€
H	ÚWÚUÚVJ	ÚY	Æææ Î Î	€
H	ÚWÚUÚVÍ	ÚY	Æææ Î Î	€
HJ	ÚWÚUÚVÍ	ÚY	Æææ Î Î	€
I€	ÚWÚUÚVÍ	ÚY	Æææ Î Î	€
IF	ÚWÚUÚVÍ	ÚY	Æææ Î Î	€
IG	ÚWÚUÚVÍ	ÚY	Æææ Î Î	€
IH	ÚWÚUÚVH	ÚY	Æææ Î Î	€
II	ÚWÚUÚVG	ÚY	Æææ Î Î	€
IÍ	ÚWÚUÚVF	ÚY	Æææ Î Î	€
IÏ	ÚÖSH	ÚY	Æææ Î J	€
IÌ	ÚÖSG	ÚY	Æææ Î J	€

A Ya Vyf 8 jgfhvi hyx @ Uxg f6 @ " \$: =Wk jbx @ Ux ft \$tL ft cbhbi YXL

	T{ à^!Aaè^	Öá^&çá}	ÚçæÓÀ æ } à^!Z DæHÉÒ) áÁr æ } à^!Z DæHÉÚçæÓÀ &æçá } ZçÁ á	Ó) áÁr &æçá } ZçÁ á		
F€	ÓÜÁÓÓFÍ	ÚÝ	ÆEEÉ ÍÍ	ÆEEÉ ÍÍ	€	€
F€	ÓÜÁÓÓFÍ	ÚÝ	ÆEEÉ ÍÍ	ÆEEÉ ÍÍ	€	€
F€G	ÓÜÁÓÓFÍ	ÚÝ	ÆEEÉ ÍÍ	ÆEEÉ ÍÍ	€	€
F€H	ÓÜÁÓÓFÍ	ÚÝ	ÆEEÉ ÍÍ	ÆEEÉ ÍÍ	€	€
F€	ÓÜÁÓÓFÍ	ÚÝ	ÆEEÉ ÍÍ	ÆEEÉ ÍÍ	€	€
F€Í	ÓÜÁÓÓFH	ÚÝ	ÆEEÉ ÍÍ	ÆEEÉ ÍÍ	€	€
F€Í	ÓÜÁÓÓFG	ÚÝ	ÆEEÉ ÍÍ	ÆEEÉ ÍÍ	€	€
F€Í	ÓÜÁÓÓFF	ÚÝ	ÆEEÉ ÍÍ	ÆEEÉ ÍÍ	€	€
F€Í	ÓÜÁÓÓF€	ÚÝ	ÆEEÉ ÍÍ	ÆEEÉ ÍÍ	€	€
F€J	ÓÜÁÓÓJ	ÚÝ	ÆEEÉ ÍÍ	ÆEEÉ ÍÍ	€	€
FF€	ÓÜÁÓÓÌ	ÚÝ	ÆEEÉ ÍÍ	ÆEEÉ ÍÍ	€	€
FFF	ÓÜÁÓÓÌ	ÚÝ	ÆEEÉ ÍÍ	ÆEEÉ ÍÍ	€	€
FFG	ÓÜÁÓÓÌ	ÚÝ	ÆEEÉ ÍÍ	ÆEEÉ ÍÍ	€	€
FFH	ÓÜÁÓÓÌ	ÚÝ	ÆEEÉ ÍÍ	ÆEEÉ ÍÍ	€	€
FFI	ÓÜÁÓÓÌ	ÚÝ	ÆEEÉ ÍÍ	ÆEEÉ ÍÍ	€	€
FFÍ	ÓÜÁÓÓH	ÚÝ	ÆEEÉ ÍÍ	ÆEEÉ ÍÍ	€	€
FFÍ	ÓÜÁÓÓG	ÚÝ	ÆEEÉ ÍÍ	ÆEEÉ ÍÍ	€	€
FFÍ	ÓÜÁÓÓF	ÚÝ	ÆEEÉ ÍÍ	ÆEEÉ ÍÍ	€	€
FFÍ	Y VUÜH	ÚÝ	ÆEEG	ÆEEG	€	€
FFJ	Y VUÜG	ÚÝ	ÆEEG	ÆEEG	€	€
FG€	Y VUÜF	ÚÝ	ÆEEG	ÆEEG	€	€
FGF	Y ÓUVÍ	ÚÝ	ÆEEG	ÆEEG	€	€
FGG	Y ÓUVÍ	ÚÝ	ÆEEG	ÆEEG	€	€
FGH	Y ÓUVÍ	ÚÝ	ÆEEG	ÆEEG	€	€
FG	Y ÓUVH	ÚÝ	ÆEEG	ÆEEG	€	€
FGÍ	Y ÓUVG	ÚÝ	ÆEEG	ÆEEG	€	€
FGÍ	Y ÓUVF	ÚÝ	ÆEEG	ÆEEG	€	€
FGÍ	XÓUVG	ÚÝ	ÆEEÉ JJ	ÆEEÉ JJ	€	€
FGÍ	XÓUVGH	ÚÝ	ÆEEÉ JJ	ÆEEÉ JJ	€	€
FGJ	XÓUVGG	ÚÝ	ÆEEÉ JJ	ÆEEÉ JJ	€	€
FH€	XÓUVGF	ÚÝ	ÆEEÉ JJ	ÆEEÉ JJ	€	€
FHF	XÓUVG€	ÚÝ	ÆEEÉ JJ	ÆEEÉ JJ	€	€
FHG	XÓUVFJ	ÚÝ	ÆEEÉ JJ	ÆEEÉ JJ	€	€
FHH	XÓUVFÍ	ÚÝ	ÆEEÉ JJ	ÆEEÉ JJ	€	€
FH	XÓUVFÍ	ÚÝ	ÆEEÉ JJ	ÆEEÉ JJ	€	€
FHÍ	XÓUVFÍ	ÚÝ	ÆEEÉ JJ	ÆEEÉ JJ	€	€
FHÍ	XÓUVFÍ	ÚÝ	ÆEEÉ JJ	ÆEEÉ JJ	€	€
FHÍ	XÓUVFÍ	ÚÝ	ÆEEÉ JJ	ÆEEÉ JJ	€	€
FHÍ	XÓUVFÍ	ÚÝ	ÆEEÉ JJ	ÆEEÉ JJ	€	€
FHÍ	XÓUVFH	ÚÝ	ÆEEÉ JJ	ÆEEÉ JJ	€	€
FHJ	XÓUVFG	ÚÝ	ÆEEÉ JJ	ÆEEÉ JJ	€	€
FI€	XÓUVFF	ÚÝ	ÆEEÉ JJ	ÆEEÉ JJ	€	€
FI F	XÓUVF€	ÚÝ	ÆEEÉ JJ	ÆEEÉ JJ	€	€
FI G	XÓUVJ	ÚÝ	ÆEEÉ JJ	ÆEEÉ JJ	€	€
FI H	XÓUVÍ	ÚÝ	ÆEEÉ JJ	ÆEEÉ JJ	€	€
FI I	XÓUVÍ	ÚÝ	ÆEEÉ JJ	ÆEEÉ JJ	€	€
FI Í	XÓUVÍ	ÚÝ	ÆEEÉ JJ	ÆEEÉ JJ	€	€
FI Í	XÓUVÍ	ÚÝ	ÆEEÉ JJ	ÆEEÉ JJ	€	€
FI Í	XÓUVH	ÚÝ	ÆEEÉ JJ	ÆEEÉ JJ	€	€
FI J	XÓUVG	ÚÝ	ÆEEÉ JJ	ÆEEÉ JJ	€	€
FI €	XÓUVF	ÚÝ	ÆEEÉ JJ	ÆEEÉ JJ	€	€
FÍ F	ÚWÚUÚVFG	ÚÝ	ÆEEF	ÆEEF	€	€

A Ya Vyf'8]gfh]Vi hYX' @ UXg'f6 @ ' '\$: =W'K]bX' @ UX'ff \$tL'ff cbh]bi YXL

	T^{\ à^!Áæ^}	Öã^&ç}	ÚçæÁ æ} æ' à^!Z DeííEÖ) áÁ æ} æ' à^!Z DeííE ÖçæÁç &çç} ZçÁ á	Ö) áÁç &çç} ZçÁ á		
FÍ G	ÚWÚÚÚVFF	ÚÝ	ÆEEF	ÆEEF	€	€
FÍ H	ÚWÚÚÚVFE	ÚÝ	ÆEEF	ÆEEF	€	€
FÍ I	ÚWÚÚÚÚVJ	ÚÝ	ÆEEF	ÆEEF	€	€
FÍ Í	ÚWÚÚÚÚVÌ	ÚÝ	ÆEEF	ÆEEF	€	€
FÍ Î	ÚWÚÚÚÚVÍ	ÚÝ	ÆEEF	ÆEEF	€	€
FÍ Ï	ÚWÚÚÚÚVÍ	ÚÝ	ÆEEF	ÆEEF	€	€
FÍ Ñ	ÚWÚÚÚÚVÍ	ÚÝ	ÆEEF	ÆEEF	€	€
FÍ J	ÚWÚÚÚÚVI	ÚÝ	ÆEEF	ÆEEF	€	€
FÍ €	ÚWÚÚÚÚVH	ÚÝ	ÆEEF	ÆEEF	€	€
FÍ F	ÚWÚÚÚÚVG	ÚÝ	ÆEEF	ÆEEF	€	€
FÍ G	ÚWÚÚÚÚVF	ÚÝ	ÆEEF	ÆEEF	€	€
FÍ H	ÚÖSH	ÚÝ	ÆEEF	ÆEEF	€	€
FÍ I	ÚÖSG	ÚÝ	ÆEEF	ÆEEF	€	€
FÍ Í	ÚÖSF	ÚÝ	ÆEEF Ì H	ÆEEF Ì H	€	€
FÍ Î	ÚÖSÁÓU ÞH	ÚÝ	ÆEEF	ÆEEF	€	€
FÍ Ï	ÚÖSÁÓU ÞG	ÚÝ	ÆEEF	ÆEEF	€	€
FÍ Ñ	ÚÖSÁÓU ÞF	ÚÝ	ÆEEF	ÆEEF	€	€
FÍ J	ÚSÖVÓI	ÚÝ	ÆEEF	ÆEEF	€	€
FÍ €	ÚSÖVÓI	ÚÝ	ÆEEF	ÆEEF	€	€
FÍ F	ÚSÖVÓI	ÚÝ	ÆEEF	ÆEEF	€	€
FÍ G	ÚSÖVÓH	ÚÝ	ÆEEF	ÆEEF	€	€
FÍ H	ÚSÖVÓG	ÚÝ	ÆEEF	ÆEEF	€	€
FÍ I	ÚSÖVÓF	ÚÝ	ÆEEF	ÆEEF	€	€
FÍ Í	T ÚÁÖÆ T ÖE	ÚÝ	ÆEEG	ÆEEG	€	€
FÍ Î	T ÚÁÖÆ T ÖH	ÚÝ	ÆEEG	ÆEEG	€	€
FÍ Ï	T ÚÁÖÆ T ÖG	ÚÝ	ÆEEG	ÆEEG	€	€
FÍ Ñ	T ÚÁÖÆ T ÖF	ÚÝ	ÆEEG	ÆEEG	€	€
FÍ J	T ÚÁÖVÖE	ÚÝ	ÆEEG	ÆEEG	€	€
FÍ €	T ÚÁÖVÖH	ÚÝ	ÆEEG	ÆEEG	€	€
FÍ F	T ÚÁÖVÖG	ÚÝ	ÆEEG	ÆEEG	€	€
FÍ G	T ÚÁÖVÖF	ÚÝ	ÆEEG	ÆEEG	€	€
FÍ H	T ÚÁÖSÚP ÖE	ÚÝ	ÆEEG	ÆEEG	€	€
FÍ I	T ÚÁÖSÚP ÖH	ÚÝ	ÆEEG	ÆEEG	€	€
FÍ Í	T ÚÁÖSÚP ÖG	ÚÝ	ÆEEG	ÆEEG	€	€
FÍ Î	T ÚÁÖSÚP ÖF	ÚÝ	ÆEEG	ÆEEG	€	€
FÍ Ñ	PÚUH	ÚÝ	ÆEEJ Í G	ÆEEJ Í G	€	€
FÍ Ï	PÚUG	ÚÝ	ÆEEJ Í G	ÆEEJ Í G	€	€
FÍ J	PÚUF	ÚÝ	ÆEEJ Í G	ÆEEJ Í G	€	€
FÍ €	ÖÖÓÖH	ÚÝ	ÆEEG	ÆEEG	€	€
FÍ F	ÖÖÓÖG	ÚÝ	ÆEEG	ÆEEG	€	€
FÍ G	ÖÖÓÖF	ÚÝ	ÆEEJ Í Í	ÆEEJ Í Í	€	€
FÍ H	ÖÖÓÖG	ÚÝ	ÆEEJ JJ	ÆEEJ JJ	€	€
FÍ I	ÖÖÓÖGH	ÚÝ	ÆEEJ JJ	ÆEEJ JJ	€	€
FÍ Í	ÖÖÓÖGG	ÚÝ	ÆEEJ JJ	ÆEEJ JJ	€	€
FÍ Î	ÖÖÓÖGF	ÚÝ	ÆEEJ JJ	ÆEEJ JJ	€	€
FÍ Ñ	ÖÖÓÖGE	ÚÝ	ÆEEJ JJ	ÆEEJ JJ	€	€
FÍ J	ÖÖÓÖFJ	ÚÝ	ÆEEJ JJ	ÆEEJ JJ	€	€
FÍ J	ÖÖÓÖFÍ	ÚÝ	ÆEEJ JJ	ÆEEJ JJ	€	€
GÍ €	ÖÖÓÖFÍ	ÚÝ	ÆEEJ JJ	ÆEEJ JJ	€	€
GÍ F	ÖÖÓÖFÍ	ÚÝ	ÆEEJ JJ	ÆEEJ JJ	€	€
GÍ G	ÖÖÓÖFÍ	ÚÝ	ÆEEJ JJ	ÆEEJ JJ	€	€
GÍ H	ÖÖÓÖFÍ	ÚÝ	ÆEEJ JJ	ÆEEJ JJ	€	€

A Ya Vyf'8 jgfh]vi hyx'@ UXg'f6 @ ' "% :≠W'K jbx'@ UX'f! \$t!f' cbh]bi YXL

	T ^{ à^!Àæ ^}	Öá^&ç}	ÚçæÓ æ} æ à^Z ÆGGG Ò) áÁ æ} æ à^Z ÆGGG ÚçæÓ æ} çæç} ŽčÁ á	Ò) áÁ æ} çæç} ŽčÁ á		
Í €	PÚUH	ÚÝ	ÆEEF	ÆEEF	€	€
Í F	PÚUG	ÚÝ	ÆEEF	ÆEEF	€	€
Í G	PÚUF	ÚÝ	ÆEEF	ÆEEF	€	€
Í H	ØØÓF	ÚÝ	ÆEEG	ÆEEG	€	€
Í I	ØØÓH	ÚÝ	ÆEEG	ÆEEG	€	€
Í Í	ØØÓG	ÚÝ	ÆEEÉ Í I	ÆEEÉ Í I	€	€
Í Î	ØØÓG	ÚÝ	ÆEEÉ GH	ÆEEÉ GH	€	€
Í Ï	ØØÓGH	ÚÝ	ÆEEÉ GH	ÆEEÉ GH	€	€
Í Î	ØØÓGG	ÚÝ	ÆEEÉ GH	ÆEEÉ GH	€	€
Í J	ØØÓF	ÚÝ	ÆEEÉ GH	ÆEEÉ GH	€	€
Ì €	ØØÓÆ	ÚÝ	ÆEEÉ GH	ÆEEÉ GH	€	€
Ì F	ØØÓFJ	ÚÝ	ÆEEÉ GH	ÆEEÉ GH	€	€
Ì G	ØØÓFÍ	ÚÝ	ÆEEÉ GH	ÆEEÉ GH	€	€
Ì H	ØØÓFÍ	ÚÝ	ÆEEÉ GH	ÆEEÉ GH	€	€
Ì I	ØØÓFÍ	ÚÝ	ÆEEÉ GH	ÆEEÉ GH	€	€
Ì Í	ØØÓFÍ	ÚÝ	ÆEEÉ GH	ÆEEÉ GH	€	€
Ì Î	ØØÓFÍ	ÚÝ	ÆEEÉ GH	ÆEEÉ GH	€	€
Ì Ï	ØØÓFH	ÚÝ	ÆEEÉ GH	ÆEEÉ GH	€	€
Ì J	ØØÓFG	ÚÝ	ÆEEÉ GH	ÆEEÉ GH	€	€
Ì J	ØØÓFF	ÚÝ	ÆEEÉ GH	ÆEEÉ GH	€	€
J €	ØØÓF€	ÚÝ	ÆEEÉ GH	ÆEEÉ GH	€	€
J F	ØØÓJ	ÚÝ	ÆEEÉ GH	ÆEEÉ GH	€	€
J G	ØØÓÍ	ÚÝ	ÆEEÉ GH	ÆEEÉ GH	€	€
J H	ØØÓÍ	ÚÝ	ÆEEÉ GH	ÆEEÉ GH	€	€
J I	ØØÓÍ	ÚÝ	ÆEEÉ GH	ÆEEÉ GH	€	€
J Í	ØØÓÍ	ÚÝ	ÆEEÉ GH	ÆEEÉ GH	€	€
J Î	ØØÓH	ÚÝ	ÆEEÉ GH	ÆEEÉ GH	€	€
J Ï	ØØÓG	ÚÝ	ÆEEÉ GH	ÆEEÉ GH	€	€
J J	ØØÓF	ÚÝ	ÆEEÉ GH	ÆEEÉ GH	€	€
F €€	ÓÚØÓFÍ	ÚÝ	ÆEEF	ÆEEF	€	€
F €F	ÓÚØÓFÍ	ÚÝ	ÆEEF	ÆEEF	€	€
F €G	ÓÚØÓFÍ	ÚÝ	ÆEEF	ÆEEF	€	€
F €H	ÓÚØÓFÍ	ÚÝ	ÆEEF	ÆEEF	€	€
F €I	ÓÚØÓFÍ	ÚÝ	ÆEEF	ÆEEF	€	€
F €Í	ÓÚØÓFH	ÚÝ	ÆEEF	ÆEEF	€	€
F €Î	ÓÚØÓFG	ÚÝ	ÆEEF	ÆEEF	€	€
F €Ï	ÓÚØÓFF	ÚÝ	ÆEEF	ÆEEF	€	€
F €J	ÓÚØÓF€	ÚÝ	ÆEEF	ÆEEF	€	€
F €J	ÓÚØÓJ	ÚÝ	ÆEEF	ÆEEF	€	€
FF €	ÓÚØÓÍ	ÚÝ	ÆEEF	ÆEEF	€	€
FF F	ÓÚØÓÍ	ÚÝ	ÆEEF	ÆEEF	€	€
FF G	ÓÚØÓÍ	ÚÝ	ÆEEF	ÆEEF	€	€
FF H	ÓÚØÓÍ	ÚÝ	ÆEEF	ÆEEF	€	€
FF I	ÓÚØÓÍ	ÚÝ	ÆEEF	ÆEEF	€	€
FF Í	ÓÚØÓH	ÚÝ	ÆEEF	ÆEEF	€	€
FF Î	ÓÚØÓG	ÚÝ	ÆEEF	ÆEEF	€	€
FF Ï	ÓÚØÓF	ÚÝ	ÆEEF	ÆEEF	€	€

A Ya Vyf'8 jgfh]vi hyx'@ UXg'f6 @ ' "& :≠W'K jbx'@ UX'f!&\$t!

T ^{ à^!Àæ ^} Öá^&ç} ÚçæÓ æ} æ à^Z ÆGGG Ò) áÁ æ} æ à^Z ÆGGG ÚçæÓ æ} çæç} ŽčÁ á Ó) áÁ æ} çæç} ŽčÁ á

A Ya Vyf'8 jgfh Vi hyX' @ UXg'f6 @ ' & :-WYK jbx' @ UX'fp&\$tL'f7 c bhbi YXL

	T^ { à^! Á æ ^ }	Oä^ & ç }	Ú ç æ Á æ } ä à^ Z D G G I O } á Á æ } ä à^ Z D G G I O } Ú ç æ Á æ } ä à^ Z D G G I O } Z ç Á á	O } á Á æ } ä à^ Z D G G I O } Z ç Á á
F	Y VUÜH	ÚÝ	É Ç Ç Í Í	É Ç Ç Í Í
G	Y VUÜG	ÚÝ	É Ç Ç Í Í	É Ç Ç Í Í
H	Y VUÜF	ÚÝ	É Ç Ç Í Í	É Ç Ç Í Í
I	Y ÓUVÍ	ÚÝ	É Ç Ç Í Í	É Ç Ç Í Í
Í	Y ÓUVÍ	ÚÝ	É Ç Ç Í Í	É Ç Ç Í Í
Ī	Y ÓUVI	ÚÝ	É Ç Ç Í Í	É Ç Ç Í Í
ī	Y ÓUVH	ÚÝ	É Ç Ç Í Í	É Ç Ç Í Í
Ī	Y ÓUVG	ÚÝ	É Ç Ç Í Í	É Ç Ç Í Í
J	Y ÓUVF	ÚÝ	É Ç Ç Í Í	É Ç Ç Í Í
F€	XÓÜVG	ÚÝ	É Ç Ç Í F	É Ç Ç Í F
FF	XÓÜVGH	ÚÝ	É Ç Ç Í F	É Ç Ç Í F
FG	XÓÜVGG	ÚÝ	É Ç Ç Í F	É Ç Ç Í F
FH	XÓÜVGF	ÚÝ	É Ç Ç Í F	É Ç Ç Í F
FI	XÓÜVGE	ÚÝ	É Ç Ç Í F	É Ç Ç Í F
FÍ	XÓUVFJ	ÚÝ	É Ç Ç Í F	É Ç Ç Í F
FĪ	XÓUVFİ	ÚÝ	É Ç Ç Í F	É Ç Ç Í F
fī	XÓUVFı	ÚÝ	É Ç Ç Í F	É Ç Ç Í F
fĪ	XÓUVFİ	ÚÝ	É Ç Ç Í F	É Ç Ç Í F
FĪ	XÓUVFİ	ÚÝ	É Ç Ç Í F	É Ç Ç Í F
FJ	XÓUVFı	ÚÝ	É Ç Ç Í F	É Ç Ç Í F
GE	XÓUVFI	ÚÝ	É Ç Ç Í F	É Ç Ç Í F
GF	XÓUVFH	ÚÝ	É Ç Ç Í F	É Ç Ç Í F
GG	XÓUVFG	ÚÝ	É Ç Ç Í F	É Ç Ç Í F
GH	XÓUVFF	ÚÝ	É Ç Ç Í F	É Ç Ç Í F
G	XÓUVFE	ÚÝ	É Ç Ç Í F	É Ç Ç Í F
G	XÓÜVJ	ÚÝ	É Ç Ç Í F	É Ç Ç Í F
G	XÓÜVİ	ÚÝ	É Ç Ç Í F	É Ç Ç Í F
G	XÓÜVÍ	ÚÝ	É Ç Ç Í F	É Ç Ç Í F
G	XÓÜVİ	ÚÝ	É Ç Ç Í F	É Ç Ç Í F
GJ	XÓÜVÍ	ÚÝ	É Ç Ç Í F	É Ç Ç Í F
H€	XÓÜVI	ÚÝ	É Ç Ç Í F	É Ç Ç Í F
HF	XÓÜVH	ÚÝ	É Ç Ç Í F	É Ç Ç Í F
HG	XÓÜVG	ÚÝ	É Ç Ç Í F	É Ç Ç Í F
HH	XÓÜVF	ÚÝ	É Ç Ç Í F	É Ç Ç Í F
H	ÜWUUÜVFG	ÚÝ	É Ç Ç Í Í	É Ç Ç Í Í
H	ÜWUUÜVFF	ÚÝ	É Ç Ç Í Í	É Ç Ç Í Í
H	ÜWUUÜVFE	ÚÝ	É Ç Ç Í Í	É Ç Ç Í Í
H	ÜWUUÜVJ	ÚÝ	É Ç Ç Í Í	É Ç Ç Í Í
H	ÜWUUÜVİ	ÚÝ	É Ç Ç Í Í	É Ç Ç Í Í
HJ	ÜWUUÜVÍ	ÚÝ	É Ç Ç Í Í	É Ç Ç Í Í
I €	ÜWUUÜVİ	ÚÝ	É Ç Ç Í Í	É Ç Ç Í Í
I F	ÜWUUÜVÍ	ÚÝ	É Ç Ç Í Í	É Ç Ç Í Í
I G	ÜWUUÜVI	ÚÝ	É Ç Ç Í Í	É Ç Ç Í Í
I H	ÜWUUÜVH	ÚÝ	É Ç Ç Í Í	É Ç Ç Í Í
I I	ÜWUUÜVG	ÚÝ	É Ç Ç Í Í	É Ç Ç Í Í
I Í	ÜWUUÜVF	ÚÝ	É Ç Ç Í Í	É Ç Ç Í Í
I Ī	ÜCSF	ÚÝ	É Ç Ç Í J	É Ç Ç Í J
I İ	ÜCSH	ÚÝ	É Ç Ç Í J	É Ç Ç Í J
I Ì	ÜCSG	ÚÝ	É Ç Ç U I	É Ç Ç U I
I J	ÜCS Ö Ü PH	ÚÝ	É Ç Ç F I	É Ç Ç F I
I €	ÜCS Ö Ü PG	ÚÝ	É Ç Ç F I	É Ç Ç F I
I F	ÜCS Ö Ü PF	ÚÝ	É Ç Ç F I	É Ç Ç F I
I G	ÜSÇVOİ	ÚÝ	É Ç Ç Í Í	É Ç Ç Í Í

A Ya Vyf'8]gfl]Vi hYX'@ UXg'f6 @' " & : =WYK]bX'@ UX'fP&\$tL'f7 c bh]bi YXL

	T^{ à^!Áæ^}	Öá^&á}	ÚçæÁ æ } æ à^Z ÐæÐæ Ò) áÁ æ } æ à^Z ÐæÐæ	ÚçæÁ æ } æ à^Z ÐæÐæ	ÚçæÁ æ } æ à^Z ÐæÐæ	ÚçæÁ æ } æ à^Z ÐæÐæ	ÚçæÁ æ } æ à^Z ÐæÐæ
í H	ÚŠÖ/ÓI	ÚÝ	ÆÆ Ì Í	ÆÆ Ì Í	€	€	
í I	ÚŠÖ/ÓI	ÚÝ	ÆÆ Ì Í	ÆÆ Ì Í	€	€	
í Í	ÚŠÖ/ÓH	ÚÝ	ÆÆ Ì Í	ÆÆ Ì Í	€	€	
í Î	ÚŠÖ/ÓG	ÚÝ	ÆÆ Ì Í	ÆÆ Ì Í	€	€	
í Ï	ÚŠÖ/ÓF	ÚÝ	ÆÆ Ì Í	ÆÆ Ì Í	€	€	
í Ñ	T ÚÁÖÆ T ÖE	ÚÝ	ÆÆ	ÆÆ	€	€	
í J	T ÚÁÖÆ T ÖH	ÚÝ	ÆÆ	ÆÆ	€	€	
í €	T ÚÁÖÆ T ÖG	ÚÝ	ÆÆ	ÆÆ	€	€	
í F	T ÚÁÖÆ T ÖF	ÚÝ	ÆÆ	ÆÆ	€	€	
í G	T ÚÁÖÖVÖE	ÚÝ	ÆÆ	ÆÆ	€	€	
í H	T ÚÁÖÖVÖH	ÚÝ	ÆÆ	ÆÆ	€	€	
í I	T ÚÁÖÖVÖG	ÚÝ	ÆÆ	ÆÆ	€	€	
í Í	T ÚÁÖÖVÖF	ÚÝ	ÆÆ	ÆÆ	€	€	
í Î	T ÚÁÖŠÚP ÖE	ÚÝ	ÆÆ	ÆÆ	€	€	
í Ï	T ÚÁÖŠÚP ÖH	ÚÝ	ÆÆ	ÆÆ	€	€	
í Ñ	T ÚÁÖŠÚP ÖG	ÚÝ	ÆÆ	ÆÆ	€	€	
í J	T ÚÁÖŠÚP ÖF	ÚÝ	ÆÆ	ÆÆ	€	€	
í €	PÚUH	ÚÝ	ÆÆ Ì Í	ÆÆ Ì Í	€	€	
í F	PÚUG	ÚÝ	ÆÆ Ì Í	ÆÆ Ì Í	€	€	
í G	PÚUF	ÚÝ	ÆÆ Ì Í	ÆÆ Ì Í	€	€	
í H	ÖÖÖF	ÚÝ	ÆÆ Ì Í	ÆÆ Ì Í	€	€	
í I	ÖÖÖH	ÚÝ	ÆÆ Ì Í	ÆÆ Ì Í	€	€	
í Í	ÖÖÖG	ÚÝ	ÆÆ Ì H	ÆÆ Ì H	€	€	
í Î	ÖÖÖG	ÚÝ	ÆÆ Ì F	ÆÆ Ì F	€	€	
í Ï	ÖÖÖGH	ÚÝ	ÆÆ Ì F	ÆÆ Ì F	€	€	
í Ñ	ÖÖÖGG	ÚÝ	ÆÆ Ì F	ÆÆ Ì F	€	€	
í J	ÖÖÖGF	ÚÝ	ÆÆ Ì F	ÆÆ Ì F	€	€	
í €	ÖÖÖGE	ÚÝ	ÆÆ Ì F	ÆÆ Ì F	€	€	
í F	ÖÖÖFJ	ÚÝ	ÆÆ Ì F	ÆÆ Ì F	€	€	
í G	ÖÖÖFI	ÚÝ	ÆÆ Ì F	ÆÆ Ì F	€	€	
í H	ÖÖÖFI	ÚÝ	ÆÆ Ì F	ÆÆ Ì F	€	€	
í I	ÖÖÖFI	ÚÝ	ÆÆ Ì F	ÆÆ Ì F	€	€	
í Í	ÖÖÖFI	ÚÝ	ÆÆ Ì F	ÆÆ Ì F	€	€	
í Î	ÖÖÖFH	ÚÝ	ÆÆ Ì F	ÆÆ Ì F	€	€	
í Ï	ÖÖÖFG	ÚÝ	ÆÆ Ì F	ÆÆ Ì F	€	€	
í J	ÖÖÖFF	ÚÝ	ÆÆ Ì F	ÆÆ Ì F	€	€	
J€	ÖÖÖFE	ÚÝ	ÆÆ Ì F	ÆÆ Ì F	€	€	
JF	ÖÖÖJ	ÚÝ	ÆÆ Ì F	ÆÆ Ì F	€	€	
JG	ÖÖÖI	ÚÝ	ÆÆ Ì F	ÆÆ Ì F	€	€	
JH	ÖÖÖI	ÚÝ	ÆÆ Ì F	ÆÆ Ì F	€	€	
JI	ÖÖÖI	ÚÝ	ÆÆ Ì F	ÆÆ Ì F	€	€	
JÍ	ÖÖÖI	ÚÝ	ÆÆ Ì F	ÆÆ Ì F	€	€	
JÎ	ÖÖÖI	ÚÝ	ÆÆ Ì F	ÆÆ Ì F	€	€	
JÏ	ÖÖÖH	ÚÝ	ÆÆ Ì F	ÆÆ Ì F	€	€	
JÑ	ÖÖÖG	ÚÝ	ÆÆ Ì F	ÆÆ Ì F	€	€	
JJ	ÖÖÖF	ÚÝ	ÆÆ Ì F	ÆÆ Ì F	€	€	
F€	ÖÜÖÖFI	ÚÝ	ÆÆ Ì Í	ÆÆ Ì Í	€	€	
FÆ	ÖÜÖÖFI	ÚÝ	ÆÆ Ì Í	ÆÆ Ì Í	€	€	
F€G	ÖÜÖÖFI	ÚÝ	ÆÆ Ì Í	ÆÆ Ì Í	€	€	
F€H	ÖÜÖÖFI	ÚÝ	ÆÆ Ì Í	ÆÆ Ì Í	€	€	
F€I	ÖÜÖÖFI	ÚÝ	ÆÆ Ì Í	ÆÆ Ì Í	€	€	

A Ya Vyf'8 jgfvIvi hYX' @ UXg'f6 @ ' & : =WYK jbx' @ UX'fp&\$tL'f7 c bhpi YXL

	T{ à^!Áæ^	Öá^&ç	ÚçæÓÁ æ } æ á^Z DæííÖ) áÁÁ æ } æ á^Z DæííÖ	ÚçæÓÁ &æç } ZçÁ á	Ö) áÁÁ &æç } ZçÁ á	
FÉ	ÓUÓÓÓFH	ÚY	ÆÆÆ ÍÍ	ÆÆÆ ÍÍ	€	€
FÉ	ÓUÓÓÓFG	ÚY	ÆÆÆ ÍÍ	ÆÆÆ ÍÍ	€	€
FÉ	ÓUÓÓÓFF	ÚY	ÆÆÆ ÍÍ	ÆÆÆ ÍÍ	€	€
FÉ	ÓUÓÓÓF€	ÚY	ÆÆÆ ÍÍ	ÆÆÆ ÍÍ	€	€
FÉJ	ÓUÓÓÓU	ÚY	ÆÆÆ ÍÍ	ÆÆÆ ÍÍ	€	€
FF€	ÓUÓÓÓÌ	ÚY	ÆÆÆ ÍÍ	ÆÆÆ ÍÍ	€	€
FFF	ÓUÓÓÓÌ	ÚY	ÆÆÆ ÍÍ	ÆÆÆ ÍÍ	€	€
FFG	ÓUÓÓÓÌ	ÚY	ÆÆÆ ÍÍ	ÆÆÆ ÍÍ	€	€
FFH	ÓUÓÓÓÌ	ÚY	ÆÆÆ ÍÍ	ÆÆÆ ÍÍ	€	€
FFI	ÓUÓÓÓÌ	ÚY	ÆÆÆ ÍÍ	ÆÆÆ ÍÍ	€	€
FFÍ	ÓUÓÓÓH	ÚY	ÆÆÆ ÍÍ	ÆÆÆ ÍÍ	€	€
FFÌ	ÓUÓÓÓG	ÚY	ÆÆÆ ÍÍ	ÆÆÆ ÍÍ	€	€
FFÌ	ÓUÓÓÓF	ÚY	ÆÆÆ ÍÍ	ÆÆÆ ÍÍ	€	€
FFÌ	Y VUÚH	ÚY	ÆÆÆ	ÆÆÆ	€	€
FFJ	Y VUÚG	ÚY	ÆÆÆ	ÆÆÆ	€	€
FGE	Y VUÚF	ÚY	ÆÆÆ	ÆÆÆ	€	€
FGF	Y ÓU VÍ	ÚY	ÆÆÆ	ÆÆÆ	€	€
FGG	Y ÓU VÍ	ÚY	ÆÆÆ	ÆÆÆ	€	€
FGH	Y ÓU VI	ÚY	ÆÆÆ	ÆÆÆ	€	€
FG	Y ÓU VH	ÚY	ÆÆÆ	ÆÆÆ	€	€
FG	Y ÓU VG	ÚY	ÆÆÆ	ÆÆÆ	€	€
FG	Y ÓU VF	ÚY	ÆÆÆ	ÆÆÆ	€	€
FG	XÓUVG	ÚY	ÆÆÆ JJ	ÆÆÆ JJ	€	€
FG	XÓUVGH	ÚY	ÆÆÆ JJ	ÆÆÆ JJ	€	€
FGJ	XÓUVGG	ÚY	ÆÆÆ JJ	ÆÆÆ JJ	€	€
FHE	XÓUVGF	ÚY	ÆÆÆ JJ	ÆÆÆ JJ	€	€
FHF	XÓUVGE	ÚY	ÆÆÆ JJ	ÆÆÆ JJ	€	€
FHG	XÓUVFJ	ÚY	ÆÆÆ JJ	ÆÆÆ JJ	€	€
FHH	XÓUVFI	ÚY	ÆÆÆ JJ	ÆÆÆ JJ	€	€
FH	XÓUVFI	ÚY	ÆÆÆ JJ	ÆÆÆ JJ	€	€
FH	XÓUVFI	ÚY	ÆÆÆ JJ	ÆÆÆ JJ	€	€
FH	XÓUVFI	ÚY	ÆÆÆ JJ	ÆÆÆ JJ	€	€
FH	XÓUVFI	ÚY	ÆÆÆ JJ	ÆÆÆ JJ	€	€
FH	XÓUVFI	ÚY	ÆÆÆ JJ	ÆÆÆ JJ	€	€
FH	XÓUVFH	ÚY	ÆÆÆ JJ	ÆÆÆ JJ	€	€
FHJ	XÓUVFG	ÚY	ÆÆÆ JJ	ÆÆÆ JJ	€	€
FI€	XÓUVFF	ÚY	ÆÆÆ JJ	ÆÆÆ JJ	€	€
FI F	XÓUVF€	ÚY	ÆÆÆ JJ	ÆÆÆ JJ	€	€
FIG	XÓUVJ	ÚY	ÆÆÆ JJ	ÆÆÆ JJ	€	€
FI H	XÓUVÍ	ÚY	ÆÆÆ JJ	ÆÆÆ JJ	€	€
FI I	XÓUVÍ	ÚY	ÆÆÆ JJ	ÆÆÆ JJ	€	€
FI Í	XÓUVÍ	ÚY	ÆÆÆ JJ	ÆÆÆ JJ	€	€
FI Î	XÓUVÍ	ÚY	ÆÆÆ JJ	ÆÆÆ JJ	€	€
FI Ì	XÓUVI	ÚY	ÆÆÆ JJ	ÆÆÆ JJ	€	€
FI Ì	XÓUVH	ÚY	ÆÆÆ JJ	ÆÆÆ JJ	€	€
FI J	XÓUVG	ÚY	ÆÆÆ JJ	ÆÆÆ JJ	€	€
FÍ€	XÓUVF	ÚY	ÆÆÆ JJ	ÆÆÆ JJ	€	€
FÍ F	ÚWÚÚÚVFG	ÚY	ÆÆÆ	ÆÆÆ	€	€
FÍ G	ÚWÚÚÚVFF	ÚY	ÆÆÆ	ÆÆÆ	€	€
FÍ H	ÚWÚÚÚVFE	ÚY	ÆÆÆ	ÆÆÆ	€	€
FÍ I	ÚWÚÚÚVJ	ÚY	ÆÆÆ	ÆÆÆ	€	€
FÍ Í	ÚWÚÚÚVÍ	ÚY	ÆÆÆ	ÆÆÆ	€	€
FÍ Î	ÚWÚÚÚVÍ	ÚY	ÆÆÆ	ÆÆÆ	€	€

A Ya Vyf'8 jgfv Vi hYX' @ UXg'f6 @ ' ' : =W'K jbx' @ UX'fPj \$tL'f7 c bhpi YXL

	T ^ { à^! Áæ ^ }	Ôã^&ç! }	ÚçæóÁ æ } æ à^! Ž Đáá Ò) á Á æ } æ à^! Ž Đáá Ò) á Á æ } ÚçæóÁ æ } ŽáÁ á	ÚçæóÁ æ } æ à^! Ž Đáá Ò) á Á æ } æ à^! Ž Đáá Ò) á Á æ } ÚçæóÁ æ } ŽáÁ á	Ò) á Á æ } ŽáÁ á	Ò) á Á æ } ŽáÁ á
GH	XÖUVFF	Úÿ	ËËË JJ	ËËË JJ	€	€
G	XÖVFE	Úÿ	ËËË JJ	ËËË JJ	€	€
G	XÖVJ	Úÿ	ËËË JJ	ËËË JJ	€	€
G	XÖVİ	Úÿ	ËËË JJ	ËËË JJ	€	€
G	XÖVĪ	Úÿ	ËËË JJ	ËËË JJ	€	€
G	XÖVÍ	Úÿ	ËËË JJ	ËËË JJ	€	€
GJ	XÖVÍ	Úÿ	ËËË JJ	ËËË JJ	€	€
H€	XÖVI	Úÿ	ËËË JJ	ËËË JJ	€	€
HF	XÖVH	Úÿ	ËËË JJ	ËËË JJ	€	€
HG	XÖVG	Úÿ	ËËË JJ	ËËË JJ	€	€
HH	XÖVF	Úÿ	ËËË JJ	ËËË JJ	€	€
HI	ÜWÜUÜVFG	Úÿ	ËËF	ËËF	€	€
HÍ	ÜWÜUÜVFF	Úÿ	ËËF	ËËF	€	€
Hİ	ÜWÜUÜVFE	Úÿ	ËËF	ËËF	€	€
HĪ	ÜWÜUÜVJ	Úÿ	ËËF	ËËF	€	€
Hì	ÜWÜUÜVİ	Úÿ	ËËF	ËËF	€	€
HJ	ÜWÜUÜVĪ	Úÿ	ËËF	ËËF	€	€
I€	ÜWÜUÜVÍ	Úÿ	ËËF	ËËF	€	€
IF	ÜWÜUÜVÍ	Úÿ	ËËF	ËËF	€	€
IG	ÜWÜUÜVİ	Úÿ	ËËF	ËËF	€	€
IH	ÜWÜUÜVH	Úÿ	ËËF	ËËF	€	€
II	ÜWÜUÜVG	Úÿ	ËËF	ËËF	€	€
IÍ	ÜWÜUÜVF	Úÿ	ËËF	ËËF	€	€
IĪ	ÜÖSF	Úÿ	ËËF	ËËF	€	€
Iì	ÜÖSH	Úÿ	ËËF	ËËF	€	€
IÌ	ÜÖSG	Úÿ	ËËË Ì H	ËËË Ì H	€	€
IJ	ÜÖSÄÜPH	Úÿ	ËËF	ËËF	€	€
I€	ÜÖSÄÜPG	Úÿ	ËËF	ËËF	€	€
IF	ÜÖSÄÜPF	Úÿ	ËËF	ËËF	€	€
IG	ÜÖSÖÖI	Úÿ	ËËF	ËËF	€	€
IH	ÜÖSÖÖI	Úÿ	ËËF	ËËF	€	€
IÌ	ÜÖSÖÖI	Úÿ	ËËF	ËËF	€	€
IÍ	ÜÖSÖÖH	Úÿ	ËËF	ËËF	€	€
IĪ	ÜÖSÖÖG	Úÿ	ËËF	ËËF	€	€
Iì	ÜÖSÖÖF	Úÿ	ËËF	ËËF	€	€
IÏ	T ÜÄÖÆ T ÖE	Úÿ	ËËG	ËËG	€	€
IJ	T ÜÄÖÆ T ÖH	Úÿ	ËËG	ËËG	€	€
I€	T ÜÄÖÆ T ÖG	Úÿ	ËËG	ËËG	€	€
IF	T ÜÄÖÆ T ÖE	Úÿ	ËËG	ËËG	€	€
IG	T ÜÄÖÖVÖE	Úÿ	ËËG	ËËG	€	€
IH	T ÜÄÖÖVÖH	Úÿ	ËËG	ËËG	€	€
IÌ	T ÜÄÖÖVÖG	Úÿ	ËËG	ËËG	€	€
IÍ	T ÜÄÖÖVÖF	Úÿ	ËËG	ËËG	€	€
IĪ	T ÜÄÖSÜP ÖE	Úÿ	ËËG	ËËG	€	€
Iì	T ÜÄÖSÜP ÖH	Úÿ	ËËG	ËËG	€	€
IÌ	T ÜÄÖSÜP ÖG	Úÿ	ËËG	ËËG	€	€
IJ	T ÜÄÖSÜP ÖE	Úÿ	ËËG	ËËG	€	€
I€	PÜUH	Úÿ	ËËËË Ğ	ËËËË Ğ	€	€
IF	PÜUG	Úÿ	ËËËË Ğ	ËËËË Ğ	€	€
IG	PÜUF	Úÿ	ËËËË Ğ	ËËËË Ğ	€	€
IH	ØØÖÖF	Úÿ	ËËG	ËËG	€	€
IÌ	ØØÖÖH	Úÿ	ËËG	ËËG	€	€

A Ya Vyf'8]g]i Vi hYX' @ UXg'f6 @ ' ' : =WK]bX' @ UX'f] \$L'f7 c b]i YXL

	T ^{ à^!Aæ ^}	Öä^&ä)	ÚcæÔ áæ } á á^Z ðGG Ö)	áÁ áæ } á á^Z ðGG Ö)	ÚcæÔ áæ } ZcÁ á	Ö) áÁ } ZcÁ á
Fì J	T ÚÁÖÖVØE	ÚÝ	ËËËË	ËËËË	€	€
Fì €	T ÚÁÖÖVØH	ÚÝ	ËËËË	ËËËË	€	€
Fì F	T ÚÁÖÖVØG	ÚÝ	ËËËË	ËËËË	€	€
Fì G	T ÚÁÖÖVØF	ÚÝ	ËËËË	ËËËË	€	€
Fì H	T ÚÁÖÖSÚPØE	ÚÝ	ËËËË	ËËËË	€	€
Fì I	T ÚÁÖÖSÚPØH	ÚÝ	ËËËË	ËËËË	€	€
Fì Í	T ÚÁÖÖSÚPØG	ÚÝ	ËËËË	ËËËË	€	€
Fì Î	T ÚÁÖÖSÚPØF	ÚÝ	ËËËË	ËËËË	€	€
Fì Ï	P ÛÙH	ÚÝ	ËËËË ÍÍ	ËËËË ÍÍ	€	€
Fì Ì	P ÛÙG	ÚÝ	ËËËË ÍÍ	ËËËË ÍÍ	€	€
Fì J	P ÛÙF	ÚÝ	ËËËË ÍÍ	ËËËË ÍÍ	€	€
Fì €	ØØÖÖF	ÚÝ	ËËËË ÍÍ	ËËËË ÍÍ	€	€
Fì F	ØØÖÖH	ÚÝ	ËËËË ÍÍ	ËËËË ÍÍ	€	€
Fì G	ØØÖÖG	ÚÝ	ËËËË HÍ	ËËËË HÍ	€	€
Fì H	ØØÖÖG	ÚÝ	ËËËË ÍF	ËËËË ÍF	€	€
Fì I	ØØÖÖG	ÚÝ	ËËËË ÍF	ËËËË ÍF	€	€
Fì Í	ØØÖÖG	ÚÝ	ËËËË ÍF	ËËËË ÍF	€	€
Fì Î	ØØÖÖG	ÚÝ	ËËËË ÍF	ËËËË ÍF	€	€
Fì Ï	ØØÖÖG	ÚÝ	ËËËË ÍF	ËËËË ÍF	€	€
Fì J	ØØÖÖG	ÚÝ	ËËËË ÍF	ËËËË ÍF	€	€
Fì €	ØØÖÖF	ÚÝ	ËËËË ÍF	ËËËË ÍF	€	€
Fì F	ØØÖÖH	ÚÝ	ËËËË ÍF	ËËËË ÍF	€	€
Fì G	ØØÖÖG	ÚÝ	ËËËË ÍF	ËËËË ÍF	€	€
Fì H	ØØÖÖG	ÚÝ	ËËËË ÍF	ËËËË ÍF	€	€
Fì I	ØØÖÖG	ÚÝ	ËËËË ÍF	ËËËË ÍF	€	€
Fì J	ØØÖÖG	ÚÝ	ËËËË ÍF	ËËËË ÍF	€	€
Fì K	ØØÖÖG	ÚÝ	ËËËË ÍF	ËËËË ÍF	€	€
Fì L	ØØÖÖG	ÚÝ	ËËËË ÍF	ËËËË ÍF	€	€
Fì M	ØØÖÖG	ÚÝ	ËËËË ÍF	ËËËË ÍF	€	€
Fì N	ØØÖÖG	ÚÝ	ËËËË ÍF	ËËËË ÍF	€	€
Fì O	ØØÖÖG	ÚÝ	ËËËË ÍF	ËËËË ÍF	€	€
Fì P	ØØÖÖG	ÚÝ	ËËËË ÍF	ËËËË ÍF	€	€
Fì Q	ØØÖÖG	ÚÝ	ËËËË ÍF	ËËËË ÍF	€	€
Fì R	ØØÖÖG	ÚÝ	ËËËË ÍF	ËËËË ÍF	€	€
Fì S	ØØÖÖG	ÚÝ	ËËËË ÍF	ËËËË ÍF	€	€
Fì T	ØØÖÖG	ÚÝ	ËËËË ÍF	ËËËË ÍF	€	€
Fì U	ØØÖÖG	ÚÝ	ËËËË ÍF	ËËËË ÍF	€	€
Fì V	ØØÖÖG	ÚÝ	ËËËË ÍF	ËËËË ÍF	€	€
Fì W	ØØÖÖG	ÚÝ	ËËËË ÍF	ËËËË ÍF	€	€
Fì X	ØØÖÖG	ÚÝ	ËËËË ÍF	ËËËË ÍF	€	€
Fì Y	ØØÖÖG	ÚÝ	ËËËË ÍF	ËËËË ÍF	€	€
Fì Z	ØØÖÖG	ÚÝ	ËËËË ÍF	ËËËË ÍF	€	€
Fì Á	ØØÖÖG	ÚÝ	ËËËË ÍF	ËËËË ÍF	€	€
Fì B	ØØÖÖG	ÚÝ	ËËËË ÍF	ËËËË ÍF	€	€
Fì C	ØØÖÖG	ÚÝ	ËËËË ÍF	ËËËË ÍF	€	€
Fì D	ØØÖÖG	ÚÝ	ËËËË ÍF	ËËËË ÍF	€	€
Fì E	ØØÖÖG	ÚÝ	ËËËË ÍF	ËËËË ÍF	€	€
Fì F	ØØÖÖG	ÚÝ	ËËËË ÍF	ËËËË ÍF	€	€
Fì G	ØØÖÖG	ÚÝ	ËËËË ÍF	ËËËË ÍF	€	€
Fì H	ØØÖÖG	ÚÝ	ËËËË ÍF	ËËËË ÍF	€	€
Fì I	ØØÖÖG	ÚÝ	ËËËË ÍF	ËËËË ÍF	€	€
Fì J	ØØÖÖG	ÚÝ	ËËËË ÍF	ËËËË ÍF	€	€
Fì K	ØØÖÖG	ÚÝ	ËËËË ÍF	ËËËË ÍF	€	€
Fì L	ØØÖÖG	ÚÝ	ËËËË ÍF	ËËËË ÍF	€	€
Fì M	ØØÖÖG	ÚÝ	ËËËË ÍF	ËËËË ÍF	€	€
Fì N	ØØÖÖG	ÚÝ	ËËËË ÍF	ËËËË ÍF	€	€
Fì O	ØØÖÖG	ÚÝ	ËËËË ÍF	ËËËË ÍF	€	€
Fì P	ØØÖÖG	ÚÝ	ËËËË ÍF	ËËËË ÍF	€	€
Fì Q	ØØÖÖG	ÚÝ	ËËËË ÍF	ËËËË ÍF	€	€
Fì R	ØØÖÖG	ÚÝ	ËËËË ÍF	ËËËË ÍF	€	€
Fì S	ØØÖÖG	ÚÝ	ËËËË ÍF	ËËËË ÍF	€	€
Fì T	ØØÖÖG	ÚÝ	ËËËË ÍF	ËËËË ÍF	€	€
Fì U	ØØÖÖG	ÚÝ	ËËËË ÍF	ËËËË ÍF	€	€
Fì V	ØØÖÖG	ÚÝ	ËËËË ÍF	ËËËË ÍF	€	€
Fì W	ØØÖÖG	ÚÝ	ËËËË ÍF	ËËËË ÍF	€	€
Fì X	ØØÖÖG	ÚÝ	ËËËË ÍF	ËËËË ÍF	€	€
Fì Y	ØØÖÖG	ÚÝ	ËËËË ÍF	ËËËË ÍF	€	€
Fì Z	ØØÖÖG	ÚÝ	ËËËË ÍF	ËËËË ÍF	€	€

A Ya Vyf'8]ghf]Vi hYX' @ UXg'f6 @' "(: =W'K]bX' @ UX'f6 \$tL'f7 c bh]bi YXL

	T^{\ à^!Áæ^}	Öá^&á}	ÚçæÁ æ} æ à^!Áæ^ Ö) áÁ æ} æ à^!Áæ^ ÚçæÁ &æá} ŽdÁ á	Ö) áÁ &æá} ŽdÁ á		
IÍ	UWUUUVF	UY	EEF	EEF	€	€
IÍ	ÜÖSF	UY	EEG	EEG	€	€
IÍ	ÜÖSH	UY	EEG	EEG	€	€
IÍ	ÜÖSG	UY	EEG I J	EEG I J	€	€
IJ	ÜÖSÁÓUPH	UY	EEG	EEG	€	€
I€	ÜÖSÁÓUPG	UY	EEG	EEG	€	€
IF	ÜÖSÁÓUPF	UY	EEG	EEG	€	€
IG	ÜÖSÁÓI	UY	EEF	EEF	€	€
IH	ÜÖSÁÓI	UY	EEF	EEF	€	€
IÍ	ÜÖSÁÓI	UY	EEF	EEF	€	€
IÍ	ÜÖSÁÓH	UY	EEF	EEF	€	€
IÍ	ÜÖSÁÓG	UY	EEF	EEF	€	€
IÍ	ÜÖSÁÓF	UY	EEF	EEF	€	€
IÍ	T ÚÁÓÆ T ÖE	UY	EEH	EEH	€	€
IJ	T ÚÁÓÆ T ÖH	UY	EEH	EEH	€	€
I€	T ÚÁÓÆ T ÖG	UY	EEH	EEH	€	€
IF	T ÚÁÓÆ T ÖF	UY	EEH	EEH	€	€
IG	T ÚÁÓÖVÖE	UY	EEH	EEH	€	€
IH	T ÚÁÓÖVÖH	UY	EEH	EEH	€	€
IÍ	T ÚÁÓÖVÖG	UY	EEH	EEH	€	€
IÍ	T ÚÁÓÖVÖF	UY	EEH	EEH	€	€
IÍ	T ÚÁÓÖSÚPÖE	UY	EEH	EEH	€	€
IÍ	T ÚÁÓÖSÚPÖH	UY	EEH	EEH	€	€
IÍ	T ÚÁÓÖSÚPÖG	UY	EEH	EEH	€	€
IJ	T ÚÁÓÖSÚPÖF	UY	EEH	EEH	€	€
I€	PÜUH	UY	EEF	EEF	€	€
IF	PÜUG	UY	EEF	EEF	€	€
IG	PÜUF	UY	EEF	EEF	€	€
IH	ÖÖÖÖF	UY	EEG	EEG	€	€
IÍ	ÖÖÖÖH	UY	EEG	EEG	€	€
IÍ	ÖÖÖÖG	UY	EEG I I	EEG I I	€	€
IÍ	ÖÖÖÖG	UY	EEG J H	EEG J H	€	€
IÍ	ÖÖÖÖG H	UY	EEG J H	EEG J H	€	€
IÍ	ÖÖÖÖG G	UY	EEG J H	EEG J H	€	€
IJ	ÖÖÖÖF	UY	EEG J H	EEG J H	€	€
I€	ÖÖÖÖF E	UY	EEG J H	EEG J H	€	€
IF	ÖÖÖÖF J	UY	EEG J H	EEG J H	€	€
IG	ÖÖÖÖF I	UY	EEG J H	EEG J H	€	€
IH	ÖÖÖÖF I	UY	EEG J H	EEG J H	€	€
IÍ	ÖÖÖÖF I	UY	EEG J H	EEG J H	€	€
IÍ	ÖÖÖÖF I	UY	EEG J H	EEG J H	€	€
IÍ	ÖÖÖÖF H	UY	EEG J H	EEG J H	€	€
IÍ	ÖÖÖÖF G	UY	EEG J H	EEG J H	€	€
IJ	ÖÖÖÖF F	UY	EEG J H	EEG J H	€	€
J€	ÖÖÖÖF E	UY	EEG J H	EEG J H	€	€
JF	ÖÖÖÖF J	UY	EEG J H	EEG J H	€	€
JG	ÖÖÖÖF I	UY	EEG J H	EEG J H	€	€
JH	ÖÖÖÖF I	UY	EEG J H	EEG J H	€	€
JÍ	ÖÖÖÖF I	UY	EEG J H	EEG J H	€	€
JÍ	ÖÖÖÖF I	UY	EEG J H	EEG J H	€	€
JÍ	ÖÖÖÖF I	UY	EEG J H	EEG J H	€	€

A Ya VYf'8 jgfiVi hYX' @ UXg'f6 @ ' (: =WYK jbx' @ UX'f6 \$L'f7 c b h p i YXL

	T ^ { à^ Áã ^ }	Öã^&ç	ÚçóÁ æ } á à^ Ž DóHÉ Ö) á Á æ } á à^ Ž DóHÉ ÚçóÁ æ } ŽdÁ á	ÚçóÁ æ } á à^ Ž DóHÉ Ö) á Á æ } á à^ Ž DóHÉ ÚçóÁ æ } ŽdÁ á	€	€
Jİ	ÓÜÖH	ÜY	ÆÆG GH	ÆÆG GH	€	€
Jİ	ÓÜÖG	ÜY	ÆÆG GH	ÆÆG GH	€	€
JJ	ÓÜÖF	ÜY	ÆÆG GH	ÆÆG GH	€	€
F€	ÓÜÖÖFİ	ÜY	ÆÆF	ÆÆF	€	€
F€	ÓÜÖÖFİ	ÜY	ÆÆF	ÆÆF	€	€
F€G	ÓÜÖÖFİ	ÜY	ÆÆF	ÆÆF	€	€
F€H	ÓÜÖÖFİ	ÜY	ÆÆF	ÆÆF	€	€
F€İ	ÓÜÖÖFİ	ÜY	ÆÆF	ÆÆF	€	€
F€Í	ÓÜÖÖFH	ÜY	ÆÆF	ÆÆF	€	€
F€Î	ÓÜÖÖFG	ÜY	ÆÆF	ÆÆF	€	€
F€Ï	ÓÜÖÖFF	ÜY	ÆÆF	ÆÆF	€	€
F€İ	ÓÜÖÖF€	ÜY	ÆÆF	ÆÆF	€	€
F€J	ÓÜÖÖÜ	ÜY	ÆÆF	ÆÆF	€	€
FF€	ÓÜÖÖÒ	ÜY	ÆÆF	ÆÆF	€	€
FFF	ÓÜÖÖÒ	ÜY	ÆÆF	ÆÆF	€	€
FFG	ÓÜÖÖÒ	ÜY	ÆÆF	ÆÆF	€	€
FFH	ÓÜÖÖÒ	ÜY	ÆÆF	ÆÆF	€	€
FFI	ÓÜÖÖÒ	ÜY	ÆÆF	ÆÆF	€	€
FFİ	ÓÜÖÖH	ÜY	ÆÆF	ÆÆF	€	€
FFÎ	ÓÜÖÖG	ÜY	ÆÆF	ÆÆF	€	€
FFÏ	ÓÜÖÖF	ÜY	ÆÆF	ÆÆF	€	€

A Ya VYf'8 jgfiVi hYX' @ UXg'f6 @ ') : =WYK jbx' @ UX'f6 \$L

	T ^ { à^ Áã ^ }	Öã^&ç	ÚçóÁ æ } á à^ Ž DóHÉ Ö) á Á æ } á à^ Ž DóHÉ ÚçóÁ æ } ŽdÁ á	ÚçóÁ æ } á à^ Ž DóHÉ Ö) á Á æ } á à^ Ž DóHÉ ÚçóÁ æ } ŽdÁ á	€	€
F	Y VUÜH	ÜY	ÆÆG	ÆÆG	€	€
G	Y VUÜG	ÜY	ÆÆG	ÆÆG	€	€
H	Y VUÜF	ÜY	ÆÆG	ÆÆG	€	€
I	Y ÓU Vİ	ÜY	ÆÆG	ÆÆG	€	€
İ	Y ÓU Vİ	ÜY	ÆÆG	ÆÆG	€	€
Î	Y ÓU Vİ	ÜY	ÆÆG	ÆÆG	€	€
Ï	Y ÓU VH	ÜY	ÆÆG	ÆÆG	€	€
Ì	Y ÓU VG	ÜY	ÆÆG	ÆÆG	€	€
J	Y ÓU VF	ÜY	ÆÆG	ÆÆG	€	€
F€	XÓÜVG	ÜY	ÆÆG JJ	ÆÆG JJ	€	€
FF	XÓÜVGH	ÜY	ÆÆG JJ	ÆÆG JJ	€	€
FG	XÓÜVGG	ÜY	ÆÆG JJ	ÆÆG JJ	€	€
FH	XÓÜVGF	ÜY	ÆÆG JJ	ÆÆG JJ	€	€
FI	XÓÜVGE	ÜY	ÆÆG JJ	ÆÆG JJ	€	€
Fİ	XÓÜVFJ	ÜY	ÆÆG JJ	ÆÆG JJ	€	€
FÎ	XÓÜVFI	ÜY	ÆÆG JJ	ÆÆG JJ	€	€
FÏ	XÓÜVFI	ÜY	ÆÆG JJ	ÆÆG JJ	€	€
Fİ	XÓÜVFI	ÜY	ÆÆG JJ	ÆÆG JJ	€	€
FJ	XÓÜVFI	ÜY	ÆÆG JJ	ÆÆG JJ	€	€
G€	XÓÜVFI	ÜY	ÆÆG JJ	ÆÆG JJ	€	€
GF	XÓÜVFH	ÜY	ÆÆG JJ	ÆÆG JJ	€	€
GG	XÓÜVFG	ÜY	ÆÆG JJ	ÆÆG JJ	€	€
GH	XÓÜVFF	ÜY	ÆÆG JJ	ÆÆG JJ	€	€
G	XÓÜV€	ÜY	ÆÆG JJ	ÆÆG JJ	€	€
G	XÓÜVJ	ÜY	ÆÆG JJ	ÆÆG JJ	€	€
G	XÓÜVİ	ÜY	ÆÆG JJ	ÆÆG JJ	€	€
G	XÓÜVİ	ÜY	ÆÆG JJ	ÆÆG JJ	€	€

A Ya Vyf'8]gfl]Vi hYX'@ UXg'f6 @' ") : =WYK]bX'@ UX'fB\$ \$L'f7 c bh]bi YXL

	T ^{ à^!Áæ^	Öã^&ç	ÚçæÓ Á æ } æ à^!Áæ ÆGG	á ÁT æ } æ à^!Áæ ÆGG	ÚçæÓ Á æ } æ à^!Áæ ÆGG	ÚçæÓ Á æ } æ à^!Áæ ÆGG	ÚçæÓ Á æ } æ à^!Áæ ÆGG
G	XÖUVÍ	ÚÝ	ÆGG JJ	ÆGG JJ	€	€	
GJ	XÖUVÍ	ÚÝ	ÆGG JJ	ÆGG JJ	€	€	
HE	XÖUVI	ÚÝ	ÆGG JJ	ÆGG JJ	€	€	
HF	XÖUVH	ÚÝ	ÆGG JJ	ÆGG JJ	€	€	
HG	XÖUVG	ÚÝ	ÆGG JJ	ÆGG JJ	€	€	
HH	XÖUVF	ÚÝ	ÆGG JJ	ÆGG JJ	€	€	
HI	ÚWÚUUÚVFG	ÚÝ	ÆGF	ÆGF	€	€	
HÍ	ÚWÚUUÚVFF	ÚÝ	ÆGF	ÆGF	€	€	
HÍ	ÚWÚUUÚVFE	ÚÝ	ÆGF	ÆGF	€	€	
Hİ	ÚWÚUUÚVJ	ÚÝ	ÆGF	ÆGF	€	€	
Hİ	ÚWÚUUÚVİ	ÚÝ	ÆGF	ÆGF	€	€	
HJ	ÚWÚUUÚVİ	ÚÝ	ÆGF	ÆGF	€	€	
I €	ÚWÚUUÚVİ	ÚÝ	ÆGF	ÆGF	€	€	
IF	ÚWÚUUÚVİ	ÚÝ	ÆGF	ÆGF	€	€	
IG	ÚWÚUUÚVİ	ÚÝ	ÆGF	ÆGF	€	€	
IH	ÚWÚUUÚVH	ÚÝ	ÆGF	ÆGF	€	€	
II	ÚWÚUUÚVG	ÚÝ	ÆGF	ÆGF	€	€	
II	ÚWÚUUÚVF	ÚÝ	ÆGF	ÆGF	€	€	
Iİ	ÚÖKS	ÚÝ	ÆGF	ÆGF	€	€	
Iİ	ÚÖKS	ÚÝ	ÆGF	ÆGF	€	€	
Iİ	ÚÖKS	ÚÝ	ÆGG İ H	ÆGG İ H	€	€	
IJ	ÚÖKSÖUPH	ÚÝ	ÆGF	ÆGF	€	€	
I€	ÚÖKSÖUPG	ÚÝ	ÆGF	ÆGF	€	€	
IF	ÚÖKSÖUPF	ÚÝ	ÆGF	ÆGF	€	€	
IG	ÚSÖVÖI	ÚÝ	ÆGF	ÆGF	€	€	
IH	ÚSÖVÖI	ÚÝ	ÆGF	ÆGF	€	€	
II	ÚSÖVÖI	ÚÝ	ÆGF	ÆGF	€	€	
Iİ	ÚSÖVÖH	ÚÝ	ÆGF	ÆGF	€	€	
Iİ	ÚSÖVÖG	ÚÝ	ÆGF	ÆGF	€	€	
Iİ	ÚSÖVÖF	ÚÝ	ÆGF	ÆGF	€	€	
Iİ	T ÚÁÖÇE T ÖE	ÚÝ	ÆGG	ÆGG	€	€	
IJ	T ÚÁÖÇE T ÖH	ÚÝ	ÆGG	ÆGG	€	€	
I€	T ÚÁÖÇE T ÖG	ÚÝ	ÆGG	ÆGG	€	€	
IF	T ÚÁÖÇE T ÖF	ÚÝ	ÆGG	ÆGG	€	€	
IG	T ÚÁÖÖVÖE	ÚÝ	ÆGG	ÆGG	€	€	
IH	T ÚÁÖÖVÖH	ÚÝ	ÆGG	ÆGG	€	€	
II	T ÚÁÖÖVÖG	ÚÝ	ÆGG	ÆGG	€	€	
II	T ÚÁÖÖVÖF	ÚÝ	ÆGG	ÆGG	€	€	
Iİ	T ÚÁÖSÜPÖE	ÚÝ	ÆGG	ÆGG	€	€	
Iİ	T ÚÁÖSÜPÖH	ÚÝ	ÆGG	ÆGG	€	€	
Iİ	T ÚÁÖSÜPÖG	ÚÝ	ÆGG	ÆGG	€	€	
IJ	T ÚÁÖSÜPÖF	ÚÝ	ÆGG	ÆGG	€	€	
I€	PÜUH	ÚÝ	ÆGG İ G	ÆGG İ G	€	€	
IF	PÜUG	ÚÝ	ÆGG İ G	ÆGG İ G	€	€	
IG	PÜUF	ÚÝ	ÆGG İ G	ÆGG İ G	€	€	
IH	ÖÖÖÖG	ÚÝ	ÆGG	ÆGG	€	€	
II	ÖÖÖÖF	ÚÝ	ÆGG	ÆGG	€	€	
Iİ	ÖÖÖÖH	ÚÝ	ÆGG İ İ	ÆGG İ İ	€	€	
Iİ	ÖÖÖÖG	ÚÝ	ÆGG JJ	ÆGG JJ	€	€	
Iİ	ÖÖÖÖH	ÚÝ	ÆGG JJ	ÆGG JJ	€	€	
Iİ	ÖÖÖÖG	ÚÝ	ÆGG JJ	ÆGG JJ	€	€	
IJ	ÖÖÖÖF	ÚÝ	ÆGG JJ	ÆGG JJ	€	€	

A Ya Vyf'8]gI'Vi hYX'@ UXg'f6 @' ") : =W'K]bX'@ UX'fB?\$tL'f' c bh]bi YXL

	T ^{ à^/Áæ^}	Öâ^&ç	ÚçæÁ æ } æ á^Z De} Ö) á Á æ } æ á^Z De} Ö} ÚçæÁ } &ç	ŽčÁ á	Ö) á Á } &ç	ŽčÁ á
F I I	T ÚÁÇSÛP ÖH	ÚÝ	ŔEF	ŔEF	€	€
F I Í	T ÚÁÇSÛP ÖG	ÚÝ	ŔEF	ŔEF	€	€
F I Î	T ÚÁÇSÛP ÖF	ÚÝ	ŔEF	ŔEF	€	€
F I Ï	P ÚÛH	ÚÝ	ŔEF Í Í	ŔEF Í Í	€	€
F I Î	P ÚÛG	ÚÝ	ŔEF Í Í	ŔEF Í Í	€	€
F I J	P ÚÛF	ÚÝ	ŔEF Í Í	ŔEF Í Í	€	€
F J €	Ø ØÖÖG	ÚÝ	ŔEF Í I	ŔEF Í I	€	€
F J F	Ø ØÖÖF	ÚÝ	ŔEF Í I	ŔEF Í I	€	€
F J G	Ø ØÖÖH	ÚÝ	ŔEF H I	ŔEF H I	€	€
F J H	Ø ØÖÖG	ÚÝ	ŔEF Í F	ŔEF Í F	€	€
F J I	Ø ØÖÖGH	ÚÝ	ŔEF Í F	ŔEF Í F	€	€
F J Í	Ø ØÖÖGG	ÚÝ	ŔEF Í F	ŔEF Í F	€	€
F J Î	Ø ØÖÖGF	ÚÝ	ŔEF Í F	ŔEF Í F	€	€
F J Ï	Ø ØÖÖGE	ÚÝ	ŔEF Í F	ŔEF Í F	€	€
F J Î	Ø ØÖÖFJ	ÚÝ	ŔEF Í F	ŔEF Í F	€	€
F J J	Ø ØÖÖFÌ	ÚÝ	ŔEF Í F	ŔEF Í F	€	€
G € €	Ø ØÖÖFÌ	ÚÝ	ŔEF Í F	ŔEF Í F	€	€
G € F	Ø ØÖÖFÌ	ÚÝ	ŔEF Í F	ŔEF Í F	€	€
G € G	Ø ØÖÖFÌ	ÚÝ	ŔEF Í F	ŔEF Í F	€	€
G € H	Ø ØÖÖFÌ	ÚÝ	ŔEF Í F	ŔEF Í F	€	€
G € Í	Ø ØÖÖFH	ÚÝ	ŔEF Í F	ŔEF Í F	€	€
G € Î	Ø ØÖÖFG	ÚÝ	ŔEF Í F	ŔEF Í F	€	€
G € Î	Ø ØÖÖFF	ÚÝ	ŔEF Í F	ŔEF Í F	€	€
G € Î	Ø ØÖÖF€	ÚÝ	ŔEF Í F	ŔEF Í F	€	€
G € Î	Ø ØÖÖJ	ÚÝ	ŔEF Í F	ŔEF Í F	€	€
G € J	Ø ØÖÖÌ	ÚÝ	ŔEF Í F	ŔEF Í F	€	€
G € €	Ø ØÖÖÌ	ÚÝ	ŔEF Í F	ŔEF Í F	€	€
G € F	Ø ØÖÖÌ	ÚÝ	ŔEF Í F	ŔEF Í F	€	€
G € G	Ø ØÖÖÌ	ÚÝ	ŔEF Í F	ŔEF Í F	€	€
G € H	Ø ØÖÖÌ	ÚÝ	ŔEF Í F	ŔEF Í F	€	€
G € I	Ø ØÖÖH	ÚÝ	ŔEF Í F	ŔEF Í F	€	€
G € I	Ø ØÖÖG	ÚÝ	ŔEF Í F	ŔEF Í F	€	€
G € I	Ø ØÖÖF	ÚÝ	ŔEF Í F	ŔEF Í F	€	€
G € I	ÓÚÁÖÖFÌ	ÚÝ	ŔEF Í Í	ŔEF Í Í	€	€
G € I	ÓÚÁÖÖFÌ	ÚÝ	ŔEF Í Í	ŔEF Í Í	€	€
G € J	ÓÚÁÖÖFÌ	ÚÝ	ŔEF Í Í	ŔEF Í Í	€	€
G € €	ÓÚÁÖÖFÌ	ÚÝ	ŔEF Í Í	ŔEF Í Í	€	€
G € F	ÓÚÁÖÖFÌ	ÚÝ	ŔEF Í Í	ŔEF Í Í	€	€
G € G	ÓÚÁÖÖFH	ÚÝ	ŔEF Í Í	ŔEF Í Í	€	€
G € H	ÓÚÁÖÖFG	ÚÝ	ŔEF Í Í	ŔEF Í Í	€	€
G € I	ÓÚÁÖÖFF	ÚÝ	ŔEF Í Í	ŔEF Í Í	€	€
G € Î	ÓÚÁÖÖF€	ÚÝ	ŔEF Í Í	ŔEF Í Í	€	€
G € Î	ÓÚÁÖÖÙ	ÚÝ	ŔEF Í Í	ŔEF Í Í	€	€
G € Î	ÓÚÁÖÖÒ	ÚÝ	ŔEF Í Í	ŔEF Í Í	€	€
G € Î	ÓÚÁÖÖÒ	ÚÝ	ŔEF Í Í	ŔEF Í Í	€	€
G € J	ÓÚÁÖÖÒ	ÚÝ	ŔEF Í Í	ŔEF Í Í	€	€
G € €	ÓÚÁÖÖÒ	ÚÝ	ŔEF Í Í	ŔEF Í Í	€	€
G € F	ÓÚÁÖÖÒ	ÚÝ	ŔEF Í Í	ŔEF Í Í	€	€
G € G	ÓÚÁÖÖH	ÚÝ	ŔEF Í Í	ŔEF Í Í	€	€
G € H	ÓÚÁÖÖG	ÚÝ	ŔEF Í Í	ŔEF Í Í	€	€
G € I	ÓÚÁÖÖF	ÚÝ	ŔEF Í Í	ŔEF Í Í	€	€

A Ya Vyf'8]ghf]Vi hYX'@UXg'f6 @' '* : =WYK]bX'@UX'fB| \$tL

	T^ { à^! &aa^ }	Oã^ &aa }	ÚcáoA æ } á à^ &Z DãE Ö } áA æ } á à^ &Z DãE Ö } ÚcáoA } &aa }	ZdA á	Ö } áA } &aa }	ZdA á
F	Y VUÜH	ÚY	ËÈÈ Ì Ì	ËÈÈ Ì Ì	€	€
G	Y VUÜG	ÚY	ËÈÈ Ì Ì	ËÈÈ Ì Ì	€	€
H	Y VUÜF	ÚY	ËÈÈ Ì Ì	ËÈÈ Ì Ì	€	€
I	Y ÓU VÍ	ÚY	ËÈÈ Ì Ì	ËÈÈ Ì Ì	€	€
Í	Y ÓU VÍ	ÚY	ËÈÈ Ì Ì	ËÈÈ Ì Ì	€	€
Ī	Y ÓU VI	ÚY	ËÈÈ Ì Ì	ËÈÈ Ì Ì	€	€
ï	Y ÓU VH	ÚY	ËÈÈ Ì Ì	ËÈÈ Ì Ì	€	€
Ï	Y ÓU VG	ÚY	ËÈÈ Ì Ì	ËÈÈ Ì Ì	€	€
J	Y ÓU VF	ÚY	ËÈÈ Ì Ì	ËÈÈ Ì Ì	€	€
F€	XÖÜVG	ÚY	ËÈÈ Ì F	ËÈÈ Ì F	€	€
FF	XÖÜVGH	ÚY	ËÈÈ Ì F	ËÈÈ Ì F	€	€
FG	XÖÜVGG	ÚY	ËÈÈ Ì F	ËÈÈ Ì F	€	€
FH	XÖÜVGF	ÚY	ËÈÈ Ì F	ËÈÈ Ì F	€	€
FI	XÖÜVGE	ÚY	ËÈÈ Ì F	ËÈÈ Ì F	€	€
FÍ	XÖÜVFJ	ÚY	ËÈÈ Ì F	ËÈÈ Ì F	€	€
FĪ	XÖÜVFI	ÚY	ËÈÈ Ì F	ËÈÈ Ì F	€	€
fí	XÖÜVFÍ	ÚY	ËÈÈ Ì F	ËÈÈ Ì F	€	€
fī	XÖÜVFĪ	ÚY	ËÈÈ Ì F	ËÈÈ Ì F	€	€
FJ	XÖÜVFÍ	ÚY	ËÈÈ Ì F	ËÈÈ Ì F	€	€
GE	XÖÜVFI	ÚY	ËÈÈ Ì F	ËÈÈ Ì F	€	€
GF	XÖÜVFH	ÚY	ËÈÈ Ì F	ËÈÈ Ì F	€	€
GG	XÖÜVFG	ÚY	ËÈÈ Ì F	ËÈÈ Ì F	€	€
GH	XÖÜVFF	ÚY	ËÈÈ Ì F	ËÈÈ Ì F	€	€
G	XÖÜVFE	ÚY	ËÈÈ Ì F	ËÈÈ Ì F	€	€
G	XÖÜVJ	ÚY	ËÈÈ Ì F	ËÈÈ Ì F	€	€
G	XÖÜVÍ	ÚY	ËÈÈ Ì F	ËÈÈ Ì F	€	€
G	XÖÜVÍ	ÚY	ËÈÈ Ì F	ËÈÈ Ì F	€	€
G	XÖÜVÍ	ÚY	ËÈÈ Ì F	ËÈÈ Ì F	€	€
GJ	XÖÜVÍ	ÚY	ËÈÈ Ì F	ËÈÈ Ì F	€	€
H€	XÖÜVI	ÚY	ËÈÈ Ì F	ËÈÈ Ì F	€	€
HF	XÖÜVH	ÚY	ËÈÈ Ì F	ËÈÈ Ì F	€	€
HG	XÖÜVG	ÚY	ËÈÈ Ì F	ËÈÈ Ì F	€	€
HH	XÖÜVF	ÚY	ËÈÈ Ì F	ËÈÈ Ì F	€	€
H	ŰWÜÜÜVFG	ÚY	ËÈÈ Ì Ì	ËÈÈ Ì Ì	€	€
H	ŰWÜÜÜVFF	ÚY	ËÈÈ Ì Ì	ËÈÈ Ì Ì	€	€
H	ŰWÜÜÜVFE	ÚY	ËÈÈ Ì Ì	ËÈÈ Ì Ì	€	€
H	ŰWÜÜÜVJ	ÚY	ËÈÈ Ì Ì	ËÈÈ Ì Ì	€	€
H	ŰWÜÜÜVÍ	ÚY	ËÈÈ Ì Ì	ËÈÈ Ì Ì	€	€
HJ	ŰWÜÜÜVÍ	ÚY	ËÈÈ Ì Ì	ËÈÈ Ì Ì	€	€
I€	ŰWÜÜÜVÍ	ÚY	ËÈÈ Ì Ì	ËÈÈ Ì Ì	€	€
IF	ŰWÜÜÜVÍ	ÚY	ËÈÈ Ì Ì	ËÈÈ Ì Ì	€	€
IG	ŰWÜÜÜVI	ÚY	ËÈÈ Ì Ì	ËÈÈ Ì Ì	€	€
IH	ŰWÜÜÜVH	ÚY	ËÈÈ Ì Ì	ËÈÈ Ì Ì	€	€
II	ŰWÜÜÜVG	ÚY	ËÈÈ Ì Ì	ËÈÈ Ì Ì	€	€
IÍ	ŰWÜÜÜVF	ÚY	ËÈÈ Ì Ì	ËÈÈ Ì Ì	€	€
Ī	ŰCSG	ÚY	ËÈÈ Ì J	ËÈÈ Ì J	€	€
Ī	ŰCSF	ÚY	ËÈÈ Ì J	ËÈÈ Ì J	€	€
Ī	ŰCSH	ÚY	ËÈÈ Ì I	ËÈÈ Ì I	€	€
IJ	ŰCSAÜP̂H	ÚY	ËÈÈ Ì F	ËÈÈ Ì F	€	€
Í€	ŰCSAÜP̂G	ÚY	ËÈÈ Ì F	ËÈÈ Ì F	€	€
ÍF	ŰCSAÜP̂F	ÚY	ËÈÈ Ì F	ËÈÈ Ì F	€	€
ÍG	ŰCSAÜ	ÚY	ËÈÈ Ì Ì	ËÈÈ Ì Ì	€	€

A Ya Vyf'8]gfl]Vi hYX'@ UXg'f6 @' '* : =WYK]bX'@ UX'fB(\$tL'f7 c bh]bi YXL

	T^{ à^!Áæ^}	Öá^&á}	ÚçæÁ æ } æ à^Z ÐæÐæ Ò) áÁ æ } æ à^Z ÐæÐæ ÚçæÁ } &æá } ZæÁ á	Ò) áÁ } &æá } ZæÁ á		
í H	ÚŠÖ/ÓI	ÚÝ	ÆÆ Ì Í	ÆÆ Ì Í	€	€
í I	ÚŠÖ/ÓI	ÚÝ	ÆÆ Ì Í	ÆÆ Ì Í	€	€
í Í	ÚŠÖ/ÓH	ÚÝ	ÆÆ Ì Í	ÆÆ Ì Í	€	€
í Î	ÚŠÖ/ÓG	ÚÝ	ÆÆ Ì Í	ÆÆ Ì Í	€	€
í Ï	ÚŠÖ/ÓF	ÚÝ	ÆÆ Ì Í	ÆÆ Ì Í	€	€
í Ñ	T ÚÁÖÆ T ÖE	ÚÝ	ÆÆ F	ÆÆ F	€	€
í J	T ÚÁÖÆ T ÖH	ÚÝ	ÆÆ F	ÆÆ F	€	€
í €	T ÚÁÖÆ T ÖG	ÚÝ	ÆÆ F	ÆÆ F	€	€
í F	T ÚÁÖÆ T ÖF	ÚÝ	ÆÆ F	ÆÆ F	€	€
í G	T ÚÁÖÖVÖE	ÚÝ	ÆÆ F	ÆÆ F	€	€
í H	T ÚÁÖÖVÖH	ÚÝ	ÆÆ F	ÆÆ F	€	€
í I	T ÚÁÖÖVÖG	ÚÝ	ÆÆ F	ÆÆ F	€	€
í Í	T ÚÁÖÖVÖF	ÚÝ	ÆÆ F	ÆÆ F	€	€
í Î	T ÚÁÖŠÚP ÖE	ÚÝ	ÆÆ F	ÆÆ F	€	€
í Ï	T ÚÁÖŠÚP ÖH	ÚÝ	ÆÆ F	ÆÆ F	€	€
í Ñ	T ÚÁÖŠÚP ÖG	ÚÝ	ÆÆ F	ÆÆ F	€	€
í J	T ÚÁÖŠÚP ÖF	ÚÝ	ÆÆ F	ÆÆ F	€	€
í €	PÚUH	ÚÝ	ÆÆ Ì Í	ÆÆ Ì Í	€	€
í F	PÚUG	ÚÝ	ÆÆ Ì Í	ÆÆ Ì Í	€	€
í G	PÚUF	ÚÝ	ÆÆ Ì Í	ÆÆ Ì Í	€	€
í H	ÖÖÖG	ÚÝ	ÆÆ Ì Í	ÆÆ Ì Í	€	€
í I	ÖÖÖF	ÚÝ	ÆÆ Ì Í	ÆÆ Ì Í	€	€
í Í	ÖÖÖH	ÚÝ	ÆÆ H	ÆÆ H	€	€
í Î	ÖÖÖG	ÚÝ	ÆÆ Í F	ÆÆ Í F	€	€
í Ï	ÖÖÖGH	ÚÝ	ÆÆ Í F	ÆÆ Í F	€	€
í Ñ	ÖÖÖGG	ÚÝ	ÆÆ Í F	ÆÆ Í F	€	€
í J	ÖÖÖGF	ÚÝ	ÆÆ Í F	ÆÆ Í F	€	€
í €	ÖÖÖGE	ÚÝ	ÆÆ Í F	ÆÆ Í F	€	€
í F	ÖÖÖFJ	ÚÝ	ÆÆ Í F	ÆÆ Í F	€	€
í G	ÖÖÖFI	ÚÝ	ÆÆ Í F	ÆÆ Í F	€	€
í H	ÖÖÖFI	ÚÝ	ÆÆ Í F	ÆÆ Í F	€	€
í I	ÖÖÖFI	ÚÝ	ÆÆ Í F	ÆÆ Í F	€	€
í Í	ÖÖÖFI	ÚÝ	ÆÆ Í F	ÆÆ Í F	€	€
í Î	ÖÖÖFH	ÚÝ	ÆÆ Í F	ÆÆ Í F	€	€
í Ï	ÖÖÖFG	ÚÝ	ÆÆ Í F	ÆÆ Í F	€	€
í J	ÖÖÖFF	ÚÝ	ÆÆ Í F	ÆÆ Í F	€	€
J€	ÖÖÖFE	ÚÝ	ÆÆ Í F	ÆÆ Í F	€	€
JF	ÖÖÖJ	ÚÝ	ÆÆ Í F	ÆÆ Í F	€	€
JG	ÖÖÖI	ÚÝ	ÆÆ Í F	ÆÆ Í F	€	€
JH	ÖÖÖI	ÚÝ	ÆÆ Í F	ÆÆ Í F	€	€
JI	ÖÖÖI	ÚÝ	ÆÆ Í F	ÆÆ Í F	€	€
JÍ	ÖÖÖI	ÚÝ	ÆÆ Í F	ÆÆ Í F	€	€
JÎ	ÖÖÖI	ÚÝ	ÆÆ Í F	ÆÆ Í F	€	€
JÏ	ÖÖÖH	ÚÝ	ÆÆ Í F	ÆÆ Í F	€	€
JÑ	ÖÖÖG	ÚÝ	ÆÆ Í F	ÆÆ Í F	€	€
JJ	ÖÖÖF	ÚÝ	ÆÆ Í F	ÆÆ Í F	€	€
F€	ÖÜÖÖFI	ÚÝ	ÆÆ Ì Í	ÆÆ Ì Í	€	€
FÆ	ÖÜÖÖFI	ÚÝ	ÆÆ Ì Í	ÆÆ Ì Í	€	€
F€G	ÖÜÖÖFI	ÚÝ	ÆÆ Ì Í	ÆÆ Ì Í	€	€
F€H	ÖÜÖÖFI	ÚÝ	ÆÆ Ì Í	ÆÆ Ì Í	€	€
F€I	ÖÜÖÖFI	ÚÝ	ÆÆ Ì Í	ÆÆ Ì Í	€	€

A Ya Vyf'8 jgfvIvi hYX'@ UXg'f6 @' '* : =WYK jbx'@ UX'fB(\$tL'f7 c bhpi YXL

	T{ à^!Áæ^	Öá^&ç	ÚçæÓÁ æ } æ à^Z DæHÉÒ) áÁÆ æ } æ à^Z DæHÉ ÚçæÓÁ &æç } ŽdÁ á	Ó) áÁÆ &æç } ŽdÁ á		
FÉ	ÓUÓÓÓFH	ÚÝ	ÆÉÉ ÍÍ	ÆÉÉ ÍÍ	€	€
FÉ	ÓUÓÓÓFG	ÚÝ	ÆÉÉ ÍÍ	ÆÉÉ ÍÍ	€	€
FÉ	ÓUÓÓÓFF	ÚÝ	ÆÉÉ ÍÍ	ÆÉÉ ÍÍ	€	€
FÉ	ÓUÓÓÓF€	ÚÝ	ÆÉÉ ÍÍ	ÆÉÉ ÍÍ	€	€
FÉJ	ÓUÓÓÓU	ÚÝ	ÆÉÉ ÍÍ	ÆÉÉ ÍÍ	€	€
FF€	ÓUÓÓÓÌ	ÚÝ	ÆÉÉ ÍÍ	ÆÉÉ ÍÍ	€	€
FFF	ÓUÓÓÓÌ	ÚÝ	ÆÉÉ ÍÍ	ÆÉÉ ÍÍ	€	€
FFG	ÓUÓÓÓÌ	ÚÝ	ÆÉÉ ÍÍ	ÆÉÉ ÍÍ	€	€
FFH	ÓUÓÓÓÌ	ÚÝ	ÆÉÉ ÍÍ	ÆÉÉ ÍÍ	€	€
FFI	ÓUÓÓÓÌ	ÚÝ	ÆÉÉ ÍÍ	ÆÉÉ ÍÍ	€	€
FFÍ	ÓUÓÓÓH	ÚÝ	ÆÉÉ ÍÍ	ÆÉÉ ÍÍ	€	€
FFÌ	ÓUÓÓÓG	ÚÝ	ÆÉÉ ÍÍ	ÆÉÉ ÍÍ	€	€
FFÌ	ÓUÓÓÓF	ÚÝ	ÆÉÉ ÍÍ	ÆÉÉ ÍÍ	€	€
FFÌ	Y VUÚH	ÚÝ	ÆEG	ÆEG	€	€
FFJ	Y VUÚG	ÚÝ	ÆEG	ÆEG	€	€
FGE	Y VUÚF	ÚÝ	ÆEG	ÆEG	€	€
FGF	Y ÓUVÍ	ÚÝ	ÆEG	ÆEG	€	€
FGG	Y ÓUVÍ	ÚÝ	ÆEG	ÆEG	€	€
FGH	Y ÓUVI	ÚÝ	ÆEG	ÆEG	€	€
FG	Y ÓUVH	ÚÝ	ÆEG	ÆEG	€	€
FG	Y ÓUVG	ÚÝ	ÆEG	ÆEG	€	€
FG	Y ÓUVF	ÚÝ	ÆEG	ÆEG	€	€
FG	XÓUVG	ÚÝ	ÆÉÉ JJ	ÆÉÉ JJ	€	€
FG	XÓUVGH	ÚÝ	ÆÉÉ JJ	ÆÉÉ JJ	€	€
FGJ	XÓUVGG	ÚÝ	ÆÉÉ JJ	ÆÉÉ JJ	€	€
FHE	XÓUVGF	ÚÝ	ÆÉÉ JJ	ÆÉÉ JJ	€	€
FHF	XÓUVGE	ÚÝ	ÆÉÉ JJ	ÆÉÉ JJ	€	€
FHG	XÓUVFJ	ÚÝ	ÆÉÉ JJ	ÆÉÉ JJ	€	€
FHH	XÓUVFI	ÚÝ	ÆÉÉ JJ	ÆÉÉ JJ	€	€
FH	XÓUVFI	ÚÝ	ÆÉÉ JJ	ÆÉÉ JJ	€	€
FH	XÓUVFI	ÚÝ	ÆÉÉ JJ	ÆÉÉ JJ	€	€
FH	XÓUVFI	ÚÝ	ÆÉÉ JJ	ÆÉÉ JJ	€	€
FH	XÓUVFI	ÚÝ	ÆÉÉ JJ	ÆÉÉ JJ	€	€
FH	XÓUVFI	ÚÝ	ÆÉÉ JJ	ÆÉÉ JJ	€	€
FH	XÓUVFI	ÚÝ	ÆÉÉ JJ	ÆÉÉ JJ	€	€
FH	XÓUVFH	ÚÝ	ÆÉÉ JJ	ÆÉÉ JJ	€	€
FHU	XÓUVFG	ÚÝ	ÆÉÉ JJ	ÆÉÉ JJ	€	€
FI€	XÓUVFF	ÚÝ	ÆÉÉ JJ	ÆÉÉ JJ	€	€
FI F	XÓUVF€	ÚÝ	ÆÉÉ JJ	ÆÉÉ JJ	€	€
FIG	XÓUVJ	ÚÝ	ÆÉÉ JJ	ÆÉÉ JJ	€	€
FI H	XÓUVÍ	ÚÝ	ÆÉÉ JJ	ÆÉÉ JJ	€	€
FI I	XÓUVÍ	ÚÝ	ÆÉÉ JJ	ÆÉÉ JJ	€	€
FI Í	XÓUVÍ	ÚÝ	ÆÉÉ JJ	ÆÉÉ JJ	€	€
FI Î	XÓUVÍ	ÚÝ	ÆÉÉ JJ	ÆÉÉ JJ	€	€
FI Ì	XÓUVI	ÚÝ	ÆÉÉ JJ	ÆÉÉ JJ	€	€
FI Ì	XÓUVH	ÚÝ	ÆÉÉ JJ	ÆÉÉ JJ	€	€
FI J	XÓUVG	ÚÝ	ÆÉÉ JJ	ÆÉÉ JJ	€	€
FI €	XÓUVF	ÚÝ	ÆÉÉ JJ	ÆÉÉ JJ	€	€
FÍ F	ÚWUUUVFG	ÚÝ	ÆEF	ÆEF	€	€
FÍ G	ÚWUUUVFF	ÚÝ	ÆEF	ÆEF	€	€
FÍ H	ÚWUUUVF€	ÚÝ	ÆEF	ÆEF	€	€
FÍ I	ÚWUUUVJ	ÚÝ	ÆEF	ÆEF	€	€
FÍ Í	ÚWUUUVÍ	ÚÝ	ÆEF	ÆEF	€	€
FÍ Î	ÚWUUUVÍ	ÚÝ	ÆEF	ÆEF	€	€

A Ya Vyf'8 jgfiVi hYX' @ UXg'f6 @ ' * . : =\WK jbx' @ UX'fB(\$tL'f7 c b h j i YXL

	T ^{ à^! Á ã^ ^}	Öã^&çá}	ÚçáoÁ ã} ã à^ Ž ĐđđĐĐ) áÁ ã} ã à^ Ž ĐđđĐĐ	ÚçáoÁ ã} ã à^ Ž ĐđđĐĐ	ÚçáoÁ ã} ã à^ Ž ĐđđĐĐ	ŽđÁ á	Ò) áÁ ã} ã à^ Ž ĐđđĐĐ	ŽđÁ á
GEJ	ÖÜÖÍ	ÚÝ	ĚĚĚ JJ	ĚĚĚ JJ	€	€		
GF€	ÖÜÖİ	ÚÝ	ĚĚĚ JJ	ĚĚĚ JJ	€	€		
GFF	ÖÜÖÎ	ÚÝ	ĚĚĚ JJ	ĚĚĚ JJ	€	€		
GFG	ÖÜÖÍ	ÚÝ	ĚĚĚ JJ	ĚĚĚ JJ	€	€		
GFH	ÖÜÖI	ÚÝ	ĚĚĚ JJ	ĚĚĚ JJ	€	€		
GFI	ÖÜÖH	ÚÝ	ĚĚĚ JJ	ĚĚĚ JJ	€	€		
GFÍ	ÖÜÖG	ÚÝ	ĚĚĚ JJ	ĚĚĚ JJ	€	€		
GFĪ	ÖÜÖF	ÚÝ	ĚĚĚ JJ	ĚĚĚ JJ	€	€		
GFĪ	ÖÜÖÖFI	ÚÝ	ĚĚF	ĚĚF	€	€		
GFİ	ÖÜÖÖFI	ÚÝ	ĚĚF	ĚĚF	€	€		
GFJ	ÖÜÖÖFI	ÚÝ	ĚĚF	ĚĚF	€	€		
GGE	ÖÜÖÖFI	ÚÝ	ĚĚF	ĚĚF	€	€		
GGF	ÖÜÖÖFI	ÚÝ	ĚĚF	ĚĚF	€	€		
GGG	ÖÜÖÖFH	ÚÝ	ĚĚF	ĚĚF	€	€		
GGH	ÖÜÖÖFG	ÚÝ	ĚĚF	ĚĚF	€	€		
GGI	ÖÜÖÖFF	ÚÝ	ĚĚF	ĚĚF	€	€		
GGİ	ÖÜÖÖF€	ÚÝ	ĚĚF	ĚĚF	€	€		
GGĪ	ÖÜÖÖÜ	ÚÝ	ĚĚF	ĚĚF	€	€		
GGĪ	ÖÜÖÖÒ	ÚÝ	ĚĚF	ĚĚF	€	€		
GGĪ	ÖÜÖÖÒ	ÚÝ	ĚĚF	ĚĚF	€	€		
GGĪ	ÖÜÖÖÒ	ÚÝ	ĚĚF	ĚĚF	€	€		
GGĪ	ÖÜÖÖÒ	ÚÝ	ĚĚF	ĚĚF	€	€		
GHE	ÖÜÖÖÍ	ÚÝ	ĚĚF	ĚĚF	€	€		
GHF	ÖÜÖÖÒ	ÚÝ	ĚĚF	ĚĚF	€	€		
GHG	ÖÜÖÖH	ÚÝ	ĚĚF	ĚĚF	€	€		
GHI	ÖÜÖÖG	ÚÝ	ĚĚF	ĚĚF	€	€		
GHI	ÖÜÖÖF	ÚÝ	ĚĚF	ĚĚF	€	€		

A Ya Vyf'8 jgfiVi hYX' @ UXg'f6 @ ' + . : =\WK jbx' @ UX'fB+\$tL

	T ^{ à^! Á ã^ ^}	Öã^&çá}	ÚçáoÁ ã} ã à^ Ž ĐđđĐĐ) áÁ ã} ã à^ Ž ĐđđĐĐ	ÚçáoÁ ã} ã à^ Ž ĐđđĐĐ	ÚçáoÁ ã} ã à^ Ž ĐđđĐĐ	ŽđÁ á	Ò) áÁ ã} ã à^ Ž ĐđđĐĐ	ŽđÁ á
F	Y VUÚH	ÚÝ	ĚĚG	ĚĚG	€	€		
G	Y VUÚG	ÚÝ	ĚĚG	ĚĚG	€	€		
H	Y VUÚF	ÚÝ	ĚĚG	ĚĚG	€	€		
I	Y ÓUÚÍ	ÚÝ	ĚĚG	ĚĚG	€	€		
Í	Y ÓUÚÍ	ÚÝ	ĚĚG	ĚĚG	€	€		
Ī	Y ÓUÚI	ÚÝ	ĚĚG	ĚĚG	€	€		
Ī	Y ÓUÚH	ÚÝ	ĚĚG	ĚĚG	€	€		
Ī	Y ÓUÚG	ÚÝ	ĚĚG	ĚĚG	€	€		
J	Y ÓUÚF	ÚÝ	ĚĚG	ĚĚG	€	€		
F€	XÓUÚG	ÚÝ	ĚĚG GH	ĚĚG GH	€	€		
FF	XÓUÚGH	ÚÝ	ĚĚG GH	ĚĚG GH	€	€		
FG	XÓUÚGG	ÚÝ	ĚĚG GH	ĚĚG GH	€	€		
FH	XÓUÚGF	ÚÝ	ĚĚG GH	ĚĚG GH	€	€		
FI	XÓUÚG€	ÚÝ	ĚĚG GH	ĚĚG GH	€	€		
FÍ	XÓUÚFJ	ÚÝ	ĚĚG GH	ĚĚG GH	€	€		
FĪ	XÓUÚFI	ÚÝ	ĚĚG GH	ĚĚG GH	€	€		
FĪ	XÓUÚFI	ÚÝ	ĚĚG GH	ĚĚG GH	€	€		
FĪ	XÓUÚFI	ÚÝ	ĚĚG GH	ĚĚG GH	€	€		
FĪ	XÓUÚFI	ÚÝ	ĚĚG GH	ĚĚG GH	€	€		
FJ	XÓUÚFÍ	ÚÝ	ĚĚG GH	ĚĚG GH	€	€		
G€	XÓUÚFI	ÚÝ	ĚĚG GH	ĚĚG GH	€	€		
GF	XÓUÚFH	ÚÝ	ĚĚG GH	ĚĚG GH	€	€		
GG	XÓUÚFG	ÚÝ	ĚĚG GH	ĚĚG GH	€	€		

A Ya Vyf'8]g]f]Vi hYX'@ UXg'f6 @' + : =W'K]bX'@ UX'fB+\$tL'f7 c b]pi YXL

	T^ { à^!Äæ^}	Öã^&ç]	ÚçæbÁ æ } æ à^!Z DeIIIÖ) aÁr æ } æ à^!Z DeIIIÖ	ÚçæbÁ } &æç] ZcÄ á	Ö) áÄ] &æç] ZcÄ á	
GH	XÖUVFF	ÚÝ	ÆGGGH	ÆGGGH	€	€
G	XÖUVFE	ÚÝ	ÆGGGH	ÆGGGH	€	€
G	XÖUVJ	ÚÝ	ÆGGGH	ÆGGGH	€	€
G	XÖUVİ	ÚÝ	ÆGGGH	ÆGGGH	€	€
G	XÖUVÍ	ÚÝ	ÆGGGH	ÆGGGH	€	€
G	XÖUVİ	ÚÝ	ÆGGGH	ÆGGGH	€	€
G	XÖUVÍ	ÚÝ	ÆGGGH	ÆGGGH	€	€
GJ	XÖUVÍ	ÚÝ	ÆGGGH	ÆGGGH	€	€
H€	XÖUVI	ÚÝ	ÆGGGH	ÆGGGH	€	€
HF	XÖUVH	ÚÝ	ÆGGGH	ÆGGGH	€	€
HG	XÖUVG	ÚÝ	ÆGGGH	ÆGGGH	€	€
HH	XÖUVF	ÚÝ	ÆGGGH	ÆGGGH	€	€
HI	ÚWÚUUÚVFG	ÚÝ	ÆEF	ÆEF	€	€
HÍ	ÚWÚUUÚVFF	ÚÝ	ÆEF	ÆEF	€	€
Hİ	ÚWÚUUÚVFE	ÚÝ	ÆEF	ÆEF	€	€
HĪ	ÚWÚUUÚVJ	ÚÝ	ÆEF	ÆEF	€	€
Hİ	ÚWÚUUÚVİ	ÚÝ	ÆEF	ÆEF	€	€
HJ	ÚWÚUUÚVÍ	ÚÝ	ÆEF	ÆEF	€	€
I€	ÚWÚUUÚVİ	ÚÝ	ÆEF	ÆEF	€	€
IF	ÚWÚUUÚVÍ	ÚÝ	ÆEF	ÆEF	€	€
IG	ÚWÚUUÚVİ	ÚÝ	ÆEF	ÆEF	€	€
IH	ÚWÚUUÚVH	ÚÝ	ÆEF	ÆEF	€	€
II	ÚWÚUUÚVG	ÚÝ	ÆEF	ÆEF	€	€
IÍ	ÚWÚUUÚVF	ÚÝ	ÆEF	ÆEF	€	€
IĪ	ÜÖSG	ÚÝ	ÆEG	ÆEG	€	€
Iİ	ÜÖSF	ÚÝ	ÆEG	ÆEG	€	€
IĪ	ÜÖSH	ÚÝ	ÆEĪ Ī J	ÆEĪ Ī J	€	€
I J	ÜÖS/ÖU P H	ÚÝ	ÆEG	ÆEG	€	€
I€	ÜÖS/ÖU P G	ÚÝ	ÆEG	ÆEG	€	€
I F	ÜÖS/ÖU P F	ÚÝ	ÆEG	ÆEG	€	€
I G	ÜÖS/ÖI	ÚÝ	ÆEF	ÆEF	€	€
I H	ÜÖS/ÖI	ÚÝ	ÆEF	ÆEF	€	€
I I	ÜÖS/ÖI	ÚÝ	ÆEF	ÆEF	€	€
I İ	ÜÖS/ÖH	ÚÝ	ÆEF	ÆEF	€	€
I Ī	ÜÖS/ÖG	ÚÝ	ÆEF	ÆEF	€	€
I İ	ÜÖS/ÖF	ÚÝ	ÆEF	ÆEF	€	€
I Ī	T ÚÁÖCE T ÖE	ÚÝ	ÆEH	ÆEH	€	€
I J	T ÚÁÖCE T ÖH	ÚÝ	ÆEH	ÆEH	€	€
I€	T ÚÁÖCE T ÖG	ÚÝ	ÆEH	ÆEH	€	€
I F	T ÚÁÖCE T ÖE	ÚÝ	ÆEH	ÆEH	€	€
I G	T ÚÁÖÖVE	ÚÝ	ÆEH	ÆEH	€	€
I H	T ÚÁÖÖVEH	ÚÝ	ÆEH	ÆEH	€	€
I I	T ÚÁÖÖVEG	ÚÝ	ÆEH	ÆEH	€	€
I İ	T ÚÁÖÖVEF	ÚÝ	ÆEH	ÆEH	€	€
I Ī	T ÚÁÖSÜP ÖE	ÚÝ	ÆEH	ÆEH	€	€
I İ	T ÚÁÖSÜP ÖH	ÚÝ	ÆEH	ÆEH	€	€
I Ī	T ÚÁÖSÜP ÖG	ÚÝ	ÆEH	ÆEH	€	€
I J	T ÚÁÖSÜP ÖE	ÚÝ	ÆEH	ÆEH	€	€
I€	P U U H	ÚÝ	ÆEF	ÆEF	€	€
I F	P U U G	ÚÝ	ÆEF	ÆEF	€	€
I G	P U U F	ÚÝ	ÆEF	ÆEF	€	€
I H	ØØÖÖG	ÚÝ	ÆEG	ÆEG	€	€
I İ	ØØÖÖF	ÚÝ	ÆEG	ÆEG	€	€

A Ya Vyf'8]ghf]Vi hYX' @ UXg'f6 @ ' + : =W'K]bX' @ UX'fB+\$tL'f7 c bh]bi YXL

	T^{ à^!Àæ^}	Öã^&ç}	ÚçæÓÀ æ} æ à^Z DæÏÏÖ) áÁ æ} æ à^Z DæÏÏÖ	ÚçæÓÀ } æç} ŽdÁ á	Ò) áÁ } æç} ŽdÁ á	
Ï	ÖÖÖÖH	ÚÝ	ÆÆÆ Ì Ì	ÆÆÆ Ì Ì	€	€
Ï	ÖÖÖG	ÚÝ	ÆÆÆJGH	ÆÆÆJGH	€	€
Ï	ÖÖÖGH	ÚÝ	ÆÆÆJGH	ÆÆÆJGH	€	€
Ï	ÖÖÖGG	ÚÝ	ÆÆÆJGH	ÆÆÆJGH	€	€
ÏJ	ÖÖÖGF	ÚÝ	ÆÆÆJGH	ÆÆÆJGH	€	€
Ï€	ÖÖÖGÆ	ÚÝ	ÆÆÆJGH	ÆÆÆJGH	€	€
ÏF	ÖÖÖFJ	ÚÝ	ÆÆÆJGH	ÆÆÆJGH	€	€
ÏG	ÖÖÖFJ	ÚÝ	ÆÆÆJGH	ÆÆÆJGH	€	€
ÏH	ÖÖÖFJ	ÚÝ	ÆÆÆJGH	ÆÆÆJGH	€	€
ÏI	ÖÖÖFJ	ÚÝ	ÆÆÆJGH	ÆÆÆJGH	€	€
ÏÍ	ÖÖÖFJ	ÚÝ	ÆÆÆJGH	ÆÆÆJGH	€	€
ÏÏ	ÖÖÖFH	ÚÝ	ÆÆÆJGH	ÆÆÆJGH	€	€
ÏÏ	ÖÖÖFG	ÚÝ	ÆÆÆJGH	ÆÆÆJGH	€	€
ÏJ	ÖÖÖFF	ÚÝ	ÆÆÆJGH	ÆÆÆJGH	€	€
J€	ÖÖÖFÆ	ÚÝ	ÆÆÆJGH	ÆÆÆJGH	€	€
JF	ÖÖÖFJ	ÚÝ	ÆÆÆJGH	ÆÆÆJGH	€	€
JG	ÖÖÖFJ	ÚÝ	ÆÆÆJGH	ÆÆÆJGH	€	€
JH	ÖÖÖFJ	ÚÝ	ÆÆÆJGH	ÆÆÆJGH	€	€
JI	ÖÖÖFJ	ÚÝ	ÆÆÆJGH	ÆÆÆJGH	€	€
JÍ	ÖÖÖFJ	ÚÝ	ÆÆÆJGH	ÆÆÆJGH	€	€
JÏ	ÖÖÖFH	ÚÝ	ÆÆÆJGH	ÆÆÆJGH	€	€
JÏ	ÖÖÖFG	ÚÝ	ÆÆÆJGH	ÆÆÆJGH	€	€
JJ	ÖÖÖFF	ÚÝ	ÆÆÆJGH	ÆÆÆJGH	€	€
F€€	ÖÜÖÖÖF	ÚÝ	ÆÆÆ	ÆÆÆ	€	€
F€F	ÖÜÖÖÖF	ÚÝ	ÆÆÆ	ÆÆÆ	€	€
F€G	ÖÜÖÖÖF	ÚÝ	ÆÆÆ	ÆÆÆ	€	€
F€H	ÖÜÖÖÖF	ÚÝ	ÆÆÆ	ÆÆÆ	€	€
F€I	ÖÜÖÖÖF	ÚÝ	ÆÆÆ	ÆÆÆ	€	€
F€Ï	ÖÜÖÖÖFH	ÚÝ	ÆÆÆ	ÆÆÆ	€	€
F€Ï	ÖÜÖÖÖFG	ÚÝ	ÆÆÆ	ÆÆÆ	€	€
F€Ï	ÖÜÖÖÖFF	ÚÝ	ÆÆÆ	ÆÆÆ	€	€
F€Ï	ÖÜÖÖÖFÆ	ÚÝ	ÆÆÆ	ÆÆÆ	€	€
F€J	ÖÜÖÖÖJ	ÚÝ	ÆÆÆ	ÆÆÆ	€	€
FF€	ÖÜÖÖÖI	ÚÝ	ÆÆÆ	ÆÆÆ	€	€
FFF	ÖÜÖÖÖI	ÚÝ	ÆÆÆ	ÆÆÆ	€	€
FFG	ÖÜÖÖÖI	ÚÝ	ÆÆÆ	ÆÆÆ	€	€
FFH	ÖÜÖÖÖI	ÚÝ	ÆÆÆ	ÆÆÆ	€	€
FFI	ÖÜÖÖÖI	ÚÝ	ÆÆÆ	ÆÆÆ	€	€
FFÏ	ÖÜÖÖÖH	ÚÝ	ÆÆÆ	ÆÆÆ	€	€
FFÏ	ÖÜÖÖÖG	ÚÝ	ÆÆÆ	ÆÆÆ	€	€
FFÏ	ÖÜÖÖÖF	ÚÝ	ÆÆÆ	ÆÆÆ	€	€

A Ya Vyf'8]ghf]Vi hYX' @ UXg'f6 @ ' , : =W'K]bX' @ UX'fI \$\$\$tL

	T^{ à^!Àæ^}	Öã^&ç}	ÚçæÓÀ æ} æ à^Z DæÏÏÖ) áÁ æ} æ à^Z DæÏÏÖ	ÚçæÓÀ } æç} ŽdÁ á	Ò) áÁ } æç} ŽdÁ á	
F	Y VUÜH	ÚÝ	ÆÆÆ Ì Ì	ÆÆÆ Ì Ì	€	€
G	Y VUÜG	ÚÝ	ÆÆÆ Ì Ì	ÆÆÆ Ì Ì	€	€
H	Y VUÜF	ÚÝ	ÆÆÆ Ì Ì	ÆÆÆ Ì Ì	€	€
I	Y ÖUÏ	ÚÝ	ÆÆÆ Ì Ì	ÆÆÆ Ì Ì	€	€
Í	Y ÖUÏ	ÚÝ	ÆÆÆ Ì Ì	ÆÆÆ Ì Ì	€	€

A Ya Vyf 8 jgfv vi hYX' @ UXg' f6 @ ' , : =WYK jbx' @ UX' fl \$\$\$t: f7 c bhpi YXL

	T ^ { à^!Áæ^!	Öä^&ç! }	ÚæçóÁ æ } á à^ Ž Džžž Ö) áÁ æ } á à^ Ž Džžž ÚæçóÁ &æç! }	ŽdĂ á	Ö) áÁ &æç! }	ŽdĂ á
FF€	ÓÚÖÖÖ	ÚÝ	ÉÉÉÉ ÍÍ	ÉÉÉÉ ÍÍ	€	€
FFF	ÓÚÖÖÖ	ÚÝ	ÉÉÉÉ ÍÍ	ÉÉÉÉ ÍÍ	€	€
FFG	ÓÚÖÖÖ	ÚÝ	ÉÉÉÉ ÍÍ	ÉÉÉÉ ÍÍ	€	€
FFH	ÓÚÖÖÖ	ÚÝ	ÉÉÉÉ ÍÍ	ÉÉÉÉ ÍÍ	€	€
FFI	ÓÚÖÖÖ	ÚÝ	ÉÉÉÉ ÍÍ	ÉÉÉÉ ÍÍ	€	€
FFÍ	ÓÚÖÖÖH	ÚÝ	ÉÉÉÉ ÍÍ	ÉÉÉÉ ÍÍ	€	€
FFĪ	ÓÚÖÖÖG	ÚÝ	ÉÉÉÉ ÍÍ	ÉÉÉÉ ÍÍ	€	€
FFî	ÓÚÖÖÖF	ÚÝ	ÉÉÉÉ ÍÍ	ÉÉÉÉ ÍÍ	€	€
FFÏ	Y VUÚH	ÚÝ	ÉÉÉ	ÉÉÉ	€	€
FFJ	Y VUÚG	ÚÝ	ÉÉÉ	ÉÉÉ	€	€
FG€	Y VUÚF	ÚÝ	ÉÉÉ	ÉÉÉ	€	€
FGF	Y ÓU VÍ	ÚÝ	ÉÉÉ	ÉÉÉ	€	€
FGG	Y ÓU VÍ	ÚÝ	ÉÉÉ	ÉÉÉ	€	€
FGH	Y ÓU VÍ	ÚÝ	ÉÉÉ	ÉÉÉ	€	€
FG	Y ÓU VH	ÚÝ	ÉÉÉ	ÉÉÉ	€	€
FG	Y ÓU VG	ÚÝ	ÉÉÉ	ÉÉÉ	€	€
FG	Y ÓU VF	ÚÝ	ÉÉÉ	ÉÉÉ	€	€
FG	XÓUVG	ÚÝ	ÉÉÉ JJ	ÉÉÉ JJ	€	€
FG	XÓUVGH	ÚÝ	ÉÉÉ JJ	ÉÉÉ JJ	€	€
FGJ	XÓUVGG	ÚÝ	ÉÉÉ JJ	ÉÉÉ JJ	€	€
FH€	XÓUVGF	ÚÝ	ÉÉÉ JJ	ÉÉÉ JJ	€	€
FHF	XÓUVGE	ÚÝ	ÉÉÉ JJ	ÉÉÉ JJ	€	€
FHG	XÓUVFJ	ÚÝ	ÉÉÉ JJ	ÉÉÉ JJ	€	€
FHH	XÓUVFI	ÚÝ	ÉÉÉ JJ	ÉÉÉ JJ	€	€
FH	XÓUVFI	ÚÝ	ÉÉÉ JJ	ÉÉÉ JJ	€	€
FH	XÓUVFI	ÚÝ	ÉÉÉ JJ	ÉÉÉ JJ	€	€
FH	XÓUVFI	ÚÝ	ÉÉÉ JJ	ÉÉÉ JJ	€	€
FH	XÓUVFI	ÚÝ	ÉÉÉ JJ	ÉÉÉ JJ	€	€
FH	XÓUVFI	ÚÝ	ÉÉÉ JJ	ÉÉÉ JJ	€	€
FH	XÓUVFH	ÚÝ	ÉÉÉ JJ	ÉÉÉ JJ	€	€
FHJ	XÓUVFG	ÚÝ	ÉÉÉ JJ	ÉÉÉ JJ	€	€
FI €	XÓUVFF	ÚÝ	ÉÉÉ JJ	ÉÉÉ JJ	€	€
FI F	XÓUVF€	ÚÝ	ÉÉÉ JJ	ÉÉÉ JJ	€	€
FIG	XÓUVJ	ÚÝ	ÉÉÉ JJ	ÉÉÉ JJ	€	€
FI H	XÓUVI	ÚÝ	ÉÉÉ JJ	ÉÉÉ JJ	€	€
FI I	XÓUVI	ÚÝ	ÉÉÉ JJ	ÉÉÉ JJ	€	€
FI Í	XÓUVÍ	ÚÝ	ÉÉÉ JJ	ÉÉÉ JJ	€	€
FI Ī	XÓUVI	ÚÝ	ÉÉÉ JJ	ÉÉÉ JJ	€	€
FI î	XÓUVI	ÚÝ	ÉÉÉ JJ	ÉÉÉ JJ	€	€
FI ï	XÓUVH	ÚÝ	ÉÉÉ JJ	ÉÉÉ JJ	€	€
FI J	XÓUVG	ÚÝ	ÉÉÉ JJ	ÉÉÉ JJ	€	€
FÍ €	XÓUVF	ÚÝ	ÉÉÉ JJ	ÉÉÉ JJ	€	€
FÍ F	ÚWÚÚÚVFG	ÚÝ	ÉÉÉ	ÉÉÉ	€	€
FÍ G	ÚWÚÚÚVFF	ÚÝ	ÉÉÉ	ÉÉÉ	€	€
FÍ H	ÚWÚÚÚVF€	ÚÝ	ÉÉÉ	ÉÉÉ	€	€
FÍ I	ÚWÚÚÚVJ	ÚÝ	ÉÉÉ	ÉÉÉ	€	€
FÍ Í	ÚWÚÚÚVÍ	ÚÝ	ÉÉÉ	ÉÉÉ	€	€
FÍ Ī	ÚWÚÚÚVĪ	ÚÝ	ÉÉÉ	ÉÉÉ	€	€
FÍ î	ÚWÚÚÚVÍ	ÚÝ	ÉÉÉ	ÉÉÉ	€	€
FÍ ï	ÚWÚÚÚVÍ	ÚÝ	ÉÉÉ	ÉÉÉ	€	€
FÍ €	ÚWÚÚÚVH	ÚÝ	ÉÉÉ	ÉÉÉ	€	€
FÍ F	ÚWÚÚÚVVG	ÚÝ	ÉÉÉ	ÉÉÉ	€	€



Ô{ }æ^ K ÚÚÖ
 Ô•ã}^! K RP
 R àÁ`{ à^! K GGFHFJJ
 T[à^!Áæ ^ K IîîHÍJ

P[çÁ ËGG
 I KUÁÇE
 Ô@&^áÁÖK''''

A Ya Vyf'8]ghf]Vi hyX' @ UXg'f6 @ ' , : =WK]bX' @ UX'fl \$\$\$L'f7 c b]bi YXL

	T{ à^!Áæ^	Öã^&ç	ÚçæÁ æ } æ á^Z DGGÖ) áÁ æ } æ á^Z DGGÖ	ÚçæÁ } &çç } ZçÁ á	Ö) áÁ } &çç } ZçÁ á	
FÍ G	ÚWÚÚÚÚVF	ÚÝ	ËËF	ËËF	€	€
FÍ H	ÚÖKSG	ÚÝ	ËËF	ËËF	€	€
FÍ I	ÚÖKSF	ÚÝ	ËËF	ËËF	€	€
FÍ Í	ÚÖKSH	ÚÝ	ËËÉ Ì H	ËËÉ Ì H	€	€
FÍ Î	ÚÖKŠÓUPH	ÚÝ	ËËF	ËËF	€	€
FÍ Ī	ÚÖKŠÓUPG	ÚÝ	ËËF	ËËF	€	€
FÍ Ì	ÚÖKŠÓUPF	ÚÝ	ËËF	ËËF	€	€
FÍ J	ÚŠÖVÓI	ÚÝ	ËËF	ËËF	€	€
FÍ €	ÚŠÖVÓI	ÚÝ	ËËF	ËËF	€	€
FÍ F	ÚŠÖVÓI	ÚÝ	ËËF	ËËF	€	€
FÍ G	ÚŠÖVÓH	ÚÝ	ËËF	ËËF	€	€
FÍ H	ÚŠÖVÓG	ÚÝ	ËËF	ËËF	€	€
FÍ I	ÚŠÖVÓF	ÚÝ	ËËF	ËËF	€	€
FÍ Í	T ÚÁÖÇE T ÖE	ÚÝ	ËËG	ËËG	€	€
FÍ Î	T ÚÁÖÇE T ÖH	ÚÝ	ËËG	ËËG	€	€
FÍ Ī	T ÚÁÖÇE T ÖG	ÚÝ	ËËG	ËËG	€	€
FÍ Ì	T ÚÁÖÇE T ÖF	ÚÝ	ËËG	ËËG	€	€
FÍ J	T ÚÁÖÇVÖE	ÚÝ	ËËG	ËËG	€	€
FÍ €	T ÚÁÖÇVÖH	ÚÝ	ËËG	ËËG	€	€
FÍ F	T ÚÁÖÇVÖG	ÚÝ	ËËG	ËËG	€	€
FÍ G	T ÚÁÖÇVÖF	ÚÝ	ËËG	ËËG	€	€
FÍ H	T ÚÁÖÇŠÜPÖE	ÚÝ	ËËG	ËËG	€	€
FÍ I	T ÚÁÖÇŠÜPÖH	ÚÝ	ËËG	ËËG	€	€
FÍ Í	T ÚÁÖÇŠÜPÖG	ÚÝ	ËËG	ËËG	€	€
FÍ Ì	T ÚÁÖÇŠÜPÖF	ÚÝ	ËËG	ËËG	€	€
FÍ Ī	PÚUH	ÚÝ	ËËÇĪ G	ËËÇĪ G	€	€
FÍ Ì	PÚUG	ÚÝ	ËËÇĪ G	ËËÇĪ G	€	€
FÍ J	PÚUF	ÚÝ	ËËÇĪ G	ËËÇĪ G	€	€
FJ€	ÖÖÖÖG	ÚÝ	ËËG	ËËG	€	€
FJF	ÖÖÖÖF	ÚÝ	ËËG	ËËG	€	€
FJG	ÖÖÖÖH	ÚÝ	ËËÉ Ī Ī	ËËÉ Ī Ī	€	€
FJH	ÖÖÖÖG	ÚÝ	ËËÉ JJ	ËËÉ JJ	€	€
FJI	ÖÖÖÖCH	ÚÝ	ËËÉ JJ	ËËÉ JJ	€	€
FJÍ	ÖÖÖÖGG	ÚÝ	ËËÉ JJ	ËËÉ JJ	€	€
FJĪ	ÖÖÖÖCF	ÚÝ	ËËÉ JJ	ËËÉ JJ	€	€
FJİ	ÖÖÖÖCE	ÚÝ	ËËÉ JJ	ËËÉ JJ	€	€
FJĴ	ÖÖÖÖFJ	ÚÝ	ËËÉ JJ	ËËÉ JJ	€	€
FJJ	ÖÖÖÖFI	ÚÝ	ËËÉ JJ	ËËÉ JJ	€	€
G€€	ÖÖÖÖFI	ÚÝ	ËËÉ JJ	ËËÉ JJ	€	€
G€F	ÖÖÖÖFI	ÚÝ	ËËÉ JJ	ËËÉ JJ	€	€
G€G	ÖÖÖÖFI	ÚÝ	ËËÉ JJ	ËËÉ JJ	€	€
G€H	ÖÖÖÖFI	ÚÝ	ËËÉ JJ	ËËÉ JJ	€	€
G€I	ÖÖÖÖFH	ÚÝ	ËËÉ JJ	ËËÉ JJ	€	€
G€Í	ÖÖÖÖFG	ÚÝ	ËËÉ JJ	ËËÉ JJ	€	€
G€Ī	ÖÖÖÖFF	ÚÝ	ËËÉ JJ	ËËÉ JJ	€	€
G€Ĵ	ÖÖÖÖF€	ÚÝ	ËËÉ JJ	ËËÉ JJ	€	€
G€Ĵ	ÖÖÖÖJ	ÚÝ	ËËÉ JJ	ËËÉ JJ	€	€
G€İ	ÖÖÖÖİ	ÚÝ	ËËÉ JJ	ËËÉ JJ	€	€
G€€	ÖÖÖÖİ	ÚÝ	ËËÉ JJ	ËËÉ JJ	€	€
GFF	ÖÖÖÖİ	ÚÝ	ËËÉ JJ	ËËÉ JJ	€	€
GFG	ÖÖÖÖİ	ÚÝ	ËËÉ JJ	ËËÉ JJ	€	€
GFI	ÖÖÖÖİ	ÚÝ	ËËÉ JJ	ËËÉ JJ	€	€

ÚÖÇHÖÁ^!•ã}^! Á Ī ĪGGĪGGĪKÖ[, } á Ī ĪHÍJaGGĪHFJJĐ[} ÖE æ á^Z ÁZY dÚÖÇHÜFGY ĒHáÁ Úæ^Á Ī €

A Ya Vyf'8]ghf]Vi hYX'@ UXg'f6 @' - : =WYK]bX'@ UX'fl' \$tL'f7 c bh]bi YXL

	T^{ à^!Áæ^}	Öá^&ç}	ÚçæÓÁ æ} æ à^Z DæHÈÒ) áÁÆ æ} æ à^Z DæHÈ ÚçæÓÁ &ç} ZçÁ á	Ò) áÁÆ &ç} ZçÁ á		
FÌI	T ÚÁÇSÚPQH	ÚÝ	ÆEF	ÆEF	€	€
FÌÍ	T ÚÁÇSÚPQG	ÚÝ	ÆEF	ÆEF	€	€
FÌÏ	T ÚÁÇSÚPQF	ÚÝ	ÆEF	ÆEF	€	€
FÌÏ	PÚUH	ÚÝ	ÆEF ÍÍ	ÆEF ÍÍ	€	€
FÌÏ	PÚUG	ÚÝ	ÆEF ÍÍ	ÆEF ÍÍ	€	€
FÌJ	PÚUF	ÚÝ	ÆEF ÍÍ	ÆEF ÍÍ	€	€
FJ€	ØØÓOH	ÚÝ	ÆEF ÍI	ÆEF ÍI	€	€
FJF	ØØÓOG	ÚÝ	ÆEF ÍI	ÆEF ÍI	€	€
FJG	ØØÓOF	ÚÝ	ÆEF HÍ	ÆEF HÍ	€	€
FJH	ØØÓG	ÚÝ	ÆEF Í F	ÆEF Í F	€	€
FJI	ØØÓGH	ÚÝ	ÆEF Í F	ÆEF Í F	€	€
FJÍ	ØØÓGG	ÚÝ	ÆEF Í F	ÆEF Í F	€	€
FJÏ	ØØÓGF	ÚÝ	ÆEF Í F	ÆEF Í F	€	€
FJÌ	ØØÓGE	ÚÝ	ÆEF Í F	ÆEF Í F	€	€
FJÌ	ØØÓFJ	ÚÝ	ÆEF Í F	ÆEF Í F	€	€
FJJ	ØØÓFÌ	ÚÝ	ÆEF Í F	ÆEF Í F	€	€
G€€	ØØÓFÌ	ÚÝ	ÆEF Í F	ÆEF Í F	€	€
G€F	ØØÓFÌ	ÚÝ	ÆEF Í F	ÆEF Í F	€	€
G€G	ØØÓFÌ	ÚÝ	ÆEF Í F	ÆEF Í F	€	€
G€H	ØØÓFÌ	ÚÝ	ÆEF Í F	ÆEF Í F	€	€
G€	ØØÓFH	ÚÝ	ÆEF Í F	ÆEF Í F	€	€
G€Í	ØØÓFG	ÚÝ	ÆEF Í F	ÆEF Í F	€	€
G€Ï	ØØÓFF	ÚÝ	ÆEF Í F	ÆEF Í F	€	€
G€Ì	ØØÓF€	ÚÝ	ÆEF Í F	ÆEF Í F	€	€
G€	ØØÓJ	ÚÝ	ÆEF Í F	ÆEF Í F	€	€
G€J	ØØÓÌ	ÚÝ	ÆEF Í F	ÆEF Í F	€	€
G€€	ØØÓÌ	ÚÝ	ÆEF Í F	ÆEF Í F	€	€
G€F	ØØÓÌ	ÚÝ	ÆEF Í F	ÆEF Í F	€	€
G€G	ØØÓÌ	ÚÝ	ÆEF Í F	ÆEF Í F	€	€
G€H	ØØÓI	ÚÝ	ÆEF Í F	ÆEF Í F	€	€
G€I	ØØÓH	ÚÝ	ÆEF Í F	ÆEF Í F	€	€
G€I	ØØÓG	ÚÝ	ÆEF Í F	ÆEF Í F	€	€
G€I	ØØÓF	ÚÝ	ÆEF Í F	ÆEF Í F	€	€
G€I	ÓÚÁÓÓFÌ	ÚÝ	ÆEF ÍÍ	ÆEF ÍÍ	€	€
G€I	ÓÚÁÓÓFÌ	ÚÝ	ÆEF ÍÍ	ÆEF ÍÍ	€	€
G€J	ÓÚÁÓÓFÌ	ÚÝ	ÆEF ÍÍ	ÆEF ÍÍ	€	€
G€€	ÓÚÁÓÓFÌ	ÚÝ	ÆEF ÍÍ	ÆEF ÍÍ	€	€
G€F	ÓÚÁÓÓFÌ	ÚÝ	ÆEF ÍÍ	ÆEF ÍÍ	€	€
G€G	ÓÚÁÓÓFH	ÚÝ	ÆEF ÍÍ	ÆEF ÍÍ	€	€
G€H	ÓÚÁÓÓFG	ÚÝ	ÆEF ÍÍ	ÆEF ÍÍ	€	€
G€I	ÓÚÁÓÓFF	ÚÝ	ÆEF ÍÍ	ÆEF ÍÍ	€	€
G€Ì	ÓÚÁÓÓF€	ÚÝ	ÆEF ÍÍ	ÆEF ÍÍ	€	€
G€Ï	ÓÚÁÓÓJ	ÚÝ	ÆEF ÍÍ	ÆEF ÍÍ	€	€
G€	ÓÚÁÓÓÌ	ÚÝ	ÆEF ÍÍ	ÆEF ÍÍ	€	€
G€	ÓÚÁÓÓÌ	ÚÝ	ÆEF ÍÍ	ÆEF ÍÍ	€	€
G€	ÓÚÁÓÓÌ	ÚÝ	ÆEF ÍÍ	ÆEF ÍÍ	€	€
G€J	ÓÚÁÓÓÌ	ÚÝ	ÆEF ÍÍ	ÆEF ÍÍ	€	€
G€€	ÓÚÁÓÓÌ	ÚÝ	ÆEF ÍÍ	ÆEF ÍÍ	€	€
G€F	ÓÚÁÓÓÌ	ÚÝ	ÆEF ÍÍ	ÆEF ÍÍ	€	€
G€G	ÓÚÁÓÓH	ÚÝ	ÆEF ÍÍ	ÆEF ÍÍ	€	€
G€H	ÓÚÁÓÓG	ÚÝ	ÆEF ÍÍ	ÆEF ÍÍ	€	€
G€I	ÓÚÁÓÓF	ÚÝ	ÆEF ÍÍ	ÆEF ÍÍ	€	€

A Ya Vyf'8]glf]Vi hYX' @ UXg'f6 @ (' : '6 @ ' " HfUbg]Ybh5 f YU @ UXgk

	T^ { à^/Áæ^ }	Öá^&çj }	ÚçæÓÁ æ } à^ á^ Ž Đ Æ Æ Æ Ó) áÁ æ } à^ á^ Ž Đ Æ Æ Æ ÚçæÓÁ &æçj } ŽčÁ á	ÚçæÓÁ æ } à^ á^ Ž Đ Æ Æ Æ Ó) áÁ æ } à^ á^ Ž Đ Æ Æ Æ ÚçæÓÁ &æçj } ŽčÁ á	ÚçæÓÁ æ } à^ á^ Ž Đ Æ Æ Æ Ó) áÁ æ } à^ á^ Ž Đ Æ Æ Æ ÚçæÓÁ &æçj } ŽčÁ á	ÚçæÓÁ æ } à^ á^ Ž Đ Æ Æ Æ Ó) áÁ æ } à^ á^ Ž Đ Æ Æ Æ ÚçæÓÁ &æçj } ŽčÁ á
F	ÚWÚÚÚÚVI	Z	ÆÆÆÆG Í	ÆÆÆÆG Í	€	È Í H
G	PÚUF	Z	ÆÆÆG	ÆÆÆH	€	È I J
H	PÚUF	Z	ÆÆÆH	ÆÆÆH	È I J	FÈ JÌ
I	PÚUF	Z	ÆÆÆH	ÆÆÆH	FÈ JÌ	GÈ ÍÌ
Í	PÚUF	Z	ÆÆÆH	ÆÆÆG	GÈ ÍÌ	HÈ ÚÍ
Î	PÚUF	Z	ÆÆÆG	ÆÆÆG	HÈ ÚÍ	I È JÌ
Ï	FÍJ	Z	ÆÆÆ ì FÌ	ÆÆÆ ì FÌ	€	È Í Ì
Ì	FÍÌ	Z	ÆÆÆG	ÆÆÆG	€	È Í Ì
J	FÍÌ	Z	ÆÆÆG	ÆÆÆG	€	È Í Ì
F€	FÍH	Z	ÆÆÆ HÚ	ÆÆÆ HÚ	€	È Í Ì
FF	FÍG	Z	ÆÆÆF	ÆÆÆF	€	È Í Ì
FG	ÚWÚÚÚÚVH	Z	ÆÆÆÆG Í	ÆÆÆÆG Í	€	È Í H
FH	FÍÎ	Z	ÆÆÆG	ÆÆÆG	HÈ È ^ÆÈ	È Í Ì
FI	FÍÌ	Z	ÆÆÆG	ÆÆÆG	Ì È Ì ^ÆG	È Í Ì
FÌ	FÍF	Z	ÆÆÆ HÚ	ÆÆÆ HÚ	€	È Í Ì
FÌ	FÍ€	Z	ÆÆÆF	ÆÆÆF	€	È Í Ì
FÌ	FÌ	Z	ÆÆÆ ì FÌ	ÆÆÆ ì FÌ	€	È Í Ì
FÌ	ÚWÚÚÚÚVI	Z	ÆÆÆG	ÆÆÆG	€	È Í H
FJ	ÚWÚÚÚÚVI	Z	ÆÆÆG	ÆÆÆH	È Í H	FÈ ÍÌ
G€	ÚWÚÚÚÚVI	Z	ÆÆÆH	ÆÆÆH	FÈ ÍÌ	FÈ I J
GF	ÚWÚÚÚÚVI	Z	ÆÆÆH	ÆÆÆG	FÈ I J	GÈ HG
GG	ÚWÚÚÚÚVI	Z	ÆÆÆG	ÆÆÆF Í J	GÈ HG	GÈ FÌ
GH	ÚWÚÚÚÚVF	Z	ÆÆÆF	ÆÆÆG	€	È Í Ì
G	ÚWÚÚÚÚVF	Z	ÆÆÆG	ÆÆÆG	È Í Ì	È Í Ì
Ĝ	ÚWÚÚÚÚVF	Z	ÆÆÆG	ÆÆÆG	È Í Ì	FÈ HF
Ĝ	ÚWÚÚÚÚVF	Z	ÆÆÆG	ÆÆÆH	FÈ HF	FÈ ÈJ
Ĝ	ÚWÚÚÚÚVF	Z	ÆÆÆH	ÆÆÆ	FÈ ÈJ	GÈ ÍÌ
Ĝ	ÚŠÖVÖG	Z	ÆÆÆF	ÆÆÆH	€	È ÈG
GJ	ÚŠÖVÖG	Z	ÆÆÆH	ÆÆÆH	È ÈG	È ÈH
H€	ÚŠÖVÖG	Z	ÆÆÆH	ÆÆÆ ì FÌ	È ÈH	È È
HF	PÚUF	Z	ÆÆÆGEG	ÆÆÆG	€	FÈ HG
HG	PÚUF	Z	ÆÆÆG	ÆÆÆH	FÈ HG	GÈ Í
HH	PÚUF	Z	ÆÆÆH	ÆÆÆG	GÈ Í	HÈ ÚÍ
HI	ÓÚÓÓÓÌ	Z	ÆÆÆÌ	ÆÆÆÌ	€	ÈG
HÍ	ÓÚÓÓÓÌ	Z	ÆÆÆÌ	ÆÆÆÌ	ÈG	È Í
HÌ	ÓÚÓÓÓÌ	Z	ÆÆÆÌ	ÆÆÆÌ	È Í	È Í Ì
HÌ	ÓÚÓÓÓÌ	Z	ÆÆÆÌ	ÆÆÆJ	È Í Ì	È JJ
HÌ	ÓÚÓÓÓÌ	Z	ÆÆÆJ	ÆÆÆÌ	È JJ	FÈ G
HJ	ÓÚÓÓÓÌ	Z	ÆÆÆG	ÆÆÆJ	€	È HG
I€	ÓÚÓÓÓÌ	Z	ÆÆÆJ	ÆÆÆFG	È HG	È Í Ì
IF	ÓÚÓÓÓÌ	Z	ÆÆÆFG	ÆÆÆJ	È Í Ì	È JÌ
IG	ÓÚÓÓÓÌ	Z	ÆÆÆJ	ÆÆÆÌ	È JÌ	FÈ G
IH	ÓÚÓÓÓÌ	Z	ÆÆÆÌ	ÆÆÆJ	FÈ G	FÈ Í J
IÌ	ÓÚÓÓÓÌ	Z	ÆÆÆÌ	ÆÆÆH	€	È FÌ
ÍÌ	ÓÚÓÓÓÌ	Z	ÆÆÆH	ÆÆÆG	È FÌ	È H
ÎÌ	ÓÚÓÓÓÌ	Z	ÆÆÆG	ÆÆÆÌ	È H	È Í
ÏÌ	ÓÚÓÓÓÌ	Z	ÆÆÆÌ	ÆÆÆJ	È Í	È Í Ì
ÏÌ	ÓÚÓÓÓÌ	Z	ÆÆÆJ	ÆÆÆF	È Í Ì	È Í H
IJ	FÍÌ	Z	ÆÆÆÌ	ÆÆÆÌ	€	È FÌ G
Í€	FÍÌ	Z	ÆÆÆÌ	ÆÆÆÆÍ	È FÌ G	È Í
ÍF	FÍÌ	Z	ÆÆÆÌ	ÆÆÆÌ	€	È JÌ
ÍG	FÍÌ	Z	ÆÆÆÌ	ÆÆÆG	È JÌ	È I J

A Ya Vyf'8]gf]Vi hYX' @ UXg'f6 @ (' : '6 @ ' " HfUbg]Ybh5 f YU @ UXgk'f7 c bhbi YXL

	T^{ à^!Áæ^}	Öá^&ç}	ÚçæÓ áæ } á à^Z ÐæÍÉÒ) áÁ áæ } á à^Z ÐæÍÉ ÚçæÓ } &ç} } ZçÁ á	Ò) áÁ } &ç} } ZçÁ á		
í H	FÍ	Z	ÆEG	ÆEF	ÆI J	ÆI
í I	FÍ	Z	GÉ G ^É	ÆEÍ	€	ÆI F
í Í	FÍ	Z	ÆEÍ	ÆEÍ	ÆI F	ÆI G
í Î	FÍ	Z	ÆEÍ	ÆEÇ	ÆI G	ÆFH
í Ï	FÍ	Z	ÆEÇ	ÆEÍ	ÆFH	ÆI
í Ñ	ÚWÚUUÜVH	Z	ÆEG	ÆEG	€	ÆI H
í J	ÚWÚUUÜVH	Z	ÆEG	ÆEÇ	ÆI H	FÆÍ
í €	ÚWÚUUÜVH	Z	ÆEÇ	ÆEÇ	FÆÍ	FÆI J
í F	ÚWÚUUÜVH	Z	ÆEÇ	ÆEG	FÆI J	GÉHG
í G	ÚWÚUUÜVH	Z	ÆEG	ÆEÇÍ G	GÉHG	GÉFI
í H	ÚWÚUUÜVG	Z	ÆEF	ÆEG	€	ÆÍ
í I	ÚWÚUUÜVG	Z	ÆEG	ÆEG	ÆÍ	ÆÍ
í Í	ÚWÚUUÜVG	Z	ÆEG	ÆEG	ÆÍ	FÆ HF
í Î	ÚWÚUUÜVG	Z	ÆEG	ÆEÇ	FÆ HF	FÆÉ
í Ï	ÚWÚUUÜVG	Z	ÆEÇ	ÆEÍ	FÆÉ	GÉÍ
í Ñ	ÚSÇV/ÖF	Z	ÆEF	ÆEÇ	€	ÆEG
í J	ÚSÇV/ÖF	Z	ÆEÇ	ÆEÇ	ÆEG	ÆÉH
í €	ÚSÇV/ÖF	Z	ÆEÇ	ÆEÇ Í FG	ÆÉH	ÆÉ
í F	ÓUÇÐÖH	Z	ÆEÍ	ÆEÍ	€	ÆG
í G	ÓUÇÐÖH	Z	ÆEÍ	ÆEÍ	ÆG	ÆÍ
í H	ÓUÇÐÖH	Z	ÆEÍ	ÆEÍ	ÆÍ	ÆÍ
í I	ÓUÇÐÖH	Z	ÆEÍ	ÆEJ	ÆÍ	ÆJJ
í Í	ÓUÇÐÖH	Z	ÆEJ	ÆEÍ	ÆJJ	FÆG
í Î	ÓUÇÐÖG	Z	ÆEG	ÆEJ	€	ÆHG
í Ï	ÓUÇÐÖG	Z	ÆEJ	ÆFG	ÆHG	ÆÍ
í J	ÓUÇÐÖG	Z	ÆEJ	ÆEJ	ÆÍ	ÆJÍ
í €	ÓUÇÐÖG	Z	ÆEÍ	ÆEJ	FÆG	FÆI J
í F	ÓUÇÐÖF	Z	ÆEÍ	ÆEÇ	€	ÆFI
í G	ÓUÇÐÖF	Z	ÆEÇ	ÆEG	ÆFI	ÆHH
í H	ÓUÇÐÖF	Z	ÆEG	ÆEÍ	ÆHH	ÆÍ
í I	ÓUÇÐÖF	Z	ÆEÍ	ÆEJ	ÆÍ	ÆÍ
í Í	ÓUÇÐÖF	Z	ÆEJ	ÆFF	ÆÍ	ÆIH
í Î	FÍ	Z	ÆEÍ	ÆEÍ	€	ÆIG
í Ï	FÍ	Z	ÆEÍ	ÆEÇÍ	ÆIG	ÆÍ
í J	FÍH	Z	ÆEÍ	ÆEÇ	€	ÆJÍ
í J	FÍH	Z	ÆEÍ	ÆEG	ÆJÍ	ÆI J
J€	FÍH	Z	ÆEG	ÆEF	ÆI J	ÆI
JF	FÍG	Z	ÆEÇÍ JÍ	ÆEÍ	€	ÆI F
JG	FÍG	Z	ÆEÍ	ÆEÍ	ÆI F	ÆI G
JH	FÍG	Z	ÆEÍ	ÆEÇ	ÆI G	ÆFH
JÍ	FÍG	Z	ÆEÇ	ÆEÍ	ÆFH	ÆÍ
JÍ	ÚWÚUUÜVÍ	Z	ÆEG	ÆEG	€	ÆIH
JÍ	ÚWÚUUÜVÍ	Z	ÆEG	ÆEÇ	ÆIH	FÆÍ
JÍ	ÚWÚUUÜVÍ	Z	ÆEÇ	ÆEÇ	FÆÍ	FÆI J
JÍ	ÚWÚUUÜVÍ	Z	ÆEÇ	ÆEG	FÆI J	GÉHG
JJ	ÚWÚUUÜVÍ	Z	ÆEG	ÆEÇÍ F	GÉHG	GÉFI
F€	ÚWÚUUÜVÍ	Z	ÆEF	ÆEG	€	ÆÍ
F€	ÚWÚUUÜVÍ	Z	ÆEG	ÆEG	ÆÍ	ÆÍ
F€G	ÚWÚUUÜVÍ	Z	ÆEG	ÆEG	ÆÍ	FÆ HF
F€H	ÚWÚUUÜVÍ	Z	ÆEG	ÆEÇ	FÆ HF	FÆÉ
F€	ÚWÚUUÜVÍ	Z	ÆEÇ	ÆEÍ	FÆÉ	GÉÍ

A Ya Vyf'8]gfl]Vi hYX'@ UXg'f6 @ (' : '6 @ ' "HfUbg]Ybh5 f YU@ UXgk'f7 c bh]bi YXL

	T ^{ à^!Áæ^	Öã^&ç	ÚçæÓ Á æ } æ à^!Áæ } Ò) á Á æ } æ à^!Áæ } ÚçæÓ Á æ } çæ á	Ò) á Á æ } çæ á	Ò) á Á æ } çæ á	Ò) á Á æ } çæ á
FÍ Ì	ÚWÚÚÚÚVÍ	Z	ÆEEF	ÆEEG	€	È Ì Ì
FÍ Ì	ÚWÚÚÚÚVÍ	Z	ÆEEG	ÆEEG	È Ì Ì	È Ì Ì
FÍ J	ÚWÚÚÚÚVÍ	Z	ÆEEG	ÆEEG	È Ì Ì	FÈ HF
FÍ €	ÚWÚÚÚÚVÍ	Z	ÆEEG	ÆEEH	FÈ HF	FÈ €J
FÍ F	ÚWÚÚÚÚVÍ	Z	ÆEEH	ÆEE	FÈ €J	GÈ Í
FÍ G	ÚSÇVÖH	Z	ÆEEF	ÆEEH	€	ÈEG
FÍ H	ÚSÇVÖH	Z	ÆEEH	ÆEEH	ÈEG	È EH
FÍ I	ÚSÇVÖH	Z	ÆEEH	ÆEE Ì FJ	È EH	È €
FÍ Í	ÓÚÇÐÒ	Z	ÆEEÍ	ÆEEÍ	€	ÈGÍ
FÍ Î	ÓÚÇÐÒ	Z	ÆEEÍ	ÆEEÍ	ÈGÍ	È Í
FÍ Ï	ÓÚÇÐÒ	Z	ÆEEÍ	ÆEEÍ	È Í	È Ì Ì
FÍ Ñ	ÓÚÇÐÒ	Z	ÆEEÍ	ÆEEJ	È Ì Ì	È JJ
FÍ J	ÓÚÇÐÒ	Z	ÆEEJ	ÆEEÍ	È JJ	FÈG
FÍ €	ÓÚÇÐÒ	Z	ÆEEG	ÆEEJ	€	ÈHG
FÍ F	ÓÚÇÐÒ	Z	ÆEEJ	ÆEEFG	ÈHG	È Í Ì
FÍ G	ÓÚÇÐÒ	Z	ÆEEFG	ÆEEJ	È Í Ì	ÈJÍ
FÍ H	ÓÚÇÐÒ	Z	ÆEEJ	ÆEEÍ	ÈJÍ	FÈG
FÍ I	ÓÚÇÐÒ	Z	ÆEEÍ	ÆEEJ	FÈG	FÈ Í J
FÍ Í	ÓÚÇÐÒ	Z	ÆEEÍ	ÆEEG	€	ÈFÍ
FÍ Î	ÓÚÇÐÒ	Z	ÆEEG	ÆEEG	ÈFÍ	ÈGH
FÍ Ï	ÓÚÇÐÒ	Z	ÆEEG	ÆEEÍ	ÈGH	È Í
FÍ Ñ	ÓÚÇÐÒ	Z	ÆEEÍ	ÆEEJ	È Í	È Ì Ì
FÍ J	ÓÚÇÐÒ	Z	ÆEEJ	ÆEEFF	È Ì Ì	È Í H
FÍ €	F€	Z	ÆEEÍ	ÆEEÍ	€	È Í G
FÍ F	F€	Z	ÆEEÍ	ÆEECF EF	È Í G	ÈGÍ
FÍ G	J	Z	ÆEEÍ	ÆEEÍ	€	ÈJÍ
FÍ H	J	Z	ÆEEÍ	ÆEEG	ÈJÍ	È Ì J
FÍ I	J	Z	ÆEEG	ÆEEF	È Ì J	ÈGÍ
FÍ Í	Ì	Z	ÆEEGÍ FF	ÆEEÍ	€	È Í F
FÍ Î	Ì	Z	ÆEEÍ	ÆEEÍ	È Í F	È Í G
FÍ Ï	Ì	Z	ÆEEÍ	ÆEEH	È Í G	ÈGFH
FÍ Ñ	Ì	Z	ÆEEH	ÆEEÍ	ÈGFH	ÈGÍ
FÍ J	ÚWÚÚÚÚVFF	Z	ÆEECF G Í	ÆEECF G Í	€	È Í H
FJ€	PÚUH	Z	ÆEEG	ÆEEH	€	È Í J
FJF	PÚUH	Z	ÆEEH	ÆEEH	È Í J	FÈ JÍ
FJG	PÚUH	Z	ÆEEH	ÆEEH	FÈ JÍ	GÈ Ì Ì
FJH	PÚUH	Z	ÆEEH	ÆEEG	GÈ Ì Ì	HÈUÍ
FJI	PÚUH	Z	ÆEEG	ÆEEG	HÈUÍ	Ì ÈGÍ
FJÍ	Ì Í	Z	ÆEE Ì FÍ	ÆEE Ì FÍ	€	È Í Ì
FJÏ	Ì Ì	Z	ÆEEG	ÆEEG	J ÈEG Ì EF	È Í Ì
FJÑ	Ì H	Z	ÆEEG	ÆEEG	€	È Í Ì
FJJ	HÍ	Z	ÆEEF	ÆEEF	€	È Í Ì
G€€	ÚWÚÚÚÚVFG	Z	ÆEECF G Í	ÆEECF G Í	€	È Í H
G€F	HÍ	Z	ÆEE Ì FÍ	ÆEE Ì FÍ	€	È Í Ì
G€G	HH	Z	ÆEEG	ÆEEG	€	È Í Ì
G€H	HG	Z	ÆEEG	ÆEEG	FÈ Ì Ì ^ È€	È Í Ì
G€I	GÍ	Z	ÆEE Ì HU	ÆEE Ì HU	€	È Í Ì
G€J	G	Z	ÆEEF	ÆEEF	€	È Í Ì
G€K	ÚWÚÚÚÚVFG	Z	ÆEEG	ÆEEG	€	È Í H
G€L	ÚWÚÚÚÚVFG	Z	ÆEEG	ÆEEH	È Í H	FÈ Í Ì
G€M	ÚWÚÚÚÚVFG	Z	ÆEEH	ÆEEH	FÈ Í Ì	FÈ Í J

A Ya Vyf'8]gfl]Vi hYX'@ UXg'f6 @ (' : '6 @ ' 'HfUbg]Ybh5 f YU@ UXgk'f7 c bh]bi YXL

	T^{ à^!Áæ^}	Öá^&ç}	ÚçæÁ æ } á à^Z DeííEÖ) áÁ æ } á à^Z DeííE ÖçæÁ } &ç	ÚçæÁ } &ç	ZdÁ á	Ö) áÁ } &ç } ZdÁ á
GEJ	ÚWÚUUÚVFG	Z	ÆÆEH	ÆÆEG	FÆÍJ	GÆHG
GFE	ÚWÚUUÚVFG	Z	ÆÆEG	ÆÆEÍÍG	GÆHG	GÆFI
GFF	ÚWÚUUÚVJ	Z	ÆÆEF	ÆÆEG	€	ÈÍÍ
GFG	ÚWÚUUÚVJ	Z	ÆÆEG	ÆÆEG	ÈÍÍ	ÉÍÍ
GFH	ÚWÚUUÚVJ	Z	ÆÆEG	ÆÆEG	ÉÍÍ	FÆHF
GFI	ÚWÚUUÚVJ	Z	ÆÆEG	ÆÆEH	FÆHF	FÆEJ
GÍ	ÚWÚUUÚVJ	Z	ÆÆEH	ÆÆE	FÆEJ	GÆÍ
Gİ	ÚSÖVÖI	Z	ÆÆEF	ÆÆEH	€	ÈEG
Gİ	ÚSÖVÖI	Z	ÆÆEH	ÆÆEH	ÈEG	ÈEH
Gİ	ÚSÖVÖI	Z	ÆÆEH	ÆÆEÍFH	ÈEH	ÈEÍ
GJ	PÚUH	Z	ÆÆEGEG	ÆÆEG	€	FÆHG
GÆ	PÚUH	Z	ÆÆEG	ÆÆEH	FÆHG	GÆÍ
GF	PÚUH	Z	ÆÆEH	ÆÆEG	GÆÍ	HÆJÍ
GG	ÓÜÖÓÖFI	Z	ÆÆE	ÆÆE	€	ÈGG
GCH	ÓÜÖÓÖFI	Z	ÆÆE	ÆÆE	ÈGG	ÈÍ
CG	ÓÜÖÓÖFI	Z	ÆÆE	ÆÆE	ÈÍ	ÈÍÍ
CG	ÓÜÖÓÖFI	Z	ÆÆE	ÆÆEJ	ÈÍÍ	ÈJJ
CG	ÓÜÖÓÖFI	Z	ÆÆEJ	ÆÆE	ÈJJ	FÆG
CG	ÓÜÖÓÖFI	Z	ÆÆEG	ÆÆEJ	€	ÈHG
CG	ÓÜÖÓÖFI	Z	ÆÆEJ	ÆÆFG	ÈHG	ÈÍ
GGJ	ÓÜÖÓÖFI	Z	ÆÆFG	ÆÆEJ	ÈÍÍ	ÈJJ
GHE	ÓÜÖÓÖFI	Z	ÆÆEJ	ÆÆE	ÈJJ	FÆG
GH	ÓÜÖÓÖFI	Z	ÆÆE	ÆÆEJ	FÆG	FÆÍJ
GHG	ÓÜÖÓÖFI	Z	ÆÆE	ÆÆEH	€	ÈFÍ
GHI	ÓÜÖÓÖFI	Z	ÆÆEH	ÆÆEG	ÈFÍ	ÈHH
GHI	ÓÜÖÓÖFI	Z	ÆÆEG	ÆÆE	ÈHH	ÈÍ
GÍ	ÓÜÖÓÖFI	Z	ÆÆE	ÆÆEJ	ÈÍ	ÈÍÍ
GÍ	ÓÜÖÓÖFI	Z	ÆÆEJ	ÆÆFF	ÈÍÍ	ÈÍH
Gİ	HF	Z	ÆÆE	ÆÆE	€	ÈIG
Gİ	HF	Z	ÆÆE	ÆÆEÍÍ	ÈIG	ÈÍ
GHI	GJ	Z	ÆÆE	ÆÆE	€	ÈJÍ
GÍ	GJ	Z	ÆÆE	ÆÆEG	ÈJÍ	ÈÍJ
GÍ	GJ	Z	ÆÆEG	ÆÆEF	ÈÍJ	ÈÍ
GÍ	G	Z	ÆÆEGEF	ÆÆE	€	ÈÍF
GÍ	G	Z	ÆÆE	ÆÆE	ÈÍF	ÈÍG
GÍ	G	Z	ÆÆE	ÆÆEH	ÈÍG	ÈFH
GÍ	G	Z	ÆÆEH	ÆÆE	ÈFH	ÈÍ
GÍ	ÚWÚUUÚVFF	Z	ÆÆEG	ÆÆEG	€	ÈÍH
GÍ	ÚWÚUUÚVFF	Z	ÆÆEG	ÆÆEH	ÈÍH	FÆÍÍ
GÍ	ÚWÚUUÚVFF	Z	ÆÆEH	ÆÆEH	FÆÍÍ	FÆÍJ
GJ	ÚWÚUUÚVFF	Z	ÆÆEH	ÆÆEG	FÆÍJ	GÆHG
GÍ	ÚWÚUUÚVFF	Z	ÆÆEG	ÆÆEÍEJ	GÆHG	GÆFI
GÍ	ÚWÚUUÚVFE	Z	ÆÆEF	ÆÆEG	€	ÈÍÍ
GÍ	ÚWÚUUÚVFE	Z	ÆÆEG	ÆÆEG	ÈÍÍ	ÉÍÍ
GÍ	ÚWÚUUÚVFE	Z	ÆÆEG	ÆÆEG	ÉÍÍ	FÆHF
GÍ	ÚWÚUUÚVFE	Z	ÆÆEG	ÆÆEH	FÆHF	FÆEJ
GÍ	ÚWÚUUÚVFE	Z	ÆÆEH	ÆÆE	FÆEJ	GÆÍ
Gİ	ÚSÖVÖI	Z	ÆÆEF	ÆÆEH	€	ÈEG
Gİ	ÚSÖVÖI	Z	ÆÆEH	ÆÆEH	ÈEG	ÈEH
Gİ	ÚSÖVÖI	Z	ÆÆEH	ÆÆEÍEJ	ÈEH	ÈEÍ
GÍ	ÓÜÖÓÖFI	Z	ÆÆE	ÆÆE	€	ÈGG
GÍ	ÓÜÖÓÖFI	Z	ÆÆE	ÆÆE	ÈGG	ÈÍ

A Ya Vyf'8]gfl]Vi hYX' @ UXg'f6 @ (' : '6 @ ' HfUbg]Ybh5 f YU @ UXgk'f7 c bh]bi YXL

	T{ à^!Áæ^}	Öá^&á}	ÚæóÁ æ} á à^Z DæííÖ) áÁ æ} á à^Z DæííÖ	ÚæóÁ } &æá} ŽdÁ á	Ö) áÁ } &æá} ŽdÁ á
G F	ÓÚÓÓÓF	Z	ÆÆÆ	ÆÆÆ	È Í
G G	ÓÚÓÓÓF	Z	ÆÆÆ	ÆÆÆJ	È Í J
G H	ÓÚÓÓÓF	Z	ÆÆÆJ	ÆÆÆ	È J J
G I	ÓÚÓÓÓF	Z	ÆÆÆG	ÆÆÆJ	€
G Í	ÓÚÓÓÓF	Z	ÆÆÆJ	ÆÆÆG	È HG
G Î	ÓÚÓÓÓF	Z	ÆÆÆG	ÆÆÆJ	È Í
G Ï	ÓÚÓÓÓF	Z	ÆÆÆJ	ÆÆÆ	È J Í
G Ñ	ÓÚÓÓÓF	Z	ÆÆÆ	ÆÆÆJ	FÈG
G J	ÓÚÓÓÓFH	Z	ÆÆÆ	ÆÆÆH	€
G €	ÓÚÓÓÓFH	Z	ÆÆÆH	ÆÆÆG	FÈÍ
G F	ÓÚÓÓÓFH	Z	ÆÆÆG	ÆÆÆ	ÈGH
G G	ÓÚÓÓÓFH	Z	ÆÆÆ	ÆÆÆJ	È Í
G H	ÓÚÓÓÓFH	Z	ÆÆÆJ	ÆÆÆF	È Í H
G I	I G	Z	ÆÆÆ	ÆÆÆ	€
G Í	I G	Z	ÆÆÆ	ÆÆÆF-è Í	FÈ G
G Î	I F	Z	ÆÆÆ	ÆÆÆ	€
G Ï	I F	Z	ÆÆÆ	ÆÆÆG	È J Í
G J	I F	Z	ÆÆÆG	ÆÆÆF	FÈ J
G €	I €	Z	GÈ G ^È	ÆÆÆ	€
G F	I €	Z	ÆÆÆ	ÆÆÆ	È F
G G	I €	Z	ÆÆÆ	ÆÆÆH	FÈ G
G H	I €	Z	ÆÆÆH	ÆÆÆ	ÈFH
G I	ÚWÚÚÚVFE	Z	ÆÆÆF	ÆÆÆF	È FJ
G Í	ÚWÚÚÚVF	Z	ÆÆÆF	ÆÆÆF	È FJ
G Î	ÚWÚÚÚVJ	Z	ÆÆÆF	ÆÆÆF	È FJ
G Ï	ÚWÚÚÚVÍ	Z	ÆÆÆF	ÆÆÆF	È FJ
G Ñ	ÚWÚÚÚVÍ	Z	ÆÆÆF	ÆÆÆF	È FJ
G J	ÚWÚÚÚVG	Z	ÆÆÆF	ÆÆÆF	È FJ

A Ya Vyf'8]gfl]Vi hYX' @ UXg'f6 @ (' : '6 @ '& HfUbg]Ybh5 f YU @ UXgk

	T{ à^!Áæ^}	Öá^&á}	ÚæóÁ æ} á à^Z DæííÖ) áÁ æ} á à^Z DæííÖ	ÚæóÁ } &æá} ŽdÁ á	Ö) áÁ } &æá} ŽdÁ á
F	ÚWÚÚÚVÍ	Z	ÆÆÆFÍ	ÆÆÆFÍ	€
G	PÚUF	Z	ÆÆÆH	ÆÆÆ	€
H	PÚUF	Z	ÆÆÆ	ÆÆÆ	È J
I	PÚUF	Z	ÆÆÆ	ÆÆÆ	FÈ J
Í	PÚUF	Z	ÆÆÆ	ÆÆÆH	GÈ Í
Î	PÚUF	Z	ÆÆÆH	ÆÆÆH	HÈÚÍ
Ï	FÍJ	Z	ÆÆÆF	ÆÆÆF	€
Ñ	FÍÍ	Z	ÆÆÆG	ÆÆÆG	€
J	FÍÍ	Z	ÆÆÆH	ÆÆÆH	€
F€	FÍH	Z	ÆÆÆF-è Í	ÆÆÆF-è Í	€
FF	FÍG	Z	ÆÆÆG	ÆÆÆG	€
FG	ÚWÚÚÚVH	Z	ÆÆÆFÍ	ÆÆÆFÍ	€
FH	FÍ^	Z	ÆÆÆG	ÆÆÆG	HÈ-è ^ÈÈ
FI	FÍÍ	Z	ÆÆÆH	ÆÆÆH	Ì ÈÍ ^ÈÈG
FÍ	FÍF	Z	ÆÆÆF-è Í	ÆÆÆF-è Í	€
FÍ	FÍ€	Z	ÆÆÆG	ÆÆÆG	€
FÌ	FÌ	Z	ÆÆÆF	ÆÆÆF	€
FÌ	ÚWÚÚÚVÍ	Z	ÆÆÆH	ÆÆÆH	€
FJ	ÚWÚÚÚVÍ	Z	ÆÆÆH	ÆÆÆ	È Í H
GE	ÚWÚÚÚVÍ	Z	ÆÆÆ	ÆÆÆ	FÈ Í

A Ya Vyf'8]g]f]Vi hYX' @ UXg'f6 @' ((: '6 @' & 'HF Ubg]Yb h5 f YU @ UXg'f7 c bh]bi YXL

	T^{ à^!Àæ^}	Öã^&ç}	ÚçæÓ æ' æ' à^Z ÆHÉÒ) áÁ æ' æ' á^Z ÆHÉ ÚçæÓ] &æ} ZçÁ á	Ò) áÁ] &æ} ZçÁ á		
GF	ÚWÚUUÜVI	Z	ÆÆÆ	ÆÆÆH	FÆÍJ	GÈHG
GG	ÚWÚUUÜVI	Z	ÆÆÆH	ÆÆÆGGFF	GÈHG	GÈFI
GH	ÚWÚUUÜVF	Z	ÆÆÆG	ÆÆÆH	€	ÈÍÏ
G	ÚWÚUUÜVF	Z	ÆÆÆH	ÆÆÆH	ÈÍÏ	ÈÍI
Gí	ÚWÚUUÜVF	Z	ÆÆÆH	ÆÆÆH	ÈÍI	FÈHF
Gï	ÚWÚUUÜVF	Z	ÆÆÆH	ÆÆÆ	FÈHF	FÈ€J
Gï	ÚWÚUUÜVF	Z	ÆÆÆ	ÆÆÆ	FÈ€J	GÈHÍ
Gï	ÚSÇVÖG	Z	ÆÆÆF	ÆÆÆ	€	ÈÈG
GJ	ÚSÇVÖG	Z	ÆÆÆ	ÆÆÆ	ÈÈG	ÈÈH
H€	ÚSÇVÖG	Z	ÆÆÆ	ÆÆÆF	ÈÈH	ÈÈ
HF	PÙÜF	Z	ÆÆÆGG €G	ÆÆÆH	€	FÈHG
HG	PÙÜF	Z	ÆÆÆH	ÆÆÆ	FÈHG	GÈI
HH	PÙÜF	Z	ÆÆÆ	ÆÆÆH	GÈI	HÈJÍ
HI	ÓÚÇÐÒÍ	Z	ÆÆÆ	ÆÆÆF	€	ÈÈG
HÍ	ÓÚÇÐÒÍ	Z	ÆÆÆF	ÆÆÆJ	ÈÈG	ÈÈ
Hï	ÓÚÇÐÒÍ	Z	ÆÆÆJ	ÆÆÆF	ÈÈ	ÈÈI
Hï	ÓÚÇÐÒÍ	Z	ÆÆÆF	ÆÆÆFG	ÈÈI	ÈÈJJ
Hï	ÓÚÇÐÒÍ	Z	ÆÆÆFG	ÆÆÆFF	ÈÈJJ	FÈFG
HJ	ÓÚÇÐÒÍ	Z	ÆÆÆH	ÆÆÆFG	€	ÈÈG
I€	ÓÚÇÐÒÍ	Z	ÆÆÆFG	ÆÆÆFÍ	ÈÈG	ÈÈI
IF	ÓÚÇÐÒÍ	Z	ÆÆÆFÍ	ÆÆÆFG	ÈÈI	ÈÈJÍ
IG	ÓÚÇÐÒÍ	Z	ÆÆÆFG	ÆÆÆF	ÈÈJÍ	FÈG
IH	ÓÚÇÐÒÍ	Z	ÆÆÆF	ÆÆÆFG	FÈG	FÈÍJ
IÍ	ÓÚÇÐÒÍ	Z	ÆÆÆFG	ÆÆÆ	€	ÈÈFÍ
Iï	ÓÚÇÐÒÍ	Z	ÆÆÆ	ÆÆÆH	ÈÈFÍ	ÈÈH
Iï	ÓÚÇÐÒÍ	Z	ÆÆÆH	ÆÆÆJ	ÈÈH	ÈÈ
Iï	ÓÚÇÐÒÍ	Z	ÆÆÆJ	ÆÆÆFG	ÈÈ	ÈÈÏ
Iï	ÓÚÇÐÒÍ	Z	ÆÆÆFG	ÆÆÆFÍ	ÈÈÏ	ÈÈH
IJ	FÍÏ	Z	ÆÆÆFF	ÆÆÆ	€	ÈÈG
I€	FÍÏ	Z	ÆÆÆ	ÆÆÆFÍJ	ÈÈG	ÈÈÍ
IF	FÍÍ	Z	ÆÆÆJ	ÆÆÆ	€	ÈÈJÍ
IG	FÍÍ	Z	ÆÆÆ	ÆÆÆH	ÈÈJÍ	ÈÈJ
IH	FÍÍ	Z	ÆÆÆH	ÆÆÆG	ÈÈJ	ÈÈI
IÍ	FÍÍ	Z	HÈÍI^È	ÆÆÆ	€	ÈÈF
Iï	FÍÍ	Z	ÆÆÆ	ÆÆÆ	ÈÈF	ÈÈG
Iï	FÍÍ	Z	ÆÆÆ	ÆÆÆ	ÈÈG	ÈÈH
Iï	FÍÍ	Z	ÆÆÆ	ÆÆÆJ	ÈÈH	ÈÈI
Iï	ÚWÚUUÜVH	Z	ÆÆÆH	ÆÆÆH	€	ÈÈH
IJ	ÚWÚUUÜVH	Z	ÆÆÆH	ÆÆÆ	ÈÈH	FÈÍÏ
I€	ÚWÚUUÜVH	Z	ÆÆÆ	ÆÆÆ	FÈÍÏ	FÈÍJ
IF	ÚWÚUUÜVH	Z	ÆÆÆ	ÆÆÆH	FÈÍJ	GÈHG
IG	ÚWÚUUÜVH	Z	ÆÆÆH	ÆÆÆGGÍ	GÈHG	GÈFI
IH	ÚWÚUUÜVG	Z	ÆÆÆG	ÆÆÆH	€	ÈÈÏ
IÍ	ÚWÚUUÜVG	Z	ÆÆÆH	ÆÆÆH	ÈÈÏ	ÈÍI
Iï	ÚWÚUUÜVG	Z	ÆÆÆH	ÆÆÆH	ÈÍI	FÈHF
Iï	ÚWÚUUÜVG	Z	ÆÆÆH	ÆÆÆ	FÈHF	FÈ€J
Iï	ÚWÚUUÜVG	Z	ÆÆÆ	ÆÆÆ	FÈ€J	GÈHÍ
Iï	ÚSÇVÖF	Z	ÆÆÆF	ÆÆÆ	€	ÈÈG
IJ	ÚSÇVÖF	Z	ÆÆÆ	ÆÆÆ	ÈÈG	ÈÈH
I€	ÚSÇVÖF	Z	ÆÆÆ	ÆÆÆF	ÈÈH	ÈÈ
IF	ÓÚÇÐÒH	Z	ÆÆÆ	ÆÆÆF	€	ÈÈG
IG	ÓÚÇÐÒH	Z	ÆÆÆF	ÆÆÆJ	ÈÈG	ÈÈ

A Ya Vyf'8]g]f]Vi hYX' @ UXg'f6 @' ((: '6 @' &' HF Ubg]Yb h5 f YU @ UXg'L'f7 c bh]bi YXL

	T^{ à^!Áæ^}	Öá^&ç}	ÚçæÁ æ} æ à^Z DeÍÍÖ) áÁ æ} æ à^Z DeÍÍÖ ÚçæÁ } ZçÁ á	ÚçæÁ } ZçÁ á	Ö) áÁ } ZçÁ á	Ö) áÁ } ZçÁ á
FG	ÓÚÖÓÆ	Z	ÆFG	ÆFÍ	ÈÍÍ	ÈÍH
FG	HE	Z	ÆFF	ÆÉÍ	€	ÈÍG
FG	HE	Z	ÆÉÍ	ÆÆFÍÍJ	ÈÍG	ÈÍÍ
FG	G	Z	ÆEJ	ÆÉÍ	€	ÈJÍ
FG	G	Z	ÆÉÍ	ÆEh	ÈJÍ	ÈÍJ
FHE	G	Z	ÆEh	ÆEG	ÈÍJ	ÈÍI
FHF	G	Z	ÆEGGÍH	ÆÉÍ	€	ÈÍF
FHG	G	Z	ÆÉÍ	ÆÉÍ	ÈÍF	ÈÍG
FHH	G	Z	ÆÉÍ	ÆÉÍ	ÈÍG	ÈFH
FH	G	Z	ÆÉÍ	ÆEJ	ÈFH	ÈÍÍ
FH	ÚWÚÚÜVÍ	Z	ÆÆFÍ	ÆÆFÍ	€	ÈÍH
FH	PÚÜG	Z	ÆEh	ÆÉÍ	€	ÈÍJ
FH	PÚÜG	Z	ÆÉÍ	ÆÉÍ	ÈÍJ	FÈJÍ
FH	PÚÜG	Z	ÆÉÍ	ÆÉÍ	FÈJÍ	GÈÍÍ
FHU	PÚÜG	Z	ÆÉÍ	ÆEh	GÈÍÍ	HÈUÍ
FI€	PÚÜG	Z	ÆEh	ÆEh	HÈUÍ	IÈÍI
FIF	H	Z	ÆEF	ÆEF	€	ÈÍÍ
FIG	H	Z	ÆEG	ÆEG	FÈÍÍ^ÈH	ÈÍÍ
FIH	H	Z	ÆEh	ÆEh	ÍÈJÍ^È	ÈÍG
FII	GH	Z	ÆÉÍ ÈÍÍ	ÆÉÍ ÈÍÍ	€	ÈÍÍ
FII	GG	Z	ÆEG	ÆEG	FÈG^ÈÍ	ÈÍÍ
FII	ÚWÚÚÜVÍ	Z	ÆÆFÍ	ÆÆFÍ	€	ÈÍH
FII	FÍ	Z	ÆEG	ÆEG	ÍÈÍH^ÈÍ	ÈÍÍ
FII	FH	Z	ÆEF	ÆEF	€	ÈÍÍ
FIJ	FG	Z	ÆEG	ÆEG	€	ÈÍÍ
FÍ€	FF	Z	ÆEh	ÆEh	€	ÈÍÍ
FÍF	Í	Z	ÆÉÍ ÈÍÍ	ÆÉÍ ÈÍÍ	€	ÈÍÍ
FÍG	ÚWÚÚÜVÍ	Z	ÆEh	ÆEh	€	ÈÍH
FÍH	ÚWÚÚÜVÍ	Z	ÆEh	ÆÉÍ	ÈÍH	FÈÍÍ
FÍI	ÚWÚÚÜVÍ	Z	ÆÉÍ	ÆÉÍ	FÈÍÍ	FÈÍJ
FÍÍ	ÚWÚÚÜVÍ	Z	ÆÉÍ	ÆEh	FÈÍJ	GÈHG
FÍÎ	ÚWÚÚÜVÍ	Z	ÆEh	ÆEGGG	GÈHG	GÈFI
FÍÏ	ÚWÚÚÜVÍ	Z	ÆEG	ÆEh	€	ÈÍÍ
FÍÏ	ÚWÚÚÜVÍ	Z	ÆEh	ÆEh	ÈÍÍ	ÈÍI
FÍJ	ÚWÚÚÜVÍ	Z	ÆEh	ÆEh	ÈÍI	FÈHF
FÍ€	ÚWÚÚÜVÍ	Z	ÆEh	ÆÉÍ	FÈHF	FÈEJ
FÍF	ÚWÚÚÜVÍ	Z	ÆÉÍ	ÆÉÍ	FÈEJ	GÈÍÍ
FÍG	ÚS&VÖH	Z	ÆEF	ÆÉÍ	€	ÈEG
FÍH	ÚS&VÖH	Z	ÆÉÍ	ÆÉÍ	ÈEG	ÈEH
FÍI	ÚS&VÖH	Z	ÆÉÍ	ÆEF	ÈEH	ÈÉÍ
FÍÍ	ÓÚÖÓÚ	Z	ÆÉÍ	ÆE	€	ÈGÍ
FÍÎ	ÓÚÖÓÚ	Z	ÆE	ÆEJ	ÈGÍ	ÈÍ
FÍÏ	ÓÚÖÓÚ	Z	ÆEJ	ÆE	ÈÍ	ÈÍI
FÍÏ	ÓÚÖÓÚ	Z	ÆE	ÆFG	ÈÍI	ÈJJ
FÍJ	ÓÚÖÓÚ	Z	ÆFG	ÆFF	ÈJJ	FÈG
FÍ€	ÓÚÖÓÒ	Z	ÆEh	ÆFG	€	ÈHG
FÍF	ÓÚÖÓÒ	Z	ÆFG	ÆFÍ	ÈHG	ÈÍI
FÍG	ÓÚÖÓÒ	Z	ÆFÍ	ÆFG	ÈÍI	ÈJÍ
FÍH	ÓÚÖÓÒ	Z	ÆFG	ÆE	ÈJÍ	FÈG
FÍI	ÓÚÖÓÒ	Z	ÆE	ÆFH	FÈG	FÈÍJ
FÍÍ	ÓÚÖÓÒ	Z	ÆFG	ÆEh	€	ÈFÍ
FÍÎ	ÓÚÖÓÒ	Z	ÆEh	ÆEh	ÈFÍ	ÈGH

A Ya Vyf'8]gfl]Vi hYX' @ UXg'f6 @' ((: '6 @' &' HF Ubg]Ybhi5 f YU @ UXg'f7 c bh]bi YXL

	T{ à^!Áæ^	Öã&ç	ÚçæÁ æ } à^!Áæ^ Ö} à^!Áæ^	ÚçæÁ æ } à^!Áæ^ Ö} à^!Áæ^	ÚçæÁ æ } à^!Áæ^	ÚçæÁ æ } à^!Áæ^	ÚçæÁ æ } à^!Áæ^
GGJ	ÓÚÖÓÖFí	Z	ÆFí	ÆFG	ÈíI	ÈJí	
GHE	ÓÚÖÓÖFí	Z	ÆFG	ÆF	ÈJí	FÈG	
GHF	ÓÚÖÓÖFí	Z	ÆF	ÆFG	FÈG	FÈíJ	
GHG	ÓÚÖÓÖFí	Z	ÆFG	ÆÆ	€	ÈFí	
GHH	ÓÚÖÓÖFí	Z	ÆÆ	ÆEH	ÈFí	ÈGH	
GHI	ÓÚÖÓÖFí	Z	ÆEH	ÆEJ	ÈGH	Èí	
GHí	ÓÚÖÓÖFí	Z	ÆEJ	ÆFG	Èí	Èíí	
GHí	ÓÚÖÓÖFí	Z	ÆFG	ÆFí	Èíí	ÈíH	
GHi	HF	Z	ÆFF	ÆÆ	€	ÈíG	
GHi	HF	Z	ÆÆ	ÆEFlíJ	ÈíG	Èíí	
GHU	GJ	Z	ÆEJ	ÆÆ	€	ÈJí	
G€	GJ	Z	ÆÆ	ÆEH	ÈJí	ÈíJ	
GF	GJ	Z	ÆEH	ÆEG	ÈíJ	ÈíI	
GG	Gí	Z	ÆGGGí	ÆÆ	€	ÈíF	
GH	Gí	Z	ÆÆ	ÆÆ	ÈíF	ÈíG	
GI	Gí	Z	ÆÆ	ÆÆ	ÈíG	ÈFH	
Gí	Gí	Z	ÆÆ	ÆEJ	ÈFH	Èíí	
Gí	ÚWUUUVFF	Z	ÆEH	ÆEH	€	ÈíH	
Gí	ÚWUUUVFF	Z	ÆEH	ÆÆ	ÈíH	FÈíí	
Gí	ÚWUUUVFF	Z	ÆÆ	ÆÆ	FÈíí	FÈíJ	
GJ	ÚWUUUVFF	Z	ÆÆ	ÆEH	FÈíJ	GÈHG	
G€	ÚWUUUVFF	Z	ÆEH	ÆGGGí	GÈHG	GÈFí	
GF	ÚWUUUVFÈ	Z	ÆEG	ÆEH	€	Èíí	
GG	ÚWUUUVFÈ	Z	ÆEH	ÆEH	Èíí	ÈíI	
GH	ÚWUUUVFÈ	Z	ÆEH	ÆEH	ÈíI	FÈHF	
GI	ÚWUUUVFÈ	Z	ÆEH	ÆÆ	FÈHF	FÈEJ	
Gí	ÚWUUUVFÈ	Z	ÆÆ	ÆÆ	FÈEJ	GÈíí	
Gí	ÚSÖVÖí	Z	ÆEF	ÆÆ	€	ÈEG	
Gí	ÚSÖVÖí	Z	ÆÆ	ÆÆ	ÈEG	ÈEH	
Gí	ÚSÖVÖí	Z	ÆÆ	ÆEF	ÈEH	ÈEí	
GJ	ÓÚÖÓÖFí	Z	ÆÆ	ÆF	€	ÈGí	
G€	ÓÚÖÓÖFí	Z	ÆF	ÆEJ	ÈGí	Èí	
GF	ÓÚÖÓÖFí	Z	ÆEJ	ÆF	Èí	Èíí	
GG	ÓÚÖÓÖFí	Z	ÆF	ÆFG	Èíí	ÈíJ	
GH	ÓÚÖÓÖFí	Z	ÆFG	ÆFF	ÈíJ	FÈG	
GI	ÓÚÖÓÖFí	Z	ÆEH	ÆFG	€	ÈHG	
Gí	ÓÚÖÓÖFí	Z	ÆFG	ÆFí	ÈHG	Èíí	
Gí	ÓÚÖÓÖFí	Z	ÆFí	ÆFG	Èíí	ÈJí	
Gí	ÓÚÖÓÖFí	Z	ÆFG	ÆF	ÈJí	FÈG	
Gí	ÓÚÖÓÖFí	Z	ÆF	ÆFH	FÈG	FÈíJ	
GJ	ÓÚÖÓÖFH	Z	ÆFG	ÆÆ	€	ÈFí	
G€	ÓÚÖÓÖFH	Z	ÆÆ	ÆEH	ÈFí	ÈGH	
GF	ÓÚÖÓÖFH	Z	ÆEH	ÆEJ	ÈGH	Èí	
GG	ÓÚÖÓÖFH	Z	ÆEJ	ÆFG	Èí	Èíí	
GH	ÓÚÖÓÖFH	Z	ÆFG	ÆFí	Èíí	ÈíH	
GI	IG	Z	ÆFF	ÆÆ	€	ÈíG	
Gí	IG	Z	ÆÆ	ÆEFlíJ	ÈíG	Èíí	
Gí	IF	Z	ÆEJ	ÆÆ	€	ÈJí	
Gí	IF	Z	ÆÆ	ÆEH	ÈJí	ÈíJ	
Gí	IF	Z	ÆEH	ÆEG	ÈíJ	ÈíI	
GJ	I€	Z	HÈíí^È	ÆÆ	€	ÈíF	
G€	I€	Z	ÆÆ	ÆÆ	ÈíF	ÈíG	

A Ya Vyf'8]g]Vi hYX' @ UXg'f6 @' ((: '6 @' &' HF Ubg]Ybhi5 f YU @ UXg'f7 c bh]bi YXL

	T^{\ à^!Aæ^}	Öä^&ç}	ÚçæÓ æ } æ à^Z DæÓ) áÁ æ } æ à^Z DæÓ	ÚçæÓ } æ } ZçÁ á	Ó) áÁ } æ } ZçÁ á
G F	I €	Z	ÆÆ	ÆÆ	ÆI G
G G	I €	Z	ÆÆ	ÆÆJ	ÆFH
G H	ÚWÚUÚVFE	Z	ÆÆ H	ÆÆ H	ÆFJ
G I	ÚWÚUÚVFE	Z	ÆÆ H	ÆÆ H	ÆFJ
G Í	ÚWÚUÚVJ	Z	ÆÆ H	ÆÆ H	ÆFJ
G Î	ÚWÚUÚVÍ	Z	ÆÆ H	ÆÆ H	ÆFJ
G Ì	ÚWÚUÚVÍ	Z	ÆÆ H	ÆÆ H	ÆFJ
G Ï	ÚWÚUÚVG	Z	ÆÆ H	ÆÆ H	ÆFJ

A Ya Vyf'5 f YU @ UXg'f6 @' ' : '8 YUX' @ UXL

	Rã çÆ	Rã óÓ	Rã óÓ	Rã óÓ	Öä^&ç}	Öä çã' çã}	Tæ } æ à^Z • á
F	ÞFHG	ÞFHH	ÞFI	ÞFÍ	Z	V,] Á æ	ÆÆ
G	ÞFHG	ÞFHI	ÞFHÍ	ÞFHH	Z	V,] Á æ	ÆÆ
H	ÞFI	ÞFÍ	ÞFI	ÞFÍ	Z	V,] Á æ	ÆÆ
I	ÞFH	ÞFHÍ	ÞFF	ÞFHÍ	Z	V,] Á æ	ÆÆ
Í	ÞÍ	ÞÍ	ÞÍJ	ÞÍ	Z	V,] Á æ	ÆÆ
Î	ÞÍ	ÞÍJ	ÞÍ	ÞÍ	Z	V,] Á æ	ÆÆ
Ï	ÞÍ	ÞÍG	ÞÍG	ÞÍG	Z	V,] Á æ	ÆÆ
J	ÞÍJÓ	ÞÍJ	ÞÍ	ÞÍJ	Z	V,] Á æ	ÆÆ
F€	ÞÍ	ÞÍJ	ÞJF	ÞÍJ	Z	V,] Á æ	ÆÆ
FF	ÞJF	ÞJH	ÞJ	ÞJ	Z	V,] Á æ	ÆÆ
FG	ÞÍJÓ	ÞJI	ÞÍJ	ÞÍJ	Z	V,] Á æ	ÆÆ
FH	ÞFÍ	ÞFHG	ÞFF	ÞJI	Z	V,] Á æ	ÆÆ
FI	ÞJH	ÞFHG	ÞHEJ	ÞÍG	Z	V,] Á æ	ÆÆ
FÍ	ÞÍ	ÞHE Ó	ÞFH	ÞFÍ	Z	V,] Á æ	ÆÆ

A Ya Vyf'5 f YU @ UXg'f6 @' &' : '8 YUX' @ UXL

	Rã çÆ	Rã óÓ	Rã óÓ	Rã óÓ	Öä^&ç}	Öä çã' çã}	Tæ } æ à^Z • á
F	ÞFHG	ÞFHH	ÞFI	ÞFÍ	Z	V,] Á æ	ÆÆ
G	ÞFHG	ÞFHI	ÞFHÍ	ÞFHH	Z	V,] Á æ	ÆÆ
H	ÞFI	ÞFÍ	ÞFI	ÞFÍ	Z	V,] Á æ	ÆÆ
I	ÞFH	ÞFHÍ	ÞFF	ÞFHÍ	Z	V,] Á æ	ÆÆ
Í	ÞÍ	ÞÍ	ÞÍJ	ÞÍ	Z	V,] Á æ	ÆÆ
Î	ÞÍ	ÞÍJ	ÞÍ	ÞÍ	Z	V,] Á æ	ÆÆ
Ï	ÞÍ	ÞÍG	ÞÍG	ÞÍG	Z	V,] Á æ	ÆÆ
J	ÞÍJÓ	ÞÍJ	ÞÍ	ÞÍJ	Z	V,] Á æ	ÆÆ
F€	ÞÍ	ÞÍJ	ÞJF	ÞÍJ	Z	V,] Á æ	ÆÆ
FF	ÞJF	ÞJH	ÞJ	ÞJ	Z	V,] Á æ	ÆÆ
FG	ÞÍJÓ	ÞJI	ÞÍJ	ÞÍJ	Z	V,] Á æ	ÆÆ
FH	ÞFÍ	ÞFHG	ÞFF	ÞJI	Z	V,] Á æ	ÆÆ
FI	ÞJH	ÞFHG	ÞHEJ	ÞÍG	Z	V,] Á æ	ÆÆ
FÍ	ÞÍ	ÞHE Ó	ÞFH	ÞFÍ	Z	V,] Á æ	ÆÆ

9bjYcdY5=G7 %/ h fl * \$!% L ' @ : 8 `GhYY'7cXY7\ YWg'f' cbh/bi YXL

JÍ	ÓÜÖÍ	HD Á/GÁE	ÊÉÍ	FGI	GF	ÊÉÍ	FGI	^	GJ	ÍÊFÍ	FÍÊÍÍ	ÊHG	ÊÍG	FÊ ÊPFÊá
JÍ	ÓÜÖÍ	HD Á/GÁE	ÊÉÍ	€	FG	ÊÉÍ	ÊÍH	^	Í	ÍÊFÍ	FÍÊÍÍ	ÊHG	ÊÍG	FÊ ÊPFÊá
JÍ	ÓÜÖH	HD Á/GÁE	ÊÉH	€	FÍ	ÊFÉ	€	^	Í	ÍÊJÍ	FÍÊÍÍ	ÊHG	ÊÍG	GÊ Í PFÊá
JÍ	ÓÜÖG	HD Á/GÁE	ÊÉG	€	Í	ÊFÉ	€	^	Í	ÍÊFJ	FÍÊÍÍ	ÊHG	ÊÍG	FÊ ÊPFÊá
JJ	ÓÜÖF	HD Á/GÁE	ÊFF	FGI	J	ÊÉÍ	€	^	Í	ÍÊFÍ	FÍÊÍÍ	ÊHG	ÊÍG	FÊ ÊPFÊá
F€€	ÓÜÖÖFÍ	HD Á/GÁE	ÊÍF	€	HÍ	ÊFÍ	€	^	HE	FGÊÍÍ	G ÊÍÍ	ÊGJ	FÊÍÍ	FÊ Í PFÊá
F€F	ÓÜÖÖFÍ	HD Á/GÁE	ÊHÍ	€	HE	ÊFF	€	^	HÍ	Í ÊÍ	G ÊÍÍ	ÊGJ	FÊÍÍ	FÊ ÊPFÊá
F€G	ÓÜÖÖFÍ	HD Á/GÁE	ÊJH	€	HH	ÊHE	€	^	Í	GGÍ	G ÊÍÍ	ÊGJ	FÊÍÍ	FÊ Í PFÊá
F€H	ÓÜÖÖFÍ	HD Á/GÁE	ÊÍÍ	€	HE	ÊGE	€	^	HÍ	FGÊÍÍ	G ÊÍÍ	ÊGJ	FÊÍÍ	FÊ ÊPFÊá
F€I	ÓÜÖÖFÍ	HD Á/GÁE	ÊHU	€	H	ÊFÍ	€	^	H	Í ÊÍ	G ÊÍÍ	ÊGJ	FÊÍÍ	FÊ Í PFÊá
F€Í	ÓÜÖÖFH	HD Á/GÁE	Ê€€	€	HH	ÊIG	€	^	HÍ	GGÍ	G ÊÍÍ	ÊGJ	FÊÍÍ	FÊ ÊPFÊá
F€Í	ÓÜÖÖFG	HD Á/GÁE	ÊÍÍ	€	G	ÊFÍ	€	^	FÍ	FGÊÍÍ	G ÊÍÍ	ÊGJ	FÊÍÍ	FÊ ÊPFÊá
F€Í	ÓÜÖÖFF	HD Á/GÁE	ÊGÍ	€	FÍ	ÊFÉ	€	^	G	Í ÊÍ	G ÊÍÍ	ÊGJ	FÊÍÍ	FÊ ÊPFÊá
F€Í	ÓÜÖÖF€	HD Á/GÁE	ÊÍÍ	€	GF	ÊEG	€	^	HE	GGÍ	G ÊÍÍ	ÊGJ	FÊÍÍ	FÊ ÊPFÊá
F€J	ÓÜÖÖÚ	HD Á/GÁE	ÊHÍ	€	FÍ	ÊFÍ	€	^	GH	FGÊÍÍ	G ÊÍÍ	ÊGJ	FÊÍÍ	FÊ ÊPFÊá
FF€	ÓÜÖÖÒ	HD Á/GÁE	ÊGÍ	€	G	ÊFG	€	^	G	Í ÊÍ	G ÊÍÍ	ÊGJ	FÊÍÍ	FÊ ÊPFÊá
FFF	ÓÜÖÖÒ	HD Á/GÁE	ÊÍF	€	GF	ÊHE	€	^	G	GGÍ	G ÊÍÍ	ÊGJ	FÊÍÍ	FÊ ÊPFÊá
FFG	ÓÜÖÖÒ	HD Á/GÁE	ÊÍÍ	€	FG	ÊFÍ	€	^	Í	FGÊÍÍ	G ÊÍÍ	ÊGJ	FÊÍÍ	FÊ ÊPFÊá
FFH	ÓÜÖÖÒ	HD Á/GÁE	ÊHG	€	Í	ÊFF	€	^	FG	Í ÊÍ	G ÊÍÍ	ÊGJ	FÊÍÍ	FÊ ÊPFÊá
FFÍ	ÓÜÖÖÒ	HD Á/GÁE	ÊÍÍ	€	J	ÊEG	€	^	FÍ	GGÍ	G ÊÍÍ	ÊGJ	FÊÍÍ	FÊ ÊPFÊá
FFÍ	ÓÜÖÖH	HD Á/GÁE	ÊÍÍ	€	Í	ÊFÍ	€	^	FG	FGÊÍÍ	G ÊÍÍ	ÊGJ	FÊÍÍ	FÊ ÊPFÊá
FFÍ	ÓÜÖÖG	HD Á/GÁE	ÊHE	€	FG	ÊFH	€	^	FÍ	Í ÊÍ	G ÊÍÍ	ÊGJ	FÊÍÍ	FÊ ÊPFÊá
FFÍ	ÓÜÖÖF	HD Á/GÁE	ÊÍÍ	€	J	ÊHE	€	^	FG	GGÍ	G ÊÍÍ	ÊGJ	FÊÍÍ	FÊ ÊPFÊá

APPENDIX D
Additional Calculations



POD Job #	22-143199
Site Number	876359
Site Name	NORWICH

Connection Type	Single Shear
-----------------	--------------

RISA 3D Forces

Axial (Bolts)	1.000 kips
Shear (Bolts)	0.868 kips
Axial Force (Member)	0.868 kips

Bolt/Member Information

Member Label	133	
# of Bolts	1	
Diameter	0.625	inches
Bolt Grade	A325	
Member Grade	A36	
Threads Included?	Yes	
L_b	0	inches
L_c	1	inches
t	0.5	inches

Shear Capacity	6.3%
-----------------------	-------------

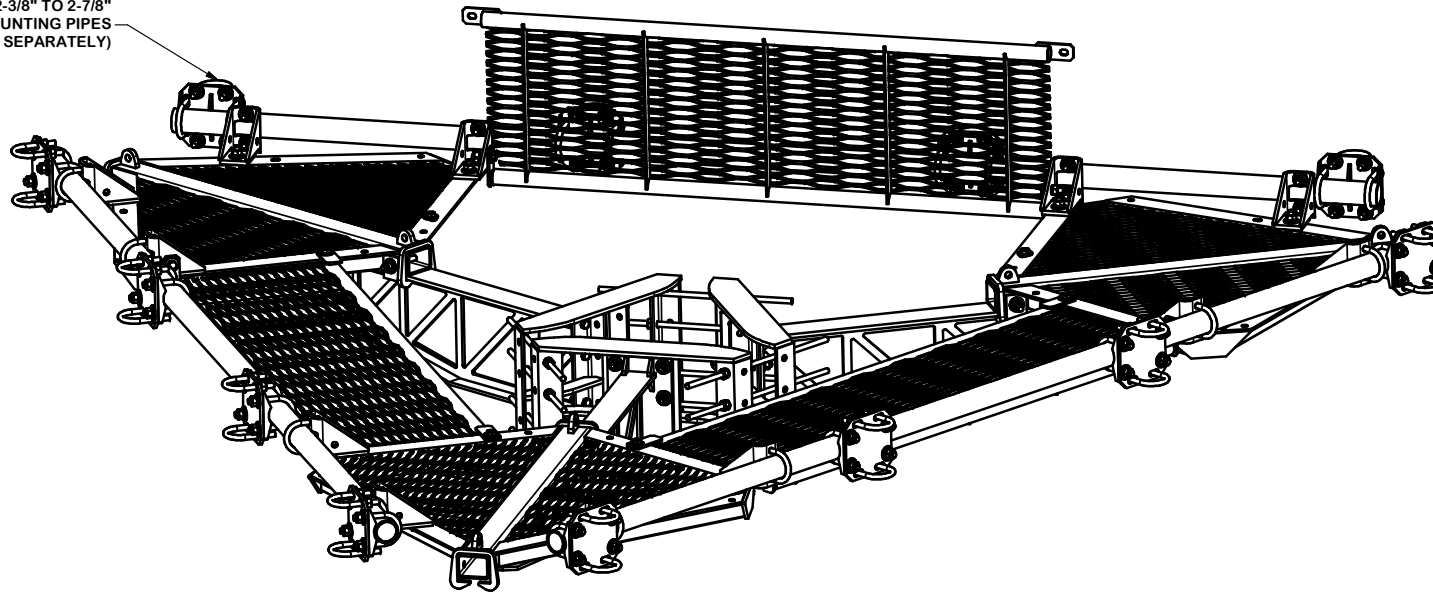
Axial Capacity	4.9%
-----------------------	-------------

Bearing Capacity	2.7%
-------------------------	-------------

APPENDIX E
Mount Specification Sheets

PARTS LIST						
ITEM	QTY	PART NO.	PART DESCRIPTION	LENGTH	UNIT WT.	NET WT.
1	3	X-LPP-CW	LOW PROFILE PLATFORM CORNER WELDMENT		198.75	596.26
2	3	X-LPP-SA12	SIDE ARM WELDMNT FOR 12' LOW PROFILE PLATFORMS		119.21	357.63
3	3	X-RM3HD	WELDMNT FOR 3-SIDED HEAVY DUTY RING MOUNT		84.42	253.25
4	3	X-LPP-W12	WALKWAY FOR 12' LOW PROFILE PLATFORM		86.48	259.44
5	12	X-LPP-PC	FACE PIPE CONNECTION BRACKET FORTRESS PLATFORM		7.01	84.11
6	12	X-SCX3-FR	FORTRESS CROSSOVER PLATE		6.61	79.37
7	12	X-LPP-A7	CORNER WELDMENT ATTACHMENT ANGLE	2 1/2 in	1.27	15.25
8	6	X-LPP-H	HINGE FOR LOW PROFILE PLATFORM WALKWAY		2.78	16.66
9	3	P30150	2-7/8" X 150" (2-1/2" SCH. 40) GALVANIZED PIPE	150 in	76.94	230.81
10	12	G58R-48	5/8" X 48" THREADED ROD (HDG.)	48 in	0.40	4.79
10	12	G58R-24	5/8" X 24" THREADED ROD (HDG.)	24 in	0.40	4.79
11	6	G58R-8	5/8" X 8" THREADED ROD (HDG.)		0.70	4.18
12	48	X-UB5300	5/8" X 3" X 5-1/4" X 2-1/2" U-BOLT (HDG.)		1.15	55.17
13	24	X-UB5258	5/8" X 2-5/8" X 4-1/2" X 2" U-BOLT (HDG.)		1.00	24.00
14	12	X-UB5304	5/8" X 3" X 4-1/4" X 2-1/2" U-BOLT (HDG.)		0.98	11.70
15	48	G58214	5/8" X 2-1/4" HDG HEX BOLT GR5		0.29	13.99
16	186	G58FW	5/8" HDG USS FLATWASHER	1/8 in	0.07	13.11
17	204	G58LW	5/8" HDG LOCKWASHER		0.03	5.32
18	204	G58NUT	5/8" HDG HEAVY 2H HEX NUT		0.13	26.50
					TOTAL WT. #	2122.03

2-3/8" TO 2-7/8"
ANTENNA MOUNTING PIPES
(ORDERED SEPARATELY)



TOLERANCE NOTES

TOLERANCES ON DIMENSIONS, UNLESS OTHERWISE NOTED ARE:
 SAWED, SHEARED AND GAS CUT EDGES ($\pm 0.030"$)
 DRILLED AND GAS CUT HOLES ($\pm 0.030"$) - NO CONING OF HOLES
 LASER CUT EDGES AND HOLES ($\pm 0.010"$) - NO CONING OF HOLES
 BENDS ARE $\pm 1/2$ DEGREE
 ALL OTHER MACHINING ($\pm 0.030"$)
 ALL OTHER ASSEMBLY ($\pm 0.060"$)

PROPRIETARY NOTE:
 THE DATA AND TECHNIQUES CONTAINED IN THIS DRAWING ARE PROPRIETARY INFORMATION OF VALMONT INDUSTRIES AND CONSIDERED A TRADE SECRET. ANY USE OR DISCLOSURE WITHOUT THE CONSENT OF VALMONT INDUSTRIES IS STRICTLY PROHIBITED.

DESCRIPTION
 12' FORTRESS™
 TRI-PLATFORM MOUNT
 WITH WALKWAYS

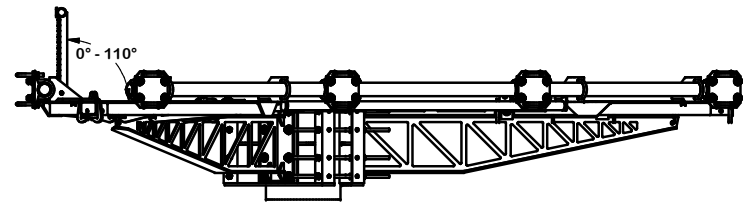
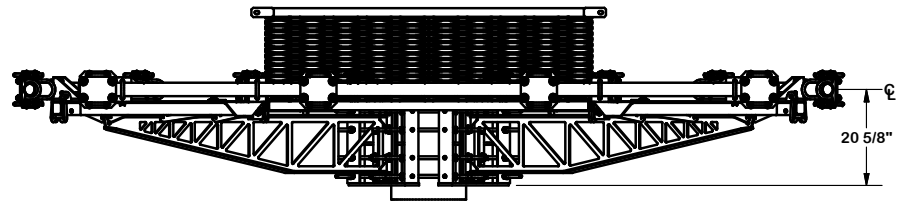
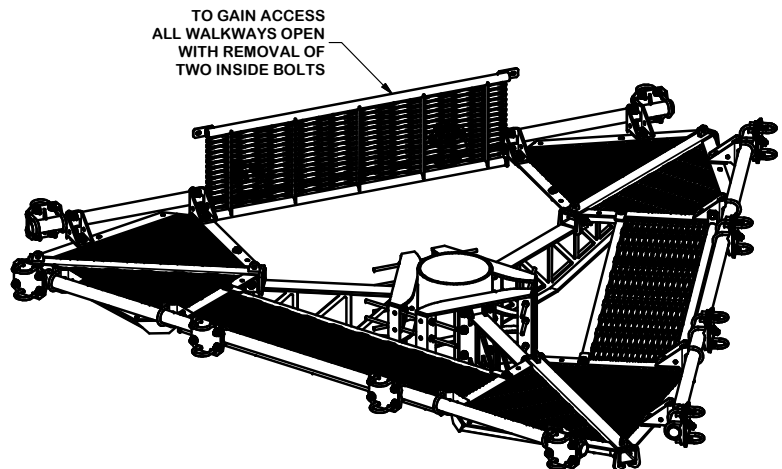
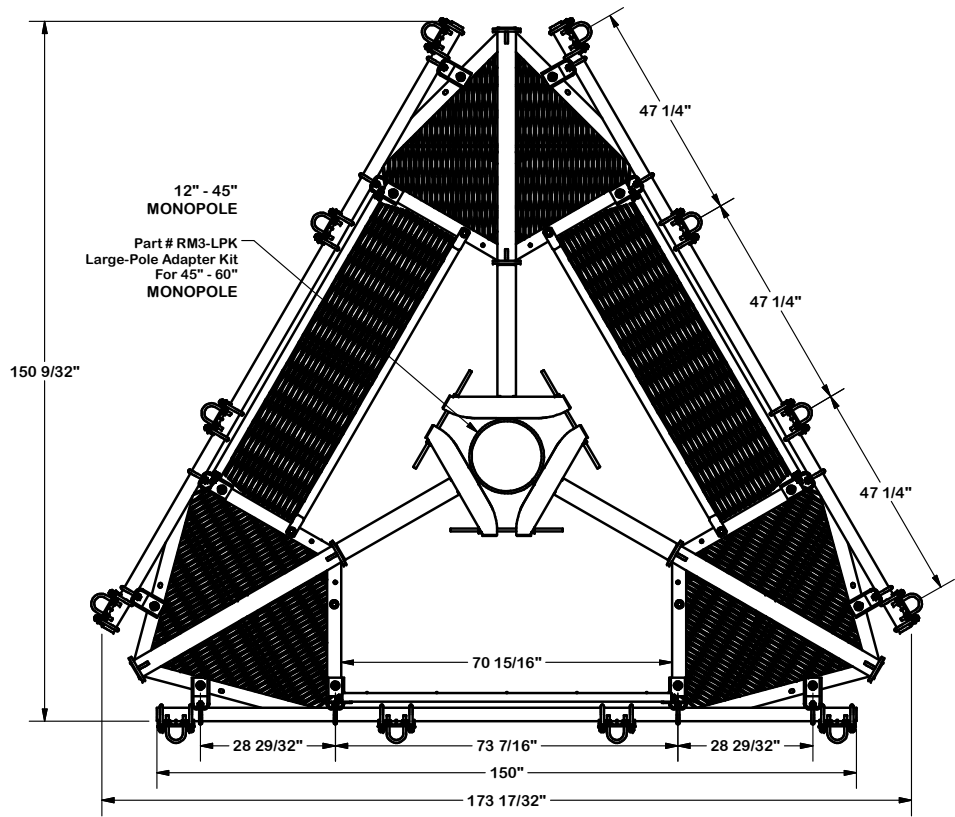
CPD NO.	DRAWN BY CEK	8/8/2017	ENG. APPROVAL
CLASS 81	SUB 02	DRAWING USAGE CUSTOMER	CHECKED BY BMC
		8/30/2017	

SITE PRO 1
 A valmont COMPANY

Engineering Support Team:
 1-888-753-7446

Locations:
 New York, NY
 Atlanta, GA
 Los Angeles, CA
 Plymouth, IN
 Salem, OR
 Dallas, TX

PART NO.	F3P-12W	PAGE	1 OF 4
DWG. NO.	F3P-12W		



TOLERANCE NOTES

TOLERANCES ON DIMENSIONS, UNLESS OTHERWISE NOTED ARE:
 SAWED, SHEARED AND GAS CUT EDGES ($\pm 0.030"$)
 DRILLED AND GAS CUT HOLES ($\pm 0.030"$) - NO CONING OF HOLES
 LASER CUT EDGES AND HOLES ($\pm 0.010"$) - NO CONING OF HOLES
 BENDS ARE $\pm 1/2$ DEGREE
 ALL OTHER MACHINING ($\pm 0.030"$)
 ALL OTHER ASSEMBLY ($\pm 0.060"$)

PROPRIETARY NOTE:
 THE DATA AND TECHNIQUES CONTAINED IN THIS DRAWING ARE PROPRIETARY INFORMATION OF VALMONT INDUSTRIES AND CONSIDERED A TRADE SECRET. ANY USE OR DISCLOSURE WITHOUT THE CONSENT OF VALMONT INDUSTRIES IS STRICTLY PROHIBITED.

DESCRIPTION
 12' FORTRESS™
 TRI-PLATFORM MOUNT
 WITH WALKWAYS

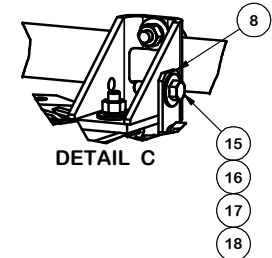
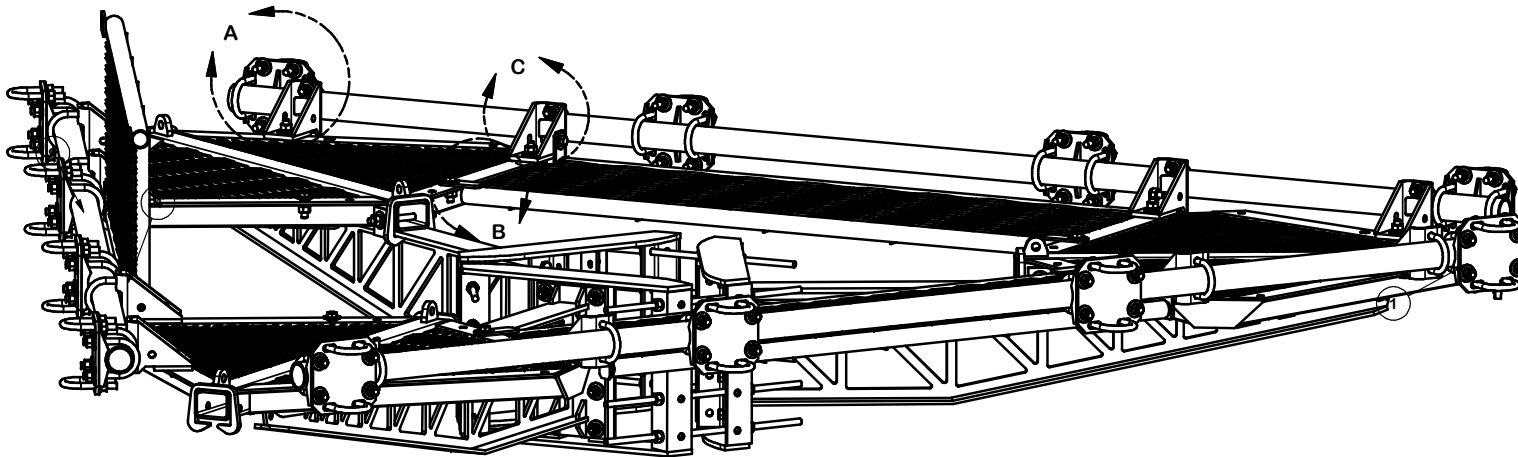
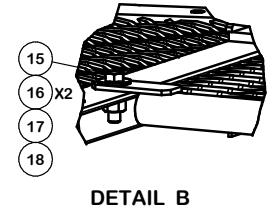
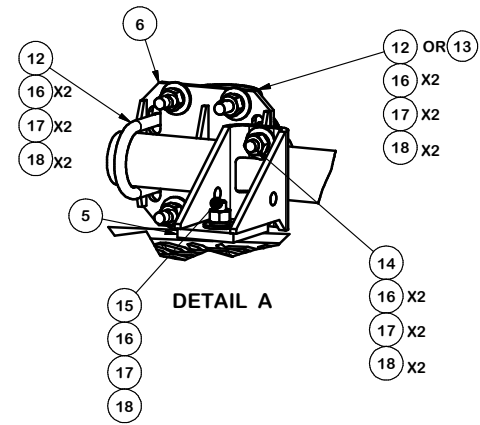
CPD NO.	DRAWN BY CEK	8/8/2017	ENG. APPROVAL
CLASS 81	SUB 02	DRAWING USAGE CUSTOMER	CHECKED BY BMC
			8/30/2017

SITE PRO 1
 A valmont COMPANY

Locations:
 New York, NY
 Atlanta, GA
 Los Angeles, CA
 Plymouth, IN
 Salem, OR
 Dallas, TX

Engineering Support Team:
 1-888-753-7446

PART NO.	F3P-12W
DWG. NO.	F3P-12W



TOLERANCE NOTES

TOLERANCES ON DIMENSIONS, UNLESS OTHERWISE NOTED ARE:
 SAWED, SHEARED AND GAS CUT EDGES ($\pm 0.030"$)
 DRILLED AND GAS CUT HOLES ($\pm 0.030"$) - NO CONING OF HOLES
 LASER CUT EDGES AND HOLES ($\pm 0.010"$) - NO CONING OF HOLES
 BENDS ARE $\pm 1/2$ DEGREE
 ALL OTHER MACHINING ($\pm 0.030"$)
 ALL OTHER ASSEMBLY ($\pm 0.060"$)

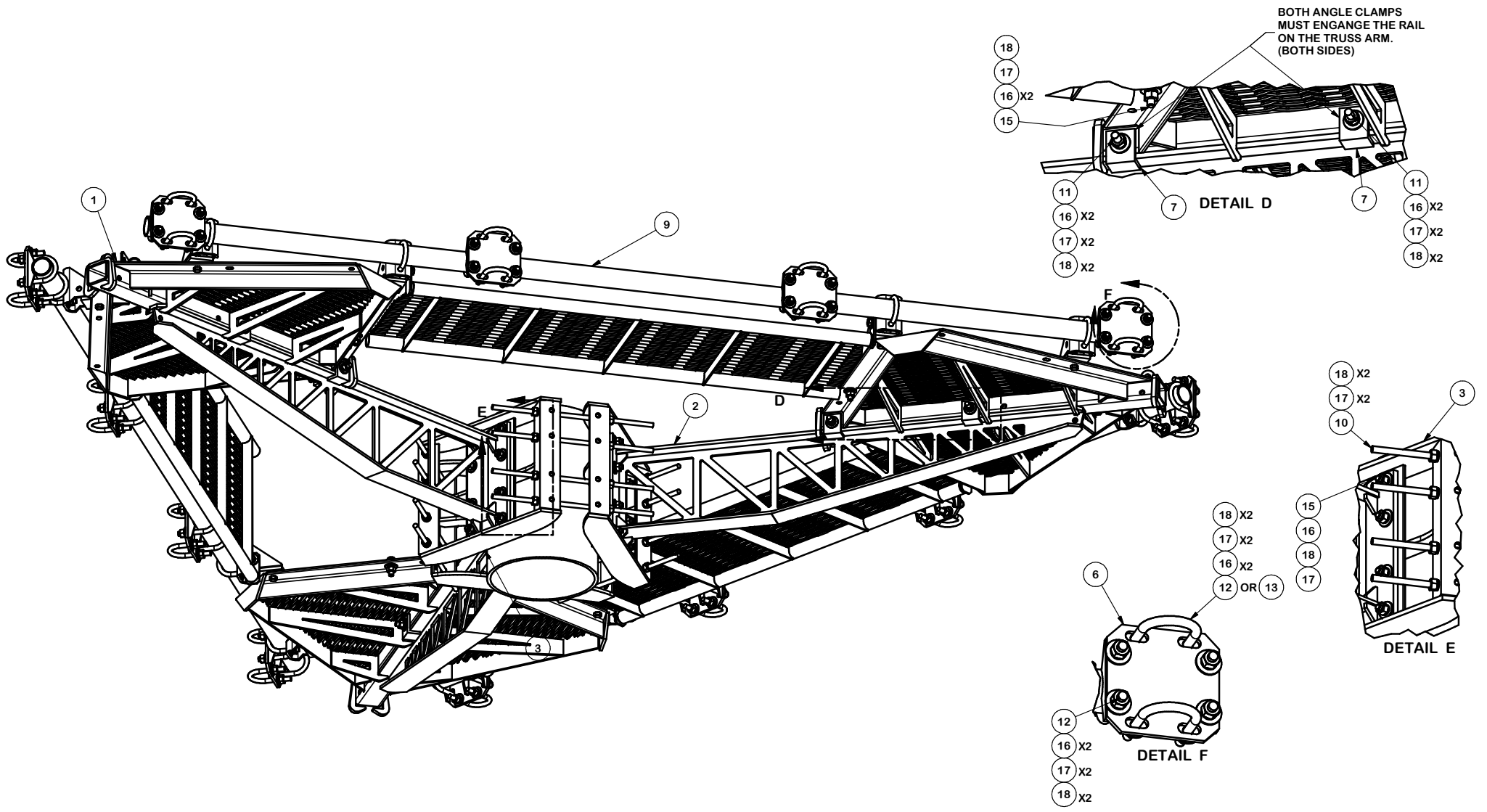
PROPRIETARY NOTE:
 THE DATA AND TECHNIQUES CONTAINED IN THIS DRAWING ARE PROPRIETARY INFORMATION OF VALMONT INDUSTRIES AND CONSIDERED A TRADE SECRET. ANY USE OR DISCLOSURE WITHOUT THE CONSENT OF VALMONT INDUSTRIES IS STRICTLY PROHIBITED.

DESCRIPTION
**12' FORTRESS™
 TRI-PLATFORM MOUNT
 WITH WALKWAYS**

CPD NO.	DRAWN BY CEK	8/8/2017	ENG. APPROVAL
CLASS 81	SUB 02	DRAWING USAGE CUSTOMER	CHECKED BY BMC 8/30/2017

SITE PRO 1
 A valmont COMPANY
 Locations:
 New York, NY
 Atlanta, GA
 Los Angeles, CA
 Plymouth, IN
 Salem, OR
 Dallas, TX
 Engineering Support Team:
 1-888-753-7446

PART NO.	F3P-12W	PAGE
DWG. NO.	F3P-12W	3 OF 4



TOLERANCE NOTES

TOLERANCES ON DIMENSIONS, UNLESS OTHERWISE NOTED ARE:
 SAWED, SHEARED AND GAS CUT EDGES ($\pm 0.030"$)
 DRILLED AND GAS CUT HOLES ($\pm 0.030"$) - NO CONING OF HOLES
 LASER CUT EDGES AND HOLES ($\pm 0.010"$) - NO CONING OF HOLES
 BENDS ARE $\pm 1/2$ DEGREE
 ALL OTHER MACHINING ($\pm 0.030"$)
 ALL OTHER ASSEMBLY ($\pm 0.060"$)

PROPRIETARY NOTE:
 THE DATA AND TECHNIQUES CONTAINED IN THIS DRAWING ARE PROPRIETARY INFORMATION OF VALMONT INDUSTRIES AND CONSIDERED A TRADE SECRET. ANY USE OR DISCLOSURE WITHOUT THE CONSENT OF VALMONT INDUSTRIES IS STRICTLY PROHIBITED.

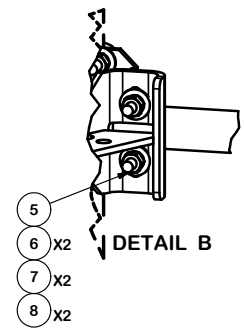
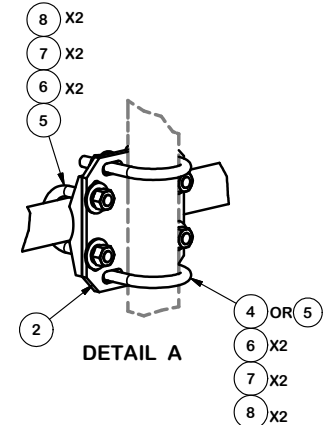
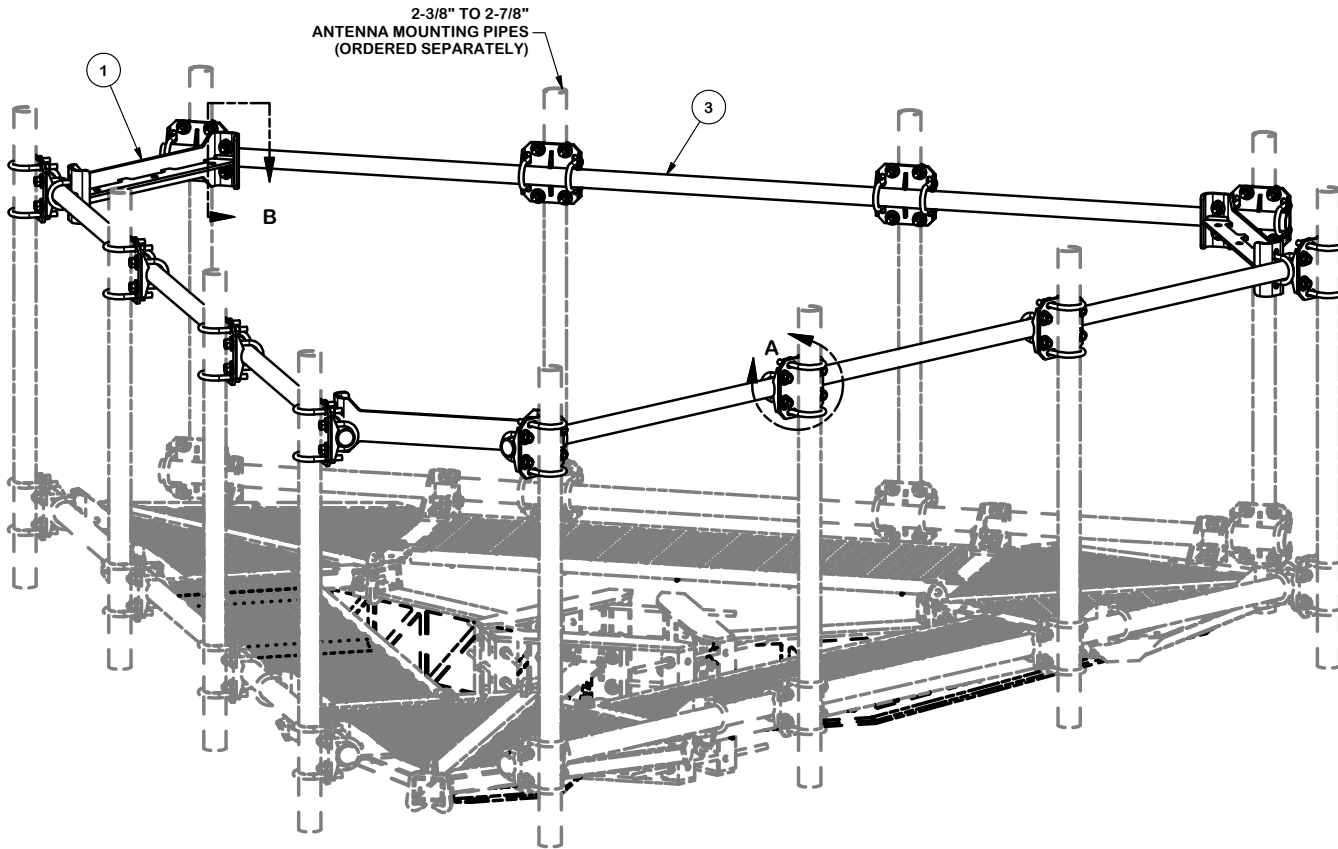
DESCRIPTION
**12' FORTRESS™
 TRI-PLATFORM MOUNT
 WITH WALKWAYS**

SITE PRO 1
 Engineering Support Team:
 1-888-753-7446
 Locations:
 New York, NY
 Atlanta, GA
 Los Angeles, CA
 Plymouth, IN
 Salem, OR
 Dallas, TX
 A valmont COMPANY

CPD NO.	DRAWN BY CEK	ENG. APPROVAL
CLASS 81	SUB 02	DRAWING USAGE CUSTOMER
		CHECKED BY BMC
		DATE 8/30/2017

PART NO.	F3P-12W
DWG. NO.	F3P-12W

PARTS LIST						
ITEM	QTY	PART NO.	PART DESCRIPTION	LENGTH	UNIT WT.	NET WT.
1	3	X-F3PHRW	CORNER WELDMENT FOR 3-SIDED FORTRESS PLATFORM HADNRAIL KITS		27.72	83.15
2	12	X-SCX3-FR	FORTRESS CROSSOVER PLATE		6.61	79.37
3	3	P2150	2-3/8" O.D. X 150" SCH 40 GALVANIZED PIPE	150 in	45.77	137.31
4	24	X-UB5300	5/8" X 3" X 5-1/4" X 2-1/2" U-BOLT (HDG.)		1.15	27.59
5	54	X-UB5258	5/8" X 2-5/8" X 4-1/2" X 2" U-BOLT (HDG.)		1.00	54.01
6	108	G58FW	5/8" HDG USS FLATWASHER	1/8 in	0.07	7.61
7	108	G58LW	5/8" HDG LOCKWASHER		0.03	2.82
8	108	G58NUT	5/8" HDG HEAVY 2H HEX NUT		0.13	14.03
					TOTAL WT. #	405.87



TOLERANCE NOTES

TOLERANCES ON DIMENSIONS, UNLESS OTHERWISE NOTED ARE:
 SAWED, SHEARED AND GAS CUT EDGES ($\pm 0.030"$)
 DRILLED AND GAS CUT HOLES ($\pm 0.030"$) - NO CONING OF HOLES
 LASER CUT EDGES AND HOLES ($\pm 0.010"$) - NO CONING OF HOLES
 BENDS ARE $\pm 1/2$ DEGREE
 ALL OTHER MACHINING ($\pm 0.030"$)
 ALL OTHER ASSEMBLY ($\pm 0.060"$)

PROPRIETARY NOTE:
 THE DATA AND TECHNIQUES CONTAINED IN THIS DRAWING ARE PROPRIETARY INFORMATION OF VALMONT INDUSTRIES AND CONSIDERED A TRADE SECRET. ANY USE OR DISCLOSURE WITHOUT THE CONSENT OF VALMONT INDUSTRIES IS STRICTLY PROHIBITED.

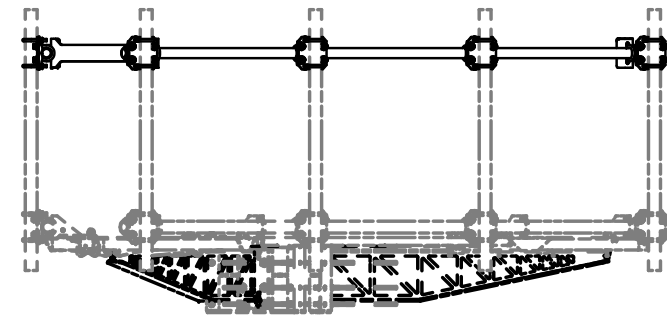
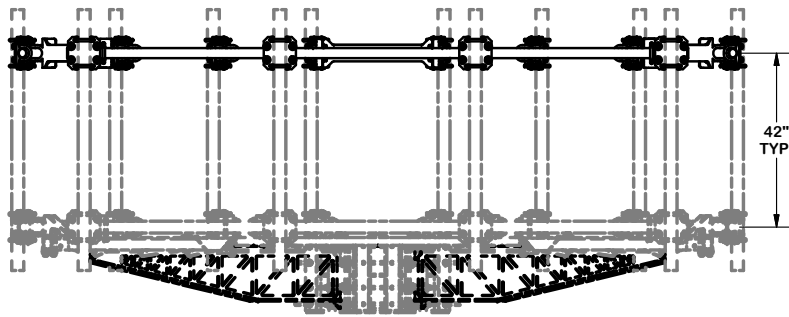
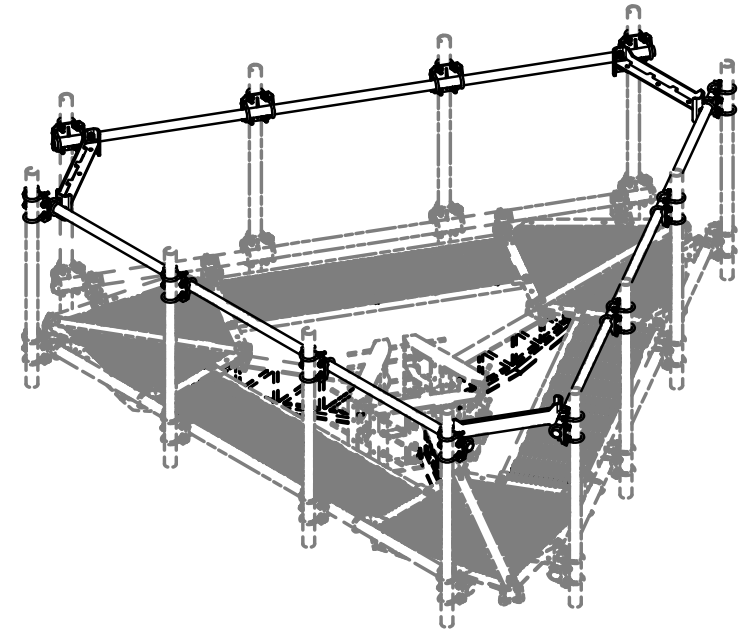
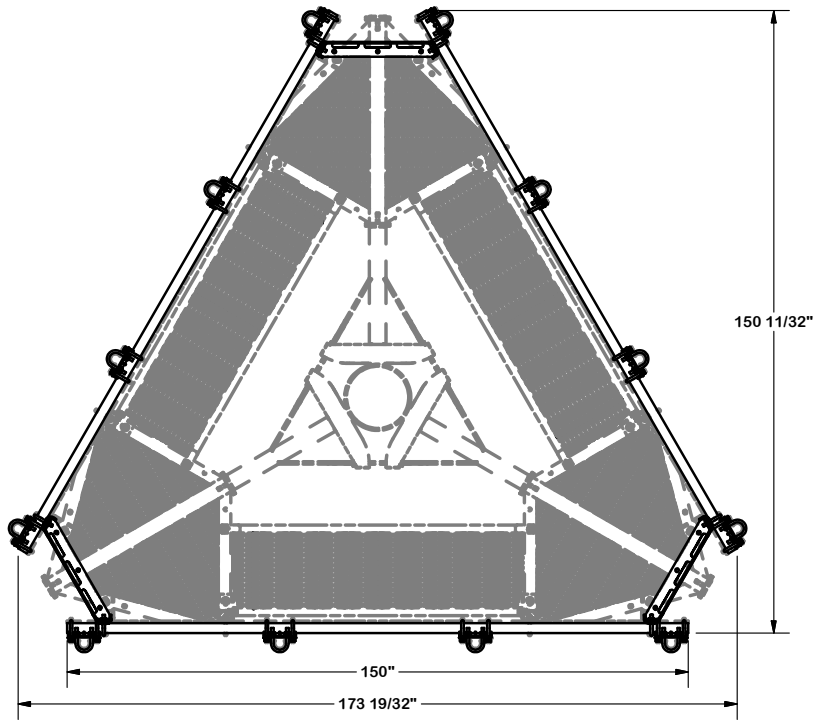
DESCRIPTION
**HANDRAIL KIT FOR
 12' FORTRESS™ PLATFORM**

SITE PRO 1
 Engineering Support Team:
 1-888-753-7446

Locations:
 New York, NY
 Atlanta, GA
 Los Angeles, CA
 Plymouth, IN
 Salem, OR
 Dallas, TX

CPD NO.	DRAWN BY CEK 8/29/2017	ENG. APPROVAL
CLASS 81	SUB 02	DRAWING USAGE CUSTOMER
	CHECKED BY BMC 9/14/2017	

PART NO.	F3P-HRK12	PAGE 1 OF 2
DWG. NO.	F3P-HRK12	



TOLERANCE NOTES

TOLERANCES ON DIMENSIONS, UNLESS OTHERWISE NOTED ARE:
 SAWED, SHEARED AND GAS CUT EDGES ($\pm 0.030"$)
 DRILLED AND GAS CUT HOLES ($\pm 0.030"$) - NO CONING OF HOLES
 LASER CUT EDGES AND HOLES ($\pm 0.010"$) - NO CONING OF HOLES
 BENDS ARE $\pm 1/2$ DEGREE
 ALL OTHER MACHINING ($\pm 0.030"$)
 ALL OTHER ASSEMBLY ($\pm 0.060"$)

PROPRIETARY NOTE:
 THE DATA AND TECHNIQUES CONTAINED IN THIS DRAWING ARE PROPRIETARY INFORMATION OF VALMONT INDUSTRIES AND CONSIDERED A TRADE SECRET. ANY USE OR DISCLOSURE WITHOUT THE CONSENT OF VALMONT INDUSTRIES IS STRICTLY PROHIBITED.

DESCRIPTION
**HANDRAIL KIT FOR
 12' FORTRESS™ PLATFORM**

SITE PRO 1
 A valmont COMPANY

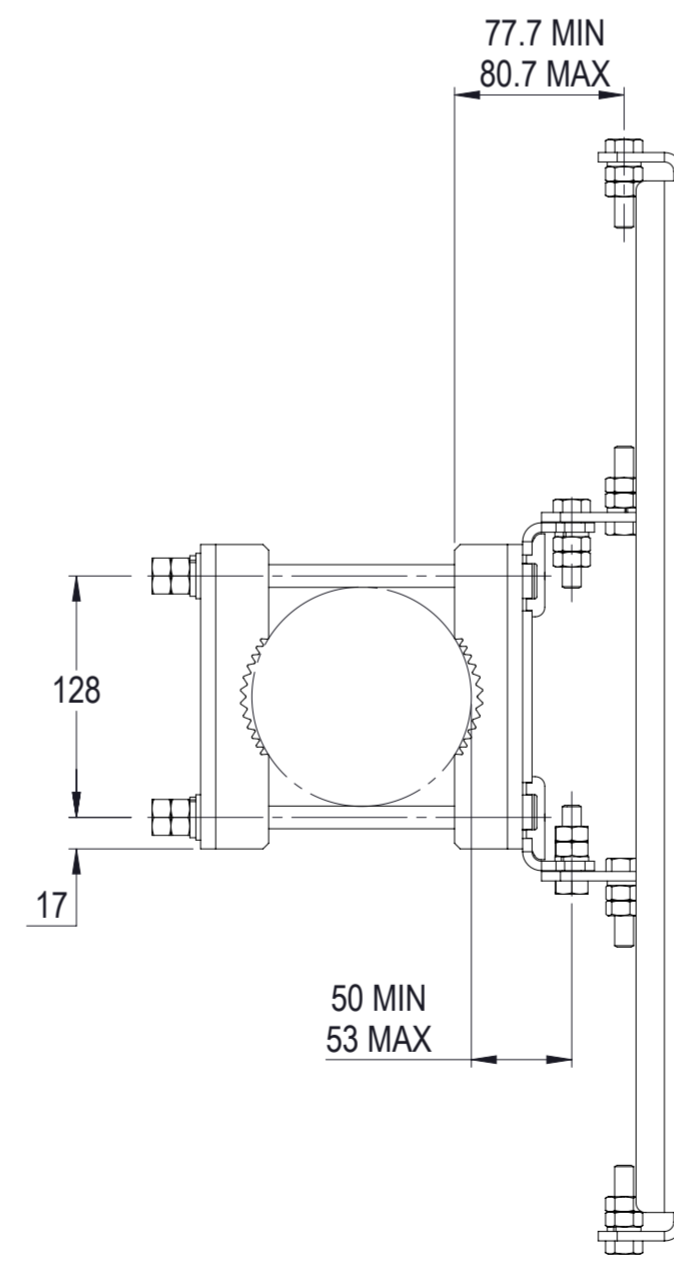
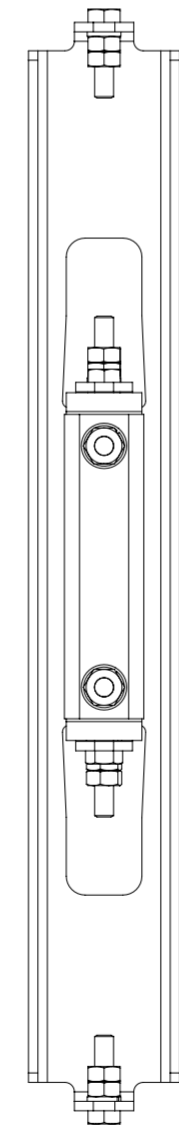
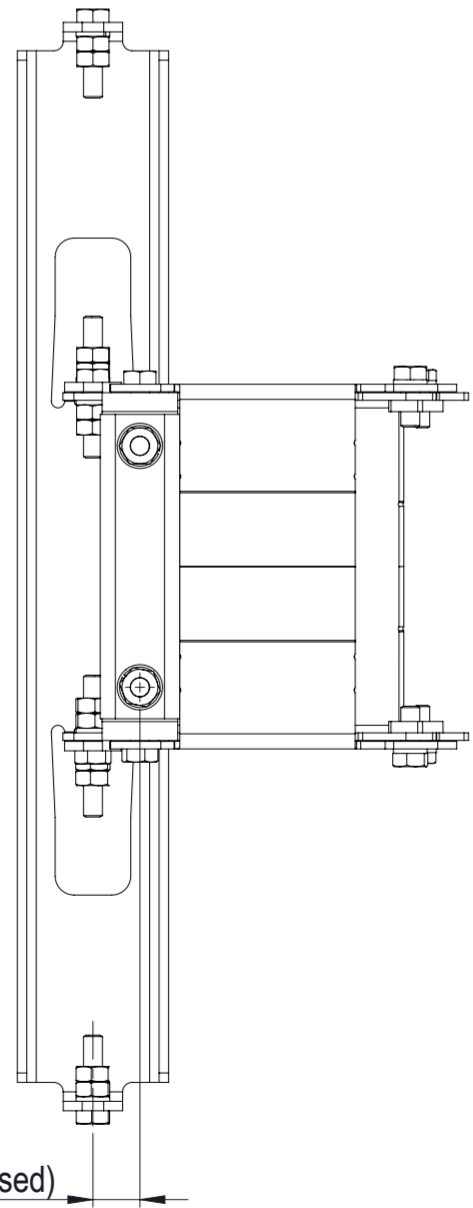
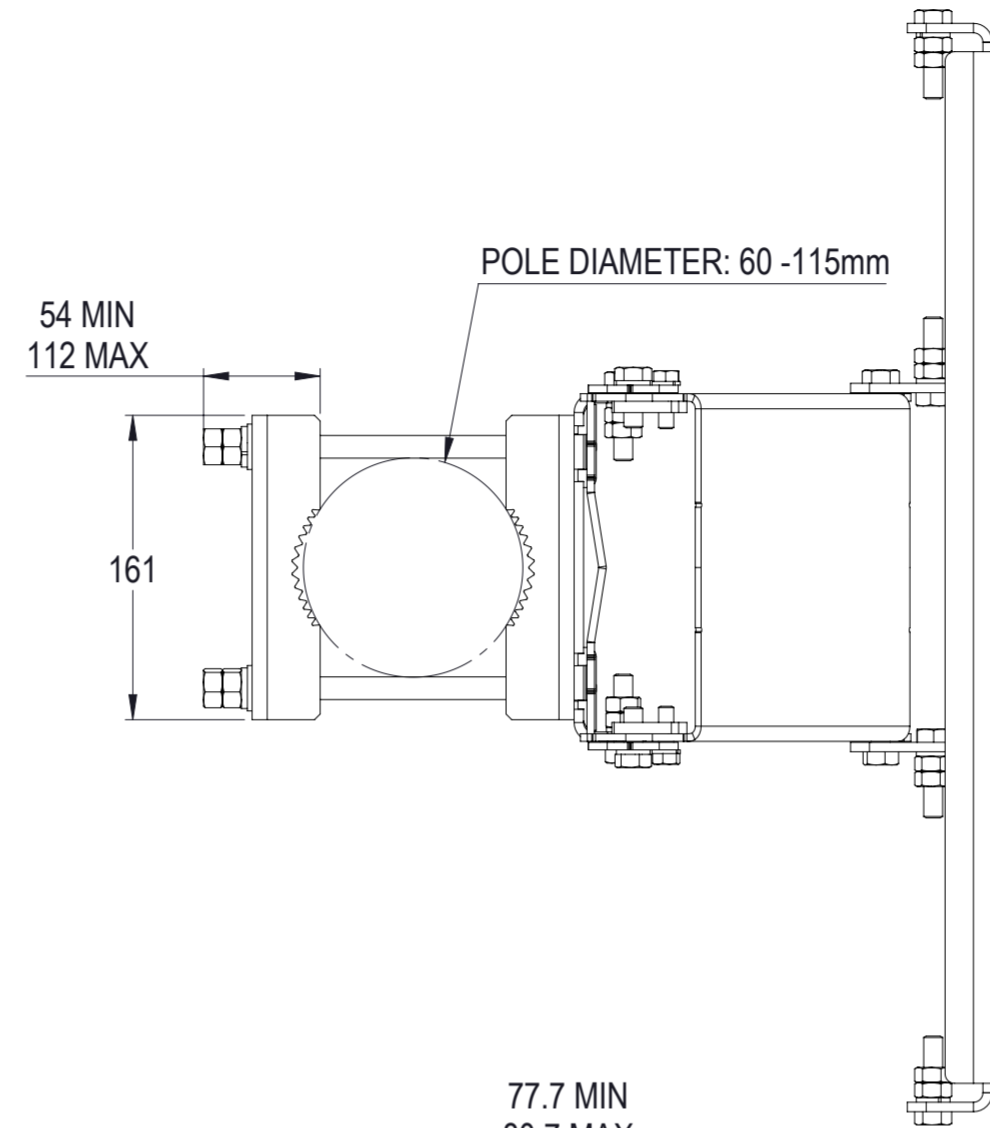
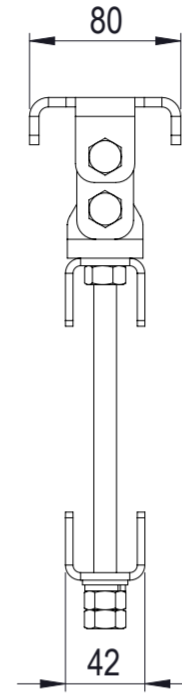
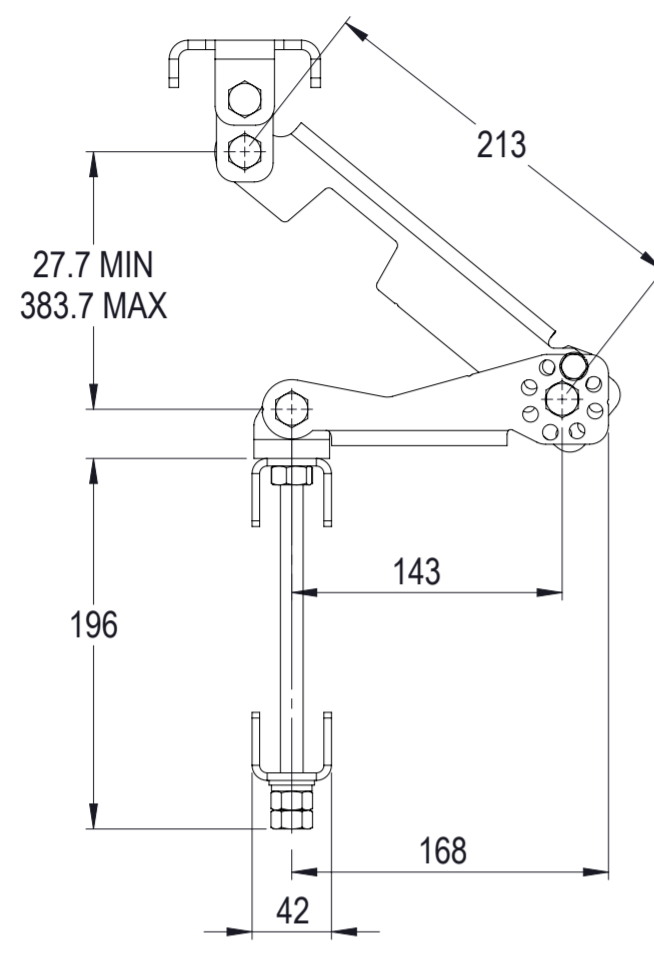
Locations:
 New York, NY
 Atlanta, GA
 Los Angeles, CA
 Plymouth, IN
 Salem, OR
 Dallas, TX

Engineering Support Team:
 1-888-753-7446

CPD NO.	DRAWN BY CEK 8/29/2017	ENG. APPROVAL
CLASS 81	SUB 02	DRAWING USAGE CUSTOMER
	CHECKED BY BMC	9/14/2017

PART NO.	F3P-HRK12
DWG. NO.	F3P-HRK12

REVISIONS			
REV.	DESCRIPTION	DATE	APPROVED
A	ECR 8000020448: RELEASE TO PRODUCTION PER EAO 604161.	25FEB17 LS	S.LIU/JIHE
B	ECR 8000025302: UPDATE DRAWING.	04AUG17 YZ	S.LIU/JIHE



BSAMNT-SBS-1-2

DENSITY		g/mm ³
MASS	9.76	Kg
VOLUME		mm ³
SURFACE AREA		mm ²

COMMSCOPE, INC. OF NORTH CAROLINA

TOLERANCES: 0 PLACE X ±, 1 PLACE .X ±, 2 PLACE .XX ±, ANGLES ±

SAP MATERIAL MASTER

FINISH: NA, MATERIAL: NA

NAME	DATE	TITLE
CE LS	25FEB17	PRODUCT DRAWING
RW YZ1055	08/07/2017	
RV CHALIU	08/08/2017	
AD LGWU	08/08/2017	
RE BYUAN	08/09/2017	

ECN 8000025302-O

SCALE: 1:4, DOCUMENT NO.: BSAMNT-SBS-1-2-L

SIZE	WORK AREA	23	MODEL			DRAWING			SHEET
A2	VERSION	STATUS	REVISION	VERSION	STATUS	REVISION	REVISION	1 OF 1	
	01	RE	B	01	RE	B			