

MJ Umali, Site Acquisition Consultant
c/o Cellco Partnership d/b/a Verizon Wireless
Centerline Communications, LLC
750 West Center Street, Floor 3
West Bridgewater, MA 02379
Mobile: (978) 568-7906
MUmali@centerlinecommunications.com

August 26, 2021

Melanie A. Bachman
Acting Executive Director
Connecticut Siting Council
10 Franklin Square
New Britain, CT 06051

**RE: Notice of Exempt Modification // Site: NORTH HAVEN WEST CT (ATC: 283418)
50 Devine Street, North Haven, CT 06473
N 41.37777 // W -72.87615**

Dear Ms. Bachman,

Cellco Partnership d/b/a Verizon Wireless currently maintains 15 antennas at the 129-ft level on the existing 129-foot monopole tower, located at 50 Devine Street, North Haven, CT. The tower is owned by American Tower. The property is also owned by 424 Chapel Street, LLC. Verizon Wireless now intends to remove 3 antennas and install 3 new ones for the LTE (3700 MHz) replacements for its 5G upgrade. Additionally, Verizon Wireless will remove 12 Remote Radio Heads (RRHs) and install with 6 new RRHs and install 3 diplexers; altogether updating leased equipment rights, as reflected by the final configuration outlined in the structural analysis and proposed hereby.

Please accept this letter as notification pursuant to Regulations of Connecticut State Agencies §16-50j-73, for construction that constitutes an exempt modification pursuant to R.C.S.A. § 16-50j-72(b)(2). In accordance with R.C.S.A. § 16-50j-73, a copy of this letter is being sent to Michael J. Freda, First Selectman, its Zoning Enforcement Officer, Laura Magaraci, the tower owner, American Tower, and the property owner, 424 Chapel Street, LLC.

The planned modifications to the facility fall squarely within those activities explicitly provided for in R.C.S.A. § 16-50j-72(b)(2). Enclosed to accommodate this filing are construction drawings dated August 8, 2021, by Dewberry Engineers, Inc., a structural analysis dated May 4, 2021, by Tower Engineering Professionals, and a structural mount analysis by Maser Consulting Connecticut date June 11, 2021, and radio frequency (RF) analysis table showing worst-case RF emission calculation by Verizon Wireless RF Design Engineering.

1. The proposed modifications will not result in an increase in the height of the existing structure.
2. The proposed modifications will not require the extension of the site boundary.
3. The proposed modifications will not increase noise levels at the facility by six decibels or more, or to levels that exceed state and local criteria.
4. The operation of the new antennas will not increase radio frequency emissions at the facility to a level at or above the Federal Communications Commission safety standard.
5. The proposed modifications will not cause a change or alteration in the physical or environmental characteristics of the site.
6. The existing structure and its foundation can support the proposed loading, as shown in the attached structural analysis by Tower Engineering Professionals, dated May 4, 2021, and a structural mount analysis by Maser Consulting Connecticut, dated June 11, 2021, pursuant to certain conditions defined therein. Design and engineering is fully illustrated within final construction drawings, signed and stamped dated July 22, 2021.

For the foregoing reasons, Verizon Wireless respectfully submits that the proposed modifications to the above referenced telecommunications facility constitute an exempt modification under R.C.S.A. § 16-50j-72(b)(2).

Sincerely,

MJ Umali

MJ Umali, Site Acquisition Consultant
c/o Cellco Partnership d/b/a Verizon Wireless
Centerline Communications, LLC
750 West Center Street, Floor 3
West Bridgewater, MA 02379
Mobile: (978) 568-7906
MUmali@centerlinecommunications.com

Attachments

cc: Michael J. Freda, First Selectman – Chief Elected Official – Chief Elected Official
Laura Magaraci, Zoning Enforcement Officer - as P&Z official
American Tower Corporation - as tower owner
424 Chapel Street LLC - as ground owner

UPS CampusShip: View/Print Label

- 1. **Ensure there are no other shipping or tracking labels attached to your package.** Select the Print button on the print dialog box that appears. Note: If your browser does not support this function select Print from the File menu to print the label.
- 2. **Fold the printed label at the solid line below.** Place the label in a UPS Shipping Pouch. If you do not have a pouch, affix the folded label using clear plastic shipping tape over the entire label.
- 3. **GETTING YOUR SHIPMENT TO UPS**
Customers with a Daily Pickup
 Your driver will pickup your shipment(s) as usual.

Customers without a Daily Pickup




Take your package to any location of The UPS Store®, UPS Access Point(TM) location, UPS Drop Box, UPS Customer Center, Staples® or Authorized Shipping Outlet near you. Items sent via UPS Return Services(SM) (including via Ground) are also accepted at Drop Boxes. To find the location nearest you, please visit the Resources area of CampusShip and select UPS Locations.
 Schedule a same day or future day Pickup to have a UPS driver pickup all your CampusShip packages.
 Hand the package to any UPS driver in your area.

UPS Access Point™
 CVS STORE # 972
 555 WASHINGTON ST
 SOUTH EASTON ,MA 02375

UPS Access Point™
 CVS STORE # 7232
 689 DEPOT ST
 NORTH EASTON ,MA 02356

UPS Access Point™
 TOWN LINE GENERAL STORE
 450 E CENTER ST
 WEST BRIDGEWATER ,MA 02379

FOLD HERE

<p style="text-align: right;">1 OF 1</p> <p style="text-align: center;">5 LBS</p> <p>MJ UMALT 9785667906 CENTERLINE COMMUNICATIONS, LLC 750 WEST CENTER STREET WEST BRIDGEWATER MA 02379</p> <p>SHIP TO: MICHAEL FREDA AND LAURA MAGARACI TOWN OF NEW HAVEN 18 CHURCH STREET FIRST SELECTMAN AND ZONING OFFICER NORTH HAVEN CT 06473-2503</p>	<p>CT 065 2-03</p> 	<p>UPS GROUND</p> <p>TRACKING #: 1Z 9Y4 503 03 3487 1705</p> 	<p style="text-align: center;">BILLING: P/P</p> <div style="text-align: right;">  </div> <p>Reference # 1: 283418 Reference # 2: North Haven CT <small>CS 22.0.18. WINTNV50 33.0A 08/2021*</small></p>
---	---	---	--

UPS CampusShip: View/Print Label

- 1. Ensure there are no other shipping or tracking labels attached to your package.** Select the Print button on the print dialog box that appears. Note: If your browser does not support this function select Print from the File menu to print the label.
- 2. Fold the printed label at the solid line below.** Place the label in a UPS Shipping Pouch. If you do not have a pouch, affix the folded label using clear plastic shipping tape over the entire label.
- 3. GETTING YOUR SHIPMENT TO UPS**
Customers with a Daily Pickup
 Your driver will pickup your shipment(s) as usual.

Customers without a Daily Pickup

Take your package to any location of The UPS Store®, UPS Access Point(TM) location, UPS Drop Box, UPS Customer Center, Staples® or Authorized Shipping Outlet near you. Items sent via UPS Return Services(SM) (including via Ground) are also accepted at Drop Boxes. To find the location nearest you, please visit the Resources area of CampusShip and select UPS Locations.


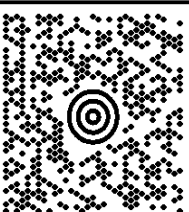
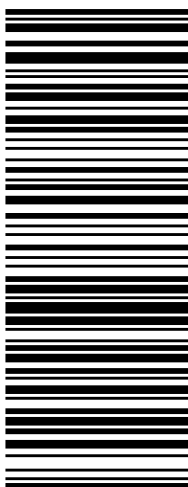

Schedule a same day or future day Pickup to have a UPS driver pickup all your CampusShip packages. Hand the package to any UPS driver in your area.

UPS Access Point™
CVS STORE # 972
555 WASHINGTON ST
SOUTH EASTON ,MA 02375

UPS Access Point™
CVS STORE # 7232
689 DEPOT ST
NORTH EASTON ,MA 02356

UPS Access Point™
TOWN LINE GENERAL STORE
450 E CENTER ST
WEST BRIDGEWATER ,MA 02379

FOLD HERE

<p style="text-align: right;">1 OF 1</p> <p style="text-align: right;">1 LBS</p> <p>MIJUMALT 9785687906 CENTERLINE COMMUNICATIONS, LLC 750 WEST CENTER STREET WEST BRIDGEWATER MA 02379</p> <p>SHIP TO: 424 CHAPEL STREET LLC 50 DEVINE STREET NORTH HAVEN CT 06473-2244</p>	<p style="font-size: 2em;">CT 065 2-03</p>  	<p style="font-size: 1.5em;">UPS GROUND</p> <p>TRACKING #: 1Z 9Y4 503 03 2810 1316</p> 	<p style="text-align: center;">BILLING: P/P</p> <p>Reference # 1: 283418 Reference # 2: North Haven CT <small>CS 22'0.18. WINTNV50 33.0A 08/2021*</small></p> 
--	---	---	--

UPS CampusShip: View/Print Label

- 1. Ensure there are no other shipping or tracking labels attached to your package.** Select the Print button on the print dialog box that appears. Note: If your browser does not support this function select Print from the File menu to print the label.
- 2. Fold the printed label at the solid line below.** Place the label in a UPS Shipping Pouch. If you do not have a pouch, affix the folded label using clear plastic shipping tape over the entire label.
- 3. GETTING YOUR SHIPMENT TO UPS**
Customers with a Daily Pickup
 Your driver will pickup your shipment(s) as usual.

Customers without a Daily Pickup

Take your package to any location of The UPS Store®, UPS Access Point(TM) location, UPS Drop Box, UPS Customer Center, Staples® or Authorized Shipping Outlet near you. Items sent via UPS Return Services(SM) (including via Ground) are also accepted at Drop Boxes. To find the location nearest you, please visit the Resources area of CampusShip and select UPS Locations.


Schedule a same day or future day Pickup to have a UPS driver pickup all your CampusShip packages. Hand the package to any UPS driver in your area.

UPS Access Point™
CVS STORE # 972
555 WASHINGTON ST
SOUTH EASTON ,MA 02375

UPS Access Point™
CVS STORE # 7232
689 DEPOT ST
NORTH EASTON ,MA 02356

UPS Access Point™
TOWN LINE GENERAL STORE
450 E CENTER ST
WEST BRIDGEWATER ,MA 02379

FOLD HERE

<p style="text-align: right;">1 OF 1</p> <p style="text-align: right;">5 LBS</p> <p>SHIP TO: MJ UMALT 9785687906 CENTERLINE COMMUNICATIONS, LLC 750 WEST CENTER STREET WEST BRIDGEWATER MA 02379</p> <p>LAND MANAGEMENT 7814287250 AMERICAN TOWER CORPORATION 10 PRESIDENTIAL WAY WOBURN MA 01801-1053</p>	<p style="font-size: 2em;">MA 018 9-04</p> 	<p style="font-size: 1.5em;">UPS GROUND</p> <p>TRACKING #: 1Z 9Y4 503 03 0742 7577</p> 	<p style="text-align: center;">BILLING: P/P</p> <p style="text-align: center;">Reference # 1: ATC CSC Hard Copies</p> <p style="text-align: center; font-size: 0.8em;">CS 22.0.18. WNTNV50 32.0A 08/2021*</p> 
--	---	---	--



AMERICAN TOWER®
CORPORATION

This report was prepared for American Tower Corporation by



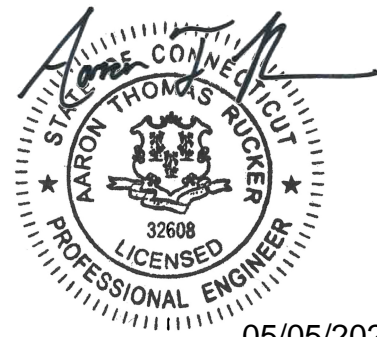
**TOWER
ENGINEERING
PROFESSIONALS**

Structural Analysis Report

Structure : 129 ft Monopole
ATC Site Name : NORTH HAVEN CT, CT
ATC Asset Number : 283418
Engineering Number : 13668665_C3_01
Proposed Carrier : VERIZON WIRELESS
Carrier Site Name : NORTH HAVEN WEST CT
Carrier Site Number : 468529
Site Location : 50 Devine Street
North Haven, CT 06473-2204
41.377800,-72.876200
County : New Haven
Date : May 4, 2021
Max Usage : 67%
Result : Pass

Prepared By:
Michael Dugan
TEP

Reviewed By:



05/05/2021

COA: PEC.0001553



Table of Contents

Introduction 1

Supporting Documents 1

Analysis 1

Conclusion..... 1

Existing and Reserved Equipment..... 2

Equipment to be Removed..... 2

Proposed Equipment 2

Structure Usages 3

Foundations 3

Deflection, Twist, and Sway..... 3

Standard Conditions 4

Calculations Attached



Introduction

The purpose of this report is to summarize results of a structural analysis performed on the 129 ft monopole to reflect the change in loading by VERIZON WIRELESS.

Supporting Documents

Tower Drawings	Sabre, FTP Job #11-05062, dated May 12, 2010
Foundation Drawing	Sabre, FTP Job #11-05062, dated May 12, 2010
Geotechnical Report	Terracon Project #J2105136, dated April 20, 2010

Analysis

The tower was analyzed using American Tower Corporation's tower analysis software. This program considers an elastic three-dimensional model and second-order effects per ANSI/TIA-222.

Basic Wind Speed:	120 mph (3-Second Gust)
Basic Wind Speed w/ Ice:	50 mph (3-Second Gust) w/ 1" radial ice concurrent
Code:	ANSI/TIA-222-H / 2015 IBC / 2018 Connecticut State Building Code
Exposure Category:	C
Risk Category:	II
Topographic Factor Procedure:	Method 1
Topographic Category:	1
Crest Height (H):	0 ft
Spectral Response:	$S_s = 0.20, S_1 = 0.05$
Site Class:	D - Stiff Soil

Conclusion

Based on the analysis results, the structure meets the requirements per the applicable codes listed above. The tower and foundation can support the equipment as described in this report.

If you have any questions or require additional information, please contact American Tower via email at Engineering@americantower.com. Please include the American Tower site name, site number, and engineering number in the subject line for any questions.



Existing and Reserved Equipment

Elev. ¹ (ft)	Qty	Antenna	Mount Type	Lines	Carrier
130.0	6	Commscope JAHH-65B-R3B	Low Profile Platform	(8) 1 5/8" Coax (2) 1 5/8" Hybriflex	VERIZON WIRELESS
	3	Amphenol Antel BXA-80080-6CF-EDIN-X			
119.0	3	RFS APXVAARR24_43-U-NA20	Sector Frames	(3) 1 1/4" (1.25"-31.8mm) Fiber (1) 1 5/8" Hybriflex	T-MOBILE
	3	Ericsson AIR-32 B2A/B66Aa			
	3	Ericsson AIR 21, 1.3 M, B2A B4P			
	3	Ericsson Air6449 B41			
	3	Ericsson RRUS 4415 B25			
	3	Ericsson Radio 4449 B71 B85A			
107.0	6	Ericsson RRUS 32 B2	Platform with Handrails	(3) 0.39" (10mm) Fiber Trunk (8) 0.78" (19.7mm) 8 AWG 6 (7) 2" conduit (3) 3/8" (0.38"-9.5mm) RET Control Cable	AT&T MOBILITY
	9	CCI CCI-HPA-65R-BUU-H8			
	3	Ericsson RRUS 32 (50.8 lbs)			
	3	Ericsson RRUS-11 (50 lbs.)			
	6	Ericsson RRUS A2 B2			
	3	Ericsson RRUS 4449 B5, B12			
	3	Ericsson RRUS 4478 B14			
	3	Ericsson RRUS 8843 B2, B66A			
	3	Kathrein Scala 80010966			
	1	Raycap DC6-48-60-0-8C-EV			
3	Raycap DC6-48-60-18-8F				

Equipment to be Removed

Elev. ¹ (ft)	Qty	Antenna	Mount Type	Lines	Carrier
130.0	3	Nokia B5 RRH4x40-850	-	(2) 1 5/8" Hybriflex	VERIZON WIRELESS
	3	Alcatel-Lucent RRH2x60 700			
	2	RFS DB-T1-6Z-8AB-OZ			
	3	Alcatel-Lucent B66A RRH 4x45			
	3	Amphenol Antel BXA-171063-12CF			
	3	Alcatel-Lucent PCS B25 RRH2x60/4x30			

Proposed Equipment

Elev. ¹ (ft)	Qty	Antenna	Mount Type	Lines	Carrier
130.0	3	Commscope CBC78T-DS-43-2X	Low Profile Platform	(4) 1 5/8" Coax	VERIZON WIRELESS
	3	Samsung B5/B13 RRH-BR04C			
	3	Samsung B2/B66A RRH-BR049			
	1	Talley RHSDC-6627-PF-48			
	3	Samsung MT6407-77A			

¹ Contracted elevations are shown for appurtenances within contracted installation tolerances. Appurtenances outside of contract limits are shown at installed elevations.

Install proposed lines inside the pole shaft.



Structure Usages

Structural Component	Controlling Usage	Pass/Fail
Anchor Bolts	48%	Pass
Shaft	55%	Pass
Base Plate	35%	Pass
Flange	12%	Pass

Foundations

Reaction Component	Analysis Reactions	% of Usage
Moment (Kips-Ft)	2,620.6	46%
Axial (Kips)	54.2	67%
Shear (Kips)	27.0	46%

The structure base reactions resulting from this analysis were found to be acceptable through analysis based on geotechnical and foundation information, therefore no modification or reinforcement of the foundation will be required.

Deflection and Sway*

Antenna Elevation (ft)	Antenna	Carrier	Deflection (ft)	Sway (Rotation) (°)
130.0	Commscope CBC78T-DS-43-2X	VERIZON WIRELESS	1.277	1.030
	Samsung B5/B13 RRH-BR04C			
	Samsung B2/B66A RRH-BR049			
	Talley RHSDC-6627-PF-48			
	Samsung MT6407-77A			

*Deflection and Sway was evaluated considering a design wind speed of 60 mph (3-Second Gust) per ANSI/TIA-222-H



Standard Conditions

All engineering services performed by A.T. Engineering Service, PLLC are prepared on the basis that the information used is current and correct. This information may consist of, but is not limited to the following:

- Information supplied by the client regarding antenna, mounts and feed line loading
- Information from drawings, design and analysis documents, and field notes in the possession of A.T. Engineering Service, PLLC

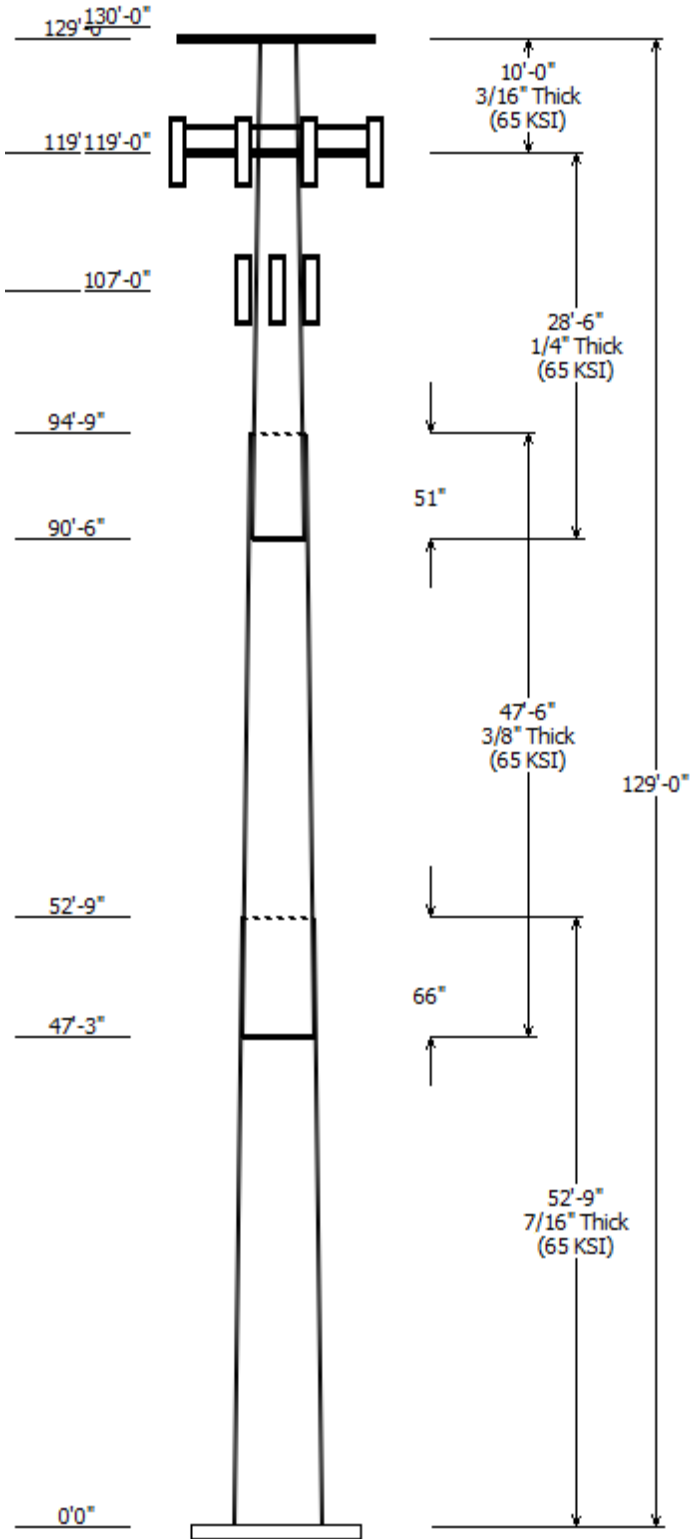
It is the responsibility of the client to ensure that the information provided to A.T. Engineering Service, PLLC and used in the performance of our engineering services is correct and complete.

All assets of American Tower Corporation, its affiliates and subsidiaries (collectively "American Tower") are inspected at regular intervals. Based upon these inspections and in the absence of information to the contrary, American Tower assumes that all structures were constructed in accordance with the drawings and specifications.

Unless explicitly agreed by both the client and A.T. Engineering Service, PLLC, all services will be performed in accordance with the current revision of ANSI/TIA-222.

All services are performed, results obtained, and recommendations made in accordance with generally accepted engineering principles and practices. A.T. Engineering Service, PLLC is not responsible for the conclusions, opinions and recommendations made by others based on the information supplied herein.

Job Information	
Client : VERIZON WIRELESS	Code: ANSI/TIA-222-H
Pole : 283418	
Location : NORTH HAVEN CT, CT	
Description : 129' monopole	Risk Category : II
Shape : 18 Sides	Exposure : C
Height : 129.00 (ft)	Topo Method : Method 1
Base Elev (ft): 0.00	Topographic Category : 1
Taper: 0.225964in/ft)	



Sections Properties						
Shaft Section	Length (ft)	Diameter (in)		Joint Type	Overlap Length (in)	Steel Grade
		Across Flats Top	Across Flats Bottom			
1	52.750	36.88	48.80	0.438	0.000	18 Sides 65
2	47.500	28.13	38.87	0.375 Slip Joint	66.000	18 Sides 65
3	28.500	23.16	29.60	0.250 Slip Joint	51.000	18 Sides 65
4	10.000	20.90	23.16	0.188 Butt Joint	0.000	18 Sides 65

Discrete Appurtenance			
Attach Elev (ft)	Force Elev (ft)	Qty	Description
130.000	132.000	6	Commscope JAHH-65B-R3B
130.000	132.000	3	Amphenol Antel BXA-80080-
130.000	130.000	1	Talley RHSDC-6627-PF-48
130.000	130.000	3	Samsung MT6407-77A
130.000	130.000	3	Samsung B2/B66A RRH-BR049
130.000	130.000	3	Samsung B5/B13 RRH-BR04C
130.000	130.000	3	Commscope CBC78T-DS-43-2X
129.000	129.000	1	Round Low Profile Platform
119.000	119.000	3	Generic Round Sector Frame
119.000	119.000	3	RFS APXVAARR24_43-U-NA20
119.000	119.000	3	Ericsson AIR-32 B2A/B66Aa
119.000	119.000	3	Ericsson AIR 21, 1.3 M, B2A B4
119.000	119.000	3	Ericsson Air6449 B41
119.000	119.000	3	Ericsson RRUS 4415 B25
119.000	119.000	3	Ericsson Radio 4449 B71 B85A
107.000	107.000	1	Round Platform w/ Handrails
107.000	107.000	3	Kathrein Scala 80010966
107.000	107.000	9	CCI CCI-HPA-65R-BUU-H8
107.000	107.000	6	Ericsson RRUS 32 B2
107.000	107.000	3	Ericsson RRUS 32 (50.8 lbs)
107.000	107.000	3	Ericsson RRUS-11 (50 lbs.)
107.000	107.000	6	Ericsson RRUS A2 B2
107.000	107.000	3	Ericsson RRUS 4449 B5, B12
107.000	107.000	3	Ericsson RRUS 4478 B14
107.000	107.000	3	Ericsson RRUS 8843 B2, B66A
107.000	107.000	3	Raycap DC6-48-60-18-8F
107.000	107.000	1	Ravcap DC6-48-60-0-8C-EV

Linear Appurtenance			
Elev (ft) From	Elev (ft) To	Description	Exposed To Wind
0.000	107.0	0.39" (10mm)	No
0.000	107.0	0.78" (19.7mm) 8	No
0.000	107.0	2" conduit	No
0.000	107.0	2" conduit	No
0.000	107.0	3/8" (0.38"-	No
0.000	119.0	1 1/4" (1.25"-	No
0.000	119.0	1 5/8" Hybriflex	No
0.000	130.0	1 5/8" Coax	No
0.000	130.0	1 5/8" Coax	No

0.000 130.0 1 5/8" Hybriflex No

Load Cases

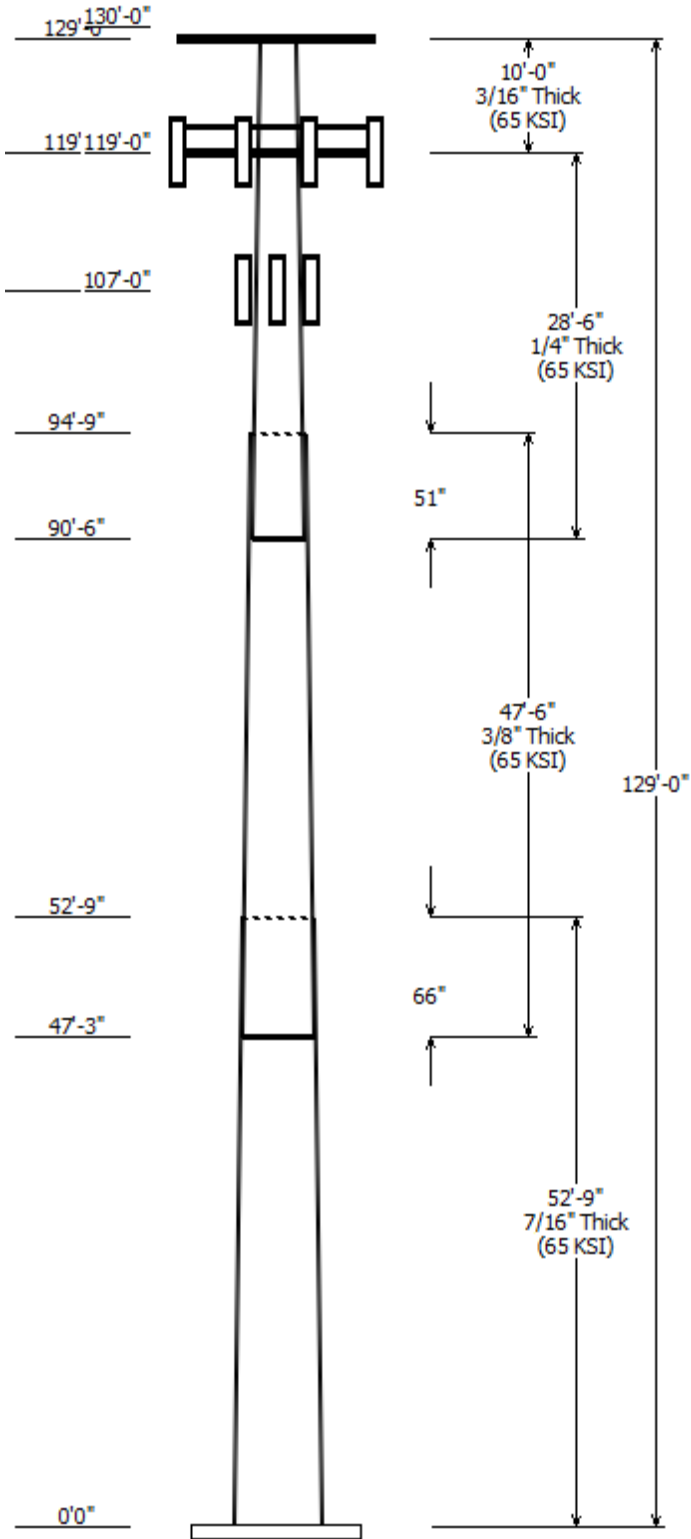
1.2D + 1.0W	120 mph with No Ice
0.9D + 1.0W	120 mph with No Ice (Reduced DL)
1.2D + 1.0Di + 1.0Wi	50 mph with 1.00 in Radial Ice
1.2D + 1.0Ev + 1.0Eh	Seismic
0.9D - 1.0Ev + 1.0Eh	Seismic (Reduced DL)
1.0D + 1.0W	Serviceability 60 mph

Reactions

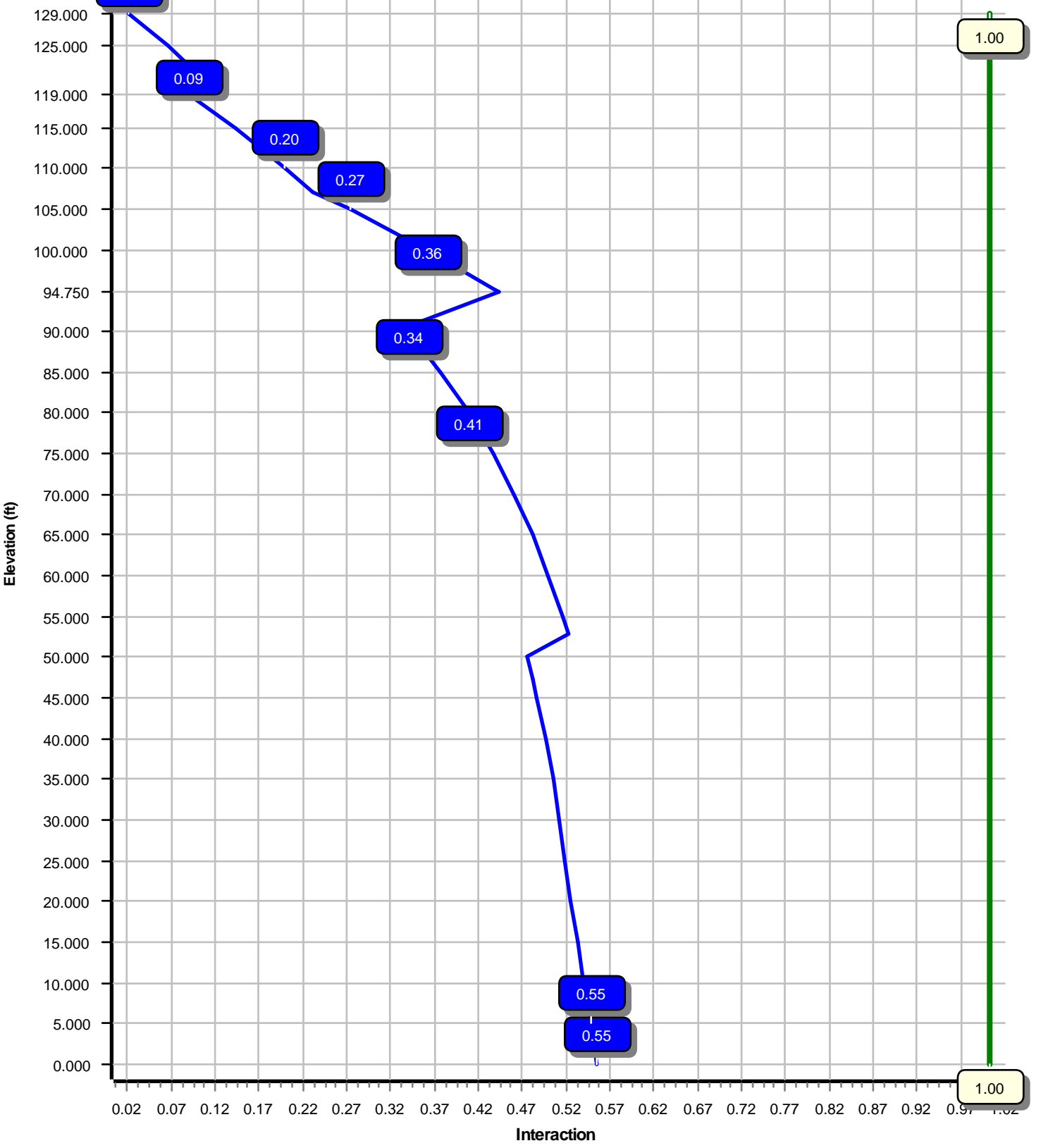
Load Case	Moment (kip-ft)	Shear (kip)	Axial (kip)
1.2D + 1.0W	2620.61	27.01	41.45
0.9D + 1.0W	2595.66	27.00	31.08
1.2D + 1.0Di + 1.0Wi	664.33	7.00	54.17
1.2D + 1.0Ev + 1.0Eh	108.94	1.04	41.29
0.9D - 1.0Ev + 1.0Eh	107.66	1.04	28.45
1.0D + 1.0W	582.98	6.04	34.58

Dish Deflections

Load Case	Attach Elev (ft)	Deflection (in)	Rotation (deg)
	0.00	0.000	0.000



Load Case : 1.2D + 1.0W
Max Ratio 55.21% at 0.0 ft



Site Number: 283418

Code: ANSI/TIA-222-H

© 2007 - 2021 by ATC IP LLC. All rights reserved.

Site Name: NORTH HAVEN CT, CT

Engineering Number: 13668665_C3_01

5/4/2021 4:33:37 PM

Customer: VERIZON WIRELESS

Analysis Parameters

Location :	New Haven County, CT	Height (ft) :	129
Code :	ANSI/TIA-222-H	Base Diameter (in) :	48.80
Shape :	18 Sides	Top Diameter (in) :	20.90
Pole Type :	Taper	Taper (in/ft) :	0.226
Pole Manufacturer :		Rotation (deg) :	0.00
Kd (non-service) :	0.95	Ke :	1.00

Ice & Wind Parameters

Exposure Category:	C	Design Wind Speed Without Ice:	120 mph
Risk Category:	II	Design Wind Speed With Ice:	50 mph
Topographic Factor Procedure:	Method 1	Operational Wind Speed:	60 mph
Topographic Category:	1	Design Ice Thickness:	1.00 in
Crest Height:	0 ft	HMSL:	9.00 ft

Seismic Parameters

Analysis Method:	Equivalent Lateral Force Method		
Site Class:	D - Stiff Soil		
Period Based on Rayleigh Method (sec):	1.99		
T_L (sec):	6	p :	1
S_s :	0.203	S_1 :	0.054
F_a :	1.600	F_v :	2.400
S_{ds} :	0.217	S_{d1} :	0.086
		C_s :	0.030
		C_s Max:	0.030
		C_s Min:	0.030

Load Cases

1.2D + 1.0W	120 mph with No Ice
0.9D + 1.0W	120 mph with No Ice (Reduced DL)
1.2D + 1.0Di + 1.0Wi	50 mph with 1.00 in Radial Ice
1.2D + 1.0Ev + 1.0Eh	Seismic
0.9D - 1.0Ev + 1.0Eh	Seismic (Reduced DL)
1.0D + 1.0W	Serviceability 60 mph

Site Number: 283418

Code: ANSI/TIA-222-H

© 2007 - 2021 by ATC IP LLC. All rights reserved.

Site Name: NORTH HAVEN CT, CT

Engineering Number: 13668665_C3_01

5/4/2021 4:33:37 PM

Customer: VERIZON WIRELESS

Shaft Section Properties

Sect Info	Length (ft)	Thick (in)	Fy (ksi)	Slip		Weight (lb)	Bottom						Top						
				Joint Type	Joint Len (in)		Dia (in)	Elev (ft)	Area (in ²)	Ix (in ⁴)	W/t Ratio	D/t Ratio	Dia (in)	Elev (ft)	Area (in ²)	Ix (in ⁴)	W/t Ratio	D/t Ratio	Taper (in/ft)
1-18	52.750	0.4375	65		0.00	10,569	48.80	0.00	67.15	19844.9	17.90	111.54	36.88	52.75	50.60	8490.9	13.10	84.30	0.225969
2-18	47.500	0.3750	65	Slip	66.00	6,374	38.87	47.25	45.82	8580.0	16.52	103.66	28.13	94.75	33.05	3218.4	11.47	75.04	0.225969
3-18	28.500	0.2500	65	Slip	51.00	2,011	29.60	90.50	23.29	2534.5	19.11	118.40	23.16	119.00	18.18	1205.4	14.57	92.64	0.225969
4-18	10.000	0.1875	65	Butt	0.00	442	23.16	119.00	13.67	911.5	20.02	123.52	20.90	129.00	12.33	668.1	17.89	111.47	0.225969
Shaft Weight						19,395													

Discrete Appurtenance Properties

Attach Elev (ft)	Description	Qty	Ka	Vert Ecc (ft)	Weight (lb)	No Ice EPAa (sf)	Orientation Factor	Weight (lb)	Ice EPAa (sf)	Orientation Factor
130.00	Commscope CBC78T-DS-43-2X	3	0.80	0.000	20.70	0.552	0.50	35.22	0.886	0.50
130.00	Samsung B5/B13 RRH-BR04C	3	0.80	0.000	70.30	1.875	0.50	107.88	2.468	0.50
130.00	Samsung B2/B66A RRH-BR049	3	0.80	0.000	84.40	1.875	0.50	126.31	2.468	0.50
130.00	Talley RHSDC-6627-PF-48	1	0.80	0.000	32.00	4.056	1.00	115.50	4.953	1.00
130.00	Samsung MT6407-77A	3	0.80	0.000	81.60	4.709	0.61	148.57	5.707	0.61
130.00	Amphenol Antel BXA-80080-6CF-	3	0.80	2.000	18.00	5.760	0.73	101.06	7.315	0.73
130.00	Commscope JAHH-65B-R3B	6	0.80	2.000	60.60	9.113	0.69	193.52	10.936	0.69
129.00	Round Low Profile Platform	1	1.00	0.000	1,500.00	21.700	1.00	1,925.67	34.314	1.00
119.00	Ericsson Radio 4449 B71 B85A	3	0.80	0.000	75.00	1.650	0.50	114.19	2.204	0.50
119.00	Ericsson RRUS 4415 B25	3	0.80	0.000	46.00	1.842	0.50	77.95	2.427	0.50
119.00	Ericsson Air6449 B41	3	0.80	0.000	104.00	5.682	0.63	192.81	6.716	0.63
119.00	Ericsson AIR 21, 1.3 M, B2A B4P	3	0.80	0.000	83.00	6.049	0.71	178.10	7.458	0.71
119.00	Ericsson AIR-32 B2A/B66Aa	3	0.80	0.000	132.20	6.510	0.71	236.21	7.937	0.71
119.00	Generic Round Sector Frame	3	0.75	0.000	300.00	14.400	0.75	539.70	25.186	0.75
119.00	RFS APXVAARR24_43-U-NA20	3	0.80	0.000	127.90	20.243	0.63	383.72	22.660	0.63
107.00	Raycap DC6-48-60-0-8C-EV	1	0.75	0.000	16.00	1.020	1.00	45.22	1.385	1.00
107.00	Raycap DC6-48-60-18-8F	3	0.75	0.000	20.00	1.260	1.00	53.97	1.685	1.00
107.00	Ericsson RRUS 8843 B2, B66A	3	0.75	0.000	72.00	1.639	0.50	111.55	2.184	0.50
107.00	Ericsson RRUS 4478 B14	3	0.75	0.000	59.90	1.842	0.50	95.58	2.421	0.50
107.00	Ericsson RRUS 4449 B5, B12	3	0.75	0.000	71.00	1.969	0.50	112.59	2.571	0.50
107.00	Ericsson RRUS A2 B2	6	0.75	0.000	22.00	2.064	0.67	50.45	2.673	0.67
107.00	Ericsson RRUS-11 (50 lbs.)	3	0.75	0.000	50.00	2.566	0.67	93.98	3.242	0.67
107.00	Ericsson RRUS 32 (50.8 lbs)	3	0.75	0.000	50.80	2.692	0.67	96.95	3.437	0.67
107.00	Ericsson RRUS 32 B2	6	0.75	0.000	53.00	2.743	0.67	100.46	3.498	0.67
107.00	CCI CCI-HPA-65R-BUU-H8	9	0.75	0.000	68.00	12.976	0.67	233.79	15.286	0.67
107.00	Kathrein Scala 80010966	3	0.75	0.000	114.60	17.363	0.63	321.79	19.743	0.63
107.00	Round Platform w/ Handrails and	1	1.00	0.000	2,000.00	28.000	1.00	2,836.09	44.236	1.00
Totals	Num Loadings:27					9,717.80		18,477.55		

Linear Appurtenance Properties

Load Case Azimuth (deg) :

Elev From (ft)	Elev To (ft)	Qty	Description	Coax Dia (in)	Coax Wt (lb/ft)	Max Coax / Flat Row	Dist Between Rows (in)	Dist Between Cols (in)	Dist Azimuth (deg)	Dist From Face (in)	Exposed To Wind Carrier
0.00	130.00	4	1 5/8" Coax	1.98	0.82	N	0	0.00	0.00	0	N VERIZON WIRELESS
0.00	130.00	8	1 5/8" Coax	1.98	0.82	N	0	0.00	0.00	0	N VERIZON WIRELESS
0.00	130.00	2	1 5/8" Hybriflex	1.98	1.30	N	0	0.00	0.00	0	N VERIZON WIRELESS
0.00	119.00	3	1 1/4" (1.25"- 31.8mm)	1.25	1.05	N	0	0.00	0.00	0	N T-MOBILE
0.00	119.00	1	1 5/8" Hybriflex	1.98	1.30	N	0	0.00	0.00	0	N T-MOBILE
0.00	107.00	3	0.39" (10mm) Fiber	0.39	0.06	N	0	0.00	0.00	0	N AT&T MOBILITY
0.00	107.00	8	0.78" (19.7mm) 8 AWG	0.78	0.59	N	0	0.00	0.00	0	N AT&T MOBILITY
0.00	107.00	6	2" conduit	2.38	3.65	N	0	0.00	0.00	0	N AT&T MOBILITY

Site Number: 283418

Code: ANSI/TIA-222-H

© 2007 - 2021 by ATC IP LLC. All rights reserved.

Site Name: NORTH HAVEN CT, CT

Engineering Number: 13668665_C3_01

5/4/2021 4:33:37 PM

Customer: VERIZON WIRELESS

0.00	107.00	1	2" conduit	2.38	3.65	N	0	0.00	0.00	0	0.00	N	AT&T MOBILITY
0.00	107.00	3	3/8" (0.38"- 9.5mm)	0.38	0.23	N	0	0.00	0.00	0	0.00	N	AT&T MOBILITY

Segment Properties (Max Len : 5. ft)

Seg Top Elev (ft)	Description	Thick (in)	Flat Dia (in)	Area (in ²)	Ix (in ⁴)	W/t Ratio	D/t Ratio	F'y (ksi)	S (in ³)	Z (in ³)	Weight (lb)
0.00		0.4375	48.800	67.155	19,844.9	17.90	111.54	80.3	801.0	0.0	0.0
5.00		0.4375	47.670	65.586	18,486.3	17.45	108.96	80.9	763.8	0.0	1,129.2
10.00		0.4375	46.540	64.017	17,191.1	16.99	106.38	81.4	727.5	0.0	1,102.5
15.00		0.4375	45.410	62.448	15,957.9	16.54	103.80	81.9	692.2	0.0	1,075.8
20.00		0.4375	44.281	60.879	14,785.2	16.08	101.21	82.5	657.6	0.0	1,049.1
25.00		0.4375	43.151	59.311	13,671.3	15.63	98.63	82.6	624.0	0.0	1,022.5
30.00		0.4375	42.021	57.742	12,614.9	15.17	96.05	82.6	591.3	0.0	995.8
35.00		0.4375	40.891	56.173	11,614.3	14.72	93.47	82.6	559.4	0.0	969.1
40.00		0.4375	39.761	54.604	10,668.1	14.26	90.88	82.6	528.5	0.0	942.4
45.00		0.4375	38.631	53.035	9,774.7	13.81	88.30	82.6	498.4	0.0	915.7
47.25	Bot - Section 2	0.4375	38.123	52.329	9,389.5	13.60	87.14	82.6	485.1	0.0	403.3
50.00		0.4375	37.502	51.466	8,932.7	13.35	85.72	82.6	469.2	0.0	911.0
52.75	Top - Section 1	0.3750	37.630	44.341	7,775.6	15.93	100.35	82.6	407.0	0.0	896.0
55.00		0.3750	37.122	43.736	7,461.6	15.69	98.99	82.6	395.9	0.0	337.2
60.00		0.3750	35.992	42.391	6,794.3	15.16	95.98	82.6	371.8	0.0	732.7
65.00		0.3750	34.862	41.047	6,168.0	14.63	92.97	82.6	348.5	0.0	709.8
70.00		0.3750	33.732	39.702	5,581.4	14.10	89.95	82.6	325.9	0.0	686.9
75.00		0.3750	32.602	38.357	5,033.2	13.57	86.94	82.6	304.1	0.0	664.0
80.00		0.3750	31.472	37.012	4,522.2	13.04	83.93	82.6	283.0	0.0	641.2
85.00		0.3750	30.343	35.668	4,047.0	12.50	80.91	82.6	262.7	0.0	618.3
90.00		0.3750	29.213	34.323	3,606.3	11.97	77.90	82.6	243.1	0.0	595.4
90.50	Bot - Section 3	0.3750	29.100	34.188	3,564.1	11.92	77.60	82.6	241.2	0.0	58.3
94.75	Top - Section 2	0.2500	28.639	22.526	2,293.8	18.44	114.56	79.7	157.8	0.0	817.4
95.00		0.2500	28.583	22.481	2,280.1	18.40	114.33	79.8	157.1	0.0	19.1
100.0		0.2500	27.453	21.585	2,018.1	17.60	109.81	80.7	144.8	0.0	374.9
105.0		0.2500	26.323	20.688	1,776.9	16.80	105.29	81.6	133.0	0.0	359.6
107.0		0.2500	25.871	20.330	1,686.1	16.48	103.49	82.0	128.4	0.0	139.6
110.0		0.2500	25.193	19.792	1,555.8	16.01	100.77	82.6	121.6	0.0	204.8
115.0		0.2500	24.064	18.895	1,353.8	15.21	96.25	82.6	110.8	0.0	329.1
119.0	Top - Section 3	0.2500	23.160	18.178	1,205.4	14.57	92.64	82.6	102.5	0.0	252.3
119.0	Bot - Section 4	0.1875	23.160	13.671	911.5	20.02	123.52	77.9	77.5	0.0	
120.0		0.1875	22.934	13.536	884.9	19.80	122.31	78.1	76.0	0.0	46.3
125.0		0.1875	21.804	12.864	759.4	18.74	116.29	79.4	68.6	0.0	224.6
129.0		0.1875	20.900	12.326	668.1	17.89	111.47	80.4	63.0	0.0	171.4
											19,395.2

Load Case: 1.2D + 1.0W 120 mph with No Ice 22 Iterations

Gust Response Factor :1.10
 Dead Load Factor :1.20
 Wind Load Factor :1.00

Applied Segment Forces Summary

Seg Elev (ft)	Description	Shaft Forces		Discrete Forces			Linear Forces		Sum of Forces				
		Wind FX (lb)	Dead Load (lb)	Wind FX (lb)	Torsion MY (lb-ft)	Moment MZ (lb-ft)	Dead Load (lb)	Wind FX (lb)	Dead Load (lb)	Wind FX (lb)	Dead Load (lb)	Torsion MY (lb-ft)	Moment MZ (lb)
0.00		243.8	0.0					0.0	0.0	243.8	0.0	0.0	0.0
5.00		482.0	1,355.1					0.0	288.2	482.0	1,643.2	0.0	0.0
10.00		470.5	1,323.0					0.0	288.2	470.5	1,611.2	0.0	0.0
15.00		466.3	1,291.0					0.0	288.2	466.3	1,579.2	0.0	0.0
20.00		474.2	1,259.0					0.0	288.2	474.2	1,547.2	0.0	0.0
25.00		484.6	1,226.9					0.0	288.2	484.6	1,515.1	0.0	0.0
30.00		490.5	1,194.9					0.0	288.2	490.5	1,483.1	0.0	0.0
35.00		493.2	1,162.9					0.0	288.2	493.2	1,451.1	0.0	0.0
40.00		493.3	1,130.8					0.0	288.2	493.3	1,419.0	0.0	0.0
45.00		356.8	1,098.8					0.0	288.2	356.8	1,387.0	0.0	0.0
47.25	Bot - Section 2	247.6	484.0					0.0	129.7	247.6	613.7	0.0	0.0
50.00		273.7	1,093.1					0.0	158.5	273.7	1,251.6	0.0	0.0
52.75	Top - Section 1	247.7	1,075.1					0.0	158.5	247.7	1,233.6	0.0	0.0
55.00		356.0	404.6					0.0	129.7	356.0	534.3	0.0	0.0
60.00		486.4	879.2					0.0	288.2	486.4	1,167.4	0.0	0.0
65.00		479.2	851.8					0.0	288.2	479.2	1,139.9	0.0	0.0
70.00		470.9	824.3					0.0	288.2	470.9	1,112.5	0.0	0.0
75.00		461.8	796.9					0.0	288.2	461.8	1,085.0	0.0	0.0
80.00		451.9	769.4					0.0	288.2	451.9	1,057.6	0.0	0.0
85.00		441.3	741.9					0.0	288.2	441.3	1,030.1	0.0	0.0
90.00		239.4	714.5					0.0	288.2	239.4	1,002.7	0.0	0.0
90.50	Bot - Section 3	204.8	69.9					0.0	28.8	204.8	98.8	0.0	0.0
94.75	Top - Section 2	194.0	980.9					0.0	245.0	194.0	1,225.9	0.0	0.0
95.00		220.4	23.0					0.0	14.4	220.4	37.4	0.0	0.0
100.00		413.2	449.8					0.0	288.2	413.2	738.0	0.0	0.0
105.00		283.0	431.5					0.0	288.2	283.0	719.7	0.0	0.0
107.00	Appurtenance(s)	196.8	167.5	7,091.8	0.0	0.0	5,271.5	0.0	115.3	7,288.7	5,554.2	0.0	0.0
110.00		307.3	245.7					0.0	60.8	307.3	306.5	0.0	0.0
115.00		337.0	394.9					0.0	101.3	337.0	496.3	0.0	0.0
119.00	Top - Section 3	183.0	302.8	4,504.1	0.0	0.0	3,125.2	0.0	81.1	4,687.1	3,509.0	0.0	0.0
120.00		211.7	55.5					0.0	14.9	211.7	70.5	0.0	0.0
125.00		310.9	269.5					0.0	74.6	310.9	344.1	0.0	0.0
129.00	Appurtenance(s)	135.2	205.7	1,115.9	0.0	0.0	1,800.0	0.0	59.7	1,251.1	2,065.4	0.0	0.0
Totals:										24,320.4	40,030.4	0.00	0.00

Load Case: 1.2D + 1.0W

120 mph with No Ice

22 Iterations

Gust Response Factor :1.10

Dead Load Factor :1.20

Wind Load Factor :1.00

Calculated Forces

Seg Elev (ft)	Pu FY (-) (kips)	Vu FX (-) (kips)	Tu MY (ft-kips)	Mu MZ (ft-kips)	Mu MX (ft-kips)	Resultant Moment (ft-kips)	phi Pn (kips)	phi Vn (kips)	phi Tn (ft-kips)	phi Mn (ft-kips)	Total Deflect (in)	Rotation (deg)	Ratio
0.00	-41.45	-27.01	0.00	-2,620.61	0.00	2,620.61	4,855.79	1,178.57	5,148.44	4,826.26	0.00	0.00	0.552
5.00	-39.72	-26.66	0.00	-2,485.55	0.00	2,485.55	4,773.96	1,151.04	4,910.73	4,633.09	0.10	-0.18	0.545
10.00	-38.03	-26.30	0.00	-2,352.27	0.00	2,352.27	4,690.62	1,123.50	4,678.64	4,442.31	0.39	-0.37	0.538
15.00	-36.37	-25.95	0.00	-2,220.75	0.00	2,220.75	4,605.77	1,095.97	4,452.16	4,254.05	0.88	-0.56	0.530
20.00	-34.74	-25.57	0.00	-2,091.03	0.00	2,091.03	4,519.41	1,068.43	4,231.30	4,068.40	1.57	-0.75	0.522
25.00	-33.14	-25.18	0.00	-1,963.18	0.00	1,963.18	4,406.48	1,040.90	4,016.06	3,863.51	2.46	-0.95	0.516
30.00	-31.58	-24.77	0.00	-1,837.29	0.00	1,837.29	4,289.92	1,013.37	3,806.44	3,660.81	3.55	-1.14	0.510
35.00	-30.06	-24.35	0.00	-1,713.44	0.00	1,713.44	4,173.36	985.83	3,602.43	3,463.58	4.86	-1.34	0.503
40.00	-28.57	-23.92	0.00	-1,591.69	0.00	1,591.69	4,056.80	958.30	3,404.05	3,271.80	6.37	-1.55	0.494
45.00	-27.13	-23.60	0.00	-1,472.07	0.00	1,472.07	3,940.24	930.77	3,211.28	3,085.49	8.10	-1.75	0.485
47.25	-26.48	-23.38	0.00	-1,418.98	0.00	1,418.98	3,887.79	918.38	3,126.37	3,003.43	8.95	-1.84	0.480
50.00	-25.19	-23.12	0.00	-1,354.69	0.00	1,354.69	3,823.68	903.23	3,024.13	2,904.64	10.05	-1.96	0.474
52.75	-23.93	-22.87	0.00	-1,291.12	0.00	1,291.12	3,294.34	778.19	2,618.77	2,519.75	11.21	-2.08	0.521
55.00	-23.34	-22.56	0.00	-1,239.67	0.00	1,239.67	3,249.38	767.57	2,547.79	2,451.11	12.21	-2.17	0.514
60.00	-22.11	-22.11	0.00	-1,126.87	0.00	1,126.87	3,149.47	743.97	2,393.55	2,301.96	14.61	-2.40	0.497
65.00	-20.91	-21.67	0.00	-1,016.31	0.00	1,016.31	3,049.56	720.37	2,244.13	2,157.49	17.24	-2.62	0.479
70.00	-19.74	-21.22	0.00	-907.98	0.00	907.98	2,949.66	696.77	2,099.52	2,017.71	20.10	-2.84	0.458
75.00	-18.60	-20.77	0.00	-801.88	0.00	801.88	2,849.75	673.17	1,959.72	1,882.61	23.20	-3.06	0.433
80.00	-17.50	-20.33	0.00	-698.03	0.00	698.03	2,749.84	649.57	1,824.74	1,752.19	26.52	-3.27	0.406
85.00	-16.42	-19.88	0.00	-596.40	0.00	596.40	2,649.93	625.97	1,694.58	1,626.45	30.06	-3.48	0.374
90.00	-15.40	-19.61	0.00	-497.00	0.00	497.00	2,550.02	602.37	1,569.23	1,505.39	33.80	-3.67	0.337
90.50	-15.29	-19.42	0.00	-487.19	0.00	487.19	2,540.03	600.01	1,556.96	1,493.54	34.19	-3.69	0.333
94.75	-14.05	-19.17	0.00	-404.66	0.00	404.66	1,616.13	395.33	1,013.75	943.15	37.54	-3.84	0.440
95.00	-13.99	-18.97	0.00	-399.87	0.00	399.87	1,613.86	394.55	1,009.72	939.93	37.74	-3.85	0.436
100.00	-13.22	-18.56	0.00	-305.01	0.00	305.01	1,567.71	378.81	930.81	876.33	41.89	-4.07	0.359
105.00	-12.48	-18.25	0.00	-212.23	0.00	212.23	1,520.05	363.08	855.10	814.07	46.25	-4.25	0.271
107.00	-7.48	-10.57	0.00	-175.74	0.00	175.74	1,500.57	356.79	825.72	789.57	48.05	-4.31	0.228
110.00	-7.18	-10.26	0.00	-144.02	0.00	144.02	1,470.44	347.35	782.61	753.05	50.78	-4.39	0.197
115.00	-6.69	-9.89	0.00	-92.75	0.00	92.75	1,403.83	331.61	713.33	686.05	55.44	-4.50	0.141
119.00	-3.56	-4.94	0.00	-53.19	0.00	53.19	1,350.55	319.03	660.21	634.70	59.24	-4.56	0.087
119.00	-3.56	-4.94	0.00	-53.19	0.00	53.19	957.94	239.92	497.82	452.65	59.24	-4.56	0.122
120.00	-3.51	-4.73	0.00	-48.24	0.00	48.24	951.57	237.56	488.08	445.18	60.19	-4.58	0.112
125.00	-3.18	-4.39	0.00	-24.60	0.00	24.60	918.77	225.76	440.80	408.31	65.01	-4.63	0.064
129.00	0.00	-4.12	0.00	-7.03	0.00	7.03	891.44	216.32	404.71	379.46	68.91	-4.66	0.019

Load Case: 0.9D + 1.0W	120 mph with No Ice (Reduced DL)	22 Iterations
Gust Response Factor :1.10		
Dead Load Factor :0.90		
Wind Load Factor :1.00		

Applied Segment Forces Summary

Seg Elev (ft)	Description	Shaft Forces		Discrete Forces			Linear Forces		Sum of Forces				
		Wind FX (lb)	Dead Load (lb)	Wind FX (lb)	Torsion MY (lb-ft)	Moment MZ (lb-ft)	Dead Load (lb)	Wind FX (lb)	Dead Load (lb)	Wind FX (lb)	Dead Load (lb)	Torsion MY (lb-ft)	Moment MZ (lb)
0.00		243.8	0.0					0.0	0.0	243.8	0.0	0.0	0.0
5.00		482.0	1,016.3					0.0	216.1	482.0	1,232.4	0.0	0.0
10.00		470.5	992.3					0.0	216.1	470.5	1,208.4	0.0	0.0
15.00		466.3	968.3					0.0	216.1	466.3	1,184.4	0.0	0.0
20.00		474.2	944.2					0.0	216.1	474.2	1,160.4	0.0	0.0
25.00		484.6	920.2					0.0	216.1	484.6	1,136.3	0.0	0.0
30.00		490.5	896.2					0.0	216.1	490.5	1,112.3	0.0	0.0
35.00		493.2	872.2					0.0	216.1	493.2	1,088.3	0.0	0.0
40.00		493.3	848.1					0.0	216.1	493.3	1,064.3	0.0	0.0
45.00		356.8	824.1					0.0	216.1	356.8	1,040.2	0.0	0.0
47.25	Bot - Section 2	247.6	363.0					0.0	97.3	247.6	460.3	0.0	0.0
50.00		273.7	819.9					0.0	118.9	273.7	938.7	0.0	0.0
52.75	Top - Section 1	247.7	806.4					0.0	118.9	247.7	925.2	0.0	0.0
55.00		356.0	303.5					0.0	97.3	356.0	400.7	0.0	0.0
60.00		486.4	659.4					0.0	216.1	486.4	875.5	0.0	0.0
65.00		479.2	638.8					0.0	216.1	479.2	855.0	0.0	0.0
70.00		470.9	618.2					0.0	216.1	470.9	834.4	0.0	0.0
75.00		461.8	597.6					0.0	216.1	461.8	813.8	0.0	0.0
80.00		451.9	577.0					0.0	216.1	451.9	793.2	0.0	0.0
85.00		441.3	556.5					0.0	216.1	441.3	772.6	0.0	0.0
90.00		239.4	535.9					0.0	216.1	239.4	752.0	0.0	0.0
90.50	Bot - Section 3	204.8	52.5					0.0	21.6	204.8	74.1	0.0	0.0
94.75	Top - Section 2	194.0	735.7					0.0	183.7	194.0	919.4	0.0	0.0
95.00		220.4	17.2					0.0	10.8	220.4	28.0	0.0	0.0
100.00		413.2	337.4					0.0	216.1	413.2	553.5	0.0	0.0
105.00		283.0	323.7					0.0	216.1	283.0	539.8	0.0	0.0
107.00	Appurtenance(s)	196.8	125.6	7,091.8	0.0	0.0	3,953.6	0.0	86.5	7,288.7	4,165.7	0.0	0.0
110.00		307.3	184.3					0.0	45.6	307.3	229.9	0.0	0.0
115.00		337.0	296.2					0.0	76.0	337.0	372.2	0.0	0.0
119.00	Top - Section 3	183.0	227.1	4,504.1	0.0	0.0	2,343.9	0.0	60.8	4,687.1	2,631.7	0.0	0.0
120.00		211.7	41.7					0.0	11.2	211.7	52.9	0.0	0.0
125.00		310.9	202.1					0.0	56.0	310.9	258.1	0.0	0.0
129.00	Appurtenance(s)	135.2	154.3	1,115.9	0.0	0.0	1,350.0	0.0	44.8	1,251.1	1,549.1	0.0	0.0
Totals:										24,320.4	30,022.8	0.00	0.00

Load Case: 0.9D + 1.0W

120 mph with No Ice (Reduced DL)

22 Iterations

Gust Response Factor :1.10

Dead Load Factor :0.90

Wind Load Factor :1.00

Calculated Forces

Seg Elev (ft)	Pu FY (-) (kips)	Vu FX (-) (kips)	Tu MY (ft-kips)	Mu MZ (ft-kips)	Mu MX (ft-kips)	Resultant Moment (ft-kips)	phi Pn (kips)	phi Vn (kips)	phi Tn (ft-kips)	phi Mn (ft-kips)	Total Deflect (in)	Rotation (deg)	Ratio
0.00	-31.08	-27.00	0.00	-2,595.66	0.00	2,595.66	4,855.79	1,178.57	5,148.44	4,826.26	0.00	0.00	0.545
5.00	-29.76	-26.61	0.00	-2,460.68	0.00	2,460.68	4,773.96	1,151.04	4,910.73	4,633.09	0.10	-0.18	0.538
10.00	-28.47	-26.22	0.00	-2,327.65	0.00	2,327.65	4,690.62	1,123.50	4,678.64	4,442.31	0.39	-0.37	0.531
15.00	-27.20	-25.84	0.00	-2,196.54	0.00	2,196.54	4,605.77	1,095.97	4,452.16	4,254.05	0.87	-0.55	0.523
20.00	-25.96	-25.44	0.00	-2,067.35	0.00	2,067.35	4,519.41	1,068.43	4,231.30	4,068.40	1.55	-0.74	0.514
25.00	-24.75	-25.02	0.00	-1,940.17	0.00	1,940.17	4,406.48	1,040.90	4,016.06	3,863.51	2.43	-0.94	0.508
30.00	-23.56	-24.59	0.00	-1,815.08	0.00	1,815.08	4,289.92	1,013.37	3,806.44	3,660.81	3.52	-1.13	0.502
35.00	-22.40	-24.15	0.00	-1,692.13	0.00	1,692.13	4,173.36	985.83	3,602.43	3,463.58	4.81	-1.33	0.495
40.00	-21.27	-23.71	0.00	-1,571.37	0.00	1,571.37	4,056.80	958.30	3,404.05	3,271.80	6.31	-1.53	0.486
45.00	-20.18	-23.37	0.00	-1,452.84	0.00	1,452.84	3,940.24	930.77	3,211.28	3,085.49	8.02	-1.73	0.477
47.25	-19.68	-23.15	0.00	-1,400.26	0.00	1,400.26	3,887.79	918.38	3,126.37	3,003.43	8.85	-1.82	0.472
50.00	-18.71	-22.88	0.00	-1,336.61	0.00	1,336.61	3,823.68	903.23	3,024.13	2,904.64	9.94	-1.94	0.466
52.75	-17.75	-22.63	0.00	-1,273.69	0.00	1,273.69	3,294.34	778.19	2,618.77	2,519.75	11.09	-2.05	0.512
55.00	-17.30	-22.31	0.00	-1,222.77	0.00	1,222.77	3,249.38	767.57	2,547.79	2,451.11	12.08	-2.15	0.505
60.00	-16.36	-21.85	0.00	-1,111.23	0.00	1,111.23	3,149.47	743.97	2,393.55	2,301.96	14.44	-2.37	0.489
65.00	-15.45	-21.40	0.00	-1,001.97	0.00	1,001.97	3,049.56	720.37	2,244.13	2,157.49	17.04	-2.59	0.470
70.00	-14.56	-20.94	0.00	-894.99	0.00	894.99	2,949.66	696.77	2,099.52	2,017.71	19.87	-2.81	0.449
75.00	-13.69	-20.49	0.00	-790.29	0.00	790.29	2,849.75	673.17	1,959.72	1,882.61	22.93	-3.02	0.426
80.00	-12.85	-20.04	0.00	-687.84	0.00	687.84	2,749.84	649.57	1,824.74	1,752.19	26.21	-3.23	0.398
85.00	-12.04	-19.60	0.00	-587.64	0.00	587.64	2,649.93	625.97	1,694.58	1,626.45	29.70	-3.43	0.367
90.00	-11.27	-19.33	0.00	-489.66	0.00	489.66	2,550.02	602.37	1,569.23	1,505.39	33.40	-3.62	0.331
90.50	-11.18	-19.14	0.00	-479.99	0.00	479.99	2,540.03	600.01	1,556.96	1,493.54	33.78	-3.64	0.327
94.75	-10.25	-18.90	0.00	-398.65	0.00	398.65	1,616.13	395.33	1,013.75	943.15	37.09	-3.79	0.431
95.00	-10.20	-18.70	0.00	-393.93	0.00	393.93	1,613.86	394.55	1,009.72	939.93	37.28	-3.80	0.428
100.00	-9.61	-18.28	0.00	-300.43	0.00	300.43	1,567.71	378.81	930.81	876.33	41.38	-4.02	0.351
105.00	-9.06	-17.98	0.00	-209.02	0.00	209.02	1,520.05	363.08	855.10	814.07	45.69	-4.20	0.265
107.00	-5.43	-10.41	0.00	-173.06	0.00	173.06	1,500.57	356.79	825.72	789.57	47.46	-4.26	0.224
110.00	-5.20	-10.10	0.00	-141.83	0.00	141.83	1,470.44	347.35	782.61	753.05	50.16	-4.34	0.193
115.00	-4.84	-9.74	0.00	-91.36	0.00	91.36	1,403.83	331.61	713.33	686.05	54.75	-4.44	0.137
119.00	-2.58	-4.86	0.00	-52.41	0.00	52.41	1,350.55	319.03	660.21	634.70	58.50	-4.50	0.085
119.00	-2.58	-4.86	0.00	-52.41	0.00	52.41	957.94	239.92	497.82	452.65	58.50	-4.50	0.119
120.00	-2.55	-4.65	0.00	-47.54	0.00	47.54	951.57	237.56	488.08	445.18	59.44	-4.51	0.110
125.00	-2.31	-4.32	0.00	-24.31	0.00	24.31	918.77	225.76	440.80	408.31	64.20	-4.57	0.062
129.00	0.00	-4.12	0.00	-7.03	0.00	7.03	891.44	216.32	404.71	379.46	68.04	-4.60	0.019

Load Case: 1.2D + 1.0Di + 1.0Wi	50 mph with 1.00 in Radial Ice	21 Iterations
Gust Response Factor :1.10	Ice Dead Load Factor :1.00	
Dead Load Factor :1.20		Ice Importance Factor :1.00
Wind Load Factor :1.00		

Applied Segment Forces Summary

Seg Elev (ft)	Description	Shaft Forces		Discrete Forces			Linear Forces		Sum of Forces				
		Wind FX (lb)	Dead Load (lb)	Wind FX (lb)	Torsion MY (lb-ft)	Moment MZ (lb-ft)	Dead Load (lb)	Wind FX (lb)	Dead Load (lb)	Wind FX (lb)	Dead Load (lb)	Torsion MY (lb-ft)	Moment MZ (lb)
0.00		71.8	0.0					0.0	0.0	71.8	0.0	0.0	0.0
5.00		142.2	1,589.5					0.0	288.2	142.2	1,877.7	0.0	0.0
10.00		139.3	1,579.1					0.0	288.2	139.3	1,867.3	0.0	0.0
15.00		138.4	1,554.3					0.0	288.2	138.4	1,842.5	0.0	0.0
20.00		141.1	1,524.8					0.0	288.2	141.1	1,813.0	0.0	0.0
25.00		144.4	1,492.9					0.0	288.2	144.4	1,781.1	0.0	0.0
30.00		146.5	1,459.4					0.0	288.2	146.5	1,747.6	0.0	0.0
35.00		147.6	1,424.9					0.0	288.2	147.6	1,713.1	0.0	0.0
40.00		147.9	1,389.6					0.0	288.2	147.9	1,677.7	0.0	0.0
45.00		107.1	1,353.6					0.0	288.2	107.1	1,641.8	0.0	0.0
47.25	Bot - Section 2	74.4	598.2					0.0	129.7	74.4	727.8	0.0	0.0
50.00		82.3	1,233.9					0.0	158.5	82.3	1,392.4	0.0	0.0
52.75	Top - Section 1	74.5	1,214.4					0.0	158.5	74.5	1,372.9	0.0	0.0
55.00		107.3	517.6					0.0	129.7	107.3	647.3	0.0	0.0
60.00		146.9	1,124.5					0.0	288.2	146.9	1,412.7	0.0	0.0
65.00		145.0	1,091.7					0.0	288.2	145.0	1,379.8	0.0	0.0
70.00		142.9	1,058.5					0.0	288.2	142.9	1,346.7	0.0	0.0
75.00		140.4	1,025.1					0.0	288.2	140.4	1,313.3	0.0	0.0
80.00		137.8	991.5					0.0	288.2	137.8	1,279.7	0.0	0.0
85.00		134.9	957.7					0.0	288.2	134.9	1,245.9	0.0	0.0
90.00		73.3	923.8					0.0	288.2	73.3	1,212.0	0.0	0.0
90.50	Bot - Section 3	62.8	90.9					0.0	28.8	62.8	119.7	0.0	0.0
94.75	Top - Section 2	59.5	1,156.5					0.0	245.0	59.5	1,401.5	0.0	0.0
95.00		67.8	33.3					0.0	14.4	67.8	47.7	0.0	0.0
100.00		127.4	649.2					0.0	288.2	127.4	937.4	0.0	0.0
105.00		87.4	624.0					0.0	288.2	87.4	912.2	0.0	0.0
107.00	Appurtenance(s)	61.0	243.5	1,570.1	0.0	0.0	8,503.9	0.0	115.3	1,631.1	8,862.6	0.0	0.0
110.00		95.5	357.1					0.0	60.8	95.5	417.9	0.0	0.0
115.00		105.0	573.3					0.0	101.3	105.0	674.6	0.0	0.0
119.00	Top - Section 3	57.2	440.9	1,041.9	0.0	0.0	5,124.2	0.0	81.1	1,099.1	5,646.1	0.0	0.0
120.00		66.5	89.8					0.0	14.9	66.5	104.8	0.0	0.0
125.00		97.8	433.3					0.0	74.6	97.8	508.0	0.0	0.0
129.00	Appurtenance(s)	42.7	332.1	306.3	0.0	0.0	2,132.7	0.0	59.7	349.0	2,524.5	0.0	0.0
Totals:										6,435.22	51,449.3	0.00	0.00

Site Number: 283418

Code: ANSI/TIA-222-H

© 2007 - 2021 by ATC IP LLC. All rights reserved.

Site Name: NORTH HAVEN CT, CT

Engineering Number: 13668665_C3_01

5/4/2021 4:33:47 PM

Customer: VERIZON WIRELESS

Load Case: 1.2D + 1.0Di + 1.0Wi

50 mph with 1.00 in Radial Ice

21 Iterations

Gust Response Factor :1.10

Ice Dead Load Factor :1.00

Dead Load Factor :1.20

Ice Importance Factor :1.00

Wind Load Factor :1.00

Calculated Forces

Seg Elev (ft)	Pu FY (-) (kips)	Vu FX (-) (kips)	Tu MY (ft-kips)	Mu MZ (ft-kips)	Mu MX (ft-kips)	Resultant Moment (ft-kips)	phi Pn (kips)	phi Vn (kips)	phi Tn (ft-kips)	phi Mn (ft-kips)	Total Deflect (in)	Rotation (deg)	Ratio
0.00	-54.17	-7.00	0.00	-664.33	0.00	664.33	4,855.79	1,178.57	5,148.44	4,826.26	0.00	0.00	0.149
5.00	-52.29	-6.90	0.00	-629.34	0.00	629.34	4,773.96	1,151.04	4,910.73	4,633.09	0.02	-0.05	0.147
10.00	-50.42	-6.80	0.00	-594.85	0.00	594.85	4,690.62	1,123.50	4,678.64	4,442.31	0.10	-0.09	0.145
15.00	-48.57	-6.70	0.00	-560.86	0.00	560.86	4,605.77	1,095.97	4,452.16	4,254.05	0.22	-0.14	0.142
20.00	-46.75	-6.59	0.00	-527.38	0.00	527.38	4,519.41	1,068.43	4,231.30	4,068.40	0.40	-0.19	0.140
25.00	-44.96	-6.48	0.00	-494.43	0.00	494.43	4,406.48	1,040.90	4,016.06	3,863.51	0.62	-0.24	0.138
30.00	-43.21	-6.36	0.00	-462.05	0.00	462.05	4,289.92	1,013.37	3,806.44	3,660.81	0.90	-0.29	0.136
35.00	-41.49	-6.24	0.00	-430.24	0.00	430.24	4,173.36	985.83	3,602.43	3,463.58	1.23	-0.34	0.134
40.00	-39.81	-6.12	0.00	-399.04	0.00	399.04	4,056.80	958.30	3,404.05	3,271.80	1.61	-0.39	0.132
45.00	-38.17	-6.02	0.00	-368.45	0.00	368.45	3,940.24	930.77	3,211.28	3,085.49	2.05	-0.44	0.129
47.25	-37.44	-5.96	0.00	-354.90	0.00	354.90	3,887.79	918.38	3,126.37	3,003.43	2.26	-0.46	0.128
50.00	-36.04	-5.88	0.00	-338.51	0.00	338.51	3,823.68	903.23	3,024.13	2,904.64	2.54	-0.49	0.126
52.75	-34.67	-5.81	0.00	-322.33	0.00	322.33	3,294.34	778.19	2,618.77	2,519.75	2.83	-0.52	0.138
55.00	-34.02	-5.72	0.00	-309.25	0.00	309.25	3,249.38	767.57	2,547.79	2,451.11	3.08	-0.55	0.137
60.00	-32.60	-5.60	0.00	-280.63	0.00	280.63	3,149.47	743.97	2,393.55	2,301.96	3.68	-0.60	0.132
65.00	-31.22	-5.47	0.00	-252.65	0.00	252.65	3,049.56	720.37	2,244.13	2,157.49	4.34	-0.66	0.127
70.00	-29.87	-5.33	0.00	-225.33	0.00	225.33	2,949.66	696.77	2,099.52	2,017.71	5.06	-0.71	0.122
75.00	-28.55	-5.20	0.00	-198.65	0.00	198.65	2,849.75	673.17	1,959.72	1,882.61	5.84	-0.77	0.116
80.00	-27.27	-5.07	0.00	-172.64	0.00	172.64	2,749.84	649.57	1,824.74	1,752.19	6.67	-0.82	0.109
85.00	-26.02	-4.94	0.00	-147.27	0.00	147.27	2,649.93	625.97	1,694.58	1,626.45	7.56	-0.87	0.100
90.00	-24.81	-4.86	0.00	-122.56	0.00	122.56	2,550.02	602.37	1,569.23	1,505.39	8.50	-0.92	0.091
90.50	-24.69	-4.81	0.00	-120.13	0.00	120.13	2,540.03	600.01	1,556.96	1,493.54	8.59	-0.92	0.090
94.75	-23.29	-4.73	0.00	-99.71	0.00	99.71	1,616.13	395.33	1,013.75	943.15	9.43	-0.96	0.120
95.00	-23.24	-4.67	0.00	-98.53	0.00	98.53	1,613.86	394.55	1,009.72	939.93	9.48	-0.96	0.119
100.00	-22.30	-4.55	0.00	-75.16	0.00	75.16	1,567.71	378.81	930.81	876.33	10.52	-1.02	0.100
105.00	-21.38	-4.46	0.00	-52.42	0.00	52.42	1,520.05	363.08	855.10	814.07	11.61	-1.06	0.079
107.00	-12.55	-2.66	0.00	-43.50	0.00	43.50	1,500.57	356.79	825.72	789.57	12.06	-1.08	0.064
110.00	-12.14	-2.57	0.00	-35.51	0.00	35.51	1,470.44	347.35	782.61	753.05	12.74	-1.10	0.055
115.00	-11.46	-2.45	0.00	-22.68	0.00	22.68	1,403.83	331.61	713.33	686.05	13.90	-1.12	0.041
119.00	-5.84	-1.24	0.00	-12.88	0.00	12.88	1,350.55	319.03	660.21	634.70	14.85	-1.14	0.025
119.00	-5.84	-1.24	0.00	-12.88	0.00	12.88	957.94	239.92	497.82	452.65	14.85	-1.14	0.035
120.00	-5.74	-1.17	0.00	-11.63	0.00	11.63	951.57	237.56	488.08	445.18	15.09	-1.14	0.032
125.00	-5.23	-1.07	0.00	-5.76	0.00	5.76	918.77	225.76	440.80	408.31	16.29	-1.15	0.020
129.00	0.00	-0.96	0.00	-1.49	0.00	1.49	891.44	216.32	404.71	379.46	17.26	-1.16	0.004

Load Case: 1.0D + 1.0W	Serviceability 60 mph	21 Iterations
Gust Response Factor :1.10		
Dead Load Factor :1.00		
Wind Load Factor :1.00		

Applied Segment Forces Summary

Seg Elev (ft)	Description	Shaft Forces		Discrete Forces			Linear Forces		Sum of Forces				
		Wind FX (lb)	Dead Load (lb)	Wind FX (lb)	Torsion MY (lb-ft)	Moment MZ (lb-ft)	Dead Load (lb)	Wind FX (lb)	Dead Load (lb)	Wind FX (lb)	Dead Load (lb)	Torsion MY (lb-ft)	Moment MZ (lb)
0.00		54.5	0.0					0.0	0.0	54.5	0.0	0.0	0.0
5.00		107.8	1,129.2					0.0	240.1	107.8	1,369.4	0.0	0.0
10.00		105.2	1,102.5					0.0	240.1	105.2	1,342.7	0.0	0.0
15.00		104.3	1,075.8					0.0	240.1	104.3	1,316.0	0.0	0.0
20.00		106.1	1,049.1					0.0	240.1	106.1	1,289.3	0.0	0.0
25.00		108.4	1,022.5					0.0	240.1	108.4	1,262.6	0.0	0.0
30.00		109.7	995.8					0.0	240.1	109.7	1,235.9	0.0	0.0
35.00		110.3	969.1					0.0	240.1	110.3	1,209.2	0.0	0.0
40.00		110.3	942.4					0.0	240.1	110.3	1,182.5	0.0	0.0
45.00		79.8	915.7					0.0	240.1	79.8	1,155.8	0.0	0.0
47.25	Bot - Section 2	55.4	403.3					0.0	108.1	55.4	511.4	0.0	0.0
50.00		61.2	911.0					0.0	132.1	61.2	1,043.0	0.0	0.0
52.75	Top - Section 1	55.4	896.0					0.0	132.1	55.4	1,028.0	0.0	0.0
55.00		79.6	337.2					0.0	108.1	79.6	445.2	0.0	0.0
60.00		108.8	732.7					0.0	240.1	108.8	972.8	0.0	0.0
65.00		107.2	709.8					0.0	240.1	107.2	950.0	0.0	0.0
70.00		105.3	686.9					0.0	240.1	105.3	927.1	0.0	0.0
75.00		103.3	664.0					0.0	240.1	103.3	904.2	0.0	0.0
80.00		101.1	641.2					0.0	240.1	101.1	881.3	0.0	0.0
85.00		98.7	618.3					0.0	240.1	98.7	858.4	0.0	0.0
90.00		53.5	595.4					0.0	240.1	53.5	835.6	0.0	0.0
90.50	Bot - Section 3	45.8	58.3					0.0	24.0	45.8	82.3	0.0	0.0
94.75	Top - Section 2	43.4	817.4					0.0	204.1	43.4	1,021.6	0.0	0.0
95.00		49.3	19.1					0.0	12.0	49.3	31.2	0.0	0.0
100.00		92.4	374.9					0.0	240.1	92.4	615.0	0.0	0.0
105.00		63.3	359.6					0.0	240.1	63.3	599.8	0.0	0.0
107.00	Appurtenance(s)	44.0	139.6	1,586.3	0.0	0.0	4,392.9	0.0	96.1	1,630.4	4,628.5	0.0	0.0
110.00		68.7	204.8					0.0	50.7	68.7	255.5	0.0	0.0
115.00		75.4	329.1					0.0	84.4	75.4	413.6	0.0	0.0
119.00	Top - Section 3	40.9	252.3	1,007.5	0.0	0.0	2,604.3	0.0	67.6	1,048.4	2,924.2	0.0	0.0
120.00		47.4	46.3					0.0	12.4	47.4	58.7	0.0	0.0
125.00		69.5	224.6					0.0	62.2	69.5	286.8	0.0	0.0
129.00	Appurtenance(s)	30.2	171.4	249.6	0.0	0.0	1,500.0	0.0	49.8	279.9	1,721.2	0.0	0.0
Totals:										5,440.11	33,358.7	0.00	0.00

Site Number: 283418

Code: ANSI/TIA-222-H

© 2007 - 2021 by ATC IP LLC. All rights reserved.

Site Name: NORTH HAVEN CT, CT

Engineering Number: 13668665_C3_01

5/4/2021 4:33:51 PM

Customer: VERIZON WIRELESS

Load Case: 1.0D + 1.0W

Serviceability 60 mph

21 Iterations

Gust Response Factor :1.10

Dead Load Factor :1.00

Wind Load Factor :1.00

Calculated Forces

Seg Elev (ft)	Pu FY (-) (kips)	Vu FX (-) (kips)	Tu MY (ft-kips)	Mu MZ (ft-kips)	Mu MX (ft-kips)	Resultant Moment (ft-kips)	phi Pn (kips)	phi Vn (kips)	phi Tn (ft-kips)	phi Mn (ft-kips)	Total Deflect (in)	Rotation (deg)	Ratio
0.00	-34.58	-6.04	0.00	-582.98	0.00	582.98	4,855.79	1,178.57	5,148.44	4,826.26	0.00	0.00	0.128
5.00	-33.20	-5.96	0.00	-552.78	0.00	552.78	4,773.96	1,151.04	4,910.73	4,633.09	0.02	-0.04	0.126
10.00	-31.86	-5.87	0.00	-523.00	0.00	523.00	4,690.62	1,123.50	4,678.64	4,442.31	0.09	-0.08	0.125
15.00	-30.54	-5.79	0.00	-493.65	0.00	493.65	4,605.77	1,095.97	4,452.16	4,254.05	0.20	-0.12	0.123
20.00	-29.24	-5.70	0.00	-464.71	0.00	464.71	4,519.41	1,068.43	4,231.30	4,068.40	0.35	-0.17	0.121
25.00	-27.98	-5.61	0.00	-436.21	0.00	436.21	4,406.48	1,040.90	4,016.06	3,863.51	0.55	-0.21	0.119
30.00	-26.74	-5.51	0.00	-408.17	0.00	408.17	4,289.92	1,013.37	3,806.44	3,660.81	0.79	-0.25	0.118
35.00	-25.52	-5.42	0.00	-380.59	0.00	380.59	4,173.36	985.83	3,602.43	3,463.58	1.08	-0.30	0.116
40.00	-24.34	-5.32	0.00	-353.50	0.00	353.50	4,056.80	958.30	3,404.05	3,271.80	1.42	-0.34	0.114
45.00	-23.18	-5.25	0.00	-326.90	0.00	326.90	3,940.24	930.77	3,211.28	3,085.49	1.80	-0.39	0.112
47.25	-22.67	-5.20	0.00	-315.09	0.00	315.09	3,887.79	918.38	3,126.37	3,003.43	1.99	-0.41	0.111
50.00	-21.62	-5.14	0.00	-300.80	0.00	300.80	3,823.68	903.23	3,024.13	2,904.64	2.23	-0.44	0.109
52.75	-20.59	-5.08	0.00	-286.67	0.00	286.67	3,294.34	778.19	2,618.77	2,519.75	2.49	-0.46	0.120
55.00	-20.14	-5.01	0.00	-275.23	0.00	275.23	3,249.38	767.57	2,547.79	2,451.11	2.71	-0.48	0.119
60.00	-19.17	-4.91	0.00	-250.17	0.00	250.17	3,149.47	743.97	2,393.55	2,301.96	3.25	-0.53	0.115
65.00	-18.22	-4.81	0.00	-225.61	0.00	225.61	3,049.56	720.37	2,244.13	2,157.49	3.83	-0.58	0.111
70.00	-17.29	-4.71	0.00	-201.56	0.00	201.56	2,949.66	696.77	2,099.52	2,017.71	4.47	-0.63	0.106
75.00	-16.38	-4.61	0.00	-178.01	0.00	178.01	2,849.75	673.17	1,959.72	1,882.61	5.16	-0.68	0.100
80.00	-15.50	-4.51	0.00	-154.95	0.00	154.95	2,749.84	649.57	1,824.74	1,752.19	5.89	-0.73	0.094
85.00	-14.63	-4.41	0.00	-132.40	0.00	132.40	2,649.93	625.97	1,694.58	1,626.45	6.68	-0.77	0.087
90.00	-13.80	-4.35	0.00	-110.34	0.00	110.34	2,550.02	602.37	1,569.23	1,505.39	7.51	-0.81	0.079
90.50	-13.72	-4.31	0.00	-108.16	0.00	108.16	2,540.03	600.01	1,556.96	1,493.54	7.60	-0.82	0.078
94.75	-12.69	-4.26	0.00	-89.84	0.00	89.84	1,616.13	395.33	1,013.75	943.15	8.34	-0.85	0.103
95.00	-12.66	-4.21	0.00	-88.78	0.00	88.78	1,613.86	394.55	1,009.72	939.93	8.39	-0.85	0.102
100.00	-12.04	-4.12	0.00	-67.72	0.00	67.72	1,567.71	378.81	930.81	876.33	9.31	-0.90	0.085
105.00	-11.44	-4.05	0.00	-47.12	0.00	47.12	1,520.05	363.08	855.10	814.07	10.28	-0.94	0.066
107.00	-6.84	-2.35	0.00	-39.02	0.00	39.02	1,500.57	356.79	825.72	789.57	10.68	-0.96	0.054
110.00	-6.59	-2.28	0.00	-31.97	0.00	31.97	1,470.44	347.35	782.61	753.05	11.29	-0.98	0.047
115.00	-6.17	-2.20	0.00	-20.59	0.00	20.59	1,403.83	331.61	713.33	686.05	12.32	-1.00	0.034
119.00	-3.27	-1.10	0.00	-11.81	0.00	11.81	1,350.55	319.03	660.21	634.70	13.17	-1.01	0.021
119.00	-3.27	-1.10	0.00	-11.81	0.00	11.81	957.94	239.92	497.82	452.65	13.17	-1.01	0.030
120.00	-3.21	-1.05	0.00	-10.71	0.00	10.71	951.57	237.56	488.08	445.18	13.38	-1.02	0.027
125.00	-2.92	-0.97	0.00	-5.47	0.00	5.47	918.77	225.76	440.80	408.31	14.45	-1.03	0.017
129.00	0.00	-0.92	0.00	-1.57	0.00	1.57	891.44	216.32	404.71	379.46	15.32	-1.03	0.004

Equivalent Lateral Forces Method Analysis

Spectral Response Acceleration for Short Period (S_s):	0.20
Spectral Response Acceleration at 1.0 Second Period (S_{d1}):	0.05
Long-Period Transition Period (T_L):	6
Importance Factor (I_E):	1.00
Site Coefficient F_a :	1.60
Site Coefficient F_v :	2.40
Response Modification Coefficient (R):	1.50
Design Spectral Response Acceleration at Short Period (S_{ds}):	0.22
Design Spectral Response Acceleration at 1.0 Second Period (S_{d1}):	0.09
Seismic Response Coefficient (C_s):	0.03
Upper Limit C_s	0.03
Lower Limit C_s	0.03
Period based on Rayleigh Method (sec):	1.99
Redundancy Factor (ρ):	1.00
Seismic Force Distribution Exponent (k):	1.74
Total Unfactored Dead Load:	34.58 k
Seismic Base Shear (E):	1.04 k

Load Case 1.2D + 1.0Ev + 1.0Eh

Seismic

Segment	Height Above Base (ft)	Weight (lb)	W_z (lb-ft)	C_{vx}	Horizontal Force (lb)	Vertical Force (lb)
32	127.00	221	1,028	0.015	15	275
31	122.50	287	1,252	0.018	19	357
30	119.50	59	246	0.004	4	73
29	117.00	320	1,289	0.019	19	398
28	112.50	414	1,556	0.022	23	514
27	108.50	255	903	0.013	13	318
26	106.00	236	799	0.011	12	293
25	102.50	600	1,919	0.028	29	746
24	97.50	615	1,804	0.026	27	765
23	94.88	31	87	0.001	1	39
22	92.63	1,022	2,740	0.039	41	1,270
21	90.25	82	211	0.003	3	102
20	87.50	836	2,029	0.029	30	1,039
19	82.50	858	1,881	0.027	28	1,067
18	77.50	881	1,732	0.025	26	1,096
17	72.50	904	1,582	0.023	24	1,124
16	67.50	927	1,432	0.021	21	1,153
15	62.50	950	1,283	0.018	19	1,181
14	57.50	973	1,136	0.016	17	1,210
13	53.88	445	464	0.007	7	554
12	51.38	1,028	987	0.014	15	1,278
11	48.63	1,043	910	0.013	14	1,297
10	46.13	511	407	0.006	6	636
9	42.50	1,156	797	0.011	12	1,437
8	37.50	1,183	656	0.009	10	1,470

Site Number: 283418

Code: ANSI/TIA-222-H

© 2007 - 2021 by ATC IP LLC. All rights reserved.

Site Name: NORTH HAVEN CT, CT

Engineering Number: 13668665_C3_01

5/4/2021 4:33:51 PM

Customer: VERIZON WIRELESS

7	32.50	1,209	522	0.008	8	1,503
6	27.50	1,236	399	0.006	6	1,537
5	22.50	1,263	287	0.004	4	1,570
4	17.50	1,289	189	0.003	3	1,603
3	12.50	1,316	107	0.002	2	1,636
2	7.50	1,343	45	0.001	1	1,669
1	2.50	1,369	7	0.000	0	1,703
Commscope CBC78T-DS-	129.00	62	297	0.004	4	77
Samsung B5/B13 RRH-B	129.00	211	1,008	0.014	15	262
Samsung B2/B66A RRH-	129.00	253	1,210	0.017	18	315
Talley RHSDC-6627-PF	129.00	32	153	0.002	2	40
Samsung MT6407-77A	129.00	245	1,170	0.017	17	304
Amphenol Antel BXA-8	129.00	54	258	0.004	4	67
Commscope JAHH-65B-R	129.00	364	1,737	0.025	26	452
Round Low Profile PI	129.00	1,500	7,166	0.103	107	1,865
Ericsson Radio 4449	119.00	225	934	0.013	14	280
Ericsson RRUS 4415 B	119.00	138	573	0.008	9	172
Ericsson Air6449 B41	119.00	312	1,295	0.019	19	388
Ericsson AIR 21, 1.3	119.00	249	1,034	0.015	15	310
Ericsson AIR-32 B2A/	119.00	397	1,646	0.024	25	493
Generic Round Sector	119.00	900	3,736	0.054	56	1,119
RFS APXVAARR24_43-U-	119.00	384	1,593	0.023	24	477
Raycap DC6-48-60-0-8	107.00	16	55	0.001	1	20
Raycap DC6-48-60-18-	107.00	60	207	0.003	3	75
Ericsson RRUS 8843 B	107.00	216	745	0.011	11	269
Ericsson RRUS 4478 B	107.00	180	620	0.009	9	223
Ericsson RRUS 4449 B	107.00	213	735	0.011	11	265
Ericsson RRUS A2 B2	107.00	132	455	0.007	7	164
Ericsson RRUS-11 (50	107.00	150	517	0.007	8	186
Ericsson RRUS 32 (50	107.00	152	526	0.008	8	189
Ericsson RRUS 32 B2	107.00	318	1,097	0.016	16	395
CCI CCI-HPA-65R-BUU-	107.00	612	2,111	0.030	31	761
Kathrein Scala 80010	107.00	344	1,186	0.017	18	427
Round Platform w/ Ha	107.00	2,000	6,897	0.099	103	2,487
		34,579	69,644	1.000	1,037	42,993

Load Case 0.9D - 1.0Ev + 1.0Eh

Seismic (Reduced DL)

Segment	Height Above Base (ft)	Weight (lb)	W _z (lb-ft)	C _{vx}	Horizontal Force (lb)	Vertical Force (lb)
32	127.00	221	1,028	0.015	15	189
31	122.50	287	1,252	0.018	19	246
30	119.50	59	246	0.004	4	50
29	117.00	320	1,289	0.019	19	274
28	112.50	414	1,556	0.022	23	354
27	108.50	255	903	0.013	13	219
26	106.00	236	799	0.011	12	202
25	102.50	600	1,919	0.028	29	514
24	97.50	615	1,804	0.026	27	527
23	94.88	31	87	0.001	1	27
22	92.63	1,022	2,740	0.039	41	875
21	90.25	82	211	0.003	3	71
20	87.50	836	2,029	0.029	30	716
19	82.50	858	1,881	0.027	28	735
18	77.50	881	1,732	0.025	26	755
17	72.50	904	1,582	0.023	24	775
16	67.50	927	1,432	0.021	21	794
15	62.50	950	1,283	0.018	19	814
14	57.50	973	1,136	0.016	17	833
13	53.88	445	464	0.007	7	381
12	51.38	1,028	987	0.014	15	881

11	48.63	1,043	910	0.013	14	894
10	46.13	511	407	0.006	6	438
9	42.50	1,156	797	0.011	12	990
8	37.50	1,183	656	0.009	10	1,013
7	32.50	1,209	522	0.008	8	1,036
6	27.50	1,236	399	0.006	6	1,059
5	22.50	1,263	287	0.004	4	1,082
4	17.50	1,289	189	0.003	3	1,105
3	12.50	1,316	107	0.002	2	1,127
2	7.50	1,343	45	0.001	1	1,150
1	2.50	1,369	7	0.000	0	1,173
Commscope CBC78T-DS-	129.00	62	297	0.004	4	53
Samsung B5/B13 RRH-B	129.00	211	1,008	0.014	15	181
Samsung B2/B66A RRH-	129.00	253	1,210	0.017	18	217
Talley RHSDC-6627-PF	129.00	32	153	0.002	2	27
Samsung MT6407-77A	129.00	245	1,170	0.017	17	210
Amphenol Antel BXA-8	129.00	54	258	0.004	4	46
Commscope JAHH-65B-R	129.00	364	1,737	0.025	26	311
Round Low Profile PI	129.00	1,500	7,166	0.103	107	1,285
Ericsson Radio 4449	119.00	225	934	0.013	14	193
Ericsson RRUS 4415 B	119.00	138	573	0.008	9	118
Ericsson Air6449 B41	119.00	312	1,295	0.019	19	267
Ericsson AIR 21, 1.3	119.00	249	1,034	0.015	15	213
Ericsson AIR-32 B2A/	119.00	397	1,646	0.024	25	340
Generic Round Sector	119.00	900	3,736	0.054	56	771
RFS APXVAARR24_43-U-	119.00	384	1,593	0.023	24	329
Raycap DC6-48-60-0-8	107.00	16	55	0.001	1	14
Raycap DC6-48-60-18-	107.00	60	207	0.003	3	51
Ericsson RRUS 8843 B	107.00	216	745	0.011	11	185
Ericsson RRUS 4478 B	107.00	180	620	0.009	9	154
Ericsson RRUS 4449 B	107.00	213	735	0.011	11	182
Ericsson RRUS A2 B2	107.00	132	455	0.007	7	113
Ericsson RRUS-11 (50	107.00	150	517	0.007	8	129
Ericsson RRUS 32 (50	107.00	152	526	0.008	8	131
Ericsson RRUS 32 B2	107.00	318	1,097	0.016	16	272
CCI CCI-HPA-65R-BUU-	107.00	612	2,111	0.030	31	524
Kathrein Scala 80010	107.00	344	1,186	0.017	18	295
Round Platform w/ Ha	107.00	2,000	6,897	0.099	103	1,713
		34,579	69,644	1.000	1,037	29,624

Load Case 1.2D + 1.0Ev + 1.0Eh

Seismic

Calculated Forces

Seg Elev (ft)	Pu FY (-) (kips)	Vu FX (-) (kips)	Tu MY (ft-kips)	Mu MZ (ft-kips)	Mu MX (ft-kips)	Resultant Moment (ft-kips)	phi Pn (kips)	phi Vn (kips)	phi Tn (ft-kips)	phi Mn (ft-kips)	Total Deflect (in)	Rotation (deg)	Ratio
0.00	-41.29	-1.04	0.00	-108.94	0.00	108.94	4,855.79	1,178.57	5,148.44	4,826.26	0.00	0.00	0.031
5.00	-39.62	-1.04	0.00	-103.74	0.00	103.74	4,773.96	1,151.04	4,910.73	4,633.09	0.00	-0.01	0.031
10.00	-37.98	-1.05	0.00	-98.52	0.00	98.52	4,690.62	1,123.50	4,678.64	4,442.31	0.02	-0.02	0.030
15.00	-36.38	-1.05	0.00	-93.29	0.00	93.29	4,605.77	1,095.97	4,452.16	4,254.05	0.04	-0.02	0.030
20.00	-34.81	-1.05	0.00	-88.04	0.00	88.04	4,519.41	1,068.43	4,231.30	4,068.40	0.07	-0.03	0.029
25.00	-33.27	-1.05	0.00	-82.80	0.00	82.80	4,406.48	1,040.90	4,016.06	3,863.51	0.10	-0.04	0.029
30.00	-31.77	-1.04	0.00	-77.57	0.00	77.57	4,289.92	1,013.37	3,806.44	3,660.81	0.15	-0.05	0.029
35.00	-30.30	-1.04	0.00	-72.36	0.00	72.36	4,173.36	985.83	3,602.43	3,463.58	0.20	-0.06	0.028

Site Number: 283418

Code: ANSI/TIA-222-H

© 2007 - 2021 by ATC IP LLC. All rights reserved.

Site Name: NORTH HAVEN CT, CT

Engineering Number: 13668665_C3_01

5/4/2021 4:33:51 PM

Customer: VERIZON WIRELESS

40.00	-28.86	-1.03	0.00	-67.18	0.00	67.18	4,056.80	958.30	3,404.05	3,271.80	0.27	-0.06	0.028
45.00	-28.23	-1.02	0.00	-62.05	0.00	62.05	3,940.24	930.77	3,211.28	3,085.49	0.34	-0.07	0.027
47.25	-26.93	-1.01	0.00	-59.74	0.00	59.74	3,887.79	918.38	3,126.37	3,003.43	0.38	-0.08	0.027
50.00	-25.65	-1.00	0.00	-56.97	0.00	56.97	3,823.68	903.23	3,024.13	2,904.64	0.42	-0.08	0.026
52.75	-25.10	-0.99	0.00	-54.23	0.00	54.23	3,294.34	778.19	2,618.77	2,519.75	0.47	-0.09	0.029
55.00	-23.89	-0.97	0.00	-52.00	0.00	52.00	3,249.38	767.57	2,547.79	2,451.11	0.51	-0.09	0.029
60.00	-22.71	-0.96	0.00	-47.13	0.00	47.13	3,149.47	743.97	2,393.55	2,301.96	0.61	-0.10	0.028
65.00	-21.56	-0.94	0.00	-42.35	0.00	42.35	3,049.56	720.37	2,244.13	2,157.49	0.72	-0.11	0.027
70.00	-20.43	-0.91	0.00	-37.67	0.00	37.67	2,949.66	696.77	2,099.52	2,017.71	0.84	-0.12	0.026
75.00	-19.33	-0.89	0.00	-33.10	0.00	33.10	2,849.75	673.17	1,959.72	1,882.61	0.97	-0.13	0.024
80.00	-18.27	-0.86	0.00	-28.66	0.00	28.66	2,749.84	649.57	1,824.74	1,752.19	1.11	-0.14	0.023
85.00	-17.23	-0.83	0.00	-24.35	0.00	24.35	2,649.93	625.97	1,694.58	1,626.45	1.26	-0.15	0.021
90.00	-17.13	-0.83	0.00	-20.20	0.00	20.20	2,550.02	602.37	1,569.23	1,505.39	1.42	-0.15	0.020
90.50	-15.86	-0.79	0.00	-19.79	0.00	19.79	2,540.03	600.01	1,556.96	1,493.54	1.43	-0.15	0.019
94.75	-15.82	-0.78	0.00	-16.45	0.00	16.45	1,616.13	395.33	1,013.75	943.15	1.57	-0.16	0.027
95.00	-15.05	-0.76	0.00	-16.25	0.00	16.25	1,613.86	394.55	1,009.72	939.93	1.58	-0.16	0.027
100.00	-14.31	-0.73	0.00	-12.47	0.00	12.47	1,567.71	378.81	930.81	876.33	1.76	-0.17	0.023
105.00	-14.01	-0.72	0.00	-8.83	0.00	8.83	1,520.05	363.08	855.10	814.07	1.94	-0.18	0.020
107.00	-8.24	-0.46	0.00	-7.39	0.00	7.39	1,500.57	356.79	825.72	789.57	2.01	-0.18	0.015
110.00	-7.72	-0.44	0.00	-6.01	0.00	6.01	1,470.44	347.35	782.61	753.05	2.13	-0.18	0.013
115.00	-7.32	-0.42	0.00	-3.83	0.00	3.83	1,403.83	331.61	713.33	686.05	2.32	-0.19	0.011
119.00	-4.01	-0.24	0.00	-2.17	0.00	2.17	1,350.55	319.03	660.21	634.70	2.48	-0.19	0.006
119.00	-4.01	-0.24	0.00	-2.17	0.00	2.17	957.94	239.92	497.82	452.65	2.48	-0.19	0.009
120.00	-3.66	-0.22	0.00	-1.92	0.00	1.92	951.57	237.56	488.08	445.18	2.52	-0.19	0.008
125.00	-3.38	-0.20	0.00	-0.82	0.00	0.82	918.77	225.76	440.80	408.31	2.72	-0.19	0.006
129.00	0.00	-0.19	0.00	0.00	0.00	0.00	891.44	216.32	404.71	379.46	2.88	-0.19	0.000

Load Case 0.9D - 1.0Ev + 1.0Eh

Seismic (Reduced DL)

Calculated Forces

Seg Elev (ft)	Pu FY (-) (kips)	Vu FX (-) (kips)	Tu MY (ft-kips)	Mu MZ (ft-kips)	Mu MX (ft-kips)	Resultant Moment (ft-kips)	phi Pn (kips)	phi Vn (kips)	phi Tn (ft-kips)	phi Mn (ft-kips)	Total Deflect (in)	Rotation (deg)	Ratio
0.00	-28.45	-1.04	0.00	-107.66	0.00	107.66	4,855.79	1,178.57	5,148.44	4,826.26	0.00	0.00	0.028
5.00	-27.30	-1.04	0.00	-102.47	0.00	102.47	4,773.96	1,151.04	4,910.73	4,633.09	0.00	-0.01	0.028
10.00	-26.17	-1.04	0.00	-97.27	0.00	97.27	4,690.62	1,123.50	4,678.64	4,442.31	0.02	-0.02	0.027
15.00	-25.07	-1.04	0.00	-92.05	0.00	92.05	4,605.77	1,095.97	4,452.16	4,254.05	0.04	-0.02	0.027
20.00	-23.99	-1.04	0.00	-86.84	0.00	86.84	4,519.41	1,068.43	4,231.30	4,068.40	0.06	-0.03	0.027
25.00	-22.93	-1.04	0.00	-81.63	0.00	81.63	4,406.48	1,040.90	4,016.06	3,863.51	0.10	-0.04	0.026
30.00	-21.89	-1.03	0.00	-76.43	0.00	76.43	4,289.92	1,013.37	3,806.44	3,660.81	0.15	-0.05	0.026
35.00	-20.88	-1.03	0.00	-71.27	0.00	71.27	4,173.36	985.83	3,602.43	3,463.58	0.20	-0.06	0.026
40.00	-19.89	-1.02	0.00	-66.14	0.00	66.14	4,056.80	958.30	3,404.05	3,271.80	0.26	-0.06	0.025
45.00	-19.45	-1.01	0.00	-61.06	0.00	61.06	3,940.24	930.77	3,211.28	3,085.49	0.34	-0.07	0.025
47.25	-18.56	-1.00	0.00	-58.79	0.00	58.79	3,887.79	918.38	3,126.37	3,003.43	0.37	-0.08	0.024
50.00	-17.68	-0.98	0.00	-56.05	0.00	56.05	3,823.68	903.23	3,024.13	2,904.64	0.42	-0.08	0.024
52.75	-17.29	-0.98	0.00	-53.34	0.00	53.34	3,294.34	778.19	2,618.77	2,519.75	0.46	-0.09	0.026
55.00	-16.46	-0.96	0.00	-51.14	0.00	51.14	3,249.38	767.57	2,547.79	2,451.11	0.51	-0.09	0.026
60.00	-15.65	-0.94	0.00	-46.34	0.00	46.34	3,149.47	743.97	2,393.55	2,301.96	0.61	-0.10	0.025
65.00	-14.85	-0.92	0.00	-41.62	0.00	41.62	3,049.56	720.37	2,244.13	2,157.49	0.71	-0.11	0.024
70.00	-14.08	-0.90	0.00	-37.01	0.00	37.01	2,949.66	696.77	2,099.52	2,017.71	0.83	-0.12	0.023
75.00	-13.32	-0.87	0.00	-32.51	0.00	32.51	2,849.75	673.17	1,959.72	1,882.61	0.96	-0.13	0.022

Site Number: 283418

Code: ANSI/TIA-222-H

© 2007 - 2021 by ATC IP LLC. All rights reserved.

Site Name: NORTH HAVEN CT, CT

Engineering Number: 13668665_C3_01

5/4/2021 4:33:51 PM

Customer: VERIZON WIRELESS

80.00	-12.59	-0.85	0.00	-28.14	0.00	28.14	2,749.84	649.57	1,824.74	1,752.19	1.10	-0.14	0.021
85.00	-11.87	-0.82	0.00	-23.91	0.00	23.91	2,649.93	625.97	1,694.58	1,626.45	1.24	-0.14	0.019
90.00	-11.80	-0.81	0.00	-19.83	0.00	19.83	2,550.02	602.37	1,569.23	1,505.39	1.40	-0.15	0.018
90.50	-10.93	-0.77	0.00	-19.42	0.00	19.42	2,540.03	600.01	1,556.96	1,493.54	1.41	-0.15	0.017
94.75	-10.90	-0.77	0.00	-16.14	0.00	16.14	1,616.13	395.33	1,013.75	943.15	1.55	-0.16	0.024
95.00	-10.37	-0.74	0.00	-15.95	0.00	15.95	1,613.86	394.55	1,009.72	939.93	1.56	-0.16	0.023
100.00	-9.86	-0.71	0.00	-12.24	0.00	12.24	1,567.71	378.81	930.81	876.33	1.73	-0.17	0.020
105.00	-9.66	-0.70	0.00	-8.66	0.00	8.66	1,520.05	363.08	855.10	814.07	1.91	-0.17	0.017
107.00	-5.67	-0.45	0.00	-7.26	0.00	7.26	1,500.57	356.79	825.72	789.57	1.98	-0.18	0.013
110.00	-5.32	-0.43	0.00	-5.90	0.00	5.90	1,470.44	347.35	782.61	753.05	2.09	-0.18	0.011
115.00	-5.05	-0.41	0.00	-3.76	0.00	3.76	1,403.83	331.61	713.33	686.05	2.29	-0.18	0.009
119.00	-2.77	-0.24	0.00	-2.13	0.00	2.13	1,350.55	319.03	660.21	634.70	2.44	-0.19	0.005
119.00	-2.77	-0.24	0.00	-2.13	0.00	2.13	957.94	239.92	497.82	452.65	2.44	-0.19	0.008
120.00	-2.52	-0.22	0.00	-1.89	0.00	1.89	951.57	237.56	488.08	445.18	2.48	-0.19	0.007
125.00	-2.33	-0.20	0.00	-0.81	0.00	0.81	918.77	225.76	440.80	408.31	2.68	-0.19	0.005
129.00	0.00	-0.19	0.00	0.00	0.00	0.00	891.44	216.32	404.71	379.46	2.84	-0.19	0.000

Site Number: 283418

Code: ANSI/TIA-222-H

© 2007 - 2021 by ATC IP LLC. All rights reserved.

Site Name: NORTH HAVEN CT, CT

Engineering Number: 13668665_C3_01

5/4/2021 4:33:51 PM

Customer: VERIZON WIRELESS

Analysis Summary

Load Case	Reactions						Max Usage	
	Shear FX (kips)	Shear FZ (kips)	Axial FY (kips)	Moment MX (ft-kips)	Moment MY (ft-kips)	Moment MZ (ft-kips)	Elev (ft)	Interaction Ratio
1.2D + 1.0W	27.01	0.00	41.45	0.00	0.00	2620.61	0.00	0.55
0.9D + 1.0W	27.00	0.00	31.08	0.00	0.00	2595.66	0.00	0.54
1.2D + 1.0Di + 1.0Wi	7.00	0.00	54.17	0.00	0.00	664.33	0.00	0.15
1.2D + 1.0Ev + 1.0Eh	1.04	0.00	41.29	0.00	0.00	108.94	0.00	0.03
0.9D - 1.0Ev + 1.0Eh	1.04	0.00	28.45	0.00	0.00	107.66	0.00	0.03
1.0D + 1.0W	6.04	0.00	34.58	0.00	0.00	582.98	0.00	0.13

Site Name: North Heaven CT, CT
Site Number: 283418
Tower Type: MP
Design Loads (Factored) - Analysis per TIA-222-H Standards

Monolithic Mat & Pier Foundation Analysis

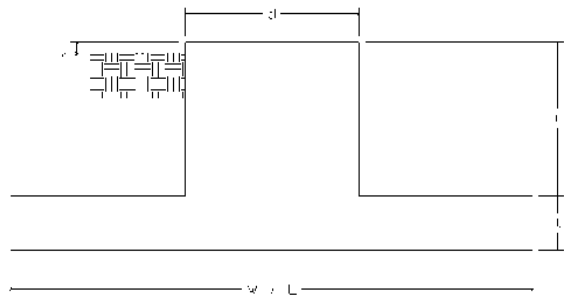
Foundation Analysis Parameters		
Design / Analysis / Mapping:	Analysis	-
Compression/Leg:	41.5	k
Uplift/Leg:	0.0	k
Total Shear:	27.0	k
Moment:	2,620.6	k-ft
Tower + Appurtenance Weight:	41.5	k
Depth to Base of Foundation (l + t - h):	8	ft
Diameter of Pier (d):	7	ft
Length of Pier (l):	7	ft
Height of Pier above Ground (h):	1	ft
Width of Pad (W):	24	ft
Length of Pad (L):	24	ft
Thickness of Pad (t):	2	ft
Tower Leg Center to Center:	0	ft
Number of Tower Legs:	1	-
Tower Center from Mat Center:	0	ft
Depth Below Ground Surface to Water Table:	5.5	ft
Unit Weight of Concrete:	150	pcf
Unit Weight of Soil Above Water Table:	120	pcf
Unit Weight of Water:	62.4	pcf
Unit Weight of Soil Below Water Table:	57.6	pcf
Friction Angle of Uplift:	15	°
Coefficient of Shear Friction:	0.2	-
Ultimate Compressive Bearing Pressure:	6,000	psf
Ultimate Passive Pressure on Pad Face:	310	psf
$f_{\text{Soil and Concrete Weight}}$:	0.9	-
f_{Soil} :	0.75	-

Overturning Moment Usage		
Design OTM:	2863.7	k-ft
OTM Resistance:	6290.5	k-ft
Design OTM / OTM Resistance:	46%	Pass

Soil Bearing Pressure Usage		
Net Bearing Pressure:	3022	psf
Factored Nominal Bearing Pressure:	4500	psf
Factored Nominal (Net) Bearing Pressure:	67%	Pass
Load Direction Controlling Design Bearing Pressure:	Diagonal to Pad Edge	

Sliding Factor of Safety		
Ultimate Friction Resistance:	109.0	k
Ultimate Passive Pressure Resistance:	11.2	k
Total Factored Sliding Resistance:	90.1	k
Sliding Design / Sliding Resistance:	30%	Pass

Foundation Steel Parameters		
Shear/Leg (Compression):	18.0	k
Shear/Leg (Uplift):	14.9	k
Concrete Strength (f_c):	4,000	psi
Pad Tension Steel Depth:	20.50	in
Dead Load Factor:	0.9	-
f_{shear} :	0.75	-
$f_{\text{Flexure / Tension}}$:	0.9	-
$f_{\text{Compression}}$:	0.65	-
b:	0.85	-
Bottom Pad Rebar Size #:	8	-
# of Bottom Pad Rebar:	33	-
Pad Bottom Steel Area:	26.07	in ²
Pad Steel F_y :	60,000	psi
Top Pad Rebar Size #:	8	-
# of Top Pad Rebar:	33	-
Pad Top Steel Area:	26.07	in ²
Pier Rebar Size #:	8	-
Pier Steel Area (Single Bar):	0.79	in ²
# of Pier Rebar:	38	-
Pier Steel F_y :	60,000	psi
Pier Cage Diameter:	76.0	in
Rebar Strain Limit:	0.008	-
Steel Elastic Modulus:	29,000	ksi
Tie Rebar Size #:	4	-
Tie Steel Area (Single Bar):	0.20	in ²
Tie Spacing:	12	in
Tie Steel F_y :	60,000	psi
Clear Cover:	3	in



Pad Strength Capacity			
Factored One Way Shear (V_u):	258.0	k	
One Way Shear Capacity (fV_c):	560.1	k	ACI 318-14 25.5.5.1
V_u / fV_c :	46%	Pass	
Load Direction Controlling Shear Capacity:	Parallel to Pad Edge		
Lower Steel Pad Factored Moment (M_u):	1448.6	k-ft	
Lower Steel Pad Moment Capacity (fM_n):	2325.3	k-ft	ACI 318-14 22.3.1.1
M_u / fM_n :	62%	Pass	
Load Direction Controlling Flexural Capacity:	Parallel to Pad Edge		
Upper Steel Pad Factored Moment (M_u):	729.0	k-ft	
Upper Steel Pad Moment Capacity (fM_n):	2325.3	k-ft	
M_u / fM_n :	31%	Pass	
Lower Pad Flexural Reinforcement Ratio:	0.0044		OK - ACI 318-14 7.6.1.1 & 8.6.1.1
Upper Pad Flexural Reinforcement Ratio:	0.0044		OK - ACI 318-14 7.6.1.1 & 8.6.1.1
Pad Shrinkage Reinforcement Ratio:	0.0088		OK - ACI 318-14 24.4.3.2
Lower Pad Reinforcement Spacing:	8.8	in	OK - ACI 318-14 7.7.2.3, 8.7.2.2, & 24.4.3.3
Upper Pad Reinforcement Spacing:	8.8	in	OK - ACI 318-14 7.7.2.3, 8.7.2.2, & 24.4.3.3
Ultimate Punching Shear Stress, v_u :	59.98	psi	ACI 318-14 R8.4.4.2.3
Nominal Punching Shear Capacity ($f_c v_c$):	189.7	psi	ACI 318-14 22.6.5.2
$v_u / f_c v_c$:	32%	Pass	
Pier Moment Pad Flexure Transfer Ratio, ψ :	0.60		TIA-222-H 9.4.2
Moment Transfer Effective Flexural Width, B_{eff} :	13.00	ft	TIA-222-H 9.4.2
Moment Transfer Through Pad Flexure:	20229.70	k-in	TIA-222-H 9.4.2
Moment Transfer Flexural Capacity ($fM_{sc,f}$):	15814.44	k-in	
$g_f M_{sc} / fM_{sc,f}$:	0%	Pass	

Pier Strength Capacity			
Factored Moment in Pier (M_u):	2809.7	k-ft	
Pier Moment Capacity (fM_n):	5022.7	k-ft	
M_u / fM_n :	56%	Pass	
Factored Shear in Pier (V_u):	27.0	k	
Pier Shear Capacity (fV_n):	628.5	k	ACI 318-14 22.5.1.1
V_u / fV_c :	4%	Pass	
Pier Shear Reinforcement Ratio:	0.0004		OK - No Ties Necessary for Shear - ACI11.5.6.1
Factored Tension in Pier (T_u):	0.0	k	
Pier Tension Capacity (fT_n):	1621.1	k	
T_u / fT_n :	0%	Pass	
Factored Compression in Pier (P_u):	41.5	k	
Pier Compression Capacity (fP_n):	9769.4	k	ACI 318-14 22.4.2.1
P_u / fP_n :	0%	Pass	
Pier Compression Reinforcement Ratio:	0.005		OK - TIA-222-H 9.4.1
Minimum Depth to Develop Vertical Rebar:	29	in	ACI 318-14 25.4.2.3
Minimum Hook Development Length:	19	in	ACI 318-14 25.4.3.1
Minimum Mat Thickness / Edge Distance from Pier:	22.0	in	
Minimum Foundation Depth:	4.02	ft	
$M_u / f_g M_n + T_u / f_T T_n$:	56%	Pass	



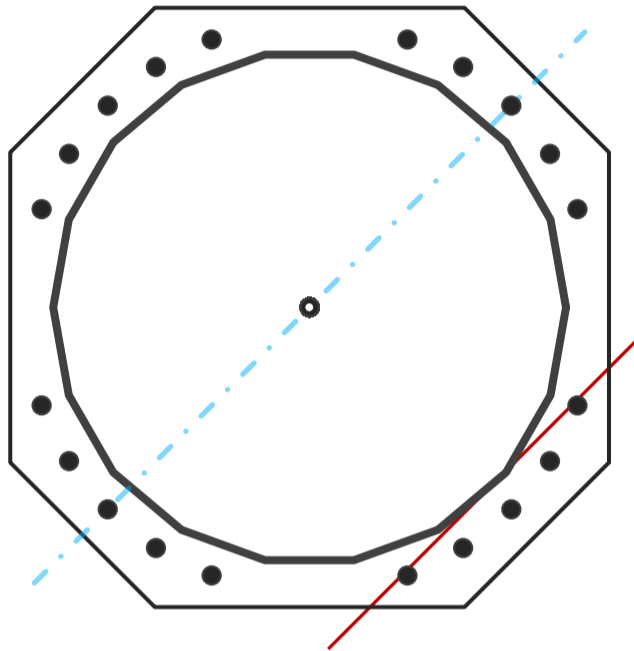
Base Plate & Anchor Rod Analysis

Pole Dimensions		
Number of Sides	18	-
Diameter	48.8	in
Thickness	7/16	in
Orientation Offset		°

Base Reactions		
Moment, Mu	2620.6	k-ft
Axial, Pu	41.5	k
Shear, Vu	27.0	k
Neutral Axis	225	°

Report Capacities		
Component	Capacity	Result
Base Plate	35%	Pass
Anchor Rods	48%	Pass
Dwyidag	-	-

Base Plate		
Shape	Square	-
Width	58	in
Thickness	2 3/4	in
Grade	A572-50	
Yield Strength, Fy	50	ksi
Tensile Strength, Fu	65	ksi
Clip	14	in
Orientation Offset		°
Anchor Rod Detail	d	η=0.5
Clear Distance	3 3/4	in
Applied Moment, Mu	1060.8	k
Bending Stress, φMn	3050.0	k



Original Anchor Rods		
Arrangement	Cluster	-
Quantity	20	-
Diameter, φ	2 1/4	in
Bolt Circle	55.25	in
Grade	A615-75	
Yield Strength, Fy	75	ksi
Tensile Strength, Fu	100	ksi
Spacing	6.0	in
Orientation Offset		°
Applied Force, Pu	115.8	k
Anchor Rods, φPn	243.6	k

Calculations for Monopole Base Plate & Anchor Rod Analysis

Reaction Distribution

Reaction	Shear Vu	Moment Mu	Factor
-	k	k-ft	-
Base Forces	27.0	2620.6	1.00
Anchor Rod Forces	27.0	2620.6	1.00
Additional Bolt (Grp1) Forces	0.0	0.0	0.00
Additional Bolt (Grp2) Forces	0.0	0.0	0.00
Dywidag Forces	0.0	0.0	0.00
Stiffener Forces	0.0	0.0	0.00

Geometric Properties

Section	Gross Area	Net Area	Individual Inertia	Threads per Inch	Moment of Inertia
-	in ²	in ²	in ⁴	#	in ⁴
Pole	66.1347	3.6742	0.2355		19339.81
Bolt	3.9761	3.2477	0.8393	4.5	24801.22
Bolt1	0.0000	0.0000	0.0000	0	0.00
Bolt2	0.0000	0.0000	0.0000	0	0.00
Dywidag	0.0000	0.0000	0.0000		0.00
Stiffener	0.0000	0.0000	0.0000		0.00

Base Plate

Shape	Square	-
Width, W	58	in
Thickness, t	2.75	in
Yield Strength, Fy	50	ksi
Tensile Strength, Fu	65	ksi
Base Plate Chord	31.346	in
Detail Type	d	-
Detail Factor	0.50	-
Clear Distance	3.75	-

Anchor Rods

Anchor Rod Quantity, N	20	-
Rod Diameter, d	2.25	in
Bolt Circle, BC	55.25	in
Yield Strength, Fy	75	ksi
Tensile Strength, Fu	100	ksi
Applied Axial, Pu	115.8	k
Applied Shear, Vu	0.5	k
Compressive Capacity, ϕP_n	243.6	k
Tensile Capacity, ϕR_n	0.476	OK
Interaction Capacity	0.480	OK

External Base Plate

Chord Length AA	33.099	in
Additional AA	2.750	in
Section Modulus, Z	67.778	in ³
Applied Moment, Mu	1060.8	k-ft
Bending Capacity, ϕM_n	3050.0	k-ft
Capacity, Mu/ ϕM_n	0.348	OK

Chord Length AB	32.345	in
Additional AB	2.750	in
Section Modulus, Z	66.351	in ³
Applied Moment, Mu	852.3	k-ft
Bending Capacity, ϕM_n	2985.8	k-ft
Capacity, Mu/ ϕM_n	0.285	OK

Bend Line Length	0.000	in
Additional Bend Line	0.000	in
Section Modulus, Z	0.000	in ³
Applied Moment, Mu	0.0	k-ft
Bending Capacity, ϕM_n	0.0	k-ft
Capacity, Mu/ ϕM_n		

Internal Base Plate

Arc Length	0.000	in
Section Modulus, Z	0.000	in ³
Moment Arm	0.000	in
Applied Moment, Mu	0.0	k-ft
Bending Capacity, ϕM_n	0.0	k-ft
Capacity, Mu/ ϕM_n		

Flange Plate Analysis

Flange Plate	Plate Type	Flange	@ 119 ft
	Pole Diameter	23.16	in
	Pole Thickness	0.1875	in
	Plate Diameter	30.4	in
	Plate Thickness	1 1/4	in
	Plate Fy	60	ksi
	Weld Length	3/16	in
	f _s Resistance	94.63	k-in
	Applied	4.92	k-in

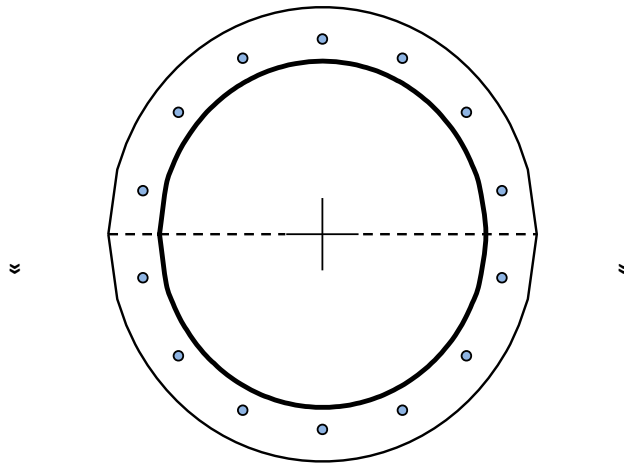
Code Rev.	G
Moment	53.2 k-ft
Axial	3.6 k

Date	5/4/2021
Engineer	P.MBUGUA
Site #	283418
Carrier	METRO PCS INC

Required Flange Thickness:
0.29 in OK

Stiffeners	#	
------------	---	--

Bolts	#	14
	Bolt Circle (R)adial / (S)quare	26.125 R
	Diameter	1
	Hole Diameter	1 1/8
	Type	A325
	Fy	92
	Fu	120
	f _s Resistance	54.52
	Applied	6.72



Reinforcement	#	
---------------	---	--

Plate Stress Ratio:
5% Pass

Bolt Stress Ratio:
12% Pass

Extra Bolts	#	
-------------	---	--



Maser Consulting Connecticut
2000 Midlantic Drive, Suite 100
Mt. Laurel, NJ 08054
(856) 797-0412
peter.albano@colliersengineering.com

Post-Mod Antenna Mount Analysis Report and PMI Requirements

Mount Fix

SMART Tool Project #: 10069396
Maser Consulting Connecticut Project #: 21777440A

June 11, 2021

Site Information

Site ID: 468529-VZW / NORTH HAVEN WEST CT
Site Name: NORTH HAVEN WEST CT
Carrier Name: Verizon Wireless
Address: 50 Devine St.
North Haven, Connecticut 06473
New Haven County
Latitude: 41.377778°
Longitude: -72.876158°

Structure Information

Tower Type: Self Support
Mount Type: 12.58-Ft Platform

FUZE ID # 16227621

Analysis Results

Platform: 51.0% Pass

***Contractor PMI Requirements:

Included at the end of this MA report

Available & Submitted via portal at <https://pmi.vzwsmart.com>

Contractor - Please Review Specific Site PMI Requirements Upon Award

Requirements also Noted on Mount Modification Drawings

Requirements may also be Noted on A & E drawings

Report Prepared By: Frank Centone

Executive Summary:

The objective of this report is to summarize the analysis results of the antenna support mount including the proposed modifications at the subject facility for the final wireless telecommunications configuration, per the applicable codes and standards.

This analysis is inclusive of the mount structure only and does not address the structural capacity of the supporting structure. This mounting frame was not analyzed as an anchor attachment point for fall protection. All climbing activities are required to have a fall protection plan completed by a competent person.

Sources of Information:

Document Type	Remarks
Radio Frequency Data Sheet (RFDS)	Verizon RFDS Site ID: 1779320, dated March 16, 2021
Mount Mapping Report	RKS Design & Engineering LLC., Site ID: ATC: 283418, dated March 31, 2021
Previous Mount Analysis Report	Maser Consulting Connecticut, Project #: 21777440A Dated: June 7, 2021
Mount Modification Drawings	Maser Consulting Connecticut, Project #: 21777440A Dated: June 11, 2021

Analysis Criteria:

Codes and Standards:	ANSI/TIA-222-H
Wind Parameters:	Basic Wind Speed (Ultimate 3-sec. Gust), V_{ULT} : 120 mph Ice Wind Speed (3-sec. Gust): 50 mph Design Ice Thickness: 1.00 in Risk Category: II Exposure Category: C Topographic Category: 1 Topographic Feature Considered: N/A Topographic Method: N/A Ground Elevation Factor, K_e : 1.00
Seismic Parameters:	S_s : 0.203 S_1 : 0.054
Maintenance Parameters:	Wind Speed (3-sec. Gust): 30 mph Maintenance Live Load, L_v : 250 lbs. Maintenance Live Load, L_m : 500 lbs.
Analysis Software:	RISA-3D (V17)

Final Loading Configuration:

The following equipment has been considered for the analysis of the mount:

Mount Elevation (ft)	Equipment Elevation (ft)	Quantity	Manufacturer	Model	Status
128.40	130.00	3	Samsung	MT6407-77A	Added
		3	Commscope	CBC78T-DS-43-2X	
		3	Samsung	B2/B66A RRH-BR049	
		3	Samsung	B5/B13 RRH-BR04C	
		6	Commscope	JAHH-65B-R3B	Retained
		3	Amphenol Antel	BXA-70063-6CF-EDIN	
		1	Raycap	RHSDC-6627-PF-48	

The recent mount mapping reported existing OVP units. It is acceptable to install up to any three (3) of the OVP model numbers listed below as required at any location other than the mount face without affecting the structural capacity of the mount. If OVP units are installed on the mount face, a mount re-analysis may be required unless replacing an existing OVP.

Model Number	Ports	AKA
DB-B1-6C-12AB-0Z	6	OVP-6
RVZDC-6627-PF-48	12	OVP-12

Standard Conditions:

1. All engineering services are performed on the basis that the information provided to Maser Consulting Connecticut and used in this analysis is current and correct. The existing equipment loading has been applied at locations determined from the supplied documentation. Any deviation from the loading locations specified in this report shall be communicated to Maser Consulting Connecticut to verify deviation will not adversely impact the analysis.
2. Mounts are assumed to have been properly fabricated, installed and maintained in good condition, twist free and plumb in accordance with its original design and manufacturer’s specifications.

Obvious safety and structural issues/deficiencies noticed at the time of the mount mapping and reported in the Mount Mapping Report are assumed to be corrected and documented as part of the PMI process and are not considered in the mount analysis.

The mount analysis and the mount mapping are not a condition assessment of the mount. Proper maintenance and condition assessments are still required post analysis.

3. For mount analyses completed from other data sources (including new replacement mounts) and not specifically mapped by Maser Consulting Connecticut, the mounts are assumed to have been properly fabricated, installed and maintained in good condition, twist free and plumb in accordance with its original design and manufacturer’s specifications.
4. All member connections are assumed to have been designed to meet or exceed the load carrying capacity of the connected member unless otherwise specified in this report.
5. The mount was checked up to, and including, the bolts that fasten it to the mount collar/attachment and threaded rod connections in collar members if applicable. Local deformation and interaction between the mount collar/attachment and the supporting tower structure are outside the scope of this analysis.

6. All services are performed, results obtained, and recommendations made in accordance with generally accepted engineering principles and practices. Maser Consulting Connecticut is not responsible for the conclusion, opinions, and recommendations made by others based on the information supplied.
7. Structural Steel Grades have been assumed as follows, if applicable, unless otherwise noted in this analysis:
 - o Channel, Solid Round, Angle, Plate ASTM A36 (Gr. 36)
 - o HSS (Rectangular) ASTM 500 (Gr. B-46)
 - o Pipe ASTM A53 (Gr. B-35)
 - o Threaded Rod F1554 (Gr. 36)
 - o Bolts ASTM A325
8. Any mount modifications listed under Sources of Information are assumed to have been installed per the design specifications.

Discrepancies between in-field conditions and the assumptions listed above may render this analysis invalid unless explicitly approved by Maser Consulting Connecticut.

Analysis Results:

Component	Utilization %	Pass/Fail
Face Horizontal	15.7%	Pass
Standoff Horizontal	37.4%	Pass
Platform Crossmember	18.9%	Pass
Mount Pipe	51.0%	Pass
Corner Plate	20.2%	Pass
Grating Support	15.9%	Pass
Cross Arm Plate	38.3%	Pass
Mod Support Rail	24.0%	Pass
Connection Bracing	42.1%	Pass
Connection Check	40.1%	Pass

Structure Rating – (Controlling Utilization of all Components)	51.0%
---	--------------

Recommendation:


The existing mount will be **SUFFICIENT** for the final loading after the proposed modifications are successfully completed.

ANSI/ASSP rigging plan review services compliant with the requirements of ANSI/TIA 322 are available for a Construction Class IV site or other, if required. Separate review fees will apply.

Attachments:

1. Mount Photos
2. Mount Mapping Report (for reference only)
3. Analysis Calculations
- 4. Contractor Required PMI Report Deliverables**
5. Antenna Placement Diagrams
6. TIA Adoption and Wind Speed Usage Letter



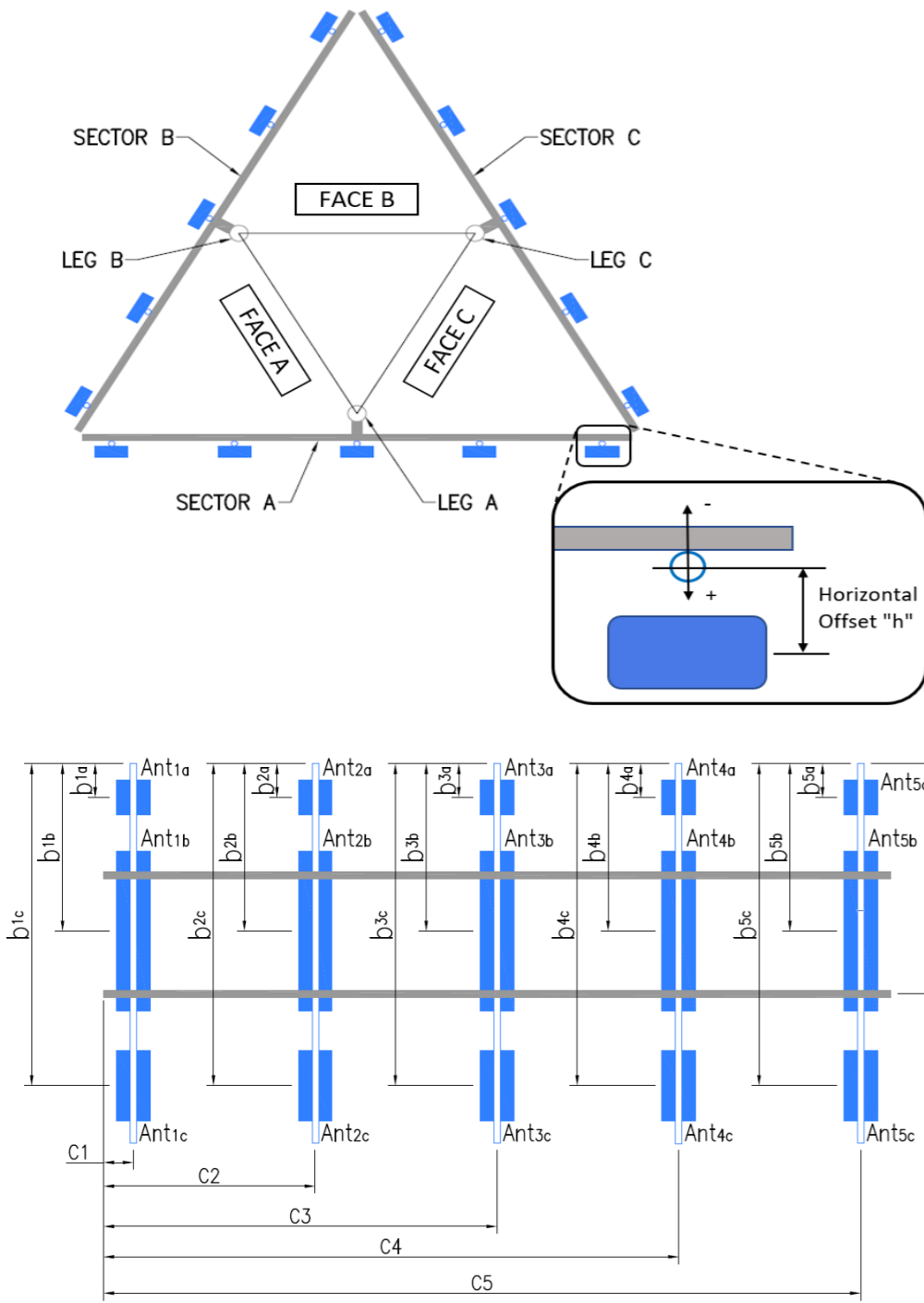
	Antenna Mount Mapping Form (PATENT PENDING)			FCC #
				UNKNOWN
Tower Owner:	AMERICAN TOWER CORPORATION	Mapping Date:	03/31/2021	
Site Name:	ATC: NORTH HAVEN CT, VZW: NORTH HAVEN WEST CT	Tower Type:	Monopole	
Site Number or ID:	ATC: 283418	Tower Height (Ft.):	UNKNOWN	
Mapping Contractor:	RKS DESIGN & ENGINEERING LLC	Mount Elevation (Ft.):	128.4	

This antenna mapping form is the property of TES and under **PATENT PENDING**. The formation contained herein is considered confidential in nature and is to be used only for the specific customer it was intended for. Reproduction, transmission, publication, modification or disclosure by any method is prohibited except by express written permission of TES. All means and methods are the responsibility of the contractor and the work shall be compliant with ANSI/ASSE A 10.48, OSHA, FCC, FAA and other safety requirements that may apply. TES is not warranting the usability of the safety climb as it must be assessed prior to each use in compliance with OSHA requirements.

Please insert the sketches of the antenna mount from the "Sketches" tab with dimensions and members here.

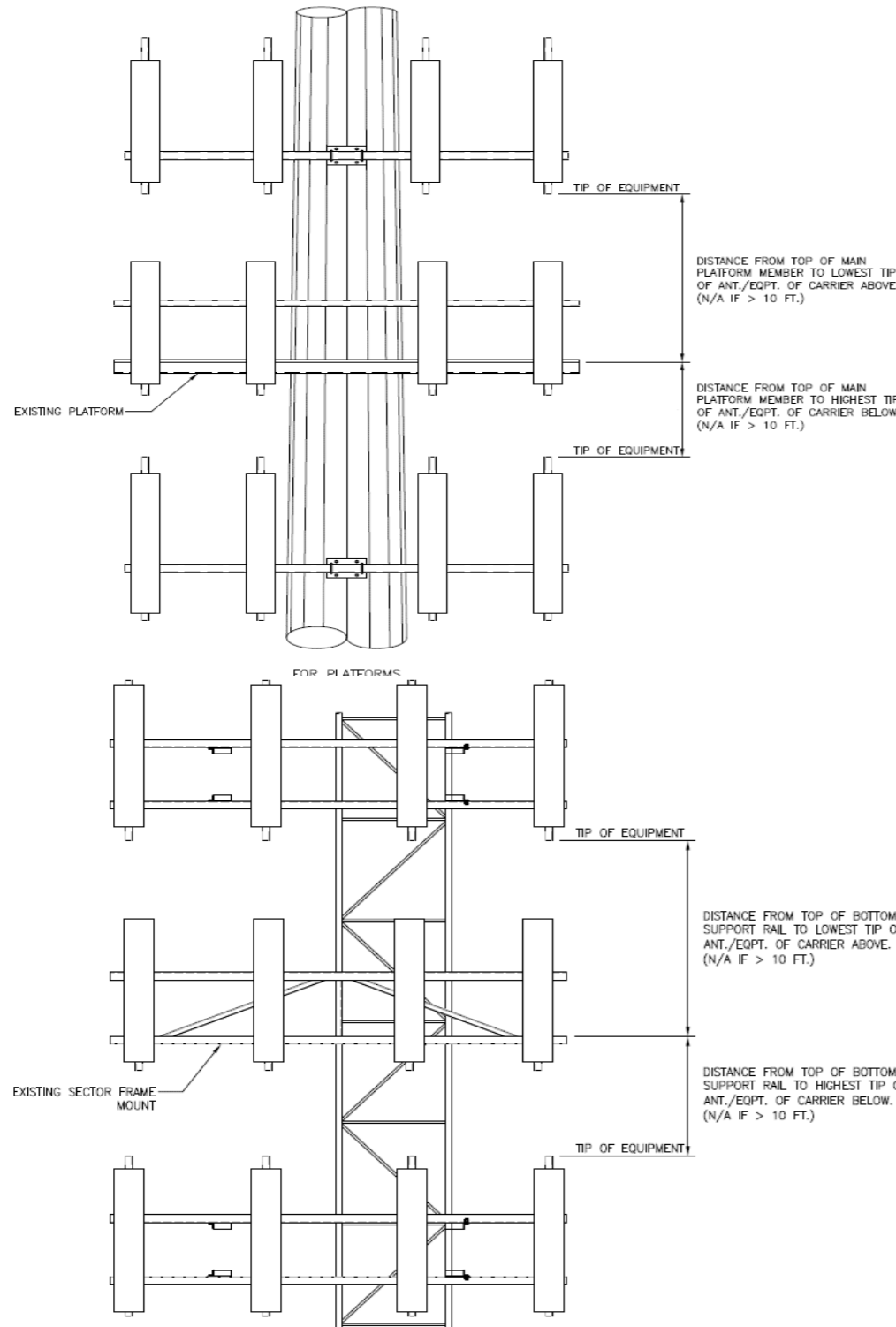
Mount Pipe Configuration and Geometries [Unit = Inches]							
Sector / Position	Mount Pipe Size & Length	Vertical Offset Dimension "u"	Horizontal Offset "C1, C2, C3, etc."	Sector / Position	Mount Pipe Size & Length	Vertical Offset Dimension "u"	Horizontal Offset "C1, C2, C3, etc."
A1	PIPE 2.375"Ø X 0.15" X 84" LONG	51.25	4.00	C1	PIPE 2.375"Ø X 0.15" X 84" LONG	51.25	4.00
A2	PIPE 2.375"Ø X 0.15" X 84" LONG	51.25	29.00	C2	PIPE 2.375"Ø X 0.15" X 84" LONG	51.25	29.00
A3	PIPE 2.375"Ø X 0.15" X 84" LONG	51.25	76.50	C3	PIPE 2.375"Ø X 0.15" X 84" LONG	51.25	76.50
A4	PIPE 2.375"Ø X 0.15" X 84" LONG	51.25	123.00	C4	PIPE 2.375"Ø X 0.15" X 84" LONG	51.25	123.00
A5				C5			
A6				C6			
B1	PIPE 2.375"Ø X 0.15" X 84" LONG	51.25	4.00	D1			
B2	PIPE 2.375"Ø X 0.15" X 84" LONG	51.25	29.00	D2			
B3	PIPE 2.375"Ø X 0.15" X 84" LONG	51.25	76.50	D3			
B4	PIPE 2.375"Ø X 0.15" X 84" LONG	51.25	123.00	D4			
B5				D5			
B6				D6			
Distance between bottom rail and mount CL elevation (dim d). Unit is inches. See 'Mount Elev Ref' tab for details. :							
Distance from top of bottom support rail to lowest tip of ant./eqpt. of Carrier above. (N/A if > 10 ft.) :							
Distance from top of bottom support rail to highest tip of ant./eqpt. of Carrier below. (N/A if > 10 ft.) :							
Please enter additional information or comments below.							
Tower Face Width at Mount Elev. (ft.):		Tower Leg Size or Pole Shaft Diameter at Mount Elev. (in.):				21.41	

Ants. Items	Enter antenna model. If not labeled, enter "Unknown".						Mounting Locations [Units are inches and degrees]			Photos of antennas
	Antenna Models if Known	Width (in.)	Depth (in.)	Height (in.)	Coax Size and Qty	Antenna Center-line (Ft.)	Vertical Distances "b _{1a} , b _{2a} , b _{3a} , b _{1b} ..." (Inches)	Horiz. Offset "h" (Use "-" if Ant. is behind)	Antenna Azimuth (Degrees)	Photo Numbers
Sector A										
Ant _{1a}	AHCA	11.60	6.50	13.30		131.046	19.50	-6.00		213
Ant _{1b}	BXA-70063-6CF-EDIN	11.20	5.20	71.00		129.963	32.50	10.50	10.00	213
Ant _{1c}										
Ant _{2a}	B66a RRH 4X45	11.80	7.20	25.80		130.796	22.50	-6.00		213
Ant _{2b}	BXA-70063-6CF-EDIN	11.20	5.20	71.00		129.963	32.50	10.50	10.00	213
Ant _{2c}										
Ant _{3a}	B13 RRH 4X30	11.80	7.50	20.90		130.463	26.50	-7.00		213
Ant _{3b}	(2)JAHH-65B-R3B	13.80	8.20	72.00		129.838	34.00	13.00	10.00	215
Ant _{3c}										
Ant _{4a}	B25 RRH4X30	12.00	7.20	21.20		130.963	20.50	-7.00		216
Ant _{4b}	BXA-171063-12CF-ED	6.10	4.10	72.40		129.671	36.00	9.50	10.00	216
Ant _{4c}										
Ant _{5a}										
Ant _{5b}										
Ant _{5c}										
Ant on Standoff										
Ant on Standoff										
Ant on Tower										
Ant on Tower										



Antenna Layout (Looking Out From Tower)

Mount Azimuth (Degree) for Each Sector			Tower Leg Azimuth (Degree) for Each Sector			Sector B											
Sector A:	350.00	Deg	Leg A:		Deg	Ant _{1a}	AHCA	11.60	6.50	13.30		131.046	19.50	-6.00		221	
Sector B:	110.00	Deg	Leg B:		Deg	Ant _{1b}	BXA-70063-6CF-EDIN	11.20	5.20	71.00		129.963	32.50	10.50	130.00	221	
Sector C:	230.00	Deg	Leg C:		Deg	Ant _{1c}											
Sector D:		Deg	Leg D:		Deg	Ant _{2a}	B66a RRH 4X45	11.80	7.20	25.80		130.796	22.50	-6.00		222	
Climbing Facility Information						Ant _{2b}											
Location:	110.00	Deg	Inside Face B			Ant _{2c}											
Climbing Facility	Corrosion Type:		N/A			Ant _{3a}	B13 RRH 4X30	11.80	7.50	20.90		130.463	26.50	-7.00		224	
	Access:		Climbing path was unobstructed.			Ant _{3b}	(2)JAHH-65B-R3B	13.80	8.20	72.00		129.838	34.00	13.00	130.00	224	
	Condition:		Good condition.			Ant _{3c}											



Ant _{3a}	B13 RRH 4X30	11.80	7.50	20.90		130.463	26.50	-7.00		224
Ant _{3b}	(2)JAHH-65B-R3B	13.80	8.20	72.00		129.838	34.00	13.00	130.00	224
Ant _{3c}										
Ant _{4a}	B25 RRH4X30	12.00	7.20	21.20		130.963	20.50	-7.00		225
Ant _{4b}	BXA-171063-12CF-ED	6.10	4.10	72.40		129.671	36.00	9.50	130.00	225
Ant _{4c}										
Ant _{5a}										
Ant _{5b}										
Ant _{5c}										
Ant on Standoff										
Ant on Standoff										
Ant on Tower										
Ant on Tower										

Sector C										
Ant _{1a}	AHCA	11.60	6.50	13.30		131.046	19.50	-6.00		227
Ant _{1b}	BXA-70063-6CF-EDIN	11.20	5.20	71.00		129.963	32.50	10.50	240.00	227
Ant _{1c}										
Ant _{2a}	B66a RRH 4X45	11.80	7.20	25.80		130.796	22.50	-6.00		227
Ant _{2b}										
Ant _{2c}										
Ant _{3a}	B13 RRH 4X30	11.80	7.50	20.90		130.463	26.50	-7.00		227
Ant _{3b}	(2)JAHH-65B-R3B	13.80	8.20	72.00		129.838	34.00	13.00	240.00	227
Ant _{3c}										
Ant _{4a}	B25 RRH4X30	12.00	7.20	21.20		130.963	20.50	-7.00		228
Ant _{4b}	BXA-171063-12CF-ED	6.10	4.10	72.40		129.671	36.00	9.50	240.00	228
Ant _{4c}										
Ant _{5a}										
Ant _{5b}										
Ant _{5c}										
Ant on Standoff	RHSDC-6627-PF-48	16.50	12.60	29.50			32.00			228
Ant on Standoff										
Ant on Tower										
Ant on Tower										

Sector D										
Ant _{1a}										
Ant _{1b}										
Ant _{1c}										
Ant _{2a}										
Ant _{2b}										
Ant _{2c}										
Ant _{3a}										
Ant _{3b}										
Ant _{3c}										
Ant _{4a}										
Ant _{4b}										
Ant _{4c}										
Ant _{5a}										
Ant _{5b}										
Ant _{5c}										
Ant on Standoff										
Ant on Standoff										
Ant on Tower										
Ant on Tower										

Observed Safety and Structural Issues During the Mount Mapping

Issue #	Description of Issue	Photo #
---------	----------------------	---------

1	COAX TOTAL (14): (12) FH 1-5/8, (2) 1.5"Ø HYBRID	194
2		
3		
4		
5		
6		
7		
8		

Mapping Notes

1. Please report any visible structural or safety issues observed on the antenna mounts (Damaged members, loose connections, tilting mounts, safety climb issues, etc.)
2. If the thickness of the existing pipes or tubing can't be obtained from a general tool (such as Caliper), please use an ultrasonic measurement tool (thickness gauge) to measure the thickness.
3. Please create all required detail sketches of the mounts and insert them into the "Sketches" tab.
4. Please measure and enter the bolt sizes and types under the Members Box in the spreadsheet of the mount type.
5. Take and label the photos of the tower, mounts, connections, antennas and all measurements. Minimum 50 photos are required.
6. Please measure and report the size and length of all existing antenna mounting pipes.
7. Please measure and report the antenna information for all sectors.
8. Don't delete or rearrange any sheet or contents of any sheet from this mapping form.

Standard Conditions

1. Obvious safety and structural issues/deficiencies noticed at the time of the mount mapping are to be reported in this mapping. However, this mount mapping is not a condition assessment of the mount.



Antenna Mount Mapping Form (PATENT PENDING)

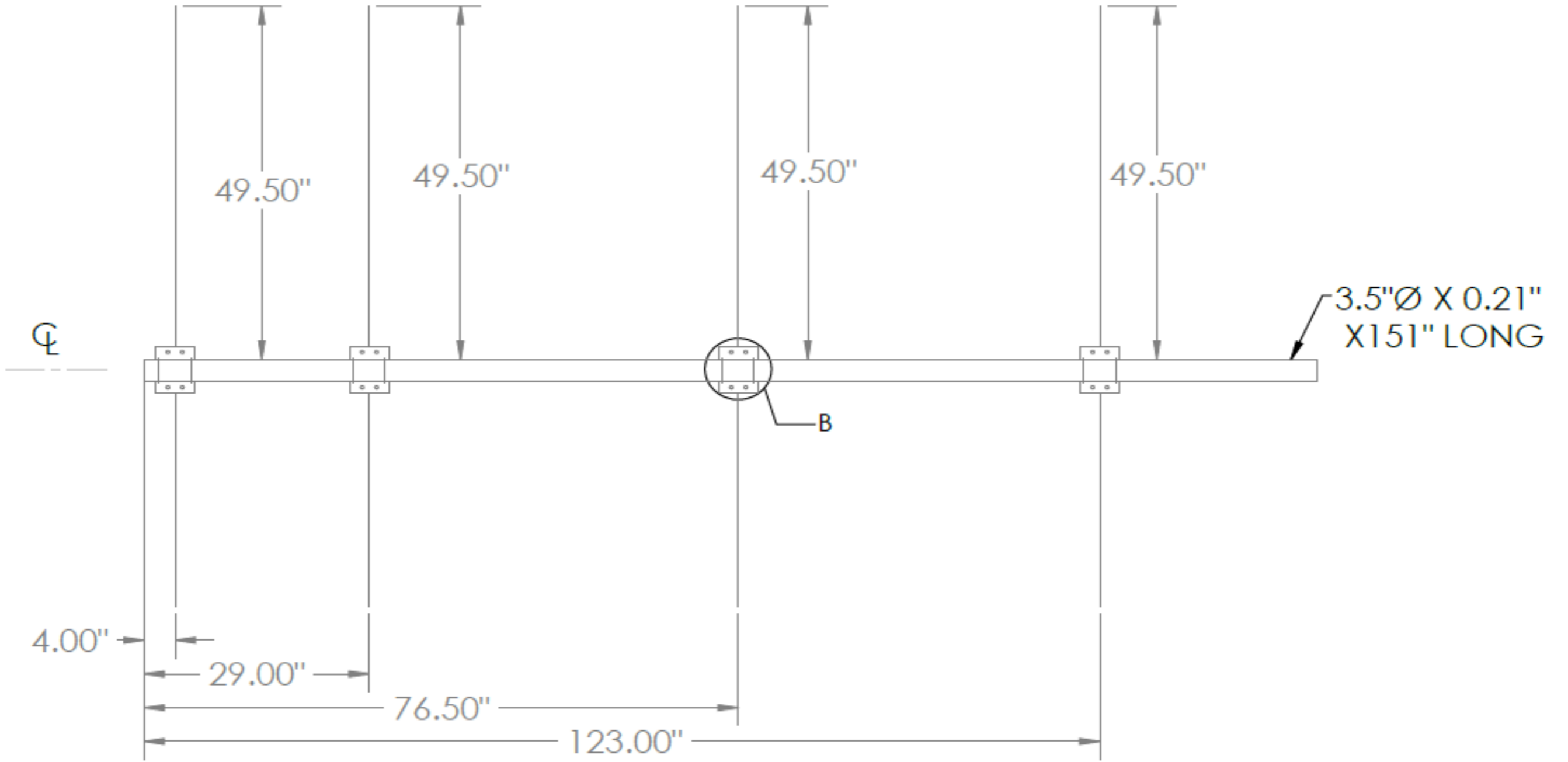
FCC #

UNKNOWN

Tower Owner:	AMERICAN TOWER CORPORATION	Mapping Date:	03/31/2021
Site Name:	ATC: NORTH HAVEN CT, VZW: NORTH HAVEN WEST CT	Tower Type:	Monopole
Site Number or ID:	ATC: 283418	Tower Height (Ft.):	UNKNOWN
Mapping Contractor:	RKS DESIGN & ENGINEERING LLC	Mount Elevation (Ft.):	128.4

This antenna mapping form is the property of TES and under **PATENT PENDING**. The formation contained herein is considered confidential in nature and is to be used only for the specific customer it was intended for. Reproduction, transmission, publication, modification or disclosure by any method is prohibited except by express written permission of TES. All means and methods are the responsibility of the contractor and the work shall be compliant with ANSI/ASSE A 10.48, OSHA, FCC, FAA and other safety requirements that may apply. TES is not warranting the usability of the safety climb as it must be assessed prior to each use in compliance with OSHA requirements.

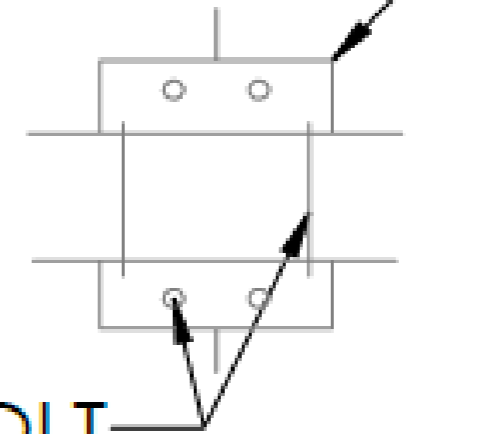
Please Insert Sketches of the Antenna Mount



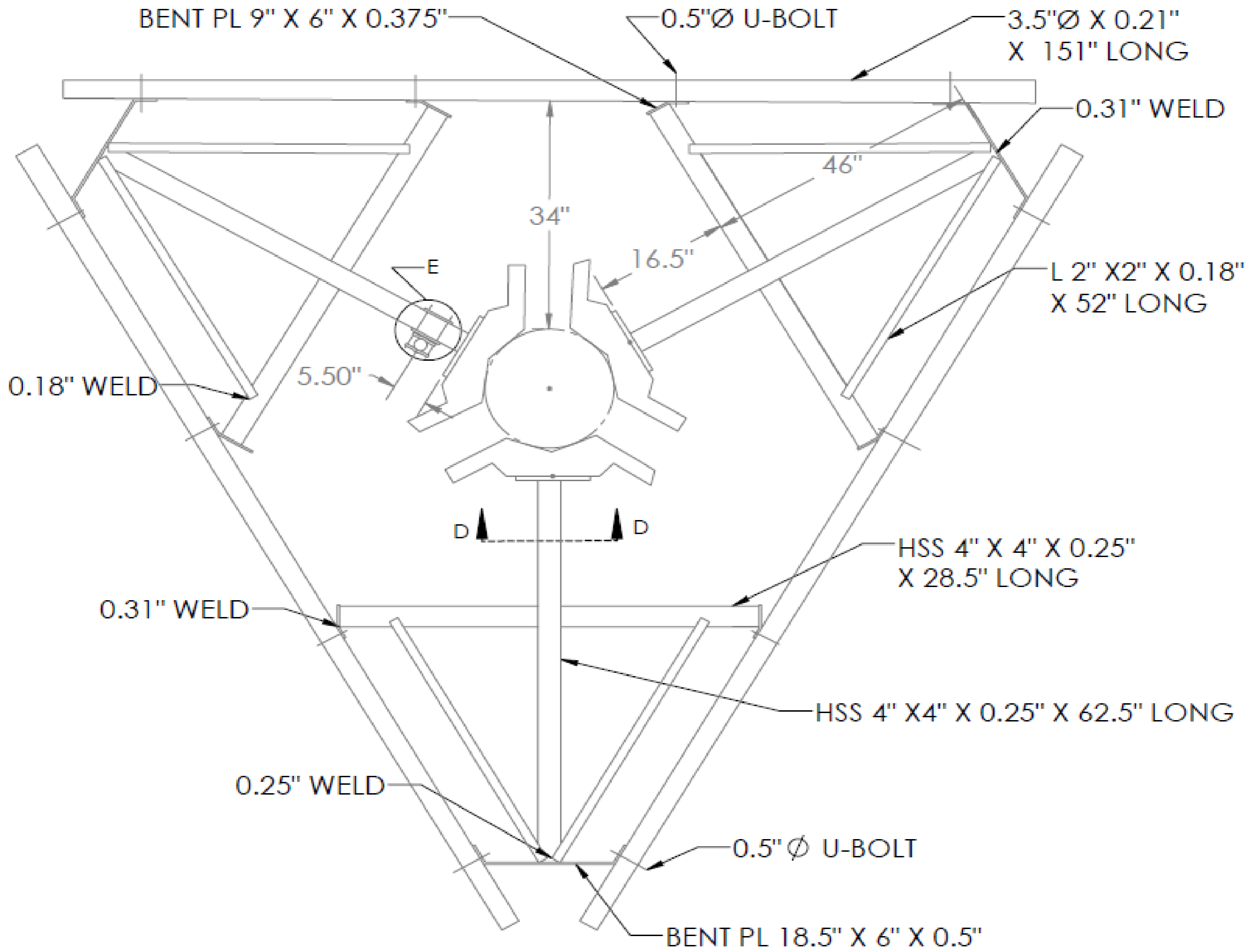
SECTOR A,B,C

C 6.75" X 2.5" X
0.375" X 8.25" LONG

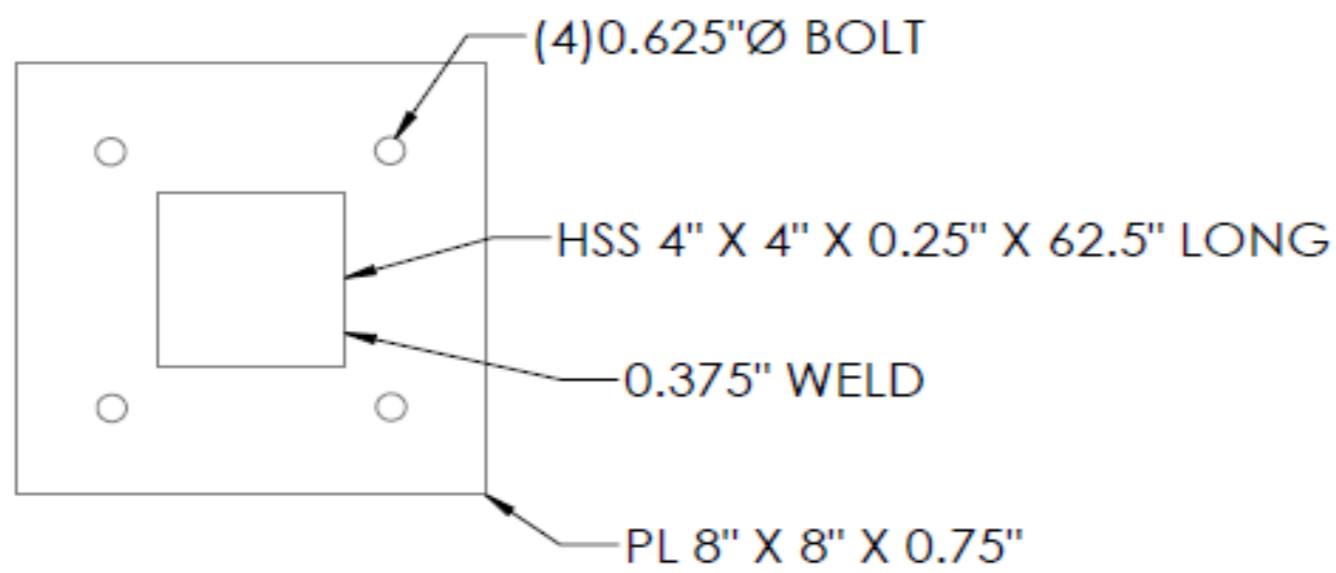
0.5" Ø U-BOLT



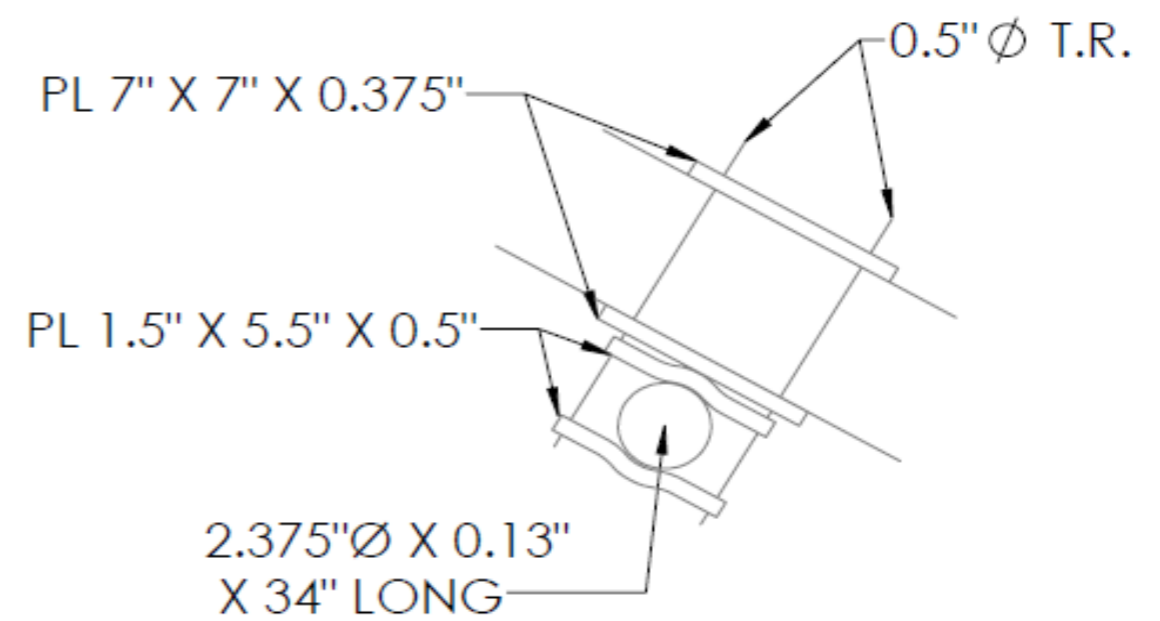
DETAIL B



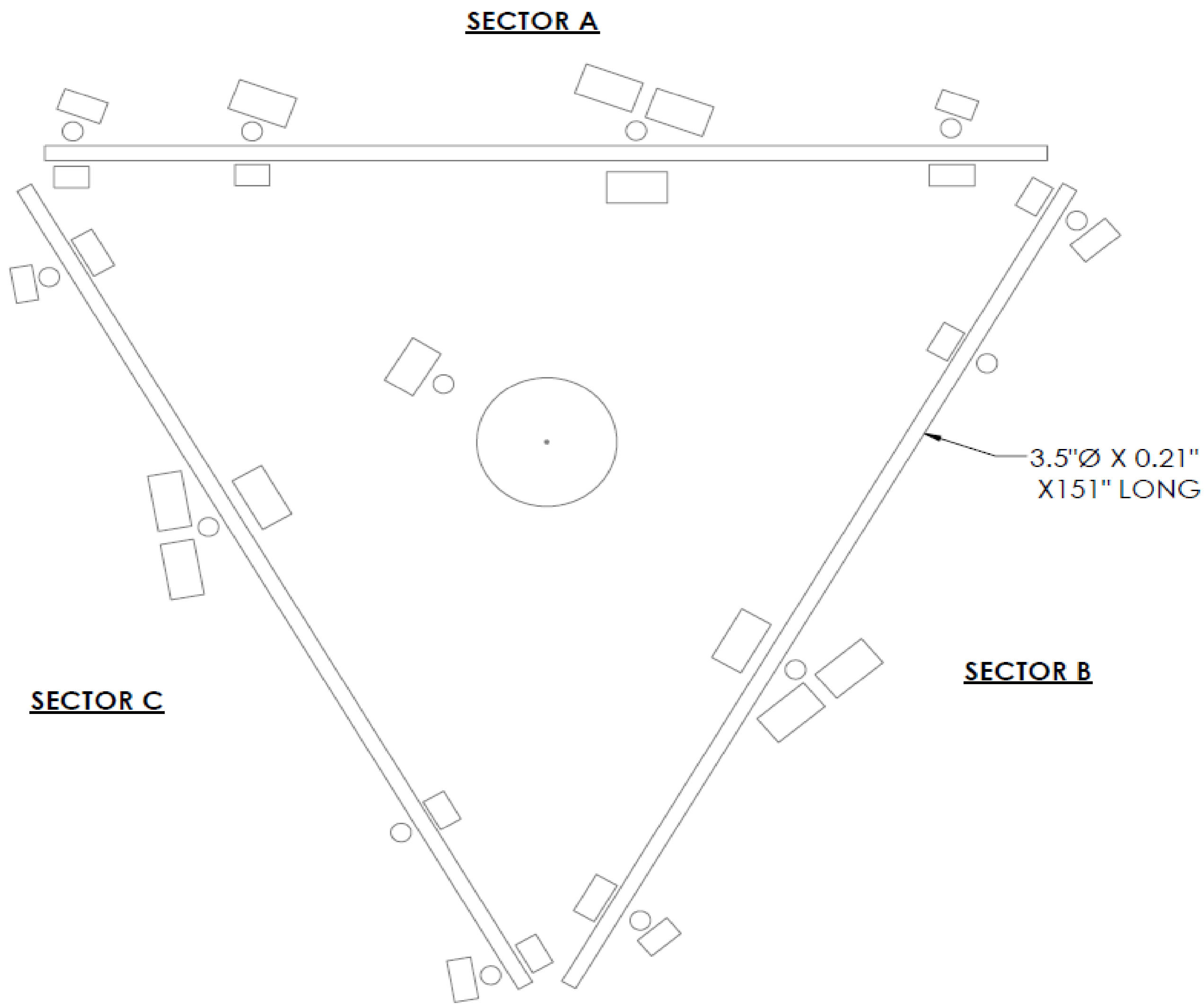
MOUNT VIEW



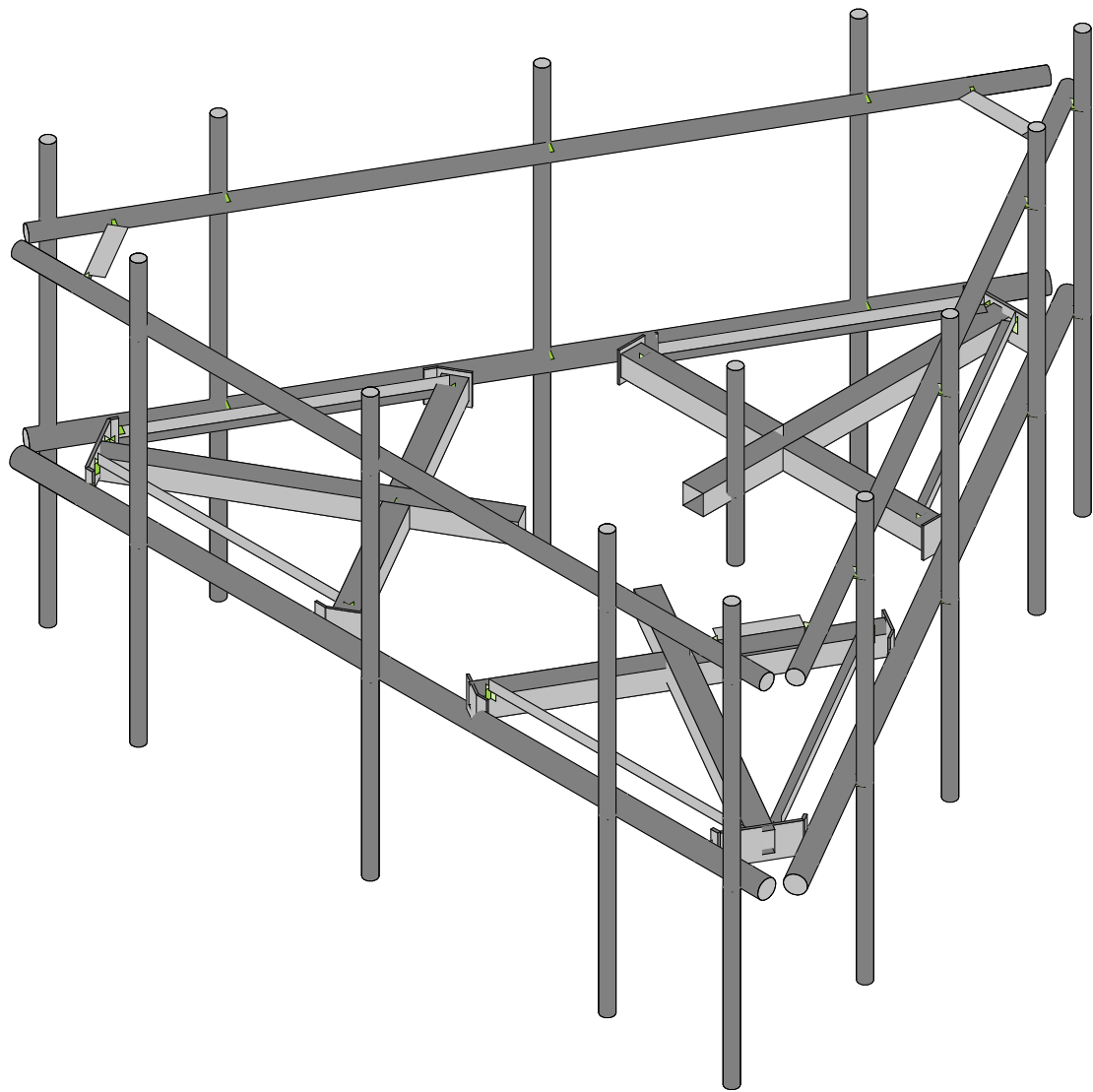
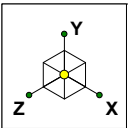
SECTION D-D



DETAIL E



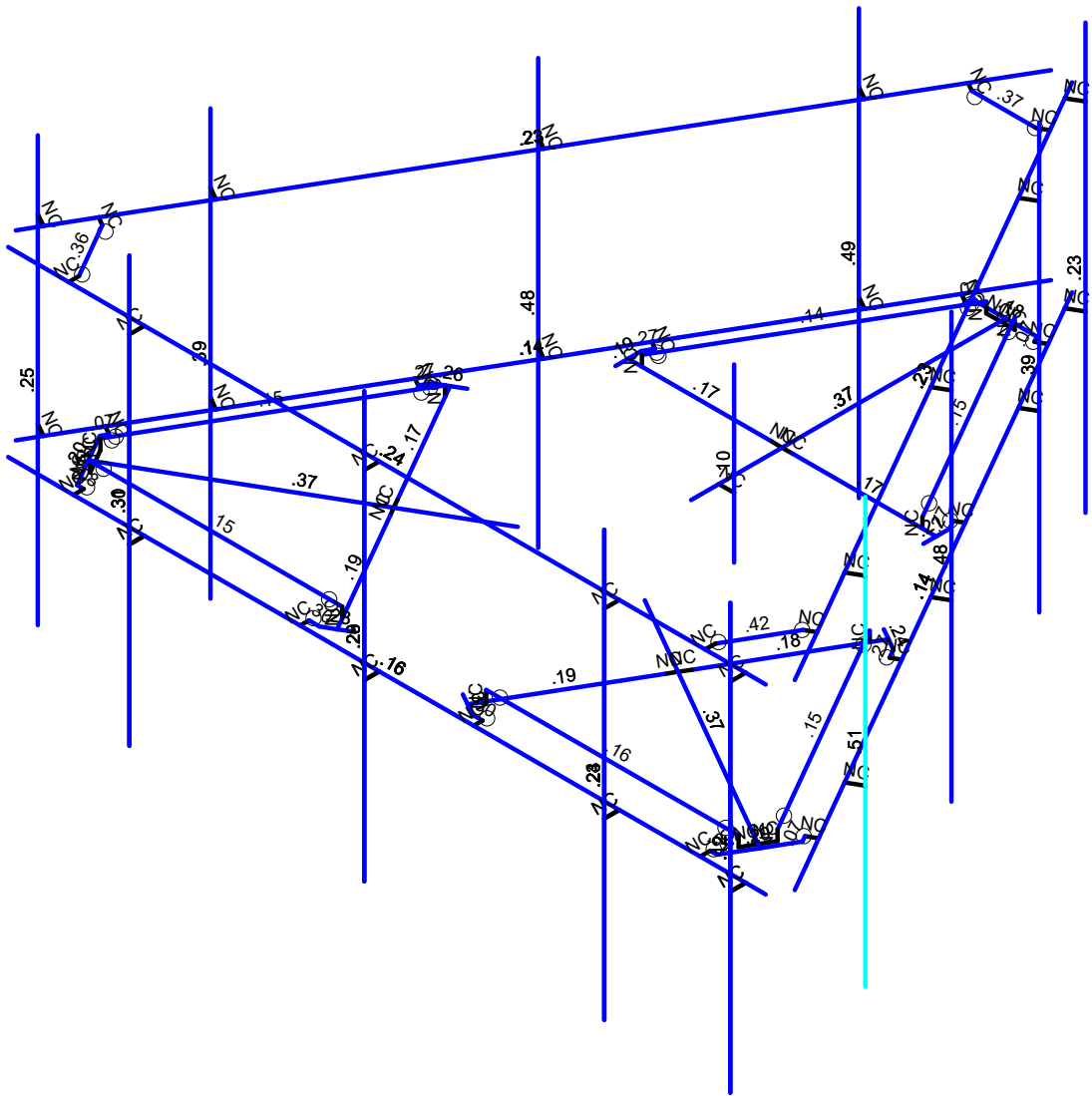
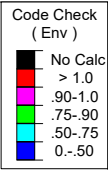
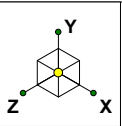
ANTENNA PLAN VIEW



SK - 4

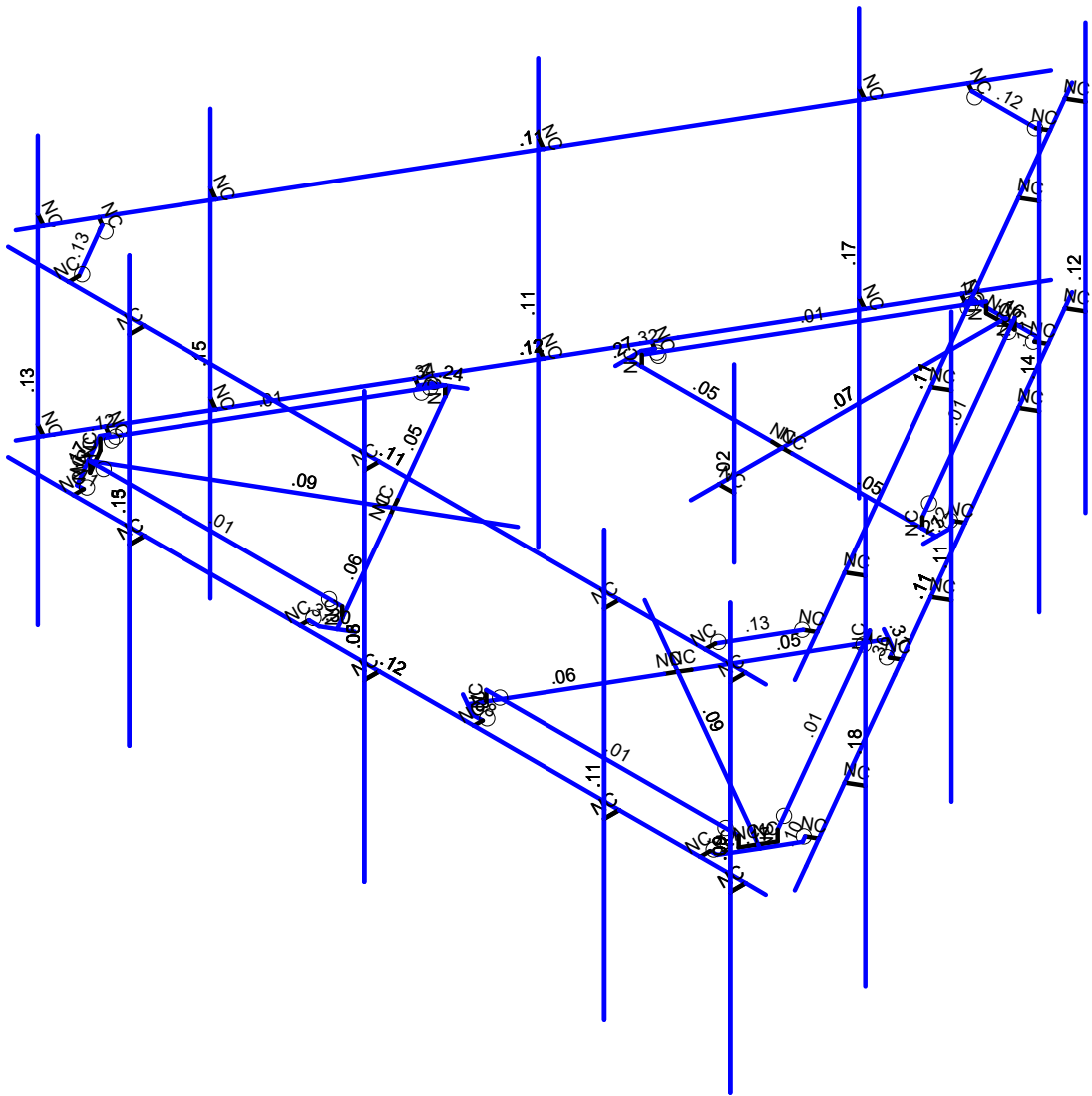
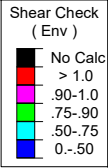
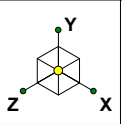
June 7, 2021 at 4:16 PM

468529-VZW_MT_LO_H - Mod Lo...



Member Code Checks Displayed (Enveloped)
Results for LC 1, 1.2D+1.0Wo (0 Deg)

		SK - 5
		June 7, 2021 at 4:16 PM
		468529-VZW_MT_LO_H - Mod Lo...



Member Shear Checks Displayed (Enveloped)
Results for LC 1, 1.2D+1.0Wo (0 Deg)

		SK - 6
		June 7, 2021 at 4:16 PM
		468529-VZW_MT_LO_H - Mod Lo...

Basic Load Cases

	BLC Description	Category	X Gravity	Y Gravity	Z Gravity	Joint	Point	Distributed Area(Me...	Surface(P...
1	Antenna D	None					102		
2	Antenna Di	None					102		
3	Antenna Wo (0 Deg)	None					102		
4	Antenna Wo (30 Deg)	None					102		
5	Antenna Wo (60 Deg)	None					102		
6	Antenna Wo (90 Deg)	None					102		
7	Antenna Wo (120 Deg)	None					102		
8	Antenna Wo (150 Deg)	None					102		
9	Antenna Wo (180 Deg)	None					102		
10	Antenna Wo (210 Deg)	None					102		
11	Antenna Wo (240 Deg)	None					102		
12	Antenna Wo (270 Deg)	None					102		
13	Antenna Wo (300 Deg)	None					102		
14	Antenna Wo (330 Deg)	None					102		
15	Antenna Wi (0 Deg)	None					102		
16	Antenna Wi (30 Deg)	None					102		
17	Antenna Wi (60 Deg)	None					102		
18	Antenna Wi (90 Deg)	None					102		
19	Antenna Wi (120 Deg)	None					102		
20	Antenna Wi (150 Deg)	None					102		
21	Antenna Wi (180 Deg)	None					102		
22	Antenna Wi (210 Deg)	None					102		
23	Antenna Wi (240 Deg)	None					102		
24	Antenna Wi (270 Deg)	None					102		
25	Antenna Wi (300 Deg)	None					102		
26	Antenna Wi (330 Deg)	None					102		
27	Antenna Wm (0 Deg)	None					102		
28	Antenna Wm (30 Deg)	None					102		
29	Antenna Wm (60 Deg)	None					102		
30	Antenna Wm (90 Deg)	None					102		
31	Antenna Wm (120 Deg)	None					102		
32	Antenna Wm (150 Deg)	None					102		
33	Antenna Wm (180 Deg)	None					102		
34	Antenna Wm (210 Deg)	None					102		
35	Antenna Wm (240 Deg)	None					102		
36	Antenna Wm (270 Deg)	None					102		
37	Antenna Wm (300 Deg)	None					102		
38	Antenna Wm (330 Deg)	None					102		
39	Structure D	None		-1				62	3
40	Structure Di	None						124	3
41	Structure Wo (0 Deg)	None						124	
42	Structure Wo (30 Deg)	None						124	
43	Structure Wo (60 Deg)	None						124	
44	Structure Wo (90 Deg)	None						124	
45	Structure Wo (120 D...	None						124	
46	Structure Wo (150 D...	None						124	
47	Structure Wo (180 D...	None						124	
48	Structure Wo (210 D...	None						124	
49	Structure Wo (240 D...	None						124	
50	Structure Wo (270 D...	None						124	
51	Structure Wo (300 D...	None						124	
52	Structure Wo (330 D...	None						124	
53	Structure Wi (0 Deg)	None						124	
54	Structure Wi (30 Deg)	None						124	
55	Structure Wi (60 Deg)	None						124	
56	Structure Wi (90 Deg)	None						124	

Load Combinations (Continued)

	Description	Sol.	PD	SR	BLC Fact.	BLC Fact.	BLC Fact.	BLC Fact.	BLC Fact.	BLC Fact.	BLC Fact.	BLC Fact.	BLC Fact.	BLC Fact.
27	1.2D + 1.5...	Yes	Y		1	1.2	39	1.2	77	1.5	29	1	67	1
28	1.2D + 1.5...	Yes	Y		1	1.2	39	1.2	77	1.5	30	1	68	1
29	1.2D + 1.5...	Yes	Y		1	1.2	39	1.2	77	1.5	31	1	69	1
30	1.2D + 1.5...	Yes	Y		1	1.2	39	1.2	77	1.5	32	1	70	1
31	1.2D + 1.5...	Yes	Y		1	1.2	39	1.2	77	1.5	33	1	71	1
32	1.2D + 1.5...	Yes	Y		1	1.2	39	1.2	77	1.5	34	1	72	1
33	1.2D + 1.5...	Yes	Y		1	1.2	39	1.2	77	1.5	35	1	73	1
34	1.2D + 1.5...	Yes	Y		1	1.2	39	1.2	77	1.5	36	1	74	1
35	1.2D + 1.5...	Yes	Y		1	1.2	39	1.2	77	1.5	37	1	75	1
36	1.2D + 1.5...	Yes	Y		1	1.2	39	1.2	77	1.5	38	1	76	1
37	1.2D + 1.5...	Yes	Y		1	1.2	39	1.2	78	1.5	27	1	65	1
38	1.2D + 1.5...	Yes	Y		1	1.2	39	1.2	78	1.5	28	1	66	1
39	1.2D + 1.5...	Yes	Y		1	1.2	39	1.2	78	1.5	29	1	67	1
40	1.2D + 1.5...	Yes	Y		1	1.2	39	1.2	78	1.5	30	1	68	1
41	1.2D + 1.5...	Yes	Y		1	1.2	39	1.2	78	1.5	31	1	69	1
42	1.2D + 1.5...	Yes	Y		1	1.2	39	1.2	78	1.5	32	1	70	1
43	1.2D + 1.5...	Yes	Y		1	1.2	39	1.2	78	1.5	33	1	71	1
44	1.2D + 1.5...	Yes	Y		1	1.2	39	1.2	78	1.5	34	1	72	1
45	1.2D + 1.5...	Yes	Y		1	1.2	39	1.2	78	1.5	35	1	73	1
46	1.2D + 1.5...	Yes	Y		1	1.2	39	1.2	78	1.5	36	1	74	1
47	1.2D + 1.5...	Yes	Y		1	1.2	39	1.2	78	1.5	37	1	75	1
48	1.2D + 1.5...	Yes	Y		1	1.2	39	1.2	78	1.5	38	1	76	1
49	1.2D + 1.5...	Yes	Y		1	1.2	39	1.2	79	1.5				
50	1.2D + 1.5...	Yes	Y		1	1.2	39	1.2	80	1.5				
51	1.4D	Yes	Y		1	1.4	39	1.4						
52	Seismic M...		Y		1	1	39	1						
53	1.2D + 1.0...		Y		1	1.2	39	1.2	SX		SY	1	SZ	-1
54	1.2D + 1.0...		Y		1	1.2	39	1.2	SX	.5	SY	1	SZ	-.866
55	1.2D + 1.0...		Y		1	1.2	39	1.2	SX	.866	SY	1	SZ	-.5
56	1.2D + 1.0...		Y		1	1.2	39	1.2	SX	1	SY	1	SZ	
57	1.2D + 1.0...		Y		1	1.2	39	1.2	SX	.866	SY	1	SZ	.5
58	1.2D + 1.0...		Y		1	1.2	39	1.2	SX	.5	SY	1	SZ	.866
59	1.2D + 1.0...		Y		1	1.2	39	1.2	SX		SY	1	SZ	1
60	1.2D + 1.0...		Y		1	1.2	39	1.2	SX	-.5	SY	1	SZ	.866
61	1.2D + 1.0...		Y		1	1.2	39	1.2	SX	-.866	SY	1	SZ	.5
62	1.2D + 1.0...		Y		1	1.2	39	1.2	SX	-1	SY	1	SZ	
63	1.2D + 1.0...		Y		1	1.2	39	1.2	SX	-.866	SY	1	SZ	-.5
64	1.2D + 1.0...		Y		1	1.2	39	1.2	SX	-.5	SY	1	SZ	-.866

Joint Coordinates and Temperatures

	Label	X [ft]	Y [ft]	Z [ft]	Temp [F]	Detach From Diap...
1	N1	6.25	0	3.810523	0	
2	N2	-6.25	0	3.810523	0	
3	N3	0	0	-1.208333	0	
4	N5	-2.541667	0	-2.708333	0	
5	N6	2.315104	0.166667	-2.708333	0	
6	N7	-2.315104	0.166667	-2.708333	0	
7	N8	5.916667	0	3.810523	0	
8	N9	5.916667	0	4.060523	0	
9	N10	-4	0	3.810523	0	
10	N11	-4	0	4.060523	0	
11	N12	3.833333	0	3.810523	0	
12	N13	3.833333	0	4.060523	0	
13	N14	-.125	0	3.810523	0	
14	N15	-.125	0	4.060523	0	

Joint Coordinates and Temperatures (Continued)

	Label	X [ft]	Y [ft]	Z [ft]	Temp [F]	Detach From Diap...
15	N16	-.125	-2.875	4.060523	0	
16	N17	-.125	4.125	4.060523	0	
17	N18	-4	-2.875	4.060523	0	
18	N19	-4	4.125	4.060523	0	
19	N20	3.833333	-2.875	4.060523	0	
20	N21	3.833333	4.125	4.060523	0	
21	N22	5.916667	-2.875	4.060523	0	
22	N23	5.916667	4.125	4.060523	0	
23	N24	0	0	-2.708333	0	
24	N27	0	0	-6.395833	0	
25	CP	0	0	0	0	
26	N29	2.315104	0	-2.708333	0	
27	N30	-2.315104	0	-2.708333	0	
28	N101	2.541667	0	-2.708333	0	
29	N102	-0.166667	0	-2.708333	0	
30	N103A	0.166667	0	-2.708333	0	
31	N104A	-2.541667	0	-2.927083	0	
32	N105	2.541667	0	-2.927083	0	
33	N131	2.458333	0	-3.071421	0	
34	N135	0.571615	0	-6.298857	0	
35	N144	-2.458333	0	-3.071421	0	
36	N148	-0.571615	0	-6.298857	0	
37	N86A	2.584629	0	-3.144338	0	
38	N86B	-2.584629	0	-3.144338	0	
39	N86C	-0.515625	0	-6.395833	0	
40	N87A	0.515625	0	-6.395833	0	
41	N86D	0.715429	0	-6.381888	0	
42	N86E	-0.715429	0	-6.381888	0	
43	N88A	0	0	-6.3125	0	
44	N87C	0.234238	0.166667	-6.3125	0	
45	N86G	0.234238	0	-6.3125	0	
46	N87B	-0.234238	0.166667	-6.3125	0	
47	N88C	-0.234238	0	-6.3125	0	
48	N87D	-1.046447	0	0.604167	0	
49	N88B	-1.074652	0	3.555315	0	
50	N89	-3.503038	0.166667	-0.650772	0	
51	N90	-1.187933	0.166667	3.359106	0	
52	N91	-2.345485	0	1.354167	0	
53	N92	-5.538954	0	3.197917	0	
54	N93	-3.503038	0	-0.650772	0	
55	N94	-1.187933	0	3.359106	0	
56	N95	-3.616319	0	-0.846981	0	
57	N96	-2.262152	0	1.498504	0	
58	N97	-2.428819	0	1.209829	0	
59	N98	-1.264095	0	3.66469	0	
60	N99	-3.805762	0	-0.737606	0	
61	N100	-3.889095	0	-0.593269	0	
62	N101A	-5.740777	0	2.654396	0	
63	N102A	-1.430762	0	3.66469	0	
64	N103	-5.169162	0	3.644461	0	
65	N104	-4.015391	0	-0.666185	0	
66	N105A	-1.430762	0	3.810523	0	
67	N106	-5.281142	0	3.644461	0	
68	N107	-5.796767	0	2.751372	0	
69	N108	-5.884591	0	2.571364	0	
70	N109	-5.169162	0	3.810523	0	
71	N110	-5.466785	0	3.15625	0	



Company :
 Designer :
 Job Number :
 Model Name :

June 7, 2021
 4:16 PM
 Checked By: _____

Joint Coordinates and Temperatures (Continued)

	Label	X [ft]	Y [ft]	Z [ft]	Temp [F]	Detach From Diap...
72	N111	-5.583904	0.166667	2.953394	0	
73	N112	-5.583904	0	2.953394	0	
74	N113	-5.349667	0.166667	3.359106	0	
75	N114	-5.349667	0	3.359106	0	
76	N115	1.046447	0	0.604167	0	
77	N116	3.616319	0	-0.846981	0	
78	N117	1.187933	0.166667	3.359106	0	
79	N118	3.503038	0.166667	-0.650772	0	
80	N119	2.345485	0	1.354167	0	
81	N120	5.538954	0	3.197917	0	
82	N121	1.187933	0	3.359106	0	
83	N122	3.503038	0	-0.650772	0	
84	N123	1.074652	0	3.555315	0	
85	N124	2.428819	0	1.209829	0	
86	N125	2.262152	0	1.498504	0	
87	N126	3.805762	0	-0.737606	0	
88	N127	1.264095	0	3.66469	0	
89	N128	1.430762	0	3.66469	0	
90	N129	5.169162	0	3.644461	0	
91	N130	3.889095	0	-0.593269	0	
92	N131A	5.740777	0	2.654396	0	
93	N132	1.430762	0	3.810523	0	
94	N133	4.015391	0	-0.666186	0	
95	N134	5.796767	0	2.751372	0	
96	N135A	5.281142	0	3.644461	0	
97	N136	5.169162	0	3.810523	0	
98	N137	5.884591	0	2.571364	0	
99	N138	5.466785	0	3.15625	0	
100	N139	5.349667	0.166667	3.359106	0	
101	N140	5.349667	0	3.359106	0	
102	N141	5.583904	0.166667	2.953394	0	
103	N142	5.583904	0	2.953394	0	
104	N104B	0.17501	0	-7.31792	0	
105	N105B	6.42501	0	3.507397	0	
106	N124A	-6.42501	0	3.507397	0	
107	N125A	-0.17501	0	-7.31792	0	
108	N108A	0.341677	0	-7.029245	0	
109	N109A	0.558183	0	-7.154245	0	
110	N110A	6.17501	0	3.074384	0	
111	N111A	6.391516	0	2.949384	0	
112	N112A	2.258343	0	-3.709481	0	
113	N113A	2.47485	0	-3.834481	0	
114	N114A	4.17501	0	-0.389717	0	
115	N115A	4.391516	0	-0.514717	0	
116	N117A	4.391516	3.5	-0.514717	0	
117	N119A	6.391516	3.5	2.949384	0	
118	N121A	2.47485	3.5	-3.834481	0	
119	N125B	-6.258343	0	3.218722	0	
120	N126A	-6.47485	0	3.093722	0	
121	N127A	-0.42501	0	-6.884908	0	
122	N128A	-0.641516	0	-7.009908	0	
123	N129A	-4.341677	0	-0.101042	0	
124	N130A	-4.558183	0	-0.226042	0	
125	N131B	-2.42501	0	-3.420806	0	
126	N132A	-2.641516	0	-3.545806	0	
127	N133A	-2.641516	-3.5	-3.545806	0	
128	N135B	-0.641516	-3.5	-7.009908	0	



Company :
 Designer :
 Job Number :
 Model Name :

June 7, 2021
 4:16 PM
 Checked By: _____

Joint Coordinates and Temperatures (Continued)

	Label	X [ft]	Y [ft]	Z [ft]	Temp [F]	Detach From Diap...
129	N137A	-4.558183	-3.5	-0.226042	0	
130	N140B	5.916667	1	4.060523	0	
131	N142A	2.083333	2.75	4.060523	0	
132	N144A	2.541667	0	-2.5	0	
133	N146	-3.435897	0	-0.951148	0	
134	N148A	0.89423	0	3.451148	0	
135	N148B	-2.541667	0	-2.5	0	
136	N149	-0.89423	0	3.451148	0	
137	N151	3.435897	0	-0.951148	0	
138	N140A	5.30001	0	1.55884	0	
139	N141A	5.516516	0	1.43384	0	
140	N142B	1.383343	0	-5.225026	0	
141	N143	1.59985	0	-5.350026	0	
142	N144B	3.36251	0	-1.797008	0	
143	N145	3.579016	0	-1.922008	0	
144	N146A	3.579016	-2.875	-1.922008	0	
145	N147	3.579016	4.125	-1.922008	0	
146	N148C	5.516516	-2.875	1.43384	0	
147	N149A	5.516516	4.125	1.43384	0	
148	N150	1.59985	-2.875	-5.350026	0	
149	N151A	1.59985	4.125	-5.350026	0	
150	N152	0.558183	-2.875	-7.154245	0	
151	N153	0.558183	4.125	-7.154245	0	
152	N156	-1.30001	0	-5.369363	0	
153	N157	-1.516516	0	-5.494363	0	
154	N158	-5.216677	0	1.414502	0	
155	N159	-5.433183	0	1.289502	0	
156	N160	-3.23751	0	-2.013515	0	
157	N161	-3.454016	0	-2.138515	0	
158	N162	-3.454016	-2.875	-2.138515	0	
159	N163	-3.454016	4.125	-2.138515	0	
160	N164	-1.516516	-2.875	-5.494363	0	
161	N165	-1.516516	4.125	-5.494363	0	
162	N166	-5.433183	-2.875	1.289502	0	
163	N167	-5.433183	4.125	1.289502	0	
164	N168	-6.47485	-2.875	3.093722	0	
165	N169	-6.47485	4.125	3.093722	0	
166	N166A	0	0	-5.645833	0	
167	N167A	0	0	-1.666667	0	
168	N168A	.25	0	-1.666667	0	
169	N169A	.25	4.125	-1.958333	0	
170	N170	.25	1.833333	-1.666667	0	
171	N171	.25	-1	-1.666667	0	
172	N172	-6.42501	3	3.507397	0	
173	N173	-0.17501	3	-7.31792	0	
174	N174	-6.258343	3	3.218722	0	
175	N175	-6.47485	3	3.093722	0	
176	N176	-1.30001	3	-5.369363	0	
177	N177	-1.516516	3	-5.494363	0	
178	N178	-5.216677	3	1.414502	0	
179	N179	-5.433183	3	1.289502	0	
180	N180	-3.23751	3	-2.013515	0	
181	N181	-3.454016	3	-2.138515	0	
182	N183	6.25	3	3.810523	0	
183	N184	-6.25	3	3.810523	0	
184	N185	5.916667	3	3.810523	0	
185	N186	5.916667	3	4.060523	0	



Company :
 Designer :
 Job Number :
 Model Name :

June 7, 2021
 4:16 PM
 Checked By: _____

Joint Coordinates and Temperatures (Continued)

	Label	X [ft]	Y [ft]	Z [ft]	Temp [F]	Detach From Diap...
186	N187	-4	3	3.810523	0	
187	N188	-4	3	4.060523	0	
188	N189	3.833333	3	3.810523	0	
189	N190	3.833333	3	4.060523	0	
190	N191	-0.125	3	3.810523	0	
191	N192	-0.125	3	4.060523	0	
192	N194	0.17501	3	-7.31792	0	
193	N195	6.42501	3	3.507397	0	
194	N196	0.341677	3	-7.029245	0	
195	N197	0.558183	3	-7.154245	0	
196	N198	5.30001	3	1.55884	0	
197	N199	5.516516	3	1.43384	0	
198	N200	1.383343	3	-5.225026	0	
199	N201	1.59985	3	-5.350026	0	
200	N202	3.36251	3	-1.797008	0	
201	N203	3.579016	3	-1.922008	0	
202	N202A	-5.25	3	3.810523	0	
203	N203A	5.25	3	3.810523	0	
204	N204	-5.25	3	3.643523	0	
205	N205	5.25	3	3.643523	0	
206	N207	5.92501	3	2.641372	0	
207	N208	0.67501	3	-6.451895	0	
208	N209	5.780384	3	2.724872	0	
209	N210	0.530384	3	-6.368395	0	
210	N212	-0.67501	3	-6.451895	0	
211	N213	-5.92501	3	2.641372	0	
212	N214	-0.530384	3	-6.368395	0	
213	N215	-5.780384	3	2.724872	0	

Hot Rolled Steel Section Sets

	Label	Shape	Type	Design List	Material	Design R...	A [in2]	Iyy [in4]	Izz [in4]	J [in4]
1	Face Horizontal	PIPE_3.0	Beam	Pipe	A53 Gr.B	Typical	2.07	2.85	2.85	5.69
2	Standoff Horizontal	HSS4X4X4	Beam	SquareTube	A500 Gr....	Typical	3.37	7.8	7.8	12.8
3	Corner Plate	PL1/2x6	Beam	BAR	A36 Gr.36	Typical	3	.063	9	.237
4	Platform Crossmember	HSS4X4X4	Beam	SquareTube	A500 Gr....	Typical	3.37	7.8	7.8	12.8
5	Grating Support	L2x2x3	Beam	Single Angle	A36 Gr.36	Typical	.722	.271	.271	.009
6	Mount Pipe	PIPE_2.0	Column	Pipe	A53 Gr.B	Typical	1.02	.627	.627	1.25
7	Cross Arm Plate	PL3/8x6	Column	RECT	A36 Gr.36	Typical	2.25	.026	6.75	.101
8	Mod Support Rail	PIPE_2.5	Column	Pipe	A53 Gr.B	Typical	1.61	1.45	1.45	2.89
9	Connection Bracing	L3X3X4	Column	Single Angle	A36 Gr.36	Typical	1.44	1.23	1.23	.031

Hot Rolled Steel Properties

	Label	E [ksi]	G [ksi]	Nu	Therm (/1E...Density[k/ft...	Yield[ksi]	Ry	Fu[ksi]	Rt	
1	A992	29000	11154	.3	.65	.49	50	1.1	65	1.1
2	A36 Gr.36	29000	11154	.3	.65	.49	36	1.5	58	1.2
3	A572 Gr.50	29000	11154	.3	.65	.49	50	1.1	65	1.1
4	A500 Gr.B RND	29000	11154	.3	.65	.527	42	1.4	58	1.3
5	A500 Gr.B Rect	29000	11154	.3	.65	.527	46	1.4	58	1.3
6	A53 Gr.B	29000	11154	.3	.65	.49	35	1.6	60	1.2
7	A1085	29000	11154	.3	.65	.49	50	1.4	65	1.3
8	Q235	29000	11154	.3	.65	.49	35	1.5	58	1.2

Member Primary Data

	Label	I Joint	J Joint	K Joint	Rotate(deg)	Section/Shape	Type	Design List	Material	Design Rules
1	M1	N1	N2			Face Horizontal	Beam	Pipe	A53 Gr.B	Typical
2	M4	N3	N27			Standoff Horiz...	Beam	SquareTube	A500 Gr.B...	Typical
3	M10	N101	N103A			Platform Cross...	Beam	SquareTube	A500 Gr.B...	Typical
4	M19	N8	N9			RIGID	None	None	RIGID	Typical
5	M20	N10	N11			RIGID	None	None	RIGID	Typical
6	M21	N12	N13			RIGID	None	None	RIGID	Typical
7	M22	N14	N15			RIGID	None	None	RIGID	Typical
8	MP3A	N17	N16			Mount Pipe	Column	Pipe	A53 Gr.B	Typical
9	MP4A	N19	N18			Mount Pipe	Column	Pipe	A53 Gr.B	Typical
10	MP2A	N21	N20			Mount Pipe	Column	Pipe	A53 Gr.B	Typical
11	MP1A	N23	N22			Mount Pipe	Column	Pipe	A53 Gr.B	Typical
12	M43	N102	N5			Platform Cross...	Beam	SquareTube	A500 Gr.B...	Typical
13	M46	N86C	N87A			Corner Plate	Beam	BAR	A36 Gr.36	Typical
14	M35A	N7	N30			RIGID	None	None	RIGID	Typical
15	M36A	N6	N29			RIGID	None	None	RIGID	Typical
16	M51B	N87C	N6			Grating Support	Beam	Single Angle	A36 Gr.36	Typical
17	M52B	N7	N87B			Grating Support	Beam	Single Angle	A36 Gr.36	Typical
18	M52	N87B	N88C			RIGID	None	None	RIGID	Typical
19	M58	N102	N24			RIGID	None	None	RIGID	Typical
20	M59	N24	N103A			RIGID	None	None	RIGID	Typical
21	M76	N144A	N105			Cross Arm Plate	Column	RECT	A36 Gr.36	Typical
22	M77	N105	N131			Cross Arm Plate	Column	RECT	A36 Gr.36	Typical
23	M79	N131	N86A			RIGID	None	None	RIGID	Typical
24	M80	N87A	N135			Corner Plate	Beam	BAR	A36 Gr.36	Typical
25	M83	N135	N86D			RIGID	None	None	RIGID	Typical
26	M85	N104A	N144			Cross Arm Plate	Column	RECT	A36 Gr.36	Typical
27	M88	N144	N86B			RIGID	None	None	RIGID	Typical
28	M91	N86C	N148			Corner Plate	Beam	BAR	A36 Gr.36	Typical
29	M92	N148	N86E			RIGID	None	None	RIGID	Typical
30	M50	N88C	N88A			RIGID	None	None	RIGID	Typical
31	M51	N88A	N86G			RIGID	None	None	RIGID	Typical
32	M51A	N87C	N86G			RIGID	None	None	RIGID	Typical
33	M52A	N87D	N92			Standoff Horiz...	Beam	SquareTube	A500 Gr.B...	Typical
34	M53	N95	N97			Platform Cross...	Beam	SquareTube	A500 Gr.B...	Typical
35	M54	N96	N88B			Platform Cross...	Beam	SquareTube	A500 Gr.B...	Typical
36	M55	N106	N107			Corner Plate	Beam	BAR	A36 Gr.36	Typical
37	M56	N90	N94			RIGID	None	None	RIGID	Typical
38	M57	N89	N93			RIGID	None	None	RIGID	Typical
39	M58A	N111	N89			Grating Support	Beam	Single Angle	A36 Gr.36	Typical
40	M59A	N90	N113			Grating Support	Beam	Single Angle	A36 Gr.36	Typical
41	M60	N113	N114			RIGID	None	None	RIGID	Typical
42	M61	N96	N91			RIGID	None	None	RIGID	Typical
43	M62	N91	N97			RIGID	None	None	RIGID	Typical
44	M64	N99	N100			Cross Arm Plate	Column	RECT	A36 Gr.36	Typical
45	M65	N100	N104			RIGID	None	None	RIGID	Typical
46	M66	N107	N101A			Corner Plate	Beam	BAR	A36 Gr.36	Typical
47	M67	N101A	N108			RIGID	None	None	RIGID	Typical
48	M69	N98	N102A			Cross Arm Plate	Column	RECT	A36 Gr.36	Typical
49	M70	N102A	N105A			RIGID	None	None	RIGID	Typical
50	M71	N106	N103			Corner Plate	Beam	BAR	A36 Gr.36	Typical
51	M72	N103	N109			RIGID	None	None	RIGID	Typical
52	M73	N114	N110			RIGID	None	None	RIGID	Typical
53	M74	N110	N112			RIGID	None	None	RIGID	Typical
54	M75	N111	N112			RIGID	None	None	RIGID	Typical
55	M76A	N115	N120			Standoff Horiz...	Beam	SquareTube	A500 Gr.B...	Typical
56	M77A	N123	N125			Platform Cross...	Beam	SquareTube	A500 Gr.B...	Typical

Member Primary Data (Continued)

	Label	I Joint	J Joint	K Joint	Rotate(deg)	Section/Shape	Type	Design List	Material	Design Rules
57	M78	N124	N116			Platform Cross...	Beam	SquareTube	A500 Gr.B...	Typical
58	M79A	N134	N135A			Corner Plate	Beam	BAR	A36 Gr.36	Typical
59	M80A	N118	N122			RIGID	None	None	RIGID	Typical
60	M81	N117	N121			RIGID	None	None	RIGID	Typical
61	M82	N139	N117			Grating Support	Beam	Single Angle	A36 Gr.36	Typical
62	M83A	N118	N141			Grating Support	Beam	Single Angle	A36 Gr.36	Typical
63	M84A	N141	N142			RIGID	None	None	RIGID	Typical
64	M85A	N124	N119			RIGID	None	None	RIGID	Typical
65	M86	N119	N125			RIGID	None	None	RIGID	Typical
66	M88A	N127	N128			Cross Arm Plate	Column	RECT	A36 Gr.36	Typical
67	M89	N128	N132			RIGID	None	None	RIGID	Typical
68	M90	N135A	N129			Corner Plate	Beam	BAR	A36 Gr.36	Typical
69	M91A	N129	N136			RIGID	None	None	RIGID	Typical
70	M93	N126	N130			Cross Arm Plate	Column	RECT	A36 Gr.36	Typical
71	M94	N130	N133			RIGID	None	None	RIGID	Typical
72	M95	N134	N131A			Corner Plate	Beam	BAR	A36 Gr.36	Typical
73	M96	N131A	N137			RIGID	None	None	RIGID	Typical
74	M97	N142	N138			RIGID	None	None	RIGID	Typical
75	M98	N138	N140			RIGID	None	None	RIGID	Typical
76	M99	N139	N140			RIGID	None	None	RIGID	Typical
77	M82A	N104B	N105B			Face Horizontal	Beam	Pipe	A53 Gr.B	Typical
78	M91B	N124A	N125A			Face Horizontal	Beam	Pipe	A53 Gr.B	Typical
79	M95B	N146	N99			Cross Arm Plate	Column	RECT	A36 Gr.36	Typical
80	M96A	N148A	N127			Cross Arm Plate	Column	RECT	A36 Gr.36	Typical
81	M98A	N148B	N104A			Cross Arm Plate	Column	RECT	A36 Gr.36	Typical
82	M99A	N149	N98			Cross Arm Plate	Column	RECT	A36 Gr.36	Typical
83	M100	N151	N126			Cross Arm Plate	Column	RECT	A36 Gr.36	Typical
84	M84	N108A	N109A			RIGID	None	None	RIGID	Typical
85	M85B	N140A	N141A			RIGID	None	None	RIGID	Typical
86	M86A	N142B	N143			RIGID	None	None	RIGID	Typical
87	M87	N144B	N145			RIGID	None	None	RIGID	Typical
88	MP3C	N147	N146A			Mount Pipe	Column	Pipe	A53 Gr.B	Typical
89	MP4C	N149A	N148C			Mount Pipe	Column	Pipe	A53 Gr.B	Typical
90	MP2C	N151A	N150			Mount Pipe	Column	Pipe	A53 Gr.B	Typical
91	MP1C	N153	N152			Mount Pipe	Column	Pipe	A53 Gr.B	Typical
92	M92A	N125B	N126A			RIGID	None	None	RIGID	Typical
93	M93A	N156	N157			RIGID	None	None	RIGID	Typical
94	M94A	N158	N159			RIGID	None	None	RIGID	Typical
95	M95A	N160	N161			RIGID	None	None	RIGID	Typical
96	MP3B	N163	N162			Mount Pipe	Column	Pipe	A53 Gr.B	Typical
97	MP4B	N165	N164			Mount Pipe	Column	Pipe	A53 Gr.B	Typical
98	MP2B	N167	N166			Mount Pipe	Column	Pipe	A53 Gr.B	Typical
99	MP1B	N169	N168			Mount Pipe	Column	Pipe	A53 Gr.B	Typical
100	M100A	N8	N9			RIGID	None	None	RIGID	Typical
101	M101	N10	N11			RIGID	None	None	RIGID	Typical
102	M102	N12	N13			RIGID	None	None	RIGID	Typical
103	M103	N14	N15			RIGID	None	None	RIGID	Typical
104	M104	N17	N16			Mount Pipe	Column	Pipe	A53 Gr.B	Typical
105	M105	N19	N18			Mount Pipe	Column	Pipe	A53 Gr.B	Typical
106	M106	N21	N20			Mount Pipe	Column	Pipe	A53 Gr.B	Typical
107	M107	N23	N22			Mount Pipe	Column	Pipe	A53 Gr.B	Typical
108	M108	N167A	N168A			RIGID	None	None	RIGID	Typical
109	OVP	N171	N170			Mount Pipe	Column	Pipe	A53 Gr.B	Typical
110	M110	N172	N173			Mod Support ...	Column	Pipe	A53 Gr.B	Typical
111	M111	N174	N175			RIGID	None	None	RIGID	Typical
112	M112	N176	N177			RIGID	None	None	RIGID	Typical
113	M113	N178	N179			RIGID	None	None	RIGID	Typical

Member Primary Data (Continued)

	Label	I Joint	J Joint	K Joint	Rotate(deg)	Section/Shape	Type	Design List	Material	Design Rules
114	M114	N180	N181			RIGID	None	None	RIGID	Typical
115	M115	N183	N184			Mod Support ...	Column	Pipe	A53 Gr.B	Typical
116	M116	N185	N186			RIGID	None	None	RIGID	Typical
117	M117	N187	N188			RIGID	None	None	RIGID	Typical
118	M118	N189	N190			RIGID	None	None	RIGID	Typical
119	M119	N191	N192			RIGID	None	None	RIGID	Typical
120	M120	N194	N195			Mod Support ...	Column	Pipe	A53 Gr.B	Typical
121	M121	N196	N197			RIGID	None	None	RIGID	Typical
122	M122	N198	N199			RIGID	None	None	RIGID	Typical
123	M123	N200	N201			RIGID	None	None	RIGID	Typical
124	M124	N202	N203			RIGID	None	None	RIGID	Typical
125	M125	N204	N202A			RIGID	None	None	RIGID	Typical
126	M126	N205	N203A			RIGID	None	None	RIGID	Typical
127	M127	N209	N207			RIGID	None	None	RIGID	Typical
128	M128	N210	N208			RIGID	None	None	RIGID	Typical
129	M129	N214	N212			RIGID	None	None	RIGID	Typical
130	M130	N215	N213			RIGID	None	None	RIGID	Typical
131	M131	N204	N215		90	Connection Br...	Column	Single Angle	A36 Gr.36	Typical
132	M132	N209	N205		90	Connection Br...	Column	Single Angle	A36 Gr.36	Typical
133	M133	N214	N210		90	Connection Br...	Column	Single Angle	A36 Gr.36	Typical

Hot Rolled Steel Design Parameters

	Label	Shape	Length[ft]	Lbyy[ft]	Lbzz[ft]	Lcomp top[ft]	Lcomp bot[ft]	L-torqu...	Kyy	Kzz	Cb	Function
1	M1	Face Horizo...	12.5			Lbyy						Lateral
2	M4	Standoff Ho...	5.188			Lbyy						Lateral
3	M10	Platform Cr...	2.375			Lbyy						Lateral
4	MP3A	Mount Pipe	7			Lbyy						Lateral
5	MP4A	Mount Pipe	7			Lbyy						Lateral
6	MP2A	Mount Pipe	7			Lbyy						Lateral
7	MP1A	Mount Pipe	7			Lbyy						Lateral
8	M43	Platform Cr...	2.375			Lbyy						Lateral
9	M46	Corner Plate	1.031			Lbyy						Lateral
10	M51B	Grating Sup...	4.162			Lbyy						Lateral
11	M52B	Grating Sup...	4.162			Lbyy						Lateral
12	M76	Cross Arm427									Lateral
13	M77	Cross Arm167									Lateral
14	M80	Corner Plate	.112			Lbyy						Lateral
15	M85	Cross Arm167									Lateral
16	M91	Corner Plate	.112			Lbyy						Lateral
17	M52A	Standoff Ho...	5.188			Lbyy						Lateral
18	M53	Platform Cr...	2.375			Lbyy						Lateral
19	M54	Platform Cr...	2.375			Lbyy						Lateral
20	M55	Corner Plate	1.031			Lbyy						Lateral
21	M58A	Grating Sup...	4.162			Lbyy						Lateral
22	M59A	Grating Sup...	4.162			Lbyy						Lateral
23	M64	Cross Arm167									Lateral
24	M66	Corner Plate	.112			Lbyy						Lateral
25	M69	Cross Arm167									Lateral
26	M71	Corner Plate	.112			Lbyy						Lateral
27	M76A	Standoff Ho...	5.188			Lbyy						Lateral
28	M77A	Platform Cr...	2.375			Lbyy						Lateral
29	M78	Platform Cr...	2.375			Lbyy						Lateral
30	M79A	Corner Plate	1.031			Lbyy						Lateral
31	M82	Grating Sup...	4.162			Lbyy						Lateral
32	M83A	Grating Sup...	4.162			Lbyy						Lateral

Hot Rolled Steel Design Parameters (Continued)

	Label	Shape	Length[ft]	Lbyy[ft]	Lbzz[ft]	Lcomp top[ft]	Lcomp bot[ft]	L-torqu...	Kyy	Kzz	Cb	Function
33	M88A	Cross Arm167									Lateral
34	M90	Corner Plate	.112			Lbyy						Lateral
35	M93	Cross Arm167									Lateral
36	M95	Corner Plate	.112			Lbyy						Lateral
37	M82A	Face Horizo...	12.5			Lbyy						Lateral
38	M91B	Face Horizo...	12.5			Lbyy						Lateral
39	M95B	Cross Arm427									Lateral
40	M96A	Cross Arm427									Lateral
41	M98A	Cross Arm427									Lateral
42	M99A	Cross Arm427									Lateral
43	M100	Cross Arm427									Lateral
44	MP3C	Mount Pipe	7			Lbyy						Lateral
45	MP4C	Mount Pipe	7			Lbyy						Lateral
46	MP2C	Mount Pipe	7			Lbyy						Lateral
47	MP1C	Mount Pipe	7			Lbyy						Lateral
48	MP3B	Mount Pipe	7			Lbyy						Lateral
49	MP4B	Mount Pipe	7			Lbyy						Lateral
50	MP2B	Mount Pipe	7			Lbyy						Lateral
51	MP1B	Mount Pipe	7			Lbyy						Lateral
52	M104	Mount Pipe	7			Lbyy						Lateral
53	M105	Mount Pipe	7			Lbyy						Lateral
54	M106	Mount Pipe	7			Lbyy						Lateral
55	M107	Mount Pipe	7			Lbyy						Lateral
56	OVP	Mount Pipe	2.833									Lateral
57	M110	Mod Suppor...	12.5			Lbyy						Lateral
58	M115	Mod Suppor...	12.5			Lbyy						Lateral
59	M120	Mod Suppor...	12.5			Lbyy						Lateral
60	M131	Connection ...	1.061									Lateral
61	M132	Connection ...	1.061									Lateral
62	M133	Connection ...	1.061									Lateral

Member Point Loads (BLC 1 : Antenna D)

	Member Label	Direction	Magnitude[lb.k-ft]	Location[ft,%]
1	MP1A	Y	-8.5	1
2	MP1A	My	-.005	1
3	MP1A	Mz	0	1
4	MP1A	Y	-8.5	4
5	MP1A	My	-.005	4
6	MP1A	Mz	0	4
7	MP1B	Y	-8.5	1
8	MP1B	My	.002	1
9	MP1B	Mz	-.004	1
10	MP1B	Y	-8.5	4
11	MP1B	My	.002	4
12	MP1B	Mz	-.004	4
13	MP1C	Y	-8.5	1
14	MP1C	My	.002	1
15	MP1C	Mz	.004	1
16	MP1C	Y	-8.5	4
17	MP1C	My	.002	4
18	MP1C	Mz	.004	4
19	MP4A	Y	-43.55	1.7
20	MP4A	My	-.025	1.7
21	MP4A	Mz	0	1.7
22	MP4A	Y	-43.55	2.7



Company :
 Designer :
 Job Number :
 Model Name :

June 7, 2021
 4:16 PM
 Checked By: _____

Member Point Loads (BLC 1 : Antenna D) (Continued)

	Member Label	Direction	Magnitude[lb.k-ft]	Location[ft,%]
23	MP4A	My	-.025	2.7
24	MP4A	Mz	0	2.7
25	MP4B	Y	-43.55	1.7
26	MP4B	My	.013	1.7
27	MP4B	Mz	-.022	1.7
28	MP4B	Y	-43.55	2.7
29	MP4B	My	.013	2.7
30	MP4B	Mz	-.022	2.7
31	MP4C	Y	-43.55	1.7
32	MP4C	My	.013	1.7
33	MP4C	Mz	.022	1.7
34	MP4C	Y	-43.55	2.7
35	MP4C	My	.013	2.7
36	MP4C	Mz	.022	2.7
37	MP3A	Y	-10.4	3.5
38	MP3A	My	.006	3.5
39	MP3A	Mz	0	3.5
40	MP3B	Y	-10.4	3.5
41	MP3B	My	-.003	3.5
42	MP3B	Mz	.005	3.5
43	MP3C	Y	-10.4	3.5
44	MP3C	My	-.003	3.5
45	MP3C	Mz	-.005	3.5
46	MP2A	Y	-84.4	3.2
47	MP2A	My	.049	3.2
48	MP2A	Mz	0	3.2
49	MP2B	Y	-84.4	3.2
50	MP2B	My	-.025	3.2
51	MP2B	Mz	.043	3.2
52	MP2C	Y	-84.4	3.2
53	MP2C	My	-.025	3.2
54	MP2C	Mz	-.043	3.2
55	MP3A	Y	-70.3	1.5
56	MP3A	My	.041	1.5
57	MP3A	Mz	0	1.5
58	MP3B	Y	-70.3	1.5
59	MP3B	My	-.021	1.5
60	MP3B	Mz	.036	1.5
61	MP3C	Y	-70.3	1.5
62	MP3C	My	-.021	1.5
63	MP3C	Mz	-.036	1.5
64	MP3A	Y	-31.65	1
65	MP3A	My	0	1
66	MP3A	Mz	.024	1
67	MP3A	Y	-31.65	4
68	MP3A	My	0	4
69	MP3A	Mz	.024	4
70	MP3B	Y	-31.65	1
71	MP3B	My	-.021	1
72	MP3B	Mz	-.012	1
73	MP3B	Y	-31.65	4
74	MP3B	My	-.021	4
75	MP3B	Mz	-.012	4
76	MP3C	Y	-31.65	1
77	MP3C	My	.021	1
78	MP3C	Mz	-.012	1
79	MP3C	Y	-31.65	4



Company :
 Designer :
 Job Number :
 Model Name :

June 7, 2021
 4:16 PM
 Checked By: _____

Member Point Loads (BLC 1 : Antenna D) (Continued)

	Member Label	Direction	Magnitude[lb.k-ft]	Location[ft,%]
80	MP3C	My	.021	4
81	MP3C	Mz	-.012	4
82	MP3A	Y	-31.65	1
83	MP3A	My	0	1
84	MP3A	Mz	-.024	1
85	MP3A	Y	-31.65	4
86	MP3A	My	0	4
87	MP3A	Mz	-.024	4
88	MP3B	Y	-31.65	1
89	MP3B	My	.021	1
90	MP3B	Mz	.012	1
91	MP3B	Y	-31.65	4
92	MP3B	My	.021	4
93	MP3B	Mz	.012	4
94	MP3C	Y	-31.65	1
95	MP3C	My	-.021	1
96	MP3C	Mz	.012	1
97	MP3C	Y	-31.65	4
98	MP3C	My	-.021	4
99	MP3C	Mz	.012	4
100	OVP	Y	-32	2
101	OVP	My	0	2
102	OVP	Mz	0	2

Member Point Loads (BLC 2 : Antenna Di)

	Member Label	Direction	Magnitude[lb.k-ft]	Location[ft,%]
1	MP1A	Y	-51.329	1
2	MP1A	My	-.03	1
3	MP1A	Mz	0	1
4	MP1A	Y	-51.329	4
5	MP1A	My	-.03	4
6	MP1A	Mz	0	4
7	MP1B	Y	-51.329	1
8	MP1B	My	.015	1
9	MP1B	Mz	-.026	1
10	MP1B	Y	-51.329	4
11	MP1B	My	.015	4
12	MP1B	Mz	-.026	4
13	MP1C	Y	-51.329	1
14	MP1C	My	.015	1
15	MP1C	Mz	.026	1
16	MP1C	Y	-51.329	4
17	MP1C	My	.015	4
18	MP1C	Mz	.026	4
19	MP4A	Y	-35.322	1.7
20	MP4A	My	-.021	1.7
21	MP4A	Mz	0	1.7
22	MP4A	Y	-35.322	2.7
23	MP4A	My	-.021	2.7
24	MP4A	Mz	0	2.7
25	MP4B	Y	-35.322	1.7
26	MP4B	My	.01	1.7
27	MP4B	Mz	-.018	1.7
28	MP4B	Y	-35.322	2.7
29	MP4B	My	.01	2.7
30	MP4B	Mz	-.018	2.7



Company :
 Designer :
 Job Number :
 Model Name :

June 7, 2021
 4:16 PM
 Checked By: _____

Member Point Loads (BLC 2 : Antenna Di) (Continued)

	Member Label	Direction	Magnitude[lb.k-ft]	Location[ft,%]
31	MP4C	Y	-35.322	1.7
32	MP4C	My	.01	1.7
33	MP4C	Mz	.018	1.7
34	MP4C	Y	-35.322	2.7
35	MP4C	My	.01	2.7
36	MP4C	Mz	.018	2.7
37	MP3A	Y	-10.641	3.5
38	MP3A	My	.006	3.5
39	MP3A	Mz	0	3.5
40	MP3B	Y	-10.641	3.5
41	MP3B	My	-.003	3.5
42	MP3B	Mz	.005	3.5
43	MP3C	Y	-10.641	3.5
44	MP3C	My	-.003	3.5
45	MP3C	Mz	-.005	3.5
46	MP2A	Y	-44.528	3.2
47	MP2A	My	.026	3.2
48	MP2A	Mz	0	3.2
49	MP2B	Y	-44.528	3.2
50	MP2B	My	-.013	3.2
51	MP2B	Mz	.022	3.2
52	MP2C	Y	-44.528	3.2
53	MP2C	My	-.013	3.2
54	MP2C	Mz	-.022	3.2
55	MP3A	Y	-40.042	1.5
56	MP3A	My	.023	1.5
57	MP3A	Mz	0	1.5
58	MP3B	Y	-40.042	1.5
59	MP3B	My	-.012	1.5
60	MP3B	Mz	.02	1.5
61	MP3C	Y	-40.042	1.5
62	MP3C	My	-.012	1.5
63	MP3C	Mz	-.02	1.5
64	MP3A	Y	-69.386	1
65	MP3A	My	0	1
66	MP3A	Mz	.052	1
67	MP3A	Y	-69.386	4
68	MP3A	My	0	4
69	MP3A	Mz	.052	4
70	MP3B	Y	-69.386	1
71	MP3B	My	-.045	1
72	MP3B	Mz	-.026	1
73	MP3B	Y	-69.386	4
74	MP3B	My	-.045	4
75	MP3B	Mz	-.026	4
76	MP3C	Y	-69.386	1
77	MP3C	My	.045	1
78	MP3C	Mz	-.026	1
79	MP3C	Y	-69.386	4
80	MP3C	My	.045	4
81	MP3C	Mz	-.026	4
82	MP3A	Y	-69.386	1
83	MP3A	My	0	1
84	MP3A	Mz	-.052	1
85	MP3A	Y	-69.386	4
86	MP3A	My	0	4
87	MP3A	Mz	-.052	4



Company :
 Designer :
 Job Number :
 Model Name :

June 7, 2021
 4:16 PM
 Checked By: _____

Member Point Loads (BLC 2 : Antenna Di) (Continued)

	Member Label	Direction	Magnitude[lb.k-ft]	Location[ft,%]
88	MP3B	Y	-69.386	1
89	MP3B	My	.045	1
90	MP3B	Mz	.026	1
91	MP3B	Y	-69.386	4
92	MP3B	My	.045	4
93	MP3B	Mz	.026	4
94	MP3C	Y	-69.386	1
95	MP3C	My	-.045	1
96	MP3C	Mz	.026	1
97	MP3C	Y	-69.386	4
98	MP3C	My	-.045	4
99	MP3C	Mz	.026	4
100	OVP	Y	-87.206	2
101	OVP	My	0	2
102	OVP	Mz	0	2

Member Point Loads (BLC 3 : Antenna Wo (0 Deg))

	Member Label	Direction	Magnitude[lb.k-ft]	Location[ft,%]
1	MP1A	X	0	1
2	MP1A	Z	-159.09	1
3	MP1A	Mx	0	1
4	MP1A	X	0	4
5	MP1A	Z	-159.09	4
6	MP1A	Mx	0	4
7	MP1B	X	0	1
8	MP1B	Z	-105.312	1
9	MP1B	Mx	.053	1
10	MP1B	X	0	4
11	MP1B	Z	-105.312	4
12	MP1B	Mx	.053	4
13	MP1C	X	0	1
14	MP1C	Z	-105.312	1
15	MP1C	Mx	-.053	1
16	MP1C	X	0	4
17	MP1C	Z	-105.312	4
18	MP1C	Mx	-.053	4
19	MP4A	X	0	1.7
20	MP4A	Z	-98.775	1.7
21	MP4A	Mx	0	1.7
22	MP4A	X	0	2.7
23	MP4A	Z	-98.775	2.7
24	MP4A	Mx	0	2.7
25	MP4B	X	0	1.7
26	MP4B	Z	-53.696	1.7
27	MP4B	Mx	.027	1.7
28	MP4B	X	0	2.7
29	MP4B	Z	-53.696	2.7
30	MP4B	Mx	.027	2.7
31	MP4C	X	0	1.7
32	MP4C	Z	-53.696	1.7
33	MP4C	Mx	-.027	1.7
34	MP4C	X	0	2.7
35	MP4C	Z	-53.696	2.7
36	MP4C	Mx	-.027	2.7
37	MP3A	X	0	3.5
38	MP3A	Z	-15.552	3.5



Company :
 Designer :
 Job Number :
 Model Name :

June 7, 2021
 4:16 PM
 Checked By: _____

Member Point Loads (BLC 3 : Antenna Wo (0 Deg)) (Continued)

	Member Label	Direction	Magnitude[lb.k-ft]	Location[ft,%]
39	MP3A	Mx	0	3.5
40	MP3B	X	0	3.5
41	MP3B	Z	-11.958	3.5
42	MP3B	Mx	-.006	3.5
43	MP3C	X	0	3.5
44	MP3C	Z	-11.958	3.5
45	MP3C	Mx	.006	3.5
46	MP2A	X	0	3.2
47	MP2A	Z	-78.599	3.2
48	MP2A	Mx	0	3.2
49	MP2B	X	0	3.2
50	MP2B	Z	-59.055	3.2
51	MP2B	Mx	-.03	3.2
52	MP2C	X	0	3.2
53	MP2C	Z	-59.055	3.2
54	MP2C	Mx	.03	3.2
55	MP3A	X	0	1.5
56	MP3A	Z	-78.599	1.5
57	MP3A	Mx	0	1.5
58	MP3B	X	0	1.5
59	MP3B	Z	-51.568	1.5
60	MP3B	Mx	-.026	1.5
61	MP3C	X	0	1.5
62	MP3C	Z	-51.568	1.5
63	MP3C	Mx	.026	1.5
64	MP3A	X	0	1
65	MP3A	Z	-191.454	1
66	MP3A	Mx	-.144	1
67	MP3A	X	0	4
68	MP3A	Z	-191.454	4
69	MP3A	Mx	-.144	4
70	MP3B	X	0	1
71	MP3B	Z	-142.172	1
72	MP3B	Mx	.053	1
73	MP3B	X	0	4
74	MP3B	Z	-142.172	4
75	MP3B	Mx	.053	4
76	MP3C	X	0	1
77	MP3C	Z	-142.172	1
78	MP3C	Mx	.053	1
79	MP3C	X	0	4
80	MP3C	Z	-142.172	4
81	MP3C	Mx	.053	4
82	MP3A	X	0	1
83	MP3A	Z	-191.454	1
84	MP3A	Mx	.144	1
85	MP3A	X	0	4
86	MP3A	Z	-191.454	4
87	MP3A	Mx	.144	4
88	MP3B	X	0	1
89	MP3B	Z	-142.172	1
90	MP3B	Mx	-.053	1
91	MP3B	X	0	4
92	MP3B	Z	-142.172	4
93	MP3B	Mx	-.053	4
94	MP3C	X	0	1
95	MP3C	Z	-142.172	1



Company :
 Designer :
 Job Number :
 Model Name :

June 7, 2021
 4:16 PM
 Checked By: _____

Member Point Loads (BLC 3 : Antenna Wo (0 Deg)) (Continued)

	Member Label	Direction	Magnitude[lb.k-ft]	Location[ft,%]
96	MP3C	Mx	-.053	1
97	MP3C	X	0	4
98	MP3C	Z	-142.172	4
99	MP3C	Mx	-.053	4
100	OVP	X	0	2
101	OVP	Z	-170.649	2
102	OVP	Mx	0	2

Member Point Loads (BLC 4 : Antenna Wo (30 Deg))

	Member Label	Direction	Magnitude[lb.k-ft]	Location[ft,%]
1	MP1A	X	70.582	1
2	MP1A	Z	-122.252	1
3	MP1A	Mx	-.041	1
4	MP1A	X	70.582	4
5	MP1A	Z	-122.252	4
6	MP1A	Mx	-.041	4
7	MP1B	X	43.693	1
8	MP1B	Z	-75.679	1
9	MP1B	Mx	.051	1
10	MP1B	X	43.693	4
11	MP1B	Z	-75.679	4
12	MP1B	Mx	.051	4
13	MP1C	X	70.582	1
14	MP1C	Z	-122.252	1
15	MP1C	Mx	-.041	1
16	MP1C	X	70.582	4
17	MP1C	Z	-122.252	4
18	MP1C	Mx	-.041	4
19	MP4A	X	41.874	1.7
20	MP4A	Z	-72.528	1.7
21	MP4A	Mx	-.024	1.7
22	MP4A	X	41.874	2.7
23	MP4A	Z	-72.528	2.7
24	MP4A	Mx	-.024	2.7
25	MP4B	X	19.335	1.7
26	MP4B	Z	-33.489	1.7
27	MP4B	Mx	.023	1.7
28	MP4B	X	19.335	2.7
29	MP4B	Z	-33.489	2.7
30	MP4B	Mx	.023	2.7
31	MP4C	X	41.874	1.7
32	MP4C	Z	-72.528	1.7
33	MP4C	Mx	-.024	1.7
34	MP4C	X	41.874	2.7
35	MP4C	Z	-72.528	2.7
36	MP4C	Mx	-.024	2.7
37	MP3A	X	7.177	3.5
38	MP3A	Z	-12.431	3.5
39	MP3A	Mx	.004	3.5
40	MP3B	X	5.38	3.5
41	MP3B	Z	-9.319	3.5
42	MP3B	Mx	-.006	3.5
43	MP3C	X	7.177	3.5
44	MP3C	Z	-12.431	3.5
45	MP3C	Mx	.004	3.5
46	MP2A	X	36.042	3.2

Member Point Loads (BLC 4 : Antenna Wo (30 Deg)) (Continued)

	Member Label	Direction	Magnitude[lb.k-ft]	Location[ft,%]
47	MP2A	Z	-62.427	3.2
48	MP2A	Mx	.021	3.2
49	MP2B	X	26.27	3.2
50	MP2B	Z	-45.501	3.2
51	MP2B	Mx	-.031	3.2
52	MP2C	X	36.042	3.2
53	MP2C	Z	-62.427	3.2
54	MP2C	Mx	.021	3.2
55	MP3A	X	34.794	1.5
56	MP3A	Z	-60.266	1.5
57	MP3A	Mx	.02	1.5
58	MP3B	X	21.279	1.5
59	MP3B	Z	-36.856	1.5
60	MP3B	Mx	-.025	1.5
61	MP3C	X	34.794	1.5
62	MP3C	Z	-60.266	1.5
63	MP3C	Mx	.02	1.5
64	MP3A	X	87.514	1
65	MP3A	Z	-151.578	1
66	MP3A	Mx	-.114	1
67	MP3A	X	87.514	4
68	MP3A	Z	-151.578	4
69	MP3A	Mx	-.114	4
70	MP3B	X	62.872	1
71	MP3B	Z	-108.898	1
72	MP3B	Mx	0	1
73	MP3B	X	62.872	4
74	MP3B	Z	-108.898	4
75	MP3B	Mx	0	4
76	MP3C	X	87.514	1
77	MP3C	Z	-151.578	1
78	MP3C	Mx	.114	1
79	MP3C	X	87.514	4
80	MP3C	Z	-151.578	4
81	MP3C	Mx	.114	4
82	MP3A	X	87.514	1
83	MP3A	Z	-151.578	1
84	MP3A	Mx	.114	1
85	MP3A	X	87.514	4
86	MP3A	Z	-151.578	4
87	MP3A	Mx	.114	4
88	MP3B	X	62.872	1
89	MP3B	Z	-108.898	1
90	MP3B	Mx	0	1
91	MP3B	X	62.872	4
92	MP3B	Z	-108.898	4
93	MP3B	Mx	0	4
94	MP3C	X	87.514	1
95	MP3C	Z	-151.578	1
96	MP3C	Mx	-.114	1
97	MP3C	X	87.514	4
98	MP3C	Z	-151.578	4
99	MP3C	Mx	-.114	4
100	OVP	X	80.267	2
101	OVP	Z	-139.027	2
102	OVP	Mx	0	2



Company :
 Designer :
 Job Number :
 Model Name :

June 7, 2021
 4:16 PM
 Checked By: _____

Member Point Loads (BLC 5 : Antenna Wo (60 Deg))

	Member Label	Direction	Magnitude[lb.k-ft]	Location[ft,%]
1	MP1A	X	91.203	1
2	MP1A	Z	-52.656	1
3	MP1A	Mx	-.053	1
4	MP1A	X	91.203	4
5	MP1A	Z	-52.656	4
6	MP1A	Mx	-.053	4
7	MP1B	X	91.203	1
8	MP1B	Z	-52.656	1
9	MP1B	Mx	.053	1
10	MP1B	X	91.203	4
11	MP1B	Z	-52.656	4
12	MP1B	Mx	.053	4
13	MP1C	X	137.776	1
14	MP1C	Z	-79.545	1
15	MP1C	Mx	0	1
16	MP1C	X	137.776	4
17	MP1C	Z	-79.545	4
18	MP1C	Mx	0	4
19	MP4A	X	46.502	1.7
20	MP4A	Z	-26.848	1.7
21	MP4A	Mx	-.027	1.7
22	MP4A	X	46.502	2.7
23	MP4A	Z	-26.848	2.7
24	MP4A	Mx	-.027	2.7
25	MP4B	X	46.502	1.7
26	MP4B	Z	-26.848	1.7
27	MP4B	Mx	.027	1.7
28	MP4B	X	46.502	2.7
29	MP4B	Z	-26.848	2.7
30	MP4B	Mx	.027	2.7
31	MP4C	X	85.541	1.7
32	MP4C	Z	-49.387	1.7
33	MP4C	Mx	0	1.7
34	MP4C	X	85.541	2.7
35	MP4C	Z	-49.387	2.7
36	MP4C	Mx	0	2.7
37	MP3A	X	10.356	3.5
38	MP3A	Z	-5.979	3.5
39	MP3A	Mx	.006	3.5
40	MP3B	X	10.356	3.5
41	MP3B	Z	-5.979	3.5
42	MP3B	Mx	-.006	3.5
43	MP3C	X	13.468	3.5
44	MP3C	Z	-7.776	3.5
45	MP3C	Mx	0	3.5
46	MP2A	X	51.143	3.2
47	MP2A	Z	-29.527	3.2
48	MP2A	Mx	.03	3.2
49	MP2B	X	51.143	3.2
50	MP2B	Z	-29.527	3.2
51	MP2B	Mx	-.03	3.2
52	MP2C	X	68.069	3.2
53	MP2C	Z	-39.3	3.2
54	MP2C	Mx	0	3.2
55	MP3A	X	44.659	1.5
56	MP3A	Z	-25.784	1.5
57	MP3A	Mx	.026	1.5



Company :
 Designer :
 Job Number :
 Model Name :

June 7, 2021
 4:16 PM
 Checked By: _____

Member Point Loads (BLC 5 : Antenna Wo (60 Deg)) (Continued)

	Member Label	Direction	Magnitude[lb.k-ft]	Location[ft,%]
58	MP3B	X	44.659	1.5
59	MP3B	Z	-25.784	1.5
60	MP3B	Mx	-.026	1.5
61	MP3C	X	68.069	1.5
62	MP3C	Z	-39.3	1.5
63	MP3C	Mx	0	1.5
64	MP3A	X	123.125	1
65	MP3A	Z	-71.086	1
66	MP3A	Mx	-.053	1
67	MP3A	X	123.125	4
68	MP3A	Z	-71.086	4
69	MP3A	Mx	-.053	4
70	MP3B	X	123.125	1
71	MP3B	Z	-71.086	1
72	MP3B	Mx	-.053	1
73	MP3B	X	123.125	4
74	MP3B	Z	-71.086	4
75	MP3B	Mx	-.053	4
76	MP3C	X	165.804	1
77	MP3C	Z	-95.727	1
78	MP3C	Mx	.144	1
79	MP3C	X	165.804	4
80	MP3C	Z	-95.727	4
81	MP3C	Mx	.144	4
82	MP3A	X	123.125	1
83	MP3A	Z	-71.086	1
84	MP3A	Mx	.053	1
85	MP3A	X	123.125	4
86	MP3A	Z	-71.086	4
87	MP3A	Mx	.053	4
88	MP3B	X	123.125	1
89	MP3B	Z	-71.086	1
90	MP3B	Mx	.053	1
91	MP3B	X	123.125	4
92	MP3B	Z	-71.086	4
93	MP3B	Mx	.053	4
94	MP3C	X	165.804	1
95	MP3C	Z	-95.727	1
96	MP3C	Mx	-.144	1
97	MP3C	X	165.804	4
98	MP3C	Z	-95.727	4
99	MP3C	Mx	-.144	4
100	OVP	X	121.509	2
101	OVP	Z	-70.154	2
102	OVP	Mx	0	2

Member Point Loads (BLC 6 : Antenna Wo (90 Deg))

	Member Label	Direction	Magnitude[lb.k-ft]	Location[ft,%]
1	MP1A	X	87.386	1
2	MP1A	Z	0	1
3	MP1A	Mx	-.051	1
4	MP1A	X	87.386	4
5	MP1A	Z	0	4
6	MP1A	Mx	-.051	4
7	MP1B	X	141.164	1
8	MP1B	Z	0	1

Member Point Loads (BLC 6 : Antenna Wo (90 Deg)) (Continued)

	Member Label	Direction	Magnitude[lb.k-ft]	Location[ft,%]
9	MP1B	Mx	.041	1
10	MP1B	X	141.164	4
11	MP1B	Z	0	4
12	MP1B	Mx	.041	4
13	MP1C	X	141.164	1
14	MP1C	Z	0	1
15	MP1C	Mx	.041	1
16	MP1C	X	141.164	4
17	MP1C	Z	0	4
18	MP1C	Mx	.041	4
19	MP4A	X	38.67	1.7
20	MP4A	Z	0	1.7
21	MP4A	Mx	-.023	1.7
22	MP4A	X	38.67	2.7
23	MP4A	Z	0	2.7
24	MP4A	Mx	-.023	2.7
25	MP4B	X	83.748	1.7
26	MP4B	Z	0	1.7
27	MP4B	Mx	.024	1.7
28	MP4B	X	83.748	2.7
29	MP4B	Z	0	2.7
30	MP4B	Mx	.024	2.7
31	MP4C	X	83.748	1.7
32	MP4C	Z	0	1.7
33	MP4C	Mx	.024	1.7
34	MP4C	X	83.748	2.7
35	MP4C	Z	0	2.7
36	MP4C	Mx	.024	2.7
37	MP3A	X	10.76	3.5
38	MP3A	Z	0	3.5
39	MP3A	Mx	.006	3.5
40	MP3B	X	14.354	3.5
41	MP3B	Z	0	3.5
42	MP3B	Mx	-.004	3.5
43	MP3C	X	14.354	3.5
44	MP3C	Z	0	3.5
45	MP3C	Mx	-.004	3.5
46	MP2A	X	52.54	3.2
47	MP2A	Z	0	3.2
48	MP2A	Mx	.031	3.2
49	MP2B	X	72.084	3.2
50	MP2B	Z	0	3.2
51	MP2B	Mx	-.021	3.2
52	MP2C	X	72.084	3.2
53	MP2C	Z	0	3.2
54	MP2C	Mx	-.021	3.2
55	MP3A	X	42.557	1.5
56	MP3A	Z	0	1.5
57	MP3A	Mx	.025	1.5
58	MP3B	X	69.589	1.5
59	MP3B	Z	0	1.5
60	MP3B	Mx	-.02	1.5
61	MP3C	X	69.589	1.5
62	MP3C	Z	0	1.5
63	MP3C	Mx	-.02	1.5
64	MP3A	X	125.745	1
65	MP3A	Z	0	1

Member Point Loads (BLC 6 : Antenna Wo (90 Deg)) (Continued)

	Member Label	Direction	Magnitude[lb.k-ft]	Location[ft,%]
66	MP3A	Mx	0	1
67	MP3A	X	125.745	4
68	MP3A	Z	0	4
69	MP3A	Mx	0	4
70	MP3B	X	175.027	1
71	MP3B	Z	0	1
72	MP3B	Mx	-.114	1
73	MP3B	X	175.027	4
74	MP3B	Z	0	4
75	MP3B	Mx	-.114	4
76	MP3C	X	175.027	1
77	MP3C	Z	0	1
78	MP3C	Mx	.114	1
79	MP3C	X	175.027	4
80	MP3C	Z	0	4
81	MP3C	Mx	.114	4
82	MP3A	X	125.745	1
83	MP3A	Z	0	1
84	MP3A	Mx	0	1
85	MP3A	X	125.745	4
86	MP3A	Z	0	4
87	MP3A	Mx	0	4
88	MP3B	X	175.027	1
89	MP3B	Z	0	1
90	MP3B	Mx	.114	1
91	MP3B	X	175.027	4
92	MP3B	Z	0	4
93	MP3B	Mx	.114	4
94	MP3C	X	175.027	1
95	MP3C	Z	0	1
96	MP3C	Mx	-.114	1
97	MP3C	X	175.027	4
98	MP3C	Z	0	4
99	MP3C	Mx	-.114	4
100	OVP	X	130.193	2
101	OVP	Z	0	2
102	OVP	Mx	0	2

Member Point Loads (BLC 7 : Antenna Wo (120 Deg))

	Member Label	Direction	Magnitude[lb.k-ft]	Location[ft,%]
1	MP1A	X	91.203	1
2	MP1A	Z	52.656	1
3	MP1A	Mx	-.053	1
4	MP1A	X	91.203	4
5	MP1A	Z	52.656	4
6	MP1A	Mx	-.053	4
7	MP1B	X	137.776	1
8	MP1B	Z	79.545	1
9	MP1B	Mx	0	1
10	MP1B	X	137.776	4
11	MP1B	Z	79.545	4
12	MP1B	Mx	0	4
13	MP1C	X	91.203	1
14	MP1C	Z	52.656	1
15	MP1C	Mx	.053	1
16	MP1C	X	91.203	4



Company :
 Designer :
 Job Number :
 Model Name :

June 7, 2021
 4:16 PM
 Checked By: _____

Member Point Loads (BLC 7 : Antenna Wo (120 Deg)) (Continued)

	Member Label	Direction	Magnitude[lb.k-ft]	Location[ft,%]
17	MP1C	Z	52.656	4
18	MP1C	Mx	.053	4
19	MP4A	X	46.502	1.7
20	MP4A	Z	26.848	1.7
21	MP4A	Mx	-.027	1.7
22	MP4A	X	46.502	2.7
23	MP4A	Z	26.848	2.7
24	MP4A	Mx	-.027	2.7
25	MP4B	X	85.541	1.7
26	MP4B	Z	49.387	1.7
27	MP4B	Mx	0	1.7
28	MP4B	X	85.541	2.7
29	MP4B	Z	49.387	2.7
30	MP4B	Mx	0	2.7
31	MP4C	X	46.502	1.7
32	MP4C	Z	26.848	1.7
33	MP4C	Mx	.027	1.7
34	MP4C	X	46.502	2.7
35	MP4C	Z	26.848	2.7
36	MP4C	Mx	.027	2.7
37	MP3A	X	10.356	3.5
38	MP3A	Z	5.979	3.5
39	MP3A	Mx	.006	3.5
40	MP3B	X	13.468	3.5
41	MP3B	Z	7.776	3.5
42	MP3B	Mx	0	3.5
43	MP3C	X	10.356	3.5
44	MP3C	Z	5.979	3.5
45	MP3C	Mx	-.006	3.5
46	MP2A	X	51.143	3.2
47	MP2A	Z	29.527	3.2
48	MP2A	Mx	.03	3.2
49	MP2B	X	68.069	3.2
50	MP2B	Z	39.3	3.2
51	MP2B	Mx	0	3.2
52	MP2C	X	51.143	3.2
53	MP2C	Z	29.527	3.2
54	MP2C	Mx	-.03	3.2
55	MP3A	X	44.659	1.5
56	MP3A	Z	25.784	1.5
57	MP3A	Mx	.026	1.5
58	MP3B	X	68.069	1.5
59	MP3B	Z	39.3	1.5
60	MP3B	Mx	0	1.5
61	MP3C	X	44.659	1.5
62	MP3C	Z	25.784	1.5
63	MP3C	Mx	-.026	1.5
64	MP3A	X	123.125	1
65	MP3A	Z	71.086	1
66	MP3A	Mx	.053	1
67	MP3A	X	123.125	4
68	MP3A	Z	71.086	4
69	MP3A	Mx	.053	4
70	MP3B	X	165.804	1
71	MP3B	Z	95.727	1
72	MP3B	Mx	-.144	1
73	MP3B	X	165.804	4



Company :
 Designer :
 Job Number :
 Model Name :

June 7, 2021
 4:16 PM
 Checked By: _____

Member Point Loads (BLC 7 : Antenna Wo (120 Deg)) (Continued)

	Member Label	Direction	Magnitude[lb.k-ft]	Location[ft,%]
74	MP3B	Z	95.727	4
75	MP3B	Mx	-.144	4
76	MP3C	X	123.125	1
77	MP3C	Z	71.086	1
78	MP3C	Mx	.053	1
79	MP3C	X	123.125	4
80	MP3C	Z	71.086	4
81	MP3C	Mx	.053	4
82	MP3A	X	123.125	1
83	MP3A	Z	71.086	1
84	MP3A	Mx	-.053	1
85	MP3A	X	123.125	4
86	MP3A	Z	71.086	4
87	MP3A	Mx	-.053	4
88	MP3B	X	165.804	1
89	MP3B	Z	95.727	1
90	MP3B	Mx	.144	1
91	MP3B	X	165.804	4
92	MP3B	Z	95.727	4
93	MP3B	Mx	.144	4
94	MP3C	X	123.125	1
95	MP3C	Z	71.086	1
96	MP3C	Mx	-.053	1
97	MP3C	X	123.125	4
98	MP3C	Z	71.086	4
99	MP3C	Mx	-.053	4
100	OVP	X	121.509	2
101	OVP	Z	70.154	2
102	OVP	Mx	0	2

Member Point Loads (BLC 8 : Antenna Wo (150 Deg))

	Member Label	Direction	Magnitude[lb.k-ft]	Location[ft,%]
1	MP1A	X	70.582	1
2	MP1A	Z	122.252	1
3	MP1A	Mx	-.041	1
4	MP1A	X	70.582	4
5	MP1A	Z	122.252	4
6	MP1A	Mx	-.041	4
7	MP1B	X	70.582	1
8	MP1B	Z	122.252	1
9	MP1B	Mx	-.041	1
10	MP1B	X	70.582	4
11	MP1B	Z	122.252	4
12	MP1B	Mx	-.041	4
13	MP1C	X	43.693	1
14	MP1C	Z	75.679	1
15	MP1C	Mx	.051	1
16	MP1C	X	43.693	4
17	MP1C	Z	75.679	4
18	MP1C	Mx	.051	4
19	MP4A	X	41.874	1.7
20	MP4A	Z	72.528	1.7
21	MP4A	Mx	-.024	1.7
22	MP4A	X	41.874	2.7
23	MP4A	Z	72.528	2.7
24	MP4A	Mx	-.024	2.7



Company :
 Designer :
 Job Number :
 Model Name :

June 7, 2021
 4:16 PM
 Checked By: _____

Member Point Loads (BLC 8 : Antenna Wo (150 Deg)) (Continued)

	Member Label	Direction	Magnitude[lb.k-ft]	Location[ft,%]
25	MP4B	X	41.874	1.7
26	MP4B	Z	72.528	1.7
27	MP4B	Mx	-.024	1.7
28	MP4B	X	41.874	2.7
29	MP4B	Z	72.528	2.7
30	MP4B	Mx	-.024	2.7
31	MP4C	X	19.335	1.7
32	MP4C	Z	33.489	1.7
33	MP4C	Mx	.023	1.7
34	MP4C	X	19.335	2.7
35	MP4C	Z	33.489	2.7
36	MP4C	Mx	.023	2.7
37	MP3A	X	7.177	3.5
38	MP3A	Z	12.431	3.5
39	MP3A	Mx	.004	3.5
40	MP3B	X	7.177	3.5
41	MP3B	Z	12.431	3.5
42	MP3B	Mx	.004	3.5
43	MP3C	X	5.38	3.5
44	MP3C	Z	9.319	3.5
45	MP3C	Mx	-.006	3.5
46	MP2A	X	36.042	3.2
47	MP2A	Z	62.427	3.2
48	MP2A	Mx	.021	3.2
49	MP2B	X	36.042	3.2
50	MP2B	Z	62.427	3.2
51	MP2B	Mx	.021	3.2
52	MP2C	X	26.27	3.2
53	MP2C	Z	45.501	3.2
54	MP2C	Mx	-.031	3.2
55	MP3A	X	34.794	1.5
56	MP3A	Z	60.266	1.5
57	MP3A	Mx	.02	1.5
58	MP3B	X	34.794	1.5
59	MP3B	Z	60.266	1.5
60	MP3B	Mx	.02	1.5
61	MP3C	X	21.279	1.5
62	MP3C	Z	36.856	1.5
63	MP3C	Mx	-.025	1.5
64	MP3A	X	87.514	1
65	MP3A	Z	151.578	1
66	MP3A	Mx	.114	1
67	MP3A	X	87.514	4
68	MP3A	Z	151.578	4
69	MP3A	Mx	.114	4
70	MP3B	X	87.514	1
71	MP3B	Z	151.578	1
72	MP3B	Mx	-.114	1
73	MP3B	X	87.514	4
74	MP3B	Z	151.578	4
75	MP3B	Mx	-.114	4
76	MP3C	X	62.872	1
77	MP3C	Z	108.898	1
78	MP3C	Mx	0	1
79	MP3C	X	62.872	4
80	MP3C	Z	108.898	4
81	MP3C	Mx	0	4



Company :
 Designer :
 Job Number :
 Model Name :

June 7, 2021
 4:16 PM
 Checked By: _____

Member Point Loads (BLC 8 : Antenna Wo (150 Deg)) (Continued)

	Member Label	Direction	Magnitude[lb.k-ft]	Location[ft,%]
82	MP3A	X	87.514	1
83	MP3A	Z	151.578	1
84	MP3A	Mx	-.114	1
85	MP3A	X	87.514	4
86	MP3A	Z	151.578	4
87	MP3A	Mx	-.114	4
88	MP3B	X	87.514	1
89	MP3B	Z	151.578	1
90	MP3B	Mx	.114	1
91	MP3B	X	87.514	4
92	MP3B	Z	151.578	4
93	MP3B	Mx	.114	4
94	MP3C	X	62.872	1
95	MP3C	Z	108.898	1
96	MP3C	Mx	0	1
97	MP3C	X	62.872	4
98	MP3C	Z	108.898	4
99	MP3C	Mx	0	4
100	OVP	X	80.267	2
101	OVP	Z	139.027	2
102	OVP	Mx	0	2

Member Point Loads (BLC 9 : Antenna Wo (180 Deg))

	Member Label	Direction	Magnitude[lb.k-ft]	Location[ft,%]
1	MP1A	X	0	1
2	MP1A	Z	159.09	1
3	MP1A	Mx	0	1
4	MP1A	X	0	4
5	MP1A	Z	159.09	4
6	MP1A	Mx	0	4
7	MP1B	X	0	1
8	MP1B	Z	105.312	1
9	MP1B	Mx	-.053	1
10	MP1B	X	0	4
11	MP1B	Z	105.312	4
12	MP1B	Mx	-.053	4
13	MP1C	X	0	1
14	MP1C	Z	105.312	1
15	MP1C	Mx	.053	1
16	MP1C	X	0	4
17	MP1C	Z	105.312	4
18	MP1C	Mx	.053	4
19	MP4A	X	0	1.7
20	MP4A	Z	98.775	1.7
21	MP4A	Mx	0	1.7
22	MP4A	X	0	2.7
23	MP4A	Z	98.775	2.7
24	MP4A	Mx	0	2.7
25	MP4B	X	0	1.7
26	MP4B	Z	53.696	1.7
27	MP4B	Mx	-.027	1.7
28	MP4B	X	0	2.7
29	MP4B	Z	53.696	2.7
30	MP4B	Mx	-.027	2.7
31	MP4C	X	0	1.7
32	MP4C	Z	53.696	1.7

Member Point Loads (BLC 9 : Antenna Wo (180 Deg)) (Continued)

	Member Label	Direction	Magnitude[lb.k-ft]	Location[ft,%]
33	MP4C	Mx	.027	1.7
34	MP4C	X	0	2.7
35	MP4C	Z	53.696	2.7
36	MP4C	Mx	.027	2.7
37	MP3A	X	0	3.5
38	MP3A	Z	15.552	3.5
39	MP3A	Mx	0	3.5
40	MP3B	X	0	3.5
41	MP3B	Z	11.958	3.5
42	MP3B	Mx	.006	3.5
43	MP3C	X	0	3.5
44	MP3C	Z	11.958	3.5
45	MP3C	Mx	-.006	3.5
46	MP2A	X	0	3.2
47	MP2A	Z	78.599	3.2
48	MP2A	Mx	0	3.2
49	MP2B	X	0	3.2
50	MP2B	Z	59.055	3.2
51	MP2B	Mx	.03	3.2
52	MP2C	X	0	3.2
53	MP2C	Z	59.055	3.2
54	MP2C	Mx	-.03	3.2
55	MP3A	X	0	1.5
56	MP3A	Z	78.599	1.5
57	MP3A	Mx	0	1.5
58	MP3B	X	0	1.5
59	MP3B	Z	51.568	1.5
60	MP3B	Mx	.026	1.5
61	MP3C	X	0	1.5
62	MP3C	Z	51.568	1.5
63	MP3C	Mx	-.026	1.5
64	MP3A	X	0	1
65	MP3A	Z	191.454	1
66	MP3A	Mx	.144	1
67	MP3A	X	0	4
68	MP3A	Z	191.454	4
69	MP3A	Mx	.144	4
70	MP3B	X	0	1
71	MP3B	Z	142.172	1
72	MP3B	Mx	-.053	1
73	MP3B	X	0	4
74	MP3B	Z	142.172	4
75	MP3B	Mx	-.053	4
76	MP3C	X	0	1
77	MP3C	Z	142.172	1
78	MP3C	Mx	-.053	1
79	MP3C	X	0	4
80	MP3C	Z	142.172	4
81	MP3C	Mx	-.053	4
82	MP3A	X	0	1
83	MP3A	Z	191.454	1
84	MP3A	Mx	-.144	1
85	MP3A	X	0	4
86	MP3A	Z	191.454	4
87	MP3A	Mx	-.144	4
88	MP3B	X	0	1
89	MP3B	Z	142.172	1



Company :
 Designer :
 Job Number :
 Model Name :

June 7, 2021
 4:16 PM
 Checked By: _____

Member Point Loads (BLC 9 : Antenna Wo (180 Deg)) (Continued)

	Member Label	Direction	Magnitude[lb.k-ft]	Location[ft,%]
90	MP3B	Mx	.053	1
91	MP3B	X	0	4
92	MP3B	Z	142.172	4
93	MP3B	Mx	.053	4
94	MP3C	X	0	1
95	MP3C	Z	142.172	1
96	MP3C	Mx	.053	1
97	MP3C	X	0	4
98	MP3C	Z	142.172	4
99	MP3C	Mx	.053	4
100	OVP	X	0	2
101	OVP	Z	170.649	2
102	OVP	Mx	0	2

Member Point Loads (BLC 10 : Antenna Wo (210 Deg))

	Member Label	Direction	Magnitude[lb.k-ft]	Location[ft,%]
1	MP1A	X	-70.582	1
2	MP1A	Z	122.252	1
3	MP1A	Mx	.041	1
4	MP1A	X	-70.582	4
5	MP1A	Z	122.252	4
6	MP1A	Mx	.041	4
7	MP1B	X	-43.693	1
8	MP1B	Z	75.679	1
9	MP1B	Mx	-.051	1
10	MP1B	X	-43.693	4
11	MP1B	Z	75.679	4
12	MP1B	Mx	-.051	4
13	MP1C	X	-70.582	1
14	MP1C	Z	122.252	1
15	MP1C	Mx	.041	1
16	MP1C	X	-70.582	4
17	MP1C	Z	122.252	4
18	MP1C	Mx	.041	4
19	MP4A	X	-41.874	1.7
20	MP4A	Z	72.528	1.7
21	MP4A	Mx	.024	1.7
22	MP4A	X	-41.874	2.7
23	MP4A	Z	72.528	2.7
24	MP4A	Mx	.024	2.7
25	MP4B	X	-19.335	1.7
26	MP4B	Z	33.489	1.7
27	MP4B	Mx	-.023	1.7
28	MP4B	X	-19.335	2.7
29	MP4B	Z	33.489	2.7
30	MP4B	Mx	-.023	2.7
31	MP4C	X	-41.874	1.7
32	MP4C	Z	72.528	1.7
33	MP4C	Mx	.024	1.7
34	MP4C	X	-41.874	2.7
35	MP4C	Z	72.528	2.7
36	MP4C	Mx	.024	2.7
37	MP3A	X	-7.177	3.5
38	MP3A	Z	12.431	3.5
39	MP3A	Mx	-.004	3.5
40	MP3B	X	-5.38	3.5

Member Point Loads (BLC 10 : Antenna Wo (210 Deg)) (Continued)

	Member Label	Direction	Magnitude[lb.k-ft]	Location[ft,%]
41	MP3B	Z	9.319	3.5
42	MP3B	Mx	.006	3.5
43	MP3C	X	-7.177	3.5
44	MP3C	Z	12.431	3.5
45	MP3C	Mx	-.004	3.5
46	MP2A	X	-36.042	3.2
47	MP2A	Z	62.427	3.2
48	MP2A	Mx	-.021	3.2
49	MP2B	X	-26.27	3.2
50	MP2B	Z	45.501	3.2
51	MP2B	Mx	.031	3.2
52	MP2C	X	-36.042	3.2
53	MP2C	Z	62.427	3.2
54	MP2C	Mx	-.021	3.2
55	MP3A	X	-34.794	1.5
56	MP3A	Z	60.266	1.5
57	MP3A	Mx	-.02	1.5
58	MP3B	X	-21.279	1.5
59	MP3B	Z	36.856	1.5
60	MP3B	Mx	.025	1.5
61	MP3C	X	-34.794	1.5
62	MP3C	Z	60.266	1.5
63	MP3C	Mx	-.02	1.5
64	MP3A	X	-87.514	1
65	MP3A	Z	151.578	1
66	MP3A	Mx	.114	1
67	MP3A	X	-87.514	4
68	MP3A	Z	151.578	4
69	MP3A	Mx	.114	4
70	MP3B	X	-62.872	1
71	MP3B	Z	108.898	1
72	MP3B	Mx	0	1
73	MP3B	X	-62.872	4
74	MP3B	Z	108.898	4
75	MP3B	Mx	0	4
76	MP3C	X	-87.514	1
77	MP3C	Z	151.578	1
78	MP3C	Mx	-.114	1
79	MP3C	X	-87.514	4
80	MP3C	Z	151.578	4
81	MP3C	Mx	-.114	4
82	MP3A	X	-87.514	1
83	MP3A	Z	151.578	1
84	MP3A	Mx	-.114	1
85	MP3A	X	-87.514	4
86	MP3A	Z	151.578	4
87	MP3A	Mx	-.114	4
88	MP3B	X	-62.872	1
89	MP3B	Z	108.898	1
90	MP3B	Mx	0	1
91	MP3B	X	-62.872	4
92	MP3B	Z	108.898	4
93	MP3B	Mx	0	4
94	MP3C	X	-87.514	1
95	MP3C	Z	151.578	1
96	MP3C	Mx	.114	1
97	MP3C	X	-87.514	4



Company :
 Designer :
 Job Number :
 Model Name :

June 7, 2021
 4:16 PM
 Checked By: _____

Member Point Loads (BLC 10 : Antenna Wo (210 Deg)) (Continued)

	Member Label	Direction	Magnitude[lb.k-ft]	Location[ft,%]
98	MP3C	Z	151.578	4
99	MP3C	Mx	.114	4
100	OVP	X	-80.267	2
101	OVP	Z	139.027	2
102	OVP	Mx	0	2

Member Point Loads (BLC 11 : Antenna Wo (240 Deg))

	Member Label	Direction	Magnitude[lb.k-ft]	Location[ft,%]
1	MP1A	X	-91.203	1
2	MP1A	Z	52.656	1
3	MP1A	Mx	.053	1
4	MP1A	X	-91.203	4
5	MP1A	Z	52.656	4
6	MP1A	Mx	.053	4
7	MP1B	X	-91.203	1
8	MP1B	Z	52.656	1
9	MP1B	Mx	-.053	1
10	MP1B	X	-91.203	4
11	MP1B	Z	52.656	4
12	MP1B	Mx	-.053	4
13	MP1C	X	-137.776	1
14	MP1C	Z	79.545	1
15	MP1C	Mx	0	1
16	MP1C	X	-137.776	4
17	MP1C	Z	79.545	4
18	MP1C	Mx	0	4
19	MP4A	X	-46.502	1.7
20	MP4A	Z	26.848	1.7
21	MP4A	Mx	.027	1.7
22	MP4A	X	-46.502	2.7
23	MP4A	Z	26.848	2.7
24	MP4A	Mx	.027	2.7
25	MP4B	X	-46.502	1.7
26	MP4B	Z	26.848	1.7
27	MP4B	Mx	-.027	1.7
28	MP4B	X	-46.502	2.7
29	MP4B	Z	26.848	2.7
30	MP4B	Mx	-.027	2.7
31	MP4C	X	-85.541	1.7
32	MP4C	Z	49.387	1.7
33	MP4C	Mx	0	1.7
34	MP4C	X	-85.541	2.7
35	MP4C	Z	49.387	2.7
36	MP4C	Mx	0	2.7
37	MP3A	X	-10.356	3.5
38	MP3A	Z	5.979	3.5
39	MP3A	Mx	-.006	3.5
40	MP3B	X	-10.356	3.5
41	MP3B	Z	5.979	3.5
42	MP3B	Mx	.006	3.5
43	MP3C	X	-13.468	3.5
44	MP3C	Z	7.776	3.5
45	MP3C	Mx	0	3.5
46	MP2A	X	-51.143	3.2
47	MP2A	Z	29.527	3.2
48	MP2A	Mx	-.03	3.2



Company :
 Designer :
 Job Number :
 Model Name :

June 7, 2021
 4:16 PM
 Checked By: _____

Member Point Loads (BLC 11 : Antenna Wo (240 Deg)) (Continued)

	Member Label	Direction	Magnitude[lb.k-ft]	Location[ft,%]
49	MP2B	X	-51.143	3.2
50	MP2B	Z	29.527	3.2
51	MP2B	Mx	.03	3.2
52	MP2C	X	-68.069	3.2
53	MP2C	Z	39.3	3.2
54	MP2C	Mx	0	3.2
55	MP3A	X	-44.659	1.5
56	MP3A	Z	25.784	1.5
57	MP3A	Mx	-.026	1.5
58	MP3B	X	-44.659	1.5
59	MP3B	Z	25.784	1.5
60	MP3B	Mx	.026	1.5
61	MP3C	X	-68.069	1.5
62	MP3C	Z	39.3	1.5
63	MP3C	Mx	0	1.5
64	MP3A	X	-123.125	1
65	MP3A	Z	71.086	1
66	MP3A	Mx	.053	1
67	MP3A	X	-123.125	4
68	MP3A	Z	71.086	4
69	MP3A	Mx	.053	4
70	MP3B	X	-123.125	1
71	MP3B	Z	71.086	1
72	MP3B	Mx	.053	1
73	MP3B	X	-123.125	4
74	MP3B	Z	71.086	4
75	MP3B	Mx	.053	4
76	MP3C	X	-165.804	1
77	MP3C	Z	95.727	1
78	MP3C	Mx	-.144	1
79	MP3C	X	-165.804	4
80	MP3C	Z	95.727	4
81	MP3C	Mx	-.144	4
82	MP3A	X	-123.125	1
83	MP3A	Z	71.086	1
84	MP3A	Mx	-.053	1
85	MP3A	X	-123.125	4
86	MP3A	Z	71.086	4
87	MP3A	Mx	-.053	4
88	MP3B	X	-123.125	1
89	MP3B	Z	71.086	1
90	MP3B	Mx	-.053	1
91	MP3B	X	-123.125	4
92	MP3B	Z	71.086	4
93	MP3B	Mx	-.053	4
94	MP3C	X	-165.804	1
95	MP3C	Z	95.727	1
96	MP3C	Mx	.144	1
97	MP3C	X	-165.804	4
98	MP3C	Z	95.727	4
99	MP3C	Mx	.144	4
100	OVP	X	-121.509	2
101	OVP	Z	70.154	2
102	OVP	Mx	0	2

Member Point Loads (BLC 12 : Antenna Wo (270 Deg))

	Member Label	Direction	Magnitude[lb.k-ft]	Location[ft,%]
--	--------------	-----------	--------------------	----------------



Company :
 Designer :
 Job Number :
 Model Name :

June 7, 2021
 4:16 PM
 Checked By: _____

Member Point Loads (BLC 12 : Antenna Wo (270 Deg)) (Continued)

	Member Label	Direction	Magnitude[lb.k-ft]	Location[ft,%]
1	MP1A	X	-87.386	1
2	MP1A	Z	0	1
3	MP1A	Mx	.051	1
4	MP1A	X	-87.386	4
5	MP1A	Z	0	4
6	MP1A	Mx	.051	4
7	MP1B	X	-141.164	1
8	MP1B	Z	0	1
9	MP1B	Mx	-.041	1
10	MP1B	X	-141.164	4
11	MP1B	Z	0	4
12	MP1B	Mx	-.041	4
13	MP1C	X	-141.164	1
14	MP1C	Z	0	1
15	MP1C	Mx	-.041	1
16	MP1C	X	-141.164	4
17	MP1C	Z	0	4
18	MP1C	Mx	-.041	4
19	MP4A	X	-38.67	1.7
20	MP4A	Z	0	1.7
21	MP4A	Mx	.023	1.7
22	MP4A	X	-38.67	2.7
23	MP4A	Z	0	2.7
24	MP4A	Mx	.023	2.7
25	MP4B	X	-83.748	1.7
26	MP4B	Z	0	1.7
27	MP4B	Mx	-.024	1.7
28	MP4B	X	-83.748	2.7
29	MP4B	Z	0	2.7
30	MP4B	Mx	-.024	2.7
31	MP4C	X	-83.748	1.7
32	MP4C	Z	0	1.7
33	MP4C	Mx	-.024	1.7
34	MP4C	X	-83.748	2.7
35	MP4C	Z	0	2.7
36	MP4C	Mx	-.024	2.7
37	MP3A	X	-10.76	3.5
38	MP3A	Z	0	3.5
39	MP3A	Mx	-.006	3.5
40	MP3B	X	-14.354	3.5
41	MP3B	Z	0	3.5
42	MP3B	Mx	.004	3.5
43	MP3C	X	-14.354	3.5
44	MP3C	Z	0	3.5
45	MP3C	Mx	.004	3.5
46	MP2A	X	-52.54	3.2
47	MP2A	Z	0	3.2
48	MP2A	Mx	-.031	3.2
49	MP2B	X	-72.084	3.2
50	MP2B	Z	0	3.2
51	MP2B	Mx	.021	3.2
52	MP2C	X	-72.084	3.2
53	MP2C	Z	0	3.2
54	MP2C	Mx	.021	3.2
55	MP3A	X	-42.557	1.5
56	MP3A	Z	0	1.5
57	MP3A	Mx	-.025	1.5



Company :
 Designer :
 Job Number :
 Model Name :

June 7, 2021
 4:16 PM
 Checked By: _____

Member Point Loads (BLC 12 : Antenna Wo (270 Deg)) (Continued)

	Member Label	Direction	Magnitude[lb.k-ft]	Location[ft,%]
58	MP3B	X	-69.589	1.5
59	MP3B	Z	0	1.5
60	MP3B	Mx	.02	1.5
61	MP3C	X	-69.589	1.5
62	MP3C	Z	0	1.5
63	MP3C	Mx	.02	1.5
64	MP3A	X	-125.745	1
65	MP3A	Z	0	1
66	MP3A	Mx	0	1
67	MP3A	X	-125.745	4
68	MP3A	Z	0	4
69	MP3A	Mx	0	4
70	MP3B	X	-175.027	1
71	MP3B	Z	0	1
72	MP3B	Mx	.114	1
73	MP3B	X	-175.027	4
74	MP3B	Z	0	4
75	MP3B	Mx	.114	4
76	MP3C	X	-175.027	1
77	MP3C	Z	0	1
78	MP3C	Mx	-.114	1
79	MP3C	X	-175.027	4
80	MP3C	Z	0	4
81	MP3C	Mx	-.114	4
82	MP3A	X	-125.745	1
83	MP3A	Z	0	1
84	MP3A	Mx	0	1
85	MP3A	X	-125.745	4
86	MP3A	Z	0	4
87	MP3A	Mx	0	4
88	MP3B	X	-175.027	1
89	MP3B	Z	0	1
90	MP3B	Mx	-.114	1
91	MP3B	X	-175.027	4
92	MP3B	Z	0	4
93	MP3B	Mx	-.114	4
94	MP3C	X	-175.027	1
95	MP3C	Z	0	1
96	MP3C	Mx	.114	1
97	MP3C	X	-175.027	4
98	MP3C	Z	0	4
99	MP3C	Mx	.114	4
100	OVP	X	-130.193	2
101	OVP	Z	0	2
102	OVP	Mx	0	2

Member Point Loads (BLC 13 : Antenna Wo (300 Deg))

	Member Label	Direction	Magnitude[lb.k-ft]	Location[ft,%]
1	MP1A	X	-91.203	1
2	MP1A	Z	-52.656	1
3	MP1A	Mx	.053	1
4	MP1A	X	-91.203	4
5	MP1A	Z	-52.656	4
6	MP1A	Mx	.053	4
7	MP1B	X	-137.776	1
8	MP1B	Z	-79.545	1



Company :
 Designer :
 Job Number :
 Model Name :

June 7, 2021
 4:16 PM
 Checked By: _____

Member Point Loads (BLC 13 : Antenna Wo (300 Deg)) (Continued)

	Member Label	Direction	Magnitude[lb.k-ft]	Location[ft,%]
9	MP1B	Mx	0	1
10	MP1B	X	-137.776	4
11	MP1B	Z	-79.545	4
12	MP1B	Mx	0	4
13	MP1C	X	-91.203	1
14	MP1C	Z	-52.656	1
15	MP1C	Mx	-.053	1
16	MP1C	X	-91.203	4
17	MP1C	Z	-52.656	4
18	MP1C	Mx	-.053	4
19	MP4A	X	-46.502	1.7
20	MP4A	Z	-26.848	1.7
21	MP4A	Mx	.027	1.7
22	MP4A	X	-46.502	2.7
23	MP4A	Z	-26.848	2.7
24	MP4A	Mx	.027	2.7
25	MP4B	X	-85.541	1.7
26	MP4B	Z	-49.387	1.7
27	MP4B	Mx	0	1.7
28	MP4B	X	-85.541	2.7
29	MP4B	Z	-49.387	2.7
30	MP4B	Mx	0	2.7
31	MP4C	X	-46.502	1.7
32	MP4C	Z	-26.848	1.7
33	MP4C	Mx	-.027	1.7
34	MP4C	X	-46.502	2.7
35	MP4C	Z	-26.848	2.7
36	MP4C	Mx	-.027	2.7
37	MP3A	X	-10.356	3.5
38	MP3A	Z	-5.979	3.5
39	MP3A	Mx	-.006	3.5
40	MP3B	X	-13.468	3.5
41	MP3B	Z	-7.776	3.5
42	MP3B	Mx	0	3.5
43	MP3C	X	-10.356	3.5
44	MP3C	Z	-5.979	3.5
45	MP3C	Mx	.006	3.5
46	MP2A	X	-51.143	3.2
47	MP2A	Z	-29.527	3.2
48	MP2A	Mx	-.03	3.2
49	MP2B	X	-68.069	3.2
50	MP2B	Z	-39.3	3.2
51	MP2B	Mx	0	3.2
52	MP2C	X	-51.143	3.2
53	MP2C	Z	-29.527	3.2
54	MP2C	Mx	.03	3.2
55	MP3A	X	-44.659	1.5
56	MP3A	Z	-25.784	1.5
57	MP3A	Mx	-.026	1.5
58	MP3B	X	-68.069	1.5
59	MP3B	Z	-39.3	1.5
60	MP3B	Mx	0	1.5
61	MP3C	X	-44.659	1.5
62	MP3C	Z	-25.784	1.5
63	MP3C	Mx	.026	1.5
64	MP3A	X	-123.125	1
65	MP3A	Z	-71.086	1



Company :
 Designer :
 Job Number :
 Model Name :

June 7, 2021
 4:16 PM
 Checked By: _____

Member Point Loads (BLC 13 : Antenna Wo (300 Deg)) (Continued)

	Member Label	Direction	Magnitude[lb.k-ft]	Location[ft,%]
66	MP3A	Mx	-.053	1
67	MP3A	X	-123.125	4
68	MP3A	Z	-71.086	4
69	MP3A	Mx	-.053	4
70	MP3B	X	-165.804	1
71	MP3B	Z	-95.727	1
72	MP3B	Mx	.144	1
73	MP3B	X	-165.804	4
74	MP3B	Z	-95.727	4
75	MP3B	Mx	.144	4
76	MP3C	X	-123.125	1
77	MP3C	Z	-71.086	1
78	MP3C	Mx	-.053	1
79	MP3C	X	-123.125	4
80	MP3C	Z	-71.086	4
81	MP3C	Mx	-.053	4
82	MP3A	X	-123.125	1
83	MP3A	Z	-71.086	1
84	MP3A	Mx	.053	1
85	MP3A	X	-123.125	4
86	MP3A	Z	-71.086	4
87	MP3A	Mx	.053	4
88	MP3B	X	-165.804	1
89	MP3B	Z	-95.727	1
90	MP3B	Mx	-.144	1
91	MP3B	X	-165.804	4
92	MP3B	Z	-95.727	4
93	MP3B	Mx	-.144	4
94	MP3C	X	-123.125	1
95	MP3C	Z	-71.086	1
96	MP3C	Mx	.053	1
97	MP3C	X	-123.125	4
98	MP3C	Z	-71.086	4
99	MP3C	Mx	.053	4
100	OVP	X	-121.509	2
101	OVP	Z	-70.154	2
102	OVP	Mx	0	2

Member Point Loads (BLC 14 : Antenna Wo (330 Deg))

	Member Label	Direction	Magnitude[lb.k-ft]	Location[ft,%]
1	MP1A	X	-70.582	1
2	MP1A	Z	-122.252	1
3	MP1A	Mx	.041	1
4	MP1A	X	-70.582	4
5	MP1A	Z	-122.252	4
6	MP1A	Mx	.041	4
7	MP1B	X	-70.582	1
8	MP1B	Z	-122.252	1
9	MP1B	Mx	.041	1
10	MP1B	X	-70.582	4
11	MP1B	Z	-122.252	4
12	MP1B	Mx	.041	4
13	MP1C	X	-43.693	1
14	MP1C	Z	-75.679	1
15	MP1C	Mx	-.051	1
16	MP1C	X	-43.693	4



Company :
 Designer :
 Job Number :
 Model Name :

June 7, 2021
 4:16 PM
 Checked By: _____

Member Point Loads (BLC 14 : Antenna Wo (330 Deg)) (Continued)

	Member Label	Direction	Magnitude[lb.k-ft]	Location[ft,%]
17	MP1C	Z	-75.679	4
18	MP1C	Mx	-.051	4
19	MP4A	X	-41.874	1.7
20	MP4A	Z	-72.528	1.7
21	MP4A	Mx	.024	1.7
22	MP4A	X	-41.874	2.7
23	MP4A	Z	-72.528	2.7
24	MP4A	Mx	.024	2.7
25	MP4B	X	-41.874	1.7
26	MP4B	Z	-72.528	1.7
27	MP4B	Mx	.024	1.7
28	MP4B	X	-41.874	2.7
29	MP4B	Z	-72.528	2.7
30	MP4B	Mx	.024	2.7
31	MP4C	X	-19.335	1.7
32	MP4C	Z	-33.489	1.7
33	MP4C	Mx	-.023	1.7
34	MP4C	X	-19.335	2.7
35	MP4C	Z	-33.489	2.7
36	MP4C	Mx	-.023	2.7
37	MP3A	X	-7.177	3.5
38	MP3A	Z	-12.431	3.5
39	MP3A	Mx	-.004	3.5
40	MP3B	X	-7.177	3.5
41	MP3B	Z	-12.431	3.5
42	MP3B	Mx	-.004	3.5
43	MP3C	X	-5.38	3.5
44	MP3C	Z	-9.319	3.5
45	MP3C	Mx	.006	3.5
46	MP2A	X	-36.042	3.2
47	MP2A	Z	-62.427	3.2
48	MP2A	Mx	-.021	3.2
49	MP2B	X	-36.042	3.2
50	MP2B	Z	-62.427	3.2
51	MP2B	Mx	-.021	3.2
52	MP2C	X	-26.27	3.2
53	MP2C	Z	-45.501	3.2
54	MP2C	Mx	.031	3.2
55	MP3A	X	-34.794	1.5
56	MP3A	Z	-60.266	1.5
57	MP3A	Mx	-.02	1.5
58	MP3B	X	-34.794	1.5
59	MP3B	Z	-60.266	1.5
60	MP3B	Mx	-.02	1.5
61	MP3C	X	-21.279	1.5
62	MP3C	Z	-36.856	1.5
63	MP3C	Mx	.025	1.5
64	MP3A	X	-87.514	1
65	MP3A	Z	-151.578	1
66	MP3A	Mx	-.114	1
67	MP3A	X	-87.514	4
68	MP3A	Z	-151.578	4
69	MP3A	Mx	-.114	4
70	MP3B	X	-87.514	1
71	MP3B	Z	-151.578	1
72	MP3B	Mx	.114	1
73	MP3B	X	-87.514	4



Member Point Loads (BLC 15 : Antenna Wi (0 Deg)) (Continued)

	Member Label	Direction	Magnitude[lb.k-ft]	Location[ft,%]
25	MP4B	X	0	1.7
26	MP4B	Z	-11.019	1.7
27	MP4B	Mx	.006	1.7
28	MP4B	X	0	2.7
29	MP4B	Z	-11.019	2.7
30	MP4B	Mx	.006	2.7
31	MP4C	X	0	1.7
32	MP4C	Z	-11.019	1.7
33	MP4C	Mx	-.006	1.7
34	MP4C	X	0	2.7
35	MP4C	Z	-11.019	2.7
36	MP4C	Mx	-.006	2.7
37	MP3A	X	0	3.5
38	MP3A	Z	-3.952	3.5
39	MP3A	Mx	0	3.5
40	MP3B	X	0	3.5
41	MP3B	Z	-3.211	3.5
42	MP3B	Mx	-.002	3.5
43	MP3C	X	0	3.5
44	MP3C	Z	-3.211	3.5
45	MP3C	Mx	.002	3.5
46	MP2A	X	0	3.2
47	MP2A	Z	-16.306	3.2
48	MP2A	Mx	0	3.2
49	MP2B	X	0	3.2
50	MP2B	Z	-12.581	3.2
51	MP2B	Mx	-.006	3.2
52	MP2C	X	0	3.2
53	MP2C	Z	-12.581	3.2
54	MP2C	Mx	.006	3.2
55	MP3A	X	0	1.5
56	MP3A	Z	-16.306	1.5
57	MP3A	Mx	0	1.5
58	MP3B	X	0	1.5
59	MP3B	Z	-11.166	1.5
60	MP3B	Mx	-.006	1.5
61	MP3C	X	0	1.5
62	MP3C	Z	-11.166	1.5
63	MP3C	Mx	.006	1.5
64	MP3A	X	0	1
65	MP3A	Z	-36.399	1
66	MP3A	Mx	-.027	1
67	MP3A	X	0	4
68	MP3A	Z	-36.399	4
69	MP3A	Mx	-.027	4
70	MP3B	X	0	1
71	MP3B	Z	-27.717	1
72	MP3B	Mx	.01	1
73	MP3B	X	0	4
74	MP3B	Z	-27.717	4
75	MP3B	Mx	.01	4
76	MP3C	X	0	1
77	MP3C	Z	-27.717	1
78	MP3C	Mx	.01	1
79	MP3C	X	0	4
80	MP3C	Z	-27.717	4
81	MP3C	Mx	.01	4



Company :
 Designer :
 Job Number :
 Model Name :

June 7, 2021
 4:16 PM
 Checked By: _____

Member Point Loads (BLC 15 : Antenna Wi (0 Deg)) (Continued)

	Member Label	Direction	Magnitude[lb.k-ft]	Location[ft,%]
82	MP3A	X	0	1
83	MP3A	Z	-36.399	1
84	MP3A	Mx	.027	1
85	MP3A	X	0	4
86	MP3A	Z	-36.399	4
87	MP3A	Mx	.027	4
88	MP3B	X	0	1
89	MP3B	Z	-27.717	1
90	MP3B	Mx	-.01	1
91	MP3B	X	0	4
92	MP3B	Z	-27.717	4
93	MP3B	Mx	-.01	4
94	MP3C	X	0	1
95	MP3C	Z	-27.717	1
96	MP3C	Mx	-.01	1
97	MP3C	X	0	4
98	MP3C	Z	-27.717	4
99	MP3C	Mx	-.01	4
100	OVP	X	0	2
101	OVP	Z	-33.524	2
102	OVP	Mx	0	2

Member Point Loads (BLC 16 : Antenna Wi (30 Deg))

	Member Label	Direction	Magnitude[lb.k-ft]	Location[ft,%]
1	MP1A	X	13.695	1
2	MP1A	Z	-23.721	1
3	MP1A	Mx	-.008	1
4	MP1A	X	13.695	4
5	MP1A	Z	-23.721	4
6	MP1A	Mx	-.008	4
7	MP1B	X	8.946	1
8	MP1B	Z	-15.494	1
9	MP1B	Mx	.01	1
10	MP1B	X	8.946	4
11	MP1B	Z	-15.494	4
12	MP1B	Mx	.01	4
13	MP1C	X	13.695	1
14	MP1C	Z	-23.721	1
15	MP1C	Mx	-.008	1
16	MP1C	X	13.695	4
17	MP1C	Z	-23.721	4
18	MP1C	Mx	-.008	4
19	MP4A	X	8.288	1.7
20	MP4A	Z	-14.356	1.7
21	MP4A	Mx	-.005	1.7
22	MP4A	X	8.288	2.7
23	MP4A	Z	-14.356	2.7
24	MP4A	Mx	-.005	2.7
25	MP4B	X	4.12	1.7
26	MP4B	Z	-7.136	1.7
27	MP4B	Mx	.005	1.7
28	MP4B	X	4.12	2.7
29	MP4B	Z	-7.136	2.7
30	MP4B	Mx	.005	2.7
31	MP4C	X	8.288	1.7
32	MP4C	Z	-14.356	1.7



Company :
 Designer :
 Job Number :
 Model Name :

June 7, 2021
 4:16 PM
 Checked By: _____

Member Point Loads (BLC 16 : Antenna Wi (30 Deg)) (Continued)

	Member Label	Direction	Magnitude[lb.k-ft]	Location[ft,%]
33	MP4C	Mx	-.005	1.7
34	MP4C	X	8.288	2.7
35	MP4C	Z	-14.356	2.7
36	MP4C	Mx	-.005	2.7
37	MP3A	X	1.853	3.5
38	MP3A	Z	-3.209	3.5
39	MP3A	Mx	.001	3.5
40	MP3B	X	1.482	3.5
41	MP3B	Z	-2.567	3.5
42	MP3B	Mx	-.002	3.5
43	MP3C	X	1.853	3.5
44	MP3C	Z	-3.209	3.5
45	MP3C	Mx	.001	3.5
46	MP2A	X	7.532	3.2
47	MP2A	Z	-13.046	3.2
48	MP2A	Mx	.004	3.2
49	MP2B	X	5.67	3.2
50	MP2B	Z	-9.82	3.2
51	MP2B	Mx	-.007	3.2
52	MP2C	X	7.532	3.2
53	MP2C	Z	-13.046	3.2
54	MP2C	Mx	.004	3.2
55	MP3A	X	7.296	1.5
56	MP3A	Z	-12.638	1.5
57	MP3A	Mx	.004	1.5
58	MP3B	X	4.726	1.5
59	MP3B	Z	-8.186	1.5
60	MP3B	Mx	-.006	1.5
61	MP3C	X	7.296	1.5
62	MP3C	Z	-12.638	1.5
63	MP3C	Mx	.004	1.5
64	MP3A	X	16.752	1
65	MP3A	Z	-29.016	1
66	MP3A	Mx	-.022	1
67	MP3A	X	16.752	4
68	MP3A	Z	-29.016	4
69	MP3A	Mx	-.022	4
70	MP3B	X	12.411	1
71	MP3B	Z	-21.497	1
72	MP3B	Mx	0	1
73	MP3B	X	12.411	4
74	MP3B	Z	-21.497	4
75	MP3B	Mx	0	4
76	MP3C	X	16.752	1
77	MP3C	Z	-29.016	1
78	MP3C	Mx	.022	1
79	MP3C	X	16.752	4
80	MP3C	Z	-29.016	4
81	MP3C	Mx	.022	4
82	MP3A	X	16.752	1
83	MP3A	Z	-29.016	1
84	MP3A	Mx	.022	1
85	MP3A	X	16.752	4
86	MP3A	Z	-29.016	4
87	MP3A	Mx	.022	4
88	MP3B	X	12.411	1
89	MP3B	Z	-21.497	1

Member Point Loads (BLC 16 : Antenna Wi (30 Deg)) (Continued)

	Member Label	Direction	Magnitude[lb.k-ft]	Location[ft,%]
90	MP3B	Mx	0	1
91	MP3B	X	12.411	4
92	MP3B	Z	-21.497	4
93	MP3B	Mx	0	4
94	MP3C	X	16.752	1
95	MP3C	Z	-29.016	1
96	MP3C	Mx	-.022	1
97	MP3C	X	16.752	4
98	MP3C	Z	-29.016	4
99	MP3C	Mx	-.022	4
100	OVP	X	15.848	2
101	OVP	Z	-27.449	2
102	OVP	Mx	0	2

Member Point Loads (BLC 17 : Antenna Wi (60 Deg))

	Member Label	Direction	Magnitude[lb.k-ft]	Location[ft,%]
1	MP1A	X	18.237	1
2	MP1A	Z	-10.529	1
3	MP1A	Mx	-.011	1
4	MP1A	X	18.237	4
5	MP1A	Z	-10.529	4
6	MP1A	Mx	-.011	4
7	MP1B	X	18.237	1
8	MP1B	Z	-10.529	1
9	MP1B	Mx	.011	1
10	MP1B	X	18.237	4
11	MP1B	Z	-10.529	4
12	MP1B	Mx	.011	4
13	MP1C	X	26.463	1
14	MP1C	Z	-15.278	1
15	MP1C	Mx	0	1
16	MP1C	X	26.463	4
17	MP1C	Z	-15.278	4
18	MP1C	Mx	0	4
19	MP4A	X	9.542	1.7
20	MP4A	Z	-5.509	1.7
21	MP4A	Mx	-.006	1.7
22	MP4A	X	9.542	2.7
23	MP4A	Z	-5.509	2.7
24	MP4A	Mx	-.006	2.7
25	MP4B	X	9.542	1.7
26	MP4B	Z	-5.509	1.7
27	MP4B	Mx	.006	1.7
28	MP4B	X	9.542	2.7
29	MP4B	Z	-5.509	2.7
30	MP4B	Mx	.006	2.7
31	MP4C	X	16.763	1.7
32	MP4C	Z	-9.678	1.7
33	MP4C	Mx	0	1.7
34	MP4C	X	16.763	2.7
35	MP4C	Z	-9.678	2.7
36	MP4C	Mx	0	2.7
37	MP3A	X	2.781	3.5
38	MP3A	Z	-1.606	3.5
39	MP3A	Mx	.002	3.5
40	MP3B	X	2.781	3.5

Member Point Loads (BLC 17 : Antenna Wi (60 Deg)) (Continued)

	Member Label	Direction	Magnitude[lb.k-ft]	Location[ft,%]
41	MP3B	Z	-1.606	3.5
42	MP3B	Mx	-.002	3.5
43	MP3C	X	3.423	3.5
44	MP3C	Z	-1.976	3.5
45	MP3C	Mx	0	3.5
46	MP2A	X	10.896	3.2
47	MP2A	Z	-6.291	3.2
48	MP2A	Mx	.006	3.2
49	MP2B	X	10.896	3.2
50	MP2B	Z	-6.291	3.2
51	MP2B	Mx	-.006	3.2
52	MP2C	X	14.122	3.2
53	MP2C	Z	-8.153	3.2
54	MP2C	Mx	0	3.2
55	MP3A	X	9.67	1.5
56	MP3A	Z	-5.583	1.5
57	MP3A	Mx	.006	1.5
58	MP3B	X	9.67	1.5
59	MP3B	Z	-5.583	1.5
60	MP3B	Mx	-.006	1.5
61	MP3C	X	14.122	1.5
62	MP3C	Z	-8.153	1.5
63	MP3C	Mx	0	1.5
64	MP3A	X	24.004	1
65	MP3A	Z	-13.858	1
66	MP3A	Mx	-.01	1
67	MP3A	X	24.004	4
68	MP3A	Z	-13.858	4
69	MP3A	Mx	-.01	4
70	MP3B	X	24.004	1
71	MP3B	Z	-13.858	1
72	MP3B	Mx	-.01	1
73	MP3B	X	24.004	4
74	MP3B	Z	-13.858	4
75	MP3B	Mx	-.01	4
76	MP3C	X	31.522	1
77	MP3C	Z	-18.199	1
78	MP3C	Mx	.027	1
79	MP3C	X	31.522	4
80	MP3C	Z	-18.199	4
81	MP3C	Mx	.027	4
82	MP3A	X	24.004	1
83	MP3A	Z	-13.858	1
84	MP3A	Mx	.01	1
85	MP3A	X	24.004	4
86	MP3A	Z	-13.858	4
87	MP3A	Mx	.01	4
88	MP3B	X	24.004	1
89	MP3B	Z	-13.858	1
90	MP3B	Mx	.01	1
91	MP3B	X	24.004	4
92	MP3B	Z	-13.858	4
93	MP3B	Mx	.01	4
94	MP3C	X	31.522	1
95	MP3C	Z	-18.199	1
96	MP3C	Mx	-.027	1
97	MP3C	X	31.522	4



Company :
 Designer :
 Job Number :
 Model Name :

June 7, 2021
 4:16 PM
 Checked By: _____

Member Point Loads (BLC 17 : Antenna Wi (60 Deg)) (Continued)

	Member Label	Direction	Magnitude[lb.k-ft]	Location[ft,%]
98	MP3C	Z	-18.199	4
99	MP3C	Mx	-.027	4
100	OVP	X	24.282	2
101	OVP	Z	-14.019	2
102	OVP	Mx	0	2

Member Point Loads (BLC 18 : Antenna Wi (90 Deg))

	Member Label	Direction	Magnitude[lb.k-ft]	Location[ft,%]
1	MP1A	X	17.891	1
2	MP1A	Z	0	1
3	MP1A	Mx	-.01	1
4	MP1A	X	17.891	4
5	MP1A	Z	0	4
6	MP1A	Mx	-.01	4
7	MP1B	X	27.391	1
8	MP1B	Z	0	1
9	MP1B	Mx	.008	1
10	MP1B	X	27.391	4
11	MP1B	Z	0	4
12	MP1B	Mx	.008	4
13	MP1C	X	27.391	1
14	MP1C	Z	0	1
15	MP1C	Mx	.008	1
16	MP1C	X	27.391	4
17	MP1C	Z	0	4
18	MP1C	Mx	.008	4
19	MP4A	X	8.24	1.7
20	MP4A	Z	0	1.7
21	MP4A	Mx	-.005	1.7
22	MP4A	X	8.24	2.7
23	MP4A	Z	0	2.7
24	MP4A	Mx	-.005	2.7
25	MP4B	X	16.577	1.7
26	MP4B	Z	0	1.7
27	MP4B	Mx	.005	1.7
28	MP4B	X	16.577	2.7
29	MP4B	Z	0	2.7
30	MP4B	Mx	.005	2.7
31	MP4C	X	16.577	1.7
32	MP4C	Z	0	1.7
33	MP4C	Mx	.005	1.7
34	MP4C	X	16.577	2.7
35	MP4C	Z	0	2.7
36	MP4C	Mx	.005	2.7
37	MP3A	X	2.964	3.5
38	MP3A	Z	0	3.5
39	MP3A	Mx	.002	3.5
40	MP3B	X	3.705	3.5
41	MP3B	Z	0	3.5
42	MP3B	Mx	-.001	3.5
43	MP3C	X	3.705	3.5
44	MP3C	Z	0	3.5
45	MP3C	Mx	-.001	3.5
46	MP2A	X	11.339	3.2
47	MP2A	Z	0	3.2
48	MP2A	Mx	.007	3.2



Company :
 Designer :
 Job Number :
 Model Name :

June 7, 2021
 4:16 PM
 Checked By: _____

Member Point Loads (BLC 18 : Antenna Wi (90 Deg)) (Continued)

	Member Label	Direction	Magnitude[lb.k-ft]	Location[ft,%]
49	MP2B	X	15.065	3.2
50	MP2B	Z	0	3.2
51	MP2B	Mx	-.004	3.2
52	MP2C	X	15.065	3.2
53	MP2C	Z	0	3.2
54	MP2C	Mx	-.004	3.2
55	MP3A	X	9.452	1.5
56	MP3A	Z	0	1.5
57	MP3A	Mx	.006	1.5
58	MP3B	X	14.593	1.5
59	MP3B	Z	0	1.5
60	MP3B	Mx	-.004	1.5
61	MP3C	X	14.593	1.5
62	MP3C	Z	0	1.5
63	MP3C	Mx	-.004	1.5
64	MP3A	X	24.823	1
65	MP3A	Z	0	1
66	MP3A	Mx	0	1
67	MP3A	X	24.823	4
68	MP3A	Z	0	4
69	MP3A	Mx	0	4
70	MP3B	X	33.505	1
71	MP3B	Z	0	1
72	MP3B	Mx	-.022	1
73	MP3B	X	33.505	4
74	MP3B	Z	0	4
75	MP3B	Mx	-.022	4
76	MP3C	X	33.505	1
77	MP3C	Z	0	1
78	MP3C	Mx	.022	1
79	MP3C	X	33.505	4
80	MP3C	Z	0	4
81	MP3C	Mx	.022	4
82	MP3A	X	24.823	1
83	MP3A	Z	0	1
84	MP3A	Mx	0	1
85	MP3A	X	24.823	4
86	MP3A	Z	0	4
87	MP3A	Mx	0	4
88	MP3B	X	33.505	1
89	MP3B	Z	0	1
90	MP3B	Mx	.022	1
91	MP3B	X	33.505	4
92	MP3B	Z	0	4
93	MP3B	Mx	.022	4
94	MP3C	X	33.505	1
95	MP3C	Z	0	1
96	MP3C	Mx	-.022	1
97	MP3C	X	33.505	4
98	MP3C	Z	0	4
99	MP3C	Mx	-.022	4
100	OVP	X	26.211	2
101	OVP	Z	0	2
102	OVP	Mx	0	2

Member Point Loads (BLC 19 : Antenna Wi (120 Deg))

	Member Label	Direction	Magnitude[lb.k-ft]	Location[ft,%]
--	--------------	-----------	--------------------	----------------

Member Point Loads (BLC 19 : Antenna Wi (120 Deg)) (Continued)

	Member Label	Direction	Magnitude[lb.k-ft]	Location[ft,%]
1	MP1A	X	18.237	1
2	MP1A	Z	10.529	1
3	MP1A	Mx	-.011	1
4	MP1A	X	18.237	4
5	MP1A	Z	10.529	4
6	MP1A	Mx	-.011	4
7	MP1B	X	26.463	1
8	MP1B	Z	15.278	1
9	MP1B	Mx	0	1
10	MP1B	X	26.463	4
11	MP1B	Z	15.278	4
12	MP1B	Mx	0	4
13	MP1C	X	18.237	1
14	MP1C	Z	10.529	1
15	MP1C	Mx	.011	1
16	MP1C	X	18.237	4
17	MP1C	Z	10.529	4
18	MP1C	Mx	.011	4
19	MP4A	X	9.542	1.7
20	MP4A	Z	5.509	1.7
21	MP4A	Mx	-.006	1.7
22	MP4A	X	9.542	2.7
23	MP4A	Z	5.509	2.7
24	MP4A	Mx	-.006	2.7
25	MP4B	X	16.763	1.7
26	MP4B	Z	9.678	1.7
27	MP4B	Mx	0	1.7
28	MP4B	X	16.763	2.7
29	MP4B	Z	9.678	2.7
30	MP4B	Mx	0	2.7
31	MP4C	X	9.542	1.7
32	MP4C	Z	5.509	1.7
33	MP4C	Mx	.006	1.7
34	MP4C	X	9.542	2.7
35	MP4C	Z	5.509	2.7
36	MP4C	Mx	.006	2.7
37	MP3A	X	2.781	3.5
38	MP3A	Z	1.606	3.5
39	MP3A	Mx	.002	3.5
40	MP3B	X	3.423	3.5
41	MP3B	Z	1.976	3.5
42	MP3B	Mx	0	3.5
43	MP3C	X	2.781	3.5
44	MP3C	Z	1.606	3.5
45	MP3C	Mx	-.002	3.5
46	MP2A	X	10.896	3.2
47	MP2A	Z	6.291	3.2
48	MP2A	Mx	.006	3.2
49	MP2B	X	14.122	3.2
50	MP2B	Z	8.153	3.2
51	MP2B	Mx	0	3.2
52	MP2C	X	10.896	3.2
53	MP2C	Z	6.291	3.2
54	MP2C	Mx	-.006	3.2
55	MP3A	X	9.67	1.5
56	MP3A	Z	5.583	1.5
57	MP3A	Mx	.006	1.5



Company :
 Designer :
 Job Number :
 Model Name :

June 7, 2021
 4:16 PM
 Checked By: _____

Member Point Loads (BLC 19 : Antenna Wi (120 Deg)) (Continued)

	Member Label	Direction	Magnitude[lb.k-ft]	Location[ft,%]
58	MP3B	X	14.122	1.5
59	MP3B	Z	8.153	1.5
60	MP3B	Mx	0	1.5
61	MP3C	X	9.67	1.5
62	MP3C	Z	5.583	1.5
63	MP3C	Mx	-.006	1.5
64	MP3A	X	24.004	1
65	MP3A	Z	13.858	1
66	MP3A	Mx	.01	1
67	MP3A	X	24.004	4
68	MP3A	Z	13.858	4
69	MP3A	Mx	.01	4
70	MP3B	X	31.522	1
71	MP3B	Z	18.199	1
72	MP3B	Mx	-.027	1
73	MP3B	X	31.522	4
74	MP3B	Z	18.199	4
75	MP3B	Mx	-.027	4
76	MP3C	X	24.004	1
77	MP3C	Z	13.858	1
78	MP3C	Mx	.01	1
79	MP3C	X	24.004	4
80	MP3C	Z	13.858	4
81	MP3C	Mx	.01	4
82	MP3A	X	24.004	1
83	MP3A	Z	13.858	1
84	MP3A	Mx	-.01	1
85	MP3A	X	24.004	4
86	MP3A	Z	13.858	4
87	MP3A	Mx	-.01	4
88	MP3B	X	31.522	1
89	MP3B	Z	18.199	1
90	MP3B	Mx	.027	1
91	MP3B	X	31.522	4
92	MP3B	Z	18.199	4
93	MP3B	Mx	.027	4
94	MP3C	X	24.004	1
95	MP3C	Z	13.858	1
96	MP3C	Mx	-.01	1
97	MP3C	X	24.004	4
98	MP3C	Z	13.858	4
99	MP3C	Mx	-.01	4
100	OVP	X	24.282	2
101	OVP	Z	14.019	2
102	OVP	Mx	0	2

Member Point Loads (BLC 20 : Antenna Wi (150 Deg))

	Member Label	Direction	Magnitude[lb.k-ft]	Location[ft,%]
1	MP1A	X	13.695	1
2	MP1A	Z	23.721	1
3	MP1A	Mx	-.008	1
4	MP1A	X	13.695	4
5	MP1A	Z	23.721	4
6	MP1A	Mx	-.008	4
7	MP1B	X	13.695	1
8	MP1B	Z	23.721	1

Member Point Loads (BLC 20 : Antenna Wi (150 Deg)) (Continued)

	Member Label	Direction	Magnitude[lb.k-ft]	Location[ft,%]
9	MP1B	Mx	-.008	1
10	MP1B	X	13.695	4
11	MP1B	Z	23.721	4
12	MP1B	Mx	-.008	4
13	MP1C	X	8.946	1
14	MP1C	Z	15.494	1
15	MP1C	Mx	.01	1
16	MP1C	X	8.946	4
17	MP1C	Z	15.494	4
18	MP1C	Mx	.01	4
19	MP4A	X	8.288	1.7
20	MP4A	Z	14.356	1.7
21	MP4A	Mx	-.005	1.7
22	MP4A	X	8.288	2.7
23	MP4A	Z	14.356	2.7
24	MP4A	Mx	-.005	2.7
25	MP4B	X	8.288	1.7
26	MP4B	Z	14.356	1.7
27	MP4B	Mx	-.005	1.7
28	MP4B	X	8.288	2.7
29	MP4B	Z	14.356	2.7
30	MP4B	Mx	-.005	2.7
31	MP4C	X	4.12	1.7
32	MP4C	Z	7.136	1.7
33	MP4C	Mx	.005	1.7
34	MP4C	X	4.12	2.7
35	MP4C	Z	7.136	2.7
36	MP4C	Mx	.005	2.7
37	MP3A	X	1.853	3.5
38	MP3A	Z	3.209	3.5
39	MP3A	Mx	.001	3.5
40	MP3B	X	1.853	3.5
41	MP3B	Z	3.209	3.5
42	MP3B	Mx	.001	3.5
43	MP3C	X	1.482	3.5
44	MP3C	Z	2.567	3.5
45	MP3C	Mx	-.002	3.5
46	MP2A	X	7.532	3.2
47	MP2A	Z	13.046	3.2
48	MP2A	Mx	.004	3.2
49	MP2B	X	7.532	3.2
50	MP2B	Z	13.046	3.2
51	MP2B	Mx	.004	3.2
52	MP2C	X	5.67	3.2
53	MP2C	Z	9.82	3.2
54	MP2C	Mx	-.007	3.2
55	MP3A	X	7.296	1.5
56	MP3A	Z	12.638	1.5
57	MP3A	Mx	.004	1.5
58	MP3B	X	7.296	1.5
59	MP3B	Z	12.638	1.5
60	MP3B	Mx	.004	1.5
61	MP3C	X	4.726	1.5
62	MP3C	Z	8.186	1.5
63	MP3C	Mx	-.006	1.5
64	MP3A	X	16.752	1
65	MP3A	Z	29.016	1

Member Point Loads (BLC 20 : Antenna Wi (150 Deg)) (Continued)

	Member Label	Direction	Magnitude[lb.k-ft]	Location[ft,%]
66	MP3A	Mx	.022	1
67	MP3A	X	16.752	4
68	MP3A	Z	29.016	4
69	MP3A	Mx	.022	4
70	MP3B	X	16.752	1
71	MP3B	Z	29.016	1
72	MP3B	Mx	-.022	1
73	MP3B	X	16.752	4
74	MP3B	Z	29.016	4
75	MP3B	Mx	-.022	4
76	MP3C	X	12.411	1
77	MP3C	Z	21.497	1
78	MP3C	Mx	0	1
79	MP3C	X	12.411	4
80	MP3C	Z	21.497	4
81	MP3C	Mx	0	4
82	MP3A	X	16.752	1
83	MP3A	Z	29.016	1
84	MP3A	Mx	-.022	1
85	MP3A	X	16.752	4
86	MP3A	Z	29.016	4
87	MP3A	Mx	-.022	4
88	MP3B	X	16.752	1
89	MP3B	Z	29.016	1
90	MP3B	Mx	.022	1
91	MP3B	X	16.752	4
92	MP3B	Z	29.016	4
93	MP3B	Mx	.022	4
94	MP3C	X	12.411	1
95	MP3C	Z	21.497	1
96	MP3C	Mx	0	1
97	MP3C	X	12.411	4
98	MP3C	Z	21.497	4
99	MP3C	Mx	0	4
100	OVP	X	15.848	2
101	OVP	Z	27.449	2
102	OVP	Mx	0	2

Member Point Loads (BLC 21 : Antenna Wi (180 Deg))

	Member Label	Direction	Magnitude[lb.k-ft]	Location[ft,%]
1	MP1A	X	0	1
2	MP1A	Z	30.557	1
3	MP1A	Mx	0	1
4	MP1A	X	0	4
5	MP1A	Z	30.557	4
6	MP1A	Mx	0	4
7	MP1B	X	0	1
8	MP1B	Z	21.058	1
9	MP1B	Mx	-.011	1
10	MP1B	X	0	4
11	MP1B	Z	21.058	4
12	MP1B	Mx	-.011	4
13	MP1C	X	0	1
14	MP1C	Z	21.058	1
15	MP1C	Mx	.011	1
16	MP1C	X	0	4



Company :
 Designer :
 Job Number :
 Model Name :

June 7, 2021
 4:16 PM
 Checked By: _____

Member Point Loads (BLC 21 : Antenna Wi (180 Deg)) (Continued)

	Member Label	Direction	Magnitude[lb.k-ft]	Location[ft,%]
17	MP1C	Z	21.058	4
18	MP1C	Mx	.011	4
19	MP4A	X	0	1.7
20	MP4A	Z	19.356	1.7
21	MP4A	Mx	0	1.7
22	MP4A	X	0	2.7
23	MP4A	Z	19.356	2.7
24	MP4A	Mx	0	2.7
25	MP4B	X	0	1.7
26	MP4B	Z	11.019	1.7
27	MP4B	Mx	-.006	1.7
28	MP4B	X	0	2.7
29	MP4B	Z	11.019	2.7
30	MP4B	Mx	-.006	2.7
31	MP4C	X	0	1.7
32	MP4C	Z	11.019	1.7
33	MP4C	Mx	.006	1.7
34	MP4C	X	0	2.7
35	MP4C	Z	11.019	2.7
36	MP4C	Mx	.006	2.7
37	MP3A	X	0	3.5
38	MP3A	Z	3.952	3.5
39	MP3A	Mx	0	3.5
40	MP3B	X	0	3.5
41	MP3B	Z	3.211	3.5
42	MP3B	Mx	.002	3.5
43	MP3C	X	0	3.5
44	MP3C	Z	3.211	3.5
45	MP3C	Mx	-.002	3.5
46	MP2A	X	0	3.2
47	MP2A	Z	16.306	3.2
48	MP2A	Mx	0	3.2
49	MP2B	X	0	3.2
50	MP2B	Z	12.581	3.2
51	MP2B	Mx	.006	3.2
52	MP2C	X	0	3.2
53	MP2C	Z	12.581	3.2
54	MP2C	Mx	-.006	3.2
55	MP3A	X	0	1.5
56	MP3A	Z	16.306	1.5
57	MP3A	Mx	0	1.5
58	MP3B	X	0	1.5
59	MP3B	Z	11.166	1.5
60	MP3B	Mx	.006	1.5
61	MP3C	X	0	1.5
62	MP3C	Z	11.166	1.5
63	MP3C	Mx	-.006	1.5
64	MP3A	X	0	1
65	MP3A	Z	36.399	1
66	MP3A	Mx	.027	1
67	MP3A	X	0	4
68	MP3A	Z	36.399	4
69	MP3A	Mx	.027	4
70	MP3B	X	0	1
71	MP3B	Z	27.717	1
72	MP3B	Mx	-.01	1
73	MP3B	X	0	4



Company :
 Designer :
 Job Number :
 Model Name :

June 7, 2021
 4:16 PM
 Checked By: _____

Member Point Loads (BLC 21 : Antenna Wi (180 Deg)) (Continued)

	Member Label	Direction	Magnitude[lb.k-ft]	Location[ft,%]
74	MP3B	Z	27.717	4
75	MP3B	Mx	-.01	4
76	MP3C	X	0	1
77	MP3C	Z	27.717	1
78	MP3C	Mx	-.01	1
79	MP3C	X	0	4
80	MP3C	Z	27.717	4
81	MP3C	Mx	-.01	4
82	MP3A	X	0	1
83	MP3A	Z	36.399	1
84	MP3A	Mx	-.027	1
85	MP3A	X	0	4
86	MP3A	Z	36.399	4
87	MP3A	Mx	-.027	4
88	MP3B	X	0	1
89	MP3B	Z	27.717	1
90	MP3B	Mx	.01	1
91	MP3B	X	0	4
92	MP3B	Z	27.717	4
93	MP3B	Mx	.01	4
94	MP3C	X	0	1
95	MP3C	Z	27.717	1
96	MP3C	Mx	.01	1
97	MP3C	X	0	4
98	MP3C	Z	27.717	4
99	MP3C	Mx	.01	4
100	OVP	X	0	2
101	OVP	Z	33.524	2
102	OVP	Mx	0	2

Member Point Loads (BLC 22 : Antenna Wi (210 Deg))

	Member Label	Direction	Magnitude[lb.k-ft]	Location[ft,%]
1	MP1A	X	-13.695	1
2	MP1A	Z	23.721	1
3	MP1A	Mx	.008	1
4	MP1A	X	-13.695	4
5	MP1A	Z	23.721	4
6	MP1A	Mx	.008	4
7	MP1B	X	-8.946	1
8	MP1B	Z	15.494	1
9	MP1B	Mx	-.01	1
10	MP1B	X	-8.946	4
11	MP1B	Z	15.494	4
12	MP1B	Mx	-.01	4
13	MP1C	X	-13.695	1
14	MP1C	Z	23.721	1
15	MP1C	Mx	.008	1
16	MP1C	X	-13.695	4
17	MP1C	Z	23.721	4
18	MP1C	Mx	.008	4
19	MP4A	X	-8.288	1.7
20	MP4A	Z	14.356	1.7
21	MP4A	Mx	.005	1.7
22	MP4A	X	-8.288	2.7
23	MP4A	Z	14.356	2.7
24	MP4A	Mx	.005	2.7



Company :
 Designer :
 Job Number :
 Model Name :

June 7, 2021
 4:16 PM
 Checked By: _____

Member Point Loads (BLC 22 : Antenna Wi (210 Deg)) (Continued)

	Member Label	Direction	Magnitude[lb.k-ft]	Location[ft,%]
25	MP4B	X	-4.12	1.7
26	MP4B	Z	7.136	1.7
27	MP4B	Mx	-.005	1.7
28	MP4B	X	-4.12	2.7
29	MP4B	Z	7.136	2.7
30	MP4B	Mx	-.005	2.7
31	MP4C	X	-8.288	1.7
32	MP4C	Z	14.356	1.7
33	MP4C	Mx	.005	1.7
34	MP4C	X	-8.288	2.7
35	MP4C	Z	14.356	2.7
36	MP4C	Mx	.005	2.7
37	MP3A	X	-1.853	3.5
38	MP3A	Z	3.209	3.5
39	MP3A	Mx	-.001	3.5
40	MP3B	X	-1.482	3.5
41	MP3B	Z	2.567	3.5
42	MP3B	Mx	.002	3.5
43	MP3C	X	-1.853	3.5
44	MP3C	Z	3.209	3.5
45	MP3C	Mx	-.001	3.5
46	MP2A	X	-7.532	3.2
47	MP2A	Z	13.046	3.2
48	MP2A	Mx	-.004	3.2
49	MP2B	X	-5.67	3.2
50	MP2B	Z	9.82	3.2
51	MP2B	Mx	.007	3.2
52	MP2C	X	-7.532	3.2
53	MP2C	Z	13.046	3.2
54	MP2C	Mx	-.004	3.2
55	MP3A	X	-7.296	1.5
56	MP3A	Z	12.638	1.5
57	MP3A	Mx	-.004	1.5
58	MP3B	X	-4.726	1.5
59	MP3B	Z	8.186	1.5
60	MP3B	Mx	.006	1.5
61	MP3C	X	-7.296	1.5
62	MP3C	Z	12.638	1.5
63	MP3C	Mx	-.004	1.5
64	MP3A	X	-16.752	1
65	MP3A	Z	29.016	1
66	MP3A	Mx	.022	1
67	MP3A	X	-16.752	4
68	MP3A	Z	29.016	4
69	MP3A	Mx	.022	4
70	MP3B	X	-12.411	1
71	MP3B	Z	21.497	1
72	MP3B	Mx	0	1
73	MP3B	X	-12.411	4
74	MP3B	Z	21.497	4
75	MP3B	Mx	0	4
76	MP3C	X	-16.752	1
77	MP3C	Z	29.016	1
78	MP3C	Mx	-.022	1
79	MP3C	X	-16.752	4
80	MP3C	Z	29.016	4
81	MP3C	Mx	-.022	4



Company :
 Designer :
 Job Number :
 Model Name :

June 7, 2021
 4:16 PM
 Checked By: _____

Member Point Loads (BLC 22 : Antenna Wi (210 Deg)) (Continued)

	Member Label	Direction	Magnitude[lb.k-ft]	Location[ft,%]
82	MP3A	X	-16.752	1
83	MP3A	Z	29.016	1
84	MP3A	Mx	-.022	1
85	MP3A	X	-16.752	4
86	MP3A	Z	29.016	4
87	MP3A	Mx	-.022	4
88	MP3B	X	-12.411	1
89	MP3B	Z	21.497	1
90	MP3B	Mx	0	1
91	MP3B	X	-12.411	4
92	MP3B	Z	21.497	4
93	MP3B	Mx	0	4
94	MP3C	X	-16.752	1
95	MP3C	Z	29.016	1
96	MP3C	Mx	.022	1
97	MP3C	X	-16.752	4
98	MP3C	Z	29.016	4
99	MP3C	Mx	.022	4
100	OVP	X	-15.848	2
101	OVP	Z	27.449	2
102	OVP	Mx	0	2

Member Point Loads (BLC 23 : Antenna Wi (240 Deg))

	Member Label	Direction	Magnitude[lb.k-ft]	Location[ft,%]
1	MP1A	X	-18.237	1
2	MP1A	Z	10.529	1
3	MP1A	Mx	.011	1
4	MP1A	X	-18.237	4
5	MP1A	Z	10.529	4
6	MP1A	Mx	.011	4
7	MP1B	X	-18.237	1
8	MP1B	Z	10.529	1
9	MP1B	Mx	-.011	1
10	MP1B	X	-18.237	4
11	MP1B	Z	10.529	4
12	MP1B	Mx	-.011	4
13	MP1C	X	-26.463	1
14	MP1C	Z	15.278	1
15	MP1C	Mx	0	1
16	MP1C	X	-26.463	4
17	MP1C	Z	15.278	4
18	MP1C	Mx	0	4
19	MP4A	X	-9.542	1.7
20	MP4A	Z	5.509	1.7
21	MP4A	Mx	.006	1.7
22	MP4A	X	-9.542	2.7
23	MP4A	Z	5.509	2.7
24	MP4A	Mx	.006	2.7
25	MP4B	X	-9.542	1.7
26	MP4B	Z	5.509	1.7
27	MP4B	Mx	-.006	1.7
28	MP4B	X	-9.542	2.7
29	MP4B	Z	5.509	2.7
30	MP4B	Mx	-.006	2.7
31	MP4C	X	-16.763	1.7
32	MP4C	Z	9.678	1.7



Company :
 Designer :
 Job Number :
 Model Name :

June 7, 2021
 4:16 PM
 Checked By: _____

Member Point Loads (BLC 23 : Antenna Wi (240 Deg)) (Continued)

	Member Label	Direction	Magnitude[lb.k-ft]	Location[ft,%]
33	MP4C	Mx	0	1.7
34	MP4C	X	-16.763	2.7
35	MP4C	Z	9.678	2.7
36	MP4C	Mx	0	2.7
37	MP3A	X	-2.781	3.5
38	MP3A	Z	1.606	3.5
39	MP3A	Mx	-.002	3.5
40	MP3B	X	-2.781	3.5
41	MP3B	Z	1.606	3.5
42	MP3B	Mx	.002	3.5
43	MP3C	X	-3.423	3.5
44	MP3C	Z	1.976	3.5
45	MP3C	Mx	0	3.5
46	MP2A	X	-10.896	3.2
47	MP2A	Z	6.291	3.2
48	MP2A	Mx	-.006	3.2
49	MP2B	X	-10.896	3.2
50	MP2B	Z	6.291	3.2
51	MP2B	Mx	.006	3.2
52	MP2C	X	-14.122	3.2
53	MP2C	Z	8.153	3.2
54	MP2C	Mx	0	3.2
55	MP3A	X	-9.67	1.5
56	MP3A	Z	5.583	1.5
57	MP3A	Mx	-.006	1.5
58	MP3B	X	-9.67	1.5
59	MP3B	Z	5.583	1.5
60	MP3B	Mx	.006	1.5
61	MP3C	X	-14.122	1.5
62	MP3C	Z	8.153	1.5
63	MP3C	Mx	0	1.5
64	MP3A	X	-24.004	1
65	MP3A	Z	13.858	1
66	MP3A	Mx	.01	1
67	MP3A	X	-24.004	4
68	MP3A	Z	13.858	4
69	MP3A	Mx	.01	4
70	MP3B	X	-24.004	1
71	MP3B	Z	13.858	1
72	MP3B	Mx	.01	1
73	MP3B	X	-24.004	4
74	MP3B	Z	13.858	4
75	MP3B	Mx	.01	4
76	MP3C	X	-31.522	1
77	MP3C	Z	18.199	1
78	MP3C	Mx	-.027	1
79	MP3C	X	-31.522	4
80	MP3C	Z	18.199	4
81	MP3C	Mx	-.027	4
82	MP3A	X	-24.004	1
83	MP3A	Z	13.858	1
84	MP3A	Mx	-.01	1
85	MP3A	X	-24.004	4
86	MP3A	Z	13.858	4
87	MP3A	Mx	-.01	4
88	MP3B	X	-24.004	1
89	MP3B	Z	13.858	1



Company :
 Designer :
 Job Number :
 Model Name :

June 7, 2021
 4:16 PM
 Checked By: _____

Member Point Loads (BLC 23 : Antenna Wi (240 Deg)) (Continued)

	Member Label	Direction	Magnitude[lb.k-ft]	Location[ft,%]
90	MP3B	Mx	-.01	1
91	MP3B	X	-24.004	4
92	MP3B	Z	13.858	4
93	MP3B	Mx	-.01	4
94	MP3C	X	-31.522	1
95	MP3C	Z	18.199	1
96	MP3C	Mx	.027	1
97	MP3C	X	-31.522	4
98	MP3C	Z	18.199	4
99	MP3C	Mx	.027	4
100	OVP	X	-24.282	2
101	OVP	Z	14.019	2
102	OVP	Mx	0	2

Member Point Loads (BLC 24 : Antenna Wi (270 Deg))

	Member Label	Direction	Magnitude[lb.k-ft]	Location[ft,%]
1	MP1A	X	-17.891	1
2	MP1A	Z	0	1
3	MP1A	Mx	.01	1
4	MP1A	X	-17.891	4
5	MP1A	Z	0	4
6	MP1A	Mx	.01	4
7	MP1B	X	-27.391	1
8	MP1B	Z	0	1
9	MP1B	Mx	-.008	1
10	MP1B	X	-27.391	4
11	MP1B	Z	0	4
12	MP1B	Mx	-.008	4
13	MP1C	X	-27.391	1
14	MP1C	Z	0	1
15	MP1C	Mx	-.008	1
16	MP1C	X	-27.391	4
17	MP1C	Z	0	4
18	MP1C	Mx	-.008	4
19	MP4A	X	-8.24	1.7
20	MP4A	Z	0	1.7
21	MP4A	Mx	.005	1.7
22	MP4A	X	-8.24	2.7
23	MP4A	Z	0	2.7
24	MP4A	Mx	.005	2.7
25	MP4B	X	-16.577	1.7
26	MP4B	Z	0	1.7
27	MP4B	Mx	-.005	1.7
28	MP4B	X	-16.577	2.7
29	MP4B	Z	0	2.7
30	MP4B	Mx	-.005	2.7
31	MP4C	X	-16.577	1.7
32	MP4C	Z	0	1.7
33	MP4C	Mx	-.005	1.7
34	MP4C	X	-16.577	2.7
35	MP4C	Z	0	2.7
36	MP4C	Mx	-.005	2.7
37	MP3A	X	-2.964	3.5
38	MP3A	Z	0	3.5
39	MP3A	Mx	-.002	3.5
40	MP3B	X	-3.705	3.5

Member Point Loads (BLC 24 : Antenna Wi (270 Deg)) (Continued)

	Member Label	Direction	Magnitude[lb.k-ft]	Location[ft,%]
41	MP3B	Z	0	3.5
42	MP3B	Mx	.001	3.5
43	MP3C	X	-3.705	3.5
44	MP3C	Z	0	3.5
45	MP3C	Mx	.001	3.5
46	MP2A	X	-11.339	3.2
47	MP2A	Z	0	3.2
48	MP2A	Mx	-.007	3.2
49	MP2B	X	-15.065	3.2
50	MP2B	Z	0	3.2
51	MP2B	Mx	.004	3.2
52	MP2C	X	-15.065	3.2
53	MP2C	Z	0	3.2
54	MP2C	Mx	.004	3.2
55	MP3A	X	-9.452	1.5
56	MP3A	Z	0	1.5
57	MP3A	Mx	-.006	1.5
58	MP3B	X	-14.593	1.5
59	MP3B	Z	0	1.5
60	MP3B	Mx	.004	1.5
61	MP3C	X	-14.593	1.5
62	MP3C	Z	0	1.5
63	MP3C	Mx	.004	1.5
64	MP3A	X	-24.823	1
65	MP3A	Z	0	1
66	MP3A	Mx	0	1
67	MP3A	X	-24.823	4
68	MP3A	Z	0	4
69	MP3A	Mx	0	4
70	MP3B	X	-33.505	1
71	MP3B	Z	0	1
72	MP3B	Mx	.022	1
73	MP3B	X	-33.505	4
74	MP3B	Z	0	4
75	MP3B	Mx	.022	4
76	MP3C	X	-33.505	1
77	MP3C	Z	0	1
78	MP3C	Mx	-.022	1
79	MP3C	X	-33.505	4
80	MP3C	Z	0	4
81	MP3C	Mx	-.022	4
82	MP3A	X	-24.823	1
83	MP3A	Z	0	1
84	MP3A	Mx	0	1
85	MP3A	X	-24.823	4
86	MP3A	Z	0	4
87	MP3A	Mx	0	4
88	MP3B	X	-33.505	1
89	MP3B	Z	0	1
90	MP3B	Mx	-.022	1
91	MP3B	X	-33.505	4
92	MP3B	Z	0	4
93	MP3B	Mx	-.022	4
94	MP3C	X	-33.505	1
95	MP3C	Z	0	1
96	MP3C	Mx	.022	1
97	MP3C	X	-33.505	4



Company :
 Designer :
 Job Number :
 Model Name :

June 7, 2021
 4:16 PM
 Checked By: _____

Member Point Loads (BLC 24 : Antenna Wi (270 Deg)) (Continued)

	Member Label	Direction	Magnitude[lb.k-ft]	Location[ft,%]
98	MP3C	Z	0	4
99	MP3C	Mx	.022	4
100	OVP	X	-26.211	2
101	OVP	Z	0	2
102	OVP	Mx	0	2

Member Point Loads (BLC 25 : Antenna Wi (300 Deg))

	Member Label	Direction	Magnitude[lb.k-ft]	Location[ft,%]
1	MP1A	X	-18.237	1
2	MP1A	Z	-10.529	1
3	MP1A	Mx	.011	1
4	MP1A	X	-18.237	4
5	MP1A	Z	-10.529	4
6	MP1A	Mx	.011	4
7	MP1B	X	-26.463	1
8	MP1B	Z	-15.278	1
9	MP1B	Mx	0	1
10	MP1B	X	-26.463	4
11	MP1B	Z	-15.278	4
12	MP1B	Mx	0	4
13	MP1C	X	-18.237	1
14	MP1C	Z	-10.529	1
15	MP1C	Mx	-.011	1
16	MP1C	X	-18.237	4
17	MP1C	Z	-10.529	4
18	MP1C	Mx	-.011	4
19	MP4A	X	-9.542	1.7
20	MP4A	Z	-5.509	1.7
21	MP4A	Mx	.006	1.7
22	MP4A	X	-9.542	2.7
23	MP4A	Z	-5.509	2.7
24	MP4A	Mx	.006	2.7
25	MP4B	X	-16.763	1.7
26	MP4B	Z	-9.678	1.7
27	MP4B	Mx	0	1.7
28	MP4B	X	-16.763	2.7
29	MP4B	Z	-9.678	2.7
30	MP4B	Mx	0	2.7
31	MP4C	X	-9.542	1.7
32	MP4C	Z	-5.509	1.7
33	MP4C	Mx	-.006	1.7
34	MP4C	X	-9.542	2.7
35	MP4C	Z	-5.509	2.7
36	MP4C	Mx	-.006	2.7
37	MP3A	X	-2.781	3.5
38	MP3A	Z	-1.606	3.5
39	MP3A	Mx	-.002	3.5
40	MP3B	X	-3.423	3.5
41	MP3B	Z	-1.976	3.5
42	MP3B	Mx	0	3.5
43	MP3C	X	-2.781	3.5
44	MP3C	Z	-1.606	3.5
45	MP3C	Mx	.002	3.5
46	MP2A	X	-10.896	3.2
47	MP2A	Z	-6.291	3.2
48	MP2A	Mx	-.006	3.2



Company :
 Designer :
 Job Number :
 Model Name :

June 7, 2021
 4:16 PM
 Checked By: _____

Member Point Loads (BLC 25 : Antenna Wi (300 Deg)) (Continued)

	Member Label	Direction	Magnitude[lb.k-ft]	Location[ft,%]
49	MP2B	X	-14.122	3.2
50	MP2B	Z	-8.153	3.2
51	MP2B	Mx	0	3.2
52	MP2C	X	-10.896	3.2
53	MP2C	Z	-6.291	3.2
54	MP2C	Mx	.006	3.2
55	MP3A	X	-9.67	1.5
56	MP3A	Z	-5.583	1.5
57	MP3A	Mx	-.006	1.5
58	MP3B	X	-14.122	1.5
59	MP3B	Z	-8.153	1.5
60	MP3B	Mx	0	1.5
61	MP3C	X	-9.67	1.5
62	MP3C	Z	-5.583	1.5
63	MP3C	Mx	.006	1.5
64	MP3A	X	-24.004	1
65	MP3A	Z	-13.858	1
66	MP3A	Mx	-.01	1
67	MP3A	X	-24.004	4
68	MP3A	Z	-13.858	4
69	MP3A	Mx	-.01	4
70	MP3B	X	-31.522	1
71	MP3B	Z	-18.199	1
72	MP3B	Mx	.027	1
73	MP3B	X	-31.522	4
74	MP3B	Z	-18.199	4
75	MP3B	Mx	.027	4
76	MP3C	X	-24.004	1
77	MP3C	Z	-13.858	1
78	MP3C	Mx	-.01	1
79	MP3C	X	-24.004	4
80	MP3C	Z	-13.858	4
81	MP3C	Mx	-.01	4
82	MP3A	X	-24.004	1
83	MP3A	Z	-13.858	1
84	MP3A	Mx	.01	1
85	MP3A	X	-24.004	4
86	MP3A	Z	-13.858	4
87	MP3A	Mx	.01	4
88	MP3B	X	-31.522	1
89	MP3B	Z	-18.199	1
90	MP3B	Mx	-.027	1
91	MP3B	X	-31.522	4
92	MP3B	Z	-18.199	4
93	MP3B	Mx	-.027	4
94	MP3C	X	-24.004	1
95	MP3C	Z	-13.858	1
96	MP3C	Mx	.01	1
97	MP3C	X	-24.004	4
98	MP3C	Z	-13.858	4
99	MP3C	Mx	.01	4
100	OVP	X	-24.282	2
101	OVP	Z	-14.019	2
102	OVP	Mx	0	2

Member Point Loads (BLC 26 : Antenna Wi (330 Deg))

	Member Label	Direction	Magnitude[lb.k-ft]	Location[ft,%]
--	--------------	-----------	--------------------	----------------



Company :
 Designer :
 Job Number :
 Model Name :

June 7, 2021
 4:16 PM
 Checked By: _____

Member Point Loads (BLC 26 : Antenna Wi (330 Deg)) (Continued)

	Member Label	Direction	Magnitude[lb.k-ft]	Location[ft,%]
1	MP1A	X	-13.695	1
2	MP1A	Z	-23.721	1
3	MP1A	Mx	.008	1
4	MP1A	X	-13.695	4
5	MP1A	Z	-23.721	4
6	MP1A	Mx	.008	4
7	MP1B	X	-13.695	1
8	MP1B	Z	-23.721	1
9	MP1B	Mx	.008	1
10	MP1B	X	-13.695	4
11	MP1B	Z	-23.721	4
12	MP1B	Mx	.008	4
13	MP1C	X	-8.946	1
14	MP1C	Z	-15.494	1
15	MP1C	Mx	-.01	1
16	MP1C	X	-8.946	4
17	MP1C	Z	-15.494	4
18	MP1C	Mx	-.01	4
19	MP4A	X	-8.288	1.7
20	MP4A	Z	-14.356	1.7
21	MP4A	Mx	.005	1.7
22	MP4A	X	-8.288	2.7
23	MP4A	Z	-14.356	2.7
24	MP4A	Mx	.005	2.7
25	MP4B	X	-8.288	1.7
26	MP4B	Z	-14.356	1.7
27	MP4B	Mx	.005	1.7
28	MP4B	X	-8.288	2.7
29	MP4B	Z	-14.356	2.7
30	MP4B	Mx	.005	2.7
31	MP4C	X	-4.12	1.7
32	MP4C	Z	-7.136	1.7
33	MP4C	Mx	-.005	1.7
34	MP4C	X	-4.12	2.7
35	MP4C	Z	-7.136	2.7
36	MP4C	Mx	-.005	2.7
37	MP3A	X	-1.853	3.5
38	MP3A	Z	-3.209	3.5
39	MP3A	Mx	-.001	3.5
40	MP3B	X	-1.853	3.5
41	MP3B	Z	-3.209	3.5
42	MP3B	Mx	-.001	3.5
43	MP3C	X	-1.482	3.5
44	MP3C	Z	-2.567	3.5
45	MP3C	Mx	.002	3.5
46	MP2A	X	-7.532	3.2
47	MP2A	Z	-13.046	3.2
48	MP2A	Mx	-.004	3.2
49	MP2B	X	-7.532	3.2
50	MP2B	Z	-13.046	3.2
51	MP2B	Mx	-.004	3.2
52	MP2C	X	-5.67	3.2
53	MP2C	Z	-9.82	3.2
54	MP2C	Mx	.007	3.2
55	MP3A	X	-7.296	1.5
56	MP3A	Z	-12.638	1.5
57	MP3A	Mx	-.004	1.5



Company :
 Designer :
 Job Number :
 Model Name :

June 7, 2021
 4:16 PM
 Checked By: _____

Member Point Loads (BLC 26 : Antenna Wi (330 Deg)) (Continued)

	Member Label	Direction	Magnitude[lb.k-ft]	Location[ft,%]
58	MP3B	X	-7.296	1.5
59	MP3B	Z	-12.638	1.5
60	MP3B	Mx	-.004	1.5
61	MP3C	X	-4.726	1.5
62	MP3C	Z	-8.186	1.5
63	MP3C	Mx	.006	1.5
64	MP3A	X	-16.752	1
65	MP3A	Z	-29.016	1
66	MP3A	Mx	-.022	1
67	MP3A	X	-16.752	4
68	MP3A	Z	-29.016	4
69	MP3A	Mx	-.022	4
70	MP3B	X	-16.752	1
71	MP3B	Z	-29.016	1
72	MP3B	Mx	.022	1
73	MP3B	X	-16.752	4
74	MP3B	Z	-29.016	4
75	MP3B	Mx	.022	4
76	MP3C	X	-12.411	1
77	MP3C	Z	-21.497	1
78	MP3C	Mx	0	1
79	MP3C	X	-12.411	4
80	MP3C	Z	-21.497	4
81	MP3C	Mx	0	4
82	MP3A	X	-16.752	1
83	MP3A	Z	-29.016	1
84	MP3A	Mx	.022	1
85	MP3A	X	-16.752	4
86	MP3A	Z	-29.016	4
87	MP3A	Mx	.022	4
88	MP3B	X	-16.752	1
89	MP3B	Z	-29.016	1
90	MP3B	Mx	-.022	1
91	MP3B	X	-16.752	4
92	MP3B	Z	-29.016	4
93	MP3B	Mx	-.022	4
94	MP3C	X	-12.411	1
95	MP3C	Z	-21.497	1
96	MP3C	Mx	0	1
97	MP3C	X	-12.411	4
98	MP3C	Z	-21.497	4
99	MP3C	Mx	0	4
100	OVP	X	-15.848	2
101	OVP	Z	-27.449	2
102	OVP	Mx	0	2

Member Point Loads (BLC 27 : Antenna Wm (0 Deg))

	Member Label	Direction	Magnitude[lb.k-ft]	Location[ft,%]
1	MP1A	X	0	1
2	MP1A	Z	-9.943	1
3	MP1A	Mx	0	1
4	MP1A	X	0	4
5	MP1A	Z	-9.943	4
6	MP1A	Mx	0	4
7	MP1B	X	0	1
8	MP1B	Z	-6.582	1



Company :
 Designer :
 Job Number :
 Model Name :

June 7, 2021
 4:16 PM
 Checked By: _____

Member Point Loads (BLC 27 : Antenna Wm (0 Deg)) (Continued)

	Member Label	Direction	Magnitude[lb.k-ft]	Location[ft,%]
9	MP1B	Mx	.003	1
10	MP1B	X	0	4
11	MP1B	Z	-6.582	4
12	MP1B	Mx	.003	4
13	MP1C	X	0	1
14	MP1C	Z	-6.582	1
15	MP1C	Mx	-.003	1
16	MP1C	X	0	4
17	MP1C	Z	-6.582	4
18	MP1C	Mx	-.003	4
19	MP4A	X	0	1.7
20	MP4A	Z	-6.173	1.7
21	MP4A	Mx	0	1.7
22	MP4A	X	0	2.7
23	MP4A	Z	-6.173	2.7
24	MP4A	Mx	0	2.7
25	MP4B	X	0	1.7
26	MP4B	Z	-3.356	1.7
27	MP4B	Mx	.002	1.7
28	MP4B	X	0	2.7
29	MP4B	Z	-3.356	2.7
30	MP4B	Mx	.002	2.7
31	MP4C	X	0	1.7
32	MP4C	Z	-3.356	1.7
33	MP4C	Mx	-.002	1.7
34	MP4C	X	0	2.7
35	MP4C	Z	-3.356	2.7
36	MP4C	Mx	-.002	2.7
37	MP3A	X	0	3.5
38	MP3A	Z	-.972	3.5
39	MP3A	Mx	0	3.5
40	MP3B	X	0	3.5
41	MP3B	Z	-.747	3.5
42	MP3B	Mx	-.000377	3.5
43	MP3C	X	0	3.5
44	MP3C	Z	-.747	3.5
45	MP3C	Mx	.000377	3.5
46	MP2A	X	0	3.2
47	MP2A	Z	-4.912	3.2
48	MP2A	Mx	0	3.2
49	MP2B	X	0	3.2
50	MP2B	Z	-3.691	3.2
51	MP2B	Mx	-.002	3.2
52	MP2C	X	0	3.2
53	MP2C	Z	-3.691	3.2
54	MP2C	Mx	.002	3.2
55	MP3A	X	0	1.5
56	MP3A	Z	-4.912	1.5
57	MP3A	Mx	0	1.5
58	MP3B	X	0	1.5
59	MP3B	Z	-3.223	1.5
60	MP3B	Mx	-.002	1.5
61	MP3C	X	0	1.5
62	MP3C	Z	-3.223	1.5
63	MP3C	Mx	.002	1.5
64	MP3A	X	0	1
65	MP3A	Z	-11.966	1



Company :
 Designer :
 Job Number :
 Model Name :

June 7, 2021
 4:16 PM
 Checked By: _____

Member Point Loads (BLC 27 : Antenna Wm (0 Deg)) (Continued)

	Member Label	Direction	Magnitude[lb.k-ft]	Location[ft,%]
66	MP3A	Mx	-.009	1
67	MP3A	X	0	4
68	MP3A	Z	-11.966	4
69	MP3A	Mx	-.009	4
70	MP3B	X	0	1
71	MP3B	Z	-8.886	1
72	MP3B	Mx	.003	1
73	MP3B	X	0	4
74	MP3B	Z	-8.886	4
75	MP3B	Mx	.003	4
76	MP3C	X	0	1
77	MP3C	Z	-8.886	1
78	MP3C	Mx	.003	1
79	MP3C	X	0	4
80	MP3C	Z	-8.886	4
81	MP3C	Mx	.003	4
82	MP3A	X	0	1
83	MP3A	Z	-11.966	1
84	MP3A	Mx	.009	1
85	MP3A	X	0	4
86	MP3A	Z	-11.966	4
87	MP3A	Mx	.009	4
88	MP3B	X	0	1
89	MP3B	Z	-8.886	1
90	MP3B	Mx	-.003	1
91	MP3B	X	0	4
92	MP3B	Z	-8.886	4
93	MP3B	Mx	-.003	4
94	MP3C	X	0	1
95	MP3C	Z	-8.886	1
96	MP3C	Mx	-.003	1
97	MP3C	X	0	4
98	MP3C	Z	-8.886	4
99	MP3C	Mx	-.003	4
100	OVP	X	0	2
101	OVP	Z	-10.666	2
102	OVP	Mx	0	2

Member Point Loads (BLC 28 : Antenna Wm (30 Deg))

	Member Label	Direction	Magnitude[lb.k-ft]	Location[ft,%]
1	MP1A	X	4.411	1
2	MP1A	Z	-7.641	1
3	MP1A	Mx	-.003	1
4	MP1A	X	4.411	4
5	MP1A	Z	-7.641	4
6	MP1A	Mx	-.003	4
7	MP1B	X	2.731	1
8	MP1B	Z	-4.73	1
9	MP1B	Mx	.003	1
10	MP1B	X	2.731	4
11	MP1B	Z	-4.73	4
12	MP1B	Mx	.003	4
13	MP1C	X	4.411	1
14	MP1C	Z	-7.641	1
15	MP1C	Mx	-.003	1
16	MP1C	X	4.411	4



Company :
 Designer :
 Job Number :
 Model Name :

June 7, 2021
 4:16 PM
 Checked By: _____

Member Point Loads (BLC 28 : Antenna Wm (30 Deg)) (Continued)

	Member Label	Direction	Magnitude[lb.k-ft]	Location[ft,%]
17	MP1C	Z	-7.641	4
18	MP1C	Mx	-0.003	4
19	MP4A	X	2.617	1.7
20	MP4A	Z	-4.533	1.7
21	MP4A	Mx	-0.002	1.7
22	MP4A	X	2.617	2.7
23	MP4A	Z	-4.533	2.7
24	MP4A	Mx	-0.002	2.7
25	MP4B	X	1.208	1.7
26	MP4B	Z	-2.093	1.7
27	MP4B	Mx	.001	1.7
28	MP4B	X	1.208	2.7
29	MP4B	Z	-2.093	2.7
30	MP4B	Mx	.001	2.7
31	MP4C	X	2.617	1.7
32	MP4C	Z	-4.533	1.7
33	MP4C	Mx	-0.002	1.7
34	MP4C	X	2.617	2.7
35	MP4C	Z	-4.533	2.7
36	MP4C	Mx	-0.002	2.7
37	MP3A	X	.449	3.5
38	MP3A	Z	-.777	3.5
39	MP3A	Mx	.000262	3.5
40	MP3B	X	.336	3.5
41	MP3B	Z	-.582	3.5
42	MP3B	Mx	-.000392	3.5
43	MP3C	X	.449	3.5
44	MP3C	Z	-.777	3.5
45	MP3C	Mx	.000262	3.5
46	MP2A	X	2.253	3.2
47	MP2A	Z	-3.902	3.2
48	MP2A	Mx	.001	3.2
49	MP2B	X	1.642	3.2
50	MP2B	Z	-2.844	3.2
51	MP2B	Mx	-0.002	3.2
52	MP2C	X	2.253	3.2
53	MP2C	Z	-3.902	3.2
54	MP2C	Mx	.001	3.2
55	MP3A	X	2.175	1.5
56	MP3A	Z	-3.767	1.5
57	MP3A	Mx	.001	1.5
58	MP3B	X	1.33	1.5
59	MP3B	Z	-2.303	1.5
60	MP3B	Mx	-0.002	1.5
61	MP3C	X	2.175	1.5
62	MP3C	Z	-3.767	1.5
63	MP3C	Mx	.001	1.5
64	MP3A	X	5.47	1
65	MP3A	Z	-9.474	1
66	MP3A	Mx	-0.007	1
67	MP3A	X	5.47	4
68	MP3A	Z	-9.474	4
69	MP3A	Mx	-0.007	4
70	MP3B	X	3.93	1
71	MP3B	Z	-6.806	1
72	MP3B	Mx	0	1
73	MP3B	X	3.93	4



Company :
 Designer :
 Job Number :
 Model Name :

June 7, 2021
 4:16 PM
 Checked By: _____

Member Point Loads (BLC 28 : Antenna Wm (30 Deg)) (Continued)

	Member Label	Direction	Magnitude[lb.k-ft]	Location[ft,%]
74	MP3B	Z	-6.806	4
75	MP3B	Mx	0	4
76	MP3C	X	5.47	1
77	MP3C	Z	-9.474	1
78	MP3C	Mx	.007	1
79	MP3C	X	5.47	4
80	MP3C	Z	-9.474	4
81	MP3C	Mx	.007	4
82	MP3A	X	5.47	1
83	MP3A	Z	-9.474	1
84	MP3A	Mx	.007	1
85	MP3A	X	5.47	4
86	MP3A	Z	-9.474	4
87	MP3A	Mx	.007	4
88	MP3B	X	3.93	1
89	MP3B	Z	-6.806	1
90	MP3B	Mx	0	1
91	MP3B	X	3.93	4
92	MP3B	Z	-6.806	4
93	MP3B	Mx	0	4
94	MP3C	X	5.47	1
95	MP3C	Z	-9.474	1
96	MP3C	Mx	-.007	1
97	MP3C	X	5.47	4
98	MP3C	Z	-9.474	4
99	MP3C	Mx	-.007	4
100	OVP	X	5.017	2
101	OVP	Z	-8.689	2
102	OVP	Mx	0	2

Member Point Loads (BLC 29 : Antenna Wm (60 Deg))

	Member Label	Direction	Magnitude[lb.k-ft]	Location[ft,%]
1	MP1A	X	5.7	1
2	MP1A	Z	-3.291	1
3	MP1A	Mx	-.003	1
4	MP1A	X	5.7	4
5	MP1A	Z	-3.291	4
6	MP1A	Mx	-.003	4
7	MP1B	X	5.7	1
8	MP1B	Z	-3.291	1
9	MP1B	Mx	.003	1
10	MP1B	X	5.7	4
11	MP1B	Z	-3.291	4
12	MP1B	Mx	.003	4
13	MP1C	X	8.611	1
14	MP1C	Z	-4.972	1
15	MP1C	Mx	0	1
16	MP1C	X	8.611	4
17	MP1C	Z	-4.972	4
18	MP1C	Mx	0	4
19	MP4A	X	2.906	1.7
20	MP4A	Z	-1.678	1.7
21	MP4A	Mx	-.002	1.7
22	MP4A	X	2.906	2.7
23	MP4A	Z	-1.678	2.7
24	MP4A	Mx	-.002	2.7



Company :
 Designer :
 Job Number :
 Model Name :

June 7, 2021
 4:16 PM
 Checked By: _____

Member Point Loads (BLC 29 : Antenna Wm (60 Deg)) (Continued)

	Member Label	Direction	Magnitude[lb.k-ft]	Location[ft,%]
25	MP4B	X	2.906	1.7
26	MP4B	Z	-1.678	1.7
27	MP4B	Mx	.002	1.7
28	MP4B	X	2.906	2.7
29	MP4B	Z	-1.678	2.7
30	MP4B	Mx	.002	2.7
31	MP4C	X	5.346	1.7
32	MP4C	Z	-3.087	1.7
33	MP4C	Mx	0	1.7
34	MP4C	X	5.346	2.7
35	MP4C	Z	-3.087	2.7
36	MP4C	Mx	0	2.7
37	MP3A	X	.647	3.5
38	MP3A	Z	-.374	3.5
39	MP3A	Mx	.000377	3.5
40	MP3B	X	.647	3.5
41	MP3B	Z	-.374	3.5
42	MP3B	Mx	-.000378	3.5
43	MP3C	X	.842	3.5
44	MP3C	Z	-.486	3.5
45	MP3C	Mx	0	3.5
46	MP2A	X	3.196	3.2
47	MP2A	Z	-1.845	3.2
48	MP2A	Mx	.002	3.2
49	MP2B	X	3.196	3.2
50	MP2B	Z	-1.845	3.2
51	MP2B	Mx	-.002	3.2
52	MP2C	X	4.254	3.2
53	MP2C	Z	-2.456	3.2
54	MP2C	Mx	0	3.2
55	MP3A	X	2.791	1.5
56	MP3A	Z	-1.611	1.5
57	MP3A	Mx	.002	1.5
58	MP3B	X	2.791	1.5
59	MP3B	Z	-1.611	1.5
60	MP3B	Mx	-.002	1.5
61	MP3C	X	4.254	1.5
62	MP3C	Z	-2.456	1.5
63	MP3C	Mx	0	1.5
64	MP3A	X	7.695	1
65	MP3A	Z	-4.443	1
66	MP3A	Mx	-.003	1
67	MP3A	X	7.695	4
68	MP3A	Z	-4.443	4
69	MP3A	Mx	-.003	4
70	MP3B	X	7.695	1
71	MP3B	Z	-4.443	1
72	MP3B	Mx	-.003	1
73	MP3B	X	7.695	4
74	MP3B	Z	-4.443	4
75	MP3B	Mx	-.003	4
76	MP3C	X	10.363	1
77	MP3C	Z	-5.983	1
78	MP3C	Mx	.009	1
79	MP3C	X	10.363	4
80	MP3C	Z	-5.983	4
81	MP3C	Mx	.009	4



Company :
 Designer :
 Job Number :
 Model Name :

June 7, 2021
 4:16 PM
 Checked By: _____

Member Point Loads (BLC 29 : Antenna Wm (60 Deg)) (Continued)

	Member Label	Direction	Magnitude[lb.k-ft]	Location[ft,%]
82	MP3A	X	7.695	1
83	MP3A	Z	-4.443	1
84	MP3A	Mx	.003	1
85	MP3A	X	7.695	4
86	MP3A	Z	-4.443	4
87	MP3A	Mx	.003	4
88	MP3B	X	7.695	1
89	MP3B	Z	-4.443	1
90	MP3B	Mx	.003	1
91	MP3B	X	7.695	4
92	MP3B	Z	-4.443	4
93	MP3B	Mx	.003	4
94	MP3C	X	10.363	1
95	MP3C	Z	-5.983	1
96	MP3C	Mx	-.009	1
97	MP3C	X	10.363	4
98	MP3C	Z	-5.983	4
99	MP3C	Mx	-.009	4
100	OVP	X	7.594	2
101	OVP	Z	-4.385	2
102	OVP	Mx	0	2

Member Point Loads (BLC 30 : Antenna Wm (90 Deg))

	Member Label	Direction	Magnitude[lb.k-ft]	Location[ft,%]
1	MP1A	X	5.462	1
2	MP1A	Z	0	1
3	MP1A	Mx	-.003	1
4	MP1A	X	5.462	4
5	MP1A	Z	0	4
6	MP1A	Mx	-.003	4
7	MP1B	X	8.823	1
8	MP1B	Z	0	1
9	MP1B	Mx	.003	1
10	MP1B	X	8.823	4
11	MP1B	Z	0	4
12	MP1B	Mx	.003	4
13	MP1C	X	8.823	1
14	MP1C	Z	0	1
15	MP1C	Mx	.003	1
16	MP1C	X	8.823	4
17	MP1C	Z	0	4
18	MP1C	Mx	.003	4
19	MP4A	X	2.417	1.7
20	MP4A	Z	0	1.7
21	MP4A	Mx	-.001	1.7
22	MP4A	X	2.417	2.7
23	MP4A	Z	0	2.7
24	MP4A	Mx	-.001	2.7
25	MP4B	X	5.234	1.7
26	MP4B	Z	0	1.7
27	MP4B	Mx	.002	1.7
28	MP4B	X	5.234	2.7
29	MP4B	Z	0	2.7
30	MP4B	Mx	.002	2.7
31	MP4C	X	5.234	1.7
32	MP4C	Z	0	1.7



Company :
 Designer :
 Job Number :
 Model Name :

June 7, 2021
 4:16 PM
 Checked By: _____

Member Point Loads (BLC 30 : Antenna Wm (90 Deg)) (Continued)

	Member Label	Direction	Magnitude[lb.k-ft]	Location[ft,%]
33	MP4C	Mx	.002	1.7
34	MP4C	X	5.234	2.7
35	MP4C	Z	0	2.7
36	MP4C	Mx	.002	2.7
37	MP3A	X	.673	3.5
38	MP3A	Z	0	3.5
39	MP3A	Mx	.000393	3.5
40	MP3B	X	.897	3.5
41	MP3B	Z	0	3.5
42	MP3B	Mx	-.000262	3.5
43	MP3C	X	.897	3.5
44	MP3C	Z	0	3.5
45	MP3C	Mx	-.000262	3.5
46	MP2A	X	3.284	3.2
47	MP2A	Z	0	3.2
48	MP2A	Mx	.002	3.2
49	MP2B	X	4.505	3.2
50	MP2B	Z	0	3.2
51	MP2B	Mx	-.001	3.2
52	MP2C	X	4.505	3.2
53	MP2C	Z	0	3.2
54	MP2C	Mx	-.001	3.2
55	MP3A	X	2.66	1.5
56	MP3A	Z	0	1.5
57	MP3A	Mx	.002	1.5
58	MP3B	X	4.349	1.5
59	MP3B	Z	0	1.5
60	MP3B	Mx	-.001	1.5
61	MP3C	X	4.349	1.5
62	MP3C	Z	0	1.5
63	MP3C	Mx	-.001	1.5
64	MP3A	X	7.859	1
65	MP3A	Z	0	1
66	MP3A	Mx	0	1
67	MP3A	X	7.859	4
68	MP3A	Z	0	4
69	MP3A	Mx	0	4
70	MP3B	X	10.939	1
71	MP3B	Z	0	1
72	MP3B	Mx	-.007	1
73	MP3B	X	10.939	4
74	MP3B	Z	0	4
75	MP3B	Mx	-.007	4
76	MP3C	X	10.939	1
77	MP3C	Z	0	1
78	MP3C	Mx	.007	1
79	MP3C	X	10.939	4
80	MP3C	Z	0	4
81	MP3C	Mx	.007	4
82	MP3A	X	7.859	1
83	MP3A	Z	0	1
84	MP3A	Mx	0	1
85	MP3A	X	7.859	4
86	MP3A	Z	0	4
87	MP3A	Mx	0	4
88	MP3B	X	10.939	1
89	MP3B	Z	0	1



Company :
 Designer :
 Job Number :
 Model Name :

June 7, 2021
 4:16 PM
 Checked By: _____

Member Point Loads (BLC 30 : Antenna Wm (90 Deg)) (Continued)

	Member Label	Direction	Magnitude[lb.k-ft]	Location[ft,%]
90	MP3B	Mx	.007	1
91	MP3B	X	10.939	4
92	MP3B	Z	0	4
93	MP3B	Mx	.007	4
94	MP3C	X	10.939	1
95	MP3C	Z	0	1
96	MP3C	Mx	-.007	1
97	MP3C	X	10.939	4
98	MP3C	Z	0	4
99	MP3C	Mx	-.007	4
100	OVP	X	8.137	2
101	OVP	Z	0	2
102	OVP	Mx	0	2

Member Point Loads (BLC 31 : Antenna Wm (120 Deg))

	Member Label	Direction	Magnitude[lb.k-ft]	Location[ft,%]
1	MP1A	X	5.7	1
2	MP1A	Z	3.291	1
3	MP1A	Mx	-.003	1
4	MP1A	X	5.7	4
5	MP1A	Z	3.291	4
6	MP1A	Mx	-.003	4
7	MP1B	X	8.611	1
8	MP1B	Z	4.972	1
9	MP1B	Mx	0	1
10	MP1B	X	8.611	4
11	MP1B	Z	4.972	4
12	MP1B	Mx	0	4
13	MP1C	X	5.7	1
14	MP1C	Z	3.291	1
15	MP1C	Mx	.003	1
16	MP1C	X	5.7	4
17	MP1C	Z	3.291	4
18	MP1C	Mx	.003	4
19	MP4A	X	2.906	1.7
20	MP4A	Z	1.678	1.7
21	MP4A	Mx	-.002	1.7
22	MP4A	X	2.906	2.7
23	MP4A	Z	1.678	2.7
24	MP4A	Mx	-.002	2.7
25	MP4B	X	5.346	1.7
26	MP4B	Z	3.087	1.7
27	MP4B	Mx	0	1.7
28	MP4B	X	5.346	2.7
29	MP4B	Z	3.087	2.7
30	MP4B	Mx	0	2.7
31	MP4C	X	2.906	1.7
32	MP4C	Z	1.678	1.7
33	MP4C	Mx	.002	1.7
34	MP4C	X	2.906	2.7
35	MP4C	Z	1.678	2.7
36	MP4C	Mx	.002	2.7
37	MP3A	X	.647	3.5
38	MP3A	Z	.374	3.5
39	MP3A	Mx	.000377	3.5
40	MP3B	X	.842	3.5

Member Point Loads (BLC 31 : Antenna Wm (120 Deg)) (Continued)

	Member Label	Direction	Magnitude[lb.k-ft]	Location[ft,%]
41	MP3B	Z	.486	3.5
42	MP3B	Mx	0	3.5
43	MP3C	X	.647	3.5
44	MP3C	Z	.374	3.5
45	MP3C	Mx	-.000378	3.5
46	MP2A	X	3.196	3.2
47	MP2A	Z	1.845	3.2
48	MP2A	Mx	.002	3.2
49	MP2B	X	4.254	3.2
50	MP2B	Z	2.456	3.2
51	MP2B	Mx	0	3.2
52	MP2C	X	3.196	3.2
53	MP2C	Z	1.845	3.2
54	MP2C	Mx	-.002	3.2
55	MP3A	X	2.791	1.5
56	MP3A	Z	1.611	1.5
57	MP3A	Mx	.002	1.5
58	MP3B	X	4.254	1.5
59	MP3B	Z	2.456	1.5
60	MP3B	Mx	0	1.5
61	MP3C	X	2.791	1.5
62	MP3C	Z	1.611	1.5
63	MP3C	Mx	-.002	1.5
64	MP3A	X	7.695	1
65	MP3A	Z	4.443	1
66	MP3A	Mx	.003	1
67	MP3A	X	7.695	4
68	MP3A	Z	4.443	4
69	MP3A	Mx	.003	4
70	MP3B	X	10.363	1
71	MP3B	Z	5.983	1
72	MP3B	Mx	-.009	1
73	MP3B	X	10.363	4
74	MP3B	Z	5.983	4
75	MP3B	Mx	-.009	4
76	MP3C	X	7.695	1
77	MP3C	Z	4.443	1
78	MP3C	Mx	.003	1
79	MP3C	X	7.695	4
80	MP3C	Z	4.443	4
81	MP3C	Mx	.003	4
82	MP3A	X	7.695	1
83	MP3A	Z	4.443	1
84	MP3A	Mx	-.003	1
85	MP3A	X	7.695	4
86	MP3A	Z	4.443	4
87	MP3A	Mx	-.003	4
88	MP3B	X	10.363	1
89	MP3B	Z	5.983	1
90	MP3B	Mx	.009	1
91	MP3B	X	10.363	4
92	MP3B	Z	5.983	4
93	MP3B	Mx	.009	4
94	MP3C	X	7.695	1
95	MP3C	Z	4.443	1
96	MP3C	Mx	-.003	1
97	MP3C	X	7.695	4



Company :
 Designer :
 Job Number :
 Model Name :

June 7, 2021
 4:16 PM
 Checked By: _____

Member Point Loads (BLC 31 : Antenna Wm (120 Deg)) (Continued)

	Member Label	Direction	Magnitude[lb.k-ft]	Location[ft,%]
98	MP3C	Z	4.443	4
99	MP3C	Mx	-0.003	4
100	OVP	X	7.594	2
101	OVP	Z	4.385	2
102	OVP	Mx	0	2

Member Point Loads (BLC 32 : Antenna Wm (150 Deg))

	Member Label	Direction	Magnitude[lb.k-ft]	Location[ft,%]
1	MP1A	X	4.411	1
2	MP1A	Z	7.641	1
3	MP1A	Mx	-0.003	1
4	MP1A	X	4.411	4
5	MP1A	Z	7.641	4
6	MP1A	Mx	-0.003	4
7	MP1B	X	4.411	1
8	MP1B	Z	7.641	1
9	MP1B	Mx	-0.003	1
10	MP1B	X	4.411	4
11	MP1B	Z	7.641	4
12	MP1B	Mx	-0.003	4
13	MP1C	X	2.731	1
14	MP1C	Z	4.73	1
15	MP1C	Mx	.003	1
16	MP1C	X	2.731	4
17	MP1C	Z	4.73	4
18	MP1C	Mx	.003	4
19	MP4A	X	2.617	1.7
20	MP4A	Z	4.533	1.7
21	MP4A	Mx	-0.002	1.7
22	MP4A	X	2.617	2.7
23	MP4A	Z	4.533	2.7
24	MP4A	Mx	-0.002	2.7
25	MP4B	X	2.617	1.7
26	MP4B	Z	4.533	1.7
27	MP4B	Mx	-0.002	1.7
28	MP4B	X	2.617	2.7
29	MP4B	Z	4.533	2.7
30	MP4B	Mx	-0.002	2.7
31	MP4C	X	1.208	1.7
32	MP4C	Z	2.093	1.7
33	MP4C	Mx	.001	1.7
34	MP4C	X	1.208	2.7
35	MP4C	Z	2.093	2.7
36	MP4C	Mx	.001	2.7
37	MP3A	X	.449	3.5
38	MP3A	Z	.777	3.5
39	MP3A	Mx	.000262	3.5
40	MP3B	X	.449	3.5
41	MP3B	Z	.777	3.5
42	MP3B	Mx	.000262	3.5
43	MP3C	X	.336	3.5
44	MP3C	Z	.582	3.5
45	MP3C	Mx	-.000392	3.5
46	MP2A	X	2.253	3.2
47	MP2A	Z	3.902	3.2
48	MP2A	Mx	.001	3.2



Company :
 Designer :
 Job Number :
 Model Name :

June 7, 2021
 4:16 PM
 Checked By: _____

Member Point Loads (BLC 32 : Antenna Wm (150 Deg)) (Continued)

	Member Label	Direction	Magnitude[lb.k-ft]	Location[ft,%]
49	MP2B	X	2.253	3.2
50	MP2B	Z	3.902	3.2
51	MP2B	Mx	.001	3.2
52	MP2C	X	1.642	3.2
53	MP2C	Z	2.844	3.2
54	MP2C	Mx	-.002	3.2
55	MP3A	X	2.175	1.5
56	MP3A	Z	3.767	1.5
57	MP3A	Mx	.001	1.5
58	MP3B	X	2.175	1.5
59	MP3B	Z	3.767	1.5
60	MP3B	Mx	.001	1.5
61	MP3C	X	1.33	1.5
62	MP3C	Z	2.303	1.5
63	MP3C	Mx	-.002	1.5
64	MP3A	X	5.47	1
65	MP3A	Z	9.474	1
66	MP3A	Mx	.007	1
67	MP3A	X	5.47	4
68	MP3A	Z	9.474	4
69	MP3A	Mx	.007	4
70	MP3B	X	5.47	1
71	MP3B	Z	9.474	1
72	MP3B	Mx	-.007	1
73	MP3B	X	5.47	4
74	MP3B	Z	9.474	4
75	MP3B	Mx	-.007	4
76	MP3C	X	3.93	1
77	MP3C	Z	6.806	1
78	MP3C	Mx	0	1
79	MP3C	X	3.93	4
80	MP3C	Z	6.806	4
81	MP3C	Mx	0	4
82	MP3A	X	5.47	1
83	MP3A	Z	9.474	1
84	MP3A	Mx	-.007	1
85	MP3A	X	5.47	4
86	MP3A	Z	9.474	4
87	MP3A	Mx	-.007	4
88	MP3B	X	5.47	1
89	MP3B	Z	9.474	1
90	MP3B	Mx	.007	1
91	MP3B	X	5.47	4
92	MP3B	Z	9.474	4
93	MP3B	Mx	.007	4
94	MP3C	X	3.93	1
95	MP3C	Z	6.806	1
96	MP3C	Mx	0	1
97	MP3C	X	3.93	4
98	MP3C	Z	6.806	4
99	MP3C	Mx	0	4
100	OVP	X	5.017	2
101	OVP	Z	8.689	2
102	OVP	Mx	0	2

Member Point Loads (BLC 33 : Antenna Wm (180 Deg))

	Member Label	Direction	Magnitude[lb.k-ft]	Location[ft,%]
--	--------------	-----------	--------------------	----------------



Company :
 Designer :
 Job Number :
 Model Name :

June 7, 2021
 4:16 PM
 Checked By: _____

Member Point Loads (BLC 33 : Antenna Wm (180 Deg)) (Continued)

	Member Label	Direction	Magnitude[lb.k-ft]	Location[ft,%]
1	MP1A	X	0	1
2	MP1A	Z	9.943	1
3	MP1A	Mx	0	1
4	MP1A	X	0	4
5	MP1A	Z	9.943	4
6	MP1A	Mx	0	4
7	MP1B	X	0	1
8	MP1B	Z	6.582	1
9	MP1B	Mx	-.003	1
10	MP1B	X	0	4
11	MP1B	Z	6.582	4
12	MP1B	Mx	-.003	4
13	MP1C	X	0	1
14	MP1C	Z	6.582	1
15	MP1C	Mx	.003	1
16	MP1C	X	0	4
17	MP1C	Z	6.582	4
18	MP1C	Mx	.003	4
19	MP4A	X	0	1.7
20	MP4A	Z	6.173	1.7
21	MP4A	Mx	0	1.7
22	MP4A	X	0	2.7
23	MP4A	Z	6.173	2.7
24	MP4A	Mx	0	2.7
25	MP4B	X	0	1.7
26	MP4B	Z	3.356	1.7
27	MP4B	Mx	-.002	1.7
28	MP4B	X	0	2.7
29	MP4B	Z	3.356	2.7
30	MP4B	Mx	-.002	2.7
31	MP4C	X	0	1.7
32	MP4C	Z	3.356	1.7
33	MP4C	Mx	.002	1.7
34	MP4C	X	0	2.7
35	MP4C	Z	3.356	2.7
36	MP4C	Mx	.002	2.7
37	MP3A	X	0	3.5
38	MP3A	Z	.972	3.5
39	MP3A	Mx	0	3.5
40	MP3B	X	0	3.5
41	MP3B	Z	.747	3.5
42	MP3B	Mx	.000377	3.5
43	MP3C	X	0	3.5
44	MP3C	Z	.747	3.5
45	MP3C	Mx	-.000377	3.5
46	MP2A	X	0	3.2
47	MP2A	Z	4.912	3.2
48	MP2A	Mx	0	3.2
49	MP2B	X	0	3.2
50	MP2B	Z	3.691	3.2
51	MP2B	Mx	.002	3.2
52	MP2C	X	0	3.2
53	MP2C	Z	3.691	3.2
54	MP2C	Mx	-.002	3.2
55	MP3A	X	0	1.5
56	MP3A	Z	4.912	1.5
57	MP3A	Mx	0	1.5



Company :
 Designer :
 Job Number :
 Model Name :

June 7, 2021
 4:16 PM
 Checked By: _____

Member Point Loads (BLC 33 : Antenna Wm (180 Deg)) (Continued)

	Member Label	Direction	Magnitude[lb.k-ft]	Location[ft,%]
58	MP3B	X	0	1.5
59	MP3B	Z	3.223	1.5
60	MP3B	Mx	.002	1.5
61	MP3C	X	0	1.5
62	MP3C	Z	3.223	1.5
63	MP3C	Mx	-.002	1.5
64	MP3A	X	0	1
65	MP3A	Z	11.966	1
66	MP3A	Mx	.009	1
67	MP3A	X	0	4
68	MP3A	Z	11.966	4
69	MP3A	Mx	.009	4
70	MP3B	X	0	1
71	MP3B	Z	8.886	1
72	MP3B	Mx	-.003	1
73	MP3B	X	0	4
74	MP3B	Z	8.886	4
75	MP3B	Mx	-.003	4
76	MP3C	X	0	1
77	MP3C	Z	8.886	1
78	MP3C	Mx	-.003	1
79	MP3C	X	0	4
80	MP3C	Z	8.886	4
81	MP3C	Mx	-.003	4
82	MP3A	X	0	1
83	MP3A	Z	11.966	1
84	MP3A	Mx	-.009	1
85	MP3A	X	0	4
86	MP3A	Z	11.966	4
87	MP3A	Mx	-.009	4
88	MP3B	X	0	1
89	MP3B	Z	8.886	1
90	MP3B	Mx	.003	1
91	MP3B	X	0	4
92	MP3B	Z	8.886	4
93	MP3B	Mx	.003	4
94	MP3C	X	0	1
95	MP3C	Z	8.886	1
96	MP3C	Mx	.003	1
97	MP3C	X	0	4
98	MP3C	Z	8.886	4
99	MP3C	Mx	.003	4
100	OVP	X	0	2
101	OVP	Z	10.666	2
102	OVP	Mx	0	2

Member Point Loads (BLC 34 : Antenna Wm (210 Deg))

	Member Label	Direction	Magnitude[lb.k-ft]	Location[ft,%]
1	MP1A	X	-4.411	1
2	MP1A	Z	7.641	1
3	MP1A	Mx	.003	1
4	MP1A	X	-4.411	4
5	MP1A	Z	7.641	4
6	MP1A	Mx	.003	4
7	MP1B	X	-2.731	1
8	MP1B	Z	4.73	1

Member Point Loads (BLC 34 : Antenna Wm (210 Deg)) (Continued)

	Member Label	Direction	Magnitude[lb.k-ft]	Location[ft,%]
9	MP1B	Mx	-.003	1
10	MP1B	X	-2.731	4
11	MP1B	Z	4.73	4
12	MP1B	Mx	-.003	4
13	MP1C	X	-4.411	1
14	MP1C	Z	7.641	1
15	MP1C	Mx	.003	1
16	MP1C	X	-4.411	4
17	MP1C	Z	7.641	4
18	MP1C	Mx	.003	4
19	MP4A	X	-2.617	1.7
20	MP4A	Z	4.533	1.7
21	MP4A	Mx	.002	1.7
22	MP4A	X	-2.617	2.7
23	MP4A	Z	4.533	2.7
24	MP4A	Mx	.002	2.7
25	MP4B	X	-1.208	1.7
26	MP4B	Z	2.093	1.7
27	MP4B	Mx	-.001	1.7
28	MP4B	X	-1.208	2.7
29	MP4B	Z	2.093	2.7
30	MP4B	Mx	-.001	2.7
31	MP4C	X	-2.617	1.7
32	MP4C	Z	4.533	1.7
33	MP4C	Mx	.002	1.7
34	MP4C	X	-2.617	2.7
35	MP4C	Z	4.533	2.7
36	MP4C	Mx	.002	2.7
37	MP3A	X	-.449	3.5
38	MP3A	Z	.777	3.5
39	MP3A	Mx	-.000262	3.5
40	MP3B	X	-.336	3.5
41	MP3B	Z	.582	3.5
42	MP3B	Mx	.000392	3.5
43	MP3C	X	-.449	3.5
44	MP3C	Z	.777	3.5
45	MP3C	Mx	-.000262	3.5
46	MP2A	X	-2.253	3.2
47	MP2A	Z	3.902	3.2
48	MP2A	Mx	-.001	3.2
49	MP2B	X	-1.642	3.2
50	MP2B	Z	2.844	3.2
51	MP2B	Mx	.002	3.2
52	MP2C	X	-2.253	3.2
53	MP2C	Z	3.902	3.2
54	MP2C	Mx	-.001	3.2
55	MP3A	X	-2.175	1.5
56	MP3A	Z	3.767	1.5
57	MP3A	Mx	-.001	1.5
58	MP3B	X	-1.33	1.5
59	MP3B	Z	2.303	1.5
60	MP3B	Mx	.002	1.5
61	MP3C	X	-2.175	1.5
62	MP3C	Z	3.767	1.5
63	MP3C	Mx	-.001	1.5
64	MP3A	X	-5.47	1
65	MP3A	Z	9.474	1



Company :
 Designer :
 Job Number :
 Model Name :

June 7, 2021
 4:16 PM
 Checked By: _____

Member Point Loads (BLC 34 : Antenna Wm (210 Deg)) (Continued)

	Member Label	Direction	Magnitude[lb.k-ft]	Location[ft,%]
66	MP3A	Mx	.007	1
67	MP3A	X	-5.47	4
68	MP3A	Z	9.474	4
69	MP3A	Mx	.007	4
70	MP3B	X	-3.93	1
71	MP3B	Z	6.806	1
72	MP3B	Mx	0	1
73	MP3B	X	-3.93	4
74	MP3B	Z	6.806	4
75	MP3B	Mx	0	4
76	MP3C	X	-5.47	1
77	MP3C	Z	9.474	1
78	MP3C	Mx	-.007	1
79	MP3C	X	-5.47	4
80	MP3C	Z	9.474	4
81	MP3C	Mx	-.007	4
82	MP3A	X	-5.47	1
83	MP3A	Z	9.474	1
84	MP3A	Mx	-.007	1
85	MP3A	X	-5.47	4
86	MP3A	Z	9.474	4
87	MP3A	Mx	-.007	4
88	MP3B	X	-3.93	1
89	MP3B	Z	6.806	1
90	MP3B	Mx	0	1
91	MP3B	X	-3.93	4
92	MP3B	Z	6.806	4
93	MP3B	Mx	0	4
94	MP3C	X	-5.47	1
95	MP3C	Z	9.474	1
96	MP3C	Mx	.007	1
97	MP3C	X	-5.47	4
98	MP3C	Z	9.474	4
99	MP3C	Mx	.007	4
100	OVP	X	-5.017	2
101	OVP	Z	8.689	2
102	OVP	Mx	0	2

Member Point Loads (BLC 35 : Antenna Wm (240 Deg))

	Member Label	Direction	Magnitude[lb.k-ft]	Location[ft,%]
1	MP1A	X	-5.7	1
2	MP1A	Z	3.291	1
3	MP1A	Mx	.003	1
4	MP1A	X	-5.7	4
5	MP1A	Z	3.291	4
6	MP1A	Mx	.003	4
7	MP1B	X	-5.7	1
8	MP1B	Z	3.291	1
9	MP1B	Mx	-.003	1
10	MP1B	X	-5.7	4
11	MP1B	Z	3.291	4
12	MP1B	Mx	-.003	4
13	MP1C	X	-8.611	1
14	MP1C	Z	4.972	1
15	MP1C	Mx	0	1
16	MP1C	X	-8.611	4

Member Point Loads (BLC 35 : Antenna Wm (240 Deg)) (Continued)

	Member Label	Direction	Magnitude[lb.k-ft]	Location[ft,%]
17	MP1C	Z	4.972	4
18	MP1C	Mx	0	4
19	MP4A	X	-2.906	1.7
20	MP4A	Z	1.678	1.7
21	MP4A	Mx	.002	1.7
22	MP4A	X	-2.906	2.7
23	MP4A	Z	1.678	2.7
24	MP4A	Mx	.002	2.7
25	MP4B	X	-2.906	1.7
26	MP4B	Z	1.678	1.7
27	MP4B	Mx	-.002	1.7
28	MP4B	X	-2.906	2.7
29	MP4B	Z	1.678	2.7
30	MP4B	Mx	-.002	2.7
31	MP4C	X	-5.346	1.7
32	MP4C	Z	3.087	1.7
33	MP4C	Mx	0	1.7
34	MP4C	X	-5.346	2.7
35	MP4C	Z	3.087	2.7
36	MP4C	Mx	0	2.7
37	MP3A	X	-.647	3.5
38	MP3A	Z	.374	3.5
39	MP3A	Mx	-.000377	3.5
40	MP3B	X	-.647	3.5
41	MP3B	Z	.374	3.5
42	MP3B	Mx	.000378	3.5
43	MP3C	X	-.842	3.5
44	MP3C	Z	.486	3.5
45	MP3C	Mx	0	3.5
46	MP2A	X	-3.196	3.2
47	MP2A	Z	1.845	3.2
48	MP2A	Mx	-.002	3.2
49	MP2B	X	-3.196	3.2
50	MP2B	Z	1.845	3.2
51	MP2B	Mx	.002	3.2
52	MP2C	X	-4.254	3.2
53	MP2C	Z	2.456	3.2
54	MP2C	Mx	0	3.2
55	MP3A	X	-2.791	1.5
56	MP3A	Z	1.611	1.5
57	MP3A	Mx	-.002	1.5
58	MP3B	X	-2.791	1.5
59	MP3B	Z	1.611	1.5
60	MP3B	Mx	.002	1.5
61	MP3C	X	-4.254	1.5
62	MP3C	Z	2.456	1.5
63	MP3C	Mx	0	1.5
64	MP3A	X	-7.695	1
65	MP3A	Z	4.443	1
66	MP3A	Mx	.003	1
67	MP3A	X	-7.695	4
68	MP3A	Z	4.443	4
69	MP3A	Mx	.003	4
70	MP3B	X	-7.695	1
71	MP3B	Z	4.443	1
72	MP3B	Mx	.003	1
73	MP3B	X	-7.695	4

Member Point Loads (BLC 35 : Antenna Wm (240 Deg)) (Continued)

	Member Label	Direction	Magnitude[lb.k-ft]	Location[ft.%,]
74	MP3B	Z	4.443	4
75	MP3B	Mx	.003	4
76	MP3C	X	-10.363	1
77	MP3C	Z	5.983	1
78	MP3C	Mx	-.009	1
79	MP3C	X	-10.363	4
80	MP3C	Z	5.983	4
81	MP3C	Mx	-.009	4
82	MP3A	X	-7.695	1
83	MP3A	Z	4.443	1
84	MP3A	Mx	-.003	1
85	MP3A	X	-7.695	4
86	MP3A	Z	4.443	4
87	MP3A	Mx	-.003	4
88	MP3B	X	-7.695	1
89	MP3B	Z	4.443	1
90	MP3B	Mx	-.003	1
91	MP3B	X	-7.695	4
92	MP3B	Z	4.443	4
93	MP3B	Mx	-.003	4
94	MP3C	X	-10.363	1
95	MP3C	Z	5.983	1
96	MP3C	Mx	.009	1
97	MP3C	X	-10.363	4
98	MP3C	Z	5.983	4
99	MP3C	Mx	.009	4
100	OVP	X	-7.594	2
101	OVP	Z	4.385	2
102	OVP	Mx	0	2

Member Point Loads (BLC 36 : Antenna Wm (270 Deg))

	Member Label	Direction	Magnitude[lb.k-ft]	Location[ft.%,]
1	MP1A	X	-5.462	1
2	MP1A	Z	0	1
3	MP1A	Mx	.003	1
4	MP1A	X	-5.462	4
5	MP1A	Z	0	4
6	MP1A	Mx	.003	4
7	MP1B	X	-8.823	1
8	MP1B	Z	0	1
9	MP1B	Mx	-.003	1
10	MP1B	X	-8.823	4
11	MP1B	Z	0	4
12	MP1B	Mx	-.003	4
13	MP1C	X	-8.823	1
14	MP1C	Z	0	1
15	MP1C	Mx	-.003	1
16	MP1C	X	-8.823	4
17	MP1C	Z	0	4
18	MP1C	Mx	-.003	4
19	MP4A	X	-2.417	1.7
20	MP4A	Z	0	1.7
21	MP4A	Mx	.001	1.7
22	MP4A	X	-2.417	2.7
23	MP4A	Z	0	2.7
24	MP4A	Mx	.001	2.7

Member Point Loads (BLC 36 : Antenna Wm (270 Deg)) (Continued)

	Member Label	Direction	Magnitude[lb.k-ft]	Location[ft,%]
25	MP4B	X	-5.234	1.7
26	MP4B	Z	0	1.7
27	MP4B	Mx	-.002	1.7
28	MP4B	X	-5.234	2.7
29	MP4B	Z	0	2.7
30	MP4B	Mx	-.002	2.7
31	MP4C	X	-5.234	1.7
32	MP4C	Z	0	1.7
33	MP4C	Mx	-.002	1.7
34	MP4C	X	-5.234	2.7
35	MP4C	Z	0	2.7
36	MP4C	Mx	-.002	2.7
37	MP3A	X	-.673	3.5
38	MP3A	Z	0	3.5
39	MP3A	Mx	-.000393	3.5
40	MP3B	X	-.897	3.5
41	MP3B	Z	0	3.5
42	MP3B	Mx	.000262	3.5
43	MP3C	X	-.897	3.5
44	MP3C	Z	0	3.5
45	MP3C	Mx	.000262	3.5
46	MP2A	X	-3.284	3.2
47	MP2A	Z	0	3.2
48	MP2A	Mx	-.002	3.2
49	MP2B	X	-4.505	3.2
50	MP2B	Z	0	3.2
51	MP2B	Mx	.001	3.2
52	MP2C	X	-4.505	3.2
53	MP2C	Z	0	3.2
54	MP2C	Mx	.001	3.2
55	MP3A	X	-2.66	1.5
56	MP3A	Z	0	1.5
57	MP3A	Mx	-.002	1.5
58	MP3B	X	-4.349	1.5
59	MP3B	Z	0	1.5
60	MP3B	Mx	.001	1.5
61	MP3C	X	-4.349	1.5
62	MP3C	Z	0	1.5
63	MP3C	Mx	.001	1.5
64	MP3A	X	-7.859	1
65	MP3A	Z	0	1
66	MP3A	Mx	0	1
67	MP3A	X	-7.859	4
68	MP3A	Z	0	4
69	MP3A	Mx	0	4
70	MP3B	X	-10.939	1
71	MP3B	Z	0	1
72	MP3B	Mx	.007	1
73	MP3B	X	-10.939	4
74	MP3B	Z	0	4
75	MP3B	Mx	.007	4
76	MP3C	X	-10.939	1
77	MP3C	Z	0	1
78	MP3C	Mx	-.007	1
79	MP3C	X	-10.939	4
80	MP3C	Z	0	4
81	MP3C	Mx	-.007	4

Member Point Loads (BLC 36 : Antenna Wm (270 Deg)) (Continued)

	Member Label	Direction	Magnitude[lb.k-ft]	Location[ft,%]
82	MP3A	X	-7.859	1
83	MP3A	Z	0	1
84	MP3A	Mx	0	1
85	MP3A	X	-7.859	4
86	MP3A	Z	0	4
87	MP3A	Mx	0	4
88	MP3B	X	-10.939	1
89	MP3B	Z	0	1
90	MP3B	Mx	-.007	1
91	MP3B	X	-10.939	4
92	MP3B	Z	0	4
93	MP3B	Mx	-.007	4
94	MP3C	X	-10.939	1
95	MP3C	Z	0	1
96	MP3C	Mx	.007	1
97	MP3C	X	-10.939	4
98	MP3C	Z	0	4
99	MP3C	Mx	.007	4
100	OVP	X	-8.137	2
101	OVP	Z	0	2
102	OVP	Mx	0	2

Member Point Loads (BLC 37 : Antenna Wm (300 Deg))

	Member Label	Direction	Magnitude[lb.k-ft]	Location[ft,%]
1	MP1A	X	-5.7	1
2	MP1A	Z	-3.291	1
3	MP1A	Mx	.003	1
4	MP1A	X	-5.7	4
5	MP1A	Z	-3.291	4
6	MP1A	Mx	.003	4
7	MP1B	X	-8.611	1
8	MP1B	Z	-4.972	1
9	MP1B	Mx	0	1
10	MP1B	X	-8.611	4
11	MP1B	Z	-4.972	4
12	MP1B	Mx	0	4
13	MP1C	X	-5.7	1
14	MP1C	Z	-3.291	1
15	MP1C	Mx	-.003	1
16	MP1C	X	-5.7	4
17	MP1C	Z	-3.291	4
18	MP1C	Mx	-.003	4
19	MP4A	X	-2.906	1.7
20	MP4A	Z	-1.678	1.7
21	MP4A	Mx	.002	1.7
22	MP4A	X	-2.906	2.7
23	MP4A	Z	-1.678	2.7
24	MP4A	Mx	.002	2.7
25	MP4B	X	-5.346	1.7
26	MP4B	Z	-3.087	1.7
27	MP4B	Mx	0	1.7
28	MP4B	X	-5.346	2.7
29	MP4B	Z	-3.087	2.7
30	MP4B	Mx	0	2.7
31	MP4C	X	-2.906	1.7
32	MP4C	Z	-1.678	1.7



Company :
 Designer :
 Job Number :
 Model Name :

June 7, 2021
 4:16 PM
 Checked By: _____

Member Point Loads (BLC 37 : Antenna Wm (300 Deg)) (Continued)

	Member Label	Direction	Magnitude[lb.k-ft]	Location[ft,%]
33	MP4C	Mx	-.002	1.7
34	MP4C	X	-2.906	2.7
35	MP4C	Z	-1.678	2.7
36	MP4C	Mx	-.002	2.7
37	MP3A	X	-.647	3.5
38	MP3A	Z	-.374	3.5
39	MP3A	Mx	-.000377	3.5
40	MP3B	X	-.842	3.5
41	MP3B	Z	-.486	3.5
42	MP3B	Mx	0	3.5
43	MP3C	X	-.647	3.5
44	MP3C	Z	-.374	3.5
45	MP3C	Mx	.000378	3.5
46	MP2A	X	-3.196	3.2
47	MP2A	Z	-1.845	3.2
48	MP2A	Mx	-.002	3.2
49	MP2B	X	-4.254	3.2
50	MP2B	Z	-2.456	3.2
51	MP2B	Mx	0	3.2
52	MP2C	X	-3.196	3.2
53	MP2C	Z	-1.845	3.2
54	MP2C	Mx	.002	3.2
55	MP3A	X	-2.791	1.5
56	MP3A	Z	-1.611	1.5
57	MP3A	Mx	-.002	1.5
58	MP3B	X	-4.254	1.5
59	MP3B	Z	-2.456	1.5
60	MP3B	Mx	0	1.5
61	MP3C	X	-2.791	1.5
62	MP3C	Z	-1.611	1.5
63	MP3C	Mx	.002	1.5
64	MP3A	X	-7.695	1
65	MP3A	Z	-4.443	1
66	MP3A	Mx	-.003	1
67	MP3A	X	-7.695	4
68	MP3A	Z	-4.443	4
69	MP3A	Mx	-.003	4
70	MP3B	X	-10.363	1
71	MP3B	Z	-5.983	1
72	MP3B	Mx	.009	1
73	MP3B	X	-10.363	4
74	MP3B	Z	-5.983	4
75	MP3B	Mx	.009	4
76	MP3C	X	-7.695	1
77	MP3C	Z	-4.443	1
78	MP3C	Mx	-.003	1
79	MP3C	X	-7.695	4
80	MP3C	Z	-4.443	4
81	MP3C	Mx	-.003	4
82	MP3A	X	-7.695	1
83	MP3A	Z	-4.443	1
84	MP3A	Mx	.003	1
85	MP3A	X	-7.695	4
86	MP3A	Z	-4.443	4
87	MP3A	Mx	.003	4
88	MP3B	X	-10.363	1
89	MP3B	Z	-5.983	1



Company :
 Designer :
 Job Number :
 Model Name :

June 7, 2021
 4:16 PM
 Checked By: _____

Member Point Loads (BLC 37 : Antenna Wm (300 Deg)) (Continued)

	Member Label	Direction	Magnitude[lb.k-ft]	Location[ft,%]
90	MP3B	Mx	-0.009	1
91	MP3B	X	-10.363	4
92	MP3B	Z	-5.983	4
93	MP3B	Mx	-0.009	4
94	MP3C	X	-7.695	1
95	MP3C	Z	-4.443	1
96	MP3C	Mx	.003	1
97	MP3C	X	-7.695	4
98	MP3C	Z	-4.443	4
99	MP3C	Mx	.003	4
100	OVP	X	-7.594	2
101	OVP	Z	-4.385	2
102	OVP	Mx	0	2

Member Point Loads (BLC 38 : Antenna Wm (330 Deg))

	Member Label	Direction	Magnitude[lb.k-ft]	Location[ft,%]
1	MP1A	X	-4.411	1
2	MP1A	Z	-7.641	1
3	MP1A	Mx	.003	1
4	MP1A	X	-4.411	4
5	MP1A	Z	-7.641	4
6	MP1A	Mx	.003	4
7	MP1B	X	-4.411	1
8	MP1B	Z	-7.641	1
9	MP1B	Mx	.003	1
10	MP1B	X	-4.411	4
11	MP1B	Z	-7.641	4
12	MP1B	Mx	.003	4
13	MP1C	X	-2.731	1
14	MP1C	Z	-4.73	1
15	MP1C	Mx	-.003	1
16	MP1C	X	-2.731	4
17	MP1C	Z	-4.73	4
18	MP1C	Mx	-.003	4
19	MP4A	X	-2.617	1.7
20	MP4A	Z	-4.533	1.7
21	MP4A	Mx	.002	1.7
22	MP4A	X	-2.617	2.7
23	MP4A	Z	-4.533	2.7
24	MP4A	Mx	.002	2.7
25	MP4B	X	-2.617	1.7
26	MP4B	Z	-4.533	1.7
27	MP4B	Mx	.002	1.7
28	MP4B	X	-2.617	2.7
29	MP4B	Z	-4.533	2.7
30	MP4B	Mx	.002	2.7
31	MP4C	X	-1.208	1.7
32	MP4C	Z	-2.093	1.7
33	MP4C	Mx	-.001	1.7
34	MP4C	X	-1.208	2.7
35	MP4C	Z	-2.093	2.7
36	MP4C	Mx	-.001	2.7
37	MP3A	X	-.449	3.5
38	MP3A	Z	-.777	3.5
39	MP3A	Mx	-.000262	3.5
40	MP3B	X	-.449	3.5

Member Point Loads (BLC 38 : Antenna Wm (330 Deg)) (Continued)

	Member Label	Direction	Magnitude[lb.k-ft]	Location[ft,%]
41	MP3B	Z	-.777	3.5
42	MP3B	Mx	-.000262	3.5
43	MP3C	X	-.336	3.5
44	MP3C	Z	-.582	3.5
45	MP3C	Mx	.000392	3.5
46	MP2A	X	-2.253	3.2
47	MP2A	Z	-3.902	3.2
48	MP2A	Mx	-.001	3.2
49	MP2B	X	-2.253	3.2
50	MP2B	Z	-3.902	3.2
51	MP2B	Mx	-.001	3.2
52	MP2C	X	-1.642	3.2
53	MP2C	Z	-2.844	3.2
54	MP2C	Mx	.002	3.2
55	MP3A	X	-2.175	1.5
56	MP3A	Z	-3.767	1.5
57	MP3A	Mx	-.001	1.5
58	MP3B	X	-2.175	1.5
59	MP3B	Z	-3.767	1.5
60	MP3B	Mx	-.001	1.5
61	MP3C	X	-1.33	1.5
62	MP3C	Z	-2.303	1.5
63	MP3C	Mx	.002	1.5
64	MP3A	X	-5.47	1
65	MP3A	Z	-9.474	1
66	MP3A	Mx	-.007	1
67	MP3A	X	-5.47	4
68	MP3A	Z	-9.474	4
69	MP3A	Mx	-.007	4
70	MP3B	X	-5.47	1
71	MP3B	Z	-9.474	1
72	MP3B	Mx	.007	1
73	MP3B	X	-5.47	4
74	MP3B	Z	-9.474	4
75	MP3B	Mx	.007	4
76	MP3C	X	-3.93	1
77	MP3C	Z	-6.806	1
78	MP3C	Mx	0	1
79	MP3C	X	-3.93	4
80	MP3C	Z	-6.806	4
81	MP3C	Mx	0	4
82	MP3A	X	-5.47	1
83	MP3A	Z	-9.474	1
84	MP3A	Mx	.007	1
85	MP3A	X	-5.47	4
86	MP3A	Z	-9.474	4
87	MP3A	Mx	.007	4
88	MP3B	X	-5.47	1
89	MP3B	Z	-9.474	1
90	MP3B	Mx	-.007	1
91	MP3B	X	-5.47	4
92	MP3B	Z	-9.474	4
93	MP3B	Mx	-.007	4
94	MP3C	X	-3.93	1
95	MP3C	Z	-6.806	1
96	MP3C	Mx	0	1
97	MP3C	X	-3.93	4



Company :
 Designer :
 Job Number :
 Model Name :

June 7, 2021
 4:16 PM
 Checked By: _____

Member Point Loads (BLC 38 : Antenna Wm (330 Deg)) (Continued)

	Member Label	Direction	Magnitude[lb.k-ft]	Location[ft,%]
98	MP3C	Z	-6.806	4
99	MP3C	Mx	0	4
100	OVP	X	-5.017	2
101	OVP	Z	-8.689	2
102	OVP	Mx	0	2

Member Point Loads (BLC 77 : Lm1)

	Member Label	Direction	Magnitude[lb.k-ft]	Location[ft,%]
1	M1	Y	-500	%51

Member Point Loads (BLC 78 : Lm2)

	Member Label	Direction	Magnitude[lb.k-ft]	Location[ft,%]
1	M1	Y	-500	%82

Member Point Loads (BLC 79 : Lv1)

	Member Label	Direction	Magnitude[lb.k-ft]	Location[ft,%]
1	M1	Y	-250	%50

Member Point Loads (BLC 80 : Lv2)

	Member Label	Direction	Magnitude[lb.k-ft]	Location[ft,%]
1	M1	Y	-250	0

Member Distributed Loads (BLC 40 : Structure Di)

	Member Label	Direction	Start Magnitude[lb/ft,...	End Magnitude[lb/ft,F...	Start Location[ft,%]	End Location[ft,%]
1	M1	Y	-6.502	-6.502	0	%100
2	M4	Y	-9.52	-9.52	0	%100
3	M10	Y	-9.52	-9.52	0	%100
4	MP3A	Y	-4.927	-4.927	0	%100
5	MP4A	Y	-4.927	-4.927	0	%100
6	MP2A	Y	-4.927	-4.927	0	%100
7	MP1A	Y	-4.927	-4.927	0	%100
8	M43	Y	-9.52	-9.52	0	%100
9	M46	Y	-10.029	-10.029	0	%100
10	M51B	Y	-5.562	-5.562	0	%100
11	M52B	Y	-5.562	-5.562	0	%100
12	M76	Y	-10.017	-10.017	0	%100
13	M77	Y	-10.017	-10.017	0	%100
14	M80	Y	-10.029	-10.029	0	%100
15	M85	Y	-10.017	-10.017	0	%100
16	M91	Y	-10.029	-10.029	0	%100
17	M52A	Y	-9.52	-9.52	0	%100
18	M53	Y	-9.52	-9.52	0	%100
19	M54	Y	-9.52	-9.52	0	%100
20	M55	Y	-10.029	-10.029	0	%100
21	M58A	Y	-5.562	-5.562	0	%100
22	M59A	Y	-5.562	-5.562	0	%100
23	M64	Y	-10.017	-10.017	0	%100
24	M66	Y	-10.029	-10.029	0	%100
25	M69	Y	-10.017	-10.017	0	%100
26	M71	Y	-10.029	-10.029	0	%100
27	M76A	Y	-9.52	-9.52	0	%100
28	M77A	Y	-9.52	-9.52	0	%100
29	M78	Y	-9.52	-9.52	0	%100



Company :
 Designer :
 Job Number :
 Model Name :

June 7, 2021
 4:16 PM
 Checked By: _____

Member Distributed Loads (BLC 40 : Structure Di) (Continued)

Member Label	Direction	Start Magnitude[lb/ft,...	End Magnitude[lb/ft,F...	Start Location[ft, %]	End Location[ft, %]
30	M79A	Y	-10.029	-10.029	0 %100
31	M82	Y	-5.562	-5.562	0 %100
32	M83A	Y	-5.562	-5.562	0 %100
33	M88A	Y	-10.017	-10.017	0 %100
34	M90	Y	-10.029	-10.029	0 %100
35	M93	Y	-10.017	-10.017	0 %100
36	M95	Y	-10.029	-10.029	0 %100
37	M82A	Y	-6.502	-6.502	0 %100
38	M91B	Y	-6.502	-6.502	0 %100
39	M95B	Y	-10.017	-10.017	0 %100
40	M96A	Y	-10.017	-10.017	0 %100
41	M98A	Y	-10.017	-10.017	0 %100
42	M99A	Y	-10.017	-10.017	0 %100
43	M100	Y	-10.017	-10.017	0 %100
44	MP3C	Y	-4.927	-4.927	0 %100
45	MP4C	Y	-4.927	-4.927	0 %100
46	MP2C	Y	-4.927	-4.927	0 %100
47	MP1C	Y	-4.927	-4.927	0 %100
48	MP3B	Y	-4.927	-4.927	0 %100
49	MP4B	Y	-4.927	-4.927	0 %100
50	MP2B	Y	-4.927	-4.927	0 %100
51	MP1B	Y	-4.927	-4.927	0 %100
52	M104	Y	-4.927	-4.927	0 %100
53	M105	Y	-4.927	-4.927	0 %100
54	M106	Y	-4.927	-4.927	0 %100
55	M107	Y	-4.927	-4.927	0 %100
56	OVP	Y	-4.927	-4.927	0 %100
57	M110	Y	-5.627	-5.627	0 %100
58	M115	Y	-5.627	-5.627	0 %100
59	M120	Y	-5.627	-5.627	0 %100
60	M131	Y	-7.541	-7.541	0 %100
61	M132	Y	-7.541	-7.541	0 %100
62	M133	Y	-7.541	-7.541	0 %100

Member Distributed Loads (BLC 41 : Structure Wo (0 Deg))

Member Label	Direction	Start Magnitude[lb/ft,...	End Magnitude[lb/ft,F...	Start Location[ft, %]	End Location[ft, %]
1	M1	X	0	0	0 %100
2	M1	Z	-14.195	-14.195	0 %100
3	M4	X	0	0	0 %100
4	M4	Z	0	0	0 %100
5	M10	X	0	0	0 %100
6	M10	Z	-12.644	-12.644	0 %100
7	MP3A	X	0	0	0 %100
8	MP3A	Z	-9.983	-9.983	0 %100
9	MP4A	X	0	0	0 %100
10	MP4A	Z	-9.983	-9.983	0 %100
11	MP2A	X	0	0	0 %100
12	MP2A	Z	-9.983	-9.983	0 %100
13	MP1A	X	0	0	0 %100
14	MP1A	Z	-9.983	-9.983	0 %100
15	M43	X	0	0	0 %100
16	M43	Z	-12.644	-12.644	0 %100
17	M46	X	0	0	0 %100
18	M46	Z	-25.219	-25.219	0 %100
19	M51B	X	0	0	0 %100
20	M51B	Z	-3.501	-3.501	0 %100



Company :
 Designer :
 Job Number :
 Model Name :

June 7, 2021
 4:16 PM
 Checked By: _____

Member Distributed Loads (BLC 41 : Structure Wo (0 Deg)) (Continued)

Member Label	Direction	Start Magnitude[lb/ft,...	End Magnitude[lb/ft,F...	Start Location[ft, %]	End Location[ft, %]	
21	M52B	X	0	0	0	%100
22	M52B	Z	-3.501	-3.501	0	%100
23	M76	X	0	0	0	%100
24	M76	Z	0	0	0	%100
25	M77	X	0	0	0	%100
26	M77	Z	-6.422	-6.422	0	%100
27	M80	X	0	0	0	%100
28	M80	Z	-6.764	-6.764	0	%100
29	M85	X	0	0	0	%100
30	M85	Z	-6.422	-6.422	0	%100
31	M91	X	0	0	0	%100
32	M91	Z	-6.764	-6.764	0	%100
33	M52A	X	0	0	0	%100
34	M52A	Z	-11.207	-11.207	0	%100
35	M53	X	0	0	0	%100
36	M53	Z	-3.161	-3.161	0	%100
37	M54	X	0	0	0	%100
38	M54	Z	-3.161	-3.161	0	%100
39	M55	X	0	0	0	%100
40	M55	Z	-6.305	-6.305	0	%100
41	M58A	X	0	0	0	%100
42	M58A	Z	-3.501	-3.501	0	%100
43	M59A	X	0	0	0	%100
44	M59A	Z	-14.004	-14.004	0	%100
45	M64	X	0	0	0	%100
46	M64	Z	-6.422	-6.422	0	%100
47	M66	X	0	0	0	%100
48	M66	Z	-6.764	-6.764	0	%100
49	M69	X	0	0	0	%100
50	M69	Z	-25.686	-25.686	0	%100
51	M71	X	0	0	0	%100
52	M71	Z	-27.055	-27.055	0	%100
53	M76A	X	0	0	0	%100
54	M76A	Z	-11.207	-11.207	0	%100
55	M77A	X	0	0	0	%100
56	M77A	Z	-3.161	-3.161	0	%100
57	M78	X	0	0	0	%100
58	M78	Z	-3.161	-3.161	0	%100
59	M79A	X	0	0	0	%100
60	M79A	Z	-6.305	-6.305	0	%100
61	M82	X	0	0	0	%100
62	M82	Z	-14.004	-14.004	0	%100
63	M83A	X	0	0	0	%100
64	M83A	Z	-3.501	-3.501	0	%100
65	M88A	X	0	0	0	%100
66	M88A	Z	-25.686	-25.686	0	%100
67	M90	X	0	0	0	%100
68	M90	Z	-27.055	-27.055	0	%100
69	M93	X	0	0	0	%100
70	M93	Z	-6.422	-6.422	0	%100
71	M95	X	0	0	0	%100
72	M95	Z	-6.764	-6.764	0	%100
73	M82A	X	0	0	0	%100
74	M82A	Z	-3.549	-3.549	0	%100
75	M91B	X	0	0	0	%100
76	M91B	Z	-3.549	-3.549	0	%100
77	M95B	X	0	0	0	%100

Member Distributed Loads (BLC 41 : Structure Wo (0 Deg)) (Continued)

	Member Label	Direction	Start Magnitude[lb/ft,...	End Magnitude[lb/ft,F...	Start Location[ft, %]	End Location[ft, %]
78	M95B	Z	-18.914	-18.914	0	%100
79	M96A	X	0	0	0	%100
80	M96A	Z	-18.914	-18.914	0	%100
81	M98A	X	0	0	0	%100
82	M98A	Z	0	0	0	%100
83	M99A	X	0	0	0	%100
84	M99A	Z	-18.914	-18.914	0	%100
85	M100	X	0	0	0	%100
86	M100	Z	-18.914	-18.914	0	%100
87	MP3C	X	0	0	0	%100
88	MP3C	Z	-9.983	-9.983	0	%100
89	MP4C	X	0	0	0	%100
90	MP4C	Z	-9.983	-9.983	0	%100
91	MP2C	X	0	0	0	%100
92	MP2C	Z	-9.983	-9.983	0	%100
93	MP1C	X	0	0	0	%100
94	MP1C	Z	-9.983	-9.983	0	%100
95	MP3B	X	0	0	0	%100
96	MP3B	Z	-9.983	-9.983	0	%100
97	MP4B	X	0	0	0	%100
98	MP4B	Z	-9.983	-9.983	0	%100
99	MP2B	X	0	0	0	%100
100	MP2B	Z	-9.983	-9.983	0	%100
101	MP1B	X	0	0	0	%100
102	MP1B	Z	-9.983	-9.983	0	%100
103	M104	X	0	0	0	%100
104	M104	Z	-9.983	-9.983	0	%100
105	M105	X	0	0	0	%100
106	M105	Z	-9.983	-9.983	0	%100
107	M106	X	0	0	0	%100
108	M106	Z	-9.983	-9.983	0	%100
109	M107	X	0	0	0	%100
110	M107	Z	-9.983	-9.983	0	%100
111	OVP	X	0	0	0	%100
112	OVP	Z	-8.007	-8.007	0	%100
113	M110	X	0	0	0	%100
114	M110	Z	-3.021	-3.021	0	%100
115	M115	X	0	0	0	%100
116	M115	Z	-12.084	-12.084	0	%100
117	M120	X	0	0	0	%100
118	M120	Z	-3.021	-3.021	0	%100
119	M131	X	0	0	0	%100
120	M131	Z	-3.356	-3.356	0	%100
121	M132	X	0	0	0	%100
122	M132	Z	-3.356	-3.356	0	%100
123	M133	X	0	0	0	%100
124	M133	Z	-13.424	-13.424	0	%100

Member Distributed Loads (BLC 42 : Structure Wo (30 Deg))

	Member Label	Direction	Start Magnitude[lb/ft,...	End Magnitude[lb/ft,F...	Start Location[ft, %]	End Location[ft, %]
1	M1	X	5.323	5.323	0	%100
2	M1	Z	-9.22	-9.22	0	%100
3	M4	X	1.868	1.868	0	%100
4	M4	Z	-3.235	-3.235	0	%100
5	M10	X	4.741	4.741	0	%100
6	M10	Z	-8.212	-8.212	0	%100

Member Distributed Loads (BLC 42 : Structure Wo (30 Deg)) (Continued)

	Member Label	Direction	Start Magnitude[lb/ft,...	End Magnitude[lb/ft,F...	Start Location[ft, %]	End Location[ft, %]
7	MP3A	X	4.991	4.991	0	%100
8	MP3A	Z	-8.645	-8.645	0	%100
9	MP4A	X	4.991	4.991	0	%100
10	MP4A	Z	-8.645	-8.645	0	%100
11	MP2A	X	4.991	4.991	0	%100
12	MP2A	Z	-8.645	-8.645	0	%100
13	MP1A	X	4.991	4.991	0	%100
14	MP1A	Z	-8.645	-8.645	0	%100
15	M43	X	4.741	4.741	0	%100
16	M43	Z	-8.212	-8.212	0	%100
17	M46	X	9.457	9.457	0	%100
18	M46	Z	-16.38	-16.38	0	%100
19	M51B	X	5.251	5.251	0	%100
20	M51B	Z	-9.096	-9.096	0	%100
21	M52B	X	0	0	0	%100
22	M52B	Z	0	0	0	%100
23	M76	X	3.152	3.152	0	%100
24	M76	Z	-5.46	-5.46	0	%100
25	M77	X	9.632	9.632	0	%100
26	M77	Z	-16.684	-16.684	0	%100
27	M80	X	10.145	10.145	0	%100
28	M80	Z	-17.572	-17.572	0	%100
29	M85	X	0	0	0	%100
30	M85	Z	0	0	0	%100
31	M91	X	0	0	0	%100
32	M91	Z	0	0	0	%100
33	M52A	X	1.868	1.868	0	%100
34	M52A	Z	-3.235	-3.235	0	%100
35	M53	X	4.741	4.741	0	%100
36	M53	Z	-8.212	-8.212	0	%100
37	M54	X	4.741	4.741	0	%100
38	M54	Z	-8.212	-8.212	0	%100
39	M55	X	9.457	9.457	0	%100
40	M55	Z	-16.38	-16.38	0	%100
41	M58A	X	0	0	0	%100
42	M58A	Z	0	0	0	%100
43	M59A	X	5.251	5.251	0	%100
44	M59A	Z	-9.096	-9.096	0	%100
45	M64	X	0	0	0	%100
46	M64	Z	0	0	0	%100
47	M66	X	0	0	0	%100
48	M66	Z	0	0	0	%100
49	M69	X	9.632	9.632	0	%100
50	M69	Z	-16.684	-16.684	0	%100
51	M71	X	10.145	10.145	0	%100
52	M71	Z	-17.572	-17.572	0	%100
53	M76A	X	7.471	7.471	0	%100
54	M76A	Z	-12.94	-12.94	0	%100
55	M77A	X	0	0	0	%100
56	M77A	Z	0	0	0	%100
57	M78	X	0	0	0	%100
58	M78	Z	0	0	0	%100
59	M79A	X	0	0	0	%100
60	M79A	Z	0	0	0	%100
61	M82	X	5.251	5.251	0	%100
62	M82	Z	-9.096	-9.096	0	%100
63	M83A	X	5.251	5.251	0	%100



Company :
 Designer :
 Job Number :
 Model Name :

June 7, 2021
 4:16 PM
 Checked By: _____

Member Distributed Loads (BLC 42 : Structure Wo (30 Deg)) (Continued)

Member Label	Direction	Start Magnitude[lb/ft,...	End Magnitude[lb/ft,F...	Start Location[ft, %]	End Location[ft, %]
64	M83A	Z	-9.096	-9.096	0 %100
65	M88A	X	9.632	9.632	0 %100
66	M88A	Z	-16.684	-16.684	0 %100
67	M90	X	10.145	10.145	0 %100
68	M90	Z	-17.572	-17.572	0 %100
69	M93	X	9.632	9.632	0 %100
70	M93	Z	-16.684	-16.684	0 %100
71	M95	X	10.145	10.145	0 %100
72	M95	Z	-17.572	-17.572	0 %100
73	M82A	X	5.323	5.323	0 %100
74	M82A	Z	-9.22	-9.22	0 %100
75	M91B	X	0	0	0 %100
76	M91B	Z	0	0	0 %100
77	M95B	X	3.152	3.152	0 %100
78	M95B	Z	-5.46	-5.46	0 %100
79	M96A	X	12.61	12.61	0 %100
80	M96A	Z	-21.84	-21.84	0 %100
81	M98A	X	3.152	3.152	0 %100
82	M98A	Z	-5.46	-5.46	0 %100
83	M99A	X	3.152	3.152	0 %100
84	M99A	Z	-5.46	-5.46	0 %100
85	M100	X	12.61	12.61	0 %100
86	M100	Z	-21.84	-21.84	0 %100
87	MP3C	X	4.991	4.991	0 %100
88	MP3C	Z	-8.645	-8.645	0 %100
89	MP4C	X	4.991	4.991	0 %100
90	MP4C	Z	-8.645	-8.645	0 %100
91	MP2C	X	4.991	4.991	0 %100
92	MP2C	Z	-8.645	-8.645	0 %100
93	MP1C	X	4.991	4.991	0 %100
94	MP1C	Z	-8.645	-8.645	0 %100
95	MP3B	X	4.991	4.991	0 %100
96	MP3B	Z	-8.645	-8.645	0 %100
97	MP4B	X	4.991	4.991	0 %100
98	MP4B	Z	-8.645	-8.645	0 %100
99	MP2B	X	4.991	4.991	0 %100
100	MP2B	Z	-8.645	-8.645	0 %100
101	MP1B	X	4.991	4.991	0 %100
102	MP1B	Z	-8.645	-8.645	0 %100
103	M104	X	4.991	4.991	0 %100
104	M104	Z	-8.645	-8.645	0 %100
105	M105	X	4.991	4.991	0 %100
106	M105	Z	-8.645	-8.645	0 %100
107	M106	X	4.991	4.991	0 %100
108	M106	Z	-8.645	-8.645	0 %100
109	M107	X	4.991	4.991	0 %100
110	M107	Z	-8.645	-8.645	0 %100
111	OVP	X	4.004	4.004	0 %100
112	OVP	Z	-6.935	-6.935	0 %100
113	M110	X	0	0	0 %100
114	M110	Z	0	0	0 %100
115	M115	X	4.532	4.532	0 %100
116	M115	Z	-7.849	-7.849	0 %100
117	M120	X	4.532	4.532	0 %100
118	M120	Z	-7.849	-7.849	0 %100
119	M131	X	5.034	5.034	0 %100
120	M131	Z	-8.719	-8.719	0 %100



Company :
 Designer :
 Job Number :
 Model Name :

June 7, 2021
 4:16 PM
 Checked By: _____

Member Distributed Loads (BLC 42 : Structure Wo (30 Deg)) (Continued)

	Member Label	Direction	Start Magnitude[lb/ft,...	End Magnitude[lb/ft,F...	Start Location[ft.%]	End Location[ft.%]
121	M132	X	0	0	0	%100
122	M132	Z	0	0	0	%100
123	M133	X	5.034	5.034	0	%100
124	M133	Z	-8.719	-8.719	0	%100

Member Distributed Loads (BLC 43 : Structure Wo (60 Deg))

	Member Label	Direction	Start Magnitude[lb/ft,...	End Magnitude[lb/ft,F...	Start Location[ft.%]	End Location[ft.%]
1	M1	X	3.073	3.073	0	%100
2	M1	Z	-1.774	-1.774	0	%100
3	M4	X	9.705	9.705	0	%100
4	M4	Z	-5.603	-5.603	0	%100
5	M10	X	2.737	2.737	0	%100
6	M10	Z	-1.58	-1.58	0	%100
7	MP3A	X	8.645	8.645	0	%100
8	MP3A	Z	-4.991	-4.991	0	%100
9	MP4A	X	8.645	8.645	0	%100
10	MP4A	Z	-4.991	-4.991	0	%100
11	MP2A	X	8.645	8.645	0	%100
12	MP2A	Z	-4.991	-4.991	0	%100
13	MP1A	X	8.645	8.645	0	%100
14	MP1A	Z	-4.991	-4.991	0	%100
15	M43	X	2.737	2.737	0	%100
16	M43	Z	-1.58	-1.58	0	%100
17	M46	X	5.46	5.46	0	%100
18	M46	Z	-3.152	-3.152	0	%100
19	M51B	X	12.128	12.128	0	%100
20	M51B	Z	-7.002	-7.002	0	%100
21	M52B	X	3.032	3.032	0	%100
22	M52B	Z	-1.75	-1.75	0	%100
23	M76	X	16.38	16.38	0	%100
24	M76	Z	-9.457	-9.457	0	%100
25	M77	X	22.245	22.245	0	%100
26	M77	Z	-12.843	-12.843	0	%100
27	M80	X	23.43	23.43	0	%100
28	M80	Z	-13.527	-13.527	0	%100
29	M85	X	5.561	5.561	0	%100
30	M85	Z	-3.211	-3.211	0	%100
31	M91	X	5.857	5.857	0	%100
32	M91	Z	-3.382	-3.382	0	%100
33	M52A	X	0	0	0	%100
34	M52A	Z	0	0	0	%100
35	M53	X	10.95	10.95	0	%100
36	M53	Z	-6.322	-6.322	0	%100
37	M54	X	10.95	10.95	0	%100
38	M54	Z	-6.322	-6.322	0	%100
39	M55	X	21.84	21.84	0	%100
40	M55	Z	-12.61	-12.61	0	%100
41	M58A	X	3.032	3.032	0	%100
42	M58A	Z	-1.75	-1.75	0	%100
43	M59A	X	3.032	3.032	0	%100
44	M59A	Z	-1.75	-1.75	0	%100
45	M64	X	5.561	5.561	0	%100
46	M64	Z	-3.211	-3.211	0	%100
47	M66	X	5.857	5.857	0	%100
48	M66	Z	-3.382	-3.382	0	%100
49	M69	X	5.561	5.561	0	%100



Company :
 Designer :
 Job Number :
 Model Name :

June 7, 2021
 4:16 PM
 Checked By: _____

Member Distributed Loads (BLC 43 : Structure Wo (60 Deg)) (Continued)

Member Label	Direction	Start Magnitude[lb/ft,...	End Magnitude[lb/ft,F...	Start Location[ft,%]	End Location[ft,%]
50	M69	Z	-3.211	-3.211	0 %100
51	M71	X	5.857	5.857	0 %100
52	M71	Z	-3.382	-3.382	0 %100
53	M76A	X	9.705	9.705	0 %100
54	M76A	Z	-5.603	-5.603	0 %100
55	M77A	X	2.737	2.737	0 %100
56	M77A	Z	-1.58	-1.58	0 %100
57	M78	X	2.737	2.737	0 %100
58	M78	Z	-1.58	-1.58	0 %100
59	M79A	X	5.46	5.46	0 %100
60	M79A	Z	-3.152	-3.152	0 %100
61	M82	X	3.032	3.032	0 %100
62	M82	Z	-1.75	-1.75	0 %100
63	M83A	X	12.128	12.128	0 %100
64	M83A	Z	-7.002	-7.002	0 %100
65	M88A	X	5.561	5.561	0 %100
66	M88A	Z	-3.211	-3.211	0 %100
67	M90	X	5.857	5.857	0 %100
68	M90	Z	-3.382	-3.382	0 %100
69	M93	X	22.245	22.245	0 %100
70	M93	Z	-12.843	-12.843	0 %100
71	M95	X	23.43	23.43	0 %100
72	M95	Z	-13.527	-13.527	0 %100
73	M82A	X	12.293	12.293	0 %100
74	M82A	Z	-7.098	-7.098	0 %100
75	M91B	X	3.073	3.073	0 %100
76	M91B	Z	-1.774	-1.774	0 %100
77	M95B	X	0	0	0 %100
78	M95B	Z	0	0	0 %100
79	M96A	X	16.38	16.38	0 %100
80	M96A	Z	-9.457	-9.457	0 %100
81	M98A	X	16.38	16.38	0 %100
82	M98A	Z	-9.457	-9.457	0 %100
83	M99A	X	0	0	0 %100
84	M99A	Z	0	0	0 %100
85	M100	X	16.38	16.38	0 %100
86	M100	Z	-9.457	-9.457	0 %100
87	MP3C	X	8.645	8.645	0 %100
88	MP3C	Z	-4.991	-4.991	0 %100
89	MP4C	X	8.645	8.645	0 %100
90	MP4C	Z	-4.991	-4.991	0 %100
91	MP2C	X	8.645	8.645	0 %100
92	MP2C	Z	-4.991	-4.991	0 %100
93	MP1C	X	8.645	8.645	0 %100
94	MP1C	Z	-4.991	-4.991	0 %100
95	MP3B	X	8.645	8.645	0 %100
96	MP3B	Z	-4.991	-4.991	0 %100
97	MP4B	X	8.645	8.645	0 %100
98	MP4B	Z	-4.991	-4.991	0 %100
99	MP2B	X	8.645	8.645	0 %100
100	MP2B	Z	-4.991	-4.991	0 %100
101	MP1B	X	8.645	8.645	0 %100
102	MP1B	Z	-4.991	-4.991	0 %100
103	M104	X	8.645	8.645	0 %100
104	M104	Z	-4.991	-4.991	0 %100
105	M105	X	8.645	8.645	0 %100
106	M105	Z	-4.991	-4.991	0 %100



Company :
 Designer :
 Job Number :
 Model Name :

June 7, 2021
 4:16 PM
 Checked By: _____

Member Distributed Loads (BLC 43 : Structure Wo (60 Deg)) (Continued)

	Member Label	Direction	Start Magnitude[lb/ft,...	End Magnitude[lb/ft,F...	Start Location[ft, %]	End Location[ft, %]
107	M106	X	8.645	8.645	0	%100
108	M106	Z	-4.991	-4.991	0	%100
109	M107	X	8.645	8.645	0	%100
110	M107	Z	-4.991	-4.991	0	%100
111	OVP	X	6.935	6.935	0	%100
112	OVP	Z	-4.004	-4.004	0	%100
113	M110	X	2.616	2.616	0	%100
114	M110	Z	-1.511	-1.511	0	%100
115	M115	X	2.616	2.616	0	%100
116	M115	Z	-1.511	-1.511	0	%100
117	M120	X	10.465	10.465	0	%100
118	M120	Z	-6.042	-6.042	0	%100
119	M131	X	11.625	11.625	0	%100
120	M131	Z	-6.712	-6.712	0	%100
121	M132	X	2.906	2.906	0	%100
122	M132	Z	-1.678	-1.678	0	%100
123	M133	X	2.906	2.906	0	%100
124	M133	Z	-1.678	-1.678	0	%100

Member Distributed Loads (BLC 44 : Structure Wo (90 Deg))

	Member Label	Direction	Start Magnitude[lb/ft,...	End Magnitude[lb/ft,F...	Start Location[ft, %]	End Location[ft, %]
1	M1	X	0	0	0	%100
2	M1	Z	0	0	0	%100
3	M4	X	14.942	14.942	0	%100
4	M4	Z	0	0	0	%100
5	M10	X	0	0	0	%100
6	M10	Z	0	0	0	%100
7	MP3A	X	9.983	9.983	0	%100
8	MP3A	Z	0	0	0	%100
9	MP4A	X	9.983	9.983	0	%100
10	MP4A	Z	0	0	0	%100
11	MP2A	X	9.983	9.983	0	%100
12	MP2A	Z	0	0	0	%100
13	MP1A	X	9.983	9.983	0	%100
14	MP1A	Z	0	0	0	%100
15	M43	X	0	0	0	%100
16	M43	Z	0	0	0	%100
17	M46	X	0	0	0	%100
18	M46	Z	0	0	0	%100
19	M51B	X	10.503	10.503	0	%100
20	M51B	Z	0	0	0	%100
21	M52B	X	10.503	10.503	0	%100
22	M52B	Z	0	0	0	%100
23	M76	X	25.219	25.219	0	%100
24	M76	Z	0	0	0	%100
25	M77	X	19.265	19.265	0	%100
26	M77	Z	0	0	0	%100
27	M80	X	20.291	20.291	0	%100
28	M80	Z	0	0	0	%100
29	M85	X	19.265	19.265	0	%100
30	M85	Z	0	0	0	%100
31	M91	X	20.291	20.291	0	%100
32	M91	Z	0	0	0	%100
33	M52A	X	3.736	3.736	0	%100
34	M52A	Z	0	0	0	%100
35	M53	X	9.483	9.483	0	%100



Company :
 Designer :
 Job Number :
 Model Name :

June 7, 2021
 4:16 PM
 Checked By: _____

Member Distributed Loads (BLC 44 : Structure Wo (90 Deg)) (Continued)

	Member Label	Direction	Start Magnitude[lb/ft,...	End Magnitude[lb/ft,F...	Start Location[ft,%]	End Location[ft, %]
36	M53	Z	0	0	0	%100
37	M54	X	9.483	9.483	0	%100
38	M54	Z	0	0	0	%100
39	M55	X	18.914	18.914	0	%100
40	M55	Z	0	0	0	%100
41	M58A	X	10.503	10.503	0	%100
42	M58A	Z	0	0	0	%100
43	M59A	X	0	0	0	%100
44	M59A	Z	0	0	0	%100
45	M64	X	19.265	19.265	0	%100
46	M64	Z	0	0	0	%100
47	M66	X	20.291	20.291	0	%100
48	M66	Z	0	0	0	%100
49	M69	X	0	0	0	%100
50	M69	Z	0	0	0	%100
51	M71	X	0	0	0	%100
52	M71	Z	0	0	0	%100
53	M76A	X	3.736	3.736	0	%100
54	M76A	Z	0	0	0	%100
55	M77A	X	9.483	9.483	0	%100
56	M77A	Z	0	0	0	%100
57	M78	X	9.483	9.483	0	%100
58	M78	Z	0	0	0	%100
59	M79A	X	18.914	18.914	0	%100
60	M79A	Z	0	0	0	%100
61	M82	X	0	0	0	%100
62	M82	Z	0	0	0	%100
63	M83A	X	10.503	10.503	0	%100
64	M83A	Z	0	0	0	%100
65	M88A	X	0	0	0	%100
66	M88A	Z	0	0	0	%100
67	M90	X	0	0	0	%100
68	M90	Z	0	0	0	%100
69	M93	X	19.265	19.265	0	%100
70	M93	Z	0	0	0	%100
71	M95	X	20.291	20.291	0	%100
72	M95	Z	0	0	0	%100
73	M82A	X	10.646	10.646	0	%100
74	M82A	Z	0	0	0	%100
75	M91B	X	10.646	10.646	0	%100
76	M91B	Z	0	0	0	%100
77	M95B	X	6.305	6.305	0	%100
78	M95B	Z	0	0	0	%100
79	M96A	X	6.305	6.305	0	%100
80	M96A	Z	0	0	0	%100
81	M98A	X	25.219	25.219	0	%100
82	M98A	Z	0	0	0	%100
83	M99A	X	6.305	6.305	0	%100
84	M99A	Z	0	0	0	%100
85	M100	X	6.305	6.305	0	%100
86	M100	Z	0	0	0	%100
87	MP3C	X	9.983	9.983	0	%100
88	MP3C	Z	0	0	0	%100
89	MP4C	X	9.983	9.983	0	%100
90	MP4C	Z	0	0	0	%100
91	MP2C	X	9.983	9.983	0	%100
92	MP2C	Z	0	0	0	%100

Member Distributed Loads (BLC 44 : Structure Wo (90 Deg)) (Continued)

	Member Label	Direction	Start Magnitude[lb/ft,...	End Magnitude[lb/ft,F...	Start Location[ft, %]	End Location[ft, %]
93	MP1C	X	9.983	9.983	0	%100
94	MP1C	Z	0	0	0	%100
95	MP3B	X	9.983	9.983	0	%100
96	MP3B	Z	0	0	0	%100
97	MP4B	X	9.983	9.983	0	%100
98	MP4B	Z	0	0	0	%100
99	MP2B	X	9.983	9.983	0	%100
100	MP2B	Z	0	0	0	%100
101	MP1B	X	9.983	9.983	0	%100
102	MP1B	Z	0	0	0	%100
103	M104	X	9.983	9.983	0	%100
104	M104	Z	0	0	0	%100
105	M105	X	9.983	9.983	0	%100
106	M105	Z	0	0	0	%100
107	M106	X	9.983	9.983	0	%100
108	M106	Z	0	0	0	%100
109	M107	X	9.983	9.983	0	%100
110	M107	Z	0	0	0	%100
111	OVP	X	8.007	8.007	0	%100
112	OVP	Z	0	0	0	%100
113	M110	X	9.063	9.063	0	%100
114	M110	Z	0	0	0	%100
115	M115	X	0	0	0	%100
116	M115	Z	0	0	0	%100
117	M120	X	9.063	9.063	0	%100
118	M120	Z	0	0	0	%100
119	M131	X	10.068	10.068	0	%100
120	M131	Z	0	0	0	%100
121	M132	X	10.068	10.068	0	%100
122	M132	Z	0	0	0	%100
123	M133	X	0	0	0	%100
124	M133	Z	0	0	0	%100

Member Distributed Loads (BLC 45 : Structure Wo (120 Deg))

	Member Label	Direction	Start Magnitude[lb/ft,...	End Magnitude[lb/ft,F...	Start Location[ft, %]	End Location[ft, %]
1	M1	X	3.073	3.073	0	%100
2	M1	Z	1.774	1.774	0	%100
3	M4	X	9.705	9.705	0	%100
4	M4	Z	5.603	5.603	0	%100
5	M10	X	2.737	2.737	0	%100
6	M10	Z	1.58	1.58	0	%100
7	MP3A	X	8.645	8.645	0	%100
8	MP3A	Z	4.991	4.991	0	%100
9	MP4A	X	8.645	8.645	0	%100
10	MP4A	Z	4.991	4.991	0	%100
11	MP2A	X	8.645	8.645	0	%100
12	MP2A	Z	4.991	4.991	0	%100
13	MP1A	X	8.645	8.645	0	%100
14	MP1A	Z	4.991	4.991	0	%100
15	M43	X	2.737	2.737	0	%100
16	M43	Z	1.58	1.58	0	%100
17	M46	X	5.46	5.46	0	%100
18	M46	Z	3.152	3.152	0	%100
19	M51B	X	3.032	3.032	0	%100
20	M51B	Z	1.75	1.75	0	%100
21	M52B	X	12.128	12.128	0	%100



Company :
 Designer :
 Job Number :
 Model Name :

June 7, 2021
 4:16 PM
 Checked By: _____

Member Distributed Loads (BLC 45 : Structure Wo (120 Deg)) (Continued)

Member Label	Direction	Start Magnitude[lb/ft,...	End Magnitude[lb/ft,F...	Start Location[ft,%]	End Location[ft,%]
22	M52B	Z	7.002	7.002	0 %100
23	M76	X	16.38	16.38	0 %100
24	M76	Z	9.457	9.457	0 %100
25	M77	X	5.561	5.561	0 %100
26	M77	Z	3.211	3.211	0 %100
27	M80	X	5.857	5.857	0 %100
28	M80	Z	3.382	3.382	0 %100
29	M85	X	22.245	22.245	0 %100
30	M85	Z	12.843	12.843	0 %100
31	M91	X	23.43	23.43	0 %100
32	M91	Z	13.527	13.527	0 %100
33	M52A	X	9.705	9.705	0 %100
34	M52A	Z	5.603	5.603	0 %100
35	M53	X	2.737	2.737	0 %100
36	M53	Z	1.58	1.58	0 %100
37	M54	X	2.737	2.737	0 %100
38	M54	Z	1.58	1.58	0 %100
39	M55	X	5.46	5.46	0 %100
40	M55	Z	3.152	3.152	0 %100
41	M58A	X	12.128	12.128	0 %100
42	M58A	Z	7.002	7.002	0 %100
43	M59A	X	3.032	3.032	0 %100
44	M59A	Z	1.75	1.75	0 %100
45	M64	X	22.245	22.245	0 %100
46	M64	Z	12.843	12.843	0 %100
47	M66	X	23.43	23.43	0 %100
48	M66	Z	13.527	13.527	0 %100
49	M69	X	5.561	5.561	0 %100
50	M69	Z	3.211	3.211	0 %100
51	M71	X	5.857	5.857	0 %100
52	M71	Z	3.382	3.382	0 %100
53	M76A	X	0	0	0 %100
54	M76A	Z	0	0	0 %100
55	M77A	X	10.95	10.95	0 %100
56	M77A	Z	6.322	6.322	0 %100
57	M78	X	10.95	10.95	0 %100
58	M78	Z	6.322	6.322	0 %100
59	M79A	X	21.84	21.84	0 %100
60	M79A	Z	12.61	12.61	0 %100
61	M82	X	3.032	3.032	0 %100
62	M82	Z	1.75	1.75	0 %100
63	M83A	X	3.032	3.032	0 %100
64	M83A	Z	1.75	1.75	0 %100
65	M88A	X	5.561	5.561	0 %100
66	M88A	Z	3.211	3.211	0 %100
67	M90	X	5.857	5.857	0 %100
68	M90	Z	3.382	3.382	0 %100
69	M93	X	5.561	5.561	0 %100
70	M93	Z	3.211	3.211	0 %100
71	M95	X	5.857	5.857	0 %100
72	M95	Z	3.382	3.382	0 %100
73	M82A	X	3.073	3.073	0 %100
74	M82A	Z	1.774	1.774	0 %100
75	M91B	X	12.293	12.293	0 %100
76	M91B	Z	7.098	7.098	0 %100
77	M95B	X	16.38	16.38	0 %100
78	M95B	Z	9.457	9.457	0 %100

Member Distributed Loads (BLC 45 : Structure Wo (120 Deg)) (Continued)

	Member Label	Direction	Start Magnitude[lb/ft,...	End Magnitude[lb/ft,F...	Start Location[ft, %]	End Location[ft, %]
79	M96A	X	0	0	0	%100
80	M96A	Z	0	0	0	%100
81	M98A	X	16.38	16.38	0	%100
82	M98A	Z	9.457	9.457	0	%100
83	M99A	X	16.38	16.38	0	%100
84	M99A	Z	9.457	9.457	0	%100
85	M100	X	0	0	0	%100
86	M100	Z	0	0	0	%100
87	MP3C	X	8.645	8.645	0	%100
88	MP3C	Z	4.991	4.991	0	%100
89	MP4C	X	8.645	8.645	0	%100
90	MP4C	Z	4.991	4.991	0	%100
91	MP2C	X	8.645	8.645	0	%100
92	MP2C	Z	4.991	4.991	0	%100
93	MP1C	X	8.645	8.645	0	%100
94	MP1C	Z	4.991	4.991	0	%100
95	MP3B	X	8.645	8.645	0	%100
96	MP3B	Z	4.991	4.991	0	%100
97	MP4B	X	8.645	8.645	0	%100
98	MP4B	Z	4.991	4.991	0	%100
99	MP2B	X	8.645	8.645	0	%100
100	MP2B	Z	4.991	4.991	0	%100
101	MP1B	X	8.645	8.645	0	%100
102	MP1B	Z	4.991	4.991	0	%100
103	M104	X	8.645	8.645	0	%100
104	M104	Z	4.991	4.991	0	%100
105	M105	X	8.645	8.645	0	%100
106	M105	Z	4.991	4.991	0	%100
107	M106	X	8.645	8.645	0	%100
108	M106	Z	4.991	4.991	0	%100
109	M107	X	8.645	8.645	0	%100
110	M107	Z	4.991	4.991	0	%100
111	OVP	X	6.935	6.935	0	%100
112	OVP	Z	4.004	4.004	0	%100
113	M110	X	10.465	10.465	0	%100
114	M110	Z	6.042	6.042	0	%100
115	M115	X	2.616	2.616	0	%100
116	M115	Z	1.511	1.511	0	%100
117	M120	X	2.616	2.616	0	%100
118	M120	Z	1.511	1.511	0	%100
119	M131	X	2.906	2.906	0	%100
120	M131	Z	1.678	1.678	0	%100
121	M132	X	11.625	11.625	0	%100
122	M132	Z	6.712	6.712	0	%100
123	M133	X	2.906	2.906	0	%100
124	M133	Z	1.678	1.678	0	%100

Member Distributed Loads (BLC 46 : Structure Wo (150 Deg))

	Member Label	Direction	Start Magnitude[lb/ft,...	End Magnitude[lb/ft,F...	Start Location[ft, %]	End Location[ft, %]
1	M1	X	5.323	5.323	0	%100
2	M1	Z	9.22	9.22	0	%100
3	M4	X	1.868	1.868	0	%100
4	M4	Z	3.235	3.235	0	%100
5	M10	X	4.741	4.741	0	%100
6	M10	Z	8.212	8.212	0	%100
7	MP3A	X	4.991	4.991	0	%100



Company :
 Designer :
 Job Number :
 Model Name :

June 7, 2021
 4:16 PM
 Checked By: _____

Member Distributed Loads (BLC 46 : Structure Wo (150 Deg)) (Continued)

	Member Label	Direction	Start Magnitude[lb/ft,...	End Magnitude[lb/ft,F...	Start Location[ft,%]	End Location[ft,%]
8	MP3A	Z	8.645	8.645	0	%100
9	MP4A	X	4.991	4.991	0	%100
10	MP4A	Z	8.645	8.645	0	%100
11	MP2A	X	4.991	4.991	0	%100
12	MP2A	Z	8.645	8.645	0	%100
13	MP1A	X	4.991	4.991	0	%100
14	MP1A	Z	8.645	8.645	0	%100
15	M43	X	4.741	4.741	0	%100
16	M43	Z	8.212	8.212	0	%100
17	M46	X	9.457	9.457	0	%100
18	M46	Z	16.38	16.38	0	%100
19	M51B	X	0	0	0	%100
20	M51B	Z	0	0	0	%100
21	M52B	X	5.251	5.251	0	%100
22	M52B	Z	9.096	9.096	0	%100
23	M76	X	3.152	3.152	0	%100
24	M76	Z	5.46	5.46	0	%100
25	M77	X	0	0	0	%100
26	M77	Z	0	0	0	%100
27	M80	X	0	0	0	%100
28	M80	Z	0	0	0	%100
29	M85	X	9.632	9.632	0	%100
30	M85	Z	16.684	16.684	0	%100
31	M91	X	10.145	10.145	0	%100
32	M91	Z	17.572	17.572	0	%100
33	M52A	X	7.471	7.471	0	%100
34	M52A	Z	12.94	12.94	0	%100
35	M53	X	0	0	0	%100
36	M53	Z	0	0	0	%100
37	M54	X	0	0	0	%100
38	M54	Z	0	0	0	%100
39	M55	X	0	0	0	%100
40	M55	Z	0	0	0	%100
41	M58A	X	5.251	5.251	0	%100
42	M58A	Z	9.096	9.096	0	%100
43	M59A	X	5.251	5.251	0	%100
44	M59A	Z	9.096	9.096	0	%100
45	M64	X	9.632	9.632	0	%100
46	M64	Z	16.684	16.684	0	%100
47	M66	X	10.145	10.145	0	%100
48	M66	Z	17.572	17.572	0	%100
49	M69	X	9.632	9.632	0	%100
50	M69	Z	16.684	16.684	0	%100
51	M71	X	10.145	10.145	0	%100
52	M71	Z	17.572	17.572	0	%100
53	M76A	X	1.868	1.868	0	%100
54	M76A	Z	3.235	3.235	0	%100
55	M77A	X	4.741	4.741	0	%100
56	M77A	Z	8.212	8.212	0	%100
57	M78	X	4.741	4.741	0	%100
58	M78	Z	8.212	8.212	0	%100
59	M79A	X	9.457	9.457	0	%100
60	M79A	Z	16.38	16.38	0	%100
61	M82	X	5.251	5.251	0	%100
62	M82	Z	9.096	9.096	0	%100
63	M83A	X	0	0	0	%100
64	M83A	Z	0	0	0	%100



Company :
 Designer :
 Job Number :
 Model Name :

June 7, 2021
 4:16 PM
 Checked By: _____

Member Distributed Loads (BLC 46 : Structure Wo (150 Deg)) (Continued)

Member Label	Direction	Start Magnitude[lb/ft,...	End Magnitude[lb/ft,F...	Start Location[ft, %]	End Location[ft, %]
65	M88A	X	9.632	9.632	0 %100
66	M88A	Z	16.684	16.684	0 %100
67	M90	X	10.145	10.145	0 %100
68	M90	Z	17.572	17.572	0 %100
69	M93	X	0	0	0 %100
70	M93	Z	0	0	0 %100
71	M95	X	0	0	0 %100
72	M95	Z	0	0	0 %100
73	M82A	X	0	0	0 %100
74	M82A	Z	0	0	0 %100
75	M91B	X	5.323	5.323	0 %100
76	M91B	Z	9.22	9.22	0 %100
77	M95B	X	12.61	12.61	0 %100
78	M95B	Z	21.84	21.84	0 %100
79	M96A	X	3.152	3.152	0 %100
80	M96A	Z	5.46	5.46	0 %100
81	M98A	X	3.152	3.152	0 %100
82	M98A	Z	5.46	5.46	0 %100
83	M99A	X	12.61	12.61	0 %100
84	M99A	Z	21.84	21.84	0 %100
85	M100	X	3.152	3.152	0 %100
86	M100	Z	5.46	5.46	0 %100
87	MP3C	X	4.991	4.991	0 %100
88	MP3C	Z	8.645	8.645	0 %100
89	MP4C	X	4.991	4.991	0 %100
90	MP4C	Z	8.645	8.645	0 %100
91	MP2C	X	4.991	4.991	0 %100
92	MP2C	Z	8.645	8.645	0 %100
93	MP1C	X	4.991	4.991	0 %100
94	MP1C	Z	8.645	8.645	0 %100
95	MP3B	X	4.991	4.991	0 %100
96	MP3B	Z	8.645	8.645	0 %100
97	MP4B	X	4.991	4.991	0 %100
98	MP4B	Z	8.645	8.645	0 %100
99	MP2B	X	4.991	4.991	0 %100
100	MP2B	Z	8.645	8.645	0 %100
101	MP1B	X	4.991	4.991	0 %100
102	MP1B	Z	8.645	8.645	0 %100
103	M104	X	4.991	4.991	0 %100
104	M104	Z	8.645	8.645	0 %100
105	M105	X	4.991	4.991	0 %100
106	M105	Z	8.645	8.645	0 %100
107	M106	X	4.991	4.991	0 %100
108	M106	Z	8.645	8.645	0 %100
109	M107	X	4.991	4.991	0 %100
110	M107	Z	8.645	8.645	0 %100
111	OVP	X	4.004	4.004	0 %100
112	OVP	Z	6.935	6.935	0 %100
113	M110	X	4.532	4.532	0 %100
114	M110	Z	7.849	7.849	0 %100
115	M115	X	4.532	4.532	0 %100
116	M115	Z	7.849	7.849	0 %100
117	M120	X	0	0	0 %100
118	M120	Z	0	0	0 %100
119	M131	X	0	0	0 %100
120	M131	Z	0	0	0 %100
121	M132	X	5.034	5.034	0 %100



Company :
 Designer :
 Job Number :
 Model Name :

June 7, 2021
 4:16 PM
 Checked By: _____

Member Distributed Loads (BLC 46 : Structure Wo (150 Deg)) (Continued)

	Member Label	Direction	Start Magnitude[lb/ft,...	End Magnitude[lb/ft,F...	Start Location[ft, %]	End Location[ft, %]
122	M132	Z	8.719	8.719	0	%100
123	M133	X	5.034	5.034	0	%100
124	M133	Z	8.719	8.719	0	%100

Member Distributed Loads (BLC 47 : Structure Wo (180 Deg))

	Member Label	Direction	Start Magnitude[lb/ft,...	End Magnitude[lb/ft,F...	Start Location[ft, %]	End Location[ft, %]
1	M1	X	0	0	0	%100
2	M1	Z	14.195	14.195	0	%100
3	M4	X	0	0	0	%100
4	M4	Z	0	0	0	%100
5	M10	X	0	0	0	%100
6	M10	Z	12.644	12.644	0	%100
7	MP3A	X	0	0	0	%100
8	MP3A	Z	9.983	9.983	0	%100
9	MP4A	X	0	0	0	%100
10	MP4A	Z	9.983	9.983	0	%100
11	MP2A	X	0	0	0	%100
12	MP2A	Z	9.983	9.983	0	%100
13	MP1A	X	0	0	0	%100
14	MP1A	Z	9.983	9.983	0	%100
15	M43	X	0	0	0	%100
16	M43	Z	12.644	12.644	0	%100
17	M46	X	0	0	0	%100
18	M46	Z	25.219	25.219	0	%100
19	M51B	X	0	0	0	%100
20	M51B	Z	3.501	3.501	0	%100
21	M52B	X	0	0	0	%100
22	M52B	Z	3.501	3.501	0	%100
23	M76	X	0	0	0	%100
24	M76	Z	0	0	0	%100
25	M77	X	0	0	0	%100
26	M77	Z	6.422	6.422	0	%100
27	M80	X	0	0	0	%100
28	M80	Z	6.764	6.764	0	%100
29	M85	X	0	0	0	%100
30	M85	Z	6.422	6.422	0	%100
31	M91	X	0	0	0	%100
32	M91	Z	6.764	6.764	0	%100
33	M52A	X	0	0	0	%100
34	M52A	Z	11.207	11.207	0	%100
35	M53	X	0	0	0	%100
36	M53	Z	3.161	3.161	0	%100
37	M54	X	0	0	0	%100
38	M54	Z	3.161	3.161	0	%100
39	M55	X	0	0	0	%100
40	M55	Z	6.305	6.305	0	%100
41	M58A	X	0	0	0	%100
42	M58A	Z	3.501	3.501	0	%100
43	M59A	X	0	0	0	%100
44	M59A	Z	14.004	14.004	0	%100
45	M64	X	0	0	0	%100
46	M64	Z	6.422	6.422	0	%100
47	M66	X	0	0	0	%100
48	M66	Z	6.764	6.764	0	%100
49	M69	X	0	0	0	%100
50	M69	Z	25.686	25.686	0	%100

Member Distributed Loads (BLC 47 : Structure Wo (180 Deg)) (Continued)

Member Label	Direction	Start Magnitude[lb/ft,...	End Magnitude[lb/ft,F...	Start Location[ft, %]	End Location[ft, %]	
51	M71	X	0	0	0	%100
52	M71	Z	27.055	27.055	0	%100
53	M76A	X	0	0	0	%100
54	M76A	Z	11.207	11.207	0	%100
55	M77A	X	0	0	0	%100
56	M77A	Z	3.161	3.161	0	%100
57	M78	X	0	0	0	%100
58	M78	Z	3.161	3.161	0	%100
59	M79A	X	0	0	0	%100
60	M79A	Z	6.305	6.305	0	%100
61	M82	X	0	0	0	%100
62	M82	Z	14.004	14.004	0	%100
63	M83A	X	0	0	0	%100
64	M83A	Z	3.501	3.501	0	%100
65	M88A	X	0	0	0	%100
66	M88A	Z	25.686	25.686	0	%100
67	M90	X	0	0	0	%100
68	M90	Z	27.055	27.055	0	%100
69	M93	X	0	0	0	%100
70	M93	Z	6.422	6.422	0	%100
71	M95	X	0	0	0	%100
72	M95	Z	6.764	6.764	0	%100
73	M82A	X	0	0	0	%100
74	M82A	Z	3.549	3.549	0	%100
75	M91B	X	0	0	0	%100
76	M91B	Z	3.549	3.549	0	%100
77	M95B	X	0	0	0	%100
78	M95B	Z	18.914	18.914	0	%100
79	M96A	X	0	0	0	%100
80	M96A	Z	18.914	18.914	0	%100
81	M98A	X	0	0	0	%100
82	M98A	Z	0	0	0	%100
83	M99A	X	0	0	0	%100
84	M99A	Z	18.914	18.914	0	%100
85	M100	X	0	0	0	%100
86	M100	Z	18.914	18.914	0	%100
87	MP3C	X	0	0	0	%100
88	MP3C	Z	9.983	9.983	0	%100
89	MP4C	X	0	0	0	%100
90	MP4C	Z	9.983	9.983	0	%100
91	MP2C	X	0	0	0	%100
92	MP2C	Z	9.983	9.983	0	%100
93	MP1C	X	0	0	0	%100
94	MP1C	Z	9.983	9.983	0	%100
95	MP3B	X	0	0	0	%100
96	MP3B	Z	9.983	9.983	0	%100
97	MP4B	X	0	0	0	%100
98	MP4B	Z	9.983	9.983	0	%100
99	MP2B	X	0	0	0	%100
100	MP2B	Z	9.983	9.983	0	%100
101	MP1B	X	0	0	0	%100
102	MP1B	Z	9.983	9.983	0	%100
103	M104	X	0	0	0	%100
104	M104	Z	9.983	9.983	0	%100
105	M105	X	0	0	0	%100
106	M105	Z	9.983	9.983	0	%100
107	M106	X	0	0	0	%100

Member Distributed Loads (BLC 47 : Structure Wo (180 Deg)) (Continued)

	Member Label	Direction	Start Magnitude[lb/ft,...	End Magnitude[lb/ft,F...	Start Location[ft, %]	End Location[ft, %]
108	M106	Z	9.983	9.983	0	%100
109	M107	X	0	0	0	%100
110	M107	Z	9.983	9.983	0	%100
111	OVP	X	0	0	0	%100
112	OVP	Z	8.007	8.007	0	%100
113	M110	X	0	0	0	%100
114	M110	Z	3.021	3.021	0	%100
115	M115	X	0	0	0	%100
116	M115	Z	12.084	12.084	0	%100
117	M120	X	0	0	0	%100
118	M120	Z	3.021	3.021	0	%100
119	M131	X	0	0	0	%100
120	M131	Z	3.356	3.356	0	%100
121	M132	X	0	0	0	%100
122	M132	Z	3.356	3.356	0	%100
123	M133	X	0	0	0	%100
124	M133	Z	13.424	13.424	0	%100

Member Distributed Loads (BLC 48 : Structure Wo (210 Deg))

	Member Label	Direction	Start Magnitude[lb/ft,...	End Magnitude[lb/ft,F...	Start Location[ft, %]	End Location[ft, %]
1	M1	X	-5.323	-5.323	0	%100
2	M1	Z	9.22	9.22	0	%100
3	M4	X	-1.868	-1.868	0	%100
4	M4	Z	3.235	3.235	0	%100
5	M10	X	-4.741	-4.741	0	%100
6	M10	Z	8.212	8.212	0	%100
7	MP3A	X	-4.991	-4.991	0	%100
8	MP3A	Z	8.645	8.645	0	%100
9	MP4A	X	-4.991	-4.991	0	%100
10	MP4A	Z	8.645	8.645	0	%100
11	MP2A	X	-4.991	-4.991	0	%100
12	MP2A	Z	8.645	8.645	0	%100
13	MP1A	X	-4.991	-4.991	0	%100
14	MP1A	Z	8.645	8.645	0	%100
15	M43	X	-4.741	-4.741	0	%100
16	M43	Z	8.212	8.212	0	%100
17	M46	X	-9.457	-9.457	0	%100
18	M46	Z	16.38	16.38	0	%100
19	M51B	X	-5.251	-5.251	0	%100
20	M51B	Z	9.096	9.096	0	%100
21	M52B	X	0	0	0	%100
22	M52B	Z	0	0	0	%100
23	M76	X	-3.152	-3.152	0	%100
24	M76	Z	5.46	5.46	0	%100
25	M77	X	-9.632	-9.632	0	%100
26	M77	Z	16.684	16.684	0	%100
27	M80	X	-10.145	-10.145	0	%100
28	M80	Z	17.572	17.572	0	%100
29	M85	X	0	0	0	%100
30	M85	Z	0	0	0	%100
31	M91	X	0	0	0	%100
32	M91	Z	0	0	0	%100
33	M52A	X	-1.868	-1.868	0	%100
34	M52A	Z	3.235	3.235	0	%100
35	M53	X	-4.741	-4.741	0	%100
36	M53	Z	8.212	8.212	0	%100

Member Distributed Loads (BLC 48 : Structure Wo (210 Deg)) (Continued)

Member Label	Direction	Start Magnitude[lb/ft,...	End Magnitude[lb/ft,F...	Start Location[ft, %]	End Location[ft, %]
37	M54	X	-4.741	-4.741	0 %100
38	M54	Z	8.212	8.212	0 %100
39	M55	X	-9.457	-9.457	0 %100
40	M55	Z	16.38	16.38	0 %100
41	M58A	X	0	0	0 %100
42	M58A	Z	0	0	0 %100
43	M59A	X	-5.251	-5.251	0 %100
44	M59A	Z	9.096	9.096	0 %100
45	M64	X	0	0	0 %100
46	M64	Z	0	0	0 %100
47	M66	X	0	0	0 %100
48	M66	Z	0	0	0 %100
49	M69	X	-9.632	-9.632	0 %100
50	M69	Z	16.684	16.684	0 %100
51	M71	X	-10.145	-10.145	0 %100
52	M71	Z	17.572	17.572	0 %100
53	M76A	X	-7.471	-7.471	0 %100
54	M76A	Z	12.94	12.94	0 %100
55	M77A	X	0	0	0 %100
56	M77A	Z	0	0	0 %100
57	M78	X	0	0	0 %100
58	M78	Z	0	0	0 %100
59	M79A	X	0	0	0 %100
60	M79A	Z	0	0	0 %100
61	M82	X	-5.251	-5.251	0 %100
62	M82	Z	9.096	9.096	0 %100
63	M83A	X	-5.251	-5.251	0 %100
64	M83A	Z	9.096	9.096	0 %100
65	M88A	X	-9.632	-9.632	0 %100
66	M88A	Z	16.684	16.684	0 %100
67	M90	X	-10.145	-10.145	0 %100
68	M90	Z	17.572	17.572	0 %100
69	M93	X	-9.632	-9.632	0 %100
70	M93	Z	16.684	16.684	0 %100
71	M95	X	-10.145	-10.145	0 %100
72	M95	Z	17.572	17.572	0 %100
73	M82A	X	-5.323	-5.323	0 %100
74	M82A	Z	9.22	9.22	0 %100
75	M91B	X	0	0	0 %100
76	M91B	Z	0	0	0 %100
77	M95B	X	-3.152	-3.152	0 %100
78	M95B	Z	5.46	5.46	0 %100
79	M96A	X	-12.61	-12.61	0 %100
80	M96A	Z	21.84	21.84	0 %100
81	M98A	X	-3.152	-3.152	0 %100
82	M98A	Z	5.46	5.46	0 %100
83	M99A	X	-3.152	-3.152	0 %100
84	M99A	Z	5.46	5.46	0 %100
85	M100	X	-12.61	-12.61	0 %100
86	M100	Z	21.84	21.84	0 %100
87	MP3C	X	-4.991	-4.991	0 %100
88	MP3C	Z	8.645	8.645	0 %100
89	MP4C	X	-4.991	-4.991	0 %100
90	MP4C	Z	8.645	8.645	0 %100
91	MP2C	X	-4.991	-4.991	0 %100
92	MP2C	Z	8.645	8.645	0 %100
93	MP1C	X	-4.991	-4.991	0 %100

Member Distributed Loads (BLC 48 : Structure Wo (210 Deg)) (Continued)

	Member Label	Direction	Start Magnitude[lb/ft,...	End Magnitude[lb/ft,F...	Start Location[ft, %]	End Location[ft, %]
94	MP1C	Z	8.645	8.645	0	%100
95	MP3B	X	-4.991	-4.991	0	%100
96	MP3B	Z	8.645	8.645	0	%100
97	MP4B	X	-4.991	-4.991	0	%100
98	MP4B	Z	8.645	8.645	0	%100
99	MP2B	X	-4.991	-4.991	0	%100
100	MP2B	Z	8.645	8.645	0	%100
101	MP1B	X	-4.991	-4.991	0	%100
102	MP1B	Z	8.645	8.645	0	%100
103	M104	X	-4.991	-4.991	0	%100
104	M104	Z	8.645	8.645	0	%100
105	M105	X	-4.991	-4.991	0	%100
106	M105	Z	8.645	8.645	0	%100
107	M106	X	-4.991	-4.991	0	%100
108	M106	Z	8.645	8.645	0	%100
109	M107	X	-4.991	-4.991	0	%100
110	M107	Z	8.645	8.645	0	%100
111	OVP	X	-4.004	-4.004	0	%100
112	OVP	Z	6.935	6.935	0	%100
113	M110	X	0	0	0	%100
114	M110	Z	0	0	0	%100
115	M115	X	-4.532	-4.532	0	%100
116	M115	Z	7.849	7.849	0	%100
117	M120	X	-4.532	-4.532	0	%100
118	M120	Z	7.849	7.849	0	%100
119	M131	X	-5.034	-5.034	0	%100
120	M131	Z	8.719	8.719	0	%100
121	M132	X	0	0	0	%100
122	M132	Z	0	0	0	%100
123	M133	X	-5.034	-5.034	0	%100
124	M133	Z	8.719	8.719	0	%100

Member Distributed Loads (BLC 49 : Structure Wo (240 Deg))

	Member Label	Direction	Start Magnitude[lb/ft,...	End Magnitude[lb/ft,F...	Start Location[ft, %]	End Location[ft, %]
1	M1	X	-3.073	-3.073	0	%100
2	M1	Z	1.774	1.774	0	%100
3	M4	X	-9.705	-9.705	0	%100
4	M4	Z	5.603	5.603	0	%100
5	M10	X	-2.737	-2.737	0	%100
6	M10	Z	1.58	1.58	0	%100
7	MP3A	X	-8.645	-8.645	0	%100
8	MP3A	Z	4.991	4.991	0	%100
9	MP4A	X	-8.645	-8.645	0	%100
10	MP4A	Z	4.991	4.991	0	%100
11	MP2A	X	-8.645	-8.645	0	%100
12	MP2A	Z	4.991	4.991	0	%100
13	MP1A	X	-8.645	-8.645	0	%100
14	MP1A	Z	4.991	4.991	0	%100
15	M43	X	-2.737	-2.737	0	%100
16	M43	Z	1.58	1.58	0	%100
17	M46	X	-5.46	-5.46	0	%100
18	M46	Z	3.152	3.152	0	%100
19	M51B	X	-12.128	-12.128	0	%100
20	M51B	Z	7.002	7.002	0	%100
21	M52B	X	-3.032	-3.032	0	%100
22	M52B	Z	1.75	1.75	0	%100



Company :
 Designer :
 Job Number :
 Model Name :

June 7, 2021
 4:16 PM
 Checked By: _____

Member Distributed Loads (BLC 49 : Structure Wo (240 Deg)) (Continued)

Member Label	Direction	Start Magnitude[lb/ft,...	End Magnitude[lb/ft,F...	Start Location[ft, %]	End Location[ft, %]
23	M76	X	-16.38	-16.38	0 %100
24	M76	Z	9.457	9.457	0 %100
25	M77	X	-22.245	-22.245	0 %100
26	M77	Z	12.843	12.843	0 %100
27	M80	X	-23.43	-23.43	0 %100
28	M80	Z	13.527	13.527	0 %100
29	M85	X	-5.561	-5.561	0 %100
30	M85	Z	3.211	3.211	0 %100
31	M91	X	-5.857	-5.857	0 %100
32	M91	Z	3.382	3.382	0 %100
33	M52A	X	0	0	0 %100
34	M52A	Z	0	0	0 %100
35	M53	X	-10.95	-10.95	0 %100
36	M53	Z	6.322	6.322	0 %100
37	M54	X	-10.95	-10.95	0 %100
38	M54	Z	6.322	6.322	0 %100
39	M55	X	-21.84	-21.84	0 %100
40	M55	Z	12.61	12.61	0 %100
41	M58A	X	-3.032	-3.032	0 %100
42	M58A	Z	1.75	1.75	0 %100
43	M59A	X	-3.032	-3.032	0 %100
44	M59A	Z	1.75	1.75	0 %100
45	M64	X	-5.561	-5.561	0 %100
46	M64	Z	3.211	3.211	0 %100
47	M66	X	-5.857	-5.857	0 %100
48	M66	Z	3.382	3.382	0 %100
49	M69	X	-5.561	-5.561	0 %100
50	M69	Z	3.211	3.211	0 %100
51	M71	X	-5.857	-5.857	0 %100
52	M71	Z	3.382	3.382	0 %100
53	M76A	X	-9.705	-9.705	0 %100
54	M76A	Z	5.603	5.603	0 %100
55	M77A	X	-2.737	-2.737	0 %100
56	M77A	Z	1.58	1.58	0 %100
57	M78	X	-2.737	-2.737	0 %100
58	M78	Z	1.58	1.58	0 %100
59	M79A	X	-5.46	-5.46	0 %100
60	M79A	Z	3.152	3.152	0 %100
61	M82	X	-3.032	-3.032	0 %100
62	M82	Z	1.75	1.75	0 %100
63	M83A	X	-12.128	-12.128	0 %100
64	M83A	Z	7.002	7.002	0 %100
65	M88A	X	-5.561	-5.561	0 %100
66	M88A	Z	3.211	3.211	0 %100
67	M90	X	-5.857	-5.857	0 %100
68	M90	Z	3.382	3.382	0 %100
69	M93	X	-22.245	-22.245	0 %100
70	M93	Z	12.843	12.843	0 %100
71	M95	X	-23.43	-23.43	0 %100
72	M95	Z	13.527	13.527	0 %100
73	M82A	X	-12.293	-12.293	0 %100
74	M82A	Z	7.098	7.098	0 %100
75	M91B	X	-3.073	-3.073	0 %100
76	M91B	Z	1.774	1.774	0 %100
77	M95B	X	0	0	0 %100
78	M95B	Z	0	0	0 %100
79	M96A	X	-16.38	-16.38	0 %100



Company :
 Designer :
 Job Number :
 Model Name :

June 7, 2021
 4:16 PM
 Checked By: _____

Member Distributed Loads (BLC 49 : Structure Wo (240 Deg)) (Continued)

	Member Label	Direction	Start Magnitude[lb/ft,...	End Magnitude[lb/ft,F...	Start Location[ft, %]	End Location[ft, %]
80	M96A	Z	9.457	9.457	0	%100
81	M98A	X	-16.38	-16.38	0	%100
82	M98A	Z	9.457	9.457	0	%100
83	M99A	X	0	0	0	%100
84	M99A	Z	0	0	0	%100
85	M100	X	-16.38	-16.38	0	%100
86	M100	Z	9.457	9.457	0	%100
87	MP3C	X	-8.645	-8.645	0	%100
88	MP3C	Z	4.991	4.991	0	%100
89	MP4C	X	-8.645	-8.645	0	%100
90	MP4C	Z	4.991	4.991	0	%100
91	MP2C	X	-8.645	-8.645	0	%100
92	MP2C	Z	4.991	4.991	0	%100
93	MP1C	X	-8.645	-8.645	0	%100
94	MP1C	Z	4.991	4.991	0	%100
95	MP3B	X	-8.645	-8.645	0	%100
96	MP3B	Z	4.991	4.991	0	%100
97	MP4B	X	-8.645	-8.645	0	%100
98	MP4B	Z	4.991	4.991	0	%100
99	MP2B	X	-8.645	-8.645	0	%100
100	MP2B	Z	4.991	4.991	0	%100
101	MP1B	X	-8.645	-8.645	0	%100
102	MP1B	Z	4.991	4.991	0	%100
103	M104	X	-8.645	-8.645	0	%100
104	M104	Z	4.991	4.991	0	%100
105	M105	X	-8.645	-8.645	0	%100
106	M105	Z	4.991	4.991	0	%100
107	M106	X	-8.645	-8.645	0	%100
108	M106	Z	4.991	4.991	0	%100
109	M107	X	-8.645	-8.645	0	%100
110	M107	Z	4.991	4.991	0	%100
111	OVP	X	-6.935	-6.935	0	%100
112	OVP	Z	4.004	4.004	0	%100
113	M110	X	-2.616	-2.616	0	%100
114	M110	Z	1.511	1.511	0	%100
115	M115	X	-2.616	-2.616	0	%100
116	M115	Z	1.511	1.511	0	%100
117	M120	X	-10.465	-10.465	0	%100
118	M120	Z	6.042	6.042	0	%100
119	M131	X	-11.625	-11.625	0	%100
120	M131	Z	6.712	6.712	0	%100
121	M132	X	-2.906	-2.906	0	%100
122	M132	Z	1.678	1.678	0	%100
123	M133	X	-2.906	-2.906	0	%100
124	M133	Z	1.678	1.678	0	%100

Member Distributed Loads (BLC 50 : Structure Wo (270 Deg))

	Member Label	Direction	Start Magnitude[lb/ft,...	End Magnitude[lb/ft,F...	Start Location[ft, %]	End Location[ft, %]
1	M1	X	0	0	0	%100
2	M1	Z	0	0	0	%100
3	M4	X	-14.942	-14.942	0	%100
4	M4	Z	0	0	0	%100
5	M10	X	0	0	0	%100
6	M10	Z	0	0	0	%100
7	MP3A	X	-9.983	-9.983	0	%100
8	MP3A	Z	0	0	0	%100

Member Distributed Loads (BLC 50 : Structure Wo (270 Deg)) (Continued)

	Member Label	Direction	Start Magnitude[lb/ft,...	End Magnitude[lb/ft,F...	Start Location[ft, %]	End Location[ft, %]
9	MP4A	X	-9.983	-9.983	0	%100
10	MP4A	Z	0	0	0	%100
11	MP2A	X	-9.983	-9.983	0	%100
12	MP2A	Z	0	0	0	%100
13	MP1A	X	-9.983	-9.983	0	%100
14	MP1A	Z	0	0	0	%100
15	M43	X	0	0	0	%100
16	M43	Z	0	0	0	%100
17	M46	X	0	0	0	%100
18	M46	Z	0	0	0	%100
19	M51B	X	-10.503	-10.503	0	%100
20	M51B	Z	0	0	0	%100
21	M52B	X	-10.503	-10.503	0	%100
22	M52B	Z	0	0	0	%100
23	M76	X	-25.219	-25.219	0	%100
24	M76	Z	0	0	0	%100
25	M77	X	-19.265	-19.265	0	%100
26	M77	Z	0	0	0	%100
27	M80	X	-20.291	-20.291	0	%100
28	M80	Z	0	0	0	%100
29	M85	X	-19.265	-19.265	0	%100
30	M85	Z	0	0	0	%100
31	M91	X	-20.291	-20.291	0	%100
32	M91	Z	0	0	0	%100
33	M52A	X	-3.736	-3.736	0	%100
34	M52A	Z	0	0	0	%100
35	M53	X	-9.483	-9.483	0	%100
36	M53	Z	0	0	0	%100
37	M54	X	-9.483	-9.483	0	%100
38	M54	Z	0	0	0	%100
39	M55	X	-18.914	-18.914	0	%100
40	M55	Z	0	0	0	%100
41	M58A	X	-10.503	-10.503	0	%100
42	M58A	Z	0	0	0	%100
43	M59A	X	0	0	0	%100
44	M59A	Z	0	0	0	%100
45	M64	X	-19.265	-19.265	0	%100
46	M64	Z	0	0	0	%100
47	M66	X	-20.291	-20.291	0	%100
48	M66	Z	0	0	0	%100
49	M69	X	0	0	0	%100
50	M69	Z	0	0	0	%100
51	M71	X	0	0	0	%100
52	M71	Z	0	0	0	%100
53	M76A	X	-3.736	-3.736	0	%100
54	M76A	Z	0	0	0	%100
55	M77A	X	-9.483	-9.483	0	%100
56	M77A	Z	0	0	0	%100
57	M78	X	-9.483	-9.483	0	%100
58	M78	Z	0	0	0	%100
59	M79A	X	-18.914	-18.914	0	%100
60	M79A	Z	0	0	0	%100
61	M82	X	0	0	0	%100
62	M82	Z	0	0	0	%100
63	M83A	X	-10.503	-10.503	0	%100
64	M83A	Z	0	0	0	%100
65	M88A	X	0	0	0	%100



Company :
 Designer :
 Job Number :
 Model Name :

June 7, 2021
 4:16 PM
 Checked By: _____

Member Distributed Loads (BLC 50 : Structure Wo (270 Deg)) (Continued)

	Member Label	Direction	Start Magnitude[lb/ft,...	End Magnitude[lb/ft,F...	Start Location[ft,%]	End Location[ft, %]
66	M88A	Z	0	0	0	%100
67	M90	X	0	0	0	%100
68	M90	Z	0	0	0	%100
69	M93	X	-19.265	-19.265	0	%100
70	M93	Z	0	0	0	%100
71	M95	X	-20.291	-20.291	0	%100
72	M95	Z	0	0	0	%100
73	M82A	X	-10.646	-10.646	0	%100
74	M82A	Z	0	0	0	%100
75	M91B	X	-10.646	-10.646	0	%100
76	M91B	Z	0	0	0	%100
77	M95B	X	-6.305	-6.305	0	%100
78	M95B	Z	0	0	0	%100
79	M96A	X	-6.305	-6.305	0	%100
80	M96A	Z	0	0	0	%100
81	M98A	X	-25.219	-25.219	0	%100
82	M98A	Z	0	0	0	%100
83	M99A	X	-6.305	-6.305	0	%100
84	M99A	Z	0	0	0	%100
85	M100	X	-6.305	-6.305	0	%100
86	M100	Z	0	0	0	%100
87	MP3C	X	-9.983	-9.983	0	%100
88	MP3C	Z	0	0	0	%100
89	MP4C	X	-9.983	-9.983	0	%100
90	MP4C	Z	0	0	0	%100
91	MP2C	X	-9.983	-9.983	0	%100
92	MP2C	Z	0	0	0	%100
93	MP1C	X	-9.983	-9.983	0	%100
94	MP1C	Z	0	0	0	%100
95	MP3B	X	-9.983	-9.983	0	%100
96	MP3B	Z	0	0	0	%100
97	MP4B	X	-9.983	-9.983	0	%100
98	MP4B	Z	0	0	0	%100
99	MP2B	X	-9.983	-9.983	0	%100
100	MP2B	Z	0	0	0	%100
101	MP1B	X	-9.983	-9.983	0	%100
102	MP1B	Z	0	0	0	%100
103	M104	X	-9.983	-9.983	0	%100
104	M104	Z	0	0	0	%100
105	M105	X	-9.983	-9.983	0	%100
106	M105	Z	0	0	0	%100
107	M106	X	-9.983	-9.983	0	%100
108	M106	Z	0	0	0	%100
109	M107	X	-9.983	-9.983	0	%100
110	M107	Z	0	0	0	%100
111	OVP	X	-8.007	-8.007	0	%100
112	OVP	Z	0	0	0	%100
113	M110	X	-9.063	-9.063	0	%100
114	M110	Z	0	0	0	%100
115	M115	X	0	0	0	%100
116	M115	Z	0	0	0	%100
117	M120	X	-9.063	-9.063	0	%100
118	M120	Z	0	0	0	%100
119	M131	X	-10.068	-10.068	0	%100
120	M131	Z	0	0	0	%100
121	M132	X	-10.068	-10.068	0	%100
122	M132	Z	0	0	0	%100



Company :
 Designer :
 Job Number :
 Model Name :

June 7, 2021
 4:16 PM
 Checked By: _____

Member Distributed Loads (BLC 50 : Structure Wo (270 Deg)) (Continued)

	Member Label	Direction	Start Magnitude[lb/ft,...	End Magnitude[lb/ft,F...	Start Location[ft, %]	End Location[ft, %]
123	M133	X	0	0	0	%100
124	M133	Z	0	0	0	%100

Member Distributed Loads (BLC 51 : Structure Wo (300 Deg))

	Member Label	Direction	Start Magnitude[lb/ft,...	End Magnitude[lb/ft,F...	Start Location[ft, %]	End Location[ft, %]
1	M1	X	-3.073	-3.073	0	%100
2	M1	Z	-1.774	-1.774	0	%100
3	M4	X	-9.705	-9.705	0	%100
4	M4	Z	-5.603	-5.603	0	%100
5	M10	X	-2.737	-2.737	0	%100
6	M10	Z	-1.58	-1.58	0	%100
7	MP3A	X	-8.645	-8.645	0	%100
8	MP3A	Z	-4.991	-4.991	0	%100
9	MP4A	X	-8.645	-8.645	0	%100
10	MP4A	Z	-4.991	-4.991	0	%100
11	MP2A	X	-8.645	-8.645	0	%100
12	MP2A	Z	-4.991	-4.991	0	%100
13	MP1A	X	-8.645	-8.645	0	%100
14	MP1A	Z	-4.991	-4.991	0	%100
15	M43	X	-2.737	-2.737	0	%100
16	M43	Z	-1.58	-1.58	0	%100
17	M46	X	-5.46	-5.46	0	%100
18	M46	Z	-3.152	-3.152	0	%100
19	M51B	X	-3.032	-3.032	0	%100
20	M51B	Z	-1.75	-1.75	0	%100
21	M52B	X	-12.128	-12.128	0	%100
22	M52B	Z	-7.002	-7.002	0	%100
23	M76	X	-16.38	-16.38	0	%100
24	M76	Z	-9.457	-9.457	0	%100
25	M77	X	-5.561	-5.561	0	%100
26	M77	Z	-3.211	-3.211	0	%100
27	M80	X	-5.857	-5.857	0	%100
28	M80	Z	-3.382	-3.382	0	%100
29	M85	X	-22.245	-22.245	0	%100
30	M85	Z	-12.843	-12.843	0	%100
31	M91	X	-23.43	-23.43	0	%100
32	M91	Z	-13.527	-13.527	0	%100
33	M52A	X	-9.705	-9.705	0	%100
34	M52A	Z	-5.603	-5.603	0	%100
35	M53	X	-2.737	-2.737	0	%100
36	M53	Z	-1.58	-1.58	0	%100
37	M54	X	-2.737	-2.737	0	%100
38	M54	Z	-1.58	-1.58	0	%100
39	M55	X	-5.46	-5.46	0	%100
40	M55	Z	-3.152	-3.152	0	%100
41	M58A	X	-12.128	-12.128	0	%100
42	M58A	Z	-7.002	-7.002	0	%100
43	M59A	X	-3.032	-3.032	0	%100
44	M59A	Z	-1.75	-1.75	0	%100
45	M64	X	-22.245	-22.245	0	%100
46	M64	Z	-12.843	-12.843	0	%100
47	M66	X	-23.43	-23.43	0	%100
48	M66	Z	-13.527	-13.527	0	%100
49	M69	X	-5.561	-5.561	0	%100
50	M69	Z	-3.211	-3.211	0	%100
51	M71	X	-5.857	-5.857	0	%100



Company :
 Designer :
 Job Number :
 Model Name :

June 7, 2021
 4:16 PM
 Checked By: _____

Member Distributed Loads (BLC 51 : Structure Wo (300 Deg)) (Continued)

	Member Label	Direction	Start Magnitude[lb/ft,...	End Magnitude[lb/ft,F...	Start Location[ft,%]	End Location[ft,%]
52	M71	Z	-3.382	-3.382	0	%100
53	M76A	X	0	0	0	%100
54	M76A	Z	0	0	0	%100
55	M77A	X	-10.95	-10.95	0	%100
56	M77A	Z	-6.322	-6.322	0	%100
57	M78	X	-10.95	-10.95	0	%100
58	M78	Z	-6.322	-6.322	0	%100
59	M79A	X	-21.84	-21.84	0	%100
60	M79A	Z	-12.61	-12.61	0	%100
61	M82	X	-3.032	-3.032	0	%100
62	M82	Z	-1.75	-1.75	0	%100
63	M83A	X	-3.032	-3.032	0	%100
64	M83A	Z	-1.75	-1.75	0	%100
65	M88A	X	-5.561	-5.561	0	%100
66	M88A	Z	-3.211	-3.211	0	%100
67	M90	X	-5.857	-5.857	0	%100
68	M90	Z	-3.382	-3.382	0	%100
69	M93	X	-5.561	-5.561	0	%100
70	M93	Z	-3.211	-3.211	0	%100
71	M95	X	-5.857	-5.857	0	%100
72	M95	Z	-3.382	-3.382	0	%100
73	M82A	X	-3.073	-3.073	0	%100
74	M82A	Z	-1.774	-1.774	0	%100
75	M91B	X	-12.293	-12.293	0	%100
76	M91B	Z	-7.098	-7.098	0	%100
77	M95B	X	-16.38	-16.38	0	%100
78	M95B	Z	-9.457	-9.457	0	%100
79	M96A	X	0	0	0	%100
80	M96A	Z	0	0	0	%100
81	M98A	X	-16.38	-16.38	0	%100
82	M98A	Z	-9.457	-9.457	0	%100
83	M99A	X	-16.38	-16.38	0	%100
84	M99A	Z	-9.457	-9.457	0	%100
85	M100	X	0	0	0	%100
86	M100	Z	0	0	0	%100
87	MP3C	X	-8.645	-8.645	0	%100
88	MP3C	Z	-4.991	-4.991	0	%100
89	MP4C	X	-8.645	-8.645	0	%100
90	MP4C	Z	-4.991	-4.991	0	%100
91	MP2C	X	-8.645	-8.645	0	%100
92	MP2C	Z	-4.991	-4.991	0	%100
93	MP1C	X	-8.645	-8.645	0	%100
94	MP1C	Z	-4.991	-4.991	0	%100
95	MP3B	X	-8.645	-8.645	0	%100
96	MP3B	Z	-4.991	-4.991	0	%100
97	MP4B	X	-8.645	-8.645	0	%100
98	MP4B	Z	-4.991	-4.991	0	%100
99	MP2B	X	-8.645	-8.645	0	%100
100	MP2B	Z	-4.991	-4.991	0	%100
101	MP1B	X	-8.645	-8.645	0	%100
102	MP1B	Z	-4.991	-4.991	0	%100
103	M104	X	-8.645	-8.645	0	%100
104	M104	Z	-4.991	-4.991	0	%100
105	M105	X	-8.645	-8.645	0	%100
106	M105	Z	-4.991	-4.991	0	%100
107	M106	X	-8.645	-8.645	0	%100
108	M106	Z	-4.991	-4.991	0	%100



Company :
 Designer :
 Job Number :
 Model Name :

June 7, 2021
 4:16 PM
 Checked By: _____

Member Distributed Loads (BLC 51 : Structure Wo (300 Deg)) (Continued)

	Member Label	Direction	Start Magnitude[lb/ft,...	End Magnitude[lb/ft,F...	Start Location[ft, %]	End Location[ft, %]
109	M107	X	-8.645	-8.645	0	%100
110	M107	Z	-4.991	-4.991	0	%100
111	OVP	X	-6.935	-6.935	0	%100
112	OVP	Z	-4.004	-4.004	0	%100
113	M110	X	-10.465	-10.465	0	%100
114	M110	Z	-6.042	-6.042	0	%100
115	M115	X	-2.616	-2.616	0	%100
116	M115	Z	-1.511	-1.511	0	%100
117	M120	X	-2.616	-2.616	0	%100
118	M120	Z	-1.511	-1.511	0	%100
119	M131	X	-2.906	-2.906	0	%100
120	M131	Z	-1.678	-1.678	0	%100
121	M132	X	-11.625	-11.625	0	%100
122	M132	Z	-6.712	-6.712	0	%100
123	M133	X	-2.906	-2.906	0	%100
124	M133	Z	-1.678	-1.678	0	%100

Member Distributed Loads (BLC 52 : Structure Wo (330 Deg))

	Member Label	Direction	Start Magnitude[lb/ft,...	End Magnitude[lb/ft,F...	Start Location[ft, %]	End Location[ft, %]
1	M1	X	-5.323	-5.323	0	%100
2	M1	Z	-9.22	-9.22	0	%100
3	M4	X	-1.868	-1.868	0	%100
4	M4	Z	-3.235	-3.235	0	%100
5	M10	X	-4.741	-4.741	0	%100
6	M10	Z	-8.212	-8.212	0	%100
7	MP3A	X	-4.991	-4.991	0	%100
8	MP3A	Z	-8.645	-8.645	0	%100
9	MP4A	X	-4.991	-4.991	0	%100
10	MP4A	Z	-8.645	-8.645	0	%100
11	MP2A	X	-4.991	-4.991	0	%100
12	MP2A	Z	-8.645	-8.645	0	%100
13	MP1A	X	-4.991	-4.991	0	%100
14	MP1A	Z	-8.645	-8.645	0	%100
15	M43	X	-4.741	-4.741	0	%100
16	M43	Z	-8.212	-8.212	0	%100
17	M46	X	-9.457	-9.457	0	%100
18	M46	Z	-16.38	-16.38	0	%100
19	M51B	X	0	0	0	%100
20	M51B	Z	0	0	0	%100
21	M52B	X	-5.251	-5.251	0	%100
22	M52B	Z	-9.096	-9.096	0	%100
23	M76	X	-3.152	-3.152	0	%100
24	M76	Z	-5.46	-5.46	0	%100
25	M77	X	0	0	0	%100
26	M77	Z	0	0	0	%100
27	M80	X	0	0	0	%100
28	M80	Z	0	0	0	%100
29	M85	X	-9.632	-9.632	0	%100
30	M85	Z	-16.684	-16.684	0	%100
31	M91	X	-10.145	-10.145	0	%100
32	M91	Z	-17.572	-17.572	0	%100
33	M52A	X	-7.471	-7.471	0	%100
34	M52A	Z	-12.94	-12.94	0	%100
35	M53	X	0	0	0	%100
36	M53	Z	0	0	0	%100
37	M54	X	0	0	0	%100



Company :
 Designer :
 Job Number :
 Model Name :

June 7, 2021
 4:16 PM
 Checked By: _____

Member Distributed Loads (BLC 52 : Structure Wo (330 Deg)) (Continued)

Member Label	Direction	Start Magnitude[lb/ft,...	End Magnitude[lb/ft,F...	Start Location[ft, %]	End Location[ft, %]	
38	M54	Z	0	0	0	%100
39	M55	X	0	0	0	%100
40	M55	Z	0	0	0	%100
41	M58A	X	-5.251	-5.251	0	%100
42	M58A	Z	-9.096	-9.096	0	%100
43	M59A	X	-5.251	-5.251	0	%100
44	M59A	Z	-9.096	-9.096	0	%100
45	M64	X	-9.632	-9.632	0	%100
46	M64	Z	-16.684	-16.684	0	%100
47	M66	X	-10.145	-10.145	0	%100
48	M66	Z	-17.572	-17.572	0	%100
49	M69	X	-9.632	-9.632	0	%100
50	M69	Z	-16.684	-16.684	0	%100
51	M71	X	-10.145	-10.145	0	%100
52	M71	Z	-17.572	-17.572	0	%100
53	M76A	X	-1.868	-1.868	0	%100
54	M76A	Z	-3.235	-3.235	0	%100
55	M77A	X	-4.741	-4.741	0	%100
56	M77A	Z	-8.212	-8.212	0	%100
57	M78	X	-4.741	-4.741	0	%100
58	M78	Z	-8.212	-8.212	0	%100
59	M79A	X	-9.457	-9.457	0	%100
60	M79A	Z	-16.38	-16.38	0	%100
61	M82	X	-5.251	-5.251	0	%100
62	M82	Z	-9.096	-9.096	0	%100
63	M83A	X	0	0	0	%100
64	M83A	Z	0	0	0	%100
65	M88A	X	-9.632	-9.632	0	%100
66	M88A	Z	-16.684	-16.684	0	%100
67	M90	X	-10.145	-10.145	0	%100
68	M90	Z	-17.572	-17.572	0	%100
69	M93	X	0	0	0	%100
70	M93	Z	0	0	0	%100
71	M95	X	0	0	0	%100
72	M95	Z	0	0	0	%100
73	M82A	X	0	0	0	%100
74	M82A	Z	0	0	0	%100
75	M91B	X	-5.323	-5.323	0	%100
76	M91B	Z	-9.22	-9.22	0	%100
77	M95B	X	-12.61	-12.61	0	%100
78	M95B	Z	-21.84	-21.84	0	%100
79	M96A	X	-3.152	-3.152	0	%100
80	M96A	Z	-5.46	-5.46	0	%100
81	M98A	X	-3.152	-3.152	0	%100
82	M98A	Z	-5.46	-5.46	0	%100
83	M99A	X	-12.61	-12.61	0	%100
84	M99A	Z	-21.84	-21.84	0	%100
85	M100	X	-3.152	-3.152	0	%100
86	M100	Z	-5.46	-5.46	0	%100
87	MP3C	X	-4.991	-4.991	0	%100
88	MP3C	Z	-8.645	-8.645	0	%100
89	MP4C	X	-4.991	-4.991	0	%100
90	MP4C	Z	-8.645	-8.645	0	%100
91	MP2C	X	-4.991	-4.991	0	%100
92	MP2C	Z	-8.645	-8.645	0	%100
93	MP1C	X	-4.991	-4.991	0	%100
94	MP1C	Z	-8.645	-8.645	0	%100

Member Distributed Loads (BLC 52 : Structure Wo (330 Deg)) (Continued)

	Member Label	Direction	Start Magnitude[lb/ft,...	End Magnitude[lb/ft,F...	Start Location[ft, %]	End Location[ft, %]
95	MP3B	X	-4.991	-4.991	0	%100
96	MP3B	Z	-8.645	-8.645	0	%100
97	MP4B	X	-4.991	-4.991	0	%100
98	MP4B	Z	-8.645	-8.645	0	%100
99	MP2B	X	-4.991	-4.991	0	%100
100	MP2B	Z	-8.645	-8.645	0	%100
101	MP1B	X	-4.991	-4.991	0	%100
102	MP1B	Z	-8.645	-8.645	0	%100
103	M104	X	-4.991	-4.991	0	%100
104	M104	Z	-8.645	-8.645	0	%100
105	M105	X	-4.991	-4.991	0	%100
106	M105	Z	-8.645	-8.645	0	%100
107	M106	X	-4.991	-4.991	0	%100
108	M106	Z	-8.645	-8.645	0	%100
109	M107	X	-4.991	-4.991	0	%100
110	M107	Z	-8.645	-8.645	0	%100
111	OVP	X	-4.004	-4.004	0	%100
112	OVP	Z	-6.935	-6.935	0	%100
113	M110	X	-4.532	-4.532	0	%100
114	M110	Z	-7.849	-7.849	0	%100
115	M115	X	-4.532	-4.532	0	%100
116	M115	Z	-7.849	-7.849	0	%100
117	M120	X	0	0	0	%100
118	M120	Z	0	0	0	%100
119	M131	X	0	0	0	%100
120	M131	Z	0	0	0	%100
121	M132	X	-5.034	-5.034	0	%100
122	M132	Z	-8.719	-8.719	0	%100
123	M133	X	-5.034	-5.034	0	%100
124	M133	Z	-8.719	-8.719	0	%100

Member Distributed Loads (BLC 53 : Structure Wi (0 Deg))

	Member Label	Direction	Start Magnitude[lb/ft,...	End Magnitude[lb/ft,F...	Start Location[ft, %]	End Location[ft, %]
1	M1	X	0	0	0	%100
2	M1	Z	-4.226	-4.226	0	%100
3	M4	X	0	0	0	%100
4	M4	Z	0	0	0	%100
5	M10	X	0	0	0	%100
6	M10	Z	-3.478	-3.478	0	%100
7	MP3A	X	0	0	0	%100
8	MP3A	Z	-3.405	-3.405	0	%100
9	MP4A	X	0	0	0	%100
10	MP4A	Z	-3.405	-3.405	0	%100
11	MP2A	X	0	0	0	%100
12	MP2A	Z	-3.405	-3.405	0	%100
13	MP1A	X	0	0	0	%100
14	MP1A	Z	-3.405	-3.405	0	%100
15	M43	X	0	0	0	%100
16	M43	Z	-3.478	-3.478	0	%100
17	M46	X	0	0	0	%100
18	M46	Z	-5.443	-5.443	0	%100
19	M51B	X	0	0	0	%100
20	M51B	Z	-1.001	-1.001	0	%100
21	M52B	X	0	0	0	%100
22	M52B	Z	-1.001	-1.001	0	%100
23	M76	X	0	0	0	%100



Company :
 Designer :
 Job Number :
 Model Name :

June 7, 2021
 4:16 PM
 Checked By: _____

Member Distributed Loads (BLC 53 : Structure Wi (0 Deg)) (Continued)

Member Label	Direction	Start Magnitude[lb/ft,...	End Magnitude[lb/ft,F...	Start Location[ft,%]	End Location[ft,%]	
24	M76	Z	0	0	0	%100
25	M77	X	0	0	0	%100
26	M77	Z	-1.359	-1.359	0	%100
27	M80	X	0	0	0	%100
28	M80	Z	-1.418	-1.418	0	%100
29	M85	X	0	0	0	%100
30	M85	Z	-1.359	-1.359	0	%100
31	M91	X	0	0	0	%100
32	M91	Z	-1.418	-1.418	0	%100
33	M52A	X	0	0	0	%100
34	M52A	Z	-3.199	-3.199	0	%100
35	M53	X	0	0	0	%100
36	M53	Z	-0.87	-0.87	0	%100
37	M54	X	0	0	0	%100
38	M54	Z	-0.87	-0.87	0	%100
39	M55	X	0	0	0	%100
40	M55	Z	-1.361	-1.361	0	%100
41	M58A	X	0	0	0	%100
42	M58A	Z	-1.001	-1.001	0	%100
43	M59A	X	0	0	0	%100
44	M59A	Z	-4.004	-4.004	0	%100
45	M64	X	0	0	0	%100
46	M64	Z	-1.359	-1.359	0	%100
47	M66	X	0	0	0	%100
48	M66	Z	-1.418	-1.418	0	%100
49	M69	X	0	0	0	%100
50	M69	Z	-5.435	-5.435	0	%100
51	M71	X	0	0	0	%100
52	M71	Z	-5.672	-5.672	0	%100
53	M76A	X	0	0	0	%100
54	M76A	Z	-3.199	-3.199	0	%100
55	M77A	X	0	0	0	%100
56	M77A	Z	-0.87	-0.87	0	%100
57	M78	X	0	0	0	%100
58	M78	Z	-0.87	-0.87	0	%100
59	M79A	X	0	0	0	%100
60	M79A	Z	-1.361	-1.361	0	%100
61	M82	X	0	0	0	%100
62	M82	Z	-4.004	-4.004	0	%100
63	M83A	X	0	0	0	%100
64	M83A	Z	-1.001	-1.001	0	%100
65	M88A	X	0	0	0	%100
66	M88A	Z	-5.435	-5.435	0	%100
67	M90	X	0	0	0	%100
68	M90	Z	-5.672	-5.672	0	%100
69	M93	X	0	0	0	%100
70	M93	Z	-1.359	-1.359	0	%100
71	M95	X	0	0	0	%100
72	M95	Z	-1.418	-1.418	0	%100
73	M82A	X	0	0	0	%100
74	M82A	Z	-1.056	-1.056	0	%100
75	M91B	X	0	0	0	%100
76	M91B	Z	-1.056	-1.056	0	%100
77	M95B	X	0	0	0	%100
78	M95B	Z	-4.015	-4.015	0	%100
79	M96A	X	0	0	0	%100
80	M96A	Z	-4.015	-4.015	0	%100



Company :
 Designer :
 Job Number :
 Model Name :

June 7, 2021
 4:16 PM
 Checked By: _____

Member Distributed Loads (BLC 53 : Structure Wi (0 Deg)) (Continued)

	Member Label	Direction	Start Magnitude[lb/ft,...	End Magnitude[lb/ft,F...	Start Location[ft, %]	End Location[ft, %]
81	M98A	X	0	0	0	%100
82	M98A	Z	0	0	0	%100
83	M99A	X	0	0	0	%100
84	M99A	Z	-4.015	-4.015	0	%100
85	M100	X	0	0	0	%100
86	M100	Z	-4.015	-4.015	0	%100
87	MP3C	X	0	0	0	%100
88	MP3C	Z	-3.405	-3.405	0	%100
89	MP4C	X	0	0	0	%100
90	MP4C	Z	-3.405	-3.405	0	%100
91	MP2C	X	0	0	0	%100
92	MP2C	Z	-3.405	-3.405	0	%100
93	MP1C	X	0	0	0	%100
94	MP1C	Z	-3.405	-3.405	0	%100
95	MP3B	X	0	0	0	%100
96	MP3B	Z	-3.405	-3.405	0	%100
97	MP4B	X	0	0	0	%100
98	MP4B	Z	-3.405	-3.405	0	%100
99	MP2B	X	0	0	0	%100
100	MP2B	Z	-3.405	-3.405	0	%100
101	MP1B	X	0	0	0	%100
102	MP1B	Z	-3.405	-3.405	0	%100
103	M104	X	0	0	0	%100
104	M104	Z	-3.405	-3.405	0	%100
105	M105	X	0	0	0	%100
106	M105	Z	-3.405	-3.405	0	%100
107	M106	X	0	0	0	%100
108	M106	Z	-3.405	-3.405	0	%100
109	M107	X	0	0	0	%100
110	M107	Z	-3.405	-3.405	0	%100
111	OVP	X	0	0	0	%100
112	OVP	Z	-2.747	-2.747	0	%100
113	M110	X	0	0	0	%100
114	M110	Z	-.942	-.942	0	%100
115	M115	X	0	0	0	%100
116	M115	Z	-3.77	-3.77	0	%100
117	M120	X	0	0	0	%100
118	M120	Z	-.942	-.942	0	%100
119	M131	X	0	0	0	%100
120	M131	Z	-.85	-.85	0	%100
121	M132	X	0	0	0	%100
122	M132	Z	-.85	-.85	0	%100
123	M133	X	0	0	0	%100
124	M133	Z	-3.4	-3.4	0	%100

Member Distributed Loads (BLC 54 : Structure Wi (30 Deg))

	Member Label	Direction	Start Magnitude[lb/ft,...	End Magnitude[lb/ft,F...	Start Location[ft, %]	End Location[ft, %]
1	M1	X	1.585	1.585	0	%100
2	M1	Z	-2.745	-2.745	0	%100
3	M4	X	.533	.533	0	%100
4	M4	Z	-.924	-.924	0	%100
5	M10	X	1.304	1.304	0	%100
6	M10	Z	-2.259	-2.259	0	%100
7	MP3A	X	1.702	1.702	0	%100
8	MP3A	Z	-2.949	-2.949	0	%100
9	MP4A	X	1.702	1.702	0	%100

Member Distributed Loads (BLC 54 : Structure Wi (30 Deg)) (Continued)

Member Label	Direction	Start Magnitude[lb/ft,...	End Magnitude[lb/ft,F...	Start Location[ft, %]	End Location[ft, %]
10	MP4A	Z	-2.949	-2.949	0 %100
11	MP2A	X	1.702	1.702	0 %100
12	MP2A	Z	-2.949	-2.949	0 %100
13	MP1A	X	1.702	1.702	0 %100
14	MP1A	Z	-2.949	-2.949	0 %100
15	M43	X	1.304	1.304	0 %100
16	M43	Z	-2.259	-2.259	0 %100
17	M46	X	2.041	2.041	0 %100
18	M46	Z	-3.536	-3.536	0 %100
19	M51B	X	1.501	1.501	0 %100
20	M51B	Z	-2.601	-2.601	0 %100
21	M52B	X	0	0	0 %100
22	M52B	Z	0	0	0 %100
23	M76	X	.669	.669	0 %100
24	M76	Z	-1.159	-1.159	0 %100
25	M77	X	2.038	2.038	0 %100
26	M77	Z	-3.53	-3.53	0 %100
27	M80	X	2.127	2.127	0 %100
28	M80	Z	-3.684	-3.684	0 %100
29	M85	X	0	0	0 %100
30	M85	Z	0	0	0 %100
31	M91	X	0	0	0 %100
32	M91	Z	0	0	0 %100
33	M52A	X	.533	.533	0 %100
34	M52A	Z	-.924	-.924	0 %100
35	M53	X	1.304	1.304	0 %100
36	M53	Z	-2.259	-2.259	0 %100
37	M54	X	1.304	1.304	0 %100
38	M54	Z	-2.259	-2.259	0 %100
39	M55	X	2.041	2.041	0 %100
40	M55	Z	-3.536	-3.536	0 %100
41	M58A	X	0	0	0 %100
42	M58A	Z	0	0	0 %100
43	M59A	X	1.501	1.501	0 %100
44	M59A	Z	-2.601	-2.601	0 %100
45	M64	X	0	0	0 %100
46	M64	Z	0	0	0 %100
47	M66	X	0	0	0 %100
48	M66	Z	0	0	0 %100
49	M69	X	2.038	2.038	0 %100
50	M69	Z	-3.53	-3.53	0 %100
51	M71	X	2.127	2.127	0 %100
52	M71	Z	-3.684	-3.684	0 %100
53	M76A	X	2.133	2.133	0 %100
54	M76A	Z	-3.694	-3.694	0 %100
55	M77A	X	0	0	0 %100
56	M77A	Z	0	0	0 %100
57	M78	X	0	0	0 %100
58	M78	Z	0	0	0 %100
59	M79A	X	0	0	0 %100
60	M79A	Z	0	0	0 %100
61	M82	X	1.501	1.501	0 %100
62	M82	Z	-2.601	-2.601	0 %100
63	M83A	X	1.501	1.501	0 %100
64	M83A	Z	-2.601	-2.601	0 %100
65	M88A	X	2.038	2.038	0 %100
66	M88A	Z	-3.53	-3.53	0 %100



Company :
 Designer :
 Job Number :
 Model Name :

June 7, 2021
 4:16 PM
 Checked By: _____

Member Distributed Loads (BLC 54 : Structure Wi (30 Deg)) (Continued)

Member Label	Direction	Start Magnitude[lb/ft,...	End Magnitude[lb/ft,F...	Start Location[ft,%]	End Location[ft,%]
67	M90	X	2.127	2.127	0 %100
68	M90	Z	-3.684	-3.684	0 %100
69	M93	X	2.038	2.038	0 %100
70	M93	Z	-3.53	-3.53	0 %100
71	M95	X	2.127	2.127	0 %100
72	M95	Z	-3.684	-3.684	0 %100
73	M82A	X	1.585	1.585	0 %100
74	M82A	Z	-2.745	-2.745	0 %100
75	M91B	X	0	0	0 %100
76	M91B	Z	0	0	0 %100
77	M95B	X	.669	.669	0 %100
78	M95B	Z	-1.159	-1.159	0 %100
79	M96A	X	2.677	2.677	0 %100
80	M96A	Z	-4.636	-4.636	0 %100
81	M98A	X	.669	.669	0 %100
82	M98A	Z	-1.159	-1.159	0 %100
83	M99A	X	.669	.669	0 %100
84	M99A	Z	-1.159	-1.159	0 %100
85	M100	X	2.677	2.677	0 %100
86	M100	Z	-4.636	-4.636	0 %100
87	MP3C	X	1.702	1.702	0 %100
88	MP3C	Z	-2.949	-2.949	0 %100
89	MP4C	X	1.702	1.702	0 %100
90	MP4C	Z	-2.949	-2.949	0 %100
91	MP2C	X	1.702	1.702	0 %100
92	MP2C	Z	-2.949	-2.949	0 %100
93	MP1C	X	1.702	1.702	0 %100
94	MP1C	Z	-2.949	-2.949	0 %100
95	MP3B	X	1.702	1.702	0 %100
96	MP3B	Z	-2.949	-2.949	0 %100
97	MP4B	X	1.702	1.702	0 %100
98	MP4B	Z	-2.949	-2.949	0 %100
99	MP2B	X	1.702	1.702	0 %100
100	MP2B	Z	-2.949	-2.949	0 %100
101	MP1B	X	1.702	1.702	0 %100
102	MP1B	Z	-2.949	-2.949	0 %100
103	M104	X	1.702	1.702	0 %100
104	M104	Z	-2.949	-2.949	0 %100
105	M105	X	1.702	1.702	0 %100
106	M105	Z	-2.949	-2.949	0 %100
107	M106	X	1.702	1.702	0 %100
108	M106	Z	-2.949	-2.949	0 %100
109	M107	X	1.702	1.702	0 %100
110	M107	Z	-2.949	-2.949	0 %100
111	OVP	X	1.374	1.374	0 %100
112	OVP	Z	-2.379	-2.379	0 %100
113	M110	X	0	0	0 %100
114	M110	Z	0	0	0 %100
115	M115	X	1.414	1.414	0 %100
116	M115	Z	-2.449	-2.449	0 %100
117	M120	X	1.414	1.414	0 %100
118	M120	Z	-2.449	-2.449	0 %100
119	M131	X	1.275	1.275	0 %100
120	M131	Z	-2.209	-2.209	0 %100
121	M132	X	0	0	0 %100
122	M132	Z	0	0	0 %100
123	M133	X	1.275	1.275	0 %100



Company :
 Designer :
 Job Number :
 Model Name :

June 7, 2021
 4:16 PM
 Checked By: _____

Member Distributed Loads (BLC 54 : Structure Wi (30 Deg)) (Continued)

Member Label	Direction	Start Magnitude[lb/ft,...	End Magnitude[lb/ft,F...	Start Location[ft, %]	End Location[ft, %]
124 M133	Z	-2.209	-2.209	0	%100

Member Distributed Loads (BLC 55 : Structure Wi (60 Deg))

Member Label	Direction	Start Magnitude[lb/ft,...	End Magnitude[lb/ft,F...	Start Location[ft, %]	End Location[ft, %]
1 M1	X	.915	.915	0	%100
2 M1	Z	-.528	-.528	0	%100
3 M4	X	2.771	2.771	0	%100
4 M4	Z	-1.6	-1.6	0	%100
5 M10	X	.753	.753	0	%100
6 M10	Z	-.435	-.435	0	%100
7 MP3A	X	2.949	2.949	0	%100
8 MP3A	Z	-1.702	-1.702	0	%100
9 MP4A	X	2.949	2.949	0	%100
10 MP4A	Z	-1.702	-1.702	0	%100
11 MP2A	X	2.949	2.949	0	%100
12 MP2A	Z	-1.702	-1.702	0	%100
13 MP1A	X	2.949	2.949	0	%100
14 MP1A	Z	-1.702	-1.702	0	%100
15 M43	X	.753	.753	0	%100
16 M43	Z	-.435	-.435	0	%100
17 M46	X	1.179	1.179	0	%100
18 M46	Z	-.68	-.68	0	%100
19 M51B	X	3.467	3.467	0	%100
20 M51B	Z	-2.002	-2.002	0	%100
21 M52B	X	.867	.867	0	%100
22 M52B	Z	-.5	-.5	0	%100
23 M76	X	3.477	3.477	0	%100
24 M76	Z	-2.008	-2.008	0	%100
25 M77	X	4.707	4.707	0	%100
26 M77	Z	-2.717	-2.717	0	%100
27 M80	X	4.912	4.912	0	%100
28 M80	Z	-2.836	-2.836	0	%100
29 M85	X	1.177	1.177	0	%100
30 M85	Z	-.679	-.679	0	%100
31 M91	X	1.228	1.228	0	%100
32 M91	Z	-.709	-.709	0	%100
33 M52A	X	0	0	0	%100
34 M52A	Z	0	0	0	%100
35 M53	X	3.012	3.012	0	%100
36 M53	Z	-1.739	-1.739	0	%100
37 M54	X	3.012	3.012	0	%100
38 M54	Z	-1.739	-1.739	0	%100
39 M55	X	4.714	4.714	0	%100
40 M55	Z	-2.722	-2.722	0	%100
41 M58A	X	.867	.867	0	%100
42 M58A	Z	-.5	-.5	0	%100
43 M59A	X	.867	.867	0	%100
44 M59A	Z	-.5	-.5	0	%100
45 M64	X	1.177	1.177	0	%100
46 M64	Z	-.679	-.679	0	%100
47 M66	X	1.228	1.228	0	%100
48 M66	Z	-.709	-.709	0	%100
49 M69	X	1.177	1.177	0	%100
50 M69	Z	-.679	-.679	0	%100
51 M71	X	1.228	1.228	0	%100
52 M71	Z	-.709	-.709	0	%100



Company :
 Designer :
 Job Number :
 Model Name :

June 7, 2021
 4:16 PM
 Checked By: _____

Member Distributed Loads (BLC 55 : Structure Wi (60 Deg)) (Continued)

Member Label	Direction	Start Magnitude[lb/ft,...	End Magnitude[lb/ft,F...	Start Location[ft, %]	End Location[ft, %]
53	M76A	X	2.771	2.771	0 %100
54	M76A	Z	-1.6	-1.6	0 %100
55	M77A	X	.753	.753	0 %100
56	M77A	Z	-.435	-.435	0 %100
57	M78	X	.753	.753	0 %100
58	M78	Z	-.435	-.435	0 %100
59	M79A	X	1.179	1.179	0 %100
60	M79A	Z	-.68	-.68	0 %100
61	M82	X	.867	.867	0 %100
62	M82	Z	-.5	-.5	0 %100
63	M83A	X	3.467	3.467	0 %100
64	M83A	Z	-2.002	-2.002	0 %100
65	M88A	X	1.177	1.177	0 %100
66	M88A	Z	-.679	-.679	0 %100
67	M90	X	1.228	1.228	0 %100
68	M90	Z	-.709	-.709	0 %100
69	M93	X	4.707	4.707	0 %100
70	M93	Z	-2.717	-2.717	0 %100
71	M95	X	4.912	4.912	0 %100
72	M95	Z	-2.836	-2.836	0 %100
73	M82A	X	3.66	3.66	0 %100
74	M82A	Z	-2.113	-2.113	0 %100
75	M91B	X	.915	.915	0 %100
76	M91B	Z	-.528	-.528	0 %100
77	M95B	X	0	0	0 %100
78	M95B	Z	0	0	0 %100
79	M96A	X	3.477	3.477	0 %100
80	M96A	Z	-2.008	-2.008	0 %100
81	M98A	X	3.477	3.477	0 %100
82	M98A	Z	-2.008	-2.008	0 %100
83	M99A	X	0	0	0 %100
84	M99A	Z	0	0	0 %100
85	M100	X	3.477	3.477	0 %100
86	M100	Z	-2.008	-2.008	0 %100
87	MP3C	X	2.949	2.949	0 %100
88	MP3C	Z	-1.702	-1.702	0 %100
89	MP4C	X	2.949	2.949	0 %100
90	MP4C	Z	-1.702	-1.702	0 %100
91	MP2C	X	2.949	2.949	0 %100
92	MP2C	Z	-1.702	-1.702	0 %100
93	MP1C	X	2.949	2.949	0 %100
94	MP1C	Z	-1.702	-1.702	0 %100
95	MP3B	X	2.949	2.949	0 %100
96	MP3B	Z	-1.702	-1.702	0 %100
97	MP4B	X	2.949	2.949	0 %100
98	MP4B	Z	-1.702	-1.702	0 %100
99	MP2B	X	2.949	2.949	0 %100
100	MP2B	Z	-1.702	-1.702	0 %100
101	MP1B	X	2.949	2.949	0 %100
102	MP1B	Z	-1.702	-1.702	0 %100
103	M104	X	2.949	2.949	0 %100
104	M104	Z	-1.702	-1.702	0 %100
105	M105	X	2.949	2.949	0 %100
106	M105	Z	-1.702	-1.702	0 %100
107	M106	X	2.949	2.949	0 %100
108	M106	Z	-1.702	-1.702	0 %100
109	M107	X	2.949	2.949	0 %100

Member Distributed Loads (BLC 55 : Structure Wi (60 Deg)) (Continued)

	Member Label	Direction	Start Magnitude[lb/ft....	End Magnitude[lb/ft.F...	Start Location[ft.%]	End Location[ft.%]
110	M107	Z	-1.702	-1.702	0	%100
111	OVP	X	2.379	2.379	0	%100
112	OVP	Z	-1.374	-1.374	0	%100
113	M110	X	.816	.816	0	%100
114	M110	Z	-.471	-.471	0	%100
115	M115	X	.816	.816	0	%100
116	M115	Z	-.471	-.471	0	%100
117	M120	X	3.265	3.265	0	%100
118	M120	Z	-1.885	-1.885	0	%100
119	M131	X	2.945	2.945	0	%100
120	M131	Z	-1.7	-1.7	0	%100
121	M132	X	.736	.736	0	%100
122	M132	Z	-.425	-.425	0	%100
123	M133	X	.736	.736	0	%100
124	M133	Z	-.425	-.425	0	%100

Member Distributed Loads (BLC 56 : Structure Wi (90 Deg))

	Member Label	Direction	Start Magnitude[lb/ft....	End Magnitude[lb/ft.F...	Start Location[ft.%]	End Location[ft.%]
1	M1	X	0	0	0	%100
2	M1	Z	0	0	0	%100
3	M4	X	4.266	4.266	0	%100
4	M4	Z	0	0	0	%100
5	M10	X	0	0	0	%100
6	M10	Z	0	0	0	%100
7	MP3A	X	3.405	3.405	0	%100
8	MP3A	Z	0	0	0	%100
9	MP4A	X	3.405	3.405	0	%100
10	MP4A	Z	0	0	0	%100
11	MP2A	X	3.405	3.405	0	%100
12	MP2A	Z	0	0	0	%100
13	MP1A	X	3.405	3.405	0	%100
14	MP1A	Z	0	0	0	%100
15	M43	X	0	0	0	%100
16	M43	Z	0	0	0	%100
17	M46	X	0	0	0	%100
18	M46	Z	0	0	0	%100
19	M51B	X	3.003	3.003	0	%100
20	M51B	Z	0	0	0	%100
21	M52B	X	3.003	3.003	0	%100
22	M52B	Z	0	0	0	%100
23	M76	X	5.354	5.354	0	%100
24	M76	Z	0	0	0	%100
25	M77	X	4.076	4.076	0	%100
26	M77	Z	0	0	0	%100
27	M80	X	4.254	4.254	0	%100
28	M80	Z	0	0	0	%100
29	M85	X	4.076	4.076	0	%100
30	M85	Z	0	0	0	%100
31	M91	X	4.254	4.254	0	%100
32	M91	Z	0	0	0	%100
33	M52A	X	1.066	1.066	0	%100
34	M52A	Z	0	0	0	%100
35	M53	X	2.609	2.609	0	%100
36	M53	Z	0	0	0	%100
37	M54	X	2.609	2.609	0	%100
38	M54	Z	0	0	0	%100



Company :
 Designer :
 Job Number :
 Model Name :

June 7, 2021
 4:16 PM
 Checked By: _____

Member Distributed Loads (BLC 56 : Structure Wi (90 Deg)) (Continued)

	Member Label	Direction	Start Magnitude[lb/ft,...	End Magnitude[lb/ft,F...	Start Location[ft, %]	End Location[ft, %]
39	M55	X	4.083	4.083	0	%100
40	M55	Z	0	0	0	%100
41	M58A	X	3.003	3.003	0	%100
42	M58A	Z	0	0	0	%100
43	M59A	X	0	0	0	%100
44	M59A	Z	0	0	0	%100
45	M64	X	4.076	4.076	0	%100
46	M64	Z	0	0	0	%100
47	M66	X	4.254	4.254	0	%100
48	M66	Z	0	0	0	%100
49	M69	X	0	0	0	%100
50	M69	Z	0	0	0	%100
51	M71	X	0	0	0	%100
52	M71	Z	0	0	0	%100
53	M76A	X	1.066	1.066	0	%100
54	M76A	Z	0	0	0	%100
55	M77A	X	2.609	2.609	0	%100
56	M77A	Z	0	0	0	%100
57	M78	X	2.609	2.609	0	%100
58	M78	Z	0	0	0	%100
59	M79A	X	4.083	4.083	0	%100
60	M79A	Z	0	0	0	%100
61	M82	X	0	0	0	%100
62	M82	Z	0	0	0	%100
63	M83A	X	3.003	3.003	0	%100
64	M83A	Z	0	0	0	%100
65	M88A	X	0	0	0	%100
66	M88A	Z	0	0	0	%100
67	M90	X	0	0	0	%100
68	M90	Z	0	0	0	%100
69	M93	X	4.076	4.076	0	%100
70	M93	Z	0	0	0	%100
71	M95	X	4.254	4.254	0	%100
72	M95	Z	0	0	0	%100
73	M82A	X	3.169	3.169	0	%100
74	M82A	Z	0	0	0	%100
75	M91B	X	3.169	3.169	0	%100
76	M91B	Z	0	0	0	%100
77	M95B	X	1.338	1.338	0	%100
78	M95B	Z	0	0	0	%100
79	M96A	X	1.338	1.338	0	%100
80	M96A	Z	0	0	0	%100
81	M98A	X	5.354	5.354	0	%100
82	M98A	Z	0	0	0	%100
83	M99A	X	1.338	1.338	0	%100
84	M99A	Z	0	0	0	%100
85	M100	X	1.338	1.338	0	%100
86	M100	Z	0	0	0	%100
87	MP3C	X	3.405	3.405	0	%100
88	MP3C	Z	0	0	0	%100
89	MP4C	X	3.405	3.405	0	%100
90	MP4C	Z	0	0	0	%100
91	MP2C	X	3.405	3.405	0	%100
92	MP2C	Z	0	0	0	%100
93	MP1C	X	3.405	3.405	0	%100
94	MP1C	Z	0	0	0	%100
95	MP3B	X	3.405	3.405	0	%100

Member Distributed Loads (BLC 56 : Structure Wi (90 Deg)) (Continued)

	Member Label	Direction	Start Magnitude[lb/ft....	End Magnitude[lb/ft.F...	Start Location[ft.%]	End Location[ft.%]
96	MP3B	Z	0	0	0	%100
97	MP4B	X	3.405	3.405	0	%100
98	MP4B	Z	0	0	0	%100
99	MP2B	X	3.405	3.405	0	%100
100	MP2B	Z	0	0	0	%100
101	MP1B	X	3.405	3.405	0	%100
102	MP1B	Z	0	0	0	%100
103	M104	X	3.405	3.405	0	%100
104	M104	Z	0	0	0	%100
105	M105	X	3.405	3.405	0	%100
106	M105	Z	0	0	0	%100
107	M106	X	3.405	3.405	0	%100
108	M106	Z	0	0	0	%100
109	M107	X	3.405	3.405	0	%100
110	M107	Z	0	0	0	%100
111	OVP	X	2.747	2.747	0	%100
112	OVP	Z	0	0	0	%100
113	M110	X	2.827	2.827	0	%100
114	M110	Z	0	0	0	%100
115	M115	X	0	0	0	%100
116	M115	Z	0	0	0	%100
117	M120	X	2.827	2.827	0	%100
118	M120	Z	0	0	0	%100
119	M131	X	2.55	2.55	0	%100
120	M131	Z	0	0	0	%100
121	M132	X	2.55	2.55	0	%100
122	M132	Z	0	0	0	%100
123	M133	X	0	0	0	%100
124	M133	Z	0	0	0	%100

Member Distributed Loads (BLC 57 : Structure Wi (120 Deg))

	Member Label	Direction	Start Magnitude[lb/ft....	End Magnitude[lb/ft.F...	Start Location[ft.%]	End Location[ft.%]
1	M1	X	.915	.915	0	%100
2	M1	Z	.528	.528	0	%100
3	M4	X	2.771	2.771	0	%100
4	M4	Z	1.6	1.6	0	%100
5	M10	X	.753	.753	0	%100
6	M10	Z	.435	.435	0	%100
7	MP3A	X	2.949	2.949	0	%100
8	MP3A	Z	1.702	1.702	0	%100
9	MP4A	X	2.949	2.949	0	%100
10	MP4A	Z	1.702	1.702	0	%100
11	MP2A	X	2.949	2.949	0	%100
12	MP2A	Z	1.702	1.702	0	%100
13	MP1A	X	2.949	2.949	0	%100
14	MP1A	Z	1.702	1.702	0	%100
15	M43	X	.753	.753	0	%100
16	M43	Z	.435	.435	0	%100
17	M46	X	1.179	1.179	0	%100
18	M46	Z	.68	.68	0	%100
19	M51B	X	.867	.867	0	%100
20	M51B	Z	.5	.5	0	%100
21	M52B	X	3.467	3.467	0	%100
22	M52B	Z	2.002	2.002	0	%100
23	M76	X	3.477	3.477	0	%100
24	M76	Z	2.008	2.008	0	%100



Company :
 Designer :
 Job Number :
 Model Name :

June 7, 2021
 4:16 PM
 Checked By: _____

Member Distributed Loads (BLC 57 : Structure Wi (120 Deg)) (Continued)

Member Label	Direction	Start Magnitude[lb/ft,...	End Magnitude[lb/ft,F...	Start Location[ft, %]	End Location[ft, %]
25	M77	X	1.177	1.177	0 %100
26	M77	Z	.679	.679	0 %100
27	M80	X	1.228	1.228	0 %100
28	M80	Z	.709	.709	0 %100
29	M85	X	4.707	4.707	0 %100
30	M85	Z	2.717	2.717	0 %100
31	M91	X	4.912	4.912	0 %100
32	M91	Z	2.836	2.836	0 %100
33	M52A	X	2.771	2.771	0 %100
34	M52A	Z	1.6	1.6	0 %100
35	M53	X	.753	.753	0 %100
36	M53	Z	.435	.435	0 %100
37	M54	X	.753	.753	0 %100
38	M54	Z	.435	.435	0 %100
39	M55	X	1.179	1.179	0 %100
40	M55	Z	.68	.68	0 %100
41	M58A	X	3.467	3.467	0 %100
42	M58A	Z	2.002	2.002	0 %100
43	M59A	X	.867	.867	0 %100
44	M59A	Z	.5	.5	0 %100
45	M64	X	4.707	4.707	0 %100
46	M64	Z	2.717	2.717	0 %100
47	M66	X	4.912	4.912	0 %100
48	M66	Z	2.836	2.836	0 %100
49	M69	X	1.177	1.177	0 %100
50	M69	Z	.679	.679	0 %100
51	M71	X	1.228	1.228	0 %100
52	M71	Z	.709	.709	0 %100
53	M76A	X	0	0	0 %100
54	M76A	Z	0	0	0 %100
55	M77A	X	3.012	3.012	0 %100
56	M77A	Z	1.739	1.739	0 %100
57	M78	X	3.012	3.012	0 %100
58	M78	Z	1.739	1.739	0 %100
59	M79A	X	4.714	4.714	0 %100
60	M79A	Z	2.722	2.722	0 %100
61	M82	X	.867	.867	0 %100
62	M82	Z	.5	.5	0 %100
63	M83A	X	.867	.867	0 %100
64	M83A	Z	.5	.5	0 %100
65	M88A	X	1.177	1.177	0 %100
66	M88A	Z	.679	.679	0 %100
67	M90	X	1.228	1.228	0 %100
68	M90	Z	.709	.709	0 %100
69	M93	X	1.177	1.177	0 %100
70	M93	Z	.679	.679	0 %100
71	M95	X	1.228	1.228	0 %100
72	M95	Z	.709	.709	0 %100
73	M82A	X	.915	.915	0 %100
74	M82A	Z	.528	.528	0 %100
75	M91B	X	3.66	3.66	0 %100
76	M91B	Z	2.113	2.113	0 %100
77	M95B	X	3.477	3.477	0 %100
78	M95B	Z	2.008	2.008	0 %100
79	M96A	X	0	0	0 %100
80	M96A	Z	0	0	0 %100
81	M98A	X	3.477	3.477	0 %100



Company :
 Designer :
 Job Number :
 Model Name :

June 7, 2021
 4:16 PM
 Checked By: _____

Member Distributed Loads (BLC 57 : Structure Wi (120 Deg)) (Continued)

	Member Label	Direction	Start Magnitude[lb/ft,...	End Magnitude[lb/ft,F...	Start Location[ft, %]	End Location[ft, %]
82	M98A	Z	2.008	2.008	0	%100
83	M99A	X	3.477	3.477	0	%100
84	M99A	Z	2.008	2.008	0	%100
85	M100	X	0	0	0	%100
86	M100	Z	0	0	0	%100
87	MP3C	X	2.949	2.949	0	%100
88	MP3C	Z	1.702	1.702	0	%100
89	MP4C	X	2.949	2.949	0	%100
90	MP4C	Z	1.702	1.702	0	%100
91	MP2C	X	2.949	2.949	0	%100
92	MP2C	Z	1.702	1.702	0	%100
93	MP1C	X	2.949	2.949	0	%100
94	MP1C	Z	1.702	1.702	0	%100
95	MP3B	X	2.949	2.949	0	%100
96	MP3B	Z	1.702	1.702	0	%100
97	MP4B	X	2.949	2.949	0	%100
98	MP4B	Z	1.702	1.702	0	%100
99	MP2B	X	2.949	2.949	0	%100
100	MP2B	Z	1.702	1.702	0	%100
101	MP1B	X	2.949	2.949	0	%100
102	MP1B	Z	1.702	1.702	0	%100
103	M104	X	2.949	2.949	0	%100
104	M104	Z	1.702	1.702	0	%100
105	M105	X	2.949	2.949	0	%100
106	M105	Z	1.702	1.702	0	%100
107	M106	X	2.949	2.949	0	%100
108	M106	Z	1.702	1.702	0	%100
109	M107	X	2.949	2.949	0	%100
110	M107	Z	1.702	1.702	0	%100
111	OVP	X	2.379	2.379	0	%100
112	OVP	Z	1.374	1.374	0	%100
113	M110	X	3.265	3.265	0	%100
114	M110	Z	1.885	1.885	0	%100
115	M115	X	.816	.816	0	%100
116	M115	Z	.471	.471	0	%100
117	M120	X	.816	.816	0	%100
118	M120	Z	.471	.471	0	%100
119	M131	X	.736	.736	0	%100
120	M131	Z	.425	.425	0	%100
121	M132	X	2.945	2.945	0	%100
122	M132	Z	1.7	1.7	0	%100
123	M133	X	.736	.736	0	%100
124	M133	Z	.425	.425	0	%100

Member Distributed Loads (BLC 58 : Structure Wi (150 Deg))

	Member Label	Direction	Start Magnitude[lb/ft,...	End Magnitude[lb/ft,F...	Start Location[ft, %]	End Location[ft, %]
1	M1	X	1.585	1.585	0	%100
2	M1	Z	2.745	2.745	0	%100
3	M4	X	.533	.533	0	%100
4	M4	Z	.924	.924	0	%100
5	M10	X	1.304	1.304	0	%100
6	M10	Z	2.259	2.259	0	%100
7	MP3A	X	1.702	1.702	0	%100
8	MP3A	Z	2.949	2.949	0	%100
9	MP4A	X	1.702	1.702	0	%100
10	MP4A	Z	2.949	2.949	0	%100



Company :
 Designer :
 Job Number :
 Model Name :

June 7, 2021
 4:16 PM
 Checked By: _____

Member Distributed Loads (BLC 58 : Structure Wi (150 Deg)) (Continued)

Member Label	Direction	Start Magnitude[lb/ft,...	End Magnitude[lb/ft,F...	Start Location[ft,%]	End Location[ft, %]
11	MP2A	X	1.702	1.702	0 %100
12	MP2A	Z	2.949	2.949	0 %100
13	MP1A	X	1.702	1.702	0 %100
14	MP1A	Z	2.949	2.949	0 %100
15	M43	X	1.304	1.304	0 %100
16	M43	Z	2.259	2.259	0 %100
17	M46	X	2.041	2.041	0 %100
18	M46	Z	3.536	3.536	0 %100
19	M51B	X	0	0	0 %100
20	M51B	Z	0	0	0 %100
21	M52B	X	1.501	1.501	0 %100
22	M52B	Z	2.601	2.601	0 %100
23	M76	X	.669	.669	0 %100
24	M76	Z	1.159	1.159	0 %100
25	M77	X	0	0	0 %100
26	M77	Z	0	0	0 %100
27	M80	X	0	0	0 %100
28	M80	Z	0	0	0 %100
29	M85	X	2.038	2.038	0 %100
30	M85	Z	3.53	3.53	0 %100
31	M91	X	2.127	2.127	0 %100
32	M91	Z	3.684	3.684	0 %100
33	M52A	X	2.133	2.133	0 %100
34	M52A	Z	3.694	3.694	0 %100
35	M53	X	0	0	0 %100
36	M53	Z	0	0	0 %100
37	M54	X	0	0	0 %100
38	M54	Z	0	0	0 %100
39	M55	X	0	0	0 %100
40	M55	Z	0	0	0 %100
41	M58A	X	1.501	1.501	0 %100
42	M58A	Z	2.601	2.601	0 %100
43	M59A	X	1.501	1.501	0 %100
44	M59A	Z	2.601	2.601	0 %100
45	M64	X	2.038	2.038	0 %100
46	M64	Z	3.53	3.53	0 %100
47	M66	X	2.127	2.127	0 %100
48	M66	Z	3.684	3.684	0 %100
49	M69	X	2.038	2.038	0 %100
50	M69	Z	3.53	3.53	0 %100
51	M71	X	2.127	2.127	0 %100
52	M71	Z	3.684	3.684	0 %100
53	M76A	X	.533	.533	0 %100
54	M76A	Z	.924	.924	0 %100
55	M77A	X	1.304	1.304	0 %100
56	M77A	Z	2.259	2.259	0 %100
57	M78	X	1.304	1.304	0 %100
58	M78	Z	2.259	2.259	0 %100
59	M79A	X	2.041	2.041	0 %100
60	M79A	Z	3.536	3.536	0 %100
61	M82	X	1.501	1.501	0 %100
62	M82	Z	2.601	2.601	0 %100
63	M83A	X	0	0	0 %100
64	M83A	Z	0	0	0 %100
65	M88A	X	2.038	2.038	0 %100
66	M88A	Z	3.53	3.53	0 %100
67	M90	X	2.127	2.127	0 %100



Company :
 Designer :
 Job Number :
 Model Name :

June 7, 2021
 4:16 PM
 Checked By: _____

Member Distributed Loads (BLC 58 : Structure Wi (150 Deg)) (Continued)

Member Label	Direction	Start Magnitude[lb/ft,...	End Magnitude[lb/ft,F...	Start Location[ft,%]	End Location[ft,%]
68	M90	Z	3.684	3.684	0 %100
69	M93	X	0	0	0 %100
70	M93	Z	0	0	0 %100
71	M95	X	0	0	0 %100
72	M95	Z	0	0	0 %100
73	M82A	X	0	0	0 %100
74	M82A	Z	0	0	0 %100
75	M91B	X	1.585	1.585	0 %100
76	M91B	Z	2.745	2.745	0 %100
77	M95B	X	2.677	2.677	0 %100
78	M95B	Z	4.636	4.636	0 %100
79	M96A	X	.669	.669	0 %100
80	M96A	Z	1.159	1.159	0 %100
81	M98A	X	.669	.669	0 %100
82	M98A	Z	1.159	1.159	0 %100
83	M99A	X	2.677	2.677	0 %100
84	M99A	Z	4.636	4.636	0 %100
85	M100	X	.669	.669	0 %100
86	M100	Z	1.159	1.159	0 %100
87	MP3C	X	1.702	1.702	0 %100
88	MP3C	Z	2.949	2.949	0 %100
89	MP4C	X	1.702	1.702	0 %100
90	MP4C	Z	2.949	2.949	0 %100
91	MP2C	X	1.702	1.702	0 %100
92	MP2C	Z	2.949	2.949	0 %100
93	MP1C	X	1.702	1.702	0 %100
94	MP1C	Z	2.949	2.949	0 %100
95	MP3B	X	1.702	1.702	0 %100
96	MP3B	Z	2.949	2.949	0 %100
97	MP4B	X	1.702	1.702	0 %100
98	MP4B	Z	2.949	2.949	0 %100
99	MP2B	X	1.702	1.702	0 %100
100	MP2B	Z	2.949	2.949	0 %100
101	MP1B	X	1.702	1.702	0 %100
102	MP1B	Z	2.949	2.949	0 %100
103	M104	X	1.702	1.702	0 %100
104	M104	Z	2.949	2.949	0 %100
105	M105	X	1.702	1.702	0 %100
106	M105	Z	2.949	2.949	0 %100
107	M106	X	1.702	1.702	0 %100
108	M106	Z	2.949	2.949	0 %100
109	M107	X	1.702	1.702	0 %100
110	M107	Z	2.949	2.949	0 %100
111	OVP	X	1.374	1.374	0 %100
112	OVP	Z	2.379	2.379	0 %100
113	M110	X	1.414	1.414	0 %100
114	M110	Z	2.449	2.449	0 %100
115	M115	X	1.414	1.414	0 %100
116	M115	Z	2.449	2.449	0 %100
117	M120	X	0	0	0 %100
118	M120	Z	0	0	0 %100
119	M131	X	0	0	0 %100
120	M131	Z	0	0	0 %100
121	M132	X	1.275	1.275	0 %100
122	M132	Z	2.209	2.209	0 %100
123	M133	X	1.275	1.275	0 %100
124	M133	Z	2.209	2.209	0 %100



Company :
 Designer :
 Job Number :
 Model Name :

June 7, 2021
 4:16 PM
 Checked By: _____

Member Distributed Loads (BLC 59 : Structure Wi (180 Deg))

	Member Label	Direction	Start Magnitude[lb/ft,...	End Magnitude[lb/ft,F...	Start Location[ft, %]	End Location[ft, %]
1	M1	X	0	0	0	%100
2	M1	Z	4.226	4.226	0	%100
3	M4	X	0	0	0	%100
4	M4	Z	0	0	0	%100
5	M10	X	0	0	0	%100
6	M10	Z	3.478	3.478	0	%100
7	MP3A	X	0	0	0	%100
8	MP3A	Z	3.405	3.405	0	%100
9	MP4A	X	0	0	0	%100
10	MP4A	Z	3.405	3.405	0	%100
11	MP2A	X	0	0	0	%100
12	MP2A	Z	3.405	3.405	0	%100
13	MP1A	X	0	0	0	%100
14	MP1A	Z	3.405	3.405	0	%100
15	M43	X	0	0	0	%100
16	M43	Z	3.478	3.478	0	%100
17	M46	X	0	0	0	%100
18	M46	Z	5.443	5.443	0	%100
19	M51B	X	0	0	0	%100
20	M51B	Z	1.001	1.001	0	%100
21	M52B	X	0	0	0	%100
22	M52B	Z	1.001	1.001	0	%100
23	M76	X	0	0	0	%100
24	M76	Z	0	0	0	%100
25	M77	X	0	0	0	%100
26	M77	Z	1.359	1.359	0	%100
27	M80	X	0	0	0	%100
28	M80	Z	1.418	1.418	0	%100
29	M85	X	0	0	0	%100
30	M85	Z	1.359	1.359	0	%100
31	M91	X	0	0	0	%100
32	M91	Z	1.418	1.418	0	%100
33	M52A	X	0	0	0	%100
34	M52A	Z	3.199	3.199	0	%100
35	M53	X	0	0	0	%100
36	M53	Z	.87	.87	0	%100
37	M54	X	0	0	0	%100
38	M54	Z	.87	.87	0	%100
39	M55	X	0	0	0	%100
40	M55	Z	1.361	1.361	0	%100
41	M58A	X	0	0	0	%100
42	M58A	Z	1.001	1.001	0	%100
43	M59A	X	0	0	0	%100
44	M59A	Z	4.004	4.004	0	%100
45	M64	X	0	0	0	%100
46	M64	Z	1.359	1.359	0	%100
47	M66	X	0	0	0	%100
48	M66	Z	1.418	1.418	0	%100
49	M69	X	0	0	0	%100
50	M69	Z	5.435	5.435	0	%100
51	M71	X	0	0	0	%100
52	M71	Z	5.672	5.672	0	%100
53	M76A	X	0	0	0	%100
54	M76A	Z	3.199	3.199	0	%100
55	M77A	X	0	0	0	%100
56	M77A	Z	.87	.87	0	%100
57	M78	X	0	0	0	%100



Company :
 Designer :
 Job Number :
 Model Name :

June 7, 2021
 4:16 PM
 Checked By: _____

Member Distributed Loads (BLC 59 : Structure Wi (180 Deg)) (Continued)

Member Label	Direction	Start Magnitude[lb/ft,...	End Magnitude[lb/ft,F...	Start Location[ft,%]	End Location[ft,%]
58	M78	Z	.87	.87	0 %100
59	M79A	X	0	0	0 %100
60	M79A	Z	1.361	1.361	0 %100
61	M82	X	0	0	0 %100
62	M82	Z	4.004	4.004	0 %100
63	M83A	X	0	0	0 %100
64	M83A	Z	1.001	1.001	0 %100
65	M88A	X	0	0	0 %100
66	M88A	Z	5.435	5.435	0 %100
67	M90	X	0	0	0 %100
68	M90	Z	5.672	5.672	0 %100
69	M93	X	0	0	0 %100
70	M93	Z	1.359	1.359	0 %100
71	M95	X	0	0	0 %100
72	M95	Z	1.418	1.418	0 %100
73	M82A	X	0	0	0 %100
74	M82A	Z	1.056	1.056	0 %100
75	M91B	X	0	0	0 %100
76	M91B	Z	1.056	1.056	0 %100
77	M95B	X	0	0	0 %100
78	M95B	Z	4.015	4.015	0 %100
79	M96A	X	0	0	0 %100
80	M96A	Z	4.015	4.015	0 %100
81	M98A	X	0	0	0 %100
82	M98A	Z	0	0	0 %100
83	M99A	X	0	0	0 %100
84	M99A	Z	4.015	4.015	0 %100
85	M100	X	0	0	0 %100
86	M100	Z	4.015	4.015	0 %100
87	MP3C	X	0	0	0 %100
88	MP3C	Z	3.405	3.405	0 %100
89	MP4C	X	0	0	0 %100
90	MP4C	Z	3.405	3.405	0 %100
91	MP2C	X	0	0	0 %100
92	MP2C	Z	3.405	3.405	0 %100
93	MP1C	X	0	0	0 %100
94	MP1C	Z	3.405	3.405	0 %100
95	MP3B	X	0	0	0 %100
96	MP3B	Z	3.405	3.405	0 %100
97	MP4B	X	0	0	0 %100
98	MP4B	Z	3.405	3.405	0 %100
99	MP2B	X	0	0	0 %100
100	MP2B	Z	3.405	3.405	0 %100
101	MP1B	X	0	0	0 %100
102	MP1B	Z	3.405	3.405	0 %100
103	M104	X	0	0	0 %100
104	M104	Z	3.405	3.405	0 %100
105	M105	X	0	0	0 %100
106	M105	Z	3.405	3.405	0 %100
107	M106	X	0	0	0 %100
108	M106	Z	3.405	3.405	0 %100
109	M107	X	0	0	0 %100
110	M107	Z	3.405	3.405	0 %100
111	OVP	X	0	0	0 %100
112	OVP	Z	2.747	2.747	0 %100
113	M110	X	0	0	0 %100
114	M110	Z	.942	.942	0 %100



Company :
 Designer :
 Job Number :
 Model Name :

June 7, 2021
 4:16 PM
 Checked By: _____

Member Distributed Loads (BLC 59 : Structure Wi (180 Deg)) (Continued)

	Member Label	Direction	Start Magnitude[lb/ft,...	End Magnitude[lb/ft,F...	Start Location[ft, %]	End Location[ft, %]
115	M115	X	0	0	0	%100
116	M115	Z	3.77	3.77	0	%100
117	M120	X	0	0	0	%100
118	M120	Z	.942	.942	0	%100
119	M131	X	0	0	0	%100
120	M131	Z	.85	.85	0	%100
121	M132	X	0	0	0	%100
122	M132	Z	.85	.85	0	%100
123	M133	X	0	0	0	%100
124	M133	Z	3.4	3.4	0	%100

Member Distributed Loads (BLC 60 : Structure Wi (210 Deg))

	Member Label	Direction	Start Magnitude[lb/ft,...	End Magnitude[lb/ft,F...	Start Location[ft, %]	End Location[ft, %]
1	M1	X	-1.585	-1.585	0	%100
2	M1	Z	2.745	2.745	0	%100
3	M4	X	-.533	-.533	0	%100
4	M4	Z	.924	.924	0	%100
5	M10	X	-1.304	-1.304	0	%100
6	M10	Z	2.259	2.259	0	%100
7	MP3A	X	-1.702	-1.702	0	%100
8	MP3A	Z	2.949	2.949	0	%100
9	MP4A	X	-1.702	-1.702	0	%100
10	MP4A	Z	2.949	2.949	0	%100
11	MP2A	X	-1.702	-1.702	0	%100
12	MP2A	Z	2.949	2.949	0	%100
13	MP1A	X	-1.702	-1.702	0	%100
14	MP1A	Z	2.949	2.949	0	%100
15	M43	X	-1.304	-1.304	0	%100
16	M43	Z	2.259	2.259	0	%100
17	M46	X	-2.041	-2.041	0	%100
18	M46	Z	3.536	3.536	0	%100
19	M51B	X	-1.501	-1.501	0	%100
20	M51B	Z	2.601	2.601	0	%100
21	M52B	X	0	0	0	%100
22	M52B	Z	0	0	0	%100
23	M76	X	-.669	-.669	0	%100
24	M76	Z	1.159	1.159	0	%100
25	M77	X	-2.038	-2.038	0	%100
26	M77	Z	3.53	3.53	0	%100
27	M80	X	-2.127	-2.127	0	%100
28	M80	Z	3.684	3.684	0	%100
29	M85	X	0	0	0	%100
30	M85	Z	0	0	0	%100
31	M91	X	0	0	0	%100
32	M91	Z	0	0	0	%100
33	M52A	X	-.533	-.533	0	%100
34	M52A	Z	.924	.924	0	%100
35	M53	X	-1.304	-1.304	0	%100
36	M53	Z	2.259	2.259	0	%100
37	M54	X	-1.304	-1.304	0	%100
38	M54	Z	2.259	2.259	0	%100
39	M55	X	-2.041	-2.041	0	%100
40	M55	Z	3.536	3.536	0	%100
41	M58A	X	0	0	0	%100
42	M58A	Z	0	0	0	%100
43	M59A	X	-1.501	-1.501	0	%100



Company :
 Designer :
 Job Number :
 Model Name :

June 7, 2021
 4:16 PM
 Checked By: _____

Member Distributed Loads (BLC 60 : Structure Wi (210 Deg)) (Continued)

Member Label	Direction	Start Magnitude[lb/ft,...	End Magnitude[lb/ft,F...	Start Location[ft,%]	End Location[ft,%]
44	M59A	Z	2.601	2.601	0 %100
45	M64	X	0	0	0 %100
46	M64	Z	0	0	0 %100
47	M66	X	0	0	0 %100
48	M66	Z	0	0	0 %100
49	M69	X	-2.038	-2.038	0 %100
50	M69	Z	3.53	3.53	0 %100
51	M71	X	-2.127	-2.127	0 %100
52	M71	Z	3.684	3.684	0 %100
53	M76A	X	-2.133	-2.133	0 %100
54	M76A	Z	3.694	3.694	0 %100
55	M77A	X	0	0	0 %100
56	M77A	Z	0	0	0 %100
57	M78	X	0	0	0 %100
58	M78	Z	0	0	0 %100
59	M79A	X	0	0	0 %100
60	M79A	Z	0	0	0 %100
61	M82	X	-1.501	-1.501	0 %100
62	M82	Z	2.601	2.601	0 %100
63	M83A	X	-1.501	-1.501	0 %100
64	M83A	Z	2.601	2.601	0 %100
65	M88A	X	-2.038	-2.038	0 %100
66	M88A	Z	3.53	3.53	0 %100
67	M90	X	-2.127	-2.127	0 %100
68	M90	Z	3.684	3.684	0 %100
69	M93	X	-2.038	-2.038	0 %100
70	M93	Z	3.53	3.53	0 %100
71	M95	X	-2.127	-2.127	0 %100
72	M95	Z	3.684	3.684	0 %100
73	M82A	X	-1.585	-1.585	0 %100
74	M82A	Z	2.745	2.745	0 %100
75	M91B	X	0	0	0 %100
76	M91B	Z	0	0	0 %100
77	M95B	X	-.669	-.669	0 %100
78	M95B	Z	1.159	1.159	0 %100
79	M96A	X	-2.677	-2.677	0 %100
80	M96A	Z	4.636	4.636	0 %100
81	M98A	X	-.669	-.669	0 %100
82	M98A	Z	1.159	1.159	0 %100
83	M99A	X	-.669	-.669	0 %100
84	M99A	Z	1.159	1.159	0 %100
85	M100	X	-2.677	-2.677	0 %100
86	M100	Z	4.636	4.636	0 %100
87	MP3C	X	-1.702	-1.702	0 %100
88	MP3C	Z	2.949	2.949	0 %100
89	MP4C	X	-1.702	-1.702	0 %100
90	MP4C	Z	2.949	2.949	0 %100
91	MP2C	X	-1.702	-1.702	0 %100
92	MP2C	Z	2.949	2.949	0 %100
93	MP1C	X	-1.702	-1.702	0 %100
94	MP1C	Z	2.949	2.949	0 %100
95	MP3B	X	-1.702	-1.702	0 %100
96	MP3B	Z	2.949	2.949	0 %100
97	MP4B	X	-1.702	-1.702	0 %100
98	MP4B	Z	2.949	2.949	0 %100
99	MP2B	X	-1.702	-1.702	0 %100
100	MP2B	Z	2.949	2.949	0 %100



Company :
 Designer :
 Job Number :
 Model Name :

June 7, 2021
 4:16 PM
 Checked By: _____

Member Distributed Loads (BLC 60 : Structure Wi (210 Deg)) (Continued)

	Member Label	Direction	Start Magnitude[lb/ft,...	End Magnitude[lb/ft,F...	Start Location[ft, %]	End Location[ft, %]
101	MP1B	X	-1.702	-1.702	0	%100
102	MP1B	Z	2.949	2.949	0	%100
103	M104	X	-1.702	-1.702	0	%100
104	M104	Z	2.949	2.949	0	%100
105	M105	X	-1.702	-1.702	0	%100
106	M105	Z	2.949	2.949	0	%100
107	M106	X	-1.702	-1.702	0	%100
108	M106	Z	2.949	2.949	0	%100
109	M107	X	-1.702	-1.702	0	%100
110	M107	Z	2.949	2.949	0	%100
111	OVP	X	-1.374	-1.374	0	%100
112	OVP	Z	2.379	2.379	0	%100
113	M110	X	0	0	0	%100
114	M110	Z	0	0	0	%100
115	M115	X	-1.414	-1.414	0	%100
116	M115	Z	2.449	2.449	0	%100
117	M120	X	-1.414	-1.414	0	%100
118	M120	Z	2.449	2.449	0	%100
119	M131	X	-1.275	-1.275	0	%100
120	M131	Z	2.209	2.209	0	%100
121	M132	X	0	0	0	%100
122	M132	Z	0	0	0	%100
123	M133	X	-1.275	-1.275	0	%100
124	M133	Z	2.209	2.209	0	%100

Member Distributed Loads (BLC 61 : Structure Wi (240 Deg))

	Member Label	Direction	Start Magnitude[lb/ft,...	End Magnitude[lb/ft,F...	Start Location[ft, %]	End Location[ft, %]
1	M1	X	-.915	-.915	0	%100
2	M1	Z	.528	.528	0	%100
3	M4	X	-2.771	-2.771	0	%100
4	M4	Z	1.6	1.6	0	%100
5	M10	X	-.753	-.753	0	%100
6	M10	Z	.435	.435	0	%100
7	MP3A	X	-2.949	-2.949	0	%100
8	MP3A	Z	1.702	1.702	0	%100
9	MP4A	X	-2.949	-2.949	0	%100
10	MP4A	Z	1.702	1.702	0	%100
11	MP2A	X	-2.949	-2.949	0	%100
12	MP2A	Z	1.702	1.702	0	%100
13	MP1A	X	-2.949	-2.949	0	%100
14	MP1A	Z	1.702	1.702	0	%100
15	M43	X	-.753	-.753	0	%100
16	M43	Z	.435	.435	0	%100
17	M46	X	-1.179	-1.179	0	%100
18	M46	Z	.68	.68	0	%100
19	M51B	X	-3.467	-3.467	0	%100
20	M51B	Z	2.002	2.002	0	%100
21	M52B	X	-.867	-.867	0	%100
22	M52B	Z	.5	.5	0	%100
23	M76	X	-3.477	-3.477	0	%100
24	M76	Z	2.008	2.008	0	%100
25	M77	X	-4.707	-4.707	0	%100
26	M77	Z	2.717	2.717	0	%100
27	M80	X	-4.912	-4.912	0	%100
28	M80	Z	2.836	2.836	0	%100
29	M85	X	-1.177	-1.177	0	%100



Company :
 Designer :
 Job Number :
 Model Name :

June 7, 2021
 4:16 PM
 Checked By: _____

Member Distributed Loads (BLC 61 : Structure Wi (240 Deg)) (Continued)

Member Label	Direction	Start Magnitude[lb/ft,...	End Magnitude[lb/ft,F...	Start Location[ft, %]	End Location[ft, %]
30	M85	Z	.679	.679	0 %100
31	M91	X	-1.228	-1.228	0 %100
32	M91	Z	.709	.709	0 %100
33	M52A	X	0	0	0 %100
34	M52A	Z	0	0	0 %100
35	M53	X	-3.012	-3.012	0 %100
36	M53	Z	1.739	1.739	0 %100
37	M54	X	-3.012	-3.012	0 %100
38	M54	Z	1.739	1.739	0 %100
39	M55	X	-4.714	-4.714	0 %100
40	M55	Z	2.722	2.722	0 %100
41	M58A	X	-.867	-.867	0 %100
42	M58A	Z	.5	.5	0 %100
43	M59A	X	-.867	-.867	0 %100
44	M59A	Z	.5	.5	0 %100
45	M64	X	-1.177	-1.177	0 %100
46	M64	Z	.679	.679	0 %100
47	M66	X	-1.228	-1.228	0 %100
48	M66	Z	.709	.709	0 %100
49	M69	X	-1.177	-1.177	0 %100
50	M69	Z	.679	.679	0 %100
51	M71	X	-1.228	-1.228	0 %100
52	M71	Z	.709	.709	0 %100
53	M76A	X	-2.771	-2.771	0 %100
54	M76A	Z	1.6	1.6	0 %100
55	M77A	X	-.753	-.753	0 %100
56	M77A	Z	.435	.435	0 %100
57	M78	X	-.753	-.753	0 %100
58	M78	Z	.435	.435	0 %100
59	M79A	X	-1.179	-1.179	0 %100
60	M79A	Z	.68	.68	0 %100
61	M82	X	-.867	-.867	0 %100
62	M82	Z	.5	.5	0 %100
63	M83A	X	-3.467	-3.467	0 %100
64	M83A	Z	2.002	2.002	0 %100
65	M88A	X	-1.177	-1.177	0 %100
66	M88A	Z	.679	.679	0 %100
67	M90	X	-1.228	-1.228	0 %100
68	M90	Z	.709	.709	0 %100
69	M93	X	-4.707	-4.707	0 %100
70	M93	Z	2.717	2.717	0 %100
71	M95	X	-4.912	-4.912	0 %100
72	M95	Z	2.836	2.836	0 %100
73	M82A	X	-3.66	-3.66	0 %100
74	M82A	Z	2.113	2.113	0 %100
75	M91B	X	-.915	-.915	0 %100
76	M91B	Z	.528	.528	0 %100
77	M95B	X	0	0	0 %100
78	M95B	Z	0	0	0 %100
79	M96A	X	-3.477	-3.477	0 %100
80	M96A	Z	2.008	2.008	0 %100
81	M98A	X	-3.477	-3.477	0 %100
82	M98A	Z	2.008	2.008	0 %100
83	M99A	X	0	0	0 %100
84	M99A	Z	0	0	0 %100
85	M100	X	-3.477	-3.477	0 %100
86	M100	Z	2.008	2.008	0 %100

Member Distributed Loads (BLC 61 : Structure Wi (240 Deg)) (Continued)

	Member Label	Direction	Start Magnitude[lb/ft,...	End Magnitude[lb/ft,F...	Start Location[ft, %]	End Location[ft, %]
87	MP3C	X	-2.949	-2.949	0	%100
88	MP3C	Z	1.702	1.702	0	%100
89	MP4C	X	-2.949	-2.949	0	%100
90	MP4C	Z	1.702	1.702	0	%100
91	MP2C	X	-2.949	-2.949	0	%100
92	MP2C	Z	1.702	1.702	0	%100
93	MP1C	X	-2.949	-2.949	0	%100
94	MP1C	Z	1.702	1.702	0	%100
95	MP3B	X	-2.949	-2.949	0	%100
96	MP3B	Z	1.702	1.702	0	%100
97	MP4B	X	-2.949	-2.949	0	%100
98	MP4B	Z	1.702	1.702	0	%100
99	MP2B	X	-2.949	-2.949	0	%100
100	MP2B	Z	1.702	1.702	0	%100
101	MP1B	X	-2.949	-2.949	0	%100
102	MP1B	Z	1.702	1.702	0	%100
103	M104	X	-2.949	-2.949	0	%100
104	M104	Z	1.702	1.702	0	%100
105	M105	X	-2.949	-2.949	0	%100
106	M105	Z	1.702	1.702	0	%100
107	M106	X	-2.949	-2.949	0	%100
108	M106	Z	1.702	1.702	0	%100
109	M107	X	-2.949	-2.949	0	%100
110	M107	Z	1.702	1.702	0	%100
111	OVP	X	-2.379	-2.379	0	%100
112	OVP	Z	1.374	1.374	0	%100
113	M110	X	-.816	-.816	0	%100
114	M110	Z	.471	.471	0	%100
115	M115	X	-.816	-.816	0	%100
116	M115	Z	.471	.471	0	%100
117	M120	X	-3.265	-3.265	0	%100
118	M120	Z	1.885	1.885	0	%100
119	M131	X	-2.945	-2.945	0	%100
120	M131	Z	1.7	1.7	0	%100
121	M132	X	-.736	-.736	0	%100
122	M132	Z	.425	.425	0	%100
123	M133	X	-.736	-.736	0	%100
124	M133	Z	.425	.425	0	%100

Member Distributed Loads (BLC 62 : Structure Wi (270 Deg))

	Member Label	Direction	Start Magnitude[lb/ft,...	End Magnitude[lb/ft,F...	Start Location[ft, %]	End Location[ft, %]
1	M1	X	0	0	0	%100
2	M1	Z	0	0	0	%100
3	M4	X	-4.266	-4.266	0	%100
4	M4	Z	0	0	0	%100
5	M10	X	0	0	0	%100
6	M10	Z	0	0	0	%100
7	MP3A	X	-3.405	-3.405	0	%100
8	MP3A	Z	0	0	0	%100
9	MP4A	X	-3.405	-3.405	0	%100
10	MP4A	Z	0	0	0	%100
11	MP2A	X	-3.405	-3.405	0	%100
12	MP2A	Z	0	0	0	%100
13	MP1A	X	-3.405	-3.405	0	%100
14	MP1A	Z	0	0	0	%100
15	M43	X	0	0	0	%100



Company :
 Designer :
 Job Number :
 Model Name :

June 7, 2021
 4:16 PM
 Checked By: _____

Member Distributed Loads (BLC 62 : Structure Wi (270 Deg)) (Continued)

	Member Label	Direction	Start Magnitude[lb/ft,...	End Magnitude[lb/ft,F...	Start Location[ft,%]	End Location[ft,%]
16	M43	Z	0	0	0	%100
17	M46	X	0	0	0	%100
18	M46	Z	0	0	0	%100
19	M51B	X	-3.003	-3.003	0	%100
20	M51B	Z	0	0	0	%100
21	M52B	X	-3.003	-3.003	0	%100
22	M52B	Z	0	0	0	%100
23	M76	X	-5.354	-5.354	0	%100
24	M76	Z	0	0	0	%100
25	M77	X	-4.076	-4.076	0	%100
26	M77	Z	0	0	0	%100
27	M80	X	-4.254	-4.254	0	%100
28	M80	Z	0	0	0	%100
29	M85	X	-4.076	-4.076	0	%100
30	M85	Z	0	0	0	%100
31	M91	X	-4.254	-4.254	0	%100
32	M91	Z	0	0	0	%100
33	M52A	X	-1.066	-1.066	0	%100
34	M52A	Z	0	0	0	%100
35	M53	X	-2.609	-2.609	0	%100
36	M53	Z	0	0	0	%100
37	M54	X	-2.609	-2.609	0	%100
38	M54	Z	0	0	0	%100
39	M55	X	-4.083	-4.083	0	%100
40	M55	Z	0	0	0	%100
41	M58A	X	-3.003	-3.003	0	%100
42	M58A	Z	0	0	0	%100
43	M59A	X	0	0	0	%100
44	M59A	Z	0	0	0	%100
45	M64	X	-4.076	-4.076	0	%100
46	M64	Z	0	0	0	%100
47	M66	X	-4.254	-4.254	0	%100
48	M66	Z	0	0	0	%100
49	M69	X	0	0	0	%100
50	M69	Z	0	0	0	%100
51	M71	X	0	0	0	%100
52	M71	Z	0	0	0	%100
53	M76A	X	-1.066	-1.066	0	%100
54	M76A	Z	0	0	0	%100
55	M77A	X	-2.609	-2.609	0	%100
56	M77A	Z	0	0	0	%100
57	M78	X	-2.609	-2.609	0	%100
58	M78	Z	0	0	0	%100
59	M79A	X	-4.083	-4.083	0	%100
60	M79A	Z	0	0	0	%100
61	M82	X	0	0	0	%100
62	M82	Z	0	0	0	%100
63	M83A	X	-3.003	-3.003	0	%100
64	M83A	Z	0	0	0	%100
65	M88A	X	0	0	0	%100
66	M88A	Z	0	0	0	%100
67	M90	X	0	0	0	%100
68	M90	Z	0	0	0	%100
69	M93	X	-4.076	-4.076	0	%100
70	M93	Z	0	0	0	%100
71	M95	X	-4.254	-4.254	0	%100
72	M95	Z	0	0	0	%100

Member Distributed Loads (BLC 62 : Structure Wi (270 Deg)) (Continued)

Member Label	Direction	Start Magnitude[lb/ft,...	End Magnitude[lb/ft,F...	Start Location[ft, %]	End Location[ft, %]
73	M82A	X	-3.169	-3.169	0 %100
74	M82A	Z	0	0	0 %100
75	M91B	X	-3.169	-3.169	0 %100
76	M91B	Z	0	0	0 %100
77	M95B	X	-1.338	-1.338	0 %100
78	M95B	Z	0	0	0 %100
79	M96A	X	-1.338	-1.338	0 %100
80	M96A	Z	0	0	0 %100
81	M98A	X	-5.354	-5.354	0 %100
82	M98A	Z	0	0	0 %100
83	M99A	X	-1.338	-1.338	0 %100
84	M99A	Z	0	0	0 %100
85	M100	X	-1.338	-1.338	0 %100
86	M100	Z	0	0	0 %100
87	MP3C	X	-3.405	-3.405	0 %100
88	MP3C	Z	0	0	0 %100
89	MP4C	X	-3.405	-3.405	0 %100
90	MP4C	Z	0	0	0 %100
91	MP2C	X	-3.405	-3.405	0 %100
92	MP2C	Z	0	0	0 %100
93	MP1C	X	-3.405	-3.405	0 %100
94	MP1C	Z	0	0	0 %100
95	MP3B	X	-3.405	-3.405	0 %100
96	MP3B	Z	0	0	0 %100
97	MP4B	X	-3.405	-3.405	0 %100
98	MP4B	Z	0	0	0 %100
99	MP2B	X	-3.405	-3.405	0 %100
100	MP2B	Z	0	0	0 %100
101	MP1B	X	-3.405	-3.405	0 %100
102	MP1B	Z	0	0	0 %100
103	M104	X	-3.405	-3.405	0 %100
104	M104	Z	0	0	0 %100
105	M105	X	-3.405	-3.405	0 %100
106	M105	Z	0	0	0 %100
107	M106	X	-3.405	-3.405	0 %100
108	M106	Z	0	0	0 %100
109	M107	X	-3.405	-3.405	0 %100
110	M107	Z	0	0	0 %100
111	OVP	X	-2.747	-2.747	0 %100
112	OVP	Z	0	0	0 %100
113	M110	X	-2.827	-2.827	0 %100
114	M110	Z	0	0	0 %100
115	M115	X	0	0	0 %100
116	M115	Z	0	0	0 %100
117	M120	X	-2.827	-2.827	0 %100
118	M120	Z	0	0	0 %100
119	M131	X	-2.55	-2.55	0 %100
120	M131	Z	0	0	0 %100
121	M132	X	-2.55	-2.55	0 %100
122	M132	Z	0	0	0 %100
123	M133	X	0	0	0 %100
124	M133	Z	0	0	0 %100

Member Distributed Loads (BLC 63 : Structure Wi (300 Deg))

Member Label	Direction	Start Magnitude[lb/ft,...	End Magnitude[lb/ft,F...	Start Location[ft, %]	End Location[ft, %]
1	M1	X	-915	-915	0 %100



Company :
 Designer :
 Job Number :
 Model Name :

June 7, 2021
 4:16 PM
 Checked By: _____

Member Distributed Loads (BLC 63 : Structure Wi (300 Deg)) (Continued)

Member Label	Direction	Start Magnitude[lb/ft,...	End Magnitude[lb/ft,F...	Start Location[ft, %]	End Location[ft, %]
2	M1	Z	-528	-528	0 %100
3	M4	X	-2.771	-2.771	0 %100
4	M4	Z	-1.6	-1.6	0 %100
5	M10	X	-753	-753	0 %100
6	M10	Z	-435	-435	0 %100
7	MP3A	X	-2.949	-2.949	0 %100
8	MP3A	Z	-1.702	-1.702	0 %100
9	MP4A	X	-2.949	-2.949	0 %100
10	MP4A	Z	-1.702	-1.702	0 %100
11	MP2A	X	-2.949	-2.949	0 %100
12	MP2A	Z	-1.702	-1.702	0 %100
13	MP1A	X	-2.949	-2.949	0 %100
14	MP1A	Z	-1.702	-1.702	0 %100
15	M43	X	-753	-753	0 %100
16	M43	Z	-435	-435	0 %100
17	M46	X	-1.179	-1.179	0 %100
18	M46	Z	-.68	-.68	0 %100
19	M51B	X	-.867	-.867	0 %100
20	M51B	Z	-.5	-.5	0 %100
21	M52B	X	-3.467	-3.467	0 %100
22	M52B	Z	-2.002	-2.002	0 %100
23	M76	X	-3.477	-3.477	0 %100
24	M76	Z	-2.008	-2.008	0 %100
25	M77	X	-1.177	-1.177	0 %100
26	M77	Z	-.679	-.679	0 %100
27	M80	X	-1.228	-1.228	0 %100
28	M80	Z	-.709	-.709	0 %100
29	M85	X	-4.707	-4.707	0 %100
30	M85	Z	-2.717	-2.717	0 %100
31	M91	X	-4.912	-4.912	0 %100
32	M91	Z	-2.836	-2.836	0 %100
33	M52A	X	-2.771	-2.771	0 %100
34	M52A	Z	-1.6	-1.6	0 %100
35	M53	X	-753	-753	0 %100
36	M53	Z	-435	-435	0 %100
37	M54	X	-753	-753	0 %100
38	M54	Z	-435	-435	0 %100
39	M55	X	-1.179	-1.179	0 %100
40	M55	Z	-.68	-.68	0 %100
41	M58A	X	-3.467	-3.467	0 %100
42	M58A	Z	-2.002	-2.002	0 %100
43	M59A	X	-.867	-.867	0 %100
44	M59A	Z	-.5	-.5	0 %100
45	M64	X	-4.707	-4.707	0 %100
46	M64	Z	-2.717	-2.717	0 %100
47	M66	X	-4.912	-4.912	0 %100
48	M66	Z	-2.836	-2.836	0 %100
49	M69	X	-1.177	-1.177	0 %100
50	M69	Z	-.679	-.679	0 %100
51	M71	X	-1.228	-1.228	0 %100
52	M71	Z	-.709	-.709	0 %100
53	M76A	X	0	0	0 %100
54	M76A	Z	0	0	0 %100
55	M77A	X	-3.012	-3.012	0 %100
56	M77A	Z	-1.739	-1.739	0 %100
57	M78	X	-3.012	-3.012	0 %100
58	M78	Z	-1.739	-1.739	0 %100



Company :
 Designer :
 Job Number :
 Model Name :

June 7, 2021
 4:16 PM
 Checked By: _____

Member Distributed Loads (BLC 63 : Structure Wi (300 Deg)) (Continued)

Member Label	Direction	Start Magnitude[lb/ft,...	End Magnitude[lb/ft,F...	Start Location[ft, %]	End Location[ft, %]
59	M79A	X	-4.714	-4.714	0 %100
60	M79A	Z	-2.722	-2.722	0 %100
61	M82	X	-.867	-.867	0 %100
62	M82	Z	-.5	-.5	0 %100
63	M83A	X	-.867	-.867	0 %100
64	M83A	Z	-.5	-.5	0 %100
65	M88A	X	-1.177	-1.177	0 %100
66	M88A	Z	-.679	-.679	0 %100
67	M90	X	-1.228	-1.228	0 %100
68	M90	Z	-.709	-.709	0 %100
69	M93	X	-1.177	-1.177	0 %100
70	M93	Z	-.679	-.679	0 %100
71	M95	X	-1.228	-1.228	0 %100
72	M95	Z	-.709	-.709	0 %100
73	M82A	X	-.915	-.915	0 %100
74	M82A	Z	-.528	-.528	0 %100
75	M91B	X	-3.66	-3.66	0 %100
76	M91B	Z	-2.113	-2.113	0 %100
77	M95B	X	-3.477	-3.477	0 %100
78	M95B	Z	-2.008	-2.008	0 %100
79	M96A	X	0	0	0 %100
80	M96A	Z	0	0	0 %100
81	M98A	X	-3.477	-3.477	0 %100
82	M98A	Z	-2.008	-2.008	0 %100
83	M99A	X	-3.477	-3.477	0 %100
84	M99A	Z	-2.008	-2.008	0 %100
85	M100	X	0	0	0 %100
86	M100	Z	0	0	0 %100
87	MP3C	X	-2.949	-2.949	0 %100
88	MP3C	Z	-1.702	-1.702	0 %100
89	MP4C	X	-2.949	-2.949	0 %100
90	MP4C	Z	-1.702	-1.702	0 %100
91	MP2C	X	-2.949	-2.949	0 %100
92	MP2C	Z	-1.702	-1.702	0 %100
93	MP1C	X	-2.949	-2.949	0 %100
94	MP1C	Z	-1.702	-1.702	0 %100
95	MP3B	X	-2.949	-2.949	0 %100
96	MP3B	Z	-1.702	-1.702	0 %100
97	MP4B	X	-2.949	-2.949	0 %100
98	MP4B	Z	-1.702	-1.702	0 %100
99	MP2B	X	-2.949	-2.949	0 %100
100	MP2B	Z	-1.702	-1.702	0 %100
101	MP1B	X	-2.949	-2.949	0 %100
102	MP1B	Z	-1.702	-1.702	0 %100
103	M104	X	-2.949	-2.949	0 %100
104	M104	Z	-1.702	-1.702	0 %100
105	M105	X	-2.949	-2.949	0 %100
106	M105	Z	-1.702	-1.702	0 %100
107	M106	X	-2.949	-2.949	0 %100
108	M106	Z	-1.702	-1.702	0 %100
109	M107	X	-2.949	-2.949	0 %100
110	M107	Z	-1.702	-1.702	0 %100
111	OVP	X	-2.379	-2.379	0 %100
112	OVP	Z	-1.374	-1.374	0 %100
113	M110	X	-3.265	-3.265	0 %100
114	M110	Z	-1.885	-1.885	0 %100
115	M115	X	-.816	-.816	0 %100



Company :
 Designer :
 Job Number :
 Model Name :

June 7, 2021
 4:16 PM
 Checked By: _____

Member Distributed Loads (BLC 63 : Structure Wi (300 Deg)) (Continued)

	Member Label	Direction	Start Magnitude[lb/ft....	End Magnitude[lb/ft.F...	Start Location[ft.%]	End Location[ft.%]
116	M115	Z	-471	-471	0	%100
117	M120	X	-816	-816	0	%100
118	M120	Z	-471	-471	0	%100
119	M131	X	-736	-736	0	%100
120	M131	Z	-425	-425	0	%100
121	M132	X	-2.945	-2.945	0	%100
122	M132	Z	-1.7	-1.7	0	%100
123	M133	X	-736	-736	0	%100
124	M133	Z	-425	-425	0	%100

Member Distributed Loads (BLC 64 : Structure Wi (330 Deg))

	Member Label	Direction	Start Magnitude[lb/ft....	End Magnitude[lb/ft.F...	Start Location[ft.%]	End Location[ft.%]
1	M1	X	-1.585	-1.585	0	%100
2	M1	Z	-2.745	-2.745	0	%100
3	M4	X	-533	-533	0	%100
4	M4	Z	-924	-924	0	%100
5	M10	X	-1.304	-1.304	0	%100
6	M10	Z	-2.259	-2.259	0	%100
7	MP3A	X	-1.702	-1.702	0	%100
8	MP3A	Z	-2.949	-2.949	0	%100
9	MP4A	X	-1.702	-1.702	0	%100
10	MP4A	Z	-2.949	-2.949	0	%100
11	MP2A	X	-1.702	-1.702	0	%100
12	MP2A	Z	-2.949	-2.949	0	%100
13	MP1A	X	-1.702	-1.702	0	%100
14	MP1A	Z	-2.949	-2.949	0	%100
15	M43	X	-1.304	-1.304	0	%100
16	M43	Z	-2.259	-2.259	0	%100
17	M46	X	-2.041	-2.041	0	%100
18	M46	Z	-3.536	-3.536	0	%100
19	M51B	X	0	0	0	%100
20	M51B	Z	0	0	0	%100
21	M52B	X	-1.501	-1.501	0	%100
22	M52B	Z	-2.601	-2.601	0	%100
23	M76	X	-669	-669	0	%100
24	M76	Z	-1.159	-1.159	0	%100
25	M77	X	0	0	0	%100
26	M77	Z	0	0	0	%100
27	M80	X	0	0	0	%100
28	M80	Z	0	0	0	%100
29	M85	X	-2.038	-2.038	0	%100
30	M85	Z	-3.53	-3.53	0	%100
31	M91	X	-2.127	-2.127	0	%100
32	M91	Z	-3.684	-3.684	0	%100
33	M52A	X	-2.133	-2.133	0	%100
34	M52A	Z	-3.694	-3.694	0	%100
35	M53	X	0	0	0	%100
36	M53	Z	0	0	0	%100
37	M54	X	0	0	0	%100
38	M54	Z	0	0	0	%100
39	M55	X	0	0	0	%100
40	M55	Z	0	0	0	%100
41	M58A	X	-1.501	-1.501	0	%100
42	M58A	Z	-2.601	-2.601	0	%100
43	M59A	X	-1.501	-1.501	0	%100
44	M59A	Z	-2.601	-2.601	0	%100



Company :
 Designer :
 Job Number :
 Model Name :

June 7, 2021
 4:16 PM
 Checked By: _____

Member Distributed Loads (BLC 64 : Structure Wi (330 Deg)) (Continued)

Member Label	Direction	Start Magnitude[lb/ft,...	End Magnitude[lb/ft,F...	Start Location[ft,%]	End Location[ft,%]
45	M64	X	-2.038	-2.038	0 %100
46	M64	Z	-3.53	-3.53	0 %100
47	M66	X	-2.127	-2.127	0 %100
48	M66	Z	-3.684	-3.684	0 %100
49	M69	X	-2.038	-2.038	0 %100
50	M69	Z	-3.53	-3.53	0 %100
51	M71	X	-2.127	-2.127	0 %100
52	M71	Z	-3.684	-3.684	0 %100
53	M76A	X	-.533	-.533	0 %100
54	M76A	Z	-.924	-.924	0 %100
55	M77A	X	-1.304	-1.304	0 %100
56	M77A	Z	-2.259	-2.259	0 %100
57	M78	X	-1.304	-1.304	0 %100
58	M78	Z	-2.259	-2.259	0 %100
59	M79A	X	-2.041	-2.041	0 %100
60	M79A	Z	-3.536	-3.536	0 %100
61	M82	X	-1.501	-1.501	0 %100
62	M82	Z	-2.601	-2.601	0 %100
63	M83A	X	0	0	0 %100
64	M83A	Z	0	0	0 %100
65	M88A	X	-2.038	-2.038	0 %100
66	M88A	Z	-3.53	-3.53	0 %100
67	M90	X	-2.127	-2.127	0 %100
68	M90	Z	-3.684	-3.684	0 %100
69	M93	X	0	0	0 %100
70	M93	Z	0	0	0 %100
71	M95	X	0	0	0 %100
72	M95	Z	0	0	0 %100
73	M82A	X	0	0	0 %100
74	M82A	Z	0	0	0 %100
75	M91B	X	-1.585	-1.585	0 %100
76	M91B	Z	-2.745	-2.745	0 %100
77	M95B	X	-2.677	-2.677	0 %100
78	M95B	Z	-4.636	-4.636	0 %100
79	M96A	X	-.669	-.669	0 %100
80	M96A	Z	-1.159	-1.159	0 %100
81	M98A	X	-.669	-.669	0 %100
82	M98A	Z	-1.159	-1.159	0 %100
83	M99A	X	-2.677	-2.677	0 %100
84	M99A	Z	-4.636	-4.636	0 %100
85	M100	X	-.669	-.669	0 %100
86	M100	Z	-1.159	-1.159	0 %100
87	MP3C	X	-1.702	-1.702	0 %100
88	MP3C	Z	-2.949	-2.949	0 %100
89	MP4C	X	-1.702	-1.702	0 %100
90	MP4C	Z	-2.949	-2.949	0 %100
91	MP2C	X	-1.702	-1.702	0 %100
92	MP2C	Z	-2.949	-2.949	0 %100
93	MP1C	X	-1.702	-1.702	0 %100
94	MP1C	Z	-2.949	-2.949	0 %100
95	MP3B	X	-1.702	-1.702	0 %100
96	MP3B	Z	-2.949	-2.949	0 %100
97	MP4B	X	-1.702	-1.702	0 %100
98	MP4B	Z	-2.949	-2.949	0 %100
99	MP2B	X	-1.702	-1.702	0 %100
100	MP2B	Z	-2.949	-2.949	0 %100
101	MP1B	X	-1.702	-1.702	0 %100

Member Distributed Loads (BLC 64 : Structure Wi (330 Deg)) (Continued)

	Member Label	Direction	Start Magnitude[lb/ft,...	End Magnitude[lb/ft,F...	Start Location[ft, %]	End Location[ft, %]
102	MP1B	Z	-2.949	-2.949	0	%100
103	M104	X	-1.702	-1.702	0	%100
104	M104	Z	-2.949	-2.949	0	%100
105	M105	X	-1.702	-1.702	0	%100
106	M105	Z	-2.949	-2.949	0	%100
107	M106	X	-1.702	-1.702	0	%100
108	M106	Z	-2.949	-2.949	0	%100
109	M107	X	-1.702	-1.702	0	%100
110	M107	Z	-2.949	-2.949	0	%100
111	OVP	X	-1.374	-1.374	0	%100
112	OVP	Z	-2.379	-2.379	0	%100
113	M110	X	-1.414	-1.414	0	%100
114	M110	Z	-2.449	-2.449	0	%100
115	M115	X	-1.414	-1.414	0	%100
116	M115	Z	-2.449	-2.449	0	%100
117	M120	X	0	0	0	%100
118	M120	Z	0	0	0	%100
119	M131	X	0	0	0	%100
120	M131	Z	0	0	0	%100
121	M132	X	-1.275	-1.275	0	%100
122	M132	Z	-2.209	-2.209	0	%100
123	M133	X	-1.275	-1.275	0	%100
124	M133	Z	-2.209	-2.209	0	%100

Member Distributed Loads (BLC 65 : Structure Wm (0 Deg))

	Member Label	Direction	Start Magnitude[lb/ft,...	End Magnitude[lb/ft,F...	Start Location[ft, %]	End Location[ft, %]
1	M1	X	0	0	0	%100
2	M1	Z	-.887	-.887	0	%100
3	M4	X	0	0	0	%100
4	M4	Z	0	0	0	%100
5	M10	X	0	0	0	%100
6	M10	Z	-.79	-.79	0	%100
7	MP3A	X	0	0	0	%100
8	MP3A	Z	-.624	-.624	0	%100
9	MP4A	X	0	0	0	%100
10	MP4A	Z	-.624	-.624	0	%100
11	MP2A	X	0	0	0	%100
12	MP2A	Z	-.624	-.624	0	%100
13	MP1A	X	0	0	0	%100
14	MP1A	Z	-.624	-.624	0	%100
15	M43	X	0	0	0	%100
16	M43	Z	-.79	-.79	0	%100
17	M46	X	0	0	0	%100
18	M46	Z	-1.576	-1.576	0	%100
19	M51B	X	0	0	0	%100
20	M51B	Z	-.219	-.219	0	%100
21	M52B	X	0	0	0	%100
22	M52B	Z	-.219	-.219	0	%100
23	M76	X	0	0	0	%100
24	M76	Z	0	0	0	%100
25	M77	X	0	0	0	%100
26	M77	Z	-.401	-.401	0	%100
27	M80	X	0	0	0	%100
28	M80	Z	-.423	-.423	0	%100
29	M85	X	0	0	0	%100
30	M85	Z	-.401	-.401	0	%100



Company :
 Designer :
 Job Number :
 Model Name :

June 7, 2021
 4:16 PM
 Checked By: _____

Member Distributed Loads (BLC 65 : Structure Wm (0 Deg)) (Continued)

Member Label	Direction	Start Magnitude[lb/ft,...	End Magnitude[lb/ft,F...	Start Location[ft, %]	End Location[ft, %]	
31	M91	X	0	0	0	%100
32	M91	Z	-.423	-.423	0	%100
33	M52A	X	0	0	0	%100
34	M52A	Z	-.7	-.7	0	%100
35	M53	X	0	0	0	%100
36	M53	Z	-.198	-.198	0	%100
37	M54	X	0	0	0	%100
38	M54	Z	-.198	-.198	0	%100
39	M55	X	0	0	0	%100
40	M55	Z	-.394	-.394	0	%100
41	M58A	X	0	0	0	%100
42	M58A	Z	-.219	-.219	0	%100
43	M59A	X	0	0	0	%100
44	M59A	Z	-.875	-.875	0	%100
45	M64	X	0	0	0	%100
46	M64	Z	-.401	-.401	0	%100
47	M66	X	0	0	0	%100
48	M66	Z	-.423	-.423	0	%100
49	M69	X	0	0	0	%100
50	M69	Z	-1.605	-1.605	0	%100
51	M71	X	0	0	0	%100
52	M71	Z	-1.691	-1.691	0	%100
53	M76A	X	0	0	0	%100
54	M76A	Z	-.7	-.7	0	%100
55	M77A	X	0	0	0	%100
56	M77A	Z	-.198	-.198	0	%100
57	M78	X	0	0	0	%100
58	M78	Z	-.198	-.198	0	%100
59	M79A	X	0	0	0	%100
60	M79A	Z	-.394	-.394	0	%100
61	M82	X	0	0	0	%100
62	M82	Z	-.875	-.875	0	%100
63	M83A	X	0	0	0	%100
64	M83A	Z	-.219	-.219	0	%100
65	M88A	X	0	0	0	%100
66	M88A	Z	-1.605	-1.605	0	%100
67	M90	X	0	0	0	%100
68	M90	Z	-1.691	-1.691	0	%100
69	M93	X	0	0	0	%100
70	M93	Z	-.401	-.401	0	%100
71	M95	X	0	0	0	%100
72	M95	Z	-.423	-.423	0	%100
73	M82A	X	0	0	0	%100
74	M82A	Z	-.222	-.222	0	%100
75	M91B	X	0	0	0	%100
76	M91B	Z	-.222	-.222	0	%100
77	M95B	X	0	0	0	%100
78	M95B	Z	-1.182	-1.182	0	%100
79	M96A	X	0	0	0	%100
80	M96A	Z	-1.182	-1.182	0	%100
81	M98A	X	0	0	0	%100
82	M98A	Z	0	0	0	%100
83	M99A	X	0	0	0	%100
84	M99A	Z	-1.182	-1.182	0	%100
85	M100	X	0	0	0	%100
86	M100	Z	-1.182	-1.182	0	%100
87	MP3C	X	0	0	0	%100

Member Distributed Loads (BLC 65 : Structure Wm (0 Deg)) (Continued)

	Member Label	Direction	Start Magnitude[lb/ft,...	End Magnitude[lb/ft,F...	Start Location[ft, %]	End Location[ft, %]
88	MP3C	Z	-.624	-.624	0	%100
89	MP4C	X	0	0	0	%100
90	MP4C	Z	-.624	-.624	0	%100
91	MP2C	X	0	0	0	%100
92	MP2C	Z	-.624	-.624	0	%100
93	MP1C	X	0	0	0	%100
94	MP1C	Z	-.624	-.624	0	%100
95	MP3B	X	0	0	0	%100
96	MP3B	Z	-.624	-.624	0	%100
97	MP4B	X	0	0	0	%100
98	MP4B	Z	-.624	-.624	0	%100
99	MP2B	X	0	0	0	%100
100	MP2B	Z	-.624	-.624	0	%100
101	MP1B	X	0	0	0	%100
102	MP1B	Z	-.624	-.624	0	%100
103	M104	X	0	0	0	%100
104	M104	Z	-.624	-.624	0	%100
105	M105	X	0	0	0	%100
106	M105	Z	-.624	-.624	0	%100
107	M106	X	0	0	0	%100
108	M106	Z	-.624	-.624	0	%100
109	M107	X	0	0	0	%100
110	M107	Z	-.624	-.624	0	%100
111	OVP	X	0	0	0	%100
112	OVP	Z	-.5	-.5	0	%100
113	M110	X	0	0	0	%100
114	M110	Z	-.189	-.189	0	%100
115	M115	X	0	0	0	%100
116	M115	Z	-.755	-.755	0	%100
117	M120	X	0	0	0	%100
118	M120	Z	-.189	-.189	0	%100
119	M131	X	0	0	0	%100
120	M131	Z	-.21	-.21	0	%100
121	M132	X	0	0	0	%100
122	M132	Z	-.21	-.21	0	%100
123	M133	X	0	0	0	%100
124	M133	Z	-.839	-.839	0	%100

Member Distributed Loads (BLC 66 : Structure Wm (30 Deg))

	Member Label	Direction	Start Magnitude[lb/ft,...	End Magnitude[lb/ft,F...	Start Location[ft, %]	End Location[ft, %]
1	M1	X	.333	.333	0	%100
2	M1	Z	-.576	-.576	0	%100
3	M4	X	.117	.117	0	%100
4	M4	Z	-.202	-.202	0	%100
5	M10	X	.296	.296	0	%100
6	M10	Z	-.513	-.513	0	%100
7	MP3A	X	.312	.312	0	%100
8	MP3A	Z	-.54	-.54	0	%100
9	MP4A	X	.312	.312	0	%100
10	MP4A	Z	-.54	-.54	0	%100
11	MP2A	X	.312	.312	0	%100
12	MP2A	Z	-.54	-.54	0	%100
13	MP1A	X	.312	.312	0	%100
14	MP1A	Z	-.54	-.54	0	%100
15	M43	X	.296	.296	0	%100
16	M43	Z	-.513	-.513	0	%100



Company :
 Designer :
 Job Number :
 Model Name :

June 7, 2021
 4:16 PM
 Checked By: _____

Member Distributed Loads (BLC 66 : Structure Wm (30 Deg)) (Continued)

Member Label	Direction	Start Magnitude[lb/ft,...	End Magnitude[lb/ft,F...	Start Location[ft, %]	End Location[ft, %]
17	M46	X	.591	.591	0 %100
18	M46	Z	-1.024	-1.024	0 %100
19	M51B	X	.328	.328	0 %100
20	M51B	Z	-.568	-.568	0 %100
21	M52B	X	0	0	0 %100
22	M52B	Z	0	0	0 %100
23	M76	X	.197	.197	0 %100
24	M76	Z	-.341	-.341	0 %100
25	M77	X	.602	.602	0 %100
26	M77	Z	-1.043	-1.043	0 %100
27	M80	X	.634	.634	0 %100
28	M80	Z	-1.098	-1.098	0 %100
29	M85	X	0	0	0 %100
30	M85	Z	0	0	0 %100
31	M91	X	0	0	0 %100
32	M91	Z	0	0	0 %100
33	M52A	X	.117	.117	0 %100
34	M52A	Z	-.202	-.202	0 %100
35	M53	X	.296	.296	0 %100
36	M53	Z	-.513	-.513	0 %100
37	M54	X	.296	.296	0 %100
38	M54	Z	-.513	-.513	0 %100
39	M55	X	.591	.591	0 %100
40	M55	Z	-1.024	-1.024	0 %100
41	M58A	X	0	0	0 %100
42	M58A	Z	0	0	0 %100
43	M59A	X	.328	.328	0 %100
44	M59A	Z	-.568	-.568	0 %100
45	M64	X	0	0	0 %100
46	M64	Z	0	0	0 %100
47	M66	X	0	0	0 %100
48	M66	Z	0	0	0 %100
49	M69	X	.602	.602	0 %100
50	M69	Z	-1.043	-1.043	0 %100
51	M71	X	.634	.634	0 %100
52	M71	Z	-1.098	-1.098	0 %100
53	M76A	X	.467	.467	0 %100
54	M76A	Z	-.809	-.809	0 %100
55	M77A	X	0	0	0 %100
56	M77A	Z	0	0	0 %100
57	M78	X	0	0	0 %100
58	M78	Z	0	0	0 %100
59	M79A	X	0	0	0 %100
60	M79A	Z	0	0	0 %100
61	M82	X	.328	.328	0 %100
62	M82	Z	-.568	-.568	0 %100
63	M83A	X	.328	.328	0 %100
64	M83A	Z	-.568	-.568	0 %100
65	M88A	X	.602	.602	0 %100
66	M88A	Z	-1.043	-1.043	0 %100
67	M90	X	.634	.634	0 %100
68	M90	Z	-1.098	-1.098	0 %100
69	M93	X	.602	.602	0 %100
70	M93	Z	-1.043	-1.043	0 %100
71	M95	X	.634	.634	0 %100
72	M95	Z	-1.098	-1.098	0 %100
73	M82A	X	.333	.333	0 %100



Company :
 Designer :
 Job Number :
 Model Name :

June 7, 2021
 4:16 PM
 Checked By: _____

Member Distributed Loads (BLC 66 : Structure Wm (30 Deg)) (Continued)

	Member Label	Direction	Start Magnitude[lb/ft,...	End Magnitude[lb/ft,F...	Start Location[ft,%]	End Location[ft,%]
74	M82A	Z	-.576	-.576	0	%100
75	M91B	X	0	0	0	%100
76	M91B	Z	0	0	0	%100
77	M95B	X	.197	.197	0	%100
78	M95B	Z	-.341	-.341	0	%100
79	M96A	X	.788	.788	0	%100
80	M96A	Z	-1.365	-1.365	0	%100
81	M98A	X	.197	.197	0	%100
82	M98A	Z	-.341	-.341	0	%100
83	M99A	X	.197	.197	0	%100
84	M99A	Z	-.341	-.341	0	%100
85	M100	X	.788	.788	0	%100
86	M100	Z	-1.365	-1.365	0	%100
87	MP3C	X	.312	.312	0	%100
88	MP3C	Z	-.54	-.54	0	%100
89	MP4C	X	.312	.312	0	%100
90	MP4C	Z	-.54	-.54	0	%100
91	MP2C	X	.312	.312	0	%100
92	MP2C	Z	-.54	-.54	0	%100
93	MP1C	X	.312	.312	0	%100
94	MP1C	Z	-.54	-.54	0	%100
95	MP3B	X	.312	.312	0	%100
96	MP3B	Z	-.54	-.54	0	%100
97	MP4B	X	.312	.312	0	%100
98	MP4B	Z	-.54	-.54	0	%100
99	MP2B	X	.312	.312	0	%100
100	MP2B	Z	-.54	-.54	0	%100
101	MP1B	X	.312	.312	0	%100
102	MP1B	Z	-.54	-.54	0	%100
103	M104	X	.312	.312	0	%100
104	M104	Z	-.54	-.54	0	%100
105	M105	X	.312	.312	0	%100
106	M105	Z	-.54	-.54	0	%100
107	M106	X	.312	.312	0	%100
108	M106	Z	-.54	-.54	0	%100
109	M107	X	.312	.312	0	%100
110	M107	Z	-.54	-.54	0	%100
111	OVP	X	.25	.25	0	%100
112	OVP	Z	-.433	-.433	0	%100
113	M110	X	0	0	0	%100
114	M110	Z	0	0	0	%100
115	M115	X	.283	.283	0	%100
116	M115	Z	-.491	-.491	0	%100
117	M120	X	.283	.283	0	%100
118	M120	Z	-.491	-.491	0	%100
119	M131	X	.315	.315	0	%100
120	M131	Z	-.545	-.545	0	%100
121	M132	X	0	0	0	%100
122	M132	Z	0	0	0	%100
123	M133	X	.315	.315	0	%100
124	M133	Z	-.545	-.545	0	%100

Member Distributed Loads (BLC 67 : Structure Wm (60 Deg))

	Member Label	Direction	Start Magnitude[lb/ft,...	End Magnitude[lb/ft,F...	Start Location[ft,%]	End Location[ft,%]
1	M1	X	.192	.192	0	%100
2	M1	Z	-.111	-.111	0	%100



Company :
 Designer :
 Job Number :
 Model Name :

June 7, 2021
 4:16 PM
 Checked By: _____

Member Distributed Loads (BLC 67 : Structure Wm (60 Deg)) (Continued)

Member Label	Direction	Start Magnitude[lb/ft,...	End Magnitude[lb/ft,F...	Start Location[ft, %]	End Location[ft, %]
3	M4	X	.607	.607	0 %100
4	M4	Z	-.35	-.35	0 %100
5	M10	X	.171	.171	0 %100
6	M10	Z	-.099	-.099	0 %100
7	MP3A	X	.54	.54	0 %100
8	MP3A	Z	-.312	-.312	0 %100
9	MP4A	X	.54	.54	0 %100
10	MP4A	Z	-.312	-.312	0 %100
11	MP2A	X	.54	.54	0 %100
12	MP2A	Z	-.312	-.312	0 %100
13	MP1A	X	.54	.54	0 %100
14	MP1A	Z	-.312	-.312	0 %100
15	M43	X	.171	.171	0 %100
16	M43	Z	-.099	-.099	0 %100
17	M46	X	.341	.341	0 %100
18	M46	Z	-.197	-.197	0 %100
19	M51B	X	.758	.758	0 %100
20	M51B	Z	-.438	-.438	0 %100
21	M52B	X	.189	.189	0 %100
22	M52B	Z	-.109	-.109	0 %100
23	M76	X	1.024	1.024	0 %100
24	M76	Z	-.591	-.591	0 %100
25	M77	X	1.39	1.39	0 %100
26	M77	Z	-.803	-.803	0 %100
27	M80	X	1.464	1.464	0 %100
28	M80	Z	-.845	-.845	0 %100
29	M85	X	.348	.348	0 %100
30	M85	Z	-.201	-.201	0 %100
31	M91	X	.366	.366	0 %100
32	M91	Z	-.211	-.211	0 %100
33	M52A	X	0	0	0 %100
34	M52A	Z	0	0	0 %100
35	M53	X	.684	.684	0 %100
36	M53	Z	-.395	-.395	0 %100
37	M54	X	.684	.684	0 %100
38	M54	Z	-.395	-.395	0 %100
39	M55	X	1.365	1.365	0 %100
40	M55	Z	-.788	-.788	0 %100
41	M58A	X	.189	.189	0 %100
42	M58A	Z	-.109	-.109	0 %100
43	M59A	X	.189	.189	0 %100
44	M59A	Z	-.109	-.109	0 %100
45	M64	X	.348	.348	0 %100
46	M64	Z	-.201	-.201	0 %100
47	M66	X	.366	.366	0 %100
48	M66	Z	-.211	-.211	0 %100
49	M69	X	.348	.348	0 %100
50	M69	Z	-.201	-.201	0 %100
51	M71	X	.366	.366	0 %100
52	M71	Z	-.211	-.211	0 %100
53	M76A	X	.607	.607	0 %100
54	M76A	Z	-.35	-.35	0 %100
55	M77A	X	.171	.171	0 %100
56	M77A	Z	-.099	-.099	0 %100
57	M78	X	.171	.171	0 %100
58	M78	Z	-.099	-.099	0 %100
59	M79A	X	.341	.341	0 %100



Company :
 Designer :
 Job Number :
 Model Name :

June 7, 2021
 4:16 PM
 Checked By: _____

Member Distributed Loads (BLC 67 : Structure Wm (60 Deg)) (Continued)

Member Label	Direction	Start Magnitude[lb/ft,...	End Magnitude[lb/ft,F...	Start Location[ft, %]	End Location[ft, %]
60	M79A	Z	-.197	-.197	0 %100
61	M82	X	.189	.189	0 %100
62	M82	Z	-.109	-.109	0 %100
63	M83A	X	.758	.758	0 %100
64	M83A	Z	-.438	-.438	0 %100
65	M88A	X	.348	.348	0 %100
66	M88A	Z	-.201	-.201	0 %100
67	M90	X	.366	.366	0 %100
68	M90	Z	-.211	-.211	0 %100
69	M93	X	1.39	1.39	0 %100
70	M93	Z	-.803	-.803	0 %100
71	M95	X	1.464	1.464	0 %100
72	M95	Z	-.845	-.845	0 %100
73	M82A	X	.768	.768	0 %100
74	M82A	Z	-.444	-.444	0 %100
75	M91B	X	.192	.192	0 %100
76	M91B	Z	-.111	-.111	0 %100
77	M95B	X	0	0	0 %100
78	M95B	Z	0	0	0 %100
79	M96A	X	1.024	1.024	0 %100
80	M96A	Z	-.591	-.591	0 %100
81	M98A	X	1.024	1.024	0 %100
82	M98A	Z	-.591	-.591	0 %100
83	M99A	X	0	0	0 %100
84	M99A	Z	0	0	0 %100
85	M100	X	1.024	1.024	0 %100
86	M100	Z	-.591	-.591	0 %100
87	MP3C	X	.54	.54	0 %100
88	MP3C	Z	-.312	-.312	0 %100
89	MP4C	X	.54	.54	0 %100
90	MP4C	Z	-.312	-.312	0 %100
91	MP2C	X	.54	.54	0 %100
92	MP2C	Z	-.312	-.312	0 %100
93	MP1C	X	.54	.54	0 %100
94	MP1C	Z	-.312	-.312	0 %100
95	MP3B	X	.54	.54	0 %100
96	MP3B	Z	-.312	-.312	0 %100
97	MP4B	X	.54	.54	0 %100
98	MP4B	Z	-.312	-.312	0 %100
99	MP2B	X	.54	.54	0 %100
100	MP2B	Z	-.312	-.312	0 %100
101	MP1B	X	.54	.54	0 %100
102	MP1B	Z	-.312	-.312	0 %100
103	M104	X	.54	.54	0 %100
104	M104	Z	-.312	-.312	0 %100
105	M105	X	.54	.54	0 %100
106	M105	Z	-.312	-.312	0 %100
107	M106	X	.54	.54	0 %100
108	M106	Z	-.312	-.312	0 %100
109	M107	X	.54	.54	0 %100
110	M107	Z	-.312	-.312	0 %100
111	OVP	X	.433	.433	0 %100
112	OVP	Z	-.25	-.25	0 %100
113	M110	X	.164	.164	0 %100
114	M110	Z	-.094	-.094	0 %100
115	M115	X	.164	.164	0 %100
116	M115	Z	-.094	-.094	0 %100

Member Distributed Loads (BLC 67 : Structure Wm (60 Deg)) (Continued)

	Member Label	Direction	Start Magnitude[lb/ft,...	End Magnitude[lb/ft,F...	Start Location[ft, %]	End Location[ft, %]
117	M120	X	.654	.654	0	%100
118	M120	Z	-.378	-.378	0	%100
119	M131	X	.727	.727	0	%100
120	M131	Z	-.419	-.419	0	%100
121	M132	X	.182	.182	0	%100
122	M132	Z	-.105	-.105	0	%100
123	M133	X	.182	.182	0	%100
124	M133	Z	-.105	-.105	0	%100

Member Distributed Loads (BLC 68 : Structure Wm (90 Deg))

	Member Label	Direction	Start Magnitude[lb/ft,...	End Magnitude[lb/ft,F...	Start Location[ft, %]	End Location[ft, %]
1	M1	X	0	0	0	%100
2	M1	Z	0	0	0	%100
3	M4	X	.934	.934	0	%100
4	M4	Z	0	0	0	%100
5	M10	X	0	0	0	%100
6	M10	Z	0	0	0	%100
7	MP3A	X	.624	.624	0	%100
8	MP3A	Z	0	0	0	%100
9	MP4A	X	.624	.624	0	%100
10	MP4A	Z	0	0	0	%100
11	MP2A	X	.624	.624	0	%100
12	MP2A	Z	0	0	0	%100
13	MP1A	X	.624	.624	0	%100
14	MP1A	Z	0	0	0	%100
15	M43	X	0	0	0	%100
16	M43	Z	0	0	0	%100
17	M46	X	0	0	0	%100
18	M46	Z	0	0	0	%100
19	M51B	X	.656	.656	0	%100
20	M51B	Z	0	0	0	%100
21	M52B	X	.656	.656	0	%100
22	M52B	Z	0	0	0	%100
23	M76	X	1.576	1.576	0	%100
24	M76	Z	0	0	0	%100
25	M77	X	1.204	1.204	0	%100
26	M77	Z	0	0	0	%100
27	M80	X	1.268	1.268	0	%100
28	M80	Z	0	0	0	%100
29	M85	X	1.204	1.204	0	%100
30	M85	Z	0	0	0	%100
31	M91	X	1.268	1.268	0	%100
32	M91	Z	0	0	0	%100
33	M52A	X	.233	.233	0	%100
34	M52A	Z	0	0	0	%100
35	M53	X	.593	.593	0	%100
36	M53	Z	0	0	0	%100
37	M54	X	.593	.593	0	%100
38	M54	Z	0	0	0	%100
39	M55	X	1.182	1.182	0	%100
40	M55	Z	0	0	0	%100
41	M58A	X	.656	.656	0	%100
42	M58A	Z	0	0	0	%100
43	M59A	X	0	0	0	%100
44	M59A	Z	0	0	0	%100
45	M64	X	1.204	1.204	0	%100

Member Distributed Loads (BLC 68 : Structure Wm (90 Deg)) (Continued)

Member Label	Direction	Start Magnitude[lb/ft,...	End Magnitude[lb/ft,F...	Start Location[ft, %]	End Location[ft, %]	
46	M64	Z	0	0	0	%100
47	M66	X	1.268	1.268	0	%100
48	M66	Z	0	0	0	%100
49	M69	X	0	0	0	%100
50	M69	Z	0	0	0	%100
51	M71	X	0	0	0	%100
52	M71	Z	0	0	0	%100
53	M76A	X	.233	.233	0	%100
54	M76A	Z	0	0	0	%100
55	M77A	X	.593	.593	0	%100
56	M77A	Z	0	0	0	%100
57	M78	X	.593	.593	0	%100
58	M78	Z	0	0	0	%100
59	M79A	X	1.182	1.182	0	%100
60	M79A	Z	0	0	0	%100
61	M82	X	0	0	0	%100
62	M82	Z	0	0	0	%100
63	M83A	X	.656	.656	0	%100
64	M83A	Z	0	0	0	%100
65	M88A	X	0	0	0	%100
66	M88A	Z	0	0	0	%100
67	M90	X	0	0	0	%100
68	M90	Z	0	0	0	%100
69	M93	X	1.204	1.204	0	%100
70	M93	Z	0	0	0	%100
71	M95	X	1.268	1.268	0	%100
72	M95	Z	0	0	0	%100
73	M82A	X	.665	.665	0	%100
74	M82A	Z	0	0	0	%100
75	M91B	X	.665	.665	0	%100
76	M91B	Z	0	0	0	%100
77	M95B	X	.394	.394	0	%100
78	M95B	Z	0	0	0	%100
79	M96A	X	.394	.394	0	%100
80	M96A	Z	0	0	0	%100
81	M98A	X	1.576	1.576	0	%100
82	M98A	Z	0	0	0	%100
83	M99A	X	.394	.394	0	%100
84	M99A	Z	0	0	0	%100
85	M100	X	.394	.394	0	%100
86	M100	Z	0	0	0	%100
87	MP3C	X	.624	.624	0	%100
88	MP3C	Z	0	0	0	%100
89	MP4C	X	.624	.624	0	%100
90	MP4C	Z	0	0	0	%100
91	MP2C	X	.624	.624	0	%100
92	MP2C	Z	0	0	0	%100
93	MP1C	X	.624	.624	0	%100
94	MP1C	Z	0	0	0	%100
95	MP3B	X	.624	.624	0	%100
96	MP3B	Z	0	0	0	%100
97	MP4B	X	.624	.624	0	%100
98	MP4B	Z	0	0	0	%100
99	MP2B	X	.624	.624	0	%100
100	MP2B	Z	0	0	0	%100
101	MP1B	X	.624	.624	0	%100
102	MP1B	Z	0	0	0	%100



Company :
 Designer :
 Job Number :
 Model Name :

June 7, 2021
 4:16 PM
 Checked By: _____

Member Distributed Loads (BLC 68 : Structure Wm (90 Deg)) (Continued)

	Member Label	Direction	Start Magnitude[lb/ft,...	End Magnitude[lb/ft,F...	Start Location[ft, %]	End Location[ft, %]
103	M104	X	.624	.624	0	%100
104	M104	Z	0	0	0	%100
105	M105	X	.624	.624	0	%100
106	M105	Z	0	0	0	%100
107	M106	X	.624	.624	0	%100
108	M106	Z	0	0	0	%100
109	M107	X	.624	.624	0	%100
110	M107	Z	0	0	0	%100
111	OVP	X	.5	.5	0	%100
112	OVP	Z	0	0	0	%100
113	M110	X	.566	.566	0	%100
114	M110	Z	0	0	0	%100
115	M115	X	0	0	0	%100
116	M115	Z	0	0	0	%100
117	M120	X	.566	.566	0	%100
118	M120	Z	0	0	0	%100
119	M131	X	.629	.629	0	%100
120	M131	Z	0	0	0	%100
121	M132	X	.629	.629	0	%100
122	M132	Z	0	0	0	%100
123	M133	X	0	0	0	%100
124	M133	Z	0	0	0	%100

Member Distributed Loads (BLC 69 : Structure Wm (120 Deg))

	Member Label	Direction	Start Magnitude[lb/ft,...	End Magnitude[lb/ft,F...	Start Location[ft, %]	End Location[ft, %]
1	M1	X	.192	.192	0	%100
2	M1	Z	.111	.111	0	%100
3	M4	X	.607	.607	0	%100
4	M4	Z	.35	.35	0	%100
5	M10	X	.171	.171	0	%100
6	M10	Z	.099	.099	0	%100
7	MP3A	X	.54	.54	0	%100
8	MP3A	Z	.312	.312	0	%100
9	MP4A	X	.54	.54	0	%100
10	MP4A	Z	.312	.312	0	%100
11	MP2A	X	.54	.54	0	%100
12	MP2A	Z	.312	.312	0	%100
13	MP1A	X	.54	.54	0	%100
14	MP1A	Z	.312	.312	0	%100
15	M43	X	.171	.171	0	%100
16	M43	Z	.099	.099	0	%100
17	M46	X	.341	.341	0	%100
18	M46	Z	.197	.197	0	%100
19	M51B	X	.189	.189	0	%100
20	M51B	Z	.109	.109	0	%100
21	M52B	X	.758	.758	0	%100
22	M52B	Z	.438	.438	0	%100
23	M76	X	1.024	1.024	0	%100
24	M76	Z	.591	.591	0	%100
25	M77	X	.348	.348	0	%100
26	M77	Z	.201	.201	0	%100
27	M80	X	.366	.366	0	%100
28	M80	Z	.211	.211	0	%100
29	M85	X	1.39	1.39	0	%100
30	M85	Z	.803	.803	0	%100
31	M91	X	1.464	1.464	0	%100



Company :
 Designer :
 Job Number :
 Model Name :

June 7, 2021
 4:16 PM
 Checked By: _____

Member Distributed Loads (BLC 69 : Structure Wm (120 Deg)) (Continued)

Member Label	Direction	Start Magnitude[lb/ft,...	End Magnitude[lb/ft,F...	Start Location[ft, %]	End Location[ft, %]
32	M91	Z	.845	.845	0 %100
33	M52A	X	.607	.607	0 %100
34	M52A	Z	.35	.35	0 %100
35	M53	X	.171	.171	0 %100
36	M53	Z	.099	.099	0 %100
37	M54	X	.171	.171	0 %100
38	M54	Z	.099	.099	0 %100
39	M55	X	.341	.341	0 %100
40	M55	Z	.197	.197	0 %100
41	M58A	X	.758	.758	0 %100
42	M58A	Z	.438	.438	0 %100
43	M59A	X	.189	.189	0 %100
44	M59A	Z	.109	.109	0 %100
45	M64	X	1.39	1.39	0 %100
46	M64	Z	.803	.803	0 %100
47	M66	X	1.464	1.464	0 %100
48	M66	Z	.845	.845	0 %100
49	M69	X	.348	.348	0 %100
50	M69	Z	.201	.201	0 %100
51	M71	X	.366	.366	0 %100
52	M71	Z	.211	.211	0 %100
53	M76A	X	0	0	0 %100
54	M76A	Z	0	0	0 %100
55	M77A	X	.684	.684	0 %100
56	M77A	Z	.395	.395	0 %100
57	M78	X	.684	.684	0 %100
58	M78	Z	.395	.395	0 %100
59	M79A	X	1.365	1.365	0 %100
60	M79A	Z	.788	.788	0 %100
61	M82	X	.189	.189	0 %100
62	M82	Z	.109	.109	0 %100
63	M83A	X	.189	.189	0 %100
64	M83A	Z	.109	.109	0 %100
65	M88A	X	.348	.348	0 %100
66	M88A	Z	.201	.201	0 %100
67	M90	X	.366	.366	0 %100
68	M90	Z	.211	.211	0 %100
69	M93	X	.348	.348	0 %100
70	M93	Z	.201	.201	0 %100
71	M95	X	.366	.366	0 %100
72	M95	Z	.211	.211	0 %100
73	M82A	X	.192	.192	0 %100
74	M82A	Z	.111	.111	0 %100
75	M91B	X	.768	.768	0 %100
76	M91B	Z	.444	.444	0 %100
77	M95B	X	1.024	1.024	0 %100
78	M95B	Z	.591	.591	0 %100
79	M96A	X	0	0	0 %100
80	M96A	Z	0	0	0 %100
81	M98A	X	1.024	1.024	0 %100
82	M98A	Z	.591	.591	0 %100
83	M99A	X	1.024	1.024	0 %100
84	M99A	Z	.591	.591	0 %100
85	M100	X	0	0	0 %100
86	M100	Z	0	0	0 %100
87	MP3C	X	.54	.54	0 %100
88	MP3C	Z	.312	.312	0 %100

Member Distributed Loads (BLC 69 : Structure Wm (120 Deg)) (Continued)

	Member Label	Direction	Start Magnitude[lb/ft,...	End Magnitude[lb/ft,F...	Start Location[ft, %]	End Location[ft, %]
89	MP4C	X	.54	.54	0	%100
90	MP4C	Z	.312	.312	0	%100
91	MP2C	X	.54	.54	0	%100
92	MP2C	Z	.312	.312	0	%100
93	MP1C	X	.54	.54	0	%100
94	MP1C	Z	.312	.312	0	%100
95	MP3B	X	.54	.54	0	%100
96	MP3B	Z	.312	.312	0	%100
97	MP4B	X	.54	.54	0	%100
98	MP4B	Z	.312	.312	0	%100
99	MP2B	X	.54	.54	0	%100
100	MP2B	Z	.312	.312	0	%100
101	MP1B	X	.54	.54	0	%100
102	MP1B	Z	.312	.312	0	%100
103	M104	X	.54	.54	0	%100
104	M104	Z	.312	.312	0	%100
105	M105	X	.54	.54	0	%100
106	M105	Z	.312	.312	0	%100
107	M106	X	.54	.54	0	%100
108	M106	Z	.312	.312	0	%100
109	M107	X	.54	.54	0	%100
110	M107	Z	.312	.312	0	%100
111	OVP	X	.433	.433	0	%100
112	OVP	Z	.25	.25	0	%100
113	M110	X	.654	.654	0	%100
114	M110	Z	.378	.378	0	%100
115	M115	X	.164	.164	0	%100
116	M115	Z	.094	.094	0	%100
117	M120	X	.164	.164	0	%100
118	M120	Z	.094	.094	0	%100
119	M131	X	.182	.182	0	%100
120	M131	Z	.105	.105	0	%100
121	M132	X	.727	.727	0	%100
122	M132	Z	.419	.419	0	%100
123	M133	X	.182	.182	0	%100
124	M133	Z	.105	.105	0	%100

Member Distributed Loads (BLC 70 : Structure Wm (150 Deg))

	Member Label	Direction	Start Magnitude[lb/ft,...	End Magnitude[lb/ft,F...	Start Location[ft, %]	End Location[ft, %]
1	M1	X	.333	.333	0	%100
2	M1	Z	.576	.576	0	%100
3	M4	X	.117	.117	0	%100
4	M4	Z	.202	.202	0	%100
5	M10	X	.296	.296	0	%100
6	M10	Z	.513	.513	0	%100
7	MP3A	X	.312	.312	0	%100
8	MP3A	Z	.54	.54	0	%100
9	MP4A	X	.312	.312	0	%100
10	MP4A	Z	.54	.54	0	%100
11	MP2A	X	.312	.312	0	%100
12	MP2A	Z	.54	.54	0	%100
13	MP1A	X	.312	.312	0	%100
14	MP1A	Z	.54	.54	0	%100
15	M43	X	.296	.296	0	%100
16	M43	Z	.513	.513	0	%100
17	M46	X	.591	.591	0	%100



Company :
 Designer :
 Job Number :
 Model Name :

June 7, 2021
 4:16 PM
 Checked By: _____

Member Distributed Loads (BLC 70 : Structure Wm (150 Deg)) (Continued)

	Member Label	Direction	Start Magnitude[lb/ft,...	End Magnitude[lb/ft,F...	Start Location[ft,%]	End Location[ft,%]
18	M46	Z	1.024	1.024	0	%100
19	M51B	X	0	0	0	%100
20	M51B	Z	0	0	0	%100
21	M52B	X	.328	.328	0	%100
22	M52B	Z	.568	.568	0	%100
23	M76	X	.197	.197	0	%100
24	M76	Z	.341	.341	0	%100
25	M77	X	0	0	0	%100
26	M77	Z	0	0	0	%100
27	M80	X	0	0	0	%100
28	M80	Z	0	0	0	%100
29	M85	X	.602	.602	0	%100
30	M85	Z	1.043	1.043	0	%100
31	M91	X	.634	.634	0	%100
32	M91	Z	1.098	1.098	0	%100
33	M52A	X	.467	.467	0	%100
34	M52A	Z	.809	.809	0	%100
35	M53	X	0	0	0	%100
36	M53	Z	0	0	0	%100
37	M54	X	0	0	0	%100
38	M54	Z	0	0	0	%100
39	M55	X	0	0	0	%100
40	M55	Z	0	0	0	%100
41	M58A	X	.328	.328	0	%100
42	M58A	Z	.568	.568	0	%100
43	M59A	X	.328	.328	0	%100
44	M59A	Z	.568	.568	0	%100
45	M64	X	.602	.602	0	%100
46	M64	Z	1.043	1.043	0	%100
47	M66	X	.634	.634	0	%100
48	M66	Z	1.098	1.098	0	%100
49	M69	X	.602	.602	0	%100
50	M69	Z	1.043	1.043	0	%100
51	M71	X	.634	.634	0	%100
52	M71	Z	1.098	1.098	0	%100
53	M76A	X	.117	.117	0	%100
54	M76A	Z	.202	.202	0	%100
55	M77A	X	.296	.296	0	%100
56	M77A	Z	.513	.513	0	%100
57	M78	X	.296	.296	0	%100
58	M78	Z	.513	.513	0	%100
59	M79A	X	.591	.591	0	%100
60	M79A	Z	1.024	1.024	0	%100
61	M82	X	.328	.328	0	%100
62	M82	Z	.568	.568	0	%100
63	M83A	X	0	0	0	%100
64	M83A	Z	0	0	0	%100
65	M88A	X	.602	.602	0	%100
66	M88A	Z	1.043	1.043	0	%100
67	M90	X	.634	.634	0	%100
68	M90	Z	1.098	1.098	0	%100
69	M93	X	0	0	0	%100
70	M93	Z	0	0	0	%100
71	M95	X	0	0	0	%100
72	M95	Z	0	0	0	%100
73	M82A	X	0	0	0	%100
74	M82A	Z	0	0	0	%100



Company :
 Designer :
 Job Number :
 Model Name :

June 7, 2021
 4:16 PM
 Checked By: _____

Member Distributed Loads (BLC 70 : Structure Wm (150 Deg)) (Continued)

	Member Label	Direction	Start Magnitude[lb/ft,...	End Magnitude[lb/ft,F...	Start Location[ft, %]	End Location[ft, %]
75	M91B	X	.333	.333	0	%100
76	M91B	Z	.576	.576	0	%100
77	M95B	X	.788	.788	0	%100
78	M95B	Z	1.365	1.365	0	%100
79	M96A	X	.197	.197	0	%100
80	M96A	Z	.341	.341	0	%100
81	M98A	X	.197	.197	0	%100
82	M98A	Z	.341	.341	0	%100
83	M99A	X	.788	.788	0	%100
84	M99A	Z	1.365	1.365	0	%100
85	M100	X	.197	.197	0	%100
86	M100	Z	.341	.341	0	%100
87	MP3C	X	.312	.312	0	%100
88	MP3C	Z	.54	.54	0	%100
89	MP4C	X	.312	.312	0	%100
90	MP4C	Z	.54	.54	0	%100
91	MP2C	X	.312	.312	0	%100
92	MP2C	Z	.54	.54	0	%100
93	MP1C	X	.312	.312	0	%100
94	MP1C	Z	.54	.54	0	%100
95	MP3B	X	.312	.312	0	%100
96	MP3B	Z	.54	.54	0	%100
97	MP4B	X	.312	.312	0	%100
98	MP4B	Z	.54	.54	0	%100
99	MP2B	X	.312	.312	0	%100
100	MP2B	Z	.54	.54	0	%100
101	MP1B	X	.312	.312	0	%100
102	MP1B	Z	.54	.54	0	%100
103	M104	X	.312	.312	0	%100
104	M104	Z	.54	.54	0	%100
105	M105	X	.312	.312	0	%100
106	M105	Z	.54	.54	0	%100
107	M106	X	.312	.312	0	%100
108	M106	Z	.54	.54	0	%100
109	M107	X	.312	.312	0	%100
110	M107	Z	.54	.54	0	%100
111	OVP	X	.25	.25	0	%100
112	OVP	Z	.433	.433	0	%100
113	M110	X	.283	.283	0	%100
114	M110	Z	.491	.491	0	%100
115	M115	X	.283	.283	0	%100
116	M115	Z	.491	.491	0	%100
117	M120	X	0	0	0	%100
118	M120	Z	0	0	0	%100
119	M131	X	0	0	0	%100
120	M131	Z	0	0	0	%100
121	M132	X	.315	.315	0	%100
122	M132	Z	.545	.545	0	%100
123	M133	X	.315	.315	0	%100
124	M133	Z	.545	.545	0	%100

Member Distributed Loads (BLC 71 : Structure Wm (180 Deg))

	Member Label	Direction	Start Magnitude[lb/ft,...	End Magnitude[lb/ft,F...	Start Location[ft, %]	End Location[ft, %]
1	M1	X	0	0	0	%100
2	M1	Z	.887	.887	0	%100
3	M4	X	0	0	0	%100



Company :
 Designer :
 Job Number :
 Model Name :

June 7, 2021
 4:16 PM
 Checked By: _____

Member Distributed Loads (BLC 71 : Structure Wm (180 Deg)) (Continued)

	Member Label	Direction	Start Magnitude[lb/ft,...	End Magnitude[lb/ft,F...	Start Location[ft, %]	End Location[ft, %]
4	M4	Z	0	0	0	%100
5	M10	X	0	0	0	%100
6	M10	Z	.79	.79	0	%100
7	MP3A	X	0	0	0	%100
8	MP3A	Z	.624	.624	0	%100
9	MP4A	X	0	0	0	%100
10	MP4A	Z	.624	.624	0	%100
11	MP2A	X	0	0	0	%100
12	MP2A	Z	.624	.624	0	%100
13	MP1A	X	0	0	0	%100
14	MP1A	Z	.624	.624	0	%100
15	M43	X	0	0	0	%100
16	M43	Z	.79	.79	0	%100
17	M46	X	0	0	0	%100
18	M46	Z	1.576	1.576	0	%100
19	M51B	X	0	0	0	%100
20	M51B	Z	.219	.219	0	%100
21	M52B	X	0	0	0	%100
22	M52B	Z	.219	.219	0	%100
23	M76	X	0	0	0	%100
24	M76	Z	0	0	0	%100
25	M77	X	0	0	0	%100
26	M77	Z	.401	.401	0	%100
27	M80	X	0	0	0	%100
28	M80	Z	.423	.423	0	%100
29	M85	X	0	0	0	%100
30	M85	Z	.401	.401	0	%100
31	M91	X	0	0	0	%100
32	M91	Z	.423	.423	0	%100
33	M52A	X	0	0	0	%100
34	M52A	Z	.7	.7	0	%100
35	M53	X	0	0	0	%100
36	M53	Z	.198	.198	0	%100
37	M54	X	0	0	0	%100
38	M54	Z	.198	.198	0	%100
39	M55	X	0	0	0	%100
40	M55	Z	.394	.394	0	%100
41	M58A	X	0	0	0	%100
42	M58A	Z	.219	.219	0	%100
43	M59A	X	0	0	0	%100
44	M59A	Z	.875	.875	0	%100
45	M64	X	0	0	0	%100
46	M64	Z	.401	.401	0	%100
47	M66	X	0	0	0	%100
48	M66	Z	.423	.423	0	%100
49	M69	X	0	0	0	%100
50	M69	Z	1.605	1.605	0	%100
51	M71	X	0	0	0	%100
52	M71	Z	1.691	1.691	0	%100
53	M76A	X	0	0	0	%100
54	M76A	Z	.7	.7	0	%100
55	M77A	X	0	0	0	%100
56	M77A	Z	.198	.198	0	%100
57	M78	X	0	0	0	%100
58	M78	Z	.198	.198	0	%100
59	M79A	X	0	0	0	%100
60	M79A	Z	.394	.394	0	%100

Member Distributed Loads (BLC 71 : Structure Wm (180 Deg)) (Continued)

Member Label	Direction	Start Magnitude[lb/ft,...	End Magnitude[lb/ft,F...	Start Location[ft, %]	End Location[ft, %]
61	M82	X	0	0	%100
62	M82	Z	.875	.875	%100
63	M83A	X	0	0	%100
64	M83A	Z	.219	.219	%100
65	M88A	X	0	0	%100
66	M88A	Z	1.605	1.605	%100
67	M90	X	0	0	%100
68	M90	Z	1.691	1.691	%100
69	M93	X	0	0	%100
70	M93	Z	.401	.401	%100
71	M95	X	0	0	%100
72	M95	Z	.423	.423	%100
73	M82A	X	0	0	%100
74	M82A	Z	.222	.222	%100
75	M91B	X	0	0	%100
76	M91B	Z	.222	.222	%100
77	M95B	X	0	0	%100
78	M95B	Z	1.182	1.182	%100
79	M96A	X	0	0	%100
80	M96A	Z	1.182	1.182	%100
81	M98A	X	0	0	%100
82	M98A	Z	0	0	%100
83	M99A	X	0	0	%100
84	M99A	Z	1.182	1.182	%100
85	M100	X	0	0	%100
86	M100	Z	1.182	1.182	%100
87	MP3C	X	0	0	%100
88	MP3C	Z	.624	.624	%100
89	MP4C	X	0	0	%100
90	MP4C	Z	.624	.624	%100
91	MP2C	X	0	0	%100
92	MP2C	Z	.624	.624	%100
93	MP1C	X	0	0	%100
94	MP1C	Z	.624	.624	%100
95	MP3B	X	0	0	%100
96	MP3B	Z	.624	.624	%100
97	MP4B	X	0	0	%100
98	MP4B	Z	.624	.624	%100
99	MP2B	X	0	0	%100
100	MP2B	Z	.624	.624	%100
101	MP1B	X	0	0	%100
102	MP1B	Z	.624	.624	%100
103	M104	X	0	0	%100
104	M104	Z	.624	.624	%100
105	M105	X	0	0	%100
106	M105	Z	.624	.624	%100
107	M106	X	0	0	%100
108	M106	Z	.624	.624	%100
109	M107	X	0	0	%100
110	M107	Z	.624	.624	%100
111	OVP	X	0	0	%100
112	OVP	Z	.5	.5	%100
113	M110	X	0	0	%100
114	M110	Z	.189	.189	%100
115	M115	X	0	0	%100
116	M115	Z	.755	.755	%100
117	M120	X	0	0	%100

Member Distributed Loads (BLC 71 : Structure Wm (180 Deg)) (Continued)

	Member Label	Direction	Start Magnitude[lb/ft,...	End Magnitude[lb/ft,F...	Start Location[ft, %]	End Location[ft, %]
118	M120	Z	.189	.189	0	%100
119	M131	X	0	0	0	%100
120	M131	Z	.21	.21	0	%100
121	M132	X	0	0	0	%100
122	M132	Z	.21	.21	0	%100
123	M133	X	0	0	0	%100
124	M133	Z	.839	.839	0	%100

Member Distributed Loads (BLC 72 : Structure Wm (210 Deg))

	Member Label	Direction	Start Magnitude[lb/ft,...	End Magnitude[lb/ft,F...	Start Location[ft, %]	End Location[ft, %]
1	M1	X	-.333	-.333	0	%100
2	M1	Z	.576	.576	0	%100
3	M4	X	-.117	-.117	0	%100
4	M4	Z	.202	.202	0	%100
5	M10	X	-.296	-.296	0	%100
6	M10	Z	.513	.513	0	%100
7	MP3A	X	-.312	-.312	0	%100
8	MP3A	Z	.54	.54	0	%100
9	MP4A	X	-.312	-.312	0	%100
10	MP4A	Z	.54	.54	0	%100
11	MP2A	X	-.312	-.312	0	%100
12	MP2A	Z	.54	.54	0	%100
13	MP1A	X	-.312	-.312	0	%100
14	MP1A	Z	.54	.54	0	%100
15	M43	X	-.296	-.296	0	%100
16	M43	Z	.513	.513	0	%100
17	M46	X	-.591	-.591	0	%100
18	M46	Z	1.024	1.024	0	%100
19	M51B	X	-.328	-.328	0	%100
20	M51B	Z	.568	.568	0	%100
21	M52B	X	0	0	0	%100
22	M52B	Z	0	0	0	%100
23	M76	X	-.197	-.197	0	%100
24	M76	Z	.341	.341	0	%100
25	M77	X	-.602	-.602	0	%100
26	M77	Z	1.043	1.043	0	%100
27	M80	X	-.634	-.634	0	%100
28	M80	Z	1.098	1.098	0	%100
29	M85	X	0	0	0	%100
30	M85	Z	0	0	0	%100
31	M91	X	0	0	0	%100
32	M91	Z	0	0	0	%100
33	M52A	X	-.117	-.117	0	%100
34	M52A	Z	.202	.202	0	%100
35	M53	X	-.296	-.296	0	%100
36	M53	Z	.513	.513	0	%100
37	M54	X	-.296	-.296	0	%100
38	M54	Z	.513	.513	0	%100
39	M55	X	-.591	-.591	0	%100
40	M55	Z	1.024	1.024	0	%100
41	M58A	X	0	0	0	%100
42	M58A	Z	0	0	0	%100
43	M59A	X	-.328	-.328	0	%100
44	M59A	Z	.568	.568	0	%100
45	M64	X	0	0	0	%100
46	M64	Z	0	0	0	%100



Company :
 Designer :
 Job Number :
 Model Name :

June 7, 2021
 4:16 PM
 Checked By: _____

Member Distributed Loads (BLC 72 : Structure Wm (210 Deg)) (Continued)

Member Label	Direction	Start Magnitude[lb/ft,...	End Magnitude[lb/ft,F...	Start Location[ft, %]	End Location[ft, %]	
47	M66	X	0	0	0	%100
48	M66	Z	0	0	0	%100
49	M69	X	-.602	-.602	0	%100
50	M69	Z	1.043	1.043	0	%100
51	M71	X	-.634	-.634	0	%100
52	M71	Z	1.098	1.098	0	%100
53	M76A	X	-.467	-.467	0	%100
54	M76A	Z	.809	.809	0	%100
55	M77A	X	0	0	0	%100
56	M77A	Z	0	0	0	%100
57	M78	X	0	0	0	%100
58	M78	Z	0	0	0	%100
59	M79A	X	0	0	0	%100
60	M79A	Z	0	0	0	%100
61	M82	X	-.328	-.328	0	%100
62	M82	Z	.568	.568	0	%100
63	M83A	X	-.328	-.328	0	%100
64	M83A	Z	.568	.568	0	%100
65	M88A	X	-.602	-.602	0	%100
66	M88A	Z	1.043	1.043	0	%100
67	M90	X	-.634	-.634	0	%100
68	M90	Z	1.098	1.098	0	%100
69	M93	X	-.602	-.602	0	%100
70	M93	Z	1.043	1.043	0	%100
71	M95	X	-.634	-.634	0	%100
72	M95	Z	1.098	1.098	0	%100
73	M82A	X	-.333	-.333	0	%100
74	M82A	Z	.576	.576	0	%100
75	M91B	X	0	0	0	%100
76	M91B	Z	0	0	0	%100
77	M95B	X	-.197	-.197	0	%100
78	M95B	Z	.341	.341	0	%100
79	M96A	X	-.788	-.788	0	%100
80	M96A	Z	1.365	1.365	0	%100
81	M98A	X	-.197	-.197	0	%100
82	M98A	Z	.341	.341	0	%100
83	M99A	X	-.197	-.197	0	%100
84	M99A	Z	.341	.341	0	%100
85	M100	X	-.788	-.788	0	%100
86	M100	Z	1.365	1.365	0	%100
87	MP3C	X	-.312	-.312	0	%100
88	MP3C	Z	.54	.54	0	%100
89	MP4C	X	-.312	-.312	0	%100
90	MP4C	Z	.54	.54	0	%100
91	MP2C	X	-.312	-.312	0	%100
92	MP2C	Z	.54	.54	0	%100
93	MP1C	X	-.312	-.312	0	%100
94	MP1C	Z	.54	.54	0	%100
95	MP3B	X	-.312	-.312	0	%100
96	MP3B	Z	.54	.54	0	%100
97	MP4B	X	-.312	-.312	0	%100
98	MP4B	Z	.54	.54	0	%100
99	MP2B	X	-.312	-.312	0	%100
100	MP2B	Z	.54	.54	0	%100
101	MP1B	X	-.312	-.312	0	%100
102	MP1B	Z	.54	.54	0	%100
103	M104	X	-.312	-.312	0	%100



Company :
 Designer :
 Job Number :
 Model Name :

June 7, 2021
 4:16 PM
 Checked By: _____

Member Distributed Loads (BLC 72 : Structure Wm (210 Deg)) (Continued)

	Member Label	Direction	Start Magnitude[lb/ft,...	End Magnitude[lb/ft,F...	Start Location[ft, %]	End Location[ft, %]
104	M104	Z	.54	.54	0	%100
105	M105	X	-.312	-.312	0	%100
106	M105	Z	.54	.54	0	%100
107	M106	X	-.312	-.312	0	%100
108	M106	Z	.54	.54	0	%100
109	M107	X	-.312	-.312	0	%100
110	M107	Z	.54	.54	0	%100
111	OVP	X	-.25	-.25	0	%100
112	OVP	Z	.433	.433	0	%100
113	M110	X	0	0	0	%100
114	M110	Z	0	0	0	%100
115	M115	X	-.283	-.283	0	%100
116	M115	Z	.491	.491	0	%100
117	M120	X	-.283	-.283	0	%100
118	M120	Z	.491	.491	0	%100
119	M131	X	-.315	-.315	0	%100
120	M131	Z	.545	.545	0	%100
121	M132	X	0	0	0	%100
122	M132	Z	0	0	0	%100
123	M133	X	-.315	-.315	0	%100
124	M133	Z	.545	.545	0	%100

Member Distributed Loads (BLC 73 : Structure Wm (240 Deg))

	Member Label	Direction	Start Magnitude[lb/ft,...	End Magnitude[lb/ft,F...	Start Location[ft, %]	End Location[ft, %]
1	M1	X	-.192	-.192	0	%100
2	M1	Z	.111	.111	0	%100
3	M4	X	-.607	-.607	0	%100
4	M4	Z	.35	.35	0	%100
5	M10	X	-.171	-.171	0	%100
6	M10	Z	.099	.099	0	%100
7	MP3A	X	-.54	-.54	0	%100
8	MP3A	Z	.312	.312	0	%100
9	MP4A	X	-.54	-.54	0	%100
10	MP4A	Z	.312	.312	0	%100
11	MP2A	X	-.54	-.54	0	%100
12	MP2A	Z	.312	.312	0	%100
13	MP1A	X	-.54	-.54	0	%100
14	MP1A	Z	.312	.312	0	%100
15	M43	X	-.171	-.171	0	%100
16	M43	Z	.099	.099	0	%100
17	M46	X	-.341	-.341	0	%100
18	M46	Z	.197	.197	0	%100
19	M51B	X	-.758	-.758	0	%100
20	M51B	Z	.438	.438	0	%100
21	M52B	X	-.189	-.189	0	%100
22	M52B	Z	.109	.109	0	%100
23	M76	X	-1.024	-1.024	0	%100
24	M76	Z	.591	.591	0	%100
25	M77	X	-1.39	-1.39	0	%100
26	M77	Z	.803	.803	0	%100
27	M80	X	-1.464	-1.464	0	%100
28	M80	Z	.845	.845	0	%100
29	M85	X	-.348	-.348	0	%100
30	M85	Z	.201	.201	0	%100
31	M91	X	-.366	-.366	0	%100
32	M91	Z	.211	.211	0	%100

Member Distributed Loads (BLC 73 : Structure Wm (240 Deg)) (Continued)

Member Label	Direction	Start Magnitude[lb/ft,...	End Magnitude[lb/ft,F...	Start Location[ft, %]	End Location[ft, %]	
33	M52A	X	0	0	0	%100
34	M52A	Z	0	0	0	%100
35	M53	X	-.684	-.684	0	%100
36	M53	Z	.395	.395	0	%100
37	M54	X	-.684	-.684	0	%100
38	M54	Z	.395	.395	0	%100
39	M55	X	-1.365	-1.365	0	%100
40	M55	Z	.788	.788	0	%100
41	M58A	X	-.189	-.189	0	%100
42	M58A	Z	.109	.109	0	%100
43	M59A	X	-.189	-.189	0	%100
44	M59A	Z	.109	.109	0	%100
45	M64	X	-.348	-.348	0	%100
46	M64	Z	.201	.201	0	%100
47	M66	X	-.366	-.366	0	%100
48	M66	Z	.211	.211	0	%100
49	M69	X	-.348	-.348	0	%100
50	M69	Z	.201	.201	0	%100
51	M71	X	-.366	-.366	0	%100
52	M71	Z	.211	.211	0	%100
53	M76A	X	-.607	-.607	0	%100
54	M76A	Z	.35	.35	0	%100
55	M77A	X	-.171	-.171	0	%100
56	M77A	Z	.099	.099	0	%100
57	M78	X	-.171	-.171	0	%100
58	M78	Z	.099	.099	0	%100
59	M79A	X	-.341	-.341	0	%100
60	M79A	Z	.197	.197	0	%100
61	M82	X	-.189	-.189	0	%100
62	M82	Z	.109	.109	0	%100
63	M83A	X	-.758	-.758	0	%100
64	M83A	Z	.438	.438	0	%100
65	M88A	X	-.348	-.348	0	%100
66	M88A	Z	.201	.201	0	%100
67	M90	X	-.366	-.366	0	%100
68	M90	Z	.211	.211	0	%100
69	M93	X	-1.39	-1.39	0	%100
70	M93	Z	.803	.803	0	%100
71	M95	X	-1.464	-1.464	0	%100
72	M95	Z	.845	.845	0	%100
73	M82A	X	-.768	-.768	0	%100
74	M82A	Z	.444	.444	0	%100
75	M91B	X	-.192	-.192	0	%100
76	M91B	Z	.111	.111	0	%100
77	M95B	X	0	0	0	%100
78	M95B	Z	0	0	0	%100
79	M96A	X	-1.024	-1.024	0	%100
80	M96A	Z	.591	.591	0	%100
81	M98A	X	-1.024	-1.024	0	%100
82	M98A	Z	.591	.591	0	%100
83	M99A	X	0	0	0	%100
84	M99A	Z	0	0	0	%100
85	M100	X	-1.024	-1.024	0	%100
86	M100	Z	.591	.591	0	%100
87	MP3C	X	-.54	-.54	0	%100
88	MP3C	Z	.312	.312	0	%100
89	MP4C	X	-.54	-.54	0	%100

Member Distributed Loads (BLC 73 : Structure Wm (240 Deg)) (Continued)

	Member Label	Direction	Start Magnitude[lb/ft,...	End Magnitude[lb/ft,F...	Start Location[ft, %]	End Location[ft, %]
90	MP4C	Z	.312	.312	0	%100
91	MP2C	X	-.54	-.54	0	%100
92	MP2C	Z	.312	.312	0	%100
93	MP1C	X	-.54	-.54	0	%100
94	MP1C	Z	.312	.312	0	%100
95	MP3B	X	-.54	-.54	0	%100
96	MP3B	Z	.312	.312	0	%100
97	MP4B	X	-.54	-.54	0	%100
98	MP4B	Z	.312	.312	0	%100
99	MP2B	X	-.54	-.54	0	%100
100	MP2B	Z	.312	.312	0	%100
101	MP1B	X	-.54	-.54	0	%100
102	MP1B	Z	.312	.312	0	%100
103	M104	X	-.54	-.54	0	%100
104	M104	Z	.312	.312	0	%100
105	M105	X	-.54	-.54	0	%100
106	M105	Z	.312	.312	0	%100
107	M106	X	-.54	-.54	0	%100
108	M106	Z	.312	.312	0	%100
109	M107	X	-.54	-.54	0	%100
110	M107	Z	.312	.312	0	%100
111	OVP	X	-.433	-.433	0	%100
112	OVP	Z	.25	.25	0	%100
113	M110	X	-.164	-.164	0	%100
114	M110	Z	.094	.094	0	%100
115	M115	X	-.164	-.164	0	%100
116	M115	Z	.094	.094	0	%100
117	M120	X	-.654	-.654	0	%100
118	M120	Z	.378	.378	0	%100
119	M131	X	-.727	-.727	0	%100
120	M131	Z	.419	.419	0	%100
121	M132	X	-.182	-.182	0	%100
122	M132	Z	.105	.105	0	%100
123	M133	X	-.182	-.182	0	%100
124	M133	Z	.105	.105	0	%100

Member Distributed Loads (BLC 74 : Structure Wm (270 Deg))

	Member Label	Direction	Start Magnitude[lb/ft,...	End Magnitude[lb/ft,F...	Start Location[ft, %]	End Location[ft, %]
1	M1	X	0	0	0	%100
2	M1	Z	0	0	0	%100
3	M4	X	-.934	-.934	0	%100
4	M4	Z	0	0	0	%100
5	M10	X	0	0	0	%100
6	M10	Z	0	0	0	%100
7	MP3A	X	-.624	-.624	0	%100
8	MP3A	Z	0	0	0	%100
9	MP4A	X	-.624	-.624	0	%100
10	MP4A	Z	0	0	0	%100
11	MP2A	X	-.624	-.624	0	%100
12	MP2A	Z	0	0	0	%100
13	MP1A	X	-.624	-.624	0	%100
14	MP1A	Z	0	0	0	%100
15	M43	X	0	0	0	%100
16	M43	Z	0	0	0	%100
17	M46	X	0	0	0	%100
18	M46	Z	0	0	0	%100



Company :
 Designer :
 Job Number :
 Model Name :

June 7, 2021
 4:16 PM
 Checked By: _____

Member Distributed Loads (BLC 74 : Structure Wm (270 Deg)) (Continued)

	Member Label	Direction	Start Magnitude[lb/ft,...	End Magnitude[lb/ft,F...	Start Location[ft, %]	End Location[ft, %]
19	M51B	X	-.656	-.656	0	%100
20	M51B	Z	0	0	0	%100
21	M52B	X	-.656	-.656	0	%100
22	M52B	Z	0	0	0	%100
23	M76	X	-1.576	-1.576	0	%100
24	M76	Z	0	0	0	%100
25	M77	X	-1.204	-1.204	0	%100
26	M77	Z	0	0	0	%100
27	M80	X	-1.268	-1.268	0	%100
28	M80	Z	0	0	0	%100
29	M85	X	-1.204	-1.204	0	%100
30	M85	Z	0	0	0	%100
31	M91	X	-1.268	-1.268	0	%100
32	M91	Z	0	0	0	%100
33	M52A	X	-.233	-.233	0	%100
34	M52A	Z	0	0	0	%100
35	M53	X	-.593	-.593	0	%100
36	M53	Z	0	0	0	%100
37	M54	X	-.593	-.593	0	%100
38	M54	Z	0	0	0	%100
39	M55	X	-1.182	-1.182	0	%100
40	M55	Z	0	0	0	%100
41	M58A	X	-.656	-.656	0	%100
42	M58A	Z	0	0	0	%100
43	M59A	X	0	0	0	%100
44	M59A	Z	0	0	0	%100
45	M64	X	-1.204	-1.204	0	%100
46	M64	Z	0	0	0	%100
47	M66	X	-1.268	-1.268	0	%100
48	M66	Z	0	0	0	%100
49	M69	X	0	0	0	%100
50	M69	Z	0	0	0	%100
51	M71	X	0	0	0	%100
52	M71	Z	0	0	0	%100
53	M76A	X	-.233	-.233	0	%100
54	M76A	Z	0	0	0	%100
55	M77A	X	-.593	-.593	0	%100
56	M77A	Z	0	0	0	%100
57	M78	X	-.593	-.593	0	%100
58	M78	Z	0	0	0	%100
59	M79A	X	-1.182	-1.182	0	%100
60	M79A	Z	0	0	0	%100
61	M82	X	0	0	0	%100
62	M82	Z	0	0	0	%100
63	M83A	X	-.656	-.656	0	%100
64	M83A	Z	0	0	0	%100
65	M88A	X	0	0	0	%100
66	M88A	Z	0	0	0	%100
67	M90	X	0	0	0	%100
68	M90	Z	0	0	0	%100
69	M93	X	-1.204	-1.204	0	%100
70	M93	Z	0	0	0	%100
71	M95	X	-1.268	-1.268	0	%100
72	M95	Z	0	0	0	%100
73	M82A	X	-.665	-.665	0	%100
74	M82A	Z	0	0	0	%100
75	M91B	X	-.665	-.665	0	%100



Company :
 Designer :
 Job Number :
 Model Name :

June 7, 2021
 4:16 PM
 Checked By: _____

Member Distributed Loads (BLC 74 : Structure Wm (270 Deg)) (Continued)

	Member Label	Direction	Start Magnitude[lb/ft,...	End Magnitude[lb/ft,F...	Start Location[ft, %]	End Location[ft, %]
76	M91B	Z	0	0	0	%100
77	M95B	X	-.394	-.394	0	%100
78	M95B	Z	0	0	0	%100
79	M96A	X	-.394	-.394	0	%100
80	M96A	Z	0	0	0	%100
81	M98A	X	-1.576	-1.576	0	%100
82	M98A	Z	0	0	0	%100
83	M99A	X	-.394	-.394	0	%100
84	M99A	Z	0	0	0	%100
85	M100	X	-.394	-.394	0	%100
86	M100	Z	0	0	0	%100
87	MP3C	X	-.624	-.624	0	%100
88	MP3C	Z	0	0	0	%100
89	MP4C	X	-.624	-.624	0	%100
90	MP4C	Z	0	0	0	%100
91	MP2C	X	-.624	-.624	0	%100
92	MP2C	Z	0	0	0	%100
93	MP1C	X	-.624	-.624	0	%100
94	MP1C	Z	0	0	0	%100
95	MP3B	X	-.624	-.624	0	%100
96	MP3B	Z	0	0	0	%100
97	MP4B	X	-.624	-.624	0	%100
98	MP4B	Z	0	0	0	%100
99	MP2B	X	-.624	-.624	0	%100
100	MP2B	Z	0	0	0	%100
101	MP1B	X	-.624	-.624	0	%100
102	MP1B	Z	0	0	0	%100
103	M104	X	-.624	-.624	0	%100
104	M104	Z	0	0	0	%100
105	M105	X	-.624	-.624	0	%100
106	M105	Z	0	0	0	%100
107	M106	X	-.624	-.624	0	%100
108	M106	Z	0	0	0	%100
109	M107	X	-.624	-.624	0	%100
110	M107	Z	0	0	0	%100
111	OVP	X	-.5	-.5	0	%100
112	OVP	Z	0	0	0	%100
113	M110	X	-.566	-.566	0	%100
114	M110	Z	0	0	0	%100
115	M115	X	0	0	0	%100
116	M115	Z	0	0	0	%100
117	M120	X	-.566	-.566	0	%100
118	M120	Z	0	0	0	%100
119	M131	X	-.629	-.629	0	%100
120	M131	Z	0	0	0	%100
121	M132	X	-.629	-.629	0	%100
122	M132	Z	0	0	0	%100
123	M133	X	0	0	0	%100
124	M133	Z	0	0	0	%100

Member Distributed Loads (BLC 75 : Structure Wm (300 Deg))

	Member Label	Direction	Start Magnitude[lb/ft,...	End Magnitude[lb/ft,F...	Start Location[ft, %]	End Location[ft, %]
1	M1	X	-.192	-.192	0	%100
2	M1	Z	-.111	-.111	0	%100
3	M4	X	-.607	-.607	0	%100
4	M4	Z	-.35	-.35	0	%100

Member Distributed Loads (BLC 75 : Structure Wm (300 Deg)) (Continued)

Member Label	Direction	Start Magnitude[lb/ft,...	End Magnitude[lb/ft,F...	Start Location[ft, %]	End Location[ft, %]
5	M10	X	-171	-171	0 %100
6	M10	Z	-099	-099	0 %100
7	MP3A	X	-54	-54	0 %100
8	MP3A	Z	-312	-312	0 %100
9	MP4A	X	-54	-54	0 %100
10	MP4A	Z	-312	-312	0 %100
11	MP2A	X	-54	-54	0 %100
12	MP2A	Z	-312	-312	0 %100
13	MP1A	X	-54	-54	0 %100
14	MP1A	Z	-312	-312	0 %100
15	M43	X	-171	-171	0 %100
16	M43	Z	-099	-099	0 %100
17	M46	X	-341	-341	0 %100
18	M46	Z	-197	-197	0 %100
19	M51B	X	-189	-189	0 %100
20	M51B	Z	-109	-109	0 %100
21	M52B	X	-758	-758	0 %100
22	M52B	Z	-438	-438	0 %100
23	M76	X	-1024	-1024	0 %100
24	M76	Z	-591	-591	0 %100
25	M77	X	-348	-348	0 %100
26	M77	Z	-201	-201	0 %100
27	M80	X	-366	-366	0 %100
28	M80	Z	-211	-211	0 %100
29	M85	X	-139	-139	0 %100
30	M85	Z	-803	-803	0 %100
31	M91	X	-1464	-1464	0 %100
32	M91	Z	-845	-845	0 %100
33	M52A	X	-607	-607	0 %100
34	M52A	Z	-35	-35	0 %100
35	M53	X	-171	-171	0 %100
36	M53	Z	-099	-099	0 %100
37	M54	X	-171	-171	0 %100
38	M54	Z	-099	-099	0 %100
39	M55	X	-341	-341	0 %100
40	M55	Z	-197	-197	0 %100
41	M58A	X	-758	-758	0 %100
42	M58A	Z	-438	-438	0 %100
43	M59A	X	-189	-189	0 %100
44	M59A	Z	-109	-109	0 %100
45	M64	X	-139	-139	0 %100
46	M64	Z	-803	-803	0 %100
47	M66	X	-1464	-1464	0 %100
48	M66	Z	-845	-845	0 %100
49	M69	X	-348	-348	0 %100
50	M69	Z	-201	-201	0 %100
51	M71	X	-366	-366	0 %100
52	M71	Z	-211	-211	0 %100
53	M76A	X	0	0	0 %100
54	M76A	Z	0	0	0 %100
55	M77A	X	-684	-684	0 %100
56	M77A	Z	-395	-395	0 %100
57	M78	X	-684	-684	0 %100
58	M78	Z	-395	-395	0 %100
59	M79A	X	-1365	-1365	0 %100
60	M79A	Z	-788	-788	0 %100
61	M82	X	-189	-189	0 %100

Member Distributed Loads (BLC 75 : Structure Wm (300 Deg)) (Continued)

Member Label	Direction	Start Magnitude[lb/ft,...	End Magnitude[lb/ft,F...	Start Location[ft,%]	End Location[ft,%]
62	M82	Z	- .109	- .109	0 %100
63	M83A	X	- .189	- .189	0 %100
64	M83A	Z	- .109	- .109	0 %100
65	M88A	X	- .348	- .348	0 %100
66	M88A	Z	- .201	- .201	0 %100
67	M90	X	- .366	- .366	0 %100
68	M90	Z	- .211	- .211	0 %100
69	M93	X	- .348	- .348	0 %100
70	M93	Z	- .201	- .201	0 %100
71	M95	X	- .366	- .366	0 %100
72	M95	Z	- .211	- .211	0 %100
73	M82A	X	- .192	- .192	0 %100
74	M82A	Z	- .111	- .111	0 %100
75	M91B	X	- .768	- .768	0 %100
76	M91B	Z	- .444	- .444	0 %100
77	M95B	X	-1.024	-1.024	0 %100
78	M95B	Z	- .591	- .591	0 %100
79	M96A	X	0	0	0 %100
80	M96A	Z	0	0	0 %100
81	M98A	X	-1.024	-1.024	0 %100
82	M98A	Z	- .591	- .591	0 %100
83	M99A	X	-1.024	-1.024	0 %100
84	M99A	Z	- .591	- .591	0 %100
85	M100	X	0	0	0 %100
86	M100	Z	0	0	0 %100
87	MP3C	X	- .54	- .54	0 %100
88	MP3C	Z	- .312	- .312	0 %100
89	MP4C	X	- .54	- .54	0 %100
90	MP4C	Z	- .312	- .312	0 %100
91	MP2C	X	- .54	- .54	0 %100
92	MP2C	Z	- .312	- .312	0 %100
93	MP1C	X	- .54	- .54	0 %100
94	MP1C	Z	- .312	- .312	0 %100
95	MP3B	X	- .54	- .54	0 %100
96	MP3B	Z	- .312	- .312	0 %100
97	MP4B	X	- .54	- .54	0 %100
98	MP4B	Z	- .312	- .312	0 %100
99	MP2B	X	- .54	- .54	0 %100
100	MP2B	Z	- .312	- .312	0 %100
101	MP1B	X	- .54	- .54	0 %100
102	MP1B	Z	- .312	- .312	0 %100
103	M104	X	- .54	- .54	0 %100
104	M104	Z	- .312	- .312	0 %100
105	M105	X	- .54	- .54	0 %100
106	M105	Z	- .312	- .312	0 %100
107	M106	X	- .54	- .54	0 %100
108	M106	Z	- .312	- .312	0 %100
109	M107	X	- .54	- .54	0 %100
110	M107	Z	- .312	- .312	0 %100
111	OVP	X	- .433	- .433	0 %100
112	OVP	Z	- .25	- .25	0 %100
113	M110	X	- .654	- .654	0 %100
114	M110	Z	- .378	- .378	0 %100
115	M115	X	- .164	- .164	0 %100
116	M115	Z	- .094	- .094	0 %100
117	M120	X	- .164	- .164	0 %100
118	M120	Z	- .094	- .094	0 %100



Company :
 Designer :
 Job Number :
 Model Name :

June 7, 2021
 4:16 PM
 Checked By: _____

Member Distributed Loads (BLC 76 : Structure Wm (330 Deg)) (Continued)

Member Label	Direction	Start Magnitude[lb/ft,...	End Magnitude[lb/ft,F...	Start Location[ft, %]	End Location[ft, %]
48	M66	Z	-1.098	-1.098	0 %100
49	M69	X	-.602	-.602	0 %100
50	M69	Z	-1.043	-1.043	0 %100
51	M71	X	-.634	-.634	0 %100
52	M71	Z	-1.098	-1.098	0 %100
53	M76A	X	-.117	-.117	0 %100
54	M76A	Z	-.202	-.202	0 %100
55	M77A	X	-.296	-.296	0 %100
56	M77A	Z	-.513	-.513	0 %100
57	M78	X	-.296	-.296	0 %100
58	M78	Z	-.513	-.513	0 %100
59	M79A	X	-.591	-.591	0 %100
60	M79A	Z	-1.024	-1.024	0 %100
61	M82	X	-.328	-.328	0 %100
62	M82	Z	-.568	-.568	0 %100
63	M83A	X	0	0	0 %100
64	M83A	Z	0	0	0 %100
65	M88A	X	-.602	-.602	0 %100
66	M88A	Z	-1.043	-1.043	0 %100
67	M90	X	-.634	-.634	0 %100
68	M90	Z	-1.098	-1.098	0 %100
69	M93	X	0	0	0 %100
70	M93	Z	0	0	0 %100
71	M95	X	0	0	0 %100
72	M95	Z	0	0	0 %100
73	M82A	X	0	0	0 %100
74	M82A	Z	0	0	0 %100
75	M91B	X	-.333	-.333	0 %100
76	M91B	Z	-.576	-.576	0 %100
77	M95B	X	-.788	-.788	0 %100
78	M95B	Z	-1.365	-1.365	0 %100
79	M96A	X	-.197	-.197	0 %100
80	M96A	Z	-.341	-.341	0 %100
81	M98A	X	-.197	-.197	0 %100
82	M98A	Z	-.341	-.341	0 %100
83	M99A	X	-.788	-.788	0 %100
84	M99A	Z	-1.365	-1.365	0 %100
85	M100	X	-.197	-.197	0 %100
86	M100	Z	-.341	-.341	0 %100
87	MP3C	X	-.312	-.312	0 %100
88	MP3C	Z	-.54	-.54	0 %100
89	MP4C	X	-.312	-.312	0 %100
90	MP4C	Z	-.54	-.54	0 %100
91	MP2C	X	-.312	-.312	0 %100
92	MP2C	Z	-.54	-.54	0 %100
93	MP1C	X	-.312	-.312	0 %100
94	MP1C	Z	-.54	-.54	0 %100
95	MP3B	X	-.312	-.312	0 %100
96	MP3B	Z	-.54	-.54	0 %100
97	MP4B	X	-.312	-.312	0 %100
98	MP4B	Z	-.54	-.54	0 %100
99	MP2B	X	-.312	-.312	0 %100
100	MP2B	Z	-.54	-.54	0 %100
101	MP1B	X	-.312	-.312	0 %100
102	MP1B	Z	-.54	-.54	0 %100
103	M104	X	-.312	-.312	0 %100
104	M104	Z	-.54	-.54	0 %100



Company :
 Designer :
 Job Number :
 Model Name :

June 7, 2021
 4:16 PM
 Checked By: _____

Member Distributed Loads (BLC 76 : Structure Wm (330 Deg)) (Continued)

	Member Label	Direction	Start Magnitude[lb/ft,...	End Magnitude[lb/ft,F...	Start Location[ft, %]	End Location[ft, %]
105	M105	X	-.312	-.312	0	%100
106	M105	Z	-.54	-.54	0	%100
107	M106	X	-.312	-.312	0	%100
108	M106	Z	-.54	-.54	0	%100
109	M107	X	-.312	-.312	0	%100
110	M107	Z	-.54	-.54	0	%100
111	OVP	X	-.25	-.25	0	%100
112	OVP	Z	-.433	-.433	0	%100
113	M110	X	-.283	-.283	0	%100
114	M110	Z	-.491	-.491	0	%100
115	M115	X	-.283	-.283	0	%100
116	M115	Z	-.491	-.491	0	%100
117	M120	X	0	0	0	%100
118	M120	Z	0	0	0	%100
119	M131	X	0	0	0	%100
120	M131	Z	0	0	0	%100
121	M132	X	-.315	-.315	0	%100
122	M132	Z	-.545	-.545	0	%100
123	M133	X	-.315	-.315	0	%100
124	M133	Z	-.545	-.545	0	%100

Member Distributed Loads (BLC 81 : BLC 39 Transient Area Loads)

	Member Label	Direction	Start Magnitude[lb/ft,...	End Magnitude[lb/ft,F...	Start Location[ft, %]	End Location[ft, %]
1	M1	Y	-.202	-1.522	7.5	8.75
2	M1	Y	-1.522	-1.627	8.75	10
3	M1	Y	-1.627	-.213	10	11.25
4	M52A	Y	-.325	-4.998	1.038	1.868
5	M52A	Y	-4.998	-8.348	1.868	2.698
6	M52A	Y	-8.348	-8.072	2.698	3.528
7	M52A	Y	-8.072	-5.866	3.528	4.358
8	M52A	Y	-5.866	-.865	4.358	5.188
9	M53	Y	-.12	-2.069	0	.475
10	M53	Y	-2.069	-4.22	.475	.95
11	M53	Y	-4.22	-4.381	.95	1.425
12	M53	Y	-4.381	-3.135	1.425	1.9
13	M53	Y	-3.135	-.726	1.9	2.375
14	M54	Y	-.723	-3.186	0	.475
15	M54	Y	-3.186	-4.352	.475	.95
16	M54	Y	-4.352	-4.228	.95	1.425
17	M54	Y	-4.228	-2.146	1.425	1.9
18	M54	Y	-2.146	-.123	1.9	2.375
19	M61	Y	-.287	-.287	0	.167
20	M62	Y	-.286	-.286	0	.167
21	M73	Y	-4.675	-4.675	0	.047
22	M74	Y	-4.637	-4.637	.186	.234
23	M91B	Y	-.235	-1.689	1.25	2.5
24	M91B	Y	-1.689	-1.676	2.5	3.75
25	M91B	Y	-1.676	-.235	3.75	5
26	M4	Y	-.325	-4.998	1.038	1.868
27	M4	Y	-4.998	-8.348	1.868	2.698
28	M4	Y	-8.348	-8.072	2.698	3.528
29	M4	Y	-8.072	-5.866	3.528	4.357
30	M4	Y	-5.866	-.865	4.357	5.188
31	M10	Y	-.12	-2.069	0	.475
32	M10	Y	-2.069	-4.22	.475	.95
33	M10	Y	-4.22	-4.381	.95	1.425

Member Distributed Loads (BLC 81 : BLC 39 Transient Area Loads) (Continued)

	Member Label	Direction	Start Magnitude[lb/ft,...	End Magnitude[lb/ft,F...	Start Location[ft, %]	End Location[ft, %]
34	M10	Y	-4.381	-3.135	1.425	1.9
35	M10	Y	-3.135	-.726	1.9	2.375
36	M43	Y	-.723	-3.186	0	.475
37	M43	Y	-3.186	-4.352	.475	.95
38	M43	Y	-4.352	-4.228	.95	1.425
39	M43	Y	-4.228	-2.146	1.425	1.9
40	M43	Y	-2.146	-.123	1.9	2.375
41	M58	Y	-.287	-.287	0	.167
42	M59	Y	-.286	-.286	0	.167
43	M50	Y	-4.675	-4.675	0	.047
44	M51	Y	-4.637	-4.637	.186	.234
45	M82A	Y	-.235	-1.689	1.25	2.5
46	M82A	Y	-1.689	-1.676	2.5	3.75
47	M82A	Y	-1.676	-.235	3.75	5
48	M91B	Y	-.202	-1.522	7.5	8.75
49	M91B	Y	-1.522	-1.627	8.75	10
50	M91B	Y	-1.627	-.213	10	11.25
51	M1	Y	-.235	-1.689	1.25	2.5
52	M1	Y	-1.689	-1.676	2.5	3.75
53	M1	Y	-1.676	-.235	3.75	5
54	M76A	Y	-.325	-4.998	1.038	1.868
55	M76A	Y	-4.998	-8.348	1.868	2.698
56	M76A	Y	-8.348	-8.072	2.698	3.528
57	M76A	Y	-8.072	-5.866	3.528	4.358
58	M76A	Y	-5.866	-.865	4.358	5.188
59	M77A	Y	-.12	-2.069	0	.475
60	M77A	Y	-2.069	-4.22	.475	.95
61	M77A	Y	-4.22	-4.381	.95	1.425
62	M77A	Y	-4.381	-3.135	1.425	1.9
63	M77A	Y	-3.135	-.726	1.9	2.375
64	M78	Y	-.723	-3.186	0	.475
65	M78	Y	-3.186	-4.352	.475	.95
66	M78	Y	-4.352	-4.228	.95	1.425
67	M78	Y	-4.228	-2.146	1.425	1.9
68	M78	Y	-2.146	-.123	1.9	2.375
69	M85A	Y	-.287	-.287	0	.167
70	M86	Y	-.286	-.286	0	.167
71	M97	Y	-4.675	-4.675	0	.047
72	M98	Y	-4.637	-4.637	.186	.234
73	M82A	Y	-.202	-1.522	7.5	8.75
74	M82A	Y	-1.522	-1.627	8.75	10
75	M82A	Y	-1.627	-.213	10	11.25

Member Distributed Loads (BLC 82 : BLC 40 Transient Area Loads)

	Member Label	Direction	Start Magnitude[lb/ft,...	End Magnitude[lb/ft,F...	Start Location[ft, %]	End Location[ft, %]
1	M1	Y	-.445	-3.348	7.5	8.75
2	M1	Y	-3.348	-3.58	8.75	10
3	M1	Y	-3.58	-.469	10	11.25
4	M52A	Y	-.716	-10.995	1.038	1.868
5	M52A	Y	-10.995	-18.365	1.868	2.698
6	M52A	Y	-18.365	-17.758	2.698	3.528
7	M52A	Y	-17.758	-12.905	3.528	4.358
8	M52A	Y	-12.905	-1.904	4.358	5.188
9	M53	Y	-.265	-4.551	0	.475
10	M53	Y	-4.551	-9.283	.475	.95
11	M53	Y	-9.283	-9.638	.95	1.425



Company :
 Designer :
 Job Number :
 Model Name :

June 7, 2021
 4:16 PM
 Checked By: _____

Member Distributed Loads (BLC 82 : BLC 40 Transient Area Loads) (Continued)

	Member Label	Direction	Start Magnitude[lb/ft,...	End Magnitude[lb/ft,F...	Start Location[ft, %]	End Location[ft, %]
12	M53	Y	-9.638	-6.897	1.425	1.9
13	M53	Y	-6.897	-1.597	1.9	2.375
14	M54	Y	-1.59	-7.009	0	.475
15	M54	Y	-7.009	-9.574	.475	.95
16	M54	Y	-9.574	-9.301	.95	1.425
17	M54	Y	-9.301	-4.721	1.425	1.9
18	M54	Y	-4.721	-.271	1.9	2.375
19	M61	Y	-.631	-.631	0	.167
20	M62	Y	-.63	-.63	0	.167
21	M73	Y	-10.284	-10.284	0	.047
22	M74	Y	-10.202	-10.202	.186	.234
23	M91B	Y	-.518	-3.717	1.25	2.5
24	M91B	Y	-3.717	-3.687	2.5	3.75
25	M91B	Y	-3.687	-.518	3.75	5
26	M4	Y	-.716	-10.995	1.038	1.868
27	M4	Y	-10.995	-18.365	1.868	2.698
28	M4	Y	-18.365	-17.758	2.698	3.528
29	M4	Y	-17.758	-12.905	3.528	4.357
30	M4	Y	-12.905	-1.904	4.357	5.188
31	M10	Y	-.265	-4.551	0	.475
32	M10	Y	-4.551	-9.283	.475	.95
33	M10	Y	-9.283	-9.638	.95	1.425
34	M10	Y	-9.638	-6.897	1.425	1.9
35	M10	Y	-6.897	-1.597	1.9	2.375
36	M43	Y	-1.59	-7.009	0	.475
37	M43	Y	-7.009	-9.574	.475	.95
38	M43	Y	-9.574	-9.301	.95	1.425
39	M43	Y	-9.301	-4.721	1.425	1.9
40	M43	Y	-4.721	-.271	1.9	2.375
41	M58	Y	-.631	-.631	0	.167
42	M59	Y	-.63	-.63	0	.167
43	M50	Y	-10.284	-10.284	0	.047
44	M51	Y	-10.202	-10.202	.186	.234
45	M82A	Y	-.518	-3.717	1.25	2.5
46	M82A	Y	-3.717	-3.687	2.5	3.75
47	M82A	Y	-3.687	-.518	3.75	5
48	M91B	Y	-.445	-3.348	7.5	8.75
49	M91B	Y	-3.348	-3.58	8.75	10
50	M91B	Y	-3.58	-.469	10	11.25
51	M1	Y	-.518	-3.717	1.25	2.5
52	M1	Y	-3.717	-3.687	2.5	3.75
53	M1	Y	-3.687	-.518	3.75	5
54	M76A	Y	-.716	-10.995	1.038	1.868
55	M76A	Y	-10.995	-18.365	1.868	2.698
56	M76A	Y	-18.365	-17.758	2.698	3.528
57	M76A	Y	-17.758	-12.905	3.528	4.358
58	M76A	Y	-12.905	-1.904	4.358	5.188
59	M77A	Y	-.265	-4.551	0	.475
60	M77A	Y	-4.551	-9.283	.475	.95
61	M77A	Y	-9.283	-9.638	.95	1.425
62	M77A	Y	-9.638	-6.897	1.425	1.9
63	M77A	Y	-6.897	-1.597	1.9	2.375
64	M78	Y	-1.59	-7.009	0	.475
65	M78	Y	-7.009	-9.574	.475	.95
66	M78	Y	-9.574	-9.301	.95	1.425
67	M78	Y	-9.301	-4.721	1.425	1.9
68	M78	Y	-4.721	-.271	1.9	2.375

Member Distributed Loads (BLC 82 : BLC 40 Transient Area Loads) (Continued)

	Member Label	Direction	Start Magnitude[lb/ft....	End Magnitude[lb/ft.F...	Start Location[ft.%]	End Location[ft.%]
69	M85A	Y	-.631	-.631	0	.167
70	M86	Y	-.63	-.63	0	.167
71	M97	Y	-10.284	-10.284	0	.047
72	M98	Y	-10.202	-10.202	.186	.234
73	M82A	Y	-.445	-3.348	7.5	8.75
74	M82A	Y	-3.348	-3.58	8.75	10
75	M82A	Y	-3.58	-.469	10	11.25

Member Area Loads (BLC 39 : Structure D)

	Joint A	Joint B	Joint C	Joint D	Direction	Distribution	Magnitude[ksf]
1	N114	N112	N93	N94	Y	Two Way	-.005
2	N30	N88C	N86G	N29	Y	Two Way	-.005
3	N121	N122	N142	N140	Y	Two Way	-.005

Member Area Loads (BLC 40 : Structure Di)

	Joint A	Joint B	Joint C	Joint D	Direction	Distribution	Magnitude[ksf]
1	N114	N112	N93	N94	Y	Two Way	-.011
2	N30	N88C	N86G	N29	Y	Two Way	-.011
3	N121	N122	N142	N140	Y	Two Way	-.011

Envelope Joint Reactions

	Joint	X [lb]	LC	Y [lb]	LC	Z [lb]	LC	MX [k-ft]	LC	MY [k-ft]	LC	MZ [k-ft]	LC	
1	N3	max	1069.54	10	2464.851	13	2798.061	1	5.602	1	1.371	4	.276	5
2		min	-1078.917	4	13.241	7	-2901.817	7	-1.669	7	-1.37	10	-.191	11
3	N87D	max	2473.288	9	2501.796	21	1413.013	3	.759	3	1.656	12	1.204	3
4		min	-2547.964	3	42.371	3	-1356.901	9	-2.923	9	-1.661	6	-4.714	9
5	N115	max	2521.789	11	2595.229	17	1578.163	1	.508	11	1.82	8	4.818	5
6		min	-2436.349	5	78.844	11	-1528.256	7	-2.922	17	-1.835	2	-1.13	11
7	Totals:	max	5732.331	10	6852.085	24	5772.735	1						
8		min	-5732.337	4	3282.724	6	-5772.736	7						

Envelope AISC 15th(360-16): LRFD Steel Code Checks

Member	Shape	Code Check	Loc[ft]	LC	Shear ...Loc[ft]	Dir	LC	phi*Pnc ...	phi*Pnt [...	phi*Mn y...	phi*Mn z...	Cb	Eqn	
1	M1	PIPE 3.0	.157	2.474	9	.118	4.948	6	28250.5...	65205	5.749	5.749	1...H1-1b	
2	M4	HSS4X4X4	.367	0	1	.073	0	y	14	124657...	139518	16.181	16.181	2...H1-1b
3	M10	HSS4X4X4	.169	2.375	2	.051	.223	z	2	136263...	139518	16.181	16.181	1...H1-1b
4	MP3A	PIPE 2.0	.294	4.083	4	.083	4.083	6	17855.0...	32130	1.872	1.872	1...H1-1b	
5	MP4A	PIPE 2.0	.306	4.083	5	.145	1.167	7	17855.0...	32130	1.872	1.872	2...H1-1b	
6	MP2A	PIPE 2.0	.244	4.083	9	.114	4.083	7	17855.0...	32130	1.872	1.872	1...H1-1b	
7	MP1A	PIPE 2.0	.123	1.167	8	.085	1.167	7	17855.0...	32130	1.872	1.872	1...H1-1b	
8	M43	HSS4X4X4	.168	0	12	.052	2.152	z	1	136263...	139518	16.181	16.181	1...H1-1b
9	M46	PL1/2x6	.185	.516	12	.157	1.031	y	4	66009.2...	97200	1.012	12.15	1...H1-1b
10	M51B	L2x2x3	.147	4.162	2	.009	0	z	4	9823.122	23392.8	.558	1.074	1...H2-1
11	M52B	L2x2x3	.142	0	12	.008	4.162	z	11	9823.122	23392.8	.558	1.074	1...H2-1
12	M76	PL3/8x6	.207	.209	4	.211	.209	y	17	64678.48	72900	.57	9.113	1...H1-1b
13	M77	PL3/8x6	.271	.167	8	.320	0	y	14	71583.5...	72900	.57	9.113	1...H1-1b
14	M80	PL1/2x6	.069	.112	7	.115	0	y	11	96757.5...	97200	1.012	12.15	1...H1-1b
15	M85	PL3/8x6	.269	.167	6	.320	0	y	13	71583.5...	72900	.57	9.113	1...H1-1b
16	M91	PL1/2x6	.069	.112	1	.097	.112	y	9	96757.5...	97200	1.012	12.15	1.1H1-1b
17	M52A	HSS4X4X4	.366	0	9	.089	0	y	44	124657...	139518	16.181	16.181	2.3H1-1b
18	M53	HSS4X4X4	.170	2.375	10	.052	.223	z	10	136263...	139518	16.181	16.181	1...H1-1b
19	M54	HSS4X4X4	.186	0	8	.059	2.152	z	9	136263...	139518	16.181	16.181	1...H1-1b



Company :
 Designer :
 Job Number :
 Model Name :

June 7, 2021
 4:16 PM
 Checked By: _____

Envelope AISC 15th(360-16): LRFD Steel Code Checks (Continued)

Member	Shape	Code Check	Loc[ft]	LC	Shear	Loc[ft]	Dir	LC	phi*Pnc	phi*Pnt	phi*Mn y	phi*Mn z	Cb	Eqn	
20	M55	PL1/2x6	.202	.516	9	.168	1.031	y	12	66009.2...	97200	1.012	12.15	1...	H1-1b
21	M58A	L2x2x3	.152	4.162	10	.009	0	z	12	9823.122	23392.8	.558	1.074	1...	H2-1
22	M59A	L2x2x3	.152	4.162	8	.009	4.162	z	6	9823.122	23392.8	.558	1.074	1...	H2-1
23	M64	PL3/8x6	.271	.167	3	.343	0	y	22	71583.5...	72900	.57	9.113	1...	H1-1b
24	M66	PL1/2x6	.071	.112	3	.120	0	y	7	96757.5...	97200	1.012	12.15	1...	H1-1b
25	M69	PL3/8x6	.302	.167	3	.374	0	y	21	71583.5...	72900	.57	9.113	1...	H1-1b
26	M71	PL1/2x6	.079	.112	9	.111	.112	y	5	96757.5...	97200	1.012	12.15	1...	H1-1b
27	M76A	HSS4X4X4	.374	0	5	.089	0	y	30	124657...	139518	16.181	16.181	2...	H1-1b
28	M77A	HSS4X4X4	.189	2.375	6	.060	.223	z	6	136263...	139518	16.181	16.181	1...	H1-1b
29	M78	HSS4X4X4	.176	0	16	.054	2.152	z	5	136263...	139518	16.181	16.181	1...	H1-1b
30	M79A	PL1/2x6	.195	.516	5	.170	1.031	y	8	66009.2...	97200	1.012	12.15	1...	H1-1b
31	M82	L2x2x3	.159	4.162	6	.009	0	z	8	9823.122	23392.8	.558	1.074	1...	H2-1
32	M83A	L2x2x3	.149	4.162	4	.008	4.162	y	13	9823.122	23392.8	.558	1.074	1...	H2-1
33	M88A	PL3/8x6	.299	.167	11	.383	0	y	18	71583.5...	72900	.57	9.113	1...	H1-1b
34	M90	PL1/2x6	.073	.112	5	.127	0	y	3	96757.5...	97200	1.012	12.15	1...	H1-1b
35	M93	PL3/8x6	.274	.167	11	.357	0	y	17	71583.5...	72900	.57	9.113	1...	H1-1b
36	M95	PL1/2x6	.074	.112	5	.104	.112	y	1	96757.5...	97200	1.012	12.15	1...	H1-1b
37	M82A	PIPE 3.0	.144	2.474	6	.106	4.948		2	28250.5...	65205	5.749	5.749	1...	H1-1b
38	M91B	PIPE 3.0	.145	2.474	1	.115	4.948		10	28250.5...	65205	5.749	5.749	1...	H1-1b
39	M95B	PL3/8x6	.255	.209	12	.242	.209	y	13	64678.48	72900	.57	9.113	1...	H1-1b
40	M96A	PL3/8x6	.311	.209	8	.227	.209	y	21	64678.48	72900	.57	9.113	1...	H1-1b
41	M98A	PL3/8x6	.191	.209	10	.267	.209	y	21	64678.48	72900	.57	9.113	1...	H1-1b
42	M99A	PL3/8x6	.281	.209	6	.300	.209	y	16	64678.48	72900	.57	9.113	1...	H1-1b
43	M100	PL3/8x6	.243	.209	2	.311	.209	y	13	64678.48	72900	.57	9.113	1...	H1-1b
44	MP3C	PIPE 2.0	.479	4.083	12	.108	4.083		1	17855.0...	32130	1.872	1.872	1...	H1-1b
45	MP4C	PIPE 2.0	.510	4.083	1	.184	1.167		3	17855.0...	32130	1.872	1.872	1...	H1-1b
46	MP2C	PIPE 2.0	.388	4.083	5	.139	4.083		4	17855.0...	32130	1.872	1.872	1...	H1-1b
47	MP1C	PIPE 2.0	.234	4.083	5	.120	1.167		3	17855.0...	32130	1.872	1.872	2...	H1-1b
48	MP3B	PIPE 2.0	.482	4.083	8	.109	4.083		9	17855.0...	32130	1.872	1.872	1...	H1-1b
49	MP4B	PIPE 2.0	.487	4.083	9	.170	1.167		11	17855.0...	32130	1.872	1.872	1...	H1-1b
50	MP2B	PIPE 2.0	.394	4.083	1	.147	4.083		11	17855.0...	32130	1.872	1.872	1...	H1-1b
51	MP1B	PIPE 2.0	.249	4.083	12	.130	1.167		11	17855.0...	32130	1.872	1.872	1...	H1-1b
52	M104	PIPE 2.0	.279	4.083	4	.053	4.083		5	17855.0...	32130	1.872	1.872	1...	H1-1b
53	M105	PIPE 2.0	.296	4.083	5	.135	1.167		7	17855.0...	32130	1.872	1.872	1...	H1-1b
54	M106	PIPE 2.0	.231	4.083	9	.110	4.083		7	17855.0...	32130	1.872	1.872	1...	H1-1b
55	M107	PIPE 2.0	.123	4.083	8	.085	1.167		7	17855.0...	32130	1.872	1.872	1...	H1-1b
56	OVP	PIPE 2.0	.099	1.003	1	.019	1.003		1	29181.6...	32130	1.872	1.872	1	H1-1b
57	M110	PIPE 2.5	.226	10.156	9	.114	.911		11	14558.7...	50715	3.596	3.596	2...	H1-1b
58	M115	PIPE 2.5	.240	10.156	5	.115	.911		7	14558.7...	50715	3.596	3.596	2...	H1-1b
59	M120	PIPE 2.5	.230	10.156	1	.106	.911		3	14558.7...	50715	3.596	3.596	2...	H1-1b
60	M131	L3X3X4	.363	1.061	7	.129	0	y	6	45507.45	46656	1.688	3.756	1...	H2-1
61	M132	L3X3X4	.421	1.061	3	.127	0	y	2	45507.45	46656	1.688	3.756	1...	H2-1
62	M133	L3X3X4	.370	1.061	11	.117	0	y	10	45507.45	46656	1.688	3.756	1...	H2-1

Mount Desktop – Post Modification Inspection (PMI) Report Requirements

Documents & Photos Required from Contractor – Mount Modification

Purpose – to provide Maser Consulting Connecticut the proper documentation in order to complete the required Mount Desktop review of the Post Modification Inspection Report.

- Contractor is responsible for making certain the photos provided as noted below provide confirmation that the modification was completed in accordance with the modification drawings.
- Contractor shall relay any data that can impact the performance of the mount or the mount modification, this includes safety issues.

Base Requirements:

- Any special photos outside of the standard requirements will be indicated on the drawings
- Provide “as built drawings” showing contractor’s name, preparer’s signature, and date. Any deviations from the drawings (proposed modification) must be shown.
- Notation that all hardware was properly installed, and the existing hardware was inspected for any issues.
- Verification that loading is as communicated in the modification drawings. NOTE If loading is different than what is conveyed in the modification drawing contact Maser Consulting Connecticut immediately.
- Each photo should be time and date stamped
- Photos should be high resolution and submitted in a Zip File and should be organized in the file structure as depicted in Schedule A attached.
- Contractor shall ensure that the safety climb wire rope is supported and not adversely impacted by the install of the modification components. This may involve the install of wire rope guides, or other items to protect the wire rope.
- The photos in the file structure should be uploaded to <https://pmi.vzwsmart.com> as depicted on the drawings

Photo Requirements:

- Base and “During Installation Photos”
 - Base pictures include
 - Photo of Gate Signs showing the tower owner, site name, and number
 - Photo of carrier shelter showing the carrier site name and number if available
 - Photos of the galvanizing compound and/or paint used (if applicable), clearly showing the label and name
 - “During Installation Photos if provided - must be placed only in this folder
- Photos taken at ground level
 - Overall tower structure before and after installation of the modifications
 - Photos of the appropriate mount before and after installation of the modifications; if the mounts are at different rad elevations, pictures must be provided for all elevations that the modifications were installed

- Photos taken at Mount Elevation
 - Photos showing each individual sector before and also after installation of modifications. Each entire sector must be in one photo to show in the inter-connection of members.
 - These photos should also certify that the placement and geometry of the equipment on the mount is as depicted on the sketch and table in the mount analysis
 - Close-up photos of each installed modification per the modification drawings; pictures should also include connection hardware (U-bolts, bolts, nuts, all-threaded rods, etc.)
 - Photos showing the measurements of the installed modification member sizes (i.e. lengths, widths, depths, diameters, thicknesses)
 - Photos showing the elevation or distances of the installed modifications from the appropriate reference locations shown in the modification drawings
 - Photos showing the installed modifications onto the tower with tape drop measurements (if applicable) (i.e. ring/collar mounts, tie-backs, V-bracing kits, etc.); if the existing mount elevation needs to be changed according to the modification drawings, a tape drop measurement shall be provided before the elevation change
 - Photos showing the safety climb wire rope above and below the mount prior to modification.
 - Photos showing the climbing facility and safety climb if present.

Material Certification:

- Materials utilized must be as per specification on the drawings or the equivalent as validated by Maser Consulting Connecticut.
 - If the drawings are as specified on the drawings
 - The contractor should provide the packing list or the materials utilized to perform the mount modification
 - If an equivalent is utilized
 - It is required that the Maser Consulting Connecticut certification of such is included in the contractor submission package. There may be an additional charge for this certification if the equivalent submission doesn't meet specifications as prescribed in the drawings.
- The contractor must certify that the materials meet these specifications by one of these methods.

The Material utilized was as specified on the Maser Consulting Connecticut Mount Modification Drawings and included in the Material certification folder is a packing list or invoice for these materials

The material utilized was an "equivalent" and included as part of the contractor submission is the Maser Consulting Connecticut certification, invoices, or specifications validating accepted status

Certifying Individual: Company _____

Name _____

Signature _____

Antenna & equipment placement and Geometry Confirmation:

- The contractor must certify that the antenna & equipment placement and geometry is in accordance with the antenna placement diagrams as included in this mount analysis.
- The contractor certifies that the photos support and the equipment on the mount is as depicted on the antenna placement diagrams as included in this mount analysis.
- The contractor notes that the equipment on the mount is not in accordance with the antenna placement diagrams and has accordingly marked up the diagrams or provided a diagram outlining the differences.

Certifying Individual: Company _____

Name _____


















Signature _____

Special Instructions / Validation as required from the MA or Mod Drawings:

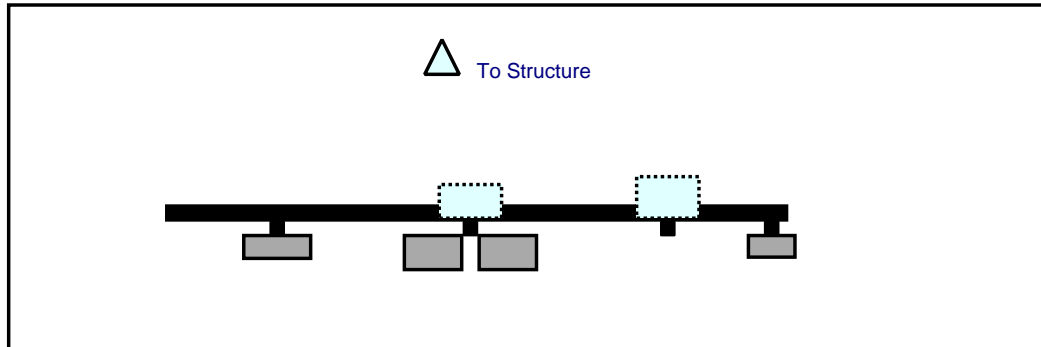
Issue:

Response:

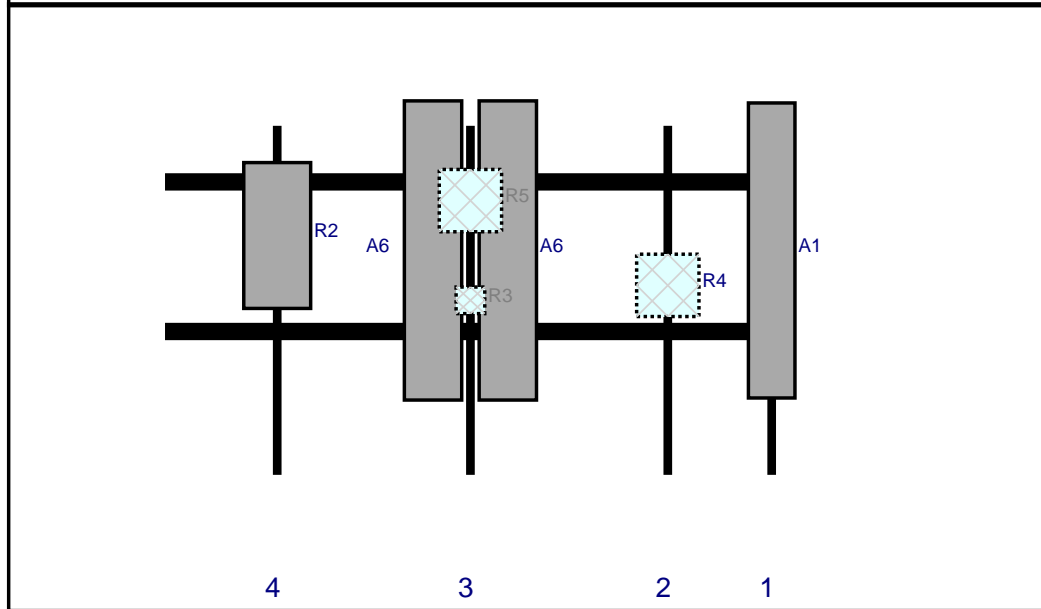
Schedule A – Photo & Document File Structure

-  VzW Site Number / Name
 -  Base & “During Installation” Photos
 -  Pre-Installation Photos
 -  Alpha
 -  Beta
 -  Gamma
 -  Ground Level
 -  Tape Drop
 -  Post-Installation Photos
 -  Alpha
 -  Beta
 -  Gamma
 -  Ground Level
 -  Tape Drop
 -  Photos of climbing facility and safety climb – If Present
-  Certifications – Submission of this document including certifications
-  Specific Required Additional Photos

Plan View

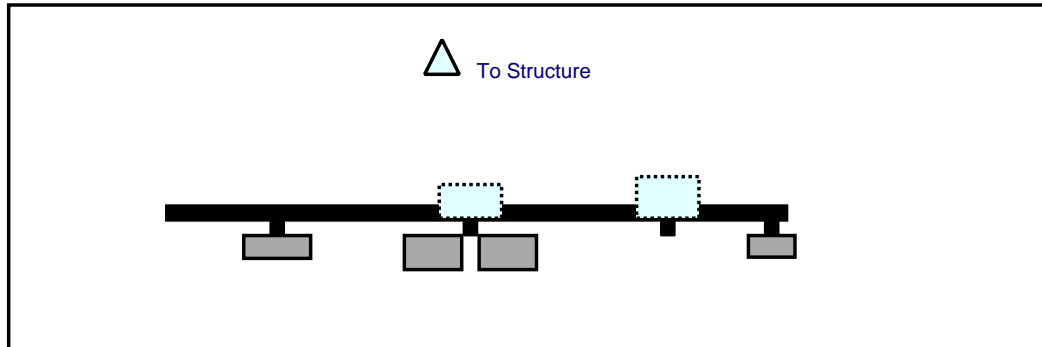


Front View
 Looking at Structure

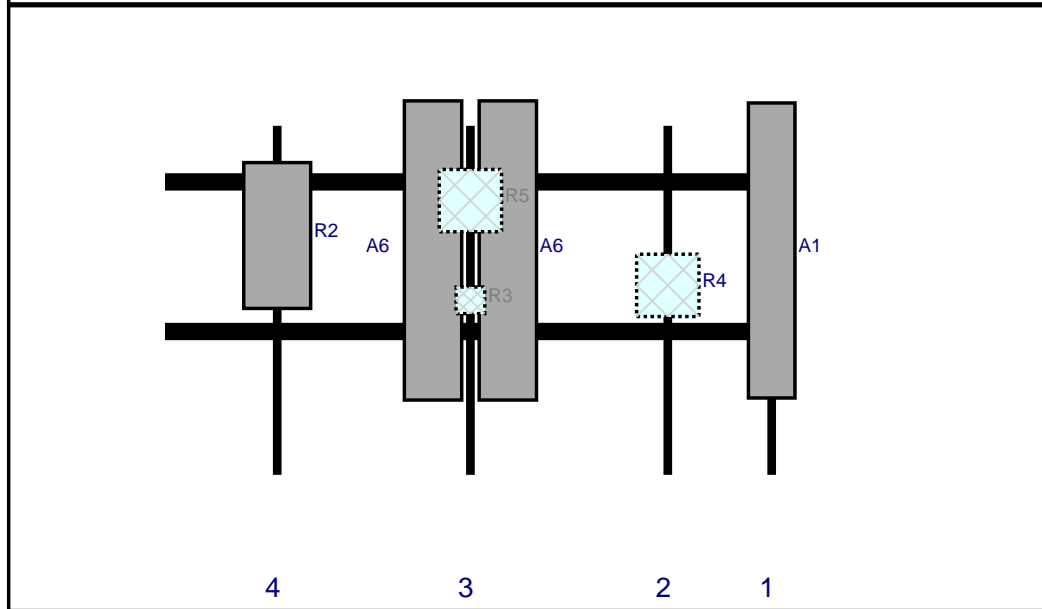


Ref#	Model	Height (in)	Width (in)	H Dist Frm L.	Pipe #	Pipe Pos V	Ant Pos	C. Ant Frm T.	Ant H Off	Status	Validation
A1	BXA-70063-6CF-EDIN-2	71	11.2	146	1	a	Front	30	0	Retained	03/31/2021
R4	B2/B66A RRH-BR049	15	15	121	2	a	Behind	38.4	0	Added	
A6	JAHH-65B-R3B	72	13.8	73.5	3	a	Front	30	9	Retained	03/31/2021
A6	JAHH-65B-R3B	72	13.8	73.5	3	b	Front	30	-9	Retained	03/31/2021
R3	CBC78T-DS-43	6.4	6.9	73.5	3	a	Behind	42	0	Added	
R5	B5/B13 RRH-BR04C	15	15	73.5	3	a	Behind	18	0	Added	
R2	MT6407-77A	35.1	16.1	27	4	a	Front	26.4	0	Added	

Plan View



Front View
 Looking at Structure



Ref#	Model	Height (in)	Width (in)	H Dist Frm L.	Pipe #	Pipe Pos V	Ant Pos	C. Ant Frm T.	Ant H Off	Status	Validation
A1	BXA-70063-6CF-EDIN-2	71	11.2	146	1	a	Front	30	0	Retained	03/31/2021
R4	B2/B66A RRH-BR049	15	15	121	2	a	Behind	38.4	0	Added	
A6	JAHH-65B-R3B	72	13.8	73.5	3	a	Front	30	9	Retained	03/31/2021
A6	JAHH-65B-R3B	72	13.8	73.5	3	b	Front	30	-9	Retained	03/31/2021
R3	CBC78T-DS-43	6.4	6.9	73.5	3	a	Behind	42	0	Added	
R5	B5/B13 RRH-BR04C	15	15	73.5	3	a	Behind	18	0	Added	
R2	MT6407-77A	35.1	16.1	27	4	a	Front	26.4	0	Added	

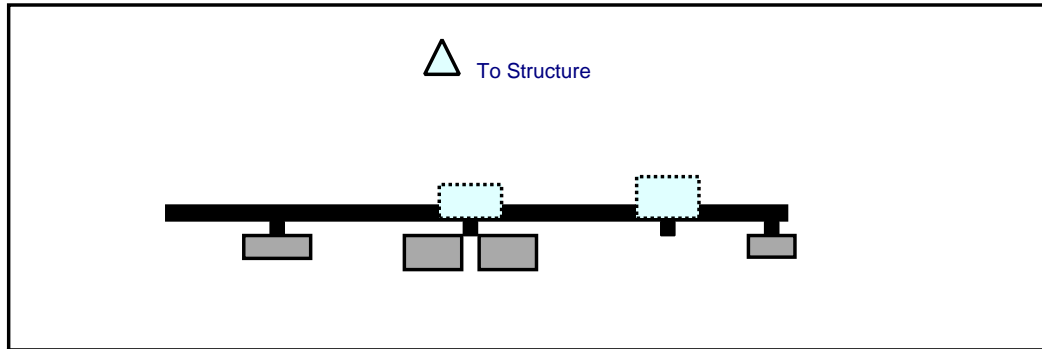
Sector: C
 Structure Type: Self Support
 Mount Elev: 128.40

6/7/2021

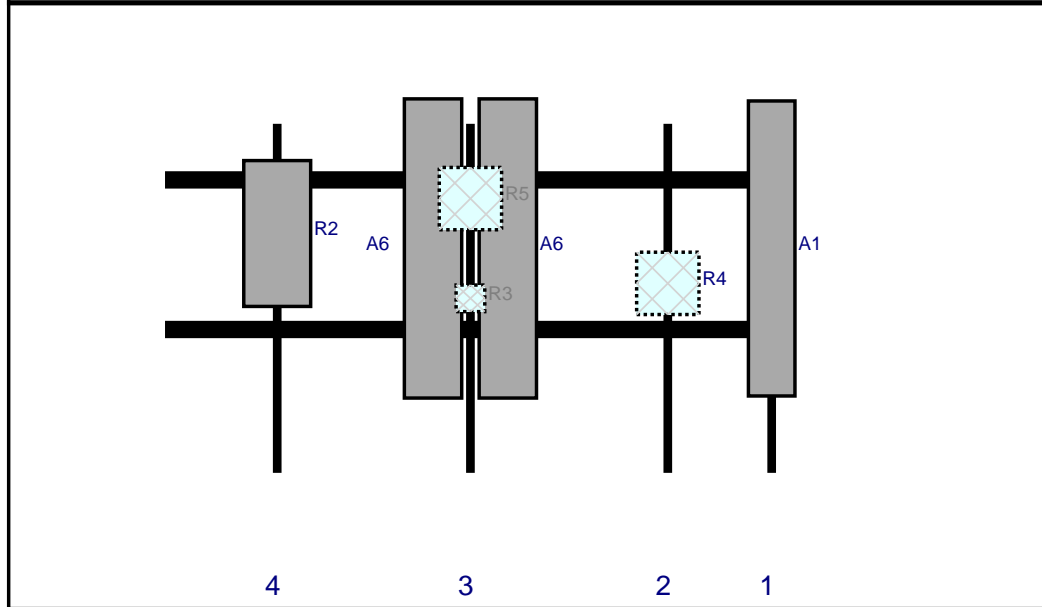


Page: 3

Plan View



Front View
 Looking at Structure



Ref#	Model	Height (in)	Width (in)	H Dist Frm L.	Pipe #	Pipe Pos V	Ant Pos	C. Ant Frm T.	Ant H Off	Status	Validation
A1	BXA-70063-6CF-EDIN-2	71	11.2	146	1	a	Front	30	0	Retained	03/31/2021
R4	B2/B66A RRH-BR049	15	15	121	2	a	Behind	38.4	0	Added	
A6	JAHH-65B-R3B	72	13.8	73.5	3	a	Front	30	9	Retained	03/31/2021
A6	JAHH-65B-R3B	72	13.8	73.5	3	b	Front	30	-9	Retained	03/31/2021
R3	CBC78T-DS-43	6.4	6.9	73.5	3	a	Behind	42	0	Added	
R5	B5/B13 RRH-BR04C	15	15	73.5	3	a	Behind	18	0	Added	
R2	MT6407-77A	35.1	16.1	27	4	a	Front	26.4	0	Added	

Maser Consulting Connecticut

Subject

TIA-222-H Usage

Site Information

Site ID: 468529-VZW / NORTH HAVEN WEST CT

Site Name: NORTH HAVEN WEST CT

Carrier Name: Verizon wireless

Address: 50 Devine St.

North Haven, Connecticut 06473

New Haven County

Latitude: 41.377778°

Longitude: -72.876158°

Structure Information

Tower Type: 130-Ft Self Support

Mount Type: 12.58-Ft Platform

To Whom It May Concern,

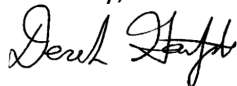
We respectfully submit the above referenced Antenna Mount Structural Analysis report in conformance with ANSI/TIA-222-H, Structural Standard for Antenna Supporting Structures and Antennas and Small Wind Turbine Support Structures.

The 2015 International Building Code states that, in Section 3108, telecommunication towers shall be designed and constructed in accordance with the provisions of TIA-222. The TIA-222-H is the latest revision of the TIA-222 Standard, effective as of January 01, 2018.

As with all ANSI standards and engineering best practice is to apply the most current revision of the standard. This ensures the engineer is applying all updates. As an example, the TIA-222-H standard includes updates to bring it in line with the latest AISC and ACI standards and it also incorporates the latest wind speed maps by ASCE 7 based on updated studies of the wind data.

The TIA-222-H standard clarifies these specific requirements for the antenna mount analysis such as modeling methods, seismic analysis, 30-degree increment wind directions and maintenance loading. Therefore, it is our opinion that TIA-222-H is the most appropriate standard for antenna mount structural analysis and is acceptable for use at this tower site to ensure the engineer is taking into account the most current engineering standard available.

Sincerely,



Derek Hartzell, PE

Technical Specialist

PROJECT NOTES

- SEE MODIFICATION NOTES
- THE CONTRACTOR SHALL COMPLY WITH ALL APPLICABLE CODES, ORDINANCES, LAWS AND REGULATIONS OF ALL MUNICIPALITIES, UTILITY COMPANIES OR OTHER PUBLIC/GOVERNING AUTHORITIES.
- THE CONTRACTOR SHALL BE RESPONSIBLE FOR OBTAINING ALL PERMITS AND INSPECTIONS THAT MAY BE REQUIRED BY ANY FEDERAL, STATE, COUNTY OR MUNICIPAL AUTHORITIES.
- THE CONTRACTOR SHALL NOTIFY THE CONSTRUCTION MANAGER, IN WRITING, OF ANY CONFLICTS, ERRORS OR OMISSIONS PRIOR TO THE SUBMISSION OF BIDS OR PERFORMANCE OF WORK.
- THE CONTRACTOR SHALL BE RESPONSIBLE FOR PROTECTING ALL EXISTING SITE IMPROVEMENTS PRIOR TO COMMENCING CONSTRUCTION. THE CONTRACTOR SHALL REPAIR ANY DAMAGE AS A RESULT OF CONSTRUCTION OF THIS FACILITY AT THE CONTRACTOR'S EXPENSE TO THE SATISFACTION OF THE OWNER.
- THE SCOPE OF WORK FOR THIS PROJECT SHALL INCLUDE PROVIDING ALL MATERIALS, EQUIPMENT AND LABOR REQUIRED TO COMPLETE THIS PROJECT. ALL EQUIPMENT SHALL BE INSTALLED IN ACCORDANCE WITH MANUFACTURER'S RECOMMENDATIONS.
- THE CONTRACTOR SHALL VISIT THE PROJECT SITE PRIOR TO SUBMITTING THE BID TO VERIFY THAT THE PROJECT CAN BE CONSTRUCTED IN ACCORDANCE WITH THE CONTRACT DOCUMENTS AND CONSTRUCTION DRAWINGS.
- THE CONTRACTOR SHALL VERIFY ALL EXISTING DIMENSIONS AND CONDITIONS PRIOR TO COMMENCING ANY WORK. ALL DIMENSIONS OF EXISTING CONSTRUCTION SHOWN ON THESE DRAWINGS MUST BE VERIFIED. THE CONTRACTOR SHALL NOTIFY THE CONSTRUCTION MANAGER OF ANY DISCREPANCIES PRIOR TO ORDERING MATERIAL OR PROCEEDING WITH CONSTRUCTION.
- SINCE THE CELL SITE MAY BE ACTIVE, ALL SAFETY PRECAUTIONS MUST BE TAKEN WHEN WORKING AROUND HIGH LEVELS OF ELECTROMAGNETIC RADIATION. EQUIPMENT SHOULD BE SHUTDOWN PRIOR TO PERFORMING ANY WORK THAT COULD EXPOSE THE WORKERS TO DANGER. PERSONAL RF EXPOSURE MONITORS ARE REQUIRED TO BE WORN TO ALERT OF ANY POTENTIALLY DANGEROUS EXPOSURE LEVELS.
- NO NOISE, SMOKE, DUST OR ODOR WILL RESULT FROM THIS FACILITY AS TO CAUSE A NUISANCE.
- THE FACILITY IS UNMANNED AND NOT FOR HUMAN HABITATION (NO HANDICAP ACCESS IS REQUIRED).



**MOUNT MODIFICATION DRAWINGS
EXISTING 12.58' PLATFORM**

**SITE NAME: NORTH HAVEN WEST CT
SITE NUMBER: 468529**

**50 DEVINE ST.
NORTH HAVEN, CT 06473
NEW HAVEN COUNTY**

PROJECT INFORMATION	
SITE INFORMATION	
LATITUDE:	41.377778° N
LONGITUDE:	72.876158° W
JURISDICTION:	NEW HAVEN COUNTY
APPLICANT/LESSEE	
COMPANY:	VERIZON WIRELESS
CLIENT REPRESENTATIVE	
COMPANY:	VERIZON WIRELESS
ADDRESS:	118 FLANDERS ROAD, THIRD FLOOR
CITY, STATE, ZIP:	WESTBOROUGH, MA 01581
CONTACT:	ANDREW CANDIELLO
EMAIL:	ANDREW.CANDIELLO@VERIZONWIRELESS.COM
PROJECT MANAGER	
COMPANY:	MASER CONSULTING CONNECTICUT
CONTACT:	PETER ALBANO
PHONE:	856-797-0412
E-MAIL:	PETER.ALBANO@COLLIERSENGINEERING.COM

SHEET INDEX	
SHEET	DESCRIPTION
T-1	TITLE SHEET
S-1	BILL OF MATERIALS
S-2	MODIFICATION NOTES
S-3	MODIFICATION NOTES
S-4	MODIFICATION DETAILS
S-5	MODIFICATION DETAILS
S-6	MOUNT PHOTOS
	SPECIFICATION SHEETS

CONTRACTOR PMI REQUIREMENTS	
PMI LOCATION:	HTTPS://PMI.VZWSMART.COM
SMART TOOL PROJECT #:	10069396
VZW LOCATION CODE (PSLC):	468529
FUZE ID:	16227621

PMI REQUIREMENTS EMBEDDED WITHIN MOUNT MODIFICATION REPORT

REFERENCED DOCUMENTS	
	FAILING MOUNT ANALYSIS REPORT
SMART TOOL PROJECT #:	10050387
MASER CONSULTING PROJECT #:	21777440A
ANALYSIS DATE:	5/5/2021

WILL BE KNOWN AS COLLIER ENGINEERING & DESIGN IN 2021
Customer Loyalty through Client Satisfaction
www.maserconsulting.com

Office Locations:

- NEW JERSEY
- NEW YORK
- PENNSYLVANIA
- VIRGINIA
- FLORIDA
- NORTH CAROLINA
- NEW MEXICO
- MARYLAND
- GEORGIA
- TEXAS
- TENNESSEE
- COLORADO

Copyright © 2021 Maser Consulting. All Rights Reserved. This drawing and all the information contained herein is authorized for use only by the party for whom the services were contracted or to whom it is certified. This drawing may not be copied, reused, disclosed, distributed or relied upon for any other purpose without the express written consent of Maser Consulting.



811 PROTECT YOURSELF

ALL STATES REQUIRE NOTIFICATION OF EXCAVATORS, DESIGNERS, OR ANY PERSON PREPARING TO DISTURB THE EARTH'S SURFACE ANYWHERE IN ANY STATE.

Know what's below.
Call before you dig.

FOR STATE SPECIFIC DIRECT PHONE NUMBERS VISIT:
WWW.CALL811.COM

SCALE:	AS SHOWN	JOB NUMBER:	21777440A
REV	DATE	DESCRIPTION	DRAWN BY / CHECKED BY
0	6/11/2021	ISSUED FOR CONSTRUCTION	BPC / DH

Digitally signed by Derek R. Hartzell
Date: 2021.06.11 12:16:41-04'00'

IT IS A VIOLATION OF LAW FOR ANY PERSON, UNLESS THEY ARE ACTING UNDER THE DIRECTION OF THE RESPONSIBLE LICENSED PROFESSIONAL ENGINEER, TO ALTER THIS DOCUMENT.

SITE NAME:
**NORTH HAVEN WEST CT
468529**
**50 DEVINE ST.
NORTH HAVEN, CT 06473
NEW HAVEN COUNTY**

MT. LAUREL OFFICE
2000 Piedmont Drive
Suite 100
Mount Laurel, NJ 08054
Phone: 856.797.0412
Fax: 856.722.1120

SHEET TITLE:	TITLE SHEET
SHEET NUMBER:	T-1

**COPYRIGHT ©2021
MASER CONSULTING CONNECTICUT
ALL RIGHTS RESERVED**

THIS DRAWING AND ALL THE INFORMATION CONTAINED HEREIN IS AUTHORIZED FOR USE ONLY BY THE PARTY FOR WHOM THE WORK WAS CONTRACTED OR TO WHOM IT IS CERTIFIED. THIS DRAWING MAY NOT BE COPIED, REUSED, DISCLOSED, DISTRIBUTED OR RELIED UPON FOR ANY OTHER PURPOSE WITHOUT THE EXPRESS WRITTEN CONSENT OF MASER CONSULTING

BILL OF MATERIALS

VZWSMART KITS					
QUANTITY	MANUFACTURER	PART NUMBER	DESCRIPTION	NOTES	
1	VZWSMART	VZWSMART-PLK1	SUPPORT RAIL KIT	CONTRACTOR TO VERIFY THE LENGTH REQUIRED AND TRIM AS NECESSARY IN ACCORDANCE WITH THE 'STRUCTURAL STEEL' NOTES ON SHEET S-2	

OTHER REQUIRED PARTS				
QUANTITY	MANUFACTURER	PART NUMBER	DESCRIPTION	NOTES

NOTE: ALL MATERIALS REQUIRED FOR THE DESIGNED MODIFICATIONS BUT NOT LISTED IN THIS SHEET ARE ASSUMED TO BE PROVIDED BY THE CONTRACTOR

VZWSMART KITS - APPROVED VENDORS	
COMMSCOPE	
CONTACT	SALVADOR ANGUIANO
PHONE	(817) 304-7492
EMAIL	SALVADOR.ANGUIANO@COMMSCOPE.COM
WEBSITE	WWW.COMMSCOPE.COM
METROSITE FABRICATORS, LLC	
CONTACT	KENT RAMEY
PHONE	(706) 335-7045 (O), (706) 982-9788 (M)
EMAIL	KENT@METROSITELLC.COM
WEBSITE	METROSITEFABRICATORS.COM
PERFECTVISION	
CONTACT	WIRELESS SALES
PHONE	(844) 887-6723
EMAIL	WWW.PERFECT-VISION.COM
WEBSITE	WIRELESSALES@PERFECT-VISION.COM
SABRE INDUSTRIES, INC.	
CONTACT	ANGIE WELCH
PHONE	(866) 428-6937
EMAIL	AKWELCH@SABREINDUSTRIES.COM
WEBSITE	WWW.SABRESITESOLUTIONS.COM
SITE PRO 1	
CONTACT	PAULA BOSWELL
PHONE	(972) 236-9843
EMAIL	PAULA.BOSWELL@VALMONT.COM
WEBSITE	WWW.SITEPRO1.COM

NOTE: WHEN SPECIFIED, VZWSMART KITS SHALL BE REQUIRED AND WILL BE VERIFIED DURING THE DESKTOP PMI



WILL BE KNOWN AS COLLIER ENGINEERING & DESIGN IN 2021
Customer Loyalty through Client Satisfaction
www.maserconsulting.com

- Office Locations:
- NEW JERSEY
 - NEW YORK
 - PENNSYLVANIA
 - VIRGINIA
 - FLORIDA
 - NORTH CAROLINA
 - SOUTH CAROLINA
 - NEW MEXICO
 - MARYLAND
 - GEORGIA
 - TEXAS
 - TENNESSEE
 - COLORADO

Copyright © 2021 Maser Consulting. All Rights Reserved. This drawing and all the information contained herein is authorized for use only by the party for whom the services were contracted or to whom it is certified. This drawing may not be copied, revised, disclosed, distributed or relied upon for any other purpose without the express written consent of Maser Consulting.



811 PROTECT YOURSELF
ALL STATES REQUIRE NOTIFICATION OF EXCAVATORS, DESIGNERS, OR ANY PERSON PREPARING TO DISTURB THE EARTH'S SURFACE ANYWHERE IN ANY STATE
Know what's below. Call before you dig.
FOR STATE SPECIFIC DIRECT PHONE NUMBERS VISIT: WWW.CALL811.COM

SCALE: AS SHOWN JOB NUMBER: 21777440A

REV	DATE	DESCRIPTION	BY	CHECKED BY
0	6/11/2021	ISSUED FOR CONSTRUCTION	BPC	DH

Derek R. Hartzell

Derek R. Hartzell
Professional Engineer
License Number: 32710
Maser Consulting
C.T. Co. # JCE-000131

Digitally signed by Derek R. Hartzell
Date: 2021.06.11 12:16:41-04'00'

IT IS A VIOLATION OF LAW FOR ANY PERSON, UNLESS THEY ARE ACTING UNDER THE DIRECTION OF THE RESPONSIBLE LICENSED PROFESSIONAL ENGINEER, TO ALTER THIS DOCUMENT.

SITE NAME:
NORTH HAVEN WEST CT
468529
50 DEVINE ST.
NORTH HAVEN, CT 06473
NEW HAVEN COUNTY

MT. LAUREL OFFICE
2000 Millstone Drive
Suite 100
Mount Laurel, NJ 08054
Phone: 856.797.0412
Fax: 856.722.1120

SHEET TITLE:
BILL OF MATERIALS

SHEET NUMBER:
S-1

GENERAL NOTES

1. THESE MODIFICATIONS HAVE BEEN DESIGNED IN ACCORDANCE WITH THE GOVERNING PROVISIONS OF THE TELECOMMUNICATIONS INDUSTRY STANDARD TIA-222-H. MATERIALS AND SERVICES PROVIDED BY THE CONTRACTOR SHALL CONFORM TO THE ABOVE MENTIONED CODES.
2. CONTRACTOR SHALL TAKE ALL PRECAUTIONS NECESSARY TO PREVENT DAMAGE TO EXISTING STRUCTURES. ANY DAMAGE TO EXISTING STRUCTURES AS A RESULT OF THE CONTRACTOR'S WORK OR FROM DAMAGE DUE TO OTHER CAUSES SHALL BE REPAIRED AT THE CONTRACTOR'S EXPENSE TO THE SATISFACTION OF THE OWNER.
3. CONTRACTOR SHALL VERIFY ALL DIMENSIONS AND EXISTING CONDITIONS BEFORE BEGINNING WORK, ORDERING MATERIAL, AND PREPARING OF SHOP DRAWINGS. ANY DISCREPANCIES BETWEEN FIELD CONDITIONS AND THE CONTRACT DOCUMENTS SHALL BE BROUGHT TO THE IMMEDIATE ATTENTION OF THE ENGINEER. IF THE CONTRACTOR DISCOVERS ANY EXISTING CONDITIONS THAT ARE NOT REPRESENTED ON THESE DRAWINGS, OR ANY CONDITIONS THAT WOULD INTERFERE WITH THE INSTALLATION OF THE MODIFICATIONS, NOTIFY THE ENGINEER IMMEDIATELY.
4. IT IS ASSUMED THAT ANY STRUCTURAL MODIFICATION WORK SPECIFIED ON THESE PLANS WILL BE ACCOMPLISHED BY KNOWLEDGEABLE WORKMEN WITH TOWER CONSTRUCTION EXPERIENCE.
5. THE CONTRACTOR SHALL SUPERVISE AND DIRECT THE WORK AND SHALL BE SOLELY RESPONSIBLE FOR ALL CONSTRUCTION METHODS, MEANS, TECHNIQUES, SEQUENCES, AND PROCEDURES.
6. ALL CONSTRUCTION MEANS AND METHODS; INCLUDING BUT NOT LIMITED TO, ERECTION PLANS, RIGGING PLANS, CLIMBING PLANS, AND RESCUE PLANS SHALL BE THE RESPONSIBILITY OF THE GENERAL CONTRACTOR RESPONSIBLE FOR THE EXECUTION OF THE WORK CONTAINED HEREIN AND SHALL MEET ANSITIA-322 (LATEST EDITION), OSHA, AND GENERAL INDUSTRY STANDARDS. ALL RIGGING PLANS SHALL ADHERE TO ANSITIA-322 (LATEST EDITION) INCLUDING THE REQUIRED INVOLVEMENT OF A QUALIFIED ENGINEER FOR CLASS IV CONSTRUCTION.
7. THE CONTRACTOR IS SOLELY RESPONSIBLE FOR INITIATING, MAINTAINING, AND SUPERVISING ALL SAFETY PROGRAMS IN ACCORDANCE WITH APPLICABLE SAFETY CODES.
8. WORK SHALL ONLY BE PERFORMED DURING CALM DRY DAYS (WINDS LESS THAN 30-MPH). THE STRUCTURE SHOWN ON THE DRAWINGS IS STRUCTURALLY SOUND ONLY IN THE COMPLETED FORM. THE CONTRACTOR SHALL BE RESPONSIBLE FOR THE STRENGTH AND STABILITY OF THE STRUCTURE DURING ERECTION. CONTRACTOR SHALL PROVIDE TEMPORARY SUPPORT, SHORING, BRACING AND ANY OTHER STRUCTURAL SYSTEMS AS REQUIRED TO RESIST ALL FORCES THAT MAY OCCUR DURING HANDLING AND ERECTION UNTIL THE STRUCTURE IS FULLY COMPLETED. TEMPORARY SUPPORTS, BRACING AND OTHER STRUCTURAL SYSTEMS REQUIRED DURING CONSTRUCTION SHALL REMAIN THE CONTRACTOR'S PROPERTY AFTER THEIR USE.
9. ALL INSTALLATIONS PERFORMED ON THIS STRUCTURE SHALL BE COMPLETED IN ACCORDANCE WITH THE GOVERNING PROVISIONS OF THE STANDARD FOR INSTALLATION, ALTERATION AND MAINTENANCE OF ANTENNA SUPPORTING STRUCTURES AND ANTENNAS, ANSITIA-322.
10. CONTRACTOR SHALL SECURE SITE BACK TO EXISTING CONDITION UNDER SUPERVISION OF OWNER. ALL FENCE, STONE, GEOFABRIC, GROUNDING, AND SURROUNDING GRADE SHALL BE REPLACED AND REPAIRED AS REQUIRED TO ACHIEVE OWNER APPROVAL. POSITIVE DRAINAGE AWAY FROM TOWER SITE SHALL BE MAINTAINED.
11. CONNECTIONS BETWEEN ITEMS SUPPORTED BY THE STRUCTURE AND THE STRUCTURE NOT SPECIFICALLY DETAILED IN THE CONTRACT DOCUMENTS ARE THE RESPONSIBILITY OF THE CONTRACTOR. SUCH CONNECTIONS SHALL BE DESIGNED, COORDINATED AND INSPECTED BY A PROFESSIONAL STRUCTURAL ENGINEER LICENSED IN THE STATE OF THE PROJECT. SUBMIT SIGNED AND SEALED CALCULATIONS DURING SHOP DRAWING REVIEW.
12. DO NOT SCALE DRAWINGS.
13. DO NOT USE THESE DRAWINGS FOR ANY OTHER SITE.
14. ALL MATERIAL UTILIZED FOR THIS PROJECT MUST BE NEW AND FREE OF ANY DEFECTS. ANY MATERIAL SUBSTITUTIONS, INCLUDING BUT NOT LIMITED TO ALTERED SIZE AND/OR STRENGTHS, MUST BE APPROVED BY THE OWNER AND ENGINEER IN WRITING.
15. THE MOUNT UNDER NO CIRCUMSTANCES SHOULD BE USED AS A TIE OFF POINT.

DESIGN LOADS

- WIND LOADS
- a. BASIC WIND SPEED (3 SECOND GUST), V = 120 MPH
 - b. EXPOSURE CATEGORY C
 - c. TOPOGRAPHIC CATEGORY I
 - d. MEAN BASE ELEVATION (AMSL) = 9.56'

- ICE LOADS
- a. ICE WIND SPEED (3 SECOND GUST), V = 50 MPH
 - b. ICE THICKNESS = 1.00 IN

- SEISMIC LOADS
- a. SEISMIC DESIGN CATEGORY B
 - b. SHORT TERM MCER GROUND MOTION, S_s = .203
 - c. LONG TERM MCER GROUND MOTION, S_l = .054

STRUCTURAL STEEL

1. DESIGN, DETAILING, FABRICATION AND ERECTION OF STRUCTURAL STEEL SHALL CONFORM TO THE FOLLOWING PUBLICATIONS EXCEPT AS SPECIFICALLY INDICATED IN THE CONTRACT DOCUMENTS.
 - a. AMERICAN INSTITUTE OF STEEL CONSTRUCTION (AISC) MANUAL OF STEEL CONSTRUCTION (15TH EDITION)
 - b. SPECIFICATION FOR STRUCTURAL JOINTS USING ASTM A325 OR A490 BOLTS
 - c. AISC CODE OF STANDARD PRACTICE
2. STRUCTURAL STEEL SHALL CONFORM TO THE FOLLOWING UNLESS OTHERWISE SHOWN:

CHANNELS, ANGLES, PLATES, ETC.	ASTM A36 (GR 36)
STEEL PIPE	ASTM A53 (GR 35)
BOLTS	ASTM A325
NUTS	ASTM A563
LOCK WASHERS	LOCKING STRUCTURAL GRADE

3. ALL SUBSTITUTIONS PROPOSED BY THE CONTRACTOR SHALL BE APPROVED IN WRITING BY THE ENGINEER. CONTRACTOR SHALL PROVIDE DOCUMENTATION TO ENGINEER FOR VERIFYING THE SUBSTITUTE IS SUITABLE FOR USE AND MEETS ORIGINAL DESIGN CRITERIA. DIFFERENCES FROM THE ORIGINAL DESIGN, INCLUDING MAINTENANCE, REPAIR AND REPLACEMENT, SHALL BE NOTED. ESTIMATES OF COSTS/CREDITS ASSOCIATED WITH THE SUBSTITUTION (INCLUDING RE-DESIGN COSTS AND COSTS TO SUB-CONTRACTORS) SHALL BE PROVIDED TO THE ENGINEER. CONTRACTOR SHALL PROVIDE ADDITIONAL DOCUMENTATION AND/OR SPECIFICATIONS TO THE ENGINEER AS REQUESTED.
4. PROVIDE STRUCTURAL STEEL SHOP DRAWINGS TO ENGINEER FOR APPROVAL PRIOR TO FABRICATION.
 - a. SUBMIT SHOP DRAWINGS TO PETER.ALBANO@COLLIERSENGINEERING.COM
 - b. PROVIDE MASER CONSULTING PROJECT # AND MASER CONSULTING PROJECT ENGINEER CONTACT IN THE BODY OF THE EMAIL
5. DRILL NO HOLES IN ANY NEW OR EXISTING STRUCTURAL STEEL MEMBERS OTHER THAN THOSE SHOWN ON STRUCTURAL DRAWINGS WITHOUT THE APPROVAL OF THE ENGINEER OF RECORD.
6. GALVANIZED ASTM A325 BOLTS SHALL NOT BE REUSED.
7. ALL NEW STEEL SHALL BE HOT BE DIPPED GALVANIZED FOR FULL WEATHER PROTECTION. IN ADDITION ALL NEW STEEL SHALL BE PAINTED TO MATCH EXISTING STEEL. CONTRACTOR SHALL OBTAIN WRITTEN PERMISSION TO PROTECT STEEL BY ANY OTHER MEANS.
8. ALL BOLT ASSEMBLIES FOR STRUCTURAL MEMBERS REPRESENTED IN THIS DRAWING REQUIRE LOCKING DEVICES TO BE INSTALLED IN ACCORDANCE WITH TIA-222-H SECTION 4.9.2 REQUIREMENTS.
9. WHERE CONNECTIONS ARE NOT FULLY DETAILED ON THESE DRAWINGS, FABRICATOR SHALL DESIGN CONNECTIONS TO RESIST LOADS AND FORCES WHERE SHOWN ON DRAWINGS AND AS OUTLINED IN SPECIFICATIONS.
10. FOR MEMBERS BEING REPLACED, PROVIDE NEW BOLTS AND MATCH EXISTING SIZE AND GRADE. MAINTAIN AISC REQUIREMENTS FOR MINIMUM BOLT DISTANCE AND SPACING.
11. ALL PROPOSED AND/OR REPLACED BOLTS SHALL BE OF SUFFICIENT LENGTH SUCH THAT THE END OF THE BOLT IS AT LEAST FLUSH WITH THE FACE OF THE NUT. IT IS NOT PERMITTED FOR THE BOLT END TO BE BELOW THE FACE OF THE NUT AFTER TIGHTENING IS COMPLETED.
12. GALVANIZED ASTM A325 BOLTS SHALL NOT BE REUSED.
13. ALL NEW STEEL SHALL BE HOT BE DIPPED GALVANIZED FOR FULL WEATHER PROTECTION. CONTRACTOR SHALL OBTAIN WRITTEN PERMISSION TO

PROTECT STEEL BY ANY OTHER MEANS.

14. ALL EXISTING PAINTED/GALVANIZED SURFACES DAMAGED DURING REHAB INCLUDING AREAS UNDER STIFFENER PLATES SHALL BE WIRE BRUSHED CLEAN, REPAIRED BY COLD GALVANIZING (ZINGA OR ZINC COTE), AND REPAINTED TO MATCH THE EXISTING FINISH (IF APPLICABLE).
15. ALL HOLES IN STEEL MEMBERS SHALL BE SIZED 1/16" LARGER THAN THE BOLT DIAMETER. STANDARD HOLES SHALL BE USED UNLESS NOTED OTHERWISE.

WILL BE KNOWN AS COLLIER ENGINEERING & DESIGN IN 2021
Customer Loyalty through Client Satisfaction
www.maserconsulting.com

Office Locations:

NEW JERSEY	NEW MEXICO
NEW YORK	MARYLAND
PENNSYLVANIA	GEORGIA
VIRGINIA	TEXAS
FLORIDA	TENNESSEE
NORTH CAROLINA	COLORADO
SOUTH CAROLINA	

Copyright © 2021 Maser Consulting. All Rights Reserved. This drawing and all the information contained herein is authorized for use only by the party for whom the services were contracted or to whom it is certified. This drawing may not be copied, reused, disclosed, distributed or relied upon for any other purpose without the express written consent of Maser Consulting.

811 PROTECT YOURSELF

ALL STATES REQUIRE NOTIFICATION OF EXCAVATORS, DESIGNERS, OR ANY PERSON PREPARING TO DISTURB THE EARTH'S SURFACE ANYWHERE IN ANY STATE

Know what's below. Call before you dig.

FOR STATE SPECIFIC DIRECT PHONE NUMBERS VISIT: WWW.CALL811.COM

SCALE:	AS SHOWN	JOB NUMBER:	2177740A
--------	----------	-------------	----------

REV	DATE	DESCRIPTION	DRAWN BY	CHECKED BY
0	6/11/2021	ISSUED FOR CONSTRUCTION	BPC	DH

Digitally signed by Derek R. Hartzell
Date: 2021.06.11 12:16:41-04'00'

IT IS A VIOLATION OF LAW FOR ANY PERSON, UNLESS THEY ARE ACTING UNDER THE DIRECTION OF THE RESPONSIBLE LICENSED PROFESSIONAL ENGINEER, TO ALTER THIS DOCUMENT.

SITE NAME:

NORTH HAVEN WEST CT
468529

50 DEVINE ST.
NORTH HAVEN, CT 06473
NEW HAVEN COUNTY

MT. LAUREL OFFICE
2000 Piedmont Drive
Suite 100
Mount Laurel, NJ 08054

Phone: 856.797.0412
Fax: 856.722.1120

SHEET TITLE:
MODIFICATION NOTES

SHEET NUMBER:
S-2

MODIFICATION INSPECTION NOTES

MI CHECKLIST	
CONSTRUCTION/ INSTALLATION INSPECTIONS AND TESTING REQUIRED (COMPLETED BY EOR)	REPORT ITEM
PRE-CONSTRUCTION	
X	MI CHECKLIST DRAWING
X	EOB APPROVED SHOP DRAWINGS
NA	FABRICATION INSPECTION
NA	FABRICATOR CERTIFIED WELD INSPECTION
X	MATERIAL TEST REPORT (MTR)
NA	FABRICATOR NDE INSPECTION
X	PACKING SLIPS
ADDITIONAL TESTING AND INSPECTIONS:	
CONSTRUCTION	
X	CONSTRUCTION INSPECTIONS
NA	CONTRACTOR'S CERTIFIED WELD INSPECTION AND NDE REPORTS
X	ON SITE COLD GALVANIZING VERIFICATION
X	GC AS-BUILT DOCUMENTS
ADDITIONAL TESTING AND INSPECTIONS:	
POST-CONSTRUCTION	
X	MI INSPECTOR REDLINE OR RECORD DRAWING(S)
X	VZW PMI DOCUMENTS
X	PHOTOGRAPHS
ADDITIONAL TESTING AND INSPECTIONS:	

NOTE: X DENOTES A DOCUMENT REQUIRED FOR THE MI REPORT
 NA DENOTES A DOCUMENT THAT IS NOT REQUIRED FOR THE MI REPORT

THE MODIFICATION INSPECTION (MI) IS A VISUAL INSPECTION OF MODIFICATIONS AND A REVIEW OF CONSTRUCTION INSPECTIONS AND OTHER REPORTS TO ENSURE THE INSTALLATION WAS CONSTRUCTED IN ACCORDANCE WITH THE CONTRACT DOCUMENTS, NAMELY THE MODIFICATION DRAWINGS, AS DESIGNED BY THE ENGINEER OF RECORD (EOR).

THE MI IS TO CONFIRM INSTALLATION CONFIGURATION AND WORKMANSHIP ONLY AND IS NOT A REVIEW OF THE MODIFICATION DESIGN ITSELF, NOR DOES THE MI INSPECTOR TAKE OWNERSHIP OF THE MODIFICATION DESIGN. OWNERSHIP OF THE STRUCTURAL MODIFICATION DESIGN EFFECTIVENESS AND INTEGRITY RESIDES WITH THE EOR AT ALL TIMES.

TO ENSURE THAT THE REQUIREMENTS OF THE MI ARE MET, IT IS VITAL THAT THE GENERAL CONTRACTOR (GC) AND THE MI INSPECTOR BEGIN COMMUNICATING AND COORDINATING AS SOON AS A PURCHASE ORDER (PO) IS RECEIVED. IT IS EXPECTED THAT EACH PARTY WILL BE PROACTIVE IN REACHING OUT TO THE OTHER PARTY.

MI INSPECTOR

THE MI INSPECTOR IS REQUIRED TO CONTACT THE GC AS SOON AS RECEIVING A PO FOR THE MI TO, AT A MINIMUM:

- REVIEW THE REQUIREMENTS OF THE MI CHECKLIST
- WORK WITH THE GC TO DEVELOP A SCHEDULE TO CONDUCT ON-SITE INSPECTIONS

THE MI INSPECTOR IS RESPONSIBLE FOR COLLECTING ALL GC INSPECTION AND TEST REPORTS, REVIEWING THE DOCUMENTS FOR ADHERENCE TO THE CONTRACT DOCUMENTS, CONDUCTING THE IN-FIELD INSPECTIONS, AND SUBMITTING THE MI REPORT TO EOR.

GENERAL CONTRACTOR

THE GC IS REQUIRED TO CONTACT THE MI INSPECTOR AS SOON AS RECEIVING A PO FOR THE MODIFICATION INSTALLATION OR TURNKEY PROJECT TO, AT A MINIMUM:

- REVIEW THE REQUIREMENTS OF THE MI CHECKLIST
- WORK WITH THE MI INSPECTOR TO DEVELOP A SCHEDULE TO CONDUCT ON-SITE MI INSPECTIONS, INCLUDING FOUNDATION INSPECTIONS
- BETTER UNDERSTAND ALL INSPECTION AND TESTING REQUIREMENTS

THE GC SHALL PERFORM AND RECORD THE TEST AND INSPECTION RESULTS IN ACCORDANCE WITH THE REQUIREMENTS OF THE MI CHECKLIST.

RECOMMENDATIONS

THE FOLLOWING RECOMMENDATIONS AND SUGGESTIONS ARE OFFERED TO ENHANCE THE EFFICIENCY AND EFFECTIVENESS OF DELIVERING AN MI REPORT:

- IT IS SUGGESTED THAT THE GC PROVIDE A MINIMUM OF 5 BUSINESS DAYS NOTICE, PREFERABLY 10, TO THE MI INSPECTOR AS TO WHEN THE SITE WILL BE READY FOR THE MI TO BE CONDUCTED.
- THE GC AND MI INSPECTOR COORDINATE CLOSELY THROUGHOUT THE ENTIRE PROJECT.
- WHEN POSSIBLE, IT IS PREFERRED TO HAVE THE GC AND MI INSPECTOR ON-SITE SIMULTANEOUSLY FOR ANY GUY WIRE TENSIONING OR RE-TENSIONING OPERATIONS.
- IT MAY BE BENEFICIAL TO INSTALL ALL MODIFICATIONS PRIOR TO CONDUCTING THE FOUNDATION INSPECTIONS TO ALLOW THE FOUNDATION AND MI INSPECTION(S) TO COMMENCE WITH ONE SITE VISIT.
- WHEN POSSIBLE, IT IS PREFERRED TO HAVE THE GC AND MI INSPECTOR ON-SITE DURING THE MI TO HAVE ANY DEFICIENCIES CORRECTED DURING THE INITIAL MI. THEREFORE, THE GC MAY CHOOSE TO COORDINATE THE MI CAREFULLY TO ENSURE ALL CONSTRUCTION FACILITIES ARE AT THEIR DISPOSAL WHEN THE MI INSPECTOR IS ON SITE.

CORRECTION OF FAILING MI'S

IF THE MODIFICATION INSTALLATION WOULD FAIL THE MI ("FAILED MI"), THE GC SHALL WORK WITH THE OWNER TO COORDINATE A REMEDIATION PLAN:

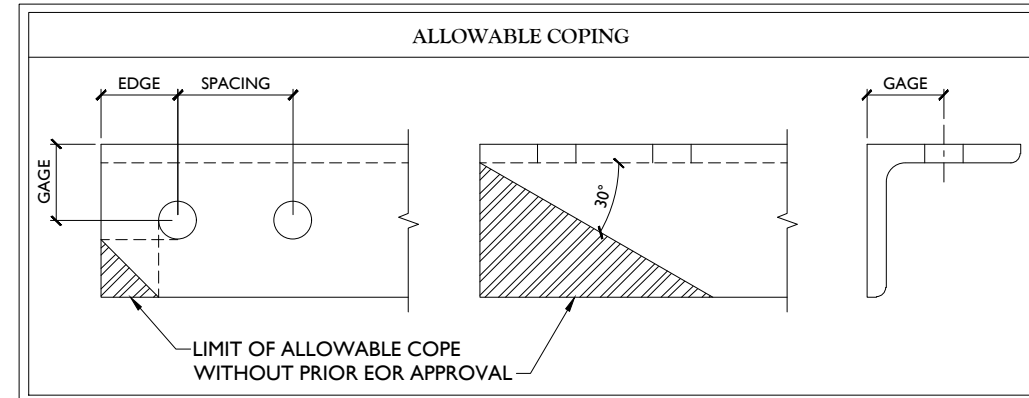
- CORRECT FAILING ISSUES TO COMPLY WITH THE SPECIFICATIONS CONTAINED IN THE ORIGINAL CONTRACT DOCUMENTS AND COORDINATE A SUPPLEMENT MI.

REQUIRED PHOTOS

BETWEEN THE GC AND THE MI INSPECTOR THE FOLLOWING PHOTOGRAPHS, AT A MINIMUM, ARE TO BE TAKEN AND INCLUDED IN THE MI REPORT:

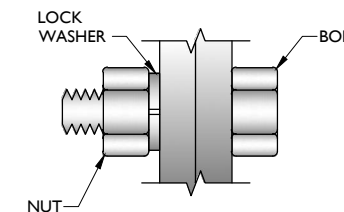
- PRE-CONSTRUCTION GENERAL SITE CONDITION
- PHOTOGRAPHS DURING THE REINFORCEMENT MODIFICATION CONSTRUCTION/ERECTION AND INSPECTION
 - RAW MATERIALS
 - PHOTOS OF ALL CRITICAL DETAILS
 - FOUNDATION MODIFICATIONS
 - WELD PREPARATION
 - BOLT INSTALLATION
 - FINAL INSTALLED CONDITION
 - SURFACE COATING REPAIR
- POST CONSTRUCTION PHOTOGRAPHS
 - FINAL INFIELD CONDITION

PHOTOS OF ELEVATED MODIFICATIONS TAKEN ONLY FROM THE GROUND SHALL BE CONSIDERED INADEQUATE.



BOLT DIAMETER	STANDARD HOLE	SHORT SLOT	MIN. EDGE DISTANCE	SPACING
1/2	9/16	9/16 x 11/16	7/8	1 1/2
5/8	11/16	11/16 x 7/8	1 1/8	1 7/8
3/4	13/16	13/16 x 1	1 1/4	2 1/4
7/8	15/16	15/16 x 1 1/8	1 1/2	2 5/8
1	1 1/16	1 1/16 x 1 5/16	1 3/4	3

LEG	GAGE
4	2 1/2
3 1/2	2
3	1 3/4
2 1/2	1 3/8
2	1 1/8



TYP. BOLT ASSEMBLY

NOTES:

- ALL DIMENSIONS REPRESENTED IN THE ABOVE TABLES ARE AISC MINIMUM REQUIREMENTS. CONTRACTOR SHALL VERIFY EXISTING CONDITIONS IN FIELD AND NOTIFY ENGINEER IF DISTANCES ARE LESS THAN THOSE PROVIDED.
- THE DIMENSIONS PROVIDED ARE MINIMUM REQUIREMENTS. ACTUAL DIMENSIONS OF PROPOSED MEMBERS WITHIN THESE DRAWINGS MAY VARY FROM THE AISC MINIMUM REQUIREMENTS.
- SHORT SLOT HOLES SHALL ONLY BE USED WHEN DEPICTED IN THE DRAWINGS
- MATCH EXISTING GAGES WHEN APPLICABLE, UNLESS MINIMUM EDGE DISTANCES ARE COMPROMISED.

MASER CONSULTING CONNECTICUT
 WILL BE KNOWN AS COLLIER ENGINEERING & DESIGN IN 2021
 Customer Loyalty through Client Satisfaction
 www.maserconsulting.com
 Office Locations:
 NEW JERSEY, NEW YORK, PENNSYLVANIA, VIRGINIA, FLORIDA, NORTH CAROLINA, SOUTH CAROLINA, NEW MEXICO, MARYLAND, GEORGIA, TEXAS, TENNESSEE, COLORADO



811 PROTECT YOURSELF
 ALL STATES REQUIRE NOTIFICATION OF EXCAVATORS, DESIGNERS, OR ANY PERSON PREPARING TO DISTURB THE EARTH'S SURFACE ANYWHERE IN ANY STATE.
 Know what's below. Call before you dig.
 FOR STATE SPECIFIC DIRECT PHONE NUMBERS VISIT: WWW.CALL811.COM

SCALE: AS SHOWN	JOB NUMBER: 2177740A			
DATE: 6/11/2021	ISSUED FOR CONSTRUCTION			
REV	DATE	DESCRIPTION	BY	CHECKED BY

Derek R. Hartzell
 PROFESSIONAL ENGINEER
 LICENSE NUMBER: 32710
 MASAER CONSULTING
 C.T. COA.#: JCE0000131
 Digitally signed by Derek R. Hartzell
 Date: 2021.06.11 12:16:40-04'00'

IT IS A VIOLATION OF LAW FOR ANY PERSON, UNLESS THEY ARE ACTING UNDER THE DIRECTION OF THE RESPONSIBLE LICENSED PROFESSIONAL ENGINEER, TO ALTER THIS DOCUMENT.

SITE NAME:
 NORTH HAVEN WEST CT
 468529
 50 DEVINE ST.
 NORTH HAVEN, CT 06473
 NEW HAVEN COUNTY

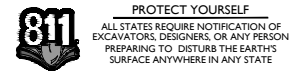
MT. LAUREL OFFICE
 2000 Piedmont Drive
 Suite 100
 Mount Laurel, NJ 08054
 Phone: 856.797.0412
 Fax: 856.722.1120

SHEET TITLE: **MODIFICATION NOTES**

SHEET NUMBER: **S-3**

- NEW JERSEY
- NEW YORK
- PENNSYLVANIA
- VIRGINIA
- FLORIDA
- NORTH CAROLINA
- SOUTH CAROLINA
- NEW MEXICO
- MARYLAND
- GEORGIA
- TEXAS
- TENNESSEE
- COLORADO

Copyright © 2021 Maser Consulting. All Rights Reserved. This drawing and all the information contained herein is authorized for use only by the party for whom the services were contracted or to whom it is certified. This drawing may not be copied, reused, disclosed, distributed or relied upon for any other purpose without the express written consent of Maser Consulting.



PROTECT YOURSELF
ALL STATES REQUIRE NOTIFICATION OF EXCAVATIONS, DESIGNERS OR ANY PERSON PREPARING TO DISTURB THE EARTH'S SURFACE ANYWHERE IN ANY STATE
Know what's below.
Call before you dig.
FOR STATE SPECIFIC DIRECT PHONE NUMBERS VISIT: WWW.CALL811.COM

SCALE: AS SHOWN JOB NUMBER: 2177740A

REV	DATE	DESCRIPTION	DRAWN BY	CHECKED BY
0	6/11/2021	ISSUED FOR CONSTRUCTION	BPC	DH

Derek R. Hartzell
Derek R. Hartzell
REGISTERED PROFESSIONAL ENGINEER
LICENSE NUMBER: 32710
MASER CONSULTING
C.T. COA.#: JCE-000131
Digitally signed by Derek R. Hartzell
Date: 2021.06.11 12:16:39-04'00'

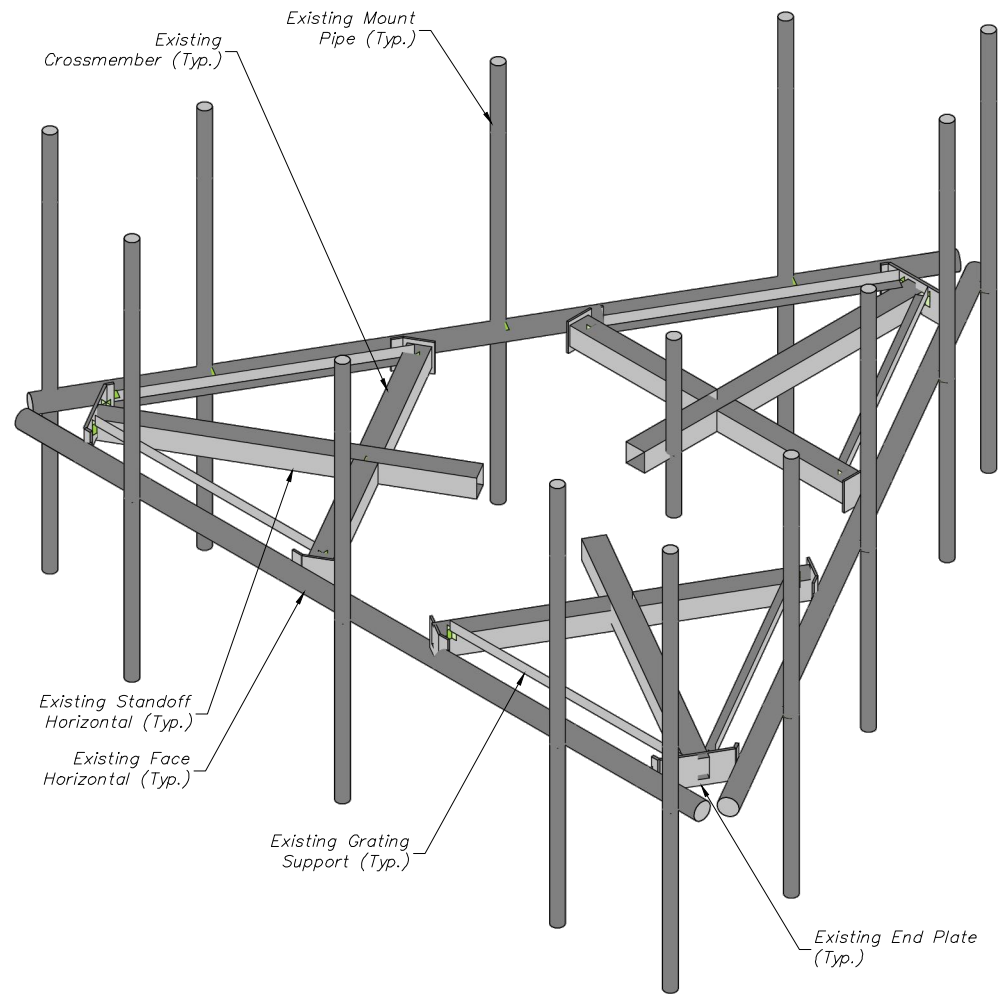
IT IS A VIOLATION OF LAW FOR ANY PERSON, UNLESS THEY ARE ACTING UNDER THE DIRECTION OF THE RESPONSIBLE LICENSED PROFESSIONAL ENGINEER, TO ALTER THIS DOCUMENT.

SITE NAME:
NORTH HAVEN WEST CT
468529
50 DEVINE ST.
NORTH HAVEN, CT 06473
NEW HAVEN COUNTY

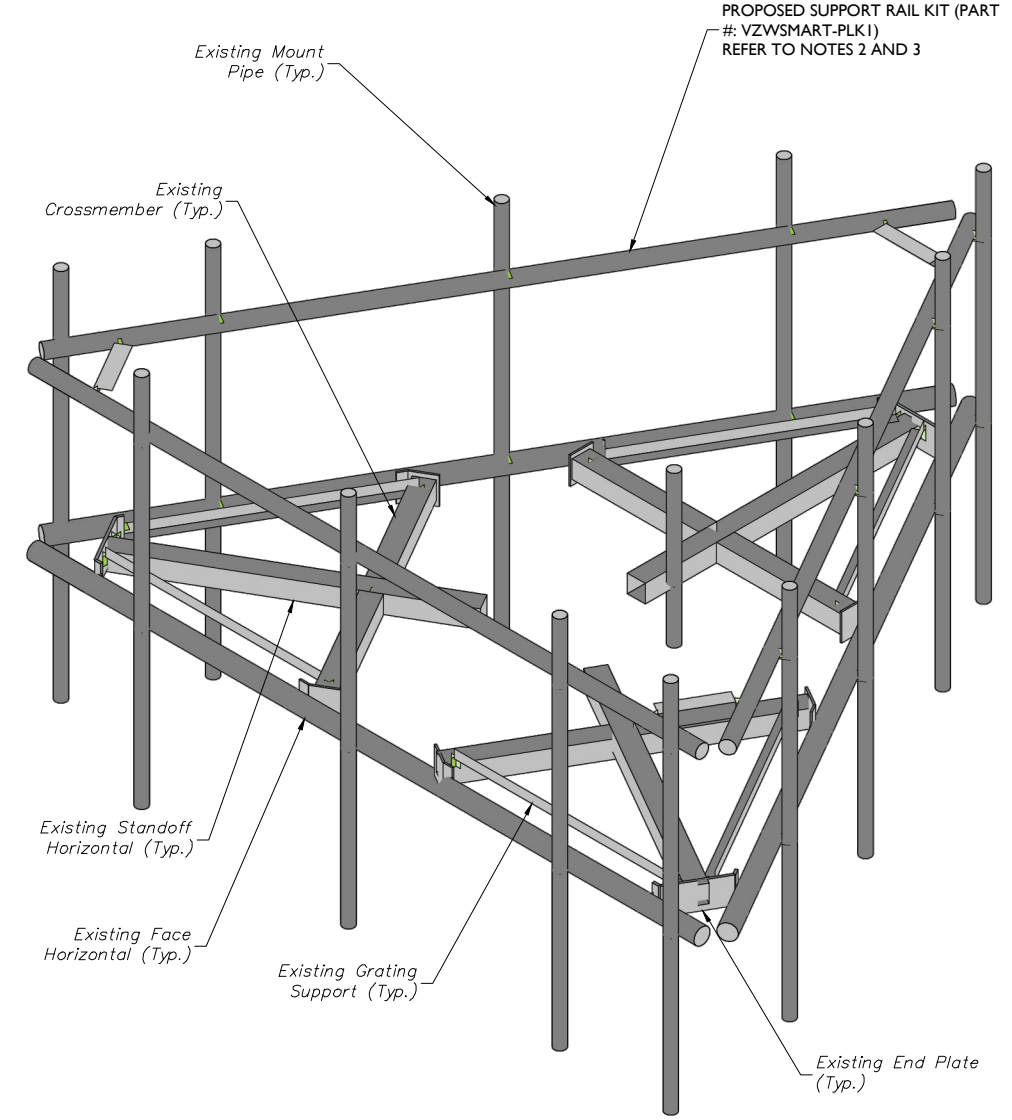
MT. LAUREL OFFICE
2000 Piedmont Drive
Suite 100
Mount Laurel, NJ 08054
Phone: 856.797.0412
Fax: 856.722.1120

SHEET TITLE:
MODIFICATION DETAILS

SHEET NUMBER:
S-4



1 EXISTING PLATFORM ISOMETRIC VIEW
SCALE : N.T.S.



2 PROPOSED PLATFORM ISOMETRIC VIEW
SCALE : N.T.S.

STRUCTURAL NOTES:

- PER THE MOUNT MAPPING COMPLETED BY RKS DESIGN & ENGINEERING LLC. ON 3/31/2021, THE SAFETY CLIMB AND CLIMBING FACILITIES UP TO THE VERIZON MOUNT ELEVATION (128'-5") ARE IN GOOD CONDITION. MASER DOES NOT WARRANT THIS INFORMATION.
- INSTALL SHALL NOT CAUSE HARM TO THE STRUCTURE, CLIMBING FACILITY, SAFETY CLIMB, OR ANY SYSTEM INSTALLED ON THE STRUCTURE. TIMELY NOTICE AND DOCUMENTATION SHALL BE PROVIDED BY CONTRACTORS TO THE EOR (OF STRUCTURAL DESIGN) IF AN OBSTRUCTION WAS REQUIRED TO MEET THE RF SYSTEM DESIGN REQUIREMENTS AND PERFORMANCES.

MODIFICATION NOTES:

- MOUNT MEMBERS NOT SHOWN FOR CLARITY U.N.O.
- CONTRACTOR TO VERIFY THE LENGTH REQUIRED AND TRIM AS NECESSARY IN ACCORDANCE WITH THE 'STRUCTURAL STEEL' NOTES ON SHEET S-2.
- RADIO AND/OR TME POSITIONS SHALL BE ADJUSTED VERTICALLY AS NEEDED IN ORDER TO ACHIEVE INSTALLATION OF HORIZONTAL AS SHOWN. EOR SHALL BE NOTIFIED IF EQUIPMENT NEEDS TO BE RELOCATED TO ANOTHER MOUNT PIPE.



811 PROTECT YOURSELF
ALL STATES REQUIRE NOTIFICATION OF EXCAVATIONS, DESIGNERS OR ANY PERSON PREPARING TO DISTURB THE EARTH'S SURFACE ANYWHERE IN ANY STATE
Know what's below.
Call before you dig.
FOR STATE SPECIFIC DIRECT PHONE NUMBERS VISIT: WWW.CALL811.COM

SCALE: AS SHOWN	JOB NUMBER: 21777440A
-----------------	-----------------------

REV	DATE	DESCRIPTION	DRAWN BY	CHECKED BY
0	6/11/2021	ISSUED FOR CONSTRUCTION	BPC	DH

Digitally signed by Derek R. Hartzell
Date: 2021.06.11 12:16:39-04'00'

STATE OF CONNECTICUT
Derek R. Hartzell
Professional Engineer
LICENSE NUMBER: 32710
M.A.S.E.R. CONSULTING
C.T. C.O.A.#: JCE-000131

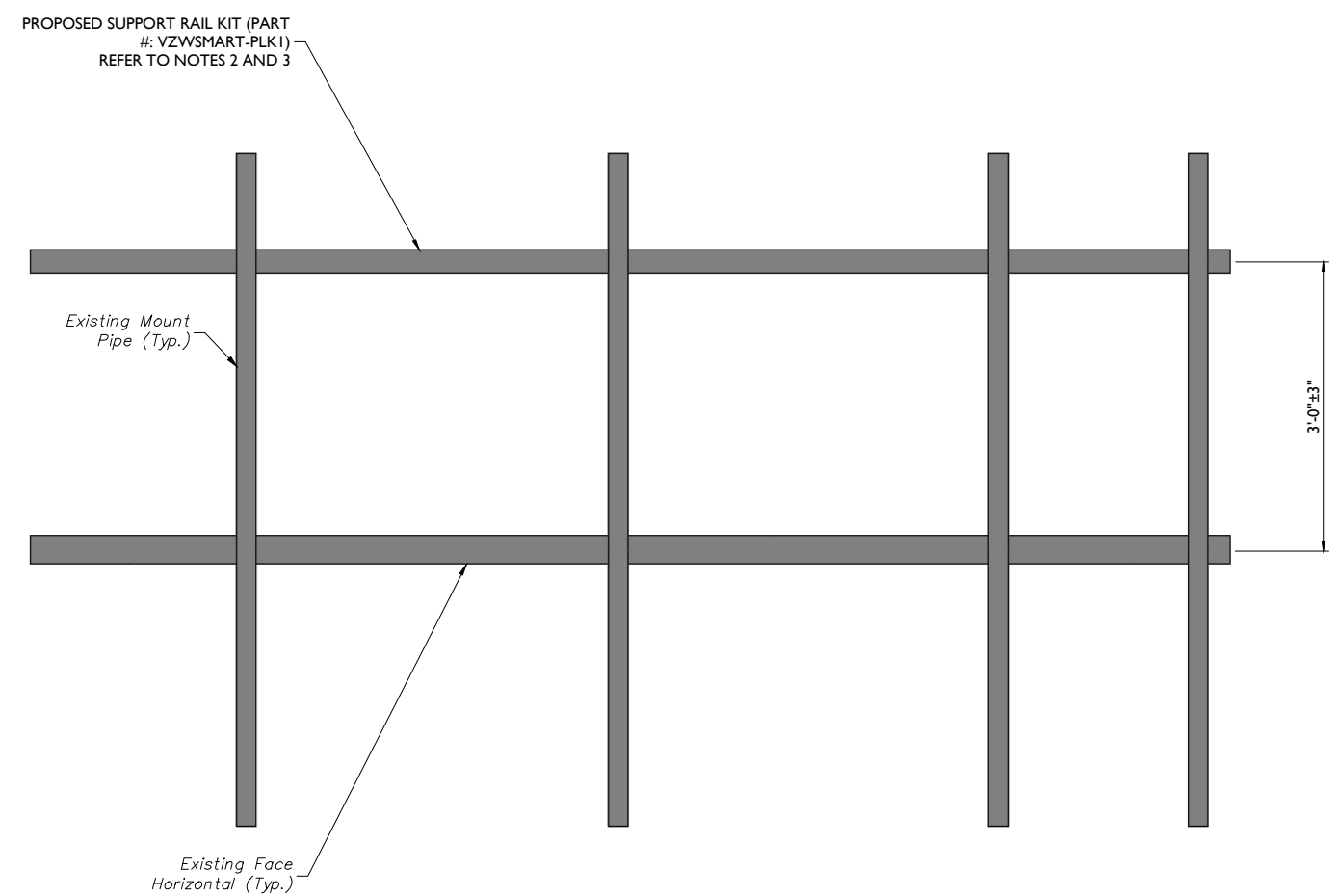
IT IS A VIOLATION OF LAW FOR ANY PERSON, UNLESS THEY ARE ACTING UNDER THE DIRECTION OF THE RESPONSIBLE LICENSED PROFESSIONAL ENGINEER, TO ALTER THIS DOCUMENT.

SITE NAME:
NORTH HAVEN WEST CT
468529
50 DEVINE ST.
NORTH HAVEN, CT 06473
NEW HAVEN COUNTY

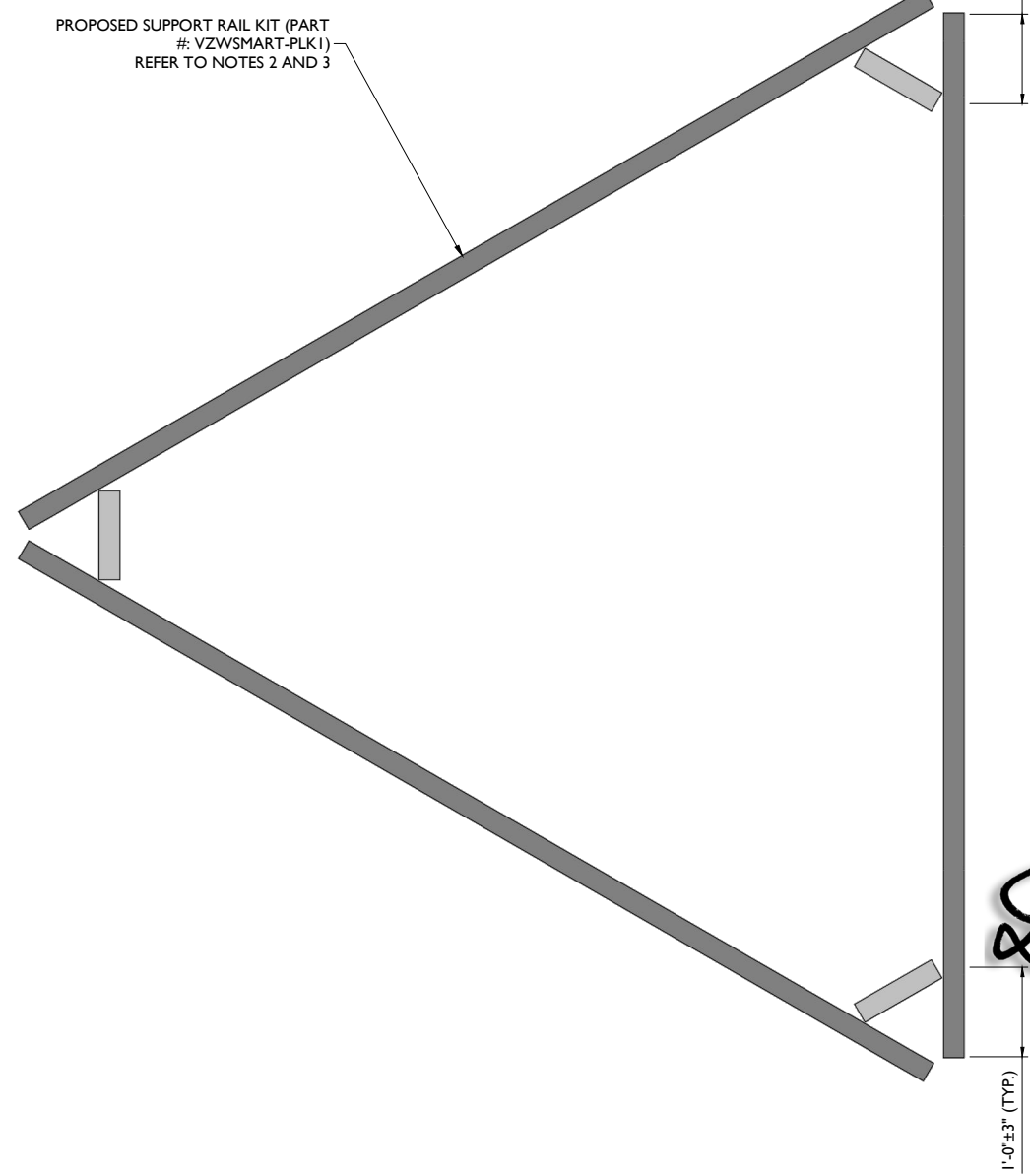
MT. LAUREL OFFICE
2000 Millstone Drive
Suite 100
Mount Laurel, NJ 08054
Phone: 856.797.0412
Fax: 856.722.1120

MODIFICATION DETAILS

SHEET NUMBER:
S-5



1 PROPOSED FRONT ELEVATION (TYP. ALL SECTORS)
SCALE : N.T.S.



2 PROPOSED PLAN VIEW
SCALE : N.T.S.

MODIFICATION NOTES:

- MOUNT MEMBERS NOT SHOWN FOR CLARITY U.N.O.
- CONTRACTOR TO VERIFY THE LENGTH REQUIRED AND TRIM AS NECESSARY IN ACCORDANCE WITH THE 'STRUCTURAL STEEL' NOTES ON SHEET S-2.
- RADIO AND/OR TME POSITIONS SHALL BE ADJUSTED VERTICALLY AS NEEDED IN ORDER TO ACHIEVE INSTALLATION OF HORIZONTAL AS SHOWN. EOR SHALL BE NOTIFIED IF EQUIPMENT NEEDS TO BE RELOCATED TO ANOTHER MOUNT PIPE.



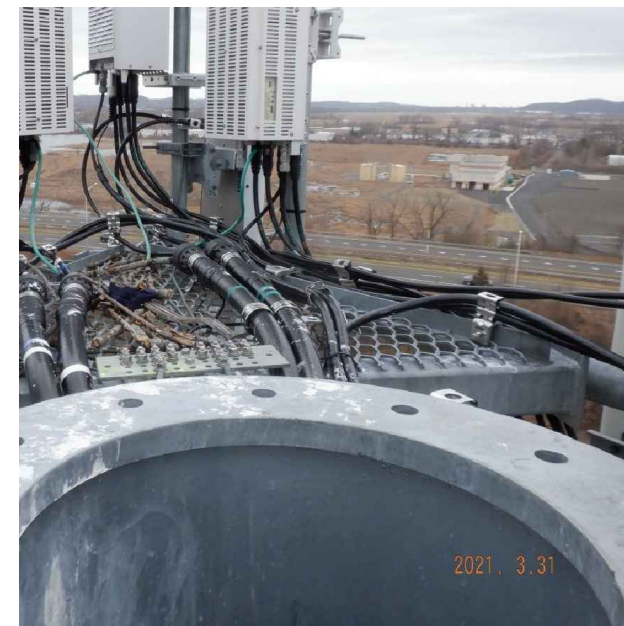
MOUNT PHOTO 1



MOUNT PHOTO 2



MOUNT PHOTO 3



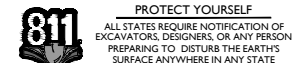
MOUNT PHOTO 4



WILL BE KNOWN AS COLLIERS ENGINEERING & DESIGN IN 2021
Customer Loyalty through Client Satisfaction
www.maserconsulting.com

- Office Locations:
- NEW JERSEY
 - NEW YORK
 - PENNSYLVANIA
 - VIRGINIA
 - FLORIDA
 - NORTH CAROLINA
 - NEW MEXICO
 - MARYLAND
 - GEORGIA
 - TEXAS
 - TENNESSEE
 - COLORADO

Copyright © 2021 Maser Consulting. All Rights Reserved. This drawing and all the information contained herein is authorized for use only by the party for whom the services were contracted or to whom it is certified. This drawing may not be copied, reused, disclosed, distributed or relied upon for any other purpose without the express written consent of Maser Consulting.



ALL STATES REQUIRE NOTIFICATION OF EXCAVATORS, DESIGNERS, OR ANY PERSON PREPARING TO DISTURB THE EARTH'S SURFACE ANYWHERE IN ANY STATE
Know what's below.
Call before you dig.
FOR STATE SPECIFIC DIRECT PHONE NUMBERS VISIT: WWW.CALL811.COM

SCALE: AS SHOWN JOB NUMBER: 21777440A

REV	DATE	DESCRIPTION	DRAWN BY	CHECKED BY
0	6/11/2021	ISSUED FOR CONSTRUCTION	BPC	DH

Derek R. Hartzell
Derek R. Hartzell
Professional Engineer
License Number: 32710
Maser Consulting
C.T. C.O.A.# JCE-000131
Digitally signed by Derek R. Hartzell
Date: 2021.06.11 12:16:21-04'00'

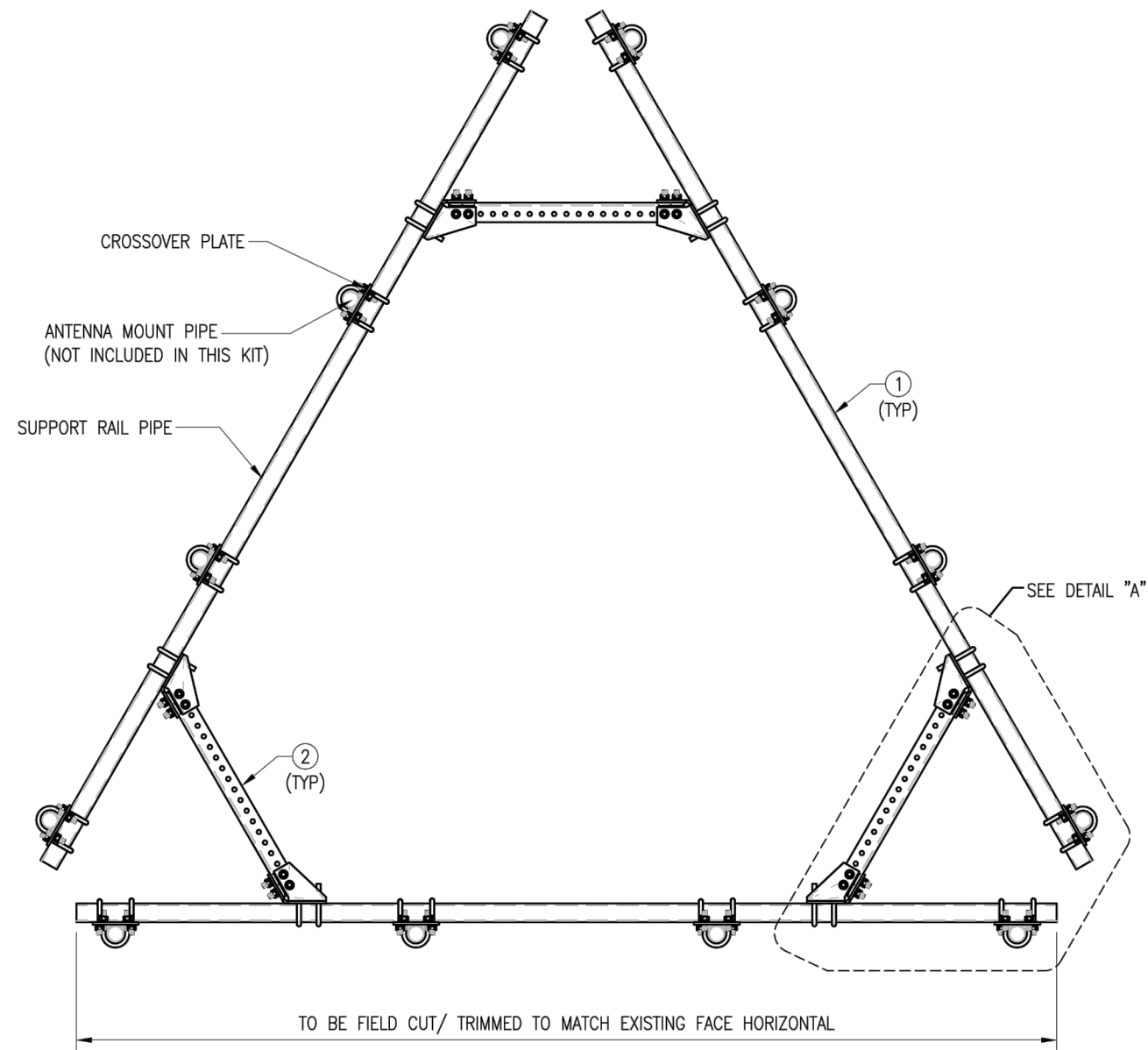
IT IS A VIOLATION OF LAW FOR ANY PERSON, UNLESS THEY ARE ACTING UNDER THE DIRECTION OF THE RESPONSIBLE LICENSED PROFESSIONAL ENGINEER, TO ALTER THIS DOCUMENT.

SITE NAME:
NORTH HAVEN WEST CT
468529
50 DEVINE ST.
NORTH HAVEN, CT 06473
NEW HAVEN COUNTY

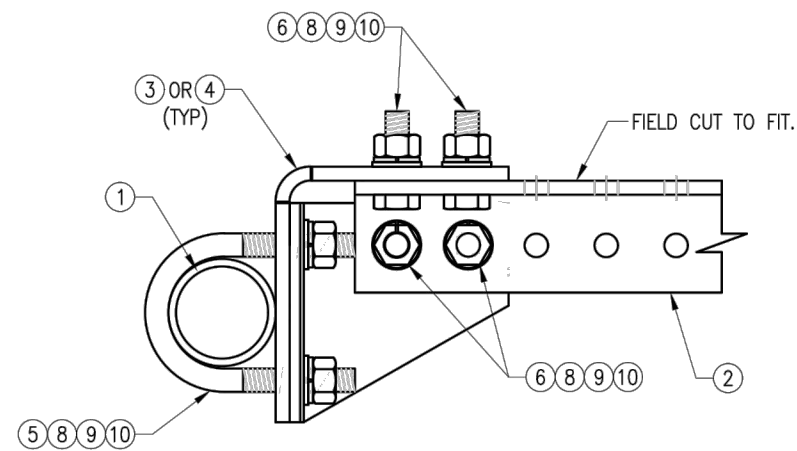
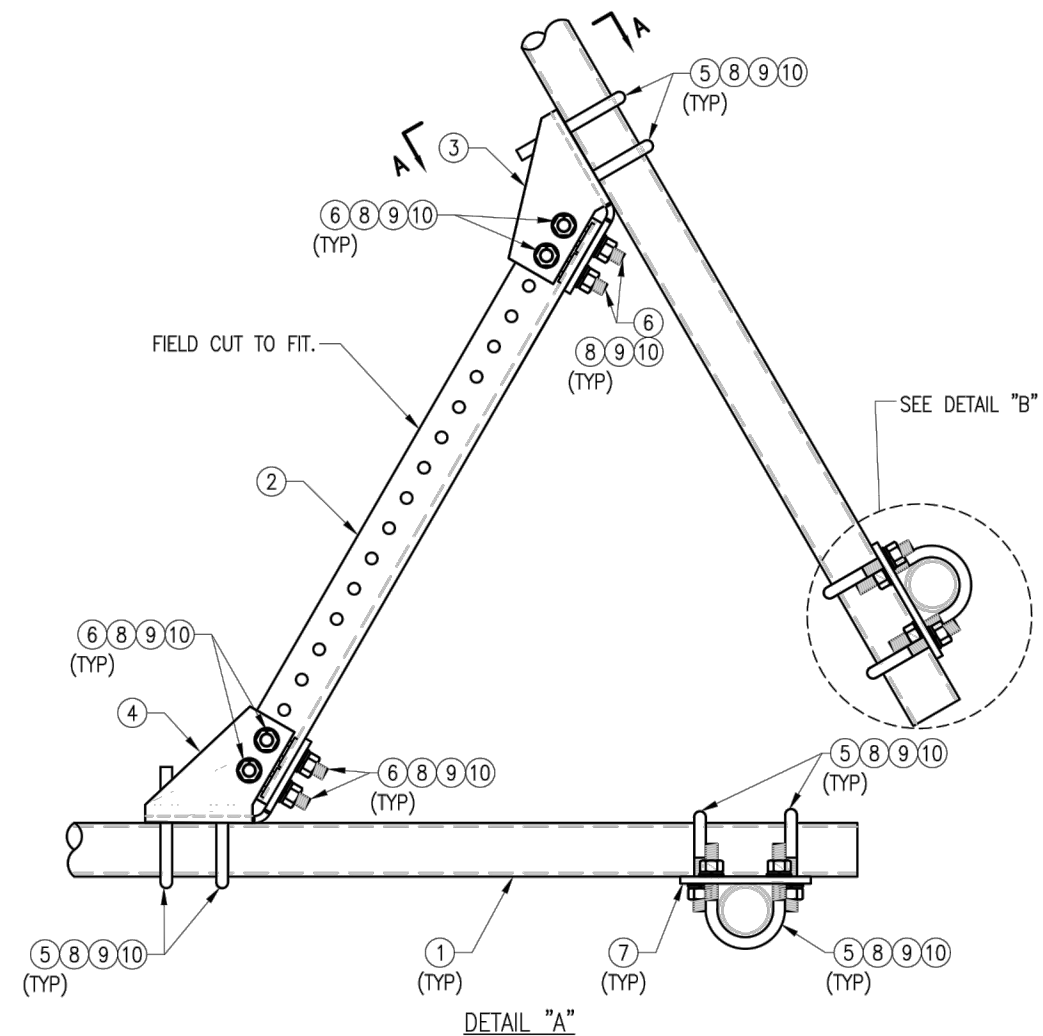
MT. LAUREL OFFICE
2000 Millstone Drive
Suite 100
Mount Laurel, NJ 08054
Phone: 856.797.0412
Fax: 856.722.1120

SHEET TITLE:
MOUNT PHOTOS

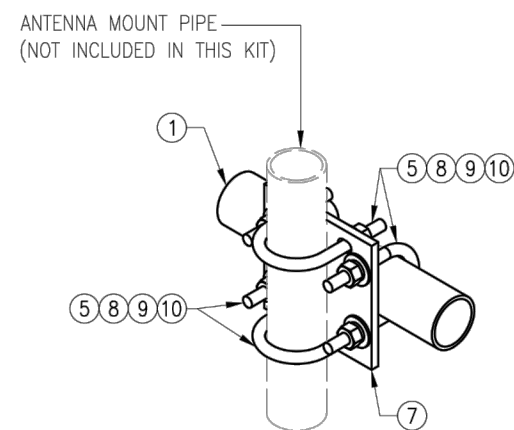
SHEET NUMBER:
S-6



PLAN VIEW



SECTION "A-A"



DETAIL "B"

NOTES:

- HOT-DIPPED GALVANIZED PER ASTM A123.

VZW SMART-PLK1 (SUPPORT RAIL KIT)					
ITEM NO.	QTY.	PART NO.	DESCRIPTION	SHEET #	WT
1	3	PST2875-12.5	2.5" PST (2.875" O.D. X 0.203" THK.) X 12'-6" A53 GR-B	PLK1-F1	292
2	3	L33375-3	L 3" X 3" X 3/8" X 3'-0" A36	PLK1-F1	66
3	3	CBP-L	CORNER BENT PLATE BRACKET	PLK1-F2	28
4	3	CBP-R	CORNER BENT PLATE BRACKET	PLK1-F2	28
5	60	MS02-625-300-500	RU-BOLT 5/8" X 3" I.W. X 5" I.L. A36 (OR EQUIV.)	RBC-1	82
6	24	---	BOLT 5/8" X 2" A325	---	9
7	12	PL375-857	PL 3/8" X 8 1/2" X 7'-0" A36	PLK1-F3	77
8	144	FW-625	5/8" HDG USS FLAT WASHER	---	12
9	144	LW-625	5/8" HDG LOCK WASHER	---	3
10	144	NUT-625	5/8" HDG HEX NUT	---	17
GALVANIZED WT					504

DRAWN BY: H.R. CHECKED BY: HMA

REV.	DESCRIPTION	BY	DATE
△	FIRST ISSUE	H.R.	05/08/20
△			
△			
△			

SHEET TITLE:

VZWSMART-PLK1
SUPPORT RAIL KIT

SHEET NUMBER: REV #:

VZWSMART-PLK1 0

Site Name: **NORTH HAVEN WEST CT**
 Cumulative Power Density

Operator	Operating Frequency	Number of Trans.	ERP Per Trans.	Total ERP	Distance to Target	Calculated Power Density	Maximum Permissible Exposure*	Fraction of MPE
	(MHz)		(watts)	(watts)	(feet)	(mW/cm ²)	(mW/cm ²)	(%)
VZW 700	751	4	635	2541	130	0.0054	0.5007	1.08%
VZW Cellular	874	4	724	2896	130	0.0062	0.5827	1.06%
VZW PCS	1975	4	1601	6404	130	0.0136	1.0000	1.36%
VZW AWS	2120	4	1618	6474	130	0.0138	1.0000	1.38%
VZW CBAND	3730.08	4	6531	26125	130	0.0556	1.0000	5.56%
Total Percentage of Maximum Permissible Exposure								10.44%

*Guidelines adopted by the FCC on August 1, 1996, 47 CFR Part 1 based on NCRP Report 86, 1986 and generally on ANSI/IEEE C95.1-1992

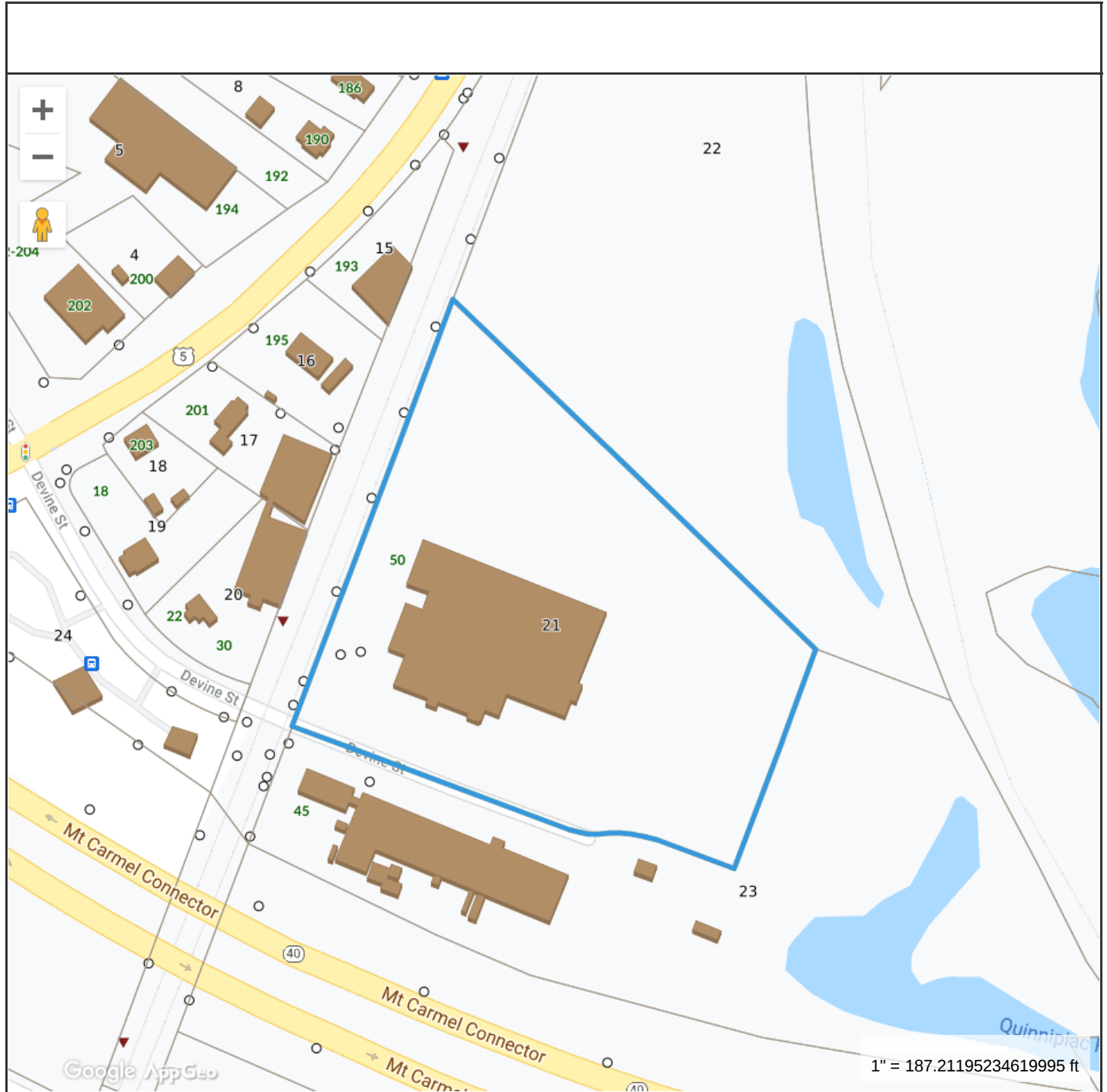
**Calculation includes a -10 dB Off Beam Antenna Pattern Adjustment pursuant to Attachments B and C of the Siting Council's November 10, 2015 Memorandum for Exempt Modification filings

MHz = Megahertz

mW/cm² = milliwatts per square centimeter

ERP = Effective Radiated Power

Absolute worst case maximum values used.



Property Information

Property ID 51/21
Location 50 DEVINE ST
Owner 424 CHAPEL STREET LLC



**MAP FOR REFERENCE ONLY
NOT A LEGAL DOCUMENT**

Town of North Haven, CT makes no claims and no warranties, expressed or implied, concerning the validity or accuracy of the GIS data presented on this map.

Geometry updated 3/24/2021
Data updated daily

Print map scale is approximate. Critical layout or measurement activities should not be done using this resource.

The Assessor's office is responsible for the maintenance of records on the ownership of properties. Assessments are computed at 70% of the estimated market value of real property at the time of the last revaluation which was 2019.



Town of North Haven

CONNECTICUT

Information on the Property Records for the Municipality of North Haven was last updated on 8/23/2021.



Parcel Information

Location:	50 DEVINE ST	Property Use:	Industrial	Primary Use:	Light Industrial
Unique ID:	256482	Map Block Lot:	051 021	Acres:	5.97
490 Acres:	0.00	Zone:	IG80	Volume / Page:	0832/0052
Developers Map / Lot:		Census:	0		

Value Information

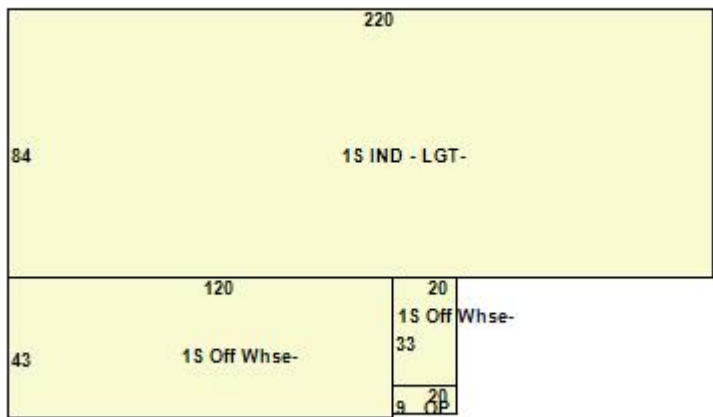
	Appraised Value	Assessed Value
Land	547,119	382,980
Buildings	1,217,608	852,330
Detached Outbuildings	360,000	252,000

	Appraised Value	Assessed Value
Total	2,124,727	1,487,310

Owner's Information

Owner's Data
424 CHAPEL STREET LLC 50 DEVINE ST NORTH HAVEN CT 06473

Building 1



Category:	Industrial	Use:	Light Industrial	GLA:	24,300
-----------	------------	------	------------------	------	--------

Stories:	1.00	Construction:	Masonry	Year Built:	1949
Heating:	Forced Hot Air	Fuel:	Natural Gas	Cooling Percent:	100
Siding:	Brick/Masonry	Roof Material:	Asphalt	Beds/Units:	0

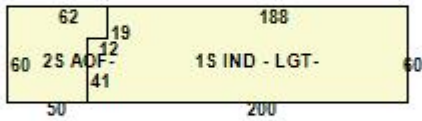
Special Features

Mezzanine Unfinished	3000
Wet Sprinklers	24300

Attached Components

Type:	Year Built:	Area:
Open Porch	1949	180

Building 2



Category:	Industrial	Use:	Light Industrial	GLA:	18,228
Stories:	1.00	Construction:	Steel	Year Built:	1984
Heating:	Forced Hot Air	Fuel:	Natural Gas	Cooling Percent:	50
Siding:		Roof Material:	Metal	Beds/Units:	0

Special Features

Attached Components

Detached Outbuildings

Type:	Year Built:	Length:	Width:	Area:
Paving	2007	0.00	0.00	45,000
Cell Tower	2010	0.00	0.00	1

Owner History - Sales

Owner Name	Volume	Page	Sale Date	Deed Type	Sale Price
424 CHAPEL STREET LLC	0832	0052	08/02/2010		\$0
424 CHAPEL STREET LLC	0772	0943	08/02/2007		\$0
PAPA ANTHONY S (RET ANN TRUST 1,2,3) &	0427	0372	02/11/1992		\$0
PAPA ANTHONY S	0410	0102	07/24/1990		\$0
PAPA ANTHONY S	0410	0087	07/24/1990		\$0
PAPA ANTHONY S	0315	0103	01/08/1981		\$0
WRIGHT ROBERT E	0258	0068	05/06/1971		\$0

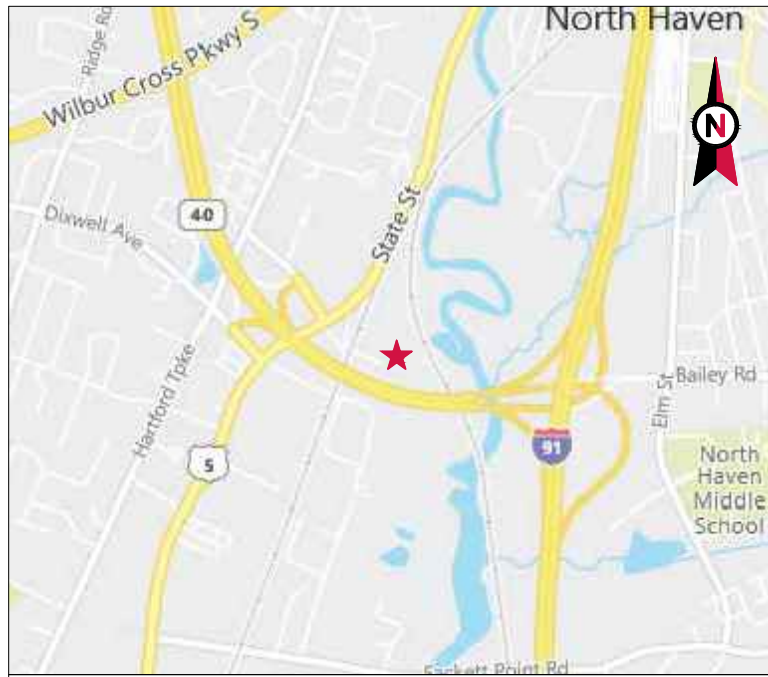
Building Permits

Permit Number	Permit Type	Date Opened	Reason
B-20-1021	Other	12/02/2020	T-MOBILE AND AMERICAN TOWER PROPOSE UPGRADES TO ITS EXISTING TELECOMMUNICATIONS FACILITY ON THE EXI
B-19-1008	Generator	11/15/2019	INSTALL (1) EMERGENCY BACK UP GENERATOR AND (1) CONCRETE PAD IN THE EXISTING COMPOUND
B-19-620	Other	07/24/2019	MODIFY EXISTING AT&T ANTENNA FACILITY ON TOWER: INSTALL MOUNT STABILIZER KIT AND REMOVE & REPLACE
B-18-84	Electrical	03/26/2018	REPLACE 6 ANTENNAS AND INSTALL REMOTE RADIO HEAD UNITS PURSUANT TO CT STING COUNCIL APPROVAL AND PL
B-17-240	Electrical	05/31/2017	Swap of (6) Remote Radio Heads (RRUS) for similar models as per attached plans on existing telecomm

Permit Number	Permit Type	Date Opened	Reason
B-15-346	Commercial	06/23/2015	INSTALLATION OF 12 ANTENNAS ON EXISTING TOWER (REPLACEMENT FOR PERMIT B-13-753)
B-15-51	Commercial	04/02/2015	(3) NEW COMSCOPE ANTENNA & (3) NEW RRV MOUNTED ON EXISTING PIPE MAST. (1) NEW EMERSON CABINET MOUNT
B-14-565	Commercial	10/31/2014	REPLACING EXPIRE PERMIT B-13-753 INSTALLATION OF ANTENNAS ON EXISTING TOWER AND AN EQUIPMENT SHELTE
B-14-287	Commercial	06/26/2014	PHOENIX TOWERS CELL TOWER WORK SWAP NEW 6201 CABINET/REPL 3 ANTENNA/ ADD 3 NEW ANTENNA/ ADD 1 FIBER
.	Plumbing	06/04/2014	2 BTHRM & STR HTR ON MEZZANINE
..	Mechanical	06/04/2014	INSTALL 92% EFF HEAT & A/C & DUCT WORK FOR OFFICES
..	Electrical	06/04/2014	WIRE 5 OFFICES FOR NEW TENANT- PER DRAWINGS/EMERGENCY & EXIT LIGHTS
B-14-183	Commercial	06/02/2014	OFFICE FIT OUT TO INCLUDE DRYWALL PARTIITIONS, DOORWAYS AND ACOUSTICAL CEILING
	Plumbing	05/21/2014	TENANT FIT OUT 1 TOILET, 1-6WATER HEATER
:	Electrical	05/07/2014	PROVIDE POWER, TELEPHONE AND GROUNDING FOR NEW AT&T SHELTER TO BE INSTALLED ON AN EXISTING CELL SIT
B-14-46	Commercial	02/27/2014	CELL TOWER EQUIP UPGRADE
B-13-753	Commercial	12/18/2013	12 ANTENNAS INSTALLED ON EXISTING TOWER WITH EQUIPMENT SHELTER AT BASE WITHIN EXISTING COMPOUND
B-13-52	Commercial	02/04/2013	
B-10-0452	Commercial	06/08/2010	NEW CELL TOWER
E-10-0453	Electrical	06/08/2010	SVC CELL TOWER 168739
06-1404	Miscellaneous	11/27/2006	HVAC 4 RTUS DUC
06-1405	Miscellaneous	11/27/2006	PL GAS PIPING R
06-1366	Miscellaneous	11/13/2006	BDG INT WALL LA
06-1367	Miscellaneous	11/13/2006	PL FIRE SPR SYS
06-1368	Miscellaneous	11/13/2006	ELE WIRING
06-1282	Miscellaneous	10/31/2006	PL A/G BATH RMS
06-1283	Miscellaneous	10/31/2006	DEMO PRT WAREHO

Permit Number	Permit Type	Date Opened	Reason
06-1199	Miscellaneous	10/11/2006	BD BRICK WORK O
06-1069	Miscellaneous	09/14/2006	PLUMBING
06-0927	Miscellaneous	08/28/2006	ELE FIT OUT

Information Published With Permission From The Assessor



VICINITY MAP



AMERICAN TOWER®

ATC SITE NAME: NORTH HAVEN CT
 ATC SITE NUMBER: 283418
 VERIZON SITE NAME: NORTH HAVEN WEST CT
 VERIZON SITE NUMBER: 468529
 SITE ADDRESS: 50 DEVINE STREET
 NORTH HAVEN, CT 06473



LOCATION MAP

**VERIZON
 5G L-SUB6-CARRIER ADD ANTENNA AMENDMENT DRAWINGS**

COMPLIANCE CODE	PROJECT SUMMARY	PROJECT DESCRIPTION	SHEET INDEX				
ALL WORK SHALL BE PERFORMED AND MATERIALS INSTALLED IN ACCORDANCE WITH THE CURRENT EDITIONS OF THE FOLLOWING CODES AS ADOPTED BY THE LOCAL GOVERNMENT AUTHORITIES. NOTHING IN THESE PLANS IS TO BE CONSTRUED TO PERMIT WORK NOT CONFORMING TO THESE CODES. 1. 2018 CONNECTICUT STATE BUILDING CODE-AMENDMENTS TO IBC 2015 2. INTERNATIONAL BUILDING CODE 2015, INTERNATIONAL CODE COUNCIL 3. TIA-222-G-4, STRUCTURAL STANDARD FOR ANTENNA SUPPORTING STRUCTURES AND ANTENNAS 4. ASCE 7-10 MINIMUM DESIGN LOADS FOR BUILDINGS AND OTHER STRUCTURES, AMERICAN SOCIETY OF CIVIL ENGINEERS 5. STEEL CONSTRUCTION MANUAL 14TH EDITION, AMERICAN INSTITUTE OF STEEL CONSTRUCTION 6. CITY/COUNTY ORDINANCES	<u>SITE ADDRESS:</u> 50 DEVINE STREET NORTH HAVEN, CT 06473 COUNTY: NEW HAVEN <u>GEOGRAPHIC COORDINATES:</u> LATITUDE: 41.37777 LONGITUDE: -72.87615 GROUND ELEVATION: 8' AMSL	THE PROPOSED PROJECT INCLUDES MODIFYING GROUND BASED AND TOWER MOUNTED EQUIPMENT AS INDICATED PER BELOW: <u>TOWER:</u> REMOVE (3) ANTENNA(S) AND (12) RRR(S) INSTALL (3) ANTENNA(S), (6) RRR(S) AND (3) DIPLEXER(S) EXISTING (9) ANTENNA(S), (1) OVP, (12) 1-5/8" COAX CABLE(S) AND (2) 1-5/8" 6X12 HYBRID CABLE(S) TO REMAIN THE PROPOSED PROJECT DOES NOT INCLUDE ELECTRICAL SCOPE	SHEET NO:	DESCRIPTION:	REV:	DATE:	BY:
	<u>PROJECT TEAM</u> <u>TOWER OWNER:</u> AMERICAN TOWER 10 PRESIDENTIAL WAY WOBURN, MA 01801 <u>ENGINEER:</u> DEWBERRY ENGINEERS, INC. 99 SUMMER STREET SUITE 700 BOSTON, MA 02110 <u>PROPERTY OWNER:</u> 424 CHAPEL STREET LLC 50 DEVINE STREET NORTH HAVEN, CT 06473	<u>PROJECT NOTES</u> 1. THE FACILITY IS UNMANNED. 2. A TECHNICIAN WILL VISIT THE SITE APPROXIMATELY ONCE A MONTH FOR ROUTINE INSPECTION AND MAINTENANCE. 3. THE PROJECT WILL NOT RESULT IN ANY SIGNIFICANT LAND DISTURBANCE OR EFFECT OF STORM WATER DRAINAGE. 4. NO SANITARY SEWER, POTABLE WATER OR TRASH DISPOSAL IS REQUIRED. 5. HANDICAP ACCESS IS NOT REQUIRED. 6. THE PROJECT DEPICTED IN THESE PLANS QUALIFIES AS AN ELIGIBLE FACILITIES REQUEST ENTITLED TO EXPEDITED REVIEW UNDER 47 U.S.C. § 1455(A) AS A MODIFICATION OF AN EXISTING WIRELESS TOWER THAT INVOLVES THE COLLOCATION, REMOVAL, AND/OR REPLACEMENT OF TRANSMISSION EQUIPMENT THAT IS NOT A SUBSTANTIAL CHANGE UNDER CFR § 1.61000 (B)(7).					
<u>UTILITY COMPANIES</u> POWER COMPANY: UNITED ILLUMINATING CO. PHONE: (800) 722-5584 TELEPHONE COMPANY: N/A PHONE: N/A		<u>PROJECT LOCATION DIRECTIONS</u> FROM NEW HAVEN CT START GOING NORTHEAST ON CHURCH ST WHICH TURNS INTO WHITNEY AVE. TURN RIGHT ON TRUMBULL ST. MERGE ONTO I-91 NORTH TOWARD HARTFORD. TAKE EXIT 10 TO CT-40 HAMDEN/CHESHIRE TAKE EXIT 1 TOWARD US-5 STATE ST. TURN RIGHT ON DEVINE ST. GO STRAIGHT OVER RAILROAD TRACKS TO END.					

REV.	DESCRIPTION	BY	DATE
A	PRELIM	XH	05/18/21
0	FINAL	WG	08/06/21

ATC SITE NUMBER:
283418

ATC SITE NAME:
NORTH HAVEN CT

VERIZON SITE NAME:
NORTH HAVEN WEST CT

SITE ADDRESS:
50 DEVINE STREET
NORTH HAVEN, CT 06473



DATE DRAWN:	05/18/21
ATC JOB NO:	13668665
CUSTOMER ID:	NORTH HAVEN WEST CT
CUSTOMER #:	468529

TITLE SHEET

SHEET NUMBER:
G-001

REVISION:
0

Copyright © 2021 ATC IP, LLC. All Rights Reserved.

GENERAL CONSTRUCTION NOTES:

1. OWNER FURNISHED MATERIALS, VERIZON "THE COMPANY" WILL PROVIDE AND THE CONTRACTOR WILL INSTALL
 - A. BTS EQUIPMENT FRAME (PLATFORM) AND ICEBRIDGE SHELTER (GROUND BUILD/CO-LOCATE ONLY)
 - B. AC/TELCO INTERFACE BOX (PPC)
 - C. ICE BRIDGE (CABLE TRAY WITH COVER) (GROUND BUILD/CO-LOCATE ONLY, GC TO FURNISH AND INSTALL FOR ROOFTOP INSTALLATION)
 - D. TOWERS, MONOPOLES
 - E. TOWER LIGHTING
 - F. GENERATORS & LIQUID PROPANE TANK
 - G. ANTENNA STANDARD BRACKETS, FRAMES AND PIPES FOR MOUNTING
 - H. ANTENNAS (INSTALLED BY OTHERS)
 - I. TRANSMISSION LINE
 - J. TRANSMISSION LINE JUMPERS
 - K. TRANSMISSION LINE CONNECTORS WITH WEATHERPROOFING KITS
 - L. TRANSMISSION LINE GROUND KITS
 - M. HANGERS
 - N. HOISTING GRIPS
 - O. BTS EQUIPMENT
2. THE CONTRACTOR IS RESPONSIBLE TO PROVIDE ALL OTHER MATERIALS FOR THE COMPLETE INSTALLATION OF THE SITE INCLUDING, BUT NOT LIMITED TO, SUCH MATERIALS AS FENCING, STRUCTURAL STEEL SUPPORTING SUB-FRAME FOR PLATFORM, ROOFING LABOR AND MATERIALS, GROUNDING RINGS, GROUNDING WIRES, COPPER-CLAD OR XIT CHEMICAL GROUND ROD(S), BUSS BARS, TRANSFORMERS AND DISCONNECT SWITCHES WHERE APPLICABLE, TEMPORARY ELECTRICAL POWER, CONDUIT, LANDSCAPING COMPOUND STONE, CRANES, CORE DRILLING, SLEEPERS AND RUBBER MATTING, REBAR, CONCRETE CAISSONS, PADS AND/OR AUGER MOUNTS, MISCELLANEOUS FASTENERS, CABLE TRAYS, NON-STANDARD ANTENNA FRAMES AND ALL OTHER MATERIAL AND LABOR REQUIRED TO COMPLETE THE JOB ACCORDING TO THE DRAWINGS AND SPECIFICATIONS. IT IS THE POSITION OF VERIZON TO APPLY FOR PERMITTING AND CONTRACTOR RESPONSIBLE FOR PICKUP AND PAYMENT OF REQUIRED PERMITS.
3. ALL WORK SHALL CONFORM TO ALL CURRENT APPLICABLE FEDERAL, STATE, AND LOCAL CODES, INCLUDING ANSI/EIA/ITIA-222, AND COMPLY WITH ATC CONSTRUCTION SPECIFICATIONS.
4. CONTRACTOR SHALL CONTACT LOCAL 811 FOR IDENTIFICATION OF UNDERGROUND UTILITIES PRIOR TO START OF CONSTRUCTION.
5. CONTRACTOR SHALL BE RESPONSIBLE FOR COORDINATING ALL REQUIRED INSPECTIONS.
6. ALL DIMENSIONS TO, OF, AND ON EXISTING BUILDINGS, DRAINAGE STRUCTURES, AND SITE IMPROVEMENTS SHALL BE VERIFIED IN FIELD BY CONTRACTOR WITH ALL DISCREPANCIES REPORTED TO THE ENGINEER.
7. DO NOT CHANGE SIZE OR SPACING OF STRUCTURAL ELEMENTS.
8. DETAILS SHOWN ARE TYPICAL; SIMILAR DETAILS APPLY TO SIMILAR CONDITIONS UNLESS OTHERWISE NOTED.
9. THESE DRAWINGS DO NOT INCLUDE NECESSARY COMPONENTS FOR CONSTRUCTION SAFETY WHICH SHALL BE THE SOLE RESPONSIBILITY OF THE CONTRACTOR.
10. CONTRACTOR SHALL BRACE STRUCTURES UNTIL ALL STRUCTURAL ELEMENTS NEEDED FOR STABILITY ARE INSTALLED. THESE ELEMENTS ARE AS FOLLOWS: LATERAL BRACING, ANCHOR BOLTS, ETC.
11. CONTRACTOR SHALL DETERMINE EXACT LOCATION OF EXISTING UTILITIES, GROUNDS DRAINS, DRAIN PIPES, VENTS, ETC. BEFORE COMMENCING WORK.
12. INCORRECTLY FABRICATED, DAMAGED, OR OTHERWISE MISFITTING OR NONCONFORMING MATERIALS OR CONDITIONS SHALL BE REPORTED TO THE VERIZON REP PRIOR TO REMEDIAL OR CORRECTIVE ACTION. ANY SUCH REMEDIAL ACTION SHALL REQUIRE WRITTEN APPROVAL BY THE VERIZON REP PRIOR TO PROCEEDING.
13. EACH CONTRACTOR SHALL COOPERATE WITH THE VERIZON REP, AND COORDINATE HIS WORK WITH THE WORK OF OTHERS.
14. CONTRACTOR SHALL REPAIR ANY DAMAGE CAUSED BY CONSTRUCTION OF THIS PROJECT TO MATCH EXISTING PRE-CONSTRUCTION CONDITIONS TO THE SATISFACTION OF THE VERIZON CONSTRUCTION MANAGER.
15. ALL CABLE/CONDUIT ENTRY/EXIT PORTS SHALL BE WEATHERPROOFED DURING INSTALLATION USING A SILICONE SEALANT.
16. WHERE EXISTING CONDITIONS DO NOT MATCH THOSE SHOWN IN THIS PLAN SET, CONTRACTOR SHALL NOTIFY THE VERIZON REP AND ENGINEER OF RECORD IMMEDIATELY.
17. CONTRACTOR SHALL ENSURE ALL SUBCONTRACTORS ARE PROVIDED WITH A COMPLETE AND CURRENT SET OF DRAWINGS AND SPECIFICATIONS FOR THIS PROJECT.
18. CONTRACTOR SHALL REMOVE ALL RUBBISH AND DEBRIS FROM THE SITE AT THE END OF EACH DAY.
19. CONTRACTOR SHALL COORDINATE WORK SCHEDULE WITH AMERICAN TOWER CORPORATION (ATC) AND TAKE PRECAUTIONS TO MINIMIZE IMPACT AND DISRUPTION OF OTHER OCCUPANTS OF THE FACILITY.
20. CONTRACTOR SHALL FURNISH VERIZON AND AMERICAN TOWER CORPORATION (ATC) WITH A PDF MARKED UP AS-BUILT SET OF DRAWINGS UPON COMPLETION OF WORK.
21. PRIOR TO SUBMISSION OF BID, CONTRACTOR SHALL COORDINATE WITH VERIZON REP TO DETERMINE WHAT, IF ANY, ITEMS WILL BE PROVIDED. ALL ITEMS NOT PROVIDED SHALL BE PROVIDED AND INSTALLED BY THE CONTRACTOR. CONTRACTOR WILL INSTALL ALL ITEMS PROVIDED.

22. PRIOR TO SUBMISSION OF BID, CONTRACTOR SHALL COORDINATE WITH VERIZON REP TO DETERMINE IF ANY PERMITS WILL BE OBTAINED BY CONTRACTOR. ALL REQUIRED PERMITS NOT OBTAINED BY VERIZON MUST BE OBTAINED, AND PAID FOR, BY THE CONTRACTOR.
23. CONTRACTOR SHALL INSTALL ALL SITE SIGNAGE IN ACCORDANCE WITH VERIZON SPECIFICATIONS AND REQUIREMENTS.
24. CONTRACTOR SHALL SUBMIT ALL SHOP DRAWINGS TO VERIZON FOR REVIEW AND APPROVAL PRIOR TO FABRICATION.
25. ALL EQUIPMENT SHALL BE INSTALLED ACCORDING TO MANUFACTURER'S SPECIFICATIONS AND LOCATED ACCORDING TO VERIZON SPECIFICATIONS, AND AS SHOWN IN THESE PLANS.
26. THE CONTRACTOR SHALL SUPERVISE AND DIRECT THE PROJECT DESCRIBED HEREIN. THE CONTRACTOR SHALL BE SOLELY RESPONSIBLE FOR ALL THE CONSTRUCTION MEANS, METHODS, TECHNIQUES, SEQUENCES AND PROCEDURES AND FOR COORDINATING ALL PORTIONS OF THE WORK UNDER THE CONTRACT.
27. CONTRACTOR SHALL NOTIFY VERIZON REP A MINIMUM OF 48 HOURS IN ADVANCE OF POURING CONCRETE OR BACKFILLING ANY UNDERGROUND UTILITIES, FOUNDATIONS OR SEALING ANY WALL, FLOOR OR ROOF PENETRATIONS FOR ENGINEERING REVIEW AND APPROVAL.
28. CONTRACTOR SHALL BE RESPONSIBLE FOR SITE SAFETY INCLUDING COMPLIANCE WITH ALL APPLICABLE OSHA STANDARDS AND RECOMMENDATIONS AND SHALL PROVIDE ALL NECESSARY SAFETY DEVICES INCLUDING PPE AND PPM AND CONSTRUCTION DEVICES SUCH AS WELDING AND FIRE PREVENTION, TEMPORARY SHORING, SCAFFOLDING, TRENCH BOXES/SLOPING, BARRIERS, ETC.
29. THE CONTRACTOR SHALL PROTECT AT HIS OWN EXPENSE, ALL EXISTING FACILITIES AND SUCH OF HIS NEW WORK LIABLE TO INJURY DURING THE CONSTRUCTION PERIOD. ANY DAMAGE CAUSED BY NEGLIGENCE ON THE PART OF THIS CONTRACTOR OR HIS REPRESENTATIVES, OR BY THE ELEMENTS DUE TO NEGLIGENCE ON THE PART OF THIS CONTRACTOR OR HIS REPRESENTATIVES, EITHER TO THE EXISTING WORK, OR TO HIS WORK OR THE WORK OF ANY OTHER CONTRACTOR, SHALL BE REPAIRED AT HIS EXPENSE TO THE OWNER'S SATISFACTION.
30. ALL WORK SHALL BE INSTALLED IN A FIRST CLASS, NEAT AND WORKMANLIKE MANNER BY MECHANICS SKILLED IN THE TRADE INVOLVED. THE QUALITY OF WORKMANSHIP SHALL BE SUBJECT TO THE APPROVAL OF THE VERIZON REP. ANY WORK FOUND BY THE VERIZON REP TO BE OF INFERIOR QUALITY AND/OR WORKMANSHIP SHALL BE REPLACED AND/OR REWORKED AT CONTRACTOR EXPENSE UNTIL APPROVAL IS OBTAINED.
31. IN ORDER TO ESTABLISH STANDARDS OF QUALITY AND PERFORMANCE, ALL TYPES OF MATERIALS LISTED HEREINAFTER BY MANUFACTURER'S NAMES AND/OR MANUFACTURER'S CATALOG NUMBER SHALL BE PROVIDED BY THESE MANUFACTURERS AS SPECIFIED.
32. VERIZON FURNISHED EQUIPMENT SHALL BE PICKED-UP AT THE VERIZON WAREHOUSE, NO LATER THAN 48HR AFTER BEING NOTIFIED INSURED, STORED, UNCRATE, PROTECTED AND INSTALLED BY THE CONTRACTOR WITH ALL APPURTENANCES REQUIRED TO PLACE THE EQUIPMENT IN OPERATION, READY FOR USE. THE CONTRACTOR SHALL BE RESPONSIBLE FOR THE EQUIPMENT AFTER PICKING IT UP.
33. VERIZON OR HIS ARCHITECT/ENGINEER RESERVES THE RIGHT TO REJECT ANY EQUIPMENT OR MATERIALS WHICH, IN HIS OWN OPINION ARE NOT IN COMPLIANCE WITH THE CONTRACT DOCUMENTS, EITHER BEFORE OR AFTER INSTALLATION AND THE EQUIPMENT SHALL BE REPLACED WITH EQUIPMENT CONFORMING TO THE REQUIREMENTS OF THE CONTRACT DOCUMENTS BY THE CONTRACTOR AT NO COST TO VERIZON OR THEIR ARCHITECT/ENGINEER.

SPECIAL CONSTRUCTION

ANTENNA INSTALLATION NOTES:

1. WORK INCLUDED:
 - A. ANTENNA AND COAXIAL CABLES ARE FURNISHED BY VERIZON UNDER A SEPARATE CONTRACT. THE CONTRACTOR SHALL ASSIST ANTENNA INSTALLATION CONTRACTOR IN TERMS OF COORDINATION AND SITE ACCESS. ERECTION SUBCONTRACTOR SHALL BE RESPONSIBLE FOR THE PROTECTION OF PERSONNEL AND
 - B. INSTALL ANTENNA AS INDICATE ON DRAWINGS AND VERIZON SPECIFICATIONS.
 - C. INSTALL GALVANIZED STEEL ANTENNA MOUNTS AS INDICATED ON DRAWINGS
 - D. INSTALL FURNISHED GALVANIZED STEEL OR ALUMINUM WAVEGUIDE.
 - E. CONTRACTOR SHALL PROVIDE FOUR (4) SETS OF SWEEP TESTS USING ANRITZU-PACKARD 8713B RF SCALAR NETWORK ANALYZER. SUBMIT FREQUENCY DOMAIN REFLECTOMETER(FDR) TESTS RESULTS TO THE PROJECT MANAGER. SWEEP TESTS SHALL BE AS PER ATTACHED RFS "MINIMUM FIELD TESTING RECOMMENDED FOR ANTENNA AND HELIAX COAXIAL CABLE SYSTEMS" DATED 10/5/93. TESTING SHALL BE PERFORMED BY AN INDEPENDENT TESTING SERVICE AND BE BOUND AND SUBMITTED WITHIN ONE WEEK OF WORK COMPLETION.
 - F. INSTALL COAXIAL CABLES AND TERMINATING BETWEEN ANTENNAS AND EQUIPMENT PER MANUFACTURER'S RECOMMENDATIONS. WEATHERPROOF ALL CONNECTIONS BETWEEN THE ANTENNA AND EQUIPMENT PER MANUFACTURER'S REQUIREMENTS. TERMINATE ALL COAXIAL CABLE THREE (3) FEET IN EXCESS OF ENTRY PORT LOCATION UNLESS OTHERWISE STATED.
 - G. ANTENNA AND COAXIAL CABLE GROUNDING:
2. ALL EXTERIOR #6 GREED GROUND WIRE "DAISY CHAIN" CONNECTIONS ARE TO BE WEATHER SEALED WITH RFS CONNECTORS/SPICE WEATHERPROOFING KIT #221213 OR EQUAL.
3. ALL COAXIAL CABLE GROUNDING KITS ARE TO BE INSTALLED ON STRAIGHT RUNS OF COAXIAL CABLE (NOT WITHIN BENDS)

ALL DISCREPANCIES FROM WHAT IS SHOWN ON THESE CONSTRUCTION DRAWINGS SHALL BE COMMUNICATED TO ATC ENGINEERING IMMEDIATELY FOR CORRECTION OR RE-DESIGN. FAILURE TO COMMUNICATE DIRECTLY WITH ATC ENGINEERING OR ANY CHANGES FROM THE DESIGN CONDUCTED WITHOUT PRIOR APPROVAL FROM ATC ENGINEERING SHALL BE THE SOLE RESPONSIBILITY OF THE GENERAL CONTRACTOR.



Dewberry[®]
 Dewberry Engineers Inc.
 99 SUMMER STREET
 SUITE 700
 BOSTON, MA 02110
 PHONE: 617.531.0801
 FAX: 617.695.3310

REV.	DESCRIPTION	BY	DATE
A	PRELIM	XH	05/18/21
0	FINAL	WG	08/06/21

ATC SITE NUMBER:
283418

ATC SITE NAME:
NORTH HAVEN CT

VERIZON SITE NAME:
NORTH HAVEN WEST CT

SITE ADDRESS:
 50 DEVINE STREET
 NORTH HAVEN, CT 06473



verizon

DATE DRAWN:	05/18/21
ATC JOB NO:	13668665
CUSTOMER ID:	NORTH HAVEN WEST CT
CUSTOMER #:	468529

GENERAL NOTES

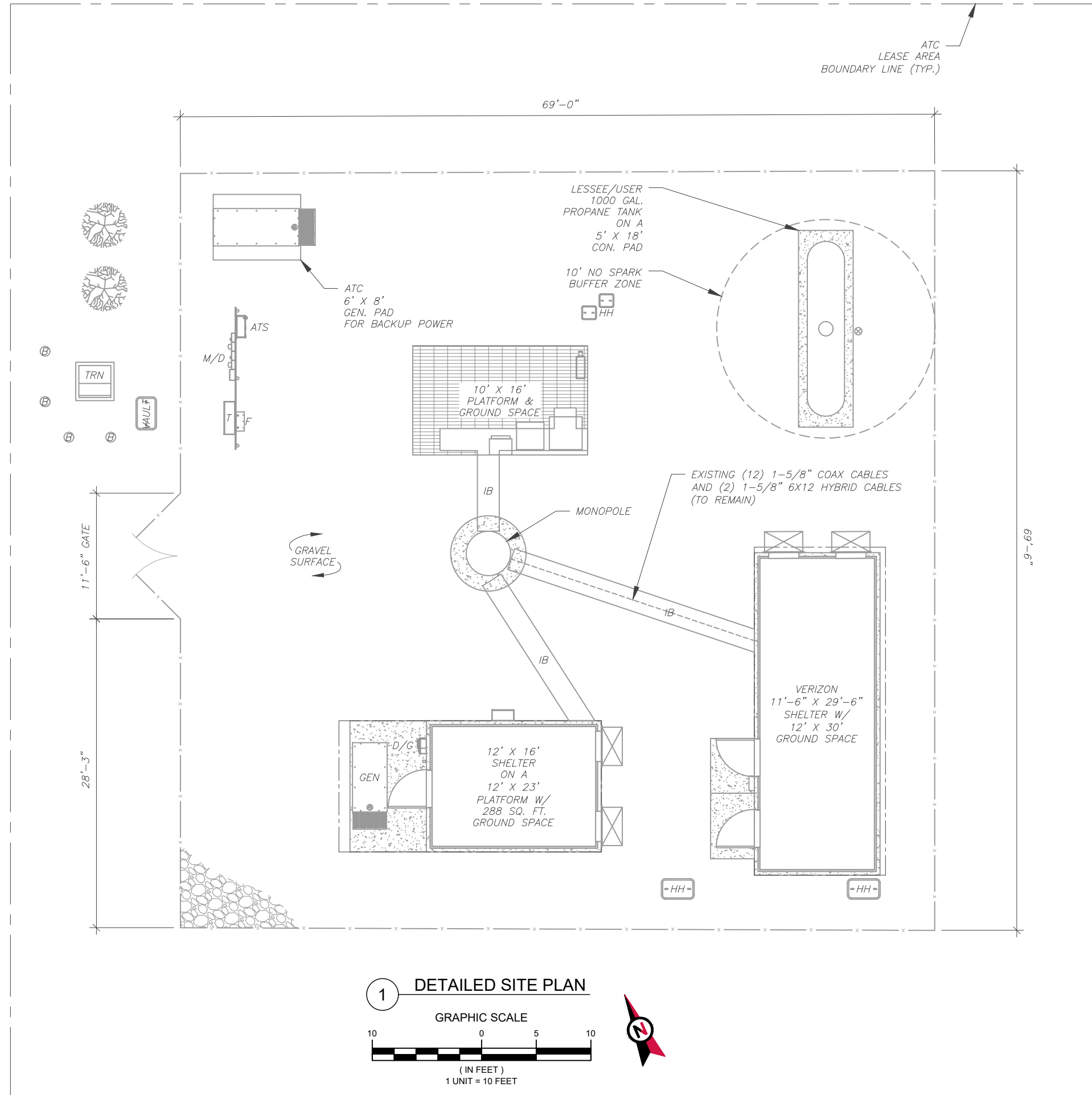
SHEET NUMBER: G-002	REVISION: 0
-------------------------------	-----------------------

Copyright © 2021 ATC IP LLC, All Rights Reserved.

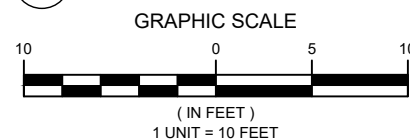
SITE PLAN NOTES:

1. THIS SITE PLAN REPRESENTS THE BEST PRESENT KNOWLEDGE AVAILABLE TO THE ENGINEER AT THE TIME OF THIS DESIGN. THE CONTRACTOR SHALL VISIT THE SITE PRIOR TO CONSTRUCTION AND VERIFY ALL EXISTING CONDITIONS RELATED TO THE SCOPE OF WORK FOR THIS PROJECT.
2. ICE BRIDGE, CABLE LADDER, COAX PORT, AND COAX CABLE ARE SHOWN FOR REFERENCE ONLY. CONTRACTOR SHALL CONFIRM THE EXACT LOCATION OF ALL PROPOSED AND EXISTING EQUIPMENT AND STRUCTURES DEPICTED ON THIS PLAN. BEFORE UTILIZING EXISTING CABLE SUPPORTS, COAX PORTS, INSTALLING NEW PORTS OR ANY OTHER EQUIPMENT, CONTRACTOR SHALL VERIFY ALL ASPECTS OF THE COMPONENTS MEET THE ATC SPECIFICATIONS.
3. NO ELECTRICAL SCOPE IS INCLUDED IN THIS PROJECT.

LEGEND	
⊗	GROUNDING TEST WELL
ATS	AUTOMATIC TRANSFER SWITCH
B	BOLLARD
CSC	CELL SITE CABINET
D	DISCONNECT
E	ELECTRICAL
F	FIBER
GEN	GENERATOR
G	GENERATOR RECEPTACAL
HH, V	HAND HOLE, VAULT
IB	ICE BRIDGE
K	KENTROX BOX
LC	LIGHTING CONTROL
M	METER
PB	PULL BOX
PP	POWER POLE
T	TELCO
TRN	TRANSFORMER
—x—	CHAINLINK FENCE



1 DETAILED SITE PLAN



Dewberry[®]
 Dewberry Engineers Inc.
 99 SUMMER STREET
 SUITE 700
 BOSTON, MA 02110
 PHONE: 617.531.0801
 FAX: 617.695.3310

REV.	DESCRIPTION	BY	DATE
A	PRELIM	XH	05/18/21
0	FINAL	WG	08/06/21

ATC SITE NUMBER:
283418

ATC SITE NAME:
NORTH HAVEN CT

VERIZON SITE NAME:
NORTH HAVEN WEST CT

SITE ADDRESS:
50 DEVINE STREET
NORTH HAVEN, CT 06473

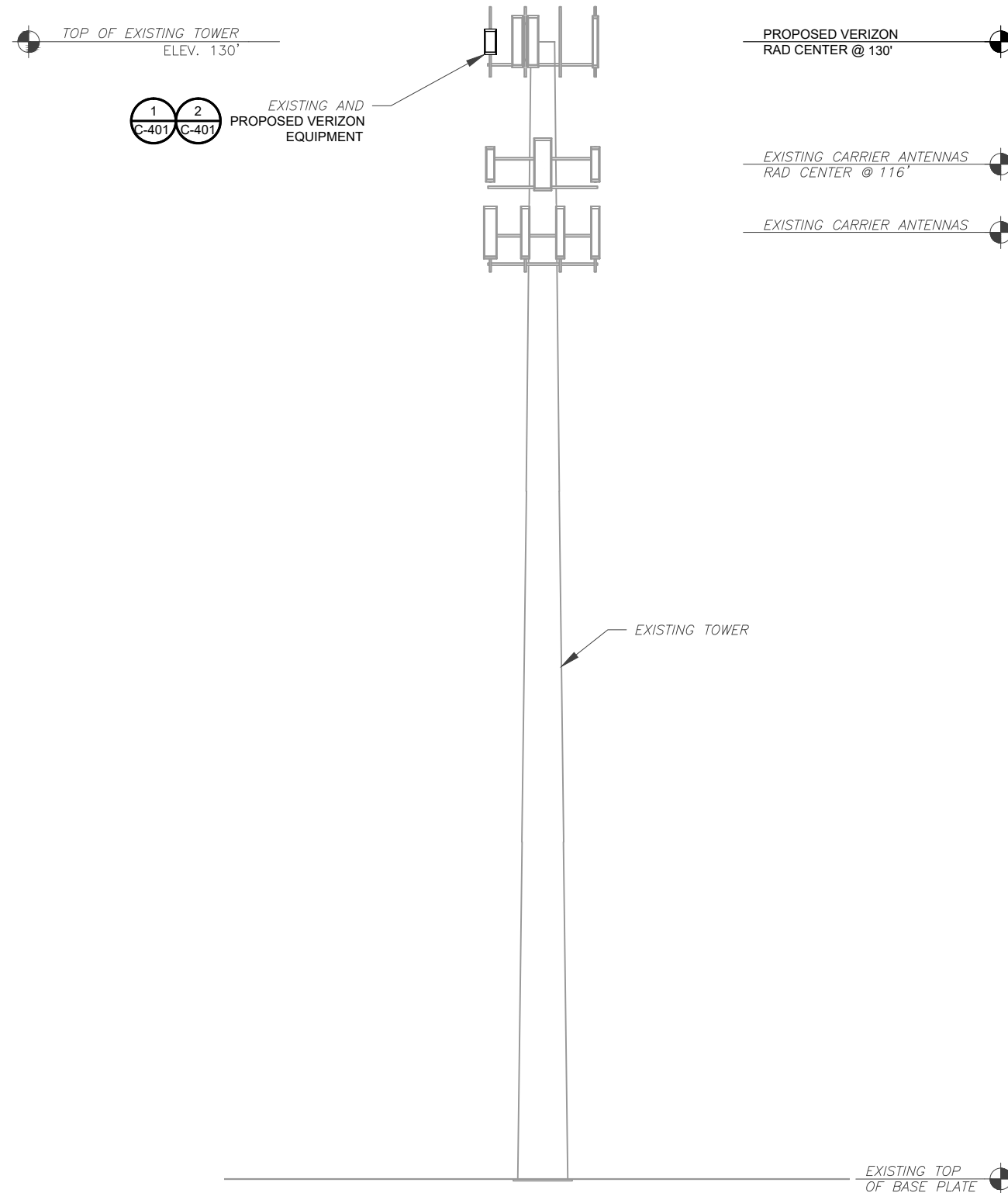


DATE DRAWN:	05/18/21
ATC JOB NO:	13668665
CUSTOMER ID:	NORTH HAVEN WEST CT
CUSTOMER #:	468529

DETAILED SITE PLAN

SHEET NUMBER:	REVISION:
C-101	0

Copyright © 2021 ATC IP, LLC. All Rights Reserved.



PER MOUNT ANALYSIS COMPLETED BY MASER CONSULTING CONNECTICUT, DATED 06/11/21, THE EXISTING MOUNT MUST BE MODIFIED TO ADEQUATELY SUPPORT THE PROPOSED LOADING. THE MOUNT MODIFICATION DETAILED AT THE END OF THIS PLAN SET, MUST BE INSTALLED PRIOR TO THE INSTALLATION OF THE PROPOSED ANTENNAS AND OTHER EQUIPMENT



Dewberry
Dewberry Engineers Inc.
99 SUMMER STREET
SUITE 700
BOSTON, MA 02110
PHONE: 617.531.0801
FAX: 617.695.3310

REV.	DESCRIPTION	BY	DATE
A	PRELIM	XH	05/18/21
0	FINAL	WG	08/06/21

ATC SITE NUMBER:
283418

ATC SITE NAME:
NORTH HAVEN CT

VERIZON SITE NAME:
NORTH HAVEN WEST CT

SITE ADDRESS:
50 DEVINE STREET
NORTH HAVEN, CT 06473



- TOWER NOTE:**
- IT IS THE CONTRACTOR'S RESPONSIBILITY TO CONFIRM WITH THE PROJECT MANAGER THAT THEY HAVE THE MOST RECENT VERSION OF THE STRUCTURAL ANALYSIS BEFORE COMMENCING WORK. EXISTING AND PROPOSED TOWER APPURTENANCES, MOUNTS, AND ANTENNAS ARE SHOWN BASED ON THE STRUCTURAL ANALYSIS.
 - WHERE APPLICABLE, ALL NEW ANTENNAS, EQUIPMENT, MOUNTS, CABLING, ETC. SHALL BE PAINTED/SOCKED TO MATCH EXISTING EQUIPMENT IN ACCORDANCE WITH FAA, JURISDICTION, AND/OR OTHER LOCAL REQUIREMENTS.
 - TOWER ELEVATIONS ARE MEASURED FROM TOP OF BASE PLATE TO MATCH STRUCTURAL ANALYSIS. ELEVATIONS DO NOT REFLECT TRUE ABOVE GROUND LEVEL (A.G.L.)



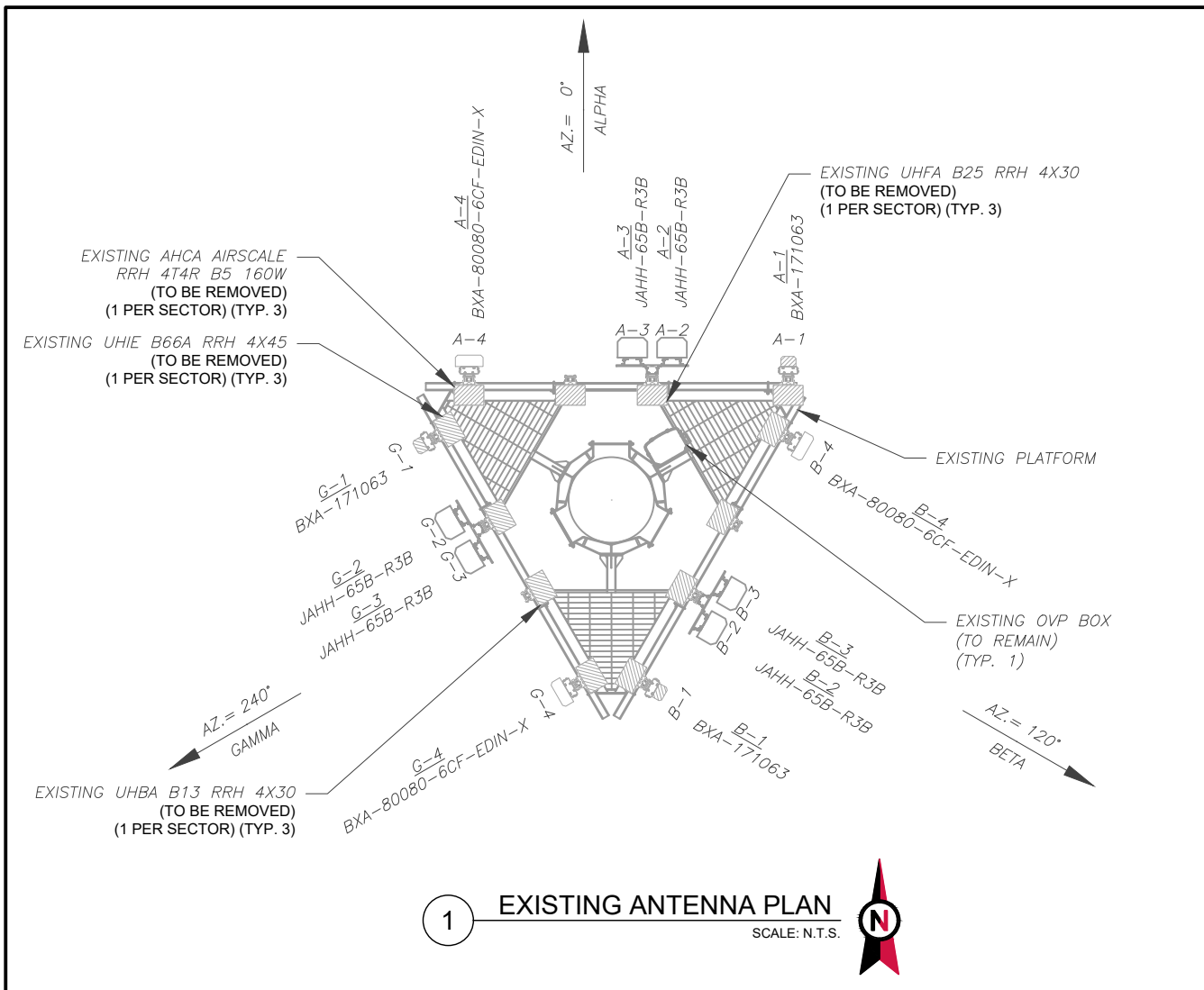
DATE DRAWN:	05/18/21
ATC JOB NO:	13668665
CUSTOMER ID:	NORTH HAVEN WEST CT
CUSTOMER #:	468529

TOWER ELEVATION

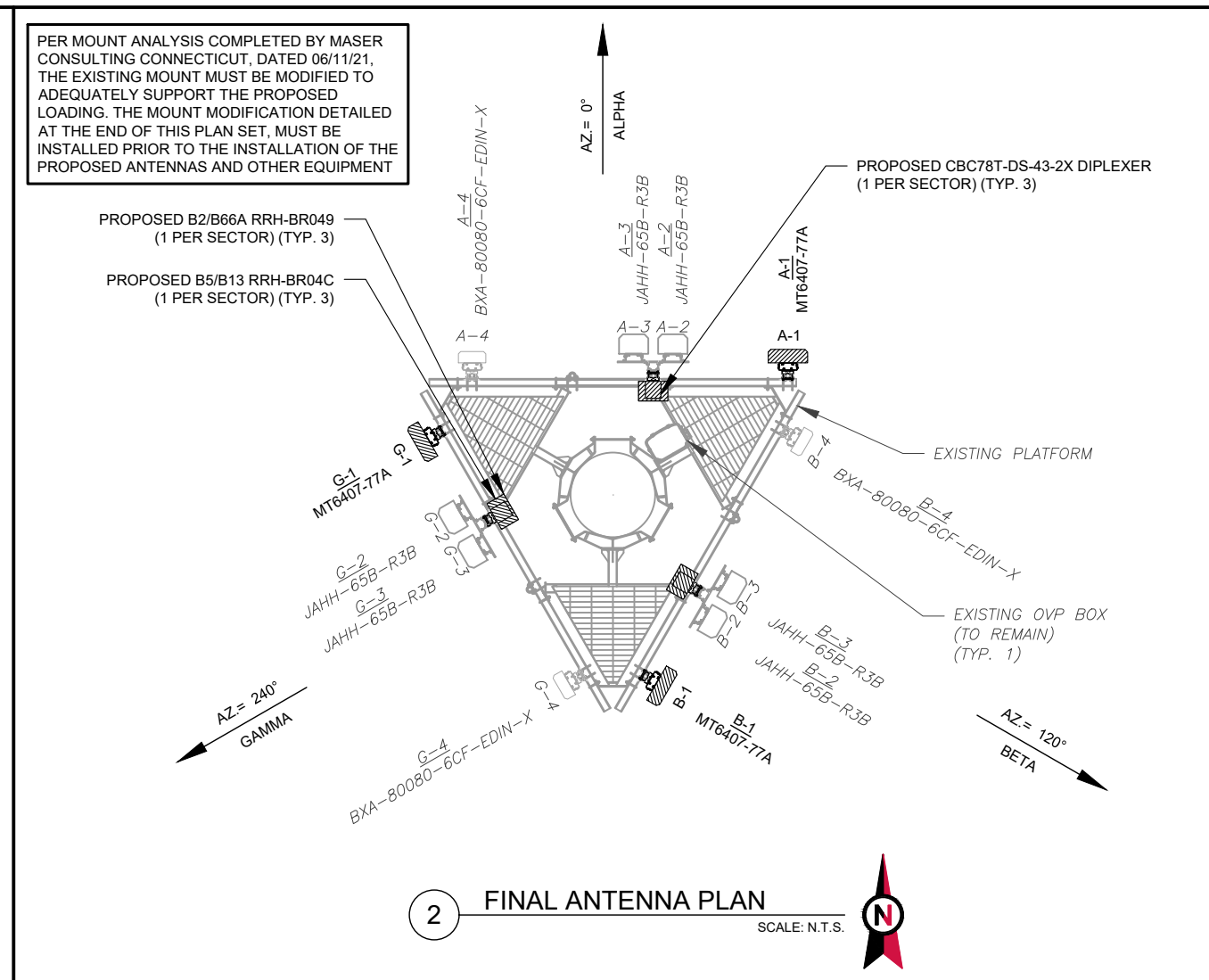
1 TOWER ELEVATION
SCALE: N.T.S.

SHEET NUMBER:	REVISION:
C-201	0

Copyright © 2021 ATC IP, LLC. All Rights Reserved.



1 EXISTING ANTENNA PLAN
SCALE: N.T.S.



2 FINAL ANTENNA PLAN
SCALE: N.T.S.

EXISTING ANTENNA SCHEDULE									
LOCATION			ANTENNA SUMMARY				NON ANTENNA SUMMARY		
SECTOR	RAD	AZ	POS	ANTENNA	BAND	MECH/ELEC D-TILT	STATUS	ADDITIONAL TOWER MOUNTED EQUIPMENT	STATUS
ALPHA	130'	0°	A1	BXA-171063	-	-	RMV	UHIE B66A RRH 4X45	RMV
			A2	JAHH-65B-R3B	700/850/1900/AWS	0/8,8,4,4	RMN	UHBA B13 RRH 4X30	RMV
			A3	JAHH-65B-R3B	700/850/1900/AWS	0/8,8,4,4	RMN	UHFA B25 RRH 4X30	RMV
			A4	BXA-80080-6CF-EDIN-X	-	-	RMN	AHCA AIRSCALE RRH 4T4R B5 160W	RMV
BETA	130'	120°	B1	BXA-171063	-	-	RMV	UHIE B66A RRH 4X45	RMV
			B2	JAHH-65B-R3B	700/850/1900/AWS	0/6,8,2,2	RMN	UHBA B13 RRH 4X30	RMV
			B3	JAHH-65B-R3B	700/850/1900/AWS	0/6,8,2,2	RMN	UHFA B25 RRH 4X30	RMV
			B4	BXA-80080-6CF-EDIN-X	-	-	RMN	AHCA AIRSCALE RRH 4T4R B5 160W	RMV
GAMMA	130'	240°	G1	BXA-171063	-	-	RMV	UHIE B66A RRH 4X45	RMV
			G2	JAHH-65B-R3B	700/850/1900/AWS	0/8,8,4,4	RMN	UHBA B13 RRH 4X30	RMV
			G3	JAHH-65B-R3B	700/850/1900/AWS	0/8,8,4,4	RMN	UHFA B25 RRH 4X30	RMV
			G4	BXA-80080-6CF-EDIN-X	-	-	RMN	AHCA AIRSCALE RRH 4T4R B5 160W	RMV

NOTES

- CONFIRM WITH VERIZON REP FOR APPLICABLE UPDATES/REVISIONS AND MOST RECENT RFDS FOR NSN CONFIGURATION (CONFIG). GC TO CAP ALL UNUSED PORTS.
- CONFIRM SPACING OF PROPOSED EQUIP DOES NOT CAUSE TOWER CONFLICTS NOR IMPEDE TOWER CLIMBING PEGS.

STATUS ABBREVIATIONS

RMV: TO BE REMOVED
RMN: TO REMAIN
REL: TO BE RELOCATED
ADD: TO BE ADDED

CABLE LENGTHS FOR JUMPERS

JUNCTION BOX TO RRU: 15'
RRU TO ANTENNA: 10'

FINAL ANTENNA SCHEDULE									
LOCATION			ANTENNA SUMMARY				NON ANTENNA SUMMARY		
SECTOR	RAD	AZ	POS	ANTENNA	BAND	MECH/ELEC D-TILT	STATUS	ADDITIONAL TOWER MOUNTED EQUIPMENT	STATUS
ALPHA	130'	0°	A1	MT6407-77A	L-SUB6	0/6	ADD	-	-
			A2	JAHH-65B-R3B	700/850/1900/AWS	0/8,8,4,4	RMN	B2/B66A RRH-BR049	ADD
			A3	JAHH-65B-R3B	700/850/1900/AWS	0/8,8,4,4	RMN	B5/B13 RRH-BR04C	ADD
			A4	BXA-80080-6CF-EDIN-X	-	-	RMN	CBC78T-DS-43-2X	ADD
BETA	130'	120°	B1	MT6407-77A	L-SUB6	0/6	ADD	-	-
			B2	JAHH-65B-R3B	700/850/1900/AWS	0/8,8,4,4	RMN	B2/B66A RRH-BR049	ADD
			B3	JAHH-65B-R3B	700/850/1900/AWS	0/8,8,4,4	RMN	B5/B13 RRH-BR04C	ADD
			B4	BXA-80080-6CF-EDIN-X	-	-	RMN	CBC78T-DS-43-2X	ADD
GAMMA	130'	240°	G1	MT6407-77A	L-SUB6	0/6	ADD	-	-
			G2	JAHH-65B-R3B	700/850/1900/AWS	0/8,8,4,4	RMN	B2/B66A RRH-BR049	ADD
			G3	JAHH-65B-R3B	700/850/1900/AWS	0/8,8,4,4	RMN	B5/B13 RRH-BR04C	ADD
			G4	BXA-80080-6CF-EDIN-X	-	-	RMN	CBC78T-DS-43-2X	ADD

EXISTING FIBER DISTRIBUTION/OVP BOX		EXISTING CABLING SUMMARY		
MODEL NUMBER	STATUS	COAX	HYBRID	STATUS
(1) RHSDC-6627-PF-48	RMN	(12) 1-5/8"	(2) 1-5/8" 6X12	RMN

3 EQUIPMENT SCHEDULES

FINAL FIBER DISTRIBUTION / OVP BOX		FINAL CABLING SUMMARY		
MODEL NUMBER	STATUS	COAX	HYBRID	STATUS
(1) RHSDC-6627-PF-48	RMN	(12) 1-5/8"	(2) 1-5/8" 6X12	RMN

Dewberry
Dewberry Engineers Inc.
99 SUMMER STREET
SUITE 700
BOSTON, MA 02110
PHONE: 617.531.0801
FAX: 617.695.3310

REV.	DESCRIPTION	BY	DATE
A	PRELIM	XH	05/18/21
0	FINAL	WG	08/06/21

ATC SITE NUMBER:
283418

ATC SITE NAME:
NORTH HAVEN CT

VERIZON SITE NAME:
NORTH HAVEN WEST CT

SITE ADDRESS:
50 DEVINE STREET
NORTH HAVEN, CT 06473

SEAL:

DATE DRAWN: 05/18/21
ATC JOB NO: 13668665
CUSTOMER ID: NORTH HAVEN WEST CT
CUSTOMER #: 468529

ANTENNA INFORMATION & SCHEDULE

SHEET NUMBER: **C-401**
REVISION: **0**

Copyright © 2021 ATC IP, LLC. All Rights Reserved.



Dewberry®
 Dewberry Engineers Inc.
 99 SUMMER STREET
 SUITE 700
 BOSTON, MA 02110
 PHONE: 617.531.0801
 FAX: 617.695.3310

Copyright © 2021 ATC IP, LLC. All Rights Reserved.

REV.	DESCRIPTION	BY	DATE
A	PRELIM	XH	05/18/21
0	FINAL	WG	08/06/21

ATC SITE NUMBER:
283418

ATC SITE NAME:
NORTH HAVEN CT

VERIZON SITE NAME:
NORTH HAVEN WEST CT

SITE ADDRESS:
50 DEVINE STREET
NORTH HAVEN, CT 06473

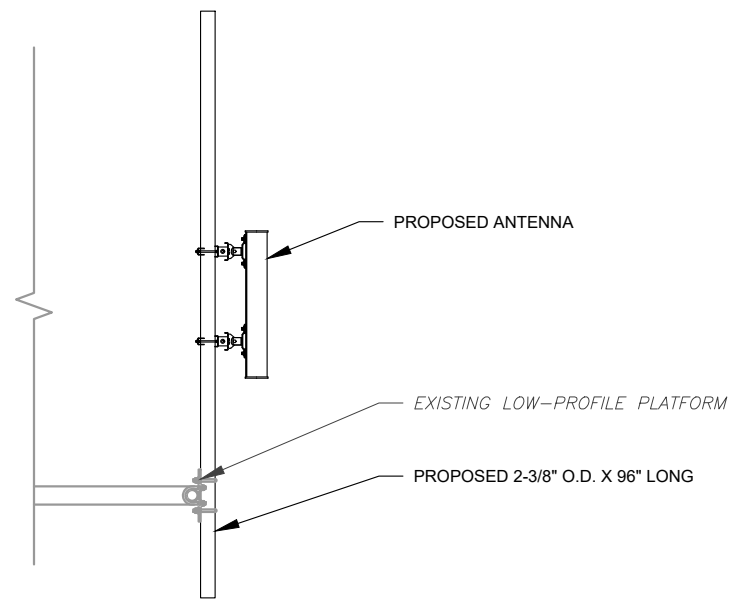
SEAL:



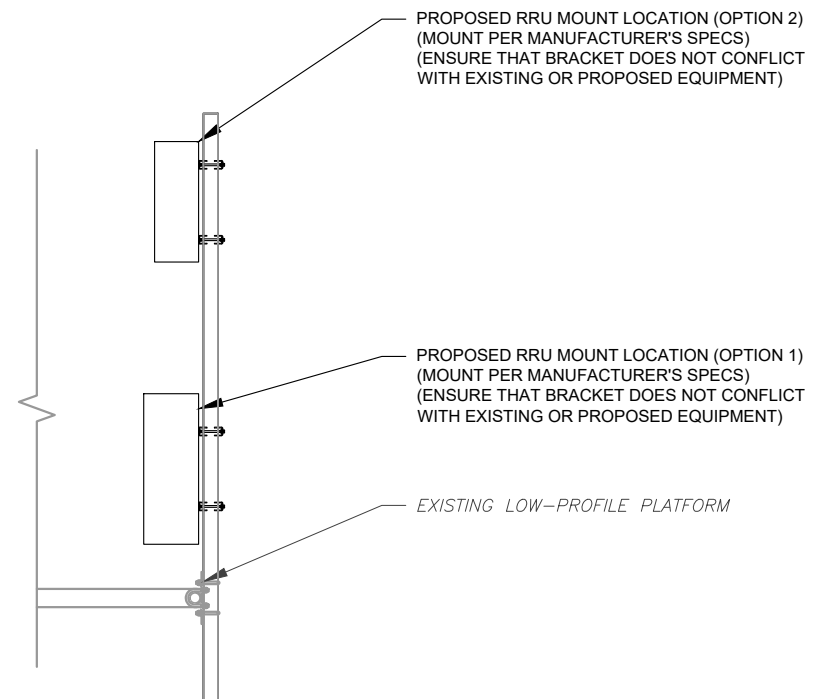
DATE DRAWN:	05/18/21
ATC JOB NO:	13668665
CUSTOMER ID:	NORTH HAVEN WEST CT
CUSTOMER #:	468529

**CONSTRUCTION
DETAILS**

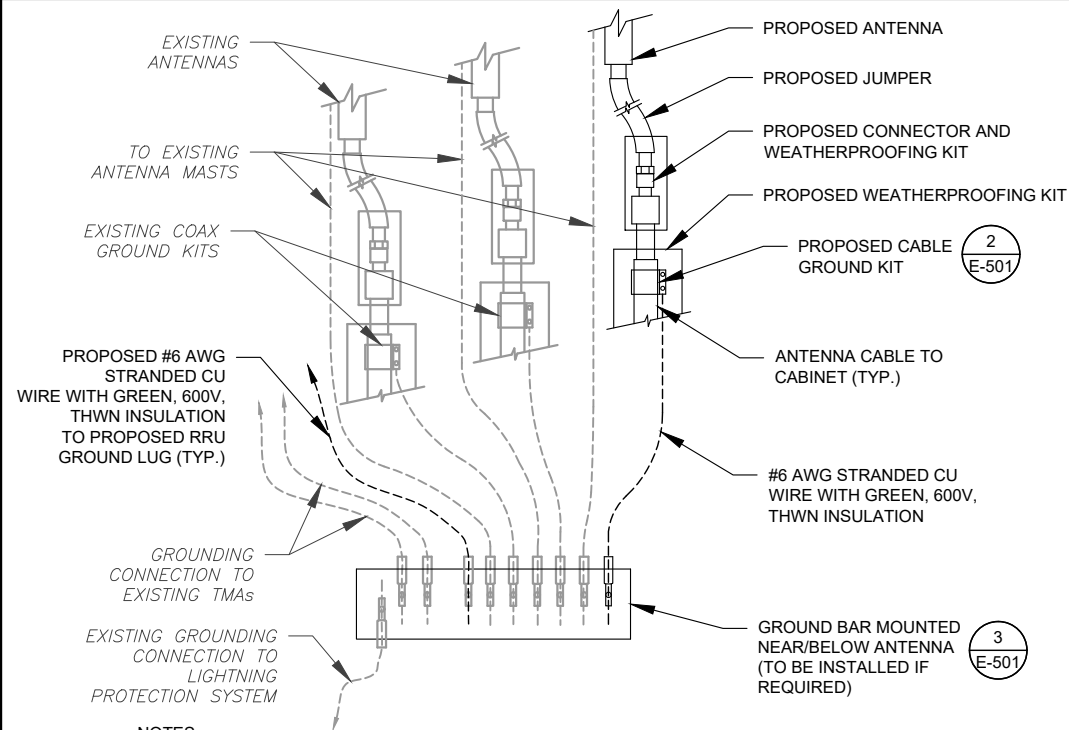
SHEET NUMBER:	REVISION:
C-501	0



1 PROPOSED 5G ANTENNA MOUNTING DETAIL - TYPICAL
SCALE: N.T.S.



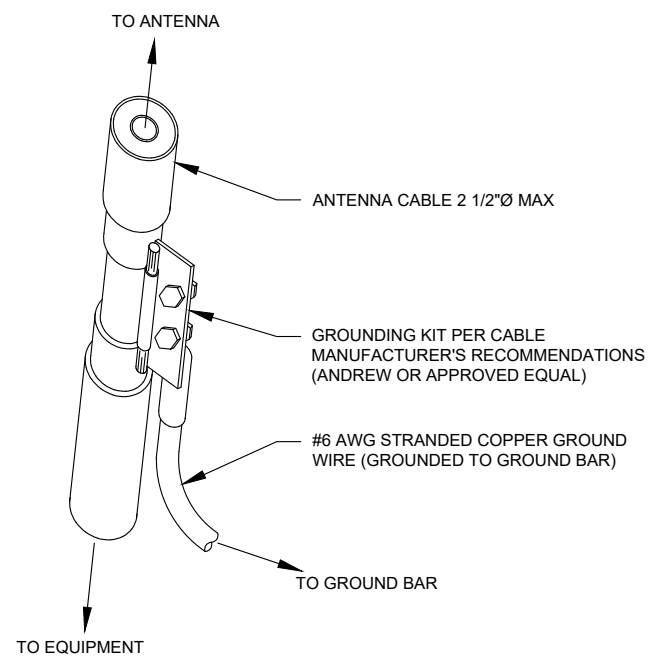
2 PROPOSED RRU MOUNTING DETAIL - TYPICAL
SCALE: N.T.S.



NOTES:

1. THIS DETAIL IS INTENDED TO SHOW THE GENERAL GROUNDING REQUIREMENTS. SLIGHT ADJUSTMENTS MAY BE REQUIRED BASED ON EXISTING SITE CONDITIONS. THE CONTRACTOR SHALL MAKE FIELD ADJUSTMENTS AS NEEDED AND INFORM THE CONSTRUCTION MANAGER OF ANY CONFLICTS.
2. SITE GROUNDING SHALL COMPLY WITH VERIZON GROUNDING STANDARDS, LATEST EDITION, AND COMPLY WITH VERIZON GROUNDING CHECKLIST, LATEST VERSION. WHEN NATIONAL AND LOCAL GROUNDING CODES ARE MORE STRINGENT THEY SHALL GOVERN.

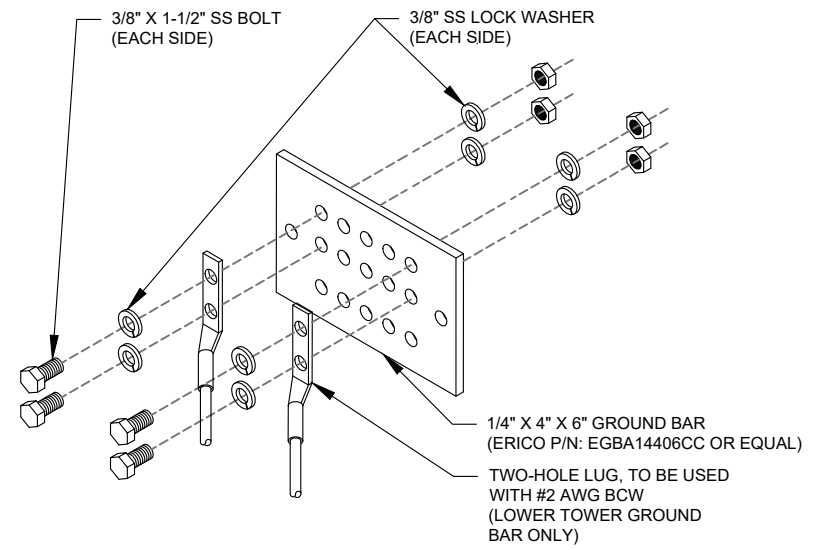
1 TYPICAL ANTENNA GROUNDING DIAGRAM
SCALE: N.T.S.



GROUND KIT NOTES:

1. DO NOT INSTALL CABLE GROUND KIT AT A BEND AND ALWAYS DIRECT GROUND WIRE DOWN TO GROUND BAR.
2. CONTRACTOR SHALL PROVIDE WEATHERPROOFING KIT (ANDREW PART NUMBER 221213) AND INSTALL/TAPE PER MANUFACTURER'S SPECIFICATIONS.

2 CABLE GROUND KIT CONNECTION DETAIL
SCALE: N.T.S.



GROUND BAR NOTES:

1. GROUND BAR KITS COME WITH ALL HARDWARE, NUTS, BOLTS, WASHERS, ETC. EXCEPT THE STRUCTURAL MOUNTING MEMBER(S).
2. GROUND BAR TO BE BONDED DIRECTLY TO TOWER.

3 TOWER GROUND BAR DETAIL
SCALE: N.T.S.



Dewberry
Dewberry Engineers Inc.
99 SUMMER STREET
SUITE 700
BOSTON, MA 02110
PHONE: 617.531.0801
FAX: 617.695.3310

REV.	DESCRIPTION	BY	DATE
A	PRELIM	XH	05/18/21
0	FINAL	WG	08/06/21

ATC SITE NUMBER:
283418

ATC SITE NAME:
NORTH HAVEN CT

VERIZON SITE NAME:
NORTH HAVEN WEST CT

SITE ADDRESS:
50 DEVINE STREET
NORTH HAVEN, CT 06473

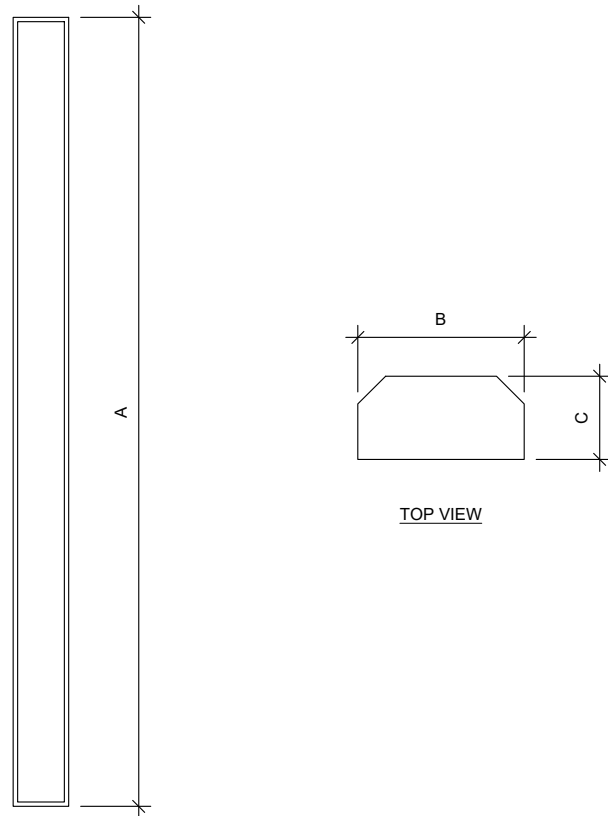


DATE DRAWN:	05/18/21
ATC JOB NO:	13668665
CUSTOMER ID:	NORTH HAVEN WEST CT
CUSTOMER #:	468529

GROUNDING DETAILS

SHEET NUMBER:	REVISION:
E-501	0

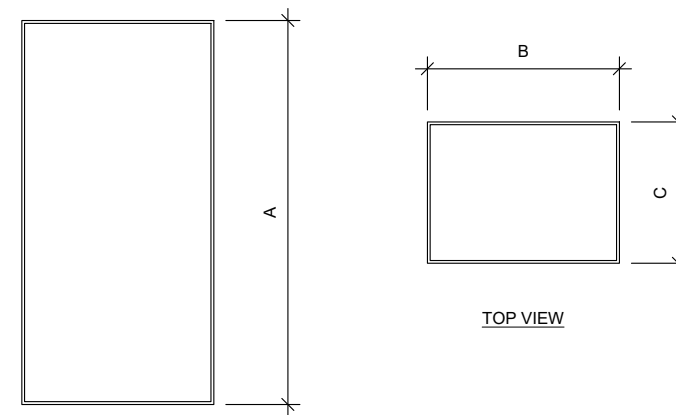
Copyright © 2021 ATC IP, LLC. All Rights Reserved.



FRONT VIEW

1 ANTENNA SPECIFICATIONS
FOR ILLUSTRATIVE PURPOSES ONLY - NOT TO SCALE

ANTENNA SPECIFICATIONS				
ANTENNA MODEL	A	B	C	WEIGHT (LBS)
MT6407-77A	35.1	16.1	5.5	81.6



FRONT VIEW

2 RRU AND DIPLEXER SPECIFICATIONS
FOR ILLUSTRATIVE PURPOSES ONLY - NOT TO SCALE

RRU SPECIFICATIONS				
RRU MODEL	A	B	C	WEIGHT (LBS)
B2/B66A RRH-BR049	15.0"	15.0"	10.0"	84.4
B5/B13 RRH-BR04C	15.0"	15.0"	8.1"	70.3
CBC78T-DS-43-2X	9.6"	6.9"	6.4"	20.7



Dewberry Engineers Inc.
99 SUMMER STREET
SUITE 700
BOSTON, MA 02110
PHONE: 617.531.0801
FAX: 617.695.3310

ATC SITE NUMBER:
283418

ATC SITE NAME:
NORTH HAVEN CT

VERIZON SITE NAME:
NORTH HAVEN WEST CT

SITE ADDRESS:
50 DEVINE STREET
NORTH HAVEN, CT 06473



DATE DRAWN:	05/18/21
ATC JOB NO:	13668665
CUSTOMER ID:	NORTH HAVEN WEST CT
CUSTOMER #:	468529

SUPPLEMENTAL

SHEET NUMBER:
R-601

Copyright © 2021 ATC IP, LLC. All Rights Reserved.



Maser Consulting Connecticut
2000 Midlantic Drive, Suite 100
Mt. Laurel, NJ 08054
(856) 797-0412
peter.albano@colliersengineering.com

Mount Post-Modification Analysis Report
(1) 12.58-Ft Platform

June 11, 2021
Site ID: 468529-VZW / NORTH HAVEN WEST CT
Page | 4

Post-Mod Antenna Mount Analysis Report and PMI Requirements

Mount Fix

SMART Tool Project #: 10069396
Maser Consulting Connecticut Project #: 21777440A

June 11, 2021

Site Information

Site ID: 468529-VZW / NORTH HAVEN WEST CT
Site Name: NORTH HAVEN WEST CT
Carrier Name: Verizon Wireless
Address: 50 Devine St.
North Haven, Connecticut 06473
New Haven County
Latitude: 41.377778°
Longitude: -72.876158°

Structure Information

Tower Type: Self Support
Mount Type: 12.58-Ft Platform

FUZE ID # 16227621

Analysis Results

Platform: 51.0% Pass

***Contractor PMI Requirements:

Included at the end of this MA report

Available & Submitted via portal at <https://pmi.vzwsmart.com>

Contractor - Please Review Specific Site PMI Requirements Upon Award

Requirements also Noted on Mount Modification Drawings

Requirements may also be Noted on A & E drawings

Report Prepared By: Frank Centone



6. All services are performed, results obtained, and recommendations made in accordance with generally accepted engineering principles and practices. Maser Consulting Connecticut is not responsible for the conclusion, opinions, and recommendations made by others based on the information supplied.

7. Structural Steel Grades have been assumed as follows, if applicable, unless otherwise noted in this analysis:

- o Channel, Solid Round, Angle, Plate ASTM A36 (Gr. 36)
- o HSS (Rectangular) ASTM 500 (Gr. B-46)
- o Pipe ASTM A53 (Gr. B-35)
- o Threaded Rod F1554 (Gr. 36)
- o Bolts ASTM A325

8. Any mount modifications listed under Sources of Information are assumed to have been installed per the design specifications.

Discrepancies between in-field conditions and the assumptions listed above may render this analysis invalid unless explicitly approved by Maser Consulting Connecticut.

Analysis Results:

Component	Utilization %	Pass/Fail
Face Horizontal	15.7%	Pass
Standoff Horizontal	37.4%	Pass
Platform Crossmember	18.9%	Pass
Mount Pipe	51.0%	Pass
Corner Plate	20.2%	Pass
Grating Support	15.9%	Pass
Cross Arm Plate	38.3%	Pass
Mod Support Rail	24.0%	Pass
Connection Bracing	42.1%	Pass
Connection Check	40.1%	Pass

Structure Rating – (Controlling Utilization of all Components) 51.0%

Recommendation:

The existing mount will be SUFFICIENT for the final loading after the proposed modifications are successfully completed.

ANSI/ASSP rigging plan review services compliant with the requirements of ANSI/TIA 322 are available for a Construction Class IV site or other, if required. Separate review fees will apply.

Attachments:

1. Mount Photos
2. Mount Mapping Report (for reference only)
3. Analysis Calculations
4. Contractor Required PMI Report Deliverables
5. Antenna Placement Diagrams
6. TIA Adoption and Wind Speed Usage Letter



Dewberry Engineers Inc.
99 SUMMER STREET
SUITE 700
BOSTON, MA 02110
PHONE: 617.531.0801
FAX: 617.695.3310

ATC SITE NUMBER:
283418

ATC SITE NAME:
NORTH HAVEN CT

VERIZON SITE NAME:
NORTH HAVEN WEST CT

SITE ADDRESS:
50 DEVINE STREET
NORTH HAVEN, CT 06473



DATE DRAWN: 05/18/21
ATC JOB NO: 13668665
CUSTOMER ID: NORTH HAVEN WEST CT
CUSTOMER #: 468529

SUPPLEMENTAL

SHEET NUMBER:
R-602

PROJECT NOTES

- SEE MODIFICATION NOTES
- THE CONTRACTOR SHALL COMPLY WITH ALL APPLICABLE CODES, ORDINANCES, LAWS AND REGULATIONS OF ALL MUNICIPALITIES, UTILITY COMPANIES OR OTHER PUBLIC/GOVERNING AUTHORITIES.
- THE CONTRACTOR SHALL BE RESPONSIBLE FOR OBTAINING ALL PERMITS AND INSPECTIONS THAT MAY BE REQUIRED BY ANY FEDERAL, STATE, COUNTY OR MUNICIPAL AUTHORITIES.
- THE CONTRACTOR SHALL NOTIFY THE CONSTRUCTION MANAGER, IN WRITING, OF ANY CONFLICTS, ERRORS OR OMISSIONS PRIOR TO THE SUBMISSION OF BIDS OR PERFORMANCE OF WORK.
- THE CONTRACTOR SHALL BE RESPONSIBLE FOR PROTECTING ALL EXISTING SITE IMPROVEMENTS PRIOR TO COMMENCING CONSTRUCTION. THE CONTRACTOR SHALL REPAIR ANY DAMAGE AS A RESULT OF CONSTRUCTION OF THIS FACILITY AT THE CONTRACTOR'S EXPENSE TO THE SATISFACTION OF THE OWNER.
- THE SCOPE OF WORK FOR THIS PROJECT SHALL INCLUDE PROVIDING ALL MATERIALS, EQUIPMENT AND LABOR REQUIRED TO COMPLETE THIS PROJECT. ALL EQUIPMENT SHALL BE INSTALLED IN ACCORDANCE WITH MANUFACTURER'S RECOMMENDATIONS.
- THE CONTRACTOR SHALL VISIT THE PROJECT SITE PRIOR TO SUBMITTING THE BID TO VERIFY THAT THE PROJECT CAN BE CONSTRUCTED IN ACCORDANCE WITH THE CONTRACT DOCUMENTS AND CONSTRUCTION DRAWINGS.
- THE CONTRACTOR SHALL VERIFY ALL EXISTING DIMENSIONS AND CONDITIONS PRIOR TO COMMENCING ANY WORK. ALL DIMENSIONS OF EXISTING CONSTRUCTION SHOWN ON THESE DRAWINGS MUST BE VERIFIED. THE CONTRACTOR SHALL NOTIFY THE CONSTRUCTION MANAGER OF ANY DISCREPANCIES PRIOR TO ORDERING MATERIAL OR PROCEEDING WITH CONSTRUCTION.
- SINCE THE CELL SITE MAY BE ACTIVE, ALL SAFETY PRECAUTIONS MUST BE TAKEN WHEN WORKING AROUND HIGH LEVELS OF ELECTROMAGNETIC RADIATION. EQUIPMENT SHOULD BE SHUTDOWN PRIOR TO PERFORMING ANY WORK THAT COULD EXPOSE THE WORKERS TO DANGER. PERSONAL RF EXPOSURE MONITORS ARE REQUIRED TO BE WORN TO ALERT OF ANY POTENTIALLY DANGEROUS EXPOSURE LEVELS.
- NO NOISE, SMOKE, DUST OR ODOR WILL RESULT FROM THIS FACILITY AS TO CAUSE A NUISANCE.
- THE FACILITY IS UNMANNED AND NOT FOR HUMAN HABITATION (NO HANDICAP ACCESS IS REQUIRED).



MOUNT MODIFICATION DRAWINGS EXISTING 12.58' PLATFORM

SITE NAME: NORTH HAVEN WEST CT
SITE NUMBER: 468529

50 DEVINE ST.
NORTH HAVEN, CT 06473
NEW HAVEN COUNTY

PROJECT INFORMATION	
SITE INFORMATION	
LATITUDE:	41.377778° N
LONGITUDE:	72.876158° W
JURISDICTION:	NEW HAVEN COUNTY
APPLICANT/LESSEE	
COMPANY:	VERIZON WIRELESS
CLIENT REPRESENTATIVE	
COMPANY:	VERIZON WIRELESS
ADDRESS:	118 FLANDERS ROAD, THIRD FLOOR
CITY, STATE, ZIP:	WESTBOROUGH, MA 01581
CONTACT:	ANDREW CANDIELLO
EMAIL:	ANDREW.CANDIELLO@VERIZONWIRELESS.COM
PROJECT MANAGER	
COMPANY:	MASER CONSULTING CONNECTICUT
CONTACT:	PETER ALBANO
PHONE:	856-797-0412
E-MAIL:	PETER.ALBANO@COLLIERSENGINEERING.COM

SHEET INDEX	
SHEET	DESCRIPTION
T-1	TITLE SHEET
S-1	BILL OF MATERIALS
S-2	MODIFICATION NOTES
S-3	MODIFICATION NOTES
S-4	MODIFICATION DETAILS
S-5	MODIFICATION DETAILS
S-6	MOUNT PHOTOS
	SPECIFICATION SHEETS

CONTRACTOR PMI REQUIREMENTS	
PMI LOCATION:	HTTPS://PMI.VZWSMART.COM
SMART TOOL PROJECT #:	10069396
VZW LOCATION CODE (PSLC):	468529
FUZE ID:	16227621

REFERENCED DOCUMENTS	
	FAILING MOUNT ANALYSIS REPORT
SMART TOOL PROJECT #:	10050387
MASER CONSULTING PROJECT #:	21777440A
ANALYSIS DATE:	5/5/2021

PMI REQUIREMENTS EMBEDDED WITHIN MOUNT MODIFICATION REPORT

**COPYRIGHT ©2021
MASER CONSULTING CONNECTICUT
ALL RIGHTS RESERVED**

THIS DRAWING AND ALL THE INFORMATION CONTAINED HEREIN IS AUTHORIZED FOR USE ONLY BY THE PARTY FOR WHOM THE WORK WAS CONTRACTED OR TO WHOM IT IS CERTIFIED. THIS DRAWING MAY NOT BE COPIED, REUSED, DISCLOSED, DISTRIBUTED OR RELIED UPON FOR ANY OTHER PURPOSE WITHOUT THE EXPRESS WRITTEN CONSENT OF MASER CONSULTING

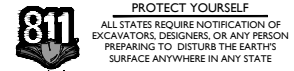


WILL BE KNOWN AS COLLIERS ENGINEERING & DESIGN IN 2021
Customer Loyalty through Client Satisfaction
www.maserconsulting.com

Office Locations:

NEW JERSEY	NEW MEXICO
NEW YORK	MARYLAND
PENNSYLVANIA	GEORGIA
VIRGINIA	TEXAS
FLORIDA	TENNESSEE
NORTH CAROLINA	COLORADO
SOUTH CAROLINA	

Copyright © 2021 Maser Consulting All Rights Reserved. This drawing and all the information contained herein is authorized for use only by the party for whom the services were contracted or to whom it is certified. This drawing may not be copied, reused, disclosed, distributed or relied upon for any other purpose without the express written consent of Maser Consulting.



ALL STATES REQUIRE NOTIFICATION OF EXCAVATORS, DESIGNERS, OR ANY PERSON PREPARING TO DISTURB THE GARTH'S SURFACE ANYWHERE IN ANY STATE
Call before you dig.
FOR STATE SPECIFIC DIRECT PHONE NUMBERS VISIT:
WWW.CALL811.COM

SCALE: AS SHOWN JOB NUMBER: 21777440A

REV	DATE	DESCRIPTION	DRAWN BY	CHECKED BY
0	6/11/2021	ISSUED FOR CONSTRUCTION	BPC	DH

Derek R. Hartzell
Derek R. Hartzell
Professional Engineer
License Number: 32710
Maser Consulting
C.T. Co. # 0000131
Digitally signed by Derek R. Hartzell
Date: 2021.06.11 12:16:41-04'00'

IT IS A VIOLATION OF LAW FOR ANY PERSON, UNLESS THEY ARE ACTING UNDER THE DIRECTION OF THE RESPONSIBLE LICENSED PROFESSIONAL ENGINEER, TO ALTER THIS DOCUMENT.

SITE NAME:
NORTH HAVEN WEST CT
468529
50 DEVINE ST.
NORTH HAVEN, CT 06473
NEW HAVEN COUNTY

MT. LAUREL OFFICE
2000 Middlesex Drive
Suite 100
Mount Laurel, NJ 08054
Phone: 856.797.0412
Fax: 856.722.1120

SHEET TITLE:
TITLE SHEET

SHEET NUMBER:
T-1

BILL OF MATERIALS

VZWSMART KITS				
QUANTITY	MANUFACTURER	PART NUMBER	DESCRIPTION	NOTES
1	VZWSMART	VZWSMART-PLK1	SUPPORT RAIL KIT	CONTRACTOR TO VERIFY THE LENGTH REQUIRED AND TRIM AS NECESSARY IN ACCORDANCE WITH THE 'STRUCTURAL STEEL' NOTES ON SHEET S-2
OTHER REQUIRED PARTS				
QUANTITY	MANUFACTURER	PART NUMBER	DESCRIPTION	NOTES

NOTE: ALL MATERIALS REQUIRED FOR THE DESIGNED MODIFICATIONS BUT NOT LISTED IN THIS SHEET ARE ASSUMED TO BE PROVIDED BY THE CONTRACTOR

VZWSMART KITS - APPROVED VENDORS	
COMMSCOPE	
CONTACT	SALVADOR ANGUIANO
PHONE	(817) 304-7492
EMAIL	SALVADOR.ANGUIANO@COMMSCOPE.COM
WEBSITE	WWW.COMMSCOPE.COM
METROSITE FABRICATORS, LLC	
CONTACT	KENT RAMEY
PHONE	(706) 335-7045 (O), (706) 982-9788 (M)
EMAIL	KENT@METROSITELLC.COM
WEBSITE	METROSITEFABRICATORS.COM
PERFECTVISION	
CONTACT	WIRELESS SALES
PHONE	(844) 887-6723
EMAIL	WWW.PERFECT-VISION.COM
WEBSITE	WIRELESSALES@PERFECT-VISION.COM
SABRE INDUSTRIES, INC.	
CONTACT	ANGIE WELCH
PHONE	(866) 428-6937
EMAIL	AKWELCH@SABREINDUSTRIES.COM
WEBSITE	WWW.SABRESITESOLUTIONS.COM
SITE PRO 1	
CONTACT	PAULA BOSWELL
PHONE	(972) 236-9843
EMAIL	PAULA.BOSWELL@VALMONT.COM
WEBSITE	WWW.SITEPRO1.COM

NOTE: WHEN SPECIFIED, VZWSMART KITS SHALL BE REQUIRED AND WILL BE VERIFIED DURING THE DESKTOP PMI



WILL BE KNOWN AS COLLIER ENGINEERING & DESIGN IN 2021
Customer Loyalty through Client Satisfaction
www.maserconsulting.com

- NEW JERSEY
- NEW YORK
- PENNSYLVANIA
- VIRGINIA
- FLORIDA
- NORTH CAROLINA
- SOUTH CAROLINA
- NEW MEXICO
- MARYLAND
- GEORGIA
- TEXAS
- TENNESSEE
- COLORADO

Copyright © 2021 Maser Consulting. All Rights Reserved. This drawing and all the information contained herein is authorized for use only by the party for whom the services were contracted or to whom it is certified. This drawing may not be copied, reused, disclosed, distributed or relied upon for any other purpose without the express written consent of Maser Consulting.



811 PROTECT YOURSELF
ALL STATES REQUIRE NOTIFICATION OF EXCAVATORS, DESIGNERS, OR ANY PERSON PREPARING TO DISTURB THE EARTH'S SURFACE ANYWHERE IN ANY STATE
Know what's below.
Call before you dig.
FOR STATE SPECIFIC DIRECT PHONE NUMBERS VISIT: WWW.CALL811.COM

SCALE: AS SHOWN JOB NUMBER: 21777440A

REV	DATE	DESCRIPTION	BY	CHECKED BY
0	6/11/2021	ISSUED FOR CONSTRUCTION	BPC	DH

Derek R. Hartzell

Derek R. Hartzell
Professional Engineer
License Number: 32710
Maser Consulting
C.T. Co. # JCE-000131

Digitally signed by Derek R. Hartzell
Date: 2021.06.11 12:16:41-04'00'

IT IS A VIOLATION OF LAW FOR ANY PERSON, UNLESS THEY ARE ACTING UNDER THE DIRECTION OF THE RESPONSIBLE LICENSED PROFESSIONAL ENGINEER, TO ALTER THIS DOCUMENT.

SITE NAME:
NORTH HAVEN WEST CT
468529
50 DEVINE ST.
NORTH HAVEN, CT 06473
NEW HAVEN COUNTY

MT. LAUREL OFFICE
2000 Millstone Drive
Suite 100
Mount Laurel, NJ 08054
Phone: 856.797.0412
Fax: 856.722.1120

SHEET TITLE:
BILL OF MATERIALS

SHEET NUMBER:
S-1

GENERAL NOTES

- THESE MODIFICATIONS HAVE BEEN DESIGNED IN ACCORDANCE WITH THE GOVERNING PROVISIONS OF THE TELECOMMUNICATIONS INDUSTRY STANDARD TIA-222-H. MATERIALS AND SERVICES PROVIDED BY THE CONTRACTOR SHALL CONFORM TO THE ABOVE MENTIONED CODES.
- CONTRACTOR SHALL TAKE ALL PRECAUTIONS NECESSARY TO PREVENT DAMAGE TO EXISTING STRUCTURES. ANY DAMAGE TO EXISTING STRUCTURES AS A RESULT OF THE CONTRACTOR'S WORK OR FROM DAMAGE DUE TO OTHER CAUSES SHALL BE REPAIRED AT THE CONTRACTOR'S EXPENSE TO THE SATISFACTION OF THE OWNER.
- CONTRACTOR SHALL VERIFY ALL DIMENSIONS AND EXISTING CONDITIONS BEFORE BEGINNING WORK, ORDERING MATERIAL, AND PREPARING OF SHOP DRAWINGS. ANY DISCREPANCIES BETWEEN FIELD CONDITIONS AND THE CONTRACT DOCUMENTS SHALL BE BROUGHT TO THE IMMEDIATE ATTENTION OF THE ENGINEER. IF THE CONTRACTOR DISCOVERS ANY EXISTING CONDITIONS THAT ARE NOT REPRESENTED ON THESE DRAWINGS, OR ANY CONDITIONS THAT WOULD INTERFERE WITH THE INSTALLATION OF THE MODIFICATIONS, NOTIFY THE ENGINEER IMMEDIATELY.
- IT IS ASSUMED THAT ANY STRUCTURAL MODIFICATION WORK SPECIFIED ON THESE PLANS WILL BE ACCOMPLISHED BY KNOWLEDGEABLE WORKMEN WITH TOWER CONSTRUCTION EXPERIENCE.
- THE CONTRACTOR SHALL SUPERVISE AND DIRECT THE WORK AND SHALL BE SOLELY RESPONSIBLE FOR ALL CONSTRUCTION METHODS, MEANS, TECHNIQUES, SEQUENCES, AND PROCEDURES.
- ALL CONSTRUCTION MEANS AND METHODS; INCLUDING BUT NOT LIMITED TO, ERECTION PLANS, RIGGING PLANS, CLIMBING PLANS, AND RESCUE PLANS SHALL BE THE RESPONSIBILITY OF THE GENERAL CONTRACTOR RESPONSIBLE FOR THE EXECUTION OF THE WORK CONTAINED HEREIN AND SHALL MEET ANSITIA-322 (LATEST EDITION), OSHA, AND GENERAL INDUSTRY STANDARDS. ALL RIGGING PLANS SHALL ADHERE TO ANSITIA-322 (LATEST EDITION) INCLUDING THE REQUIRED INVOLVEMENT OF A QUALIFIED ENGINEER FOR CLASS IV CONSTRUCTION.
- THE CONTRACTOR IS SOLELY RESPONSIBLE FOR INITIATING, MAINTAINING, AND SUPERVISING ALL SAFETY PROGRAMS IN ACCORDANCE WITH APPLICABLE SAFETY CODES.
- WORK SHALL ONLY BE PERFORMED DURING CALM DRY DAYS (WINDS LESS THAN 30-MPH). THE STRUCTURE SHOWN ON THE DRAWINGS IS STRUCTURALLY SOUND ONLY IN THE COMPLETED FORM. THE CONTRACTOR SHALL BE RESPONSIBLE FOR THE STRENGTH AND STABILITY OF THE STRUCTURE DURING ERECTION. CONTRACTOR SHALL PROVIDE TEMPORARY SUPPORT, SHORING, BRACING AND ANY OTHER STRUCTURAL SYSTEMS AS REQUIRED TO RESIST ALL FORCES THAT MAY OCCUR DURING HANDLING AND ERECTION UNTIL THE STRUCTURE IS FULLY COMPLETED. TEMPORARY SUPPORTS, BRACING AND OTHER STRUCTURAL SYSTEMS REQUIRED DURING CONSTRUCTION SHALL REMAIN THE CONTRACTOR'S PROPERTY AFTER THEIR USE.
- ALL INSTALLATIONS PERFORMED ON THIS STRUCTURE SHALL BE COMPLETED IN ACCORDANCE WITH THE GOVERNING PROVISIONS OF THE STANDARD FOR INSTALLATION, ALTERATION AND MAINTENANCE OF ANTENNA SUPPORTING STRUCTURES AND ANTENNAS, ANSITIA-322.
- CONTRACTOR SHALL SECURE SITE BACK TO EXISTING CONDITION UNDER SUPERVISION OF OWNER. ALL FENCE, STONE, GEOFABRIC, GROUNDING, AND SURROUNDING GRADE SHALL BE REPLACED AND REPAIRED AS REQUIRED TO ACHIEVE OWNER APPROVAL. POSITIVE DRAINAGE AWAY FROM TOWER SITE SHALL BE MAINTAINED.
- CONNECTIONS BETWEEN ITEMS SUPPORTED BY THE STRUCTURE AND THE STRUCTURE NOT SPECIFICALLY DETAILED IN THE CONTRACT DOCUMENTS ARE THE RESPONSIBILITY OF THE CONTRACTOR. SUCH CONNECTIONS SHALL BE DESIGNED, COORDINATED AND INSPECTED BY A PROFESSIONAL STRUCTURAL ENGINEER LICENSED IN THE STATE OF THE PROJECT. SUBMIT SIGNED AND SEALED CALCULATIONS DURING SHOP DRAWING REVIEW.
- DO NOT SCALE DRAWINGS.
- DO NOT USE THESE DRAWINGS FOR ANY OTHER SITE.
- ALL MATERIAL UTILIZED FOR THIS PROJECT MUST BE NEW AND FREE OF ANY DEFECTS. ANY MATERIAL SUBSTITUTIONS, INCLUDING BUT NOT LIMITED TO ALTERED SIZE AND/OR STRENGTHS, MUST BE APPROVED BY THE OWNER AND ENGINEER IN WRITING.
- THE MOUNT UNDER NO CIRCUMSTANCES SHOULD BE USED AS A TIE OFF POINT.

DESIGN LOADS

- WIND LOADS
- BASIC WIND SPEED (3 SECOND GUST), V = 120 MPH
 - EXPOSURE CATEGORY C
 - TOPOGRAPHIC CATEGORY I
 - MEAN BASE ELEVATION (AMSL) = 9.56'

- ICE LOADS
- ICE WIND SPEED (3 SECOND GUST), V = 50 MPH
 - ICE THICKNESS = 1.00 IN

- SEISMIC LOADS
- SEISMIC DESIGN CATEGORY B
 - SHORT TERM MCER GROUND MOTION, S_s = .203
 - LONG TERM MCER GROUND MOTION, S_l = .054

STRUCTURAL STEEL

- DESIGN, DETAILING, FABRICATION AND ERECTION OF STRUCTURAL STEEL SHALL CONFORM TO THE FOLLOWING PUBLICATIONS EXCEPT AS SPECIFICALLY INDICATED IN THE CONTRACT DOCUMENTS.
 - AMERICAN INSTITUTE OF STEEL CONSTRUCTION (AISC) MANUAL OF STEEL CONSTRUCTION (15TH EDITION)
 - SPECIFICATION FOR STRUCTURAL JOINTS USING ASTM A325 OR A490 BOLTS
 - AISC CODE OF STANDARD PRACTICE
- STRUCTURAL STEEL SHALL CONFORM TO THE FOLLOWING UNLESS OTHERWISE SHOWN:

CHANNELS, ANGLES, PLATES, ETC.	ASTM A36 (GR 36)
STEEL PIPE	ASTM A53 (GR 35)
BOLTS	ASTM A325
NUTS	ASTM A563
LOCK WASHERS	LOCKING STRUCTURAL GRADE

- ALL SUBSTITUTIONS PROPOSED BY THE CONTRACTOR SHALL BE APPROVED IN WRITING BY THE ENGINEER. CONTRACTOR SHALL PROVIDE DOCUMENTATION TO ENGINEER FOR VERIFYING THE SUBSTITUTE IS SUITABLE FOR USE AND MEETS ORIGINAL DESIGN CRITERIA. DIFFERENCES FROM THE ORIGINAL DESIGN, INCLUDING MAINTENANCE, REPAIR AND REPLACEMENT, SHALL BE NOTED. ESTIMATES OF COSTS/CREDITS ASSOCIATED WITH THE SUBSTITUTION (INCLUDING RE-DESIGN COSTS AND COSTS TO SUB-CONTRACTORS) SHALL BE PROVIDED TO THE ENGINEER. CONTRACTOR SHALL PROVIDE ADDITIONAL DOCUMENTATION AND/OR SPECIFICATIONS TO THE ENGINEER AS REQUESTED.
- PROVIDE STRUCTURAL STEEL SHOP DRAWINGS TO ENGINEER FOR APPROVAL PRIOR TO FABRICATION.
 - SUBMIT SHOP DRAWINGS TO PETER.ALBANO@COLLIERSENGINEERING.COM
 - PROVIDE MASER CONSULTING PROJECT # AND MASER CONSULTING PROJECT ENGINEER CONTACT IN THE BODY OF THE EMAIL
- DRILL NO HOLES IN ANY NEW OR EXISTING STRUCTURAL STEEL MEMBERS OTHER THAN THOSE SHOWN ON STRUCTURAL DRAWINGS WITHOUT THE APPROVAL OF THE ENGINEER OF RECORD.
- GALVANIZED ASTM A325 BOLTS SHALL NOT BE REUSED.
- ALL NEW STEEL SHALL BE HOT BE DIPPED GALVANIZED FOR FULL WEATHER PROTECTION. IN ADDITION ALL NEW STEEL SHALL BE PAINTED TO MATCH EXISTING STEEL. CONTRACTOR SHALL OBTAIN WRITTEN PERMISSION TO PROTECT STEEL BY ANY OTHER MEANS.
- ALL BOLT ASSEMBLIES FOR STRUCTURAL MEMBERS REPRESENTED IN THIS DRAWING REQUIRE LOCKING DEVICES TO BE INSTALLED IN ACCORDANCE WITH TIA-222-H SECTION 4.9.2 REQUIREMENTS.
- WHERE CONNECTIONS ARE NOT FULLY DETAILED ON THESE DRAWINGS, FABRICATOR SHALL DESIGN CONNECTIONS TO RESIST LOADS AND FORCES WHERE SHOWN ON DRAWINGS AND AS OUTLINED IN SPECIFICATIONS.
- FOR MEMBERS BEING REPLACED, PROVIDE NEW BOLTS AND MATCH EXISTING SIZE AND GRADE. MAINTAIN AISC REQUIREMENTS FOR MINIMUM BOLT DISTANCE AND SPACING.
- ALL PROPOSED AND/OR REPLACED BOLTS SHALL BE OF SUFFICIENT LENGTH SUCH THAT THE END OF THE BOLT IS AT LEAST FLUSH WITH THE FACE OF THE NUT. IT IS NOT PERMITTED FOR THE BOLT END TO BE BELOW THE FACE OF THE NUT AFTER TIGHTENING IS COMPLETED.
- GALVANIZED ASTM A325 BOLTS SHALL NOT BE REUSED.
- ALL NEW STEEL SHALL BE HOT BE DIPPED GALVANIZED FOR FULL WEATHER PROTECTION. CONTRACTOR SHALL OBTAIN WRITTEN PERMISSION TO

PROTECT STEEL BY ANY OTHER MEANS.

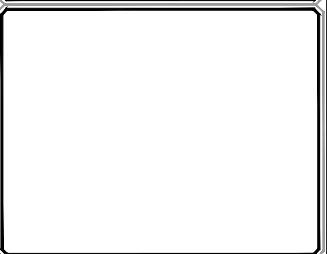
- ALL EXISTING PAINTED/GALVANIZED SURFACES DAMAGED DURING REHAB INCLUDING AREAS UNDER STIFFENER PLATES SHALL BE WIRE BRUSHED CLEAN, REPAIRED BY COLD GALVANIZING (ZINGA OR ZINC COTE), AND REPAINTED TO MATCH THE EXISTING FINISH (IF APPLICABLE).
- ALL HOLES IN STEEL MEMBERS SHALL BE SIZED 1/16" LARGER THAN THE BOLT DIAMETER. STANDARD HOLES SHALL BE USED UNLESS NOTED OTHERWISE.

WILL BE KNOWN AS COLLIER ENGINEERING & DESIGN IN 2021
Customer Loyalty through Client Satisfaction
www.maserconsulting.com

Office Locations:

NEW JERSEY	NEW MEXICO
NEW YORK	MARYLAND
PENNSYLVANIA	GEORGIA
VIRGINIA	TEXAS
FLORIDA	TENNESSEE
NORTH CAROLINA	COLORADO
SOUTH CAROLINA	

Copyright © 2021 Maser Consulting. All Rights Reserved. This drawing and all the information contained herein is authorized for use only by the party for whom the services were contracted or to whom it is certified. This drawing may not be copied, reused, disclosed, distributed or relied upon for any other purpose without the express written consent of Maser Consulting.



811 PROTECT YOURSELF
ALL STATES REQUIRE NOTIFICATION OF EXCAVATORS, DESIGNERS, OR ANY PERSON PREPARING TO DISTURB THE EARTH'S SURFACE ANYWHERE IN ANY STATE

Know what's below.
Call before you dig.

FOR STATE SPECIFIC DIRECT PHONE NUMBERS VISIT:
WWW.CALL811.COM

SCALE:	AS SHOWN	JOB NUMBER:	2177740A
--------	----------	-------------	----------

REV	DATE	DESCRIPTION	DRAWN BY	CHECKED BY
0	6/11/2021	ISSUED FOR CONSTRUCTION	BPC	DH

Digitally signed by Derek R. Hartzell
Date: 2021.06.11 12:16:41-04'00'

IT IS A VIOLATION OF LAW FOR ANY PERSON, UNLESS THEY ARE ACTING UNDER THE DIRECTION OF THE RESPONSIBLE LICENSED PROFESSIONAL ENGINEER, TO ALTER THIS DOCUMENT.

SITE NAME:

NORTH HAVEN WEST CT
468529

50 DEVINE ST.
NORTH HAVEN, CT 06473
NEW HAVEN COUNTY

MT. LAUREL OFFICE
2000 Piedmont Drive
Suite 100
Mount Laurel, NJ 08054

Phone: 856.797.0412
Fax: 856.722.1120

SHEET TITLE:
MODIFICATION NOTES

SHEET NUMBER:
S-2

By: BRENDA CONNORS

MODIFICATION INSPECTION NOTES

MI CHECKLIST	
CONSTRUCTION/ INSTALLATION INSPECTIONS AND TESTING REQUIRED (COMPLETED BY EOR)	REPORT ITEM
PRE-CONSTRUCTION	
X	MI CHECKLIST DRAWING
X	EOB APPROVED SHOP DRAWINGS
NA	FABRICATION INSPECTION
NA	FABRICATOR CERTIFIED WELD INSPECTION
X	MATERIAL TEST REPORT (MTR)
NA	FABRICATOR NDE INSPECTION
X	PACKING SLIPS
ADDITIONAL TESTING AND INSPECTIONS:	
CONSTRUCTION	
X	CONSTRUCTION INSPECTIONS
NA	CONTRACTOR'S CERTIFIED WELD INSPECTION AND NDE REPORTS
X	ON SITE COLD GALVANIZING VERIFICATION
X	GC AS-BUILT DOCUMENTS
ADDITIONAL TESTING AND INSPECTIONS:	
POST-CONSTRUCTION	
X	MI INSPECTOR REDLINE OR RECORD DRAWING(S)
X	VZW PMI DOCUMENTS
X	PHOTOGRAPHS
ADDITIONAL TESTING AND INSPECTIONS:	

NOTE: X DENOTES A DOCUMENT REQUIRED FOR THE MI REPORT
 NA DENOTES A DOCUMENT THAT IS NOT REQUIRED FOR THE MI REPORT

THE MODIFICATION INSPECTION (MI) IS A VISUAL INSPECTION OF MODIFICATIONS AND A REVIEW OF CONSTRUCTION INSPECTIONS AND OTHER REPORTS TO ENSURE THE INSTALLATION WAS CONSTRUCTED IN ACCORDANCE WITH THE CONTRACT DOCUMENTS, NAMELY THE MODIFICATION DRAWINGS, AS DESIGNED BY THE ENGINEER OF RECORD (EOR).

THE MI IS TO CONFIRM INSTALLATION CONFIGURATION AND WORKMANSHIP ONLY AND IS NOT A REVIEW OF THE MODIFICATION DESIGN ITSELF, NOR DOES THE MI INSPECTOR TAKE OWNERSHIP OF THE MODIFICATION DESIGN. OWNERSHIP OF THE STRUCTURAL MODIFICATION DESIGN EFFECTIVENESS AND INTEGRITY RESIDES WITH THE EOR AT ALL TIMES.

TO ENSURE THAT THE REQUIREMENTS OF THE MI ARE MET, IT IS VITAL THAT THE GENERAL CONTRACTOR (GC) AND THE MI INSPECTOR BEGIN COMMUNICATING AND COORDINATING AS SOON AS A PURCHASE ORDER (PO) IS RECEIVED. IT IS EXPECTED THAT EACH PARTY WILL BE PROACTIVE IN REACHING OUT TO THE OTHER PARTY.

MI INSPECTOR

THE MI INSPECTOR IS REQUIRED TO CONTACT THE GC AS SOON AS RECEIVING A PO FOR THE MI TO, AT A MINIMUM:

- REVIEW THE REQUIREMENTS OF THE MI CHECKLIST
- WORK WITH THE GC TO DEVELOP A SCHEDULE TO CONDUCT ON-SITE INSPECTIONS

THE MI INSPECTOR IS RESPONSIBLE FOR COLLECTING ALL GC INSPECTION AND TEST REPORTS, REVIEWING THE DOCUMENTS FOR ADHERENCE TO THE CONTRACT DOCUMENTS, CONDUCTING THE IN-FIELD INSPECTIONS, AND SUBMITTING THE MI REPORT TO EOR.

GENERAL CONTRACTOR

THE GC IS REQUIRED TO CONTACT THE MI INSPECTOR AS SOON AS RECEIVING A PO FOR THE MODIFICATION INSTALLATION OR TURNKEY PROJECT TO, AT A MINIMUM:

- REVIEW THE REQUIREMENTS OF THE MI CHECKLIST
- WORK WITH THE MI INSPECTOR TO DEVELOP A SCHEDULE TO CONDUCT ON-SITE MI INSPECTIONS, INCLUDING FOUNDATION INSPECTIONS
- BETTER UNDERSTAND ALL INSPECTION AND TESTING REQUIREMENTS

THE GC SHALL PERFORM AND RECORD THE TEST AND INSPECTION RESULTS IN ACCORDANCE WITH THE REQUIREMENTS OF THE MI CHECKLIST.

RECOMMENDATIONS

THE FOLLOWING RECOMMENDATIONS AND SUGGESTIONS ARE OFFERED TO ENHANCE THE EFFICIENCY AND EFFECTIVENESS OF DELIVERING AN MI REPORT:

- IT IS SUGGESTED THAT THE GC PROVIDE A MINIMUM OF 5 BUSINESS DAYS NOTICE, PREFERABLY 10, TO THE MI INSPECTOR AS TO WHEN THE SITE WILL BE READY FOR THE MI TO BE CONDUCTED.
- THE GC AND MI INSPECTOR COORDINATE CLOSELY THROUGHOUT THE ENTIRE PROJECT.
- WHEN POSSIBLE, IT IS PREFERRED TO HAVE THE GC AND MI INSPECTOR ON-SITE SIMULTANEOUSLY FOR ANY GUY WIRE TENSIONING OR RE-TENSIONING OPERATIONS.
- IT MAY BE BENEFICIAL TO INSTALL ALL MODIFICATIONS PRIOR TO CONDUCTING THE FOUNDATION INSPECTIONS TO ALLOW THE FOUNDATION AND MI INSPECTION(S) TO COMMENCE WITH ONE SITE VISIT.
- WHEN POSSIBLE, IT IS PREFERRED TO HAVE THE GC AND MI INSPECTOR ON-SITE DURING THE MI TO HAVE ANY DEFICIENCIES CORRECTED DURING THE INITIAL MI. THEREFORE, THE GC MAY CHOOSE TO COORDINATE THE MI CAREFULLY TO ENSURE ALL CONSTRUCTION FACILITIES ARE AT THEIR DISPOSAL WHEN THE MI INSPECTOR IS ON SITE.

CORRECTION OF FAILING MI'S

IF THE MODIFICATION INSTALLATION WOULD FAIL THE MI ("FAILED MI"), THE GC SHALL WORK WITH THE OWNER TO COORDINATE A REMEDIATION PLAN:

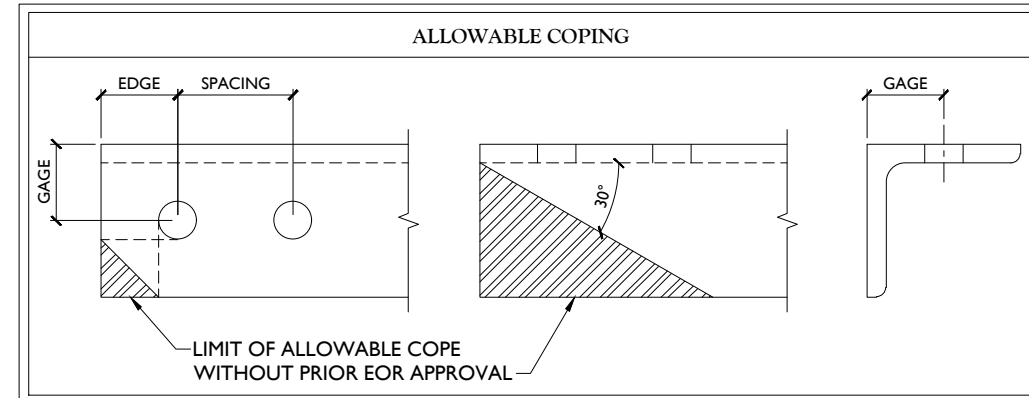
- CORRECT FAILING ISSUES TO COMPLY WITH THE SPECIFICATIONS CONTAINED IN THE ORIGINAL CONTRACT DOCUMENTS AND COORDINATE A SUPPLEMENT MI.

REQUIRED PHOTOS

BETWEEN THE GC AND THE MI INSPECTOR THE FOLLOWING PHOTOGRAPHS, AT A MINIMUM, ARE TO BE TAKEN AND INCLUDED IN THE MI REPORT:

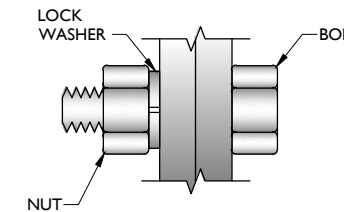
- PRE-CONSTRUCTION GENERAL SITE CONDITION
- PHOTOGRAPHS DURING THE REINFORCEMENT MODIFICATION CONSTRUCTION/ERECTION AND INSPECTION
 - RAW MATERIALS
 - PHOTOS OF ALL CRITICAL DETAILS
 - FOUNDATION MODIFICATIONS
 - WELD PREPARATION
 - BOLT INSTALLATION
 - FINAL INSTALLED CONDITION
 - SURFACE COATING REPAIR
- POST CONSTRUCTION PHOTOGRAPHS
 - FINAL INFIELD CONDITION

PHOTOS OF ELEVATED MODIFICATIONS TAKEN ONLY FROM THE GROUND SHALL BE CONSIDERED INADEQUATE.



BOLT DIAMETER	STANDARD HOLE	SHORT SLOT	MIN. EDGE DISTANCE	SPACING
1/2	9/16	9/16 x 11/16	7/8	1 1/2
5/8	11/16	11/16 x 7/8	1 1/8	1 7/8
3/4	13/16	13/16 x 1	1 1/4	2 1/4
7/8	15/16	15/16 x 1 1/8	1 1/2	2 5/8
1	1 1/16	1 1/16 x 1 5/16	1 3/4	3

LEG	GAGE
4	2 1/2
3 1/2	2
3	1 3/4
2 1/2	1 3/8
2	1 1/8



TYP. BOLT ASSEMBLY

NOTES:

- ALL DIMENSIONS REPRESENTED IN THE ABOVE TABLES ARE AISC MINIMUM REQUIREMENTS. CONTRACTOR SHALL VERIFY EXISTING CONDITIONS IN FIELD AND NOTIFY ENGINEER IF DISTANCES ARE LESS THAN THOSE PROVIDED.
- THE DIMENSIONS PROVIDED ARE MINIMUM REQUIREMENTS. ACTUAL DIMENSIONS OF PROPOSED MEMBERS WITHIN THESE DRAWINGS MAY VARY FROM THE AISC MINIMUM REQUIREMENTS.
- SHORT SLOT HOLES SHALL ONLY BE USED WHEN DEPICTED IN THE DRAWINGS
- MATCH EXISTING GAGES WHEN APPLICABLE, UNLESS MINIMUM EDGE DISTANCES ARE COMPROMISED.

MASER CONSULTING CONNECTICUT
 WILL BE KNOWN AS COLLIER ENGINEERING & DESIGN IN 2021
 Customer Loyalty through Client Satisfaction
 www.maserconsulting.com
 Office Locations:
 NEW JERSEY, NEW YORK, PENNSYLVANIA, VIRGINIA, FLORIDA, NORTH CAROLINA, SOUTH CAROLINA, NEW MEXICO, MARYLAND, GEORGIA, TEXAS, TENNESSEE, COLORADO



811 PROTECT YOURSELF
 ALL STATES REQUIRE NOTIFICATION OF EXCAVATORS, DESIGNERS, OR ANY PERSON PREPARING TO DISTURB THE EARTH'S SURFACE ANYWHERE IN ANY STATE.
 Know what's below. Call before you dig.
 FOR STATE SPECIFIC DIRECT PHONE NUMBERS VISIT: WWW.CALL811.COM

SCALE: AS SHOWN	JOB NUMBER: 2177740A			
DATE: 6/11/2021	ISSUED FOR CONSTRUCTION			
REV	DATE	DESCRIPTION	BY	CHECKED BY

Derek R. Hartzell
 DEREK R. HARTZELL
 PROFESSIONAL ENGINEER
 LICENSE NUMBER: 32710
 MASAER CONSULTING
 C.T. COA.#: JCE0000131
 Digitally signed by Derek R. Hartzell
 Date: 2021.06.11 12:16:40-04'00'

IT IS A VIOLATION OF LAW FOR ANY PERSON, UNLESS THEY ARE ACTING UNDER THE DIRECTION OF THE RESPONSIBLE LICENSED PROFESSIONAL ENGINEER, TO ALTER THIS DOCUMENT.

SITE NAME:
 NORTH HAVEN WEST CT
 468529
 50 DEVINE ST.
 NORTH HAVEN, CT 06473
 NEW HAVEN COUNTY

MT. LAUREL OFFICE
 2000 Piedmont Drive
 Suite 100
 Mount Laurel, NJ 08054
 Phone: 856.797.0412
 Fax: 856.722.1120

SHEET TITLE:
MODIFICATION NOTES

SHEET NUMBER:
S-3

- NEW JERSEY
- NEW YORK
- PENNSYLVANIA
- VIRGINIA
- FLORIDA
- NORTH CAROLINA
- SOUTH CAROLINA
- NEW MEXICO
- MARYLAND
- GEORGIA
- TEXAS
- TENNESSEE
- COLORADO

Copyright © 2021 Maser Consulting. All Rights Reserved. This drawing and all the information contained herein is authorized for use only by the party for whom the services were contracted or to whom it is certified. This drawing may not be copied, reused, disclosed, distributed or relied upon for any other purpose without the express written consent of Maser Consulting.



PROTECT YOURSELF
ALL STATES REQUIRE NOTIFICATION OF EXCAVATIONS, DESIGNERS OR ANY PERSON PREPARING TO DISTURB THE EARTH'S SURFACE ANYWHERE IN ANY STATE
Know what's below.
Call before you dig.
FOR STATE SPECIFIC DIRECT PHONE NUMBERS VISIT: WWW.CALL811.COM

SCALE: AS SHOWN JOB NUMBER: 2177740A

REV	DATE	DESCRIPTION	DRAWN BY	CHECKED BY
0	6/11/2021	ISSUED FOR CONSTRUCTION	BPC	DH

Derek R. Hartzell
Derek R. Hartzell
REGISTERED PROFESSIONAL ENGINEER
LICENSE NUMBER: 32710
MASER CONSULTING
C.T. COA.#: JCE-000131
Digitally signed by Derek R. Hartzell
Date: 2021.06.11 12:16:39-04'00'

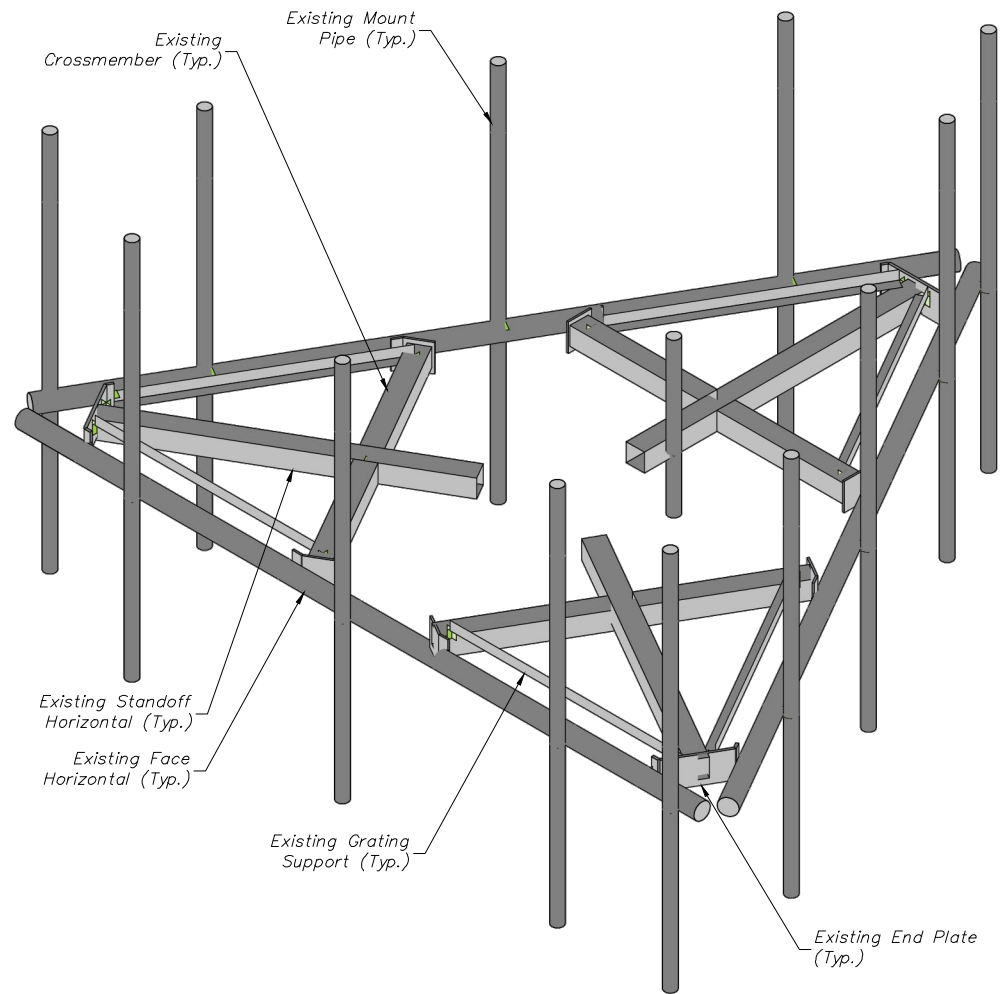
IT IS A VIOLATION OF LAW FOR ANY PERSON, UNLESS THEY ARE ACTING UNDER THE DIRECTION OF THE RESPONSIBLE LICENSED PROFESSIONAL ENGINEER, TO ALTER THIS DOCUMENT.

SITE NAME:
NORTH HAVEN WEST CT
468529
50 DEVINE ST.
NORTH HAVEN, CT 06473
NEW HAVEN COUNTY

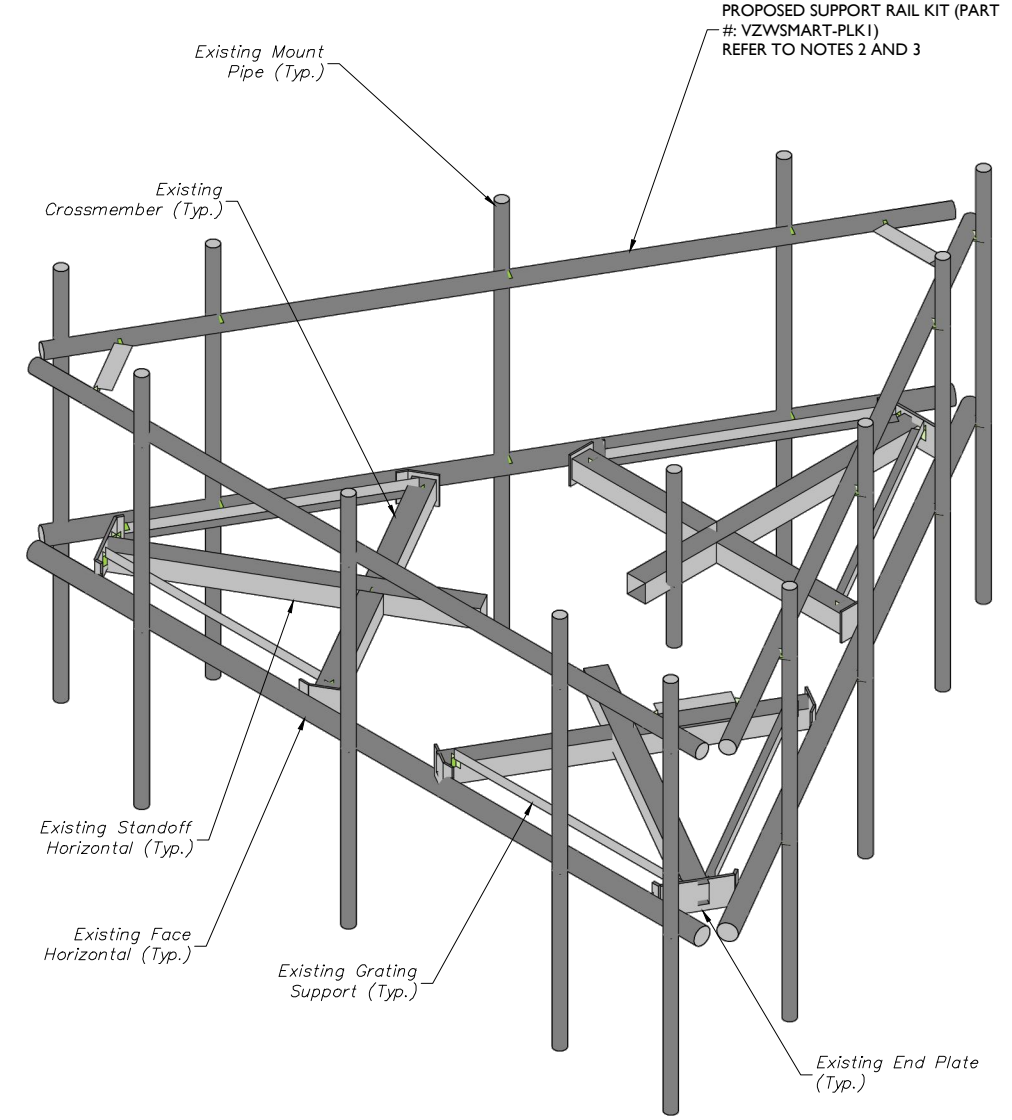
MT. LAUREL OFFICE
2000 Highlands Drive
Suite 100
Mount Laurel, NJ 08054
Phone: 856.797.0412
Fax: 856.722.1120

SHEET TITLE:
MODIFICATION DETAILS

SHEET NUMBER:
S-4



1 EXISTING PLATFORM ISOMETRIC VIEW
SCALE : N.T.S.



2 PROPOSED PLATFORM ISOMETRIC VIEW
SCALE : N.T.S.

STRUCTURAL NOTES:

- PER THE MOUNT MAPPING COMPLETED BY RKS DESIGN & ENGINEERING LLC. ON 3/31/2021, THE SAFETY CLIMB AND CLIMBING FACILITIES UP TO THE VERIZON MOUNT ELEVATION (128'-5") ARE IN GOOD CONDITION. MASER DOES NOT WARRANT THIS INFORMATION.
- INSTALL SHALL NOT CAUSE HARM TO THE STRUCTURE, CLIMBING FACILITY, SAFETY CLIMB, OR ANY SYSTEM INSTALLED ON THE STRUCTURE. TIMELY NOTICE AND DOCUMENTATION SHALL BE PROVIDED BY CONTRACTORS TO THE EOR (OF STRUCTURAL DESIGN) IF AN OBSTRUCTION WAS REQUIRED TO MEET THE RF SYSTEM DESIGN REQUIREMENTS AND PERFORMANCES.

MODIFICATION NOTES:

- MOUNT MEMBERS NOT SHOWN FOR CLARITY U.N.O.
- CONTRACTOR TO VERIFY THE LENGTH REQUIRED AND TRIM AS NECESSARY IN ACCORDANCE WITH THE 'STRUCTURAL STEEL' NOTES ON SHEET S-2.
- RADIO AND/OR TME POSITIONS SHALL BE ADJUSTED VERTICALLY AS NEEDED IN ORDER TO ACHIEVE INSTALLATION OF HORIZONTAL AS SHOWN. EOR SHALL BE NOTIFIED IF EQUIPMENT NEEDS TO BE RELOCATED TO ANOTHER MOUNT PIPE.



811 PROTECT YOURSELF
ALL STATES REQUIRE NOTIFICATION OF EXCAVATIONS, DESIGNERS, OR ANY PERSON PREPARING TO DISTURB THE EARTH'S SURFACE ANYWHERE IN ANY STATE
Know what's below.
Call before you dig.
FOR STATE SPECIFIC DIRECT PHONE NUMBERS VISIT: WWW.CALL811.COM

SCALE: AS SHOWN	JOB NUMBER: 21777440A
-----------------	-----------------------

REV	DATE	DESCRIPTION	DRAWN BY	CHECKED BY
0	6/11/2021	ISSUED FOR CONSTRUCTION	BPC	DH

Digitally signed by Derek R. Hartzell
Date: 2021.06.11 12:16:39-04'00'

STATE OF CONNECTICUT
Derek R. Hartzell
Professional Engineer
LICENSE NUMBER: 32710
MASER CONSULTING
C.T. COA.#: JCE-000131

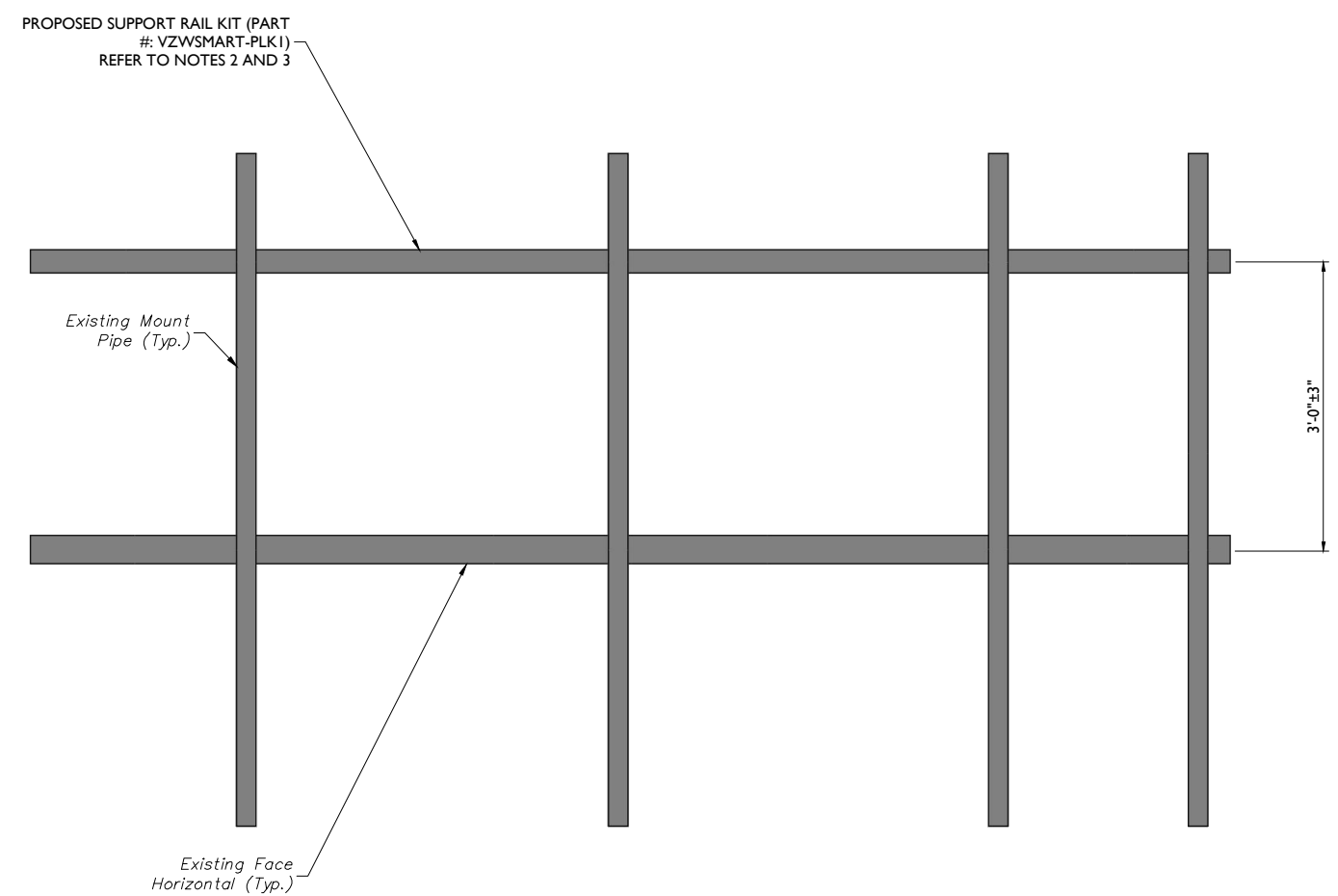
IT IS A VIOLATION OF LAW FOR ANY PERSON, UNLESS THEY ARE ACTING UNDER THE DIRECTION OF THE RESPONSIBLE LICENSED PROFESSIONAL ENGINEER, TO ALTER THIS DOCUMENT.

SITE NAME:
NORTH HAVEN WEST CT
468529
50 DEVINE ST.
NORTH HAVEN, CT 06473
NEW HAVEN COUNTY

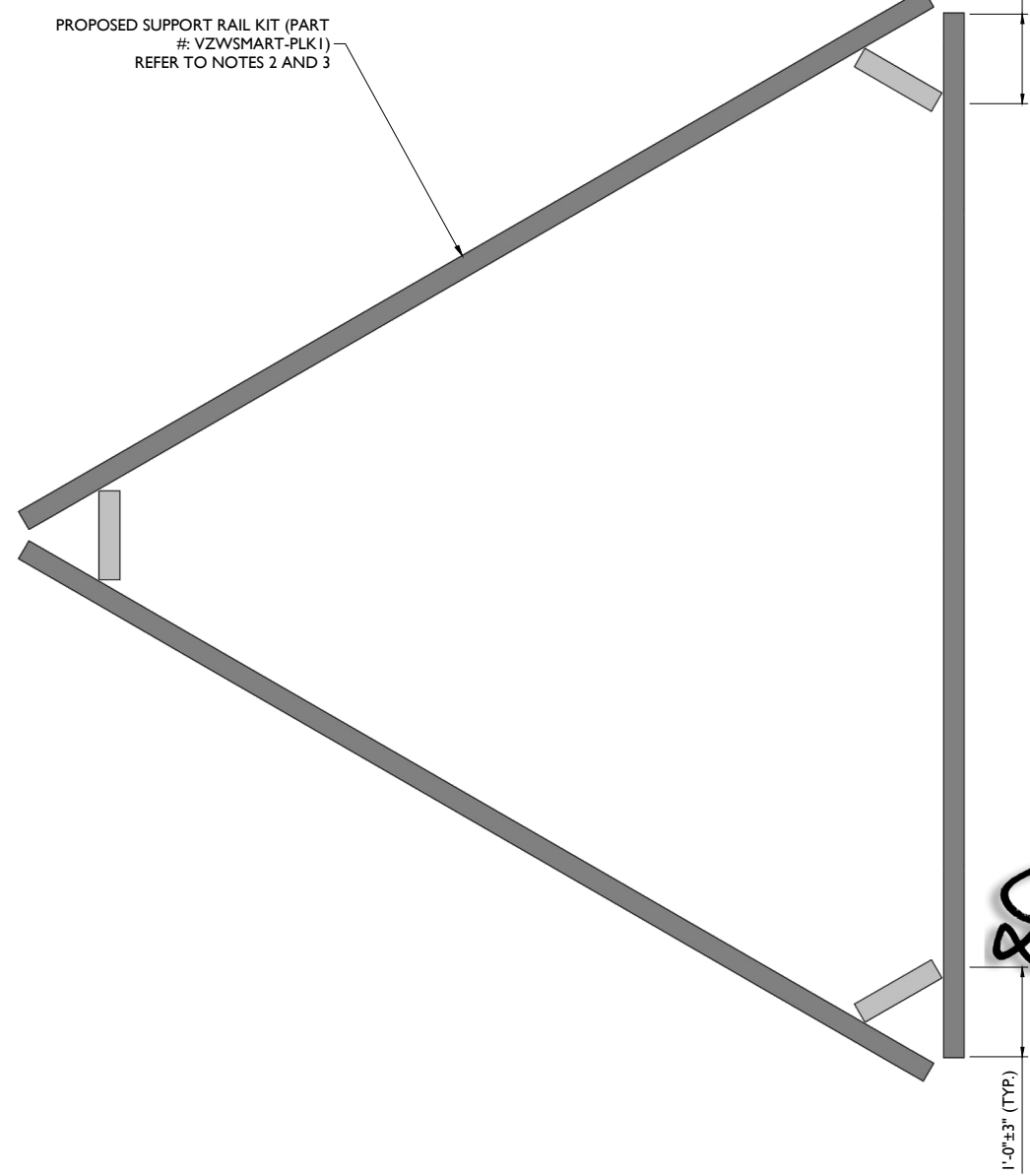
MT. LAUREL OFFICE
2000 Millstone Drive
Suite 100
Mount Laurel, NJ 08054
Phone: 856.797.0412
Fax: 856.722.1120

MODIFICATION DETAILS

SHEET NUMBER:
S-5



1 PROPOSED FRONT ELEVATION (TYP. ALL SECTORS)
SCALE : N.T.S.



2 PROPOSED PLAN VIEW
SCALE : N.T.S.

MODIFICATION NOTES:

- MOUNT MEMBERS NOT SHOWN FOR CLARITY U.N.O.
- CONTRACTOR TO VERIFY THE LENGTH REQUIRED AND TRIM AS NECESSARY IN ACCORDANCE WITH THE 'STRUCTURAL STEEL' NOTES ON SHEET S-2.
- RADIO AND/OR TME POSITIONS SHALL BE ADJUSTED VERTICALLY AS NEEDED IN ORDER TO ACHIEVE INSTALLATION OF HORIZONTAL AS SHOWN. EOR SHALL BE NOTIFIED IF EQUIPMENT NEEDS TO BE RELOCATED TO ANOTHER MOUNT PIPE.



MOUNT PHOTO 1



MOUNT PHOTO 2



MOUNT PHOTO 3



MOUNT PHOTO 4



WILL BE KNOWN AS COLLIER ENGINEERING & DESIGN IN 2021
Customer Loyalty through Client Satisfaction
www.maserconsulting.com

- Office Locations:
- NEW JERSEY
 - NEW YORK
 - PENNSYLVANIA
 - VIRGINIA
 - FLORIDA
 - NORTH CAROLINA
 - NEW MEXICO
 - MARYLAND
 - GEORGIA
 - TEXAS
 - TENNESSEE
 - COLORADO

Copyright © 2021 Maser Consulting All Rights Reserved. This drawing and all the information contained herein is submitted for use only by the party for whom the services were contracted or to whom it is certified. This drawing may not be copied, reused, disclosed, distributed or relied upon for any other purpose without the express written consent of Maser Consulting.



811 PROTECT YOURSELF
ALL STATES REQUIRE NOTIFICATION OF EXCAVATORS, DESIGNERS, OR ANY PERSON PREPARING TO DISTURB THE EARTH'S SURFACE ANYWHERE IN ANY STATE
Know what's below.
Call before you dig.
FOR STATE SPECIFIC DIRECT PHONE NUMBERS VISIT: WWW.CALL811.COM

SCALE: AS SHOWN JOB NUMBER: 21777440A

REV	DATE	DESCRIPTION	DRAWN BY	CHECKED BY
0	4/11/2021	ISSUED FOR CONSTRUCTION	BPC	DH

Derek R. Hartzell
Derek R. Hartzell
Professional Engineer
LICENSE NUMBER: 32710
MASER CONSULTING
C.T. COA.#: J0000131
Digitally signed by Derek R. Hartzell
Date: 2021.06.11 12:16:21-04'00'

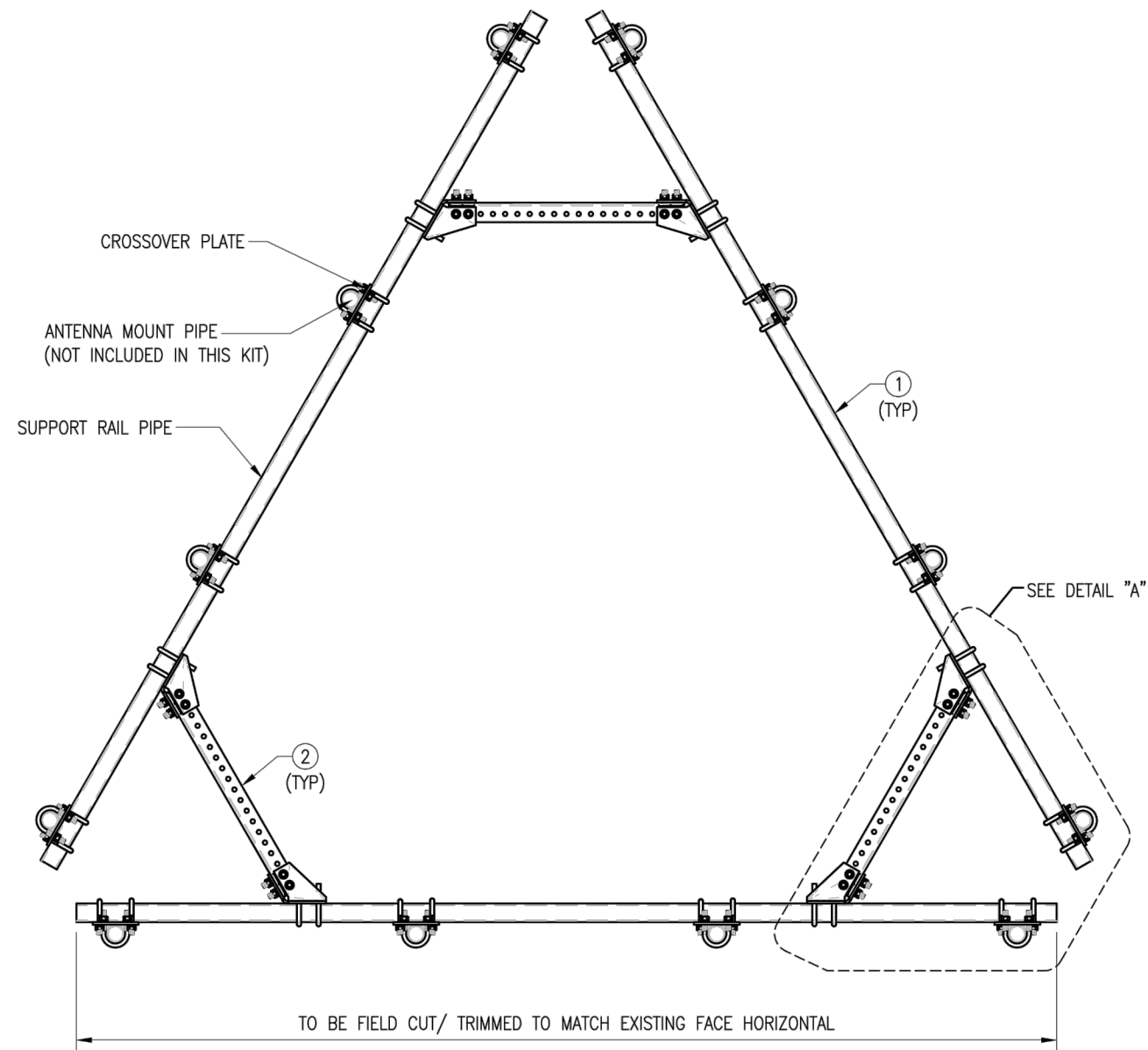
IT IS A VIOLATION OF LAW FOR ANY PERSON, UNLESS THEY ARE ACTING UNDER THE DIRECTION OF THE RESPONSIBLE LICENSED PROFESSIONAL ENGINEER, TO ALTER THIS DOCUMENT.

SITE NAME:
NORTH HAVEN WEST CT
468529
50 DEVINE ST.
NORTH HAVEN, CT 06473
NEW HAVEN COUNTY

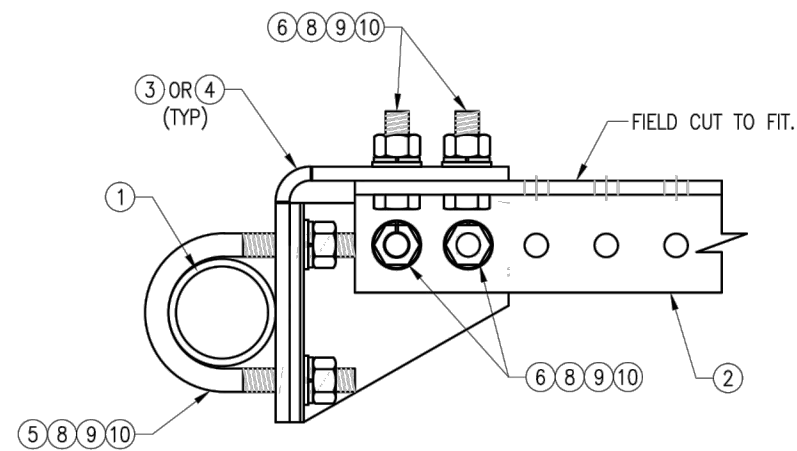
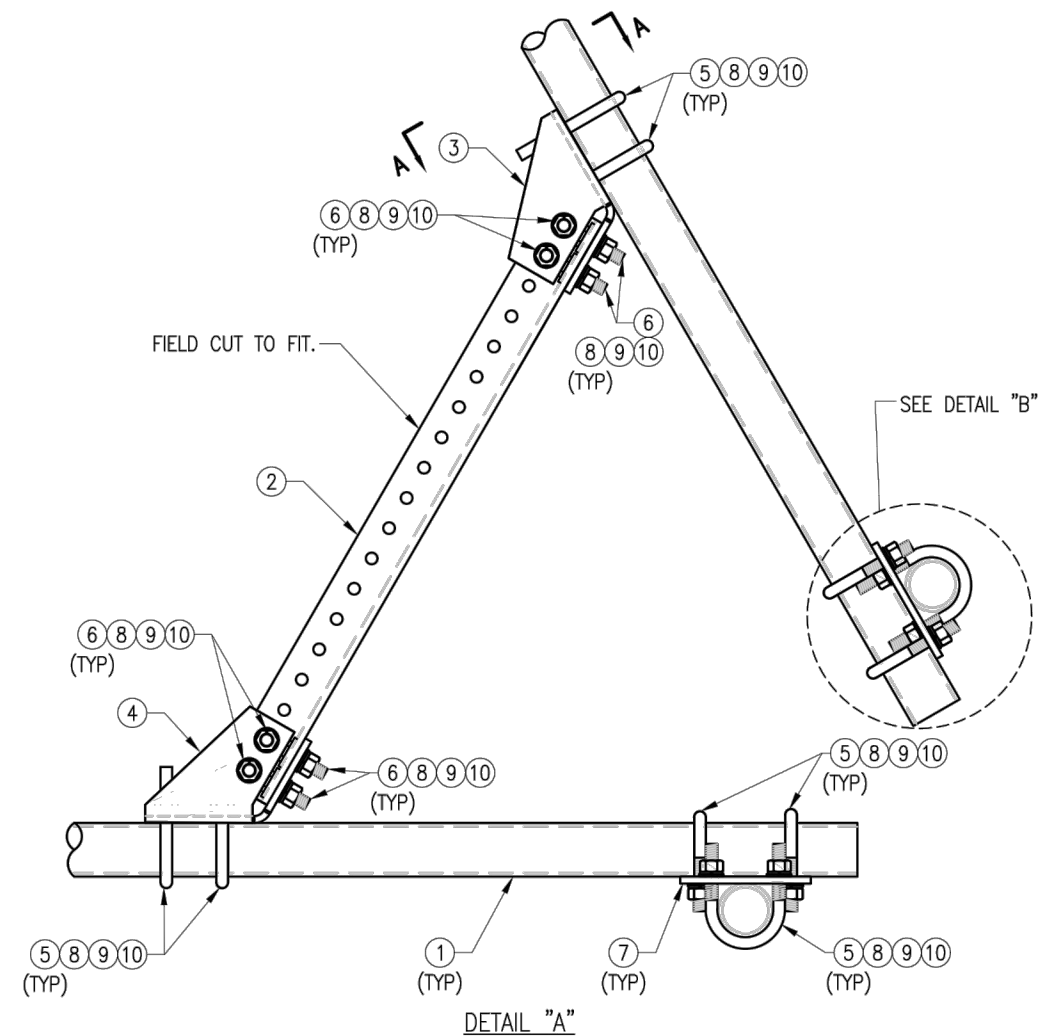
M MT. LAUREL OFFICE
2000 Middletown Drive
Suite 100
Mount Laurel, NJ 08054
Phone: 856.797.0412
Fax: 856.722.1120

SHEET TITLE:
MOUNT PHOTOS

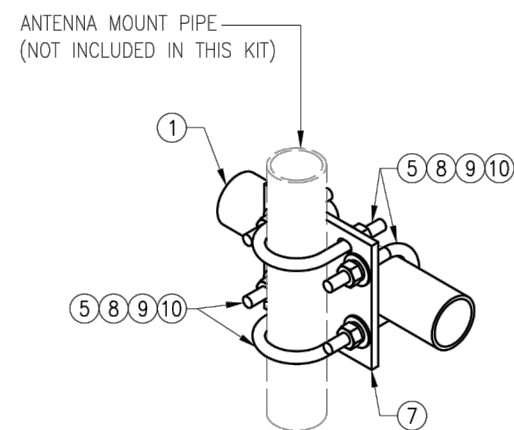
SHEET NUMBER:
S-6



PLAN VIEW



SECTION "A-A"



DETAIL "B"

NOTES:

- HOT-DIPPED GALVANIZED PER ASTM A123.

VZW SMART-PLK1 (SUPPORT RAIL KIT)					
ITEM NO.	QTY.	PART NO.	DESCRIPTION	SHEET #	WT
1	3	PST2875-12.5	2.5" PST (2.875" O.D. X 0.203" THK.) X 12'-6" A53 GR-B	PLK1-F1	292
2	3	L33375-3	L 3" X 3" X 3/8" X 3'-0" A36	PLK1-F1	66
3	3	CBP-L	CORNER BENT PLATE BRACKET	PLK1-F2	28
4	3	CBP-R	CORNER BENT PLATE BRACKET	PLK1-F2	28
5	60	MS02-625-300-500	RU-BOLT 5/8" X 3" I.W. X 5" I.L. A36 (OR EQUIV.)	RBC-1	82
6	24	---	BOLT 5/8" X 2" A325	---	9
7	12	PL375-857	PL 3/8" X 8 1/2" X 7'-0" A36	PLK1-F3	77
8	144	FW-625	5/8" HDG USS FLAT WASHER	---	12
9	144	LW-625	5/8" HDG LOCK WASHER	---	3
10	144	NUT-625	5/8" HDG HEX NUT	---	17
GALVANIZED WT					504

DRAWN BY: H.R. CHECKED BY: HMA

REV.	DESCRIPTION	BY	DATE
1	FIRST ISSUE	H.R.	05/08/20

SHEET TITLE:

VZWSMART-PLK1
SUPPORT RAIL KIT

SHEET NUMBER: REV #:

VZWSMART-PLK1 0