



STATE OF CONNECTICUT  
CONNECTICUT SITING COUNCIL

Ten Franklin Square  
New Britain, Connecticut 06051  
Phone: (860) 827-2935  
Fax: (860) 827-2950

July 28, 1998

Peter J. Tyrrell  
Senior Counsel  
Springwich Cellular Limited Partnership  
500 Enterprise Drive  
Rocky Hill, CT 06067-3900

Re: DOCKET NO. 75 - Springwich Cellular Limited Partnership Certificate of Environmental Compatibility and Public Need for telecommunications facilities in the City of Danbury and the Town of Newtown, Connecticut. Notice of Intent to Modify Newtown Facility. (EM-SCLP-097-980709)

Dear Attorney Tyrrell:

At a public meeting held on July 23, 1998, the Connecticut Siting Council (Council) acknowledged your notice to modify this existing telecommunications facility in Newtown, Connecticut, pursuant to Section 16-50j-73 of the Regulations of Connecticut State Agencies.

The proposed modifications are to be implemented as specified here and in your notice dated July 8, 1998, and errata dated July 22, 1998. The modifications are in compliance with the exception criteria in Section 16-50j-72 (b) of the Regulations of Connecticut State Agencies as changes to an existing facility site that would not increase tower height, extend the boundaries of the tower site, increase noise levels at the tower site boundary by six decibels, and increase the total radio frequency electromagnetic radiation power density measured at the tower site boundary to or above the standard adopted by the State Department of Environmental Protection pursuant to General Statutes § 22a-162. This facility has been carefully modeled to ensure that radio frequency emissions are conservatively below State and federal standards applicable to the frequency now used on this tower. Any additional change to this facility will require explicit notice to this agency pursuant to Regulations of Connecticut State Agencies Section 16-50j-73. Such notice shall include all relevant information regarding the proposed change with cumulative worst-case modeling of radio frequency exposure at the closest point of uncontrolled access to the tower base, consistent with Federal Communications Commission, Office of Engineering and Technology, Bulletin No. 65. Any deviation from this format may result in the Council implementing enforcement proceedings pursuant to General Statutes § 16-50u including, without limitation, imposition of expenses resulting from such failure and of civil penalties in an amount not less than one thousand dollars per day for each day of construction or operation in material violation.

Thank you for your attention and cooperation.

Very truly yours,

Mortimer A. Gelston  
Chairman

MAG/RKE/jlh

c: Honorable Herbert C. Rosenthal, First Selectman, Town of Newtown  
Honorable Bonnie P. Smith, First Selectman, Town of Brookfield



# STATE OF CONNECTICUT

## CONNECTICUT SITING COUNCIL

Ten Franklin Square  
New Britain, Connecticut 06051  
Phone: (860) 827-2935  
Fax: (860) 827-2950

July 28, 1998

Peter J. Tyrrell  
Senior Counsel  
Springwich Cellular Limited Partnership  
500 Enterprise Drive  
Rocky Hill, CT 06067-3900

Re: DOCKET NO. 75 - Springwich Cellular Limited Partnership Certificate of Environmental Compatibility and Public Need for telecommunications facilities in the City of Danbury and the Town of Newtown, Connecticut. Notice of Intent to Modify Newtown Facility. (EM-SCLP-097-980709)

Dear Attorney Tyrrell:

In considering this request to modify an existing facility, the Town of Newtown (Town) raised issues regarding the issuance of a building permit.

These proposed modifications satisfied the Connecticut Siting Council's (Council) criteria for modification of an existing facility under Section 16-50j-72 (b) of the Regulations of Connecticut State Agencies as demonstrated in the enclosed letter of acknowledgment dated July 28, 1998. However, the Council did not address the issuance of a building permit that may be proper and within the jurisdiction of the Town.

These concerns may be brought to the attention of the First Selectman, Herbert C. Rosenthal, of the Town of Newtown.

Thank you for your attention and cooperation.

Very truly yours,

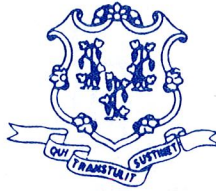
A handwritten signature in black ink, appearing to read 'Joel M. Rinebold', written over a horizontal line.

Joel M. Rinebold  
Executive Director

JMR/RKE/jlh

Enclosure

c: Honorable Herbert C. Rosenthal, First Selectman, Town of Newtown  
Honorable Julia B. Wasserman, State Representative



State of Connecticut  
HOUSE OF REPRESENTATIVES  
STATE CAPITOL  
HARTFORD, CONNECTICUT 06106-1591

RECEIVED

JUL 22 1998

CONNECTICUT  
SITING COUNCIL

REPRESENTATIVE JULIA B. WASSERMAN  
ONE HUNDRED SIXTH DISTRICT

P.O. BOX 848  
113 WALNUT TREE HILL ROAD  
SANDY HOOK, CONNECTICUT 06482  
TELEPHONE  
CAPITOL: (860) 240-8787  
1-800-842-1423

RANKING MEMBER, PROGRAM  
REVIEW AND INVESTIGATIONS COMMITTEE  
APPROPRIATIONS COMMITTEE

July 20, 1998

Mr. Joel Rinebold, Executive Director  
Connecticut Siting Council  
10 Franklin Square  
New Britain, CT 06051

Dear Mr. Rinebold:

Enclosed you will find correspondence from Southern New England Telephone regarding Springwich Cellular Limited Partnership application for installing an antenna on an existing tower at 6 Fairfield Drive, Newtown, CT.

Because the application is for an antenna built on an existing tower should that application be made to the local Zoning authority?

I would appreciate your answer as quickly as possible.

Thank you for your time and attention to this matter.

Sincerely,

Julia B. Wasserman  
State Representative

JBW:mlb

Enclosures



SNET Mobility, Inc.  
500 Enterprise Drive  
Rocky Hill, Connecticut 06067-3900  
Phone (860) 513-7730

Peter W. van Wilgen  
Director - Real Estate Operations

7/13/98

Dear Mr. Rosenthal:

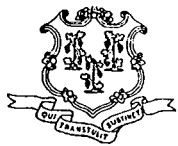
Please excuse the informality, however, the attached was sent to First Selectman Bonnie Smith of Brookfield by mistake. Our tower is located off Fairfield Drive in Brookfield, but is actually in the Town of Newtown adjacent to Route 104. Please feel free to call me if you have any questions.

Thank you.

FIVED  
RECEIVED

JUL 14 1998

TOWN OF NEWTOWN  
SELECTMAN'S OFFICE



STATE OF CONNECTICUT  
CONNECTICUT SITING COUNCIL

Ten Franklin Square  
New Britain, Connecticut 06051  
Phone: (860) 827-2935  
Fax: (860) 827-2950

July 14, 1998

Honorable Herbert C. Rosenthal  
First Selectman  
Town of Newtown  
Town Hall  
45 Main Street  
Newtown, CT 06470

RE: DOCKET NO. 75 - Springwich Cellular Limited Partnership Certificate of Environmental Compatibility and Public Need for telecommunications facilities in the City of Danbury and the Town of Newtown, Connecticut. Notice of Intent to Modify Newtown Facility. (EM-SCLP-018-980709) <sup>097</sup>

Dear Mr. Rosenthal:

On June 9, 1998, the Connecticut Siting Council (Council) received a request from Omnipoint Communications to modify an existing telecommunications facility located off of 6 Fairfield Drive in Newtown, Connecticut, pursuant to Regulations of Connecticut State Agencies Section 16-50j-72.

The Council will consider this item at the next meeting scheduled for July 23, 1998, at 1:30 p.m. in Hearing Room Thrèe, Ten Franklin Square, New Britain, Connecticut.

Please call me or inform the Council if you have any questions or comments regarding this modification of an existing facility.

Thank you for your cooperation and consideration.

Very truly yours,

Joel M. Rinebold  
Executive Director

JMR/jlh

Enclosure: Notice of Intent

cc: Honorable Bonnie P. Smith, Town of Brookfield



500 Enterprise Drive  
Rocky Hill, Connecticut 06067-3900  
Phone: (860) 513-7755  
Fax: (860) 513-7614

## Springwich Cellular Limited Partnership

July 8, 1998

Peter J. Tyrrell  
General Counsel

Mr. Mortimer A. Gelston, Chairman  
Connecticut Siting Council  
10 Franklin Square  
New Britain, CT 06051

RECEIVED

JUL - 9 1998

CONNECTICUT  
SITING COUNCIL

**RE: Springwich Cellular Limited Partnership - Newtown Cell Site**

Dear Chairman Gelston:

Pursuant to Section 16-50i (a) (5) of the Connecticut General Statutes and Section 16-50j-72 (b) (2), as amended, of the regulations of Connecticut State Agencies, the Springwich Cellular Limited Partnership (SCLP) hereby notifies the Connecticut Siting Council that it intends to modify an existing communications facility by permitting the installation of a Personal Communications Services (PCS) antenna system as specified below to an existing communications tower. The Council has certificated in Docket No. 75 a 150 foot monopole, plus a 4 foot platform and a 13 foot antenna for a maximum height of 167 feet. The proposed antenna will be a temporary installation owned, operated and maintained by Omnipoint Communications, Inc. The associated communications hardware will be located within SCLP's existing leased compound area.

Due to interest from other wireless carriers, SCLP will be proposing to replace the existing monopole with a multi-platform monopole when all the carriers interests have been determined and accommodated. The temporary installation will be in place until SCLP determines the timeline for a monopole replacement and such replacement is approved by the Connecticut Siting Council. Upon such approval, the temporary installation will convert to a permanent installation when the replacement tower is completed and Omnipoint's antenna and associated equipment are moved to the new tower. The site is located at 260 Beckley Road, Brookfield, Connecticut, see Exhibit A1 and A2.

### Background

The proposed modifications are at the site of a 150 foot monopole style communications tower with existing antenna located at approximately 154 feet above ground and two communications equipment shelters. The existing shelter and tower are owned and operated by SCLP. The other existing antenna belong to Bell Atlantic Mobile and are located at approximately 135ft above grade. Bell Atlantic Mobile also has an existing shelter located within SCLP's existing compound.

### Discussion

The purpose of this modification is to serve the public with wideband PCS services. Omnipoint proposes to install three antennas configured as a three sector array contained within a "canister" mount. Specifications for the antenna mount are attached as Exhibit B. The highest point at the tip of



the antennas will measure 165 feet above grade, which is below the height authorized by the Council. The lowest point of this antenna will be at 159 feet above grade. The make and model number of the proposed antennas are (1) EMS TRR90-17-000DP-M21. The frequencies used are in the 1930-1945MHz PCS band.

Exhibit C depicts a power density chart which represents calculated existing and proposed non ionizing radiation levels. The levels shown indicate the total power density in milliwatts per square centimeter. These levels have been calculated at the tower base.

The current Connecticut (and ANSI/IEEE) power density level standards, for non-ionizing radiation, are shown in Exhibit C. The levels identified in this case are below the standards. These calculations conform to the procedures described by FCC OST Bulletin No.65.

### Conclusion

The proposed additions do not constitute a "modification" of an existing facility as defined in the Connecticut General Statutes Section 16-50i(d). There will be no change to the tower height above the previously approved allowable height or extension of the boundaries of the site. The tower is structurally sufficient to support the proposed antennas. There will be no increase in noise levels at the site's boundary by six (6) decibels or more and the total radio frequency electromagnetic radiation is not at or above the standard set forth in Section 22(a)-162 of the Connecticut General Statutes. This addition will not have a substantially adverse environment effect.

For these reasons, SCLP request that the Council acknowledge that this Notice of Modification meets the Councils exemption criteria.

Thank you for your cooperation and attention to this matter.

Sincerely,



Peter Tyrrell

xc: Brian Weinstein - Omnipoint Communications, Inc.  
Bonnie P. Smith - First Selectman



500 Enterprise Drive  
Rocky Hill, Connecticut 06067-3900  
Phone: (860) 513-7755  
Fax: (860) 513-7614

## Springwich Cellular Limited Partnership

Peter J. Tyrrell  
General Counsel

July 7, 1998

The Honorable Bonnie P. Smith, First Selectman  
100 Pocono Road  
Brookfield, CT 06804  
(203) 775-7300

Dear First Selectman Smith:

Springwich Cellular Limited Partnership (SCLP) plans to allow Omnipoint Communications, Inc. to install antennas and associated equipment at the existing tower facility owned by SCLP located at 6 Fairfield Drive, ~~Brookfield~~ <sup>NEWTOWN</sup>. As required by Section 16-50j-73 of the Regulations of Connecticut State Agencies (R.C.S.A.), please accept this letter and the attached letter to the Connecticut Siting Council dated July 8, 1998, as notice of intent of the placement of associated equipment on an existing non-facility tower pursuant to R.C.S.A Section 16-50j-72(c).

The attached letter fully describes SCLP's proposal. However, if you have any questions or require any further information on our plans or the Siting Council's procedures, please call me at (860) 513-7755 or Mr. Joel Rinebold, Executive Director, Connecticut Siting Council at (860) 827-2935.

Sincerely,

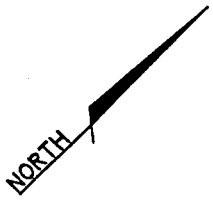
Peter J. Tyrrell

Enclosure  
PJT/ncp



Exhibit A1

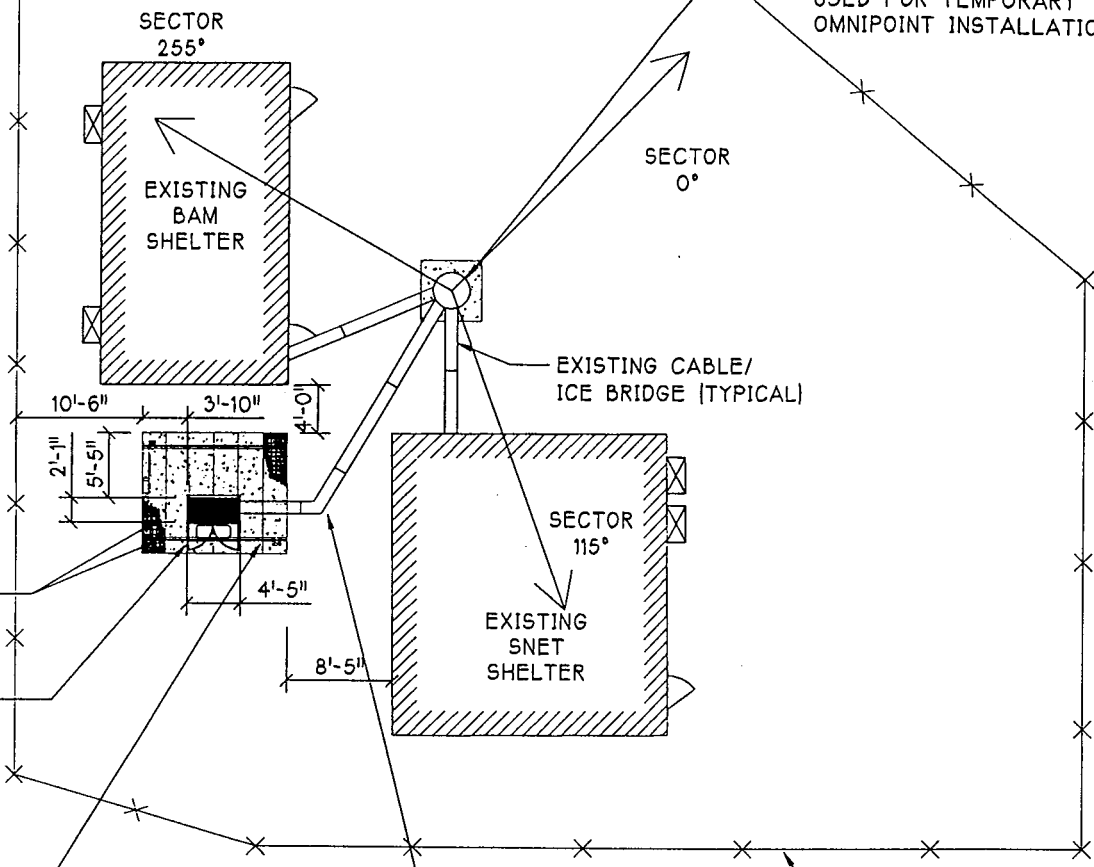
NOTE:  
NORTH TO BE VERIFIED  
BY A CIVIL ENGINEER  
PRIOR TO CONSTRUCTION



EXISTING DRIVEWAY

EXISTING 10' WIDE DOUBLE GATE

EXISTING 150' MONOPOLE TO BE USED FOR TEMPORARY OMNIPOINT INSTALLATION



PROPOSED ELECTRIC/TELCO PANELS MOUNTED TO ICE CANOPY SUPPORTS.  
 PROPOSED NORTEL S8000 EQUIPMENT CABINET ON A 10'x12' CONCRETE SLAB (APPROXIMATE EQUIPMENT AREA = 146 SQ. FT.)  
 PROPOSED OMNIPOINT ICE CANOPY

NOTE:  
EXISTING MONOPOLE ATTACHMENTS ARE NOT SHOWN FOR CLARITY.

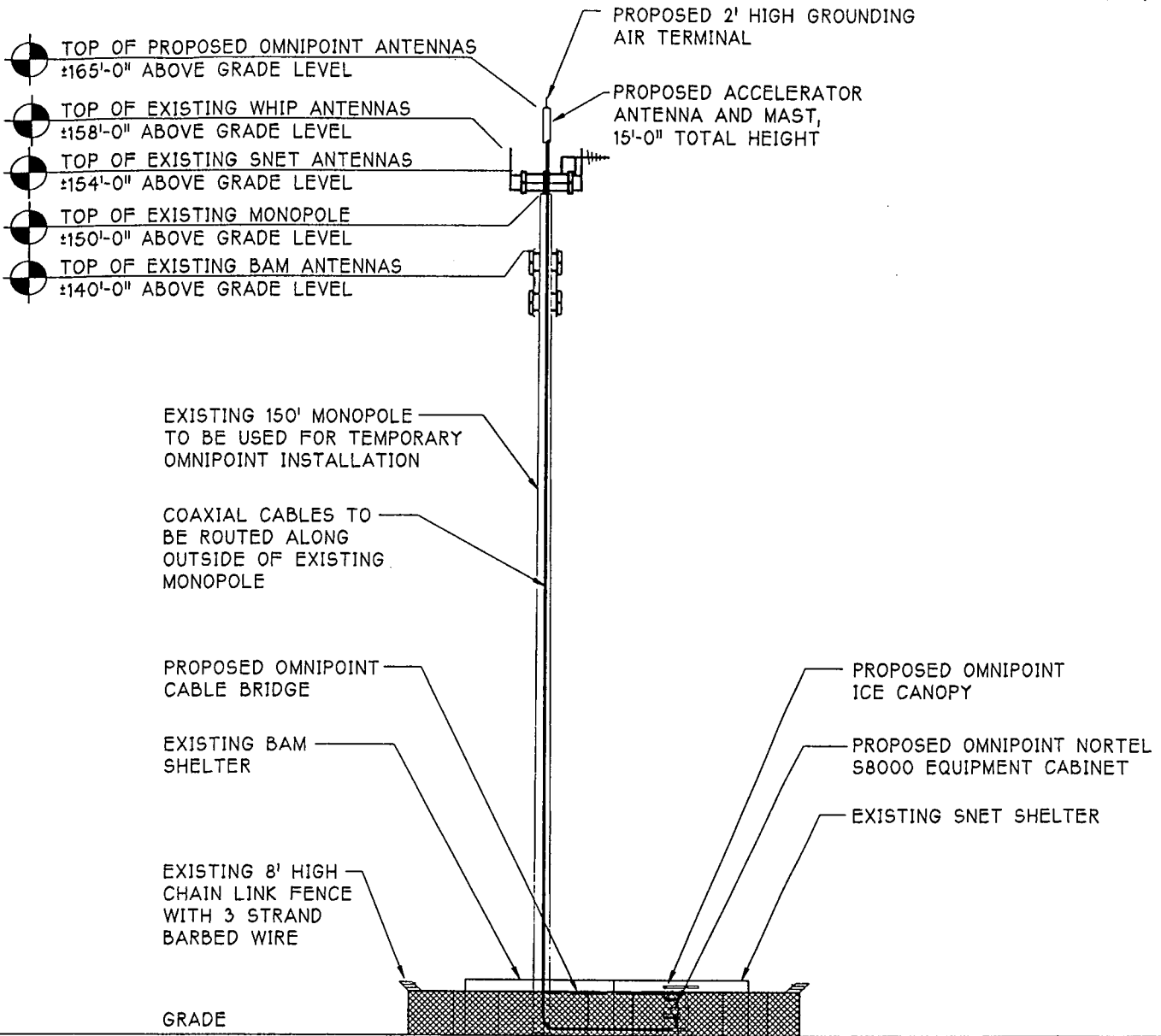
EXISTING 8' HIGH CHAIN LINK FENCE WITH 3 STRAND BARBED WIRE

**1**  
LE-2 **EQUIPMENT LAYOUT**  
SCALE: 1/16" = 1'-0"

NOTE: EXHIBITS SUBMITTED ARE A CONCEPTUAL REPRESENTATION OF THE LEASE AGREEMENT ONLY. ACTUAL CONSTRUCTION DOCUMENTATION MAY VARY TO COMPLY WITH ALL APPLICABLE CODES.

|  |   |             |   |  |                                     |
|--|---|-------------|---|--|-------------------------------------|
| <br>670 North Beers Street, Building 2, Holmdel, NJ 07733<br>Tel: 732.739.3200 Fax: 732.739.0440 | Drawing Title:<br><b>EQUIPMENT LAYOUT</b> |             | Project:<br><b>SNET/M-BETHEL</b>                    |  | REV 1 5/12/98<br>Revision No. Date: |
|  | Client:<br><b>OCS</b>                     |             | Address:<br><b>6 FAIRFIELD DRIVE BROOKFIELD, CT</b> |  |                                     |
| Search Area:<br><b>SNET/M-BETHEL</b>   | P.C.:                                     | P.C. Chkd.: | Drawn:<br><b>KG</b>                                 | Date:<br><b>5/5/98</b>   | Drawing No.<br><b>LE-2</b>          |
| Site ID No.:<br><b>CT-11-105-F</b>   | JDi                                       |             | ARCNET Project No.:<br><b>A96.506-740A</b>          | Approved By:<br>PROJ. MGR: _____ DATE: _____<br>R.F. ENGR: _____ DATE: _____<br>SAC: _____ DATE: _____<br>OWNER: _____ DATE: _____ |                                     |

Exhibit A2



1 ELEVATION  
LE-3 SCALE: 1" = 30'-0"

NOTE: EXHIBITS SUBMITTED ARE A CONCEPTUAL REPRESENTATION OF THE LEASE AGREEMENT ONLY. ACTUAL CONSTRUCTION DOCUMENTATION MAY VARY TO COMPLY WITH ALL APPLICABLE CODES.



670 North Beers Street, Building 2, Holmdel, NJ 07733  
Tel: 732.739.3200 Fax: 732.739.0440

Drawing Title:  
ELEVATION



Project: **SNET/M-BETHEL**  
Address: 6 FAIRFIELD DRIVE  
BROOKFIELD, CT

Approved By:  
PROJ. MGR: \_\_\_\_\_ DATE: \_\_\_\_\_  
R.F. ENGR: \_\_\_\_\_ DATE: \_\_\_\_\_  
SAC: \_\_\_\_\_ DATE: \_\_\_\_\_  
OWNER: \_\_\_\_\_ DATE: \_\_\_\_\_

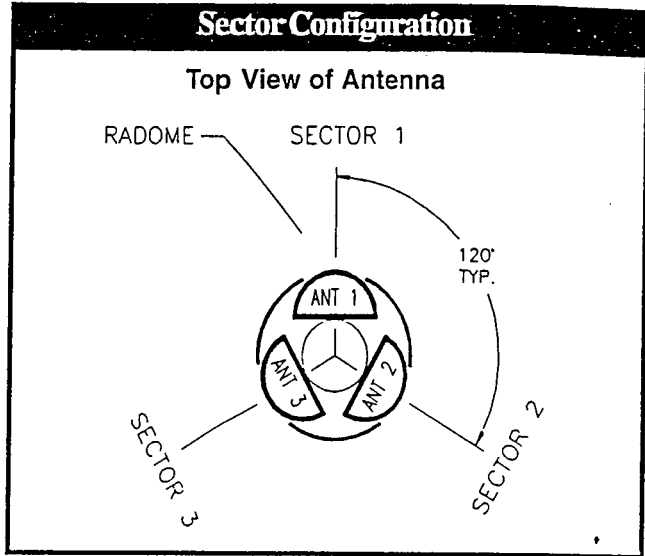
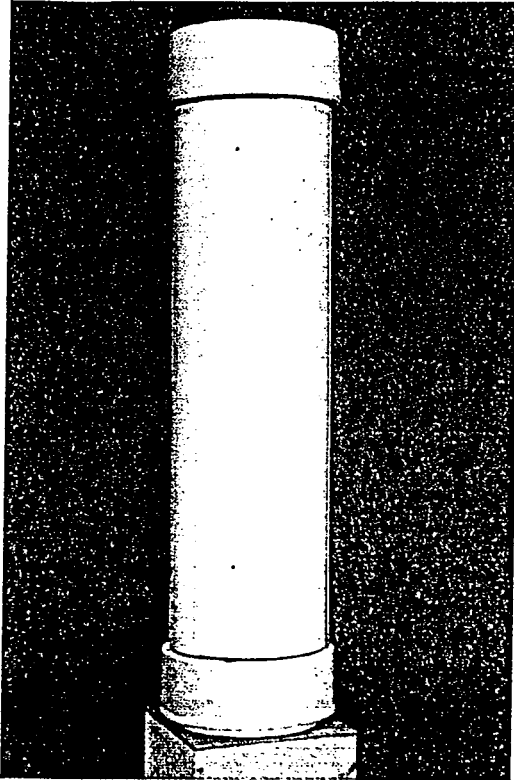
|              |         |
|--------------|---------|
|              |         |
|              |         |
|              |         |
| REV 1        | 5/12/98 |
| Revision No. | Date:   |
| Drawing No.  |         |
| <b>LE-3</b>  |         |

Search Area: SNET/M-BETHEL  
Site ID No.: CT-11-105-F

P.C. Chkd. by: *JDC*  
Chkd. by: *[Signature]*

ARCNET Project No. A96.506-740A  
Drawn: KG  
Date: 5/6/98

1850 - 1990 MHz  
Base Station Antennas



### Mechanical Specification

| Parameter                | Specification                             |
|--------------------------|---|
| Dimensions: Height       | 72 inches (183 cm)                        |
| Diameter                 | 19 inches (41 cm)                         |
| Rated Wind Velocity      | 100 mph (161 kph)                         |
| Lateral Thrust @ 100 mph | 250 lbs (1116 N)                          |
| Weight                   | 150 lbs (68 kg)                           |
| Mounting Hardware        | 4 ea. 3/4 - 10 Bolts on 12 in bolt circle |

### Electrical Specification

| Parameter                  | Specification                                 |
|----------------------------|---|
| Sector to Sector Isolation | > 40 dB                                       |
| Jumper Cable Connectors    | 7-16 DIN (female)                             |
| Lightning Protection       | Chassis Ground<br>(Optional air terminal kit) |

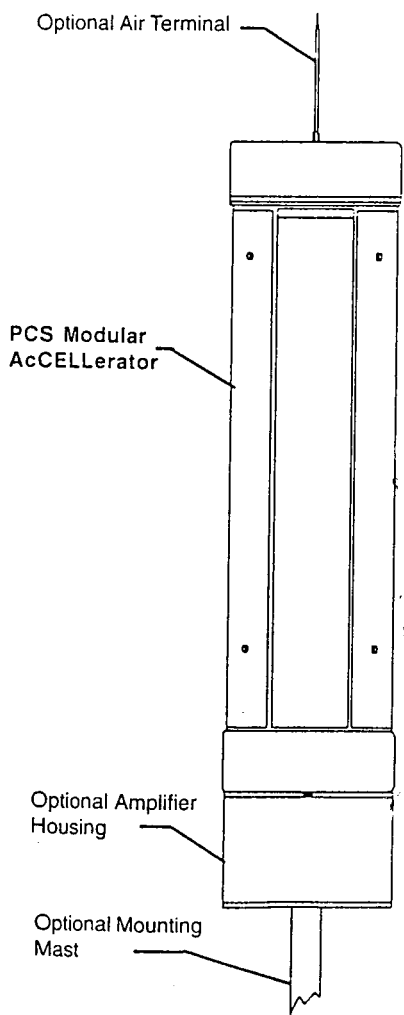
For all other electrical performance specifications including radiation pattern data, please refer to the individual antenna data sheet.

### Accessories

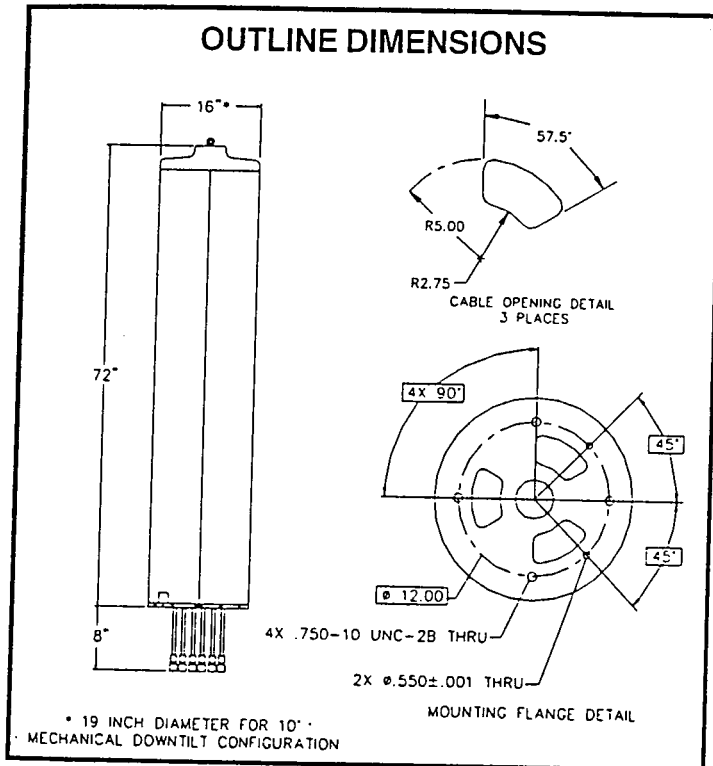
| Model Number | Description       | Comments  |
|--------------|-------------------|---|
| LPK-1        | Air Terminal      | Lightning protection kit including 24 in. air terminal and 12 ft. #4 AWG copper pigtail.  |
| LNAC-X-X     | Amplifier Housing | 16 inch O.D. x 24 inch tall canister for housing receive low noise amplifiers. Can be supplied from factory with LNAs pre-installed and tested. |

### Mounting Options

| Model Number | Description                    | Comments  |
|--------------|--------------------------------|---|
| MTG-A00-00   | Mounting Plate                 | 16 inch dia. steel plate with mating hole pattern for AcCELLerator™ series antennas. Use to make your own custom mount or monopole adapter. |
| MTG-A10-00   | Mounting Mast                  | 10 ft. x 4 1/2 in. O.D. galvanized steel pipe with welded antenna mounting plate.   |
| MTG-A20-00   | Mounting Mast & Wall Mount Kit | 10 ft. mounting mast plus brackets for wall attachment.   |



### INTRODUCTION



Drawing from more than 25 years in the development of high reliability systems, EMS Wireless has applied that knowledge and experience to the needs of commercial wireless communication service providers.

#### COMPLETE 3 SECTOR COVERAGE IN 1 ENCLOSURE

Each AcCELLerator™ series antenna contains three EMS Wireless DualPol™ antennas, oriented 120° apart inside a single aesthetically pleasing enclosure.

#### FASTER ZONING APPROVAL

Having no visible cables or individual antennas makes zoning approval a breeze! AcCELLerator™ series antennas can be mounted on unobtrusive monopoles or existing structures such as roof tops, utility poles and billboards.

#### LOWER INFRASTRUCTURE COST

Fewer antennas means reduced windloads, lighter duty towers, no antenna platform, lower lease costs from landlords and faster site installation. AcCELLerator™ series antennas can be installed in most roof top applications with no additional screening required.

#### JUMPER CABLES INCLUDED

Each AcCELLerator™ series antenna comes ready to install with factory attached and weatherproofed, high quality, 1/2 inch diameter, flexible jumper cables.

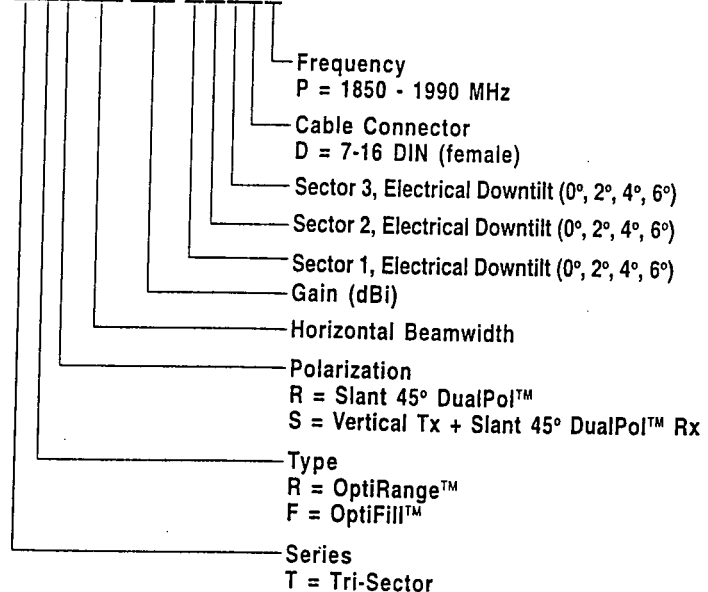
#### CUSTOM TAILORED FOR YOUR APPLICATION

Select any three EMS Wireless 48 to 60 inch PCS antennas and the sector where you would like it installed. Mix and match beamwidths, electrical downtilts and polarization options to meet your exact needs. We can even adjust the azimuth beam pointing direction for one or more sectors! For more information contact EMS Wireless customer service.

NOTE: Values are typical and variations may occur as a result of obstructions at the actual location where the antenna is installed. The type of tower may also cause variations.

### MODEL NUMBER GUIDE

TXXXX-XX-XXXDP



Note: Model numbering shown assumes antennas of the same gain, beamwidth, polarization and type will be used on each sector. For information on how to specify custom configurations, contact customer service.

# EXHIBIT C

500 Enterprise Drive  
Rocky Hill, CT 06067



**Raymond Bell**  
SNR SPEC PER COM ENG  
860.513.7699

DATE: July 7, 1998  
TO: Judy Owens  
FROM: Raymond Bell  
SUBJECT: Newtown Power Density

The table below shows the power density values you requested for the Newtown cell site. I calculated the value, using methods set forth in the August 1997 FCC OET Bulletin No. 65.

| SERVICE              | FREQ.           | POWER per CHANNEL | CHANNEL S | HEIGHT (CL) | POWER DENSITY (mW/cm <sup>2</sup> ) | PERCENT OF MPE |
|----------------------|-----------------|-------------------|-----------|-------------|-------------------------------------|----------------|
| BELL ATLANTIC MOBILE | 869             | 100w              | 19        | 132'        | 0.0434                              | 7.95%          |
| SNET Cellular        | 880 - 894 MHz   | 100w              | 19        | 152'        | 0.0323                              | 5.51%          |
| OMNIPOINT PCS        | 1930 - 1945 MHz | N/A               | N/A       | 161'        | 0.0069*                             | 0.69%*         |
|                      |                 |                   |           |             | <b>Total % of MPE</b>               | <b>14.15%</b>  |

Please contact me at the above telephone number, if you have any questions or comments.

\* Provided by Omnpoint.



500 Enterprise Drive  
Rocky Hill, CT 06067

**Raymond Bell**  
SNR SPEC PER COM ENG  
860.513.7699

DATE: July 22, 1998  
TO: Judy Owens, SNET Real Estate  
FROM: Raymond Bell, Springwch Cellular Limited Partnership -- Engineer *R.A.B.*  
SUBJECT: Newtown Power Density

The table below shows the power density values you requested for the Newtown cell site. I calculated the values, using methods set forth in the August 1997 FCC OET Bulletin No. 65.

| SERVICE                    | FREQ.              | POWER<br>per<br>CHANNEL | CHANNELS | HEIGHT<br>(RC) | POWER<br>DENSITY<br>(mW/cm <sup>2</sup> ) | PERCENT OF<br>MPE |
|----------------------------|--------------------|-------------------------|----------|----------------|---|-------------------|
| BELL<br>ATLANTIC<br>MOBILE | 869                | 100w                    | 19       | 132'           | 0.0434                                    | 7.95%             |
| SNET Cellular              | 880 - 894<br>MHz   | 100w                    | 19       | 152'           | 0.0323                                    | 5.51%             |
| OMNIPOINT<br>PCS           | 1930 -<br>1945 MHz | N/A                     | N/A      | 160'           | 0.0057*                                   | 0.57%*            |
|                            |                    |                         |          |                | <b>Total % of MPE</b>                     | <b>14.03%</b>     |

Please contact me at the above telephone number, if you have any questions or comments.

\*Provided by Omnpoint.