



STATE OF CONNECTICUT
CONNECTICUT SITING COUNCIL

Ten Franklin Square, New Britain, CT 06051
Phone: (860) 827-2935 Fax: (860) 827-2950
E-Mail: siting.council@ct.gov
Web Site: portal.ct.gov/csc

VIA ELECTRONIC MAIL

June 14, 2023

William Hurley
Site Acquisition Specialist
Centerline Communications, LLC
750 West Center Street, Suite 301
West Bridgewater, MA 02379
whurley@clinellc.com

RE: **EM-ATT-095-230523** - AT&T notice of intent to modify an existing telecommunications facility located at 26 Washington Street, New London, Connecticut.

Dear William Hurley:

The Connecticut Siting Council (Council) is in receipt of your correspondence of June 13, 2023 submitted in response to the Council's June 5, 2023 notification of an incomplete request for exempt modification with regard to the above-referenced matter.

The submission renders the request for exempt modification complete and the Council will process the request in accordance with the Federal Communications Commission 60-day timeframe.

Thank you for your attention and cooperation.

Sincerely,

A handwritten signature in dark ink, appearing to read "Melanie Bachman".

Melanie Bachman
Executive Director

MAB/ANM/laf

From: William Hurley <whurley@clinellc.com>

Sent: Tuesday, June 13, 2023 4:32 PM

To: LaFountain, Dakota <Dakota.LaFountain@ct.gov>

Cc: CSC-DL Siting Council <Siting.Council@ct.gov>

Subject: RE: Council's Corrected Incomplete Letter: EM-ATT-095-230523 - 26 Washington Street, New London

Good afternoon,

Please find attached updated Construction Drawings, updated to comport with the current 2022 CSBC.

Please let me know if anything further is required.

Regards,

Bill Hurley



William Hurley | Site Acquisition Consultant

[750 W Center St, Suite 301 | West Bridgewater, MA 02379](https://www.centerlinecommunications.com)

Mobile: 716-908-6915

whurley@clinellc.com | www.centerlinecommunications.com

Building a better network.

Smart design. Quality construction. Reliable maintenance.

PROJECT INFORMATION

SCOPE OF WORK: ITEMS TO BE MOUNTED ON THE EXISTING ROOF TOP:

- NEW AT&T MOUNT MODIFICATIONS (SEE "S" SHEETS)
- NEW AT&T ANTENNAS: AIR6449 B77D (TYP. OF 1 PER SECTOR, TOTAL OF 3)(STACKED).
- NEW AT&T ANTENNAS: AIR6419 B77G (TYP. OF 1 PER SECTOR, TOTAL OF 3)(STACKED).
- NEW AT&T LTE ANTENNAS: MS-MBA-3.2-H4-L4 (TYP. OF 1 PER ALPHA & BETA SECTOR, TOTAL OF 2).
- NEW AT&T DIPLEXERS: DBC0051F3V51-2 (TYP. OF 6 PER ALPHA & BETA SECTORS, TOTAL OF 12).
- NEW AT&T RRUS: 4449 B5/B12 (850/700) (TYP. OF 1 PER ALPHA & BETA SECTOR, TOTAL OF 2).
- NEW AT&T RRUS: 8843 B2/B66A (PCS/AWS) (TYP. OF 2 PER ALPHA & BETA SECTOR, TOTAL OF 4).
- ADD AT&T (12) Y-CABLES.
- ADD (2) 18 PAIR FIBER (TYP. OF 1 PER ALPHA & BETA SECTORS, TOTAL OF 2).

ITEMS TO BE MOUNTED AT EQUIPMENT LOCATION:

- INSTALL 6648+IDLE XCEDE WITH 6675 SIDEHAUL SWITCH WITH E5 XCEDE CABLES (Y TYPE).
- FINAL= (1)6601/ (1)6630/ (1)XMU03, (1)6630 MIXED-MODE/6675, (1)6648+IDLE XCEDE.
- INSTALL (4) -48V RECTIFIERS.
- INSTALL (12) VERTIV UP CONVERTERS.

ITEMS TO BE REMOVED:

- EXISTING AT&T ANTENNAS: 7770 (TYP. OF 1 PER SECTOR, TOTAL OF 3).
- EXISTING AT&T ANTENNAS: 800-10964 (TYP. OF 1 PER ALPHA & BETA SECTOR, TOTAL OF 2).
- EXISTING AT&T TMA'S: LGP-21401 (TYP. OF 2 PER SECTOR, TOTAL OF 6).
- EXISTING AT&T DIPLEXERS: LGP-21901 (TYP. OF 4 PER SECTOR, TOTAL OF 12).
- EXISTING (2) FIBER TRUNKS (TYP. OF 1 PER ALPHA & BETA SECTORS, TOTAL OF 2).
- EXISTING (6) 1-5/8 COAX CABLES.

ITEMS TO REMAIN:

- (7) ANTENNAS, (15) RRU'S, (6) SURGE ARRESTOR, (6) COAX CABLES, (12) DC POWER & (4) FIBER.

SITE ADDRESS: 26 WASHINGTON STREET
NEW LONDON, CT 06320

LATITUDE: 41.35388° N, 41° 21' 13.972" N

LONGITUDE: 72.09786° W, 72° 5' 52.296" W

TYPE OF SITE: ROOF TOP / INDOOR EQUIPMENT

STRUCTURE HEIGHT: 223'-0"±

RAD CENTER: 105'-0"± & 191'-0"±

CURRENT USE: TELECOMMUNICATIONS FACILITY

PROPOSED USE: TELECOMMUNICATIONS FACILITY

DRAWING INDEX

SHEET NO.	DESCRIPTION	REV.
T-1	TITLE SHEET	1
GN-1	GENERAL NOTES	1
A-1	ROOFTOP & EQUIPMENT PLANS	1
A-2	EXISTING ANTENNA PLAN	1
A-3	PROPOSED ANTENNA PLAN	1
A-4	ELEVATION	1
A-5	DETAILS	1
A-6	DETAILS	1
SN-1	STRUCTURAL NOTES	1
S-1	STRUCTURAL DETAILS	1
G-1	GROUNDING DETAILS	1
RF-1	RF PLUMBING DIAGRAM	1
RF-2	RF PLUMBING DIAGRAM	1

NOTE TO GENERAL CONTRACTOR: (PRIOR/DURING CONSTRUCTION)

CONTRACTOR TO CONTACT E.O.R. (TEP NORTHEAST, TEP OPCO,LLC) PRIOR TO ROOF/WALL OPENINGS TO COORDINATE/SCHEDULE THE FOLLOWING:

- INSPECTION OF EXISTING CONDITIONS AND LOCATIONS WHERE CONNECTIONS ARE BEING PROPOSED, INCLUDING INSPECTIONS OF STUB-UP ANCHORS AND/OR WALL ANCHORS PRIOR TO CONCEALING.



SITE NUMBER: CTL02080

SITE NAME: NEW LONDON-WASHINGTON ST

FA CODE: 10035053

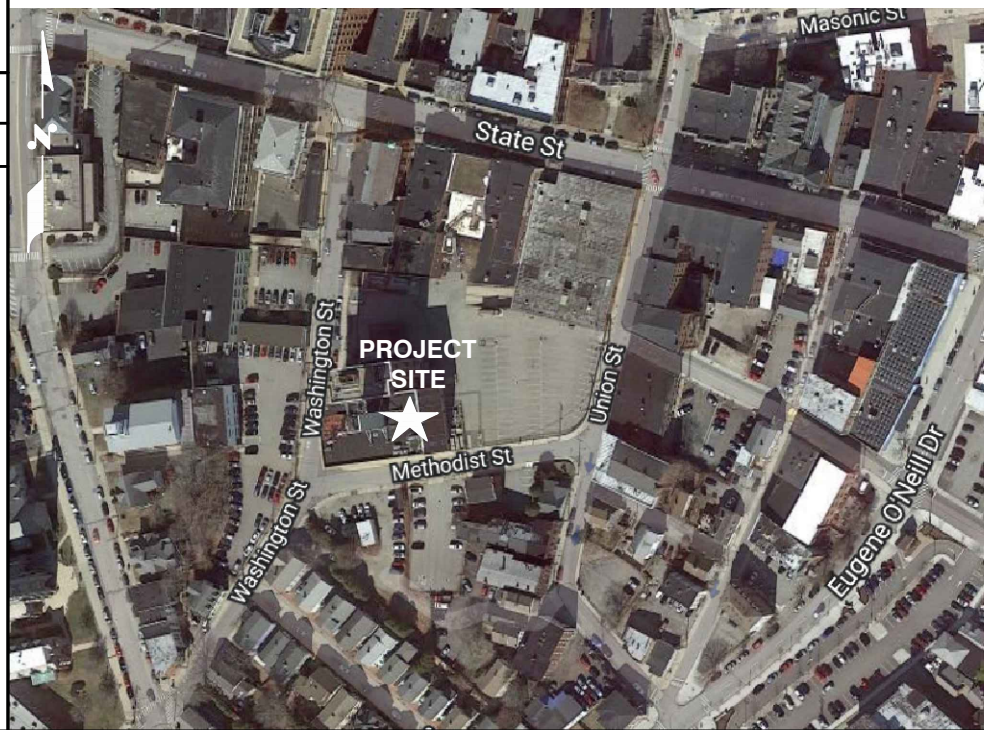
PACE ID: MRCTB055349,MRCTB053938,MRCTB056340,MRCTB053932,MRCTB051961,MRCTB052394

PROJECT: 5G NR 1SR CBAND, 5G NR RADIO, SPLIT SECTOR LTE, 2022 UPGRADE

VICINITY MAP

DIRECTIONS TO SITE:

DEPART RT-30 W / COCHITUATE RD TOWARD BURR ST 0.3 MI. TURN BACK ON RT-30 E / COCHITUATE RD 0.3 MI. TAKE RAMP RIGHT FOR I-90 WEST TOWARD SPRINGFIELD / WORCESTER 27.4 MI. AT EXIT 10, TAKE RAMP RIGHT FOR I-395 SOUTH TOWARD NORWICH CT ENTERING CONNECTICUT 62.0 MI. AT EXIT 5, TAKE RAMP LEFT FOR MONTVILLE CONNECTOR TOWARD NEW LONDON 1.2 MI. KEEP STRAIGHT ONTO CT-32 / MOHEGAN AVE 4.3 MI. ROAD NAME CHANGES TO EUGENE ONEILL DR 0.3 MI. TURN RIGHT ONTO GOVERNOR WINTHROP BLVD 0.1 MI. TURN LEFT ONTO MERIDIAN ST 361 FT. TURN LEFT ONTO STATE ST, AND THEN IMMEDIATELY TURN RIGHT ONTO WASHINGTON ST 420 FT. ARRIVE AT 26 WASHINGTON ST



GENERAL NOTES

1. THIS DOCUMENT IS THE CREATION, DESIGN, PROPERTY AND COPYRIGHTED WORK OF AT&T. ANY DUPLICATION OR USE WITHOUT EXPRESS WRITTEN CONSENT IS STRICTLY PROHIBITED. DUPLICATION AND USE BY GOVERNMENT AGENCIES FOR THE PURPOSES OF CONDUCTING THEIR LAWFULLY AUTHORIZED REGULATORY AND ADMINISTRATIVE FUNCTIONS IS SPECIFICALLY ALLOWED.
2. THE FACILITY IS AN UNMANNED PRIVATE AND SECURED EQUIPMENT INSTALLATION. IT IS ONLY ACCESSED BY TRAINED TECHNICIANS FOR PERIODIC ROUTINE MAINTENANCE AND THEREFORE DOES NOT REQUIRE ANY WATER OR SANITARY SEWER SERVICE. THE FACILITY IS NOT GOVERNED BY REGULATIONS REQUIRING PUBLIC ACCESS PER ADA REQUIREMENTS.
3. CONTRACTOR SHALL VERIFY ALL PLANS AND EXISTING DIMENSIONS AND CONDITIONS ON THE JOB SITE AND SHALL IMMEDIATELY NOTIFY THE AT&T MOBILITY REPRESENTATIVE IN WRITING OF DISCREPANCIES BEFORE PROCEEDING WITH THE WORK OR BE RESPONSIBLE FOR SAME.
4. CONSTRUCTION DRAWINGS ARE VALID FOR SIX MONTHS AFTER ENGINEER OF RECORD'S STAMPED AND SIGNED SUBMITTAL DATE LISTED HEREIN.

72 HOURS

CALL BEFORE YOU DIG

CALL TOLL FREE 1-800-922-4455

OR CALL 811

UNDERGROUND SERVICE ALERT



750 WEST CENTER STREET, SUITE #301
WEST BRIDGEWATER, MA 02379

SITE NUMBER: CTL02080
SITE NAME: NEW LONDON-WASHINGTON ST

26 WASHINGTON STREET
NEW LONDON, CT 06320
NEW LONDON COUNTY



500 ENTERPRISE DRIVE, SUITE 3A
ROCKY HILL, CT 06067

NO.	DATE	REVISIONS	BY	CHK	APP'D
1	06/05/23	ISSUED FOR CONSTRUCTION	JS	AT	PH
B	11/01/22	ISSUED FOR PERMITTING	AA	AT	PH
A	09/13/22	ISSUED FOR REVIEW	MR	AT	DR

SCALE: AS SHOWN DESIGNED BY: AT DRAWN BY: MR

STATE OF CONNECTICUT
DANIEL J. GRAMM
LICENSED PROFESSIONAL ENGINEER
No. 74175

AT&T

TITLE SHEET
5G NR 1SR CBAND, 5G NR RADIO, SPLIT SECTOR LTE, 2022 UPGRADE

SHEET NUMBER	DRAWING NUMBER	REV
CTL02080	T-1	1

GROUNDING NOTES

- THE SUBCONTRACTOR SHALL REVIEW AND INSPECT THE EXISTING FACILITY GROUNDING SYSTEM AND LIGHTNING PROTECTION SYSTEM (AS DESIGNED AND INSTALLED) FOR STRICT COMPLIANCE WITH THE NEC (AS ADOPTED BY THE AHJ), THE SITE-SPECIFIC (UL, LPI, OR NFPA) LIGHTING PROTECTION CODE, AND GENERAL COMPLIANCE WITH TELCORDIA AND TIA GROUNDING STANDARDS. THE SUBCONTRACTOR SHALL REPORT ANY VIOLATIONS OR ADVERSE FINDINGS TO THE CONTRACTOR FOR RESOLUTION.
- ALL GROUND ELECTRODE SYSTEMS (INCLUDING TELECOMMUNICATION, RADIO, LIGHTNING PROTECTION, AND AC POWER GES'S) SHALL BE BONDED TOGETHER, AT OR BELOW GRADE, BY TWO OR MORE COPPER BONDING CONDUCTORS IN ACCORDANCE WITH THE NEC.
- THE SUBCONTRACTOR SHALL PERFORM IEEE FALL-OF-POTENTIAL RESISTANCE TO EARTH TESTING (PER IEEE 1100 AND 81 STANDARDS) FOR NEW GROUND ELECTRODE SYSTEMS. THE SUBCONTRACTOR SHALL FURNISH AND INSTALL SUPPLEMENTAL GROUND ELECTRODES AS NEEDED TO ACHIEVE A TEST RESULT OF 5 OHMS OR LESS.
- METAL RACEWAY SHALL NOT BE USED AS THE NEC REQUIRED EQUIPMENT GROUND CONDUCTOR. STRANDED COPPER CONDUCTORS WITH GREEN INSULATION, SIZED IN ACCORDANCE WITH THE NEC, SHALL BE FURNISHED AND INSTALLED WITH THE POWER CIRCUITS TO BTS EQUIPMENT.
- EACH BTS CABINET FRAME SHALL BE DIRECTLY CONNECTED TO THE MASTER GROUND BAR WITH GREEN INSULATED SUPPLEMENTAL EQUIPMENT GROUND WIRES, #6 AWG STRANDED COPPER OR LARGER FOR INDOOR BTS AND #2 AWG STRANDED COPPER FOR OUTDOOR BTS.
- EXOTHERMIC WELDS SHALL BE USED FOR ALL GROUNDING CONNECTIONS BELOW GRADE.
- APPROVED ANTIOXIDANT COATINGS (I.E., CONDUCTIVE GEL OR PASTE) SHALL BE USED ON ALL COMPRESSION AND BOLTED GROUND CONNECTIONS.
- ICE BRIDGE BONDING CONDUCTORS SHALL BE EXOTHERMICALLY BONDED OR BOLTED TO GROUND BAR.
- ALUMINUM CONDUCTOR OR COPPER CLAD STEEL CONDUCTOR SHALL NOT BE USED FOR GROUNDING CONNECTIONS.
- MISCELLANEOUS ELECTRICAL AND NON-ELECTRICAL METAL BOXES, FRAMES AND SUPPORTS SHALL BE BONDED TO THE GROUND RING, IN ACCORDANCE WITH THE NEC.
- METAL CONDUIT SHALL BE MADE ELECTRICALLY CONTINUOUS WITH LISTED BONDING FITTINGS OR BY BONDING ACROSS THE DISCONTINUITY WITH #6 AWG COPPER WIRE UL APPROVED GROUNDING TYPE CONDUIT CLAMPS.
- ALL NEW STRUCTURES WITH A FOUNDATION AND/OR FOOTING HAVING 20 FT. OR MORE OF 1/2 IN. OR GREATER ELECTRICALLY CONDUCTIVE REINFORCING STEEL MUST HAVE IT BONDED TO THE GROUND RING USING AN EXOTHERMIC WELD CONNECTION USING #2 AWG SOLID BARE TINNED COPPER GROUND WIRE, PER NEC 250.50

GENERAL NOTES

- FOR THE PURPOSE OF CONSTRUCTION DRAWING, THE FOLLOWING DEFINITIONS SHALL APPLY:
 CONTRACTOR – CENTERLINE
 SUBCONTRACTOR – GENERAL CONTRACTOR (CONSTRUCTION)
 OWNER – AT&T MOBILITY
- PRIOR TO THE SUBMISSION OF BIDS, THE BIDDING SUBCONTRACTOR SHALL VISIT THE CELL SITE TO FAMILIARIZE WITH THE EXISTING CONDITIONS AND TO CONFIRM THAT THE WORK CAN BE ACCOMPLISHED AS SHOWN ON THE CONSTRUCTION DRAWINGS. ANY DISCREPANCY FOUND SHALL BE BROUGHT TO THE ATTENTION OF CONTRACTOR.
- ALL MATERIALS FURNISHED AND INSTALLED SHALL BE IN STRICT ACCORDANCE WITH ALL APPLICABLE CODES, REGULATIONS, AND ORDINANCES. SUBCONTRACTOR SHALL ISSUE ALL APPROPRIATE NOTICES AND COMPLY WITH ALL LAWS, ORDINANCES, RULES, REGULATIONS, AND LAWFUL ORDERS OF ANY PUBLIC AUTHORITY REGARDING THE PERFORMANCE OF THE WORK. ALL WORK CARRIED OUT SHALL COMPLY WITH ALL APPLICABLE MUNICIPAL AND UTILITY COMPANY SPECIFICATIONS AND LOCAL JURISDICTIONAL CODES, ORDINANCES AND APPLICABLE REGULATIONS.
- DRAWINGS PROVIDED HERE ARE NOT TO BE SCALED AND ARE INTENDED TO SHOW OUTLINE ONLY.
- UNLESS NOTED OTHERWISE, THE WORK SHALL INCLUDE FURNISHING MATERIALS, EQUIPMENT, APPURTENANCES, AND LABOR NECESSARY TO COMPLETE ALL INSTALLATIONS AS INDICATED ON THE DRAWINGS.
- "KITTING LIST" SUPPLIED WITH THE BID PACKAGE IDENTIFIES ITEMS THAT WILL BE SUPPLIED BY CONTRACTOR. ITEMS NOT INCLUDED IN THE BILL OF MATERIALS AND KITTING LIST SHALL BE SUPPLIED BY THE SUBCONTRACTOR.
- THE SUBCONTRACTOR SHALL INSTALL ALL EQUIPMENT AND MATERIALS IN ACCORDANCE WITH MANUFACTURER'S RECOMMENDATIONS UNLESS SPECIFICALLY STATED OTHERWISE.
- IF THE SPECIFIED EQUIPMENT CANNOT BE INSTALLED AS SHOWN ON THESE DRAWINGS, THE SUBCONTRACTOR SHALL PROPOSE AN ALTERNATIVE INSTALLATION SPACE FOR APPROVAL BY THE CONTRACTOR.
- SUBCONTRACTOR SHALL DETERMINE ACTUAL ROUTING OF CONDUIT, POWER AND T1 CABLES, GROUNDING CABLES AS SHOWN ON THE POWER, GROUNDING AND TELCO PLAN DRAWING. SUBCONTRACTOR SHALL UTILIZE EXISTING TRAYS AND/OR SHALL ADD NEW TRAYS AS NECESSARY. SUBCONTRACTOR SHALL CONFIRM THE ACTUAL ROUTING WITH THE CONTRACTOR.
- THE SUBCONTRACTOR SHALL PROTECT EXISTING IMPROVEMENTS, PAVEMENTS, CURBS, LANDSCAPING AND STRUCTURES. ANY DAMAGED PART SHALL BE REPAIRED AT SUBCONTRACTOR'S EXPENSE TO THE SATISFACTION OF OWNER.
- SUBCONTRACTOR SHALL LEGALLY AND PROPERLY DISPOSE OF ALL SCRAP MATERIALS SUCH AS COAXIAL CABLES AND OTHER ITEMS REMOVED FROM THE EXISTING FACILITY. ANTENNAS REMOVED SHALL BE RETURNED TO THE OWNER'S DESIGNATED LOCATION.
- SUBCONTRACTOR SHALL LEAVE PREMISES IN CLEAN CONDITION.
- ALL CONCRETE REPAIR WORK SHALL BE DONE IN ACCORDANCE WITH AMERICAN CONCRETE INSTITUTE (ACI) 301.

- ANY NEW CONCRETE NEEDED FOR THE CONSTRUCTION SHALL BE AIR-ENTRAINED AND SHALL HAVE 4000 PSI STRENGTH AT 28 DAYS. ALL CONCRETE WORK SHALL BE DONE IN ACCORDANCE WITH ACI 318 CODE REQUIREMENTS.
- ALL STRUCTURAL STEEL WORK SHALL BE DETAILED, FABRICATED AND ERECTED IN ACCORDANCE WITH AISC SPECIFICATIONS. ALL STRUCTURAL STEEL SHALL BE ASTM A36 (Fy = 36 ksi) UNLESS OTHERWISE NOTED. PIPES SHALL BE ASTM A53 TYPE E (Fy = 36 ksi). ALL STEEL EXPOSED TO WEATHER SHALL BE HOT DIPPED GALVANIZED. TOUCH UP ALL SCRATCHES AND OTHER MARKS IN THE FIELD AFTER STEEL IS ERECTED USING A COMPATIBLE ZINC RICH PAINT.
- CONSTRUCTION SHALL COMPLY WITH SPECIFICATIONS AND "GENERAL CONSTRUCTION SERVICES FOR CONSTRUCTION OF AT&T SITES."
- SUBCONTRACTOR SHALL VERIFY ALL EXISTING DIMENSIONS AND CONDITIONS PRIOR TO COMMENCING ANY WORK. ALL DIMENSIONS OF EXISTING CONSTRUCTION SHOWN ON THE DRAWINGS MUST BE VERIFIED. SUBCONTRACTOR SHALL NOTIFY THE CONTRACTOR OF ANY DISCREPANCIES PRIOR TO ORDERING MATERIAL OR PROCEEDING WITH CONSTRUCTION.
- THE EXISTING CELL SITE IS IN FULL COMMERCIAL OPERATION. ANY CONSTRUCTION WORK BY SUBCONTRACTOR SHALL NOT DISRUPT THE EXISTING NORMAL OPERATION. ANY WORK ON EXISTING EQUIPMENT MUST BE COORDINATED WITH CONTRACTOR. ALSO, WORK SHOULD BE SCHEDULED FOR AN APPROPRIATE MAINTENANCE WINDOW USUALLY IN LOW TRAFFIC PERIODS AFTER MIDNIGHT.
- SINCE THE CELL SITE IS ACTIVE, ALL SAFETY PRECAUTIONS MUST BE TAKEN WHEN WORKING AROUND HIGH LEVELS OF ELECTROMAGNETIC RADIATION. EQUIPMENT SHOULD BE SHUTDOWN PRIOR TO PERFORMING ANY WORK THAT COULD EXPOSE THE WORKERS TO DANGER. PERSONAL RF EXPOSURE MONITORS ARE ADVISED TO BE WORN TO ALERT OF ANY DANGEROUS EXPOSURE LEVELS.
- APPLICABLE BUILDING CODES:**
 SUBCONTRACTOR'S WORK SHALL COMPLY WITH ALL APPLICABLE NATIONAL, STATE, AND LOCAL CODES AS ADOPTED BY THE LOCAL AUTHORITY HAVING JURISDICTION (AHJ) FOR THE LOCATION. THE EDITION OF THE AHJ ADOPTED CODES AND STANDARDS IN EFFECT ON THE DATE OF CONTRACT AWARD SHALL GOVERN THE DESIGN.

**BUILDING CODE: IBC 2021 WITH 2022 CT STATE BUILDING CODE AMENDMENTS
 ELECTRICAL CODE: 2020 NATIONAL ELECTRICAL CODE (NFPA 70-2020)**

SUBCONTRACTOR'S WORK SHALL COMPLY WITH THE LATEST EDITION OF THE FOLLOWING STANDARDS:

AMERICAN CONCRETE INSTITUTE (ACI) 318; BUILDING CODE REQUIREMENTS FOR STRUCTURAL CONCRETE;

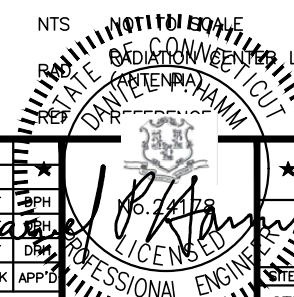
AMERICAN INSTITUTE OF STEEL CONSTRUCTION (AISC) MANUAL OF STEEL CONSTRUCTION, ASD, FOURTEENTH EDITION;

TELECOMMUNICATIONS INDUSTRY ASSOCIATION (TIA) 222-H, STRUCTURAL STANDARDS FOR STEEL

FOR ANY CONFLICTS BETWEEN SECTIONS OF LISTED CODES AND STANDARDS REGARDING MATERIAL, METHODS OF CONSTRUCTION, OR OTHER REQUIREMENTS, THE MOST RESTRICTIVE REQUIREMENT SHALL GOVERN. WHERE THERE IS CONFLICT BETWEEN A GENERAL REQUIREMENT AND A SPECIFIC REQUIREMENT, THE SPECIFIC REQUIREMENT SHALL GOVERN.

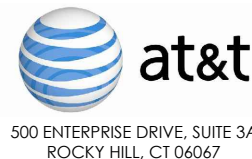
ABBREVIATIONS

AGL	ABOVE GRADE LEVEL	EQ	EQUAL	REQ	REQUIRED
AWG	AMERICAN WIRE GAUGE	GC	GENERAL CONTRACTOR	RF	RADIO FREQUENCY
BBU	BATTERY BACKUP UNIT	GRC	GALVANIZED RIGID CONDUIT	TBD	TO BE DETERMINED
BTCW	BARE TINNED SOLID COPPER WIRE	MGB	MASTER GROUND BAR	TBR	TO BE REMOVED
BGR	BURIED GROUND RING	MIN	MINIMUM	TBRR	TO BE REMOVED AND REPLACED
BTS	BASE TRANSCEIVER STATION	P	PROPOSED	TYP	TYPICAL
E	EXISTING	NTS	NOT TO SCALE	UG	UNDER GROUND
EGB	EQUIPMENT GROUND BAR	RAD	RADIATION CENTER LINE	VIF	VERIFY IN FIELD
EGR	EQUIPMENT GROUND RING				



**SITE NUMBER: CTL02080
 SITE NAME: NEW LONDON-WASHINGTON ST**

 26 WASHINGTON STREET
 NEW LONDON, CT 06320
 NEW LONDON COUNTY



1 06/05/23 ISSUED FOR CONSTRUCTION		JS	AT	DPH	AT&T GENERAL NOTES 5G NR 1SR CBAND, 5G NR RADIO, SPLIT SECTOR LTE, 2022 UPGRADE SITE NUMBER: CTL02080 DRAWING NUMBER: GN-1 REV: 1
B 11/01/22 ISSUED FOR PERMITTING		AT	DPH		
A 09/13/22 ISSUED FOR REVIEW		MR	AT	DPH	
NO.	DATE	REVISIONS	BY	CHK	APP'D
SCALE: AS SHOWN		DESIGNED BY: AT		DRAWN BY: MR	

NOTE TO GENERAL CONTRACTOR: (PRIOR/DURING CONSTRUCTION)

CONTRACTOR TO CONTACT E.O.R. (TEP NORTHEAST, TEP OPCO, LLC) PRIOR TO ROOF/WALL OPENINGS TO COORDINATE/SCHEDULE THE FOLLOWING:

- INSPECTION OF EXISTING CONDITIONS AND LOCATIONS WHERE CONNECTIONS ARE BEING PROPOSED, INCLUDING INSPECTIONS OF STUB-UP ANCHORS AND/OR WALL ANCHORS PRIOR TO CONCEALING.

NOTE:

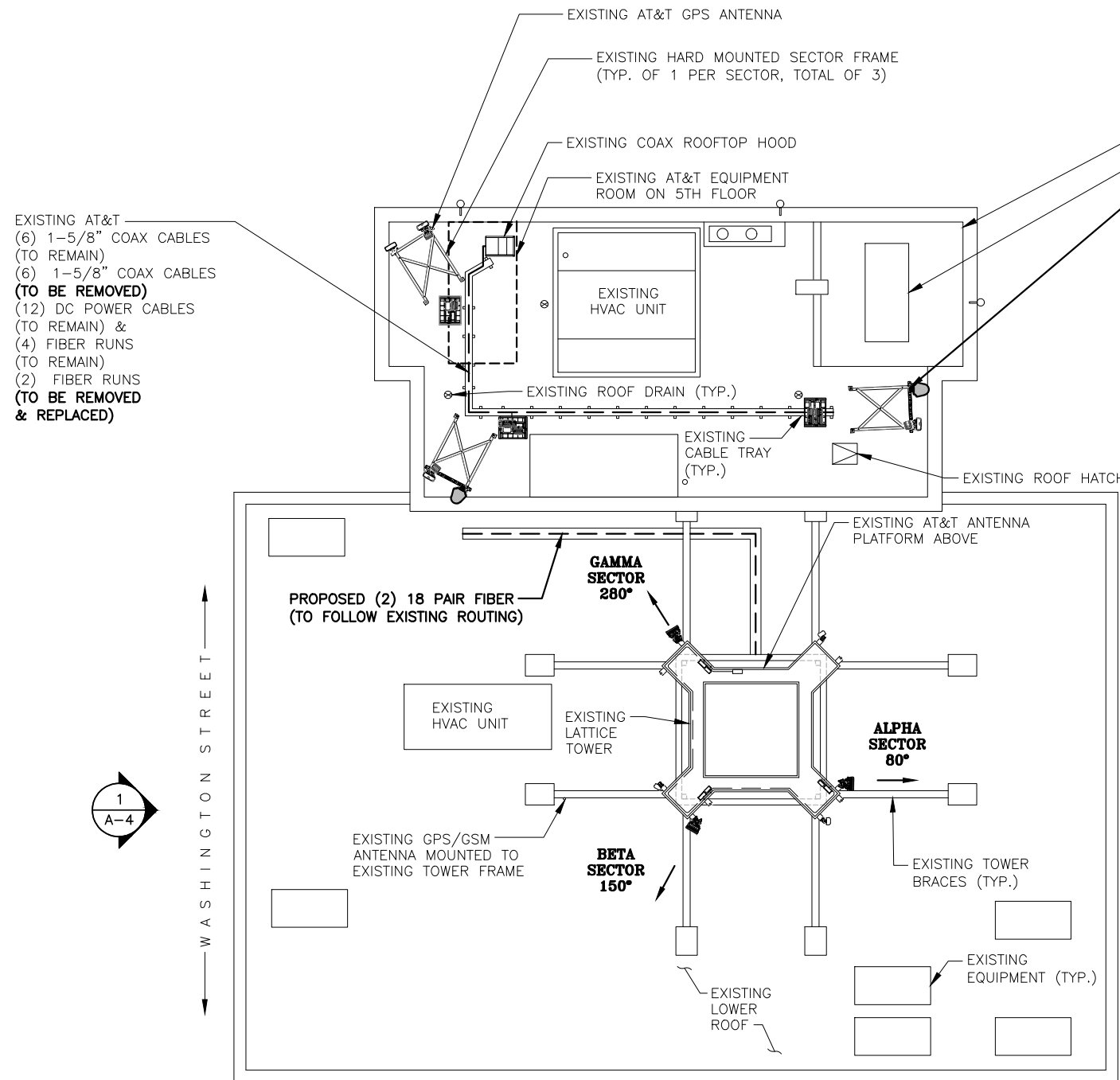
REFER TO MOUNT STRUCTURAL ANALYSIS, BY: TEP NE. (TEP OPCO LLC.), DATED: NOVEMBER 9, 2022, FOR THE CAPACITY OF THE EXISTING STRUCTURES TO SUPPORT THE PROPOSED EQUIPMENT.

NOTE:

REFER TO THE FINAL-APPROVED V2 RFDS DATED 09/26/2022 FOR FINAL ANTENNA SETTINGS.

NOTE:

REFER TO STRUCTURAL ANALYSIS BY: TEP NE. (TEP OPCO LLC.), DATED: FEBRUARY 28, 2023, FOR THE CAPACITY OF THE EXISTING STRUCTURES TO SUPPORT THE PROPOSED EQUIPMENT.



- EXISTING AT&T
 (6) 1-5/8" COAX CABLES (TO REMAIN)
 (6) 1-5/8" COAX CABLES (TO BE REMOVED)
 (12) DC POWER CABLES (TO REMAIN) &
 (4) FIBER RUNS (TO REMAIN)
 (2) FIBER RUNS (TO BE REMOVED & REPLACED)

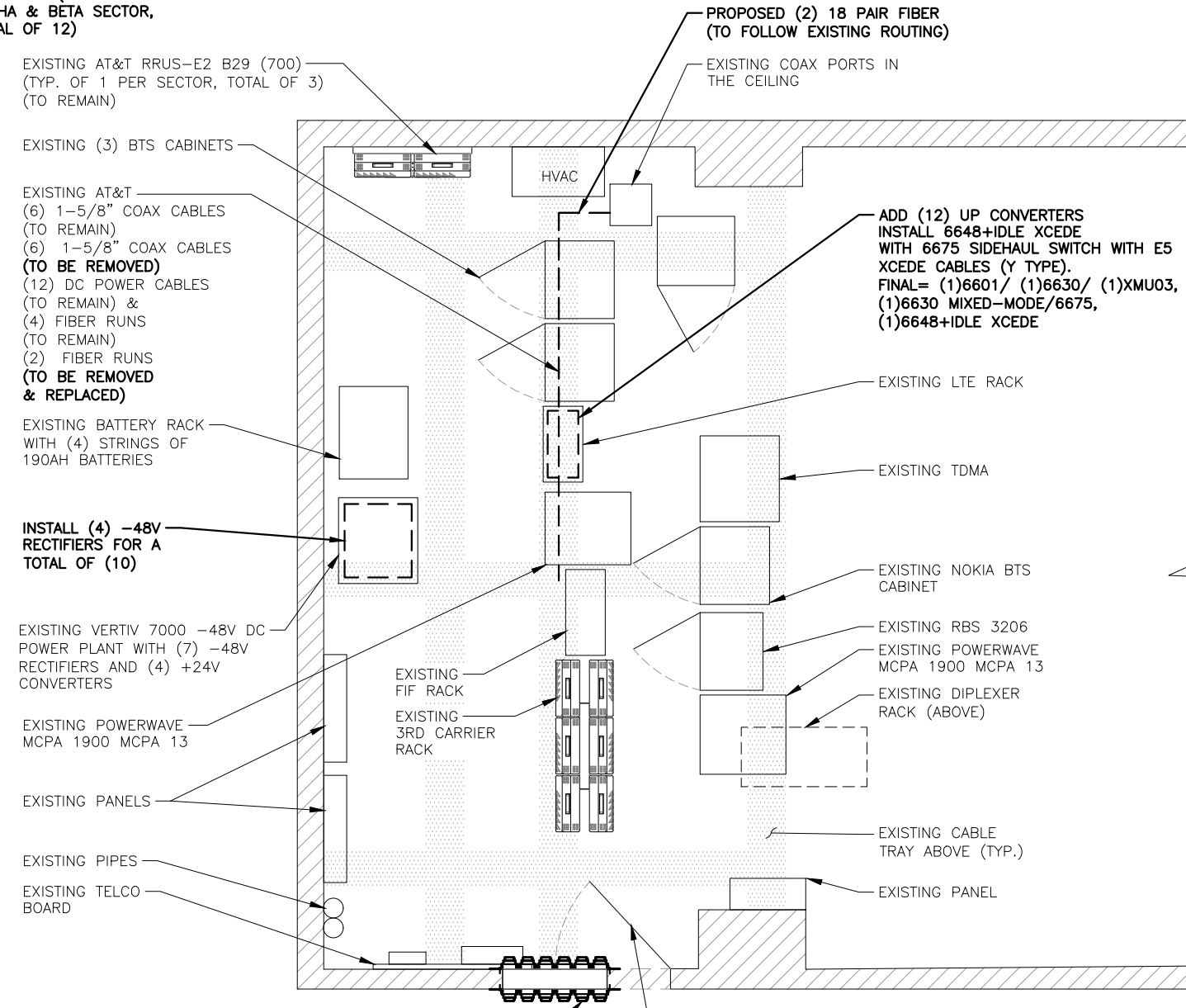
1
A-4

WASHINGTON STREET

METHODIST STREET



ROOF PLAN
 22x34 SCALE: 3/32"=1'-0"
 11x17 SCALE: 3/64"=1'-0"
 1
A-1



- EXISTING AT&T RRUS-E2 B29 (700) (TYP. OF 1 PER SECTOR, TOTAL OF 3) (TO REMAIN)

- EXISTING (3) BTS CABINETS

- EXISTING AT&T
 (6) 1-5/8" COAX CABLES (TO REMAIN)
 (6) 1-5/8" COAX CABLES (TO BE REMOVED)
 (12) DC POWER CABLES (TO REMAIN) &
 (4) FIBER RUNS (TO REMAIN)
 (2) FIBER RUNS (TO BE REMOVED & REPLACED)

- EXISTING BATTERY RACK WITH (4) STRINGS OF 190AH BATTERIES

- INSTALL (4) -48V RECTIFIERS FOR A TOTAL OF (10)

- EXISTING VERTIV 7000 -48V DC POWER PLANT WITH (7) -48V RECTIFIERS AND (4) +24V CONVERTERS

- EXISTING POWERWAVE MCPA 1900 MCPA 13

- EXISTING PANELS

- EXISTING PIPES

- EXISTING TELCO BOARD

- PROPOSED (2) 18 PAIR FIBER (TO FOLLOW EXISTING ROUTING)

- EXISTING COAX PORTS IN THE CEILING

- ADD (12) UP CONVERTERS INSTALL 6648+IDLE XCEDE WITH 6675 SIDEHAUL SWITCH WITH E5 XCEDE CABLES (Y TYPE). FINAL= (1)6601/ (1)6630/ (1)XMU03, (1)6630 MIXED-MODE/6675, (1)6648+IDLE XCEDE

- EXISTING LTE RACK

- EXISTING TDMA

- EXISTING NOKIA BTS CABINET

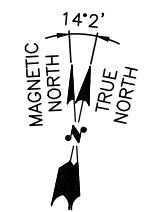
- EXISTING RBS 3206

- EXISTING POWERWAVE MCPA 1900 MCPA 13

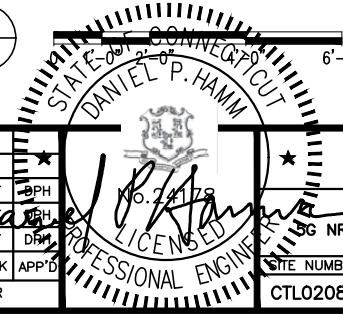
- EXISTING DIPLEXER RACK (ABOVE)

- EXISTING CABLE TRAY ABOVE (TYP.)

- EXISTING PANEL



EQUIPMENT PLAN
 22x34 SCALE: 1/2"=1'-0"
 11x17 SCALE: 1/4"=1'-0"
 2
A-1



SITE NUMBER: CTL02080
SITE NAME: NEW LONDON-WASHINGTON ST
 26 WASHINGTON STREET
 NEW LONDON, CT 06320
 NEW LONDON COUNTY

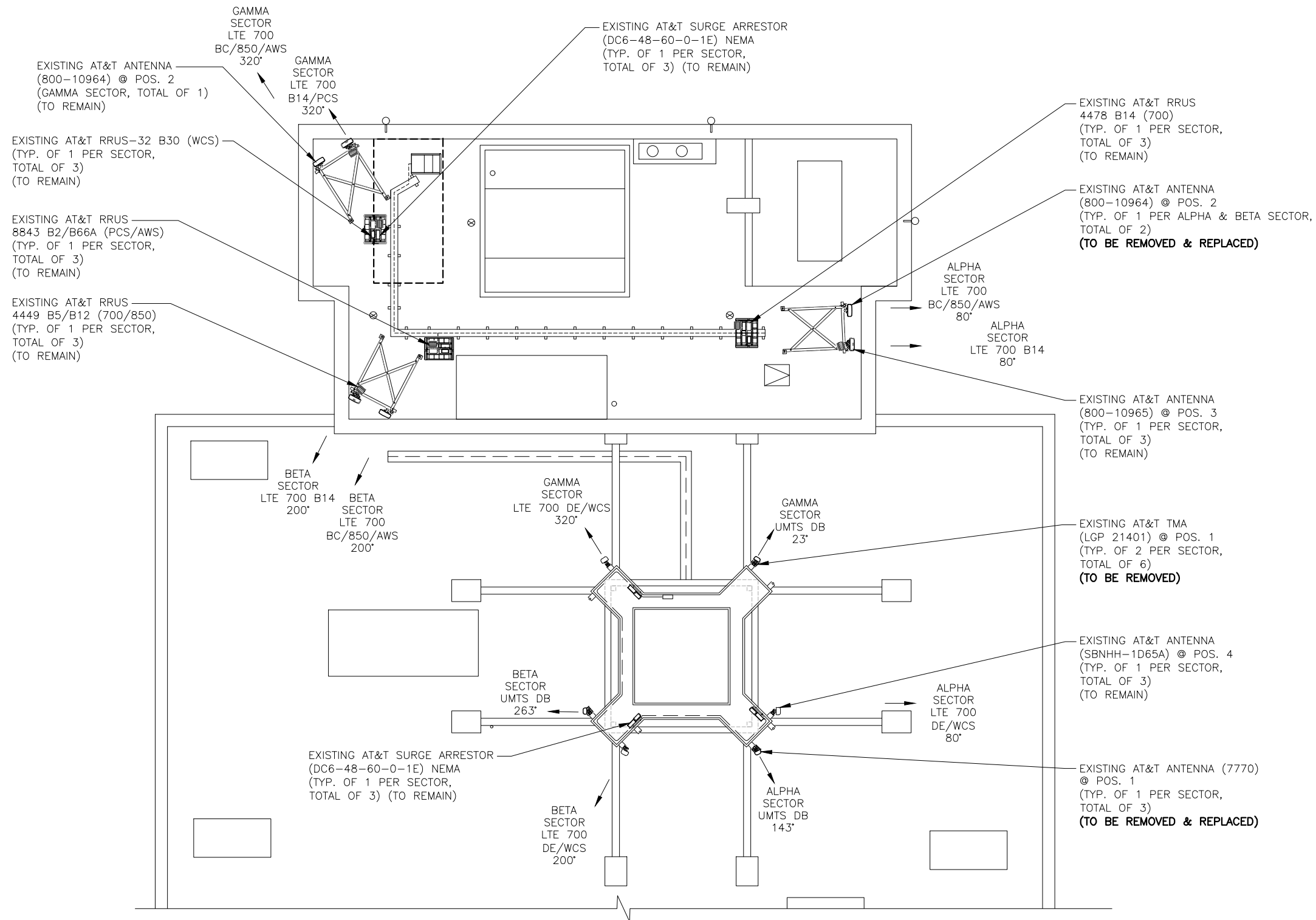


NO.	DATE	REVISIONS	BY	CHK	APP'D
1	06/05/23	ISSUED FOR CONSTRUCTION	JS	AT	9PH
B	11/01/22	ISSUED FOR PERMITTING	AA	AT	9PH
A	09/13/22	ISSUED FOR REVIEW	MR	AT	DR

SCALE: AS SHOWN DESIGNED BY: AT DRAWN BY: MR

SITE NUMBER		DRAWING NUMBER		REV
CTL02080		A-1		1

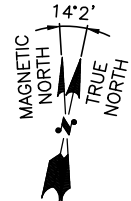
AT&T
 ROOFTOP & EQUIPMENT PLANS
 5G NR 1SR CBAND, 5G NR RADIO, SPLIT SECTOR LTE, 2022 UPGRADE



NOTE:
REFER TO THE FINAL-APPROVED V2 RFDS DATED 09/26/2022 FOR FINAL ANTENNA SETTINGS.

NOTE:
REFER TO STRUCTURAL ANALYSIS BY: TEP NE. (TEP OPCO LLC.), DATED: FEBRUARY 28, 2023, FOR THE CAPACITY OF THE EXISTING STRUCTURES TO SUPPORT THE PROPOSED EQUIPMENT.

NOTE:
REFER TO MOUNT STRUCTURAL ANALYSIS, BY: TEP NE. (TEP OPCO LLC.), DATED: NOVEMBER 9, 2022, FOR THE CAPACITY OF THE EXISTING STRUCTURES TO SUPPORT THE PROPOSED EQUIPMENT.



EXISTING ANTENNA PLAN
SCALE: N.T.S.

NOTE TO GENERAL CONTRACTOR: (PRIOR/DURING CONSTRUCTION)
CONTRACTOR TO CONTACT E.O.R. (TEP NORTHEAST, TEP OPCO, LLC) PRIOR TO ROOF/WALL OPENINGS TO COORDINATE/SCHEDULE THE FOLLOWING:

- INSPECTION OF EXISTING CONDITIONS AND LOCATIONS WHERE CONNECTIONS ARE BEING PROPOSED, INCLUDING INSPECTIONS OF STUB-UP ANCHORS AND/OR WALL ANCHORS PRIOR TO CONCEALING.



SITE NUMBER: CTL02080
SITE NAME: NEW LONDON-WASHINGTON ST

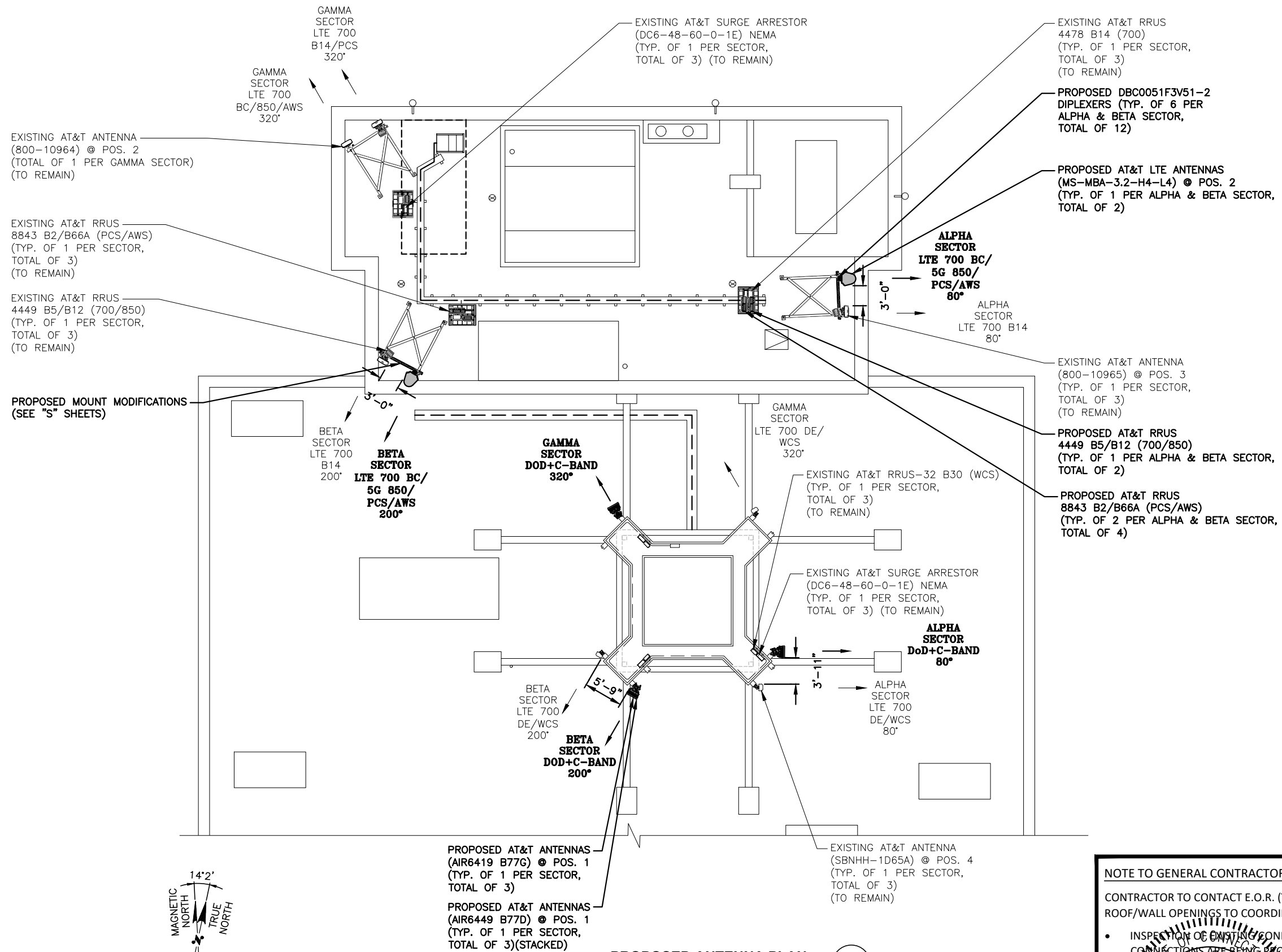
26 WASHINGTON STREET
NEW LONDON, CT 06320
NEW LONDON COUNTY



1	06/05/23	ISSUED FOR CONSTRUCTION	JS	AT	DPH
B	11/01/22	ISSUED FOR PERMITTING	JA	AT	DPH
A	09/13/22	ISSUED FOR REVIEW	MR	AT	DPH
NO.	DATE	REVISIONS	BY	CHK	APP'D
SCALE: AS SHOWN		DESIGNED BY: AT	DRAWN BY: MR		



AT&T		
EXISTING ANTENNA PLAN 5G NR 1SR CBAND, 5G NR RADIO, SPLIT SECTOR LTE, 2022 UPGRADE		
SITE NUMBER	DRAWING NUMBER	REV
CTL02080	A-2	1



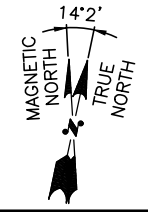
NOTE:
REFER TO MOUNT STRUCTURAL ANALYSIS, BY: TEP NE. (TEP OPCO LLC.), DATED: NOVEMBER 9, 2022, FOR THE CAPACITY OF THE EXISTING STRUCTURES TO SUPPORT THE PROPOSED EQUIPMENT.

NOTE:
REFER TO THE FINAL-APPROVED V2 RFDS DATED 09/26/2022 FOR FINAL ANTENNA SETTINGS.

NOTE:
REFER TO STRUCTURAL ANALYSIS BY: TEP NE. (TEP OPCO LLC.), DATED: FEBRUARY 28, 2023, FOR THE CAPACITY OF THE EXISTING STRUCTURES TO SUPPORT THE PROPOSED EQUIPMENT.

NOTE TO GENERAL CONTRACTOR: (PRIOR/DURING CONSTRUCTION)
CONTRACTOR TO CONTACT E.O.R. (TEP NORTHEAST, TEP OPCO, LLC) PRIOR TO ROOF/WALL OPENINGS TO COORDINATE/SCHEDULE THE FOLLOWING:

- INSPECTION OF EXISTING CONDITIONS AND LOCATIONS WHERE CONNECTIONS ARE BEING PROPOSED, INCLUDING INSPECTIONS OF STUB-UP ANCHORS AND/OR WALL ANCHORS PRIOR TO CONCEALING.

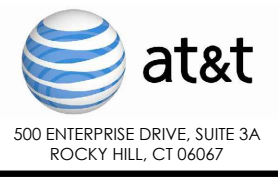


PROPOSED ANTENNA PLAN 1
SCALE: N.T.S. A-3

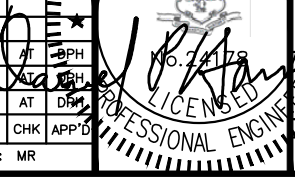


SITE NUMBER: CTL02080
SITE NAME: NEW LONDON-WASHINGTON ST

26 WASHINGTON STREET
NEW LONDON, CT 06320
NEW LONDON COUNTY



NO.	DATE	REVISIONS	BY	CHK	APP'D
1	06/05/23	ISSUED FOR CONSTRUCTION	JS	AT	SPH
B	11/01/22	ISSUED FOR PERMITTING	AT	AT	SPH
A	09/13/22	ISSUED FOR REVIEW	MR	AT	DRH

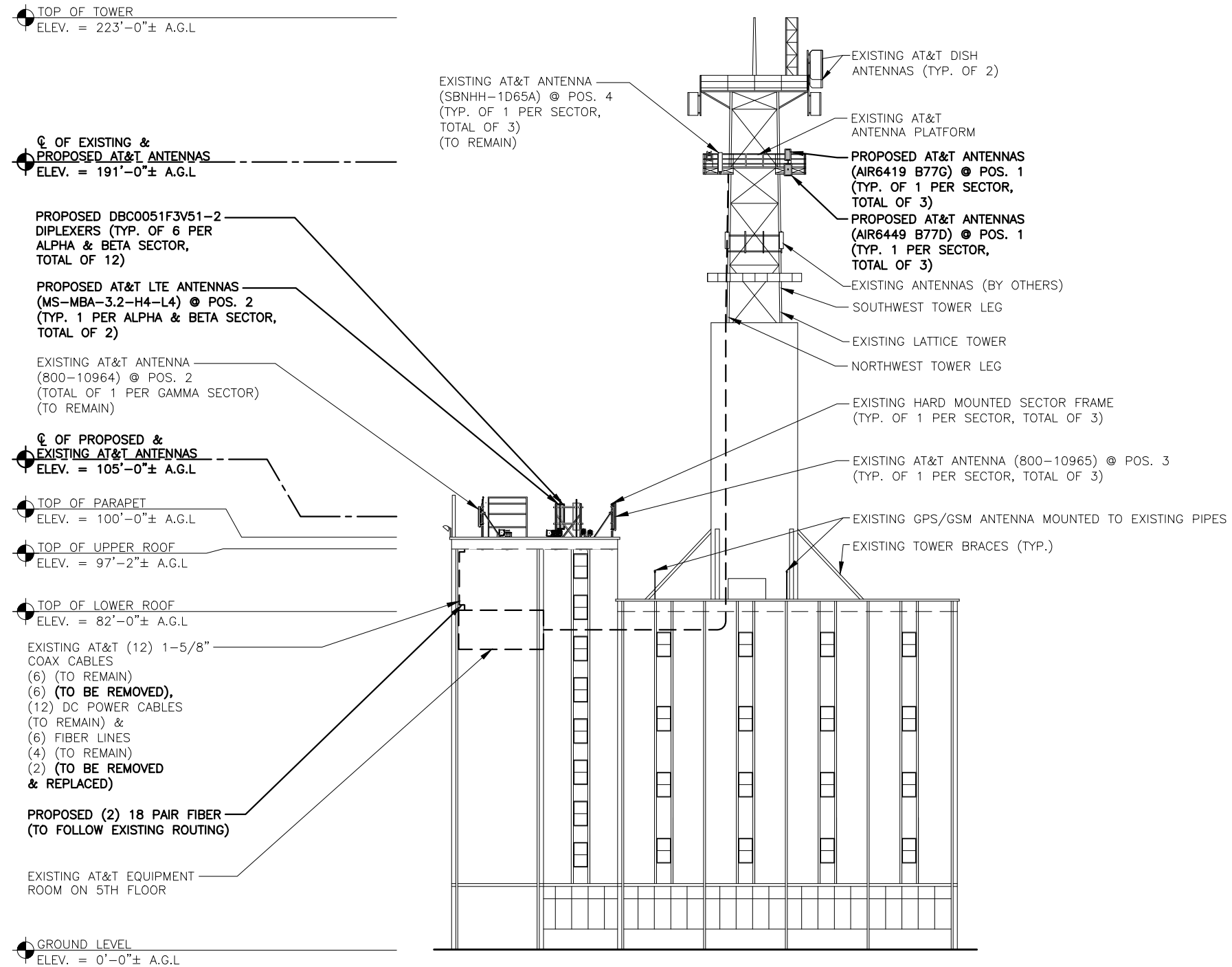


AT&T		
PROPOSED ANTENNA PLAN		
5G NR 1SR CBAND, 5G NR RADIO, SPLIT SECTOR LTE, 2022 UPGRADE		
SITE NUMBER	DRAWING NUMBER	REV
CTL02080	A-3	1

NOTE:
 REFER TO MOUNT STRUCTURAL ANALYSIS, BY: TEP NE. (TEP OPCO LLC.), DATED: NOVEMBER 9, 2022, FOR THE CAPACITY OF THE EXISTING STRUCTURES TO SUPPORT THE PROPOSED EQUIPMENT.

NOTE:
 REFER TO THE FINAL-APPROVED V2 RFDS DATED 09/26/2022 FOR FINAL ANTENNA SETTINGS.

NOTE:
 REFER TO STRUCTURAL ANALYSIS BY: TEP NE. (TEP OPCO LLC.), DATED: FEBRUARY 28, 2023, FOR THE CAPACITY OF THE EXISTING STRUCTURES TO SUPPORT THE PROPOSED EQUIPMENT.



ELEVATION
 22x34 SCALE: 1/16"=1'-0"
 11x17 SCALE: 1/32"=1'-0"

NOTE TO GENERAL CONTRACTOR: (PRIOR/DURING CONSTRUCTION)
 CONTRACTOR TO CONTACT E.O.R. (TEP NORTHEAST, TEP OPCO,LLC) PRIOR TO ROOF/WALL OPENINGS TO COORDINATE/SCHEDULE THE FOLLOWING:

- INSPECTION OF EXISTING CONDITIONS AND LOCATIONS WHERE CONNECTIONS ARE BEING PROPOSED, INCLUDING INSPECTIONS OF STUB-UP ANCHORS AND/OR WALL ANCHORS PRIOR TO CONCEALING.



SITE NUMBER: CTL02080
SITE NAME: NEW LONDON-WASHINGTON ST
 26 WASHINGTON STREET
 NEW LONDON, CT 06320
 NEW LONDON COUNTY



1	06/05/23	ISSUED FOR CONSTRUCTION	JS	AT	DPH
B	11/01/22	ISSUED FOR PERMITTING	AT	DPH	
A	09/13/22	ISSUED FOR REVIEW	MR	AT	DPH
NO.	DATE	REVISIONS	BY	CHK	APP'D
SCALE: AS SHOWN		DESIGNED BY: AT	DRAWN BY: MR		



AT&T	
ELEVATION	
5G NR 1SR CBAND, 5G NR RADIO, SPLIT SECTOR LTE, 2022 UPGRADE	
SITE NUMBER	DRAWING NUMBER
CTL02080	A-4
	1

ANTENNA SCHEDULE

SECTOR	EXISTING/ PROPOSED	BAND	ANTENNA	SIZE (INCHES) (L x W x D)	ANTENNA ϕ HEIGHT	AZIMUTH	TMA/ COMBINER	RRU	SIZE (INCHES) (L x W x D)	FEEDER	RAYCAP
A1	PROPOSED	DOD+C-BAND	AIR 6419 B77G AIR 6449 B77D	31.1"X16.1X7.3" 30.4"X15.9"X8.1"	191'-0"±	80°	(P)(6)DBC0051F3V51-2	-	-	-	DC6-48-60-0-1E NEMA
A2	PROPOSED	LTE 700 BC/ 5G 850/ PCS/ AWS	MS-MBA-3.2-H4-L4	72"X24"X25"	105'-0"±	80°	-	(E)(1) 4449 B5/B12 (850/700) (E)(1) 8843 B2/B66A (AWS/PCS) (P)(1) 4449 B5/B12 (850/700) (P)(2) 8843 B2/B66A (AWS/PCS)	17.9"X13.9"X9.4" 14.9"X13.2"X10.9"	(2) 1-5/8" COAX (P)(5) Y-CABLES	
A3	EXISTING	LTE 700 B14	800-10965	78.7"X20"X6.9"	105'-0"±	80°	-	(E)(1) 4478 B14 (700)	-	(E)(4) DC CABLES (E)(1) FIBER (P)(1) 18 PAIR FIBER	
A4	EXISTING	LTE 700 DE/ WCS	SBNHH-1D65A	55"X11.9"X7.1"	191'-0"±	80°	-	(E)(1) RRUS-E2 B29 (700) (E)(1) RRUS-32 B30 (WCS)	-	-	
B1	PROPOSED	DOD+C-BAND	AIR 6419 B77G AIR 6449 B77D	31.1"X16.1X7.3" 30.4"X15.9"X8.1"	191'-0"±	200°	-	-	-	-	DC6-48-60-0-1E NEMA
B2	PROPOSED	LTE 700 BC/ 5G 850/ PCS/ AWS	MS-MBA-3.2-H4-L4	72"X24"X25"	105'-0"±	200°	(P)(6)DBC0051F3V51-2	(E)(1) 4449 B5/B12 (850/700) (E)(1) 8843 B2/B66A (AWS/PCS) (P)(1) 4449 B5/B12 (850/700) (P)(2) 8843 B2/B66A (AWS/PCS)	17.9"X13.9"X9.4" 14.9"X13.2"X10.9"	(2) 1-5/8" COAX (P)(5) Y-CABLES	
B3	EXISTING	LTE 700 B14	800-10965	78.7"X20"X6.9"	105'-0"±	200°	-	(E)(1) 4478 B14 (700)	-	(E)(4) DC CABLES (E)(1) FIBER (P)(1) 18 PAIR FIBER	
B4	EXISTING	LTE 700 DE/ WCS	SBNHH-1D65A	55"X11.9"X7.1"	191'-0"±	200°	-	(E)(1) RRUS-E2 B29 (700) (E)(1) RRUS-32 B30 (WCS)	-	-	
C1	PROPOSED	DOD+C-BAND	AIR 6419 B77G AIR 6449 B77D	31.1"X16.1X7.3" 30.4"X15.9"X8.1"	191'-0"±	320°	-	-	-	-	DC6-48-60-0-1E NEMA
C2	EXISTING	LTE 700 BC/ 850/ AWS	800-10964	59"X20"X6.9"	105'-0"±	320°	-	(E)(1) 4449 B5/B12 (850/700) (E)(1) 8843 B2/B66A (AWS/PCS)	-	(2) 1-5/8" COAX (P)(2) Y-CABLES	
C3	EXISTING	LTE 700 B14	800-10965	78.7"X20"X6.9"	105'-0"±	320°	-	(E)(1) 4478 B14 (700)	-	(E)(4) DC CABLES (E)(2) FIBER	
C4	EXISTING	LTE 700 DE/ WCS	SBNHH-1D65A	55"X11.9"X7.1"	191'-0"±	320°	-	(E)(1) RRUS-E2 B29 (700) (E)(1) RRUS-32 B30 (WCS)	-	-	

NOTE:
REFER TO THE FINAL-APPROVED V2
RFDS DATED 09/26/2022 FOR FINAL
ANTENNA SETTINGS.

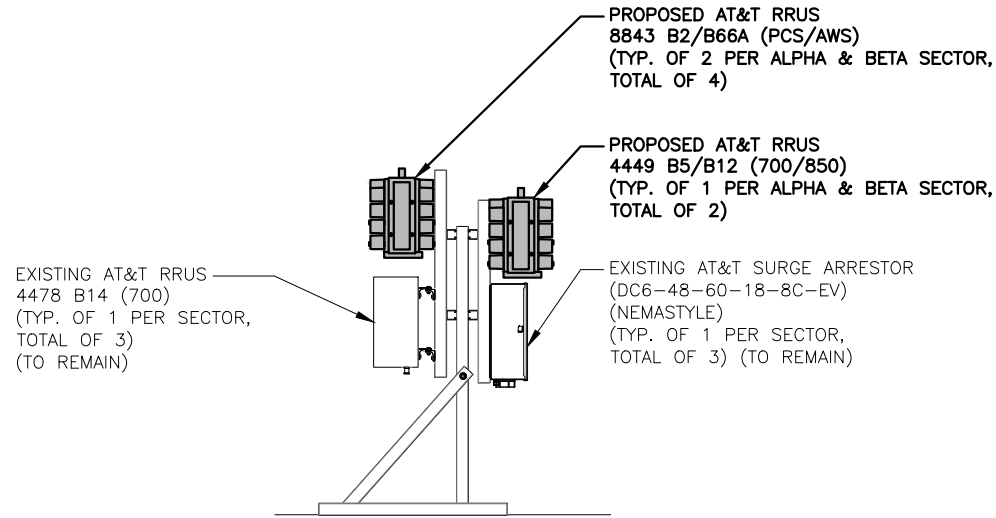
NOTE:
REFER TO STRUCTURAL ANALYSIS
BY: TEP NE. (TEP OPCO LLC.),
DATED: FEBRUARY 28, 2023,
FOR THE CAPACITY OF THE EXISTING
STRUCTURES TO SUPPORT THE
PROPOSED EQUIPMENT.

NOTE:
REFER TO MOUNT STRUCTURAL ANALYSIS,
BY: TEP NE. (TEP OPCO LLC.),
DATED: NOVEMBER 9, 2022,
FOR THE CAPACITY OF THE EXISTING
STRUCTURES TO SUPPORT THE
PROPOSED EQUIPMENT.

QUANTITY	MODEL	SIZE (L x W x D)
P(2)	4449 B5/B12 (850/700)	17.9"x13.2"x10.4"
P(4)	8843 B2/B66A (PCS/AWS)	14.9"x13.2"x10.9"
E(3)	4449 B5/B12 (850/700)	17.9"x13.2"x10.4"
E(3)	8843 B2/B66A (PCS/AWS)	14.9"x13.2"x10.9"
E(3)	4478 B14 (700)	18.1"x13.4"x8.3"
E(3)	RRUS-32 B30(WCS)	27.2"x12.1"x7.0"
E(3)	RRUS-E2 B29 (700)	20.4"x18.5"x7.5"

NOTE:
MOUNT PER MANUFACTURER'S SPECIFICATIONS

FINAL ANTENNA CONFIGURATION 1
SCALE: N.T.S. A-5



NOTE:
SEE RFDS FOR RRH
FREQUENCY AND
MODEL NUMBER

PROPOSED RRU REFER TO THE
FINAL RFDS AND CHART FOR
QUANTITY, MODEL AND DIMENSIONS

NOTE:
MOUNT PER MANUFACTURER'S
SPECIFICATIONS.

PROPOSED RRU DETAIL 3
SCALE: N.T.S. A-5

PROPOSED RRU MOUNTING DETAIL
(ALPHA & BETA SECTOR) 2
22x34 SCALE: 3/4"=1'-0"
11x17 SCALE: 3/8"=1'-0"

NOTE TO GENERAL CONTRACTOR: (PRIOR/DURING CONSTRUCTION)

CONTRACTOR TO CONTACT E.O.R. (TEP NORTHEAST, TEP OPCO,LLC) PRIOR TO ROOF/WALL OPENINGS TO COORDINATE/SCHEDULE THE FOLLOWING:

- INSPECTION OF EXISTING CONDITIONS AND LOCATIONS WHERE CONNECTIONS ARE BEING PROPOSED, INCLUDING INSPECTIONS OF STUB-UP ARCHITECTURAL WALL ANCHORS PRIOR TO CONCEALING.

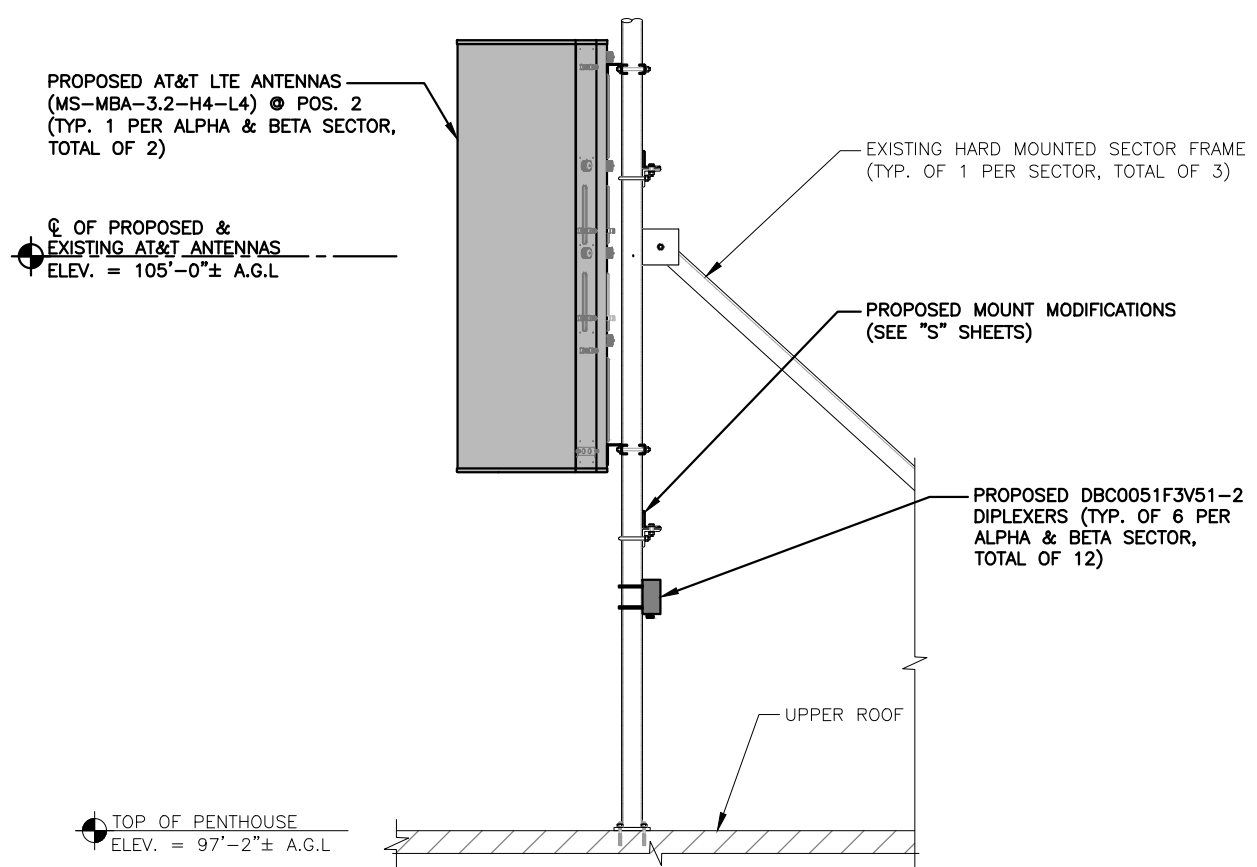


SITE NUMBER: CTL02080
SITE NAME: NEW LONDON-WASHINGTON ST

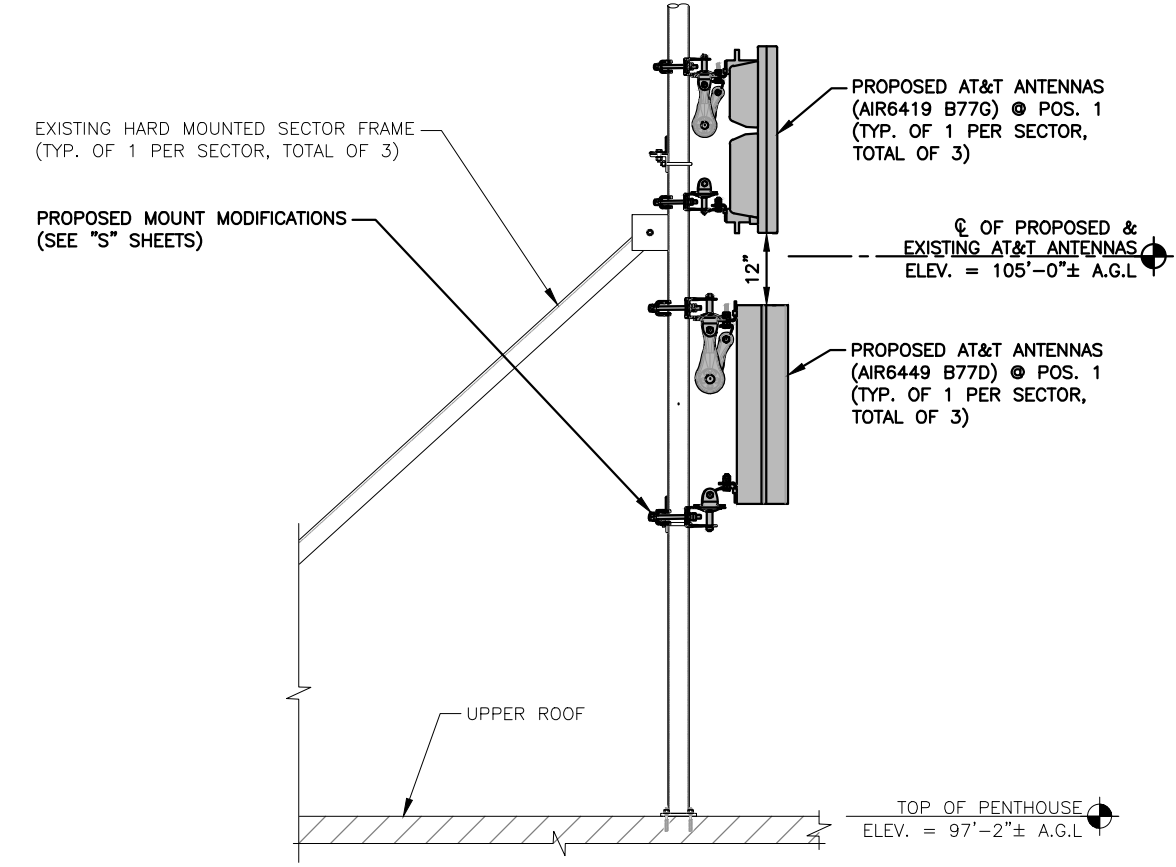
26 WASHINGTON STREET
NEW LONDON, CT 06320
NEW LONDON COUNTY



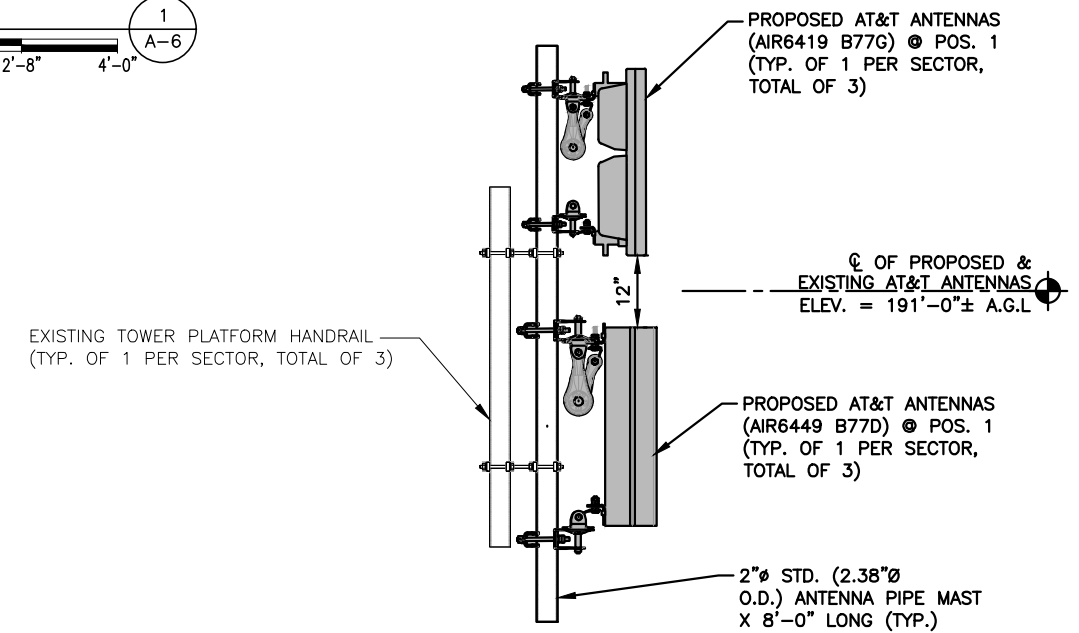
1 06/05/23 ISSUED FOR CONSTRUCTION		JS	AT	DPH	
B 11/01/22 ISSUED FOR PERMITTING		AA	AT	DPH	
A 09/13/22 ISSUED FOR REVIEW		MR	AT	DPH	
NO.	DATE	REVISIONS	BY	CHK	APP'D
SCALE: AS SHOWN		DESIGNED BY: AT	DRAWN BY: MR		
SITE NUMBER		DRAWING NUMBER		REV	
CTL02080		A-5		1	



**PROPOSED ANTENNA MOUNTING
DETAIL (ALPHA & BETA SECTOR)**
 22x34 SCALE: 3/4"=1'-0"
 11x17 SCALE: 3/8"=1'-0"



**PROPOSED ANTENNA MOUNTING
DETAIL (ALPHA & BETA SECTOR)**
 22x34 SCALE: 3/4"=1'-0"
 11x17 SCALE: 3/8"=1'-0"



**PROPOSED DoD+C-BAND
ANTENNA MOUNTING DETAIL**
 22x34 SCALE: 3/4"=1'-0"
 11x17 SCALE: 3/8"=1'-0"

NOTE:
 REFER TO THE FINAL-APPROVED V2 RFDS DATED 09/26/2022 FOR FINAL ANTENNA SETTINGS.

NOTE:
 REFER TO STRUCTURAL ANALYSIS BY: TEP NE. (TEP OPCO LLC.), DATED: FEBRUARY 28, 2023, FOR THE CAPACITY OF THE EXISTING STRUCTURES TO SUPPORT THE PROPOSED EQUIPMENT.

NOTE:
 REFER TO MOUNT STRUCTURAL ANALYSIS, BY: TEP NE. (TEP OPCO LLC.), DATED: NOVEMBER 9, 2022, FOR THE CAPACITY OF THE EXISTING STRUCTURES TO SUPPORT THE PROPOSED EQUIPMENT.

NOTE TO GENERAL CONTRACTOR: (PRIOR/DURING CONSTRUCTION)
 CONTRACTOR TO CONTACT E.O.R. (TEP NORTHEAST, TEP OPCO, LLC) PRIOR TO ROOF/WALL OPENINGS TO COORDINATE/SCHEDULE THE FOLLOWING:
 • INSPECTION OF EXISTING CONDITIONS AND LOCATIONS WHERE CONNECTIONS ARE BEING PROPOSED, INCLUDING INSPECTIONS OF STUB-UP ANCHORS AND/OR WALL ANCHORS PRIOR TO CONCEALING.

TEP NORTHEAST
 45 BEECHWOOD DRIVE, NORTH ANDOVER, MA 01845
 TEL: (978) 557-5553

CENTERLINE COMMUNICATIONS
 750 WEST CENTER STREET, SUITE #301
 WEST BRIDGEWATER, MA 02379

SITE NUMBER: CTL02080
SITE NAME: NEW LONDON-WASHINGTON ST
 26 WASHINGTON STREET
 NEW LONDON, CT 06320
 NEW LONDON COUNTY

at&t
 500 ENTERPRISE DRIVE, SUITE 3A
 ROCKY HILL, CT 06067

1	06/05/23	ISSUED FOR CONSTRUCTION	JS	AT	DPH
B	11/01/22	ISSUED FOR PERMITTING	AT	AT	DPH
A	09/13/22	ISSUED FOR REVIEW	MR	AT	DPH
NO.	DATE	REVISIONS	BY	CHK	APP'D
SCALE: AS SHOWN		DESIGNED BY: AT	DRAWN BY: MR		

AT&T
 DETAILS
 5G NR 1SR CBAND, 5G NR RADIO, SPLIT SECTOR LTE, 2022 UPGRADE
 SITE NUMBER: CTL02080
 DRAWING NUMBER: A-6
 REV: 1

STRUCTURAL NOTES:

- DESIGN REQUIREMENTS ARE PER STATE BUILDING CODE AND APPLICABLE SUPPLEMENTS, INTERNATIONAL BUILDING CODE, EIA/TIA-222-H STRUCTURAL STANDARDS FOR STEEL ANTENNA, TOWERS AND ANTENNA SUPPORTING STRUCTURES.
- CONTRACTOR SHALL VERIFY ALL DIMENSIONS AND CONDITIONS IN THE FIELD PRIOR TO FABRICATION AND ERECTION OF ANY MATERIAL. ANY UNUSUAL CONDITIONS SHALL BE REPORTED TO THE ATTENTION OF THE CONSTRUCTION MANAGER AND ENGINEER OF RECORD.
- DESIGN AND CONSTRUCTION OF STRUCTURAL STEEL SHALL CONFORM TO THE AMERICAN INSTITUTE OF STEEL CONSTRUCTION "SPECIFICATION FOR THE DESIGN, FABRICATION AND ERECTION OF STRUCTURAL STEEL FOR BUILDINGS".
- STRUCTURAL STEEL SHALL CONFORM TO ASTM A992 (Fy=50 ksi), MISCELLANEOUS STEEL SHALL CONFORM TO ASTM A36 UNLESS OTHERWISE INDICATED.
- STEEL PIPE SHALL CONFORM TO ASTM A500 "COLD-FORMED WELDED & SEAMLESS CARBON STEEL STRUCTURAL TUBING", GRADE B, OR ASTM A53 PIPE STEEL BLACK AND HOT-DIPPED ZINC-COATED WELDED AND SEAMLESS TYPE E OR S, GRADE B. PIPE SIZES INDICATED ARE NOMINAL. ACTUAL OUTSIDE DIAMETER IS LARGER.
- STRUCTURAL CONNECTION BOLTS SHALL BE HIGH STRENGTH BOLTS (BEARING TYPE) AND CONFORM TO ASTM A325 TYPE-X "HIGH STRENGTH BOLTS FOR STRUCTURAL JOINTS, INCLUDING SUITABLE NUTS AND PLAIN HARDENED WASHERS". ALL BOLTS SHALL BE 3/4" DIA UON.
- ALL STEEL MATERIALS SHALL BE GALVANIZED AFTER FABRICATION IN ACCORDANCE WITH ASTM A123 "ZINC (HOT-DIP GALVANIZED) COATINGS ON IRON AND STEEL PRODUCTS", UNLESS OTHERWISE NOTED.
- ALL BOLTS, ANCHORS AND MISCELLANEOUS HARDWARE SHALL BE GALVANIZED IN ACCORDANCE WITH ASTM A153 "ZINC-COATING (HOT-DIP) ON IRON AND STEEL HARDWARE", UNLESS OTHERWISE NOTED.
- FIELD WELDS, DRILL HOLES, SAW CUTS AND ALL DAMAGED GALVANIZED SURFACES SHALL BE REPAIRED WITH AN ORGANIC ZINC REPAIR PAINT COMPLYING WITH REQUIREMENTS OF ASTM A780. GALVANIZING REPAIR PAINT SHALL HAVE 65 PERCENT ZINC BY WEIGHT, ZIRP BY DUNCAN GALVANIZING, GALVA BRIGHT PREMIUM BY CROWN OR EQUAL. THICKNESS OF APPLIED GALVANIZING REPAIR PAINT SHALL BE NOT LESS THAN 4 COATS (ALLOW TIME TO DRY BETWEEN COATS) WITH A RESULTING COATING THICKNESS REQUIRED BY ASTM A123 OR A153 AS APPLICABLE.
- CONTRACTOR SHALL COMPLY WITH AWS CODE FOR PROCEDURES, APPEARANCE AND QUALITY OF WELDS, AND FOR METHODS USED IN CORRECTING WELDING. ALL WELDERS AND WELDING PROCESSES SHALL BE QUALIFIED IN ACCORDANCE WITH AWS "STANDARD QUALIFICATION PROCEDURES". ALL WELDING SHALL BE DONE USING E70XX ELECTRODES AND WELDING SHALL CONFORM TO AISC AND D.I. WHERE FILLET WELD SIZES ARE NOT SHOWN, PROVIDE THE MINIMUM SIZE PER TABLE J2.4 IN THE AISC "STEEL CONSTRUCTION MANUAL". 14TH EDITION.
- INCORRECTLY FABRICATED, DAMAGED OR OTHERWISE MISFITTING OR NON-CONFORMING MATERIALS OR CONDITIONS SHALL BE REPORTED TO THE CONSTRUCTION MANAGER PRIOR TO REMEDIAL OR CORRECTIVE ACTION. ANY SUCH ACTION SHALL REQUIRE CONSTRUCTION MANAGER APPROVAL.
- UNISTRUT SHALL BE FORMED STEEL CHANNEL STRUT FRAMING AS MANUFACTURED BY UNISTRUT CORP., WAYNE, MI OR EQUAL. STRUT MEMBERS SHALL BE 1 5/8"x1 5/8"x12GA, UNLESS OTHERWISE NOTED, AND SHALL BE HOT-DIP GALVANIZED AFTER FABRICATION.
- EPOXY ANCHOR ASSEMBLY SHALL CONSIST OF STAINLESS STEEL ANCHOR ROD WITH NUTS & WASHERS. AN INTERNALLY THREADED INSERT, A SCREEN TUBE AND A EPOXY ADHESIVE. THE ANCHORING SYSTEM SHALL BE THE HILTI-HIT HY-270 AND OR HY-200 SYSTEMS (AS SPECIFIED IN DWG.) OR ENGINEERS APPROVED EQUAL.
- EXPANSION BOLTS SHALL CONFORM TO FEDERAL SPECIFICATION FF-S-325, GROUP II, TYPE 4, CLASS I, HILTI KWIK BOLT III OR APPROVED EQUAL. INSTALLATION SHALL BE IN ACCORDANCE WITH THE MANUFACTURER'S RECOMMENDATIONS.
- LUMBER SHALL COMPLY WITH THE REQUIREMENTS OF THE AMERICAN INSTITUTE OF TIMBER CONSTRUCTION AND THE NATIONAL FOREST PRODUCTS ASSOCIATION'S NATIONAL DESIGN SPECIFICATION FOR WOOD CONSTRUCTION. ALL LUMBER SHALL BE PRESSURE TREATED AND SHALL BE STRUCTURAL GRADE NO. 2 OR BETTER.
- WHERE ROOF PENETRATIONS ARE REQUIRED, THE CONTRACTOR SHALL CONTACT AND COORDINATE RELATED WORK WITH THE BUILDING OWNER AND THE EXISTING ROOF INSTALLER. WORK SHALL BE PERFORMED IN SUCH A MANNER AS TO NOT VOID THE EXISTING ROOF WARRANTY. ROOF SHALL BE WATERTIGHT.
- ALL FIBERGLASS MEMBERS USED ARE AS MANUFACTURED BY STRONGWELL COMPANY OF BRISTOL, VA 24203. ALL DESIGN CRITERIA FOR THESE MEMBERS IS BASED ON INFORMATION PROVIDED IN THE DESIGN MANUAL. ALL REQUIREMENTS PUBLISHED IN SAID MANUAL MUST BE STRICTLY ADHERED TO.
- NO MATERIALS TO BE ORDERED AND NO WORK TO BE COMPLETED UNTIL SHOP DRAWINGS HAVE BEEN REVIEWED AND APPROVED IN WRITING.
- SUBCONTRACTOR SHALL FIREPROOF ALL STEEL TO PRE-EXISTING CONDITIONS.

SPECIAL INSPECTIONS (REFERENCE IBC CHAPTER 17):

GENERAL: WHERE APPLICATION IS MADE FOR CONSTRUCTION, THE OWNER OR THE REGISTERED DESIGN PROFESSIONAL IN RESPONSIBLE CHARGE ACTING AS THE OWNER'S AGENT SHALL EMPLOY ONE OR MORE APPROVED AGENCIES TO PERFORM INSPECTIONS DURING CONSTRUCTION ON THE TYPES OF WORK LISTED IN THE INSPECTION CHECKLIST ABOVE.

THE REGISTERED DESIGN PROFESSIONAL IN RESPONSIBLE CHARGE AND ENGINEERS OF RECORD INVOLVED IN THE DESIGN OF THE PROJECT ARE PERMITTED TO ACT AS THE APPROVED AGENCY AND THEIR PERSONNEL ARE PERMITTED TO ACT AS THE SPECIAL INSPECTOR FOR THE WORK DESIGNED BY THEM, PROVIDED THOSE PERSONNEL MEET THE QUALIFICATION REQUIREMENTS.

STATEMENT OF SPECIAL INSPECTIONS: THE APPLICANT SHALL SUBMIT A STATEMENT OF SPECIAL INSPECTIONS PREPARED BY THE REGISTERED DESIGN PROFESSIONAL IN RESPONSIBLE CHARGE IN ACCORDANCE WITH SECTION 107.1 AS A CONDITION FOR ISSUANCE. THIS STATEMENT SHALL BE IN ACCORDANCE WITH SECTION 1705.

REPORT REQUIREMENT: SPECIAL INSPECTORS SHALL KEEP RECORDS OF INSPECTIONS. THE SPECIAL INSPECTOR SHALL FURNISH INSPECTION REPORTS TO THE BUILDING OFFICIAL, AND TO THE REGISTERED DESIGN PROFESSIONAL IN RESPONSIBLE CHARGE. REPORTS SHALL INDICATE THAT WORK INSPECTED WAS OR WAS NOT COMPLETED IN CONFORMANCE TO APPROVED CONSTRUCTION DOCUMENTS. DISCREPANCIES SHALL BE BROUGHT TO THE IMMEDIATE ATTENTION OF THE CONTRACTOR FOR CORRECTION. IF THEY ARE NOT CORRECTED, THE DISCREPANCIES SHALL BE BROUGHT TO THE ATTENTION OF THE BUILDING OFFICIAL AND TO THE REGISTERED DESIGN PROFESSIONAL IN RESPONSIBLE CHARGE. A FINAL REPORT DOCUMENTING REQUIRED SPECIAL INSPECTIONS SHALL BE SUBMITTED.

SPECIAL INSPECTION CHECKLIST	
BEFORE CONSTRUCTION	
CONSTRUCTION/INSTALLATION INSPECTIONS AND TESTING REQUIRED (COMPLETED BY ENGINEER OF RECORD)	REPORT ITEM
N/A	ENGINEER OF RECORD APPROVED SHOP DRAWINGS ¹
N/A	MATERIAL SPECIFICATIONS REPORT ²
N/A	FABRICATOR NDE INSPECTION
N/A	PACKING SLIPS ³
ADDITIONAL TESTING AND INSPECTIONS:	
DURING CONSTRUCTION	
CONSTRUCTION/INSTALLATION INSPECTIONS AND TESTING REQUIRED (COMPLETED BY ENGINEER OF RECORD)	REPORT ITEM
REQUIRED	STEEL INSPECTIONS
N/A	HIGH STRENGTH BOLT INSPECTIONS
N/A	HIGH WIND ZONE INSPECTIONS ⁴
N/A	FOUNDATION INSPECTIONS
N/A	CONCRETE COMP. STRENGTH, SLUMP TESTS AND PLACEMENT
N/A	POST INSTALLED ANCHOR VERIFICATION ⁵
N/A	GROUT VERIFICATION
N/A	CERTIFIED WELD INSPECTION
N/A	EARTHWORK: LIFT AND DENSITY
N/A	ON SITE COLD GALVANIZING VERIFICATION
N/A	GUY WIRE TENSION REPORT
ADDITIONAL TESTING AND INSPECTIONS:	
AFTER CONSTRUCTION	
CONSTRUCTION/INSTALLATION INSPECTIONS AND TESTING REQUIRED (COMPLETED BY ENGINEER OF RECORD)	REPORT ITEM
REQUIRED	MODIFICATION INSPECTOR REDLINE OR RECORD DRAWINGS ⁶
N/A	POST INSTALLED ANCHOR PULL-OUT TESTING
REQUIRED	PHOTOGRAPHS
ADDITIONAL TESTING AND INSPECTIONS:	

NOTES:

- REQUIRED FOR ANY NEW SHOP FABRICATED FRP OR STEEL.
- PROVIDED BY MANUFACTURER, REQUIRED IF HIGH STRENGTH BOLTS OR STEEL.
- PROVIDED BY GENERAL CONTRACTOR; PROOF OF MATERIALS.
- HIGH WIND ZONE INSPECTION CATB 120MPH OR CAT C,D 110MPH INSPECT FRAMING OF WALLS, ANCHORING, FASTENING SCHEDULE.
- ADHESIVE FOR REBAR AND ANCHORS SHALL HAVE BEEN TESTED IN ACCORDANCE WITH ACI 355.4 AND ICC-ES AC308 FOR CRACKED CONCRETE AND SEISMIC APPLICATIONS. DESIGN ADHESIVE BOND STRENGTH HAS BEEN BASED ON ACI 355.4 TEMPERATURE CATEGORY B WITH INSTALLATIONS INTO DRY HOLES DRILLED USING A CARBIDE BIT INTO CRACKED CONCRETE THAT HAS CURED FOR AT LEAST 21 DAYS. ADHESIVE ANCHORS REQUIRING CERTIFIED INSTALLATIONS SHALL BE INSTALLED BY A CERTIFIED ADHESIVE ANCHOR INSTALLER PER ACI 318-11 D.9.2.2. INSTALLATIONS REQUIRING CERTIFIED INSTALLERS SHALL BE INSPECTED PER ACI 318-11 D.8.2.4.
- AS REQUIRED; FOR ANY FIELD CHANGES TO THE ITEMS IN THIS TABLE.

NOTES:

- ALL CONNECTIONS TO BE SHOP WELDED & FIELD BOLTED USING 3/4"Ø A325-X BOLTS, UNLESS OTHERWISE NOTIFIED.
- SHOP DRAWING ENGINEER REVIEW & APPROVAL REQUIRED BEFORE ORDERING MATERIAL.
- SHOP DRAWING ENGINEER REVIEW & APPROVAL REQUIRED PRIOR TO STEEL FABRICATION.
- VERIFICATION OF EXISTING ROOF CONSTRUCTION IS REQUIRED PRIOR TO THE INSTALLATION OF THE ROOF PLATFORM. ENGINEER OF RECORD IS TO APPROVE EXISTING CONDITIONS IN ORDER TO MOVE FORWARD.
- CENTERLINE OF PROPOSED STEEL PLATFORM SUPPORT COLUMNS TO BE CENTRALLY LOCATED OVER THE EXISTING BUILDING COLUMNS.
- EXISTING BRICK MASONRY COLUMNS/BEARING TO BE REPAIRED/REPLACED AT ALL PROPOSED PLATFORM SUPPORT POINTS. ENGINEER OF RECORD TO REVIEW AND APPROVE.



750 WEST CENTER STREET, SUITE #301
WEST BRIDGEWATER, MA 02379

SITE NUMBER: CTL02080
SITE NAME: NEW LONDON-WASHINGTON ST

26 WASHINGTON STREET
NEW LONDON, CT 06320
NEW LONDON COUNTY



500 ENTERPRISE DRIVE, SUITE 3A
ROCKY HILL, CT 06067

										AT&T	
1	06/05/23	ISSUED FOR CONSTRUCTION	JS	AT	PH			STRUCTURAL DETAILS			
B	11/01/22	ISSUED FOR PERMITTING	MR	AT	DR			5G NR 1SR CBAND, 5G NR RADIO, SPLIT SECTOR LTE, 2022 UPGRADE			
A	09/13/22	ISSUED FOR REVIEW	MR	AT	DR						
NO.	DATE	REVISIONS	BY	CHK	APP'D			SITE NUMBER	DRAWING NUMBER	REV	
		SCALE: AS SHOWN	DESIGNED BY: AT	DRAWN BY: MR				CTL02080	SN-1	1	

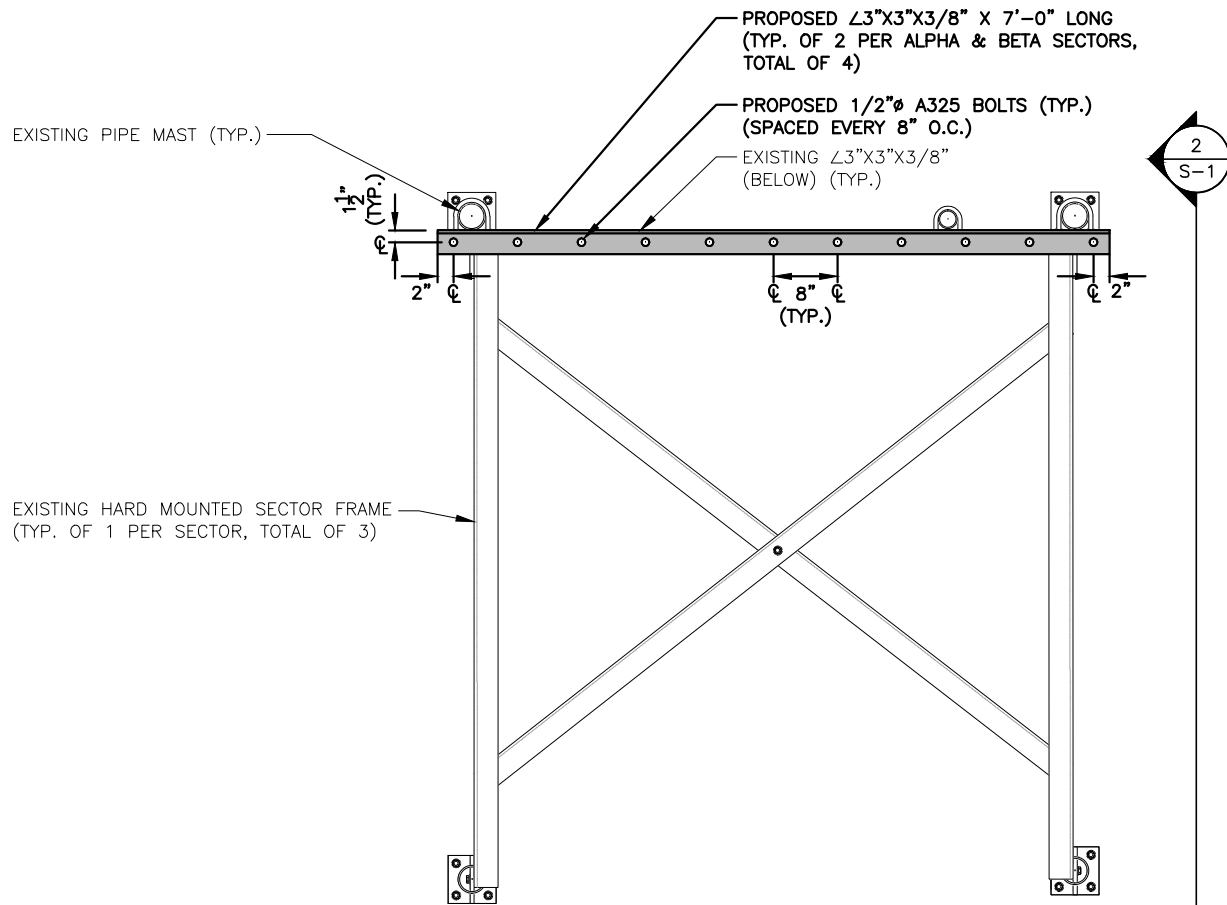
NOTE:
REFER TO THE FINAL-APPROVED V2 RFDS DATED 09/26/2022 FOR FINAL ANTENNA SETTINGS.

NOTE:
REFER TO MOUNT STRUCTURAL ANALYSIS, BY: TEP NE. (TEP OPCO LLC.), DATED: NOVEMBER 9, 2022, FOR THE CAPACITY OF THE EXISTING STRUCTURES TO SUPPORT THE PROPOSED EQUIPMENT.

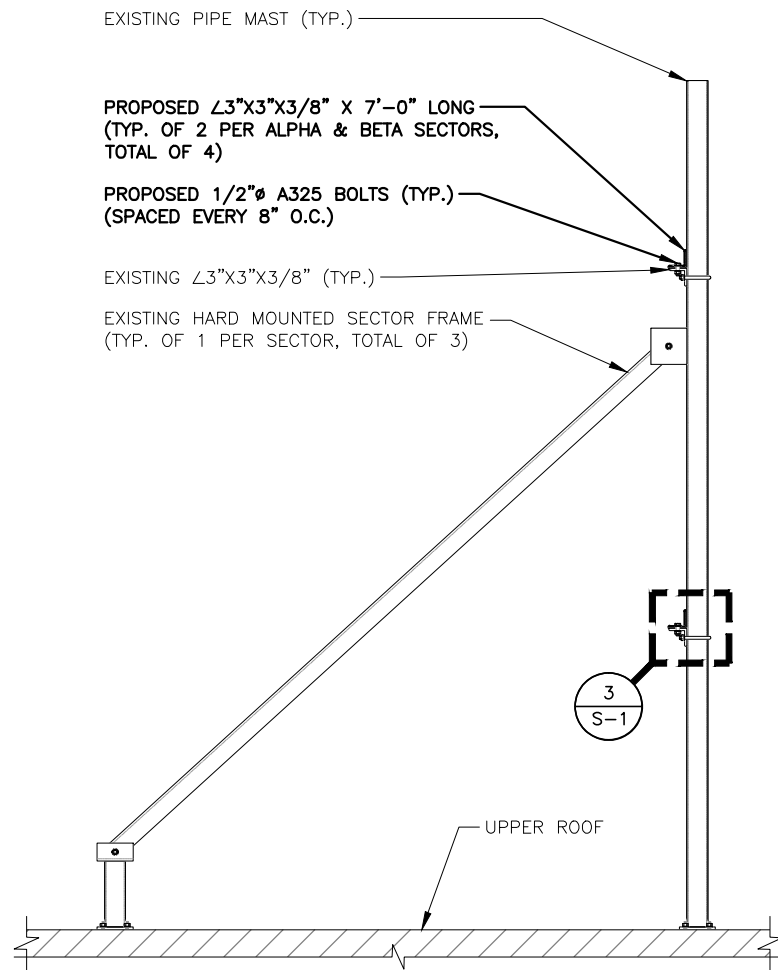
NOTE TO GENERAL CONTRACTOR: (PRIOR/DURING CONSTRUCTION)
CONTRACTOR TO CONTACT E.O.R. (TEP NORTHEAST, TEP OPCO,LLC) PRIOR TO ROOF/WALL OPENINGS TO COORDINATE/SCHEDULE THE FOLLOWING:

- INSPECTION OF EXISTING CONDITIONS AND LOCATIONS WHERE CONNECTIONS ARE BEING PROPOSED, INCLUDING INSPECTIONS OF STUB-UP ANCHORS AND/OR WALL ANCHORS PRIOR TO CONCEALING.

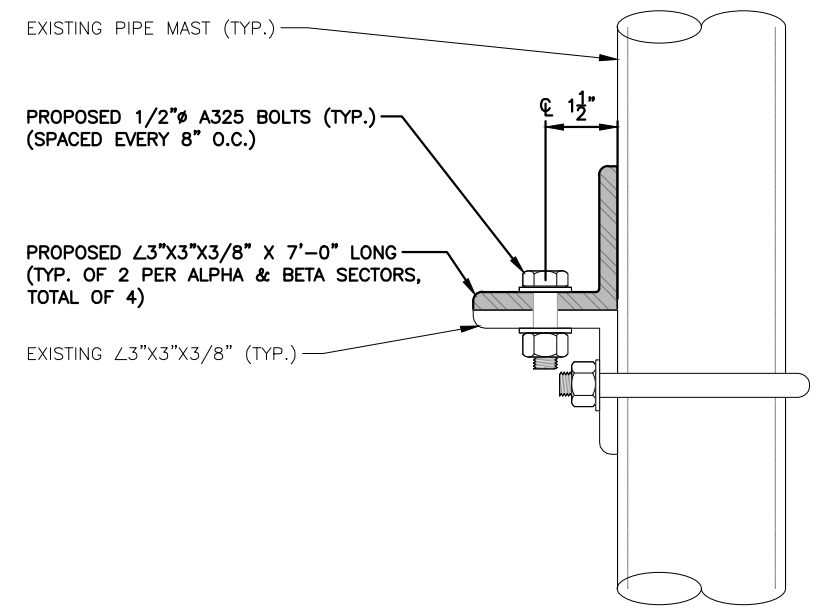
NOTE:
REFER TO STRUCTURAL ANALYSIS BY: TEP NE. (TEP OPCO LLC.), DATED: FEBRUARY 28, 2023, FOR THE CAPACITY OF THE EXISTING STRUCTURES TO SUPPORT THE PROPOSED EQUIPMENT.



PROPOSED MOUNT MODIFICATIONS PLAN DETAIL (ALPHA & BETA SECTOR)
22x34 SCALE: 1"=1'-0"
11x17 SCALE: 1/2"=1'-0"
0 0'-6" 1'-0" 2'-0" 3'-0" 1 S-1



PROPOSED MOUNT MODIFICATIONS SIDE DETAIL (ALPHA & BETA SECTOR)
22x34 SCALE: 3/4"=1'-0"
11x17 SCALE: 3/8"=1'-0"
0 8" 1'-4" 2'-8" 4'-0" 2 S-1

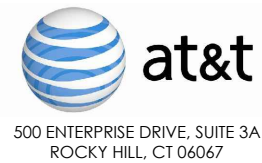


PROPOSED ANGLE TO ANGLE CONNECTION DETAIL
22x34 SCALE: 6"=1'-0"
11x17 SCALE: 3"=1'-0"
0 0'-1" 0'-2" 0'-4" 0'-6" 3 S-1

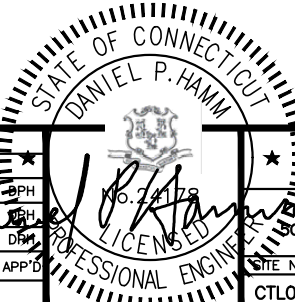


SITE NUMBER: CTL02080
SITE NAME: NEW LONDON-WASHINGTON ST

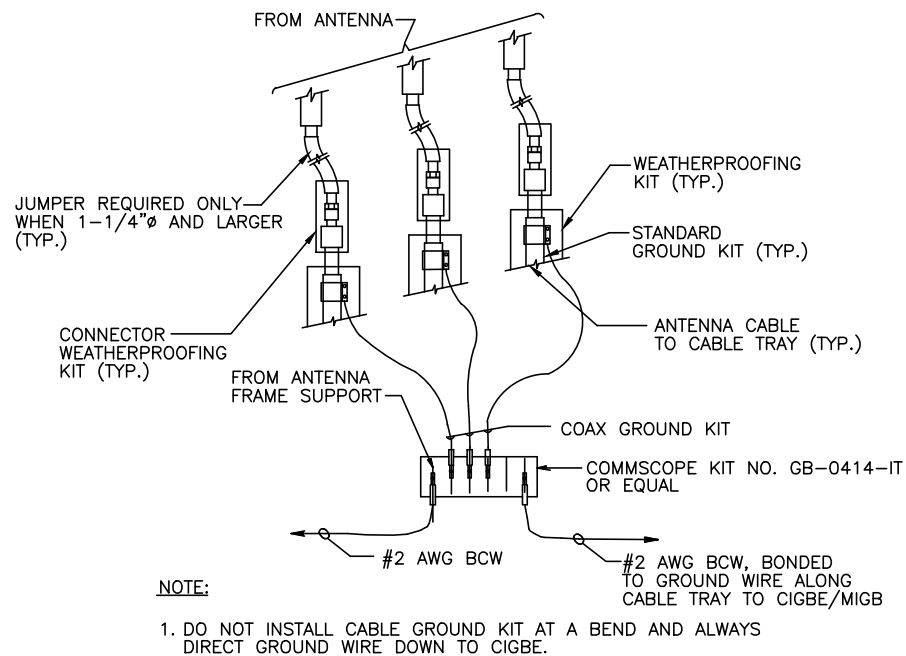
26 WASHINGTON STREET
NEW LONDON, CT 06320
NEW LONDON COUNTY



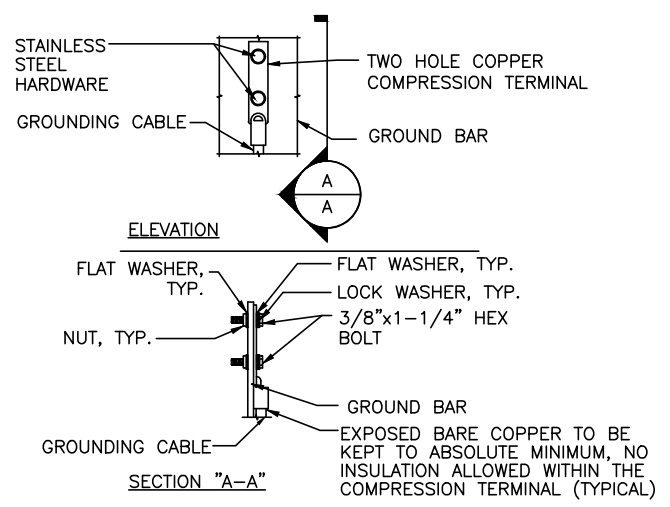
NO.	DATE	REVISIONS	BY	CHK	APP'D
1	06/05/23	ISSUED FOR CONSTRUCTION	JS	AT	DPH
B	11/01/22	ISSUED FOR PERMITTING	AA	AT	DPH
A	09/13/22	ISSUED FOR REVIEW	MR	AT	DPH



AT&T	
STRUCTURAL DETAILS	
5G NR 1SR CBAND, 5G NR RADIO, SPLIT SECTOR LTE, 2022 UPGRADE	
SITE NUMBER	DRAWING NUMBER
CTL02080	S-1
REV	1

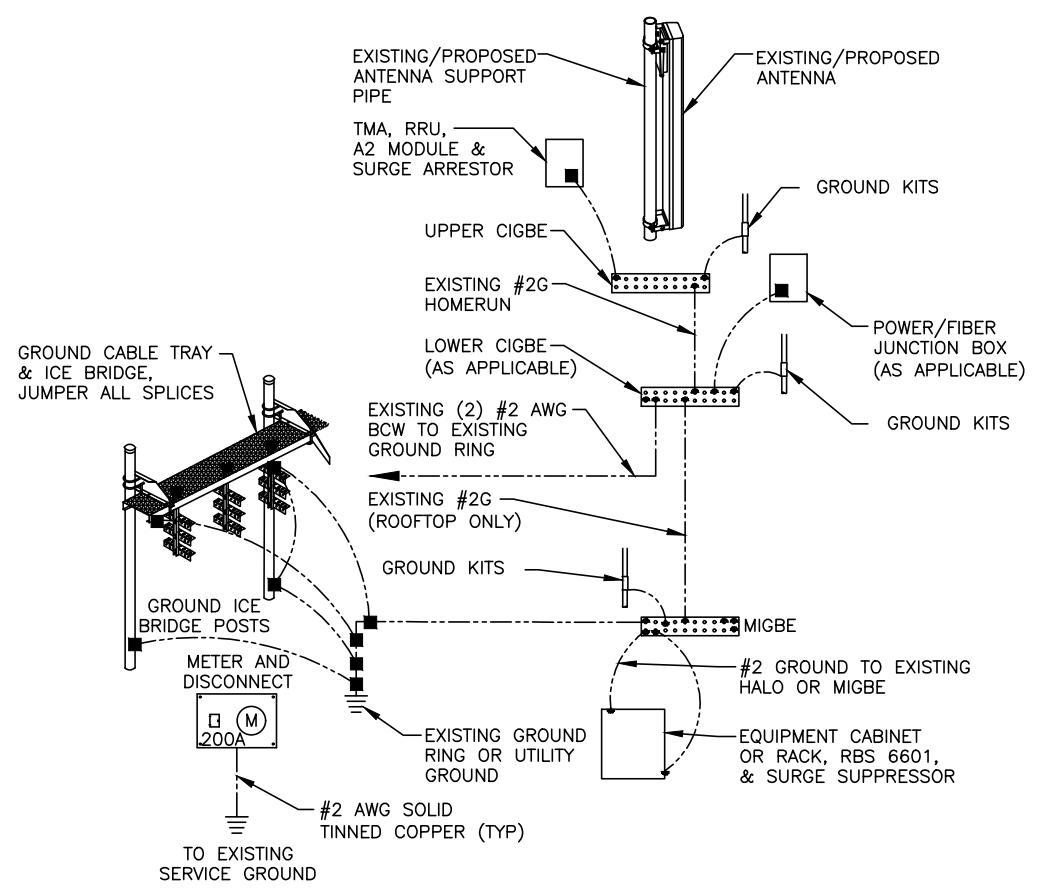


GROUND WIRE TO GROUND BAR CONNECTION DETAIL 1
SCALE: N.T.S. G-1



- NOTES:
- "DOUBLING UP" OR "STACKING" OF CONNECTION IS NOT PERMITTED.
 - OXIDE INHIBITING COMPOUND TO BE USED AT ALL LOCATION.
 - CADWELDED DOWNLEADS FROM UPPER EGB, LOWER EGB, AND MGB

TYPICAL GROUND BAR CONNECTION DETAIL 3
SCALE: N.T.S. G-1



GROUNDING RISER DIAGRAM 2
SCALE: N.T.S. G-1

AT&T GROUNDING STANDARDS TO BE FOLLOWED:

ATT-TP-76416
ATT-TP-76300
ATT-CEM-18002
ATT-002-290-531
ATT-002-290-701
ATT-CEM-23001

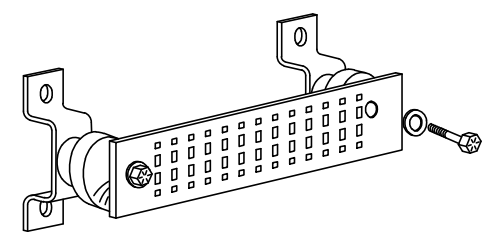
EACH GROUND CONDUCTOR TERMINATING ON ANY GROUND BAR SHALL HAVE AN IDENTIFICATION TAG ATTACHED AT EACH END THAT WILL IDENTIFY ITS ORIGIN AND DESTINATION.

SECTION "P" - SURGE PRODUCERS

- CABLE ENTRY PORTS (HATCH PLATES) (#2 AWG)
- GENERATOR FRAMEWORK (IF AVAILABLE) (#2 AWG)
- TELCO GROUND BAR
- COMMERCIAL POWER COMMON NEUTRAL/GROUND BOND (#2 AWG)
- +24V POWER SUPPLY RETURN BAR (#2 AWG)
- 48V POWER SUPPLY RETURN BAR (#2 AWG)
- RECTIFIER FRAMES.

SECTION "A" - SURGE ABSORBERS

- INTERIOR GROUND RING (#2 AWG)
- EXTERNAL EARTH GROUND FIELD (BURIED GROUND RING) (#2 AWG)
- METALLIC COLD WATER PIPE (IF AVAILABLE) (#2 AWG)
- BUILDING STEEL (IF AVAILABLE) (#2 AWG)



GROUND BAR - DETAIL (AS REQUIRED)
SCALE: N.T.S.

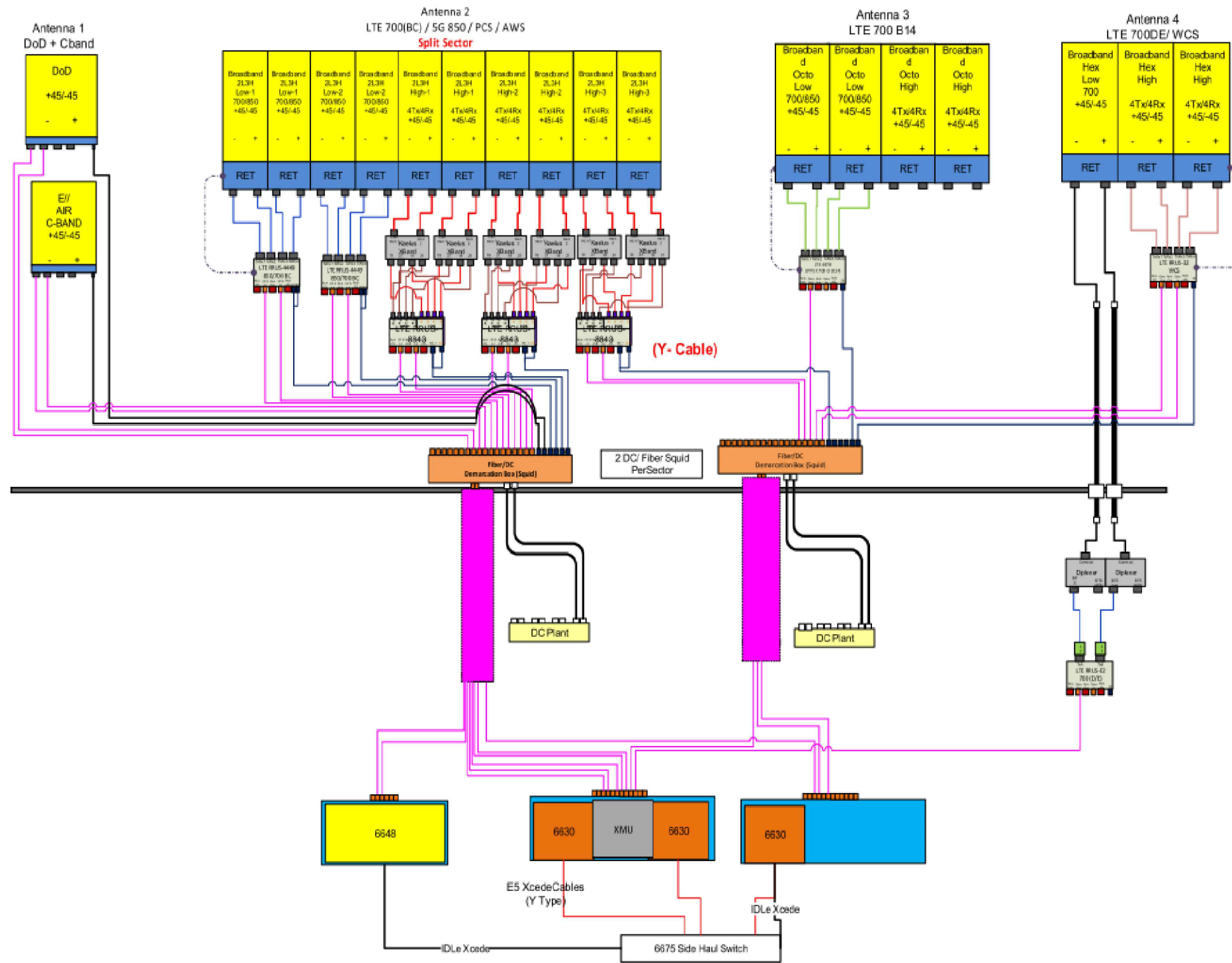


SITE NUMBER: CTL02080
SITE NAME: NEW LONDON-WASHINGTON ST

26 WASHINGTON STREET
NEW LONDON, CT 06320
NEW LONDON COUNTY



1		06/05/23	ISSUED FOR CONSTRUCTION	JS	AT	DPH		AT&T GROUNDING DETAILS 5G NR 1SR CBAND, 5G NR RADIO, SPLIT SECTOR LTE, 2022 UPGRADE
B		11/01/22	ISSUED FOR PERMITTING	AA	AT	DPH		
A		09/13/22	ISSUED FOR REVIEW	MR	AT	DPH		
NO.	DATE	REVISIONS		BY	CHK	APP'D	SITE NUMBER CTL02080	DRAWING NUMBER G-1
SCALE: AS SHOWN				DESIGNED BY: AT		DRAWN BY: MR		REV 1



**RF PLUMBING DIAGRAM
(ALPHA & BETA SECTOR)**
SCALE: N.T.S

1
RF-1

NOTE:
1. CONTRACTOR TO CONFIRM ALL PARTS.
2. INSTALL ALL EQUIPMENT TO MANUFACTURER'S RECOMMENDATIONS

NOTE:
REFER TO THE FINAL-APPROVED V2 RFDS DATED 09/26/2022 FOR FINAL ANTENNA SETTINGS.



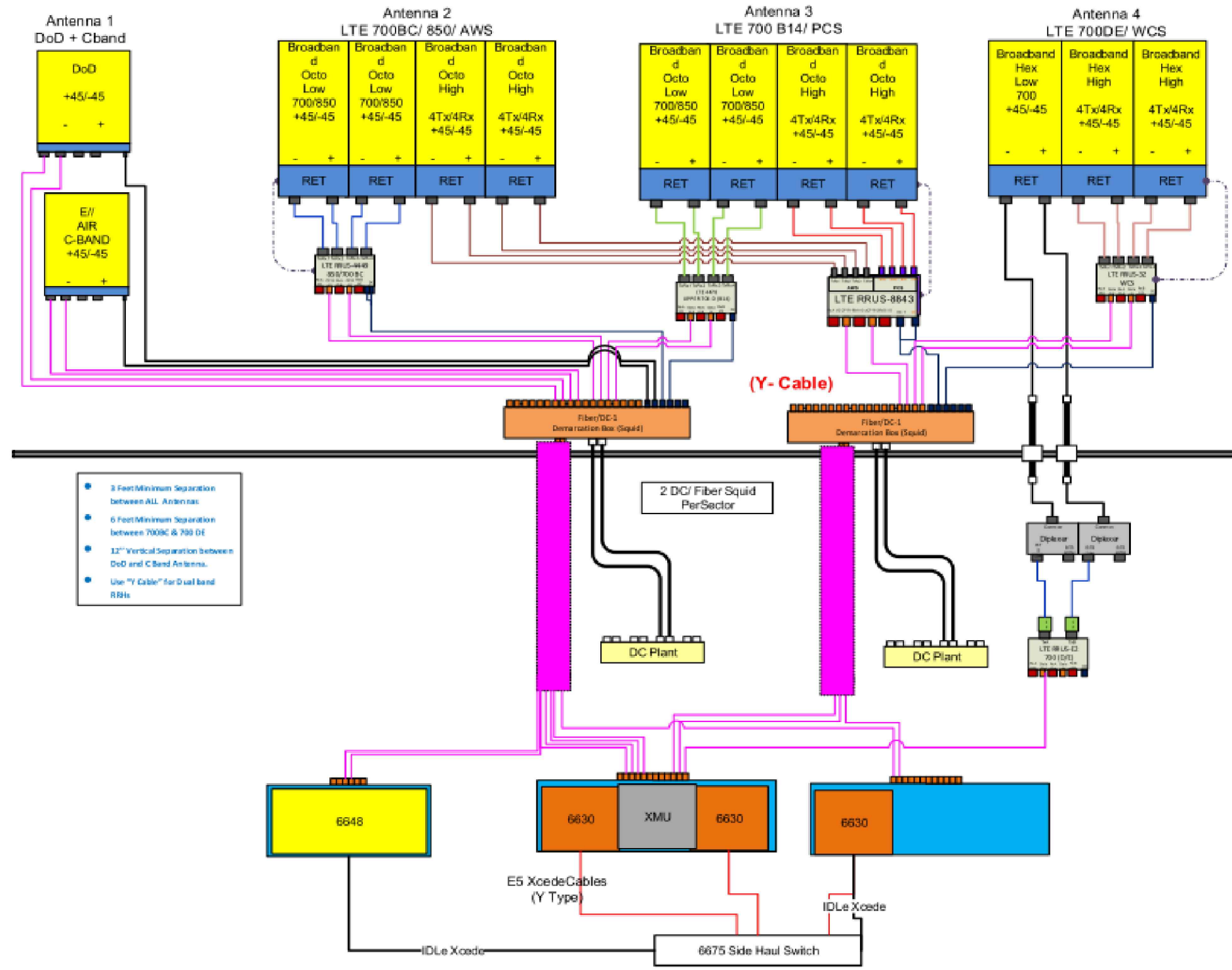
SITE NUMBER: CTL02080
SITE NAME: NEW LONDON-WASHINGTON ST

26 WASHINGTON STREET
NEW LONDON, CT 06320
NEW LONDON COUNTY



1	06/05/23	ISSUED FOR CONSTRUCTION	JS	AT	DPH
B	11/01/22	ISSUED FOR PERMITTING	EB	AT	DPH
A	09/13/22	ISSUED FOR REVIEW	MR	AT	DPH
NO.	DATE	REVISIONS	BY	CHK	APP'D
SCALE: AS SHOWN		DESIGNED BY: AT	DRAWN BY: MR		

AT&T		
RF PLUMBING DIAGRAM 5G NR 1SR CBAND, 5G NR RADIO, SPLIT SECTOR LTE, 2022 UPGRADE		
SITE NUMBER	DRAWING NUMBER	REV
CTL02080	RF-1	1



- 3 Feet Minimum Separation between ALL Antennas
- 6 Feet Minimum Separation between 700BC & 700 DE
- 12" Vertical Separation between DoD and C-Band Antennas
- Use "Y Cable" for Dual band RBIs

NOTE:
 1. CONTRACTOR TO CONFIRM ALL PARTS.
 2. INSTALL ALL EQUIPMENT TO MANUFACTURER'S RECOMMENDATIONS

NOTE:
 REFER TO THE FINAL-APPROVED V2 RFDS DATED 09/26/2022 FOR FINAL ANTENNA SETTINGS.

RF PLUMBING DIAGRAM (GAMMA SECTOR)
 SCALE: N.T.S



SITE NUMBER: CTL02080
SITE NAME: NEW LONDON-WASHINGTON ST

 26 WASHINGTON STREET
 NEW LONDON, CT 06320
 NEW LONDON COUNTY



1	06/05/23	ISSUED FOR CONSTRUCTION	JS	AT	DPH
B	11/01/22	ISSUED FOR PERMITTING	EB	AT	DPH
A	09/13/22	ISSUED FOR REVIEW	MR	AT	DPH
NO.	DATE	REVISIONS	BY	CHK	APP'D
SCALE: AS SHOWN		DESIGNED BY: AT	DRAWN BY: MR		

AT&T		
RF PLUMBING DIAGRAM 5G NR 1SR CBAND, 5G NR RADIO, SPLIT SECTOR LTE, 2022 UPGRADE		
SITE NUMBER	DRAWING NUMBER	REV
CTL02080	RF-2	1