



April 3, 2023

Melanie A. Bachman
Executive Director
Connecticut Siting Council
10 Franklin Square
New Britain, CT 06051

RE: EM-VER-088-211029 - Notice of Exempt Modification
585 SOUTH MAIN STREET, NAUGATUCK, CT 06770
N 41.478469, W -73.048442 Verizon Site # 13683578

Dear Ms. Bachman,

Enclosed please find three (3) sets of Exempt Modification application packages for the above referenced site and check number 0004925 in the amount of Six Hundred Twenty Five Dollars (\$625.00).

The application package consists of the Exempt Modification Letter and:

- Exhibit 1 – Property Card and GIS Map
- Exhibit 2 – Construction Drawings
- Exhibit 3 – Modification Drawings
- Exhibit 4 – Structural Analysis Report
- Exhibit 5 – Antenna Mount Analysis Report
- Exhibit 5 – EME Study Report
- Exhibit 6 – Four (4) Notice Confirmations
- Exhibit 7 – Letter of Authorization

A pdf copy of these same documents has been emailed to your office this day.

As always, if you have any questions or comments, please feel free to contact me.

Sincerely,

A handwritten signature in blue ink, appearing to read 'Jack Andrews', is written over a circular blue stamp or seal.

Jack Andrews
Zoning Manager, Centerline Communications
10130 Donleigh Drive
Columbia, MD 21046
443-677-0144



March 22, 2023

Melanie A. Bachman
Executive Director
Connecticut Siting Council
10 Franklin Square
New Britain, CT 06051

RE: **EM-VER-088-211029** - Notice of Exempt Modification
585 SOUTH MAIN STREET, NAUGATUCK, CT 06770
N 41.478469, W -73.048442 Verizon Site # 13683578

Dear Ms. Bachman,

Cellco Partnership d/b/a Verizon Wireless currently maintains twelve (12) antennas at the forty (40) foot elevation on the existing eighty nine (89) foot tall monopole tower, located at 585 South Main Street, Naugatuck, CT. The tower is owned by American Tower. The property is also owned by the Office LLC. Verizon Wireless now intends to remove nine (9) antenna, six (6) RRH's, one (1) OVP and associated cables and install twelve (12) new antennas. Additionally, Verizon Wireless intends to install six (6) new Remote Radio Heads (RRHs), one (1) OVP and associated cabling and ground equipment; as more fully illustrated in the enclosed construction drawings.

In Docket Number 623, the Council approved the replacement of a forty nine (49) foot tall wood pole with a steel monopole of the same height. The Council later approved a tower extension in Petition Number 1319 on 9/28/2017. The Council approved Verizon Wireless use of the existing tower on May 6, 2003. In case number **EM-VER-088-211029**, Verizon's Modification application was denied for failing to submit documentation requested in the Council's Incomplete Letter.

Please accept this application as notification in accordance with R.C.S.A. § 16-50j-73, for construction that constitutes an exempt modification pursuant to R.C.S.A. § 16-50j-72 (b)(2). In accordance with R.C.S.A §16-50j-73, a copy of this letter is being sent to the following individuals: American Tower Corporation as Tower Operator/Owner; 36 Ritch Avenue LLC., as Property Owner; the Honorable N. Warren "Pete" Hess III, Mayor of Naugatuck, and Lori Rotella, the Naugatuck Town Planner.

The applicant's proposal falls squarely within those activities explicitly provided for in R.C.S.A. § 16-50j-72(b)(2):

1. The proposed modifications will NOT result in an increase in the height of the existing structure.
2. The proposed modifications will NOT require an extension of the site boundary.
3. The proposed modifications will NOT increase noise levels at the facility by six decibels or more, or to levels that exceed state and local criteria.



4. The operation of the modified facility will NOT increase radio frequency emissions at the facility to a level at or above the Federal Communications Commission (FCC) safety standard. Please see the RF emissions calculation for Verizon's modified facility enclosed herewith.
5. The proposed modifications will NOT cause an ineligibile change or alteration in the physical or environmental characteristics of the site.
6. The existing structure and its foundation can support the proposed loading. Please see the structural analysis enclosed herewith.

For the foregoing reasons, Verizon respectfully requests that the Council approve this request for the exempt modifications under R.C.S.A. § 16-50j-72(b)(2), for this tower located at 585 South Main Street, Naugatuck, CT.

If you have any questions, please feel free to contact me.

Sincerely,

A handwritten signature in blue ink, appearing to read 'Jack Andrews', is written over the typed name.

Jack Andrews
Zoning Manager, Centerline Communications
10130 Donleigh Drive
Columbia, MD 21046
443-677-0144

Enclosures:

- Exhibit 1 – Letter of Authorization
- Exhibit 2 – GIS Map
- Exhibit 3 – Construction/Mount Modification Drawings
- Exhibit 4 – Structural Analysis Report
- Exhibit 5 – Antenna Mount Analysis Report
- Exhibit 6 – EME Study Report
- Exhibit 7 – (4) Notice Confirmations
- Exhibit 8 – CSC Tower Decisions

cc: N. Warren "Pete" Hess III - Chief Elected Official
Lori Rotella, Town Planner - as Planning Official
American Tower Corporation - as tower owner
The Office LLC - as property owner



AMERICAN TOWER®
CORPORATION
LETTER OF AUTHORIZATION

CENTERLINE COMMUNICATIONS LLC/ AT&T MOBILITY

I, Margaret Robinson, Vice President, US Tower Legal Division on behalf of American Tower*, owner/operator of the tower facility located at the address identified below (the "Tower Facilities"), do hereby authorize AT&T MOBILITY, CENTERLINE COMMUNICATIONS LLC, its successors and assigns, to act as American Tower's non-exclusive agent for the purpose of filing and securing any zoning, land-use, building permit and/or electrical permit application(s) and approvals of the applicable jurisdiction for and to conduct the construction of the installation of antennas and related telecommunications equipment on the Tower Facility located at the above address. This installation shall not affect adjoining lands and will occur only within the area leased by American Tower.

American Tower understands that the application may be denied, modified or approved with conditions. The above authorization is limited to the acceptance by American Tower of conditions related to American Tower's installation. Any such conditions of approval or modifications will not be effective unless approved in writing by American Tower.

The above authorization does not permit AT&T MOBILITY, CENTERLINE COMMUNICATIONS LLC to modify or alter any existing permit(s) and/or zoning or land-use conditions or impose any additional conditions unrelated to American Tower's installation of telecommunications equipment without the prior written approval of American Tower.

*American Tower includes all affiliates and subsidiaries of American Tower Corporation.


ATC Asset #	Site Name	Project Number	Site Address
283420	STONEBROOK RD CT	13682835	23 Stonybrook Road, Stratford, Connecticut
243036	WEST HAVEN & RT 162 CT	13682841	668 Jones Hill Road, West Haven, Connecticut
302479	Rkhl - Rocky Hill	13683394	699 West Street, Rocky Hill, Connecticut
302537	Middletown CT 3	13747862	47 Inwood Road, Rocky Hill, Connecticut
302535	Milford CT 2	13748383	185 Research Drive, Milford, Connecticut
302473	E H F R - Prestige Park	13748397	310 Prestige Park Road, East Hartford, Connecticut
302505	Wshn - West Haven	13748405	204 Burwell Street, West Haven, Connecticut
302489	Enfd - Enfield	13753208	77 Town Farm Road, Enfield, Connecticut
302524	Beacon Falls	13753210	664 Rimmon Hill Road, Seymour, Connecticut
310968	WSPT-WESTPORT REBUILD CT	13753216	180A Bayberry Lane, Westport, Connecticut
302526	Naugatuck (telephone Pole)	13753218	585 South Main St. (soc. Club), Naugatuck, Connecticut
310972	WATERFORD REBUILD CT	13753547	15 Miner Lane, Waterford, Connecticut
302538	Parsonage Hill Aka Wallin	13753549	922 Northrop Road, Wallingford, Connecticut
370624	Mankes Silo	13754283	1338 Highland Ave, Cheshire, Connecticut



AMERICAN TOWER®
CORPORATION

88017	SHELTON-TRUMBULL	13755484	14 OXFORD DRIVE/BOOTH HILL RD, Shelton, Connecticut
414240	Byram Park CT	13755490	48 RITCH AVENUE WEST, Greenwich, Connecticut
283423	NAUGATUCK CT	13755758	880 Andrew Mountain Road, Naugatuck, Connecticut
302480	Woodbridge CT 1	13756843	77 Pease Road, Woodbridge, Connecticut
411183	WATERFORD CT	13756866	53 Dayton Rd. Waterford, Connecticut
302540	Madison CT 6	13757740	8 Old 79, Madison, Connecticut
411259	CT Collinsville CAC 802816 CT	13757764	650 Albany Turnpike, Collinsville, Connecticut
411256	CANTON CT	13757774	14 CANTON SPRINGS ROAD, Canton, Connecticut
302493	Nrwc - Norwich	13757776	225 Rogers Road, Norwich, Connecticut
302476	Wtbr - Waterbury	13757794	352 Garden Circle, Waterbury, Connecticut
302475	Sttn - Southington	13757796	80 Shuttle Meadow Road, Southington, Connecticut
302494	Hddm - Haddam	13757798	139 Morris Hubbard Rd, Higganum, Connecticut
283419	PINE ORCHARD BRANFORD CT	13757800	123 Pine Orchard Road, Branford, Connecticut
302482	North Havent CT 1	13757802	15 Dewight Street, North Haven, Connecticut
302485	Mdfd - Middlefield	13757806	134 Kikapoo Road, Middlefield, Connecticut
302500	Brst - Bristol	13757810	790 Willis Street, Bristol, Connecticut
302467	Bilkays Express	13757812	90 North Plains Industrial Rd. Wallingford, Connecticut
302536	Cherry Hill-branford	13759895	4 Beaver Road, Brandford, Connecticut
302482	North Havent CT 1	14050356	15 Dewight Street, North Haven, Connecticut
311305	GLFD-GUILFORD REBUILD CT	14050358	10 Tanner Marsh Road, Guilford, Connecticut
411261	CROMWELLSW CT	14089799	99 Christian Hill Road, Cromwell, Connecticut
302481	Hrfr - South	14090117	289 Mountain Street, Hartford, Connecticut

Signature: _____


Margaret Robinson, Vice President
US Tower Legal Division

See attached Notary Block



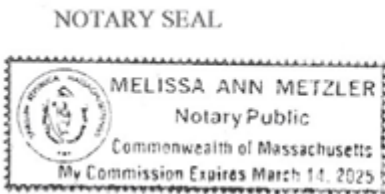
**LETTER OF AUTHORIZATION
CENTERLINE COMMUNICATIONS LLC/ AT&T MOBILITY**

NOTARY BLOCK

COMMONWEALTH OF MASSACHUSETTS
County of Middlesex

This instrument was acknowledged before me by Margaret Robinson, Vice President, UST Legal of American Tower (Tower Facility owner), personally known to me (or proved to me on the basis of satisfactory evidence) to be the person whose name is subscribed to the within instrument and acknowledged to me that he/she executed the same.

WITNESS my hand and official seal, this 30th day of June, 2022.



Notary Public 
My Commission Expires: March 14, 2025



Borough of Naugatuck, CT

Property Listing Report

Map Block Lot

AQ14 35E23

Building # **1**

Unique Identifier

011-8400

Property Information

Property Location	585 SOUTH MAIN ST
Mailing Address	1920 S PROVIDENCE RD NORTH CHESTERFIELD VA 23236
Land Use	Restaurant
Zoning Code	R15
Neighborhood	09

Owner	THE OFFICE LLC
Co-Owner	
Book / Page	0875/0080
Land Class	Commercial
Census Tract	345201
Acreage	1.76

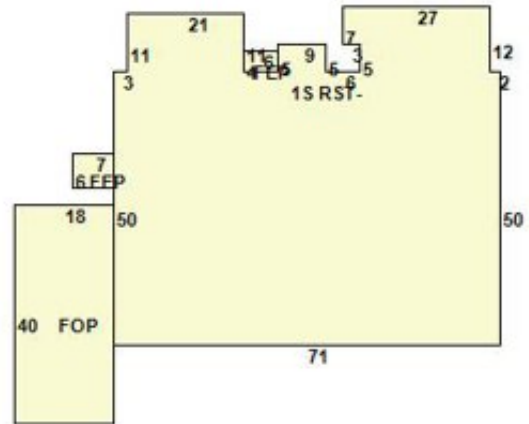
Valuation Summary

(Assessed value = 70% of Appraised Value)

Item	Appraised	Assessed
Buildings	223500	156450
Outbuildings	358200	250740
Land	149900	104930
Total	731600	512120

Utility Information

Electric	No
Gas	No
Sewer	No
Public Water	No
Well	No



Primary Construction Details

Year Built	1960
Building Desc.	Commercial
Building Style	
Stories	1
Exterior Walls	Concr/Cinder
Exterior Walls 2	Stucco
Interior Walls	Drywall
Interior Walls 2	Plywood Panel
Interior Floors 1	Vinyl Tile
Interior Floors 2	Carpet

Heating Fuel	Oil
Heating Type	Forced Hot Air
AC Type	Central
Bedrooms	0
Full Bathrooms	0
Half Bathrooms	0
Extra Fixtures	0
Total Rooms	0
Bath Style	NA
Kitchen Style	
Occupancy	0

Building Use	Bar / Tavern
Building Condition	Fair
Frame Type	C
Fireplaces	0
Bsmt Gar	0
Fin Bsmt Area	0
Fin Bsmt Quality	
Building Grade	0
Roof Style	Gable
Roof Cover	Arch Shingles

Report Created On

3/22/2023

Borough of Naugatuck, CT

Property Listing Report

Map Block Lot

AQ14 35E23

Building # 1

Unique Identifier

011-8400

Detached Outbuildings

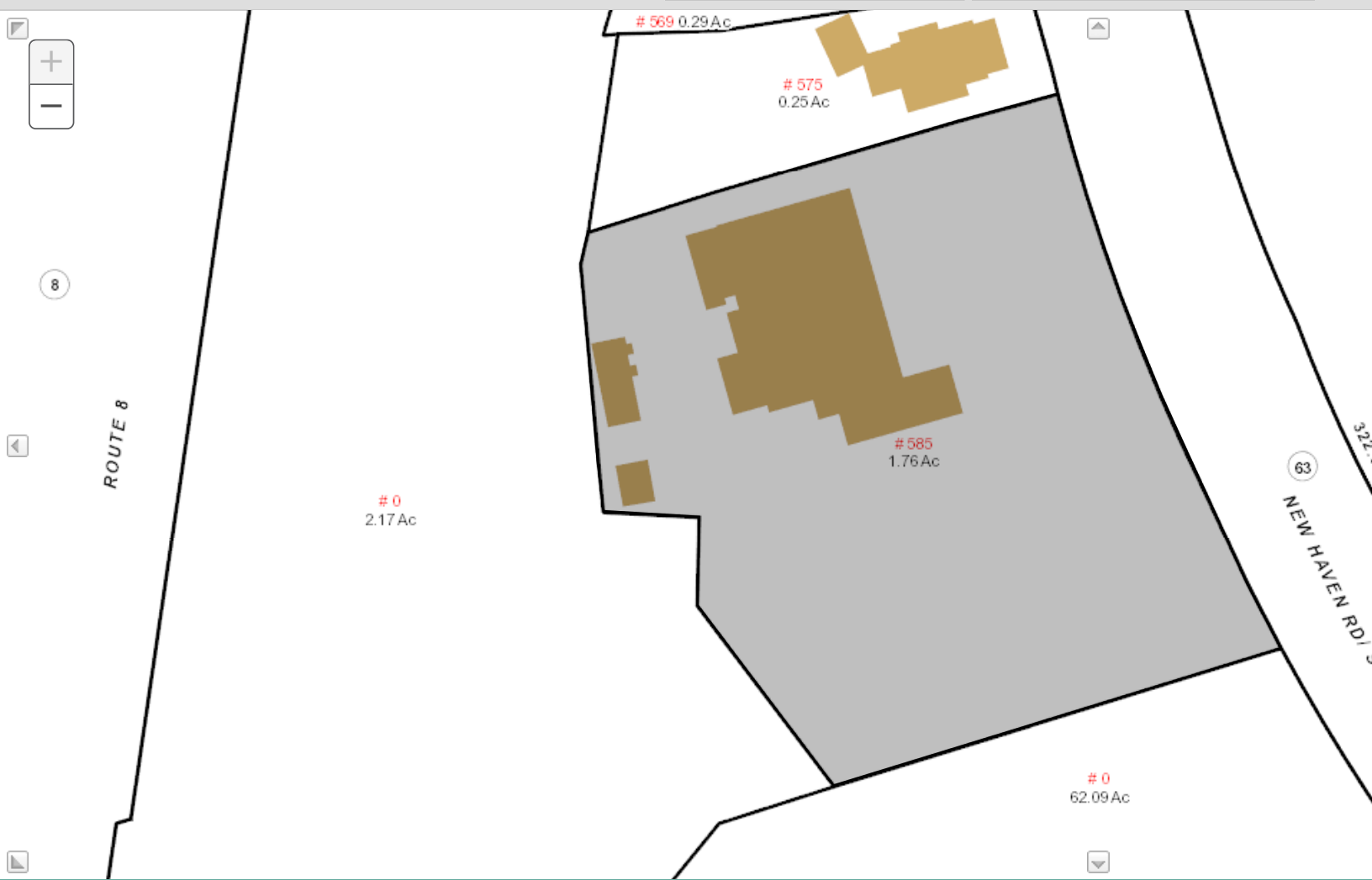
Type	Description	Area (sq ft)	Condition	Year Built
Tower	Cell Tower	1	No Depreciation	2003
Paving	Paving	19000	Fair	2000
Shed	Cell Shed	240	No Depreciation	2009

Attached Extra Features

Type	Description	Area (sq ft)	Condition	Year Built
Porch	Enclosed	24	Fair	1960
Porch	Enclosed	42	Fair	1960
Porch	Open	720	Fair	1960

Sales History

Owner of Record	Book/ Page	Sale Date	Sale Price
THE OFFICE LLC	0875_0080	9/20/2010	0
TARZAK BUILDERS LLC	0871_0365	7/7/2010	0
CHRISTOFORO COLUMBO SOCIETY	0747_0363	2/27/2006	0
CHRISTOFORO COLUMBO SOCIETY	0747_0357	2/27/2006	0
CHRISTOFORO COLUMBO SOCIETY	0747_0345	2/27/2006	198000
CHRISTOFORO COLUMBO SOCIETY	0110_0174	6/3/1953	0
CHRISTOFORO COLUMBO	0083_0407	4/19/1937	0



GENERAL CONSTRUCTION NOTES:

1. OWNER FURNISHED MATERIALS, VERIZON WIRELESS "THE COMPANY" WILL PROVIDE AND THE CONTRACTOR WILL INSTALL
 - A. BTS EQUIPMENT FRAME (PLATFORM) AND ICEBRIDGE SHELTER (GROUND BUILD/CO-LOCATE ONLY)
 - B. AC/TELCO INTERFACE BOX (PPC)
 - C. ICE BRIDGE (CABLE TRAY WITH COVER) (GROUND BUILD/CO-LOCATE ONLY, GC TO FURNISH AND INSTALL FOR ROOFTOP INSTALLATION)
 - D. TOWERS, MONOPOLES
 - E. TOWER LIGHTING
 - F. GENERATORS & LIQUID PROPANE TANK
 - G. ANTENNA STANDARD BRACKETS, FRAMES AND PIPES FOR MOUNTING
 - H. ANTENNAS (INSTALLED BY OTHERS)
 - I. TRANSMISSION LINE
 - J. TRANSMISSION LINE JUMPERS
 - K. TRANSMISSION LINE CONNECTORS WITH WEATHERPROOFING KITS
 - L. TRANSMISSION LINE GROUND KITS
 - M. HANGERS
 - N. HOISTING GRIPS
 - O. BTS EQUIPMENT
2. THE CONTRACTOR IS RESPONSIBLE TO PROVIDE ALL OTHER MATERIALS FOR THE COMPLETE INSTALLATION OF THE SITE INCLUDING, BUT NOT LIMITED TO, SUCH MATERIALS AS FENCING, STRUCTURAL STEEL SUPPORTING SUB-FRAME FOR PLATFORM, ROOFING LABOR AND MATERIALS, GROUNDING RINGS, GROUNDING WIRES, COPPER-CLAD OR XIT CHEMICAL GROUND ROD(S), BUSS BARS, TRANSFORMERS AND DISCONNECT SWITCHES WHERE APPLICABLE, TEMPORARY ELECTRICAL POWER, CONDUIT, LANDSCAPING COMPOUND STONE, CRANES, CORE DRILLING, SLEEPERS AND RUBBER MATTING, REBAR, CONCRETE CAISSONS, PADS AND/OR AUGER MOUNTS, MISCELLANEOUS FASTENERS, CABLE TRAYS, NON-STANDARD ANTENNA FRAMES AND ALL OTHER MATERIAL AND LABOR REQUIRED TO COMPLETE THE JOB ACCORDING TO THE DRAWINGS AND SPECIFICATIONS. IT IS THE POSITION OF VERIZON WIRELESS TO APPLY FOR PERMITTING AND CONTRACTOR RESPONSIBLE FOR PICKUP AND PAYMENT OF REQUIRED PERMITS.
3. ALL WORK SHALL CONFORM TO ALL CURRENT APPLICABLE FEDERAL, STATE, AND LOCAL CODES, INCLUDING ANSI/EIA/TIA-222, AND COMPLY WITH ATC CONSTRUCTION SPECIFICATIONS.
4. CONTRACTOR SHALL CONTACT LOCAL 811 FOR IDENTIFICATION OF UNDERGROUND UTILITIES PRIOR TO START OF CONSTRUCTION.
5. CONTRACTOR SHALL BE RESPONSIBLE FOR COORDINATING ALL REQUIRED INSPECTIONS.
6. ALL DIMENSIONS TO, OF, AND ON EXISTING BUILDINGS, DRAINAGE STRUCTURES, AND SITE IMPROVEMENTS SHALL BE VERIFIED IN FIELD BY CONTRACTOR WITH ALL DISCREPANCIES REPORTED TO THE ENGINEER.
7. DO NOT CHANGE SIZE OR SPACING OF STRUCTURAL ELEMENTS.
8. DETAILS SHOWN ARE TYPICAL; SIMILAR DETAILS APPLY TO SIMILAR CONDITIONS UNLESS OTHERWISE NOTED.
9. THESE DRAWINGS DO NOT INCLUDE NECESSARY COMPONENTS FOR CONSTRUCTION SAFETY WHICH SHALL BE THE SOLE RESPONSIBILITY OF THE CONTRACTOR.
10. CONTRACTOR SHALL BRACE STRUCTURES UNTIL ALL STRUCTURAL ELEMENTS NEEDED FOR STABILITY ARE INSTALLED. THESE ELEMENTS ARE AS FOLLOWS: LATERAL BRACING, ANCHOR BOLTS, ETC.
11. CONTRACTOR SHALL DETERMINE EXACT LOCATION OF EXISTING UTILITIES, GROUNDS DRAINS, DRAIN PIPES, VENTS, ETC. BEFORE COMMENCING WORK.
12. INCORRECTLY FABRICATED, DAMAGED, OR OTHERWISE MISFITTING OR NONCONFORMING MATERIALS OR CONDITIONS SHALL BE REPORTED TO THE VERIZON WIRELESS REP PRIOR TO REMEDIAL OR CORRECTIVE ACTION. ANY SUCH REMEDIAL ACTION SHALL REQUIRE WRITTEN APPROVAL BY THE VERIZON WIRELESS REP PRIOR TO PROCEEDING.
13. EACH CONTRACTOR SHALL COOPERATE WITH THE VERIZON WIRELESS REP, AND COORDINATE HIS WORK WITH THE WORK OF OTHERS.
14. CONTRACTOR SHALL REPAIR ANY DAMAGE CAUSED BY CONSTRUCTION OF THIS PROJECT TO MATCH EXISTING PRE-CONSTRUCTION CONDITIONS TO THE SATISFACTION OF THE VERIZON WIRELESS CONSTRUCTION MANAGER.
15. ALL CABLE/CONDUIT ENTRY/EXIT PORTS SHALL BE WEATHERPROOFED DURING INSTALLATION USING A SILICONE SEALANT.
16. WHERE EXISTING CONDITIONS DO NOT MATCH THOSE SHOWN IN THIS PLAN SET, CONTRACTOR SHALL NOTIFY THE VERIZON WIRELESS REP AND ENGINEER OF RECORD IMMEDIATELY.
17. CONTRACTOR SHALL ENSURE ALL SUBCONTRACTORS ARE PROVIDED WITH A COMPLETE AND CURRENT SET OF DRAWINGS AND SPECIFICATIONS FOR THIS PROJECT.
18. CONTRACTOR SHALL REMOVE ALL RUBBISH AND DEBRIS FROM THE SITE AT THE END OF EACH DAY.
19. CONTRACTOR SHALL COORDINATE WORK SCHEDULE WITH AMERICAN TOWER CORPORATION (ATC) AND TAKE PRECAUTIONS TO MINIMIZE IMPACT AND DISRUPTION OF OTHER OCCUPANTS OF THE FACILITY.
20. CONTRACTOR SHALL FURNISH VERIZON WIRELESS AND AMERICAN TOWER CORPORATION (ATC) WITH A PDF MARKED UP AS-BUILT SET OF DRAWINGS UPON COMPLETION OF WORK.
21. PRIOR TO SUBMISSION OF BID, CONTRACTOR SHALL COORDINATE WITH VERIZON WIRELESS REP TO DETERMINE WHAT, IF ANY, ITEMS WILL BE PROVIDED. ALL ITEMS NOT PROVIDED SHALL BE PROVIDED AND INSTALLED BY THE CONTRACTOR. CONTRACTOR

WILL INSTALL ALL ITEMS PROVIDED.

22. PRIOR TO SUBMISSION OF BID, CONTRACTOR SHALL COORDINATE WITH VERIZON WIRELESS REP TO DETERMINE IF ANY PERMITS WILL BE OBTAINED BY CONTRACTOR. ALL REQUIRED PERMITS NOT OBTAINED BY VERIZON WIRELESS MUST BE OBTAINED, AND PAID FOR, BY THE CONTRACTOR.
23. CONTRACTOR SHALL INSTALL ALL SITE SIGNAGE IN ACCORDANCE WITH VERIZON WIRELESS SPECIFICATIONS AND REQUIREMENTS.
24. CONTRACTOR SHALL SUBMIT ALL SHOP DRAWINGS TO VERIZON WIRELESS FOR REVIEW AND APPROVAL PRIOR TO FABRICATION.
25. ALL EQUIPMENT SHALL BE INSTALLED ACCORDING TO MANUFACTURER'S SPECIFICATIONS AND LOCATED ACCORDING TO VERIZON WIRELESS SPECIFICATIONS, AND AS SHOWN IN THESE PLANS.
26. THE CONTRACTOR SHALL SUPERVISE AND DIRECT THE PROJECT DESCRIBED HEREIN. THE CONTRACTOR SHALL BE SOLELY RESPONSIBLE FOR ALL THE CONSTRUCTION MEANS, METHODS, TECHNIQUES, SEQUENCES AND PROCEDURES AND FOR COORDINATING ALL PORTIONS OF THE WORK UNDER THE CONTRACT.
27. CONTRACTOR SHALL NOTIFY VERIZON WIRELESS REP A MINIMUM OF 48 HOURS IN ADVANCE OF POURING CONCRETE OR BACKFILLING ANY UNDERGROUND UTILITIES, FOUNDATIONS OR SEALING ANY WALL, FLOOR OR ROOF PENETRATIONS FOR ENGINEERING REVIEW AND APPROVAL.
28. CONTRACTOR SHALL BE RESPONSIBLE FOR SITE SAFETY INCLUDING COMPLIANCE WITH ALL APPLICABLE OSHA STANDARDS AND RECOMMENDATIONS AND SHALL PROVIDE ALL NECESSARY SAFETY DEVICES INCLUDING PPE AND PPM AND CONSTRUCTION DEVICES SUCH AS WELDING AND FIRE PREVENTION, TEMPORARY SHORING, SCAFFOLDING, TRENCH BOXES/SLOPING, BARRIERS, ETC.
29. THE CONTRACTOR SHALL PROTECT AT HIS OWN EXPENSE, ALL EXISTING FACILITIES AND SUCH OF HIS NEW WORK LIABLE TO INJURY DURING THE CONSTRUCTION PERIOD. ANY DAMAGE CAUSED BY NEGLIGENCE ON THE PART OF THIS CONTRACTOR OR HIS REPRESENTATIVES, OR BY THE ELEMENTS DUE TO NEGLIGENCE ON THE PART OF THIS CONTRACTOR OR HIS REPRESENTATIVES, EITHER TO THE EXISTING WORK, OR TO HIS WORK OR THE WORK OF ANY OTHER CONTRACTOR, SHALL BE REPAIRED AT HIS EXPENSE TO THE OWNER'S SATISFACTION.
30. ALL WORK SHALL BE INSTALLED IN A FIRST CLASS, NEAT AND WORKMANLIKE MANNER BY MECHANICS SKILLED IN THE TRADE INVOLVED. THE QUALITY OF WORKMANSHIP SHALL BE SUBJECT TO THE APPROVAL OF THE VERIZON WIRELESS REP. ANY WORK FOUND BY THE VERIZON WIRELESS REP TO BE OF INFERIOR QUALITY AND/OR WORKMANSHIP SHALL BE REPLACED AND/OR REWORKED AT CONTRACTOR EXPENSE UNTIL APPROVAL IS OBTAINED.
31. IN ORDER TO ESTABLISH STANDARDS OF QUALITY AND PERFORMANCE, ALL TYPES OF MATERIALS LISTED HEREINAFTER BY MANUFACTURER'S NAMES AND/OR MANUFACTURER'S CATALOG NUMBER SHALL BE PROVIDED BY THESE MANUFACTURERS AS SPECIFIED.
32. VERIZON WIRELESS FURNISHED EQUIPMENT SHALL BE PICKED-UP AT THE VERIZON WIRELESS WAREHOUSE, NO LATER THAN 48HR AFTER BEING NOTIFIED INSURED, STORED, UNCRATE, PROTECTED AND INSTALLED BY THE CONTRACTOR WITH ALL APPURTENANCES REQUIRED TO PLACE THE EQUIPMENT IN OPERATION, READY FOR USE. THE CONTRACTOR SHALL BE RESPONSIBLE FOR THE EQUIPMENT AFTER PICKING IT UP.
33. VERIZON WIRELESS OR HIS ARCHITECT/ENGINEER RESERVES THE RIGHT TO REJECT ANY EQUIPMENT OR MATERIALS WHICH, IN HIS OWN OPINION ARE NOT IN COMPLIANCE WITH THE CONTRACT DOCUMENTS, EITHER BEFORE OR AFTER INSTALLATION AND THE EQUIPMENT SHALL BE REPLACED WITH EQUIPMENT CONFORMING TO THE REQUIREMENTS OF THE CONTRACT DOCUMENTS BY THE CONTRACTOR AT NO COST TO VERIZON WIRELESS OR THEIR ARCHITECT/ENGINEER.

SPECIAL CONSTRUCTION

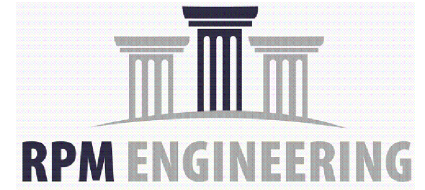
ANTENNA INSTALLATION NOTES:

1. WORK INCLUDED:
 - A. ANTENNA AND COAXIAL CABLES ARE FURNISHED BY VERIZON WIRELESS UNDER A SEPARATE CONTRACT. THE CONTRACTOR SHALL ASSIST ANTENNA INSTALLATION CONTRACTOR IN TERMS OF COORDINATION AND SITE ACCESS. ERECTION SUBCONTRACTOR SHALL BE RESPONSIBLE FOR THE PROTECTION OF PERSONNEL AND
 - B. INSTALL ANTENNA AS INDICATE ON DRAWINGS AND VERIZON WIRELESS SPECIFICATIONS.
 - C. INSTALL GALVANIZED STEEL ANTENNA MOUNTS AS INDICATED ON DRAWINGS
 - D. INSTALL FURNISHED GALVANIZED STEEL OR ALUMINUM WAVEGUIDE.
 - E. CONTRACTOR SHALL PROVIDE FOUR (4) SETS OF SWEEP TESTS USING ANRITZU-PACKARD 8713B RF SCALAR NETWORK ANALYZER. SUBMIT FREQUENCY DOMAIN REFLECTOMETER(FDR) TESTS RESULTS TO THE PROJECT MANAGER. SWEEP TESTS SHALL BE AS PER ATTACHED RFS "MINIMUM FIELD TESTING RECOMMENDED FOR ANTENNA AND HELIAX COAXIAL CABLE SYSTEMS" DATED 10/5/93. TESTING SHALL BE PERFORMED BY AN INDEPENDENT TESTING SERVICE AND BE BOUND AND SUBMITTED WITHIN ONE WEEK OF WORK COMPLETION.
 - F. INSTALL COAXIAL CABLES AND TERMINATING BETWEEN ANTENNAS AND EQUIPMENT PER MANUFACTURER'S RECOMMENDATIONS. WEATHERPROOF ALL CONNECTIONS BETWEEN THE ANTENNA AND EQUIPMENT PER MANUFACTURER'S REQUIREMENTS. TERMINATE ALL COAXIAL CABLE THREE (3) FEET IN EXCESS OF ENTRY PORT LOCATION UNLESS OTHERWISE STATED.
 - G. ANTENNA AND COAXIAL CABLE GROUNDING:
2. ALL EXTERIOR #6 GREED GROUND WIRE "DAISY CHAIN" CONNECTIONS ARE TO BE WEATHER SEALED WITH RFS CONNECTORS/SPLICE WEATHERPROOFING KIT #221213 OR

EQUAL.

3. ALL COAXIAL CABLE GROUNDING KITS ARE TO BE INSTALLED ON STRAIGHT RUNS OF COAXIAL CABLE (NOT WITHIN BENDS)

ALL DISCREPANCIES FROM WHAT IS SHOWN ON THESE CONSTRUCTION DRAWINGS SHALL BE COMMUNICATED TO ATC ENGINEERING IMMEDIATELY FOR CORRECTION OR RE-DESIGN. FAILURE TO COMMUNICATE DIRECTLY WITH ATC ENGINEERING OR ANY CHANGES FROM THE DESIGN CONDUCTED WITHOUT PRIOR APPROVAL FROM ATC ENGINEERING SHALL BE THE SOLE RESPONSIBILITY OF THE GENERAL CONTRACTOR.



REV.	DESCRIPTION	BY	DATE
A	PRELIM	BJC	06/10/21
0	FINAL	TMM	09/24/21

ATC SITE NUMBER:
302526

ATC SITE NAME:
NAUGATUCK (TELEPHONE POLE)

VERIZON WIRELESS SITE NAME:
NAUGATUCK II

SITE ADDRESS:
585 SOUTH MAIN STREET
NAUGATUCK, CT 06770



DATE DRAWN:	06/10/21
ATC JOB NO:	13683578
CUSTOMER ID:	467142
CUSTOMER #:	N/A

GENERAL NOTES

SHEET NUMBER: G-002	REVISION: 0
-------------------------------	-----------------------

Copyright © 2021, ATC IP, LLC, All Rights Reserved.

REV.	DESCRIPTION	BY	DATE
△ A	PRELIM	BJC	06/10/21
△ 0	FINAL	TMM	09/24/21
△			
△			
△			

ATC SITE NUMBER:
302526

ATC SITE NAME:
NAUGATUCK (TELEPHONE POLE)

VERIZON WIRELESS SITE NAME:
NAUGATUCK II

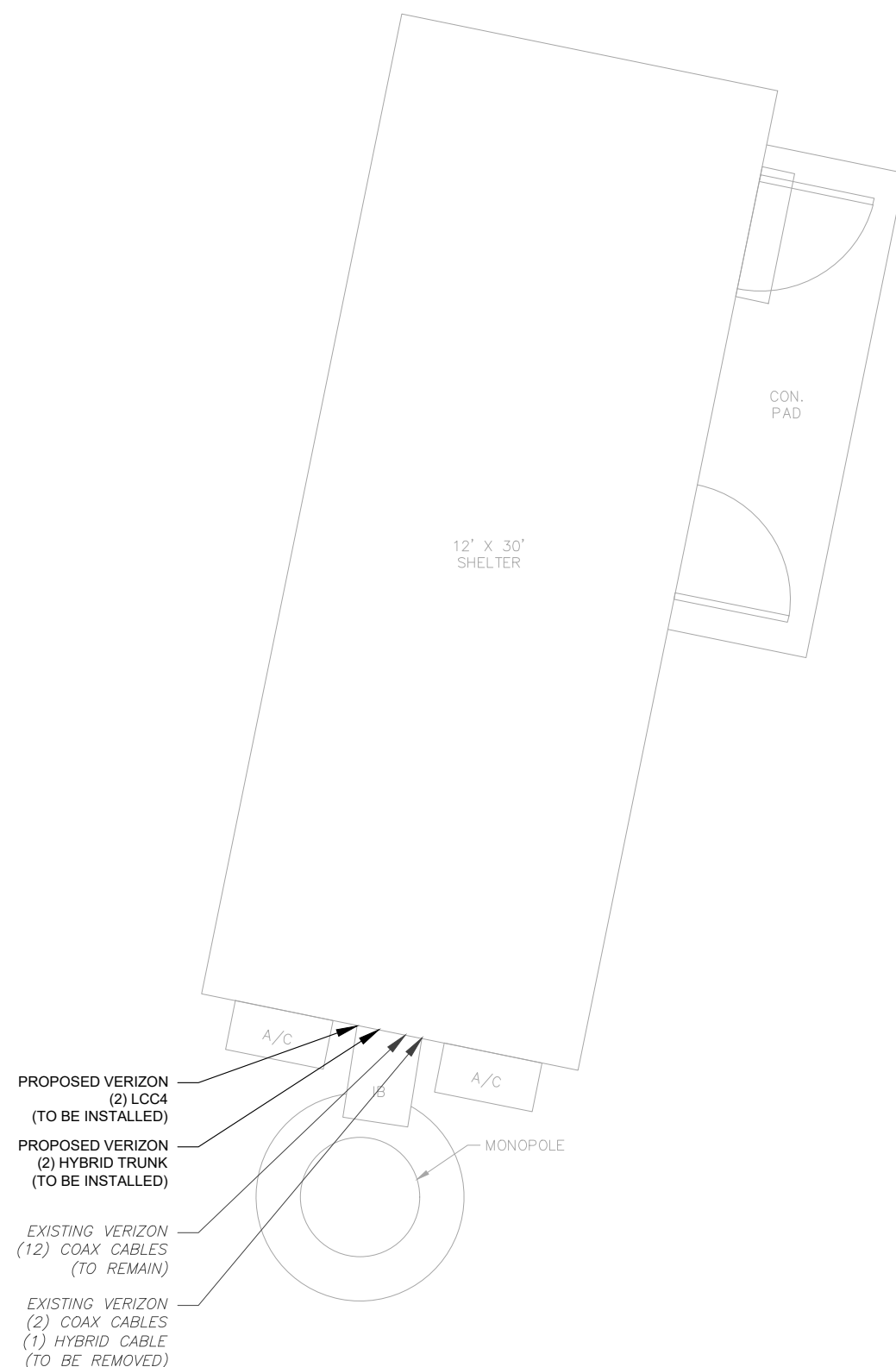
SITE ADDRESS:
 585 SOUTH MAIN STREET
 NAUGATUCK, CT 06770



DATE DRAWN:	06/10/21
ATC JOB NO:	13683578
CUSTOMER ID:	467142
CUSTOMER #:	N/A

DETAILED EQUIPMENT LAYOUT

SHEET NUMBER:	REVISION:
C-102	0

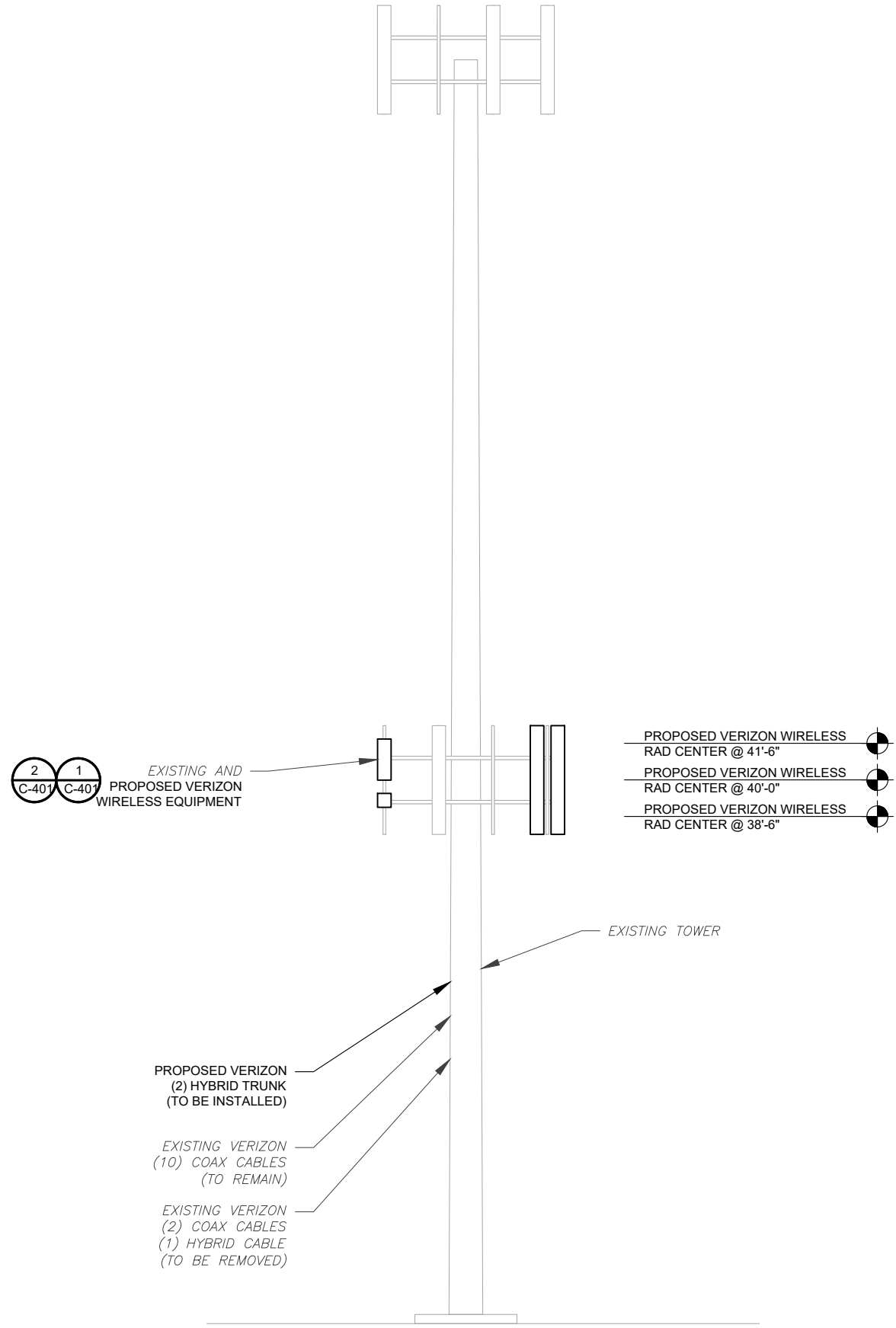


1 DETAILED EQUIPMENT PLAN

0 5' 10'

SCALE: 1"=5' (11X17)
 1"=2.5' (22X34)





PER MOUNT ANALYSIS COMPLETED BY MASER CONSULTING, DATED 07/23/2021, THE EXISTING MOUNT CAN ADEQUATELY SUPPORT THE PROPOSED LOADING

- TOWER NOTE:**
- IT IS THE CONTRACTOR'S RESPONSIBILITY TO CONFIRM WITH THE PROJECT MANAGER THAT THEY HAVE THE MOST RECENT VERSION OF THE STRUCTURAL ANALYSIS BEFORE COMMENCING WORK. EXISTING AND PROPOSED TOWER APPURTENANCES, MOUNTS, AND ANTENNAS ARE SHOWN BASED ON THE STRUCTURAL ANALYSIS.
 - WHERE APPLICABLE, ALL NEW ANTENNAS, EQUIPMENT, MOUNTS, CABLING, ETC. SHALL BE PAINTED/SOCKED TO MATCH EXISTING EQUIPMENT IN ACCORDANCE WITH FAA, JURISDICTION, AND/OR OTHER LOCAL REQUIREMENTS.
 - ROUTE PROPOSED CABLES ALONG SAME PATH AS EXISTING CABLES AND IN ACCORDANCE WITH STRUCTURAL ANALYSIS. IF ADEQUATE SPACE EXISTS, ROUTE CABLES THROUGH ENTRY PORT HOLE, UP INSIDE OF MONOPOLE, AND THROUGH EXIT PORT HOLE. IF ROUTING OUTSIDE THE MONOPOLE, ATTACH CABLES USING STAND-OFF ADAPTERS MOUNTED TO TOWER USING STAINLESS STEEL BANDING. ADEQUATELY SECURE CABLES USING EITHER APPROPRIATELY SIZED STAINLESS STEEL SNAP-INS OR MOUNTING HARDWARE AND BRACKETS AS SPECIFIED BY CABLE MANUFACTURER.
 - TOWER ELEVATIONS ARE MEASURED FROM TOP OF BASE PLATE TO MATCH STRUCTURAL ANALYSIS. ELEVATIONS DO NOT REFLECT TRUE ABOVE GROUND LEVEL (A.G.L.)

1 TOWER ELEVATION
SCALE: N.T.S.

AMERICAN TOWER®
ATC TOWER SERVICES
 3500 REGENCY PARKWAY
 SUITE 100
 CARY, NC 27518
 PHONE: (919) 468-0112
 COA: C01229-00

RPM ENGINEERING

REV.	DESCRIPTION	BY	DATE
A	PRELIM	BJC	06/10/21
0	FINAL	TMM	09/24/21

ATC SITE NUMBER:
302526

ATC SITE NAME:
NAUGATUCK (TELEPHONE POLE)

VERIZON WIRELESS SITE NAME:
NAUGATUCK II

SITE ADDRESS:
585 SOUTH MAIN STREET
NAUGATUCK, CT 06770

SEAL:



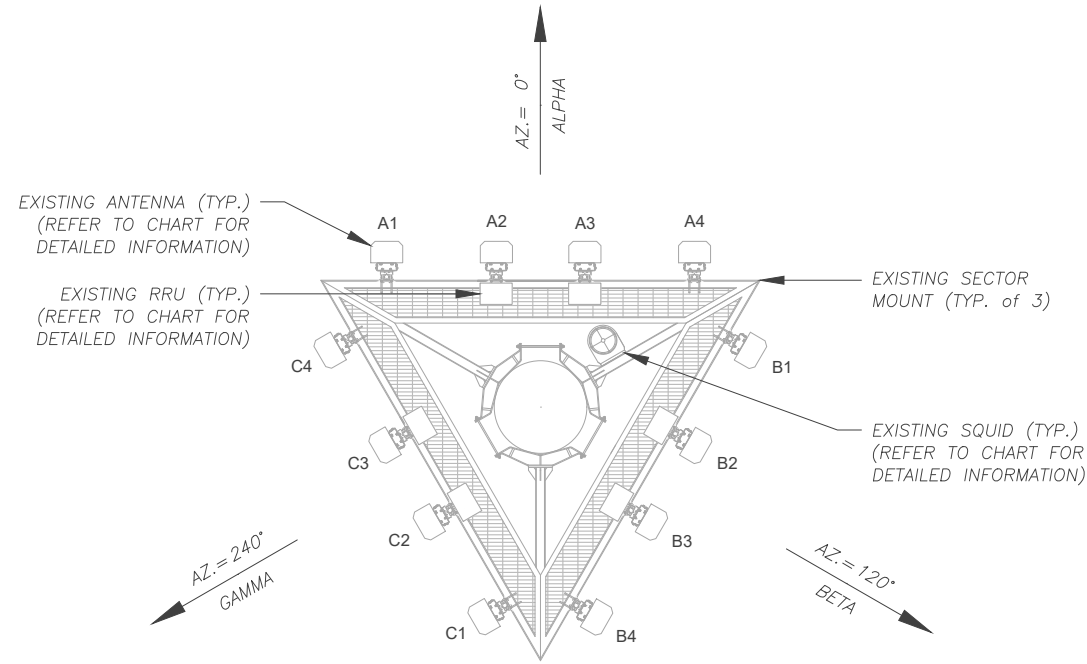
DATE DRAWN:	06/10/21
ATC JOB NO:	13683578
CUSTOMER ID:	467142
CUSTOMER #:	N/A

TOWER ELEVATION

SHEET NUMBER: C-201	REVISION: 0
-------------------------------	-----------------------

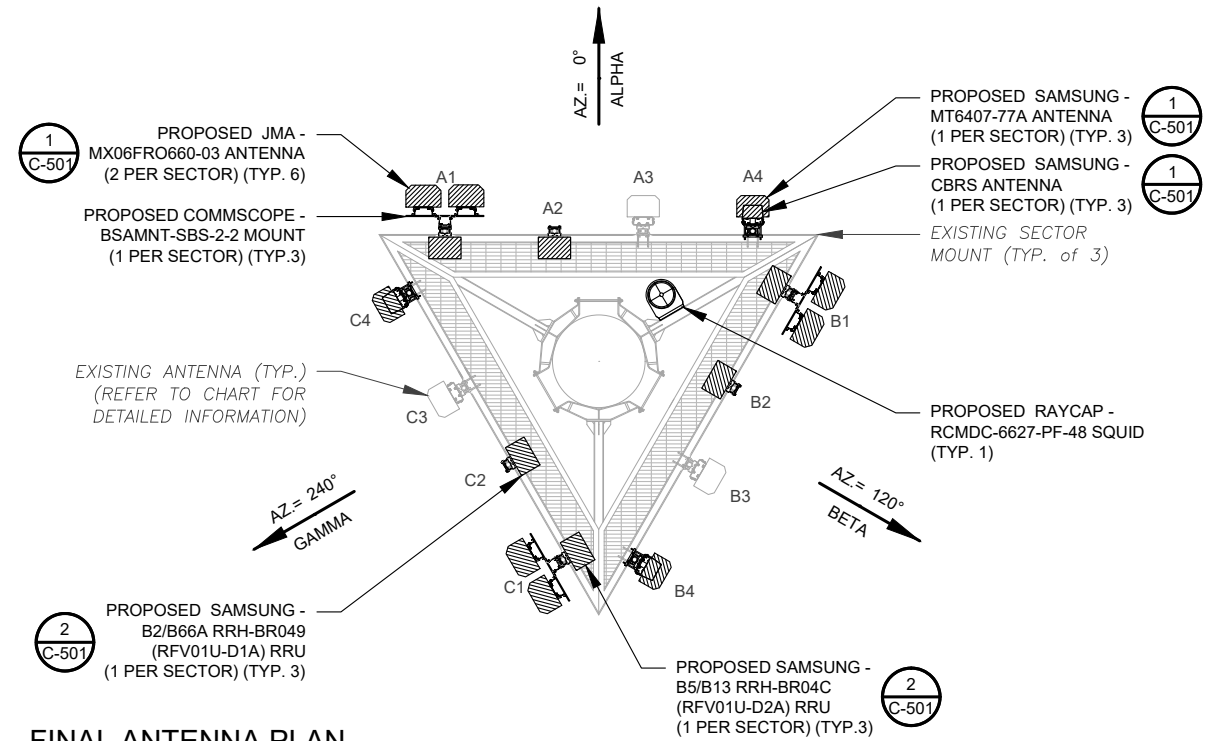
Copyright © 2021 ATC IP, LLC. All Rights Reserved.

EXISTING CONFIGURATIONS ARE BASED ON RFDS. CONTRACTOR TO VERIFY EXISTING CONDITIONS.



1 CURRENT ANTENNA PLAN
SCALE: N.T.S.

PER MOUNT ANALYSIS COMPLETED BY MASER CONSULTING, DATED 07/23/2021. THE EXISTING MOUNT CAN ADEQUATELY SUPPORT THE PROPOSED LOADING



2 FINAL ANTENNA PLAN
SCALE: N.T.S.

EXISTING ANTENNA SCHEDULE

LOCATION			ANTENNA SUMMARY				NON ANTENNA SUMMARY	
SECTOR	RAD	AZ	POS	ANTENNA	BAND	STATUS	ADDITIONAL TOWER MOUNTED EQUIPMENT	STATUS
ALPHA	40'	0°	A1	DECIBEL - DB844H65E-XYA	CDMA 850	RMV	-	-
			A2	COMMSCOPE - SBNHH-1D65B	CDMA 850	RMV	(1) UHBA B13 RRH 4X30	RMV
			A3	COMMSCOPE - SBNHH-1D65B	CDMA 850	RMN	(1) UHIC B4 RRH 2X60-4R	RMV
			A4	DECIBEL - DB844H65E-XYA	CDMA 850	RMV	-	-
BETA	40'	120°	B1	DECIBEL - DB844H65E-XYA	CDMA 850	RMV	-	-
			B2	COMMSCOPE - SBNHH-1D65B	CDMA 850	RMV	(1) UHBA B13 RRH 4X30	RMV
			B3	COMMSCOPE - SBNHH-1D65B	CDMA 850	RMN	(1) UHIC B4 RRH 2X60-4R	RMV
			B4	DECIBEL - DB844H65E-XYA	CDMA 850	RMV	-	-
GAMMA	40'	240°	C1	DECIBEL - DB844H65E-XYA	CDMA 850	RMV	-	-
			C2	COMMSCOPE - SBNHH-1D65B	CDMA 850	RMV	(1) UHBA B13 RRH 4X30	RMV
			C3	COMMSCOPE - SBNHH-1D65B	CDMA 850	RMN	(1) UHIC B4 RRH 2X60-4R	RMV
			C4	DECIBEL - DB844H65E-XYA	CDMA 850	RMV	-	-

NOTES

- CONFIRM WITH VERIZON WIRELESS REP FOR APPLICABLE UPDATES/REVISIONS AND MOST RECENT RFDS FOR NSN CONFIGURATION (CONFIG). GC TO CAP ALL UNUSED PORTS.
- CONFIRM SPACING OF PROPOSED EQUIP DOES NOT CAUSE TOWER CONFLICTS NOR IMPEDE TOWER CLIMBING PEGS.
- THE ANTENNA ORIENTATION PLAN IS A SCHEMATIC. ATC DID NOT CONFIRM EXISTING SITE CONDITIONS INCLUDING, BUT NOT LIMITED TO, ANTENNA AZIMUTHS, MOUNT CONFIGURATIONS AND TOWER ORIENTATION. SCALES SHOWN ARE FOR REFERENCE ONLY AND EXISTING DIMENSIONS ARE APPROXIMATE. THE CONTRACTOR SHALL VERIFY ALL EXISTING CONDITIONS PRIOR TO INSTALLATION AND NOTIFY ATC OF ANY DISCREPANCIES.
- CONTRACTOR TO ENSURE PROPER SEPARATION IN ACCORDANCE WITH VERIZON'S FIRSTNET REQUIREMENTS (SEE SHEET R-602)

PROPOSED ANTENNA SCHEDULE

LOCATION			ANTENNA SUMMARY				NON ANTENNA SUMMARY	
SECTOR	RAD	AZ	POS	ANTENNA	BAND	STATUS	ADDITIONAL TOWER MOUNTED EQUIPMENT	STATUS
ALPHA	40'	0°	A1	(2) JMA - MX06FRO660-03	LTE 700, LTE 850, LTE 1900, LTE AWS	ADD	(1) B5/B13 RRH-BR04C (RFV01U-D2A)	ADD
			A2	-	-	-	(1) B2/B66A RRH-BR049 (RFV01U-D1A)	ADD
			A3	COMMSCOPE - SBNHH-1D65B	CDMA 850	RMN	-	-
			A4	SAMSUNG - CBRS SAMSUNG - MT6407-77A	LTE CBRS 5G	ADD	-	-
BETA	40'	120°	B1	(2) JMA - MX06FRO660-03	LTE 700, LTE 850, LTE 1900, LTE AWS	ADD	(1) B5/B13 RRH-BR04C (RFV01U-D2A)	ADD
			B2	-	-	-	(1) B2/B66A RRH-BR049 (RFV01U-D1A)	ADD
			B3	COMMSCOPE - SBNHH-1D65B	CDMA 850	RMN	-	-
			B4	SAMSUNG - CBRS SAMSUNG - MT6407-77A	LTE CBRS 5G	ADD	-	-
GAMMA	40'	240°	C1	(2) JMA - MX06FRO660-03	LTE 700, LTE 850, LTE 1900, LTE AWS	ADD	(1) B5/B13 RRH-BR04C (RFV01U-D2A)	ADD
			C2	-	-	-	(1) B2/B66A RRH-BR049 (RFV01U-D1A)	ADD
			C3	COMMSCOPE - SBNHH-1D65B	CDMA 850	RMN	-	-
			C4	SAMSUNG - CBRS SAMSUNG - MT6407-77A	LTE CBRS 5G	ADD	-	-

STATUS ABBREVIATIONS

- RMV: TO BE REMOVED
- RMN: TO REMAIN
- REL: TO BE RELOCATED
- ADD: TO BE ADDED

CABLE LENGTHS FOR JUMPERS

JUNCTION BOX TO RRU: 15'
RRU TO ANTENNA: 10'

3 EQUIPMENT SCHEDULES

EXISTING FIBER DISTRIBUTION/SQUID		EXISTING CABLING SUMMARY			
MODEL NUMBER	STATUS	COAX	DC	FIBER	STATUS
(1) OVP	RMV	(2) 1 5/8"	-	(1) HYBRID	RMV
-	-	(12) 1 5/8"	-	-	RMN
-	-	-	-	-	-

PROPOSED FIBER DISTRIBUTION/SQUID		PROPOSED CABLING SUMMARY			
MODEL NUMBER	STATUS	COAX	DC	FIBER	STATUS
(1) RCMDC-6627-PF-48	ADD	-	-	(2) HYBRID	ADD
-	-	(12) 1 5/8"	-	-	RMN
-	-	-	-	-	-

AMERICAN TOWER®
ATC TOWER SERVICES
 3500 REGENCY PARKWAY
 SUITE 100
 CARY, NC 27518
 PHONE: (919) 468-0112
 COA: C01229-00

RPM ENGINEERING

REV.	DESCRIPTION	BY	DATE
A	PRELIM	BJC	06/10/21
0	FINAL	TMM	09/24/21

ATC SITE NUMBER:
302526

ATC SITE NAME:
NAUGATUCK (TELEPHONE POLE)

VERIZON WIRELESS SITE NAME:
NAUGATUCK II

SITE ADDRESS:
585 SOUTH MAIN STREET
NAUGATUCK, CT 06770

SEAL:

verizon

DATE DRAWN: 06/10/21
 ATC JOB NO: 13683578
 CUSTOMER ID: 467142
 CUSTOMER #: N/A

RF SCHEDULE AND ANTENNA INSTALLATION

SHEET NUMBER: **C-401** REVISION: **0**

Copyright © 2021 ATC IP LLC. All Rights Reserved.

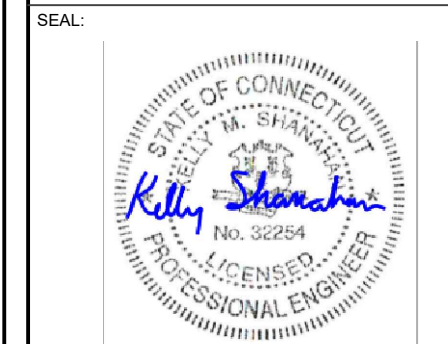
REV.	DESCRIPTION	BY	DATE
A	PRELIM	BJC	06/10/21
0	FINAL	TMM	09/24/21

ATC SITE NUMBER:
302526

ATC SITE NAME:
NAUGATUCK (TELEPHONE POLE)

VERIZON WIRELESS SITE NAME:
NAUGATUCK II

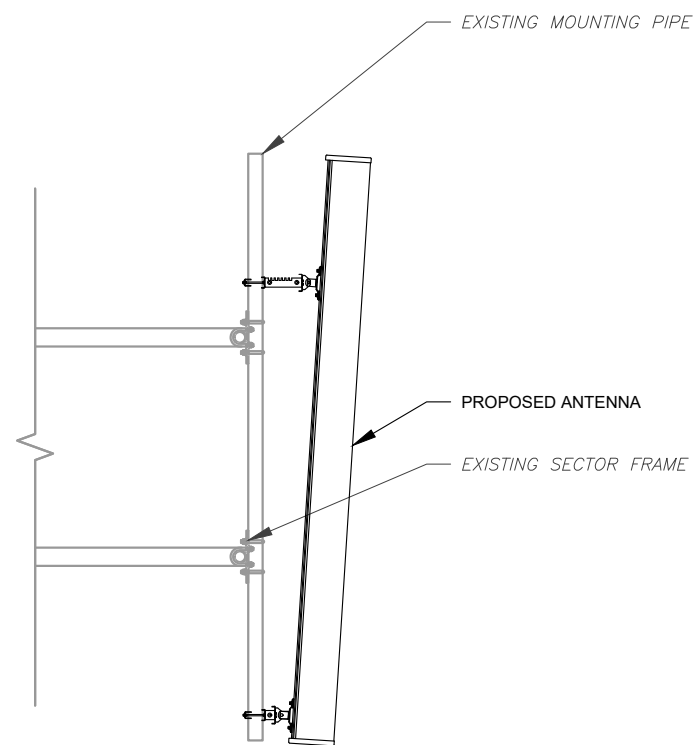
SITE ADDRESS:
 585 SOUTH MAIN STREET
 NAUGATUCK, CT 06770



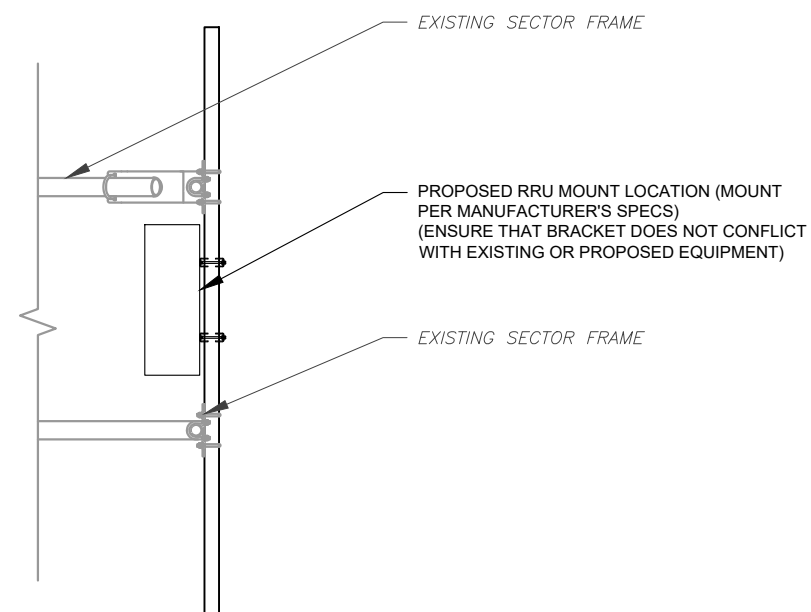
DATE DRAWN:	06/10/21
ATC JOB NO:	13683578
CUSTOMER ID:	467142
CUSTOMER #:	N/A

**CONSTRUCTION
 DETAILS**

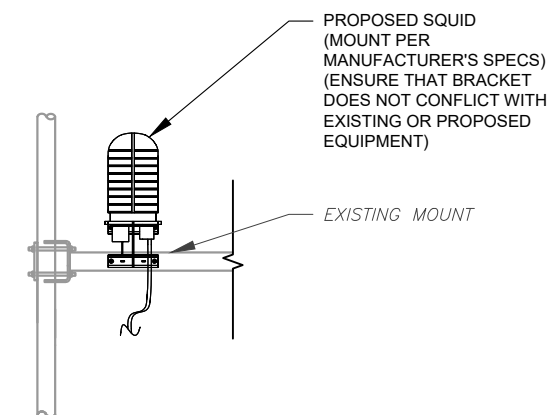
SHEET NUMBER:	REVISION:
C-501	0



1 ANTENNA DETAIL
 SCALE: N.T.S.

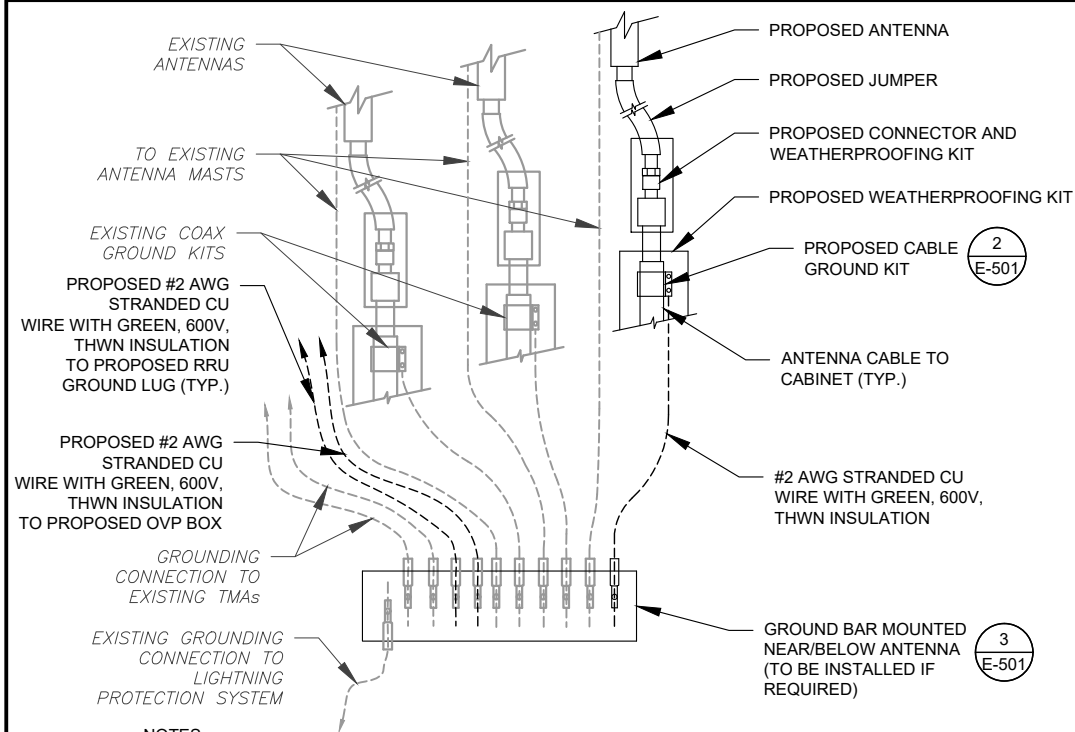


2 PROPOSED RRU MOUNTING DETAIL - TYPICAL
 SCALE: N.T.S.



3 PROPOSED SQUID MOUNTING
 SCALE: N.T.S.

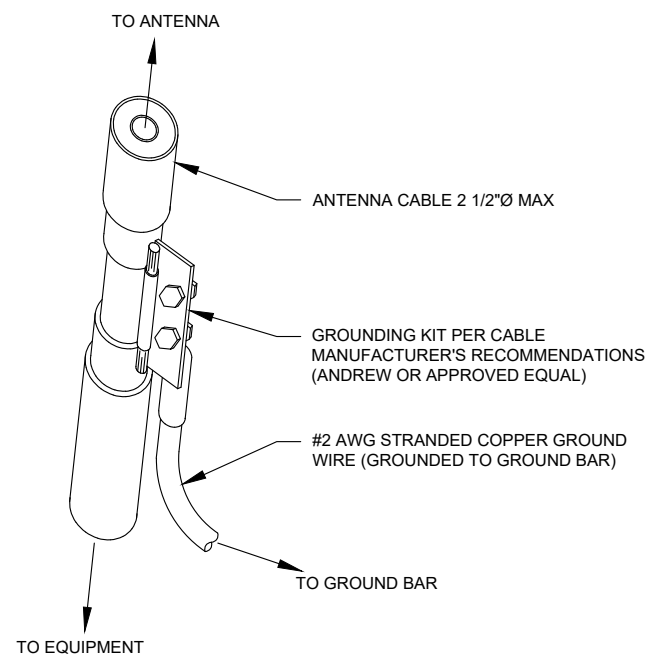
PROPOSED RRU MOUNT LOCATION (MOUNT PER MANUFACTURER'S SPECS) (ENSURE THAT BRACKET DOES NOT CONFLICT WITH EXISTING OR PROPOSED EQUIPMENT)



NOTES:

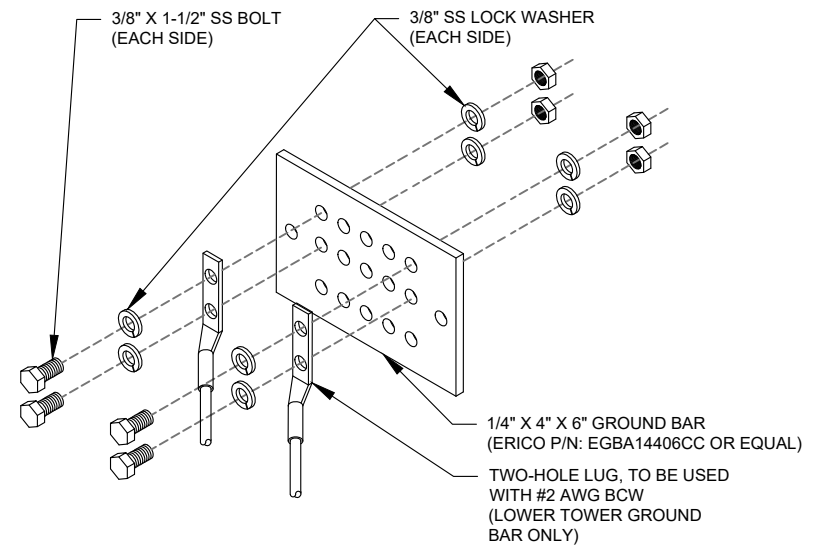
1. THIS DETAIL IS INTENDED TO SHOW THE GENERAL GROUNDING REQUIREMENTS. SLIGHT ADJUSTMENTS MAY BE REQUIRED BASED ON EXISTING SITE CONDITIONS. THE CONTRACTOR SHALL MAKE FIELD ADJUSTMENTS AS NEEDED AND INFORM THE CONSTRUCTION MANAGER OF ANY CONFLICTS.
2. SITE GROUNDING SHALL COMPLY WITH VERIZON WIRELESS GROUNDING STANDARDS, LATEST EDITION, AND COMPLY WITH VERIZON WIRELESS GROUNDING CHECKLIST, LATEST VERSION. WHEN NATIONAL AND LOCAL GROUNDING CODES ARE MORE STRINGENT THEY SHALL GOVERN.

1 TYPICAL ANTENNA GROUNDING DIAGRAM
SCALE: N.T.S.



- GROUND KIT NOTES:**
1. DO NOT INSTALL CABLE GROUND KIT AT A BEND AND ALWAYS DIRECT GROUND WIRE DOWN TO GROUND BAR.
 2. CONTRACTOR SHALL PROVIDE WEATHERPROOFING KIT (ANDREW PART NUMBER 221213) AND INSTALL/TAPE PER MANUFACTURER'S SPECIFICATIONS.

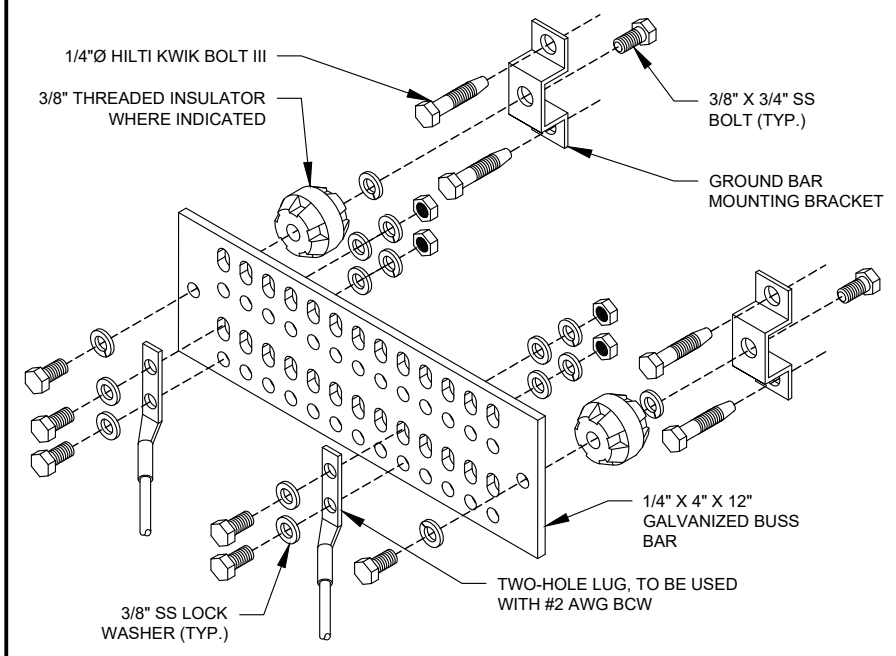
2 CABLE GROUND KIT CONNECTION DETAIL
SCALE: N.T.S.



GROUND BAR NOTES:

1. GROUND BAR KITS COME WITH ALL HARDWARE, NUTS, BOLTS, WASHERS, ETC. EXCEPT THE STRUCTURAL MOUNTING MEMBER(S).
2. GROUND BAR TO BE BONDED DIRECTLY TO TOWER.

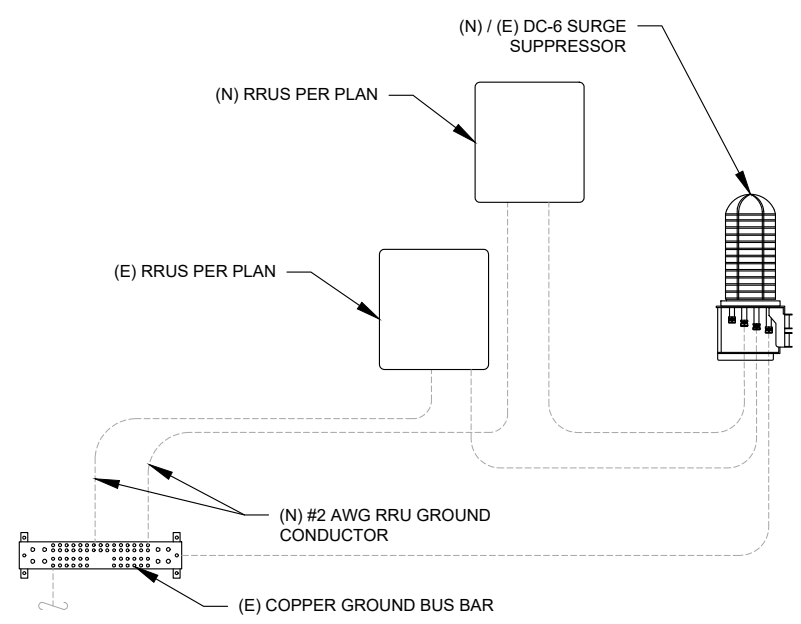
3 TOWER GROUND BAR DETAIL
SCALE: N.T.S.



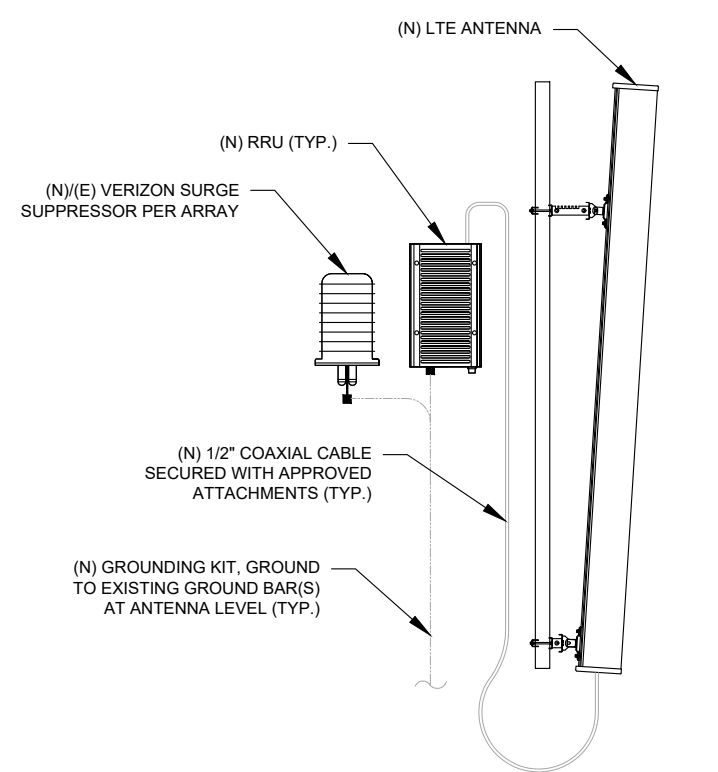
GROUND BAR NOTES

1. GROUND KITS COME WITH ALL HARDWARE, NUTS, BOLTS, WASHERS, ETC. EXCEPT THE STRUCTURAL MOUNTING MEMBER(S).
2. GROUND BAR SHALL BE BOLTED TO STRUCTURAL MEMBER OR ANCHORED TO CONCRETE SLAB W/ HILTI KWIK BOLT III.

4 MAIN GROUND BAR DETAIL
SCALE: N.T.S.



5 RRU GROUNDING
SCALE: N.T.S.



6 ANTENNA/RRU GROUNDING
SCALE: N.T.S.

AMERICAN TOWER®
ATC TOWER SERVICES
 3500 REGENCY PARKWAY
 SUITE 100
 CARY, NC 27518
 PHONE: (919) 468-0112
 COA: C01229-00

RPM ENGINEERING

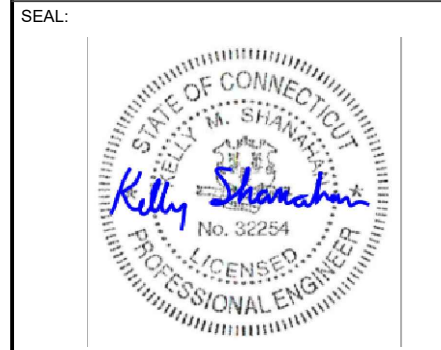
REV.	DESCRIPTION	BY	DATE
A	PRELIM	BJC	06/10/21
0	FINAL	TMM	09/24/21

ATC SITE NUMBER:
302526

ATC SITE NAME:
NAUGATUCK (TELEPHONE POLE)

VERIZON WIRELESS SITE NAME:
NAUGATUCK II

SITE ADDRESS:
585 SOUTH MAIN STREET
NAUGATUCK, CT 06770



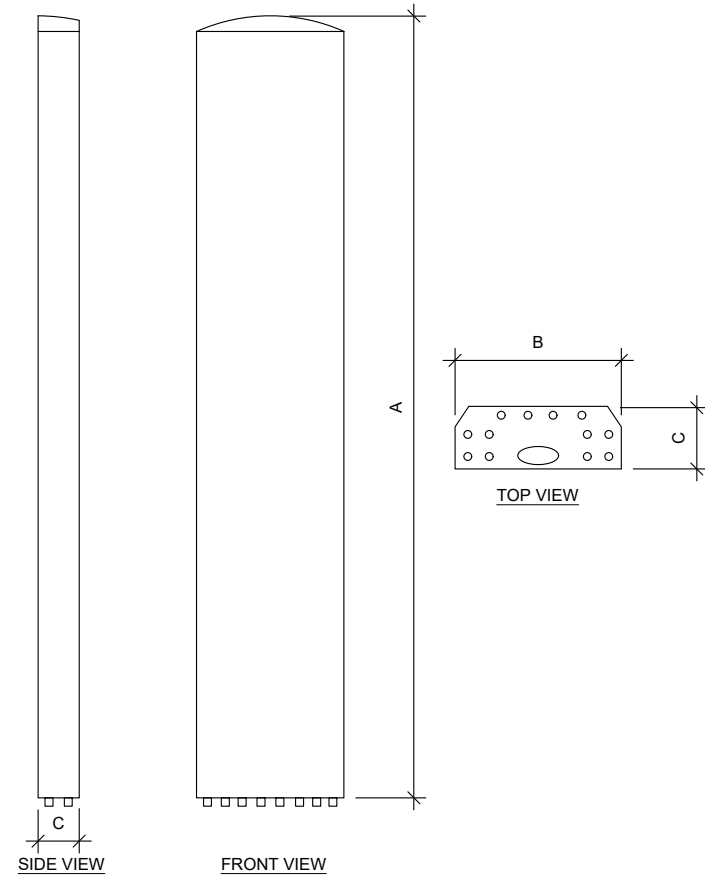
verizon

DATE DRAWN:	06/10/21
ATC JOB NO:	13683578
CUSTOMER ID:	467142
CUSTOMER #:	N/A

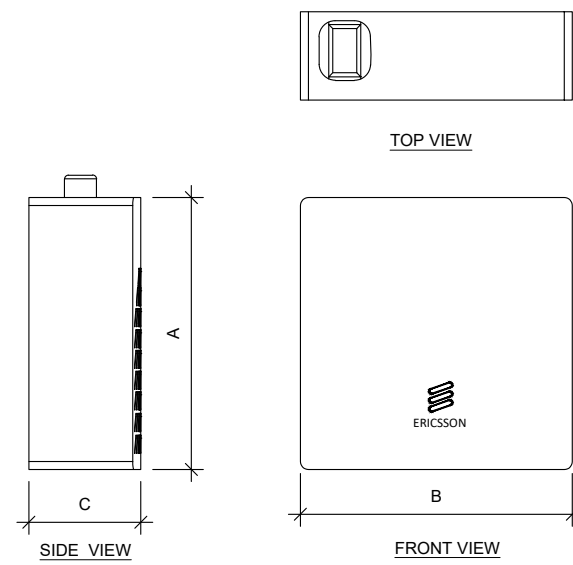
GROUNDING DETAILS

SHEET NUMBER:	REVISION:
E-501	0

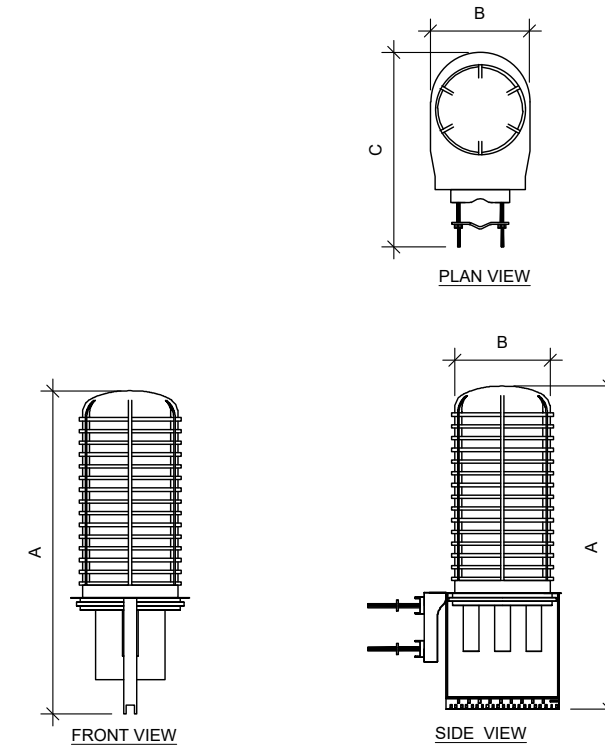
Copyright © 2021 ATC IP, LLC. All Rights Reserved.



ANTENNA SPECIFICATIONS				
ANTENNA MODEL	A	B	C	WEIGHT (LBS)
MT6407-77A	35.1"	16.1"	5.5"	81.6
MX06FRO660-03	71.3"	15.4"	10.7"	60.0
CBRS	12.3"	8.7"	1.4"	4.4



RRU SPECIFICATIONS				
RRU MODEL	A	B	C	WEIGHT (LBS)
B5/B13 RRH-BR04C	15"	15"	8.1"	70.3
B2/B66A RRH-BR049	15"	15"	10"	84.4



RAYCAP SPECIFICATIONS				
RAYCAP MODEL	A	B	C	WEIGHT (LBS)
RCMDC-6627-PF-48	29.5"	16.5"	12.6"	32.0



Maser Consulting Connecticut
 2000 Midlantic Drive, Suite 100
 Mt. Laurel, NJ 08054
 (856) 797-0412
 peter.albano@colliersengineering.com

Post-Mod Antenna Mount Analysis Report and PMI Requirements

Mount Fix

SMART Tool Project #: 10088393
 Maser Consulting Connecticut Project #: 21777895A

July 22, 2021

Site Information

Site ID: 467142-VZW / NAUGATUCK 2 CT
 Site Name: NAUGATUCK 2 CT
 Carrier Name: Verizon Wireless
 Address: 585 South Main Street
 Naugatuck, Connecticut 06770
 New Haven County
 Latitude: 41.478469°
 Longitude: -73.048442°

Structure Information

Tower Type: 80-Ft Monopole
 Mount Type: 13.50-Ft Platform

FUZE ID # 16053183

Analysis Results

Platform: 52.5% Pass

***Contractor PMI Requirements:

Included at the end of this MA report

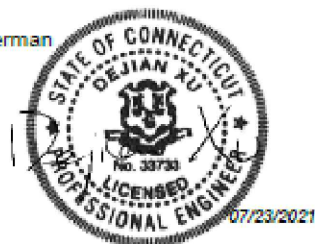
Available & Submitted via portal at <https://pmi.vzwsmart.com>

Contractor - Please Review Specific Site PMI Requirements Upon Award

Requirements also Noted on Mount Modification Drawings

Requirements may also be Noted on A & E drawings

Report Prepared By: Cody Sherman



Mount Post-Modification Analysis Report

(1) 13.50-Ft Platform

July 22, 2021

Site ID: 467142-VZW / NAUGATUCK 2 CT

Page | 4

6. All services are performed, results obtained, and recommendations made in accordance with generally accepted engineering principles and practices. Maser Consulting is not responsible for the conclusion, opinions, and recommendations made by others based on the information supplied.
7. Structural Steel Grades have been assumed as follows, if applicable, unless otherwise noted in this analysis:
 - o Channel, Solid Round, Angle, Plate ASTM A36 (Gr. 36)
 - o HSS (Rectangular) ASTM 500 (Gr. B-48)
 - o Pipe ASTM A53 (Gr. B-35)
 - o Threaded Rod F1554 (Gr. 36)
 - o Bolts ASTM A325

Discrepancies between in-field conditions and the assumptions listed above may render this analysis invalid unless explicitly approved by Maser Consulting Connecticut.

Analysis Results:

Component	Utilization %	Pass/Fail
Face Horizontal	16.0%	Pass
Standoff Horizontal	25.0%	Pass
Mount Pipe	13.0%	Pass
Support Rail Connection	10.0%	Pass
Proposed Kicker	11.0%	Pass
Mount Connection	52.2%	Pass

Structure Rating – (Controlling Utilization of all Components)	52.2%
--	-------

Recommendation:

The existing mounts will be **SUFFICIENT** for the final loading after the proposed modifications are successfully completed.

ANSI/ASSP rigging plan review services compliant with the requirements of ANSI/TIA 322 are available for a Construction Class IV site or other, if required. Separate review fees will apply.

Attachments:

1. Mount Photos
2. Mount Mapping Report (for reference only)
3. Analysis Calculations
4. Contractor Required PMI Report Deliverables
5. Antenna Placement Diagrams
6. TIA Adoption Wind Speed Usage Letter

NOTE: THIS SHEET WAS CREATED BY OTHERS AND PROVIDED AT THE REQUEST OF THE CUSTOMER WITHOUT EDIT.

- LEGEND:**
- PROPOSED
 - RELOCATED
 - EXISTING

MOUNT MODIFICATION SCHEDULE				
NO.	ELEVATION	QUANTITY	DESCRIPTION	NOTES
1	40'-0"	3	PROPOSED SUPPORT RAIL CORNER BRACKET (PART #: VZWSMART-PLK3) WITH 30" LONG L3X3X1/4 ANGLES	CONTRACTOR TO VERIFY THE LENGTH REQUIRED AND TRIM AS NECESSARY IN ACCORDANCE WITH THE 'STRUCTURAL STEEL' NOTES ON SHEET SGN-1. CONTRACTOR SHALL CONNECT PROPOSED L3X3X1/4 ANGLES TO CORNER BRACKETS USING THE PROVIDED (8) 5/8" DIA. BOLTS, (4) BOLTS PER CONNECTION.
2		1	PROPOSED KICKER KIT (PART #: VZWSMART-PLK5)	CONTRACTOR TO VERIFY THE LENGTH REQUIRED AND TRIM AS NECESSARY IN ACCORDANCE WITH THE 'STRUCTURAL STEEL' NOTES ON SHEET SGN-1. CONNECT OTHER END OF KICKER KIT TO MONOPOLE COLLAR MOUNT ASSEMBLY (PART #: VZWSMART-PLK7).
3		3	162" LONG, P2 1/2 STD	RADIO AND/OR THE POSITIONS SHALL BE ADJUSTED VERTICALLY AS NEEDED IN ORDER TO ACHIEVE INSTALLATION OF HORIZONTAL AS SHOWN. EOR SHALL BE NOTIFIED IF EQUIPMENT NEEDS TO BE RELOCATED TO ANOTHER MOUNT PIPE. CONNECT EXISTING AND PROPOSED MOUNT PIPES TO PROPOSED SUPPORT RAIL WITH CROSSOVER PLATES (PART #: VZWSMART-MSK1).
4		3	74" LONG, P2 1/2 STD MOUNT PIPE	CONNECT NEW MOUNT PIPE TO EXISTING HORIZONTAL WITH CROSSOVER PLATES (SITE PRO 1 PART #: SQCX4-K OR EOR APPROVED EQUAL, CONTACT MASER CONSULTING CONNECTICUT FOR APPROVAL OF SUBSTITUTION).
5		1	36" LONG, P2 STD OVP PIPE	CONNECT NEW OVP PIPE TO EXISTING STANDOFF HORIZONTAL WITH CROSSOVER PLATES (PART #: SITE PRO 1 - SQCX4-K, OR EOR APPROVED EQUAL, CONTACT MASER CONSULTING CONNECTICUT FOR APPROVAL OF SUBSTITUTION - BETA SECTOR ONLY).
6				
7				
8				
9				
10				

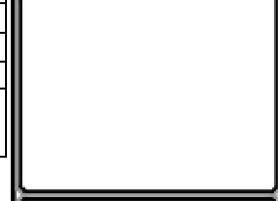
NOTES:
MOUNT MEMBERS NOT SHOWN FOR CLARITY U.N.O.

MASER CONSULTING CONNECTICUT
 100 North Main Street, Suite 100
 Naugatuck, CT 06460
 Phone: 860.779.0412
 Fax: 860.779.1122
 www.maserconsulting.com

OFFICE LOCATIONS:

- NEW JERSEY
- NEW HEDGE
- NEW YORK
- MARYLAND
- PENNSYLVANIA
- GEORGIA
- VIRGINIA
- TEXAS
- FLORIDA
- TENNESSEE
- NORTH CAROLINA
- COLORADO
- SOUTH CAROLINA

Copyright © 2017 Maser Consulting, All Rights Reserved. The design of this document is the property of Maser Consulting. No part of this document may be reproduced or transmitted in any form or by any means, electronic or mechanical, including photocopying, recording, or by any information storage and retrieval system, without the prior written permission of Maser Consulting.



PROTECT YOURSELF
 ALL STATES REQUIRE NOTIFICATION OF REGULATORY AGENCIES OR ANY PERSONS PREPARING TO DIGITIZE THE SURFACE ANYWHERE IN ANY STATE.

Call before you dig.
 FOR STATE SPECIFIC DIRECT DIALING NUMBERS VISIT: www.callbeforeyoudig.com

FOR: AS SHOWN PREPARED: EJ77285A

NO.	ISSUE FOR	DATE	DESCRIPTION	DRAWN BY	CHECKED BY

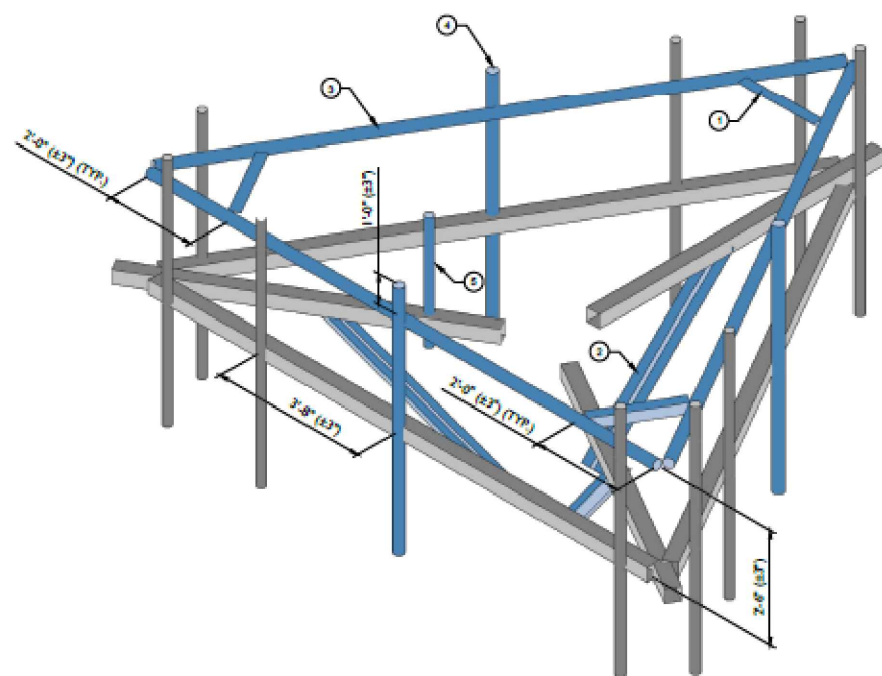
STATE OF CONNECTICUT
 DEJIAN XU
 No. 33733
 LICENSED PROFESSIONAL ENGINEER
 07/23/2022

IT IS A VIOLATION OF LAW FOR ANY PERSON UNLESS THEY ARE ACTING UNDER THE DIRECTION OF THE RESPONSIBLE LICENSED PROFESSIONAL ENGINEER, TO ALTER THIS DOCUMENT.

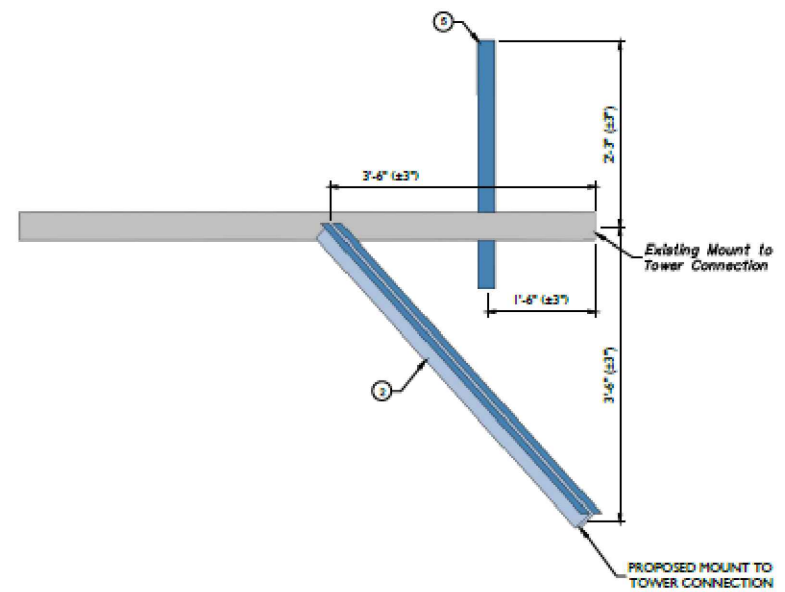
SITE NAME:
NAUGATUCK 2 CT
 467142
 585 SOUTH MAIN STREET
 NAUGATUCK, CT 06770
 NEW HAVEN COUNTY

HT LABEL CODE:
 1000 PENDING DATE
 Suite 100
 Naugatuck, CT 06460
 Phone: 860.779.0412
 Fax: 860.779.1122

DEPT: 001
MODIFICATION DETAILS
 DEPT: 008
 SS-1



1 PROPOSED ISOMETRIC VIEW
 SCALE: N.T.S.



2 PROPOSED SIDE ELEVATION VIEW (TYP. ALL SECTORS)
 SCALE: N.T.S.

1 MOUNT MODIFICATION

NOTE: THIS SHEET WAS CREATED BY OTHERS AND PROVIDED AT THE REQUEST OF THE CUSTOMER WITHOUT EDIT.

SUPPLEMENTAL

SHEET NUMBER: **R-603**
 REVISION: **0**

BILL OF MATERIALS

SECTION 1 - VZWSMART KITS

QUANTITY	MANUFACTURER	PART NUMBER	DESCRIPTION	NOTES	UNIT WEIGHT	WEIGHT
3	VZWSMART	VZWSMART-PLK3	SUPPORT RAIL CORNER BRACKET	CONTRACTOR TO VERIFY THE LENGTH REQUIRED AND TRIM AS NECESSARY IN ACCORDANCE WITH THE 'STRUCTURAL STEEL' NOTES ON SHEET SGN-1	30	90
1		VZWSMART-PLK5	KICKER KIT		291	291
1		VZWSMART-PLK7	MONOPOLE COLLAR MOUNT ASSEMBLY		150	150
12		VZWSMART-MSK1	CROSSOVER PLATE		14	168

SECTION 2 - OTHER REQUIRED PARTS

QUANTITY	MANUFACTURER	PART NUMBER	DESCRIPTION	NOTES	UNIT WEIGHT	WEIGHT
3	-	-	162" LONG, P2 1/2 STD	GALVANIZED	79	237
3	-	-	74" LONG, P2 1/2 STD	GALVANIZED	34	102
1	-	-	36" LONG, P2 STD	GALVANIZED	10	10
4	SITE PRO I	SQCX4-K	CROSSOVER PLATE KIT W/ SQUARE U-BOLTS AND STD. U-BOLTS	OR EOR APPROVED EQUAL, CONTACT MASER CONSULTING FOR APPROVAL OF SUBSTITUTION	12	48
3	-	-	30" LONG, L3x3x1/4	GALVANIZED	10	30
TOTAL:						1126

VZWSMART KITS - APPROVED VENDORS

COMMSCOPE	
CONTACT	SALVADOR ANGUIANO
PHONE	(817) 304-7492
EMAIL	SALVADOR.ANGUIANO@COMMSCOPE.COM
WEBSITE	WWW.COMMSCOPE.COM
METROSITE FABRICATORS, LLC	
CONTACT	KENT RAMEY
PHONE	(706) 335-7045 (O), (706) 982-9788 (M)
EMAIL	KENT@METROSITELLC.COM
WEBSITE	METROSITEFABRICATORS.COM
PERFECTVISION	
CONTACT	WIRELESS SALES
PHONE	(844) 887-6723
EMAIL	WWW.PERFECT-VISION.COM
WEBSITE	WIRELESSALES@PERFECT-VISION.COM
SABRE INDUSTRIES, INC.	
CONTACT	ANGIE WELCH
PHONE	(866) 428-6937
EMAIL	AKWELCH@SABREINDUSTRIES.COM
WEBSITE	WWW.SABRESITESOLUTIONS.COM
SITE PRO 1	
CONTACT	PAULA BOSWELL
PHONE	(972) 236-9843
EMAIL	PAULA.BOSWELL@VALMONT.COM
WEBSITE	WWW.SITEPRO1.COM

NOTES:

- THE MANUFACTURERS LISTED ARE THE APPROVED VENDORS FOR THE VZW MOUNT KITS. EACH MANUFACTURER WILL BE AWARE OF WHICH KITS HAVE BEEN THROUGH THE VZW APPROVAL PROCESS AND THEY ARE IN TURN APPROVED TO SELL. PLEASE NOTE THAT THE MATERIAL UTILIZED ON THE MOUNT MODIFICATIONS WILL BE REVIEWED AS A PART OF THE DESKTOP PMI COMPLETED BY THE SMART TOOL VENDOR. IT WILL BE REQUIRED THAT THE VZW KITS SPECIFIED ARE UTILIZED IN THE MODIFICATIONS.
- ALL MATERIALS REQUIRED FOR THE DESIGNED MODIFICATIONS BUT NOT LISTED IN THIS SHEET ARE ASSUMED TO BE PROVIDED BY THE CONTRACTOR.



WILL BE KNOWN AS COLLIER ENGINEERING & DESIGN IN 2021
Customer Loyalty through Client Satisfaction
www.maserconsulting.com
Office Locations:

- NEW JERSEY
- NEW YORK
- PENNSYLVANIA
- VIRGINIA
- FLORIDA
- NORTH CAROLINA
- SOUTH CAROLINA
- NEW MEXICO
- MARYLAND
- GEORGIA
- TEXAS
- TENNESSEE
- COLORADO

Copyright © 2021 Maser Consulting All Rights Reserved. This drawing and all the information contained herein is authorized for use only by the party for whom the services were contracted or to whom it is certified. This drawing may not be copied, reused, disclosed, distributed or relied upon for any other purpose without the express written consent of Maser Consulting.



PROTECT YOURSELF

ALL STATES REQUIRE NOTIFICATION OF EXCAVATORS, DESIGNERS, OR ANY PERSON PREPARING TO DISTURB THE EARTH'S SURFACE ANYWHERE IN ANY STATE

811

Know what's below.
Call before you dig.

FOR STATE SPECIFIC DIRECT PHONE NUMBERS VISIT: WWW.CALL811.COM

SCALE:	AS SHOWN	JOB NUMBER:	21777895A
REV	DATE	DESCRIPTION	DRAWN BY / CHECKED BY
0	7/23/2021	ISSUED FOR CONSTRUCTION	MSG / DX

07/23/2021

MASER CONSULTING CONNECTICUT
C.O.A. #: JPC.0000131

IT IS A VIOLATION OF LAW FOR ANY PERSON, UNLESS THEY ARE ACTING UNDER THE DIRECTION OF THE RESPONSIBLE LICENSED PROFESSIONAL ENGINEER, TO ALTER THIS DOCUMENT.

SITE NAME:

NAUGATUCK 2 CT
467142
585 SOUTH MAIN STREET
NAUGATUCK, CT 06770
NEW HAVEN COUNTY

MT. LAUREL OFFICE
2000 Highlands Drive
Suite 100
Mount Laurel, NJ 08054
Phone: 856.797.0412
Fax: 856.722.1120

SHEET TITLE:
BILL OF MATERIALS

SHEET NUMBER:
SBOM-1

PROJECT NOTES

- SEE MODIFICATION NOTES
- THE CONTRACTOR SHALL COMPLY WITH ALL APPLICABLE CODES, ORDINANCES, LAWS AND REGULATIONS OF ALL MUNICIPALITIES, UTILITY COMPANIES OR OTHER PUBLIC/GOVERNING AUTHORITIES.
- THE CONTRACTOR SHALL BE RESPONSIBLE FOR OBTAINING ALL PERMITS AND INSPECTIONS THAT MAY BE REQUIRED BY ANY FEDERAL, STATE, COUNTY OR MUNICIPAL AUTHORITIES.
- THE CONTRACTOR SHALL NOTIFY THE CONSTRUCTION MANAGER, IN WRITING, OF ANY CONFLICTS, ERRORS OR OMISSIONS PRIOR TO THE SUBMISSION OF BIDS OR PERFORMANCE OF WORK.
- THE CONTRACTOR SHALL BE RESPONSIBLE FOR PROTECTING ALL EXISTING SITE IMPROVEMENTS PRIOR TO COMMENCING CONSTRUCTION. THE CONTRACTOR SHALL REPAIR ANY DAMAGE AS A RESULT OF CONSTRUCTION OF THIS FACILITY AT THE CONTRACTOR'S EXPENSE TO THE SATISFACTION OF THE OWNER.
- THE SCOPE OF WORK FOR THIS PROJECT SHALL INCLUDE PROVIDING ALL MATERIALS, EQUIPMENT AND LABOR REQUIRED TO COMPLETE THIS PROJECT. ALL EQUIPMENT SHALL BE INSTALLED IN ACCORDANCE WITH MANUFACTURER'S RECOMMENDATIONS.
- THE CONTRACTOR SHALL VISIT THE PROJECT SITE PRIOR TO SUBMITTING THE BID TO VERIFY THAT THE PROJECT CAN BE CONSTRUCTED IN ACCORDANCE WITH THE CONTRACT DOCUMENTS AND CONSTRUCTION DRAWINGS.
- THE CONTRACTOR SHALL VERIFY ALL EXISTING DIMENSIONS AND CONDITIONS PRIOR TO COMMENCING ANY WORK. ALL DIMENSIONS OF EXISTING CONSTRUCTION SHOWN ON THESE DRAWINGS MUST BE VERIFIED. THE CONTRACTOR SHALL NOTIFY THE CONSTRUCTION MANAGER OF ANY DISCREPANCIES PRIOR TO ORDERING MATERIAL OR PROCEEDING WITH CONSTRUCTION.
- SINCE THE CELL SITE MAY BE ACTIVE, ALL SAFETY PRECAUTIONS MUST BE TAKEN WHEN WORKING AROUND HIGH LEVELS OF ELECTROMAGNETIC RADIATION. EQUIPMENT SHOULD BE SHUTDOWN PRIOR TO PERFORMING ANY WORK THAT COULD EXPOSE THE WORKERS TO DANGER. PERSONAL RF EXPOSURE MONITORS ARE REQUIRED TO BE WORN TO ALERT OF ANY POTENTIALLY DANGEROUS EXPOSURE LEVELS.
- NO NOISE, SMOKE, DUST OR ODOR WILL RESULT FROM THIS FACILITY AS TO CAUSE A NUISANCE.
- THE FACILITY IS UNMANNED AND NOT FOR HUMAN HABITATION (NO HANDICAP ACCESS IS REQUIRED).

GENERAL NOTES

- THESE MODIFICATIONS HAVE BEEN DESIGNED IN ACCORDANCE WITH THE GOVERNING PROVISIONS OF THE TELECOMMUNICATIONS INDUSTRY STANDARD TIA-222-H. MATERIALS AND SERVICES PROVIDED BY THE CONTRACTOR SHALL CONFORM TO THE ABOVE MENTIONED CODES.
- CONTRACTOR SHALL TAKE ALL PRECAUTIONS NECESSARY TO PREVENT DAMAGE TO EXISTING STRUCTURES. ANY DAMAGE TO EXISTING STRUCTURES AS A RESULT OF THE CONTRACTOR'S WORK OR FROM DAMAGE DUE TO OTHER CAUSES SHALL BE REPAIRED AT THE CONTRACTOR'S EXPENSE TO THE SATISFACTION OF THE OWNER.
- CONTRACTOR SHALL VERIFY ALL DIMENSIONS AND EXISTING CONDITIONS BEFORE BEGINNING WORK, ORDERING MATERIAL, AND PREPARING OF SHOP DRAWINGS. ANY DISCREPANCIES BETWEEN FIELD CONDITIONS AND THE CONTRACT DOCUMENTS SHALL BE BROUGHT TO THE IMMEDIATE ATTENTION OF THE ENGINEER. IF THE CONTRACTOR DISCOVERS ANY EXISTING CONDITIONS THAT ARE NOT REPRESENTED ON THESE DRAWINGS, OR ANY CONDITIONS THAT WOULD INTERFERE WITH THE INSTALLATION OF THE MODIFICATIONS, NOTIFY THE ENGINEER IMMEDIATELY.
- IT IS ASSUMED THAT ANY STRUCTURAL MODIFICATION WORK SPECIFIED ON THESE PLANS WILL BE ACCOMPLISHED BY KNOWLEDGEABLE WORKMEN WITH TOWER CONSTRUCTION EXPERIENCE.
- THE CONTRACTOR SHALL SUPERVISE AND DIRECT THE WORK AND SHALL BE SOLELY RESPONSIBLE FOR ALL CONSTRUCTION METHODS, MEANS, TECHNIQUES, SEQUENCES, AND PROCEDURES.
- ALL CONSTRUCTION MEANS AND METHODS, INCLUDING BUT NOT LIMITED TO, ERECTION PLANS, RIGGING PLANS, CLIMBING PLANS, AND RESCUE PLANS SHALL BE THE RESPONSIBILITY OF THE GENERAL CONTRACTOR RESPONSIBLE FOR THE EXECUTION OF THE WORK CONTAINED HEREIN AND SHALL MEET ANSITIA-322 (LATEST EDITION), OSHA, AND GENERAL INDUSTRY STANDARDS. ALL RIGGING PLANS SHALL ADHERE TO ANSITIA-322 (LATEST EDITION) INCLUDING THE REQUIRED INVOLVEMENT OF A QUALIFIED ENGINEER FOR CLASS IV CONSTRUCTION.
- THE CONTRACTOR IS SOLELY RESPONSIBLE FOR INITIATING, MAINTAINING, AND SUPERVISING ALL SAFETY PROGRAMS IN ACCORDANCE WITH APPLICABLE SAFETY CODES.
- WORK SHALL ONLY BE PERFORMED DURING CALM DRY DAYS (WINDS LESS THAN 30-MPH). THE STRUCTURE SHOWN ON THE DRAWINGS IS STRUCTURALLY SOUND ONLY IN THE COMPLETED FORM. THE CONTRACTOR SHALL BE RESPONSIBLE FOR THE STRENGTH AND STABILITY

- OF THE STRUCTURE DURING ERECTION. CONTRACTOR SHALL PROVIDE TEMPORARY SUPPORT, SHORING, BRACING AND ANY OTHER STRUCTURAL SYSTEMS AS REQUIRED TO RESIST ALL FORCES THAT MAY OCCUR DURING HANDLING AND ERECTION UNTIL THE STRUCTURE IS FULLY COMPLETED. TEMPORARY SUPPORTS, BRACING AND OTHER STRUCTURAL SYSTEMS REQUIRED DURING CONSTRUCTION SHALL REMAIN THE CONTRACTOR'S PROPERTY AFTER THEIR USE.
- ALL INSTALLATIONS PERFORMED ON THIS STRUCTURE SHALL BE COMPLETED IN ACCORDANCE WITH THE GOVERNING PROVISIONS OF THE STANDARD FOR INSTALLATION, ALTERATION AND MAINTENANCE OF ANTENNA SUPPORTING STRUCTURES AND ANTENNAS, ANSITIA-322.
 - CONTRACTOR SHALL SECURE SITE BACK TO EXISTING CONDITION UNDER SUPERVISION OF OWNER. ALL FENCE, STONE, GEOFABRIC, GROUNDING, AND SURROUNDING GRADE SHALL BE REPLACED AND REPAIRED AS REQUIRED TO ACHIEVE OWNER APPROVAL. POSITIVE DRAINAGE AWAY FROM TOWER SITE SHALL BE MAINTAINED.
 - CONNECTIONS BETWEEN ITEMS SUPPORTED BY THE STRUCTURE AND THE STRUCTURE NOT SPECIFICALLY DETAILED IN THE CONTRACT DOCUMENTS ARE THE RESPONSIBILITY OF THE CONTRACTOR. SUCH CONNECTIONS SHALL BE DESIGNED, COORDINATED AND INSPECTED BY A PROFESSIONAL STRUCTURAL ENGINEER LICENSED IN THE STATE OF THE PROJECT. SUBMIT SIGNED AND SEALED CALCULATIONS DURING SHOP DRAWING REVIEW.
 - DO NOT SCALE DRAWINGS.
 - DO NOT USE THESE DRAWINGS FOR ANY OTHER SITE.
 - ALL MATERIAL UTILIZED FOR THIS PROJECT MUST BE NEW AND FREE OF ANY DEFECTS. ANY MATERIAL SUBSTITUTIONS, INCLUDING BUT NOT LIMITED TO ALTERED SIZE AND/OR STRENGTHS, MUST BE APPROVED BY THE OWNER AND ENGINEER IN WRITING.
 - THE MOUNT UNDER NO CIRCUMSTANCES SHOULD BE USED AS A TIE OFF POINT.

STRUCTURAL STEEL

- DESIGN, DETAILING, FABRICATION AND ERECTION OF STRUCTURAL STEEL SHALL CONFORM TO THE FOLLOWING PUBLICATIONS EXCEPT AS SPECIFICALLY INDICATED IN THE CONTRACT DOCUMENTS.
 - AMERICAN INSTITUTE OF STEEL CONSTRUCTION (AISC) MANUAL OF STEEL CONSTRUCTION (15TH EDITION)
 - SPECIFICATION FOR STRUCTURAL JOINTS USING ASTM A325 OR A490 BOLTS
 - AISC CODE OF STANDARD PRACTICE
- STRUCTURAL STEEL SHALL CONFORM TO THE FOLLOWING UNLESS OTHERWISE SHOWN:

CHANNELS, ANGLES, PLATES, ETC.	ASTM A36 (GR 36)
STEEL PIPE	ASTM A53 (GR 35)
BOLTS	ASTM A325
NUTS	ASTM A563
LOCK WASHERS	LOCKING STRUCTURAL GRADE
- ALL SUBSTITUTIONS PROPOSED BY THE CONTRACTOR SHALL BE APPROVED IN WRITING BY THE ENGINEER. CONTRACTOR SHALL PROVIDE DOCUMENTATION TO ENGINEER FOR VERIFYING THE SUBSTITUTE IS SUITABLE FOR USE AND MEETS ORIGINAL DESIGN CRITERIA. DIFFERENCES FROM THE ORIGINAL DESIGN, INCLUDING MAINTENANCE, REPAIR AND REPLACEMENT, SHALL BE NOTED. ESTIMATES OF COSTS/CREDITS ASSOCIATED WITH THE SUBSTITUTION (INCLUDING RE-DESIGN COSTS AND COSTS TO SUB-CONTRACTORS) SHALL BE PROVIDED TO THE ENGINEER. CONTRACTOR SHALL PROVIDE ADDITIONAL DOCUMENTATION AND/OR SPECIFICATIONS TO THE ENGINEER AS REQUESTED.
- PROVIDE STRUCTURAL STEEL SHOP DRAWINGS TO ENGINEER FOR APPROVAL PRIOR TO FABRICATION.
 - SUBMIT SHOP DRAWINGS TO
PETER.ALBANO@COLLIERSENGINEERING.COM
 - PROVIDE MASER CONSULTING CONNECTICUT PROJECT # AND MASER CONSULTING CONNECTICUT PROJECT ENGINEER CONTACT IN THE BODY OF THE EMAIL.
- DRILL NO HOLES IN ANY NEW OR EXISTING STRUCTURAL STEEL MEMBERS OTHER THAN THOSE SHOWN ON STRUCTURAL DRAWINGS WITHOUT THE APPROVAL OF THE ENGINEER OF RECORD.
- GALVANIZED ASTM A325 BOLTS SHALL NOT BE REUSED.
- ALL NEW STEEL SHALL BE HOT BE DIPPED GALVANIZED FOR FULL WEATHER PROTECTION. IN ADDITION ALL NEW STEEL SHALL BE PAINTED TO MATCH EXISTING STEEL. CONTRACTOR SHALL OBTAIN WRITTEN PERMISSION TO PROTECT STEEL BY ANY OTHER MEANS.
- ALL BOLT ASSEMBLIES FOR STRUCTURAL MEMBERS REPRESENTED IN THIS DRAWING REQUIRE LOCKING DEVICES TO BE INSTALLED IN ACCORDANCE WITH TIA-222-H SECTION 4.9.2 REQUIREMENTS.
- WHERE CONNECTIONS ARE NOT FULLY DETAILED ON THESE DRAWINGS, FABRICATOR SHALL DESIGN CONNECTIONS TO RESIST LOADS AND FORCES WHERE SHOWN ON DRAWINGS AND AS OUTLINED IN SPECIFICATIONS.
- FOR MEMBERS BEING REPLACED, PROVIDE NEW BOLTS AND MATCH EXISTING SIZE AND GRADE. MAINTAIN AISC REQUIREMENTS FOR MINIMUM BOLT DISTANCE AND SPACING.
- ALL PROPOSED AND/OR REPLACED BOLTS SHALL BE OF SUFFICIENT LENGTH SUCH THAT THE END OF THE BOLT IS AT LEAST FLUSH WITH THE FACE OF THE NUT. IT IS NOT PERMITTED FOR THE BOLT END TO BE BELOW THE FACE OF THE NUT AFTER TIGHTENING IS COMPLETED.

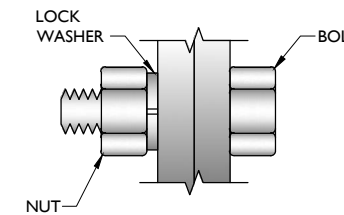
- GALVANIZED ASTM A325 BOLTS SHALL NOT BE REUSED.
- ALL NEW STEEL SHALL BE HOT BE DIPPED GALVANIZED FOR FULL WEATHER PROTECTION. CONTRACTOR SHALL OBTAIN WRITTEN PERMISSION TO PROTECT STEEL BY ANY OTHER MEANS.
- ALL EXISTING PAINTED/GALVANIZED SURFACES DAMAGED DURING REHAB INCLUDING AREAS UNDER STIFFENER PLATES SHALL BE WIRE BRUSHED CLEAN, REPAIRED BY COLD GALVANIZING (ZINGA OR ZINC COTE), AND REPAINTED TO MATCH THE EXISTING FINISH (IF APPLICABLE).
- ALL HOLES IN STEEL MEMBERS SHALL BE SIZED 1/16" LARGER THAN THE BOLT DIAMETER. STANDARD HOLES SHALL BE USED UNLESS NOTED OTHERWISE.

WELDING NOTES

- ALL WELDING SHALL BE DONE IN ACCORDANCE WITH AWS D1.0 (LATEST EDITION). THIS SHALL INCLUDE A CERTIFIED WELD INSPECTION (CWI) FOR ACCEPTANCE OR REJECTION OF ALL WELDING OPERATIONS, PRE, DURING, AND POST INSTALLATION, USING THE ACCEPTANCE CRITERIA OF AWS D1.1.
- CONTRACTOR IS RESPONSIBLE FOR COMMISSIONING A THIRD PARTY CERTIFIED WELD INSPECTOR (CWI) THROUGHOUT THE ENTIRETY OF THE PROJECT. A PASSING CWI REPORT SHALL BE PROVIDED TO THE ENGINEER UPON COMPLETION OF THE PROJECT.
- THE CERTIFIED WELD INSPECTOR SHALL INDICATE, IN A WRITTEN CWI REPORT, THAT ALL WELDING OPERATIONS PRE, DURING, AND POST INSTALLATION WERE CONDUCTED IN ACCORDANCE WITH AWS D1.1 WITH PHOTOGRAPHS AND DOCUMENTATION SUPPORTING THE ACCEPTANCE OR REJECTION OF ALL WELDING. ALL CWI WELD INSPECTION DOCUMENTATION AND PHOTOS SHALL BE SUBMITTED DURING THE PMI.
- IN CASES WHERE A WELD IS SPECIFIED BETWEEN TWO MEMBERS IN WHICH THERE IS A GAP IN BETWEEN, THE WELD IS TO BE BUILT-UP SUCH THAT THE SIZE OF WELD ON THE MEMBER IS EQUAL TO THAT SHOWN IN THE DRAWINGS.
- OXY FUEL GAS WELDING OR BRAZING IS STRICTLY PROHIBITED. SPECIFICALLY, NO TORCH CUTTING IS PERMITTED ON SITE. ALL HOLES SHALL BE CUT WITH A GRINDER.
- CONTRACTOR SHALL EXERCISE CAUTION WHEN WELDING A GALVANIZED SURFACE.

BOLT SCHEDULE (IN.)				
BOLT DIAMETER	STANDARD HOLE	SHORT SLOT	MIN. EDGE DISTANCE	SPACING
1/2	9/16	9/16 x 11/16	7/8	1 1/2
5/8	11/16	11/16 x 7/8	1 1/8	1 7/8
3/4	13/16	13/16 x 1	1 1/4	2 1/4
7/8	15/16	15/16 x 1 1/8	1 1/2	2 5/8
1	1 1/16	1 1/16 x 1 5/16	1 3/4	3

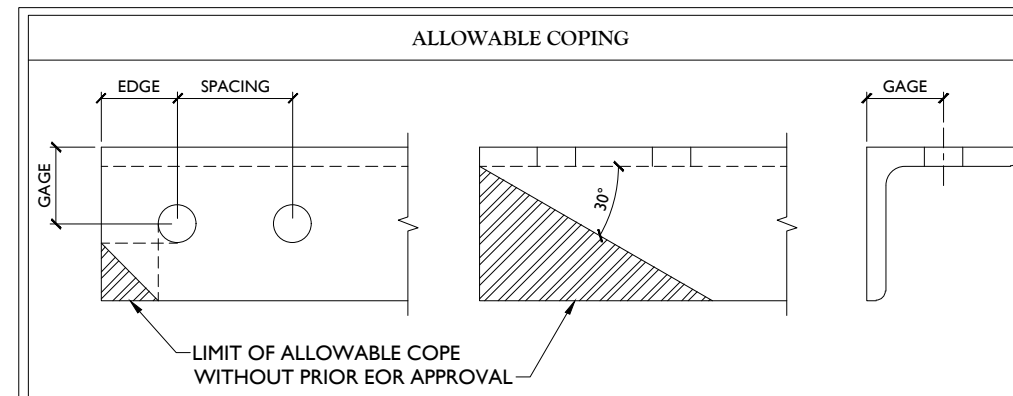
WORKABLE GAGES (IN.)	
LEG	GAGE
4	2 1/2
3 1/2	2
3	1 3/4
2 1/2	1 3/8
2	1 1/8



TYP. BOLT ASSEMBLY

NOTES:

- ALL DIMENSIONS REPRESENTED IN THE ABOVE TABLES ARE AISC MINIMUM REQUIREMENTS. CONTRACTOR SHALL VERIFY EXISTING CONDITIONS IN FIELD AND NOTIFY ENGINEER IF DISTANCES ARE LESS THAN THOSE PROVIDED.
- THE DIMENSIONS PROVIDED ARE MINIMUM REQUIREMENTS. ACTUAL DIMENSIONS OF PROPOSED MEMBERS WITHIN THESE DRAWINGS MAY VARY FROM THE AISC MINIMUM REQUIREMENTS.
- SHORT SLOT HOLES SHALL ONLY BE USED WHEN DEPICTED IN THE DRAWINGS
- MATCH EXISTING GAGES WHEN APPLICABLE, UNLESS MINIMUM EDGE DISTANCES ARE COMPROMISED.



MASER CONSULTING CONNECTICUT
 WILL BE KNOWN AS COLLIER ENGINEERING & DESIGN IN 2021
 Customer Loyalty through Client Satisfaction
 www.maserconsulting.com
 Office Locations:
 ■ NEW JERSEY ■ NEW MEXICO
 ■ NEW YORK ■ MARYLAND
 ■ PENNSYLVANIA ■ GEORGIA
 ■ VIRGINIA ■ TEXAS
 ■ FLORIDA ■ TENNESSEE
 ■ NORTH CAROLINA ■ COLORADO
 ■ SOUTH CAROLINA



811 PROTECT YOURSELF
 ALL STATES REQUIRE NOTIFICATION OF EXCAVATORS, DESIGNERS, OR ANY PERSON PREPARING TO DISTURB THE EARTH'S SURFACE ANYWHERE IN ANY STATE.
 Know what's below. Call before you dig.
 FOR STATE SPECIFIC DIRECT PHONE NUMBERS VISIT: WWW.CALL811.COM

SCALE:	AS SHOWN	JOB NUMBER:	21777895A
REV	DATE	DESCRIPTION	DRAWN BY / CHECKED BY
0	7/23/2021	ISSUED FOR CONSTRUCTION	HSG / DX

STATE OF CONNECTICUT
 DEJIAN XU
 No. 33733
 LICENSED PROFESSIONAL ENGINEER
 MASER CONSULTING CONNECTICUT
 C.O.A.#: JPC000131
 07/23/2021

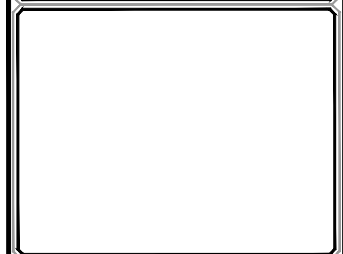
IT IS A VIOLATION OF LAW FOR ANY PERSON, UNLESS THEY ARE ACTING UNDER THE DIRECTION OF THE RESPONSIBLE LICENSED PROFESSIONAL ENGINEER, TO ALTER THIS DOCUMENT.

SITE NAME:
 NAUGATUCK 2 CT
 467142
 585 SOUTH MAIN STREET
 NAUGATUCK, CT 06770
 NEW HAVEN COUNTY

MT. LAUREL OFFICE
 2000 Madison Drive
 Suite 100
 Mount Laurel, NJ 08054
 Phone: 856.797.0412
 Fax: 856.722.1120

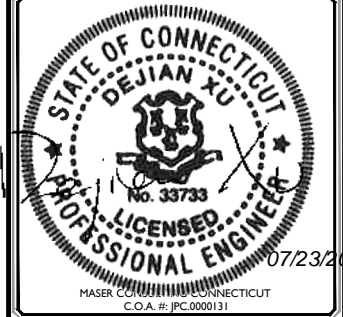
SHEET TITLE:
MODIFICATION NOTES

SHEET NUMBER:
SGN-1



SCALE:	AS SHOWN	JOB NUMBER:	21777895A
REV	DATE	DESCRIPTION	DRAWN BY / CHECKED BY
0	7/23/2021	ISSUED FOR CONSTRUCTION	MSG / DX

0	7/23/2021	ISSUED FOR CONSTRUCTION	MSG	DX
REV	DATE	DESCRIPTION	DRAWN BY	CHECKED BY



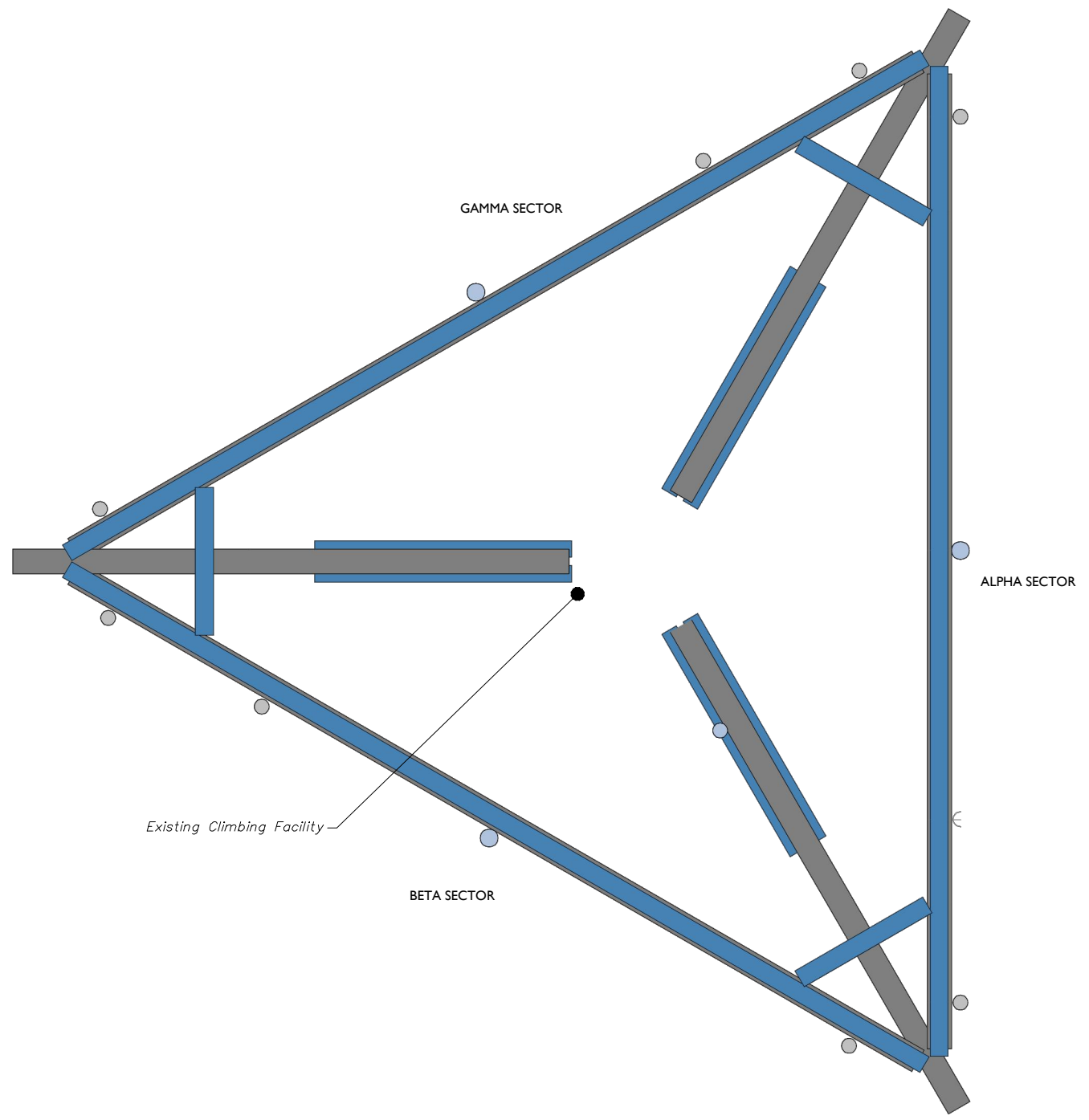
IT IS A VIOLATION OF LAW FOR ANY PERSON, UNLESS THEY ARE ACTING UNDER THE DIRECTION OF THE RESPONSIBLE LICENSED PROFESSIONAL ENGINEER, TO ALTER THIS DOCUMENT.

SITE NAME:
 NAUGATUCK 2 CT
 467142
 585 SOUTH MAIN STREET
 NAUGATUCK, CT 06770
 NEW HAVEN COUNTY

MT. LAUREL OFFICE
 2000 Madison Drive
 Suite 100
 Mount Laurel, NJ 08054
 Phone: 856.797.0412
 Fax: 856.722.1120

SHEET TITLE:
 CLIMBING FACILITY DETAIL

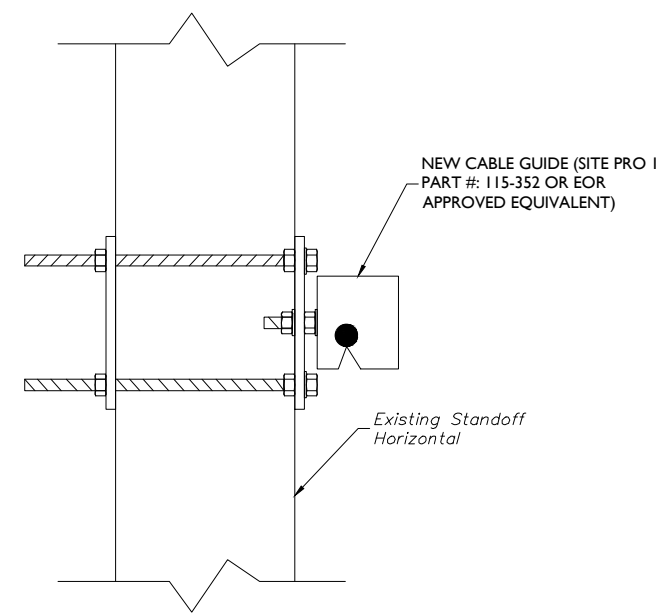
SHEET NUMBER:
 SCF-1



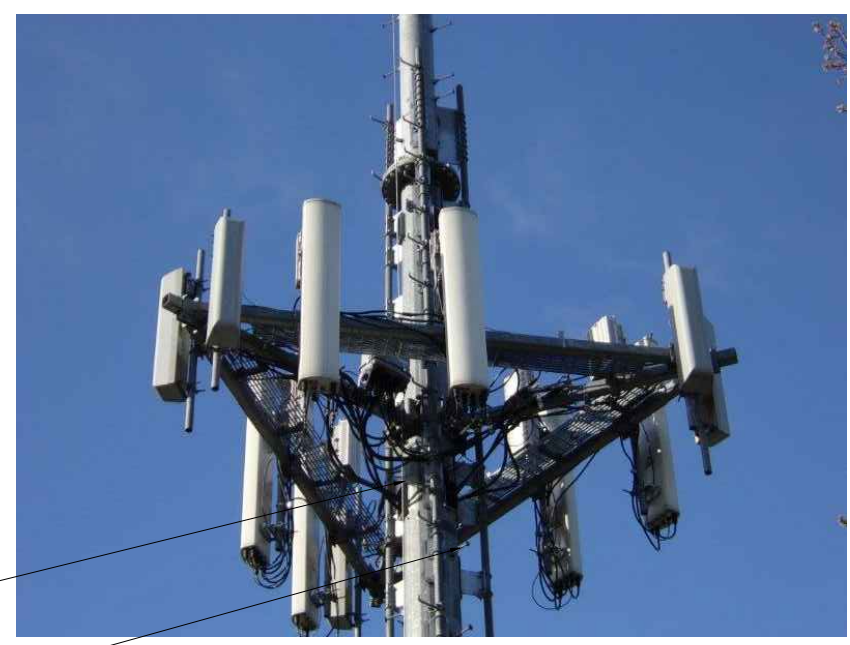
1 CLIMBING FACILITY LOCATION
 SCALE : N.T.S.

STRUCTURAL NOTES:

- PER THE MOUNT MAPPING COMPLETED BY ELITE ICT, LLC ON 4/17/2021, THE SAFETY CLIMB AND CLIMBING FACILITIES UP TO THE VERIZON MOUNT ELEVATION (40'-0") ARE IN GOOD CONDITION. MASER DOES NOT WARRANT THIS INFORMATION.
- INSTALL SHALL NOT CAUSE HARM TO THE STRUCTURE, CLIMBING FACILITY, SAFETY CLIMB, OR ANY SYSTEM INSTALLED ON THE STRUCTURE. TIMELY NOTICE AND DOCUMENTATION SHALL BE PROVIDED BY CONTRACTORS TO THE EOR (OF STRUCTURAL DESIGN) IF AN OBSTRUCTION WAS REQUIRED TO MEET THE RF SYSTEM DESIGN REQUIREMENTS AND PERFORMANCES.



2 CABLE GUIDE STANDOFF SQUARE TUBE ATTACHMENT - PLAN VIEW
 SCALE : N.T.S.



CLIMBING FACILITY PHOTO

LEGEND:

- PROPOSED
- RELOCATED
- EXISTING

MOUNT MODIFICATION SCHEDULE				
NO.	ELEVATION	QUANTITY	DESCRIPTION	NOTES
1		3	PROPOSED SUPPORT RAIL CORNER BRACKET (PART #: VZWSMART-PLK3) WITH 30" LONG L3X3X1/4 ANGLES	CONTRACTOR TO VERIFY THE LENGTH REQUIRED AND TRIM AS NECESSARY IN ACCORDANCE WITH THE 'STRUCTURAL STEEL' NOTES ON SHEET SGN-1. CONTRACTOR SHALL CONNECT PROPOSED L3X3X1/4 ANGLES TO CORNER BRACKETS USING THE PROVIDED (8) 5/8" DIA. BOLTS, (4) BOLTS PER CONNECTION.
2		1	PROPOSED KICKER KIT (PART #: VZWSMART-PLK5)	CONTRACTOR TO VERIFY THE LENGTH REQUIRED AND TRIM AS NECESSARY IN ACCORDANCE WITH THE 'STRUCTURAL STEEL' NOTES ON SHEET SGN-1. CONNECT OTHER END OF KICKER KIT TO MONOPOLE COLLAR MOUNT ASSEMBLY (PART #: VZWSMART-PLK7).
3		3	162" LONG, P2 1/2 STD	RADIO AND/OR TME POSITIONS SHALL BE ADJUSTED VERTICALLY AS NEEDED IN ORDER TO ACHIEVE INSTALLATION OF HORIZONTAL AS SHOWN. EOR SHALL BE NOTIFIED IF EQUIPMENT NEEDS TO BE RELOCATED TO ANOTHER MOUNT PIPE. CONNECT EXISTING AND PROPOSED MOUNT PIPES TO PROPOSED SUPPORT RAIL WITH CROSSOVER PLATES (PART #: VZWSMART-MSK1).
4	40'-0"	3	74" LONG, P2 1/2 STD MOUNT PIPE	CONNECT NEW MOUNT PIPE TO EXISTING HORIZONTAL WITH CROSSOVER PLATES (SITE PRO I PART #: SQCX4-K OR EOR APPROVED EQUAL. CONTACT MASER CONSULTING CONNECTICUT FOR APPROVAL OF SUBSTITUTION).
5		1	36" LONG, P2 STD OVP PIPE	CONNECT NEW OVP PIPE TO EXISTING STANDOFF HORIZONTAL WITH CROSSOVER PLATES (PART #: SITE PRO I - SQCX4-K, OR EOR APPROVED EQUAL. CONTACT MASER CONSULTING CONNECTICUT FOR APPROVAL OF SUBSTITUTION - BETA SECTOR ONLY).
6				
7				
8				
9				
10				

NOTES:
MOUNT MEMBERS NOT SHOWN FOR CLARITY U.N.O.

MASER CONSULTING CONNECTICUT

WILL BE KNOWN AS COLLIER ENGINEERING & DESIGN IN 2021
Customer Loyalty through Client Satisfaction
www.maserconsulting.com
Office Locations:

NEW JERSEY	NEW MEXICO
NEW YORK	MARYLAND
PENNSYLVANIA	GEORGIA
VIRGINIA	TEXAS
FLORIDA	TENNESSEE
NORTH CAROLINA	COLORADO
SOUTH CAROLINA	

Copyright © 2021 Maser Consulting All Rights Reserved. This drawing and all the information contained herein is authorized for use only by the party for whom the services were contracted or to whom it is certified. This drawing may not be copied, reused, disclosed, distributed or relied upon for any other purpose without the express written consent of Maser Consulting.



811

PROTECT YOURSELF
ALL STATES REQUIRE NOTIFICATION OF EXCAVATORS, DESIGNERS, OR ANY PERSON PREPARING TO DISTURB THE EARTH'S SURFACE ANYWHERE IN ANY STATE

Know what's below.
Call before you dig.
FOR STATE SPECIFIC DIRECT PHONE NUMBERS VISIT: WWW.CALL811.COM

SCALE: AS SHOWN JOB NUMBER: 21777895A

REV	DATE	DESCRIPTION	DRAWN BY	CHECKED BY
0	7/23/2021	ISSUED FOR CONSTRUCTION	MSG	DX

STATE OF CONNECTICUT
DEJIAN XU
No. 33733
PROFESSIONAL ENGINEER
MASER CONSULTING CONNECTICUT
C.O.A.#: JPC.0000131

07/23/2021

IT IS A VIOLATION OF LAW FOR ANY PERSON, UNLESS THEY ARE ACTING UNDER THE DIRECTION OF THE RESPONSIBLE LICENSED PROFESSIONAL ENGINEER, TO ALTER THIS DOCUMENT.

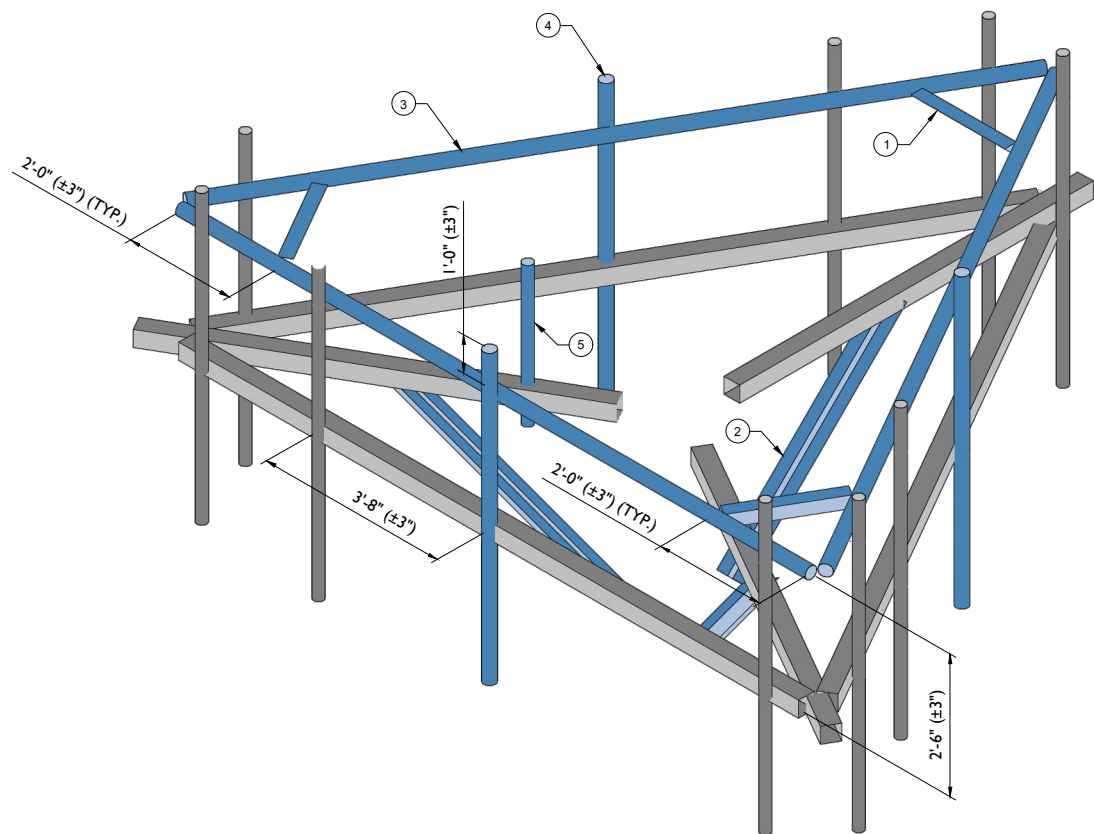
SITE NAME:

NAUGATUCK 2 CT
467142
585 SOUTH MAIN STREET
NAUGATUCK, CT 06770
NEW HAVEN COUNTY

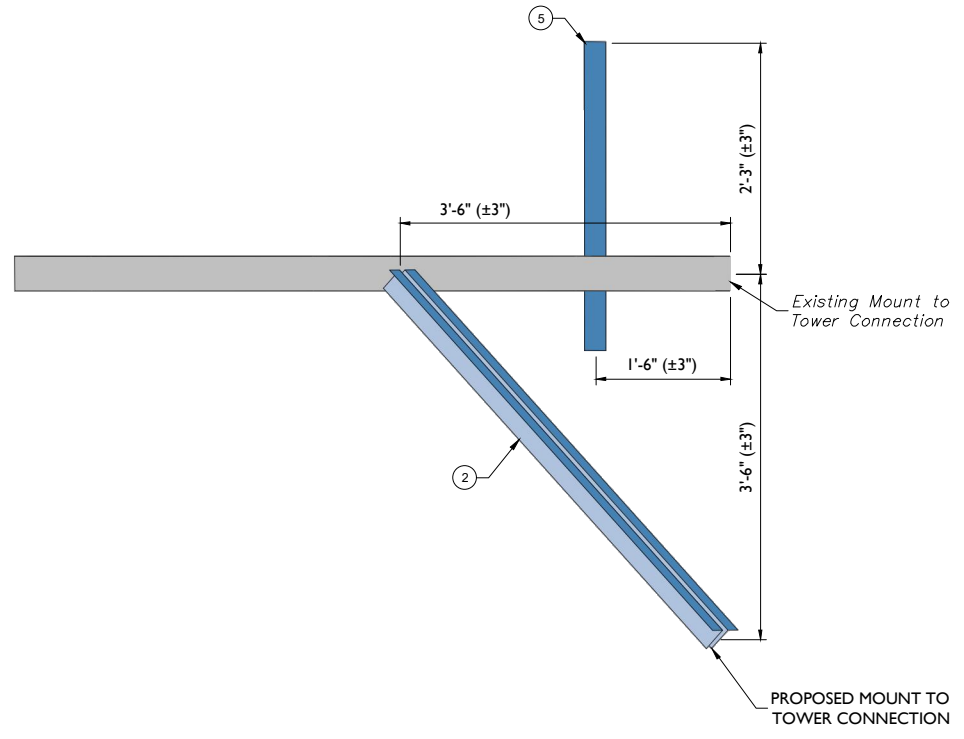
MT. LAUREL OFFICE
2000 Millstone Drive
Suite 100
Mount Laurel, NJ 08054
Phone: 856.797.0412
Fax: 856.722.1120

SHEET TITLE:
MODIFICATION DETAILS

SHEET NUMBER:
SS-1



1 PROPOSED ISOMETRIC VIEW
SCALE: N.T.S.



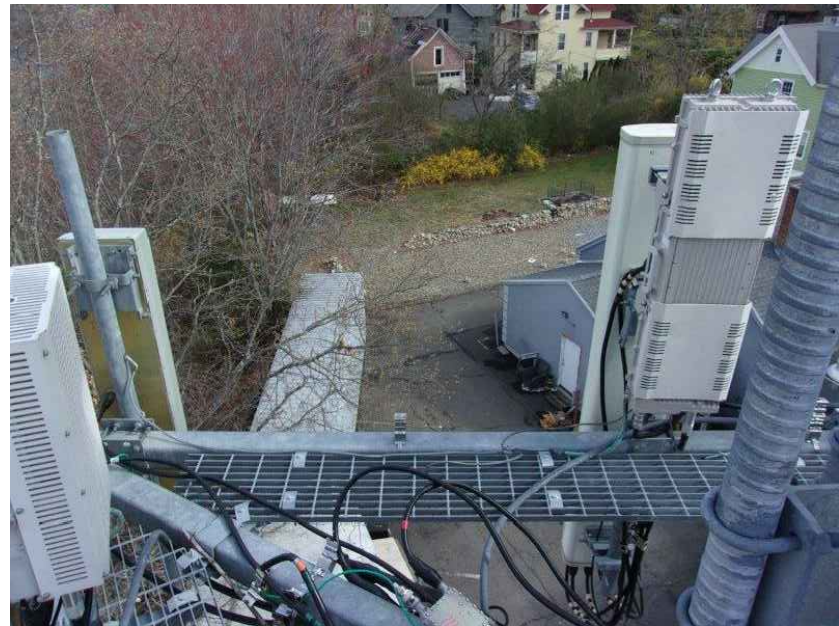
2 PROPOSED SIDE ELEVATION VIEW (TYP. ALL SECTORS)
SCALE: N.T.S.



MOUNT PHOTO 1



MOUNT PHOTO 2



MOUNT PHOTO 3



MOUNT PHOTO 4



WILL BE KNOWN AS COLLIER ENGINEERING & DESIGN IN 2021
 Customer Loyalty through Client Satisfaction
 www.maserconsulting.com

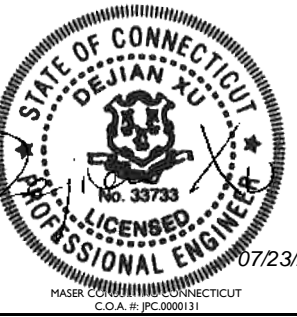
- Office Locations:
- NEW JERSEY
 - NEW MEXICO
 - NEW YORK
 - MARYLAND
 - PENNSYLVANIA
 - GEORGIA
 - VIRGINIA
 - TEXAS
 - FLORIDA
 - TENNESSEE
 - NORTH CAROLINA
 - COLORADO
 - SOUTH CAROLINA

Copyright © 2021 Maser Consulting. All Rights Reserved. This drawing and all the information contained herein is authorized for use only by the party for whom the services were contracted or to whom it is certified. This drawing may not be copied, reused, disclosed, distributed or relied upon for any other purpose without the express written consent of Maser Consulting.



811 PROTECT YOURSELF
 ALL STATES REQUIRE NOTIFICATION OF EXCAVATORS, DESIGNERS, OR ANY PERSON PREPARING TO DISTURB THE EARTH'S SURFACE ANYWHERE IN ANY STATE.
 Know what's below. Call before you dig.
 FOR STATE SPECIFIC DIRECT PHONE NUMBERS VISIT: WWW.CALL811.COM

SCALE:	AS SHOWN	JOB NUMBER:	21777895A
REV	DATE	DESCRIPTION	DRAWN BY / CHECKED BY
0	7/23/2021	ISSUED FOR CONSTRUCTION	MSG / DX



IT IS A VIOLATION OF LAW FOR ANY PERSON, UNLESS THEY ARE ACTING UNDER THE DIRECTION OF THE RESPONSIBLE LICENSED PROFESSIONAL ENGINEER, TO ALTER THIS DOCUMENT.

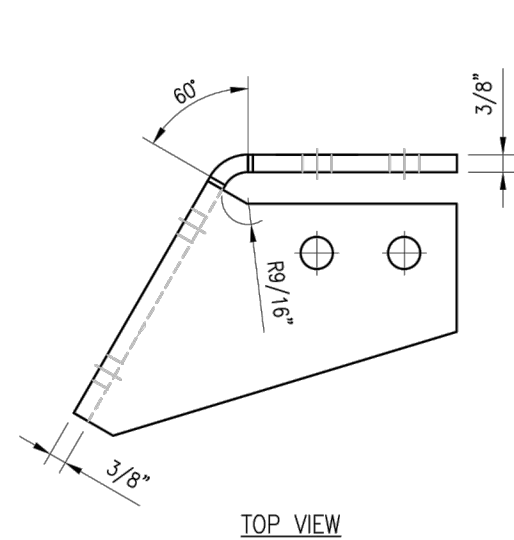
SITE NAME:
 NAUGATUCK 2 CT
 467142
 585 SOUTH MAIN STREET
 NAUGATUCK, CT 06770
 NEW HAVEN COUNTY

MT. LAUREL OFFICE
 2000 Millstone Drive
 Suite 100
 Mount Laurel, NJ 08054
 Phone: 856.797.0412
 Fax: 856.722.1120

SHEET TITLE:
 MOUNT PHOTOS

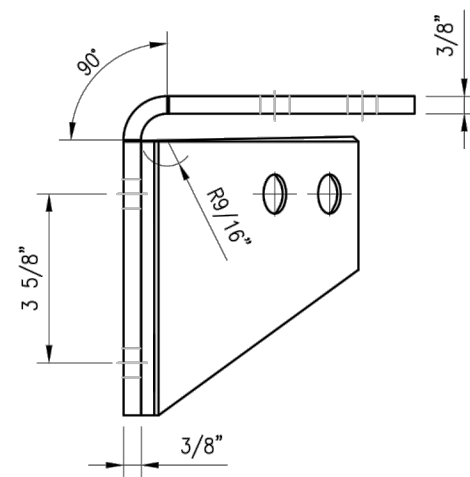
SHEET NUMBER:
 SS-2

M:\Projects\125846140_NAUGATUCK_2_CT_Household\Drawings\PAE_2010721.dwg\$2
 By: HODANAM

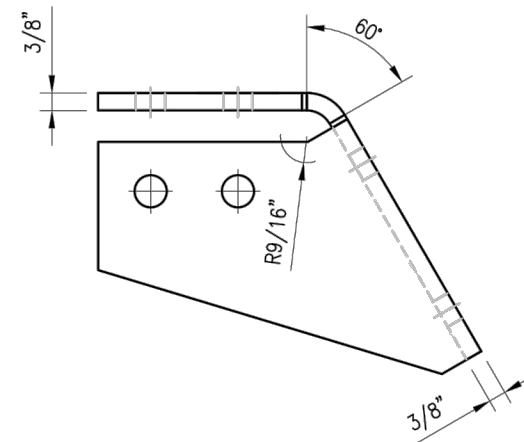


TOP VIEW

CBP-L

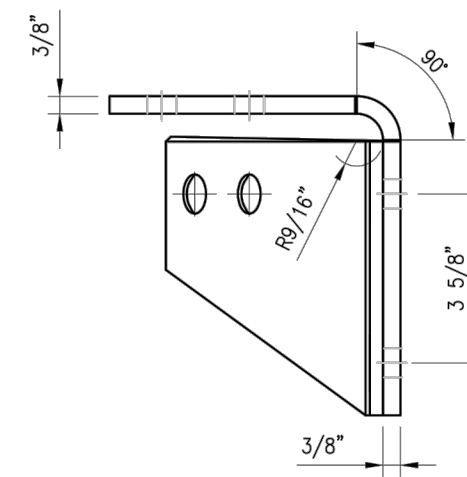


SIDE VIEW



TOP VIEW

CBP-R



SIDE VIEW

NOTES:

- HOT-DIPPED GALVANIZED PER ASTM A123.

VZSMART-PLK3 (SUPPORT RAIL CORNER BRACKET)					
ITEM NO.	QTY.	PART NO.	DESCRIPTION	SHEET #	WT
1	1	CBP-L	CORNER BENT PLATE BRACKET	PLK3-F1	9
2	1	CBP-R	CORNER BENT PLATE BRACKET	PLK3-F1	9
3	4	MS02-625-300-500	RU-BOLT 5/8" X 3" I.W. X 5" I.L. A36 (OR EQUIV.)	RBC-1	5
4	8	---	BOLT 5/8" X 2" A325	---	3
5	16	FW-625	5/8" HDG USS FLAT WASHER	---	1
6	16	LW-625	5/8" HDG LOCK WASHER	---	0
7	16	NUT-625	5/8" HDG HEX NUT	---	2
GALVANIZED WT					30

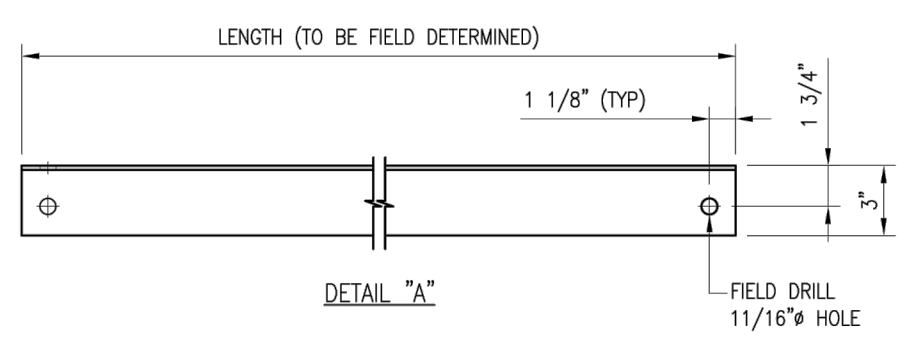
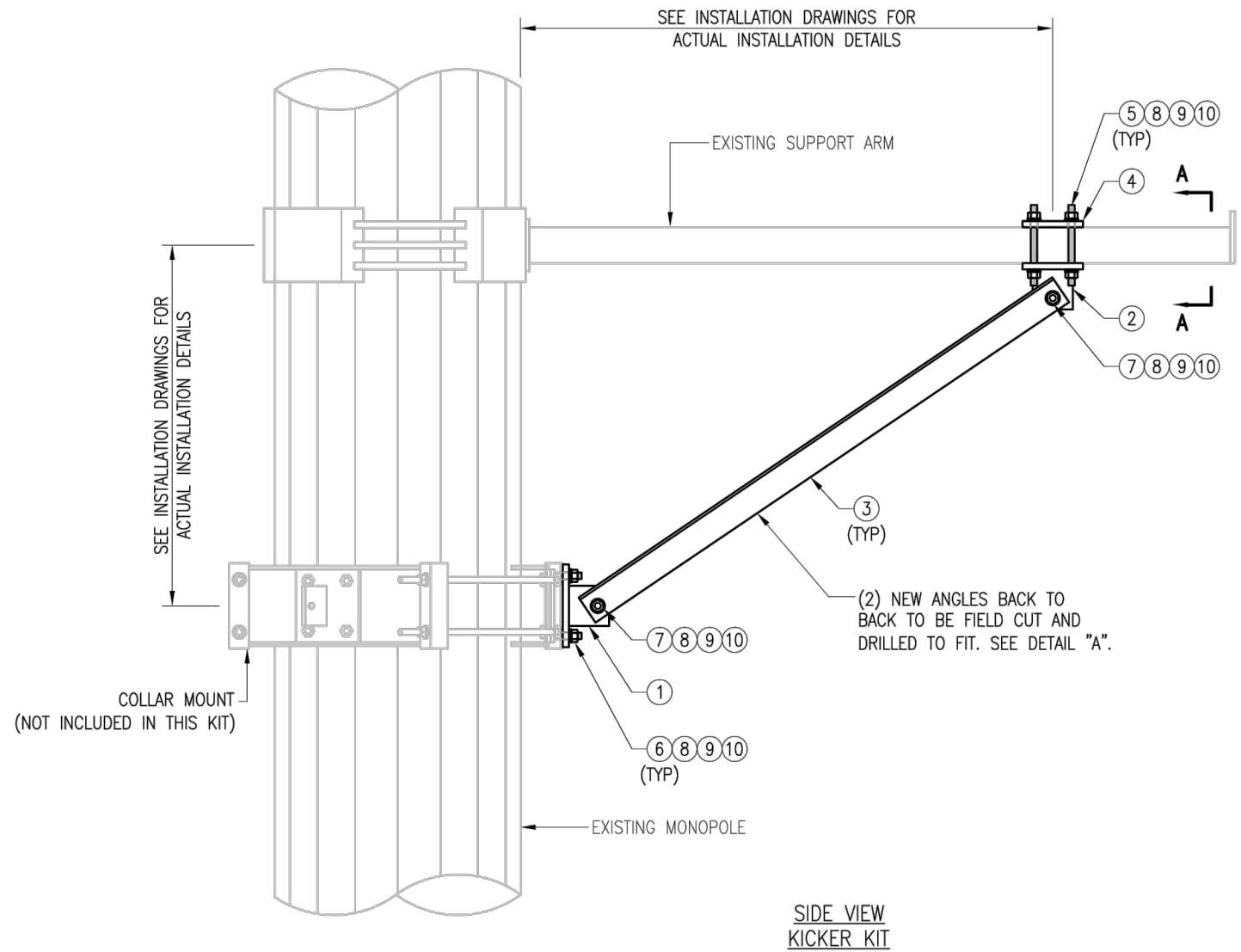
DRAWN BY: H.R CHECKED BY: HMA

REV.	DESCRIPTION	BY	DATE
1	FIRST ISSUE	H.R	05/08/20

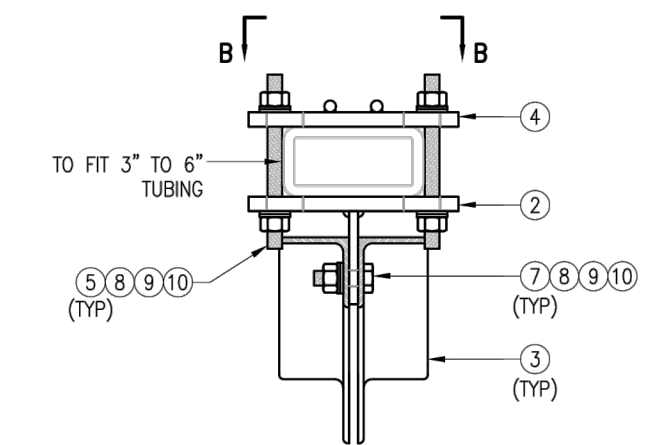
SHEET TITLE:
**VZSMART-PLK3
 SUPPORT RAIL CORNER
 BRACKET**

SHEET NUMBER: **VZSMART-PLK3** REV #: **0**

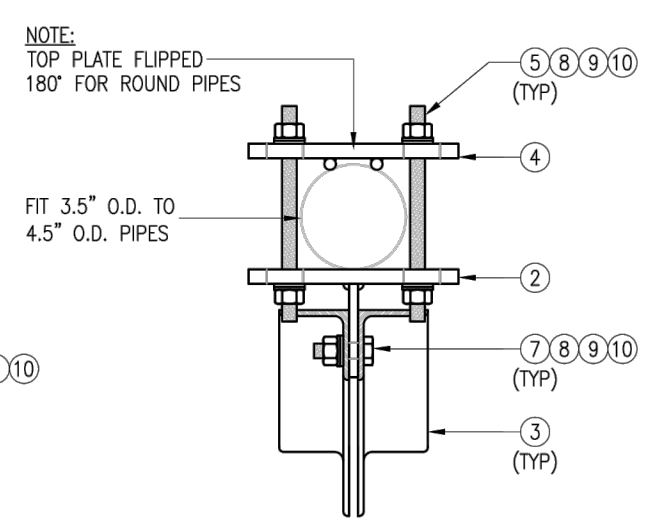
NOTE:
THE LOCATION OF KICKER AND EXISTING ANTENNA MOUNT SHOWN ON THE DRAWING IS FOR REPRESENTATION PURPOSE ONLY. SEE INSTALLATION DRAWINGS FOR ACTUAL INSTALLATION OF DETAILS.



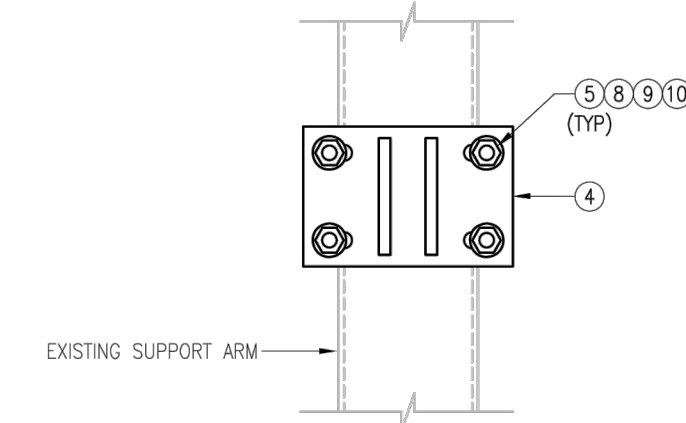
NOTES:
1. ALL HOLES ARE 11/16" DIA. U.N.O
2. HOT-DIPPED GALVANIZED PER ASTM A123.
3. FIT UP TO 6" SQ. TUBING OR 4 1/2" O.D. PIPE



SECTION "A-A"
RECT. HSS MOUNTING



SECTION "A-A"
ROUND PIPE MOUNTING



SECTION "B-B"

VZSMART-PLK5 (KICKER KIT)					
ITEM NO.	QTY.	PART NO.	DESCRIPTION	SHEET #	WT
1	3	BRKW-XXX	BRACKET WELDMNT A36	PLK5-F3	43.8
2	3	BRKW-XXXX	BRACKET WELDMNT A36	PLK5-F2	35.7
3	6	L331875-8	L 3" X 3" X 3/16" X 8'-0" A36	PLK5-F4	182.9
4	3	PL-KI	PL 5/8" X 6" X 9" A36	PLK5-F1	29.0
5	12	---	THREADED ROD 5/8" DIA. X 1'-0" F1554-36 HDG	---	---
6	6	---	BOLT 5/8" X 2" A325	---	---
7	12	---	BOLT 5/8" X 2 1/2" A325	---	---
8	42	FW-625	5/8" HDG USS FLAT WASHER	---	3
9	42	LW-625	5/8" HDG LOCK WASHER	---	1
10	42	NUT-625	5/8" HDG HEX NUT	---	5
GALVANIZED WT					291

VzW
SMART Tool[®]
Vendor



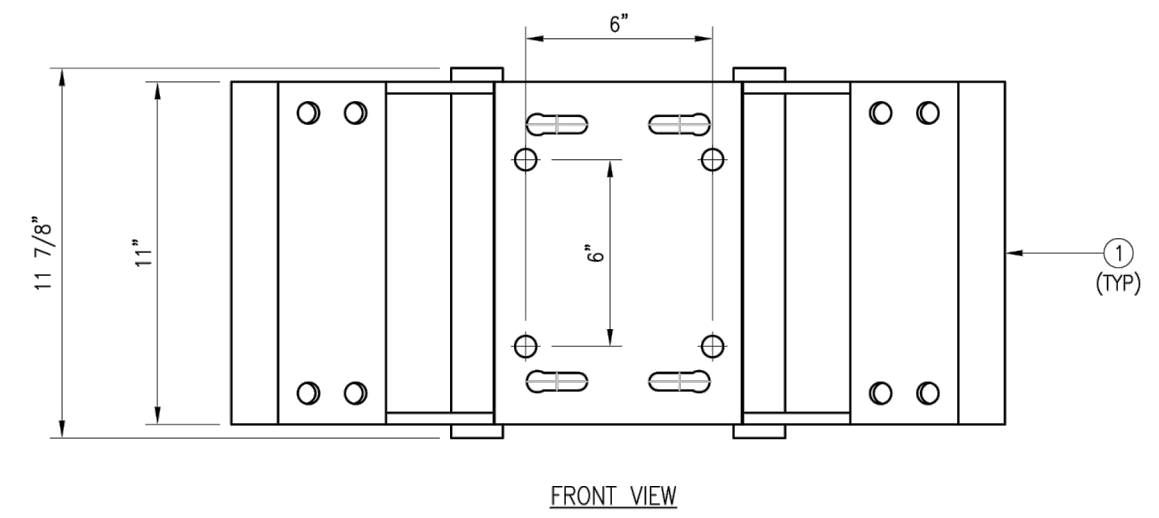
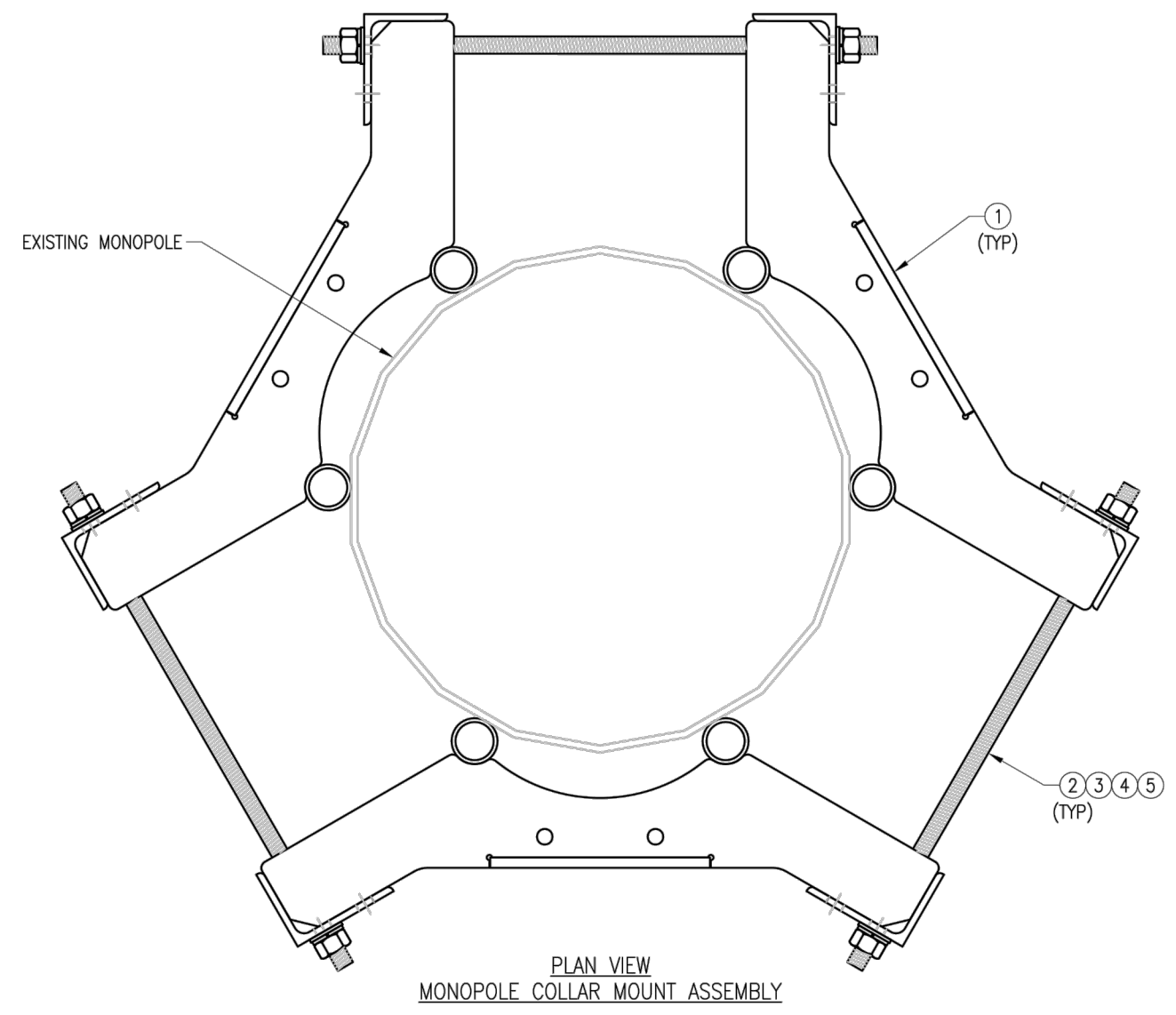
DRAWN BY: MN CHECKED BY: HMA/KW

REV.	DESCRIPTION	BY	DATE
1	FIRST ISSUE	MN	05/08/20

SHEET TITLE:

VZSMART-PLK5
KICKER KIT

SHEET NUMBER: VZSMART-PLK5 REV #: 0



NOTES:
 1. FIT 12" TO 45" DIA MONOPOLE.
 2. HOT-DIPPED GALVANIZED PER ASTM A123.

VZSMART-PLK7 (MONOPOLE COLLAR MOUNT ASSEMBLY)						
ITEM NO.	QTY.	PART NO.	DESCRIPTION	SHEET #	WT	
1	3	CM-1245	COLLAR MOUNT ASSEMBLY	PLK7-F1	147	
2	6	---	THREADED ROD 5/8" X 4'-0" A193-B7	---		
3	12	FW-625	5/8" HDG USS FLAT WASHER	---	1	
4	12	LW-625	5/8" HDG LOCK WASHER	---	0	
5	12	NUT-625	5/8" HDG HEX NUT	---	1	
					GALVANIZED WT	150

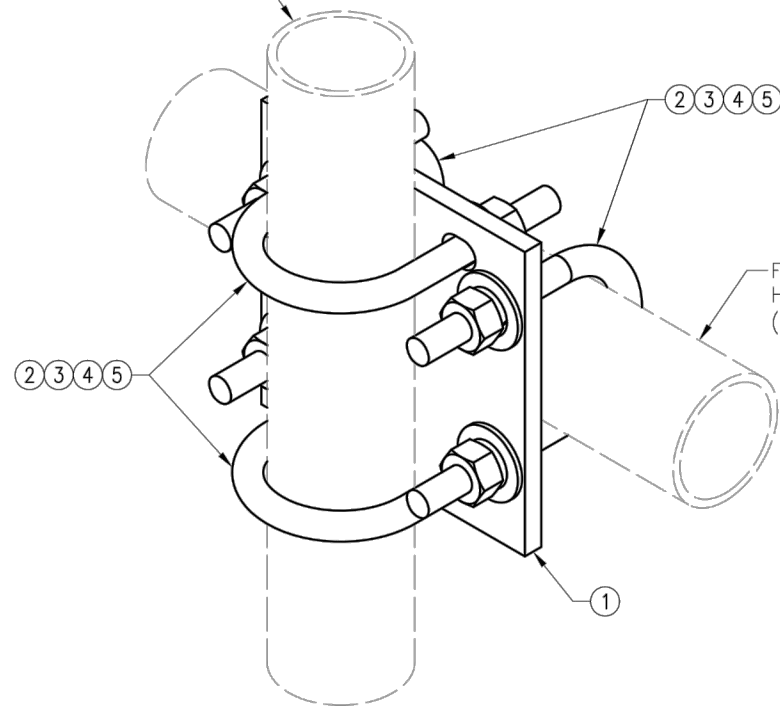
DRAWN BY: BT CHECKED BY: HMA/KW

REV.	DESCRIPTION	BY	DATE
△	FIRST ISSUE	BT	05/11/20
△			
△			
△			

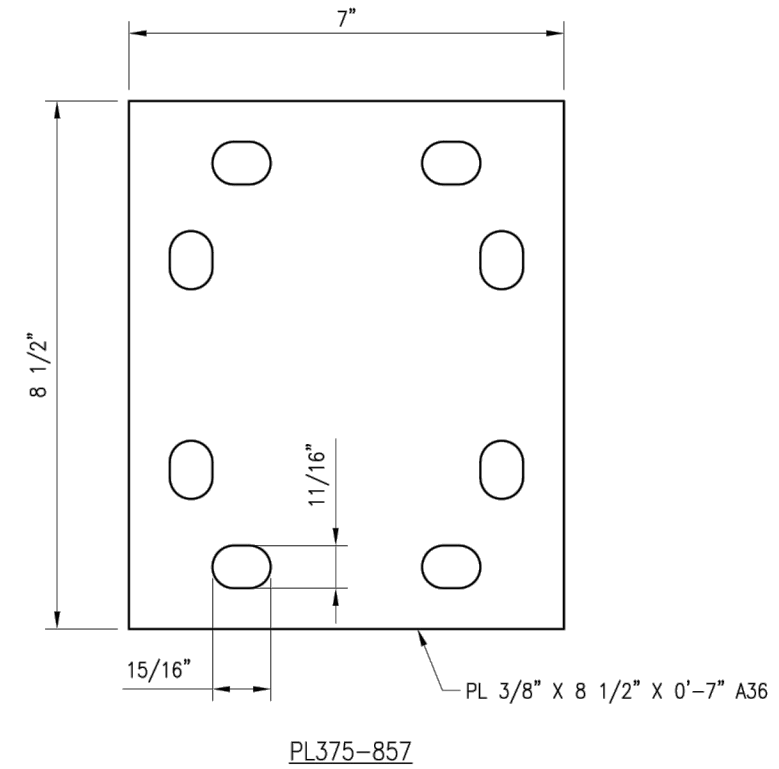
SHEET TITLE:
 VZSMART-PLK7
 MONOPOLE COLLAR
 MOUNT ASSEMBLY

SHEET NUMBER: VZSMART-PLK7 REV #: 0

FITS 2.375" O.D. AND 2.875" O.D.
 VERTICAL PIPE.
 (NOT INCLUDED IN THIS KIT)



FITS 2.375" O.D. AND 2.875" O.D.
 HORIZONTAL PIPE.
 (NOT INCLUDED IN THIS KIT)



PL375-857

DRAWN BY: H.R. | CHECKED BY: HMA

REV.	DESCRIPTION	BY	DATE
1	FIRST ISSUE	H.R.	05/08/20

SHEET TITLE:

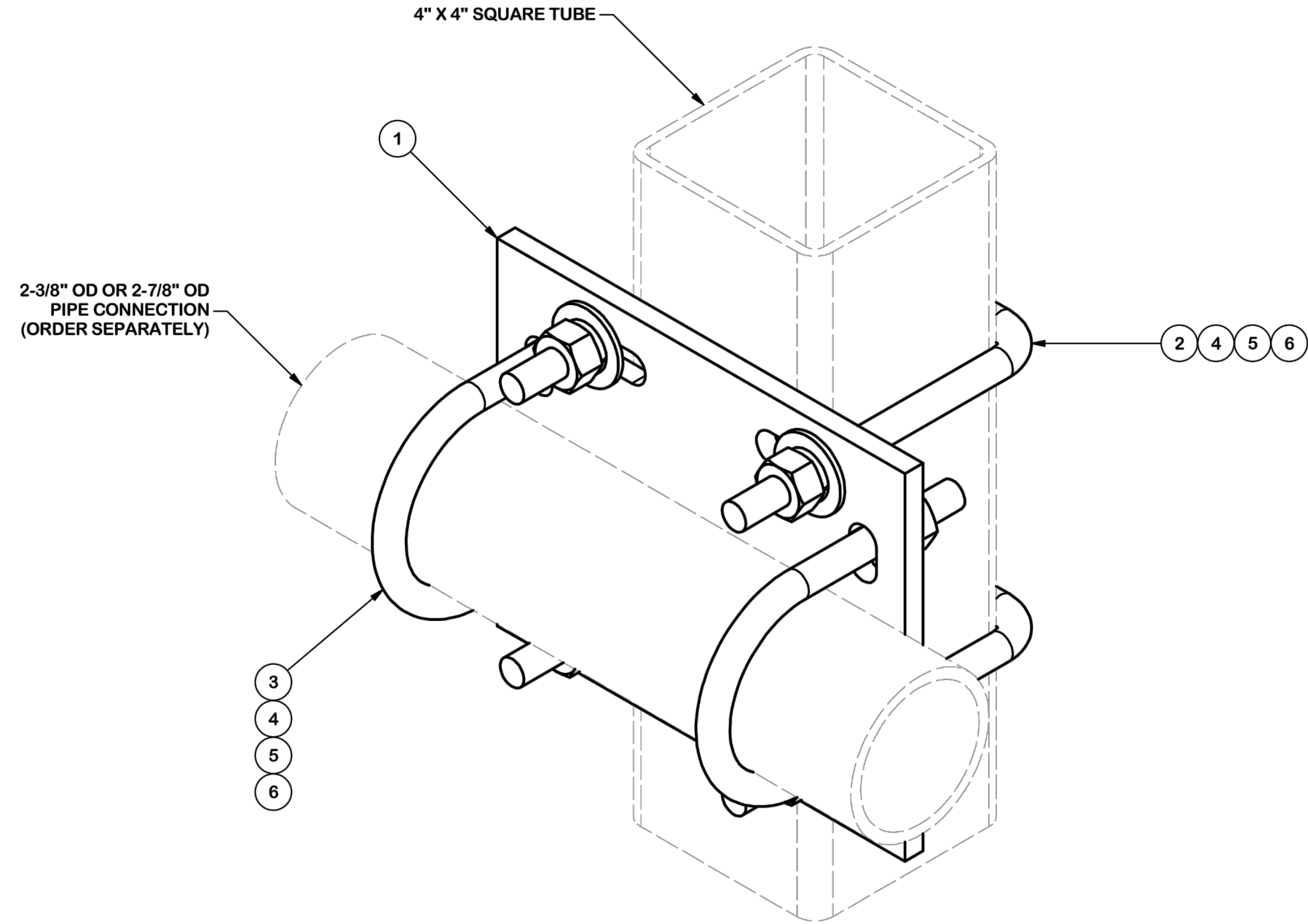
VZSMART-MSK1
 CROSSOVER PLATE

SHEET NUMBER: VZSMART-MSK1 | REV #: 0

VZSMART-MSK1 (CROSSOVER PLATE)					
ITEM NO.	QTY.	PART NO.	DESCRIPTION	SHEET #	WT
1	1	PL375-857	PL 3/8" X 8 1/2" X 0'-7" A36	MSK1-F1	6
2	4	MS02-625-300-500	RU-BOLT 5/8" X 3" I.W. X 5" I.L. A36 (OR EQUIV.)	RBC-1	5
3	8	FW-625	5/8" HDG USS FLAT WASHER	---	1
4	8	LW-625	5/8" HDG LOCK WASHER	---	0
5	8	NUT-625	5/8" HDG HEX NUT	---	1
GALVANIZED WT					14

NOTES:
 1. HOT-DIPPED GALVANIZED PER ASTM A123.


PARTS LIST						
ITEM	QTY	PART NO.	PART DESCRIPTION	LENGTH	UNIT WT.	NET WT.
1	1	SCX4	CROSSOVER PLATE	8 1/2 in	6.02	6.02
2	2	X-SUB1418	SQUARE U-BOLT 0.5" DIA. X 4.125" IW X 6" IL X 3" TR		0.98	1.95
3	2	X-UB1212	1/2" X 2-1/2" X 4-1/2" X 2" U-BOLT (HDG.)		0.60	1.19
3	2	X-UB1300	1/2" X 3" X 5" X 2" U-BOLT (HDG.)		0.67	1.34
4	8	G12FW	1/2" HDG USS FLATWASHER	3/32 in	0.03	0.27
5	8	G12LW	1/2" HDG LOCKWASHER	1/8 in	0.01	0.11
6	8	G12NUT	1/2" HDG HEAVY 2H HEX NUT		0.07	0.57
					TOTAL WT. #	11.35



TOLERANCE NOTES
 TOLERANCES ON DIMENSIONS, UNLESS OTHERWISE NOTED ARE:
 SAWED, SHEARED AND GAS CUT EDGES (± 0.030 "")
 DRILLED AND GAS CUT HOLES (± 0.030 "") - NO CONING OF HOLES
 LASER CUT EDGES AND HOLES (± 0.010 "") - NO CONING OF HOLES
 BENDS ARE $\pm 1/2$ DEGREE
 ALL OTHER MACHINING (± 0.030 "")
 ALL OTHER ASSEMBLY (± 0.060 "")

PROPRIETARY NOTE:
 THE DATA AND TECHNIQUES CONTAINED IN THIS DRAWING ARE PROPRIETARY INFORMATION OF VALMONT INDUSTRIES AND CONSIDERED A TRADE SECRET. ANY USE OR DISCLOSURE WITHOUT THE CONSENT OF VALMONT INDUSTRIES IS STRICTLY PROHIBITED.

DESCRIPTION CROSSOVER PLATE KIT W/ SQUARE U-BOLTS AND STD. U-BOLTS		
CPD NO.	DRAWN BY CSL 9/18/2018	ENG. APPROVAL 3RD PARTY
CLASS 87	SUB 02	DRAWING USAGE CUSTOMER
		CHECKED BY BMC 11/12/2018

 A valmont COMPANY	Engineering Support Team: 1-888-753-7446	Locations: New York, NY Atlanta, GA Los Angeles, CA Plymouth, IN Salem, OR Dallas, TX
	PART NO. SQCX4-K	DWG. NO. SQCX4-K



Maser Consulting Connecticut
2000 Midlantic Drive, Suite 100
Mt. Laurel, NJ 08054
(856) 797-0412
peter.albano@colliersengineering.com

Post-Mod Antenna Mount Analysis Report and PMI Requirements

Mount Fix

SMART Tool Project #: 10088393
Maser Consulting Connecticut Project #: 21777895A

July 22, 2021

Site Information

Site ID: 467142-VZW / NAUGATUCK 2 CT
Site Name: NAUGATUCK 2 CT
Carrier Name: Verizon Wireless
Address: 585 South Main Street
Naugatuck, Connecticut 06770
New Haven County
Latitude: 41.478469°
Longitude: -73.048442°

Structure Information

Tower Type: 80-Ft Monopole
Mount Type: 13.50-Ft Platform

FUZE ID # 16053183

Analysis Results

Platform: 52.5% Pass

***Contractor PMI Requirements:

Included at the end of this MA report

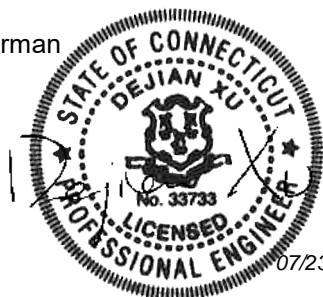
Available & Submitted via portal at <https://pmi.vzwsmart.com>

Contractor - Please Review Specific Site PMI Requirements Upon Award

Requirements also Noted on Mount Modification Drawings

Requirements may also be Noted on A & E drawings

Report Prepared By: Cody Sherman



07/23/2021

Executive Summary:

The objective of this report is to summarize the analysis results of the antenna support mount including the proposed modifications at the subject facility for the final wireless telecommunications configuration, per the applicable codes and standards.

This analysis is inclusive of the mount structure only and does not address the structural capacity of the supporting structure. This mounting frame was not analyzed as an anchor attachment point for fall protection. All climbing activities are required to have a fall protection plan completed by a competent person.

Sources of Information:

Document Type	Remarks
<i>Radio Frequency Data Sheet (RFDS)</i>	<i>Verizon RFDS, Site ID: 324436, dated March 18, 2021</i>
<i>Mount Mapping Report</i>	<i>Elite ICT Service, Site ID: 302526, dated April 17, 2021</i>
<i>Previous Mount Analysis</i>	<i>Maser Consulting Connecticut Project #: 21777895A, dated July 15, 2021</i>
<i>Mount Modification Drawings</i>	<i>Maser Consulting Connecticut Project #: 21777895A, dated July 23, 2021</i>

Analysis Criteria:

Codes and Standards:	ANSI/TIA-222-H
Wind Parameters:	Basic Wind Speed (Ultimate 3-sec. Gust), V_{ULT} : 118 mph Ice Wind Speed (3-sec. Gust): 50 mph Design Ice Thickness: 1.00 in Risk Category: II Exposure Category: B Topographic Category: 1 Topographic Feature Considered: N/A Topographic Method: N/A Ground Elevation Factor, K_e : 0.991
Seismic Parameters:	S_s : 0.197 S_1 : 0.054
Maintenance Parameters:	Wind Speed (3-sec. Gust): 30 mph Maintenance Live Load, L_v : 250 lbs. Maintenance Live Load, L_m : 500 lbs.
Analysis Software:	RISA-3D (V17)

Final Loading Configuration:

The following equipment has been considered for the analysis of the mount:

Mount Elevation (ft)	Equipment Elevation (ft)	Quantity	Manufacturer	Model	Status
40.00	41.50	3	Samsung	MT6407-77A	Added
	40.00	6	JMA Wireless	MX06FRO660-03	
		3	Samsung	B2/B66A RRH-BR049	
		3	Samsung	B5/B13 RRH-BR04C	
		1	Raycap	RVZDC-6627-PF-48	
		3	Andrew	SBNHH-1D65B	Retained
	38.50	3	Samsung	XXDWMM-12.5-65-8T	Added

The recent mount mapping reported existing OVP units. It is acceptable to install up to any three (3) of the OVP model numbers listed below as required at any location other than the mount face without affecting the structural capacity of the mount. If OVP units are installed on the mount face, a mount re-analysis may be required unless replacing an existing OVP.

Model Number	Ports	AKA
DB-B1-6C-12AB-0Z	6	OVP-6
RVZDC-6627-PF-48	12	OVP-12

Standard Conditions:

1. All engineering services are performed on the basis that the information provided to Maser Consulting Connecticut and used in this analysis is current and correct. The existing equipment loading has been applied at locations determined from the supplied documentation. Any deviation from the loading locations specified in this report shall be communicated to Maser Consulting Connecticut to verify deviation will not adversely impact the analysis.
2. Mounts are assumed to have been properly fabricated, installed and maintained in good condition, twist free and plumb in accordance with its original design and manufacturer’s specifications.

Obvious safety and structural issues/deficiencies noticed at the time of the mount mapping and reported in the Mount Mapping Report are assumed to be corrected and documented as part of the PMI process and are not considered in the mount analysis.

The mount analysis and the mount mapping are not a condition assessment of the mount. Proper maintenance and condition assessments are still required post analysis.

3. For mount analyses completed from other data sources (including new replacement mounts) and not specifically mapped by Maser Consulting Connecticut, the mounts are assumed to have been properly fabricated, installed and maintained in good condition, twist free and plumb in accordance with its original design and manufacturer’s specifications.
4. All member connections are assumed to have been designed to meet or exceed the load carrying capacity of the connected member unless otherwise specified in this report.
5. The mount was checked up to, and including, the bolts that fasten it to the mount collar/attachment and threaded rod connections in collar members if applicable. Local deformation and interaction between the mount collar/attachment and the supporting tower structure are outside the scope of this analysis.

- 6. All services are performed, results obtained, and recommendations made in accordance with generally accepted engineering principles and practices. Maser Consulting is not responsible for the conclusion, opinions, and recommendations made by others based on the information supplied.
- 7. Structural Steel Grades have been assumed as follows, if applicable, unless otherwise noted in this analysis:
 - o Channel, Solid Round, Angle, Plate ASTM A36 (Gr. 36)
 - o HSS (Rectangular) ASTM 500 (Gr. B-46)
 - o Pipe ASTM A53 (Gr. B-35)
 - o Threaded Rod F1554 (Gr. 36)
 - o Bolts ASTM A325

Discrepancies between in-field conditions and the assumptions listed above may render this analysis invalid unless explicitly approved by Maser Consulting Connecticut.

Analysis Results:

Component	Utilization %	Pass/Fail
Face Horizontal	16.0%	Pass
Standoff Horizontal	25.0%	Pass
Mount Pipe	13.0%	Pass
Support Rail Connection	10.0%	Pass
Proposed Kicker	11.0%	Pass
Mount Connection	52.2%	Pass

Structure Rating – (Controlling Utilization of all Components)	52.2%
---	--------------

Recommendation:

The existing mounts will be **SUFFICIENT** for the final loading after the proposed modifications are successfully completed.

ANSI/ASSP rigging plan review services compliant with the requirements of ANSI/TIA 322 are available for a Construction Class IV site or other, if required. Separate review fees will apply.

Attachments:

- 1. Mount Photos
- 2. Mount Mapping Report (for reference only)
- 3. Analysis Calculations
- 4. Contractor Required PMI Report Deliverables**
- 5. Antenna Placement Diagrams
- 6. TIA Adoption Wind Speed Usage Letter



Observed Safety and Structural Issues During the Mount Mapping

Issue #	Description of Issue	Photo #
1		
2		
3		
4		
5		
6		
7		
8		

Observed Obstructions to Tower Lighting System

If the tower lighting system is being obstructed by the carrier's equipment (for example: a light nested by the antennas), please provide photos and fill in the information below.		Photo #
Description of Obstruction:		
Type of Light:	Photo #	Additional Comments:
Lighting Technology:	Photo #	
Elevation (AGL) at base of light (Ft.):	Photo #	
Is a service loop available?	Photo #	
Is beacon installed on an extension?	Photo #	

Mapping Notes

1. Please report any visible structural or safety issues observed on the antenna mounts (Damaged members, loose connections, tilting mounts, safety climb issues, etc.)
2. If the thickness of the existing pipes or tubing can't be obtained from a general tool (such as Caliper), please use an ultrasonic measurement tool (thickness gauge) to measure the thickness.
3. Please create all required detail sketches of the mounts and insert them into the "Sketches" tab.
4. Please measure and enter the bolt sizes and types under the Members Box in the spreadsheet of the mount type.
5. Take and label the photos of the tower, mounts, connections, antennas and all measurements. Minimum 50 photos are required.
6. Please measure and report the size and length of all existing antenna mounting pipes.
7. Please measure and report the antenna information for all sectors.
8. Don't delete or rearrange any sheet or contents of any sheet from this mapping form.

Standard Conditions

1. Obvious safety and structural issues/deficiencies noticed at the time of the mount mapping are to be reported in this mapping. However, this mount mapping is not a condition assessment of the mount.



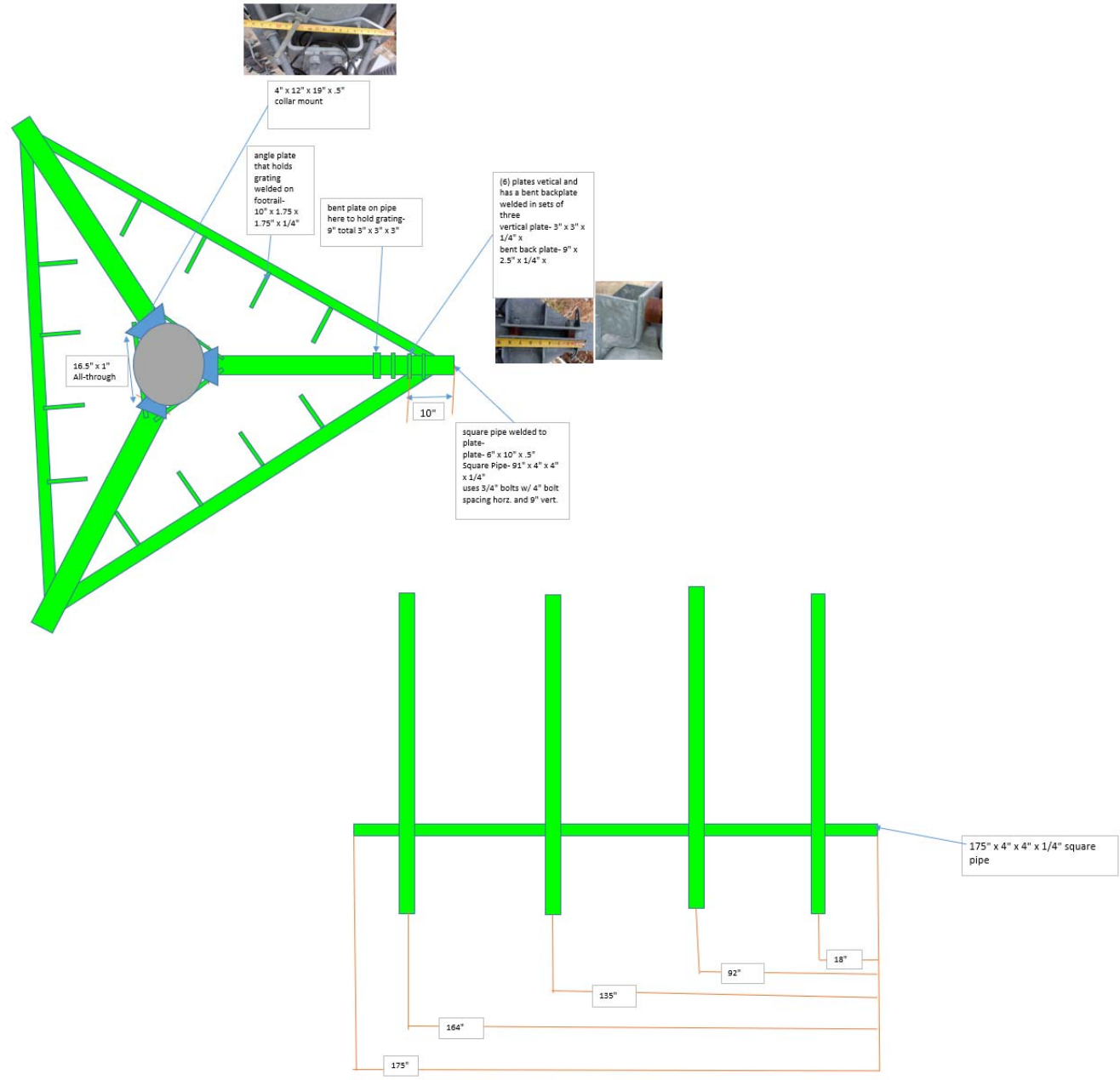
Antenna Mount Mapping Form (PATENT PENDING)

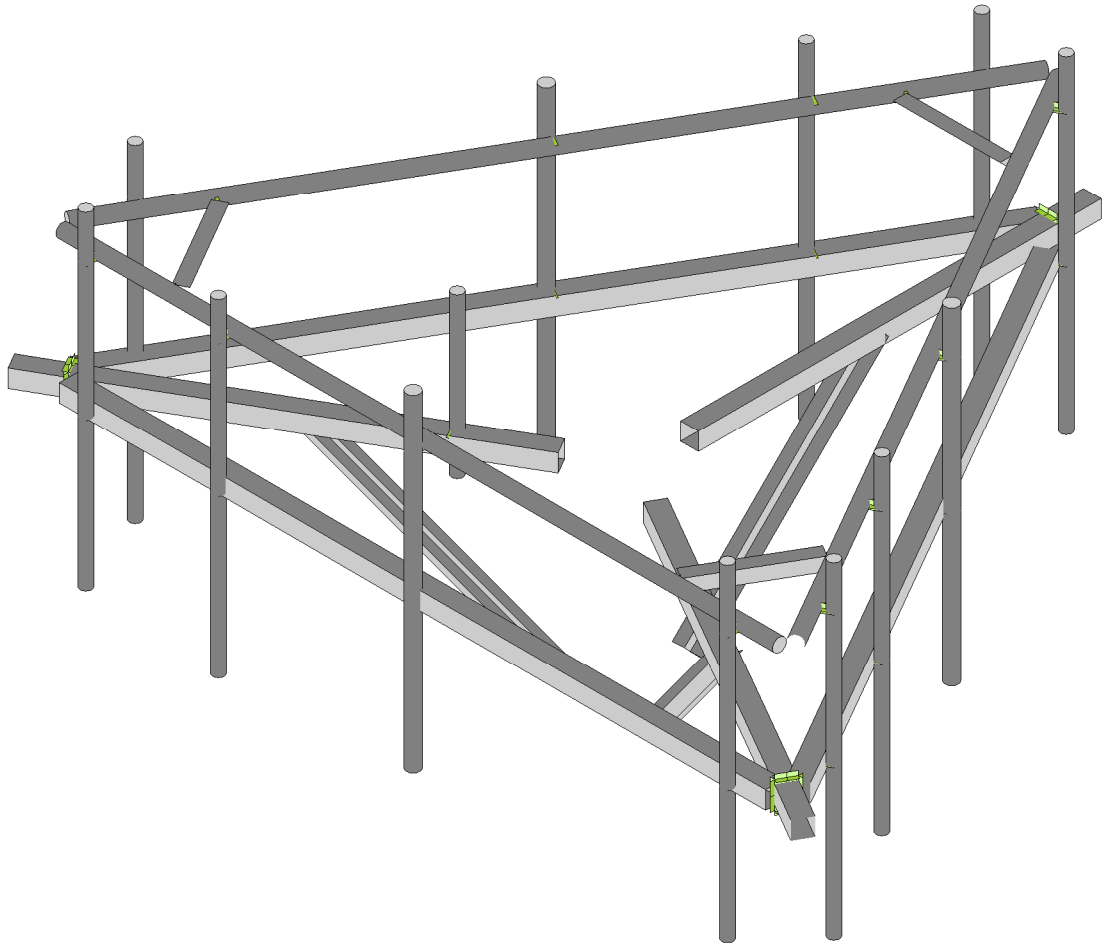
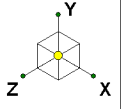
FCC #	
NA	

Tower Owner:	ATC	Mapping Date:	4/17/2021
Site Name:	Naugatuck	Tower Type:	Monopole
Site Number or ID:	302526	Tower Height (Ft.):	80
Mapping Contractor:	Elite ICT Service	Mount Elevation (Ft.):	42

This antenna mapping form is the property of TES and under **PATENT PENDING**. The formation contained herein is considered confidential in nature and is to be used only for the specific customer it was intended for. Reproduction, transmission, publication, modification or disclosure by any method is prohibited except by express written permission of TES. All means and methods are the responsibility of the contractor and the work shall be compliant with ANSI/ASSE A 10.48, OSHA, FCC, FAA and other safety requirements that may apply. TES is not warranting the usability of the safety climb as it must be assessed prior to each use in compliance with OSHA requirements.

Please Insert Sketches of the Antenna Mount





Maser Consulting

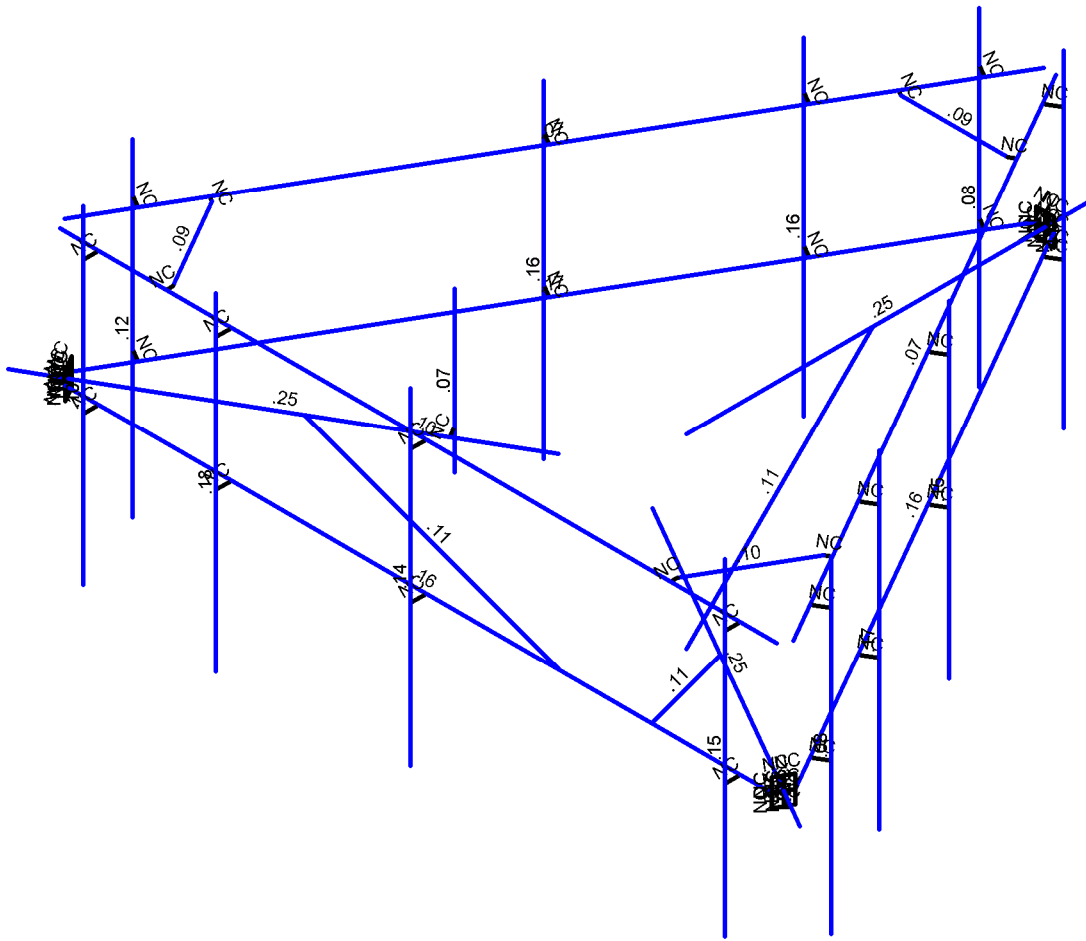
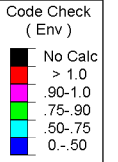
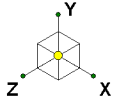
Project No. 10088393

467142-VZW_MT_LO_H

SK - 1

July 22, 2021 at 10:11 PM

467142-VZW_MT_LO_H.r3d

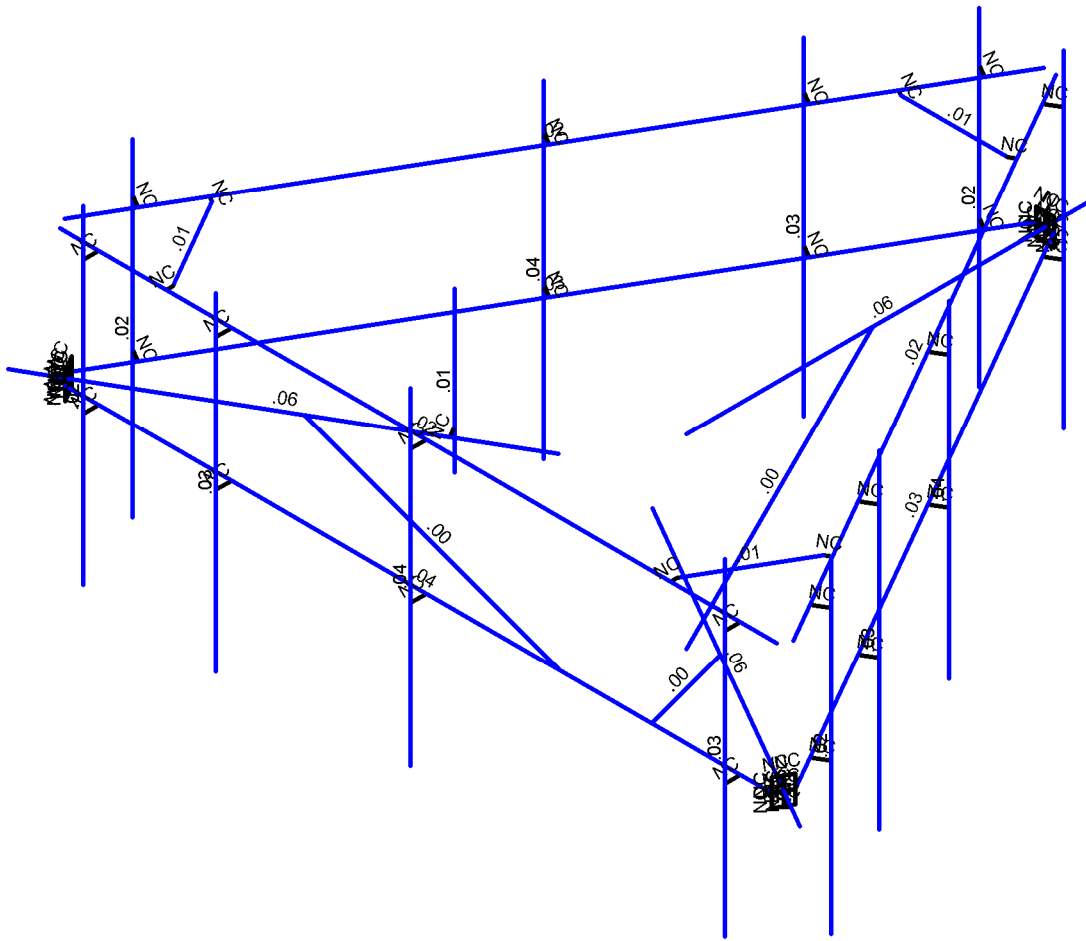
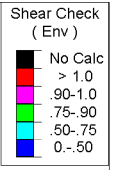
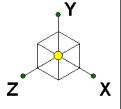


Member Code Checks Displayed (Enveloped)
Envelope Only Solution

Maser Consulting
Project No. 10088393

467142-VZW_MT_LO_H

SK - 2
July 22, 2021 at 10:16 PM
467142-VZW_MT_LO_H.r3d



Member Shear Checks Displayed (Enveloped)
Envelope Only Solution

Maser Consulting	467142-VZW_MT_LO_H	SK - 3
		July 22, 2021 at 10:16 PM
Project No. 10088393		467142-VZW_MT_LO_H.r3d



Company : Maser Consulting
 Designer :
 Job Number : Project No. 10088393
 Model Name : 467142-VZW_MT_LO_H

July 22, 2021
 10:17 PM
 Checked By: _____

Basic Load Cases

	BLC Description	Category	X Gravity	Y Gravity	Z Gravity	Joint	Point	DistributedArea(Me...	Surface(...
1	Antenna D	None					102		
2	Antenna Di	None					102		
3	Antenna Wo (0 Deg)	None					102		
4	Antenna Wo (30 Deg)	None					102		
5	Antenna Wo (60 Deg)	None					102		
6	Antenna Wo (90 Deg)	None					102		
7	Antenna Wo (120 Deg)	None					102		
8	Antenna Wo (150 Deg)	None					102		
9	Antenna Wo (180 Deg)	None					102		
10	Antenna Wo (210 Deg)	None					102		
11	Antenna Wo (240 Deg)	None					102		
12	Antenna Wo (270 Deg)	None					102		
13	Antenna Wo (300 Deg)	None					102		
14	Antenna Wo (330 Deg)	None					102		
15	Antenna Wi (0 Deg)	None					102		
16	Antenna Wi (30 Deg)	None					102		
17	Antenna Wi (60 Deg)	None					102		
18	Antenna Wi (90 Deg)	None					102		
19	Antenna Wi (120 Deg)	None					102		
20	Antenna Wi (150 Deg)	None					102		
21	Antenna Wi (180 Deg)	None					102		
22	Antenna Wi (210 Deg)	None					102		
23	Antenna Wi (240 Deg)	None					102		
24	Antenna Wi (270 Deg)	None					102		
25	Antenna Wi (300 Deg)	None					102		
26	Antenna Wi (330 Deg)	None					102		
27	Antenna Wm (0 Deg)	None					102		
28	Antenna Wm (30 Deg)	None					102		
29	Antenna Wm (60 Deg)	None					102		
30	Antenna Wm (90 Deg)	None					102		
31	Antenna Wm (120 Deg)	None					102		
32	Antenna Wm (150 Deg)	None					102		
33	Antenna Wm (180 Deg)	None					102		
34	Antenna Wm (210 Deg)	None					102		
35	Antenna Wm (240 Deg)	None					102		
36	Antenna Wm (270 Deg)	None					102		
37	Antenna Wm (300 Deg)	None					102		
38	Antenna Wm (330 Deg)	None					102		
39	Structure D	None		-1				3	
40	Structure Di	None						28	3
41	Structure Wo (0 Deg)	None						56	
42	Structure Wo (30 Deg)	None						56	
43	Structure Wo (60 Deg)	None						56	
44	Structure Wo (90 Deg)	None						56	
45	Structure Wo (120 Deg)	None						56	
46	Structure Wo (150 Deg)	None						56	
47	Structure Wo (180 Deg)	None						56	
48	Structure Wo (210 Deg)	None						56	
49	Structure Wo (240 Deg)	None						56	
50	Structure Wo (270 Deg)	None						56	
51	Structure Wo (300 Deg)	None						56	
52	Structure Wo (330 Deg)	None						56	
53	Structure Wi (0 Deg)	None						56	



Basic Load Cases (Continued)

BLC Description	Category	X Gravity	Y Gravity	Z Gravity	Joint	Point	DistributedArea(Me...Surface(...
54 Structure Wi (30 Deg)	None						56
55 Structure Wi (60 Deg)	None						56
56 Structure Wi (90 Deg)	None						56
57 Structure Wi (120 Deg)	None						56
58 Structure Wi (150 Deg)	None						56
59 Structure Wi (180 Deg)	None						56
60 Structure Wi (210 Deg)	None						56
61 Structure Wi (240 Deg)	None						56
62 Structure Wi (270 Deg)	None						56
63 Structure Wi (300 Deg)	None						56
64 Structure Wi (330 Deg)	None						56
65 Structure Wm (0 Deg)	None						56
66 Structure Wm (30 Deg)	None						56
67 Structure Wm (60 Deg)	None						56
68 Structure Wm (90 Deg)	None						56
69 Structure Wm (120 Deg)	None						56
70 Structure Wm (150 Deg)	None						56
71 Structure Wm (180 Deg)	None						56
72 Structure Wm (210 Deg)	None						56
73 Structure Wm (240 Deg)	None						56
74 Structure Wm (270 Deg)	None						56
75 Structure Wm (300 Deg)	None						56
76 Structure Wm (330 Deg)	None						56
77 Lm1	None					1	
78 Lm2	None					1	
79 Lv1	None					1	
80 Lv2	None					1	
81 BLC 39 Transient Area Loads	None						3
82 BLC 40 Transient Area Loads	None						3

Load Combinations

Description	S...	PDelta	S...	B...	Fa...	B...	Fa...	B...	Fa...	B...	Fa...	B...	Fa...	B...	Fa...	B...	Fa...	B...	Fa...
1 1.2D+1.0Wo (0 Deg)	Yes	Y	1	1.2	39	1.2	3	1	41	1									
2 1.2D+1.0Wo (30 Deg)	Yes	Y	1	1.2	39	1.2	4	1	42	1									
3 1.2D+1.0Wo (60 Deg)	Yes	Y	1	1.2	39	1.2	5	1	43	1									
4 1.2D+1.0Wo (90 Deg)	Yes	Y	1	1.2	39	1.2	6	1	44	1									
5 1.2D+1.0Wo (120 Deg)	Yes	Y	1	1.2	39	1.2	7	1	45	1									
6 1.2D+1.0Wo (150 Deg)	Yes	Y	1	1.2	39	1.2	8	1	46	1									
7 1.2D+1.0Wo (180 Deg)	Yes	Y	1	1.2	39	1.2	9	1	47	1									
8 1.2D+1.0Wo (210 Deg)	Yes	Y	1	1.2	39	1.2	10	1	48	1									
9 1.2D+1.0Wo (240 Deg)	Yes	Y	1	1.2	39	1.2	11	1	49	1									
10 1.2D+1.0Wo (270 Deg)	Yes	Y	1	1.2	39	1.2	12	1	50	1									
11 1.2D+1.0Wo (300 Deg)	Yes	Y	1	1.2	39	1.2	13	1	51	1									
12 1.2D+1.0Wo (330 Deg)	Yes	Y	1	1.2	39	1.2	14	1	52	1									
13 1.2D + 1.0Di + 1.0Wi (0 ...	Yes	Y	1	1.2	39	1.2	2	1	40	1	15	1	53	1					
14 1.2D + 1.0Di + 1.0Wi (30...	Yes	Y	1	1.2	39	1.2	2	1	40	1	16	1	54	1					
15 1.2D + 1.0Di + 1.0Wi (60...	Yes	Y	1	1.2	39	1.2	2	1	40	1	17	1	55	1					
16 1.2D + 1.0Di + 1.0Wi (90...	Yes	Y	1	1.2	39	1.2	2	1	40	1	18	1	56	1					
17 1.2D + 1.0Di + 1.0Wi (12...	Yes	Y	1	1.2	39	1.2	2	1	40	1	19	1	57	1					
18 1.2D + 1.0Di + 1.0Wi (15...	Yes	Y	1	1.2	39	1.2	2	1	40	1	20	1	58	1					
19 1.2D + 1.0Di + 1.0Wi (18...	Yes	Y	1	1.2	39	1.2	2	1	40	1	21	1	59	1					
20 1.2D + 1.0Di + 1.0Wi (21...	Yes	Y	1	1.2	39	1.2	2	1	40	1	22	1	60	1					
21 1.2D + 1.0Di + 1.0Wi (24...	Yes	Y	1	1.2	39	1.2	2	1	40	1	23	1	61	1					
22 1.2D + 1.0Di + 1.0Wi (27...	Yes	Y	1	1.2	39	1.2	2	1	40	1	24	1	62	1					
23 1.2D + 1.0Di + 1.0Wi (30...	Yes	Y	1	1.2	39	1.2	2	1	40	1	25	1	63	1					



Company : Maser Consulting
 Designer :
 Job Number : Project No. 10088393
 Model Name : 467142-VZW_MT_LO_H

July 22, 2021
 10:17 PM
 Checked By: _____

Load Combinations (Continued)

	Description	S...	PDelta	S...	B...	Fa...	B...	Fa...	B...	Fa...	B...	Fa...	B...	Fa...	B...	Fa...	B...	Fa...	B...	Fa...	B...	Fa...	B...	Fa...	B...	Fa...	B...	Fa...	B...	Fa...	B...	Fa...	B...	Fa...	B...
24	1.2D + 1.0Di + 1.0Wi (33...	Yes	Y		1	1.2	39	1.2	2	1	40	1	26	1	64	1																			
25	1.2D + 1.5Lm1 + 1.0Wm...	Yes	Y		1	1.2	39	1.2	77	1.5	27	1	65	1																					
26	1.2D + 1.5Lm1 + 1.0Wm...	Yes	Y		1	1.2	39	1.2	77	1.5	28	1	66	1																					
27	1.2D + 1.5Lm1 + 1.0Wm...	Yes	Y		1	1.2	39	1.2	77	1.5	29	1	67	1																					
28	1.2D + 1.5Lm1 + 1.0Wm...	Yes	Y		1	1.2	39	1.2	77	1.5	30	1	68	1																					
29	1.2D + 1.5Lm1 + 1.0Wm...	Yes	Y		1	1.2	39	1.2	77	1.5	31	1	69	1																					
30	1.2D + 1.5Lm1 + 1.0Wm...	Yes	Y		1	1.2	39	1.2	77	1.5	32	1	70	1																					
31	1.2D + 1.5Lm1 + 1.0Wm...	Yes	Y		1	1.2	39	1.2	77	1.5	33	1	71	1																					
32	1.2D + 1.5Lm1 + 1.0Wm...	Yes	Y		1	1.2	39	1.2	77	1.5	34	1	72	1																					
33	1.2D + 1.5Lm1 + 1.0Wm...	Yes	Y		1	1.2	39	1.2	77	1.5	35	1	73	1																					
34	1.2D + 1.5Lm1 + 1.0Wm...	Yes	Y		1	1.2	39	1.2	77	1.5	36	1	74	1																					
35	1.2D + 1.5Lm1 + 1.0Wm...	Yes	Y		1	1.2	39	1.2	77	1.5	37	1	75	1																					
36	1.2D + 1.5Lm1 + 1.0Wm...	Yes	Y		1	1.2	39	1.2	77	1.5	38	1	76	1																					
37	1.2D + 1.5Lm2 + 1.0Wm...	Yes	Y		1	1.2	39	1.2	78	1.5	27	1	65	1																					
38	1.2D + 1.5Lm2 + 1.0Wm...	Yes	Y		1	1.2	39	1.2	78	1.5	28	1	66	1																					
39	1.2D + 1.5Lm2 + 1.0Wm...	Yes	Y		1	1.2	39	1.2	78	1.5	29	1	67	1																					
40	1.2D + 1.5Lm2 + 1.0Wm...	Yes	Y		1	1.2	39	1.2	78	1.5	30	1	68	1																					
41	1.2D + 1.5Lm2 + 1.0Wm...	Yes	Y		1	1.2	39	1.2	78	1.5	31	1	69	1																					
42	1.2D + 1.5Lm2 + 1.0Wm...	Yes	Y		1	1.2	39	1.2	78	1.5	32	1	70	1																					
43	1.2D + 1.5Lm2 + 1.0Wm...	Yes	Y		1	1.2	39	1.2	78	1.5	33	1	71	1																					
44	1.2D + 1.5Lm2 + 1.0Wm...	Yes	Y		1	1.2	39	1.2	78	1.5	34	1	72	1																					
45	1.2D + 1.5Lm2 + 1.0Wm...	Yes	Y		1	1.2	39	1.2	78	1.5	35	1	73	1																					
46	1.2D + 1.5Lm2 + 1.0Wm...	Yes	Y		1	1.2	39	1.2	78	1.5	36	1	74	1																					
47	1.2D + 1.5Lm2 + 1.0Wm...	Yes	Y		1	1.2	39	1.2	78	1.5	37	1	75	1																					
48	1.2D + 1.5Lm2 + 1.0Wm...	Yes	Y		1	1.2	39	1.2	78	1.5	38	1	76	1																					
49	1.2D + 1.5Lv1	Yes	Y		1	1.2	39	1.2	79	1.5																									
50	1.2D + 1.5Lv2	Yes	Y		1	1.2	39	1.2	80	1.5																									
51	1.4D	Yes	Y		1	1.4	39	1.4																											

Joint Coordinates and Temperatures

	Label	X [ft]	Y [ft]	Z [ft]	Temp [F]	Detach From Diap...
1	N3	-0.	0	-1.020833	0	
2	N27	-0.	0	-8.604167	0	
3	CP	0	0	0	0	
4	N41	6.063072	0	4.029754	0	
5	N44	6.063072	0	4.321422	0	
6	N48	6.063072	3.666667	4.321422	0	
7	N52	6.063072	-2.5	4.321422	0	
8	N31	-0.884068	0	0.510417	0	
9	N32	-7.451427	0	4.302083	0	
10	N43A	0.884068	0	0.510417	0	
11	N44A	7.451427	0	4.302083	0	
12	N95	-2.183106	0	1.260417	0	
13	N98	-2.308106	0	1.04391	0	
14	N100	-2.308106	2.25	1.04391	0	
15	N102	-2.308106	-.75	1.04391	0	
16	N51A	-0.	0	-7.770833	0	
17	N81	-0.166667	0	-7.770833	0	
18	N82	0.166667	0	-7.770833	0	
19	N83	-0.	.25	-7.770833	0	
20	N84	-0.166667	.25	-7.770833	0	
21	N85	0.166667	.25	-7.770833	0	
22	N86	-0.	-.25	-7.770833	0	
23	N87A	-0.166667	-.25	-7.770833	0	
24	N88	0.166667	-.25	-7.770833	0	



Company : Maser Consulting
 Designer :
 Job Number : Project No. 10088393
 Model Name : 467142-VZW_MT_LO_H

July 22, 2021
 10:17 PM
 Checked By: _____

Joint Coordinates and Temperatures (Continued)

	Label	X [ft]	Y [ft]	Z [ft]	Temp [F]	Detach From Diap...
25	N61A	-6.729739	0	3.885417	0	
26	N62A	-6.646406	0	4.029754	0	
27	N63A	-6.813072	0	3.741079	0	
28	N64A	-6.729739	.25	3.885417	0	
29	N65A	-6.646406	.25	4.029754	0	
30	N66A	-6.813072	.25	3.741079	0	
31	N67A	-6.729739	-.25	3.885417	0	
32	N68A	-6.646406	-.25	4.029754	0	
33	N69A	-6.813072	-.25	3.741079	0	
34	N70A	6.729739	0	3.885417	0	
35	N71A	6.813072	0	3.741079	0	
36	N72A	6.646406	0	4.029754	0	
37	N73	6.729739	.25	3.885417	0	
38	N74	6.813072	.25	3.741079	0	
39	N75	6.646406	.25	4.029754	0	
40	N76	6.729739	-.25	3.885417	0	
41	N77	6.813072	-.25	3.741079	0	
42	N78	6.646406	-.25	4.029754	0	
43	N43	0.146406	0	4.029754	0	
44	N44B	0.146406	0	4.321422	0	
45	N45	0.146406	3.5	4.321422	0	
46	N46	0.146406	-2.666667	4.321422	0	
47	N47	-3.520261	0	4.029754	0	
48	N48A	-3.520261	0	4.321422	0	
49	N49	-3.520261	3.208333	4.321422	0	
50	N50	-3.520261	-2.958333	4.321422	0	
51	N51	-6.020261	0	4.029754	0	
52	N52A	-6.020261	0	4.321422	0	
53	N53	-6.020261	3.375	4.321422	0	
54	N54	-6.020261	-2.791667	4.321422	0	
55	N55	0.458333	0	-7.265652	0	
56	N56	0.710925	0	-7.411486	0	
57	N57	0.710925	3.416667	-7.411486	0	
58	N58	0.710925	-2.75	-7.411486	0	
59	N59	-6.354739	0	2.947223	0	
60	N60	-6.607331	0	2.801389	0	
61	N61	-6.607331	3.416667	2.801389	0	
62	N62	-6.607331	-2.75	2.801389	0	
63	N63	-3.521406	0	-1.960255	0	
64	N64	-3.773998	0	-2.106089	0	
65	N65	-3.773998	3.333333	-2.106089	0	
66	N66	-3.773998	-2.833333	-2.106089	0	
67	N67	-1.729739	0	-5.063512	0	
68	N68	-1.982331	0	-5.209346	0	
69	N69	-1.982331	3.375	-5.209346	0	
70	N70	-1.982331	-2.791667	-5.209346	0	
71	N71	-0.521406	0	-7.156407	0	
72	N72	-0.773998	0	-7.302241	0	
73	N73A	-0.773998	3.416667	-7.302241	0	
74	N74A	-0.773998	-2.75	-7.302241	0	
75	N75A	3.416667	0	-2.141668	0	
76	N76A	3.669258	0	-2.287502	0	
77	N77A	3.669258	3.375	-2.287502	0	
78	N78A	3.669258	-2.791667	-2.287502	0	
79	N79	5.208333	0	0.961589	0	
80	N80	5.460925	0	0.815755	0	
81	N81A	5.460925	3.375	0.815755	0	



Joint Coordinates and Temperatures (Continued)

	Label	X [ft]	Y [ft]	Z [ft]	Temp [F]	Detach From Diap...
82	N82A	5.460925	-2.791667	0.815755	0	
83	N83A	6.4375	0	3.090569	0	
84	N84A	6.690092	0	2.944735	0	
85	N85A	6.690092	3.333333	2.944735	0	
86	N86A	6.690092	-2.833333	2.944735	0	
87	N87	4.646406	0	4.029754	0	
88	N88A	-4.646406	0	4.029754	0	
89	N89	1.166667	0	-6.038783	0	
90	N90	5.813072	0	2.009028	0	
91	N91	-5.813072	0	2.009028	0	
92	N92	-1.166667	0	-6.038783	0	
93	N94	4.646406	0	2.682604	0	
94	N94A	-4.646406	0	2.682604	0	
95	N95A	-0.	0	-5.365207	0	
96	N96	6.063072	2.5	4.029754	0	
97	N97	6.063072	2.5	4.321422	0	
98	N98A	-6.749989	2.5	4.029754	0	
99	N99	6.749989	2.5	4.029754	0	
100	N100A	0.146406	2.5	4.029754	0	
101	N101	0.146406	2.5	4.321422	0	
102	N102A	-3.520261	2.5	4.029754	0	
103	N103	-3.520261	2.5	4.321422	0	
104	N104	-6.020261	2.5	4.029754	0	
105	N105	-6.020261	2.5	4.321422	0	
106	N106	6.864864	2.5	3.830785	0	
107	N107	0.114875	2.5	-7.860539	0	
108	N108	-0.114875	2.5	-7.860539	0	
109	N109	-6.864864	2.5	3.830785	0	
110	N110	0.458333	2.5	-7.265652	0	
111	N111	0.710925	2.5	-7.411486	0	
112	N112	-6.354739	2.5	2.947223	0	
113	N113	-6.607331	2.5	2.801389	0	
114	N114	-3.521406	2.5	-1.960255	0	
115	N115	-3.773998	2.5	-2.106089	0	
116	N116	-1.729739	2.5	-5.063512	0	
117	N117	-1.982331	2.5	-5.209346	0	
118	N118	-0.521406	2.5	-7.156407	0	
119	N119	-0.773998	2.5	-7.302241	0	
120	N120	3.416667	2.5	-2.141668	0	
121	N121	3.669258	2.5	-2.287502	0	
122	N122	5.208333	2.5	0.961589	0	
123	N123	5.460925	2.5	0.815755	0	
124	N124	6.4375	2.5	3.090569	0	
125	N125	6.690092	2.5	2.944735	0	
126	N126	4.749989	2.5	4.029754	0	
127	N127	4.749989	2.5	3.904754	0	
128	N128	-4.749989	2.5	4.029754	0	
129	N129	-4.749989	2.5	3.904754	0	
130	N130	1.114875	2.5	-6.128488	0	
131	N131	1.006622	2.5	-6.065988	0	
132	N132	5.864864	2.5	2.098734	0	
133	N133	5.756611	2.5	2.161234	0	
134	N134	-5.864864	2.5	2.098734	0	
135	N135	-5.756611	2.5	2.161234	0	
136	N136	-1.114875	2.5	-6.128488	0	
137	N137	-1.006622	2.5	-6.065988	0	
138	N138	-0.	-3.5	-1.020833	0	



Joint Coordinates and Temperatures (Continued)

	Label	X [ft]	Y [ft]	Z [ft]	Temp [F]	Detach From Diap...
139	N139	-0.	0	-4.520833	0	
140	N140	-0.884068	-3.5	0.510417	0	
141	N141	-3.915157	0	2.260417	0	
142	N142	0.884068	-3.5	0.510417	0	
143	N143	3.915157	0	2.260417	0	

Hot Rolled Steel Section Sets

	Label	Shape	Type	Design List	Material	Design ...	A [in2]	Iyy [in4]	Izz [in4]	J [in4]
1	Face Horizontal	HSS4X4X4	Beam	SquareTube	A500 Gr.B Rect	Typical	3.37	7.8	7.8	12.8
2	Standoff Horizontal	HSS4X4X4	Beam	SquareTube	A500 Gr.B Rect	Typical	3.37	7.8	7.8	12.8
3	Mount Pipe	PIPE 2.0	Column	Pipe	A53 Gr.B	Typical	1.02	.627	.627	1.25
4	Mod Dual Antenna Mo...	PIPE 2.5	Column	Pipe	A53 Gr.B	Typical	1.61	1.45	1.45	2.89
5	Mod Support Rail	PIPE 2.5	Beam	Pipe	A53 Gr.B	Typical	1.61	1.45	1.45	2.89
6	Mod Support Rail Cor...	L3X3X4	Beam	Single Angle	A36 Gr.36	Typical	1.44	1.23	1.23	.031
7	Mod Kicker	LL3x3x3x6	Column	Double Angle (3/...	A36 Gr.36	Typical	2.18	4.97	1.9	.027

Hot Rolled Steel Properties

	Label	E [ksi]	G [ksi]	Nu	Therm (/1...	Density[k/ft^3]	Yield[ksi]	Ry	Fu[ksi]	Rt
1	A992	29000	11154	.3	.65	.49	50	1.1	65	1.1
2	A36 Gr.36	29000	11154	.3	.65	.49	36	1.5	58	1.2
3	A572 Gr.50	29000	11154	.3	.65	.49	50	1.1	65	1.1
4	A500 Gr.B RND	29000	11154	.3	.65	.527	42	1.4	58	1.3
5	A500 Gr.B Rect	29000	11154	.3	.65	.527	46	1.4	58	1.3
6	A53 Gr.B	29000	11154	.3	.65	.49	35	1.6	60	1.2
7	A1085	29000	11154	.3	.65	.49	50	1.4	65	1.3
8	Q235	29000	11154	.3	.65	.49	35	1.5	58	1.2

Member Primary Data

	Label	I Joint	J Joint	K Joint	Rotate(deg)	Section/Shape	Type	Design List	Material	Design Rules
1	M4	N3	N27			Standoff Horiz...	Beam	SquareTube	A500 Gr.B...	Typical
2	M42	N62A	N72A			Face Horizontal	Beam	SquareTube	A500 Gr.B...	Typical
3	M46	N41	N44			RIGID	None	None	RIGID	Typical
4	MP1A	N48	N52			Mount Pipe	Column	Pipe	A53 Gr.B	Typical
5	M23	N31	N32			Standoff Horiz...	Beam	SquareTube	A500 Gr.B...	Typical
6	M36	N43A	N44A			Standoff Horiz...	Beam	SquareTube	A500 Gr.B...	Typical
7	M71A	N95	N98			RIGID	None	None	RIGID	Typical
8	OVP	N100	N102			Mount Pipe	Column	Pipe	A53 Gr.B	Typical
9	M75	N82	N51A			RIGID	None	None	RIGID	Typical
10	M76	N81	N51A			RIGID	None	None	RIGID	Typical
11	M77	N85	N83			RIGID	None	None	RIGID	Typical
12	M78	N84	N83			RIGID	None	None	RIGID	Typical
13	M79	N88	N86			RIGID	None	None	RIGID	Typical
14	M80	N87A	N86			RIGID	None	None	RIGID	Typical
15	M81	N83	N51A			RIGID	None	None	RIGID	Typical
16	M82	N86	N51A			RIGID	None	None	RIGID	Typical
17	M83	N82	N85			RIGID	None	None	RIGID	Typical
18	M84	N81	N84			RIGID	None	None	RIGID	Typical
19	M85	N82	N88			RIGID	None	None	RIGID	Typical
20	M86	N81	N87A			RIGID	None	None	RIGID	Typical
21	M51A	N63A	N61A			RIGID	None	None	RIGID	Typical
22	M52A	N62A	N61A			RIGID	None	None	RIGID	Typical
23	M53A	N66A	N64A			RIGID	None	None	RIGID	Typical

Member Primary Data (Continued)

	Label	I Joint	J Joint	K Joint	Rotate(deg)	Section/Shape	Type	Design List	Material	Design Rules
24	M54A	N65A	N64A			RIGID	None	None	RIGID	Typical
25	M55A	N69A	N67A			RIGID	None	None	RIGID	Typical
26	M56A	N68A	N67A			RIGID	None	None	RIGID	Typical
27	M57A	N64A	N61A			RIGID	None	None	RIGID	Typical
28	M58A	N67A	N61A			RIGID	None	None	RIGID	Typical
29	M59A	N63A	N66A			RIGID	None	None	RIGID	Typical
30	M60A	N62A	N65A			RIGID	None	None	RIGID	Typical
31	M61A	N63A	N69A			RIGID	None	None	RIGID	Typical
32	M62A	N62A	N68A			RIGID	None	None	RIGID	Typical
33	M63A	N72A	N70A			RIGID	None	None	RIGID	Typical
34	M64A	N71A	N70A			RIGID	None	None	RIGID	Typical
35	M65A	N75	N73			RIGID	None	None	RIGID	Typical
36	M66A	N74	N73			RIGID	None	None	RIGID	Typical
37	M67A	N78	N76			RIGID	None	None	RIGID	Typical
38	M68A	N77	N76			RIGID	None	None	RIGID	Typical
39	M69A	N73	N70A			RIGID	None	None	RIGID	Typical
40	M70A	N76	N70A			RIGID	None	None	RIGID	Typical
41	M71B	N72A	N75			RIGID	None	None	RIGID	Typical
42	M72A	N71A	N74			RIGID	None	None	RIGID	Typical
43	M73	N72A	N78			RIGID	None	None	RIGID	Typical
44	M74	N71A	N77			RIGID	None	None	RIGID	Typical
45	M75A	N71A	N82			Face Horizontal	Beam	SquareTube	A500 Gr.B...	Typical
46	M76A	N81	N63A			Face Horizontal	Beam	SquareTube	A500 Gr.B...	Typical
47	M47	N43	N44B			RIGID	None	None	RIGID	Typical
48	MP2A	N45	N46			Mod Dual Ante...	Column	Pipe	A53 Gr.B	Typical
49	M49	N47	N48A			RIGID	None	None	RIGID	Typical
50	MP3A	N49	N50			Mount Pipe	Column	Pipe	A53 Gr.B	Typical
51	M51	N51	N52A			RIGID	None	None	RIGID	Typical
52	MP4A	N53	N54			Mount Pipe	Column	Pipe	A53 Gr.B	Typical
53	M53	N55	N56			RIGID	None	None	RIGID	Typical
54	MP1C	N57	N58			Mount Pipe	Column	Pipe	A53 Gr.B	Typical
55	M55	N59	N60			RIGID	None	None	RIGID	Typical
56	MP1B	N61	N62			Mount Pipe	Column	Pipe	A53 Gr.B	Typical
57	M57	N63	N64			RIGID	None	None	RIGID	Typical
58	MP2B	N65	N66			Mod Dual Ante...	Column	Pipe	A53 Gr.B	Typical
59	M59	N67	N68			RIGID	None	None	RIGID	Typical
60	MP3B	N69	N70			Mount Pipe	Column	Pipe	A53 Gr.B	Typical
61	M61	N71	N72			RIGID	None	None	RIGID	Typical
62	MP4B	N73A	N74A			Mount Pipe	Column	Pipe	A53 Gr.B	Typical
63	M63	N75A	N76A			RIGID	None	None	RIGID	Typical
64	MP2C	N77A	N78A			Mod Dual Ante...	Column	Pipe	A53 Gr.B	Typical
65	M65	N79	N80			RIGID	None	None	RIGID	Typical
66	MP3C	N81A	N82A			Mount Pipe	Column	Pipe	A53 Gr.B	Typical
67	M67	N83A	N84A			RIGID	None	None	RIGID	Typical
68	MP4C	N85A	N86A			Mount Pipe	Column	Pipe	A53 Gr.B	Typical
69	M69	N98A	N99			Mod Support ...	Beam	Pipe	A53 Gr.B	Typical
70	M70	N96	N97			RIGID	None	None	RIGID	Typical
71	M71	N100A	N101			RIGID	None	None	RIGID	Typical
72	M72	N102A	N103			RIGID	None	None	RIGID	Typical
73	M73A	N104	N105			RIGID	None	None	RIGID	Typical
74	M74A	N106	N107			Mod Support ...	Beam	Pipe	A53 Gr.B	Typical
75	M75B	N108	N109			Mod Support ...	Beam	Pipe	A53 Gr.B	Typical
76	M76B	N110	N111			RIGID	None	None	RIGID	Typical
77	M77A	N112	N113			RIGID	None	None	RIGID	Typical
78	M78A	N114	N115			RIGID	None	None	RIGID	Typical
79	M79A	N116	N117			RIGID	None	None	RIGID	Typical
80	M80A	N118	N119			RIGID	None	None	RIGID	Typical



Company : Maser Consulting
 Designer :
 Job Number : Project No. 10088393
 Model Name : 467142-VZW_MT_LO_H

July 22, 2021
 10:17 PM
 Checked By: _____

Member Primary Data (Continued)

	Label	I Joint	J Joint	K Joint	Rotate(deg)	Section/Shape	Type	Design List	Material	Design Rules
81	M81A	N120	N121			RIGID	None	None	RIGID	Typical
82	M82A	N122	N123			RIGID	None	None	RIGID	Typical
83	M83A	N124	N125			RIGID	None	None	RIGID	Typical
84	M84A	N126	N127			RIGID	None	None	RIGID	Typical
85	M85A	N128	N129			RIGID	None	None	RIGID	Typical
86	M86A	N130	N131			RIGID	None	None	RIGID	Typical
87	M87	N132	N133			RIGID	None	None	RIGID	Typical
88	M88	N134	N135			RIGID	None	None	RIGID	Typical
89	M89	N136	N137			RIGID	None	None	RIGID	Typical
90	M90	N127	N133		180	Mod Support ...	Beam	Single Angle	A36 Gr.36	Typical
91	M91	N131	N137		180	Mod Support ...	Beam	Single Angle	A36 Gr.36	Typical
92	M92	N135	N129		180	Mod Support ...	Beam	Single Angle	A36 Gr.36	Typical
93	M93	N138	N139			Mod Kicker	Column	Double Angle (...)	A36 Gr.36	Typical
94	M94	N140	N141			Mod Kicker	Column	Double Angle (...)	A36 Gr.36	Typical
95	M95	N142	N143			Mod Kicker	Column	Double Angle (...)	A36 Gr.36	Typical

Member Advanced Data

	Label	I Release	J Release	I Offset[in]	J Offset[in]	T/C Only	Physical	Defl Rat...	Analysis ...	Inactive	Seismic...
1	M4						Yes				None
2	M42						Yes				None
3	M46						Yes	** NA **			None
4	MP1A						Yes	** NA **			None
5	M23						Yes				None
6	M36						Yes				None
7	M71A						Yes	** NA **			None
8	OVP						Yes	** NA **			None
9	M75		BenPIN				Yes	** NA **			None
10	M76		BenPIN				Yes	** NA **			None
11	M77						Yes	** NA **			None
12	M78						Yes	** NA **			None
13	M79						Yes	** NA **			None
14	M80						Yes	** NA **			None
15	M81		BenPIN				Yes	** NA **			None
16	M82		BenPIN				Yes	** NA **			None
17	M83						Yes	** NA **			None
18	M84						Yes	** NA **			None
19	M85						Yes	** NA **			None
20	M86						Yes	** NA **			None
21	M51A		BenPIN				Yes	** NA **			None
22	M52A		BenPIN				Yes	** NA **			None
23	M53A						Yes	** NA **			None
24	M54A						Yes	** NA **			None
25	M55A						Yes	** NA **			None
26	M56A						Yes	** NA **			None
27	M57A		BenPIN				Yes	** NA **			None
28	M58A		BenPIN				Yes	** NA **			None
29	M59A						Yes	** NA **			None
30	M60A						Yes	** NA **			None
31	M61A						Yes	** NA **			None
32	M62A						Yes	** NA **			None
33	M63A		BenPIN				Yes	** NA **			None
34	M64A		BenPIN				Yes	** NA **			None
35	M65A						Yes	** NA **			None
36	M66A						Yes	** NA **			None
37	M67A						Yes	** NA **			None



Company : Maser Consulting
 Designer :
 Job Number : Project No. 10088393
 Model Name : 467142-VZW_MT_LO_H

July 22, 2021
 10:17 PM
 Checked By: _____

Member Advanced Data (Continued)

	Label	I Release	J Release	I Offset[in]	J Offset[in]	T/C Only	Physical	Defl Rat...	Analysis ...	Inactive	Seismic...
38	M68A						Yes	** NA **			None
39	M69A		BenPIN				Yes	** NA **			None
40	M70A		BenPIN				Yes	** NA **			None
41	M71B						Yes	** NA **			None
42	M72A						Yes	** NA **			None
43	M73						Yes	** NA **			None
44	M74						Yes	** NA **			None
45	M75A						Yes				None
46	M76A						Yes				None
47	M47						Yes	** NA **			None
48	MP2A						Yes	** NA **			None
49	M49						Yes	** NA **			None
50	MP3A						Yes	** NA **			None
51	M51						Yes	** NA **			None
52	MP4A						Yes	** NA **			None
53	M53						Yes	** NA **			None
54	MP1C						Yes	** NA **			None
55	M55						Yes	** NA **			None
56	MP1B						Yes	** NA **			None
57	M57						Yes	** NA **			None
58	MP2B						Yes	** NA **			None
59	M59						Yes	** NA **			None
60	MP3B						Yes	** NA **			None
61	M61						Yes	** NA **			None
62	MP4B						Yes	** NA **			None
63	M63						Yes	** NA **			None
64	MP2C						Yes	** NA **			None
65	M65						Yes	** NA **			None
66	MP3C						Yes	** NA **			None
67	M67						Yes	** NA **			None
68	MP4C						Yes	** NA **			None
69	M69						Yes				None
70	M70						Yes	** NA **			None
71	M71						Yes	** NA **			None
72	M72						Yes	** NA **			None
73	M73A						Yes	** NA **			None
74	M74A						Yes				None
75	M75B						Yes	Default			None
76	M76B						Yes	** NA **			None
77	M77A						Yes	** NA **			None
78	M78A						Yes	** NA **			None
79	M79A						Yes	** NA **			None
80	M80A						Yes	** NA **			None
81	M81A						Yes	** NA **			None
82	M82A						Yes	** NA **			None
83	M83A						Yes	** NA **			None
84	M84A	OOOOOX					Yes	** NA **			None
85	M85A	OOOOOX					Yes	** NA **			None
86	M86A	OOOOOX					Yes	** NA **			None
87	M87	OOOOOX					Yes	** NA **			None
88	M88	OOOOOX					Yes	** NA **			None
89	M89	OOOOOX					Yes	** NA **			None
90	M90						Yes	Default			None
91	M91						Yes	Default			None
92	M92						Yes	Default			None
93	M93	BenPIN	BenPIN				Yes	** NA **			None
94	M94	BenPIN	BenPIN				Yes	** NA **			None



Member Advanced Data (Continued)

Label	I Release	J Release	I Offset[in]	J Offset[in]	T/C Only	Physical	Defl Rat..	Analysis ...	Inactive	Seismic...
95	M95	BenPIN	BenPIN			Yes	** NA **			None

Member Point Loads (BLC 1 : Antenna D)

	Member Label	Direction	Magnitude[lb.k-ft]	Location[ft,%]
1	MP3A	Y	-20	1.5
2	MP3A	My	-.01	1.5
3	MP3A	Mz	0	1.5
4	MP3A	Y	-20	5.5
5	MP3A	My	-.01	5.5
6	MP3A	Mz	0	5.5
7	MP3B	Y	-20	1.5
8	MP3B	My	.005	1.5
9	MP3B	Mz	-.009	1.5
10	MP3B	Y	-20	5.5
11	MP3B	My	.005	5.5
12	MP3B	Mz	-.009	5.5
13	MP3C	Y	-20	1.5
14	MP3C	My	.005	1.5
15	MP3C	Mz	.009	1.5
16	MP3C	Y	-20	5.5
17	MP3C	My	.005	5.5
18	MP3C	Mz	.009	5.5
19	MP2A	Y	-39	1.5
20	MP2A	My	-.019	1.5
21	MP2A	Mz	.026	1.5
22	MP2A	Y	-39	5.5
23	MP2A	My	-.019	5.5
24	MP2A	Mz	.026	5.5
25	MP2B	Y	-39	1.5
26	MP2B	My	-.013	1.5
27	MP2B	Mz	-.03	1.5
28	MP2B	Y	-39	5.5
29	MP2B	My	-.013	5.5
30	MP2B	Mz	-.03	5.5
31	MP2C	Y	-39	1.5
32	MP2C	My	.032	1.5
33	MP2C	Mz	.004	1.5
34	MP2C	Y	-39	5.5
35	MP2C	My	.032	5.5
36	MP2C	Mz	.004	5.5
37	MP2A	Y	-39	1.5
38	MP2A	My	-.019	1.5
39	MP2A	Mz	-.026	1.5
40	MP2A	Y	-39	5.5
41	MP2A	My	-.019	5.5
42	MP2A	Mz	-.026	5.5
43	MP2B	Y	-39	1.5
44	MP2B	My	.032	1.5
45	MP2B	Mz	-.004	1.5
46	MP2B	Y	-39	5.5
47	MP2B	My	.032	5.5
48	MP2B	Mz	-.004	5.5
49	MP2C	Y	-39	1.5
50	MP2C	My	-.013	1.5
51	MP2C	Mz	.03	1.5



Member Point Loads (BLC 1 : Antenna D) (Continued)

Member Label	Direction	Magnitude[lb.k-ft]	Location[ft.%]	
52	MP2C	Y	-39	5.5
53	MP2C	My	-.013	5.5
54	MP2C	Mz	.03	5.5
55	MP1A	Y	-18.7	4.75
56	MP1A	My	-.005	4.75
57	MP1A	Mz	0	4.75
58	MP1B	Y	-18.7	4.75
59	MP1B	My	.002	4.75
60	MP1B	Mz	-.004	4.75
61	MP1C	Y	-18.7	4.75
62	MP1C	My	.002	4.75
63	MP1C	Mz	.004	4.75
64	MP1A	Y	-43.55	.75
65	MP1A	My	-.022	.75
66	MP1A	Mz	0	.75
67	MP1A	Y	-43.55	2.75
68	MP1A	My	-.022	2.75
69	MP1A	Mz	0	2.75
70	MP1B	Y	-43.55	.75
71	MP1B	My	.011	.75
72	MP1B	Mz	-.019	.75
73	MP1B	Y	-43.55	2.75
74	MP1B	My	.011	2.75
75	MP1B	Mz	-.019	2.75
76	MP1C	Y	-43.55	.75
77	MP1C	My	.011	.75
78	MP1C	Mz	.019	.75
79	MP1C	Y	-43.55	2.75
80	MP1C	My	.011	2.75
81	MP1C	Mz	.019	2.75
82	MP2A	Y	-84.4	2.5
83	MP2A	My	.042	2.5
84	MP2A	Mz	0	2.5
85	MP2B	Y	-84.4	2.5
86	MP2B	My	-.021	2.5
87	MP2B	Mz	.037	2.5
88	MP2C	Y	-84.4	2.5
89	MP2C	My	-.021	2.5
90	MP2C	Mz	-.037	2.5
91	MP3A	Y	-70.3	2.5
92	MP3A	My	.035	2.5
93	MP3A	Mz	0	2.5
94	MP3B	Y	-70.3	2.5
95	MP3B	My	-.018	2.5
96	MP3B	Mz	.03	2.5
97	MP3C	Y	-70.3	2.5
98	MP3C	My	-.018	2.5
99	MP3C	Mz	-.03	2.5
100	OVP	Y	-32	1
101	OVP	My	0	1
102	OVP	Mz	0	1

Member Point Loads (BLC 2 : Antenna Di)

Member Label	Direction	Magnitude[lb.k-ft]	Location[ft.%]	
1	MP3A	Y	-53.28	1.5
2	MP3A	My	-.027	1.5



Member Point Loads (BLC 2 : Antenna Di) (Continued)

Member Label	Direction	Magnitude[lb.k-ft]	Location[ft.%]	
3	MP3A	Mz	0	1.5
4	MP3A	Y	-53.28	5.5
5	MP3A	My	-.027	5.5
6	MP3A	Mz	0	5.5
7	MP3B	Y	-53.28	1.5
8	MP3B	My	.013	1.5
9	MP3B	Mz	-.023	1.5
10	MP3B	Y	-53.28	5.5
11	MP3B	My	.013	5.5
12	MP3B	Mz	-.023	5.5
13	MP3C	Y	-53.28	1.5
14	MP3C	My	.013	1.5
15	MP3C	Mz	.023	1.5
16	MP3C	Y	-53.28	5.5
17	MP3C	My	.013	5.5
18	MP3C	Mz	.023	5.5
19	MP2A	Y	-72.148	1.5
20	MP2A	My	-.036	1.5
21	MP2A	Mz	.048	1.5
22	MP2A	Y	-72.148	5.5
23	MP2A	My	-.036	5.5
24	MP2A	Mz	.048	5.5
25	MP2B	Y	-72.148	1.5
26	MP2B	My	-.024	1.5
27	MP2B	Mz	-.055	1.5
28	MP2B	Y	-72.148	5.5
29	MP2B	My	-.024	5.5
30	MP2B	Mz	-.055	5.5
31	MP2C	Y	-72.148	1.5
32	MP2C	My	.06	1.5
33	MP2C	Mz	.007	1.5
34	MP2C	Y	-72.148	5.5
35	MP2C	My	.06	5.5
36	MP2C	Mz	.007	5.5
37	MP2A	Y	-72.148	1.5
38	MP2A	My	-.036	1.5
39	MP2A	Mz	-.048	1.5
40	MP2A	Y	-72.148	5.5
41	MP2A	My	-.036	5.5
42	MP2A	Mz	-.048	5.5
43	MP2B	Y	-72.148	1.5
44	MP2B	My	.06	1.5
45	MP2B	Mz	-.007	1.5
46	MP2B	Y	-72.148	5.5
47	MP2B	My	.06	5.5
48	MP2B	Mz	-.007	5.5
49	MP2C	Y	-72.148	1.5
50	MP2C	My	-.024	1.5
51	MP2C	Mz	.055	1.5
52	MP2C	Y	-72.148	5.5
53	MP2C	My	-.024	5.5
54	MP2C	Mz	.055	5.5
55	MP1A	Y	-17.111	4.75
56	MP1A	My	-.004	4.75
57	MP1A	Mz	0	4.75
58	MP1B	Y	-17.111	4.75
59	MP1B	My	.002	4.75



Member Point Loads (BLC 2 : Antenna Di) (Continued)

Member Label	Direction	Magnitude[lb.k-ft]	Location[ft.%]
60	MP1B	Mz	4.75
61	MP1C	Y	4.75
62	MP1C	My	4.75
63	MP1C	Mz	4.75
64	MP1A	Y	.75
65	MP1A	My	.75
66	MP1A	Mz	.75
67	MP1A	Y	2.75
68	MP1A	My	2.75
69	MP1A	Mz	2.75
70	MP1B	Y	.75
71	MP1B	My	.75
72	MP1B	Mz	.75
73	MP1B	Y	2.75
74	MP1B	My	2.75
75	MP1B	Mz	2.75
76	MP1C	Y	.75
77	MP1C	My	.75
78	MP1C	Mz	.75
79	MP1C	Y	2.75
80	MP1C	My	2.75
81	MP1C	Mz	2.75
82	MP2A	Y	2.5
83	MP2A	My	2.5
84	MP2A	Mz	2.5
85	MP2B	Y	2.5
86	MP2B	My	2.5
87	MP2B	Mz	2.5
88	MP2C	Y	2.5
89	MP2C	My	2.5
90	MP2C	Mz	2.5
91	MP3A	Y	2.5
92	MP3A	My	2.5
93	MP3A	Mz	2.5
94	MP3B	Y	2.5
95	MP3B	My	2.5
96	MP3B	Mz	2.5
97	MP3C	Y	2.5
98	MP3C	My	2.5
99	MP3C	Mz	2.5
100	OVP	Y	1
101	OVP	My	1
102	OVP	Mz	1

Member Point Loads (BLC 3 : Antenna Wo (0 Deg))

Member Label	Direction	Magnitude[lb.k-ft]	Location[ft.%]
1	MP3A	X	1.5
2	MP3A	Z	1.5
3	MP3A	Mx	1.5
4	MP3A	X	5.5
5	MP3A	Z	5.5
6	MP3A	Mx	5.5
7	MP3B	X	1.5
8	MP3B	Z	1.5
9	MP3B	Mx	1.5
10	MP3B	X	5.5



Member Point Loads (BLC 3 : Antenna Wo (0 Deg)) (Continued)

Member Label	Direction	Magnitude[lb.k-ft]	Location[ft.%]	
11	MP3B	Z	-69.889	5.5
12	MP3B	Mx	.03	5.5
13	MP3C	X	0	1.5
14	MP3C	Z	-69.889	1.5
15	MP3C	Mx	-.03	1.5
16	MP3C	X	0	5.5
17	MP3C	Z	-69.889	5.5
18	MP3C	Mx	-.03	5.5
19	MP2A	X	0	1.5
20	MP2A	Z	-113.32	1.5
21	MP2A	Mx	-.076	1.5
22	MP2A	X	0	5.5
23	MP2A	Z	-113.32	5.5
24	MP2A	Mx	-.076	5.5
25	MP2B	X	0	1.5
26	MP2B	Z	-91.517	1.5
27	MP2B	Mx	.07	1.5
28	MP2B	X	0	5.5
29	MP2B	Z	-91.517	5.5
30	MP2B	Mx	.07	5.5
31	MP2C	X	0	1.5
32	MP2C	Z	-91.517	1.5
33	MP2C	Mx	-.009	1.5
34	MP2C	X	0	5.5
35	MP2C	Z	-91.517	5.5
36	MP2C	Mx	-.009	5.5
37	MP2A	X	0	1.5
38	MP2A	Z	-113.32	1.5
39	MP2A	Mx	.076	1.5
40	MP2A	X	0	5.5
41	MP2A	Z	-113.32	5.5
42	MP2A	Mx	.076	5.5
43	MP2B	X	0	1.5
44	MP2B	Z	-91.517	1.5
45	MP2B	Mx	.009	1.5
46	MP2B	X	0	5.5
47	MP2B	Z	-91.517	5.5
48	MP2B	Mx	.009	5.5
49	MP2C	X	0	1.5
50	MP2C	Z	-91.517	1.5
51	MP2C	Mx	-.07	1.5
52	MP2C	X	0	5.5
53	MP2C	Z	-91.517	5.5
54	MP2C	Mx	-.07	5.5
55	MP1A	X	0	4.75
56	MP1A	Z	-22.963	4.75
57	MP1A	Mx	0	4.75
58	MP1B	X	0	4.75
59	MP1B	Z	-14.37	4.75
60	MP1B	Mx	.003	4.75
61	MP1C	X	0	4.75
62	MP1C	Z	-14.37	4.75
63	MP1C	Mx	-.003	4.75
64	MP1A	X	0	.75
65	MP1A	Z	-54.532	.75
66	MP1A	Mx	0	.75
67	MP1A	X	0	2.75



Member Point Loads (BLC 3 : Antenna Wo (0 Deg)) (Continued)

	Member Label	Direction	Magnitude[lb.k-ft]	Location[ft.%]
68	MP1A	Z	-54.532	2.75
69	MP1A	Mx	0	2.75
70	MP1B	X	0	.75
71	MP1B	Z	-29.645	.75
72	MP1B	Mx	.013	.75
73	MP1B	X	0	2.75
74	MP1B	Z	-29.645	2.75
75	MP1B	Mx	.013	2.75
76	MP1C	X	0	.75
77	MP1C	Z	-29.645	.75
78	MP1C	Mx	-.013	.75
79	MP1C	X	0	2.75
80	MP1C	Z	-29.645	2.75
81	MP1C	Mx	-.013	2.75
82	MP2A	X	0	2.5
83	MP2A	Z	-42.94	2.5
84	MP2A	Mx	0	2.5
85	MP2B	X	0	2.5
86	MP2B	Z	-32.262	2.5
87	MP2B	Mx	-.014	2.5
88	MP2C	X	0	2.5
89	MP2C	Z	-32.262	2.5
90	MP2C	Mx	.014	2.5
91	MP3A	X	0	2.5
92	MP3A	Z	-42.94	2.5
93	MP3A	Mx	0	2.5
94	MP3B	X	0	2.5
95	MP3B	Z	-28.172	2.5
96	MP3B	Mx	-.012	2.5
97	MP3C	X	0	2.5
98	MP3C	Z	-28.172	2.5
99	MP3C	Mx	.012	2.5
100	OVP	X	0	1
101	OVP	Z	-93.228	1
102	OVP	Mx	0	1

Member Point Loads (BLC 4 : Antenna Wo (30 Deg))

	Member Label	Direction	Magnitude[lb.k-ft]	Location[ft.%]
1	MP3A	X	42.877	1.5
2	MP3A	Z	-74.265	1.5
3	MP3A	Mx	-.021	1.5
4	MP3A	X	42.877	5.5
5	MP3A	Z	-74.265	5.5
6	MP3A	Mx	-.021	5.5
7	MP3B	X	30.978	1.5
8	MP3B	Z	-53.655	1.5
9	MP3B	Mx	.031	1.5
10	MP3B	X	30.978	5.5
11	MP3B	Z	-53.655	5.5
12	MP3B	Mx	.031	5.5
13	MP3C	X	42.877	1.5
14	MP3C	Z	-74.265	1.5
15	MP3C	Mx	-.021	1.5
16	MP3C	X	42.877	5.5
17	MP3C	Z	-74.265	5.5
18	MP3C	Mx	-.021	5.5



Company : Maser Consulting
 Designer :
 Job Number : Project No. 10088393
 Model Name : 467142-VZW_MT_LO_H

July 22, 2021
 10:17 PM
 Checked By: _____

Member Point Loads (BLC 4 : Antenna Wo (30 Deg)) (Continued)

Member Label	Direction	Magnitude[lb.k-ft]	Location[ft.%]	
19	MP2A	X	53.026	1.5
20	MP2A	Z	-91.844	1.5
21	MP2A	Mx	-.088	1.5
22	MP2A	X	53.026	5.5
23	MP2A	Z	-91.844	5.5
24	MP2A	Mx	-.088	5.5
25	MP2B	X	42.124	1.5
26	MP2B	Z	-72.962	1.5
27	MP2B	Mx	.042	1.5
28	MP2B	X	42.124	5.5
29	MP2B	Z	-72.962	5.5
30	MP2B	Mx	.042	5.5
31	MP2C	X	53.026	1.5
32	MP2C	Z	-91.844	1.5
33	MP2C	Mx	.035	1.5
34	MP2C	X	53.026	5.5
35	MP2C	Z	-91.844	5.5
36	MP2C	Mx	.035	5.5
37	MP2A	X	53.026	1.5
38	MP2A	Z	-91.844	1.5
39	MP2A	Mx	.035	1.5
40	MP2A	X	53.026	5.5
41	MP2A	Z	-91.844	5.5
42	MP2A	Mx	.035	5.5
43	MP2B	X	42.124	1.5
44	MP2B	Z	-72.962	1.5
45	MP2B	Mx	.042	1.5
46	MP2B	X	42.124	5.5
47	MP2B	Z	-72.962	5.5
48	MP2B	Mx	.042	5.5
49	MP2C	X	53.026	1.5
50	MP2C	Z	-91.844	1.5
51	MP2C	Mx	-.088	1.5
52	MP2C	X	53.026	5.5
53	MP2C	Z	-91.844	5.5
54	MP2C	Mx	-.088	5.5
55	MP1A	X	10.049	4.75
56	MP1A	Z	-17.406	4.75
57	MP1A	Mx	-.003	4.75
58	MP1B	X	5.753	4.75
59	MP1B	Z	-9.965	4.75
60	MP1B	Mx	.003	4.75
61	MP1C	X	10.049	4.75
62	MP1C	Z	-17.406	4.75
63	MP1C	Mx	-.003	4.75
64	MP1A	X	23.118	.75
65	MP1A	Z	-40.042	.75
66	MP1A	Mx	-.012	.75
67	MP1A	X	23.118	2.75
68	MP1A	Z	-40.042	2.75
69	MP1A	Mx	-.012	2.75
70	MP1B	X	10.675	.75
71	MP1B	Z	-18.489	.75
72	MP1B	Mx	.011	.75
73	MP1B	X	10.675	2.75
74	MP1B	Z	-18.489	2.75
75	MP1B	Mx	.011	2.75



Company : Maser Consulting
 Designer :
 Job Number : Project No. 10088393
 Model Name : 467142-VZW_MT_LO_H

July 22, 2021
 10:17 PM
 Checked By: _____

Member Point Loads (BLC 4 : Antenna Wo (30 Deg)) (Continued)

	Member Label	Direction	Magnitude[lb.k-ft]	Location[ft,%]
76	MP1C	X	23.118	.75
77	MP1C	Z	-40.042	.75
78	MP1C	Mx	-.012	.75
79	MP1C	X	23.118	2.75
80	MP1C	Z	-40.042	2.75
81	MP1C	Mx	-.012	2.75
82	MP2A	X	19.69	2.5
83	MP2A	Z	-34.105	2.5
84	MP2A	Mx	.01	2.5
85	MP2B	X	14.352	2.5
86	MP2B	Z	-24.858	2.5
87	MP2B	Mx	-.014	2.5
88	MP2C	X	19.69	2.5
89	MP2C	Z	-34.105	2.5
90	MP2C	Mx	.01	2.5
91	MP3A	X	19.009	2.5
92	MP3A	Z	-32.924	2.5
93	MP3A	Mx	.01	2.5
94	MP3B	X	11.625	2.5
95	MP3B	Z	-20.135	2.5
96	MP3B	Mx	-.012	2.5
97	MP3C	X	19.009	2.5
98	MP3C	Z	-32.924	2.5
99	MP3C	Mx	.01	2.5
100	OVP	X	43.851	1
101	OVP	Z	-75.953	1
102	OVP	Mx	0	1

Member Point Loads (BLC 5 : Antenna Wo (60 Deg))

	Member Label	Direction	Magnitude[lb.k-ft]	Location[ft,%]
1	MP3A	X	60.525	1.5
2	MP3A	Z	-34.944	1.5
3	MP3A	Mx	-.03	1.5
4	MP3A	X	60.525	5.5
5	MP3A	Z	-34.944	5.5
6	MP3A	Mx	-.03	5.5
7	MP3B	X	60.525	1.5
8	MP3B	Z	-34.944	1.5
9	MP3B	Mx	.03	1.5
10	MP3B	X	60.525	5.5
11	MP3B	Z	-34.944	5.5
12	MP3B	Mx	.03	5.5
13	MP3C	X	81.135	1.5
14	MP3C	Z	-46.844	1.5
15	MP3C	Mx	0	1.5
16	MP3C	X	81.135	5.5
17	MP3C	Z	-46.844	5.5
18	MP3C	Mx	0	5.5
19	MP2A	X	79.256	1.5
20	MP2A	Z	-45.758	1.5
21	MP2A	Mx	-.07	1.5
22	MP2A	X	79.256	5.5
23	MP2A	Z	-45.758	5.5
24	MP2A	Mx	-.07	5.5
25	MP2B	X	79.256	1.5
26	MP2B	Z	-45.758	1.5



Member Point Loads (BLC 5 : Antenna Wo (60 Deg)) (Continued)

Member Label	Direction	Magnitude[lb.k-ft]	Location[ft.%]	
27	MP2B	Mx	.009	1.5
28	MP2B	X	79.256	5.5
29	MP2B	Z	-45.758	5.5
30	MP2B	Mx	.009	5.5
31	MP2C	X	98.138	1.5
32	MP2C	Z	-56.66	1.5
33	MP2C	Mx	.076	1.5
34	MP2C	X	98.138	5.5
35	MP2C	Z	-56.66	5.5
36	MP2C	Mx	.076	5.5
37	MP2A	X	79.256	1.5
38	MP2A	Z	-45.758	1.5
39	MP2A	Mx	-.009	1.5
40	MP2A	X	79.256	5.5
41	MP2A	Z	-45.758	5.5
42	MP2A	Mx	-.009	5.5
43	MP2B	X	79.256	1.5
44	MP2B	Z	-45.758	1.5
45	MP2B	Mx	.07	1.5
46	MP2B	X	79.256	5.5
47	MP2B	Z	-45.758	5.5
48	MP2B	Mx	.07	5.5
49	MP2C	X	98.138	1.5
50	MP2C	Z	-56.66	1.5
51	MP2C	Mx	-.076	1.5
52	MP2C	X	98.138	5.5
53	MP2C	Z	-56.66	5.5
54	MP2C	Mx	-.076	5.5
55	MP1A	X	12.445	4.75
56	MP1A	Z	-7.185	4.75
57	MP1A	Mx	-.003	4.75
58	MP1B	X	12.445	4.75
59	MP1B	Z	-7.185	4.75
60	MP1B	Mx	.003	4.75
61	MP1C	X	19.886	4.75
62	MP1C	Z	-11.481	4.75
63	MP1C	Mx	0	4.75
64	MP1A	X	25.673	.75
65	MP1A	Z	-14.823	.75
66	MP1A	Mx	-.013	.75
67	MP1A	X	25.673	2.75
68	MP1A	Z	-14.823	2.75
69	MP1A	Mx	-.013	2.75
70	MP1B	X	25.673	.75
71	MP1B	Z	-14.823	.75
72	MP1B	Mx	.013	.75
73	MP1B	X	25.673	2.75
74	MP1B	Z	-14.823	2.75
75	MP1B	Mx	.013	2.75
76	MP1C	X	47.227	.75
77	MP1C	Z	-27.266	.75
78	MP1C	Mx	0	.75
79	MP1C	X	47.227	2.75
80	MP1C	Z	-27.266	2.75
81	MP1C	Mx	0	2.75
82	MP2A	X	27.94	2.5
83	MP2A	Z	-16.131	2.5



Member Point Loads (BLC 5 : Antenna Wo (60 Deg)) (Continued)

	Member Label	Direction	Magnitude[lb.k-ft]	Location[ft.%]
84	MP2A	Mx	.014	2.5
85	MP2B	X	27.94	2.5
86	MP2B	Z	-16.131	2.5
87	MP2B	Mx	-.014	2.5
88	MP2C	X	37.187	2.5
89	MP2C	Z	-21.47	2.5
90	MP2C	Mx	0	2.5
91	MP3A	X	24.398	2.5
92	MP3A	Z	-14.086	2.5
93	MP3A	Mx	.012	2.5
94	MP3B	X	24.398	2.5
95	MP3B	Z	-14.086	2.5
96	MP3B	Mx	-.012	2.5
97	MP3C	X	37.187	2.5
98	MP3C	Z	-21.47	2.5
99	MP3C	Mx	0	2.5
100	OVP	X	66.382	1
101	OVP	Z	-38.326	1
102	OVP	Mx	0	1

Member Point Loads (BLC 6 : Antenna Wo (90 Deg))

	Member Label	Direction	Magnitude[lb.k-ft]	Location[ft.%]
1	MP3A	X	61.956	1.5
2	MP3A	Z	0	1.5
3	MP3A	Mx	-.031	1.5
4	MP3A	X	61.956	5.5
5	MP3A	Z	0	5.5
6	MP3A	Mx	-.031	5.5
7	MP3B	X	85.754	1.5
8	MP3B	Z	0	1.5
9	MP3B	Mx	.021	1.5
10	MP3B	X	85.754	5.5
11	MP3B	Z	0	5.5
12	MP3B	Mx	.021	5.5
13	MP3C	X	85.754	1.5
14	MP3C	Z	0	1.5
15	MP3C	Mx	.021	1.5
16	MP3C	X	85.754	5.5
17	MP3C	Z	0	5.5
18	MP3C	Mx	.021	5.5
19	MP2A	X	84.249	1.5
20	MP2A	Z	0	1.5
21	MP2A	Mx	-.042	1.5
22	MP2A	X	84.249	5.5
23	MP2A	Z	0	5.5
24	MP2A	Mx	-.042	5.5
25	MP2B	X	106.052	1.5
26	MP2B	Z	0	1.5
27	MP2B	Mx	-.035	1.5
28	MP2B	X	106.052	5.5
29	MP2B	Z	0	5.5
30	MP2B	Mx	-.035	5.5
31	MP2C	X	106.052	1.5
32	MP2C	Z	0	1.5
33	MP2C	Mx	.088	1.5
34	MP2C	X	106.052	5.5



Member Point Loads (BLC 6 : Antenna Wo (90 Deg)) (Continued)

Member Label	Direction	Magnitude[lb.k-ft]	Location[ft.%]	
35	MP2C	Z	0	5.5
36	MP2C	Mx	.088	5.5
37	MP2A	X	84.249	1.5
38	MP2A	Z	0	1.5
39	MP2A	Mx	-.042	1.5
40	MP2A	X	84.249	5.5
41	MP2A	Z	0	5.5
42	MP2A	Mx	-.042	5.5
43	MP2B	X	106.052	1.5
44	MP2B	Z	0	1.5
45	MP2B	Mx	.088	1.5
46	MP2B	X	106.052	5.5
47	MP2B	Z	0	5.5
48	MP2B	Mx	.088	5.5
49	MP2C	X	106.052	1.5
50	MP2C	Z	0	1.5
51	MP2C	Mx	-.035	1.5
52	MP2C	X	106.052	5.5
53	MP2C	Z	0	5.5
54	MP2C	Mx	-.035	5.5
55	MP1A	X	11.506	4.75
56	MP1A	Z	0	4.75
57	MP1A	Mx	-.003	4.75
58	MP1B	X	20.098	4.75
59	MP1B	Z	0	4.75
60	MP1B	Mx	.003	4.75
61	MP1C	X	20.098	4.75
62	MP1C	Z	0	4.75
63	MP1C	Mx	.003	4.75
64	MP1A	X	21.349	.75
65	MP1A	Z	0	.75
66	MP1A	Mx	-.011	.75
67	MP1A	X	21.349	2.75
68	MP1A	Z	0	2.75
69	MP1A	Mx	-.011	2.75
70	MP1B	X	46.237	.75
71	MP1B	Z	0	.75
72	MP1B	Mx	.012	.75
73	MP1B	X	46.237	2.75
74	MP1B	Z	0	2.75
75	MP1B	Mx	.012	2.75
76	MP1C	X	46.237	.75
77	MP1C	Z	0	.75
78	MP1C	Mx	.012	.75
79	MP1C	X	46.237	2.75
80	MP1C	Z	0	2.75
81	MP1C	Mx	.012	2.75
82	MP2A	X	28.703	2.5
83	MP2A	Z	0	2.5
84	MP2A	Mx	.014	2.5
85	MP2B	X	39.381	2.5
86	MP2B	Z	0	2.5
87	MP2B	Mx	-.01	2.5
88	MP2C	X	39.381	2.5
89	MP2C	Z	0	2.5
90	MP2C	Mx	-.01	2.5
91	MP3A	X	23.25	2.5



Member Point Loads (BLC 6 : Antenna Wo (90 Deg)) (Continued)

	Member Label	Direction	Magnitude[lb.k-ft]	Location[ft.%]
92	MP3A	Z	0	2.5
93	MP3A	Mx	.012	2.5
94	MP3B	X	38.017	2.5
95	MP3B	Z	0	2.5
96	MP3B	Mx	-.01	2.5
97	MP3C	X	38.017	2.5
98	MP3C	Z	0	2.5
99	MP3C	Mx	-.01	2.5
100	OVP	X	71.126	1
101	OVP	Z	0	1
102	OVP	Mx	0	1

Member Point Loads (BLC 7 : Antenna Wo (120 Deg))

	Member Label	Direction	Magnitude[lb.k-ft]	Location[ft.%]
1	MP3A	X	60.525	1.5
2	MP3A	Z	34.944	1.5
3	MP3A	Mx	-.03	1.5
4	MP3A	X	60.525	5.5
5	MP3A	Z	34.944	5.5
6	MP3A	Mx	-.03	5.5
7	MP3B	X	81.135	1.5
8	MP3B	Z	46.844	1.5
9	MP3B	Mx	0	1.5
10	MP3B	X	81.135	5.5
11	MP3B	Z	46.844	5.5
12	MP3B	Mx	0	5.5
13	MP3C	X	60.525	1.5
14	MP3C	Z	34.944	1.5
15	MP3C	Mx	.03	1.5
16	MP3C	X	60.525	5.5
17	MP3C	Z	34.944	5.5
18	MP3C	Mx	.03	5.5
19	MP2A	X	79.256	1.5
20	MP2A	Z	45.758	1.5
21	MP2A	Mx	-.009	1.5
22	MP2A	X	79.256	5.5
23	MP2A	Z	45.758	5.5
24	MP2A	Mx	-.009	5.5
25	MP2B	X	98.138	1.5
26	MP2B	Z	56.66	1.5
27	MP2B	Mx	-.076	1.5
28	MP2B	X	98.138	5.5
29	MP2B	Z	56.66	5.5
30	MP2B	Mx	-.076	5.5
31	MP2C	X	79.256	1.5
32	MP2C	Z	45.758	1.5
33	MP2C	Mx	.07	1.5
34	MP2C	X	79.256	5.5
35	MP2C	Z	45.758	5.5
36	MP2C	Mx	.07	5.5
37	MP2A	X	79.256	1.5
38	MP2A	Z	45.758	1.5
39	MP2A	Mx	-.07	1.5
40	MP2A	X	79.256	5.5
41	MP2A	Z	45.758	5.5
42	MP2A	Mx	-.07	5.5



Member Point Loads (BLC 7 : Antenna Wo (120 Deg)) (Continued)

Member Label	Direction	Magnitude[lb.k-ft]	Location[ft.%]	
43	MP2B	X	98.138	1.5
44	MP2B	Z	56.66	1.5
45	MP2B	Mx	.076	1.5
46	MP2B	X	98.138	5.5
47	MP2B	Z	56.66	5.5
48	MP2B	Mx	.076	5.5
49	MP2C	X	79.256	1.5
50	MP2C	Z	45.758	1.5
51	MP2C	Mx	.009	1.5
52	MP2C	X	79.256	5.5
53	MP2C	Z	45.758	5.5
54	MP2C	Mx	.009	5.5
55	MP1A	X	12.445	4.75
56	MP1A	Z	7.185	4.75
57	MP1A	Mx	-.003	4.75
58	MP1B	X	19.886	4.75
59	MP1B	Z	11.481	4.75
60	MP1B	Mx	0	4.75
61	MP1C	X	12.445	4.75
62	MP1C	Z	7.185	4.75
63	MP1C	Mx	.003	4.75
64	MP1A	X	25.673	.75
65	MP1A	Z	14.823	.75
66	MP1A	Mx	-.013	.75
67	MP1A	X	25.673	2.75
68	MP1A	Z	14.823	2.75
69	MP1A	Mx	-.013	2.75
70	MP1B	X	47.227	.75
71	MP1B	Z	27.266	.75
72	MP1B	Mx	0	.75
73	MP1B	X	47.227	2.75
74	MP1B	Z	27.266	2.75
75	MP1B	Mx	0	2.75
76	MP1C	X	25.673	.75
77	MP1C	Z	14.823	.75
78	MP1C	Mx	.013	.75
79	MP1C	X	25.673	2.75
80	MP1C	Z	14.823	2.75
81	MP1C	Mx	.013	2.75
82	MP2A	X	27.94	2.5
83	MP2A	Z	16.131	2.5
84	MP2A	Mx	.014	2.5
85	MP2B	X	37.187	2.5
86	MP2B	Z	21.47	2.5
87	MP2B	Mx	0	2.5
88	MP2C	X	27.94	2.5
89	MP2C	Z	16.131	2.5
90	MP2C	Mx	-.014	2.5
91	MP3A	X	24.398	2.5
92	MP3A	Z	14.086	2.5
93	MP3A	Mx	.012	2.5
94	MP3B	X	37.187	2.5
95	MP3B	Z	21.47	2.5
96	MP3B	Mx	0	2.5
97	MP3C	X	24.398	2.5
98	MP3C	Z	14.086	2.5
99	MP3C	Mx	-.012	2.5



Company : Maser Consulting
 Designer :
 Job Number : Project No. 10088393
 Model Name : 467142-VZW_MT_LO_H

July 22, 2021
 10:17 PM
 Checked By: _____

Member Point Loads (BLC 7 : Antenna Wo (120 Deg)) (Continued)

Member Label	Direction	Magnitude[lb.k-ft]	Location[ft.%]
100	OVP	66.382	1
101	OVP	38.326	1
102	OVP	0	1

Member Point Loads (BLC 8 : Antenna Wo (150 Deg))

Member Label	Direction	Magnitude[lb.k-ft]	Location[ft.%]	
1	MP3A	X	42.877	1.5
2	MP3A	Z	74.265	1.5
3	MP3A	Mx	-.021	1.5
4	MP3A	X	42.877	5.5
5	MP3A	Z	74.265	5.5
6	MP3A	Mx	-.021	5.5
7	MP3B	X	42.877	1.5
8	MP3B	Z	74.265	1.5
9	MP3B	Mx	-.021	1.5
10	MP3B	X	42.877	5.5
11	MP3B	Z	74.265	5.5
12	MP3B	Mx	-.021	5.5
13	MP3C	X	30.978	1.5
14	MP3C	Z	53.655	1.5
15	MP3C	Mx	.031	1.5
16	MP3C	X	30.978	5.5
17	MP3C	Z	53.655	5.5
18	MP3C	Mx	.031	5.5
19	MP2A	X	53.026	1.5
20	MP2A	Z	91.844	1.5
21	MP2A	Mx	.035	1.5
22	MP2A	X	53.026	5.5
23	MP2A	Z	91.844	5.5
24	MP2A	Mx	.035	5.5
25	MP2B	X	53.026	1.5
26	MP2B	Z	91.844	1.5
27	MP2B	Mx	-.088	1.5
28	MP2B	X	53.026	5.5
29	MP2B	Z	91.844	5.5
30	MP2B	Mx	-.088	5.5
31	MP2C	X	42.124	1.5
32	MP2C	Z	72.962	1.5
33	MP2C	Mx	.042	1.5
34	MP2C	X	42.124	5.5
35	MP2C	Z	72.962	5.5
36	MP2C	Mx	.042	5.5
37	MP2A	X	53.026	1.5
38	MP2A	Z	91.844	1.5
39	MP2A	Mx	-.088	1.5
40	MP2A	X	53.026	5.5
41	MP2A	Z	91.844	5.5
42	MP2A	Mx	-.088	5.5
43	MP2B	X	53.026	1.5
44	MP2B	Z	91.844	1.5
45	MP2B	Mx	.035	1.5
46	MP2B	X	53.026	5.5
47	MP2B	Z	91.844	5.5
48	MP2B	Mx	.035	5.5
49	MP2C	X	42.124	1.5
50	MP2C	Z	72.962	1.5



Member Point Loads (BLC 8 : Antenna Wo (150 Deg)) (Continued)

Member Label	Direction	Magnitude[lb.k-ft]	Location[ft.%]	
51	MP2C	Mx	.042	1.5
52	MP2C	X	42.124	5.5
53	MP2C	Z	72.962	5.5
54	MP2C	Mx	.042	5.5
55	MP1A	X	10.049	4.75
56	MP1A	Z	17.406	4.75
57	MP1A	Mx	-.003	4.75
58	MP1B	X	10.049	4.75
59	MP1B	Z	17.406	4.75
60	MP1B	Mx	-.003	4.75
61	MP1C	X	5.753	4.75
62	MP1C	Z	9.965	4.75
63	MP1C	Mx	.003	4.75
64	MP1A	X	23.118	.75
65	MP1A	Z	40.042	.75
66	MP1A	Mx	-.012	.75
67	MP1A	X	23.118	2.75
68	MP1A	Z	40.042	2.75
69	MP1A	Mx	-.012	2.75
70	MP1B	X	23.118	.75
71	MP1B	Z	40.042	.75
72	MP1B	Mx	-.012	.75
73	MP1B	X	23.118	2.75
74	MP1B	Z	40.042	2.75
75	MP1B	Mx	-.012	2.75
76	MP1C	X	10.675	.75
77	MP1C	Z	18.489	.75
78	MP1C	Mx	.011	.75
79	MP1C	X	10.675	2.75
80	MP1C	Z	18.489	2.75
81	MP1C	Mx	.011	2.75
82	MP2A	X	19.69	2.5
83	MP2A	Z	34.105	2.5
84	MP2A	Mx	.01	2.5
85	MP2B	X	19.69	2.5
86	MP2B	Z	34.105	2.5
87	MP2B	Mx	.01	2.5
88	MP2C	X	14.352	2.5
89	MP2C	Z	24.858	2.5
90	MP2C	Mx	-.014	2.5
91	MP3A	X	19.009	2.5
92	MP3A	Z	32.924	2.5
93	MP3A	Mx	.01	2.5
94	MP3B	X	19.009	2.5
95	MP3B	Z	32.924	2.5
96	MP3B	Mx	.01	2.5
97	MP3C	X	11.625	2.5
98	MP3C	Z	20.135	2.5
99	MP3C	Mx	-.012	2.5
100	OVP	X	43.851	1
101	OVP	Z	75.953	1
102	OVP	Mx	0	1

Member Point Loads (BLC 9 : Antenna Wo (180 Deg))

Member Label	Direction	Magnitude[lb.k-ft]	Location[ft.%]	
1	MP3A	X	0	1.5



Member Point Loads (BLC 9 : Antenna Wo (180 Deg)) (Continued)

Member Label	Direction	Magnitude[lb.k-ft]	Location[ft.%]	
2	MP3A	Z	93.687	1.5
3	MP3A	Mx	0	1.5
4	MP3A	X	0	5.5
5	MP3A	Z	93.687	5.5
6	MP3A	Mx	0	5.5
7	MP3B	X	0	1.5
8	MP3B	Z	69.889	1.5
9	MP3B	Mx	-.03	1.5
10	MP3B	X	0	5.5
11	MP3B	Z	69.889	5.5
12	MP3B	Mx	-.03	5.5
13	MP3C	X	0	1.5
14	MP3C	Z	69.889	1.5
15	MP3C	Mx	.03	1.5
16	MP3C	X	0	5.5
17	MP3C	Z	69.889	5.5
18	MP3C	Mx	.03	5.5
19	MP2A	X	0	1.5
20	MP2A	Z	113.32	1.5
21	MP2A	Mx	.076	1.5
22	MP2A	X	0	5.5
23	MP2A	Z	113.32	5.5
24	MP2A	Mx	.076	5.5
25	MP2B	X	0	1.5
26	MP2B	Z	91.517	1.5
27	MP2B	Mx	-.07	1.5
28	MP2B	X	0	5.5
29	MP2B	Z	91.517	5.5
30	MP2B	Mx	-.07	5.5
31	MP2C	X	0	1.5
32	MP2C	Z	91.517	1.5
33	MP2C	Mx	.009	1.5
34	MP2C	X	0	5.5
35	MP2C	Z	91.517	5.5
36	MP2C	Mx	.009	5.5
37	MP2A	X	0	1.5
38	MP2A	Z	113.32	1.5
39	MP2A	Mx	-.076	1.5
40	MP2A	X	0	5.5
41	MP2A	Z	113.32	5.5
42	MP2A	Mx	-.076	5.5
43	MP2B	X	0	1.5
44	MP2B	Z	91.517	1.5
45	MP2B	Mx	-.009	1.5
46	MP2B	X	0	5.5
47	MP2B	Z	91.517	5.5
48	MP2B	Mx	-.009	5.5
49	MP2C	X	0	1.5
50	MP2C	Z	91.517	1.5
51	MP2C	Mx	.07	1.5
52	MP2C	X	0	5.5
53	MP2C	Z	91.517	5.5
54	MP2C	Mx	.07	5.5
55	MP1A	X	0	4.75
56	MP1A	Z	22.963	4.75
57	MP1A	Mx	0	4.75
58	MP1B	X	0	4.75



Member Point Loads (BLC 9 : Antenna Wo (180 Deg)) (Continued)

	Member Label	Direction	Magnitude[lb.k-ft]	Location[ft.%]
59	MP1B	Z	14.37	4.75
60	MP1B	Mx	-.003	4.75
61	MP1C	X	0	4.75
62	MP1C	Z	14.37	4.75
63	MP1C	Mx	.003	4.75
64	MP1A	X	0	.75
65	MP1A	Z	54.532	.75
66	MP1A	Mx	0	.75
67	MP1A	X	0	2.75
68	MP1A	Z	54.532	2.75
69	MP1A	Mx	0	2.75
70	MP1B	X	0	.75
71	MP1B	Z	29.645	.75
72	MP1B	Mx	-.013	.75
73	MP1B	X	0	2.75
74	MP1B	Z	29.645	2.75
75	MP1B	Mx	-.013	2.75
76	MP1C	X	0	.75
77	MP1C	Z	29.645	.75
78	MP1C	Mx	.013	.75
79	MP1C	X	0	2.75
80	MP1C	Z	29.645	2.75
81	MP1C	Mx	.013	2.75
82	MP2A	X	0	2.5
83	MP2A	Z	42.94	2.5
84	MP2A	Mx	0	2.5
85	MP2B	X	0	2.5
86	MP2B	Z	32.262	2.5
87	MP2B	Mx	.014	2.5
88	MP2C	X	0	2.5
89	MP2C	Z	32.262	2.5
90	MP2C	Mx	-.014	2.5
91	MP3A	X	0	2.5
92	MP3A	Z	42.94	2.5
93	MP3A	Mx	0	2.5
94	MP3B	X	0	2.5
95	MP3B	Z	28.172	2.5
96	MP3B	Mx	.012	2.5
97	MP3C	X	0	2.5
98	MP3C	Z	28.172	2.5
99	MP3C	Mx	-.012	2.5
100	OVP	X	0	1
101	OVP	Z	93.228	1
102	OVP	Mx	0	1

Member Point Loads (BLC 10 : Antenna Wo (210 Deg))

	Member Label	Direction	Magnitude[lb.k-ft]	Location[ft.%]
1	MP3A	X	-42.877	1.5
2	MP3A	Z	74.265	1.5
3	MP3A	Mx	.021	1.5
4	MP3A	X	-42.877	5.5
5	MP3A	Z	74.265	5.5
6	MP3A	Mx	.021	5.5
7	MP3B	X	-30.978	1.5
8	MP3B	Z	53.655	1.5
9	MP3B	Mx	-.031	1.5



Member Point Loads (BLC 10 : Antenna Wo (210 Deg)) (Continued)

Member Label	Direction	Magnitude[lb.k-ft]	Location[ft.%]	
10	MP3B	X	-30.978	5.5
11	MP3B	Z	53.655	5.5
12	MP3B	Mx	-.031	5.5
13	MP3C	X	-42.877	1.5
14	MP3C	Z	74.265	1.5
15	MP3C	Mx	.021	1.5
16	MP3C	X	-42.877	5.5
17	MP3C	Z	74.265	5.5
18	MP3C	Mx	.021	5.5
19	MP2A	X	-53.026	1.5
20	MP2A	Z	91.844	1.5
21	MP2A	Mx	.088	1.5
22	MP2A	X	-53.026	5.5
23	MP2A	Z	91.844	5.5
24	MP2A	Mx	.088	5.5
25	MP2B	X	-42.124	1.5
26	MP2B	Z	72.962	1.5
27	MP2B	Mx	-.042	1.5
28	MP2B	X	-42.124	5.5
29	MP2B	Z	72.962	5.5
30	MP2B	Mx	-.042	5.5
31	MP2C	X	-53.026	1.5
32	MP2C	Z	91.844	1.5
33	MP2C	Mx	-.035	1.5
34	MP2C	X	-53.026	5.5
35	MP2C	Z	91.844	5.5
36	MP2C	Mx	-.035	5.5
37	MP2A	X	-53.026	1.5
38	MP2A	Z	91.844	1.5
39	MP2A	Mx	-.035	1.5
40	MP2A	X	-53.026	5.5
41	MP2A	Z	91.844	5.5
42	MP2A	Mx	-.035	5.5
43	MP2B	X	-42.124	1.5
44	MP2B	Z	72.962	1.5
45	MP2B	Mx	-.042	1.5
46	MP2B	X	-42.124	5.5
47	MP2B	Z	72.962	5.5
48	MP2B	Mx	-.042	5.5
49	MP2C	X	-53.026	1.5
50	MP2C	Z	91.844	1.5
51	MP2C	Mx	.088	1.5
52	MP2C	X	-53.026	5.5
53	MP2C	Z	91.844	5.5
54	MP2C	Mx	.088	5.5
55	MP1A	X	-10.049	4.75
56	MP1A	Z	17.406	4.75
57	MP1A	Mx	.003	4.75
58	MP1B	X	-5.753	4.75
59	MP1B	Z	9.965	4.75
60	MP1B	Mx	-.003	4.75
61	MP1C	X	-10.049	4.75
62	MP1C	Z	17.406	4.75
63	MP1C	Mx	.003	4.75
64	MP1A	X	-23.118	.75
65	MP1A	Z	40.042	.75
66	MP1A	Mx	.012	.75



Member Point Loads (BLC 10 : Antenna Wo (210 Deg)) (Continued)

	Member Label	Direction	Magnitude[lb.k-ft]	Location[ft.%]
67	MP1A	X	-23.118	2.75
68	MP1A	Z	40.042	2.75
69	MP1A	Mx	.012	2.75
70	MP1B	X	-10.675	.75
71	MP1B	Z	18.489	.75
72	MP1B	Mx	-.011	.75
73	MP1B	X	-10.675	2.75
74	MP1B	Z	18.489	2.75
75	MP1B	Mx	-.011	2.75
76	MP1C	X	-23.118	.75
77	MP1C	Z	40.042	.75
78	MP1C	Mx	.012	.75
79	MP1C	X	-23.118	2.75
80	MP1C	Z	40.042	2.75
81	MP1C	Mx	.012	2.75
82	MP2A	X	-19.69	2.5
83	MP2A	Z	34.105	2.5
84	MP2A	Mx	-.01	2.5
85	MP2B	X	-14.352	2.5
86	MP2B	Z	24.858	2.5
87	MP2B	Mx	.014	2.5
88	MP2C	X	-19.69	2.5
89	MP2C	Z	34.105	2.5
90	MP2C	Mx	-.01	2.5
91	MP3A	X	-19.009	2.5
92	MP3A	Z	32.924	2.5
93	MP3A	Mx	-.01	2.5
94	MP3B	X	-11.625	2.5
95	MP3B	Z	20.135	2.5
96	MP3B	Mx	.012	2.5
97	MP3C	X	-19.009	2.5
98	MP3C	Z	32.924	2.5
99	MP3C	Mx	-.01	2.5
100	OVP	X	-43.851	1
101	OVP	Z	75.953	1
102	OVP	Mx	0	1

Member Point Loads (BLC 11 : Antenna Wo (240 Deg))

	Member Label	Direction	Magnitude[lb.k-ft]	Location[ft.%]
1	MP3A	X	-60.525	1.5
2	MP3A	Z	34.944	1.5
3	MP3A	Mx	.03	1.5
4	MP3A	X	-60.525	5.5
5	MP3A	Z	34.944	5.5
6	MP3A	Mx	.03	5.5
7	MP3B	X	-60.525	1.5
8	MP3B	Z	34.944	1.5
9	MP3B	Mx	-.03	1.5
10	MP3B	X	-60.525	5.5
11	MP3B	Z	34.944	5.5
12	MP3B	Mx	-.03	5.5
13	MP3C	X	-81.135	1.5
14	MP3C	Z	46.844	1.5
15	MP3C	Mx	0	1.5
16	MP3C	X	-81.135	5.5
17	MP3C	Z	46.844	5.5



Company : Maser Consulting
 Designer :
 Job Number : Project No. 10088393
 Model Name : 467142-VZW_MT_LO_H

July 22, 2021
 10:17 PM
 Checked By: _____

Member Point Loads (BLC 11 : Antenna Wo (240 Deg)) (Continued)

Member Label	Direction	Magnitude[lb.k-ft]	Location[ft.%]	
18	MP3C	Mx	0	5.5
19	MP2A	X	-79.256	1.5
20	MP2A	Z	45.758	1.5
21	MP2A	Mx	.07	1.5
22	MP2A	X	-79.256	5.5
23	MP2A	Z	45.758	5.5
24	MP2A	Mx	.07	5.5
25	MP2B	X	-79.256	1.5
26	MP2B	Z	45.758	1.5
27	MP2B	Mx	-.009	1.5
28	MP2B	X	-79.256	5.5
29	MP2B	Z	45.758	5.5
30	MP2B	Mx	-.009	5.5
31	MP2C	X	-98.138	1.5
32	MP2C	Z	56.66	1.5
33	MP2C	Mx	-.076	1.5
34	MP2C	X	-98.138	5.5
35	MP2C	Z	56.66	5.5
36	MP2C	Mx	-.076	5.5
37	MP2A	X	-79.256	1.5
38	MP2A	Z	45.758	1.5
39	MP2A	Mx	.009	1.5
40	MP2A	X	-79.256	5.5
41	MP2A	Z	45.758	5.5
42	MP2A	Mx	.009	5.5
43	MP2B	X	-79.256	1.5
44	MP2B	Z	45.758	1.5
45	MP2B	Mx	-.07	1.5
46	MP2B	X	-79.256	5.5
47	MP2B	Z	45.758	5.5
48	MP2B	Mx	-.07	5.5
49	MP2C	X	-98.138	1.5
50	MP2C	Z	56.66	1.5
51	MP2C	Mx	.076	1.5
52	MP2C	X	-98.138	5.5
53	MP2C	Z	56.66	5.5
54	MP2C	Mx	.076	5.5
55	MP1A	X	-12.445	4.75
56	MP1A	Z	7.185	4.75
57	MP1A	Mx	.003	4.75
58	MP1B	X	-12.445	4.75
59	MP1B	Z	7.185	4.75
60	MP1B	Mx	-.003	4.75
61	MP1C	X	-19.886	4.75
62	MP1C	Z	11.481	4.75
63	MP1C	Mx	0	4.75
64	MP1A	X	-25.673	.75
65	MP1A	Z	14.823	.75
66	MP1A	Mx	.013	.75
67	MP1A	X	-25.673	2.75
68	MP1A	Z	14.823	2.75
69	MP1A	Mx	.013	2.75
70	MP1B	X	-25.673	.75
71	MP1B	Z	14.823	.75
72	MP1B	Mx	-.013	.75
73	MP1B	X	-25.673	2.75
74	MP1B	Z	14.823	2.75



Member Point Loads (BLC 11 : Antenna Wo (240 Deg)) (Continued)

	Member Label	Direction	Magnitude[lb.k-ft]	Location[ft.%]
75	MP1B	Mx	-.013	2.75
76	MP1C	X	-47.227	.75
77	MP1C	Z	27.266	.75
78	MP1C	Mx	0	.75
79	MP1C	X	-47.227	2.75
80	MP1C	Z	27.266	2.75
81	MP1C	Mx	0	2.75
82	MP2A	X	-27.94	2.5
83	MP2A	Z	16.131	2.5
84	MP2A	Mx	-.014	2.5
85	MP2B	X	-27.94	2.5
86	MP2B	Z	16.131	2.5
87	MP2B	Mx	.014	2.5
88	MP2C	X	-37.187	2.5
89	MP2C	Z	21.47	2.5
90	MP2C	Mx	0	2.5
91	MP3A	X	-24.398	2.5
92	MP3A	Z	14.086	2.5
93	MP3A	Mx	-.012	2.5
94	MP3B	X	-24.398	2.5
95	MP3B	Z	14.086	2.5
96	MP3B	Mx	.012	2.5
97	MP3C	X	-37.187	2.5
98	MP3C	Z	21.47	2.5
99	MP3C	Mx	0	2.5
100	OVP	X	-66.382	1
101	OVP	Z	38.326	1
102	OVP	Mx	0	1

Member Point Loads (BLC 12 : Antenna Wo (270 Deg))

	Member Label	Direction	Magnitude[lb.k-ft]	Location[ft.%]
1	MP3A	X	-61.956	1.5
2	MP3A	Z	0	1.5
3	MP3A	Mx	.031	1.5
4	MP3A	X	-61.956	5.5
5	MP3A	Z	0	5.5
6	MP3A	Mx	.031	5.5
7	MP3B	X	-85.754	1.5
8	MP3B	Z	0	1.5
9	MP3B	Mx	-.021	1.5
10	MP3B	X	-85.754	5.5
11	MP3B	Z	0	5.5
12	MP3B	Mx	-.021	5.5
13	MP3C	X	-85.754	1.5
14	MP3C	Z	0	1.5
15	MP3C	Mx	-.021	1.5
16	MP3C	X	-85.754	5.5
17	MP3C	Z	0	5.5
18	MP3C	Mx	-.021	5.5
19	MP2A	X	-84.249	1.5
20	MP2A	Z	0	1.5
21	MP2A	Mx	.042	1.5
22	MP2A	X	-84.249	5.5
23	MP2A	Z	0	5.5
24	MP2A	Mx	.042	5.5
25	MP2B	X	-106.052	1.5



Member Point Loads (BLC 12 : Antenna Wo (270 Deg)) (Continued)

Member Label	Direction	Magnitude[lb.k-ft]	Location[ft.%]	
26	MP2B	Z	0	1.5
27	MP2B	Mx	.035	1.5
28	MP2B	X	-106.052	5.5
29	MP2B	Z	0	5.5
30	MP2B	Mx	.035	5.5
31	MP2C	X	-106.052	1.5
32	MP2C	Z	0	1.5
33	MP2C	Mx	-.088	1.5
34	MP2C	X	-106.052	5.5
35	MP2C	Z	0	5.5
36	MP2C	Mx	-.088	5.5
37	MP2A	X	-84.249	1.5
38	MP2A	Z	0	1.5
39	MP2A	Mx	.042	1.5
40	MP2A	X	-84.249	5.5
41	MP2A	Z	0	5.5
42	MP2A	Mx	.042	5.5
43	MP2B	X	-106.052	1.5
44	MP2B	Z	0	1.5
45	MP2B	Mx	-.088	1.5
46	MP2B	X	-106.052	5.5
47	MP2B	Z	0	5.5
48	MP2B	Mx	-.088	5.5
49	MP2C	X	-106.052	1.5
50	MP2C	Z	0	1.5
51	MP2C	Mx	.035	1.5
52	MP2C	X	-106.052	5.5
53	MP2C	Z	0	5.5
54	MP2C	Mx	.035	5.5
55	MP1A	X	-11.506	4.75
56	MP1A	Z	0	4.75
57	MP1A	Mx	.003	4.75
58	MP1B	X	-20.098	4.75
59	MP1B	Z	0	4.75
60	MP1B	Mx	-.003	4.75
61	MP1C	X	-20.098	4.75
62	MP1C	Z	0	4.75
63	MP1C	Mx	-.003	4.75
64	MP1A	X	-21.349	.75
65	MP1A	Z	0	.75
66	MP1A	Mx	.011	.75
67	MP1A	X	-21.349	2.75
68	MP1A	Z	0	2.75
69	MP1A	Mx	.011	2.75
70	MP1B	X	-46.237	.75
71	MP1B	Z	0	.75
72	MP1B	Mx	-.012	.75
73	MP1B	X	-46.237	2.75
74	MP1B	Z	0	2.75
75	MP1B	Mx	-.012	2.75
76	MP1C	X	-46.237	.75
77	MP1C	Z	0	.75
78	MP1C	Mx	-.012	.75
79	MP1C	X	-46.237	2.75
80	MP1C	Z	0	2.75
81	MP1C	Mx	-.012	2.75
82	MP2A	X	-28.703	2.5



Member Point Loads (BLC 12 : Antenna Wo (270 Deg)) (Continued)

	Member Label	Direction	Magnitude[lb.k-ft]	Location[ft.%]
83	MP2A	Z	0	2.5
84	MP2A	Mx	-.014	2.5
85	MP2B	X	-39.381	2.5
86	MP2B	Z	0	2.5
87	MP2B	Mx	.01	2.5
88	MP2C	X	-39.381	2.5
89	MP2C	Z	0	2.5
90	MP2C	Mx	.01	2.5
91	MP3A	X	-23.25	2.5
92	MP3A	Z	0	2.5
93	MP3A	Mx	-.012	2.5
94	MP3B	X	-38.017	2.5
95	MP3B	Z	0	2.5
96	MP3B	Mx	.01	2.5
97	MP3C	X	-38.017	2.5
98	MP3C	Z	0	2.5
99	MP3C	Mx	.01	2.5
100	OVP	X	-71.126	1
101	OVP	Z	0	1
102	OVP	Mx	0	1

Member Point Loads (BLC 13 : Antenna Wo (300 Deg))

	Member Label	Direction	Magnitude[lb.k-ft]	Location[ft.%]
1	MP3A	X	-60.525	1.5
2	MP3A	Z	-34.944	1.5
3	MP3A	Mx	.03	1.5
4	MP3A	X	-60.525	5.5
5	MP3A	Z	-34.944	5.5
6	MP3A	Mx	.03	5.5
7	MP3B	X	-81.135	1.5
8	MP3B	Z	-46.844	1.5
9	MP3B	Mx	0	1.5
10	MP3B	X	-81.135	5.5
11	MP3B	Z	-46.844	5.5
12	MP3B	Mx	0	5.5
13	MP3C	X	-60.525	1.5
14	MP3C	Z	-34.944	1.5
15	MP3C	Mx	-.03	1.5
16	MP3C	X	-60.525	5.5
17	MP3C	Z	-34.944	5.5
18	MP3C	Mx	-.03	5.5
19	MP2A	X	-79.256	1.5
20	MP2A	Z	-45.758	1.5
21	MP2A	Mx	.009	1.5
22	MP2A	X	-79.256	5.5
23	MP2A	Z	-45.758	5.5
24	MP2A	Mx	.009	5.5
25	MP2B	X	-98.138	1.5
26	MP2B	Z	-56.66	1.5
27	MP2B	Mx	.076	1.5
28	MP2B	X	-98.138	5.5
29	MP2B	Z	-56.66	5.5
30	MP2B	Mx	.076	5.5
31	MP2C	X	-79.256	1.5
32	MP2C	Z	-45.758	1.5
33	MP2C	Mx	-.07	1.5



Member Point Loads (BLC 13 : Antenna Wo (300 Deg)) (Continued)

Member Label	Direction	Magnitude[lb.k-ft]	Location[ft.%]	
34	MP2C	X	-79.256	5.5
35	MP2C	Z	-45.758	5.5
36	MP2C	Mx	-.07	5.5
37	MP2A	X	-79.256	1.5
38	MP2A	Z	-45.758	1.5
39	MP2A	Mx	.07	1.5
40	MP2A	X	-79.256	5.5
41	MP2A	Z	-45.758	5.5
42	MP2A	Mx	.07	5.5
43	MP2B	X	-98.138	1.5
44	MP2B	Z	-56.66	1.5
45	MP2B	Mx	-.076	1.5
46	MP2B	X	-98.138	5.5
47	MP2B	Z	-56.66	5.5
48	MP2B	Mx	-.076	5.5
49	MP2C	X	-79.256	1.5
50	MP2C	Z	-45.758	1.5
51	MP2C	Mx	-.009	1.5
52	MP2C	X	-79.256	5.5
53	MP2C	Z	-45.758	5.5
54	MP2C	Mx	-.009	5.5
55	MP1A	X	-12.445	4.75
56	MP1A	Z	-7.185	4.75
57	MP1A	Mx	.003	4.75
58	MP1B	X	-19.886	4.75
59	MP1B	Z	-11.481	4.75
60	MP1B	Mx	0	4.75
61	MP1C	X	-12.445	4.75
62	MP1C	Z	-7.185	4.75
63	MP1C	Mx	-.003	4.75
64	MP1A	X	-25.673	.75
65	MP1A	Z	-14.823	.75
66	MP1A	Mx	.013	.75
67	MP1A	X	-25.673	2.75
68	MP1A	Z	-14.823	2.75
69	MP1A	Mx	.013	2.75
70	MP1B	X	-47.227	.75
71	MP1B	Z	-27.266	.75
72	MP1B	Mx	0	.75
73	MP1B	X	-47.227	2.75
74	MP1B	Z	-27.266	2.75
75	MP1B	Mx	0	2.75
76	MP1C	X	-25.673	.75
77	MP1C	Z	-14.823	.75
78	MP1C	Mx	-.013	.75
79	MP1C	X	-25.673	2.75
80	MP1C	Z	-14.823	2.75
81	MP1C	Mx	-.013	2.75
82	MP2A	X	-27.94	2.5
83	MP2A	Z	-16.131	2.5
84	MP2A	Mx	-.014	2.5
85	MP2B	X	-37.187	2.5
86	MP2B	Z	-21.47	2.5
87	MP2B	Mx	0	2.5
88	MP2C	X	-27.94	2.5
89	MP2C	Z	-16.131	2.5
90	MP2C	Mx	.014	2.5



Member Point Loads (BLC 13 : Antenna Wo (300 Deg)) (Continued)

	Member Label	Direction	Magnitude[lb.k-ft]	Location[ft.%]
91	MP3A	X	-24.398	2.5
92	MP3A	Z	-14.086	2.5
93	MP3A	Mx	-.012	2.5
94	MP3B	X	-37.187	2.5
95	MP3B	Z	-21.47	2.5
96	MP3B	Mx	0	2.5
97	MP3C	X	-24.398	2.5
98	MP3C	Z	-14.086	2.5
99	MP3C	Mx	.012	2.5
100	OVP	X	-66.382	1
101	OVP	Z	-38.326	1
102	OVP	Mx	0	1

Member Point Loads (BLC 14 : Antenna Wo (330 Deg))

	Member Label	Direction	Magnitude[lb.k-ft]	Location[ft.%]
1	MP3A	X	-42.877	1.5
2	MP3A	Z	-74.265	1.5
3	MP3A	Mx	.021	1.5
4	MP3A	X	-42.877	5.5
5	MP3A	Z	-74.265	5.5
6	MP3A	Mx	.021	5.5
7	MP3B	X	-42.877	1.5
8	MP3B	Z	-74.265	1.5
9	MP3B	Mx	.021	1.5
10	MP3B	X	-42.877	5.5
11	MP3B	Z	-74.265	5.5
12	MP3B	Mx	.021	5.5
13	MP3C	X	-30.978	1.5
14	MP3C	Z	-53.655	1.5
15	MP3C	Mx	-.031	1.5
16	MP3C	X	-30.978	5.5
17	MP3C	Z	-53.655	5.5
18	MP3C	Mx	-.031	5.5
19	MP2A	X	-53.026	1.5
20	MP2A	Z	-91.844	1.5
21	MP2A	Mx	-.035	1.5
22	MP2A	X	-53.026	5.5
23	MP2A	Z	-91.844	5.5
24	MP2A	Mx	-.035	5.5
25	MP2B	X	-53.026	1.5
26	MP2B	Z	-91.844	1.5
27	MP2B	Mx	.088	1.5
28	MP2B	X	-53.026	5.5
29	MP2B	Z	-91.844	5.5
30	MP2B	Mx	.088	5.5
31	MP2C	X	-42.124	1.5
32	MP2C	Z	-72.962	1.5
33	MP2C	Mx	-.042	1.5
34	MP2C	X	-42.124	5.5
35	MP2C	Z	-72.962	5.5
36	MP2C	Mx	-.042	5.5
37	MP2A	X	-53.026	1.5
38	MP2A	Z	-91.844	1.5
39	MP2A	Mx	.088	1.5
40	MP2A	X	-53.026	5.5
41	MP2A	Z	-91.844	5.5



Company : Maser Consulting
 Designer :
 Job Number : Project No. 10088393
 Model Name : 467142-VZW_MT_LO_H

July 22, 2021
 10:17 PM
 Checked By: _____

Member Point Loads (BLC 14 : Antenna Wo (330 Deg)) (Continued)

Member Label	Direction	Magnitude[lb.k-ft]	Location[ft.%]	
42	MP2A	Mx	.088	5.5
43	MP2B	X	-53.026	1.5
44	MP2B	Z	-91.844	1.5
45	MP2B	Mx	-.035	1.5
46	MP2B	X	-53.026	5.5
47	MP2B	Z	-91.844	5.5
48	MP2B	Mx	-.035	5.5
49	MP2C	X	-42.124	1.5
50	MP2C	Z	-72.962	1.5
51	MP2C	Mx	-.042	1.5
52	MP2C	X	-42.124	5.5
53	MP2C	Z	-72.962	5.5
54	MP2C	Mx	-.042	5.5
55	MP1A	X	-10.049	4.75
56	MP1A	Z	-17.406	4.75
57	MP1A	Mx	.003	4.75
58	MP1B	X	-10.049	4.75
59	MP1B	Z	-17.406	4.75
60	MP1B	Mx	.003	4.75
61	MP1C	X	-5.753	4.75
62	MP1C	Z	-9.965	4.75
63	MP1C	Mx	-.003	4.75
64	MP1A	X	-23.118	.75
65	MP1A	Z	-40.042	.75
66	MP1A	Mx	.012	.75
67	MP1A	X	-23.118	2.75
68	MP1A	Z	-40.042	2.75
69	MP1A	Mx	.012	2.75
70	MP1B	X	-23.118	.75
71	MP1B	Z	-40.042	.75
72	MP1B	Mx	.012	.75
73	MP1B	X	-23.118	2.75
74	MP1B	Z	-40.042	2.75
75	MP1B	Mx	.012	2.75
76	MP1C	X	-10.675	.75
77	MP1C	Z	-18.489	.75
78	MP1C	Mx	-.011	.75
79	MP1C	X	-10.675	2.75
80	MP1C	Z	-18.489	2.75
81	MP1C	Mx	-.011	2.75
82	MP2A	X	-19.69	2.5
83	MP2A	Z	-34.105	2.5
84	MP2A	Mx	-.01	2.5
85	MP2B	X	-19.69	2.5
86	MP2B	Z	-34.105	2.5
87	MP2B	Mx	-.01	2.5
88	MP2C	X	-14.352	2.5
89	MP2C	Z	-24.858	2.5
90	MP2C	Mx	.014	2.5
91	MP3A	X	-19.009	2.5
92	MP3A	Z	-32.924	2.5
93	MP3A	Mx	-.01	2.5
94	MP3B	X	-19.009	2.5
95	MP3B	Z	-32.924	2.5
96	MP3B	Mx	-.01	2.5
97	MP3C	X	-11.625	2.5
98	MP3C	Z	-20.135	2.5



Member Point Loads (BLC 14 : Antenna Wo (330 Deg)) (Continued)

	Member Label	Direction	Magnitude[lb.k-ft]	Location[ft.%]
99	MP3C	Mx	.012	2.5
100	OVP	X	-43.851	1
101	OVP	Z	-75.953	1
102	OVP	Mx	0	1

Member Point Loads (BLC 15 : Antenna Wi (0 Deg))

	Member Label	Direction	Magnitude[lb.k-ft]	Location[ft.%]
1	MP3A	X	0	1.5
2	MP3A	Z	-18.339	1.5
3	MP3A	Mx	0	1.5
4	MP3A	X	0	5.5
5	MP3A	Z	-18.339	5.5
6	MP3A	Mx	0	5.5
7	MP3B	X	0	1.5
8	MP3B	Z	-14.026	1.5
9	MP3B	Mx	.006	1.5
10	MP3B	X	0	5.5
11	MP3B	Z	-14.026	5.5
12	MP3B	Mx	.006	5.5
13	MP3C	X	0	1.5
14	MP3C	Z	-14.026	1.5
15	MP3C	Mx	-.006	1.5
16	MP3C	X	0	5.5
17	MP3C	Z	-14.026	5.5
18	MP3C	Mx	-.006	5.5
19	MP2A	X	0	1.5
20	MP2A	Z	-21.965	1.5
21	MP2A	Mx	-.015	1.5
22	MP2A	X	0	5.5
23	MP2A	Z	-21.965	5.5
24	MP2A	Mx	-.015	5.5
25	MP2B	X	0	1.5
26	MP2B	Z	-17.927	1.5
27	MP2B	Mx	.014	1.5
28	MP2B	X	0	5.5
29	MP2B	Z	-17.927	5.5
30	MP2B	Mx	.014	5.5
31	MP2C	X	0	1.5
32	MP2C	Z	-17.927	1.5
33	MP2C	Mx	-.002	1.5
34	MP2C	X	0	5.5
35	MP2C	Z	-17.927	5.5
36	MP2C	Mx	-.002	5.5
37	MP2A	X	0	1.5
38	MP2A	Z	-21.965	1.5
39	MP2A	Mx	.015	1.5
40	MP2A	X	0	5.5
41	MP2A	Z	-21.965	5.5
42	MP2A	Mx	.015	5.5
43	MP2B	X	0	1.5
44	MP2B	Z	-17.927	1.5
45	MP2B	Mx	.002	1.5
46	MP2B	X	0	5.5
47	MP2B	Z	-17.927	5.5
48	MP2B	Mx	.002	5.5
49	MP2C	X	0	1.5



Member Point Loads (BLC 15 : Antenna Wi (0 Deg)) (Continued)

Member Label	Direction	Magnitude[lb,k-ft]	Location[ft,%]	
50	MP2C	Z	-17.927	1.5
51	MP2C	Mx	-.014	1.5
52	MP2C	X	0	5.5
53	MP2C	Z	-17.927	5.5
54	MP2C	Mx	-.014	5.5
55	MP1A	X	0	4.75
56	MP1A	Z	-5.11	4.75
57	MP1A	Mx	0	4.75
58	MP1B	X	0	4.75
59	MP1B	Z	-3.403	4.75
60	MP1B	Mx	.000737	4.75
61	MP1C	X	0	4.75
62	MP1C	Z	-3.403	4.75
63	MP1C	Mx	-.000737	4.75
64	MP1A	X	0	.75
65	MP1A	Z	-10.914	.75
66	MP1A	Mx	0	.75
67	MP1A	X	0	2.75
68	MP1A	Z	-10.914	2.75
69	MP1A	Mx	0	2.75
70	MP1B	X	0	.75
71	MP1B	Z	-6.181	.75
72	MP1B	Mx	.003	.75
73	MP1B	X	0	2.75
74	MP1B	Z	-6.181	2.75
75	MP1B	Mx	.003	2.75
76	MP1C	X	0	.75
77	MP1C	Z	-6.181	.75
78	MP1C	Mx	-.003	.75
79	MP1C	X	0	2.75
80	MP1C	Z	-6.181	2.75
81	MP1C	Mx	-.003	2.75
82	MP2A	X	0	2.5
83	MP2A	Z	-9.039	2.5
84	MP2A	Mx	0	2.5
85	MP2B	X	0	2.5
86	MP2B	Z	-6.954	2.5
87	MP2B	Mx	-.003	2.5
88	MP2C	X	0	2.5
89	MP2C	Z	-6.954	2.5
90	MP2C	Mx	.003	2.5
91	MP3A	X	0	2.5
92	MP3A	Z	-9.039	2.5
93	MP3A	Mx	0	2.5
94	MP3B	X	0	2.5
95	MP3B	Z	-6.161	2.5
96	MP3B	Mx	-.003	2.5
97	MP3C	X	0	2.5
98	MP3C	Z	-6.161	2.5
99	MP3C	Mx	.003	2.5
100	OVP	X	0	1
101	OVP	Z	-18.686	1
102	OVP	Mx	0	1

Member Point Loads (BLC 16 : Antenna Wi (30 Deg))

Member Label	Direction	Magnitude[lb,k-ft]	Location[ft,%]
--------------	-----------	--------------------	----------------



Company : Maser Consulting
 Designer :
 Job Number : Project No. 10088393
 Model Name : 467142-VZW_MT_LO_H

July 22, 2021
 10:17 PM
 Checked By: _____

Member Point Loads (BLC 16 : Antenna Wi (30 Deg)) (Continued)

	Member Label	Direction	Magnitude[lb.k-ft]	Location[ft.%]
1	MP3A	X	8.45	1.5
2	MP3A	Z	-14.637	1.5
3	MP3A	Mx	-.004	1.5
4	MP3A	X	8.45	5.5
5	MP3A	Z	-14.637	5.5
6	MP3A	Mx	-.004	5.5
7	MP3B	X	6.294	1.5
8	MP3B	Z	-10.902	1.5
9	MP3B	Mx	.006	1.5
10	MP3B	X	6.294	5.5
11	MP3B	Z	-10.902	5.5
12	MP3B	Mx	.006	5.5
13	MP3C	X	8.45	1.5
14	MP3C	Z	-14.637	1.5
15	MP3C	Mx	-.004	1.5
16	MP3C	X	8.45	5.5
17	MP3C	Z	-14.637	5.5
18	MP3C	Mx	-.004	5.5
19	MP2A	X	10.309	1.5
20	MP2A	Z	-17.857	1.5
21	MP2A	Mx	-.017	1.5
22	MP2A	X	10.309	5.5
23	MP2A	Z	-17.857	5.5
24	MP2A	Mx	-.017	5.5
25	MP2B	X	8.291	1.5
26	MP2B	Z	-14.36	1.5
27	MP2B	Mx	.008	1.5
28	MP2B	X	8.291	5.5
29	MP2B	Z	-14.36	5.5
30	MP2B	Mx	.008	5.5
31	MP2C	X	10.309	1.5
32	MP2C	Z	-17.857	1.5
33	MP2C	Mx	.007	1.5
34	MP2C	X	10.309	5.5
35	MP2C	Z	-17.857	5.5
36	MP2C	Mx	.007	5.5
37	MP2A	X	10.309	1.5
38	MP2A	Z	-17.857	1.5
39	MP2A	Mx	.007	1.5
40	MP2A	X	10.309	5.5
41	MP2A	Z	-17.857	5.5
42	MP2A	Mx	.007	5.5
43	MP2B	X	8.291	1.5
44	MP2B	Z	-14.36	1.5
45	MP2B	Mx	.008	1.5
46	MP2B	X	8.291	5.5
47	MP2B	Z	-14.36	5.5
48	MP2B	Mx	.008	5.5
49	MP2C	X	10.309	1.5
50	MP2C	Z	-17.857	1.5
51	MP2C	Mx	-.017	1.5
52	MP2C	X	10.309	5.5
53	MP2C	Z	-17.857	5.5
54	MP2C	Mx	-.017	5.5
55	MP1A	X	2.27	4.75
56	MP1A	Z	-3.932	4.75
57	MP1A	Mx	-.000568	4.75



Member Point Loads (BLC 16 : Antenna Wi (30 Deg)) (Continued)

	Member Label	Direction	Magnitude[lb.k-ft]	Location[ft.%]
58	MP1B	X	1.417	4.75
59	MP1B	Z	-2.454	4.75
60	MP1B	Mx	.000708	4.75
61	MP1C	X	2.27	4.75
62	MP1C	Z	-3.932	4.75
63	MP1C	Mx	-.000568	4.75
64	MP1A	X	4.668	.75
65	MP1A	Z	-8.085	.75
66	MP1A	Mx	-.002	.75
67	MP1A	X	4.668	2.75
68	MP1A	Z	-8.085	2.75
69	MP1A	Mx	-.002	2.75
70	MP1B	X	2.302	.75
71	MP1B	Z	-3.987	.75
72	MP1B	Mx	.002	.75
73	MP1B	X	2.302	2.75
74	MP1B	Z	-3.987	2.75
75	MP1B	Mx	.002	2.75
76	MP1C	X	4.668	.75
77	MP1C	Z	-8.085	.75
78	MP1C	Mx	-.002	.75
79	MP1C	X	4.668	2.75
80	MP1C	Z	-8.085	2.75
81	MP1C	Mx	-.002	2.75
82	MP2A	X	4.172	2.5
83	MP2A	Z	-7.226	2.5
84	MP2A	Mx	.002	2.5
85	MP2B	X	3.129	2.5
86	MP2B	Z	-5.42	2.5
87	MP2B	Mx	-.003	2.5
88	MP2C	X	4.172	2.5
89	MP2C	Z	-7.226	2.5
90	MP2C	Mx	.002	2.5
91	MP3A	X	4.04	2.5
92	MP3A	Z	-6.997	2.5
93	MP3A	Mx	.002	2.5
94	MP3B	X	2.601	2.5
95	MP3B	Z	-4.505	2.5
96	MP3B	Mx	-.003	2.5
97	MP3C	X	4.04	2.5
98	MP3C	Z	-6.997	2.5
99	MP3C	Mx	.002	2.5
100	OVP	X	8.829	1
101	OVP	Z	-15.292	1
102	OVP	Mx	0	1

Member Point Loads (BLC 17 : Antenna Wi (60 Deg))

	Member Label	Direction	Magnitude[lb.k-ft]	Location[ft.%]
1	MP3A	X	12.147	1.5
2	MP3A	Z	-7.013	1.5
3	MP3A	Mx	-.006	1.5
4	MP3A	X	12.147	5.5
5	MP3A	Z	-7.013	5.5
6	MP3A	Mx	-.006	5.5
7	MP3B	X	12.147	1.5
8	MP3B	Z	-7.013	1.5



Member Point Loads (BLC 17 : Antenna Wi (60 Deg)) (Continued)

	Member Label	Direction	Magnitude[lb.k-ft]	Location[ft.%]
9	MP3B	Mx	.006	1.5
10	MP3B	X	12.147	5.5
11	MP3B	Z	-7.013	5.5
12	MP3B	Mx	.006	5.5
13	MP3C	X	15.882	1.5
14	MP3C	Z	-9.169	1.5
15	MP3C	Mx	0	1.5
16	MP3C	X	15.882	5.5
17	MP3C	Z	-9.169	5.5
18	MP3C	Mx	0	5.5
19	MP2A	X	15.525	1.5
20	MP2A	Z	-8.964	1.5
21	MP2A	Mx	-.014	1.5
22	MP2A	X	15.525	5.5
23	MP2A	Z	-8.964	5.5
24	MP2A	Mx	-.014	5.5
25	MP2B	X	15.525	1.5
26	MP2B	Z	-8.964	1.5
27	MP2B	Mx	.002	1.5
28	MP2B	X	15.525	5.5
29	MP2B	Z	-8.964	5.5
30	MP2B	Mx	.002	5.5
31	MP2C	X	19.022	1.5
32	MP2C	Z	-10.982	1.5
33	MP2C	Mx	.015	1.5
34	MP2C	X	19.022	5.5
35	MP2C	Z	-10.982	5.5
36	MP2C	Mx	.015	5.5
37	MP2A	X	15.525	1.5
38	MP2A	Z	-8.964	1.5
39	MP2A	Mx	-.002	1.5
40	MP2A	X	15.525	5.5
41	MP2A	Z	-8.964	5.5
42	MP2A	Mx	-.002	5.5
43	MP2B	X	15.525	1.5
44	MP2B	Z	-8.964	1.5
45	MP2B	Mx	.014	1.5
46	MP2B	X	15.525	5.5
47	MP2B	Z	-8.964	5.5
48	MP2B	Mx	.014	5.5
49	MP2C	X	19.022	1.5
50	MP2C	Z	-10.982	1.5
51	MP2C	Mx	-.015	1.5
52	MP2C	X	19.022	5.5
53	MP2C	Z	-10.982	5.5
54	MP2C	Mx	-.015	5.5
55	MP1A	X	2.947	4.75
56	MP1A	Z	-1.702	4.75
57	MP1A	Mx	-.000737	4.75
58	MP1B	X	2.947	4.75
59	MP1B	Z	-1.702	4.75
60	MP1B	Mx	.000737	4.75
61	MP1C	X	4.425	4.75
62	MP1C	Z	-2.555	4.75
63	MP1C	Mx	0	4.75
64	MP1A	X	5.353	.75
65	MP1A	Z	-3.091	.75



Member Point Loads (BLC 17 : Antenna Wi (60 Deg)) (Continued)

	Member Label	Direction	Magnitude[lb.k-ft]	Location[ft.%]
66	MP1A	Mx	-.003	.75
67	MP1A	X	5.353	2.75
68	MP1A	Z	-3.091	2.75
69	MP1A	Mx	-.003	2.75
70	MP1B	X	5.353	.75
71	MP1B	Z	-3.091	.75
72	MP1B	Mx	.003	.75
73	MP1B	X	5.353	2.75
74	MP1B	Z	-3.091	2.75
75	MP1B	Mx	.003	2.75
76	MP1C	X	9.452	.75
77	MP1C	Z	-5.457	.75
78	MP1C	Mx	0	.75
79	MP1C	X	9.452	2.75
80	MP1C	Z	-5.457	2.75
81	MP1C	Mx	0	2.75
82	MP2A	X	6.022	2.5
83	MP2A	Z	-3.477	2.5
84	MP2A	Mx	.003	2.5
85	MP2B	X	6.022	2.5
86	MP2B	Z	-3.477	2.5
87	MP2B	Mx	-.003	2.5
88	MP2C	X	7.828	2.5
89	MP2C	Z	-4.52	2.5
90	MP2C	Mx	0	2.5
91	MP3A	X	5.336	2.5
92	MP3A	Z	-3.081	2.5
93	MP3A	Mx	.003	2.5
94	MP3B	X	5.336	2.5
95	MP3B	Z	-3.081	2.5
96	MP3B	Mx	-.003	2.5
97	MP3C	X	7.828	2.5
98	MP3C	Z	-4.52	2.5
99	MP3C	Mx	0	2.5
100	OVP	X	13.512	1
101	OVP	Z	-7.801	1
102	OVP	Mx	0	1

Member Point Loads (BLC 18 : Antenna Wi (90 Deg))

	Member Label	Direction	Magnitude[lb.k-ft]	Location[ft.%]
1	MP3A	X	12.588	1.5
2	MP3A	Z	0	1.5
3	MP3A	Mx	-.006	1.5
4	MP3A	X	12.588	5.5
5	MP3A	Z	0	5.5
6	MP3A	Mx	-.006	5.5
7	MP3B	X	16.901	1.5
8	MP3B	Z	0	1.5
9	MP3B	Mx	.004	1.5
10	MP3B	X	16.901	5.5
11	MP3B	Z	0	5.5
12	MP3B	Mx	.004	5.5
13	MP3C	X	16.901	1.5
14	MP3C	Z	0	1.5
15	MP3C	Mx	.004	1.5
16	MP3C	X	16.901	5.5



Member Point Loads (BLC 18 : Antenna Wi (90 Deg)) (Continued)

Member Label	Direction	Magnitude[lb.k-ft]	Location[ft.%]	
17	MP3C	Z	0	5.5
18	MP3C	Mx	.004	5.5
19	MP2A	X	16.581	1.5
20	MP2A	Z	0	1.5
21	MP2A	Mx	-.008	1.5
22	MP2A	X	16.581	5.5
23	MP2A	Z	0	5.5
24	MP2A	Mx	-.008	5.5
25	MP2B	X	20.619	1.5
26	MP2B	Z	0	1.5
27	MP2B	Mx	-.007	1.5
28	MP2B	X	20.619	5.5
29	MP2B	Z	0	5.5
30	MP2B	Mx	-.007	5.5
31	MP2C	X	20.619	1.5
32	MP2C	Z	0	1.5
33	MP2C	Mx	.017	1.5
34	MP2C	X	20.619	5.5
35	MP2C	Z	0	5.5
36	MP2C	Mx	.017	5.5
37	MP2A	X	16.581	1.5
38	MP2A	Z	0	1.5
39	MP2A	Mx	-.008	1.5
40	MP2A	X	16.581	5.5
41	MP2A	Z	0	5.5
42	MP2A	Mx	-.008	5.5
43	MP2B	X	20.619	1.5
44	MP2B	Z	0	1.5
45	MP2B	Mx	.017	1.5
46	MP2B	X	20.619	5.5
47	MP2B	Z	0	5.5
48	MP2B	Mx	.017	5.5
49	MP2C	X	20.619	1.5
50	MP2C	Z	0	1.5
51	MP2C	Mx	-.007	1.5
52	MP2C	X	20.619	5.5
53	MP2C	Z	0	5.5
54	MP2C	Mx	-.007	5.5
55	MP1A	X	2.834	4.75
56	MP1A	Z	0	4.75
57	MP1A	Mx	-.000708	4.75
58	MP1B	X	4.541	4.75
59	MP1B	Z	0	4.75
60	MP1B	Mx	.000568	4.75
61	MP1C	X	4.541	4.75
62	MP1C	Z	0	4.75
63	MP1C	Mx	.000568	4.75
64	MP1A	X	4.604	.75
65	MP1A	Z	0	.75
66	MP1A	Mx	-.002	.75
67	MP1A	X	4.604	2.75
68	MP1A	Z	0	2.75
69	MP1A	Mx	-.002	2.75
70	MP1B	X	9.336	.75
71	MP1B	Z	0	.75
72	MP1B	Mx	.002	.75
73	MP1B	X	9.336	2.75



Member Point Loads (BLC 18 : Antenna Wi (90 Deg)) (Continued)

	Member Label	Direction	Magnitude[lb.k-ft]	Location[ft.%]
74	MP1B	Z	0	2.75
75	MP1B	Mx	.002	2.75
76	MP1C	X	9.336	.75
77	MP1C	Z	0	.75
78	MP1C	Mx	.002	.75
79	MP1C	X	9.336	2.75
80	MP1C	Z	0	2.75
81	MP1C	Mx	.002	2.75
82	MP2A	X	6.258	2.5
83	MP2A	Z	0	2.5
84	MP2A	Mx	.003	2.5
85	MP2B	X	8.344	2.5
86	MP2B	Z	0	2.5
87	MP2B	Mx	-.002	2.5
88	MP2C	X	8.344	2.5
89	MP2C	Z	0	2.5
90	MP2C	Mx	-.002	2.5
91	MP3A	X	5.202	2.5
92	MP3A	Z	0	2.5
93	MP3A	Mx	.003	2.5
94	MP3B	X	8.08	2.5
95	MP3B	Z	0	2.5
96	MP3B	Mx	-.002	2.5
97	MP3C	X	8.08	2.5
98	MP3C	Z	0	2.5
99	MP3C	Mx	-.002	2.5
100	OVP	X	14.574	1
101	OVP	Z	0	1
102	OVP	Mx	0	1

Member Point Loads (BLC 19 : Antenna Wi (120 Deg))

	Member Label	Direction	Magnitude[lb.k-ft]	Location[ft.%]
1	MP3A	X	12.147	1.5
2	MP3A	Z	7.013	1.5
3	MP3A	Mx	-.006	1.5
4	MP3A	X	12.147	5.5
5	MP3A	Z	7.013	5.5
6	MP3A	Mx	-.006	5.5
7	MP3B	X	15.882	1.5
8	MP3B	Z	9.169	1.5
9	MP3B	Mx	0	1.5
10	MP3B	X	15.882	5.5
11	MP3B	Z	9.169	5.5
12	MP3B	Mx	0	5.5
13	MP3C	X	12.147	1.5
14	MP3C	Z	7.013	1.5
15	MP3C	Mx	.006	1.5
16	MP3C	X	12.147	5.5
17	MP3C	Z	7.013	5.5
18	MP3C	Mx	.006	5.5
19	MP2A	X	15.525	1.5
20	MP2A	Z	8.964	1.5
21	MP2A	Mx	-.002	1.5
22	MP2A	X	15.525	5.5
23	MP2A	Z	8.964	5.5
24	MP2A	Mx	-.002	5.5



Member Point Loads (BLC 19 : Antenna Wi (120 Deg)) (Continued)

Member Label	Direction	Magnitude[lb.k-ft]	Location[ft.%]	
25	MP2B	X	19.022	1.5
26	MP2B	Z	10.982	1.5
27	MP2B	Mx	-.015	1.5
28	MP2B	X	19.022	5.5
29	MP2B	Z	10.982	5.5
30	MP2B	Mx	-.015	5.5
31	MP2C	X	15.525	1.5
32	MP2C	Z	8.964	1.5
33	MP2C	Mx	.014	1.5
34	MP2C	X	15.525	5.5
35	MP2C	Z	8.964	5.5
36	MP2C	Mx	.014	5.5
37	MP2A	X	15.525	1.5
38	MP2A	Z	8.964	1.5
39	MP2A	Mx	-.014	1.5
40	MP2A	X	15.525	5.5
41	MP2A	Z	8.964	5.5
42	MP2A	Mx	-.014	5.5
43	MP2B	X	19.022	1.5
44	MP2B	Z	10.982	1.5
45	MP2B	Mx	.015	1.5
46	MP2B	X	19.022	5.5
47	MP2B	Z	10.982	5.5
48	MP2B	Mx	.015	5.5
49	MP2C	X	15.525	1.5
50	MP2C	Z	8.964	1.5
51	MP2C	Mx	.002	1.5
52	MP2C	X	15.525	5.5
53	MP2C	Z	8.964	5.5
54	MP2C	Mx	.002	5.5
55	MP1A	X	2.947	4.75
56	MP1A	Z	1.702	4.75
57	MP1A	Mx	-.000737	4.75
58	MP1B	X	4.425	4.75
59	MP1B	Z	2.555	4.75
60	MP1B	Mx	0	4.75
61	MP1C	X	2.947	4.75
62	MP1C	Z	1.702	4.75
63	MP1C	Mx	.000737	4.75
64	MP1A	X	5.353	.75
65	MP1A	Z	3.091	.75
66	MP1A	Mx	-.003	.75
67	MP1A	X	5.353	2.75
68	MP1A	Z	3.091	2.75
69	MP1A	Mx	-.003	2.75
70	MP1B	X	9.452	.75
71	MP1B	Z	5.457	.75
72	MP1B	Mx	0	.75
73	MP1B	X	9.452	2.75
74	MP1B	Z	5.457	2.75
75	MP1B	Mx	0	2.75
76	MP1C	X	5.353	.75
77	MP1C	Z	3.091	.75
78	MP1C	Mx	.003	.75
79	MP1C	X	5.353	2.75
80	MP1C	Z	3.091	2.75
81	MP1C	Mx	.003	2.75



Company : Maser Consulting
 Designer :
 Job Number : Project No. 10088393
 Model Name : 467142-VZW_MT_LO_H

July 22, 2021
 10:17 PM
 Checked By: _____

Member Point Loads (BLC 19 : Antenna Wi (120 Deg)) (Continued)

	Member Label	Direction	Magnitude[lb.k-ft]	Location[ft.%]
82	MP2A	X	6.022	2.5
83	MP2A	Z	3.477	2.5
84	MP2A	Mx	.003	2.5
85	MP2B	X	7.828	2.5
86	MP2B	Z	4.52	2.5
87	MP2B	Mx	0	2.5
88	MP2C	X	6.022	2.5
89	MP2C	Z	3.477	2.5
90	MP2C	Mx	-.003	2.5
91	MP3A	X	5.336	2.5
92	MP3A	Z	3.081	2.5
93	MP3A	Mx	.003	2.5
94	MP3B	X	7.828	2.5
95	MP3B	Z	4.52	2.5
96	MP3B	Mx	0	2.5
97	MP3C	X	5.336	2.5
98	MP3C	Z	3.081	2.5
99	MP3C	Mx	-.003	2.5
100	OVP	X	13.512	1
101	OVP	Z	7.801	1
102	OVP	Mx	0	1

Member Point Loads (BLC 20 : Antenna Wi (150 Deg))

	Member Label	Direction	Magnitude[lb.k-ft]	Location[ft.%]
1	MP3A	X	8.45	1.5
2	MP3A	Z	14.637	1.5
3	MP3A	Mx	-.004	1.5
4	MP3A	X	8.45	5.5
5	MP3A	Z	14.637	5.5
6	MP3A	Mx	-.004	5.5
7	MP3B	X	8.45	1.5
8	MP3B	Z	14.637	1.5
9	MP3B	Mx	-.004	1.5
10	MP3B	X	8.45	5.5
11	MP3B	Z	14.637	5.5
12	MP3B	Mx	-.004	5.5
13	MP3C	X	6.294	1.5
14	MP3C	Z	10.902	1.5
15	MP3C	Mx	.006	1.5
16	MP3C	X	6.294	5.5
17	MP3C	Z	10.902	5.5
18	MP3C	Mx	.006	5.5
19	MP2A	X	10.309	1.5
20	MP2A	Z	17.857	1.5
21	MP2A	Mx	.007	1.5
22	MP2A	X	10.309	5.5
23	MP2A	Z	17.857	5.5
24	MP2A	Mx	.007	5.5
25	MP2B	X	10.309	1.5
26	MP2B	Z	17.857	1.5
27	MP2B	Mx	-.017	1.5
28	MP2B	X	10.309	5.5
29	MP2B	Z	17.857	5.5
30	MP2B	Mx	-.017	5.5
31	MP2C	X	8.291	1.5
32	MP2C	Z	14.36	1.5



Member Point Loads (BLC 20 : Antenna Wi (150 Deg)) (Continued)

Member Label	Direction	Magnitude[lb.k-ft]	Location[ft.%]	
33	MP2C	Mx	.008	1.5
34	MP2C	X	8.291	5.5
35	MP2C	Z	14.36	5.5
36	MP2C	Mx	.008	5.5
37	MP2A	X	10.309	1.5
38	MP2A	Z	17.857	1.5
39	MP2A	Mx	-.017	1.5
40	MP2A	X	10.309	5.5
41	MP2A	Z	17.857	5.5
42	MP2A	Mx	-.017	5.5
43	MP2B	X	10.309	1.5
44	MP2B	Z	17.857	1.5
45	MP2B	Mx	.007	1.5
46	MP2B	X	10.309	5.5
47	MP2B	Z	17.857	5.5
48	MP2B	Mx	.007	5.5
49	MP2C	X	8.291	1.5
50	MP2C	Z	14.36	1.5
51	MP2C	Mx	.008	1.5
52	MP2C	X	8.291	5.5
53	MP2C	Z	14.36	5.5
54	MP2C	Mx	.008	5.5
55	MP1A	X	2.27	4.75
56	MP1A	Z	3.932	4.75
57	MP1A	Mx	-.000568	4.75
58	MP1B	X	2.27	4.75
59	MP1B	Z	3.932	4.75
60	MP1B	Mx	-.000568	4.75
61	MP1C	X	1.417	4.75
62	MP1C	Z	2.454	4.75
63	MP1C	Mx	.000708	4.75
64	MP1A	X	4.668	.75
65	MP1A	Z	8.085	.75
66	MP1A	Mx	-.002	.75
67	MP1A	X	4.668	2.75
68	MP1A	Z	8.085	2.75
69	MP1A	Mx	-.002	2.75
70	MP1B	X	4.668	.75
71	MP1B	Z	8.085	.75
72	MP1B	Mx	-.002	.75
73	MP1B	X	4.668	2.75
74	MP1B	Z	8.085	2.75
75	MP1B	Mx	-.002	2.75
76	MP1C	X	2.302	.75
77	MP1C	Z	3.987	.75
78	MP1C	Mx	.002	.75
79	MP1C	X	2.302	2.75
80	MP1C	Z	3.987	2.75
81	MP1C	Mx	.002	2.75
82	MP2A	X	4.172	2.5
83	MP2A	Z	7.226	2.5
84	MP2A	Mx	.002	2.5
85	MP2B	X	4.172	2.5
86	MP2B	Z	7.226	2.5
87	MP2B	Mx	.002	2.5
88	MP2C	X	3.129	2.5
89	MP2C	Z	5.42	2.5



Member Point Loads (BLC 20 : Antenna Wi (150 Deg)) (Continued)

	Member Label	Direction	Magnitude[lb.k-ft]	Location[ft.%]
90	MP2C	Mx	-.003	2.5
91	MP3A	X	4.04	2.5
92	MP3A	Z	6.997	2.5
93	MP3A	Mx	.002	2.5
94	MP3B	X	4.04	2.5
95	MP3B	Z	6.997	2.5
96	MP3B	Mx	.002	2.5
97	MP3C	X	2.601	2.5
98	MP3C	Z	4.505	2.5
99	MP3C	Mx	-.003	2.5
100	OVP	X	8.829	1
101	OVP	Z	15.292	1
102	OVP	Mx	0	1

Member Point Loads (BLC 21 : Antenna Wi (180 Deg))

	Member Label	Direction	Magnitude[lb.k-ft]	Location[ft.%]
1	MP3A	X	0	1.5
2	MP3A	Z	18.339	1.5
3	MP3A	Mx	0	1.5
4	MP3A	X	0	5.5
5	MP3A	Z	18.339	5.5
6	MP3A	Mx	0	5.5
7	MP3B	X	0	1.5
8	MP3B	Z	14.026	1.5
9	MP3B	Mx	-.006	1.5
10	MP3B	X	0	5.5
11	MP3B	Z	14.026	5.5
12	MP3B	Mx	-.006	5.5
13	MP3C	X	0	1.5
14	MP3C	Z	14.026	1.5
15	MP3C	Mx	.006	1.5
16	MP3C	X	0	5.5
17	MP3C	Z	14.026	5.5
18	MP3C	Mx	.006	5.5
19	MP2A	X	0	1.5
20	MP2A	Z	21.965	1.5
21	MP2A	Mx	.015	1.5
22	MP2A	X	0	5.5
23	MP2A	Z	21.965	5.5
24	MP2A	Mx	.015	5.5
25	MP2B	X	0	1.5
26	MP2B	Z	17.927	1.5
27	MP2B	Mx	-.014	1.5
28	MP2B	X	0	5.5
29	MP2B	Z	17.927	5.5
30	MP2B	Mx	-.014	5.5
31	MP2C	X	0	1.5
32	MP2C	Z	17.927	1.5
33	MP2C	Mx	.002	1.5
34	MP2C	X	0	5.5
35	MP2C	Z	17.927	5.5
36	MP2C	Mx	.002	5.5
37	MP2A	X	0	1.5
38	MP2A	Z	21.965	1.5
39	MP2A	Mx	-.015	1.5
40	MP2A	X	0	5.5



Member Point Loads (BLC 21 : Antenna Wi (180 Deg)) (Continued)

Member Label	Direction	Magnitude[lb.k-ft]	Location[ft.%]	
41	MP2A	Z	21.965	5.5
42	MP2A	Mx	-.015	5.5
43	MP2B	X	0	1.5
44	MP2B	Z	17.927	1.5
45	MP2B	Mx	-.002	1.5
46	MP2B	X	0	5.5
47	MP2B	Z	17.927	5.5
48	MP2B	Mx	-.002	5.5
49	MP2C	X	0	1.5
50	MP2C	Z	17.927	1.5
51	MP2C	Mx	.014	1.5
52	MP2C	X	0	5.5
53	MP2C	Z	17.927	5.5
54	MP2C	Mx	.014	5.5
55	MP1A	X	0	4.75
56	MP1A	Z	5.11	4.75
57	MP1A	Mx	0	4.75
58	MP1B	X	0	4.75
59	MP1B	Z	3.403	4.75
60	MP1B	Mx	-.000737	4.75
61	MP1C	X	0	4.75
62	MP1C	Z	3.403	4.75
63	MP1C	Mx	.000737	4.75
64	MP1A	X	0	.75
65	MP1A	Z	10.914	.75
66	MP1A	Mx	0	.75
67	MP1A	X	0	2.75
68	MP1A	Z	10.914	2.75
69	MP1A	Mx	0	2.75
70	MP1B	X	0	.75
71	MP1B	Z	6.181	.75
72	MP1B	Mx	-.003	.75
73	MP1B	X	0	2.75
74	MP1B	Z	6.181	2.75
75	MP1B	Mx	-.003	2.75
76	MP1C	X	0	.75
77	MP1C	Z	6.181	.75
78	MP1C	Mx	.003	.75
79	MP1C	X	0	2.75
80	MP1C	Z	6.181	2.75
81	MP1C	Mx	.003	2.75
82	MP2A	X	0	2.5
83	MP2A	Z	9.039	2.5
84	MP2A	Mx	0	2.5
85	MP2B	X	0	2.5
86	MP2B	Z	6.954	2.5
87	MP2B	Mx	.003	2.5
88	MP2C	X	0	2.5
89	MP2C	Z	6.954	2.5
90	MP2C	Mx	-.003	2.5
91	MP3A	X	0	2.5
92	MP3A	Z	9.039	2.5
93	MP3A	Mx	0	2.5
94	MP3B	X	0	2.5
95	MP3B	Z	6.161	2.5
96	MP3B	Mx	.003	2.5
97	MP3C	X	0	2.5



Member Point Loads (BLC 21 : Antenna Wi (180 Deg)) (Continued)

	Member Label	Direction	Magnitude[lb.k-ft]	Location[ft.%]
98	MP3C	Z	6.161	2.5
99	MP3C	Mx	-0.003	2.5
100	OVP	X	0	1
101	OVP	Z	18.686	1
102	OVP	Mx	0	1

Member Point Loads (BLC 22 : Antenna Wi (210 Deg))

	Member Label	Direction	Magnitude[lb.k-ft]	Location[ft.%]
1	MP3A	X	-8.45	1.5
2	MP3A	Z	14.637	1.5
3	MP3A	Mx	.004	1.5
4	MP3A	X	-8.45	5.5
5	MP3A	Z	14.637	5.5
6	MP3A	Mx	.004	5.5
7	MP3B	X	-6.294	1.5
8	MP3B	Z	10.902	1.5
9	MP3B	Mx	-.006	1.5
10	MP3B	X	-6.294	5.5
11	MP3B	Z	10.902	5.5
12	MP3B	Mx	-.006	5.5
13	MP3C	X	-8.45	1.5
14	MP3C	Z	14.637	1.5
15	MP3C	Mx	.004	1.5
16	MP3C	X	-8.45	5.5
17	MP3C	Z	14.637	5.5
18	MP3C	Mx	.004	5.5
19	MP2A	X	-10.309	1.5
20	MP2A	Z	17.857	1.5
21	MP2A	Mx	.017	1.5
22	MP2A	X	-10.309	5.5
23	MP2A	Z	17.857	5.5
24	MP2A	Mx	.017	5.5
25	MP2B	X	-8.291	1.5
26	MP2B	Z	14.36	1.5
27	MP2B	Mx	-.008	1.5
28	MP2B	X	-8.291	5.5
29	MP2B	Z	14.36	5.5
30	MP2B	Mx	-.008	5.5
31	MP2C	X	-10.309	1.5
32	MP2C	Z	17.857	1.5
33	MP2C	Mx	-.007	1.5
34	MP2C	X	-10.309	5.5
35	MP2C	Z	17.857	5.5
36	MP2C	Mx	-.007	5.5
37	MP2A	X	-10.309	1.5
38	MP2A	Z	17.857	1.5
39	MP2A	Mx	-.007	1.5
40	MP2A	X	-10.309	5.5
41	MP2A	Z	17.857	5.5
42	MP2A	Mx	-.007	5.5
43	MP2B	X	-8.291	1.5
44	MP2B	Z	14.36	1.5
45	MP2B	Mx	-.008	1.5
46	MP2B	X	-8.291	5.5
47	MP2B	Z	14.36	5.5
48	MP2B	Mx	-.008	5.5



Member Point Loads (BLC 22 : Antenna Wi (210 Deg)) (Continued)

Member Label	Direction	Magnitude[lb.k-ft]	Location[ft.%]	
49	MP2C	X	-10.309	1.5
50	MP2C	Z	17.857	1.5
51	MP2C	Mx	.017	1.5
52	MP2C	X	-10.309	5.5
53	MP2C	Z	17.857	5.5
54	MP2C	Mx	.017	5.5
55	MP1A	X	-2.27	4.75
56	MP1A	Z	3.932	4.75
57	MP1A	Mx	.000568	4.75
58	MP1B	X	-1.417	4.75
59	MP1B	Z	2.454	4.75
60	MP1B	Mx	-.000708	4.75
61	MP1C	X	-2.27	4.75
62	MP1C	Z	3.932	4.75
63	MP1C	Mx	.000568	4.75
64	MP1A	X	-4.668	.75
65	MP1A	Z	8.085	.75
66	MP1A	Mx	.002	.75
67	MP1A	X	-4.668	2.75
68	MP1A	Z	8.085	2.75
69	MP1A	Mx	.002	2.75
70	MP1B	X	-2.302	.75
71	MP1B	Z	3.987	.75
72	MP1B	Mx	-.002	.75
73	MP1B	X	-2.302	2.75
74	MP1B	Z	3.987	2.75
75	MP1B	Mx	-.002	2.75
76	MP1C	X	-4.668	.75
77	MP1C	Z	8.085	.75
78	MP1C	Mx	.002	.75
79	MP1C	X	-4.668	2.75
80	MP1C	Z	8.085	2.75
81	MP1C	Mx	.002	2.75
82	MP2A	X	-4.172	2.5
83	MP2A	Z	7.226	2.5
84	MP2A	Mx	-.002	2.5
85	MP2B	X	-3.129	2.5
86	MP2B	Z	5.42	2.5
87	MP2B	Mx	.003	2.5
88	MP2C	X	-4.172	2.5
89	MP2C	Z	7.226	2.5
90	MP2C	Mx	-.002	2.5
91	MP3A	X	-4.04	2.5
92	MP3A	Z	6.997	2.5
93	MP3A	Mx	-.002	2.5
94	MP3B	X	-2.601	2.5
95	MP3B	Z	4.505	2.5
96	MP3B	Mx	.003	2.5
97	MP3C	X	-4.04	2.5
98	MP3C	Z	6.997	2.5
99	MP3C	Mx	-.002	2.5
100	OVP	X	-8.829	1
101	OVP	Z	15.292	1
102	OVP	Mx	0	1

Member Point Loads (BLC 23 : Antenna Wi (240 Deg))

Member Label	Direction	Magnitude[lb.k-ft]	Location[ft.%]
--------------	-----------	--------------------	----------------



Company : Maser Consulting
 Designer :
 Job Number : Project No. 10088393
 Model Name : 467142-VZW_MT_LO_H

July 22, 2021
 10:17 PM
 Checked By: _____

Member Point Loads (BLC 23 : Antenna Wi (240 Deg)) (Continued)

	Member Label	Direction	Magnitude[lb.k-ft]	Location[ft.%]
1	MP3A	X	-12.147	1.5
2	MP3A	Z	7.013	1.5
3	MP3A	Mx	.006	1.5
4	MP3A	X	-12.147	5.5
5	MP3A	Z	7.013	5.5
6	MP3A	Mx	.006	5.5
7	MP3B	X	-12.147	1.5
8	MP3B	Z	7.013	1.5
9	MP3B	Mx	-.006	1.5
10	MP3B	X	-12.147	5.5
11	MP3B	Z	7.013	5.5
12	MP3B	Mx	-.006	5.5
13	MP3C	X	-15.882	1.5
14	MP3C	Z	9.169	1.5
15	MP3C	Mx	0	1.5
16	MP3C	X	-15.882	5.5
17	MP3C	Z	9.169	5.5
18	MP3C	Mx	0	5.5
19	MP2A	X	-15.525	1.5
20	MP2A	Z	8.964	1.5
21	MP2A	Mx	.014	1.5
22	MP2A	X	-15.525	5.5
23	MP2A	Z	8.964	5.5
24	MP2A	Mx	.014	5.5
25	MP2B	X	-15.525	1.5
26	MP2B	Z	8.964	1.5
27	MP2B	Mx	-.002	1.5
28	MP2B	X	-15.525	5.5
29	MP2B	Z	8.964	5.5
30	MP2B	Mx	-.002	5.5
31	MP2C	X	-19.022	1.5
32	MP2C	Z	10.982	1.5
33	MP2C	Mx	-.015	1.5
34	MP2C	X	-19.022	5.5
35	MP2C	Z	10.982	5.5
36	MP2C	Mx	-.015	5.5
37	MP2A	X	-15.525	1.5
38	MP2A	Z	8.964	1.5
39	MP2A	Mx	.002	1.5
40	MP2A	X	-15.525	5.5
41	MP2A	Z	8.964	5.5
42	MP2A	Mx	.002	5.5
43	MP2B	X	-15.525	1.5
44	MP2B	Z	8.964	1.5
45	MP2B	Mx	-.014	1.5
46	MP2B	X	-15.525	5.5
47	MP2B	Z	8.964	5.5
48	MP2B	Mx	-.014	5.5
49	MP2C	X	-19.022	1.5
50	MP2C	Z	10.982	1.5
51	MP2C	Mx	.015	1.5
52	MP2C	X	-19.022	5.5
53	MP2C	Z	10.982	5.5
54	MP2C	Mx	.015	5.5
55	MP1A	X	-2.947	4.75
56	MP1A	Z	1.702	4.75
57	MP1A	Mx	.000737	4.75



Member Point Loads (BLC 23 : Antenna Wi (240 Deg)) (Continued)

	Member Label	Direction	Magnitude[lb.k-ft]	Location[ft.%]
58	MP1B	X	-2.947	4.75
59	MP1B	Z	1.702	4.75
60	MP1B	Mx	-.000737	4.75
61	MP1C	X	-4.425	4.75
62	MP1C	Z	2.555	4.75
63	MP1C	Mx	0	4.75
64	MP1A	X	-5.353	.75
65	MP1A	Z	3.091	.75
66	MP1A	Mx	.003	.75
67	MP1A	X	-5.353	2.75
68	MP1A	Z	3.091	2.75
69	MP1A	Mx	.003	2.75
70	MP1B	X	-5.353	.75
71	MP1B	Z	3.091	.75
72	MP1B	Mx	-.003	.75
73	MP1B	X	-5.353	2.75
74	MP1B	Z	3.091	2.75
75	MP1B	Mx	-.003	2.75
76	MP1C	X	-9.452	.75
77	MP1C	Z	5.457	.75
78	MP1C	Mx	0	.75
79	MP1C	X	-9.452	2.75
80	MP1C	Z	5.457	2.75
81	MP1C	Mx	0	2.75
82	MP2A	X	-6.022	2.5
83	MP2A	Z	3.477	2.5
84	MP2A	Mx	-.003	2.5
85	MP2B	X	-6.022	2.5
86	MP2B	Z	3.477	2.5
87	MP2B	Mx	.003	2.5
88	MP2C	X	-7.828	2.5
89	MP2C	Z	4.52	2.5
90	MP2C	Mx	0	2.5
91	MP3A	X	-5.336	2.5
92	MP3A	Z	3.081	2.5
93	MP3A	Mx	-.003	2.5
94	MP3B	X	-5.336	2.5
95	MP3B	Z	3.081	2.5
96	MP3B	Mx	.003	2.5
97	MP3C	X	-7.828	2.5
98	MP3C	Z	4.52	2.5
99	MP3C	Mx	0	2.5
100	OVP	X	-13.512	1
101	OVP	Z	7.801	1
102	OVP	Mx	0	1

Member Point Loads (BLC 24 : Antenna Wi (270 Deg))

	Member Label	Direction	Magnitude[lb.k-ft]	Location[ft.%]
1	MP3A	X	-12.588	1.5
2	MP3A	Z	0	1.5
3	MP3A	Mx	.006	1.5
4	MP3A	X	-12.588	5.5
5	MP3A	Z	0	5.5
6	MP3A	Mx	.006	5.5
7	MP3B	X	-16.901	1.5
8	MP3B	Z	0	1.5



Member Point Loads (BLC 24 : Antenna Wi (270 Deg)) (Continued)

	Member Label	Direction	Magnitude[lb.k-ft]	Location[ft.%]
9	MP3B	Mx	-.004	1.5
10	MP3B	X	-16.901	5.5
11	MP3B	Z	0	5.5
12	MP3B	Mx	-.004	5.5
13	MP3C	X	-16.901	1.5
14	MP3C	Z	0	1.5
15	MP3C	Mx	-.004	1.5
16	MP3C	X	-16.901	5.5
17	MP3C	Z	0	5.5
18	MP3C	Mx	-.004	5.5
19	MP2A	X	-16.581	1.5
20	MP2A	Z	0	1.5
21	MP2A	Mx	.008	1.5
22	MP2A	X	-16.581	5.5
23	MP2A	Z	0	5.5
24	MP2A	Mx	.008	5.5
25	MP2B	X	-20.619	1.5
26	MP2B	Z	0	1.5
27	MP2B	Mx	.007	1.5
28	MP2B	X	-20.619	5.5
29	MP2B	Z	0	5.5
30	MP2B	Mx	.007	5.5
31	MP2C	X	-20.619	1.5
32	MP2C	Z	0	1.5
33	MP2C	Mx	-.017	1.5
34	MP2C	X	-20.619	5.5
35	MP2C	Z	0	5.5
36	MP2C	Mx	-.017	5.5
37	MP2A	X	-16.581	1.5
38	MP2A	Z	0	1.5
39	MP2A	Mx	.008	1.5
40	MP2A	X	-16.581	5.5
41	MP2A	Z	0	5.5
42	MP2A	Mx	.008	5.5
43	MP2B	X	-20.619	1.5
44	MP2B	Z	0	1.5
45	MP2B	Mx	-.017	1.5
46	MP2B	X	-20.619	5.5
47	MP2B	Z	0	5.5
48	MP2B	Mx	-.017	5.5
49	MP2C	X	-20.619	1.5
50	MP2C	Z	0	1.5
51	MP2C	Mx	.007	1.5
52	MP2C	X	-20.619	5.5
53	MP2C	Z	0	5.5
54	MP2C	Mx	.007	5.5
55	MP1A	X	-2.834	4.75
56	MP1A	Z	0	4.75
57	MP1A	Mx	.000708	4.75
58	MP1B	X	-4.541	4.75
59	MP1B	Z	0	4.75
60	MP1B	Mx	-.000568	4.75
61	MP1C	X	-4.541	4.75
62	MP1C	Z	0	4.75
63	MP1C	Mx	-.000568	4.75
64	MP1A	X	-4.604	.75
65	MP1A	Z	0	.75



Member Point Loads (BLC 24 : Antenna Wi (270 Deg)) (Continued)

	Member Label	Direction	Magnitude[lb.k-ft]	Location[ft.%]
66	MP1A	Mx	.002	.75
67	MP1A	X	-4.604	2.75
68	MP1A	Z	0	2.75
69	MP1A	Mx	.002	2.75
70	MP1B	X	-9.336	.75
71	MP1B	Z	0	.75
72	MP1B	Mx	-.002	.75
73	MP1B	X	-9.336	2.75
74	MP1B	Z	0	2.75
75	MP1B	Mx	-.002	2.75
76	MP1C	X	-9.336	.75
77	MP1C	Z	0	.75
78	MP1C	Mx	-.002	.75
79	MP1C	X	-9.336	2.75
80	MP1C	Z	0	2.75
81	MP1C	Mx	-.002	2.75
82	MP2A	X	-6.258	2.5
83	MP2A	Z	0	2.5
84	MP2A	Mx	-.003	2.5
85	MP2B	X	-8.344	2.5
86	MP2B	Z	0	2.5
87	MP2B	Mx	.002	2.5
88	MP2C	X	-8.344	2.5
89	MP2C	Z	0	2.5
90	MP2C	Mx	.002	2.5
91	MP3A	X	-5.202	2.5
92	MP3A	Z	0	2.5
93	MP3A	Mx	-.003	2.5
94	MP3B	X	-8.08	2.5
95	MP3B	Z	0	2.5
96	MP3B	Mx	.002	2.5
97	MP3C	X	-8.08	2.5
98	MP3C	Z	0	2.5
99	MP3C	Mx	.002	2.5
100	OVP	X	-14.574	1
101	OVP	Z	0	1
102	OVP	Mx	0	1

Member Point Loads (BLC 25 : Antenna Wi (300 Deg))

	Member Label	Direction	Magnitude[lb.k-ft]	Location[ft.%]
1	MP3A	X	-12.147	1.5
2	MP3A	Z	-7.013	1.5
3	MP3A	Mx	.006	1.5
4	MP3A	X	-12.147	5.5
5	MP3A	Z	-7.013	5.5
6	MP3A	Mx	.006	5.5
7	MP3B	X	-15.882	1.5
8	MP3B	Z	-9.169	1.5
9	MP3B	Mx	0	1.5
10	MP3B	X	-15.882	5.5
11	MP3B	Z	-9.169	5.5
12	MP3B	Mx	0	5.5
13	MP3C	X	-12.147	1.5
14	MP3C	Z	-7.013	1.5
15	MP3C	Mx	-.006	1.5
16	MP3C	X	-12.147	5.5



Company : Maser Consulting
 Designer :
 Job Number : Project No. 10088393
 Model Name : 467142-VZW_MT_LO_H

July 22, 2021
 10:17 PM
 Checked By: _____

Member Point Loads (BLC 25 : Antenna Wi (300 Deg)) (Continued)

Member Label	Direction	Magnitude[lb.k-ft]	Location[ft.%]	
17	MP3C	Z	-7.013	5.5
18	MP3C	Mx	-.006	5.5
19	MP2A	X	-15.525	1.5
20	MP2A	Z	-8.964	1.5
21	MP2A	Mx	.002	1.5
22	MP2A	X	-15.525	5.5
23	MP2A	Z	-8.964	5.5
24	MP2A	Mx	.002	5.5
25	MP2B	X	-19.022	1.5
26	MP2B	Z	-10.982	1.5
27	MP2B	Mx	.015	1.5
28	MP2B	X	-19.022	5.5
29	MP2B	Z	-10.982	5.5
30	MP2B	Mx	.015	5.5
31	MP2C	X	-15.525	1.5
32	MP2C	Z	-8.964	1.5
33	MP2C	Mx	-.014	1.5
34	MP2C	X	-15.525	5.5
35	MP2C	Z	-8.964	5.5
36	MP2C	Mx	-.014	5.5
37	MP2A	X	-15.525	1.5
38	MP2A	Z	-8.964	1.5
39	MP2A	Mx	.014	1.5
40	MP2A	X	-15.525	5.5
41	MP2A	Z	-8.964	5.5
42	MP2A	Mx	.014	5.5
43	MP2B	X	-19.022	1.5
44	MP2B	Z	-10.982	1.5
45	MP2B	Mx	-.015	1.5
46	MP2B	X	-19.022	5.5
47	MP2B	Z	-10.982	5.5
48	MP2B	Mx	-.015	5.5
49	MP2C	X	-15.525	1.5
50	MP2C	Z	-8.964	1.5
51	MP2C	Mx	-.002	1.5
52	MP2C	X	-15.525	5.5
53	MP2C	Z	-8.964	5.5
54	MP2C	Mx	-.002	5.5
55	MP1A	X	-2.947	4.75
56	MP1A	Z	-1.702	4.75
57	MP1A	Mx	.000737	4.75
58	MP1B	X	-4.425	4.75
59	MP1B	Z	-2.555	4.75
60	MP1B	Mx	0	4.75
61	MP1C	X	-2.947	4.75
62	MP1C	Z	-1.702	4.75
63	MP1C	Mx	-.000737	4.75
64	MP1A	X	-5.353	.75
65	MP1A	Z	-3.091	.75
66	MP1A	Mx	.003	.75
67	MP1A	X	-5.353	2.75
68	MP1A	Z	-3.091	2.75
69	MP1A	Mx	.003	2.75
70	MP1B	X	-9.452	.75
71	MP1B	Z	-5.457	.75
72	MP1B	Mx	0	.75
73	MP1B	X	-9.452	2.75



Member Point Loads (BLC 25 : Antenna Wi (300 Deg)) (Continued)

	Member Label	Direction	Magnitude[lb.k-ft]	Location[ft.%]
74	MP1B	Z	-5.457	2.75
75	MP1B	Mx	0	2.75
76	MP1C	X	-5.353	.75
77	MP1C	Z	-3.091	.75
78	MP1C	Mx	-.003	.75
79	MP1C	X	-5.353	2.75
80	MP1C	Z	-3.091	2.75
81	MP1C	Mx	-.003	2.75
82	MP2A	X	-6.022	2.5
83	MP2A	Z	-3.477	2.5
84	MP2A	Mx	-.003	2.5
85	MP2B	X	-7.828	2.5
86	MP2B	Z	-4.52	2.5
87	MP2B	Mx	0	2.5
88	MP2C	X	-6.022	2.5
89	MP2C	Z	-3.477	2.5
90	MP2C	Mx	.003	2.5
91	MP3A	X	-5.336	2.5
92	MP3A	Z	-3.081	2.5
93	MP3A	Mx	-.003	2.5
94	MP3B	X	-7.828	2.5
95	MP3B	Z	-4.52	2.5
96	MP3B	Mx	0	2.5
97	MP3C	X	-5.336	2.5
98	MP3C	Z	-3.081	2.5
99	MP3C	Mx	.003	2.5
100	OVP	X	-13.512	1
101	OVP	Z	-7.801	1
102	OVP	Mx	0	1

Member Point Loads (BLC 26 : Antenna Wi (330 Deg))

	Member Label	Direction	Magnitude[lb.k-ft]	Location[ft.%]
1	MP3A	X	-8.45	1.5
2	MP3A	Z	-14.637	1.5
3	MP3A	Mx	.004	1.5
4	MP3A	X	-8.45	5.5
5	MP3A	Z	-14.637	5.5
6	MP3A	Mx	.004	5.5
7	MP3B	X	-8.45	1.5
8	MP3B	Z	-14.637	1.5
9	MP3B	Mx	.004	1.5
10	MP3B	X	-8.45	5.5
11	MP3B	Z	-14.637	5.5
12	MP3B	Mx	.004	5.5
13	MP3C	X	-6.294	1.5
14	MP3C	Z	-10.902	1.5
15	MP3C	Mx	-.006	1.5
16	MP3C	X	-6.294	5.5
17	MP3C	Z	-10.902	5.5
18	MP3C	Mx	-.006	5.5
19	MP2A	X	-10.309	1.5
20	MP2A	Z	-17.857	1.5
21	MP2A	Mx	-.007	1.5
22	MP2A	X	-10.309	5.5
23	MP2A	Z	-17.857	5.5
24	MP2A	Mx	-.007	5.5



Member Point Loads (BLC 26 : Antenna Wi (330 Deg)) (Continued)

Member Label	Direction	Magnitude[lb.k-ft]	Location[ft.%]	
25	MP2B	X	-10.309	1.5
26	MP2B	Z	-17.857	1.5
27	MP2B	Mx	.017	1.5
28	MP2B	X	-10.309	5.5
29	MP2B	Z	-17.857	5.5
30	MP2B	Mx	.017	5.5
31	MP2C	X	-8.291	1.5
32	MP2C	Z	-14.36	1.5
33	MP2C	Mx	-.008	1.5
34	MP2C	X	-8.291	5.5
35	MP2C	Z	-14.36	5.5
36	MP2C	Mx	-.008	5.5
37	MP2A	X	-10.309	1.5
38	MP2A	Z	-17.857	1.5
39	MP2A	Mx	.017	1.5
40	MP2A	X	-10.309	5.5
41	MP2A	Z	-17.857	5.5
42	MP2A	Mx	.017	5.5
43	MP2B	X	-10.309	1.5
44	MP2B	Z	-17.857	1.5
45	MP2B	Mx	-.007	1.5
46	MP2B	X	-10.309	5.5
47	MP2B	Z	-17.857	5.5
48	MP2B	Mx	-.007	5.5
49	MP2C	X	-8.291	1.5
50	MP2C	Z	-14.36	1.5
51	MP2C	Mx	-.008	1.5
52	MP2C	X	-8.291	5.5
53	MP2C	Z	-14.36	5.5
54	MP2C	Mx	-.008	5.5
55	MP1A	X	-2.27	4.75
56	MP1A	Z	-3.932	4.75
57	MP1A	Mx	.000568	4.75
58	MP1B	X	-2.27	4.75
59	MP1B	Z	-3.932	4.75
60	MP1B	Mx	.000568	4.75
61	MP1C	X	-1.417	4.75
62	MP1C	Z	-2.454	4.75
63	MP1C	Mx	-.000708	4.75
64	MP1A	X	-4.668	.75
65	MP1A	Z	-8.085	.75
66	MP1A	Mx	.002	.75
67	MP1A	X	-4.668	2.75
68	MP1A	Z	-8.085	2.75
69	MP1A	Mx	.002	2.75
70	MP1B	X	-4.668	.75
71	MP1B	Z	-8.085	.75
72	MP1B	Mx	.002	.75
73	MP1B	X	-4.668	2.75
74	MP1B	Z	-8.085	2.75
75	MP1B	Mx	.002	2.75
76	MP1C	X	-2.302	.75
77	MP1C	Z	-3.987	.75
78	MP1C	Mx	-.002	.75
79	MP1C	X	-2.302	2.75
80	MP1C	Z	-3.987	2.75
81	MP1C	Mx	-.002	2.75



Member Point Loads (BLC 26 : Antenna Wi (330 Deg)) (Continued)

	Member Label	Direction	Magnitude[lb.k-ft]	Location[ft.%]
82	MP2A	X	-4.172	2.5
83	MP2A	Z	-7.226	2.5
84	MP2A	Mx	-.002	2.5
85	MP2B	X	-4.172	2.5
86	MP2B	Z	-7.226	2.5
87	MP2B	Mx	-.002	2.5
88	MP2C	X	-3.129	2.5
89	MP2C	Z	-5.42	2.5
90	MP2C	Mx	.003	2.5
91	MP3A	X	-4.04	2.5
92	MP3A	Z	-6.997	2.5
93	MP3A	Mx	-.002	2.5
94	MP3B	X	-4.04	2.5
95	MP3B	Z	-6.997	2.5
96	MP3B	Mx	-.002	2.5
97	MP3C	X	-2.601	2.5
98	MP3C	Z	-4.505	2.5
99	MP3C	Mx	.003	2.5
100	OVP	X	-8.829	1
101	OVP	Z	-15.292	1
102	OVP	Mx	0	1

Member Point Loads (BLC 27 : Antenna Wm (0 Deg))

	Member Label	Direction	Magnitude[lb.k-ft]	Location[ft.%]
1	MP3A	X	0	1.5
2	MP3A	Z	-6.056	1.5
3	MP3A	Mx	0	1.5
4	MP3A	X	0	5.5
5	MP3A	Z	-6.056	5.5
6	MP3A	Mx	0	5.5
7	MP3B	X	0	1.5
8	MP3B	Z	-4.517	1.5
9	MP3B	Mx	.002	1.5
10	MP3B	X	0	5.5
11	MP3B	Z	-4.517	5.5
12	MP3B	Mx	.002	5.5
13	MP3C	X	0	1.5
14	MP3C	Z	-4.517	1.5
15	MP3C	Mx	-.002	1.5
16	MP3C	X	0	5.5
17	MP3C	Z	-4.517	5.5
18	MP3C	Mx	-.002	5.5
19	MP2A	X	0	1.5
20	MP2A	Z	-7.325	1.5
21	MP2A	Mx	-.005	1.5
22	MP2A	X	0	5.5
23	MP2A	Z	-7.325	5.5
24	MP2A	Mx	-.005	5.5
25	MP2B	X	0	1.5
26	MP2B	Z	-5.915	1.5
27	MP2B	Mx	.005	1.5
28	MP2B	X	0	5.5
29	MP2B	Z	-5.915	5.5
30	MP2B	Mx	.005	5.5
31	MP2C	X	0	1.5
32	MP2C	Z	-5.915	1.5



Member Point Loads (BLC 27 : Antenna Wm (0 Deg)) (Continued)

Member Label	Direction	Magnitude[lb.k-ft]	Location[ft.%]	
33	MP2C	Mx	-0.00059	1.5
34	MP2C	X	0	5.5
35	MP2C	Z	-5.915	5.5
36	MP2C	Mx	-0.00059	5.5
37	MP2A	X	0	1.5
38	MP2A	Z	-7.325	1.5
39	MP2A	Mx	.005	1.5
40	MP2A	X	0	5.5
41	MP2A	Z	-7.325	5.5
42	MP2A	Mx	.005	5.5
43	MP2B	X	0	1.5
44	MP2B	Z	-5.915	1.5
45	MP2B	Mx	.00059	1.5
46	MP2B	X	0	5.5
47	MP2B	Z	-5.915	5.5
48	MP2B	Mx	.00059	5.5
49	MP2C	X	0	1.5
50	MP2C	Z	-5.915	1.5
51	MP2C	Mx	-.005	1.5
52	MP2C	X	0	5.5
53	MP2C	Z	-5.915	5.5
54	MP2C	Mx	-.005	5.5
55	MP1A	X	0	4.75
56	MP1A	Z	-1.484	4.75
57	MP1A	Mx	0	4.75
58	MP1B	X	0	4.75
59	MP1B	Z	-.929	4.75
60	MP1B	Mx	.000201	4.75
61	MP1C	X	0	4.75
62	MP1C	Z	-.929	4.75
63	MP1C	Mx	-.000201	4.75
64	MP1A	X	0	.75
65	MP1A	Z	-3.525	.75
66	MP1A	Mx	0	.75
67	MP1A	X	0	2.75
68	MP1A	Z	-3.525	2.75
69	MP1A	Mx	0	2.75
70	MP1B	X	0	.75
71	MP1B	Z	-1.916	.75
72	MP1B	Mx	.00083	.75
73	MP1B	X	0	2.75
74	MP1B	Z	-1.916	2.75
75	MP1B	Mx	.00083	2.75
76	MP1C	X	0	.75
77	MP1C	Z	-1.916	.75
78	MP1C	Mx	-.00083	.75
79	MP1C	X	0	2.75
80	MP1C	Z	-1.916	2.75
81	MP1C	Mx	-.00083	2.75
82	MP2A	X	0	2.5
83	MP2A	Z	-2.775	2.5
84	MP2A	Mx	0	2.5
85	MP2B	X	0	2.5
86	MP2B	Z	-2.085	2.5
87	MP2B	Mx	-.000903	2.5
88	MP2C	X	0	2.5
89	MP2C	Z	-2.085	2.5



Member Point Loads (BLC 27 : Antenna Wm (0 Deg)) (Continued)

	Member Label	Direction	Magnitude[lb.k-ft]	Location[ft.%]
90	MP2C	Mx	.000903	2.5
91	MP3A	X	0	2.5
92	MP3A	Z	-2.775	2.5
93	MP3A	Mx	0	2.5
94	MP3B	X	0	2.5
95	MP3B	Z	-1.821	2.5
96	MP3B	Mx	-.000789	2.5
97	MP3C	X	0	2.5
98	MP3C	Z	-1.821	2.5
99	MP3C	Mx	.000789	2.5
100	OVP	X	0	1
101	OVP	Z	-6.026	1
102	OVP	Mx	0	1

Member Point Loads (BLC 28 : Antenna Wm (30 Deg))

	Member Label	Direction	Magnitude[lb.k-ft]	Location[ft.%]
1	MP3A	X	2.771	1.5
2	MP3A	Z	-4.8	1.5
3	MP3A	Mx	-.001	1.5
4	MP3A	X	2.771	5.5
5	MP3A	Z	-4.8	5.5
6	MP3A	Mx	-.001	5.5
7	MP3B	X	2.002	1.5
8	MP3B	Z	-3.468	1.5
9	MP3B	Mx	.002	1.5
10	MP3B	X	2.002	5.5
11	MP3B	Z	-3.468	5.5
12	MP3B	Mx	.002	5.5
13	MP3C	X	2.771	1.5
14	MP3C	Z	-4.8	1.5
15	MP3C	Mx	-.001	1.5
16	MP3C	X	2.771	5.5
17	MP3C	Z	-4.8	5.5
18	MP3C	Mx	-.001	5.5
19	MP2A	X	3.427	1.5
20	MP2A	Z	-5.936	1.5
21	MP2A	Mx	-.006	1.5
22	MP2A	X	3.427	5.5
23	MP2A	Z	-5.936	5.5
24	MP2A	Mx	-.006	5.5
25	MP2B	X	2.723	1.5
26	MP2B	Z	-4.716	1.5
27	MP2B	Mx	.003	1.5
28	MP2B	X	2.723	5.5
29	MP2B	Z	-4.716	5.5
30	MP2B	Mx	.003	5.5
31	MP2C	X	3.427	1.5
32	MP2C	Z	-5.936	1.5
33	MP2C	Mx	.002	1.5
34	MP2C	X	3.427	5.5
35	MP2C	Z	-5.936	5.5
36	MP2C	Mx	.002	5.5
37	MP2A	X	3.427	1.5
38	MP2A	Z	-5.936	1.5
39	MP2A	Mx	.002	1.5
40	MP2A	X	3.427	5.5



Company : Maser Consulting
 Designer :
 Job Number : Project No. 10088393
 Model Name : 467142-VZW_MT_LO_H

July 22, 2021
 10:17 PM
 Checked By: _____

Member Point Loads (BLC 28 : Antenna Wm (30 Deg)) (Continued)

Member Label	Direction	Magnitude[lb.k-ft]	Location[ft.%]	
41	MP2A	Z	-5.936	5.5
42	MP2A	Mx	.002	5.5
43	MP2B	X	2.723	1.5
44	MP2B	Z	-4.716	1.5
45	MP2B	Mx	.003	1.5
46	MP2B	X	2.723	5.5
47	MP2B	Z	-4.716	5.5
48	MP2B	Mx	.003	5.5
49	MP2C	X	3.427	1.5
50	MP2C	Z	-5.936	1.5
51	MP2C	Mx	-.006	1.5
52	MP2C	X	3.427	5.5
53	MP2C	Z	-5.936	5.5
54	MP2C	Mx	-.006	5.5
55	MP1A	X	.65	4.75
56	MP1A	Z	-1.125	4.75
57	MP1A	Mx	-.000163	4.75
58	MP1B	X	.372	4.75
59	MP1B	Z	-.644	4.75
60	MP1B	Mx	.000186	4.75
61	MP1C	X	.65	4.75
62	MP1C	Z	-1.125	4.75
63	MP1C	Mx	-.000162	4.75
64	MP1A	X	1.494	.75
65	MP1A	Z	-2.588	.75
66	MP1A	Mx	-.000747	.75
67	MP1A	X	1.494	2.75
68	MP1A	Z	-2.588	2.75
69	MP1A	Mx	-.000747	2.75
70	MP1B	X	.69	.75
71	MP1B	Z	-1.195	.75
72	MP1B	Mx	.00069	.75
73	MP1B	X	.69	2.75
74	MP1B	Z	-1.195	2.75
75	MP1B	Mx	.00069	2.75
76	MP1C	X	1.494	.75
77	MP1C	Z	-2.588	.75
78	MP1C	Mx	-.000747	.75
79	MP1C	X	1.494	2.75
80	MP1C	Z	-2.588	2.75
81	MP1C	Mx	-.000747	2.75
82	MP2A	X	1.273	2.5
83	MP2A	Z	-2.204	2.5
84	MP2A	Mx	.000636	2.5
85	MP2B	X	.928	2.5
86	MP2B	Z	-1.607	2.5
87	MP2B	Mx	-.000928	2.5
88	MP2C	X	1.273	2.5
89	MP2C	Z	-2.204	2.5
90	MP2C	Mx	.000636	2.5
91	MP3A	X	1.229	2.5
92	MP3A	Z	-2.128	2.5
93	MP3A	Mx	.000614	2.5
94	MP3B	X	.751	2.5
95	MP3B	Z	-1.301	2.5
96	MP3B	Mx	-.000751	2.5
97	MP3C	X	1.229	2.5



Member Point Loads (BLC 28 : Antenna Wm (30 Deg)) (Continued)

	Member Label	Direction	Magnitude[lb.k-ft]	Location[ft.%]
98	MP3C	Z	-2.128	2.5
99	MP3C	Mx	.000614	2.5
100	OVP	X	2.834	1
101	OVP	Z	-4.909	1
102	OVP	Mx	0	1

Member Point Loads (BLC 29 : Antenna Wm (60 Deg))

	Member Label	Direction	Magnitude[lb.k-ft]	Location[ft.%]
1	MP3A	X	3.912	1.5
2	MP3A	Z	-2.259	1.5
3	MP3A	Mx	-.002	1.5
4	MP3A	X	3.912	5.5
5	MP3A	Z	-2.259	5.5
6	MP3A	Mx	-.002	5.5
7	MP3B	X	3.912	1.5
8	MP3B	Z	-2.259	1.5
9	MP3B	Mx	.002	1.5
10	MP3B	X	3.912	5.5
11	MP3B	Z	-2.259	5.5
12	MP3B	Mx	.002	5.5
13	MP3C	X	5.244	1.5
14	MP3C	Z	-3.028	1.5
15	MP3C	Mx	0	1.5
16	MP3C	X	5.244	5.5
17	MP3C	Z	-3.028	5.5
18	MP3C	Mx	0	5.5
19	MP2A	X	5.123	1.5
20	MP2A	Z	-2.958	1.5
21	MP2A	Mx	-.005	1.5
22	MP2A	X	5.123	5.5
23	MP2A	Z	-2.958	5.5
24	MP2A	Mx	-.005	5.5
25	MP2B	X	5.123	1.5
26	MP2B	Z	-2.958	1.5
27	MP2B	Mx	.00059	1.5
28	MP2B	X	5.123	5.5
29	MP2B	Z	-2.958	5.5
30	MP2B	Mx	.00059	5.5
31	MP2C	X	6.343	1.5
32	MP2C	Z	-3.662	1.5
33	MP2C	Mx	.005	1.5
34	MP2C	X	6.343	5.5
35	MP2C	Z	-3.662	5.5
36	MP2C	Mx	.005	5.5
37	MP2A	X	5.123	1.5
38	MP2A	Z	-2.958	1.5
39	MP2A	Mx	-.000589	1.5
40	MP2A	X	5.123	5.5
41	MP2A	Z	-2.958	5.5
42	MP2A	Mx	-.000589	5.5
43	MP2B	X	5.123	1.5
44	MP2B	Z	-2.958	1.5
45	MP2B	Mx	.005	1.5
46	MP2B	X	5.123	5.5
47	MP2B	Z	-2.958	5.5
48	MP2B	Mx	.005	5.5



Member Point Loads (BLC 29 : Antenna Wm (60 Deg)) (Continued)

Member Label	Direction	Magnitude[lb.k-ft]	Location[ft.%]	
49	MP2C	X	6.343	1.5
50	MP2C	Z	-3.662	1.5
51	MP2C	Mx	-.005	1.5
52	MP2C	X	6.343	5.5
53	MP2C	Z	-3.662	5.5
54	MP2C	Mx	-.005	5.5
55	MP1A	X	.804	4.75
56	MP1A	Z	-.464	4.75
57	MP1A	Mx	-.000201	4.75
58	MP1B	X	.804	4.75
59	MP1B	Z	-.464	4.75
60	MP1B	Mx	.000201	4.75
61	MP1C	X	1.285	4.75
62	MP1C	Z	-.742	4.75
63	MP1C	Mx	0	4.75
64	MP1A	X	1.659	.75
65	MP1A	Z	-.958	.75
66	MP1A	Mx	-.00083	.75
67	MP1A	X	1.659	2.75
68	MP1A	Z	-.958	2.75
69	MP1A	Mx	-.00083	2.75
70	MP1B	X	1.659	.75
71	MP1B	Z	-.958	.75
72	MP1B	Mx	.00083	.75
73	MP1B	X	1.659	2.75
74	MP1B	Z	-.958	2.75
75	MP1B	Mx	.00083	2.75
76	MP1C	X	3.053	.75
77	MP1C	Z	-1.762	.75
78	MP1C	Mx	0	.75
79	MP1C	X	3.053	2.75
80	MP1C	Z	-1.762	2.75
81	MP1C	Mx	0	2.75
82	MP2A	X	1.806	2.5
83	MP2A	Z	-1.043	2.5
84	MP2A	Mx	.000903	2.5
85	MP2B	X	1.806	2.5
86	MP2B	Z	-1.043	2.5
87	MP2B	Mx	-.000903	2.5
88	MP2C	X	2.404	2.5
89	MP2C	Z	-1.388	2.5
90	MP2C	Mx	0	2.5
91	MP3A	X	1.577	2.5
92	MP3A	Z	-.91	2.5
93	MP3A	Mx	.000788	2.5
94	MP3B	X	1.577	2.5
95	MP3B	Z	-.91	2.5
96	MP3B	Mx	-.000788	2.5
97	MP3C	X	2.404	2.5
98	MP3C	Z	-1.388	2.5
99	MP3C	Mx	0	2.5
100	OVP	X	4.291	1
101	OVP	Z	-2.477	1
102	OVP	Mx	0	1

Member Point Loads (BLC 30 : Antenna Wm (90 Deg))

Member Label	Direction	Magnitude[lb.k-ft]	Location[ft.%]
--------------	-----------	--------------------	----------------



Member Point Loads (BLC 30 : Antenna Wm (90 Deg)) (Continued)

Member Label	Direction	Magnitude[lb.k-ft]	Location[ft.%]	
1	MP3A	X	4.005	1.5
2	MP3A	Z	0	1.5
3	MP3A	Mx	-.002	1.5
4	MP3A	X	4.005	5.5
5	MP3A	Z	0	5.5
6	MP3A	Mx	-.002	5.5
7	MP3B	X	5.543	1.5
8	MP3B	Z	0	1.5
9	MP3B	Mx	.001	1.5
10	MP3B	X	5.543	5.5
11	MP3B	Z	0	5.5
12	MP3B	Mx	.001	5.5
13	MP3C	X	5.543	1.5
14	MP3C	Z	0	1.5
15	MP3C	Mx	.001	1.5
16	MP3C	X	5.543	5.5
17	MP3C	Z	0	5.5
18	MP3C	Mx	.001	5.5
19	MP2A	X	5.446	1.5
20	MP2A	Z	0	1.5
21	MP2A	Mx	-.003	1.5
22	MP2A	X	5.446	5.5
23	MP2A	Z	0	5.5
24	MP2A	Mx	-.003	5.5
25	MP2B	X	6.855	1.5
26	MP2B	Z	0	1.5
27	MP2B	Mx	-.002	1.5
28	MP2B	X	6.855	5.5
29	MP2B	Z	0	5.5
30	MP2B	Mx	-.002	5.5
31	MP2C	X	6.855	1.5
32	MP2C	Z	0	1.5
33	MP2C	Mx	.006	1.5
34	MP2C	X	6.855	5.5
35	MP2C	Z	0	5.5
36	MP2C	Mx	.006	5.5
37	MP2A	X	5.446	1.5
38	MP2A	Z	0	1.5
39	MP2A	Mx	-.003	1.5
40	MP2A	X	5.446	5.5
41	MP2A	Z	0	5.5
42	MP2A	Mx	-.003	5.5
43	MP2B	X	6.855	1.5
44	MP2B	Z	0	1.5
45	MP2B	Mx	.006	1.5
46	MP2B	X	6.855	5.5
47	MP2B	Z	0	5.5
48	MP2B	Mx	.006	5.5
49	MP2C	X	6.855	1.5
50	MP2C	Z	0	1.5
51	MP2C	Mx	-.002	1.5
52	MP2C	X	6.855	5.5
53	MP2C	Z	0	5.5
54	MP2C	Mx	-.002	5.5
55	MP1A	X	.744	4.75
56	MP1A	Z	0	4.75
57	MP1A	Mx	-.000186	4.75



Member Point Loads (BLC 30 : Antenna Wm (90 Deg)) (Continued)

	Member Label	Direction	Magnitude[lb.k-ft]	Location[ft.%]
58	MP1B	X	1.299	4.75
59	MP1B	Z	0	4.75
60	MP1B	Mx	.000162	4.75
61	MP1C	X	1.299	4.75
62	MP1C	Z	0	4.75
63	MP1C	Mx	.000162	4.75
64	MP1A	X	1.38	.75
65	MP1A	Z	0	.75
66	MP1A	Mx	-.00069	.75
67	MP1A	X	1.38	2.75
68	MP1A	Z	0	2.75
69	MP1A	Mx	-.00069	2.75
70	MP1B	X	2.989	.75
71	MP1B	Z	0	.75
72	MP1B	Mx	.000747	.75
73	MP1B	X	2.989	2.75
74	MP1B	Z	0	2.75
75	MP1B	Mx	.000747	2.75
76	MP1C	X	2.989	.75
77	MP1C	Z	0	.75
78	MP1C	Mx	.000747	.75
79	MP1C	X	2.989	2.75
80	MP1C	Z	0	2.75
81	MP1C	Mx	.000747	2.75
82	MP2A	X	1.855	2.5
83	MP2A	Z	0	2.5
84	MP2A	Mx	.000927	2.5
85	MP2B	X	2.545	2.5
86	MP2B	Z	0	2.5
87	MP2B	Mx	-.000636	2.5
88	MP2C	X	2.545	2.5
89	MP2C	Z	0	2.5
90	MP2C	Mx	-.000636	2.5
91	MP3A	X	1.503	2.5
92	MP3A	Z	0	2.5
93	MP3A	Mx	.000751	2.5
94	MP3B	X	2.457	2.5
95	MP3B	Z	0	2.5
96	MP3B	Mx	-.000614	2.5
97	MP3C	X	2.457	2.5
98	MP3C	Z	0	2.5
99	MP3C	Mx	-.000614	2.5
100	OVP	X	4.597	1
101	OVP	Z	0	1
102	OVP	Mx	0	1

Member Point Loads (BLC 31 : Antenna Wm (120 Deg))

	Member Label	Direction	Magnitude[lb.k-ft]	Location[ft.%]
1	MP3A	X	3.912	1.5
2	MP3A	Z	2.259	1.5
3	MP3A	Mx	-.002	1.5
4	MP3A	X	3.912	5.5
5	MP3A	Z	2.259	5.5
6	MP3A	Mx	-.002	5.5
7	MP3B	X	5.244	1.5
8	MP3B	Z	3.028	1.5



Member Point Loads (BLC 31 : Antenna Wm (120 Deg)) (Continued)

	Member Label	Direction	Magnitude[lb.k-ft]	Location[ft.%]
9	MP3B	Mx	0	1.5
10	MP3B	X	5.244	5.5
11	MP3B	Z	3.028	5.5
12	MP3B	Mx	0	5.5
13	MP3C	X	3.912	1.5
14	MP3C	Z	2.259	1.5
15	MP3C	Mx	.002	1.5
16	MP3C	X	3.912	5.5
17	MP3C	Z	2.259	5.5
18	MP3C	Mx	.002	5.5
19	MP2A	X	5.123	1.5
20	MP2A	Z	2.958	1.5
21	MP2A	Mx	-.000589	1.5
22	MP2A	X	5.123	5.5
23	MP2A	Z	2.958	5.5
24	MP2A	Mx	-.000589	5.5
25	MP2B	X	6.343	1.5
26	MP2B	Z	3.662	1.5
27	MP2B	Mx	-.005	1.5
28	MP2B	X	6.343	5.5
29	MP2B	Z	3.662	5.5
30	MP2B	Mx	-.005	5.5
31	MP2C	X	5.123	1.5
32	MP2C	Z	2.958	1.5
33	MP2C	Mx	.005	1.5
34	MP2C	X	5.123	5.5
35	MP2C	Z	2.958	5.5
36	MP2C	Mx	.005	5.5
37	MP2A	X	5.123	1.5
38	MP2A	Z	2.958	1.5
39	MP2A	Mx	-.005	1.5
40	MP2A	X	5.123	5.5
41	MP2A	Z	2.958	5.5
42	MP2A	Mx	-.005	5.5
43	MP2B	X	6.343	1.5
44	MP2B	Z	3.662	1.5
45	MP2B	Mx	.005	1.5
46	MP2B	X	6.343	5.5
47	MP2B	Z	3.662	5.5
48	MP2B	Mx	.005	5.5
49	MP2C	X	5.123	1.5
50	MP2C	Z	2.958	1.5
51	MP2C	Mx	.00059	1.5
52	MP2C	X	5.123	5.5
53	MP2C	Z	2.958	5.5
54	MP2C	Mx	.00059	5.5
55	MP1A	X	.804	4.75
56	MP1A	Z	.464	4.75
57	MP1A	Mx	-.000201	4.75
58	MP1B	X	1.285	4.75
59	MP1B	Z	.742	4.75
60	MP1B	Mx	0	4.75
61	MP1C	X	.804	4.75
62	MP1C	Z	.464	4.75
63	MP1C	Mx	.000201	4.75
64	MP1A	X	1.659	.75
65	MP1A	Z	.958	.75



Member Point Loads (BLC 31 : Antenna Wm (120 Deg)) (Continued)

	Member Label	Direction	Magnitude[lb.k-ft]	Location[ft.%]
66	MP1A	Mx	-.00083	.75
67	MP1A	X	1.659	2.75
68	MP1A	Z	.958	2.75
69	MP1A	Mx	-.00083	2.75
70	MP1B	X	3.053	.75
71	MP1B	Z	1.762	.75
72	MP1B	Mx	0	.75
73	MP1B	X	3.053	2.75
74	MP1B	Z	1.762	2.75
75	MP1B	Mx	0	2.75
76	MP1C	X	1.659	.75
77	MP1C	Z	.958	.75
78	MP1C	Mx	.00083	.75
79	MP1C	X	1.659	2.75
80	MP1C	Z	.958	2.75
81	MP1C	Mx	.00083	2.75
82	MP2A	X	1.806	2.5
83	MP2A	Z	1.043	2.5
84	MP2A	Mx	.000903	2.5
85	MP2B	X	2.404	2.5
86	MP2B	Z	1.388	2.5
87	MP2B	Mx	0	2.5
88	MP2C	X	1.806	2.5
89	MP2C	Z	1.043	2.5
90	MP2C	Mx	-.000903	2.5
91	MP3A	X	1.577	2.5
92	MP3A	Z	.91	2.5
93	MP3A	Mx	.000788	2.5
94	MP3B	X	2.404	2.5
95	MP3B	Z	1.388	2.5
96	MP3B	Mx	0	2.5
97	MP3C	X	1.577	2.5
98	MP3C	Z	.91	2.5
99	MP3C	Mx	-.000788	2.5
100	OVP	X	4.291	1
101	OVP	Z	2.477	1
102	OVP	Mx	0	1

Member Point Loads (BLC 32 : Antenna Wm (150 Deg))

	Member Label	Direction	Magnitude[lb.k-ft]	Location[ft.%]
1	MP3A	X	2.771	1.5
2	MP3A	Z	4.8	1.5
3	MP3A	Mx	-.001	1.5
4	MP3A	X	2.771	5.5
5	MP3A	Z	4.8	5.5
6	MP3A	Mx	-.001	5.5
7	MP3B	X	2.771	1.5
8	MP3B	Z	4.8	1.5
9	MP3B	Mx	-.001	1.5
10	MP3B	X	2.771	5.5
11	MP3B	Z	4.8	5.5
12	MP3B	Mx	-.001	5.5
13	MP3C	X	2.002	1.5
14	MP3C	Z	3.468	1.5
15	MP3C	Mx	.002	1.5
16	MP3C	X	2.002	5.5



Company : Maser Consulting
 Designer :
 Job Number : Project No. 10088393
 Model Name : 467142-VZW_MT_LO_H

July 22, 2021
 10:17 PM
 Checked By: _____

Member Point Loads (BLC 32 : Antenna Wm (150 Deg)) (Continued)

Member Label	Direction	Magnitude[lb.k-ft]	Location[ft.%]	
17	MP3C	Z	3.468	5.5
18	MP3C	Mx	.002	5.5
19	MP2A	X	3.427	1.5
20	MP2A	Z	5.936	1.5
21	MP2A	Mx	.002	1.5
22	MP2A	X	3.427	5.5
23	MP2A	Z	5.936	5.5
24	MP2A	Mx	.002	5.5
25	MP2B	X	3.427	1.5
26	MP2B	Z	5.936	1.5
27	MP2B	Mx	-.006	1.5
28	MP2B	X	3.427	5.5
29	MP2B	Z	5.936	5.5
30	MP2B	Mx	-.006	5.5
31	MP2C	X	2.723	1.5
32	MP2C	Z	4.716	1.5
33	MP2C	Mx	.003	1.5
34	MP2C	X	2.723	5.5
35	MP2C	Z	4.716	5.5
36	MP2C	Mx	.003	5.5
37	MP2A	X	3.427	1.5
38	MP2A	Z	5.936	1.5
39	MP2A	Mx	-.006	1.5
40	MP2A	X	3.427	5.5
41	MP2A	Z	5.936	5.5
42	MP2A	Mx	-.006	5.5
43	MP2B	X	3.427	1.5
44	MP2B	Z	5.936	1.5
45	MP2B	Mx	.002	1.5
46	MP2B	X	3.427	5.5
47	MP2B	Z	5.936	5.5
48	MP2B	Mx	.002	5.5
49	MP2C	X	2.723	1.5
50	MP2C	Z	4.716	1.5
51	MP2C	Mx	.003	1.5
52	MP2C	X	2.723	5.5
53	MP2C	Z	4.716	5.5
54	MP2C	Mx	.003	5.5
55	MP1A	X	.65	4.75
56	MP1A	Z	1.125	4.75
57	MP1A	Mx	-.000163	4.75
58	MP1B	X	.65	4.75
59	MP1B	Z	1.125	4.75
60	MP1B	Mx	-.000162	4.75
61	MP1C	X	.372	4.75
62	MP1C	Z	.644	4.75
63	MP1C	Mx	.000186	4.75
64	MP1A	X	1.494	.75
65	MP1A	Z	2.588	.75
66	MP1A	Mx	-.000747	.75
67	MP1A	X	1.494	2.75
68	MP1A	Z	2.588	2.75
69	MP1A	Mx	-.000747	2.75
70	MP1B	X	1.494	.75
71	MP1B	Z	2.588	.75
72	MP1B	Mx	-.000747	.75
73	MP1B	X	1.494	2.75



Member Point Loads (BLC 32 : Antenna Wm (150 Deg)) (Continued)

	Member Label	Direction	Magnitude[lb.k-ft]	Location[ft,%]
74	MP1B	Z	2.588	2.75
75	MP1B	Mx	-.000747	2.75
76	MP1C	X	.69	.75
77	MP1C	Z	1.195	.75
78	MP1C	Mx	.00069	.75
79	MP1C	X	.69	2.75
80	MP1C	Z	1.195	2.75
81	MP1C	Mx	.00069	2.75
82	MP2A	X	1.273	2.5
83	MP2A	Z	2.204	2.5
84	MP2A	Mx	.000636	2.5
85	MP2B	X	1.273	2.5
86	MP2B	Z	2.204	2.5
87	MP2B	Mx	.000636	2.5
88	MP2C	X	.928	2.5
89	MP2C	Z	1.607	2.5
90	MP2C	Mx	-.000928	2.5
91	MP3A	X	1.229	2.5
92	MP3A	Z	2.128	2.5
93	MP3A	Mx	.000614	2.5
94	MP3B	X	1.229	2.5
95	MP3B	Z	2.128	2.5
96	MP3B	Mx	.000614	2.5
97	MP3C	X	.751	2.5
98	MP3C	Z	1.301	2.5
99	MP3C	Mx	-.000751	2.5
100	OVP	X	2.834	1
101	OVP	Z	4.909	1
102	OVP	Mx	0	1

Member Point Loads (BLC 33 : Antenna Wm (180 Deg))

	Member Label	Direction	Magnitude[lb.k-ft]	Location[ft,%]
1	MP3A	X	0	1.5
2	MP3A	Z	6.056	1.5
3	MP3A	Mx	0	1.5
4	MP3A	X	0	5.5
5	MP3A	Z	6.056	5.5
6	MP3A	Mx	0	5.5
7	MP3B	X	0	1.5
8	MP3B	Z	4.517	1.5
9	MP3B	Mx	-.002	1.5
10	MP3B	X	0	5.5
11	MP3B	Z	4.517	5.5
12	MP3B	Mx	-.002	5.5
13	MP3C	X	0	1.5
14	MP3C	Z	4.517	1.5
15	MP3C	Mx	.002	1.5
16	MP3C	X	0	5.5
17	MP3C	Z	4.517	5.5
18	MP3C	Mx	.002	5.5
19	MP2A	X	0	1.5
20	MP2A	Z	7.325	1.5
21	MP2A	Mx	.005	1.5
22	MP2A	X	0	5.5
23	MP2A	Z	7.325	5.5
24	MP2A	Mx	.005	5.5



Member Point Loads (BLC 33 : Antenna Wm (180 Deg)) (Continued)

Member Label	Direction	Magnitude[lb.k-ft]	Location[ft.%]	
25	MP2B	X	0	1.5
26	MP2B	Z	5.915	1.5
27	MP2B	Mx	-.005	1.5
28	MP2B	X	0	5.5
29	MP2B	Z	5.915	5.5
30	MP2B	Mx	-.005	5.5
31	MP2C	X	0	1.5
32	MP2C	Z	5.915	1.5
33	MP2C	Mx	.00059	1.5
34	MP2C	X	0	5.5
35	MP2C	Z	5.915	5.5
36	MP2C	Mx	.00059	5.5
37	MP2A	X	0	1.5
38	MP2A	Z	7.325	1.5
39	MP2A	Mx	-.005	1.5
40	MP2A	X	0	5.5
41	MP2A	Z	7.325	5.5
42	MP2A	Mx	-.005	5.5
43	MP2B	X	0	1.5
44	MP2B	Z	5.915	1.5
45	MP2B	Mx	-.00059	1.5
46	MP2B	X	0	5.5
47	MP2B	Z	5.915	5.5
48	MP2B	Mx	-.00059	5.5
49	MP2C	X	0	1.5
50	MP2C	Z	5.915	1.5
51	MP2C	Mx	.005	1.5
52	MP2C	X	0	5.5
53	MP2C	Z	5.915	5.5
54	MP2C	Mx	.005	5.5
55	MP1A	X	0	4.75
56	MP1A	Z	1.484	4.75
57	MP1A	Mx	0	4.75
58	MP1B	X	0	4.75
59	MP1B	Z	.929	4.75
60	MP1B	Mx	-.000201	4.75
61	MP1C	X	0	4.75
62	MP1C	Z	.929	4.75
63	MP1C	Mx	.000201	4.75
64	MP1A	X	0	.75
65	MP1A	Z	3.525	.75
66	MP1A	Mx	0	.75
67	MP1A	X	0	2.75
68	MP1A	Z	3.525	2.75
69	MP1A	Mx	0	2.75
70	MP1B	X	0	.75
71	MP1B	Z	1.916	.75
72	MP1B	Mx	-.00083	.75
73	MP1B	X	0	2.75
74	MP1B	Z	1.916	2.75
75	MP1B	Mx	-.00083	2.75
76	MP1C	X	0	.75
77	MP1C	Z	1.916	.75
78	MP1C	Mx	.00083	.75
79	MP1C	X	0	2.75
80	MP1C	Z	1.916	2.75
81	MP1C	Mx	.00083	2.75



Company : Maser Consulting
 Designer :
 Job Number : Project No. 10088393
 Model Name : 467142-VZW_MT_LO_H

July 22, 2021
 10:17 PM
 Checked By: _____

Member Point Loads (BLC 33 : Antenna Wm (180 Deg)) (Continued)

	Member Label	Direction	Magnitude[lb.k-ft]	Location[ft.%]
82	MP2A	X	0	2.5
83	MP2A	Z	2.775	2.5
84	MP2A	Mx	0	2.5
85	MP2B	X	0	2.5
86	MP2B	Z	2.085	2.5
87	MP2B	Mx	.000903	2.5
88	MP2C	X	0	2.5
89	MP2C	Z	2.085	2.5
90	MP2C	Mx	-.000903	2.5
91	MP3A	X	0	2.5
92	MP3A	Z	2.775	2.5
93	MP3A	Mx	0	2.5
94	MP3B	X	0	2.5
95	MP3B	Z	1.821	2.5
96	MP3B	Mx	.000789	2.5
97	MP3C	X	0	2.5
98	MP3C	Z	1.821	2.5
99	MP3C	Mx	-.000789	2.5
100	OVP	X	0	1
101	OVP	Z	6.026	1
102	OVP	Mx	0	1

Member Point Loads (BLC 34 : Antenna Wm (210 Deg))

	Member Label	Direction	Magnitude[lb.k-ft]	Location[ft.%]
1	MP3A	X	-2.771	1.5
2	MP3A	Z	4.8	1.5
3	MP3A	Mx	.001	1.5
4	MP3A	X	-2.771	5.5
5	MP3A	Z	4.8	5.5
6	MP3A	Mx	.001	5.5
7	MP3B	X	-2.002	1.5
8	MP3B	Z	3.468	1.5
9	MP3B	Mx	-.002	1.5
10	MP3B	X	-2.002	5.5
11	MP3B	Z	3.468	5.5
12	MP3B	Mx	-.002	5.5
13	MP3C	X	-2.771	1.5
14	MP3C	Z	4.8	1.5
15	MP3C	Mx	.001	1.5
16	MP3C	X	-2.771	5.5
17	MP3C	Z	4.8	5.5
18	MP3C	Mx	.001	5.5
19	MP2A	X	-3.427	1.5
20	MP2A	Z	5.936	1.5
21	MP2A	Mx	.006	1.5
22	MP2A	X	-3.427	5.5
23	MP2A	Z	5.936	5.5
24	MP2A	Mx	.006	5.5
25	MP2B	X	-2.723	1.5
26	MP2B	Z	4.716	1.5
27	MP2B	Mx	-.003	1.5
28	MP2B	X	-2.723	5.5
29	MP2B	Z	4.716	5.5
30	MP2B	Mx	-.003	5.5
31	MP2C	X	-3.427	1.5
32	MP2C	Z	5.936	1.5



Member Point Loads (BLC 34 : Antenna Wm (210 Deg)) (Continued)

Member Label	Direction	Magnitude[lb.k-ft]	Location[ft.%]	
33	MP2C	Mx	-0.002	1.5
34	MP2C	X	-3.427	5.5
35	MP2C	Z	5.936	5.5
36	MP2C	Mx	-0.002	5.5
37	MP2A	X	-3.427	1.5
38	MP2A	Z	5.936	1.5
39	MP2A	Mx	-0.002	1.5
40	MP2A	X	-3.427	5.5
41	MP2A	Z	5.936	5.5
42	MP2A	Mx	-0.002	5.5
43	MP2B	X	-2.723	1.5
44	MP2B	Z	4.716	1.5
45	MP2B	Mx	-0.003	1.5
46	MP2B	X	-2.723	5.5
47	MP2B	Z	4.716	5.5
48	MP2B	Mx	-0.003	5.5
49	MP2C	X	-3.427	1.5
50	MP2C	Z	5.936	1.5
51	MP2C	Mx	.006	1.5
52	MP2C	X	-3.427	5.5
53	MP2C	Z	5.936	5.5
54	MP2C	Mx	.006	5.5
55	MP1A	X	-.65	4.75
56	MP1A	Z	1.125	4.75
57	MP1A	Mx	.000163	4.75
58	MP1B	X	-.372	4.75
59	MP1B	Z	.644	4.75
60	MP1B	Mx	-.000186	4.75
61	MP1C	X	-.65	4.75
62	MP1C	Z	1.125	4.75
63	MP1C	Mx	.000162	4.75
64	MP1A	X	-1.494	.75
65	MP1A	Z	2.588	.75
66	MP1A	Mx	.000747	.75
67	MP1A	X	-1.494	2.75
68	MP1A	Z	2.588	2.75
69	MP1A	Mx	.000747	2.75
70	MP1B	X	-.69	.75
71	MP1B	Z	1.195	.75
72	MP1B	Mx	-.00069	.75
73	MP1B	X	-.69	2.75
74	MP1B	Z	1.195	2.75
75	MP1B	Mx	-.00069	2.75
76	MP1C	X	-1.494	.75
77	MP1C	Z	2.588	.75
78	MP1C	Mx	.000747	.75
79	MP1C	X	-1.494	2.75
80	MP1C	Z	2.588	2.75
81	MP1C	Mx	.000747	2.75
82	MP2A	X	-1.273	2.5
83	MP2A	Z	2.204	2.5
84	MP2A	Mx	-.000636	2.5
85	MP2B	X	-.928	2.5
86	MP2B	Z	1.607	2.5
87	MP2B	Mx	.000928	2.5
88	MP2C	X	-1.273	2.5
89	MP2C	Z	2.204	2.5



Member Point Loads (BLC 34 : Antenna Wm (210 Deg)) (Continued)

	Member Label	Direction	Magnitude[lb.k-ft]	Location[ft.%]
90	MP2C	Mx	-0.00636	2.5
91	MP3A	X	-1.229	2.5
92	MP3A	Z	2.128	2.5
93	MP3A	Mx	-0.00614	2.5
94	MP3B	X	-0.751	2.5
95	MP3B	Z	1.301	2.5
96	MP3B	Mx	0.00751	2.5
97	MP3C	X	-1.229	2.5
98	MP3C	Z	2.128	2.5
99	MP3C	Mx	-0.00614	2.5
100	OVP	X	-2.834	1
101	OVP	Z	4.909	1
102	OVP	Mx	0	1

Member Point Loads (BLC 35 : Antenna Wm (240 Deg))

	Member Label	Direction	Magnitude[lb.k-ft]	Location[ft.%]
1	MP3A	X	-3.912	1.5
2	MP3A	Z	2.259	1.5
3	MP3A	Mx	0.002	1.5
4	MP3A	X	-3.912	5.5
5	MP3A	Z	2.259	5.5
6	MP3A	Mx	0.002	5.5
7	MP3B	X	-3.912	1.5
8	MP3B	Z	2.259	1.5
9	MP3B	Mx	-0.002	1.5
10	MP3B	X	-3.912	5.5
11	MP3B	Z	2.259	5.5
12	MP3B	Mx	-0.002	5.5
13	MP3C	X	-5.244	1.5
14	MP3C	Z	3.028	1.5
15	MP3C	Mx	0	1.5
16	MP3C	X	-5.244	5.5
17	MP3C	Z	3.028	5.5
18	MP3C	Mx	0	5.5
19	MP2A	X	-5.123	1.5
20	MP2A	Z	2.958	1.5
21	MP2A	Mx	0.005	1.5
22	MP2A	X	-5.123	5.5
23	MP2A	Z	2.958	5.5
24	MP2A	Mx	0.005	5.5
25	MP2B	X	-5.123	1.5
26	MP2B	Z	2.958	1.5
27	MP2B	Mx	-0.0059	1.5
28	MP2B	X	-5.123	5.5
29	MP2B	Z	2.958	5.5
30	MP2B	Mx	-0.0059	5.5
31	MP2C	X	-6.343	1.5
32	MP2C	Z	3.662	1.5
33	MP2C	Mx	-0.005	1.5
34	MP2C	X	-6.343	5.5
35	MP2C	Z	3.662	5.5
36	MP2C	Mx	-0.005	5.5
37	MP2A	X	-5.123	1.5
38	MP2A	Z	2.958	1.5
39	MP2A	Mx	0.00589	1.5
40	MP2A	X	-5.123	5.5



Member Point Loads (BLC 35 : Antenna Wm (240 Deg)) (Continued)

Member Label	Direction	Magnitude[lb.k-ft]	Location[ft.%]	
41	MP2A	Z	2.958	5.5
42	MP2A	Mx	.000589	5.5
43	MP2B	X	-5.123	1.5
44	MP2B	Z	2.958	1.5
45	MP2B	Mx	-.005	1.5
46	MP2B	X	-5.123	5.5
47	MP2B	Z	2.958	5.5
48	MP2B	Mx	-.005	5.5
49	MP2C	X	-6.343	1.5
50	MP2C	Z	3.662	1.5
51	MP2C	Mx	.005	1.5
52	MP2C	X	-6.343	5.5
53	MP2C	Z	3.662	5.5
54	MP2C	Mx	.005	5.5
55	MP1A	X	-.804	4.75
56	MP1A	Z	.464	4.75
57	MP1A	Mx	.000201	4.75
58	MP1B	X	-.804	4.75
59	MP1B	Z	.464	4.75
60	MP1B	Mx	-.000201	4.75
61	MP1C	X	-1.285	4.75
62	MP1C	Z	.742	4.75
63	MP1C	Mx	0	4.75
64	MP1A	X	-1.659	.75
65	MP1A	Z	.958	.75
66	MP1A	Mx	.00083	.75
67	MP1A	X	-1.659	2.75
68	MP1A	Z	.958	2.75
69	MP1A	Mx	.00083	2.75
70	MP1B	X	-1.659	.75
71	MP1B	Z	.958	.75
72	MP1B	Mx	-.00083	.75
73	MP1B	X	-1.659	2.75
74	MP1B	Z	.958	2.75
75	MP1B	Mx	-.00083	2.75
76	MP1C	X	-3.053	.75
77	MP1C	Z	1.762	.75
78	MP1C	Mx	0	.75
79	MP1C	X	-3.053	2.75
80	MP1C	Z	1.762	2.75
81	MP1C	Mx	0	2.75
82	MP2A	X	-1.806	2.5
83	MP2A	Z	1.043	2.5
84	MP2A	Mx	-.000903	2.5
85	MP2B	X	-1.806	2.5
86	MP2B	Z	1.043	2.5
87	MP2B	Mx	.000903	2.5
88	MP2C	X	-2.404	2.5
89	MP2C	Z	1.388	2.5
90	MP2C	Mx	0	2.5
91	MP3A	X	-1.577	2.5
92	MP3A	Z	.91	2.5
93	MP3A	Mx	-.000788	2.5
94	MP3B	X	-1.577	2.5
95	MP3B	Z	.91	2.5
96	MP3B	Mx	.000788	2.5
97	MP3C	X	-2.404	2.5



Member Point Loads (BLC 35 : Antenna Wm (240 Deg)) (Continued)

	Member Label	Direction	Magnitude[lb.k-ft]	Location[ft.%]
98	MP3C	Z	1.388	2.5
99	MP3C	Mx	0	2.5
100	OVP	X	-4.291	1
101	OVP	Z	2.477	1
102	OVP	Mx	0	1

Member Point Loads (BLC 36 : Antenna Wm (270 Deg))

	Member Label	Direction	Magnitude[lb.k-ft]	Location[ft.%]
1	MP3A	X	-4.005	1.5
2	MP3A	Z	0	1.5
3	MP3A	Mx	.002	1.5
4	MP3A	X	-4.005	5.5
5	MP3A	Z	0	5.5
6	MP3A	Mx	.002	5.5
7	MP3B	X	-5.543	1.5
8	MP3B	Z	0	1.5
9	MP3B	Mx	-.001	1.5
10	MP3B	X	-5.543	5.5
11	MP3B	Z	0	5.5
12	MP3B	Mx	-.001	5.5
13	MP3C	X	-5.543	1.5
14	MP3C	Z	0	1.5
15	MP3C	Mx	-.001	1.5
16	MP3C	X	-5.543	5.5
17	MP3C	Z	0	5.5
18	MP3C	Mx	-.001	5.5
19	MP2A	X	-5.446	1.5
20	MP2A	Z	0	1.5
21	MP2A	Mx	.003	1.5
22	MP2A	X	-5.446	5.5
23	MP2A	Z	0	5.5
24	MP2A	Mx	.003	5.5
25	MP2B	X	-6.855	1.5
26	MP2B	Z	0	1.5
27	MP2B	Mx	.002	1.5
28	MP2B	X	-6.855	5.5
29	MP2B	Z	0	5.5
30	MP2B	Mx	.002	5.5
31	MP2C	X	-6.855	1.5
32	MP2C	Z	0	1.5
33	MP2C	Mx	-.006	1.5
34	MP2C	X	-6.855	5.5
35	MP2C	Z	0	5.5
36	MP2C	Mx	-.006	5.5
37	MP2A	X	-5.446	1.5
38	MP2A	Z	0	1.5
39	MP2A	Mx	.003	1.5
40	MP2A	X	-5.446	5.5
41	MP2A	Z	0	5.5
42	MP2A	Mx	.003	5.5
43	MP2B	X	-6.855	1.5
44	MP2B	Z	0	1.5
45	MP2B	Mx	-.006	1.5
46	MP2B	X	-6.855	5.5
47	MP2B	Z	0	5.5
48	MP2B	Mx	-.006	5.5



Member Point Loads (BLC 36 : Antenna Wm (270 Deg)) (Continued)

Member Label	Direction	Magnitude[lb.k-ft]	Location[ft.%]	
49	MP2C	X	-6.855	1.5
50	MP2C	Z	0	1.5
51	MP2C	Mx	.002	1.5
52	MP2C	X	-6.855	5.5
53	MP2C	Z	0	5.5
54	MP2C	Mx	.002	5.5
55	MP1A	X	-.744	4.75
56	MP1A	Z	0	4.75
57	MP1A	Mx	.000186	4.75
58	MP1B	X	-1.299	4.75
59	MP1B	Z	0	4.75
60	MP1B	Mx	-.000162	4.75
61	MP1C	X	-1.299	4.75
62	MP1C	Z	0	4.75
63	MP1C	Mx	-.000162	4.75
64	MP1A	X	-1.38	.75
65	MP1A	Z	0	.75
66	MP1A	Mx	.00069	.75
67	MP1A	X	-1.38	2.75
68	MP1A	Z	0	2.75
69	MP1A	Mx	.00069	2.75
70	MP1B	X	-2.989	.75
71	MP1B	Z	0	.75
72	MP1B	Mx	-.000747	.75
73	MP1B	X	-2.989	2.75
74	MP1B	Z	0	2.75
75	MP1B	Mx	-.000747	2.75
76	MP1C	X	-2.989	.75
77	MP1C	Z	0	.75
78	MP1C	Mx	-.000747	.75
79	MP1C	X	-2.989	2.75
80	MP1C	Z	0	2.75
81	MP1C	Mx	-.000747	2.75
82	MP2A	X	-1.855	2.5
83	MP2A	Z	0	2.5
84	MP2A	Mx	-.000927	2.5
85	MP2B	X	-2.545	2.5
86	MP2B	Z	0	2.5
87	MP2B	Mx	.000636	2.5
88	MP2C	X	-2.545	2.5
89	MP2C	Z	0	2.5
90	MP2C	Mx	.000636	2.5
91	MP3A	X	-1.503	2.5
92	MP3A	Z	0	2.5
93	MP3A	Mx	-.000751	2.5
94	MP3B	X	-2.457	2.5
95	MP3B	Z	0	2.5
96	MP3B	Mx	.000614	2.5
97	MP3C	X	-2.457	2.5
98	MP3C	Z	0	2.5
99	MP3C	Mx	.000614	2.5
100	OVP	X	-4.597	1
101	OVP	Z	0	1
102	OVP	Mx	0	1

Member Point Loads (BLC 37 : Antenna Wm (300 Deg))

Member Label	Direction	Magnitude[lb.k-ft]	Location[ft.%]
--------------	-----------	--------------------	----------------



Company : Maser Consulting
 Designer :
 Job Number : Project No. 10088393
 Model Name : 467142-VZW_MT_LO_H

July 22, 2021
 10:17 PM
 Checked By: _____

Member Point Loads (BLC 37 : Antenna Wm (300 Deg)) (Continued)

Member Label	Direction	Magnitude[lb.k-ft]	Location[ft.%]	
1	MP3A	X	-3.912	1.5
2	MP3A	Z	-2.259	1.5
3	MP3A	Mx	.002	1.5
4	MP3A	X	-3.912	5.5
5	MP3A	Z	-2.259	5.5
6	MP3A	Mx	.002	5.5
7	MP3B	X	-5.244	1.5
8	MP3B	Z	-3.028	1.5
9	MP3B	Mx	0	1.5
10	MP3B	X	-5.244	5.5
11	MP3B	Z	-3.028	5.5
12	MP3B	Mx	0	5.5
13	MP3C	X	-3.912	1.5
14	MP3C	Z	-2.259	1.5
15	MP3C	Mx	-.002	1.5
16	MP3C	X	-3.912	5.5
17	MP3C	Z	-2.259	5.5
18	MP3C	Mx	-.002	5.5
19	MP2A	X	-5.123	1.5
20	MP2A	Z	-2.958	1.5
21	MP2A	Mx	.000589	1.5
22	MP2A	X	-5.123	5.5
23	MP2A	Z	-2.958	5.5
24	MP2A	Mx	.000589	5.5
25	MP2B	X	-6.343	1.5
26	MP2B	Z	-3.662	1.5
27	MP2B	Mx	.005	1.5
28	MP2B	X	-6.343	5.5
29	MP2B	Z	-3.662	5.5
30	MP2B	Mx	.005	5.5
31	MP2C	X	-5.123	1.5
32	MP2C	Z	-2.958	1.5
33	MP2C	Mx	-.005	1.5
34	MP2C	X	-5.123	5.5
35	MP2C	Z	-2.958	5.5
36	MP2C	Mx	-.005	5.5
37	MP2A	X	-5.123	1.5
38	MP2A	Z	-2.958	1.5
39	MP2A	Mx	.005	1.5
40	MP2A	X	-5.123	5.5
41	MP2A	Z	-2.958	5.5
42	MP2A	Mx	.005	5.5
43	MP2B	X	-6.343	1.5
44	MP2B	Z	-3.662	1.5
45	MP2B	Mx	-.005	1.5
46	MP2B	X	-6.343	5.5
47	MP2B	Z	-3.662	5.5
48	MP2B	Mx	-.005	5.5
49	MP2C	X	-5.123	1.5
50	MP2C	Z	-2.958	1.5
51	MP2C	Mx	-.00059	1.5
52	MP2C	X	-5.123	5.5
53	MP2C	Z	-2.958	5.5
54	MP2C	Mx	-.00059	5.5
55	MP1A	X	-.804	4.75
56	MP1A	Z	-.464	4.75
57	MP1A	Mx	.000201	4.75



Member Point Loads (BLC 37 : Antenna Wm (300 Deg)) (Continued)

	Member Label	Direction	Magnitude[lb.k-ft]	Location[ft.%]
58	MP1B	X	-1.285	4.75
59	MP1B	Z	-.742	4.75
60	MP1B	Mx	0	4.75
61	MP1C	X	-.804	4.75
62	MP1C	Z	-.464	4.75
63	MP1C	Mx	-.000201	4.75
64	MP1A	X	-1.659	.75
65	MP1A	Z	-.958	.75
66	MP1A	Mx	.00083	.75
67	MP1A	X	-1.659	2.75
68	MP1A	Z	-.958	2.75
69	MP1A	Mx	.00083	2.75
70	MP1B	X	-3.053	.75
71	MP1B	Z	-1.762	.75
72	MP1B	Mx	0	.75
73	MP1B	X	-3.053	2.75
74	MP1B	Z	-1.762	2.75
75	MP1B	Mx	0	2.75
76	MP1C	X	-1.659	.75
77	MP1C	Z	-.958	.75
78	MP1C	Mx	-.00083	.75
79	MP1C	X	-1.659	2.75
80	MP1C	Z	-.958	2.75
81	MP1C	Mx	-.00083	2.75
82	MP2A	X	-1.806	2.5
83	MP2A	Z	-1.043	2.5
84	MP2A	Mx	-.000903	2.5
85	MP2B	X	-2.404	2.5
86	MP2B	Z	-1.388	2.5
87	MP2B	Mx	0	2.5
88	MP2C	X	-1.806	2.5
89	MP2C	Z	-1.043	2.5
90	MP2C	Mx	.000903	2.5
91	MP3A	X	-1.577	2.5
92	MP3A	Z	-.91	2.5
93	MP3A	Mx	-.000788	2.5
94	MP3B	X	-2.404	2.5
95	MP3B	Z	-1.388	2.5
96	MP3B	Mx	0	2.5
97	MP3C	X	-1.577	2.5
98	MP3C	Z	-.91	2.5
99	MP3C	Mx	.000788	2.5
100	OVP	X	-4.291	1
101	OVP	Z	-2.477	1
102	OVP	Mx	0	1

Member Point Loads (BLC 38 : Antenna Wm (330 Deg))

	Member Label	Direction	Magnitude[lb.k-ft]	Location[ft.%]
1	MP3A	X	-2.771	1.5
2	MP3A	Z	-4.8	1.5
3	MP3A	Mx	.001	1.5
4	MP3A	X	-2.771	5.5
5	MP3A	Z	-4.8	5.5
6	MP3A	Mx	.001	5.5
7	MP3B	X	-2.771	1.5
8	MP3B	Z	-4.8	1.5



Member Point Loads (BLC 38 : Antenna Wm (330 Deg)) (Continued)

	Member Label	Direction	Magnitude[lb.k-ft]	Location[ft.%]
9	MP3B	Mx	.001	1.5
10	MP3B	X	-2.771	5.5
11	MP3B	Z	-4.8	5.5
12	MP3B	Mx	.001	5.5
13	MP3C	X	-2.002	1.5
14	MP3C	Z	-3.468	1.5
15	MP3C	Mx	-.002	1.5
16	MP3C	X	-2.002	5.5
17	MP3C	Z	-3.468	5.5
18	MP3C	Mx	-.002	5.5
19	MP2A	X	-3.427	1.5
20	MP2A	Z	-5.936	1.5
21	MP2A	Mx	-.002	1.5
22	MP2A	X	-3.427	5.5
23	MP2A	Z	-5.936	5.5
24	MP2A	Mx	-.002	5.5
25	MP2B	X	-3.427	1.5
26	MP2B	Z	-5.936	1.5
27	MP2B	Mx	.006	1.5
28	MP2B	X	-3.427	5.5
29	MP2B	Z	-5.936	5.5
30	MP2B	Mx	.006	5.5
31	MP2C	X	-2.723	1.5
32	MP2C	Z	-4.716	1.5
33	MP2C	Mx	-.003	1.5
34	MP2C	X	-2.723	5.5
35	MP2C	Z	-4.716	5.5
36	MP2C	Mx	-.003	5.5
37	MP2A	X	-3.427	1.5
38	MP2A	Z	-5.936	1.5
39	MP2A	Mx	.006	1.5
40	MP2A	X	-3.427	5.5
41	MP2A	Z	-5.936	5.5
42	MP2A	Mx	.006	5.5
43	MP2B	X	-3.427	1.5
44	MP2B	Z	-5.936	1.5
45	MP2B	Mx	-.002	1.5
46	MP2B	X	-3.427	5.5
47	MP2B	Z	-5.936	5.5
48	MP2B	Mx	-.002	5.5
49	MP2C	X	-2.723	1.5
50	MP2C	Z	-4.716	1.5
51	MP2C	Mx	-.003	1.5
52	MP2C	X	-2.723	5.5
53	MP2C	Z	-4.716	5.5
54	MP2C	Mx	-.003	5.5
55	MP1A	X	-.65	4.75
56	MP1A	Z	-1.125	4.75
57	MP1A	Mx	.000163	4.75
58	MP1B	X	-.65	4.75
59	MP1B	Z	-1.125	4.75
60	MP1B	Mx	.000162	4.75
61	MP1C	X	-.372	4.75
62	MP1C	Z	-.644	4.75
63	MP1C	Mx	-.000186	4.75
64	MP1A	X	-1.494	.75
65	MP1A	Z	-2.588	.75



Member Point Loads (BLC 38 : Antenna Wm (330 Deg)) (Continued)

	Member Label	Direction	Magnitude[lb.k-ft]	Location[ft.%]
66	MP1A	Mx	.000747	.75
67	MP1A	X	-1.494	2.75
68	MP1A	Z	-2.588	2.75
69	MP1A	Mx	.000747	2.75
70	MP1B	X	-1.494	.75
71	MP1B	Z	-2.588	.75
72	MP1B	Mx	.000747	.75
73	MP1B	X	-1.494	2.75
74	MP1B	Z	-2.588	2.75
75	MP1B	Mx	.000747	2.75
76	MP1C	X	-.69	.75
77	MP1C	Z	-1.195	.75
78	MP1C	Mx	-.00069	.75
79	MP1C	X	-.69	2.75
80	MP1C	Z	-1.195	2.75
81	MP1C	Mx	-.00069	2.75
82	MP2A	X	-1.273	2.5
83	MP2A	Z	-2.204	2.5
84	MP2A	Mx	-.000636	2.5
85	MP2B	X	-1.273	2.5
86	MP2B	Z	-2.204	2.5
87	MP2B	Mx	-.000636	2.5
88	MP2C	X	-.928	2.5
89	MP2C	Z	-1.607	2.5
90	MP2C	Mx	.000928	2.5
91	MP3A	X	-1.229	2.5
92	MP3A	Z	-2.128	2.5
93	MP3A	Mx	-.000614	2.5
94	MP3B	X	-1.229	2.5
95	MP3B	Z	-2.128	2.5
96	MP3B	Mx	-.000614	2.5
97	MP3C	X	-.751	2.5
98	MP3C	Z	-1.301	2.5
99	MP3C	Mx	.000751	2.5
100	OVP	X	-2.834	1
101	OVP	Z	-4.909	1
102	OVP	Mx	0	1

Member Point Loads (BLC 77 : Lm1)

	Member Label	Direction	Magnitude[lb.k-ft]	Location[ft.%]
1	M47	Y	-500	0

Member Point Loads (BLC 78 : Lm2)

	Member Label	Direction	Magnitude[lb.k-ft]	Location[ft.%]
1	M49	Y	-500	0

Member Point Loads (BLC 79 : Lv1)

	Member Label	Direction	Magnitude[lb.k-ft]	Location[ft.%]
1	M42	Y	-250	%50

Member Point Loads (BLC 80 : Lv2)

	Member Label	Direction	Magnitude[lb.k-ft]	Location[ft.%]
1	M42	Y	-250	%100



Member Distributed Loads (BLC 40 : Structure Di)

	Member Label	Direction	Start Magnitude[lb/ft.F,ksf]	End Magnitude[...]	Start Location[ft...]	End Location[ft,%]
1	M4	Y	-8.315	-8.315	0	%100
2	M42	Y	-8.315	-8.315	0	%100
3	MP1A	Y	-4.228	-4.228	0	%100
4	M23	Y	-8.315	-8.315	0	%100
5	M36	Y	-8.315	-8.315	0	%100
6	OVP	Y	-4.228	-4.228	0	%100
7	M75A	Y	-8.315	-8.315	0	%100
8	M76A	Y	-8.315	-8.315	0	%100
9	MP2A	Y	-4.85	-4.85	0	%100
10	MP3A	Y	-4.228	-4.228	0	%100
11	MP4A	Y	-4.228	-4.228	0	%100
12	MP1C	Y	-4.228	-4.228	0	%100
13	MP1B	Y	-4.228	-4.228	0	%100
14	MP2B	Y	-4.85	-4.85	0	%100
15	MP3B	Y	-4.228	-4.228	0	%100
16	MP4B	Y	-4.228	-4.228	0	%100
17	MP2C	Y	-4.85	-4.85	0	%100
18	MP3C	Y	-4.228	-4.228	0	%100
19	MP4C	Y	-4.228	-4.228	0	%100
20	M69	Y	-4.85	-4.85	0	%100
21	M74A	Y	-4.85	-4.85	0	%100
22	M75B	Y	-4.85	-4.85	0	%100
23	M90	Y	-6.554	-6.554	0	%100
24	M91	Y	-6.554	-6.554	0	%100
25	M92	Y	-6.554	-6.554	0	%100
26	M93	Y	-9.677	-9.677	0	%100
27	M94	Y	-9.677	-9.677	0	%100
28	M95	Y	-9.677	-9.677	0	%100

Member Distributed Loads (BLC 41 : Structure Wo (0 Deg))

	Member Label	Direction	Start Magnitude[lb/ft.F,ksf]	End Magnitude[...]	Start Location[ft...]	End Location[ft,%]
1	M4	X	0	0	0	%100
2	M4	Z	0	0	0	%100
3	M42	X	0	0	0	%100
4	M42	Z	-9.568	-9.568	0	%100
5	MP1A	X	0	0	0	%100
6	MP1A	Z	-5.454	-5.454	0	%100
7	M23	X	0	0	0	%100
8	M23	Z	-6.925	-6.925	0	%100
9	M36	X	0	0	0	%100
10	M36	Z	-6.925	-6.925	0	%100
11	OVP	X	0	0	0	%100
12	OVP	Z	-4.46	-4.46	0	%100
13	M75A	X	0	0	0	%100
14	M75A	Z	-2.392	-2.392	0	%100
15	M76A	X	0	0	0	%100
16	M76A	Z	-2.392	-2.392	0	%100
17	MP2A	X	0	0	0	%100
18	MP2A	Z	-6.602	-6.602	0	%100
19	MP3A	X	0	0	0	%100
20	MP3A	Z	-5.454	-5.454	0	%100
21	MP4A	X	0	0	0	%100
22	MP4A	Z	-5.454	-5.454	0	%100
23	MP1C	X	0	0	0	%100
24	MP1C	Z	-5.454	-5.454	0	%100



Member Distributed Loads (BLC 41 : Structure Wo (0 Deg)) (Continued)

	Member Label	Direction	Start Magnitude[lb/ft.F,ksf]	End Magnitude[...]	Start Location[ft...]	End Location[ft, %]
25	MP1B	X	0	0	0	%100
26	MP1B	Z	-5.454	-5.454	0	%100
27	MP2B	X	0	0	0	%100
28	MP2B	Z	-6.602	-6.602	0	%100
29	MP3B	X	0	0	0	%100
30	MP3B	Z	-5.454	-5.454	0	%100
31	MP4B	X	0	0	0	%100
32	MP4B	Z	-5.454	-5.454	0	%100
33	MP2C	X	0	0	0	%100
34	MP2C	Z	-6.602	-6.602	0	%100
35	MP3C	X	0	0	0	%100
36	MP3C	Z	-5.454	-5.454	0	%100
37	MP4C	X	0	0	0	%100
38	MP4C	Z	-5.454	-5.454	0	%100
39	M69	X	0	0	0	%100
40	M69	Z	-6.602	-6.602	0	%100
41	M74A	X	0	0	0	%100
42	M74A	Z	-1.65	-1.65	0	%100
43	M75B	X	0	0	0	%100
44	M75B	Z	-1.65	-1.65	0	%100
45	M90	X	0	0	0	%100
46	M90	Z	-2.06	-2.06	0	%100
47	M91	X	0	0	0	%100
48	M91	Z	-8.238	-8.238	0	%100
49	M92	X	0	0	0	%100
50	M92	Z	-2.06	-2.06	0	%100
51	M93	X	0	0	0	%100
52	M93	Z	-9.429	-9.429	0	%100
53	M94	X	0	0	0	%100
54	M94	Z	-10.222	-10.222	0	%100
55	M95	X	0	0	0	%100
56	M95	Z	-10.222	-10.222	0	%100

Member Distributed Loads (BLC 42 : Structure Wo (30 Deg))

	Member Label	Direction	Start Magnitude[lb/ft.F,ksf]	End Magnitude[...]	Start Location[ft...]	End Location[ft, %]
1	M4	X	1.154	1.154	0	%100
2	M4	Z	-1.999	-1.999	0	%100
3	M42	X	3.588	3.588	0	%100
4	M42	Z	-6.214	-6.214	0	%100
5	MP1A	X	2.727	2.727	0	%100
6	MP1A	Z	-4.723	-4.723	0	%100
7	M23	X	1.154	1.154	0	%100
8	M23	Z	-1.999	-1.999	0	%100
9	M36	X	4.616	4.616	0	%100
10	M36	Z	-7.996	-7.996	0	%100
11	OVP	X	2.23	2.23	0	%100
12	OVP	Z	-3.862	-3.862	0	%100
13	M75A	X	3.588	3.588	0	%100
14	M75A	Z	-6.214	-6.214	0	%100
15	M76A	X	0	0	0	%100
16	M76A	Z	0	0	0	%100
17	MP2A	X	3.301	3.301	0	%100
18	MP2A	Z	-5.717	-5.717	0	%100
19	MP3A	X	2.727	2.727	0	%100
20	MP3A	Z	-4.723	-4.723	0	%100
21	MP4A	X	2.727	2.727	0	%100



Member Distributed Loads (BLC 42 : Structure Wo (30 Deg)) (Continued)

	Member Label	Direction	Start Magnitude[lb/ft.F,ksf]	End Magnitude[...]	Start Location[ft...]	End Location[ft, %]
22	MP4A	Z	-4.723	-4.723	0	%100
23	MP1C	X	2.727	2.727	0	%100
24	MP1C	Z	-4.723	-4.723	0	%100
25	MP1B	X	2.727	2.727	0	%100
26	MP1B	Z	-4.723	-4.723	0	%100
27	MP2B	X	3.301	3.301	0	%100
28	MP2B	Z	-5.717	-5.717	0	%100
29	MP3B	X	2.727	2.727	0	%100
30	MP3B	Z	-4.723	-4.723	0	%100
31	MP4B	X	2.727	2.727	0	%100
32	MP4B	Z	-4.723	-4.723	0	%100
33	MP2C	X	3.301	3.301	0	%100
34	MP2C	Z	-5.717	-5.717	0	%100
35	MP3C	X	2.727	2.727	0	%100
36	MP3C	Z	-4.723	-4.723	0	%100
37	MP4C	X	2.727	2.727	0	%100
38	MP4C	Z	-4.723	-4.723	0	%100
39	M69	X	2.476	2.476	0	%100
40	M69	Z	-4.288	-4.288	0	%100
41	M74A	X	2.476	2.476	0	%100
42	M74A	Z	-4.288	-4.288	0	%100
43	M75B	X	0	0	0	%100
44	M75B	Z	0	0	0	%100
45	M90	X	0	0	0	%100
46	M90	Z	0	0	0	%100
47	M91	X	3.089	3.089	0	%100
48	M91	Z	-5.351	-5.351	0	%100
49	M92	X	3.089	3.089	0	%100
50	M92	Z	-5.351	-5.351	0	%100
51	M93	X	4.847	4.847	0	%100
52	M93	Z	-8.395	-8.395	0	%100
53	M94	X	4.847	4.847	0	%100
54	M94	Z	-8.395	-8.395	0	%100
55	M95	X	5.243	5.243	0	%100
56	M95	Z	-9.081	-9.081	0	%100

Member Distributed Loads (BLC 43 : Structure Wo (60 Deg))

	Member Label	Direction	Start Magnitude[lb/ft.F,ksf]	End Magnitude[...]	Start Location[ft...]	End Location[ft, %]
1	M4	X	5.997	5.997	0	%100
2	M4	Z	-3.462	-3.462	0	%100
3	M42	X	2.071	2.071	0	%100
4	M42	Z	-1.196	-1.196	0	%100
5	MP1A	X	4.723	4.723	0	%100
6	MP1A	Z	-2.727	-2.727	0	%100
7	M23	X	0	0	0	%100
8	M23	Z	0	0	0	%100
9	M36	X	5.997	5.997	0	%100
10	M36	Z	-3.462	-3.462	0	%100
11	OVP	X	3.862	3.862	0	%100
12	OVP	Z	-2.23	-2.23	0	%100
13	M75A	X	8.286	8.286	0	%100
14	M75A	Z	-4.784	-4.784	0	%100
15	M76A	X	2.071	2.071	0	%100
16	M76A	Z	-1.196	-1.196	0	%100
17	MP2A	X	5.717	5.717	0	%100
18	MP2A	Z	-3.301	-3.301	0	%100



Member Distributed Loads (BLC 43 : Structure Wo (60 Deg)) (Continued)

	Member Label	Direction	Start Magnitude[lb/ft.F,ksf]	End Magnitude[...]	Start Location[ft...]	End Location[ft,%]
19	MP3A	X	4.723	4.723	0	%100
20	MP3A	Z	-2.727	-2.727	0	%100
21	MP4A	X	4.723	4.723	0	%100
22	MP4A	Z	-2.727	-2.727	0	%100
23	MP1C	X	4.723	4.723	0	%100
24	MP1C	Z	-2.727	-2.727	0	%100
25	MP1B	X	4.723	4.723	0	%100
26	MP1B	Z	-2.727	-2.727	0	%100
27	MP2B	X	5.717	5.717	0	%100
28	MP2B	Z	-3.301	-3.301	0	%100
29	MP3B	X	4.723	4.723	0	%100
30	MP3B	Z	-2.727	-2.727	0	%100
31	MP4B	X	4.723	4.723	0	%100
32	MP4B	Z	-2.727	-2.727	0	%100
33	MP2C	X	5.717	5.717	0	%100
34	MP2C	Z	-3.301	-3.301	0	%100
35	MP3C	X	4.723	4.723	0	%100
36	MP3C	Z	-2.727	-2.727	0	%100
37	MP4C	X	4.723	4.723	0	%100
38	MP4C	Z	-2.727	-2.727	0	%100
39	M69	X	1.429	1.429	0	%100
40	M69	Z	-825	-825	0	%100
41	M74A	X	5.717	5.717	0	%100
42	M74A	Z	-3.301	-3.301	0	%100
43	M75B	X	1.429	1.429	0	%100
44	M75B	Z	-825	-825	0	%100
45	M90	X	1.784	1.784	0	%100
46	M90	Z	-1.03	-1.03	0	%100
47	M91	X	1.784	1.784	0	%100
48	M91	Z	-1.03	-1.03	0	%100
49	M92	X	7.135	7.135	0	%100
50	M92	Z	-4.119	-4.119	0	%100
51	M93	X	8.852	8.852	0	%100
52	M93	Z	-5.111	-5.111	0	%100
53	M94	X	8.166	8.166	0	%100
54	M94	Z	-4.714	-4.714	0	%100
55	M95	X	8.852	8.852	0	%100
56	M95	Z	-5.111	-5.111	0	%100

Member Distributed Loads (BLC 44 : Structure Wo (90 Deg))

	Member Label	Direction	Start Magnitude[lb/ft.F,ksf]	End Magnitude[...]	Start Location[ft...]	End Location[ft,%]
1	M4	X	9.233	9.233	0	%100
2	M4	Z	0	0	0	%100
3	M42	X	0	0	0	%100
4	M42	Z	0	0	0	%100
5	MP1A	X	5.454	5.454	0	%100
6	MP1A	Z	0	0	0	%100
7	M23	X	2.308	2.308	0	%100
8	M23	Z	0	0	0	%100
9	M36	X	2.308	2.308	0	%100
10	M36	Z	0	0	0	%100
11	OVP	X	4.46	4.46	0	%100
12	OVP	Z	0	0	0	%100
13	M75A	X	7.176	7.176	0	%100
14	M75A	Z	0	0	0	%100
15	M76A	X	7.176	7.176	0	%100



Member Distributed Loads (BLC 44 : Structure Wo (90 Deg)) (Continued)

Member Label	Direction	Start Magnitude[lb/ft.F,ksf]	End Magnitude[...]	Start Location[ft...]	End Location[ft, %]	
16	M76A	Z	0	0	%100	
17	MP2A	X	6.602	6.602	0	%100
18	MP2A	Z	0	0	0	%100
19	MP3A	X	5.454	5.454	0	%100
20	MP3A	Z	0	0	0	%100
21	MP4A	X	5.454	5.454	0	%100
22	MP4A	Z	0	0	0	%100
23	MP1C	X	5.454	5.454	0	%100
24	MP1C	Z	0	0	0	%100
25	MP1B	X	5.454	5.454	0	%100
26	MP1B	Z	0	0	0	%100
27	MP2B	X	6.602	6.602	0	%100
28	MP2B	Z	0	0	0	%100
29	MP3B	X	5.454	5.454	0	%100
30	MP3B	Z	0	0	0	%100
31	MP4B	X	5.454	5.454	0	%100
32	MP4B	Z	0	0	0	%100
33	MP2C	X	6.602	6.602	0	%100
34	MP2C	Z	0	0	0	%100
35	MP3C	X	5.454	5.454	0	%100
36	MP3C	Z	0	0	0	%100
37	MP4C	X	5.454	5.454	0	%100
38	MP4C	Z	0	0	0	%100
39	M69	X	0	0	0	%100
40	M69	Z	0	0	0	%100
41	M74A	X	4.951	4.951	0	%100
42	M74A	Z	0	0	0	%100
43	M75B	X	4.951	4.951	0	%100
44	M75B	Z	0	0	0	%100
45	M90	X	6.179	6.179	0	%100
46	M90	Z	0	0	0	%100
47	M91	X	0	0	0	%100
48	M91	Z	0	0	0	%100
49	M92	X	6.179	6.179	0	%100
50	M92	Z	0	0	0	%100
51	M93	X	10.486	10.486	0	%100
52	M93	Z	0	0	0	%100
53	M94	X	9.693	9.693	0	%100
54	M94	Z	0	0	0	%100
55	M95	X	9.693	9.693	0	%100
56	M95	Z	0	0	0	%100

Member Distributed Loads (BLC 45 : Structure Wo (120 Deg))

Member Label	Direction	Start Magnitude[lb/ft.F,ksf]	End Magnitude[...]	Start Location[ft...]	End Location[ft, %]	
1	M4	X	5.997	5.997	0	%100
2	M4	Z	3.462	3.462	0	%100
3	M42	X	2.071	2.071	0	%100
4	M42	Z	1.196	1.196	0	%100
5	MP1A	X	4.723	4.723	0	%100
6	MP1A	Z	2.727	2.727	0	%100
7	M23	X	5.997	5.997	0	%100
8	M23	Z	3.462	3.462	0	%100
9	M36	X	0	0	0	%100
10	M36	Z	0	0	0	%100
11	OVP	X	3.862	3.862	0	%100
12	OVP	Z	2.23	2.23	0	%100



Member Distributed Loads (BLC 45 : Structure Wo (120 Deg)) (Continued)

	Member Label	Direction	Start Magnitude[lb/ft.F,ksf]	End Magnitude[...]	Start Location[ft...]	End Location[ft, %]
13	M75A	X	2.071	2.071	0	%100
14	M75A	Z	1.196	1.196	0	%100
15	M76A	X	8.286	8.286	0	%100
16	M76A	Z	4.784	4.784	0	%100
17	MP2A	X	5.717	5.717	0	%100
18	MP2A	Z	3.301	3.301	0	%100
19	MP3A	X	4.723	4.723	0	%100
20	MP3A	Z	2.727	2.727	0	%100
21	MP4A	X	4.723	4.723	0	%100
22	MP4A	Z	2.727	2.727	0	%100
23	MP1C	X	4.723	4.723	0	%100
24	MP1C	Z	2.727	2.727	0	%100
25	MP1B	X	4.723	4.723	0	%100
26	MP1B	Z	2.727	2.727	0	%100
27	MP2B	X	5.717	5.717	0	%100
28	MP2B	Z	3.301	3.301	0	%100
29	MP3B	X	4.723	4.723	0	%100
30	MP3B	Z	2.727	2.727	0	%100
31	MP4B	X	4.723	4.723	0	%100
32	MP4B	Z	2.727	2.727	0	%100
33	MP2C	X	5.717	5.717	0	%100
34	MP2C	Z	3.301	3.301	0	%100
35	MP3C	X	4.723	4.723	0	%100
36	MP3C	Z	2.727	2.727	0	%100
37	MP4C	X	4.723	4.723	0	%100
38	MP4C	Z	2.727	2.727	0	%100
39	M69	X	1.429	1.429	0	%100
40	M69	Z	.825	.825	0	%100
41	M74A	X	1.429	1.429	0	%100
42	M74A	Z	.825	.825	0	%100
43	M75B	X	5.717	5.717	0	%100
44	M75B	Z	3.301	3.301	0	%100
45	M90	X	7.135	7.135	0	%100
46	M90	Z	4.119	4.119	0	%100
47	M91	X	1.784	1.784	0	%100
48	M91	Z	1.03	1.03	0	%100
49	M92	X	1.784	1.784	0	%100
50	M92	Z	1.03	1.03	0	%100
51	M93	X	8.852	8.852	0	%100
52	M93	Z	5.111	5.111	0	%100
53	M94	X	8.852	8.852	0	%100
54	M94	Z	5.111	5.111	0	%100
55	M95	X	8.166	8.166	0	%100
56	M95	Z	4.714	4.714	0	%100

Member Distributed Loads (BLC 46 : Structure Wo (150 Deg))

	Member Label	Direction	Start Magnitude[lb/ft.F,ksf]	End Magnitude[...]	Start Location[ft...]	End Location[ft, %]
1	M4	X	1.154	1.154	0	%100
2	M4	Z	1.999	1.999	0	%100
3	M42	X	3.588	3.588	0	%100
4	M42	Z	6.214	6.214	0	%100
5	MP1A	X	2.727	2.727	0	%100
6	MP1A	Z	4.723	4.723	0	%100
7	M23	X	4.616	4.616	0	%100
8	M23	Z	7.996	7.996	0	%100
9	M36	X	1.154	1.154	0	%100



Member Distributed Loads (BLC 46 : Structure Wo (150 Deg)) (Continued)

Member Label	Direction	Start Magnitude[lb/ft.F,ksf]	End Magnitude[lb/ft.F,ksf]	Start Location[ft, %]	End Location[ft, %]
10	M36	Z	1.999	0	%100
11	OVP	X	2.23	0	%100
12	OVP	Z	3.862	0	%100
13	M75A	X	0	0	%100
14	M75A	Z	0	0	%100
15	M76A	X	3.588	0	%100
16	M76A	Z	6.214	0	%100
17	MP2A	X	3.301	0	%100
18	MP2A	Z	5.717	0	%100
19	MP3A	X	2.727	0	%100
20	MP3A	Z	4.723	0	%100
21	MP4A	X	2.727	0	%100
22	MP4A	Z	4.723	0	%100
23	MP1C	X	2.727	0	%100
24	MP1C	Z	4.723	0	%100
25	MP1B	X	2.727	0	%100
26	MP1B	Z	4.723	0	%100
27	MP2B	X	3.301	0	%100
28	MP2B	Z	5.717	0	%100
29	MP3B	X	2.727	0	%100
30	MP3B	Z	4.723	0	%100
31	MP4B	X	2.727	0	%100
32	MP4B	Z	4.723	0	%100
33	MP2C	X	3.301	0	%100
34	MP2C	Z	5.717	0	%100
35	MP3C	X	2.727	0	%100
36	MP3C	Z	4.723	0	%100
37	MP4C	X	2.727	0	%100
38	MP4C	Z	4.723	0	%100
39	M69	X	2.476	0	%100
40	M69	Z	4.288	0	%100
41	M74A	X	0	0	%100
42	M74A	Z	0	0	%100
43	M75B	X	2.476	0	%100
44	M75B	Z	4.288	0	%100
45	M90	X	3.089	0	%100
46	M90	Z	5.351	0	%100
47	M91	X	3.089	0	%100
48	M91	Z	5.351	0	%100
49	M92	X	0	0	%100
50	M92	Z	0	0	%100
51	M93	X	4.847	0	%100
52	M93	Z	8.395	0	%100
53	M94	X	5.243	0	%100
54	M94	Z	9.081	0	%100
55	M95	X	4.847	0	%100
56	M95	Z	8.395	0	%100

Member Distributed Loads (BLC 47 : Structure Wo (180 Deg))

Member Label	Direction	Start Magnitude[lb/ft.F,ksf]	End Magnitude[lb/ft.F,ksf]	Start Location[ft, %]	End Location[ft, %]
1	M4	X	0	0	%100
2	M4	Z	0	0	%100
3	M42	X	0	0	%100
4	M42	Z	9.568	0	%100
5	MP1A	X	0	0	%100
6	MP1A	Z	5.454	0	%100



Member Distributed Loads (BLC 47 : Structure Wo (180 Deg)) (Continued)

	Member Label	Direction	Start Magnitude[lb/ft.F,ksf]	End Magnitude[...]	Start Location[ft...]	End Location[ft, %]
7	M23	X	0	0	0	%100
8	M23	Z	6.925	6.925	0	%100
9	M36	X	0	0	0	%100
10	M36	Z	6.925	6.925	0	%100
11	OVP	X	0	0	0	%100
12	OVP	Z	4.46	4.46	0	%100
13	M75A	X	0	0	0	%100
14	M75A	Z	2.392	2.392	0	%100
15	M76A	X	0	0	0	%100
16	M76A	Z	2.392	2.392	0	%100
17	MP2A	X	0	0	0	%100
18	MP2A	Z	6.602	6.602	0	%100
19	MP3A	X	0	0	0	%100
20	MP3A	Z	5.454	5.454	0	%100
21	MP4A	X	0	0	0	%100
22	MP4A	Z	5.454	5.454	0	%100
23	MP1C	X	0	0	0	%100
24	MP1C	Z	5.454	5.454	0	%100
25	MP1B	X	0	0	0	%100
26	MP1B	Z	5.454	5.454	0	%100
27	MP2B	X	0	0	0	%100
28	MP2B	Z	6.602	6.602	0	%100
29	MP3B	X	0	0	0	%100
30	MP3B	Z	5.454	5.454	0	%100
31	MP4B	X	0	0	0	%100
32	MP4B	Z	5.454	5.454	0	%100
33	MP2C	X	0	0	0	%100
34	MP2C	Z	6.602	6.602	0	%100
35	MP3C	X	0	0	0	%100
36	MP3C	Z	5.454	5.454	0	%100
37	MP4C	X	0	0	0	%100
38	MP4C	Z	5.454	5.454	0	%100
39	M69	X	0	0	0	%100
40	M69	Z	6.602	6.602	0	%100
41	M74A	X	0	0	0	%100
42	M74A	Z	1.65	1.65	0	%100
43	M75B	X	0	0	0	%100
44	M75B	Z	1.65	1.65	0	%100
45	M90	X	0	0	0	%100
46	M90	Z	2.06	2.06	0	%100
47	M91	X	0	0	0	%100
48	M91	Z	8.238	8.238	0	%100
49	M92	X	0	0	0	%100
50	M92	Z	2.06	2.06	0	%100
51	M93	X	0	0	0	%100
52	M93	Z	9.429	9.429	0	%100
53	M94	X	0	0	0	%100
54	M94	Z	10.222	10.222	0	%100
55	M95	X	0	0	0	%100
56	M95	Z	10.222	10.222	0	%100

Member Distributed Loads (BLC 48 : Structure Wo (210 Deg))

	Member Label	Direction	Start Magnitude[lb/ft.F,ksf]	End Magnitude[...]	Start Location[ft...]	End Location[ft, %]
1	M4	X	-1.154	-1.154	0	%100
2	M4	Z	1.999	1.999	0	%100
3	M42	X	-3.588	-3.588	0	%100



Member Distributed Loads (BLC 48 : Structure Wo (210 Deg)) (Continued)

Member Label	Direction	Start Magnitude[lb/ft.F,ksf]	End Magnitude[...]	Start Location[ft,...]	End Location[ft, %]
4	M42	Z	6.214	0	%100
5	MP1A	X	-2.727	0	%100
6	MP1A	Z	4.723	0	%100
7	M23	X	-1.154	0	%100
8	M23	Z	1.999	0	%100
9	M36	X	-4.616	0	%100
10	M36	Z	7.996	0	%100
11	OVP	X	-2.23	0	%100
12	OVP	Z	3.862	0	%100
13	M75A	X	-3.588	0	%100
14	M75A	Z	6.214	0	%100
15	M76A	X	0	0	%100
16	M76A	Z	0	0	%100
17	MP2A	X	-3.301	0	%100
18	MP2A	Z	5.717	0	%100
19	MP3A	X	-2.727	0	%100
20	MP3A	Z	4.723	0	%100
21	MP4A	X	-2.727	0	%100
22	MP4A	Z	4.723	0	%100
23	MP1C	X	-2.727	0	%100
24	MP1C	Z	4.723	0	%100
25	MP1B	X	-2.727	0	%100
26	MP1B	Z	4.723	0	%100
27	MP2B	X	-3.301	0	%100
28	MP2B	Z	5.717	0	%100
29	MP3B	X	-2.727	0	%100
30	MP3B	Z	4.723	0	%100
31	MP4B	X	-2.727	0	%100
32	MP4B	Z	4.723	0	%100
33	MP2C	X	-3.301	0	%100
34	MP2C	Z	5.717	0	%100
35	MP3C	X	-2.727	0	%100
36	MP3C	Z	4.723	0	%100
37	MP4C	X	-2.727	0	%100
38	MP4C	Z	4.723	0	%100
39	M69	X	-2.476	0	%100
40	M69	Z	4.288	0	%100
41	M74A	X	-2.476	0	%100
42	M74A	Z	4.288	0	%100
43	M75B	X	0	0	%100
44	M75B	Z	0	0	%100
45	M90	X	0	0	%100
46	M90	Z	0	0	%100
47	M91	X	-3.089	0	%100
48	M91	Z	5.351	0	%100
49	M92	X	-3.089	0	%100
50	M92	Z	5.351	0	%100
51	M93	X	-4.847	0	%100
52	M93	Z	8.395	0	%100
53	M94	X	-4.847	0	%100
54	M94	Z	8.395	0	%100
55	M95	X	-5.243	0	%100
56	M95	Z	9.081	0	%100

Member Distributed Loads (BLC 49 : Structure Wo (240 Deg))

Member Label	Direction	Start Magnitude[lb/ft.F,ksf]	End Magnitude[...]	Start Location[ft,...]	End Location[ft, %]
--------------	-----------	------------------------------	--------------------	------------------------	---------------------



Company : Maser Consulting
 Designer :
 Job Number : Project No. 10088393
 Model Name : 467142-VZW_MT_LO_H

July 22, 2021
 10:17 PM
 Checked By: _____

Member Distributed Loads (BLC 49 : Structure Wo (240 Deg)) (Continued)

Member Label	Direction	Start Magnitude[lb/ft.F,ksf]	End Magnitude[...]	Start Location[ft...]	End Location[ft, %]
1	M4	X	-5.997	-5.997	0 %100
2	M4	Z	3.462	3.462	0 %100
3	M42	X	-2.071	-2.071	0 %100
4	M42	Z	1.196	1.196	0 %100
5	MP1A	X	-4.723	-4.723	0 %100
6	MP1A	Z	2.727	2.727	0 %100
7	M23	X	0	0	0 %100
8	M23	Z	0	0	0 %100
9	M36	X	-5.997	-5.997	0 %100
10	M36	Z	3.462	3.462	0 %100
11	OVP	X	-3.862	-3.862	0 %100
12	OVP	Z	2.23	2.23	0 %100
13	M75A	X	-8.286	-8.286	0 %100
14	M75A	Z	4.784	4.784	0 %100
15	M76A	X	-2.071	-2.071	0 %100
16	M76A	Z	1.196	1.196	0 %100
17	MP2A	X	-5.717	-5.717	0 %100
18	MP2A	Z	3.301	3.301	0 %100
19	MP3A	X	-4.723	-4.723	0 %100
20	MP3A	Z	2.727	2.727	0 %100
21	MP4A	X	-4.723	-4.723	0 %100
22	MP4A	Z	2.727	2.727	0 %100
23	MP1C	X	-4.723	-4.723	0 %100
24	MP1C	Z	2.727	2.727	0 %100
25	MP1B	X	-4.723	-4.723	0 %100
26	MP1B	Z	2.727	2.727	0 %100
27	MP2B	X	-5.717	-5.717	0 %100
28	MP2B	Z	3.301	3.301	0 %100
29	MP3B	X	-4.723	-4.723	0 %100
30	MP3B	Z	2.727	2.727	0 %100
31	MP4B	X	-4.723	-4.723	0 %100
32	MP4B	Z	2.727	2.727	0 %100
33	MP2C	X	-5.717	-5.717	0 %100
34	MP2C	Z	3.301	3.301	0 %100
35	MP3C	X	-4.723	-4.723	0 %100
36	MP3C	Z	2.727	2.727	0 %100
37	MP4C	X	-4.723	-4.723	0 %100
38	MP4C	Z	2.727	2.727	0 %100
39	M69	X	-1.429	-1.429	0 %100
40	M69	Z	.825	.825	0 %100
41	M74A	X	-5.717	-5.717	0 %100
42	M74A	Z	3.301	3.301	0 %100
43	M75B	X	-1.429	-1.429	0 %100
44	M75B	Z	.825	.825	0 %100
45	M90	X	-1.784	-1.784	0 %100
46	M90	Z	1.03	1.03	0 %100
47	M91	X	-1.784	-1.784	0 %100
48	M91	Z	1.03	1.03	0 %100
49	M92	X	-7.135	-7.135	0 %100
50	M92	Z	4.119	4.119	0 %100
51	M93	X	-8.852	-8.852	0 %100
52	M93	Z	5.111	5.111	0 %100
53	M94	X	-8.166	-8.166	0 %100
54	M94	Z	4.714	4.714	0 %100
55	M95	X	-8.852	-8.852	0 %100
56	M95	Z	5.111	5.111	0 %100



Member Distributed Loads (BLC 50 : Structure Wo (270 Deg))

Member Label	Direction	Start Magnitude[lb/ft.F,ksf]	End Magnitude[...]	Start Location[ft...]	End Location[ft,%]
1	M4	X	-9.233	-9.233	0 %100
2	M4	Z	0	0	0 %100
3	M42	X	0	0	0 %100
4	M42	Z	0	0	0 %100
5	MP1A	X	-5.454	-5.454	0 %100
6	MP1A	Z	0	0	0 %100
7	M23	X	-2.308	-2.308	0 %100
8	M23	Z	0	0	0 %100
9	M36	X	-2.308	-2.308	0 %100
10	M36	Z	0	0	0 %100
11	OVP	X	-4.46	-4.46	0 %100
12	OVP	Z	0	0	0 %100
13	M75A	X	-7.176	-7.176	0 %100
14	M75A	Z	0	0	0 %100
15	M76A	X	-7.176	-7.176	0 %100
16	M76A	Z	0	0	0 %100
17	MP2A	X	-6.602	-6.602	0 %100
18	MP2A	Z	0	0	0 %100
19	MP3A	X	-5.454	-5.454	0 %100
20	MP3A	Z	0	0	0 %100
21	MP4A	X	-5.454	-5.454	0 %100
22	MP4A	Z	0	0	0 %100
23	MP1C	X	-5.454	-5.454	0 %100
24	MP1C	Z	0	0	0 %100
25	MP1B	X	-5.454	-5.454	0 %100
26	MP1B	Z	0	0	0 %100
27	MP2B	X	-6.602	-6.602	0 %100
28	MP2B	Z	0	0	0 %100
29	MP3B	X	-5.454	-5.454	0 %100
30	MP3B	Z	0	0	0 %100
31	MP4B	X	-5.454	-5.454	0 %100
32	MP4B	Z	0	0	0 %100
33	MP2C	X	-6.602	-6.602	0 %100
34	MP2C	Z	0	0	0 %100
35	MP3C	X	-5.454	-5.454	0 %100
36	MP3C	Z	0	0	0 %100
37	MP4C	X	-5.454	-5.454	0 %100
38	MP4C	Z	0	0	0 %100
39	M69	X	0	0	0 %100
40	M69	Z	0	0	0 %100
41	M74A	X	-4.951	-4.951	0 %100
42	M74A	Z	0	0	0 %100
43	M75B	X	-4.951	-4.951	0 %100
44	M75B	Z	0	0	0 %100
45	M90	X	-6.179	-6.179	0 %100
46	M90	Z	0	0	0 %100
47	M91	X	0	0	0 %100
48	M91	Z	0	0	0 %100
49	M92	X	-6.179	-6.179	0 %100
50	M92	Z	0	0	0 %100
51	M93	X	-10.486	-10.486	0 %100
52	M93	Z	0	0	0 %100
53	M94	X	-9.693	-9.693	0 %100
54	M94	Z	0	0	0 %100
55	M95	X	-9.693	-9.693	0 %100
56	M95	Z	0	0	0 %100



Company : Maser Consulting
 Designer :
 Job Number : Project No. 10088393
 Model Name : 467142-VZW_MT_LO_H

July 22, 2021
 10:17 PM
 Checked By: _____

Member Distributed Loads (BLC 51 : Structure Wo (300 Deg))

Member Label	Direction	Start Magnitude[lb/ft.F,ksf]	End Magnitude[...]	Start Location[ft,...]	End Location[ft, %]
1	M4	X	-5.997	-5.997	0 %100
2	M4	Z	-3.462	-3.462	0 %100
3	M42	X	-2.071	-2.071	0 %100
4	M42	Z	-1.196	-1.196	0 %100
5	MP1A	X	-4.723	-4.723	0 %100
6	MP1A	Z	-2.727	-2.727	0 %100
7	M23	X	-5.997	-5.997	0 %100
8	M23	Z	-3.462	-3.462	0 %100
9	M36	X	0	0	0 %100
10	M36	Z	0	0	0 %100
11	OVP	X	-3.862	-3.862	0 %100
12	OVP	Z	-2.23	-2.23	0 %100
13	M75A	X	-2.071	-2.071	0 %100
14	M75A	Z	-1.196	-1.196	0 %100
15	M76A	X	-8.286	-8.286	0 %100
16	M76A	Z	-4.784	-4.784	0 %100
17	MP2A	X	-5.717	-5.717	0 %100
18	MP2A	Z	-3.301	-3.301	0 %100
19	MP3A	X	-4.723	-4.723	0 %100
20	MP3A	Z	-2.727	-2.727	0 %100
21	MP4A	X	-4.723	-4.723	0 %100
22	MP4A	Z	-2.727	-2.727	0 %100
23	MP1C	X	-4.723	-4.723	0 %100
24	MP1C	Z	-2.727	-2.727	0 %100
25	MP1B	X	-4.723	-4.723	0 %100
26	MP1B	Z	-2.727	-2.727	0 %100
27	MP2B	X	-5.717	-5.717	0 %100
28	MP2B	Z	-3.301	-3.301	0 %100
29	MP3B	X	-4.723	-4.723	0 %100
30	MP3B	Z	-2.727	-2.727	0 %100
31	MP4B	X	-4.723	-4.723	0 %100
32	MP4B	Z	-2.727	-2.727	0 %100
33	MP2C	X	-5.717	-5.717	0 %100
34	MP2C	Z	-3.301	-3.301	0 %100
35	MP3C	X	-4.723	-4.723	0 %100
36	MP3C	Z	-2.727	-2.727	0 %100
37	MP4C	X	-4.723	-4.723	0 %100
38	MP4C	Z	-2.727	-2.727	0 %100
39	M69	X	-1.429	-1.429	0 %100
40	M69	Z	-0.825	-0.825	0 %100
41	M74A	X	-1.429	-1.429	0 %100
42	M74A	Z	-0.825	-0.825	0 %100
43	M75B	X	-5.717	-5.717	0 %100
44	M75B	Z	-3.301	-3.301	0 %100
45	M90	X	-7.135	-7.135	0 %100
46	M90	Z	-4.119	-4.119	0 %100
47	M91	X	-1.784	-1.784	0 %100
48	M91	Z	-1.03	-1.03	0 %100
49	M92	X	-1.784	-1.784	0 %100
50	M92	Z	-1.03	-1.03	0 %100
51	M93	X	-8.852	-8.852	0 %100
52	M93	Z	-5.111	-5.111	0 %100
53	M94	X	-8.852	-8.852	0 %100
54	M94	Z	-5.111	-5.111	0 %100
55	M95	X	-8.166	-8.166	0 %100
56	M95	Z	-4.714	-4.714	0 %100



Member Distributed Loads (BLC 52 : Structure Wo (330 Deg))

Member Label	Direction	Start Magnitude[lb/ft.F,ksf]	End Magnitude[...]	Start Location[ft...]	End Location[ft, %]
1	M4	X	-1.154	-1.154	0 %100
2	M4	Z	-1.999	-1.999	0 %100
3	M42	X	-3.588	-3.588	0 %100
4	M42	Z	-6.214	-6.214	0 %100
5	MP1A	X	-2.727	-2.727	0 %100
6	MP1A	Z	-4.723	-4.723	0 %100
7	M23	X	-4.616	-4.616	0 %100
8	M23	Z	-7.996	-7.996	0 %100
9	M36	X	-1.154	-1.154	0 %100
10	M36	Z	-1.999	-1.999	0 %100
11	OVP	X	-2.23	-2.23	0 %100
12	OVP	Z	-3.862	-3.862	0 %100
13	M75A	X	0	0	0 %100
14	M75A	Z	0	0	0 %100
15	M76A	X	-3.588	-3.588	0 %100
16	M76A	Z	-6.214	-6.214	0 %100
17	MP2A	X	-3.301	-3.301	0 %100
18	MP2A	Z	-5.717	-5.717	0 %100
19	MP3A	X	-2.727	-2.727	0 %100
20	MP3A	Z	-4.723	-4.723	0 %100
21	MP4A	X	-2.727	-2.727	0 %100
22	MP4A	Z	-4.723	-4.723	0 %100
23	MP1C	X	-2.727	-2.727	0 %100
24	MP1C	Z	-4.723	-4.723	0 %100
25	MP1B	X	-2.727	-2.727	0 %100
26	MP1B	Z	-4.723	-4.723	0 %100
27	MP2B	X	-3.301	-3.301	0 %100
28	MP2B	Z	-5.717	-5.717	0 %100
29	MP3B	X	-2.727	-2.727	0 %100
30	MP3B	Z	-4.723	-4.723	0 %100
31	MP4B	X	-2.727	-2.727	0 %100
32	MP4B	Z	-4.723	-4.723	0 %100
33	MP2C	X	-3.301	-3.301	0 %100
34	MP2C	Z	-5.717	-5.717	0 %100
35	MP3C	X	-2.727	-2.727	0 %100
36	MP3C	Z	-4.723	-4.723	0 %100
37	MP4C	X	-2.727	-2.727	0 %100
38	MP4C	Z	-4.723	-4.723	0 %100
39	M69	X	-2.476	-2.476	0 %100
40	M69	Z	-4.288	-4.288	0 %100
41	M74A	X	0	0	0 %100
42	M74A	Z	0	0	0 %100
43	M75B	X	-2.476	-2.476	0 %100
44	M75B	Z	-4.288	-4.288	0 %100
45	M90	X	-3.089	-3.089	0 %100
46	M90	Z	-5.351	-5.351	0 %100
47	M91	X	-3.089	-3.089	0 %100
48	M91	Z	-5.351	-5.351	0 %100
49	M92	X	0	0	0 %100
50	M92	Z	0	0	0 %100
51	M93	X	-4.847	-4.847	0 %100
52	M93	Z	-8.395	-8.395	0 %100
53	M94	X	-5.243	-5.243	0 %100
54	M94	Z	-9.081	-9.081	0 %100
55	M95	X	-4.847	-4.847	0 %100
56	M95	Z	-8.395	-8.395	0 %100



Member Distributed Loads (BLC 53 : Structure Wi (0 Deg))

Member Label	Direction	Start Magnitude[lb/ft.F,ksf]	End Magnitude[...]	Start Location[ft...]	End Location[ft, %]
1	M4	X	0	0	%100
2	M4	Z	0	0	%100
3	M42	X	0	0	%100
4	M42	Z	-2.558	-2.558	%100
5	MP1A	X	0	0	%100
6	MP1A	Z	-1.82	-1.82	%100
7	M23	X	0	0	%100
8	M23	Z	-1.874	-1.874	%100
9	M36	X	0	0	%100
10	M36	Z	-1.874	-1.874	%100
11	OVP	X	0	0	%100
12	OVP	Z	-1.527	-1.527	%100
13	M75A	X	0	0	%100
14	M75A	Z	-.64	-.64	%100
15	M76A	X	0	0	%100
16	M76A	Z	-.64	-.64	%100
17	MP2A	X	0	0	%100
18	MP2A	Z	-2.026	-2.026	%100
19	MP3A	X	0	0	%100
20	MP3A	Z	-1.82	-1.82	%100
21	MP4A	X	0	0	%100
22	MP4A	Z	-1.82	-1.82	%100
23	MP1C	X	0	0	%100
24	MP1C	Z	-1.82	-1.82	%100
25	MP1B	X	0	0	%100
26	MP1B	Z	-1.82	-1.82	%100
27	MP2B	X	0	0	%100
28	MP2B	Z	-2.026	-2.026	%100
29	MP3B	X	0	0	%100
30	MP3B	Z	-1.82	-1.82	%100
31	MP4B	X	0	0	%100
32	MP4B	Z	-1.82	-1.82	%100
33	MP2C	X	0	0	%100
34	MP2C	Z	-2.026	-2.026	%100
35	MP3C	X	0	0	%100
36	MP3C	Z	-1.82	-1.82	%100
37	MP4C	X	0	0	%100
38	MP4C	Z	-1.82	-1.82	%100
39	M69	X	0	0	%100
40	M69	Z	-2.026	-2.026	%100
41	M74A	X	0	0	%100
42	M74A	Z	-.506	-.506	%100
43	M75B	X	0	0	%100
44	M75B	Z	-.506	-.506	%100
45	M90	X	0	0	%100
46	M90	Z	-.529	-.529	%100
47	M91	X	0	0	%100
48	M91	Z	-2.115	-2.115	%100
49	M92	X	0	0	%100
50	M92	Z	-.529	-.529	%100
51	M93	X	0	0	%100
52	M93	Z	-2.113	-2.113	%100
53	M94	X	0	0	%100
54	M94	Z	-2.571	-2.571	%100
55	M95	X	0	0	%100
56	M95	Z	-2.571	-2.571	%100



Member Distributed Loads (BLC 54 : Structure Wi (30 Deg))

Member Label	Direction	Start Magnitude[lb/ft.F,ksf]	End Magnitude[...]	Start Location[ft...]	End Location[ft, %]
1	M4	X	.312	.312	0 %100
2	M4	Z	-.541	-.541	0 %100
3	M42	X	.959	.959	0 %100
4	M42	Z	-1.662	-1.662	0 %100
5	MP1A	X	.91	.91	0 %100
6	MP1A	Z	-1.576	-1.576	0 %100
7	M23	X	.312	.312	0 %100
8	M23	Z	-.541	-.541	0 %100
9	M36	X	1.249	1.249	0 %100
10	M36	Z	-2.164	-2.164	0 %100
11	OVP	X	.763	.763	0 %100
12	OVP	Z	-1.322	-1.322	0 %100
13	M75A	X	.959	.959	0 %100
14	M75A	Z	-1.662	-1.662	0 %100
15	M76A	X	0	0	0 %100
16	M76A	Z	0	0	0 %100
17	MP2A	X	1.013	1.013	0 %100
18	MP2A	Z	-1.754	-1.754	0 %100
19	MP3A	X	.91	.91	0 %100
20	MP3A	Z	-1.576	-1.576	0 %100
21	MP4A	X	.91	.91	0 %100
22	MP4A	Z	-1.576	-1.576	0 %100
23	MP1C	X	.91	.91	0 %100
24	MP1C	Z	-1.576	-1.576	0 %100
25	MP1B	X	.91	.91	0 %100
26	MP1B	Z	-1.576	-1.576	0 %100
27	MP2B	X	1.013	1.013	0 %100
28	MP2B	Z	-1.754	-1.754	0 %100
29	MP3B	X	.91	.91	0 %100
30	MP3B	Z	-1.576	-1.576	0 %100
31	MP4B	X	.91	.91	0 %100
32	MP4B	Z	-1.576	-1.576	0 %100
33	MP2C	X	1.013	1.013	0 %100
34	MP2C	Z	-1.754	-1.754	0 %100
35	MP3C	X	.91	.91	0 %100
36	MP3C	Z	-1.576	-1.576	0 %100
37	MP4C	X	.91	.91	0 %100
38	MP4C	Z	-1.576	-1.576	0 %100
39	M69	X	.76	.76	0 %100
40	M69	Z	-1.316	-1.316	0 %100
41	M74A	X	.76	.76	0 %100
42	M74A	Z	-1.316	-1.316	0 %100
43	M75B	X	0	0	0 %100
44	M75B	Z	0	0	0 %100
45	M90	X	0	0	0 %100
46	M90	Z	0	0	0 %100
47	M91	X	.793	.793	0 %100
48	M91	Z	-1.374	-1.374	0 %100
49	M92	X	.793	.793	0 %100
50	M92	Z	-1.374	-1.374	0 %100
51	M93	X	1.133	1.133	0 %100
52	M93	Z	-1.962	-1.962	0 %100
53	M94	X	1.133	1.133	0 %100
54	M94	Z	-1.962	-1.962	0 %100
55	M95	X	1.362	1.362	0 %100
56	M95	Z	-2.358	-2.358	0 %100



Member Distributed Loads (BLC 55 : Structure Wi (60 Deg))

Member Label	Direction	Start Magnitude[lb/ft.F,ksf]	End Magnitude[...]	Start Location[ft...]	End Location[ft, %]
1	M4	X	1.623	1.623	0 %100
2	M4	Z	-.937	-.937	0 %100
3	M42	X	.554	.554	0 %100
4	M42	Z	-.32	-.32	0 %100
5	MP1A	X	1.576	1.576	0 %100
6	MP1A	Z	-.91	-.91	0 %100
7	M23	X	0	0	0 %100
8	M23	Z	0	0	0 %100
9	M36	X	1.623	1.623	0 %100
10	M36	Z	-.937	-.937	0 %100
11	OVP	X	1.322	1.322	0 %100
12	OVP	Z	-.763	-.763	0 %100
13	M75A	X	2.216	2.216	0 %100
14	M75A	Z	-1.279	-1.279	0 %100
15	M76A	X	.554	.554	0 %100
16	M76A	Z	-.32	-.32	0 %100
17	MP2A	X	1.754	1.754	0 %100
18	MP2A	Z	-1.013	-1.013	0 %100
19	MP3A	X	1.576	1.576	0 %100
20	MP3A	Z	-.91	-.91	0 %100
21	MP4A	X	1.576	1.576	0 %100
22	MP4A	Z	-.91	-.91	0 %100
23	MP1C	X	1.576	1.576	0 %100
24	MP1C	Z	-.91	-.91	0 %100
25	MP1B	X	1.576	1.576	0 %100
26	MP1B	Z	-.91	-.91	0 %100
27	MP2B	X	1.754	1.754	0 %100
28	MP2B	Z	-1.013	-1.013	0 %100
29	MP3B	X	1.576	1.576	0 %100
30	MP3B	Z	-.91	-.91	0 %100
31	MP4B	X	1.576	1.576	0 %100
32	MP4B	Z	-.91	-.91	0 %100
33	MP2C	X	1.754	1.754	0 %100
34	MP2C	Z	-1.013	-1.013	0 %100
35	MP3C	X	1.576	1.576	0 %100
36	MP3C	Z	-.91	-.91	0 %100
37	MP4C	X	1.576	1.576	0 %100
38	MP4C	Z	-.91	-.91	0 %100
39	M69	X	.439	.439	0 %100
40	M69	Z	-.253	-.253	0 %100
41	M74A	X	1.754	1.754	0 %100
42	M74A	Z	-1.013	-1.013	0 %100
43	M75B	X	.439	.439	0 %100
44	M75B	Z	-.253	-.253	0 %100
45	M90	X	.458	.458	0 %100
46	M90	Z	-.264	-.264	0 %100
47	M91	X	.458	.458	0 %100
48	M91	Z	-.264	-.264	0 %100
49	M92	X	1.832	1.832	0 %100
50	M92	Z	-1.058	-1.058	0 %100
51	M93	X	2.226	2.226	0 %100
52	M93	Z	-1.285	-1.285	0 %100
53	M94	X	1.83	1.83	0 %100
54	M94	Z	-1.057	-1.057	0 %100
55	M95	X	2.226	2.226	0 %100
56	M95	Z	-1.285	-1.285	0 %100



Member Distributed Loads (BLC 56 : Structure Wi (90 Deg))

Member Label	Direction	Start Magnitude[lb/ft.F,ksf]	End Magnitude[...]	Start Location[ft,...]	End Location[ft, %]
1	M4	X	2.498	2.498	0 %100
2	M4	Z	0	0	0 %100
3	M42	X	0	0	0 %100
4	M42	Z	0	0	0 %100
5	MP1A	X	1.82	1.82	0 %100
6	MP1A	Z	0	0	0 %100
7	M23	X	.625	.625	0 %100
8	M23	Z	0	0	0 %100
9	M36	X	.625	.625	0 %100
10	M36	Z	0	0	0 %100
11	OVP	X	1.527	1.527	0 %100
12	OVP	Z	0	0	0 %100
13	M75A	X	1.919	1.919	0 %100
14	M75A	Z	0	0	0 %100
15	M76A	X	1.919	1.919	0 %100
16	M76A	Z	0	0	0 %100
17	MP2A	X	2.026	2.026	0 %100
18	MP2A	Z	0	0	0 %100
19	MP3A	X	1.82	1.82	0 %100
20	MP3A	Z	0	0	0 %100
21	MP4A	X	1.82	1.82	0 %100
22	MP4A	Z	0	0	0 %100
23	MP1C	X	1.82	1.82	0 %100
24	MP1C	Z	0	0	0 %100
25	MP1B	X	1.82	1.82	0 %100
26	MP1B	Z	0	0	0 %100
27	MP2B	X	2.026	2.026	0 %100
28	MP2B	Z	0	0	0 %100
29	MP3B	X	1.82	1.82	0 %100
30	MP3B	Z	0	0	0 %100
31	MP4B	X	1.82	1.82	0 %100
32	MP4B	Z	0	0	0 %100
33	MP2C	X	2.026	2.026	0 %100
34	MP2C	Z	0	0	0 %100
35	MP3C	X	1.82	1.82	0 %100
36	MP3C	Z	0	0	0 %100
37	MP4C	X	1.82	1.82	0 %100
38	MP4C	Z	0	0	0 %100
39	M69	X	0	0	0 %100
40	M69	Z	0	0	0 %100
41	M74A	X	1.519	1.519	0 %100
42	M74A	Z	0	0	0 %100
43	M75B	X	1.519	1.519	0 %100
44	M75B	Z	0	0	0 %100
45	M90	X	1.586	1.586	0 %100
46	M90	Z	0	0	0 %100
47	M91	X	0	0	0 %100
48	M91	Z	0	0	0 %100
49	M92	X	1.586	1.586	0 %100
50	M92	Z	0	0	0 %100
51	M93	X	2.723	2.723	0 %100
52	M93	Z	0	0	0 %100
53	M94	X	2.266	2.266	0 %100
54	M94	Z	0	0	0 %100
55	M95	X	2.266	2.266	0 %100
56	M95	Z	0	0	0 %100



Member Distributed Loads (BLC 57 : Structure Wi (120 Deg))

Member Label	Direction	Start Magnitude[lb/ft.F,ksf]	End Magnitude[...]	Start Location[ft,...]	End Location[ft, %]
1	M4	X	1.623	1.623	0 %100
2	M4	Z	.937	.937	0 %100
3	M42	X	.554	.554	0 %100
4	M42	Z	.32	.32	0 %100
5	MP1A	X	1.576	1.576	0 %100
6	MP1A	Z	.91	.91	0 %100
7	M23	X	1.623	1.623	0 %100
8	M23	Z	.937	.937	0 %100
9	M36	X	0	0	0 %100
10	M36	Z	0	0	0 %100
11	OVP	X	1.322	1.322	0 %100
12	OVP	Z	.763	.763	0 %100
13	M75A	X	.554	.554	0 %100
14	M75A	Z	.32	.32	0 %100
15	M76A	X	2.216	2.216	0 %100
16	M76A	Z	1.279	1.279	0 %100
17	MP2A	X	1.754	1.754	0 %100
18	MP2A	Z	1.013	1.013	0 %100
19	MP3A	X	1.576	1.576	0 %100
20	MP3A	Z	.91	.91	0 %100
21	MP4A	X	1.576	1.576	0 %100
22	MP4A	Z	.91	.91	0 %100
23	MP1C	X	1.576	1.576	0 %100
24	MP1C	Z	.91	.91	0 %100
25	MP1B	X	1.576	1.576	0 %100
26	MP1B	Z	.91	.91	0 %100
27	MP2B	X	1.754	1.754	0 %100
28	MP2B	Z	1.013	1.013	0 %100
29	MP3B	X	1.576	1.576	0 %100
30	MP3B	Z	.91	.91	0 %100
31	MP4B	X	1.576	1.576	0 %100
32	MP4B	Z	.91	.91	0 %100
33	MP2C	X	1.754	1.754	0 %100
34	MP2C	Z	1.013	1.013	0 %100
35	MP3C	X	1.576	1.576	0 %100
36	MP3C	Z	.91	.91	0 %100
37	MP4C	X	1.576	1.576	0 %100
38	MP4C	Z	.91	.91	0 %100
39	M69	X	.439	.439	0 %100
40	M69	Z	.253	.253	0 %100
41	M74A	X	.439	.439	0 %100
42	M74A	Z	.253	.253	0 %100
43	M75B	X	1.754	1.754	0 %100
44	M75B	Z	1.013	1.013	0 %100
45	M90	X	1.832	1.832	0 %100
46	M90	Z	1.058	1.058	0 %100
47	M91	X	.458	.458	0 %100
48	M91	Z	.264	.264	0 %100
49	M92	X	.458	.458	0 %100
50	M92	Z	.264	.264	0 %100
51	M93	X	2.226	2.226	0 %100
52	M93	Z	1.285	1.285	0 %100
53	M94	X	2.226	2.226	0 %100
54	M94	Z	1.285	1.285	0 %100
55	M95	X	1.83	1.83	0 %100
56	M95	Z	1.057	1.057	0 %100



Company : Maser Consulting
 Designer :
 Job Number : Project No. 10088393
 Model Name : 467142-VZW_MT_LO_H

July 22, 2021
 10:17 PM
 Checked By: _____

Member Distributed Loads (BLC 58 : Structure Wi (150 Deg))

Member Label	Direction	Start Magnitude[lb/ft.F,ksf]	End Magnitude[...]	Start Location[ft,...]	End Location[ft, %]
1	M4	X	.312	.312	0 %100
2	M4	Z	.541	.541	0 %100
3	M42	X	.959	.959	0 %100
4	M42	Z	1.662	1.662	0 %100
5	MP1A	X	.91	.91	0 %100
6	MP1A	Z	1.576	1.576	0 %100
7	M23	X	1.249	1.249	0 %100
8	M23	Z	2.164	2.164	0 %100
9	M36	X	.312	.312	0 %100
10	M36	Z	.541	.541	0 %100
11	OVP	X	.763	.763	0 %100
12	OVP	Z	1.322	1.322	0 %100
13	M75A	X	0	0	0 %100
14	M75A	Z	0	0	0 %100
15	M76A	X	.959	.959	0 %100
16	M76A	Z	1.662	1.662	0 %100
17	MP2A	X	1.013	1.013	0 %100
18	MP2A	Z	1.754	1.754	0 %100
19	MP3A	X	.91	.91	0 %100
20	MP3A	Z	1.576	1.576	0 %100
21	MP4A	X	.91	.91	0 %100
22	MP4A	Z	1.576	1.576	0 %100
23	MP1C	X	.91	.91	0 %100
24	MP1C	Z	1.576	1.576	0 %100
25	MP1B	X	.91	.91	0 %100
26	MP1B	Z	1.576	1.576	0 %100
27	MP2B	X	1.013	1.013	0 %100
28	MP2B	Z	1.754	1.754	0 %100
29	MP3B	X	.91	.91	0 %100
30	MP3B	Z	1.576	1.576	0 %100
31	MP4B	X	.91	.91	0 %100
32	MP4B	Z	1.576	1.576	0 %100
33	MP2C	X	1.013	1.013	0 %100
34	MP2C	Z	1.754	1.754	0 %100
35	MP3C	X	.91	.91	0 %100
36	MP3C	Z	1.576	1.576	0 %100
37	MP4C	X	.91	.91	0 %100
38	MP4C	Z	1.576	1.576	0 %100
39	M69	X	.76	.76	0 %100
40	M69	Z	1.316	1.316	0 %100
41	M74A	X	0	0	0 %100
42	M74A	Z	0	0	0 %100
43	M75B	X	.76	.76	0 %100
44	M75B	Z	1.316	1.316	0 %100
45	M90	X	.793	.793	0 %100
46	M90	Z	1.374	1.374	0 %100
47	M91	X	.793	.793	0 %100
48	M91	Z	1.374	1.374	0 %100
49	M92	X	0	0	0 %100
50	M92	Z	0	0	0 %100
51	M93	X	1.133	1.133	0 %100
52	M93	Z	1.962	1.962	0 %100
53	M94	X	1.362	1.362	0 %100
54	M94	Z	2.358	2.358	0 %100
55	M95	X	1.133	1.133	0 %100
56	M95	Z	1.962	1.962	0 %100



Member Distributed Loads (BLC 59 : Structure Wi (180 Deg))

Member Label	Direction	Start Magnitude[lb/ft.F,ksf]	End Magnitude[...]	Start Location[ft...]	End Location[ft,%]
1	M4	X	0	0	%100
2	M4	Z	0	0	%100
3	M42	X	0	0	%100
4	M42	Z	2.558	2.558	%100
5	MP1A	X	0	0	%100
6	MP1A	Z	1.82	1.82	%100
7	M23	X	0	0	%100
8	M23	Z	1.874	1.874	%100
9	M36	X	0	0	%100
10	M36	Z	1.874	1.874	%100
11	OVP	X	0	0	%100
12	OVP	Z	1.527	1.527	%100
13	M75A	X	0	0	%100
14	M75A	Z	.64	.64	%100
15	M76A	X	0	0	%100
16	M76A	Z	.64	.64	%100
17	MP2A	X	0	0	%100
18	MP2A	Z	2.026	2.026	%100
19	MP3A	X	0	0	%100
20	MP3A	Z	1.82	1.82	%100
21	MP4A	X	0	0	%100
22	MP4A	Z	1.82	1.82	%100
23	MP1C	X	0	0	%100
24	MP1C	Z	1.82	1.82	%100
25	MP1B	X	0	0	%100
26	MP1B	Z	1.82	1.82	%100
27	MP2B	X	0	0	%100
28	MP2B	Z	2.026	2.026	%100
29	MP3B	X	0	0	%100
30	MP3B	Z	1.82	1.82	%100
31	MP4B	X	0	0	%100
32	MP4B	Z	1.82	1.82	%100
33	MP2C	X	0	0	%100
34	MP2C	Z	2.026	2.026	%100
35	MP3C	X	0	0	%100
36	MP3C	Z	1.82	1.82	%100
37	MP4C	X	0	0	%100
38	MP4C	Z	1.82	1.82	%100
39	M69	X	0	0	%100
40	M69	Z	2.026	2.026	%100
41	M74A	X	0	0	%100
42	M74A	Z	.506	.506	%100
43	M75B	X	0	0	%100
44	M75B	Z	.506	.506	%100
45	M90	X	0	0	%100
46	M90	Z	.529	.529	%100
47	M91	X	0	0	%100
48	M91	Z	2.115	2.115	%100
49	M92	X	0	0	%100
50	M92	Z	.529	.529	%100
51	M93	X	0	0	%100
52	M93	Z	2.113	2.113	%100
53	M94	X	0	0	%100
54	M94	Z	2.571	2.571	%100
55	M95	X	0	0	%100
56	M95	Z	2.571	2.571	%100



Member Distributed Loads (BLC 60 : Structure Wi (210 Deg))

Member Label	Direction	Start Magnitude[lb/ft.F,ksf]	End Magnitude[...]	Start Location[ft,...]	End Location[ft, %]
1	M4	X	-312	-312	0 %100
2	M4	Z	.541	.541	0 %100
3	M42	X	-.959	-.959	0 %100
4	M42	Z	1.662	1.662	0 %100
5	MP1A	X	-.91	-.91	0 %100
6	MP1A	Z	1.576	1.576	0 %100
7	M23	X	-.312	-.312	0 %100
8	M23	Z	.541	.541	0 %100
9	M36	X	-1.249	-1.249	0 %100
10	M36	Z	2.164	2.164	0 %100
11	OVP	X	-.763	-.763	0 %100
12	OVP	Z	1.322	1.322	0 %100
13	M75A	X	-.959	-.959	0 %100
14	M75A	Z	1.662	1.662	0 %100
15	M76A	X	0	0	0 %100
16	M76A	Z	0	0	0 %100
17	MP2A	X	-1.013	-1.013	0 %100
18	MP2A	Z	1.754	1.754	0 %100
19	MP3A	X	-.91	-.91	0 %100
20	MP3A	Z	1.576	1.576	0 %100
21	MP4A	X	-.91	-.91	0 %100
22	MP4A	Z	1.576	1.576	0 %100
23	MP1C	X	-.91	-.91	0 %100
24	MP1C	Z	1.576	1.576	0 %100
25	MP1B	X	-.91	-.91	0 %100
26	MP1B	Z	1.576	1.576	0 %100
27	MP2B	X	-1.013	-1.013	0 %100
28	MP2B	Z	1.754	1.754	0 %100
29	MP3B	X	-.91	-.91	0 %100
30	MP3B	Z	1.576	1.576	0 %100
31	MP4B	X	-.91	-.91	0 %100
32	MP4B	Z	1.576	1.576	0 %100
33	MP2C	X	-1.013	-1.013	0 %100
34	MP2C	Z	1.754	1.754	0 %100
35	MP3C	X	-.91	-.91	0 %100
36	MP3C	Z	1.576	1.576	0 %100
37	MP4C	X	-.91	-.91	0 %100
38	MP4C	Z	1.576	1.576	0 %100
39	M69	X	-.76	-.76	0 %100
40	M69	Z	1.316	1.316	0 %100
41	M74A	X	-.76	-.76	0 %100
42	M74A	Z	1.316	1.316	0 %100
43	M75B	X	0	0	0 %100
44	M75B	Z	0	0	0 %100
45	M90	X	0	0	0 %100
46	M90	Z	0	0	0 %100
47	M91	X	-.793	-.793	0 %100
48	M91	Z	1.374	1.374	0 %100
49	M92	X	-.793	-.793	0 %100
50	M92	Z	1.374	1.374	0 %100
51	M93	X	-1.133	-1.133	0 %100
52	M93	Z	1.962	1.962	0 %100
53	M94	X	-1.133	-1.133	0 %100
54	M94	Z	1.962	1.962	0 %100
55	M95	X	-1.362	-1.362	0 %100
56	M95	Z	2.358	2.358	0 %100



Company : Maser Consulting
 Designer :
 Job Number : Project No. 10088393
 Model Name : 467142-VZW_MT_LO_H

July 22, 2021
 10:17 PM
 Checked By: _____

Member Distributed Loads (BLC 61 : Structure Wi (240 Deg))

Member Label	Direction	Start Magnitude[lb/ft.F,ksf]	End Magnitude[...]	Start Location[ft...]	End Location[ft, %]
1	M4	X	-1.623	-1.623	0 %100
2	M4	Z	.937	.937	0 %100
3	M42	X	-.554	-.554	0 %100
4	M42	Z	.32	.32	0 %100
5	MP1A	X	-1.576	-1.576	0 %100
6	MP1A	Z	.91	.91	0 %100
7	M23	X	0	0	0 %100
8	M23	Z	0	0	0 %100
9	M36	X	-1.623	-1.623	0 %100
10	M36	Z	.937	.937	0 %100
11	OVP	X	-1.322	-1.322	0 %100
12	OVP	Z	.763	.763	0 %100
13	M75A	X	-2.216	-2.216	0 %100
14	M75A	Z	1.279	1.279	0 %100
15	M76A	X	-.554	-.554	0 %100
16	M76A	Z	.32	.32	0 %100
17	MP2A	X	-1.754	-1.754	0 %100
18	MP2A	Z	1.013	1.013	0 %100
19	MP3A	X	-1.576	-1.576	0 %100
20	MP3A	Z	.91	.91	0 %100
21	MP4A	X	-1.576	-1.576	0 %100
22	MP4A	Z	.91	.91	0 %100
23	MP1C	X	-1.576	-1.576	0 %100
24	MP1C	Z	.91	.91	0 %100
25	MP1B	X	-1.576	-1.576	0 %100
26	MP1B	Z	.91	.91	0 %100
27	MP2B	X	-1.754	-1.754	0 %100
28	MP2B	Z	1.013	1.013	0 %100
29	MP3B	X	-1.576	-1.576	0 %100
30	MP3B	Z	.91	.91	0 %100
31	MP4B	X	-1.576	-1.576	0 %100
32	MP4B	Z	.91	.91	0 %100
33	MP2C	X	-1.754	-1.754	0 %100
34	MP2C	Z	1.013	1.013	0 %100
35	MP3C	X	-1.576	-1.576	0 %100
36	MP3C	Z	.91	.91	0 %100
37	MP4C	X	-1.576	-1.576	0 %100
38	MP4C	Z	.91	.91	0 %100
39	M69	X	-.439	-.439	0 %100
40	M69	Z	.253	.253	0 %100
41	M74A	X	-1.754	-1.754	0 %100
42	M74A	Z	1.013	1.013	0 %100
43	M75B	X	-.439	-.439	0 %100
44	M75B	Z	.253	.253	0 %100
45	M90	X	-.458	-.458	0 %100
46	M90	Z	.264	.264	0 %100
47	M91	X	-.458	-.458	0 %100
48	M91	Z	.264	.264	0 %100
49	M92	X	-1.832	-1.832	0 %100
50	M92	Z	1.058	1.058	0 %100
51	M93	X	-2.226	-2.226	0 %100
52	M93	Z	1.285	1.285	0 %100
53	M94	X	-1.83	-1.83	0 %100
54	M94	Z	1.057	1.057	0 %100
55	M95	X	-2.226	-2.226	0 %100
56	M95	Z	1.285	1.285	0 %100



Member Distributed Loads (BLC 62 : Structure Wi (270 Deg))

Member Label	Direction	Start Magnitude[lb/ft.F,ksf]	End Magnitude[...]	Start Location[ft...]	End Location[ft, %]
1	M4	X	-2.498	-2.498	0 %100
2	M4	Z	0	0	0 %100
3	M42	X	0	0	0 %100
4	M42	Z	0	0	0 %100
5	MP1A	X	-1.82	-1.82	0 %100
6	MP1A	Z	0	0	0 %100
7	M23	X	-0.625	-0.625	0 %100
8	M23	Z	0	0	0 %100
9	M36	X	-0.625	-0.625	0 %100
10	M36	Z	0	0	0 %100
11	OVP	X	-1.527	-1.527	0 %100
12	OVP	Z	0	0	0 %100
13	M75A	X	-1.919	-1.919	0 %100
14	M75A	Z	0	0	0 %100
15	M76A	X	-1.919	-1.919	0 %100
16	M76A	Z	0	0	0 %100
17	MP2A	X	-2.026	-2.026	0 %100
18	MP2A	Z	0	0	0 %100
19	MP3A	X	-1.82	-1.82	0 %100
20	MP3A	Z	0	0	0 %100
21	MP4A	X	-1.82	-1.82	0 %100
22	MP4A	Z	0	0	0 %100
23	MP1C	X	-1.82	-1.82	0 %100
24	MP1C	Z	0	0	0 %100
25	MP1B	X	-1.82	-1.82	0 %100
26	MP1B	Z	0	0	0 %100
27	MP2B	X	-2.026	-2.026	0 %100
28	MP2B	Z	0	0	0 %100
29	MP3B	X	-1.82	-1.82	0 %100
30	MP3B	Z	0	0	0 %100
31	MP4B	X	-1.82	-1.82	0 %100
32	MP4B	Z	0	0	0 %100
33	MP2C	X	-2.026	-2.026	0 %100
34	MP2C	Z	0	0	0 %100
35	MP3C	X	-1.82	-1.82	0 %100
36	MP3C	Z	0	0	0 %100
37	MP4C	X	-1.82	-1.82	0 %100
38	MP4C	Z	0	0	0 %100
39	M69	X	0	0	0 %100
40	M69	Z	0	0	0 %100
41	M74A	X	-1.519	-1.519	0 %100
42	M74A	Z	0	0	0 %100
43	M75B	X	-1.519	-1.519	0 %100
44	M75B	Z	0	0	0 %100
45	M90	X	-1.586	-1.586	0 %100
46	M90	Z	0	0	0 %100
47	M91	X	0	0	0 %100
48	M91	Z	0	0	0 %100
49	M92	X	-1.586	-1.586	0 %100
50	M92	Z	0	0	0 %100
51	M93	X	-2.723	-2.723	0 %100
52	M93	Z	0	0	0 %100
53	M94	X	-2.266	-2.266	0 %100
54	M94	Z	0	0	0 %100
55	M95	X	-2.266	-2.266	0 %100
56	M95	Z	0	0	0 %100



Company : Maser Consulting
 Designer :
 Job Number : Project No. 10088393
 Model Name : 467142-VZW_MT_LO_H

July 22, 2021
 10:17 PM
 Checked By: _____

Member Distributed Loads (BLC 63 : Structure Wi (300 Deg))

Member Label	Direction	Start Magnitude[lb/ft.F,ksf]	End Magnitude[...]	Start Location[ft,...]	End Location[ft, %]
1	M4	X	-1.623	-1.623	0 %100
2	M4	Z	-.937	-.937	0 %100
3	M42	X	-.554	-.554	0 %100
4	M42	Z	-.32	-.32	0 %100
5	MP1A	X	-1.576	-1.576	0 %100
6	MP1A	Z	-.91	-.91	0 %100
7	M23	X	-1.623	-1.623	0 %100
8	M23	Z	-.937	-.937	0 %100
9	M36	X	0	0	0 %100
10	M36	Z	0	0	0 %100
11	OVP	X	-1.322	-1.322	0 %100
12	OVP	Z	-.763	-.763	0 %100
13	M75A	X	-.554	-.554	0 %100
14	M75A	Z	-.32	-.32	0 %100
15	M76A	X	-2.216	-2.216	0 %100
16	M76A	Z	-1.279	-1.279	0 %100
17	MP2A	X	-1.754	-1.754	0 %100
18	MP2A	Z	-1.013	-1.013	0 %100
19	MP3A	X	-1.576	-1.576	0 %100
20	MP3A	Z	-.91	-.91	0 %100
21	MP4A	X	-1.576	-1.576	0 %100
22	MP4A	Z	-.91	-.91	0 %100
23	MP1C	X	-1.576	-1.576	0 %100
24	MP1C	Z	-.91	-.91	0 %100
25	MP1B	X	-1.576	-1.576	0 %100
26	MP1B	Z	-.91	-.91	0 %100
27	MP2B	X	-1.754	-1.754	0 %100
28	MP2B	Z	-1.013	-1.013	0 %100
29	MP3B	X	-1.576	-1.576	0 %100
30	MP3B	Z	-.91	-.91	0 %100
31	MP4B	X	-1.576	-1.576	0 %100
32	MP4B	Z	-.91	-.91	0 %100
33	MP2C	X	-1.754	-1.754	0 %100
34	MP2C	Z	-1.013	-1.013	0 %100
35	MP3C	X	-1.576	-1.576	0 %100
36	MP3C	Z	-.91	-.91	0 %100
37	MP4C	X	-1.576	-1.576	0 %100
38	MP4C	Z	-.91	-.91	0 %100
39	M69	X	-.439	-.439	0 %100
40	M69	Z	-.253	-.253	0 %100
41	M74A	X	-.439	-.439	0 %100
42	M74A	Z	-.253	-.253	0 %100
43	M75B	X	-1.754	-1.754	0 %100
44	M75B	Z	-1.013	-1.013	0 %100
45	M90	X	-1.832	-1.832	0 %100
46	M90	Z	-1.058	-1.058	0 %100
47	M91	X	-.458	-.458	0 %100
48	M91	Z	-.264	-.264	0 %100
49	M92	X	-.458	-.458	0 %100
50	M92	Z	-.264	-.264	0 %100
51	M93	X	-2.226	-2.226	0 %100
52	M93	Z	-1.285	-1.285	0 %100
53	M94	X	-2.226	-2.226	0 %100
54	M94	Z	-1.285	-1.285	0 %100
55	M95	X	-1.83	-1.83	0 %100
56	M95	Z	-1.057	-1.057	0 %100



Member Distributed Loads (BLC 64 : Structure Wi (330 Deg))

Member Label	Direction	Start Magnitude[lb/ft.F,ksf]	End Magnitude[...]	Start Location[ft,...]	End Location[ft, %]
1	M4	X	-312	-312	0 %100
2	M4	Z	-541	-541	0 %100
3	M42	X	-959	-959	0 %100
4	M42	Z	-1.662	-1.662	0 %100
5	MP1A	X	-.91	-.91	0 %100
6	MP1A	Z	-1.576	-1.576	0 %100
7	M23	X	-1.249	-1.249	0 %100
8	M23	Z	-2.164	-2.164	0 %100
9	M36	X	-.312	-.312	0 %100
10	M36	Z	-.541	-.541	0 %100
11	OVP	X	-.763	-.763	0 %100
12	OVP	Z	-1.322	-1.322	0 %100
13	M75A	X	0	0	0 %100
14	M75A	Z	0	0	0 %100
15	M76A	X	-.959	-.959	0 %100
16	M76A	Z	-1.662	-1.662	0 %100
17	MP2A	X	-1.013	-1.013	0 %100
18	MP2A	Z	-1.754	-1.754	0 %100
19	MP3A	X	-.91	-.91	0 %100
20	MP3A	Z	-1.576	-1.576	0 %100
21	MP4A	X	-.91	-.91	0 %100
22	MP4A	Z	-1.576	-1.576	0 %100
23	MP1C	X	-.91	-.91	0 %100
24	MP1C	Z	-1.576	-1.576	0 %100
25	MP1B	X	-.91	-.91	0 %100
26	MP1B	Z	-1.576	-1.576	0 %100
27	MP2B	X	-1.013	-1.013	0 %100
28	MP2B	Z	-1.754	-1.754	0 %100
29	MP3B	X	-.91	-.91	0 %100
30	MP3B	Z	-1.576	-1.576	0 %100
31	MP4B	X	-.91	-.91	0 %100
32	MP4B	Z	-1.576	-1.576	0 %100
33	MP2C	X	-1.013	-1.013	0 %100
34	MP2C	Z	-1.754	-1.754	0 %100
35	MP3C	X	-.91	-.91	0 %100
36	MP3C	Z	-1.576	-1.576	0 %100
37	MP4C	X	-.91	-.91	0 %100
38	MP4C	Z	-1.576	-1.576	0 %100
39	M69	X	-.76	-.76	0 %100
40	M69	Z	-1.316	-1.316	0 %100
41	M74A	X	0	0	0 %100
42	M74A	Z	0	0	0 %100
43	M75B	X	-.76	-.76	0 %100
44	M75B	Z	-1.316	-1.316	0 %100
45	M90	X	-.793	-.793	0 %100
46	M90	Z	-1.374	-1.374	0 %100
47	M91	X	-.793	-.793	0 %100
48	M91	Z	-1.374	-1.374	0 %100
49	M92	X	0	0	0 %100
50	M92	Z	0	0	0 %100
51	M93	X	-1.133	-1.133	0 %100
52	M93	Z	-1.962	-1.962	0 %100
53	M94	X	-1.362	-1.362	0 %100
54	M94	Z	-2.358	-2.358	0 %100
55	M95	X	-1.133	-1.133	0 %100
56	M95	Z	-1.962	-1.962	0 %100



Member Distributed Loads (BLC 65 : Structure Wm (0 Deg))

Member Label	Direction	Start Magnitude[lb/ft.F,ksf]	End Magnitude[...]	Start Location[ft...]	End Location[ft,%]
1	M4	X	0	0	%100
2	M4	Z	0	0	%100
3	M42	X	0	0	%100
4	M42	Z	-.618	-.618	%100
5	MP1A	X	0	0	%100
6	MP1A	Z	-.353	-.353	%100
7	M23	X	0	0	%100
8	M23	Z	-.448	-.448	%100
9	M36	X	0	0	%100
10	M36	Z	-.448	-.448	%100
11	OVP	X	0	0	%100
12	OVP	Z	-.288	-.288	%100
13	M75A	X	0	0	%100
14	M75A	Z	-.155	-.155	%100
15	M76A	X	0	0	%100
16	M76A	Z	-.155	-.155	%100
17	MP2A	X	0	0	%100
18	MP2A	Z	-.427	-.427	%100
19	MP3A	X	0	0	%100
20	MP3A	Z	-.353	-.353	%100
21	MP4A	X	0	0	%100
22	MP4A	Z	-.353	-.353	%100
23	MP1C	X	0	0	%100
24	MP1C	Z	-.353	-.353	%100
25	MP1B	X	0	0	%100
26	MP1B	Z	-.353	-.353	%100
27	MP2B	X	0	0	%100
28	MP2B	Z	-.427	-.427	%100
29	MP3B	X	0	0	%100
30	MP3B	Z	-.353	-.353	%100
31	MP4B	X	0	0	%100
32	MP4B	Z	-.353	-.353	%100
33	MP2C	X	0	0	%100
34	MP2C	Z	-.427	-.427	%100
35	MP3C	X	0	0	%100
36	MP3C	Z	-.353	-.353	%100
37	MP4C	X	0	0	%100
38	MP4C	Z	-.353	-.353	%100
39	M69	X	0	0	%100
40	M69	Z	-.427	-.427	%100
41	M74A	X	0	0	%100
42	M74A	Z	-.107	-.107	%100
43	M75B	X	0	0	%100
44	M75B	Z	-.107	-.107	%100
45	M90	X	0	0	%100
46	M90	Z	-.133	-.133	%100
47	M91	X	0	0	%100
48	M91	Z	-.532	-.532	%100
49	M92	X	0	0	%100
50	M92	Z	-.133	-.133	%100
51	M93	X	0	0	%100
52	M93	Z	-.609	-.609	%100
53	M94	X	0	0	%100
54	M94	Z	-.661	-.661	%100
55	M95	X	0	0	%100
56	M95	Z	-.661	-.661	%100



Member Distributed Loads (BLC 66 : Structure Wm (30 Deg))

Member Label	Direction	Start Magnitude[lb/ft.F,ksf]	End Magnitude[...]	Start Location[ft...]	End Location[ft,%]
1	M4	X	.075	.075	0 %100
2	M4	Z	-.129	-.129	0 %100
3	M42	X	.232	.232	0 %100
4	M42	Z	-.402	-.402	0 %100
5	MP1A	X	.176	.176	0 %100
6	MP1A	Z	-.305	-.305	0 %100
7	M23	X	.075	.075	0 %100
8	M23	Z	-.129	-.129	0 %100
9	M36	X	.298	.298	0 %100
10	M36	Z	-.517	-.517	0 %100
11	OVP	X	.144	.144	0 %100
12	OVP	Z	-.25	-.25	0 %100
13	M75A	X	.232	.232	0 %100
14	M75A	Z	-.402	-.402	0 %100
15	M76A	X	0	0	0 %100
16	M76A	Z	0	0	0 %100
17	MP2A	X	.213	.213	0 %100
18	MP2A	Z	-.37	-.37	0 %100
19	MP3A	X	.176	.176	0 %100
20	MP3A	Z	-.305	-.305	0 %100
21	MP4A	X	.176	.176	0 %100
22	MP4A	Z	-.305	-.305	0 %100
23	MP1C	X	.176	.176	0 %100
24	MP1C	Z	-.305	-.305	0 %100
25	MP1B	X	.176	.176	0 %100
26	MP1B	Z	-.305	-.305	0 %100
27	MP2B	X	.213	.213	0 %100
28	MP2B	Z	-.37	-.37	0 %100
29	MP3B	X	.176	.176	0 %100
30	MP3B	Z	-.305	-.305	0 %100
31	MP4B	X	.176	.176	0 %100
32	MP4B	Z	-.305	-.305	0 %100
33	MP2C	X	.213	.213	0 %100
34	MP2C	Z	-.37	-.37	0 %100
35	MP3C	X	.176	.176	0 %100
36	MP3C	Z	-.305	-.305	0 %100
37	MP4C	X	.176	.176	0 %100
38	MP4C	Z	-.305	-.305	0 %100
39	M69	X	.16	.16	0 %100
40	M69	Z	-.277	-.277	0 %100
41	M74A	X	.16	.16	0 %100
42	M74A	Z	-.277	-.277	0 %100
43	M75B	X	0	0	0 %100
44	M75B	Z	0	0	0 %100
45	M90	X	0	0	0 %100
46	M90	Z	0	0	0 %100
47	M91	X	.2	.2	0 %100
48	M91	Z	-.346	-.346	0 %100
49	M92	X	.2	.2	0 %100
50	M92	Z	-.346	-.346	0 %100
51	M93	X	.313	.313	0 %100
52	M93	Z	-.543	-.543	0 %100
53	M94	X	.313	.313	0 %100
54	M94	Z	-.543	-.543	0 %100
55	M95	X	.339	.339	0 %100
56	M95	Z	-.587	-.587	0 %100



Member Distributed Loads (BLC 67 : Structure Wm (60 Deg))

Member Label	Direction	Start Magnitude[lb/ft.F,ksf]	End Magnitude[...]	Start Location[ft...]	End Location[ft, %]
1	M4	X	.388	.388	0 %100
2	M4	Z	-.224	-.224	0 %100
3	M42	X	.134	.134	0 %100
4	M42	Z	-.077	-.077	0 %100
5	MP1A	X	.305	.305	0 %100
6	MP1A	Z	-.176	-.176	0 %100
7	M23	X	0	0	0 %100
8	M23	Z	0	0	0 %100
9	M36	X	.388	.388	0 %100
10	M36	Z	-.224	-.224	0 %100
11	OVP	X	.25	.25	0 %100
12	OVP	Z	-.144	-.144	0 %100
13	M75A	X	.536	.536	0 %100
14	M75A	Z	-.309	-.309	0 %100
15	M76A	X	.134	.134	0 %100
16	M76A	Z	-.077	-.077	0 %100
17	MP2A	X	.37	.37	0 %100
18	MP2A	Z	-.213	-.213	0 %100
19	MP3A	X	.305	.305	0 %100
20	MP3A	Z	-.176	-.176	0 %100
21	MP4A	X	.305	.305	0 %100
22	MP4A	Z	-.176	-.176	0 %100
23	MP1C	X	.305	.305	0 %100
24	MP1C	Z	-.176	-.176	0 %100
25	MP1B	X	.305	.305	0 %100
26	MP1B	Z	-.176	-.176	0 %100
27	MP2B	X	.37	.37	0 %100
28	MP2B	Z	-.213	-.213	0 %100
29	MP3B	X	.305	.305	0 %100
30	MP3B	Z	-.176	-.176	0 %100
31	MP4B	X	.305	.305	0 %100
32	MP4B	Z	-.176	-.176	0 %100
33	MP2C	X	.37	.37	0 %100
34	MP2C	Z	-.213	-.213	0 %100
35	MP3C	X	.305	.305	0 %100
36	MP3C	Z	-.176	-.176	0 %100
37	MP4C	X	.305	.305	0 %100
38	MP4C	Z	-.176	-.176	0 %100
39	M69	X	.092	.092	0 %100
40	M69	Z	-.053	-.053	0 %100
41	M74A	X	.37	.37	0 %100
42	M74A	Z	-.213	-.213	0 %100
43	M75B	X	.092	.092	0 %100
44	M75B	Z	-.053	-.053	0 %100
45	M90	X	.115	.115	0 %100
46	M90	Z	-.067	-.067	0 %100
47	M91	X	.115	.115	0 %100
48	M91	Z	-.067	-.067	0 %100
49	M92	X	.461	.461	0 %100
50	M92	Z	-.266	-.266	0 %100
51	M93	X	.572	.572	0 %100
52	M93	Z	-.33	-.33	0 %100
53	M94	X	.528	.528	0 %100
54	M94	Z	-.305	-.305	0 %100
55	M95	X	.572	.572	0 %100
56	M95	Z	-.33	-.33	0 %100



Member Distributed Loads (BLC 68 : Structure Wm (90 Deg))

Member Label	Direction	Start Magnitude[lb/ft.F,ksf]	End Magnitude[...]	Start Location[ft...]	End Location[ft,%]
1	M4	X	.597	.597	0 %100
2	M4	Z	0	0	0 %100
3	M42	X	0	0	0 %100
4	M42	Z	0	0	0 %100
5	MP1A	X	.353	.353	0 %100
6	MP1A	Z	0	0	0 %100
7	M23	X	.149	.149	0 %100
8	M23	Z	0	0	0 %100
9	M36	X	.149	.149	0 %100
10	M36	Z	0	0	0 %100
11	OVP	X	.288	.288	0 %100
12	OVP	Z	0	0	0 %100
13	M75A	X	.464	.464	0 %100
14	M75A	Z	0	0	0 %100
15	M76A	X	.464	.464	0 %100
16	M76A	Z	0	0	0 %100
17	MP2A	X	.427	.427	0 %100
18	MP2A	Z	0	0	0 %100
19	MP3A	X	.353	.353	0 %100
20	MP3A	Z	0	0	0 %100
21	MP4A	X	.353	.353	0 %100
22	MP4A	Z	0	0	0 %100
23	MP1C	X	.353	.353	0 %100
24	MP1C	Z	0	0	0 %100
25	MP1B	X	.353	.353	0 %100
26	MP1B	Z	0	0	0 %100
27	MP2B	X	.427	.427	0 %100
28	MP2B	Z	0	0	0 %100
29	MP3B	X	.353	.353	0 %100
30	MP3B	Z	0	0	0 %100
31	MP4B	X	.353	.353	0 %100
32	MP4B	Z	0	0	0 %100
33	MP2C	X	.427	.427	0 %100
34	MP2C	Z	0	0	0 %100
35	MP3C	X	.353	.353	0 %100
36	MP3C	Z	0	0	0 %100
37	MP4C	X	.353	.353	0 %100
38	MP4C	Z	0	0	0 %100
39	M69	X	0	0	0 %100
40	M69	Z	0	0	0 %100
41	M74A	X	.32	.32	0 %100
42	M74A	Z	0	0	0 %100
43	M75B	X	.32	.32	0 %100
44	M75B	Z	0	0	0 %100
45	M90	X	.399	.399	0 %100
46	M90	Z	0	0	0 %100
47	M91	X	0	0	0 %100
48	M91	Z	0	0	0 %100
49	M92	X	.399	.399	0 %100
50	M92	Z	0	0	0 %100
51	M93	X	.678	.678	0 %100
52	M93	Z	0	0	0 %100
53	M94	X	.627	.627	0 %100
54	M94	Z	0	0	0 %100
55	M95	X	.627	.627	0 %100
56	M95	Z	0	0	0 %100



Member Distributed Loads (BLC 69 : Structure Wm (120 Deg))

Member Label	Direction	Start Magnitude[lb/ft.F,ksf]	End Magnitude[...]	Start Location[ft...]	End Location[ft,%]
1	M4	X	.388	.388	0 %100
2	M4	Z	.224	.224	0 %100
3	M42	X	.134	.134	0 %100
4	M42	Z	.077	.077	0 %100
5	MP1A	X	.305	.305	0 %100
6	MP1A	Z	.176	.176	0 %100
7	M23	X	.388	.388	0 %100
8	M23	Z	.224	.224	0 %100
9	M36	X	0	0	0 %100
10	M36	Z	0	0	0 %100
11	OVP	X	.25	.25	0 %100
12	OVP	Z	.144	.144	0 %100
13	M75A	X	.134	.134	0 %100
14	M75A	Z	.077	.077	0 %100
15	M76A	X	.536	.536	0 %100
16	M76A	Z	.309	.309	0 %100
17	MP2A	X	.37	.37	0 %100
18	MP2A	Z	.213	.213	0 %100
19	MP3A	X	.305	.305	0 %100
20	MP3A	Z	.176	.176	0 %100
21	MP4A	X	.305	.305	0 %100
22	MP4A	Z	.176	.176	0 %100
23	MP1C	X	.305	.305	0 %100
24	MP1C	Z	.176	.176	0 %100
25	MP1B	X	.305	.305	0 %100
26	MP1B	Z	.176	.176	0 %100
27	MP2B	X	.37	.37	0 %100
28	MP2B	Z	.213	.213	0 %100
29	MP3B	X	.305	.305	0 %100
30	MP3B	Z	.176	.176	0 %100
31	MP4B	X	.305	.305	0 %100
32	MP4B	Z	.176	.176	0 %100
33	MP2C	X	.37	.37	0 %100
34	MP2C	Z	.213	.213	0 %100
35	MP3C	X	.305	.305	0 %100
36	MP3C	Z	.176	.176	0 %100
37	MP4C	X	.305	.305	0 %100
38	MP4C	Z	.176	.176	0 %100
39	M69	X	.092	.092	0 %100
40	M69	Z	.053	.053	0 %100
41	M74A	X	.092	.092	0 %100
42	M74A	Z	.053	.053	0 %100
43	M75B	X	.37	.37	0 %100
44	M75B	Z	.213	.213	0 %100
45	M90	X	.461	.461	0 %100
46	M90	Z	.266	.266	0 %100
47	M91	X	.115	.115	0 %100
48	M91	Z	.067	.067	0 %100
49	M92	X	.115	.115	0 %100
50	M92	Z	.067	.067	0 %100
51	M93	X	.572	.572	0 %100
52	M93	Z	.33	.33	0 %100
53	M94	X	.572	.572	0 %100
54	M94	Z	.33	.33	0 %100
55	M95	X	.528	.528	0 %100
56	M95	Z	.305	.305	0 %100



Member Distributed Loads (BLC 70 : Structure Wm (150 Deg))

Member Label	Direction	Start Magnitude[lb/ft.F,ksf]	End Magnitude[...]	Start Location[ft...]	End Location[ft,%]
1	M4	X	.075	.075	0 %100
2	M4	Z	.129	.129	0 %100
3	M42	X	.232	.232	0 %100
4	M42	Z	.402	.402	0 %100
5	MP1A	X	.176	.176	0 %100
6	MP1A	Z	.305	.305	0 %100
7	M23	X	.298	.298	0 %100
8	M23	Z	.517	.517	0 %100
9	M36	X	.075	.075	0 %100
10	M36	Z	.129	.129	0 %100
11	OVP	X	.144	.144	0 %100
12	OVP	Z	.25	.25	0 %100
13	M75A	X	0	0	0 %100
14	M75A	Z	0	0	0 %100
15	M76A	X	.232	.232	0 %100
16	M76A	Z	.402	.402	0 %100
17	MP2A	X	.213	.213	0 %100
18	MP2A	Z	.37	.37	0 %100
19	MP3A	X	.176	.176	0 %100
20	MP3A	Z	.305	.305	0 %100
21	MP4A	X	.176	.176	0 %100
22	MP4A	Z	.305	.305	0 %100
23	MP1C	X	.176	.176	0 %100
24	MP1C	Z	.305	.305	0 %100
25	MP1B	X	.176	.176	0 %100
26	MP1B	Z	.305	.305	0 %100
27	MP2B	X	.213	.213	0 %100
28	MP2B	Z	.37	.37	0 %100
29	MP3B	X	.176	.176	0 %100
30	MP3B	Z	.305	.305	0 %100
31	MP4B	X	.176	.176	0 %100
32	MP4B	Z	.305	.305	0 %100
33	MP2C	X	.213	.213	0 %100
34	MP2C	Z	.37	.37	0 %100
35	MP3C	X	.176	.176	0 %100
36	MP3C	Z	.305	.305	0 %100
37	MP4C	X	.176	.176	0 %100
38	MP4C	Z	.305	.305	0 %100
39	M69	X	.16	.16	0 %100
40	M69	Z	.277	.277	0 %100
41	M74A	X	0	0	0 %100
42	M74A	Z	0	0	0 %100
43	M75B	X	.16	.16	0 %100
44	M75B	Z	.277	.277	0 %100
45	M90	X	.2	.2	0 %100
46	M90	Z	.346	.346	0 %100
47	M91	X	.2	.2	0 %100
48	M91	Z	.346	.346	0 %100
49	M92	X	0	0	0 %100
50	M92	Z	0	0	0 %100
51	M93	X	.313	.313	0 %100
52	M93	Z	.543	.543	0 %100
53	M94	X	.339	.339	0 %100
54	M94	Z	.587	.587	0 %100
55	M95	X	.313	.313	0 %100
56	M95	Z	.543	.543	0 %100



Member Distributed Loads (BLC 71 : Structure Wm (180 Deg))

Member Label	Direction	Start Magnitude[lb/ft.F,ksf]	End Magnitude[...]	Start Location[ft...]	End Location[ft,%]
1	M4	X	0	0	%100
2	M4	Z	0	0	%100
3	M42	X	0	0	%100
4	M42	Z	.618	.618	%100
5	MP1A	X	0	0	%100
6	MP1A	Z	.353	.353	%100
7	M23	X	0	0	%100
8	M23	Z	.448	.448	%100
9	M36	X	0	0	%100
10	M36	Z	.448	.448	%100
11	OVP	X	0	0	%100
12	OVP	Z	.288	.288	%100
13	M75A	X	0	0	%100
14	M75A	Z	.155	.155	%100
15	M76A	X	0	0	%100
16	M76A	Z	.155	.155	%100
17	MP2A	X	0	0	%100
18	MP2A	Z	.427	.427	%100
19	MP3A	X	0	0	%100
20	MP3A	Z	.353	.353	%100
21	MP4A	X	0	0	%100
22	MP4A	Z	.353	.353	%100
23	MP1C	X	0	0	%100
24	MP1C	Z	.353	.353	%100
25	MP1B	X	0	0	%100
26	MP1B	Z	.353	.353	%100
27	MP2B	X	0	0	%100
28	MP2B	Z	.427	.427	%100
29	MP3B	X	0	0	%100
30	MP3B	Z	.353	.353	%100
31	MP4B	X	0	0	%100
32	MP4B	Z	.353	.353	%100
33	MP2C	X	0	0	%100
34	MP2C	Z	.427	.427	%100
35	MP3C	X	0	0	%100
36	MP3C	Z	.353	.353	%100
37	MP4C	X	0	0	%100
38	MP4C	Z	.353	.353	%100
39	M69	X	0	0	%100
40	M69	Z	.427	.427	%100
41	M74A	X	0	0	%100
42	M74A	Z	.107	.107	%100
43	M75B	X	0	0	%100
44	M75B	Z	.107	.107	%100
45	M90	X	0	0	%100
46	M90	Z	.133	.133	%100
47	M91	X	0	0	%100
48	M91	Z	.532	.532	%100
49	M92	X	0	0	%100
50	M92	Z	.133	.133	%100
51	M93	X	0	0	%100
52	M93	Z	.609	.609	%100
53	M94	X	0	0	%100
54	M94	Z	.661	.661	%100
55	M95	X	0	0	%100
56	M95	Z	.661	.661	%100



Company : Maser Consulting
 Designer :
 Job Number : Project No. 10088393
 Model Name : 467142-VZW_MT_LO_H

July 22, 2021
 10:17 PM
 Checked By: _____

Member Distributed Loads (BLC 72 : Structure Wm (210 Deg))

Member Label	Direction	Start Magnitude[lb/ft.F,ksf]	End Magnitude[...]	Start Location[ft...]	End Location[ft,%]
1	M4	X	-0.075	-0.075	0 %100
2	M4	Z	.129	.129	0 %100
3	M42	X	-.232	-.232	0 %100
4	M42	Z	.402	.402	0 %100
5	MP1A	X	-.176	-.176	0 %100
6	MP1A	Z	.305	.305	0 %100
7	M23	X	-0.075	-0.075	0 %100
8	M23	Z	.129	.129	0 %100
9	M36	X	-.298	-.298	0 %100
10	M36	Z	.517	.517	0 %100
11	OVP	X	-.144	-.144	0 %100
12	OVP	Z	.25	.25	0 %100
13	M75A	X	-.232	-.232	0 %100
14	M75A	Z	.402	.402	0 %100
15	M76A	X	0	0	0 %100
16	M76A	Z	0	0	0 %100
17	MP2A	X	-.213	-.213	0 %100
18	MP2A	Z	.37	.37	0 %100
19	MP3A	X	-.176	-.176	0 %100
20	MP3A	Z	.305	.305	0 %100
21	MP4A	X	-.176	-.176	0 %100
22	MP4A	Z	.305	.305	0 %100
23	MP1C	X	-.176	-.176	0 %100
24	MP1C	Z	.305	.305	0 %100
25	MP1B	X	-.176	-.176	0 %100
26	MP1B	Z	.305	.305	0 %100
27	MP2B	X	-.213	-.213	0 %100
28	MP2B	Z	.37	.37	0 %100
29	MP3B	X	-.176	-.176	0 %100
30	MP3B	Z	.305	.305	0 %100
31	MP4B	X	-.176	-.176	0 %100
32	MP4B	Z	.305	.305	0 %100
33	MP2C	X	-.213	-.213	0 %100
34	MP2C	Z	.37	.37	0 %100
35	MP3C	X	-.176	-.176	0 %100
36	MP3C	Z	.305	.305	0 %100
37	MP4C	X	-.176	-.176	0 %100
38	MP4C	Z	.305	.305	0 %100
39	M69	X	-.16	-.16	0 %100
40	M69	Z	.277	.277	0 %100
41	M74A	X	-.16	-.16	0 %100
42	M74A	Z	.277	.277	0 %100
43	M75B	X	0	0	0 %100
44	M75B	Z	0	0	0 %100
45	M90	X	0	0	0 %100
46	M90	Z	0	0	0 %100
47	M91	X	-.2	-.2	0 %100
48	M91	Z	.346	.346	0 %100
49	M92	X	-.2	-.2	0 %100
50	M92	Z	.346	.346	0 %100
51	M93	X	-.313	-.313	0 %100
52	M93	Z	.543	.543	0 %100
53	M94	X	-.313	-.313	0 %100
54	M94	Z	.543	.543	0 %100
55	M95	X	-.339	-.339	0 %100
56	M95	Z	.587	.587	0 %100



Member Distributed Loads (BLC 73 : Structure Wm (240 Deg))

Member Label	Direction	Start Magnitude[lb/ft.F,ksf]	End Magnitude[...]	Start Location[ft...]	End Location[ft,%]
1	M4	X	-388	-388	0 %100
2	M4	Z	.224	.224	0 %100
3	M42	X	-.134	-.134	0 %100
4	M42	Z	.077	.077	0 %100
5	MP1A	X	-.305	-.305	0 %100
6	MP1A	Z	.176	.176	0 %100
7	M23	X	0	0	0 %100
8	M23	Z	0	0	0 %100
9	M36	X	-.388	-.388	0 %100
10	M36	Z	.224	.224	0 %100
11	OVP	X	-.25	-.25	0 %100
12	OVP	Z	.144	.144	0 %100
13	M75A	X	-.536	-.536	0 %100
14	M75A	Z	.309	.309	0 %100
15	M76A	X	-.134	-.134	0 %100
16	M76A	Z	.077	.077	0 %100
17	MP2A	X	-.37	-.37	0 %100
18	MP2A	Z	.213	.213	0 %100
19	MP3A	X	-.305	-.305	0 %100
20	MP3A	Z	.176	.176	0 %100
21	MP4A	X	-.305	-.305	0 %100
22	MP4A	Z	.176	.176	0 %100
23	MP1C	X	-.305	-.305	0 %100
24	MP1C	Z	.176	.176	0 %100
25	MP1B	X	-.305	-.305	0 %100
26	MP1B	Z	.176	.176	0 %100
27	MP2B	X	-.37	-.37	0 %100
28	MP2B	Z	.213	.213	0 %100
29	MP3B	X	-.305	-.305	0 %100
30	MP3B	Z	.176	.176	0 %100
31	MP4B	X	-.305	-.305	0 %100
32	MP4B	Z	.176	.176	0 %100
33	MP2C	X	-.37	-.37	0 %100
34	MP2C	Z	.213	.213	0 %100
35	MP3C	X	-.305	-.305	0 %100
36	MP3C	Z	.176	.176	0 %100
37	MP4C	X	-.305	-.305	0 %100
38	MP4C	Z	.176	.176	0 %100
39	M69	X	-.092	-.092	0 %100
40	M69	Z	.053	.053	0 %100
41	M74A	X	-.37	-.37	0 %100
42	M74A	Z	.213	.213	0 %100
43	M75B	X	-.092	-.092	0 %100
44	M75B	Z	.053	.053	0 %100
45	M90	X	-.115	-.115	0 %100
46	M90	Z	.067	.067	0 %100
47	M91	X	-.115	-.115	0 %100
48	M91	Z	.067	.067	0 %100
49	M92	X	-.461	-.461	0 %100
50	M92	Z	.266	.266	0 %100
51	M93	X	-.572	-.572	0 %100
52	M93	Z	.33	.33	0 %100
53	M94	X	-.528	-.528	0 %100
54	M94	Z	.305	.305	0 %100
55	M95	X	-.572	-.572	0 %100
56	M95	Z	.33	.33	0 %100



Member Distributed Loads (BLC 74 : Structure Wm (270 Deg))

Member Label	Direction	Start Magnitude[lb/ft.F,ksf]	End Magnitude[...]	Start Location[ft...]	End Location[ft,%]
1	M4	X	-597	-597	0 %100
2	M4	Z	0	0	0 %100
3	M42	X	0	0	0 %100
4	M42	Z	0	0	0 %100
5	MP1A	X	-353	-353	0 %100
6	MP1A	Z	0	0	0 %100
7	M23	X	-149	-149	0 %100
8	M23	Z	0	0	0 %100
9	M36	X	-149	-149	0 %100
10	M36	Z	0	0	0 %100
11	OVP	X	-288	-288	0 %100
12	OVP	Z	0	0	0 %100
13	M75A	X	-464	-464	0 %100
14	M75A	Z	0	0	0 %100
15	M76A	X	-464	-464	0 %100
16	M76A	Z	0	0	0 %100
17	MP2A	X	-427	-427	0 %100
18	MP2A	Z	0	0	0 %100
19	MP3A	X	-353	-353	0 %100
20	MP3A	Z	0	0	0 %100
21	MP4A	X	-353	-353	0 %100
22	MP4A	Z	0	0	0 %100
23	MP1C	X	-353	-353	0 %100
24	MP1C	Z	0	0	0 %100
25	MP1B	X	-353	-353	0 %100
26	MP1B	Z	0	0	0 %100
27	MP2B	X	-427	-427	0 %100
28	MP2B	Z	0	0	0 %100
29	MP3B	X	-353	-353	0 %100
30	MP3B	Z	0	0	0 %100
31	MP4B	X	-353	-353	0 %100
32	MP4B	Z	0	0	0 %100
33	MP2C	X	-427	-427	0 %100
34	MP2C	Z	0	0	0 %100
35	MP3C	X	-353	-353	0 %100
36	MP3C	Z	0	0	0 %100
37	MP4C	X	-353	-353	0 %100
38	MP4C	Z	0	0	0 %100
39	M69	X	0	0	0 %100
40	M69	Z	0	0	0 %100
41	M74A	X	-32	-32	0 %100
42	M74A	Z	0	0	0 %100
43	M75B	X	-32	-32	0 %100
44	M75B	Z	0	0	0 %100
45	M90	X	-399	-399	0 %100
46	M90	Z	0	0	0 %100
47	M91	X	0	0	0 %100
48	M91	Z	0	0	0 %100
49	M92	X	-399	-399	0 %100
50	M92	Z	0	0	0 %100
51	M93	X	-678	-678	0 %100
52	M93	Z	0	0	0 %100
53	M94	X	-627	-627	0 %100
54	M94	Z	0	0	0 %100
55	M95	X	-627	-627	0 %100
56	M95	Z	0	0	0 %100



Member Distributed Loads (BLC 75 : Structure Wm (300 Deg))

Member Label	Direction	Start Magnitude[lb/ft.F,ksf]	End Magnitude[...]	Start Location[ft,...]	End Location[ft, %]
1	M4	X	-388	-388	0 %100
2	M4	Z	-224	-224	0 %100
3	M42	X	-134	-134	0 %100
4	M42	Z	-077	-077	0 %100
5	MP1A	X	-305	-305	0 %100
6	MP1A	Z	-176	-176	0 %100
7	M23	X	-388	-388	0 %100
8	M23	Z	-224	-224	0 %100
9	M36	X	0	0	0 %100
10	M36	Z	0	0	0 %100
11	OVP	X	-25	-25	0 %100
12	OVP	Z	-144	-144	0 %100
13	M75A	X	-134	-134	0 %100
14	M75A	Z	-077	-077	0 %100
15	M76A	X	-536	-536	0 %100
16	M76A	Z	-309	-309	0 %100
17	MP2A	X	-37	-37	0 %100
18	MP2A	Z	-213	-213	0 %100
19	MP3A	X	-305	-305	0 %100
20	MP3A	Z	-176	-176	0 %100
21	MP4A	X	-305	-305	0 %100
22	MP4A	Z	-176	-176	0 %100
23	MP1C	X	-305	-305	0 %100
24	MP1C	Z	-176	-176	0 %100
25	MP1B	X	-305	-305	0 %100
26	MP1B	Z	-176	-176	0 %100
27	MP2B	X	-37	-37	0 %100
28	MP2B	Z	-213	-213	0 %100
29	MP3B	X	-305	-305	0 %100
30	MP3B	Z	-176	-176	0 %100
31	MP4B	X	-305	-305	0 %100
32	MP4B	Z	-176	-176	0 %100
33	MP2C	X	-37	-37	0 %100
34	MP2C	Z	-213	-213	0 %100
35	MP3C	X	-305	-305	0 %100
36	MP3C	Z	-176	-176	0 %100
37	MP4C	X	-305	-305	0 %100
38	MP4C	Z	-176	-176	0 %100
39	M69	X	-092	-092	0 %100
40	M69	Z	-053	-053	0 %100
41	M74A	X	-092	-092	0 %100
42	M74A	Z	-053	-053	0 %100
43	M75B	X	-37	-37	0 %100
44	M75B	Z	-213	-213	0 %100
45	M90	X	-461	-461	0 %100
46	M90	Z	-266	-266	0 %100
47	M91	X	-115	-115	0 %100
48	M91	Z	-067	-067	0 %100
49	M92	X	-115	-115	0 %100
50	M92	Z	-067	-067	0 %100
51	M93	X	-572	-572	0 %100
52	M93	Z	-33	-33	0 %100
53	M94	X	-572	-572	0 %100
54	M94	Z	-33	-33	0 %100
55	M95	X	-528	-528	0 %100
56	M95	Z	-305	-305	0 %100



Member Distributed Loads (BLC 76 : Structure Wm (330 Deg))

Member Label	Direction	Start Magnitude[lb/ft.F,ksf]	End Magnitude[...]	Start Location[ft,...]	End Location[ft, %]
1	M4	X	-075	-075	0 %100
2	M4	Z	-129	-129	0 %100
3	M42	X	-232	-232	0 %100
4	M42	Z	-402	-402	0 %100
5	MP1A	X	-176	-176	0 %100
6	MP1A	Z	-305	-305	0 %100
7	M23	X	-298	-298	0 %100
8	M23	Z	-517	-517	0 %100
9	M36	X	-075	-075	0 %100
10	M36	Z	-129	-129	0 %100
11	OVP	X	-144	-144	0 %100
12	OVP	Z	-25	-25	0 %100
13	M75A	X	0	0	0 %100
14	M75A	Z	0	0	0 %100
15	M76A	X	-232	-232	0 %100
16	M76A	Z	-402	-402	0 %100
17	MP2A	X	-213	-213	0 %100
18	MP2A	Z	-37	-37	0 %100
19	MP3A	X	-176	-176	0 %100
20	MP3A	Z	-305	-305	0 %100
21	MP4A	X	-176	-176	0 %100
22	MP4A	Z	-305	-305	0 %100
23	MP1C	X	-176	-176	0 %100
24	MP1C	Z	-305	-305	0 %100
25	MP1B	X	-176	-176	0 %100
26	MP1B	Z	-305	-305	0 %100
27	MP2B	X	-213	-213	0 %100
28	MP2B	Z	-37	-37	0 %100
29	MP3B	X	-176	-176	0 %100
30	MP3B	Z	-305	-305	0 %100
31	MP4B	X	-176	-176	0 %100
32	MP4B	Z	-305	-305	0 %100
33	MP2C	X	-213	-213	0 %100
34	MP2C	Z	-37	-37	0 %100
35	MP3C	X	-176	-176	0 %100
36	MP3C	Z	-305	-305	0 %100
37	MP4C	X	-176	-176	0 %100
38	MP4C	Z	-305	-305	0 %100
39	M69	X	-16	-16	0 %100
40	M69	Z	-277	-277	0 %100
41	M74A	X	0	0	0 %100
42	M74A	Z	0	0	0 %100
43	M75B	X	-16	-16	0 %100
44	M75B	Z	-277	-277	0 %100
45	M90	X	-2	-2	0 %100
46	M90	Z	-346	-346	0 %100
47	M91	X	-2	-2	0 %100
48	M91	Z	-346	-346	0 %100
49	M92	X	0	0	0 %100
50	M92	Z	0	0	0 %100
51	M93	X	-313	-313	0 %100
52	M93	Z	-543	-543	0 %100
53	M94	X	-339	-339	0 %100
54	M94	Z	-587	-587	0 %100
55	M95	X	-313	-313	0 %100
56	M95	Z	-543	-543	0 %100



Member Distributed Loads (BLC 81 : BLC 39 Transient Area Loads)

	Member Label	Direction	Start Magnitude[lb/ft.F,ksf]	End Magnitude[...]	Start Location[ft...]	End Location[ft, %]
1	M23	Y	-41.818	-41.818	4.344	7.039
2	M36	Y	-41.818	-41.818	4.344	7.039
3	M4	Y	-41.818	-41.818	4.344	7.039

Member Distributed Loads (BLC 82 : BLC 40 Transient Area Loads)

	Member Label	Direction	Start Magnitude[lb/ft.F,ksf]	End Magnitude[...]	Start Location[ft...]	End Location[ft, %]
1	M23	Y	-46.464	-46.464	4.344	7.039
2	M36	Y	-46.464	-46.464	4.344	7.039
3	M4	Y	-46.464	-46.464	4.344	7.039

Member Area Loads (BLC 39 : Structure D)

	Joint A	Joint B	Joint C	Joint D	Direction	Distribution	Magnitude[ksf]
1	N88A	N87	N94	N94A	Y	A-B	-.009
2	N90	N89	N95A	N94	Y	A-B	-.009
3	N92	N91	N94A	N95A	Y	A-B	-.009

Member Area Loads (BLC 40 : Structure Di)

	Joint A	Joint B	Joint C	Joint D	Direction	Distribution	Magnitude[ksf]
1	N88A	N87	N94	N94A	Y	A-B	-.01
2	N90	N89	N95A	N94	Y	A-B	-.01
3	N92	N91	N94A	N95A	Y	A-B	-.01

Envelope Joint Reactions

Joint	X [lb]	LC	Y [lb]	LC	Z [lb]	LC	MX [k-ft]	LC	MY [k-ft]	LC	MZ [k-ft]	LC	
1	N3	max 467.965	10	-539.209	31	3136.178	1	-545	31	1.322	4	0	4
2		min -467.629	4	-1175.614	13	-558.594	7	-1.18	13	-1.321	10	0	10
3	N31	max 2773.971	9	-471.965	3	354.438	3	.576	24	1.393	12	.905	19
4		min -569.458	3	-1051.058	21	-1628.6	9	.193	6	-1.393	6	.422	1
5	N43A	max 495.368	11	-545.08	11	265.926	11	.583	17	1.275	8	-.489	11
6		min -2697.614	5	-1160.955	17	-1536.593	5	.283	11	-1.274	2	-1.009	17
7	N138	max 23.874	10	3550.462	13	-1686.895	31	0	51	0	4	0	10
8		min -23.866	4	1707.219	31	-3500.195	13	0	1	0	10	0	4
9	N140	max -1461.713	3	3538.609	21	1744.229	21	0	6	0	12	0	12
10		min -3020.952	21	1686.318	3	843.741	3	0	12	0	6	0	6
11	N142	max 3002.396	17	3517.135	17	1733.396	17	0	8	0	8	0	8
12		min 1485.556	11	1713.979	11	857.31	10	0	2	0	2	0	2
13	Totals:	max 3249.975	10	7149.595	16	3272.081	1						
14		min -3249.976	4	3813.464	10	-3272.079	7						

Envelope AISC 15th(360-16): LRFD Steel Code Checks

Member	Shape	Code Check	Loc[ft]	LC	Shear Check	Loc[ft]	Dir	LC	phi*Pnc [lb]	phi*...	phi*...	phi*...	Eqn
1	M4	HSS4X...	.247	6.714	22	.058	3.555	y	13	109675.001	1395...	16.1...	H1-...
2	M42	HSS4X...	.164	0	13	.043	0	y	47	66599.146	1395...	16.1...	H1-...
3	MP1A	PIPE152	3.661	27	.028	2.698		27	20365.524	32130	1.872	H1-...
4	M23	HSS4X...	.245	6.714	18	.057	3.555	y	21	109675.001	1395...	16.1...	H1-...
5	M36	HSS4X...	.246	6.714	14	.057	3.555	y	17	109675.001	1395...	16.1...	H1-...
6	OVP	PIPE069	2.25	1	.011	2.25		1	28843.414	32130	1.872	H1-...
7	M75A	HSS4X...	.164	0	21	.033	13.293	y	17	66599.146	1395...	16.1...	H1-...
8	M76A	HSS4X...	.166	0	17	.032	13.293	y	16	66599.146	1395...	16.1...	H1-...
9	MP2A	PIPE144	3.533	1	.039	3.533		10	37152.16	50715	3.596	H1-...
10	MP3A	PIPE183	3.148	35	.032	2.441		11	20365.524	32130	1.872	H1-...



Company : Maser Consulting
 Designer :
 Job Number : Project No. 10088393
 Model Name : 467142-VZW_MT_LO_H

July 22, 2021
 10:17 PM
 Checked By: _____

Envelope AISC 15th(360-16): LRFD Steel Code Checks (Continued)

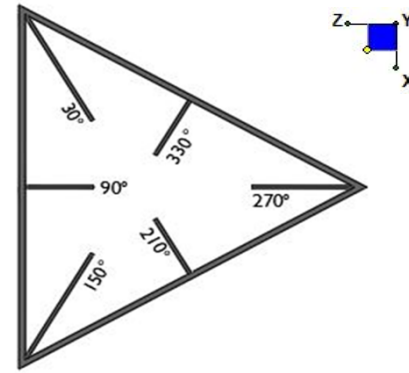
Member	Shape	Code Check	Loc[ft]	LC	Shear Check	Loc[ft]	Dir	LC	phi*Pnc [lb]	phi*...	phi*...	phi*...	Eqn
11	MP4A	PIPE_...	.098	3.34	47	.018	3.34	12	20365.524	32130	1.872	1.872	...H1-..
12	MP1C	PIPE_...	.112	3.405	11	.022	3.405	8	20365.524	32130	1.872	1.872	...H1-..
13	MP1B	PIPE_...	.123	3.405	7	.023	3.405	9	20365.524	32130	1.872	1.872	...H1-..
14	MP2B	PIPE_...	.157	3.34	5	.039	3.34	2	37152.16	50715	3.596	3.596	...H1-..
15	MP3B	PIPE_...	.164	3.34	3	.032	2.441	3	20365.524	32130	1.872	1.872	...H1-..
16	MP4B	PIPE_...	.079	3.405	4	.018	3.405	4	20365.524	32130	1.872	1.872	...H1-..
17	MP2C	PIPE_...	.153	3.405	9	.039	3.405	6	37152.16	50715	3.596	3.596	...H1-..
18	MP3C	PIPE_...	.165	3.34	7	.032	2.441	7	20365.524	32130	1.872	1.872	...H1-..
19	MP4C	PIPE_...	.078	3.276	8	.019	3.276	8	20365.524	32130	1.872	1.872	...H1-..
20	M69	PIPE_...	.100	7.031	29	.023	.844	47	12481.858	50715	3.596	3.596	...H1-..
21	M74A	PIPE_...	.069	6.891	3	.021	12.797	23	12481.858	50715	3.596	3.596	...H1-..
22	M75B	PIPE_...	.070	6.891	11	.022	12.375	19	12481.858	50715	3.596	3.596	...H1-..
23	M90	L3X3X4	.096	2.013	6	.008	2.013	z	42649.612	46656	1.688	3.756	...H2-1
24	M91	L3X3X4	.092	2.013	2	.007	2.013	z	42649.612	46656	1.688	3.756	...H2-1
25	M92	L3X3X4	.089	2.013	10	.008	2.013	z	42649.612	46656	1.688	3.756	...H2-1
26	M93	LL3x3x...	.107	0	13	.003	0	z	46402.29	70632	6.362	3.751	1 H1-..
27	M94	LL3x3x...	.107	0	21	.003	0	z	46402.29	70632	6.362	3.751	1 H1-..
28	M95	LL3x3x...	.106	0	17	.003	0	z	46402.29	70632	6.362	3.751	1 H1-..



I. Mount-to-Tower Connection Check

RISA Model Data

Nodes (labeled per RISA)	Orientation (per graphic of typical platform)
N31	30
N3	270
N43A	150



TYPICAL PLATFORM

Tower Connection Bolt Checks

Any moment resistance?:

Bolt Quantity per Reaction:

d_x (in) (Delta X of typ. bolt config. sketch) :

d_y (in) (Delta Y of typ. bolt config. sketch) :

Bolt Type:

Bolt Diameter (in):

Required Tensile Strength (kips):

Required Shear Strength (kips):

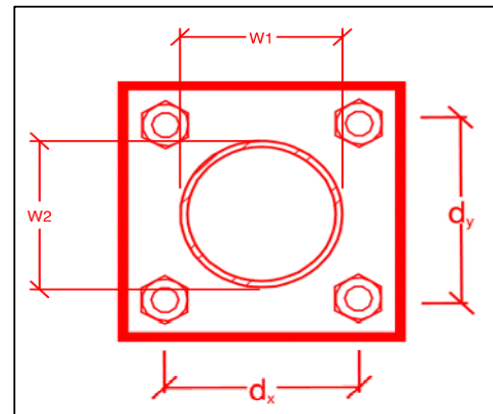
Tensile Strength / bolt (kips):

Shear Strength / bolt (kips):

Tensile Capacity Overall:

Shear Capacity Overall:

yes
4
4
8
A325N
0.75
9.8
1.6
29.8
17.9
8.2%*
2.2%



*Note: Tension reduction not required if tension or shear capacity < 30%

Tower Connection Plate and Weld Check

Connecting Standoff Member Shape:

Plate Width (in):

Plate Height (in):

W1 (in):

W2 (in):

Fy (ksi, plate):

t_{plate} (in):

Weld Size (1/16 in):

$\Phi \cdot R_n$ (kip/in):

Required Weld Strength (kip/in):

Plate Bending Capacity:

Weld Capacity:

Rect
6
10
4
4
36
0.5
3
4.18
0.93
52.2%
22.3%

Max Plate Bending Strengths

$M_{u_{xx}}$ (kip-in) :	6.3
$\Phi \cdot M_{n_{xx}}$ (kip-in) :	12.2
$M_{u_{yy}}$ (kip-in) :	0.0
$\Phi \cdot M_{n_{yy}}$ (kip-in) :	20.3

Mount Desktop – Post Modification Inspection (PMI) Report Requirements

Documents & Photos Required from Contractor – Mount Modification

Purpose – to provide Maser Consulting Connecticut the proper documentation in order to complete the required Mount Desktop review of the Post Modification Inspection Report.

- Contractor is responsible for making certain the photos provided as noted below provide confirmation that the modification was completed in accordance with the modification drawings.
- Contractor shall relay any data that can impact the performance of the mount or the mount modification, this includes safety issues.

Base Requirements:

- Any special photos outside of the standard requirements will be indicated on the drawings
- Provide “as built drawings” showing contractor’s name, preparer’s signature, and date. Any deviations from the drawings (proposed modification) must be shown.
- Notation that all hardware was properly installed, and the existing hardware was inspected for any issues.
- Verification that loading is as communicated in the modification drawings. NOTE If loading is different than what is conveyed in the modification drawing contact Maser Consulting Connecticut immediately.
- Each photo should be time and date stamped
- Photos should be high resolution and submitted in a Zip File and should be organized in the file structure as depicted in Schedule A attached.
- Contractor shall ensure that the safety climb wire rope is supported and not adversely impacted by the install of the modification components. This may involve the install of wire rope guides, or other items to protect the wire rope.
- The photos in the file structure should be uploaded to <https://pmi.vzwsmart.com> as depicted on the drawings

Photo Requirements:

- **Base and “During Installation Photos”**
 - Base pictures include
 - Photo of Gate Signs showing the tower owner, site name, and number
 - Photo of carrier shelter showing the carrier site name and number if available
 - Photos of the galvanizing compound and/or paint used (if applicable), clearly showing the label and name
 - “During Installation Photos if provided - must be placed only in this folder
- **Photos taken at ground level**
 - Overall tower structure before and after installation of the modifications
 - Photos of the appropriate mount before and after installation of the modifications; if the mounts are at different rad elevations, pictures must be provided for all elevations that the modifications were installed

- Photos taken at Mount Elevation
 - Photos showing each individual sector before and also after installation of modifications. Each entire sector must be in one photo to show in the inter-connection of members.
 - These photos should also certify that the placement and geometry of the equipment on the mount is as depicted on the sketch and table in the mount analysis
 - Close-up photos of each installed modification per the modification drawings; pictures should also include connection hardware (U-bolts, bolts, nuts, all-threaded rods, etc.)
 - Photos showing the measurements of the installed modification member sizes (i.e. lengths, widths, depths, diameters, thicknesses)
 - Photos showing the elevation or distances of the installed modifications from the appropriate reference locations shown in the modification drawings
 - Photos showing the installed modifications onto the tower with tape drop measurements (if applicable) (i.e. ring/collar mounts, tie-backs, V-bracing kits, etc.); if the existing mount elevation needs to be changed according to the modification drawings, a tape drop measurement shall be provided before the elevation change
 - Photos showing the safety climb wire rope above and below the mount prior to modification.
 - Photos showing the climbing facility and safety climb if present.

Material Certification:

- Materials utilized must be as per specification on the drawings or the equivalent as validated by Maser Consulting Connecticut.
 - If the drawings are as specified on the drawings
 - The contractor should provide the packing list or the materials utilized to perform the mount modification
 - If an equivalent is utilized
 - It is required that the Maser Consulting Connecticut certification of such is included in the contractor submission package. There may be an additional charge for this certification if the equivalent submission doesn't meet specifications as prescribed in the drawings.
- The contractor must certify that the materials meet these specifications by one of these methods.
 - The Material utilized was as specified on the Maser Consulting Connecticut Mount Modification Drawings and included in the Material certification folder is a packing list or invoice for these materials

The material utilized was an “equivalent” and included as part of the contractor submission is the Maser Consulting Connecticut certification, invoices, or specifications validating accepted status

Certifying Individual: Company _____

Name _____

Signature _____

Antenna & equipment placement and Geometry Confirmation:

- The contractor must certify that the antenna & equipment placement and geometry is in accordance with the antenna placement diagrams as included in this mount analysis.
- The contractor certifies that the photos support and the equipment on the mount is as depicted on the antenna placement diagrams as included in this mount analysis.
- The contractor notes that the equipment on the mount is not in accordance with the antenna placement diagrams and has accordingly marked up the diagrams or provided a diagram outlining the differences.

Certifying Individual: Company _____

Name _____

Signature _____

Special Instructions / Validation as required from the MA or Mod Drawings:


















Issue:

Contractor shall install the proposed OVP on a proposed 36" long P2 STD pipe, connected to the existing standoff horizontal with a new crossover plate (Site Pro 1 Part #: SQCXK-4, or EOR approved equal).

Contractor to install safety climb cable guide (Site Pro 1, Part #: 120-203-317 or EOR approved equivalent) in locations where wire rope is rubbing against mount to tower attachments. Contractor to provide photos of safety climb cable guide installation.

Response:

Schedule A – Photo & Document File Structure

-  VzW Site Number / Name
 -  Base & “During Installation” Photos
 -  Pre-Installation Photos
 -  Alpha
 -  Beta
 -  Gamma
 -  Ground Level
 -  Tape Drop
 -  Post-Installation Photos
 -  Alpha
 -  Beta
 -  Gamma
 -  Ground Level
 -  Tape Drop
 -  Photos of climbing facility and safety climb – If Present
-  Certifications – Submission of this document including certifications
-  Specific Required Additional Photos

Structure: 467142-VZW - NAUGATUCK 2 CT

Sector: **A**
 Structure Type: Monopole
 Mount Elev: 40.00

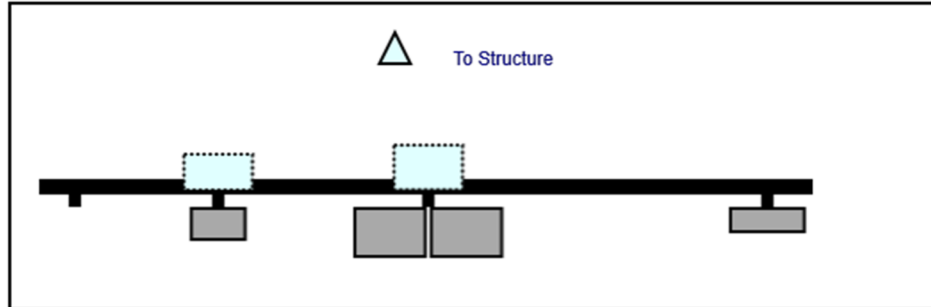
10062505

7/22/2021

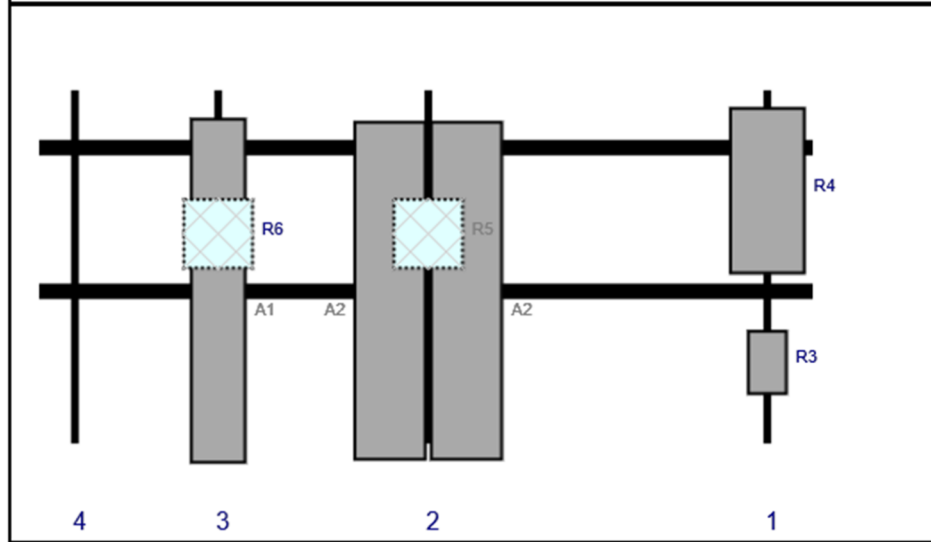
Page: 1



Plan View



Front View
Looking at Structure



Ref#	Model	Height (in)	Width (in)	H Dist Frm L.	Pipe #	Pipe Pos V	Ant Pos	C. Ant Frm T.	Ant H Off	Status	Validation
R3	XXDWMM-12.5-65-8T	13.9	8.6	152.5	1	a	Front	57	0	Added	
R4	MT6407-77A	35.1	16.1	152.5	1	a	Front	21	0	Added	
A2	MX06FRO660-03	71.3	15.4	81.5	2	a	Front	42	8	Added	
A2	MX06FRO660-03	71.3	15.4	81.5	2	b	Front	42	-8	Added	
R5	B2/B66A RRH-BR049	15	15	81.5	2	a	Behind	30	0	Added	
A1	SBNHH-1D65B	72.6	11.9	37.5	3	a	Front	42	0	Retained	04/17/2021
R6	B5/B13 RRH-BR04C	15	15	37.5	3	a	Behind	30	0	Added	

Structure: 467142-VZW - NAUGATUCK 2 CT

Sector: **B**
 Structure Type: Monopole
 Mount Elev: 40.00

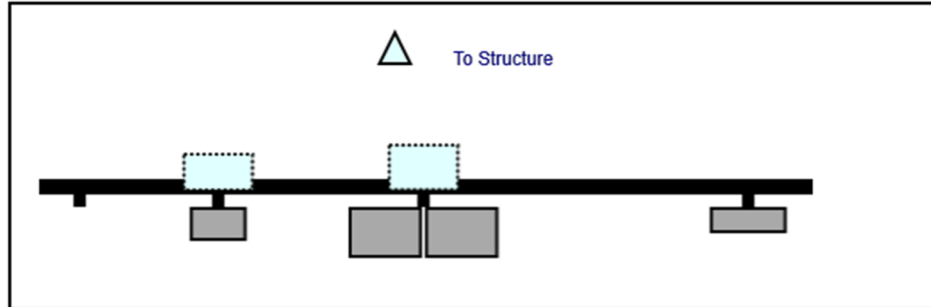
10062505

7/22/2021

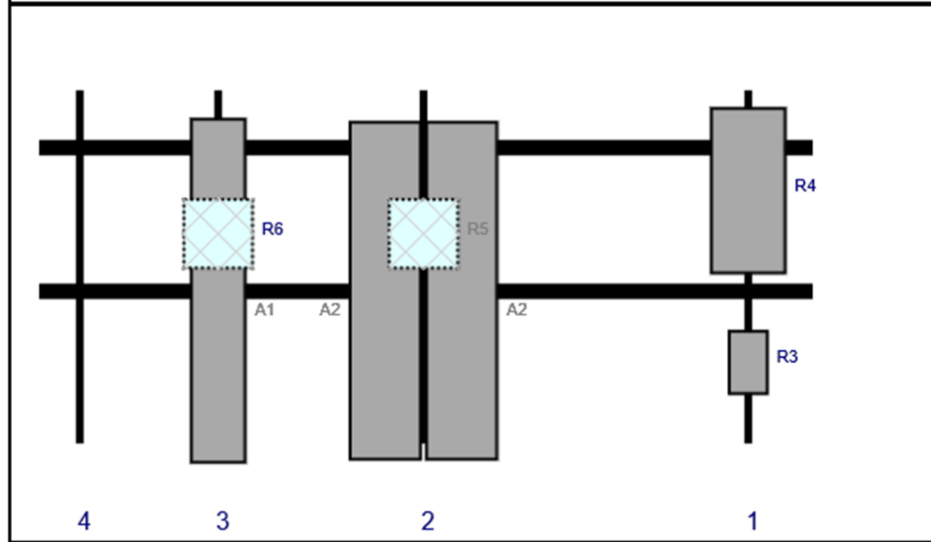
Page: 2



Plan View



Front View
Looking at Structure



Ref#	Model	Height (in)	Width (in)	H Dist Frm L.	Pipe #	Pipe Pos V	Ant Pos	C. Ant Frm T.	Ant H Off	Status	Validation
R3	XXDWMM-12.5-65-8T	13.9	8.6	148.5	1	a	Front	57	0	Added	
R4	MT6407-77A	35.1	16.1	148.5	1	a	Front	21	0	Added	
A2	MX06FRO660-03	71.3	15.4	80.5	2	a	Front	42	8	Added	
A2	MX06FRO660-03	71.3	15.4	80.5	2	b	Front	42	-8	Added	
R5	B2/B66A RRH-BR049	15	15	80.5	2	a	Behind	30	0	Added	
A1	SBNHH-1D65B	72.6	11.9	37.5	3	a	Front	42	0	Retained	04/17/2021
R6	B5/B13 RRH-BR04C	15	15	37.5	3	a	Behind	30	0	Added	

Structure: 467142-VZW - NAUGATUCK 2 CT

Sector: C
 Structure Type: Monopole
 Mount Elev: 40.00

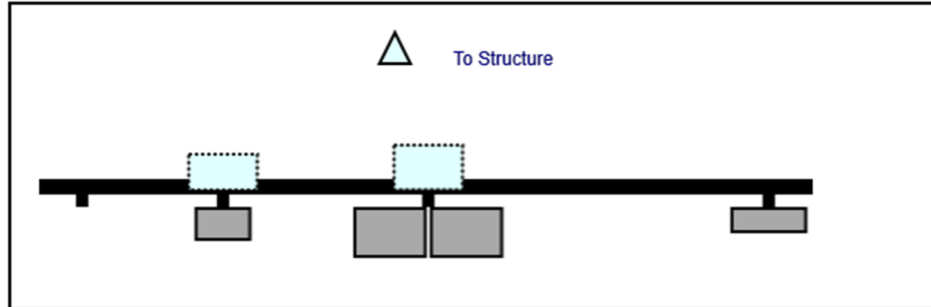
10062505

7/22/2021

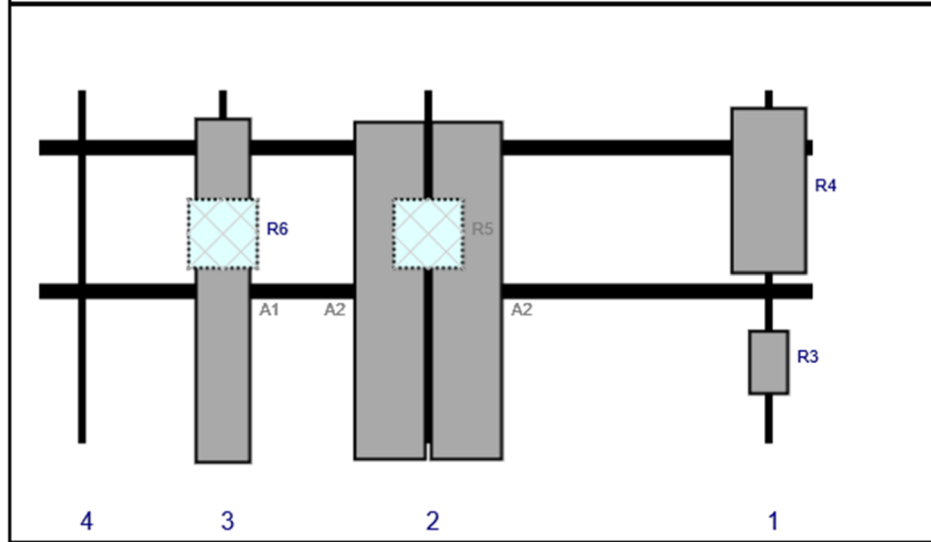
Page: 3



Plan View



Front View
 Looking at Structure



Ref#	Model	Height (in)	Width (in)	H Dist Frm L.	Pipe #	Pipe Pos V	Ant Pos	C. Ant Frm T.	Ant H Off	Status	Validation
R3	XXDWMM-12.5-65-8T	13.9	8.6	152.8	1	a	Front	57	0	Added	
R4	MT6407-77A	35.1	16.1	152.8	1	a	Front	21	0	Added	
A2	MX06FRO660-03	71.3	15.4	81.5	2	a	Front	42	8	Added	
A2	MX06FRO660-03	71.3	15.4	81.5	2	b	Front	42	-8	Added	
R5	B2/B66A RRH-BR049	15	15	81.5	2	a	Behind	30	0	Added	
A1	SBNHH-1D65B	72.6	11.9	38.5	3	a	Front	42	0	Retained	04/17/2021
R6	B5/B13 RRH-BR04C	15	15	38.5	3	a	Behind	30	0	Added	

Maser Consulting Connecticut

Subject

TIA-222-H Usage

Site Information

Site ID: 467142-VZW / NAUGATUCK 2 CT
Site Name: NAUGATUCK 2 CT
Carrier Name: Verizon Wireless
Address: 585 South Main Street
Naugatuck, Connecticut 06770
New Haven County
Latitude: 41.478469°
Longitude: -73.048442°

Structure Information

Tower Type: 80-Ft Monopole
Mount Type: 13.50-Ft Platform

To Whom It May Concern,

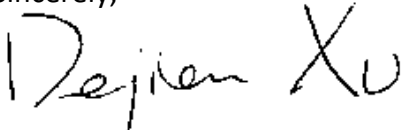
We respectfully submit the above referenced Antenna Mount Structural Analysis report in conformance with ANSI/TIA-222-H, Structural Standard for Antenna Supporting Structures and Antennas and Small Wind Turbine Support Structures.

The 2015 International Building Code states that, in Section 3108, telecommunication towers shall be designed and constructed in accordance with the provisions of TIA-222. The TIA-222-H is the latest revision of the TIA-222 Standard, effective as of January 01, 2018.

As with all ANSI standards and engineering best practice is to apply the most current revision of the standard. This ensures the engineer is applying all updates. As an example, the TIA-222-H standard includes updates to bring it in line with the latest AISC and ACI standards and it also incorporates the latest wind speed maps by ASCE 7 based on updated studies of the wind data.

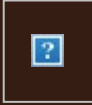
The TIA-222-H standard clarifies these specific requirements for the antenna mount analysis such as modeling methods, seismic analysis, 30-degree increment wind directions and maintenance loading. Therefore, it is our opinion that TIA-222-H is the most appropriate standard for antenna mount structural analysis and is acceptable for use at this site to ensure the engineer is taking into account the most current engineering standard available.

Sincerely,



Dejian Xu, PE
Technical Manager

From: [UPS](#)
To: [John Andrews](#)
Subject: UPS Delivery Notification, Tracking Number 1Z9Y45030227433382
Date: Monday, March 27, 2023 10:52:46 AM



Hello, your package has been delivered.

Delivery Date: Monday, 03/27/2023

Delivery Time: 10:51 AM

Signed by: ANCRI

CENTERLINE SITE ACQUISITION

Tracking Number: [1Z9Y45030227433382](#)

Ship To: AMERICAN TOWER CORPORATION
10 PRESIDENTIAL WAY
WOBURN, MA 01801
US

Number of Packages: 1

UPS Service: UPS 2nd Day Air®

Package Weight: 0.0 LBS

Reference Number: 13701270

Reference Number: 13683578

Discover more about UPS:

[Visit www.ups.com](http://www.ups.com)

[Sign Up For Additional E-Mail From UPS](#)

[Read Compass Online](#)



[Download the UPS mobile app](#)

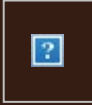
© 2023 United Parcel Service of America, Inc. UPS, the UPS brandmark, and the color brown are trademarks of United Parcel Service of America, Inc. All rights reserved.

All trademarks, trade names, or service marks that appear in connection with UPS's services are the property of their respective owners.

Please do not reply directly to this email. UPS will not receive any reply message.

[Review the UPS Privacy Notice](#)

From: [UPS](#)
To: [John Andrews](#)
Subject: UPS Delivery Notification, Tracking Number 1Z9Y45030231653216
Date: Monday, March 27, 2023 10:27:31 AM



Hello, your package has been delivered.

Delivery Date: Monday, 03/27/2023

Delivery Time: 10:25 AM

Signed by: CLERK

CENTERLINE SITE ACQUISITION

Tracking Number:	1Z9Y45030231653216
Ship To:	NAUGATUCK TOWN HALL 229 CHURCH STREET NAUGATUCK, CT 06770 US
Number of Packages:	1
UPS Service:	UPS 2nd Day Air®
Package Weight:	0.0 LBS
Reference Number:	13683578 - DPZ

Discover more about UPS:

[Visit \[www.ups.com\]\(http://www.ups.com\)](#)

[Sign Up For Additional E-Mail From UPS](#)

[Read Compass Online](#)



[Download the UPS mobile app](#)

© 2023 United Parcel Service of America, Inc. UPS, the UPS brandmark, and the color brown are trademarks of United Parcel Service of America, Inc. All rights reserved.

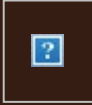
All trademarks, trade names, or service marks that appear in connection with UPS's services are the property of their respective owners.

Please do not reply directly to this email. UPS will not receive any reply message.

[Review the UPS Privacy Notice](#)

[For Questions, Visit Our Help and Support Center](#)

From: [UPS](#)
To: [John Andrews](#)
Subject: UPS Delivery Notification, Tracking Number 1Z9Y45030219391899
Date: Monday, March 27, 2023 10:27:35 AM



Hello, your package has been delivered.

Delivery Date: Monday, 03/27/2023

Delivery Time: 10:25 AM

Signed by: CLERK

CENTERLINE SITE ACQUISITION

Tracking Number:	1Z9Y45030219391899
Ship To:	NAUGATUCK TOWN HALL 229 CHURCH STREET NAUGATUCK, CT 06770 US
Number of Packages:	1
UPS Service:	UPS 2nd Day Air®
Package Weight:	0.0 LBS
Reference Number:	13683578 - MAYOR

Discover more about UPS:

[Visit \[www.ups.com\]\(#\)](#)

[Sign Up For Additional E-Mail From UPS](#)

[Read Compass Online](#)



[Download the UPS mobile app](#)

© 2023 United Parcel Service of America, Inc. UPS, the UPS brandmark, and the color brown are trademarks of United Parcel Service of America, Inc. All rights reserved.

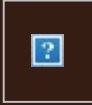
All trademarks, trade names, or service marks that appear in connection with UPS's services are the property of their respective owners.

Please do not reply directly to this email. UPS will not receive any reply message.

[Review the UPS Privacy Notice](#)

[For Questions, Visit Our Help and Support Center](#)

From: [UPS](#)
To: [John Andrews](#)
Subject: UPS Delivery Notification, Tracking Number 1Z9Y45030216812886
Date: Friday, March 24, 2023 4:33:11 PM



Hello, your package has been delivered.

Delivery Date: Friday, 03/24/2023

Delivery Time: 4:31 PM

Left At: FRONT DOOR



[Set Delivery Instructions](#)

[Manage Preferences](#)

[View My Packages](#)

CENTERLINE SITE ACQUISITION

Tracking Number:	1Z9Y45030216812886
Ship To:	THE OFFICE LLC 1920 S PROVIDENCE RD NORTH CHESTERFIELD, VA 23832 US
Number of Packages:	1
UPS Service:	UPS 2nd Day Air®
Package Weight:	0.0 LBS
Reference Number:	3683578 - OWNER



[Download the UPS mobile app](#)

© 2023 United Parcel Service of America, Inc. UPS, the UPS brandmark, and the color brown are trademarks of United Parcel Service of America, Inc. All rights reserved.

All trademarks, trade names, or service marks that appear in connection with UPS's services are the property of their respective owners.