



445 Hamilton Avenue, 14th Floor  
White Plains, New York 10601  
T 914 761 1300  
F 914 761 5372  
cuddyfeder.com

Lucia Chiocchio  
lchiocchio@cuddyfeder.com

3/19/20

VIA EMAIL

Melanie A. Bachman  
Executive Director  
Connecticut Siting Council  
10 Franklin Square  
New Britain, CT 06051

Re: New Cingular Wireless PCS, LLC ("AT&T")  
Notice of Exempt Modification  
Emergency Back-up Generator  
695 Old Colchester Road, Montville CT, 06353  
Lat.: 41.45304810°; Long.: -72.16408190°

Dear Ms. Bachman:

This letter and enclosures are respectfully submitted on behalf of New Cingular Wireless PCS, LLC ("AT&T"). AT&T currently maintains its wireless telecommunications facility at 695 Old Colchester Road in the Town of Montville, Connecticut. Robert C. Eccleston Jr. is the owner of the underlying property and Atlantic Broadband CT, LLC is the owner of the tower. AT&T submits this letter and enclosures to the Connecticut Siting Council ("Council") to notify the Council of AT&T's intent to perform modifications to the existing facility that do not have substantial adverse environmental effects and thus do not require a certificate pursuant to Section 16-50k of the Connecticut General Statutes.

AT&T intends to install one (1) new Generac 30kW Diesel Generator within the existing grade-level fenced equipment compound as demonstrated on the plans enclosed as Attachment 1. AT&T's existing facility supports its FirstNet program which provides first responders with priority access to AT&T's network to ensure adequate communication capabilities in the event of emergency. AT&T's proposed generator will ensure that critical communication capability for first responders and the public are not lost in the event of a loss of power.

AT&T's proposed generator will also advance the State's goal of natural disaster and emergency preparedness. As discussed in the Council's Docket 432 Findings and Report and Docket 440 proceedings and Findings of Fact (Nos. 76- 77), in response to two significant storm events in

2011, the State formed a Two Storm Panel (the “Panel”) that evaluated Connecticut’s approach to planning and mitigation of impacts associated with emergencies and natural disasters. The Panel found that “wireless telecommunications service providers were not prepared to serve residential and business customers during a power outage” because certain companies had limited backup generator capacity.<sup>1</sup> The Panel also noted that “[t]he failure of a large portion of Connecticut’s telecommunications system during the two storms is a life safety issue.” The Panel recommended that State regulatory bodies review “telecommunications services currently in place to verify that the vendors have sufficient generator and backhaul capacity to meet the emergency needs of consumers and businesses” and that the “Connecticut Siting Council should require continuity of service plans for any cellular tower to be erected.”<sup>2</sup> The planned modifications will ensure continuity of services by reinforcing AT&T’s back-up power and backhaul capacity to meet the emergency needs of first responders, consumers and businesses in the event of a power outage.

The planned modifications to the facility fall squarely within the activities explicitly provided for in R.C.S.A. § 16-50j-72(b)(2) as the planned modifications:

- Will not result in an increase in the height of the existing structure;
- Will not require the extension of the site boundary;
- Will not increase noise levels at the facility by more than six decibels or more, or to levels that exceed state or local criteria since emergency backup generators are exempt from noise regulations as “noise created as a result of, or relating to, an emergency”;<sup>3</sup>
- Will not increase radio frequency emission at the facility to a level at or above the Federal Communications Commission safety standards;
- Will not cause a change or alteration in the physical or environmental characteristics of the site; and
- Will not impair the structural integrity of the facility.

The proposed modifications will have no impact on the existing tower structure itself or the radio-frequency emissions as the proposed modifications only consist of the addition of one new generator within the grade-level fenced equipment compound. Thus, AT&T respectfully requests a waiver from submission of information relating to the existing tower structure or the radio-frequency emissions.

Please accept this letter as notification pursuant to R.C.S.A. § 16-50j-73 for construction that

---

<sup>1</sup> See Council Administrative Notice Item No. 39

<sup>2</sup> See Council Administrative Notice Item No. 39.

<sup>3</sup> R.C.S.A. § 22a-69-1.8.

constitutes an exempt modification pursuant to R.C.S.A. § 16-50j-73. In accordance with R.C.S.A. § 16-50j-73, a copy of this letter and enclosure are being sent to the Town Mayor Ronald K. McDaniel, as well as the property owner and structure owner identified above. Proof of notification is enclosed as Attachment 2.

For the foregoing reasons, AT&T respectfully submits that the proposed modification to the above referenced wireless telecommunications facility constitutes an exempt modification under R.C.S.A. § 16-50j-72(b)(2).

Very truly yours,



Lucia Chiochio

Attachments

cc: Mayor Ronald K. McDaniel, Town of Montville  
Marcia A. Vlaun, Town Planner  
Atlantic Broadband CT, LLC, Tower Owner  
Robert C. Ecclestone Jr., Property Owner  
AT&T  
Daniel Patrick, Esq. & Julie Durkin, Cuddy & Feder, LLP

# **ATTACHMENT 1**



# at&t Mobility

**SITE NAME: MONTVILLE-OLD COLCHESTER RD**  
**FA LOCATION CODE: 10035001**

**GENERATOR PROJECT**  
**30KW GENERAC DIESEL GENERATOR**  
**200A GENERAC ATS**

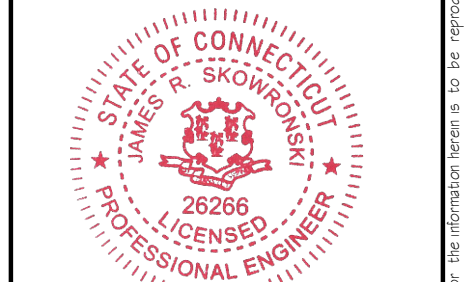
**695 OLD COLCHESTER ROAD**  
**MONTVILLE, CT 06353**

**RAMAKER & ASSOCIATES, INC.**  
100% EMPLOYEE-OWNED  
855 Community Dr, Sauk City, WI 53583  
608-643-4100 www.Ramaker.com  
Sauk City, WI • Willmar, MN  
Woodcliff Lake, NJ • Bayamon, PR



PREPARED FOR:  
**GENERAL DYNAMICS**  
Information Technology, Inc.  
GENERAL DYNAMICS  
661 MOORE RD STE 110  
KING OF PRUSSIA, PA 19406

**CONSULTANT:**  
**GENERAL DYNAMICS**  
Information Technology, Inc.  
GENERAL DYNAMICS  
661 MOORE RD STE 110  
KING OF PRUSSIA, PA 19406



*James R. Skowronski*  
Signature: \_\_\_\_\_ Date: 3/12/2020

**VICINITY MAP**



**SCOPE OF WORK**

ADD STANDBY GENERATOR, ASSOCIATED CONCRETE PAD, AND UTILITY EQUIPMENT TO EXISTING AT&T EQUIPMENT AREA. THERE WILL BE NO CHANGE IN THE SIZE OR HEIGHT OF THE TOWER OR ANTENNAS.

**APPLICABLE BUILDING CODE & STANDARDS**

ALL WORK AND MATERIALS SHALL BE PERFORMED AND INSTALLED IN ACCORDANCE WITH THE CURRENT EDITION OF THE FOLLOWING CODES AS ADOPTED BY THE GOVERNING LOCAL AUTHORITIES. NOTHING IN THESE PLANS ARE TO BE CONSTRUCTED TO PERMIT WORK NOT CONFORMING TO THESE CODES:

- INTERNATIONAL BUILDING CODE 2015
- NATIONAL ELECTRIC CODE 2017
- AMERICAN CONCRETE INSTITUTE (ACI) 318, BUILDING CODE REQUIREMENTS FOR STRUCTURAL CONCRETE
- AMERICAN INSTITUTE OF STEEL CONSTRUCTION (AISC), MANUAL OF STEEL CONSTRUCTION
- TELECOMMUNICATIONS INDUSTRY ASSOCIATION (TIA) 222-G, STRUCTURAL STANDARDS FOR STEEL TOWER AND ANTENNA SUPPORTING STRUCTURES
- TIA 607, COMMERCIAL BUILDING GROUNDING AND BONDING REQUIREMENTS FOR TELECOMMUNICATIONS

MEMBER  
TO OBTAIN LOCATION OF PARTICIPANTS' UNDERGROUND FACILITIES BEFORE YOU DIG IN CONNECTICUT  
**CALL BEFORE YOU DIG**  
**811 OR 1-800-922-4455**  
CONNECTICUT PUBLIC ACT 87-71 REQUIRES MIN. 2 WORKING DAYS NOTICE BEFORE YOU EXCAVATE.

**AERIAL VIEW OF SITE**



**PROJECT INFORMATION**

**PROJECT MANAGER:**  
JOE JARVIS  
MARKET LEAD  
GENERAL DYNAMICS WIRELESS SERVICES  
661 MOORE RD STE 110  
KING OF PRUSSIA, PA 19406  
EMAIL: joseph.jarvis@gdit.com

**ENGINEER:**  
RAMAKER & ASSOCIATES, INC.  
855 COMMUNITY DRIVE  
SAUK CITY, WI 53583  
PH.: (608) 643-4100  
FAX: (608) 643-7999  
CONTACT: TYLER BEATTY  
EMAIL: tbeatty@ramaker.com

**APPLICANT INFORMATION:**  
AT&T MOBILITY  
7150 STANDARD DR.  
HANOVER, MD 21076

**SITE DATA:**  
SITE NAME: MONTVILLE-OLD COLCHESTER RD  
FA NUMBER: 10035001

**TOWER OWNER:**  
ATLANTIC BROADBAND CT, LLC  
2 BATTERY MARCH PARK, SUITE 205  
QUINCY, MA 02169

**PROPERTY OWNER:**  
ATLANTIC BROADBAND CT, LLC  
2 BATTERY MARCH PARK, SUITE 205  
QUINCY, MA 02169

**ADDRESS:**  
695 OLD COLCHESTER ROAD  
MONTVILLE, CT 06353

**COUNTY:** NEW LONDON

**LAT.:** 41.45304810°  
**LONG.:** -72.15408190°

**GROUND ELEVATION:** 473 FT AMSL

**DO NOT SCALE DRAWINGS:**  
CONTRACTOR SHALL VERIFY ALL PLANS & EXISTING DIMENSIONS & CONDITIONS ON THE JOB SITE & SHALL IMMEDIATELY NOTIFY THE ENGINEER IN WRITING OF ANY DISCREPANCIES BEFORE PROCEEDING WITH THE WORK OR BE RESPONSIBLE FOR SAME.

THE INFORMATION CONTAINED IN THIS SET OF DOCUMENTS IS PROPRIETARY BY NATURE. ANY USE OR DISCLOSURE OTHER THAN THAT WHICH RELATES TO THE CLIENT IS STRICTLY PROHIBITED.

**SHEET INDEX**

**GENERAL:**  
T-1 TITLE SHEET

**NOTES:**  
N-1 GENERAL NOTES

**SITE:**  
A-1 SITE PLAN  
A-2 SITE PLAN & EQUIPMENT LAYOUT  
S-1 FOUNDATION DETAILS

**ELECTRICAL & GROUNDING:**  
E-1 WIRING DETAILS  
E-2 PANEL AND PENETRATION DETAILS  
E-3 ATS, CONDUIT & GROUND ROD DETAILS  
E-4 GENERAC GENERATOR SPECIFICATIONS  
E-4.1 GENERAC GENERATOR SPECIFICATIONS  
E-4.2 GENERAC GENERATOR SPECIFICATIONS  
E-5 GENERAC ATS SPECIFICATIONS  
E-5.1 GENERAC ATS SPECIFICATIONS

**SIGNATURE BLOCK**

AT&T MGR.	DATE
GENERAL DYNAMICS CONSTRUCTION MGR.	DATE
SITE ACQUISITION	DATE

MARK	DATE	REVISED CDs	DESCRIPTION
1	3/12/20		

ISSUE PHASE: FINAL DATE ISSUED: 2/17/2020  
PROJECT TITLE:  
**MONTVILLE-OLD COLCHESTER RD**  
**FA ID # 10035001**  
PROJECT INFORMATION:  
695 OLD COLCHESTER ROAD  
MONTVILLE, CT 06353

SHEET TITLE:  
TITLE SHEET

SCALE: NONE

PROJECT NUMBER: 45830  
SHEET NUMBER: T-1





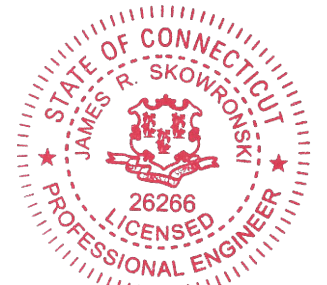
**RAMAKER & ASSOCIATES, INC.**  
 100% EMPLOYEE-OWNED  
 855 Community Dr, Sauk City, WI 53583  
 608-643-4100 www.Ramaker.com  
 Sauk City, WI • Willmar, MN  
 Woodcliff Lake, NJ • Bayamon, PR

PREPARED FOR:



CONSULTANT:  
**GENERAL DYNAMICS**  
 Information Technology, Inc.  
 GENERAL DYNAMICS  
 661 MOORE RD STE 110  
 KING OF PRUSSIA, PA 19406

Certification & Seal:  
 I hereby certify that this plan, specification, or report was prepared by me or under my direct supervision and that I am a duly Licensed Professional Engineer under the laws of the State of Connecticut.



*James R. Skowronski*  
 Signature: \_\_\_\_\_ Date: 3/12/2020

MARK	DATE	DESCRIPTION
1	3/12/20	REVISED CD's
ISSUE PHASE	FINAL	DATE ISSUED 2/17/2020

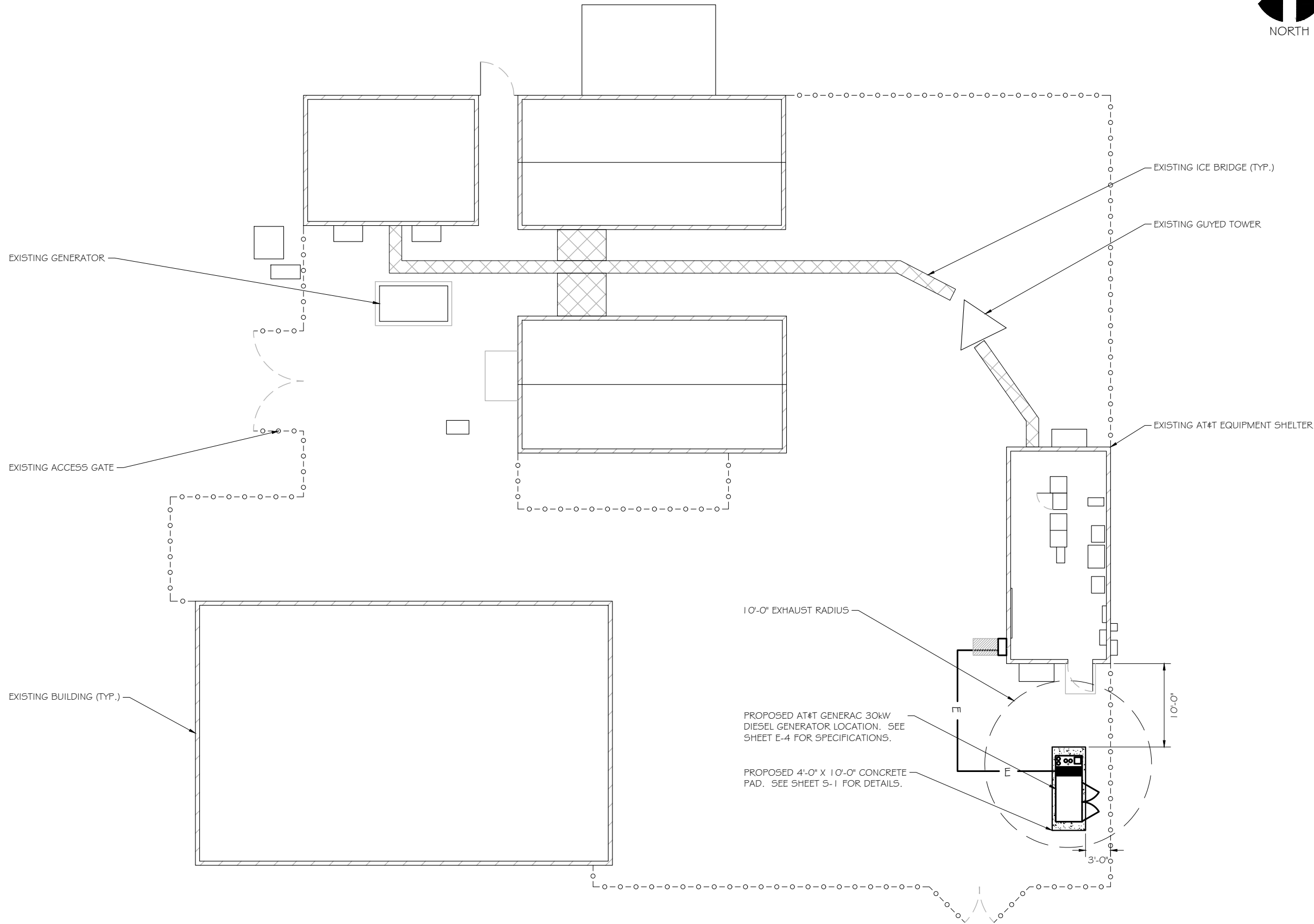
PROJECT TITLE:  
**MONTVILLE-OLD COLCHESTER RD**  
**FA ID # 1003500 I**

PROJECT INFORMATION:  
 695 OLD COLCHESTER ROAD  
 MONTVILLE, CT 06353

SHEET TITLE:  
**SITE PLAN**

11" x 17" - 1" = 12.5'  
 22" x 34" - 1" = 6.25'

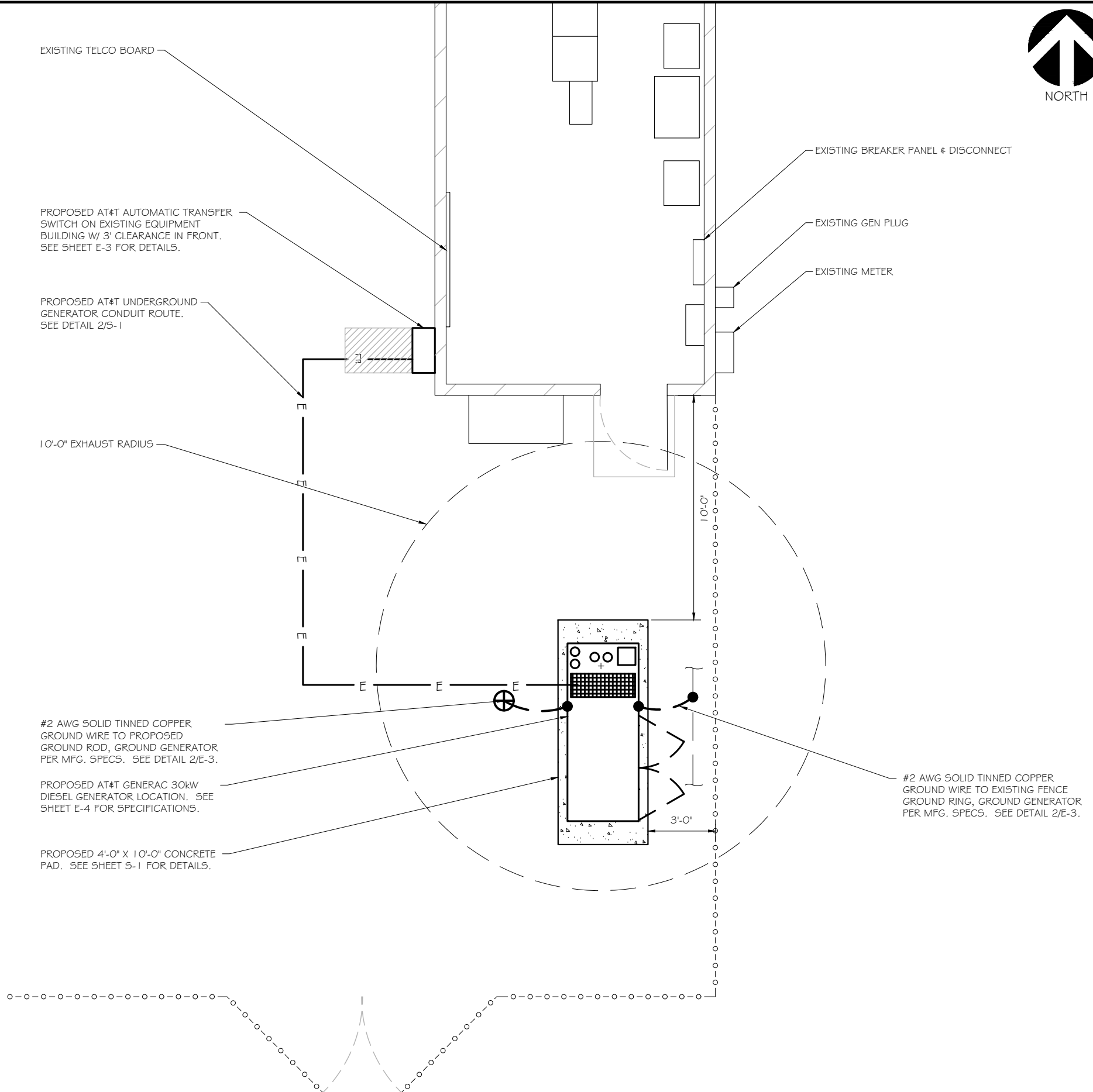
PROJECT NUMBER	45830
SHEET NUMBER	A-1



**SITE PLAN**  
 SCALE: 1" = 12.5'

SCOPE OF WORK DETAILS

- GENERAL:**
- NEW GENERAC DIESEL GENERATOR PROVIDED BY GENERAL DYNAMICS & INSTALLED BY GENERAL CONTRACTOR, SEE E-4.
  - NEW 4'-0" X 10'-0" CONCRETE PAD PROVIDED & INSTALLED BY GENERAL CONTRACTOR (AS REQUIRED) SEE S-1
  - NEW GENERAC AUTOMATIC TRANSFER SWITCH PROVIDED BY GENERAL DYNAMICS & INSTALLED BY CONTRACTOR (AS REQUIRED) SEE E-3 & E-5.
  - CONTRACTOR TO VERIFY ALL EXISTING UTILITIES PRIOR TO CONSTRUCTION
  - CONTRACTOR SHALL RESTORE & REPAIR ANY DAMAGED AREAS CAUSED BY CONSTRUCTION TO ORIGINAL OR BETTER CONDITION
- CONDUITS:**
- INSTALL PULL STRING IN EACH CONDUIT
  - (1) NEW 2" AND (1) NEW 1" ELECTRICAL CONDUITS WITH CONDUCTORS TO RUN FROM NEW GENERATOR TO NEW ATS. CONDUIT PROVIDED AND INSTALLED BY GENERAL CONTRACTOR. SEE E-1, E-2 & E-3.
  - (2) NEW 1" ELECTRICAL CONDUIT WITH CONDUCTORS TO RUN FROM NEW GENERATOR TO AC PANEL. CONDUIT PROVIDED & INSTALLED BY GENERAL CONTRACTOR. SEE E-1, E-2 & E-3.
  - (1) NEW 1" ALARM CONDUIT & CABLING PROVIDED & INSTALLED BY GENERAL CONTRACTOR. SEE E-1, E-2 & E-3.
- GROUNDING:**
- NEW EXOTHERMIC CONNECTION FROM EXISTING GROUND RING TO NEW MECHANICAL CONNECTION AT GENERATOR CHASSIS. GENERAL CONTRACTOR TO VERIFY LOCATION IN FIELD. LOCATE GROUND RODS NO MORE THAN 8'-0" APART.
- H-FRAME:**
- PROVIDE NEW H-FRAME IF REQUIRED, MATCH EXISTING H-FRAME MATERIAL FOR CONSTRUCTION OF NEW H-FRAME. USE ALL GALVANIZED COMPONENTS, WHITE PLASTIC END CAPS ON UNISTRUTS, WEATHER CAPS ON TOPS OF PIPE AND CONCRETE SUPPORTS BELOW FROST LINE. TOP OF FOOTING SHOULD BE AT LEAST 2" ABOVE EXISTING GROUND LEVEL. SLOPE THE GROUND AWAY FROM THE H-FRAME FOR POSITIVE WATER DRAINAGE OFF THE FORM.

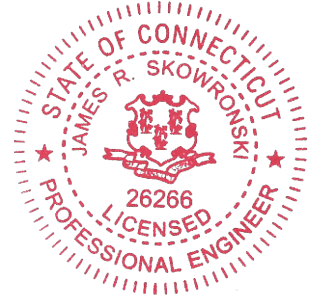


**RAMAKER & ASSOCIATES, INC.**  
100% EMPLOYEE-OWNED  
855 Community Dr, Sauk City, WI 53583  
608-643-4100 www.Ramaker.com  
Sauk City, WI • Willmar, MN  
Woodcliff Lake, NJ • Bayamon, PR

PREPARED FOR:  
  
**at&t**  
Mobility

CONSULTANT:  
**GENERAL DYNAMICS**  
Information Technology, Inc.  
GENERAL DYNAMICS  
661 MOORE RD STE 110  
KING OF PRUSSIA, PA 19406

Certification & Seal:  
I hereby certify that this plan, specification, or report was prepared by me or under my direct supervision and that I am a duly Licensed Professional Engineer under the laws of the State of Connecticut.



*James R. Skowronski*  
Signature: \_\_\_\_\_ Date: 3/12/2020

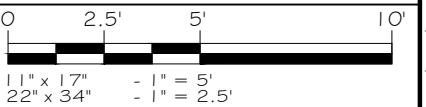
MARK	DATE	DESCRIPTION
1	3/12/20	REVISED CD's

ISSUE PHASE	DATE ISSUED
FINAL	2/17/2020

PROJECT TITLE:  
**MONTVILLE-OLD COLCHESTER RD  
FA ID # 10035001**

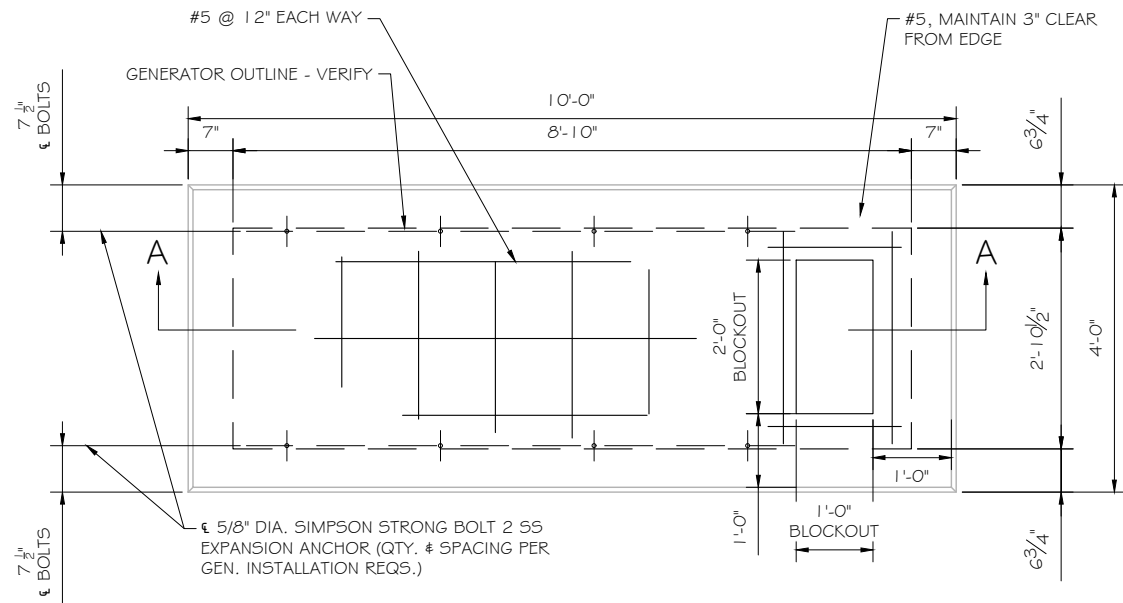
PROJECT INFORMATION:  
695 OLD COLCHESTER ROAD  
MONTVILLE, CT 06353

SHEET TITLE:  
**SITE PLAN & EQUIPMENT LAYOUT**

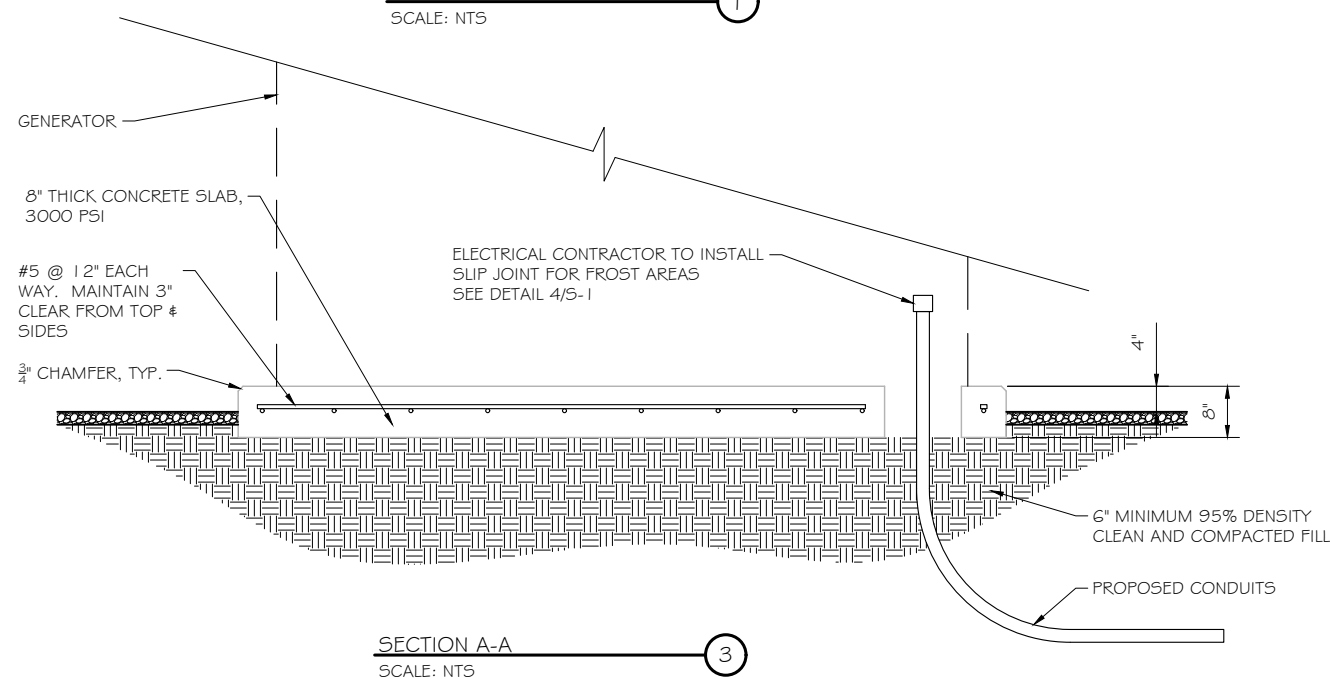


**SITE PLAN**  
SCALE: 1" = 5' 1





FOUNDATION PLAN  
 SCALE: NTS

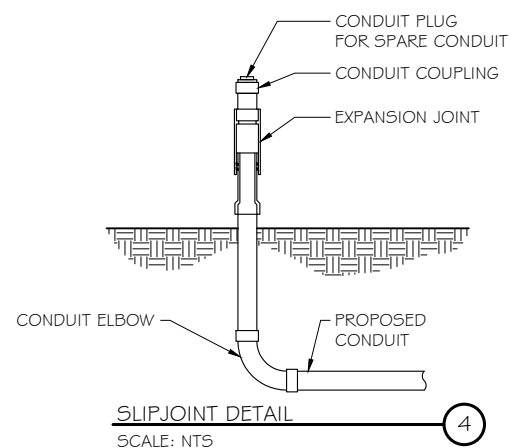


SECTION A-A  
 SCALE: NTS

DOUBLE WALL FUEL TANK BASE SPECIFICATION

REF: ATT 30KW GENERATOR PACKAGE  
 UL REGISTRATION NUMBER: MH18459  
 U.L. 142 DOUBLE WALL FUEL TANK BASE SPECIFICATION  
 FUEL TANK BASE CONSTRUCTION:

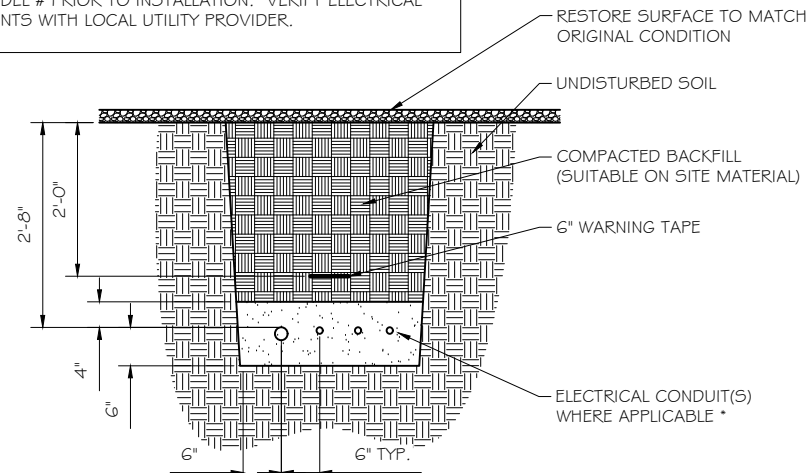
- BE CONSTRUCTED IN ACCORDANCE WITH UNDERWRITERS LABORATORIES STANDARD UL-142. BE CONSTRUCTED IN ACCORDANCE WITH FLAMMABLE & COMBUSTIBLE LIQUIDS CODE, NFPA 30; THE STANDARD FOR INSTALLATION & USE OF STATIONARY COMBUSTIBLE ENGINE & GAS TURBINES, NFPA 37; AND THE STANDARD FOR EMERGENCY & STANDBY POWER SYSTEMS, NFPA 110.
- ANCHORS MINIMUM (4) @ 5/8" FOR GEN-SET MOUNTING
- SUB BASE TANK TESTING: PRIMARY TANK & SECONDARY CONTAINMENT BASIN SECTIONS SHALL BE PRESSURIZED AT 3-5 PSI AND LEAK-CHECKED TO ENSURE INTEGRITY OF SUB BASE WELD SEAMS PER UL-142 STANDARDS
- FUEL FILL: 5 GALLON SPILL CONTAINMENT WITH ALARM
- 40% REMAINING FOR ALARM
- 20% REMAINING FOR SHUT-DOWN
- FACTORY PRE-SET AT 95% FULL FOR ALARM
- FUEL CONTAINMENT BASIN: SUB BASE TANK SHALL INCLUDE A WELDED STEEL CONTAINMENT BASIN, SIZED AT A MINIMUM OF 110% OF THE TANK CAPACITY TO PREVENT ESCAPE OF FUEL INTO THE ENVIRONMENT IN THE EVENT OF A TANK RUPTURE. A FUEL CONTAINMENT BASIN LEAK DETECTOR SWITCH SHALL BE PROVIDED.



SLIPJOINT DETAIL  
 SCALE: NTS

NOTE:

VERIFY WIRE AND CONDUIT QUANTITY & SIZES WITH GENERATOR MAKE & MODEL # PRIOR TO INSTALLATION. VERIFY ELECTRICAL REQUIREMENTS WITH LOCAL UTILITY PROVIDER.



\* SEPARATION DIMENSION TO BE VERIFIED WITH LOCAL UTILITY COMPANY REQUIREMENTS

NOTES:

- PROVIDE PVC CONDUIT BELOW GRADE EXCEPT AS NOTED BELOW.
- PROVIDE RGS CONDUIT AND ELBOWS AT STUB UP LOCATIONS (I.E. SERVICE POLE, BTS EQUIPMENT, ETC.)
- INSTALL UTILITY PULLBOXES PER NEC.

UTILITY CONDUIT TRENCH  
 SCALE: NTS

STRUCTURAL GENERAL NOTES

- GENERAL CONDITIONS
  - DESIGN & CONSTRUCTION OF ALL WORK SHALL CONFORM TO LOCAL BUILDING CODES, ACI 318-11. IN CASE OF CONFLICT BETWEEN THE CODES, STANDARDS, REGULATIONS, SPECIFICATIONS, GENERAL NOTES AND/OR MANUFACTURER'S REQUIREMENTS, USE THE MOST STRINGENT PROVISIONS.
  - IT IS THE EXPRESS INTENT OF PARTIES INVOLVED IN THIS PROJECT THAT THE CONTRACTOR OR SUBCONTRACTOR OR INDEPENDENT CONTRACTOR OR THE RESPECTIVE EMPLOYEES SHALL EXCULPATE THE ARCHITECT, THE ENGINEER, TECH. CONSTRUCTION MANAGER, THE OWNER, & THEIR AGENTS FROM ANY LIABILITY WHATSOEVER & HOLD THEM HARMLESS AGAINST LOSS, DAMAGES, LIABILITY OR ANY EXPENSE ARISING IN ANY MATTER FROM THE WRONGFUL OR NEGLIGENT ACT, OR FAILURE TO CARRY METHODS, TECHNIQUES OR PROCEDURES OR FAILURE TO CONFORM TO THE STATE SCAFFOLDING ACT IN CONNECTIONS WITH THE WORK.
  - DO NOT SCALE DRAWINGS
  - VERIFY ALL EQUIPMENT MOUNTING DIMENSIONS PER MANUFACTURER DRAWINGS
  - DESIGN LOADS ARE (GENERAC):
 

LIVE LOAD	: 100 PSF
EQUIPMENT SIZE	: 889.1" H, 106" W, 38" D
WEIGHT WITH WOODEN SHIPPING SKID	
ENCLOSED GENERATOR	: 3974 LBS
- FOR DESIGN & ANALYSIS OF THE FOUNDATION, THE MINIMUM NET SOIL BEARING CAPACITY SHALL BE ASSUMED TO BE 2000 PSF.
- CONCRETE
  - MEET OR EXCEED THE FOLLOWING CODES & STANDARDS:
 

DESIGN	: ACI 318-11
CONSTRUCTION	: ACI 301
DETAILING	: CRSI MANUAL OF STANDARD PRACTICE
REINF. STEEL	: ASTM A 615 GRADE 60, DEFORMED
MIXING	: ASTM C 94. READY MIX CONCRETE
AIR ENTRAINMENT	: ACI 318 AND ASTM C-260
AGGREGATE	: ASTM C 33 AND C 330 (FOR LIGHT WEIGHT)
  - CONCRETE STRENGTH AT 28 DAYS SHALL BE 4000 PSI MINIMUM
  - DO NOT FIELD BEND OR WELD TO GRADE 60 REINFORCED STEEL
  - PROVIDE AIR ENTRAINMENT CONCRETE WITH AIR CONTENT OF 5 TO 7% FOR ALL CONCRETE EXPOSED TO EARTH OR WEATHER.
  - MAXIMUM AGGREGATE SIZE: 3/4"
  - DO NOT USE IN ADMIXTURE, WATER OR OTHER CONSTITUENTS OF CONCRETE WHICH HAS CALCIUM CHLORIDE.
  - MINIMUM COVER FOR REINFORCING STEEL SHALL BE AS SHOWN ON PLAN.
- FOUNDATION & EXCAVATION NOTES
  - SLAB SHALL BE CONSTRUCTED UPON UNDISTURBED, NATURAL SUBGRADE OR COMPACTED GRANULAR FILL WITH AN ASSUMED MINIMUM NET ALLOWABLE BEARING CAPACITY OF 1800 PSF.
  - ALL ORGANIC AND/OR OTHER UNSUITABLE MATERIAL SHALL BE REMOVED FROM FOUNDATION & SLAB SUBGRADE & BACKFILL AREAS, & THEN BACKFILLED WITH ACCEPTABLE GRANULAR FILL COMPACTED TO 95% OF MAXIMUM DENSITY AT OPTIMUM MOISTURE CONTENT (ASTM D1557).
  - THE CONTRACTOR SHALL PROVIDE ALL NECESSARY MEASURES TO PREVENT ANY WATER, FROST, OR ICE FROM PENETRATING ANY FOOTING OR STRUCTURAL SUBGRADE BEFORE & AFTER PLACING OF CONCRETE, AND UNTIL SUCH CONCRETE HAS FULLY CURED.

**RAMAKER & ASSOCIATES, INC.**  
 100% EMPLOYEE-OWNED  
 855 Community Dr, Sauk City, WI 53583  
 608-643-4100 www.Ramaker.com  
 Sauk City, WI • Willmar, MN  
 Woodcliff Lake, NJ • Bayamon, PR

PREPARED FOR:  
  
 at&t  
 Mobility

CONSULTANT:  
**GENERAL DYNAMICS**  
 Information Technology, Inc.  
 GENERAL DYNAMICS  
 661 MOORE RD STE 110  
 KING OF PRUSSIA, PA 19406

Certification & Seal:  
 I hereby certify that this plan, specification, or report was prepared by me or under my direct supervision and that I am a duly Licensed Professional Engineer under the laws of the State of Connecticut.



Signature: *James R. Skowronski* Date: 3/12/2020

MARK	DATE	REVISION DESCRIPTION
1	3/12/20	REVISED CD's

ISSUE PHASE: FINAL DATE ISSUED: 2/17/2020  
 PROJECT TITLE:  
 MONTVILLE-OLD COLCHESTER RD  
 FA ID # 10035001  
 PROJECT INFORMATION:  
 695 OLD COLCHESTER ROAD  
 MONTVILLE, CT 06353

SHEET TITLE:  
 FOUNDATION DETAILS  
 SCALE: NONE  
 PROJECT NUMBER: 45830  
 SHEET NUMBER: S-1

DIAGRAM CIRCUIT SCHEDULE

NO.	FROM	TO	WIRES	GROUND	CONDUIT SIZE	FUNCTION
1	NORMAL POWER SOURCE	AUTOMATIC TRANSFER SWITCH	(3) 3/0	(1) #4	2"	NORMAL POWER FEEDER TO ATS (CUT BACK EXISTING)
2	AUTOMATIC TRANSFER SWITCH	LOAD CENTER	(3) 3/0	(1) #4	2"	POWER FEEDER FROM ATS TO PANEL
3	GENERATOR	AUTOMATIC TRANSFER SWITCH	(3) 3/0	(1) #4	2"	EMERGENCY POWER FEEDER TO ATS
4	AUTOMATIC TRANSFER SWITCH	GENERATOR	(2) #10	(1) #10	1"	START CIRCUIT
5	LOAD CENTER (DISTRIBUTION CENTER)	GENERATOR, ATS	(2) #12 (2) #12 (2) #12	(1) #12 (1) #12 (1) #12	1" 1" 1"	CIRCUIT FOR GENERATOR BLOCK HEATER & BATTERY HEATER CIRCUIT FOR BATTERY CHARGER CIRCUIT FOR ATS
6	GENERATOR	AUTOMATIC TRANSFER SWITCH	1 2-PAIR 24 AWG OR 2EA G-PAIR CAT5	N/A	1"	ALARM CABLES (1) 1 2 PAIR 24 AWG. PROVIDE 24" OF SLACK CABLE. FINAL PUNCH DOWN IS BY AT&T TECH. LABEL ALL WIRES
7	AUTOMATIC TRANSFER SWITCH	ALARM BLOCK	1 2-PAIR 24 AWG OR 2EA G-PAIR CAT5	N/A	1"	ALARM CABLES (1) 1 2 PAIR 24 AWG (RUN TO PURCELL CABINET & INTO ALARM BOX). PROVIDE 24" OF SLACK CABLE. FINAL PUNCH DOWN IS BY AT&T TECH. LABEL ALL WIRES

CIRCUIT DETAIL  
 SCALE: NTS

1

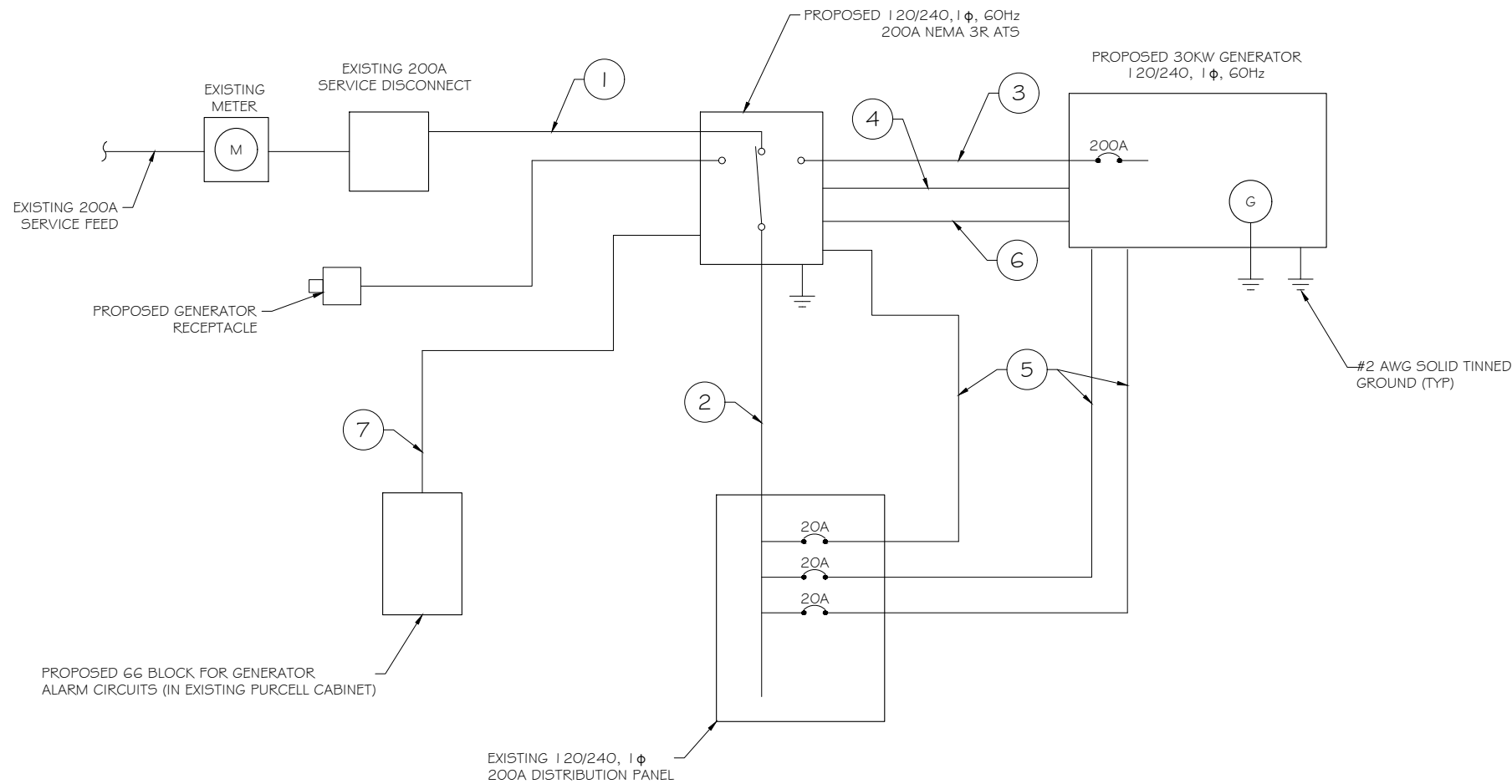
ALARM WIRE IDENTIFICATION CHART

WIRE	ALARM
BROWN / WHITE	GENERATOR RUNNING
GREEN / WHITE	CRITICAL FAULT
BLUE / WHITE	MINOR FAULT
ORANGE / WHITE	LOW FUEL
BROWN * / WHITE *	FUEL LEAK

\*CAT5 CABLE ONLY, FROM 2ND CAT5 CABLE

ALARM WIRING IDENTIFICATION CHART  
 SCALE: NTS

2



PROPOSED WIRING DIAGRAM  
 SCALE: NTS

3

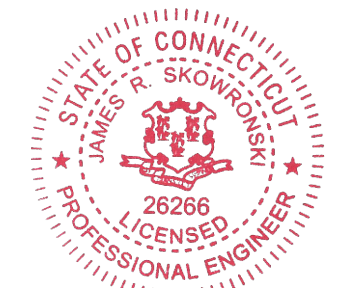
**RAMAKER & ASSOCIATES, INC.**  
 100% EMPLOYEE-OWNED  
 855 Community Dr, Sauk City, WI 53583  
 608-643-4100 www.Ramaker.com  
 Sauk City, WI • Willmar, MN  
 Woodcliff Lake, NJ • Bayamon, PR

PREPARED FOR:



CONSULTANT:  
**GENERAL DYNAMICS**  
 Information Technology, Inc.  
 GENERAL DYNAMICS  
 661 MOORE RD STE 110  
 KING OF PRUSSIA, PA 19406

Certification & Seal:  
 I hereby certify that this plan, specification, or report was prepared by me or under my direct supervision and that I am a duly Licensed Professional Engineer under the laws of the State of Connecticut.



Signature: *James R. Skowronski* Date: 3/12/2020

MARK	DATE	REVISIONS
1	3/12/20	REVISED CD's

ISSUE PHASE: FINAL DATE ISSUED: 2/17/2020

PROJECT TITLE:  
 MONTVILLE-OLD COLCHESTER RD  
 FA ID # 1003500 I

PROJECT INFORMATION:  
 695 OLD COLCHESTER ROAD  
 MONTVILLE, CT 06353

SHEET TITLE:  
 WIRING DETAILS

SCALE: NONE

PROJECT NUMBER: 45830  
 SHEET NUMBER: E-1

AC Distribution Panel - Layout Diagram									
Breaker Position	Breaker Type	On/Off	Size	Circuit Label	Breaker Position	Breaker Type	On/Off	Size	Circuit Label
1	2P	ON	50	AC #1	2	1P	ON	20	AC CONTROLLER
3					4	1P	ON	20	
5	2P	ON	50	AC #2	6	2P	ON	20	RECTIFIER 1
7					8				
9	1P	ON	20	RECEPTACLES	10	2P	ON	20	RECTIFIER 2
11	1P	ON	15	INT. EXT. LIGHTS	12				
13	1P	ON	15	SMOKE DETECTOR	14	2P	ON	20	RECTIFIER 3
15	1P	ON	15	DEHUMIDIFIER	16				
17	1P	ON	15	VENT SYSTEM	18	1P	ON	20	AIR DRYER
19	1P	ON	20	OUTLET PAGING TRANS	20				
21	2P	ON	30	RECT 2	22	2P	ON	30	RECT 1
23					24	2P	ON	30	RECT 3
25	2P	ON	30	RECT 4	26				
27					28	2P	ON	30	RECT 5
29	2P	ON	30	RECT 6	30				
31					32	2P	ON	30	RECT 7
33	2P	ON	20	RECTIFIER 4	34	2P	ON	30	
35					36	2P	ON	30	
37	2P	ON	20	RECTIFIER 5	38				
39					40	1P	ON	20	BLOCK HEATER
41	1P	ON	20	ATS	42	1P	ON	20	BATTERY CHARGER

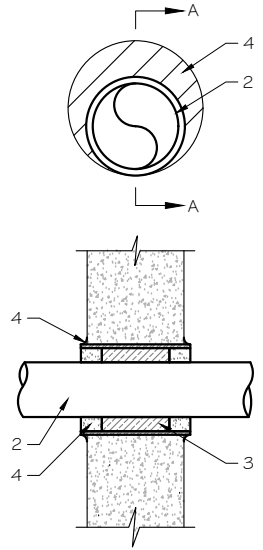
PROPOSED 20A BREAKERS FOR ATS, BLOCK HEATER AND BATTERY CHARGER ON NEW AT#T GENERATOR

**EXISTING PANEL SCHEDULE**  
 SCALE: NTS

NOTE:  
 CONTRACTOR TO LABEL WIRES WITH P-TOUCH OR SIMILAR LABELS ONLY. ABSOLUTELY NO HANDWRITTEN LABELS.

\*CONTRACTOR TO UTILIZE NEXT AVAILABLE IN SEQUENCE SINGLE BREAKER POSITION FOR GENERATOR, BATTERY CHARGER, BATTERY HEATER AND BLOCK HEATER.

NOTE:  
 1. IF EXISTING CONSTRUCTION VARIES FROM THIS DETAIL, AN EQUAL 3-HR U.L. PENETRATION APPROPRIATE FOR THE EXISTING WALL TYPE SHALL BE CONSTRUCTED  
 2. GC SHALL USE NON-SHRINKING CAULK TO WEATHERSEAL ALL PENETRATIONS INTO OR THRU SHELTER WALL.

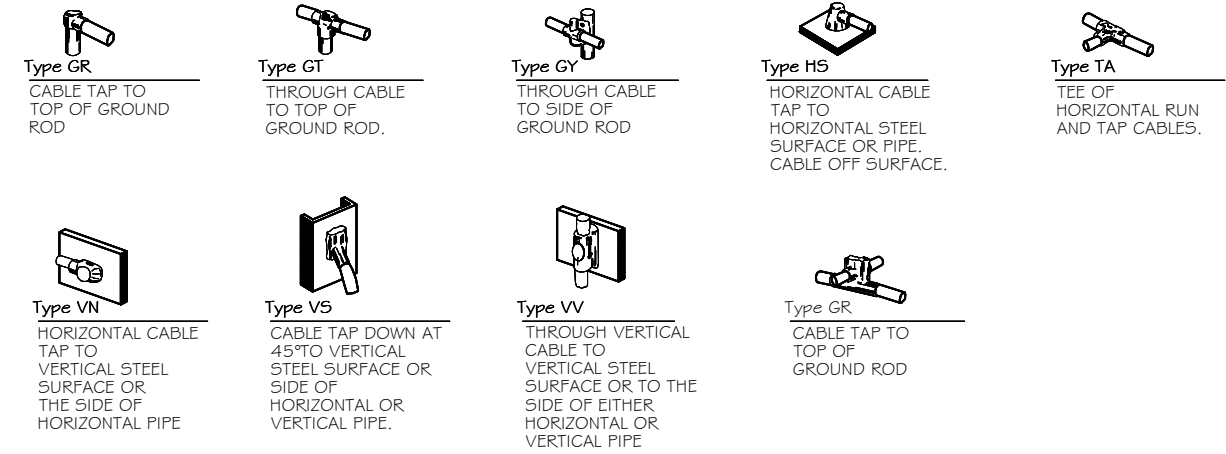


U.L. SYSTEM NO. C-AJ-1150  
 CONDUIT THROUGH BEARING WALL SIMILAR TO U.L. DESIGN NO. U902  
 F RATING = 3 HR  
 T RATING = 0 HR

- FLOOR OR WALL ASSEMBLY : MINIMUM 4- 1/2" THICK REINFORCED LIGHTWEIGHT OR NORMAL WEIGHT (100-150 PCF) CONCRETE. WALL MAY ALSO BE CONSTRUCTED OF ANY UL CLASSIFIED CONCRETE BLOCKS\*. MAX DIAMETER OF OPENING IS 4". SEE CONCRETE BLOCKS (9CATZ) CATEGORY IN THE FIRE RESISTANCE DIRECTORY FOR NAMES OF MANUFACTURERS.
- THROUGH PENETRATIONS : ONE METALLIC PIPE OR CONDUIT TO BE RIGIDLY SUPPORTED ON BOTH SIDES OF FLOOR OR WALL ASSEMBLY. THE ANNULAR SPACE SHALL BE MINIMUM 0". (POINT CONTACT) TO MAXIMUM 1 -3/8". THE FOLLOWING TYPES AND SIZES OF METALLIC PIPES OR CONDUITS MAY BE USED:
  - STEEL PIPE-NOMINAL 6" DIAMETER (OR SMALLER) SCHEDULE 40 (OR HEAVIER) STEEL PIPE.
  - IRON PIPE-NOMINAL 6" DIAMETER (OR SMALLER) CAST OR DUCTILE IRON PIPE.
  - CONDUIT - NOMINAL 4" DIAMETER (OR SMALLER) STEEL ELECTRICAL METALLIC TUBING OR NOMINAL 3- 1/2" DIAMETER (OR SMALLER) STEEL CONDUIT.
- PACKING MATERIAL: MINIMUM 6" THICKNESS OF MIN 4.0 PCF MINERAL WOOL BATTING INSULATION FIRMLY PACKED INTO OPENING AS A PERMANENT FORM. PACKING MATERIAL TO BE RECESSED FROM TOP SURFACE OF FLOOR OR FROM BOTH SURFACES OF WALL AS REQUIRED TO ACCOMMODATE THE REQUIRED THICKNESS OF FILL MATERIAL.
- FILL, VOID, OR CAVITY MATERIAL\*: SEALANT: MINIMUM 1/4" THICKNESS OF FILL MATERIAL APPLIED WITHIN THE ANNULUS, FLUSH WITH TOP SURFACE OF FLOOR AND WITH BOTH SURFACES OF WALL. AT THE POINT CONTACT LOCATION BETWEEN PIPE AND CONCRETE, A MINIMUM 1/2" DIAMETER BEAD OF FILL MATERIAL SHALL BE APPLIED AT THE CONCRETE/PIPE INTERFACE ON THE TOP SURFACE OF FLOOR AND ON BOTH SURFACES OF WALL. W RATING APPLIES ONLY WHEN CP6015 OR CP604 SEALANT IS USED.

HILTI CONSTRUCTION CHEMICALS, DIV OF HILTI INC. : CP6015, CP604, CP606, OR FS-ONE SEALANT.  
 \* BEARING THE UL CLASSIFICATION MARK

**OUTER WALL PENETRATION DETAIL**  
 (IF APPLICABLE)  
 SCALE: NTS



**CADWELD DETAILS**  
 SCALE: NTS

**RAMAKER & ASSOCIATES, INC.**  
 100% EMPLOYEE-OWNED  
 855 Community Dr, Sauk City, WI 53583  
 608-643-4100 www.Ramaker.com  
 Sauk City, WI • Willmar, MN  
 Woodcliff Lake, NJ • Bayamon, PR

PREPARED FOR:

CONSULTANT:  
**GENERAL DYNAMICS**  
 Information Technology, Inc.  
 GENERAL DYNAMICS  
 661 MOORE RD STE 110  
 KING OF PRUSSIA, PA 19406

Certification & Seal:  
 I hereby certify that this plan, specification, or report was prepared by me or under my direct supervision and that I am a duly Licensed Professional Engineer under the laws of the State of Connecticut.

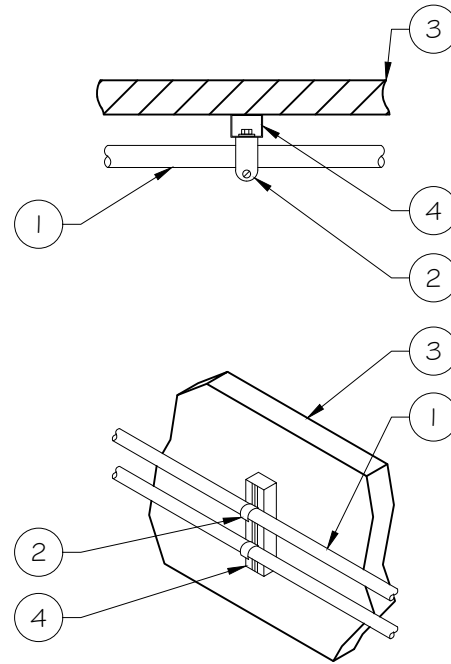
Signature: *James R. Skowronski* Date: 3/12/2020

1	3/12/20	REVISED CD's
MARK	DATE	DESCRIPTION
ISSUE PHASE	FINAL	DATE ISSUED 2/17/2020
PROJECT TITLE: <b>MONTVILLE-OLD COLCHESTER RD                  FA ID # 1003500 I</b>		
PROJECT INFORMATION: 695 OLD COLCHESTER ROAD MONTVILLE, CT 06353		
SHEET TITLE: PANEL AND PENETRATION DETAILS		
SCALE: NONE		
PROJECT NUMBER	45830	
SHEET NUMBER	E-2	

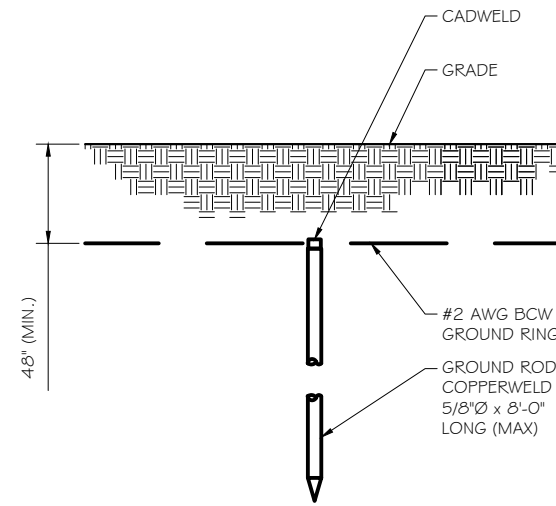
- 1 CONDUIT (TYP)
- 2 BUTTERFLY CLAMP AS REQUIRED
- 3 EXISTING WALL/CEILING
- 4 VERTICAL "UNISTRUT" P 1000 T' SERIES LENGTH BASED ON NUMBER OF CONDUIT TO BE MOUNTED

WALL CONSTRUCTION TYPE	USE
HOLLOW	3/8" DIA. TOGGLE BOLT
HOLLOW, AT STUD	3/8" DIA. LAG SCREW
CONCRETE BLOCK (HOLLOW)	3/8" DIA. HILTI HY-20 WITH SCREEN, MINIMUM EMBEDMENT 2-1/2"
CONCRETE (SOLID)	3/8" DIA. HILTI HY-150 WITH SCREEN, MINIMUM EMBEDMENT 2-1/2"

NOTE: USE GALVANIZED OR STAINLESS STEEL HARDWARE FOR WALL MOUNT & CONNECTIONS OF CHANNELS SPACE UNITS @ 5'-0" O.C. LENGTH OF RUN



CONDUIT WALL MOUNT  
 SCALE: NTS

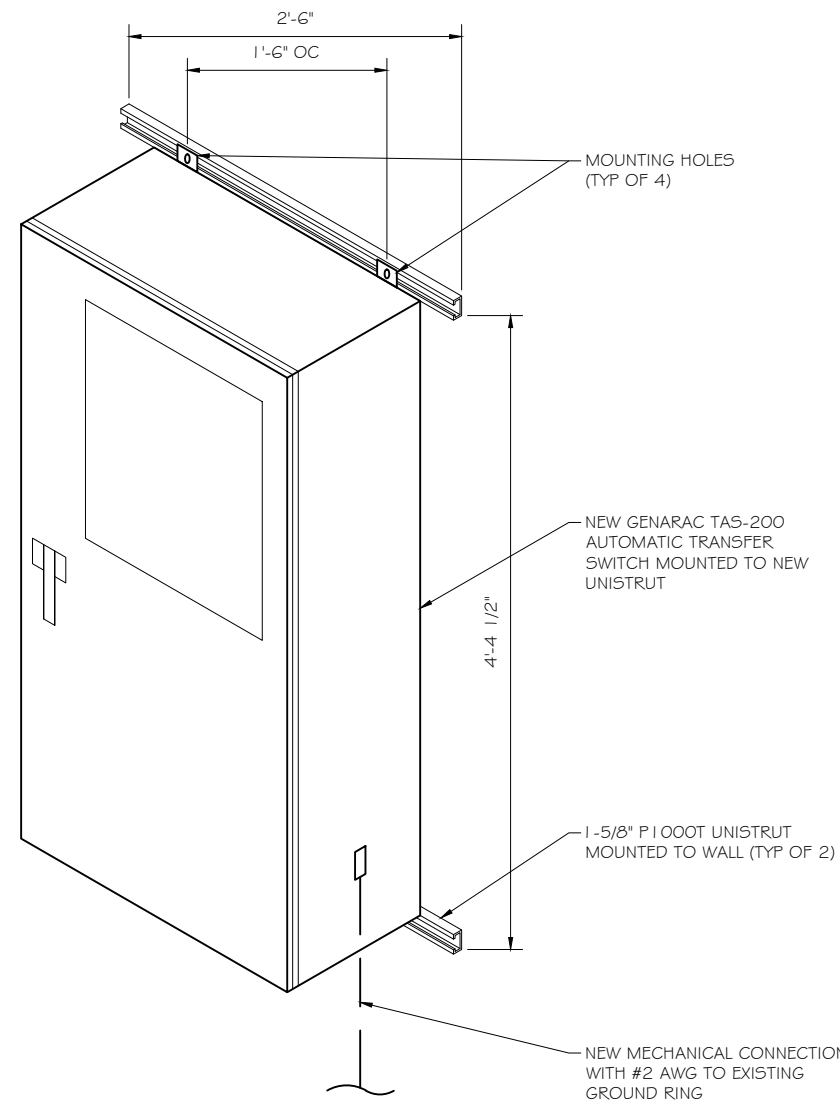


GROUND ROD DETAIL  
 SCALE: NTS

- NOTE:
- GROUND RODS MAY BE:
    - COPPER CLAD STEEL
    - SOLID COPPER
  - GROUND RODS SHALL HAVE A MAXIMUM SPACING TWICE THE LENGTH OF ROD
  - SEE RESISTIVITY REPORT FOR VERIFICATION AS AVAILABLE
  - A LARGER CONDUCTOR SHALL BE REQUIRED IN AREAS HIGHLY PRONE TO LIGHTNING AND/OR AREAS WITH HIGHLY ACIDIC SOIL
  - GROUND RODS INSTALLED WITHIN CLOSE PROXIMITY TO TOWER OR WHEN SOIL IS AT OR BELOW 2,000 OHM-CM, SHALL BE GALVANIZED TO PREVENT GALVANIC CORROSION OF TOWER. (SEE ANSITIA-EIA-222-G)
  - PROVIDE (1) GROUND LEAD TO EACH SIDE OF THE GENERATOR

WALL CONSTRUCTION TYPE	USE
HOLLOW	3/8" DIA. TOGGLE BOLT
HOLLOW, AT STUD	3/8" DIA. LAG SCREW
CONCRETE BLOCK (HOLLOW)	7/16" DIA. HILTI HY-20 WITH SCREEN MINIMUM EMBEDMENT 2-1/2"
CONCRETE (SOLID)	7/16" DIA. HILTI HY-150 WITH SCREEN MINIMUM EMBEDMENT 2-1/2"

- NOTE:
- USE GALVANIZED OR STAINLESS STEEL HARDWARE FOR WALL MOUNT AND CONNECTION OF CHANNELS
  - GC SHALL USE NON-SHRINKING CAULK TO WEATHER SEAL ALL PENETRATIONS INTO OR THROUGH SHELTER WALL



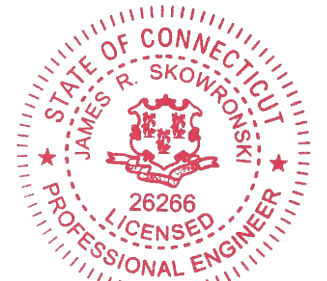
GENERAC ATS MOUNTING DETAIL  
 SCALE: NTS

**RAMAKER & ASSOCIATES, INC.**  
 100% EMPLOYEE-OWNED  
 855 Community Dr, Sauk City, WI 53583  
 608-643-4100 www.Ramaker.com  
 Sauk City, WI • Willmar, MN  
 Woodcliff Lake, NJ • Bayamon, PR

PREPARED FOR:

CONSULTANT:  
**GENERAL DYNAMICS**  
 Information Technology, Inc.  
 GENERAL DYNAMICS  
 661 MOORE RD STE 110  
 KING OF PRUSSIA, PA 19406

Certification & Seal:  
 I hereby certify that this plan, specification, or report was prepared by me or under my direct supervision and that I am a duly Licensed Professional Engineer under the laws of the State of Connecticut.



Signature: *James R. Skowronski* Date: 3/12/2020

MARK	DATE	REVISION DESCRIPTION
1	3/12/20	REVISED CD's

ISSUE PHASE: FINAL DATE ISSUED: 2/17/2020

PROJECT TITLE:  
 MONTVILLE-OLD COLCHESTER RD  
 FA ID # 10035001

PROJECT INFORMATION:  
 695 OLD COLCHESTER ROAD  
 MONTVILLE, CT 06353

SHEET TITLE:  
 ATS, CONDUIT & GROUND ROD DETAILS

SCALE: NONE

PROJECT NUMBER: 45830  
 SHEET NUMBER: E-3

**SD030 | 2.2L | 30 kW**  
**INDUSTRIAL DIESEL GENERATOR SET**  
 EPA Certified Stationary Emergency



**Standby Power Rating**  
 30 kW, 38 kVA, 60 Hz

**Prime Power Rating\***  
 27 kW, 34 kVA, 60 Hz

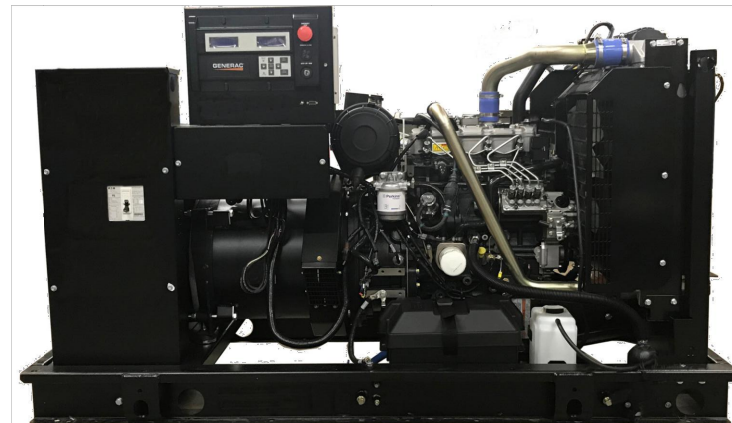


Image used for illustration purposes only



\*EPA Certified Prime ratings are not available in the US or its Territories

**Codes and Standards**

Not all codes and standards apply to all configurations. Contact factory for details.

- UL2200, UL508, UL489, UL142
- CSA C22.2
- BS5514 and DIN 6271
- SAE J1349
- NFPA 37, 70, 99, 110
- NEC700, 701, 702, 708
- ISO 3046, 7637, 8528, 9001
- NEMA ICS10, MG1, 250, ICS6, AB1
- ANSI C62.41

**Powering Ahead**

For over 50 years, Generac has provided innovative design and superior manufacturing.

Generac ensures superior quality by designing and manufacturing most of its generator components, including alternators, enclosures and base tanks, control systems and communications software.

Generac gensets utilize a wide variety of options, configurations and arrangements, allowing us to meet the standby power needs of practically every application.

Generac searched globally to ensure the most reliable engines power our generators. We choose only engines that have already been proven in heavy-duty industrial applications under adverse conditions.

Generac is committed to ensuring our customers' service support continues after their generator purchase.

**SD030 | 2.2L | 30 kW**  
**INDUSTRIAL DIESEL GENERATOR SET**  
 EPA Certified Stationary Emergency



**STANDARD FEATURES**

**ENGINE SYSTEM**

- Oil Drain Extension
- Air Cleaner
- Fan Guard
- Stainless Steel Flexible Exhaust Connection
- Factory Filled Oil and Coolant
- Radiator Duct Adapter (Open Set Only)
- Critical Silencer (Enclosed Unit Only)
- Engine Coolant Heater

**Fuel System**

- Fuel Lockoff Solenoid
- Primary Fuel Filter

**Cooling System**

- Closed Coolant Recovery System
- UV/Ozone Resistant Hoses
- Factory-Installed Radiator
- Radiator Drain Extension
- 50/50 Ethylene Glycol Antifreeze

**Electrical System**

- Battery Charging Alternator
- Battery Cables
- Battery Tray
- Rubber-Booted Engine Electrical Connections
- Solenoid Activated Starter Motor

**ALTERNATOR SYSTEM**

- UL2200 GENprotect™
- Class H Insulation Material
- 2/3 Pitch
- Skewed Stator
- Brushless Excitation
- Sealed Bearing
- Rotor Dynamically Spin Balanced
- Amortisseur Winding (3-Phase Only)
- Full Load Capacity Alternator
- Protective Thermal Switch

**GENERATOR SET**

- Internal Genset Vibration Isolation
- Separation of Circuits - High/Low Voltage
- Separation of Circuits - Multiple Breakers
- Wrapped Exhaust Piping
- Standard Factory Testing
- 2 Year Limited Warranty (Standby Rated Units)
- 1 Year Limited Warranty (Prime Rated Units)
- Slencer Mounted in the Discharge Hood (Enclosed Unit Only)

**ENCLOSURE (If Selected)**

- Rust-Proof Fasteners with Nylon Washers to Protect Finish
- High Performance Sound-Absorbing Material (Sound Attenuation Enclosures)
- Gasketed Doors
- Stamped Air-Intake Louvers
- Upward Facing Discharge Hoods (Radiator and Exhaust)
- Stainless Steel Lift Off Door Hinges
- Stainless Steel Lockable Handles
- RhinoCoat™ - Textured Polyester Powder Coat Paint

**FUEL TANKS (If Selected)**

- UL 142/ULC S601
- Double Wall
- Normal and Emergency Vents
- Sloped Top
- Sloped Bottom
- Factory Pressure Tested
- Rupture Basin Alarm
- Fuel Level
- Check Valve In Supply and Return Lines
- RhinoCoat™ - Textured Polyester Powder Coat Paint
- Stainless Steel Hardware

**CONTROL SYSTEM**



**Digital H Control Panel- Dual 4x20 Display**

**Program Functions**

- Programmable Crank Limiter
- 7-Day Programmable Exerciser
- Special Applications Programmable Logic Controller
- RS-232/485 Communications
- All Phase Sensing Digital Voltage Regulator
- 2-Wire Start Capability
- Date/Time Fault History (Event Log)
- Isochronous Governor Control
- Waterproof/Sealed Connectors

- Audible Alarms and Shutdowns
- Not in Auto (Flashing Light)
- Auto/Off/Manual Switch
- E-Stop (Red Mushroom-Type)
- NFPA110 Level I and II (Programmable)
- Customizable Alarms, Warnings, and Events
- Modbus® Protocol
- Predictive Maintenance Algorithm
- Sealed Boards
- Password Parameter Adjustment Protection
- Single Point Ground
- 16 Channel Remote Trending
- 0.2 msec High Speed Remote Trending
- Alarm Information Automatically Annunciated on the Display

**Full System Status Display**

- Power Output (kW)
- Power Factor
- kW Hours, Total, and Last Run
- Real/Reactive/Apparent Power
- All Phase AC Voltage
- All Phase Currents

- Oil Pressure
- Coolant Temperature
- Coolant Level
- Engine Speed
- Battery Voltage
- Frequency

**Alarms and Warnings**

- Oil Pressure
- Coolant Temperature
- Coolant Level
- Engine Overspeed
- Battery Voltage
- Alarms and Warnings Time and Date Stamped
- Snap Shots of Key Operation Parameters During Alarms and Warnings
- Alarms and Warnings Spelled Out (No Alarm Codes)

**RAMAKER & ASSOCIATES, INC.**

100% EMPLOYEE-OWNED

855 Community Dr, Sauk City, WI 53583  
 608-643-4100 www.Ramaker.com  
 Sauk City, WI • Willmar, MN  
 Woodcliff Lake, NJ • Bayamon, PR

PREPARED FOR:



CONSULTANT:  
**GENERAL DYNAMICS**  
 Information Technology, Inc.

GENERAL DYNAMICS  
 661 MOORE RD STE 110  
 KING OF PRUSSIA, PA 19406

Certification & Seal:  
 I hereby certify that this plan, specification, or report was prepared by me or under my direct supervision and that I am a duly Licensed Professional Engineer under the laws of the State of Connecticut.



Signature: *James R. Skowronski* Date: 3/12/2020

MARK	DATE	REVISION	DESCRIPTION
1	3/12/20	REVISED CD's	

ISSUE PHASE: FINAL DATE ISSUED: 2/17/2020

PROJECT TITLE:  
**MONTVILLE-OLD COLCHESTER RD**  
**FA ID # 1003500 I**

PROJECT INFORMATION:  
 695 OLD COLCHESTER ROAD  
 MONTVILLE, CT 06353

SHEET TITLE:  
**GENERAC 30KW GENERATOR SPECIFICATIONS**

SCALE: NONE

PROJECT NUMBER: 45830  
 SHEET NUMBER: E-4

SPEC SHEET

1 of 6

SPEC SHEET

2 of 6

Copyright 2019 - Ramaker & Associates, Inc. - All Rights Reserved  
 DRAWN BY: TRB  
 Checked By: MUR  
 Printed by: rjguemero on Mar 12, 2020 - 3:57pm  
 I:\45600\45630\CAD\45630\_1003500\_1\_MONTVILLE-OLD COLCHESTER RD\_GENERATOR\_ATT\_CDs.dwg

**SD030 | 2.2L | 30 kW**  
**INDUSTRIAL DIESEL GENERATOR SET**

EPA Certified Stationary Emergency



**CONFIGURABLE OPTIONS**

**ENGINE SYSTEM**

- Oil Heater
- Critical Silencer (Open Set Only)
- Radiator Stone Guard
- Level 1 Fan and Belt Guards (Open Set Only)

**FUEL SYSTEM**

- NPT Flexible Fuel Line

**ELECTRICAL SYSTEM**

- 10A UL Listed Battery Charger
- Battery Warmer

**ALTERNATOR SYSTEM**

- Alternator Upsizing
- Anti-Condensation Heater
- Tropical Coating
- Permanent Magnet Excitation

**GENERATOR SET**

- Extended Factory Testing
- 8 Position Load Center
- Pad Vibration Isolation

**ENGINEERED OPTIONS**

**ENGINE SYSTEM**

- Coolant Heater Isolation Ball Valves
- Fluid Containment Pan

**CONTROL SYSTEM**

- Spare Inputs (x4) / Outputs (x4)
- Battery Disconnect Switch

**CIRCUIT BREAKER OPTIONS**

- Main Line Circuit Breaker
- 2nd Main Line Circuit Breaker
- Shunt Trip and Auxiliary Contact
- Electronic Trip Breakers

**ENCLOSURE**

- Weather Protected Enclosure
- Level 1 Sound Attenuation
- Level 2 Sound Attenuation
- Level 2 Sound Attenuation with Motorized Dampers
- Steel Enclosure
- Aluminum Enclosure
- Up to 200 MPH Wind Load Rating (Contact Factory for Availability)
- AC/DC Enclosure Lighting Kit
- Door Alarm Switch
- Enclosure Heater
- Damper Alarm Contacts

**WARRANTY (Standby Gensets Only)**

- 2 Year Extended Limited Warranty
- 5 Year Limited Warranty
- 5 Year Extended Limited Warranty
- 7 Year Extended Limited Warranty
- 10 Year Extended Limited Warranty

**ALTERNATOR SYSTEM**

- 3rd Breaker System

**GENERATOR SET**

- Special Testing

**CONTROL SYSTEM**

- NFPA 110 Compliant 21-Light Remote Annunciator
- Remote Relay Assembly (8 or 16)
- Oil Temperature Indication and Alarm
- Remote E-Stop (Break Glass-Type, Surface Mount)
- Remote E-Stop (Red Mushroom-Type, Surface Mount)
- Remote E-Stop (Red Mushroom-Type, Flush Mount)
- 100 dB Alarm Horn
- Ground Fault Annunciation
- 120V GFCI and 240V Outlets
- Remote Communication - Modem
- 10A Engine Run Relay

**FUEL TANKS (Size On Last Page)**

- 8 in (203.2 mm) Fill Extension
- 13 in (330.2 mm) Fill Extension
- 19 in (482.6 mm) Fill Extension
- Overfill Protection Valve
- 5 Gallon Spill Box Return Hose
- 5 Gallon Spill Box
- Tank Risers
- Fuel Level Switch and Alarm
- 12' Vent System
- Fire Rated Stainless Steel Fuel Hose

**FUEL TANKS**

- UL2085 Tank
- Stainless Steel Tanks
- Special Fuel Tanks
- Vent Extensions

**SD030 | 2.2L | 30 kW**  
**INDUSTRIAL DIESEL GENERATOR SET**

EPA Certified Stationary Emergency



**APPLICATION AND ENGINEERING DATA**

**ENGINE SPECIFICATIONS**

General

Make	Perkins
EPA Emissions Compliance	Stationary Emergency
EPA Emissions Reference	See Emission Data Sheet
Cylinder #	4
Type	In-Line
Displacement - in <sup>3</sup> (L)	135 (2.22)
Bore - in (mm)	3.3 (84)
Stroke - in (mm)	3.9 (100)
Compression Ratio	23.3:1
Intake Air Method	Turbocharged
Cylinder Head	Cast Iron
Piston Type	Aluminum
Cranksaft Type	Forged Steel

Engine Governing

Governor	Electronic Isochronous
Frequency Regulation (Steady State)	±0.5%

Lubrication System

Oil Pump Type	Gear
Oil Filter Type	Full-Flow
Crankcase Capacity - qt (L)	11.2 (10.6)

Cooling System

Cooling System Type	Closed Recovery
Water Pump Type	Pre-Lubed, Self Sealing
Fan Type	Pusher
Fan Speed - RPM	1,980
Fan Diameter - in (mm)	18 (457)

Fuel System

Fuel Type	Ultra Low Sulfur Diesel Fuel #2
Fuel Specifications	ASTM
Fuel Filtering (Microns)	5
Fuel Inject Pump	Distribution Injection Pump
Fuel Pump Type	Engine Driven Gear
Injector Type	Mechanical
Fuel Supply Line - in (mm)	0.31 (7.9) ID
Fuel Return Line - in (mm)	0.2 (4.8) ID

Engine Electrical System

System Voltage	12 VDC
Battery Charger Alternator	Standard
Battery Size	See Battery Index 0161970SBY
Battery Voltage	12 VDC
Ground Polarity	Negative

**ALTERNATOR SPECIFICATIONS**

Standard Model	K0035124Y21
Poles	4
Field Type	Revolving
Insulation Class - Rotor	H
Insulation Class - Stator	H
Total Harmonic Distortion	<5% (3-Phase)
Telephone Interference Factor (TIF)	< 50

Standard Excitation	Brushless
Bearings	Single Sealed
Coupling	Direct via Flexible Disc
Load Capacity - Standby	100%
Prototype Short Circuit Test	Yes
Voltage Regulator Type	Digital
Number of Sensed Phases	All
Regulation Accuracy (Steady State)	±0.25%



100% EMPLOYEE-OWNED

855 Community Dr, Sauk City, WI 53583  
 608-643-4100 www.Ramaker.com

Sauk City, WI • Willmar, MN  
 Woodcliff Lake, NJ • Bayamon, PR

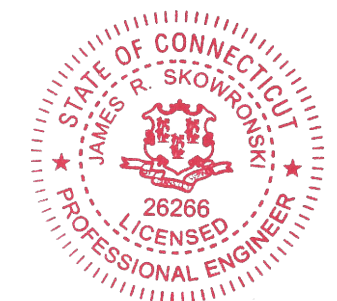
PREPARED FOR:



CONSULTANT:  
**GENERAL DYNAMICS**  
 Information Technology, Inc.

GENERAL DYNAMICS  
 661 MOORE RD STE 110  
 KING OF PRUSSIA, PA 19406

Certification & Seal:  
 I hereby certify that this plan, specification, or report was prepared by me or under my direct supervision and that I am a duly Licensed Professional Engineer under the laws of the State of Connecticut.



*James R. Skowronski* 3/12/2020  
 Signature: Date:

MARK	DATE	REVISION	DESCRIPTION
1	3/12/20	REVISED	CDs
ISSUE	FINAL	DATE	2/17/2020
PHASE	ISSUED		

PROJECT TITLE:  
**MONTVILLE-OLD COLCHESTER RD**  
**FA ID # 1003500 I**

PROJECT INFORMATION:  
 695 OLD COLCHESTER ROAD  
 MONTVILLE, CT 06353

SHEET TITLE:  
**GENERAC 30KW GENERATOR SPECIFICATIONS**

SCALE: NONE

PROJECT NUMBER: 45830  
 SHEET NUMBER: E-4.1

SPEC SHEET

3 of 6

SPEC SHEET

4 of 6



This document contains confidential or proprietary information of Ramaker & Associates, Inc. Neither this document nor the information herein is to be reproduced, distributed, used or disclosed either in whole or in part except as authorized by Ramaker and Associates, Inc.

**SD030 | 2.2L | 30 kW**  
**INDUSTRIAL DIESEL GENERATOR SET**  
 EPA Certified Stationary Emergency



**OPERATING DATA**

**POWER RATINGS**

	Standby
Single-Phase 120/240 VAC @1.0pf	30 kW Amps: 125
Three-Phase 120/208 VAC @0.8pf	30 kW Amps: 104
Three-Phase 120/240 VAC @0.8pf	30 kW Amps: 90
Three-Phase 277/480 VAC @0.8pf	30 kW Amps: 45
Three-Phase 346/600 VAC @0.8pf	30 kW Amps: 36

**MOTOR STARTING CAPABILITIES (skVA)**

skVA vs. Voltage Dip			
277/480 VAC	30%	208/240 VAC	30%
K0035124Y21	61	K0035124Y21	46
K0040124Y21	76	K0040124Y21	58
K0050124Y21	98	K0050124Y21	75

**FUEL CONSUMPTION RATES\***

Fuel Pump Lift- ft (m)	Diesel - gph (Lph)	
	Percent Load	Standby
3 (1)	25%	1.0 (3.7)
	50%	1.4 (5.2)
	75%	2.0 (7.5)
Total Fuel Pump Flow (Combustion + Return) - gph (Lph)	100%	2.8 (10.5)
		16.6 (63)

\* Fuel supply installation must accommodate fuel consumption rates at 100% load.

**COOLING**

	Standby
Coolant Flow	gpm (Lpm) 14.9 (56.2)
Coolant System Capacity	gal (L) 2.5 (9.5)
Heat Rejection to Coolant	BTU/hr (kW) 128,638 (136)
Inlet Air	scfm (m³/hr) 2,800 (4,757)
Maximum Operating Ambient Temperature	°F (°C) 122 (50)
Maximum Operating Ambient Temperature (Before Derate)	See Bulletin No. 0199280SSD
Maximum Radiator Backpressure	in H <sub>2</sub> O (kPa) 0.5 (0.12)

**COMBUSTION AIR REQUIREMENTS**

	Standby
Flow at Rated Power scfm (m³/min)	88 (2.5)

**ENGINE**

	Standby
Rated Engine Speed	RPM 1,800
Horsepower at Rated kW**	hp 49
Piston Speed	ft/min (m/min) 1,181 (360)
BMEP	psi (kPa) 159 (1,096)

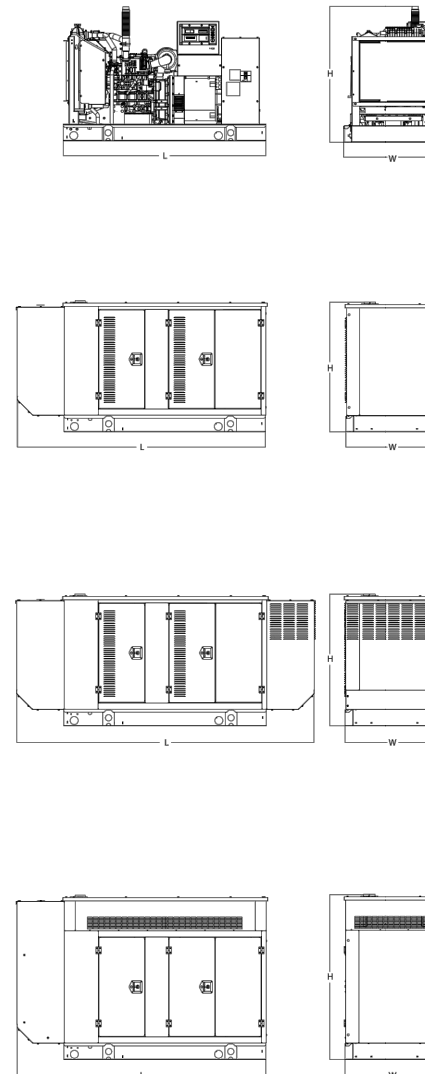
\*\* Refer to "Emissions Data Sheet" for maximum bHP for EPA and SCAQMD permitting purposes.

Deration - Operational characteristics consider maximum ambient conditions. Derate factors may apply under atypical site conditions. Please contact a Generac Power Systems Industrial Dealer for additional details. All performance ratings in accordance with ISO3046, BS5514, ISO8528, and DIN6271 standards.  
 Standby - See Bulletin 018750SSB  
 Prime - See Bulletin 0187510SSB

**SD030 | 2.2L | 30 kW**  
**INDUSTRIAL DIESEL GENERATOR SET**  
 EPA Certified Stationary Emergency



**DIMENSIONS AND WEIGHTS\***



**OPEN SET (Includes Exhaust Flex)**

Run Time - Hours	Usable Capacity - Gal (L)	L x W x H - in (mm)	Weight - lbs (kg)
No Tank	-	76.0 (1,930) x 37.4 (950) x 44.8 (1,138)	1,641 (745)
19	54 (204)	76.0 (1,930) x 37.4 (950) x 57.8 (1,468)	2,121 (963)
47	132 (501)	76.0 (1,930) x 37.4 (950) x 69.8 (1,773)	2,351 (1,067)
75	211 (799)	76.0 (1,930) x 37.4 (950) x 81.8 (2,078)	2,560 (1,162)
107	300 (1,136)	92.9 (2,360) x 37.4 (950) x 81.8 (2,078)	2,623 (1,190)

**WEATHER PROTECTED ENCLOSURE**

Run Time - Hours	Usable Capacity - Gal (L)	L x W x H - in (mm)	Weight - lbs (kg) Enclosure Only	
			Steel	Aluminum
No Tank	-	94.8 (2,409) x 38.0 (965) x 49.5 (1,258)		
19	54 (204)	94.8 (2,409) x 38.0 (965) x 62.5 (1,588)	372 (170)	241 (110)
47	132 (501)	94.8 (2,409) x 38.0 (965) x 74.5 (1,893)		
75	211 (799)	94.8 (2,409) x 38.0 (965) x 86.5 (2,198)		
107	300 (1,136)	94.8 (2,409) x 38.0 (965) x 86.5 (2,198)		

**LEVEL 1 ACOUSTIC ENCLOSURE**

Run Time - Hours	Usable Capacity - Gal (L)	L x W x H - in (mm)	Weight - lbs (kg) Enclosure Only	
			Steel	Aluminum
No Tank	-	112.5 (2,857) x 38.0 (965) x 49.5 (1,258)		
19	54 (204)	112.5 (2,857) x 38.0 (965) x 62.5 (1,582)	505 (230)	338 (154)
47	132 (501)	112.5 (2,857) x 38.0 (965) x 74.5 (1,893)		
75	211 (799)	112.5 (2,857) x 38.0 (965) x 86.5 (2,198)		
107	300 (1,136)	112.5 (2,857) x 38.0 (965) x 86.5 (2,198)		

**LEVEL 2 ACOUSTIC ENCLOSURE**

Run Time - Hours	Usable Capacity - Gal (L)	L x W x H - in (mm)	Weight - lbs (kg) Enclosure Only	
			Steel	Aluminum
No Tank	-	94.8 (2,407) x 38.0 (965) x 61.1 (1,551)		
19	54 (204)	94.8 (2,407) x 38.0 (965) x 74.1 (1,881)	510 (232)	341 (155)
47	132 (501)	94.8 (2,407) x 38.0 (965) x 86.1 (2,186)		
75	211 (799)	94.8 (2,407) x 38.0 (965) x 98.1 (2,491)		
107	300 (1,136)	94.8 (2,407) x 38.0 (965) x 98.1 (2,491)		

\* All measurements are approximate and for estimation purposes only. Specification characteristics may change without notice. Please contact a Generac Power Systems Industrial Dealer for detailed installation drawings.

Generac Power Systems, Inc. | P.O. Box 8 | Waukesha, WI 53189  
 P: (262) 544-4811 ©2018 Generac Power Systems, Inc. All rights reserved. All specifications are subject to change without notice.

Part No. 10000024842  
 Rev. B 08/27/18

SPEC SHEET

5 of 6



100% EMPLOYEE-OWNED  
 855 Community Dr, Sauk City, WI 53583  
 608-643-4100 www.Ramaker.com  
 Sauk City, WI • Willmar, MN  
 Woodcliff Lake, NJ • Bayamon, PR

PREPARED FOR:



CONSULTANT:  
**GENERAL DYNAMICS**  
 Information Technology, Inc.  
 GENERAL DYNAMICS  
 661 MOORE RD STE 110  
 KING OF PRUSSIA, PA 19406

Certification & Seal:  
 I hereby certify that this plan, specification, or report was prepared by me or under my direct supervision and that I am a duly Licensed Professional Engineer under the laws of the State of Connecticut.



Signature: *James R. Skowronski* Date: 3/12/2020

MARK	DATE	REVISION	DESCRIPTION
1	3/12/20	REVISED	CDs

ISSUE PHASE: FINAL DATE ISSUED: 2/17/2020

PROJECT TITLE:  
**MONTVILLE-OLD COLCHESTER RD  
 FA ID # 1003500 I**

PROJECT INFORMATION:  
 695 OLD COLCHESTER ROAD  
 MONTVILLE, CT 06353

SHEET TITLE:  
**GENERAC 30KW GENERATOR SPECIFICATIONS**

SCALE: NONE

PROJECT NUMBER: 45830  
 SHEET NUMBER: E-4.2



SPEC SHEET

6 of 6

**TTS Series  
Switches**  
**200 Amps  
600 VAC**

**GENERAC** | **INDUSTRIAL  
POWER**

**TAS200**  
**200A Automatic Transfer Switch**

**TAS200**  
**TAS200**  
1 of 3 2 of 3



Image used for illustration purposes only.

**The Generac TAS200 Automatic Transfer Switch**

- Flexibility for multiple application installations
- Multiple generator support with 3 source panel
- Designed with a 6 inch touch screen controller for improved user interface
- Camlock functionality for mobile generator sources

**Features**

- **STEEL CONSTRUCTION**
- **NEMA 3R ENCLOSURE WITH HINGED "PADLOCKING" DOORS**
- **STAINLESS STEEL HARDWARE**
- **CAMLOCK "QUICK CONNECT" CAPABILITY**
- **OPERATIONAL STATUS VIEW VIA 6 INCH TOUCH SCREEN**
- **TEST FUNCTION - FAST TEST & NORMAL TEST**
- **UL1008 LISTED - FOR EMERGENCY SYSTEMS**

**Optional Features**

- **EXTENDED WARRANTY**
- **THREE-PHASE VOLTAGE CONFIGURATIONS**

**Codes and Standards**

Generac products are designed to the following standards:



UL1008,  
UL508,  
UL50,  
CSA C22.2 No. 178



NEC 700, 701 and 702



NEMA 250

**Application and Engineering Data**

Cabinet Specifications	
Dimensions	24"W x 12"D x 48"H
Weight	210 lbs.
Construction	Single Chamber with Main Door
	Steel
	UL Type / NEMA 3R Rated
	Powder Coat Finish for Corrosion Resistance
	C-UL-US Listed - Automatic Transfer Switch
	Stainless Steel Hardware
Mounting Options	3-Point Latching System with Pad-Lockable Handles
	Wall
Installed	H-frame
	Pre-wired alarm terminal strip

Electrical Specifications	
Voltage/Phase/Amps	120/240 Single-Phase, 200A 120/208 3-Phase, 200A 120/240 3-Phase, 200A
Breaker	Eaton 200 amp Utility Breaker Eaton 200 amp Generator Breaker
Maximum RMS Symmetrical Fault Current - Amps	25k AIC Rated
Protective Device Continuous Rating (Max) Amp	200
Input to Generator	350MCM - #6 AWG
Output to Site	350MCM - #6 AWG
Generator Annunciator Connector	Deutsch DTM04-12PA-L012
Alarm Terminal Board	Generator Run Alarm
	Generator Fail – Shutdown Alarm
	Generator Fail – Non Shutdown Alarm
	Low Fuel Alarm
	Generator Theft Alarm
	AC Utility Fail Alarm

Camlock Component	
Camlock Component	Shipped loose for multiple installation options
Dimensions	9" W x 9.4" D x 24.25" H
200A Camlock Generator Connection	Single-Phase: Black L1, Red L2, White-Neutral, Green-Ground
	3-Phase: Black L1, Red L2, Blue L3, White-Neutral, Green-Ground
	Uses 4 CH E1016 Male Connectors
	Mating Connector – CH E1016 Female



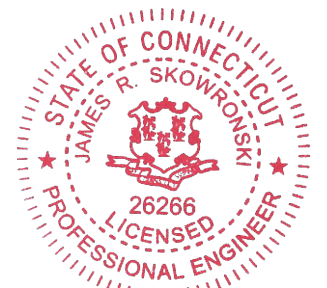
**RAMAKER**  
& ASSOCIATES, INC.  
100% EMPLOYEE-OWNED  
855 Community Dr, Sauk City, WI 53583  
608-643-4100 www.Ramaker.com  
Sauk City, WI • Willmar, MN  
Woodcliff Lake, NJ • Bayamon, PR

PREPARED FOR:



CONSULTANT:  
**GENERAL DYNAMICS**  
Information Technology, Inc.  
GENERAL DYNAMICS  
661 MOORE RD STE 110  
KING OF PRUSSIA, PA 19406

Certification & Seal:  
I hereby certify that this plan, specification, or report was prepared by me or under my direct supervision and that I am a duly Licensed Professional Engineer under the laws of the State of Connecticut.



Signature: *James P. Skowronski* Date: 3/12/2020

MARK	DATE	DESCRIPTION
1	3/12/20	REVISED CD's
ISSUE PHASE	FINAL	DATE ISSUED 2/17/2020

PROJECT TITLE:  
**MONTVILLE-OLD  
COLCHESTER RD  
FA ID # 1003500 I**  
PROJECT INFORMATION:  
695 OLD COLCHESTER ROAD  
MONTVILLE, CT 06353

SHEET TITLE:  
**GENERAC ATS SPECIFICATIONS**

SCALE: NONE

PROJECT NUMBER: 45830  
SHEET NUMBER: E-5

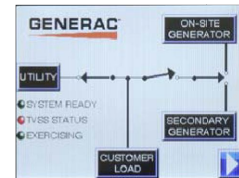


**TTS Control Systems**

TAS200

3 of 3

**Touch Screen Interface**



**INDICATORS AND BUTTONS**

<ul style="list-style-type: none"> <li>System Ready indicator</li> <li>Standby Operating indicator</li> <li>Utility Available indicator</li> <li>GEN/UTIL Switch Position indicator</li> <li>TVSS status</li> </ul>	<ul style="list-style-type: none"> <li>Normal Test button</li> <li>Fast Test button</li> <li>Return to Normal button</li> <li>Reset button</li> <li>Exercising indicator</li> </ul>
---	---

**DETAILS SCREEN**

<p><b>System Settings:</b></p> <ul style="list-style-type: none"> <li>System Voltage/Phases: <ul style="list-style-type: none"> <li>120/240V single phase (standard)</li> <li>120/208V three phase (optional)</li> <li>120/240V three phase (optional)</li> </ul> </li> <li>Utility Fail Monitor: <ul style="list-style-type: none"> <li>Under Voltage: 75-95% of nominal voltage</li> <li>Over Voltage: 105%-125% of nominal voltage</li> <li>Pickup (hysteresis): fixed at 5 volts</li> <li>Delay time: 0-60s</li> </ul> </li> <li>Utility Interrupt Delay: 0-60s</li> <li>Return to Utility Timer: 1-30 minutes</li> <li>Transfer: <ul style="list-style-type: none"> <li>In-phase, or</li> <li>Time-Delay-Neutral at 0.0-10.0s in 1 second increments</li> </ul> </li> </ul>	<p><b>Exercise Settings:</b></p> <ul style="list-style-type: none"> <li>Time of day</li> <li>Day of week</li> <li>Exercise: <ul style="list-style-type: none"> <li>Exercise with/without load</li> <li>Exercise once every 1, 2, or 4 weeks.</li> <li>Exercise time-of-day</li> <li>Exercise day of week</li> <li>Exercise duration: 15-30 minutes</li> </ul> </li> </ul>
	<p><b>Screen Settings:</b></p> <ul style="list-style-type: none"> <li>Brightness &amp; Contrast button</li> <li>Screen Calibration button</li> <li>Startup/Clean screen</li> </ul>
	<p><b>Diagnostics:</b></p> <ul style="list-style-type: none"> <li>Digital I/O bits status</li> <li>Voltage A/D readings</li> </ul>
<p><b>Engine Settings:</b></p> <ul style="list-style-type: none"> <li>Engine Warm-up timer: 0-20 minutes</li> <li>Generator Load Accept: <ul style="list-style-type: none"> <li>Time-Delay-Neutral at 0.0-10.0s in 1 second increments</li> <li>Voltage: 85-95% of nominal</li> <li>Frequency: 85-95% of nominal</li> </ul> </li> <li>Engine Minimum Run Timer: 5-30 minutes</li> <li>Engine Cooldown Timer: 0-20 minutes</li> </ul>	<p><b>Mimic Diagram:</b></p> <ul style="list-style-type: none"> <li>System Ready</li> <li>Transfer switch position</li> <li>Utility available</li> <li>Standby available</li> <li>Maintenance/Auto switch position</li> <li>Generator source TS position</li> <li>TVSS status</li> </ul>

Generac Power Systems, Inc. • S45 W29290 HWY. 59, Waukesha, WI 53189 • generac.com

©2013 Generac Power Systems, Inc. All rights reserved. All specifications are subject to change without notice. Bulletin 01956705BY-B / Printed in U.S.A. 03/13/13

100% EMPLOYEE-OWNED

855 Community Dr, Sauk City, WI 53583  
608-643-4100 www.Ramaker.com

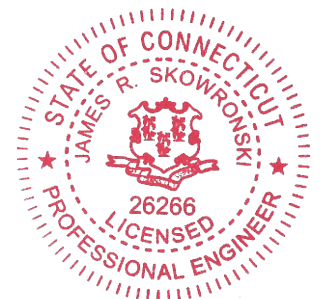
Sauk City, WI • Willmar, MN  
Woodcliff Lake, NJ • Bayamon, PR

PREPARED FOR:



CONSULTANT:  
**GENERAL DYNAMICS**  
Information Technology, Inc.  
GENERAL DYNAMICS  
661 MOORE RD STE 110  
KING OF PRUSSIA, PA 19406

*Certification & Seal:*  
I hereby certify that this plan, specification, or report was prepared by me or under my direct supervision and that I am a duly Licensed Professional Engineer under the laws of the State of Connecticut.



*James R. Skowronski* 3/12/2020  
Signature: Date:

1	3/12/20	REVISED CD's
---	---------	--------------

ISSUE	FINAL	DATE	2/17/2020
PHASE		ISSUED	

PROJECT TITLE:  
**MONTVILLE-OLD COLCHESTER RD  
FA ID # 10035001**

PROJECT INFORMATION:  
695 OLD COLCHESTER ROAD  
MONTVILLE, CT 06353

SHEET TITLE:  
**GENERAC ATS SPECIFICATIONS**

SCALE: NONE

PROJECT NUMBER 45830  
SHEET NUMBER E-5.1



**Property Card: 695 OLD COLCHESTER RD**  
Town of Montville, CT

**Parcel Information**

Location:	695 OLD COLCHESTER RD	Property Use:	Residential	Primary Use:	Residential
Unique ID:	E9400001	Map Block Lot:	030-089-T00	Acres:	0.61
		Zone:	R40	Volume / Page:	0590/0092
		Sale Date:	10/31/2013	Sale Price:	\$0

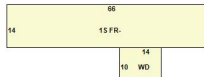
**Value Information**

	Appraised Value	Assessed Value
Land	46240	32360
Buildings	29724	20810
Detached Outbuildings	380	270
<b>Total</b>	<b>76344</b>	<b>53440</b>

**Owner's Information**

Owner's Data
ECCLESTON ROBERT C JR 135 FELLOWS RD OAKDALE, CT 06370

**Building 1**



Category:	Residential	Siding:	Vinyl Siding	Total Rooms:	0
Stories:	1.00	Fuel:	Kerosene	Beds/Units:	0
GLA:	924	Heating:	Forced Hot Air	Baths:	1
Year Built:	1995	Fireplace:	0		
Class:	C+	Cooling Percent:	None	Half Baths:	0
Use:	Mobile Home	Floors:	Other	Basement Garage:	0
Construction Style:	Mobile Home	Roof Material:	Asphalt	Finished Basement:	0



Data shown on this report is provided for planning and informational purposes only. The municipality and CAI Technologies are not responsible for any use for other purposes or misuse or misrepresentation of this report.

# **ATTACHMENT 2**



Shipment Receipt

**Address Information**

**Ship to:**

Mayor Ronald K. McDaniel  
Montville Town Hall  
310 Norwich-New London  
Tpke

UNCASVILLE, CT  
06382  
US  
914-761-1300

**Ship from:**

Lucia Chiochio, Esq.  
Cuddy & Feder LLP  
445 Hamilton Avenue

Suite 1400  
White Plains, NY  
10601  
US  
9147611300

**Shipment Information:**

Tracking no.: 770060916358  
Ship date: 03/19/2020  
Estimated shipping charges: 10.14 USD

**Package Information**

Pricing option: FedEx Standard Rate  
Service type: FedEx Express Saver  
Package type: FedEx Envelope  
Number of packages: 1  
Total weight: 1 LBS  
Declared Value: 0.00 USD  
Special Services:  
Pickup/Drop-off: Use an already scheduled pickup at my location

**Billing Information:**

Bill transportation to: CuddyFeder-963  
Your reference: 1844-3534  
P.O. no.:  
Invoice no.:  
Department no.:

Thank you for shipping online with FedEx ShipManager at fedex.com.

**Please Note**

FedEx will not be responsible for any claim in excess of \$100 per package, whether the result of loss, damage, delay, non-delivery, misdelivery, or misinformation, unless you declare a higher value, pay an additional charge, document your actual loss and file a timely claim. Limitations found in the current FedEx Service Guide apply. Your right to recover from FedEx for any loss, including intrinsic value of the package, loss of sales, income interest, profit, attorney's fees, costs, and other forms of damage whether direct, incidental, consequential, or special is limited to the greater of \$100 or the authorized declared value. Recovery cannot exceed actual documented loss. Maximum for items of extraordinary value is \$1000, e.g., jewelry, precious metals, negotiable instruments and other items listed in our Service Guide. Written claims must be filed within strict time limits; Consult the applicable FedEx Service Guide for details.

The estimated shipping charge may be different than the actual charges for your shipment. Differences may occur based on actual weight, dimensions, and other factors. Consult the applicable [FedEx Service Guide](#) or the FedEx Rate Sheets for details on how shipping charges are calculated.



## Shipment Receipt

### Address Information

**Ship to:**

Marcia A. Vlaun, Town  
Planner

Montville Town Hall  
310 Norwich-New London

Tpke

Room 101  
UNCASVILLE, CT  
06382  
US  
914-761-1300

**Ship from:**

Lucia Chiocchio, Esq.

Cuddy & Feder LLP  
445 Hamilton Avenue

Suite 1400  
White Plains, NY  
10601  
US  
9147611300

### Shipment Information:

Tracking no.: 770060427693

Ship date: 03/19/2020

Estimated shipping charges: 10.14 USD

### Package Information

Pricing option: FedEx Standard Rate

Service type: FedEx Express Saver

Package type: FedEx Envelope

Number of packages: 1

Total weight: 1 LBS

Declared Value: 0.00 USD

Special Services:

Pickup/Drop-off: Use an already scheduled pickup at my location

### Billing Information:

Bill transportation to: CuddyFeder-963

Your reference: 1844-3534

P.O. no.:

Invoice no.:

Department no.:

Thank you for shipping online with FedEx ShipManager at [fedex.com](http://fedex.com).

### Please Note

FedEx will not be responsible for any claim in excess of \$100 per package, whether the result of loss, damage, delay, non-delivery, misdelivery, or misinformation, unless you declare a higher value, pay an additional charge, document your actual loss and file a timely claim. Limitations found in the current FedEx Service Guide apply. Your right to recover from FedEx for any loss, including intrinsic value of the package, loss of sales, income interest, profit, attorney's fees, costs, and other forms of damage whether direct, incidental, consequential, or special is limited to the greater of \$100 or the authorized declared value. Recovery cannot exceed actual documented loss. Maximum for items of extraordinary value is \$1000, e.g., jewelry, precious metals, negotiable instruments and other items listed in our Service Guide. Written claims must be filed within strict time limits; Consult the applicable FedEx Service Guide for details.

The estimated shipping charge may be different than the actual charges for your shipment. Differences may occur based on actual weight, dimensions, and other factors. Consult the applicable [FedEx Service Guide](#) or the FedEx Rate Sheets for details on how shipping charges are calculated.



## Shipment Receipt

### Address Information

**Ship to:**

Atlantic Broadband CT LLC

2 Battery March Park

Suite 206

QUINCY, MA

02169

US

914-761-1300

**Ship from:**

Lucia Chiochio, Esq.

Cuddy & Feder LLP

445 Hamilton Avenue

Suite 1400

White Plains, NY

10601

US

9147611300

**Shipment Information:**

Tracking no.: 770060812496

Ship date: 03/19/2020

Estimated shipping charges: 10.14 USD

**Package Information**

Pricing option: FedEx Standard Rate

Service type: FedEx Express Saver

Package type: FedEx Envelope

Number of packages: 1

Total weight: 1 LBS

Declared Value: 0.00 USD

Special Services:

Pickup/Drop-off: Use an already scheduled pickup at my location

**Billing Information:**

Bill transportation to: CuddyFeder-963

Your reference: 1844-3534

P.O. no.:

Invoice no.:

Department no.:

Thank you for shipping online with FedEx ShipManager at [fedex.com](http://fedex.com).

**Please Note**

FedEx will not be responsible for any claim in excess of \$100 per package, whether the result of loss, damage, delay, non-delivery, misdelivery, or misinformation, unless you declare a higher value, pay an additional charge, document your actual loss and file a timely claim. Limitations found in the current FedEx Service Guide apply. Your right to recover from FedEx for any loss, including intrinsic value of the package, loss of sales, income interest, profit, attorney's fees, costs, and other forms of damage whether direct, incidental, consequential, or special is limited to the greater of \$100 or the authorized declared value. Recovery cannot exceed actual documented loss. Maximum for items of extraordinary value is \$1000, e.g., jewelry, precious metals, negotiable instruments and other items listed in our Service Guide. Written claims must be filed within strict time limits; Consult the applicable FedEx Service Guide for details.

The estimated shipping charge may be different than the actual charges for your shipment. Differences may occur based on actual weight, dimensions, and other factors. Consult the applicable [FedEx Service Guide](#) or the FedEx Rate Sheets for details on how shipping charges are calculated.



## Shipment Receipt

### Address Information

**Ship to:**

Robert C. Ecclestone Jr.

135 Fellows Rd

OAKDALE, CT

06370

US

914-761-1300

**Ship from:**

Lucia Chiochio, Esq.

Cuddy & Feder LLP

445 Hamilton Avenue

Suite 1400

White Plains, NY

10601

US

9147611300

**Shipment Information:**

Tracking no.: 770060870087

Ship date: 03/19/2020

Estimated shipping charges: 13.40 USD

**Package Information**

Pricing option: FedEx Standard Rate

Service type: FedEx Express Saver

Package type: FedEx Envelope

Number of packages: 1

Total weight: 1 LBS

Declared Value: 0.00 USD

Special Services:

Pickup/Drop-off: Use an already scheduled pickup at my location

**Billing Information:**

Bill transportation to: CuddyFeder-963

Your reference: 1844-3534

P.O. no.:

Invoice no.:

Department no.:

Thank you for shipping online with FedEx ShipManager at fedex.com.

**Please Note**

FedEx will not be responsible for any claim in excess of \$100 per package, whether the result of loss, damage, delay, non-delivery, misdelivery, or misinformation, unless you declare a higher value, pay an additional charge, document your actual loss and file a timely claim. Limitations found in the current FedEx Service Guide apply. Your right to recover from FedEx for any loss, including intrinsic value of the package, loss of sales, income interest, profit, attorney's fees, costs, and other forms of damage whether direct, incidental, consequential, or special is limited to the greater of \$100 or the authorized declared value. Recovery cannot exceed actual documented loss. Maximum for items of extraordinary value is \$1000, e.g., jewelry, precious metals, negotiable instruments and other items listed in our Service Guide. Written claims must be filed within strict time limits; Consult the applicable FedEx Service Guide for details.

The estimated shipping charge may be different than the actual charges for your shipment. Differences may occur based on actual weight, dimensions, and other factors. Consult the applicable [FedEx Service Guide](#) or the FedEx Rate Sheets for details on how shipping charges are calculated.