

MJ Umali, Site Acquisition Consultant
c/o Cellco Partnership d/b/a Verizon Wireless
Centerline Communications, LLC
750 West Center Street, Floor 3
West Bridgewater, MA 02379
Mobile: (978) 568-7906
MUmali@centerlinecommunications.com

August 11, 2021

Melanie A. Bachman
Acting Executive Director
Connecticut Siting Council
10 Franklin Square
New Britain, CT 06051

**RE: Notice of Exempt Modification // Site: MADISON II CT (ATC: 302540)
8 Old 79, Madison, CT 06443
N 41.2855 // W 72.6013**

Dear Ms. Bachman:

Cellco Partnership d/b/a Verizon Wireless currently maintains 12 antennas at the 140-ft level on the existing 180-foot monopole tower, located at 8 Old 79, Madison, CT. The tower is owned by American Tower. Verizon Wireless now intends to install 6 new antennas for the LTE (3700 MHz) replacements for its 5G upgrade. Additionally, Verizon Wireless will remove 3 Remote Radio Heads (RRHs) and replace them with 3 new ones; altogether updating leased equipment rights, as reflected by the final configuration outlined in the structural analysis and proposed hereby.

Please accept this letter as notification pursuant to Regulations of Connecticut State Agencies §16-50j-73, for construction that constitutes an exempt modification pursuant to R.C.S.A. § 16-50j-72(b)(2). In accordance with R.C.S.A. § 16-50j-73, a copy of this letter is being sent to Peggy Lyons, First Selectwoman of Madison, CT., John DeLaura, Chief Zoning Enforcement Officer for Madison, CT., and American Tower, the tower owner.

The planned modifications to the facility fall squarely within those activities explicitly provided for in R.C.S.A. § 16-50j-72(b)(2). Enclosed to accommodate this filing are construction drawings dated July 26, 2021, by CLS Engineering, PLLC., a structural analysis dated May 4, 2021, by Tower Engineering Professionals, and a structural mount analysis by Maser Consulting Connecticut date June 29, 2021, and radio frequency (RF) analysis table showing worst-case RF emission calculation by Verizon Wireless RF Design Engineering.

1. The proposed modifications will not result in an increase in the height of the existing structure.
2. The proposed modifications will not require the extension of the site boundary.
3. The proposed modifications will not increase noise levels at the facility by six decibels or more, or to levels that exceed state and local criteria.
4. The operation of the new antennas will not increase radio frequency emissions at the facility to a level at or above the Federal Communications Commission safety standard.
5. The proposed modifications will not cause a change or alteration in the physical or environmental characteristics of the site.
6. The existing structure and its foundation can support the proposed loading, as shown in the attached structural analysis by Tower Engineering Professionals, dated May 4, 2021, and a structural mount analysis by Maser Consulting Connecticut, dated June 29, 2021, pursuant to certain conditions defined therein. Design and engineering are fully illustrated within final construction drawings, signed, and stamped dated July 26, 2021.

For the foregoing reasons, Verizon Wireless respectfully submits that the proposed modifications to the above referenced telecommunications facility constitute an exempt modification under R.C.S.A. § 16-50j-72(b)(2).

Sincerely,

MJ Umali

MJ Umali, Site Acquisition Consultant
c/o Cellco Partnership d/b/a Verizon Wireless
Centerline Communications, LLC
750 West Center Street, Floor 3
West Bridgewater, MA 02379
Mobile: (978) 568-7906
MUmali@centerlinecommunications.com

Attachments

cc: Peggy Lyons, First Selectwoman Madison CT - as chief elected official
John DeLaura, Chief Zoning Enforcement Officer - as P&Z official
American Tower Corporation – as the tower owner

UPS CampusShip: View/Print Label

- 1. Ensure there are no other shipping or tracking labels attached to your package.** Select the Print button on the print dialog box that appears. Note: If your browser does not support this function select Print from the File menu to print the label.
- 2. Fold the printed label at the solid line below.** Place the label in a UPS Shipping Pouch. If you do not have a pouch, affix the folded label using clear plastic shipping tape over the entire label.
- 3. GETTING YOUR SHIPMENT TO UPS**
Customers with a Daily Pickup
 Your driver will pickup your shipment(s) as usual.

Customers without a Daily Pickup

Take your package to any location of The UPS Store®, UPS Access Point(TM) location, UPS Drop Box, UPS Customer Center, Staples® or Authorized Shipping Outlet near you. Items sent via UPS Return Services(SM) (including via Ground) are also accepted at Drop Boxes. To find the location nearest you, please visit the Resources area of CampusShip and select UPS Locations.


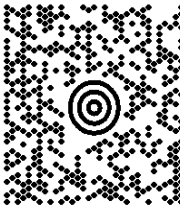
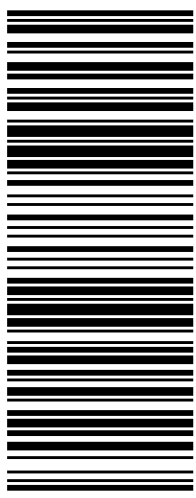

Schedule a same day or future day Pickup to have a UPS driver pickup all your CampusShip packages. Hand the package to any UPS driver in your area.

UPS Access Point™
CVS STORE # 972
555 WASHINGTON ST
SOUTH EASTON ,MA 02375

UPS Access Point™
CVS STORE # 7232
689 DEPOT ST
NORTH EASTON ,MA 02356

UPS Access Point™
TOWN LINE GENERAL STORE
450 E CENTER ST
WEST BRIDGEWATER ,MA 02379

FOLD HERE

<p>1 LBS</p> <p>1 OF 1</p> <p>SHIP TO: PEGGY LYONS, FIRST SELECTWOMAN 8 CAMPUS DRIVE MADISON CT 06443-2562</p> <p>MIJUMALI 9785687906 CENTERLINE COMMUNICATIONS 750 W. CENTER ST. WEST BRIDGEWATER MA 02379</p>	<p>CT 065 2-03</p>  	<p>UPS GROUND</p> <p>TRACKING #: 1Z 9Y4 503 03 0499 9554</p> 	<p>BILLING: P/P</p> <p>Reference # 1: 302540 Reference # 2: Madison CT 6 CS 22.0:18. W/NTNV50 32.0A 08/2021*</p> 
---	--	--	--

UPS CampusShip: View/Print Label

- 1. Ensure there are no other shipping or tracking labels attached to your package.** Select the Print button on the print dialog box that appears. Note: If your browser does not support this function select Print from the File menu to print the label.
- 2. Fold the printed label at the solid line below.** Place the label in a UPS Shipping Pouch. If you do not have a pouch, affix the folded label using clear plastic shipping tape over the entire label.
- 3. GETTING YOUR SHIPMENT TO UPS**
Customers with a Daily Pickup
 Your driver will pickup your shipment(s) as usual.

Customers without a Daily Pickup

Take your package to any location of The UPS Store®, UPS Access Point(TM) location, UPS Drop Box, UPS Customer Center, Staples® or Authorized Shipping Outlet near you. Items sent via UPS Return Services(SM) (including via Ground) are also accepted at Drop Boxes. To find the location nearest you, please visit the Resources area of CampusShip and select UPS Locations.


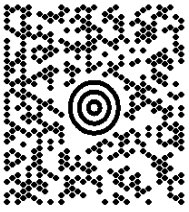
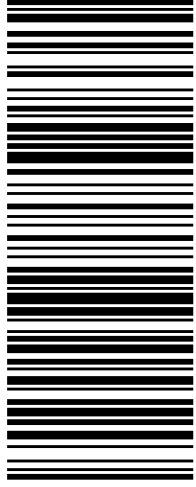

Schedule a same day or future day Pickup to have a UPS driver pickup all your CampusShip packages. Hand the package to any UPS driver in your area.

UPS Access Point™
CVS STORE # 972
555 WASHINGTON ST
SOUTH EASTON ,MA 02375

UPS Access Point™
CVS STORE # 7232
689 DEPOT ST
NORTH EASTON ,MA 02356

UPS Access Point™
TOWN LINE GENERAL STORE
450 E CENTER ST
WEST BRIDGEWATER ,MA 02379

FOLD HERE

<p style="text-align: right;">1 OF 1</p> <p style="text-align: center;">1 LBS</p> <p>SHIP TO: MIJUMALI 9785687906 CENTERLINE COMMUNICATIONS 750 W. CENTER ST. WEST BRIDGEWATER MA 02379</p> <p>CHIEF ZONING ENFORCEMENT OFFICER JOHN DELAURA 8 CAMPUS DRIVE MADISON CT 06443-2562</p>	<p style="font-size: 2em;">CT 065 2-03</p>  	<p style="font-size: 1.5em;">UPS GROUND</p> <p>TRACKING #: 1Z 9Y4 503 03 0491 2566</p> 	<p style="text-align: center;">BILLING: P/P</p> <p style="text-align: center;">  </p> <p>Reference # 1: 302540 Reference # 2: Madison CT 6 <small>CS 22.0:18. W/NTNV50 32.0A 08/2021*</small></p>
---	---	--	---

UPS CampusShip: View/Print Label

- 1. Ensure there are no other shipping or tracking labels attached to your package.** Select the Print button on the print dialog box that appears. Note: If your browser does not support this function select Print from the File menu to print the label.
- 2. Fold the printed label at the solid line below.** Place the label in a UPS Shipping Pouch. If you do not have a pouch, affix the folded label using clear plastic shipping tape over the entire label.
- 3. GETTING YOUR SHIPMENT TO UPS**
Customers with a Daily Pickup
 Your driver will pickup your shipment(s) as usual.

Customers without a Daily Pickup

Take your package to any location of The UPS Store®, UPS Access Point(TM) location, UPS Drop Box, UPS Customer Center, Staples® or Authorized Shipping Outlet near you. Items sent via UPS Return Services(SM) (including via Ground) are also accepted at Drop Boxes. To find the location nearest you, please visit the Resources area of CampusShip and select UPS Locations.

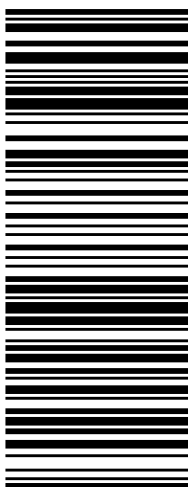
Schedule a same day or future day Pickup to have a UPS driver pickup all your CampusShip packages. Hand the package to any UPS driver in your area.

UPS Access Point™
CVS STORE # 972
555 WASHINGTON ST
SOUTH EASTON ,MA 02375

UPS Access Point™
CVS STORE # 7232
689 DEPOT ST
NORTH EASTON ,MA 02356

UPS Access Point™
TOWN LINE GENERAL STORE
450 E CENTER ST
WEST BRIDGEWATER ,MA 02379

FOLD HERE

<p style="text-align: right;">1 OF 1</p> <p style="text-align: center;">5 LBS</p> <p>MJ UMALT 9785687906 CENTERLINE COMMUNICATIONS, LLC 750 WEST CENTER STREET WEST BRIDGEWATER MA 02379</p> <p>SHIP TO: LAND MANAGEMENT 7814287250 AMERICAN TOWER CORPORATION 10 PRESIDENTIAL WAY WOBURN MA 01801-1053</p>	<p style="font-size: 2em; font-weight: bold;">MA 018 9-04</p> 	<p style="font-size: 1.5em; font-weight: bold;">UPS GROUND</p> <p>TRACKING #: 1Z 9Y4 503 03 0742 7577</p> 	<p style="text-align: center;">BILLING: P/P</p> <p style="text-align: center;">Reference # 1: ATC CSC Hard Copies</p> <p style="font-size: 0.8em;">CS 22.0.18. WNTNV50 32.0A 08/2021*</p> 
---	---	---	--



AMERICAN TOWER®
CORPORATION

This report was prepared for American Tower Corporation by



**TOWER
ENGINEERING
PROFESSIONALS**

Structural Analysis Report

Structure : 148 ft Monopole
ATC Site Name : Madison CT 6, CT
ATC Asset Number : 302540
Engineering Number : 13668702_C3_01
Proposed Carrier : VERIZON WIRELESS
Carrier Site Name : MADISON II CT
Carrier Site Number : 468845
Site Location : 8 Old 79
Madison, CT 06443-2685
41.285500,-72.601300
County : New Haven
Date : May 4, 2021
Max Usage : 50%
Result : Pass

Prepared By:

Greg Trotta

Reviewed By:



05/05/2021

COA: PEC.0001553



Table of Contents

Introduction 1

Supporting Documents 1

Analysis 1

Conclusion..... 1

Existing and Reserved Equipment..... 2

Equipment to be Removed..... 2

Proposed Equipment 3

Structure Usages 3

Foundations 3

Deflection, Twist, and Sway..... 3

Standard Conditions 4

Calculations Attached



Introduction

The purpose of this report is to summarize results of a structural analysis performed on the 148 ft monopole to reflect the change in loading by VERIZON WIRELESS.

Supporting Documents

Tower Drawings	Summit, PJF Job #29299-729, dated November 12, 1999
Foundation Drawing	Spectrasite Project #F301896.00, dated January 4, 2000
Geotechnical Report	Dr. Clarence Welti, P.E., P.C., dated November 19, 1999

Analysis

The tower was analyzed using American Tower Corporation's tower analysis software. This program considers an elastic three-dimensional model and second-order effects per ANSI/TIA-222.

Basic Wind Speed:	123 mph (3-Second Gust)
Basic Wind Speed w/ Ice:	50 mph (3-Second Gust) w/ 1" radial ice concurrent
Code:	ANSI/TIA-222-H / 2015 IBC / 2018 Connecticut State Building Code
Exposure Category:	B
Risk Category:	II
Topographic Factor Procedure:	Method 1
Topographic Category:	1
Spectral Response:	$S_s = 0.20$, $S_1 = 0.05$
Site Class:	D - Stiff Soil

Conclusion

Based on the analysis results, the structure meets the requirements per the applicable codes listed above. The tower and foundation can support the equipment as described in this report.

If you have any questions or require additional information, please contact American Tower via email at Engineering@americantower.com. Please include the American Tower site name, site number, and engineering number in the subject line for any questions.



Existing and Reserved Equipment

Elev. ¹ (ft)	Qty	Antenna	Mount Type	Lines	Carrier
157.0	1	18' Dipole	Low Profile Platform	(5) 7/8" Coax	OTHER
153.0	1	8' Omni			
152.0	1	8' Dipole			
149.0	12	48" x 8" Panel		(12) 1 1/4" Coax	
140.0	1	Commscope LNX-6514DS-A1M	Low Profile Platform	(11) 1 5/8" Coax (2) 1 5/8" (1.63"-41.3mm) Fiber	VERIZON WIRELESS
	2	Andrew LNX-8513DS-A1M			
	3	Commscope CBC78T-DS-43-2X			
	3	Samsung Outdoor CBRS 20W RRH –Clip-on Antenna			
	3	Samsung B2/B66A RRH-BR049			
	3	Samsung B5/B13 RRH-BR04C			
132.0	6	Commscope JAHH-65B-R3B	Platform with Handrails	(2) 0.39" (10mm) Fiber Trunk (4) 0.78" (19.7mm) 8 AWG 6 (12) 1 5/8" Coax (1) 2" conduit (3) 3" conduit	AT&T MOBILITY
	3	Ericsson RRUS A2 B2			
	3	Ericsson Radio 4449 B13, B5			
	2	Raycap DC6-48-60-18-8F ("Squid")			
	6	Powerwave Allgon TT19-08BP111-001			
	6	Powerwave Allgon LGP13519			
	3	Ericsson RRUS 32 B30 (53 lbs)			
	3	Kathrein Scala 80010964			
	3	Commscope SBNHH-1D65A			
120.0	3	KMW AM-X-CD-14-65-00T-RET	Low Profile Platform	(1) 1 1/4" Hybriflex Cable (18) 1 5/8" Coax (1) 1 5/8" (1.63"-41.3mm) Fiber	T-MOBILE
	4	Ericsson RRUS-12 B2			
	4	Ericsson KRY 112 144/1			
112.0	4	Ericsson AIR 21, 1.3 M, B2A B4P	Low Profile Platform	(1) 1 1/4" Hybriflex Cable (18) 1 5/8" Coax (1) 1 5/8" (1.63"-41.3mm) Fiber	T-MOBILE
	4	Ericsson AIR 21, 1.3M, B4A B2P			
112.0	6	6.7" x 10.7" TTA	Flush	-	OTHER
	3	48" x 12" Panel			
97.5	3	Alcatel-Lucent 800 MHz 2X50W RRH w/ Filter	Platform with Handrails	(4) 1 1/4" Hybriflex Cable	SPRINT NEXTEL
	3	Alcatel-Lucent TD-RRH8x20-25 w/ Solar Shield			
	3	Alcatel-Lucent 1900 MHz 4X45 RRH			
	3	RFS APXVSP18-C-A20			
	3	RFS APXV9TM14-ALU-I20			
86.0	3	RFS APXV18-206517S-C	Collar	(6) 1 5/8" Coax	METRO PCS INC
73.0	1	GPS	Flush	(1) 1/2" Coax	SPRINT NEXTEL

Equipment to be Removed

Elev. ¹ (ft)	Qty	Antenna	Mount Type	Lines	Carrier
140.0	2	RFS DB-T1-6Z-8AB-OZ	-	-	VERIZON WIRELESS
	3	Samsung Outdoor CBRS 20W RRH			



Proposed Equipment

Elev. ¹ (ft)	Qty	Antenna	Mount Type	Lines	Carrier
140.0	3	Samsung RT4401-48A	Low Profile Platform	-	VERIZON WIRELESS
	1	RFS DB-C1-12C-24AB-0Z			
	3	Samsung MT6407-77A			

¹ Contracted elevations are shown for appurtenances within contracted installation tolerances. Appurtenances outside of contract limits are shown at installed elevations.

Structure Usages

Structural Component	Controlling Usage	Pass/Fail
Anchor Bolts	49%	Pass
Shaft	50%	Pass
Base Plate	40%	Pass

Foundations

Reaction Component	Original Design Reactions	Factored Design Reactions*	Analysis Reactions	% of Design
Moment (Kips-Ft)	5,050.0	6,817.5	3,308.6	48%
Shear (Kips)	47.0	63.5	30.92	49%

* The design reactions are factored by 1.35 per ANSI/TIA-222-H, Sec. 15.6.2

The structure base reactions resulting from this analysis are acceptable when compared to those shown on the original structure drawings, therefore no modification or reinforcement of the foundation will be required.

Deflection and Sway*

Antenna Elevation (ft)	Antenna	Carrier	Deflection (ft)	Sway (Rotation) (°)
140.0	Samsung RT4401-48A	VERIZON WIRELESS	0.922	0.746
	RFS DB-C1-12C-24AB-0Z			
	Samsung MT6407-77A			

*Deflection and Sway was evaluated considering a design wind speed of 60 mph (3-Second Gust) per ANSI/TIA-222-H



Standard Conditions

All engineering services performed by A.T. Engineering Service, PLLC are prepared on the basis that the information used is current and correct. This information may consist of, but is not limited to the following:

- Information supplied by the client regarding antenna, mounts and feed line loading
- Information from drawings, design and analysis documents, and field notes in the possession of A.T. Engineering Service, PLLC

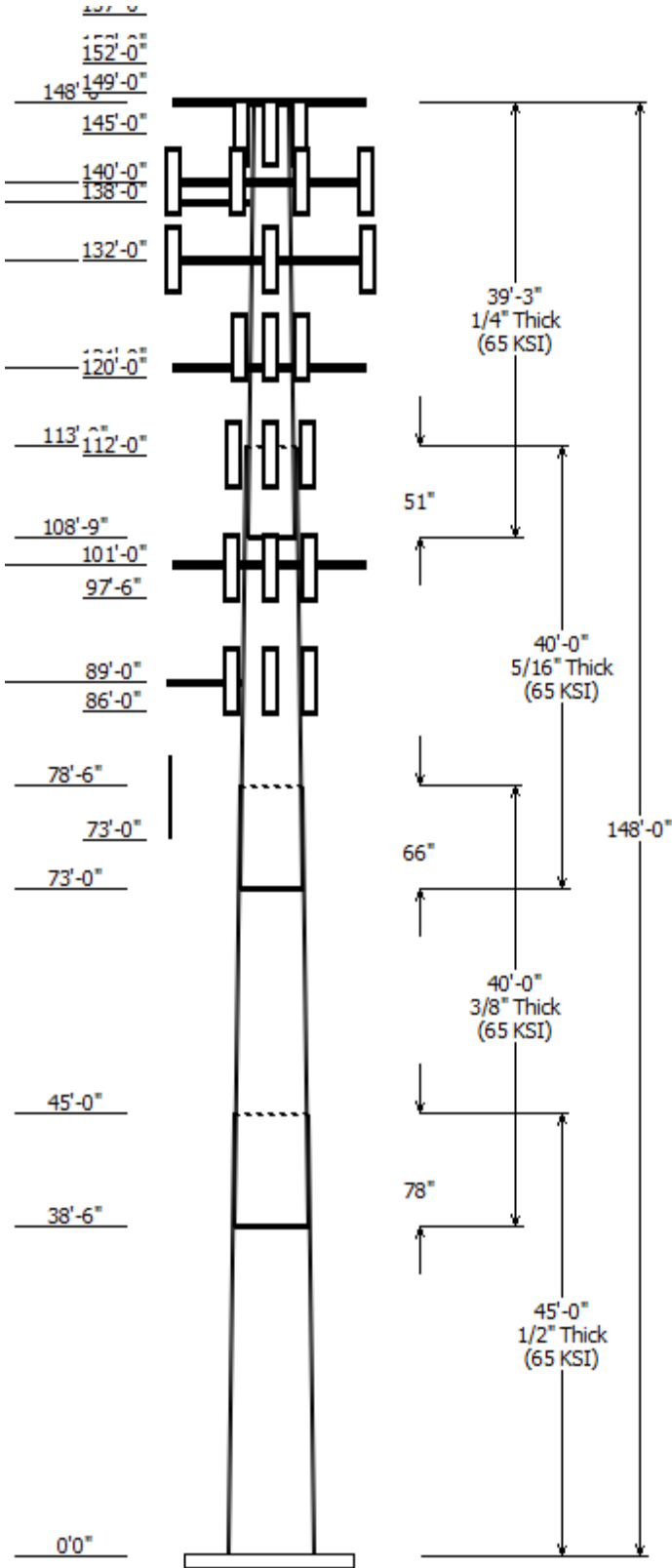
It is the responsibility of the client to ensure that the information provided to A.T. Engineering Service, PLLC and used in the performance of our engineering services is correct and complete.

All assets of American Tower Corporation, its affiliates and subsidiaries (collectively "American Tower") are inspected at regular intervals. Based upon these inspections and in the absence of information to the contrary, American Tower assumes that all structures were constructed in accordance with the drawings and specifications.

Unless explicitly agreed by both the client and A.T. Engineering Service, PLLC, all services will be performed in accordance with the current revision of ANSI/TIA-222.

All services are performed, results obtained, and recommendations made in accordance with generally accepted engineering principles and practices. A.T. Engineering Service, PLLC is not responsible for the conclusions, opinions and recommendations made by others based on the information supplied herein.

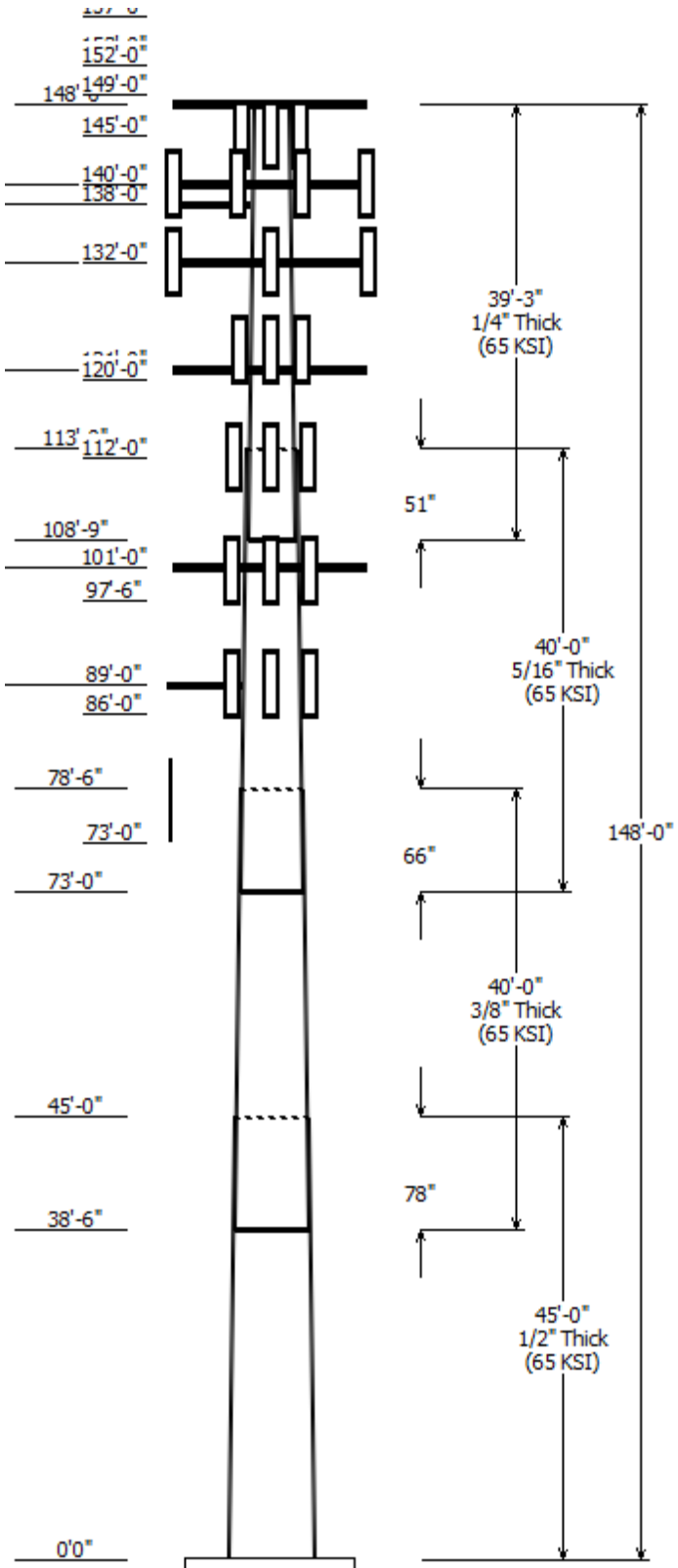
© 2007 - 2021 by ATC IP LLC. All rights reserved.



Job Information	
Client : VERIZON WIRELESS	Code: ANSI/TIA-222-H
Pole : 302540	
Location : Madison CT 6, CT	
Description : 148 ft Summit Monopole	Risk Category : II
Shape : 18 Sides	Exposure : B
Height : 148.00 (ft)	Topo Method : Method 1
Base Elev (ft): 0.00	Topographic Category : 1
Taper: 0.26300(in/ft)	

Sections Properties						
Shaft Section	Length (ft)	Diameter (in)		Thick Joint (in)	Overlap Length (in)	Steel Grade
		Top	Bottom			
1	45.000	49.21	61.05	0.500	0.000	18 Sides 65
2	40.000	41.15	51.67	0.375	78.000	18 Sides 65
3	40.000	32.70	43.22	0.313	66.000	18 Sides 65
4	39.250	24.00	34.32	0.250	51.000	18 Sides 65

Discrete Appurtenance			
Attach Elev (ft)	Force Elev (ft)	Qty	Description
157.000	157.000	1	Generic 18' Dipole
153.000	153.000	1	Generic 8' Omni
152.000	152.000	1	Generic 8' Dipole
149.000	149.000	12	Generic 48" x 8" Panel
148.000	148.000	1	Flat Low Profile Platform
145.000	145.000	2	Andrew LNX-8513DS-A1M
145.000	145.000	1	Commscope LNX-6514DS-A1M
140.000	140.000	1	Flat Low Profile Platform
140.000	140.000	6	Commscope JAHH-65B-R3B
140.000	140.000	1	RFS DB-C1-12C-24AB-0Z
140.000	140.000	3	Samsung B5/B13 RRH-BR04C
140.000	140.000	3	Samsung B2/B66A RRH-BR049
140.000	140.000	3	Samsung MT6407-77A
140.000	140.000	3	Samsung RT4401-48A
140.000	140.000	3	Samsung Outdoor CBRS 20W
140.000	140.000	3	Commscope CBC78T-DS-43-2X
138.000	138.000	1	Collar
132.000	132.000	1	Flat Platform w/ Handrails
132.000	132.000	3	Kathrein Scala 80010964
132.000	132.000	3	Commscope SBNHH-1D65A
132.000	132.000	3	KMW AM-X-CD-14-65-00T-RET
132.000	132.000	3	Ericsson RRUS-12 B2
132.000	132.000	3	Ericsson RRUS 32 B30 (53 lbs)
132.000	132.000	3	Ericsson RRUS A2 B2
132.000	132.000	3	Ericsson Radio 4449 B13, B5
132.000	132.000	2	Raycap DC6-48-60-18-8F
132.000	132.000	6	Powerwave Allgon TT19-
132.000	132.000	6	Powerwave Allgon LGP13519
121.000	121.000	1	Round Low Profile Platform
120.000	121.000	4	Ericsson AIR 21, 1.3M, B4A B2P
120.000	121.000	4	Ericsson AIR 21, 1.3 M, B2A B4
120.000	121.000	4	Ericsson KRY 112 144/1
112.000	112.000	3	Generic 48" x 12" Panel
112.000	112.000	6	Generic 6.7" x 10.7" TTA
101.000	101.000	1	Flat Platform w/ Handrails
97.500	101.000	3	RFS APXVSP18-C-A20
97.500	101.000	3	RFS APXV9TM14-ALU-I20
97.500	101.000	3	Alcatel-Lucent TD-RRH8x20-25
97.500	101.000	3	Alcatel-Lucent 800 MHz 2X50W
97.500	101.000	3	Alcatel-Lucent 1900 MHz 4X45
89.000	89.000	1	Collar
86.000	89.000	3	RFS APXV18-206517S-C
73.000	75.000	1	Generic GPS



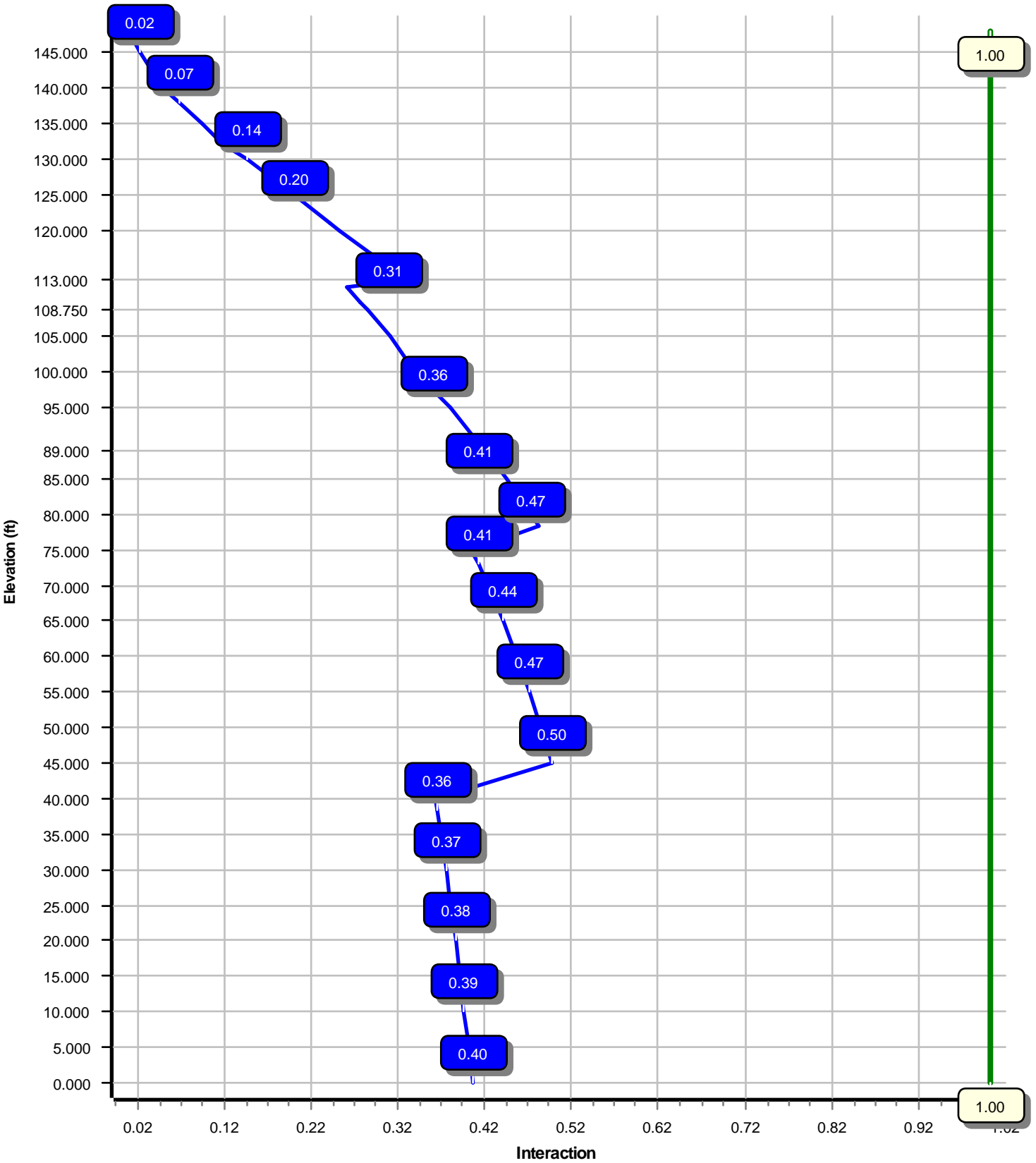
Linear Appurtenance			
Elev (ft)	From To		Exposed To Wind
	From	To	
0.000	73.000	1/2" Coax	Yes
0.000	86.000	1 5/8" Coax	No
0.000	97.500	1 1/4" Hybriflex	No
0.000	120.0	1 5/8" (1.63"-	No
0.000	120.0	1 5/8" Coax	Yes
0.000	120.0	1 5/8" Coax	No
0.000	121.0	1 1/4" Hybriflex	Yes
0.000	121.0	1 5/8" Coax	No
0.000	132.0	0.39" (10mm)	No
0.000	132.0	0.78" (19.7mm) 8	No
0.000	132.0	1 5/8" Coax	No
0.000	132.0	2" conduit	No
0.000	132.0	3" conduit	No
0.000	140.0	1 5/8" (1.63"-	No
0.000	145.0	1 5/8" Coax	No
0.000	149.0	1 1/4" Coax	No
0.000	153.0	7/8" Coax	No
0.000	157.0	7/8" Coax	No

Load Cases	
1.2D + 1.0W	123 mph with No Ice
0.9D + 1.0W	123 mph with No Ice (Reduced DL)
1.2D + 1.0Di + 1.0Wi	50 mph with 1.00 in Radial Ice
1.2D + 1.0Ev + 1.0Eh	Seismic
0.9D - 1.0Ev + 1.0Eh	Seismic (Reduced DL)
1.0D + 1.0W	Serviceability 60 mph

Reactions			
Load Case	Moment (kip-ft)	Shear (kip)	Axial (kip)
1.2D + 1.0W	3308.58	30.92	65.93
0.9D + 1.0W	3279.30	30.91	49.44
1.2D + 1.0Di + 1.0Wi	841.03	7.95	85.48
1.2D + 1.0Ev + 1.0Eh	192.67	1.65	65.81
0.9D - 1.0Ev + 1.0Eh	190.40	1.65	45.31
1.0D + 1.0W	700.54	6.58	54.96

Dish Deflections			
Load Case	Attach Elev (ft)	Deflection (in)	Rotation (deg)
	0.00	0.000	0.000

Load Case : 1.2D + 1.0W
Max Ratio 49.53% at 45.0 ft



Site Number: 302540

Code: ANSI/TIA-222-H

© 2007 - 2021 by ATC IP LLC. All rights reserved.

Site Name: Madison CT 6, CT

Engineering Number: 13668702_C3_01

5/5/2021 9:49:46 AM

Customer: VERIZON WIRELESS

Analysis Parameters

Location :	New Haven County, CT	Height (ft) :	148
Code :	ANSI/TIA-222-H	Base Diameter (in) :	61.05
Shape :	18 Sides	Top Diameter (in) :	24.00
Pole Type :	Taper	Taper (in/ft) :	0.263
Pole Manufacturer :	Summit Manufacturing	Rotation (deg) :	0.00
Kd (non-service) :	0.95	Ke :	1.00

Ice & Wind Parameters

Exposure Category:	B	Design Wind Speed Without Ice:	123 mph
Risk Category:	II	Design Wind Speed With Ice:	50 mph
Topographic Factor Procedure:	Method 1	Operational Wind Speed:	60 mph
Topographic Category:	1	Design Ice Thickness:	1.00 in
Crest Height:	0 ft	HMSL:	30.00 ft

Seismic Parameters

Analysis Method:	Equivalent Lateral Force Method		
Site Class:	D - Stiff Soil		
Period Based on Rayleigh Method (sec):	2.03		
T_L (sec):	6	p :	1
S_s :	0.205	S_1 :	0.054
F_a :	1.600	F_v :	2.400
S_{ds} :	0.219	S_{d1} :	0.086
		C_s :	0.030
		C_s Max:	0.030
		C_s Min:	0.030

Load Cases

1.2D + 1.0W	123 mph with No Ice
0.9D + 1.0W	123 mph with No Ice (Reduced DL)
1.2D + 1.0Di + 1.0Wi	50 mph with 1.00 in Radial Ice
1.2D + 1.0Ev + 1.0Eh	Seismic
0.9D - 1.0Ev + 1.0Eh	Seismic (Reduced DL)
1.0D + 1.0W	Serviceability 60 mph

Site Number: 302540

Code: ANSI/TIA-222-H

© 2007 - 2021 by ATC IP LLC. All rights reserved.

Site Name: Madison CT 6, CT

Engineering Number: 13668702_C3_01

5/5/2021 9:49:46 AM

Customer: VERIZON WIRELESS

Shaft Section Properties

Sect Info	Length (ft)	Thick (in)	Fy (ksi)	Joint Type	Slip Joint Len (in)	Weight (lb)	Bottom						Top						
							Dia (in)	Elev (ft)	Area (in ²)	Ix (in ⁴)	W/t Ratio	D/t Ratio	Dia (in)	Elev (ft)	Area (in ²)	Ix (in ⁴)	W/t Ratio	D/t Ratio	Taper (in/ft)
1-18	45.000	0.5000	65		0.00	13,276	61.05	0.00	96.09	44509.7	19.77	122.10	49.21	45.00	77.31	23178.9	15.59	98.43	0.263006
2-18	40.000	0.3750	65	Slip	78.00	7,458	51.67	38.50	61.06	20300.5	22.53	137.80	41.15	78.50	48.54	10197.2	17.59	109.74	0.263006
3-18	40.000	0.3125	65	Slip	66.00	5,083	43.22	73.00	42.56	9902.8	22.63	138.32	32.70	113.00	32.13	4259.3	16.69	104.66	0.263006
4-18	39.250	0.2500	65	Slip	51.00	3,064	34.32	108.75	27.04	3965.7	22.45	137.29	24.00	148.00	18.84	1343.0	15.16	96.00	0.263006
Shaft Weight						28,881													

Discrete Appurtenance Properties

Attach Elev (ft)	Description	Qty	Ka	Vert Ecc (ft)	Weight (lb)	No Ice EPAa (sf)	Orientation Factor	Weight (lb)	Ice EPAa (sf)	Orientation Factor
157.00	Generic 18' Dipole	1	1.00	0.000	55.00	6.770	1.00	187.84	13.893	1.00
153.00	Generic 8' Omni	1	1.00	0.000	25.00	2.400	1.00	65.65	4.231	1.00
152.00	Generic 8' Dipole	1	1.00	0.000	25.00	3.010	1.00	84.56	6.115	1.00
149.00	Generic 48" x 8" Panel	12	0.80	0.000	20.00	3.615	0.73	78.91	4.860	0.73
148.00	Flat Low Profile Platform	1	1.00	0.000	1,500.00	26.100	1.00	1,931.79	38.824	1.00
145.00	Commscope LNX-6514DS-A1M	1	0.80	0.000	38.80	8.173	1.00	155.73	10.046	1.00
145.00	Andrew LNX-8513DS-A1M	2	0.80	0.000	39.20	8.173	0.77	156.12	10.046	0.77
140.00	Commscope CBC78T-DS-43-2X	3	0.80	0.000	20.70	0.552	0.50	35.35	0.889	0.50
140.00	Samsung Outdoor CBRS 20W	3	0.80	0.000	4.40	0.892	0.50	16.34	1.316	0.50
140.00	Samsung RT4401-48A	3	0.80	0.000	18.60	0.996	0.50	36.50	1.450	0.50
140.00	Samsung B2/B66A RRH-BR049	3	0.80	0.000	84.40	1.875	0.50	126.69	2.473	0.50
140.00	Samsung B5/B13 RRH-BR04C	3	0.80	0.000	70.30	1.875	0.50	108.22	2.473	0.50
140.00	RFS DB-C1-12C-24AB-0Z	1	0.80	0.000	32.00	4.056	1.00	116.26	4.961	1.00
140.00	Samsung MT6407-77A	3	0.80	0.000	81.60	4.709	0.61	149.17	5.716	0.61
140.00	Commscope JAHH-65B-R3B	6	0.80	0.000	60.60	9.113	0.69	194.72	10.952	0.69
140.00	Flat Low Profile Platform	1	1.00	0.000	1,500.00	26.100	1.00	1,929.53	38.757	1.00
138.00	Collar	1	1.00	0.000	560.00	8.500	1.00	869.81	13.202	1.00
132.00	Powerwave Allgon LGP13519	6	0.75	0.000	5.30	0.290	0.50	11.55	0.545	0.50
132.00	Powerwave Allgon TT19-	6	0.75	0.000	16.00	0.553	0.50	29.31	0.890	0.50
132.00	Raycap DC6-48-60-18-8F	2	0.75	0.000	31.80	1.470	1.00	72.46	1.930	1.00
132.00	Ericsson Radio 4449 B13, B5	3	0.75	0.000	70.60	1.969	0.50	113.03	2.583	0.50
132.00	Ericsson RRUS A2 B2	3	0.75	0.000	22.00	2.064	0.67	51.06	2.686	0.67
132.00	Ericsson RRUS 32 B30 (53 lbs)	3	0.75	0.000	53.00	2.743	0.67	101.47	3.514	0.67
132.00	Ericsson RRUS-12 B2	3	0.75	0.000	58.00	3.145	0.62	111.31	3.909	0.62
132.00	KMW AM-X-CD-14-65-00T-RET	3	0.75	0.000	36.40	4.994	0.66	109.75	6.225	0.66
132.00	Commscope SBNHH-1D65A	3	0.75	0.000	33.50	5.883	0.69	122.71	7.285	0.69
132.00	Kathrein Scala 80010964	3	0.75	0.000	83.80	9.997	0.62	218.62	11.553	0.62
132.00	Flat Platform w/ Handrails	1	1.00	0.000	2,000.00	42.400	1.00	2,936.62	56.222	1.00
121.00	Round Low Profile Platform	1	1.00	0.000	2,000.00	23.500	1.00	2,564.58	37.089	1.00
120.00	Ericsson KRY 112 144/1	4	0.80	1.000	11.00	0.351	0.50	18.01	0.616	0.50
120.00	Ericsson AIR 21, 1.3 M, B2A B4P	4	0.80	1.000	83.00	6.049	0.71	178.14	7.458	0.71
120.00	Ericsson AIR 21, 1.3M, B4A B2P	4	0.80	1.000	81.50	6.092	0.70	176.29	7.503	0.70
112.00	Generic 6.7" x 10.7" TTA	6	1.00	0.000	9.90	0.597	0.50	15.66	0.943	0.50
112.00	Generic 48" x 12" Panel	3	1.00	0.000	30.00	5.067	0.66	103.39	6.280	0.66
101.00	Flat Platform w/ Handrails	1	1.00	0.000	2,000.00	42.400	1.00	2,912.13	55.860	1.00
97.50	Alcatel-Lucent 800 MHz 2X50W	3	0.75	3.500	64.00	2.058	0.67	113.23	2.670	0.67
97.50	Alcatel-Lucent 1900 MHz 4X45	3	0.75	3.500	60.00	2.322	0.67	111.50	3.013	0.67
97.50	Alcatel-Lucent TD-RRH8x20-25	3	0.75	3.500	70.00	4.046	0.61	130.39	4.894	0.61
97.50	RFS APXV9TM14-ALU-I20	3	0.75	3.500	55.10	6.381	0.66	143.04	7.782	0.66
97.50	RFS APXVSP18-C-A20	3	0.75	3.500	57.00	8.024	0.69	167.23	9.807	0.69
89.00	Collar	1	1.00	0.000	560.00	8.500	1.00	856.33	12.998	1.00
86.00	RFS APXV18-206517S-C	3	1.00	3.000	26.40	5.160	0.68	84.92	6.654	0.68
73.00	Generic GPS	1	1.00	2.000	10.00	0.900	1.00	28.15	1.297	1.00
Totals	Num Loadings:43	125			14,940.00			25,502.09		

Site Number: 302540

Code: ANSI/TIA-222-H

© 2007 - 2021 by ATC IP LLC. All rights reserved.

Site Name: Madison CT 6, CT

Engineering Number: 13668702_C3_01

5/5/2021 9:49:46 AM

Customer: VERIZON WIRELESS

Linear Appurtenance Properties Load Case Azimuth (deg) : 90

Elev From (ft)	Elev To (ft)	Qty	Description	Coax Dia (in)	Coax Wt (lb/ft)	Max Coax / Flat Row	Dist Between Rows (in)	Dist Between Cols (in)	Azimuth (deg)	Dist From Face (in)	Exposed To Wind	Carrier
0.00	157.00	2	7/8" Coax	1.09	0.33	N 0	0.00	0.00	0	0.00	N	Other
0.00	153.00	1	7/8" Coax	1.09	0.33	N 0	0.00	0.00	0	0.00	N	Other
0.00	152.00	2	7/8" Coax	1.09	0.33	N 0	0.00	0.00	0	0.00	N	OTHER
0.00	149.00	12	1 1/4" Coax	1.55	0.63	N 0	0.00	0.00	0	0.00	N	SPRINT NEXTEL
0.00	145.00	11	1 5/8" Coax	1.98	0.82	N 0	0.00	0.00	0	0.00	N	VERIZON WIRELESS
0.00	140.00	2	1 5/8" (1.63"-41.3mm)	1.63	1.61	N 0	0.00	0.00	0	0.00	N	VERIZON WIRELESS
0.00	132.00	2	0.39" (10mm) Fiber	0.39	0.06	N 0	0.00	0.00	0	0.00	N	AT&T MOBILITY
0.00	132.00	4	0.78" (19.7mm) 8 AWG	0.78	0.59	N 0	0.00	0.00	0	0.00	N	AT&T MOBILITY
0.00	132.00	12	1 5/8" Coax	1.98	0.82	N 0	0.00	0.00	0	0.00	N	AT&T MOBILITY
0.00	132.00	1	2" conduit	2.38	3.65	N 0	0.00	0.00	0	0.00	N	AT&T MOBILITY
0.00	132.00	3	3" conduit	3.50	7.58	N 0	0.00	0.00	0	0.00	N	AT&T MOBILITY
0.00	121.00	1	1 1/4" Hybriflex Cable	1.54	1.00	N 1	1.00	1.00	75	1.00	Y	T-MOBILE
0.00	121.00	2	1 5/8" Coax	1.98	0.82	N 0	0.00	0.00	0	0.00	N	T-MOBILE
0.00	120.00	1	1 5/8" (1.63"-41.3mm)	1.63	1.61	N 0	0.00	0.00	0	0.00	N	T-MOBILE
0.00	120.00	10	1 5/8" Coax	1.98	0.82	N 5	1.00	1.00	90	1.00	Y	T-MOBILE
0.00	120.00	6	1 5/8" Coax	1.98	0.82	N 0	0.00	0.00	0	0.00	N	T-MOBILE
0.00	97.50	4	1 1/4" Hybriflex Cable	1.54	1.00	N 0	0.00	0.00	0	0.00	N	SPRINT NEXTEL
0.00	86.00	6	1 5/8" Coax	1.98	0.82	N 0	0.00	0.00	0	0.00	N	METRO PCS INC
0.00	73.00	1	1/2" Coax	0.63	0.15	N 1	0.00	0.00	30	0.00	Y	SPRINT NEXTEL

Segment Properties (Max Len : 5. ft)

Seg Top Elev (ft)	Description	Thick (in)	Flat Dia (in)	Area (in ²)	Ix (in ⁴)	W/t Ratio	D/t Ratio	F'y (ksi)	S (in ³)	Z (in ³)	Weight (lb)
0.00		0.5000	61.050	96.089	44,509.7	19.77	122.10	78.2	1436.	0.0	0.0
5.00		0.5000	59.735	94.002	41,672.2	19.30	119.47	78.7	1374.	0.0	1,617.1
10.00		0.5000	58.420	91.915	38,958.0	18.84	116.84	79.2	1313.	0.0	1,581.6
15.00		0.5000	57.105	89.829	36,364.2	18.37	114.21	79.8	1254.	0.0	1,546.1
20.00		0.5000	55.790	87.742	33,888.2	17.91	111.58	80.3	1196.	0.0	1,510.6
25.00		0.5000	54.475	85.655	31,527.3	17.45	108.95	80.9	1139.	0.0	1,475.1
30.00		0.5000	53.160	83.568	29,278.6	16.98	106.32	81.4	1084.	0.0	1,439.6
35.00		0.5000	51.845	81.481	27,139.4	16.52	103.69	82.0	1031.	0.0	1,404.1
38.50	Bot - Section 2	0.5000	50.924	80.020	25,705.8	16.20	101.85	82.4	994.2	0.0	961.7
40.00		0.5000	50.530	79.394	25,107.1	16.06	101.06	82.5	978.7	0.0	717.3
45.00	Top - Section 1	0.3750	49.965	59.022	18,337.8	21.73	133.24	75.8	722.9	0.0	2,350.6
50.00		0.3750	48.650	57.457	16,917.3	21.11	129.73	76.6	684.9	0.0	990.9
55.00		0.3750	47.335	55.892	15,572.1	20.49	126.23	77.3	648.0	0.0	964.2
60.00		0.3750	46.020	54.326	14,300.2	19.88	122.72	78.0	612.0	0.0	937.6
65.00		0.3750	44.705	52.761	13,099.5	19.26	119.21	78.8	577.1	0.0	911.0
70.00		0.3750	43.389	51.196	11,967.9	18.64	115.71	79.5	543.3	0.0	884.4
73.00	Bot - Section 3	0.3750	42.600	50.257	11,321.4	18.27	113.60	79.9	523.4	0.0	517.8
75.00		0.3750	42.074	49.631	10,903.5	18.02	112.20	80.2	510.4	0.0	627.8
78.50	Top - Section 2	0.3125	41.779	41.128	8,934.8	21.81	133.69	75.7	421.2	0.0	1,079.8
80.00		0.3125	41.384	40.737	8,682.2	21.59	132.43	76.0	413.2	0.0	208.9
85.00		0.3125	40.069	39.432	7,874.7	20.85	128.22	76.9	387.1	0.0	682.0
86.00		0.3125	39.806	39.172	7,719.4	20.70	127.38	77.1	382.0	0.0	133.7
89.00		0.3125	39.017	38.389	7,265.9	20.25	124.86	77.6	366.8	0.0	395.9
90.00		0.3125	38.754	38.128	7,118.8	20.10	124.01	77.8	361.8	0.0	130.2
95.00		0.3125	37.439	36.824	6,412.9	19.36	119.81	78.6	337.4	0.0	637.6
97.50		0.3125	36.782	36.172	6,078.2	18.99	117.70	79.1	325.5	0.0	310.5
100.0		0.3125	36.124	35.520	5,755.4	18.62	115.60	79.5	313.8	0.0	304.9
101.0		0.3125	35.861	35.259	5,629.5	18.47	114.76	79.7	309.2	0.0	120.4
105.0		0.3125	34.809	34.215	5,144.3	17.88	111.39	80.4	291.1	0.0	472.8
108.7	Bot - Section 4	0.3125	33.823	33.237	4,715.6	17.32	108.23	81.0	274.6	0.0	430.4
110.0		0.3125	33.494	32.911	4,578.2	17.14	107.18	81.2	269.2	0.0	255.1
112.0		0.3125	32.968	32.389	4,363.9	16.84	105.50	81.6	260.7	0.0	403.0
113.0	Top - Section 3	0.2500	33.205	26.149	3,588.0	21.66	132.82	75.9	212.8	0.0	199.1
115.0		0.2500	32.679	25.732	3,419.0	21.29	130.72	76.4	206.1	0.0	176.5
120.0		0.2500	31.364	24.688	3,019.7	20.36	125.46	77.5	189.6	0.0	428.9
121.0		0.2500	31.101	24.480	2,943.7	20.17	124.40	77.7	186.4	0.0	83.7
125.0		0.2500	30.049	23.645	2,652.7	19.43	120.20	78.5	173.9	0.0	327.5
130.0		0.2500	28.734	22.601	2,316.8	18.50	114.94	79.6	158.8	0.0	393.4
132.0		0.2500	28.208	22.184	2,190.8	18.13	112.83	80.1	153.0	0.0	152.4
135.0		0.2500	27.419	21.558	2,010.5	17.58	109.68	80.7	144.4	0.0	223.3
138.0		0.2500	26.630	20.932	1,840.4	17.02	106.52	81.4	136.1	0.0	216.9
140.0		0.2500	26.104	20.514	1,732.5	16.65	104.42	81.8	130.7	0.0	141.0
145.0		0.2500	24.789	19.471	1,481.3	15.72	99.16	82.6	117.7	0.0	340.2
148.0		0.2500	24.000	18.845	1,343.0	15.16	96.00	82.6	110.2	0.0	195.6
28,881.1											

Load Case: 1.2D + 1.0W	123 mph with No Ice	22 Iterations
Gust Response Factor :1.10		
Dead Load Factor :1.20		
Wind Load Factor :1.00		

Applied Segment Forces Summary

Seg Elev (ft)	Description	Shaft Forces		Discrete Forces			Linear Forces		Sum of Forces				
		Wind FX (lb)	Dead Load (lb)	Wind FX (lb)	Torsion MY (lb-ft)	Moment MZ (lb-ft)	Dead Load (lb)	Wind FX (lb)	Dead Load (lb)	Wind FX (lb)	Dead Load (lb)	Torsion MY (lb-ft)	Moment MZ (lb)
0.00		263.9	0.0					0.0	0.0	263.9	0.0	0.0	0.0
5.00		522.1	1,940.5					0.0	519.6	522.1	2,460.1	0.0	0.0
10.00		510.6	1,897.9					0.0	519.6	510.6	2,417.5	0.0	0.0
15.00		499.1	1,855.3					0.0	519.6	499.1	2,374.9	0.0	0.0
20.00		487.6	1,812.7					0.0	519.6	487.6	2,332.3	0.0	0.0
25.00		476.2	1,770.1					0.0	519.6	476.2	2,289.7	0.0	0.0
30.00		470.2	1,727.5					0.0	519.6	470.2	2,247.1	0.0	0.0
35.00		401.7	1,684.9					0.0	519.6	401.7	2,204.5	0.0	0.0
38.50	Bot - Section 2	239.7	1,154.1					0.0	363.7	239.7	1,517.8	0.0	0.0
40.00		317.5	860.7					0.0	155.9	317.5	1,016.6	0.0	0.0
45.00	Top - Section 1	490.5	2,820.7					0.0	519.6	490.5	3,340.3	0.0	0.0
50.00		492.3	1,189.1					0.0	519.6	492.3	1,708.7	0.0	0.0
55.00		492.2	1,157.1					0.0	519.6	492.2	1,676.7	0.0	0.0
60.00		490.6	1,125.1					0.0	519.6	490.6	1,644.7	0.0	0.0
65.00		487.6	1,093.2					0.0	519.6	487.6	1,612.8	0.0	0.0
70.00		387.5	1,061.2					0.0	519.6	387.5	1,580.8	0.0	0.0
73.00	Bot - Section 3	241.9	621.4	33.1	0.0	66.2	12.0	0.0	311.8	275.0	945.2	0.0	0.0
75.00		266.4	753.3					0.0	207.5	266.4	960.8	0.0	0.0
78.50	Top - Section 2	241.2	1,295.8					0.0	363.1	241.2	1,658.9	0.0	0.0
80.00		309.9	250.7					0.0	155.6	309.9	406.3	0.0	0.0
85.00		285.0	818.4					0.0	518.7	285.0	1,337.1	0.0	0.0
86.00	Appurtenance(s)	187.6	160.5	406.8	0.0	1,220.4	95.0	0.0	103.7	594.4	359.3	0.0	0.0
89.00	Appurtenance(s)	186.9	475.1	328.5	0.0	0.0	672.0	0.0	293.5	515.4	1,440.6	0.0	0.0
90.00		276.4	156.2					0.0	97.8	276.4	254.1	0.0	0.0
95.00		343.1	765.1					0.0	489.2	343.1	1,254.3	0.0	0.0
97.50	Appurtenance(s)	225.3	372.6	1,365.8	0.0	4,780.5	1,102.0	0.0	244.6	1,591.1	1,719.1	0.0	0.0
100.00		156.5	365.9					0.0	232.6	156.5	598.5	0.0	0.0
101.00	Appurtenance(s)	220.4	144.5	1,698.8	0.0	0.0	2,400.0	0.0	93.0	1,919.2	2,637.5	0.0	0.0
105.00		337.7	567.4					0.0	372.1	337.7	939.5	0.0	0.0
108.75	Bot - Section 4	215.9	516.4					0.0	348.9	215.9	865.3	0.0	0.0
110.00		139.8	306.1					0.0	116.3	139.8	422.4	0.0	0.0
112.00	Appurtenance(s)	128.3	483.6	487.9	0.0	0.0	179.3	0.0	186.1	616.3	849.0	0.0	0.0
113.00	Top - Section 3	126.9	238.9					0.0	93.0	126.9	332.0	0.0	0.0
115.00		291.3	211.8					0.0	186.1	291.3	397.9	0.0	0.0
120.00	Appurtenance(s)	247.5	514.7	1,179.2	0.0	1,179.2	842.4	0.0	465.2	1,426.8	1,822.3	0.0	0.0
121.00	Appurtenance(s)	200.8	100.4	991.5	0.0	0.0	2,400.0	0.0	75.4	1,192.2	2,575.7	0.0	0.0
125.00		354.5	393.0					0.0	288.8	354.5	681.8	0.0	0.0
130.00		270.3	472.1					0.0	361.0	270.3	833.1	0.0	0.0
132.00	Appurtenance(s)	187.7	182.9	3,929.2	0.0	0.0	3,916.0	0.0	144.4	4,117.0	4,243.2	0.0	0.0
135.00		221.2	267.9					0.0	77.2	221.2	345.1	0.0	0.0
138.00	Appurtenance(s)	180.8	260.2	372.3	0.0	0.0	672.0	0.0	77.2	553.2	1,009.5	0.0	0.0
140.00	Appurtenance(s)	245.2	169.2	3,248.2	0.0	0.0	3,282.7	0.0	51.5	3,493.5	3,503.4	0.0	0.0
145.00	Appurtenance(s)	274.4	408.2	737.8	0.0	0.0	140.6	0.0	109.4	1,012.3	658.2	0.0	0.0
148.00	Appurtenance(s)	100.7	234.7	1,166.4	0.0	0.0	1,800.0	0.0	33.2	1,267.1	2,067.8	0.0	0.0
Totals:										29,438.9	65,542.4	0.00	0.00

Load Case: 1.2D + 1.0W

123 mph with No Ice

22 Iterations

Gust Response Factor :1.10
 Dead Load Factor :1.20
 Wind Load Factor :1.00

Calculated Forces

Seg Elev (ft)	Pu FY (-) (kips)	Vu FX (-) (kips)	Tu MY (ft-kips)	Mu MZ (ft-kips)	Mu MX (ft-kips)	Resultant Moment (ft-kips)	phi Pn (kips)	phi Vn (kips)	phi Tn (ft-kips)	phi Mn (ft-kips)	Total Deflect (in)	Rotation (deg)	Ratio
0.00	-65.93	-30.92	0.00	-3,308.58	0.00	3,308.58	6,758.61	1,686.37	9,222.89	8,416.91	0.00	0.00	0.403
5.00	-63.41	-30.51	0.00	-3,153.97	0.00	3,153.97	6,657.97	1,649.74	8,826.68	8,110.02	0.06	-0.10	0.399
10.00	-60.94	-30.11	0.00	-3,001.41	0.00	3,001.41	6,555.28	1,613.12	8,439.17	7,806.19	0.22	-0.21	0.394
15.00	-58.51	-29.71	0.00	-2,850.88	0.00	2,850.88	6,450.55	1,576.49	8,060.36	7,505.57	0.50	-0.32	0.389
20.00	-56.13	-29.31	0.00	-2,702.34	0.00	2,702.34	6,343.76	1,539.87	7,690.25	7,208.34	0.89	-0.42	0.384
25.00	-53.79	-28.92	0.00	-2,555.78	0.00	2,555.78	6,234.93	1,503.24	7,328.83	6,914.66	1.39	-0.53	0.379
30.00	-51.49	-28.53	0.00	-2,411.17	0.00	2,411.17	6,124.04	1,466.62	6,976.11	6,624.69	2.01	-0.65	0.373
35.00	-49.24	-28.18	0.00	-2,268.53	0.00	2,268.53	6,011.11	1,429.99	6,632.09	6,338.62	2.75	-0.76	0.366
38.50	-47.70	-27.97	0.00	-2,169.88	0.00	2,169.88	5,930.84	1,404.36	6,396.46	6,140.77	3.34	-0.84	0.362
40.00	-46.65	-27.70	0.00	-2,127.92	0.00	2,127.92	5,896.13	1,393.37	6,296.77	6,056.60	3.61	-0.88	0.360
45.00	-43.26	-27.25	0.00	-1,989.41	0.00	1,989.41	4,028.70	1,035.83	4,639.53	4,111.85	4.59	-0.99	0.495
50.00	-41.50	-26.82	0.00	-1,853.19	0.00	1,853.19	3,959.47	1,008.37	4,396.75	3,933.23	5.69	-1.11	0.482
55.00	-39.76	-26.40	0.00	-1,719.09	0.00	1,719.09	3,888.20	980.90	4,160.50	3,756.40	6.94	-1.26	0.469
60.00	-38.06	-25.97	0.00	-1,587.11	0.00	1,587.11	3,814.87	953.43	3,930.78	3,581.53	8.34	-1.41	0.454
65.00	-36.40	-25.54	0.00	-1,457.26	0.00	1,457.26	3,739.50	925.96	3,707.57	3,408.80	9.90	-1.56	0.438
70.00	-34.77	-25.18	0.00	-1,329.58	0.00	1,329.58	3,662.08	898.49	3,490.89	3,238.36	11.62	-1.72	0.421
73.00	-33.80	-24.92	0.00	-1,253.99	0.00	1,253.99	3,614.64	882.01	3,364.02	3,137.28	12.73	-1.81	0.410
75.00	-32.82	-24.67	0.00	-1,204.15	0.00	1,204.15	3,582.60	871.02	3,280.74	3,070.40	13.50	-1.87	0.402
78.50	-31.13	-24.41	0.00	-1,117.81	0.00	1,117.81	2,803.82	721.80	2,703.36	2,392.98	14.91	-1.98	0.479
80.00	-30.69	-24.15	0.00	-1,081.19	0.00	1,081.19	2,786.75	714.93	2,652.17	2,355.61	15.54	-2.02	0.471
85.00	-29.33	-23.87	0.00	-960.45	0.00	960.45	2,728.49	692.04	2,485.07	2,231.97	17.75	-2.19	0.442
86.00	-28.96	-23.29	0.00	-935.37	0.00	935.37	2,716.60	687.46	2,452.31	2,207.42	18.21	-2.22	0.436
89.00	-27.52	-22.75	0.00	-865.49	0.00	865.49	2,680.41	673.73	2,355.31	2,134.17	19.64	-2.32	0.417
90.00	-27.24	-22.51	0.00	-842.74	0.00	842.74	2,668.19	669.15	2,323.42	2,109.88	20.13	-2.36	0.411
95.00	-25.95	-22.17	0.00	-730.19	0.00	730.19	2,605.84	646.26	2,167.19	1,989.52	22.68	-2.51	0.378
97.50	-24.28	-20.53	0.00	-670.00	0.00	670.00	2,573.89	634.81	2,091.12	1,930.04	24.02	-2.59	0.358
100.00	-23.67	-20.37	0.00	-618.66	0.00	618.66	2,541.44	623.37	2,016.41	1,871.05	25.40	-2.67	0.341
101.00	-21.10	-18.36	0.00	-598.29	0.00	598.29	2,528.31	618.79	1,986.90	1,847.60	25.96	-2.70	0.333
105.00	-20.15	-18.01	0.00	-524.87	0.00	524.87	2,474.99	600.48	1,871.06	1,754.64	28.27	-2.81	0.308
108.75	-19.27	-17.78	0.00	-457.32	0.00	457.32	2,423.81	583.31	1,765.61	1,668.79	30.52	-2.91	0.283
110.00	-18.84	-17.63	0.00	-435.10	0.00	435.10	2,406.49	577.59	1,731.15	1,640.46	31.28	-2.95	0.274
112.00	-18.02	-16.98	0.00	-399.84	0.00	399.84	2,378.52	568.43	1,676.70	1,595.45	32.53	-3.00	0.259
113.00	-17.68	-16.85	0.00	-382.86	0.00	382.86	1,786.91	458.92	1,366.00	1,211.99	33.16	-3.02	0.327
115.00	-17.27	-16.56	0.00	-349.16	0.00	349.16	1,768.50	451.59	1,322.74	1,180.21	34.44	-3.07	0.307
120.00	-15.51	-15.06	0.00	-265.16	0.00	265.16	1,721.02	433.28	1,217.65	1,101.60	37.72	-3.20	0.251
121.00	-12.99	-13.74	0.00	-250.10	0.00	250.10	1,711.28	429.62	1,197.16	1,086.03	38.40	-3.22	0.239
125.00	-12.31	-13.36	0.00	-195.15	0.00	195.15	1,671.50	414.97	1,116.91	1,024.32	41.14	-3.31	0.199
130.00	-11.48	-13.06	0.00	-128.33	0.00	128.33	1,619.92	396.65	1,020.52	948.54	44.65	-3.40	0.143
132.00	-7.49	-8.70	0.00	-102.21	0.00	102.21	1,598.72	389.33	983.18	918.69	46.08	-3.43	0.116
135.00	-7.15	-8.46	0.00	-76.12	0.00	76.12	1,566.30	378.34	928.48	874.43	48.24	-3.46	0.092
138.00	-6.18	-7.85	0.00	-50.74	0.00	50.74	1,533.15	367.35	875.34	830.84	50.43	-3.49	0.066
140.00	-2.89	-4.15	0.00	-35.04	0.00	35.04	1,510.63	360.03	840.79	802.16	51.89	-3.50	0.046
145.00	-2.30	-3.10	0.00	-14.29	0.00	14.29	1,446.60	341.72	757.44	728.71	55.57	-3.52	0.021

Site Number: 302540

Code: ANSI/TIA-222-H

© 2007 - 2021 by ATC IP LLC. All rights reserved.

Site Name: Madison CT 6, CT

Engineering Number: 13668702_C3_01

5/5/2021 9:49:54 AM

Customer: VERIZON WIRELESS

Load Case: 1.2D + 1.0W

123 mph with No Ice

22 Iterations

Gust Response Factor :1.10

Dead Load Factor :1.20

Wind Load Factor :1.00

148.00 0.00 -2.95 0.00 -4.99 0.00 4.99 1,400.09 330.73 709.52 682.38 57.78 -3.53 0.007

Load Case: 0.9D + 1.0W	123 mph with No Ice (Reduced DL)	22 Iterations
Gust Response Factor :1.10		
Dead Load Factor :0.90		
Wind Load Factor :1.00		

Applied Segment Forces Summary

Seg Elev (ft)	Description	Shaft Forces		Discrete Forces			Linear Forces		Sum of Forces				
		Wind FX (lb)	Dead Load (lb)	Wind FX (lb)	Torsion MY (lb-ft)	Moment MZ (lb-ft)	Dead Load (lb)	Wind FX (lb)	Dead Load (lb)	Wind FX (lb)	Dead Load (lb)	Torsion MY (lb-ft)	Moment MZ (lb)
0.00		263.9	0.0					0.0	0.0	263.9	0.0	0.0	0.0
5.00		522.1	1,455.4					0.0	389.7	522.1	1,845.1	0.0	0.0
10.00		510.6	1,423.4					0.0	389.7	510.6	1,813.1	0.0	0.0
15.00		499.1	1,391.5					0.0	389.7	499.1	1,781.2	0.0	0.0
20.00		487.6	1,359.5					0.0	389.7	487.6	1,749.2	0.0	0.0
25.00		476.2	1,327.6					0.0	389.7	476.2	1,717.3	0.0	0.0
30.00		470.2	1,295.6					0.0	389.7	470.2	1,685.3	0.0	0.0
35.00		401.7	1,263.7					0.0	389.7	401.7	1,653.4	0.0	0.0
38.50	Bot - Section 2	239.7	865.5					0.0	272.8	239.7	1,138.3	0.0	0.0
40.00		317.5	645.6					0.0	116.9	317.5	762.5	0.0	0.0
45.00	Top - Section 1	490.5	2,115.5					0.0	389.7	490.5	2,505.2	0.0	0.0
50.00		492.3	891.8					0.0	389.7	492.3	1,281.5	0.0	0.0
55.00		492.2	867.8					0.0	389.7	492.2	1,257.5	0.0	0.0
60.00		490.6	843.9					0.0	389.7	490.6	1,233.6	0.0	0.0
65.00		487.6	819.9					0.0	389.7	487.6	1,209.6	0.0	0.0
70.00		387.5	795.9					0.0	389.7	387.5	1,185.6	0.0	0.0
73.00	Bot - Section 3	241.9	466.1	33.1	0.0	66.2	9.0	0.0	233.8	275.0	708.9	0.0	0.0
75.00		266.4	565.0					0.0	155.6	266.4	720.6	0.0	0.0
78.50	Top - Section 2	241.2	971.8					0.0	272.3	241.2	1,244.2	0.0	0.0
80.00		309.9	188.0					0.0	116.7	309.9	304.7	0.0	0.0
85.00		285.0	613.8					0.0	389.0	285.0	1,002.8	0.0	0.0
86.00	Appurtenance(s)	187.6	120.4	406.8	0.0	1,220.4	71.3	0.0	77.8	594.4	269.4	0.0	0.0
89.00	Appurtenance(s)	186.9	356.3	328.5	0.0	0.0	504.0	0.0	220.1	515.4	1,080.4	0.0	0.0
90.00		276.4	117.2					0.0	73.4	276.4	190.5	0.0	0.0
95.00		343.1	573.9					0.0	366.9	343.1	940.7	0.0	0.0
97.50	Appurtenance(s)	225.3	279.4	1,365.8	0.0	4,780.5	826.5	0.0	183.4	1,591.1	1,289.3	0.0	0.0
100.00		156.5	274.4					0.0	174.4	156.5	448.9	0.0	0.0
101.00	Appurtenance(s)	220.4	108.4	1,698.8	0.0	0.0	1,800.0	0.0	69.8	1,919.2	1,978.2	0.0	0.0
105.00		337.7	425.5					0.0	279.1	337.7	704.6	0.0	0.0
108.75	Bot - Section 4	215.9	387.3					0.0	261.7	215.9	649.0	0.0	0.0
110.00		139.8	229.6					0.0	87.2	139.8	316.8	0.0	0.0
112.00	Appurtenance(s)	128.3	362.7	487.9	0.0	0.0	134.5	0.0	139.6	616.3	636.7	0.0	0.0
113.00	Top - Section 3	126.9	179.2					0.0	69.8	126.9	249.0	0.0	0.0
115.00		291.3	158.9					0.0	139.6	291.3	298.4	0.0	0.0
120.00	Appurtenance(s)	247.5	386.0	1,179.2	0.0	1,179.2	631.8	0.0	348.9	1,426.8	1,366.7	0.0	0.0
121.00	Appurtenance(s)	200.8	75.3	991.5	0.0	0.0	1,800.0	0.0	56.5	1,192.2	1,931.8	0.0	0.0
125.00		354.5	294.8					0.0	216.6	354.5	511.3	0.0	0.0
130.00		270.3	354.1					0.0	270.7	270.3	624.8	0.0	0.0
132.00	Appurtenance(s)	187.7	137.2	3,929.2	0.0	0.0	2,937.0	0.0	108.3	4,117.0	3,182.4	0.0	0.0
135.00		221.2	200.9					0.0	57.9	221.2	258.9	0.0	0.0
138.00	Appurtenance(s)	180.8	195.2	372.3	0.0	0.0	504.0	0.0	57.9	553.2	757.1	0.0	0.0
140.00	Appurtenance(s)	245.2	126.9	3,248.2	0.0	0.0	2,462.0	0.0	38.6	3,493.5	2,627.6	0.0	0.0
145.00	Appurtenance(s)	274.4	306.1	737.8	0.0	0.0	105.5	0.0	82.0	1,012.3	493.7	0.0	0.0
148.00	Appurtenance(s)	100.7	176.0	1,166.4	0.0	0.0	1,350.0	0.0	24.9	1,267.1	1,550.9	0.0	0.0
Totals:										29,438.9	49,156.8	0.00	0.00

Load Case: 0.9D + 1.0W

123 mph with No Ice (Reduced DL)

22 Iterations

Gust Response Factor :1.10
 Dead Load Factor :0.90
 Wind Load Factor :1.00

Calculated Forces

Seg Elev (ft)	Pu FY (-) (kips)	Vu FX (-) (kips)	Tu MY (ft-kips)	Mu MZ (ft-kips)	Mu MX (ft-kips)	Resultant Moment (ft-kips)	phi Pn (kips)	phi Vn (kips)	phi Tn (ft-kips)	phi Mn (ft-kips)	Total Deflect (in)	Rotation (deg)	Ratio
0.00	-49.44	-30.91	0.00	-3,279.30	0.00	3,279.30	6,758.61	1,686.37	9,222.89	8,416.91	0.00	0.00	0.397
5.00	-47.54	-30.47	0.00	-3,124.77	0.00	3,124.77	6,657.97	1,649.74	8,826.68	8,110.02	0.06	-0.10	0.393
10.00	-45.67	-30.04	0.00	-2,972.44	0.00	2,972.44	6,555.28	1,613.12	8,439.17	7,806.19	0.22	-0.21	0.388
15.00	-43.84	-29.61	0.00	-2,822.26	0.00	2,822.26	6,450.55	1,576.49	8,060.36	7,505.57	0.49	-0.31	0.383
20.00	-42.04	-29.19	0.00	-2,674.21	0.00	2,674.21	6,343.76	1,539.87	7,690.25	7,208.34	0.88	-0.42	0.378
25.00	-40.27	-28.78	0.00	-2,528.26	0.00	2,528.26	6,234.93	1,503.24	7,328.83	6,914.66	1.38	-0.53	0.372
30.00	-38.53	-28.37	0.00	-2,384.37	0.00	2,384.37	6,124.04	1,466.62	6,976.11	6,624.69	1.99	-0.64	0.367
35.00	-36.84	-28.01	0.00	-2,242.54	0.00	2,242.54	6,011.11	1,429.99	6,632.09	6,338.62	2.72	-0.75	0.360
38.50	-35.68	-27.79	0.00	-2,144.52	0.00	2,144.52	5,930.84	1,404.36	6,396.46	6,140.77	3.30	-0.83	0.356
40.00	-34.88	-27.50	0.00	-2,102.85	0.00	2,102.85	5,896.13	1,393.37	6,296.77	6,056.60	3.57	-0.87	0.354
45.00	-32.33	-27.04	0.00	-1,965.33	0.00	1,965.33	4,028.70	1,035.83	4,639.53	4,111.85	4.54	-0.98	0.487
50.00	-31.00	-26.59	0.00	-1,830.14	0.00	1,830.14	3,959.47	1,008.37	4,396.75	3,933.23	5.63	-1.10	0.474
55.00	-29.68	-26.15	0.00	-1,697.17	0.00	1,697.17	3,888.20	980.90	4,160.50	3,756.40	6.87	-1.25	0.460
60.00	-28.39	-25.71	0.00	-1,566.40	0.00	1,566.40	3,814.87	953.43	3,930.78	3,581.53	8.25	-1.40	0.446
65.00	-27.13	-25.26	0.00	-1,437.86	0.00	1,437.86	3,739.50	925.96	3,707.57	3,408.80	9.80	-1.55	0.430
70.00	-25.90	-24.89	0.00	-1,311.55	0.00	1,311.55	3,662.08	898.49	3,490.89	3,238.36	11.50	-1.70	0.413
73.00	-25.17	-24.63	0.00	-1,236.80	0.00	1,236.80	3,614.64	882.01	3,364.02	3,137.28	12.59	-1.79	0.402
75.00	-24.42	-24.38	0.00	-1,187.54	0.00	1,187.54	3,582.60	871.02	3,280.74	3,070.40	13.35	-1.85	0.394
78.50	-23.16	-24.13	0.00	-1,102.22	0.00	1,102.22	2,803.82	721.80	2,703.36	2,392.98	14.75	-1.95	0.470
80.00	-22.82	-23.85	0.00	-1,066.03	0.00	1,066.03	2,786.75	714.93	2,652.17	2,355.61	15.37	-2.00	0.462
85.00	-21.79	-23.56	0.00	-946.80	0.00	946.80	2,728.49	692.04	2,485.07	2,231.97	17.55	-2.16	0.433
86.00	-21.51	-22.98	0.00	-922.01	0.00	922.01	2,716.60	687.46	2,452.31	2,207.42	18.01	-2.20	0.427
89.00	-20.43	-22.45	0.00	-853.06	0.00	853.06	2,680.41	673.73	2,355.31	2,134.17	19.42	-2.29	0.408
90.00	-20.21	-22.20	0.00	-830.61	0.00	830.61	2,668.19	669.15	2,323.42	2,109.88	19.90	-2.33	0.402
95.00	-19.24	-21.86	0.00	-719.61	0.00	719.61	2,605.84	646.26	2,167.19	1,989.52	22.43	-2.48	0.370
97.50	-18.00	-20.23	0.00	-660.19	0.00	660.19	2,573.89	634.81	2,091.12	1,930.04	23.75	-2.56	0.350
100.00	-17.54	-20.07	0.00	-609.61	0.00	609.61	2,541.44	623.37	2,016.41	1,871.05	25.11	-2.63	0.334
101.00	-15.63	-18.08	0.00	-589.53	0.00	589.53	2,528.31	618.79	1,986.90	1,847.60	25.66	-2.66	0.326
105.00	-14.91	-17.74	0.00	-517.20	0.00	517.20	2,474.99	600.48	1,871.06	1,754.64	27.94	-2.77	0.302
108.75	-14.25	-17.51	0.00	-450.67	0.00	450.67	2,423.81	583.31	1,765.61	1,668.79	30.16	-2.87	0.277
110.00	-13.93	-17.36	0.00	-428.79	0.00	428.79	2,406.49	577.59	1,731.15	1,640.46	30.92	-2.91	0.268
112.00	-13.31	-16.72	0.00	-394.06	0.00	394.06	2,378.52	568.43	1,676.70	1,595.45	32.15	-2.96	0.253
113.00	-13.06	-16.59	0.00	-377.33	0.00	377.33	1,786.91	458.92	1,366.00	1,211.99	32.77	-2.98	0.320
115.00	-12.75	-16.31	0.00	-344.15	0.00	344.15	1,768.50	451.59	1,322.74	1,180.21	34.03	-3.03	0.300
120.00	-11.45	-14.82	0.00	-261.43	0.00	261.43	1,721.02	433.28	1,217.65	1,101.60	37.28	-3.16	0.245
121.00	-9.57	-13.54	0.00	-246.61	0.00	246.61	1,711.28	429.62	1,197.16	1,086.03	37.94	-3.18	0.234
125.00	-9.06	-13.17	0.00	-192.47	0.00	192.47	1,671.50	414.97	1,116.91	1,024.32	40.65	-3.27	0.194
130.00	-8.44	-12.87	0.00	-126.64	0.00	126.64	1,619.92	396.65	1,020.52	948.54	44.12	-3.35	0.140
132.00	-5.50	-8.57	0.00	-100.90	0.00	100.90	1,598.72	389.33	983.18	918.69	45.53	-3.38	0.114
135.00	-5.25	-8.34	0.00	-75.18	0.00	75.18	1,566.30	378.34	928.48	874.43	47.66	-3.42	0.090
138.00	-4.52	-7.74	0.00	-50.16	0.00	50.16	1,533.15	367.35	875.34	830.84	49.82	-3.44	0.064
140.00	-2.11	-4.10	0.00	-34.67	0.00	34.67	1,510.63	360.03	840.79	802.16	51.26	-3.46	0.045
145.00	-1.68	-3.06	0.00	-14.17	0.00	14.17	1,446.60	341.72	757.44	728.71	54.89	-3.48	0.021

Site Number: 302540

Code: ANSI/TIA-222-H

© 2007 - 2021 by ATC IP LLC. All rights reserved.

Site Name: Madison CT 6, CT

Engineering Number: 13668702_C3_01

5/5/2021 9:50:03 AM

Customer: VERIZON WIRELESS

Load Case: 0.9D + 1.0W

123 mph with No Ice (Reduced DL)

22 Iterations

Gust Response Factor :1.10

Dead Load Factor :0.90

Wind Load Factor :1.00

148.00 0.00 -2.95 0.00 -4.99 0.00 4.99 1,400.09 330.73 709.52 682.38 57.07 -3.48 0.007

Load Case: 1.2D + 1.0Di + 1.0Wi	50 mph with 1.00 in Radial Ice	21 Iterations
Gust Response Factor :1.10	Ice Dead Load Factor :1.00	
Dead Load Factor :1.20		Ice Importance Factor :1.00
Wind Load Factor :1.00		

Applied Segment Forces Summary

Seg Elev (ft)	Description	Shaft Forces		Discrete Forces			Linear Forces		Sum of Forces				
		Wind FX (lb)	Dead Load (lb)	Wind FX (lb)	Torsion MY (lb-ft)	Moment MZ (lb-ft)	Dead Load (lb)	Wind FX (lb)	Dead Load (lb)	Wind FX (lb)	Dead Load (lb)	Torsion MY (lb-ft)	Moment MZ (lb)
0.00		73.5	0.0					0.0	0.0	73.5	0.0	0.0	0.0
5.00		145.7	2,233.4					0.0	638.8	145.7	2,872.2	0.0	0.0
10.00		142.8	2,218.2					0.0	644.6	142.8	2,862.8	0.0	0.0
15.00		139.9	2,185.1					0.0	647.6	139.9	2,832.7	0.0	0.0
20.00		136.9	2,146.3					0.0	649.6	136.9	2,795.9	0.0	0.0
25.00		133.9	2,104.4					0.0	651.2	133.9	2,755.5	0.0	0.0
30.00		132.4	2,060.5					0.0	652.5	132.4	2,713.0	0.0	0.0
35.00		113.3	2,015.4					0.0	653.6	113.3	2,669.0	0.0	0.0
38.50	Bot - Section 2	67.6	1,384.3					0.0	458.1	67.6	1,842.4	0.0	0.0
40.00		89.7	960.7					0.0	196.5	89.7	1,157.2	0.0	0.0
45.00	Top - Section 1	138.7	3,148.3					0.0	655.4	138.7	3,803.7	0.0	0.0
50.00		139.4	1,511.9					0.0	656.2	139.4	2,168.0	0.0	0.0
55.00		139.6	1,474.6					0.0	656.9	139.6	2,131.5	0.0	0.0
60.00		139.3	1,436.9					0.0	657.5	139.3	2,094.4	0.0	0.0
65.00		138.7	1,398.8					0.0	658.1	138.7	2,056.9	0.0	0.0
70.00		110.4	1,360.4					0.0	658.7	110.4	2,019.1	0.0	0.0
73.00	Bot - Section 3	69.0	798.8	7.9	0.0	15.8	26.0	0.0	395.5	76.9	1,220.2	0.0	0.0
75.00		76.0	872.3					0.0	261.8	76.0	1,134.1	0.0	0.0
78.50	Top - Section 2	68.9	1,500.3					0.0	458.4	68.9	1,958.7	0.0	0.0
80.00		88.6	337.8					0.0	196.5	88.6	534.4	0.0	0.0
85.00		81.5	1,101.0					0.0	655.3	81.5	1,756.3	0.0	0.0
86.00	Appurtenance(s)	53.7	216.8	86.7	0.0	260.0	230.7	0.0	131.1	140.4	578.6	0.0	0.0
89.00	Appurtenance(s)	53.6	641.3	83.0	0.0	0.0	901.1	0.0	375.7	136.6	1,918.1	0.0	0.0
90.00		79.4	211.4					0.0	125.3	79.4	336.7	0.0	0.0
95.00		98.6	1,032.8					0.0	626.6	98.6	1,659.4	0.0	0.0
97.50	Appurtenance(s)	64.9	504.7	278.5	0.0	974.8	1,937.7	0.0	313.4	343.4	2,755.9	0.0	0.0
100.00		45.1	496.1					0.0	301.5	45.1	797.6	0.0	0.0
101.00	Appurtenance(s)	63.6	196.3	369.8	0.0	0.0	3,108.1	0.0	120.6	433.4	3,425.0	0.0	0.0
105.00		97.6	769.1					0.0	482.7	97.6	1,251.8	0.0	0.0
108.75	Bot - Section 4	62.4	701.1					50.9	452.7	113.4	1,153.8	0.0	0.0
110.00		40.5	368.1					17.1	150.9	57.6	519.1	0.0	0.0
112.00	Appurtenance(s)	37.2	581.5	104.1	0.0	0.0	377.6	27.5	241.5	168.7	1,200.6	0.0	0.0
113.00	Top - Section 3	36.8	287.5					13.8	120.8	50.6	408.3	0.0	0.0
115.00		84.6	307.7					27.7	241.6	112.3	549.4	0.0	0.0
120.00	Appurtenance(s)	72.0	745.8	242.2	0.0	242.2	1,456.7	69.9	604.3	384.0	2,806.8	0.0	0.0
121.00	Appurtenance(s)	58.5	146.4	258.6	0.0	0.0	2,840.6	0.0	76.8	317.1	3,063.8	0.0	0.0
125.00		103.5	571.3					0.0	288.8	103.5	860.0	0.0	0.0
130.00		79.1	686.3					0.0	361.0	79.1	1,047.3	0.0	0.0
132.00	Appurtenance(s)	55.1	267.3	834.2	0.0	0.0	5,662.4	0.0	144.4	889.3	6,074.1	0.0	0.0
135.00		65.0	391.4					0.0	77.2	65.0	468.6	0.0	0.0
138.00	Appurtenance(s)	53.3	380.6	95.6	0.0	0.0	914.6	0.0	77.2	148.9	1,372.4	0.0	0.0
140.00	Appurtenance(s)	72.5	248.1	710.0	0.0	0.0	4,767.7	0.0	51.5	782.5	5,067.3	0.0	0.0
145.00	Appurtenance(s)	81.3	596.3	149.9	0.0	0.0	415.7	0.0	109.4	231.2	1,121.3	0.0	0.0
148.00	Appurtenance(s)	29.9	344.4	286.7	0.0	0.0	2,138.8	0.0	33.2	316.6	2,516.4	0.0	0.0
Totals:									7,567.82	84,330.1	0.00	0.00	

Load Case: 1.2D + 1.0Di + 1.0Wi

50 mph with 1.00 in Radial Ice

21 Iterations

Gust Response Factor :1.10

Ice Dead Load Factor :1.00

Dead Load Factor :1.20

Ice Importance Factor :1.00

Wind Load Factor :1.00

Calculated Forces

Seg Elev (ft)	Pu FY (-) (kips)	Vu FX (-) (kips)	Tu MY (ft-kips)	Mu MZ (ft-kips)	Mu MX (ft-kips)	Resultant Moment (ft-kips)	phi Pn (kips)	phi Vn (kips)	phi Tn (ft-kips)	phi Mn (ft-kips)	Total Deflect (in)	Rotation (deg)	Ratio
0.00	-85.48	-7.95	0.00	-841.03	0.00	841.03	6,758.61	1,686.37	9,222.89	8,416.91	0.00	0.00	0.113
5.00	-82.60	-7.84	0.00	-801.30	0.00	801.30	6,657.97	1,649.74	8,826.68	8,110.02	0.01	-0.03	0.111
10.00	-79.74	-7.73	0.00	-762.10	0.00	762.10	6,555.28	1,613.12	8,439.17	7,806.19	0.06	-0.05	0.110
15.00	-76.90	-7.63	0.00	-723.44	0.00	723.44	6,450.55	1,576.49	8,060.36	7,505.57	0.13	-0.08	0.108
20.00	-74.10	-7.52	0.00	-685.32	0.00	685.32	6,343.76	1,539.87	7,690.25	7,208.34	0.22	-0.11	0.107
25.00	-71.34	-7.42	0.00	-647.72	0.00	647.72	6,234.93	1,503.24	7,328.83	6,914.66	0.35	-0.14	0.105
30.00	-68.63	-7.31	0.00	-610.65	0.00	610.65	6,124.04	1,466.62	6,976.11	6,624.69	0.51	-0.16	0.103
35.00	-65.96	-7.22	0.00	-574.10	0.00	574.10	6,011.11	1,429.99	6,632.09	6,338.62	0.70	-0.19	0.102
38.50	-64.11	-7.16	0.00	-548.84	0.00	548.84	5,930.84	1,404.36	6,396.46	6,140.77	0.85	-0.21	0.100
40.00	-62.95	-7.09	0.00	-538.11	0.00	538.11	5,896.13	1,393.37	6,296.77	6,056.60	0.92	-0.22	0.100
45.00	-59.15	-6.96	0.00	-502.68	0.00	502.68	4,028.70	1,035.83	4,639.53	4,111.85	1.16	-0.25	0.137
50.00	-56.97	-6.85	0.00	-467.87	0.00	467.87	3,959.47	1,008.37	4,396.75	3,933.23	1.44	-0.28	0.133
55.00	-54.84	-6.73	0.00	-433.63	0.00	433.63	3,888.20	980.90	4,160.50	3,756.40	1.76	-0.32	0.130
60.00	-52.74	-6.62	0.00	-399.97	0.00	399.97	3,814.87	953.43	3,930.78	3,581.53	2.11	-0.36	0.126
65.00	-50.68	-6.50	0.00	-366.90	0.00	366.90	3,739.50	925.96	3,707.57	3,408.80	2.51	-0.40	0.121
70.00	-48.66	-6.40	0.00	-334.41	0.00	334.41	3,662.08	898.49	3,490.89	3,238.36	2.95	-0.43	0.117
73.00	-47.44	-6.33	0.00	-315.20	0.00	315.20	3,614.64	882.01	3,364.02	3,137.28	3.23	-0.46	0.114
75.00	-46.30	-6.26	0.00	-302.55	0.00	302.55	3,582.60	871.02	3,280.74	3,070.40	3.42	-0.47	0.112
78.50	-44.34	-6.19	0.00	-280.64	0.00	280.64	2,803.82	721.80	2,703.36	2,392.98	3.78	-0.50	0.133
80.00	-43.81	-6.12	0.00	-271.36	0.00	271.36	2,786.75	714.93	2,652.17	2,355.61	3.94	-0.51	0.131
85.00	-42.05	-6.04	0.00	-240.78	0.00	240.78	2,728.49	692.04	2,485.07	2,231.97	4.49	-0.55	0.123
86.00	-41.47	-5.90	0.00	-234.48	0.00	234.48	2,716.60	687.46	2,452.31	2,207.42	4.61	-0.56	0.122
89.00	-39.55	-5.76	0.00	-216.77	0.00	216.77	2,680.41	673.73	2,355.31	2,134.17	4.97	-0.59	0.116
90.00	-39.21	-5.69	0.00	-211.01	0.00	211.01	2,668.19	669.15	2,323.42	2,109.88	5.09	-0.59	0.115
95.00	-37.55	-5.59	0.00	-182.55	0.00	182.55	2,605.84	646.26	2,167.19	1,989.52	5.74	-0.63	0.106
97.50	-34.80	-5.23	0.00	-167.59	0.00	167.59	2,573.89	634.81	2,091.12	1,930.04	6.08	-0.65	0.100
100.00	-34.00	-5.19	0.00	-154.51	0.00	154.51	2,541.44	623.37	2,016.41	1,871.05	6.42	-0.67	0.096
101.00	-30.58	-4.72	0.00	-149.33	0.00	149.33	2,528.31	618.79	1,986.90	1,847.60	6.57	-0.68	0.093
105.00	-29.32	-4.62	0.00	-130.44	0.00	130.44	2,474.99	600.48	1,871.06	1,754.64	7.15	-0.71	0.086
108.75	-28.17	-4.50	0.00	-113.11	0.00	113.11	2,423.81	583.31	1,765.61	1,668.79	7.71	-0.73	0.079
110.00	-27.65	-4.44	0.00	-107.48	0.00	107.48	2,406.49	577.59	1,731.15	1,640.46	7.91	-0.74	0.077
112.00	-26.45	-4.26	0.00	-98.59	0.00	98.59	2,378.52	568.43	1,676.70	1,595.45	8.22	-0.75	0.073
113.00	-26.04	-4.21	0.00	-94.33	0.00	94.33	1,786.91	458.92	1,366.00	1,211.99	8.38	-0.76	0.092
115.00	-25.50	-4.10	0.00	-85.91	0.00	85.91	1,768.50	451.59	1,322.74	1,180.21	8.70	-0.77	0.087
120.00	-22.69	-3.69	0.00	-65.15	0.00	65.15	1,721.02	433.28	1,217.65	1,101.60	9.53	-0.80	0.072
121.00	-19.63	-3.33	0.00	-61.47	0.00	61.47	1,711.28	429.62	1,197.16	1,086.03	9.70	-0.81	0.068
125.00	-18.77	-3.22	0.00	-48.14	0.00	48.14	1,671.50	414.97	1,116.91	1,024.32	10.39	-0.83	0.058
130.00	-17.73	-3.13	0.00	-32.03	0.00	32.03	1,619.92	396.65	1,020.52	948.54	11.27	-0.85	0.045
132.00	-11.67	-2.15	0.00	-25.76	0.00	25.76	1,598.72	389.33	983.18	918.69	11.63	-0.86	0.035
135.00	-11.20	-2.08	0.00	-19.30	0.00	19.30	1,566.30	378.34	928.48	874.43	12.17	-0.87	0.029
138.00	-9.83	-1.91	0.00	-13.05	0.00	13.05	1,533.15	367.35	875.34	830.84	12.72	-0.88	0.022
140.00	-4.77	-1.05	0.00	-9.22	0.00	9.22	1,510.63	360.03	840.79	802.16	13.09	-0.88	0.015
145.00	-3.66	-0.81	0.00	-3.95	0.00	3.95	1,446.60	341.72	757.44	728.71	14.01	-0.88	0.008

Site Number: 302540

Code: ANSI/TIA-222-H

© 2007 - 2021 by ATC IP LLC. All rights reserved.

Site Name: Madison CT 6, CT

Engineering Number: 13668702_C3_01

5/5/2021 9:50:11 AM

Customer: VERIZON WIRELESS

Load Case: 1.2D + 1.0Di + 1.0Wi

50 mph with 1.00 in Radial Ice

21 Iterations

Gust Response Factor :1.10

Ice Dead Load Factor :1.00

Dead Load Factor :1.20

Ice Importance Factor :1.00

Wind Load Factor :1.00

148.00 0.00 -0.75 0.00 -1.53 0.00 1.53 1,400.09 330.73 709.52 682.38 14.57 -0.89 0.002

Load Case: 1.0D + 1.0W	Serviceability 60 mph	21 Iterations
Gust Response Factor :1.10		
Dead Load Factor :1.00		
Wind Load Factor :1.00		

Applied Segment Forces Summary

Seg Elev (ft)	Description	Shaft Forces		Discrete Forces			Linear Forces		Sum of Forces				
		Wind FX (lb)	Dead Load (lb)	Wind FX (lb)	Torsion MY (lb-ft)	Moment MZ (lb-ft)	Dead Load (lb)	Wind FX (lb)	Dead Load (lb)	Wind FX (lb)	Dead Load (lb)	Torsion MY (lb-ft)	Moment MZ (lb)
0.00		56.2	0.0					0.0	0.0	56.2	0.0	0.0	0.0
5.00		111.2	1,617.1					0.0	433.0	111.2	2,050.1	0.0	0.0
10.00		108.7	1,581.6					0.0	433.0	108.7	2,014.6	0.0	0.0
15.00		106.3	1,546.1					0.0	433.0	106.3	1,979.1	0.0	0.0
20.00		103.8	1,510.6					0.0	433.0	103.8	1,943.6	0.0	0.0
25.00		101.4	1,475.1					0.0	433.0	101.4	1,908.1	0.0	0.0
30.00		100.1	1,439.6					0.0	433.0	100.1	1,872.6	0.0	0.0
35.00		85.5	1,404.1					0.0	433.0	85.5	1,837.1	0.0	0.0
38.50	Bot - Section 2	51.0	961.7					0.0	303.1	51.0	1,264.8	0.0	0.0
40.00		67.6	717.3					0.0	129.9	67.6	847.2	0.0	0.0
45.00	Top - Section 1	104.4	2,350.6					0.0	433.0	104.4	2,783.6	0.0	0.0
50.00		104.8	990.9					0.0	433.0	104.8	1,423.9	0.0	0.0
55.00		104.8	964.2					0.0	433.0	104.8	1,397.2	0.0	0.0
60.00		104.4	937.6					0.0	433.0	104.4	1,370.6	0.0	0.0
65.00		103.8	911.0					0.0	433.0	103.8	1,344.0	0.0	0.0
70.00		82.5	884.4					0.0	433.0	82.5	1,317.4	0.0	0.0
73.00	Bot - Section 3	51.5	517.8	7.1	0.0	14.1	10.0	0.0	259.8	58.6	787.6	0.0	0.0
75.00		56.7	627.8					0.0	172.9	56.7	800.7	0.0	0.0
78.50	Top - Section 2	51.3	1,079.8					0.0	302.6	51.3	1,382.4	0.0	0.0
80.00		66.0	208.9					0.0	129.7	66.0	338.6	0.0	0.0
85.00		60.7	682.0					0.0	432.2	60.7	1,114.2	0.0	0.0
86.00	Appurtenance(s)	39.9	133.7	86.6	0.0	259.8	79.2	0.0	86.4	126.5	299.4	0.0	0.0
89.00	Appurtenance(s)	39.8	395.9	69.9	0.0	0.0	560.0	0.0	244.6	109.7	1,200.5	0.0	0.0
90.00		58.8	130.2					0.0	81.5	58.8	211.7	0.0	0.0
95.00		73.1	637.6					0.0	407.6	73.1	1,045.3	0.0	0.0
97.50	Appurtenance(s)	48.0	310.5	290.8	0.0	1,017.8	918.3	0.0	203.8	338.8	1,432.6	0.0	0.0
100.00		33.3	304.9					0.0	193.8	33.3	498.8	0.0	0.0
101.00	Appurtenance(s)	46.9	120.4	361.7	0.0	0.0	2,000.0	0.0	77.5	408.6	2,198.0	0.0	0.0
105.00		71.9	472.8					0.0	310.1	71.9	782.9	0.0	0.0
108.75	Bot - Section 4	46.0	430.4					0.0	290.7	46.0	721.1	0.0	0.0
110.00		29.8	255.1					0.0	96.9	29.8	352.0	0.0	0.0
112.00	Appurtenance(s)	27.3	403.0	103.9	0.0	0.0	149.4	0.0	155.1	131.2	707.5	0.0	0.0
113.00	Top - Section 3	27.0	199.1					0.0	77.5	27.0	276.6	0.0	0.0
115.00		62.0	176.5					0.0	155.1	62.0	331.6	0.0	0.0
120.00	Appurtenance(s)	52.7	428.9	251.1	0.0	251.1	702.0	0.0	387.6	303.8	1,518.6	0.0	0.0
121.00	Appurtenance(s)	42.7	83.7	211.1	0.0	0.0	2,000.0	0.0	62.8	253.8	2,146.5	0.0	0.0
125.00		75.5	327.5					0.0	240.6	75.5	568.2	0.0	0.0
130.00		57.5	393.4					0.0	300.8	57.5	694.2	0.0	0.0
132.00	Appurtenance(s)	40.0	152.4	836.6	0.0	0.0	3,263.3	0.0	120.3	876.5	3,536.0	0.0	0.0
135.00		47.1	223.3					0.0	64.3	47.1	287.6	0.0	0.0
138.00	Appurtenance(s)	38.5	216.9	79.3	0.0	0.0	560.0	0.0	64.3	117.8	841.2	0.0	0.0
140.00	Appurtenance(s)	52.2	141.0	691.6	0.0	0.0	2,735.6	0.0	42.9	743.8	2,919.5	0.0	0.0
145.00	Appurtenance(s)	58.4	340.2	157.1	0.0	0.0	117.2	0.0	91.1	215.5	548.5	0.0	0.0
148.00	Appurtenance(s)	21.4	195.6	248.3	0.0	0.0	1,500.0	0.0	27.6	269.8	1,723.2	0.0	0.0
Totals:									6,267.72	54,618.6	0.00	0.00	

Site Number: 302540

Code: ANSI/TIA-222-H

© 2007 - 2021 by ATC IP LLC. All rights reserved.

Site Name: Madison CT 6, CT

Engineering Number: 13668702_C3_01

5/5/2021 9:50:17 AM

Customer: VERIZON WIRELESS

Load Case: 1.0D + 1.0W

Serviceability 60 mph

21 Iterations

Gust Response Factor :1.10

Dead Load Factor :1.00

Wind Load Factor :1.00

Calculated Forces

Seg Elev (ft)	Pu FY (-) (kips)	Vu FX (-) (kips)	Tu MY (ft-kips)	Mu MZ (ft-kips)	Mu MX (ft-kips)	Resultant Moment (ft-kips)	phi Pn (kips)	phi Vn (kips)	phi Tn (ft-kips)	phi Mn (ft-kips)	Total Deflect (in)	Rotation (deg)	Ratio
0.00	-54.96	-6.58	0.00	-700.54	0.00	700.54	6,758.61	1,686.37	9,222.89	8,416.91	0.00	0.00	0.091
5.00	-52.91	-6.49	0.00	-667.64	0.00	667.64	6,657.97	1,649.74	8,826.68	8,110.02	0.01	-0.02	0.090
10.00	-50.89	-6.40	0.00	-635.19	0.00	635.19	6,555.28	1,613.12	8,439.17	7,806.19	0.05	-0.04	0.089
15.00	-48.91	-6.31	0.00	-603.19	0.00	603.19	6,450.55	1,576.49	8,060.36	7,505.57	0.11	-0.07	0.088
20.00	-46.97	-6.22	0.00	-571.64	0.00	571.64	6,343.76	1,539.87	7,690.25	7,208.34	0.19	-0.09	0.087
25.00	-45.05	-6.14	0.00	-540.52	0.00	540.52	6,234.93	1,503.24	7,328.83	6,914.66	0.29	-0.11	0.085
30.00	-43.18	-6.05	0.00	-509.84	0.00	509.84	6,124.04	1,466.62	6,976.11	6,624.69	0.43	-0.14	0.084
35.00	-41.34	-5.98	0.00	-479.58	0.00	479.58	6,011.11	1,429.99	6,632.09	6,338.62	0.58	-0.16	0.083
38.50	-40.08	-5.93	0.00	-458.67	0.00	458.67	5,930.84	1,404.36	6,396.46	6,140.77	0.71	-0.18	0.081
40.00	-39.23	-5.87	0.00	-449.78	0.00	449.78	5,896.13	1,393.37	6,296.77	6,056.60	0.76	-0.19	0.081
45.00	-36.44	-5.77	0.00	-420.43	0.00	420.43	4,028.70	1,035.83	4,639.53	4,111.85	0.97	-0.21	0.111
50.00	-35.01	-5.68	0.00	-391.57	0.00	391.57	3,959.47	1,008.37	4,396.75	3,933.23	1.20	-0.24	0.108
55.00	-33.61	-5.59	0.00	-363.17	0.00	363.17	3,888.20	980.90	4,160.50	3,756.40	1.47	-0.27	0.105
60.00	-32.24	-5.49	0.00	-335.24	0.00	335.24	3,814.87	953.43	3,930.78	3,581.53	1.76	-0.30	0.102
65.00	-30.90	-5.40	0.00	-307.77	0.00	307.77	3,739.50	925.96	3,707.57	3,408.80	2.09	-0.33	0.099
70.00	-29.58	-5.32	0.00	-280.78	0.00	280.78	3,662.08	898.49	3,490.89	3,238.36	2.46	-0.36	0.095
73.00	-28.79	-5.27	0.00	-264.80	0.00	264.80	3,614.64	882.01	3,364.02	3,137.28	2.69	-0.38	0.092
75.00	-27.99	-5.21	0.00	-254.26	0.00	254.26	3,582.60	871.02	3,280.74	3,070.40	2.86	-0.40	0.091
78.50	-26.60	-5.16	0.00	-236.02	0.00	236.02	2,803.82	721.80	2,703.36	2,392.98	3.15	-0.42	0.108
80.00	-26.26	-5.10	0.00	-228.28	0.00	228.28	2,786.75	714.93	2,652.17	2,355.61	3.29	-0.43	0.106
85.00	-25.15	-5.04	0.00	-202.77	0.00	202.77	2,728.49	692.04	2,485.07	2,231.97	3.75	-0.46	0.100
86.00	-24.85	-4.92	0.00	-197.47	0.00	197.47	2,716.60	687.46	2,452.31	2,207.42	3.85	-0.47	0.099
89.00	-23.65	-4.80	0.00	-182.71	0.00	182.71	2,680.41	673.73	2,355.31	2,134.17	4.15	-0.49	0.094
90.00	-23.43	-4.75	0.00	-177.91	0.00	177.91	2,668.19	669.15	2,323.42	2,109.88	4.26	-0.50	0.093
95.00	-22.39	-4.68	0.00	-154.15	0.00	154.15	2,605.84	646.26	2,167.19	1,989.52	4.80	-0.53	0.086
97.50	-20.96	-4.33	0.00	-141.43	0.00	141.43	2,573.89	634.81	2,091.12	1,930.04	5.08	-0.55	0.081
100.00	-20.46	-4.30	0.00	-130.60	0.00	130.60	2,541.44	623.37	2,016.41	1,871.05	5.37	-0.56	0.078
101.00	-18.26	-3.87	0.00	-126.30	0.00	126.30	2,528.31	618.79	1,986.90	1,847.60	5.49	-0.57	0.076
105.00	-17.48	-3.80	0.00	-110.81	0.00	110.81	2,474.99	600.48	1,871.06	1,754.64	5.98	-0.59	0.070
108.75	-16.76	-3.75	0.00	-96.56	0.00	96.56	2,423.81	583.31	1,765.61	1,668.79	6.45	-0.62	0.065
110.00	-16.40	-3.72	0.00	-91.87	0.00	91.87	2,406.49	577.59	1,731.15	1,640.46	6.61	-0.62	0.063
112.00	-15.70	-3.58	0.00	-84.43	0.00	84.43	2,378.52	568.43	1,676.70	1,595.45	6.88	-0.63	0.060
113.00	-15.42	-3.56	0.00	-80.85	0.00	80.85	1,786.91	458.92	1,366.00	1,211.99	7.01	-0.64	0.075
115.00	-15.09	-3.49	0.00	-73.73	0.00	73.73	1,768.50	451.59	1,322.74	1,180.21	7.28	-0.65	0.071
120.00	-13.57	-3.18	0.00	-56.01	0.00	56.01	1,721.02	433.28	1,217.65	1,101.60	7.98	-0.68	0.059
121.00	-11.43	-2.90	0.00	-52.83	0.00	52.83	1,711.28	429.62	1,197.16	1,086.03	8.12	-0.68	0.055
125.00	-10.86	-2.82	0.00	-41.23	0.00	41.23	1,671.50	414.97	1,116.91	1,024.32	8.70	-0.70	0.047
130.00	-10.17	-2.76	0.00	-27.12	0.00	27.12	1,619.92	396.65	1,020.52	948.54	9.44	-0.72	0.035
132.00	-6.64	-1.84	0.00	-21.61	0.00	21.61	1,598.72	389.33	983.18	918.69	9.74	-0.72	0.028
135.00	-6.36	-1.79	0.00	-16.10	0.00	16.10	1,566.30	378.34	928.48	874.43	10.20	-0.73	0.022
138.00	-5.52	-1.66	0.00	-10.74	0.00	10.74	1,533.15	367.35	875.34	830.84	10.66	-0.74	0.017
140.00	-2.61	-0.88	0.00	-7.42	0.00	7.42	1,510.63	360.03	840.79	802.16	10.97	-0.74	0.011
145.00	-2.06	-0.66	0.00	-3.03	0.00	3.03	1,446.60	341.72	757.44	728.71	11.75	-0.74	0.006

Site Number: 302540

Code: ANSI/TIA-222-H

© 2007 - 2021 by ATC IP LLC. All rights reserved.

Site Name: Madison CT 6, CT

Engineering Number: 13668702_C3_01

5/5/2021 9:50:17 AM

Customer: VERIZON WIRELESS

Load Case: 1.0D + 1.0W

Serviceability 60 mph

21 Iterations

Gust Response Factor :1.10

Dead Load Factor :1.00

Wind Load Factor :1.00

148.00 0.00 -0.63 0.00 -1.06 0.00 1.06 1,400.09 330.73 709.52 682.38 12.22 -0.74 0.002

Equivalent Lateral Forces Method Analysis

Spectral Response Acceleration for Short Period (S_s):	0.20
Spectral Response Acceleration at 1.0 Second Period (S_{d1}):	0.05
Long-Period Transition Period (T_L):	6
Importance Factor (I_E):	1.00
Site Coefficient F_a :	1.60
Site Coefficient F_v :	2.40
Response Modification Coefficient (R):	1.50
Design Spectral Response Acceleration at Short Period (S_{ds}):	0.22
Design Spectral Response Acceleration at 1.0 Second Period (S_{d1}):	0.09
Seismic Response Coefficient (C_s):	0.03
Upper Limit C_s	0.03
Lower Limit C_s	0.03
Period based on Rayleigh Method (sec):	2.03
Redundancy Factor (ρ):	1.00
Seismic Force Distribution Exponent (k):	1.77
Total Unfactored Dead Load:	54.96 k
Seismic Base Shear (E):	1.65 k

Load Case 1.2D + 1.0Ev + 1.0Eh

Seismic

Segment	Height Above Base (ft)	Weight (lb)	W_z (lb-ft)	C_{vx}	Horizontal Force (lb)	Vertical Force (lb)
43	146.50	223	1,489	0.010	17	278
42	142.50	431	2,740	0.019	31	536
41	139.00	184	1,118	0.008	13	229
40	136.50	281	1,656	0.012	19	350
39	133.50	288	1,628	0.011	19	358
38	131.00	273	1,493	0.010	17	339
37	127.50	694	3,623	0.025	42	863
36	123.00	568	2,783	0.019	32	707
35	120.50	146	692	0.005	8	182
34	117.50	817	3,689	0.026	42	1,016
33	114.00	332	1,420	0.010	16	412
32	112.50	277	1,158	0.008	13	344
31	111.00	558	2,280	0.016	26	694
30	109.38	352	1,402	0.010	16	438
29	106.88	721	2,756	0.019	32	897
28	103.00	783	2,803	0.020	32	974
27	100.50	198	679	0.005	8	246
26	98.75	499	1,658	0.012	19	620
25	96.25	514	1,634	0.011	19	640
24	92.50	1,045	3,096	0.022	36	1,300
23	89.50	212	592	0.004	7	263
22	87.50	640	1,720	0.012	20	797
21	85.50	220	568	0.004	7	274
20	82.50	1,114	2,696	0.019	31	1,386
19	79.25	339	763	0.005	9	421

18	76.75	1,382	2,945	0.021	34	1,719
17	74.00	801	1,599	0.011	18	996
16	71.50	778	1,462	0.010	17	967
15	67.50	1,317	2,237	0.016	26	1,638
14	62.50	1,344	1,992	0.014	23	1,672
13	57.50	1,371	1,753	0.012	20	1,705
12	52.50	1,397	1,522	0.011	17	1,738
11	47.50	1,424	1,300	0.009	15	1,771
10	42.50	2,784	2,088	0.015	24	3,462
9	39.25	847	552	0.004	6	1,054
8	36.75	1,265	734	0.005	8	1,573
7	32.50	1,837	858	0.006	10	2,285
6	27.50	1,873	651	0.005	7	2,329
5	22.50	1,908	466	0.003	5	2,373
4	17.50	1,944	304	0.002	3	2,417
3	12.50	1,979	171	0.001	2	2,461
2	7.50	2,015	71	0.000	1	2,506
1	2.50	2,050	10	0.000	0	2,550
Generic 18' Dipole	148.00	55	374	0.003	4	68
Generic 8' Omni	148.00	25	170	0.001	2	31
Generic 8' Dipole	148.00	25	170	0.001	2	31
Generic 48" x 8" Pan	148.00	240	1,630	0.011	19	298
Flat Low Profile Pla	148.00	1,500	10,186	0.071	117	1,866
Commscope LNX-6514DS	145.00	39	254	0.002	3	48
Andrew LNX-8513DS-A1	145.00	78	514	0.004	6	98
Commscope CBC78T-DS-	140.00	62	382	0.003	4	77
Samsung Outdoor CBRS	140.00	13	81	0.001	1	16
Samsung RT4401-48A	140.00	56	344	0.002	4	69
Samsung B2/B66A RRH-	140.00	253	1,559	0.011	18	315
Samsung B5/B13 RRH-B	140.00	211	1,298	0.009	15	262
RFS DB-C1-12C-24AB-0	140.00	32	197	0.001	2	40
Samsung MT6407-77A	140.00	245	1,507	0.010	17	304
Commscope JAHH-65B-R	140.00	364	2,238	0.016	26	452
Flat Low Profile Pla	140.00	1,500	9,234	0.064	106	1,866
Collar	138.00	560	3,361	0.023	39	696
Powerwave Allgon LGP	132.00	32	176	0.001	2	40
Powerwave Allgon TT1	132.00	96	533	0.004	6	119
Raycap DC6-48-60-18-	132.00	64	353	0.002	4	79
Ericsson Radio 4449	132.00	212	1,175	0.008	13	263
Ericsson RRUS A2 B2	132.00	66	366	0.003	4	82
Ericsson RRUS 32 B30	132.00	159	882	0.006	10	198
Ericsson RRUS-12 B2	132.00	174	965	0.007	11	216
KMW AM-X-CD-14-65-00	132.00	109	606	0.004	7	136
Commscope SBNHH-1D65	132.00	101	558	0.004	6	125
Kathrein Scala 80010	132.00	251	1,395	0.010	16	313
Flat Platform w/ Han	132.00	2,000	11,098	0.077	127	2,487
Round Low Profile PI	121.00	2,000	9,517	0.066	109	2,487
Ericsson KRY 112 144	120.00	44	206	0.001	2	55
Ericsson AIR 21, 1.3	120.00	332	1,557	0.011	18	413
Ericsson AIR 21, 1.3	120.00	326	1,529	0.011	18	405
Generic 6.7" x 10.7"	112.00	59	247	0.002	3	74
Generic 48" x 12" Pa	112.00	90	374	0.003	4	112
Flat Platform w/ Han	101.00	2,000	6,918	0.048	79	2,487
Alcatel-Lucent 800 M	97.50	192	624	0.004	7	239
Alcatel-Lucent 1900	97.50	180	585	0.004	7	224
Alcatel-Lucent TD-RR	97.50	210	683	0.005	8	261
RFS APXV9TM14-ALU-I2	97.50	165	537	0.004	6	206
RFS APXVSPP18-C-A20	97.50	171	556	0.004	6	213
Collar	89.00	560	1,549	0.011	18	696
RFS APXV18-206517S-C	86.00	79	206	0.001	2	99
Generic GPS	73.00	10	19	0.000	0	12
		54,964	143,563	1.000	1,649	68,360

Load Case 0.9D - 1.0Ev + 1.0Eh

Seismic (Reduced DL)

Segment	Height Above Base (ft)	Weight (lb)	W _z (lb-ft)	C _{vx}	Horizontal Force (lb)	Vertical Force (lb)
43	146.50	223	1,489	0.010	17	191
42	142.50	431	2,740	0.019	31	369
41	139.00	184	1,118	0.008	13	157
40	136.50	281	1,656	0.012	19	241
39	133.50	288	1,628	0.011	19	246
38	131.00	273	1,493	0.010	17	234
37	127.50	694	3,623	0.025	42	594
36	123.00	568	2,783	0.019	32	486
35	120.50	146	692	0.005	8	125
34	117.50	817	3,689	0.026	42	699
33	114.00	332	1,420	0.010	16	284
32	112.50	277	1,158	0.008	13	237
31	111.00	558	2,280	0.016	26	478
30	109.38	352	1,402	0.010	16	301
29	106.88	721	2,756	0.019	32	617
28	103.00	783	2,803	0.020	32	670
27	100.50	198	679	0.005	8	169
26	98.75	499	1,658	0.012	19	427
25	96.25	514	1,634	0.011	19	440
24	92.50	1,045	3,096	0.022	36	895
23	89.50	212	592	0.004	7	181
22	87.50	640	1,720	0.012	20	548
21	85.50	220	568	0.004	7	189
20	82.50	1,114	2,696	0.019	31	954
19	79.25	339	763	0.005	9	290
18	76.75	1,382	2,945	0.021	34	1,184
17	74.00	801	1,599	0.011	18	686
16	71.50	778	1,462	0.010	17	666
15	67.50	1,317	2,237	0.016	26	1,128
14	62.50	1,344	1,992	0.014	23	1,151
13	57.50	1,371	1,753	0.012	20	1,174
12	52.50	1,397	1,522	0.011	17	1,196
11	47.50	1,424	1,300	0.009	15	1,219
10	42.50	2,784	2,088	0.015	24	2,383
9	39.25	847	552	0.004	6	725
8	36.75	1,265	734	0.005	8	1,083
7	32.50	1,837	858	0.006	10	1,573
6	27.50	1,873	651	0.005	7	1,603
5	22.50	1,908	466	0.003	5	1,634
4	17.50	1,944	304	0.002	3	1,664
3	12.50	1,979	171	0.001	2	1,695
2	7.50	2,015	71	0.000	1	1,725
1	2.50	2,050	10	0.000	0	1,755
Generic 18' Dipole	148.00	55	374	0.003	4	47
Generic 8' Omni	148.00	25	170	0.001	2	21
Generic 8' Dipole	148.00	25	170	0.001	2	21
Generic 48" x 8" Pan	148.00	240	1,630	0.011	19	206
Flat Low Profile Pla	148.00	1,500	10,186	0.071	117	1,284
Commscope LNX-6514DS	145.00	39	254	0.002	3	33
Andrew LNX-8513DS-A1	145.00	78	514	0.004	6	67
Commscope CBC78T-DS-	140.00	62	382	0.003	4	53
Samsung Outdoor CBRS	140.00	13	81	0.001	1	11
Samsung RT4401-48A	140.00	56	344	0.002	4	48
Samsung B2/B66A RRH-	140.00	253	1,559	0.011	18	217
Samsung B5/B13 RRH-B	140.00	211	1,298	0.009	15	181
RFS DB-C1-12C-24AB-0	140.00	32	197	0.001	2	27
Samsung MT6407-77A	140.00	245	1,507	0.010	17	210

Site Number: 302540

Code: ANSI/TIA-222-H

© 2007 - 2021 by ATC IP LLC. All rights reserved.

Site Name: Madison CT 6, CT

Engineering Number: 13668702_C3_01

5/5/2021 9:50:18 AM

Customer: VERIZON WIRELESS

Commscope JAHH-65B-R	140.00	364	2,238	0.016	26	311
Flat Low Profile Pla	140.00	1,500	9,234	0.064	106	1,284
Collar	138.00	560	3,361	0.023	39	480
Powerwave Allgon LGP	132.00	32	176	0.001	2	27
Powerwave Allgon TT1	132.00	96	533	0.004	6	82
Raycap DC6-48-60-18-	132.00	64	353	0.002	4	54
Ericsson Radio 4449	132.00	212	1,175	0.008	13	181
Ericsson RRUS A2 B2	132.00	66	366	0.003	4	57
Ericsson RRUS 32 B30	132.00	159	882	0.006	10	136
Ericsson RRUS-12 B2	132.00	174	965	0.007	11	149
KMW AM-X-CD-14-65-00	132.00	109	606	0.004	7	94
Commscope SBNHH-1D65	132.00	101	558	0.004	6	86
Kathrein Scala 80010	132.00	251	1,395	0.010	16	215
Flat Platform w/ Han	132.00	2,000	11,098	0.077	127	1,713
Round Low Profile PI	121.00	2,000	9,517	0.066	109	1,713
Ericsson KRY 112 144	120.00	44	206	0.001	2	38
Ericsson AIR 21, 1.3	120.00	332	1,557	0.011	18	284
Ericsson AIR 21, 1.3	120.00	326	1,529	0.011	18	279
Generic 6.7" x 10.7"	112.00	59	247	0.002	3	51
Generic 48" x 12" Pa	112.00	90	374	0.003	4	77
Flat Platform w/ Han	101.00	2,000	6,918	0.048	79	1,713
Alcatel-Lucent 800 M	97.50	192	624	0.004	7	164
Alcatel-Lucent 1900	97.50	180	585	0.004	7	154
Alcatel-Lucent TD-RR	97.50	210	683	0.005	8	180
RFS APXV9TM14-ALU-I2	97.50	165	537	0.004	6	142
RFS APXVSP18-C-A20	97.50	171	556	0.004	6	146
Collar	89.00	560	1,549	0.011	18	480
RFS APXV18-206517S-C	86.00	79	206	0.001	2	68
Generic GPS	73.00	10	19	0.000	0	9
		54,964	143,563	1.000	1,649	47,064

Load Case 1.2D + 1.0Ev + 1.0Eh

Seismic

Calculated Forces

Seg Elev (ft)	Pu FY (-) (kips)	Vu FX (-) (kips)	Tu MY (ft-kips)	Mu MZ (ft-kips)	Mu MX (ft-kips)	Resultant Moment (ft-kips)	phi Pn (kips)	phi Vn (kips)	phi Tn (ft-kips)	phi Mn (ft-kips)	Total Deflect (in)	Rotation (deg)	Ratio
0.00	-65.81	-1.65	0.00	-192.67	0.00	192.67	6,758.61	1,686.37	9,222.89	8,416.91	0.00	0.00	0.033
5.00	-63.30	-1.66	0.00	-184.41	0.00	184.41	6,657.97	1,649.74	8,826.68	8,110.02	0.00	-0.01	0.032
10.00	-60.84	-1.66	0.00	-176.12	0.00	176.12	6,555.28	1,613.12	8,439.17	7,806.19	0.01	-0.01	0.032
15.00	-58.43	-1.66	0.00	-167.81	0.00	167.81	6,450.55	1,576.49	8,060.36	7,505.57	0.03	-0.02	0.031
20.00	-56.05	-1.66	0.00	-159.49	0.00	159.49	6,343.76	1,539.87	7,690.25	7,208.34	0.05	-0.02	0.031
25.00	-53.72	-1.66	0.00	-151.17	0.00	151.17	6,234.93	1,503.24	7,328.83	6,914.66	0.08	-0.03	0.030
30.00	-51.44	-1.66	0.00	-142.86	0.00	142.86	6,124.04	1,466.62	6,976.11	6,624.69	0.12	-0.04	0.030
35.00	-49.86	-1.65	0.00	-134.58	0.00	134.58	6,011.11	1,429.99	6,632.09	6,338.62	0.16	-0.04	0.030
38.50	-48.81	-1.65	0.00	-128.80	0.00	128.80	5,930.84	1,404.36	6,396.46	6,140.77	0.20	-0.05	0.029
40.00	-45.35	-1.62	0.00	-126.32	0.00	126.32	5,896.13	1,393.37	6,296.77	6,056.60	0.21	-0.05	0.029
45.00	-43.58	-1.61	0.00	-118.20	0.00	118.20	4,028.70	1,035.83	4,639.53	4,111.85	0.27	-0.06	0.040
50.00	-41.84	-1.60	0.00	-110.14	0.00	110.14	3,959.47	1,008.37	4,396.75	3,933.23	0.33	-0.07	0.039
55.00	-40.13	-1.58	0.00	-102.14	0.00	102.14	3,888.20	980.90	4,160.50	3,756.40	0.41	-0.07	0.038
60.00	-38.46	-1.56	0.00	-94.22	0.00	94.22	3,814.87	953.43	3,930.78	3,581.53	0.49	-0.08	0.036
65.00	-36.82	-1.54	0.00	-86.40	0.00	86.40	3,739.50	925.96	3,707.57	3,408.80	0.58	-0.09	0.035
70.00	-35.86	-1.53	0.00	-78.69	0.00	78.69	3,662.08	898.49	3,490.89	3,238.36	0.69	-0.10	0.034
73.00	-34.85	-1.51	0.00	-74.11	0.00	74.11	3,614.64	882.01	3,364.02	3,137.28	0.75	-0.11	0.033
75.00	-33.13	-1.48	0.00	-71.09	0.00	71.09	3,582.60	871.02	3,280.74	3,070.40	0.80	-0.11	0.032
78.50	-32.71	-1.47	0.00	-65.92	0.00	65.92	2,803.82	721.80	2,703.36	2,392.98	0.88	-0.12	0.039
80.00	-31.32	-1.44	0.00	-63.72	0.00	63.72	2,786.75	714.93	2,652.17	2,355.61	0.92	-0.12	0.038
85.00	-31.05	-1.43	0.00	-56.52	0.00	56.52	2,728.49	692.04	2,485.07	2,231.97	1.05	-0.13	0.037
86.00	-30.15	-1.41	0.00	-55.09	0.00	55.09	2,716.60	687.46	2,452.31	2,207.42	1.08	-0.13	0.036
89.00	-29.19	-1.39	0.00	-50.85	0.00	50.85	2,680.41	673.73	2,355.31	2,134.17	1.16	-0.14	0.035
90.00	-27.89	-1.35	0.00	-49.46	0.00	49.46	2,668.19	669.15	2,323.42	2,109.88	1.19	-0.14	0.034
95.00	-27.25	-1.33	0.00	-42.70	0.00	42.70	2,605.84	646.26	2,167.19	1,989.52	1.34	-0.15	0.032
97.50	-25.49	-1.28	0.00	-39.37	0.00	39.37	2,573.89	634.81	2,091.12	1,930.04	1.42	-0.15	0.030
100.00	-25.24	-1.27	0.00	-36.17	0.00	36.17	2,541.44	623.37	2,016.41	1,871.05	1.50	-0.16	0.029
101.00	-21.78	-1.15	0.00	-34.90	0.00	34.90	2,528.31	618.79	1,986.90	1,847.60	1.53	-0.16	0.028
105.00	-20.89	-1.12	0.00	-30.29	0.00	30.29	2,474.99	600.48	1,871.06	1,754.64	1.67	-0.17	0.026
108.75	-20.45	-1.10	0.00	-26.09	0.00	26.09	2,423.81	583.31	1,765.61	1,668.79	1.80	-0.17	0.024
110.00	-19.75	-1.08	0.00	-24.71	0.00	24.71	2,406.49	577.59	1,731.15	1,640.46	1.85	-0.17	0.023
112.00	-19.23	-1.06	0.00	-22.55	0.00	22.55	2,378.52	568.43	1,676.70	1,595.45	1.92	-0.18	0.022
113.00	-18.81	-1.04	0.00	-21.50	0.00	21.50	1,786.91	458.92	1,366.00	1,211.99	1.96	-0.18	0.028
115.00	-17.80	-0.99	0.00	-19.42	0.00	19.42	1,768.50	451.59	1,322.74	1,180.21	2.03	-0.18	0.027
120.00	-16.74	-0.95	0.00	-14.45	0.00	14.45	1,721.02	433.28	1,217.65	1,101.60	2.23	-0.19	0.023
121.00	-13.55	-0.80	0.00	-13.50	0.00	13.50	1,711.28	429.62	1,197.16	1,086.03	2.27	-0.19	0.020
125.00	-12.68	-0.75	0.00	-10.32	0.00	10.32	1,671.50	414.97	1,116.91	1,024.32	2.43	-0.19	0.018
130.00	-12.35	-0.73	0.00	-6.56	0.00	6.56	1,619.92	396.65	1,020.52	948.54	2.63	-0.20	0.015
132.00	-7.93	-0.49	0.00	-5.09	0.00	5.09	1,598.72	389.33	983.18	918.69	2.71	-0.20	0.010
135.00	-7.58	-0.47	0.00	-3.61	0.00	3.61	1,566.30	378.34	928.48	874.43	2.84	-0.20	0.009
138.00	-6.66	-0.42	0.00	-2.19	0.00	2.19	1,533.15	367.35	875.34	830.84	2.97	-0.20	0.007
140.00	-2.72	-0.18	0.00	-1.35	0.00	1.35	1,510.63	360.03	840.79	802.16	3.05	-0.20	0.003
145.00	-2.29	-0.15	0.00	-0.46	0.00	0.46	1,446.60	341.72	757.44	728.71	3.27	-0.20	0.002
148.00	0.00	-0.14	0.00	0.00	0.00	0.00	1,400.09	330.73	709.52	682.38	3.39	-0.20	0.000

Load Case 0.9D - 1.0Ev + 1.0Eh

Seismic (Reduced DL)

Calculated Forces

Seg Elev (ft)	Pu FY (-) (kips)	Vu FX (-) (kips)	Tu MY (ft-kips)	Mu MZ (ft-kips)	Mu MX (ft-kips)	Resultant Moment (ft-kips)	phi Pn (kips)	phi Vn (kips)	phi Tn (ft-kips)	phi Mn (ft-kips)	Total Deflect (in)	Rotation (deg)	Ratio
0.00	-45.31	-1.65	0.00	-190.40	0.00	190.40	6,758.61	1,686.37	9,222.89	8,416.91	0.00	0.00	0.029
5.00	-43.58	-1.65	0.00	-182.15	0.00	182.15	6,657.97	1,649.74	8,826.68	8,110.02	0.00	-0.01	0.029
10.00	-41.89	-1.66	0.00	-173.89	0.00	173.89	6,555.28	1,613.12	8,439.17	7,806.19	0.01	-0.01	0.029
15.00	-40.22	-1.66	0.00	-165.61	0.00	165.61	6,450.55	1,576.49	8,060.36	7,505.57	0.03	-0.02	0.028
20.00	-38.59	-1.65	0.00	-157.33	0.00	157.33	6,343.76	1,539.87	7,690.25	7,208.34	0.05	-0.02	0.028
25.00	-36.99	-1.65	0.00	-149.06	0.00	149.06	6,234.93	1,503.24	7,328.83	6,914.66	0.08	-0.03	0.027
30.00	-35.41	-1.64	0.00	-140.81	0.00	140.81	6,124.04	1,466.62	6,976.11	6,624.69	0.12	-0.04	0.027
35.00	-34.33	-1.64	0.00	-132.59	0.00	132.59	6,011.11	1,429.99	6,632.09	6,338.62	0.16	-0.04	0.027
38.50	-33.60	-1.63	0.00	-126.86	0.00	126.86	5,930.84	1,404.36	6,396.46	6,140.77	0.19	-0.05	0.026
40.00	-31.22	-1.61	0.00	-124.41	0.00	124.41	5,896.13	1,393.37	6,296.77	6,056.60	0.21	-0.05	0.026
45.00	-30.00	-1.60	0.00	-116.36	0.00	116.36	4,028.70	1,035.83	4,639.53	4,111.85	0.27	-0.06	0.036
50.00	-28.80	-1.58	0.00	-108.38	0.00	108.38	3,959.47	1,008.37	4,396.75	3,933.23	0.33	-0.06	0.035
55.00	-27.63	-1.56	0.00	-100.47	0.00	100.47	3,888.20	980.90	4,160.50	3,756.40	0.40	-0.07	0.034
60.00	-26.48	-1.54	0.00	-92.65	0.00	92.65	3,814.87	953.43	3,930.78	3,581.53	0.48	-0.08	0.033
65.00	-25.35	-1.52	0.00	-84.93	0.00	84.93	3,739.50	925.96	3,707.57	3,408.80	0.58	-0.09	0.032
70.00	-24.69	-1.51	0.00	-77.32	0.00	77.32	3,662.08	898.49	3,490.89	3,238.36	0.68	-0.10	0.031
73.00	-23.99	-1.49	0.00	-72.80	0.00	72.80	3,614.64	882.01	3,364.02	3,137.28	0.74	-0.11	0.030
75.00	-22.81	-1.45	0.00	-69.83	0.00	69.83	3,582.60	871.02	3,280.74	3,070.40	0.79	-0.11	0.029
78.50	-22.52	-1.45	0.00	-64.74	0.00	64.74	2,803.82	721.80	2,703.36	2,392.98	0.87	-0.12	0.035
80.00	-21.56	-1.42	0.00	-62.57	0.00	62.57	2,786.75	714.93	2,652.17	2,355.61	0.90	-0.12	0.034
85.00	-21.37	-1.41	0.00	-55.49	0.00	55.49	2,728.49	692.04	2,485.07	2,231.97	1.03	-0.13	0.033
86.00	-20.76	-1.39	0.00	-54.08	0.00	54.08	2,716.60	687.46	2,452.31	2,207.42	1.06	-0.13	0.032
89.00	-20.10	-1.36	0.00	-49.91	0.00	49.91	2,680.41	673.73	2,355.31	2,134.17	1.14	-0.14	0.031
90.00	-19.20	-1.33	0.00	-48.55	0.00	48.55	2,668.19	669.15	2,323.42	2,109.88	1.17	-0.14	0.030
95.00	-18.76	-1.31	0.00	-41.91	0.00	41.91	2,605.84	646.26	2,167.19	1,989.52	1.32	-0.15	0.028
97.50	-17.55	-1.26	0.00	-38.63	0.00	38.63	2,573.89	634.81	2,091.12	1,930.04	1.40	-0.15	0.027
100.00	-17.38	-1.25	0.00	-35.49	0.00	35.49	2,541.44	623.37	2,016.41	1,871.05	1.48	-0.15	0.026
101.00	-15.00	-1.13	0.00	-34.24	0.00	34.24	2,528.31	618.79	1,986.90	1,847.60	1.51	-0.16	0.024
105.00	-14.38	-1.10	0.00	-29.72	0.00	29.72	2,474.99	600.48	1,871.06	1,754.64	1.64	-0.16	0.023
108.75	-14.08	-1.08	0.00	-25.59	0.00	25.59	2,423.81	583.31	1,765.61	1,668.79	1.78	-0.17	0.021
110.00	-13.60	-1.06	0.00	-24.24	0.00	24.24	2,406.49	577.59	1,731.15	1,640.46	1.82	-0.17	0.020
112.00	-13.23	-1.04	0.00	-22.12	0.00	22.12	2,378.52	568.43	1,676.70	1,595.45	1.89	-0.17	0.019
113.00	-12.95	-1.02	0.00	-21.09	0.00	21.09	1,786.91	458.92	1,366.00	1,211.99	1.93	-0.17	0.025
115.00	-12.25	-0.98	0.00	-19.05	0.00	19.05	1,768.50	451.59	1,322.74	1,180.21	2.00	-0.18	0.023
120.00	-11.53	-0.93	0.00	-14.17	0.00	14.17	1,721.02	433.28	1,217.65	1,101.60	2.19	-0.18	0.020
121.00	-9.33	-0.78	0.00	-13.24	0.00	13.24	1,711.28	429.62	1,197.16	1,086.03	2.23	-0.19	0.018
125.00	-8.73	-0.74	0.00	-10.12	0.00	10.12	1,671.50	414.97	1,116.91	1,024.32	2.39	-0.19	0.015
130.00	-8.50	-0.72	0.00	-6.43	0.00	6.43	1,619.92	396.65	1,020.52	948.54	2.59	-0.19	0.012
132.00	-5.46	-0.48	0.00	-4.99	0.00	4.99	1,598.72	389.33	983.18	918.69	2.67	-0.20	0.009
135.00	-5.22	-0.46	0.00	-3.54	0.00	3.54	1,566.30	378.34	928.48	874.43	2.80	-0.20	0.007
138.00	-4.58	-0.41	0.00	-2.15	0.00	2.15	1,533.15	367.35	875.34	830.84	2.92	-0.20	0.006
140.00	-1.87	-0.18	0.00	-1.33	0.00	1.33	1,510.63	360.03	840.79	802.16	3.00	-0.20	0.003
145.00	-1.58	-0.15	0.00	-0.45	0.00	0.45	1,446.60	341.72	757.44	728.71	3.21	-0.20	0.002
148.00	0.00	-0.14	0.00	0.00	0.00	0.00	1,400.09	330.73	709.52	682.38	3.34	-0.20	0.000

Site Number: 302540

Code: ANSI/TIA-222-H

© 2007 - 2021 by ATC IP LLC. All rights reserved.

Site Name: Madison CT 6, CT

Engineering Number: 13668702_C3_01

5/5/2021 9:50:18 AM

Customer: VERIZON WIRELESS

Analysis Summary

Load Case	Reactions						Max Usage	
	Shear FX (kips)	Shear FZ (kips)	Axial FY (kips)	Moment MX (ft-kips)	Moment MY (ft-kips)	Moment MZ (ft-kips)	Elev (ft)	Interaction Ratio
1.2D + 1.0W	30.92	0.00	65.93	0.00	0.00	3308.58	45.00	0.50
0.9D + 1.0W	30.91	0.00	49.44	0.00	0.00	3279.30	45.00	0.49
1.2D + 1.0Di + 1.0Wi	7.95	0.00	85.48	0.00	0.00	841.03	45.00	0.14
1.2D + 1.0Ev + 1.0Eh	1.65	0.00	65.81	0.00	0.00	192.67	45.00	0.04
0.9D - 1.0Ev + 1.0Eh	1.65	0.00	45.31	0.00	0.00	190.40	45.00	0.04
1.0D + 1.0W	6.58	0.00	54.96	0.00	0.00	700.54	45.00	0.11

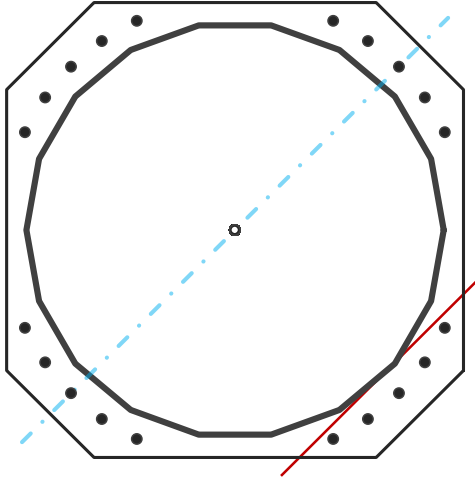
Base Plate & Anchor Rod Analysis

Pole Dimensions		
Number of Sides	18	-
Diameter	61.05	in
Thickness	0.5	in
Orientation Offset	0	°

Base Reactions		
Moment, Mu	3308.6	k-ft
Axial, Pu	65.9	k
Shear, Vu	30.9	k
Neutral Axis	225	°

Report Capacities		
Component	Capacity	Result
Base Plate	40%	Pass
Anchor Rods	49%	Pass
Dwyidag	-	-

Base Plate		
Shape	Square	-
Width	68	in
Thickness	3 1/4	in
Grade	A572-50	
Yield Strength, Fy	50	ksi
Tensile Strength, Fu	65	ksi
Clip	13	in
Orientation Offset	0	°
Anchor Rod Detail	d	$\eta=0.5$
Clear Distance	3	in
Applied Moment, Mu	1677.7	k
Bending Stress, ϕMn	4158.0	k



Original Anchor Rods		
Arrangement	Cluster	-
Quantity	20	-
Diameter, ϕ	2 1/4	in
Bolt Circle	69	in
Grade	A615-75	
Yield Strength, Fy	75	ksi
Tensile Strength, Fu	100	ksi
Spacing	6.0	in
Orientation Offset	0	°
Applied Force, Pu	119.2	k
Anchor Rods, ϕPn	243.6	k

Calculations for Monopole Base Plate & Anchor Rod Analysis

Reaction Distribution

Reaction	Shear Vu	Moment Mu	Factor
-	k	k-ft	-
Base Forces	31.1	3333.5	1.00
Anchor Rod Forces	31.1	3333.5	1.00
Additional Bolt (Grp1) Forces	0.0	0.0	0.00
Additional Bolt (Grp2) Forces	0.0	0.0	0.00
Dywidag Forces	0.0	0.0	0.00
Stiffener Forces	0.0	0.0	0.00

Geometric Properties

Section	Gross Area	Net Area	Individual Inertia	Threads per Inch	Moment of Inertia
-	in ²	in ²	in ⁴	#	in ⁴
Pole	94.6296	5.2572	0.4399		43375.50
Bolt	3.9761	3.2477	0.8393	4.5	38672.41
Bolt1	0.0000	0.0000	0.0000	0	0.00
Bolt2	0.0000	0.0000	0.0000	0	0.00
Dywidag	0.0000	0.0000	0.0000		0.00
Stiffener	0.0000	0.0000	0.0000		0.00

Base Plate		
Shape	Square	-
Width, W	68	in
Thickness, t	3.25	in
Yield Strength, Fy	50	ksi
Tensile Strength, Fu	65	ksi
Base Plate Chord	29.948	in
Detail Type	d	-
Detail Factor	0.50	-
Clear Distance	3	-

Anchor Rods		
Anchor Rod Quantity, N	20	-
Rod Diameter, d	2.25	in
Bolt Circle, BC	69	in
Yield Strength, Fy	75	ksi
Tensile Strength, Fu	100	ksi
Applied Axial, Pu	119.2	k
Applied Shear, Vu	0.5	k
Compressive Capacity, φPn	243.6	k
Tensile Capacity, φRnt	0.489	OK
Interaction Capacity	0.493	OK

External Base Plate		
Chord Length AA	34.992	in
Additional AA	0.000	in
Section Modulus, Z	92.399	in ³
Applied Moment, Mu	1677.7	k-ft
Bending Capacity, φMn	4158.0	k-ft
Capacity, Mu/φMn	0.403	OK
Chord Length AB	34.048	in
Additional AB	0.000	in
Section Modulus, Z	89.907	in ³
Applied Moment, Mu	1404.7	k-ft
Bending Capacity, φMn	4045.8	k-ft
Capacity, Mu/φMn	0.347	OK
Bend Line Length	0.000	in
Additional Bend Line	0.000	in
Section Modulus, Z	0.000	in ³
Applied Moment, Mu	0.0	k-ft
Bending Capacity, φMn	0.0	k-ft
Capacity, Mu/φMn		

Internal Base Plate		
Arc Length	0.000	in
Section Modulus, Z	0.000	in ³
Moment Arm	0.000	in
Applied Moment, Mu	0.0	k-ft
Bending Capacity, φMn	0.0	k-ft
Capacity, Mu/φMn		



Maser Consulting Connecticut
2000 Midlantic Drive Suite 100
Mt. Laurel, NJ 08054
856.797.0412
Peter.Albano@colliersengineering.com

Post-Mod Antenna Mount Analysis Report and PMI Requirements

Mount Fix

SMART Tool Project #: 10078669
Maser Consulting Connecticut Project #: 21777433A

June 29, 2021

Site Information

Site ID: 468845-VZW / MADISON 2 CT
Site Name: MADISON 2 CT
Carrier Name: Verizon Wireless
Address: 8 Meeting House Ln
Madison, Connecticut 06443
New Haven County
Latitude: 41.286099°
Longitude: -72.601676°

Structure Information

Tower Type: 148-Ft Monopole
Mount Type: 16.17-Ft Platform

FUZE ID # 16244081

Analysis Results

Platform: 73.1% Pass

*****Contractor PMI Requirements:**

Included at the end of this MA report

Available & Submitted via portal at <https://pmi.vzwsmart.com>

Contractor - Please Review Specific Site PMI Requirements Upon Award

Requirements also Noted on Mount Modification Drawings

Requirements may also be Noted on A & E drawings

Report Prepared By: Frank Centone

Executive Summary:

The objective of this report is to summarize the analysis results of the antenna support mount including the proposed modifications at the subject facility for the final wireless telecommunications configuration, per the applicable codes and standards.

This analysis is inclusive of the mount structure only and does not address the structural capacity of the supporting structure. This mounting frame was not analyzed as an anchor attachment point for fall protection. All climbing activities are required to have a fall protection plan completed by a competent person.

Sources of Information:

Document Type	Remarks
<i>Radio Frequency Data Sheet (RFDS)</i>	<i>Verizon RFDS Site ID: 324273, dated March 16, 2021</i>
<i>Desktop Mount Mapping Form</i>	<i>Colliers Engineering & Design, Project #: 21777433A, dated April 9, 2021</i>
<i>Previous Mount Analysis Report</i>	<i>Maser Consulting Connecticut Project #: 21777433A, dated June 11, 2021</i>
<i>Mount Modification report</i>	<i>Maser Consulting Project Connecticut #: 21777433A, dated June 29, 2021</i>

Analysis Criteria:

Codes and Standards:	ANSI/TIA-222-H
Wind Parameters:	Basic Wind Speed (Ultimate 3-sec. Gust), V_{ULT} : 123 mph Ice Wind Speed (3-sec. Gust): 50 mph Design Ice Thickness: 1.00 in Risk Category: II Exposure Category: B Topographic Category: 1 Topographic Feature Considered: N/A Topographic Method: N/A Ground Elevation Factor, K_e : 0.999
Seismic Parameters:	S_s : 0.205 S_1 : 0.054
Maintenance Parameters:	Wind Speed (3-sec. Gust): 30 mph Maintenance Live Load, L_v : 250 lbs. Maintenance Live Load, L_m : 500 lbs.
Analysis Software:	RISA-3D (V17)

Final Loading Configuration:

The following equipment has been considered for the analysis of the mounts:

Mount Elevation (ft)	Equipment Elevation (ft)	Quantity	Manufacturer	Model	Status
140.00	140.00	3	Samsung	MT6407-77A	Retained
		6	Commscope	JAHH-65B-R3B	
		1	Commscope	LNx-6514DS-A1M	
		2	Andrew	LNx-8513DS-A1M	
		3	Samsung	XXDWMM-12.5-65-8T-CBRS	
		3	Commscope	CBC78T-DS-43-2X	
		1	RFS	DB-C1-12C-24AB-0Z	
		3	Samsung	B2/B66A RRH-BR049	
		3	Samsung	B5/B13 RRH-BR04C	

The recent provided closeout photos reported existing OVP units. It is acceptable to install up to any three (3) of the OVP model numbers listed below as required at any location other than the mount face without affecting the structural capacity of the mount. If OVP units are installed on the mount face, a mount re-analysis may be required unless replacing an existing OVP.

Model Number	Ports	AKA
DB-B1-6C-12AB-0Z	6	OVP-6
RVZDC-6627-PF-48	12	OVP-12

Standard Conditions:

1. All engineering services are performed on the basis that the information provided to Maser Consulting Connecticut and used in this analysis is current and correct. The existing equipment loading has been applied at locations determined from the supplied documentation. Any deviation from the loading locations specified in this report shall be communicated to Maser Consulting to verify deviation will not adversely impact the analysis.
2. Mounts are assumed to have been properly fabricated, installed and maintained in good condition, twist free and plumb in accordance with its original design and manufacturer’s specifications.

Obvious safety and structural issues/deficiencies noticed at the time of the mount mapping and reported in the Mount Mapping Report are assumed to be corrected and documented as part of the PMI process and are not considered in the mount analysis.

The mount analysis and the mount mapping are not a condition assessment of the mount. Proper maintenance and condition assessments are still required post analysis.

3. For mount analyses completed from other data sources (including new replacement mounts) and not specifically mapped by Maser Consulting Connecticut, the mounts are assumed to have been properly fabricated, installed and maintained in good condition, twist free and plumb in accordance with its original design and manufacturer’s specifications.
4. All member connections are assumed to have been designed to meet or exceed the load carrying capacity of the connected member unless otherwise specified in this report.

5. The mount was checked up to, and including, the bolts that fasten it to the mount collar/attachment and threaded rod connections in collar members if applicable. Local deformation and interaction between the mount collar/attachment and the supporting tower structure are outside the scope of this analysis.
6. All services are performed, results obtained, and recommendations made in accordance with generally accepted engineering principles and practices. Maser Consulting is not responsible for the conclusion, opinions, and recommendations made by others based on the information supplied.
7. Structural Steel Grades have been assumed as follows, if applicable, unless otherwise noted in this analysis:
 - o Channel, Solid Round, Angle, Plate ASTM A36 (Gr. 36)
 - o HSS (Rectangular) ASTM 500 (Gr. B-46)
 - o Pipe ASTM A53 (Gr. B-35)
 - o Threaded Rod F1554 (Gr. 36)
 - o Bolts ASTM A325
8. Any mount modifications listed under Sources of Information are assumed to have been installed per the design specifications.

Discrepancies between in-field conditions and the assumptions listed above may render this analysis invalid unless explicitly approved by Maser Consulting Connecticut.

Analysis Results:

Component	Utilization %	Pass/Fail
Standoff Double Angle	15.7%	Pass
Standoff Angle	32.0%	Pass
Standoff Horizontal Smaller	26.5%	Pass
Mount Pipe	63.6%	Pass
Unistrut	0.0%	Pass
Mod Face	41.7%	Pass
Mod Bracing	40.1%	Pass
New MOD BRACING	19.6%	Pass
Face Horizontal	36.1%	Pass
Existing Face	73.1%	Pass
Mount Connection	37.0%	Pass

Structure Rating – (Controlling Utilization of all Components)	73.1%
---	--------------

Recommendation:

The existing mount will be **SUFFICIENT** for the final loading after the proposed modifications are successfully completed.

ANSI/ASSP rigging plan review services compliant with the requirements of ANSI/TIA 322 are available for a Construction Class IV site or other, if required. Separate review fees will apply.

Attachments:

1. Mount Photos
2. Desktop Mount Mapping Form (for reference only)
3. Analysis Calculations
4. **Contractor Required PMI Report Deliverables**
5. Antenna Placement Diagrams
6. TIA Adoption and Wind Speed Usage Letter



Mar 9, 2021 at 9:15:02 AM
8 Old Rte 7
Madison CT 0644
United State



Mar 3, 2021 at 5:49:25 PM
8 Old Rte 79
Madison CT 06443
United States



Desktop Mount Mapping Form

Site Name:	MADISON 2 CT	Tower Type:	Monopole
Site ID:		Tower Owner:	
PSLC:	468845	Tower Height (Ft.):	
Customer:		Mount Elevation (Ft.):	
Colliers Project No.:	21777433	Date:	4/9/2021

The information contained herein is considered confidential in nature and is to be used only for the specific customer it was intended for. Reproduction, transmission, publication, modification or disclosure by any method is prohibited except by express written permission of PJF.

Document Type	Provided? (Yes/No)	Source Name	Project No.	Dated	Comments/Remarks
Previous Mount Mapping	No				
Previous Mapping Photos	No				
Previous Mount Analysis	Yes	As Built MA	12995792_C8_01	1/22/2020	Provided and is the primary source of mount information for MA.
Previous Mount Modifications	No				
Previous Structural Analysis	Yes	As Built SA	12995792_C3_03	11/20/2019	Provided but not necessary for MA.
Construction Drawings	Yes	As Built CD	94025.205897	3/6/2020	Provided and contains some helpful information.
Closeout Package	Yes				
Closeout Photos	Yes				Photos are helpful for MA
Handover Package	No				
New Build 445 Documentation	No				
Other	No				
Previous PMI	No				

The **desktop mount mapping** is based on the engineering review of the available site documents in FUZE, as listed above, in place of a full mount mapping. It is assumed that the information provided in the documents listed above, provide an accurate representation of the existing mount. EOR reserves the right and will typically require additional clarification and verification as will be included in the PMI requirements. During the Post Modification Inspection (PMI) process, the GC on site will be required to confirm all questions, confirmations, and validations as posed by the EOR. The engineering review for this desktop mount mapping was performed in accordance to the ANSI/TIA-222-H requirements and Verizon's NSTD446 standard.

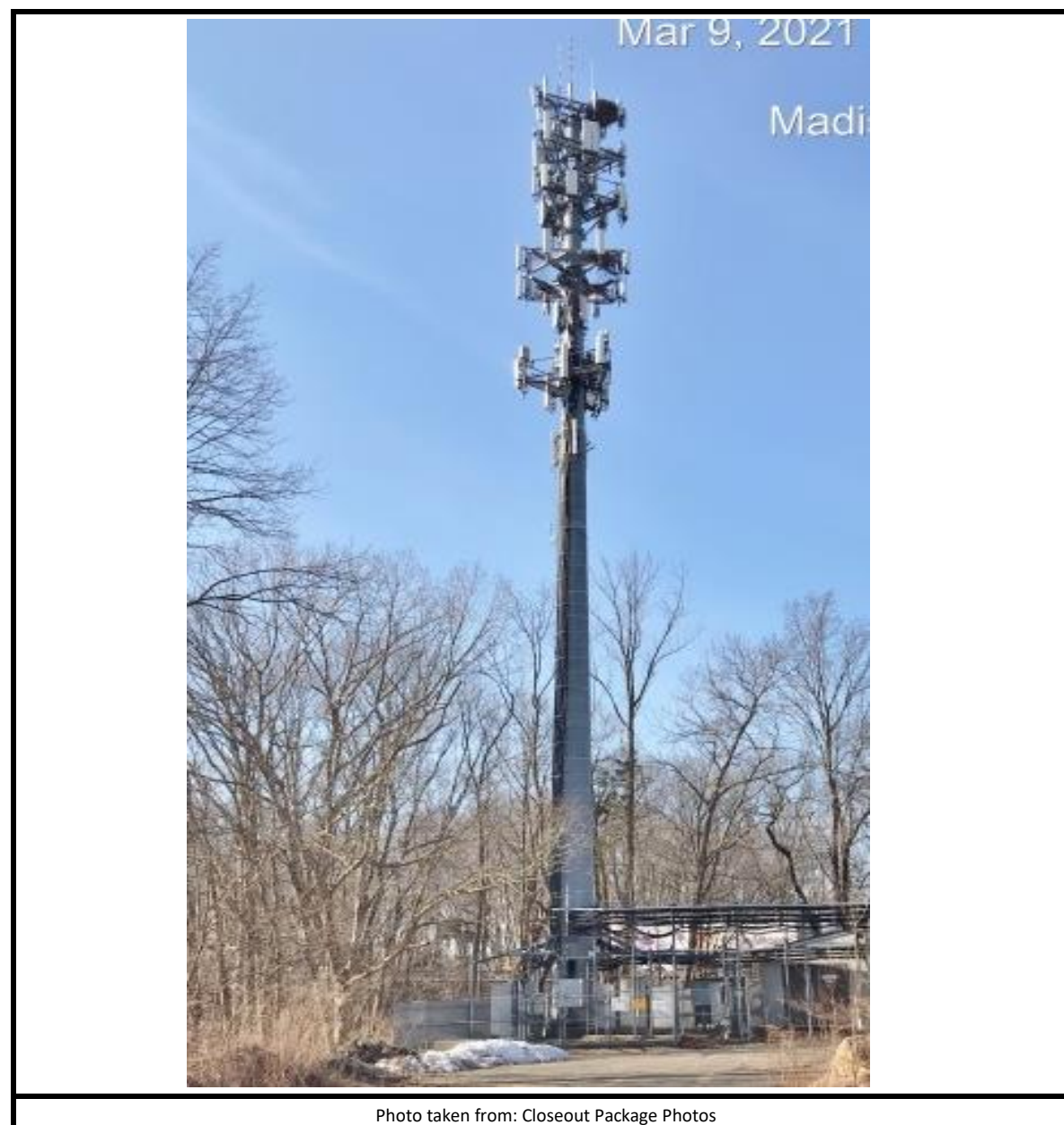


Photo taken from: Closeout Package Photos

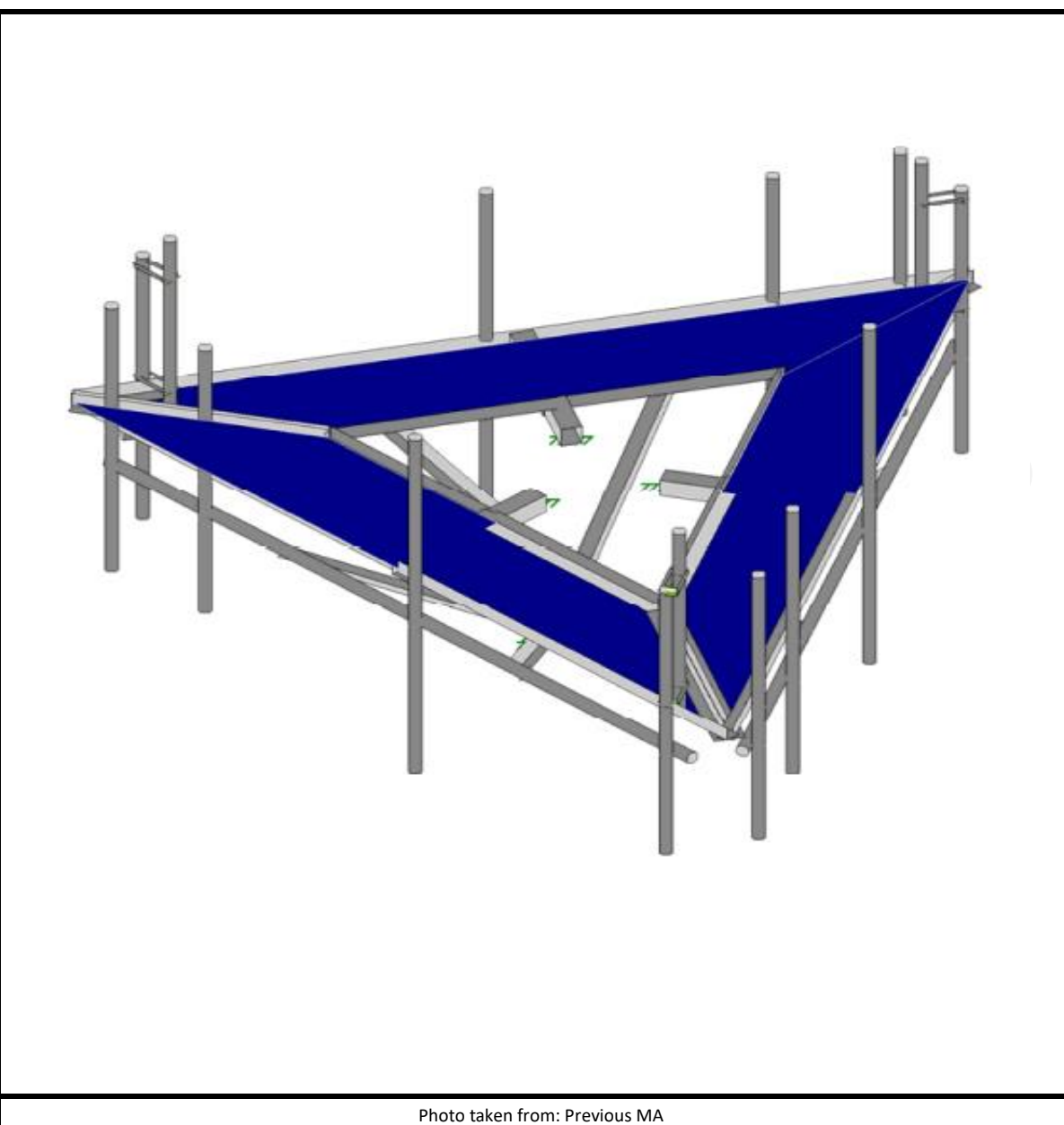
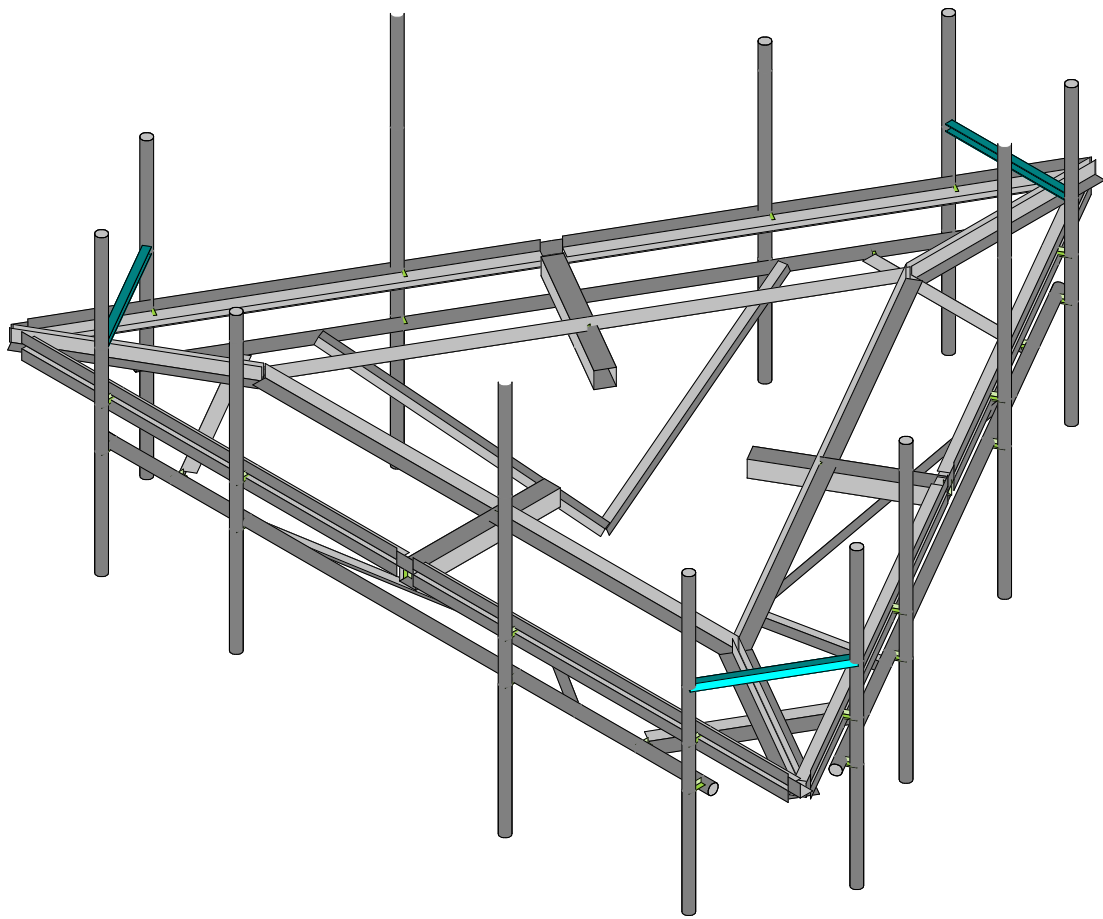
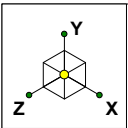


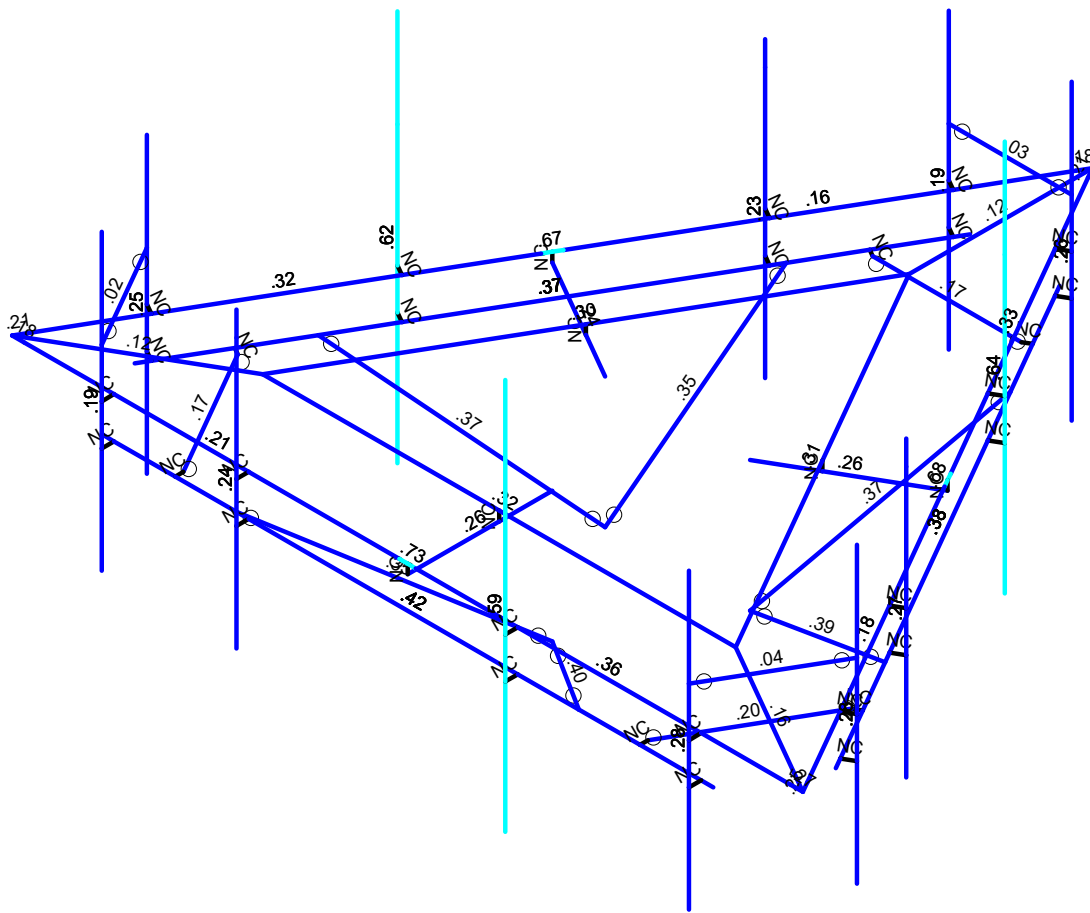
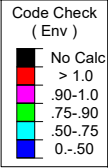
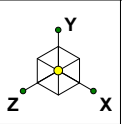
Photo taken from: Previous MA



SK - 4

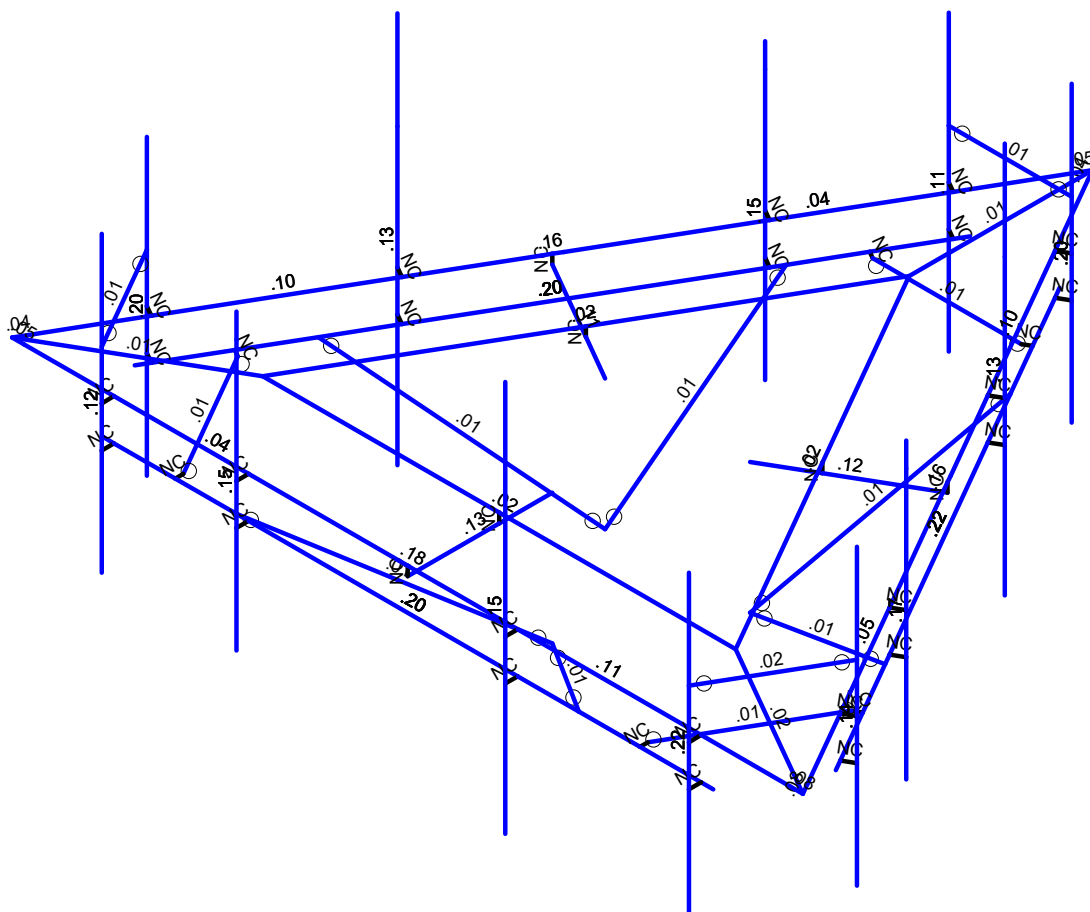
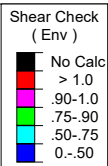
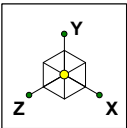
June 28, 2021 at 2:14 PM

468845-VZW_MT_LO_H - LOADE...



Member Code Checks Displayed (Enveloped)
Results for LC 1, 1.2D+1.0Wo (0 Deg)

		SK - 2
		June 28, 2021 at 1:21 PM
		468845-VZW_MT_LO_H - LOADE...



Member Shear Checks Displayed (Enveloped)
 Results for LC 1, 1.2D+1.0Wo (0 Deg)

	SK - 3
	June 28, 2021 at 1:21 PM
	468845-VZW_MT_LO_H - LOADE...

Basic Load Cases

	BLC Description	Category	X Gravity	Y Gravity	Z Gravity	Joint	Point	Distributed Area(Me...	Surface(P...
1	Antenna D	None					111		
2	Antenna Di	None					111		
3	Antenna Wo (0 Deg)	None					111		
4	Antenna Wo (30 Deg)	None					111		
5	Antenna Wo (60 Deg)	None					111		
6	Antenna Wo (90 Deg)	None					111		
7	Antenna Wo (120 Deg)	None					111		
8	Antenna Wo (150 Deg)	None					111		
9	Antenna Wo (180 Deg)	None					111		
10	Antenna Wo (210 Deg)	None					111		
11	Antenna Wo (240 Deg)	None					111		
12	Antenna Wo (270 Deg)	None					111		
13	Antenna Wo (300 Deg)	None					111		
14	Antenna Wo (330 Deg)	None					111		
15	Antenna Wi (0 Deg)	None					111		
16	Antenna Wi (30 Deg)	None					111		
17	Antenna Wi (60 Deg)	None					111		
18	Antenna Wi (90 Deg)	None					111		
19	Antenna Wi (120 Deg)	None					111		
20	Antenna Wi (150 Deg)	None					111		
21	Antenna Wi (180 Deg)	None					111		
22	Antenna Wi (210 Deg)	None					111		
23	Antenna Wi (240 Deg)	None					111		
24	Antenna Wi (270 Deg)	None					111		
25	Antenna Wi (300 Deg)	None					111		
26	Antenna Wi (330 Deg)	None					111		
27	Antenna Wm (0 Deg)	None					111		
28	Antenna Wm (30 Deg)	None					111		
29	Antenna Wm (60 Deg)	None					111		
30	Antenna Wm (90 Deg)	None					111		
31	Antenna Wm (120 Deg)	None					111		
32	Antenna Wm (150 Deg)	None					111		
33	Antenna Wm (180 Deg)	None					111		
34	Antenna Wm (210 Deg)	None					111		
35	Antenna Wm (240 Deg)	None					111		
36	Antenna Wm (270 Deg)	None					111		
37	Antenna Wm (300 Deg)	None					111		
38	Antenna Wm (330 Deg)	None					111		
39	Structure D	None		-1				51	3
40	Structure Di	None						102	3
41	Structure Wo (0 Deg)	None						102	
42	Structure Wo (30 Deg)	None						102	
43	Structure Wo (60 Deg)	None						102	
44	Structure Wo (90 Deg)	None						102	
45	Structure Wo (120 D...	None						102	
46	Structure Wo (150 D...	None						102	
47	Structure Wo (180 D...	None						102	
48	Structure Wo (210 D...	None						102	
49	Structure Wo (240 D...	None						102	
50	Structure Wo (270 D...	None						102	
51	Structure Wo (300 D...	None						102	
52	Structure Wo (330 D...	None						102	
53	Structure Wi (0 Deg)	None						102	
54	Structure Wi (30 Deg)	None						102	
55	Structure Wi (60 Deg)	None						102	
56	Structure Wi (90 Deg)	None						102	



Company :
 Designer :
 Job Number :
 Model Name :

June 28, 2021
 1:21 PM
 Checked By: _____

Basic Load Cases (Continued)

	BLC Description	Category	X Gravity	Y Gravity	Z Gravity	Joint	Point	Distributed Area(Me...	Surface(P...
57	Structure Wi (120 De..	None						102	
58	Structure Wi (150 De..	None						102	
59	Structure Wi (180 De..	None						102	
60	Structure Wi (210 De..	None						102	
61	Structure Wi (240 De..	None						102	
62	Structure Wi (270 De..	None						102	
63	Structure Wi (300 De..	None						102	
64	Structure Wi (330 De..	None						102	
65	Structure Wm (0 Deg)	None						102	
66	Structure Wm (30 De..	None						102	
67	Structure Wm (60 De..	None						102	
68	Structure Wm (90 De..	None						102	
69	Structure Wm (120 D..	None						102	
70	Structure Wm (150 D..	None						102	
71	Structure Wm (180 D..	None						102	
72	Structure Wm (210 D..	None						102	
73	Structure Wm (240 D..	None						102	
74	Structure Wm (270 D..	None						102	
75	Structure Wm (300 D..	None						102	
76	Structure Wm (330 D..	None						102	
77	Lm1	None					1		
78	Lm2	None					1		
79	Lv1	None					1		
80	Lv2	None					1		
81	BLC 39 Transient Are..	None						78	
82	BLC 40 Transient Are..	None						78	

Load Combinations

	Description	Sol..	PD..	SR..	BLC Fact..	BLC Fact..	BLC Fact..	BLC Fact..	BLC Fact..	BLC Fact..	BLC Fact..	BLC Fact..	BLC Fact..	BLC Fact..	BLC Fact..	BLC Fact..	BLC Fact..	BLC Fact..	BLC Fact..	BLC Fact..	
1	1.2D+1.0...	Yes	Y		1	1.2	39	1.2	3	1	41	1									
2	1.2D+1.0...	Yes	Y		1	1.2	39	1.2	4	1	42	1									
3	1.2D+1.0...	Yes	Y		1	1.2	39	1.2	5	1	43	1									
4	1.2D+1.0...	Yes	Y		1	1.2	39	1.2	6	1	44	1									
5	1.2D+1.0...	Yes	Y		1	1.2	39	1.2	7	1	45	1									
6	1.2D+1.0...	Yes	Y		1	1.2	39	1.2	8	1	46	1									
7	1.2D+1.0...	Yes	Y		1	1.2	39	1.2	9	1	47	1									
8	1.2D+1.0...	Yes	Y		1	1.2	39	1.2	10	1	48	1									
9	1.2D+1.0...	Yes	Y		1	1.2	39	1.2	11	1	49	1									
10	1.2D+1.0...	Yes	Y		1	1.2	39	1.2	12	1	50	1									
11	1.2D+1.0...	Yes	Y		1	1.2	39	1.2	13	1	51	1									
12	1.2D+1.0...	Yes	Y		1	1.2	39	1.2	14	1	52	1									
13	1.2D + 1.0...	Yes	Y		1	1.2	39	1.2	2	1	40	1	15	1	53	1					
14	1.2D + 1.0...	Yes	Y		1	1.2	39	1.2	2	1	40	1	16	1	54	1					
15	1.2D + 1.0...	Yes	Y		1	1.2	39	1.2	2	1	40	1	17	1	55	1					
16	1.2D + 1.0...	Yes	Y		1	1.2	39	1.2	2	1	40	1	18	1	56	1					
17	1.2D + 1.0...	Yes	Y		1	1.2	39	1.2	2	1	40	1	19	1	57	1					
18	1.2D + 1.0...	Yes	Y		1	1.2	39	1.2	2	1	40	1	20	1	58	1					
19	1.2D + 1.0...	Yes	Y		1	1.2	39	1.2	2	1	40	1	21	1	59	1					
20	1.2D + 1.0...	Yes	Y		1	1.2	39	1.2	2	1	40	1	22	1	60	1					
21	1.2D + 1.0...	Yes	Y		1	1.2	39	1.2	2	1	40	1	23	1	61	1					
22	1.2D + 1.0...	Yes	Y		1	1.2	39	1.2	2	1	40	1	24	1	62	1					
23	1.2D + 1.0...	Yes	Y		1	1.2	39	1.2	2	1	40	1	25	1	63	1					
24	1.2D + 1.0...	Yes	Y		1	1.2	39	1.2	2	1	40	1	26	1	64	1					
25	1.2D + 1.5...	Yes	Y		1	1.2	39	1.2	77	1.5	27	1	65	1							
26	1.2D + 1.5...	Yes	Y		1	1.2	39	1.2	77	1.5	28	1	66	1							



Company :
 Designer :
 Job Number :
 Model Name :

June 28, 2021
 1:21 PM
 Checked By: _____

Load Combinations (Continued)

Description	Sol.	PD	SR	BLC Fact.	BLC Fact.	BLC Fact.	BLC Fact.	BLC Fact.	BLC Fact.	BLC Fact.	BLC Fact.	BLC Fact.	BLC Fact.
27	1.2D + 1.5..	Yes	Y	1	1.2	39	1.2	77	1.5	29	1	67	1
28	1.2D + 1.5..	Yes	Y	1	1.2	39	1.2	77	1.5	30	1	68	1
29	1.2D + 1.5..	Yes	Y	1	1.2	39	1.2	77	1.5	31	1	69	1
30	1.2D + 1.5..	Yes	Y	1	1.2	39	1.2	77	1.5	32	1	70	1
31	1.2D + 1.5..	Yes	Y	1	1.2	39	1.2	77	1.5	33	1	71	1
32	1.2D + 1.5..	Yes	Y	1	1.2	39	1.2	77	1.5	34	1	72	1
33	1.2D + 1.5..	Yes	Y	1	1.2	39	1.2	77	1.5	35	1	73	1
34	1.2D + 1.5..	Yes	Y	1	1.2	39	1.2	77	1.5	36	1	74	1
35	1.2D + 1.5..	Yes	Y	1	1.2	39	1.2	77	1.5	37	1	75	1
36	1.2D + 1.5..	Yes	Y	1	1.2	39	1.2	77	1.5	38	1	76	1
37	1.2D + 1.5..	Yes	Y	1	1.2	39	1.2	78	1.5	27	1	65	1
38	1.2D + 1.5..	Yes	Y	1	1.2	39	1.2	78	1.5	28	1	66	1
39	1.2D + 1.5..	Yes	Y	1	1.2	39	1.2	78	1.5	29	1	67	1
40	1.2D + 1.5..	Yes	Y	1	1.2	39	1.2	78	1.5	30	1	68	1
41	1.2D + 1.5..	Yes	Y	1	1.2	39	1.2	78	1.5	31	1	69	1
42	1.2D + 1.5..	Yes	Y	1	1.2	39	1.2	78	1.5	32	1	70	1
43	1.2D + 1.5..	Yes	Y	1	1.2	39	1.2	78	1.5	33	1	71	1
44	1.2D + 1.5..	Yes	Y	1	1.2	39	1.2	78	1.5	34	1	72	1
45	1.2D + 1.5..	Yes	Y	1	1.2	39	1.2	78	1.5	35	1	73	1
46	1.2D + 1.5..	Yes	Y	1	1.2	39	1.2	78	1.5	36	1	74	1
47	1.2D + 1.5..	Yes	Y	1	1.2	39	1.2	78	1.5	37	1	75	1
48	1.2D + 1.5..	Yes	Y	1	1.2	39	1.2	78	1.5	38	1	76	1
49	1.2D + 1.5..	Yes	Y	1	1.2	39	1.2	79	1.5				
50	1.2D + 1.5..	Yes	Y	1	1.2	39	1.2	80	1.5				
51	1.4D	Yes	Y	1	1.4	39	1.4						
52	Seismic M...		Y	1	1	39	1						
53	1.2D + 1.0..		Y	1	1.2	39	1.2	SX		SY	1	SZ	-1
54	1.2D + 1.0..		Y	1	1.2	39	1.2	SX	.5	SY	1	SZ	-.866
55	1.2D + 1.0..		Y	1	1.2	39	1.2	SX	.866	SY	1	SZ	-.5
56	1.2D + 1.0..		Y	1	1.2	39	1.2	SX	1	SY	1	SZ	
57	1.2D + 1.0..		Y	1	1.2	39	1.2	SX	.866	SY	1	SZ	.5
58	1.2D + 1.0..		Y	1	1.2	39	1.2	SX	.5	SY	1	SZ	.866
59	1.2D + 1.0..		Y	1	1.2	39	1.2	SX		SY	1	SZ	1
60	1.2D + 1.0..		Y	1	1.2	39	1.2	SX	-.5	SY	1	SZ	.866
61	1.2D + 1.0..		Y	1	1.2	39	1.2	SX	-.866	SY	1	SZ	.5
62	1.2D + 1.0..		Y	1	1.2	39	1.2	SX	-1	SY	1	SZ	
63	1.2D + 1.0..		Y	1	1.2	39	1.2	SX	-.866	SY	1	SZ	-.5
64	1.2D + 1.0..		Y	1	1.2	39	1.2	SX	-.5	SY	1	SZ	-.866

Joint Coordinates and Temperatures

	Label	X [ft]	Y [ft]	Z [ft]	Temp [F]	Detach From Diap...
1	N1	-0.	0.1875	4.666917	0	
2	N2	8.083333	0.1875	4.666917	0	
3	N3	-8.083333	0.1875	4.666917	0	
4	N4	4.041667	0.1875	-2.333455	0	
5	N5	-0.	0.1875	-9.333827	0	
6	N7	-4.041667	0.1875	-2.333455	0	
7	N7A	-0.	0	0.000002	0	
8	N8	-0.	0.1875	-5.583827	0	
9	N10	-4.835735	0.1875	2.791915	0	
10	N12	4.835736	0.1875	2.791914	0	
11	N11	-0.	0.1875	2.791915	0	
12	N12A	2.417868	0.1875	-1.395957	0	
13	N13	-2.417867	0.1875	-1.395957	0	
14	N14	-0.	0	4.666917	0	



Company :
 Designer :
 Job Number :
 Model Name :

June 28, 2021
 1:21 PM
 Checked By: _____

Joint Coordinates and Temperatures (Continued)

	Label	X [ft]	Y [ft]	Z [ft]	Temp [F]	Detach From Diap...
15	N15	-0.	0	2.791915	0	
16	N16	-0.	0	1.70858	0	
17	N19	4.041668	0	-2.333458	0	
18	N20	2.417868	0	-1.395957	0	
19	N21	1.479674	0	-0.85429	0	
20	N24	-4.041668	0	-2.333458	0	
21	N25	-2.417867	0	-1.395957	0	
22	N26	-1.479674	0	-0.85429	0	
23	N23	6.	0.1875	4.666917	0	
24	N24A	2.25	0.1875	4.666917	0	
25	N25A	-3.25	0.1875	4.666917	0	
26	N26A	-6.	0.1875	4.666917	0	
27	N27	6.	0.1875	4.916917	0	
28	N28	2.25	0.1875	4.916917	0	
29	N29	-3.25	0.1875	4.916917	0	
30	N30	-6.	0.1875	4.916917	0	
31	N41	6.	3.1875	4.916917	0	
32	N42	6.	-2.8125	4.916917	0	
33	N43	2.25	4.6875	4.916917	0	
34	N44	2.25	-3.3125	4.916917	0	
35	N45	-3.25	3.1875	4.916917	0	
36	N46	-6.	3.1875	4.916917	0	
37	N47	-3.25	-2.8125	4.916917	0	
38	N48	-6.	-2.8125	4.916917	0	
39	N66	2.916666	0.1875	-4.282014	0	
40	N67	5.666666	0.1875	0.481126	0	
41	N70	3.133175	0.1875	-4.407015	0	
42	N71	5.883175	0.1875	0.356124	0	
43	N83A	3.133175	4.6875	-4.407015	0	
44	N84A	3.133175	-3.3125	-4.407015	0	
45	N85	5.883175	3.1875	0.356124	0	
46	N87	5.883175	-2.8125	0.356124	0	
47	N90	-5.166666	0.1875	-0.3849	0	
48	N91	-2.416666	0.1875	-5.148039	0	
49	N94	-5.383175	0.1875	-0.509901	0	
50	N95	-2.633175	0.1875	-5.273041	0	
51	N107A	-5.383175	4.6875	-0.509901	0	
52	N108A	-5.383175	-3.3125	-0.509901	0	
53	N109A	-2.633175	3.1875	-5.273041	0	
54	N111A	-2.633175	-2.8125	-5.273041	0	
55	N71A	6.	1.1875	4.916917	0	
56	N72A	7.383175	1.1875	2.9542	0	
57	N78	-6.	1.1875	4.916917	0	
58	N81A	6.25	-0.645833	4.666917	0	
59	N82A	-0.	-2.479167	-9.333827	0	
60	N92A	-6.249998	-0.645833	4.666914	0	
61	N103	6.	-0.645833	4.666914	0	
62	N104	2.25	-0.645833	4.666914	0	
63	N105	-3.25	-0.645833	4.666914	0	
64	N106	-6.	-0.645833	4.666914	0	
65	N107	6.	-0.645833	4.916917	0	
66	N108	2.25	-0.645833	4.916917	0	
67	N109	-3.25	-0.645833	4.916917	0	
68	N110	-6.	-0.645833	4.916917	0	
69	N76	0.916668	-0.645833	-7.746117	0	
70	N77B	7.166665	-0.645833	3.0792	0	
71	N78B	1.041668	-0.645833	-7.529611	0	



Company :
 Designer :
 Job Number :
 Model Name :

June 28, 2021
 1:21 PM
 Checked By: _____

Joint Coordinates and Temperatures (Continued)

	Label	X [ft]	Y [ft]	Z [ft]	Temp [F]	Detach From Diap...
129	N133	1.522331	-0.645833	-6.363746	0	
130	N134	2.25	2.6875	4.916917	0	
131	N135	-3.25	2.6875	4.916917	0	
132	N136A	3.133175	2.6875	-4.407015	0	
133	N137	5.883175	2.6875	0.356124	0	
134	N138	-5.383175	2.6875	-0.509901	0	
135	N139	-2.633175	2.6875	-5.273041	0	
136	N140	0.1667	0.1875	4.666917	0	
137	N141	-0.1666	0.1875	4.666917	0	
138	N142	7.833333	0.1875	4.666917	0	
139	N143	-7.833333	0.1875	4.666917	0	
140	N146	3.958318	0.1875	-2.477825	0	
141	N147	4.124968	0.1875	-2.189179	0	
142	N148	0.125002	0.1875	-9.117324	0	
143	N149	7.958335	0.1875	4.450407	0	
144	N152	-4.125018	0.1875	-2.189092	0	
145	N153	-3.958368	0.1875	-2.477738	0	
146	N154	-7.958335	0.1875	4.450407	0	
147	N155	-0.125002	0.1875	-9.117324	0	

Hot Rolled Steel Section Sets

	Label	Shape	Type	Design List	Material	Design R...	A [in2]	Iyy [in4]	Izz [in4]	J [in4]
1	Mount Pipe	PIPE_2.0	Beam	Pipe	A53 Gr. B	Typical	1.02	.627	.627	1.25
2	Support Rail	PIPE_2.0	Beam	Pipe	A53 Gr. B	Typical	1.02	.627	.627	1.25
3	Mod Face	PIPE_2.0	Beam	Pipe	A53 Gr. B	Typical	1.02	.627	.627	1.25
4	Standoff Horizontal Larger	HSS4.5X...	Beam	SquareTube	A500 Gr. ...	Typical	2.93	9.02	9.02	14.4
5	Standoff Horizontal Smaller	HSS4X4X3	Beam	SquareTube	A500 Gr. ...	Typical	2.58	6.21	6.21	10
6	Existing Face	L3X3X4	Beam	SquareTube	A500 Gr. ...	Typical	1.44	1.23	1.23	.031
7	Face Horizontal	LL3x3x4x0	Beam	Single Angle	A36 Gr.36	Typical	2.88	4.5	2.46	.063
8	Standoff Angle	L3X3X4	Beam	Single Angle	A36 Gr.36	Typical	1.44	1.23	1.23	.031
9	Support Rail Corner Angle	L2x2x3	Beam	Single Angle	A36 Gr.36	Typical	.722	.271	.271	.009
10	Mod Bracing	L2x2x3	Beam	Single Angle	A36 Gr.36	Typical	.722	.271	.271	.009
11	New MOD BRACING	L3X3X4	Beam	Single Angle	A36 Gr.36	Typical	1.44	1.23	1.23	.031
12	Standoff Double Angle	LL3x3x4x0	Beam	Double Angle (N...	A36 Gr.36	Typical	2.88	4.5	2.46	.063

Hot Rolled Steel Properties

	Label	E [ksi]	G [ksi]	Nu	Therm (/1E...	Density[k/ft...	Yield[ksi]	Ry	Fu[ksi]	Rt
1	A36 Gr.36	29000	11154	.3	.65	.49	36	1.5	58	1.2
2	A53 Gr. B	29000	11154	.3	.65	.49	35	1.5	60	1.2
3	A572 Gr.50	29000	11154	.3	.65	.49	50	1.1	65	1.1
4	A992	29000	11154	.3	.65	.49	50	1.1	65	1.1
5	A500 Gr. B 42	29000	11154	.3	.65	.49	42	1.4	58	1.3
6	A500 Gr. B 46	29000	11154	.3	.65	.49	46	1.4	58	1.3

Member Primary Data

	Label	I Joint	J Joint	K Joint	Rotate(deg)	Section/Shape	Type	Design List	Material	Design Rules
1	M4	N5	N8		180	Standoff Doubl...	Beam	Double Angle (...	A36 Gr.36	Typical
2	M5	N3	N10		180	Standoff Doubl...	Beam	Double Angle (...	A36 Gr.36	Typical
3	M6	N2	N12		180	Standoff Doubl...	Beam	Double Angle (...	A36 Gr.36	Typical
4	M7	N10	N12			Standoff Angle	Beam	Single Angle	A36 Gr.36	Typical
5	M8	N12	N8			Standoff Angle	Beam	Single Angle	A36 Gr.36	Typical
6	M9	N8	N10			Standoff Angle	Beam	Single Angle	A36 Gr.36	Typical



Company :
 Designer :
 Job Number :
 Model Name :

June 28, 2021
 1:21 PM
 Checked By: _____

Member Primary Data (Continued)

	Label	I Joint	J Joint	K Joint	Rotate(deg)	Section/Shape	Type	Design List	Material	Design Rules
7	M10	N1	N14			RIGID	None	None	RIGID	Typical
8	M11	N11	N15			RIGID	None	None	RIGID	Typical
9	M13	N14	N16			Standoff Horiz...	Beam	SquareTube	A500 Gr. ...	Typical
10	M14	N4	N19			RIGID	None	None	RIGID	Typical
11	M15	N12A	N20			RIGID	None	None	RIGID	Typical
12	M17	N19	N21			Standoff Horiz...	Beam	SquareTube	A500 Gr. ...	Typical
13	M18	N7	N24			RIGID	None	None	RIGID	Typical
14	M19	N13	N25			RIGID	None	None	RIGID	Typical
15	M21	N24	N26			Standoff Horiz...	Beam	SquareTube	A500 Gr. ...	Typical
16	M22	N26A	N30			RIGID	None	None	RIGID	Typical
17	LIVE2	N25A	N29			RIGID	None	None	RIGID	Typical
18	LIVE1	N24A	N28			RIGID	None	None	RIGID	Typical
19	M25	N23	N27			RIGID	None	None	RIGID	Typical
20	MP4A	N46	N48			Mount Pipe	Beam	Pipe	A53 Gr. B	Typical
21	MP3A	N45	N47			Mount Pipe	Beam	Pipe	A53 Gr. B	Typical
22	MP2A	N43	N44			Mount Pipe	Beam	Pipe	A53 Gr. B	Typical
23	MP1A	N41	N42			Mount Pipe	Beam	Pipe	A53 Gr. B	Typical
24	M47	N67	N71			RIGID	None	None	RIGID	Typical
25	M48	N66	N70			RIGID	None	None	RIGID	Typical
26	MP3C	N85	N87			Mount Pipe	Beam	Pipe	A53 Gr. B	Typical
27	MP2C	N83A	N84A			Mount Pipe	Beam	Pipe	A53 Gr. B	Typical
28	M59	N91	N95			RIGID	None	None	RIGID	Typical
29	M60	N90	N94			RIGID	None	None	RIGID	Typical
30	MP3B	N109A	N111A			Mount Pipe	Beam	Pipe	A53 Gr. B	Typical
31	MP2B	N107A	N108A			Mount Pipe	Beam	Pipe	A53 Gr. B	Typical
32	M43	N71A	N103A		180	Unistrut	Beam	None	A570 Gr.33	Typical
33	M56	N106	N110			RIGID	None	None	RIGID	Typical
34	M57	N105	N109			RIGID	None	None	RIGID	Typical
35	M58A	N104	N108			RIGID	None	None	RIGID	Typical
36	M59A	N103	N107			RIGID	None	None	RIGID	Typical
37	M60A	N92A	N81A			Mod Face	Beam	Pipe	A53 Gr. B	Typical
38	M45A	N81	N85A			RIGID	None	None	RIGID	Typical
39	M46	N80A	N84			RIGID	None	None	RIGID	Typical
40	M47A	N79A	N83			RIGID	None	None	RIGID	Typical
41	M48A	N78B	N82			RIGID	None	None	RIGID	Typical
42	M49	N77B	N76			Mod Face	Beam	Pipe	A53 Gr. B	Typical
43	M50	N91A	N95A			RIGID	None	None	RIGID	Typical
44	M51	N90A	N94A			RIGID	None	None	RIGID	Typical
45	M52	N89	N93			RIGID	None	None	RIGID	Typical
46	M53	N88	N92			RIGID	None	None	RIGID	Typical
47	M54	N87A	N86			Mod Face	Beam	Pipe	A53 Gr. B	Typical
48	M54A	N95B	N97			RIGID	None	None	RIGID	Typical
49	M55	N94B	N96			RIGID	None	None	RIGID	Typical
50	MP4C	N100	N101			Mount Pipe	Beam	Pipe	A53 Gr. B	Typical
51	MP1C	N98	N99			Mount Pipe	Beam	Pipe	A53 Gr. B	Typical
52	M60B	N109B	N111			RIGID	None	None	RIGID	Typical
53	M61	N108B	N110A			RIGID	None	None	RIGID	Typical
54	MP4B	N114	N115			Mount Pipe	Beam	Pipe	A53 Gr. B	Typical
55	MP1B	N112	N113			Mount Pipe	Beam	Pipe	A53 Gr. B	Typical
56	M66	N102	N117		180	Unistrut	Beam	None	A570 Gr.33	Typical
57	M67	N116	N78		180	Unistrut	Beam	None	A570 Gr.33	Typical
58	M63A	N113A	N115A		180	Mod Bracing	Beam	Single Angle	A36 Gr.36	Typical
59	M64	N114A	N115A		90	Mod Bracing	Beam	Single Angle	A36 Gr.36	Typical
60	M65	N118	N116A		180	Mod Bracing	Beam	Single Angle	A36 Gr.36	Typical
61	M66A	N119	N116A		90	Mod Bracing	Beam	Single Angle	A36 Gr.36	Typical
62	M67A	N123	N117A		180	Mod Bracing	Beam	Single Angle	A36 Gr.36	Typical
63	M68	N124	N117A		90	Mod Bracing	Beam	Single Angle	A36 Gr.36	Typical

Member Primary Data (Continued)

	Label	I Joint	J Joint	K Joint	Rotate(deg)	Section/Shape	Type	Design List	Material	Design Rules
64	M69	N126	N129A			RIGID	None	None	RIGID	Typical
65	M74	N131	N136			RIGID	None	None	RIGID	Typical
66	M75	N129A	N136			New MOD BR...	Beam	Single Angle	A36 Gr.36	Typical
67	M76	N126A	N128			RIGID	None	None	RIGID	Typical
68	M77	N127	N129			RIGID	None	None	RIGID	Typical
69	M78	N128	N129			New MOD BR...	Beam	Single Angle	A36 Gr.36	Typical
70	M83	N130	N132			RIGID	None	None	RIGID	Typical
71	M84A	N131A	N133			RIGID	None	None	RIGID	Typical
72	M85A	N132	N133			New MOD BR...	Beam	Single Angle	A36 Gr.36	Typical
73	M75A	N143	N141		90	Face Horizontal	Beam	Single Angle	A36 Gr.36	Typical
74	M76A	N142	N140		270	Face Horizontal	Beam	Single Angle	A36 Gr.36	Typical
75	M77A	N141	N140		270	Existing Face	Beam	SquareTube	A500 Gr. ...	Typical
76	M78A	N3	N143		270	Existing Face	Beam	SquareTube	A500 Gr. ...	Typical
77	M79	N142	N2		270	Existing Face	Beam	SquareTube	A500 Gr. ...	Typical
78	M80	N149	N147		90	Face Horizontal	Beam	Single Angle	A36 Gr.36	Typical
79	M81	N148	N146		270	Face Horizontal	Beam	Single Angle	A36 Gr.36	Typical
80	M82	N147	N146		270	Existing Face	Beam	SquareTube	A500 Gr. ...	Typical
81	M83A	N2	N149		270	Existing Face	Beam	SquareTube	A500 Gr. ...	Typical
82	M84	N148	N5		270	Existing Face	Beam	SquareTube	A500 Gr. ...	Typical
83	M85	N155	N153		90	Face Horizontal	Beam	Single Angle	A36 Gr.36	Typical
84	M86	N154	N152		270	Face Horizontal	Beam	Single Angle	A36 Gr.36	Typical
85	M87	N153	N152		270	Existing Face	Beam	SquareTube	A500 Gr. ...	Typical
86	M88	N5	N155		270	Existing Face	Beam	SquareTube	A500 Gr. ...	Typical
87	M89	N154	N3		270	Existing Face	Beam	SquareTube	A500 Gr. ...	Typical

Hot Rolled Steel Design Parameters

	Label	Shape	Length[ft]	Lbyy[ft]	Lbzz[ft]	Lcomp top[ft]	Lcomp bot[ft]	L-torqu...	Kyy	Kzz	Cb	Function
1	M4	Standoff Do...	3.75			Lbyy						Lateral
2	M5	Standoff Do...	3.75			Lbyy						Lateral
3	M6	Standoff Do...	3.75			Lbyy						Lateral
4	M7	Standoff An...	9.671			Lbyy						Lateral
5	M8	Standoff An...	9.671			Lbyy						Lateral
6	M9	Standoff An...	9.671			Lbyy						Lateral
7	M13	Standoff Ho...	2.958			Lbyy						Lateral
8	M17	Standoff Ho...	2.958			Lbyy						Lateral
9	M21	Standoff Ho...	2.958			Lbyy						Lateral
10	MP4A	Mount Pipe	6			Lbyy						Lateral
11	MP3A	Mount Pipe	6			Lbyy						Lateral
12	MP2A	Mount Pipe	8			Lbyy						Lateral
13	MP1A	Mount Pipe	6			Lbyy						Lateral
14	MP3C	Mount Pipe	6			Lbyy						Lateral
15	MP2C	Mount Pipe	8			Lbyy						Lateral
16	MP3B	Mount Pipe	6			Lbyy						Lateral
17	MP2B	Mount Pipe	8			Lbyy						Lateral
18	M60A	Mod Face	12.5			Lbyy						Lateral
19	M49	Mod Face	12.5			Lbyy						Lateral
20	M54	Mod Face	12.5			Lbyy						Lateral
21	MP4C	Mount Pipe	6			Lbyy						Lateral
22	MP1C	Mount Pipe	6			Lbyy						Lateral
23	MP4B	Mount Pipe	6			Lbyy						Lateral
24	MP1B	Mount Pipe	6			Lbyy						Lateral
25	M63A	Mod Bracing	5.009			Lbyy						Lateral
26	M64	Mod Bracing	5.009			Lbyy						Lateral
27	M65	Mod Bracing	5.009			Lbyy						Lateral
28	M66A	Mod Bracing	5.009			Lbyy						Lateral



Company :
 Designer :
 Job Number :
 Model Name :

June 28, 2021
 1:21 PM
 Checked By: _____

Hot Rolled Steel Design Parameters (Continued)

	Label	Shape	Length[ft]	Lbyy[ft]	Lbzz[ft]	Lcomp top[ft]	Lcomp bot[ft]	L-torqu...	Kyy	Kzz	Cb	Function
29	M67A	Mod Bracing	5.009			Lbyy						Lateral
30	M68	Mod Bracing	5.009			Lbyy						Lateral
31	M75	New MOD ...	3.045			Lbyy						Lateral
32	M78	New MOD ...	3.045			Lbyy						Lateral
33	M85A	New MOD ...	3.045			Lbyy						Lateral
34	M75A	Face Horizo...	7.667			Lbyy						Lateral
35	M76A	Face Horizo...	7.667			Lbyy						Lateral
36	M77A	Existing Face	.333			Lbyy						Lateral
37	M78A	Existing Face	.25			Lbyy						Lateral
38	M79	Existing Face	.25			Lbyy						Lateral
39	M80	Face Horizo...	7.667			Lbyy						Lateral
40	M81	Face Horizo...	7.667			Lbyy						Lateral
41	M82	Existing Face	.333			Lbyy						Lateral
42	M83A	Existing Face	.25			Lbyy						Lateral
43	M84	Existing Face	.25			Lbyy						Lateral
44	M85	Face Horizo...	7.667			Lbyy						Lateral
45	M86	Face Horizo...	7.667			Lbyy						Lateral
46	M87	Existing Face	.333			Lbyy						Lateral
47	M88	Existing Face	.25			Lbyy						Lateral
48	M89	Existing Face	.25			Lbyy						Lateral

Member Point Loads (BLC 1 : Antenna D)

	Member Label	Direction	Magnitude[lb.k-ft]	Location[ft,%]
1	MP3A	Y	-43.55	3
2	MP3A	My	.004	3
3	MP3A	Mz	0	3
4	MP3A	Y	-43.55	5
5	MP3A	My	.004	5
6	MP3A	Mz	0	5
7	MP3B	Y	-43.55	3
8	MP3B	My	-.002	3
9	MP3B	Mz	.003	3
10	MP3B	Y	-43.55	5
11	MP3B	My	-.002	5
12	MP3B	Mz	.003	5
13	MP3C	Y	-43.55	3
14	MP3C	My	-.002	3
15	MP3C	Mz	-.003	3
16	MP3C	Y	-43.55	5
17	MP3C	My	-.002	5
18	MP3C	Mz	-.003	5
19	MP2A	Y	-31.65	2
20	MP2A	My	-.016	2
21	MP2A	Mz	-.018	2
22	MP2A	Y	-31.65	6
23	MP2A	My	-.016	6
24	MP2A	Mz	-.018	6
25	MP2B	Y	-31.65	2
26	MP2B	My	.024	2
27	MP2B	Mz	-.004	2
28	MP2B	Y	-31.65	6
29	MP2B	My	.024	6
30	MP2B	Mz	-.004	6
31	MP2C	Y	-31.65	2
32	MP2C	My	-.008	2

Member Point Loads (BLC 1 : Antenna D) (Continued)

	Member Label	Direction	Magnitude[lb.k-ft]	Location[ft,%]
33	MP2C	Mz	.023	2
34	MP2C	Y	-31.65	6
35	MP2C	My	-.008	6
36	MP2C	Mz	.023	6
37	MP2A	Y	-31.65	2
38	MP2A	My	-.016	2
39	MP2A	Mz	.018	2
40	MP2A	Y	-31.65	6
41	MP2A	My	-.016	6
42	MP2A	Mz	.018	6
43	MP2B	Y	-31.65	2
44	MP2B	My	-.008	2
45	MP2B	Mz	-.023	2
46	MP2B	Y	-31.65	6
47	MP2B	My	-.008	6
48	MP2B	Mz	-.023	6
49	MP2C	Y	-31.65	2
50	MP2C	My	.024	2
51	MP2C	Mz	.004	2
52	MP2C	Y	-31.65	6
53	MP2C	My	.024	6
54	MP2C	Mz	.004	6
55	MP4C	Y	-22.95	2
56	MP4C	My	.006	2
57	MP4C	Mz	.01	2
58	MP4C	Y	-22.95	6
59	MP4C	My	.006	6
60	MP4C	Mz	.01	6
61	MP4A	Y	-13.15	2
62	MP4A	My	-.007	2
63	MP4A	Mz	0	2
64	MP4A	Y	-13.15	6
65	MP4A	My	-.007	6
66	MP4A	Mz	0	6
67	MP4B	Y	-13.15	2
68	MP4B	My	.003	2
69	MP4B	Mz	-.006	2
70	MP4B	Y	-13.15	6
71	MP4B	My	.003	6
72	MP4B	Mz	-.006	6
73	MP1A	Y	-4.4	3
74	MP1A	My	-.002	3
75	MP1A	Mz	0	3
76	MP1B	Y	-4.4	3
77	MP1B	My	.001	3
78	MP1B	Mz	-.002	3
79	MP1C	Y	-4.4	3
80	MP1C	My	.001	3
81	MP1C	Mz	.002	3
82	MP2A	Y	-10.4	3.5
83	MP2A	My	0	3.5
84	MP2A	Mz	.003	3.5
85	MP2B	Y	-10.4	3.5
86	MP2B	My	-.003	3.5
87	MP2B	Mz	-.002	3.5
88	MP2C	Y	-10.4	3.5
89	MP2C	My	.003	3.5



Company :
 Designer :
 Job Number :
 Model Name :

June 28, 2021
 1:21 PM
 Checked By: _____

Member Point Loads (BLC 1 : Antenna D) (Continued)

	Member Label	Direction	Magnitude[lb.k-ft]	Location[ft,%]
90	MP2C	Mz	-.002	3.5
91	MP1A	Y	-32	.75
92	MP1A	My	.016	.75
93	MP1A	Mz	0	.75
94	MP2A	Y	-84.4	2.5
95	MP2A	My	.042	2.5
96	MP2A	Mz	0	2.5
97	MP2B	Y	-84.4	2.5
98	MP2B	My	-.021	2.5
99	MP2B	Mz	.037	2.5
100	MP2C	Y	-84.4	2.5
101	MP2C	My	-.021	2.5
102	MP2C	Mz	-.037	2.5
103	MP3A	Y	-70.3	2.5
104	MP3A	My	.035	2.5
105	MP3A	Mz	0	2.5
106	MP3B	Y	-70.3	2.5
107	MP3B	My	-.018	2.5
108	MP3B	Mz	.03	2.5
109	MP3C	Y	-70.3	2.5
110	MP3C	My	-.018	2.5
111	MP3C	Mz	-.03	2.5

Member Point Loads (BLC 2 : Antenna Di)

	Member Label	Direction	Magnitude[lb.k-ft]	Location[ft,%]
1	MP3A	Y	-35.664	3
2	MP3A	My	.003	3
3	MP3A	Mz	0	3
4	MP3A	Y	-35.664	5
5	MP3A	My	.003	5
6	MP3A	Mz	0	5
7	MP3B	Y	-35.664	3
8	MP3B	My	-.001	3
9	MP3B	Mz	.003	3
10	MP3B	Y	-35.664	5
11	MP3B	My	-.001	5
12	MP3B	Mz	.003	5
13	MP3C	Y	-35.664	3
14	MP3C	My	-.001	3
15	MP3C	Mz	-.003	3
16	MP3C	Y	-35.664	5
17	MP3C	My	-.001	5
18	MP3C	Mz	-.003	5
19	MP2A	Y	-70.045	2
20	MP2A	My	-.035	2
21	MP2A	Mz	-.041	2
22	MP2A	Y	-70.045	6
23	MP2A	My	-.035	6
24	MP2A	Mz	-.041	6
25	MP2B	Y	-70.045	2
26	MP2B	My	.053	2
27	MP2B	Mz	-.01	2
28	MP2B	Y	-70.045	6
29	MP2B	My	.053	6
30	MP2B	Mz	-.01	6
31	MP2C	Y	-70.045	2



Company :
 Designer :
 Job Number :
 Model Name :

June 28, 2021
 1:21 PM
 Checked By: _____

Member Point Loads (BLC 2 : Antenna Di) (Continued)

	Member Label	Direction	Magnitude[lb.k-ft]	Location[ft,%]
32	MP2C	My	-.018	2
33	MP2C	Mz	.051	2
34	MP2C	Y	-70.045	6
35	MP2C	My	-.018	6
36	MP2C	Mz	.051	6
37	MP2A	Y	-70.045	2
38	MP2A	My	-.035	2
39	MP2A	Mz	.041	2
40	MP2A	Y	-70.045	6
41	MP2A	My	-.035	6
42	MP2A	Mz	.041	6
43	MP2B	Y	-70.045	2
44	MP2B	My	-.018	2
45	MP2B	Mz	-.051	2
46	MP2B	Y	-70.045	6
47	MP2B	My	-.018	6
48	MP2B	Mz	-.051	6
49	MP2C	Y	-70.045	2
50	MP2C	My	.053	2
51	MP2C	Mz	.01	2
52	MP2C	Y	-70.045	6
53	MP2C	My	.053	6
54	MP2C	Mz	.01	6
55	MP4C	Y	-67.383	2
56	MP4C	My	.017	2
57	MP4C	Mz	.029	2
58	MP4C	Y	-67.383	6
59	MP4C	My	.017	6
60	MP4C	Mz	.029	6
61	MP4A	Y	-61.225	2
62	MP4A	My	-.031	2
63	MP4A	Mz	0	2
64	MP4A	Y	-61.225	6
65	MP4A	My	-.031	6
66	MP4A	Mz	0	6
67	MP4B	Y	-61.225	2
68	MP4B	My	.015	2
69	MP4B	Mz	-.027	2
70	MP4B	Y	-61.225	6
71	MP4B	My	.015	6
72	MP4B	Mz	-.027	6
73	MP1A	Y	-13.47	3
74	MP1A	My	-.007	3
75	MP1A	Mz	0	3
76	MP1B	Y	-13.47	3
77	MP1B	My	.003	3
78	MP1B	Mz	-.006	3
79	MP1C	Y	-13.47	3
80	MP1C	My	.003	3
81	MP1C	Mz	.006	3
82	MP2A	Y	-10.758	3.5
83	MP2A	My	0	3.5
84	MP2A	Mz	.004	3.5
85	MP2B	Y	-10.758	3.5
86	MP2B	My	-.003	3.5
87	MP2B	Mz	-.002	3.5
88	MP2C	Y	-10.758	3.5



Company :
 Designer :
 Job Number :
 Model Name :

June 28, 2021
 1:21 PM
 Checked By: _____

Member Point Loads (BLC 2 : Antenna Di) (Continued)

	Member Label	Direction	Magnitude[lb.k-ft]	Location[ft,%]
89	MP2C	My	.003	3.5
90	MP2C	Mz	-.002	3.5
91	MP1A	Y	-88.036	.75
92	MP1A	My	.044	.75
93	MP1A	Mz	0	.75
94	MP2A	Y	-44.965	2.5
95	MP2A	My	.022	2.5
96	MP2A	Mz	0	2.5
97	MP2B	Y	-44.965	2.5
98	MP2B	My	-.011	2.5
99	MP2B	Mz	.019	2.5
100	MP2C	Y	-44.965	2.5
101	MP2C	My	-.011	2.5
102	MP2C	Mz	-.019	2.5
103	MP3A	Y	-40.438	2.5
104	MP3A	My	.02	2.5
105	MP3A	Mz	0	2.5
106	MP3B	Y	-40.438	2.5
107	MP3B	My	-.01	2.5
108	MP3B	Mz	.018	2.5
109	MP3C	Y	-40.438	2.5
110	MP3C	My	-.01	2.5
111	MP3C	Mz	-.018	2.5

Member Point Loads (BLC 3 : Antenna Wo (0 Deg))

	Member Label	Direction	Magnitude[lb.k-ft]	Location[ft,%]
1	MP3A	X	0	3
2	MP3A	Z	-84.545	3
3	MP3A	Mx	0	3
4	MP3A	X	0	5
5	MP3A	Z	-84.545	5
6	MP3A	Mx	0	5
7	MP3B	X	0	3
8	MP3B	Z	-45.961	3
9	MP3B	Mx	-.003	3
10	MP3B	X	0	5
11	MP3B	Z	-45.961	5
12	MP3B	Mx	-.003	5
13	MP3C	X	0	3
14	MP3C	Z	-45.961	3
15	MP3C	Mx	.003	3
16	MP3C	X	0	5
17	MP3C	Z	-45.961	5
18	MP3C	Mx	.003	5
19	MP2A	X	0	2
20	MP2A	Z	-163.873	2
21	MP2A	Mx	.096	2
22	MP2A	X	0	6
23	MP2A	Z	-163.873	6
24	MP2A	Mx	.096	6
25	MP2B	X	0	2
26	MP2B	Z	-121.691	2
27	MP2B	Mx	.017	2
28	MP2B	X	0	6
29	MP2B	Z	-121.691	6
30	MP2B	Mx	.017	6



Company :
 Designer :
 Job Number :
 Model Name :

June 28, 2021
 1:21 PM
 Checked By: _____

Member Point Loads (BLC 3 : Antenna Wo (0 Deg)) (Continued)

	Member Label	Direction	Magnitude[lb.k-ft]	Location[ft,%]
31	MP2C	X	0	2
32	MP2C	Z	-121.691	2
33	MP2C	Mx	-.088	2
34	MP2C	X	0	6
35	MP2C	Z	-121.691	6
36	MP2C	Mx	-.088	6
37	MP2A	X	0	2
38	MP2A	Z	-163.873	2
39	MP2A	Mx	-.096	2
40	MP2A	X	0	6
41	MP2A	Z	-163.873	6
42	MP2A	Mx	-.096	6
43	MP2B	X	0	2
44	MP2B	Z	-121.691	2
45	MP2B	Mx	.088	2
46	MP2B	X	0	6
47	MP2B	Z	-121.691	6
48	MP2B	Mx	.088	6
49	MP2C	X	0	2
50	MP2C	Z	-121.691	2
51	MP2C	Mx	-.017	2
52	MP2C	X	0	6
53	MP2C	Z	-121.691	6
54	MP2C	Mx	-.017	6
55	MP4C	X	0	2
56	MP4C	Z	-124.346	2
57	MP4C	Mx	-.054	2
58	MP4C	X	0	6
59	MP4C	Z	-124.346	6
60	MP4C	Mx	-.054	6
61	MP4A	X	0	2
62	MP4A	Z	-146.964	2
63	MP4A	Mx	0	2
64	MP4A	X	0	6
65	MP4A	Z	-146.964	6
66	MP4A	Mx	0	6
67	MP4B	X	0	2
68	MP4B	Z	-109.666	2
69	MP4B	Mx	.047	2
70	MP4B	X	0	6
71	MP4B	Z	-109.666	6
72	MP4B	Mx	.047	6
73	MP1A	X	0	3
74	MP1A	Z	-32.019	3
75	MP1A	Mx	0	3
76	MP1B	X	0	3
77	MP1B	Z	-12.714	3
78	MP1B	Mx	.006	3
79	MP1C	X	0	3
80	MP1C	Z	-12.714	3
81	MP1C	Mx	-.006	3
82	MP2A	X	0	3.5
83	MP2A	Z	-13.311	3.5
84	MP2A	Mx	-.004	3.5
85	MP2B	X	0	3.5
86	MP2B	Z	-10.235	3.5
87	MP2B	Mx	.002	3.5



Company :
 Designer :
 Job Number :
 Model Name :

June 28, 2021
 1:21 PM
 Checked By: _____

Member Point Loads (BLC 3 : Antenna Wo (0 Deg)) (Continued)

	Member Label	Direction	Magnitude[lb.k-ft]	Location[ft,%]
88	MP2C	X	0	3.5
89	MP2C	Z	-10.235	3.5
90	MP2C	Mx	.002	3.5
91	MP1A	X	0	.75
92	MP1A	Z	-146.065	.75
93	MP1A	Mx	0	.75
94	MP2A	X	0	2.5
95	MP2A	Z	-67.276	2.5
96	MP2A	Mx	0	2.5
97	MP2B	X	0	2.5
98	MP2B	Z	-50.547	2.5
99	MP2B	Mx	-.022	2.5
100	MP2C	X	0	2.5
101	MP2C	Z	-50.547	2.5
102	MP2C	Mx	.022	2.5
103	MP3A	X	0	2.5
104	MP3A	Z	-67.276	2.5
105	MP3A	Mx	0	2.5
106	MP3B	X	0	2.5
107	MP3B	Z	-44.139	2.5
108	MP3B	Mx	-.019	2.5
109	MP3C	X	0	2.5
110	MP3C	Z	-44.139	2.5
111	MP3C	Mx	.019	2.5

Member Point Loads (BLC 4 : Antenna Wo (30 Deg))

	Member Label	Direction	Magnitude[lb.k-ft]	Location[ft,%]
1	MP3A	X	35.842	3
2	MP3A	Z	-62.08	3
3	MP3A	Mx	.003	3
4	MP3A	X	35.842	5
5	MP3A	Z	-62.08	5
6	MP3A	Mx	.003	5
7	MP3B	X	16.55	3
8	MP3B	Z	-28.665	3
9	MP3B	Mx	-.003	3
10	MP3B	X	16.55	5
11	MP3B	Z	-28.665	5
12	MP3B	Mx	-.003	5
13	MP3C	X	35.842	3
14	MP3C	Z	-62.08	3
15	MP3C	Mx	.003	3
16	MP3C	X	35.842	5
17	MP3C	Z	-62.08	5
18	MP3C	Mx	.003	5
19	MP2A	X	74.906	2
20	MP2A	Z	-129.741	2
21	MP2A	Mx	.038	2
22	MP2A	X	74.906	6
23	MP2A	Z	-129.741	6
24	MP2A	Mx	.038	6
25	MP2B	X	53.815	2
26	MP2B	Z	-93.21	2
27	MP2B	Mx	.054	2
28	MP2B	X	53.815	6
29	MP2B	Z	-93.21	6



Company :
 Designer :
 Job Number :
 Model Name :

June 28, 2021
 1:21 PM
 Checked By: _____

Member Point Loads (BLC 4 : Antenna Wo (30 Deg)) (Continued)

	Member Label	Direction	Magnitude[lb.k-ft]	Location[ft,%]
30	MP2B	Mx	.054	6
31	MP2C	X	74.906	2
32	MP2C	Z	-129.741	2
33	MP2C	Mx	-.113	2
34	MP2C	X	74.906	6
35	MP2C	Z	-129.741	6
36	MP2C	Mx	-.113	6
37	MP2A	X	74.906	2
38	MP2A	Z	-129.741	2
39	MP2A	Mx	-.113	2
40	MP2A	X	74.906	6
41	MP2A	Z	-129.741	6
42	MP2A	Mx	-.113	6
43	MP2B	X	53.815	2
44	MP2B	Z	-93.21	2
45	MP2B	Mx	.054	2
46	MP2B	X	53.815	6
47	MP2B	Z	-93.21	6
48	MP2B	Mx	.054	6
49	MP2C	X	74.906	2
50	MP2C	Z	-129.741	2
51	MP2C	Mx	.038	2
52	MP2C	X	74.906	6
53	MP2C	Z	-129.741	6
54	MP2C	Mx	.038	6
55	MP4C	X	76.068	2
56	MP4C	Z	-131.754	2
57	MP4C	Mx	-.038	2
58	MP4C	X	76.068	6
59	MP4C	Z	-131.754	6
60	MP4C	Mx	-.038	6
61	MP4A	X	67.266	2
62	MP4A	Z	-116.508	2
63	MP4A	Mx	-.034	2
64	MP4A	X	67.266	6
65	MP4A	Z	-116.508	6
66	MP4A	Mx	-.034	6
67	MP4B	X	48.617	2
68	MP4B	Z	-84.207	2
69	MP4B	Mx	.049	2
70	MP4B	X	48.617	6
71	MP4B	Z	-84.207	6
72	MP4B	Mx	.049	6
73	MP1A	X	12.792	3
74	MP1A	Z	-22.157	3
75	MP1A	Mx	-.006	3
76	MP1B	X	3.14	3
77	MP1B	Z	-5.438	3
78	MP1B	Mx	.003	3
79	MP1C	X	12.792	3
80	MP1C	Z	-22.157	3
81	MP1C	Mx	-.006	3
82	MP2A	X	6.143	3.5
83	MP2A	Z	-10.64	3.5
84	MP2A	Mx	-.004	3.5
85	MP2B	X	4.605	3.5
86	MP2B	Z	-7.976	3.5



Company :
 Designer :
 Job Number :
 Model Name :

June 28, 2021
 1:21 PM
 Checked By: _____

Member Point Loads (BLC 4 : Antenna Wo (30 Deg)) (Continued)

	Member Label	Direction	Magnitude[lb.k-ft]	Location[ft,%]
87	MP2B	Mx	0	3.5
88	MP2C	X	6.143	3.5
89	MP2C	Z	-10.64	3.5
90	MP2C	Mx	.004	3.5
91	MP1A	X	68.704	.75
92	MP1A	Z	-118.999	.75
93	MP1A	Mx	.034	.75
94	MP2A	X	30.85	2.5
95	MP2A	Z	-53.434	2.5
96	MP2A	Mx	.015	2.5
97	MP2B	X	22.485	2.5
98	MP2B	Z	-38.946	2.5
99	MP2B	Mx	-.022	2.5
100	MP2C	X	30.85	2.5
101	MP2C	Z	-53.434	2.5
102	MP2C	Mx	.015	2.5
103	MP3A	X	29.782	2.5
104	MP3A	Z	-51.584	2.5
105	MP3A	Mx	.015	2.5
106	MP3B	X	18.213	2.5
107	MP3B	Z	-31.546	2.5
108	MP3B	Mx	-.018	2.5
109	MP3C	X	29.782	2.5
110	MP3C	Z	-51.584	2.5
111	MP3C	Mx	.015	2.5

Member Point Loads (BLC 5 : Antenna Wo (60 Deg))

	Member Label	Direction	Magnitude[lb.k-ft]	Location[ft,%]
1	MP3A	X	39.803	3
2	MP3A	Z	-22.98	3
3	MP3A	Mx	.003	3
4	MP3A	X	39.803	5
5	MP3A	Z	-22.98	5
6	MP3A	Mx	.003	5
7	MP3B	X	39.803	3
8	MP3B	Z	-22.98	3
9	MP3B	Mx	-.003	3
10	MP3B	X	39.803	5
11	MP3B	Z	-22.98	5
12	MP3B	Mx	-.003	5
13	MP3C	X	73.218	3
14	MP3C	Z	-42.272	3
15	MP3C	Mx	0	3
16	MP3C	X	73.218	5
17	MP3C	Z	-42.272	5
18	MP3C	Mx	0	5
19	MP2A	X	105.387	2
20	MP2A	Z	-60.845	2
21	MP2A	Mx	-.017	2
22	MP2A	X	105.387	6
23	MP2A	Z	-60.845	6
24	MP2A	Mx	-.017	6
25	MP2B	X	105.387	2
26	MP2B	Z	-60.845	2
27	MP2B	Mx	.088	2
28	MP2B	X	105.387	6



Company :
 Designer :
 Job Number :
 Model Name :

June 28, 2021
 1:21 PM
 Checked By: _____

Member Point Loads (BLC 5 : Antenna Wo (60 Deg)) (Continued)

	Member Label	Direction	Magnitude[lb.k-ft]	Location[ft,%]
29	MP2B	Z	-60.845	6
30	MP2B	Mx	.088	6
31	MP2C	X	141.918	2
32	MP2C	Z	-81.937	2
33	MP2C	Mx	-.096	2
34	MP2C	X	141.918	6
35	MP2C	Z	-81.937	6
36	MP2C	Mx	-.096	6
37	MP2A	X	105.387	2
38	MP2A	Z	-60.845	2
39	MP2A	Mx	-.088	2
40	MP2A	X	105.387	6
41	MP2A	Z	-60.845	6
42	MP2A	Mx	-.088	6
43	MP2B	X	105.387	2
44	MP2B	Z	-60.845	2
45	MP2B	Mx	.017	2
46	MP2B	X	105.387	6
47	MP2B	Z	-60.845	6
48	MP2B	Mx	.017	6
49	MP2C	X	141.918	2
50	MP2C	Z	-81.937	2
51	MP2C	Mx	.096	2
52	MP2C	X	141.918	6
53	MP2C	Z	-81.937	6
54	MP2C	Mx	.096	6
55	MP4C	X	143.788	2
56	MP4C	Z	-83.016	2
57	MP4C	Mx	0	2
58	MP4C	X	143.788	6
59	MP4C	Z	-83.016	6
60	MP4C	Mx	0	6
61	MP4A	X	94.974	2
62	MP4A	Z	-54.833	2
63	MP4A	Mx	-.047	2
64	MP4A	X	94.974	6
65	MP4A	Z	-54.833	6
66	MP4A	Mx	-.047	6
67	MP4B	X	94.974	2
68	MP4B	Z	-54.833	2
69	MP4B	Mx	.047	2
70	MP4B	X	94.974	6
71	MP4B	Z	-54.833	6
72	MP4B	Mx	.047	6
73	MP1A	X	11.011	3
74	MP1A	Z	-6.357	3
75	MP1A	Mx	-.006	3
76	MP1B	X	11.011	3
77	MP1B	Z	-6.357	3
78	MP1B	Mx	.006	3
79	MP1C	X	27.729	3
80	MP1C	Z	-16.01	3
81	MP1C	Mx	0	3
82	MP2A	X	8.864	3.5
83	MP2A	Z	-5.118	3.5
84	MP2A	Mx	-.002	3.5
85	MP2B	X	8.864	3.5



Company :
 Designer :
 Job Number :
 Model Name :

June 28, 2021
 1:21 PM
 Checked By: _____

Member Point Loads (BLC 5 : Antenna Wo (60 Deg)) (Continued)

	Member Label	Direction	Magnitude[lb.k-ft]	Location[ft,%]
86	MP2B	Z	-5.118	3.5
87	MP2B	Mx	-.002	3.5
88	MP2C	X	11.528	3.5
89	MP2C	Z	-6.656	3.5
90	MP2C	Mx	.004	3.5
91	MP1A	X	104.005	.75
92	MP1A	Z	-60.047	.75
93	MP1A	Mx	.052	.75
94	MP2A	X	43.775	2.5
95	MP2A	Z	-25.274	2.5
96	MP2A	Mx	.022	2.5
97	MP2B	X	43.775	2.5
98	MP2B	Z	-25.274	2.5
99	MP2B	Mx	-.022	2.5
100	MP2C	X	58.263	2.5
101	MP2C	Z	-33.638	2.5
102	MP2C	Mx	0	2.5
103	MP3A	X	38.225	2.5
104	MP3A	Z	-22.069	2.5
105	MP3A	Mx	.019	2.5
106	MP3B	X	38.225	2.5
107	MP3B	Z	-22.069	2.5
108	MP3B	Mx	-.019	2.5
109	MP3C	X	58.263	2.5
110	MP3C	Z	-33.638	2.5
111	MP3C	Mx	0	2.5

Member Point Loads (BLC 6 : Antenna Wo (90 Deg))

	Member Label	Direction	Magnitude[lb.k-ft]	Location[ft,%]
1	MP3A	X	33.099	3
2	MP3A	Z	0	3
3	MP3A	Mx	.003	3
4	MP3A	X	33.099	5
5	MP3A	Z	0	5
6	MP3A	Mx	.003	5
7	MP3B	X	71.684	3
8	MP3B	Z	0	3
9	MP3B	Mx	-.003	3
10	MP3B	X	71.684	5
11	MP3B	Z	0	5
12	MP3B	Mx	-.003	5
13	MP3C	X	71.684	3
14	MP3C	Z	0	3
15	MP3C	Mx	-.003	3
16	MP3C	X	71.684	5
17	MP3C	Z	0	5
18	MP3C	Mx	-.003	5
19	MP2A	X	107.63	2
20	MP2A	Z	0	2
21	MP2A	Mx	-.054	2
22	MP2A	X	107.63	6
23	MP2A	Z	0	6
24	MP2A	Mx	-.054	6
25	MP2B	X	149.813	2
26	MP2B	Z	0	2
27	MP2B	Mx	.113	2



Company :
 Designer :
 Job Number :
 Model Name :

June 28, 2021
 1:21 PM
 Checked By: _____

Member Point Loads (BLC 6 : Antenna Wo (90 Deg)) (Continued)

	Member Label	Direction	Magnitude[lb.k-ft]	Location[ft,%]
28	MP2B	X	149.813	6
29	MP2B	Z	0	6
30	MP2B	Mx	.113	6
31	MP2C	X	149.813	2
32	MP2C	Z	0	2
33	MP2C	Mx	-.038	2
34	MP2C	X	149.813	6
35	MP2C	Z	0	6
36	MP2C	Mx	-.038	6
37	MP2A	X	107.63	2
38	MP2A	Z	0	2
39	MP2A	Mx	-.054	2
40	MP2A	X	107.63	6
41	MP2A	Z	0	6
42	MP2A	Mx	-.054	6
43	MP2B	X	149.813	2
44	MP2B	Z	0	2
45	MP2B	Mx	-.038	2
46	MP2B	X	149.813	6
47	MP2B	Z	0	6
48	MP2B	Mx	-.038	6
49	MP2C	X	149.813	2
50	MP2C	Z	0	2
51	MP2C	Mx	.113	2
52	MP2C	X	149.813	6
53	MP2C	Z	0	6
54	MP2C	Mx	.113	6
55	MP4C	X	152.137	2
56	MP4C	Z	0	2
57	MP4C	Mx	.038	2
58	MP4C	X	152.137	6
59	MP4C	Z	0	6
60	MP4C	Mx	.038	6
61	MP4A	X	97.234	2
62	MP4A	Z	0	2
63	MP4A	Mx	-.049	2
64	MP4A	X	97.234	6
65	MP4A	Z	0	6
66	MP4A	Mx	-.049	6
67	MP4B	X	134.532	2
68	MP4B	Z	0	2
69	MP4B	Mx	.034	2
70	MP4B	X	134.532	6
71	MP4B	Z	0	6
72	MP4B	Mx	.034	6
73	MP1A	X	6.279	3
74	MP1A	Z	0	3
75	MP1A	Mx	-.003	3
76	MP1B	X	25.584	3
77	MP1B	Z	0	3
78	MP1B	Mx	.006	3
79	MP1C	X	25.584	3
80	MP1C	Z	0	3
81	MP1C	Mx	.006	3
82	MP2A	X	9.21	3.5
83	MP2A	Z	0	3.5
84	MP2A	Mx	0	3.5



Company :
 Designer :
 Job Number :
 Model Name :

June 28, 2021
 1:21 PM
 Checked By: _____

Member Point Loads (BLC 6 : Antenna Wo (90 Deg)) (Continued)

	Member Label	Direction	Magnitude[lb.k-ft]	Location[ft,%]
85	MP2B	X	12.286	3.5
86	MP2B	Z	0	3.5
87	MP2B	Mx	-.004	3.5
88	MP2C	X	12.286	3.5
89	MP2C	Z	0	3.5
90	MP2C	Mx	.004	3.5
91	MP1A	X	111.437	.75
92	MP1A	Z	0	.75
93	MP1A	Mx	.056	.75
94	MP2A	X	44.971	2.5
95	MP2A	Z	0	2.5
96	MP2A	Mx	.022	2.5
97	MP2B	X	61.7	2.5
98	MP2B	Z	0	2.5
99	MP2B	Mx	-.015	2.5
100	MP2C	X	61.7	2.5
101	MP2C	Z	0	2.5
102	MP2C	Mx	-.015	2.5
103	MP3A	X	36.426	2.5
104	MP3A	Z	0	2.5
105	MP3A	Mx	.018	2.5
106	MP3B	X	59.564	2.5
107	MP3B	Z	0	2.5
108	MP3B	Mx	-.015	2.5
109	MP3C	X	59.564	2.5
110	MP3C	Z	0	2.5
111	MP3C	Mx	-.015	2.5

Member Point Loads (BLC 7 : Antenna Wo (120 Deg))

	Member Label	Direction	Magnitude[lb.k-ft]	Location[ft,%]
1	MP3A	X	39.803	3
2	MP3A	Z	22.98	3
3	MP3A	Mx	.003	3
4	MP3A	X	39.803	5
5	MP3A	Z	22.98	5
6	MP3A	Mx	.003	5
7	MP3B	X	73.218	3
8	MP3B	Z	42.272	3
9	MP3B	Mx	0	3
10	MP3B	X	73.218	5
11	MP3B	Z	42.272	5
12	MP3B	Mx	0	5
13	MP3C	X	39.803	3
14	MP3C	Z	22.98	3
15	MP3C	Mx	-.003	3
16	MP3C	X	39.803	5
17	MP3C	Z	22.98	5
18	MP3C	Mx	-.003	5
19	MP2A	X	105.387	2
20	MP2A	Z	60.845	2
21	MP2A	Mx	-.088	2
22	MP2A	X	105.387	6
23	MP2A	Z	60.845	6
24	MP2A	Mx	-.088	6
25	MP2B	X	141.918	2
26	MP2B	Z	81.937	2



Company :
 Designer :
 Job Number :
 Model Name :

June 28, 2021
 1:21 PM
 Checked By: _____

Member Point Loads (BLC 7 : Antenna Wo (120 Deg)) (Continued)

	Member Label	Direction	Magnitude[lb.k-ft]	Location[ft,%]
27	MP2B	Mx	.096	2
28	MP2B	X	141.918	6
29	MP2B	Z	81.937	6
30	MP2B	Mx	.096	6
31	MP2C	X	105.387	2
32	MP2C	Z	60.845	2
33	MP2C	Mx	.017	2
34	MP2C	X	105.387	6
35	MP2C	Z	60.845	6
36	MP2C	Mx	.017	6
37	MP2A	X	105.387	2
38	MP2A	Z	60.845	2
39	MP2A	Mx	-.017	2
40	MP2A	X	105.387	6
41	MP2A	Z	60.845	6
42	MP2A	Mx	-.017	6
43	MP2B	X	141.918	2
44	MP2B	Z	81.937	2
45	MP2B	Mx	-.096	2
46	MP2B	X	141.918	6
47	MP2B	Z	81.937	6
48	MP2B	Mx	-.096	6
49	MP2C	X	105.387	2
50	MP2C	Z	60.845	2
51	MP2C	Mx	.088	2
52	MP2C	X	105.387	6
53	MP2C	Z	60.845	6
54	MP2C	Mx	.088	6
55	MP4C	X	107.687	2
56	MP4C	Z	62.173	2
57	MP4C	Mx	.054	2
58	MP4C	X	107.687	6
59	MP4C	Z	62.173	6
60	MP4C	Mx	.054	6
61	MP4A	X	94.974	2
62	MP4A	Z	54.833	2
63	MP4A	Mx	-.047	2
64	MP4A	X	94.974	6
65	MP4A	Z	54.833	6
66	MP4A	Mx	-.047	6
67	MP4B	X	127.275	2
68	MP4B	Z	73.482	2
69	MP4B	Mx	0	2
70	MP4B	X	127.275	6
71	MP4B	Z	73.482	6
72	MP4B	Mx	0	6
73	MP1A	X	11.011	3
74	MP1A	Z	6.357	3
75	MP1A	Mx	-.006	3
76	MP1B	X	27.729	3
77	MP1B	Z	16.01	3
78	MP1B	Mx	0	3
79	MP1C	X	11.011	3
80	MP1C	Z	6.357	3
81	MP1C	Mx	.006	3
82	MP2A	X	8.864	3.5
83	MP2A	Z	5.118	3.5



Company :
 Designer :
 Job Number :
 Model Name :

June 28, 2021
 1:21 PM
 Checked By: _____

Member Point Loads (BLC 7 : Antenna Wo (120 Deg)) (Continued)

	Member Label	Direction	Magnitude[lb.k-ft]	Location[ft,%]
84	MP2A	Mx	.002	3.5
85	MP2B	X	11.528	3.5
86	MP2B	Z	6.656	3.5
87	MP2B	Mx	-.004	3.5
88	MP2C	X	8.864	3.5
89	MP2C	Z	5.118	3.5
90	MP2C	Mx	.002	3.5
91	MP1A	X	104.005	.75
92	MP1A	Z	60.047	.75
93	MP1A	Mx	.052	.75
94	MP2A	X	43.775	2.5
95	MP2A	Z	25.274	2.5
96	MP2A	Mx	.022	2.5
97	MP2B	X	58.263	2.5
98	MP2B	Z	33.638	2.5
99	MP2B	Mx	0	2.5
100	MP2C	X	43.775	2.5
101	MP2C	Z	25.274	2.5
102	MP2C	Mx	-.022	2.5
103	MP3A	X	38.225	2.5
104	MP3A	Z	22.069	2.5
105	MP3A	Mx	.019	2.5
106	MP3B	X	58.263	2.5
107	MP3B	Z	33.638	2.5
108	MP3B	Mx	0	2.5
109	MP3C	X	38.225	2.5
110	MP3C	Z	22.069	2.5
111	MP3C	Mx	-.019	2.5

Member Point Loads (BLC 8 : Antenna Wo (150 Deg))

	Member Label	Direction	Magnitude[lb.k-ft]	Location[ft,%]
1	MP3A	X	35.842	3
2	MP3A	Z	62.08	3
3	MP3A	Mx	.003	3
4	MP3A	X	35.842	5
5	MP3A	Z	62.08	5
6	MP3A	Mx	.003	5
7	MP3B	X	35.842	3
8	MP3B	Z	62.08	3
9	MP3B	Mx	.003	3
10	MP3B	X	35.842	5
11	MP3B	Z	62.08	5
12	MP3B	Mx	.003	5
13	MP3C	X	16.55	3
14	MP3C	Z	28.665	3
15	MP3C	Mx	-.003	3
16	MP3C	X	16.55	5
17	MP3C	Z	28.665	5
18	MP3C	Mx	-.003	5
19	MP2A	X	74.906	2
20	MP2A	Z	129.741	2
21	MP2A	Mx	-.113	2
22	MP2A	X	74.906	6
23	MP2A	Z	129.741	6
24	MP2A	Mx	-.113	6
25	MP2B	X	74.906	2



Company :
 Designer :
 Job Number :
 Model Name :

June 28, 2021
 1:21 PM
 Checked By: _____

Member Point Loads (BLC 8 : Antenna Wo (150 Deg)) (Continued)

	Member Label	Direction	Magnitude[lb.k-ft]	Location[ft,%]
26	MP2B	Z	129.741	2
27	MP2B	Mx	.038	2
28	MP2B	X	74.906	6
29	MP2B	Z	129.741	6
30	MP2B	Mx	.038	6
31	MP2C	X	53.815	2
32	MP2C	Z	93.21	2
33	MP2C	Mx	.054	2
34	MP2C	X	53.815	6
35	MP2C	Z	93.21	6
36	MP2C	Mx	.054	6
37	MP2A	X	74.906	2
38	MP2A	Z	129.741	2
39	MP2A	Mx	.038	2
40	MP2A	X	74.906	6
41	MP2A	Z	129.741	6
42	MP2A	Mx	.038	6
43	MP2B	X	74.906	2
44	MP2B	Z	129.741	2
45	MP2B	Mx	-.113	2
46	MP2B	X	74.906	6
47	MP2B	Z	129.741	6
48	MP2B	Mx	-.113	6
49	MP2C	X	53.815	2
50	MP2C	Z	93.21	2
51	MP2C	Mx	.054	2
52	MP2C	X	53.815	6
53	MP2C	Z	93.21	6
54	MP2C	Mx	.054	6
55	MP4C	X	55.225	2
56	MP4C	Z	95.653	2
57	MP4C	Mx	.055	2
58	MP4C	X	55.225	6
59	MP4C	Z	95.653	6
60	MP4C	Mx	.055	6
61	MP4A	X	67.266	2
62	MP4A	Z	116.508	2
63	MP4A	Mx	-.034	2
64	MP4A	X	67.266	6
65	MP4A	Z	116.508	6
66	MP4A	Mx	-.034	6
67	MP4B	X	67.266	2
68	MP4B	Z	116.508	2
69	MP4B	Mx	-.034	2
70	MP4B	X	67.266	6
71	MP4B	Z	116.508	6
72	MP4B	Mx	-.034	6
73	MP1A	X	12.792	3
74	MP1A	Z	22.157	3
75	MP1A	Mx	-.006	3
76	MP1B	X	12.792	3
77	MP1B	Z	22.157	3
78	MP1B	Mx	-.006	3
79	MP1C	X	3.14	3
80	MP1C	Z	5.438	3
81	MP1C	Mx	.003	3
82	MP2A	X	6.143	3.5

Member Point Loads (BLC 8 : Antenna Wo (150 Deg)) (Continued)

	Member Label	Direction	Magnitude[lb.k-ft]	Location[ft.%]
83	MP2A	Z	10.64	3.5
84	MP2A	Mx	.004	3.5
85	MP2B	X	6.143	3.5
86	MP2B	Z	10.64	3.5
87	MP2B	Mx	-.004	3.5
88	MP2C	X	4.605	3.5
89	MP2C	Z	7.976	3.5
90	MP2C	Mx	0	3.5
91	MP1A	X	68.704	.75
92	MP1A	Z	118.999	.75
93	MP1A	Mx	.034	.75
94	MP2A	X	30.85	2.5
95	MP2A	Z	53.434	2.5
96	MP2A	Mx	.015	2.5
97	MP2B	X	30.85	2.5
98	MP2B	Z	53.434	2.5
99	MP2B	Mx	.015	2.5
100	MP2C	X	22.485	2.5
101	MP2C	Z	38.946	2.5
102	MP2C	Mx	-.022	2.5
103	MP3A	X	29.782	2.5
104	MP3A	Z	51.584	2.5
105	MP3A	Mx	.015	2.5
106	MP3B	X	29.782	2.5
107	MP3B	Z	51.584	2.5
108	MP3B	Mx	.015	2.5
109	MP3C	X	18.213	2.5
110	MP3C	Z	31.546	2.5
111	MP3C	Mx	-.018	2.5

Member Point Loads (BLC 9 : Antenna Wo (180 Deg))

	Member Label	Direction	Magnitude[lb.k-ft]	Location[ft.%]
1	MP3A	X	0	3
2	MP3A	Z	84.545	3
3	MP3A	Mx	0	3
4	MP3A	X	0	5
5	MP3A	Z	84.545	5
6	MP3A	Mx	0	5
7	MP3B	X	0	3
8	MP3B	Z	45.961	3
9	MP3B	Mx	.003	3
10	MP3B	X	0	5
11	MP3B	Z	45.961	5
12	MP3B	Mx	.003	5
13	MP3C	X	0	3
14	MP3C	Z	45.961	3
15	MP3C	Mx	-.003	3
16	MP3C	X	0	5
17	MP3C	Z	45.961	5
18	MP3C	Mx	-.003	5
19	MP2A	X	0	2
20	MP2A	Z	163.873	2
21	MP2A	Mx	-.096	2
22	MP2A	X	0	6
23	MP2A	Z	163.873	6
24	MP2A	Mx	-.096	6



Company :
 Designer :
 Job Number :
 Model Name :

June 28, 2021
 1:21 PM
 Checked By: _____

Member Point Loads (BLC 9 : Antenna Wo (180 Deg)) (Continued)

	Member Label	Direction	Magnitude[lb.k-ft]	Location[ft,%]
25	MP2B	X	0	2
26	MP2B	Z	121.691	2
27	MP2B	Mx	-.017	2
28	MP2B	X	0	6
29	MP2B	Z	121.691	6
30	MP2B	Mx	-.017	6
31	MP2C	X	0	2
32	MP2C	Z	121.691	2
33	MP2C	Mx	.088	2
34	MP2C	X	0	6
35	MP2C	Z	121.691	6
36	MP2C	Mx	.088	6
37	MP2A	X	0	2
38	MP2A	Z	163.873	2
39	MP2A	Mx	.096	2
40	MP2A	X	0	6
41	MP2A	Z	163.873	6
42	MP2A	Mx	.096	6
43	MP2B	X	0	2
44	MP2B	Z	121.691	2
45	MP2B	Mx	-.088	2
46	MP2B	X	0	6
47	MP2B	Z	121.691	6
48	MP2B	Mx	-.088	6
49	MP2C	X	0	2
50	MP2C	Z	121.691	2
51	MP2C	Mx	.017	2
52	MP2C	X	0	6
53	MP2C	Z	121.691	6
54	MP2C	Mx	.017	6
55	MP4C	X	0	2
56	MP4C	Z	124.346	2
57	MP4C	Mx	.054	2
58	MP4C	X	0	6
59	MP4C	Z	124.346	6
60	MP4C	Mx	.054	6
61	MP4A	X	0	2
62	MP4A	Z	146.964	2
63	MP4A	Mx	0	2
64	MP4A	X	0	6
65	MP4A	Z	146.964	6
66	MP4A	Mx	0	6
67	MP4B	X	0	2
68	MP4B	Z	109.666	2
69	MP4B	Mx	-.047	2
70	MP4B	X	0	6
71	MP4B	Z	109.666	6
72	MP4B	Mx	-.047	6
73	MP1A	X	0	3
74	MP1A	Z	32.019	3
75	MP1A	Mx	0	3
76	MP1B	X	0	3
77	MP1B	Z	12.714	3
78	MP1B	Mx	-.006	3
79	MP1C	X	0	3
80	MP1C	Z	12.714	3
81	MP1C	Mx	.006	3



Company :
 Designer :
 Job Number :
 Model Name :

June 28, 2021
 1:21 PM
 Checked By: _____

Member Point Loads (BLC 9 : Antenna Wo (180 Deg)) (Continued)

	Member Label	Direction	Magnitude[lb.k-ft]	Location[ft,%]
82	MP2A	X	0	3.5
83	MP2A	Z	13.311	3.5
84	MP2A	Mx	.004	3.5
85	MP2B	X	0	3.5
86	MP2B	Z	10.235	3.5
87	MP2B	Mx	-.002	3.5
88	MP2C	X	0	3.5
89	MP2C	Z	10.235	3.5
90	MP2C	Mx	-.002	3.5
91	MP1A	X	0	.75
92	MP1A	Z	146.065	.75
93	MP1A	Mx	0	.75
94	MP2A	X	0	2.5
95	MP2A	Z	67.276	2.5
96	MP2A	Mx	0	2.5
97	MP2B	X	0	2.5
98	MP2B	Z	50.547	2.5
99	MP2B	Mx	.022	2.5
100	MP2C	X	0	2.5
101	MP2C	Z	50.547	2.5
102	MP2C	Mx	-.022	2.5
103	MP3A	X	0	2.5
104	MP3A	Z	67.276	2.5
105	MP3A	Mx	0	2.5
106	MP3B	X	0	2.5
107	MP3B	Z	44.139	2.5
108	MP3B	Mx	.019	2.5
109	MP3C	X	0	2.5
110	MP3C	Z	44.139	2.5
111	MP3C	Mx	-.019	2.5

Member Point Loads (BLC 10 : Antenna Wo (210 Deg))

	Member Label	Direction	Magnitude[lb.k-ft]	Location[ft,%]
1	MP3A	X	-35.842	3
2	MP3A	Z	62.08	3
3	MP3A	Mx	-.003	3
4	MP3A	X	-35.842	5
5	MP3A	Z	62.08	5
6	MP3A	Mx	-.003	5
7	MP3B	X	-16.55	3
8	MP3B	Z	28.665	3
9	MP3B	Mx	.003	3
10	MP3B	X	-16.55	5
11	MP3B	Z	28.665	5
12	MP3B	Mx	.003	5
13	MP3C	X	-35.842	3
14	MP3C	Z	62.08	3
15	MP3C	Mx	-.003	3
16	MP3C	X	-35.842	5
17	MP3C	Z	62.08	5
18	MP3C	Mx	-.003	5
19	MP2A	X	-74.906	2
20	MP2A	Z	129.741	2
21	MP2A	Mx	-.038	2
22	MP2A	X	-74.906	6
23	MP2A	Z	129.741	6



Company :
 Designer :
 Job Number :
 Model Name :

June 28, 2021
 1:21 PM
 Checked By: _____

Member Point Loads (BLC 10 : Antenna Wo (210 Deg)) (Continued)

	Member Label	Direction	Magnitude[lb.k-ft]	Location[ft,%]
24	MP2A	Mx	-.038	6
25	MP2B	X	-53.815	2
26	MP2B	Z	93.21	2
27	MP2B	Mx	-.054	2
28	MP2B	X	-53.815	6
29	MP2B	Z	93.21	6
30	MP2B	Mx	-.054	6
31	MP2C	X	-74.906	2
32	MP2C	Z	129.741	2
33	MP2C	Mx	.113	2
34	MP2C	X	-74.906	6
35	MP2C	Z	129.741	6
36	MP2C	Mx	.113	6
37	MP2A	X	-74.906	2
38	MP2A	Z	129.741	2
39	MP2A	Mx	.113	2
40	MP2A	X	-74.906	6
41	MP2A	Z	129.741	6
42	MP2A	Mx	.113	6
43	MP2B	X	-53.815	2
44	MP2B	Z	93.21	2
45	MP2B	Mx	-.054	2
46	MP2B	X	-53.815	6
47	MP2B	Z	93.21	6
48	MP2B	Mx	-.054	6
49	MP2C	X	-74.906	2
50	MP2C	Z	129.741	2
51	MP2C	Mx	-.038	2
52	MP2C	X	-74.906	6
53	MP2C	Z	129.741	6
54	MP2C	Mx	-.038	6
55	MP4C	X	-76.068	2
56	MP4C	Z	131.754	2
57	MP4C	Mx	.038	2
58	MP4C	X	-76.068	6
59	MP4C	Z	131.754	6
60	MP4C	Mx	.038	6
61	MP4A	X	-67.266	2
62	MP4A	Z	116.508	2
63	MP4A	Mx	.034	2
64	MP4A	X	-67.266	6
65	MP4A	Z	116.508	6
66	MP4A	Mx	.034	6
67	MP4B	X	-48.617	2
68	MP4B	Z	84.207	2
69	MP4B	Mx	-.049	2
70	MP4B	X	-48.617	6
71	MP4B	Z	84.207	6
72	MP4B	Mx	-.049	6
73	MP1A	X	-12.792	3
74	MP1A	Z	22.157	3
75	MP1A	Mx	.006	3
76	MP1B	X	-3.14	3
77	MP1B	Z	5.438	3
78	MP1B	Mx	-.003	3
79	MP1C	X	-12.792	3
80	MP1C	Z	22.157	3



Company :
 Designer :
 Job Number :
 Model Name :

June 28, 2021
 1:21 PM
 Checked By: _____

Member Point Loads (BLC 10 : Antenna Wo (210 Deg)) (Continued)

	Member Label	Direction	Magnitude[lb.k-ft]	Location[ft,%]
81	MP1C	Mx	.006	3
82	MP2A	X	-6.143	3.5
83	MP2A	Z	10.64	3.5
84	MP2A	Mx	.004	3.5
85	MP2B	X	-4.605	3.5
86	MP2B	Z	7.976	3.5
87	MP2B	Mx	0	3.5
88	MP2C	X	-6.143	3.5
89	MP2C	Z	10.64	3.5
90	MP2C	Mx	-.004	3.5
91	MP1A	X	-68.704	.75
92	MP1A	Z	118.999	.75
93	MP1A	Mx	-.034	.75
94	MP2A	X	-30.85	2.5
95	MP2A	Z	53.434	2.5
96	MP2A	Mx	-.015	2.5
97	MP2B	X	-22.485	2.5
98	MP2B	Z	38.946	2.5
99	MP2B	Mx	.022	2.5
100	MP2C	X	-30.85	2.5
101	MP2C	Z	53.434	2.5
102	MP2C	Mx	-.015	2.5
103	MP3A	X	-29.782	2.5
104	MP3A	Z	51.584	2.5
105	MP3A	Mx	-.015	2.5
106	MP3B	X	-18.213	2.5
107	MP3B	Z	31.546	2.5
108	MP3B	Mx	.018	2.5
109	MP3C	X	-29.782	2.5
110	MP3C	Z	51.584	2.5
111	MP3C	Mx	-.015	2.5

Member Point Loads (BLC 11 : Antenna Wo (240 Deg))

	Member Label	Direction	Magnitude[lb.k-ft]	Location[ft,%]
1	MP3A	X	-39.803	3
2	MP3A	Z	22.98	3
3	MP3A	Mx	-.003	3
4	MP3A	X	-39.803	5
5	MP3A	Z	22.98	5
6	MP3A	Mx	-.003	5
7	MP3B	X	-39.803	3
8	MP3B	Z	22.98	3
9	MP3B	Mx	.003	3
10	MP3B	X	-39.803	5
11	MP3B	Z	22.98	5
12	MP3B	Mx	.003	5
13	MP3C	X	-73.218	3
14	MP3C	Z	42.272	3
15	MP3C	Mx	0	3
16	MP3C	X	-73.218	5
17	MP3C	Z	42.272	5
18	MP3C	Mx	0	5
19	MP2A	X	-105.387	2
20	MP2A	Z	60.845	2
21	MP2A	Mx	.017	2
22	MP2A	X	-105.387	6



Company :
 Designer :
 Job Number :
 Model Name :

June 28, 2021
 1:21 PM
 Checked By: _____

Member Point Loads (BLC 11 : Antenna Wo (240 Deg)) (Continued)

	Member Label	Direction	Magnitude[lb.k-ft]	Location[ft,%]
23	MP2A	Z	60.845	6
24	MP2A	Mx	.017	6
25	MP2B	X	-105.387	2
26	MP2B	Z	60.845	2
27	MP2B	Mx	-.088	2
28	MP2B	X	-105.387	6
29	MP2B	Z	60.845	6
30	MP2B	Mx	-.088	6
31	MP2C	X	-141.918	2
32	MP2C	Z	81.937	2
33	MP2C	Mx	.096	2
34	MP2C	X	-141.918	6
35	MP2C	Z	81.937	6
36	MP2C	Mx	.096	6
37	MP2A	X	-105.387	2
38	MP2A	Z	60.845	2
39	MP2A	Mx	.088	2
40	MP2A	X	-105.387	6
41	MP2A	Z	60.845	6
42	MP2A	Mx	.088	6
43	MP2B	X	-105.387	2
44	MP2B	Z	60.845	2
45	MP2B	Mx	-.017	2
46	MP2B	X	-105.387	6
47	MP2B	Z	60.845	6
48	MP2B	Mx	-.017	6
49	MP2C	X	-141.918	2
50	MP2C	Z	81.937	2
51	MP2C	Mx	-.096	2
52	MP2C	X	-141.918	6
53	MP2C	Z	81.937	6
54	MP2C	Mx	-.096	6
55	MP4C	X	-143.788	2
56	MP4C	Z	83.016	2
57	MP4C	Mx	0	2
58	MP4C	X	-143.788	6
59	MP4C	Z	83.016	6
60	MP4C	Mx	0	6
61	MP4A	X	-94.974	2
62	MP4A	Z	54.833	2
63	MP4A	Mx	.047	2
64	MP4A	X	-94.974	6
65	MP4A	Z	54.833	6
66	MP4A	Mx	.047	6
67	MP4B	X	-94.974	2
68	MP4B	Z	54.833	2
69	MP4B	Mx	-.047	2
70	MP4B	X	-94.974	6
71	MP4B	Z	54.833	6
72	MP4B	Mx	-.047	6
73	MP1A	X	-11.011	3
74	MP1A	Z	6.357	3
75	MP1A	Mx	.006	3
76	MP1B	X	-11.011	3
77	MP1B	Z	6.357	3
78	MP1B	Mx	-.006	3
79	MP1C	X	-27.729	3



Company :
 Designer :
 Job Number :
 Model Name :

June 28, 2021
 1:21 PM
 Checked By: _____

Member Point Loads (BLC 11 : Antenna Wo (240 Deg)) (Continued)

	Member Label	Direction	Magnitude[lb.k-ft]	Location[ft,%]
80	MP1C	Z	16.01	3
81	MP1C	Mx	0	3
82	MP2A	X	-8.864	3.5
83	MP2A	Z	5.118	3.5
84	MP2A	Mx	.002	3.5
85	MP2B	X	-8.864	3.5
86	MP2B	Z	5.118	3.5
87	MP2B	Mx	.002	3.5
88	MP2C	X	-11.528	3.5
89	MP2C	Z	6.656	3.5
90	MP2C	Mx	-.004	3.5
91	MP1A	X	-104.005	.75
92	MP1A	Z	60.047	.75
93	MP1A	Mx	-.052	.75
94	MP2A	X	-43.775	2.5
95	MP2A	Z	25.274	2.5
96	MP2A	Mx	-.022	2.5
97	MP2B	X	-43.775	2.5
98	MP2B	Z	25.274	2.5
99	MP2B	Mx	.022	2.5
100	MP2C	X	-58.263	2.5
101	MP2C	Z	33.638	2.5
102	MP2C	Mx	0	2.5
103	MP3A	X	-38.225	2.5
104	MP3A	Z	22.069	2.5
105	MP3A	Mx	-.019	2.5
106	MP3B	X	-38.225	2.5
107	MP3B	Z	22.069	2.5
108	MP3B	Mx	.019	2.5
109	MP3C	X	-58.263	2.5
110	MP3C	Z	33.638	2.5
111	MP3C	Mx	0	2.5

Member Point Loads (BLC 12 : Antenna Wo (270 Deg))

	Member Label	Direction	Magnitude[lb.k-ft]	Location[ft,%]
1	MP3A	X	-33.099	3
2	MP3A	Z	0	3
3	MP3A	Mx	-.003	3
4	MP3A	X	-33.099	5
5	MP3A	Z	0	5
6	MP3A	Mx	-.003	5
7	MP3B	X	-71.684	3
8	MP3B	Z	0	3
9	MP3B	Mx	.003	3
10	MP3B	X	-71.684	5
11	MP3B	Z	0	5
12	MP3B	Mx	.003	5
13	MP3C	X	-71.684	3
14	MP3C	Z	0	3
15	MP3C	Mx	.003	3
16	MP3C	X	-71.684	5
17	MP3C	Z	0	5
18	MP3C	Mx	.003	5
19	MP2A	X	-107.63	2
20	MP2A	Z	0	2
21	MP2A	Mx	.054	2



Company :
 Designer :
 Job Number :
 Model Name :

June 28, 2021
 1:21 PM
 Checked By: _____

Member Point Loads (BLC 12 : Antenna Wo (270 Deg)) (Continued)

	Member Label	Direction	Magnitude[lb.k-ft]	Location[ft,%]
22	MP2A	X	-107.63	6
23	MP2A	Z	0	6
24	MP2A	Mx	.054	6
25	MP2B	X	-149.813	2
26	MP2B	Z	0	2
27	MP2B	Mx	-.113	2
28	MP2B	X	-149.813	6
29	MP2B	Z	0	6
30	MP2B	Mx	-.113	6
31	MP2C	X	-149.813	2
32	MP2C	Z	0	2
33	MP2C	Mx	.038	2
34	MP2C	X	-149.813	6
35	MP2C	Z	0	6
36	MP2C	Mx	.038	6
37	MP2A	X	-107.63	2
38	MP2A	Z	0	2
39	MP2A	Mx	.054	2
40	MP2A	X	-107.63	6
41	MP2A	Z	0	6
42	MP2A	Mx	.054	6
43	MP2B	X	-149.813	2
44	MP2B	Z	0	2
45	MP2B	Mx	.038	2
46	MP2B	X	-149.813	6
47	MP2B	Z	0	6
48	MP2B	Mx	.038	6
49	MP2C	X	-149.813	2
50	MP2C	Z	0	2
51	MP2C	Mx	-.113	2
52	MP2C	X	-149.813	6
53	MP2C	Z	0	6
54	MP2C	Mx	-.113	6
55	MP4C	X	-152.137	2
56	MP4C	Z	0	2
57	MP4C	Mx	-.038	2
58	MP4C	X	-152.137	6
59	MP4C	Z	0	6
60	MP4C	Mx	-.038	6
61	MP4A	X	-97.234	2
62	MP4A	Z	0	2
63	MP4A	Mx	.049	2
64	MP4A	X	-97.234	6
65	MP4A	Z	0	6
66	MP4A	Mx	.049	6
67	MP4B	X	-134.532	2
68	MP4B	Z	0	2
69	MP4B	Mx	-.034	2
70	MP4B	X	-134.532	6
71	MP4B	Z	0	6
72	MP4B	Mx	-.034	6
73	MP1A	X	-6.279	3
74	MP1A	Z	0	3
75	MP1A	Mx	.003	3
76	MP1B	X	-25.584	3
77	MP1B	Z	0	3
78	MP1B	Mx	-.006	3

Member Point Loads (BLC 12 : Antenna Wo (270 Deg)) (Continued)

	Member Label	Direction	Magnitude[lb.k-ft]	Location[ft, %]
79	MP1C	X	-25.584	3
80	MP1C	Z	0	3
81	MP1C	Mx	-.006	3
82	MP2A	X	-9.21	3.5
83	MP2A	Z	0	3.5
84	MP2A	Mx	0	3.5
85	MP2B	X	-12.286	3.5
86	MP2B	Z	0	3.5
87	MP2B	Mx	.004	3.5
88	MP2C	X	-12.286	3.5
89	MP2C	Z	0	3.5
90	MP2C	Mx	-.004	3.5
91	MP1A	X	-111.437	.75
92	MP1A	Z	0	.75
93	MP1A	Mx	-.056	.75
94	MP2A	X	-44.971	2.5
95	MP2A	Z	0	2.5
96	MP2A	Mx	-.022	2.5
97	MP2B	X	-61.7	2.5
98	MP2B	Z	0	2.5
99	MP2B	Mx	.015	2.5
100	MP2C	X	-61.7	2.5
101	MP2C	Z	0	2.5
102	MP2C	Mx	.015	2.5
103	MP3A	X	-36.426	2.5
104	MP3A	Z	0	2.5
105	MP3A	Mx	-.018	2.5
106	MP3B	X	-59.564	2.5
107	MP3B	Z	0	2.5
108	MP3B	Mx	.015	2.5
109	MP3C	X	-59.564	2.5
110	MP3C	Z	0	2.5
111	MP3C	Mx	.015	2.5

Member Point Loads (BLC 13 : Antenna Wo (300 Deg))

	Member Label	Direction	Magnitude[lb.k-ft]	Location[ft, %]
1	MP3A	X	-39.803	3
2	MP3A	Z	-22.98	3
3	MP3A	Mx	-.003	3
4	MP3A	X	-39.803	5
5	MP3A	Z	-22.98	5
6	MP3A	Mx	-.003	5
7	MP3B	X	-73.218	3
8	MP3B	Z	-42.272	3
9	MP3B	Mx	0	3
10	MP3B	X	-73.218	5
11	MP3B	Z	-42.272	5
12	MP3B	Mx	0	5
13	MP3C	X	-39.803	3
14	MP3C	Z	-22.98	3
15	MP3C	Mx	.003	3
16	MP3C	X	-39.803	5
17	MP3C	Z	-22.98	5
18	MP3C	Mx	.003	5
19	MP2A	X	-105.387	2
20	MP2A	Z	-60.845	2



Company :
 Designer :
 Job Number :
 Model Name :

June 28, 2021
 1:21 PM
 Checked By: _____

Member Point Loads (BLC 13 : Antenna Wo (300 Deg)) (Continued)

	Member Label	Direction	Magnitude[lb.k-ft]	Location[ft,%]
21	MP2A	Mx	.088	2
22	MP2A	X	-105.387	6
23	MP2A	Z	-60.845	6
24	MP2A	Mx	.088	6
25	MP2B	X	-141.918	2
26	MP2B	Z	-81.937	2
27	MP2B	Mx	-.096	2
28	MP2B	X	-141.918	6
29	MP2B	Z	-81.937	6
30	MP2B	Mx	-.096	6
31	MP2C	X	-105.387	2
32	MP2C	Z	-60.845	2
33	MP2C	Mx	-.017	2
34	MP2C	X	-105.387	6
35	MP2C	Z	-60.845	6
36	MP2C	Mx	-.017	6
37	MP2A	X	-105.387	2
38	MP2A	Z	-60.845	2
39	MP2A	Mx	.017	2
40	MP2A	X	-105.387	6
41	MP2A	Z	-60.845	6
42	MP2A	Mx	.017	6
43	MP2B	X	-141.918	2
44	MP2B	Z	-81.937	2
45	MP2B	Mx	.096	2
46	MP2B	X	-141.918	6
47	MP2B	Z	-81.937	6
48	MP2B	Mx	.096	6
49	MP2C	X	-105.387	2
50	MP2C	Z	-60.845	2
51	MP2C	Mx	-.088	2
52	MP2C	X	-105.387	6
53	MP2C	Z	-60.845	6
54	MP2C	Mx	-.088	6
55	MP4C	X	-107.687	2
56	MP4C	Z	-62.173	2
57	MP4C	Mx	-.054	2
58	MP4C	X	-107.687	6
59	MP4C	Z	-62.173	6
60	MP4C	Mx	-.054	6
61	MP4A	X	-94.974	2
62	MP4A	Z	-54.833	2
63	MP4A	Mx	.047	2
64	MP4A	X	-94.974	6
65	MP4A	Z	-54.833	6
66	MP4A	Mx	.047	6
67	MP4B	X	-127.275	2
68	MP4B	Z	-73.482	2
69	MP4B	Mx	0	2
70	MP4B	X	-127.275	6
71	MP4B	Z	-73.482	6
72	MP4B	Mx	0	6
73	MP1A	X	-11.011	3
74	MP1A	Z	-6.357	3
75	MP1A	Mx	.006	3
76	MP1B	X	-27.729	3
77	MP1B	Z	-16.01	3



Company :
 Designer :
 Job Number :
 Model Name :

June 28, 2021
 1:21 PM
 Checked By: _____

Member Point Loads (BLC 13 : Antenna Wo (300 Deg)) (Continued)

	Member Label	Direction	Magnitude[lb.k-ft]	Location[ft,%]
78	MP1B	Mx	0	3
79	MP1C	X	-11.011	3
80	MP1C	Z	-6.357	3
81	MP1C	Mx	-.006	3
82	MP2A	X	-8.864	3.5
83	MP2A	Z	-5.118	3.5
84	MP2A	Mx	-.002	3.5
85	MP2B	X	-11.528	3.5
86	MP2B	Z	-6.656	3.5
87	MP2B	Mx	.004	3.5
88	MP2C	X	-8.864	3.5
89	MP2C	Z	-5.118	3.5
90	MP2C	Mx	-.002	3.5
91	MP1A	X	-104.005	.75
92	MP1A	Z	-60.047	.75
93	MP1A	Mx	-.052	.75
94	MP2A	X	-43.775	2.5
95	MP2A	Z	-25.274	2.5
96	MP2A	Mx	-.022	2.5
97	MP2B	X	-58.263	2.5
98	MP2B	Z	-33.638	2.5
99	MP2B	Mx	0	2.5
100	MP2C	X	-43.775	2.5
101	MP2C	Z	-25.274	2.5
102	MP2C	Mx	.022	2.5
103	MP3A	X	-38.225	2.5
104	MP3A	Z	-22.069	2.5
105	MP3A	Mx	-.019	2.5
106	MP3B	X	-58.263	2.5
107	MP3B	Z	-33.638	2.5
108	MP3B	Mx	0	2.5
109	MP3C	X	-38.225	2.5
110	MP3C	Z	-22.069	2.5
111	MP3C	Mx	.019	2.5

Member Point Loads (BLC 14 : Antenna Wo (330 Deg))

	Member Label	Direction	Magnitude[lb.k-ft]	Location[ft,%]
1	MP3A	X	-35.842	3
2	MP3A	Z	-62.08	3
3	MP3A	Mx	-.003	3
4	MP3A	X	-35.842	5
5	MP3A	Z	-62.08	5
6	MP3A	Mx	-.003	5
7	MP3B	X	-35.842	3
8	MP3B	Z	-62.08	3
9	MP3B	Mx	-.003	3
10	MP3B	X	-35.842	5
11	MP3B	Z	-62.08	5
12	MP3B	Mx	-.003	5
13	MP3C	X	-16.55	3
14	MP3C	Z	-28.665	3
15	MP3C	Mx	.003	3
16	MP3C	X	-16.55	5
17	MP3C	Z	-28.665	5
18	MP3C	Mx	.003	5
19	MP2A	X	-74.906	2



Company :
 Designer :
 Job Number :
 Model Name :

June 28, 2021
 1:21 PM
 Checked By: _____

Member Point Loads (BLC 14 : Antenna Wo (330 Deg)) (Continued)

	Member Label	Direction	Magnitude[lb.k-ft]	Location[ft,%]
20	MP2A	Z	-129.741	2
21	MP2A	Mx	.113	2
22	MP2A	X	-74.906	6
23	MP2A	Z	-129.741	6
24	MP2A	Mx	.113	6
25	MP2B	X	-74.906	2
26	MP2B	Z	-129.741	2
27	MP2B	Mx	-.038	2
28	MP2B	X	-74.906	6
29	MP2B	Z	-129.741	6
30	MP2B	Mx	-.038	6
31	MP2C	X	-53.815	2
32	MP2C	Z	-93.21	2
33	MP2C	Mx	-.054	2
34	MP2C	X	-53.815	6
35	MP2C	Z	-93.21	6
36	MP2C	Mx	-.054	6
37	MP2A	X	-74.906	2
38	MP2A	Z	-129.741	2
39	MP2A	Mx	-.038	2
40	MP2A	X	-74.906	6
41	MP2A	Z	-129.741	6
42	MP2A	Mx	-.038	6
43	MP2B	X	-74.906	2
44	MP2B	Z	-129.741	2
45	MP2B	Mx	.113	2
46	MP2B	X	-74.906	6
47	MP2B	Z	-129.741	6
48	MP2B	Mx	.113	6
49	MP2C	X	-53.815	2
50	MP2C	Z	-93.21	2
51	MP2C	Mx	-.054	2
52	MP2C	X	-53.815	6
53	MP2C	Z	-93.21	6
54	MP2C	Mx	-.054	6
55	MP4C	X	-55.225	2
56	MP4C	Z	-95.653	2
57	MP4C	Mx	-.055	2
58	MP4C	X	-55.225	6
59	MP4C	Z	-95.653	6
60	MP4C	Mx	-.055	6
61	MP4A	X	-67.266	2
62	MP4A	Z	-116.508	2
63	MP4A	Mx	.034	2
64	MP4A	X	-67.266	6
65	MP4A	Z	-116.508	6
66	MP4A	Mx	.034	6
67	MP4B	X	-67.266	2
68	MP4B	Z	-116.508	2
69	MP4B	Mx	.034	2
70	MP4B	X	-67.266	6
71	MP4B	Z	-116.508	6
72	MP4B	Mx	.034	6
73	MP1A	X	-12.792	3
74	MP1A	Z	-22.157	3
75	MP1A	Mx	.006	3
76	MP1B	X	-12.792	3



Company :
 Designer :
 Job Number :
 Model Name :

June 28, 2021
 1:21 PM
 Checked By: _____

Member Point Loads (BLC 14 : Antenna Wo (330 Deg)) (Continued)

	Member Label	Direction	Magnitude[lb.k-ft]	Location[ft,%]
77	MP1B	Z	-22.157	3
78	MP1B	Mx	.006	3
79	MP1C	X	-3.14	3
80	MP1C	Z	-5.438	3
81	MP1C	Mx	-.003	3
82	MP2A	X	-6.143	3.5
83	MP2A	Z	-10.64	3.5
84	MP2A	Mx	-.004	3.5
85	MP2B	X	-6.143	3.5
86	MP2B	Z	-10.64	3.5
87	MP2B	Mx	.004	3.5
88	MP2C	X	-4.605	3.5
89	MP2C	Z	-7.976	3.5
90	MP2C	Mx	0	3.5
91	MP1A	X	-68.704	.75
92	MP1A	Z	-118.999	.75
93	MP1A	Mx	-.034	.75
94	MP2A	X	-30.85	2.5
95	MP2A	Z	-53.434	2.5
96	MP2A	Mx	-.015	2.5
97	MP2B	X	-30.85	2.5
98	MP2B	Z	-53.434	2.5
99	MP2B	Mx	-.015	2.5
100	MP2C	X	-22.485	2.5
101	MP2C	Z	-38.946	2.5
102	MP2C	Mx	.022	2.5
103	MP3A	X	-29.782	2.5
104	MP3A	Z	-51.584	2.5
105	MP3A	Mx	-.015	2.5
106	MP3B	X	-29.782	2.5
107	MP3B	Z	-51.584	2.5
108	MP3B	Mx	-.015	2.5
109	MP3C	X	-18.213	2.5
110	MP3C	Z	-31.546	2.5
111	MP3C	Mx	.018	2.5

Member Point Loads (BLC 15 : Antenna Wi (0 Deg))

	Member Label	Direction	Magnitude[lb.k-ft]	Location[ft,%]
1	MP3A	X	0	3
2	MP3A	Z	-15.785	3
3	MP3A	Mx	0	3
4	MP3A	X	0	5
5	MP3A	Z	-15.785	5
6	MP3A	Mx	0	5
7	MP3B	X	0	3
8	MP3B	Z	-8.99	3
9	MP3B	Mx	-.000649	3
10	MP3B	X	0	5
11	MP3B	Z	-8.99	5
12	MP3B	Mx	-.000649	5
13	MP3C	X	0	3
14	MP3C	Z	-8.99	3
15	MP3C	Mx	.000649	3
16	MP3C	X	0	5
17	MP3C	Z	-8.99	5
18	MP3C	Mx	.000649	5



Company :
 Designer :
 Job Number :
 Model Name :

June 28, 2021
 1:21 PM
 Checked By: _____

Member Point Loads (BLC 15 : Antenna Wi (0 Deg)) (Continued)

	Member Label	Direction	Magnitude[lb.k-ft]	Location[ft,%]
19	MP2A	X	0	2
20	MP2A	Z	-29.677	2
21	MP2A	Mx	.017	2
22	MP2A	X	0	6
23	MP2A	Z	-29.677	6
24	MP2A	Mx	.017	6
25	MP2B	X	0	2
26	MP2B	Z	-22.603	2
27	MP2B	Mx	.003	2
28	MP2B	X	0	6
29	MP2B	Z	-22.603	6
30	MP2B	Mx	.003	6
31	MP2C	X	0	2
32	MP2C	Z	-22.603	2
33	MP2C	Mx	-.016	2
34	MP2C	X	0	6
35	MP2C	Z	-22.603	6
36	MP2C	Mx	-.016	6
37	MP2A	X	0	2
38	MP2A	Z	-29.677	2
39	MP2A	Mx	-.017	2
40	MP2A	X	0	6
41	MP2A	Z	-29.677	6
42	MP2A	Mx	-.017	6
43	MP2B	X	0	2
44	MP2B	Z	-22.603	2
45	MP2B	Mx	.016	2
46	MP2B	X	0	6
47	MP2B	Z	-22.603	6
48	MP2B	Mx	.016	6
49	MP2C	X	0	2
50	MP2C	Z	-22.603	2
51	MP2C	Mx	-.003	2
52	MP2C	X	0	6
53	MP2C	Z	-22.603	6
54	MP2C	Mx	-.003	6
55	MP4C	X	0	2
56	MP4C	Z	-23.192	2
57	MP4C	Mx	-.01	2
58	MP4C	X	0	6
59	MP4C	Z	-23.192	6
60	MP4C	Mx	-.01	6
61	MP4A	X	0	2
62	MP4A	Z	-26.793	2
63	MP4A	Mx	0	2
64	MP4A	X	0	6
65	MP4A	Z	-26.793	6
66	MP4A	Mx	0	6
67	MP4B	X	0	2
68	MP4B	Z	-20.558	2
69	MP4B	Mx	.009	2
70	MP4B	X	0	6
71	MP4B	Z	-20.558	6
72	MP4B	Mx	.009	6
73	MP1A	X	0	3
74	MP1A	Z	-6.858	3
75	MP1A	Mx	0	3

Member Point Loads (BLC 15 : Antenna Wi (0 Deg)) (Continued)

	Member Label	Direction	Magnitude[lb.k-ft]	Location[ft,%]
76	MP1B	X	0	3
77	MP1B	Z	-3.227	3
78	MP1B	Mx	.001	3
79	MP1C	X	0	3
80	MP1C	Z	-3.227	3
81	MP1C	Mx	-.001	3
82	MP2A	X	0	3.5
83	MP2A	Z	-3.23	3.5
84	MP2A	Mx	-.001	3.5
85	MP2B	X	0	3.5
86	MP2B	Z	-2.626	3.5
87	MP2B	Mx	.000438	3.5
88	MP2C	X	0	3.5
89	MP2C	Z	-2.626	3.5
90	MP2C	Mx	.000438	3.5
91	MP1A	X	0	.75
92	MP1A	Z	-27.341	.75
93	MP1A	Mx	0	.75
94	MP2A	X	0	2.5
95	MP2A	Z	-13.305	2.5
96	MP2A	Mx	0	2.5
97	MP2B	X	0	2.5
98	MP2B	Z	-10.268	2.5
99	MP2B	Mx	-.004	2.5
100	MP2C	X	0	2.5
101	MP2C	Z	-10.268	2.5
102	MP2C	Mx	.004	2.5
103	MP3A	X	0	2.5
104	MP3A	Z	-13.305	2.5
105	MP3A	Mx	0	2.5
106	MP3B	X	0	2.5
107	MP3B	Z	-9.113	2.5
108	MP3B	Mx	-.004	2.5
109	MP3C	X	0	2.5
110	MP3C	Z	-9.113	2.5
111	MP3C	Mx	.004	2.5

Member Point Loads (BLC 16 : Antenna Wi (30 Deg))

	Member Label	Direction	Magnitude[lb.k-ft]	Location[ft,%]
1	MP3A	X	6.76	3
2	MP3A	Z	-11.709	3
3	MP3A	Mx	.000563	3
4	MP3A	X	6.76	5
5	MP3A	Z	-11.709	5
6	MP3A	Mx	.000563	5
7	MP3B	X	3.362	3
8	MP3B	Z	-5.824	3
9	MP3B	Mx	-.00056	3
10	MP3B	X	3.362	5
11	MP3B	Z	-5.824	5
12	MP3B	Mx	-.00056	5
13	MP3C	X	6.76	3
14	MP3C	Z	-11.709	3
15	MP3C	Mx	.000563	3
16	MP3C	X	6.76	5
17	MP3C	Z	-11.709	5



Company :
 Designer :
 Job Number :
 Model Name :

June 28, 2021
 1:21 PM
 Checked By: _____

Member Point Loads (BLC 16 : Antenna Wi (30 Deg)) (Continued)

	Member Label	Direction	Magnitude[lb.k-ft]	Location[ft,%]
18	MP3C	Mx	.000563	5
19	MP2A	X	13.66	2
20	MP2A	Z	-23.659	2
21	MP2A	Mx	.007	2
22	MP2A	X	13.66	6
23	MP2A	Z	-23.659	6
24	MP2A	Mx	.007	6
25	MP2B	X	10.123	2
26	MP2B	Z	-17.533	2
27	MP2B	Mx	.01	2
28	MP2B	X	10.123	6
29	MP2B	Z	-17.533	6
30	MP2B	Mx	.01	6
31	MP2C	X	13.66	2
32	MP2C	Z	-23.659	2
33	MP2C	Mx	-.021	2
34	MP2C	X	13.66	6
35	MP2C	Z	-23.659	6
36	MP2C	Mx	-.021	6
37	MP2A	X	13.66	2
38	MP2A	Z	-23.659	2
39	MP2A	Mx	-.021	2
40	MP2A	X	13.66	6
41	MP2A	Z	-23.659	6
42	MP2A	Mx	-.021	6
43	MP2B	X	10.123	2
44	MP2B	Z	-17.533	2
45	MP2B	Mx	.01	2
46	MP2B	X	10.123	6
47	MP2B	Z	-17.533	6
48	MP2B	Mx	.01	6
49	MP2C	X	13.66	2
50	MP2C	Z	-23.659	2
51	MP2C	Mx	.007	2
52	MP2C	X	13.66	6
53	MP2C	Z	-23.659	6
54	MP2C	Mx	.007	6
55	MP4C	X	13.93	2
56	MP4C	Z	-24.127	2
57	MP4C	Mx	-.007	2
58	MP4C	X	13.93	6
59	MP4C	Z	-24.127	6
60	MP4C	Mx	-.007	6
61	MP4A	X	12.357	2
62	MP4A	Z	-21.404	2
63	MP4A	Mx	-.006	2
64	MP4A	X	12.357	6
65	MP4A	Z	-21.404	6
66	MP4A	Mx	-.006	6
67	MP4B	X	9.24	2
68	MP4B	Z	-16.004	2
69	MP4B	Mx	.009	2
70	MP4B	X	9.24	6
71	MP4B	Z	-16.004	6
72	MP4B	Mx	.009	6
73	MP1A	X	2.824	3
74	MP1A	Z	-4.891	3



Company :
 Designer :
 Job Number :
 Model Name :

June 28, 2021
 1:21 PM
 Checked By: _____

Member Point Loads (BLC 16 : Antenna Wi (30 Deg)) (Continued)

	Member Label	Direction	Magnitude[lb.k-ft]	Location[ft,%]
75	MP1A	Mx	-.001	3
76	MP1B	X	1.008	3
77	MP1B	Z	-1.746	3
78	MP1B	Mx	.001	3
79	MP1C	X	2.824	3
80	MP1C	Z	-4.891	3
81	MP1C	Mx	-.001	3
82	MP2A	X	1.514	3.5
83	MP2A	Z	-2.623	3.5
84	MP2A	Mx	-.000874	3.5
85	MP2B	X	1.212	3.5
86	MP2B	Z	-2.099	3.5
87	MP2B	Mx	0	3.5
88	MP2C	X	1.514	3.5
89	MP2C	Z	-2.623	3.5
90	MP2C	Mx	.000874	3.5
91	MP1A	X	12.925	.75
92	MP1A	Z	-22.387	.75
93	MP1A	Mx	.006	.75
94	MP2A	X	6.146	2.5
95	MP2A	Z	-10.645	2.5
96	MP2A	Mx	.003	2.5
97	MP2B	X	4.628	2.5
98	MP2B	Z	-8.015	2.5
99	MP2B	Mx	-.005	2.5
100	MP2C	X	6.146	2.5
101	MP2C	Z	-10.645	2.5
102	MP2C	Mx	.003	2.5
103	MP3A	X	5.954	2.5
104	MP3A	Z	-10.312	2.5
105	MP3A	Mx	.003	2.5
106	MP3B	X	3.858	2.5
107	MP3B	Z	-6.683	2.5
108	MP3B	Mx	-.004	2.5
109	MP3C	X	5.954	2.5
110	MP3C	Z	-10.312	2.5
111	MP3C	Mx	.003	2.5

Member Point Loads (BLC 17 : Antenna Wi (60 Deg))

	Member Label	Direction	Magnitude[lb.k-ft]	Location[ft,%]
1	MP3A	X	7.785	3
2	MP3A	Z	-4.495	3
3	MP3A	Mx	.000649	3
4	MP3A	X	7.785	5
5	MP3A	Z	-4.495	5
6	MP3A	Mx	.000649	5
7	MP3B	X	7.785	3
8	MP3B	Z	-4.495	3
9	MP3B	Mx	-.000649	3
10	MP3B	X	7.785	5
11	MP3B	Z	-4.495	5
12	MP3B	Mx	-.000649	5
13	MP3C	X	13.67	3
14	MP3C	Z	-7.893	3
15	MP3C	Mx	0	3
16	MP3C	X	13.67	5

Member Point Loads (BLC 17 : Antenna Wi (60 Deg)) (Continued)

	Member Label	Direction	Magnitude[lb.k-ft]	Location[ft,%]
17	MP3C	Z	-7.893	5
18	MP3C	Mx	0	5
19	MP2A	X	19.575	2
20	MP2A	Z	-11.302	2
21	MP2A	Mx	-.003	2
22	MP2A	X	19.575	6
23	MP2A	Z	-11.302	6
24	MP2A	Mx	-.003	6
25	MP2B	X	19.575	2
26	MP2B	Z	-11.302	2
27	MP2B	Mx	.016	2
28	MP2B	X	19.575	6
29	MP2B	Z	-11.302	6
30	MP2B	Mx	.016	6
31	MP2C	X	25.701	2
32	MP2C	Z	-14.839	2
33	MP2C	Mx	-.017	2
34	MP2C	X	25.701	6
35	MP2C	Z	-14.839	6
36	MP2C	Mx	-.017	6
37	MP2A	X	19.575	2
38	MP2A	Z	-11.302	2
39	MP2A	Mx	-.016	2
40	MP2A	X	19.575	6
41	MP2A	Z	-11.302	6
42	MP2A	Mx	-.016	6
43	MP2B	X	19.575	2
44	MP2B	Z	-11.302	2
45	MP2B	Mx	.003	2
46	MP2B	X	19.575	6
47	MP2B	Z	-11.302	6
48	MP2B	Mx	.003	6
49	MP2C	X	25.701	2
50	MP2C	Z	-14.839	2
51	MP2C	Mx	.017	2
52	MP2C	X	25.701	6
53	MP2C	Z	-14.839	6
54	MP2C	Mx	.017	6
55	MP4C	X	26.148	2
56	MP4C	Z	-15.097	2
57	MP4C	Mx	0	2
58	MP4C	X	26.148	6
59	MP4C	Z	-15.097	6
60	MP4C	Mx	0	6
61	MP4A	X	17.804	2
62	MP4A	Z	-10.279	2
63	MP4A	Mx	-.009	2
64	MP4A	X	17.804	6
65	MP4A	Z	-10.279	6
66	MP4A	Mx	-.009	6
67	MP4B	X	17.804	2
68	MP4B	Z	-10.279	2
69	MP4B	Mx	.009	2
70	MP4B	X	17.804	6
71	MP4B	Z	-10.279	6
72	MP4B	Mx	.009	6
73	MP1A	X	2.795	3



Company :
 Designer :
 Job Number :
 Model Name :

June 28, 2021
 1:21 PM
 Checked By: _____

Member Point Loads (BLC 17 : Antenna Wi (60 Deg)) (Continued)

	Member Label	Direction	Magnitude[lb.k-ft]	Location[ft,%]
74	MP1A	Z	-1.614	3
75	MP1A	Mx	-.001	3
76	MP1B	X	2.795	3
77	MP1B	Z	-1.614	3
78	MP1B	Mx	.001	3
79	MP1C	X	5.939	3
80	MP1C	Z	-3.429	3
81	MP1C	Mx	0	3
82	MP2A	X	2.274	3.5
83	MP2A	Z	-1.313	3.5
84	MP2A	Mx	-.000438	3.5
85	MP2B	X	2.274	3.5
86	MP2B	Z	-1.313	3.5
87	MP2B	Mx	-.000438	3.5
88	MP2C	X	2.798	3.5
89	MP2C	Z	-1.615	3.5
90	MP2C	Mx	.001	3.5
91	MP1A	X	19.806	.75
92	MP1A	Z	-11.435	.75
93	MP1A	Mx	.01	.75
94	MP2A	X	8.892	2.5
95	MP2A	Z	-5.134	2.5
96	MP2A	Mx	.004	2.5
97	MP2B	X	8.892	2.5
98	MP2B	Z	-5.134	2.5
99	MP2B	Mx	-.004	2.5
100	MP2C	X	11.522	2.5
101	MP2C	Z	-6.652	2.5
102	MP2C	Mx	0	2.5
103	MP3A	X	7.892	2.5
104	MP3A	Z	-4.557	2.5
105	MP3A	Mx	.004	2.5
106	MP3B	X	7.892	2.5
107	MP3B	Z	-4.557	2.5
108	MP3B	Mx	-.004	2.5
109	MP3C	X	11.522	2.5
110	MP3C	Z	-6.652	2.5
111	MP3C	Mx	0	2.5

Member Point Loads (BLC 18 : Antenna Wi (90 Deg))

	Member Label	Direction	Magnitude[lb.k-ft]	Location[ft,%]
1	MP3A	X	6.725	3
2	MP3A	Z	0	3
3	MP3A	Mx	.00056	3
4	MP3A	X	6.725	5
5	MP3A	Z	0	5
6	MP3A	Mx	.00056	5
7	MP3B	X	13.52	3
8	MP3B	Z	0	3
9	MP3B	Mx	-.000563	3
10	MP3B	X	13.52	5
11	MP3B	Z	0	5
12	MP3B	Mx	-.000563	5
13	MP3C	X	13.52	3
14	MP3C	Z	0	3
15	MP3C	Mx	-.000563	3



Company :
 Designer :
 Job Number :
 Model Name :

June 28, 2021
 1:21 PM
 Checked By: _____

Member Point Loads (BLC 18 : Antenna Wi (90 Deg)) (Continued)

	Member Label	Direction	Magnitude[lb.k-ft]	Location[ft,%]
16	MP3C	X	13.52	5
17	MP3C	Z	0	5
18	MP3C	Mx	-.000563	5
19	MP2A	X	20.245	2
20	MP2A	Z	0	2
21	MP2A	Mx	-.01	2
22	MP2A	X	20.245	6
23	MP2A	Z	0	6
24	MP2A	Mx	-.01	6
25	MP2B	X	27.319	2
26	MP2B	Z	0	2
27	MP2B	Mx	.021	2
28	MP2B	X	27.319	6
29	MP2B	Z	0	6
30	MP2B	Mx	.021	6
31	MP2C	X	27.319	2
32	MP2C	Z	0	2
33	MP2C	Mx	-.007	2
34	MP2C	X	27.319	6
35	MP2C	Z	0	6
36	MP2C	Mx	-.007	6
37	MP2A	X	20.245	2
38	MP2A	Z	0	2
39	MP2A	Mx	-.01	2
40	MP2A	X	20.245	6
41	MP2A	Z	0	6
42	MP2A	Mx	-.01	6
43	MP2B	X	27.319	2
44	MP2B	Z	0	2
45	MP2B	Mx	-.007	2
46	MP2B	X	27.319	6
47	MP2B	Z	0	6
48	MP2B	Mx	-.007	6
49	MP2C	X	27.319	2
50	MP2C	Z	0	2
51	MP2C	Mx	.021	2
52	MP2C	X	27.319	6
53	MP2C	Z	0	6
54	MP2C	Mx	.021	6
55	MP4C	X	27.86	2
56	MP4C	Z	0	2
57	MP4C	Mx	.007	2
58	MP4C	X	27.86	6
59	MP4C	Z	0	6
60	MP4C	Mx	.007	6
61	MP4A	X	18.48	2
62	MP4A	Z	0	2
63	MP4A	Mx	-.009	2
64	MP4A	X	18.48	6
65	MP4A	Z	0	6
66	MP4A	Mx	-.009	6
67	MP4B	X	24.715	2
68	MP4B	Z	0	2
69	MP4B	Mx	.006	2
70	MP4B	X	24.715	6
71	MP4B	Z	0	6
72	MP4B	Mx	.006	6



Company :
 Designer :
 Job Number :
 Model Name :

June 28, 2021
 1:21 PM
 Checked By: _____

Member Point Loads (BLC 18 : Antenna Wi (90 Deg)) (Continued)

	Member Label	Direction	Magnitude[<i>lb.k-ft</i>]	Location[<i>ft.%</i>]
73	MP1A	X	2.017	3
74	MP1A	Z	0	3
75	MP1A	Mx	-.001	3
76	MP1B	X	5.648	3
77	MP1B	Z	0	3
78	MP1B	Mx	.001	3
79	MP1C	X	5.648	3
80	MP1C	Z	0	3
81	MP1C	Mx	.001	3
82	MP2A	X	2.424	3.5
83	MP2A	Z	0	3.5
84	MP2A	Mx	0	3.5
85	MP2B	X	3.029	3.5
86	MP2B	Z	0	3.5
87	MP2B	Mx	-.000874	3.5
88	MP2C	X	3.029	3.5
89	MP2C	Z	0	3.5
90	MP2C	Mx	.000874	3.5
91	MP1A	X	21.381	.75
92	MP1A	Z	0	.75
93	MP1A	Mx	.011	.75
94	MP2A	X	9.255	2.5
95	MP2A	Z	0	2.5
96	MP2A	Mx	.005	2.5
97	MP2B	X	12.292	2.5
98	MP2B	Z	0	2.5
99	MP2B	Mx	-.003	2.5
100	MP2C	X	12.292	2.5
101	MP2C	Z	0	2.5
102	MP2C	Mx	-.003	2.5
103	MP3A	X	7.716	2.5
104	MP3A	Z	0	2.5
105	MP3A	Mx	.004	2.5
106	MP3B	X	11.908	2.5
107	MP3B	Z	0	2.5
108	MP3B	Mx	-.003	2.5
109	MP3C	X	11.908	2.5
110	MP3C	Z	0	2.5
111	MP3C	Mx	-.003	2.5

Member Point Loads (BLC 19 : Antenna Wi (120 Deg))

	Member Label	Direction	Magnitude[<i>lb.k-ft</i>]	Location[<i>ft.%</i>]
1	MP3A	X	7.785	3
2	MP3A	Z	4.495	3
3	MP3A	Mx	.000649	3
4	MP3A	X	7.785	5
5	MP3A	Z	4.495	5
6	MP3A	Mx	.000649	5
7	MP3B	X	13.67	3
8	MP3B	Z	7.893	3
9	MP3B	Mx	0	3
10	MP3B	X	13.67	5
11	MP3B	Z	7.893	5
12	MP3B	Mx	0	5
13	MP3C	X	7.785	3
14	MP3C	Z	4.495	3



Company :
 Designer :
 Job Number :
 Model Name :

June 28, 2021
 1:21 PM
 Checked By: _____

Member Point Loads (BLC 19 : Antenna Wi (120 Deg)) (Continued)

	Member Label	Direction	Magnitude[lb.k-ft]	Location[ft,%]
15	MP3C	Mx	-0.00649	3
16	MP3C	X	7.785	5
17	MP3C	Z	4.495	5
18	MP3C	Mx	-0.00649	5
19	MP2A	X	19.575	2
20	MP2A	Z	11.302	2
21	MP2A	Mx	-0.16	2
22	MP2A	X	19.575	6
23	MP2A	Z	11.302	6
24	MP2A	Mx	-0.16	6
25	MP2B	X	25.701	2
26	MP2B	Z	14.839	2
27	MP2B	Mx	.017	2
28	MP2B	X	25.701	6
29	MP2B	Z	14.839	6
30	MP2B	Mx	.017	6
31	MP2C	X	19.575	2
32	MP2C	Z	11.302	2
33	MP2C	Mx	.003	2
34	MP2C	X	19.575	6
35	MP2C	Z	11.302	6
36	MP2C	Mx	.003	6
37	MP2A	X	19.575	2
38	MP2A	Z	11.302	2
39	MP2A	Mx	-0.003	2
40	MP2A	X	19.575	6
41	MP2A	Z	11.302	6
42	MP2A	Mx	-0.003	6
43	MP2B	X	25.701	2
44	MP2B	Z	14.839	2
45	MP2B	Mx	-0.17	2
46	MP2B	X	25.701	6
47	MP2B	Z	14.839	6
48	MP2B	Mx	-0.17	6
49	MP2C	X	19.575	2
50	MP2C	Z	11.302	2
51	MP2C	Mx	.016	2
52	MP2C	X	19.575	6
53	MP2C	Z	11.302	6
54	MP2C	Mx	.016	6
55	MP4C	X	20.085	2
56	MP4C	Z	11.596	2
57	MP4C	Mx	.01	2
58	MP4C	X	20.085	6
59	MP4C	Z	11.596	6
60	MP4C	Mx	.01	6
61	MP4A	X	17.804	2
62	MP4A	Z	10.279	2
63	MP4A	Mx	-0.009	2
64	MP4A	X	17.804	6
65	MP4A	Z	10.279	6
66	MP4A	Mx	-0.009	6
67	MP4B	X	23.204	2
68	MP4B	Z	13.397	2
69	MP4B	Mx	0	2
70	MP4B	X	23.204	6
71	MP4B	Z	13.397	6

Member Point Loads (BLC 19 : Antenna Wi (120 Deg)) (Continued)

	Member Label	Direction	Magnitude[lb.k-ft]	Location[ft,%]
72	MP4B	Mx	0	6
73	MP1A	X	2.795	3
74	MP1A	Z	1.614	3
75	MP1A	Mx	-.001	3
76	MP1B	X	5.939	3
77	MP1B	Z	3.429	3
78	MP1B	Mx	0	3
79	MP1C	X	2.795	3
80	MP1C	Z	1.614	3
81	MP1C	Mx	.001	3
82	MP2A	X	2.274	3.5
83	MP2A	Z	1.313	3.5
84	MP2A	Mx	.000438	3.5
85	MP2B	X	2.798	3.5
86	MP2B	Z	1.615	3.5
87	MP2B	Mx	-.001	3.5
88	MP2C	X	2.274	3.5
89	MP2C	Z	1.313	3.5
90	MP2C	Mx	.000438	3.5
91	MP1A	X	19.806	.75
92	MP1A	Z	11.435	.75
93	MP1A	Mx	.01	.75
94	MP2A	X	8.892	2.5
95	MP2A	Z	5.134	2.5
96	MP2A	Mx	.004	2.5
97	MP2B	X	11.522	2.5
98	MP2B	Z	6.652	2.5
99	MP2B	Mx	0	2.5
100	MP2C	X	8.892	2.5
101	MP2C	Z	5.134	2.5
102	MP2C	Mx	-.004	2.5
103	MP3A	X	7.892	2.5
104	MP3A	Z	4.557	2.5
105	MP3A	Mx	.004	2.5
106	MP3B	X	11.522	2.5
107	MP3B	Z	6.652	2.5
108	MP3B	Mx	0	2.5
109	MP3C	X	7.892	2.5
110	MP3C	Z	4.557	2.5
111	MP3C	Mx	-.004	2.5

Member Point Loads (BLC 20 : Antenna Wi (150 Deg))

	Member Label	Direction	Magnitude[lb.k-ft]	Location[ft,%]
1	MP3A	X	6.76	3
2	MP3A	Z	11.709	3
3	MP3A	Mx	.000563	3
4	MP3A	X	6.76	5
5	MP3A	Z	11.709	5
6	MP3A	Mx	.000563	5
7	MP3B	X	6.76	3
8	MP3B	Z	11.709	3
9	MP3B	Mx	.000563	3
10	MP3B	X	6.76	5
11	MP3B	Z	11.709	5
12	MP3B	Mx	.000563	5
13	MP3C	X	3.362	3



Company :
 Designer :
 Job Number :
 Model Name :

June 28, 2021
 1:21 PM
 Checked By: _____

Member Point Loads (BLC 20 : Antenna Wi (150 Deg)) (Continued)

	Member Label	Direction	Magnitude[lb.k-ft]	Location[ft,%]
14	MP3C	Z	5.824	3
15	MP3C	Mx	-.00056	3
16	MP3C	X	3.362	5
17	MP3C	Z	5.824	5
18	MP3C	Mx	-.00056	5
19	MP2A	X	13.66	2
20	MP2A	Z	23.659	2
21	MP2A	Mx	-.021	2
22	MP2A	X	13.66	6
23	MP2A	Z	23.659	6
24	MP2A	Mx	-.021	6
25	MP2B	X	13.66	2
26	MP2B	Z	23.659	2
27	MP2B	Mx	.007	2
28	MP2B	X	13.66	6
29	MP2B	Z	23.659	6
30	MP2B	Mx	.007	6
31	MP2C	X	10.123	2
32	MP2C	Z	17.533	2
33	MP2C	Mx	.01	2
34	MP2C	X	10.123	6
35	MP2C	Z	17.533	6
36	MP2C	Mx	.01	6
37	MP2A	X	13.66	2
38	MP2A	Z	23.659	2
39	MP2A	Mx	.007	2
40	MP2A	X	13.66	6
41	MP2A	Z	23.659	6
42	MP2A	Mx	.007	6
43	MP2B	X	13.66	2
44	MP2B	Z	23.659	2
45	MP2B	Mx	-.021	2
46	MP2B	X	13.66	6
47	MP2B	Z	23.659	6
48	MP2B	Mx	-.021	6
49	MP2C	X	10.123	2
50	MP2C	Z	17.533	2
51	MP2C	Mx	.01	2
52	MP2C	X	10.123	6
53	MP2C	Z	17.533	6
54	MP2C	Mx	.01	6
55	MP4C	X	10.429	2
56	MP4C	Z	18.064	2
57	MP4C	Mx	.01	2
58	MP4C	X	10.429	6
59	MP4C	Z	18.064	6
60	MP4C	Mx	.01	6
61	MP4A	X	12.357	2
62	MP4A	Z	21.404	2
63	MP4A	Mx	-.006	2
64	MP4A	X	12.357	6
65	MP4A	Z	21.404	6
66	MP4A	Mx	-.006	6
67	MP4B	X	12.357	2
68	MP4B	Z	21.404	2
69	MP4B	Mx	-.006	2
70	MP4B	X	12.357	6

Member Point Loads (BLC 20 : Antenna Wi (150 Deg)) (Continued)

	Member Label	Direction	Magnitude[lb.k-ft]	Location[ft,%]
71	MP4B	Z	21.404	6
72	MP4B	Mx	-.006	6
73	MP1A	X	2.824	3
74	MP1A	Z	4.891	3
75	MP1A	Mx	-.001	3
76	MP1B	X	2.824	3
77	MP1B	Z	4.891	3
78	MP1B	Mx	-.001	3
79	MP1C	X	1.008	3
80	MP1C	Z	1.746	3
81	MP1C	Mx	.001	3
82	MP2A	X	1.514	3.5
83	MP2A	Z	2.623	3.5
84	MP2A	Mx	.000874	3.5
85	MP2B	X	1.514	3.5
86	MP2B	Z	2.623	3.5
87	MP2B	Mx	-.000874	3.5
88	MP2C	X	1.212	3.5
89	MP2C	Z	2.099	3.5
90	MP2C	Mx	0	3.5
91	MP1A	X	12.925	.75
92	MP1A	Z	22.387	.75
93	MP1A	Mx	.006	.75
94	MP2A	X	6.146	2.5
95	MP2A	Z	10.645	2.5
96	MP2A	Mx	.003	2.5
97	MP2B	X	6.146	2.5
98	MP2B	Z	10.645	2.5
99	MP2B	Mx	.003	2.5
100	MP2C	X	4.628	2.5
101	MP2C	Z	8.015	2.5
102	MP2C	Mx	-.005	2.5
103	MP3A	X	5.954	2.5
104	MP3A	Z	10.312	2.5
105	MP3A	Mx	.003	2.5
106	MP3B	X	5.954	2.5
107	MP3B	Z	10.312	2.5
108	MP3B	Mx	.003	2.5
109	MP3C	X	3.858	2.5
110	MP3C	Z	6.683	2.5
111	MP3C	Mx	-.004	2.5

Member Point Loads (BLC 21 : Antenna Wi (180 Deg))

	Member Label	Direction	Magnitude[lb.k-ft]	Location[ft,%]
1	MP3A	X	0	3
2	MP3A	Z	15.785	3
3	MP3A	Mx	0	3
4	MP3A	X	0	5
5	MP3A	Z	15.785	5
6	MP3A	Mx	0	5
7	MP3B	X	0	3
8	MP3B	Z	8.99	3
9	MP3B	Mx	.000649	3
10	MP3B	X	0	5
11	MP3B	Z	8.99	5
12	MP3B	Mx	.000649	5



Company :
 Designer :
 Job Number :
 Model Name :

June 28, 2021
 1:21 PM
 Checked By: _____

Member Point Loads (BLC 21 : Antenna Wi (180 Deg)) (Continued)

	Member Label	Direction	Magnitude[lb.k-ft]	Location[ft,%]
13	MP3C	X	0	3
14	MP3C	Z	8.99	3
15	MP3C	Mx	-.000649	3
16	MP3C	X	0	5
17	MP3C	Z	8.99	5
18	MP3C	Mx	-.000649	5
19	MP2A	X	0	2
20	MP2A	Z	29.677	2
21	MP2A	Mx	-.017	2
22	MP2A	X	0	6
23	MP2A	Z	29.677	6
24	MP2A	Mx	-.017	6
25	MP2B	X	0	2
26	MP2B	Z	22.603	2
27	MP2B	Mx	-.003	2
28	MP2B	X	0	6
29	MP2B	Z	22.603	6
30	MP2B	Mx	-.003	6
31	MP2C	X	0	2
32	MP2C	Z	22.603	2
33	MP2C	Mx	.016	2
34	MP2C	X	0	6
35	MP2C	Z	22.603	6
36	MP2C	Mx	.016	6
37	MP2A	X	0	2
38	MP2A	Z	29.677	2
39	MP2A	Mx	.017	2
40	MP2A	X	0	6
41	MP2A	Z	29.677	6
42	MP2A	Mx	.017	6
43	MP2B	X	0	2
44	MP2B	Z	22.603	2
45	MP2B	Mx	-.016	2
46	MP2B	X	0	6
47	MP2B	Z	22.603	6
48	MP2B	Mx	-.016	6
49	MP2C	X	0	2
50	MP2C	Z	22.603	2
51	MP2C	Mx	.003	2
52	MP2C	X	0	6
53	MP2C	Z	22.603	6
54	MP2C	Mx	.003	6
55	MP4C	X	0	2
56	MP4C	Z	23.192	2
57	MP4C	Mx	.01	2
58	MP4C	X	0	6
59	MP4C	Z	23.192	6
60	MP4C	Mx	.01	6
61	MP4A	X	0	2
62	MP4A	Z	26.793	2
63	MP4A	Mx	0	2
64	MP4A	X	0	6
65	MP4A	Z	26.793	6
66	MP4A	Mx	0	6
67	MP4B	X	0	2
68	MP4B	Z	20.558	2
69	MP4B	Mx	-.009	2



Company :
 Designer :
 Job Number :
 Model Name :

June 28, 2021
 1:21 PM
 Checked By: _____

Member Point Loads (BLC 21 : Antenna Wi (180 Deg)) (Continued)

	Member Label	Direction	Magnitude[lb.k-ft]	Location[ft,%]
70	MP4B	X	0	6
71	MP4B	Z	20.558	6
72	MP4B	Mx	-.009	6
73	MP1A	X	0	3
74	MP1A	Z	6.858	3
75	MP1A	Mx	0	3
76	MP1B	X	0	3
77	MP1B	Z	3.227	3
78	MP1B	Mx	-.001	3
79	MP1C	X	0	3
80	MP1C	Z	3.227	3
81	MP1C	Mx	.001	3
82	MP2A	X	0	3.5
83	MP2A	Z	3.23	3.5
84	MP2A	Mx	.001	3.5
85	MP2B	X	0	3.5
86	MP2B	Z	2.626	3.5
87	MP2B	Mx	-.000438	3.5
88	MP2C	X	0	3.5
89	MP2C	Z	2.626	3.5
90	MP2C	Mx	-.000438	3.5
91	MP1A	X	0	.75
92	MP1A	Z	27.341	.75
93	MP1A	Mx	0	.75
94	MP2A	X	0	2.5
95	MP2A	Z	13.305	2.5
96	MP2A	Mx	0	2.5
97	MP2B	X	0	2.5
98	MP2B	Z	10.268	2.5
99	MP2B	Mx	.004	2.5
100	MP2C	X	0	2.5
101	MP2C	Z	10.268	2.5
102	MP2C	Mx	-.004	2.5
103	MP3A	X	0	2.5
104	MP3A	Z	13.305	2.5
105	MP3A	Mx	0	2.5
106	MP3B	X	0	2.5
107	MP3B	Z	9.113	2.5
108	MP3B	Mx	.004	2.5
109	MP3C	X	0	2.5
110	MP3C	Z	9.113	2.5
111	MP3C	Mx	-.004	2.5

Member Point Loads (BLC 22 : Antenna Wi (210 Deg))

	Member Label	Direction	Magnitude[lb.k-ft]	Location[ft,%]
1	MP3A	X	-6.76	3
2	MP3A	Z	11.709	3
3	MP3A	Mx	-.000563	3
4	MP3A	X	-6.76	5
5	MP3A	Z	11.709	5
6	MP3A	Mx	-.000563	5
7	MP3B	X	-3.362	3
8	MP3B	Z	5.824	3
9	MP3B	Mx	.00056	3
10	MP3B	X	-3.362	5
11	MP3B	Z	5.824	5



Company :
 Designer :
 Job Number :
 Model Name :

June 28, 2021
 1:21 PM
 Checked By: _____

Member Point Loads (BLC 22 : Antenna Wi (210 Deg)) (Continued)

	Member Label	Direction	Magnitude[lb.k-ft]	Location[ft,%]
12	MP3B	Mx	.00056	5
13	MP3C	X	-6.76	3
14	MP3C	Z	11.709	3
15	MP3C	Mx	-.000563	3
16	MP3C	X	-6.76	5
17	MP3C	Z	11.709	5
18	MP3C	Mx	-.000563	5
19	MP2A	X	-13.66	2
20	MP2A	Z	23.659	2
21	MP2A	Mx	-.007	2
22	MP2A	X	-13.66	6
23	MP2A	Z	23.659	6
24	MP2A	Mx	-.007	6
25	MP2B	X	-10.123	2
26	MP2B	Z	17.533	2
27	MP2B	Mx	-.01	2
28	MP2B	X	-10.123	6
29	MP2B	Z	17.533	6
30	MP2B	Mx	-.01	6
31	MP2C	X	-13.66	2
32	MP2C	Z	23.659	2
33	MP2C	Mx	.021	2
34	MP2C	X	-13.66	6
35	MP2C	Z	23.659	6
36	MP2C	Mx	.021	6
37	MP2A	X	-13.66	2
38	MP2A	Z	23.659	2
39	MP2A	Mx	.021	2
40	MP2A	X	-13.66	6
41	MP2A	Z	23.659	6
42	MP2A	Mx	.021	6
43	MP2B	X	-10.123	2
44	MP2B	Z	17.533	2
45	MP2B	Mx	-.01	2
46	MP2B	X	-10.123	6
47	MP2B	Z	17.533	6
48	MP2B	Mx	-.01	6
49	MP2C	X	-13.66	2
50	MP2C	Z	23.659	2
51	MP2C	Mx	-.007	2
52	MP2C	X	-13.66	6
53	MP2C	Z	23.659	6
54	MP2C	Mx	-.007	6
55	MP4C	X	-13.93	2
56	MP4C	Z	24.127	2
57	MP4C	Mx	.007	2
58	MP4C	X	-13.93	6
59	MP4C	Z	24.127	6
60	MP4C	Mx	.007	6
61	MP4A	X	-12.357	2
62	MP4A	Z	21.404	2
63	MP4A	Mx	.006	2
64	MP4A	X	-12.357	6
65	MP4A	Z	21.404	6
66	MP4A	Mx	.006	6
67	MP4B	X	-9.24	2
68	MP4B	Z	16.004	2



Company :
 Designer :
 Job Number :
 Model Name :

June 28, 2021
 1:21 PM
 Checked By: _____

Member Point Loads (BLC 22 : Antenna Wi (210 Deg)) (Continued)

	Member Label	Direction	Magnitude[lb.k-ft]	Location[ft,%]
69	MP4B	Mx	-.009	2
70	MP4B	X	-9.24	6
71	MP4B	Z	16.004	6
72	MP4B	Mx	-.009	6
73	MP1A	X	-2.824	3
74	MP1A	Z	4.891	3
75	MP1A	Mx	.001	3
76	MP1B	X	-1.008	3
77	MP1B	Z	1.746	3
78	MP1B	Mx	-.001	3
79	MP1C	X	-2.824	3
80	MP1C	Z	4.891	3
81	MP1C	Mx	.001	3
82	MP2A	X	-1.514	3.5
83	MP2A	Z	2.623	3.5
84	MP2A	Mx	.000874	3.5
85	MP2B	X	-1.212	3.5
86	MP2B	Z	2.099	3.5
87	MP2B	Mx	0	3.5
88	MP2C	X	-1.514	3.5
89	MP2C	Z	2.623	3.5
90	MP2C	Mx	-.000874	3.5
91	MP1A	X	-12.925	.75
92	MP1A	Z	22.387	.75
93	MP1A	Mx	-.006	.75
94	MP2A	X	-6.146	2.5
95	MP2A	Z	10.645	2.5
96	MP2A	Mx	-.003	2.5
97	MP2B	X	-4.628	2.5
98	MP2B	Z	8.015	2.5
99	MP2B	Mx	.005	2.5
100	MP2C	X	-6.146	2.5
101	MP2C	Z	10.645	2.5
102	MP2C	Mx	-.003	2.5
103	MP3A	X	-5.954	2.5
104	MP3A	Z	10.312	2.5
105	MP3A	Mx	-.003	2.5
106	MP3B	X	-3.858	2.5
107	MP3B	Z	6.683	2.5
108	MP3B	Mx	.004	2.5
109	MP3C	X	-5.954	2.5
110	MP3C	Z	10.312	2.5
111	MP3C	Mx	-.003	2.5

Member Point Loads (BLC 23 : Antenna Wi (240 Deg))

	Member Label	Direction	Magnitude[lb.k-ft]	Location[ft,%]
1	MP3A	X	-7.785	3
2	MP3A	Z	4.495	3
3	MP3A	Mx	-.000649	3
4	MP3A	X	-7.785	5
5	MP3A	Z	4.495	5
6	MP3A	Mx	-.000649	5
7	MP3B	X	-7.785	3
8	MP3B	Z	4.495	3
9	MP3B	Mx	.000649	3
10	MP3B	X	-7.785	5



Company :
 Designer :
 Job Number :
 Model Name :

June 28, 2021
 1:21 PM
 Checked By: _____

Member Point Loads (BLC 23 : Antenna Wi (240 Deg)) (Continued)

	Member Label	Direction	Magnitude[lb.k-ft]	Location[ft,%]
11	MP3B	Z	4.495	5
12	MP3B	Mx	.000649	5
13	MP3C	X	-13.67	3
14	MP3C	Z	7.893	3
15	MP3C	Mx	0	3
16	MP3C	X	-13.67	5
17	MP3C	Z	7.893	5
18	MP3C	Mx	0	5
19	MP2A	X	-19.575	2
20	MP2A	Z	11.302	2
21	MP2A	Mx	.003	2
22	MP2A	X	-19.575	6
23	MP2A	Z	11.302	6
24	MP2A	Mx	.003	6
25	MP2B	X	-19.575	2
26	MP2B	Z	11.302	2
27	MP2B	Mx	-.016	2
28	MP2B	X	-19.575	6
29	MP2B	Z	11.302	6
30	MP2B	Mx	-.016	6
31	MP2C	X	-25.701	2
32	MP2C	Z	14.839	2
33	MP2C	Mx	.017	2
34	MP2C	X	-25.701	6
35	MP2C	Z	14.839	6
36	MP2C	Mx	.017	6
37	MP2A	X	-19.575	2
38	MP2A	Z	11.302	2
39	MP2A	Mx	.016	2
40	MP2A	X	-19.575	6
41	MP2A	Z	11.302	6
42	MP2A	Mx	.016	6
43	MP2B	X	-19.575	2
44	MP2B	Z	11.302	2
45	MP2B	Mx	-.003	2
46	MP2B	X	-19.575	6
47	MP2B	Z	11.302	6
48	MP2B	Mx	-.003	6
49	MP2C	X	-25.701	2
50	MP2C	Z	14.839	2
51	MP2C	Mx	-.017	2
52	MP2C	X	-25.701	6
53	MP2C	Z	14.839	6
54	MP2C	Mx	-.017	6
55	MP4C	X	-26.148	2
56	MP4C	Z	15.097	2
57	MP4C	Mx	0	2
58	MP4C	X	-26.148	6
59	MP4C	Z	15.097	6
60	MP4C	Mx	0	6
61	MP4A	X	-17.804	2
62	MP4A	Z	10.279	2
63	MP4A	Mx	.009	2
64	MP4A	X	-17.804	6
65	MP4A	Z	10.279	6
66	MP4A	Mx	.009	6
67	MP4B	X	-17.804	2



Company :
 Designer :
 Job Number :
 Model Name :

June 28, 2021
 1:21 PM
 Checked By: _____

Member Point Loads (BLC 23 : Antenna Wi (240 Deg)) (Continued)

	Member Label	Direction	Magnitude[lb.k-ft]	Location[ft,%]
68	MP4B	Z	10.279	2
69	MP4B	Mx	-0.009	2
70	MP4B	X	-17.804	6
71	MP4B	Z	10.279	6
72	MP4B	Mx	-0.009	6
73	MP1A	X	-2.795	3
74	MP1A	Z	1.614	3
75	MP1A	Mx	.001	3
76	MP1B	X	-2.795	3
77	MP1B	Z	1.614	3
78	MP1B	Mx	-.001	3
79	MP1C	X	-5.939	3
80	MP1C	Z	3.429	3
81	MP1C	Mx	0	3
82	MP2A	X	-2.274	3.5
83	MP2A	Z	1.313	3.5
84	MP2A	Mx	.000438	3.5
85	MP2B	X	-2.274	3.5
86	MP2B	Z	1.313	3.5
87	MP2B	Mx	.000438	3.5
88	MP2C	X	-2.798	3.5
89	MP2C	Z	1.615	3.5
90	MP2C	Mx	-.001	3.5
91	MP1A	X	-19.806	.75
92	MP1A	Z	11.435	.75
93	MP1A	Mx	-.01	.75
94	MP2A	X	-8.892	2.5
95	MP2A	Z	5.134	2.5
96	MP2A	Mx	-.004	2.5
97	MP2B	X	-8.892	2.5
98	MP2B	Z	5.134	2.5
99	MP2B	Mx	.004	2.5
100	MP2C	X	-11.522	2.5
101	MP2C	Z	6.652	2.5
102	MP2C	Mx	0	2.5
103	MP3A	X	-7.892	2.5
104	MP3A	Z	4.557	2.5
105	MP3A	Mx	-.004	2.5
106	MP3B	X	-7.892	2.5
107	MP3B	Z	4.557	2.5
108	MP3B	Mx	.004	2.5
109	MP3C	X	-11.522	2.5
110	MP3C	Z	6.652	2.5
111	MP3C	Mx	0	2.5

Member Point Loads (BLC 24 : Antenna Wi (270 Deg))

	Member Label	Direction	Magnitude[lb.k-ft]	Location[ft,%]
1	MP3A	X	-6.725	3
2	MP3A	Z	0	3
3	MP3A	Mx	-.00056	3
4	MP3A	X	-6.725	5
5	MP3A	Z	0	5
6	MP3A	Mx	-.00056	5
7	MP3B	X	-13.52	3
8	MP3B	Z	0	3
9	MP3B	Mx	.000563	3



Company :
 Designer :
 Job Number :
 Model Name :

June 28, 2021
 1:21 PM
 Checked By: _____

Member Point Loads (BLC 24 : Antenna Wi (270 Deg)) (Continued)

	Member Label	Direction	Magnitude[lb.k-ft]	Location[ft,%]
10	MP3B	X	-13.52	5
11	MP3B	Z	0	5
12	MP3B	Mx	.000563	5
13	MP3C	X	-13.52	3
14	MP3C	Z	0	3
15	MP3C	Mx	.000563	3
16	MP3C	X	-13.52	5
17	MP3C	Z	0	5
18	MP3C	Mx	.000563	5
19	MP2A	X	-20.245	2
20	MP2A	Z	0	2
21	MP2A	Mx	.01	2
22	MP2A	X	-20.245	6
23	MP2A	Z	0	6
24	MP2A	Mx	.01	6
25	MP2B	X	-27.319	2
26	MP2B	Z	0	2
27	MP2B	Mx	-.021	2
28	MP2B	X	-27.319	6
29	MP2B	Z	0	6
30	MP2B	Mx	-.021	6
31	MP2C	X	-27.319	2
32	MP2C	Z	0	2
33	MP2C	Mx	.007	2
34	MP2C	X	-27.319	6
35	MP2C	Z	0	6
36	MP2C	Mx	.007	6
37	MP2A	X	-20.245	2
38	MP2A	Z	0	2
39	MP2A	Mx	.01	2
40	MP2A	X	-20.245	6
41	MP2A	Z	0	6
42	MP2A	Mx	.01	6
43	MP2B	X	-27.319	2
44	MP2B	Z	0	2
45	MP2B	Mx	.007	2
46	MP2B	X	-27.319	6
47	MP2B	Z	0	6
48	MP2B	Mx	.007	6
49	MP2C	X	-27.319	2
50	MP2C	Z	0	2
51	MP2C	Mx	-.021	2
52	MP2C	X	-27.319	6
53	MP2C	Z	0	6
54	MP2C	Mx	-.021	6
55	MP4C	X	-27.86	2
56	MP4C	Z	0	2
57	MP4C	Mx	-.007	2
58	MP4C	X	-27.86	6
59	MP4C	Z	0	6
60	MP4C	Mx	-.007	6
61	MP4A	X	-18.48	2
62	MP4A	Z	0	2
63	MP4A	Mx	.009	2
64	MP4A	X	-18.48	6
65	MP4A	Z	0	6
66	MP4A	Mx	.009	6



Company :
 Designer :
 Job Number :
 Model Name :

June 28, 2021
 1:21 PM
 Checked By: _____

Member Point Loads (BLC 24 : Antenna Wi (270 Deg)) (Continued)

	Member Label	Direction	Magnitude[lb.k-ft]	Location[ft,%]
67	MP4B	X	-24.715	2
68	MP4B	Z	0	2
69	MP4B	Mx	-.006	2
70	MP4B	X	-24.715	6
71	MP4B	Z	0	6
72	MP4B	Mx	-.006	6
73	MP1A	X	-2.017	3
74	MP1A	Z	0	3
75	MP1A	Mx	.001	3
76	MP1B	X	-5.648	3
77	MP1B	Z	0	3
78	MP1B	Mx	-.001	3
79	MP1C	X	-5.648	3
80	MP1C	Z	0	3
81	MP1C	Mx	-.001	3
82	MP2A	X	-2.424	3.5
83	MP2A	Z	0	3.5
84	MP2A	Mx	0	3.5
85	MP2B	X	-3.029	3.5
86	MP2B	Z	0	3.5
87	MP2B	Mx	.000874	3.5
88	MP2C	X	-3.029	3.5
89	MP2C	Z	0	3.5
90	MP2C	Mx	-.000874	3.5
91	MP1A	X	-21.381	.75
92	MP1A	Z	0	.75
93	MP1A	Mx	-.011	.75
94	MP2A	X	-9.255	2.5
95	MP2A	Z	0	2.5
96	MP2A	Mx	-.005	2.5
97	MP2B	X	-12.292	2.5
98	MP2B	Z	0	2.5
99	MP2B	Mx	.003	2.5
100	MP2C	X	-12.292	2.5
101	MP2C	Z	0	2.5
102	MP2C	Mx	.003	2.5
103	MP3A	X	-7.716	2.5
104	MP3A	Z	0	2.5
105	MP3A	Mx	-.004	2.5
106	MP3B	X	-11.908	2.5
107	MP3B	Z	0	2.5
108	MP3B	Mx	.003	2.5
109	MP3C	X	-11.908	2.5
110	MP3C	Z	0	2.5
111	MP3C	Mx	.003	2.5

Member Point Loads (BLC 25 : Antenna Wi (300 Deg))

	Member Label	Direction	Magnitude[lb.k-ft]	Location[ft,%]
1	MP3A	X	-7.785	3
2	MP3A	Z	-4.495	3
3	MP3A	Mx	-.000649	3
4	MP3A	X	-7.785	5
5	MP3A	Z	-4.495	5
6	MP3A	Mx	-.000649	5
7	MP3B	X	-13.67	3
8	MP3B	Z	-7.893	3



Company :
 Designer :
 Job Number :
 Model Name :

June 28, 2021
 1:21 PM
 Checked By: _____

Member Point Loads (BLC 25 : Antenna Wi (300 Deg)) (Continued)

	Member Label	Direction	Magnitude[lb.k-ft]	Location[ft,%]
9	MP3B	Mx	0	3
10	MP3B	X	-13.67	5
11	MP3B	Z	-7.893	5
12	MP3B	Mx	0	5
13	MP3C	X	-7.785	3
14	MP3C	Z	-4.495	3
15	MP3C	Mx	.000649	3
16	MP3C	X	-7.785	5
17	MP3C	Z	-4.495	5
18	MP3C	Mx	.000649	5
19	MP2A	X	-19.575	2
20	MP2A	Z	-11.302	2
21	MP2A	Mx	.016	2
22	MP2A	X	-19.575	6
23	MP2A	Z	-11.302	6
24	MP2A	Mx	.016	6
25	MP2B	X	-25.701	2
26	MP2B	Z	-14.839	2
27	MP2B	Mx	-.017	2
28	MP2B	X	-25.701	6
29	MP2B	Z	-14.839	6
30	MP2B	Mx	-.017	6
31	MP2C	X	-19.575	2
32	MP2C	Z	-11.302	2
33	MP2C	Mx	-.003	2
34	MP2C	X	-19.575	6
35	MP2C	Z	-11.302	6
36	MP2C	Mx	-.003	6
37	MP2A	X	-19.575	2
38	MP2A	Z	-11.302	2
39	MP2A	Mx	.003	2
40	MP2A	X	-19.575	6
41	MP2A	Z	-11.302	6
42	MP2A	Mx	.003	6
43	MP2B	X	-25.701	2
44	MP2B	Z	-14.839	2
45	MP2B	Mx	.017	2
46	MP2B	X	-25.701	6
47	MP2B	Z	-14.839	6
48	MP2B	Mx	.017	6
49	MP2C	X	-19.575	2
50	MP2C	Z	-11.302	2
51	MP2C	Mx	-.016	2
52	MP2C	X	-19.575	6
53	MP2C	Z	-11.302	6
54	MP2C	Mx	-.016	6
55	MP4C	X	-20.085	2
56	MP4C	Z	-11.596	2
57	MP4C	Mx	-.01	2
58	MP4C	X	-20.085	6
59	MP4C	Z	-11.596	6
60	MP4C	Mx	-.01	6
61	MP4A	X	-17.804	2
62	MP4A	Z	-10.279	2
63	MP4A	Mx	.009	2
64	MP4A	X	-17.804	6
65	MP4A	Z	-10.279	6



Company :
 Designer :
 Job Number :
 Model Name :

June 28, 2021
 1:21 PM
 Checked By: _____

Member Point Loads (BLC 25 : Antenna Wi (300 Deg)) (Continued)

	Member Label	Direction	Magnitude[lb.k-ft]	Location[ft,%]
66	MP4A	Mx	.009	6
67	MP4B	X	-23.204	2
68	MP4B	Z	-13.397	2
69	MP4B	Mx	0	2
70	MP4B	X	-23.204	6
71	MP4B	Z	-13.397	6
72	MP4B	Mx	0	6
73	MP1A	X	-2.795	3
74	MP1A	Z	-1.614	3
75	MP1A	Mx	.001	3
76	MP1B	X	-5.939	3
77	MP1B	Z	-3.429	3
78	MP1B	Mx	0	3
79	MP1C	X	-2.795	3
80	MP1C	Z	-1.614	3
81	MP1C	Mx	-.001	3
82	MP2A	X	-2.274	3.5
83	MP2A	Z	-1.313	3.5
84	MP2A	Mx	-.000438	3.5
85	MP2B	X	-2.798	3.5
86	MP2B	Z	-1.615	3.5
87	MP2B	Mx	.001	3.5
88	MP2C	X	-2.274	3.5
89	MP2C	Z	-1.313	3.5
90	MP2C	Mx	-.000438	3.5
91	MP1A	X	-19.806	.75
92	MP1A	Z	-11.435	.75
93	MP1A	Mx	-.01	.75
94	MP2A	X	-8.892	2.5
95	MP2A	Z	-5.134	2.5
96	MP2A	Mx	-.004	2.5
97	MP2B	X	-11.522	2.5
98	MP2B	Z	-6.652	2.5
99	MP2B	Mx	0	2.5
100	MP2C	X	-8.892	2.5
101	MP2C	Z	-5.134	2.5
102	MP2C	Mx	.004	2.5
103	MP3A	X	-7.892	2.5
104	MP3A	Z	-4.557	2.5
105	MP3A	Mx	-.004	2.5
106	MP3B	X	-11.522	2.5
107	MP3B	Z	-6.652	2.5
108	MP3B	Mx	0	2.5
109	MP3C	X	-7.892	2.5
110	MP3C	Z	-4.557	2.5
111	MP3C	Mx	.004	2.5

Member Point Loads (BLC 26 : Antenna Wi (330 Deg))

	Member Label	Direction	Magnitude[lb.k-ft]	Location[ft,%]
1	MP3A	X	-6.76	3
2	MP3A	Z	-11.709	3
3	MP3A	Mx	-.000563	3
4	MP3A	X	-6.76	5
5	MP3A	Z	-11.709	5
6	MP3A	Mx	-.000563	5
7	MP3B	X	-6.76	3



Company :
 Designer :
 Job Number :
 Model Name :

June 28, 2021
 1:21 PM
 Checked By: _____

Member Point Loads (BLC 26 : Antenna Wi (330 Deg)) (Continued)

	Member Label	Direction	Magnitude[lb.k-ft]	Location[ft,%]
8	MP3B	Z	-11.709	3
9	MP3B	Mx	-.000563	3
10	MP3B	X	-6.76	5
11	MP3B	Z	-11.709	5
12	MP3B	Mx	-.000563	5
13	MP3C	X	-3.362	3
14	MP3C	Z	-5.824	3
15	MP3C	Mx	.00056	3
16	MP3C	X	-3.362	5
17	MP3C	Z	-5.824	5
18	MP3C	Mx	.00056	5
19	MP2A	X	-13.66	2
20	MP2A	Z	-23.659	2
21	MP2A	Mx	.021	2
22	MP2A	X	-13.66	6
23	MP2A	Z	-23.659	6
24	MP2A	Mx	.021	6
25	MP2B	X	-13.66	2
26	MP2B	Z	-23.659	2
27	MP2B	Mx	-.007	2
28	MP2B	X	-13.66	6
29	MP2B	Z	-23.659	6
30	MP2B	Mx	-.007	6
31	MP2C	X	-10.123	2
32	MP2C	Z	-17.533	2
33	MP2C	Mx	-.01	2
34	MP2C	X	-10.123	6
35	MP2C	Z	-17.533	6
36	MP2C	Mx	-.01	6
37	MP2A	X	-13.66	2
38	MP2A	Z	-23.659	2
39	MP2A	Mx	-.007	2
40	MP2A	X	-13.66	6
41	MP2A	Z	-23.659	6
42	MP2A	Mx	-.007	6
43	MP2B	X	-13.66	2
44	MP2B	Z	-23.659	2
45	MP2B	Mx	.021	2
46	MP2B	X	-13.66	6
47	MP2B	Z	-23.659	6
48	MP2B	Mx	.021	6
49	MP2C	X	-10.123	2
50	MP2C	Z	-17.533	2
51	MP2C	Mx	-.01	2
52	MP2C	X	-10.123	6
53	MP2C	Z	-17.533	6
54	MP2C	Mx	-.01	6
55	MP4C	X	-10.429	2
56	MP4C	Z	-18.064	2
57	MP4C	Mx	-.01	2
58	MP4C	X	-10.429	6
59	MP4C	Z	-18.064	6
60	MP4C	Mx	-.01	6
61	MP4A	X	-12.357	2
62	MP4A	Z	-21.404	2
63	MP4A	Mx	.006	2
64	MP4A	X	-12.357	6

Member Point Loads (BLC 26 : Antenna Wi (330 Deg)) (Continued)

	Member Label	Direction	Magnitude[lb.k-ft]	Location[ft,%]
65	MP4A	Z	-21.404	6
66	MP4A	Mx	.006	6
67	MP4B	X	-12.357	2
68	MP4B	Z	-21.404	2
69	MP4B	Mx	.006	2
70	MP4B	X	-12.357	6
71	MP4B	Z	-21.404	6
72	MP4B	Mx	.006	6
73	MP1A	X	-2.824	3
74	MP1A	Z	-4.891	3
75	MP1A	Mx	.001	3
76	MP1B	X	-2.824	3
77	MP1B	Z	-4.891	3
78	MP1B	Mx	.001	3
79	MP1C	X	-1.008	3
80	MP1C	Z	-1.746	3
81	MP1C	Mx	-.001	3
82	MP2A	X	-1.514	3.5
83	MP2A	Z	-2.623	3.5
84	MP2A	Mx	-.000874	3.5
85	MP2B	X	-1.514	3.5
86	MP2B	Z	-2.623	3.5
87	MP2B	Mx	.000874	3.5
88	MP2C	X	-1.212	3.5
89	MP2C	Z	-2.099	3.5
90	MP2C	Mx	0	3.5
91	MP1A	X	-12.925	.75
92	MP1A	Z	-22.387	.75
93	MP1A	Mx	-.006	.75
94	MP2A	X	-6.146	2.5
95	MP2A	Z	-10.645	2.5
96	MP2A	Mx	-.003	2.5
97	MP2B	X	-6.146	2.5
98	MP2B	Z	-10.645	2.5
99	MP2B	Mx	-.003	2.5
100	MP2C	X	-4.628	2.5
101	MP2C	Z	-8.015	2.5
102	MP2C	Mx	.005	2.5
103	MP3A	X	-5.954	2.5
104	MP3A	Z	-10.312	2.5
105	MP3A	Mx	-.003	2.5
106	MP3B	X	-5.954	2.5
107	MP3B	Z	-10.312	2.5
108	MP3B	Mx	-.003	2.5
109	MP3C	X	-3.858	2.5
110	MP3C	Z	-6.683	2.5
111	MP3C	Mx	.004	2.5

Member Point Loads (BLC 27 : Antenna Wm (0 Deg))

	Member Label	Direction	Magnitude[lb.k-ft]	Location[ft,%]
1	MP3A	X	0	3
2	MP3A	Z	-5.029	3
3	MP3A	Mx	0	3
4	MP3A	X	0	5
5	MP3A	Z	-5.029	5
6	MP3A	Mx	0	5



Company :
 Designer :
 Job Number :
 Model Name :

June 28, 2021
 1:21 PM
 Checked By: _____

Member Point Loads (BLC 27 : Antenna Wm (0 Deg)) (Continued)

	Member Label	Direction	Magnitude[lb.k-ft]	Location[ft,%]
7	MP3B	X	0	3
8	MP3B	Z	-2.734	3
9	MP3B	Mx	-.000197	3
10	MP3B	X	0	5
11	MP3B	Z	-2.734	5
12	MP3B	Mx	-.000197	5
13	MP3C	X	0	3
14	MP3C	Z	-2.734	3
15	MP3C	Mx	.000197	3
16	MP3C	X	0	5
17	MP3C	Z	-2.734	5
18	MP3C	Mx	.000197	5
19	MP2A	X	0	2
20	MP2A	Z	-9.749	2
21	MP2A	Mx	.006	2
22	MP2A	X	0	6
23	MP2A	Z	-9.749	6
24	MP2A	Mx	.006	6
25	MP2B	X	0	2
26	MP2B	Z	-7.239	2
27	MP2B	Mx	.001	2
28	MP2B	X	0	6
29	MP2B	Z	-7.239	6
30	MP2B	Mx	.001	6
31	MP2C	X	0	2
32	MP2C	Z	-7.239	2
33	MP2C	Mx	-.005	2
34	MP2C	X	0	6
35	MP2C	Z	-7.239	6
36	MP2C	Mx	-.005	6
37	MP2A	X	0	2
38	MP2A	Z	-9.749	2
39	MP2A	Mx	-.006	2
40	MP2A	X	0	6
41	MP2A	Z	-9.749	6
42	MP2A	Mx	-.006	6
43	MP2B	X	0	2
44	MP2B	Z	-7.239	2
45	MP2B	Mx	.005	2
46	MP2B	X	0	6
47	MP2B	Z	-7.239	6
48	MP2B	Mx	.005	6
49	MP2C	X	0	2
50	MP2C	Z	-7.239	2
51	MP2C	Mx	-.001	2
52	MP2C	X	0	6
53	MP2C	Z	-7.239	6
54	MP2C	Mx	-.001	6
55	MP4C	X	0	2
56	MP4C	Z	-7.397	2
57	MP4C	Mx	-.003	2
58	MP4C	X	0	6
59	MP4C	Z	-7.397	6
60	MP4C	Mx	-.003	6
61	MP4A	X	0	2
62	MP4A	Z	-8.743	2
63	MP4A	Mx	0	2



Company :
 Designer :
 Job Number :
 Model Name :

June 28, 2021
 1:21 PM
 Checked By: _____

Member Point Loads (BLC 27 : Antenna Wm (0 Deg)) (Continued)

	Member Label	Direction	Magnitude[lb.k-ft]	Location[ft,%]
64	MP4A	X	0	6
65	MP4A	Z	-8.743	6
66	MP4A	Mx	0	6
67	MP4B	X	0	2
68	MP4B	Z	-6.524	2
69	MP4B	Mx	.003	2
70	MP4B	X	0	6
71	MP4B	Z	-6.524	6
72	MP4B	Mx	.003	6
73	MP1A	X	0	3
74	MP1A	Z	-1.905	3
75	MP1A	Mx	0	3
76	MP1B	X	0	3
77	MP1B	Z	-.756	3
78	MP1B	Mx	.000327	3
79	MP1C	X	0	3
80	MP1C	Z	-.756	3
81	MP1C	Mx	-.000327	3
82	MP2A	X	0	3.5
83	MP2A	Z	-.792	3.5
84	MP2A	Mx	-.000264	3.5
85	MP2B	X	0	3.5
86	MP2B	Z	-.609	3.5
87	MP2B	Mx	.000102	3.5
88	MP2C	X	0	3.5
89	MP2C	Z	-.609	3.5
90	MP2C	Mx	.000102	3.5
91	MP1A	X	0	.75
92	MP1A	Z	-8.689	.75
93	MP1A	Mx	0	.75
94	MP2A	X	0	2.5
95	MP2A	Z	-4.002	2.5
96	MP2A	Mx	0	2.5
97	MP2B	X	0	2.5
98	MP2B	Z	-3.007	2.5
99	MP2B	Mx	-.001	2.5
100	MP2C	X	0	2.5
101	MP2C	Z	-3.007	2.5
102	MP2C	Mx	.001	2.5
103	MP3A	X	0	2.5
104	MP3A	Z	-4.002	2.5
105	MP3A	Mx	0	2.5
106	MP3B	X	0	2.5
107	MP3B	Z	-2.626	2.5
108	MP3B	Mx	-.001	2.5
109	MP3C	X	0	2.5
110	MP3C	Z	-2.626	2.5
111	MP3C	Mx	.001	2.5

Member Point Loads (BLC 28 : Antenna Wm (30 Deg))

	Member Label	Direction	Magnitude[lb.k-ft]	Location[ft,%]
1	MP3A	X	2.132	3
2	MP3A	Z	-3.693	3
3	MP3A	Mx	.000178	3
4	MP3A	X	2.132	5
5	MP3A	Z	-3.693	5



Company :
 Designer :
 Job Number :
 Model Name :

June 28, 2021
 1:21 PM
 Checked By: _____

Member Point Loads (BLC 28 : Antenna Wm (30 Deg)) (Continued)

	Member Label	Direction	Magnitude[lb.k-ft]	Location[ft,%]
6	MP3A	Mx	.000178	5
7	MP3B	X	.985	3
8	MP3B	Z	-1.705	3
9	MP3B	Mx	-.000164	3
10	MP3B	X	.985	5
11	MP3B	Z	-1.705	5
12	MP3B	Mx	-.000164	5
13	MP3C	X	2.132	3
14	MP3C	Z	-3.693	3
15	MP3C	Mx	.000178	3
16	MP3C	X	2.132	5
17	MP3C	Z	-3.693	5
18	MP3C	Mx	.000178	5
19	MP2A	X	4.456	2
20	MP2A	Z	-7.718	2
21	MP2A	Mx	.002	2
22	MP2A	X	4.456	6
23	MP2A	Z	-7.718	6
24	MP2A	Mx	.002	6
25	MP2B	X	3.201	2
26	MP2B	Z	-5.545	2
27	MP2B	Mx	.003	2
28	MP2B	X	3.201	6
29	MP2B	Z	-5.545	6
30	MP2B	Mx	.003	6
31	MP2C	X	4.456	2
32	MP2C	Z	-7.718	2
33	MP2C	Mx	-.007	2
34	MP2C	X	4.456	6
35	MP2C	Z	-7.718	6
36	MP2C	Mx	-.007	6
37	MP2A	X	4.456	2
38	MP2A	Z	-7.718	2
39	MP2A	Mx	-.007	2
40	MP2A	X	4.456	6
41	MP2A	Z	-7.718	6
42	MP2A	Mx	-.007	6
43	MP2B	X	3.201	2
44	MP2B	Z	-5.545	2
45	MP2B	Mx	.003	2
46	MP2B	X	3.201	6
47	MP2B	Z	-5.545	6
48	MP2B	Mx	.003	6
49	MP2C	X	4.456	2
50	MP2C	Z	-7.718	2
51	MP2C	Mx	.002	2
52	MP2C	X	4.456	6
53	MP2C	Z	-7.718	6
54	MP2C	Mx	.002	6
55	MP4C	X	4.525	2
56	MP4C	Z	-7.838	2
57	MP4C	Mx	-.002	2
58	MP4C	X	4.525	6
59	MP4C	Z	-7.838	6
60	MP4C	Mx	-.002	6
61	MP4A	X	4.002	2
62	MP4A	Z	-6.931	2



Company :
 Designer :
 Job Number :
 Model Name :

June 28, 2021
 1:21 PM
 Checked By: _____

Member Point Loads (BLC 28 : Antenna Wm (30 Deg)) (Continued)

	Member Label	Direction	Magnitude[lb.k-ft]	Location[ft,%]
63	MP4A	Mx	-.002	2
64	MP4A	X	4.002	6
65	MP4A	Z	-6.931	6
66	MP4A	Mx	-.002	6
67	MP4B	X	2.892	2
68	MP4B	Z	-5.009	2
69	MP4B	Mx	.003	2
70	MP4B	X	2.892	6
71	MP4B	Z	-5.009	6
72	MP4B	Mx	.003	6
73	MP1A	X	.761	3
74	MP1A	Z	-1.318	3
75	MP1A	Mx	-.00038	3
76	MP1B	X	.187	3
77	MP1B	Z	-.323	3
78	MP1B	Mx	.000187	3
79	MP1C	X	.761	3
80	MP1C	Z	-1.318	3
81	MP1C	Mx	-.00038	3
82	MP2A	X	.365	3.5
83	MP2A	Z	-.633	3.5
84	MP2A	Mx	-.000211	3.5
85	MP2B	X	.274	3.5
86	MP2B	Z	-.474	3.5
87	MP2B	Mx	0	3.5
88	MP2C	X	.365	3.5
89	MP2C	Z	-.633	3.5
90	MP2C	Mx	.000211	3.5
91	MP1A	X	4.087	.75
92	MP1A	Z	-7.079	.75
93	MP1A	Mx	.002	.75
94	MP2A	X	1.835	2.5
95	MP2A	Z	-3.179	2.5
96	MP2A	Mx	.000918	2.5
97	MP2B	X	1.338	2.5
98	MP2B	Z	-2.317	2.5
99	MP2B	Mx	-.001	2.5
100	MP2C	X	1.835	2.5
101	MP2C	Z	-3.179	2.5
102	MP2C	Mx	.000918	2.5
103	MP3A	X	1.772	2.5
104	MP3A	Z	-3.069	2.5
105	MP3A	Mx	.000886	2.5
106	MP3B	X	1.083	2.5
107	MP3B	Z	-1.877	2.5
108	MP3B	Mx	-.001	2.5
109	MP3C	X	1.772	2.5
110	MP3C	Z	-3.069	2.5
111	MP3C	Mx	.000886	2.5

Member Point Loads (BLC 29 : Antenna Wm (60 Deg))

	Member Label	Direction	Magnitude[lb.k-ft]	Location[ft,%]
1	MP3A	X	2.368	3
2	MP3A	Z	-1.367	3
3	MP3A	Mx	.000197	3
4	MP3A	X	2.368	5



Company :
 Designer :
 Job Number :
 Model Name :

June 28, 2021
 1:21 PM
 Checked By: _____

Member Point Loads (BLC 29 : Antenna Wm (60 Deg)) (Continued)

	Member Label	Direction	Magnitude[lb.k-ft]	Location[ft,%]
5	MP3A	Z	-1.367	5
6	MP3A	Mx	.000197	5
7	MP3B	X	2.368	3
8	MP3B	Z	-1.367	3
9	MP3B	Mx	-.000197	3
10	MP3B	X	2.368	5
11	MP3B	Z	-1.367	5
12	MP3B	Mx	-.000197	5
13	MP3C	X	4.356	3
14	MP3C	Z	-2.515	3
15	MP3C	Mx	0	3
16	MP3C	X	4.356	5
17	MP3C	Z	-2.515	5
18	MP3C	Mx	0	5
19	MP2A	X	6.269	2
20	MP2A	Z	-3.62	2
21	MP2A	Mx	-.001	2
22	MP2A	X	6.269	6
23	MP2A	Z	-3.62	6
24	MP2A	Mx	-.001	6
25	MP2B	X	6.269	2
26	MP2B	Z	-3.62	2
27	MP2B	Mx	.005	2
28	MP2B	X	6.269	6
29	MP2B	Z	-3.62	6
30	MP2B	Mx	.005	6
31	MP2C	X	8.443	2
32	MP2C	Z	-4.874	2
33	MP2C	Mx	-.006	2
34	MP2C	X	8.443	6
35	MP2C	Z	-4.874	6
36	MP2C	Mx	-.006	6
37	MP2A	X	6.269	2
38	MP2A	Z	-3.62	2
39	MP2A	Mx	-.005	2
40	MP2A	X	6.269	6
41	MP2A	Z	-3.62	6
42	MP2A	Mx	-.005	6
43	MP2B	X	6.269	2
44	MP2B	Z	-3.62	2
45	MP2B	Mx	.001	2
46	MP2B	X	6.269	6
47	MP2B	Z	-3.62	6
48	MP2B	Mx	.001	6
49	MP2C	X	8.443	2
50	MP2C	Z	-4.874	2
51	MP2C	Mx	.006	2
52	MP2C	X	8.443	6
53	MP2C	Z	-4.874	6
54	MP2C	Mx	.006	6
55	MP4C	X	8.554	2
56	MP4C	Z	-4.938	2
57	MP4C	Mx	0	2
58	MP4C	X	8.554	6
59	MP4C	Z	-4.938	6
60	MP4C	Mx	0	6
61	MP4A	X	5.65	2

Member Point Loads (BLC 29 : Antenna Wm (60 Deg)) (Continued)

	Member Label	Direction	Magnitude[lb.k-ft]	Location[ft,%]
62	MP4A	Z	-3.262	2
63	MP4A	Mx	-.003	2
64	MP4A	X	5.65	6
65	MP4A	Z	-3.262	6
66	MP4A	Mx	-.003	6
67	MP4B	X	5.65	2
68	MP4B	Z	-3.262	2
69	MP4B	Mx	.003	2
70	MP4B	X	5.65	6
71	MP4B	Z	-3.262	6
72	MP4B	Mx	.003	6
73	MP1A	X	.655	3
74	MP1A	Z	-.378	3
75	MP1A	Mx	-.000328	3
76	MP1B	X	.655	3
77	MP1B	Z	-.378	3
78	MP1B	Mx	.000327	3
79	MP1C	X	1.65	3
80	MP1C	Z	-.952	3
81	MP1C	Mx	0	3
82	MP2A	X	.527	3.5
83	MP2A	Z	-.304	3.5
84	MP2A	Mx	-.000101	3.5
85	MP2B	X	.527	3.5
86	MP2B	Z	-.304	3.5
87	MP2B	Mx	-.000101	3.5
88	MP2C	X	.686	3.5
89	MP2C	Z	-.396	3.5
90	MP2C	Mx	.000264	3.5
91	MP1A	X	6.187	.75
92	MP1A	Z	-3.572	.75
93	MP1A	Mx	.003	.75
94	MP2A	X	2.604	2.5
95	MP2A	Z	-1.503	2.5
96	MP2A	Mx	.001	2.5
97	MP2B	X	2.604	2.5
98	MP2B	Z	-1.503	2.5
99	MP2B	Mx	-.001	2.5
100	MP2C	X	3.466	2.5
101	MP2C	Z	-2.001	2.5
102	MP2C	Mx	0	2.5
103	MP3A	X	2.274	2.5
104	MP3A	Z	-1.313	2.5
105	MP3A	Mx	.001	2.5
106	MP3B	X	2.274	2.5
107	MP3B	Z	-1.313	2.5
108	MP3B	Mx	-.001	2.5
109	MP3C	X	3.466	2.5
110	MP3C	Z	-2.001	2.5
111	MP3C	Mx	0	2.5

Member Point Loads (BLC 30 : Antenna Wm (90 Deg))

	Member Label	Direction	Magnitude[lb.k-ft]	Location[ft,%]
1	MP3A	X	1.969	3
2	MP3A	Z	0	3
3	MP3A	Mx	.000164	3



Company :
 Designer :
 Job Number :
 Model Name :

June 28, 2021
 1:21 PM
 Checked By: _____

Member Point Loads (BLC 30 : Antenna Wm (90 Deg)) (Continued)

	Member Label	Direction	Magnitude[lb.k-ft]	Location[ft,%]
4	MP3A	X	1.969	5
5	MP3A	Z	0	5
6	MP3A	Mx	.000164	5
7	MP3B	X	4.264	3
8	MP3B	Z	0	3
9	MP3B	Mx	-.000178	3
10	MP3B	X	4.264	5
11	MP3B	Z	0	5
12	MP3B	Mx	-.000178	5
13	MP3C	X	4.264	3
14	MP3C	Z	0	3
15	MP3C	Mx	-.000178	3
16	MP3C	X	4.264	5
17	MP3C	Z	0	5
18	MP3C	Mx	-.000178	5
19	MP2A	X	6.403	2
20	MP2A	Z	0	2
21	MP2A	Mx	-.003	2
22	MP2A	X	6.403	6
23	MP2A	Z	0	6
24	MP2A	Mx	-.003	6
25	MP2B	X	8.912	2
26	MP2B	Z	0	2
27	MP2B	Mx	.007	2
28	MP2B	X	8.912	6
29	MP2B	Z	0	6
30	MP2B	Mx	.007	6
31	MP2C	X	8.912	2
32	MP2C	Z	0	2
33	MP2C	Mx	-.002	2
34	MP2C	X	8.912	6
35	MP2C	Z	0	6
36	MP2C	Mx	-.002	6
37	MP2A	X	6.403	2
38	MP2A	Z	0	2
39	MP2A	Mx	-.003	2
40	MP2A	X	6.403	6
41	MP2A	Z	0	6
42	MP2A	Mx	-.003	6
43	MP2B	X	8.912	2
44	MP2B	Z	0	2
45	MP2B	Mx	-.002	2
46	MP2B	X	8.912	6
47	MP2B	Z	0	6
48	MP2B	Mx	-.002	6
49	MP2C	X	8.912	2
50	MP2C	Z	0	2
51	MP2C	Mx	.007	2
52	MP2C	X	8.912	6
53	MP2C	Z	0	6
54	MP2C	Mx	.007	6
55	MP4C	X	9.05	2
56	MP4C	Z	0	2
57	MP4C	Mx	.002	2
58	MP4C	X	9.05	6
59	MP4C	Z	0	6
60	MP4C	Mx	.002	6



Company :
 Designer :
 Job Number :
 Model Name :

June 28, 2021
 1:21 PM
 Checked By: _____

Member Point Loads (BLC 30 : Antenna Wm (90 Deg)) (Continued)

	Member Label	Direction	Magnitude[lb.k-ft]	Location[ft,%]
61	MP4A	X	5.784	2
62	MP4A	Z	0	2
63	MP4A	Mx	-.003	2
64	MP4A	X	5.784	6
65	MP4A	Z	0	6
66	MP4A	Mx	-.003	6
67	MP4B	X	8.003	2
68	MP4B	Z	0	2
69	MP4B	Mx	.002	2
70	MP4B	X	8.003	6
71	MP4B	Z	0	6
72	MP4B	Mx	.002	6
73	MP1A	X	.374	3
74	MP1A	Z	0	3
75	MP1A	Mx	-.000187	3
76	MP1B	X	1.522	3
77	MP1B	Z	0	3
78	MP1B	Mx	.00038	3
79	MP1C	X	1.522	3
80	MP1C	Z	0	3
81	MP1C	Mx	.00038	3
82	MP2A	X	.548	3.5
83	MP2A	Z	0	3.5
84	MP2A	Mx	0	3.5
85	MP2B	X	.731	3.5
86	MP2B	Z	0	3.5
87	MP2B	Mx	-.000211	3.5
88	MP2C	X	.731	3.5
89	MP2C	Z	0	3.5
90	MP2C	Mx	.000211	3.5
91	MP1A	X	6.629	.75
92	MP1A	Z	0	.75
93	MP1A	Mx	.003	.75
94	MP2A	X	2.675	2.5
95	MP2A	Z	0	2.5
96	MP2A	Mx	.001	2.5
97	MP2B	X	3.67	2.5
98	MP2B	Z	0	2.5
99	MP2B	Mx	-.000918	2.5
100	MP2C	X	3.67	2.5
101	MP2C	Z	0	2.5
102	MP2C	Mx	-.000918	2.5
103	MP3A	X	2.167	2.5
104	MP3A	Z	0	2.5
105	MP3A	Mx	.001	2.5
106	MP3B	X	3.543	2.5
107	MP3B	Z	0	2.5
108	MP3B	Mx	-.000886	2.5
109	MP3C	X	3.543	2.5
110	MP3C	Z	0	2.5
111	MP3C	Mx	-.000886	2.5

Member Point Loads (BLC 31 : Antenna Wm (120 Deg))

	Member Label	Direction	Magnitude[lb.k-ft]	Location[ft,%]
1	MP3A	X	2.368	3
2	MP3A	Z	1.367	3



Company :
 Designer :
 Job Number :
 Model Name :

June 28, 2021
 1:21 PM
 Checked By: _____

Member Point Loads (BLC 31 : Antenna Wm (120 Deg)) (Continued)

	Member Label	Direction	Magnitude[lb.k-ft]	Location[ft,%]
3	MP3A	Mx	.000197	3
4	MP3A	X	2.368	5
5	MP3A	Z	1.367	5
6	MP3A	Mx	.000197	5
7	MP3B	X	4.356	3
8	MP3B	Z	2.515	3
9	MP3B	Mx	0	3
10	MP3B	X	4.356	5
11	MP3B	Z	2.515	5
12	MP3B	Mx	0	5
13	MP3C	X	2.368	3
14	MP3C	Z	1.367	3
15	MP3C	Mx	-.000197	3
16	MP3C	X	2.368	5
17	MP3C	Z	1.367	5
18	MP3C	Mx	-.000197	5
19	MP2A	X	6.269	2
20	MP2A	Z	3.62	2
21	MP2A	Mx	-.005	2
22	MP2A	X	6.269	6
23	MP2A	Z	3.62	6
24	MP2A	Mx	-.005	6
25	MP2B	X	8.443	2
26	MP2B	Z	4.874	2
27	MP2B	Mx	.006	2
28	MP2B	X	8.443	6
29	MP2B	Z	4.874	6
30	MP2B	Mx	.006	6
31	MP2C	X	6.269	2
32	MP2C	Z	3.62	2
33	MP2C	Mx	.001	2
34	MP2C	X	6.269	6
35	MP2C	Z	3.62	6
36	MP2C	Mx	.001	6
37	MP2A	X	6.269	2
38	MP2A	Z	3.62	2
39	MP2A	Mx	-.001	2
40	MP2A	X	6.269	6
41	MP2A	Z	3.62	6
42	MP2A	Mx	-.001	6
43	MP2B	X	8.443	2
44	MP2B	Z	4.874	2
45	MP2B	Mx	-.006	2
46	MP2B	X	8.443	6
47	MP2B	Z	4.874	6
48	MP2B	Mx	-.006	6
49	MP2C	X	6.269	2
50	MP2C	Z	3.62	2
51	MP2C	Mx	.005	2
52	MP2C	X	6.269	6
53	MP2C	Z	3.62	6
54	MP2C	Mx	.005	6
55	MP4C	X	6.406	2
56	MP4C	Z	3.699	2
57	MP4C	Mx	.003	2
58	MP4C	X	6.406	6
59	MP4C	Z	3.699	6



Company :
 Designer :
 Job Number :
 Model Name :

June 28, 2021
 1:21 PM
 Checked By: _____

Member Point Loads (BLC 31 : Antenna Wm (120 Deg)) (Continued)

	Member Label	Direction	Magnitude[lb.k-ft]	Location[ft,%]
60	MP4C	Mx	.003	6
61	MP4A	X	5.65	2
62	MP4A	Z	3.262	2
63	MP4A	Mx	-.003	2
64	MP4A	X	5.65	6
65	MP4A	Z	3.262	6
66	MP4A	Mx	-.003	6
67	MP4B	X	7.571	2
68	MP4B	Z	4.371	2
69	MP4B	Mx	0	2
70	MP4B	X	7.571	6
71	MP4B	Z	4.371	6
72	MP4B	Mx	0	6
73	MP1A	X	.655	3
74	MP1A	Z	.378	3
75	MP1A	Mx	-.000328	3
76	MP1B	X	1.65	3
77	MP1B	Z	.952	3
78	MP1B	Mx	0	3
79	MP1C	X	.655	3
80	MP1C	Z	.378	3
81	MP1C	Mx	.000327	3
82	MP2A	X	.527	3.5
83	MP2A	Z	.304	3.5
84	MP2A	Mx	.000101	3.5
85	MP2B	X	.686	3.5
86	MP2B	Z	.396	3.5
87	MP2B	Mx	-.000264	3.5
88	MP2C	X	.527	3.5
89	MP2C	Z	.304	3.5
90	MP2C	Mx	.000101	3.5
91	MP1A	X	6.187	.75
92	MP1A	Z	3.572	.75
93	MP1A	Mx	.003	.75
94	MP2A	X	2.604	2.5
95	MP2A	Z	1.503	2.5
96	MP2A	Mx	.001	2.5
97	MP2B	X	3.466	2.5
98	MP2B	Z	2.001	2.5
99	MP2B	Mx	0	2.5
100	MP2C	X	2.604	2.5
101	MP2C	Z	1.503	2.5
102	MP2C	Mx	-.001	2.5
103	MP3A	X	2.274	2.5
104	MP3A	Z	1.313	2.5
105	MP3A	Mx	.001	2.5
106	MP3B	X	3.466	2.5
107	MP3B	Z	2.001	2.5
108	MP3B	Mx	0	2.5
109	MP3C	X	2.274	2.5
110	MP3C	Z	1.313	2.5
111	MP3C	Mx	-.001	2.5

Member Point Loads (BLC 32 : Antenna Wm (150 Deg))

	Member Label	Direction	Magnitude[lb.k-ft]	Location[ft,%]
1	MP3A	X	2.132	3



Company :
 Designer :
 Job Number :
 Model Name :

June 28, 2021
 1:21 PM
 Checked By: _____

Member Point Loads (BLC 32 : Antenna Wm (150 Deg)) (Continued)

	Member Label	Direction	Magnitude[lb.k-ft]	Location[ft,%]
2	MP3A	Z	3.693	3
3	MP3A	Mx	.000178	3
4	MP3A	X	2.132	5
5	MP3A	Z	3.693	5
6	MP3A	Mx	.000178	5
7	MP3B	X	2.132	3
8	MP3B	Z	3.693	3
9	MP3B	Mx	.000178	3
10	MP3B	X	2.132	5
11	MP3B	Z	3.693	5
12	MP3B	Mx	.000178	5
13	MP3C	X	.985	3
14	MP3C	Z	1.705	3
15	MP3C	Mx	-.000164	3
16	MP3C	X	.985	5
17	MP3C	Z	1.705	5
18	MP3C	Mx	-.000164	5
19	MP2A	X	4.456	2
20	MP2A	Z	7.718	2
21	MP2A	Mx	-.007	2
22	MP2A	X	4.456	6
23	MP2A	Z	7.718	6
24	MP2A	Mx	-.007	6
25	MP2B	X	4.456	2
26	MP2B	Z	7.718	2
27	MP2B	Mx	.002	2
28	MP2B	X	4.456	6
29	MP2B	Z	7.718	6
30	MP2B	Mx	.002	6
31	MP2C	X	3.201	2
32	MP2C	Z	5.545	2
33	MP2C	Mx	.003	2
34	MP2C	X	3.201	6
35	MP2C	Z	5.545	6
36	MP2C	Mx	.003	6
37	MP2A	X	4.456	2
38	MP2A	Z	7.718	2
39	MP2A	Mx	.002	2
40	MP2A	X	4.456	6
41	MP2A	Z	7.718	6
42	MP2A	Mx	.002	6
43	MP2B	X	4.456	2
44	MP2B	Z	7.718	2
45	MP2B	Mx	-.007	2
46	MP2B	X	4.456	6
47	MP2B	Z	7.718	6
48	MP2B	Mx	-.007	6
49	MP2C	X	3.201	2
50	MP2C	Z	5.545	2
51	MP2C	Mx	.003	2
52	MP2C	X	3.201	6
53	MP2C	Z	5.545	6
54	MP2C	Mx	.003	6
55	MP4C	X	3.285	2
56	MP4C	Z	5.69	2
57	MP4C	Mx	.003	2
58	MP4C	X	3.285	6



Company :
 Designer :
 Job Number :
 Model Name :

June 28, 2021
 1:21 PM
 Checked By: _____

Member Point Loads (BLC 32 : Antenna Wm (150 Deg)) (Continued)

	Member Label	Direction	Magnitude[lb,k-ft]	Location[ft,%]
59	MP4C	Z	5.69	6
60	MP4C	Mx	.003	6
61	MP4A	X	4.002	2
62	MP4A	Z	6.931	2
63	MP4A	Mx	-.002	2
64	MP4A	X	4.002	6
65	MP4A	Z	6.931	6
66	MP4A	Mx	-.002	6
67	MP4B	X	4.002	2
68	MP4B	Z	6.931	2
69	MP4B	Mx	-.002	2
70	MP4B	X	4.002	6
71	MP4B	Z	6.931	6
72	MP4B	Mx	-.002	6
73	MP1A	X	.761	3
74	MP1A	Z	1.318	3
75	MP1A	Mx	-.00038	3
76	MP1B	X	.761	3
77	MP1B	Z	1.318	3
78	MP1B	Mx	-.00038	3
79	MP1C	X	.187	3
80	MP1C	Z	.323	3
81	MP1C	Mx	.000187	3
82	MP2A	X	.365	3.5
83	MP2A	Z	.633	3.5
84	MP2A	Mx	.000211	3.5
85	MP2B	X	.365	3.5
86	MP2B	Z	.633	3.5
87	MP2B	Mx	-.000211	3.5
88	MP2C	X	.274	3.5
89	MP2C	Z	.474	3.5
90	MP2C	Mx	0	3.5
91	MP1A	X	4.087	.75
92	MP1A	Z	7.079	.75
93	MP1A	Mx	.002	.75
94	MP2A	X	1.835	2.5
95	MP2A	Z	3.179	2.5
96	MP2A	Mx	.000918	2.5
97	MP2B	X	1.835	2.5
98	MP2B	Z	3.179	2.5
99	MP2B	Mx	.000918	2.5
100	MP2C	X	1.338	2.5
101	MP2C	Z	2.317	2.5
102	MP2C	Mx	-.001	2.5
103	MP3A	X	1.772	2.5
104	MP3A	Z	3.069	2.5
105	MP3A	Mx	.000886	2.5
106	MP3B	X	1.772	2.5
107	MP3B	Z	3.069	2.5
108	MP3B	Mx	.000886	2.5
109	MP3C	X	1.083	2.5
110	MP3C	Z	1.877	2.5
111	MP3C	Mx	-.001	2.5

Member Point Loads (BLC 33 : Antenna Wm (180 Deg))

	Member Label	Direction	Magnitude[lb,k-ft]	Location[ft,%]
--	--------------	-----------	--------------------	----------------



Company :
 Designer :
 Job Number :
 Model Name :

June 28, 2021
 1:21 PM
 Checked By: _____

Member Point Loads (BLC 33 : Antenna Wm (180 Deg)) (Continued)

	Member Label	Direction	Magnitude[lb.k-ft]	Location[ft,%]
1	MP3A	X	0	3
2	MP3A	Z	5.029	3
3	MP3A	Mx	0	3
4	MP3A	X	0	5
5	MP3A	Z	5.029	5
6	MP3A	Mx	0	5
7	MP3B	X	0	3
8	MP3B	Z	2.734	3
9	MP3B	Mx	.000197	3
10	MP3B	X	0	5
11	MP3B	Z	2.734	5
12	MP3B	Mx	.000197	5
13	MP3C	X	0	3
14	MP3C	Z	2.734	3
15	MP3C	Mx	-.000197	3
16	MP3C	X	0	5
17	MP3C	Z	2.734	5
18	MP3C	Mx	-.000197	5
19	MP2A	X	0	2
20	MP2A	Z	9.749	2
21	MP2A	Mx	-.006	2
22	MP2A	X	0	6
23	MP2A	Z	9.749	6
24	MP2A	Mx	-.006	6
25	MP2B	X	0	2
26	MP2B	Z	7.239	2
27	MP2B	Mx	-.001	2
28	MP2B	X	0	6
29	MP2B	Z	7.239	6
30	MP2B	Mx	-.001	6
31	MP2C	X	0	2
32	MP2C	Z	7.239	2
33	MP2C	Mx	.005	2
34	MP2C	X	0	6
35	MP2C	Z	7.239	6
36	MP2C	Mx	.005	6
37	MP2A	X	0	2
38	MP2A	Z	9.749	2
39	MP2A	Mx	.006	2
40	MP2A	X	0	6
41	MP2A	Z	9.749	6
42	MP2A	Mx	.006	6
43	MP2B	X	0	2
44	MP2B	Z	7.239	2
45	MP2B	Mx	-.005	2
46	MP2B	X	0	6
47	MP2B	Z	7.239	6
48	MP2B	Mx	-.005	6
49	MP2C	X	0	2
50	MP2C	Z	7.239	2
51	MP2C	Mx	.001	2
52	MP2C	X	0	6
53	MP2C	Z	7.239	6
54	MP2C	Mx	.001	6
55	MP4C	X	0	2
56	MP4C	Z	7.397	2
57	MP4C	Mx	.003	2



Company :
 Designer :
 Job Number :
 Model Name :

June 28, 2021
 1:21 PM
 Checked By: _____

Member Point Loads (BLC 33 : Antenna Wm (180 Deg)) (Continued)

	Member Label	Direction	Magnitude[lb.k-ft]	Location[ft,%]
58	MP4C	X	0	6
59	MP4C	Z	7.397	6
60	MP4C	Mx	.003	6
61	MP4A	X	0	2
62	MP4A	Z	8.743	2
63	MP4A	Mx	0	2
64	MP4A	X	0	6
65	MP4A	Z	8.743	6
66	MP4A	Mx	0	6
67	MP4B	X	0	2
68	MP4B	Z	6.524	2
69	MP4B	Mx	-.003	2
70	MP4B	X	0	6
71	MP4B	Z	6.524	6
72	MP4B	Mx	-.003	6
73	MP1A	X	0	3
74	MP1A	Z	1.905	3
75	MP1A	Mx	0	3
76	MP1B	X	0	3
77	MP1B	Z	.756	3
78	MP1B	Mx	-.000327	3
79	MP1C	X	0	3
80	MP1C	Z	.756	3
81	MP1C	Mx	.000327	3
82	MP2A	X	0	3.5
83	MP2A	Z	.792	3.5
84	MP2A	Mx	.000264	3.5
85	MP2B	X	0	3.5
86	MP2B	Z	.609	3.5
87	MP2B	Mx	-.000102	3.5
88	MP2C	X	0	3.5
89	MP2C	Z	.609	3.5
90	MP2C	Mx	-.000102	3.5
91	MP1A	X	0	.75
92	MP1A	Z	8.689	.75
93	MP1A	Mx	0	.75
94	MP2A	X	0	2.5
95	MP2A	Z	4.002	2.5
96	MP2A	Mx	0	2.5
97	MP2B	X	0	2.5
98	MP2B	Z	3.007	2.5
99	MP2B	Mx	.001	2.5
100	MP2C	X	0	2.5
101	MP2C	Z	3.007	2.5
102	MP2C	Mx	-.001	2.5
103	MP3A	X	0	2.5
104	MP3A	Z	4.002	2.5
105	MP3A	Mx	0	2.5
106	MP3B	X	0	2.5
107	MP3B	Z	2.626	2.5
108	MP3B	Mx	.001	2.5
109	MP3C	X	0	2.5
110	MP3C	Z	2.626	2.5
111	MP3C	Mx	-.001	2.5

Member Point Loads (BLC 34 : Antenna Wm (210 Deg))

	Member Label	Direction	Magnitude[lb.k-ft]	Location[ft,%]
--	--------------	-----------	--------------------	----------------



Company :
 Designer :
 Job Number :
 Model Name :

June 28, 2021
 1:21 PM
 Checked By: _____

Member Point Loads (BLC 34 : Antenna Wm (210 Deg)) (Continued)

	Member Label	Direction	Magnitude[lb.k-ft]	Location[ft,%]
1	MP3A	X	-2.132	3
2	MP3A	Z	3.693	3
3	MP3A	Mx	-.000178	3
4	MP3A	X	-2.132	5
5	MP3A	Z	3.693	5
6	MP3A	Mx	-.000178	5
7	MP3B	X	-.985	3
8	MP3B	Z	1.705	3
9	MP3B	Mx	.000164	3
10	MP3B	X	-.985	5
11	MP3B	Z	1.705	5
12	MP3B	Mx	.000164	5
13	MP3C	X	-2.132	3
14	MP3C	Z	3.693	3
15	MP3C	Mx	-.000178	3
16	MP3C	X	-2.132	5
17	MP3C	Z	3.693	5
18	MP3C	Mx	-.000178	5
19	MP2A	X	-4.456	2
20	MP2A	Z	7.718	2
21	MP2A	Mx	-.002	2
22	MP2A	X	-4.456	6
23	MP2A	Z	7.718	6
24	MP2A	Mx	-.002	6
25	MP2B	X	-3.201	2
26	MP2B	Z	5.545	2
27	MP2B	Mx	-.003	2
28	MP2B	X	-3.201	6
29	MP2B	Z	5.545	6
30	MP2B	Mx	-.003	6
31	MP2C	X	-4.456	2
32	MP2C	Z	7.718	2
33	MP2C	Mx	.007	2
34	MP2C	X	-4.456	6
35	MP2C	Z	7.718	6
36	MP2C	Mx	.007	6
37	MP2A	X	-4.456	2
38	MP2A	Z	7.718	2
39	MP2A	Mx	.007	2
40	MP2A	X	-4.456	6
41	MP2A	Z	7.718	6
42	MP2A	Mx	.007	6
43	MP2B	X	-3.201	2
44	MP2B	Z	5.545	2
45	MP2B	Mx	-.003	2
46	MP2B	X	-3.201	6
47	MP2B	Z	5.545	6
48	MP2B	Mx	-.003	6
49	MP2C	X	-4.456	2
50	MP2C	Z	7.718	2
51	MP2C	Mx	-.002	2
52	MP2C	X	-4.456	6
53	MP2C	Z	7.718	6
54	MP2C	Mx	-.002	6
55	MP4C	X	-4.525	2
56	MP4C	Z	7.838	2
57	MP4C	Mx	.002	2



Company :
 Designer :
 Job Number :
 Model Name :

June 28, 2021
 1:21 PM
 Checked By: _____

Member Point Loads (BLC 34 : Antenna Wm (210 Deg)) (Continued)

	Member Label	Direction	Magnitude[lb.k-ft]	Location[ft,%]
58	MP4C	X	-4.525	6
59	MP4C	Z	7.838	6
60	MP4C	Mx	.002	6
61	MP4A	X	-4.002	2
62	MP4A	Z	6.931	2
63	MP4A	Mx	.002	2
64	MP4A	X	-4.002	6
65	MP4A	Z	6.931	6
66	MP4A	Mx	.002	6
67	MP4B	X	-2.892	2
68	MP4B	Z	5.009	2
69	MP4B	Mx	-.003	2
70	MP4B	X	-2.892	6
71	MP4B	Z	5.009	6
72	MP4B	Mx	-.003	6
73	MP1A	X	-.761	3
74	MP1A	Z	1.318	3
75	MP1A	Mx	.00038	3
76	MP1B	X	-.187	3
77	MP1B	Z	.323	3
78	MP1B	Mx	-.000187	3
79	MP1C	X	-.761	3
80	MP1C	Z	1.318	3
81	MP1C	Mx	.00038	3
82	MP2A	X	-.365	3.5
83	MP2A	Z	.633	3.5
84	MP2A	Mx	.000211	3.5
85	MP2B	X	-.274	3.5
86	MP2B	Z	.474	3.5
87	MP2B	Mx	0	3.5
88	MP2C	X	-.365	3.5
89	MP2C	Z	.633	3.5
90	MP2C	Mx	-.000211	3.5
91	MP1A	X	-4.087	.75
92	MP1A	Z	7.079	.75
93	MP1A	Mx	-.002	.75
94	MP2A	X	-1.835	2.5
95	MP2A	Z	3.179	2.5
96	MP2A	Mx	-.000918	2.5
97	MP2B	X	-1.338	2.5
98	MP2B	Z	2.317	2.5
99	MP2B	Mx	.001	2.5
100	MP2C	X	-1.835	2.5
101	MP2C	Z	3.179	2.5
102	MP2C	Mx	-.000918	2.5
103	MP3A	X	-1.772	2.5
104	MP3A	Z	3.069	2.5
105	MP3A	Mx	-.000886	2.5
106	MP3B	X	-1.083	2.5
107	MP3B	Z	1.877	2.5
108	MP3B	Mx	.001	2.5
109	MP3C	X	-1.772	2.5
110	MP3C	Z	3.069	2.5
111	MP3C	Mx	-.000886	2.5

Member Point Loads (BLC 35 : Antenna Wm (240 Deg))

	Member Label	Direction	Magnitude[lb.k-ft]	Location[ft,%]
--	--------------	-----------	--------------------	----------------



Company :
 Designer :
 Job Number :
 Model Name :

June 28, 2021
 1:21 PM
 Checked By: _____

Member Point Loads (BLC 35 : Antenna Wm (240 Deg)) (Continued)

	Member Label	Direction	Magnitude[lb.k-ft]	Location[ft,%]
1	MP3A	X	-2.368	3
2	MP3A	Z	1.367	3
3	MP3A	Mx	-.000197	3
4	MP3A	X	-2.368	5
5	MP3A	Z	1.367	5
6	MP3A	Mx	-.000197	5
7	MP3B	X	-2.368	3
8	MP3B	Z	1.367	3
9	MP3B	Mx	.000197	3
10	MP3B	X	-2.368	5
11	MP3B	Z	1.367	5
12	MP3B	Mx	.000197	5
13	MP3C	X	-4.356	3
14	MP3C	Z	2.515	3
15	MP3C	Mx	0	3
16	MP3C	X	-4.356	5
17	MP3C	Z	2.515	5
18	MP3C	Mx	0	5
19	MP2A	X	-6.269	2
20	MP2A	Z	3.62	2
21	MP2A	Mx	.001	2
22	MP2A	X	-6.269	6
23	MP2A	Z	3.62	6
24	MP2A	Mx	.001	6
25	MP2B	X	-6.269	2
26	MP2B	Z	3.62	2
27	MP2B	Mx	-.005	2
28	MP2B	X	-6.269	6
29	MP2B	Z	3.62	6
30	MP2B	Mx	-.005	6
31	MP2C	X	-8.443	2
32	MP2C	Z	4.874	2
33	MP2C	Mx	.006	2
34	MP2C	X	-8.443	6
35	MP2C	Z	4.874	6
36	MP2C	Mx	.006	6
37	MP2A	X	-6.269	2
38	MP2A	Z	3.62	2
39	MP2A	Mx	.005	2
40	MP2A	X	-6.269	6
41	MP2A	Z	3.62	6
42	MP2A	Mx	.005	6
43	MP2B	X	-6.269	2
44	MP2B	Z	3.62	2
45	MP2B	Mx	-.001	2
46	MP2B	X	-6.269	6
47	MP2B	Z	3.62	6
48	MP2B	Mx	-.001	6
49	MP2C	X	-8.443	2
50	MP2C	Z	4.874	2
51	MP2C	Mx	-.006	2
52	MP2C	X	-8.443	6
53	MP2C	Z	4.874	6
54	MP2C	Mx	-.006	6
55	MP4C	X	-8.554	2
56	MP4C	Z	4.938	2
57	MP4C	Mx	0	2



Company :
 Designer :
 Job Number :
 Model Name :

June 28, 2021
 1:21 PM
 Checked By: _____

Member Point Loads (BLC 35 : Antenna Wm (240 Deg)) (Continued)

	Member Label	Direction	Magnitude[lb.k-ft]	Location[ft,%]
58	MP4C	X	-8.554	6
59	MP4C	Z	4.938	6
60	MP4C	Mx	0	6
61	MP4A	X	-5.65	2
62	MP4A	Z	3.262	2
63	MP4A	Mx	.003	2
64	MP4A	X	-5.65	6
65	MP4A	Z	3.262	6
66	MP4A	Mx	.003	6
67	MP4B	X	-5.65	2
68	MP4B	Z	3.262	2
69	MP4B	Mx	-.003	2
70	MP4B	X	-5.65	6
71	MP4B	Z	3.262	6
72	MP4B	Mx	-.003	6
73	MP1A	X	-.655	3
74	MP1A	Z	.378	3
75	MP1A	Mx	.000328	3
76	MP1B	X	-.655	3
77	MP1B	Z	.378	3
78	MP1B	Mx	-.000327	3
79	MP1C	X	-1.65	3
80	MP1C	Z	.952	3
81	MP1C	Mx	0	3
82	MP2A	X	-.527	3.5
83	MP2A	Z	.304	3.5
84	MP2A	Mx	.000101	3.5
85	MP2B	X	-.527	3.5
86	MP2B	Z	.304	3.5
87	MP2B	Mx	.000101	3.5
88	MP2C	X	-.686	3.5
89	MP2C	Z	.396	3.5
90	MP2C	Mx	-.000264	3.5
91	MP1A	X	-6.187	.75
92	MP1A	Z	3.572	.75
93	MP1A	Mx	-.003	.75
94	MP2A	X	-2.604	2.5
95	MP2A	Z	1.503	2.5
96	MP2A	Mx	-.001	2.5
97	MP2B	X	-2.604	2.5
98	MP2B	Z	1.503	2.5
99	MP2B	Mx	.001	2.5
100	MP2C	X	-3.466	2.5
101	MP2C	Z	2.001	2.5
102	MP2C	Mx	0	2.5
103	MP3A	X	-2.274	2.5
104	MP3A	Z	1.313	2.5
105	MP3A	Mx	-.001	2.5
106	MP3B	X	-2.274	2.5
107	MP3B	Z	1.313	2.5
108	MP3B	Mx	.001	2.5
109	MP3C	X	-3.466	2.5
110	MP3C	Z	2.001	2.5
111	MP3C	Mx	0	2.5

Member Point Loads (BLC 36 : Antenna Wm (270 Deg))

	Member Label	Direction	Magnitude[lb.k-ft]	Location[ft,%]
--	--------------	-----------	--------------------	----------------



Company :
 Designer :
 Job Number :
 Model Name :

June 28, 2021
 1:21 PM
 Checked By: _____

Member Point Loads (BLC 36 : Antenna Wm (270 Deg)) (Continued)

	Member Label	Direction	Magnitude[lb.k-ft]	Location[ft,%]
1	MP3A	X	-1.969	3
2	MP3A	Z	0	3
3	MP3A	Mx	-.000164	3
4	MP3A	X	-1.969	5
5	MP3A	Z	0	5
6	MP3A	Mx	-.000164	5
7	MP3B	X	-4.264	3
8	MP3B	Z	0	3
9	MP3B	Mx	.000178	3
10	MP3B	X	-4.264	5
11	MP3B	Z	0	5
12	MP3B	Mx	.000178	5
13	MP3C	X	-4.264	3
14	MP3C	Z	0	3
15	MP3C	Mx	.000178	3
16	MP3C	X	-4.264	5
17	MP3C	Z	0	5
18	MP3C	Mx	.000178	5
19	MP2A	X	-6.403	2
20	MP2A	Z	0	2
21	MP2A	Mx	.003	2
22	MP2A	X	-6.403	6
23	MP2A	Z	0	6
24	MP2A	Mx	.003	6
25	MP2B	X	-8.912	2
26	MP2B	Z	0	2
27	MP2B	Mx	-.007	2
28	MP2B	X	-8.912	6
29	MP2B	Z	0	6
30	MP2B	Mx	-.007	6
31	MP2C	X	-8.912	2
32	MP2C	Z	0	2
33	MP2C	Mx	.002	2
34	MP2C	X	-8.912	6
35	MP2C	Z	0	6
36	MP2C	Mx	.002	6
37	MP2A	X	-6.403	2
38	MP2A	Z	0	2
39	MP2A	Mx	.003	2
40	MP2A	X	-6.403	6
41	MP2A	Z	0	6
42	MP2A	Mx	.003	6
43	MP2B	X	-8.912	2
44	MP2B	Z	0	2
45	MP2B	Mx	.002	2
46	MP2B	X	-8.912	6
47	MP2B	Z	0	6
48	MP2B	Mx	.002	6
49	MP2C	X	-8.912	2
50	MP2C	Z	0	2
51	MP2C	Mx	-.007	2
52	MP2C	X	-8.912	6
53	MP2C	Z	0	6
54	MP2C	Mx	-.007	6
55	MP4C	X	-9.05	2
56	MP4C	Z	0	2
57	MP4C	Mx	-.002	2



Company :
 Designer :
 Job Number :
 Model Name :

June 28, 2021
 1:21 PM
 Checked By: _____

Member Point Loads (BLC 36 : Antenna Wm (270 Deg)) (Continued)

	Member Label	Direction	Magnitude[lb.k-ft]	Location[ft,%]
58	MP4C	X	-9.05	6
59	MP4C	Z	0	6
60	MP4C	Mx	-0.002	6
61	MP4A	X	-5.784	2
62	MP4A	Z	0	2
63	MP4A	Mx	.003	2
64	MP4A	X	-5.784	6
65	MP4A	Z	0	6
66	MP4A	Mx	.003	6
67	MP4B	X	-8.003	2
68	MP4B	Z	0	2
69	MP4B	Mx	-0.002	2
70	MP4B	X	-8.003	6
71	MP4B	Z	0	6
72	MP4B	Mx	-0.002	6
73	MP1A	X	-0.374	3
74	MP1A	Z	0	3
75	MP1A	Mx	.000187	3
76	MP1B	X	-1.522	3
77	MP1B	Z	0	3
78	MP1B	Mx	-0.00038	3
79	MP1C	X	-1.522	3
80	MP1C	Z	0	3
81	MP1C	Mx	-0.00038	3
82	MP2A	X	-0.548	3.5
83	MP2A	Z	0	3.5
84	MP2A	Mx	0	3.5
85	MP2B	X	-0.731	3.5
86	MP2B	Z	0	3.5
87	MP2B	Mx	.000211	3.5
88	MP2C	X	-0.731	3.5
89	MP2C	Z	0	3.5
90	MP2C	Mx	-.000211	3.5
91	MP1A	X	-6.629	.75
92	MP1A	Z	0	.75
93	MP1A	Mx	-0.003	.75
94	MP2A	X	-2.675	2.5
95	MP2A	Z	0	2.5
96	MP2A	Mx	-0.001	2.5
97	MP2B	X	-3.67	2.5
98	MP2B	Z	0	2.5
99	MP2B	Mx	.000918	2.5
100	MP2C	X	-3.67	2.5
101	MP2C	Z	0	2.5
102	MP2C	Mx	.000918	2.5
103	MP3A	X	-2.167	2.5
104	MP3A	Z	0	2.5
105	MP3A	Mx	-0.001	2.5
106	MP3B	X	-3.543	2.5
107	MP3B	Z	0	2.5
108	MP3B	Mx	.000886	2.5
109	MP3C	X	-3.543	2.5
110	MP3C	Z	0	2.5
111	MP3C	Mx	.000886	2.5

Member Point Loads (BLC 37 : Antenna Wm (300 Deg))

	Member Label	Direction	Magnitude[lb.k.ft]	Location[ft,%]
--	--------------	-----------	--------------------	----------------



Company :
 Designer :
 Job Number :
 Model Name :

June 28, 2021
 1:21 PM
 Checked By: _____

Member Point Loads (BLC 37 : Antenna Wm (300 Deg)) (Continued)

	Member Label	Direction	Magnitude[lb.k-ft]	Location[ft,%]
1	MP3A	X	-2.368	3
2	MP3A	Z	-1.367	3
3	MP3A	Mx	-.000197	3
4	MP3A	X	-2.368	5
5	MP3A	Z	-1.367	5
6	MP3A	Mx	-.000197	5
7	MP3B	X	-4.356	3
8	MP3B	Z	-2.515	3
9	MP3B	Mx	0	3
10	MP3B	X	-4.356	5
11	MP3B	Z	-2.515	5
12	MP3B	Mx	0	5
13	MP3C	X	-2.368	3
14	MP3C	Z	-1.367	3
15	MP3C	Mx	.000197	3
16	MP3C	X	-2.368	5
17	MP3C	Z	-1.367	5
18	MP3C	Mx	.000197	5
19	MP2A	X	-6.269	2
20	MP2A	Z	-3.62	2
21	MP2A	Mx	.005	2
22	MP2A	X	-6.269	6
23	MP2A	Z	-3.62	6
24	MP2A	Mx	.005	6
25	MP2B	X	-8.443	2
26	MP2B	Z	-4.874	2
27	MP2B	Mx	-.006	2
28	MP2B	X	-8.443	6
29	MP2B	Z	-4.874	6
30	MP2B	Mx	-.006	6
31	MP2C	X	-6.269	2
32	MP2C	Z	-3.62	2
33	MP2C	Mx	-.001	2
34	MP2C	X	-6.269	6
35	MP2C	Z	-3.62	6
36	MP2C	Mx	-.001	6
37	MP2A	X	-6.269	2
38	MP2A	Z	-3.62	2
39	MP2A	Mx	.001	2
40	MP2A	X	-6.269	6
41	MP2A	Z	-3.62	6
42	MP2A	Mx	.001	6
43	MP2B	X	-8.443	2
44	MP2B	Z	-4.874	2
45	MP2B	Mx	.006	2
46	MP2B	X	-8.443	6
47	MP2B	Z	-4.874	6
48	MP2B	Mx	.006	6
49	MP2C	X	-6.269	2
50	MP2C	Z	-3.62	2
51	MP2C	Mx	-.005	2
52	MP2C	X	-6.269	6
53	MP2C	Z	-3.62	6
54	MP2C	Mx	-.005	6
55	MP4C	X	-6.406	2
56	MP4C	Z	-3.699	2
57	MP4C	Mx	-.003	2



Company :
 Designer :
 Job Number :
 Model Name :

June 28, 2021
 1:21 PM
 Checked By: _____

Member Point Loads (BLC 37 : Antenna Wm (300 Deg)) (Continued)

	Member Label	Direction	Magnitude[lb.k-ft]	Location[ft,%]
58	MP4C	X	-6.406	6
59	MP4C	Z	-3.699	6
60	MP4C	Mx	-.003	6
61	MP4A	X	-5.65	2
62	MP4A	Z	-3.262	2
63	MP4A	Mx	.003	2
64	MP4A	X	-5.65	6
65	MP4A	Z	-3.262	6
66	MP4A	Mx	.003	6
67	MP4B	X	-7.571	2
68	MP4B	Z	-4.371	2
69	MP4B	Mx	0	2
70	MP4B	X	-7.571	6
71	MP4B	Z	-4.371	6
72	MP4B	Mx	0	6
73	MP1A	X	-.655	3
74	MP1A	Z	-.378	3
75	MP1A	Mx	.000328	3
76	MP1B	X	-1.65	3
77	MP1B	Z	-.952	3
78	MP1B	Mx	0	3
79	MP1C	X	-.655	3
80	MP1C	Z	-.378	3
81	MP1C	Mx	-.000327	3
82	MP2A	X	-.527	3.5
83	MP2A	Z	-.304	3.5
84	MP2A	Mx	-.000101	3.5
85	MP2B	X	-.686	3.5
86	MP2B	Z	-.396	3.5
87	MP2B	Mx	.000264	3.5
88	MP2C	X	-.527	3.5
89	MP2C	Z	-.304	3.5
90	MP2C	Mx	-.000101	3.5
91	MP1A	X	-6.187	.75
92	MP1A	Z	-3.572	.75
93	MP1A	Mx	-.003	.75
94	MP2A	X	-2.604	2.5
95	MP2A	Z	-1.503	2.5
96	MP2A	Mx	-.001	2.5
97	MP2B	X	-3.466	2.5
98	MP2B	Z	-2.001	2.5
99	MP2B	Mx	0	2.5
100	MP2C	X	-2.604	2.5
101	MP2C	Z	-1.503	2.5
102	MP2C	Mx	.001	2.5
103	MP3A	X	-2.274	2.5
104	MP3A	Z	-1.313	2.5
105	MP3A	Mx	-.001	2.5
106	MP3B	X	-3.466	2.5
107	MP3B	Z	-2.001	2.5
108	MP3B	Mx	0	2.5
109	MP3C	X	-2.274	2.5
110	MP3C	Z	-1.313	2.5
111	MP3C	Mx	.001	2.5

Member Point Loads (BLC 38 : Antenna Wm (330 Deg))

	Member Label	Direction	Magnitude[lb.k-ft]	Location[ft,%]
--	--------------	-----------	--------------------	----------------



Company :
 Designer :
 Job Number :
 Model Name :

June 28, 2021
 1:21 PM
 Checked By: _____

Member Point Loads (BLC 38 : Antenna Wm (330 Deg)) (Continued)

	Member Label	Direction	Magnitude[lb.k-ft]	Location[ft,%]
1	MP3A	X	-2.132	3
2	MP3A	Z	-3.693	3
3	MP3A	Mx	-.000178	3
4	MP3A	X	-2.132	5
5	MP3A	Z	-3.693	5
6	MP3A	Mx	-.000178	5
7	MP3B	X	-2.132	3
8	MP3B	Z	-3.693	3
9	MP3B	Mx	-.000178	3
10	MP3B	X	-2.132	5
11	MP3B	Z	-3.693	5
12	MP3B	Mx	-.000178	5
13	MP3C	X	-.985	3
14	MP3C	Z	-1.705	3
15	MP3C	Mx	.000164	3
16	MP3C	X	-.985	5
17	MP3C	Z	-1.705	5
18	MP3C	Mx	.000164	5
19	MP2A	X	-4.456	2
20	MP2A	Z	-7.718	2
21	MP2A	Mx	.007	2
22	MP2A	X	-4.456	6
23	MP2A	Z	-7.718	6
24	MP2A	Mx	.007	6
25	MP2B	X	-4.456	2
26	MP2B	Z	-7.718	2
27	MP2B	Mx	-.002	2
28	MP2B	X	-4.456	6
29	MP2B	Z	-7.718	6
30	MP2B	Mx	-.002	6
31	MP2C	X	-3.201	2
32	MP2C	Z	-5.545	2
33	MP2C	Mx	-.003	2
34	MP2C	X	-3.201	6
35	MP2C	Z	-5.545	6
36	MP2C	Mx	-.003	6
37	MP2A	X	-4.456	2
38	MP2A	Z	-7.718	2
39	MP2A	Mx	-.002	2
40	MP2A	X	-4.456	6
41	MP2A	Z	-7.718	6
42	MP2A	Mx	-.002	6
43	MP2B	X	-4.456	2
44	MP2B	Z	-7.718	2
45	MP2B	Mx	.007	2
46	MP2B	X	-4.456	6
47	MP2B	Z	-7.718	6
48	MP2B	Mx	.007	6
49	MP2C	X	-3.201	2
50	MP2C	Z	-5.545	2
51	MP2C	Mx	-.003	2
52	MP2C	X	-3.201	6
53	MP2C	Z	-5.545	6
54	MP2C	Mx	-.003	6
55	MP4C	X	-3.285	2
56	MP4C	Z	-5.69	2
57	MP4C	Mx	-.003	2



Company :
 Designer :
 Job Number :
 Model Name :

June 28, 2021
 1:21 PM
 Checked By: _____

Member Point Loads (BLC 38 : Antenna Wm (330 Deg)) (Continued)

	Member Label	Direction	Magnitude[lb.k-ft]	Location[ft,%]
58	MP4C	X	-3.285	6
59	MP4C	Z	-5.69	6
60	MP4C	Mx	-.003	6
61	MP4A	X	-4.002	2
62	MP4A	Z	-6.931	2
63	MP4A	Mx	.002	2
64	MP4A	X	-4.002	6
65	MP4A	Z	-6.931	6
66	MP4A	Mx	.002	6
67	MP4B	X	-4.002	2
68	MP4B	Z	-6.931	2
69	MP4B	Mx	.002	2
70	MP4B	X	-4.002	6
71	MP4B	Z	-6.931	6
72	MP4B	Mx	.002	6
73	MP1A	X	-.761	3
74	MP1A	Z	-1.318	3
75	MP1A	Mx	.00038	3
76	MP1B	X	-.761	3
77	MP1B	Z	-1.318	3
78	MP1B	Mx	.00038	3
79	MP1C	X	-.187	3
80	MP1C	Z	-.323	3
81	MP1C	Mx	-.000187	3
82	MP2A	X	-.365	3.5
83	MP2A	Z	-.633	3.5
84	MP2A	Mx	-.000211	3.5
85	MP2B	X	-.365	3.5
86	MP2B	Z	-.633	3.5
87	MP2B	Mx	.000211	3.5
88	MP2C	X	-.274	3.5
89	MP2C	Z	-.474	3.5
90	MP2C	Mx	0	3.5
91	MP1A	X	-4.087	.75
92	MP1A	Z	-7.079	.75
93	MP1A	Mx	-.002	.75
94	MP2A	X	-1.835	2.5
95	MP2A	Z	-3.179	2.5
96	MP2A	Mx	-.000918	2.5
97	MP2B	X	-1.835	2.5
98	MP2B	Z	-3.179	2.5
99	MP2B	Mx	-.000918	2.5
100	MP2C	X	-1.338	2.5
101	MP2C	Z	-2.317	2.5
102	MP2C	Mx	.001	2.5
103	MP3A	X	-1.772	2.5
104	MP3A	Z	-3.069	2.5
105	MP3A	Mx	-.000886	2.5
106	MP3B	X	-1.772	2.5
107	MP3B	Z	-3.069	2.5
108	MP3B	Mx	-.000886	2.5
109	MP3C	X	-1.083	2.5
110	MP3C	Z	-1.877	2.5
111	MP3C	Mx	.001	2.5

Member Point Loads (BLC 77 : Lm1)

	Member Label	Direction	Magnitude[lb.k-ft]	Location[ft,%]
--	--------------	-----------	--------------------	----------------



Company :
 Designer :
 Job Number :
 Model Name :

June 28, 2021
 1:21 PM
 Checked By: _____

Member Point Loads (BLC 77 : Lm1) (Continued)

	Member Label	Direction	Magnitude[lb.k-ft]	Location[ft,%]
1	LIVE2	Y	-500	0

Member Point Loads (BLC 78 : Lm2)

	Member Label	Direction	Magnitude[lb.k-ft]	Location[ft,%]
1	LIVE1	Y	-500	0

Member Point Loads (BLC 79 : Lv1)

	Member Label	Direction	Magnitude[lb.k-ft]	Location[ft,%]
1	M76A	Y	-250	0

Member Point Loads (BLC 80 : Lv2)

	Member Label	Direction	Magnitude[lb.k-ft]	Location[ft,%]
1	M76A	Y	-250	%100

Member Distributed Loads (BLC 40 : Structure Di)

	Member Label	Direction	Start Magnitude[lb/ft,...	End Magnitude[lb/ft,F...	Start Location[ft,%]	End Location[ft,%]
1	M4	Y	-10.101	-10.101	0	%100
2	M5	Y	-10.101	-10.101	0	%100
3	M6	Y	-10.101	-10.101	0	%100
4	M7	Y	-7.62	-7.62	0	%100
5	M8	Y	-7.62	-7.62	0	%100
6	M9	Y	-7.62	-7.62	0	%100
7	M13	Y	-9.617	-9.617	0	%100
8	M17	Y	-9.617	-9.617	0	%100
9	M21	Y	-9.617	-9.617	0	%100
10	MP4A	Y	-4.984	-4.984	0	%100
11	MP3A	Y	-4.984	-4.984	0	%100
12	MP2A	Y	-4.984	-4.984	0	%100
13	MP1A	Y	-4.984	-4.984	0	%100
14	MP3C	Y	-4.984	-4.984	0	%100
15	MP2C	Y	-4.984	-4.984	0	%100
16	MP3B	Y	-4.984	-4.984	0	%100
17	MP2B	Y	-4.984	-4.984	0	%100
18	M43	Y	-4.875	-4.875	0	%100
19	M60A	Y	-4.984	-4.984	0	%100
20	M49	Y	-4.984	-4.984	0	%100
21	M54	Y	-4.984	-4.984	0	%100
22	MP4C	Y	-4.984	-4.984	0	%100
23	MP1C	Y	-4.984	-4.984	0	%100
24	MP4B	Y	-4.984	-4.984	0	%100
25	MP1B	Y	-4.984	-4.984	0	%100
26	M66	Y	-4.875	-4.875	0	%100
27	M67	Y	-4.875	-4.875	0	%100
28	M63A	Y	-5.624	-5.624	0	%100
29	M64	Y	-5.624	-5.624	0	%100
30	M65	Y	-5.624	-5.624	0	%100
31	M66A	Y	-5.624	-5.624	0	%100
32	M67A	Y	-5.624	-5.624	0	%100
33	M68	Y	-5.624	-5.624	0	%100
34	M75	Y	-7.62	-7.62	0	%100
35	M78	Y	-7.62	-7.62	0	%100
36	M85A	Y	-7.62	-7.62	0	%100
37	M75A	Y	-10.101	-10.101	0	%100
38	M76A	Y	-10.101	-10.101	0	%100



Company :
 Designer :
 Job Number :
 Model Name :

June 28, 2021
 1:21 PM
 Checked By: _____

Member Distributed Loads (BLC 40 : Structure Di) (Continued)

	Member Label	Direction	Start Magnitude[lb/ft,...	End Magnitude[lb/ft,F...	Start Location[ft, %]	End Location[ft, %]
39	M77A	Y	-7.62	-7.62	0	%100
40	M78A	Y	-7.62	-7.62	0	%100
41	M79	Y	-7.62	-7.62	0	%100
42	M80	Y	-10.101	-10.101	0	%100
43	M81	Y	-10.101	-10.101	0	%100
44	M82	Y	-7.62	-7.62	0	%100
45	M83A	Y	-7.62	-7.62	0	%100
46	M84	Y	-7.62	-7.62	0	%100
47	M85	Y	-10.101	-10.101	0	%100
48	M86	Y	-10.101	-10.101	0	%100
49	M87	Y	-7.62	-7.62	0	%100
50	M88	Y	-7.62	-7.62	0	%100
51	M89	Y	-7.62	-7.62	0	%100

Member Distributed Loads (BLC 41 : Structure Wo (0 Deg))

	Member Label	Direction	Start Magnitude[lb/ft,...	End Magnitude[lb/ft,F...	Start Location[ft, %]	End Location[ft, %]
1	M4	X	0	0	0	%100
2	M4	Z	0	0	0	%100
3	M5	X	0	0	0	%100
4	M5	Z	-11.243	-11.243	0	%100
5	M6	X	0	0	0	%100
6	M6	Z	-11.243	-11.243	0	%100
7	M7	X	0	0	0	%100
8	M7	Z	-17.988	-17.988	0	%100
9	M8	X	0	0	0	%100
10	M8	Z	-4.497	-4.497	0	%100
11	M9	X	0	0	0	%100
12	M9	Z	-4.497	-4.497	0	%100
13	M13	X	0	0	0	%100
14	M13	Z	0	0	0	%100
15	M17	X	0	0	0	%100
16	M17	Z	-9.162	-9.162	0	%100
17	M21	X	0	0	0	%100
18	M21	Z	-9.162	-9.162	0	%100
19	MP4A	X	0	0	0	%100
20	MP4A	Z	-8.544	-8.544	0	%100
21	MP3A	X	0	0	0	%100
22	MP3A	Z	-8.544	-8.544	0	%100
23	MP2A	X	0	0	0	%100
24	MP2A	Z	-8.544	-8.544	0	%100
25	MP1A	X	0	0	0	%100
26	MP1A	Z	-8.544	-8.544	0	%100
27	MP3C	X	0	0	0	%100
28	MP3C	Z	-8.544	-8.544	0	%100
29	MP2C	X	0	0	0	%100
30	MP2C	Z	-8.544	-8.544	0	%100
31	MP3B	X	0	0	0	%100
32	MP3B	Z	-8.544	-8.544	0	%100
33	MP2B	X	0	0	0	%100
34	MP2B	Z	-8.544	-8.544	0	%100
35	M43	X	0	0	0	%100
36	M43	Z	-2.175	-2.175	0	%100
37	M60A	X	0	0	0	%100
38	M60A	Z	-8.544	-8.544	0	%100
39	M49	X	0	0	0	%100
40	M49	Z	-2.136	-2.136	0	%100



Company :
 Designer :
 Job Number :
 Model Name :

June 28, 2021
 1:21 PM
 Checked By: _____

Member Distributed Loads (BLC 41 : Structure Wo (0 Deg)) (Continued)

Member Label	Direction	Start Magnitude[lb/ft,...	End Magnitude[lb/ft,F...	Start Location[ft, %]	End Location[ft, %]
41	M54	X	0	0	%100
42	M54	Z	-2.136	-2.136	%100
43	MP4C	X	0	0	%100
44	MP4C	Z	-8.544	-8.544	%100
45	MP1C	X	0	0	%100
46	MP1C	Z	-8.544	-8.544	%100
47	MP4B	X	0	0	%100
48	MP4B	Z	-8.544	-8.544	%100
49	MP1B	X	0	0	%100
50	MP1B	Z	-8.544	-8.544	%100
51	M66	X	0	0	%100
52	M66	Z	-8.701	-8.701	%100
53	M67	X	0	0	%100
54	M67	Z	-2.175	-2.175	%100
55	M63A	X	0	0	%100
56	M63A	Z	-7.808	-7.808	%100
57	M64	X	0	0	%100
58	M64	Z	-7.808	-7.808	%100
59	M65	X	0	0	%100
60	M65	Z	-2.267	-2.267	%100
61	M66A	X	0	0	%100
62	M66A	Z	-10.841	-10.841	%100
63	M67A	X	0	0	%100
64	M67A	Z	-10.841	-10.841	%100
65	M68	X	0	0	%100
66	M68	Z	-2.267	-2.267	%100
67	M75	X	0	0	%100
68	M75	Z	-3.536	-3.536	%100
69	M78	X	0	0	%100
70	M78	Z	-3.536	-3.536	%100
71	M85A	X	0	0	%100
72	M85A	Z	-14.144	-14.144	%100
73	M75A	X	0	0	%100
74	M75A	Z	-35.977	-35.977	%100
75	M76A	X	0	0	%100
76	M76A	Z	-35.977	-35.977	%100
77	M77A	X	0	0	%100
78	M77A	Z	-10.793	-10.793	%100
79	M78A	X	0	0	%100
80	M78A	Z	-10.793	-10.793	%100
81	M79	X	0	0	%100
82	M79	Z	-10.793	-10.793	%100
83	M80	X	0	0	%100
84	M80	Z	-8.994	-8.994	%100
85	M81	X	0	0	%100
86	M81	Z	-8.994	-8.994	%100
87	M82	X	0	0	%100
88	M82	Z	-2.698	-2.698	%100
89	M83A	X	0	0	%100
90	M83A	Z	-2.698	-2.698	%100
91	M84	X	0	0	%100
92	M84	Z	-2.698	-2.698	%100
93	M85	X	0	0	%100
94	M85	Z	-8.994	-8.994	%100
95	M86	X	0	0	%100
96	M86	Z	-8.994	-8.994	%100
97	M87	X	0	0	%100

Member Distributed Loads (BLC 41 : Structure Wo (0 Deg)) (Continued)

	Member Label	Direction	Start Magnitude[lb/ft,...	End Magnitude[lb/ft,F...	Start Location[ft, %]	End Location[ft, %]
98	M87	Z	-2.698	-2.698	0	%100
99	M88	X	0	0	0	%100
100	M88	Z	-2.698	-2.698	0	%100
101	M89	X	0	0	0	%100
102	M89	Z	-2.698	-2.698	0	%100

Member Distributed Loads (BLC 42 : Structure Wo (30 Deg))

	Member Label	Direction	Start Magnitude[lb/ft,...	End Magnitude[lb/ft,F...	Start Location[ft, %]	End Location[ft, %]
1	M4	X	1.874	1.874	0	%100
2	M4	Z	-3.245	-3.245	0	%100
3	M5	X	1.874	1.874	0	%100
4	M5	Z	-3.245	-3.245	0	%100
5	M6	X	7.495	7.495	0	%100
6	M6	Z	-12.982	-12.982	0	%100
7	M7	X	6.746	6.746	0	%100
8	M7	Z	-11.684	-11.684	0	%100
9	M8	X	6.746	6.746	0	%100
10	M8	Z	-11.684	-11.684	0	%100
11	M9	X	0	0	0	%100
12	M9	Z	0	0	0	%100
13	M13	X	1.527	1.527	0	%100
14	M13	Z	-2.645	-2.645	0	%100
15	M17	X	1.527	1.527	0	%100
16	M17	Z	-2.645	-2.645	0	%100
17	M21	X	6.108	6.108	0	%100
18	M21	Z	-10.579	-10.579	0	%100
19	MP4A	X	4.272	4.272	0	%100
20	MP4A	Z	-7.4	-7.4	0	%100
21	MP3A	X	4.272	4.272	0	%100
22	MP3A	Z	-7.4	-7.4	0	%100
23	MP2A	X	4.272	4.272	0	%100
24	MP2A	Z	-7.4	-7.4	0	%100
25	MP1A	X	4.272	4.272	0	%100
26	MP1A	Z	-7.4	-7.4	0	%100
27	MP3C	X	4.272	4.272	0	%100
28	MP3C	Z	-7.4	-7.4	0	%100
29	MP2C	X	4.272	4.272	0	%100
30	MP2C	Z	-7.4	-7.4	0	%100
31	MP3B	X	4.272	4.272	0	%100
32	MP3B	Z	-7.4	-7.4	0	%100
33	MP2B	X	4.272	4.272	0	%100
34	MP2B	Z	-7.4	-7.4	0	%100
35	M43	X	0	0	0	%100
36	M43	Z	0	0	0	%100
37	M60A	X	3.204	3.204	0	%100
38	M60A	Z	-5.55	-5.55	0	%100
39	M49	X	3.204	3.204	0	%100
40	M49	Z	-5.55	-5.55	0	%100
41	M54	X	0	0	0	%100
42	M54	Z	0	0	0	%100
43	MP4C	X	4.272	4.272	0	%100
44	MP4C	Z	-7.4	-7.4	0	%100
45	MP1C	X	4.272	4.272	0	%100
46	MP1C	Z	-7.4	-7.4	0	%100
47	MP4B	X	4.272	4.272	0	%100
48	MP4B	Z	-7.4	-7.4	0	%100



Company :
 Designer :
 Job Number :
 Model Name :

June 28, 2021
 1:21 PM
 Checked By: _____

Member Distributed Loads (BLC 42 : Structure Wo (30 Deg)) (Continued)

Member Label	Direction	Start Magnitude[lb/ft,...	End Magnitude[lb/ft,F...	Start Location[ft, %]	End Location[ft, %]
49	MP1B	X	4.272	4.272	0 %100
50	MP1B	Z	-7.4	-7.4	0 %100
51	M66	X	3.263	3.263	0 %100
52	M66	Z	-5.652	-5.652	0 %100
53	M67	X	3.263	3.263	0 %100
54	M67	Z	-5.652	-5.652	0 %100
55	M63A	X	5.838	5.838	0 %100
56	M63A	Z	-10.113	-10.113	0 %100
57	M64	X	1.552	1.552	0 %100
58	M64	Z	-2.688	-2.688	0 %100
59	M65	X	1.552	1.552	0 %100
60	M65	Z	-2.688	-2.688	0 %100
61	M66A	X	5.838	5.838	0 %100
62	M66A	Z	-10.113	-10.113	0 %100
63	M67A	X	3.068	3.068	0 %100
64	M67A	Z	-5.314	-5.314	0 %100
65	M68	X	3.068	3.068	0 %100
66	M68	Z	-5.314	-5.314	0 %100
67	M75	X	5.304	5.304	0 %100
68	M75	Z	-9.187	-9.187	0 %100
69	M78	X	0	0	0 %100
70	M78	Z	0	0	0 %100
71	M85A	X	5.304	5.304	0 %100
72	M85A	Z	-9.187	-9.187	0 %100
73	M75A	X	13.491	13.491	0 %100
74	M75A	Z	-23.367	-23.367	0 %100
75	M76A	X	13.491	13.491	0 %100
76	M76A	Z	-23.367	-23.367	0 %100
77	M77A	X	4.047	4.047	0 %100
78	M77A	Z	-7.01	-7.01	0 %100
79	M78A	X	4.047	4.047	0 %100
80	M78A	Z	-7.01	-7.01	0 %100
81	M79	X	4.047	4.047	0 %100
82	M79	Z	-7.01	-7.01	0 %100
83	M80	X	13.491	13.491	0 %100
84	M80	Z	-23.367	-23.367	0 %100
85	M81	X	13.491	13.491	0 %100
86	M81	Z	-23.367	-23.367	0 %100
87	M82	X	4.047	4.047	0 %100
88	M82	Z	-7.01	-7.01	0 %100
89	M83A	X	4.047	4.047	0 %100
90	M83A	Z	-7.01	-7.01	0 %100
91	M84	X	4.047	4.047	0 %100
92	M84	Z	-7.01	-7.01	0 %100
93	M85	X	0	0	0 %100
94	M85	Z	0	0	0 %100
95	M86	X	0	0	0 %100
96	M86	Z	0	0	0 %100
97	M87	X	0	0	0 %100
98	M87	Z	0	0	0 %100
99	M88	X	0	0	0 %100
100	M88	Z	0	0	0 %100
101	M89	X	0	0	0 %100
102	M89	Z	0	0	0 %100

Member Distributed Loads (BLC 43 : Structure Wo (60 Deg))



Company :
 Designer :
 Job Number :
 Model Name :

June 28, 2021
 1:21 PM
 Checked By: _____

Member Distributed Loads (BLC 43 : Structure Wo (60 Deg)) (Continued)

	Member Label	Direction	Start Magnitude[lb/ft,...	End Magnitude[lb/ft,F...	Start Location[ft, %]	End Location[ft, %]
1	M4	X	9.736	9.736	0	%100
2	M4	Z	-5.621	-5.621	0	%100
3	M5	X	0	0	0	%100
4	M5	Z	0	0	0	%100
5	M6	X	9.736	9.736	0	%100
6	M6	Z	-5.621	-5.621	0	%100
7	M7	X	3.895	3.895	0	%100
8	M7	Z	-2.249	-2.249	0	%100
9	M8	X	15.578	15.578	0	%100
10	M8	Z	-8.994	-8.994	0	%100
11	M9	X	3.895	3.895	0	%100
12	M9	Z	-2.249	-2.249	0	%100
13	M13	X	7.934	7.934	0	%100
14	M13	Z	-4.581	-4.581	0	%100
15	M17	X	0	0	0	%100
16	M17	Z	0	0	0	%100
17	M21	X	7.934	7.934	0	%100
18	M21	Z	-4.581	-4.581	0	%100
19	MP4A	X	7.4	7.4	0	%100
20	MP4A	Z	-4.272	-4.272	0	%100
21	MP3A	X	7.4	7.4	0	%100
22	MP3A	Z	-4.272	-4.272	0	%100
23	MP2A	X	7.4	7.4	0	%100
24	MP2A	Z	-4.272	-4.272	0	%100
25	MP1A	X	7.4	7.4	0	%100
26	MP1A	Z	-4.272	-4.272	0	%100
27	MP3C	X	7.4	7.4	0	%100
28	MP3C	Z	-4.272	-4.272	0	%100
29	MP2C	X	7.4	7.4	0	%100
30	MP2C	Z	-4.272	-4.272	0	%100
31	MP3B	X	7.4	7.4	0	%100
32	MP3B	Z	-4.272	-4.272	0	%100
33	MP2B	X	7.4	7.4	0	%100
34	MP2B	Z	-4.272	-4.272	0	%100
35	M43	X	1.884	1.884	0	%100
36	M43	Z	-1.088	-1.088	0	%100
37	M60A	X	1.85	1.85	0	%100
38	M60A	Z	-1.068	-1.068	0	%100
39	M49	X	7.4	7.4	0	%100
40	M49	Z	-4.272	-4.272	0	%100
41	M54	X	1.85	1.85	0	%100
42	M54	Z	-1.068	-1.068	0	%100
43	MP4C	X	7.4	7.4	0	%100
44	MP4C	Z	-4.272	-4.272	0	%100
45	MP1C	X	7.4	7.4	0	%100
46	MP1C	Z	-4.272	-4.272	0	%100
47	MP4B	X	7.4	7.4	0	%100
48	MP4B	Z	-4.272	-4.272	0	%100
49	MP1B	X	7.4	7.4	0	%100
50	MP1B	Z	-4.272	-4.272	0	%100
51	M66	X	1.884	1.884	0	%100
52	M66	Z	-1.088	-1.088	0	%100
53	M67	X	7.536	7.536	0	%100
54	M67	Z	-4.351	-4.351	0	%100
55	M63A	X	9.388	9.388	0	%100
56	M63A	Z	-5.42	-5.42	0	%100
57	M64	X	1.964	1.964	0	%100

Member Distributed Loads (BLC 43 : Structure Wo (60 Deg)) (Continued)

	Member Label	Direction	Start Magnitude[lb/ft,...	End Magnitude[lb/ft,F...	Start Location[ft, %]	End Location[ft, %]
58	M64	Z	-1.134	-1.134	0	%100
59	M65	X	6.762	6.762	0	%100
60	M65	Z	-3.904	-3.904	0	%100
61	M66A	X	6.762	6.762	0	%100
62	M66A	Z	-3.904	-3.904	0	%100
63	M67A	X	1.964	1.964	0	%100
64	M67A	Z	-1.134	-1.134	0	%100
65	M68	X	9.388	9.388	0	%100
66	M68	Z	-5.42	-5.42	0	%100
67	M75	X	12.249	12.249	0	%100
68	M75	Z	-7.072	-7.072	0	%100
69	M78	X	3.062	3.062	0	%100
70	M78	Z	-1.768	-1.768	0	%100
71	M85A	X	3.062	3.062	0	%100
72	M85A	Z	-1.768	-1.768	0	%100
73	M75A	X	7.789	7.789	0	%100
74	M75A	Z	-4.497	-4.497	0	%100
75	M76A	X	7.789	7.789	0	%100
76	M76A	Z	-4.497	-4.497	0	%100
77	M77A	X	2.337	2.337	0	%100
78	M77A	Z	-1.349	-1.349	0	%100
79	M78A	X	2.337	2.337	0	%100
80	M78A	Z	-1.349	-1.349	0	%100
81	M79	X	2.337	2.337	0	%100
82	M79	Z	-1.349	-1.349	0	%100
83	M80	X	31.157	31.157	0	%100
84	M80	Z	-17.988	-17.988	0	%100
85	M81	X	31.157	31.157	0	%100
86	M81	Z	-17.988	-17.988	0	%100
87	M82	X	9.347	9.347	0	%100
88	M82	Z	-5.396	-5.396	0	%100
89	M83A	X	9.347	9.347	0	%100
90	M83A	Z	-5.396	-5.396	0	%100
91	M84	X	9.347	9.347	0	%100
92	M84	Z	-5.396	-5.396	0	%100
93	M85	X	7.789	7.789	0	%100
94	M85	Z	-4.497	-4.497	0	%100
95	M86	X	7.789	7.789	0	%100
96	M86	Z	-4.497	-4.497	0	%100
97	M87	X	2.337	2.337	0	%100
98	M87	Z	-1.349	-1.349	0	%100
99	M88	X	2.337	2.337	0	%100
100	M88	Z	-1.349	-1.349	0	%100
101	M89	X	2.337	2.337	0	%100
102	M89	Z	-1.349	-1.349	0	%100

Member Distributed Loads (BLC 44 : Structure Wo (90 Deg))

	Member Label	Direction	Start Magnitude[lb/ft,...	End Magnitude[lb/ft,F...	Start Location[ft, %]	End Location[ft, %]
1	M4	X	14.99	14.99	0	%100
2	M4	Z	0	0	0	%100
3	M5	X	3.748	3.748	0	%100
4	M5	Z	0	0	0	%100
5	M6	X	3.748	3.748	0	%100
6	M6	Z	0	0	0	%100
7	M7	X	0	0	0	%100
8	M7	Z	0	0	0	%100

Member Distributed Loads (BLC 44 : Structure Wo (90 Deg)) (Continued)

	Member Label	Direction	Start Magnitude[lb/ft,...	End Magnitude[lb/ft,F...	Start Location[ft, %]	End Location[ft, %]
9	M8	X	13.491	13.491	0	%100
10	M8	Z	0	0	0	%100
11	M9	X	13.491	13.491	0	%100
12	M9	Z	0	0	0	%100
13	M13	X	12.216	12.216	0	%100
14	M13	Z	0	0	0	%100
15	M17	X	3.054	3.054	0	%100
16	M17	Z	0	0	0	%100
17	M21	X	3.054	3.054	0	%100
18	M21	Z	0	0	0	%100
19	MP4A	X	8.544	8.544	0	%100
20	MP4A	Z	0	0	0	%100
21	MP3A	X	8.544	8.544	0	%100
22	MP3A	Z	0	0	0	%100
23	MP2A	X	8.544	8.544	0	%100
24	MP2A	Z	0	0	0	%100
25	MP1A	X	8.544	8.544	0	%100
26	MP1A	Z	0	0	0	%100
27	MP3C	X	8.544	8.544	0	%100
28	MP3C	Z	0	0	0	%100
29	MP2C	X	8.544	8.544	0	%100
30	MP2C	Z	0	0	0	%100
31	MP3B	X	8.544	8.544	0	%100
32	MP3B	Z	0	0	0	%100
33	MP2B	X	8.544	8.544	0	%100
34	MP2B	Z	0	0	0	%100
35	M43	X	6.526	6.526	0	%100
36	M43	Z	0	0	0	%100
37	M60A	X	0	0	0	%100
38	M60A	Z	0	0	0	%100
39	M49	X	6.408	6.408	0	%100
40	M49	Z	0	0	0	%100
41	M54	X	6.408	6.408	0	%100
42	M54	Z	0	0	0	%100
43	MP4C	X	8.544	8.544	0	%100
44	MP4C	Z	0	0	0	%100
45	MP1C	X	8.544	8.544	0	%100
46	MP1C	Z	0	0	0	%100
47	MP4B	X	8.544	8.544	0	%100
48	MP4B	Z	0	0	0	%100
49	MP1B	X	8.544	8.544	0	%100
50	MP1B	Z	0	0	0	%100
51	M66	X	0	0	0	%100
52	M66	Z	0	0	0	%100
53	M67	X	6.526	6.526	0	%100
54	M67	Z	0	0	0	%100
55	M63A	X	6.136	6.136	0	%100
56	M63A	Z	0	0	0	%100
57	M64	X	6.136	6.136	0	%100
58	M64	Z	0	0	0	%100
59	M65	X	11.677	11.677	0	%100
60	M65	Z	0	0	0	%100
61	M66A	X	3.104	3.104	0	%100
62	M66A	Z	0	0	0	%100
63	M67A	X	3.104	3.104	0	%100
64	M67A	Z	0	0	0	%100
65	M68	X	11.677	11.677	0	%100

Member Distributed Loads (BLC 44 : Structure Wo (90 Deg)) (Continued)

	Member Label	Direction	Start Magnitude[lb/ft,...	End Magnitude[lb/ft,F...	Start Location[ft, %]	End Location[ft, %]
66	M68	Z	0	0	0	%100
67	M75	X	10.608	10.608	0	%100
68	M75	Z	0	0	0	%100
69	M78	X	10.608	10.608	0	%100
70	M78	Z	0	0	0	%100
71	M85A	X	0	0	0	%100
72	M85A	Z	0	0	0	%100
73	M75A	X	0	0	0	%100
74	M75A	Z	0	0	0	%100
75	M76A	X	0	0	0	%100
76	M76A	Z	0	0	0	%100
77	M77A	X	0	0	0	%100
78	M77A	Z	0	0	0	%100
79	M78A	X	0	0	0	%100
80	M78A	Z	0	0	0	%100
81	M79	X	0	0	0	%100
82	M79	Z	0	0	0	%100
83	M80	X	26.982	26.982	0	%100
84	M80	Z	0	0	0	%100
85	M81	X	26.982	26.982	0	%100
86	M81	Z	0	0	0	%100
87	M82	X	8.095	8.095	0	%100
88	M82	Z	0	0	0	%100
89	M83A	X	8.095	8.095	0	%100
90	M83A	Z	0	0	0	%100
91	M84	X	8.095	8.095	0	%100
92	M84	Z	0	0	0	%100
93	M85	X	26.982	26.982	0	%100
94	M85	Z	0	0	0	%100
95	M86	X	26.982	26.982	0	%100
96	M86	Z	0	0	0	%100
97	M87	X	8.095	8.095	0	%100
98	M87	Z	0	0	0	%100
99	M88	X	8.095	8.095	0	%100
100	M88	Z	0	0	0	%100
101	M89	X	8.095	8.095	0	%100
102	M89	Z	0	0	0	%100

Member Distributed Loads (BLC 45 : Structure Wo (120 Deg))

	Member Label	Direction	Start Magnitude[lb/ft,...	End Magnitude[lb/ft,F...	Start Location[ft, %]	End Location[ft, %]
1	M4	X	9.736	9.736	0	%100
2	M4	Z	5.621	5.621	0	%100
3	M5	X	9.736	9.736	0	%100
4	M5	Z	5.621	5.621	0	%100
5	M6	X	0	0	0	%100
6	M6	Z	0	0	0	%100
7	M7	X	3.895	3.895	0	%100
8	M7	Z	2.249	2.249	0	%100
9	M8	X	3.895	3.895	0	%100
10	M8	Z	2.249	2.249	0	%100
11	M9	X	15.578	15.578	0	%100
12	M9	Z	8.994	8.994	0	%100
13	M13	X	7.934	7.934	0	%100
14	M13	Z	4.581	4.581	0	%100
15	M17	X	7.934	7.934	0	%100
16	M17	Z	4.581	4.581	0	%100



Company :
 Designer :
 Job Number :
 Model Name :

June 28, 2021
 1:21 PM
 Checked By: _____

Member Distributed Loads (BLC 45 : Structure Wo (120 Deg)) (Continued)

	Member Label	Direction	Start Magnitude[lb/ft,...	End Magnitude[lb/ft,F...	Start Location[ft, %]	End Location[ft, %]
17	M21	X	0	0	0	%100
18	M21	Z	0	0	0	%100
19	MP4A	X	7.4	7.4	0	%100
20	MP4A	Z	4.272	4.272	0	%100
21	MP3A	X	7.4	7.4	0	%100
22	MP3A	Z	4.272	4.272	0	%100
23	MP2A	X	7.4	7.4	0	%100
24	MP2A	Z	4.272	4.272	0	%100
25	MP1A	X	7.4	7.4	0	%100
26	MP1A	Z	4.272	4.272	0	%100
27	MP3C	X	7.4	7.4	0	%100
28	MP3C	Z	4.272	4.272	0	%100
29	MP2C	X	7.4	7.4	0	%100
30	MP2C	Z	4.272	4.272	0	%100
31	MP3B	X	7.4	7.4	0	%100
32	MP3B	Z	4.272	4.272	0	%100
33	MP2B	X	7.4	7.4	0	%100
34	MP2B	Z	4.272	4.272	0	%100
35	M43	X	7.536	7.536	0	%100
36	M43	Z	4.351	4.351	0	%100
37	M60A	X	1.85	1.85	0	%100
38	M60A	Z	1.068	1.068	0	%100
39	M49	X	1.85	1.85	0	%100
40	M49	Z	1.068	1.068	0	%100
41	M54	X	7.4	7.4	0	%100
42	M54	Z	4.272	4.272	0	%100
43	MP4C	X	7.4	7.4	0	%100
44	MP4C	Z	4.272	4.272	0	%100
45	MP1C	X	7.4	7.4	0	%100
46	MP1C	Z	4.272	4.272	0	%100
47	MP4B	X	7.4	7.4	0	%100
48	MP4B	Z	4.272	4.272	0	%100
49	MP1B	X	7.4	7.4	0	%100
50	MP1B	Z	4.272	4.272	0	%100
51	M66	X	1.884	1.884	0	%100
52	M66	Z	1.088	1.088	0	%100
53	M67	X	1.884	1.884	0	%100
54	M67	Z	1.088	1.088	0	%100
55	M63A	X	1.964	1.964	0	%100
56	M63A	Z	1.134	1.134	0	%100
57	M64	X	9.388	9.388	0	%100
58	M64	Z	5.42	5.42	0	%100
59	M65	X	9.388	9.388	0	%100
60	M65	Z	5.42	5.42	0	%100
61	M66A	X	1.964	1.964	0	%100
62	M66A	Z	1.134	1.134	0	%100
63	M67A	X	6.762	6.762	0	%100
64	M67A	Z	3.904	3.904	0	%100
65	M68	X	6.762	6.762	0	%100
66	M68	Z	3.904	3.904	0	%100
67	M75	X	3.062	3.062	0	%100
68	M75	Z	1.768	1.768	0	%100
69	M78	X	12.249	12.249	0	%100
70	M78	Z	7.072	7.072	0	%100
71	M85A	X	3.062	3.062	0	%100
72	M85A	Z	1.768	1.768	0	%100
73	M75A	X	7.789	7.789	0	%100

Member Distributed Loads (BLC 45 : Structure Wo (120 Deg)) (Continued)

	Member Label	Direction	Start Magnitude[lb/ft,...	End Magnitude[lb/ft,F...	Start Location[ft, %]	End Location[ft, %]
74	M75A	Z	4.497	4.497	0	%100
75	M76A	X	7.789	7.789	0	%100
76	M76A	Z	4.497	4.497	0	%100
77	M77A	X	2.337	2.337	0	%100
78	M77A	Z	1.349	1.349	0	%100
79	M78A	X	2.337	2.337	0	%100
80	M78A	Z	1.349	1.349	0	%100
81	M79	X	2.337	2.337	0	%100
82	M79	Z	1.349	1.349	0	%100
83	M80	X	7.789	7.789	0	%100
84	M80	Z	4.497	4.497	0	%100
85	M81	X	7.789	7.789	0	%100
86	M81	Z	4.497	4.497	0	%100
87	M82	X	2.337	2.337	0	%100
88	M82	Z	1.349	1.349	0	%100
89	M83A	X	2.337	2.337	0	%100
90	M83A	Z	1.349	1.349	0	%100
91	M84	X	2.337	2.337	0	%100
92	M84	Z	1.349	1.349	0	%100
93	M85	X	31.157	31.157	0	%100
94	M85	Z	17.988	17.988	0	%100
95	M86	X	31.157	31.157	0	%100
96	M86	Z	17.988	17.988	0	%100
97	M87	X	9.347	9.347	0	%100
98	M87	Z	5.396	5.396	0	%100
99	M88	X	9.347	9.347	0	%100
100	M88	Z	5.396	5.396	0	%100
101	M89	X	9.347	9.347	0	%100
102	M89	Z	5.396	5.396	0	%100

Member Distributed Loads (BLC 46 : Structure Wo (150 Deg))

	Member Label	Direction	Start Magnitude[lb/ft,...	End Magnitude[lb/ft,F...	Start Location[ft, %]	End Location[ft, %]
1	M4	X	1.874	1.874	0	%100
2	M4	Z	3.245	3.245	0	%100
3	M5	X	7.495	7.495	0	%100
4	M5	Z	12.982	12.982	0	%100
5	M6	X	1.874	1.874	0	%100
6	M6	Z	3.245	3.245	0	%100
7	M7	X	6.746	6.746	0	%100
8	M7	Z	11.684	11.684	0	%100
9	M8	X	0	0	0	%100
10	M8	Z	0	0	0	%100
11	M9	X	6.746	6.746	0	%100
12	M9	Z	11.684	11.684	0	%100
13	M13	X	1.527	1.527	0	%100
14	M13	Z	2.645	2.645	0	%100
15	M17	X	6.108	6.108	0	%100
16	M17	Z	10.579	10.579	0	%100
17	M21	X	1.527	1.527	0	%100
18	M21	Z	2.645	2.645	0	%100
19	MP4A	X	4.272	4.272	0	%100
20	MP4A	Z	7.4	7.4	0	%100
21	MP3A	X	4.272	4.272	0	%100
22	MP3A	Z	7.4	7.4	0	%100
23	MP2A	X	4.272	4.272	0	%100
24	MP2A	Z	7.4	7.4	0	%100



Company :
 Designer :
 Job Number :
 Model Name :

June 28, 2021
 1:21 PM
 Checked By: _____

Member Distributed Loads (BLC 46 : Structure Wo (150 Deg)) (Continued)

	Member Label	Direction	Start Magnitude[lb/ft,...	End Magnitude[lb/ft,F...	Start Location[ft, %]	End Location[ft, %]
25	MP1A	X	4.272	4.272	0	%100
26	MP1A	Z	7.4	7.4	0	%100
27	MP3C	X	4.272	4.272	0	%100
28	MP3C	Z	7.4	7.4	0	%100
29	MP2C	X	4.272	4.272	0	%100
30	MP2C	Z	7.4	7.4	0	%100
31	MP3B	X	4.272	4.272	0	%100
32	MP3B	Z	7.4	7.4	0	%100
33	MP2B	X	4.272	4.272	0	%100
34	MP2B	Z	7.4	7.4	0	%100
35	M43	X	3.263	3.263	0	%100
36	M43	Z	5.652	5.652	0	%100
37	M60A	X	3.204	3.204	0	%100
38	M60A	Z	5.55	5.55	0	%100
39	M49	X	0	0	0	%100
40	M49	Z	0	0	0	%100
41	M54	X	3.204	3.204	0	%100
42	M54	Z	5.55	5.55	0	%100
43	MP4C	X	4.272	4.272	0	%100
44	MP4C	Z	7.4	7.4	0	%100
45	MP1C	X	4.272	4.272	0	%100
46	MP1C	Z	7.4	7.4	0	%100
47	MP4B	X	4.272	4.272	0	%100
48	MP4B	Z	7.4	7.4	0	%100
49	MP1B	X	4.272	4.272	0	%100
50	MP1B	Z	7.4	7.4	0	%100
51	M66	X	3.263	3.263	0	%100
52	M66	Z	5.652	5.652	0	%100
53	M67	X	0	0	0	%100
54	M67	Z	0	0	0	%100
55	M63A	X	1.552	1.552	0	%100
56	M63A	Z	2.688	2.688	0	%100
57	M64	X	5.838	5.838	0	%100
58	M64	Z	10.113	10.113	0	%100
59	M65	X	3.068	3.068	0	%100
60	M65	Z	5.314	5.314	0	%100
61	M66A	X	3.068	3.068	0	%100
62	M66A	Z	5.314	5.314	0	%100
63	M67A	X	5.838	5.838	0	%100
64	M67A	Z	10.113	10.113	0	%100
65	M68	X	1.552	1.552	0	%100
66	M68	Z	2.688	2.688	0	%100
67	M75	X	0	0	0	%100
68	M75	Z	0	0	0	%100
69	M78	X	5.304	5.304	0	%100
70	M78	Z	9.187	9.187	0	%100
71	M85A	X	5.304	5.304	0	%100
72	M85A	Z	9.187	9.187	0	%100
73	M75A	X	13.491	13.491	0	%100
74	M75A	Z	23.367	23.367	0	%100
75	M76A	X	13.491	13.491	0	%100
76	M76A	Z	23.367	23.367	0	%100
77	M77A	X	4.047	4.047	0	%100
78	M77A	Z	7.01	7.01	0	%100
79	M78A	X	4.047	4.047	0	%100
80	M78A	Z	7.01	7.01	0	%100
81	M79	X	4.047	4.047	0	%100

Member Distributed Loads (BLC 46 : Structure Wo (150 Deg)) (Continued)

	Member Label	Direction	Start Magnitude[lb/ft,...	End Magnitude[lb/ft,F...	Start Location[ft, %]	End Location[ft, %]
82	M79	Z	7.01	7.01	0	%100
83	M80	X	0	0	0	%100
84	M80	Z	0	0	0	%100
85	M81	X	0	0	0	%100
86	M81	Z	0	0	0	%100
87	M82	X	0	0	0	%100
88	M82	Z	0	0	0	%100
89	M83A	X	0	0	0	%100
90	M83A	Z	0	0	0	%100
91	M84	X	0	0	0	%100
92	M84	Z	0	0	0	%100
93	M85	X	13.491	13.491	0	%100
94	M85	Z	23.367	23.367	0	%100
95	M86	X	13.491	13.491	0	%100
96	M86	Z	23.367	23.367	0	%100
97	M87	X	4.047	4.047	0	%100
98	M87	Z	7.01	7.01	0	%100
99	M88	X	4.047	4.047	0	%100
100	M88	Z	7.01	7.01	0	%100
101	M89	X	4.047	4.047	0	%100
102	M89	Z	7.01	7.01	0	%100

Member Distributed Loads (BLC 47 : Structure Wo (180 Deg))

	Member Label	Direction	Start Magnitude[lb/ft,...	End Magnitude[lb/ft,F...	Start Location[ft, %]	End Location[ft, %]
1	M4	X	0	0	0	%100
2	M4	Z	0	0	0	%100
3	M5	X	0	0	0	%100
4	M5	Z	11.243	11.243	0	%100
5	M6	X	0	0	0	%100
6	M6	Z	11.243	11.243	0	%100
7	M7	X	0	0	0	%100
8	M7	Z	17.988	17.988	0	%100
9	M8	X	0	0	0	%100
10	M8	Z	4.497	4.497	0	%100
11	M9	X	0	0	0	%100
12	M9	Z	4.497	4.497	0	%100
13	M13	X	0	0	0	%100
14	M13	Z	0	0	0	%100
15	M17	X	0	0	0	%100
16	M17	Z	9.162	9.162	0	%100
17	M21	X	0	0	0	%100
18	M21	Z	9.162	9.162	0	%100
19	MP4A	X	0	0	0	%100
20	MP4A	Z	8.544	8.544	0	%100
21	MP3A	X	0	0	0	%100
22	MP3A	Z	8.544	8.544	0	%100
23	MP2A	X	0	0	0	%100
24	MP2A	Z	8.544	8.544	0	%100
25	MP1A	X	0	0	0	%100
26	MP1A	Z	8.544	8.544	0	%100
27	MP3C	X	0	0	0	%100
28	MP3C	Z	8.544	8.544	0	%100
29	MP2C	X	0	0	0	%100
30	MP2C	Z	8.544	8.544	0	%100
31	MP3B	X	0	0	0	%100
32	MP3B	Z	8.544	8.544	0	%100

Member Distributed Loads (BLC 47 : Structure Wo (180 Deg)) (Continued)

Member Label	Direction	Start Magnitude[lb/ft,...	End Magnitude[lb/ft,F...	Start Location[ft, %]	End Location[ft, %]	
33	MP2B	X	0	0	0	%100
34	MP2B	Z	8.544	8.544	0	%100
35	M43	X	0	0	0	%100
36	M43	Z	2.175	2.175	0	%100
37	M60A	X	0	0	0	%100
38	M60A	Z	8.544	8.544	0	%100
39	M49	X	0	0	0	%100
40	M49	Z	2.136	2.136	0	%100
41	M54	X	0	0	0	%100
42	M54	Z	2.136	2.136	0	%100
43	MP4C	X	0	0	0	%100
44	MP4C	Z	8.544	8.544	0	%100
45	MP1C	X	0	0	0	%100
46	MP1C	Z	8.544	8.544	0	%100
47	MP4B	X	0	0	0	%100
48	MP4B	Z	8.544	8.544	0	%100
49	MP1B	X	0	0	0	%100
50	MP1B	Z	8.544	8.544	0	%100
51	M66	X	0	0	0	%100
52	M66	Z	8.701	8.701	0	%100
53	M67	X	0	0	0	%100
54	M67	Z	2.175	2.175	0	%100
55	M63A	X	0	0	0	%100
56	M63A	Z	7.808	7.808	0	%100
57	M64	X	0	0	0	%100
58	M64	Z	7.808	7.808	0	%100
59	M65	X	0	0	0	%100
60	M65	Z	2.267	2.267	0	%100
61	M66A	X	0	0	0	%100
62	M66A	Z	10.841	10.841	0	%100
63	M67A	X	0	0	0	%100
64	M67A	Z	10.841	10.841	0	%100
65	M68	X	0	0	0	%100
66	M68	Z	2.267	2.267	0	%100
67	M75	X	0	0	0	%100
68	M75	Z	3.536	3.536	0	%100
69	M78	X	0	0	0	%100
70	M78	Z	3.536	3.536	0	%100
71	M85A	X	0	0	0	%100
72	M85A	Z	14.144	14.144	0	%100
73	M75A	X	0	0	0	%100
74	M75A	Z	35.977	35.977	0	%100
75	M76A	X	0	0	0	%100
76	M76A	Z	35.977	35.977	0	%100
77	M77A	X	0	0	0	%100
78	M77A	Z	10.793	10.793	0	%100
79	M78A	X	0	0	0	%100
80	M78A	Z	10.793	10.793	0	%100
81	M79	X	0	0	0	%100
82	M79	Z	10.793	10.793	0	%100
83	M80	X	0	0	0	%100
84	M80	Z	8.994	8.994	0	%100
85	M81	X	0	0	0	%100
86	M81	Z	8.994	8.994	0	%100
87	M82	X	0	0	0	%100
88	M82	Z	2.698	2.698	0	%100
89	M83A	X	0	0	0	%100

Member Distributed Loads (BLC 47 : Structure Wo (180 Deg)) (Continued)

	Member Label	Direction	Start Magnitude[lb/ft,...	End Magnitude[lb/ft,F...	Start Location[ft, %]	End Location[ft, %]
90	M83A	Z	2.698	2.698	0	%100
91	M84	X	0	0	0	%100
92	M84	Z	2.698	2.698	0	%100
93	M85	X	0	0	0	%100
94	M85	Z	8.994	8.994	0	%100
95	M86	X	0	0	0	%100
96	M86	Z	8.994	8.994	0	%100
97	M87	X	0	0	0	%100
98	M87	Z	2.698	2.698	0	%100
99	M88	X	0	0	0	%100
100	M88	Z	2.698	2.698	0	%100
101	M89	X	0	0	0	%100
102	M89	Z	2.698	2.698	0	%100

Member Distributed Loads (BLC 48 : Structure Wo (210 Deg))

	Member Label	Direction	Start Magnitude[lb/ft,...	End Magnitude[lb/ft,F...	Start Location[ft, %]	End Location[ft, %]
1	M4	X	-1.874	-1.874	0	%100
2	M4	Z	3.245	3.245	0	%100
3	M5	X	-1.874	-1.874	0	%100
4	M5	Z	3.245	3.245	0	%100
5	M6	X	-7.495	-7.495	0	%100
6	M6	Z	12.982	12.982	0	%100
7	M7	X	-6.746	-6.746	0	%100
8	M7	Z	11.684	11.684	0	%100
9	M8	X	-6.746	-6.746	0	%100
10	M8	Z	11.684	11.684	0	%100
11	M9	X	0	0	0	%100
12	M9	Z	0	0	0	%100
13	M13	X	-1.527	-1.527	0	%100
14	M13	Z	2.645	2.645	0	%100
15	M17	X	-1.527	-1.527	0	%100
16	M17	Z	2.645	2.645	0	%100
17	M21	X	-6.108	-6.108	0	%100
18	M21	Z	10.579	10.579	0	%100
19	MP4A	X	-4.272	-4.272	0	%100
20	MP4A	Z	7.4	7.4	0	%100
21	MP3A	X	-4.272	-4.272	0	%100
22	MP3A	Z	7.4	7.4	0	%100
23	MP2A	X	-4.272	-4.272	0	%100
24	MP2A	Z	7.4	7.4	0	%100
25	MP1A	X	-4.272	-4.272	0	%100
26	MP1A	Z	7.4	7.4	0	%100
27	MP3C	X	-4.272	-4.272	0	%100
28	MP3C	Z	7.4	7.4	0	%100
29	MP2C	X	-4.272	-4.272	0	%100
30	MP2C	Z	7.4	7.4	0	%100
31	MP3B	X	-4.272	-4.272	0	%100
32	MP3B	Z	7.4	7.4	0	%100
33	MP2B	X	-4.272	-4.272	0	%100
34	MP2B	Z	7.4	7.4	0	%100
35	M43	X	0	0	0	%100
36	M43	Z	0	0	0	%100
37	M60A	X	-3.204	-3.204	0	%100
38	M60A	Z	5.55	5.55	0	%100
39	M49	X	-3.204	-3.204	0	%100
40	M49	Z	5.55	5.55	0	%100



Company :
 Designer :
 Job Number :
 Model Name :

June 28, 2021
 1:21 PM
 Checked By: _____

Member Distributed Loads (BLC 48 : Structure Wo (210 Deg)) (Continued)

Member Label	Direction	Start Magnitude[lb/ft,...	End Magnitude[lb/ft,F...	Start Location[ft, %]	End Location[ft, %]	
41	M54	X	0	0	0	%100
42	M54	Z	0	0	0	%100
43	MP4C	X	-4.272	-4.272	0	%100
44	MP4C	Z	7.4	7.4	0	%100
45	MP1C	X	-4.272	-4.272	0	%100
46	MP1C	Z	7.4	7.4	0	%100
47	MP4B	X	-4.272	-4.272	0	%100
48	MP4B	Z	7.4	7.4	0	%100
49	MP1B	X	-4.272	-4.272	0	%100
50	MP1B	Z	7.4	7.4	0	%100
51	M66	X	-3.263	-3.263	0	%100
52	M66	Z	5.652	5.652	0	%100
53	M67	X	-3.263	-3.263	0	%100
54	M67	Z	5.652	5.652	0	%100
55	M63A	X	-5.838	-5.838	0	%100
56	M63A	Z	10.113	10.113	0	%100
57	M64	X	-1.552	-1.552	0	%100
58	M64	Z	2.688	2.688	0	%100
59	M65	X	-1.552	-1.552	0	%100
60	M65	Z	2.688	2.688	0	%100
61	M66A	X	-5.838	-5.838	0	%100
62	M66A	Z	10.113	10.113	0	%100
63	M67A	X	-3.068	-3.068	0	%100
64	M67A	Z	5.314	5.314	0	%100
65	M68	X	-3.068	-3.068	0	%100
66	M68	Z	5.314	5.314	0	%100
67	M75	X	-5.304	-5.304	0	%100
68	M75	Z	9.187	9.187	0	%100
69	M78	X	0	0	0	%100
70	M78	Z	0	0	0	%100
71	M85A	X	-5.304	-5.304	0	%100
72	M85A	Z	9.187	9.187	0	%100
73	M75A	X	-13.491	-13.491	0	%100
74	M75A	Z	23.367	23.367	0	%100
75	M76A	X	-13.491	-13.491	0	%100
76	M76A	Z	23.367	23.367	0	%100
77	M77A	X	-4.047	-4.047	0	%100
78	M77A	Z	7.01	7.01	0	%100
79	M78A	X	-4.047	-4.047	0	%100
80	M78A	Z	7.01	7.01	0	%100
81	M79	X	-4.047	-4.047	0	%100
82	M79	Z	7.01	7.01	0	%100
83	M80	X	-13.491	-13.491	0	%100
84	M80	Z	23.367	23.367	0	%100
85	M81	X	-13.491	-13.491	0	%100
86	M81	Z	23.367	23.367	0	%100
87	M82	X	-4.047	-4.047	0	%100
88	M82	Z	7.01	7.01	0	%100
89	M83A	X	-4.047	-4.047	0	%100
90	M83A	Z	7.01	7.01	0	%100
91	M84	X	-4.047	-4.047	0	%100
92	M84	Z	7.01	7.01	0	%100
93	M85	X	0	0	0	%100
94	M85	Z	0	0	0	%100
95	M86	X	0	0	0	%100
96	M86	Z	0	0	0	%100
97	M87	X	0	0	0	%100

Member Distributed Loads (BLC 48 : Structure Wo (210 Deg)) (Continued)

	Member Label	Direction	Start Magnitude[lb/ft,...	End Magnitude[lb/ft,F...	Start Location[ft, %]	End Location[ft, %]
98	M87	Z	0	0	0	%100
99	M88	X	0	0	0	%100
100	M88	Z	0	0	0	%100
101	M89	X	0	0	0	%100
102	M89	Z	0	0	0	%100

Member Distributed Loads (BLC 49 : Structure Wo (240 Deg))

	Member Label	Direction	Start Magnitude[lb/ft,...	End Magnitude[lb/ft,F...	Start Location[ft, %]	End Location[ft, %]
1	M4	X	-9.736	-9.736	0	%100
2	M4	Z	5.621	5.621	0	%100
3	M5	X	0	0	0	%100
4	M5	Z	0	0	0	%100
5	M6	X	-9.736	-9.736	0	%100
6	M6	Z	5.621	5.621	0	%100
7	M7	X	-3.895	-3.895	0	%100
8	M7	Z	2.249	2.249	0	%100
9	M8	X	-15.578	-15.578	0	%100
10	M8	Z	8.994	8.994	0	%100
11	M9	X	-3.895	-3.895	0	%100
12	M9	Z	2.249	2.249	0	%100
13	M13	X	-7.934	-7.934	0	%100
14	M13	Z	4.581	4.581	0	%100
15	M17	X	0	0	0	%100
16	M17	Z	0	0	0	%100
17	M21	X	-7.934	-7.934	0	%100
18	M21	Z	4.581	4.581	0	%100
19	MP4A	X	-7.4	-7.4	0	%100
20	MP4A	Z	4.272	4.272	0	%100
21	MP3A	X	-7.4	-7.4	0	%100
22	MP3A	Z	4.272	4.272	0	%100
23	MP2A	X	-7.4	-7.4	0	%100
24	MP2A	Z	4.272	4.272	0	%100
25	MP1A	X	-7.4	-7.4	0	%100
26	MP1A	Z	4.272	4.272	0	%100
27	MP3C	X	-7.4	-7.4	0	%100
28	MP3C	Z	4.272	4.272	0	%100
29	MP2C	X	-7.4	-7.4	0	%100
30	MP2C	Z	4.272	4.272	0	%100
31	MP3B	X	-7.4	-7.4	0	%100
32	MP3B	Z	4.272	4.272	0	%100
33	MP2B	X	-7.4	-7.4	0	%100
34	MP2B	Z	4.272	4.272	0	%100
35	M43	X	-1.884	-1.884	0	%100
36	M43	Z	1.088	1.088	0	%100
37	M60A	X	-1.85	-1.85	0	%100
38	M60A	Z	1.068	1.068	0	%100
39	M49	X	-7.4	-7.4	0	%100
40	M49	Z	4.272	4.272	0	%100
41	M54	X	-1.85	-1.85	0	%100
42	M54	Z	1.068	1.068	0	%100
43	MP4C	X	-7.4	-7.4	0	%100
44	MP4C	Z	4.272	4.272	0	%100
45	MP1C	X	-7.4	-7.4	0	%100
46	MP1C	Z	4.272	4.272	0	%100
47	MP4B	X	-7.4	-7.4	0	%100
48	MP4B	Z	4.272	4.272	0	%100



Company :
 Designer :
 Job Number :
 Model Name :

June 28, 2021
 1:21 PM
 Checked By: _____

Member Distributed Loads (BLC 49 : Structure Wo (240 Deg)) (Continued)

	Member Label	Direction	Start Magnitude[lb/ft,...	End Magnitude[lb/ft,F...	Start Location[ft, %]	End Location[ft, %]
49	MP1B	X	-7.4	-7.4	0	%100
50	MP1B	Z	4.272	4.272	0	%100
51	M66	X	-1.884	-1.884	0	%100
52	M66	Z	1.088	1.088	0	%100
53	M67	X	-7.536	-7.536	0	%100
54	M67	Z	4.351	4.351	0	%100
55	M63A	X	-9.388	-9.388	0	%100
56	M63A	Z	5.42	5.42	0	%100
57	M64	X	-1.964	-1.964	0	%100
58	M64	Z	1.134	1.134	0	%100
59	M65	X	-6.762	-6.762	0	%100
60	M65	Z	3.904	3.904	0	%100
61	M66A	X	-6.762	-6.762	0	%100
62	M66A	Z	3.904	3.904	0	%100
63	M67A	X	-1.964	-1.964	0	%100
64	M67A	Z	1.134	1.134	0	%100
65	M68	X	-9.388	-9.388	0	%100
66	M68	Z	5.42	5.42	0	%100
67	M75	X	-12.249	-12.249	0	%100
68	M75	Z	7.072	7.072	0	%100
69	M78	X	-3.062	-3.062	0	%100
70	M78	Z	1.768	1.768	0	%100
71	M85A	X	-3.062	-3.062	0	%100
72	M85A	Z	1.768	1.768	0	%100
73	M75A	X	-7.789	-7.789	0	%100
74	M75A	Z	4.497	4.497	0	%100
75	M76A	X	-7.789	-7.789	0	%100
76	M76A	Z	4.497	4.497	0	%100
77	M77A	X	-2.337	-2.337	0	%100
78	M77A	Z	1.349	1.349	0	%100
79	M78A	X	-2.337	-2.337	0	%100
80	M78A	Z	1.349	1.349	0	%100
81	M79	X	-2.337	-2.337	0	%100
82	M79	Z	1.349	1.349	0	%100
83	M80	X	-31.157	-31.157	0	%100
84	M80	Z	17.988	17.988	0	%100
85	M81	X	-31.157	-31.157	0	%100
86	M81	Z	17.988	17.988	0	%100
87	M82	X	-9.347	-9.347	0	%100
88	M82	Z	5.396	5.396	0	%100
89	M83A	X	-9.347	-9.347	0	%100
90	M83A	Z	5.396	5.396	0	%100
91	M84	X	-9.347	-9.347	0	%100
92	M84	Z	5.396	5.396	0	%100
93	M85	X	-7.789	-7.789	0	%100
94	M85	Z	4.497	4.497	0	%100
95	M86	X	-7.789	-7.789	0	%100
96	M86	Z	4.497	4.497	0	%100
97	M87	X	-2.337	-2.337	0	%100
98	M87	Z	1.349	1.349	0	%100
99	M88	X	-2.337	-2.337	0	%100
100	M88	Z	1.349	1.349	0	%100
101	M89	X	-2.337	-2.337	0	%100
102	M89	Z	1.349	1.349	0	%100

Member Distributed Loads (BLC 50 : Structure Wo (270 Deg))

	Member Label	Direction	Start Magnitude[lb/ft,...	End Magnitude[lb/ft,F...	Start Location[ft, %]	End Location[ft, %]
--	--------------	-----------	---------------------------	--------------------------	-----------------------	---------------------

Member Distributed Loads (BLC 50 : Structure Wo (270 Deg)) (Continued)

	Member Label	Direction	Start Magnitude[lb/ft,...	End Magnitude[lb/ft,F...	Start Location[ft, %]	End Location[ft, %]
1	M4	X	-14.99	-14.99	0	%100
2	M4	Z	0	0	0	%100
3	M5	X	-3.748	-3.748	0	%100
4	M5	Z	0	0	0	%100
5	M6	X	-3.748	-3.748	0	%100
6	M6	Z	0	0	0	%100
7	M7	X	0	0	0	%100
8	M7	Z	0	0	0	%100
9	M8	X	-13.491	-13.491	0	%100
10	M8	Z	0	0	0	%100
11	M9	X	-13.491	-13.491	0	%100
12	M9	Z	0	0	0	%100
13	M13	X	-12.216	-12.216	0	%100
14	M13	Z	0	0	0	%100
15	M17	X	-3.054	-3.054	0	%100
16	M17	Z	0	0	0	%100
17	M21	X	-3.054	-3.054	0	%100
18	M21	Z	0	0	0	%100
19	MP4A	X	-8.544	-8.544	0	%100
20	MP4A	Z	0	0	0	%100
21	MP3A	X	-8.544	-8.544	0	%100
22	MP3A	Z	0	0	0	%100
23	MP2A	X	-8.544	-8.544	0	%100
24	MP2A	Z	0	0	0	%100
25	MP1A	X	-8.544	-8.544	0	%100
26	MP1A	Z	0	0	0	%100
27	MP3C	X	-8.544	-8.544	0	%100
28	MP3C	Z	0	0	0	%100
29	MP2C	X	-8.544	-8.544	0	%100
30	MP2C	Z	0	0	0	%100
31	MP3B	X	-8.544	-8.544	0	%100
32	MP3B	Z	0	0	0	%100
33	MP2B	X	-8.544	-8.544	0	%100
34	MP2B	Z	0	0	0	%100
35	M43	X	-6.526	-6.526	0	%100
36	M43	Z	0	0	0	%100
37	M60A	X	0	0	0	%100
38	M60A	Z	0	0	0	%100
39	M49	X	-6.408	-6.408	0	%100
40	M49	Z	0	0	0	%100
41	M54	X	-6.408	-6.408	0	%100
42	M54	Z	0	0	0	%100
43	MP4C	X	-8.544	-8.544	0	%100
44	MP4C	Z	0	0	0	%100
45	MP1C	X	-8.544	-8.544	0	%100
46	MP1C	Z	0	0	0	%100
47	MP4B	X	-8.544	-8.544	0	%100
48	MP4B	Z	0	0	0	%100
49	MP1B	X	-8.544	-8.544	0	%100
50	MP1B	Z	0	0	0	%100
51	M66	X	0	0	0	%100
52	M66	Z	0	0	0	%100
53	M67	X	-6.526	-6.526	0	%100
54	M67	Z	0	0	0	%100
55	M63A	X	-6.136	-6.136	0	%100
56	M63A	Z	0	0	0	%100
57	M64	X	-6.136	-6.136	0	%100



Company :
 Designer :
 Job Number :
 Model Name :

June 28, 2021
 1:21 PM
 Checked By: _____

Member Distributed Loads (BLC 50 : Structure Wo (270 Deg)) (Continued)

	Member Label	Direction	Start Magnitude[lb/ft,...	End Magnitude[lb/ft,F...	Start Location[ft, %]	End Location[ft, %]
58	M64	Z	0	0	0	%100
59	M65	X	-11.677	-11.677	0	%100
60	M65	Z	0	0	0	%100
61	M66A	X	-3.104	-3.104	0	%100
62	M66A	Z	0	0	0	%100
63	M67A	X	-3.104	-3.104	0	%100
64	M67A	Z	0	0	0	%100
65	M68	X	-11.677	-11.677	0	%100
66	M68	Z	0	0	0	%100
67	M75	X	-10.608	-10.608	0	%100
68	M75	Z	0	0	0	%100
69	M78	X	-10.608	-10.608	0	%100
70	M78	Z	0	0	0	%100
71	M85A	X	0	0	0	%100
72	M85A	Z	0	0	0	%100
73	M75A	X	0	0	0	%100
74	M75A	Z	0	0	0	%100
75	M76A	X	0	0	0	%100
76	M76A	Z	0	0	0	%100
77	M77A	X	0	0	0	%100
78	M77A	Z	0	0	0	%100
79	M78A	X	0	0	0	%100
80	M78A	Z	0	0	0	%100
81	M79	X	0	0	0	%100
82	M79	Z	0	0	0	%100
83	M80	X	-26.982	-26.982	0	%100
84	M80	Z	0	0	0	%100
85	M81	X	-26.982	-26.982	0	%100
86	M81	Z	0	0	0	%100
87	M82	X	-8.095	-8.095	0	%100
88	M82	Z	0	0	0	%100
89	M83A	X	-8.095	-8.095	0	%100
90	M83A	Z	0	0	0	%100
91	M84	X	-8.095	-8.095	0	%100
92	M84	Z	0	0	0	%100
93	M85	X	-26.982	-26.982	0	%100
94	M85	Z	0	0	0	%100
95	M86	X	-26.982	-26.982	0	%100
96	M86	Z	0	0	0	%100
97	M87	X	-8.095	-8.095	0	%100
98	M87	Z	0	0	0	%100
99	M88	X	-8.095	-8.095	0	%100
100	M88	Z	0	0	0	%100
101	M89	X	-8.095	-8.095	0	%100
102	M89	Z	0	0	0	%100

Member Distributed Loads (BLC 51 : Structure Wo (300 Deg))

	Member Label	Direction	Start Magnitude[lb/ft,...	End Magnitude[lb/ft,F...	Start Location[ft, %]	End Location[ft, %]
1	M4	X	-9.736	-9.736	0	%100
2	M4	Z	-5.621	-5.621	0	%100
3	M5	X	-9.736	-9.736	0	%100
4	M5	Z	-5.621	-5.621	0	%100
5	M6	X	0	0	0	%100
6	M6	Z	0	0	0	%100
7	M7	X	-3.895	-3.895	0	%100
8	M7	Z	-2.249	-2.249	0	%100



Company :
 Designer :
 Job Number :
 Model Name :

June 28, 2021
 1:21 PM
 Checked By: _____

Member Distributed Loads (BLC 51 : Structure Wo (300 Deg)) (Continued)

	Member Label	Direction	Start Magnitude[lb/ft,...	End Magnitude[lb/ft,F...	Start Location[ft, %]	End Location[ft, %]
9	M8	X	-3.895	-3.895	0	%100
10	M8	Z	-2.249	-2.249	0	%100
11	M9	X	-15.578	-15.578	0	%100
12	M9	Z	-8.994	-8.994	0	%100
13	M13	X	-7.934	-7.934	0	%100
14	M13	Z	-4.581	-4.581	0	%100
15	M17	X	-7.934	-7.934	0	%100
16	M17	Z	-4.581	-4.581	0	%100
17	M21	X	0	0	0	%100
18	M21	Z	0	0	0	%100
19	MP4A	X	-7.4	-7.4	0	%100
20	MP4A	Z	-4.272	-4.272	0	%100
21	MP3A	X	-7.4	-7.4	0	%100
22	MP3A	Z	-4.272	-4.272	0	%100
23	MP2A	X	-7.4	-7.4	0	%100
24	MP2A	Z	-4.272	-4.272	0	%100
25	MP1A	X	-7.4	-7.4	0	%100
26	MP1A	Z	-4.272	-4.272	0	%100
27	MP3C	X	-7.4	-7.4	0	%100
28	MP3C	Z	-4.272	-4.272	0	%100
29	MP2C	X	-7.4	-7.4	0	%100
30	MP2C	Z	-4.272	-4.272	0	%100
31	MP3B	X	-7.4	-7.4	0	%100
32	MP3B	Z	-4.272	-4.272	0	%100
33	MP2B	X	-7.4	-7.4	0	%100
34	MP2B	Z	-4.272	-4.272	0	%100
35	M43	X	-7.536	-7.536	0	%100
36	M43	Z	-4.351	-4.351	0	%100
37	M60A	X	-1.85	-1.85	0	%100
38	M60A	Z	-1.068	-1.068	0	%100
39	M49	X	-1.85	-1.85	0	%100
40	M49	Z	-1.068	-1.068	0	%100
41	M54	X	-7.4	-7.4	0	%100
42	M54	Z	-4.272	-4.272	0	%100
43	MP4C	X	-7.4	-7.4	0	%100
44	MP4C	Z	-4.272	-4.272	0	%100
45	MP1C	X	-7.4	-7.4	0	%100
46	MP1C	Z	-4.272	-4.272	0	%100
47	MP4B	X	-7.4	-7.4	0	%100
48	MP4B	Z	-4.272	-4.272	0	%100
49	MP1B	X	-7.4	-7.4	0	%100
50	MP1B	Z	-4.272	-4.272	0	%100
51	M66	X	-1.884	-1.884	0	%100
52	M66	Z	-1.088	-1.088	0	%100
53	M67	X	-1.884	-1.884	0	%100
54	M67	Z	-1.088	-1.088	0	%100
55	M63A	X	-1.964	-1.964	0	%100
56	M63A	Z	-1.134	-1.134	0	%100
57	M64	X	-9.388	-9.388	0	%100
58	M64	Z	-5.42	-5.42	0	%100
59	M65	X	-9.388	-9.388	0	%100
60	M65	Z	-5.42	-5.42	0	%100
61	M66A	X	-1.964	-1.964	0	%100
62	M66A	Z	-1.134	-1.134	0	%100
63	M67A	X	-6.762	-6.762	0	%100
64	M67A	Z	-3.904	-3.904	0	%100
65	M68	X	-6.762	-6.762	0	%100

Member Distributed Loads (BLC 51 : Structure Wo (300 Deg)) (Continued)

	Member Label	Direction	Start Magnitude[lb/ft,...	End Magnitude[lb/ft,F...	Start Location[ft, %]	End Location[ft, %]
66	M68	Z	-3.904	-3.904	0	%100
67	M75	X	-3.062	-3.062	0	%100
68	M75	Z	-1.768	-1.768	0	%100
69	M78	X	-12.249	-12.249	0	%100
70	M78	Z	-7.072	-7.072	0	%100
71	M85A	X	-3.062	-3.062	0	%100
72	M85A	Z	-1.768	-1.768	0	%100
73	M75A	X	-7.789	-7.789	0	%100
74	M75A	Z	-4.497	-4.497	0	%100
75	M76A	X	-7.789	-7.789	0	%100
76	M76A	Z	-4.497	-4.497	0	%100
77	M77A	X	-2.337	-2.337	0	%100
78	M77A	Z	-1.349	-1.349	0	%100
79	M78A	X	-2.337	-2.337	0	%100
80	M78A	Z	-1.349	-1.349	0	%100
81	M79	X	-2.337	-2.337	0	%100
82	M79	Z	-1.349	-1.349	0	%100
83	M80	X	-7.789	-7.789	0	%100
84	M80	Z	-4.497	-4.497	0	%100
85	M81	X	-7.789	-7.789	0	%100
86	M81	Z	-4.497	-4.497	0	%100
87	M82	X	-2.337	-2.337	0	%100
88	M82	Z	-1.349	-1.349	0	%100
89	M83A	X	-2.337	-2.337	0	%100
90	M83A	Z	-1.349	-1.349	0	%100
91	M84	X	-2.337	-2.337	0	%100
92	M84	Z	-1.349	-1.349	0	%100
93	M85	X	-31.157	-31.157	0	%100
94	M85	Z	-17.988	-17.988	0	%100
95	M86	X	-31.157	-31.157	0	%100
96	M86	Z	-17.988	-17.988	0	%100
97	M87	X	-9.347	-9.347	0	%100
98	M87	Z	-5.396	-5.396	0	%100
99	M88	X	-9.347	-9.347	0	%100
100	M88	Z	-5.396	-5.396	0	%100
101	M89	X	-9.347	-9.347	0	%100
102	M89	Z	-5.396	-5.396	0	%100

Member Distributed Loads (BLC 52 : Structure Wo (330 Deg))

	Member Label	Direction	Start Magnitude[lb/ft,...	End Magnitude[lb/ft,F...	Start Location[ft, %]	End Location[ft, %]
1	M4	X	-1.874	-1.874	0	%100
2	M4	Z	-3.245	-3.245	0	%100
3	M5	X	-7.495	-7.495	0	%100
4	M5	Z	-12.982	-12.982	0	%100
5	M6	X	-1.874	-1.874	0	%100
6	M6	Z	-3.245	-3.245	0	%100
7	M7	X	-6.746	-6.746	0	%100
8	M7	Z	-11.684	-11.684	0	%100
9	M8	X	0	0	0	%100
10	M8	Z	0	0	0	%100
11	M9	X	-6.746	-6.746	0	%100
12	M9	Z	-11.684	-11.684	0	%100
13	M13	X	-1.527	-1.527	0	%100
14	M13	Z	-2.645	-2.645	0	%100
15	M17	X	-6.108	-6.108	0	%100
16	M17	Z	-10.579	-10.579	0	%100



Company :
 Designer :
 Job Number :
 Model Name :

June 28, 2021
 1:21 PM
 Checked By: _____

Member Distributed Loads (BLC 52 : Structure Wo (330 Deg)) (Continued)

	Member Label	Direction	Start Magnitude[lb/ft,...	End Magnitude[lb/ft,F...	Start Location[ft, %]	End Location[ft, %]
17	M21	X	-1.527	-1.527	0	%100
18	M21	Z	-2.645	-2.645	0	%100
19	MP4A	X	-4.272	-4.272	0	%100
20	MP4A	Z	-7.4	-7.4	0	%100
21	MP3A	X	-4.272	-4.272	0	%100
22	MP3A	Z	-7.4	-7.4	0	%100
23	MP2A	X	-4.272	-4.272	0	%100
24	MP2A	Z	-7.4	-7.4	0	%100
25	MP1A	X	-4.272	-4.272	0	%100
26	MP1A	Z	-7.4	-7.4	0	%100
27	MP3C	X	-4.272	-4.272	0	%100
28	MP3C	Z	-7.4	-7.4	0	%100
29	MP2C	X	-4.272	-4.272	0	%100
30	MP2C	Z	-7.4	-7.4	0	%100
31	MP3B	X	-4.272	-4.272	0	%100
32	MP3B	Z	-7.4	-7.4	0	%100
33	MP2B	X	-4.272	-4.272	0	%100
34	MP2B	Z	-7.4	-7.4	0	%100
35	M43	X	-3.263	-3.263	0	%100
36	M43	Z	-5.652	-5.652	0	%100
37	M60A	X	-3.204	-3.204	0	%100
38	M60A	Z	-5.55	-5.55	0	%100
39	M49	X	0	0	0	%100
40	M49	Z	0	0	0	%100
41	M54	X	-3.204	-3.204	0	%100
42	M54	Z	-5.55	-5.55	0	%100
43	MP4C	X	-4.272	-4.272	0	%100
44	MP4C	Z	-7.4	-7.4	0	%100
45	MP1C	X	-4.272	-4.272	0	%100
46	MP1C	Z	-7.4	-7.4	0	%100
47	MP4B	X	-4.272	-4.272	0	%100
48	MP4B	Z	-7.4	-7.4	0	%100
49	MP1B	X	-4.272	-4.272	0	%100
50	MP1B	Z	-7.4	-7.4	0	%100
51	M66	X	-3.263	-3.263	0	%100
52	M66	Z	-5.652	-5.652	0	%100
53	M67	X	0	0	0	%100
54	M67	Z	0	0	0	%100
55	M63A	X	-1.552	-1.552	0	%100
56	M63A	Z	-2.688	-2.688	0	%100
57	M64	X	-5.838	-5.838	0	%100
58	M64	Z	-10.113	-10.113	0	%100
59	M65	X	-3.068	-3.068	0	%100
60	M65	Z	-5.314	-5.314	0	%100
61	M66A	X	-3.068	-3.068	0	%100
62	M66A	Z	-5.314	-5.314	0	%100
63	M67A	X	-5.838	-5.838	0	%100
64	M67A	Z	-10.113	-10.113	0	%100
65	M68	X	-1.552	-1.552	0	%100
66	M68	Z	-2.688	-2.688	0	%100
67	M75	X	0	0	0	%100
68	M75	Z	0	0	0	%100
69	M78	X	-5.304	-5.304	0	%100
70	M78	Z	-9.187	-9.187	0	%100
71	M85A	X	-5.304	-5.304	0	%100
72	M85A	Z	-9.187	-9.187	0	%100
73	M75A	X	-13.491	-13.491	0	%100



Company :
 Designer :
 Job Number :
 Model Name :

June 28, 2021
 1:21 PM
 Checked By: _____

Member Distributed Loads (BLC 52 : Structure Wo (330 Deg)) (Continued)

	Member Label	Direction	Start Magnitude[lb/ft,...	End Magnitude[lb/ft,F...	Start Location[ft.%,]	End Location[ft.%,]
74	M75A	Z	-23.367	-23.367	0	%100
75	M76A	X	-13.491	-13.491	0	%100
76	M76A	Z	-23.367	-23.367	0	%100
77	M77A	X	-4.047	-4.047	0	%100
78	M77A	Z	-7.01	-7.01	0	%100
79	M78A	X	-4.047	-4.047	0	%100
80	M78A	Z	-7.01	-7.01	0	%100
81	M79	X	-4.047	-4.047	0	%100
82	M79	Z	-7.01	-7.01	0	%100
83	M80	X	0	0	0	%100
84	M80	Z	0	0	0	%100
85	M81	X	0	0	0	%100
86	M81	Z	0	0	0	%100
87	M82	X	0	0	0	%100
88	M82	Z	0	0	0	%100
89	M83A	X	0	0	0	%100
90	M83A	Z	0	0	0	%100
91	M84	X	0	0	0	%100
92	M84	Z	0	0	0	%100
93	M85	X	-13.491	-13.491	0	%100
94	M85	Z	-23.367	-23.367	0	%100
95	M86	X	-13.491	-13.491	0	%100
96	M86	Z	-23.367	-23.367	0	%100
97	M87	X	-4.047	-4.047	0	%100
98	M87	Z	-7.01	-7.01	0	%100
99	M88	X	-4.047	-4.047	0	%100
100	M88	Z	-7.01	-7.01	0	%100
101	M89	X	-4.047	-4.047	0	%100
102	M89	Z	-7.01	-7.01	0	%100

Member Distributed Loads (BLC 53 : Structure Wi (0 Deg))

	Member Label	Direction	Start Magnitude[lb/ft,...	End Magnitude[lb/ft,F...	Start Location[ft.%,]	End Location[ft.%,]
1	M4	X	0	0	0	%100
2	M4	Z	0	0	0	%100
3	M5	X	0	0	0	%100
4	M5	Z	-2.783	-2.783	0	%100
5	M6	X	0	0	0	%100
6	M6	Z	-2.783	-2.783	0	%100
7	M7	X	0	0	0	%100
8	M7	Z	-4.346	-4.346	0	%100
9	M8	X	0	0	0	%100
10	M8	Z	-1.087	-1.087	0	%100
11	M9	X	0	0	0	%100
12	M9	Z	-1.087	-1.087	0	%100
13	M13	X	0	0	0	%100
14	M13	Z	0	0	0	%100
15	M17	X	0	0	0	%100
16	M17	Z	-2.36	-2.36	0	%100
17	M21	X	0	0	0	%100
18	M21	Z	-2.36	-2.36	0	%100
19	MP4A	X	0	0	0	%100
20	MP4A	Z	-2.786	-2.786	0	%100
21	MP3A	X	0	0	0	%100
22	MP3A	Z	-2.786	-2.786	0	%100
23	MP2A	X	0	0	0	%100
24	MP2A	Z	-2.786	-2.786	0	%100



Company :
 Designer :
 Job Number :
 Model Name :

June 28, 2021
 1:21 PM
 Checked By: _____

Member Distributed Loads (BLC 53 : Structure Wi (0 Deg)) (Continued)

	Member Label	Direction	Start Magnitude[lb/ft,...	End Magnitude[lb/ft,F...	Start Location[ft, %]	End Location[ft, %]
25	MP1A	X	0	0	0	%100
26	MP1A	Z	-2.786	-2.786	0	%100
27	MP3C	X	0	0	0	%100
28	MP3C	Z	-2.786	-2.786	0	%100
29	MP2C	X	0	0	0	%100
30	MP2C	Z	-2.786	-2.786	0	%100
31	MP3B	X	0	0	0	%100
32	MP3B	Z	-2.786	-2.786	0	%100
33	MP2B	X	0	0	0	%100
34	MP2B	Z	-2.786	-2.786	0	%100
35	M43	X	0	0	0	%100
36	M43	Z	-.627	-.627	0	%100
37	M60A	X	0	0	0	%100
38	M60A	Z	-2.786	-2.786	0	%100
39	M49	X	0	0	0	%100
40	M49	Z	-.696	-.696	0	%100
41	M54	X	0	0	0	%100
42	M54	Z	-.696	-.696	0	%100
43	MP4C	X	0	0	0	%100
44	MP4C	Z	-2.786	-2.786	0	%100
45	MP1C	X	0	0	0	%100
46	MP1C	Z	-2.786	-2.786	0	%100
47	MP4B	X	0	0	0	%100
48	MP4B	Z	-2.786	-2.786	0	%100
49	MP1B	X	0	0	0	%100
50	MP1B	Z	-2.786	-2.786	0	%100
51	M66	X	0	0	0	%100
52	M66	Z	-2.508	-2.508	0	%100
53	M67	X	0	0	0	%100
54	M67	Z	-.627	-.627	0	%100
55	M63A	X	0	0	0	%100
56	M63A	Z	-2.185	-2.185	0	%100
57	M64	X	0	0	0	%100
58	M64	Z	-2.185	-2.185	0	%100
59	M65	X	0	0	0	%100
60	M65	Z	-.634	-.634	0	%100
61	M66A	X	0	0	0	%100
62	M66A	Z	-3.033	-3.033	0	%100
63	M67A	X	0	0	0	%100
64	M67A	Z	-3.033	-3.033	0	%100
65	M68	X	0	0	0	%100
66	M68	Z	-.634	-.634	0	%100
67	M75	X	0	0	0	%100
68	M75	Z	-.869	-.869	0	%100
69	M78	X	0	0	0	%100
70	M78	Z	-.869	-.869	0	%100
71	M85A	X	0	0	0	%100
72	M85A	Z	-3.477	-3.477	0	%100
73	M75A	X	0	0	0	%100
74	M75A	Z	-7.319	-7.319	0	%100
75	M76A	X	0	0	0	%100
76	M76A	Z	-7.319	-7.319	0	%100
77	M77A	X	0	0	0	%100
78	M77A	Z	-2.585	-2.585	0	%100
79	M78A	X	0	0	0	%100
80	M78A	Z	-2.585	-2.585	0	%100
81	M79	X	0	0	0	%100



Company :
 Designer :
 Job Number :
 Model Name :

June 28, 2021
 1:21 PM
 Checked By: _____

Member Distributed Loads (BLC 53 : Structure Wi (0 Deg)) (Continued)

	Member Label	Direction	Start Magnitude[lb/ft,...	End Magnitude[lb/ft,F...	Start Location[ft, %]	End Location[ft, %]
82	M79	Z	-2.585	-2.585	0	%100
83	M80	X	0	0	0	%100
84	M80	Z	-1.83	-1.83	0	%100
85	M81	X	0	0	0	%100
86	M81	Z	-1.83	-1.83	0	%100
87	M82	X	0	0	0	%100
88	M82	Z	-.646	-.646	0	%100
89	M83A	X	0	0	0	%100
90	M83A	Z	-.646	-.646	0	%100
91	M84	X	0	0	0	%100
92	M84	Z	-.646	-.646	0	%100
93	M85	X	0	0	0	%100
94	M85	Z	-1.83	-1.83	0	%100
95	M86	X	0	0	0	%100
96	M86	Z	-1.83	-1.83	0	%100
97	M87	X	0	0	0	%100
98	M87	Z	-.646	-.646	0	%100
99	M88	X	0	0	0	%100
100	M88	Z	-.646	-.646	0	%100
101	M89	X	0	0	0	%100
102	M89	Z	-.646	-.646	0	%100

Member Distributed Loads (BLC 54 : Structure Wi (30 Deg))

	Member Label	Direction	Start Magnitude[lb/ft,...	End Magnitude[lb/ft,F...	Start Location[ft, %]	End Location[ft, %]
1	M4	X	.464	.464	0	%100
2	M4	Z	-.803	-.803	0	%100
3	M5	X	.464	.464	0	%100
4	M5	Z	-.803	-.803	0	%100
5	M6	X	1.855	1.855	0	%100
6	M6	Z	-3.213	-3.213	0	%100
7	M7	X	1.63	1.63	0	%100
8	M7	Z	-2.823	-2.823	0	%100
9	M8	X	1.63	1.63	0	%100
10	M8	Z	-2.823	-2.823	0	%100
11	M9	X	0	0	0	%100
12	M9	Z	0	0	0	%100
13	M13	X	.393	.393	0	%100
14	M13	Z	-.681	-.681	0	%100
15	M17	X	.393	.393	0	%100
16	M17	Z	-.681	-.681	0	%100
17	M21	X	1.574	1.574	0	%100
18	M21	Z	-2.726	-2.726	0	%100
19	MP4A	X	1.393	1.393	0	%100
20	MP4A	Z	-2.413	-2.413	0	%100
21	MP3A	X	1.393	1.393	0	%100
22	MP3A	Z	-2.413	-2.413	0	%100
23	MP2A	X	1.393	1.393	0	%100
24	MP2A	Z	-2.413	-2.413	0	%100
25	MP1A	X	1.393	1.393	0	%100
26	MP1A	Z	-2.413	-2.413	0	%100
27	MP3C	X	1.393	1.393	0	%100
28	MP3C	Z	-2.413	-2.413	0	%100
29	MP2C	X	1.393	1.393	0	%100
30	MP2C	Z	-2.413	-2.413	0	%100
31	MP3B	X	1.393	1.393	0	%100
32	MP3B	Z	-2.413	-2.413	0	%100



Company :
 Designer :
 Job Number :
 Model Name :

June 28, 2021
 1:21 PM
 Checked By: _____

Member Distributed Loads (BLC 54 : Structure Wi (30 Deg)) (Continued)

Member Label	Direction	Start Magnitude[lb/ft,...	End Magnitude[lb/ft,F...	Start Location[ft, %]	End Location[ft, %]
33	MP2B	X	1.393	1.393	0 %100
34	MP2B	Z	-2.413	-2.413	0 %100
35	M43	X	0	0	0 %100
36	M43	Z	0	0	0 %100
37	M60A	X	1.045	1.045	0 %100
38	M60A	Z	-1.809	-1.809	0 %100
39	M49	X	1.045	1.045	0 %100
40	M49	Z	-1.809	-1.809	0 %100
41	M54	X	0	0	0 %100
42	M54	Z	0	0	0 %100
43	MP4C	X	1.393	1.393	0 %100
44	MP4C	Z	-2.413	-2.413	0 %100
45	MP1C	X	1.393	1.393	0 %100
46	MP1C	Z	-2.413	-2.413	0 %100
47	MP4B	X	1.393	1.393	0 %100
48	MP4B	Z	-2.413	-2.413	0 %100
49	MP1B	X	1.393	1.393	0 %100
50	MP1B	Z	-2.413	-2.413	0 %100
51	M66	X	.941	.941	0 %100
52	M66	Z	-1.629	-1.629	0 %100
53	M67	X	.941	.941	0 %100
54	M67	Z	-1.629	-1.629	0 %100
55	M63A	X	1.634	1.634	0 %100
56	M63A	Z	-2.83	-2.83	0 %100
57	M64	X	.434	.434	0 %100
58	M64	Z	-.752	-.752	0 %100
59	M65	X	.434	.434	0 %100
60	M65	Z	-.752	-.752	0 %100
61	M66A	X	1.634	1.634	0 %100
62	M66A	Z	-2.83	-2.83	0 %100
63	M67A	X	.858	.858	0 %100
64	M67A	Z	-1.487	-1.487	0 %100
65	M68	X	.858	.858	0 %100
66	M68	Z	-1.487	-1.487	0 %100
67	M75	X	1.304	1.304	0 %100
68	M75	Z	-2.259	-2.259	0 %100
69	M78	X	0	0	0 %100
70	M78	Z	0	0	0 %100
71	M85A	X	1.304	1.304	0 %100
72	M85A	Z	-2.259	-2.259	0 %100
73	M75A	X	2.745	2.745	0 %100
74	M75A	Z	-4.754	-4.754	0 %100
75	M76A	X	2.745	2.745	0 %100
76	M76A	Z	-4.754	-4.754	0 %100
77	M77A	X	.969	.969	0 %100
78	M77A	Z	-1.679	-1.679	0 %100
79	M78A	X	.969	.969	0 %100
80	M78A	Z	-1.679	-1.679	0 %100
81	M79	X	.969	.969	0 %100
82	M79	Z	-1.679	-1.679	0 %100
83	M80	X	2.745	2.745	0 %100
84	M80	Z	-4.754	-4.754	0 %100
85	M81	X	2.745	2.745	0 %100
86	M81	Z	-4.754	-4.754	0 %100
87	M82	X	.969	.969	0 %100
88	M82	Z	-1.679	-1.679	0 %100
89	M83A	X	.969	.969	0 %100



Company :
 Designer :
 Job Number :
 Model Name :

June 28, 2021
 1:21 PM
 Checked By: _____

Member Distributed Loads (BLC 54 : Structure Wi (30 Deg)) (Continued)

	Member Label	Direction	Start Magnitude[lb/ft,...	End Magnitude[lb/ft,F...	Start Location[ft, %]	End Location[ft, %]
90	M83A	Z	-1.679	-1.679	0	%100
91	M84	X	.969	.969	0	%100
92	M84	Z	-1.679	-1.679	0	%100
93	M85	X	0	0	0	%100
94	M85	Z	0	0	0	%100
95	M86	X	0	0	0	%100
96	M86	Z	0	0	0	%100
97	M87	X	0	0	0	%100
98	M87	Z	0	0	0	%100
99	M88	X	0	0	0	%100
100	M88	Z	0	0	0	%100
101	M89	X	0	0	0	%100
102	M89	Z	0	0	0	%100

Member Distributed Loads (BLC 55 : Structure Wi (60 Deg))

	Member Label	Direction	Start Magnitude[lb/ft,...	End Magnitude[lb/ft,F...	Start Location[ft, %]	End Location[ft, %]
1	M4	X	2.41	2.41	0	%100
2	M4	Z	-1.391	-1.391	0	%100
3	M5	X	0	0	0	%100
4	M5	Z	0	0	0	%100
5	M6	X	2.41	2.41	0	%100
6	M6	Z	-1.391	-1.391	0	%100
7	M7	X	.941	.941	0	%100
8	M7	Z	-.543	-.543	0	%100
9	M8	X	3.764	3.764	0	%100
10	M8	Z	-2.173	-2.173	0	%100
11	M9	X	.941	.941	0	%100
12	M9	Z	-.543	-.543	0	%100
13	M13	X	2.044	2.044	0	%100
14	M13	Z	-1.18	-1.18	0	%100
15	M17	X	0	0	0	%100
16	M17	Z	0	0	0	%100
17	M21	X	2.044	2.044	0	%100
18	M21	Z	-1.18	-1.18	0	%100
19	MP4A	X	2.413	2.413	0	%100
20	MP4A	Z	-1.393	-1.393	0	%100
21	MP3A	X	2.413	2.413	0	%100
22	MP3A	Z	-1.393	-1.393	0	%100
23	MP2A	X	2.413	2.413	0	%100
24	MP2A	Z	-1.393	-1.393	0	%100
25	MP1A	X	2.413	2.413	0	%100
26	MP1A	Z	-1.393	-1.393	0	%100
27	MP3C	X	2.413	2.413	0	%100
28	MP3C	Z	-1.393	-1.393	0	%100
29	MP2C	X	2.413	2.413	0	%100
30	MP2C	Z	-1.393	-1.393	0	%100
31	MP3B	X	2.413	2.413	0	%100
32	MP3B	Z	-1.393	-1.393	0	%100
33	MP2B	X	2.413	2.413	0	%100
34	MP2B	Z	-1.393	-1.393	0	%100
35	M43	X	.543	.543	0	%100
36	M43	Z	-.314	-.314	0	%100
37	M60A	X	.603	.603	0	%100
38	M60A	Z	-.348	-.348	0	%100
39	M49	X	2.413	2.413	0	%100
40	M49	Z	-1.393	-1.393	0	%100



Company :
 Designer :
 Job Number :
 Model Name :

June 28, 2021
 1:21 PM
 Checked By: _____

Member Distributed Loads (BLC 55 : Structure Wi (60 Deg)) (Continued)

Member Label	Direction	Start Magnitude[lb/ft,...	End Magnitude[lb/ft,F...	Start Location[ft, %]	End Location[ft, %]
41	M54	X	.603	.603	0 %100
42	M54	Z	-.348	-.348	0 %100
43	MP4C	X	2.413	2.413	0 %100
44	MP4C	Z	-1.393	-1.393	0 %100
45	MP1C	X	2.413	2.413	0 %100
46	MP1C	Z	-1.393	-1.393	0 %100
47	MP4B	X	2.413	2.413	0 %100
48	MP4B	Z	-1.393	-1.393	0 %100
49	MP1B	X	2.413	2.413	0 %100
50	MP1B	Z	-1.393	-1.393	0 %100
51	M66	X	.543	.543	0 %100
52	M66	Z	-.314	-.314	0 %100
53	M67	X	2.172	2.172	0 %100
54	M67	Z	-1.254	-1.254	0 %100
55	M63A	X	2.627	2.627	0 %100
56	M63A	Z	-1.517	-1.517	0 %100
57	M64	X	.549	.549	0 %100
58	M64	Z	-.317	-.317	0 %100
59	M65	X	1.892	1.892	0 %100
60	M65	Z	-1.092	-1.092	0 %100
61	M66A	X	1.892	1.892	0 %100
62	M66A	Z	-1.092	-1.092	0 %100
63	M67A	X	.549	.549	0 %100
64	M67A	Z	-.317	-.317	0 %100
65	M68	X	2.627	2.627	0 %100
66	M68	Z	-1.517	-1.517	0 %100
67	M75	X	3.011	3.011	0 %100
68	M75	Z	-1.739	-1.739	0 %100
69	M78	X	.753	.753	0 %100
70	M78	Z	-.435	-.435	0 %100
71	M85A	X	.753	.753	0 %100
72	M85A	Z	-.435	-.435	0 %100
73	M75A	X	1.585	1.585	0 %100
74	M75A	Z	-.915	-.915	0 %100
75	M76A	X	1.585	1.585	0 %100
76	M76A	Z	-.915	-.915	0 %100
77	M77A	X	.56	.56	0 %100
78	M77A	Z	-.323	-.323	0 %100
79	M78A	X	.56	.56	0 %100
80	M78A	Z	-.323	-.323	0 %100
81	M79	X	.56	.56	0 %100
82	M79	Z	-.323	-.323	0 %100
83	M80	X	6.338	6.338	0 %100
84	M80	Z	-3.659	-3.659	0 %100
85	M81	X	6.338	6.338	0 %100
86	M81	Z	-3.659	-3.659	0 %100
87	M82	X	2.239	2.239	0 %100
88	M82	Z	-1.292	-1.292	0 %100
89	M83A	X	2.239	2.239	0 %100
90	M83A	Z	-1.292	-1.292	0 %100
91	M84	X	2.239	2.239	0 %100
92	M84	Z	-1.292	-1.292	0 %100
93	M85	X	1.585	1.585	0 %100
94	M85	Z	-.915	-.915	0 %100
95	M86	X	1.585	1.585	0 %100
96	M86	Z	-.915	-.915	0 %100
97	M87	X	.56	.56	0 %100

Member Distributed Loads (BLC 55 : Structure Wi (60 Deg)) (Continued)

	Member Label	Direction	Start Magnitude[lb/ft....]	End Magnitude[lb/ft,F...]	Start Location[ft,%]	End Location[ft,%]
98	M87	Z	-.323	-.323	0	%100
99	M88	X	.56	.56	0	%100
100	M88	Z	-.323	-.323	0	%100
101	M89	X	.56	.56	0	%100
102	M89	Z	-.323	-.323	0	%100

Member Distributed Loads (BLC 56 : Structure Wi (90 Deg))

	Member Label	Direction	Start Magnitude[lb/ft....]	End Magnitude[lb/ft,F...]	Start Location[ft,%]	End Location[ft,%]
1	M4	X	3.71	3.71	0	%100
2	M4	Z	0	0	0	%100
3	M5	X	.928	.928	0	%100
4	M5	Z	0	0	0	%100
5	M6	X	.928	.928	0	%100
6	M6	Z	0	0	0	%100
7	M7	X	0	0	0	%100
8	M7	Z	0	0	0	%100
9	M8	X	3.26	3.26	0	%100
10	M8	Z	0	0	0	%100
11	M9	X	3.26	3.26	0	%100
12	M9	Z	0	0	0	%100
13	M13	X	3.147	3.147	0	%100
14	M13	Z	0	0	0	%100
15	M17	X	.787	.787	0	%100
16	M17	Z	0	0	0	%100
17	M21	X	.787	.787	0	%100
18	M21	Z	0	0	0	%100
19	MP4A	X	2.786	2.786	0	%100
20	MP4A	Z	0	0	0	%100
21	MP3A	X	2.786	2.786	0	%100
22	MP3A	Z	0	0	0	%100
23	MP2A	X	2.786	2.786	0	%100
24	MP2A	Z	0	0	0	%100
25	MP1A	X	2.786	2.786	0	%100
26	MP1A	Z	0	0	0	%100
27	MP3C	X	2.786	2.786	0	%100
28	MP3C	Z	0	0	0	%100
29	MP2C	X	2.786	2.786	0	%100
30	MP2C	Z	0	0	0	%100
31	MP3B	X	2.786	2.786	0	%100
32	MP3B	Z	0	0	0	%100
33	MP2B	X	2.786	2.786	0	%100
34	MP2B	Z	0	0	0	%100
35	M43	X	1.881	1.881	0	%100
36	M43	Z	0	0	0	%100
37	M60A	X	0	0	0	%100
38	M60A	Z	0	0	0	%100
39	M49	X	2.089	2.089	0	%100
40	M49	Z	0	0	0	%100
41	M54	X	2.089	2.089	0	%100
42	M54	Z	0	0	0	%100
43	MP4C	X	2.786	2.786	0	%100
44	MP4C	Z	0	0	0	%100
45	MP1C	X	2.786	2.786	0	%100
46	MP1C	Z	0	0	0	%100
47	MP4B	X	2.786	2.786	0	%100
48	MP4B	Z	0	0	0	%100



Company :
 Designer :
 Job Number :
 Model Name :

June 28, 2021
 1:21 PM
 Checked By: _____

Member Distributed Loads (BLC 56 : Structure Wi (90 Deg)) (Continued)

Member Label	Direction	Start Magnitude[lb/ft,...	End Magnitude[lb/ft,F...	Start Location[ft, %]	End Location[ft, %]
49	MP1B	X	2.786	2.786	0 %100
50	MP1B	Z	0	0	0 %100
51	M66	X	0	0	0 %100
52	M66	Z	0	0	0 %100
53	M67	X	1.881	1.881	0 %100
54	M67	Z	0	0	0 %100
55	M63A	X	1.717	1.717	0 %100
56	M63A	Z	0	0	0 %100
57	M64	X	1.717	1.717	0 %100
58	M64	Z	0	0	0 %100
59	M65	X	3.267	3.267	0 %100
60	M65	Z	0	0	0 %100
61	M66A	X	.868	.868	0 %100
62	M66A	Z	0	0	0 %100
63	M67A	X	.868	.868	0 %100
64	M67A	Z	0	0	0 %100
65	M68	X	3.267	3.267	0 %100
66	M68	Z	0	0	0 %100
67	M75	X	2.608	2.608	0 %100
68	M75	Z	0	0	0 %100
69	M78	X	2.608	2.608	0 %100
70	M78	Z	0	0	0 %100
71	M85A	X	0	0	0 %100
72	M85A	Z	0	0	0 %100
73	M75A	X	0	0	0 %100
74	M75A	Z	0	0	0 %100
75	M76A	X	0	0	0 %100
76	M76A	Z	0	0	0 %100
77	M77A	X	0	0	0 %100
78	M77A	Z	0	0	0 %100
79	M78A	X	0	0	0 %100
80	M78A	Z	0	0	0 %100
81	M79	X	0	0	0 %100
82	M79	Z	0	0	0 %100
83	M80	X	5.489	5.489	0 %100
84	M80	Z	0	0	0 %100
85	M81	X	5.489	5.489	0 %100
86	M81	Z	0	0	0 %100
87	M82	X	1.939	1.939	0 %100
88	M82	Z	0	0	0 %100
89	M83A	X	1.939	1.939	0 %100
90	M83A	Z	0	0	0 %100
91	M84	X	1.939	1.939	0 %100
92	M84	Z	0	0	0 %100
93	M85	X	5.489	5.489	0 %100
94	M85	Z	0	0	0 %100
95	M86	X	5.489	5.489	0 %100
96	M86	Z	0	0	0 %100
97	M87	X	1.939	1.939	0 %100
98	M87	Z	0	0	0 %100
99	M88	X	1.939	1.939	0 %100
100	M88	Z	0	0	0 %100
101	M89	X	1.939	1.939	0 %100
102	M89	Z	0	0	0 %100

Member Distributed Loads (BLC 57 : Structure Wi (120 Deg))

Member Label	Direction	Start Magnitude[lb/ft,...	End Magnitude[lb/ft,F...	Start Location[ft, %]	End Location[ft, %]
--------------	-----------	---------------------------	--------------------------	-----------------------	---------------------



Company :
 Designer :
 Job Number :
 Model Name :

June 28, 2021
 1:21 PM
 Checked By: _____

Member Distributed Loads (BLC 57 : Structure Wi (120 Deg)) (Continued)

	Member Label	Direction	Start Magnitude[lb/ft,...	End Magnitude[lb/ft,F...	Start Location[ft, %]	End Location[ft, %]
1	M4	X	2.41	2.41	0	%100
2	M4	Z	1.391	1.391	0	%100
3	M5	X	2.41	2.41	0	%100
4	M5	Z	1.391	1.391	0	%100
5	M6	X	0	0	0	%100
6	M6	Z	0	0	0	%100
7	M7	X	.941	.941	0	%100
8	M7	Z	.543	.543	0	%100
9	M8	X	.941	.941	0	%100
10	M8	Z	.543	.543	0	%100
11	M9	X	3.764	3.764	0	%100
12	M9	Z	2.173	2.173	0	%100
13	M13	X	2.044	2.044	0	%100
14	M13	Z	1.18	1.18	0	%100
15	M17	X	2.044	2.044	0	%100
16	M17	Z	1.18	1.18	0	%100
17	M21	X	0	0	0	%100
18	M21	Z	0	0	0	%100
19	MP4A	X	2.413	2.413	0	%100
20	MP4A	Z	1.393	1.393	0	%100
21	MP3A	X	2.413	2.413	0	%100
22	MP3A	Z	1.393	1.393	0	%100
23	MP2A	X	2.413	2.413	0	%100
24	MP2A	Z	1.393	1.393	0	%100
25	MP1A	X	2.413	2.413	0	%100
26	MP1A	Z	1.393	1.393	0	%100
27	MP3C	X	2.413	2.413	0	%100
28	MP3C	Z	1.393	1.393	0	%100
29	MP2C	X	2.413	2.413	0	%100
30	MP2C	Z	1.393	1.393	0	%100
31	MP3B	X	2.413	2.413	0	%100
32	MP3B	Z	1.393	1.393	0	%100
33	MP2B	X	2.413	2.413	0	%100
34	MP2B	Z	1.393	1.393	0	%100
35	M43	X	2.172	2.172	0	%100
36	M43	Z	1.254	1.254	0	%100
37	M60A	X	.603	.603	0	%100
38	M60A	Z	.348	.348	0	%100
39	M49	X	.603	.603	0	%100
40	M49	Z	.348	.348	0	%100
41	M54	X	2.413	2.413	0	%100
42	M54	Z	1.393	1.393	0	%100
43	MP4C	X	2.413	2.413	0	%100
44	MP4C	Z	1.393	1.393	0	%100
45	MP1C	X	2.413	2.413	0	%100
46	MP1C	Z	1.393	1.393	0	%100
47	MP4B	X	2.413	2.413	0	%100
48	MP4B	Z	1.393	1.393	0	%100
49	MP1B	X	2.413	2.413	0	%100
50	MP1B	Z	1.393	1.393	0	%100
51	M66	X	.543	.543	0	%100
52	M66	Z	.314	.314	0	%100
53	M67	X	.543	.543	0	%100
54	M67	Z	.314	.314	0	%100
55	M63A	X	.549	.549	0	%100
56	M63A	Z	.317	.317	0	%100
57	M64	X	2.627	2.627	0	%100



Company :
 Designer :
 Job Number :
 Model Name :

June 28, 2021
 1:21 PM
 Checked By: _____

Member Distributed Loads (BLC 57 : Structure Wi (120 Deg)) (Continued)

	Member Label	Direction	Start Magnitude[lb/ft,...	End Magnitude[lb/ft,F...	Start Location[ft, %]	End Location[ft, %]
58	M64	Z	1.517	1.517	0	%100
59	M65	X	2.627	2.627	0	%100
60	M65	Z	1.517	1.517	0	%100
61	M66A	X	.549	.549	0	%100
62	M66A	Z	.317	.317	0	%100
63	M67A	X	1.892	1.892	0	%100
64	M67A	Z	1.092	1.092	0	%100
65	M68	X	1.892	1.892	0	%100
66	M68	Z	1.092	1.092	0	%100
67	M75	X	.753	.753	0	%100
68	M75	Z	.435	.435	0	%100
69	M78	X	3.011	3.011	0	%100
70	M78	Z	1.739	1.739	0	%100
71	M85A	X	.753	.753	0	%100
72	M85A	Z	.435	.435	0	%100
73	M75A	X	1.585	1.585	0	%100
74	M75A	Z	.915	.915	0	%100
75	M76A	X	1.585	1.585	0	%100
76	M76A	Z	.915	.915	0	%100
77	M77A	X	.56	.56	0	%100
78	M77A	Z	.323	.323	0	%100
79	M78A	X	.56	.56	0	%100
80	M78A	Z	.323	.323	0	%100
81	M79	X	.56	.56	0	%100
82	M79	Z	.323	.323	0	%100
83	M80	X	1.585	1.585	0	%100
84	M80	Z	.915	.915	0	%100
85	M81	X	1.585	1.585	0	%100
86	M81	Z	.915	.915	0	%100
87	M82	X	.56	.56	0	%100
88	M82	Z	.323	.323	0	%100
89	M83A	X	.56	.56	0	%100
90	M83A	Z	.323	.323	0	%100
91	M84	X	.56	.56	0	%100
92	M84	Z	.323	.323	0	%100
93	M85	X	6.338	6.338	0	%100
94	M85	Z	3.659	3.659	0	%100
95	M86	X	6.338	6.338	0	%100
96	M86	Z	3.659	3.659	0	%100
97	M87	X	2.239	2.239	0	%100
98	M87	Z	1.292	1.292	0	%100
99	M88	X	2.239	2.239	0	%100
100	M88	Z	1.292	1.292	0	%100
101	M89	X	2.239	2.239	0	%100
102	M89	Z	1.292	1.292	0	%100

Member Distributed Loads (BLC 58 : Structure Wi (150 Deg))

	Member Label	Direction	Start Magnitude[lb/ft,...	End Magnitude[lb/ft,F...	Start Location[ft, %]	End Location[ft, %]
1	M4	X	.464	.464	0	%100
2	M4	Z	.803	.803	0	%100
3	M5	X	1.855	1.855	0	%100
4	M5	Z	3.213	3.213	0	%100
5	M6	X	.464	.464	0	%100
6	M6	Z	.803	.803	0	%100
7	M7	X	1.63	1.63	0	%100
8	M7	Z	2.823	2.823	0	%100



Company :
 Designer :
 Job Number :
 Model Name :

June 28, 2021
 1:21 PM
 Checked By: _____

Member Distributed Loads (BLC 58 : Structure Wi (150 Deg)) (Continued)

	Member Label	Direction	Start Magnitude[lb/ft,...	End Magnitude[lb/ft,F...	Start Location[ft, %]	End Location[ft, %]
9	M8	X	0	0	0	%100
10	M8	Z	0	0	0	%100
11	M9	X	1.63	1.63	0	%100
12	M9	Z	2.823	2.823	0	%100
13	M13	X	.393	.393	0	%100
14	M13	Z	.681	.681	0	%100
15	M17	X	1.574	1.574	0	%100
16	M17	Z	2.726	2.726	0	%100
17	M21	X	.393	.393	0	%100
18	M21	Z	.681	.681	0	%100
19	MP4A	X	1.393	1.393	0	%100
20	MP4A	Z	2.413	2.413	0	%100
21	MP3A	X	1.393	1.393	0	%100
22	MP3A	Z	2.413	2.413	0	%100
23	MP2A	X	1.393	1.393	0	%100
24	MP2A	Z	2.413	2.413	0	%100
25	MP1A	X	1.393	1.393	0	%100
26	MP1A	Z	2.413	2.413	0	%100
27	MP3C	X	1.393	1.393	0	%100
28	MP3C	Z	2.413	2.413	0	%100
29	MP2C	X	1.393	1.393	0	%100
30	MP2C	Z	2.413	2.413	0	%100
31	MP3B	X	1.393	1.393	0	%100
32	MP3B	Z	2.413	2.413	0	%100
33	MP2B	X	1.393	1.393	0	%100
34	MP2B	Z	2.413	2.413	0	%100
35	M43	X	.941	.941	0	%100
36	M43	Z	1.629	1.629	0	%100
37	M60A	X	1.045	1.045	0	%100
38	M60A	Z	1.809	1.809	0	%100
39	M49	X	0	0	0	%100
40	M49	Z	0	0	0	%100
41	M54	X	1.045	1.045	0	%100
42	M54	Z	1.809	1.809	0	%100
43	MP4C	X	1.393	1.393	0	%100
44	MP4C	Z	2.413	2.413	0	%100
45	MP1C	X	1.393	1.393	0	%100
46	MP1C	Z	2.413	2.413	0	%100
47	MP4B	X	1.393	1.393	0	%100
48	MP4B	Z	2.413	2.413	0	%100
49	MP1B	X	1.393	1.393	0	%100
50	MP1B	Z	2.413	2.413	0	%100
51	M66	X	.941	.941	0	%100
52	M66	Z	1.629	1.629	0	%100
53	M67	X	0	0	0	%100
54	M67	Z	0	0	0	%100
55	M63A	X	.434	.434	0	%100
56	M63A	Z	.752	.752	0	%100
57	M64	X	1.634	1.634	0	%100
58	M64	Z	2.83	2.83	0	%100
59	M65	X	.858	.858	0	%100
60	M65	Z	1.487	1.487	0	%100
61	M66A	X	.858	.858	0	%100
62	M66A	Z	1.487	1.487	0	%100
63	M67A	X	1.634	1.634	0	%100
64	M67A	Z	2.83	2.83	0	%100
65	M68	X	.434	.434	0	%100



Company :
 Designer :
 Job Number :
 Model Name :

June 28, 2021
 1:21 PM
 Checked By: _____

Member Distributed Loads (BLC 58 : Structure Wi (150 Deg)) (Continued)

	Member Label	Direction	Start Magnitude[lb/ft,...	End Magnitude[lb/ft,F...	Start Location[ft, %]	End Location[ft, %]
66	M68	Z	.752	.752	0	%100
67	M75	X	0	0	0	%100
68	M75	Z	0	0	0	%100
69	M78	X	1.304	1.304	0	%100
70	M78	Z	2.259	2.259	0	%100
71	M85A	X	1.304	1.304	0	%100
72	M85A	Z	2.259	2.259	0	%100
73	M75A	X	2.745	2.745	0	%100
74	M75A	Z	4.754	4.754	0	%100
75	M76A	X	2.745	2.745	0	%100
76	M76A	Z	4.754	4.754	0	%100
77	M77A	X	.969	.969	0	%100
78	M77A	Z	1.679	1.679	0	%100
79	M78A	X	.969	.969	0	%100
80	M78A	Z	1.679	1.679	0	%100
81	M79	X	.969	.969	0	%100
82	M79	Z	1.679	1.679	0	%100
83	M80	X	0	0	0	%100
84	M80	Z	0	0	0	%100
85	M81	X	0	0	0	%100
86	M81	Z	0	0	0	%100
87	M82	X	0	0	0	%100
88	M82	Z	0	0	0	%100
89	M83A	X	0	0	0	%100
90	M83A	Z	0	0	0	%100
91	M84	X	0	0	0	%100
92	M84	Z	0	0	0	%100
93	M85	X	2.745	2.745	0	%100
94	M85	Z	4.754	4.754	0	%100
95	M86	X	2.745	2.745	0	%100
96	M86	Z	4.754	4.754	0	%100
97	M87	X	.969	.969	0	%100
98	M87	Z	1.679	1.679	0	%100
99	M88	X	.969	.969	0	%100
100	M88	Z	1.679	1.679	0	%100
101	M89	X	.969	.969	0	%100
102	M89	Z	1.679	1.679	0	%100

Member Distributed Loads (BLC 59 : Structure Wi (180 Deg))

	Member Label	Direction	Start Magnitude[lb/ft,...	End Magnitude[lb/ft,F...	Start Location[ft, %]	End Location[ft, %]
1	M4	X	0	0	0	%100
2	M4	Z	0	0	0	%100
3	M5	X	0	0	0	%100
4	M5	Z	2.783	2.783	0	%100
5	M6	X	0	0	0	%100
6	M6	Z	2.783	2.783	0	%100
7	M7	X	0	0	0	%100
8	M7	Z	4.346	4.346	0	%100
9	M8	X	0	0	0	%100
10	M8	Z	1.087	1.087	0	%100
11	M9	X	0	0	0	%100
12	M9	Z	1.087	1.087	0	%100
13	M13	X	0	0	0	%100
14	M13	Z	0	0	0	%100
15	M17	X	0	0	0	%100
16	M17	Z	2.36	2.36	0	%100



Company :
 Designer :
 Job Number :
 Model Name :

June 28, 2021
 1:21 PM
 Checked By: _____

Member Distributed Loads (BLC 59 : Structure Wi (180 Deg)) (Continued)

	Member Label	Direction	Start Magnitude[lb/ft,...	End Magnitude[lb/ft,F...	Start Location[ft, %]	End Location[ft, %]
17	M21	X	0	0	0	%100
18	M21	Z	2.36	2.36	0	%100
19	MP4A	X	0	0	0	%100
20	MP4A	Z	2.786	2.786	0	%100
21	MP3A	X	0	0	0	%100
22	MP3A	Z	2.786	2.786	0	%100
23	MP2A	X	0	0	0	%100
24	MP2A	Z	2.786	2.786	0	%100
25	MP1A	X	0	0	0	%100
26	MP1A	Z	2.786	2.786	0	%100
27	MP3C	X	0	0	0	%100
28	MP3C	Z	2.786	2.786	0	%100
29	MP2C	X	0	0	0	%100
30	MP2C	Z	2.786	2.786	0	%100
31	MP3B	X	0	0	0	%100
32	MP3B	Z	2.786	2.786	0	%100
33	MP2B	X	0	0	0	%100
34	MP2B	Z	2.786	2.786	0	%100
35	M43	X	0	0	0	%100
36	M43	Z	.627	.627	0	%100
37	M60A	X	0	0	0	%100
38	M60A	Z	2.786	2.786	0	%100
39	M49	X	0	0	0	%100
40	M49	Z	.696	.696	0	%100
41	M54	X	0	0	0	%100
42	M54	Z	.696	.696	0	%100
43	MP4C	X	0	0	0	%100
44	MP4C	Z	2.786	2.786	0	%100
45	MP1C	X	0	0	0	%100
46	MP1C	Z	2.786	2.786	0	%100
47	MP4B	X	0	0	0	%100
48	MP4B	Z	2.786	2.786	0	%100
49	MP1B	X	0	0	0	%100
50	MP1B	Z	2.786	2.786	0	%100
51	M66	X	0	0	0	%100
52	M66	Z	2.508	2.508	0	%100
53	M67	X	0	0	0	%100
54	M67	Z	.627	.627	0	%100
55	M63A	X	0	0	0	%100
56	M63A	Z	2.185	2.185	0	%100
57	M64	X	0	0	0	%100
58	M64	Z	2.185	2.185	0	%100
59	M65	X	0	0	0	%100
60	M65	Z	.634	.634	0	%100
61	M66A	X	0	0	0	%100
62	M66A	Z	3.033	3.033	0	%100
63	M67A	X	0	0	0	%100
64	M67A	Z	3.033	3.033	0	%100
65	M68	X	0	0	0	%100
66	M68	Z	.634	.634	0	%100
67	M75	X	0	0	0	%100
68	M75	Z	.869	.869	0	%100
69	M78	X	0	0	0	%100
70	M78	Z	.869	.869	0	%100
71	M85A	X	0	0	0	%100
72	M85A	Z	3.477	3.477	0	%100
73	M75A	X	0	0	0	%100

Member Distributed Loads (BLC 59 : Structure Wi (180 Deg)) (Continued)

	Member Label	Direction	Start Magnitude[lb/ft,...	End Magnitude[lb/ft,F...	Start Location[ft.%]	End Location[ft. %]
74	M75A	Z	7.319	7.319	0	%100
75	M76A	X	0	0	0	%100
76	M76A	Z	7.319	7.319	0	%100
77	M77A	X	0	0	0	%100
78	M77A	Z	2.585	2.585	0	%100
79	M78A	X	0	0	0	%100
80	M78A	Z	2.585	2.585	0	%100
81	M79	X	0	0	0	%100
82	M79	Z	2.585	2.585	0	%100
83	M80	X	0	0	0	%100
84	M80	Z	1.83	1.83	0	%100
85	M81	X	0	0	0	%100
86	M81	Z	1.83	1.83	0	%100
87	M82	X	0	0	0	%100
88	M82	Z	.646	.646	0	%100
89	M83A	X	0	0	0	%100
90	M83A	Z	.646	.646	0	%100
91	M84	X	0	0	0	%100
92	M84	Z	.646	.646	0	%100
93	M85	X	0	0	0	%100
94	M85	Z	1.83	1.83	0	%100
95	M86	X	0	0	0	%100
96	M86	Z	1.83	1.83	0	%100
97	M87	X	0	0	0	%100
98	M87	Z	.646	.646	0	%100
99	M88	X	0	0	0	%100
100	M88	Z	.646	.646	0	%100
101	M89	X	0	0	0	%100
102	M89	Z	.646	.646	0	%100

Member Distributed Loads (BLC 60 : Structure Wi (210 Deg))

	Member Label	Direction	Start Magnitude[lb/ft,...	End Magnitude[lb/ft,F...	Start Location[ft.%]	End Location[ft. %]
1	M4	X	-.464	-.464	0	%100
2	M4	Z	.803	.803	0	%100
3	M5	X	-.464	-.464	0	%100
4	M5	Z	.803	.803	0	%100
5	M6	X	-1.855	-1.855	0	%100
6	M6	Z	3.213	3.213	0	%100
7	M7	X	-1.63	-1.63	0	%100
8	M7	Z	2.823	2.823	0	%100
9	M8	X	-1.63	-1.63	0	%100
10	M8	Z	2.823	2.823	0	%100
11	M9	X	0	0	0	%100
12	M9	Z	0	0	0	%100
13	M13	X	-.393	-.393	0	%100
14	M13	Z	.681	.681	0	%100
15	M17	X	-.393	-.393	0	%100
16	M17	Z	.681	.681	0	%100
17	M21	X	-1.574	-1.574	0	%100
18	M21	Z	2.726	2.726	0	%100
19	MP4A	X	-1.393	-1.393	0	%100
20	MP4A	Z	2.413	2.413	0	%100
21	MP3A	X	-1.393	-1.393	0	%100
22	MP3A	Z	2.413	2.413	0	%100
23	MP2A	X	-1.393	-1.393	0	%100
24	MP2A	Z	2.413	2.413	0	%100



Company :
 Designer :
 Job Number :
 Model Name :

June 28, 2021
 1:21 PM
 Checked By: _____

Member Distributed Loads (BLC 60 : Structure Wi (210 Deg)) (Continued)

	Member Label	Direction	Start Magnitude[lb/ft,...	End Magnitude[lb/ft,F...	Start Location[ft, %]	End Location[ft, %]
25	MP1A	X	-1.393	-1.393	0	%100
26	MP1A	Z	2.413	2.413	0	%100
27	MP3C	X	-1.393	-1.393	0	%100
28	MP3C	Z	2.413	2.413	0	%100
29	MP2C	X	-1.393	-1.393	0	%100
30	MP2C	Z	2.413	2.413	0	%100
31	MP3B	X	-1.393	-1.393	0	%100
32	MP3B	Z	2.413	2.413	0	%100
33	MP2B	X	-1.393	-1.393	0	%100
34	MP2B	Z	2.413	2.413	0	%100
35	M43	X	0	0	0	%100
36	M43	Z	0	0	0	%100
37	M60A	X	-1.045	-1.045	0	%100
38	M60A	Z	1.809	1.809	0	%100
39	M49	X	-1.045	-1.045	0	%100
40	M49	Z	1.809	1.809	0	%100
41	M54	X	0	0	0	%100
42	M54	Z	0	0	0	%100
43	MP4C	X	-1.393	-1.393	0	%100
44	MP4C	Z	2.413	2.413	0	%100
45	MP1C	X	-1.393	-1.393	0	%100
46	MP1C	Z	2.413	2.413	0	%100
47	MP4B	X	-1.393	-1.393	0	%100
48	MP4B	Z	2.413	2.413	0	%100
49	MP1B	X	-1.393	-1.393	0	%100
50	MP1B	Z	2.413	2.413	0	%100
51	M66	X	-.941	-.941	0	%100
52	M66	Z	1.629	1.629	0	%100
53	M67	X	-.941	-.941	0	%100
54	M67	Z	1.629	1.629	0	%100
55	M63A	X	-1.634	-1.634	0	%100
56	M63A	Z	2.83	2.83	0	%100
57	M64	X	-.434	-.434	0	%100
58	M64	Z	.752	.752	0	%100
59	M65	X	-.434	-.434	0	%100
60	M65	Z	.752	.752	0	%100
61	M66A	X	-1.634	-1.634	0	%100
62	M66A	Z	2.83	2.83	0	%100
63	M67A	X	-.858	-.858	0	%100
64	M67A	Z	1.487	1.487	0	%100
65	M68	X	-.858	-.858	0	%100
66	M68	Z	1.487	1.487	0	%100
67	M75	X	-1.304	-1.304	0	%100
68	M75	Z	2.259	2.259	0	%100
69	M78	X	0	0	0	%100
70	M78	Z	0	0	0	%100
71	M85A	X	-1.304	-1.304	0	%100
72	M85A	Z	2.259	2.259	0	%100
73	M75A	X	-2.745	-2.745	0	%100
74	M75A	Z	4.754	4.754	0	%100
75	M76A	X	-2.745	-2.745	0	%100
76	M76A	Z	4.754	4.754	0	%100
77	M77A	X	-.969	-.969	0	%100
78	M77A	Z	1.679	1.679	0	%100
79	M78A	X	-.969	-.969	0	%100
80	M78A	Z	1.679	1.679	0	%100
81	M79	X	-.969	-.969	0	%100



Company :
 Designer :
 Job Number :
 Model Name :

June 28, 2021
 1:21 PM
 Checked By: _____

Member Distributed Loads (BLC 60 : Structure Wi (210 Deg)) (Continued)

	Member Label	Direction	Start Magnitude[lb/ft,...	End Magnitude[lb/ft,F...	Start Location[ft, %]	End Location[ft, %]
82	M79	Z	1.679	1.679	0	%100
83	M80	X	-2.745	-2.745	0	%100
84	M80	Z	4.754	4.754	0	%100
85	M81	X	-2.745	-2.745	0	%100
86	M81	Z	4.754	4.754	0	%100
87	M82	X	-.969	-.969	0	%100
88	M82	Z	1.679	1.679	0	%100
89	M83A	X	-.969	-.969	0	%100
90	M83A	Z	1.679	1.679	0	%100
91	M84	X	-.969	-.969	0	%100
92	M84	Z	1.679	1.679	0	%100
93	M85	X	0	0	0	%100
94	M85	Z	0	0	0	%100
95	M86	X	0	0	0	%100
96	M86	Z	0	0	0	%100
97	M87	X	0	0	0	%100
98	M87	Z	0	0	0	%100
99	M88	X	0	0	0	%100
100	M88	Z	0	0	0	%100
101	M89	X	0	0	0	%100
102	M89	Z	0	0	0	%100

Member Distributed Loads (BLC 61 : Structure Wi (240 Deg))

	Member Label	Direction	Start Magnitude[lb/ft,...	End Magnitude[lb/ft,F...	Start Location[ft, %]	End Location[ft, %]
1	M4	X	-2.41	-2.41	0	%100
2	M4	Z	1.391	1.391	0	%100
3	M5	X	0	0	0	%100
4	M5	Z	0	0	0	%100
5	M6	X	-2.41	-2.41	0	%100
6	M6	Z	1.391	1.391	0	%100
7	M7	X	-.941	-.941	0	%100
8	M7	Z	.543	.543	0	%100
9	M8	X	-3.764	-3.764	0	%100
10	M8	Z	2.173	2.173	0	%100
11	M9	X	-.941	-.941	0	%100
12	M9	Z	.543	.543	0	%100
13	M13	X	-2.044	-2.044	0	%100
14	M13	Z	1.18	1.18	0	%100
15	M17	X	0	0	0	%100
16	M17	Z	0	0	0	%100
17	M21	X	-2.044	-2.044	0	%100
18	M21	Z	1.18	1.18	0	%100
19	MP4A	X	-2.413	-2.413	0	%100
20	MP4A	Z	1.393	1.393	0	%100
21	MP3A	X	-2.413	-2.413	0	%100
22	MP3A	Z	1.393	1.393	0	%100
23	MP2A	X	-2.413	-2.413	0	%100
24	MP2A	Z	1.393	1.393	0	%100
25	MP1A	X	-2.413	-2.413	0	%100
26	MP1A	Z	1.393	1.393	0	%100
27	MP3C	X	-2.413	-2.413	0	%100
28	MP3C	Z	1.393	1.393	0	%100
29	MP2C	X	-2.413	-2.413	0	%100
30	MP2C	Z	1.393	1.393	0	%100
31	MP3B	X	-2.413	-2.413	0	%100
32	MP3B	Z	1.393	1.393	0	%100



Company :
 Designer :
 Job Number :
 Model Name :

June 28, 2021
 1:21 PM
 Checked By: _____

Member Distributed Loads (BLC 61 : Structure Wi (240 Deg)) (Continued)

Member Label	Direction	Start Magnitude[lb/ft,...	End Magnitude[lb/ft,F...	Start Location[ft, %]	End Location[ft, %]
33	MP2B	X	-2.413	-2.413	0 %100
34	MP2B	Z	1.393	1.393	0 %100
35	M43	X	-.543	-.543	0 %100
36	M43	Z	.314	.314	0 %100
37	M60A	X	-.603	-.603	0 %100
38	M60A	Z	.348	.348	0 %100
39	M49	X	-2.413	-2.413	0 %100
40	M49	Z	1.393	1.393	0 %100
41	M54	X	-.603	-.603	0 %100
42	M54	Z	.348	.348	0 %100
43	MP4C	X	-2.413	-2.413	0 %100
44	MP4C	Z	1.393	1.393	0 %100
45	MP1C	X	-2.413	-2.413	0 %100
46	MP1C	Z	1.393	1.393	0 %100
47	MP4B	X	-2.413	-2.413	0 %100
48	MP4B	Z	1.393	1.393	0 %100
49	MP1B	X	-2.413	-2.413	0 %100
50	MP1B	Z	1.393	1.393	0 %100
51	M66	X	-.543	-.543	0 %100
52	M66	Z	.314	.314	0 %100
53	M67	X	-2.172	-2.172	0 %100
54	M67	Z	1.254	1.254	0 %100
55	M63A	X	-2.627	-2.627	0 %100
56	M63A	Z	1.517	1.517	0 %100
57	M64	X	-.549	-.549	0 %100
58	M64	Z	.317	.317	0 %100
59	M65	X	-1.892	-1.892	0 %100
60	M65	Z	1.092	1.092	0 %100
61	M66A	X	-1.892	-1.892	0 %100
62	M66A	Z	1.092	1.092	0 %100
63	M67A	X	-.549	-.549	0 %100
64	M67A	Z	.317	.317	0 %100
65	M68	X	-2.627	-2.627	0 %100
66	M68	Z	1.517	1.517	0 %100
67	M75	X	-3.011	-3.011	0 %100
68	M75	Z	1.739	1.739	0 %100
69	M78	X	-.753	-.753	0 %100
70	M78	Z	.435	.435	0 %100
71	M85A	X	-.753	-.753	0 %100
72	M85A	Z	.435	.435	0 %100
73	M75A	X	-1.585	-1.585	0 %100
74	M75A	Z	.915	.915	0 %100
75	M76A	X	-1.585	-1.585	0 %100
76	M76A	Z	.915	.915	0 %100
77	M77A	X	-.56	-.56	0 %100
78	M77A	Z	.323	.323	0 %100
79	M78A	X	-.56	-.56	0 %100
80	M78A	Z	.323	.323	0 %100
81	M79	X	-.56	-.56	0 %100
82	M79	Z	.323	.323	0 %100
83	M80	X	-6.338	-6.338	0 %100
84	M80	Z	3.659	3.659	0 %100
85	M81	X	-6.338	-6.338	0 %100
86	M81	Z	3.659	3.659	0 %100
87	M82	X	-2.239	-2.239	0 %100
88	M82	Z	1.292	1.292	0 %100
89	M83A	X	-2.239	-2.239	0 %100



Company :
 Designer :
 Job Number :
 Model Name :

June 28, 2021
 1:21 PM
 Checked By: _____

Member Distributed Loads (BLC 61 : Structure Wi (240 Deg)) (Continued)

	Member Label	Direction	Start Magnitude[lb/ft,...	End Magnitude[lb/ft,F...	Start Location[ft, %]	End Location[ft, %]
90	M83A	Z	1.292	1.292	0	%100
91	M84	X	-2.239	-2.239	0	%100
92	M84	Z	1.292	1.292	0	%100
93	M85	X	-1.585	-1.585	0	%100
94	M85	Z	.915	.915	0	%100
95	M86	X	-1.585	-1.585	0	%100
96	M86	Z	.915	.915	0	%100
97	M87	X	-.56	-.56	0	%100
98	M87	Z	.323	.323	0	%100
99	M88	X	-.56	-.56	0	%100
100	M88	Z	.323	.323	0	%100
101	M89	X	-.56	-.56	0	%100
102	M89	Z	.323	.323	0	%100

Member Distributed Loads (BLC 62 : Structure Wi (270 Deg))

	Member Label	Direction	Start Magnitude[lb/ft,...	End Magnitude[lb/ft,F...	Start Location[ft, %]	End Location[ft, %]
1	M4	X	-3.71	-3.71	0	%100
2	M4	Z	0	0	0	%100
3	M5	X	-.928	-.928	0	%100
4	M5	Z	0	0	0	%100
5	M6	X	-.928	-.928	0	%100
6	M6	Z	0	0	0	%100
7	M7	X	0	0	0	%100
8	M7	Z	0	0	0	%100
9	M8	X	-3.26	-3.26	0	%100
10	M8	Z	0	0	0	%100
11	M9	X	-3.26	-3.26	0	%100
12	M9	Z	0	0	0	%100
13	M13	X	-3.147	-3.147	0	%100
14	M13	Z	0	0	0	%100
15	M17	X	-.787	-.787	0	%100
16	M17	Z	0	0	0	%100
17	M21	X	-.787	-.787	0	%100
18	M21	Z	0	0	0	%100
19	MP4A	X	-2.786	-2.786	0	%100
20	MP4A	Z	0	0	0	%100
21	MP3A	X	-2.786	-2.786	0	%100
22	MP3A	Z	0	0	0	%100
23	MP2A	X	-2.786	-2.786	0	%100
24	MP2A	Z	0	0	0	%100
25	MP1A	X	-2.786	-2.786	0	%100
26	MP1A	Z	0	0	0	%100
27	MP3C	X	-2.786	-2.786	0	%100
28	MP3C	Z	0	0	0	%100
29	MP2C	X	-2.786	-2.786	0	%100
30	MP2C	Z	0	0	0	%100
31	MP3B	X	-2.786	-2.786	0	%100
32	MP3B	Z	0	0	0	%100
33	MP2B	X	-2.786	-2.786	0	%100
34	MP2B	Z	0	0	0	%100
35	M43	X	-1.881	-1.881	0	%100
36	M43	Z	0	0	0	%100
37	M60A	X	0	0	0	%100
38	M60A	Z	0	0	0	%100
39	M49	X	-2.089	-2.089	0	%100
40	M49	Z	0	0	0	%100



Company :
 Designer :
 Job Number :
 Model Name :

June 28, 2021
 1:21 PM
 Checked By: _____

Member Distributed Loads (BLC 62 : Structure Wi (270 Deg)) (Continued)

Member Label	Direction	Start Magnitude[lb/ft,...	End Magnitude[lb/ft,F...	Start Location[ft, %]	End Location[ft, %]
41	M54	X	-2.089	-2.089	0 %100
42	M54	Z	0	0	0 %100
43	MP4C	X	-2.786	-2.786	0 %100
44	MP4C	Z	0	0	0 %100
45	MP1C	X	-2.786	-2.786	0 %100
46	MP1C	Z	0	0	0 %100
47	MP4B	X	-2.786	-2.786	0 %100
48	MP4B	Z	0	0	0 %100
49	MP1B	X	-2.786	-2.786	0 %100
50	MP1B	Z	0	0	0 %100
51	M66	X	0	0	0 %100
52	M66	Z	0	0	0 %100
53	M67	X	-1.881	-1.881	0 %100
54	M67	Z	0	0	0 %100
55	M63A	X	-1.717	-1.717	0 %100
56	M63A	Z	0	0	0 %100
57	M64	X	-1.717	-1.717	0 %100
58	M64	Z	0	0	0 %100
59	M65	X	-3.267	-3.267	0 %100
60	M65	Z	0	0	0 %100
61	M66A	X	-.868	-.868	0 %100
62	M66A	Z	0	0	0 %100
63	M67A	X	-.868	-.868	0 %100
64	M67A	Z	0	0	0 %100
65	M68	X	-3.267	-3.267	0 %100
66	M68	Z	0	0	0 %100
67	M75	X	-2.608	-2.608	0 %100
68	M75	Z	0	0	0 %100
69	M78	X	-2.608	-2.608	0 %100
70	M78	Z	0	0	0 %100
71	M85A	X	0	0	0 %100
72	M85A	Z	0	0	0 %100
73	M75A	X	0	0	0 %100
74	M75A	Z	0	0	0 %100
75	M76A	X	0	0	0 %100
76	M76A	Z	0	0	0 %100
77	M77A	X	0	0	0 %100
78	M77A	Z	0	0	0 %100
79	M78A	X	0	0	0 %100
80	M78A	Z	0	0	0 %100
81	M79	X	0	0	0 %100
82	M79	Z	0	0	0 %100
83	M80	X	-5.489	-5.489	0 %100
84	M80	Z	0	0	0 %100
85	M81	X	-5.489	-5.489	0 %100
86	M81	Z	0	0	0 %100
87	M82	X	-1.939	-1.939	0 %100
88	M82	Z	0	0	0 %100
89	M83A	X	-1.939	-1.939	0 %100
90	M83A	Z	0	0	0 %100
91	M84	X	-1.939	-1.939	0 %100
92	M84	Z	0	0	0 %100
93	M85	X	-5.489	-5.489	0 %100
94	M85	Z	0	0	0 %100
95	M86	X	-5.489	-5.489	0 %100
96	M86	Z	0	0	0 %100
97	M87	X	-1.939	-1.939	0 %100

Member Distributed Loads (BLC 62 : Structure Wi (270 Deg)) (Continued)

	Member Label	Direction	Start Magnitude[lb/ft,...	End Magnitude[lb/ft,F...	Start Location[ft, %]	End Location[ft, %]
98	M87	Z	0	0	0	%100
99	M88	X	-1.939	-1.939	0	%100
100	M88	Z	0	0	0	%100
101	M89	X	-1.939	-1.939	0	%100
102	M89	Z	0	0	0	%100

Member Distributed Loads (BLC 63 : Structure Wi (300 Deg))

	Member Label	Direction	Start Magnitude[lb/ft,...	End Magnitude[lb/ft,F...	Start Location[ft, %]	End Location[ft, %]
1	M4	X	-2.41	-2.41	0	%100
2	M4	Z	-1.391	-1.391	0	%100
3	M5	X	-2.41	-2.41	0	%100
4	M5	Z	-1.391	-1.391	0	%100
5	M6	X	0	0	0	%100
6	M6	Z	0	0	0	%100
7	M7	X	-.941	-.941	0	%100
8	M7	Z	-.543	-.543	0	%100
9	M8	X	-.941	-.941	0	%100
10	M8	Z	-.543	-.543	0	%100
11	M9	X	-3.764	-3.764	0	%100
12	M9	Z	-2.173	-2.173	0	%100
13	M13	X	-2.044	-2.044	0	%100
14	M13	Z	-1.18	-1.18	0	%100
15	M17	X	-2.044	-2.044	0	%100
16	M17	Z	-1.18	-1.18	0	%100
17	M21	X	0	0	0	%100
18	M21	Z	0	0	0	%100
19	MP4A	X	-2.413	-2.413	0	%100
20	MP4A	Z	-1.393	-1.393	0	%100
21	MP3A	X	-2.413	-2.413	0	%100
22	MP3A	Z	-1.393	-1.393	0	%100
23	MP2A	X	-2.413	-2.413	0	%100
24	MP2A	Z	-1.393	-1.393	0	%100
25	MP1A	X	-2.413	-2.413	0	%100
26	MP1A	Z	-1.393	-1.393	0	%100
27	MP3C	X	-2.413	-2.413	0	%100
28	MP3C	Z	-1.393	-1.393	0	%100
29	MP2C	X	-2.413	-2.413	0	%100
30	MP2C	Z	-1.393	-1.393	0	%100
31	MP3B	X	-2.413	-2.413	0	%100
32	MP3B	Z	-1.393	-1.393	0	%100
33	MP2B	X	-2.413	-2.413	0	%100
34	MP2B	Z	-1.393	-1.393	0	%100
35	M43	X	-2.172	-2.172	0	%100
36	M43	Z	-1.254	-1.254	0	%100
37	M60A	X	-.603	-.603	0	%100
38	M60A	Z	-.348	-.348	0	%100
39	M49	X	-.603	-.603	0	%100
40	M49	Z	-.348	-.348	0	%100
41	M54	X	-2.413	-2.413	0	%100
42	M54	Z	-1.393	-1.393	0	%100
43	MP4C	X	-2.413	-2.413	0	%100
44	MP4C	Z	-1.393	-1.393	0	%100
45	MP1C	X	-2.413	-2.413	0	%100
46	MP1C	Z	-1.393	-1.393	0	%100
47	MP4B	X	-2.413	-2.413	0	%100
48	MP4B	Z	-1.393	-1.393	0	%100

Member Distributed Loads (BLC 63 : Structure Wi (300 Deg)) (Continued)

Member Label	Direction	Start Magnitude[lb/ft,...	End Magnitude[lb/ft,F...	Start Location[ft,%]	End Location[ft,%]
49	MP1B	X	-2.413	-2.413	0 %100
50	MP1B	Z	-1.393	-1.393	0 %100
51	M66	X	-.543	-.543	0 %100
52	M66	Z	-.314	-.314	0 %100
53	M67	X	-.543	-.543	0 %100
54	M67	Z	-.314	-.314	0 %100
55	M63A	X	-.549	-.549	0 %100
56	M63A	Z	-.317	-.317	0 %100
57	M64	X	-2.627	-2.627	0 %100
58	M64	Z	-1.517	-1.517	0 %100
59	M65	X	-2.627	-2.627	0 %100
60	M65	Z	-1.517	-1.517	0 %100
61	M66A	X	-.549	-.549	0 %100
62	M66A	Z	-.317	-.317	0 %100
63	M67A	X	-1.892	-1.892	0 %100
64	M67A	Z	-1.092	-1.092	0 %100
65	M68	X	-1.892	-1.892	0 %100
66	M68	Z	-1.092	-1.092	0 %100
67	M75	X	-.753	-.753	0 %100
68	M75	Z	-.435	-.435	0 %100
69	M78	X	-3.011	-3.011	0 %100
70	M78	Z	-1.739	-1.739	0 %100
71	M85A	X	-.753	-.753	0 %100
72	M85A	Z	-.435	-.435	0 %100
73	M75A	X	-1.585	-1.585	0 %100
74	M75A	Z	-.915	-.915	0 %100
75	M76A	X	-1.585	-1.585	0 %100
76	M76A	Z	-.915	-.915	0 %100
77	M77A	X	-.56	-.56	0 %100
78	M77A	Z	-.323	-.323	0 %100
79	M78A	X	-.56	-.56	0 %100
80	M78A	Z	-.323	-.323	0 %100
81	M79	X	-.56	-.56	0 %100
82	M79	Z	-.323	-.323	0 %100
83	M80	X	-1.585	-1.585	0 %100
84	M80	Z	-.915	-.915	0 %100
85	M81	X	-1.585	-1.585	0 %100
86	M81	Z	-.915	-.915	0 %100
87	M82	X	-.56	-.56	0 %100
88	M82	Z	-.323	-.323	0 %100
89	M83A	X	-.56	-.56	0 %100
90	M83A	Z	-.323	-.323	0 %100
91	M84	X	-.56	-.56	0 %100
92	M84	Z	-.323	-.323	0 %100
93	M85	X	-6.338	-6.338	0 %100
94	M85	Z	-3.659	-3.659	0 %100
95	M86	X	-6.338	-6.338	0 %100
96	M86	Z	-3.659	-3.659	0 %100
97	M87	X	-2.239	-2.239	0 %100
98	M87	Z	-1.292	-1.292	0 %100
99	M88	X	-2.239	-2.239	0 %100
100	M88	Z	-1.292	-1.292	0 %100
101	M89	X	-2.239	-2.239	0 %100
102	M89	Z	-1.292	-1.292	0 %100

Member Distributed Loads (BLC 64 : Structure Wi (330 Deg))



Company :
 Designer :
 Job Number :
 Model Name :

June 28, 2021
 1:21 PM
 Checked By: _____

Member Distributed Loads (BLC 64 : Structure Wi (330 Deg)) (Continued)

	Member Label	Direction	Start Magnitude[lb/ft,...	End Magnitude[lb/ft,F...	Start Location[ft, %]	End Location[ft, %]
1	M4	X	-464	-464	0	%100
2	M4	Z	-803	-803	0	%100
3	M5	X	-1.855	-1.855	0	%100
4	M5	Z	-3.213	-3.213	0	%100
5	M6	X	-464	-464	0	%100
6	M6	Z	-803	-803	0	%100
7	M7	X	-1.63	-1.63	0	%100
8	M7	Z	-2.823	-2.823	0	%100
9	M8	X	0	0	0	%100
10	M8	Z	0	0	0	%100
11	M9	X	-1.63	-1.63	0	%100
12	M9	Z	-2.823	-2.823	0	%100
13	M13	X	-393	-393	0	%100
14	M13	Z	-681	-681	0	%100
15	M17	X	-1.574	-1.574	0	%100
16	M17	Z	-2.726	-2.726	0	%100
17	M21	X	-393	-393	0	%100
18	M21	Z	-681	-681	0	%100
19	MP4A	X	-1.393	-1.393	0	%100
20	MP4A	Z	-2.413	-2.413	0	%100
21	MP3A	X	-1.393	-1.393	0	%100
22	MP3A	Z	-2.413	-2.413	0	%100
23	MP2A	X	-1.393	-1.393	0	%100
24	MP2A	Z	-2.413	-2.413	0	%100
25	MP1A	X	-1.393	-1.393	0	%100
26	MP1A	Z	-2.413	-2.413	0	%100
27	MP3C	X	-1.393	-1.393	0	%100
28	MP3C	Z	-2.413	-2.413	0	%100
29	MP2C	X	-1.393	-1.393	0	%100
30	MP2C	Z	-2.413	-2.413	0	%100
31	MP3B	X	-1.393	-1.393	0	%100
32	MP3B	Z	-2.413	-2.413	0	%100
33	MP2B	X	-1.393	-1.393	0	%100
34	MP2B	Z	-2.413	-2.413	0	%100
35	M43	X	-941	-941	0	%100
36	M43	Z	-1.629	-1.629	0	%100
37	M60A	X	-1.045	-1.045	0	%100
38	M60A	Z	-1.809	-1.809	0	%100
39	M49	X	0	0	0	%100
40	M49	Z	0	0	0	%100
41	M54	X	-1.045	-1.045	0	%100
42	M54	Z	-1.809	-1.809	0	%100
43	MP4C	X	-1.393	-1.393	0	%100
44	MP4C	Z	-2.413	-2.413	0	%100
45	MP1C	X	-1.393	-1.393	0	%100
46	MP1C	Z	-2.413	-2.413	0	%100
47	MP4B	X	-1.393	-1.393	0	%100
48	MP4B	Z	-2.413	-2.413	0	%100
49	MP1B	X	-1.393	-1.393	0	%100
50	MP1B	Z	-2.413	-2.413	0	%100
51	M66	X	-941	-941	0	%100
52	M66	Z	-1.629	-1.629	0	%100
53	M67	X	0	0	0	%100
54	M67	Z	0	0	0	%100
55	M63A	X	-434	-434	0	%100
56	M63A	Z	-752	-752	0	%100
57	M64	X	-1.634	-1.634	0	%100

Member Distributed Loads (BLC 65 : Structure Wm (0 Deg)) (Continued)

	Member Label	Direction	Start Magnitude[lb/ft,...	End Magnitude[lb/ft,F...	Start Location[ft, %]	End Location[ft, %]
9	M8	X	0	0	0	%100
10	M8	Z	-.268	-.268	0	%100
11	M9	X	0	0	0	%100
12	M9	Z	-.268	-.268	0	%100
13	M13	X	0	0	0	%100
14	M13	Z	0	0	0	%100
15	M17	X	0	0	0	%100
16	M17	Z	-.545	-.545	0	%100
17	M21	X	0	0	0	%100
18	M21	Z	-.545	-.545	0	%100
19	MP4A	X	0	0	0	%100
20	MP4A	Z	-.508	-.508	0	%100
21	MP3A	X	0	0	0	%100
22	MP3A	Z	-.508	-.508	0	%100
23	MP2A	X	0	0	0	%100
24	MP2A	Z	-.508	-.508	0	%100
25	MP1A	X	0	0	0	%100
26	MP1A	Z	-.508	-.508	0	%100
27	MP3C	X	0	0	0	%100
28	MP3C	Z	-.508	-.508	0	%100
29	MP2C	X	0	0	0	%100
30	MP2C	Z	-.508	-.508	0	%100
31	MP3B	X	0	0	0	%100
32	MP3B	Z	-.508	-.508	0	%100
33	MP2B	X	0	0	0	%100
34	MP2B	Z	-.508	-.508	0	%100
35	M43	X	0	0	0	%100
36	M43	Z	-.129	-.129	0	%100
37	M60A	X	0	0	0	%100
38	M60A	Z	-.508	-.508	0	%100
39	M49	X	0	0	0	%100
40	M49	Z	-.127	-.127	0	%100
41	M54	X	0	0	0	%100
42	M54	Z	-.127	-.127	0	%100
43	MP4C	X	0	0	0	%100
44	MP4C	Z	-.508	-.508	0	%100
45	MP1C	X	0	0	0	%100
46	MP1C	Z	-.508	-.508	0	%100
47	MP4B	X	0	0	0	%100
48	MP4B	Z	-.508	-.508	0	%100
49	MP1B	X	0	0	0	%100
50	MP1B	Z	-.508	-.508	0	%100
51	M66	X	0	0	0	%100
52	M66	Z	-.518	-.518	0	%100
53	M67	X	0	0	0	%100
54	M67	Z	-.129	-.129	0	%100
55	M63A	X	0	0	0	%100
56	M63A	Z	-.465	-.465	0	%100
57	M64	X	0	0	0	%100
58	M64	Z	-.465	-.465	0	%100
59	M65	X	0	0	0	%100
60	M65	Z	-.135	-.135	0	%100
61	M66A	X	0	0	0	%100
62	M66A	Z	-.645	-.645	0	%100
63	M67A	X	0	0	0	%100
64	M67A	Z	-.645	-.645	0	%100
65	M68	X	0	0	0	%100

Member Distributed Loads (BLC 65 : Structure Wm (0 Deg)) (Continued)

	Member Label	Direction	Start Magnitude[lb/ft,...	End Magnitude[lb/ft,F...	Start Location[ft, %]	End Location[ft, %]
66	M68	Z	-.135	-.135	0	%100
67	M75	X	0	0	0	%100
68	M75	Z	-.21	-.21	0	%100
69	M78	X	0	0	0	%100
70	M78	Z	-.21	-.21	0	%100
71	M85A	X	0	0	0	%100
72	M85A	Z	-.841	-.841	0	%100
73	M75A	X	0	0	0	%100
74	M75A	Z	-2.14	-2.14	0	%100
75	M76A	X	0	0	0	%100
76	M76A	Z	-2.14	-2.14	0	%100
77	M77A	X	0	0	0	%100
78	M77A	Z	-.642	-.642	0	%100
79	M78A	X	0	0	0	%100
80	M78A	Z	-.642	-.642	0	%100
81	M79	X	0	0	0	%100
82	M79	Z	-.642	-.642	0	%100
83	M80	X	0	0	0	%100
84	M80	Z	-.535	-.535	0	%100
85	M81	X	0	0	0	%100
86	M81	Z	-.535	-.535	0	%100
87	M82	X	0	0	0	%100
88	M82	Z	-.161	-.161	0	%100
89	M83A	X	0	0	0	%100
90	M83A	Z	-.161	-.161	0	%100
91	M84	X	0	0	0	%100
92	M84	Z	-.161	-.161	0	%100
93	M85	X	0	0	0	%100
94	M85	Z	-.535	-.535	0	%100
95	M86	X	0	0	0	%100
96	M86	Z	-.535	-.535	0	%100
97	M87	X	0	0	0	%100
98	M87	Z	-.161	-.161	0	%100
99	M88	X	0	0	0	%100
100	M88	Z	-.161	-.161	0	%100
101	M89	X	0	0	0	%100
102	M89	Z	-.161	-.161	0	%100

Member Distributed Loads (BLC 66 : Structure Wm (30 Deg))

	Member Label	Direction	Start Magnitude[lb/ft,...	End Magnitude[lb/ft,F...	Start Location[ft, %]	End Location[ft, %]
1	M4	X	.111	.111	0	%100
2	M4	Z	-.193	-.193	0	%100
3	M5	X	.111	.111	0	%100
4	M5	Z	-.193	-.193	0	%100
5	M6	X	.446	.446	0	%100
6	M6	Z	-.772	-.772	0	%100
7	M7	X	.401	.401	0	%100
8	M7	Z	-.695	-.695	0	%100
9	M8	X	.401	.401	0	%100
10	M8	Z	-.695	-.695	0	%100
11	M9	X	0	0	0	%100
12	M9	Z	0	0	0	%100
13	M13	X	.091	.091	0	%100
14	M13	Z	-.157	-.157	0	%100
15	M17	X	.091	.091	0	%100
16	M17	Z	-.157	-.157	0	%100



Company :
 Designer :
 Job Number :
 Model Name :

June 28, 2021
 1:21 PM
 Checked By: _____

Member Distributed Loads (BLC 66 : Structure Wm (30 Deg)) (Continued)

	Member Label	Direction	Start Magnitude[lb/ft,...	End Magnitude[lb/ft,F...	Start Location[ft, %]	End Location[ft, %]
17	M21	X	.363	.363	0	%100
18	M21	Z	-.629	-.629	0	%100
19	MP4A	X	.254	.254	0	%100
20	MP4A	Z	-.44	-.44	0	%100
21	MP3A	X	.254	.254	0	%100
22	MP3A	Z	-.44	-.44	0	%100
23	MP2A	X	.254	.254	0	%100
24	MP2A	Z	-.44	-.44	0	%100
25	MP1A	X	.254	.254	0	%100
26	MP1A	Z	-.44	-.44	0	%100
27	MP3C	X	.254	.254	0	%100
28	MP3C	Z	-.44	-.44	0	%100
29	MP2C	X	.254	.254	0	%100
30	MP2C	Z	-.44	-.44	0	%100
31	MP3B	X	.254	.254	0	%100
32	MP3B	Z	-.44	-.44	0	%100
33	MP2B	X	.254	.254	0	%100
34	MP2B	Z	-.44	-.44	0	%100
35	M43	X	0	0	0	%100
36	M43	Z	0	0	0	%100
37	M60A	X	.191	.191	0	%100
38	M60A	Z	-.33	-.33	0	%100
39	M49	X	.191	.191	0	%100
40	M49	Z	-.33	-.33	0	%100
41	M54	X	0	0	0	%100
42	M54	Z	0	0	0	%100
43	MP4C	X	.254	.254	0	%100
44	MP4C	Z	-.44	-.44	0	%100
45	MP1C	X	.254	.254	0	%100
46	MP1C	Z	-.44	-.44	0	%100
47	MP4B	X	.254	.254	0	%100
48	MP4B	Z	-.44	-.44	0	%100
49	MP1B	X	.254	.254	0	%100
50	MP1B	Z	-.44	-.44	0	%100
51	M66	X	.194	.194	0	%100
52	M66	Z	-.336	-.336	0	%100
53	M67	X	.194	.194	0	%100
54	M67	Z	-.336	-.336	0	%100
55	M63A	X	.347	.347	0	%100
56	M63A	Z	-.602	-.602	0	%100
57	M64	X	.092	.092	0	%100
58	M64	Z	-.16	-.16	0	%100
59	M65	X	.092	.092	0	%100
60	M65	Z	-.16	-.16	0	%100
61	M66A	X	.347	.347	0	%100
62	M66A	Z	-.602	-.602	0	%100
63	M67A	X	.183	.183	0	%100
64	M67A	Z	-.316	-.316	0	%100
65	M68	X	.183	.183	0	%100
66	M68	Z	-.316	-.316	0	%100
67	M75	X	.316	.316	0	%100
68	M75	Z	-.547	-.547	0	%100
69	M78	X	0	0	0	%100
70	M78	Z	0	0	0	%100
71	M85A	X	.316	.316	0	%100
72	M85A	Z	-.547	-.547	0	%100
73	M75A	X	.803	.803	0	%100

Member Distributed Loads (BLC 66 : Structure Wm (30 Deg)) (Continued)

	Member Label	Direction	Start Magnitude[lb/ft....	End Magnitude[lb/ft.F...	Start Location[ft.%]	End Location[ft.%]
74	M75A	Z	-1.39	-1.39	0	%100
75	M76A	X	.803	.803	0	%100
76	M76A	Z	-1.39	-1.39	0	%100
77	M77A	X	.241	.241	0	%100
78	M77A	Z	-.417	-.417	0	%100
79	M78A	X	.241	.241	0	%100
80	M78A	Z	-.417	-.417	0	%100
81	M79	X	.241	.241	0	%100
82	M79	Z	-.417	-.417	0	%100
83	M80	X	.803	.803	0	%100
84	M80	Z	-1.39	-1.39	0	%100
85	M81	X	.803	.803	0	%100
86	M81	Z	-1.39	-1.39	0	%100
87	M82	X	.241	.241	0	%100
88	M82	Z	-.417	-.417	0	%100
89	M83A	X	.241	.241	0	%100
90	M83A	Z	-.417	-.417	0	%100
91	M84	X	.241	.241	0	%100
92	M84	Z	-.417	-.417	0	%100
93	M85	X	0	0	0	%100
94	M85	Z	0	0	0	%100
95	M86	X	0	0	0	%100
96	M86	Z	0	0	0	%100
97	M87	X	0	0	0	%100
98	M87	Z	0	0	0	%100
99	M88	X	0	0	0	%100
100	M88	Z	0	0	0	%100
101	M89	X	0	0	0	%100
102	M89	Z	0	0	0	%100

Member Distributed Loads (BLC 67 : Structure Wm (60 Deg))

	Member Label	Direction	Start Magnitude[lb/ft....	End Magnitude[lb/ft.F...	Start Location[ft.%]	End Location[ft.%]
1	M4	X	.579	.579	0	%100
2	M4	Z	-.334	-.334	0	%100
3	M5	X	0	0	0	%100
4	M5	Z	0	0	0	%100
5	M6	X	.579	.579	0	%100
6	M6	Z	-.334	-.334	0	%100
7	M7	X	.232	.232	0	%100
8	M7	Z	-.134	-.134	0	%100
9	M8	X	.927	.927	0	%100
10	M8	Z	-.535	-.535	0	%100
11	M9	X	.232	.232	0	%100
12	M9	Z	-.134	-.134	0	%100
13	M13	X	.472	.472	0	%100
14	M13	Z	-.273	-.273	0	%100
15	M17	X	0	0	0	%100
16	M17	Z	0	0	0	%100
17	M21	X	.472	.472	0	%100
18	M21	Z	-.273	-.273	0	%100
19	MP4A	X	.44	.44	0	%100
20	MP4A	Z	-.254	-.254	0	%100
21	MP3A	X	.44	.44	0	%100
22	MP3A	Z	-.254	-.254	0	%100
23	MP2A	X	.44	.44	0	%100
24	MP2A	Z	-.254	-.254	0	%100



Company :
 Designer :
 Job Number :
 Model Name :

June 28, 2021
 1:21 PM
 Checked By: _____

Member Distributed Loads (BLC 67 : Structure Wm (60 Deg)) (Continued)

	Member Label	Direction	Start Magnitude[lb/ft,...	End Magnitude[lb/ft,F...	Start Location[ft, %]	End Location[ft, %]
25	MP1A	X	.44	.44	0	%100
26	MP1A	Z	-.254	-.254	0	%100
27	MP3C	X	.44	.44	0	%100
28	MP3C	Z	-.254	-.254	0	%100
29	MP2C	X	.44	.44	0	%100
30	MP2C	Z	-.254	-.254	0	%100
31	MP3B	X	.44	.44	0	%100
32	MP3B	Z	-.254	-.254	0	%100
33	MP2B	X	.44	.44	0	%100
34	MP2B	Z	-.254	-.254	0	%100
35	M43	X	.112	.112	0	%100
36	M43	Z	-.065	-.065	0	%100
37	M60A	X	.11	.11	0	%100
38	M60A	Z	-.064	-.064	0	%100
39	M49	X	.44	.44	0	%100
40	M49	Z	-.254	-.254	0	%100
41	M54	X	.11	.11	0	%100
42	M54	Z	-.064	-.064	0	%100
43	MP4C	X	.44	.44	0	%100
44	MP4C	Z	-.254	-.254	0	%100
45	MP1C	X	.44	.44	0	%100
46	MP1C	Z	-.254	-.254	0	%100
47	MP4B	X	.44	.44	0	%100
48	MP4B	Z	-.254	-.254	0	%100
49	MP1B	X	.44	.44	0	%100
50	MP1B	Z	-.254	-.254	0	%100
51	M66	X	.112	.112	0	%100
52	M66	Z	-.065	-.065	0	%100
53	M67	X	.448	.448	0	%100
54	M67	Z	-.259	-.259	0	%100
55	M63A	X	.559	.559	0	%100
56	M63A	Z	-.322	-.322	0	%100
57	M64	X	.117	.117	0	%100
58	M64	Z	-.067	-.067	0	%100
59	M65	X	.402	.402	0	%100
60	M65	Z	-.232	-.232	0	%100
61	M66A	X	.402	.402	0	%100
62	M66A	Z	-.232	-.232	0	%100
63	M67A	X	.117	.117	0	%100
64	M67A	Z	-.067	-.067	0	%100
65	M68	X	.559	.559	0	%100
66	M68	Z	-.322	-.322	0	%100
67	M75	X	.729	.729	0	%100
68	M75	Z	-.421	-.421	0	%100
69	M78	X	.182	.182	0	%100
70	M78	Z	-.105	-.105	0	%100
71	M85A	X	.182	.182	0	%100
72	M85A	Z	-.105	-.105	0	%100
73	M75A	X	.463	.463	0	%100
74	M75A	Z	-.268	-.268	0	%100
75	M76A	X	.463	.463	0	%100
76	M76A	Z	-.268	-.268	0	%100
77	M77A	X	.139	.139	0	%100
78	M77A	Z	-.08	-.08	0	%100
79	M78A	X	.139	.139	0	%100
80	M78A	Z	-.08	-.08	0	%100
81	M79	X	.139	.139	0	%100



Company :
 Designer :
 Job Number :
 Model Name :

June 28, 2021
 1:21 PM
 Checked By: _____

Member Distributed Loads (BLC 67 : Structure Wm (60 Deg)) (Continued)

	Member Label	Direction	Start Magnitude[lb/ft,...	End Magnitude[lb/ft,F...	Start Location[ft, %]	End Location[ft, %]
82	M79	Z	-.08	-.08	0	%100
83	M80	X	1.853	1.853	0	%100
84	M80	Z	-1.07	-1.07	0	%100
85	M81	X	1.853	1.853	0	%100
86	M81	Z	-1.07	-1.07	0	%100
87	M82	X	.556	.556	0	%100
88	M82	Z	-.321	-.321	0	%100
89	M83A	X	.556	.556	0	%100
90	M83A	Z	-.321	-.321	0	%100
91	M84	X	.556	.556	0	%100
92	M84	Z	-.321	-.321	0	%100
93	M85	X	.463	.463	0	%100
94	M85	Z	-.268	-.268	0	%100
95	M86	X	.463	.463	0	%100
96	M86	Z	-.268	-.268	0	%100
97	M87	X	.139	.139	0	%100
98	M87	Z	-.08	-.08	0	%100
99	M88	X	.139	.139	0	%100
100	M88	Z	-.08	-.08	0	%100
101	M89	X	.139	.139	0	%100
102	M89	Z	-.08	-.08	0	%100

Member Distributed Loads (BLC 68 : Structure Wm (90 Deg))

	Member Label	Direction	Start Magnitude[lb/ft,...	End Magnitude[lb/ft,F...	Start Location[ft, %]	End Location[ft, %]
1	M4	X	.892	.892	0	%100
2	M4	Z	0	0	0	%100
3	M5	X	.223	.223	0	%100
4	M5	Z	0	0	0	%100
5	M6	X	.223	.223	0	%100
6	M6	Z	0	0	0	%100
7	M7	X	0	0	0	%100
8	M7	Z	0	0	0	%100
9	M8	X	.803	.803	0	%100
10	M8	Z	0	0	0	%100
11	M9	X	.803	.803	0	%100
12	M9	Z	0	0	0	%100
13	M13	X	.727	.727	0	%100
14	M13	Z	0	0	0	%100
15	M17	X	.182	.182	0	%100
16	M17	Z	0	0	0	%100
17	M21	X	.182	.182	0	%100
18	M21	Z	0	0	0	%100
19	MP4A	X	.508	.508	0	%100
20	MP4A	Z	0	0	0	%100
21	MP3A	X	.508	.508	0	%100
22	MP3A	Z	0	0	0	%100
23	MP2A	X	.508	.508	0	%100
24	MP2A	Z	0	0	0	%100
25	MP1A	X	.508	.508	0	%100
26	MP1A	Z	0	0	0	%100
27	MP3C	X	.508	.508	0	%100
28	MP3C	Z	0	0	0	%100
29	MP2C	X	.508	.508	0	%100
30	MP2C	Z	0	0	0	%100
31	MP3B	X	.508	.508	0	%100
32	MP3B	Z	0	0	0	%100



Company :
 Designer :
 Job Number :
 Model Name :

June 28, 2021
 1:21 PM
 Checked By: _____

Member Distributed Loads (BLC 68 : Structure Wm (90 Deg)) (Continued)

Member Label	Direction	Start Magnitude[lb/ft,...	End Magnitude[lb/ft,F...	Start Location[ft, %]	End Location[ft, %]
33	MP2B	X	.508	.508	0 %100
34	MP2B	Z	0	0	0 %100
35	M43	X	.388	.388	0 %100
36	M43	Z	0	0	0 %100
37	M60A	X	0	0	0 %100
38	M60A	Z	0	0	0 %100
39	M49	X	.381	.381	0 %100
40	M49	Z	0	0	0 %100
41	M54	X	.381	.381	0 %100
42	M54	Z	0	0	0 %100
43	MP4C	X	.508	.508	0 %100
44	MP4C	Z	0	0	0 %100
45	MP1C	X	.508	.508	0 %100
46	MP1C	Z	0	0	0 %100
47	MP4B	X	.508	.508	0 %100
48	MP4B	Z	0	0	0 %100
49	MP1B	X	.508	.508	0 %100
50	MP1B	Z	0	0	0 %100
51	M66	X	0	0	0 %100
52	M66	Z	0	0	0 %100
53	M67	X	.388	.388	0 %100
54	M67	Z	0	0	0 %100
55	M63A	X	.365	.365	0 %100
56	M63A	Z	0	0	0 %100
57	M64	X	.365	.365	0 %100
58	M64	Z	0	0	0 %100
59	M65	X	.695	.695	0 %100
60	M65	Z	0	0	0 %100
61	M66A	X	.185	.185	0 %100
62	M66A	Z	0	0	0 %100
63	M67A	X	.185	.185	0 %100
64	M67A	Z	0	0	0 %100
65	M68	X	.695	.695	0 %100
66	M68	Z	0	0	0 %100
67	M75	X	.631	.631	0 %100
68	M75	Z	0	0	0 %100
69	M78	X	.631	.631	0 %100
70	M78	Z	0	0	0 %100
71	M85A	X	0	0	0 %100
72	M85A	Z	0	0	0 %100
73	M75A	X	0	0	0 %100
74	M75A	Z	0	0	0 %100
75	M76A	X	0	0	0 %100
76	M76A	Z	0	0	0 %100
77	M77A	X	0	0	0 %100
78	M77A	Z	0	0	0 %100
79	M78A	X	0	0	0 %100
80	M78A	Z	0	0	0 %100
81	M79	X	0	0	0 %100
82	M79	Z	0	0	0 %100
83	M80	X	1.605	1.605	0 %100
84	M80	Z	0	0	0 %100
85	M81	X	1.605	1.605	0 %100
86	M81	Z	0	0	0 %100
87	M82	X	.482	.482	0 %100
88	M82	Z	0	0	0 %100
89	M83A	X	.482	.482	0 %100



Company :
 Designer :
 Job Number :
 Model Name :

June 28, 2021
 1:21 PM
 Checked By: _____

Member Distributed Loads (BLC 68 : Structure Wm (90 Deg)) (Continued)

	Member Label	Direction	Start Magnitude[lb/ft....	End Magnitude[lb/ft,F...	Start Location[ft.%]	End Location[ft.%]
90	M83A	Z	0	0	0	%100
91	M84	X	.482	.482	0	%100
92	M84	Z	0	0	0	%100
93	M85	X	1.605	1.605	0	%100
94	M85	Z	0	0	0	%100
95	M86	X	1.605	1.605	0	%100
96	M86	Z	0	0	0	%100
97	M87	X	.482	.482	0	%100
98	M87	Z	0	0	0	%100
99	M88	X	.482	.482	0	%100
100	M88	Z	0	0	0	%100
101	M89	X	.482	.482	0	%100
102	M89	Z	0	0	0	%100

Member Distributed Loads (BLC 69 : Structure Wm (120 Deg))

	Member Label	Direction	Start Magnitude[lb/ft....	End Magnitude[lb/ft,F...	Start Location[ft.%]	End Location[ft.%]
1	M4	X	.579	.579	0	%100
2	M4	Z	.334	.334	0	%100
3	M5	X	.579	.579	0	%100
4	M5	Z	.334	.334	0	%100
5	M6	X	0	0	0	%100
6	M6	Z	0	0	0	%100
7	M7	X	.232	.232	0	%100
8	M7	Z	.134	.134	0	%100
9	M8	X	.232	.232	0	%100
10	M8	Z	.134	.134	0	%100
11	M9	X	.927	.927	0	%100
12	M9	Z	.535	.535	0	%100
13	M13	X	.472	.472	0	%100
14	M13	Z	.273	.273	0	%100
15	M17	X	.472	.472	0	%100
16	M17	Z	.273	.273	0	%100
17	M21	X	0	0	0	%100
18	M21	Z	0	0	0	%100
19	MP4A	X	.44	.44	0	%100
20	MP4A	Z	.254	.254	0	%100
21	MP3A	X	.44	.44	0	%100
22	MP3A	Z	.254	.254	0	%100
23	MP2A	X	.44	.44	0	%100
24	MP2A	Z	.254	.254	0	%100
25	MP1A	X	.44	.44	0	%100
26	MP1A	Z	.254	.254	0	%100
27	MP3C	X	.44	.44	0	%100
28	MP3C	Z	.254	.254	0	%100
29	MP2C	X	.44	.44	0	%100
30	MP2C	Z	.254	.254	0	%100
31	MP3B	X	.44	.44	0	%100
32	MP3B	Z	.254	.254	0	%100
33	MP2B	X	.44	.44	0	%100
34	MP2B	Z	.254	.254	0	%100
35	M43	X	.448	.448	0	%100
36	M43	Z	.259	.259	0	%100
37	M60A	X	.11	.11	0	%100
38	M60A	Z	.064	.064	0	%100
39	M49	X	.11	.11	0	%100
40	M49	Z	.064	.064	0	%100



Company :
 Designer :
 Job Number :
 Model Name :

June 28, 2021
 1:21 PM
 Checked By: _____

Member Distributed Loads (BLC 69 : Structure Wm (120 Deg)) (Continued)

Member Label	Direction	Start Magnitude[lb/ft,...	End Magnitude[lb/ft,F...	Start Location[ft, %]	End Location[ft, %]
41	M54	X	.44	.44	0 %100
42	M54	Z	.254	.254	0 %100
43	MP4C	X	.44	.44	0 %100
44	MP4C	Z	.254	.254	0 %100
45	MP1C	X	.44	.44	0 %100
46	MP1C	Z	.254	.254	0 %100
47	MP4B	X	.44	.44	0 %100
48	MP4B	Z	.254	.254	0 %100
49	MP1B	X	.44	.44	0 %100
50	MP1B	Z	.254	.254	0 %100
51	M66	X	.112	.112	0 %100
52	M66	Z	.065	.065	0 %100
53	M67	X	.112	.112	0 %100
54	M67	Z	.065	.065	0 %100
55	M63A	X	.117	.117	0 %100
56	M63A	Z	.067	.067	0 %100
57	M64	X	.559	.559	0 %100
58	M64	Z	.322	.322	0 %100
59	M65	X	.559	.559	0 %100
60	M65	Z	.322	.322	0 %100
61	M66A	X	.117	.117	0 %100
62	M66A	Z	.067	.067	0 %100
63	M67A	X	.402	.402	0 %100
64	M67A	Z	.232	.232	0 %100
65	M68	X	.402	.402	0 %100
66	M68	Z	.232	.232	0 %100
67	M75	X	.182	.182	0 %100
68	M75	Z	.105	.105	0 %100
69	M78	X	.729	.729	0 %100
70	M78	Z	.421	.421	0 %100
71	M85A	X	.182	.182	0 %100
72	M85A	Z	.105	.105	0 %100
73	M75A	X	.463	.463	0 %100
74	M75A	Z	.268	.268	0 %100
75	M76A	X	.463	.463	0 %100
76	M76A	Z	.268	.268	0 %100
77	M77A	X	.139	.139	0 %100
78	M77A	Z	.08	.08	0 %100
79	M78A	X	.139	.139	0 %100
80	M78A	Z	.08	.08	0 %100
81	M79	X	.139	.139	0 %100
82	M79	Z	.08	.08	0 %100
83	M80	X	.463	.463	0 %100
84	M80	Z	.268	.268	0 %100
85	M81	X	.463	.463	0 %100
86	M81	Z	.268	.268	0 %100
87	M82	X	.139	.139	0 %100
88	M82	Z	.08	.08	0 %100
89	M83A	X	.139	.139	0 %100
90	M83A	Z	.08	.08	0 %100
91	M84	X	.139	.139	0 %100
92	M84	Z	.08	.08	0 %100
93	M85	X	1.853	1.853	0 %100
94	M85	Z	1.07	1.07	0 %100
95	M86	X	1.853	1.853	0 %100
96	M86	Z	1.07	1.07	0 %100
97	M87	X	.556	.556	0 %100



Company :
 Designer :
 Job Number :
 Model Name :

June 28, 2021
 1:21 PM
 Checked By: _____

Member Distributed Loads (BLC 69 : Structure Wm (120 Deg)) (Continued)

	Member Label	Direction	Start Magnitude[lb/ft....	End Magnitude[lb/ft.F...	Start Location[ft.%]	End Location[ft.%]
98	M87	Z	.321	.321	0	%100
99	M88	X	.556	.556	0	%100
100	M88	Z	.321	.321	0	%100
101	M89	X	.556	.556	0	%100
102	M89	Z	.321	.321	0	%100

Member Distributed Loads (BLC 70 : Structure Wm (150 Deg))

	Member Label	Direction	Start Magnitude[lb/ft....	End Magnitude[lb/ft.F...	Start Location[ft.%]	End Location[ft.%]
1	M4	X	.111	.111	0	%100
2	M4	Z	.193	.193	0	%100
3	M5	X	.446	.446	0	%100
4	M5	Z	.772	.772	0	%100
5	M6	X	.111	.111	0	%100
6	M6	Z	.193	.193	0	%100
7	M7	X	.401	.401	0	%100
8	M7	Z	.695	.695	0	%100
9	M8	X	0	0	0	%100
10	M8	Z	0	0	0	%100
11	M9	X	.401	.401	0	%100
12	M9	Z	.695	.695	0	%100
13	M13	X	.091	.091	0	%100
14	M13	Z	.157	.157	0	%100
15	M17	X	.363	.363	0	%100
16	M17	Z	.629	.629	0	%100
17	M21	X	.091	.091	0	%100
18	M21	Z	.157	.157	0	%100
19	MP4A	X	.254	.254	0	%100
20	MP4A	Z	.44	.44	0	%100
21	MP3A	X	.254	.254	0	%100
22	MP3A	Z	.44	.44	0	%100
23	MP2A	X	.254	.254	0	%100
24	MP2A	Z	.44	.44	0	%100
25	MP1A	X	.254	.254	0	%100
26	MP1A	Z	.44	.44	0	%100
27	MP3C	X	.254	.254	0	%100
28	MP3C	Z	.44	.44	0	%100
29	MP2C	X	.254	.254	0	%100
30	MP2C	Z	.44	.44	0	%100
31	MP3B	X	.254	.254	0	%100
32	MP3B	Z	.44	.44	0	%100
33	MP2B	X	.254	.254	0	%100
34	MP2B	Z	.44	.44	0	%100
35	M43	X	.194	.194	0	%100
36	M43	Z	.336	.336	0	%100
37	M60A	X	.191	.191	0	%100
38	M60A	Z	.33	.33	0	%100
39	M49	X	0	0	0	%100
40	M49	Z	0	0	0	%100
41	M54	X	.191	.191	0	%100
42	M54	Z	.33	.33	0	%100
43	MP4C	X	.254	.254	0	%100
44	MP4C	Z	.44	.44	0	%100
45	MP1C	X	.254	.254	0	%100
46	MP1C	Z	.44	.44	0	%100
47	MP4B	X	.254	.254	0	%100
48	MP4B	Z	.44	.44	0	%100

Member Distributed Loads (BLC 70 : Structure Wm (150 Deg)) (Continued)

Member Label	Direction	Start Magnitude[lb/ft,...	End Magnitude[lb/ft,F...	Start Location[ft, %]	End Location[ft, %]
49	MP1B	X	.254	.254	0 %100
50	MP1B	Z	.44	.44	0 %100
51	M66	X	.194	.194	0 %100
52	M66	Z	.336	.336	0 %100
53	M67	X	0	0	0 %100
54	M67	Z	0	0	0 %100
55	M63A	X	.092	.092	0 %100
56	M63A	Z	.16	.16	0 %100
57	M64	X	.347	.347	0 %100
58	M64	Z	.602	.602	0 %100
59	M65	X	.183	.183	0 %100
60	M65	Z	.316	.316	0 %100
61	M66A	X	.183	.183	0 %100
62	M66A	Z	.316	.316	0 %100
63	M67A	X	.347	.347	0 %100
64	M67A	Z	.602	.602	0 %100
65	M68	X	.092	.092	0 %100
66	M68	Z	.16	.16	0 %100
67	M75	X	0	0	0 %100
68	M75	Z	0	0	0 %100
69	M78	X	.316	.316	0 %100
70	M78	Z	.547	.547	0 %100
71	M85A	X	.316	.316	0 %100
72	M85A	Z	.547	.547	0 %100
73	M75A	X	.803	.803	0 %100
74	M75A	Z	1.39	1.39	0 %100
75	M76A	X	.803	.803	0 %100
76	M76A	Z	1.39	1.39	0 %100
77	M77A	X	.241	.241	0 %100
78	M77A	Z	.417	.417	0 %100
79	M78A	X	.241	.241	0 %100
80	M78A	Z	.417	.417	0 %100
81	M79	X	.241	.241	0 %100
82	M79	Z	.417	.417	0 %100
83	M80	X	0	0	0 %100
84	M80	Z	0	0	0 %100
85	M81	X	0	0	0 %100
86	M81	Z	0	0	0 %100
87	M82	X	0	0	0 %100
88	M82	Z	0	0	0 %100
89	M83A	X	0	0	0 %100
90	M83A	Z	0	0	0 %100
91	M84	X	0	0	0 %100
92	M84	Z	0	0	0 %100
93	M85	X	.803	.803	0 %100
94	M85	Z	1.39	1.39	0 %100
95	M86	X	.803	.803	0 %100
96	M86	Z	1.39	1.39	0 %100
97	M87	X	.241	.241	0 %100
98	M87	Z	.417	.417	0 %100
99	M88	X	.241	.241	0 %100
100	M88	Z	.417	.417	0 %100
101	M89	X	.241	.241	0 %100
102	M89	Z	.417	.417	0 %100

Member Distributed Loads (BLC 71 : Structure Wm (180 Deg))

Member Label	Direction	Start Magnitude[lb/ft,...	End Magnitude[lb/ft,F...	Start Location[ft, %]	End Location[ft, %]
--------------	-----------	---------------------------	--------------------------	-----------------------	---------------------



Company :
 Designer :
 Job Number :
 Model Name :

June 28, 2021
 1:21 PM
 Checked By: _____

Member Distributed Loads (BLC 71 : Structure Wm (180 Deg)) (Continued)

	Member Label	Direction	Start Magnitude[lb/ft,...	End Magnitude[lb/ft,F...	Start Location[ft, %]	End Location[ft, %]
1	M4	X	0	0	0	%100
2	M4	Z	0	0	0	%100
3	M5	X	0	0	0	%100
4	M5	Z	.669	.669	0	%100
5	M6	X	0	0	0	%100
6	M6	Z	.669	.669	0	%100
7	M7	X	0	0	0	%100
8	M7	Z	1.07	1.07	0	%100
9	M8	X	0	0	0	%100
10	M8	Z	.268	.268	0	%100
11	M9	X	0	0	0	%100
12	M9	Z	.268	.268	0	%100
13	M13	X	0	0	0	%100
14	M13	Z	0	0	0	%100
15	M17	X	0	0	0	%100
16	M17	Z	.545	.545	0	%100
17	M21	X	0	0	0	%100
18	M21	Z	.545	.545	0	%100
19	MP4A	X	0	0	0	%100
20	MP4A	Z	.508	.508	0	%100
21	MP3A	X	0	0	0	%100
22	MP3A	Z	.508	.508	0	%100
23	MP2A	X	0	0	0	%100
24	MP2A	Z	.508	.508	0	%100
25	MP1A	X	0	0	0	%100
26	MP1A	Z	.508	.508	0	%100
27	MP3C	X	0	0	0	%100
28	MP3C	Z	.508	.508	0	%100
29	MP2C	X	0	0	0	%100
30	MP2C	Z	.508	.508	0	%100
31	MP3B	X	0	0	0	%100
32	MP3B	Z	.508	.508	0	%100
33	MP2B	X	0	0	0	%100
34	MP2B	Z	.508	.508	0	%100
35	M43	X	0	0	0	%100
36	M43	Z	.129	.129	0	%100
37	M60A	X	0	0	0	%100
38	M60A	Z	.508	.508	0	%100
39	M49	X	0	0	0	%100
40	M49	Z	.127	.127	0	%100
41	M54	X	0	0	0	%100
42	M54	Z	.127	.127	0	%100
43	MP4C	X	0	0	0	%100
44	MP4C	Z	.508	.508	0	%100
45	MP1C	X	0	0	0	%100
46	MP1C	Z	.508	.508	0	%100
47	MP4B	X	0	0	0	%100
48	MP4B	Z	.508	.508	0	%100
49	MP1B	X	0	0	0	%100
50	MP1B	Z	.508	.508	0	%100
51	M66	X	0	0	0	%100
52	M66	Z	.518	.518	0	%100
53	M67	X	0	0	0	%100
54	M67	Z	.129	.129	0	%100
55	M63A	X	0	0	0	%100
56	M63A	Z	.465	.465	0	%100
57	M64	X	0	0	0	%100

Member Distributed Loads (BLC 71 : Structure Wm (180 Deg)) (Continued)

	Member Label	Direction	Start Magnitude[lb/ft,...	End Magnitude[lb/ft,F...	Start Location[ft, %]	End Location[ft, %]
58	M64	Z	.465	.465	0	%100
59	M65	X	0	0	0	%100
60	M65	Z	.135	.135	0	%100
61	M66A	X	0	0	0	%100
62	M66A	Z	.645	.645	0	%100
63	M67A	X	0	0	0	%100
64	M67A	Z	.645	.645	0	%100
65	M68	X	0	0	0	%100
66	M68	Z	.135	.135	0	%100
67	M75	X	0	0	0	%100
68	M75	Z	.21	.21	0	%100
69	M78	X	0	0	0	%100
70	M78	Z	.21	.21	0	%100
71	M85A	X	0	0	0	%100
72	M85A	Z	.841	.841	0	%100
73	M75A	X	0	0	0	%100
74	M75A	Z	2.14	2.14	0	%100
75	M76A	X	0	0	0	%100
76	M76A	Z	2.14	2.14	0	%100
77	M77A	X	0	0	0	%100
78	M77A	Z	.642	.642	0	%100
79	M78A	X	0	0	0	%100
80	M78A	Z	.642	.642	0	%100
81	M79	X	0	0	0	%100
82	M79	Z	.642	.642	0	%100
83	M80	X	0	0	0	%100
84	M80	Z	.535	.535	0	%100
85	M81	X	0	0	0	%100
86	M81	Z	.535	.535	0	%100
87	M82	X	0	0	0	%100
88	M82	Z	.161	.161	0	%100
89	M83A	X	0	0	0	%100
90	M83A	Z	.161	.161	0	%100
91	M84	X	0	0	0	%100
92	M84	Z	.161	.161	0	%100
93	M85	X	0	0	0	%100
94	M85	Z	.535	.535	0	%100
95	M86	X	0	0	0	%100
96	M86	Z	.535	.535	0	%100
97	M87	X	0	0	0	%100
98	M87	Z	.161	.161	0	%100
99	M88	X	0	0	0	%100
100	M88	Z	.161	.161	0	%100
101	M89	X	0	0	0	%100
102	M89	Z	.161	.161	0	%100

Member Distributed Loads (BLC 72 : Structure Wm (210 Deg))

	Member Label	Direction	Start Magnitude[lb/ft,...	End Magnitude[lb/ft,F...	Start Location[ft, %]	End Location[ft, %]
1	M4	X	-.111	-.111	0	%100
2	M4	Z	.193	.193	0	%100
3	M5	X	-.111	-.111	0	%100
4	M5	Z	.193	.193	0	%100
5	M6	X	-.446	-.446	0	%100
6	M6	Z	.772	.772	0	%100
7	M7	X	-.401	-.401	0	%100
8	M7	Z	.695	.695	0	%100

Member Distributed Loads (BLC 72 : Structure Wm (210 Deg)) (Continued)

	Member Label	Direction	Start Magnitude[lb/ft,...	End Magnitude[lb/ft,F...	Start Location[ft, %]	End Location[ft, %]
9	M8	X	-.401	-.401	0	%100
10	M8	Z	.695	.695	0	%100
11	M9	X	0	0	0	%100
12	M9	Z	0	0	0	%100
13	M13	X	-.091	-.091	0	%100
14	M13	Z	.157	.157	0	%100
15	M17	X	-.091	-.091	0	%100
16	M17	Z	.157	.157	0	%100
17	M21	X	-.363	-.363	0	%100
18	M21	Z	.629	.629	0	%100
19	MP4A	X	-.254	-.254	0	%100
20	MP4A	Z	.44	.44	0	%100
21	MP3A	X	-.254	-.254	0	%100
22	MP3A	Z	.44	.44	0	%100
23	MP2A	X	-.254	-.254	0	%100
24	MP2A	Z	.44	.44	0	%100
25	MP1A	X	-.254	-.254	0	%100
26	MP1A	Z	.44	.44	0	%100
27	MP3C	X	-.254	-.254	0	%100
28	MP3C	Z	.44	.44	0	%100
29	MP2C	X	-.254	-.254	0	%100
30	MP2C	Z	.44	.44	0	%100
31	MP3B	X	-.254	-.254	0	%100
32	MP3B	Z	.44	.44	0	%100
33	MP2B	X	-.254	-.254	0	%100
34	MP2B	Z	.44	.44	0	%100
35	M43	X	0	0	0	%100
36	M43	Z	0	0	0	%100
37	M60A	X	-.191	-.191	0	%100
38	M60A	Z	.33	.33	0	%100
39	M49	X	-.191	-.191	0	%100
40	M49	Z	.33	.33	0	%100
41	M54	X	0	0	0	%100
42	M54	Z	0	0	0	%100
43	MP4C	X	-.254	-.254	0	%100
44	MP4C	Z	.44	.44	0	%100
45	MP1C	X	-.254	-.254	0	%100
46	MP1C	Z	.44	.44	0	%100
47	MP4B	X	-.254	-.254	0	%100
48	MP4B	Z	.44	.44	0	%100
49	MP1B	X	-.254	-.254	0	%100
50	MP1B	Z	.44	.44	0	%100
51	M66	X	-.194	-.194	0	%100
52	M66	Z	.336	.336	0	%100
53	M67	X	-.194	-.194	0	%100
54	M67	Z	.336	.336	0	%100
55	M63A	X	-.347	-.347	0	%100
56	M63A	Z	.602	.602	0	%100
57	M64	X	-.092	-.092	0	%100
58	M64	Z	.16	.16	0	%100
59	M65	X	-.092	-.092	0	%100
60	M65	Z	.16	.16	0	%100
61	M66A	X	-.347	-.347	0	%100
62	M66A	Z	.602	.602	0	%100
63	M67A	X	-.183	-.183	0	%100
64	M67A	Z	.316	.316	0	%100
65	M68	X	-.183	-.183	0	%100



Company :
 Designer :
 Job Number :
 Model Name :

June 28, 2021
 1:21 PM
 Checked By: _____

Member Distributed Loads (BLC 72 : Structure Wm (210 Deg)) (Continued)

	Member Label	Direction	Start Magnitude[lb/ft,...	End Magnitude[lb/ft,F...	Start Location[ft, %]	End Location[ft, %]
66	M68	Z	.316	.316	0	%100
67	M75	X	-.316	-.316	0	%100
68	M75	Z	.547	.547	0	%100
69	M78	X	0	0	0	%100
70	M78	Z	0	0	0	%100
71	M85A	X	-.316	-.316	0	%100
72	M85A	Z	.547	.547	0	%100
73	M75A	X	-.803	-.803	0	%100
74	M75A	Z	1.39	1.39	0	%100
75	M76A	X	-.803	-.803	0	%100
76	M76A	Z	1.39	1.39	0	%100
77	M77A	X	-.241	-.241	0	%100
78	M77A	Z	.417	.417	0	%100
79	M78A	X	-.241	-.241	0	%100
80	M78A	Z	.417	.417	0	%100
81	M79	X	-.241	-.241	0	%100
82	M79	Z	.417	.417	0	%100
83	M80	X	-.803	-.803	0	%100
84	M80	Z	1.39	1.39	0	%100
85	M81	X	-.803	-.803	0	%100
86	M81	Z	1.39	1.39	0	%100
87	M82	X	-.241	-.241	0	%100
88	M82	Z	.417	.417	0	%100
89	M83A	X	-.241	-.241	0	%100
90	M83A	Z	.417	.417	0	%100
91	M84	X	-.241	-.241	0	%100
92	M84	Z	.417	.417	0	%100
93	M85	X	0	0	0	%100
94	M85	Z	0	0	0	%100
95	M86	X	0	0	0	%100
96	M86	Z	0	0	0	%100
97	M87	X	0	0	0	%100
98	M87	Z	0	0	0	%100
99	M88	X	0	0	0	%100
100	M88	Z	0	0	0	%100
101	M89	X	0	0	0	%100
102	M89	Z	0	0	0	%100

Member Distributed Loads (BLC 73 : Structure Wm (240 Deg))

	Member Label	Direction	Start Magnitude[lb/ft,...	End Magnitude[lb/ft,F...	Start Location[ft, %]	End Location[ft, %]
1	M4	X	-.579	-.579	0	%100
2	M4	Z	.334	.334	0	%100
3	M5	X	0	0	0	%100
4	M5	Z	0	0	0	%100
5	M6	X	-.579	-.579	0	%100
6	M6	Z	.334	.334	0	%100
7	M7	X	-.232	-.232	0	%100
8	M7	Z	.134	.134	0	%100
9	M8	X	-.927	-.927	0	%100
10	M8	Z	.535	.535	0	%100
11	M9	X	-.232	-.232	0	%100
12	M9	Z	.134	.134	0	%100
13	M13	X	-.472	-.472	0	%100
14	M13	Z	.273	.273	0	%100
15	M17	X	0	0	0	%100
16	M17	Z	0	0	0	%100

Member Distributed Loads (BLC 73 : Structure Wm (240 Deg)) (Continued)

	Member Label	Direction	Start Magnitude[lb/ft,...	End Magnitude[lb/ft,F...	Start Location[ft, %]	End Location[ft, %]
17	M21	X	-.472	-.472	0	%100
18	M21	Z	.273	.273	0	%100
19	MP4A	X	-.44	-.44	0	%100
20	MP4A	Z	.254	.254	0	%100
21	MP3A	X	-.44	-.44	0	%100
22	MP3A	Z	.254	.254	0	%100
23	MP2A	X	-.44	-.44	0	%100
24	MP2A	Z	.254	.254	0	%100
25	MP1A	X	-.44	-.44	0	%100
26	MP1A	Z	.254	.254	0	%100
27	MP3C	X	-.44	-.44	0	%100
28	MP3C	Z	.254	.254	0	%100
29	MP2C	X	-.44	-.44	0	%100
30	MP2C	Z	.254	.254	0	%100
31	MP3B	X	-.44	-.44	0	%100
32	MP3B	Z	.254	.254	0	%100
33	MP2B	X	-.44	-.44	0	%100
34	MP2B	Z	.254	.254	0	%100
35	M43	X	-.112	-.112	0	%100
36	M43	Z	.065	.065	0	%100
37	M60A	X	-.11	-.11	0	%100
38	M60A	Z	.064	.064	0	%100
39	M49	X	-.44	-.44	0	%100
40	M49	Z	.254	.254	0	%100
41	M54	X	-.11	-.11	0	%100
42	M54	Z	.064	.064	0	%100
43	MP4C	X	-.44	-.44	0	%100
44	MP4C	Z	.254	.254	0	%100
45	MP1C	X	-.44	-.44	0	%100
46	MP1C	Z	.254	.254	0	%100
47	MP4B	X	-.44	-.44	0	%100
48	MP4B	Z	.254	.254	0	%100
49	MP1B	X	-.44	-.44	0	%100
50	MP1B	Z	.254	.254	0	%100
51	M66	X	-.112	-.112	0	%100
52	M66	Z	.065	.065	0	%100
53	M67	X	-.448	-.448	0	%100
54	M67	Z	.259	.259	0	%100
55	M63A	X	-.559	-.559	0	%100
56	M63A	Z	.322	.322	0	%100
57	M64	X	-.117	-.117	0	%100
58	M64	Z	.067	.067	0	%100
59	M65	X	-.402	-.402	0	%100
60	M65	Z	.232	.232	0	%100
61	M66A	X	-.402	-.402	0	%100
62	M66A	Z	.232	.232	0	%100
63	M67A	X	-.117	-.117	0	%100
64	M67A	Z	.067	.067	0	%100
65	M68	X	-.559	-.559	0	%100
66	M68	Z	.322	.322	0	%100
67	M75	X	-.729	-.729	0	%100
68	M75	Z	.421	.421	0	%100
69	M78	X	-.182	-.182	0	%100
70	M78	Z	.105	.105	0	%100
71	M85A	X	-.182	-.182	0	%100
72	M85A	Z	.105	.105	0	%100
73	M75A	X	-.463	-.463	0	%100



Company :
 Designer :
 Job Number :
 Model Name :

June 28, 2021
 1:21 PM
 Checked By: _____

Member Distributed Loads (BLC 73 : Structure Wm (240 Deg)) (Continued)

	Member Label	Direction	Start Magnitude[lb/ft....	End Magnitude[lb/ft.F...	Start Location[ft.%]	End Location[ft.%]
74	M75A	Z	.268	.268	0	%100
75	M76A	X	-.463	-.463	0	%100
76	M76A	Z	.268	.268	0	%100
77	M77A	X	-.139	-.139	0	%100
78	M77A	Z	.08	.08	0	%100
79	M78A	X	-.139	-.139	0	%100
80	M78A	Z	.08	.08	0	%100
81	M79	X	-.139	-.139	0	%100
82	M79	Z	.08	.08	0	%100
83	M80	X	-1.853	-1.853	0	%100
84	M80	Z	1.07	1.07	0	%100
85	M81	X	-1.853	-1.853	0	%100
86	M81	Z	1.07	1.07	0	%100
87	M82	X	-.556	-.556	0	%100
88	M82	Z	.321	.321	0	%100
89	M83A	X	-.556	-.556	0	%100
90	M83A	Z	.321	.321	0	%100
91	M84	X	-.556	-.556	0	%100
92	M84	Z	.321	.321	0	%100
93	M85	X	-.463	-.463	0	%100
94	M85	Z	.268	.268	0	%100
95	M86	X	-.463	-.463	0	%100
96	M86	Z	.268	.268	0	%100
97	M87	X	-.139	-.139	0	%100
98	M87	Z	.08	.08	0	%100
99	M88	X	-.139	-.139	0	%100
100	M88	Z	.08	.08	0	%100
101	M89	X	-.139	-.139	0	%100
102	M89	Z	.08	.08	0	%100

Member Distributed Loads (BLC 74 : Structure Wm (270 Deg))

	Member Label	Direction	Start Magnitude[lb/ft....	End Magnitude[lb/ft.F...	Start Location[ft.%]	End Location[ft.%]
1	M4	X	-.892	-.892	0	%100
2	M4	Z	0	0	0	%100
3	M5	X	-.223	-.223	0	%100
4	M5	Z	0	0	0	%100
5	M6	X	-.223	-.223	0	%100
6	M6	Z	0	0	0	%100
7	M7	X	0	0	0	%100
8	M7	Z	0	0	0	%100
9	M8	X	-.803	-.803	0	%100
10	M8	Z	0	0	0	%100
11	M9	X	-.803	-.803	0	%100
12	M9	Z	0	0	0	%100
13	M13	X	-.727	-.727	0	%100
14	M13	Z	0	0	0	%100
15	M17	X	-.182	-.182	0	%100
16	M17	Z	0	0	0	%100
17	M21	X	-.182	-.182	0	%100
18	M21	Z	0	0	0	%100
19	MP4A	X	-.508	-.508	0	%100
20	MP4A	Z	0	0	0	%100
21	MP3A	X	-.508	-.508	0	%100
22	MP3A	Z	0	0	0	%100
23	MP2A	X	-.508	-.508	0	%100
24	MP2A	Z	0	0	0	%100

Member Distributed Loads (BLC 74 : Structure Wm (270 Deg)) (Continued)

Member Label	Direction	Start Magnitude[lb/ft,...	End Magnitude[lb/ft,F...	Start Location[ft, %]	End Location[ft, %]
25	MP1A	X	-.508	-.508	0 %100
26	MP1A	Z	0	0	0 %100
27	MP3C	X	-.508	-.508	0 %100
28	MP3C	Z	0	0	0 %100
29	MP2C	X	-.508	-.508	0 %100
30	MP2C	Z	0	0	0 %100
31	MP3B	X	-.508	-.508	0 %100
32	MP3B	Z	0	0	0 %100
33	MP2B	X	-.508	-.508	0 %100
34	MP2B	Z	0	0	0 %100
35	M43	X	-.388	-.388	0 %100
36	M43	Z	0	0	0 %100
37	M60A	X	0	0	0 %100
38	M60A	Z	0	0	0 %100
39	M49	X	-.381	-.381	0 %100
40	M49	Z	0	0	0 %100
41	M54	X	-.381	-.381	0 %100
42	M54	Z	0	0	0 %100
43	MP4C	X	-.508	-.508	0 %100
44	MP4C	Z	0	0	0 %100
45	MP1C	X	-.508	-.508	0 %100
46	MP1C	Z	0	0	0 %100
47	MP4B	X	-.508	-.508	0 %100
48	MP4B	Z	0	0	0 %100
49	MP1B	X	-.508	-.508	0 %100
50	MP1B	Z	0	0	0 %100
51	M66	X	0	0	0 %100
52	M66	Z	0	0	0 %100
53	M67	X	-.388	-.388	0 %100
54	M67	Z	0	0	0 %100
55	M63A	X	-.365	-.365	0 %100
56	M63A	Z	0	0	0 %100
57	M64	X	-.365	-.365	0 %100
58	M64	Z	0	0	0 %100
59	M65	X	-.695	-.695	0 %100
60	M65	Z	0	0	0 %100
61	M66A	X	-.185	-.185	0 %100
62	M66A	Z	0	0	0 %100
63	M67A	X	-.185	-.185	0 %100
64	M67A	Z	0	0	0 %100
65	M68	X	-.695	-.695	0 %100
66	M68	Z	0	0	0 %100
67	M75	X	-.631	-.631	0 %100
68	M75	Z	0	0	0 %100
69	M78	X	-.631	-.631	0 %100
70	M78	Z	0	0	0 %100
71	M85A	X	0	0	0 %100
72	M85A	Z	0	0	0 %100
73	M75A	X	0	0	0 %100
74	M75A	Z	0	0	0 %100
75	M76A	X	0	0	0 %100
76	M76A	Z	0	0	0 %100
77	M77A	X	0	0	0 %100
78	M77A	Z	0	0	0 %100
79	M78A	X	0	0	0 %100
80	M78A	Z	0	0	0 %100
81	M79	X	0	0	0 %100

Member Distributed Loads (BLC 74 : Structure Wm (270 Deg)) (Continued)

	Member Label	Direction	Start Magnitude[lb/ft,...	End Magnitude[lb/ft,F...	Start Location[ft, %]	End Location[ft, %]
82	M79	Z	0	0	0	%100
83	M80	X	-1.605	-1.605	0	%100
84	M80	Z	0	0	0	%100
85	M81	X	-1.605	-1.605	0	%100
86	M81	Z	0	0	0	%100
87	M82	X	-.482	-.482	0	%100
88	M82	Z	0	0	0	%100
89	M83A	X	-.482	-.482	0	%100
90	M83A	Z	0	0	0	%100
91	M84	X	-.482	-.482	0	%100
92	M84	Z	0	0	0	%100
93	M85	X	-1.605	-1.605	0	%100
94	M85	Z	0	0	0	%100
95	M86	X	-1.605	-1.605	0	%100
96	M86	Z	0	0	0	%100
97	M87	X	-.482	-.482	0	%100
98	M87	Z	0	0	0	%100
99	M88	X	-.482	-.482	0	%100
100	M88	Z	0	0	0	%100
101	M89	X	-.482	-.482	0	%100
102	M89	Z	0	0	0	%100

Member Distributed Loads (BLC 75 : Structure Wm (300 Deg))

	Member Label	Direction	Start Magnitude[lb/ft,...	End Magnitude[lb/ft,F...	Start Location[ft, %]	End Location[ft, %]
1	M4	X	-.579	-.579	0	%100
2	M4	Z	-.334	-.334	0	%100
3	M5	X	-.579	-.579	0	%100
4	M5	Z	-.334	-.334	0	%100
5	M6	X	0	0	0	%100
6	M6	Z	0	0	0	%100
7	M7	X	-.232	-.232	0	%100
8	M7	Z	-.134	-.134	0	%100
9	M8	X	-.232	-.232	0	%100
10	M8	Z	-.134	-.134	0	%100
11	M9	X	-.927	-.927	0	%100
12	M9	Z	-.535	-.535	0	%100
13	M13	X	-.472	-.472	0	%100
14	M13	Z	-.273	-.273	0	%100
15	M17	X	-.472	-.472	0	%100
16	M17	Z	-.273	-.273	0	%100
17	M21	X	0	0	0	%100
18	M21	Z	0	0	0	%100
19	MP4A	X	-.44	-.44	0	%100
20	MP4A	Z	-.254	-.254	0	%100
21	MP3A	X	-.44	-.44	0	%100
22	MP3A	Z	-.254	-.254	0	%100
23	MP2A	X	-.44	-.44	0	%100
24	MP2A	Z	-.254	-.254	0	%100
25	MP1A	X	-.44	-.44	0	%100
26	MP1A	Z	-.254	-.254	0	%100
27	MP3C	X	-.44	-.44	0	%100
28	MP3C	Z	-.254	-.254	0	%100
29	MP2C	X	-.44	-.44	0	%100
30	MP2C	Z	-.254	-.254	0	%100
31	MP3B	X	-.44	-.44	0	%100
32	MP3B	Z	-.254	-.254	0	%100



Company :
 Designer :
 Job Number :
 Model Name :

June 28, 2021
 1:21 PM
 Checked By: _____

Member Distributed Loads (BLC 75 : Structure Wm (300 Deg)) (Continued)

Member Label	Direction	Start Magnitude[lb/ft,...	End Magnitude[lb/ft,F...	Start Location[ft, %]	End Location[ft, %]
33	MP2B	X	-44	-44	0 %100
34	MP2B	Z	-254	-254	0 %100
35	M43	X	-448	-448	0 %100
36	M43	Z	-259	-259	0 %100
37	M60A	X	-11	-11	0 %100
38	M60A	Z	-064	-064	0 %100
39	M49	X	-11	-11	0 %100
40	M49	Z	-064	-064	0 %100
41	M54	X	-44	-44	0 %100
42	M54	Z	-254	-254	0 %100
43	MP4C	X	-44	-44	0 %100
44	MP4C	Z	-254	-254	0 %100
45	MP1C	X	-44	-44	0 %100
46	MP1C	Z	-254	-254	0 %100
47	MP4B	X	-44	-44	0 %100
48	MP4B	Z	-254	-254	0 %100
49	MP1B	X	-44	-44	0 %100
50	MP1B	Z	-254	-254	0 %100
51	M66	X	-112	-112	0 %100
52	M66	Z	-065	-065	0 %100
53	M67	X	-112	-112	0 %100
54	M67	Z	-065	-065	0 %100
55	M63A	X	-117	-117	0 %100
56	M63A	Z	-067	-067	0 %100
57	M64	X	-559	-559	0 %100
58	M64	Z	-322	-322	0 %100
59	M65	X	-559	-559	0 %100
60	M65	Z	-322	-322	0 %100
61	M66A	X	-117	-117	0 %100
62	M66A	Z	-067	-067	0 %100
63	M67A	X	-402	-402	0 %100
64	M67A	Z	-232	-232	0 %100
65	M68	X	-402	-402	0 %100
66	M68	Z	-232	-232	0 %100
67	M75	X	-182	-182	0 %100
68	M75	Z	-105	-105	0 %100
69	M78	X	-729	-729	0 %100
70	M78	Z	-421	-421	0 %100
71	M85A	X	-182	-182	0 %100
72	M85A	Z	-105	-105	0 %100
73	M75A	X	-463	-463	0 %100
74	M75A	Z	-268	-268	0 %100
75	M76A	X	-463	-463	0 %100
76	M76A	Z	-268	-268	0 %100
77	M77A	X	-139	-139	0 %100
78	M77A	Z	-08	-08	0 %100
79	M78A	X	-139	-139	0 %100
80	M78A	Z	-08	-08	0 %100
81	M79	X	-139	-139	0 %100
82	M79	Z	-08	-08	0 %100
83	M80	X	-463	-463	0 %100
84	M80	Z	-268	-268	0 %100
85	M81	X	-463	-463	0 %100
86	M81	Z	-268	-268	0 %100
87	M82	X	-139	-139	0 %100
88	M82	Z	-08	-08	0 %100
89	M83A	X	-139	-139	0 %100



Company :
 Designer :
 Job Number :
 Model Name :

June 28, 2021
 1:21 PM
 Checked By: _____

Member Distributed Loads (BLC 75 : Structure Wm (300 Deg)) (Continued)

	Member Label	Direction	Start Magnitude[lb/ft,...	End Magnitude[lb/ft,F...	Start Location[ft, %]	End Location[ft, %]
90	M83A	Z	-.08	-.08	0	%100
91	M84	X	-.139	-.139	0	%100
92	M84	Z	-.08	-.08	0	%100
93	M85	X	-1.853	-1.853	0	%100
94	M85	Z	-1.07	-1.07	0	%100
95	M86	X	-1.853	-1.853	0	%100
96	M86	Z	-1.07	-1.07	0	%100
97	M87	X	-.556	-.556	0	%100
98	M87	Z	-.321	-.321	0	%100
99	M88	X	-.556	-.556	0	%100
100	M88	Z	-.321	-.321	0	%100
101	M89	X	-.556	-.556	0	%100
102	M89	Z	-.321	-.321	0	%100

Member Distributed Loads (BLC 76 : Structure Wm (330 Deg))

	Member Label	Direction	Start Magnitude[lb/ft,...	End Magnitude[lb/ft,F...	Start Location[ft, %]	End Location[ft, %]
1	M4	X	-.111	-.111	0	%100
2	M4	Z	-.193	-.193	0	%100
3	M5	X	-.446	-.446	0	%100
4	M5	Z	-.772	-.772	0	%100
5	M6	X	-.111	-.111	0	%100
6	M6	Z	-.193	-.193	0	%100
7	M7	X	-.401	-.401	0	%100
8	M7	Z	-.695	-.695	0	%100
9	M8	X	0	0	0	%100
10	M8	Z	0	0	0	%100
11	M9	X	-.401	-.401	0	%100
12	M9	Z	-.695	-.695	0	%100
13	M13	X	-.091	-.091	0	%100
14	M13	Z	-.157	-.157	0	%100
15	M17	X	-.363	-.363	0	%100
16	M17	Z	-.629	-.629	0	%100
17	M21	X	-.091	-.091	0	%100
18	M21	Z	-.157	-.157	0	%100
19	MP4A	X	-.254	-.254	0	%100
20	MP4A	Z	-.44	-.44	0	%100
21	MP3A	X	-.254	-.254	0	%100
22	MP3A	Z	-.44	-.44	0	%100
23	MP2A	X	-.254	-.254	0	%100
24	MP2A	Z	-.44	-.44	0	%100
25	MP1A	X	-.254	-.254	0	%100
26	MP1A	Z	-.44	-.44	0	%100
27	MP3C	X	-.254	-.254	0	%100
28	MP3C	Z	-.44	-.44	0	%100
29	MP2C	X	-.254	-.254	0	%100
30	MP2C	Z	-.44	-.44	0	%100
31	MP3B	X	-.254	-.254	0	%100
32	MP3B	Z	-.44	-.44	0	%100
33	MP2B	X	-.254	-.254	0	%100
34	MP2B	Z	-.44	-.44	0	%100
35	M43	X	-.194	-.194	0	%100
36	M43	Z	-.336	-.336	0	%100
37	M60A	X	-.191	-.191	0	%100
38	M60A	Z	-.33	-.33	0	%100
39	M49	X	0	0	0	%100
40	M49	Z	0	0	0	%100



Company :
 Designer :
 Job Number :
 Model Name :

June 28, 2021
 1:21 PM
 Checked By: _____

Member Distributed Loads (BLC 76 : Structure Wm (330 Deg)) (Continued)

Member Label	Direction	Start Magnitude[lb/ft,...	End Magnitude[lb/ft,F...	Start Location[ft, %]	End Location[ft, %]
41	M54	X	- .191	- .191	0 %100
42	M54	Z	- .33	- .33	0 %100
43	MP4C	X	- .254	- .254	0 %100
44	MP4C	Z	- .44	- .44	0 %100
45	MP1C	X	- .254	- .254	0 %100
46	MP1C	Z	- .44	- .44	0 %100
47	MP4B	X	- .254	- .254	0 %100
48	MP4B	Z	- .44	- .44	0 %100
49	MP1B	X	- .254	- .254	0 %100
50	MP1B	Z	- .44	- .44	0 %100
51	M66	X	- .194	- .194	0 %100
52	M66	Z	- .336	- .336	0 %100
53	M67	X	0	0	0 %100
54	M67	Z	0	0	0 %100
55	M63A	X	- .092	- .092	0 %100
56	M63A	Z	- .16	- .16	0 %100
57	M64	X	- .347	- .347	0 %100
58	M64	Z	- .602	- .602	0 %100
59	M65	X	- .183	- .183	0 %100
60	M65	Z	- .316	- .316	0 %100
61	M66A	X	- .183	- .183	0 %100
62	M66A	Z	- .316	- .316	0 %100
63	M67A	X	- .347	- .347	0 %100
64	M67A	Z	- .602	- .602	0 %100
65	M68	X	- .092	- .092	0 %100
66	M68	Z	- .16	- .16	0 %100
67	M75	X	0	0	0 %100
68	M75	Z	0	0	0 %100
69	M78	X	- .316	- .316	0 %100
70	M78	Z	- .547	- .547	0 %100
71	M85A	X	- .316	- .316	0 %100
72	M85A	Z	- .547	- .547	0 %100
73	M75A	X	- .803	- .803	0 %100
74	M75A	Z	- 1.39	- 1.39	0 %100
75	M76A	X	- .803	- .803	0 %100
76	M76A	Z	- 1.39	- 1.39	0 %100
77	M77A	X	- .241	- .241	0 %100
78	M77A	Z	- .417	- .417	0 %100
79	M78A	X	- .241	- .241	0 %100
80	M78A	Z	- .417	- .417	0 %100
81	M79	X	- .241	- .241	0 %100
82	M79	Z	- .417	- .417	0 %100
83	M80	X	0	0	0 %100
84	M80	Z	0	0	0 %100
85	M81	X	0	0	0 %100
86	M81	Z	0	0	0 %100
87	M82	X	0	0	0 %100
88	M82	Z	0	0	0 %100
89	M83A	X	0	0	0 %100
90	M83A	Z	0	0	0 %100
91	M84	X	0	0	0 %100
92	M84	Z	0	0	0 %100
93	M85	X	- .803	- .803	0 %100
94	M85	Z	- 1.39	- 1.39	0 %100
95	M86	X	- .803	- .803	0 %100
96	M86	Z	- 1.39	- 1.39	0 %100
97	M87	X	- .241	- .241	0 %100

Member Distributed Loads (BLC 81 : BLC 39 Transient Area Loads) (Continued)

	Member Label	Direction	Start Magnitude[lb/ft,...	End Magnitude[lb/ft,F...	Start Location[ft, %]	End Location[ft, %]
49	M83A	Y	-2.567	-4.985	.063	.125
50	M83A	Y	-4.985	-5.778	.125	.188
51	M83A	Y	-5.778	-5.173	.188	.25
52	M84	Y	-.229	-.229	0	.25
53	M5	Y	-.13	-1.397	0	.75
54	M5	Y	-1.397	-4.306	.75	1.5
55	M5	Y	-4.306	-5.318	1.5	2.25
56	M5	Y	-5.318	-9.085	2.25	3
57	M5	Y	-9.085	-19.145	3	3.75
58	M9	Y	-6.845	-8.044	0	1.934
59	M9	Y	-8.044	-9.045	1.934	3.869
60	M9	Y	-9.045	-8.841	3.869	5.803
61	M9	Y	-8.841	-8.264	5.803	7.737
62	M9	Y	-8.264	-8.324	7.737	9.671
63	M85	Y	-7.164	-9.262	0	1.533
64	M85	Y	-9.262	-9.423	1.533	3.067
65	M85	Y	-9.423	-8.086	3.067	4.6
66	M85	Y	-8.086	-8.487	4.6	6.133
67	M85	Y	-8.487	-10.189	6.133	7.667
68	M86	Y	-.999	-2.678	0	1.533
69	M86	Y	-2.678	-6.196	1.533	3.067
70	M86	Y	-6.196	-8.599	3.067	4.6
71	M86	Y	-8.599	-7.958	4.6	6.133
72	M86	Y	-7.958	-7.227	6.133	7.667
73	M87	Y	-4.352	-4.352	.066	.333
74	M88	Y	-.172	-2.567	0	.062
75	M88	Y	-2.567	-4.985	.062	.125
76	M88	Y	-4.985	-5.778	.125	.187
77	M88	Y	-5.778	-5.173	.187	.25
78	M89	Y	-.229	-.229	0	.25

Member Distributed Loads (BLC 82 : BLC 40 Transient Area Loads)

	Member Label	Direction	Start Magnitude[lb/ft,...	End Magnitude[lb/ft,F...	Start Location[ft, %]	End Location[ft, %]
1	M6	Y	-.216	-2.329	0	.75
2	M6	Y	-2.329	-7.177	.75	1.5
3	M6	Y	-7.177	-8.864	1.5	2.25
4	M6	Y	-8.864	-15.142	2.25	3
5	M6	Y	-15.142	-31.908	3	3.75
6	M7	Y	-11.409	-13.407	0	1.934
7	M7	Y	-13.407	-15.076	1.934	3.869
8	M7	Y	-15.076	-14.734	3.869	5.803
9	M7	Y	-14.734	-13.774	5.803	7.737
10	M7	Y	-13.774	-13.873	7.737	9.671
11	M75A	Y	-11.94	-15.436	0	1.533
12	M75A	Y	-15.436	-15.705	1.533	3.067
13	M75A	Y	-15.705	-13.477	3.067	4.6
14	M75A	Y	-13.477	-14.145	4.6	6.133
15	M75A	Y	-14.145	-16.982	6.133	7.667
16	M76A	Y	-1.665	-4.463	0	1.533
17	M76A	Y	-4.463	-10.326	1.533	3.067
18	M76A	Y	-10.326	-14.331	3.067	4.6
19	M76A	Y	-14.331	-13.263	4.6	6.133
20	M76A	Y	-13.263	-12.046	6.133	7.667
21	M77A	Y	-7.254	-7.254	.066	.333
22	M78A	Y	-.287	-4.279	0	.063
23	M78A	Y	-4.279	-8.309	.063	.125

Member Distributed Loads (BLC 82 : BLC 40 Transient Area Loads) (Continued)

	Member Label	Direction	Start Magnitude[lb/ft,...	End Magnitude[lb/ft,F...	Start Location[ft, %]	End Location[ft, %]
24	M78A	Y	-8.309	-9.63	.125	.188
25	M78A	Y	-9.63	-8.621	.188	.25
26	M79	Y	-.381	-.381	0	.25
27	M4	Y	-.216	-2.329	0	.75
28	M4	Y	-2.329	-7.177	.75	1.5
29	M4	Y	-7.177	-8.864	1.5	2.25
30	M4	Y	-8.864	-15.142	2.25	3
31	M4	Y	-15.142	-31.908	3	3.75
32	M8	Y	-11.409	-13.407	0	1.934
33	M8	Y	-13.407	-15.076	1.934	3.869
34	M8	Y	-15.076	-14.734	3.869	5.803
35	M8	Y	-14.734	-13.774	5.803	7.737
36	M8	Y	-13.774	-13.873	7.737	9.671
37	M80	Y	-11.94	-15.436	0	1.533
38	M80	Y	-15.436	-15.705	1.533	3.067
39	M80	Y	-15.705	-13.477	3.067	4.6
40	M80	Y	-13.477	-14.145	4.6	6.133
41	M80	Y	-14.145	-16.982	6.133	7.667
42	M81	Y	-1.665	-4.463	0	1.533
43	M81	Y	-4.463	-10.326	1.533	3.067
44	M81	Y	-10.326	-14.331	3.067	4.6
45	M81	Y	-14.331	-13.263	4.6	6.133
46	M81	Y	-13.263	-12.046	6.133	7.667
47	M82	Y	-7.254	-7.254	.066	.333
48	M83A	Y	-.287	-4.279	0	.063
49	M83A	Y	-4.279	-8.309	.063	.125
50	M83A	Y	-8.309	-9.63	.125	.188
51	M83A	Y	-9.63	-8.621	.188	.25
52	M84	Y	-.381	-.381	0	.25
53	M5	Y	-.216	-2.329	0	.75
54	M5	Y	-2.329	-7.177	.75	1.5
55	M5	Y	-7.177	-8.864	1.5	2.25
56	M5	Y	-8.864	-15.142	2.25	3
57	M5	Y	-15.142	-31.908	3	3.75
58	M9	Y	-11.409	-13.407	0	1.934
59	M9	Y	-13.407	-15.076	1.934	3.869
60	M9	Y	-15.076	-14.734	3.869	5.803
61	M9	Y	-14.734	-13.774	5.803	7.737
62	M9	Y	-13.774	-13.873	7.737	9.671
63	M85	Y	-11.94	-15.436	0	1.533
64	M85	Y	-15.436	-15.705	1.533	3.067
65	M85	Y	-15.705	-13.477	3.067	4.6
66	M85	Y	-13.477	-14.145	4.6	6.133
67	M85	Y	-14.145	-16.982	6.133	7.667
68	M86	Y	-1.665	-4.463	0	1.533
69	M86	Y	-4.463	-10.326	1.533	3.067
70	M86	Y	-10.326	-14.331	3.067	4.6
71	M86	Y	-14.331	-13.263	4.6	6.133
72	M86	Y	-13.263	-12.046	6.133	7.667
73	M87	Y	-7.254	-7.254	.066	.333
74	M88	Y	-.287	-4.279	0	.062
75	M88	Y	-4.279	-8.309	.062	.125
76	M88	Y	-8.309	-9.63	.125	.187
77	M88	Y	-9.63	-8.621	.187	.25
78	M89	Y	-.381	-.381	0	.25

Member Area Loads (BLC 39 : Structure D)

	Joint A	Joint B	Joint C	Joint D	Direction	Distribution	Magnitude[ksf]
1	N3	N10	N12	N2	Y	A-B	-.009
2	N2	N12	N8	N5	Y	A-B	-.009
3	N5	N8	N10	N3	Y	A-B	-.009

Member Area Loads (BLC 40 : Structure Di)

	Joint A	Joint B	Joint C	Joint D	Direction	Distribution	Magnitude[ksf]
1	N3	N10	N12	N2	Y	A-B	-.015
2	N2	N12	N8	N5	Y	A-B	-.015
3	N5	N8	N10	N3	Y	A-B	-.015

Envelope Joint Reactions

Joint	X [lb]	LC	Y [lb]	LC	Z [lb]	LC	MX [k-ft]	LC	MY [k-ft]	LC	MZ [k-ft]	LC		
1	N16	max	2187.832	9	1142.582	23	1267.529	1	-.898	3	1.768	9	.516	3
2		min	-2340.396	3	407.957	6	-1761.646	7	-2.652	21	-1.889	3	-.446	9
3	N21	max	1457.833	10	1111.966	18	2358.578	1	1.299	23	2.001	8	2.282	17
4		min	-1968.916	4	398.849	12	-2201.579	7	.352	5	-1.904	2	.487	11
5	N26	max	2102.769	10	1095.888	14	2078.54	1	1.315	13	1.706	4	-.939	4
6		min	-1668.352	4	429.754	8	-1856.326	7	.044	7	-1.728	10	-2.193	22
7	N115A	max	452.071	49	1811.927	17	2605.094	16	0	1	0	1	0	1
8		min	-351.721	25	631.083	11	913.088	10	0	7	0	7	0	7
9	N116A	max	2344.185	24	1847.517	24	-323.216	49	0	12	0	9	0	3
10		min	772.093	6	607.69	6	-1261.319	15	0	6	0	3	0	9
11	N117A	max	-779.154	2	1751.976	20	-293.687	12	0	11	0	5	0	5
12		min	-2216.934	20	633.162	2	-1226.941	18	0	5	0	11	0	11
13	Totals:	max	5650.436	10	8607.916	17	5679.198	1						
14		min	-5650.437	4	3911.896	11	-5679.193	7						

Envelope AISC 15th(360-16): LRFD Steel Code Checks

Member	Shape	Code Check	Loc[ft]	LC	Shear	Loc[ft]	Dir	LC	phi*Pnc	phi*Pnt	phi*Mn y	phi*Mn z	Cb	Eqn
1	M4	LL3x3x4x0	.122	0	4	.013	3.75	z	4	76533.4...	93312	6.48	4.368	2...H1-1b
2	M5	LL3x3x4x0	.124	0	12	.013	3.75	z	12	76533.43	93312	6.48	4.368	2...H1-1b
3	M6	LL3x3x4x0	.157	0	8	.018	3.75	z	2	76533.43	93312	6.48	4.368	2...H1-1b
4	M7	L3X3X4	.320	4.836	3	.016	4.836	y	16	8265.449	46656	1.688	3.147	1...H2-1
5	M8	L3X3X4	.307	4.836	11	.016	4.836	y	18	8265.447	46656	1.688	3.144	1...H2-1
6	M9	L3X3X4	.295	4.836	7	.016	4.836	y	20	8265.446	46656	1.688	3.149	1...H2-1
7	M13	HSS4X4X3	.265	2.958	9	.127	2.958	z	3	103115....	106812	12.662	12.662	1...H1-1b
8	M17	HSS4X4X3	.262	2.958	5	.121	2.958	z	5	103115....	106812	12.662	12.662	1...H1-1b
9	M21	HSS4X4X3	.240	2.958	1	.112	2.958	z	7	103115....	106812	12.662	12.662	1...H1-1b
10	MP4A	PIPE 2.0	.192	3	12	.119	3.813	18	20866.7...	32130	1.872	1.872	1...H1-1b	
11	MP3A	PIPE 2.0	.242	3	20	.153	3.813	16	20866.7...	32130	1.872	1.872	1...H1-1b	
12	MP2A	PIPE 2.0	.593	4.5	7	.148	4.5	7	14916.0...	32130	1.872	1.872	4...H1-1b	
13	MP1A	PIPE 2.0	.282	3	16	.223	3	18	20866.7...	32130	1.872	1.872	1...H1-1b	
14	MP3C	PIPE 2.0	.273	3	16	.175	3.813	24	20866.7...	32130	1.872	1.872	2...H1-1b	
15	MP2C	PIPE 2.0	.636	4.5	3	.134	5.333	1	14916.0...	32130	1.872	1.872	2...H1-1b	
16	MP3B	PIPE 2.0	.235	3	24	.150	3.813	20	20866.7...	32130	1.872	1.872	1...H1-1b	
17	MP2B	PIPE 2.0	.616	4.5	11	.134	5.333	9	14916.0...	32130	1.872	1.872	2...H1-1b	
18	M60A	PIPE 2.0	.417	9.766	19	.200	2.734	14	6295.424	32130	1.872	1.872	2...H1-1b	
19	M49	PIPE 2.0	.378	9.766	14	.221	2.734	23	6295.424	32130	1.872	1.872	2...H1-1b	
20	M54	PIPE 2.0	.375	9.766	23	.197	2.734	18	6295.424	32130	1.872	1.872	2...H1-1b	
21	MP4C	PIPE 2.0	.282	3	1	.142	3	49	20866.7...	32130	1.872	1.872	1...H1-1b	
22	MP1C	PIPE 2.0	.258	3	24	.204	3	14	20866.7...	32130	1.872	1.872	1...H1-1b	
23	MP4B	PIPE 2.0	.195	3	4	.113	3.813	22	20866.7...	32130	1.872	1.872	1...H1-1b	

Envelope AISC 15th(360-16): LRFD Steel Code Checks (Continued)

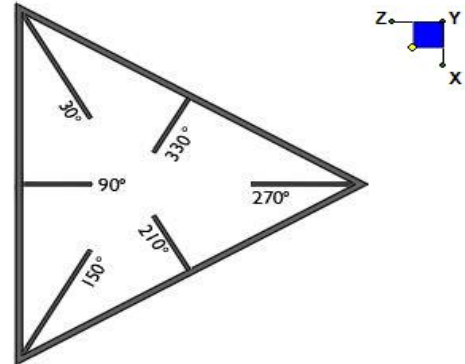
Member	Shape	Code Check	Loc[ft]	LC	Shear	Loc[ft]	Dir	LC	phi*Pnc	phi*Pnt	phi*Mn	phi*Mn	z	Cb	Eqn
24	MP1B	PIPE 2.0	.248	3	20	.198	3	z	22	20866.7...	32130	1.872	1.872	2...	H1-1b
25	M63A	L2x2x3	.401	2.504	19	.011	5.009	z	1	6832.684	23392.8	.558	1.024	1...	H2-1
26	M64	L2x2x3	.353	2.504	18	.007	5.009	y	11	6832.681	23392.8	.558	1.024	1...	H2-1
27	M65	L2x2x3	.373	2.504	15	.010	0	z	3	6832.673	23392.8	.558	1.024	1...	H2-1
28	M66A	L2x2x3	.389	2.504	14	.009	0	y	7	6832.679	23392.8	.558	1.024	1...	H2-1
29	M67A	L2x2x3	.374	2.504	23	.010	5.009	z	12	6832.675	23392.8	.558	1.024	1...	H2-1
30	M68	L2x2x3	.353	2.504	22	.007	5.009	y	3	6832.681	23392.8	.558	1.024	1...	H2-1
31	M75	L3X3X4	.168	0	13	.010	3.045	z	7	37995.1...	46656	1.688	3.64	1...	H2-1
32	M78	L3X3X4	.196	0	24	.009	3.045	z	5	37995.1...	46656	1.688	3.671	1...	H2-1
33	M85A	L3X3X4	.170	0	17	.010	3.045	z	11	37995.1...	46656	1.688	3.649	1...	H2-1
34	M75A	LL3x3x4x0	.206	4.632	31	.044	7.667	z	35	55383.5...	93312	6.48	4.177	1...	H1-1b
35	M76A	LL3x3x4x0	.361	7.667	1	.113	7.667	y	1	55384.2...	93312	6.48	4.177	2...	H1-1b
36	M77A	L3X3X4	.731	.167	7	.177	.167	y	1	56561.4...	59616	2.157	4.799	1...	H2-1
37	M78A	L3X3X4	.182	0	12	.048	0	y	11	56604.8...	59616	2.157	4.799	1...	H2-1
38	M79	L3X3X4	.267	.25	1	.082	.25	y	1	56604.8...	59616	2.157	4.799	1...	H2-1
39	M80	LL3x3x4x0	.181	7.667	3	.053	0	y	7	55383.5...	93312	6.48	4.177	2...	H1-1b
40	M81	LL3x3x4x0	.331	7.667	9	.104	7.667	y	9	55384.2...	93312	6.48	4.177	2...	H1-1b
41	M82	L3X3X4	.684	.167	3	.163	.167	y	9	56561.4...	59616	2.157	4.799	1...	H2-1
42	M83A	L3X3X4	.254	0	8	.084	0	y	7	56604.89	59616	2.157	4.799	1...	H2-1
43	M84	L3X3X4	.206	.25	9	.043	.25	y	3	56604.8...	59616	2.157	4.799	1...	H2-1
44	M85	LL3x3x4x0	.164	7.667	11	.035	7.667	z	15	55383.5...	93312	6.48	4.177	2...	H1-1b
45	M86	LL3x3x4x0	.322	7.667	5	.103	7.667	y	5	55384.2...	93312	6.48	4.177	2...	H1-1b
46	M87	L3X3X4	.671	.167	11	.161	.167	y	5	56561.4...	59616	2.157	4.799	1...	H2-1
47	M88	L3X3X4	.176	0	4	.047	0	y	3	56604.8...	59616	2.157	4.799	1...	H2-1
48	M89	L3X3X4	.211	.25	5	.043	.25	y	11	56604.89	59616	2.157	4.799	1...	H2-1



I. Mount-to-Tower Connection Check

RISA Model Data

Nodes (labeled per RISA)	Orientation (per graphic of typical platform)
N26	330
N16	90
N21	210



TYPICAL PLATFORM

Tower Connection Plate and Weld Check

Connecting Standoff Member Shape:

W1 (in):

W2 (in):

Fy (ksi, plate):

Weld Size (1/16 in):

Phi*Rn (kip/in):

Required Weld Strength (kip/in):

Weld Capacity:

Rect
4
4
36
3
4.18
1.54
37.0%

Max Plate Bending Strengths

Mu _{xx} (kip-in):	#N/A
Phi*Mn _{xx} (kip-in):	0.0
Phi*Mn _{yy} (kip-in):	0.0

Mount Desktop – Post Modification Inspection (PMI) Report Requirements

Documents & Photos Required from Contractor – Mount Modification

Purpose – to provide Maser Consulting Connecticut the proper documentation in order to complete the required Mount Desktop review of the Post Modification Inspection Report.

- Contractor is responsible for making certain the photos provided as noted below provide confirmation that the modification was completed in accordance with the modification drawings.
- Contractor shall relay any data that can impact the performance of the mount or the mount modification, this includes safety issues.

Base Requirements:

- Any special photos outside of the standard requirements will be indicated on the drawings
- Provide “as built drawings” showing contractor’s name, preparer’s signature, and date. Any deviations from the drawings (proposed modification) must be shown.
- Notation that all hardware was properly installed, and the existing hardware was inspected for any issues.
- Verification that loading is as communicated in the modification drawings. NOTE If loading is different than what is conveyed in the modification drawing contact Maser Consulting Connecticut immediately.
- Each photo should be time and date stamped
- Photos should be high resolution and submitted in a Zip File and should be organized in the file structure as depicted in Schedule A attached.
- Contractor shall ensure that the safety climb wire rope is supported and not adversely impacted by the install of the modification components. This may involve the install of wire rope guides, or other items to protect the wire rope.
- The photos in the file structure should be uploaded to <https://pmi.vzwsmart.com> as depicted on the drawings

Photo Requirements:

- **Base and “During Installation Photos”**
 - Base pictures include
 - Photo of Gate Signs showing the tower owner, site name, and number
 - Photo of carrier shelter showing the carrier site name and number if available
 - Photos of the galvanizing compound and/or paint used (if applicable), clearly showing the label and name
 - “During Installation Photos if provided - must be placed only in this folder
- **Photos taken at ground level**
 - Overall tower structure before and after installation of the modifications
 - Photos of the appropriate mount before and after installation of the modifications; if the mounts are at different rad elevations, pictures must be provided for all elevations that the modifications were installed

- Photos taken at Mount Elevation
 - Photos showing each individual sector before and also after installation of modifications. Each entire sector must be in one photo to show in the inter-connection of members.
 - These photos should also certify that the placement and geometry of the equipment on the mount is as depicted on the sketch and table in the mount analysis
 - Close-up photos of each installed modification per the modification drawings; pictures should also include connection hardware (U-bolts, bolts, nuts, all-threaded rods, etc.)
 - Photos showing the measurements of the installed modification member sizes (i.e. lengths, widths, depths, diameters, thicknesses)
 - Photos showing the elevation or distances of the installed modifications from the appropriate reference locations shown in the modification drawings
 - Photos showing the installed modifications onto the tower with tape drop measurements (if applicable) (i.e. ring/collar mounts, tie-backs, V-bracing kits, etc.); if the existing mount elevation needs to be changed according to the modification drawings, a tape drop measurement shall be provided before the elevation change
 - Photos showing the safety climb wire rope above and below the mount prior to modification.
 - Photos showing the climbing facility and safety climb if present.

Material Certification:

- Materials utilized must be as per specification on the drawings or the equivalent as validated by Maser Consulting Connecticut.
 - If the drawings are as specified on the drawings
 - The contractor should provide the packing list or the materials utilized to perform the mount modification
 - If an equivalent is utilized
 - It is required that the Maser Consulting Connecticut certification of such is included in the contractor submission package. There may be an additional charge for this certification if the equivalent submission doesn't meet specifications as prescribed in the drawings.
- The contractor must certify that the materials meet these specifications by one of these methods.

The Material utilized was as specified on the Maser Consulting Connecticut Mount Modification Drawings and included in the Material certification folder is a packing list or invoice for these materials

The material utilized was an "equivalent" and included as part of the contractor submission is the Maser Consulting Connecticut certification, invoices, or specifications validating accepted status

Certifying Individual: Company _____

Name _____

Signature _____

Antenna & equipment placement and Geometry Confirmation:

- The contractor must certify that the antenna & equipment placement and geometry is in accordance with the antenna placement diagrams as included in this mount analysis.
- The contractor certifies that the photos support and the equipment on the mount is as depicted on the antenna placement diagrams as included in this mount analysis.
- The contractor notes that the equipment on the mount is not in accordance with the antenna placement diagrams and has accordingly marked up the diagrams or provided a diagram outlining the differences.

Certifying Individual: Company _____

Name _____

Signature _____

Special Instructions / Validation as required from the MA or Mod Drawings:


















Issue:

Contractor shall verify all dimensions and member sizes shown in the mount geometry verification requirements section of the mount analysis report. Contact EOR if these documents are not available to the general contractor.

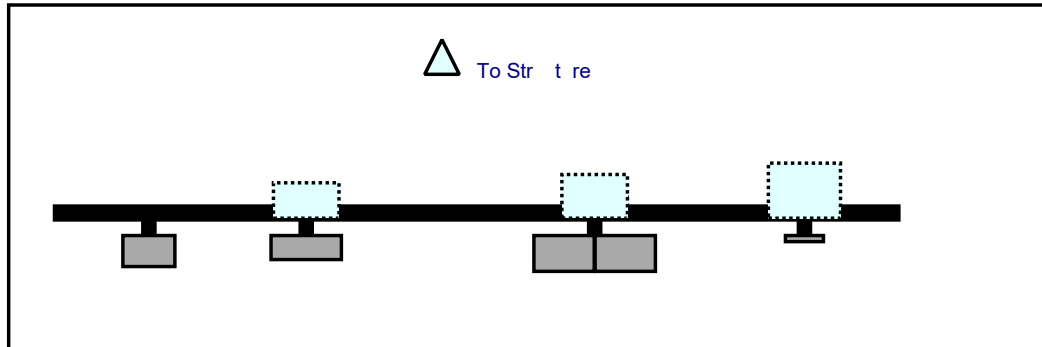
Contractor to install safety climb cable guide (Site Pro 1, part #: 120-203-317 or EOR approved equivalent) in locations where wire rope is rubbing against mount to tower attachments. Contractor to provide photos of safety climb cable guide installation.

Response:

Schedule A – Photo & Document File Structure

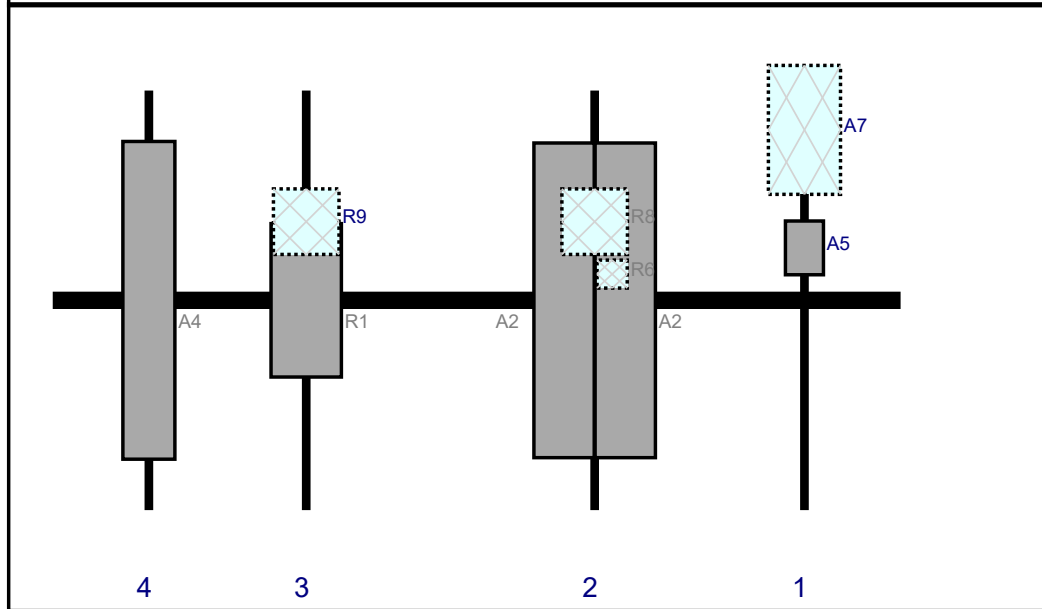
-  VzW Site Number / Name
 -  Base & “During Installation” Photos
 -  Pre-Installation Photos
 -  Alpha
 -  Beta
 -  Gamma
 -  Ground Level
 -  Tape Drop
 -  Post-Installation Photos
 -  Alpha
 -  Beta
 -  Gamma
 -  Ground Level
 -  Tape Drop
 -  Photos of climbing facility and safety climb – If Present
-  Certifications – Submission of this document including certifications
-  Specific Required Additional Photos

Plan View



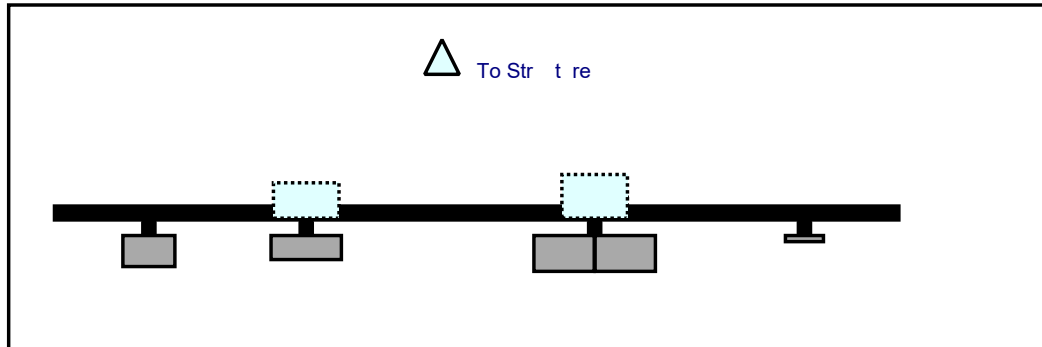
Front View

Looking at Structure



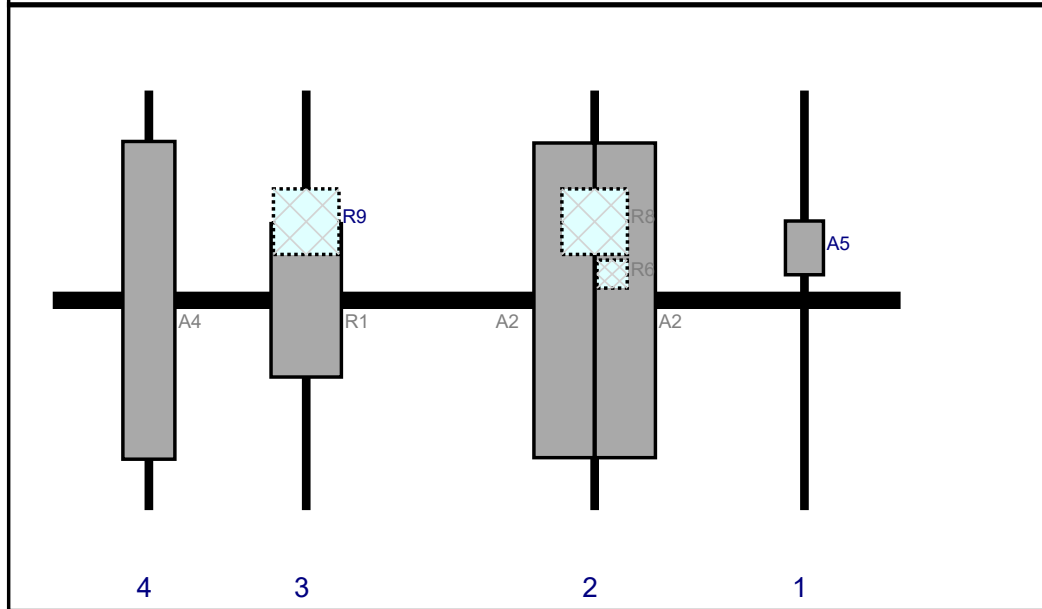
Re #	Model	Height (i)	Width (i)	H Dist Fr L.	Pipe #	Pipe Pos V	A t Pos	C. A t Fr T.	A t H O	St t s	V lid tio
A5	XXDWMM-12.5-65-8T-CBRS	12.3	8.7	172	1		Front	36	0	Ret i ed	03/03/2021
A7	DB-C1-12C-24AB-0Z	29.5	16.5	172	1		Behind	9	0	Ret i ed	03/03/2021
A2	JAHH-65B-R3B	72	13.8	124	2		Front	48	-7	Ret i ed	03/03/2021
A2	JAHH-65B-R3B	72	13.8	124	2		Front	48	7	Ret i ed	03/03/2021
R6	CBC78T-DS-43-2X	6.4	6.9	124	2		Behind	42	4	Ret i ed	03/03/2021
R8	B2/B66A RRRH-BR049 (RFV01U-D1A)	15	15	124	2		Behind	30	0	Ret i ed	03/03/2021
R1	MT6407-77A	35.1	16.1	58	3		Front	48	0	Added	
R9	B5/B13 RRRH-BR04C (RFV01U-D2A)	15	15	58	3		Behind	30	0	Ret i ed	03/03/2021
A4	LNx-8513DS-A1M	72.7	11.9	22	4		Front	48	0	Ret i ed	03/03/2021

Plan View



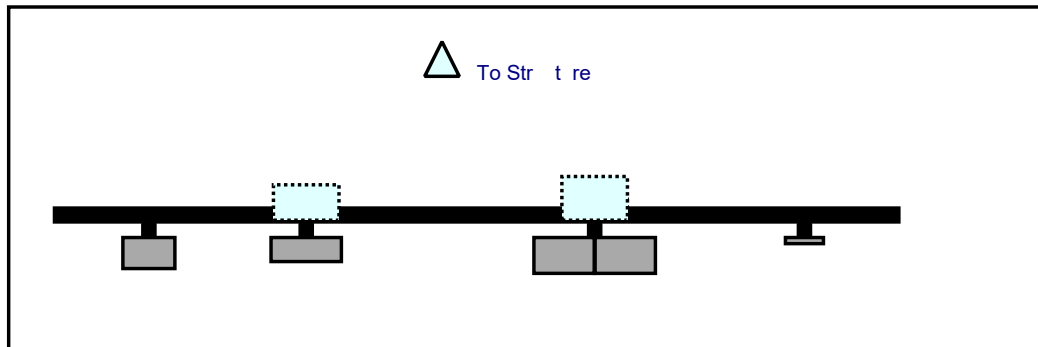
Front View

Looking at Structure



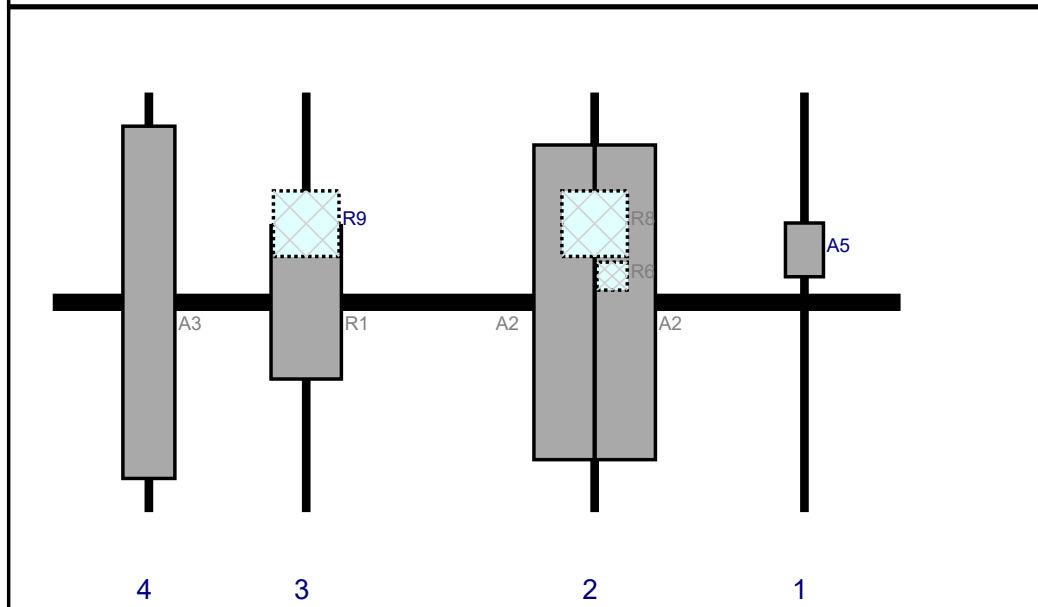
Re #	Model	Height (i)	Width (i)	H Dist Fr L.	Pipe #	Pipe Pos V	A t Pos	C. A t Fr T.	A t H O	St t s	V lid tio
A5	XXDWMM-12.5-65-8T-CBRS	12.3	8.7	172	1		Fro t	36	0	Ret i ed	03/03/2021
A2	JAHH-65B-R3B	72	13.8	124	2		Fro t	48	-7	Ret i ed	03/03/2021
A2	JAHH-65B-R3B	72	13.8	124	2		Fro t	48	7	Ret i ed	03/03/2021
R6	CBC78T-DS-43-2X	6.4	6.9	124	2		Behi d	42	4	Ret i ed	03/03/2021
R8	B2/B66A RRH-BR049 (RFV01U-D1A)	15	15	124	2		Behi d	30	0	Ret i ed	03/03/2021
R1	MT6407-77A	35.1	16.1	58	3		Fro t	48	0	Added	
R9	B5/B13 RRH-BR04C (RFV01U-D2A)	15	15	58	3		Behi d	30	0	Ret i ed	03/03/2021
A4	LNx-8513DS-A1M	72.7	11.9	22	4		Fro t	48	0	Ret i ed	03/03/2021

Plan View



Front View

Lo o i g t Str t re



Re #	Model	Height (i)	Width (i)	H Dist Fr L.	Pipe #	Pipe Pos V	A t Pos	C. A t Fr T.	A t H O	St t s	V lid tio
A5	XXDWMM-12.5-65-8T-CBRS	12.3	8.7	172	1		Fro t	36	0	Ret i ed	03/03/2021
A2	JAHH-65B-R3B	72	13.8	124	2		Fro t	48	-7	Ret i ed	03/03/2021
A2	JAHH-65B-R3B	72	13.8	124	2		Fro t	48	7	Ret i ed	03/03/2021
R6	CBC78T-DS-43-2X	6.4	6.9	124	2		Behi d	42	4	Ret i ed	03/03/2021
R8	B2/B66A RRH-BR049 (RFV01U-D1A)	15	15	124	2		Behi d	30	0	Ret i ed	03/03/2021
R1	MT6407-77A	35.1	16.1	58	3		Fro t	48	0	Added	
R9	B5/B13 RRH-BR04C (RFV01U-D2A)	15	15	58	3		Behi d	30	0	Ret i ed	03/03/2021
A3	LNx-6514DS-A1M	80.6	11.9	22	4		Fro t	48	0	Ret i ed	03/03/2021

Maser Consulting Connecticut

Subject TIA-222-H Adoption and Wind Speed Usage

Site Information

Site ID: 468845-VZW / MADISON 2 CT
Site Name: MADISON 2 CT
Carrier Name: Verizon Wireless
Address: 8 Meeting House Ln
Madison, Connecticut 06443
New Haven County
Latitude: 41.286099°
Longitude: -72.601676°

Structure Information

Tower Type: 148-Ft Monopole
Mount Type: 16.17-Ft Platform

To Whom It May Concern,

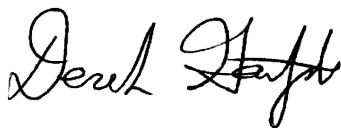
We respectfully submit the above referenced Antenna Mount Structural Analysis report in conformance with ANSI/TIA-222-H, Structural Standard for Antenna Supporting Structures and Antennas and Small Wind Turbine Support Structures.

The 2015 International Building Code states that, in Section 3108, telecommunication towers shall be designed and constructed in accordance with the provisions of TIA-222. The TIA-222-H is the latest revision of the TIA-222 Standard, effective as of January 01, 2018.

As with all ANSI standards and engineering best practice is to apply the most current revision of the standard. This ensures the engineer is applying all updates. As an example, the TIA-222-H standard includes updates to bring it in line with the latest AISC and ACI standards and it also incorporates the latest wind speed maps by ASCE 7 based on updated studies of the wind data.

The TIA-222-H standard clarifies these specific requirements for the antenna mount analysis such as modeling methods, seismic analysis, 30-degree increment wind directions and maintenance loading. Therefore, it is our opinion that TIA-222-H is the most appropriate standard for antenna mount structural analysis and is acceptable for use at this site to ensure the engineer is taking into account the most current engineering standard available.

Sincerely,



Derek Hartzell, PE
Technical Specialist

PROJECT NOTES

1. SEE MODIFICATION NOTES
2. THE CONTRACTOR SHALL COMPLY WITH ALL APPLICABLE CODES, ORDINANCES, LAWS AND REGULATIONS OF ALL MUNICIPALITIES, UTILITY COMPANIES OR OTHER PUBLIC/GOVERNING AUTHORITIES.
3. THE CONTRACTOR SHALL BE RESPONSIBLE FOR OBTAINING ALL PERMITS AND INSPECTIONS THAT MAY BE REQUIRED BY ANY FEDERAL, STATE, COUNTY OR MUNICIPAL AUTHORITIES.
4. THE CONTRACTOR SHALL NOTIFY THE CONSTRUCTION MANAGER, IN WRITING, OF ANY CONFLICTS, ERRORS OR OMISSIONS PRIOR TO THE SUBMISSION OF BIDS OR PERFORMANCE OF WORK.
5. THE CONTRACTOR SHALL BE RESPONSIBLE FOR PROTECTING ALL EXISTING SITE IMPROVEMENTS PRIOR TO COMMENCING CONSTRUCTION. THE CONTRACTOR SHALL REPAIR ANY DAMAGE AS A RESULT OF CONSTRUCTION OF THIS FACILITY AT THE CONTRACTOR'S EXPENSE TO THE SATISFACTION OF THE OWNER.
6. THE SCOPE OF WORK FOR THIS PROJECT SHALL INCLUDE PROVIDING ALL MATERIALS, EQUIPMENT AND LABOR REQUIRED TO COMPLETE THIS PROJECT. ALL EQUIPMENT SHALL BE INSTALLED IN ACCORDANCE WITH MANUFACTURER'S RECOMMENDATIONS.
7. THE CONTRACTOR SHALL VISIT THE PROJECT SITE PRIOR TO SUBMITTING THE BID TO VERIFY THAT THE PROJECT CAN BE CONSTRUCTED IN ACCORDANCE WITH THE CONTRACT DOCUMENTS AND CONSTRUCTION DRAWINGS.
8. THE CONTRACTOR SHALL VERIFY ALL EXISTING DIMENSIONS AND CONDITIONS PRIOR TO COMMENCING ANY WORK. ALL DIMENSIONS OF EXISTING CONSTRUCTION SHOWN ON THESE DRAWINGS MUST BE VERIFIED. THE CONTRACTOR SHALL NOTIFY THE CONSTRUCTION MANAGER OF ANY DISCREPANCIES PRIOR TO ORDERING MATERIAL OR PROCEEDING WITH CONSTRUCTION.
9. SINCE THE CELL SITE MAY BE ACTIVE, ALL SAFETY PRECAUTIONS MUST BE TAKEN WHEN WORKING AROUND HIGH LEVELS OF ELECTROMAGNETIC RADIATION. EQUIPMENT SHOULD BE SHUTDOWN PRIOR TO PERFORMING ANY WORK THAT COULD EXPOSE THE WORKERS TO DANGER. PERSONAL RF EXPOSURE MONITORS ARE REQUIRED TO BE WORN TO ALERT OF ANY POTENTIALLY DANGEROUS EXPOSURE LEVELS.
10. NO NOISE, SMOKE, DUST OR ODOR WILL RESULT FROM THIS FACILITY AS TO CAUSE A NUISANCE.
11. THE FACILITY IS UNMANNED AND NOT FOR HUMAN HABITATION (NO HANDICAP ACCESS IS REQUIRED).



MOUNT MODIFICATION DRAWINGS EXISTING 16.17' PLATFORM

**SITE NAME: MADISON 2 CT
SITE NUMBER: 468845**

**8 MEETING HOUSE LN
MADISON, CT 06443
NEW HAVEN COUNTY**

PROJECT INFORMATION	
SITE INFORMATION	
LATITUDE:	41.286099° N
LONGITUDE:	72.601676° W
JURISDICTION:	NEW HAVEN COUNTY
APPLICANT/LESSEE	
COMPANY:	VERIZON WIRELESS
CLIENT REPRESENTATIVE	
COMPANY:	VERIZON WIRELESS
ADDRESS:	118 FLANDERS ROAD, THIRD FLOOR
CITY, STATE, ZIP:	WESTBOROUGH, MA 01581
CONTACT:	ANDREW CANDIELLO
EMAIL:	ANDREW.CANDIELLO@VERIZONWIRELESS.COM
PROJECT MANAGER	
COMPANY:	MASER CONSULTING CONNECTICUT
CONTACT:	PETER ALBANO
PHONE:	856-797-0412
E-MAIL:	PETER.ALBANO@COLLIERSENGINEERING.COM

SHEET INDEX	
SHEET	DESCRIPTION
T-1	TITLE SHEET
S-1	BILL OF MATERIALS
S-2	MODIFICATION NOTES
S-3	MODIFICATION NOTES
S-4	MODIFICATION DETAILS
S-5	MODIFICATION DETAILS
S-6	MODIFICATION DETAILS
S-7	MOUNT PHOTOS
	SPECIFICATION SHEETS

CONTRACTOR PMI REQUIREMENTS	
PMI LOCATION:	HTTPS://PMI.VZWSMART.COM
SMART TOOL PROJECT #:	10078669
VZW LOCATION CODE (PSLC):	468845
FUZE ID:	16244081
PMI REQUIREMENTS EMBEDDED WITHIN MOUNT MODIFICATION REPORT	

REFERENCED DOCUMENTS	
FAILING MOUNT ANALYSIS REPORT	
SMART TOOL PROJECT #:	10050373
MASER CONSULTING PROJECT #:	21777433A
ANALYSIS DATE:	6/11/2021



WILL BE KNOWN AS COLLIER ENGINEERING & DESIGN IN 2021
Customer Loyalty through Client Satisfaction
www.maserconsulting.com

- Office Locations:
- NEW JERSEY
 - NEW MEXICO
 - NEW YORK
 - MARYLAND
 - PENNSYLVANIA
 - GEORGIA
 - VIRGINIA
 - TEXAS
 - FLORIDA
 - TENNESSEE
 - NORTH CAROLINA
 - COLORADO
 - SOUTH CAROLINA

Copyright © 2021 Maser Consulting. All Rights Reserved. This drawing and all the information contained herein is authorized for use only by the party for whom the services were contracted or to whom it is certified. This drawing may not be copied, reused, disclosed, distributed or relied upon for any other purpose without the express written consent of Maser Consulting.



811 PROTECT YOURSELF
ALL STATES REQUIRE NOTIFICATION OF EXCAVATIONS, DESIGNERS, OR ANY PERSON PREPARING TO DISTURB THE EARTH'S SURFACE ANYWHERE IN ANY STATE.
Call before you dig.
FOR STATE SPECIFIC DIRECT PHONE NUMBERS VISIT: WWW.CALL811.COM

SCALE:	AS SHOWN	JOB NUMBER:	21777433A
ISSUED FOR CONSTRUCTION:	6/29/2021	ISSUED BY:	PN/A
REV	DATE	DESCRIPTION	DRAWN BY
			CHECKED BY

Derek R. Hartzell
Derek R. Hartzell
Professional Engineer
License Number: 32710
Maser Consulting
C.T. C.O.A. # JPC 00131
Digitally signed by Derek R. Hartzell
Date: 2021.06.29 18:22:22-04'00

IT IS A VIOLATION OF LAW FOR ANY PERSON, UNLESS THEY ARE ACTING UNDER THE DIRECTION OF THE RESPONSIBLE LICENSED PROFESSIONAL ENGINEER, TO ALTER THIS DOCUMENT.

SITE NAME:
**MADISON 2 CT
468845**
**8 MEETING HOUSE LN
MADISON, CT 06443
NEW HAVEN COUNTY**

MT. LAUREL OFFICE
2000 Madison Drive
Suite 100
Mount Laurel, NJ 08054
Phone: 856.797.0412
Fax: 856.722.1120

SHEET TITLE:
TITLE SHEET
SHEET NUMBER:
T-1

**COPYRIGHT ©2021
MASER CONSULTING CONNECTICUT
ALL RIGHTS RESERVED**

THIS DRAWING AND ALL THE INFORMATION CONTAINED HEREIN IS AUTHORIZED FOR USE ONLY BY THE PARTY FOR WHOM THE WORK WAS CONTRACTED OR TO WHOM IT IS CERTIFIED. THIS DRAWING MAY NOT BE COPIED, REUSED, DISCLOSED, DISTRIBUTED OR RELIED UPON FOR ANY OTHER PURPOSE WITHOUT THE EXPRESS WRITTEN CONSENT OF MASER CONSULTING

BILL OF MATERIALS

VZWSMART KITS					
QUANTITY	MANUFACTURER	PART NUMBER	DESCRIPTION	NOTES	
3	VZWSMART	VZWSMART-PLK3	SUPPORT RAIL CORNER BRACKET		
OTHER REQUIRED PARTS					
QUANTITY	MANUFACTURER	PART NUMBER	DESCRIPTION	NOTES	
6	-	-	92" LONG L3X3X1/4	GALVANIZED, CONTRACTOR TO VERIFY THE LENGTH REQUIRED AND TRIM AS NECESSARY IN ACCORDANCE WITH THE 'STRUCTURAL STEEL' NOTES ON SHEET S-2.	
-	-	-	1/2" DIA. A325N NUT AND BOLT	GALVANIZED	

NOTE: ALL MATERIALS REQUIRED FOR THE DESIGNED MODIFICATIONS BUT NOT LISTED IN THIS SHEET ARE ASSUMED TO BE PROVIDED BY THE CONTRACTOR

VZWSMART KITS - APPROVED VENDORS	
COMMSCOPE	
CONTACT	SALVADOR ANGUIANO
PHONE	(817) 304-7492
EMAIL	SALVADOR.ANGUIANO@COMMSCOPE.COM
WEBSITE	WWW.COMMSCOPE.COM
METROSITE FABRICATORS, LLC	
CONTACT	KENT RAMEY
PHONE	(706) 335-7045 (O), (706) 982-9788 (M)
EMAIL	KENT@METROSITELLC.COM
WEBSITE	METROSITEFABRICATORS.COM
PERFECTVISION	
CONTACT	WIRELESS SALES
PHONE	(844) 887-6723
EMAIL	WWW.PERFECT-VISION.COM
WEBSITE	WIRELESSALES@PERFECT-VISION.COM
SABRE INDUSTRIES, INC.	
CONTACT	ANGIE WELCH
PHONE	(866) 428-6937
EMAIL	AKWELCH@SABREINDUSTRIES.COM
WEBSITE	WWW.SABRESITESOLUTIONS.COM
SITE PRO 1	
CONTACT	PAULA BOSWELL
PHONE	(972) 236-9843
EMAIL	PAULA.BOSWELL@VALMONT.COM
WEBSITE	WWW.SITEPRO1.COM

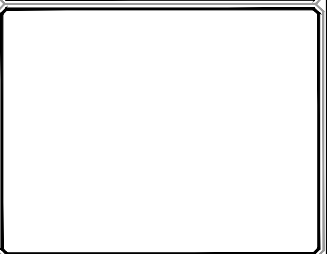
NOTE: WHEN SPECIFIED, VZWSMART KITS SHALL BE REQUIRED AND WILL BE VERIFIED DURING THE DESKTOP PMI



WILL BE KNOWN AS COLLIER ENGINEERING & DESIGN IN 2021
Customer Loyalty through Client Satisfaction
www.maserconsulting.com
Office Locations:

- NEW JERSEY
- NEW MEXICO
- NEW YORK
- MARYLAND
- PENNSYLVANIA
- GEORGIA
- VIRGINIA
- TEXAS
- FLORIDA
- TENNESSEE
- NORTH CAROLINA
- COLORADO
- SOUTH CAROLINA

Copyright © 2021 Maser Consulting All Rights Reserved. This drawing and all the information contained herein is authorized for use only by the party for whom the services were contracted or to whom it is certified. This drawing may not be copied, reused, disclosed, distributed or relied upon for any other purpose without the express written consent of Maser Consulting.



SCALE: AS SHOWN	JOB NUMBER: 21777433A
-----------------	-----------------------

REV	DATE	DESCRIPTION	DRAWN BY	CHECKED BY
0	6/29/2021	ISSUED FOR CONSTRUCTION	MVA	MVA




Digitally signed by Derek R. Hartzell
Date: 2021.06.29 18:22:41-04'00'

IT IS A VIOLATION OF LAW FOR ANY PERSON, UNLESS THEY ARE ACTING UNDER THE DIRECTION OF THE RESPONSIBLE LICENSED PROFESSIONAL ENGINEER, TO ALTER THIS DOCUMENT.

SITE NAME:

**MADISON 2 CT
468845**

**8 MEETING HOUSE LN
MADISON, CT 06443
NEW HAVEN COUNTY**



MT. LAUREL OFFICE
2000 Millstone Drive
Suite 100
Mount Laurel, NJ 08054
Phone: 856.797.0412
Fax: 856.722.1120

SHEET TITLE:
BILL OF MATERIALS

SHEET NUMBER:
S-1

GENERAL NOTES

1. THESE MODIFICATIONS HAVE BEEN DESIGNED IN ACCORDANCE WITH THE GOVERNING PROVISIONS OF THE TELECOMMUNICATIONS INDUSTRY STANDARD TIA-222-H. MATERIALS AND SERVICES PROVIDED BY THE CONTRACTOR SHALL CONFORM TO THE ABOVE MENTIONED CODES.
2. CONTRACTOR SHALL TAKE ALL PRECAUTIONS NECESSARY TO PREVENT DAMAGE TO EXISTING STRUCTURES. ANY DAMAGE TO EXISTING STRUCTURES AS A RESULT OF THE CONTRACTOR'S WORK OR FROM DAMAGE DUE TO OTHER CAUSES SHALL BE REPAIRED AT THE CONTRACTOR'S EXPENSE TO THE SATISFACTION OF THE OWNER.
3. CONTRACTOR SHALL VERIFY ALL DIMENSIONS AND EXISTING CONDITIONS BEFORE BEGINNING WORK, ORDERING MATERIAL, AND PREPARING OF SHOP DRAWINGS. ANY DISCREPANCIES BETWEEN FIELD CONDITIONS AND THE CONTRACT DOCUMENTS SHALL BE BROUGHT TO THE IMMEDIATE ATTENTION OF THE ENGINEER. IF THE CONTRACTOR DISCOVERS ANY EXISTING CONDITIONS THAT ARE NOT REPRESENTED ON THESE DRAWINGS, OR ANY CONDITIONS THAT WOULD INTERFERE WITH THE INSTALLATION OF THE MODIFICATIONS, NOTIFY THE ENGINEER IMMEDIATELY.
4. IT IS ASSUMED THAT ANY STRUCTURAL MODIFICATION WORK SPECIFIED ON THESE PLANS WILL BE ACCOMPLISHED BY KNOWLEDGEABLE WORKMEN WITH TOWER CONSTRUCTION EXPERIENCE.
5. THE CONTRACTOR SHALL SUPERVISE AND DIRECT THE WORK AND SHALL BE SOLELY RESPONSIBLE FOR ALL CONSTRUCTION METHODS, MEANS, TECHNIQUES, SEQUENCES, AND PROCEDURES.
6. ALL CONSTRUCTION MEANS AND METHODS; INCLUDING BUT NOT LIMITED TO, ERECTION PLANS, RIGGING PLANS, CLIMBING PLANS, AND RESCUE PLANS SHALL BE THE RESPONSIBILITY OF THE GENERAL CONTRACTOR RESPONSIBLE FOR THE EXECUTION OF THE WORK CONTAINED HEREIN AND SHALL MEET ANS/I/TIA-322 (LATEST EDITION), OSHA, AND GENERAL INDUSTRY STANDARDS. ALL RIGGING PLANS SHALL ADHERE TO ANS/I/TIA-322 (LATEST EDITION) INCLUDING THE REQUIRED INVOLVEMENT OF A QUALIFIED ENGINEER FOR CLASS IV CONSTRUCTION.
7. THE CONTRACTOR IS SOLELY RESPONSIBLE FOR INITIATING, MAINTAINING, AND SUPERVISING ALL SAFETY PROGRAMS IN ACCORDANCE WITH APPLICABLE SAFETY CODES.
8. WORK SHALL ONLY BE PERFORMED DURING CALM DRY DAYS (WINDS LESS THAN 30-MPH). THE STRUCTURE SHOWN ON THE DRAWINGS IS STRUCTURALLY SOUND ONLY IN THE COMPLETED FORM. THE CONTRACTOR SHALL BE RESPONSIBLE FOR THE STRENGTH AND STABILITY OF THE STRUCTURE DURING ERECTION. CONTRACTOR SHALL PROVIDE TEMPORARY SUPPORT, SHORING, BRACING AND ANY OTHER STRUCTURAL SYSTEMS AS REQUIRED TO RESIST ALL FORCES THAT MAY OCCUR DURING HANDLING AND ERECTION UNTIL THE STRUCTURE IS FULLY COMPLETED. TEMPORARY SUPPORTS, BRACING AND OTHER STRUCTURAL SYSTEMS REQUIRED DURING CONSTRUCTION SHALL REMAIN THE CONTRACTOR'S PROPERTY AFTER THEIR USE.
9. ALL INSTALLATIONS PERFORMED ON THIS STRUCTURE SHALL BE COMPLETED IN ACCORDANCE WITH THE GOVERNING PROVISIONS OF THE STANDARD FOR INSTALLATION, ALTERATION AND MAINTENANCE OF ANTENNA SUPPORTING STRUCTURES AND ANTENNAS, ANS/I/TIA-322.
10. CONTRACTOR SHALL SECURE SITE BACK TO EXISTING CONDITION UNDER SUPERVISION OF OWNER. ALL FENCE, STONE, GEOFABRIC, GROUNDING, AND SURROUNDING GRADE SHALL BE REPLACED AND REPAIRED AS REQUIRED TO ACHIEVE OWNER APPROVAL. POSITIVE DRAINAGE AWAY FROM TOWER SITE SHALL BE MAINTAINED.
11. CONNECTIONS BETWEEN ITEMS SUPPORTED BY THE STRUCTURE AND THE STRUCTURE NOT SPECIFICALLY DETAILED IN THE CONTRACT DOCUMENTS ARE THE RESPONSIBILITY OF THE CONTRACTOR. SUCH CONNECTIONS SHALL BE DESIGNED, COORDINATED AND INSPECTED BY A PROFESSIONAL STRUCTURAL ENGINEER LICENSED IN THE STATE OF THE PROJECT. SUBMIT SIGNED AND SEALED CALCULATIONS DURING SHOP DRAWING REVIEW.
12. DO NOT SCALE DRAWINGS.
13. DO NOT USE THESE DRAWINGS FOR ANY OTHER SITE.
14. ALL MATERIAL UTILIZED FOR THIS PROJECT MUST BE NEW AND FREE OF ANY DEFECTS. ANY MATERIAL SUBSTITUTIONS, INCLUDING BUT NOT LIMITED TO ALTERED SIZE AND/OR STRENGTHS, MUST BE APPROVED BY THE OWNER AND ENGINEER IN WRITING.
15. THE MOUNT UNDER NO CIRCUMSTANCES SHOULD BE USED AS A TIE OFF POINT.

DESIGN LOADS

- WIND LOADS
- a. BASIC WIND SPEED (3 SECOND GUST), V = 123 MPH
 - b. EXPOSURE CATEGORY B
 - c. TOPOGRAPHIC CATEGORY I
 - d. MEAN BASE ELEVATION (AMSL) = 38.53'

- ICE LOADS
- a. ICE WIND SPEED (3 SECOND GUST), V = 50 MPH
 - b. ICE THICKNESS = 1.00 IN

- SEISMIC LOADS
- a. SEISMIC DESIGN CATEGORY B
 - b. SHORT TERM MCER GROUND MOTION, S_s = .205
 - c. LONG TERM MCER GROUND MOTION, S_l = .054

STRUCTURAL STEEL

1. DESIGN, DETAILING, FABRICATION AND ERECTION OF STRUCTURAL STEEL SHALL CONFORM TO THE FOLLOWING PUBLICATIONS EXCEPT AS SPECIFICALLY INDICATED IN THE CONTRACT DOCUMENTS.
 - a. AMERICAN INSTITUTE OF STEEL CONSTRUCTION (AISC) MANUAL OF STEEL CONSTRUCTION (15TH EDITION)
 - b. SPECIFICATION FOR STRUCTURAL JOINTS USING ASTM A325 OR A490 BOLTS
 - c. AISC CODE OF STANDARD PRACTICE
2. STRUCTURAL STEEL SHALL CONFORM TO THE FOLLOWING UNLESS OTHERWISE SHOWN:

- | | |
|--------------------------------|--------------------------|
| CHANNELS, ANGLES, PLATES, ETC. | ASTM A36 (GR 36) |
| STEEL PIPE | ASTM A53 (GR 35) |
| BOLTS | ASTM A325 |
| NUTS | ASTM A563 |
| LOCK WASHERS | LOCKING STRUCTURAL GRADE |

3. ALL SUBSTITUTIONS PROPOSED BY THE CONTRACTOR SHALL BE APPROVED IN WRITING BY THE ENGINEER. CONTRACTOR SHALL PROVIDE DOCUMENTATION TO ENGINEER FOR VERIFYING THE SUBSTITUTE IS SUITABLE FOR USE AND MEETS ORIGINAL DESIGN CRITERIA. DIFFERENCES FROM THE ORIGINAL DESIGN, INCLUDING MAINTENANCE, REPAIR AND REPLACEMENT, SHALL BE NOTED. ESTIMATES OF COSTS/CREDITS ASSOCIATED WITH THE SUBSTITUTION (INCLUDING RE-DESIGN COSTS AND COSTS TO SUB-CONTRACTORS) SHALL BE PROVIDED TO THE ENGINEER. CONTRACTOR SHALL PROVIDE ADDITIONAL DOCUMENTATION AND/OR SPECIFICATIONS TO THE ENGINEER AS REQUESTED.
4. PROVIDE STRUCTURAL STEEL SHOP DRAWINGS TO ENGINEER FOR APPROVAL PRIOR TO FABRICATION.
 - a. SUBMIT SHOP DRAWINGS TO PETER.ALBANO@COLLIERSENGINEERING.COM
 - b. PROVIDE MASER CONSULTING PROJECT # AND MASER CONSULTING PROJECT ENGINEER CONTACT IN THE BODY OF THE EMAIL.
5. DRILL NO HOLES IN ANY NEW OR EXISTING STRUCTURAL STEEL MEMBERS OTHER THAN THOSE SHOWN ON STRUCTURAL DRAWINGS WITHOUT THE APPROVAL OF THE ENGINEER OF RECORD.
6. GALVANIZED ASTM A325 BOLTS SHALL NOT BE REUSED.
7. ALL NEW STEEL SHALL BE HOT BE DIPPED GALVANIZED FOR FULL WEATHER PROTECTION. IN ADDITION ALL NEW STEEL SHALL BE PAINTED TO MATCH EXISTING STEEL. CONTRACTOR SHALL OBTAIN WRITTEN PERMISSION TO PROTECT STEEL BY ANY OTHER MEANS.
8. ALL BOLT ASSEMBLIES FOR STRUCTURAL MEMBERS REPRESENTED IN THIS DRAWING REQUIRE LOCKING DEVICES TO BE INSTALLED IN ACCORDANCE WITH TIA-222-H SECTION 4.9.2 REQUIREMENTS.
9. WHERE CONNECTIONS ARE NOT FULLY DETAILED ON THESE DRAWINGS, FABRICATOR SHALL DESIGN CONNECTIONS TO RESIST LOADS AND FORCES WHERE SHOWN ON DRAWINGS AND AS OUTLINED IN SPECIFICATIONS.
10. FOR MEMBERS BEING REPLACED, PROVIDE NEW BOLTS AND MATCH EXISTING SIZE AND GRADE. MAINTAIN AISC REQUIREMENTS FOR MINIMUM BOLT DISTANCE AND SPACING.
11. ALL PROPOSED AND/OR REPLACED BOLTS SHALL BE OF SUFFICIENT LENGTH SUCH THAT THE END OF THE BOLT IS AT LEAST FLUSH WITH THE FACE OF THE NUT. IT IS NOT PERMITTED FOR THE BOLT END TO BE BELOW THE FACE OF THE NUT AFTER TIGHTENING IS COMPLETED.
12. GALVANIZED ASTM A325 BOLTS SHALL NOT BE REUSED.
13. ALL NEW STEEL SHALL BE HOT BE DIPPED GALVANIZED FOR FULL WEATHER PROTECTION. CONTRACTOR SHALL OBTAIN WRITTEN PERMISSION TO

PROTECT STEEL BY ANY OTHER MEANS.

14. ALL EXISTING PAINTED/GALVANIZED SURFACES DAMAGED DURING REHAB INCLUDING AREAS UNDER STIFFENER PLATES SHALL BE WIRE BRUSHED CLEAN, REPAIRED BY COLD GALVANIZING (ZINGA OR ZINC COTE), AND REPAINTED TO MATCH THE EXISTING FINISH (IF APPLICABLE).
15. ALL HOLES IN STEEL MEMBERS SHALL BE SIZED 1/16" LARGER THAN THE BOLT DIAMETER. STANDARD HOLES SHALL BE USED UNLESS NOTED OTHERWISE.



WILL BE KNOWN AS COLLIER ENGINEERING & DESIGN IN 2021
Customer Loyalty through Client Satisfaction
www.maserconsulting.com

- Office Locations:
- | | |
|------------------|--------------|
| ■ NEW JERSEY | ■ NEW MEXICO |
| ■ NEW YORK | ■ MARYLAND |
| ■ PENNSYLVANIA | ■ GEORGIA |
| ■ VIRGINIA | ■ TEXAS |
| ■ FLORIDA | ■ TENNESSEE |
| ■ NORTH CAROLINA | ■ COLORADO |
| ■ SOUTH CAROLINA | |

Copyright © 2021 Maser Consulting. All Rights Reserved. This drawing and all the information contained herein is authorized for use only by the party for whom the services were contracted or to whom it is certified. This drawing may not be copied, reused, disclosed, distributed or relied upon for any other purpose without the express written consent of Maser Consulting.



811 PROTECT YOURSELF
ALL STATES REQUIRE NOTIFICATION OF EXCAVATIONS. DESIGNERS OR ANY PERSON PREPARING TO DISTURB THE EARTH'S SURFACE ANYWHERE IN ANY STATE
Know what's below. Call before you dig.
FOR STATE SPECIFIC DIRECT PHONE NUMBERS VISIT: WWW.CALL811.COM

SCALE: AS SHOWN JOB NUMBER: 21777433A

REV	DATE	DESCRIPTION	DRAWN BY	CHECKED BY
0	6/29/2021	ISSUED FOR CONSTRUCTION	RNA	RNA

Derek R. Hartzell
Derek R. Hartzell, P.E.
LICENSE NUMBER: 32710
M.A.S.E.R. CONSULTING
C.T. C.O.A. # JPC 00131
Digitally signed by Derek R. Hartzell
Date: 2021.06.29 18:22:41-04'00'

IT IS A VIOLATION OF LAW FOR ANY PERSON, UNLESS THEY ARE ACTING UNDER THE DIRECTION OF THE RESPONSIBLE LICENSED PROFESSIONAL ENGINEER, TO ALTER THIS DOCUMENT.

SITE NAME:

MADISON 2 CT
468845

8 MEETING HOUSE LN
MADISON, CT 06443
NEW HAVEN COUNTY

MT. LAUREL OFFICE
2000 Millstone Drive
Suite 100
Mount Laurel, NJ 08054
Phone: 856.797.0412
Fax: 856.722.1120

SHEET TITLE:
MODIFICATION NOTES

SHEET NUMBER:
S-2

MODIFICATION INSPECTION NOTES

MI CHECKLIST	
CONSTRUCTION/ INSTALLATION INSPECTIONS AND TESTING REQUIRED (COMPLETED BY EOR)	REPORT ITEM
PRE-CONSTRUCTION	
X	MI CHECKLIST DRAWING
X	EOR APPROVED SHOP DRAWINGS
NA	FABRICATION INSPECTION
NA	FABRICATOR CERTIFIED WELD INSPECTION
X	MATERIAL TEST REPORT (MTR)
NA	FABRICATOR NDE INSPECTION
X	PACKING SLIPS
ADDITIONAL TESTING AND INSPECTIONS:	
CONSTRUCTION	
X	CONSTRUCTION INSPECTIONS
NA	CONTRACTOR'S CERTIFIED WELD INSPECTION AND NDE REPORTS
X	ON SITE COLD GALVANIZING VERIFICATION
X	GC AS-BUILT DOCUMENTS
ADDITIONAL TESTING AND INSPECTIONS:	
POST-CONSTRUCTION	
X	MI INSPECTOR REDLINE OR RECORD DRAWING(S)
X	VZW PMI DOCUMENTS
X	PHOTOGRAPHS
ADDITIONAL TESTING AND INSPECTIONS:	

NOTE: X DENOTES A DOCUMENT REQUIRED FOR THE MI REPORT
 NA DENOTES A DOCUMENT THAT IS NOT REQUIRED FOR THE MI REPORT

THE MODIFICATION INSPECTION (MI) IS A VISUAL INSPECTION OF MODIFICATIONS AND A REVIEW OF CONSTRUCTION INSPECTIONS AND OTHER REPORTS TO ENSURE THE INSTALLATION WAS CONSTRUCTED IN ACCORDANCE WITH THE CONTRACT DOCUMENTS, NAMELY THE MODIFICATION DRAWINGS, AS DESIGNED BY THE ENGINEER OF RECORD (EOR).

THE MI IS TO CONFIRM INSTALLATION CONFIGURATION AND WORKMANSHIP ONLY AND IS NOT A REVIEW OF THE MODIFICATION DESIGN ITSELF, NOR DOES THE MI INSPECTOR TAKE OWNERSHIP OF THE MODIFICATION DESIGN. OWNERSHIP OF THE STRUCTURAL MODIFICATION DESIGN EFFECTIVENESS AND INTEGRITY RESIDES WITH THE EOR AT ALL TIMES.

TO ENSURE THAT THE REQUIREMENTS OF THE MI ARE MET, IT IS VITAL THAT THE GENERAL CONTRACTOR (GC) AND THE MI INSPECTOR BEGIN COMMUNICATING AND COORDINATING AS SOON AS A PURCHASE ORDER (PO) IS RECEIVED. IT IS EXPECTED THAT EACH PARTY WILL BE PROACTIVE IN REACHING OUT TO THE OTHER PARTY.

MI INSPECTOR

THE MI INSPECTOR IS REQUIRED TO CONTACT THE GC AS SOON AS RECEIVING A PO FOR THE MI TO, AT A MINIMUM:

- REVIEW THE REQUIREMENTS OF THE MI CHECKLIST
- WORK WITH THE GC TO DEVELOP A SCHEDULE TO CONDUCT ON-SITE INSPECTIONS

THE MI INSPECTOR IS RESPONSIBLE FOR COLLECTING ALL GC INSPECTION AND TEST REPORTS, REVIEWING THE DOCUMENTS FOR ADHERENCE TO THE CONTRACT DOCUMENTS, CONDUCTING THE IN-FIELD INSPECTIONS, AND SUBMITTING THE MI REPORT TO EOR.

GENERAL CONTRACTOR

THE GC IS REQUIRED TO CONTACT THE MI INSPECTOR AS SOON AS RECEIVING A PO FOR THE MODIFICATION INSTALLATION OR TURNKEY PROJECT TO, AT A MINIMUM:

- REVIEW THE REQUIREMENTS OF THE MI CHECKLIST
- WORK WITH THE MI INSPECTOR TO DEVELOP A SCHEDULE TO CONDUCT ON-SITE MI INSPECTIONS, INCLUDING FOUNDATION INSPECTIONS
- BETTER UNDERSTAND ALL INSPECTION AND TESTING REQUIREMENTS

THE GC SHALL PERFORM AND RECORD THE TEST AND INSPECTION RESULTS IN ACCORDANCE WITH THE REQUIREMENTS OF THE MI CHECKLIST.

RECOMMENDATIONS

THE FOLLOWING RECOMMENDATIONS AND SUGGESTIONS ARE OFFERED TO ENHANCE THE EFFICIENCY AND EFFECTIVENESS OF DELIVERING AN MI REPORT:

- IT IS SUGGESTED THAT THE GC PROVIDE A MINIMUM OF 5 BUSINESS DAYS NOTICE, PREFERABLY 10, TO THE MI INSPECTOR AS TO WHEN THE SITE WILL BE READY FOR THE MI TO BE CONDUCTED.
- THE GC AND MI INSPECTOR COORDINATE CLOSELY THROUGHOUT THE ENTIRE PROJECT.
- WHEN POSSIBLE, IT IS PREFERRED TO HAVE THE GC AND MI INSPECTOR ON-SITE SIMULTANEOUSLY FOR ANY GUY WIRE TENSIONING OR RE-TENSIONING OPERATIONS.
- IT MAY BE BENEFICIAL TO INSTALL ALL MODIFICATIONS PRIOR TO CONDUCTING THE FOUNDATION INSPECTIONS TO ALLOW THE FOUNDATION AND MI INSPECTION(S) TO COMMENCE WITH ONE SITE VISIT.
- WHEN POSSIBLE, IT IS PREFERRED TO HAVE THE GC AND MI INSPECTOR ON-SITE DURING THE MI TO HAVE ANY DEFICIENCIES CORRECTED DURING THE INITIAL MI. THEREFORE, THE GC MAY CHOOSE TO COORDINATE THE MI CAREFULLY TO ENSURE ALL CONSTRUCTION FACILITIES ARE AT THEIR DISPOSAL WHEN THE MI INSPECTOR IS ON SITE.

CORRECTION OF FAILING MI'S

IF THE MODIFICATION INSTALLATION WOULD FAIL THE MI ("FAILED MI"), THE GC SHALL WORK WITH THE OWNER TO COORDINATE A REMEDIATION PLAN:

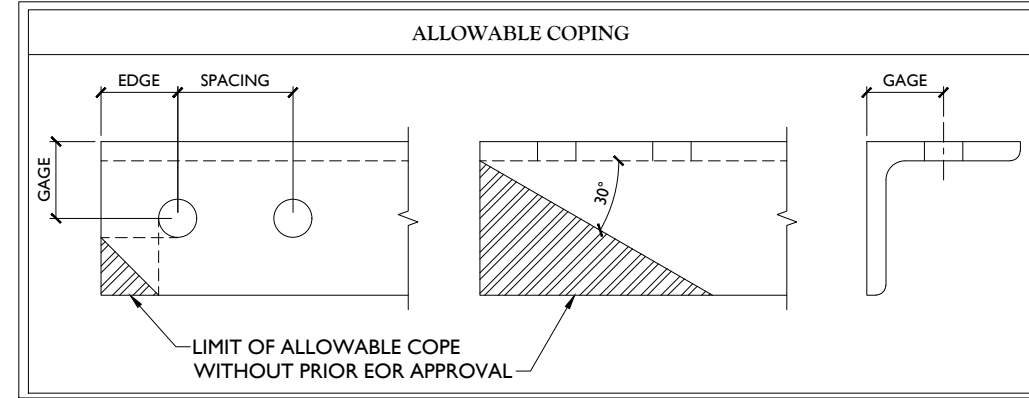
- CORRECT FAILING ISSUES TO COMPLY WITH THE SPECIFICATIONS CONTAINED IN THE ORIGINAL CONTRACT DOCUMENTS AND COORDINATE A SUPPLEMENT MI.

REQUIRED PHOTOS

BETWEEN THE GC AND THE MI INSPECTOR THE FOLLOWING PHOTOGRAPHS, AT A MINIMUM, ARE TO BE TAKEN AND INCLUDED IN THE MI REPORT:

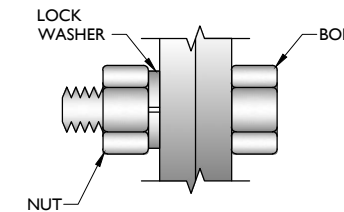
- PRE-CONSTRUCTION GENERAL SITE CONDITION
- PHOTOGRAPHS DURING THE REINFORCEMENT MODIFICATION CONSTRUCTION/ERECTION AND INSPECTION
 - RAW MATERIALS
 - PHOTOS OF ALL CRITICAL DETAILS
 - FOUNDATION MODIFICATIONS
 - WELD PREPARATION
 - BOLT INSTALLATION
 - FINAL INSTALLED CONDITION
 - SURFACE COATING REPAIR
- POST CONSTRUCTION PHOTOGRAPHS
 - FINAL INFIELD CONDITION

PHOTOS OF ELEVATED MODIFICATIONS TAKEN ONLY FROM THE GROUND SHALL BE CONSIDERED INADEQUATE.



BOLT SCHEDULE (IN.)				
BOLT DIAMETER	STANDARD HOLE	SHORT SLOT	MIN. EDGE DISTANCE	SPACING
1/2	9/16	9/16 x 11/16	7/8	1 1/2
5/8	11/16	11/16 x 7/8	1 1/8	1 7/8
3/4	13/16	13/16 x 1	1 1/4	2 1/4
7/8	15/16	15/16 x 1 1/8	1 1/2	2 5/8
1	1 1/16	1 1/16 x 1 5/16	1 3/4	3

WORKABLE GAGES (IN.)	
LEG	GAGE
4	2 1/2
3 1/2	2
3	1 3/4
2 1/2	1 3/8
2	1 1/8



TYP. BOLT ASSEMBLY

NOTES:

- ALL DIMENSIONS REPRESENTED IN THE ABOVE TABLES ARE AISC MINIMUM REQUIREMENTS. CONTRACTOR SHALL VERIFY EXISTING CONDITIONS IN FIELD AND NOTIFY ENGINEER IF DISTANCES ARE LESS THAN THOSE PROVIDED.
- THE DIMENSIONS PROVIDED ARE MINIMUM REQUIREMENTS. ACTUAL DIMENSIONS OF PROPOSED MEMBERS WITHIN THESE DRAWINGS MAY VARY FROM THE AISC MINIMUM REQUIREMENTS.
- SHORT SLOT HOLES SHALL ONLY BE USED WHEN DEPICTED IN THE DRAWINGS
- MATCH EXISTING GAGES WHEN APPLICABLE, UNLESS MINIMUM EDGE DISTANCES ARE COMPROMISED.

MASER CONSULTING CONNECTICUT
 WILL BE KNOWN AS COLLIER ENGINEERING & DESIGN IN 2021
 Customer Loyalty through Client Satisfaction
 www.maserconsulting.com
 Office Locations:
 NEW JERSEY, NEW YORK, PENNSYLVANIA, VIRGINIA, FLORIDA, NORTH CAROLINA, SOUTH CAROLINA, NEW MEXICO, MARYLAND, GEORGIA, TEXAS, TENNESSEE, COLORADO

verizon

811 Know what's below. Call before you dig.
 FOR STATE SPECIFIC DIRECT PHONE NUMBERS VISIT: WWW.CALL811.COM

PROTECT YOURSELF
 ALL STATES REQUIRE NOTIFICATION OF EXCAVATIONS, DESIGNERS, OR ANY PERSON PREPARING TO DISTURB THE EARTH'S SURFACE ANYWHERE IN ANY STATE

SCALE: AS SHOWN	JOB NUMBER: 21777433A			
ISSUED FOR CONSTRUCTION: 6/29/2021	ISSUED BY: [Signature]			
REV	DATE	DESCRIPTION	DRAWN BY	CHECKED BY

Derek R. Hartzell
 STATE OF CONNECTICUT
 DEREK R. HARTZELL
 LICENSE NUMBER: 32710
 M.A.S.E.R. CONSULTING
 C.T. C.O.A. # 00000131
 Digitally signed by Derek R. Hartzell
 Date: 2021.06.29 18:22:41-04'00'

IT IS A VIOLATION OF LAW FOR ANY PERSON, UNLESS THEY ARE ACTING UNDER THE DIRECTION OF THE RESPONSIBLE LICENSED PROFESSIONAL ENGINEER, TO ALTER THIS DOCUMENT.

SITE NAME:
MADISON 2 CT
 468845
 8 MEETING HOUSE LN
 MADISON, CT 06443
 NEW HAVEN COUNTY

MT. LAUREL OFFICE
 2000 Highlands Drive
 Suite 100
 Mount Laurel, NJ 08054
 Phone: 856.797.0412
 Fax: 856.722.1120

SHEET TITLE:
MODIFICATION NOTES

SHEET NUMBER:
S-3



811 PROTECT YOURSELF
 ALL STATES REQUIRE NOTIFICATION OF EXCAVATIONS. DESIGNERS OR ANY PERSON PREPARING TO DISTURB THE EARTH'S SURFACE ANYWHERE IN ANY STATE
 Know what's below. Call before you dig.
 FOR STATE SPECIFIC DIRECT PHONE NUMBERS VISIT: WWW.CALL811.COM

SCALE: AS SHOWN	JOB NUMBER: 21777433A
-----------------	-----------------------

REV	DATE	DESCRIPTION	DRAWN BY	CHECKED BY
0	6/29/2021	ISSUED FOR CONSTRUCTION	MM/A	MM/A

Derek R. Hartzell
 STATE OF CONNECTICUT
 DEREK R. HARTZELL
 LICENSE NUMBER: 32710
 MASAER CONSULTING
 C.T. C.O.A. # JPC 00131
 Digitally signed by Derek R. Hartzell
 Date: 2021.06.29 18:22:41-04'00'

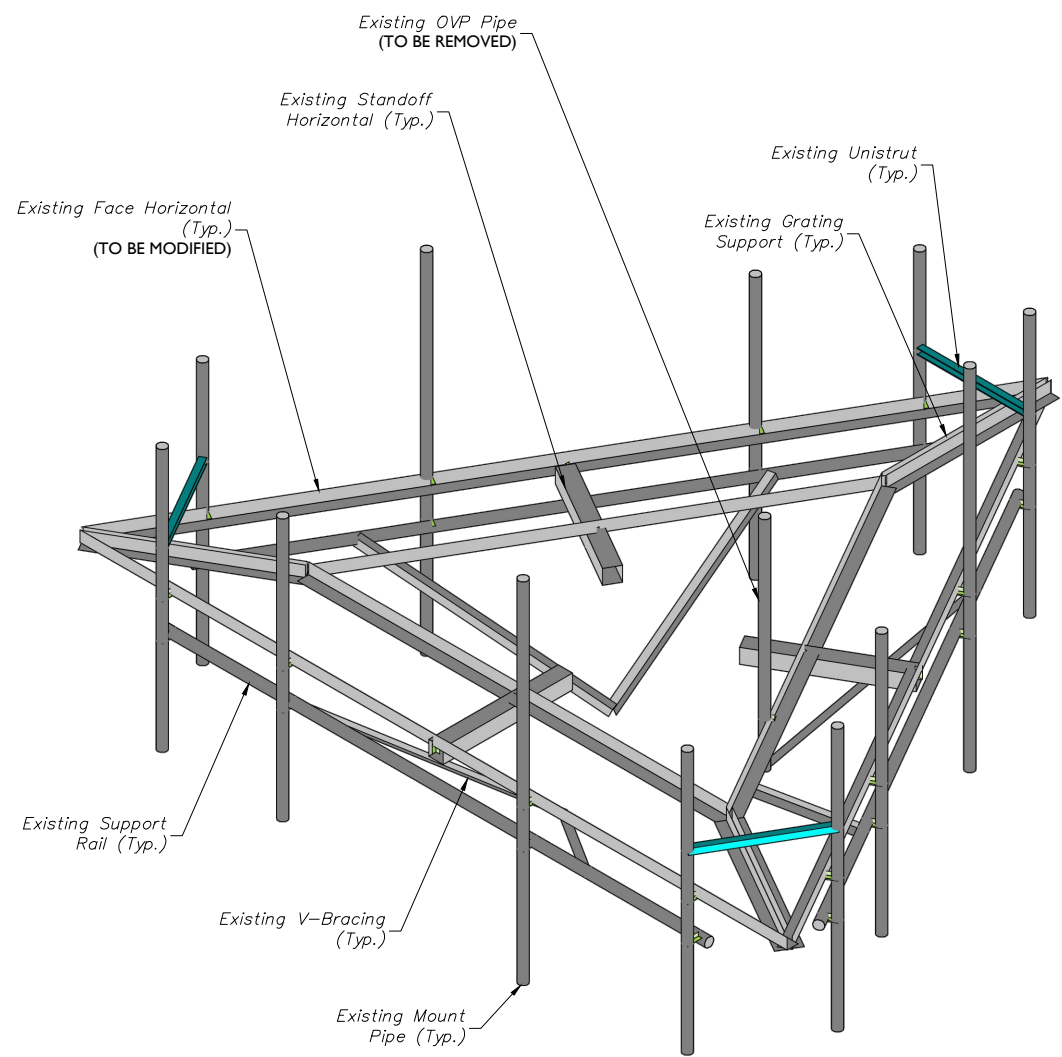
IT IS A VIOLATION OF LAW FOR ANY PERSON, UNLESS THEY ARE ACTING UNDER THE DIRECTION OF THE RESPONSIBLE LICENSED PROFESSIONAL ENGINEER, TO ALTER THIS DOCUMENT.

SITE NAME:
 MADISON 2 CT
 468845
 8 MEETING HOUSE LN
 MADISON, CT 06443
 NEW HAVEN COUNTY

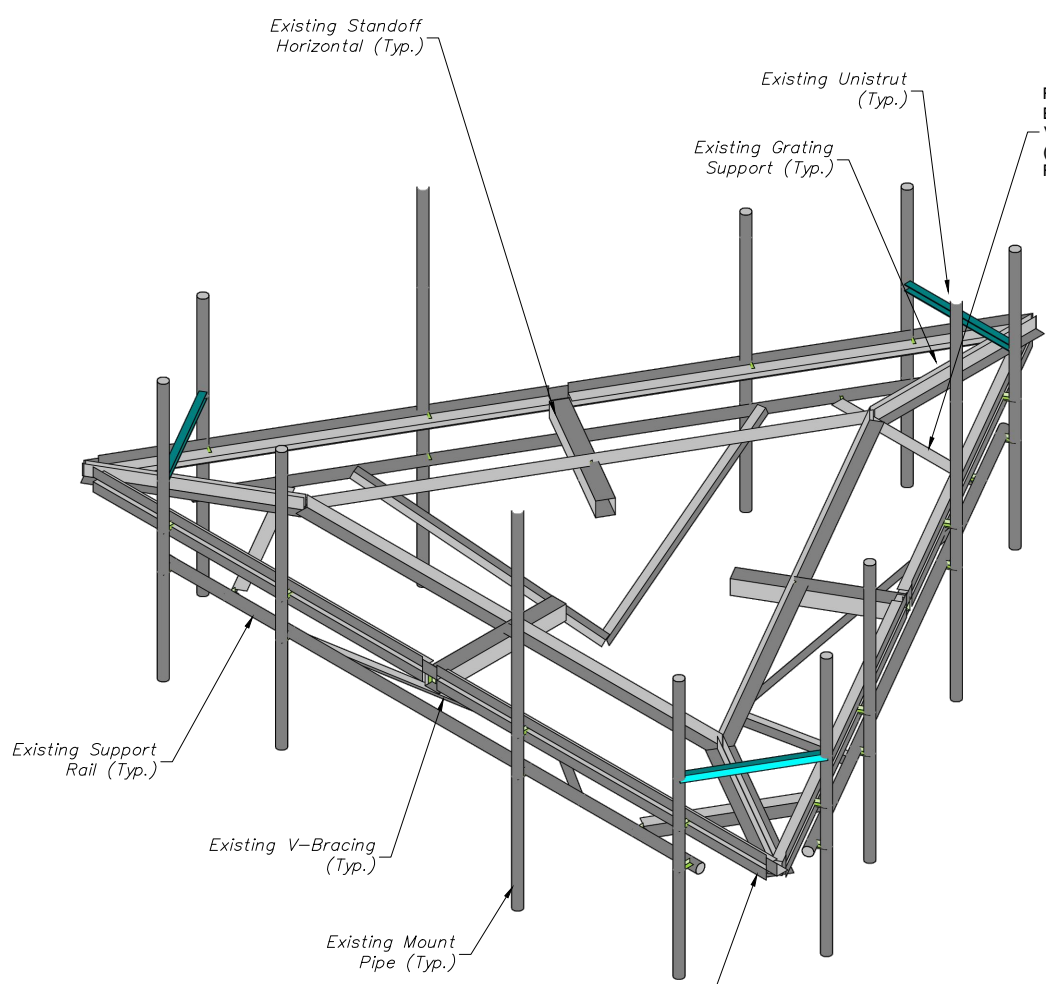
MT. LAUREL OFFICE
 2000 Highlands Drive
 Suite 100
 Mount Laurel, NJ 08054
 Phone: 856.797.0413
 Fax: 856.722.1120

SHEET TITLE:
 MODIFICATION DETAILS

SHEET NUMBER:
 S-4



1 EXISTING PLATFORM ISOMETRIC VIEW
 SCALE : N.T.S.



2 PROPOSED PLATFORM ISOMETRIC VIEW
 SCALE : N.T.S.

STRUCTURAL NOTES:

- CONTRACTOR TO INSPECT CLIMBING FACILITIES AT SITE AND ENSURE THAT THE SAFETY CLIMB IS IN GOOD CONDITION AND THAT THE WIRE ROPE DOES NOT OR WILL NOT INTERFERE WITH THE EXISTING OR PROPOSED MOUNT CONNECTIONS. CONTRACTOR SHALL INSTALL SAFETY CLIMB WIRE ROPE GUIDED AROUND MOUNT CONNECTIONS AS NEEDED.
- INSTALL SHALL NOT CAUSE HARM TO THE STRUCTURE, CLIMBING FACILITY, SAFETY CLIMB, OR ANY SYSTEM INSTALLED ON THE STRUCTURE. TIMELY NOTICE AND DOCUMENTATION SHALL BE PROVIDED BY CONTRACTORS TO THE EOR (OF STRUCTURAL DESIGN) IF AN OBSTRUCTION WAS REQUIRED TO MEET THE RF SYSTEM DESIGN REQUIREMENTS AND PERFORMANCES.

MODIFICATION NOTES:

- MOUNT MEMBERS NOT SHOWN FOR CLARITY U.N.O.
- CONTRACTOR TO VERIFY THE LENGTH REQUIRED AND TRIM AS NECESSARY IN ACCORDANCE WITH THE 'STRUCTURAL STEEL' NOTES ON SHEET S-2.
- CONTRACTOR SHALL CONNECT PROPOSED L3X3X1/4 ANGLES TO CORNER BRACKETS USING THE PROVIDED (8) 5/8" DIA. BOLTS, (4) BOLTS PER CONNECTION.
- CONTRACTOR TO ATTACH NEW ANGLE TO HORIZONTAL USING 1/2" DIA. A325N STITCH BOLTS AT 18" CC. REFER TO DETAIL 3 ON SHEET S-5.



811 PROTECT YOURSELF
ALL STATES REQUIRE NOTIFICATION OF EXCAVATIONS. DESIGNERS OR ANY PERSON PREPARING TO DISTURB THE EARTH'S SURFACE ANYWHERE IN ANY STATE
Know what's below.
Call before you dig.
FOR STATE SPECIFIC DIRECT PHONE NUMBERS VISIT: WWW.CALL811.COM

SCALE:	AS SHOWN	JOB NUMBER:	21777433A
REV	DATE	DESCRIPTION	DRAWN BY / CHECKED BY
0	6/29/2021	ISSUED FOR CONSTRUCTION	MM/A / MM/A

STATE OF CONNECTICUT
Derek R. Hartzell
Professional Engineer
LICENSE NUMBER: 32710
C.T. C.O.A. # JPC 00131
Digitally signed by Derek R. Hartzell
Date: 2021.06.29 18:22:42-04'00'

IT IS A VIOLATION OF LAW FOR ANY PERSON, UNLESS THEY ARE ACTING UNDER THE DIRECTION OF THE RESPONSIBLE LICENSED PROFESSIONAL ENGINEER, TO ALTER THIS DOCUMENT.

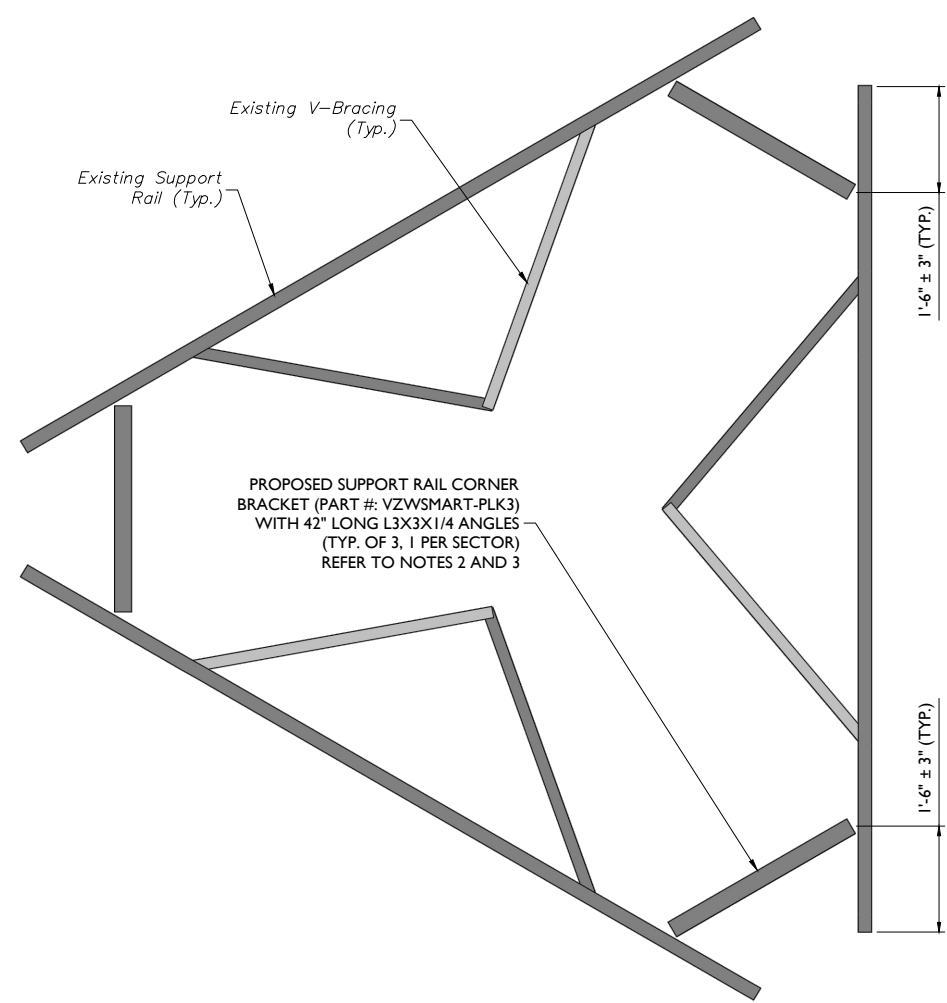
SITE NAME:

MADISON 2 CT
468845
8 MEETING HOUSE LN
MADISON, CT 06443
NEW HAVEN COUNTY

MT. LAUREL OFFICE
2000 Millstone Drive
Suite 100
Mount Laurel, NJ 08054
Phone: 856.797.0412
Fax: 856.722.1120

SHEET TITLE:
MODIFICATION DETAILS

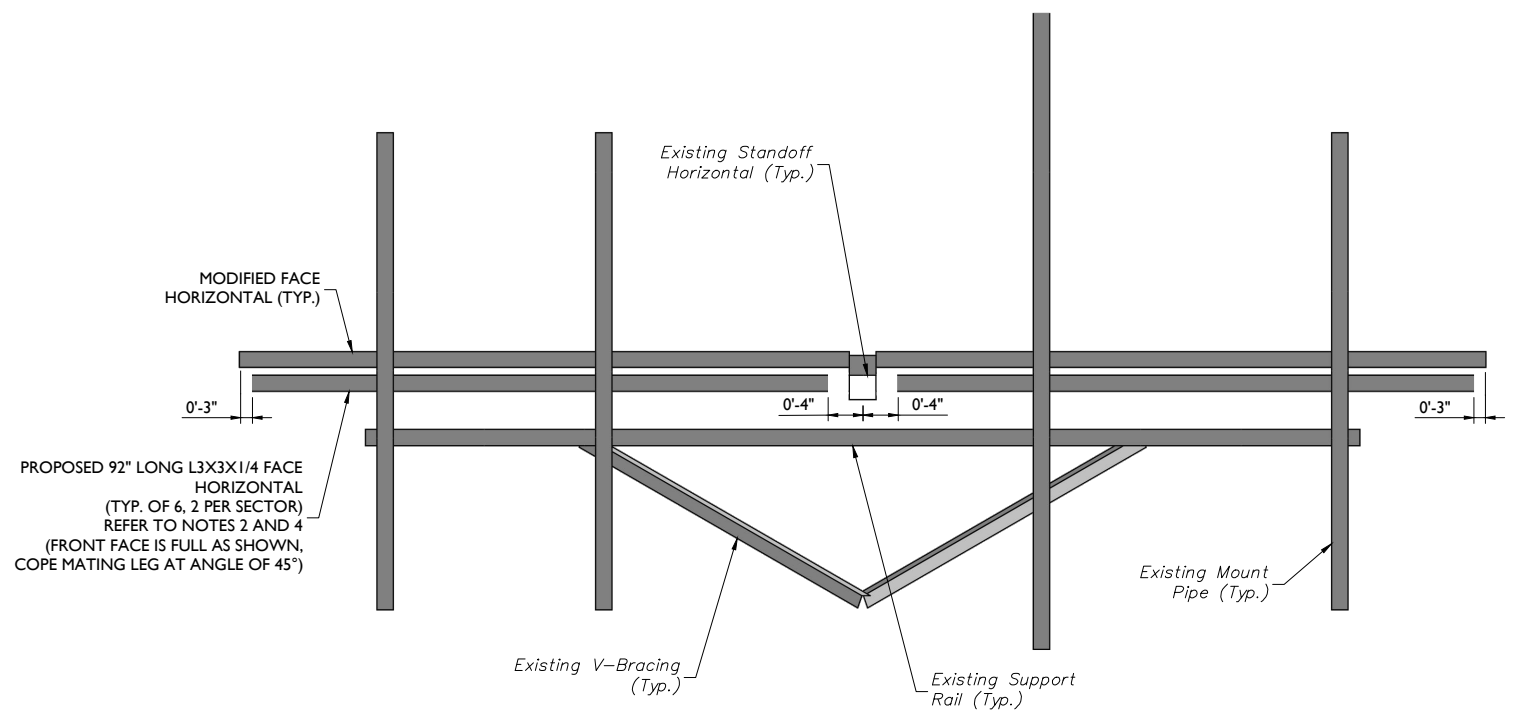
SHEET NUMBER:
S-5



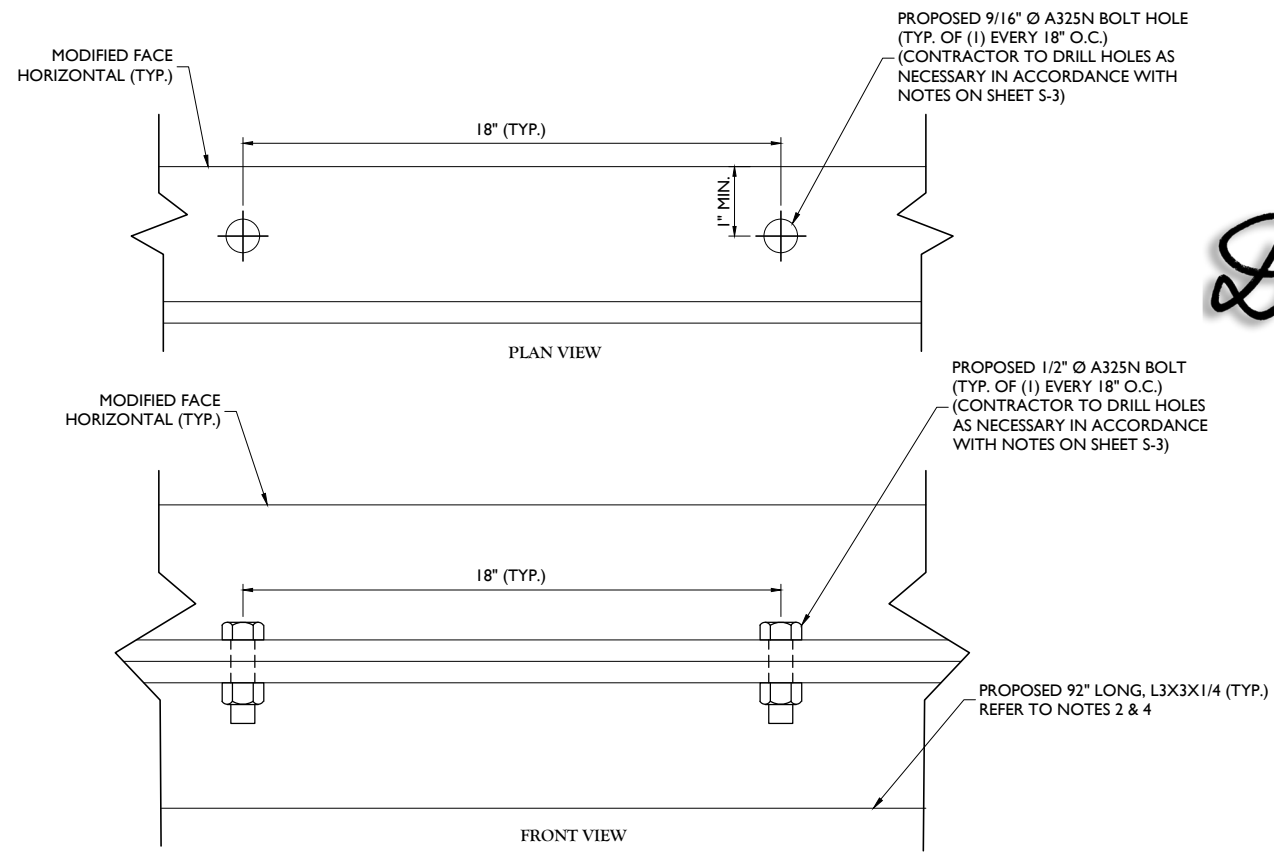
1 PROPOSED SUPPORT RAIL PLAN VIEW
SCALE: N.T.S.

MODIFICATION NOTES:

1. MOUNT MEMBERS NOT SHOWN FOR CLARITY U.N.O.
2. CONTRACTOR TO VERIFY THE LENGTH REQUIRED AND TRIM AS NECESSARY IN ACCORDANCE WITH THE 'STRUCTURAL STEEL' NOTES ON SHEET S-2.
3. CONTRACTOR SHALL CONNECT PROPOSED L3X3X1/4 ANGLES TO CORNER BRACKETS USING THE PROVIDED (8) 5/8" DIA. BOLTS, (4) BOLTS PER CONNECTION.
4. CONTRACTOR TO ATTACH NEW ANGLE TO HORIZONTAL USING 1/2" DIA. A325N STITCH BOLTS AT 18" CC. REFER TO DETAIL 3 ON THIS SHEET.



2 PROPOSED FRONT ELEVATION (TYP. ALL SECTORS)
SCALE: N.T.S.



3 PROPOSED MODIFIED DOUBLE ANGLE (TYP.)
SCALE: N.T.S.



MOUNT PHOTO 1



MOUNT PHOTO 2



MOUNT PHOTO 3



MOUNT PHOTO 4



WILL BE KNOWN AS COLLIER ENGINEERING & DESIGN IN 2021
Customer Loyalty through Client Satisfaction
www.maserconsulting.com

- Office Locations:
- NEW JERSEY
 - NEW MEXICO
 - NEW YORK
 - MARYLAND
 - PENNSYLVANIA
 - GEORGIA
 - VIRGINIA
 - TEXAS
 - FLORIDA
 - TENNESSEE
 - NORTH CAROLINA
 - COLORADO

Copyright © 2021 Maser Consulting. All Rights Reserved. This drawing and all the information contained herein is authorized for use only by the party for whom the services were contracted or to whom it is certified. This drawing may not be copied, reused, disclosed, distributed or relied upon for any other purpose without the express written consent of Maser Consulting.



811 PROTECT YOURSELF
ALL STATES REQUIRE NOTIFICATION OF EXCAVATIONS, DESIGNERS, OR ANY PERSON PREPARING TO DISTURB THE EARTH'S SURFACE ANYWHERE IN ANY STATE
Know what's below. Call before you dig.
FOR STATE SPECIFIC DIRECT PHONE NUMBERS VISIT: WWW.CALL811.COM

SCALE: AS SHOWN JOB NUMBER: 21777433A

REV	DATE	DESCRIPTION	DRAWN BY	CHECKED BY
0	6/29/2021	ISSUED FOR CONSTRUCTION	HW/A	HW/A

Derek R. Hartzell
Derek R. Hartzell
LICENSE NUMBER: 32710
M.A.S.E.R. CONSULTING
C.T. C.O.A. # JPC 00131
Digitally signed by Derek R. Hartzell
Date: 2021.06.29 18:22:42-04'00'

IT IS A VIOLATION OF LAW FOR ANY PERSON, UNLESS THEY ARE ACTING UNDER THE DIRECTION OF THE RESPONSIBLE LICENSED PROFESSIONAL ENGINEER, TO ALTER THIS DOCUMENT.

SITE NAME:

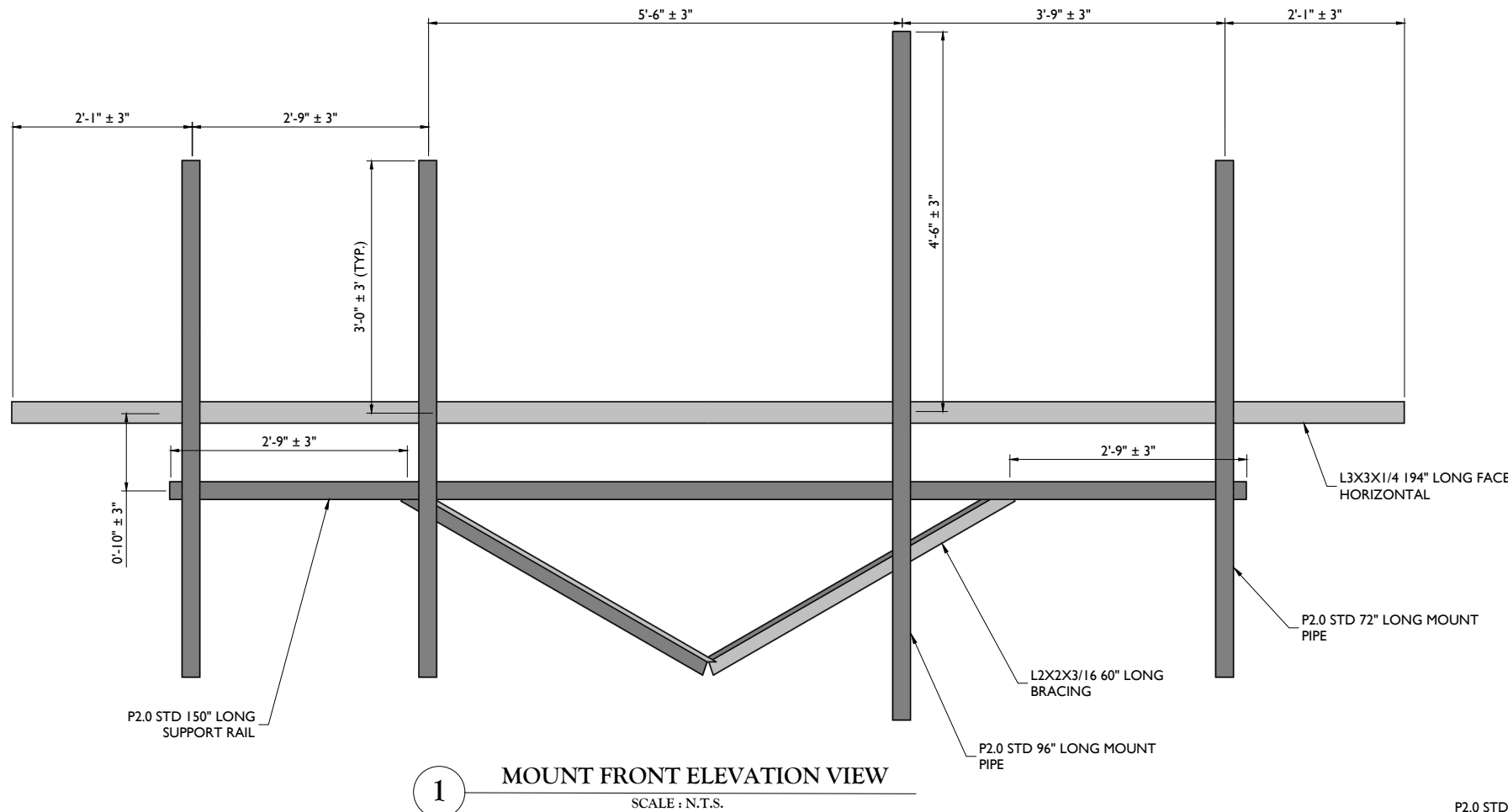
MADISON 2 CT
468845
8 MEETING HOUSE LN
MADISON, CT 06443
NEW HAVEN COUNTY

MT. LAUREL OFFICE
2000 Millstone Drive
Suite 100
Mount Laurel, NJ 08054
Phone: 856.797.0412
Fax: 856.722.1120

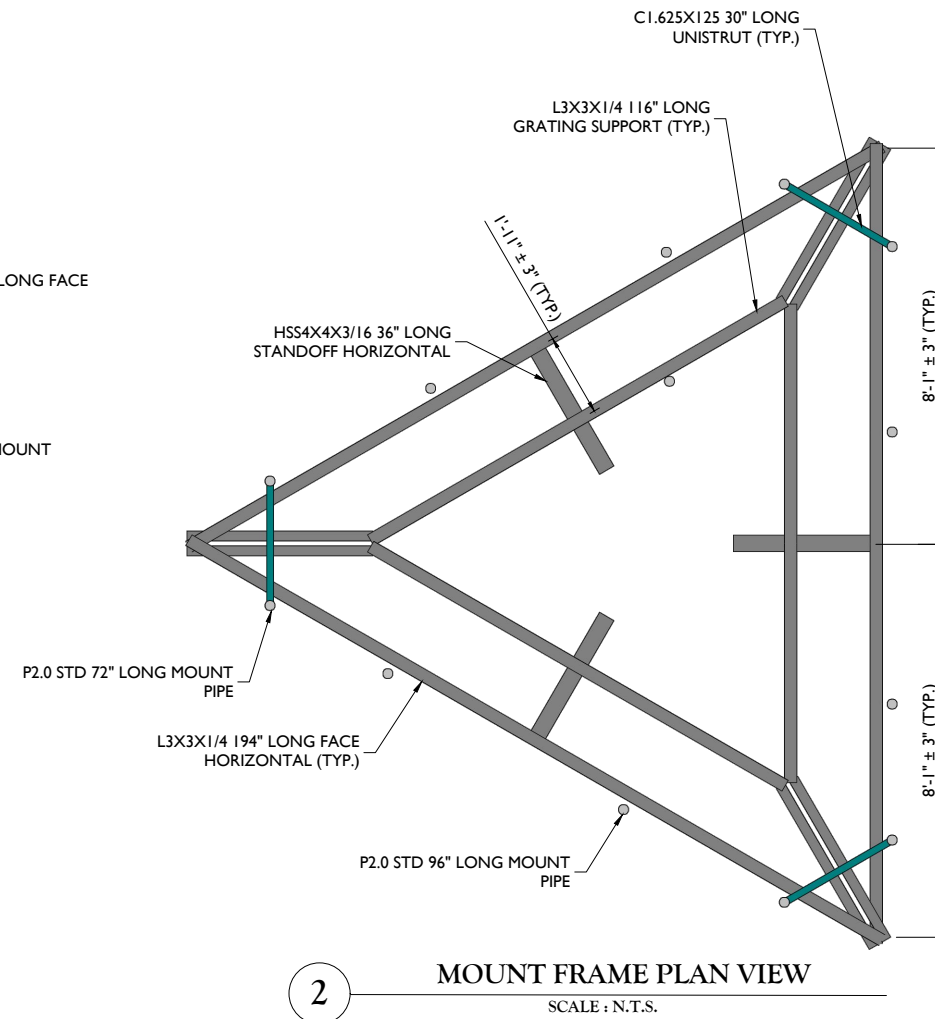
SHEET TITLE:
MOUNT PHOTOS

SHEET NUMBER:
S-6

MOUNT GEOMETRY VERIFICATION



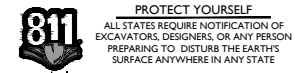
CONTRACTOR SHALL VERIFY ALL DIMENSIONS AND MEMBER SIZES SHOWN IN THIS SKETCH. DOCUMENT ALL VARIATIONS OR DEVIATIONS VIA PHOTOS AND SKETCHES AND PROVIDE TO THE EOR FOR EVALUATION.



WILL BE KNOWN AS COLLIER ENGINEERING & DESIGN IN 2021
Customer Loyalty through Client Satisfaction
www.maserconsulting.com

- Office Locations:
- NEW JERSEY
 - NEW YORK
 - PENNSYLVANIA
 - VIRGINIA
 - FLORIDA
 - NORTH CAROLINA
 - NEW MEXICO
 - MARYLAND
 - GEORGIA
 - TEXAS
 - TENNESSEE
 - COLORADO

Copyright © 2021 Maser Consulting. All Rights Reserved. This drawing and all the information contained herein is authorized for use only by the party for whom the services were contracted or to whom it is certified. This drawing may not be copied, reused, disclosed, distributed or relied upon for any other purpose without the express written consent of Maser Consulting.



PROTECT YOURSELF
ALL STATES REQUIRE NOTIFICATION OF EXCAVATIONS. DESIGNERS OR ANY PERSON PREPARING TO DISTURB THE EARTH'S SURFACE ANYWHERE IN ANY STATE
Know what's below.
Call before you dig.
FOR STATE SPECIFIC DIRECT PHONE NUMBERS VISIT:
WWW.CALL811.COM

SCALE: AS SHOWN JOB NUMBER: 21777433A

REV	DATE	ISSUED FOR CONSTRUCTION	ISSUED FOR CONSTRUCTION	ISSUED FOR CONSTRUCTION
0	6/29/2021			

Derek Hartzell
CONNECTICUT PROFESSIONAL ENGINEER
LICENSE NUMBER: 32710
MASER CONSULTING
C.T. C.O.A. #: JPC.0000131

IT IS A VIOLATION OF LAW FOR ANY PERSON, UNLESS THEY ARE ACTING UNDER THE DIRECTION OF THE RESPONSIBLE LICENSED PROFESSIONAL ENGINEER, TO ALTER THIS DOCUMENT.

SITE NAME:

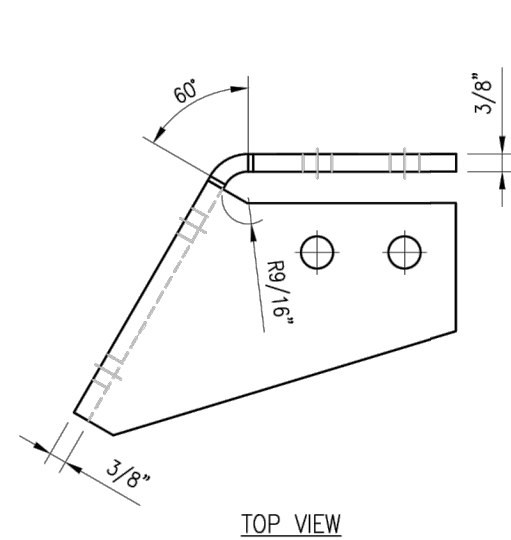
MADISON 2 CT
468845

8 MEETING HOUSE LN
MADISON, CT 06443
NEW HAVEN COUNTY

MT. LAUREL OFFICE
2000 Madison Drive
Suite 100
Mount Laurel, NJ 08054
Phone: 856.797.0412
Fax: 856.722.1120

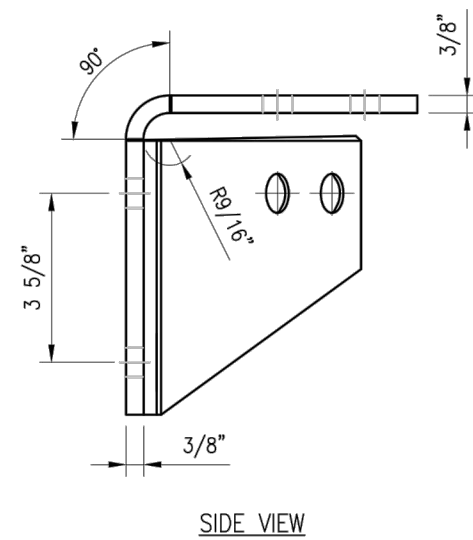
SHEET TITLE:
MOUNT GEOMETRY VERIFICATION

SHEET NUMBER:
S-7

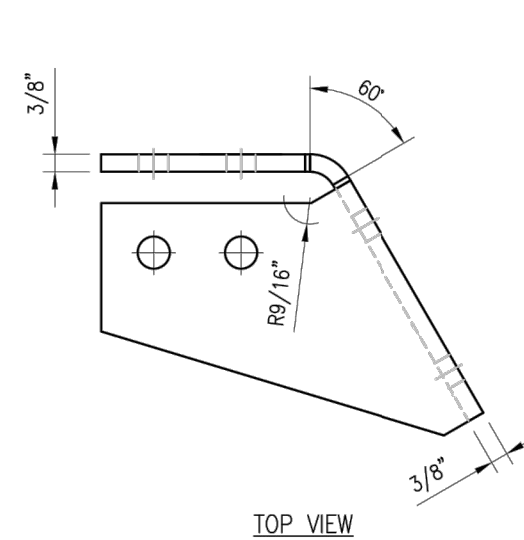


TOP VIEW

CBP-L

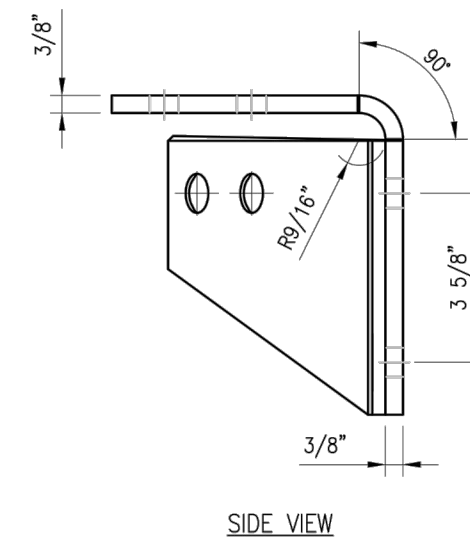


SIDE VIEW



TOP VIEW

CBP-R



SIDE VIEW

NOTES:

- HOT-DIPPED GALVANIZED PER ASTM A123.

VZSMART-PLK3 (SUPPORT RAIL CORNER BRACKET)					
ITEM NO.	QTY.	PART NO.	DESCRIPTION	SHEET #	WT
1	1	CBP-L	CORNER BENT PLATE BRACKET	PLK3-F1	9
2	1	CBP-R	CORNER BENT PLATE BRACKET	PLK3-F1	9
3	4	MS02-625-300-500	RU-BOLT 5/8" X 3" I.W. X 5" I.L. A36 (OR EQUIV.)	RBC-1	5
4	8	---	BOLT 5/8" X 2" A325	---	3
5	16	FW-625	5/8" HDG USS FLAT WASHER	---	1
6	16	LW-625	5/8" HDG LOCK WASHER	---	0
7	16	NUT-625	5/8" HDG HEX NUT	---	2
GALVANIZED WT					30

DRAWN BY: H.R CHECKED BY: HMA

REV.	DESCRIPTION	BY	DATE
1	FIRST ISSUE	H.R	05/08/20

SHEET TITLE:
**VZSMART-PLK3
 SUPPORT RAIL CORNER
 BRACKET**

SHEET NUMBER: **VZSMART-PLK3** REV #: **0**

Site Name: **MADISON 2 CT**
 Cumulative Power Density

Operator	Operating Frequency	Number of Trans.	ERP Per Trans.	Total ERP	Distance to Target	Calculated Power Density	Maximum Permissible Exposure*	Fraction of MPE
	(MHz)		(watts)	(watts)	(feet)	(mW/cm ²)	(mW/cm ²)	(%)
VZW 700	751	4	628	2511	140	0.0046	0.5007	0.92%
VZW CDMA	877.26	2	424	847	140	0.0016	0.5848	0.27%
VZW Cellular	874	4	703	2813	140	0.0052	0.5827	0.89%
VZW PCS	1975	4	1525	6100	140	0.0112	1.0000	1.12%
VZW AWS	2120	4	1530	6120	140	0.0112	1.0000	1.12%
VZW CBRS	3560.3	4	42	168	140	0.0003	1.0000	0.03%
VZW CBAND	3730.08	4	6531	26125	140	0.0479	1.0000	4.79%
Total Percentage of Maximum Permissible Exposure								9.14%

*Guidelines adopted by the FCC on August 1, 1996, 47 CFR Part 1 based on NCRP Report 86, 1986 and generally on ANSI/IEEE C95.1-1992

**Calculation includes a -10 dB Off Beam Antenna Pattern Adjustment pursuant to Attachments B and C of the Siting Council's November 10, 2015 Memorandum for Exempt Modification filings

MHz = Megahertz

mW/cm² = milliwatts per square centimeter

ERP = Effective Radiated Power

Absolute worst case maximum values used.

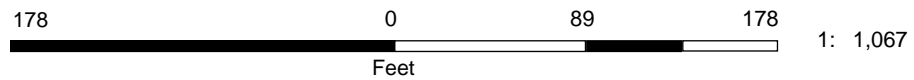
South Central Regional COG



Legend

Location

Notes



This product is for informational purposes and may not have been prepared for, or be suitable for legal, engineering, or surveying purposes. Users of this information should review or consult the primary data and information sources to ascertain the usability of the information.

8 OLD ROUTE 79

Location 8 OLD ROUTE 79

MBLU 48/ 53/ CELL/ /

Acct# 48530001

Owner AMERICAN TOWER
SEPCTRASITE
COMMUNICATION

Assessment \$863,900

Appraisal \$1,234,100

PID 104171

Building Count 1

Dev. Map

Current Value

Appraisal					
Valuation Year	Building	Extra Features	Outbuildings	Land	Total
2020	\$251,500	\$0	\$982,600	\$0	\$1,234,100

Assessment					
Valuation Year	Building	Extra Features	Outbuildings	Land	Total
2020	\$176,100	\$0	\$687,800	\$0	\$863,900

Parcel Addresses

Additional Addresses
No Additional Addresses available for this parcel

Owner of Record

Owner AMERICAN TOWER SEPCTRASITE COMMUNICATION **Sale Price** \$0
Co-Owner C/O PROPERTY TAX DEPT **Book & Page** 0000/0000
Care Of **Sale Date** 01/01/1900

Ownership History

Ownership History			
Owner	Sale Price	Book & Page	Sale Date
AMERICAN TOWER SEPCTRASITE COMMUNICATION	\$0	0000/0000	01/01/1900

Building Information

Building 1 : Section 1

Year Built: 2010
Living Area: 1,301

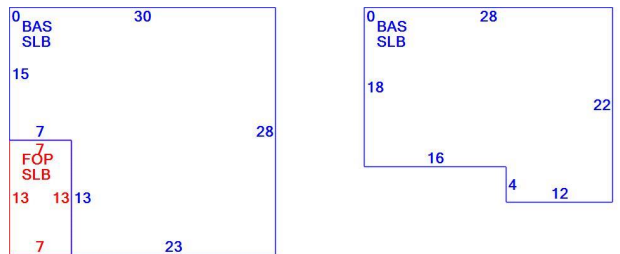
Building Attributes	
Field	Description
Style:	Telephone Bldg
Model	Commercial
Grade	Average +
Stories:	1
Occupancy	1.00
Exterior Wall 1	Vinyl Siding
Exterior Wall 2	
Roof Structure	Shed
Roof Cover	Asphalt Shngl.
Interior Wall 1	Drywall
Interior Wall 2	
Interior Floor 1	Concr-Finished
Interior Floor 2	
Heating Fuel	Electric
Heating Type	Forced Air-Duc
AC Type	Central
Struct Class	
Bldg Use	Tel X Sta
Total Rooms	1
Total Bedrms	
Total Baths	
Fireplace	
Xtra Fireplaces	
1st Floor Use:	
Heat/AC	Heat A/C Pkg
Frame Type	Wood Frame
Baths/Plumbing	Average
Ceiling/Wall	Ceil and Wall
Rooms/Prtns	Average
Wall Height	10.00
% Comn Wall	

Building Photo



(<http://images.vgsi.com/photos/MadisonCTPhotos/\01\01\78\54.jpg>)

Building Layout



(ParcelSketch.ashx?pid=104171&bid=103750)

Building Sub-Areas (sq ft)			
Code	Description	Gross Area	Living Area
BAS	First Floor	1,301	1,301
FOP	Open Porch	91	0
SLB	Slab	1,392	0
		2,784	1,301

Extra Features

Extra Features

No Data for Extra Features

Land

Land Use

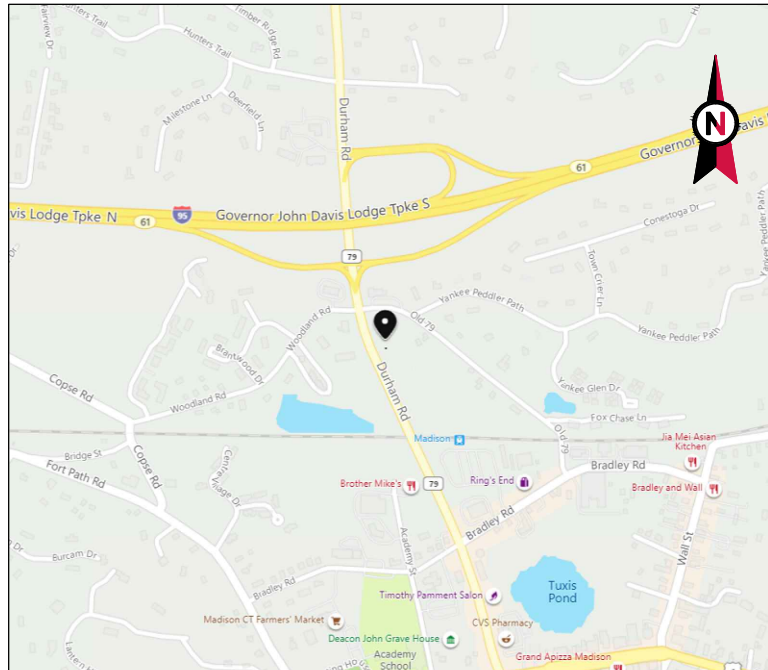
Use Code 4300
Description Tel X Sta
Zone

Land Line Valuation

Size (Acres) 0

Outbuildings

Outbuildings						
Code	Description	Sub Code	Sub Description	Size	Value	Bldg #
CEL	Cell Tower			6.00 UNITS	\$981,600	1
FN3	Fence 6'			160.00 L.F.	\$1,000	1



VICINITY MAP



AMERICAN TOWER®

ATC SITE NAME: MADISON CT 6
 ATC SITE NUMBER: 302540
 VERIZON SITE NAME: MADISON II CT
 VERIZON SITE NUMBER: 468845
 SITE ADDRESS: 8 OLD 79
 MADISON, CT 06443



LOCATION MAP

VERIZON ANTENNA AMENDMENT PLAN



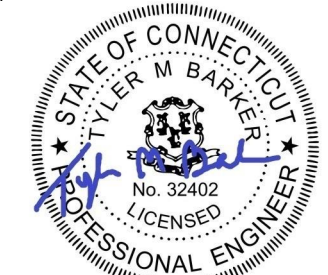
CLS ENGINEERING PLLC
 319 CHAPANOKE ROAD, SUITE 118, RALEIGH, NC 27603
 PH: (405)348-5460 FAX: (405)341-4625

COA# PEC.001833 EXP: 08/14/2021

REV.	DESCRIPTION	BY	DATE
A	PRELIM	JRL	05/28/21
0	FOR CONSTRUCTION	BMB	07/26/21

ATC SITE NUMBER:
302540
 ATC SITE NAME:
MADISON CT 6
 VERIZON SITE NAME:
MADISON II CT
 SITE ADDRESS:
8 OLD 79
MADISON, CT 06443

SEAL:



Tyler M. Barker
 CLS Engineering PLLC
 PE # 32402 Exp. 1/31/2022
 COA # PEC.001833 Exp. 8/14/2022
 07/27/2021

PE# 32402 EXP: 01/31/2022



DATE DRAWN:	07/26/21
ATC JOB NO:	13668702_G3
CUSTOMER ID:	MADISON II CT
CUSTOMER #:	468845

TITLE SHEET

SHEET NUMBER:
G-001
 REVISION:
0

COMPLIANCE CODE	PROJECT SUMMARY	PROJECT DESCRIPTION	SHEET INDEX				
<p>ALL WORK SHALL BE PERFORMED AND MATERIALS INSTALLED IN ACCORDANCE WITH THE CURRENT EDITIONS OF THE FOLLOWING CODES AS ADOPTED BY THE LOCAL GOVERNMENT AUTHORITIES. NOTHING IN THESE PLANS IS TO BE CONSTRUED TO PERMIT WORK NOT CONFORMING TO THESE CODES.</p> <ol style="list-style-type: none"> 2015 INTERNATIONAL BUILDING CODE (IBC) 2017 NATIONAL ELECTRIC CODE (NEC) 2018 CONNECTICUT STATE BUILDING CODE CITY/COUNTY ORDINANCES 	<p><u>SITE ADDRESS:</u> 8 OLD 79 MADISON, CT 06443 COUNTY: NEW HAVEN</p> <p><u>GEOGRAPHIC COORDINATES:</u> LATITUDE: 41.28553333 LONGITUDE: -72.60134167 GROUND ELEVATION: 30' AMSL</p>	<p>THE PROPOSED PROJECT INCLUDES MODIFYING GROUND BASED AND TOWER MOUNTED EQUIPMENT AS INDICATED PER BELOW: <u>TOWER WORK:</u> REINFORCE/ MODIFY EXISTING MOUNT AS PER MASER CONSULTING CONNECTICUT MOUNT MODIFICATION DRAWINGS DATED JUNE 29, 2021.</p> <p>REMOVE (3) RRU(s) INSTALL (3) ANTENNA(s), (3) RRU(s) EXISTING (12) ANTENNA(s), (6) RRU(s), (3) DIPLEXER(s), (1) OVP, (2) 6X12 HYBRID CABLE, AND (11) 1-5/8" COAX CABLE(s) TO REMAIN</p> <p>AC ELECTRICAL POWER DESIGN TO BE PERFORMED BY OTHERS</p>	SHEET NO:	DESCRIPTION:	REV:	DATE:	BY:
	<p><u>PROJECT TEAM</u></p> <p><u>TOWER OWNER:</u> AMERICAN TOWER 10 PRESIDENTIAL WAY WOBURN, MA 01801</p> <p><u>ENGINEER:</u> CLS ENGINEERING, PLLC 319 CHAPANOKE RD, SUITE 118 RALEIGH, NC 27603 PH: (405) 348-5460 FAX: (405) 341-4625</p> <p><u>APPLICANT:</u> VERIZON WIRELESS</p>	<ol style="list-style-type: none"> THE FACILITY IS UNMANNED. A TECHNICIAN WILL VISIT THE SITE APPROXIMATELY ONCE A MONTH FOR ROUTINE INSPECTION AND MAINTENANCE. THE PROJECT WILL NOT RESULT IN ANY SIGNIFICANT LAND DISTURBANCE OR EFFECT OF STORM WATER DRAINAGE. NO SANITARY SEWER, POTABLE WATER OR TRASH DISPOSAL IS REQUIRED. HANDICAP ACCESS IS NOT REQUIRED. THE PROJECT DEPICTED IN THESE PLANS QUALIFIES AS AN ELIGIBLE FACILITIES REQUEST ENTITLED TO EXPEDITED REVIEW UNDER 47 U.S.C. § 1455(A) AS A MODIFICATION OF AN EXISTING WIRELESS TOWER THAT INVOLVES THE COLLOCATION, REMOVAL, AND/OR REPLACEMENT OF TRANSMISSION EQUIPMENT THAT IS NOT A SUBSTANTIAL CHANGE UNDER CFR § 1.61000 (B)(7). 	G-001	TITLE SHEET	0	07/26/21	BMB
<p><u>UTILITY COMPANIES</u></p> <p>POWER COMPANY: PECO PHONE: (215) 841-4141</p> <p>TELEPHONE COMPANY: VERIZON LANDLINE PHONE: (800) 483-0722</p>		<p><u>PROJECT NOTES</u></p>	G-002	GENERAL NOTES	0	07/26/21	BMB
		<p><u>PROJECT LOCATION DIRECTIONS</u></p> <p>FROM NEW LONDON - TAKE I95 SOUTH TO EXIT 61 . TAKE LEFT AT OFF RAMP AND LEFT AT FIRST SET OF LIGHTS.</p>	C-101	DETAILED SITE PLAN	0	07/26/21	BMB
			C-201	TOWER ELEVATION	0	07/26/21	BMB
			C-401	ANTENNA INFORMATION & SCHEDULE	0	07/26/21	BMB
			C-501	CONSTRUCTION DETAILS	0	07/26/21	BMB
			E-501	GROUNDING DETAILS	0	07/26/21	BMB
			R-601	SUPPLEMENTAL			
			R-602	SUPPLEMENTAL			
			R-603	SUPPLEMENTAL			
			R-604	SUPPLEMENTAL			

GENERAL CONSTRUCTION NOTES:

1. OWNER FURNISHED MATERIALS, VERIZON "THE COMPANY" WILL PROVIDE AND THE CONTRACTOR WILL INSTALL
 - A. BTS EQUIPMENT FRAME (PLATFORM) AND ICEBRIDGE SHELTER (GROUND BUILD/CO-LOCATE ONLY)
 - B. AC/TELCO INTERFACE BOX (PPC)
 - C. ICE BRIDGE (CABLE TRAY WITH COVER) (GROUND BUILD/CO-LOCATE ONLY, GC TO FURNISH AND INSTALL FOR ROOFTOP INSTALLATION)
 - D. TOWERS, MONOPOLES
 - E. TOWER LIGHTING
 - F. GENERATORS & LIQUID PROPANE TANK
 - G. ANTENNA STANDARD BRACKETS, FRAMES AND PIPES FOR MOUNTING
 - H. ANTENNAS (INSTALLED BY OTHERS)
 - I. TRANSMISSION LINE
 - J. TRANSMISSION LINE JUMPERS
 - K. TRANSMISSION LINE CONNECTORS WITH WEATHERPROOFING KITS
 - L. TRANSMISSION LINE GROUND KITS
 - M. HANGERS
 - N. HOISTING GRIPS
 - O. BTS EQUIPMENT
2. THE CONTRACTOR IS RESPONSIBLE TO PROVIDE ALL OTHER MATERIALS FOR THE COMPLETE INSTALLATION OF THE SITE INCLUDING, BUT NOT LIMITED TO, SUCH MATERIALS AS FENCING, STRUCTURAL STEEL SUPPORTING SUB-FRAME FOR PLATFORM, ROOFING LABOR AND MATERIALS, GROUNDING RINGS, GROUNDING WIRES, COPPER-CLAD OR XIT CHEMICAL GROUND ROD(S), BUSS BARS, TRANSFORMERS AND DISCONNECT SWITCHES WHERE APPLICABLE, TEMPORARY ELECTRICAL POWER, CONDUIT, LANDSCAPING COMPOUND STONE, CRANES, CORE DRILLING, SLEEPERS AND RUBBER MATTING, REBAR, CONCRETE CAISSONS, PADS AND/OR AUGER MOUNTS, MISCELLANEOUS FASTENERS, CABLE TRAYS, NON-STANDARD ANTENNA FRAMES AND ALL OTHER MATERIAL AND LABOR REQUIRED TO COMPLETE THE JOB ACCORDING TO THE DRAWINGS AND SPECIFICATIONS. IT IS THE POSITION OF VERIZON TO APPLY FOR PERMITTING AND CONTRACTOR RESPONSIBLE FOR PICKUP AND PAYMENT OF REQUIRED PERMITS.
3. ALL WORK SHALL CONFORM TO ALL CURRENT APPLICABLE FEDERAL, STATE, AND LOCAL CODES, INCLUDING ANSI/EIA/ITIA-222, AND COMPLY WITH ATC CONSTRUCTION SPECIFICATIONS.
4. CONTRACTOR SHALL CONTACT LOCAL 811 FOR IDENTIFICATION OF UNDERGROUND UTILITIES PRIOR TO START OF CONSTRUCTION.
5. CONTRACTOR SHALL BE RESPONSIBLE FOR COORDINATING ALL REQUIRED INSPECTIONS.
6. ALL DIMENSIONS TO, OF, AND ON EXISTING BUILDINGS, DRAINAGE STRUCTURES, AND SITE IMPROVEMENTS SHALL BE VERIFIED IN FIELD BY CONTRACTOR WITH ALL DISCREPANCIES REPORTED TO THE ENGINEER.
7. DO NOT CHANGE SIZE OR SPACING OF STRUCTURAL ELEMENTS.
8. DETAILS SHOWN ARE TYPICAL; SIMILAR DETAILS APPLY TO SIMILAR CONDITIONS UNLESS OTHERWISE NOTED.
9. THESE DRAWINGS DO NOT INCLUDE NECESSARY COMPONENTS FOR CONSTRUCTION SAFETY WHICH SHALL BE THE SOLE RESPONSIBILITY OF THE CONTRACTOR.
10. CONTRACTOR SHALL BRACE STRUCTURES UNTIL ALL STRUCTURAL ELEMENTS NEEDED FOR STABILITY ARE INSTALLED. THESE ELEMENTS ARE AS FOLLOWS: LATERAL BRACING, ANCHOR BOLTS, ETC.
11. CONTRACTOR SHALL DETERMINE EXACT LOCATION OF EXISTING UTILITIES, GROUNDS DRAINS, DRAIN PIPES, VENTS, ETC. BEFORE COMMENCING WORK.
12. INCORRECTLY FABRICATED, DAMAGED, OR OTHERWISE MISFITTING OR NONCONFORMING MATERIALS OR CONDITIONS SHALL BE REPORTED TO THE VERIZON REP PRIOR TO REMEDIAL OR CORRECTIVE ACTION. ANY SUCH REMEDIAL ACTION SHALL REQUIRE WRITTEN APPROVAL BY THE VERIZON REP PRIOR TO PROCEEDING.
13. EACH CONTRACTOR SHALL COOPERATE WITH THE VERIZON REP, AND COORDINATE HIS WORK WITH THE WORK OF OTHERS.
14. CONTRACTOR SHALL REPAIR ANY DAMAGE CAUSED BY CONSTRUCTION OF THIS PROJECT TO MATCH EXISTING PRE-CONSTRUCTION CONDITIONS TO THE SATISFACTION OF THE VERIZON CONSTRUCTION MANAGER.
15. ALL CABLE/CONDUIT ENTRY/EXIT PORTS SHALL BE WEATHERPROOFED DURING INSTALLATION USING A SILICONE SEALANT.
16. WHERE EXISTING CONDITIONS DO NOT MATCH THOSE SHOWN IN THIS PLAN SET, CONTRACTOR SHALL NOTIFY THE VERIZON REP AND ENGINEER OF RECORD IMMEDIATELY.
17. CONTRACTOR SHALL ENSURE ALL SUBCONTRACTORS ARE PROVIDED WITH A COMPLETE AND CURRENT SET OF DRAWINGS AND SPECIFICATIONS FOR THIS PROJECT.
18. CONTRACTOR SHALL REMOVE ALL RUBBISH AND DEBRIS FROM THE SITE AT THE END OF EACH DAY.
19. CONTRACTOR SHALL COORDINATE WORK SCHEDULE WITH AMERICAN TOWER CORPORATION (ATC) AND TAKE PRECAUTIONS TO MINIMIZE IMPACT AND DISRUPTION OF OTHER OCCUPANTS OF THE FACILITY.
20. CONTRACTOR SHALL FURNISH VERIZON AND AMERICAN TOWER CORPORATION (ATC) WITH A PDF MARKED UP AS-BUILT SET OF DRAWINGS UPON COMPLETION OF WORK.
21. PRIOR TO SUBMISSION OF BID, CONTRACTOR SHALL COORDINATE WITH VERIZON REP TO DETERMINE WHAT, IF ANY, ITEMS WILL BE PROVIDED. ALL ITEMS NOT PROVIDED SHALL BE PROVIDED AND INSTALLED BY THE CONTRACTOR. CONTRACTOR WILL INSTALL ALL ITEMS PROVIDED.

22. PRIOR TO SUBMISSION OF BID, CONTRACTOR SHALL COORDINATE WITH VERIZON REP TO DETERMINE IF ANY PERMITS WILL BE OBTAINED BY CONTRACTOR. ALL REQUIRED PERMITS NOT OBTAINED BY VERIZON MUST BE OBTAINED, AND PAID FOR, BY THE CONTRACTOR.
23. CONTRACTOR SHALL INSTALL ALL SITE SIGNAGE IN ACCORDANCE WITH VERIZON SPECIFICATIONS AND REQUIREMENTS.
24. CONTRACTOR SHALL SUBMIT ALL SHOP DRAWINGS TO VERIZON FOR REVIEW AND APPROVAL PRIOR TO FABRICATION.
25. ALL EQUIPMENT SHALL BE INSTALLED ACCORDING TO MANUFACTURER'S SPECIFICATIONS AND LOCATED ACCORDING TO VERIZON SPECIFICATIONS, AND AS SHOWN IN THESE PLANS.
26. THE CONTRACTOR SHALL SUPERVISE AND DIRECT THE PROJECT DESCRIBED HEREIN. THE CONTRACTOR SHALL BE SOLELY RESPONSIBLE FOR ALL THE CONSTRUCTION MEANS, METHODS, TECHNIQUES, SEQUENCES AND PROCEDURES AND FOR COORDINATING ALL PORTIONS OF THE WORK UNDER THE CONTRACT.
27. CONTRACTOR SHALL NOTIFY VERIZON REP A MINIMUM OF 48 HOURS IN ADVANCE OF POURING CONCRETE OR BACKFILLING ANY UNDERGROUND UTILITIES, FOUNDATIONS OR SEALING ANY WALL, FLOOR OR ROOF PENETRATIONS FOR ENGINEERING REVIEW AND APPROVAL.
28. CONTRACTOR SHALL BE RESPONSIBLE FOR SITE SAFETY INCLUDING COMPLIANCE WITH ALL APPLICABLE OSHA STANDARDS AND RECOMMENDATIONS AND SHALL PROVIDE ALL NECESSARY SAFETY DEVICES INCLUDING PPE AND PPM AND CONSTRUCTION DEVICES SUCH AS WELDING AND FIRE PREVENTION, TEMPORARY SHORING, SCAFFOLDING, TRENCH BOXES/SLOPING, BARRIERS, ETC.
29. THE CONTRACTOR SHALL PROTECT AT HIS OWN EXPENSE, ALL EXISTING FACILITIES AND SUCH OF HIS NEW WORK LIABLE TO INJURY DURING THE CONSTRUCTION PERIOD. ANY DAMAGE CAUSED BY NEGLIGENCE ON THE PART OF THIS CONTRACTOR OR HIS REPRESENTATIVES, OR BY THE ELEMENTS DUE TO NEGLIGENCE ON THE PART OF THIS CONTRACTOR OR HIS REPRESENTATIVES, EITHER TO THE EXISTING WORK, OR TO HIS WORK OR THE WORK OF ANY OTHER CONTRACTOR, SHALL BE REPAIRED AT HIS EXPENSE TO THE OWNER'S SATISFACTION.
30. ALL WORK SHALL BE INSTALLED IN A FIRST CLASS, NEAT AND WORKMANLIKE MANNER BY MECHANICS SKILLED IN THE TRADE INVOLVED. THE QUALITY OF WORKMANSHIP SHALL BE SUBJECT TO THE APPROVAL OF THE VERIZON REP. ANY WORK FOUND BY THE VERIZON REP TO BE OF INFERIOR QUALITY AND/OR WORKMANSHIP SHALL BE REPLACED AND/OR REWORKED AT CONTRACTOR EXPENSE UNTIL APPROVAL IS OBTAINED.
31. IN ORDER TO ESTABLISH STANDARDS OF QUALITY AND PERFORMANCE, ALL TYPES OF MATERIALS LISTED HEREINAFTER BY MANUFACTURER'S NAMES AND/OR MANUFACTURER'S CATALOG NUMBER SHALL BE PROVIDED BY THESE MANUFACTURERS AS SPECIFIED.
32. VERIZON FURNISHED EQUIPMENT SHALL BE PICKED-UP AT THE VERIZON WAREHOUSE, NO LATER THAN 48HR AFTER BEING NOTIFIED INSURED, STORED, UNCRATE, PROTECTED AND INSTALLED BY THE CONTRACTOR WITH ALL APPURTENANCES REQUIRED TO PLACE THE EQUIPMENT IN OPERATION, READY FOR USE. THE CONTRACTOR SHALL BE RESPONSIBLE FOR THE EQUIPMENT AFTER PICKING IT UP.
33. VERIZON OR HIS ARCHITECT/ENGINEER RESERVES THE RIGHT TO REJECT ANY EQUIPMENT OR MATERIALS WHICH, IN HIS OWN OPINION ARE NOT IN COMPLIANCE WITH THE CONTRACT DOCUMENTS, EITHER BEFORE OR AFTER INSTALLATION AND THE EQUIPMENT SHALL BE REPLACED WITH EQUIPMENT CONFORMING TO THE REQUIREMENTS OF THE CONTRACT DOCUMENTS BY THE CONTRACTOR AT NO COST TO VERIZON OR THEIR ARCHITECT/ENGINEER.

SPECIAL CONSTRUCTION

ANTENNA INSTALLATION NOTES:

1. WORK INCLUDED:
 - A. ANTENNA AND COAXIAL CABLES ARE FURNISHED BY VERIZON UNDER A SEPARATE CONTRACT. THE CONTRACTOR SHALL ASSIST ANTENNA INSTALLATION CONTRACTOR IN TERMS OF COORDINATION AND SITE ACCESS. ERECTION SUBCONTRACTOR SHALL BE RESPONSIBLE FOR THE PROTECTION OF PERSONNEL AND
 - B. INSTALL ANTENNA AS INDICATE ON DRAWINGS AND VERIZON SPECIFICATIONS.
 - C. INSTALL GALVANIZED STEEL ANTENNA MOUNTS AS INDICATED ON DRAWINGS
 - D. INSTALL FURNISHED GALVANIZED STEEL OR ALUMINUM WAVEGUIDE.
 - E. CONTRACTOR SHALL PROVIDE FOUR (4) SETS OF SWEEP TESTS USING ANRITZU-PACKARD 8713B RF SCALAR NETWORK ANALYZER. SUBMIT FREQUENCY DOMAIN REFLECTOMETER(FDR) TESTS RESULTS TO THE PROJECT MANAGER. SWEEP TESTS SHALL BE AS PER ATTACHED RFS "MINIMUM FIELD TESTING RECOMMENDED FOR ANTENNA AND HELIAX COAXIAL CABLE SYSTEMS" DATED 10/5/93. TESTING SHALL BE PERFORMED BY AN INDEPENDENT TESTING SERVICE AND BE BOUND AND SUBMITTED WITHIN ONE WEEK OF WORK COMPLETION.
 - F. INSTALL COAXIAL CABLES AND TERMINATING BETWEEN ANTENNAS AND EQUIPMENT PER MANUFACTURER'S RECOMMENDATIONS. WEATHERPROOF ALL CONNECTIONS BETWEEN THE ANTENNA AND EQUIPMENT PER MANUFACTURER'S REQUIREMENTS. TERMINATE ALL COAXIAL CABLE THREE (3) FEET IN EXCESS OF ENTRY PORT LOCATION UNLESS OTHERWISE STATED.
 - G. ANTENNA AND COAXIAL CABLE GROUNDING:
2. ALL EXTERIOR #6 GREEDED GROUND WIRE "DAISY CHAIN" CONNECTIONS ARE TO BE WEATHER SEALED WITH RFS CONNECTORS/SPICE WEATHERPROOFING KIT #221213 OR EQUAL.
3. ALL COAXIAL CABLE GROUNDING KITS ARE TO BE INSTALLED ON STRAIGHT RUNS OF COAXIAL CABLE (NOT WITHIN BENDS)

ALL DISCREPANCIES FROM WHAT IS SHOWN ON THESE CONSTRUCTION DRAWINGS SHALL BE COMMUNICATED TO ATC ENGINEERING IMMEDIATELY FOR CORRECTION OR RE-DESIGN. FAILURE TO COMMUNICATE DIRECTLY WITH ATC ENGINEERING OR ANY CHANGES FROM THE DESIGN CONDUCTED WITHOUT PRIOR APPROVAL FROM ATC ENGINEERING SHALL BE THE SOLE RESPONSIBILITY OF THE GENERAL CONTRACTOR.



319 CHAPANOKE ROAD, SUITE 118, RALEIGH, NC 27603
PH: (405)348-5460 FAX: (405)341-4625

COA# PEC.001833 EXP: 08/14/2021

REV.	DESCRIPTION	BY	DATE
A	PRELIM	JRL	05/28/21
0	FOR CONSTRUCTION	BMB	07/26/21

ATC SITE NUMBER:
302540

ATC SITE NAME:
MADISON CT 6

VERIZON SITE NAME:
MADISON II CT

SITE ADDRESS:
8 OLD 79
MADISON, CT 06443

SEAL:



Tyler M. Barker
CLS Engineering PLLC
PE # 32402 Exp. 1/31/2022
COA # PEC.001833 Exp. 8/14/2022
07/27/2021

PE# 32402 EXP: 01/31/2022



DATE DRAWN:	07/26/21
ATC JOB NO:	13668702_G3
CUSTOMER ID:	MADISON II CT
CUSTOMER #:	468845

GENERAL NOTES

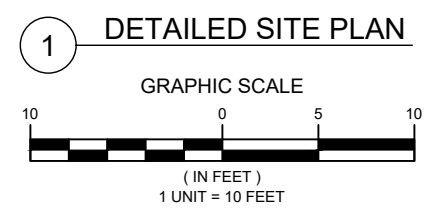
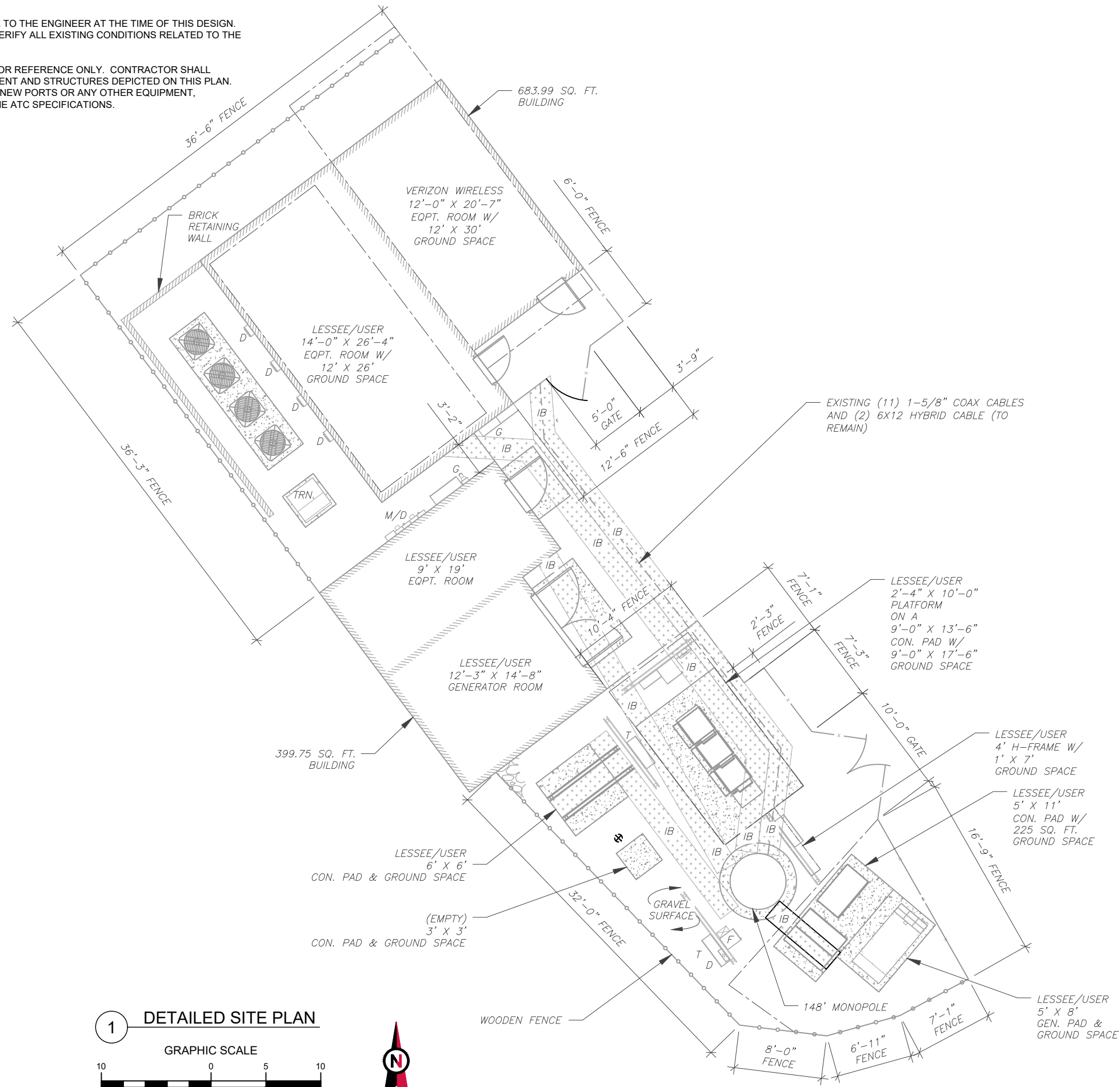
SHEET NUMBER: G-002	REVISION: 0
-------------------------------	-----------------------

Copyright © 2021 ATC IP LLC, All Rights Reserved.

SITE PLAN NOTES:

1. THIS SITE PLAN REPRESENTS THE BEST PRESENT KNOWLEDGE AVAILABLE TO THE ENGINEER AT THE TIME OF THIS DESIGN. THE CONTRACTOR SHALL VISIT THE SITE PRIOR TO CONSTRUCTION AND VERIFY ALL EXISTING CONDITIONS RELATED TO THE SCOPE OF WORK FOR THIS PROJECT.
2. ICE BRIDGE, CABLE LADDER, COAX PORT, AND COAX CABLE ARE SHOWN FOR REFERENCE ONLY. CONTRACTOR SHALL CONFIRM THE EXACT LOCATION OF ALL PROPOSED AND EXISTING EQUIPMENT AND STRUCTURES DEPICTED ON THIS PLAN. BEFORE UTILIZING EXISTING CABLE SUPPORTS, COAX PORTS, INSTALLING NEW PORTS OR ANY OTHER EQUIPMENT, CONTRACTOR SHALL VERIFY ALL ASPECTS OF THE COMPONENTS MEET THE ATC SPECIFICATIONS.
3. THIS PROJECT INCLUDES NO INSTALL OR MODIFICATION AT GRADE.

LEGEND	
⊗	GROUNDING TEST WELL
ATS	AUTOMATIC TRANSFER SWITCH
B	BOLLARD
CSC	CELL SITE CABINET
D	DISCONNECT
E	ELECTRICAL
F	FIBER
GEN	GENERATOR
G	GENERATOR RECEPTACAL
HH, V	HAND HOLE, VAULT
IB	ICE BRIDGE
K	KENTROX BOX
LC	LIGHTING CONTROL
M	METER
PB	PULL BOX
PP	POWER POLE
T	TELCO
TRN	TRANSFORMER
—x—	CHAINLINK FENCE



CLS ENGINEERING PLLC
 319 CHAPANOKE ROAD, SUITE 118, RALEIGH, NC 27603
 PH: (405)348-5460 FAX: (405)341-4625

COA# PEC.001833 EXP: 08/14/2021

REV.	DESCRIPTION	BY	DATE
A	PRELIM	JRL	05/28/21
0	FOR CONSTRUCTION	BMB	07/26/21

ATC SITE NUMBER:
302540

ATC SITE NAME:
MADISON CT 6

VERIZON SITE NAME:
MADISON II CT

SITE ADDRESS:
8 OLD 79
MADISON, CT 06443

SEAL:

Tyler M. Barker
 CLS Engineering PLLC
 PE # 32402 Exp. 1/31/2022
 COA # PEC.001833 Exp. 8/14/2022

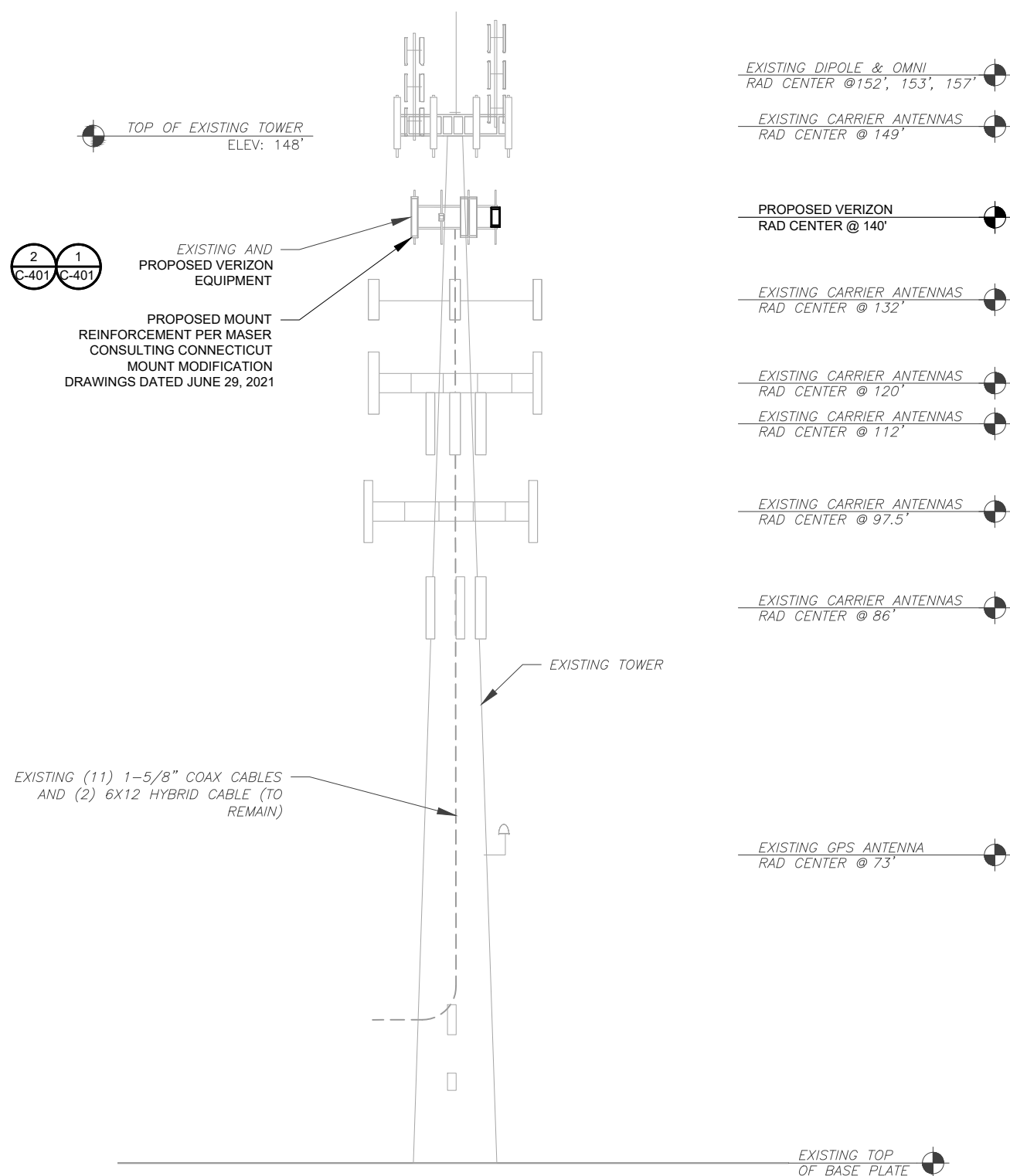
07/27/2021

PE# 32402 EXP: 01/31/2022

DATE DRAWN:	07/26/21
ATC JOB NO:	13668702_G3
CUSTOMER ID:	MADISON II CT
CUSTOMER #:	468845

DETAILED SITE PLAN	
SHEET NUMBER:	REVISION:
C-101	0

Copyright © 2021 ATC IP, LLC. All Rights Reserved.



PER MOUNT ANALYSIS COMPLETED BY MASER CONSULTING CONNECTICUT, DATED JUNE 29, 2021, THE EXISTING MOUNT MUST BE MODIFIED TO ADEQUATELY SUPPORT THE PROPOSED LOADING. THE MOUNT MODIFICATION DETAILED AT THE END OF THIS PLAN SET, MUST BE INSTALLED PRIOR TO THE INSTALLATION OF THE PROPOSED ANTENNAS AND OTHER EQUIPMENT

- TOWER NOTE:**
- IT IS THE CONTRACTOR'S RESPONSIBILITY TO CONFIRM WITH THE PROJECT MANAGER THAT THEY HAVE THE MOST RECENT VERSION OF THE STRUCTURAL ANALYSIS BEFORE COMMENCING WORK. EXISTING AND PROPOSED TOWER APPURTENANCES, MOUNTS, AND ANTENNAS ARE SHOWN BASED ON THE STRUCTURAL ANALYSIS.
 - WHERE APPLICABLE, ALL NEW ANTENNAS, EQUIPMENT, MOUNTS, CABLING, ETC. SHALL BE PAINTED/SOCKED TO MATCH EXISTING EQUIPMENT IN ACCORDANCE WITH FAA, JURISDICTION, AND/OR OTHER LOCAL REQUIREMENTS.
 - ROUTE PROPOSED CABLES ALONG SAME PATH AS EXISTING CABLES AND IN ACCORDANCE WITH STRUCTURAL ANALYSIS. IF ADEQUATE SPACE EXISTS, ROUTE CABLES THROUGH ENTRY PORT HOLE, UP INSIDE OF MONOPOLE, AND THROUGH EXIT PORT HOLE. IF ROUTING OUTSIDE THE MONOPOLE, ATTACH CABLES USING STAND-OFF ADAPTERS MOUNTED TO TOWER USING STAINLESS STEEL BANDING. ADEQUATELY SECURE CABLES USING EITHER APPROPRIATELY SIZED STAINLESS STEEL SNAP-INS OR MOUNTING HARDWARE AND BRACKETS AS SPECIFIED BY CABLE MANUFACTURER.
 - TOWER ELEVATIONS ARE MEASURED FROM TOP OF BASE PLATE TO MATCH STRUCTURAL ANALYSIS. ELEVATIONS DO NOT REFLECT TRUE ABOVE GROUND LEVEL (A.G.L.)

1 TOWER ELEVATION
SCALE: N.T.S.



CLS ENGINEERING PLLC
319 CHAPANOKE ROAD, SUITE 118, RALEIGH, NC 27603
PH: (405)348-5460 FAX: (405)341-4625

COA# PEC.001833 EXP: 08/14/2021

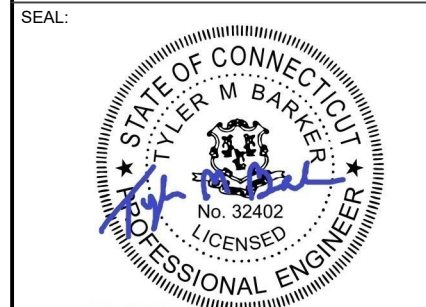
REV.	DESCRIPTION	BY	DATE
A	PRELIM	JRL	05/28/21
0	FOR CONSTRUCTION	BMB	07/26/21

ATC SITE NUMBER:
302540

ATC SITE NAME:
MADISON CT 6

VERIZON SITE NAME:
MADISON II CT

SITE ADDRESS:
8 OLD 79
MADISON, CT 06443



Tyler M. Barker
CLS Engineering PLLC
PE # 32402 Exp. 1/31/2022
COA # PEC.001833 Exp. 8/14/2022

PE# 32402 EXP: 01/31/2022

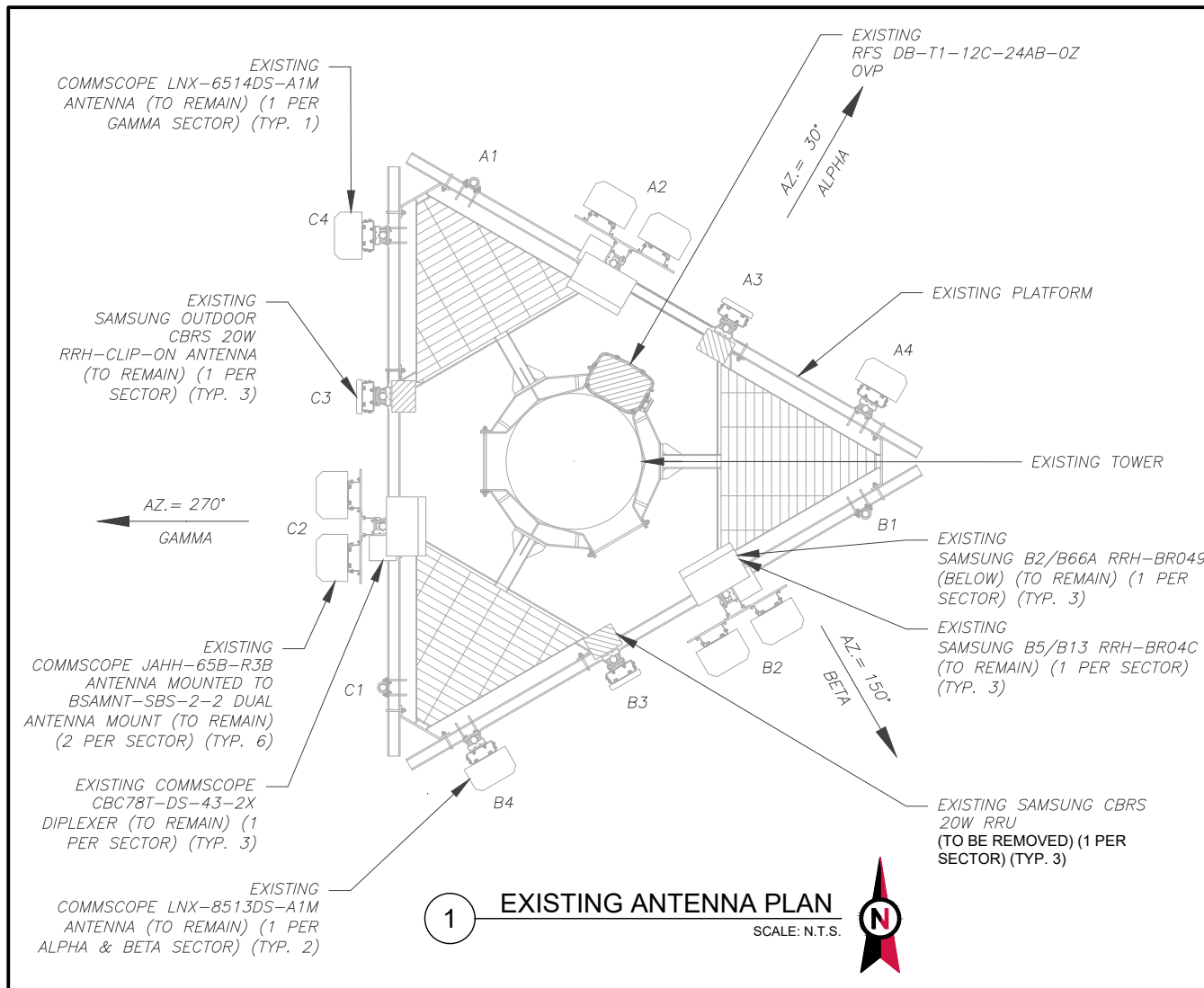


DATE DRAWN:	07/26/21
ATC JOB NO:	13668702_G3
CUSTOMER ID:	MADISON II CT
CUSTOMER #:	468845

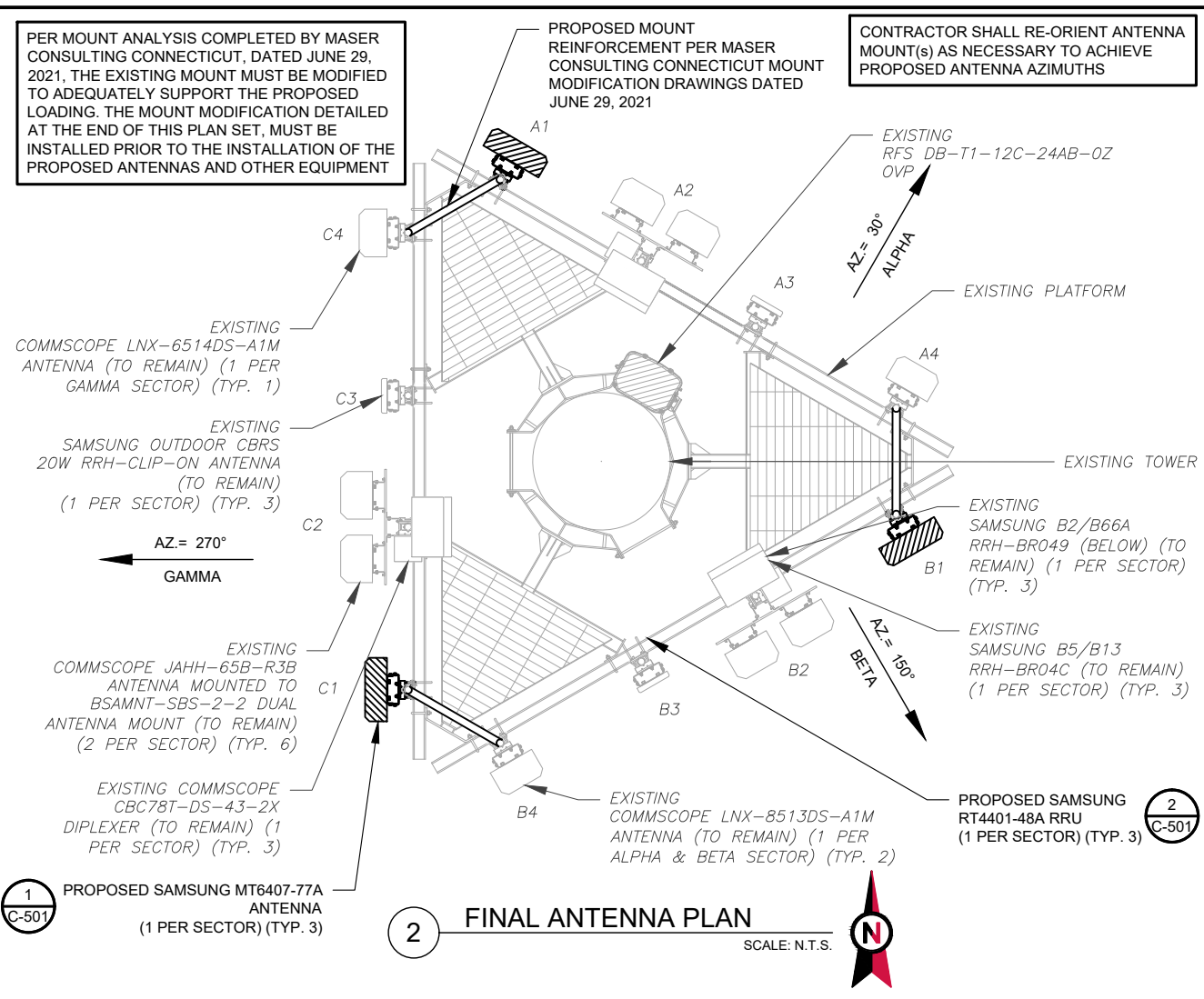
TOWER ELEVATION

SHEET NUMBER:	REVISION:
C-201	0

Copyright © 2021 ATC IP, LLC, All Rights Reserved.



1 EXISTING ANTENNA PLAN
SCALE: N.T.S.



2 FINAL ANTENNA PLAN
SCALE: N.T.S.

PER MOUNT ANALYSIS COMPLETED BY MASER CONSULTING CONNECTICUT, DATED JUNE 29, 2021, THE EXISTING MOUNT MUST BE MODIFIED TO ADEQUATELY SUPPORT THE PROPOSED LOADING. THE MOUNT MODIFICATION DETAILED AT THE END OF THIS PLAN SET, MUST BE INSTALLED PRIOR TO THE INSTALLATION OF THE PROPOSED ANTENNAS AND OTHER EQUIPMENT

PROPOSED MOUNT REINFORCEMENT PER MASER CONSULTING CONNECTICUT MOUNT MODIFICATION DRAWINGS DATED JUNE 29, 2021

CONTRACTOR SHALL RE-ORIENT ANTENNA MOUNT(S) AS NECESSARY TO ACHIEVE PROPOSED ANTENNA AZIMUTHS

EXISTING ANTENNA SCHEDULE									
LOCATION			ANTENNA SUMMARY				NON ANTENNA SUMMARY		
SECTOR	RAD	AZ	POS	ANTENNA	BAND	MECH/ELEC D-TILT	STATUS	ADDITIONAL TOWER MOUNTED EQUIPMENT	STATUS
ALPHA	140°	30°	A1	-	-	-	-	-	-
			A2	(2) COMMSCOPE JAHH-65B-R3B	LTE 700/LTE 850 5G/LTE 1900/LTE AWS	0/2/6	RMN	COMMSCOPE CBC78T-DS-43-2X SAMSUNG B2/B66A RRH-BR049 SAMSUNG B5/B13 RRH-BR04C	RMN
			A3	SAMSUNG OUTDOOR CBRS 20W RRH-CLIP-ON	CBRS	0/8	RMN	SAMSUNG CBRS 20W	RMV
			A4	COMMSCOPE LNX-8513DS-A1M	CDMA 850	0/0	RMN	-	-
BETA	140°	150°	B1	-	-	-	-	-	-
			B2	(2) COMMSCOPE JAHH-65B-R3B	LTE 700/LTE 850 5G/LTE 1900/LTE AWS	0/2/11	RMN	COMMSCOPE CBC78T-DS-43-2X SAMSUNG B2/B66A RRH-BR049 SAMSUNG B5/B13 RRH-BR04C	RMN
			B3	SAMSUNG OUTDOOR CBRS 20W RRH-CLIP-ON	CBRS	0/8	RMN	SAMSUNG CBRS 20W	RMV
			B5	COMMSCOPE LNX-8513DS-A1M	CDMA 850	0/7	RMN	-	-
GAMMA	140°	270°	C1	-	-	-	-	-	-
			C2	(2) COMMSCOPE JAHH-65B-R3B	LTE 700/LTE 850 5G/LTE 1900/LTE AWS	2/5/10	RMN	COMMSCOPE CBC78T-DS-43-2X SAMSUNG B2/B66A RRH-BR049 SAMSUNG B5/B13 RRH-BR04C	RMN
			C3	SAMSUNG OUTDOOR CBRS 20W RRH-CLIP-ON	CBRS	0/8	RMN	SAMSUNG CBRS 20W	RMV
			C5	COMMSCOPE LNX-6514DS-A1M	CDMA 850	0/0	RMN	-	-

- NOTES**
- CONFIRM WITH VERIZON REP FOR APPLICABLE UPDATES/REVISIONS AND MOST RECENT RFDS FOR NSN CONFIGURATION (CONFIG). GC TO CAP ALL UNUSED PORTS.
 - CONFIRM SPACING OF PROPOSED EQUIP DOES NOT CAUSE TOWER CONFLICTS NOR IMPEDE TOWER CLIMBING PEGS.
- STATUS ABBREVIATIONS**
- RMV: TO BE REMOVED
RMN: TO REMAIN
REL: TO BE RELOCATED
ADD: TO BE ADDED
- CABLE LENGTHS FOR JUMPERS**
- JUNCTION BOX TO RRU: 15'
RRU TO ANTENNA: 10'

EXISTING ANTENNA SCHEDULE									
LOCATION			ANTENNA SUMMARY				NON ANTENNA SUMMARY		
SECTOR	RAD	AZ	POS	ANTENNA	BAND	MECH/ELEC D-TILT	STATUS	ADDITIONAL TOWER MOUNTED EQUIPMENT	STATUS
ALPHA	140°	30°	A1	SAMSUNG MT6407-77A	5G L-SUB6	0/6	ADD	-	-
			A2	(2) COMMSCOPE JAHH-65B-R3B	LTE 700/LTE 850 5G/LTE 1900/LTE AWS	0/2/6	RMN	COMMSCOPE CBC78T-DS-43-2X SAMSUNG B2/B66A RRH-BR049 SAMSUNG B5/B13 RRH-BR04C	RMN
			A3	SAMSUNG OUTDOOR CBRS 20W RRH-CLIP-ON	CBRS	0/8	RMN	-	-
			A4	COMMSCOPE LNX-8513DS-A1M	CDMA 850	0/0	RMN	-	-
BETA	140°	150°	B1	SAMSUNG MT6407-77A	5G L-SUB6	0/6	ADD	-	-
			B2	(2) COMMSCOPE JAHH-65B-R3B	LTE 700/LTE 850 5G/LTE 1900/LTE AWS	0/2/11	RMN	COMMSCOPE CBC78T-DS-43-2X SAMSUNG B2/B66A RRH-BR049 SAMSUNG B5/B13 RRH-BR04C	RMN
			B3	SAMSUNG OUTDOOR CBRS 20W RRH-CLIP-ON	CBRS	0/8	RMN	-	-
			B5	COMMSCOPE LNX-8513DS-A1M	CDMA 850	0/7	RMN	-	-
GAMMA	140°	270°	C1	SAMSUNG MT6407-77A	5G L-SUB6	0/6	ADD	-	-
			C2	(2) COMMSCOPE JAHH-65B-R3B	LTE 700/LTE 850 5G/LTE 1900/LTE AWS	2/5/10	RMN	COMMSCOPE CBC78T-DS-43-2X SAMSUNG B2/B66A RRH-BR049 SAMSUNG B5/B13 RRH-BR04C	RMN
			C3	SAMSUNG OUTDOOR CBRS 20W RRH-CLIP-ON	CBRS	0/8	RMN	-	-
			C5	COMMSCOPE LNX-6514DS-A1M	CDMA 850	0/0	RMN	-	-

FINAL FIBER DISTRIBUTION / OVP BOX		FINAL CABLING SUMMARY		
MODEL NUMBER	STATUS	COAX	HYBRID	STATUS
(1) RFS DB-C1-12C-24AB-0Z OVP	RMN	-	-	-
-	-	(11) 1-5/8"	(2) 6X12 HYBRID CABLE	RMN

3 EQUIPMENT SCHEDULES

FINAL FIBER DISTRIBUTION / OVP BOX		FINAL CABLING SUMMARY		
MODEL NUMBER	STATUS	COAX	HYBRID	STATUS
(1) RFS DB-C1-12C-24AB-0Z OVP	RMN	(11) 1-5/8"	(2) 6X12 HYBRID CABLE	RMN
-	-	-	-	-

AMERICAN TOWER

CLS ENGINEERING PLLC
319 CHAPANOKE ROAD, SUITE 118, RALEIGH, NC 27603
PH: (405)348-5460 FAX: (405)341-4625

COA# PEC.001833 EXP: 08/14/2021

REV.	DESCRIPTION	BY	DATE
A	PRELIM	JRL	05/28/21
0	FOR CONSTRUCTION	BMB	07/26/21

ATC SITE NUMBER: 302540
ATC SITE NAME: MADISON CT 6
VERIZON SITE NAME: MADISON II CT
SITE ADDRESS: 8 OLD 79 MADISON, CT 06443

SEAL:

Tyler M. Barker
CLS Engineering PLLC
PE # 32402 Exp. 1/31/2022
COA # PEC.001833 Exp. 8/14/2022
07/27/2021

PE# 32402 EXP: 01/31/2022

DATE DRAWN:	07/26/21
ATC JOB NO:	13668702_G3
CUSTOMER ID:	MADISON II CT
CUSTOMER #:	468845

ANTENNA INFORMATION & SCHEDULE

SHEET NUMBER:	REVISION:
C-401	0

Copyright © 2021 ATC IP, LLC. All Rights Reserved.



CLS ENGINEERING
 PLLC
 319 CHAPANOKE ROAD, SUITE 118, RALEIGH, NC 27603
 PH: (405)348-5460 FAX: (405)341-4625

COA# PEC.001833 EXP: 08/14/2021

REV.	DESCRIPTION	BY	DATE
A	PRELIM	JRL	05/28/21
0	FOR CONSTRUCTION	BMB	07/26/21

ATC SITE NUMBER:
302540

ATC SITE NAME:
MADISON CT 6

VERIZON SITE NAME:
MADISON II CT

SITE ADDRESS:
 8 OLD 79
 MADISON, CT 06443

SEAL:



Tyler M. Barker
 CLS Engineering PLLC
 PE # 32402 Exp. 1/31/2022
 COA # PEC.001833 Exp. 8/14/2022
 07/27/2021

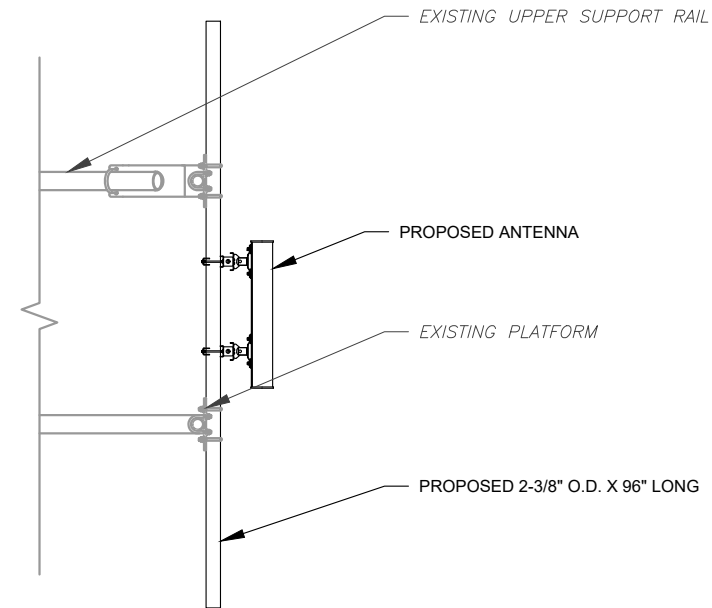
PE# 32402 EXP: 01/31/2022



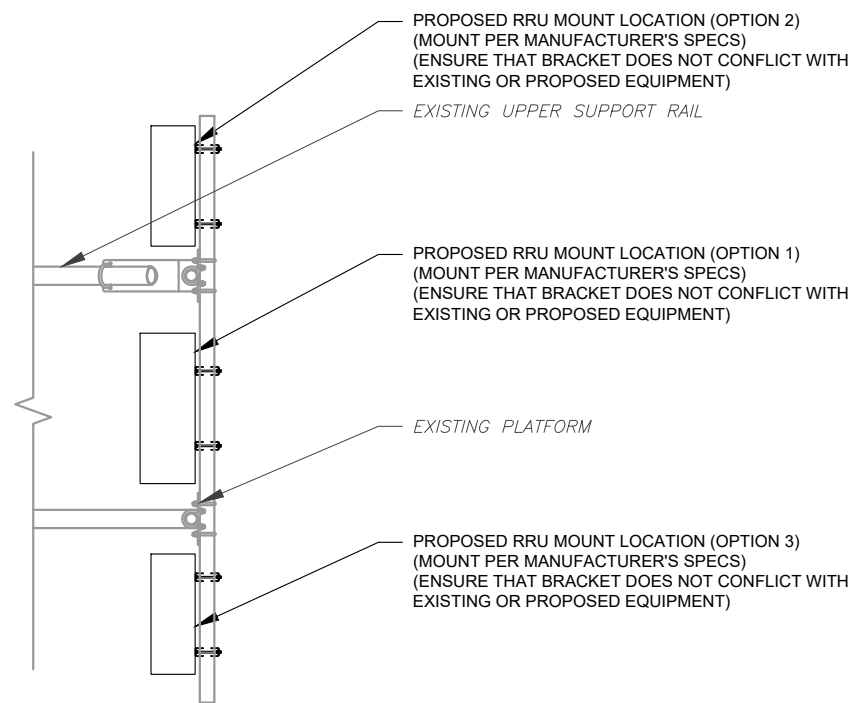
DATE DRAWN:	07/26/21
ATC JOB NO:	13668702_G3
CUSTOMER ID:	MADISON II CT
CUSTOMER #:	468845

**CONSTRUCTION
 DETAILS**

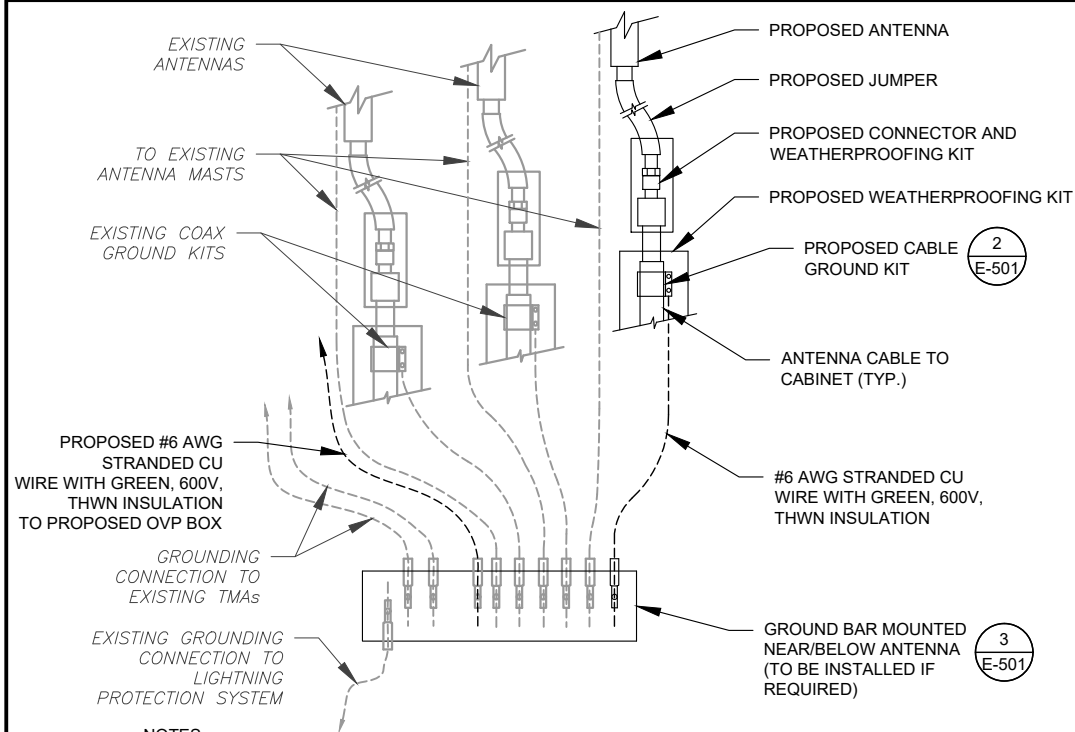
SHEET NUMBER:	REVISION:
C-501	0



1 PROPOSED 5G ANTENNA MOUNTING DETAIL - TYPICAL
 SCALE: N.T.S.



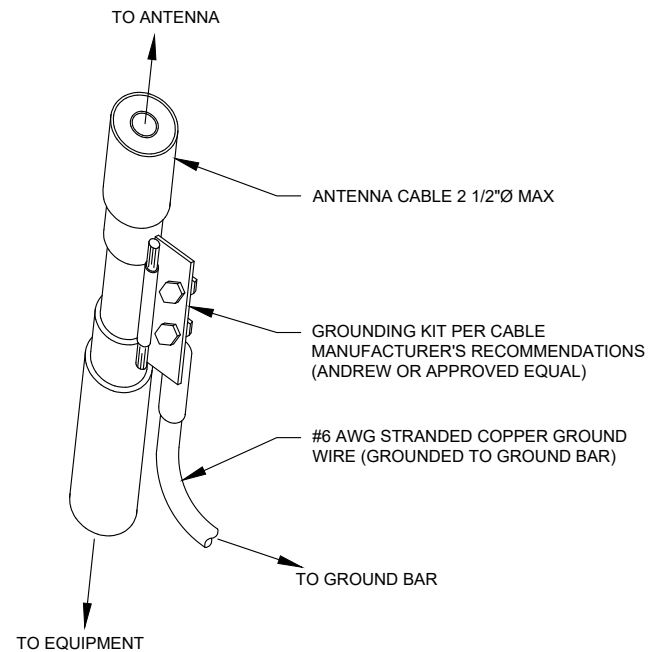
2 PROPOSED RRU MOUNTING DETAIL - TYPICAL
 SCALE: N.T.S.



NOTES:

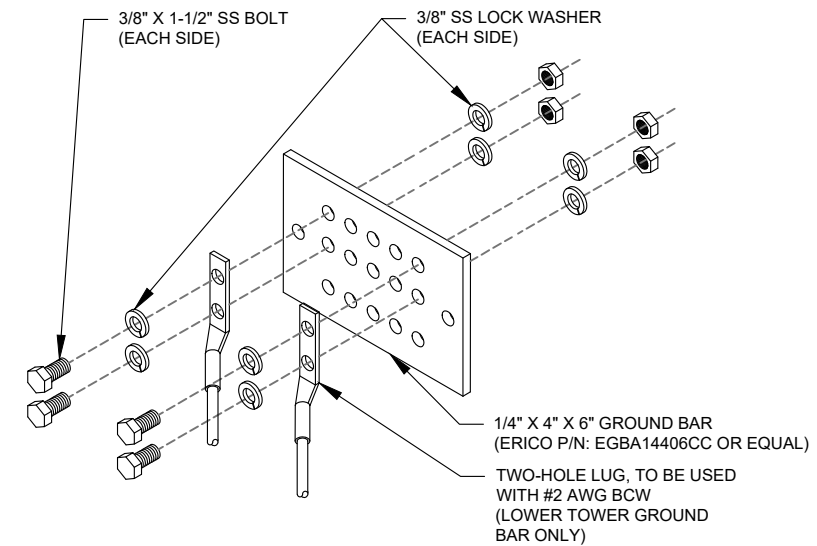
1. THIS DETAIL IS INTENDED TO SHOW THE GENERAL GROUNDING REQUIREMENTS. SLIGHT ADJUSTMENTS MAY BE REQUIRED BASED ON EXISTING SITE CONDITIONS. THE CONTRACTOR SHALL MAKE FIELD ADJUSTMENTS AS NEEDED AND INFORM THE CONSTRUCTION MANAGER OF ANY CONFLICTS.
2. SITE GROUNDING SHALL COMPLY WITH VERIZON GROUNDING STANDARDS, LATEST EDITION, AND COMPLY WITH VERIZON GROUNDING CHECKLIST, LATEST VERSION. WHEN NATIONAL AND LOCAL GROUNDING CODES ARE MORE STRINGENT THEY SHALL GOVERN.

1 TYPICAL ANTENNA GROUNDING DIAGRAM
SCALE: N.T.S.



- GROUND KIT NOTES:**
1. DO NOT INSTALL CABLE GROUND KIT AT A BEND AND ALWAYS DIRECT GROUND WIRE DOWN TO GROUND BAR.
 2. CONTRACTOR SHALL PROVIDE WEATHERPROOFING KIT (ANDREW PART NUMBER 221213) AND INSTALL/TAPE PER MANUFACTURER'S SPECIFICATIONS.

2 CABLE GROUND KIT CONNECTION DETAIL
SCALE: N.T.S.



GROUND BAR NOTES:

1. GROUND BAR KITS COME WITH ALL HARDWARE, NUTS, BOLTS, WASHERS, ETC. EXCEPT THE STRUCTURAL MOUNTING MEMBER(S).
2. GROUND BAR TO BE BONDED DIRECTLY TO TOWER.

3 TOWER GROUND BAR DETAIL
SCALE: N.T.S.



CLS ENGINEERING PLLC
319 CHAPANOKE ROAD, SUITE 118, RALEIGH, NC 27603
PH: (405)348-5460 FAX: (405)341-4625

COA# PEC.001833 EXP: 08/14/2021

REV.	DESCRIPTION	BY	DATE
A	PRELIM	JRL	05/28/21
0	FOR CONSTRUCTION	BMB	07/26/21

ATC SITE NUMBER:
302540

ATC SITE NAME:
MADISON CT 6

VERIZON SITE NAME:
MADISON II CT

SITE ADDRESS:
8 OLD 79
MADISON, CT 06443

SEAL:



Tyler M. Barker
CLS Engineering PLLC
PE # 32402 Exp. 1/31/2022
COA # PEC.001833 Exp. 8/14/2022

PE# 32402 EXP: 01/31/2022



DATE DRAWN:	07/26/21
ATC JOB NO:	13668702_G3
CUSTOMER ID:	MADISON II CT
CUSTOMER #:	468845

GROUNDING DETAILS

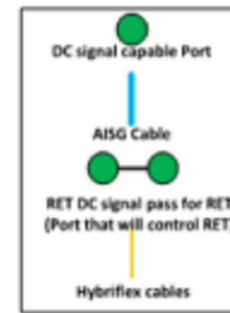
SHEET NUMBER:	REVISION:
E-501	0

Copyright © 2021 ATC IP, LLC. All Rights Reserved.



BSAMNT-SBS-2-2

- Port 1 & 2 are for low band (698-896 MHz).
- Port 3,4,5, & 6 are for high band (1695-2360 MHz).
- Smart Bias Tee (SBT) is through port 1 & 3 for low band and port 1 for high band.
- AISG cable is only needed when drawn in the diagrams below, if it is not drawn then SBT is enough to control all RET motors.
- Not all SBT ports are needed to control RET, only green port connection to green port will control RET.



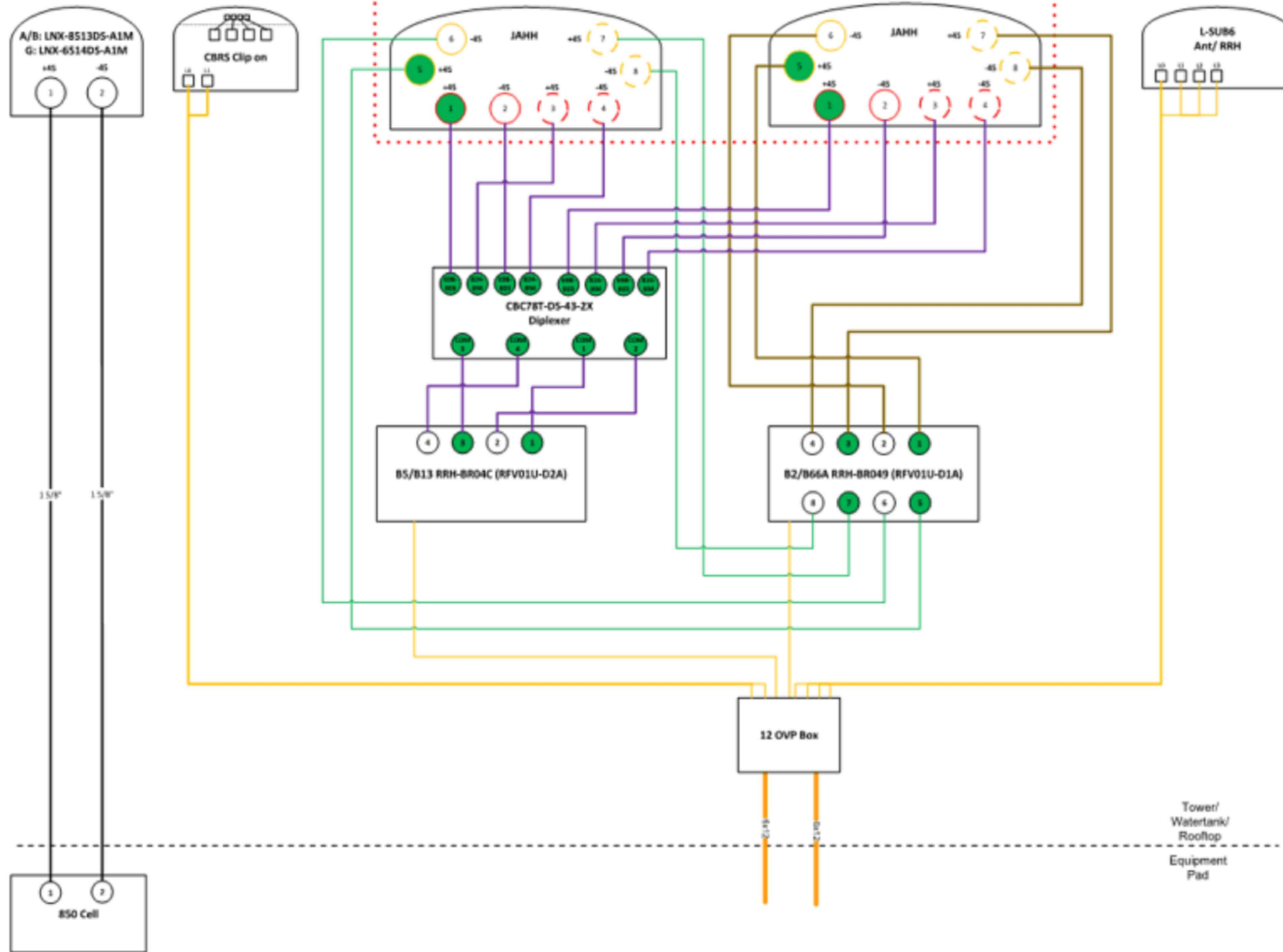
Comments:

Diagram shows antenna port configuration as viewed from below antennas.

Antenna positions are indicated as viewed from IN FRONT of antennas.

Cap and weatherproof unused antenna ports.

All plumbing diagram colors are irrelevant except for AISG & Hybriflex cable. (For the coax colors follow Coax Colors guide above)



SUPPLEMENTAL

SHEET NUMBER:
R-601

REVISION:
-



Maser Consulting Connecticut
 2000 Midlantic Drive Suite 100
 Mt. Laurel, NJ 08054
 856.797.0412
 Peter.Albano@colliersengineering.com

Post-Mod Antenna Mount Analysis Report and PMI Requirements

Mount Fix

SMART Tool Project #: 10078669
 Maser Consulting Connecticut Project #: 21777433A

June 29, 2021

Site Information

Site ID: 468845-VZW / MADISON 2 CT
 Site Name: MADISON 2 CT
 Carrier Name: Verizon Wireless
 Address: 8 Meeting House Ln
 Madison, Connecticut 06443
 New Haven County
 Latitude: 41.286099°
 Longitude: -72.601676°

Structure Information

Tower Type: 148-Ft Monopole
 Mount Type: 16.17-Ft Platform

FUZE ID # 16244081

Analysis Results

Platform: 73.1% Pass

***Contractor PMI Requirements:

Included at the end of this MA report

Available & Submitted via portal at <https://pmi.vzwsmart.com>

Contractor - Please Review Specific Site PMI Requirements Upon Award

Requirements also Noted on Mount Modification Drawings

Requirements may also be Noted on A & E drawings

Report Prepared By: Frank Centone



Digitally signed by Derek Hartzell
 Date: 2021.06.29 18:16:26-0700'

NOTE: THIS SHEET WAS CREATED BY OTHERS AND PROVIDED AT THE REQUEST OF THE CUSTOMER WITHOUT EDIT. PLEASE REFERENCE THE MOUNT ANALYSIS REPORT FOR COMPLETE MOUNT ANALYSIS CALCULATIONS AND DETAILS. SUPPLEMENTAL PAGES INCLUDED IN THE CONSTRUCTION DRAWINGS ARE FOR REFERENCE ONLY. GENERAL CONTRACTOR IS TO VERIFY THEY HAVE THE MOST RECENT MOUNT ANALYSIS PRIOR TO CONSTRUCTION.

SUPPLEMENTAL

SHEET NUMBER:
R-602

REVISION:
 -

PROJECT NOTES

1. SEE MODIFICATION NOTES
2. THE CONTRACTOR SHALL COMPLY WITH ALL APPLICABLE CODES, ORDINANCES, LAWS AND REGULATIONS OF ALL MUNICIPALITIES, UTILITY COMPANIES OR OTHER PUBLIC GOVERNING AUTHORITIES.
3. THE CONTRACTOR SHALL BE RESPONSIBLE FOR OBTAINING ALL PERMITS AND INSPECTIONS THAT MAY BE REQUIRED BY ANY FEDERAL, STATE, COUNTY OR MUNICIPAL AUTHORITIES.
4. THE CONTRACTOR SHALL NOTIFY THE CONSTRUCTION MANAGER, IN WRITING, OF ANY CONFLICTS, ERRORS OR OMISSIONS PRIOR TO THE SUBMISSION OF BIDS OR PERFORMANCE OF WORK.
5. THE CONTRACTOR SHALL BE RESPONSIBLE FOR PROTECTING ALL EXISTING SITE IMPROVEMENTS PRIOR TO COMMENCING CONSTRUCTION. THE CONTRACTOR SHALL REPAIR ANY DAMAGE AS A RESULT OF CONSTRUCTION OF THIS FACILITY AT THE CONTRACTOR'S EXPENSE TO THE SATISFACTION OF THE OWNER.
6. THE SCOPE OF WORK FOR THIS PROJECT SHALL INCLUDE PROVIDING ALL MATERIALS, EQUIPMENT AND LABOR REQUIRED TO COMPLETE THIS PROJECT. ALL EQUIPMENT SHALL BE INSTALLED IN ACCORDANCE WITH MANUFACTURER'S RECOMMENDATIONS.
7. THE CONTRACTOR SHALL VISIT THE PROJECT SITE PRIOR TO SUBMITTING THE BID TO VERIFY THAT THE PROJECT CAN BE CONSTRUCTED IN ACCORDANCE WITH THE CONTRACT DOCUMENTS AND CONSTRUCTION DRAWINGS.
8. THE CONTRACTOR SHALL VERIFY ALL EXISTING DIMENSIONS AND CONDITIONS PRIOR TO COMMENCING ANY WORK. ALL DIMENSIONS OF EXISTING CONSTRUCTION SHOWN ON THESE DRAWINGS MUST BE VERIFIED. THE CONTRACTOR SHALL NOTIFY THE CONSTRUCTION MANAGER OF ANY DISCREPANCIES PRIOR TO ORDERING MATERIAL OR PROCEEDING WITH CONSTRUCTION.
9. SINCE THE CELL SITE MAY BE ACTIVE, ALL SAFETY PRECAUTIONS MUST BE TAKEN WHEN WORKING AROUND HIGH LEVELS OF ELECTROMAGNETIC RADIATION. EQUIPMENT SHOULD BE SHUTDOWN PRIOR TO PERFORMING ANY WORK THAT COULD EXPOSE THE WORKERS TO DANGER. PERSONAL RF EXPOSURE MONITORS ARE REQUIRED TO BE WORN TO ALERT OF ANY POTENTIALLY DANGEROUS EXPOSURE LEVELS.
10. NO NOISE, SMOKE, DUST OR ODOR WILL RESULT FROM THIS FACILITY AS TO CAUSE A NUISANCE.
11. THE FACILITY IS UNMANNED AND NOT FOR HUMAN HABITATION (NO HANDICAP ACCESS IS REQUIRED).



**MOUNT MODIFICATION DRAWINGS
EXISTING 16.17' PLATFORM**

**SITE NAME: MADISON 2 CT
SITE NUMBER: 468845

8 MEETING HOUSE LN
MADISON, CT 06443
NEW HAVEN COUNTY**

PROJECT INFORMATION	
SITE INFORMATION	
LATITUDE:	41.286099° N
LONGITUDE:	72.601676° W
JURISDICTION:	NEW HAVEN COUNTY
APPLICANT/LESSEE	
COMPANY:	VERIZON WIRELESS
CLIENT REPRESENTATIVE	
COMPANY:	VERIZON WIRELESS
ADDRESS:	118 FLANDERS ROAD, THIRD FLOOR
CITY, STATE, ZIP:	WESTBOROUGH, MA 01581
CONTACT:	ANDREW CANDIELLO
EMAIL:	ANDREW.CANDIELLO@VERIZONWIRELESS.COM
PROJECT MANAGER	
COMPANY:	MASER CONSULTING CONNECTICUT
CONTACT:	PETER ALBANO
PHONE:	856-797-0412
E-MAIL:	PETER.ALBANO@COLLIERENGINEERING.COM

SHEET INDEX	
SHEET	DESCRIPTION
T-1	TITLE SHEET
S-1	BILL OF MATERIALS
S-2	MODIFICATION NOTES
S-3	MODIFICATION NOTES
S-4	MODIFICATION DETAILS
S-5	MODIFICATION DETAILS
S-6	MODIFICATION DETAILS
S-7	MOUNT PHOTOS
	SPECIFICATION SHEETS

CONTRACTOR PMI REQUIREMENTS	
PMI LOCATION:	HTTPS://PMI.VZWSMART.COM
SMART TOOL PROJECT #:	10078669
VZW LOCATION CODE (PSLC):	468845
FUZE ID:	16244081
PMI REQUIREMENTS EMBEDDED WITHIN MOUNT MODIFICATION REPORT	

REFERENCED DOCUMENTS	
FAILING MOUNT ANALYSIS REPORT	
SMART TOOL PROJECT #:	10050373
MASER CONSULTING PROJECT #:	21777433A
ANALYSIS DATE:	6/11/2021

WILL BE KNOWN AS COLLIER ENGINEERING & DESIGN IN 2021
Customer Loyalty through Client Satisfaction
www.maserconsulting.com

Office Locations:

- NEW JERSEY
- NEW MEXICO
- NEW YORK
- MARYLAND
- PENNSYLVANIA
- GEORGIA
- VIRGINIA
- TEXAS
- FLORIDA
- TENNESSEE
- NORTH CAROLINA
- COLORADO
- SOUTH CAROLINA

Copyright © 2021. Maser Consulting All Rights Reserved. This drawing and the information contained herein is confidential for use only by the party for whom the services were rendered or to whom it is made. The drawing may be copied, revised, disclosed, distributed or relied upon for any other purpose without the express written consent of Maser Consulting.



811 PROTECT YOURSELF
ALL STATES REQUIRE NOTIFICATION OF EXCAVATORS, DESIGNERS, OR ANY PERSON PREPARING TO DISTURB THE EARTH'S SURFACE ANYWHERE IN ANY STATE

Know what's below.
Call before you dig.

FOR STATE SPECIFIC DIRECT PHONE NUMBERS VISIT:
WWW.CALL811.COM

REV	DATE	DESCRIPTION	DRAWN BY	CHECKED BY
0	6/29/2021	ISSUED FOR CONSTRUCTION	RNA	RNA

Digitally signed by Derek R. Hartzell
Date: 2021.06.29 18:22:22-04'00'

IT IS A VIOLATION OF LAW FOR ANY PERSON, UNLESS THEY ARE ACTING UNDER THE DIRECTION OF THE RESPONSIBLE LICENSED PROFESSIONAL ENGINEER, TO ALTER THIS DOCUMENT.

SITE NAME:

MADISON 2 CT
468845

8 MEETING HOUSE LN
MADISON, CT 06443
NEW HAVEN COUNTY

MT. LAUREL OFFICE
2000 Midantic Drive
Suite 100
Mount Laurel, NJ 08054
Phone: 856.797.0412
Fax: 856.722.1120

SHEET TITLE:
TITLE SHEET

SHEET NUMBER:
T-1

NOTE: DO NOT SCALE DRAWINGS FOR CONSTRUCTION.

**COPYRIGHT ©2021
MASER CONSULTING CONNECTICUT
ALL RIGHTS RESERVED**

THIS DRAWING AND ALL THE INFORMATION CONTAINED HEREIN IS AUTHORIZED FOR USE ONLY BY THE PARTY FOR WHOM THE WORK WAS CONTRACTED OR TO WHOM IT IS CERTIFIED. THIS DRAWING MAY NOT BE COPIED, REUSED, DISCLOSED, DISTRIBUTED OR RELIED UPON FOR ANY OTHER PURPOSE WITHOUT THE EXPRESS WRITTEN CONSENT OF MASER CONSULTING

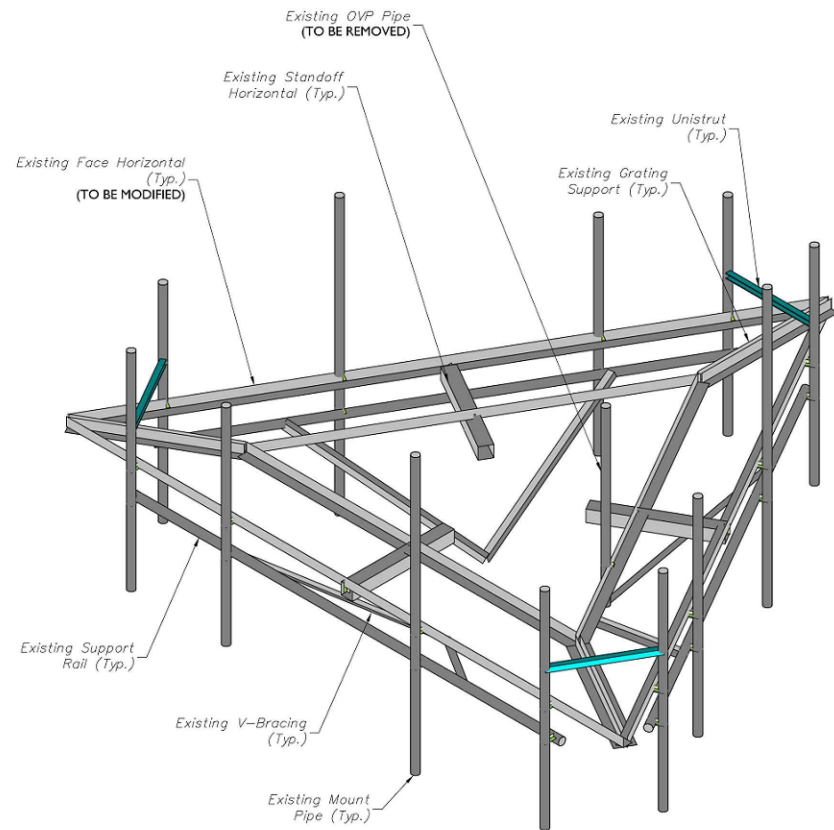
NOTE: THIS SHEET WAS CREATED BY OTHERS AND PROVIDED AT THE REQUEST OF THE CUSTOMER WITHOUT EDIT. PLEASE REFERENCE THE MOUNT ANALYSIS REPORT FOR COMPLETE MOUNT ANALYSIS CALCULATIONS AND DETAILS. SUPPLEMENTAL PAGES INCLUDED IN THE CONSTRUCTION DRAWINGS ARE FOR REFERENCE ONLY. GENERAL CONTRACTOR IS TO VERIFY THEY HAVE THE MOST RECENT MOUNT ANALYSIS PRIOR TO CONTRUCTION.

SUPPLEMENTAL

SHEET NUMBER:
R-603

REVISION:
-

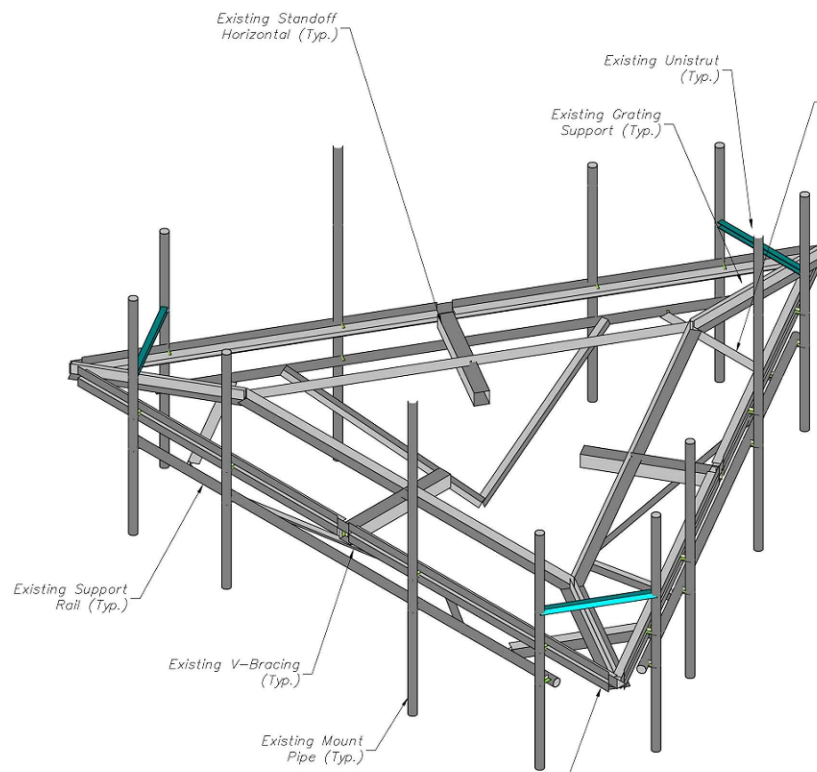
Copyright © 2021 ATC IP, LLC. All Rights Reserved.



1 EXISTING PLATFORM ISOMETRIC VIEW
SCALE: N.T.S.

STRUCTURAL NOTES:

- CONTRACTOR TO INSPECT CLIMBING FACILITIES AT SITE AND ENSURE THAT THE SAFETY CLIMB IS IN GOOD CONDITION AND THAT THE WIRE ROPE DOES NOT OR WILL NOT INTERFERE WITH THE EXISTING OR PROPOSED MOUNT CONNECTIONS. CONTRACTOR SHALL INSTALL SAFETY CLIMB WIRE ROPE GUIDED AROUND MOUNT CONNECTIONS AS NEEDED.
- INSTALL SHALL NOT CAUSE HARM TO THE STRUCTURE, CLIMBING FACILITY, SAFETY CLIMB, OR ANY SYSTEM INSTALLED ON THE STRUCTURE. TIMELY NOTICE AND DOCUMENTATION SHALL BE PROVIDED BY CONTRACTORS TO THE EOR (OF STRUCTURAL DESIGN) IF AN OBSTRUCTION WAS REQUIRED TO MEET THE RF SYSTEM DESIGN REQUIREMENTS AND PERFORMANCES.



2 PROPOSED PLATFORM ISOMETRIC VIEW
SCALE: N.T.S.

MODIFICATION NOTES:

- MOUNT MEMBERS NOT SHOWN FOR CLARITY U.N.O.
- CONTRACTOR TO VERIFY THE LENGTH REQUIRED AND TRIM AS NECESSARY IN ACCORDANCE WITH THE 'STRUCTURAL STEEL' NOTES ON SHEET S-2.
- CONTRACTOR SHALL CONNECT PROPOSED L3X3X1/4 ANGLES TO CORNER BRACKETS USING THE PROVIDED (8) 5/8" DIA. BOLTS, (4) BOLTS PER CONNECTION.
- CONTRACTOR TO ATTACH NEW ANGLE TO HORIZONTAL USING 1/2" DIA. A325N STITCH BOLTS AT 18" CC. REFER TO DETAIL 3 ON SHEET S-5.

PROPOSED SUPPORT RAIL CORNER BRACKET (PART #: VZWSMART-PLK3) WITH 42" LONG L3X3X1/4 ANGLES (TYP. OF 3, 1 PER SECTOR) REFER TO NOTES 2 AND 3

PROPOSED 92" LONG L3X3X1/4 FACE HORIZONTAL (TYP. OF 6, 2 PER SECTOR) REFER TO NOTES 2 AND 4

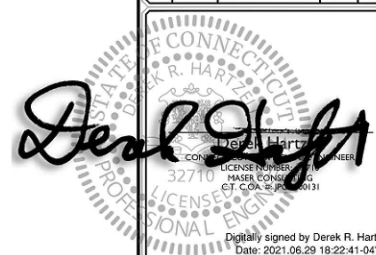


- OFFICE LOCATIONS:
- NEW JERSEY
 - NEW YORK
 - PENNSYLVANIA
 - VIRGINIA
 - FLORIDA
 - NORTH CAROLINA
 - SOUTH CAROLINA
 - NEW MEXICO
 - MARYLAND
 - GEORGIA
 - TEXAS
 - TENNESSEE
 - COLORADO



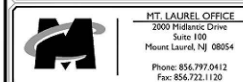
SCALE: AS SHOWN JOB NUMBER: 21777433A

REV	DATE	DESCRIPTION	DRAWN BY	CHECKED BY
0	4/29/2021	ISSUED FOR CONSTRUCTION	RNA	RNA



IT IS A VIOLATION OF LAW FOR ANY PERSON, UNLESS THEY ARE ACTING UNDER THE DIRECTION OF THE RESPONSIBLE LICENSED PROFESSIONAL ENGINEER, TO ALTER THIS DOCUMENT.

SITE NAME:
MADISON 2 CT
468845
8 MEETING HOUSE LN
MADISON, CT 06443
NEW HAVEN COUNTY



MODIFICATION DETAILS

SHEET NUMBER: S-4

NOTE: THIS SHEET WAS CREATED BY OTHERS AND PROVIDED AT THE REQUEST OF THE CUSTOMER WITHOUT EDIT. PLEASE REFERENCE THE MOUNT ANALYSIS REPORT FOR COMPLETE MOUNT ANALYSIS CALCULATIONS AND DETAILS. SUPPLEMENTAL PAGES INCLUDED IN THE CONSTRUCTION DRAWINGS ARE FOR REFERENCE ONLY. GENERAL CONTRACTOR IS TO VERIFY THEY HAVE THE MOST RECENT MOUNT ANALYSIS PRIOR TO CONSTRUCTION.