



August 05, 2014

David Martin and  
Members of the Siting Council  
Connecticut Siting Council  
Ten Franklin Square  
New Britain, CT 06051

RE: Notice of Exempt Modification  
246 East Franklin Street  
Danielson, CT 06239  
Sprint Site #: NV2.5\_CT23XC407  
N 41° 47' 44.93"  
W -71° 52' 13.37"

Dear Mr. Martin and Members of the Siting Council:

On behalf of Sprint Spectrum, SBA Communications is submitting an exempt modification application to the Connecticut Siting council for modification of existing equipment at a tower facility located at 246 East Franklin Street, Danielson, CT.

The 246 East Franklin Street facility consists of a 159' Guyed Tower owned and operated by SBA Properties, LLC. In order to accommodate technological changes and enhance system performance in the State of Connecticut, Sprint Spectrum plans to modify the equipment configurations at many of its existing cell sites. Please accept this letter and attachments as notification, pursuant to R.C.S.A. Section 16-50j-73, of construction which constitutes an exempt modification pursuant to R.C.S.A. Section 16-50j-72(b)(2). In compliance with R.C.S.A. Section 16-50j-73, a copy of this letter and attachments is being sent to the chief elected official of the municipality in which the affected cell site is located.

As part of Sprint's Network Vision modification project, Sprint desires to upgrade their equipment to meet the new standards of 4G technology. The new equipment will allow customers to download files and browse the internet at a high rate of speed while also allowing their phones to be compatible with the latest 4G technology.

Attached is a summary of the planned modifications, including power density calculations reflecting the change in Sprint's operations at the site along with the required fee of \$625.

The changes to the facility do not constitute modifications as defined in Connecticut General Statutes ("C.G.S.") Section 16-50i(d) because the general physical characteristics of the facility will not be

significantly changed or altered. Rather, the planned changes to the facility fall squarely within those activities explicitly provided for in R.C.S.A. Section 16-50j-72(b)(2).

1. The overall height of the structure will be unaffected.
2. The proposed changes will not extend the site boundaries. There will be no effect on the site compound other than the new equipment cabinets.
3. The proposed changes will not increase the noise level at the existing facility by six decibels or more.
4. The changes in radio frequency power density will not increase the calculated "worst case" power density for the combined operations at the site to a level at or above the applicable standard for uncontrolled environments as calculated for a mixed frequency site.

For the foregoing reasons, SBA Communications on behalf of Sprint Spectrum, respectfully submits that the proposed changes at the referenced site constitute exempt modifications under R.C.S.A. Section 16-50j-72(b)(2).

Please feel free to call me at (508) 251-0720 x 3807 with any questions you may have concerning this matter.

Thank you,



Peter Nute  
SBA Communications Corporation  
33 Boston Post Road West Suite 320  
Marlborough, MA 01752  
508-251-0720 x 3807 + T  
508-251-1755 + F  
[Pnute@sbsite.com](mailto:Pnute@sbsite.com)



**Sprint Spectrum  
Equipment Modification**

246 East Franklin Street, Danielson, CT  
Site number CT23XC407

**Tower Owner:** SBA Properties, LLC

**Equipment Configuration:** Guyed Tower

**Current and/or approved:**

- (3) RFS APXVSP18-C-A20
- (3) ALU 1900 MHz RRHs
- (3) ALU 800 MHz RRHs
- (3) ALU 800 MHz Filters
- (4) RFS ACU-A20-N RETs
- (3) 1-1/4" Feed Lines

**Planned Modifications:**

- (3) RFS APXVSP18-C-A20
- (3) RFS APXVTM14-C-I20
- (3) ALU TD-RRH8x20-25 RRHs
- (3) ALU 1900 MHz RRHs
- (3) ALU 800 MHz RRHs
- (3) ALU 800 MHz Filters
- (4) RFS ACU-A20-N RETs
- (4) 1-1/4" Feed Lines

**Structural Information:**

The attached structural analysis demonstrates that the tower and foundation will have adequate structural capacity to accommodate the proposed modifications.

**Power Density:**

The anticipated Maximum Composite contributions from the Sprint facility are 2.83% of the allowable FCC established general public limit. The anticipated composite MPE value for this site assuming all carriers present is 43.52% of the allowable FCC established general public limit sampled at the ground level.

Site Composite MPE %	
Carrier	MPE %
Sprint	2.83%
AT&T	22.02%
MetroPCS	3.50%
Verizon Wireless	13.45%
T-Mobile	1.72%
<b>Total Site MPE %</b>	<b>43.52%</b>



August 05, 2014

Sean Hendricks  
Town Manager  
Town of Killingly  
Town Hall  
P.O. Box 6000  
172 Main Street  
Killingly, CT 06239

RE: Telecommunications Facility @ 246 East Franklin Street, Danielson CT

Dear Mr. Hendricks,

In order to accommodate technological changes and enhance system performance in the State of Connecticut, Sprint Spectrum will be changing its equipment configuration at certain cell sites.

As required by Regulations of Connecticut State Agencies (R.C.S.A.) Section 16-50j-73, the Connecticut Siting Council has been notified of the changes and will review Sprint's proposal. Please accept this letter as notification under Section 16-50j-73 of construction which constitutes an exempt modification pursuant to R.C.S.A. Section 16-50j-72(b)(2).

The accompanying letter to the Siting Council fully describes Sprint's proposal for the referenced cell site. However, if you have any questions or require any further information on our plans or the Siting Council's procedures, please call me at (508) 251-0720 x 3807.

Thank you,

Peter Nute  
SBA Communications Corporation  
33 Boston Post Road West Suite 320  
Marlborough, MA 01752  
508-251-0720 x 3807 + T  
508-251-1755 + F  
[Pnute@sbsite.com](mailto:Pnute@sbsite.com)



August 05, 2014

Charles R. Hutchins  
246 East Franklin Street  
Danielson CT 06239-3806

RE: Telecommunications Facility @ 246 East Franklin Street, Danielson CT

Dear Mr. Hutchins,

In order to accommodate technological changes and enhance system performance in the State of Connecticut, Sprint Spectrum will be changing its equipment configuration at certain cell sites.

As required by Regulations of Connecticut State Agencies (R.C.S.A.) Section 16-50j-73, the Connecticut Siting Council has been notified of the changes and will review Sprint's proposal. Please accept this letter as notification under Section 16-50j-73 of construction which constitutes an exempt modification pursuant to R.C.S.A. Section 16-50j-72(b)(2).

The accompanying letter to the Siting Council fully describes Sprint's proposal for the referenced cell site. However, if you have any questions or require any further information on our plans or the Siting Council's procedures, please call me at (508) 251-0720 x 3807.

Thank you,

A handwritten signature in blue ink, appearing to read "Peter Nute", is positioned below the "Thank you," text.

Peter Nute  
SBA Communications Corporation  
33 Boston Post Road West Suite 320  
Marlborough, MA 01752  
508-251-0720 x 3807 + T  
508-251-1755 + F  
[Pnute@sbsite.com](mailto:Pnute@sbsite.com)

RADIO FREQUENCY FCC REGULATORY COMPLIANCE  
MAXIMUM PERMISSIBLE EXPOSURE (MPE) ASSESSMENT

Sprint Existing Facility

Site ID: CT23XC407

Danielson

246 East Franklin Street  
Danielson, CT 06239

**July 29, 2014**

**EBI Project Number: 62144091**

July 29, 2014

Sprint  
Attn: RF Engineering Manager  
1 International Boulevard, Suite 800  
Mahwah, NJ 07495

Re: Radio Frequency Maximum Permissible Exposure (MPE) Assessment for Site:  
**CT23XC407 - Danielson**

**Site Total: 43.52% - MPE% in full compliance**

EBI Consulting was directed to analyze the proposed upgrades to the existing Sprint facility located at 246 East Franklin Street, Danielson, CT, for the purpose of determining whether the radio frequency (RF) exposure levels from the proposed Sprint equipment upgrades on this property are within specified federal limits.

All information used in this report was analyzed as a percentage of current Maximum Permissible Exposure (% MPE) as listed in the FCC OET Bulletin 65 Edition 97-01 and ANSI/IEEE Std C95.1. The FCC regulates Maximum Permissible Exposure in units of microwatts per square centimeter ( $\mu\text{W}/\text{cm}^2$ ). The number of  $\mu\text{W}/\text{cm}^2$  calculated at each sample point is called the power density. The exposure limit for power density varies depending upon the frequencies being utilized. Wireless Carriers and Paging Services use different frequency bands each with different exposure limits, therefore it is necessary to report results and limits in terms of percent MPE rather than power density.

All results were compared to the FCC (Federal Communications Commission) radio frequency exposure rules, 47 CFR 1.1307(b)(1) – (b)(3), to determine compliance with the Maximum Permissible Exposure (MPE) limits for General Population/Uncontrolled environments as defined below.

General population/uncontrolled exposure limits apply to situations in which the general public may be exposed or in which persons who are exposed as a consequence of their employment may not be made fully aware of the potential for exposure or cannot exercise control over their exposure. Therefore, members of the general public would always be considered under this category when exposure is not employment related, for example, in the case of a telecommunications tower that exposes persons in a nearby residential area.

Public exposure to radio frequencies is regulated and enforced in units of microwatts per square centimeter ( $\mu\text{W}/\text{cm}^2$ ). The general population exposure limit for the cellular band (850 MHz Band) is approximately  $567 \mu\text{W}/\text{cm}^2$ , and the general population exposure limit for the 1900 MHz and 2500 MHz bands is  $1000 \mu\text{W}/\text{cm}^2$ . Because each carrier will be using different frequency bands, and each frequency band has different exposure limits, it is necessary to report percent of MPE rather than power density.

Occupational/controlled exposure limits apply to situations in which persons are exposed as a consequence of their employment and in which those persons who are exposed have been made fully aware of the potential for exposure and can exercise control over their exposure. Occupational/controlled exposure limits also apply where exposure is of a transient nature as a result of incidental passage through a location where exposure levels may be above general population/uncontrolled limits (see below), as long as the exposed person has been made fully aware of the potential for exposure and can exercise control over his or her exposure by leaving the area or by some other appropriate means.

Additional details can be found in FCC OET 65.

## **CALCULATIONS**

Calculations were done for the proposed upgrades to the existing Sprint Wireless antenna facility located at 246 East Franklin Street, Danielson, CT, using the equipment information listed below. All calculations were performed per the specifications under FCC OET 65. All calculations were performed assuming a lobe representing the maximum gain of the antenna per the antenna manufactures supplied specifications, minus 10 dB, was focused at the base of the tower. For this report the sample point is the top of a 6 foot person standing at the base of the tower.

For all calculations, all emissions were calculated using the following assumptions:

- 1) 3 channels in the 1900 MHz Band were considered for each sector of the proposed installation.
- 2) 1 channel in the 800 MHz Band was considered for each sector of the proposed installation
- 3) 2 channels in the 2500 MHz Band were considered for each sector of the proposed installation.
- 4) All radios at the proposed installation were considered to be running at full power and were uncombined in their RF transmissions paths per carrier prescribed configuration. Per FCC OET Bulletin No. 65 - Edition 97-01 recommendations to achieve the maximum anticipated value at each sample point, all power levels emitting from the proposed antenna installation are increased by a factor of 2.56 to account for possible in-phase reflections from the surrounding environment. This is rarely the case, and if so, is never continuous.
- 5) For the following calculations the sample point was the top of a six foot person standing at the base of the tower. The maximum gain of the antenna per the antenna manufactures supplied specifications minus 10 dB was used in this direction. This value is a very conservative estimate as gain reductions for these particular antennas are typically much higher in this direction.



- 6) The antennas used in this modeling are the RFS APXVSPP18-C-A20 and the RFS APXVTM14-C-I20. This is based on feedback from the carrier with regards to anticipated antenna selection. The RFS APXVSPP18-C-A20 has a 15.9 dBd gain value at its main lobe at 1900 MHz and 13.4 dBd at its main lobe for 850 MHz. The RFS APXVTM14-C-I20 has a 15.9 dBd gain value at its main lobe at 2500 MHz. The maximum gain of the antenna per the antenna manufactures supplied specifications, minus 10 dB, was used for all calculations. This value is a very conservative estimate as gain reductions for these particular antennas are typically much higher in this direction.
- 7) The antenna mounting height centerline for the proposed antennas is **147 feet** above ground level (AGL).
- 8) Emissions values for additional carriers were taken from the Connecticut Siting Council active database. Values in this database are provided by the individual carriers themselves.

All calculation were done with respect to uncontrolled / general public threshold limits

Site ID	CT23XC407 - Danielson
Site Address	246 EastFranklin Street, Danielson, CT, 06239
Site Type	Monopole

**Sector 1**

Antenna Number	Antenna Make	Antenna Model	Radio Type	Frequency Band	Technology	Power Out Per Channel (Watts)	Number of Channels	Composite Power	Antenna Gain (10 db reduction)	Antenna Height (ft)	analysis height	Cable Size	Cable Loss (dB)	Additional Loss (dB)	ERP	Power Density Percentage
1a	RFS	APXVSP18-C-A20	RRH	1900 MHz	CDMA / LTE	20	3	60	5.9	147	141	1/2 "	0.5	0	208.04	0.38%
1a	RFS	APXVSP18-C-A20	RRH	850 MHz	CDMA / LTE	20	1	20	3.4	147	141	1/2 "	0.5	0	39.00	0.12%
1B	RFS	APXVTMM14-C-120	RRH	2500 MHz	CDMA / LTE	20	2	40	5.9	147	141	1/2 "	0.5	0	138.69	0.44%
Sector total Power Density Value:																0.94%

**Sector 2**

Antenna Number	Antenna Make	Antenna Model	Radio Type	Frequency Band	Technology	Power Out Per Channel (Watts)	Number of Channels	Composite Power	Antenna Gain (10 db reduction)	Antenna Height (ft)	analysis height	Cable Size	Cable Loss (dB)	Additional Loss (dB)	ERP	Power Density Percentage
2a	RFS	APXVSP18-C-A20	RRH	1900 MHz	CDMA / LTE	20	3	60	5.9	147	141	1/2 "	0.5	0	208.04	0.38%
2a	RFS	APXVSP18-C-A20	RRH	850 MHz	CDMA / LTE	20	1	20	3.4	147	141	1/2 "	0.5	0	39.00	0.12%
2B	RFS	APXVTMM14-C-120	RRH	2500 MHz	CDMA / LTE	20	2	40	5.9	147	141	1/2 "	0.5	0	138.69	0.44%
Sector total Power Density Value:																0.94%

**Sector 3**

Antenna Number	Antenna Make	Antenna Model	Radio Type	Frequency Band	Technology	Power Out Per Channel (Watts)	Number of Channels	Composite Power	Antenna Gain (10 db reduction)	Antenna Height (ft)	analysis height	Cable Size	Cable Loss (dB)	Additional Loss (dB)	ERP	Power Density Percentage
3a	RFS	APXVSP18-C-A20	RRH	1900 MHz	CDMA / LTE	20	3	60	5.9	147	141	1/2 "	0.5	0	208.04	0.38%
3a	RFS	APXVSP18-C-A20	RRH	850 MHz	CDMA / LTE	20	1	20	3.4	147	141	1/2 "	0.5	0	39.00	0.12%
3B	RFS	APXVTMM14-C-120	RRH	2500 MHz	CDMA / LTE	20	2	40	5.9	147	141	1/2 "	0.5	0	138.69	0.44%
Sector total Power Density Value:																0.94%

Site Composite MPE %	
Carrier	MPE %
Sprint	2.83%
AT&T	22.02%
MetroPCS	3.50%
Verizon Wireless	13.45%
T-Mobile	1.72%
<b>Total Site MPE %</b>	<b>43.52%</b>

## Summary

All calculations performed for this analysis yielded results that were well within the allowable limits for general public Maximum Permissible Exposure (MPE) to radio frequency energy.

The anticipated Maximum Composite contributions from the Sprint facility are **2.83% (0.94% from sector 1, 0.94% from sector 2 and 0.94% from sector 3)** of the allowable FCC established general public limit considering all three sectors simultaneously sampled at the ground level.

The anticipated composite MPE value for this site assuming all carriers present is **43.52%** of the allowable FCC established general public limit sampled at 6 feet above ground level. This total composite site value is based upon MPE values listed in the Connecticut Siting Council database for existing carrier emissions.

FCC guidelines state that if a site is found to be out of compliance (over allowable thresholds), that carriers over a 5% contribution to the composite value will require measures to bring the site into compliance. For this facility, the composite values calculated were well within the allowable 100% threshold standard per the federal government.



**Scott Heffernan**  
RF Engineering Director

**EBI Consulting**  
21 B Street  
Burlington, MA 01803



FDH Engineering, Inc., 6521 Meridien Dr. Raleigh, NC 27616, Ph. 919.755.1012, Fax 919.755.1031

**Structural Analysis for  
SBA Network Services, Inc.**

**155' Monopole Tower**

**SBA Site Name: Danielson  
SBA Site ID: CT00302-S-02  
Sprint Site ID: CT23XC407**

FDH Project Number 1466VA1400

**Analysis Results**

Tower Components	94.0%	Sufficient
Foundation	59.4%	Sufficient

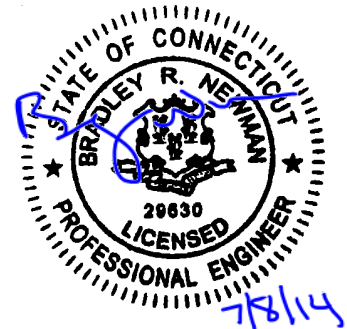
Prepared By:

David Zambrano, EI  
Project Engineer

Reviewed By:

Bradley R. Newman, PE  
Senior Project Engineer  
CT PE License No. 29630

**FDH Engineering, Inc.**  
6521 Meridien Drive  
Raleigh, NC 27616  
(919) 755-1012  
info@fdh-inc.com



July 8, 2014

*Prepared pursuant to TIA/EIA-222-F Structural Standards for Steel Antenna Towers and Antenna Supporting Structures and the 2005 Connecticut Building Code*

**TABLE OF CONTENTS**

EXECUTIVE SUMMARY ..... 3

    Conclusions..... 3

    Recommendations..... 3

APPURTENANCE LISTING ..... 4

RESULTS ..... 5

GENERAL COMMENTS ..... 6

LIMITATIONS ..... 6

APPENDIX ..... 7

## EXECUTIVE SUMMARY

At the request of SBA Network Services, Inc., FDH Engineering, Inc. performed a structural analysis of the monopole located in Danielson, CT to determine whether the tower is structurally adequate to support both the existing and proposed loads pursuant to the *Structural Standards for Steel Antenna Towers and Antenna Supporting Structures, TIA/EIA-222-F* and the *2005 Connecticut Building Code (CBC)*. Information pertaining to the existing/proposed antenna loading, current tower geometry, geotechnical data, foundation dimensions, and member sizes was obtained from:

- Fred A. Nudd Corporation (Project No. 6410) Design of 155' Monopole dated October 27, 1998
- Jaworksi Geotech, Inc. (Project No. C98423G) Geotechnical Evaluation dated October 14, 1998
- Vertical Structures, Inc. (Job No. TA2009-007-021) 2009 Modifications Tower Rework For A 155' Nudd M-200 Monopole dated July 16, 2009
- Vertical Structures, Inc. (Job No. TA2008-007-031) 2008 Modifications Tower Rework For A 155' Nudd M-200 Monopole dated November 10, 2008
- Vertical Structures, Inc. (Job No. 2002-007-001) 2002 Modifications Tower Rework For A 155' Monopole dated October 7, 2002
- FDH Engineering, Inc. (Project No. 12-01571E S4) Modification Drawings for a 155' Monopole dated January 23, 2013
- FDH, Inc. (Project No. 1301411700) Modification Inspection Report dated July 23, 2013
- FDH, Inc. (Job No. 1301411700) TIA Inspection Report dated July 25, 2013
- FDH Engineering, Inc. (Project No. 1466VA1400) Modification Drawings for a 155' Monopole dated July 8, 2014
- SBA Network Services, Inc.

The *basic design wind speed* per the *TIA/EIA-222-F* standards and the *2005 CBC* is 85 mph without ice and 38 mph with 1" radial ice. Ice is considered to increase in thickness with height.

## Conclusions

With the existing and proposed antennas from Sprint in place at 147 ft, the tower meets the requirements of the *TIA/EIA-222-F* standards and the *2005 CBC* provided the **Recommendations** listed below are satisfied. Furthermore, provided the foundation was constructed per the original design drawings (see Fred A. Nudd Project No. 6410) and using the existing soil parameters (see Jaworksi Geotech, Inc. Project No. C98423G), the foundation should have the necessary capacity to support both the proposed and existing loading. For a more detailed description of the analysis of the tower, see the **Results** section of this report.

Our structural analysis has been performed assuming all information provided to FDH Engineering, Inc. is accurate (i.e., the steel data, tower layout, existing antenna loading, and proposed antenna loading) and that the tower has been properly erected and maintained per the original design drawings.

## Recommendations

To ensure the requirements of the *TIA/EIA-222-F* standards and the *2005 CBC* are met with the existing and proposed loading in place, we have the following recommendations:

1. The proposed feed lines should be installed inside of the monopole's shaft.
2. RRU/RRH Stipulation: The proposed equipment may be installed in any arrangement as determined by the client.
3. Modifications outlined in FDH Engineering, Inc. (Project No. 1466VA1400) Modification Drawings for a 155' Monopole dated July 8, 2014 must be correctly installed in order for this analysis to be valid.

## APPURTENANCE LISTING

The proposed and existing antennas with their corresponding cables/coax lines are shown in **Table 1**. *If the actual layout determined in the field deviates from the layout, FDH Engineering, Inc. should be contacted to perform a revised analysis.*

**Table 1 - Appurtenance Loading**

### Existing Loading:

Antenna Elevation (ft)	Description	Feed Lines <sup>1</sup>	Carrier	Mount Elevation (ft)	Mount Type
155	(3) Antel BXA-70063/6CF (6) Antel LPA-80080/4CF (3) Antel BXA-171085/12BF (3) Antel BXA-171063/12CF (3) Alcatel Lucent RRH2x40-AWS RRHs (6) RFS FD9R6004/2C-3L Diplexers (1) RFS DB-T1-6Z-8AB-0Z Distribution Box	(12) 1-5/8" (1) 1-5/8" Fiber	Verizon	157	(1) 14' Low Profile Platform
147	(3) RFS APXVSP18-C-A20 (3) ALU 1900 MHz RRHs (3) ALU 800 MHz RRHs (3) ALU 800 MHz Filters (4) RFS ACU-A20-N RETs	(3) 1-1/4"	Sprint	147.5	(1) 14' Low Profile Platform
137	(6) Dapa 59212	(6) 1-5/8"	T-Mobile	137	(1) 14' Low Profile Platform
127	(6) Powerwave 7770.00 (3) KMW AM-X-CD-17-65-00T (6) Powerwave LGP21401 TMAs (6) Powerwave LGP21903 Diplexers	(12) 1-5/8" (2) 3/4" DC (1) 7/16" Fiber	New Cingular	125	(1) 14' Low Profile Platform
125	(6) Ericsson RRUS-11 RRUs (1) Raycap DC2-48-60-18-8F Surge Arrestor				(1) Universal Ring Mount (Part No. LWRM)
117	(6) Kathrein 742 351	(12) 1-5/8" (1) 3/8"	Metro PCS	117	(3) 12' T-Frames
35	(1) Decibel DB589 Omni	(2) 7/8"	American Messaging	31	(1) Standoff

1. Feed lines installed inside the monopole shaft unless otherwise noted.

### Proposed Loading:

Antenna Elevation (ft)	Description	Feed Lines	Carrier	Mount Elevation (ft)	Mount Type
147	(3) RFS APXVSP18-C-A20 (3) RFS APXVTM14-C-I20 (3) ALU TD-RRH8x20-25 RRHs (3) ALU 1900 MHz RRHs (3) ALU 800 MHz RRHs (3) ALU 800 MHz Filters (4) RFS ACU-A20-N RETs	(4) 1-1/4"	Sprint	147.5	(1) 14' Low Profile Platform

## RESULTS

The following yield strength of steel for individual members was used for analysis:

**Table 2 - Material Strength**

Member Type	Yield Strength
Tower Shaft Sections	53 ksi & 50 ksi
Base Plate	36 ksi
Anchor Bolts	90 ksi & 105 ksi

**Table 3** displays the summary of the ratio (as a percentage) of force in the member to their capacities. Values greater than 100% indicate locations where the maximum force in the member exceeds its capacity. *Note: Capacities up to 100% are considered acceptable.* **Table 4** displays the maximum foundation reactions.

If the assumptions outlined in this report differ from actual field conditions, FDH Engineering, Inc. should be contacted to perform a revised analysis. Furthermore, as no information pertaining to the allowable twist and sway requirements for the existing or proposed appurtenances was provided, deflection and rotation were not taken into consideration when performing this analysis.

See the **Appendix** for detailed modeling information.

**Table 3 - Summary of Working Percentage of Structural Components**

Section No.	Elevation (ft)	Component Type	Size	% Capacity*	Pass Fail
L1	155 - 115	Modified Pole	TP33.925x26.125x0.25	84.7	Pass
L2	115 - 100	Modified Pole	TP36.474x32.45x0.25	92.2	Pass
L3	100 - 70	Modified Pole	TP41.57x36.474x0.3125	92.0	Pass
L4	70 - 36	Modified Pole	TP47.358x39.9258x0.375	94.0	Pass
L5	36 - 0	Modified Pole	TP53.9x45.4932x0.4331	92.2	Pass
-	0	Anchor Bolts	(20) 2" Ø on 61" Ø BC	81.5	Pass
-	0		(6) 2" Ø on 69" BC	88.7	Pass
-	0	Base Plate	67" Ø x 1.75" thk.	33.6	Pass
-	0	Base Stiffeners	6" x 0.75"	49.0	Pass

\* Capacities include 1/3 allowable stress increase per TIA/EIA-222-F standards.

**Table 4 - Maximum Base Reactions**

Base Reactions	Current Analysis* (TIA/EIA-222-F)	Original Design (TIA/EIA-222-F)
Axial	55 k	29 k
Shear	42 k	38 k
Moment	4,413 k-ft	3,559 k-ft

\*Foundation determined to be adequate per independent analysis.



## **GENERAL COMMENTS**

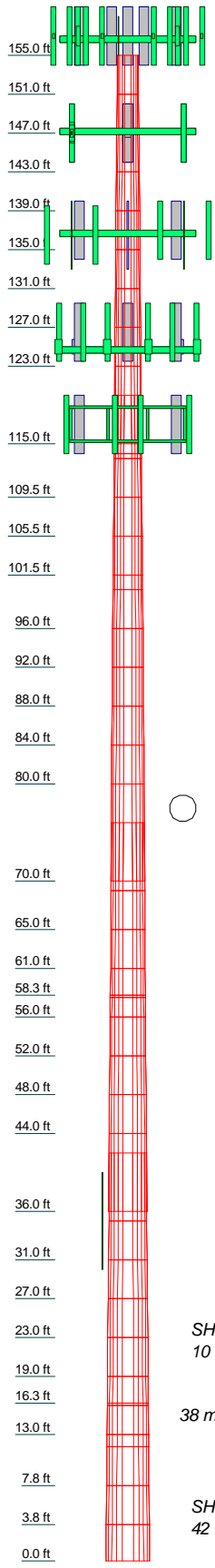
This engineering analysis is based upon the theoretical capacity of the structure. It is not a condition assessment of the tower and its foundation. It is the responsibility of SBA Network Services, Inc. to verify that the tower modeled and analyzed is the correct structure (with accurate antenna loading information) modeled. If there are substantial modifications to be made or the assumptions made in this analysis are not accurate, FDH Engineering, Inc. should be notified immediately to perform a revised analysis.

## **LIMITATIONS**

All opinions and conclusions are considered accurate to a reasonable degree of engineering certainty based upon the evidence available at the time of this report. All opinions and conclusions are subject to revision based upon receipt of new or additional/updated information. All services are provided exercising a level of care and diligence equivalent to the standard and care of our profession. No other warranty or guarantee, expressed or implied, is offered. Our services are confidential in nature and we will not release this report to any other party without the client's consent. The use of this engineering work is limited to the express purpose for which it was commissioned and it may not be reused, copied, or distributed for any other purpose without the written consent of FDH Engineering, Inc.

## **APPENDIX**

Section	Length (ft)	Number of Sides	Thickness (in)	Socket Length (ft)	Top Dia (in)	Bot Dia (in)	Grade	Weight (K)
1								
2								
3								
4								
5								
6								
7								
8								
9								
10								
11								
12								
13								
14								
15								
16								
17								
18								
19								
20								
21								
22								
23								
24								
25								
26								
27								
28								
29								
30								
31								
32								
33								
34								
35								
36								
37								
38								
39								
40								
41								
42								
43								
44								



**DESIGNED APPURTENANCE LOADING**

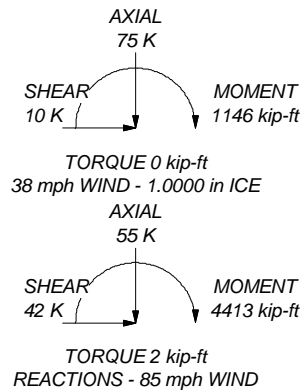
TYPE	ELEVATION	TYPE	ELEVATION
GPS	160	800 MHz Filter	147.5
4.5' x 1.64" Pipe Mount	160	(2) ACU-A20-N RET	147.5
BXA-70063/6CF w/ Mount Pipe	157	ACU-A20-N RET	147.5
BXA-70063/6CF w/ Mount Pipe	157	ACU-A20-N RET	147.5
BXA-70063/6CF w/ Mount Pipe	157	14.5' Low Profile Platform	147.5
(2) LPA-80080/4CF w/ Mount Pipe	157	(2) 59212 w/ Mount Pipe	137
(2) LPA-80080/4CF w/ Mount Pipe	157	RR90-17-02DP w/Mount Pipe	137
(2) LPA-80080/4CF w/ Mount Pipe	157	RR90-17-02DP w/Mount Pipe	137
BXA-171085-12BF w/ Mount Pipe	157	Empty Mount Pipe	137
BXA-171085-12BF w/ Mount Pipe	157	(2) Empty Mount Pipe	137
BXA-171085-12BF w/ Mount Pipe	157	(2) Empty Mount Pipe	137
BXA-171063/12CF w/ Mount Pipe	157	14.5' Low Profile Platform	137
BXA-171063/12CF w/ Mount Pipe	157	(2) 7770.00 w/Mount Pipe	125
BXA-171063/12CF w/ Mount Pipe	157	(2) 7770.00 w/Mount Pipe	125
RRH2X40-AWS	157	(2) 7770.00 w/Mount Pipe	125
RRH2X40-AWS	157	AM-X-CD-17-65-00T-RET w/ Mount Pipe	125
RRH2X40-AWS	157	AM-X-CD-17-65-00T-RET w/ Mount Pipe	125
(2) FD9R6004/2C-3L Diplexer	157	AM-X-CD-17-65-00T-RET w/ Mount Pipe	125
(2) FD9R6004/2C-3L Diplexer	157	(2) LGP21401 TMA	125
(2) FD9R6004/2C-3L Diplexer	157	(2) LGP21401 TMA	125
DB-T1-6Z-8AB-0Z Distribution Box	157	Lightning Rod	125
14.5' Low Profile Platform	157	(2) LGP21401 TMA	125
APXVSP18-C-A20 w/Mount Pipe	147.5	(2) LGP21903 Diplexer	125
APXVSP18-C-A20 w/Mount Pipe	147.5	(2) LGP21903 Diplexer	125
APXVSP18-C-A20 w/Mount Pipe	147.5	(2) LGP21903 Diplexer	125
APXVTM14-C-I20 w/Mount Pipe	147.5	(2) RRU-11	125
APXVTM14-C-I20 w/Mount Pipe	147.5	(2) RRU-11	125
APXVTM14-C-I20 w/Mount Pipe	147.5	(2) RRU-11	125
TD-RRH8x20-25	147.5	DC2-48-60-18-8F	125
TD-RRH8x20-25	147.5	12.5' Low Profile Platform	125
TD-RRH8x20-25	147.5	Universal Ring Mount	125
1900 MHz RRH	147.5	(2) 742 351 w/ Mount Pipe	117
1900 MHz RRH	147.5	(2) 742 351 w/ Mount Pipe	117
800 MHz RRH	147.5	(2) 742 351 w/ Mount Pipe	117
800 MHz RRH	147.5	(3) T-Frames	117
800 MHz RRH	147.5	DB589	31
800 MHz Filter	147.5	3.58' Standoff	31
800 MHz Filter	147.5		

**MATERIAL STRENGTH**

GRADE	Fy	Fu	GRADE	Fy	Fu
A36M-50	50 ksi	65 ksi	A36M-53	53 ksi	60 ksi

**TOWER DESIGN NOTES**

- Tower is located in Windham County, Connecticut.
- Tower designed for a 85 mph basic wind in accordance with the TIA/EIA-222-F Standard.
- Tower is also designed for a 38 mph basic wind with 1.00 in ice. Ice is considered to increase in thickness with height.
- Deflections are based upon a 50 mph wind.



**FDH Engineering, Inc.**  
 6521 Meridien Drive, Suite 107  
 Raleigh, NC 27616  
 Phone: (919) 755-1012  
 FAX: (919) 755-1031

Job: <b>Danielson, CT00302-S-02</b>			
Project: <b>1466VA1400</b>			
Client: <b>SBA Network Services, Inc.</b>	Drawn by: <b>David Zambrano</b>	App'd:	
Code: <b>TIA/EIA-222-F</b>	Date: <b>07/08/14</b>	Scale: <b>NTS</b>	
Path:		Dwg No. <b>E-1</b>	



*Daniel P. Hamm*

CHECKED BY: KB

APPROVED BY: DPH

SUBMITTALS			
REV.	DATE	DESCRIPTION	BY
2	05/16/14	ISSUED FOR CONSTRUCTION	SF
1	05/08/14	ISSUED FOR CONSTRUCTION	SF
0	05/02/14	ISSUED FOR CONSTRUCTION	SF

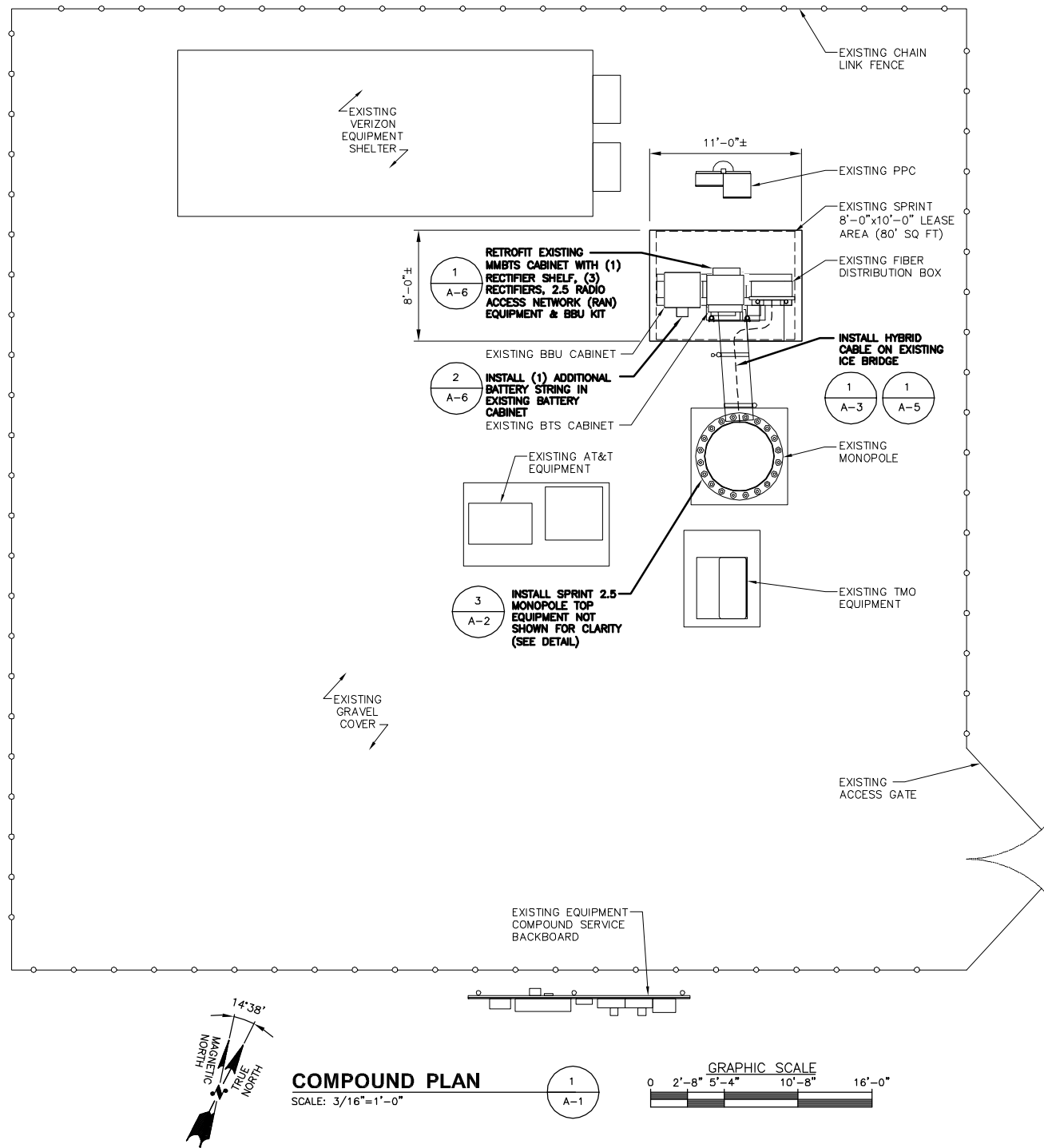
SITE NUMBER:  
CT23XC407-A

SITE NAME:  
DANIELSON

SITE ADDRESS:  
246 EAST FRANKLIN STREET  
DANIELSON, CT 6239

SHEET TITLE  
COMPOUND PLAN

SHEET NUMBER  
A-1



1  
A-6  
RETROFIT EXISTING MMBTS CABINET WITH (1) RECTIFIER SHELF, (3) RECTIFIERS, 2.5 RADIO ACCESS NETWORK (RAN) EQUIPMENT & BBU KIT

2  
A-6  
INSTALL (1) ADDITIONAL BATTERY STRING IN EXISTING BATTERY CABINET



SOURCE: HDG 05-02-14

RAN EQUIPMENT PHOTO DETAIL 2  
SCALE: N.T.S.

COMPOUND PLAN  
SCALE: 3/16"=1'-0"



CHECKED BY: KB

APPROVED BY: DPH

SUBMITTALS			
REV.	DATE	DESCRIPTION	BY
2	05/16/14	ISSUED FOR CONSTRUCTION	SF
1	05/08/14	ISSUED FOR CONSTRUCTION	SF
0	05/02/14	ISSUED FOR CONSTRUCTION	SF

SITE NUMBER:  
CT23XC407-A

SITE NAME:  
DANIELSON

SITE ADDRESS:  
246 EAST FRANKLIN STREET  
DANIELSON, CT 6239

SHEET TITLE  
ELEVATION AND  
ANTENNA PLANS

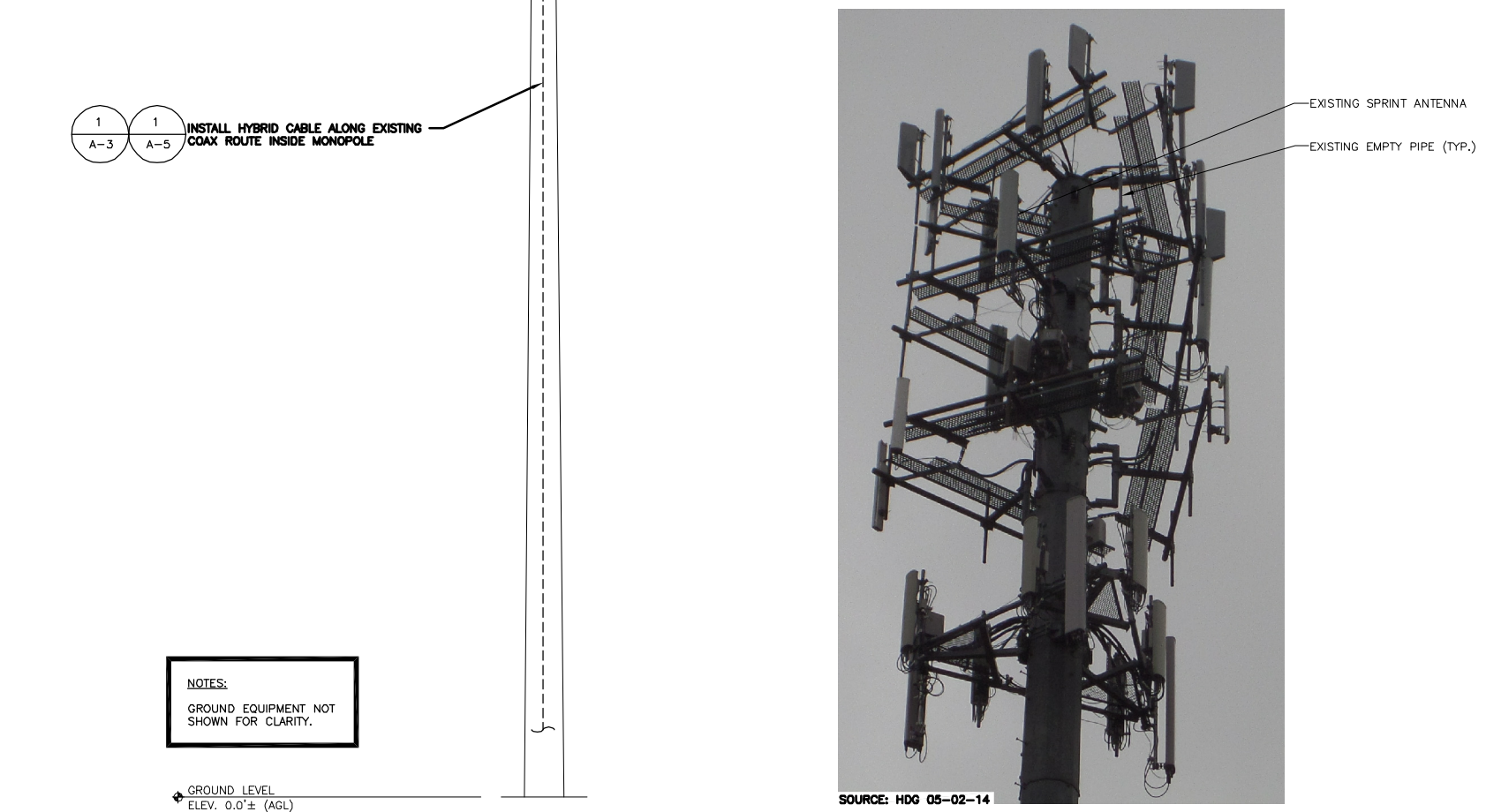
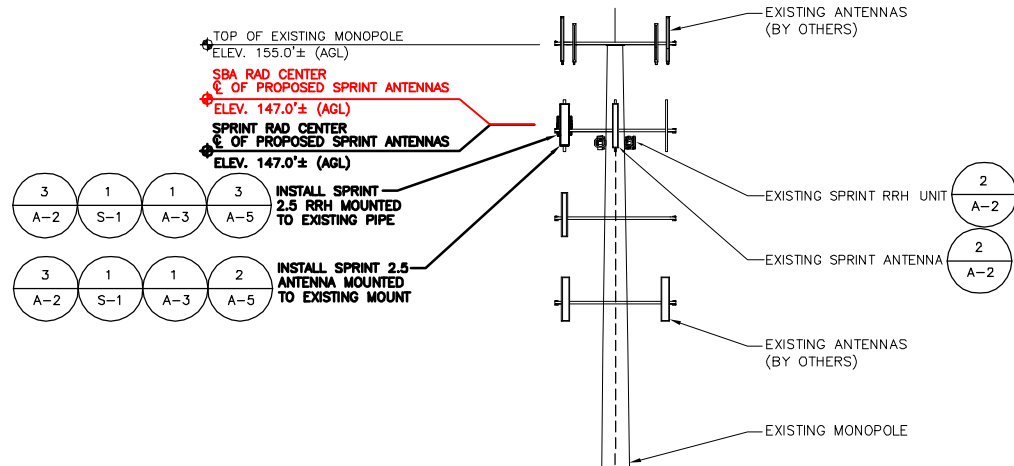
SHEET NUMBER  
A-2

**SPECIAL CONSTRUCTION NOTE:**  
THE SPRINT NETWORK VISION 2.5 GHZ TOWER TOP WORK IS CONTINGENT UPON COMPLETION OF ALL REQUIRED STRUCTURAL MODIFICATIONS, ENGINEERING CONSTRUCTION CONTROL INSPECTIONS, FINAL ENGINEERING AFFIDAVIT, AND ACCEPTANCE/APPROVAL BY SBA COMMUNICATIONS GROUP.

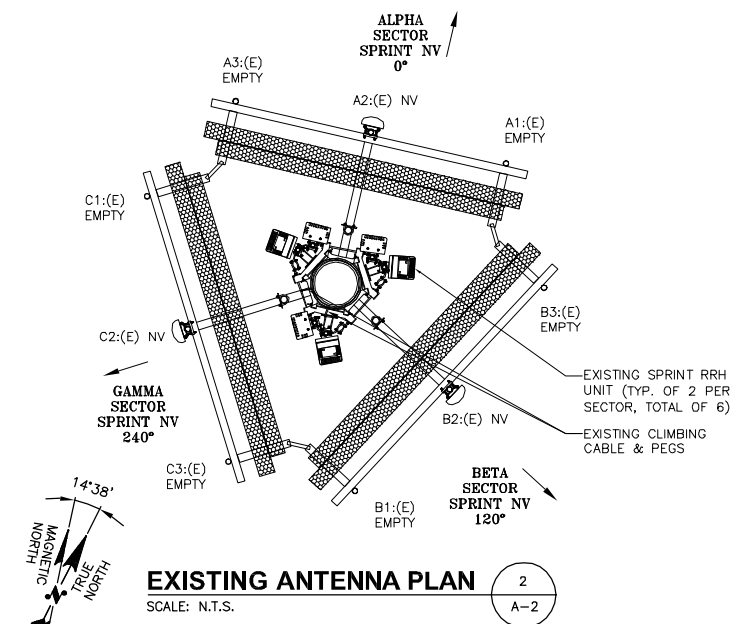
**SPECIAL CONSTRUCTION NOTE:**  
SPRINT TOWER TOP WORK IS CONTINGENT ON THE FOLLOWING:  
 \* COMPLETION OF A GLOBAL STRUCTURAL STABILITY ANALYSIS (PROVIDED BY TOWER OWNER).  
 \* COMPLETION OF AN ANTENNA/RRH MOUNT STRUCTURAL ASSESSMENT (PROVIDED BY A&E VENDOR).  
 \* GC SHALL FURNISH, INSTALL AND COMPLETE ALL REQUIRED STRUCTURAL MODIFICATIONS AS INDICATED IN BEFORE-MENTIONED ANALYSIS AND ASSESSMENT.  
 \* SBA COMMUNICATIONS CORPORATION SHALL PROVIDE WRITTEN ACCEPTANCE/APPROVAL FOR THE COMPLETION OF ALL TOWER/FOUNDATION STRUCTURAL MODIFICATIONS INCLUDING (AS NECESSARY) CONTROLLED CONSTRUCTION INSPECTIONS, SHOP-DRAWING APPROVALS, MATERIALS TEST RESULTS, AND FINAL ENGINEER'S AFFIDAVIT.

**NOTE:**  
EXISTING AZIMUTHS FROM SPRINT SITE AUDIT DATED 01/11/14

**NOTE:**  
SPRINT RAD CENTER SHOWN IN RED TEXT BASED ON SBA-PROVIDED COLLOCATION APPLICATION, EQUIPMENT DATABASE, AND STRUCTURAL ANALYSIS. THE SBA-PROVIDED ANTENNA RAD CENTER SHALL SUPERSEDE ANY CONFLICTING INFORMATION DERIVED FROM THE SPRINT NV 2.5 RFDS.



**EXISTING PARTIAL ELEVATION PHOTO DETAIL**  
SCALE: N.T.S.



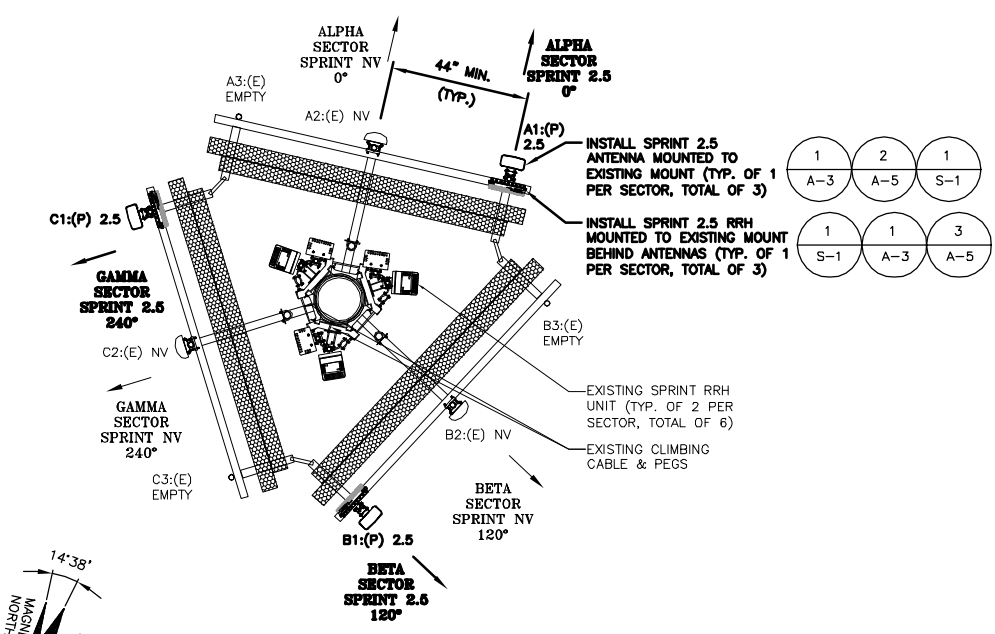
**EXISTING ANTENNA PLAN**  
SCALE: N.T.S.

**ANTENNA STATUS LEGEND:**

EMPTY - EMPTY PIPE  
 (E) - EXISTING  
 (P) - INSTALL  
 NV - SPRINT ANTENNA MODEL (APXVSP18-C-A20)  
 2.5 - SPRINT ANTENNA

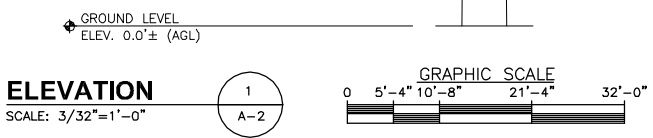
**NOTES:**  
1) VERIFY PROPOSED AZIMUTHS WITH RF ENGINEER PRIOR TO INSTALLATION

**SPECIAL WORK NOTE:**  
JUMPERS FROM 2.5 RRH TO 2.5 ANTENNA CAN NOT EXCEED 15'. NOTIFY SPRINT CONSTRUCTION MANAGER OF ANY DISCREPANCY.



**PROPOSED ANTENNA PLAN**  
SCALE: N.T.S.

**NOTES:**  
GROUND EQUIPMENT NOT SHOWN FOR CLARITY.



**ELEVATION**  
SCALE: 3/32"=1'-0"

**GRAPHIC SCALE**  
0 5'-4" 10'-8" 21'-4" 32'-0"