



Northeast Site Solutions
Denise Sabo
4 Angela's Way, Burlington CT 06013
203-435-3640
denise@northeastsitesolutions.com

September 3, 2021

Members of the Siting Council
Connecticut Siting Council
Ten Franklin Square
New Britain, CT 06051

RE: Exempt Modification Application
219 New Park Road, Hartford CT 06106
Latitude: 41.750775
Longitude: -72.713675
Site#: 876363_Crown_VZW

Dear Ms. Bachman:

Verizon Wireless is requesting to file an exempt modification for an existing tower located at 219 New Park Road, Hartford CT 06106. Verizon Wireless currently maintains nine (9) antennas at the 105-foot level of the existing 108-foot tower. The property is owned by Connecticut Light & Power Co and tower is owned by Crown Castle. Verizon now intends to add three (3) antenna. The new antennas would be installed at the 105-foot level of the tower. This modification includes B2, B5 hardware that is both 4G (LTE), and 5G capable. Mount Modifications are required as shown in the attached mount analysis by Maser Consulting dated June 15, 21021

Verizon Planned Modifications:

Remove: NONE

Remove and Replace: NONE

Install New:

(3) Sub6 MT6407-77A Antenna

Existing to Remain:

(3) BXA-70063-6CF Antenna

(6) SBNHH-1D65B Antenna

(3) Samsung B2/B66A -BRO49 – RFV01U-D1A RRU

(3) Samsung B5/B13 -BRO4C – RFV01U-D2A RRU

(1) Raycap

(1) RFS Celwave

(6) Coax Lines

(2) Hybrid Lines



The facility was approved by the CT Siting Council Petition No.889 on March 12, 2009. Please see attached

Please accept this letter as notification pursuant to Regulations of Connecticut State Agencies § 16- SOj-73, for construction that constitutes an exempt modification pursuant to R.C.S.A. § 16-50j-72(b)(2). In accordance with R.C.S.A. § 16-SOj-73, a copy of this letter is being sent to The Honorable Luke Bronin, Mayor for the City of Hartford, Aimee Chambers, Director of Planning, Crown Castle as the tower owner, and Conn Light & Power, property owner.

The planned modifications to the facility fall squarely within those activities explicitly provided for in R.C.S.A. § 16-50j-72(b)(2).

1. The proposed modifications will not result in an increase in the height of the existing structure.
2. The proposed modifications will not require the extension of the site boundary.
3. The proposed modifications will not increase noise levels at the facility by six decibels or more, or to levels that exceed state and local criteria.
4. The operation of the replacement antennas will not increase radio frequency emissions at the facility to a level at or above the Federal Communications Commission safety standard.
5. The proposed modifications will not cause a change or alteration in the physical or environmental characteristics of the site.
6. The existing structure and its foundation can support the proposed loading.

For the foregoing reasons, T-Mobile respectfully submits that the proposed modifications to the above referenced telecommunications facility constitute an exempt modification under R.C.S.A. § 16-50j-72(b)(2).

Sincerely,

Denise Sabo
Mobile: 203-435-3640
Fax: 413-521-0558
Office: 4 Angela's Way, Burlington CT 06013
Email: denise@northeastsitesolutions.com



NSS **NORTHEAST**
SITE SOLUTIONS
Turnkey Wireless Development

Attachments

cc: The Honorable Luke Bronin
City of Hartford – Mayor Office
550 Main Street, Hartford CT 06103

Aimee Chambers - Director of Planning
City of Hartford – Planning Department
250 Constitution Plaza #4, Hartford CT 06103

Conn Light & Power, Property Owner
107 Selden Street, Berlin CT 06037

Crown Castle, Tower Owner

Exhibit A

Original Facility Approval

Petition No. 889
Verizon Wireless
219 New Park Avenue, Hartford
Staff Report
March 12, 2009

On February 10, 2009, the Connecticut Siting Council received a Petition (Petition) from Celco Partnership d/b/a Verizon Wireless (Verizon Wireless) for a Declaratory Ruling that no Certificate of Environmental Compatibility and Public Need is Required for the proposed modifications to an existing 98-foot Crown Castle-owned monopole located at 219 New Park Avenue, Hartford. Specifically, Verizon Wireless seeks to extend the tower by ten feet from 98 feet to 108 feet and T-arm-mount 12 panel antennas at the 108-foot level of the tower. The total height with appurtenances would be approximately 110 feet.

Verizon Wireless also seeks to install a 12-foot by 30-foot equipment shelter (with a backup generator inside) in the southeast corner of the fenced compound. Verizon Wireless would remove the fencing along two sides of the equipment shelter to allow it to fit in the compound. In addition, Verizon Wireless would install a 20-foot by 20-foot fenced area to extend the compound. The compound extension would accommodate the 1,000 gallon propane tank which would fuel the backup generator.

A Professional Engineer duly licensed in the State of Connecticut has certified that the tower will require reinforcements to support the proposed loading. The maximum worst case power density would be 38.7 percent of the applicable limit.

The tower is located on the property of an existing Connecticut Light and Power Company (CL&P) substation. Surrounding land use is largely commercial in nature. The site is wooded. There are no wetlands at the site. However, some limited clearing and grading would be necessary to accommodate the expansion of the compound.

According to the visibility analysis, the tower is currently visible from 54 acres within the study area. This would increase to 69 acres. However, the additional 15 acres of visibility would be expansions of existing areas of visibility. No new areas would experience visibility of the tower. The tower is currently visible from Park Avenue North, Francis Avenue, Francis Court, and Prospect Avenue per the visibility analysis. Visibility would increase in those areas due to the tower extension.

This Petition was field reviewed on March 9, 2009 by Council member Brian Golembiewski and Michael Perrone of the Council staff. Rachel Mayo, Land Use Analyst, from Robinson & Cole LLP, representing Verizon Wireless, also attended the field review.

Verizon Wireless provided notice to the City of Hartford, the property owner (CL&P), and all abutters at or about the time of filing. Verizon Wireless received one inquiry from Burger King Corporation to verify which of its properties is in proximity to the tower. However, there was no opposition to the proposal. No other replies were received.

If approved, staff recommends that a construction grading plan be submitted to the Council prior to construction.

Exhibit B

Property Card

Unofficial Property Record Card - Hartford, CT

General Property Data

Parcel ID **138-472-001**
 Prior Parcel ID
 Property Owner **CONN LIGHT & POWER CO**
 Mailing Address **PO BOX 270**
 City **HARTFORD**
 Mailing State **CT** Zip **06141-0270**
 ParcelZoning **MS-3**

Account Number
 Property Location **219 NEW PARK AVE**
 Property Use **OTHER UTILITY**
 Most Recent Sale Date **7/2/1982**
 Legal Reference **01977 0129**
 Grantor
 Sale Price **0**
 Land Area **311,018.000 acres**

Current Property Assessment

Card 1 Value Building Value **12,460** Xtra Features Value **10,570** Land Value **1,094,870** Total Value **1,117,900**

Building Description

Building Style **WAREHSE**
 # of Living Units **0**
 Year Built **1978**
 Building Grade **Economy**
 Building Condition **N/A**
 Finished Area (SF) **1632**
 Number Rooms **0**
 # of 3/4 Baths **0**

Foundation Type **Concrete**
 Frame Type **Steel Light**
 Roof Structure **GABLE/HIP**
 Roof Cover **Metal**
 Siding **Metal**
 Interior Walls **DRYWALL**
 # of Bedrooms **0**
 # of 1/2 Baths **0**

Flooring Type **COMBINATION**
 Basement Floor **N/A**
 Heating Type **Electric**
 Heating Fuel **Electric**
 Air Conditioning **0%**
 # of Bsmt Garages **0**
 # of Full Baths **0**
 # of Other Fixtures **0**

Legal Description

Narrative Description of Property

This property contains 311,018.000 acres of land mainly classified as OTHER UTILITY with a(n) WAREHSE style building, built about 1978 , having Metal exterior and Metal roof cover, with 0 commercial unit(s) and 0 residential unit(s), 0 room(s), 0 bedroom(s), 0 bath(s), 0 half bath(s).

Property Images



Disclaimer: This information is believed to be correct but is subject to change and is not warranted.



MAP FOR REFERENCE ONLY
NOT A LEGAL DOCUMENT

Town of West Hartford, CT makes no claims and no warranties, expressed or implied, concerning the validity or accuracy of the GIS data presented on this map.

Geometry updated 7/17/2020
Data updated Daily

Print map scale is approximate.
Critical layout or measurement activities should not be done using this resource.

Exhibit C

Construction Drawings



VERIZON SITE NUMBER: 334045
VERIZON SITE NAME: WEST HARTFORD 4 CT
SITE TYPE: MONOPOLE
TOWER HEIGHT: 108'-0"

BUSINESS UNIT #: 876363
SITE ADDRESS: 219 NEW PARK RD
 HARTFORD, CT 06106-2949
COUNTY: HARTFORD
JURISDICTION: TBD

VERIZON FUZE PROJECT #: 16272636

verizon
 20 ALEXANDER DRIVE, 2ND FLOOR
 WALLINGFORD, CT 06492

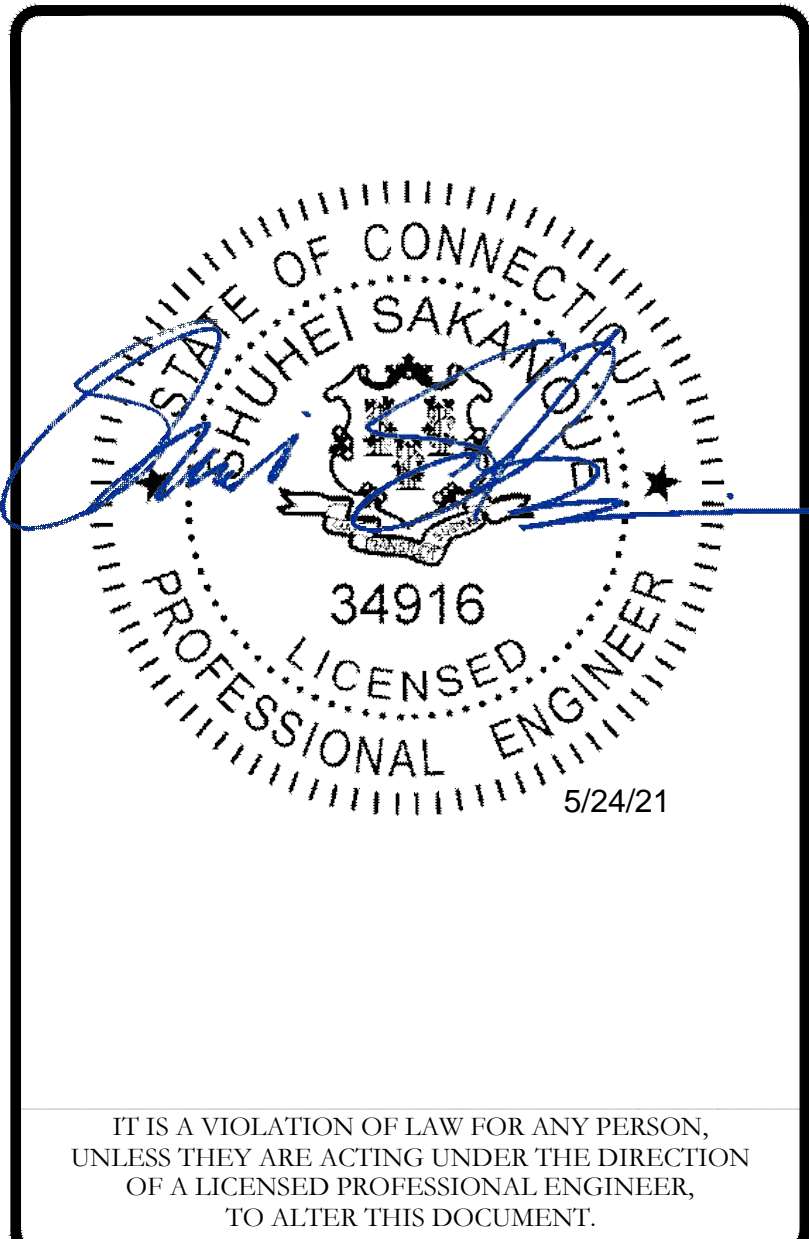
CROWN CASTLE
 1500 CORPORATE DRIVE
 CANONSBURG, PA 15317

INFINIGY
 FROM ZERO TO INFINIGY
 the solutions are endless
 BELLEVUE, WA 98004

VERIZON SITE NUMBER:
 334045
BU #: 876363
HARTFORD - NU (SSUSA)
 219 NEW PARK RD
 HARTFORD, CT 06106-2949
 EXISTING 108'-0" MONOPOLE

ISSUED FOR:

REV	DATE	DRWN	DESCRIPTION	DES./QA
0	05/24/2021	RCD	FINAL	--



IT IS A VIOLATION OF LAW FOR ANY PERSON, UNLESS THEY ARE ACTING UNDER THE DIRECTION OF A LICENSED PROFESSIONAL ENGINEER, TO ALTER THIS DOCUMENT.

SHEET NUMBER: T-1
REVISION: 0

SITE INFORMATION

CROWN CASTLE USA INC. HARTFORD - NU (SSUSA)
 SITE NAME:
 SITE ADDRESS: 219 NEW PARK RD
 HARTFORD, CT 06106-2949
 COUNTY: HARTFORD
 MAP/PARCEL #: TBD
 AREA OF CONSTRUCTION: EXISTING
 LATITUDE: 41° 45' 2.79" N (41.750775°)
 LONGITUDE: -72° 42' 49.23" N (-72.713675°)
 LAT/LONG TYPE: NAD83
 GROUND ELEVATION: 117.0'
 CURRENT ZONING: TBD
 JURISDICTION: TBD
 OCCUPANCY CLASSIFICATION: U
 TYPE OF CONSTRUCTION: IIB
 A.D.A. COMPLIANCE: FACILITY IS UNMANNED AND NOT FOR HUMAN HABITATION
 PROPERTY OWNER: TBD
 TOWER OWNER: CCAIT LLC
 2000 CORPORATE DRIVE
 CANONSBURG, PA 15317
 CARRIER/APPLICANT: VERIZON WIRELESS
 20 ALEXANDER DRIVE, 2ND FLOOR
 WALLINGFORD, CT 06492
 ELECTRIC PROVIDER: --
 TELCO PROVIDER: --

DRAWING INDEX

SHEET #	SHEET DESCRIPTION
T-1	TITLE SHEET
T-2	GENERAL NOTES
C-1	SITE PLAN
C-2	TOWER ELEVATION & ANTENNA PLANS
C-3	EQUIPMENT SCHEDULES
C-4	EQUIPMENT DETAILS
C-5	EQUIPMENT DETAILS
C-6	PLUMBING DIAGRAM
G-1	GROUNDING DETAILS
G-2	GROUNDING DETAILS

ALL DRAWINGS CONTAINED HEREIN ARE FORMATTED FOR 11X17. CONTRACTOR SHALL VERIFY ALL PLANS AND EXISTING DIMENSIONS AND CONDITIONS ON THE JOB SITE AND SHALL IMMEDIATELY NOTIFY THE ENGINEER IN WRITING OF ANY DISCREPANCIES BEFORE PROCEEDING WITH THE WORK OR BE RESPONSIBLE FOR SAME.

APPROVALS

SIGNATURE	DATE
_____	_____
_____	_____
_____	_____
_____	_____

CONTRACTOR PMI REQUIREMENTS

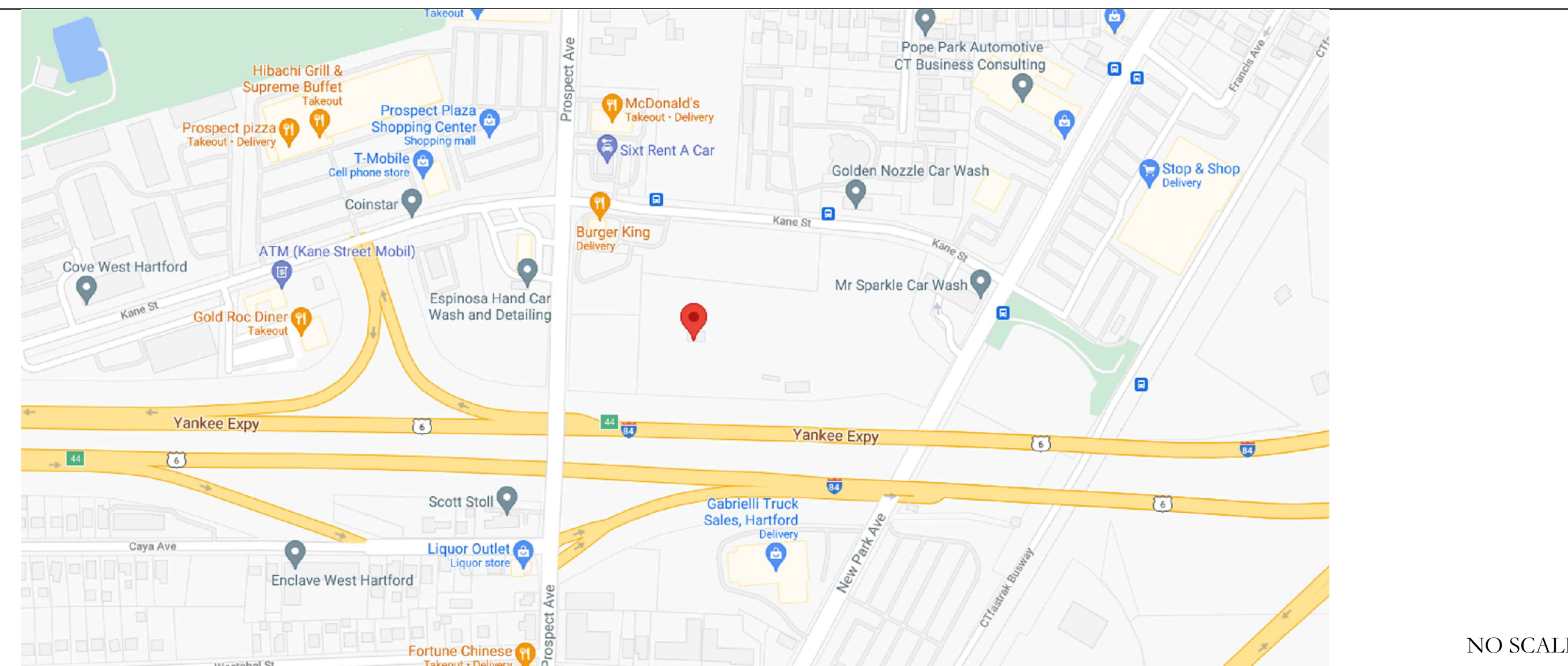
PMI ACCESSED AT <https://pmi.vxwsmart.com>
 SMART TOOL VENDOR
 PROJECT NUMBER ----
 VzW LOCATION CODE (PSLC) ----
 *** PMI AND REQUIREMENTS ALSO EMBEDDED IN MOUNT ANALYSIS REPORT

MOUNT MODIFICATION REQUIRED N

VzW APPROVED SMART KIT VENDORS

REFER TO MOUNT MODIFICATION DRAWINGS PAGE FOR VzW SMART KIT APPROVED VENDORS

LOCATION MAP



DRIVING DIRECTIONS FROM VERIZON LOCAL OFFICE (180 WASHINGTON VALLEY RD, BEDMINSTER, NJ 07921) DEPART AND HEAD TOWARD WASHINGTON VALLEY RD / COUNTY HWY-620, TURN LEFT ONTO WASHINGTON VALLEY RD / COUNTY HWY-620, BEAR RIGHT ONTO US-202 N / US-206 N / US HIGHWAY 202 206, BEAR RIGHT ONTO SCHLEY MOUNTAIN RD, TAKE THE RAMP ON THE LEFT FOR I-287 N, TAKE THE RAMP ON THE RIGHT FOR I-287 / I-87 SOUTH AND HEAD TOWARD NEW YORK CITY / TAPPAN ZEE BR, HEAD RIGHT ON THE RAMP FOR I-87 SOUTH TOWARD NEW YORK CITY / SAW MILL PKWY S, TAKE THE RAMP FOR I-684 N, HEAD RIGHT ON THE RAMP FOR I-84 EAST TOWARD DANBURY, TAKE THE RAMP ON THE RIGHT FOR I-84 EAST AND HEAD TOWARD WATERBURY, HEAD RIGHT ON THE RAMP TOWARD PROSPECT AVENUE, BEAR LEFT ONTO CAYA AVE, TURN LEFT ONTO PROSPECT AVE, TURN RIGHT ONTO KANE ST, ARRIVE AT 219 NEW PARK RD, HARTFORD, CT 06106-2949

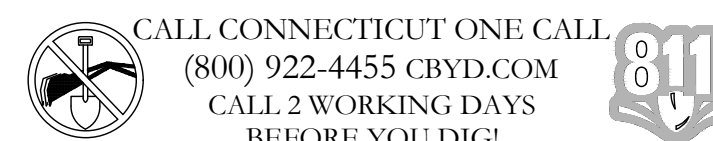
APPLICABLE CODES/REFERENCE DOCUMENTS

ALL WORK SHALL BE PERFORMED AND MATERIALS INSTALLED IN ACCORDANCE WITH THE CURRENT EDITIONS OF THE FOLLOWING CODES AS ADOPTED BY THE LOCAL GOVERNING AUTHORITIES. NOTHING IN THESE PLANS IS TO BE CONSTRUED TO PERMIT WORK NOT CONFORMING TO THESE CODES:

CODE TYPE	CODE
BUILDING	2018 CT STATE BUILDING CODE
MECHANICAL	2015 IMC
ELECTRICAL	2017 NEC

REFERENCE DOCUMENTS:

STRUCTURAL ANALYSIS: BY OTHERS
 DATED:
 MOUNT ANALYSIS: MASER CONSULTING
 DATED:
 RFDS REVISION: TBD
 DATED: 3/19/2021
 ORDER ID: 568282
 REVISION: 0



PROJECT DESCRIPTION

THE PURPOSE OF THIS PROJECT IS TO ENHANCE BROADBAND CONNECTIVITY AND CAPACITY TO THE EXISTING ELIGIBLE WIRELESS FACILITY.

TOWER SCOPE OF WORK:
 • INSTALL (3) ANTENNAS

GROUND SCOPE OF WORK:
 • N/A

NOTE:
 PRIOR TO ACCESSING/ENTERING THE SITE YOU MUST CONTACT THE CROWN NOC AT (800) 788-7011 & CROWN CONSTRUCTION MANAGER

PROJECT TEAM

A&E FIRM: INFINIGY
 1033 WATERVLIET SHAKER RD.
 ALBANY, NY 12205
 CROWN CASTLE USA INC. DISTRICT CONTACTS:
 1500 CORPORATE DRIVE
 CANONSBURG, PA 15317
 --- PROJECT MANAGER
 --- CONSTRUCTION MANAGER

CROWN CASTLE USA INC. SITE ACTIVITY REQUIREMENTS:

- 1. NOTICE TO PROCEED- NO WORK SHALL COMMENCE PRIOR TO CROWN CASTLE USA INC. WRITTEN NOTICE TO PROCEED (NTP) AND THE ISSUANCE OF A PURCHASE ORDER. PRIOR TO ACCESSING/ENTERING THE SITE YOU MUST CONTACT THE CROWN CASTLE USA INC. NOC AT 800-788-7011 & THE CROWN CASTLE USA INC. CONSTRUCTION MANAGER.
2. "LOOK UP" - CROWN CASTLE USA INC. SAFETY CLIMB REQUIREMENT: THE INTEGRITY OF THE SAFETY CLIMB AND ALL COMPONENTS OF THE CLIMBING FACILITY SHALL BE CONSIDERED DURING ALL STAGES OF DESIGN, INSTALLATION, AND INSPECTION.
3. PRIOR TO THE START OF CONSTRUCTION, ALL REQUIRED JURISDICTIONAL PERMITS SHALL BE OBTAINED. THIS INCLUDES, BUT IS NOT LIMITED TO, BUILDING, ELECTRICAL, MECHANICAL, FIRE, FLOOD ZONE, ENVIRONMENTAL, AND ZONING. AFTER ONSITE ACTIVITIES AND CONSTRUCTION ARE COMPLETED, ALL REQUIRED PERMITS SHALL BE SATISFIED AND CLOSED OUT ACCORDING TO LOCAL JURISDICTIONAL REQUIREMENTS.
4. ALL CONSTRUCTION MEANS AND METHODS; INCLUDING BUT NOT LIMITED TO, ERECTION PLANS, RIGGING PLANS, CLIMBING PLANS, AND RESCUE PLANS SHALL BE THE RESPONSIBILITY OF THE GENERAL CONTRACTOR RESPONSIBLE FOR THE EXECUTION OF THE WORK CONTAINED HEREIN, AND SHALL MEET ANSI/ASSE A10.48 (LATEST EDITION); FEDERAL, STATE, AND LOCAL REGULATIONS; AND ANY APPLICABLE INDUSTRY CONSENSUS STANDARDS RELATED TO THE CONSTRUCTION ACTIVITIES BEING PERFORMED.
5. ALL SITE WORK TO COMPLY WITH QAS-STD-10068 "INSTALLATION STANDARDS FOR CONSTRUCTION ACTIVITIES ON CROWN CASTLE USA INC. TOWER SITE," CED-STD-10294 "STANDARD FOR INSTALLATION OF MOUNTS AND APPURTENANCES," AND LATEST VERSION OF ANSI/TIA-1019-A-2012 "STANDARD FOR INSTALLATION, ALTERATION, AND MAINTENANCE OF ANTENNA SUPPORTING STRUCTURES AND ANTENNAS."
6. IF THE SPECIFIED EQUIPMENT CAN NOT BE INSTALLED AS SHOWN ON THESE DRAWINGS, THE CONTRACTOR SHALL PROPOSE AN ALTERNATIVE INSTALLATION FOR APPROVAL BY CROWN CASTLE USA INC. PRIOR TO PROCEEDING WITH ANY SUCH CHANGE OF INSTALLATION.
7. ALL MATERIALS FURNISHED AND INSTALLED SHALL BE IN STRICT ACCORDANCE WITH ALL APPLICABLE CODES, REGULATIONS AND ORDINANCES. CONTRACTOR SHALL ISSUE ALL APPROPRIATE NOTICES AND COMPLY WITH ALL LAWS, ORDINANCES, RULES, REGULATIONS AND LAWFUL ORDERS OF ANY PUBLIC AUTHORITY REGARDING THE PERFORMANCE OF THE WORK. ALL WORK CARRIED OUT SHALL COMPLY WITH ALL APPLICABLE MUNICIPAL AND UTILITY COMPANY SPECIFICATIONS AND LOCAL JURISDICTIONAL CODES, ORDINANCES AND APPLICABLE REGULATIONS.
8. THE CONTRACTOR SHALL INSTALL ALL EQUIPMENT AND MATERIALS IN ACCORDANCE WITH MANUFACTURER'S RECOMMENDATIONS UNLESS SPECIFICALLY STATED OTHERWISE.
9. THE CONTRACTOR SHALL CONTACT UTILITY LOCATING SERVICES PRIOR TO THE START OF CONSTRUCTION.
10. ALL EXISTING ACTIVE SEWER, WATER, GAS, ELECTRIC AND OTHER UTILITIES WHERE ENCOUNTERED IN THE WORK, SHALL BE PROTECTED AT ALL TIMES AND WHERE REQUIRED FOR THE PROPER EXECUTION OF THE WORK, SHALL BE RELOCATED AS DIRECTED BY CONTRACTOR. EXTREME CAUTION SHOULD BE USED BY THE CONTRACTOR WHEN EXCAVATING OR DRILLING PIERS AROUND OR NEAR UTILITIES. CONTRACTOR SHALL PROVIDE SAFETY TRAINING FOR THE WORKING CREW. THIS WILL INCLUDE BUT NOT BE LIMITED TO A) FALL PROTECTION B) CONFINED SPACE C) ELECTRICAL SAFETY D) TRENCHING AND EXCAVATION E) CONSTRUCTION SAFETY PROCEDURES.
11. ALL SITE WORK SHALL BE AS INDICATED ON THE STAMPED CONSTRUCTION DRAWINGS AND PROJECT SPECIFICATIONS. LATEST APPROVED REVISION.
12. CONTRACTOR SHALL KEEP THE SITE FREE FROM ACCUMULATING WASTE MATERIAL, DEBRIS, AND TRASH AT THE COMPLETION OF THE WORK. IF NECESSARY, RUBBISH, STUMPS, DEBRIS, STICKS, STONES AND OTHER REFUSE SHALL BE REMOVED FROM THE SITE AND DISPOSED OF LEGALLY.
13. ALL EXISTING INACTIVE SEWER, WATER, GAS, ELECTRIC AND OTHER UTILITIES, WHICH INTERFERE WITH THE EXECUTION OF THE WORK, SHALL BE REMOVED AND/OR CAPPED, PLUGGED OR OTHERWISE DISCONTINUED AT POINTS WHICH WILL NOT INTERFERE WITH THE EXECUTION OF THE WORK, SUBJECT TO THE APPROVAL OF CONTRACTOR, TOWER OWNER, CROWN CASTLE USA INC., AND/OR LOCAL UTILITIES.
14. THE CONTRACTOR SHALL PROVIDE SITE SIGNAGE IN ACCORDANCE WITH THE TECHNICAL SPECIFICATION FOR SITE SIGNAGE REQUIRED BY LOCAL JURISDICTION AND SIGNAGE REQUIRED ON INDIVIDUAL PIECES OF EQUIPMENT, ROOMS, AND SHELTERS.
15. THE SITE SHALL BE GRADED TO CAUSE SURFACE WATER TO FLOW AWAY FROM THE CARRIER'S EQUIPMENT AND TOWER AREAS.
16. THE SUB GRADE SHALL BE COMPACTED AND BROUGHT TO A SMOOTH UNIFORM GRADE PRIOR TO FINISHED SURFACE APPLICATION.
17. THE AREAS OF THE OWNERS PROPERTY DISTURBED BY THE WORK AND NOT COVERED BY THE TOWER, EQUIPMENT OR DRIVEWAY, SHALL BE GRADED TO A UNIFORM SLOPE, AND STABILIZED TO PREVENT EROSION AS SPECIFIED ON THE CONSTRUCTION DRAWINGS AND/OR PROJECT SPECIFICATIONS.
18. CONTRACTOR SHALL MINIMIZE DISTURBANCE TO EXISTING SITE DURING CONSTRUCTION. EROSION CONTROL MEASURES, IF REQUIRED DURING CONSTRUCTION, SHALL BE IN CONFORMANCE WITH THE LOCAL GUIDELINES FOR EROSION AND SEDIMENT CONTROL.
19. THE CONTRACTOR SHALL PROTECT EXISTING IMPROVEMENTS, PAVEMENTS, CURBS, LANDSCAPING AND STRUCTURES. ANY DAMAGED PART SHALL BE REPAIRED AT CONTRACTOR'S EXPENSE TO THE SATISFACTION OF OWNER.
20. CONTRACTOR SHALL LEGALLY AND PROPERLY DISPOSE OF ALL SCRAP MATERIALS SUCH AS COAXIAL CABLES AND OTHER ITEMS REMOVED FROM THE EXISTING FACILITY. ANTENNAS REMOVED SHALL BE RETURNED TO THE OWNER'S DESIGNATED LOCATION.
21. CONTRACTOR SHALL LEAVE PREMISES IN CLEAN CONDITION. TRASH AND DEBRIS SHOULD BE REMOVED FROM SITE ON A DAILY BASIS.
22. NO FILL OR EMBANKMENT MATERIAL SHALL BE PLACED ON FROZEN GROUND. FROZEN MATERIALS, SNOW OR ICE SHALL NOT BE PLACED IN ANY FILL OR EMBANKMENT.

GREENFIELD GROUNDING NOTES:

- 1. ALL GROUND ELECTRODE SYSTEMS (INCLUDING TELECOMMUNICATION, RADIO, LIGHTNING PROTECTION AND AC POWER GES'S) SHALL BE BONDED TOGETHER AT OR BELOW GRADE, BY TWO OR MORE COPPER BONDING CONDUCTORS IN ACCORDANCE WITH THE NEC.
2. THE CONTRACTOR SHALL PERFORM IEEE FALL-OF-POTENTIAL RESISTANCE TO EARTH TESTING (PER IEEE 1100 AND 81) FOR GROUND ELECTRODE SYSTEMS, THE CONTRACTOR SHALL FURNISH AND INSTALL SUPPLEMENTAL GROUND ELECTRODES AS NEEDED TO ACHIEVE A TEST RESULT OF 5 OHMS OR LESS.
3. THE CONTRACTOR IS RESPONSIBLE FOR PROPERLY SEQUENCING GROUNDING AND UNDERGROUND CONDUIT INSTALLATION AS TO PREVENT ANY LOSS OF CONTINUITY IN THE GROUNDING SYSTEM OR DAMAGE TO THE CONDUIT AND PROVIDE TESTING RESULTS.
4. METAL CONDUIT AND TRAY SHALL BE GROUNDED AND MADE ELECTRICALLY CONTINUOUS WITH LISTED BONDING FITTINGS OR BY BONDING ACROSS THE DISCONTINUITY WITH #6 COPPER WIRE UL APPROVED GROUNDING TYPE CONDUIT CLAMPS.
5. METAL RACEWAY SHALL NOT BE USED AS THE NEC REQUIRED EQUIPMENT GROUND CONDUCTOR. STRANDED COPPER CONDUCTORS WITH GREEN INSULATION, SIZED IN ACCORDANCE WITH THE NEC, SHALL BE FURNISHED AND INSTALLED WITH THE POWER CIRCUITS TO BTS EQUIPMENT.
6. EACH CABINET FRAME SHALL BE DIRECTLY CONNECTED TO THE MASTER GROUND BAR WITH GREEN INSULATED SUPPLEMENTAL EQUIPMENT GROUND WIRES, #6 STRANDED COPPER OR LARGER FOR INDOOR BTS; #2 BARE SOLID TINNED COPPER FOR OUTDOOR BTS.
7. CONNECTIONS TO THE GROUND BUS SHALL NOT BE DOUBLED UP OR STACKED BACK TO BACK CONNECTIONS ON OPPOSITE SIDE OF THE GROUND BUS ARE PERMITTED.
8. ALL EXTERIOR GROUND CONDUCTORS BETWEEN EQUIPMENT/GROUND BARS AND THE GROUND RING SHALL BE #2 SOLID TINNED COPPER UNLESS OTHERWISE INDICATED.
9. ALUMINUM CONDUCTOR OR COPPER CLAD STEEL CONDUCTOR SHALL NOT BE USED FOR GROUNDING CONNECTIONS.
10. USE OF 90° BENDS IN THE PROTECTION GROUNDING CONDUCTORS SHALL BE AVOIDED WHEN 45° BENDS CAN BE ADEQUATELY SUPPORTED.
11. EXOTHERMIC WELDS SHALL BE USED FOR ALL GROUNDING CONNECTIONS BELOW GRADE.
12. ALL GROUND CONNECTIONS ABOVE GRADE (INTERIOR AND EXTERIOR) SHALL BE FORMED USING HIGH PRESS CRIMPS.
13. COMPRESSION GROUND CONNECTIONS MAY BE REPLACED BY EXOTHERMIC WELD CONNECTIONS.
14. ICE BRIDGE BONDING CONDUCTORS SHALL BE EXOTHERMICALLY BONDED OR BOLTED TO THE BRIDGE AND THE TOWER GROUND BAR.
15. APPROVED ANTI-OXIDANT COATINGS (I.E. CONDUCTIVE GEL OR PASTE) SHALL BE USED ON ALL COMPRESSION AND BOLTED GROUND CONNECTIONS.
16. ALL EXTERIOR GROUND CONNECTIONS SHALL BE COATED WITH A CORROSION RESISTANT MATERIAL.
17. MISCELLANEOUS ELECTRICAL AND NON-ELECTRICAL METAL BOXES, FRAMES AND SUPPORTS SHALL BE BONDED TO THE GROUND RING, IN ACCORDANCE WITH THE NEC.
18. BOND ALL METALLIC OBJECTS WITHIN 6 FT. OF MAIN GROUND RING WITH (1) #2 BARE SOLID TINNED COPPER GROUND CONDUCTOR.
19. GROUND CONDUCTORS USED FOR THE FACILITY GROUNDING AND LIGHTNING PROTECTION SYSTEMS SHALL NOT BE ROUTED THROUGH METALLIC OBJECTS THAT FORM A RING AROUND THE CONDUCTOR, SUCH AS METALLIC CONDUITS, METAL SUPPORT CLIPS OR SLEEVES THROUGH WALLS OR FLOORS. WHEN IT IS REQUIRED TO BE HOUSED IN CONDUIT TO MEET CODE REQUIREMENTS OR LOCAL CONDITIONS, NON-METALLIC MATERIAL SUCH AS PVC CONDUIT SHALL BE USED. WHERE USE OF METAL CONDUIT IS UNAVOIDABLE (I.E., NONMETALLIC CONDUIT PROHIBITED BY LOCAL CODE) THE GROUND CONDUCTOR SHALL BE BONDED TO EACH END OF THE METAL CONDUIT.
20. ALL GROUNDS THAT TRANSITION FROM BELOW GRADE TO ABOVE GRADE MUST BE #2 BARE SOLID TINNED COPPER IN 3/4" NON-METALLIC, FLEXIBLE CONDUIT FROM 24" BELOW GRADE TO WITHIN 3" TO 6" OF CAD-WELD TERMINATION POINT. THE EXPOSED END OF THE CONDUIT MUST BE SEALED WITH SILICONE CAULK. (ADD TRANSITIONING GROUND STANDARD DETAIL AS WELL).
21. BUILDINGS WHERE THE MAIN GROUNDING CONDUCTORS ARE REQUIRED TO BE ROUTED TO GRADE, THE CONTRACTOR SHALL ROUTE TWO GROUNDING CONDUCTORS FROM THE ROOFTOP, TOWERS, AND WATER TOWERS GROUNDING RING, TO THE EXISTING GROUNDING SYSTEM. THE GROUNDING CONDUCTORS SHALL NOT BE SMALLER THAN 2/O COPPER. ROOFTOP GROUNDING RING SHALL BE BONDED TO THE EXISTING GROUNDING SYSTEM, THE BUILDING STEEL COLUMNS, LIGHTNING PROTECTION SYSTEM, AND BUILDING MAIN WATER LINE (FERROUS OR NONFERROUS METAL PIPING ONLY).

GENERAL NOTES:

- 1. FOR THE PURPOSE OF CONSTRUCTION DRAWING, THE FOLLOWING DEFINITIONS SHALL APPLY:
CONTRACTOR: GENERAL CONTRACTOR RESPONSIBLE FOR CONSTRUCTION
CARRIER: VERIZON
TOWER OWNER: CROWN CASTLE USA INC.
2. THESE DRAWINGS HAVE BEEN PREPARED USING STANDARDS OF PROFESSIONAL CARE AND COMPLETENESS NORMALLY EXERCISED UNDER SIMILAR CIRCUMSTANCES BY REPUTABLE ENGINEERS IN THIS OR SIMILAR LOCALITIES. IT IS ASSUMED THAT THE WORK DEPICTED WILL BE PERFORMED BY AN EXPERIENCED CONTRACTOR AND/OR WORKPEOPLE WHO HAVE A WORKING KNOWLEDGE OF THE APPLICABLE CODE STANDARDS AND REQUIREMENTS AND OF INDUSTRY ACCEPTED STANDARD GOOD PRACTICE. AS NOT EVERY CONDITION OR ELEMENT IS (OR CAN BE) EXPLICITLY SHOWN ON THESE DRAWINGS, THE CONTRACTOR SHALL USE INDUSTRY ACCEPTED STANDARD GOOD PRACTICE FOR MISCELLANEOUS WORK NOT EXPLICITLY SHOWN.
3. THESE DRAWINGS REPRESENT THE FINISHED STRUCTURE. THEY DO NOT INDICATE THE MEANS OR METHODS OF CONSTRUCTION. THE CONTRACTOR SHALL BE SOLELY RESPONSIBLE FOR THE CONSTRUCTION MEANS, METHODS, TECHNIQUES, SEQUENCES, AND PROCEDURES. THE CONTRACTOR SHALL PROVIDE ALL MEASURES NECESSARY FOR PROTECTION OF LIFE AND PROPERTY DURING CONSTRUCTION. SUCH MEASURES SHALL INCLUDE, BUT NOT BE LIMITED TO, BRACING, FORMWORK, SHORING, ETC. SITE VISITS BY THE ENGINEER OR HIS REPRESENTATIVE WILL NOT INCLUDE INSPECTION OF THESE ITEMS AND IS FOR STRUCTURAL OBSERVATION OF THE FINISHED STRUCTURE ONLY. NOTES AND DETAILS IN THE CONSTRUCTION DRAWINGS SHALL TAKE PRECEDENCE OVER GENERAL NOTES AND TYPICAL DETAILS. WHERE NO DETAILS ARE SHOWN, CONSTRUCTION SHALL CONFORM TO SIMILAR WORK ON THE PROJECT, AND/OR AS PROVIDED FOR IN THE CONTRACT DOCUMENTS. WHERE DISCREPANCIES OCCUR BETWEEN PLANS, DETAILS, GENERAL NOTES, AND SPECIFICATIONS, THE GREATER, MORE STRICT REQUIREMENTS, SHALL GOVERN. IF FURTHER CLARIFICATION IS REQUIRED CONTACT THE ENGINEER OF RECORD.
5. SUBSTANTIAL EFFORT HAS BEEN MADE TO PROVIDE ACCURATE DIMENSIONS AND MEASUREMENTS ON THE DRAWINGS TO ASSIST IN THE FABRICATION AND/OR PLACEMENT OF CONSTRUCTION ELEMENTS BUT IT IS THE SOLE RESPONSIBILITY OF THE CONTRACTOR TO FIELD VERIFY THE DIMENSIONS, MEASUREMENTS, AND/OR CLEARANCES SHOWN IN THE CONSTRUCTION DRAWINGS PRIOR TO FABRICATION OR CUTTING OF ANY NEW OR EXISTING CONSTRUCTION ELEMENTS. IF IT IS DETERMINED THAT THERE ARE DISCREPANCIES AND/OR CONFLICTS WITH THE CONSTRUCTION DRAWINGS THE ENGINEER OF RECORD IS TO BE NOTIFIED AS SOON AS POSSIBLE.
6. PRIOR TO THE SUBMISSION OF BIDS, THE BIDDING CONTRACTOR SHALL VISIT THE CELL SITE TO FAMILIARIZE WITH THE EXISTING CONDITIONS AND TO CONFIRM THAT THE WORK CAN BE ACCOMPLISHED AS SHOWN ON THE CONSTRUCTION DRAWINGS, ANY DISCREPANCY FOUND SHALL BE BROUGHT TO THE ATTENTION OF CROWN CASTLE.
7. ALL MATERIALS FURNISHED AND INSTALLED SHALL BE IN STRICT ACCORDANCE WITH ALL APPLICABLE CODES, REGULATIONS AND ORDINANCES. CONTRACTOR SHALL ISSUE ALL APPROPRIATE NOTICES AND COMPLY WITH ALL LAWS, ORDINANCES, RULES, REGULATIONS AND LAWFUL ORDERS OF ANY PUBLIC AUTHORITY REGARDING THE PERFORMANCE OF THE WORK. ALL WORK CARRIED OUT SHALL COMPLY WITH ALL APPLICABLE MUNICIPAL AND UTILITY COMPANY SPECIFICATIONS AND LOCAL JURISDICTIONAL CODES, ORDINANCES AND APPLICABLE REGULATIONS.
8. UNLESS NOTED OTHERWISE, THE WORK SHALL INCLUDE FURNISHING MATERIALS, EQUIPMENT, APPURTENANCES AND LABOR NECESSARY TO COMPLETE ALL INSTALLATIONS AS INDICATED ON THE DRAWINGS.
9. THE CONTRACTOR SHALL INSTALL ALL EQUIPMENT AND MATERIALS IN ACCORDANCE WITH MANUFACTURER'S RECOMMENDATIONS UNLESS SPECIFICALLY STATED OTHERWISE.
10. IF THE SPECIFIED EQUIPMENT CAN NOT BE INSTALLED AS SHOWN ON THESE DRAWINGS, THE CONTRACTOR SHALL PROPOSE AN ALTERNATIVE INSTALLATION FOR APPROVAL BY THE CARRIER AND CROWN CASTLE PRIOR TO PROCEEDING WITH ANY SUCH CHANGE OF INSTALLATION.
11. CONTRACTOR IS TO PERFORM A SITE INVESTIGATION AND IS TO DETERMINE THE BEST ROUTING OF ALL CONDUITS FOR POWER, AND TELCO AND FOR GROUNDING CABLES AS SHOWN IN THE POWER, TELCO, AND GROUNDING PLAN DRAWINGS.
12. THE CONTRACTOR SHALL PROTECT EXISTING IMPROVEMENTS, PAVEMENTS, CURBS, LANDSCAPING AND STRUCTURES. ANY DAMAGED PART SHALL BE REPAIRED AT CONTRACTOR'S EXPENSE TO THE SATISFACTION OF CROWN CASTLE USA INC. CONTRACTOR SHALL LEGALLY AND PROPERLY DISPOSE OF ALL SCRAP MATERIALS SUCH AS COAXIAL CABLES AND OTHER ITEMS REMOVED FROM THE EXISTING FACILITY. ANTENNAS REMOVED SHALL BE RETURNED TO THE OWNER'S DESIGNATED LOCATION.
14. CONTRACTOR SHALL LEAVE PREMISES IN CLEAN CONDITION. TRASH AND DEBRIS SHOULD BE REMOVED FROM SITE ON A DAILY BASIS.

CONCRETE, FOUNDATIONS, AND REINFORCING STEEL:

- 1. ALL CONCRETE WORK SHALL BE IN ACCORDANCE WITH THE ACI 301, ACI 318, ACI 336, ASTM A184, ASTM A185 AND THE DESIGN AND CONSTRUCTION SPECIFICATION FOR CAST-IN-PLACE CONCRETE.
2. UNLESS NOTED OTHERWISE, SOIL BEARING PRESSURE USED FOR DESIGN OF SLABS AND FOUNDATIONS IS ASSUMED TO BE 1000 psf.
3. ALL CONCRETE SHALL HAVE A MINIMUM COMPRESSIVE STRENGTH (f'c) OF 3000 psi AT 28 DAYS, UNLESS NOTED OTHERWISE. NO MORE THAN 90 MINUTES SHALL ELAPSE FROM BATCH TIME TO TIME OF PLACEMENT UNLESS APPROVED BY THE ENGINEER OF RECORD. TEMPERATURE OF CONCRETE SHALL NOT EXCEED 90°f AT TIME OF PLACEMENT.
4. CONCRETE EXPOSED TO FREEZE-THAW CYCLES SHALL CONTAIN AIR ENTRAINING ADMIXTURES. AMOUNT OF AIR ENTRAINMENT TO BE BASED ON SIZE OF AGGREGATE AND F3 CLASS EXPOSURE (VERY SEVERE). CEMENT USED TO BE TYPE II PORTLAND CEMENT WITH A MAXIMUM WATER-TO-CEMENT RATIO (W/C) OF 0.45.
5. ALL STEEL REINFORCING SHALL CONFORM TO ASTM A615. ALL WELDED WIRE FABRIC (WWF) SHALL CONFORM TO ASTM A185. ALL SPLICES SHALL BE CLASS "B" TENSION SPLICES, UNLESS NOTED OTHERWISE. ALL HOOKS SHALL BE STANDARD 90 DEGREE HOOKS, UNLESS NOTED OTHERWISE. YIELD STRENGTH (Fy) OF STANDARD DEFORMED BARS ARE AS FOLLOWS:
#4 BARS AND SMALLER.....40 ksi
#5 BARS AND LARGER.....60 ksi
6. THE FOLLOWING MINIMUM CONCRETE COVER SHALL BE PROVIDED FOR REINFORCING STEEL UNLESS SHOWN OTHERWISE ON DRAWINGS:
CONCRETE CAST AGAINST AND PERMANENTLY EXPOSED TO EARTH.....3"
CONCRETE EXPOSED TO EARTH OR WEATHER:
#6 BARS AND LARGER.....2"
#5 BARS AND SMALLER.....1-1/2"
CONCRETE NOT EXPOSED TO EARTH OR WEATHER:
SLAB AND WALLS.....3/4"
BEAMS AND COLUMNS.....1-1/2"
7. A TOOLED EDGE OR A 3/4" CHAMFER SHALL BE PROVIDED AT ALL EXPOSED EDGES OF CONCRETE, UNLESS NOTED OTHERWISE, IN ACCORDANCE WITH ACI 301 SECTION 4.2.4.

ELECTRICAL INSTALLATION NOTES:

- 1. ALL ELECTRICAL WORK SHALL BE PERFORMED IN ACCORDANCE WITH THE PROJECT SPECIFICATIONS, NEC AND ALL APPLICABLE FEDERAL, STATE, AND LOCAL CODES/ORDINANCES.
2. CONDUIT ROUTINGS ARE SCHEMATIC. CONTRACTOR SHALL INSTALL CONDUITS SO THAT ACCESS TO EQUIPMENT IS NOT BLOCKED AND TRIP HAZARDS ARE ELIMINATED.
3. WIRING, RACEWAY AND SUPPORT METHODS AND MATERIALS SHALL COMPLY WITH THE REQUIREMENTS OF THE NEC.
4. ALL CIRCUITS SHALL BE SEGREGATED AND MAINTAIN MINIMUM CABLE SEPARATION AS REQUIRED BY THE NEC.
4.1. ALL EQUIPMENT SHALL BEAR THE UNDERWRITERS LABORATORIES LABEL OF APPROVAL, AND SHALL CONFORM TO REQUIREMENT OF THE NATIONAL ELECTRICAL CODE.
4.2. ALL OVERCURRENT DEVICES SHALL HAVE AN INTERRUPTING CURRENT RATING THAT SHALL BE GREATER THAN THE SHORT CIRCUIT CURRENT TO WHICH THEY ARE SUBJECTED, 22,000 AIC MINIMUM. VERIFY AVAILABLE SHORT CIRCUIT CURRENT DOES NOT EXCEED THE RATING OF ELECTRICAL EQUIPMENT IN ACCORDANCE WITH ARTICLE 110.24 NEC OR THE MOST CURRENT ADOPTED CODE PRE THE GOVERNING JURISDICTION.
5. EACH END OF EVERY POWER PHASE CONDUCTOR, GROUNDING CONDUCTOR, AND TELCO CONDUCTOR OR CABLE SHALL BE LABELED WITH COLOR-CODED INSULATION OR ELECTRICAL TAPE (3M BRAND, 1/2" PLASTIC ELECTRICAL TAPE WITH UV PROTECTION, OR EQUAL). THE IDENTIFICATION METHOD SHALL CONFORM WITH NEC AND OSHA.
6. ALL ELECTRICAL COMPONENTS SHALL BE CLEARLY LABELED WITH LAMICOID TAGS SHOWING THEIR RATED VOLTAGE, PHASE CONFIGURATION, WIRE CONFIGURATION, POWER OR AMPACITY RATING AND BRANCH CIRCUIT ID NUMBERS (I.E. PANEL BOARD AND CIRCUIT ID'S).
7. PANEL BOARDS (ID NUMBERS) SHALL BE CLEARLY LABELED WITH PLASTIC LABELS.
8. ALL TIE WRAPS SHALL BE CUT FLUSH WITH APPROVED CUTTING TOOL TO REMOVE SHARP EDGES.
9. ALL POWER AND EQUIPMENT GROUND WIRING IN TUBING OR CONDUIT SHALL BE SINGLE COPPER CONDUCTOR (#14 OR LARGER) WITH TYPE THW, THWN, THWN-2, XHHW, XHHW-2, THW, THW-2, RHW, OR RHW-2 INSULATION UNLESS OTHERWISE SPECIFIED.
10. SUPPLEMENTAL EQUIPMENT GROUND WIRING LOCATED INDOORS SHALL BE SINGLE COPPER CONDUCTOR (#6 OR LARGER) WITH TYPE THW, THWN, THWN-2, XHHW, XHHW-2, THW, THW-2, RHW, OR RHW-2 INSULATION UNLESS OTHERWISE SPECIFIED.
11. POWER AND CONTROL WIRING IN FLEXIBLE CORD SHALL BE MULTI-CONDUCTOR, TYPE SOOW CORD (#14 OR LARGER) UNLESS OTHERWISE SPECIFIED.
12. POWER AND CONTROL WIRING FOR USE IN CABLE TRAY SHALL BE MULTI-CONDUCTOR, TYPE TC CABLE (#14 OR LARGER), WITH TYPE THW, THWN, THWN-2, XHHW, XHHW-2, THW, THW-2, RHW, OR RHW-2 INSULATION UNLESS OTHERWISE SPECIFIED.
13. ALL POWER AND GROUNDING CONNECTIONS SHALL BE CRIMP-STYLE, COMPRESSION WIRE LUGS AND WIRE NUTS BY THOMAS AND BETTS (OR EQUAL). LUGS AND WIRE NUTS SHALL BE RATED FOR OPERATION NOT LESS THAN 75° C (90° C IF AVAILABLE).
14. RACEWAY AND CABLE TRAY SHALL BE LISTED OR LABELED FOR ELECTRICAL USE IN ACCORDANCE WITH NEMA, UL, ANSI/IEEE AND NEC.
15. ELECTRICAL METALLIC TUBING (EMT), INTERMEDIATE METAL CONDUIT (IMC), OR RIGID METAL CONDUIT (RMC) SHALL BE USED FOR EXPOSED INDOOR LOCATIONS.
16. ELECTRICAL METALLIC TUBING (EMT) OR METAL-CLAD CABLE (MC) SHALL BE USED FOR CONCEALED INDOOR LOCATIONS.
17. SCHEDULE 40 PVC UNDERGROUND ON STRAIGHTS AND SCHEDULE 80 PVC FOR ALL ELBOWS/90s AND ALL APPROVED ABOVE GRADE PVC CONDUIT.
18. LIQUID-TIGHT FLEXIBLE METALLIC CONDUIT (LIQUID-TITE FLEX) SHALL BE USED INDOORS AND OUTDOORS, WHERE VIBRATION OCCURS OR FLEXIBILITY IS NEEDED.
19. CONDUIT AND TUBING FITTINGS SHALL BE THREADED OR COMPRESSION-TYPE AND APPROVED FOR THE LOCATION USED. SET SNEW FITTINGS ARE NOT ACCEPTABLE.
20. CABINETS, BOXES AND WIRE WAYS SHALL BE LABELED FOR ELECTRICAL USE IN ACCORDANCE WITH NEMA, UL, ANSI/IEEE AND THE NEC.
21. WIREWAYS SHALL BE METAL WITH AN ENAMEL FINISH AND INCLUDE A HINGED COVER, DESIGNED TO SWING OPEN DOWNWARDS (WIREMOLD SPECMATE WIREWAY).
22. SLOTTED WIRING DUCT SHALL BE PVC AND INCLUDE COVER (PANDUIT TYPE E OR EQUAL).
23. CONDUITS SHALL BE FASTENED SECURELY IN PLACE WITH APPROVED NON-PERFORATED STRAPS AND HANGERS. EXPLOSIVE DEVICES (I.E. POWDER-ACTUATED) FOR ATTACHING HANGERS TO STRUCTURE WILL NOT BE PERMITTED. CLOSELY FOLLOW THE LINES OF THE STRUCTURE, MAINTAIN CLOSE PROXIMITY TO THE STRUCTURE AND KEEP CONDUITS IN TIGHT ENVELOPES. CHANGES IN DIRECTION TO ROUTE AROUND OBSTACLES SHALL BE MADE WITH CONDUIT OUTLET BODIES. CONDUIT SHALL BE INSTALLED IN A NEAT AND WORKMANLIKE MANNER, PARALLEL AND PERPENDICULAR TO STRUCTURE WALL AND CEILING LINES. ALL CONDUIT SHALL BE FISHED TO CLEAR OBSTRUCTIONS. ENDS OF CONDUITS SHALL BE TEMPORARILY CAPPED FLUSH TO FINISH GRADE TO PREVENT CONCRETE, PLASTER OR DIRT FROM ENTERING. CONDUITS SHALL BE RIGIDLY CLAMPED TO BOXES BY GALVANIZED MALLEABLE IRON BUSHING ON INSIDE AND GALVANIZED MALLEABLE IRON LOCKNUT ON OUTSIDE AND INSIDE.
24. EQUIPMENT CABINETS, TERMINAL BOXES, JUNCTION BOXES AND PULL BOXES SHALL BE GALVANIZED OR EPOXY-COATED SHEET STEEL. SHALL MEET OR EXCEED UL 50 AND BE RATED NEMA 1 (OR BETTER) FOR INTERIOR LOCATIONS AND NEMA 3R (OR BETTER) FOR EXTERIOR LOCATIONS.
25. METAL RECEPTACLE, SWITCH AND DEVICE BOXES SHALL BE GALVANIZED, EPOXY-COATED OR NON-CORRODING; SHALL MEET OR EXCEED UL 514A AND NEMA OS 1 AND BE RATED NEMA 1 (OR BETTER) FOR INTERIOR LOCATIONS AND WEATHER PROTECTED (WP OR BETTER) FOR EXTERIOR LOCATIONS.
26. NONMETALLIC RECEPTACLE, SWITCH AND DEVICE BOXES SHALL MEET OR EXCEED NEMA OS 2 (NEWEST REVISION) AND BE RATED NEMA 1 (OR BETTER) FOR INTERIOR LOCATIONS AND WEATHER PROTECTED (WP OR BETTER) FOR EXTERIOR LOCATIONS.
27. THE CONTRACTOR SHALL NOTIFY AND OBTAIN NECESSARY AUTHORIZATION FROM THE CARRIER AND/OR CROWN CASTLE USA INC. BEFORE COMMENCING WORK ON THE AC POWER DISTRIBUTION PANELS.
28. THE CONTRACTOR SHALL PROVIDE NECESSARY TAGGING ON THE BREAKERS, CABLES AND DISTRIBUTION PANELS IN ACCORDANCE WITH THE APPLICABLE CODES AND STANDARDS TO SAFEGUARD LIFE AND PROPERTY.
29. INSTALL LAMICOID LABEL ON THE METER CENTER TO SHOW "VERIZON".
30. ALL EMPTY/SPARE CONDUITS THAT ARE INSTALLED ARE TO HAVE A METERED MULE TAPE PULL CORD INSTALLED.

Table with columns: SYSTEM, CONDUCTOR, COLOR. Rows include 120/240V, 10; 120/208V, 30; 277/480V, 30; and DC VOLTAGE.

APWA UNIFORM COLOR CODE:

- WHITE PROPOSED EXCAVATION
PINK TEMPORARY SURVEY MARKINGS
RED ELECTRIC POWER LINES, CABLES, CONDUIT, AND LIGHTING CABLES
YELLOW GAS, OIL, STEAM, PETROLEUM, OR GASEOUS MATERIALS
ORANGE COMMUNICATION, ALARM OR SIGNAL LINES, CABLES, OR CONDUIT AND TRAFFIC LOOPS
BLUE POTABLE WATER
PURPLE RECLAIMED WATER, IRRIGATION, AND SLURRY LINES
GREEN SEWERS AND DRAIN LINES

* SEE NEC 210.5(C)(1) AND (2)
** POLARITY MARKED AT TERMINATION

ABBREVIATIONS:

- ANT ANTENNA
(E) EXISTING
FIF FACILITY INTERFACE FRAME
GEN GENERATOR
GPS GLOBAL POSITIONING SYSTEM
GSM GLOBAL SYSTEM FOR MOBILE
LTE LONG TERM EVOLUTION
MGB MASTER GROUND BAR
MW MICROWAVE
(N) NEW
NEC NATIONAL ELECTRIC CODE
(P) PROPOSED
PP POWER PLANT
QTY QUANTITY
RECT RECTIFIER
RBS RADIO BASE STATION
RETS REMOTE ELECTRIC TILT
RFDS RADIO FREQUENCY DATA SHEET
RRH REMOTE RADIO HEAD
RRU REMOTE RADIO UNIT
SIAD SMART INTEGRATED DEVICE
TMA TOWER MOUNTED AMPLIFIER
TYP TYPICAL
UMTS UNIVERSAL MOBILE TELECOMMUNICATIONS SYSTEM
W.P. WORK POINT

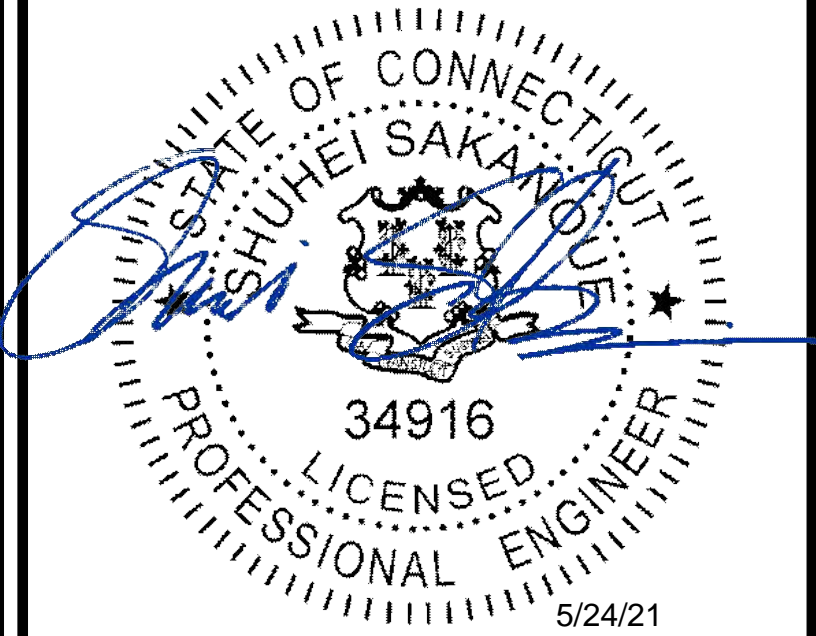


VERIZON SITE NUMBER: 334045
BU #: 876363
HARTFORD - NU (SSUSA)
219 NEW PARK RD
HARTFORD, CT 06106-2949
EXISTING 108'-0" MONOPOLE

Table with columns: REV, DATE, DRWN, DESCRIPTION, DES./QA. Row 1: 0, 05/24/2021, RCD, FINAL, --

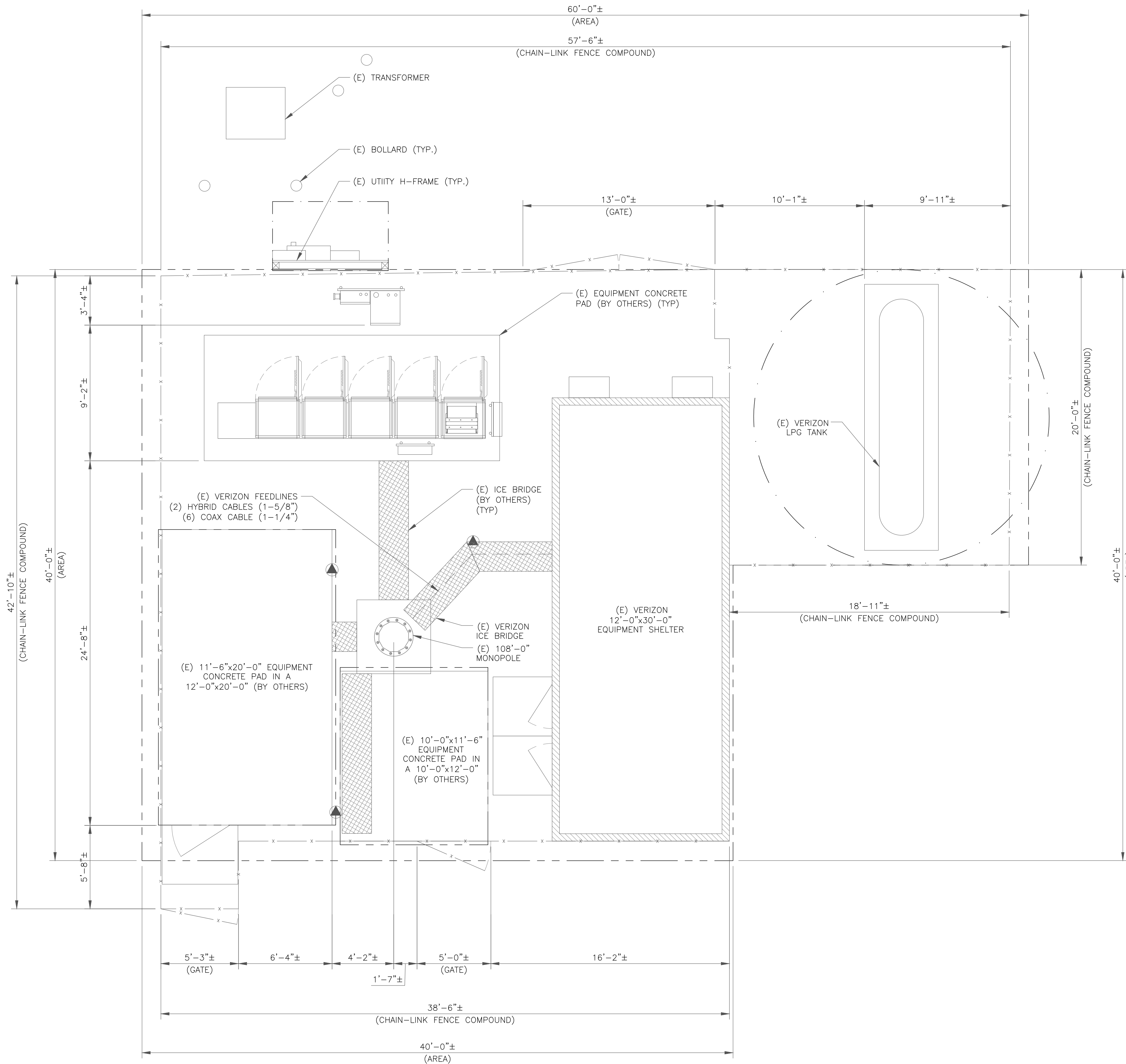
ISSUED FOR:

Table with columns: REV, DATE, DRWN, DESCRIPTION, DES./QA. Row 1: 0, 05/24/2021, RCD, FINAL, --

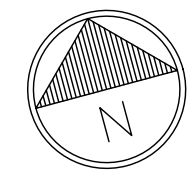


IT IS A VIOLATION OF LAW FOR ANY PERSON, UNLESS THEY ARE ACTING UNDER THE DIRECTION OF A LICENSED PROFESSIONAL ENGINEER, TO ALTER THIS DOCUMENT.

SHEET NUMBER: T-2 REVISION: 0



1 SITE PLAN
SCALE: 1/4"=1'-0" (FULL SIZE)
1/8"=1'-0" (11x17)



verizon

20 ALEXANDER DRIVE, 2ND FLOOR
WALLINGFORD, CT 06492

CROWN CASTLE

1500 CORPORATE DRIVE
CANONSBURG, PA 15317

INFINIGY

FROM ZERO TO INFINIGY
the solutions are endless

BELLEVUE, WA 98004

VERIZON SITE NUMBER:
334045

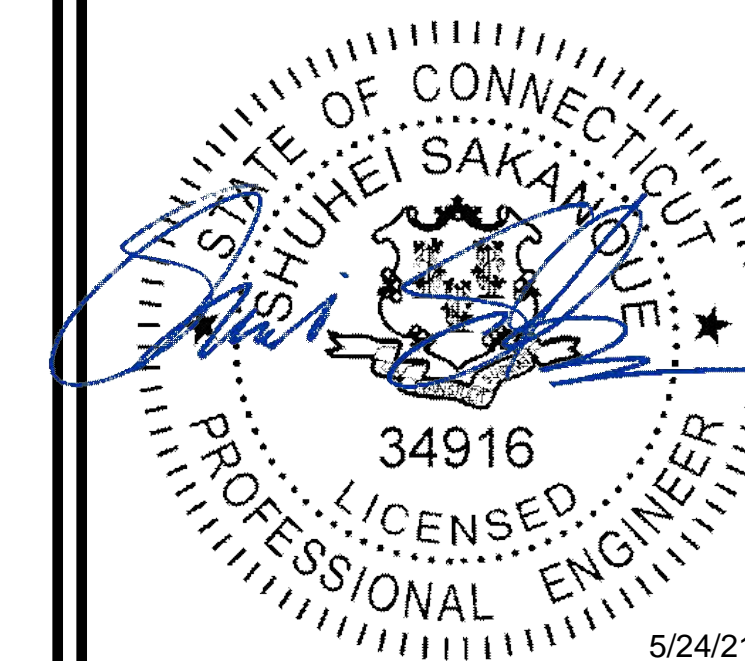
BU #: 876363
HARTFORD - NU (SSUSA)

219 NEW PARK RD
HARTFORD, CT 06106-2949

EXISTING 108'-0" MONOPOLE

ISSUED FOR:

REV	DATE	DRWN	DESCRIPTION	DES./QA
0	05/24/2021	RCD	FINAL	-



IT IS A VIOLATION OF LAW FOR ANY PERSON,
UNLESS THEY ARE ACTING UNDER THE DIRECTION
OF A LICENSED PROFESSIONAL ENGINEER,
TO ALTER THIS DOCUMENT.

SHEET NUMBER: REVISION:

C-1

0

DISCLAIMER
MOUNT ANALYSIS PENDING

NEW VERIZON EQUIPMENT
(3) SAMSUNG - MT6407-77A ANTENNA
INSTALLED ON EXISTING MOUNTS

(E) VERIZON EQUIPMENT TO REMAIN
(6) ANDREW - SBNHH-1D65B ANTENNAS
(3) ANTEL - BXA-70063-6CF-6 ANTENNAS
(3) SAMSUNG - B2/B66A RRH-BR049
(3) SAMSUNG - B5/B13 RRH-BR04C
(1) RVZDC-6627-PF-48
(1) DBT1-6Z-8AB-0Z
INSTALLED ON EXISTING MOUNTS

VERIZON EQUIPMENT

ANTENNA CL: 105'-0"
MOUNT CL: 105'-0"

TIP OF MONOPOLE
ELEV. = 108'-0"
TIP OF ANTENNA
ELEV. = 108'-0"
CENTERLINE OF ANTENNA
ELEV. = 105'-0"
CENTERLINE OF MOUNT
ELEV. = 105'-0"

(E) PANEL ANTENNAS
(BY OTHERS) (TYP)

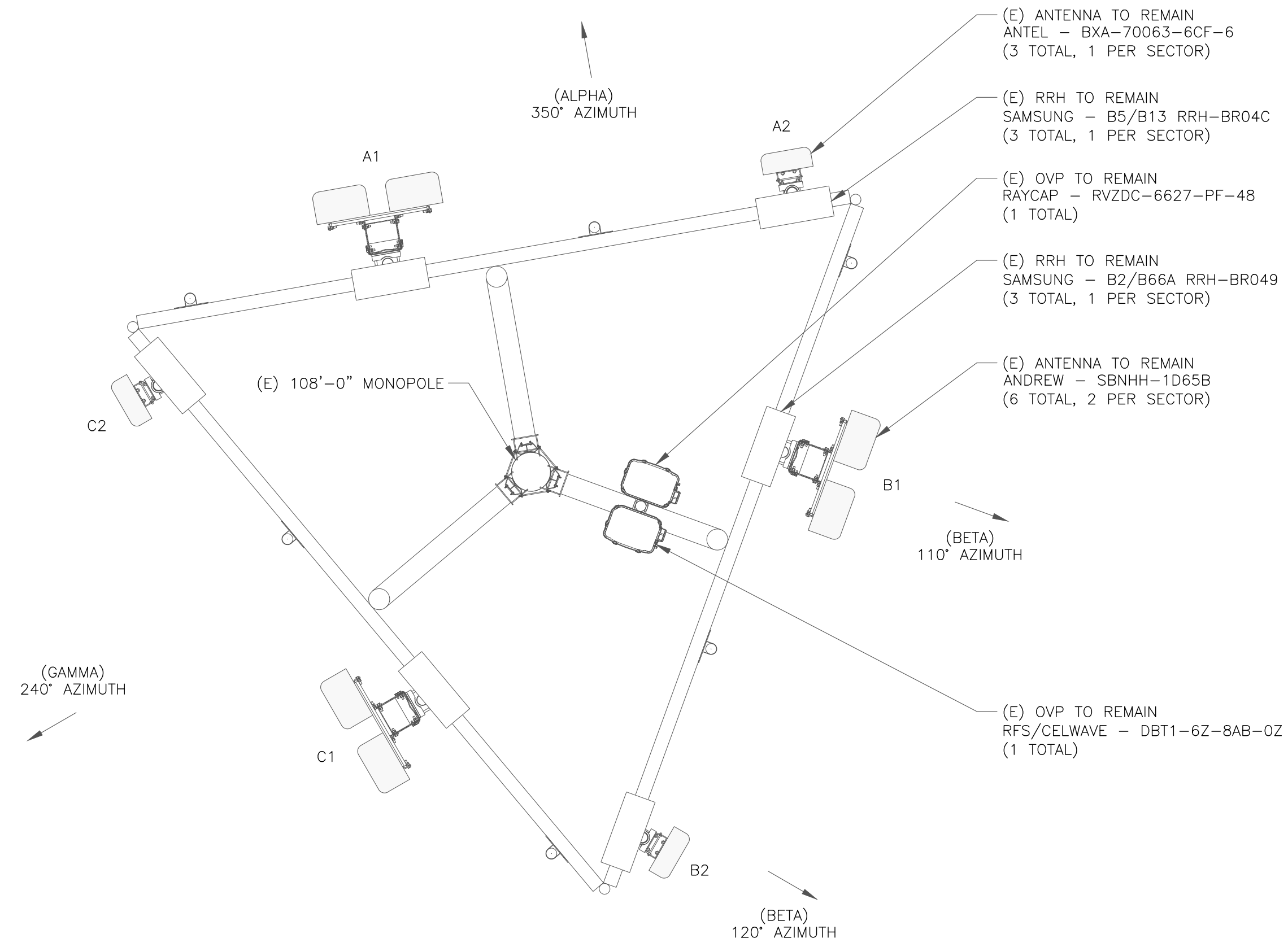
(E) 108'-0" MONOPOLE

(E) VERIZON FEEDLINES
(2) HYBRID CABLES (1-5/8")
(6) COAX CABLE (1-1/4")

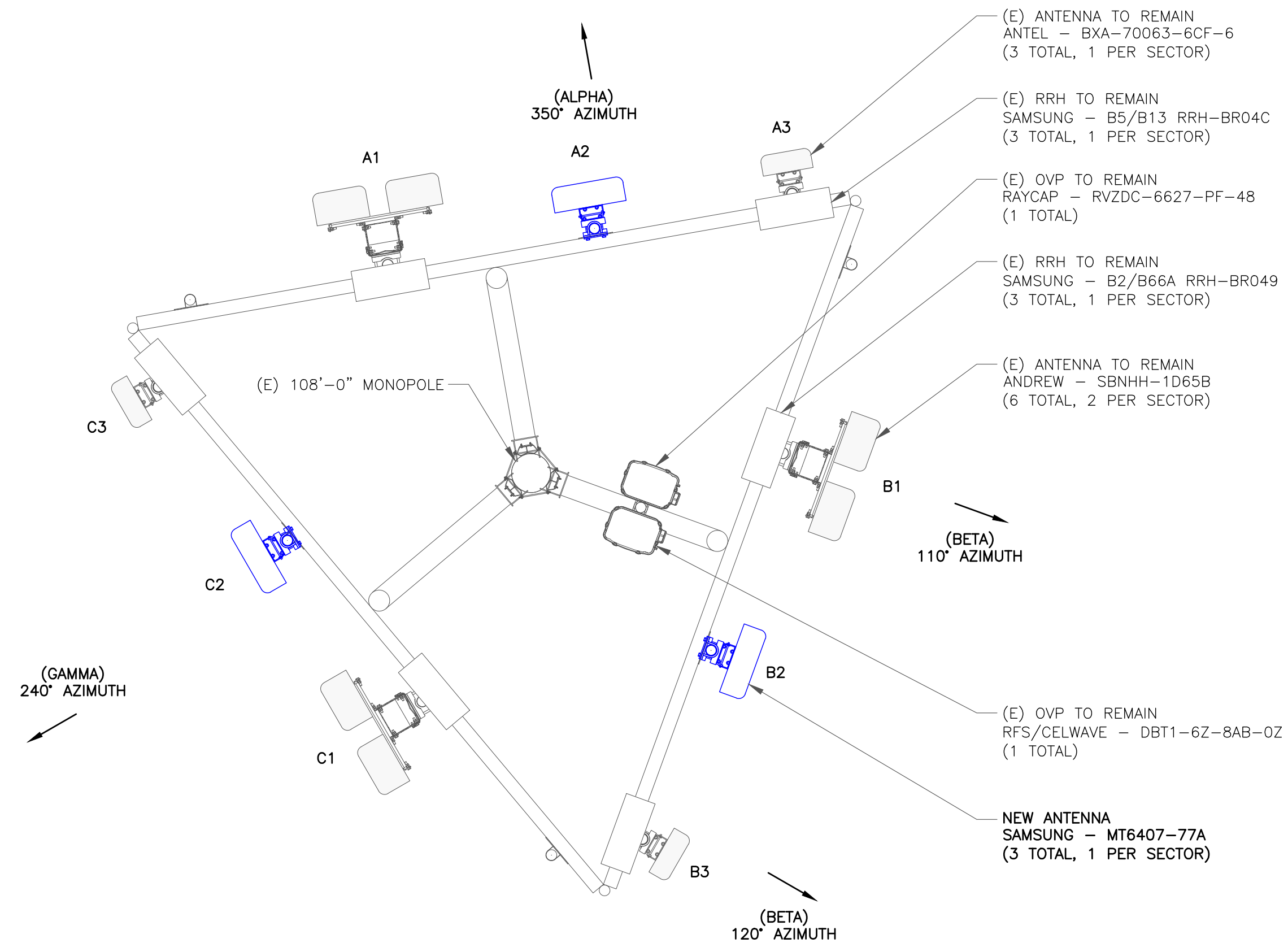
(E) VERIZON
12'-0"x30'-0"
EQUIPMENT SHELTER

(E) FENCE

1 TOWER ELEVATION
SCALE: NOT TO SCALE



2 EXISTING ANTENNA PLAN
SCALE: NOT TO SCALE



3 NEW ANTENNA PLAN
SCALE: NOT TO SCALE

verizon

20 ALEXANDER DRIVE, 2ND FLOOR
WALLINGFORD, CT 06492

CROWN CASTLE

1500 CORPORATE DRIVE
CANONSBURG, PA 15317

INFINIGY

FROM ZERO TO INFINIGY
the solutions are endless

BELLEVUE, WA 98004

VERIZON SITE NUMBER:
334045

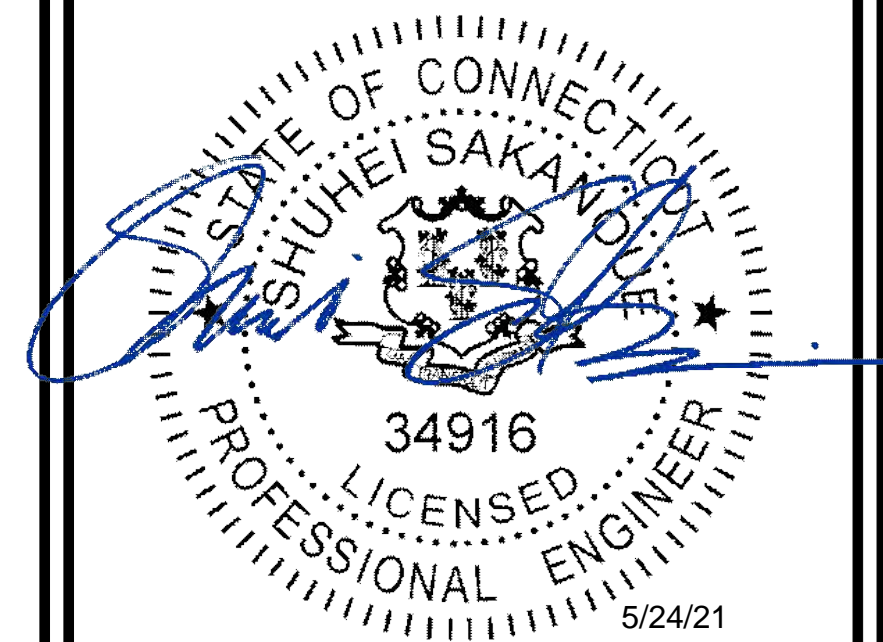
BU #: 876363
HARTFORD - NU (SSUSA)

219 NEW PARK RD
HARTFORD, CT 06106-2949

EXISTING 108'-0" MONOPOLE

ISSUED FOR:

REV	DATE	DRWN	DESCRIPTION	DES./QA
0	05/24/2021	RCD	FINAL	--



IT IS A VIOLATION OF LAW FOR ANY PERSON,
UNLESS THEY ARE ACTING UNDER THE DIRECTION
OF A LICENSED PROFESSIONAL ENGINEER,
TO ALTER THIS DOCUMENT.

SHEET NUMBER:

C-2

REVISION:

0

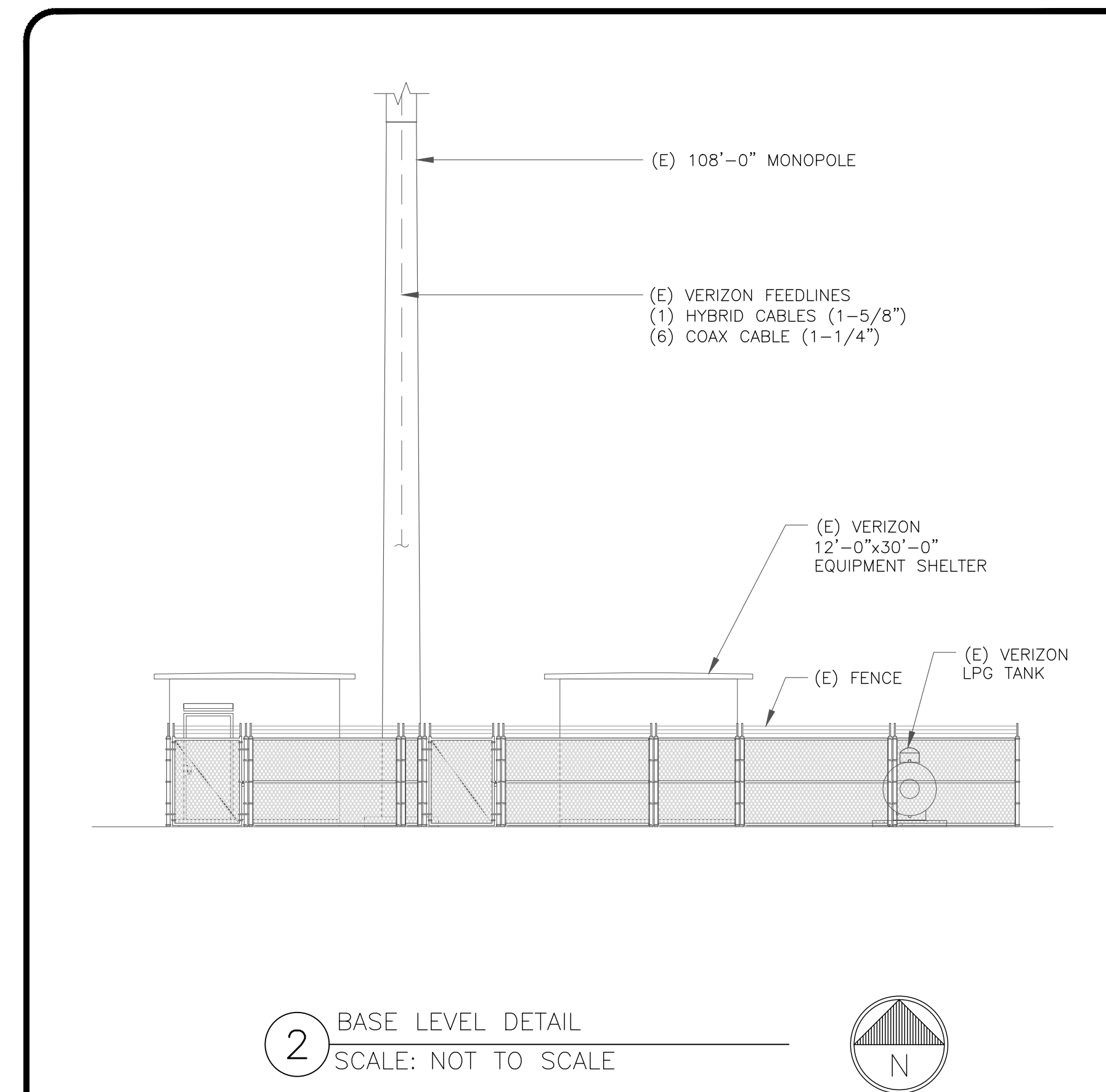
ANTENNA/RRH SCHEDULE

SECTOR	STATUS	ANTENNA MANUFACTURER	ANTENNA MODEL	ANTENNA CENTERLINE	AZIMUTH	MECHANICAL DOWNTILTS	ELECTRICAL DOWNTILTS	TOWER EQUIPMENT MANUFACTURER	TOWER EQUIPMENT QTY/MODEL
A1	EXISTING	ANDREW	(2) SBNHH-1D65B	105'-0"	350°	0°/0°/0°	5°/5°/2°/2'	SAMSUNG	(1) B2/B66A RRH-BR049
A2	NEW	SAMSUNG	MT6407-77A	105'-0"	350°	0°	3'	--	--
A3	EXISTING	ANTEL	BXA-70063-6CF-6	105'-0"	350°	0°	6'	RFS/CELWAVE SAMSUNG	(1) DB-T1-6Z-8AB-0Z (1) B5/B13 RRH-BR04C
B1	EXISTING	ANDREW	(2) SBNHH-1D65B	105'-0"	110°	4°/0°/0°/2'	9°/9°/3°/3'	SAMSUNG	(1) B2/B66A RRH-BR049
B2	NEW	SAMSUNG	MT6407-77A	105'-0"	110°	0°	3'	--	--
B3	EXISTING	ANTEL	BXA-70063-6CF-6	105'-0"	120°	2°	6'	RAYCAP SAMSUNG	(1) RVZDC-6627-PF-48 (1) B5/B13 RRH-BR04C
C1	EXISTING	ANDREW	(2) SBNHH-1D65B	105'-0"	240°	2°/0°/0°/0°	9°/9°/3°/3'	SAMSUNG	(1) B2/B66A RRH-BR049
C2	NEW	SAMSUNG	MT6407-77A	105'-0"	240°	0°	3'	--	--
C3	EXISTING	ANTEL	BXA-70063-6CF-6	105'-0"	240°	2°	6'	SAMSUNG	(1) B5/B13 RRH-BR04C

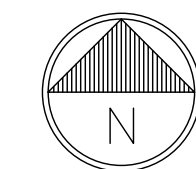
1 VERIZON TOWER EQUIPMENT SCHEDULE
SCALE: NOT TO SCALE

CABLE SCHEDULE

STATUS	CABLE TYPE	SIZE	LENGTH	QTY
EXISTING	COAX	1-1/4"	155'-0"±	6
EXISTING	HYBRID	1-5/8"	155'-0"±	2
TOTAL CABLE QTY:				8



2 BASE LEVEL DETAIL
SCALE: NOT TO SCALE



verizon
20 ALEXANDER DRIVE, 2ND FLOOR
WALLINGFORD, CT 06492

CROWN CASTLE
1500 CORPORATE DRIVE
CANONSBURG, PA 15317

INFINIGY
FROM ZERO TO INFINIGY
the solutions are endless
BELLEVUE, WA 98004

VERIZON SITE NUMBER:
334045

BU #: **876363**
HARTFORD - NU (SSUSA)

219 NEW PARK RD
HARTFORD, CT 06106-2949

EXISTING 108'-0" MONOPOLE

ISSUED FOR:

REV	DATE	DRWN	DESCRIPTION	DES./QA
0	05/24/2021	RCD	FINAL	--

STATE OF CONNECTICUT
SHUHEI SAKAMOTO
34916
LICENSED PROFESSIONAL ENGINEER
5/24/21

IT IS A VIOLATION OF LAW FOR ANY PERSON, UNLESS THEY ARE ACTING UNDER THE DIRECTION OF A LICENSED PROFESSIONAL ENGINEER, TO ALTER THIS DOCUMENT.

SHEET NUMBER: **C-3** REVISION: **0**

verizon

20 ALEXANDER DRIVE, 2ND FLOOR
WALLINGFORD, CT 06492

**CROWN
CASTLE**

1500 CORPORATE DRIVE
CANONSBURG, PA 15317

INFINIGY

FROM ZERO TO INFINIGY
the solutions are endless

BELLEVUE, WA 98004

VERIZON SITE NUMBER:
334045

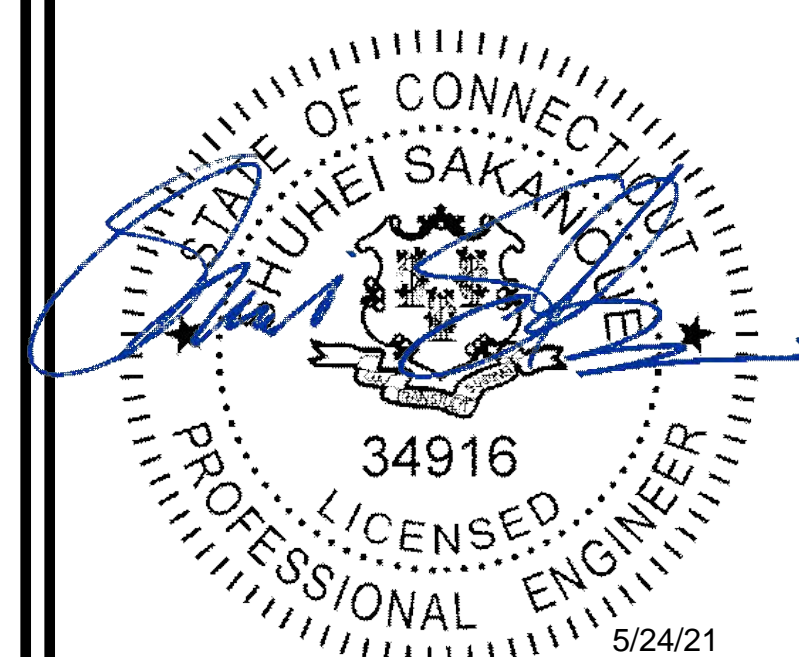
BU #: 876363
HARTFORD - NU (SSUSA)

219 NEW PARK RD
HARTFORD, CT 06106-2949

EXISTING 108'-0" MONOPOLE

ISSUED FOR:

REV	DATE	DRWN	DESCRIPTION	DES./QA
0	05/24/2021	RCD	FINAL	--

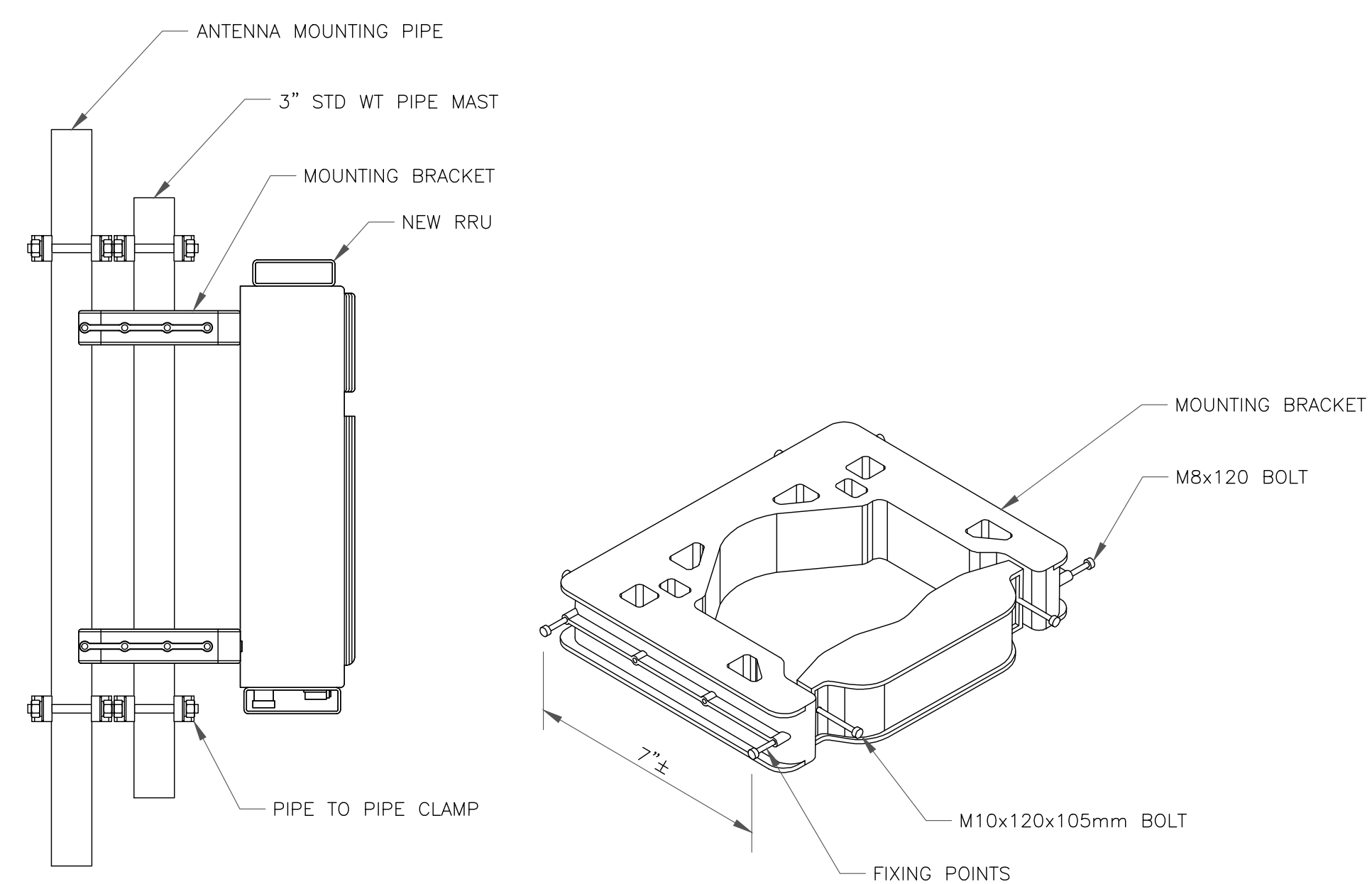


IT IS A VIOLATION OF LAW FOR ANY PERSON,
UNLESS THEY ARE ACTING UNDER THE DIRECTION
OF A LICENSED PROFESSIONAL ENGINEER,
TO ALTER THIS DOCUMENT.

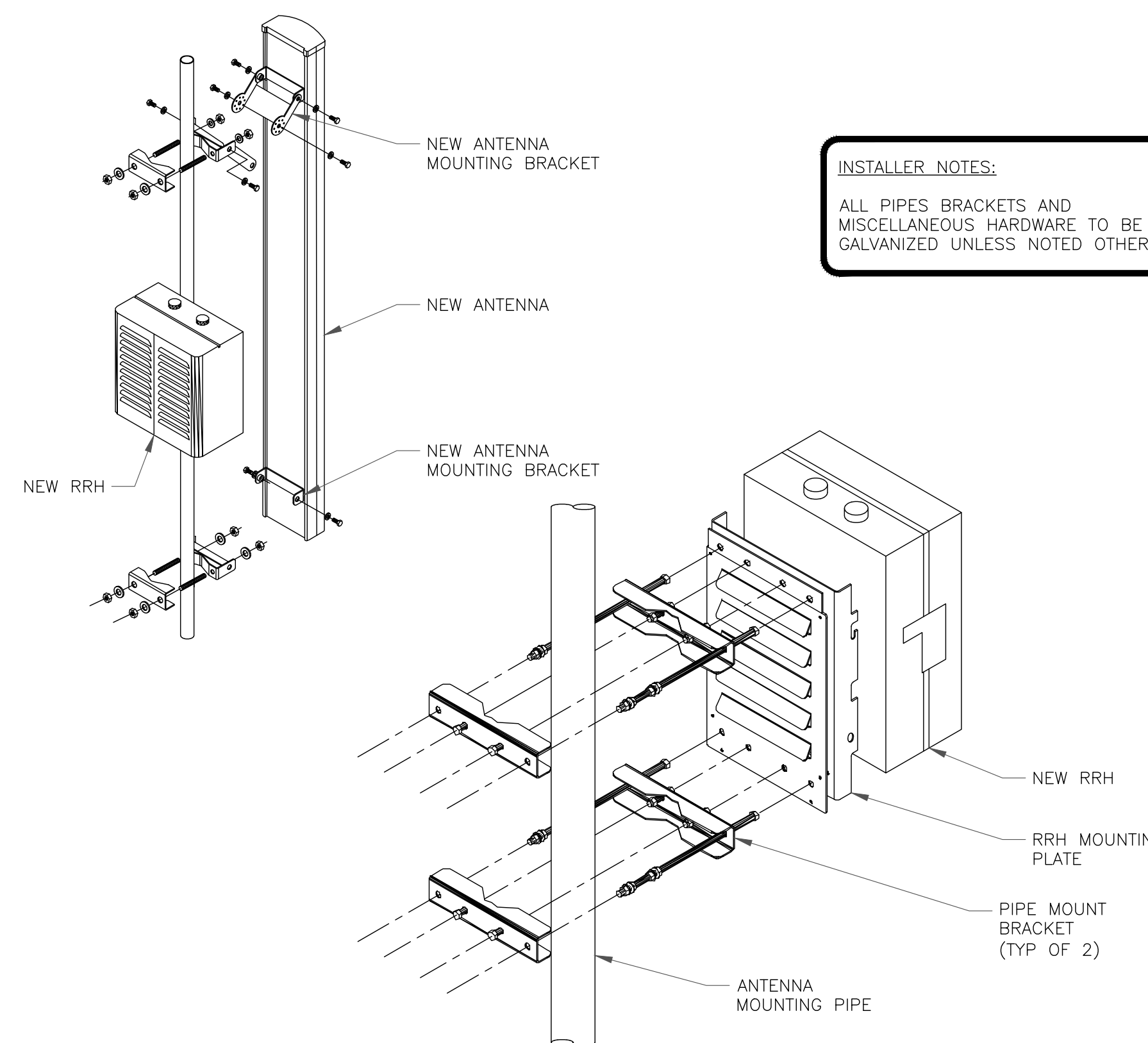
SHEET NUMBER: **C-4** REVISION: **0**

1 NOT USED
SCALE: NOT TO SCALE

2 NOT USED
SCALE: NOT TO SCALE



3 NOKIA - FPKA BRACKET MOUNTING DETAIL
SCALE: NOT TO SCALE



INSTALLER NOTES:

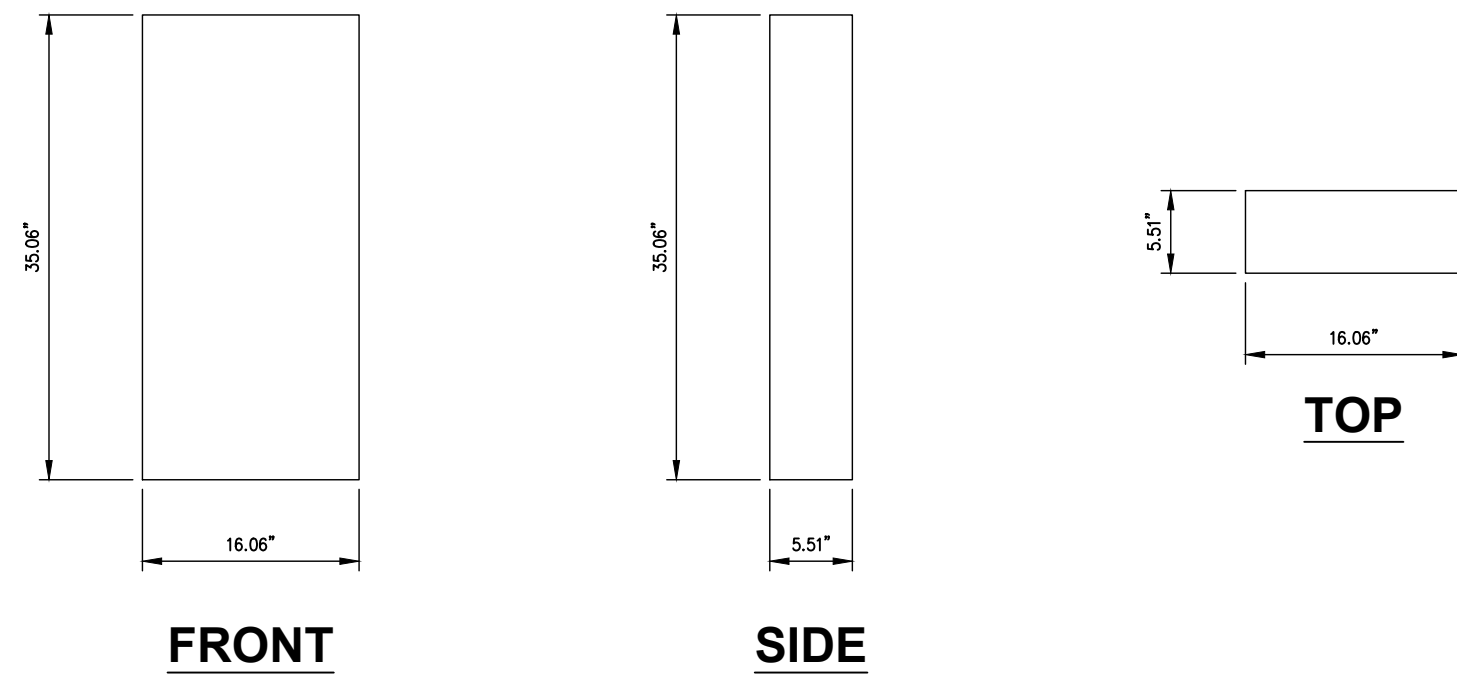
ALL PIPES BRACKETS AND
MISCELLANEOUS HARDWARE TO BE
GALVANIZED UNLESS NOTED OTHERWISE.

4 ANTENNA & RRH MOUNTING DETAIL
SCALE: NOT TO SCALE

SAMSUNG PANEL ANTENNA (MT6407-77A ANTENNA)

DIMENSIONS, HxWxD: 35.06"x16.06"x5.51"

WEIGHT, W/O BRACKETS: 81.57 lbs



1 SAMSUNG MT6407-77A ANTENNA DETAIL
SCALE: NOT TO SCALE

2 NOT USED
SCALE: NOT TO SCALE

3 NOT USED
SCALE: NOT TO SCALE

4 NOT USED
SCALE: NOT TO SCALE

5 NOT USED
SCALE: NOT TO SCALE

6 NOT USED
SCALE: NOT TO SCALE

verizon
20 ALEXANDER DRIVE, 2ND FLOOR
WALLINGFORD, CT 06492

CROWN CASTLE
1500 CORPORATE DRIVE
CANONSBURG, PA 15317

INFINIGY
FROM ZERO TO INFINIGY
the solutions are endless
BELLEVUE, WA 98004

VERIZON SITE NUMBER:
334045

BU #: 876363
HARTFORD - NU (SSUSA)

219 NEW PARK RD
HARTFORD, CT 06106-2949

EXISTING 108'-0" MONOPOLE

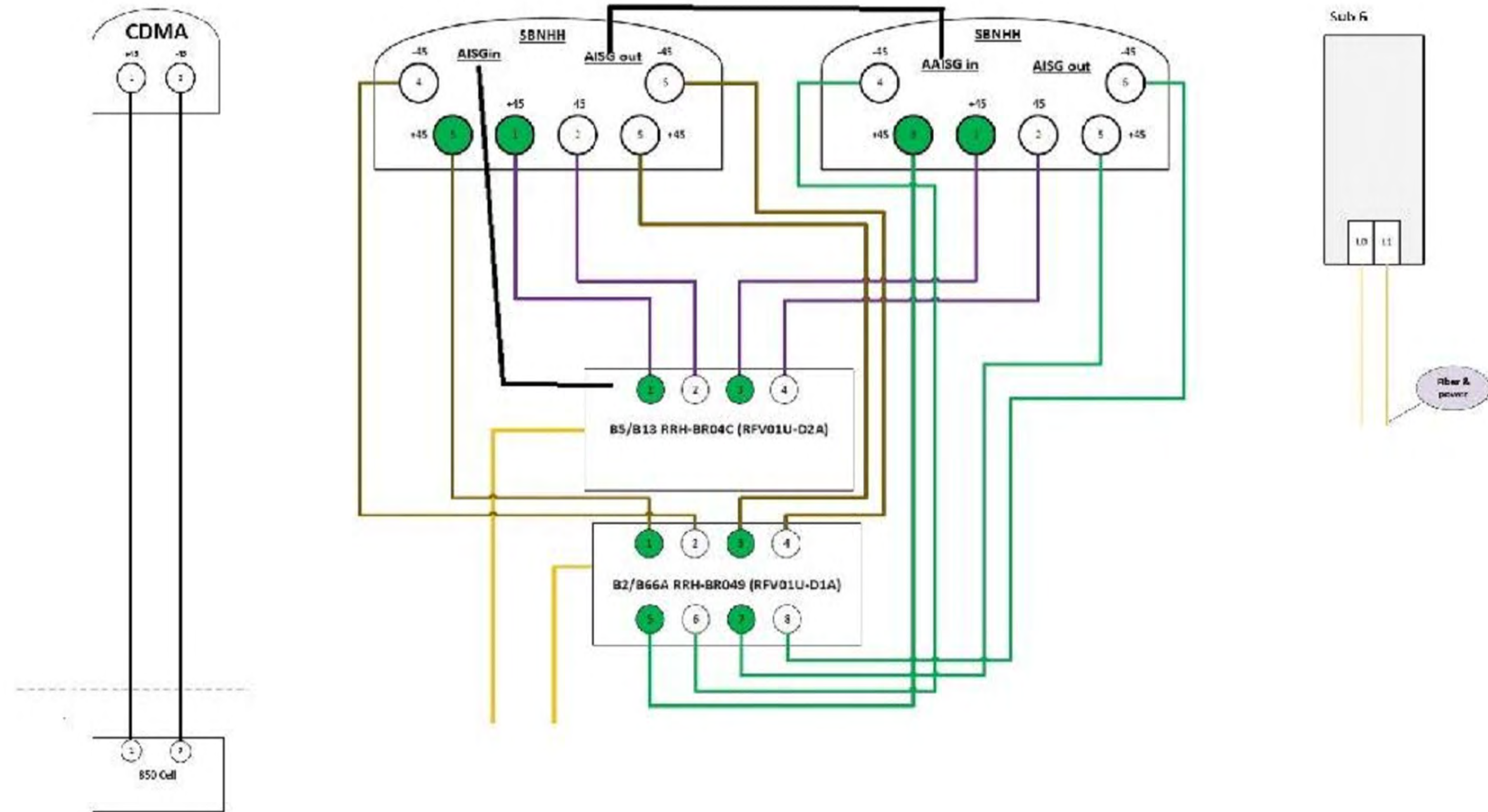
ISSUED FOR:

REV	DATE	DRWN	DESCRIPTION	DES./QA
0	05/24/2021	RCD	FINAL	-

STATE OF CONNECTICUT
SHUHEI SAKAMOTO
34916
LICENSED PROFESSIONAL ENGINEER
5/24/21

IT IS A VIOLATION OF LAW FOR ANY PERSON,
UNLESS THEY ARE ACTING UNDER THE DIRECTION
OF A LICENSED PROFESSIONAL ENGINEER,
TO ALTER THIS DOCUMENT.

SHEET NUMBER: **C-5** REVISION: **0**



verizon

20 ALEXANDER DRIVE, 2ND FLOOR
WALLINGFORD, CT 06492

CROWN CASTLE

1500 CORPORATE DRIVE
CANONSBURG, PA 15317

INFINIGY

FROM ZERO TO INFINIGY
the solutions are endless

BELLEVUE, WA 98004

VERIZON SITE NUMBER:
334045

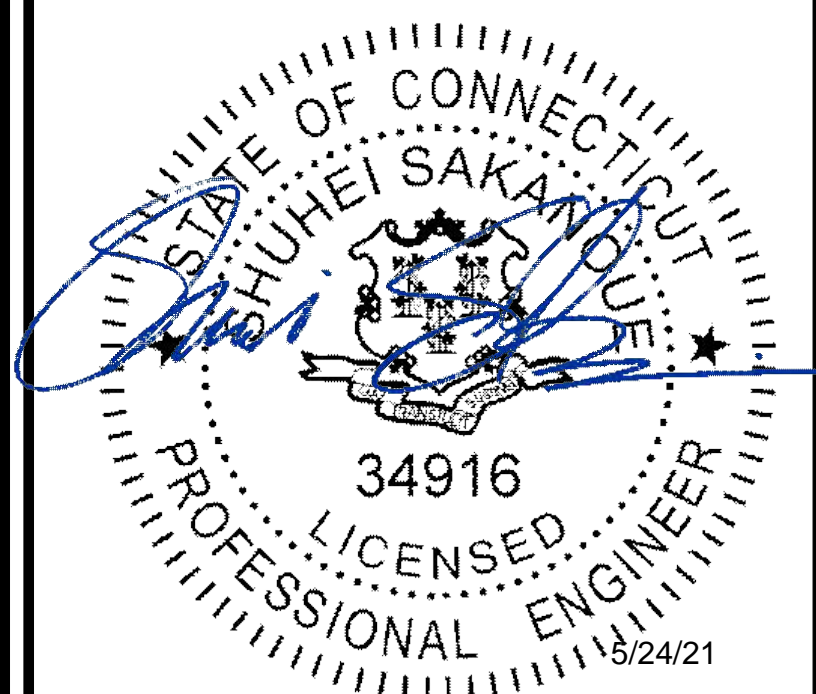
BU #: 876363
HARTFORD - NU (SSUSA)

219 NEW PARK RD
HARTFORD, CT 06106-2949

EXISTING 108'-0" MONOPOLE

ISSUED FOR:

REV	DATE	DRWN	DESCRIPTION	DES./QA
0	05/24/2021	RCD	FINAL	-

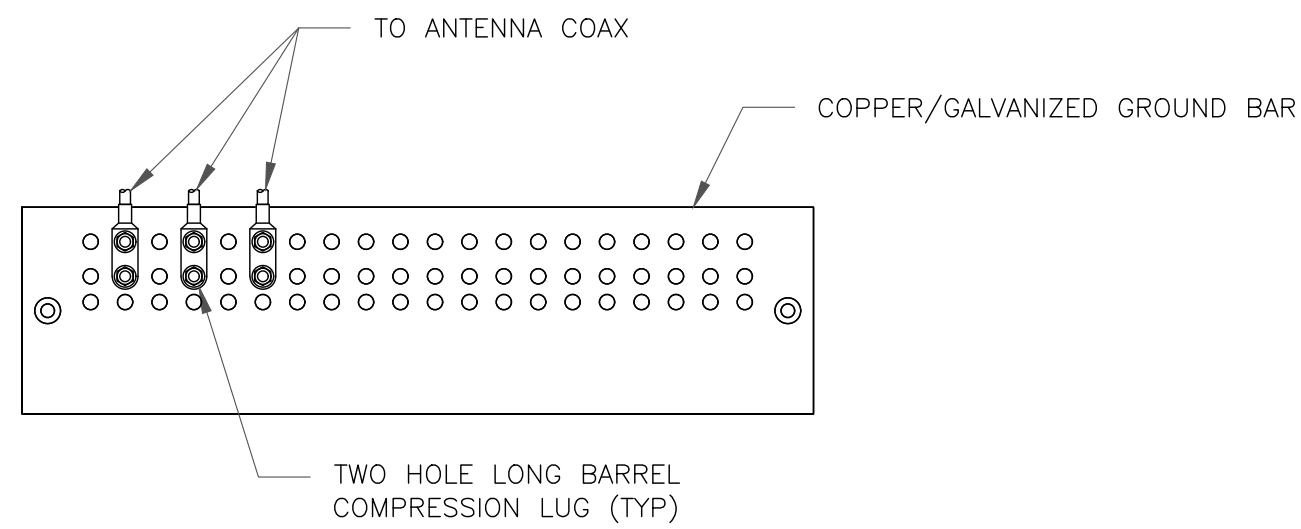


IT IS A VIOLATION OF LAW FOR ANY PERSON,
UNLESS THEY ARE ACTING UNDER THE DIRECTION
OF A LICENSED PROFESSIONAL ENGINEER,
TO ALTER THIS DOCUMENT.

SHEET NUMBER: REVISION:

C-6

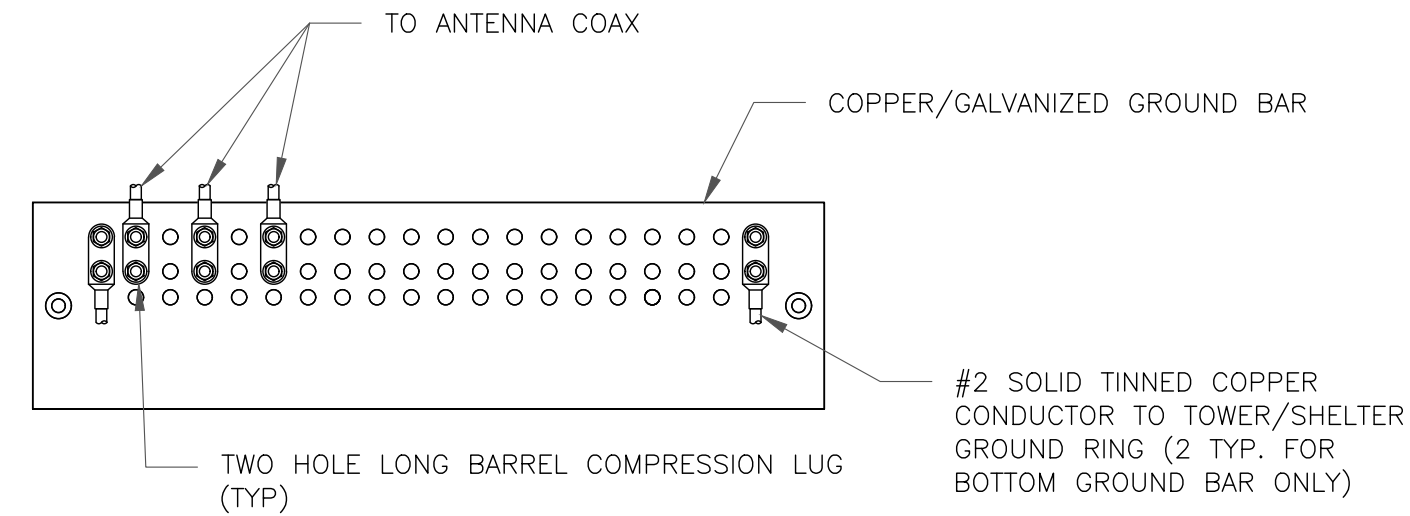
0



NOTES:

- DOUBLING UP "OR STACKING" OF CONNECTIONS IS NOT PERMITTED.
- EXTERIOR ANTIOXIDANT JOINT COMPOUND TO BE USED ON ALL EXTERIOR CONNECTIONS.
- GROUND BAR SHALL NOT BE ISOLATED FROM TOWER. MOUNT DIRECTLY TO ANTENNA MOUNT STEEL.

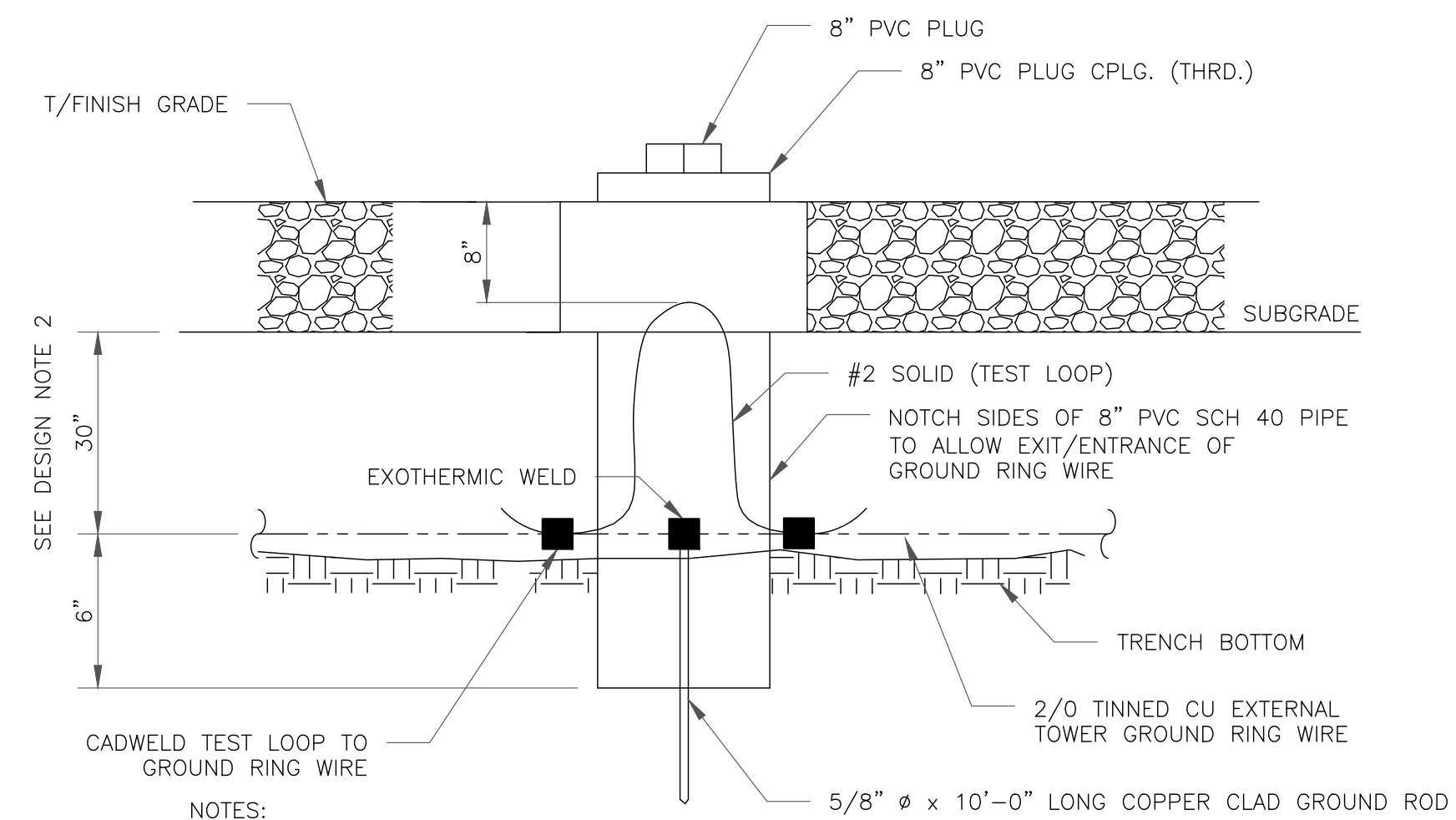
1 ANTENNA SECTOR GROUND BAR DETAIL
SCALE: NOT TO SCALE



NOTES:

- EXTERIOR ANTIOXIDANT JOINT COMPOUND TO BE USED ON ALL EXTERIOR CONNECTIONS.
- GROUND BAR SHALL NOT BE ISOLATED FROM TOWER. MOUNT DIRECTLY TO TOWER STEEL (TOWER ONLY).
- GROUND BAR SHALL BE ISOLATED FROM BUILDING OR SHELTER.

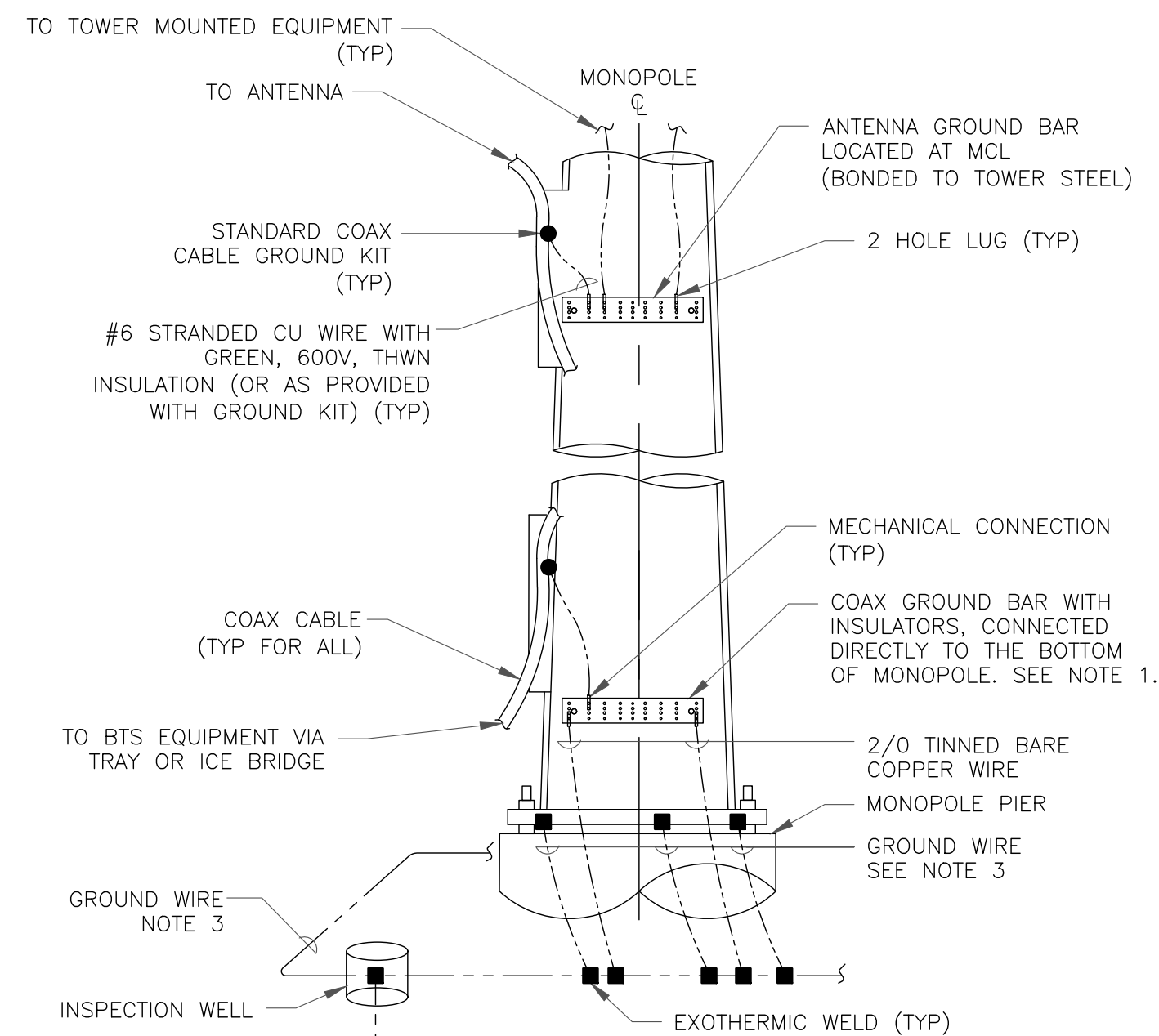
2 TOWER/SHELTER GROUND BAR DETAIL
SCALE: NOT TO SCALE



NOTES:

- GROUND ROD SHALL BE DRIVEN VERTICALLY, NOT TO EXCEED 45 DEGREES FROM THE VERTICAL
- GROUND WIRE SHALL BE MIN. 30" BELOW GRADE OR 6" BELOW FROST LINE. (WHICH EVER IS GREATER) AS PER N.E.C. ARTICLE 250-50(D)

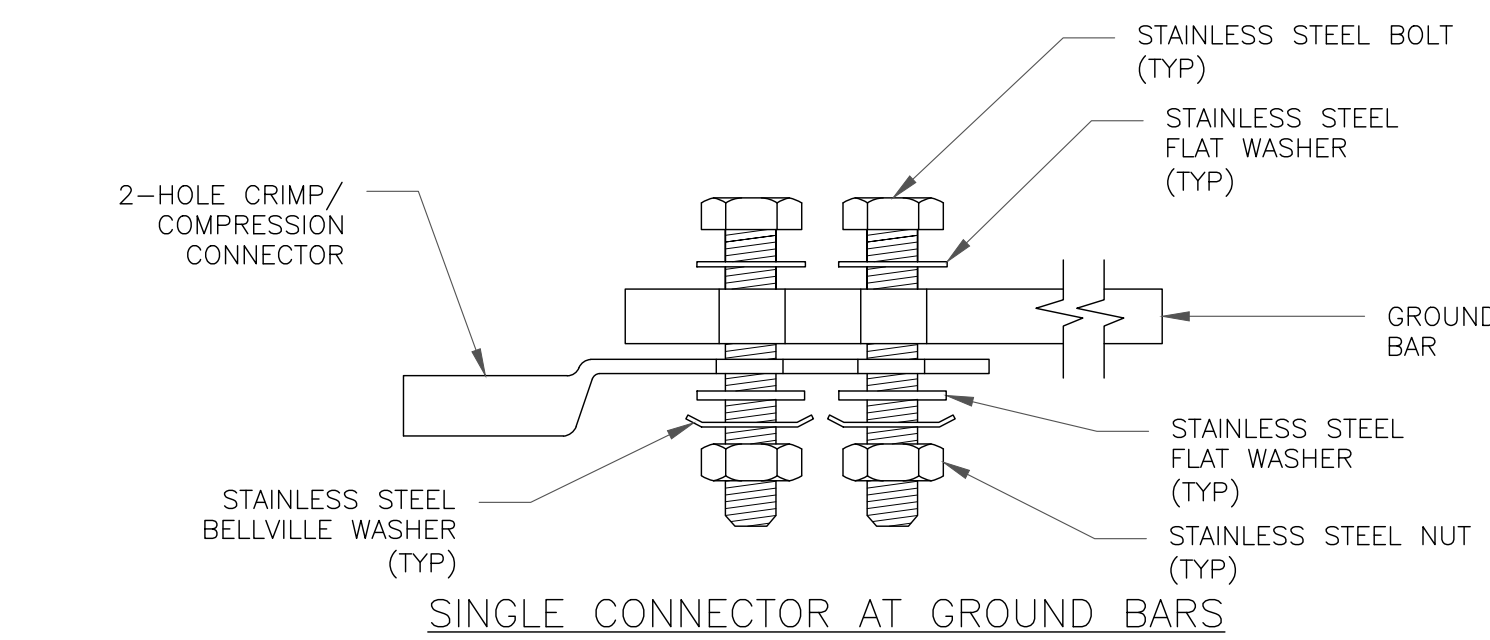
3 INSPECTION WELL DETAIL
SCALE: NOT TO SCALE



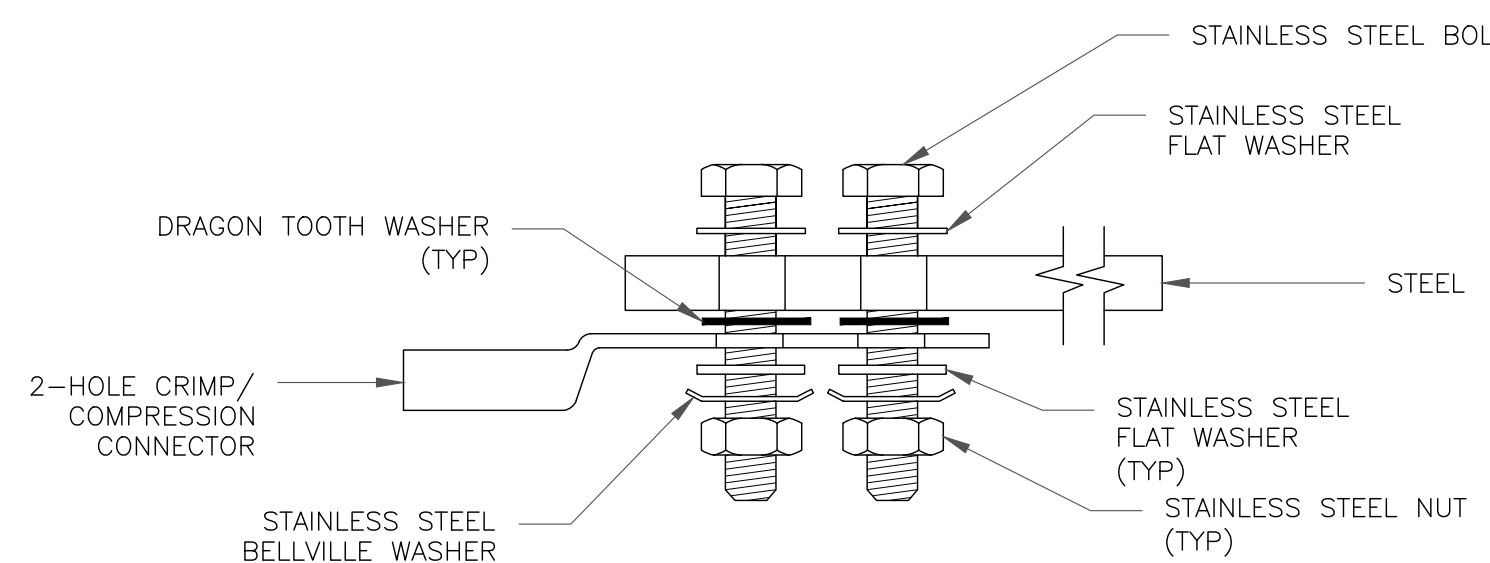
NOTES:

- NUMBER OF GROUNDING BARS MAY VARY DEPENDING ON THE TYPE OF TOWER, ANTENNA LOCATIONS AND CONNECTION ORIENTATION. COAXIAL CABLES EXCEEDING 200 FEET ON THE TOWER SHALL HAVE GROUND KITS AT THE MIDPOINT. PROVIDE AS REQUIRED.
- ONLY MECHANICAL CONNECTIONS ARE ALLOWED TO BE MADE TO CROWN CASTLE USA INC. TOWERS. ALL MECHANICAL CONNECTIONS SHALL BE TREATED WITH AN ANTI-OXIDANT COATING.
- ALL TOWER GROUNDING SYSTEMS SHALL COMPLY WITH THE REQUIREMENTS OF THE RECOGNIZED EDITION OF ANSI/TIA 222 AND NFPA 780.

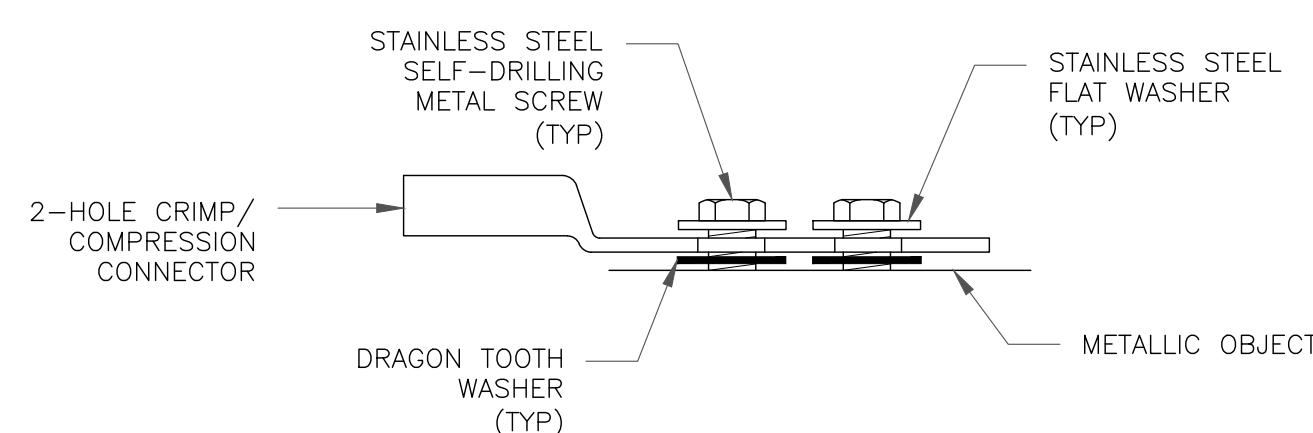
4 TYPICAL ANTENNA CABLE GROUNDING
SCALE: NOT TO SCALE



SINGLE CONNECTOR AT GROUND BARS

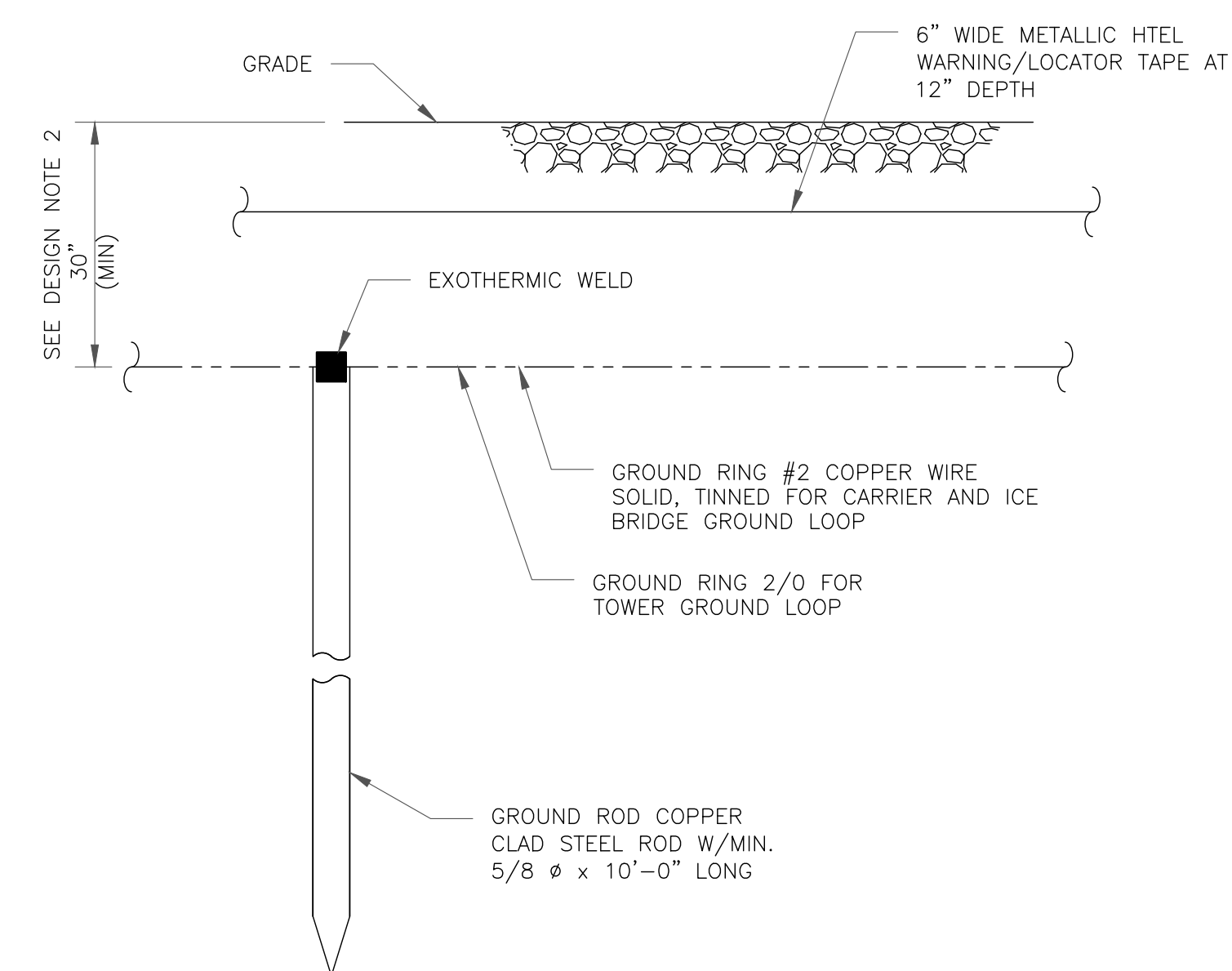


SINGLE CONNECTOR AT STEEL OBJECTS



SINGLE CONNECTOR AT METALLIC/STEEL OBJECTS

5 HARDWARE DETAIL FOR EXTERIOR CONNECTIONS
SCALE: NOT TO SCALE



NOTES:

- GROUND ROD SHALL BE DRIVEN VERTICALLY, NOT TO EXCEED 45 DEGREES FROM THE VERTICAL
- GROUND WIRE SHALL BE MIN. 30" BELOW GRADE OR 6" BELOW FROST LINE. (WHICH EVER IS GREATER) AS PER N.E.C. ARTICLE 250-50(D)

6 GROUND ROD DETAIL
SCALE: NOT TO SCALE

verizon

20 ALEXANDER DRIVE, 2ND FLOOR
WALLINGFORD, CT 06492

CROWN CASTLE

1500 CORPORATE DRIVE
CANONSBURG, PA 15317

INFINIGY

FROM ZERO TO INFINIGY
the solutions are endless

BELLEVUE, WA 98004

VERIZON SITE NUMBER:
334045

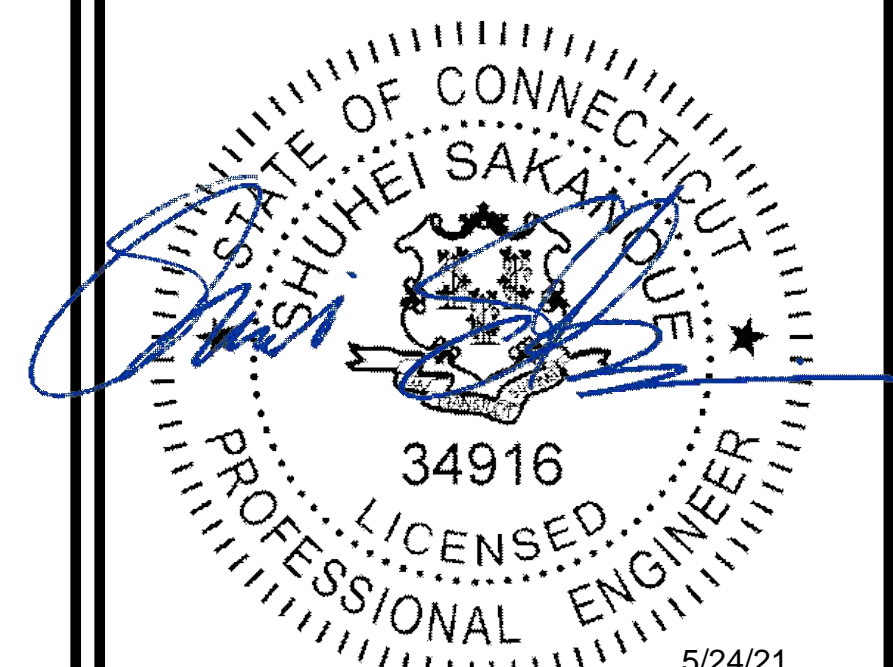
BU #: 876363
HARTFORD - NU (SSUSA)

219 NEW PARK RD
HARTFORD, CT 06106-2949

EXISTING 108'-0" MONOPOLE

ISSUED FOR:

REV	DATE	DRWN	DESCRIPTION	DES./QA
0	05/24/2021	RCD	FINAL	-



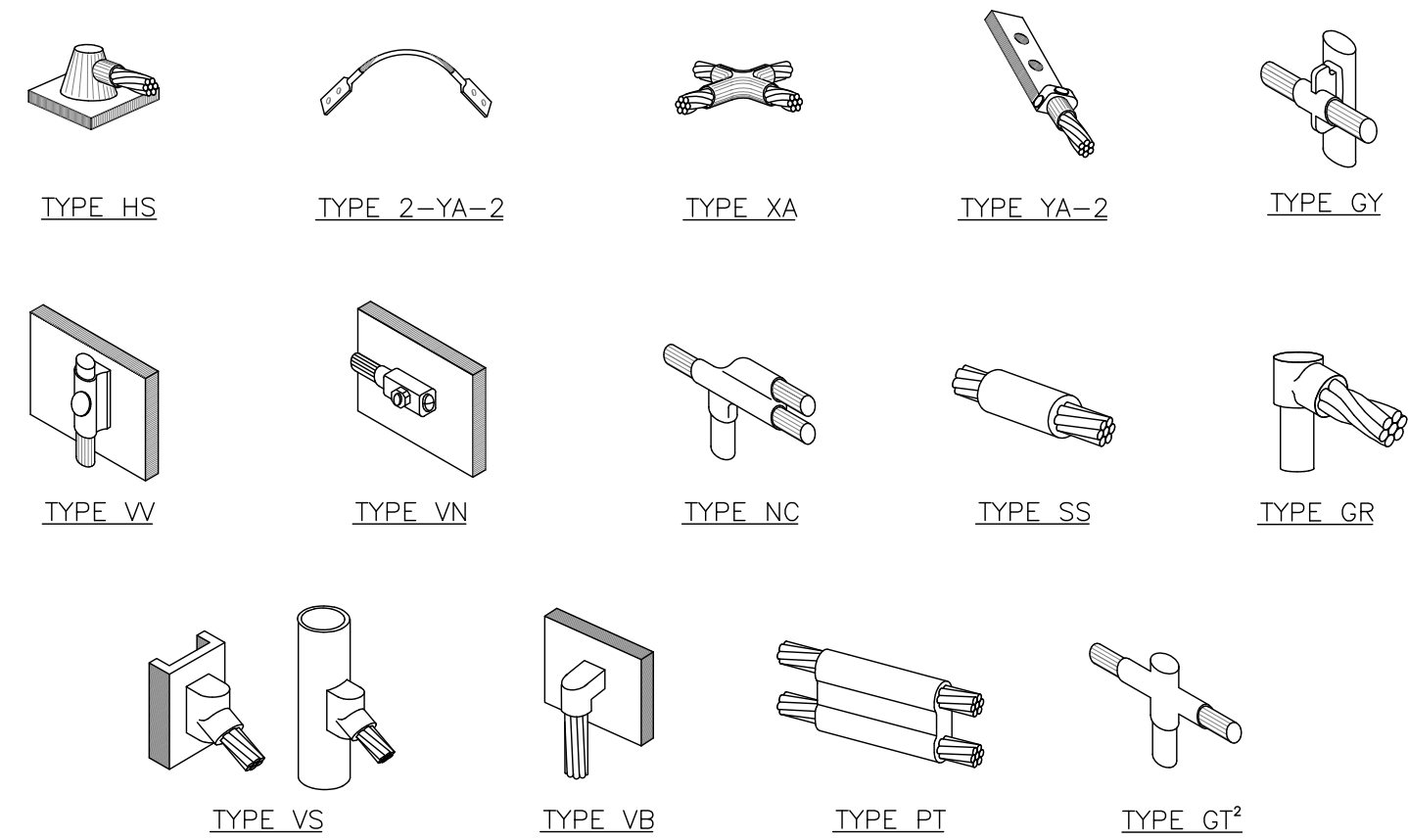
IT IS A VIOLATION OF LAW FOR ANY PERSON, UNLESS THEY ARE ACTING UNDER THE DIRECTION OF A LICENSED PROFESSIONAL ENGINEER, TO ALTER THIS DOCUMENT.

SHEET NUMBER:

G-1

REVISION:

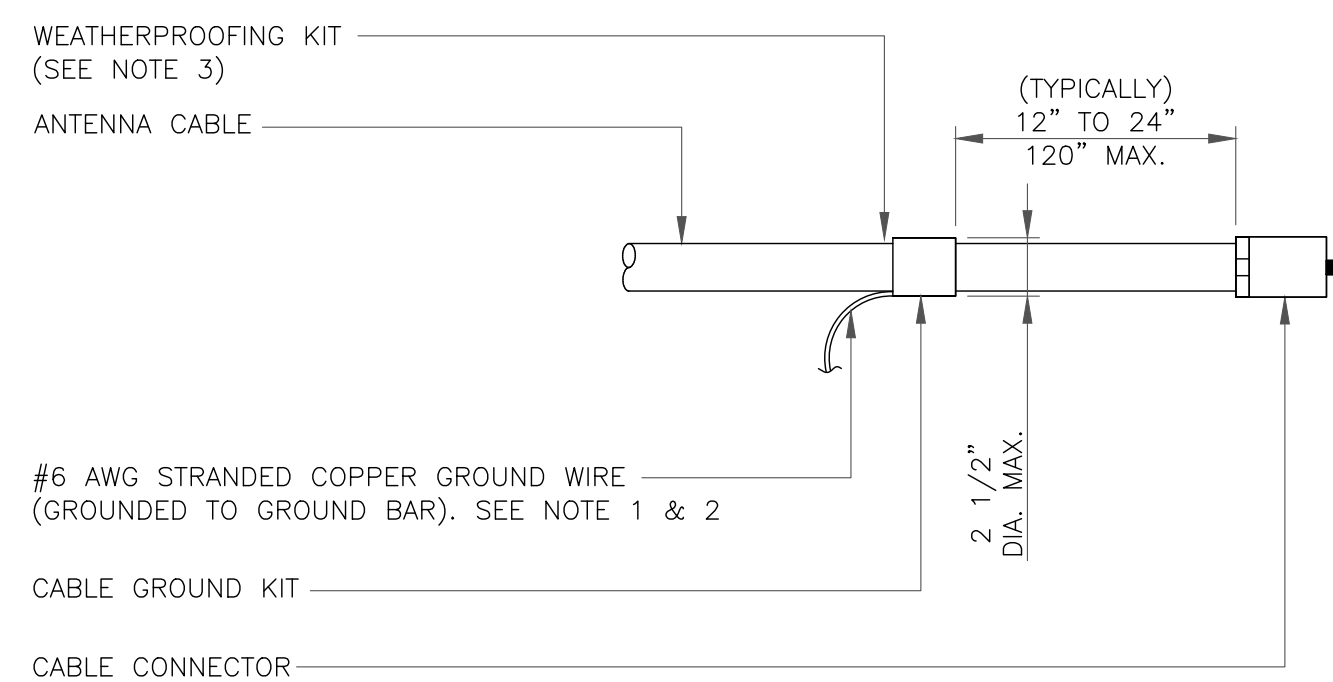
0



NOTE:

1. ERICO EXOTHERMIC "MOLD TYPES" SHOWN HERE ARE EXAMPLES. CONSULT WITH CONSTRUCTION MANAGER FOR SPECIFIC MOLDS TO BE USED FOR THIS PROJECT.
2. MOLD TYPE ONLY TO BE USED BELOW GRADE WHEN CONNECTING GROUND RING TO GROUND ROD.

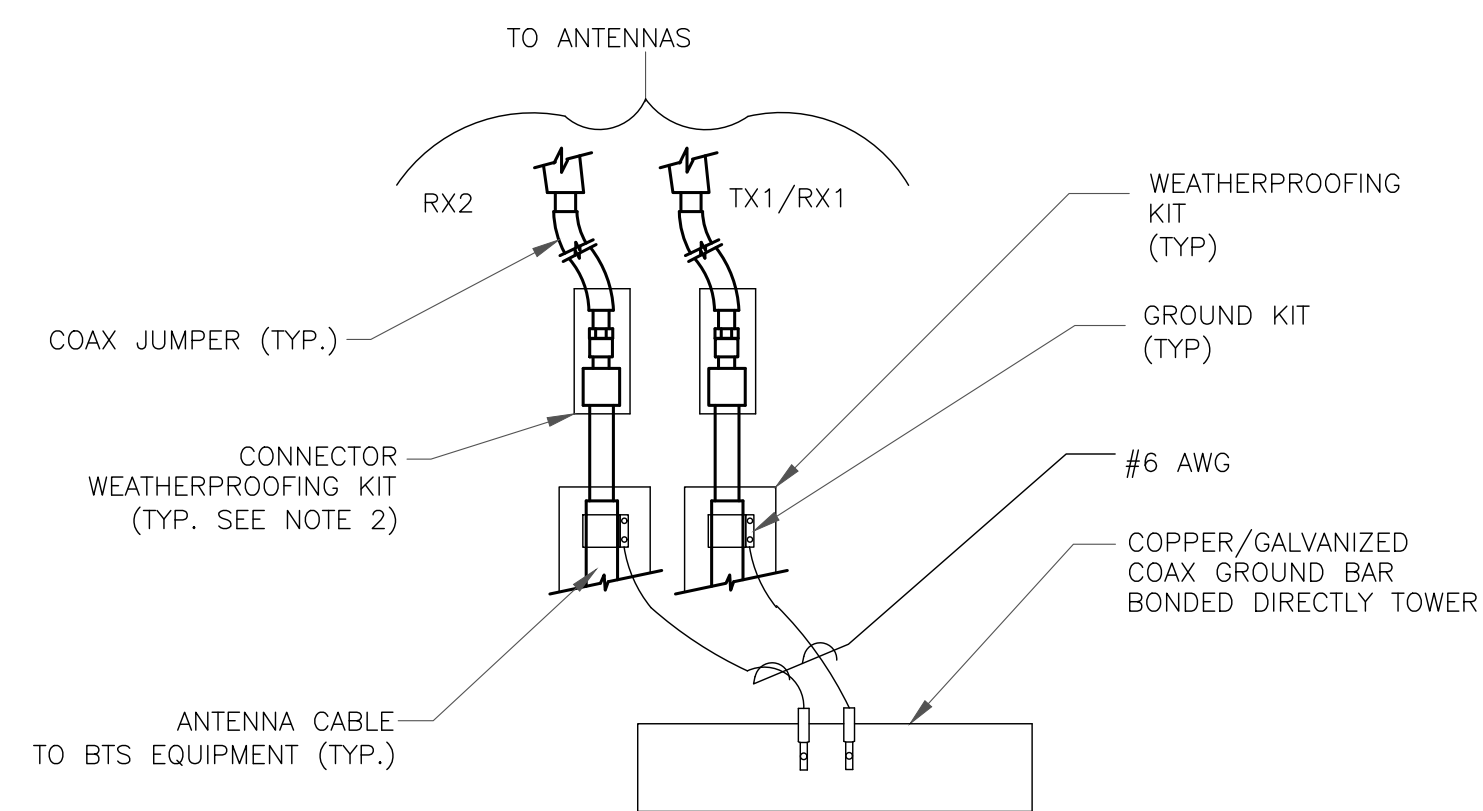
1 CADWELD GROUNDING CONNECTIONS
SCALE: NOT TO SCALE



NOTES:

1. DO NOT INSTALL CABLE GROUND KIT AT A BEND AND ALWAYS DIRECT GROUND WIRE DOWN TO GROUND BAR.
2. GROUNDING KIT SHALL BE TYPE AND PART NUMBER AS SUPPLIED OR RECOMMENDED BY CABLE MANUFACTURER.
3. WEATHER PROOFING SHALL BE TWO-PART TAPE KIT. COLD SHRINK SHALL NOT BE USED.

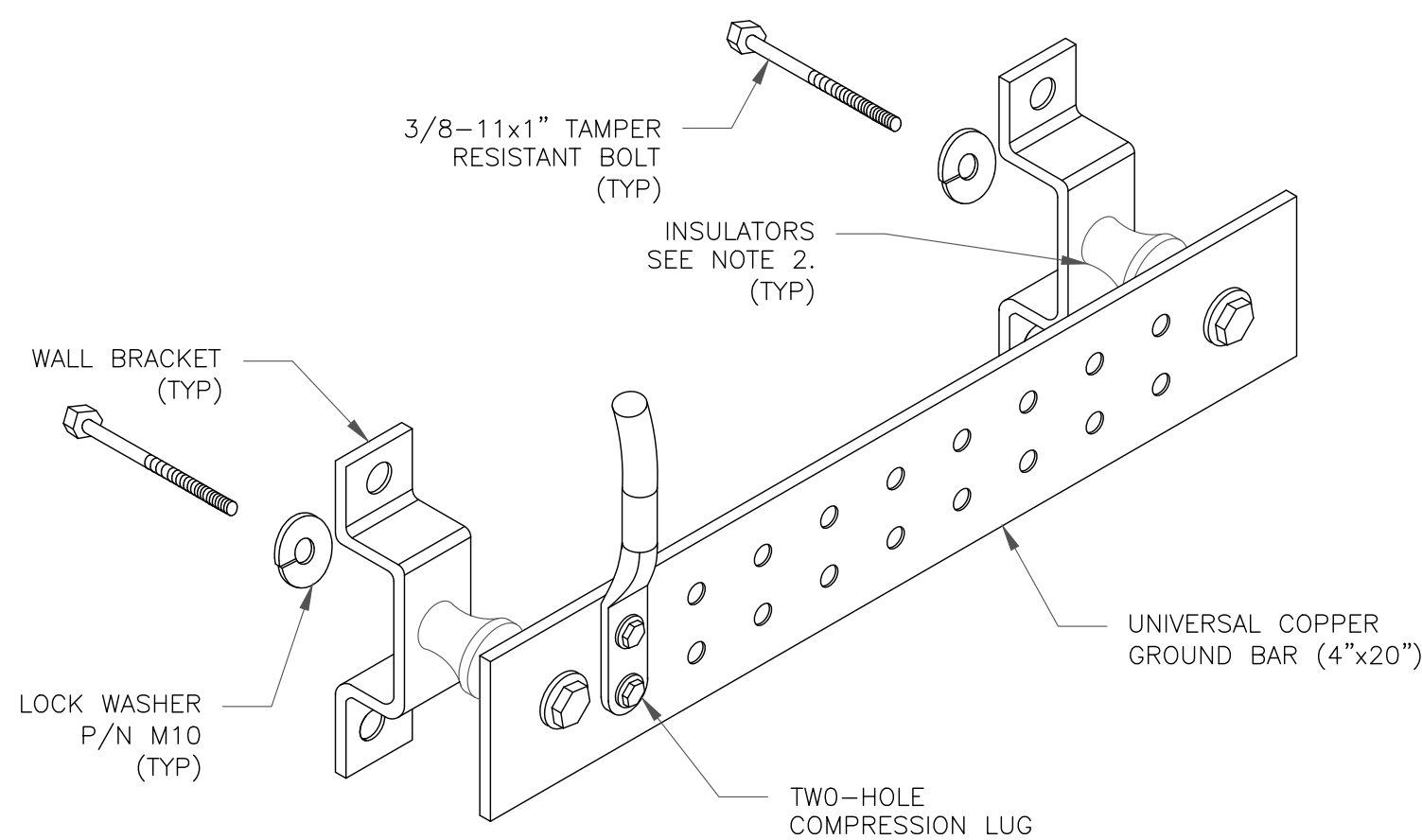
3 CABLE GROUND KIT CONNECTION
SCALE: NOT TO SCALE



NOTES:

1. DO NOT INSTALL CABLE GROUND KIT AT A BEND AND ALWAYS DIRECT GROUND WIRE DOWN TO ANTENNA GROUND BAR.
2. WEATHER PROOFING SHALL BE TWO-PART TAPE KIT. COLD SHRINK SHALL NOT BE USED.

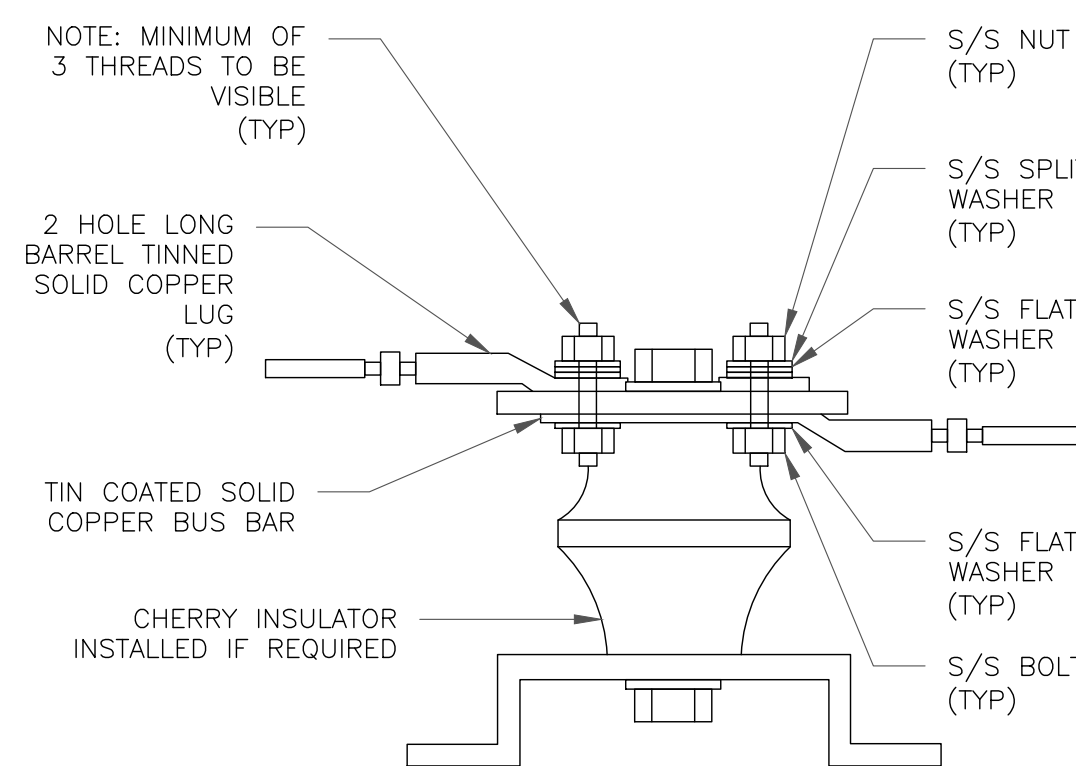
4 GROUND CABLE CONNECTION
SCALE: NOT TO SCALE



NOTES:

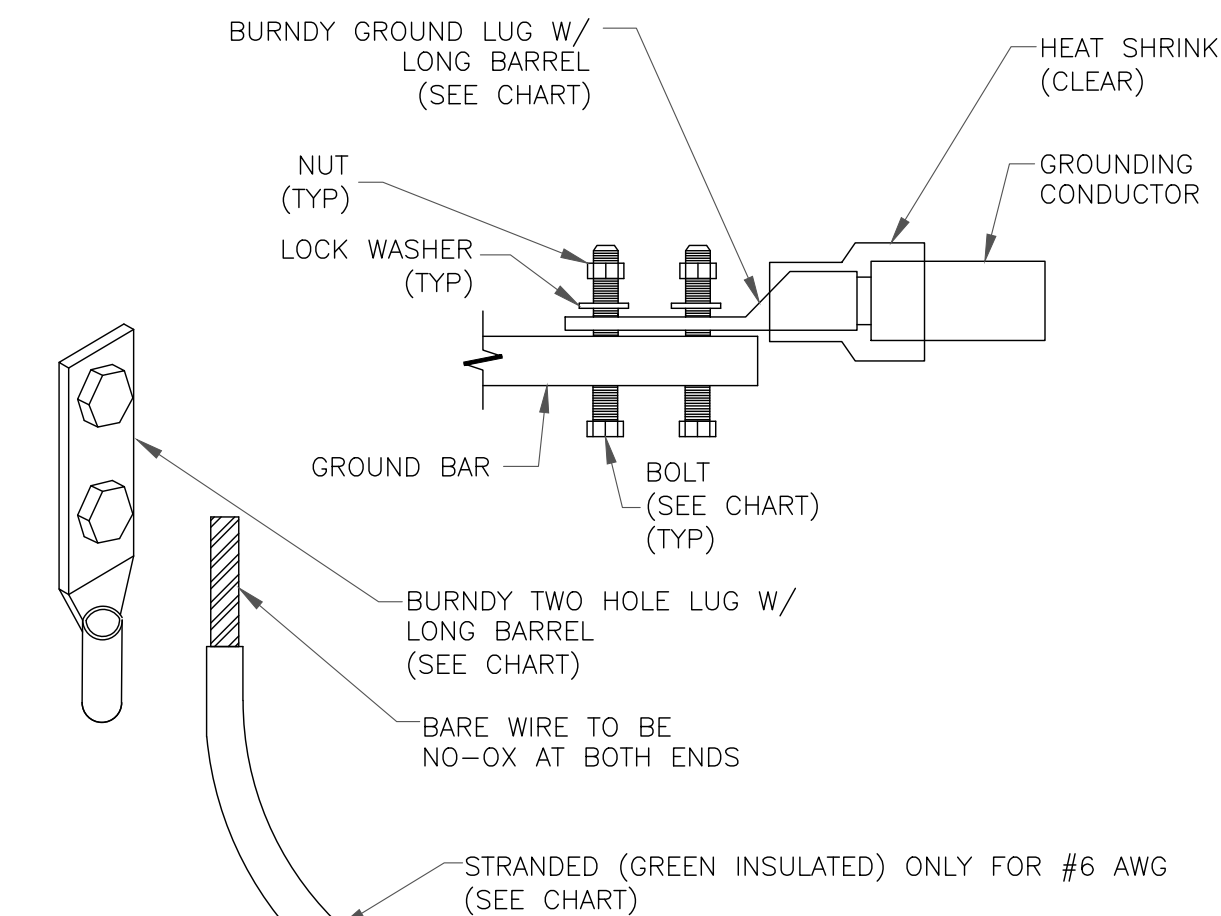
1. DOWN LEAD (HOME RUN) CONDUCTORS ARE NOT TO BE INSTALLED ON CROWN CASTLE USA INC. TOWER, PER THE GROUNDING DOWN CONDUCTOR POLICY QAS-STD-10091. NO MODIFICATION OR DRILLING TO TOWER STEEL IS ALLOWED IN ANY FORM OR FASHION. CAD-WELDING ON THE TOWER AND/OR IN THE AIR ARE NOT PERMITTED.
2. OMIT INSULATOR WHEN MOUNTING TO TOWER STEEL OR PLATFORM STEEL. USE INSULATORS WHEN ATTACHING TO BUILDING OR SHELTERS.

6 GROUND BAR DETAIL
SCALE: NOT TO SCALE



7 LUG DETAIL
SCALE: NOT TO SCALE

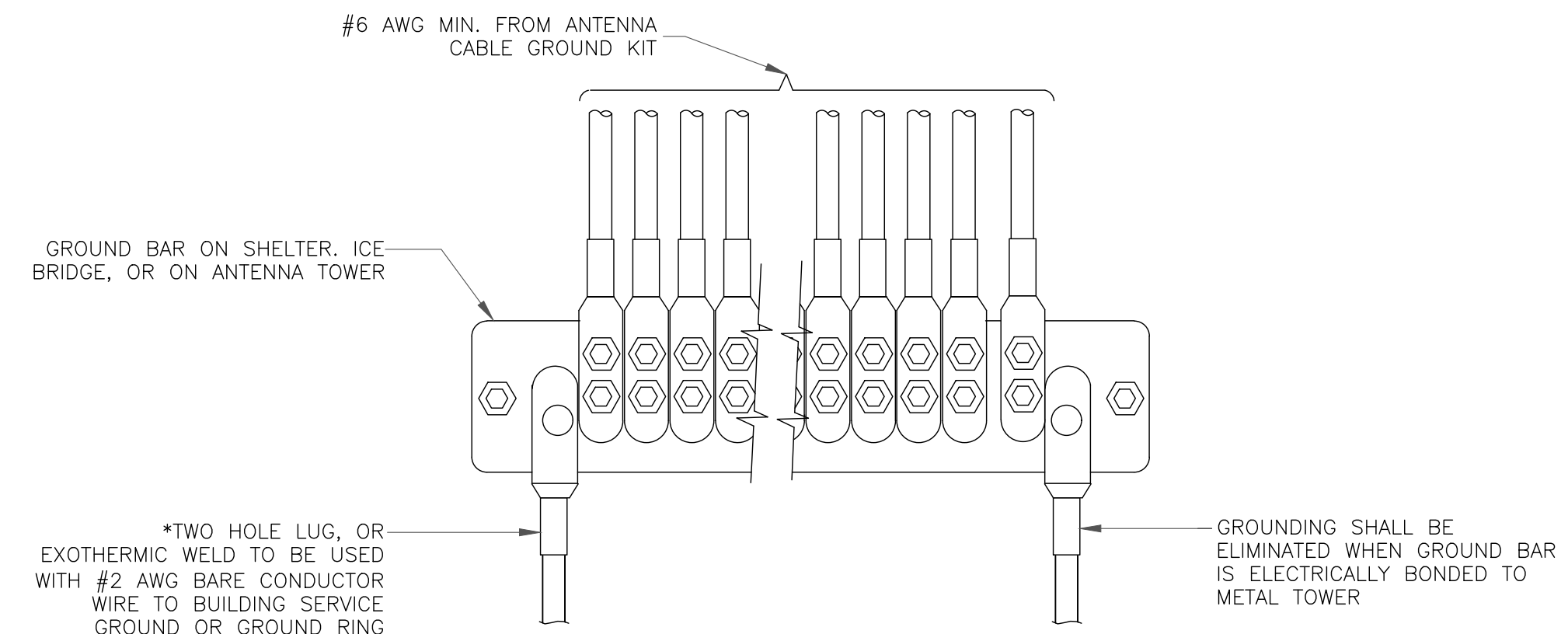
WIRE SIZE	BURNDY LUG	BOLT SIZE
#6 AWG GREEN INSULATED	YA6C-2TC38	3/8" - 16 NC S 2 BOLT
#2 AWG SOLID TINNED	YA3C-2TC38	3/8" - 16 NC S 2 BOLT
#2 AWG STRANDED	YA2C-2TC38	3/8" - 16 NC S 2 BOLT
#2/0 AWG STRANDED	YA26-2TC38	3/8" - 16 NC S 2 BOLT
#4/0 AWG STRANDED	YA28-2N	1/2" - 16 NC S 2 BOLT



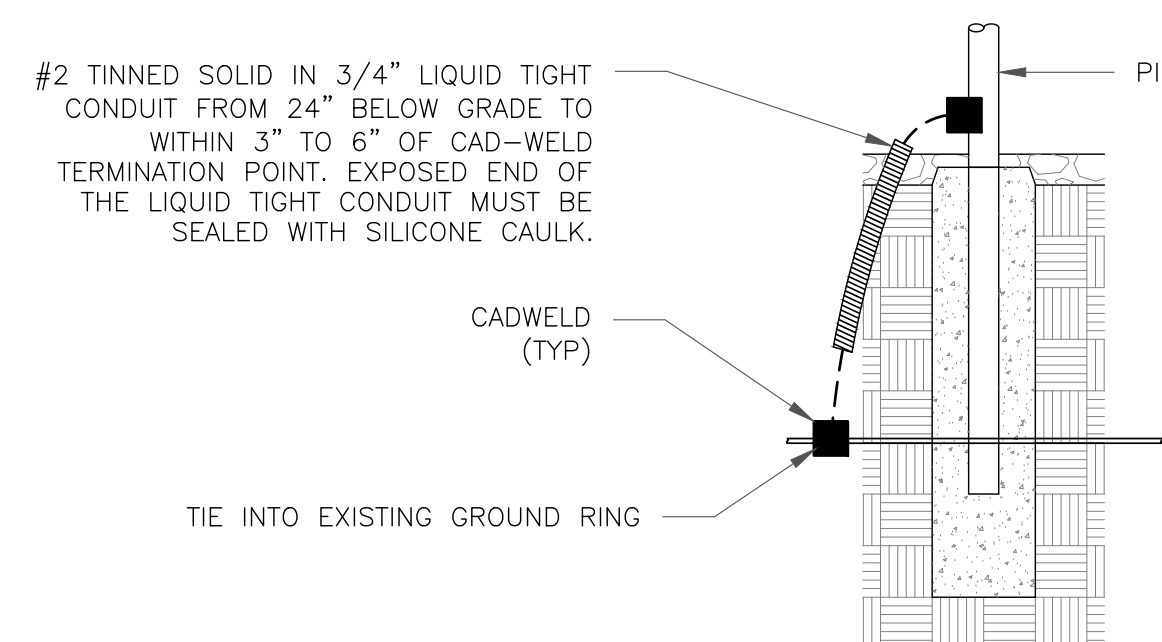
NOTES:

1. ALL GROUNDING LUGS ARE TO BE INSTALLED PER MANUFACTURER'S SPECIFICATIONS. ALL HARDWARE BOLTS, NUTS, LOCK WASHERS SHALL BE STAINLESS STEEL. ALL HARDWARE ARE TO BE AS FOLLOWS: BOLT, FLAT WASHER, GROUND BAR, GROUND LUG, FLAT WASHER AND NUT.

2 MECHANICAL LUG CONNECTION
SCALE: NOT TO SCALE



5 GROUNDWIRE INSTALLATION
SCALE: NOT TO SCALE



8 TRANSITIONING GROUND DETAIL
SCALE: NOT TO SCALE



VERIZON SITE NUMBER:
334045

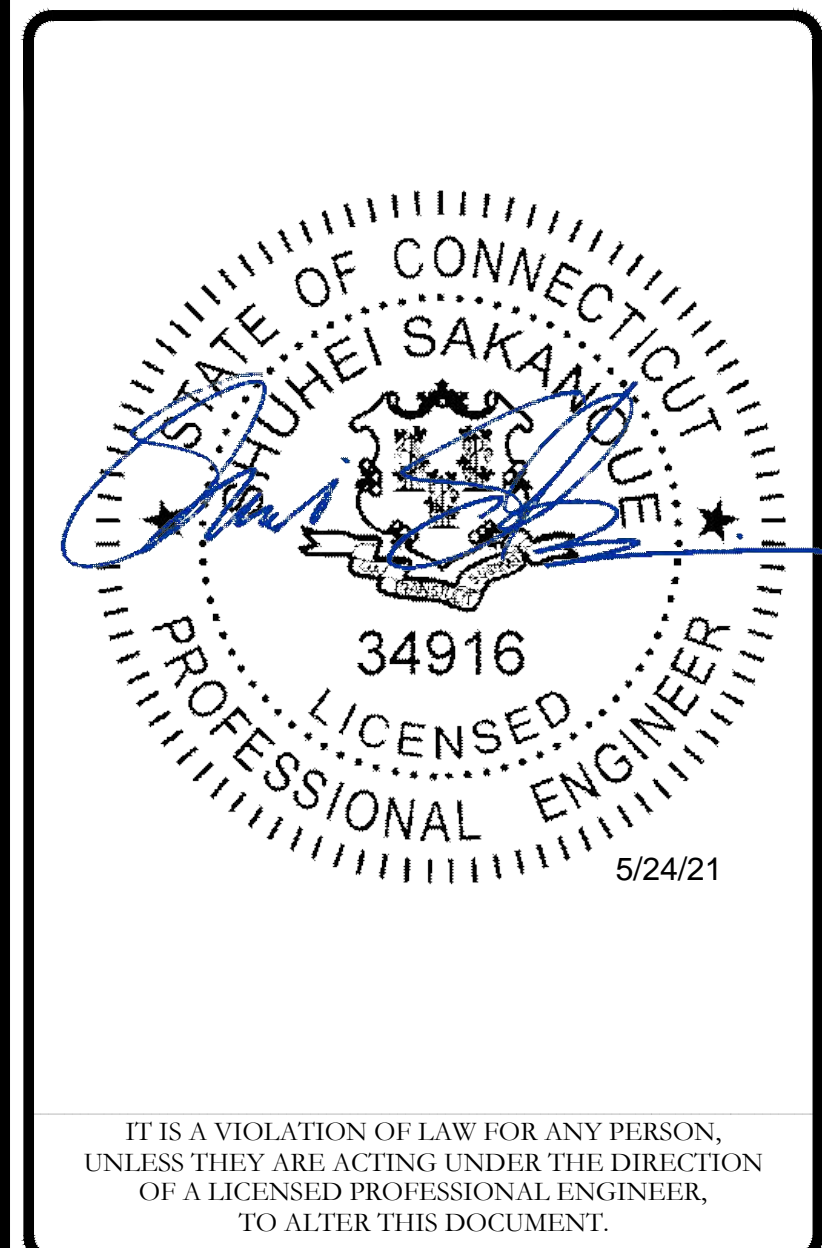
BU #: **876363**
HARTFORD - NU (SSUSA)

219 NEW PARK RD
HARTFORD, CT 06106-2949

EXISTING 108'-0" MONOPOLE

ISSUED FOR:

REV	DATE	DRWN	DESCRIPTION	DES./QA
0	05/24/2021	RCD	FINAL	-



IT IS A VIOLATION OF LAW FOR ANY PERSON, UNLESS THEY ARE ACTING UNDER THE DIRECTION OF A LICENSED PROFESSIONAL ENGINEER, TO ALTER THIS DOCUMENT.

SHEET NUMBER: **G-2** REVISION: **0**

Exhibit D

Structural Analysis Report

Date: **May 23rd, 2021**



B+T Group
1717 S. Boulder, Suite 300
Tulsa, OK 74119
(918) 587-4630

Subject: **Structural Analysis Report**

Carrier Designation: **Verizon Wireless Co-Locate**
Carrier Site Number: 467794
Carrier Site Name: West Hartford 4 CT

Crown Castle Designation: **Crown Castle BU Number:** 876363
Crown Castle Site Name: Hartford - NU (SSUSA)
Crown Castle JDE Job Number: 667196
Crown Castle Work Order Number: 1962334
Crown Castle Order Number: 568282 Rev. 0

Engineering Firm Designation: **B+T Group Project Number:** 85565.012.01

Site Data: **219 New Park Rd., Hartford, Hartford County, CT**
Latitude 41° 45' 2.79", Longitude -72° 42' 49.23"
108 Foot - Monopole

B+T Group is pleased to submit this "**Structural Analysis Report**" to determine the structural integrity of the above-mentioned tower.

The purpose of the analysis is to determine acceptability of the tower stress level. Based on our analysis we have determined the tower stress level for the structure and foundation, under the following load case, to be:

LC5: Proposed Equipment Configuration

Sufficient Capacity – 81.5%

This analysis utilizes an ultimate 3-second gust wind speed of 125 mph as required by the 2015 International Building Code. Applicable Standard references and design criteria are listed in Section 2 - Analysis Criteria.

Structural Analysis prepared by:

Respectfully submitted by: B+T Engineering, Inc.,
COA: PEC.0001564; Expires: 02/10/2022



Chad E. Tuttle P.E.,

TABLE OF CONTENTS

1) INTRODUCTION

2) ANALYSIS CRITERIA

Table 1 - Proposed Equipment Configuration
Table 2 - Other Considered Equipment

3) ANALYSIS PROCEDURE

Table 3 - Documents Provided
3.1) Analysis Method
3.2) Assumptions

4) ANALYSIS RESULTS

Table 4 - Section Capacity (Summary)
Table 5 - Tower Component Stresses vs. Capacity – LC5
4.1) Recommendations

5) APPENDIX A

tnxTower Output

6) APPENDIX B

Base Level Drawing

7) APPENDIX C

Additional Calculations

1) INTRODUCTION

This tower is a 108 ft. Monopole designed by Summit. The tower has been modified multiple times in the past to accommodate additional loading.

2) ANALYSIS CRITERIA

TIA-222 Revision:	TIA-222-H
Risk Category:	II
Wind Speed:	125 mph
Exposure Category:	C
Topographic Factor:	1
Ice Thickness:	2 in
Wind Speed with Ice:	50 mph
Service Wind Speed:	60 mph

Table 1 - Proposed Equipment Configuration

Mounting Level (ft)	Center Line Elevation (ft)	Number of Antennas	Antenna Manufacturer	Antenna Model	Number of Feed Lines	Feed Line Size (in)
105.0	105.0	3	Antel	BXA-70063/6CF	1 7	1-5/8 1-1/4
		6	Commscope	SBNHH-1D65B		
		1	Raycap	RVZDC-6627-PF-48		
		1	RFS Celwave	DB-T1-6Z-8AB-0Z		
		3	Samsung Telecom.	MT6407-77A		
		3	Samsung Telecom.	RFV01U-D1A		
		3	Samsung Telecom.	RFV01U-D2A		
		1	--	Sector Mount [SM 401-3]		

Table 2 - Other Considered Equipment

Mounting Level (ft)	Center Line Elevation (ft)	Number of Antennas	Antenna Manufacturer	Antenna Model	Number of Feed Lines	Feed Line Size (in)	
98.0	102.0	2	Dragonwave	HORIZON COMPACT	4 2 3	1-1/4 1/2 5/16	
		1	Dragonwave	A-ANT-18G-2-C			
		1	Dragonwave	A-ANT-23G-1-C			
	99.0	3	Argus Tech.	LLPX310R			
		3	Nokia	AAHF			
		1	RFS Celwave	APXV9ERR18-C-A20			
		2	RFS Celwave	APXVSP18-C-A20			
		3	Samsung Telecom.	WIMAX DAP HEAD			
		98.0	3	RFS Celwave			IBC1900BB-1
			3	RFS Celwave			IBC1900HG-2A
1	--	Platform Mount [LP 1201-1_HR-1]					
96.0	96.0	3	Alcatel Lucent	800MHz 2X50W RRH W/FILTER			
		3	Alcatel Lucent	PCS 1900MHz 4x45W-65MHz			
		1	--	Side Arm Mount [SO 102-3]			
	95.0	3	Alcatel Lucent	PCS 1900MHz 4x45W-65MHz			

Mounting Level (ft)	Center Line Elevation (ft)	Number of Antennas	Antenna Manufacturer	Antenna Model	Number of Feed Lines	Feed Line Size (in)
81.0	81.0	1	--	T-Arm Mount [TA 602-3]	6	7/8
	80.0	3	Andrew	HBX-6516DS-VTM	1	5/16
74.0	76.0	1	Lucent	KS24019-L112A	1	1/2
	74.0	1	--	Side Arm Mount [SO 701-1]		

3) ANALYSIS PROCEDURE

Table 3 - Documents Provided

Document	Reference	Source
Tower Manufacturer Drawing	1947570	CCIsites
Tower Modification Drawings	2445633	CCIsites
Post Modification Inspection	2445631	CCIsites
Tower Modification Drawings	3348853	CCIsites
Post Modification Inspection	4424435	CCIsites
Tower Modification Drawings	6859034	CCIsites
Post Modification Inspection	7243678	CCIsites
Foundation Drawings	1613616	CCIsites
Geotech Report	2337384	CCIsites
Crown CAD Package	Date: 04/29/2021	CCIsites

3.1) Analysis Method

tnxTower (version 8.0.9.0), a commercially available analysis software package, was used to create a three-dimensional model of the tower and calculate member stresses for various loading cases. Selected output from the analysis is included in Appendix A. When applicable, Crown Castle has calculated and provided the effective area for panel antennas using approved methods following the intent of the TIA-222 Standard.

3.2) Assumptions

- 1) Tower and structures were built and have been maintained in accordance with the manufacturer's specification.
- 2) The configuration of antennas, transmission cables, mounts and other appurtenances are as specified in Tables 1 and 2 and the referenced drawings.

This analysis may be affected if any assumptions are not valid or have been made in error. B+T Group should be notified to determine the effect on the structural integrity of the tower.

4) ANALYSIS RESULTS

Table 4 - Section Capacity (Summary) - LC5

Section No.	Elevation (ft)	Component Type	Size	Critical Element	P (K)	SF*P_allow (K)	% Capacity	Pass / Fail
L1	108 - 103	Pole	TP8.625x8.625x0.313	1	-2.500	--	17.3	Pass
L2	103 - 98.5	Pole	TP8.625x8.625x0.313	2	-2.759	--	52.3	Pass
L3	98.5 - 98	Pole	TP16.5x16.5x0.313	3	-2.801	--	15.1	Pass
L4	98 - 93	Pole	TP17.3x16.5x0.188	4	-7.578	--	29.8	Pass

Section No.	Elevation (ft)	Component Type	Size	Critical Element	P (K)	SF*P_allow (K)	% Capacity	Pass / Fail
L5	93 - 88	Pole	TP18.101x17.3x0.188	5	-7.912	--	43.8	Pass
L6	88 - 83	Pole	TP18.901x18.101x0.188	6	-8.284	--	56.8	Pass
L7	83 - 82.873	Pole	TP18.921x18.901x0.188	7	-8.303	--	57.1	Pass
L8	82.873 - 82.623	Pole + Reinf.	TP18.961x18.921x0.363	8	-8.329	--	46.5	Pass
L9	82.623 - 77.623	Pole + Reinf.	TP19.762x18.961x0.356	9	-9.897	--	57.5	Pass
L10	77.623 - 76.25	Pole + Reinf.	TP19.981x19.762x0.356	10	-10.049	--	60.4	Pass
L11	76.25 - 76	Pole + Reinf.	TP20.021x19.981x0.6	11	-10.101	--	42.9	Pass
L12	76 - 75.75	Pole + Reinf.	TP20.061x20.021x0.456	12	-10.140	--	49.9	Pass
L13	75.75 - 74.333	Pole + Reinf.	TP20.288x20.061x0.45	13	-10.360	--	52.4	Pass
L14	74.333 - 74.083	Pole + Reinf.	TP20.328x20.288x0.588	14	-10.411	--	46.0	Pass
L15	74.083 - 69.083	Pole + Reinf.	TP21.128x20.328x0.575	15	-11.344	--	53.9	Pass
L16	69.083 - 64.083	Pole + Reinf.	TP21.929x21.128x0.55	16	-12.225	--	61.4	Pass
L17	64.083 - 59.083	Pole + Reinf.	TP22.729x21.929x0.538	17	-13.129	--	68.6	Pass
L18	59.083 - 58.083	Pole + Reinf.	TP22.889x22.729x0.538	18	-13.313	--	70.0	Pass
L19	58.083 - 57.733	Pole + Reinf.	TP22.945x22.889x0.6	19	-13.393	--	64.7	Pass
L20	57.733 - 57.5	Pole + Reinf.	TP22.982x22.945x0.6	20	-13.443	--	60.4	Pass
L21	57.5 - 52.5	Pole + Reinf.	TP23.783x22.982x0.575	21	-14.500	--	66.3	Pass
L22	52.5 - 47	Pole + Reinf.	TP24.663x23.783x0.575	22	-14.986	--	68.8	Pass
L23	47 - 45.25	Pole + Reinf.	TP24.568x23.768x0.625	23	-16.734	--	67.6	Pass
L24	45.25 - 40.25	Pole + Reinf.	TP25.368x24.568x0.613	24	-17.945	--	72.3	Pass
L25	40.25 - 38.083	Pole + Reinf.	TP25.715x25.368x0.613	25	-18.475	--	74.2	Pass
L26	38.083 - 37.833	Pole + Reinf.	TP25.755x25.715x0.713	26	-18.547	--	67.6	Pass
L27	37.833 - 32.833	Pole + Reinf.	TP26.555x25.755x0.7	27	-19.820	--	71.9	Pass
L28	32.833 - 27.733	Pole + Reinf.	TP27.372x26.555x0.725	28	-21.210	--	67.2	Pass
L29	27.733 - 27.5	Pole + Reinf.	TP27.409x27.372x0.725	29	-21.282	--	67.3	Pass
L30	27.5 - 22.5	Pole + Reinf.	TP28.209x27.409x0.7	30	-22.661	--	70.8	Pass
L31	22.5 - 19.5	Pole + Reinf.	TP28.689x28.209x0.688	31	-23.507	--	72.9	Pass
L32	19.5 - 19.25	Pole + Reinf.	TP28.729x28.689x0.8	32	-23.590	--	68.0	Pass
L33	19.25 - 14.25	Pole + Reinf.	TP29.529x28.729x0.775	33	-25.084	--	71.1	Pass
L34	14.25 - 14	Pole + Reinf.	TP29.569x29.529x0.775	34	-25.167	--	71.3	Pass
L35	14 - 13.75	Pole + Reinf.	TP29.609x29.569x0.775	35	-25.243	--	71.5	Pass
L36	13.75 - 12.983	Pole + Reinf.	TP29.732x29.609x1.075	36	-25.543	--	57.5	Pass
L37	12.983 - 12.817	Pole + Reinf.	TP29.759x29.732x0.95	37	-25.609	--	64.0	Pass
L38	12.817 - 12.65	Pole + Reinf.	TP29.785x29.759x0.85	38	-25.667	--	67.2	Pass
L39	12.65 - 12.5	Pole + Reinf.	TP29.809x29.785x0.85	39	-25.719	--	67.3	Pass
L40	12.5 - 12.25	Pole + Reinf.	TP29.849x29.809x0.8	40	-25.801	--	68.4	Pass
L41	12.25 - 7.25	Pole + Reinf.	TP30.65x29.849x0.788	41	-27.451	--	71.2	Pass
L42	7.25 - 2.25	Pole + Reinf.	TP31.45x30.65x0.775	42	-29.128	--	74.0	Pass
L43	2.25 - 0	Pole + Reinf.	TP31.81x31.45x0.763	43	-29.891	--	75.2	Pass
							Summary	
						Pole (43)	75.2	Pass
						Rating =	75.2	Pass

Table 5 - Tower Component Stresses vs. Capacity - LC5

Notes	Component	Elevation	% Capacity	Pass / Fail	
1	Flange Connection	98.0'	54.9	Pass	
1	Anchor Rods	Base	66.2	Pass	
1	Base Plate	Base	48.4	Pass	
1	Base Foundation	Structure	Base	81.5	Pass
		Soil	Base	48.3	Pass

Structure Rating (max from all components) =	81.5%
---	--------------

Notes:

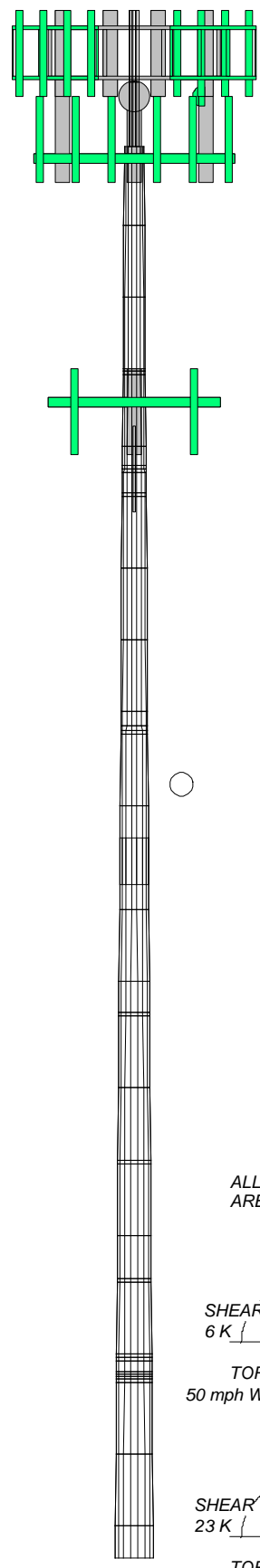
- 1) See additional documentation in "Appendix C – Additional Calculations" for calculations supporting the % capacity consumed.
- 2) Rating per TIA-222-H Section 15.5.

4.1) Recommendations

The tower and its foundation have sufficient capacity to carry the proposed load configuration. No modifications are required at this time.

APPENDIX A
TNXTOWER OUTPUT

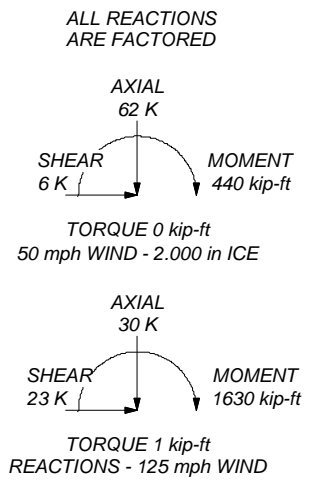
Section	Length (ft)	Number of Sides	Thickness (in)	Socket Length (ft)	Top Dia (in)	Bot Dia (in)	Grade	Weight (K)
1	5.000	0	0	0.313	16.50016	17.300	A53-B-35	8.625
2	5.000	18	0	0.188	16.50016	17.30016	A53-B-35	8.625
3	5.000	18	0	0.188	16.50016	17.30016	A53-B-35	8.625
4	5.000	18	0	0.188	16.50016	17.30016	A53-B-35	8.625
5	5.000	18	0	0.188	16.50016	17.300	A53-B-35	8.625
6	5.000	18	0	0.188	16.50016	17.300	A53-B-35	8.625
7	5.000	18	0	0.188	16.50016	17.300	A53-B-35	8.625
8	5.000	18	0	0.188	16.50016	17.300	A53-B-35	8.625
9	5.000	18	0	0.188	16.50016	17.300	A53-B-35	8.625
10	5.000	18	0	0.188	16.50016	17.300	A53-B-35	8.625
11	5.000	18	0	0.188	16.50016	17.300	A53-B-35	8.625
12	5.000	18	0	0.188	16.50016	17.300	A53-B-35	8.625
13	5.000	18	0	0.188	16.50016	17.300	A53-B-35	8.625
14	5.000	18	0	0.188	16.50016	17.300	A53-B-35	8.625
15	5.000	18	0	0.188	16.50016	17.300	A53-B-35	8.625
16	5.000	18	0	0.188	16.50016	17.300	A53-B-35	8.625
17	5.000	18	0	0.188	16.50016	17.300	A53-B-35	8.625
18	5.000	18	0	0.188	16.50016	17.300	A53-B-35	8.625
19	5.000	18	0	0.188	16.50016	17.300	A53-B-35	8.625
20	5.000	18	0	0.188	16.50016	17.300	A53-B-35	8.625
21	5.000	18	0	0.188	16.50016	17.300	A53-B-35	8.625
22	5.000	18	0	0.188	16.50016	17.300	A53-B-35	8.625
23	5.000	18	0	0.188	16.50016	17.300	A53-B-35	8.625
24	5.000	18	0	0.188	16.50016	17.300	A53-B-35	8.625
25	5.000	18	0	0.188	16.50016	17.300	A53-B-35	8.625
26	5.000	18	0	0.188	16.50016	17.300	A53-B-35	8.625
27	5.000	18	0	0.188	16.50016	17.300	A53-B-35	8.625
28	5.000	18	0	0.188	16.50016	17.300	A53-B-35	8.625
29	5.000	18	0	0.188	16.50016	17.300	A53-B-35	8.625
30	5.000	18	0	0.188	16.50016	17.300	A53-B-35	8.625
31	5.000	18	0	0.188	16.50016	17.300	A53-B-35	8.625
32	5.000	18	0	0.188	16.50016	17.300	A53-B-35	8.625
33	5.000	18	0	0.188	16.50016	17.300	A53-B-35	8.625
34	5.000	18	0	0.188	16.50016	17.300	A53-B-35	8.625
35	5.000	18	0	0.188	16.50016	17.300	A53-B-35	8.625
36	5.000	18	0	0.188	16.50016	17.300	A53-B-35	8.625
37	5.000	18	0	0.188	16.50016	17.300	A53-B-35	8.625
38	5.000	18	0	0.188	16.50016	17.300	A53-B-35	8.625
39	5.000	18	0	0.188	16.50016	17.300	A53-B-35	8.625
40	5.000	18	0	0.188	16.50016	17.300	A53-B-35	8.625
41	5.000	18	0	0.188	16.50016	17.300	A53-B-35	8.625
42	5.000	18	0	0.188	16.50016	17.300	A53-B-35	8.625
43	5.000	18	0	0.188	16.50016	17.300	A53-B-35	8.625



MATERIAL STRENGTH

GRADE	Fy	Fu	GRADE	Fy	Fu
A53-B-35	35 ksi	63 ksi	A607-65	65 ksi	80 ksi

- ### TOWER DESIGN NOTES
1. Tower is located in Hartford County, Connecticut.
 2. Tower designed for Exposure C to the TIA-222-H Standard.
 3. Tower designed for a 125 mph basic wind in accordance with the TIA-222-H Standard.
 4. Tower is also designed for a 50 mph basic wind with 2.00 in ice. Ice is considered to increase in thickness with height.
 5. Deflections are based upon a 60 mph wind.
 6. Tower Risk Category II.
 7. Topographic Category 1 with Crest Height of 0.000 ft
 8. TIA-222-H Annex S
 9. TOWER RATING: 75.2%



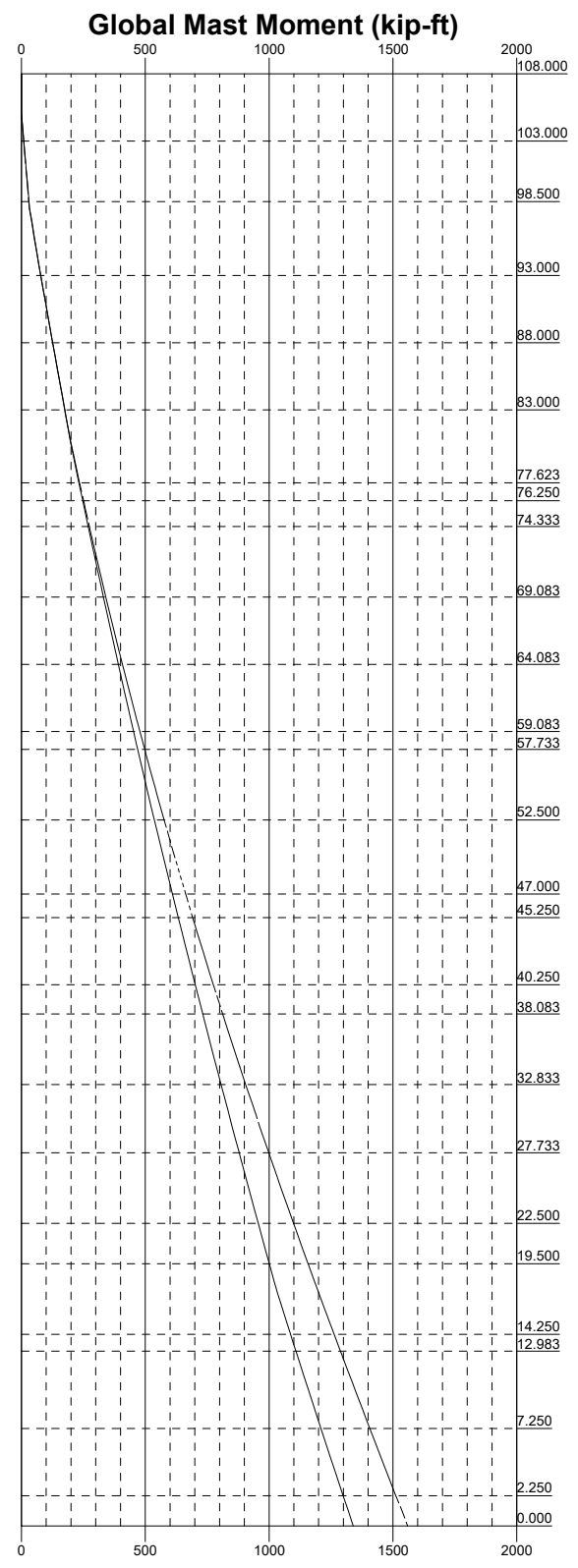
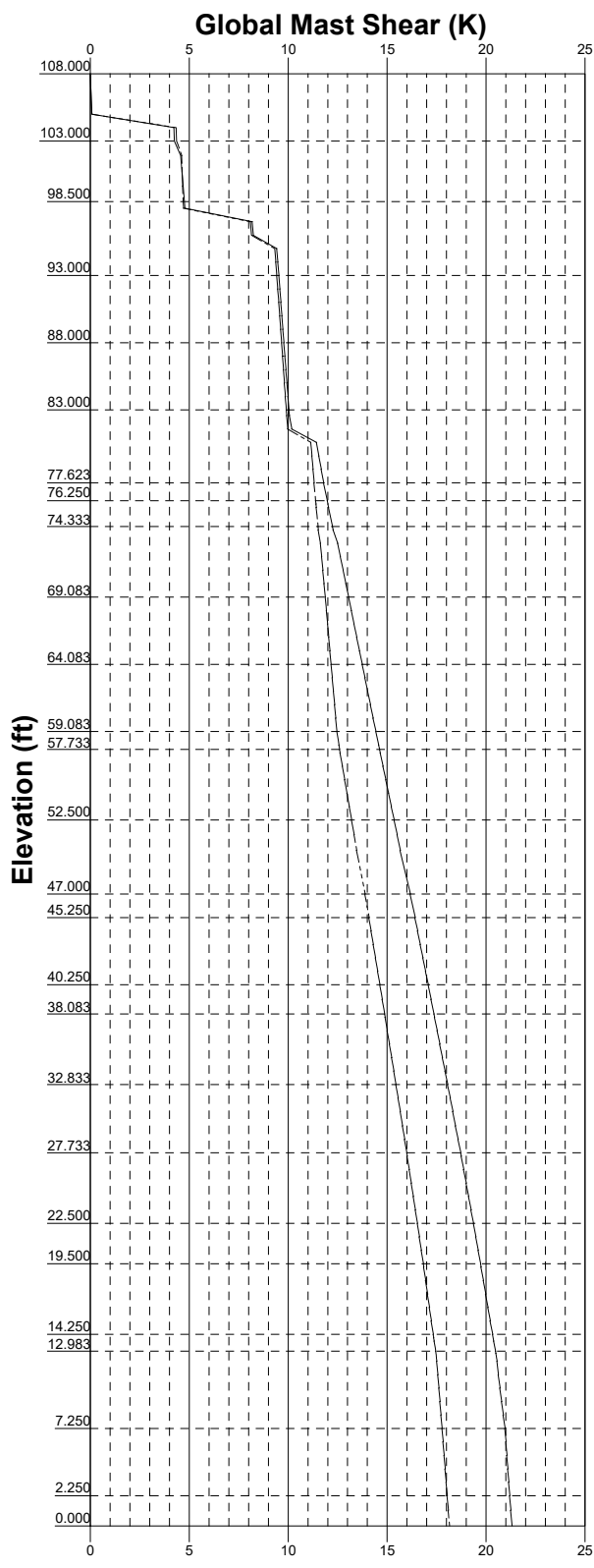
B+T Group
1717 S. Boulder, Suite 300
Tulsa, OK 74119
Phone: (918) 587-4630
FAX: (918) 587-4630

Job: **85565.012.01 - HARTFORD - NU (SSUSA), CT (BU# 87636)**

Project:		Client: Crown Castle	Drawn by: Santhosh Kamath	App'd:
Code: TIA-222-H		Date: 05/14/21	Scale: NTS	
Path:		Dwg No: E-1		

—— Vx - - - - Vz

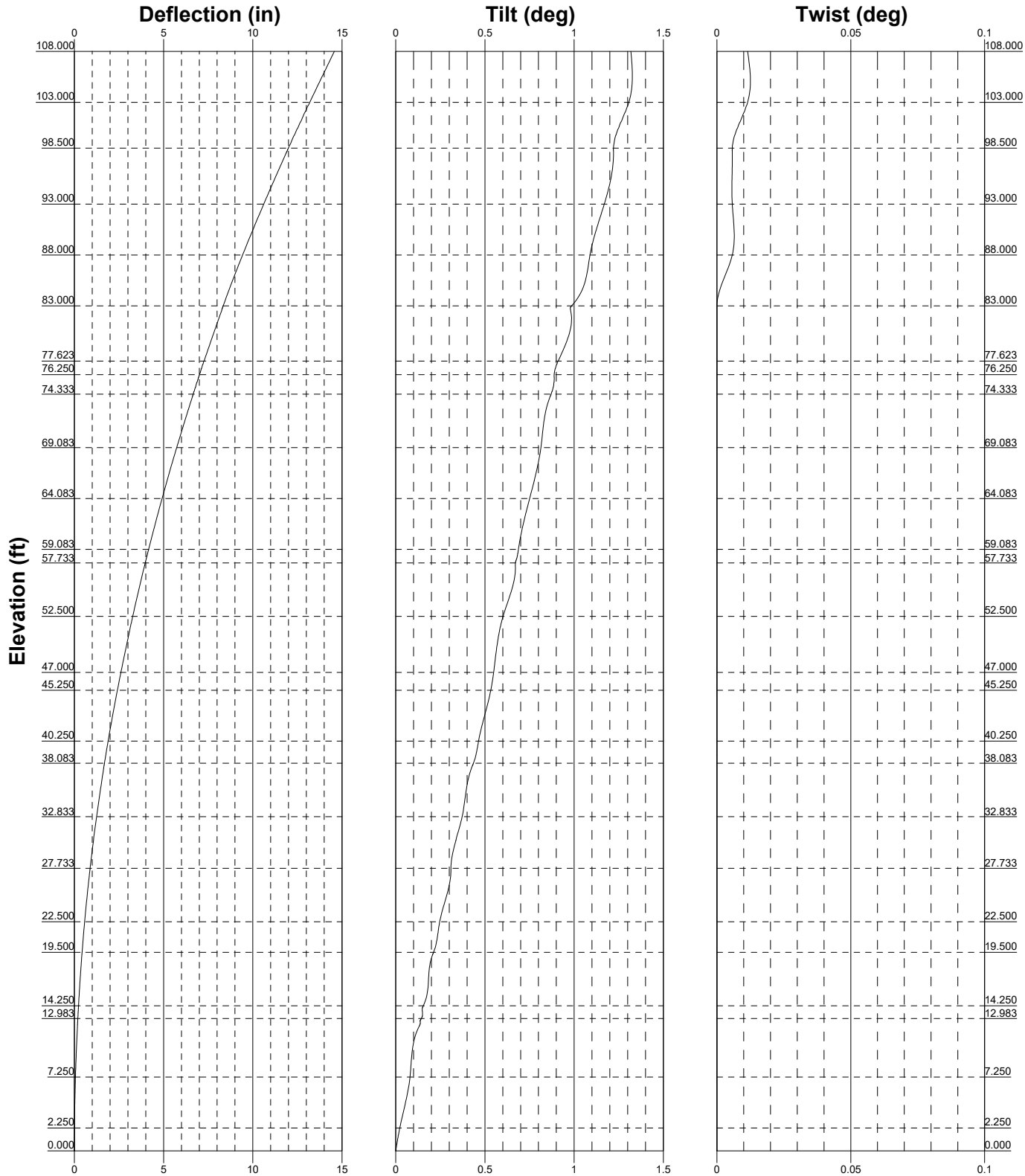
—— Mx - - - - Mz




B+T Group
 1717 S. Boulder, Suite 300
 Tulsa, OK 74119
 Phone: (918) 587-4630
 FAX: (918) 587-4630

Job: 85565.012.01 - HARTFORD - NU (SSUSA), CT (BU# 87636)		
Project:		
Client: Crown Castle	Drawn by: Santhosh Kamath	App'd:
Code: TIA-222-H	Date: 05/14/21	Scale: NTS
Path:		Dwg No: E-4

E:\Working Job\85565_87636\Hartford - NU (SSUSA)-BK-NP\012-SA\COI Plot\85565_012_01_HARTFORD - NU (SSUSA) CT Expt.dwg



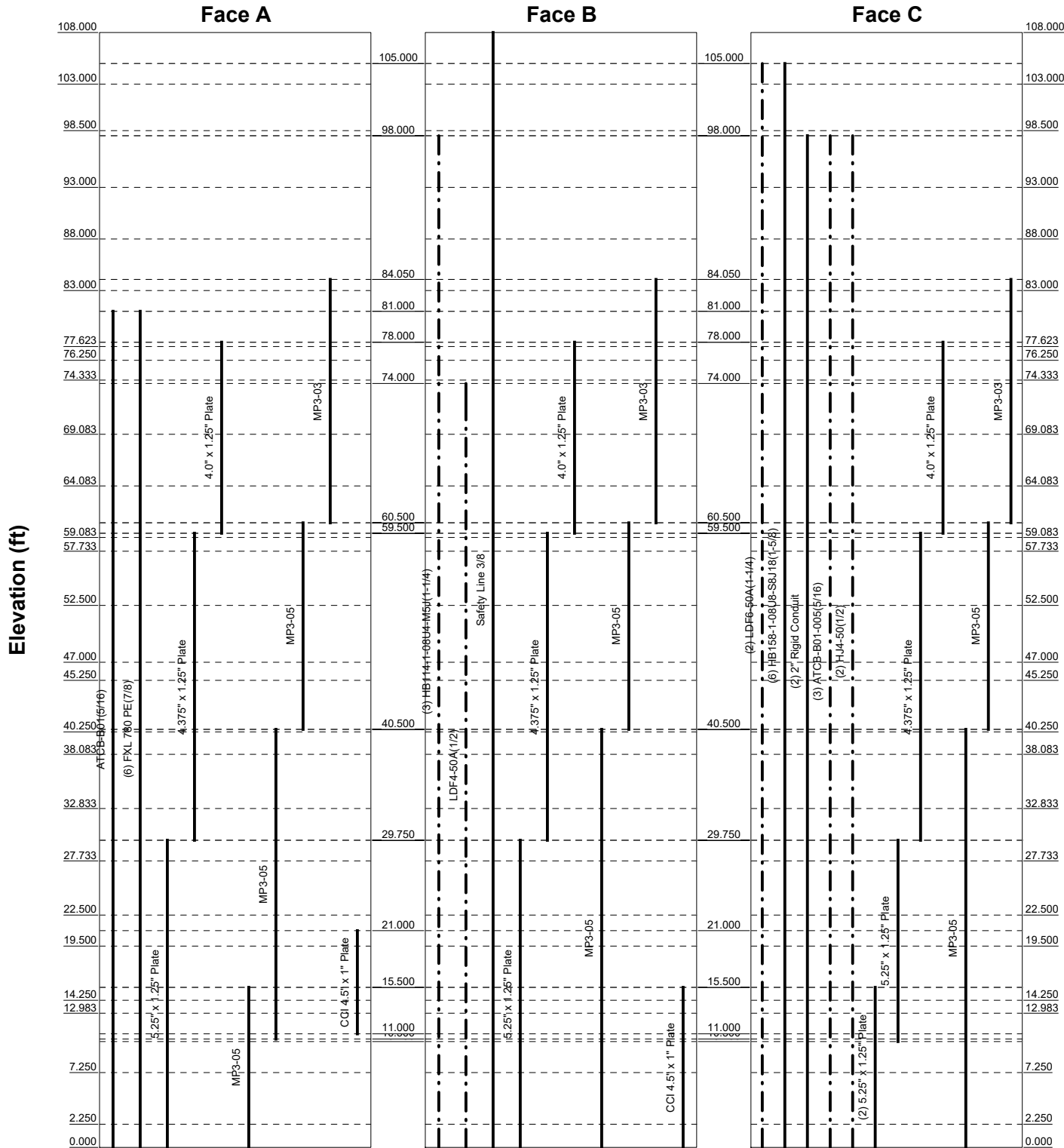
 B+T Group 1717 S. Boulder, Suite 300 Tulsa, OK 74119 Phone: (918) 587-4630 FAX: (918) 587-4630	Job: 85565.012.01 - HARTFORD - NU (SSUSA), CT (BU# 87636)		
	Project:		
	Client: Crown Castle	Drawn by: Santhosh Kamath	App'd:
	Code: TIA-222-H	Date: 05/14/21	Scale: NTS
	Path:		Dwg No: E-5

E:\Working Job\85565_87636\Hartford - NU (SSUSA)-BK-NP\012-SA\COI Plot\85565_012_01_HARTFORD - NU (SSUSA) CT Ex.dwg

Feed Line Distribution Chart

0' - 108'

Round
 Flat
 App In Face
 App Out Face
 Truss Leg



<p>B+T Group 1717 S. Boulder, Suite 300 Tulsa, OK 74119 Phone: (918) 587-4630 FAX: (918) 587-4630</p>	Job: 85565.012.01 - HARTFORD - NU (SSUSA), CT (BU# 87636)		
	Project:		
	Client: Crown Castle	Drawn by: Santhosh Kamath	App'd:
	Code: TIA-222-H	Date: 05/14/21	Scale: NTS
	Path:		Dwg No: E-7

E:\Working Job\85565_87636_Hartford_NU(SSUSA)-BK-NU\012-SA\COI Path\85565_012_01_HARTFORD_NU(SSUSA)_CT_E-7.dwg

<p>tnxTower</p> <p>B+T Group 1717 S. Boulder, Suite 300 Tulsa, OK 74119 Phone: (918) 587-4630 FAX: (918) 587-4630</p>	Job 85565.012.01 - HARTFORD - NU (SSUSA), CT (BU# 876363)	Page 1 of 50
	Project	Date 18:15:26 05/14/21
	Client Crown Castle	Designed by Santhosh Kamath

Tower Input Data

The tower is a monopole.

This tower is designed using the TIA-222-H standard.

The following design criteria apply:

- Tower is located in Hartford County, Connecticut.
- Tower base elevation above sea level: 71.000 ft.
- Basic wind speed of 125 mph.
- Risk Category II.
- Exposure Category C.
- Simplified Topographic Factor Procedure for wind speed-up calculations is used.
- Topographic Category: 1.
- Crest Height: 0.000 ft.
- Nominal ice thickness of 2.000 in.
- Ice thickness is considered to increase with height.
- Ice density of 56.000 pcf.
- A wind speed of 50 mph is used in combination with ice.
- Temperature drop of 50.000 °F.
- Deflections calculated using a wind speed of 60 mph.
- TIA-222-H Annex S.
- TOWER RATING: 75.2%.
- A non-linear (P-delta) analysis was used.
- Pressures are calculated at each section.
- Stress ratio used in pole design is 1.
- Tower analysis based on target reliabilities in accordance with Annex S.
- Load Modification Factors used: $K_{es}(F_w) = 0.95$, $K_{es}(t_i) = 0.85$.
- Maximum demand-capacity ratio is: 1.05.
- Local bending stresses due to climbing loads, feed line supports, and appurtenance mounts are not considered.

Options

- | | | |
|--|---|---|
| <ul style="list-style-type: none"> Consider Moments - Legs Consider Moments - Horizontals Consider Moments - Diagonals Use Moment Magnification √ Use Code Stress Ratios √ Use Code Safety Factors - Guys Escalate Ice Always Use Max Kz Use Special Wind Profile Include Bolts In Member Capacity Leg Bolts Are At Top Of Section Secondary Horizontal Braces Leg Use Diamond Inner Bracing (4 Sided) SR Members Have Cut Ends SR Members Are Concentric | <ul style="list-style-type: none"> Distribute Leg Loads As Uniform Assume Legs Pinned √ Assume Rigid Index Plate √ Use Clear Spans For Wind Area Use Clear Spans For KL/r Retension Guys To Initial Tension √ Bypass Mast Stability Checks √ Use Azimuth Dish Coefficients √ Project Wind Area of Appurt. Autocalc Torque Arm Areas Add IBC .6D+W Combination Sort Capacity Reports By Component Triangulate Diamond Inner Bracing Treat Feed Line Bundles As Cylinder Ignore KL/ry For 60 Deg. Angle Legs | <ul style="list-style-type: none"> Use ASCE 10 X-Brace Ly Rules Calculate Redundant Bracing Forces Ignore Redundant Members in FEA SR Leg Bolts Resist Compression All Leg Panels Have Same Allowable Offset Girt At Foundation √ Consider Feed Line Torque Include Angle Block Shear Check Use TIA-222-H Bracing Resist. Exemption Use TIA-222-H Tension Splice Exemption <li style="text-align: center;">Poles √ Include Shear-Torsion Interaction Always Use Sub-Critical Flow Use Top Mounted Sockets Pole Without Linear Attachments Pole With Shroud Or No Appurtenances Outside and Inside Corner Radii Are Known |
|--|---|---|

tnxTower B+T Group 1717 S. Boulder, Suite 300 Tulsa, OK 74119 Phone: (918) 587-4630 FAX: (918) 587-4630	Job 85565.012.01 - HARTFORD - NU (SSUSA), CT (BU# 876363)	Page 2 of 50
	Project	Date 18:15:26 05/14/21
	Client Crown Castle	Designed by Santhosh Kamath

Tapered Pole Section Geometry

Section	Elevation ft	Section Length ft	Splice Length ft	Number of Sides	Top Diameter in	Bottom Diameter in	Wall Thickness in	Bend Radius in	Pole Grade
L1	108.000-103.000	5.000	0.000	Round	8.625	8.625	0.313		A53-B-35 (35 ksi)
L2	103.000-98.500	4.500	0.000	Round	8.625	8.625	0.313		A53-B-35 (35 ksi)
L3	98.500-98.000	0.500	0.000	Round	16.500	16.500	0.313		A53-B-35 (35 ksi)
L4	98.000-93.000	5.000	0.000	18	16.500	17.300	0.188	0.750	A607-65 (65 ksi)
L5	93.000-88.000	5.000	0.000	18	17.300	18.101	0.188	0.750	A607-65 (65 ksi)
L6	88.000-83.000	5.000	0.000	18	18.101	18.901	0.188	0.750	A607-65 (65 ksi)
L7	83.000-82.873	0.127	0.000	18	18.901	18.921	0.188	0.750	A607-65 (65 ksi)
L8	82.873-82.623	0.250	0.000	18	18.921	18.961	0.362	1.450	A607-65 (65 ksi)
L9	82.623-77.623	5.000	0.000	18	18.961	19.762	0.356	1.425	A607-65 (65 ksi)
L10	77.623-76.250	1.373	0.000	18	19.762	19.981	0.356	1.425	A607-65 (65 ksi)
L11	76.250-76.000	0.250	0.000	18	19.981	20.021	0.600	2.400	A607-65 (65 ksi)
L12	76.000-75.750	0.250	0.000	18	20.021	20.061	0.456	1.825	A607-65 (65 ksi)
L13	75.750-74.333	1.417	0.000	18	20.061	20.288	0.450	1.800	A607-65 (65 ksi)
L14	74.333-74.083	0.250	0.000	18	20.288	20.328	0.588	2.350	A607-65 (65 ksi)
L15	74.083-69.083	5.000	0.000	18	20.328	21.128	0.575	2.300	A607-65 (65 ksi)
L16	69.083-64.083	5.000	0.000	18	21.128	21.929	0.550	2.200	A607-65 (65 ksi)
L17	64.083-59.083	5.000	0.000	18	21.929	22.729	0.537	2.150	A607-65 (65 ksi)
L18	59.083-58.083	1.000	0.000	18	22.729	22.889	0.537	2.150	A607-65 (65 ksi)
L19	58.083-57.733	0.350	0.000	18	22.889	22.945	0.600	2.400	A607-65 (65 ksi)
L20	57.733-57.500	0.233	0.000	18	22.945	22.982	0.600	2.400	A607-65 (65 ksi)
L21	57.500-52.500	5.000	0.000	18	22.982	23.783	0.575	2.300	A607-65 (65 ksi)
L22	52.500-47.000	5.500	3.250	18	23.783	24.663	0.575	2.300	A607-65 (65 ksi)
L23	47.000-45.250	5.000	0.000	18	23.768	24.568	0.625	2.500	A607-65 (65 ksi)
L24	45.250-40.250	5.000	0.000	18	24.568	25.368	0.613	2.450	A607-65 (65 ksi)
L25	40.250-38.083	2.167	0.000	18	25.368	25.715	0.613	2.450	A607-65 (65 ksi)
L26	38.083-37.833	0.250	0.000	18	25.715	25.755	0.713	2.850	A607-65 (65 ksi)
L27	37.833-32.833	5.000	0.000	18	25.755	26.555	0.700	2.800	A607-65 (65 ksi)
L28	32.833-27.733	5.100	0.000	18	26.555	27.372	0.725	2.900	A607-65

Section	Elevation ft	Section Length ft	Splice Length ft	Number of Sides	Top Diameter in	Bottom Diameter in	Wall Thickness in	Bend Radius in	Pole Grade
L29	27.733-27.500	0.233	0.000	18	27.372	27.409	0.725	2.900	(65 ksi) A607-65
L30	27.500-22.500	5.000	0.000	18	27.409	28.209	0.700	2.800	(65 ksi) A607-65
L31	22.500-19.500	3.000	0.000	18	28.209	28.689	0.688	2.750	(65 ksi) A607-65
L32	19.500-19.250	0.250	0.000	18	28.689	28.729	0.800	3.200	(65 ksi) A607-65
L33	19.250-14.250	5.000	0.000	18	28.729	29.529	0.775	3.100	(65 ksi) A607-65
L34	14.250-14.000	0.250	0.000	18	29.529	29.569	0.775	3.100	(65 ksi) A607-65
L35	14.000-13.750	0.250	0.000	18	29.569	29.609	0.775	3.100	(65 ksi) A607-65
L36	13.750-12.983	0.767	0.000	18	29.609	29.732	1.075	4.300	(65 ksi) A607-65
L37	12.983-12.817	0.166	0.000	18	29.732	29.759	0.950	3.800	(65 ksi) A607-65
L38	12.817-12.650	0.167	0.000	18	29.759	29.785	0.850	3.400	(65 ksi) A607-65
L39	12.650-12.500	0.150	0.000	18	29.785	29.809	0.850	3.400	(65 ksi) A607-65
L40	12.500-12.250	0.250	0.000	18	29.809	29.849	0.800	3.200	(65 ksi) A607-65
L41	12.250-7.250	5.000	0.000	18	29.849	30.650	0.787	3.150	(65 ksi) A607-65
L42	7.250-2.250	5.000	0.000	18	30.650	31.450	0.775	3.100	(65 ksi) A607-65
L43	2.250-0.000	2.250		18	31.450	31.810	0.762	3.050	(65 ksi) A607-65

Tapered Pole Properties

Section	Tip Dia. in	Area in ²	I in ⁴	r in	C in	I/C in ³	J in ⁴	It/Q in ²	w in	w/t
L1	8.625	8.161	70.586	2.941	4.313	16.368	141.172	4.078	0.000	0
L2	8.625	8.161	70.586	2.941	4.313	16.368	141.172	4.078	0.000	0
L3	16.500	15.892	520.728	5.724	8.250	63.119	1041.456	7.941	0.000	0
L4	16.500	15.892	520.728	5.724	8.250	63.119	1041.456	7.941	0.000	0
L4	16.726	9.708	326.368	5.791	8.382	38.937	653.165	4.855	2.574	13.728
L4	17.538	10.184	376.798	6.075	8.789	42.874	754.092	5.093	2.715	14.479
L5	17.538	10.184	376.798	6.075	8.789	42.874	754.092	5.093	2.715	14.479
L5	18.351	10.661	432.172	6.359	9.195	47.000	864.913	5.331	2.856	15.23
L6	18.351	10.661	432.172	6.359	9.195	47.000	864.913	5.331	2.856	15.23
L6	19.164	11.137	492.723	6.643	9.602	51.316	986.094	5.569	2.997	15.982
L7	19.164	11.137	492.723	6.643	9.602	51.316	986.094	5.569	2.997	15.982
L7	19.184	11.149	494.330	6.650	9.612	51.429	989.311	5.576	3.000	16.001
L8	19.157	21.353	929.171	6.588	9.612	96.668	1859.565	10.679	2.692	7.427
L8	19.198	21.399	935.194	6.603	9.632	97.089	1871.619	10.702	2.699	7.446
L9	19.199	21.037	919.997	6.605	9.632	95.512	1841.205	10.521	2.710	7.608
L9	20.011	21.942	1043.898	6.889	10.039	103.986	2089.170	10.973	2.851	8.003
L10	20.011	21.942	1043.898	6.889	10.039	103.986	2089.170	10.973	2.851	8.003
L10	20.235	22.191	1079.767	6.967	10.150	106.376	2160.956	11.097	2.890	8.111

Section	Tip Dia. in	Area in ²	I in ⁴	r in	C in	I/C in ³	J in ⁴	I/Q in ²	w in	w/t
L11	20.197	36.910	1751.632	6.880	10.150	172.566	3505.569	18.458	2.461	4.101
	20.238	36.986	1762.504	6.895	10.171	173.290	3527.327	18.496	2.468	4.113
L12	20.260	38.333	1370.218	6.946	10.171	134.721	2742.239	14.169	2.721	5.963
	20.300	28.391	1378.643	6.960	10.191	135.278	2759.099	14.198	2.728	5.979
L13	20.301	28.011	1361.058	6.962	10.191	133.553	2723.907	14.008	2.739	6.086
	20.532	28.335	1408.828	7.043	10.306	136.695	2819.509	14.170	2.779	6.175
L14	20.510	36.736	1801.322	6.994	10.306	174.778	3605.015	18.372	2.537	4.318
	20.551	36.811	1812.321	7.008	10.327	175.499	3627.026	18.409	2.544	4.33
L15	20.553	36.050	1777.132	7.012	10.327	172.091	3556.603	18.029	2.566	4.462
	21.366	37.511	2002.002	7.296	10.733	186.524	4006.639	18.759	2.707	4.707
L16	21.370	35.924	1921.955	7.305	10.733	179.066	3846.439	17.965	2.751	5.001
	22.182	37.321	2155.023	7.589	11.140	193.453	4312.881	18.664	2.891	5.257
L17	22.184	36.494	2109.741	7.594	11.140	189.388	4222.259	18.250	2.913	5.42
	22.997	37.859	2355.501	7.878	11.546	204.004	4714.102	18.933	3.054	5.682
L18	22.997	37.859	2355.501	7.878	11.546	204.004	4714.102	18.933	3.054	5.682
	23.159	38.132	2406.838	7.935	11.628	206.993	4816.843	19.070	3.082	5.735
L19	23.150	42.447	2664.228	7.913	11.628	229.129	5331.961	21.228	2.972	4.954
	23.206	42.554	2684.367	7.933	11.656	230.297	5372.266	21.281	2.982	4.971
L20	23.206	42.554	2684.367	7.933	11.656	230.297	5372.266	21.281	2.982	4.971
	23.244	42.625	2697.830	7.946	11.675	231.077	5399.210	21.317	2.989	4.981
L21	23.248	40.895	2594.093	7.955	11.675	222.191	5191.600	20.451	3.033	5.275
	24.061	42.355	2882.088	8.239	12.082	238.552	5767.968	21.182	3.174	5.52
L22	24.061	42.355	2882.088	8.239	12.082	238.552	5767.968	21.182	3.174	5.52
	24.955	43.962	3222.660	8.551	12.529	257.220	6449.560	21.985	3.329	5.789
L23	24.566	45.910	3106.509	8.216	12.074	257.288	6217.105	22.959	3.083	4.933
	24.851	47.497	3440.025	8.500	12.481	275.631	6884.576	23.753	3.224	5.158
L24	24.853	46.571	3376.507	8.504	12.481	270.541	6757.457	23.290	3.246	5.3
	25.665	48.127	3726.306	8.788	12.887	289.151	7457.514	24.068	3.387	5.529
L25	25.665	48.127	3726.306	8.788	12.887	289.151	7457.514	24.068	3.387	5.529
	26.017	48.801	3885.120	8.911	13.063	297.408	7775.353	24.405	3.448	5.629
L26	26.002	56.543	4465.629	8.876	13.063	341.847	8937.134	28.277	3.272	4.592
	26.042	56.633	4487.102	8.890	13.084	342.957	8980.108	28.322	3.279	4.602
L27	26.044	55.667	4414.986	8.895	13.084	337.445	8835.780	27.839	3.301	4.716
	26.857	57.445	4851.662	9.179	13.490	359.646	9709.709	28.728	3.442	4.917
L28	26.853	59.439	5010.374	9.170	13.490	371.412	10027.341	29.725	3.398	4.687
	27.682	61.318	5500.516	9.460	13.905	395.586	11008.269	30.665	3.541	4.885
L29	27.682	61.318	5500.516	9.460	13.905	395.586	11008.269	30.665	3.541	4.885
	27.720	61.403	5523.641	9.473	13.924	396.709	11054.550	30.708	3.548	4.894
L30	27.724	59.342	5348.175	9.482	13.924	384.107	10703.387	29.676	3.592	5.131
	28.536	61.120	5843.428	9.766	14.330	407.771	11694.545	30.566	3.733	5.333
L31	28.538	60.055	5746.908	9.770	14.330	401.035	11501.379	30.033	3.755	5.462
	29.026	61.103	6052.962	9.941	14.574	415.324	12113.888	30.557	3.839	5.584
L32	29.008	70.816	6958.893	9.901	14.574	477.484	13926.943	35.415	3.641	4.552
	29.049	70.918	6988.887	9.915	14.594	478.874	13986.970	35.466	3.648	4.56
L33	29.053	68.763	6788.682	9.924	14.594	465.156	13586.296	34.388	3.692	4.764
	29.865	70.731	7388.530	10.208	15.001	492.538	14786.782	35.372	3.833	4.946
L34	29.865	70.731	7388.530	10.208	15.001	492.538	14786.782	35.372	3.833	4.946
	29.906	70.830	7419.416	10.222	15.021	493.928	14848.594	35.422	3.840	4.955
L35	29.906	70.830	7419.416	10.222	15.021	493.928	14848.594	35.422	3.840	4.955
	29.947	70.928	7450.387	10.236	15.042	495.320	14910.578	35.471	3.847	4.964
L36	29.900	97.361	10015.188	10.130	15.042	665.834	20043.554	48.690	3.319	3.088
	30.025	97.780	10144.999	10.173	15.104	671.679	20303.347	48.899	3.341	3.108
L37	30.044	86.787	9083.179	10.218	15.104	601.378	18178.309	43.402	3.561	3.748
	30.071	86.867	9108.354	10.227	15.117	602.507	18228.694	43.442	3.566	3.753
L38	30.087	77.993	8234.741	10.263	15.117	544.718	16480.317	39.004	3.742	4.402
	30.114	78.065	8257.602	10.272	15.131	545.740	16526.070	39.040	3.746	4.407
L39	30.114	78.065	8257.602	10.272	15.131	545.740	16526.070	39.040	3.746	4.407
	30.138	78.130	8278.172	10.281	15.143	546.659	16567.237	39.072	3.750	4.412
L40	30.146	73.661	7831.646	10.298	15.143	517.172	15673.598	36.837	3.838	4.798
	30.187	73.762	7864.096	10.313	15.164	518.619	15738.540	36.888	3.846	4.807
L41	30.188	72.641	7751.217	10.317	15.164	511.175	15512.633	36.327	3.868	4.911
	31.001	74.641	8409.296	10.601	15.570	540.095	16829.657	37.328	4.008	5.09

<p>tnxTower</p> <p>B+T Group 1717 S. Boulder, Suite 300 Tulsa, OK 74119 Phone: (918) 587-4630 FAX: (918) 587-4630</p>	<p>Job 85565.012.01 - HARTFORD - NU (SSUSA), CT (BU# 876363)</p>	<p>Page 5 of 50</p>
	<p>Project</p>	<p>Date 18:15:26 05/14/21</p>
	<p>Client Crown Castle</p>	<p>Designed by Santhosh Kamath</p>

Section	Tip Dia. in	Area in ²	I in ⁴	r in	C in	I/C in ³	J in ⁴	It/Q in ²	w in	w/t
L42	31.003	73.487	8286.212	10.606	15.570	532.190	16583.327	36.751	4.030	5.2
	31.816	75.456	8970.066	10.890	15.977	561.452	17951.934	37.735	4.171	5.382
L43	31.817	74.269	8836.181	10.894	15.977	553.072	17683.988	37.141	4.193	5.499
	32.183	75.140	9150.907	11.022	16.159	566.287	18313.854	37.577	4.257	5.582

Tower Elevation	Gusset Area (per face)	Gusset Thickness	Gusset Grade	Adjust. Factor A _f	Adjust. Factor A _r	Weight Mult.	Double Angle Stitch Bolt Spacing Diagonals in	Double Angle Stitch Bolt Spacing Horizontals in	Double Angle Stitch Bolt Spacing Redundants in
ft	ft ²	in							
L1				1	1	1			
108.000-103.000									
L2				1	1	1			
103.000-98.500									
L3				1	1	1			
98.500-98.000									
L4				1	1	1			
98.000-93.000									
L5				1	1	1			
93.000-88.000									
L6				1	1	1			
88.000-83.000									
L7				1	1	1			
83.000-82.873									
L8				1	1	0.931484			
82.873-82.623									
L9				1	1	0.930137			
82.623-77.623									
L10				1	1	0.925615			
77.623-76.250									
L11				1	1	0.961567			
76.250-76.000									
L12				1	1	1.15066			
76.000-75.750									
L13				1	1	1.1577			
75.750-74.333									
L14				1	1	0.971101			
74.333-74.083									
L15				1	1	0.965671			
74.083-69.083									
L16				1	1	0.983354			
69.083-64.083									
L17				1	1	0.981949			
64.083-59.083									
L18				1	1	0.977415			
59.083-58.083									
L19				1	1	1.038			
58.083-57.733									
L20				1	1	1.03679			
57.733-57.500									
L21				1	1	1.05464			
57.500-52.500									
L22				1	1	1.04351			
52.500-47.000									
L23				1	1	1.05109			
47.000-45.250									
L24				1	1	1.05053			
45.250-40.250									
L25				1	1	1.04165			

tnxTower B+T Group 1717 S. Boulder, Suite 300 Tulsa, OK 74119 Phone: (918) 587-4630 FAX: (918) 587-4630	Job 85565.012.01 - HARTFORD - NU (SSUSA), CT (BU# 876363)	Page 6 of 50
	Project	Date 18:15:26 05/14/21
	Client Crown Castle	Designed by Santhosh Kamath

Tower Elevation	Gusset Area (per face)	Gusset Thickness	Gusset Grade	Adjust. Factor A_f	Adjust. Factor A_r	Weight Mult.	Double Angle Stitch Bolt Spacing Diagonals in	Double Angle Stitch Bolt Spacing Horizontals in	Double Angle Stitch Bolt Spacing Redundants in
ft	ft ²	in							
40.250-38.083									
L26				1	1	0.946367			
38.083-37.833									
L27				1	1	0.944041			
37.833-32.833									
L28				1	1	0.9485			
32.833-27.733									
L29				1	1	0.947656			
27.733-27.500									
L30				1	1	0.962447			
27.500-22.500									
L31				1	1	0.968941			
22.500-19.500									
L32				1	1	0.898748			
19.500-19.250									
L33				1	1	0.910092			
19.250-14.250									
L34				1	1	0.909276			
14.250-14.000									
L35				1	1	0.908462			
14.000-13.750									
L36				1	1	0.898029			
13.750-12.983									
L37				1	1	0.946042			
12.983-12.817									
L38				1	1	0.968915			
12.817-12.650									
L39				1	1	0.968355			
12.650-12.500									
L40				1	1	0.965111			
12.500-12.250									
L41				1	1	0.962254			
12.250-7.250									
L42				1	1	0.960284			
7.250-2.250									
L43				1	1	0.968116			
2.250-0.000									

Feed Line/Linear Appurtenances - Entered As Round Or Flat

Description	Sector	Exclude From Torque Calculation	Component Type	Placement ft	Total Number	Number Per Row	Start/End Position	Width or Diameter in	Perimeter in	Weight klf
HB158-1-08U8-S8J18(1-5/8) *\$\$*	C	No	Surface Ar (CaAa)	105.000 - 0.000	6	6	0.000 0.300	1.980		0.001
2" Rigid Conduit *\$\$*	C	No	Surface Ar (CaAa)	98.000 - 0.000	2	2	0.300 0.400	2.000		0.003
ATCB-B01(5/16)	A	No	Surface Ar (CaAa)	81.000 - 0.000	1	1	0.380 0.400	0.315		0.000
FXL 780 PE(7/8) *\$\$*	A	No	Surface Ar (CaAa)	81.000 - 0.000	6	3	0.330 0.500	1.090		0.000

tnxTower B+T Group 1717 S. Boulder, Suite 300 Tulsa, OK 74119 Phone: (918) 587-4630 FAX: (918) 587-4630	Job 85565.012.01 - HARTFORD - NU (SSUSA), CT (BU# 876363)	Page 8 of 50
	Project	Date 18:15:26 05/14/21
	Client Crown Castle	Designed by Santhosh Kamath

Feed Line/Linear Appurtenances - Entered As Area

Description	Face or Leg	Allow Shield	Exclude From Torque Calculation	Component Type	Placement ft	Total Number		C _{AA} ft ² /ft	Weight klf
LDF6-50A(1-1/4)	C	No	No	Inside Pole	105.000 - 0.000	2	No Ice	0.000	0.001
							1/2" Ice	0.000	0.001
							1" Ice	0.000	0.001
							2" Ice	0.000	0.001
ATCB-B01-005(5/16)	C	No	No	Inside Pole	98.000 - 0.000	3	No Ice	0.000	0.000
							1/2" Ice	0.000	0.000
							1" Ice	0.000	0.000
							2" Ice	0.000	0.000
HJ4-50(1/2)	C	No	No	Inside Pole	98.000 - 0.000	2	No Ice	0.000	0.000
							1/2" Ice	0.000	0.000
							1" Ice	0.000	0.000
							2" Ice	0.000	0.000
\$\$									
HB114-1-08U4-M5J (1-1/4)	B	No	No	Inside Pole	98.000 - 0.000	3	No Ice	0.000	0.001
							1/2" Ice	0.000	0.001
							1" Ice	0.000	0.001
							2" Ice	0.000	0.001
\$\$									
LDF4-50A(1/2)	B	No	No	Inside Pole	74.000 - 0.000	1	No Ice	0.000	0.000
							1/2" Ice	0.000	0.000
							1" Ice	0.000	0.000
							2" Ice	0.000	0.000
\$\$									

Feed Line/Linear Appurtenances Section Areas

Tower Section	Tower Elevation ft	Face	A _R ft ²	A _F ft ²	C _{AA} In Face ft ²	C _{AA} Out Face ft ²	Weight K
L1	108.000-103.000	A	0.000	0.000	0.000	0.000	0.000
		B	0.000	0.000	0.188	0.000	0.001
		C	0.000	0.000	2.376	0.000	0.018
L2	103.000-98.500	A	0.000	0.000	0.000	0.000	0.000
		B	0.000	0.000	0.169	0.000	0.001
		C	0.000	0.000	5.346	0.000	0.041
L3	98.500-98.000	A	0.000	0.000	0.000	0.000	0.000
		B	0.000	0.000	0.019	0.000	0.000
		C	0.000	0.000	0.594	0.000	0.004
L4	98.000-93.000	A	0.000	0.000	0.000	0.000	0.000
		B	0.000	0.000	0.188	0.000	0.017
		C	0.000	0.000	7.940	0.000	0.077
L5	93.000-88.000	A	0.000	0.000	0.000	0.000	0.000
		B	0.000	0.000	0.188	0.000	0.017
		C	0.000	0.000	7.940	0.000	0.077
L6	88.000-83.000	A	0.000	0.000	0.711	0.000	0.000
		B	0.000	0.000	0.898	0.000	0.017
		C	0.000	0.000	8.650	0.000	0.077
L7	83.000-82.873	A	0.000	0.000	0.086	0.000	0.000
		B	0.000	0.000	0.091	0.000	0.000
		C	0.000	0.000	0.288	0.000	0.002

<p>tnxTower</p> <p>B+T Group 1717 S. Boulder, Suite 300 Tulsa, OK 74119 Phone: (918) 587-4630 FAX: (918) 587-4630</p>	<p>Job 85565.012.01 - HARTFORD - NU (SSUSA), CT (BU# 876363)</p>	<p>Page 9 of 50</p>
	<p>Project</p>	<p>Date 18:15:26 05/14/21</p>
	<p>Client Crown Castle</p>	<p>Designed by Santhosh Kamath</p>

Tower Section	Tower Elevation ft	Face	A _R ft ²	A _F ft ²	C _A A _A In Face ft ²	C _A A _A Out Face ft ²	Weight K
L8	82.873-82.623	A	0.000	0.000	0.169	0.000	0.000
		B	0.000	0.000	0.179	0.000	0.001
		C	0.000	0.000	0.566	0.000	0.004
L9	82.623-77.623	A	0.000	0.000	4.845	0.000	0.005
		B	0.000	0.000	3.822	0.000	0.017
		C	0.000	0.000	11.575	0.000	0.077
L10	77.623-76.250	A	0.000	0.000	2.337	0.000	0.002
		B	0.000	0.000	1.896	0.000	0.005
		C	0.000	0.000	4.025	0.000	0.021
L11	76.250-76.000	A	0.000	0.000	0.425	0.000	0.000
		B	0.000	0.000	0.345	0.000	0.001
		C	0.000	0.000	0.733	0.000	0.004
L12	76.000-75.750	A	0.000	0.000	0.425	0.000	0.000
		B	0.000	0.000	0.345	0.000	0.001
		C	0.000	0.000	0.733	0.000	0.004
L13	75.750-74.333	A	0.000	0.000	2.411	0.000	0.002
		B	0.000	0.000	1.957	0.000	0.005
		C	0.000	0.000	4.154	0.000	0.022
L14	74.333-74.083	A	0.000	0.000	0.425	0.000	0.000
		B	0.000	0.000	0.345	0.000	0.001
		C	0.000	0.000	0.733	0.000	0.004
L15	74.083-69.083	A	0.000	0.000	8.509	0.000	0.008
		B	0.000	0.000	6.904	0.000	0.018
		C	0.000	0.000	14.657	0.000	0.077
L16	69.083-64.083	A	0.000	0.000	8.509	0.000	0.008
		B	0.000	0.000	6.904	0.000	0.018
		C	0.000	0.000	14.657	0.000	0.077
L17	64.083-59.083	A	0.000	0.000	8.835	0.000	0.008
		B	0.000	0.000	7.230	0.000	0.018
		C	0.000	0.000	14.983	0.000	0.077
L18	59.083-58.083	A	0.000	0.000	1.976	0.000	0.002
		B	0.000	0.000	1.655	0.000	0.004
		C	0.000	0.000	3.205	0.000	0.015
L19	58.083-57.733	A	0.000	0.000	0.692	0.000	0.001
		B	0.000	0.000	0.579	0.000	0.001
		C	0.000	0.000	1.122	0.000	0.005
L20	57.733-57.500	A	0.000	0.000	0.460	0.000	0.000
		B	0.000	0.000	0.386	0.000	0.001
		C	0.000	0.000	0.747	0.000	0.004
L21	57.500-52.500	A	0.000	0.000	9.880	0.000	0.008
		B	0.000	0.000	8.275	0.000	0.018
		C	0.000	0.000	16.028	0.000	0.077
L22	52.500-47.000	A	0.000	0.000	10.868	0.000	0.009
		B	0.000	0.000	9.102	0.000	0.020
		C	0.000	0.000	17.630	0.000	0.084
L23	47.000-45.250	A	0.000	0.000	3.458	0.000	0.003
		B	0.000	0.000	2.896	0.000	0.006
		C	0.000	0.000	5.610	0.000	0.027
L24	45.250-40.250	A	0.000	0.000	9.880	0.000	0.008
		B	0.000	0.000	8.275	0.000	0.018
		C	0.000	0.000	16.028	0.000	0.077
L25	40.250-38.083	A	0.000	0.000	4.282	0.000	0.003
		B	0.000	0.000	3.586	0.000	0.008
		C	0.000	0.000	6.946	0.000	0.033
L26	38.083-37.833	A	0.000	0.000	0.494	0.000	0.000
		B	0.000	0.000	0.414	0.000	0.001
		C	0.000	0.000	0.801	0.000	0.004
L27	37.833-32.833	A	0.000	0.000	9.880	0.000	0.008
		B	0.000	0.000	8.275	0.000	0.018
		C	0.000	0.000	16.028	0.000	0.077
L28	32.833-27.733	A	0.000	0.000	10.372	0.000	0.008

tnxTower B+T Group 1717 S. Boulder, Suite 300 Tulsa, OK 74119 Phone: (918) 587-4630 FAX: (918) 587-4630	Job 85565.012.01 - HARTFORD - NU (SSUSA), CT (BU# 876363)	Page 10 of 50
	Project	Date 18:15:26 05/14/21
	Client Crown Castle	Designed by Santhosh Kamath

Tower Section	Tower Elevation ft	Face	A _R ft ²	A _F ft ²	C _{AA} In Face ft ²	C _{AA} Out Face ft ²	Weight K
		B	0.000	0.000	8.735	0.000	0.018
		C	0.000	0.000	16.642	0.000	0.078
L29	27.733-27.500	A	0.000	0.000	0.494	0.000	0.000
		B	0.000	0.000	0.420	0.000	0.001
		C	0.000	0.000	0.781	0.000	0.004
L30	27.500-22.500	A	0.000	0.000	10.609	0.000	0.008
		B	0.000	0.000	9.004	0.000	0.018
		C	0.000	0.000	16.757	0.000	0.077
L31	22.500-19.500	A	0.000	0.000	7.490	0.000	0.005
		B	0.000	0.000	5.402	0.000	0.011
		C	0.000	0.000	10.054	0.000	0.046
L32	19.500-19.250	A	0.000	0.000	0.718	0.000	0.000
		B	0.000	0.000	0.450	0.000	0.001
		C	0.000	0.000	0.838	0.000	0.004
L33	19.250-14.250	A	0.000	0.000	15.470	0.000	0.008
		B	0.000	0.000	9.942	0.000	0.018
		C	0.000	0.000	18.944	0.000	0.077
L34	14.250-14.000	A	0.000	0.000	0.940	0.000	0.000
		B	0.000	0.000	0.638	0.000	0.001
		C	0.000	0.000	1.275	0.000	0.004
L35	14.000-13.750	A	0.000	0.000	0.940	0.000	0.000
		B	0.000	0.000	0.638	0.000	0.001
		C	0.000	0.000	1.275	0.000	0.004
L36	13.750-12.983	A	0.000	0.000	2.884	0.000	0.001
		B	0.000	0.000	1.956	0.000	0.003
		C	0.000	0.000	3.913	0.000	0.012
L37	12.983-12.817	A	0.000	0.000	0.624	0.000	0.000
		B	0.000	0.000	0.423	0.000	0.001
		C	0.000	0.000	0.847	0.000	0.003
L38	12.817-12.650	A	0.000	0.000	0.628	0.000	0.000
		B	0.000	0.000	0.426	0.000	0.001
		C	0.000	0.000	0.852	0.000	0.003
L39	12.650-12.500	A	0.000	0.000	0.564	0.000	0.000
		B	0.000	0.000	0.383	0.000	0.001
		C	0.000	0.000	0.765	0.000	0.002
L40	12.500-12.250	A	0.000	0.000	0.940	0.000	0.000
		B	0.000	0.000	0.638	0.000	0.001
		C	0.000	0.000	1.275	0.000	0.004
L41	12.250-7.250	A	0.000	0.000	13.101	0.000	0.008
		B	0.000	0.000	12.754	0.000	0.018
		C	0.000	0.000	22.882	0.000	0.077
L42	7.250-2.250	A	0.000	0.000	10.609	0.000	0.008
		B	0.000	0.000	12.754	0.000	0.018
		C	0.000	0.000	21.132	0.000	0.077
L43	2.250-0.000	A	0.000	0.000	4.774	0.000	0.004
		B	0.000	0.000	5.739	0.000	0.008
		C	0.000	0.000	9.509	0.000	0.034

Feed Line/Linear Appurtenances Section Areas - With Ice

Tower Section	Tower Elevation ft	Face or Leg	Ice Thickness in	A _R ft ²	A _F ft ²	C _{AA} In Face ft ²	C _{AA} Out Face ft ²	Weight K
L1	108.000-103.000	A	1.910	0.000	0.000	0.000	0.000	0.000
		B		0.000	0.000	2.097	0.000	0.028
		C		0.000	0.000	3.925	0.000	0.069
L2	103.000-98.500	A	1.901	0.000	0.000	0.000	0.000	0.000
		B		0.000	0.000	1.879	0.000	0.025

Tower Section	Tower Elevation ft	Face or Leg	Ice Thickness in	A _R ft ²	A _F ft ²	C _{AA} In Face ft ²	C _{AA} Out Face ft ²	Weight K
L3	98.500-98.000	C	1.896	0.000	0.000	8.821	0.000	0.154
		A		0.000	0.000	0.000	0.000	0.000
		B		0.000	0.000	0.208	0.000	0.003
L4	98.000-93.000	C	1.891	0.000	0.000	0.979	0.000	0.017
		A		0.000	0.000	0.000	0.000	0.000
		B		0.000	0.000	2.078	0.000	0.043
L5	93.000-88.000	C	1.880	0.000	0.000	14.651	0.000	0.264
		A		0.000	0.000	0.000	0.000	0.000
		B		0.000	0.000	2.068	0.000	0.043
L6	88.000-83.000	C	1.870	0.000	0.000	14.626	0.000	0.262
		A		0.000	0.000	1.103	0.000	0.014
		B		0.000	0.000	3.160	0.000	0.057
L7	83.000-82.873	C	1.864	0.000	0.000	15.703	0.000	0.275
		A		0.000	0.000	0.133	0.000	0.002
		B		0.000	0.000	0.185	0.000	0.003
L8	82.873-82.623	C	1.864	0.000	0.000	0.504	0.000	0.008
		A		0.000	0.000	0.262	0.000	0.003
		B		0.000	0.000	0.365	0.000	0.005
L9	82.623-77.623	C	1.858	0.000	0.000	0.992	0.000	0.016
		A		0.000	0.000	9.942	0.000	0.133
		B		0.000	0.000	7.678	0.000	0.113
L10	77.623-76.250	C	1.850	0.000	0.000	20.202	0.000	0.331
		A		0.000	0.000	4.608	0.000	0.060
		B		0.000	0.000	3.420	0.000	0.047
L11	76.250-76.000	C	1.848	0.000	0.000	6.856	0.000	0.106
		A		0.000	0.000	0.839	0.000	0.011
		B		0.000	0.000	0.622	0.000	0.009
L12	76.000-75.750	C	1.848	0.000	0.000	1.248	0.000	0.019
		A		0.000	0.000	0.839	0.000	0.011
		B		0.000	0.000	0.622	0.000	0.009
L13	75.750-74.333	C	1.846	0.000	0.000	1.248	0.000	0.019
		A		0.000	0.000	4.750	0.000	0.062
		B		0.000	0.000	3.526	0.000	0.048
L14	74.333-74.083	C	1.843	0.000	0.000	7.070	0.000	0.110
		A		0.000	0.000	0.838	0.000	0.011
		B		0.000	0.000	0.622	0.000	0.009
L15	74.083-69.083	C	1.837	0.000	0.000	1.247	0.000	0.019
		A		0.000	0.000	16.724	0.000	0.218
		B		0.000	0.000	12.415	0.000	0.170
L16	69.083-64.083	C	1.824	0.000	0.000	24.907	0.000	0.385
		A		0.000	0.000	16.668	0.000	0.216
		B		0.000	0.000	12.375	0.000	0.169
L17	64.083-59.083	C	1.809	0.000	0.000	24.848	0.000	0.382
		A		0.000	0.000	16.934	0.000	0.217
		B		0.000	0.000	12.658	0.000	0.171
L18	59.083-58.083	C	1.800	0.000	0.000	25.110	0.000	0.383
		A		0.000	0.000	3.588	0.000	0.045
		B		0.000	0.000	2.735	0.000	0.036
L19	58.083-57.733	C	1.798	0.000	0.000	5.223	0.000	0.078
		A		0.000	0.000	1.255	0.000	0.016
		B		0.000	0.000	0.957	0.000	0.013
L20	57.733-57.500	C	1.797	0.000	0.000	1.827	0.000	0.027
		A		0.000	0.000	0.835	0.000	0.011
		B		0.000	0.000	0.637	0.000	0.008
L21	57.500-52.500	C	1.789	0.000	0.000	1.216	0.000	0.018
		A		0.000	0.000	17.892	0.000	0.225
		B		0.000	0.000	13.642	0.000	0.180
L22	52.500-47.000	C	1.771	0.000	0.000	26.063	0.000	0.390
		A		0.000	0.000	19.598	0.000	0.245
		B		0.000	0.000	14.947	0.000	0.195
		C		0.000	0.000	28.581	0.000	0.424

Tower Section	Tower Elevation ft	Face or Leg	Ice Thickness in	A _R ft ²	A _F ft ²	C _{AA} In Face ft ²	C _{AA} Out Face ft ²	Weight K
L23	47.000-45.250	A	1.758	0.000	0.000	6.236	0.000	0.078
		B		0.000	0.000	4.756	0.000	0.062
		C		0.000	0.000	9.094	0.000	0.135
L24	45.250-40.250	A	1.745	0.000	0.000	17.703	0.000	0.218
		B		0.000	0.000	13.509	0.000	0.174
		C		0.000	0.000	25.863	0.000	0.380
L25	40.250-38.083	A	1.729	0.000	0.000	7.645	0.000	0.093
		B		0.000	0.000	5.835	0.000	0.075
		C		0.000	0.000	11.179	0.000	0.163
L26	38.083-37.833	A	1.724	0.000	0.000	0.881	0.000	0.011
		B		0.000	0.000	0.672	0.000	0.009
		C		0.000	0.000	1.289	0.000	0.019
L27	37.833-32.833	A	1.712	0.000	0.000	17.563	0.000	0.213
		B		0.000	0.000	13.410	0.000	0.170
		C		0.000	0.000	25.715	0.000	0.373
L28	32.833-27.733	A	1.685	0.000	0.000	18.095	0.000	0.215
		B		0.000	0.000	13.892	0.000	0.172
		C		0.000	0.000	26.403	0.000	0.377
L29	27.733-27.500	A	1.670	0.000	0.000	0.844	0.000	0.010
		B		0.000	0.000	0.653	0.000	0.008
		C		0.000	0.000	1.224	0.000	0.017
L30	27.500-22.500	A	1.653	0.000	0.000	18.045	0.000	0.209
		B		0.000	0.000	13.964	0.000	0.168
		C		0.000	0.000	26.182	0.000	0.366
L31	22.500-19.500	A	1.625	0.000	0.000	12.152	0.000	0.139
		B		0.000	0.000	8.327	0.000	0.099
		C		0.000	0.000	15.632	0.000	0.216
L32	19.500-19.250	A	1.612	0.000	0.000	1.126	0.000	0.013
		B		0.000	0.000	0.692	0.000	0.008
		C		0.000	0.000	1.300	0.000	0.018
L33	19.250-14.250	A	1.588	0.000	0.000	23.870	0.000	0.267
		B		0.000	0.000	15.099	0.000	0.173
		C		0.000	0.000	25.890	0.000	0.375
L34	14.250-14.000	A	1.562	0.000	0.000	1.406	0.000	0.015
		B		0.000	0.000	0.949	0.000	0.010
		C		0.000	0.000	1.288	0.000	0.022
L35	14.000-13.750	A	1.559	0.000	0.000	1.405	0.000	0.015
		B		0.000	0.000	0.949	0.000	0.010
		C		0.000	0.000	1.288	0.000	0.022
L36	13.750-12.983	A	1.553	0.000	0.000	4.306	0.000	0.047
		B		0.000	0.000	2.907	0.000	0.032
		C		0.000	0.000	3.947	0.000	0.067
L37	12.983-12.817	A	1.548	0.000	0.000	0.931	0.000	0.010
		B		0.000	0.000	0.629	0.000	0.007
		C		0.000	0.000	0.853	0.000	0.014
L38	12.817-12.650	A	1.546	0.000	0.000	0.936	0.000	0.010
		B		0.000	0.000	0.632	0.000	0.007
		C		0.000	0.000	0.858	0.000	0.014
L39	12.650-12.500	A	1.544	0.000	0.000	0.841	0.000	0.009
		B		0.000	0.000	0.567	0.000	0.006
		C		0.000	0.000	0.771	0.000	0.013
L40	12.500-12.250	A	1.541	0.000	0.000	1.400	0.000	0.015
		B		0.000	0.000	0.945	0.000	0.010
		C		0.000	0.000	1.284	0.000	0.022
L41	12.250-7.250	A	1.505	0.000	0.000	20.499	0.000	0.218
		B		0.000	0.000	18.768	0.000	0.199
		C		0.000	0.000	21.985	0.000	0.388
L42	7.250-2.250	A	1.400	0.000	0.000	16.876	0.000	0.169
		B		0.000	0.000	18.355	0.000	0.182
		C		0.000	0.000	19.267	0.000	0.342
L43	2.250-0.000	A	1.212	0.000	0.000	7.258	0.000	0.064

tnxTower B+T Group 1717 S. Boulder, Suite 300 Tulsa, OK 74119 Phone: (918) 587-4630 FAX: (918) 587-4630	Job	Page
	85565.012.01 - HARTFORD - NU (SSUSA), CT (BU# 876363)	13 of 50
	Project	Date
Client	Crown Castle	18:15:26 05/14/21
		Designed by
		Santhosh Kamath

Tower Section	Tower Elevation ft	Face or Leg	Ice Thickness in	A _R ft ²	A _F ft ²	C _{AA} In Face ft ²	C _{AA} Out Face ft ²	Weight K
		B		0.000	0.000	7.922	0.000	0.069
		C		0.000	0.000	8.374	0.000	0.136

Feed Line Center of Pressure

Section	Elevation ft	CP _x in	CP _z in	CP _x Ice in	CP _z Ice in
L1	108.000-103.000	-0.670	2.449	0.127	1.101
L2	103.000-98.500	-1.087	3.565	-0.365	2.060
L3	98.500-98.000	-1.521	5.014	-0.497	3.015
L4	98.000-93.000	-2.142	4.990	-1.272	3.287
L5	93.000-88.000	-2.192	5.107	-1.310	3.387
L6	88.000-83.000	-1.941	4.523	-1.231	3.185
L7	83.000-82.873	-1.311	3.055	-0.944	2.443
L8	82.873-82.623	-1.312	3.059	-0.946	2.447
L9	82.623-77.623	-1.326	2.363	-0.990	1.394
L10	77.623-76.250	-1.053	1.406	-0.862	0.686
L11	76.250-76.000	-0.953	1.273	-0.866	0.690
L12	76.000-75.750	-1.060	1.415	-0.868	0.691
L13	75.750-74.333	-1.065	1.421	-0.872	0.695
L14	74.333-74.083	-1.070	1.429	-0.877	0.699
L15	74.083-69.083	-1.086	1.450	-0.891	0.711
L16	69.083-64.083	-1.117	1.491	-0.918	0.735
L17	64.083-59.083	-1.118	1.489	-0.933	0.748
L18	59.083-58.083	-0.947	1.243	-0.913	0.723
L19	58.083-57.733	-0.950	1.246	-0.916	0.726
L20	57.733-57.500	-0.951	1.248	-0.917	0.728
L21	57.500-52.500	-0.964	1.264	-0.931	0.740
L22	52.500-47.000	-1.101	1.444	-0.958	0.765
L23	47.000-45.250	-1.108	1.453	-0.965	0.770
L24	45.250-40.250	-1.126	1.477	-0.982	0.789
L25	40.250-38.083	-1.145	1.501	-1.000	0.807
L26	38.083-37.833	-1.152	1.510	-1.006	0.813
L27	37.833-32.833	-1.166	1.528	-1.019	0.826
L28	32.833-27.733	-1.172	1.512	-1.035	0.833
L29	27.733-27.500	-1.157	1.457	-1.035	0.819
L30	27.500-22.500	-1.170	1.473	-1.048	0.833
L31	22.500-19.500	-1.622	1.093	-1.365	0.597
L32	19.500-19.250	-2.031	0.727	-1.658	0.358
L33	19.250-14.250	-2.352	0.989	-1.491	0.302
L34	14.250-14.000	-2.786	1.435	-1.044	0.147
L35	14.000-13.750	-2.789	1.437	-1.046	0.147
L36	13.750-12.983	-2.780	1.432	-1.044	0.148
L37	12.983-12.817	-2.792	1.438	-1.048	0.149
L38	12.817-12.650	-2.799	1.442	-1.051	0.150
L39	12.650-12.500	-2.801	1.443	-1.052	0.150
L40	12.500-12.250	-2.806	1.446	-1.054	0.151
L41	12.250-7.250	-3.081	2.520	-0.857	0.710
L42	7.250-2.250	-3.213	2.992	-0.805	0.954
L43	2.250-0.000	-3.260	3.035	-0.829	1.016

Note: For pole sections, center of pressure calculations do not consider feed line shielding.

Shielding Factor Ka

Tower Section	Feed Line Record No.	Description	Feed Line Segment Elev.	K _a No Ice	K _a Ice
L1	5	HB158-1-08U8-S8J18(1-5/8)	103.00 - 105.00	1.0000	1.0000
L1	19	Safety Line 3/8	103.00 - 108.00	1.0000	1.0000
L2	5	HB158-1-08U8-S8J18(1-5/8)	98.50 - 103.00	1.0000	1.0000
L2	19	Safety Line 3/8	98.50 - 103.00	1.0000	1.0000
L3	5	HB158-1-08U8-S8J18(1-5/8)	98.00 - 98.50	1.0000	1.0000
L3	19	Safety Line 3/8	98.00 - 98.50	1.0000	1.0000
L4	5	HB158-1-08U8-S8J18(1-5/8)	93.00 - 98.00	1.0000	1.0000
L4	7	2" Rigid Conduit	93.00 - 98.00	1.0000	1.0000
L4	19	Safety Line 3/8	93.00 - 98.00	1.0000	1.0000
L5	5	HB158-1-08U8-S8J18(1-5/8)	88.00 - 93.00	1.0000	1.0000
L5	7	2" Rigid Conduit	88.00 - 93.00	1.0000	1.0000
L5	19	Safety Line 3/8	88.00 - 93.00	1.0000	1.0000
L6	5	HB158-1-08U8-S8J18(1-5/8)	83.00 - 88.00	1.0000	1.0000
L6	7	2" Rigid Conduit	83.00 - 88.00	1.0000	1.0000
L6	19	Safety Line 3/8	83.00 - 88.00	1.0000	1.0000
L6	43	MP3-03	83.00 - 84.05	1.0000	1.0000
L6	44	MP3-03	83.00 - 84.05	1.0000	1.0000
L6	45	MP3-03	83.00 - 84.05	1.0000	1.0000
L7	5	HB158-1-08U8-S8J18(1-5/8)	82.87 - 83.00	1.0000	1.0000
L7	7	2" Rigid Conduit	82.87 - 83.00	1.0000	1.0000
L7	19	Safety Line 3/8	82.87 - 83.00	1.0000	1.0000
L7	43	MP3-03	82.87 - 83.00	1.0000	1.0000
L7	44	MP3-03	82.87 - 83.00	1.0000	1.0000
L7	45	MP3-03	82.87 - 83.00	1.0000	1.0000
L8	5	HB158-1-08U8-S8J18(1-5/8)	82.62 - 82.87	1.0000	1.0000
L8	7	2" Rigid Conduit	82.62 - 82.87	1.0000	1.0000
L8	19	Safety Line 3/8	82.62 - 82.87	1.0000	1.0000
L8	43	MP3-03	82.62 - 82.87	1.0000	1.0000
L8	44	MP3-03	82.62 - 82.87	1.0000	1.0000
L8	45	MP3-03	82.62 - 82.87	1.0000	1.0000
L9	5	HB158-1-08U8-S8J18(1-5/8)	77.62 - 82.62	1.0000	1.0000
L9	7	2" Rigid Conduit	77.62 - 82.62	1.0000	1.0000
L9	14	ATCB-B01(5/16)	77.62 - 81.00	1.0000	1.0000
L9	15	FXL 780 PE(7/8)	77.62 - 81.00	1.0000	1.0000
L9	19	Safety Line 3/8	77.62 - 82.62	1.0000	1.0000
L9	30	4.0" x 1.25" Plate	77.62 - 78.00	1.0000	1.0000
L9	31	4.0" x 1.25" Plate	77.62 - 78.00	1.0000	1.0000
L9	32	4.0" x 1.25" Plate	77.62 - 78.00	1.0000	1.0000
L9	43	MP3-03	77.62 - 82.62	1.0000	1.0000
L9	44	MP3-03	77.62 - 82.62	1.0000	1.0000
L9	45	MP3-03	77.62 - 82.62	1.0000	1.0000
L10	5	HB158-1-08U8-S8J18(1-5/8)	76.25 - 77.62	1.0000	1.0000
L10	7	2" Rigid Conduit	76.25 - 77.62	1.0000	1.0000
L10	14	ATCB-B01(5/16)	76.25 - 77.62	1.0000	1.0000
L10	15	FXL 780 PE(7/8)	76.25 - 77.62	1.0000	1.0000
L10	19	Safety Line 3/8	76.25 - 77.62	1.0000	1.0000
L10	30	4.0" x 1.25" Plate	76.25 - 77.62	1.0000	1.0000
L10	31	4.0" x 1.25" Plate	76.25 - 77.62	1.0000	1.0000
L10	32	4.0" x 1.25" Plate	76.25 - 77.62	1.0000	1.0000
L10	43	MP3-03	76.25 - 77.62	1.0000	1.0000
L10	44	MP3-03	76.25 - 77.62	1.0000	1.0000
L10	45	MP3-03	76.25 - 77.62	1.0000	1.0000
L11	5	HB158-1-08U8-S8J18(1-5/8)	76.00 - 76.25	1.0000	1.0000

Tower Section	Feed Line Record No.	Description	Feed Line Segment Elev.	K _a No Ice	K _a Ice
L11	7	2" Rigid Conduit	76.00 - 76.25	1.0000	1.0000
L11	14	ATCB-B01(5/16)	76.00 - 76.25	1.0000	1.0000
L11	15	FXL 780 PE(7/8)	76.00 - 76.25	1.0000	1.0000
L11	19	Safety Line 3/8	76.00 - 76.25	1.0000	1.0000
L11	30	4.0" x 1.25" Plate	76.00 - 76.25	1.0000	1.0000
L11	31	4.0" x 1.25" Plate	76.00 - 76.25	1.0000	1.0000
L11	32	4.0" x 1.25" Plate	76.00 - 76.25	1.0000	1.0000
L11	43	MP3-03	76.00 - 76.25	1.0000	1.0000
L11	44	MP3-03	76.00 - 76.25	1.0000	1.0000
L11	45	MP3-03	76.00 - 76.25	1.0000	1.0000
L12	5	HB158-1-08U8-S8J18(1-5/8)	75.75 - 76.00	1.0000	1.0000
L12	7	2" Rigid Conduit	75.75 - 76.00	1.0000	1.0000
L12	14	ATCB-B01(5/16)	75.75 - 76.00	1.0000	1.0000
L12	15	FXL 780 PE(7/8)	75.75 - 76.00	1.0000	1.0000
L12	19	Safety Line 3/8	75.75 - 76.00	1.0000	1.0000
L12	30	4.0" x 1.25" Plate	75.75 - 76.00	1.0000	1.0000
L12	31	4.0" x 1.25" Plate	75.75 - 76.00	1.0000	1.0000
L12	32	4.0" x 1.25" Plate	75.75 - 76.00	1.0000	1.0000
L12	43	MP3-03	75.75 - 76.00	1.0000	1.0000
L12	44	MP3-03	75.75 - 76.00	1.0000	1.0000
L12	45	MP3-03	75.75 - 76.00	1.0000	1.0000
L13	5	HB158-1-08U8-S8J18(1-5/8)	74.33 - 75.75	1.0000	1.0000
L13	7	2" Rigid Conduit	74.33 - 75.75	1.0000	1.0000
L13	14	ATCB-B01(5/16)	74.33 - 75.75	1.0000	1.0000
L13	15	FXL 780 PE(7/8)	74.33 - 75.75	1.0000	1.0000
L13	19	Safety Line 3/8	74.33 - 75.75	1.0000	1.0000
L13	30	4.0" x 1.25" Plate	74.33 - 75.75	1.0000	1.0000
L13	31	4.0" x 1.25" Plate	74.33 - 75.75	1.0000	1.0000
L13	32	4.0" x 1.25" Plate	74.33 - 75.75	1.0000	1.0000
L13	43	MP3-03	74.33 - 75.75	1.0000	1.0000
L13	44	MP3-03	74.33 - 75.75	1.0000	1.0000
L13	45	MP3-03	74.33 - 75.75	1.0000	1.0000
L14	5	HB158-1-08U8-S8J18(1-5/8)	74.08 - 74.33	1.0000	1.0000
L14	7	2" Rigid Conduit	74.08 - 74.33	1.0000	1.0000
L14	14	ATCB-B01(5/16)	74.08 - 74.33	1.0000	1.0000
L14	15	FXL 780 PE(7/8)	74.08 - 74.33	1.0000	1.0000
L14	19	Safety Line 3/8	74.08 - 74.33	1.0000	1.0000
L14	30	4.0" x 1.25" Plate	74.08 - 74.33	1.0000	1.0000
L14	31	4.0" x 1.25" Plate	74.08 - 74.33	1.0000	1.0000
L14	32	4.0" x 1.25" Plate	74.08 - 74.33	1.0000	1.0000
L14	43	MP3-03	74.08 - 74.33	1.0000	1.0000
L14	44	MP3-03	74.08 - 74.33	1.0000	1.0000
L14	45	MP3-03	74.08 - 74.33	1.0000	1.0000
L15	5	HB158-1-08U8-S8J18(1-5/8)	69.08 - 74.08	1.0000	1.0000
L15	7	2" Rigid Conduit	69.08 - 74.08	1.0000	1.0000
L15	14	ATCB-B01(5/16)	69.08 - 74.08	1.0000	1.0000
L15	15	FXL 780 PE(7/8)	69.08 - 74.08	1.0000	1.0000
L15	19	Safety Line 3/8	69.08 - 74.08	1.0000	1.0000
L15	30	4.0" x 1.25" Plate	69.08 - 74.08	1.0000	1.0000
L15	31	4.0" x 1.25" Plate	69.08 - 74.08	1.0000	1.0000
L15	32	4.0" x 1.25" Plate	69.08 - 74.08	1.0000	1.0000
L15	43	MP3-03	69.08 - 74.08	1.0000	1.0000
L15	44	MP3-03	69.08 - 74.08	1.0000	1.0000
L15	45	MP3-03	69.08 - 74.08	1.0000	1.0000
L16	5	HB158-1-08U8-S8J18(1-5/8)	64.08 - 69.08	1.0000	1.0000
L16	7	2" Rigid Conduit	64.08 - 69.08	1.0000	1.0000
L16	14	ATCB-B01(5/16)	64.08 - 69.08	1.0000	1.0000
L16	15	FXL 780 PE(7/8)	64.08 - 69.08	1.0000	1.0000
L16	19	Safety Line 3/8	64.08 - 69.08	1.0000	1.0000
L16	30	4.0" x 1.25" Plate	64.08 - 69.08	1.0000	1.0000
L16	31	4.0" x 1.25" Plate	64.08 - 69.08	1.0000	1.0000
L16	32	4.0" x 1.25" Plate	64.08 - 69.08	1.0000	1.0000

tnxTower

B+T Group
1717 S. Boulder, Suite 300
Tulsa, OK 74119
Phone: (918) 587-4630
FAX: (918) 587-4630

Job
85565.012.01 - HARTFORD - NU (SSUSA), CT (BU# 876363)

Page
16 of 50

Project

Date
18:15:26 05/14/21

Client
Crown Castle

Designed by
Santhosh Kamath

Tower Section	Feed Line Record No.	Description	Feed Line Segment Elev.	K _a No Ice	K _a Ice
L16	43	MP3-03	64.08 - 69.08	1.0000	1.0000
L16	44	MP3-03	64.08 - 69.08	1.0000	1.0000
L16	45	MP3-03	64.08 - 69.08	1.0000	1.0000
L17	5	HB158-1-08U8-S8J18(1-5/8)	59.08 - 64.08	1.0000	1.0000
L17	7	2" Rigid Conduit	59.08 - 64.08	1.0000	1.0000
L17	14	ATCB-B01(5/16)	59.08 - 64.08	1.0000	1.0000
L17	15	FXL 780 PE(7/8)	59.08 - 64.08	1.0000	1.0000
L17	19	Safety Line 3/8	59.08 - 64.08	1.0000	1.0000
L17	26	4.375" x 1.25" Plate	59.08 - 59.50	1.0000	1.0000
L17	27	4.375" x 1.25" Plate	59.08 - 59.50	1.0000	1.0000
L17	28	4.375" x 1.25" Plate	59.08 - 59.50	1.0000	1.0000
L17	30	4.0" x 1.25" Plate	59.50 - 64.08	1.0000	1.0000
L17	31	4.0" x 1.25" Plate	59.50 - 64.08	1.0000	1.0000
L17	32	4.0" x 1.25" Plate	59.50 - 64.08	1.0000	1.0000
L17	39	MP3-05	59.08 - 60.50	1.0000	1.0000
L17	40	MP3-05	59.08 - 60.50	1.0000	1.0000
L17	41	MP3-05	59.08 - 60.50	1.0000	1.0000
L17	43	MP3-03	60.50 - 64.08	1.0000	1.0000
L17	44	MP3-03	60.50 - 64.08	1.0000	1.0000
L17	45	MP3-03	60.50 - 64.08	1.0000	1.0000
L18	5	HB158-1-08U8-S8J18(1-5/8)	58.08 - 59.08	1.0000	1.0000
L18	7	2" Rigid Conduit	58.08 - 59.08	1.0000	1.0000
L18	14	ATCB-B01(5/16)	58.08 - 59.08	1.0000	1.0000
L18	15	FXL 780 PE(7/8)	58.08 - 59.08	1.0000	1.0000
L18	19	Safety Line 3/8	58.08 - 59.08	1.0000	1.0000
L18	26	4.375" x 1.25" Plate	58.08 - 59.08	1.0000	1.0000
L18	27	4.375" x 1.25" Plate	58.08 - 59.08	1.0000	1.0000
L18	28	4.375" x 1.25" Plate	58.08 - 59.08	1.0000	1.0000
L18	39	MP3-05	58.08 - 59.08	1.0000	1.0000
L18	40	MP3-05	58.08 - 59.08	1.0000	1.0000
L18	41	MP3-05	58.08 - 59.08	1.0000	1.0000
L19	5	HB158-1-08U8-S8J18(1-5/8)	57.73 - 58.08	1.0000	1.0000
L19	7	2" Rigid Conduit	57.73 - 58.08	1.0000	1.0000
L19	14	ATCB-B01(5/16)	57.73 - 58.08	1.0000	1.0000
L19	15	FXL 780 PE(7/8)	57.73 - 58.08	1.0000	1.0000
L19	19	Safety Line 3/8	57.73 - 58.08	1.0000	1.0000
L19	26	4.375" x 1.25" Plate	57.73 - 58.08	1.0000	1.0000
L19	27	4.375" x 1.25" Plate	57.73 - 58.08	1.0000	1.0000
L19	28	4.375" x 1.25" Plate	57.73 - 58.08	1.0000	1.0000
L19	39	MP3-05	57.73 - 58.08	1.0000	1.0000
L19	40	MP3-05	57.73 - 58.08	1.0000	1.0000
L19	41	MP3-05	57.73 - 58.08	1.0000	1.0000
L20	5	HB158-1-08U8-S8J18(1-5/8)	57.50 - 57.73	1.0000	1.0000
L20	7	2" Rigid Conduit	57.50 - 57.73	1.0000	1.0000
L20	14	ATCB-B01(5/16)	57.50 - 57.73	1.0000	1.0000
L20	15	FXL 780 PE(7/8)	57.50 - 57.73	1.0000	1.0000
L20	19	Safety Line 3/8	57.50 - 57.73	1.0000	1.0000
L20	26	4.375" x 1.25" Plate	57.50 - 57.73	1.0000	1.0000
L20	27	4.375" x 1.25" Plate	57.50 - 57.73	1.0000	1.0000
L20	28	4.375" x 1.25" Plate	57.50 - 57.73	1.0000	1.0000
L20	39	MP3-05	57.50 - 57.73	1.0000	1.0000
L20	40	MP3-05	57.50 - 57.73	1.0000	1.0000
L20	41	MP3-05	57.50 - 57.73	1.0000	1.0000
L21	5	HB158-1-08U8-S8J18(1-5/8)	52.50 - 57.50	1.0000	1.0000
L21	7	2" Rigid Conduit	52.50 - 57.50	1.0000	1.0000
L21	14	ATCB-B01(5/16)	52.50 - 57.50	1.0000	1.0000
L21	15	FXL 780 PE(7/8)	52.50 - 57.50	1.0000	1.0000
L21	19	Safety Line 3/8	52.50 - 57.50	1.0000	1.0000
L21	26	4.375" x 1.25" Plate	52.50 - 57.50	1.0000	1.0000
L21	27	4.375" x 1.25" Plate	52.50 - 57.50	1.0000	1.0000
L21	28	4.375" x 1.25" Plate	52.50 - 57.50	1.0000	1.0000
L21	39	MP3-05	52.50 - 57.50	1.0000	1.0000

tnxTower

B+T Group
1717 S. Boulder, Suite 300
Tulsa, OK 74119
Phone: (918) 587-4630
FAX: (918) 587-4630

Job
85565.012.01 - HARTFORD - NU (SSUSA), CT (BU# 876363)

Page
17 of 50

Project

Date
18:15:26 05/14/21

Client
Crown Castle

Designed by
Santhosh Kamath

Tower Section	Feed Line Record No.	Description	Feed Line Segment Elev.	K_a No Ice	K_a Ice
L21	40	MP3-05	52.50 - 57.50	1.0000	1.0000
L21	41	MP3-05	52.50 - 57.50	1.0000	1.0000
L22	5	HB158-1-08U8-S8J18(1-5/8)	47.00 - 52.50	1.0000	1.0000
L22	7	2" Rigid Conduit	47.00 - 52.50	1.0000	1.0000
L22	14	ATCB-B01(5/16)	47.00 - 52.50	1.0000	1.0000
L22	15	FXL 780 PE(7/8)	47.00 - 52.50	1.0000	1.0000
L22	19	Safety Line 3/8	47.00 - 52.50	1.0000	1.0000
L22	26	4.375" x 1.25" Plate	47.00 - 52.50	1.0000	1.0000
L22	27	4.375" x 1.25" Plate	47.00 - 52.50	1.0000	1.0000
L22	28	4.375" x 1.25" Plate	47.00 - 52.50	1.0000	1.0000
L22	39	MP3-05	47.00 - 52.50	1.0000	1.0000
L22	40	MP3-05	47.00 - 52.50	1.0000	1.0000
L22	41	MP3-05	47.00 - 52.50	1.0000	1.0000
L23	5	HB158-1-08U8-S8J18(1-5/8)	45.25 - 47.00	1.0000	1.0000
L23	7	2" Rigid Conduit	45.25 - 47.00	1.0000	1.0000
L23	14	ATCB-B01(5/16)	45.25 - 47.00	1.0000	1.0000
L23	15	FXL 780 PE(7/8)	45.25 - 47.00	1.0000	1.0000
L23	19	Safety Line 3/8	45.25 - 47.00	1.0000	1.0000
L23	26	4.375" x 1.25" Plate	45.25 - 47.00	1.0000	1.0000
L23	27	4.375" x 1.25" Plate	45.25 - 47.00	1.0000	1.0000
L23	28	4.375" x 1.25" Plate	45.25 - 47.00	1.0000	1.0000
L23	39	MP3-05	45.25 - 47.00	1.0000	1.0000
L23	40	MP3-05	45.25 - 47.00	1.0000	1.0000
L23	41	MP3-05	45.25 - 47.00	1.0000	1.0000
L24	5	HB158-1-08U8-S8J18(1-5/8)	40.25 - 45.25	1.0000	1.0000
L24	7	2" Rigid Conduit	40.25 - 45.25	1.0000	1.0000
L24	14	ATCB-B01(5/16)	40.25 - 45.25	1.0000	1.0000
L24	15	FXL 780 PE(7/8)	40.25 - 45.25	1.0000	1.0000
L24	19	Safety Line 3/8	40.25 - 45.25	1.0000	1.0000
L24	26	4.375" x 1.25" Plate	40.25 - 45.25	1.0000	1.0000
L24	27	4.375" x 1.25" Plate	40.25 - 45.25	1.0000	1.0000
L24	28	4.375" x 1.25" Plate	40.25 - 45.25	1.0000	1.0000
L24	34	MP3-05	40.25 - 40.50	1.0000	1.0000
L24	36	MP3-05	40.25 - 40.50	1.0000	1.0000
L24	37	MP3-05	40.25 - 40.50	1.0000	1.0000
L24	39	MP3-05	40.50 - 45.25	1.0000	1.0000
L24	40	MP3-05	40.50 - 45.25	1.0000	1.0000
L24	41	MP3-05	40.50 - 45.25	1.0000	1.0000
L25	5	HB158-1-08U8-S8J18(1-5/8)	38.08 - 40.25	1.0000	1.0000
L25	7	2" Rigid Conduit	38.08 - 40.25	1.0000	1.0000
L25	14	ATCB-B01(5/16)	38.08 - 40.25	1.0000	1.0000
L25	15	FXL 780 PE(7/8)	38.08 - 40.25	1.0000	1.0000
L25	19	Safety Line 3/8	38.08 - 40.25	1.0000	1.0000
L25	26	4.375" x 1.25" Plate	38.08 - 40.25	1.0000	1.0000
L25	27	4.375" x 1.25" Plate	38.08 - 40.25	1.0000	1.0000
L25	28	4.375" x 1.25" Plate	38.08 - 40.25	1.0000	1.0000
L25	34	MP3-05	38.08 - 40.25	1.0000	1.0000
L25	36	MP3-05	38.08 - 40.25	1.0000	1.0000
L25	37	MP3-05	38.08 - 40.25	1.0000	1.0000
L26	5	HB158-1-08U8-S8J18(1-5/8)	37.83 - 38.08	1.0000	1.0000
L26	7	2" Rigid Conduit	37.83 - 38.08	1.0000	1.0000
L26	14	ATCB-B01(5/16)	37.83 - 38.08	1.0000	1.0000
L26	15	FXL 780 PE(7/8)	37.83 - 38.08	1.0000	1.0000
L26	19	Safety Line 3/8	37.83 - 38.08	1.0000	1.0000
L26	26	4.375" x 1.25" Plate	37.83 - 38.08	1.0000	1.0000
L26	27	4.375" x 1.25" Plate	37.83 - 38.08	1.0000	1.0000
L26	28	4.375" x 1.25" Plate	37.83 - 38.08	1.0000	1.0000
L26	34	MP3-05	37.83 - 38.08	1.0000	1.0000
L26	36	MP3-05	37.83 - 38.08	1.0000	1.0000
L26	37	MP3-05	37.83 - 38.08	1.0000	1.0000
L27	5	HB158-1-08U8-S8J18(1-5/8)	32.83 - 37.83	1.0000	1.0000
L27	7	2" Rigid Conduit	32.83 - 37.83	1.0000	1.0000

tnxTower

B+T Group
1717 S. Boulder, Suite 300
Tulsa, OK 74119
Phone: (918) 587-4630
FAX: (918) 587-4630

Job
85565.012.01 - HARTFORD - NU (SSUSA), CT (BU# 876363)

Page
18 of 50

Project

Date
18:15:26 05/14/21

Client
Crown Castle

Designed by
Santhosh Kamath

Tower Section	Feed Line Record No.	Description	Feed Line Segment Elev.	K _a No Ice	K _a Ice
L27	14	ATCB-B01(5/16)	32.83 - 37.83	1.0000	1.0000
L27	15	FXL 780 PE(7/8)	32.83 - 37.83	1.0000	1.0000
L27	19	Safety Line 3/8	32.83 - 37.83	1.0000	1.0000
L27	26	4.375" x 1.25" Plate	32.83 - 37.83	1.0000	1.0000
L27	27	4.375" x 1.25" Plate	32.83 - 37.83	1.0000	1.0000
L27	28	4.375" x 1.25" Plate	32.83 - 37.83	1.0000	1.0000
L27	34	MP3-05	32.83 - 37.83	1.0000	1.0000
L27	36	MP3-05	32.83 - 37.83	1.0000	1.0000
L27	37	MP3-05	32.83 - 37.83	1.0000	1.0000
L28	5	HB158-1-08U8-S8J18(1-5/8)	27.73 - 32.83	1.0000	1.0000
L28	7	2" Rigid Conduit	27.73 - 32.83	1.0000	1.0000
L28	14	ATCB-B01(5/16)	27.73 - 32.83	1.0000	1.0000
L28	15	FXL 780 PE(7/8)	27.73 - 32.83	1.0000	1.0000
L28	19	Safety Line 3/8	27.73 - 32.83	1.0000	1.0000
L28	21	5.25" x 1.25" Plate	27.73 - 29.75	1.0000	1.0000
L28	23	5.25" x 1.25" Plate	27.73 - 29.75	1.0000	1.0000
L28	24	5.25" x 1.25" Plate	27.73 - 29.75	1.0000	1.0000
L28	26	4.375" x 1.25" Plate	29.75 - 32.83	1.0000	1.0000
L28	27	4.375" x 1.25" Plate	29.75 - 32.83	1.0000	1.0000
L28	28	4.375" x 1.25" Plate	29.75 - 32.83	1.0000	1.0000
L28	34	MP3-05	27.73 - 32.83	1.0000	1.0000
L28	36	MP3-05	27.73 - 32.83	1.0000	1.0000
L28	37	MP3-05	27.73 - 32.83	1.0000	1.0000
L29	5	HB158-1-08U8-S8J18(1-5/8)	27.50 - 27.73	1.0000	1.0000
L29	7	2" Rigid Conduit	27.50 - 27.73	1.0000	1.0000
L29	14	ATCB-B01(5/16)	27.50 - 27.73	1.0000	1.0000
L29	15	FXL 780 PE(7/8)	27.50 - 27.73	1.0000	1.0000
L29	19	Safety Line 3/8	27.50 - 27.73	1.0000	1.0000
L29	21	5.25" x 1.25" Plate	27.50 - 27.73	1.0000	1.0000
L29	23	5.25" x 1.25" Plate	27.50 - 27.73	1.0000	1.0000
L29	24	5.25" x 1.25" Plate	27.50 - 27.73	1.0000	1.0000
L29	34	MP3-05	27.50 - 27.73	1.0000	1.0000
L29	36	MP3-05	27.50 - 27.73	1.0000	1.0000
L29	37	MP3-05	27.50 - 27.73	1.0000	1.0000
L30	5	HB158-1-08U8-S8J18(1-5/8)	22.50 - 27.50	1.0000	1.0000
L30	7	2" Rigid Conduit	22.50 - 27.50	1.0000	1.0000
L30	14	ATCB-B01(5/16)	22.50 - 27.50	1.0000	1.0000
L30	15	FXL 780 PE(7/8)	22.50 - 27.50	1.0000	1.0000
L30	19	Safety Line 3/8	22.50 - 27.50	1.0000	1.0000
L30	21	5.25" x 1.25" Plate	22.50 - 27.50	1.0000	1.0000
L30	23	5.25" x 1.25" Plate	22.50 - 27.50	1.0000	1.0000
L30	24	5.25" x 1.25" Plate	22.50 - 27.50	1.0000	1.0000
L30	34	MP3-05	22.50 - 27.50	1.0000	1.0000
L30	36	MP3-05	22.50 - 27.50	1.0000	1.0000
L30	37	MP3-05	22.50 - 27.50	1.0000	1.0000
L31	5	HB158-1-08U8-S8J18(1-5/8)	19.50 - 22.50	1.0000	1.0000
L31	7	2" Rigid Conduit	19.50 - 22.50	1.0000	1.0000
L31	14	ATCB-B01(5/16)	19.50 - 22.50	1.0000	1.0000
L31	15	FXL 780 PE(7/8)	19.50 - 22.50	1.0000	1.0000
L31	19	Safety Line 3/8	19.50 - 22.50	1.0000	1.0000
L31	21	5.25" x 1.25" Plate	19.50 - 22.50	1.0000	1.0000
L31	23	5.25" x 1.25" Plate	19.50 - 22.50	1.0000	1.0000
L31	24	5.25" x 1.25" Plate	19.50 - 22.50	1.0000	1.0000
L31	34	MP3-05	19.50 - 22.50	1.0000	1.0000
L31	36	MP3-05	19.50 - 22.50	1.0000	1.0000
L31	37	MP3-05	19.50 - 22.50	1.0000	1.0000
L31	48	CCI 4.5" x 1" Plate	19.50 - 21.00	1.0000	1.0000
L32	5	HB158-1-08U8-S8J18(1-5/8)	19.25 - 19.50	1.0000	1.0000
L32	7	2" Rigid Conduit	19.25 - 19.50	1.0000	1.0000
L32	14	ATCB-B01(5/16)	19.25 - 19.50	1.0000	1.0000
L32	15	FXL 780 PE(7/8)	19.25 - 19.50	1.0000	1.0000
L32	19	Safety Line 3/8	19.25 - 19.50	1.0000	1.0000

tnxTower

B+T Group
1717 S. Boulder, Suite 300
Tulsa, OK 74119
Phone: (918) 587-4630
FAX: (918) 587-4630

Job
85565.012.01 - HARTFORD - NU (SSUSA), CT (BU# 876363)

Page
19 of 50

Project

Date
18:15:26 05/14/21

Client
Crown Castle

Designed by
Santhosh Kamath

Tower Section	Feed Line Record No.	Description	Feed Line Segment Elev.	K_a No Ice	K_a Ice
L32	21	5.25" x 1.25" Plate	19.25 - 19.50	1.0000	1.0000
L32	23	5.25" x 1.25" Plate	19.25 - 19.50	1.0000	1.0000
L32	24	5.25" x 1.25" Plate	19.25 - 19.50	1.0000	1.0000
L32	34	MP3-05	19.25 - 19.50	1.0000	1.0000
L32	36	MP3-05	19.25 - 19.50	1.0000	1.0000
L32	37	MP3-05	19.25 - 19.50	1.0000	1.0000
L32	48	CCI 4.5" x 1" Plate	19.25 - 19.50	1.0000	1.0000
L33	5	HB158-1-08U8-S8J18(1-5/8)	14.25 - 19.25	1.0000	1.0000
L33	7	2" Rigid Conduit	14.25 - 19.25	1.0000	1.0000
L33	14	ATCB-B01(5/16)	14.25 - 19.25	1.0000	1.0000
L33	15	FXL 780 PE(7/8)	14.25 - 19.25	1.0000	1.0000
L33	19	Safety Line 3/8	14.25 - 19.25	1.0000	1.0000
L33	21	5.25" x 1.25" Plate	14.25 - 19.25	1.0000	1.0000
L33	22	5.25" x 1.25" Plate	14.25 - 15.50	1.0000	1.0000
L33	23	5.25" x 1.25" Plate	14.25 - 19.25	1.0000	1.0000
L33	24	5.25" x 1.25" Plate	14.25 - 19.25	1.0000	1.0000
L33	34	MP3-05	14.25 - 19.25	1.0000	1.0000
L33	35	MP3-05	14.25 - 15.50	1.0000	1.0000
L33	36	MP3-05	14.25 - 19.25	1.0000	1.0000
L33	37	MP3-05	14.25 - 19.25	1.0000	1.0000
L33	47	CCI 4.5" x 1" Plate	14.25 - 15.50	1.0000	1.0000
L33	48	CCI 4.5" x 1" Plate	14.25 - 19.25	1.0000	1.0000
L34	5	HB158-1-08U8-S8J18(1-5/8)	14.00 - 14.25	1.0000	1.0000
L34	7	2" Rigid Conduit	14.00 - 14.25	1.0000	1.0000
L34	14	ATCB-B01(5/16)	14.00 - 14.25	1.0000	1.0000
L34	15	FXL 780 PE(7/8)	14.00 - 14.25	1.0000	1.0000
L34	19	Safety Line 3/8	14.00 - 14.25	1.0000	1.0000
L34	21	5.25" x 1.25" Plate	14.00 - 14.25	1.0000	1.0000
L34	22	5.25" x 1.25" Plate	14.00 - 14.25	1.0000	1.0000
L34	23	5.25" x 1.25" Plate	14.00 - 14.25	1.0000	1.0000
L34	24	5.25" x 1.25" Plate	14.00 - 14.25	1.0000	1.0000
L34	34	MP3-05	14.00 - 14.25	1.0000	1.0000
L34	35	MP3-05	14.00 - 14.25	1.0000	1.0000
L34	36	MP3-05	14.00 - 14.25	1.0000	1.0000
L34	37	MP3-05	14.00 - 14.25	1.0000	1.0000
L34	47	CCI 4.5" x 1" Plate	14.00 - 14.25	1.0000	1.0000
L34	48	CCI 4.5" x 1" Plate	14.00 - 14.25	1.0000	1.0000
L35	5	HB158-1-08U8-S8J18(1-5/8)	13.75 - 14.00	1.0000	1.0000
L35	7	2" Rigid Conduit	13.75 - 14.00	1.0000	1.0000
L35	14	ATCB-B01(5/16)	13.75 - 14.00	1.0000	1.0000
L35	15	FXL 780 PE(7/8)	13.75 - 14.00	1.0000	1.0000
L35	19	Safety Line 3/8	13.75 - 14.00	1.0000	1.0000
L35	21	5.25" x 1.25" Plate	13.75 - 14.00	1.0000	1.0000
L35	22	5.25" x 1.25" Plate	13.75 - 14.00	1.0000	1.0000
L35	23	5.25" x 1.25" Plate	13.75 - 14.00	1.0000	1.0000
L35	24	5.25" x 1.25" Plate	13.75 - 14.00	1.0000	1.0000
L35	34	MP3-05	13.75 - 14.00	1.0000	1.0000
L35	35	MP3-05	13.75 - 14.00	1.0000	1.0000
L35	36	MP3-05	13.75 - 14.00	1.0000	1.0000
L35	37	MP3-05	13.75 - 14.00	1.0000	1.0000
L35	47	CCI 4.5" x 1" Plate	13.75 - 14.00	1.0000	1.0000
L35	48	CCI 4.5" x 1" Plate	13.75 - 14.00	1.0000	1.0000
L36	5	HB158-1-08U8-S8J18(1-5/8)	12.98 - 13.75	1.0000	1.0000
L36	7	2" Rigid Conduit	12.98 - 13.75	1.0000	1.0000
L36	14	ATCB-B01(5/16)	12.98 - 13.75	1.0000	1.0000
L36	15	FXL 780 PE(7/8)	12.98 - 13.75	1.0000	1.0000
L36	19	Safety Line 3/8	12.98 - 13.75	1.0000	1.0000
L36	21	5.25" x 1.25" Plate	12.98 - 13.75	1.0000	1.0000
L36	22	5.25" x 1.25" Plate	12.98 - 13.75	1.0000	1.0000
L36	23	5.25" x 1.25" Plate	12.98 - 13.75	1.0000	1.0000
L36	24	5.25" x 1.25" Plate	12.98 - 13.75	1.0000	1.0000
L36	34	MP3-05	12.98 - 13.75	1.0000	1.0000

tnxTower

B+T Group
1717 S. Boulder, Suite 300
Tulsa, OK 74119
Phone: (918) 587-4630
FAX: (918) 587-4630

Job
85565.012.01 - HARTFORD - NU (SSUSA), CT (BU# 876363)

Page
20 of 50

Project

Date
18:15:26 05/14/21

Client
Crown Castle

Designed by
Santhosh Kamath

Tower Section	Feed Line Record No.	Description	Feed Line Segment Elev.	K_a No Ice	K_a Ice
L36	35	MP3-05	12.98 - 13.75	1.0000	1.0000
L36	36	MP3-05	12.98 - 13.75	1.0000	1.0000
L36	37	MP3-05	12.98 - 13.75	1.0000	1.0000
L36	47	CCI 4.5" x 1" Plate	12.98 - 13.75	1.0000	1.0000
L36	48	CCI 4.5" x 1" Plate	12.98 - 13.75	1.0000	1.0000
L37	5	HB158-1-08U8-S8J18(1-5/8)	12.82 - 12.98	1.0000	1.0000
L37	7	2" Rigid Conduit	12.82 - 12.98	1.0000	1.0000
L37	14	ATCB-B01(5/16)	12.82 - 12.98	1.0000	1.0000
L37	15	FXL 780 PE(7/8)	12.82 - 12.98	1.0000	1.0000
L37	19	Safety Line 3/8	12.82 - 12.98	1.0000	1.0000
L37	21	5.25" x 1.25" Plate	12.82 - 12.98	1.0000	1.0000
L37	22	5.25" x 1.25" Plate	12.82 - 12.98	1.0000	1.0000
L37	23	5.25" x 1.25" Plate	12.82 - 12.98	1.0000	1.0000
L37	24	5.25" x 1.25" Plate	12.82 - 12.98	1.0000	1.0000
L37	34	MP3-05	12.82 - 12.98	1.0000	1.0000
L37	35	MP3-05	12.82 - 12.98	1.0000	1.0000
L37	36	MP3-05	12.82 - 12.98	1.0000	1.0000
L37	37	MP3-05	12.82 - 12.98	1.0000	1.0000
L37	47	CCI 4.5" x 1" Plate	12.82 - 12.98	1.0000	1.0000
L37	48	CCI 4.5" x 1" Plate	12.82 - 12.98	1.0000	1.0000
L38	5	HB158-1-08U8-S8J18(1-5/8)	12.65 - 12.82	1.0000	1.0000
L38	7	2" Rigid Conduit	12.65 - 12.82	1.0000	1.0000
L38	14	ATCB-B01(5/16)	12.65 - 12.82	1.0000	1.0000
L38	15	FXL 780 PE(7/8)	12.65 - 12.82	1.0000	1.0000
L38	19	Safety Line 3/8	12.65 - 12.82	1.0000	1.0000
L38	21	5.25" x 1.25" Plate	12.65 - 12.82	1.0000	1.0000
L38	22	5.25" x 1.25" Plate	12.65 - 12.82	1.0000	1.0000
L38	23	5.25" x 1.25" Plate	12.65 - 12.82	1.0000	1.0000
L38	24	5.25" x 1.25" Plate	12.65 - 12.82	1.0000	1.0000
L38	34	MP3-05	12.65 - 12.82	1.0000	1.0000
L38	35	MP3-05	12.65 - 12.82	1.0000	1.0000
L38	36	MP3-05	12.65 - 12.82	1.0000	1.0000
L38	37	MP3-05	12.65 - 12.82	1.0000	1.0000
L38	47	CCI 4.5" x 1" Plate	12.65 - 12.82	1.0000	1.0000
L38	48	CCI 4.5" x 1" Plate	12.65 - 12.82	1.0000	1.0000
L39	5	HB158-1-08U8-S8J18(1-5/8)	12.50 - 12.65	1.0000	1.0000
L39	7	2" Rigid Conduit	12.50 - 12.65	1.0000	1.0000
L39	14	ATCB-B01(5/16)	12.50 - 12.65	1.0000	1.0000
L39	15	FXL 780 PE(7/8)	12.50 - 12.65	1.0000	1.0000
L39	19	Safety Line 3/8	12.50 - 12.65	1.0000	1.0000
L39	21	5.25" x 1.25" Plate	12.50 - 12.65	1.0000	1.0000
L39	22	5.25" x 1.25" Plate	12.50 - 12.65	1.0000	1.0000
L39	23	5.25" x 1.25" Plate	12.50 - 12.65	1.0000	1.0000
L39	24	5.25" x 1.25" Plate	12.50 - 12.65	1.0000	1.0000
L39	34	MP3-05	12.50 - 12.65	1.0000	1.0000
L39	35	MP3-05	12.50 - 12.65	1.0000	1.0000
L39	36	MP3-05	12.50 - 12.65	1.0000	1.0000
L39	37	MP3-05	12.50 - 12.65	1.0000	1.0000
L39	47	CCI 4.5" x 1" Plate	12.50 - 12.65	1.0000	1.0000
L39	48	CCI 4.5" x 1" Plate	12.50 - 12.65	1.0000	1.0000
L40	5	HB158-1-08U8-S8J18(1-5/8)	12.25 - 12.50	1.0000	1.0000
L40	7	2" Rigid Conduit	12.25 - 12.50	1.0000	1.0000
L40	14	ATCB-B01(5/16)	12.25 - 12.50	1.0000	1.0000
L40	15	FXL 780 PE(7/8)	12.25 - 12.50	1.0000	1.0000
L40	19	Safety Line 3/8	12.25 - 12.50	1.0000	1.0000
L40	21	5.25" x 1.25" Plate	12.25 - 12.50	1.0000	1.0000
L40	22	5.25" x 1.25" Plate	12.25 - 12.50	1.0000	1.0000
L40	23	5.25" x 1.25" Plate	12.25 - 12.50	1.0000	1.0000
L40	24	5.25" x 1.25" Plate	12.25 - 12.50	1.0000	1.0000
L40	34	MP3-05	12.25 - 12.50	1.0000	1.0000
L40	35	MP3-05	12.25 - 12.50	1.0000	1.0000
L40	36	MP3-05	12.25 - 12.50	1.0000	1.0000

<p>tnxTower</p> <p>B+T Group 1717 S. Boulder, Suite 300 Tulsa, OK 74119 Phone: (918) 587-4630 FAX: (918) 587-4630</p>	<p>Job 85565.012.01 - HARTFORD - NU (SSUSA), CT (BU# 876363)</p>	<p>Page 21 of 50</p>
	<p>Project</p>	<p>Date 18:15:26 05/14/21</p>
	<p>Client Crown Castle</p>	<p>Designed by Santhosh Kamath</p>

Tower Section	Feed Line Record No.	Description	Feed Line Segment Elev.	K_a No Ice	K_a Ice
L40	37	MP3-05	12.25 - 12.50	1.0000	1.0000
L40	47	CCI 4.5" x 1" Plate	12.25 - 12.50	1.0000	1.0000
L40	48	CCI 4.5" x 1" Plate	12.25 - 12.50	1.0000	1.0000
L41	5	HB158-1-08U8-S8J18(1-5/8)	7.25 - 12.25	1.0000	1.0000
L41	7	2" Rigid Conduit	7.25 - 12.25	1.0000	1.0000
L41	14	ATCB-B01(5/16)	7.25 - 12.25	1.0000	1.0000
L41	15	FXL 780 PE(7/8)	7.25 - 12.25	1.0000	1.0000
L41	19	Safety Line 3/8	7.25 - 12.25	1.0000	1.0000
L41	21	5.25" x 1.25" Plate	7.25 - 12.25	1.0000	1.0000
L41	22	5.25" x 1.25" Plate	7.25 - 12.25	1.0000	1.0000
L41	23	5.25" x 1.25" Plate	10.25 - 12.25	1.0000	1.0000
L41	24	5.25" x 1.25" Plate	7.25 - 12.25	1.0000	1.0000
L41	34	MP3-05	7.25 - 12.25	1.0000	1.0000
L41	35	MP3-05	7.25 - 12.25	1.0000	1.0000
L41	36	MP3-05	10.50 - 12.25	1.0000	1.0000
L41	37	MP3-05	7.25 - 12.25	1.0000	1.0000
L41	47	CCI 4.5" x 1" Plate	7.25 - 12.25	1.0000	1.0000
L41	48	CCI 4.5" x 1" Plate	11.00 - 12.25	1.0000	1.0000
L42	5	HB158-1-08U8-S8J18(1-5/8)	2.25 - 7.25	1.0000	1.0000
L42	7	2" Rigid Conduit	2.25 - 7.25	1.0000	1.0000
L42	14	ATCB-B01(5/16)	2.25 - 7.25	1.0000	1.0000
L42	15	FXL 780 PE(7/8)	2.25 - 7.25	1.0000	1.0000
L42	19	Safety Line 3/8	2.25 - 7.25	1.0000	1.0000
L42	21	5.25" x 1.25" Plate	2.25 - 7.25	1.0000	1.0000
L42	22	5.25" x 1.25" Plate	2.25 - 7.25	1.0000	1.0000
L42	24	5.25" x 1.25" Plate	2.25 - 7.25	1.0000	1.0000
L42	34	MP3-05	2.25 - 7.25	1.0000	1.0000
L42	35	MP3-05	2.25 - 7.25	1.0000	1.0000
L42	37	MP3-05	2.25 - 7.25	1.0000	1.0000
L42	47	CCI 4.5" x 1" Plate	2.25 - 7.25	1.0000	1.0000
L43	5	HB158-1-08U8-S8J18(1-5/8)	0.00 - 2.25	1.0000	1.0000
L43	7	2" Rigid Conduit	0.00 - 2.25	1.0000	1.0000
L43	14	ATCB-B01(5/16)	0.00 - 2.25	1.0000	1.0000
L43	15	FXL 780 PE(7/8)	0.00 - 2.25	1.0000	1.0000
L43	19	Safety Line 3/8	0.00 - 2.25	1.0000	1.0000
L43	21	5.25" x 1.25" Plate	0.00 - 2.25	1.0000	1.0000
L43	22	5.25" x 1.25" Plate	0.00 - 2.25	1.0000	1.0000
L43	24	5.25" x 1.25" Plate	0.00 - 2.25	1.0000	1.0000
L43	34	MP3-05	0.00 - 2.25	1.0000	1.0000
L43	35	MP3-05	0.00 - 2.25	1.0000	1.0000
L43	37	MP3-05	0.00 - 2.25	1.0000	1.0000
L43	47	CCI 4.5" x 1" Plate	0.00 - 2.25	1.0000	1.0000

Effective Width of Flat Linear Attachments / Feed Lines

Tower Section	Attachment Record No.	Description	Attachment Segment Elev.	Ratio Calculation Method	Effective Width Ratio
L6	43	MP3-03	83.00 - 84.05	Auto	0.2656
L6	44	MP3-03	83.00 - 84.05	Auto	0.2656
L6	45	MP3-03	83.00 - 84.05	Auto	0.2656
L7	43	MP3-03	82.87 - 83.00	Auto	0.2615
L7	44	MP3-03	82.87 - 83.00	Auto	0.2615
L7	45	MP3-03	82.87 - 83.00	Auto	0.2615

tnxTower

B+T Group
1717 S. Boulder, Suite 300
Tulsa, OK 74119
Phone: (918) 587-4630
FAX: (918) 587-4630

Job
85565.012.01 - HARTFORD - NU (SSUSA), CT (BU# 876363)

Page
22 of 50

Project

Date
18:15:26 05/14/21

Client
Crown Castle

Designed by
Santhosh Kamath

Tower Section	Attachment Record No.	Description	Attachment Segment Elev.	Ratio Calculation Method	Effective Width Ratio
L8	43	MP3-03	82.62 - 82.87	Auto	0.3360
L8	44	MP3-03	82.62 - 82.87	Auto	0.3360
L8	45	MP3-03	82.62 - 82.87	Auto	0.3360
L9	30	4.0" x 1.25" Plate	77.62 - 78.00	Auto	0.2886
L9	31	4.0" x 1.25" Plate	77.62 - 78.00	Auto	0.2886
L9	32	4.0" x 1.25" Plate	77.62 - 78.00	Auto	0.2886
L9	43	MP3-03	77.62 - 82.62	Auto	0.3151
L9	44	MP3-03	77.62 - 82.62	Auto	0.3151
L9	45	MP3-03	77.62 - 82.62	Auto	0.3151
L10	30	4.0" x 1.25" Plate	76.25 - 77.62	Auto	0.2824
L10	31	4.0" x 1.25" Plate	76.25 - 77.62	Auto	0.2824
L10	32	4.0" x 1.25" Plate	76.25 - 77.62	Auto	0.2824
L10	43	MP3-03	76.25 - 77.62	Auto	0.2930
L10	44	MP3-03	76.25 - 77.62	Auto	0.2930
L10	45	MP3-03	76.25 - 77.62	Auto	0.2930
L11	30	4.0" x 1.25" Plate	76.00 - 76.25	Auto	0.3839
L11	31	4.0" x 1.25" Plate	76.00 - 76.25	Auto	0.3839
L11	32	4.0" x 1.25" Plate	76.00 - 76.25	Auto	0.3839
L11	43	MP3-03	76.00 - 76.25	Auto	0.3930
L11	44	MP3-03	76.00 - 76.25	Auto	0.3930
L11	45	MP3-03	76.00 - 76.25	Auto	0.3930
L12	30	4.0" x 1.25" Plate	75.75 - 76.00	Auto	0.3189
L12	31	4.0" x 1.25" Plate	75.75 - 76.00	Auto	0.3189
L12	32	4.0" x 1.25" Plate	75.75 - 76.00	Auto	0.3189
L12	43	MP3-03	75.75 - 76.00	Auto	0.3290
L12	44	MP3-03	75.75 - 76.00	Auto	0.3290
L12	45	MP3-03	75.75 - 76.00	Auto	0.3290
L13	30	4.0" x 1.25" Plate	74.33 - 75.75	Auto	0.3103
L13	31	4.0" x 1.25" Plate	74.33 - 75.75	Auto	0.3103
L13	32	4.0" x 1.25" Plate	74.33 - 75.75	Auto	0.3103
L13	43	MP3-03	74.33 - 75.75	Auto	0.3205
L13	44	MP3-03	74.33 - 75.75	Auto	0.3205
L13	45	MP3-03	74.33 - 75.75	Auto	0.3205
L14	30	4.0" x 1.25" Plate	74.08 - 74.33	Auto	0.3649
L14	31	4.0" x 1.25" Plate	74.08 - 74.33	Auto	0.3649
L14	32	4.0" x 1.25" Plate	74.08 - 74.33	Auto	0.3649
L14	43	MP3-03	74.08 - 74.33	Auto	0.3743
L14	44	MP3-03	74.08 - 74.33	Auto	0.3743
L14	45	MP3-03	74.08 - 74.33	Auto	0.3743
L15	30	4.0" x 1.25" Plate	69.08 - 74.08	Auto	0.3410
L15	31	4.0" x 1.25" Plate	69.08 - 74.08	Auto	0.3410
L15	32	4.0" x 1.25" Plate	69.08 - 74.08	Auto	0.3410
L15	43	MP3-03	69.08 - 74.08	Auto	0.3507
L15	44	MP3-03	69.08 - 74.08	Auto	0.3507
L15	45	MP3-03	69.08 - 74.08	Auto	0.3507
L16	30	4.0" x 1.25" Plate	64.08 - 69.08	Auto	0.2947
L16	31	4.0" x 1.25" Plate	64.08 - 69.08	Auto	0.2947
L16	32	4.0" x 1.25" Plate	64.08 - 69.08	Auto	0.2947
L16	43	MP3-03	64.08 - 69.08	Auto	0.3052
L16	44	MP3-03	64.08 - 69.08	Auto	0.3052
L16	45	MP3-03	64.08 - 69.08	Auto	0.3052
L17	26	4.375" x 1.25" Plate	59.08 - 59.50	Auto	0.3032
L17	27	4.375" x 1.25" Plate	59.08 - 59.50	Auto	0.3032
L17	28	4.375" x 1.25" Plate	59.08 - 59.50	Auto	0.3032
L17	30	4.0" x 1.25" Plate	59.50 - 64.08	Auto	0.2555
L17	31	4.0" x 1.25" Plate	59.50 - 64.08	Auto	0.2555
L17	32	4.0" x 1.25" Plate	59.50 - 64.08	Auto	0.2555
L17	39	MP3-05	59.08 - 60.50	Auto	0.4307
L17	40	MP3-05	59.08 - 60.50	Auto	0.4307
L17	41	MP3-05	59.08 - 60.50	Auto	0.4307
L17	43	MP3-03	60.50 - 64.08	Auto	0.2700

Tower Section	Attachment Record No.	Description	Attachment Segment Elev.	Ratio Calculation Method	Effective Width Ratio
L17	44	MP3-03	60.50 - 64.08	Auto	0.2700
L17	45	MP3-03	60.50 - 64.08	Auto	0.2700
L18	26	4.375" x 1.25" Plate	58.08 - 59.08	Auto	0.2987
L18	27	4.375" x 1.25" Plate	58.08 - 59.08	Auto	0.2987
L18	28	4.375" x 1.25" Plate	58.08 - 59.08	Auto	0.2987
L18	39	MP3-05	58.08 - 59.08	Auto	0.4243
L18	40	MP3-05	58.08 - 59.08	Auto	0.4243
L18	41	MP3-05	58.08 - 59.08	Auto	0.4243
L19	26	4.375" x 1.25" Plate	57.73 - 58.08	Auto	0.3195
L19	27	4.375" x 1.25" Plate	57.73 - 58.08	Auto	0.3195
L19	28	4.375" x 1.25" Plate	57.73 - 58.08	Auto	0.3195
L19	39	MP3-05	57.73 - 58.08	Auto	0.4414
L19	40	MP3-05	57.73 - 58.08	Auto	0.4414
L19	41	MP3-05	57.73 - 58.08	Auto	0.4414
L20	26	4.375" x 1.25" Plate	57.50 - 57.73	Auto	0.3176
L20	27	4.375" x 1.25" Plate	57.50 - 57.73	Auto	0.3176
L20	28	4.375" x 1.25" Plate	57.50 - 57.73	Auto	0.3176
L20	39	MP3-05	57.50 - 57.73	Auto	0.4398
L20	40	MP3-05	57.50 - 57.73	Auto	0.4398
L20	41	MP3-05	57.50 - 57.73	Auto	0.4398
L21	26	4.375" x 1.25" Plate	52.50 - 57.50	Auto	0.2907
L21	27	4.375" x 1.25" Plate	52.50 - 57.50	Auto	0.2907
L21	28	4.375" x 1.25" Plate	52.50 - 57.50	Auto	0.2907
L21	39	MP3-05	52.50 - 57.50	Auto	0.4178
L21	40	MP3-05	52.50 - 57.50	Auto	0.4178
L21	41	MP3-05	52.50 - 57.50	Auto	0.4178
L22	26	4.375" x 1.25" Plate	47.00 - 52.50	Auto	0.2569
L22	27	4.375" x 1.25" Plate	47.00 - 52.50	Auto	0.2569
L22	28	4.375" x 1.25" Plate	47.00 - 52.50	Auto	0.2569
L22	39	MP3-05	47.00 - 52.50	Auto	0.3900
L22	40	MP3-05	47.00 - 52.50	Auto	0.3900
L22	41	MP3-05	47.00 - 52.50	Auto	0.3900
L23	26	4.375" x 1.25" Plate	45.25 - 47.00	Auto	0.2687
L23	27	4.375" x 1.25" Plate	45.25 - 47.00	Auto	0.2687
L23	28	4.375" x 1.25" Plate	45.25 - 47.00	Auto	0.2687
L23	39	MP3-05	45.25 - 47.00	Auto	0.3998
L23	40	MP3-05	45.25 - 47.00	Auto	0.3998
L23	41	MP3-05	45.25 - 47.00	Auto	0.3998
L24	26	4.375" x 1.25" Plate	40.25 - 45.25	Auto	0.2420
L24	27	4.375" x 1.25" Plate	40.25 - 45.25	Auto	0.2420
L24	28	4.375" x 1.25" Plate	40.25 - 45.25	Auto	0.2420
L24	34	MP3-05	40.25 - 40.50	Auto	0.3652
L24	36	MP3-05	40.25 - 40.50	Auto	0.3652
L24	37	MP3-05	40.25 - 40.50	Auto	0.3652
L24	39	MP3-05	40.50 - 45.25	Auto	0.3784
L24	40	MP3-05	40.50 - 45.25	Auto	0.3784
L24	41	MP3-05	40.50 - 45.25	Auto	0.3784
L25	26	4.375" x 1.25" Plate	38.08 - 40.25	Auto	0.2189
L25	27	4.375" x 1.25" Plate	38.08 - 40.25	Auto	0.2189
L25	28	4.375" x 1.25" Plate	38.08 - 40.25	Auto	0.2189
L25	34	MP3-05	38.08 - 40.25	Auto	0.3588
L25	36	MP3-05	38.08 - 40.25	Auto	0.3588
L25	37	MP3-05	38.08 - 40.25	Auto	0.3588
L26	26	4.375" x 1.25" Plate	37.83 - 38.08	Auto	0.2513
L26	27	4.375" x 1.25" Plate	37.83 - 38.08	Auto	0.2513
L26	28	4.375" x 1.25" Plate	37.83 - 38.08	Auto	0.2513
L26	34	MP3-05	37.83 - 38.08	Auto	0.3855
L26	36	MP3-05	37.83 - 38.08	Auto	0.3855
L26	37	MP3-05	37.83 - 38.08	Auto	0.3855
L27	26	4.375" x 1.25" Plate	32.83 - 37.83	Auto	0.2294
L27	27	4.375" x 1.25" Plate	32.83 - 37.83	Auto	0.2294

Tower Section	Attachment Record No.	Description	Attachment Segment Elev.	Ratio Calculation Method	Effective Width Ratio
L27	28	4.375" x 1.25" Plate	32.83 - 37.83	Auto	0.2294
L27	34	MP3-05	32.83 - 37.83	Auto	0.3675
L27	36	MP3-05	32.83 - 37.83	Auto	0.3675
L27	37	MP3-05	32.83 - 37.83	Auto	0.3675
L28	21	5.25" x 1.25" Plate	27.73 - 29.75	Auto	0.3309
L28	23	5.25" x 1.25" Plate	27.73 - 29.75	Auto	0.3309
L28	24	5.25" x 1.25" Plate	27.73 - 29.75	Auto	0.3309
L28	26	4.375" x 1.25" Plate	29.75 - 32.83	Auto	0.2135
L28	27	4.375" x 1.25" Plate	29.75 - 32.83	Auto	0.2135
L28	28	4.375" x 1.25" Plate	29.75 - 32.83	Auto	0.2135
L28	34	MP3-05	27.73 - 32.83	Auto	0.3491
L28	36	MP3-05	27.73 - 32.83	Auto	0.3491
L28	37	MP3-05	27.73 - 32.83	Auto	0.3491
L29	21	5.25" x 1.25" Plate	27.50 - 27.73	Auto	0.3248
L29	23	5.25" x 1.25" Plate	27.50 - 27.73	Auto	0.3248
L29	24	5.25" x 1.25" Plate	27.50 - 27.73	Auto	0.3248
L29	34	MP3-05	27.50 - 27.73	Auto	0.3350
L29	36	MP3-05	27.50 - 27.73	Auto	0.3350
L29	37	MP3-05	27.50 - 27.73	Auto	0.3350
L30	21	5.25" x 1.25" Plate	22.50 - 27.50	Auto	0.3024
L30	23	5.25" x 1.25" Plate	22.50 - 27.50	Auto	0.3024
L30	24	5.25" x 1.25" Plate	22.50 - 27.50	Auto	0.3024
L30	34	MP3-05	22.50 - 27.50	Auto	0.3129
L30	36	MP3-05	22.50 - 27.50	Auto	0.3129
L30	37	MP3-05	22.50 - 27.50	Auto	0.3129
L31	21	5.25" x 1.25" Plate	19.50 - 22.50	Auto	0.2768
L31	23	5.25" x 1.25" Plate	19.50 - 22.50	Auto	0.2768
L31	24	5.25" x 1.25" Plate	19.50 - 22.50	Auto	0.2768
L31	34	MP3-05	19.50 - 22.50	Auto	0.2876
L31	36	MP3-05	19.50 - 22.50	Auto	0.2876
L31	37	MP3-05	19.50 - 22.50	Auto	0.2876
L31	48	CCI 4.5" x 1" Plate	19.50 - 21.00	Auto	0.1515
L32	21	5.25" x 1.25" Plate	19.25 - 19.50	Auto	0.3058
L32	23	5.25" x 1.25" Plate	19.25 - 19.50	Auto	0.3058
L32	24	5.25" x 1.25" Plate	19.25 - 19.50	Auto	0.3058
L32	34	MP3-05	19.25 - 19.50	Auto	0.3162
L32	36	MP3-05	19.25 - 19.50	Auto	0.3162
L32	37	MP3-05	19.25 - 19.50	Auto	0.3162
L32	48	CCI 4.5" x 1" Plate	19.25 - 19.50	Auto	0.1900
L33	21	5.25" x 1.25" Plate	14.25 - 19.25	Auto	0.2833
L33	22	5.25" x 1.25" Plate	14.25 - 15.50	Auto	0.2732
L33	23	5.25" x 1.25" Plate	14.25 - 19.25	Auto	0.2833
L33	24	5.25" x 1.25" Plate	14.25 - 19.25	Auto	0.2833
L33	34	MP3-05	14.25 - 19.25	Auto	0.2940
L33	35	MP3-05	14.25 - 15.50	Auto	0.2841
L33	36	MP3-05	14.25 - 19.25	Auto	0.2940
L33	37	MP3-05	14.25 - 19.25	Auto	0.2940
L33	47	CCI 4.5" x 1" Plate	14.25 - 15.50	Auto	0.1521
L33	48	CCI 4.5" x 1" Plate	14.25 - 19.25	Auto	0.1638
L34	21	5.25" x 1.25" Plate	14.00 - 14.25	Auto	0.2692
L34	22	5.25" x 1.25" Plate	14.00 - 14.25	Auto	0.2692
L34	23	5.25" x 1.25" Plate	14.00 - 14.25	Auto	0.2692
L34	24	5.25" x 1.25" Plate	14.00 - 14.25	Auto	0.2692
L34	34	MP3-05	14.00 - 14.25	Auto	0.2802
L34	35	MP3-05	14.00 - 14.25	Auto	0.2802
L34	36	MP3-05	14.00 - 14.25	Auto	0.2802
L34	37	MP3-05	14.00 - 14.25	Auto	0.2802
L34	47	CCI 4.5" x 1" Plate	14.00 - 14.25	Auto	0.1474
L34	48	CCI 4.5" x 1" Plate	14.00 - 14.25	Auto	0.1474
L35	21	5.25" x 1.25" Plate	13.75 - 14.00	Auto	0.2679
L35	22	5.25" x 1.25" Plate	13.75 - 14.00	Auto	0.2679

Tower Section	Attachment Record No.	Description	Attachment Segment Elev.	Ratio Calculation Method	Effective Width Ratio
L35	23	5.25" x 1.25" Plate	13.75 - 14.00	Auto	0.2679
L35	24	5.25" x 1.25" Plate	13.75 - 14.00	Auto	0.2679
L35	34	MP3-05	13.75 - 14.00	Auto	0.2788
L35	35	MP3-05	13.75 - 14.00	Auto	0.2788
L35	36	MP3-05	13.75 - 14.00	Auto	0.2788
L35	37	MP3-05	13.75 - 14.00	Auto	0.2788
L35	47	CCI 4.5" x 1" Plate	13.75 - 14.00	Auto	0.1458
L35	48	CCI 4.5" x 1" Plate	13.75 - 14.00	Auto	0.1458
L36	21	5.25" x 1.25" Plate	12.98 - 13.75	Auto	0.3657
L36	22	5.25" x 1.25" Plate	12.98 - 13.75	Auto	0.3657
L36	23	5.25" x 1.25" Plate	12.98 - 13.75	Auto	0.3657
L36	24	5.25" x 1.25" Plate	12.98 - 13.75	Auto	0.3657
L36	34	MP3-05	12.98 - 13.75	Auto	0.3752
L36	35	MP3-05	12.98 - 13.75	Auto	0.3752
L36	36	MP3-05	12.98 - 13.75	Auto	0.3752
L36	37	MP3-05	12.98 - 13.75	Auto	0.3752
L36	47	CCI 4.5" x 1" Plate	12.98 - 13.75	Auto	0.2600
L36	48	CCI 4.5" x 1" Plate	12.98 - 13.75	Auto	0.2600
L37	21	5.25" x 1.25" Plate	12.82 - 12.98	Auto	0.3213
L37	22	5.25" x 1.25" Plate	12.82 - 12.98	Auto	0.3213
L37	23	5.25" x 1.25" Plate	12.82 - 12.98	Auto	0.3213
L37	24	5.25" x 1.25" Plate	12.82 - 12.98	Auto	0.3213
L37	34	MP3-05	12.82 - 12.98	Auto	0.3315
L37	35	MP3-05	12.82 - 12.98	Auto	0.3315
L37	36	MP3-05	12.82 - 12.98	Auto	0.3315
L37	37	MP3-05	12.82 - 12.98	Auto	0.3315
L37	47	CCI 4.5" x 1" Plate	12.82 - 12.98	Auto	0.2082
L37	48	CCI 4.5" x 1" Plate	12.82 - 12.98	Auto	0.2082
L38	21	5.25" x 1.25" Plate	12.65 - 12.82	Auto	0.2869
L38	22	5.25" x 1.25" Plate	12.65 - 12.82	Auto	0.2869
L38	23	5.25" x 1.25" Plate	12.65 - 12.82	Auto	0.2869
L38	24	5.25" x 1.25" Plate	12.65 - 12.82	Auto	0.2869
L38	34	MP3-05	12.65 - 12.82	Auto	0.2976
L38	35	MP3-05	12.65 - 12.82	Auto	0.2976
L38	36	MP3-05	12.65 - 12.82	Auto	0.2976
L38	37	MP3-05	12.65 - 12.82	Auto	0.2976
L38	47	CCI 4.5" x 1" Plate	12.65 - 12.82	Auto	0.1680
L38	48	CCI 4.5" x 1" Plate	12.65 - 12.82	Auto	0.1680
L39	21	5.25" x 1.25" Plate	12.50 - 12.65	Auto	0.2860
L39	22	5.25" x 1.25" Plate	12.50 - 12.65	Auto	0.2860
L39	23	5.25" x 1.25" Plate	12.50 - 12.65	Auto	0.2860
L39	24	5.25" x 1.25" Plate	12.50 - 12.65	Auto	0.2860
L39	34	MP3-05	12.50 - 12.65	Auto	0.2967
L39	35	MP3-05	12.50 - 12.65	Auto	0.2967
L39	36	MP3-05	12.50 - 12.65	Auto	0.2967
L39	37	MP3-05	12.50 - 12.65	Auto	0.2967
L39	47	CCI 4.5" x 1" Plate	12.50 - 12.65	Auto	0.1670
L39	48	CCI 4.5" x 1" Plate	12.50 - 12.65	Auto	0.1670
L40	21	5.25" x 1.25" Plate	12.25 - 12.50	Auto	0.2682
L40	22	5.25" x 1.25" Plate	12.25 - 12.50	Auto	0.2682
L40	23	5.25" x 1.25" Plate	12.25 - 12.50	Auto	0.2682
L40	24	5.25" x 1.25" Plate	12.25 - 12.50	Auto	0.2682
L40	34	MP3-05	12.25 - 12.50	Auto	0.2792
L40	35	MP3-05	12.25 - 12.50	Auto	0.2792
L40	36	MP3-05	12.25 - 12.50	Auto	0.2792
L40	37	MP3-05	12.25 - 12.50	Auto	0.2792
L40	47	CCI 4.5" x 1" Plate	12.25 - 12.50	Auto	0.1462
L40	48	CCI 4.5" x 1" Plate	12.25 - 12.50	Auto	0.1462
L41	21	5.25" x 1.25" Plate	7.25 - 12.25	Auto	0.2499
L41	22	5.25" x 1.25" Plate	7.25 - 12.25	Auto	0.2499
L41	23	5.25" x 1.25" Plate	10.25 - 12.25	Auto	0.2580

Tower Section	Attachment Record No.	Description	Attachment Segment Elev.	Ratio Calculation Method	Effective Width Ratio
L41	24	5.25" x 1.25" Plate	7.25 - 12.25	Auto	0.2499
L41	34	MP3-05	7.25 - 12.25	Auto	0.2612
L41	35	MP3-05	7.25 - 12.25	Auto	0.2612
L41	36	MP3-05	10.50 - 12.25	Auto	0.2698
L41	37	MP3-05	7.25 - 12.25	Auto	0.2612
L41	47	CCI 4.5" x 1" Plate	7.25 - 12.25	Auto	0.1249
L41	48	CCI 4.5" x 1" Plate	11.00 - 12.25	Auto	0.1366
L42	21	5.25" x 1.25" Plate	2.25 - 7.25	Auto	0.2189
L42	22	5.25" x 1.25" Plate	2.25 - 7.25	Auto	0.2189
L42	24	5.25" x 1.25" Plate	2.25 - 7.25	Auto	0.2189
L42	34	MP3-05	2.25 - 7.25	Auto	0.2306
L42	35	MP3-05	2.25 - 7.25	Auto	0.2306
L42	37	MP3-05	2.25 - 7.25	Auto	0.2306
L42	47	CCI 4.5" x 1" Plate	2.25 - 7.25	Auto	0.0887
L43	21	5.25" x 1.25" Plate	0.00 - 2.25	Auto	0.1953
L43	22	5.25" x 1.25" Plate	0.00 - 2.25	Auto	0.1953
L43	24	5.25" x 1.25" Plate	0.00 - 2.25	Auto	0.1953
L43	34	MP3-05	0.00 - 2.25	Auto	0.2073
L43	35	MP3-05	0.00 - 2.25	Auto	0.2073
L43	37	MP3-05	0.00 - 2.25	Auto	0.2073
L43	47	CCI 4.5" x 1" Plate	0.00 - 2.25	Auto	0.0611

Discrete Tower Loads

Description	Face or Leg	Offset Type	Offsets: Horz Lateral Vert	Azimuth Adjustment	Placement	C _A A _{Front}	C _A A _{Side}	Weight
			ft ft ft	°	ft	ft ²	ft ²	K
(2) SBNHH-1D65B w/ Mount Pipe	A	From Leg	4.000	0.000	105.000	No Ice	3.300	0.066
			0.000			1/2" Ice	3.680	0.130
			0.000			1" Ice	4.070	0.204
			0.000			2" Ice	4.870	0.386
(2) SBNHH-1D65B w/ Mount Pipe	B	From Leg	4.000	0.000	105.000	No Ice	3.300	0.066
			0.000			1/2" Ice	3.680	0.130
			0.000			1" Ice	4.070	0.204
			0.000			2" Ice	4.870	0.386
(2) SBNHH-1D65B w/ Mount Pipe	C	From Leg	4.000	0.000	105.000	No Ice	3.300	0.066
			0.000			1/2" Ice	3.680	0.130
			0.000			1" Ice	4.070	0.204
			0.000			2" Ice	4.870	0.386
BXA-70063/6CF w/ Mount Pipe	A	From Leg	4.000	0.000	105.000	No Ice	5.510	0.058
			0.000			1/2" Ice	6.220	0.115
			0.000			1" Ice	6.940	0.183
			0.000			2" Ice	8.440	0.351
BXA-70063/6CF w/ Mount Pipe	B	From Leg	4.000	0.000	105.000	No Ice	5.510	0.058
			0.000			1/2" Ice	6.220	0.115
			0.000			1" Ice	6.940	0.183
			0.000			2" Ice	8.440	0.351
BXA-70063/6CF w/ Mount Pipe	C	From Leg	4.000	0.000	105.000	No Ice	5.510	0.058
			0.000			1/2" Ice	6.220	0.115
			0.000			1" Ice	6.940	0.183
			0.000			2" Ice	8.440	0.351

tnxTower B+T Group 1717 S. Boulder, Suite 300 Tulsa, OK 74119 Phone: (918) 587-4630 FAX: (918) 587-4630	Job 85565.012.01 - HARTFORD - NU (SSUSA), CT (BU# 876363)	Page 27 of 50
	Project	Date 18:15:26 05/14/21
	Client Crown Castle	Designed by Santhosh Kamath

Description	Face or Leg	Offset Type	Offsets:		Azimuth Adjustment °	Placement ft	C _{AA}		Weight K	
			Horz Lateral ft	Vert ft			Front ft ²	Side ft ²		
DB-T1-6Z-8AB-0Z	A	From Leg	4.000 0.000 0.000	0.000	0.000	105.000	2" Ice	10.380	8.440	0.351
							No Ice	4.800	2.000	0.044
							1/2" Ice	5.070	2.193	0.080
							1" Ice	5.348	2.393	0.120
(2) RFV01U-D1A	A	From Leg	4.000 0.000 0.000	0.000	0.000	105.000	2" Ice	5.926	2.815	0.213
							No Ice	1.875	1.250	0.084
							1/2" Ice	2.045	1.393	0.103
							1" Ice	2.223	1.543	0.124
RFV01U-D1A	C	From Leg	4.000 0.000 0.000	0.000	0.000	105.000	2" Ice	2.601	1.865	0.175
							No Ice	1.875	1.250	0.084
							1/2" Ice	2.045	1.393	0.103
							1" Ice	2.223	1.543	0.124
RFV01U-D2A	A	From Leg	4.000 0.000 0.000	0.000	0.000	105.000	2" Ice	2.601	1.865	0.175
							No Ice	1.875	1.013	0.070
							1/2" Ice	2.045	1.145	0.087
							1" Ice	2.223	1.284	0.106
RFV01U-D2A	B	From Leg	4.000 0.000 0.000	0.000	0.000	105.000	2" Ice	2.601	1.585	0.153
							No Ice	1.875	1.013	0.070
							1/2" Ice	2.045	1.145	0.087
							1" Ice	2.223	1.284	0.106
RFV01U-D2A	C	From Leg	4.000 0.000 0.000	0.000	0.000	105.000	2" Ice	2.601	1.585	0.153
							No Ice	1.875	1.013	0.070
							1/2" Ice	2.045	1.145	0.087
							1" Ice	2.223	1.284	0.106
RVZDC-6627-PF-48	B	From Leg	4.000 0.000 0.000	0.000	0.000	105.000	2" Ice	2.601	1.585	0.153
							No Ice	3.792	2.514	0.032
							1/2" Ice	4.044	2.727	0.063
							1" Ice	4.303	2.947	0.099
MT6407-77A w/ Mount Pipe	A	From Leg	4.000 0.000 0.000	0.000	0.000	105.000	2" Ice	4.844	3.417	0.181
							No Ice	4.907	2.682	0.096
							1/2" Ice	5.256	3.145	0.136
							1" Ice	5.615	3.624	0.180
MT6407-77A w/ Mount Pipe	B	From Leg	4.000 0.000 0.000	0.000	0.000	105.000	2" Ice	6.362	4.631	0.288
							No Ice	4.907	2.682	0.096
							1/2" Ice	5.256	3.145	0.136
							1" Ice	5.615	3.624	0.180
MT6407-77A w/ Mount Pipe	C	From Leg	4.000 0.000 0.000	0.000	0.000	105.000	2" Ice	6.362	4.631	0.288
							No Ice	4.907	2.682	0.096
							1/2" Ice	5.256	3.145	0.136
							1" Ice	5.615	3.624	0.180
CommScopeBASMNT-SBS-1-2	C	None			0.000	105.000	2" Ice	6.362	4.631	0.288
							No Ice	3.600	3.600	0.075
							1/2" Ice	4.180	4.180	0.105
							1" Ice	4.750	4.750	0.135
Sector Mount [SM 401-3]	C	None			0.000	105.000	2" Ice	5.900	5.900	0.195
							No Ice	17.820	17.820	0.804
							1/2" Ice	25.010	25.010	1.143
							1" Ice	32.110	32.110	1.600
*** APXV9ERR18-C-A20 w/ Mount Pipe	A	From Leg	4.000 0.000 1.000	0.000	0.000	98.000	2" Ice	46.160	46.160	2.869
							No Ice	4.600	4.010	0.095
							1/2" Ice	5.050	4.450	0.160
							1" Ice	5.500	4.890	0.235
APXVSPP18-C-A20 w/ Mount Pipe	B	From Leg	4.000 0.000 1.000	0.000	0.000	98.000	2" Ice	6.440	5.820	0.419
							No Ice	4.600	4.010	0.095
							1/2" Ice	5.050	4.450	0.160
							1" Ice	5.500	4.890	0.235

tnxTower B+T Group 1717 S. Boulder, Suite 300 Tulsa, OK 74119 Phone: (918) 587-4630 FAX: (918) 587-4630	Job 85565.012.01 - HARTFORD - NU (SSUSA), CT (BU# 876363)						Page 28 of 50		
	Project						Date 18:15:26 05/14/21		
	Client Crown Castle						Designed by Santhosh Kamath		

Description	Face or Leg	Offset Type	Offsets:		Azimuth Adjustment °	Placement ft	C _{AA} Front ft ²	C _{AA} Side ft ²	Weight K	
			Horz Lateral ft	Vert ft						
APXVSPP18-C-A20 w/ Mount Pipe	C	From Leg	4.000	0.000	0.000	98.000	2" Ice	6.440	5.820	0.419
							No Ice	4.600	4.010	0.095
							1/2" Ice	5.050	4.450	0.160
							1" Ice	5.500	4.890	0.235
LLPX310R w/ Mount Pipe	A	From Leg	4.000	0.000	0.000	98.000	2" Ice	6.440	5.820	0.419
							No Ice	3.880	2.360	0.057
							1/2" Ice	4.290	2.730	0.091
							1" Ice	4.720	3.120	0.133
LLPX310R w/ Mount Pipe	B	From Leg	4.000	0.000	0.000	98.000	2" Ice	5.610	3.940	0.238
							No Ice	3.880	2.360	0.057
							1/2" Ice	4.290	2.730	0.091
							1" Ice	4.720	3.120	0.133
LLPX310R w/ Mount Pipe	C	From Leg	4.000	0.000	0.000	98.000	2" Ice	5.610	3.940	0.238
							No Ice	3.880	2.360	0.057
							1/2" Ice	4.290	2.730	0.091
							1" Ice	4.720	3.120	0.133
AAHF w/ Mount Pipe	A	From Leg	4.000	0.000	0.000	98.000	2" Ice	5.610	3.940	0.238
							No Ice	4.409	2.691	0.115
							1/2" Ice	4.727	3.079	0.156
							1" Ice	5.055	3.486	0.202
AAHF w/ Mount Pipe	B	From Leg	4.000	0.000	0.000	98.000	2" Ice	5.743	4.359	0.310
							No Ice	4.409	2.691	0.115
							1/2" Ice	4.727	3.079	0.156
							1" Ice	5.055	3.486	0.202
AAHF w/ Mount Pipe	C	From Leg	4.000	0.000	0.000	98.000	2" Ice	5.743	4.359	0.310
							No Ice	4.409	2.691	0.115
							1/2" Ice	4.727	3.079	0.156
							1" Ice	5.055	3.486	0.202
IBC1900BB-1	A	From Leg	4.000	0.000	0.000	98.000	2" Ice	5.743	4.359	0.310
							No Ice	0.966	0.463	0.022
							1/2" Ice	1.091	0.558	0.030
							1" Ice	1.223	0.660	0.039
IBC1900BB-1	B	From Leg	4.000	0.000	0.000	98.000	2" Ice	1.510	0.893	0.065
							No Ice	0.966	0.463	0.022
							1/2" Ice	1.091	0.558	0.030
							1" Ice	1.223	0.660	0.039
IBC1900BB-1	C	From Leg	4.000	0.000	0.000	98.000	2" Ice	1.510	0.893	0.065
							No Ice	0.966	0.463	0.022
							1/2" Ice	1.091	0.558	0.030
							1" Ice	1.223	0.660	0.039
IBC1900HG-2A	A	From Leg	4.000	0.000	0.000	98.000	2" Ice	1.510	0.893	0.065
							No Ice	0.966	0.463	0.022
							1/2" Ice	1.091	0.558	0.030
							1" Ice	1.223	0.660	0.039
IBC1900HG-2A	B	From Leg	4.000	0.000	0.000	98.000	2" Ice	1.510	0.893	0.065
							No Ice	0.966	0.463	0.022
							1/2" Ice	1.091	0.558	0.030
							1" Ice	1.223	0.660	0.039
IBC1900HG-2A	C	From Leg	4.000	0.000	0.000	98.000	2" Ice	1.510	0.893	0.065
							No Ice	0.966	0.463	0.022
							1/2" Ice	1.091	0.558	0.030
							1" Ice	1.223	0.660	0.039
HORIZON COMPACT	A	From Leg	4.000	0.000	0.000	98.000	2" Ice	1.510	0.893	0.065
							No Ice	0.721	0.368	0.012
							1/2" Ice	0.828	0.450	0.018
							1" Ice	0.942	0.539	0.026
			4.000				2" Ice	1.193	0.740	0.048

tnxTower B+T Group 1717 S. Boulder, Suite 300 Tulsa, OK 74119 Phone: (918) 587-4630 FAX: (918) 587-4630	Job 85565.012.01 - HARTFORD - NU (SSUSA), CT (BU# 876363)		Page 29 of 50	
	Project		Date 18:15:26 05/14/21	
	Client Crown Castle		Designed by Santhosh Kamath	

Description	Face or Leg	Offset Type	Offsets:		Azimuth Adjustment °	Placement ft	C _{AA} Front ft ²	C _{AA} Side ft ²	Weight K	
			Horz Lateral ft	Vert ft						
HORIZON COMPACT	B	From Leg	4.000	0.000	0.000	98.000	No Ice	0.721	0.368	0.012
			0.000				1/2" Ice	0.828	0.450	0.018
			4.000				1" Ice	0.942	0.539	0.026
							2" Ice	1.193	0.740	0.048
WIMAX DAP HEAD	A	From Leg	4.000	0.000	0.000	98.000	No Ice	1.547	0.684	0.033
			0.000				1/2" Ice	1.704	0.800	0.045
			1.000				1" Ice	1.868	0.923	0.058
							2" Ice	2.219	1.193	0.094
WIMAX DAP HEAD	B	From Leg	4.000	0.000	0.000	98.000	No Ice	1.547	0.684	0.033
			0.000				1/2" Ice	1.704	0.800	0.045
			1.000				1" Ice	1.868	0.923	0.058
							2" Ice	2.219	1.193	0.094
WIMAX DAP HEAD	C	From Leg	4.000	0.000	0.000	98.000	No Ice	1.547	0.684	0.033
			0.000				1/2" Ice	1.704	0.800	0.045
			1.000				1" Ice	1.868	0.923	0.058
							2" Ice	2.219	1.193	0.094
Platform Mount [LP 1201-1_HR-1]	C	None		0.000	0.000	98.000	No Ice	26.390	26.390	2.356
							1/2" Ice	31.400	31.400	3.061
							1" Ice	36.200	36.200	3.864
							2" Ice	45.400	45.400	5.764
\$\$										
PCS 1900MHz 4x45W-65MHz	A	From Leg	2.000	0.000	0.000	96.000	No Ice	2.322	2.238	0.060
			0.000				1/2" Ice	2.527	2.441	0.083
			0.000				1" Ice	2.739	2.651	0.110
							2" Ice	3.185	3.093	0.173
PCS 1900MHz 4x45W-65MHz	B	From Leg	2.000	0.000	0.000	96.000	No Ice	2.322	2.238	0.060
			0.000				1/2" Ice	2.527	2.441	0.083
			0.000				1" Ice	2.739	2.651	0.110
							2" Ice	3.185	3.093	0.173
PCS 1900MHz 4x45W-65MHz	C	From Leg	2.000	0.000	0.000	96.000	No Ice	2.322	2.238	0.060
			0.000				1/2" Ice	2.527	2.441	0.083
			0.000				1" Ice	2.739	2.651	0.110
							2" Ice	3.185	3.093	0.173
PCS 1900MHz 4x45W-65MHz	A	From Leg	2.000	0.000	0.000	96.000	No Ice	2.322	2.238	0.060
			0.000				1/2" Ice	2.527	2.441	0.083
			-1.000				1" Ice	2.739	2.651	0.110
							2" Ice	3.185	3.093	0.173
PCS 1900MHz 4x45W-65MHz	B	From Leg	2.000	0.000	0.000	96.000	No Ice	2.322	2.238	0.060
			0.000				1/2" Ice	2.527	2.441	0.083
			-1.000				1" Ice	2.739	2.651	0.110
							2" Ice	3.185	3.093	0.173
PCS 1900MHz 4x45W-65MHz	C	From Leg	2.000	0.000	0.000	96.000	No Ice	2.322	2.238	0.060
			0.000				1/2" Ice	2.527	2.441	0.083
			-1.000				1" Ice	2.739	2.651	0.110
							2" Ice	3.185	3.093	0.173
800MHz 2X50W RRH W/FILTER	A	From Leg	2.000	0.000	0.000	96.000	No Ice	2.058	1.932	0.064
			0.000				1/2" Ice	2.240	2.109	0.086
			0.000				1" Ice	2.429	2.293	0.111
							2" Ice	2.829	2.684	0.172
800MHz 2X50W RRH W/FILTER	B	From Leg	2.000	0.000	0.000	96.000	No Ice	2.058	1.932	0.064
			0.000				1/2" Ice	2.240	2.109	0.086
			0.000				1" Ice	2.429	2.293	0.111
							2" Ice	2.829	2.684	0.172
800MHz 2X50W RRH W/FILTER	C	From Leg	2.000	0.000	0.000	96.000	No Ice	2.058	1.932	0.064
			0.000				1/2" Ice	2.240	2.109	0.086
			0.000				1" Ice	2.429	2.293	0.111
							2" Ice	2.829	2.684	0.172

tnxTower B+T Group 1717 S. Boulder, Suite 300 Tulsa, OK 74119 Phone: (918) 587-4630 FAX: (918) 587-4630	Job 85565.012.01 - HARTFORD - NU (SSUSA), CT (BU# 876363)	Page 31 of 50
	Project	Date 18:15:26 05/14/21
	Client Crown Castle	Designed by Santhosh Kamath

Dishes

Description	Face or Leg	Dish Type	Offset Type	Offsets: Horz Lateral Vert	Azimuth Adjustment	3 dB Beam Width	Elevation	Outside Diameter	Aperture Area	Weight	
				ft	°	°	ft	ft	ft ²	K	
Dragonwave A-ANT-18G-2-C	A	Paraboloid w/Shroud (HP)	From Leg	4.000 0.000 4.000	52.000		98.000	2.175	No Ice 1/2" Ice 1" Ice 2" Ice	3.720 4.010 4.300 4.880	0.027 0.048 0.068 0.109
Dragonwave A-ANT-23G-1-C	B	Paraboloid w/Shroud (HP)	From Leg	4.000 0.000 4.000	81.000		98.000	1.275	No Ice 1/2" Ice 1" Ice 2" Ice	1.280 1.450 1.620 1.970	0.007 0.010 0.012 0.013
**											

Load Combinations

Comb. No.	Description
1	Dead Only
2	1.2 Dead+1.0 Wind 0 deg - No Ice
3	0.9 Dead+1.0 Wind 0 deg - No Ice
4	1.2 Dead+1.0 Wind 30 deg - No Ice
5	0.9 Dead+1.0 Wind 30 deg - No Ice
6	1.2 Dead+1.0 Wind 60 deg - No Ice
7	0.9 Dead+1.0 Wind 60 deg - No Ice
8	1.2 Dead+1.0 Wind 90 deg - No Ice
9	0.9 Dead+1.0 Wind 90 deg - No Ice
10	1.2 Dead+1.0 Wind 120 deg - No Ice
11	0.9 Dead+1.0 Wind 120 deg - No Ice
12	1.2 Dead+1.0 Wind 150 deg - No Ice
13	0.9 Dead+1.0 Wind 150 deg - No Ice
14	1.2 Dead+1.0 Wind 180 deg - No Ice
15	0.9 Dead+1.0 Wind 180 deg - No Ice
16	1.2 Dead+1.0 Wind 210 deg - No Ice
17	0.9 Dead+1.0 Wind 210 deg - No Ice
18	1.2 Dead+1.0 Wind 240 deg - No Ice
19	0.9 Dead+1.0 Wind 240 deg - No Ice
20	1.2 Dead+1.0 Wind 270 deg - No Ice
21	0.9 Dead+1.0 Wind 270 deg - No Ice
22	1.2 Dead+1.0 Wind 300 deg - No Ice
23	0.9 Dead+1.0 Wind 300 deg - No Ice
24	1.2 Dead+1.0 Wind 330 deg - No Ice
25	0.9 Dead+1.0 Wind 330 deg - No Ice
26	1.2 Dead+1.0 Ice+1.0 Temp
27	1.2 Dead+1.0 Wind 0 deg+1.0 Ice+1.0 Temp
28	1.2 Dead+1.0 Wind 30 deg+1.0 Ice+1.0 Temp
29	1.2 Dead+1.0 Wind 60 deg+1.0 Ice+1.0 Temp
30	1.2 Dead+1.0 Wind 90 deg+1.0 Ice+1.0 Temp
31	1.2 Dead+1.0 Wind 120 deg+1.0 Ice+1.0 Temp
32	1.2 Dead+1.0 Wind 150 deg+1.0 Ice+1.0 Temp
33	1.2 Dead+1.0 Wind 180 deg+1.0 Ice+1.0 Temp

<p>tnxTower</p> <p>B+T Group 1717 S. Boulder, Suite 300 Tulsa, OK 74119 Phone: (918) 587-4630 FAX: (918) 587-4630</p>	<p>Job 85565.012.01 - HARTFORD - NU (SSUSA), CT (BU# 876363)</p>	<p>Page 32 of 50</p>
	<p>Project</p>	<p>Date 18:15:26 05/14/21</p>
	<p>Client Crown Castle</p>	<p>Designed by Santhosh Kamath</p>

Comb. No.	Description
34	1.2 Dead+1.0 Wind 210 deg+1.0 Ice+1.0 Temp
35	1.2 Dead+1.0 Wind 240 deg+1.0 Ice+1.0 Temp
36	1.2 Dead+1.0 Wind 270 deg+1.0 Ice+1.0 Temp
37	1.2 Dead+1.0 Wind 300 deg+1.0 Ice+1.0 Temp
38	1.2 Dead+1.0 Wind 330 deg+1.0 Ice+1.0 Temp
39	Dead+Wind 0 deg - Service
40	Dead+Wind 30 deg - Service
41	Dead+Wind 60 deg - Service
42	Dead+Wind 90 deg - Service
43	Dead+Wind 120 deg - Service
44	Dead+Wind 150 deg - Service
45	Dead+Wind 180 deg - Service
46	Dead+Wind 210 deg - Service
47	Dead+Wind 240 deg - Service
48	Dead+Wind 270 deg - Service
49	Dead+Wind 300 deg - Service
50	Dead+Wind 330 deg - Service

Maximum Member Forces

Section No.	Elevation ft	Component Type	Condition	Gov. Load Comb.	Axial K	Major Axis Moment kip-ft	Minor Axis Moment kip-ft
L1	108 - 103	Pole	Max Tension	39	0.000	0.000	0.000
			Max. Compression	26	-9.181	0.017	1.762
			Max. Mx	20	-2.510	8.799	0.776
			Max. My	2	-2.525	0.270	9.581
			Max. Vy	20	-4.250	8.799	0.776
			Max. Vx	2	-4.360	0.270	9.581
			Max. Torque	22			-0.555
L2	103 - 98.5	Pole	Max Tension	1	0.000	0.000	0.000
			Max. Compression	26	-9.753	-0.048	2.185
			Max. Mx	20	-2.724	29.345	0.468
			Max. My	2	-2.759	-0.075	30.326
			Max. Vy	20	-4.756	29.345	0.468
			Max. Vx	14	4.692	0.607	-28.524
			Max. Torque	22			-1.286
L3	98.5 - 98	Pole	Max Tension	1	0.000	0.000	0.000
			Max. Compression	26	-9.828	-0.049	2.176
			Max. Mx	20	-2.766	31.727	0.412
			Max. My	2	-2.801	-0.121	32.671
			Max. Vy	20	-4.779	31.727	0.412
			Max. Vx	14	4.712	0.669	-30.877
			Max. Torque	22			-1.268
L4	98 - 93	Pole	Max Tension	1	0.000	0.000	0.000
			Max. Compression	26	-22.365	-0.269	2.135
			Max. Mx	20	-7.641	77.717	-0.093
			Max. My	2	-7.708	-0.597	78.230
			Max. Vy	20	-9.531	77.717	-0.093
			Max. Vx	14	9.425	1.206	-76.499
			Max. Torque	22			-1.319
L5	93 - 88	Pole	Max Tension	1	0.000	0.000	0.000
			Max. Compression	26	-23.130	-0.289	1.960
			Max. Mx	20	-7.999	125.992	-0.663
			Max. My	2	-8.068	-1.045	125.877
			Max. Vy	20	-9.788	125.992	-0.663
			Max. Vx	14	9.671	1.821	-124.285
			Max. Torque	22			-1.247
L6	88 - 83	Pole	Max Tension	1	0.000	0.000	0.000

tnxTower B+T Group 1717 S. Boulder, Suite 300 Tulsa, OK 74119 Phone: (918) 587-4630 FAX: (918) 587-4630	Job 85565.012.01 - HARTFORD - NU (SSUSA), CT (BU# 876363)	Page 33 of 50
	Project	Date 18:15:26 05/14/21
	Client Crown Castle	Designed by Santhosh Kamath

Section No.	Elevation ft	Component Type	Condition	Gov. Load Comb.	Axial K	Major Axis Moment kip-ft	Minor Axis Moment kip-ft			
L7	83 - 82.873	Pole	Max. Compression	26	-23.952	-0.309	1.767			
			Max. Mx	20	-8.388	175.540	-1.239			
			Max. My	2	-8.459	-1.491	174.715			
			Max. Vy	20	-10.044	175.540	-1.239			
			Max. Vx	14	9.907	2.432	-173.269			
			Max. Torque	20			-1.239			
			Max Tension	1	0.000	0.000	0.000			
			Max. Compression	26	-23.977	-0.309	1.762			
			Max. Mx	20	-8.406	176.815	-1.253			
			Max. My	2	-8.477	-1.502	175.971			
L8	82.873 - 82.623	Pole	Max. Vy	20	-10.046	176.815	-1.253			
			Max. Vx	14	9.908	2.448	-174.529			
			Max. Torque	20			-1.238			
			Max Tension	1	0.000	0.000	0.000			
			Max. Compression	26	-24.035	-0.310	1.752			
			Max. Mx	20	-8.433	179.328	-1.282			
			Max. My	2	-8.504	-1.524	178.445			
			Max. Vy	20	-10.063	179.328	-1.282			
			Max. Vx	14	9.921	2.479	-177.010			
			Max. Torque	20			-1.238			
L9	82.623 - 77.623	Pole	Max Tension	1	0.000	0.000	0.000			
			Max. Compression	26	-28.200	-0.281	1.568			
			Max. Mx	20	-10.001	234.550	-1.858			
			Max. My	2	-10.104	-1.965	232.013			
			Max. Vy	20	-11.798	234.550	-1.858			
			Max. Vx	14	11.312	3.095	-230.724			
			Max. Torque	20			-1.238			
			Max Tension	1	0.000	0.000	0.000			
			Max. Compression	26	-28.602	-0.265	1.518			
			Max. Mx	20	-10.151	250.867	-2.016			
L10	77.623 - 76.25	Pole	Max. My	2	-10.262	-2.085	247.565			
			Max. Vy	20	-11.981	250.867	-2.016			
			Max. Vx	14	11.388	3.265	-246.317			
			Max. Torque	20			-1.199			
			Max Tension	1	0.000	0.000	0.000			
			Max. Compression	26	-28.691	-0.262	1.510			
			Max. Mx	20	-10.201	253.865	-2.045			
			Max. My	2	-10.312	-2.107	250.409			
			Max. Vy	20	-12.009	253.865	-2.045			
			Max. Vx	14	11.406	3.297	-249.169			
L11	76.25 - 76	Pole	Max. Torque	20			-1.191			
			Max Tension	1	0.000	0.000	0.000			
			Max. Compression	26	-28.776	-0.260	1.501			
			Max. Mx	20	-10.241	256.871	-2.074			
			Max. My	2	-10.353	-2.129	253.258			
			Max. Vy	20	-12.043	256.871	-2.074			
			Max. Vx	14	11.421	3.328	-252.025			
			Max. Torque	20			-1.190			
			Max Tension	1	0.000	0.000	0.000			
			Max. Compression	26	-29.262	-0.244	1.448			
L12	76 - 75.75	Pole	Max. Mx	20	-10.460	274.073	-2.238			
			Max. My	2	-10.579	-2.253	269.476			
			Max. Vy	20	-12.242	274.073	-2.238			
			Max. Vx	14	11.509	3.503	-268.284			
			Max. Torque	20			-1.188			
			Max Tension	1	0.000	0.000	0.000			
			Max. Compression	26	-29.351	-0.241	1.439			
			Max. Mx	20	-10.510	277.137	-2.267			
			L13	75.75 - 74.333	Pole	Max. Compression	26	-29.262	-0.244	1.448
						Max. Mx	20	-10.460	274.073	-2.238
Max. My	2	-10.579				-2.253	269.476			
Max. Vy	20	-12.242				274.073	-2.238			
Max. Vx	14	11.509				3.503	-268.284			
Max. Torque	20						-1.188			
Max Tension	1	0.000				0.000	0.000			
Max. Compression	26	-29.262				-0.244	1.448			
Max. Mx	20	-10.460				274.073	-2.238			
Max. My	2	-10.579				-2.253	269.476			
L14	74.333 - 74.083	Pole	Max. Vy	20	-12.242	274.073	-2.238			
			Max. Vx	14	11.509	3.503	-268.284			
			Max. Torque	20			-1.188			
			Max Tension	1	0.000	0.000	0.000			
			Max. Compression	26	-29.351	-0.241	1.439			
			Max. Mx	20	-10.510	277.137	-2.267			

Section No.	Elevation ft	Component Type	Condition	Gov. Load Comb.	Axial K	Major Axis Moment kip-ft	Minor Axis Moment kip-ft
L15	74.083 - 69.083	Pole	Max. My	2	-10.630	-2.275	272.349
			Max. Vy	20	-12.271	277.137	-2.267
			Max. Vx	14	11.518	3.534	-271.165
			Max. Torque	20			-1.180
			Max Tension	1	0.000	0.000	0.000
			Max. Compression	26	-31.273	-0.183	1.623
			Max. Mx	20	-11.438	340.676	-2.657
			Max. My	2	-11.583	-2.713	331.081
			Max. Vy	20	-13.058	340.676	-2.657
			Max. Vx	14	11.876	4.154	-329.636
L16	69.083 - 64.083	Pole	Max. Torque	20			-1.390
			Max Tension	1	0.000	0.000	0.000
			Max. Compression	26	-33.058	-0.125	1.429
			Max. Mx	20	-12.313	407.667	-3.242
			Max. My	2	-12.476	-3.150	391.096
			Max. Vy	20	-13.749	407.667	-3.242
			Max. Vx	14	12.174	4.773	-389.806
			Max. Torque	20			-1.367
			Max Tension	1	0.000	0.000	0.000
			L17	64.083 - 59.083	Pole	Max. Compression	26
Max. Mx	20	-13.210				478.103	-3.830
Max. My	2	-13.385				-3.586	452.583
Max. Vy	20	-14.438				478.103	-3.830
Max. Vx	14	12.467				5.391	-451.453
Max. Torque	20						-1.337
Max Tension	1	0.000				0.000	0.000
Max. Compression	26	-35.235				-0.052	1.189
Max. Mx	20	-13.393				492.605	-3.948
L18	59.083 - 58.083	Pole				Max. My	2
			Max. Vy	20	-14.577	492.605	-3.948
			Max. Vx	2	-12.565	-3.673	465.076
			Max. Torque	20			-1.307
			Max Tension	1	0.000	0.000	0.000
			Max. Compression	26	-35.374	-0.048	1.176
			Max. Mx	20	-13.471	497.714	-3.990
			Max. My	2	-13.646	-3.704	469.472
			Max. Vy	20	-14.622	497.714	-3.990
			L19	58.083 - 57.733	Pole	Max. Vx	24
Max. Torque	20						-1.302
Max Tension	1	0.000				0.000	0.000
Max. Compression	26	-35.467				-0.045	1.167
Max. Mx	20	-13.521				501.125	-4.017
Max. My	2	-13.696				-3.724	472.406
Max. Vy	20	-14.655				501.125	-4.017
Max. Vx	24	-12.624				244.518	435.641
Max. Torque	20						-1.300
L20	57.733 - 57.5	Pole				Max Tension	1
			Max. Compression	26	-37.457	0.018	0.960
			Max. Mx	20	-14.571	576.143	-4.609
			Max. My	2	-14.746	-4.158	536.669
			Max. Vy	20	-15.361	576.143	-4.609
			Max. Vx	24	-13.210	281.108	500.121
			Max. Torque	20			-1.298
			Max Tension	1	0.000	0.000	0.000
			Max. Compression	26	-38.357	0.046	0.864
			L21	57.5 - 52.5	Pole	Max. Mx	20
Max. My	20						
L22	52.5 - 47	Pole	Max. My	20			
			Max. Vy	20			

Section No.	Elevation ft	Component Type	Condition	Gov. Load Comb.	Axial K	Major Axis Moment kip-ft	Minor Axis Moment kip-ft
L23	47 - 45.25	Pole	Max. My	2	-15.231	-4.353	566.300
			Max. Vy	20	-15.672	611.040	-4.876
			Max. Vx	24	-13.468	298.120	530.081
			Max. Torque	20			-1.270
			Max Tension	1	0.000	0.000	0.000
			Max. Compression	26	-41.236	0.110	0.652
			Max. Mx	20	-16.798	691.277	-5.471
			Max. My	2	-16.983	-4.786	633.364
			Max. Vy	20	-16.422	691.277	-5.471
			Max. Vx	24	-14.091	337.214	598.892
L24	45.25 - 40.25	Pole	Max. Torque	20			-1.238
			Max Tension	1	0.000	0.000	0.000
			Max. Compression	26	-43.332	0.174	0.437
			Max. Mx	20	-18.000	774.992	-6.069
			Max. My	2	-18.179	-5.218	701.916
			Max. Vy	20	-17.087	774.992	-6.069
			Max. Vx	24	-14.641	377.975	670.581
			Max. Torque	20			-1.228
			Max Tension	1	0.000	0.000	0.000
			Max. Compression	26	-44.245	0.202	0.342
L25	40.25 - 38.083	Pole	Max. Mx	20	-18.527	812.312	-6.328
			Max. My	2	-18.702	-5.405	732.053
			Max. Vy	20	-17.374	812.312	-6.328
			Max. Vx	24	-14.879	396.138	702.510
			Max. Torque	20			-1.200
			Max Tension	1	0.000	0.000	0.000
			Max. Compression	26	-44.353	0.206	0.332
			Max. Mx	20	-18.598	816.658	-6.358
			Max. My	2	-18.771	-5.427	735.547
			Max. Vy	20	-17.400	816.658	-6.358
L26	38.083 - 37.833	Pole	Max. Vx	24	-14.900	398.252	706.226
			Max. Torque	20			-1.187
			Max Tension	1	0.000	0.000	0.000
			Max. Compression	26	-46.514	0.271	0.109
			Max. Mx	20	-19.864	905.299	-6.957
			Max. My	2	-20.029	-5.855	806.137
			Max. Vy	20	-18.067	905.299	-6.957
			Max. Vx	24	-15.453	441.374	781.992
			Max. Torque	20			-1.186
			Max Tension	1	0.000	0.000	0.000
L27	37.833 - 32.833	Pole	Max. Compression	26	-48.795	0.339	-0.122
			Max. Mx	20	-21.247	999.080	-7.568
			Max. My	2	-21.398	-6.290	879.543
			Max. Vy	20	-18.727	999.080	-7.568
			Max. Vx	24	-16.001	486.974	862.061
			Max. Torque	20			-1.157
			Max Tension	1	0.000	0.000	0.000
			Max. Compression	26	-48.901	0.342	-0.132
			Max. Mx	20	-21.318	1003.445	-7.596
			Max. My	2	-21.466	-6.310	882.930
L28	32.833 - 27.733	Pole	Max. Vy	20	-18.749	1003.445	-7.596
			Max. Vx	24	-16.019	489.096	865.786
			Max. Torque	20			-1.129
			Max Tension	1	0.000	0.000	0.000
			Max. Compression	26	-51.149	0.410	-0.362
			Max. Mx	20	-22.691	1098.728	-8.197
			Max. My	2	-22.822	-6.734	956.277
			Max. Vy	20	-19.375	1098.728	-8.197
			Max. Vx	24			
			Max. Torque	20			
L29	27.733 - 27.5	Pole	Max. My	2	-22.822	-6.734	956.277
			Max. Vy	20	-19.375	1098.728	-8.197
			Max. Compression	26	-51.149	0.410	-0.362
			Max. Mx	20	-22.691	1098.728	-8.197
			Max. My	2	-22.822	-6.734	956.277
			Max. Vy	20	-19.375	1098.728	-8.197
			Max. Compression	26	-51.149	0.410	-0.362
			Max. Mx	20	-22.691	1098.728	-8.197
			Max. My	2	-22.822	-6.734	956.277
			Max. Vy	20	-19.375	1098.728	-8.197
L30	27.5 - 22.5	Pole	Max. My	2	-22.822	-6.734	956.277
			Max. Vy	20	-19.375	1098.728	-8.197
			Max. Compression	26	-51.149	0.410	-0.362
			Max. Mx	20	-22.691	1098.728	-8.197
			Max. My	2	-22.822	-6.734	956.277
			Max. Vy	20	-19.375	1098.728	-8.197
			Max. Compression	26	-51.149	0.410	-0.362
			Max. Mx	20	-22.691	1098.728	-8.197
			Max. My	2	-22.822	-6.734	956.277
			Max. Vy	20	-19.375	1098.728	-8.197

tnxTower B+T Group 1717 S. Boulder, Suite 300 Tulsa, OK 74119 Phone: (918) 587-4630 FAX: (918) 587-4630	Job 85565.012.01 - HARTFORD - NU (SSUSA), CT (BU# 876363)	Page 36 of 50
	Project	Date 18:15:26 05/14/21
	Client Crown Castle	Designed by Santhosh Kamath

Section No.	Elevation ft	Component Type	Condition	Gov. Load Comb.	Axial K	Major Axis Moment kip-ft	Minor Axis Moment kip-ft
L31	22.5 - 19.5	Pole	Max. Vx	24	-16.539	535.408	947.055
			Max. Torque	20			-1.128
			Max Tension	1	0.000	0.000	0.000
			Max. Compression	26	-52.514	0.467	-0.491
			Max. Mx	20	-23.532	1157.360	-8.557
			Max. My	2	-23.648	-6.987	1000.881
			Max. Vy	20	-19.731	1157.360	-8.557
L32	19.5 - 19.25	Pole	Max. Vx	24	-16.835	563.898	997.030
			Max. Torque	18			-1.124
			Max Tension	1	0.000	0.000	0.000
			Max. Compression	26	-52.634	0.473	-0.500
			Max. Mx	20	-23.614	1162.295	-8.587
			Max. My	2	-23.727	-7.008	1004.618
			Max. Vy	20	-19.753	1162.295	-8.587
L33	19.25 - 14.25	Pole	Max. Vx	24	-16.852	566.295	1001.234
			Max. Torque	18			-1.124
			Max Tension	1	0.000	0.000	0.000
			Max. Compression	26	-55.068	0.604	-0.713
			Max. Mx	20	-25.102	1262.492	-9.188
			Max. My	24	-25.110	614.971	1086.581
			Max. Vy	20	-20.337	1262.492	-9.188
L34	14.25 - 14	Pole	Max. Vx	24	-17.338	614.971	1086.581
			Max. Torque	18			-1.124
			Max Tension	1	0.000	0.000	0.000
			Max. Compression	26	-55.197	0.611	-0.726
			Max. Mx	20	-25.185	1267.577	-9.218
			Max. My	24	-25.192	617.441	1090.911
			Max. Vy	20	-20.357	1267.577	-9.218
L35	14 - 13.75	Pole	Max. Vx	24	-17.354	617.441	1090.911
			Max. Torque	18			-1.124
			Max Tension	1	0.000	0.000	0.000
			Max. Compression	26	-55.326	0.619	-0.739
			Max. Mx	20	-25.260	1272.670	-9.248
			Max. My	24	-25.268	619.915	1095.247
			Max. Vy	20	-20.385	1272.670	-9.248
L36	13.75 - 12.983	Pole	Max. Vx	24	-17.378	619.915	1095.247
			Max. Torque	18			-1.124
			Max Tension	1	0.000	0.000	0.000
			Max. Compression	26	-55.795	0.642	-0.778
			Max. Mx	20	-25.560	1288.339	-9.340
			Max. My	24	-25.567	627.527	1108.589
			Max. Vy	20	-20.480	1288.339	-9.340
L37	12.983 - 12.817	Pole	Max. Vx	24	-17.459	627.527	1108.589
			Max. Torque	18			-1.125
			Max Tension	1	0.000	0.000	0.000
			Max. Compression	26	-55.892	0.647	-0.786
			Max. Mx	20	-25.625	1291.740	-9.360
			Max. My	24	-25.632	629.178	1111.484
			Max. Vy	20	-20.495	1291.740	-9.360
L38	12.817 - 12.65	Pole	Max. Vx	24	-17.468	629.178	1111.484
			Max. Torque	18			-1.125
			Max Tension	1	0.000	0.000	0.000
			Max. Compression	26	-55.986	0.652	-0.794
			Max. Mx	20	-25.683	1295.164	-9.380
			Max. My	24	-25.690	630.841	1114.399
			Max. Vy	20	-20.514	1295.164	-9.380
L39	12.65 - 12.5	Pole	Max. Vx	24	-17.481	630.841	1114.399
			Max. Torque	18			-1.125
			Max Tension	1	0.000	0.000	0.000
			Max. Compression	26	-56.070	0.657	-0.802

tnxTower B+T Group 1717 S. Boulder, Suite 300 Tulsa, OK 74119 Phone: (918) 587-4630 FAX: (918) 587-4630	Job 85565.012.01 - HARTFORD - NU (SSUSA), CT (BU# 876363)	Page 37 of 50
	Project	Date 18:15:26 05/14/21
	Client Crown Castle	Designed by Santhosh Kamath

Section No.	Elevation ft	Component Type	Condition	Gov. Load Comb.	Axial K	Major Axis Moment kip-ft	Minor Axis Moment kip-ft
L40	12.5 - 12.25	Pole	Max. Mx	20	-25.736	1298.242	-9.398
			Max. My	24	-25.742	632.336	1117.019
			Max. Vy	20	-20.531	1298.242	-9.398
			Max. Vx	24	-17.492	632.336	1117.019
			Max. Torque	18			-1.125
			Max Tension	1	0.000	0.000	0.000
			Max. Compression	26	-56.206	0.664	-0.815
			Max. Mx	20	-25.817	1303.379	-9.428
			Max. My	24	-25.824	634.829	1121.389
			Max. Vy	20	-20.561	1303.379	-9.428
L41	12.25 - 7.25	Pole	Max. Vx	24	-17.511	634.829	1121.389
			Max. Torque	18			-1.125
			Max Tension	1	0.000	0.000	0.000
			Max. Compression	26	-58.773	0.739	-1.115
			Max. Mx	20	-27.464	1406.885	-10.028
			Max. My	24	-27.468	685.108	1209.495
			Max. Vy	8	20.964	-1403.182	8.558
			Max. Vx	24	-17.784	685.108	1209.495
			Max. Torque	18			-1.125
			Max Tension	1	0.000	0.000	0.000
L42	7.25 - 2.25	Pole	Max. Compression	26	-61.227	0.779	-1.421
			Max. Mx	20	-29.133	1511.702	-10.627
			Max. My	24	-29.135	736.147	1298.908
			Max. Vy	8	21.206	-1508.540	8.905
			Max. Vx	24	-18.043	736.147	1298.908
			Max. Torque	18			-1.125
			Max Tension	1	0.000	0.000	0.000
			Max. Compression	26	-62.280	0.795	-1.549
			Max. Mx	20	-29.892	1559.259	-10.897
			Max. My	24	-29.892	759.358	1339.561
L43	2.25 - 0	Pole	Max. Vy	8	21.314	-1556.340	9.059
			Max. Vx	24	-18.158	759.358	1339.561
			Max. Torque	18			-1.125
			Max Tension	1	0.000	0.000	0.000
			Max. Compression	26	-62.280	0.795	-1.549
			Max. Mx	20	-29.892	1559.259	-10.897
			Max. My	24	-29.892	759.358	1339.561
			Max. Vy	8	21.314	-1556.340	9.059
			Max. Vx	24	-18.158	759.358	1339.561
			Max. Torque	18			-1.125

Maximum Reactions

Location	Condition	Gov. Load Comb.	Vertical K	Horizontal, X K	Horizontal, Z K
Pole	Max. Vert	37	62.280	4.784	2.748
	Max. H _x	20	29.902	21.187	-0.098
	Max. H _z	24	29.902	10.347	18.146
	Max. M _x	24	1339.561	10.347	18.146
	Max. M _z	8	1556.340	-21.299	0.089
	Max. Torsion	6	0.919	-14.533	8.479
	Min. Vert	5	22.427	-7.958	13.814
	Min. H _x	9	22.427	-21.299	0.089
	Min. H _z	12	29.902	-10.356	-18.101
	Min. M _x	12	-1337.107	-10.356	-18.101
	Min. M _z	20	-1559.259	21.187	-0.098
	Min. Torsion	18	-1.125	14.697	-8.574

<p>tnxTower</p> <p>B+T Group 1717 S. Boulder, Suite 300 Tulsa, OK 74119 Phone: (918) 587-4630 FAX: (918) 587-4630</p>	<p>Job 85565.012.01 - HARTFORD - NU (SSUSA), CT (BU# 876363)</p>	<p>Page 38 of 50</p>
	<p>Project</p>	<p>Date 18:15:26 05/14/21</p>
	<p>Client Crown Castle</p>	<p>Designed by Santhosh Kamath</p>

Tower Mast Reaction Summary

Load Combination	Vertical	Shear _x	Shear _z	Overturning Moment, M _x	Overturning Moment, M _z	Torque
	K	K	K	kip-ft	kip-ft	kip-ft
Dead Only	24.918	0.000	0.000	0.382	0.232	-0.000
1.2 Dead+1.0 Wind 0 deg - No Ice	29.902	0.084	-15.945	-1302.201	-8.606	0.248
0.9 Dead+1.0 Wind 0 deg - No Ice	22.427	0.084	-15.945	-1288.572	-8.579	0.252
1.2 Dead+1.0 Wind 30 deg - No Ice	29.902	7.958	-13.814	-1123.195	-645.737	-0.366
0.9 Dead+1.0 Wind 30 deg - No Ice	22.427	7.958	-13.814	-1111.437	-639.004	-0.351
1.2 Dead+1.0 Wind 60 deg - No Ice	29.902	14.533	-8.479	-674.644	-1151.292	-0.919
0.9 Dead+1.0 Wind 60 deg - No Ice	22.427	14.533	-8.479	-667.701	-1139.382	-0.897
1.2 Dead+1.0 Wind 90 deg - No Ice	29.902	21.299	-0.089	-9.059	-1556.340	-0.911
0.9 Dead+1.0 Wind 90 deg - No Ice	22.427	21.299	-0.089	-9.052	-1541.025	-0.886
1.2 Dead+1.0 Wind 120 deg - No Ice	29.902	19.513	11.266	816.042	-1410.901	-0.645
0.9 Dead+1.0 Wind 120 deg - No Ice	22.427	19.513	11.266	807.837	-1396.979	-0.625
1.2 Dead+1.0 Wind 150 deg - No Ice	29.902	10.356	18.101	1337.107	-760.535	-0.612
0.9 Dead+1.0 Wind 150 deg - No Ice	22.427	10.356	18.101	1323.705	-753.071	-0.604
1.2 Dead+1.0 Wind 180 deg - No Ice	29.902	-0.115	15.661	1288.601	12.554	0.034
0.9 Dead+1.0 Wind 180 deg - No Ice	22.427	-0.115	15.661	1274.854	12.333	0.029
1.2 Dead+1.0 Wind 210 deg - No Ice	29.902	-8.349	14.460	1162.632	670.540	0.627
0.9 Dead+1.0 Wind 210 deg - No Ice	22.427	-8.349	14.460	1150.392	663.473	0.612
1.2 Dead+1.0 Wind 240 deg - No Ice	29.902	-14.697	8.574	681.973	1162.959	1.125
0.9 Dead+1.0 Wind 240 deg - No Ice	22.427	-14.697	8.574	674.769	1150.809	1.103
1.2 Dead+1.0 Wind 270 deg - No Ice	29.902	-21.187	0.098	10.897	1559.259	1.067
0.9 Dead+1.0 Wind 270 deg - No Ice	22.427	-21.187	0.098	10.668	1543.746	1.042
1.2 Dead+1.0 Wind 300 deg - No Ice	29.902	-19.524	-11.231	-811.650	1413.102	0.660
0.9 Dead+1.0 Wind 300 deg - No Ice	22.427	-19.524	-11.231	-803.696	1399.004	0.640
1.2 Dead+1.0 Wind 330 deg - No Ice	29.902	-10.347	-18.146	-1339.561	759.358	0.641
0.9 Dead+1.0 Wind 330 deg - No Ice	22.427	-10.347	-18.146	-1326.332	751.760	0.633
1.2 Dead+1.0 Ice+1.0 Temp	62.280	-0.000	-0.000	1.549	0.795	-0.000
1.2 Dead+1.0 Wind 0 deg+1.0 Ice+1.0 Temp	62.280	0.018	-4.349	-376.141	-1.288	0.076
1.2 Dead+1.0 Wind 30 deg+1.0 Ice+1.0 Temp	62.280	2.177	-3.767	-325.672	-188.023	-0.104
1.2 Dead+1.0 Wind 60 deg+1.0 Ice+1.0 Temp	62.280	3.799	-2.207	-189.524	-326.759	-0.262

<p>tnxTower</p> <p>B+T Group 1717 S. Boulder, Suite 300 Tulsa, OK 74119 Phone: (918) 587-4630 FAX: (918) 587-4630</p>	<p>Job 85565.012.01 - HARTFORD - NU (SSUSA), CT (BU# 876363)</p>	<p>Page 39 of 50</p>
	<p>Project</p>	<p>Date 18:15:26 05/14/21</p>
	<p>Client Crown Castle</p>	<p>Designed by Santhosh Kamath</p>

Load Combination	Vertical	Shear _x	Shear _z	Overturning Moment, M _x	Overturning Moment, M _z	Torque
	K	K	K	kip-ft	kip-ft	kip-ft
1.2 Dead+1.0 Wind 90 deg+1.0 Ice+1.0 Temp	62.280	5.309	-0.020	-0.772	-426.797	-0.293
1.2 Dead+1.0 Wind 120 deg+1.0 Ice+1.0 Temp	62.280	4.782	2.755	221.346	-380.446	-0.238
1.2 Dead+1.0 Wind 150 deg+1.0 Ice+1.0 Temp	62.280	2.577	4.489	366.777	-207.976	-0.173
1.2 Dead+1.0 Wind 180 deg+1.0 Ice+1.0 Temp	62.280	-0.025	4.349	379.255	3.691	-0.013
1.2 Dead+1.0 Wind 210 deg+1.0 Ice+1.0 Temp	62.280	-2.184	3.773	329.270	190.443	0.161
1.2 Dead+1.0 Wind 240 deg+1.0 Ice+1.0 Temp	62.280	-3.804	2.210	192.989	329.131	0.307
1.2 Dead+1.0 Wind 270 deg+1.0 Ice+1.0 Temp	62.280	-5.314	0.022	4.023	429.305	0.326
1.2 Dead+1.0 Wind 300 deg+1.0 Ice+1.0 Temp	62.280	-4.784	-2.748	-217.464	382.486	0.240
1.2 Dead+1.0 Wind 330 deg+1.0 Ice+1.0 Temp	62.280	-2.574	-4.497	-364.463	209.201	0.181
Dead+Wind 0 deg - Service	24.918	0.018	-3.487	-283.478	-1.677	0.055
Dead+Wind 30 deg - Service	24.918	1.740	-3.021	-244.480	-140.542	-0.078
Dead+Wind 60 deg - Service	24.918	3.177	-1.854	-146.690	-250.662	-0.198
Dead+Wind 90 deg - Service	24.918	4.636	-0.019	-1.677	-337.222	-0.197
Dead+Wind 120 deg - Service	24.918	4.247	2.452	177.163	-305.658	-0.140
Dead+Wind 150 deg - Service	24.918	2.261	3.952	291.432	-165.455	-0.133
Dead+Wind 180 deg - Service	24.918	-0.025	3.426	281.090	2.884	0.007
Dead+Wind 210 deg - Service	24.918	-1.825	3.161	253.563	146.262	0.135
Dead+Wind 240 deg - Service	24.918	-3.213	1.874	148.826	253.543	0.243
Dead+Wind 270 deg - Service	24.918	-4.612	0.021	2.625	338.208	0.231
Dead+Wind 300 deg - Service	24.918	-4.249	-2.444	-175.665	306.487	0.143
Dead+Wind 330 deg - Service	24.918	-2.259	-3.962	-291.410	165.556	0.140

Solution Summary

Load Comb.	Sum of Applied Forces			Sum of Reactions			% Error
	PX K	PY K	PZ K	PX K	PY K	PZ K	
1	0.000	-24.918	0.000	0.000	24.918	0.000	0.000%
2	0.084	-29.902	-15.945	-0.084	29.902	15.945	0.000%
3	0.084	-22.427	-15.945	-0.084	22.427	15.945	0.000%
4	7.958	-29.902	-13.814	-7.958	29.902	13.814	0.000%
5	7.958	-22.427	-13.814	-7.958	22.427	13.814	0.000%
6	14.533	-29.902	-8.479	-14.533	29.902	8.479	0.000%
7	14.533	-22.427	-8.479	-14.533	22.427	8.479	0.000%
8	21.299	-29.902	-0.089	-21.299	29.902	0.089	0.000%
9	21.299	-22.427	-0.089	-21.299	22.427	0.089	0.000%
10	19.513	-29.902	11.266	-19.513	29.902	-11.266	0.000%
11	19.513	-22.427	11.266	-19.513	22.427	-11.266	0.000%
12	10.356	-29.902	18.101	-10.356	29.902	-18.101	0.000%
13	10.356	-22.427	18.101	-10.356	22.427	-18.101	0.000%
14	-0.115	-29.902	15.661	0.115	29.902	-15.661	0.000%
15	-0.115	-22.427	15.661	0.115	22.427	-15.661	0.000%
16	-8.349	-29.902	14.460	8.349	29.902	-14.460	0.000%
17	-8.349	-22.427	14.460	8.349	22.427	-14.460	0.000%
18	-14.697	-29.902	8.574	14.697	29.902	-8.574	0.000%
19	-14.697	-22.427	8.574	14.697	22.427	-8.574	0.000%
20	-21.187	-29.902	0.098	21.187	29.902	-0.098	0.000%
21	-21.187	-22.427	0.098	21.187	22.427	-0.098	0.000%
22	-19.524	-29.902	-11.231	19.524	29.902	11.231	0.000%

<p>tnxTower</p> <p>B+T Group 1717 S. Boulder, Suite 300 Tulsa, OK 74119 Phone: (918) 587-4630 FAX: (918) 587-4630</p>	<p>Job 85565.012.01 - HARTFORD - NU (SSUSA), CT (BU# 876363)</p>	<p>Page 40 of 50</p>
	<p>Project</p>	<p>Date 18:15:26 05/14/21</p>
	<p>Client Crown Castle</p>	<p>Designed by Santhosh Kamath</p>

Load Comb.	Sum of Applied Forces			Sum of Reactions			% Error
	PX K	PY K	PZ K	PX K	PY K	PZ K	
23	-19.524	-22.427	-11.231	19.524	22.427	11.231	0.000%
24	-10.347	-29.902	-18.146	10.347	29.902	18.146	0.000%
25	-10.347	-22.427	-18.146	10.347	22.427	18.146	0.000%
26	0.000	-62.280	0.000	0.000	62.280	0.000	0.000%
27	0.018	-62.280	-4.349	-0.018	62.280	4.349	0.000%
28	2.177	-62.280	-3.767	-2.177	62.280	3.767	0.000%
29	3.799	-62.280	-2.207	-3.799	62.280	2.207	0.000%
30	5.309	-62.280	-0.020	-5.309	62.280	0.020	0.000%
31	4.782	-62.280	2.755	-4.782	62.280	-2.755	0.000%
32	2.577	-62.280	4.489	-2.577	62.280	-4.489	0.000%
33	-0.025	-62.280	4.349	0.025	62.280	-4.349	0.000%
34	-2.184	-62.280	3.773	2.184	62.280	-3.773	0.000%
35	-3.804	-62.280	2.210	3.804	62.280	-2.210	0.000%
36	-5.314	-62.280	0.022	5.314	62.280	-0.022	0.000%
37	-4.784	-62.280	-2.748	4.784	62.280	2.748	0.000%
38	-2.573	-62.280	-4.497	2.574	62.280	4.497	0.000%
39	0.018	-24.918	-3.487	-0.018	24.918	3.487	0.000%
40	1.740	-24.918	-3.021	-1.740	24.918	3.021	0.000%
41	3.177	-24.918	-1.854	-3.177	24.918	1.854	0.000%
42	4.636	-24.918	-0.019	-4.636	24.918	0.019	0.000%
43	4.247	-24.918	2.452	-4.247	24.918	-2.452	0.000%
44	2.261	-24.918	3.952	-2.261	24.918	-3.952	0.000%
45	-0.025	-24.918	3.426	0.025	24.918	-3.426	0.000%
46	-1.825	-24.918	3.161	1.825	24.918	-3.161	0.000%
47	-3.213	-24.918	1.874	3.213	24.918	-1.874	0.000%
48	-4.612	-24.918	0.021	4.612	24.918	-0.021	0.000%
49	-4.249	-24.918	-2.444	4.249	24.918	2.444	0.000%
50	-2.259	-24.918	-3.962	2.259	24.918	3.962	0.000%

Non-Linear Convergence Results

Load Combination	Converged?	Number of Cycles	Displacement Tolerance	Force Tolerance
1	Yes	4	0.00000001	0.00000001
2	Yes	5	0.00000001	0.00039437
3	Yes	5	0.00000001	0.00018809
4	Yes	6	0.00000001	0.00045925
5	Yes	6	0.00000001	0.00015469
6	Yes	6	0.00000001	0.00050366
7	Yes	6	0.00000001	0.00016926
8	Yes	6	0.00000001	0.00005739
9	Yes	5	0.00000001	0.00051189
10	Yes	6	0.00000001	0.00059043
11	Yes	6	0.00000001	0.00018605
12	Yes	6	0.00000001	0.00056900
13	Yes	6	0.00000001	0.00018500
14	Yes	5	0.00000001	0.00029741
15	Yes	5	0.00000001	0.00013366
16	Yes	6	0.00000001	0.00050037
17	Yes	6	0.00000001	0.00016784
18	Yes	6	0.00000001	0.00046454
19	Yes	6	0.00000001	0.00015459
20	Yes	5	0.00000001	0.00084750
21	Yes	5	0.00000001	0.00038928
22	Yes	6	0.00000001	0.00064056
23	Yes	6	0.00000001	0.00020356

<p>tnxTower</p> <p>B+T Group 1717 S. Boulder, Suite 300 Tulsa, OK 74119 Phone: (918) 587-4630 FAX: (918) 587-4630</p>	<p>Job 85565.012.01 - HARTFORD - NU (SSUSA), CT (BU# 876363)</p>	<p>Page 41 of 50</p>
	<p>Project</p>	<p>Date 18:15:26 05/14/21</p>
	<p>Client Crown Castle</p>	<p>Designed by Santhosh Kamath</p>

24	Yes	6	0.00000001	0.00053057
25	Yes	6	0.00000001	0.00017082
26	Yes	4	0.00000001	0.00030092
27	Yes	7	0.00000001	0.00017344
28	Yes	7	0.00000001	0.00020466
29	Yes	7	0.00000001	0.00020700
30	Yes	7	0.00000001	0.00018428
31	Yes	7	0.00000001	0.00022927
32	Yes	7	0.00000001	0.00021930
33	Yes	7	0.00000001	0.00017030
34	Yes	7	0.00000001	0.00020339
35	Yes	7	0.00000001	0.00020226
36	Yes	7	0.00000001	0.00018469
37	Yes	7	0.00000001	0.00023595
38	Yes	7	0.00000001	0.00022035
39	Yes	4	0.00000001	0.00055401
40	Yes	5	0.00000001	0.00010857
41	Yes	5	0.00000001	0.00013612
42	Yes	5	0.00000001	0.00005316
43	Yes	5	0.00000001	0.00015119
44	Yes	5	0.00000001	0.00016079
45	Yes	4	0.00000001	0.00049782
46	Yes	5	0.00000001	0.00013062
47	Yes	5	0.00000001	0.00010885
48	Yes	5	0.00000001	0.00005535
49	Yes	5	0.00000001	0.00019129
50	Yes	5	0.00000001	0.00013321

Maximum Tower Deflections - Service Wind

Section No.	Elevation ft	Horz. Deflection in	Gov. Load Comb.	Tilt °	Twist °
L1	108 - 103	14.568	49	1.318	0.013
L2	103 - 98.5	13.190	49	1.306	0.011
L3	98.5 - 98	11.993	49	1.222	0.006
L4	98 - 93	11.865	49	1.220	0.006
L5	93 - 88	10.611	49	1.170	0.005
L6	88 - 83	9.426	49	1.089	0.004
L7	83 - 82.873	8.338	49	0.985	0.003
L8	82.873 - 82.623	8.312	49	0.982	0.003
L9	82.623 - 77.623	8.261	49	0.979	0.003
L10	77.623 - 76.25	7.270	49	0.911	0.002
L11	76.25 - 76	7.011	49	0.891	0.002
L12	76 - 75.75	6.965	49	0.888	0.002
L13	75.75 - 74.333	6.918	49	0.885	0.002
L14	74.333 - 74.083	6.658	49	0.868	0.002
L15	74.083 - 69.083	6.613	49	0.866	0.002
L16	69.083 - 64.083	5.734	49	0.812	0.002
L17	64.083 - 59.083	4.914	49	0.752	0.001
L18	59.083 - 58.083	4.160	49	0.688	0.001
L19	58.083 - 57.733	4.017	49	0.675	0.001
L20	57.733 - 57.5	3.968	49	0.670	0.001
L21	57.5 - 52.5	3.935	49	0.668	0.001
L22	52.5 - 47	3.269	49	0.604	0.001
L23	50.25 - 45.25	2.992	49	0.574	0.001
L24	45.25 - 40.25	2.410	49	0.530	0.001
L25	40.25 - 38.083	1.890	49	0.463	0.001
L26	38.083 - 37.833	1.686	49	0.434	0.001
L27	37.833 - 32.833	1.664	49	0.431	0.001

tnxTower B+T Group 1717 S. Boulder, Suite 300 Tulsa, OK 74119 Phone: (918) 587-4630 FAX: (918) 587-4630	Job 85565.012.01 - HARTFORD - NU (SSUSA), CT (BU# 876363)	Page 42 of 50
	Project	Date 18:15:26 05/14/21
	Client Crown Castle	Designed by Santhosh Kamath

Section No.	Elevation ft	Horz. Deflection in	Gov. Load Comb.	Tilt °	Twist °
L28	32.833 - 27.733	1.244	49	0.371	0.000
L29	27.733 - 27.5	0.880	49	0.311	0.000
L30	27.5 - 22.5	0.865	49	0.308	0.000
L31	22.5 - 19.5	0.574	49	0.247	0.000
L32	19.5 - 19.25	0.431	49	0.210	0.000
L33	19.25 - 14.25	0.420	49	0.208	0.000
L34	14.25 - 14	0.231	49	0.152	0.000
L35	14 - 13.75	0.223	49	0.150	0.000
L36	13.75 - 12.983	0.216	49	0.147	0.000
L37	12.983 - 12.817	0.193	49	0.141	0.000
L38	12.817 - 12.65	0.188	49	0.139	0.000
L39	12.65 - 12.5	0.183	49	0.137	0.000
L40	12.5 - 12.25	0.179	49	0.136	0.000
L41	12.25 - 7.25	0.172	49	0.133	0.000
L42	7.25 - 2.25	0.060	49	0.079	0.000
L43	2.25 - 0	0.006	43	0.025	0.000

Critical Deflections and Radius of Curvature - Service Wind

Elevation ft	Appurtenance	Gov. Load Comb.	Deflection in	Tilt °	Twist °	Radius of Curvature ft
105.000	(2) SBNHH-1D65B w/ Mount Pipe	49	13.739	1.324	0.013	5317
102.000	Dragonwave A-ANT-18G-2-C	49	12.918	1.287	0.010	4344
98.000	APXV9ERR18-C-A20 w/ Mount Pipe	49	11.865	1.220	0.006	4020
96.000	PCS 1900MHz 4x45W-65MHz	49	11.358	1.206	0.006	4779
81.000	HBX-6516DS-VTM w/ Mount Pipe	49	7.932	0.961	0.003	3773
74.000	KS24019-L112A	49	6.598	0.865	0.002	4981

Maximum Tower Deflections - Design Wind

Section No.	Elevation ft	Horz. Deflection in	Gov. Load Comb.	Tilt °	Twist °
L1	108 - 103	66.927	22	6.003	0.058
L2	103 - 98.5	60.667	22	5.963	0.053
L3	98.5 - 98	55.200	22	5.611	0.030
L4	98 - 93	54.615	22	5.602	0.029
L5	93 - 88	48.867	22	5.379	0.023
L6	88 - 83	43.426	22	5.015	0.018
L7	83 - 82.873	38.426	22	4.537	0.013
L8	82.873 - 82.623	38.305	22	4.524	0.013
L9	82.623 - 77.623	38.069	22	4.510	0.012
L10	77.623 - 76.25	33.513	22	4.199	0.010
L11	76.25 - 76	32.321	22	4.106	0.010
L12	76 - 75.75	32.106	22	4.096	0.010
L13	75.75 - 74.333	31.892	22	4.082	0.010
L14	74.333 - 74.083	30.695	22	4.002	0.009
L15	74.083 - 69.083	30.486	22	3.991	0.009
L16	69.083 - 64.083	26.438	22	3.746	0.008
L17	64.083 - 59.083	22.662	22	3.471	0.006

tnxTower B+T Group 1717 S. Boulder, Suite 300 Tulsa, OK 74119 Phone: (918) 587-4630 FAX: (918) 587-4630	Job 85565.012.01 - HARTFORD - NU (SSUSA), CT (BU# 876363)	Page 43 of 50
	Project	Date 18:15:26 05/14/21
	Client Crown Castle	Designed by Santhosh Kamath

Section No.	Elevation ft	Horz. Deflection in	Gov. Load Comb.	Tilt °	Twist °
L18	59.083 - 58.083	19.186	22	3.173	0.005
L19	58.083 - 57.733	18.528	22	3.112	0.005
L20	57.733 - 57.5	18.301	22	3.093	0.005
L21	57.5 - 52.5	18.150	22	3.080	0.005
L22	52.5 - 47	15.081	22	2.785	0.004
L23	50.25 - 45.25	13.802	22	2.649	0.004
L24	45.25 - 40.25	11.117	22	2.446	0.003
L25	40.25 - 38.083	8.719	22	2.137	0.003
L26	38.083 - 37.833	7.780	22	2.001	0.002
L27	37.833 - 32.833	7.676	22	1.988	0.002
L28	32.833 - 27.733	5.740	22	1.710	0.002
L29	27.733 - 27.5	4.061	10	1.434	0.002
L30	27.5 - 22.5	3.992	10	1.421	0.002
L31	22.5 - 19.5	2.650	10	1.141	0.001
L32	19.5 - 19.25	1.987	10	0.970	0.001
L33	19.25 - 14.25	1.937	10	0.958	0.001
L34	14.25 - 14	1.067	10	0.703	0.001
L35	14 - 13.75	1.031	10	0.690	0.001
L36	13.75 - 12.983	0.995	10	0.678	0.001
L37	12.983 - 12.817	0.888	10	0.649	0.001
L38	12.817 - 12.65	0.866	10	0.642	0.001
L39	12.65 - 12.5	0.844	10	0.634	0.001
L40	12.5 - 12.25	0.824	10	0.627	0.001
L41	12.25 - 7.25	0.791	10	0.615	0.001
L42	7.25 - 2.25	0.278	10	0.366	0.000
L43	2.25 - 0	0.027	10	0.114	0.000

Critical Deflections and Radius of Curvature - Design Wind

Elevation ft	Appurtenance	Gov. Load Comb.	Deflection in	Tilt °	Twist °	Radius of Curvature ft
105.000	(2) SBNHH-1D65B w/ Mount Pipe	22	63.161	6.034	0.059	1411
102.000	Dragonwave A-ANT-18G-2-C	22	59.429	5.882	0.048	1127
98.000	APXV9ERR18-C-A20 w/ Mount Pipe	22	54.615	5.602	0.029	976
96.000	PCS 1900MHz 4x45W-65MHz	22	52.290	5.543	0.027	1126
81.000	HBX-6516DS-VTM w/ Mount Pipe	22	36.555	4.430	0.012	835
74.000	KS24019-L112A	22	30.416	3.987	0.009	1097

Compression Checks

Pole Design Data

Section No.	Elevation ft	Size	L ft	L _u ft	KI/r	A in ²	P _u K	φP _n K	Ratio P _u / φP _n
L1	108 - 103 (1)	TP8.625x8.625x0.313	5.000	0.000	0.0	8.161	-2.500	257.065	0.010
L2	103 - 98.5 (2)	TP8.625x8.625x0.313	4.500	0.000	0.0	8.161	-2.759	257.065	0.011
L3	98.5 - 98 (3)	TP16.5x16.5x0.313	0.500	0.000	0.0	15.892	-2.801	500.599	0.006
L4	98 - 93 (4)	TP17.3x16.5x0.188	5.000	0.000	0.0	10.184	-7.578	595.779	0.013
L5	93 - 88 (5)	TP18.101x17.3x0.188	5.000	0.000	0.0	10.660	-7.912	623.641	0.013
L6	88 - 83 (6)	TP18.901x18.101x0.188	5.000	0.000	0.0	11.137	-8.284	651.503	0.013

<p>tnxTower</p> <p>B+T Group 1717 S. Boulder, Suite 300 Tulsa, OK 74119 Phone: (918) 587-4630 FAX: (918) 587-4630</p>	<p>Job 85565.012.01 - HARTFORD - NU (SSUSA), CT (BU# 876363)</p>	<p>Page 44 of 50</p>
	<p>Project</p>	<p>Date 18:15:26 05/14/21</p>
	<p>Client Crown Castle</p>	<p>Designed by Santhosh Kamath</p>

Section No.	Elevation ft	Size	L ft	L _u ft	Kl/r	A in ²	P _u K	φP _n K	Ratio P _u / φP _n
L7	83 - 82.873 (7)	TP18.921x18.901x0.188	0.127	0.000	0.0	11.149	-8.303	652.211	0.013
L8	82.873 - 82.623 (8)	TP18.961x18.921x0.363	0.250	0.000	0.0	21.399	-8.329	1251.850	0.007
L9	82.623 - 77.623 (9)	TP19.762x18.961x0.356	5.000	0.000	0.0	21.942	-9.897	1283.620	0.008
L10	77.623 - 76.25 (10)	TP19.981x19.762x0.356	1.373	0.000	0.0	22.191	-10.049	1298.160	0.008
L11	76.25 - 76 (11)	TP20.021x19.981x0.6	0.250	0.000	0.0	36.986	-10.101	2163.680	0.005
L12	76 - 75.75 (12)	TP20.061x20.021x0.456	0.250	0.000	0.0	28.391	-10.140	1660.860	0.006
L13	75.75 - 74.333 (13)	TP20.288x20.061x0.45	1.417	0.000	0.0	28.335	-10.360	1657.580	0.006
L14	74.333 - 74.083 (14)	TP20.328x20.288x0.588	0.250	0.000	0.0	36.811	-10.411	2153.430	0.005
L15	74.083 - 69.083 (15)	TP21.128x20.328x0.575	5.000	0.000	0.0	37.511	-11.344	2194.390	0.005
L16	69.083 - 64.083 (16)	TP21.929x21.128x0.55	5.000	0.000	0.0	37.321	-12.225	2183.270	0.006
L17	64.083 - 59.083 (17)	TP22.729x21.929x0.538	5.000	0.000	0.0	37.859	-13.129	2214.770	0.006
L18	59.083 - 58.083 (18)	TP22.889x22.729x0.538	1.000	0.000	0.0	38.132	-13.313	2230.740	0.006
L19	58.083 - 57.733 (19)	TP22.945x22.889x0.6	0.350	0.000	0.0	42.554	-13.393	2489.410	0.005
L20	57.733 - 57.5 (20)	TP22.982x22.945x0.6	0.233	0.000	0.0	42.625	-13.443	2493.560	0.005
L21	57.5 - 52.5 (21)	TP23.783x22.982x0.575	5.000	0.000	0.0	42.355	-14.500	2477.780	0.006
L22	52.5 - 47 (22)	TP24.663x23.783x0.575	5.500	0.000	0.0	43.012	-14.986	2516.230	0.006
L23	47 - 45.25 (23)	TP24.568x23.768x0.625	5.000	0.000	0.0	47.497	-16.734	2778.570	0.006
L24	45.25 - 40.25 (24)	TP25.368x24.568x0.613	5.000	0.000	0.0	48.127	-17.945	2815.430	0.006
L25	40.25 - 38.083 (25)	TP25.715x25.368x0.613	2.167	0.000	0.0	48.801	-18.475	2854.870	0.006
L26	38.083 - 37.833 (26)	TP25.755x25.715x0.713	0.250	0.000	0.0	56.633	-18.547	3313.040	0.006
L27	37.833 - 32.833 (27)	TP26.555x25.755x0.7	5.000	0.000	0.0	57.445	-19.820	3360.550	0.006
L28	32.833 - 27.733 (28)	TP27.372x26.555x0.725	5.100	0.000	0.0	61.318	-21.210	3587.080	0.006
L29	27.733 - 27.5 (29)	TP27.409x27.372x0.725	0.233	0.000	0.0	61.403	-21.282	3592.100	0.006
L30	27.5 - 22.5 (30)	TP28.209x27.409x0.7	5.000	0.000	0.0	61.119	-22.661	3575.490	0.006
L31	22.5 - 19.5 (31)	TP28.689x28.209x0.688	3.000	0.000	0.0	61.103	-23.507	3574.530	0.007
L32	19.5 - 19.25 (32)	TP28.729x28.689x0.8	0.250	0.000	0.0	70.918	-23.590	4148.690	0.006
L33	19.25 - 14.25 (33)	TP29.529x28.729x0.775	5.000	0.000	0.0	70.731	-25.084	4137.790	0.006
L34	14.25 - 14 (34)	TP29.569x29.529x0.775	0.250	0.000	0.0	70.830	-25.167	4143.550	0.006
L35	14 - 13.75 (35)	TP29.609x29.569x0.775	0.250	0.000	0.0	70.928	-25.243	4149.310	0.006
L36	13.75 - 12.983 (36)	TP29.732x29.609x1.075	0.767	0.000	0.0	97.780	-25.543	5720.110	0.004
L37	12.983 - 12.817 (37)	TP29.759x29.732x0.95	0.166	0.000	0.0	86.867	-25.609	5081.720	0.005
L38	12.817 - 12.65 (38)	TP29.785x29.759x0.85	0.167	0.000	0.0	78.065	-25.667	4566.800	0.006
L39	12.65 - 12.5 (39)	TP29.809x29.785x0.85	0.150	0.000	0.0	78.130	-25.719	4570.590	0.006
L40	12.5 - 12.25 (40)	TP29.849x29.809x0.8	0.250	0.000	0.0	73.762	-25.801	4315.100	0.006
L41	12.25 - 7.25 (41)	TP30.65x29.849x0.788	5.000	0.000	0.0	74.641	-27.451	4366.510	0.006

Section No.	Elevation ft	Size	L ft	L _u ft	Kl/r	A in ²	P _u K	φP _n K	Ratio P _u / φP _n
L42	7.25 - 2.25 (42)	TP31.45x30.65x0.775	5.000	0.000	0.0	75.456	-29.128	4414.160	0.007
L43	2.25 - 0 (43)	TP31.81x31.45x0.763	2.250	0.000	0.0	75.140	-29.891	4395.710	0.007

Pole Bending Design Data

Section No.	Elevation ft	Size	M _{ux} kip-ft	φM _{ux} kip-ft	Ratio M _{ux} / φM _{ux}	M _{uy} kip-ft	φM _{uy} kip-ft	Ratio M _{uy} / φM _{uy}
L1	108 - 103 (1)	TP8.625x8.625x0.313	9.584	56.708	0.169	0.000	56.708	0.000
L2	103 - 98.5 (2)	TP8.625x8.625x0.313	30.326	56.708	0.535	0.000	56.708	0.000
L3	98.5 - 98 (3)	TP16.5x16.5x0.313	32.671	214.977	0.152	0.000	214.977	0.000
L4	98 - 93 (4)	TP17.3x16.5x0.188	78.902	265.442	0.297	0.000	265.442	0.000
L5	93 - 88 (5)	TP18.101x17.3x0.188	129.229	290.644	0.445	0.000	290.644	0.000
L6	88 - 83 (6)	TP18.901x18.101x0.188	182.245	313.934	0.581	0.000	313.934	0.000
L7	83 - 82.873 (7)	TP18.921x18.901x0.188	183.628	314.534	0.584	0.000	314.534	0.000
L8	82.873 - 82.623 (8)	TP18.961x18.921x0.363	186.352	601.105	0.310	0.000	601.105	0.000
L9	82.623 - 77.623 (9)	TP19.762x18.961x0.356	245.869	643.803	0.382	0.000	643.803	0.000
L10	77.623 - 76.25 (10)	TP19.981x19.762x0.356	263.364	658.600	0.400	0.000	658.600	0.000
L11	76.25 - 76 (11)	TP20.021x19.981x0.6	266.576	1072.883	0.248	0.000	1072.883	0.000
L12	76 - 75.75 (12)	TP20.061x20.021x0.456	269.796	837.542	0.322	0.000	837.542	0.000
L13	75.75 - 74.333 (13)	TP20.288x20.061x0.45	288.204	846.317	0.341	0.000	846.317	0.000
L14	74.333 - 74.083 (14)	TP20.328x20.288x0.588	291.480	1086.558	0.268	0.000	1086.558	0.000
L15	74.083 - 69.083 (15)	TP21.128x20.328x0.575	359.272	1154.817	0.311	0.000	1154.817	0.000
L16	69.083 - 64.083 (16)	TP21.929x21.128x0.55	430.324	1197.717	0.359	0.000	1197.717	0.000
L17	64.083 - 59.083 (17)	TP22.729x21.929x0.538	504.729	1263.042	0.400	0.000	1263.042	0.000
L18	59.083 - 58.083 (18)	TP22.889x22.729x0.538	520.013	1281.542	0.406	0.000	1281.542	0.000
L19	58.083 - 57.733 (19)	TP22.945x22.889x0.6	525.394	1425.825	0.368	0.000	1425.825	0.000
L20	57.733 - 57.5 (20)	TP22.982x22.945x0.6	528.987	1430.650	0.370	0.000	1430.650	0.000
L21	57.5 - 52.5 (21)	TP23.783x22.982x0.575	607.839	1476.933	0.412	0.000	1476.933	0.000
L22	52.5 - 47 (22)	TP24.663x23.783x0.575	644.428	1523.692	0.423	0.000	1523.692	0.000
L23	47 - 45.25 (23)	TP24.568x23.768x0.625	728.356	1706.500	0.427	0.000	1706.500	0.000
L24	45.25 - 40.25 (24)	TP25.368x24.568x0.613	815.660	1790.208	0.456	0.000	1790.208	0.000
L25	40.25 - 38.083 (25)	TP25.715x25.368x0.613	854.500	1841.333	0.464	0.000	1841.333	0.000
L26	38.083 - 37.833 (26)	TP25.755x25.715x0.713	859.017	2123.333	0.405	0.000	2123.333	0.000
L27	37.833 - 32.833 (27)	TP26.555x25.755x0.7	951.083	2226.658	0.427	0.000	2226.658	0.000
L28	32.833 - 27.733 (28)	TP27.372x26.555x0.725	1048.233	2449.175	0.428	0.000	2449.175	0.000
L29	27.733 - 27.5 (29)	TP27.409x27.372x0.725	1052.750	2456.125	0.429	0.000	2456.125	0.000
L30	27.5 - 22.5 (30)	TP28.209x27.409x0.7	1151.217	2524.608	0.456	0.000	2524.608	0.000
L31	22.5 - 19.5 (31)	TP28.689x28.209x0.688	1211.700	2571.375	0.471	0.000	2571.375	0.000

Section No.	Elevation ft	Size	M_{ux} kip-ft	ϕM_{ux} kip-ft	Ratio $\frac{M_{ux}}{\phi M_{ux}}$	M_{uy} kip-ft	ϕM_{uy} kip-ft	Ratio $\frac{M_{uy}}{\phi M_{uy}}$
L32	19.5 - 19.25 (32)	TP28.729x28.689x0.8	1216.792	2964.833	0.410	0.000	2964.833	0.000
L33	19.25 - 14.25 (33)	TP29.529x28.729x0.775	1320.000	3049.425	0.433	0.000	3049.425	0.000
L34	14.25 - 14 (34)	TP29.569x29.529x0.775	1325.233	3058.033	0.433	0.000	3058.033	0.000
L35	14 - 13.75 (35)	TP29.609x29.569x0.775	1330.475	3066.650	0.434	0.000	3066.650	0.000
L36	13.75 - 12.983 (36)	TP29.732x29.609x1.075	1346.600	4158.533	0.324	0.000	4158.533	0.000
L37	12.983 - 12.817 (37)	TP29.759x29.732x0.95	1350.100	3730.267	0.362	0.000	3730.267	0.000
L38	12.817 - 12.65 (38)	TP29.785x29.759x0.85	1353.625	3378.817	0.401	0.000	3378.817	0.000
L39	12.65 - 12.5 (39)	TP29.809x29.785x0.85	1356.792	3384.500	0.401	0.000	3384.500	0.000
L40	12.5 - 12.25 (40)	TP29.849x29.809x0.8	1362.083	3210.900	0.424	0.000	3210.900	0.000
L41	12.25 - 7.25 (41)	TP30.65x29.849x0.788	1469.375	3343.858	0.439	0.000	3343.858	0.000
L42	7.25 - 2.25 (42)	TP31.45x30.65x0.775	1579.458	3476.092	0.454	0.000	3476.092	0.000
L43	2.25 - 0 (43)	TP31.81x31.45x0.763	1629.900	3506.025	0.465	0.000	3506.025	0.000

Pole Shear Design Data

Section No.	Elevation ft	Size	Actual V_u K	ϕV_n K	Ratio $\frac{V_u}{\phi V_n}$	Actual T_u kip-ft	ϕT_n kip-ft	Ratio $\frac{T_u}{\phi T_n}$
L1	108 - 103 (1)	TP8.625x8.625x0.313	4.354	77.119	0.056	0.415	56.361	0.007
L2	103 - 98.5 (2)	TP8.625x8.625x0.313	4.689	77.119	0.061	0.188	56.361	0.003
L3	98.5 - 98 (3)	TP16.5x16.5x0.313	4.709	150.180	0.031	0.188	213.732	0.001
L4	98 - 93 (4)	TP17.3x16.5x0.188	9.808	178.734	0.055	1.265	267.860	0.005
L5	93 - 88 (5)	TP18.101x17.3x0.188	10.348	187.092	0.055	1.173	293.499	0.004
L6	88 - 83 (6)	TP18.901x18.101x0.188	10.887	195.451	0.056	1.091	320.309	0.003
L7	83 - 82.873 (7)	TP18.921x18.901x0.188	10.899	195.663	0.056	1.075	321.006	0.003
L8	82.873 - 82.623 (8)	TP18.961x18.921x0.363	10.927	375.556	0.029	1.074	611.700	0.002
L9	82.623 - 77.623 (9)	TP19.762x18.961x0.356	12.666	385.087	0.033	1.035	654.423	0.002
L10	77.623 - 76.25 (10)	TP19.981x19.762x0.356	12.844	389.448	0.033	1.026	669.329	0.002
L11	76.25 - 76 (11)	TP20.021x19.981x0.6	12.873	649.103	0.020	1.017	1104.008	0.001
L12	76 - 75.75 (12)	TP20.061x20.021x0.456	12.906	498.259	0.026	1.016	855.467	0.001
L13	75.75 - 74.333 (13)	TP20.288x20.061x0.45	13.098	497.275	0.026	1.014	863.925	0.001
L14	74.333 - 74.083 (14)	TP20.328x20.288x0.588	13.128	646.030	0.020	1.005	1116.850	0.001
L15	74.083 - 69.083 (15)	TP21.128x20.328x0.575	13.887	658.318	0.021	1.166	1184.950	0.001
L16	69.083 - 64.083 (16)	TP21.929x21.128x0.55	14.560	654.980	0.022	1.132	1226.283	0.001
L17	64.083 - 59.083 (17)	TP22.729x21.929x0.538	15.230	664.430	0.023	1.099	1291.267	0.001
L18	59.083 - 58.083 (18)	TP22.889x22.729x0.538	15.365	669.222	0.023	1.092	1309.958	0.001
L19	58.083 - 57.733 (19)	TP22.945x22.889x0.6	15.409	746.822	0.021	1.086	1461.433	0.001
L20	57.733 - 57.5	TP22.982x22.945x0.6	15.442	748.069	0.021	1.084	1466.317	0.001

tnxTower B+T Group 1717 S. Boulder, Suite 300 Tulsa, OK 74119 Phone: (918) 587-4630 FAX: (918) 587-4630	Job 85565.012.01 - HARTFORD - NU (SSUSA), CT (BU# 876363)	Page 47 of 50
	Project	Date 18:15:26 05/14/21
	Client Crown Castle	Designed by Santhosh Kamath

Section No.	Elevation ft	Size	Actual V_u K	ϕV_n K	Ratio $\frac{V_u}{\phi V_n}$	Actual T_u kip-ft	ϕT_n kip-ft	Ratio $\frac{T_u}{\phi T_n}$
(20)								
L21	57.5 - 52.5 (21)	TP23.783x22.982x0.575	16.126	743.333	0.022	1.057	1510.758	0.001
L22	52.5 - 47 (22)	TP24.663x23.783x0.575	16.427	754.868	0.022	1.043	1558.008	0.001
L23	47 - 45.25 (23)	TP24.568x23.768x0.625	17.159	833.572	0.021	1.015	1747.842	0.001
L24	45.25 - 40.25	TP25.368x24.568x0.613	17.803	844.629	0.021	0.978	1831.142	0.001
(24)								
L25	40.25 - 38.083	TP25.715x25.368x0.613	18.080	856.462	0.021	0.965	1882.808	0.001
(25)								
L26	38.083 - 37.833 (26)	TP25.755x25.715x0.713	18.104	993.912	0.018	0.958	2179.750	0.000
L27	37.833 - 32.833 (27)	TP26.555x25.755x0.7	18.749	1008.160	0.019	0.931	2282.767	0.000
L28	32.833 - 27.733 (28)	TP27.372x26.555x0.725	19.386	1076.120	0.018	0.900	2511.208	0.000
L29	27.733 - 27.5	TP27.409x27.372x0.725	19.407	1077.630	0.018	0.894	2518.242	0.000
(29)								
L30	27.5 - 22.5 (30)	TP28.209x27.409x0.7	20.010	1072.650	0.019	0.870	2584.117	0.000
L31	22.5 - 19.5 (31)	TP28.689x28.209x0.688	20.353	1072.360	0.019	0.854	2629.683	0.000
L32	19.5 - 19.25	TP28.729x28.689x0.8	20.373	1244.610	0.016	0.849	3044.175	0.000
(32)								
L33	19.25 - 14.25	TP29.529x28.729x0.775	20.943	1241.340	0.017	0.825	3125.892	0.000
(33)								
L34	14.25 - 14 (34)	TP29.569x29.529x0.775	20.963	1243.060	0.017	0.819	3134.592	0.000
L35	14 - 13.75 (35)	TP29.609x29.569x0.775	20.991	1244.790	0.017	0.816	3143.317	0.000
L36	13.75 - 12.983	TP29.732x29.609x1.075	21.088	1716.030	0.012	0.814	4306.642	0.000
(36)								
L37	12.983 - 12.817 (37)	TP29.759x29.732x0.95	21.102	1524.510	0.014	0.807	3846.233	0.000
L38	12.817 - 12.65	TP29.785x29.759x0.85	21.122	1370.040	0.015	0.806	3471.708	0.000
(38)								
L39	12.65 - 12.5	TP29.809x29.785x0.85	21.139	1371.180	0.015	0.804	3477.475	0.000
(39)								
L40	12.5 - 12.25	TP29.849x29.809x0.8	21.169	1294.530	0.016	0.803	3293.292	0.000
(40)								
L41	12.25 - 7.25	TP30.65x29.849x0.788	21.746	1309.950	0.017	0.743	3425.767	0.000
(41)								
L42	7.25 - 2.25 (42)	TP31.45x30.65x0.775	22.297	1324.250	0.017	0.684	3557.392	0.000
L43	2.25 - 0 (43)	TP31.81x31.45x0.763	22.546	1318.710	0.017	0.659	3585.558	0.000

Pole Interaction Design Data

Section No.	Elevation ft	Ratio $\frac{P_u}{\phi P_n}$	Ratio $\frac{M_{ux}}{\phi M_{nx}}$	Ratio $\frac{M_{uy}}{\phi M_{ny}}$	Ratio $\frac{V_u}{\phi V_n}$	Ratio $\frac{T_u}{\phi T_n}$	Comb. Stress Ratio	Allow. Stress Ratio	Criteria
L1	108 - 103 (1)	0.010	0.169	0.000	0.056	0.007	0.183	1.050	4.8.2 ✓
L2	103 - 98.5 (2)	0.011	0.535	0.000	0.061	0.003	0.550	1.050	4.8.2 ✓
L3	98.5 - 98 (3)	0.006	0.152	0.000	0.031	0.001	0.159	1.050	4.8.2 ✓
L4	98 - 93 (4)	0.013	0.297	0.000	0.055	0.005	0.314	1.050	4.8.2 ✓
L5	93 - 88 (5)	0.013	0.445	0.000	0.055	0.004	0.461	1.050	4.8.2 ✓

tnxTower

B+T Group
1717 S. Boulder, Suite 300
Tulsa, OK 74119
Phone: (918) 587-4630
FAX: (918) 587-4630

Job
85565.012.01 - HARTFORD - NU (SSUSA), CT (BU# 876363)

Page
48 of 50

Project

Date
18:15:26 05/14/21

Client
Crown Castle

Designed by
Santhosh Kamath

Section No.	Elevation ft	Ratio	Ratio	Ratio	Ratio	Ratio	Comb. Stress Ratio	Allow. Stress Ratio	Criteria
		P_u	M_{ux}	M_{uy}	V_u	T_u			
		ϕP_n	ϕM_{nx}	ϕM_{ny}	ϕV_n	ϕT_n			
L6	88 - 83 (6)	0.013	0.581	0.000	0.056	0.003	0.597	1.050	4.8.2 ✓
L7	83 - 82.873 (7)	0.013	0.584	0.000	0.056	0.003	0.600	1.050	4.8.2 ✓
L8	82.873 - 82.623 (8)	0.007	0.310	0.000	0.029	0.002	0.318	1.050	4.8.2 ✓
L9	82.623 - 77.623 (9)	0.008	0.382	0.000	0.033	0.002	0.391	1.050	4.8.2 ✓
L10	77.623 - 76.25 (10)	0.008	0.400	0.000	0.033	0.002	0.409	1.050	4.8.2 ✓
L11	76.25 - 76 (11)	0.005	0.248	0.000	0.020	0.001	0.254	1.050	4.8.2 ✓
L12	76 - 75.75 (12)	0.006	0.322	0.000	0.026	0.001	0.329	1.050	4.8.2 ✓
L13	75.75 - 74.333 (13)	0.006	0.341	0.000	0.026	0.001	0.348	1.050	4.8.2 ✓
L14	74.333 - 74.083 (14)	0.005	0.268	0.000	0.020	0.001	0.274	1.050	4.8.2 ✓
L15	74.083 - 69.083 (15)	0.005	0.311	0.000	0.021	0.001	0.317	1.050	4.8.2 ✓
L16	69.083 - 64.083 (16)	0.006	0.359	0.000	0.022	0.001	0.365	1.050	4.8.2 ✓
L17	64.083 - 59.083 (17)	0.006	0.400	0.000	0.023	0.001	0.406	1.050	4.8.2 ✓
L18	59.083 - 58.083 (18)	0.006	0.406	0.000	0.023	0.001	0.412	1.050	4.8.2 ✓
L19	58.083 - 57.733 (19)	0.005	0.368	0.000	0.021	0.001	0.374	1.050	4.8.2 ✓
L20	57.733 - 57.5 (20)	0.005	0.370	0.000	0.021	0.001	0.376	1.050	4.8.2 ✓
L21	57.5 - 52.5 (21)	0.006	0.412	0.000	0.022	0.001	0.418	1.050	4.8.2 ✓
L22	52.5 - 47 (22)	0.006	0.423	0.000	0.022	0.001	0.429	1.050	4.8.2 ✓
L23	47 - 45.25 (23)	0.006	0.427	0.000	0.021	0.001	0.433	1.050	4.8.2 ✓
L24	45.25 - 40.25 (24)	0.006	0.456	0.000	0.021	0.001	0.462	1.050	4.8.2 ✓
L25	40.25 - 38.083 (25)	0.006	0.464	0.000	0.021	0.001	0.471	1.050	4.8.2 ✓
L26	38.083 - 37.833 (26)	0.006	0.405	0.000	0.018	0.000	0.411	1.050	4.8.2 ✓
L27	37.833 - 32.833 (27)	0.006	0.427	0.000	0.019	0.000	0.433	1.050	4.8.2 ✓
L28	32.833 - 27.733 (28)	0.006	0.428	0.000	0.018	0.000	0.434	1.050	4.8.2 ✓
L29	27.733 - 27.5 (29)	0.006	0.429	0.000	0.018	0.000	0.435	1.050	4.8.2 ✓
L30	27.5 - 22.5 (30)	0.006	0.456	0.000	0.019	0.000	0.463	1.050	4.8.2 ✓
L31	22.5 - 19.5 (31)	0.007	0.471	0.000	0.019	0.000	0.478	1.050	4.8.2 ✓

tnxTower

B+T Group
1717 S. Boulder, Suite 300
Tulsa, OK 74119
Phone: (918) 587-4630
FAX: (918) 587-4630

Job
85565.012.01 - HARTFORD - NU (SSUSA), CT (BU# 876363)

Page
49 of 50

Project

Date
18:15:26 05/14/21

Client
Crown Castle

Designed by
Santhosh Kamath

Section No.	Elevation ft	Ratio	Ratio	Ratio	Ratio	Ratio	Comb. Stress Ratio	Allow. Stress Ratio	Criteria
		P_u	M_{ux}	M_{uy}	V_u	T_u			
		ϕP_n	ϕM_{nx}	ϕM_{ny}	ϕV_n	ϕT_n			
L32	19.5 - 19.25 (32)	0.006	0.410	0.000	0.016	0.000	0.416	1.050	4.8.2 ✓
L33	19.25 - 14.25 (33)	0.006	0.433	0.000	0.017	0.000	0.439	1.050	4.8.2 ✓
L34	14.25 - 14 (34)	0.006	0.433	0.000	0.017	0.000	0.440	1.050	4.8.2 ✓
L35	14 - 13.75 (35)	0.006	0.434	0.000	0.017	0.000	0.440	1.050	4.8.2 ✓
L36	13.75 - 12.983 (36)	0.004	0.324	0.000	0.012	0.000	0.328	1.050	4.8.2 ✓
L37	12.983 - 12.817 (37)	0.005	0.362	0.000	0.014	0.000	0.367	1.050	4.8.2 ✓
L38	12.817 - 12.65 (38)	0.006	0.401	0.000	0.015	0.000	0.406	1.050	4.8.2 ✓
L39	12.65 - 12.5 (39)	0.006	0.401	0.000	0.015	0.000	0.407	1.050	4.8.2 ✓
L40	12.5 - 12.25 (40)	0.006	0.424	0.000	0.016	0.000	0.430	1.050	4.8.2 ✓
L41	12.25 - 7.25 (41)	0.006	0.439	0.000	0.017	0.000	0.446	1.050	4.8.2 ✓
L42	7.25 - 2.25 (42)	0.007	0.454	0.000	0.017	0.000	0.461	1.050	4.8.2 ✓
L43	2.25 - 0 (43)	0.007	0.465	0.000	0.017	0.000	0.472	1.050	4.8.2 ✓

tnxTower B+T Group 1717 S. Boulder, Suite 300 Tulsa, OK 74119 Phone: (918) 587-4630 FAX: (918) 587-4630	Job 85565.012.01 - HARTFORD - NU (SSUSA), CT (BU# 876363)	Page 50 of 50
	Project	Date 18:15:26 05/14/21
	Client Crown Castle	Designed by Santhosh Kamath

Section Capacity Table

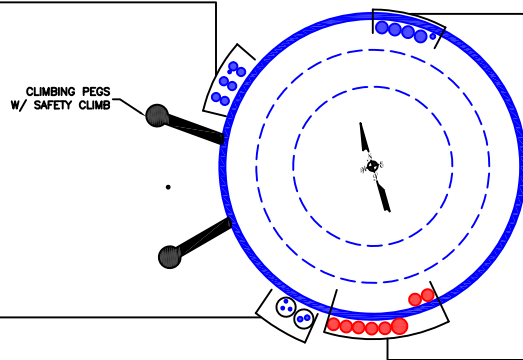
Section No.	Elevation ft	Component Type	Size	Critical Element	P K	ϕP_{allow} K	% Capacity	Pass Fail	
L1	108 - 103	Pole	TP8.625x8.625x0.313	1	-2.500	--	17.3	Pass*	
L2	103 - 98.5	Pole	TP8.625x8.625x0.313	2	-2.759	--	52.3	Pass*	
L3	98.5 - 98	Pole	TP16.5x16.5x0.313	3	-2.801	--	15.1	Pass*	
L4	98 - 93	Pole	TP17.3x16.5x0.188	4	-7.578	--	29.8	Pass*	
L5	93 - 88	Pole	TP18.101x17.3x0.188	5	-7.912	--	43.8	Pass*	
L6	88 - 83	Pole	TP18.901x18.101x0.188	6	-8.284	--	56.8	Pass*	
L7	83 - 82.873	Pole	TP18.921x18.901x0.188	7	-8.303	--	57.1	Pass*	
L8	82.873 - 82.623	Pole	TP18.961x18.921x0.363	8	-8.329	--	46.5	Pass*	
L9	82.623 - 77.623	Pole	TP19.762x18.961x0.356	9	-9.897	--	57.5	Pass*	
L10	77.623 - 76.25	Pole	TP19.981x19.762x0.356	10	-10.049	--	60.4	Pass*	
L11	76.25 - 76	Pole	TP20.021x19.981x0.6	11	-10.101	--	42.9	Pass*	
L12	76 - 75.75	Pole	TP20.061x20.021x0.456	12	-10.140	--	49.9	Pass*	
L13	75.75 - 74.333	Pole	TP20.288x20.061x0.45	13	-10.360	--	52.4	Pass*	
L14	74.333 - 74.083	Pole	TP20.328x20.288x0.588	14	-10.411	--	46.0	Pass*	
L15	74.083 - 69.083	Pole	TP21.128x20.328x0.575	15	-11.344	--	53.9	Pass*	
L16	69.083 - 64.083	Pole	TP21.929x21.128x0.55	16	-12.225	--	61.4	Pass*	
L17	64.083 - 59.083	Pole	TP22.729x21.929x0.538	17	-13.129	--	68.6	Pass*	
L18	59.083 - 58.083	Pole	TP22.889x22.729x0.538	18	-13.313	--	70.0	Pass*	
L19	58.083 - 57.733	Pole	TP22.945x22.889x0.6	19	-13.393	--	64.7	Pass*	
L20	57.733 - 57.5	Pole	TP22.982x22.945x0.6	20	-13.443	--	60.4	Pass*	
L21	57.5 - 52.5	Pole	TP23.783x22.982x0.575	21	-14.500	--	66.3	Pass*	
L22	52.5 - 47	Pole	TP24.663x23.783x0.575	22	-14.986	--	68.8	Pass*	
L23	47 - 45.25	Pole	TP24.568x23.768x0.625	23	-16.734	--	67.6	Pass*	
L24	45.25 - 40.25	Pole	TP25.368x24.568x0.613	24	-17.945	--	72.3	Pass*	
L25	40.25 - 38.083	Pole	TP25.715x25.368x0.613	25	-18.475	--	74.2	Pass*	
L26	38.083 - 37.833	Pole	TP25.755x25.715x0.713	26	-18.547	--	67.6	Pass*	
L27	37.833 - 32.833	Pole	TP26.555x25.755x0.7	27	-19.820	--	71.9	Pass*	
L28	32.833 - 27.733	Pole	TP27.372x26.555x0.725	28	-21.210	--	67.2	Pass*	
L29	27.733 - 27.5	Pole	TP27.409x27.372x0.725	29	-21.282	--	67.3	Pass*	
L30	27.5 - 22.5	Pole	TP28.209x27.409x0.7	30	-22.661	--	70.8	Pass*	
L31	22.5 - 19.5	Pole	TP28.689x28.209x0.688	31	-23.507	--	72.9	Pass*	
L32	19.5 - 19.25	Pole	TP28.729x28.689x0.8	32	-23.590	--	68.0	Pass*	
L33	19.25 - 14.25	Pole	TP29.529x28.729x0.775	33	-25.084	--	71.1	Pass*	
L34	14.25 - 14	Pole	TP29.569x29.529x0.775	34	-25.167	--	71.3	Pass*	
L35	14 - 13.75	Pole	TP29.609x29.569x0.775	35	-25.243	--	71.5	Pass*	
L36	13.75 - 12.983	Pole	TP29.732x29.609x1.075	36	-25.543	--	57.5	Pass*	
L37	12.983 - 12.817	Pole	TP29.759x29.732x0.95	37	-25.609	--	64.0	Pass*	
L38	12.817 - 12.65	Pole	TP29.785x29.759x0.85	38	-25.667	--	67.2	Pass*	
L39	12.65 - 12.5	Pole	TP29.809x29.785x0.85	39	-25.719	--	67.3	Pass*	
L40	12.5 - 12.25	Pole	TP29.849x29.809x0.8	40	-25.801	--	68.4	Pass*	
L41	12.25 - 7.25	Pole	TP30.65x29.849x0.788	41	-27.451	--	71.2	Pass*	
L42	7.25 - 2.25	Pole	TP31.45x30.65x0.775	42	-29.128	--	74.0	Pass*	
L43	2.25 - 0	Pole	TP31.81x31.45x0.763	43	-29.891	--	75.2	Pass*	
							Summary		
							Pole (L43)	75.2	Pass*
							RATING =	75.2	Pass*

* - See additional documentation in "Appendix C - Additional Calculations" for calculations supporting the % capacity consumed

APPENDIX B
BASE LEVEL DRAWING

(OTHER CONSIDERED EQUIPMENT)
(1) 5/16" TO 81 FT LEVEL
(6) 7/8" TO 81 FT LEVEL

(OTHER CONSIDERED EQUIPMENT)
(1) 1/2" TO 74 FT LEVEL
(4) 1-1/4" TO 98 FT LEVEL



(OTHER CONSIDERED EQUIPMENT—IN 2" CONDUITS)
(3) 5/16" TO 98 FT LEVEL
(2) 1/2" TO 98 FT LEVEL

(PROPOSED EQUIPMENT CONFIGURATION)
(7) 1-1/4" TO 105 FT LEVEL
(1) 1-5/8" TO 105 FT LEVEL

BUSINESS UNIT: 876363

APPENDIX C
ADDITIONAL CALCULATIONS

Site BU: 876363
Work Order: 1962334



Copyright © 2019 Crown Castle

Pole Geometry

	Pole Height Above Base (ft)	Section Length (ft)	Lap Splice Length (ft)	Number of Sides	Top Diameter (in)	Bottom Diameter (in)	Wall Thickness (in)	Bend Radius (in)	Pole Material
1	108	9.5	0	0	8.625	8.625	0.3125		A53-B-35
2	98.5	0.5	0	0	16.50	16.5	0.3125		A53-B-35
3	98	51	3.25	18	16.50	24.663	0.1875	Auto	A607-65
4	50.25	50.25	0	18	23.77	31.81	0.25	Auto	A607-65

Reinforcement Configuration

	Bottom Effective Elevation (ft)	Top Effective Elevation (ft)	Type	Model	Number	1	2	3	4	5	6	7	8	9	10	11	12	13	14	15	16	17	18
1	0	27.75	plate	TRI B1 5.25 x 1.25-18	2			E1					E1										
2	0	13	plate	TRI B1A 5.25 x 1.25-18	2													E1					E1
3	12.75	27.75	plate	TRI B1B 5.25 x 1.25-18	1																		E1
4	27.75	57.75	plate	TRI B2 4.375 x 1.25-21	3			E1					E1										E1
5	57.75	76.25	plate	TRI B3 4 x 1.25-21	3			E1					E1										E1
6	0	13.083	channel	MP3-05 (1.1875in)	1					E2													
7	0	38.083	channel	MP3-05 (1.1875in)	2													E2					E2
8	12.917	38.083	channel	MP3-05 (1.1875in)	1							E2											
9	38.083	58.083	channel	MP3-05 (1.1875in)	2							E2											E2
10	58.083	82.873	channel	MP3-03 (1.1875in)	2							E2											E2
11	0	14	plate	CCI-SFP-045100	1									E3									
12	12.5	19.5	plate	CCI-SFP-045100	1	E3																	
13	38.083	74.333	channel	MP3-03 (1.1875in)	1													E2					
14	76	82.873	channel	MP3-03 (1.1875in)	1													E2					
15																							

Reinforcement Details

	B (in)	H (in)	Gross Area (in ²)	Pole Face to Centroid (in)	Bottom Termination Type	Bottom Termination Length (in)	Top Termination Type	Top Termination Length (in)	Lu (in)	Net Area (in ²)	Bolt Hole Size (in)	Reinforcement Material
1	5.25	1.25	6.5625	0.625	Welded	n/a	PC 8.8 - M20 (100)	24.000	18.000	4.959	1.2200	A572-65
2	5.25	1.25	6.5625	0.625	Welded	n/a	PC 8.8 - M20 (100)	30.000	18.000	4.959	1.2200	A572-65
3	5.25	1.25	6.5625	0.625	PC 8.8 - M20 (100)	30	PC 8.8 - M20 (100)	24.000	18.000	4.959	1.2200	A572-65
4	4.375	1.25	5.46875	0.625	None	n/a	PC 8.8 - M20 (100)	21.000	21.000	3.866	1.2200	A572-65
5	4	1.25	5	0.625	None	n/a	PC 8.8 - M20 (100)	21.000	21.000	3.397	1.2200	A572-65
6	5.33	2.09	5.65	0.79	PC 8.8 - M20 (100)	29	PC 8.8 - M20 (100)	29.000	18.000	5.025	1.1875	A572-65
7	5.33	2.09	5.65	0.79	PC 8.8 - M20 (100)	29	PC 8.8 - M20 (100)	29.000	18.000	5.025	1.1875	A572-65
8	5.33	2.09	5.65	0.79	PC 8.8 - M20 (100)	29	PC 8.8 - M20 (100)	29.000	18.000	5.025	1.1875	A572-65
9	5.33	2.09	5.65	0.79	PC 8.8 - M20 (100)	29	PC 8.8 - M20 (100)	29.000	18.000	5.025	1.1875	A572-65
10	4.06	1.57	2.92	0.59	PC 8.8 - M20 (100)	14	PC 8.8 - M20 (100)	14.000	18.000	2.545	1.1875	A572-65
11	4.5	1	4.5	0.5	PC 8.8 - M20 (100)	18	PC 8.8 - M20 (100)	18.000	20.000	3.250	1.1875	A572-65
12	4.5	1	4.5	0.5	PC 8.8 - M20 (100)	18	PC 8.8 - M20 (100)	18.000	20.000	3.250	1.1875	A572-65
13	4.06	1.57	2.92	0.59	PC 8.8 - M20 (100)	14	PC 8.8 - M20 (100)	14.000	18.000	2.545	1.1875	A572-65
14	4.06	1.57	2.92	0.59	PC 8.8 - M20 (100)	14	PC 8.8 - M20 (100)	14.000	18.000	2.545	1.1875	A572-65

Connection Details for Custom Reinforcements

Reinforcement	End	# Bolts	N or X	Bolt Spacing (in)	Edge Dist (in)	Weld Grade (ksi)	Transverse (Horiz.) Weld Type	Horiz. Weld Length (in)	Horiz. Groove Depth (in)	Horiz. Groove Angle (deg)	Horiz. Fillet Size (in)	Vertical Weld Length (in)	Vertical Fillet Size (in)	Rev H Connection Capacity (kip)
TRI B1 5.25 x 1.25-18	Top	8	N	3	3	-	-	-	-	-	-	-	-	-
	Bottom	-	-	-	-	70	CJP Groove	5.25	1.25	45	0.25	-	-	-
TRI B1A 5.25 x 1.25-18	Top	10	N	3	3	-	-	-	-	-	-	-	-	-
	Bottom	-	-	-	-	70	CJP Groove	5.25	1.25	45	0.25	-	-	-
TRI B1B 5.25 x 1.25-18	Top	8	N	3	3	-	-	-	-	-	-	-	-	-
	Bottom	10	N	3	3	-	-	-	-	-	-	-	-	-
TRI B2 4.375 x 1.25-21	Top	7	N	3	3	-	-	-	-	-	-	-	-	-
	Bottom	-	-	-	-	70	None	-	-	-	-	-	-	-
TRI B3 4 x 1.25-21	Top	7	N	3	3	-	-	-	-	-	-	-	-	-
	Bottom	-	-	-	-	70	None	-	-	-	-	-	-	-

TNX Geometry Input

Increment (ft): [Export to TNX](#)

	Section Height (ft)	Section Length (ft)	Lap Splice Length (ft)	Number of Sides	Top Diameter (in)	Bottom Diameter (in)	Wall Thickness (in)	Tapered Pole Grade	Weight Multiplier
1	108 - 103	5		0	8.625	8.625	0.3125	A53-B-35	1.000
2	103 - 98.5	4.5	0	0	8.625	8.625	0.3125	A53-B-35	1.000
3	98.5 - 98	0.5	0	0	16.500	16.500	0.3125	A53-B-35	1.000
4	98 - 93	5		18	16.500	17.300	0.1875	A607-65	1.000
5	93 - 88	5		18	17.300	18.101	0.1875	A607-65	1.000
6	88 - 83	5		18	18.101	18.901	0.1875	A607-65	1.000
7	83 - 82.873	0.127		18	18.901	18.921	0.1875	A607-65	1.000
8	82.873 - 82.623	0.25		18	18.921	18.961	0.3625	A607-65	0.931
9	82.623 - 77.623	5		18	18.961	19.762	0.35625	A607-65	0.930
10	77.623 - 76.25	1.373		18	19.762	19.981	0.35625	A607-65	0.926
11	76.25 - 76	0.25		18	19.981	20.021	0.6	A607-65	0.962
12	76 - 75.75	0.25		18	20.021	20.061	0.45625	A607-65	1.151
13	75.75 - 74.333	1.417		18	20.061	20.288	0.45	A607-65	1.158
14	74.333 - 74.083	0.25		18	20.288	20.328	0.5875	A607-65	0.971
15	74.083 - 69.083	5		18	20.328	21.128	0.575	A607-65	0.966
16	69.083 - 64.083	5		18	21.128	21.929	0.55	A607-65	0.983
17	64.083 - 59.083	5		18	21.929	22.729	0.5375	A607-65	0.982
18	59.083 - 58.083	1		18	22.729	22.889	0.5375	A607-65	0.977
19	58.083 - 57.733	0.35		18	22.889	22.945	0.6	A607-65	1.038
20	57.733 - 57.5	0.233		18	22.945	22.982	0.6	A607-65	1.037
21	57.5 - 52.5	5		18	22.982	23.783	0.575	A607-65	1.055
22	52.5 - 50.25	5.5	3.25	18	23.783	24.663	0.575	A607-65	1.044
23	50.25 - 45.25	5		18	23.768	24.568	0.625	A607-65	1.051
24	45.25 - 40.25	5		18	24.568	25.368	0.6125	A607-65	1.051
25	40.25 - 38.083	2.167		18	25.368	25.715	0.6125	A607-65	1.042
26	38.083 - 37.833	0.25		18	25.715	25.755	0.7125	A607-65	0.946
27	37.833 - 32.833	5		18	25.755	26.555	0.7	A607-65	0.944
28	32.833 - 27.733	5.1		18	26.555	27.372	0.725	A607-65	0.948
29	27.733 - 27.5	0.233		18	27.372	27.409	0.725	A607-65	0.948
30	27.5 - 22.5	5		18	27.409	28.209	0.7	A607-65	0.962
31	22.5 - 19.5	3		18	28.209	28.689	0.6875	A607-65	0.969
32	19.5 - 19.25	0.25		18	28.689	28.729	0.8	A607-65	0.899
33	19.25 - 14.25	5		18	28.729	29.529	0.775	A607-65	0.910
34	14.25 - 14	0.25		18	29.529	29.569	0.775	A607-65	0.909
35	14 - 13.75	0.25		18	29.569	29.609	0.775	A607-65	0.908
36	13.75 - 12.983	0.767		18	29.609	29.732	1.075	A607-65	0.898
37	12.983 - 12.817	0.166		18	29.732	29.759	0.95	A607-65	0.946
38	12.817 - 12.65	0.167		18	29.759	29.785	0.85	A607-65	0.969
39	12.65 - 12.5	0.15		18	29.785	29.809	0.85	A607-65	0.968
40	12.5 - 12.25	0.25		18	29.809	29.849	0.8	A607-65	0.965
41	12.25 - 7.25	5		18	29.849	30.650	0.7875	A607-65	0.962
42	7.25 - 2.25	5		18	30.650	31.450	0.775	A607-65	0.960
43	2.25 - 0	2.25		18	31.450	31.810	0.7625	A607-65	0.968

TNX Section Forces

Increment (ft):		5	TNX Output		
	Section Height (ft)	P _u	M _{ux} (kip-ft)	V _u (K)	
1	108 - 103	2.52	9.59	4.36	
2	103 - 98.5	2.76	30.33	4.69	
3	98.5 - 98	2.80	32.67	4.71	
4	98 - 93	7.58	78.90	9.81	
5	93 - 88	7.91	129.23	10.35	
6	88 - 83	8.28	182.25	10.89	
7	83 - 82.873	8.30	183.63	10.90	
8	82.873 - 82.623	8.33	186.35	10.93	
9	82.623 - 77.623	9.90	245.87	12.67	
10	77.623 - 76.25	10.05	263.36	12.84	
11	76.25 - 76	10.10	266.58	12.87	
12	76 - 75.75	10.14	269.80	12.91	
13	75.75 - 74.333	10.36	288.20	13.10	
14	74.333 - 74.083	10.41	291.48	13.13	
15	74.083 - 69.083	11.34	359.27	13.89	
16	69.083 - 64.083	12.23	430.32	14.56	
17	64.083 - 59.083	13.13	504.73	15.23	
18	59.083 - 58.083	13.31	520.01	15.37	
19	58.083 - 57.733	13.39	525.39	15.41	
20	57.733 - 57.5	13.44	528.99	15.44	
21	57.5 - 52.5	14.50	607.84	16.13	
22	52.5 - 50.25	14.99	644.43	16.43	
23	50.25 - 45.25	16.73	728.36	17.16	
24	45.25 - 40.25	17.94	815.66	17.80	
25	40.25 - 38.083	18.47	854.50	18.08	
26	38.083 - 37.833	18.55	859.02	18.10	
27	37.833 - 32.833	19.82	951.08	18.75	
28	32.833 - 27.733	21.21	1048.23	19.39	
29	27.733 - 27.5	21.28	1052.75	19.41	
30	27.5 - 22.5	22.66	1151.21	20.01	
31	22.5 - 19.5	23.51	1211.70	20.35	
32	19.5 - 19.25	23.59	1216.79	20.37	
33	19.25 - 14.25	25.08	1320.00	20.94	
34	14.25 - 14	25.17	1325.23	20.96	
35	14 - 13.75	25.24	1330.48	20.99	
36	13.75 - 12.983	25.54	1346.60	21.09	
37	12.983 - 12.817	25.61	1350.10	21.10	
38	12.817 - 12.65	25.67	1353.63	21.12	
39	12.65 - 12.5	25.72	1356.80	21.14	
40	12.5 - 12.25	25.80	1362.08	21.17	
41	12.25 - 7.25	27.45	1469.37	21.75	
42	7.25 - 2.25	29.13	1579.46	22.30	
43	2.25 - 0	29.89	1629.90	22.55	

Analysis Results

Elevation (ft)	Component Type	Size	Critical Element	% Capacity	Pass / Fail
108 - 103	Pole	TP8.625x8.625x0.3125	Pole	17.3%	Pass
103 - 98.5	Pole	TP8.625x8.625x0.3125	Pole	52.3%	Pass
98.5 - 98	Pole	TP16.5x16.5x0.3125	Pole	15.1%	Pass
98 - 93	Pole	TP17.3x16.5x0.1875	Pole	29.8%	Pass
93 - 88	Pole	TP18.101x17.3x0.1875	Pole	43.8%	Pass
88 - 83	Pole	TP18.901x18.101x0.1875	Pole	56.8%	Pass
83 - 82.87	Pole	TP18.921x18.901x0.1875	Pole	57.1%	Pass
82.87 - 82.62	Pole + Reinf.	TP18.961x18.921x0.3625	Reinf. 14 Tension Rupture	46.5%	Pass
82.62 - 77.62	Pole + Reinf.	TP19.762x18.961x0.3563	Reinf. 14 Tension Rupture	57.5%	Pass
77.62 - 76.25	Pole + Reinf.	TP19.981x19.762x0.3563	Reinf. 14 Tension Rupture	60.4%	Pass
76.25 - 76	Pole + Reinf.	TP20.021x19.981x0.6	Reinf. 5 Tension Rupture	42.9%	Pass
76 - 75.75	Pole + Reinf.	TP20.061x20.021x0.4563	Reinf. 5 Tension Rupture	49.9%	Pass
75.75 - 74.33	Pole + Reinf.	TP20.288x20.061x0.45	Reinf. 5 Tension Rupture	52.4%	Pass
74.33 - 74.08	Pole + Reinf.	TP20.328x20.288x0.5875	Reinf. 5 Tension Rupture	46.0%	Pass
74.08 - 69.08	Pole + Reinf.	TP21.128x20.328x0.575	Reinf. 5 Tension Rupture	53.9%	Pass
69.08 - 64.08	Pole + Reinf.	TP21.929x21.128x0.55	Reinf. 5 Tension Rupture	61.4%	Pass
64.08 - 59.08	Pole + Reinf.	TP22.729x21.929x0.5375	Reinf. 5 Tension Rupture	68.6%	Pass
59.08 - 58.08	Pole + Reinf.	TP22.889x22.729x0.5375	Reinf. 5 Tension Rupture	70.0%	Pass
58.08 - 57.73	Pole + Reinf.	TP22.945x22.889x0.6	Reinf. 4 Bolt-Shaft Bearing	64.7%	Pass
57.73 - 57.5	Pole + Reinf.	TP22.982x22.945x0.6	Reinf. 13 Tension Rupture	60.4%	Pass
57.5 - 52.5	Pole + Reinf.	TP23.783x22.982x0.575	Reinf. 13 Tension Rupture	66.3%	Pass
52.5 - 50.25	Pole + Reinf.	TP24.663x23.783x0.575	Reinf. 13 Tension Rupture	68.8%	Pass
50.25 - 45.25	Pole + Reinf.	TP24.568x23.768x0.625	Reinf. 13 Tension Rupture	67.6%	Pass
45.25 - 40.25	Pole + Reinf.	TP25.368x24.568x0.6125	Reinf. 13 Tension Rupture	72.3%	Pass
40.25 - 38.08	Pole + Reinf.	TP25.715x25.368x0.6125	Reinf. 13 Tension Rupture	74.2%	Pass
38.08 - 37.83	Pole + Reinf.	TP25.755x25.715x0.7125	Reinf. 4 Tension Rupture	67.6%	Pass
37.83 - 32.83	Pole + Reinf.	TP26.555x25.755x0.7	Reinf. 4 Tension Rupture	71.9%	Pass
32.83 - 27.73	Pole + Reinf.	TP27.372x26.555x0.725	Reinf. 1 Tension Rupture	67.2%	Pass
27.73 - 27.5	Pole + Reinf.	TP27.409x27.372x0.725	Reinf. 1 Tension Rupture	67.3%	Pass
27.5 - 22.5	Pole + Reinf.	TP28.209x27.409x0.7	Reinf. 1 Tension Rupture	70.8%	Pass
22.5 - 19.5	Pole + Reinf.	TP28.689x28.209x0.6875	Reinf. 1 Tension Rupture	72.9%	Pass
19.5 - 19.25	Pole + Reinf.	TP28.729x28.689x0.8	Reinf. 3 Tension Rupture	68.0%	Pass
19.25 - 14.25	Pole + Reinf.	TP29.529x28.729x0.775	Reinf. 3 Tension Rupture	71.1%	Pass
14.25 - 14	Pole + Reinf.	TP29.569x29.529x0.775	Reinf. 3 Tension Rupture	71.3%	Pass
14 - 13.75	Pole + Reinf.	TP29.609x29.569x0.775	Reinf. 3 Tension Rupture	71.5%	Pass
13.75 - 12.98	Pole + Reinf.	TP29.732x29.609x1.075	Reinf. 11 Tension Rupture	57.5%	Pass
12.98 - 12.82	Pole + Reinf.	TP29.759x29.732x0.95	Reinf. 1 Tension Rupture	64.0%	Pass
12.82 - 12.65	Pole + Reinf.	TP29.785x29.759x0.85	Reinf. 1 Tension Rupture	67.2%	Pass
12.65 - 12.5	Pole + Reinf.	TP29.809x29.785x0.85	Reinf. 1 Tension Rupture	67.3%	Pass
12.5 - 12.25	Pole + Reinf.	TP29.849x29.809x0.8	Reinf. 1 Tension Rupture	68.4%	Pass
12.25 - 7.25	Pole + Reinf.	TP30.65x29.849x0.7875	Reinf. 1 Tension Rupture	71.2%	Pass
7.25 - 2.25	Pole + Reinf.	TP31.45x30.65x0.775	Reinf. 1 Tension Rupture	74.0%	Pass
2.25 - 0	Pole + Reinf.	TP31.81x31.45x0.7625	Reinf. 1 Tension Rupture	75.2%	Pass
				Summary	
			Pole	57.1%	Pass
			Reinforcement	75.2%	Pass
			Overall	75.2%	Pass

Additional Calculations

Section Elevation (ft)	Moment of Inertia (in ⁴)			Area (in ²)			% Capacity*															
	Pole	Reinf.	Total	Pole	Reinf.	Total	Pole	R1	R2	R3	R4	R5	R6	R7	R8	R9	R10	R11	R12	R13	R14	
108 - 103	71	n/a	71	8.16	n/a	8.16	17.3%															
103 - 98.5	71	n/a	71	8.16	n/a	8.16	52.3%															
98.5 - 98	521	n/a	521	15.89	n/a	15.89	15.1%															
98 - 93	377	n/a	377	10.18	n/a	10.18	29.8%															
93 - 88	432	n/a	432	10.66	n/a	10.66	43.8%															
88 - 83	493	n/a	493	11.14	n/a	11.14	56.8%															
83 - 82.87	494	n/a	494	11.15	n/a	11.15	57.1%															
82.87 - 82.62	497	447	944	11.17	8.76	19.93	29.9%										46.5%					46.5%
82.62 - 77.62	564	483	1047	11.65	8.76	20.41	37.5%										57.5%					57.5%
77.62 - 76.25	583	493	1076	11.78	8.76	20.54	39.6%										60.4%					60.4%
76.25 - 76	589	1179	1768	11.80	23.76	35.56	25.9%					42.9%					35.2%					38.4%
76 - 75.75	615	790	1405	11.83	20.84	32.67	35.8%					49.9%					36.6%					
75.75 - 74.33	636	807	1443	11.96	20.84	32.80	37.8%					52.4%					38.5%					
74.33 - 74.08	617	1213	1829	11.99	23.76	35.75	27.8%					46.0%					37.7%					41.1%
74.08 - 69.08	693	1304	1996	12.46	23.76	36.22	32.9%					53.9%					44.1%					48.1%
69.08 - 64.08	775	1397	2173	12.94	23.76	36.70	38.0%					61.4%					50.3%					54.7%
64.08 - 59.08	864	1518	2382	13.41	23.76	37.17	42.4%					68.6%					56.2%					61.1%
59.08 - 58.08	883	1538	2421	13.51	23.76	37.27	43.4%					70.0%					57.4%					62.4%
58.08 - 57.73	907	1781	2688	13.54	30.63	44.17	41.9%				64.7%					44.4%						60.1%
57.73 - 57.5	911	1787	2698	13.57	30.63	44.19	42.2%				57.8%					44.6%						60.4%
57.5 - 52.5	1010	1905	2915	14.04	30.63	44.67	46.8%				63.6%					49.1%						66.3%
52.5 - 50.25	1057	1960	3016	14.26	30.63	44.88	48.9%				66.1%					51.1%						68.8%
50.25 - 45.25	1468	2030	3498	19.30	30.63	49.92	44.4%				66.2%					51.6%						67.6%
45.25 - 40.25	1616	2157	3773	19.93	30.63	50.56	47.9%				71.0%					55.3%						72.3%
40.25 - 38.08	1684	2213	3897	20.21	30.63	50.83	49.4%				72.9%					56.8%						74.2%
38.08 - 37.83	1667	2831	4497	20.24	33.36	53.59	40.9%				67.6%			59.8%	50.1%							
37.83 - 32.83	1828	2998	4826	20.87	33.36	54.23	43.8%				71.9%			63.5%	53.3%							
32.83 - 27.73	2005	3458	5462	21.52	36.64	58.16	44.5%	67.2%		63.0%				63.9%	52.5%							
27.73 - 27.5	2013	3466	5480	21.55	36.64	58.19	44.6%	67.3%		63.1%				64.0%	52.7%							
27.5 - 22.5	2196	3660	5856	22.18	36.64	58.82	47.4%	70.8%		66.5%				67.3%	55.5%							
22.5 - 19.5	2311	3778	6089	22.57	36.64	59.20	49.0%	72.9%		68.4%				69.2%	57.1%							
19.5 - 19.25	2320	4614	6934	22.60	41.14	63.73	43.3%	67.5%		68.0%				67.0%	57.6%						63.2%	
19.25 - 14.25	2521	4861	7381	23.23	41.14	64.37	45.8%	70.7%		71.1%				70.0%	60.3%						66.2%	
14.25 - 14	2531	4873	7404	23.26	41.14	64.40	45.9%	70.8%		71.3%				70.1%	60.4%						66.3%	
14 - 13.75	2541	4886	7427	23.30	41.14	64.43	46.0%	71.0%		71.5%				70.3%	60.6%						66.5%	
13.75 - 12.98	2596	7666	10262	23.39	64.41	87.81	34.7%	54.4%	52.5%	49.1%			44.5%	48.0%	46.0%				57.5%		50.5%	
12.98 - 12.82	2658	6640	9298	23.41	58.76	82.18	40.7%	64.0%	54.0%	53.4%			52.3%	48.0%					63.5%		50.2%	
12.82 - 12.65	2600	5672	8271	23.44	52.20	75.64	43.4%	67.2%	65.2%				56.1%	53.6%					64.4%		51.1%	
12.65 - 12.5	2606	5680	8287	23.45	52.20	75.65	43.4%	67.3%	65.2%				56.2%	53.7%					64.5%		51.1%	
12.5 - 12.25	2601	5315	7916	23.49	47.70	71.19	44.1%	68.4%	65.8%				57.8%	54.5%					66.6%			
12.25 - 7.25	2818	5589	8407	24.12	47.70	71.82	46.4%	71.2%	68.6%				60.3%	56.8%					69.5%			
7.25 - 2.25	3046	5870	8916	24.76	47.70	72.46	48.7%	74.0%	71.2%				62.6%	59.1%					72.2%			
2.25 - 0	3153	5999	9152	25.04	47.70	72.74	49.7%	75.2%	72.4%				63.7%	60.1%					73.4%			

Note: Section capacity checked using 5 degree increments.
Rating per TIA-222-H Section 15.5.

Monopole Flange Plate Connection

Elevation = 98 ft.

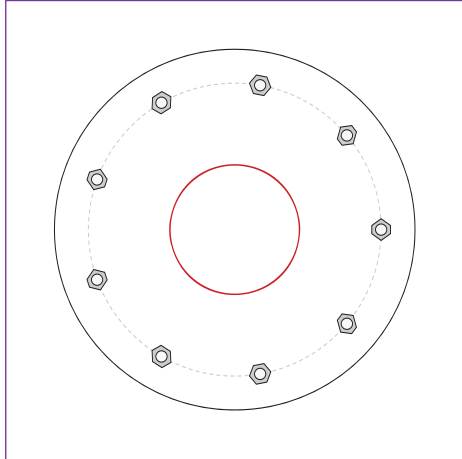


BU #	876363
Site Name	RTFORD - NU (SSUSA)
Order #	568282 Rev. 0
TIA-222 Revision	H

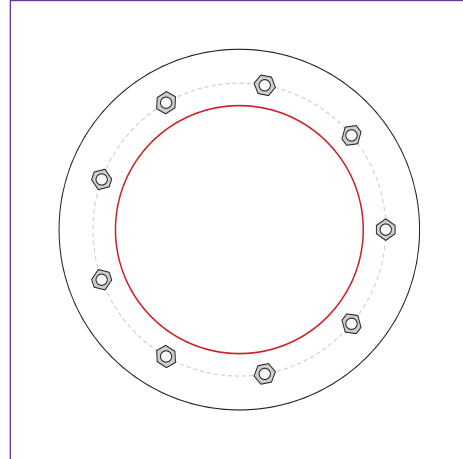
Applied Loads	
Moment (kip-ft)	33.00
Axial Force (kips)	3.00
Shear Force (kips)	5.00

*TIA-222-H Section 15.5 Applied

Top Plate - External



Bottom Plate - External



Connection Properties

Bolt Data

(9) 3/4" ϕ bolts (A325 N; Fy=92 ksi, Fu=120 ksi) on 19.5" BC

Top Plate Data

24" OD x 1" Plate (A572-50; Fy=50 ksi, Fu=65 ksi)

Top Stiffener Data

N/A

Top Pole Data

8.625" x 0.3125" round pole (A53-B-35; Fy=35 ksi, Fu=60 ksi)

Bottom Plate Data

24" OD x 1" Plate (A572-50; Fy=50 ksi, Fu=65 ksi)

Bottom Stiffener Data

N/A

Bottom Pole Data

16.5" x 0.1875" 18-sided pole (A607-65; Fy=65 ksi, Fu=80 ksi)

Analysis Results

Bolt Capacity

Max Load (kips)	8.69
Allowable (kips)	30.05
Stress Rating:	27.5% Pass

Top Plate Capacity

Max Stress (ksi):	22.09	(Flexural)
Allowable Stress (ksi):	45.00	
Stress Rating:	46.8%	Pass
Tension Side Stress Rating:	54.9%	Pass

Bottom Plate Capacity

Max Stress (ksi):	6.19	(Flexural)
Allowable Stress (ksi):	45.00	
Stress Rating:	13.1%	Pass
Tension Side Stress Rating:	5.9%	Pass

Monopole Base Plate Connection

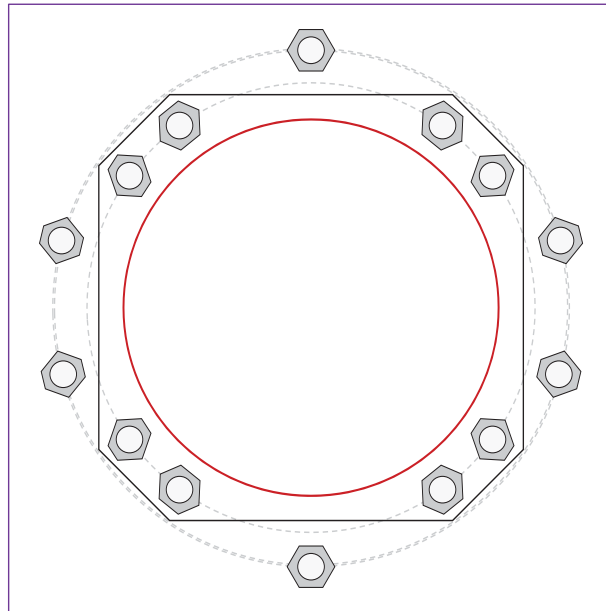


Site Info	
BU #	876363
Site Name	RTFORD - NU (SSUSA),
Order #	568282 Rev. 0

Analysis Considerations	
TIA-222 Revision	H
Grout Considered:	See Custom Sheet
I_{ar} (in)	See Custom Sheet

Applied Loads	
Moment (kip-ft)	1630.00
Axial Force (kips)	30.00
Shear Force (kips)	23.00

*TIA-222-H Section 15.5 Applied



Connection Properties	Analysis Results
-----------------------	------------------

Anchor Rod Data
GROUP 1: (8) 2-1/4" ϕ bolts (A615-75 N; $F_y=75$ ksi, $F_u=100$ ksi) on 38" BC <i>Anchor Spacing: 6 in</i>
GROUP 2: (3) 2-1/4" ϕ bolts (A615-75 N; $F_y=75$ ksi, $F_u=100$ ksi) on 43.8" BC
GROUP 3: (3) 2-1/4" ϕ bolts (A193 Gr. B7 N; $F_y=105$ ksi, $F_u=125$ ksi) on 43.5" BC

Base Plate Data
36" W x 2.5" Plate (A572-55; $F_y=55$ ksi, $F_u=70$ ksi); Clip: 6 in

Stiffener Data
N/A

Pole Data
31.81" x 0.25" 18-sided pole (A607-65; $F_y=65$ ksi, $F_u=80$ ksi)

Anchor Rod Summary	(units of kips, kip-in)		
GROUP 1:	$P_{u,t} = 133.86$	$\phi P_{n,t} = 243.75$	Stress Rating
	$V_u = 2.88$	$\phi V_n = 149.1$	52.3%
	$M_u = n/a$	$\phi M_n = n/a$	Pass
GROUP 2:	$P_{u,t} = 169.41$	$\phi P_{n,t} = 243.75$	Stress Rating
	$V_u = 0$	$\phi V_n = 149.1$	66.2%
	$M_u = n/a$	$\phi M_n = n/a$	Pass
GROUP 3:	$P_{u,t} = 168.33$	$\phi P_{n,t} = 304.69$	Stress Rating
	$V_u = 0$	$\phi V_n = 186.38$	52.6%
	$M_u = n/a$	$\phi M_n = n/a$	Pass

Base Plate Summary		
Max Stress (ksi):	25.14	(Flexural)
Allowable Stress (ksi):	49.5	
Stress Rating:	48.4%	Pass

CCIplate

Elevation (ft) = 0 (Base)

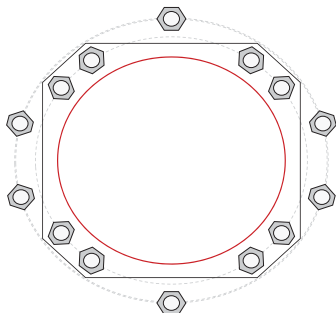
note: Bending interaction not considered when Grout Considered = "Yes"

Bolt Group	Resist Axial	Resist Shear	Induce Plate Bending	Grout Considered	Apply at BARB Elevation	BARB CL Elevation (ft)
1	Yes	Yes	Yes	No	No	
2	No	No	No	No	No	
3	No	No	No	No	No	

Custom Bolt Connection

Bolt	Bolt Group ID	Location (deg.)	Diameter (in)	Material	Bolt Circle (in)	Eta Factor, η	I_{br} (in)	Thread Type	Area Override, in ²	Tension Only
1	1	35.91528	2.25	A615-75	38	0.5	0	N-Included		No
2	1	54.08472	2.25	A615-75	38	0.5	0	N-Included		No
3	1	125.91528	2.25	A615-75	38	0.5	0	N-Included		No
4	1	144.08472	2.25	A615-75	38	0.5	0	N-Included		No
5	1	215.91528	2.25	A615-75	38	0.5	0	N-Included		No
6	1	234.08472	2.25	A615-75	38	0.5	0	N-Included		No
7	1	305.91528	2.25	A615-75	38	0.5	0	N-Included		No
8	1	324.08472	2.25	A615-75	38	0.5	0	N-Included		No
9	2	15	2.25	A615-75	43.8	0.5	0	N-Included		No
10	2	165	2.25	A615-75	43.8	0.5	0	N-Included		No
11	2	270	2.25	A615-75	43.8	0.5	0	N-Included		No
12	3	90	2.25	A193 Gr. B7	43.5	0.5	0	N-Included		No
13	3	195	2.25	A193 Gr. B7	43.5	0.5	0	N-Included		No
14	3	345	2.25	A193 Gr. B7	43.5	0.5	0	N-Included		No

Plot Graphic



Pier and Pad Foundation



BU #: 876363
 Site Name: HARTFORD - NU ()
 App. Number: 568282 Rev 0

TIA-222 Revision: H
 Tower Type: Monopole

Top & Bot. Pad Rein. Different?:
 Block Foundation?:
 Rectangular Pad?:

Superstructure Analysis Reactions		
Compression, P_{comp} :	30	kips
Base Shear, V_{u_comp} :	23	kips
Moment, M_u :	1630	ft-kips
Tower Height, H :	108	ft
BP Dist. Above Fdn, bp_{dist} :	3	in

Foundation Analysis Checks				
	Capacity	Demand	Rating*	Check
<i>Lateral (Sliding) (kips)</i>	183.05	23.00	12.0%	Pass
<i>Bearing Pressure (ksf)</i>	5.18	1.86	34.3%	Pass
<i>Overturning (kip*ft)</i>	3745.52	1808.25	48.3%	Pass
<i>Pier Flexure (Comp.) (kip*ft)</i>	2025.65	1733.50	81.5%	Pass
<i>Pier Compression (kip)</i>	11934.00	50.25	0.4%	Pass
<i>Pad Flexure (kip*ft)</i>	2323.42	661.65	27.1%	Pass
<i>Pad Shear - 1-way (kips)</i>	646.50	109.59	16.1%	Pass
<i>Pad Shear - 2-way (Comp) (ksi)</i>	0.164	0.028	16.3%	Pass
<i>Flexural 2-way (Comp) (kip*ft)</i>	2993.58	1040.10	33.1%	Pass

Pier Properties		
Pier Shape:	Square	
Pier Diameter, $dpier$:	5	ft
Ext. Above Grade, E :	0.5	ft
Pier Rebar Size, Sc :	11	
Pier Rebar Quantity, mc :	12	
Pier Tie/Spiral Size, St :	5	
Pier Tie/Spiral Quantity, mt :	12	
Pier Reinforcement Type:	Tie	
Pier Clear Cover, cc_{pier} :	4	in

*Rating per TIA-222-H Section 15.5

Soil Rating*:	48.3%
Structural Rating*:	81.5%

Pad Properties		
Depth, D :	7	ft
Pad Width, W_1 :	21.5	ft
Pad Thickness, T :	3	ft
Pad Rebar Size (Bottom dir. 2), Sp_2 :	8	
Pad Rebar Quantity (Bottom dir. 2), mp_2 :	22	
Pad Clear Cover, cc_{pad} :	4	in

Material Properties		
Rebar Grade, F_y :	60	ksi
Concrete Compressive Strength, F'_c :	3	ksi
Dry Concrete Density, δ_c :	150	pcf

Soil Properties		
Total Soil Unit Weight, γ :	100	pcf
Ultimate Gross Bearing, Q_{ult} :	6.900	ksf
Cohesion, C_u :	0.000	ksf
Friction Angle, ϕ :	30	degrees
SPT Blow Count, N_{blows} :		
Base Friction, μ :	0.35	
Neglected Depth, N :	3.30	ft
Foundation Bearing on Rock?	No	
Groundwater Depth, gw :	10	ft

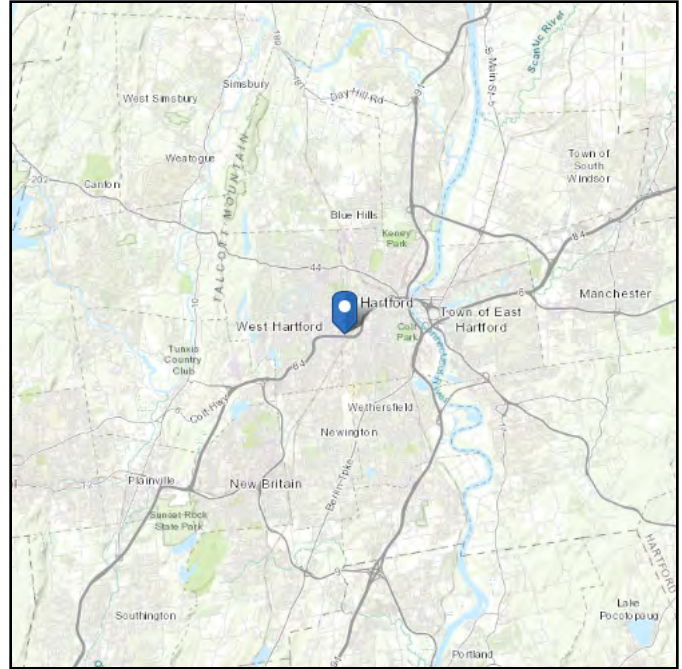
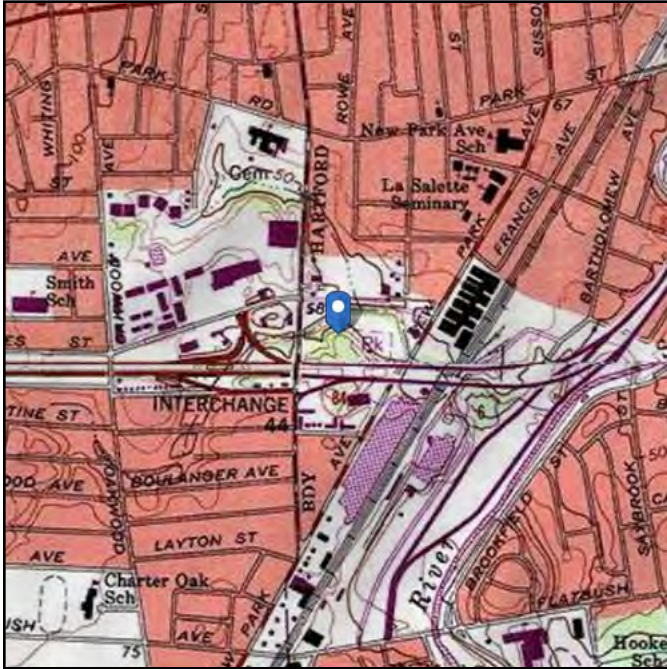
<--Toggle between Gross and Net

ASCE 7 Hazards Report

Address:
No Address at This
Location

Standard: ASCE/SEI 7-10
Risk Category: II
Soil Class: D - Stiff Soil

Elevation: 71.06 ft (NAVD 88)
Latitude: 41.750775
Longitude: -72.713675

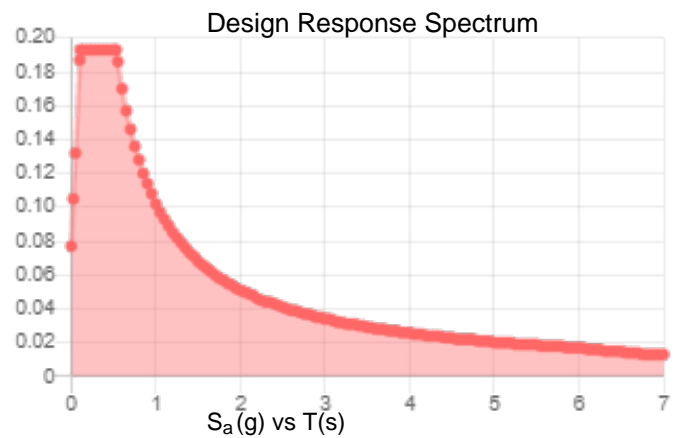
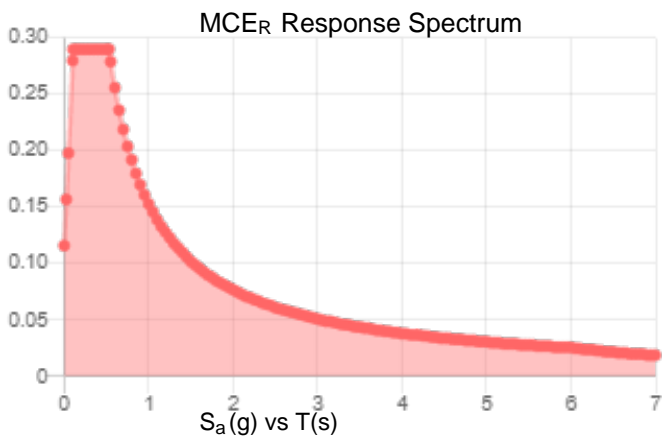


Site Soil Class: D - Stiff Soil

Results:

S_S :	0.181	S_{DS} :	0.193
S_1 :	0.064	S_{D1} :	0.102
F_a :	1.6	T_L :	6
F_v :	2.4	PGA :	0.091
S_{MS} :	0.29	PGA _M :	0.146
S_{M1} :	0.153	F _{PGA} :	1.6
		I_e :	1

Seismic Design Category B



Data Accessed:

Fri May 07 2021

Date Source:

USGS Seismic Design Maps based on ASCE/SEI 7-10, incorporating Supplement 1 and errata of March 31, 2013, and ASCE/SEI 7-10 Table 1.5-2. Additional data for site-specific ground motion procedures in accordance with ASCE/SEI 7-10 Ch. 21 are available from USGS.

Ice

Results:

Ice Thickness: 1.00 in.

Concurrent Temperature: 5 F

Gust Speed: 50 mph

Data Source: Standard ASCE/SEI 7-10, Figs. 10-2 through 10-8

Date Accessed: Fri May 07 2021

Ice thicknesses on structures in exposed locations at elevations higher than the surrounding terrain and in valleys and gorges may exceed the mapped values.

Values provided are equivalent radial ice thicknesses due to freezing rain with concurrent 3-second gust speeds, for a 50-year mean recurrence interval, and temperatures concurrent with ice thicknesses due to freezing rain. Thicknesses for ice accretions caused by other sources shall be obtained from local meteorological studies. Ice thicknesses in exposed locations at elevations higher than the surrounding terrain and in valleys and gorges may exceed the mapped values.

The ASCE 7 Hazard Tool is provided for your convenience, for informational purposes only, and is provided "as is" and without warranties of any kind. The location data included herein has been obtained from information developed, produced, and maintained by third party providers; or has been extrapolated from maps incorporated in the ASCE 7 standard. While ASCE has made every effort to use data obtained from reliable sources or methodologies, ASCE does not make any representations or warranties as to the accuracy, completeness, reliability, currency, or quality of any data provided herein. Any third-party links provided by this Tool should not be construed as an endorsement, affiliation, relationship, or sponsorship of such third-party content by or from ASCE.

ASCE does not intend, nor should anyone interpret, the results provided by this Tool to replace the sound judgment of a competent professional, having knowledge and experience in the appropriate field(s) of practice, nor to substitute for the standard of care required of such professionals in interpreting and applying the contents of this Tool or the ASCE 7 standard.

In using this Tool, you expressly assume all risks associated with your use. Under no circumstances shall ASCE or its officers, directors, employees, members, affiliates, or agents be liable to you or any other person for any direct, indirect, special, incidental, or consequential damages arising from or related to your use of, or reliance on, the Tool or any information obtained therein. To the fullest extent permitted by law, you agree to release and hold harmless ASCE from any and all liability of any nature arising out of or resulting from any use of data provided by the ASCE 7 Hazard Tool.

Exhibit E

Mount Analysis



Maser Consulting Connecticut
 2000 Midlantic Drive, Suite 100
 Mt. Laurel, NJ 08054
 (856) 797-0412
 peter.albano@colliersengineering.com

Antenna Mount Analysis Report and PMI Requirements

Mount Analysis-R

SMART Tool Project #: 10070847
 Maser Consulting Connecticut Project #: 21777456A

June 15, 2021

Site Information

Site ID: 467794-VZW / WEST HARTFORD 4 CT
 Site Name: WEST HARTFORD 4 CT
 Carrier Name: Verizon Wireless
 Address: 219 New Park Ave
 Hartford, Connecticut 06106
 Hartford County
 Latitude: 41.750775°
 Longitude: -72.713675°

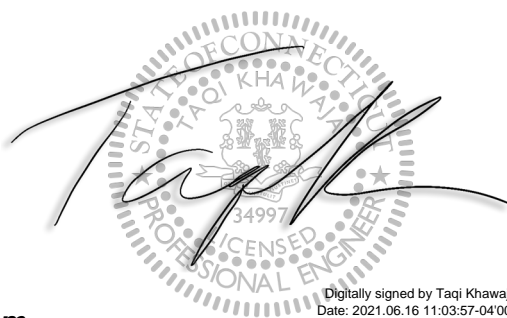
Structure Information

Tower Type: Monopole
 Mount Type: 12.50-Ft Platform

FUZE ID # 16272636

Analysis Results

Platform: 48.5% Pass



*****Contractor PMI Requirements:**

***Included at the end of this MA report
 Available & Submitted via portal at <https://pmi.vzwsmart.com>
 Contractor - Please Review Specific Site PMI Requirements Upon Award
 Requirements also Noted on Mount Modification Drawings
 Requirements may also be Noted on A & E drawings***

Report Prepared By: Almuhammad Alhazmi

Executive Summary:

The objective of this report is to determine the capacity of the antenna support mount at the subject facility for the final wireless telecommunications configuration, per the applicable codes and standards. Any modification listed under Sources of Information was assumed completed and was included in this analysis.

This analysis is inclusive of the mount structure only and does not address the structural capacity of the supporting structure. This mounting frame was not analyzed as an anchor attachment point for fall protection. All climbing activities are required to have a fall protection plan completed by a competent person.

Sources of Information:

Document Type	Remarks
Radio Frequency Data Sheet (RFDS)	Verizon RFDS, Site ID: 334045, dated March 19, 2021
Mount Specification	SitePro1, Drawing No: RMQP-496

Analysis Criteria:

Codes and Standards:	ANSI/TIA-222-H
Wind Parameters:	Basic Wind Speed (Ultimate 3-sec. Gust), V_{ULT} : 117 mph Ice Wind Speed (3-sec. Gust): 50 mph Design Ice Thickness: 1.50 in Risk Category: II Exposure Category: C Topographic Category: 1 Topographic Feature Considered: N/A Topographic Method: N/A Ground Elevation Factor, K_e : 0.997
Seismic Parameters:	S_s : 0.189 S_1 : 0.055
Maintenance Parameters:	Wind Speed (3-sec. Gust): 30 mph Maintenance Live Load, L_v : 250 lbs. Maintenance Live Load, L_m : 500 lbs.
Analysis Software:	RISA-3D (V17)

Final Loading Configuration:

The following equipment has been considered for the analysis of the mount:

Mount Elevation (ft)	Equipment Elevation (ft)	Quantity	Manufacturer	Model	Status
105.00	105.00	3	Samsung	MT6407-77A	Added
		6	Commscope	SBNHH-1D65B	
		3	Amphenol Antel	BXA-70063-6CF-6-850MHZ	Retained
		3	Samsung	B5/B13 RRH-BR04C	
		3	Samsung	B2/B66A RRH-BR049	
		2	Raycap	RRFDC-3315-PF-48	

Any proposed antennas not currently installed should be mounted such that the centerline of the antennas does not exceed 6 inches vertically from the center of the antenna mount.

The recent mount mapping reported existing OVP units. It is acceptable to install up to any three (3) of the OVP model numbers listed below as required at any location other than the mount face without affecting the structural capacity of the mount. If OVP units are installed on the mount face, a mount re-analysis may be required unless replacing an existing OVP.

Model Number	Ports	AKA
DB-B1-6C-12AB-0Z	6	OVP-6
RVZDC-6627-PF-48	12	OVP-12

Standard Conditions:

1. All engineering services are performed on the basis that the information provided to Maser Consulting Connecticut and used in this analysis is current and correct. The existing equipment loading has been applied at locations determined from the supplied documentation. Any deviation from the loading locations specified in this report shall be communicated to Maser Consulting Connecticut to verify deviation will not adversely impact the analysis.
2. Mounts are assumed to have been properly fabricated, installed and maintained in good condition, twist free and plumb in accordance with its original design and manufacturer’s specifications.

Obvious safety and structural issues/deficiencies noticed at the time of the mount mapping and reported in the Mount Mapping Report are assumed to be corrected and documented as part of the PMI process and are not considered in the mount analysis.

The mount analysis and the mount mapping are not a condition assessment of the mount. Proper maintenance and condition assessments are still required post analysis.

3. For mount analyses completed from other data sources (including new replacement mounts) and not specifically mapped by Maser Consulting Connecticut, the mounts are assumed to have been properly fabricated, installed and maintained in good condition, twist free and plumb in accordance with its original design and manufacturer’s specifications.
4. All member connections are assumed to have been designed to meet or exceed the load carrying capacity of the connected member unless otherwise specified in this report.

5. The mount was checked up to, and including, the bolts that fasten it to the mount collar/attachment and threaded rod connections in collar members if applicable. Local deformation and interaction between the mount collar/attachment and the supporting tower structure are outside the scope of this analysis.
6. All services are performed, results obtained, and recommendations made in accordance with generally accepted engineering principles and practices. Maser Consulting Connecticut is not responsible for the conclusion, opinions, and recommendations made by others based on the information supplied.
7. Structural Steel Grades have been assumed as follows, if applicable, unless otherwise noted in this analysis:
 - o Channel, Solid Round, Angle, Plate ASTM A36 (Gr. 36)
 - o HSS (Rectangular) ASTM 500 (Gr. B-46)
 - o Pipe ASTM A53 (Gr. B-35)
 - o Threaded Rod F1554 (Gr. 36)
 - o Bolts ASTM A325

Discrepancies between in-field conditions and the assumptions listed above may render this analysis invalid unless explicitly approved by Maser Consulting Connecticut.

Analysis Results:

Component	Utilization %	Pass/Fail
Face Horizontal	13.6 %	Pass
Standoff Horizontal	38.3 %	Pass
Cross Arm	19.1 %	Pass
Grating Support	16.9 %	Pass
Cross Arm Plate	38.6 %	Pass
Corner Plate	17.8 %	Pass
Support Rail	15.1 %	Pass
Support Rail Corner	7.3 %	Pass
Antenna Pipe	48.5 %	Pass
Mount Connection	39.0 %	Pass
Structure Rating – (Controlling Utilization of all Components)		48.5%

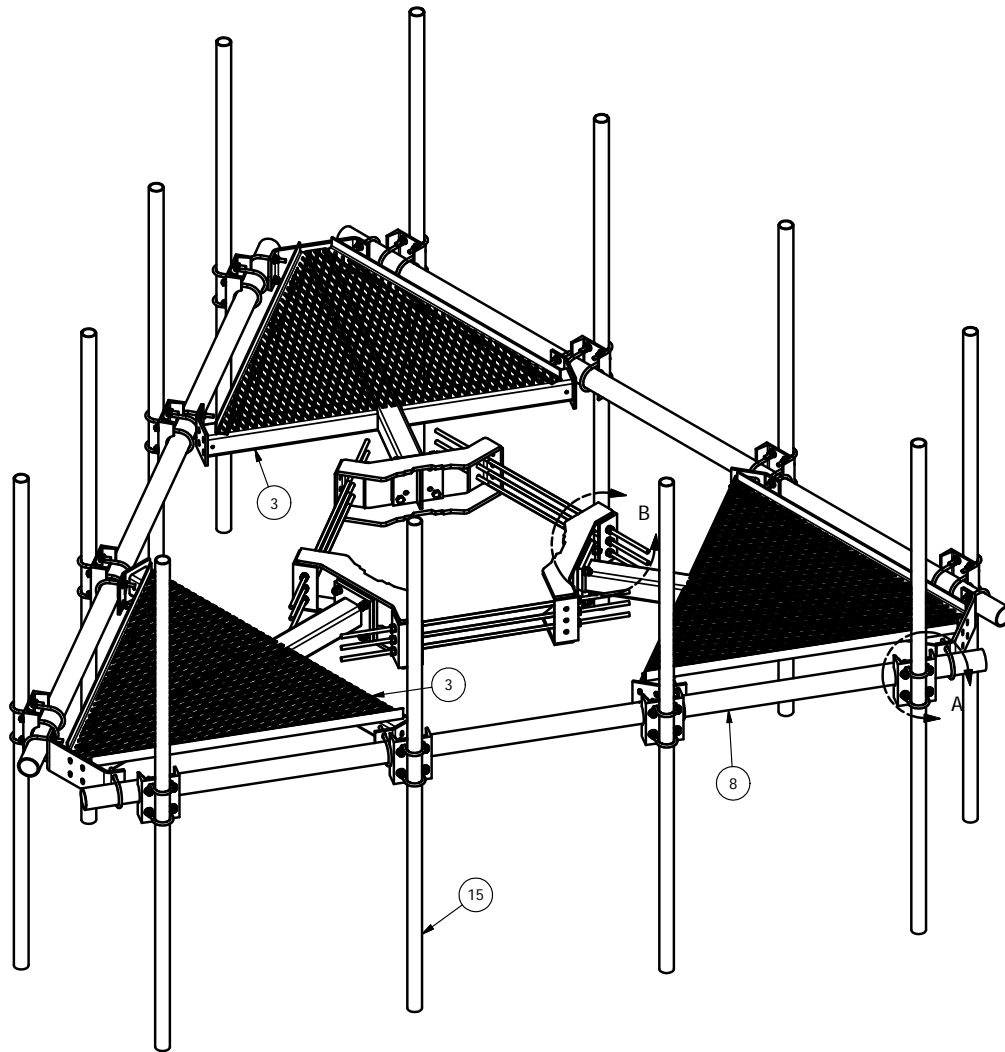
Recommendation:

The existing mount is **SUFFICIENT** for the final loading configuration and do not require modifications.

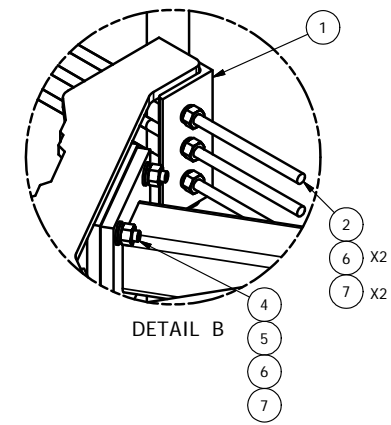
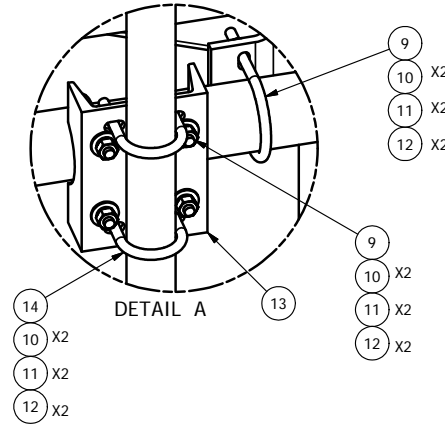
ANSI/ASSP rigging plan review services compliant with the requirements of ANSI/TIA 322 are available for a Construction Class IV site or other, if required. Separate review fees will apply.

Attachments:

1. Mount Photos
2. Mount Specification
3. Analysis Calculations
4. **Contractor Required Post Installation Inspection (PMI) Report Deliverables**
5. Antenna Placement Diagrams



PARTS LIST						
ITEM	QTY	PART NO.	PART DESCRIPTION	LENGTH	UNIT WT.	NET WT.
1	3	X-LWRM	RING MOUNT WELDMENT		68.81	206.42
2	9	G58R-48	5/8" x 48" THREADED ROD (HDG.)		0.40	3.59
2	9	G58R-24	5/8" x 24" THREADED ROD (HDG.)		0.40	3.59
3	3	X-SV196	LOW PROFILE PLATFORM CORNER		212.10	636.31
4	12	A58234	5/8" x 2-3/4" HDG A325 HEX BOLT	2.75	0.36	4.27
5	12	A58FW	5/8" HDG A325 FLATWASHER		0.03	0.41
6	30	G58LW	5/8" HDG LOCKWASHER		0.03	0.78
7	30	A58NUT	5/8" HDG A325 HEX NUT		0.13	3.90
8	3	P3150	3-1/2" X 150" SCH 40 GALVANIZED PIPE	150.000 in	94.80	284.40
9	36	X-UB1306	1/2" X 3-5/8" X 6" X 3" U-BOLT (HDG.)		0.26	9.25
10	120	G12FW	1/2" HDG USS FLATWASHER		0.03	4.09
11	120	G12LW	1/2" HDG LOCKWASHER		0.01	1.67
12	120	G12NUT	1/2" HDG HEAVY 2H HEX NUT		0.07	8.60
13	12	X-SP219	SMALL SUPPORT CROSS PLATE	8.250 in	8.61	103.33
14	24	X-UB1212	1/2" X 2-1/2" X 4-1/2" X 2" U-BOLT (HDG.)		0.26	6.17
15	12	B	ANTENNA MOUNTING PIPE	C	D	E



2-3/8" O.D. VERTICAL MOUNTING PIPES					
ASSEMBLY NO. "A"	PART NO. "B"	LENGTH, "C"	UNIT WEIGHT, "D"	NET WEIGHT, "E"	TOTAL WEIGHT
RMQP-463	P263	63"	20.18	242.16	1591.11
RMQP-472	P272	72"	23.07	276.84	1625.79
RMQP-484	P284	84"	26.91	322.92	1671.87
RMQP-496	P296	96"	30.76	369.12	1718.07
RMQP-4126	P2126	126"	40.75	489.00	1837.95

REV	DESCRIPTION OF REVISIONS	CPD	BY	DATE
A	ADDED 10' 6" ANTENNA MOUNTING PIPES	CEK		7/9/2015
REVISION HISTORY				

TOLERANCE NOTE
TOLERANCES ON DIMENSIONS, UNLESS OTHERWISE NOTED ARE: SAWED, SHEARED AND GAS CUT EDGES (± 0.030")
DRILLED AND GAS CUT HOLES (± 0.030") - NO CONING OF HOLES
LASER CUT EDGES AND HOLES (± 0.010") - NO CONING OF HOLES
BENDS ARE ± 1/2 DEGREE - ALL OTHER MACHINING (± 0.030")
ALL OTHER ASSEMBLY (± 0.060")

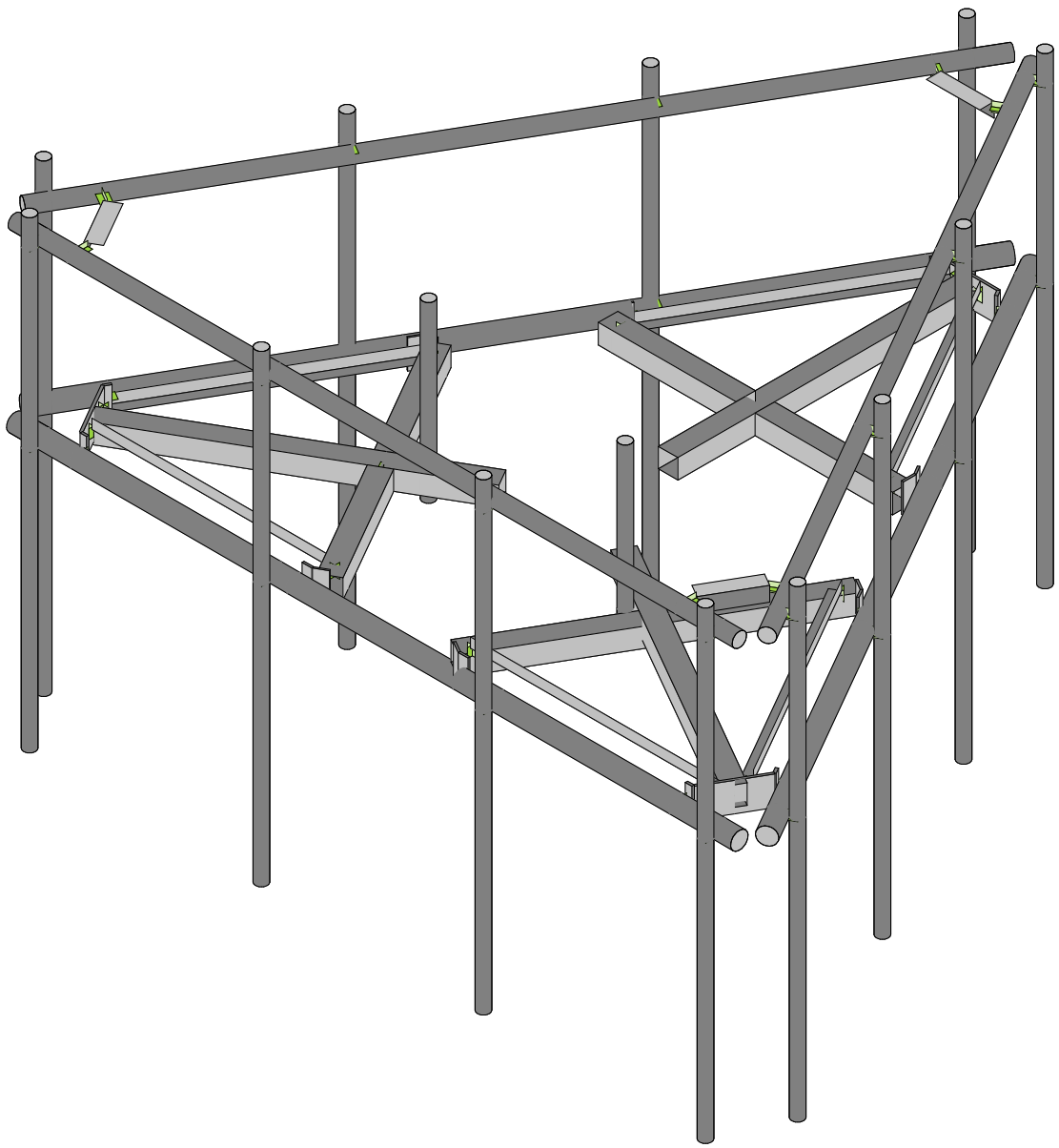
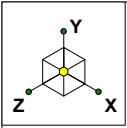
PROPRIETARY NOTE
 THE DATA AND TECHNIQUES CONTAINED IN THIS DRAWING ARE PROPRIETARY INFORMATION OF VALMONT INDUSTRIES AND CONSIDERED A TRADE SECRET. ANY USE OR DISCLOSURE WITHOUT THE CONSENT OF VALMONT INDUSTRIES IS STRICTLY PROHIBITED.

DESCRIPTION LOW PROFILE CO-LOCATION PLATFORM FOR 12 ANTENNAS WITH 12' 6" FACE WIDTH FOR 12" - 38" DIAMETER POLES			
DRAWN BY CEK	1/20/2012	CPD NO. semb	DRAWING USAGE CUSTOMER
ENG. APPROVAL		CHECKED BY BMC	
		7/9/2015	

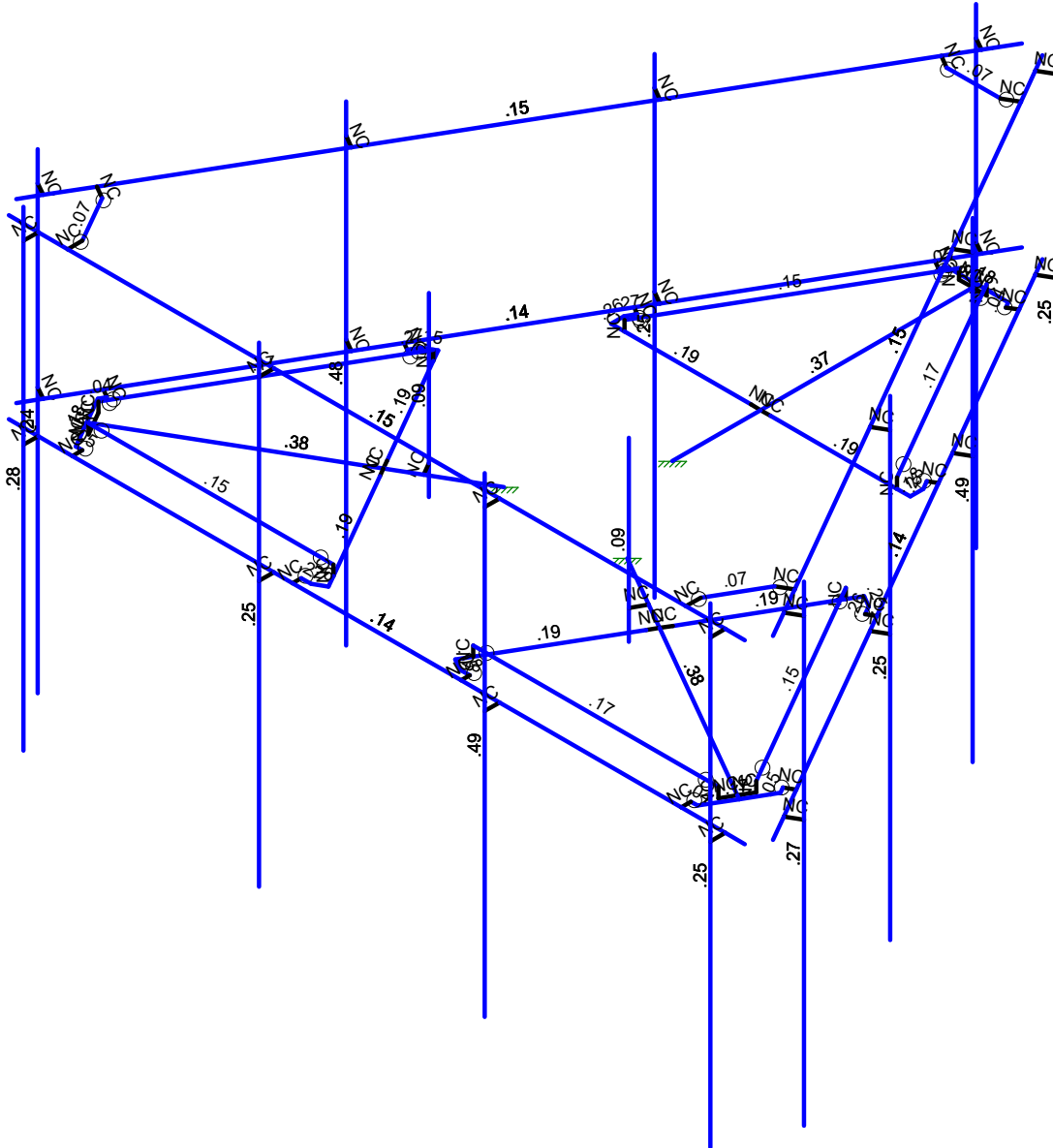
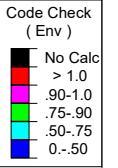
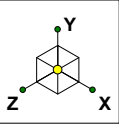
Engineering Support Team:
1-888-753-7446

Locations:
New York, NY
Atlanta, GA
Los Angeles, CA
Plymouth, IN
Salem, OR
Dallas, TX

PART NO.	SEE ASSEMBLY NO. "A"
DWG. NO.	RMQP-4XX

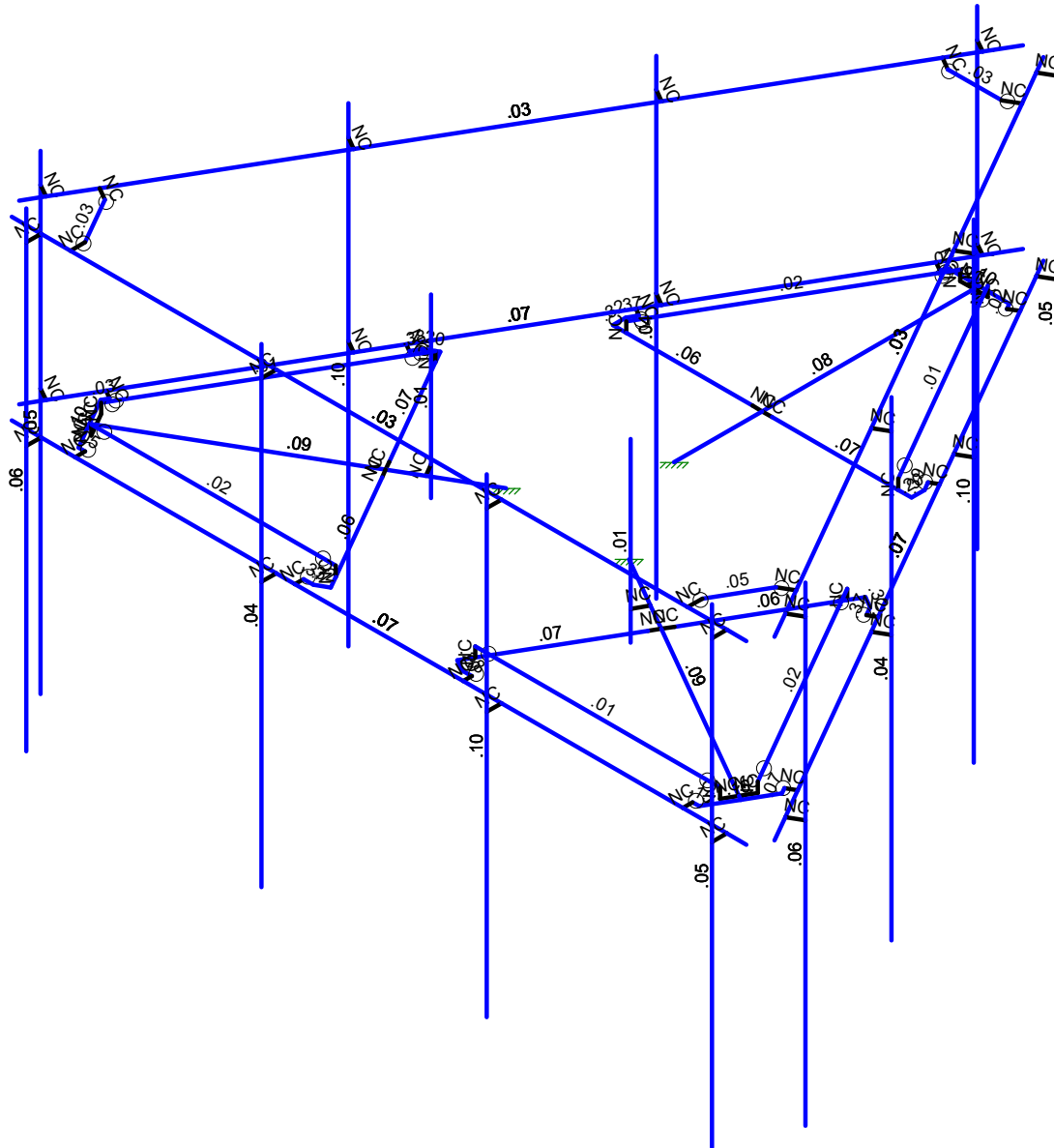
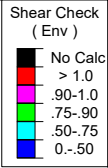
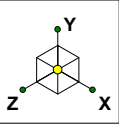


SK - 1
June 15, 2021 at 2:35 PM
467794-VZW_MT_LO_H.r3d



Member Code Checks Displayed (Enveloped)
Results for LC 1, 1.2D+1.0Wo (0 Deg)

		SK - 2
		June 15, 2021 at 2:35 PM
		467794-VZW_MT_LO_H.r3d



Member Shear Checks Displayed (Enveloped)
Results for LC 1, 1.2D+1.0Wo (0 Deg)

		SK - 3
		June 15, 2021 at 2:35 PM
		467794-VZW_MT_LO_H.r3d



Company :
 Designer :
 Job Number :
 Model Name :

June 15, 2021
 2:35 PM
 Checked By: _____

Basic Load Cases

	BLC Description	Category	X Gravity	Y Gravity	Z Gravity	Joint	Point	Distributed Area(Me...	Surface(P...
1	Antenna D	None					96		
2	Antenna Di	None					96		
3	Antenna Wo (0 Deg)	None					96		
4	Antenna Wo (30 Deg)	None					96		
5	Antenna Wo (60 Deg)	None					96		
6	Antenna Wo (90 Deg)	None					96		
7	Antenna Wo (120 Deg)	None					96		
8	Antenna Wo (150 Deg)	None					96		
9	Antenna Wo (180 Deg)	None					96		
10	Antenna Wo (210 Deg)	None					96		
11	Antenna Wo (240 Deg)	None					96		
12	Antenna Wo (270 Deg)	None					96		
13	Antenna Wo (300 Deg)	None					96		
14	Antenna Wo (330 Deg)	None					96		
15	Antenna Wi (0 Deg)	None					96		
16	Antenna Wi (30 Deg)	None					96		
17	Antenna Wi (60 Deg)	None					96		
18	Antenna Wi (90 Deg)	None					96		
19	Antenna Wi (120 Deg)	None					96		
20	Antenna Wi (150 Deg)	None					96		
21	Antenna Wi (180 Deg)	None					96		
22	Antenna Wi (210 Deg)	None					96		
23	Antenna Wi (240 Deg)	None					96		
24	Antenna Wi (270 Deg)	None					96		
25	Antenna Wi (300 Deg)	None					96		
26	Antenna Wi (330 Deg)	None					96		
27	Antenna Wm (0 Deg)	None					96		
28	Antenna Wm (30 Deg)	None					96		
29	Antenna Wm (60 Deg)	None					96		
30	Antenna Wm (90 Deg)	None					96		
31	Antenna Wm (120 Deg)	None					96		
32	Antenna Wm (150 Deg)	None					96		
33	Antenna Wm (180 Deg)	None					96		
34	Antenna Wm (210 Deg)	None					96		
35	Antenna Wm (240 Deg)	None					96		
36	Antenna Wm (270 Deg)	None					96		
37	Antenna Wm (300 Deg)	None					96		
38	Antenna Wm (330 Deg)	None					96		
39	Structure D	None		-1					3
40	Structure Di	None						59	3
41	Structure Wo (0 Deg)	None						118	
42	Structure Wo (30 Deg)	None						118	
43	Structure Wo (60 Deg)	None						118	
44	Structure Wo (90 Deg)	None						118	
45	Structure Wo (120 D...	None						118	
46	Structure Wo (150 D...	None						118	
47	Structure Wo (180 D...	None						118	
48	Structure Wo (210 D...	None						118	
49	Structure Wo (240 D...	None						118	
50	Structure Wo (270 D...	None						118	
51	Structure Wo (300 D...	None						118	
52	Structure Wo (330 D...	None						118	
53	Structure Wi (0 Deg)	None						118	
54	Structure Wi (30 Deg)	None						118	
55	Structure Wi (60 Deg)	None						118	
56	Structure Wi (90 Deg)	None						118	



Company :
 Designer :
 Job Number :
 Model Name :

June 15, 2021
 2:35 PM
 Checked By: _____

Basic Load Cases (Continued)

	BLC Description	Category	X Gravity	Y Gravity	Z Gravity	Joint	Point	Distributed Area(Me...	Surface(P...
57	Structure Wi (120 De..	None						118	
58	Structure Wi (150 De..	None						118	
59	Structure Wi (180 De..	None						118	
60	Structure Wi (210 De..	None						118	
61	Structure Wi (240 De..	None						118	
62	Structure Wi (270 De..	None						118	
63	Structure Wi (300 De..	None						118	
64	Structure Wi (330 De..	None						118	
65	Structure Wm (0 Deg)	None						118	
66	Structure Wm (30 De..	None						118	
67	Structure Wm (60 De..	None						118	
68	Structure Wm (90 De..	None						118	
69	Structure Wm (120 D..	None						118	
70	Structure Wm (150 D..	None						118	
71	Structure Wm (180 D..	None						118	
72	Structure Wm (210 D..	None						118	
73	Structure Wm (240 D..	None						118	
74	Structure Wm (270 D..	None						118	
75	Structure Wm (300 D..	None						118	
76	Structure Wm (330 D..	None						118	
77	Lm1	None					1		
78	Lm2	None					1		
79	Lv1	None					1		
80	Lv2	None					1		
81	BLC 39 Transient Are..	None						30	
82	BLC 40 Transient Are..	None						30	

Load Combinations

	Description	S...	PDelta	S...	B...	Fa...	B...	Fa...	B...	Fa...	B...	Fa...	B...	Fa...	B...	Fa...	B...	Fa...	B...	Fa...
1	1.2D+1.0Wo (0 Deg)	Yes	Y		1	1.2	39	1.2	3	1	41	1								
2	1.2D+1.0Wo (30 Deg)	Yes	Y		1	1.2	39	1.2	4	1	42	1								
3	1.2D+1.0Wo (60 Deg)	Yes	Y		1	1.2	39	1.2	5	1	43	1								
4	1.2D+1.0Wo (90 Deg)	Yes	Y		1	1.2	39	1.2	6	1	44	1								
5	1.2D+1.0Wo (120 Deg)	Yes	Y		1	1.2	39	1.2	7	1	45	1								
6	1.2D+1.0Wo (150 Deg)	Yes	Y		1	1.2	39	1.2	8	1	46	1								
7	1.2D+1.0Wo (180 Deg)	Yes	Y		1	1.2	39	1.2	9	1	47	1								
8	1.2D+1.0Wo (210 Deg)	Yes	Y		1	1.2	39	1.2	10	1	48	1								
9	1.2D+1.0Wo (240 Deg)	Yes	Y		1	1.2	39	1.2	11	1	49	1								
10	1.2D+1.0Wo (270 Deg)	Yes	Y		1	1.2	39	1.2	12	1	50	1								
11	1.2D+1.0Wo (300 Deg)	Yes	Y		1	1.2	39	1.2	13	1	51	1								
12	1.2D+1.0Wo (330 Deg)	Yes	Y		1	1.2	39	1.2	14	1	52	1								
13	1.2D + 1.0Di + 1.0Wi (0 Deg)	Yes	Y		1	1.2	39	1.2	2	1	40	1	15	1	53	1				
14	1.2D + 1.0Di + 1.0Wi (30 D...	Yes	Y		1	1.2	39	1.2	2	1	40	1	16	1	54	1				
15	1.2D + 1.0Di + 1.0Wi (60 D...	Yes	Y		1	1.2	39	1.2	2	1	40	1	17	1	55	1				
16	1.2D + 1.0Di + 1.0Wi (90 D...	Yes	Y		1	1.2	39	1.2	2	1	40	1	18	1	56	1				
17	1.2D + 1.0Di + 1.0Wi (120 ...	Yes	Y		1	1.2	39	1.2	2	1	40	1	19	1	57	1				
18	1.2D + 1.0Di + 1.0Wi (150 ...	Yes	Y		1	1.2	39	1.2	2	1	40	1	20	1	58	1				
19	1.2D + 1.0Di + 1.0Wi (180 ...	Yes	Y		1	1.2	39	1.2	2	1	40	1	21	1	59	1				
20	1.2D + 1.0Di + 1.0Wi (210 ...	Yes	Y		1	1.2	39	1.2	2	1	40	1	22	1	60	1				
21	1.2D + 1.0Di + 1.0Wi (240 ...	Yes	Y		1	1.2	39	1.2	2	1	40	1	23	1	61	1				
22	1.2D + 1.0Di + 1.0Wi (270 ...	Yes	Y		1	1.2	39	1.2	2	1	40	1	24	1	62	1				
23	1.2D + 1.0Di + 1.0Wi (300 ...	Yes	Y		1	1.2	39	1.2	2	1	40	1	25	1	63	1				
24	1.2D + 1.0Di + 1.0Wi (330 ...	Yes	Y		1	1.2	39	1.2	2	1	40	1	26	1	64	1				
25	1.2D + 1.5Lm1 + 1.0Wm (0 ...	Yes	Y		1	1.2	39	1.2	77	1.5	27	1	65	1						
26	1.2D + 1.5Lm1 + 1.0Wm (3...	Yes	Y		1	1.2	39	1.2	77	1.5	28	1	66	1						



Company :
 Designer :
 Job Number :
 Model Name :

June 15, 2021
 2:35 PM
 Checked By: _____

Load Combinations (Continued)

	Description	S...	PDelta	S...	B...	Fa...	B...	Fa...	B...	Fa...	B...	Fa...	B...	Fa...	B...	Fa...	B...	Fa...	B...	Fa...	B...	Fa...
27	1.2D + 1.5Lm1 + 1.0Wm (6...	Yes	Y		1	1.2	39	1.2	77	1.5	29	1	67	1								
28	1.2D + 1.5Lm1 + 1.0Wm (9...	Yes	Y		1	1.2	39	1.2	77	1.5	30	1	68	1								
29	1.2D + 1.5Lm1 + 1.0Wm (1...	Yes	Y		1	1.2	39	1.2	77	1.5	31	1	69	1								
30	1.2D + 1.5Lm1 + 1.0Wm (1...	Yes	Y		1	1.2	39	1.2	77	1.5	32	1	70	1								
31	1.2D + 1.5Lm1 + 1.0Wm (1...	Yes	Y		1	1.2	39	1.2	77	1.5	33	1	71	1								
32	1.2D + 1.5Lm1 + 1.0Wm (2...	Yes	Y		1	1.2	39	1.2	77	1.5	34	1	72	1								
33	1.2D + 1.5Lm1 + 1.0Wm (2...	Yes	Y		1	1.2	39	1.2	77	1.5	35	1	73	1								
34	1.2D + 1.5Lm1 + 1.0Wm (2...	Yes	Y		1	1.2	39	1.2	77	1.5	36	1	74	1								
35	1.2D + 1.5Lm1 + 1.0Wm (3...	Yes	Y		1	1.2	39	1.2	77	1.5	37	1	75	1								
36	1.2D + 1.5Lm1 + 1.0Wm (3...	Yes	Y		1	1.2	39	1.2	77	1.5	38	1	76	1								
37	1.2D + 1.5Lm2 + 1.0Wm (0...	Yes	Y		1	1.2	39	1.2	78	1.5	27	1	65	1								
38	1.2D + 1.5Lm2 + 1.0Wm (3...	Yes	Y		1	1.2	39	1.2	78	1.5	28	1	66	1								
39	1.2D + 1.5Lm2 + 1.0Wm (6...	Yes	Y		1	1.2	39	1.2	78	1.5	29	1	67	1								
40	1.2D + 1.5Lm2 + 1.0Wm (9...	Yes	Y		1	1.2	39	1.2	78	1.5	30	1	68	1								
41	1.2D + 1.5Lm2 + 1.0Wm (1...	Yes	Y		1	1.2	39	1.2	78	1.5	31	1	69	1								
42	1.2D + 1.5Lm2 + 1.0Wm (1...	Yes	Y		1	1.2	39	1.2	78	1.5	32	1	70	1								
43	1.2D + 1.5Lm2 + 1.0Wm (1...	Yes	Y		1	1.2	39	1.2	78	1.5	33	1	71	1								
44	1.2D + 1.5Lm2 + 1.0Wm (2...	Yes	Y		1	1.2	39	1.2	78	1.5	34	1	72	1								
45	1.2D + 1.5Lm2 + 1.0Wm (2...	Yes	Y		1	1.2	39	1.2	78	1.5	35	1	73	1								
46	1.2D + 1.5Lm2 + 1.0Wm (2...	Yes	Y		1	1.2	39	1.2	78	1.5	36	1	74	1								
47	1.2D + 1.5Lm2 + 1.0Wm (3...	Yes	Y		1	1.2	39	1.2	78	1.5	37	1	75	1								
48	1.2D + 1.5Lm2 + 1.0Wm (3...	Yes	Y		1	1.2	39	1.2	78	1.5	38	1	76	1								
49	1.2D + 1.5Lv1	Yes	Y		1	1.2	39	1.2	79	1.5												
50	1.2D + 1.5Lv2	Yes	Y		1	1.2	39	1.2	80	1.5												
51	1.4D	Yes	Y		1	1.4	39	1.4														
52	Seismic Mass		Y		1	1	39	1														
53	1.2D + 1.0Ev + 1.0Eh (0 De...		Y		1	1.2	39	1.2	SX		SY	1	SZ	-1								
54	1.2D + 1.0Ev + 1.0Eh (30 D...		Y		1	1.2	39	1.2	SX	.5	SY	1	SZ	-8...								
55	1.2D + 1.0Ev + 1.0Eh (60 D...		Y		1	1.2	39	1.2	SX	.866	SY	1	SZ	-5								
56	1.2D + 1.0Ev + 1.0Eh (90 D...		Y		1	1.2	39	1.2	SX	1	SY	1	SZ									
57	1.2D + 1.0Ev + 1.0Eh (120 ...		Y		1	1.2	39	1.2	SX	.866	SY	1	SZ	.5								
58	1.2D + 1.0Ev + 1.0Eh (150 ...		Y		1	1.2	39	1.2	SX	.5	SY	1	SZ	.866								
59	1.2D + 1.0Ev + 1.0Eh (180 ...		Y		1	1.2	39	1.2	SX		SY	1	SZ	1								
60	1.2D + 1.0Ev + 1.0Eh (210 ...		Y		1	1.2	39	1.2	SX	-.5	SY	1	SZ	.866								
61	1.2D + 1.0Ev + 1.0Eh (240 ...		Y		1	1.2	39	1.2	SX	-.8...	SY	1	SZ	.5								
62	1.2D + 1.0Ev + 1.0Eh (270 ...		Y		1	1.2	39	1.2	SX	-1	SY	1	SZ									
63	1.2D + 1.0Ev + 1.0Eh (300 ...		Y		1	1.2	39	1.2	SX	-.8...	SY	1	SZ	-.5								
64	1.2D + 1.0Ev + 1.0Eh (330 ...		Y		1	1.2	39	1.2	SX	-.5	SY	1	SZ	-.8...								

Joint Coordinates and Temperatures

	Label	X [ft]	Y [ft]	Z [ft]	Temp [F]	Detach From Diap...
1	N1	0	0	0	0	
2	N2	0	0	-1.208333	0	
3	N3	-1.046447	0	0.604167	0	
4	N4	1.046447	0	0.604167	0	
5	N5	6.25	0	3.810523	0	
6	N6	-6.25	0	3.810523	0	
7	N7	-2.541667	0	-2.708333	0	
8	N8	2.315104	0.166667	-2.708333	0	
9	N9	-2.315104	0.166667	-2.708333	0	
10	N10	5.916667	0	3.810523	0	
11	N11	5.916667	0	4.060523	0	
12	N12	-5.75	0	3.810523	0	
13	N13	-5.75	0	4.060523	0	
14	N14	2.083333	0	3.810523	0	



Company :
 Designer :
 Job Number :
 Model Name :

June 15, 2021
 2:35 PM
 Checked By: _____

Joint Coordinates and Temperatures (Continued)

	Label	X [ft]	Y [ft]	Z [ft]	Temp [F]	Detach From Diap...
15	N15	2.083333	0	4.060523	0	
16	N16	-1.75	0	3.810523	0	
17	N17	-1.75	0	4.060523	0	
18	N18	-1.75	-4.5	4.060523	0	
19	N19	-1.75	3.5	4.060523	0	
20	N20	-5.75	-4.5	4.060523	0	
21	N21	-5.75	3.5	4.060523	0	
22	N22	2.083333	-4.5	4.060523	0	
23	N23	2.083333	3.5	4.060523	0	
24	N24	5.916667	-4.5	4.060523	0	
25	N25	5.916667	3.5	4.060523	0	
26	N26	0	0	-2.708333	0	
27	N27	0	0	-6.395833	0	
28	N28	2.315104	0	-2.708333	0	
29	N29	-2.315104	0	-2.708333	0	
30	N30	2.541667	0	-2.708333	0	
31	N31	-0.166667	0	-2.708333	0	
32	N32	0.166667	0	-2.708333	0	
33	N33	-2.541667	0	-2.927083	0	
34	N34	2.541667	0	-2.927083	0	
35	N35	2.458333	0	-3.071421	0	
36	N36	0.571615	0	-6.298857	0	
37	N37	-2.458333	0	-3.071421	0	
38	N38	-0.571615	0	-6.298857	0	
39	N39	2.584629	0	-3.144338	0	
40	N40	-2.584629	0	-3.144338	0	
41	N41	-0.515625	0	-6.395833	0	
42	N42	0.515625	0	-6.395833	0	
43	N43	0.715429	0	-6.381888	0	
44	N44	-0.715429	0	-6.381888	0	
45	N45	0	0	-6.3125	0	
46	N46	0.234238	0.166667	-6.3125	0	
47	N47	0.234238	0	-6.3125	0	
48	N48	-0.234238	0.166667	-6.3125	0	
49	N49	-0.234238	0	-6.3125	0	
50	N50	-1.074652	0	3.555315	0	
51	N51	-3.503038	0.166667	-0.650772	0	
52	N52	-1.187933	0.166667	3.359106	0	
53	N53	-2.345485	0	1.354167	0	
54	N54	-5.538954	0	3.197917	0	
55	N55	-3.503038	0	-0.650772	0	
56	N56	-1.187933	0	3.359106	0	
57	N57	-3.616319	0	-0.846981	0	
58	N58	-2.262152	0	1.498504	0	
59	N59	-2.428819	0	1.209829	0	
60	N60	-1.264095	0	3.66469	0	
61	N61	-3.805762	0	-0.737606	0	
62	N62	-3.889095	0	-0.593269	0	
63	N63	-5.740777	0	2.654396	0	
64	N64	-1.430762	0	3.66469	0	
65	N65	-5.169162	0	3.644461	0	
66	N66	-4.015391	0	-0.666185	0	
67	N67	-1.430762	0	3.810523	0	
68	N68	-5.281142	0	3.644461	0	
69	N69	-5.796767	0	2.751372	0	
70	N70	-5.884591	0	2.571364	0	
71	N71	-5.169162	0	3.810523	0	



Company :
 Designer :
 Job Number :
 Model Name :

June 15, 2021
 2:35 PM
 Checked By: _____

Joint Coordinates and Temperatures (Continued)

	Label	X [ft]	Y [ft]	Z [ft]	Temp [F]	Detach From Diap...
72	N72	-5.466785	0	3.15625	0	
73	N73	-5.583904	0.166667	2.953394	0	
74	N74	-5.583904	0	2.953394	0	
75	N75	-5.349667	0.166667	3.359106	0	
76	N76	-5.349667	0	3.359106	0	
77	N77	3.616319	0	-0.846981	0	
78	N78	1.187933	0.166667	3.359106	0	
79	N79	3.503038	0.166667	-0.650772	0	
80	N80	2.345485	0	1.354167	0	
81	N81	5.538954	0	3.197917	0	
82	N82	1.187933	0	3.359106	0	
83	N83	3.503038	0	-0.650772	0	
84	N84	1.074652	0	3.555315	0	
85	N85	2.428819	0	1.209829	0	
86	N86	2.262152	0	1.498504	0	
87	N87	3.805762	0	-0.737606	0	
88	N88	1.264095	0	3.66469	0	
89	N89	1.430762	0	3.66469	0	
90	N90	5.169162	0	3.644461	0	
91	N91	3.889095	0	-0.593269	0	
92	N92	5.740777	0	2.654396	0	
93	N93	1.430762	0	3.810523	0	
94	N94	4.015391	0	-0.666186	0	
95	N95	5.796767	0	2.751372	0	
96	N96	5.281142	0	3.644461	0	
97	N97	5.169162	0	3.810523	0	
98	N98	5.884591	0	2.571364	0	
99	N99	5.466785	0	3.15625	0	
100	N100	5.349667	0.166667	3.359106	0	
101	N101	5.349667	0	3.359106	0	
102	N102	5.583904	0.166667	2.953394	0	
103	N103	5.583904	0	2.953394	0	
104	N104	0.17501	0	-7.31792	0	
105	N105	6.42501	0	3.507397	0	
106	N106	-6.42501	0	3.507397	0	
107	N107	-0.17501	0	-7.31792	0	
108	N108	0.341677	0	-7.029245	0	
109	N109	0.558183	0	-7.154245	0	
110	N110	6.17501	0	3.074384	0	
111	N111	6.391516	0	2.949384	0	
112	N112	2.258343	0	-3.709481	0	
113	N113	2.47485	0	-3.834481	0	
114	N114	4.17501	0	-0.389717	0	
115	N115	4.391516	0	-0.514717	0	
116	N116	4.391516	-4.5	-0.514717	0	
117	N117	4.391516	3.5	-0.514717	0	
118	N118	6.391516	-4.5	2.949384	0	
119	N119	6.391516	3.5	2.949384	0	
120	N120	2.47485	-4.5	-3.834481	0	
121	N121	2.47485	3.5	-3.834481	0	
122	N122	0.558183	-4.5	-7.154245	0	
123	N123	0.558183	3.5	-7.154245	0	
124	N124	-6.258343	0	3.218722	0	
125	N125	-6.47485	0	3.093722	0	
126	N126	-0.42501	0	-6.884908	0	
127	N127	-0.641516	0	-7.009908	0	
128	N128	-4.341677	0	-0.101042	0	



Company :
 Designer :
 Job Number :
 Model Name :

June 15, 2021
 2:35 PM
 Checked By: _____

Joint Coordinates and Temperatures (Continued)

	Label	X [ft]	Y [ft]	Z [ft]	Temp [F]	Detach From Diap...
129	N129	-4.558183	0	-0.226042	0	
130	N130	-2.42501	0	-3.420806	0	
131	N131	-2.641516	0	-3.545806	0	
132	N132	-2.641516	-4.5	-3.545806	0	
133	N133	-2.641516	3.5	-3.545806	0	
134	N134	-0.641516	-4.5	-7.009908	0	
135	N135	-0.641516	3.5	-7.009908	0	
136	N136	-4.558183	-4.5	-0.226042	0	
137	N137	-4.558183	3.5	-0.226042	0	
138	N138	-6.47485	-4.5	3.093722	0	
139	N139	-6.47485	3.5	3.093722	0	
140	N144	-1.912473	0	1.104167	0	
141	N145	-2.037473	0	0.88766	0	
142	N146	-2.037473	-.5	0.88766	0	
143	N147	-2.037473	2.5	0.88766	0	
144	N148	1.912473	0	1.104167	0	
145	N149	1.787473	0	1.320673	0	
146	N150	1.787473	-.5	1.320673	0	
147	N151	1.787473	2.5	1.320673	0	
148	N152	6.25	3	3.810523	0	
149	N153	-6.25	3	3.810523	0	
150	N154	5.916667	3	3.810523	0	
151	N155	5.916667	3	4.060523	0	
152	N156	-5.75	3	3.810523	0	
153	N157	-5.75	3	4.060523	0	
154	N158	2.083333	3	3.810523	0	
155	N159	2.083333	3	4.060523	0	
156	N160	-1.75	3	3.810523	0	
157	N161	-1.75	3	4.060523	0	
158	N162	0.17501	3	-7.31792	0	
159	N163	6.42501	3	3.507397	0	
160	N164	-6.42501	3	3.507397	0	
161	N165	-0.17501	3	-7.31792	0	
162	N166	0.341677	3	-7.029245	0	
163	N167	0.558183	3	-7.154245	0	
164	N168	6.17501	3	3.074384	0	
165	N169	6.391516	3	2.949384	0	
166	N170	2.258343	3	-3.709481	0	
167	N171	2.47485	3	-3.834481	0	
168	N172	4.17501	3	-0.389717	0	
169	N173	4.391516	3	-0.514717	0	
170	N174	-6.258343	3	3.218722	0	
171	N175	-6.47485	3	3.093722	0	
172	N176	-0.42501	3	-6.884908	0	
173	N177	-0.641516	3	-7.009908	0	
174	N178	-4.341677	3	-0.101042	0	
175	N179	-4.558183	3	-0.226042	0	
176	N180	-2.42501	3	-3.420806	0	
177	N181	-2.641516	3	-3.545806	0	
178	N182	-5.25	3	3.810523	0	
179	N183	5.25	3	3.810523	0	
180	N184	-5.25	3	3.560523	0	
181	N185	5.25	3	3.560523	0	
182	N186	5.92501	3	2.641372	0	
183	N187	0.67501	3	-6.451895	0	
184	N188	5.708504	3	2.766372	0	
185	N189	0.458504	3	-6.326895	0	

Joint Coordinates and Temperatures (Continued)

	Label	X [ft]	Y [ft]	Z [ft]	Temp [F]	Detach From Diap...
186	N190	-0.67501	3	-6.451895	0	
187	N191	-5.92501	3	2.641372	0	
188	N192	-0.458504	3	-6.326895	0	
189	N193	-5.708504	3	2.766372	0	

Hot Rolled Steel Section Sets

	Label	Shape	Type	Design List	Material	Design ...	A [in2]	Iyy [in4]	Izz [in4]	J [in4]
1	Face Horizontal	PIPE 3.0	None	None	A53 Gr.B	Typical	2.07	2.85	2.85	5.69
2	Standoff Horizontal	HSS4X4X4	None	None	A500 Gr.B Rect	Typical	3.37	7.8	7.8	12.8
3	Cross Arm	HSS4X4X4	None	None	A500 Gr.B Rect	Typical	3.37	7.8	7.8	12.8
4	Grating Support	L2x2x3	None	None	A36 Gr.36	Typical	.722	.271	.271	.009
5	Cross Arm Plate	PL3/8x6	None	None	A36 Gr.36	Typical	2.25	.026	6.75	.101
6	Corner Plate	PL1/2x6	None	None	A36 Gr.36	Typical	3	.063	9	.237
7	Support Rail	PIPE 2.5	None	None	A53 Gr.B	Typical	1.61	1.45	1.45	2.89
8	Support Rail Corner	L3X3X4	None	None	A36 Gr.36	Typical	1.44	1.23	1.23	.031
9	Antenna Pipe	PIPE_2.0	None	None	A53 Gr.B	Typical	1.02	.627	.627	1.25

Hot Rolled Steel Properties

	Label	E [ksi]	G [ksi]	Nu	Therm (/1E...Density[k/ft...	Yield[ksi]	Ry	Fu[ksi]	Rt	
1	A992	29000	11154	.3	.65	.49	50	1.1	65	1.1
2	A36 Gr.36	29000	11154	.3	.65	.49	36	1.5	58	1.2
3	A572 Gr.50	29000	11154	.3	.65	.49	50	1.1	65	1.1
4	A500 Gr.B RND	29000	11154	.3	.65	.527	42	1.4	58	1.3
5	A500 Gr.B Rect	29000	11154	.3	.65	.527	46	1.4	58	1.3
6	A53 Gr.B	29000	11154	.3	.65	.49	35	1.6	60	1.2
7	A1085	29000	11154	.3	.65	.49	50	1.4	65	1.3
8	Q235	29000	11154	.3	.65	.49	35	1.5	58	1.2

Member Primary Data

	Label	I Joint	J Joint	K Joint	Rotate(deg)	Section/Shape	Type	Design List	Material	Design Rules
1	M1	N6	N5			Face Horizontal	None	None	A53 Gr.B	Typical
2	M2	N106	N107			Face Horizontal	None	None	A53 Gr.B	Typical
3	M3	N104	N105			Face Horizontal	None	None	A53 Gr.B	Typical
4	M4	N2	N27			Standoff Horizontal	None	None	A500 Gr....	Typical
5	M5	N4	N81			Standoff Horizontal	None	None	A500 Gr....	Typical
6	M6	N3	N54			Standoff Horizontal	None	None	A500 Gr....	Typical
7	M7	N31	N7			Cross Arm	None	None	A500 Gr....	Typical
8	M8	N30	N32			Cross Arm	None	None	A500 Gr....	Typical
9	M9	N85	N77			Cross Arm	None	None	A500 Gr....	Typical
10	M10	N84	N86			Cross Arm	None	None	A500 Gr....	Typical
11	M11	N58	N50			Cross Arm	None	None	A500 Gr....	Typical
12	M12	N57	N59			Cross Arm	None	None	A500 Gr....	Typical
13	M13	N9	N48			Grating Support	None	None	A36 Gr.36	Typical
14	M14	N46	N8			Grating Support	None	None	A36 Gr.36	Typical
15	M15	N79	N102			Grating Support	None	None	A36 Gr.36	Typical
16	M16	N100	N78			Grating Support	None	None	A36 Gr.36	Typical
17	M17	N52	N75			Grating Support	None	None	A36 Gr.36	Typical
18	M18	N73	N51			Grating Support	None	None	A36 Gr.36	Typical
19	M19	N88	N89			Cross Arm Plate	None	None	A36 Gr.36	Typical
20	M20	N84	N88			Cross Arm Plate	None	None	A36 Gr.36	Typical
21	M21	N50	N60			Cross Arm Plate	None	None	A36 Gr.36	Typical
22	M22	N60	N64			Cross Arm Plate	None	None	A36 Gr.36	Typical



Company :
 Designer :
 Job Number :
 Model Name :

June 15, 2021
 2:35 PM
 Checked By: _____

Member Primary Data (Continued)

	Label	I Joint	J Joint	K Joint	Rotate(deg)	Section/Shape	Type	Design List	Material	Design Rules
23	M23	N61	N62			Cross Arm Plate	None	None	A36 Gr.36	Typical
24	M24	N57	N61			Cross Arm Plate	None	None	A36 Gr.36	Typical
25	M25	N7	N33			Cross Arm Plate	None	None	A36 Gr.36	Typical
26	M26	N33	N37			Cross Arm Plate	None	None	A36 Gr.36	Typical
27	M27	N34	N35			Cross Arm Plate	None	None	A36 Gr.36	Typical
28	M28	N30	N34			Cross Arm Plate	None	None	A36 Gr.36	Typical
29	M29	N77	N87			Cross Arm Plate	None	None	A36 Gr.36	Typical
30	M30	N87	N91			Cross Arm Plate	None	None	A36 Gr.36	Typical
31	M31	N41	N42			Corner Plate	None	None	A36 Gr.36	Typical
32	M32	N95	N96			Corner Plate	None	None	A36 Gr.36	Typical
33	M33	N68	N69			Corner Plate	None	None	A36 Gr.36	Typical
34	M34	N41	N38			Corner Plate	None	None	A36 Gr.36	Typical
35	M35	N42	N36			Corner Plate	None	None	A36 Gr.36	Typical
36	M36	N95	N92			Corner Plate	None	None	A36 Gr.36	Typical
37	M37	N96	N90			Corner Plate	None	None	A36 Gr.36	Typical
38	M38	N68	N65			Corner Plate	None	None	A36 Gr.36	Typical
39	M39	N69	N63			Corner Plate	None	None	A36 Gr.36	Typical
40	M40	N152	N153			Support Rail	None	None	A53 Gr.B	Typical
41	M41	N164	N165			Support Rail	None	None	A53 Gr.B	Typical
42	M42	N162	N163			Support Rail	None	None	A53 Gr.B	Typical
43	M43	N184	N193		90	Support Rail Corner	None	None	A36 Gr.36	Typical
44	M44	N192	N189		90	Support Rail Corner	None	None	A36 Gr.36	Typical
45	M45	N188	N185		90	Support Rail Corner	None	None	A36 Gr.36	Typical
46	OVP	N151	N150			Antenna Pipe	None	None	A53 Gr.B	Typical
47	OVP2	N147	N146			Antenna Pipe	None	None	A53 Gr.B	Typical
48	MP1A	N25	N24			Antenna Pipe	None	None	A53 Gr.B	Typical
49	MP2A	N23	N22			Antenna Pipe	None	None	A53 Gr.B	Typical
50	MP3A	N19	N18			Antenna Pipe	None	None	A53 Gr.B	Typical
51	MP4A	N21	N20			Antenna Pipe	None	None	A53 Gr.B	Typical
52	MP1B	N139	N138			Antenna Pipe	None	None	A53 Gr.B	Typical
53	MP2B	N137	N136			Antenna Pipe	None	None	A53 Gr.B	Typical
54	MP3B	N133	N132			Antenna Pipe	None	None	A53 Gr.B	Typical
55	MP4B	N135	N134			Antenna Pipe	None	None	A53 Gr.B	Typical
56	MP1C	N123	N122			Antenna Pipe	None	None	A53 Gr.B	Typical
57	MP2C	N121	N120			Antenna Pipe	None	None	A53 Gr.B	Typical
58	MP3C	N117	N116			Antenna Pipe	None	None	A53 Gr.B	Typical
59	MP4C	N119	N118			Antenna Pipe	None	None	A53 Gr.B	Typical
60	M61	N10	N11			RIGID	None	None	RIGID	Typical
61	M62	N12	N13			RIGID	None	None	RIGID	Typical
62	M63	N14	N15			RIGID	None	None	RIGID	Typical
63	M64	N16	N17			RIGID	None	None	RIGID	Typical
64	M65	N9	N29			RIGID	None	None	RIGID	Typical
65	M66	N8	N28			RIGID	None	None	RIGID	Typical
66	M67	N49	N45			RIGID	None	None	RIGID	Typical
67	M68	N45	N47			RIGID	None	None	RIGID	Typical
68	M69	N46	N47			RIGID	None	None	RIGID	Typical
69	M70	N48	N49			RIGID	None	None	RIGID	Typical
70	M71	N52	N56			RIGID	None	None	RIGID	Typical
71	M72	N51	N55			RIGID	None	None	RIGID	Typical
72	M73	N31	N26			RIGID	None	None	RIGID	Typical
73	M74	N26	N32			RIGID	None	None	RIGID	Typical
74	M75	N75	N76			RIGID	None	None	RIGID	Typical
75	M76	N58	N53			RIGID	None	None	RIGID	Typical
76	M77	N53	N59			RIGID	None	None	RIGID	Typical
77	M78	N62	N66			RIGID	None	None	RIGID	Typical
78	M79	N63	N70			RIGID	None	None	RIGID	Typical
79	M80	N64	N67			RIGID	None	None	RIGID	Typical



Company :
 Designer :
 Job Number :
 Model Name :

June 15, 2021
 2:35 PM
 Checked By: _____

Member Primary Data (Continued)

	Label	I Joint	J Joint	K Joint	Rotate(deg)	Section/Shape	Type	Design List	Material	Design Rules
80	M81	N65	N71			RIGID	None	None	RIGID	Typical
81	M82	N76	N72			RIGID	None	None	RIGID	Typical
82	M83	N72	N74			RIGID	None	None	RIGID	Typical
83	M84	N73	N74			RIGID	None	None	RIGID	Typical
84	M85	N35	N39			RIGID	None	None	RIGID	Typical
85	M86	N79	N83			RIGID	None	None	RIGID	Typical
86	M87	N78	N82			RIGID	None	None	RIGID	Typical
87	M88	N36	N43			RIGID	None	None	RIGID	Typical
88	M89	N102	N103			RIGID	None	None	RIGID	Typical
89	M90	N108	N109			RIGID	None	None	RIGID	Typical
90	M91	N85	N80			RIGID	None	None	RIGID	Typical
91	M92	N110	N111			RIGID	None	None	RIGID	Typical
92	M93	N80	N86			RIGID	None	None	RIGID	Typical
93	M94	N112	N113			RIGID	None	None	RIGID	Typical
94	M95	N114	N115			RIGID	None	None	RIGID	Typical
95	M96	N37	N40			RIGID	None	None	RIGID	Typical
96	M97	N89	N93			RIGID	None	None	RIGID	Typical
97	M98	N90	N97			RIGID	None	None	RIGID	Typical
98	M99	N38	N44			RIGID	None	None	RIGID	Typical
99	M100	N124	N125			RIGID	None	None	RIGID	Typical
100	M101	N126	N127			RIGID	None	None	RIGID	Typical
101	M102	N91	N94			RIGID	None	None	RIGID	Typical
102	M103	N128	N129			RIGID	None	None	RIGID	Typical
103	M104	N130	N131			RIGID	None	None	RIGID	Typical
104	M105	N92	N98			RIGID	None	None	RIGID	Typical
105	M106	N103	N99			RIGID	None	None	RIGID	Typical
106	M107	N99	N101			RIGID	None	None	RIGID	Typical
107	M108	N100	N101			RIGID	None	None	RIGID	Typical
108	M110	N144	N145			RIGID	None	None	RIGID	Typical
109	M111	N148	N149			RIGID	None	None	RIGID	Typical
110	M112	N154	N155			RIGID	None	None	RIGID	Typical
111	M113	N156	N157			RIGID	None	None	RIGID	Typical
112	M114	N158	N159			RIGID	None	None	RIGID	Typical
113	M115	N160	N161			RIGID	None	None	RIGID	Typical
114	M116	N166	N167			RIGID	None	None	RIGID	Typical
115	M117	N168	N169			RIGID	None	None	RIGID	Typical
116	M118	N170	N171			RIGID	None	None	RIGID	Typical
117	M119	N172	N173			RIGID	None	None	RIGID	Typical
118	M120	N174	N175			RIGID	None	None	RIGID	Typical
119	M121	N176	N177			RIGID	None	None	RIGID	Typical
120	M122	N178	N179			RIGID	None	None	RIGID	Typical
121	M123	N180	N181			RIGID	None	None	RIGID	Typical
122	M124	N183	N185			RIGID	None	None	RIGID	Typical
123	M125	N182	N184			RIGID	None	None	RIGID	Typical
124	M126	N187	N189			RIGID	None	None	RIGID	Typical
125	M127	N186	N188			RIGID	None	None	RIGID	Typical
126	M128	N191	N193			RIGID	None	None	RIGID	Typical
127	M129	N190	N192			RIGID	None	None	RIGID	Typical

Member Advanced Data

	Label	I Release	J Release	I Offset[in]	J Offset[in]	T/C Only	Physical	Defl Rat...	Analysis ...	Inactive	Seismic...
1	M1						Yes	** NA **			None
2	M2						Yes	** NA **			None
3	M3						Yes	** NA **			None
4	M4						Yes	** NA **			None



Company :
 Designer :
 Job Number :
 Model Name :

June 15, 2021
 2:35 PM
 Checked By: _____

Member Advanced Data (Continued)

	Label	I Release	J Release	I Offset[in]	J Offset[in]	T/C Only	Physical	Defl Rat...	Analysis ...	Inactive	Seismic...
5	M5						Yes	** NA **			None
6	M6						Yes	** NA **			None
7	M7						Yes	** NA **			None
8	M8						Yes	** NA **			None
9	M9						Yes	** NA **			None
10	M10						Yes	** NA **			None
11	M11						Yes	** NA **			None
12	M12						Yes	** NA **			None
13	M13	00000X	00000X				Yes	** NA **			None
14	M14	00000X	00000X				Yes	** NA **			None
15	M15	00000X	00000X				Yes	** NA **			None
16	M16	00000X	00000X				Yes	** NA **			None
17	M17	00000X	00000X				Yes	** NA **			None
18	M18	00000X	00000X				Yes	** NA **			None
19	M19						Yes	** NA **			None
20	M20						Yes	** NA **			None
21	M21						Yes	** NA **			None
22	M22						Yes	** NA **			None
23	M23						Yes	** NA **			None
24	M24						Yes	** NA **			None
25	M25						Yes	** NA **			None
26	M26						Yes	** NA **			None
27	M27						Yes	** NA **			None
28	M28						Yes	** NA **			None
29	M29						Yes	** NA **			None
30	M30						Yes	** NA **			None
31	M31						Yes	** NA **			None
32	M32						Yes	** NA **			None
33	M33						Yes	** NA **			None
34	M34						Yes	** NA **			None
35	M35						Yes	** NA **			None
36	M36						Yes	** NA **			None
37	M37						Yes	** NA **			None
38	M38						Yes	** NA **			None
39	M39						Yes	** NA **			None
40	M40						Yes	** NA **			None
41	M41						Yes	** NA **			None
42	M42						Yes	** NA **			None
43	M43						Yes	** NA **			None
44	M44						Yes	** NA **			None
45	M45						Yes	** NA **			None
46	OVP						Yes	** NA **			None
47	OVP2						Yes	** NA **			None
48	MP1A						Yes	** NA **			None
49	MP2A						Yes	** NA **			None
50	MP3A						Yes	** NA **			None
51	MP4A						Yes	** NA **			None
52	MP1B						Yes	** NA **			None
53	MP2B						Yes	** NA **			None
54	MP3B						Yes	** NA **			None
55	MP4B						Yes	** NA **			None
56	MP1C						Yes	** NA **			None
57	MP2C						Yes	** NA **			None
58	MP3C						Yes	** NA **			None
59	MP4C						Yes	** NA **			None
60	M61						Yes	** NA **			None
61	M62						Yes	** NA **			None



Company :
 Designer :
 Job Number :
 Model Name :

June 15, 2021
 2:35 PM
 Checked By: _____

Member Advanced Data (Continued)

	Label	I Release	J Release	I Offset[in]	J Offset[in]	T/C Only	Physical	Defl Rat...	Analysis ...	Inactive	Seismic...
62	M63						Yes	** NA **			None
63	M64						Yes	** NA **			None
64	M65						Yes	** NA **			None
65	M66						Yes	** NA **			None
66	M67						Yes	** NA **			None
67	M68						Yes	** NA **			None
68	M69						Yes	** NA **			None
69	M70						Yes	** NA **			None
70	M71						Yes	** NA **			None
71	M72						Yes	** NA **			None
72	M73						Yes	** NA **			None
73	M74						Yes	** NA **			None
74	M75						Yes	** NA **			None
75	M76						Yes	** NA **			None
76	M77						Yes	** NA **			None
77	M78		BenPIN				Yes	** NA **			None
78	M79		BenPIN				Yes	** NA **			None
79	M80		BenPIN				Yes	** NA **			None
80	M81		BenPIN				Yes	** NA **			None
81	M82						Yes	** NA **			None
82	M83						Yes	** NA **			None
83	M84						Yes	** NA **			None
84	M85		BenPIN				Yes	** NA **			None
85	M86						Yes	** NA **			None
86	M87						Yes	** NA **			None
87	M88		BenPIN				Yes	** NA **			None
88	M89						Yes	** NA **			None
89	M90						Yes	** NA **			None
90	M91						Yes	** NA **			None
91	M92						Yes	** NA **			None
92	M93						Yes	** NA **			None
93	M94						Yes	** NA **			None
94	M95						Yes	** NA **			None
95	M96		BenPIN				Yes	** NA **			None
96	M97		BenPIN				Yes	** NA **			None
97	M98		BenPIN				Yes	** NA **			None
98	M99		BenPIN				Yes	** NA **			None
99	M100						Yes	** NA **			None
100	M101						Yes	** NA **			None
101	M102		BenPIN				Yes	** NA **			None
102	M103						Yes	** NA **			None
103	M104						Yes	** NA **			None
104	M105		BenPIN				Yes	** NA **			None
105	M106						Yes	** NA **			None
106	M107						Yes	** NA **			None
107	M108						Yes	** NA **			None
108	M110						Yes	** NA **			None
109	M111						Yes	** NA **			None
110	M112						Yes	** NA **			None
111	M113						Yes	** NA **			None
112	M114						Yes	** NA **			None
113	M115						Yes	** NA **			None
114	M116						Yes	** NA **			None
115	M117						Yes	** NA **			None
116	M118						Yes	** NA **			None
117	M119						Yes	** NA **			None
118	M120						Yes	** NA **			None



Company :
 Designer :
 Job Number :
 Model Name :

June 15, 2021
 2:35 PM
 Checked By: _____

Member Advanced Data (Continued)

	Label	I Release	J Release	I Offset[in]	J Offset[in]	T/C Only	Physical	Defl Rat..	Analysis ...	Inactive	Seismic...
119	M121						Yes	** NA **			None
120	M122						Yes	** NA **			None
121	M123						Yes	** NA **			None
122	M124	OOOOOX					Yes	** NA **			None
123	M125	OOOOOX					Yes	** NA **			None
124	M126	OOOOOX					Yes	** NA **			None
125	M127	OOOOOX					Yes	** NA **			None
126	M128	OOOOOX					Yes	** NA **			None
127	M129	OOOOOX					Yes	** NA **			None

Member Point Loads (BLC 1 : Antenna D)

	Member Label	Direction	Magnitude[lb.k-ft]	Location[ft,%]
1	OVP2	Y	-26.9	1
2	OVP2	My	0	1
3	OVP2	Mz	0	1
4	MP1A	Y	-43.55	2.5
5	MP1A	My	-.022	2.5
6	MP1A	Mz	0	2.5
7	MP1A	Y	-43.55	4.5
8	MP1A	My	-.022	4.5
9	MP1A	Mz	0	4.5
10	MP1B	Y	-43.55	2.5
11	MP1B	My	.014	2.5
12	MP1B	Mz	-.017	2.5
13	MP1B	Y	-43.55	4.5
14	MP1B	My	.014	4.5
15	MP1B	Mz	-.017	4.5
16	MP1C	Y	-43.55	2.5
17	MP1C	My	.011	2.5
18	MP1C	Mz	.019	2.5
19	MP1C	Y	-43.55	4.5
20	MP1C	My	.011	4.5
21	MP1C	Mz	.019	4.5
22	MP2A	Y	-20.3	1
23	MP2A	My	-.01	1
24	MP2A	Mz	.013	1
25	MP2A	Y	-20.3	6
26	MP2A	My	-.01	6
27	MP2A	Mz	.013	6
28	MP2B	Y	-20.3	1
29	MP2B	My	-.003	1
30	MP2B	Mz	-.016	1
31	MP2B	Y	-20.3	6
32	MP2B	My	-.003	6
33	MP2B	Mz	-.016	6
34	MP2C	Y	-20.3	1
35	MP2C	My	.016	1
36	MP2C	Mz	.002	1
37	MP2C	Y	-20.3	6
38	MP2C	My	.016	6
39	MP2C	Mz	.002	6
40	MP2A	Y	-20.3	1
41	MP2A	My	-.01	1
42	MP2A	Mz	-.013	1
43	MP2A	Y	-20.3	6



Company :
 Designer :
 Job Number :
 Model Name :

June 15, 2021
 2:35 PM
 Checked By: _____

Member Point Loads (BLC 1 : Antenna D) (Continued)

	Member Label	Direction	Magnitude[lb,k-ft]	Location[ft,%]
44	MP2A	My	-.01	6
45	MP2A	Mz	-.013	6
46	MP2B	Y	-20.3	1
47	MP2B	My	.016	1
48	MP2B	Mz	.00038	1
49	MP2B	Y	-20.3	6
50	MP2B	My	.016	6
51	MP2B	Mz	.00038	6
52	MP2C	Y	-20.3	1
53	MP2C	My	-.006	1
54	MP2C	Mz	.015	1
55	MP2C	Y	-20.3	6
56	MP2C	My	-.006	6
57	MP2C	Mz	.015	6
58	MP4A	Y	-8.5	1
59	MP4A	My	-.004	1
60	MP4A	Mz	-.000738	1
61	MP4A	Y	-8.5	6
62	MP4A	My	-.004	6
63	MP4A	Mz	-.000738	6
64	MP4B	Y	-8.5	1
65	MP4B	My	.003	1
66	MP4B	Mz	-.003	1
67	MP4B	Y	-8.5	6
68	MP4B	My	.003	6
69	MP4B	Mz	-.003	6
70	MP4C	Y	-8.5	1
71	MP4C	My	.002	1
72	MP4C	Mz	.004	1
73	MP4C	Y	-8.5	6
74	MP4C	My	.002	6
75	MP4C	Mz	.004	6
76	MP2A	Y	-70.3	2.5
77	MP2A	My	.035	2.5
78	MP2A	Mz	0	2.5
79	MP2B	Y	-70.3	2.5
80	MP2B	My	-.023	2.5
81	MP2B	Mz	.027	2.5
82	MP2C	Y	-70.3	2.5
83	MP2C	My	-.018	2.5
84	MP2C	Mz	-.03	2.5
85	MP3A	Y	-84.4	2.5
86	MP3A	My	0	2.5
87	MP3A	Mz	0	2.5
88	MP3B	Y	-84.4	2.5
89	MP3B	My	0	2.5
90	MP3B	Mz	0	2.5
91	MP3C	Y	-84.4	2.5
92	MP3C	My	0	2.5
93	MP3C	Mz	0	2.5
94	OVP	Y	-26.9	1
95	OVP	My	0	1
96	OVP	Mz	0	1

Member Point Loads (BLC 2 : Antenna Di)

	Member Label	Direction	Magnitude[lb,k-ft]	Location[ft,%]
--	--------------	-----------	--------------------	----------------



Company :
 Designer :
 Job Number :
 Model Name :

June 15, 2021
 2:35 PM
 Checked By: _____

Member Point Loads (BLC 2 : Antenna Di) (Continued)

	Member Label	Direction	Magnitude[lb.k-ft]	Location[ft,%]
1	OVP2	Y	-85.071	1
2	OVP2	My	0	1
3	OVP2	Mz	0	1
4	MP1A	Y	-54.69	2.5
5	MP1A	My	-.027	2.5
6	MP1A	Mz	0	2.5
7	MP1A	Y	-54.69	4.5
8	MP1A	My	-.027	4.5
9	MP1A	Mz	0	4.5
10	MP1B	Y	-54.69	2.5
11	MP1B	My	.018	2.5
12	MP1B	Mz	-.021	2.5
13	MP1B	Y	-54.69	4.5
14	MP1B	My	.018	4.5
15	MP1B	Mz	-.021	4.5
16	MP1C	Y	-54.69	2.5
17	MP1C	My	.014	2.5
18	MP1C	Mz	.024	2.5
19	MP1C	Y	-54.69	4.5
20	MP1C	My	.014	4.5
21	MP1C	Mz	.024	4.5
22	MP2A	Y	-92.683	1
23	MP2A	My	-.046	1
24	MP2A	Mz	.058	1
25	MP2A	Y	-92.683	6
26	MP2A	My	-.046	6
27	MP2A	Mz	.058	6
28	MP2B	Y	-92.683	1
29	MP2B	My	-.015	1
30	MP2B	Mz	-.073	1
31	MP2B	Y	-92.683	6
32	MP2B	My	-.015	6
33	MP2B	Mz	-.073	6
34	MP2C	Y	-92.683	1
35	MP2C	My	.073	1
36	MP2C	Mz	.011	1
37	MP2C	Y	-92.683	6
38	MP2C	My	.073	6
39	MP2C	Mz	.011	6
40	MP2A	Y	-92.683	1
41	MP2A	My	-.046	1
42	MP2A	Mz	-.058	1
43	MP2A	Y	-92.683	6
44	MP2A	My	-.046	6
45	MP2A	Mz	-.058	6
46	MP2B	Y	-92.683	1
47	MP2B	My	.074	1
48	MP2B	Mz	.002	1
49	MP2B	Y	-92.683	6
50	MP2B	My	.074	6
51	MP2B	Mz	.002	6
52	MP2C	Y	-92.683	1
53	MP2C	My	-.027	1
54	MP2C	Mz	.069	1
55	MP2C	Y	-92.683	6
56	MP2C	My	-.027	6
57	MP2C	Mz	.069	6

Member Point Loads (BLC 2 : Antenna Di) (Continued)

	Member Label	Direction	Magnitude[lb.k-ft]	Location[ft,%]
58	MP4A	Y	-79.625	1
59	MP4A	My	-.039	1
60	MP4A	Mz	-.007	1
61	MP4A	Y	-79.625	6
62	MP4A	My	-.039	6
63	MP4A	Mz	-.007	6
64	MP4B	Y	-79.625	1
65	MP4B	My	.026	1
66	MP4B	Mz	-.03	1
67	MP4B	Y	-79.625	6
68	MP4B	My	.026	6
69	MP4B	Mz	-.03	6
70	MP4C	Y	-79.625	1
71	MP4C	My	.02	1
72	MP4C	Mz	.034	1
73	MP4C	Y	-79.625	6
74	MP4C	My	.02	6
75	MP4C	Mz	.034	6
76	MP2A	Y	-62.697	2.5
77	MP2A	My	.031	2.5
78	MP2A	Mz	0	2.5
79	MP2B	Y	-62.697	2.5
80	MP2B	My	-.02	2.5
81	MP2B	Mz	.024	2.5
82	MP2C	Y	-62.697	2.5
83	MP2C	My	-.016	2.5
84	MP2C	Mz	-.027	2.5
85	MP3A	Y	-69.464	2.5
86	MP3A	My	0	2.5
87	MP3A	Mz	0	2.5
88	MP3B	Y	-69.464	2.5
89	MP3B	My	0	2.5
90	MP3B	Mz	0	2.5
91	MP3C	Y	-69.464	2.5
92	MP3C	My	0	2.5
93	MP3C	Mz	0	2.5
94	OVP	Y	-85.071	1
95	OVP	My	0	1
96	OVP	Mz	0	1

Member Point Loads (BLC 3 : Antenna Wo (0 Deg))

	Member Label	Direction	Magnitude[lb.k-ft]	Location[ft,%]
1	OVP2	X	0	1
2	OVP2	Z	-65.893	1
3	OVP2	Mx	0	1
4	MP1A	X	0	2.5
5	MP1A	Z	-89.713	2.5
6	MP1A	Mx	0	2.5
7	MP1A	X	0	4.5
8	MP1A	Z	-89.713	4.5
9	MP1A	Mx	0	4.5
10	MP1B	X	0	2.5
11	MP1B	Z	-57.678	2.5
12	MP1B	Mx	.022	2.5
13	MP1B	X	0	4.5
14	MP1B	Z	-57.678	4.5

Member Point Loads (BLC 3 : Antenna Wo (0 Deg)) (Continued)

	Member Label	Direction	Magnitude[lb.k-ft]	Location[ft,%]
15	MP1B	Mx	.022	4.5
16	MP1C	X	0	2.5
17	MP1C	Z	-48.77	2.5
18	MP1C	Mx	-.021	2.5
19	MP1C	X	0	4.5
20	MP1C	Z	-48.77	4.5
21	MP1C	Mx	-.021	4.5
22	MP2A	X	0	1
23	MP2A	Z	-154.23	1
24	MP2A	Mx	-.096	1
25	MP2A	X	0	6
26	MP2A	Z	-154.23	6
27	MP2A	Mx	-.096	6
28	MP2B	X	0	1
29	MP2B	Z	-123.557	1
30	MP2B	Mx	.097	1
31	MP2B	X	0	6
32	MP2B	Z	-123.557	6
33	MP2B	Mx	.097	6
34	MP2C	X	0	1
35	MP2C	Z	-115.028	1
36	MP2C	Mx	-.014	1
37	MP2C	X	0	6
38	MP2C	Z	-115.028	6
39	MP2C	Mx	-.014	6
40	MP2A	X	0	1
41	MP2A	Z	-154.23	1
42	MP2A	Mx	.096	1
43	MP2A	X	0	6
44	MP2A	Z	-154.23	6
45	MP2A	Mx	.096	6
46	MP2B	X	0	1
47	MP2B	Z	-123.557	1
48	MP2B	Mx	-.002	1
49	MP2B	X	0	6
50	MP2B	Z	-123.557	6
51	MP2B	Mx	-.002	6
52	MP2C	X	0	1
53	MP2C	Z	-115.028	1
54	MP2C	Mx	-.086	1
55	MP2C	X	0	6
56	MP2C	Z	-115.028	6
57	MP2C	Mx	-.086	6
58	MP4A	X	0	1
59	MP4A	Z	-142.532	1
60	MP4A	Mx	.012	1
61	MP4A	X	0	6
62	MP4A	Z	-142.532	6
63	MP4A	Mx	.012	6
64	MP4B	X	0	1
65	MP4B	Z	-106.278	1
66	MP4B	Mx	.041	1
67	MP4B	X	0	6
68	MP4B	Z	-106.278	6
69	MP4B	Mx	.041	6
70	MP4C	X	0	1
71	MP4C	Z	-95.651	1



Company :
 Designer :
 Job Number :
 Model Name :

June 15, 2021
 2:35 PM
 Checked By: _____

Member Point Loads (BLC 3 : Antenna Wo (0 Deg)) (Continued)

	Member Label	Direction	Magnitude[lb.k-ft]	Location[ft,%]
72	MP4C	Mx	-.041	1
73	MP4C	X	0	6
74	MP4C	Z	-95.651	6
75	MP4C	Mx	-.041	6
76	MP2A	X	0	2.5
77	MP2A	Z	-71.389	2.5
78	MP2A	Mx	0	2.5
79	MP2B	X	0	2.5
80	MP2B	Z	-52.179	2.5
81	MP2B	Mx	-.02	2.5
82	MP2C	X	0	2.5
83	MP2C	Z	-46.837	2.5
84	MP2C	Mx	.02	2.5
85	MP3A	X	0	2.5
86	MP3A	Z	-71.389	2.5
87	MP3A	Mx	0	2.5
88	MP3B	X	0	2.5
89	MP3B	Z	-57.499	2.5
90	MP3B	Mx	0	2.5
91	MP3C	X	0	2.5
92	MP3C	Z	-53.637	2.5
93	MP3C	Mx	0	2.5
94	OVP	X	0	1
95	OVP	Z	-65.893	1
96	OVP	Mx	0	1

Member Point Loads (BLC 4 : Antenna Wo (30 Deg))

	Member Label	Direction	Magnitude[lb.k-ft]	Location[ft,%]
1	OVP2	X	40.807	1
2	OVP2	Z	-70.68	1
3	OVP2	Mx	0	1
4	MP1A	X	38.033	2.5
5	MP1A	Z	-65.875	2.5
6	MP1A	Mx	-.019	2.5
7	MP1A	X	38.033	4.5
8	MP1A	Z	-65.875	4.5
9	MP1A	Mx	-.019	4.5
10	MP1B	X	18.384	2.5
11	MP1B	Z	-31.843	2.5
12	MP1B	Mx	.018	2.5
13	MP1B	X	18.384	4.5
14	MP1B	Z	-31.843	4.5
15	MP1B	Mx	.018	4.5
16	MP1C	X	38.033	2.5
17	MP1C	Z	-65.875	2.5
18	MP1C	Mx	-.019	2.5
19	MP1C	X	38.033	4.5
20	MP1C	Z	-65.875	4.5
21	MP1C	Mx	-.019	4.5
22	MP2A	X	70.581	1
23	MP2A	Z	-122.251	1
24	MP2A	Mx	-.112	1
25	MP2A	X	70.581	6
26	MP2A	Z	-122.251	6
27	MP2A	Mx	-.112	6
28	MP2B	X	51.769	1



Company :
 Designer :
 Job Number :
 Model Name :

June 15, 2021
 2:35 PM
 Checked By: _____

Member Point Loads (BLC 4 : Antenna Wo (30 Deg)) (Continued)

	Member Label	Direction	Magnitude[lb.k-ft]	Location[ft,%]
29	MP2B	Z	-89.666	1
30	MP2B	Mx	.062	1
31	MP2B	X	51.769	6
32	MP2B	Z	-89.666	6
33	MP2B	Mx	.062	6
34	MP2C	X	70.581	1
35	MP2C	Z	-122.251	1
36	MP2C	Mx	.041	1
37	MP2C	X	70.581	6
38	MP2C	Z	-122.251	6
39	MP2C	Mx	.041	6
40	MP2A	X	70.581	1
41	MP2A	Z	-122.251	1
42	MP2A	Mx	.041	1
43	MP2A	X	70.581	6
44	MP2A	Z	-122.251	6
45	MP2A	Mx	.041	6
46	MP2B	X	51.769	1
47	MP2B	Z	-89.666	1
48	MP2B	Mx	.04	1
49	MP2B	X	51.769	6
50	MP2B	Z	-89.666	6
51	MP2B	Mx	.04	6
52	MP2C	X	70.581	1
53	MP2C	Z	-122.251	1
54	MP2C	Mx	-.112	1
55	MP2C	X	70.581	6
56	MP2C	Z	-122.251	6
57	MP2C	Mx	-.112	6
58	MP4A	X	68.439	1
59	MP4A	Z	-118.539	1
60	MP4A	Mx	-.023	1
61	MP4A	X	68.439	6
62	MP4A	Z	-118.539	6
63	MP4A	Mx	-.023	6
64	MP4B	X	40.667	1
65	MP4B	Z	-70.437	1
66	MP4B	Mx	.04	1
67	MP4B	X	40.667	6
68	MP4B	Z	-70.437	6
69	MP4B	Mx	.04	6
70	MP4C	X	64.107	1
71	MP4C	Z	-111.036	1
72	MP4C	Mx	-.032	1
73	MP4C	X	64.107	6
74	MP4C	Z	-111.036	6
75	MP4C	Mx	-.032	6
76	MP2A	X	31.602	2.5
77	MP2A	Z	-54.737	2.5
78	MP2A	Mx	.016	2.5
79	MP2B	X	19.82	2.5
80	MP2B	Z	-34.329	2.5
81	MP2B	Mx	-.02	2.5
82	MP2C	X	31.602	2.5
83	MP2C	Z	-54.737	2.5
84	MP2C	Mx	.016	2.5
85	MP3A	X	32.736	2.5

Member Point Loads (BLC 4 : Antenna Wo (30 Deg)) (Continued)

	Member Label	Direction	Magnitude[lb.k-ft]	Location[ft,%]
86	MP3A	Z	-56.7	2.5
87	MP3A	Mx	0	2.5
88	MP3B	X	24.217	2.5
89	MP3B	Z	-41.945	2.5
90	MP3B	Mx	0	2.5
91	MP3C	X	32.736	2.5
92	MP3C	Z	-56.7	2.5
93	MP3C	Mx	0	2.5
94	OVP	X	40.807	1
95	OVP	Z	-70.68	1
96	OVP	Mx	0	1

Member Point Loads (BLC 5 : Antenna Wo (60 Deg))

	Member Label	Direction	Magnitude[lb.k-ft]	Location[ft,%]
1	OVP2	X	81.779	1
2	OVP2	Z	-47.215	1
3	OVP2	Mx	0	1
4	MP1A	X	42.236	2.5
5	MP1A	Z	-24.385	2.5
6	MP1A	Mx	-.021	2.5
7	MP1A	X	42.236	4.5
8	MP1A	Z	-24.385	4.5
9	MP1A	Mx	-.021	4.5
10	MP1B	X	35.947	2.5
11	MP1B	Z	-20.754	2.5
12	MP1B	Mx	.02	2.5
13	MP1B	X	35.947	4.5
14	MP1B	Z	-20.754	4.5
15	MP1B	Mx	.02	4.5
16	MP1C	X	77.694	2.5
17	MP1C	Z	-44.857	2.5
18	MP1C	Mx	0	2.5
19	MP1C	X	77.694	4.5
20	MP1C	Z	-44.857	4.5
21	MP1C	Mx	0	4.5
22	MP2A	X	99.618	1
23	MP2A	Z	-57.514	1
24	MP2A	Mx	-.086	1
25	MP2A	X	99.618	6
26	MP2A	Z	-57.514	6
27	MP2A	Mx	-.086	6
28	MP2B	X	93.596	1
29	MP2B	Z	-54.038	1
30	MP2B	Mx	.028	1
31	MP2B	X	93.596	6
32	MP2B	Z	-54.038	6
33	MP2B	Mx	.028	6
34	MP2C	X	133.567	1
35	MP2C	Z	-77.115	1
36	MP2C	Mx	.096	1
37	MP2C	X	133.567	6
38	MP2C	Z	-77.115	6
39	MP2C	Mx	.096	6
40	MP2A	X	99.618	1
41	MP2A	Z	-57.514	1
42	MP2A	Mx	-.014	1



Company :
 Designer :
 Job Number :
 Model Name :

June 15, 2021
 2:35 PM
 Checked By: _____

Member Point Loads (BLC 5 : Antenna Wo (60 Deg)) (Continued)

	Member Label	Direction	Magnitude[lb.k-ft]	Location[ft,%]
43	MP2A	X	99.618	6
44	MP2A	Z	-57.514	6
45	MP2A	Mx	-.014	6
46	MP2B	X	93.596	1
47	MP2B	Z	-54.038	1
48	MP2B	Mx	.074	1
49	MP2B	X	93.596	6
50	MP2B	Z	-54.038	6
51	MP2B	Mx	.074	6
52	MP2C	X	133.567	1
53	MP2C	Z	-77.115	1
54	MP2C	Mx	-.096	1
55	MP2C	X	133.567	6
56	MP2C	Z	-77.115	6
57	MP2C	Mx	-.096	6
58	MP4A	X	92.039	1
59	MP4A	Z	-53.139	1
60	MP4A	Mx	-.041	1
61	MP4A	X	92.039	6
62	MP4A	Z	-53.139	6
63	MP4A	Mx	-.041	6
64	MP4B	X	75.334	1
65	MP4B	Z	-43.494	1
66	MP4B	Mx	.041	1
67	MP4B	X	75.334	6
68	MP4B	Z	-43.494	6
69	MP4B	Mx	.041	6
70	MP4C	X	125.137	1
71	MP4C	Z	-72.248	1
72	MP4C	Mx	0	1
73	MP4C	X	125.137	6
74	MP4C	Z	-72.248	6
75	MP4C	Mx	0	6
76	MP2A	X	40.562	2.5
77	MP2A	Z	-23.418	2.5
78	MP2A	Mx	.02	2.5
79	MP2B	X	36.791	2.5
80	MP2B	Z	-21.241	2.5
81	MP2B	Mx	-.02	2.5
82	MP2C	X	61.824	2.5
83	MP2C	Z	-35.694	2.5
84	MP2C	Mx	0	2.5
85	MP3A	X	46.451	2.5
86	MP3A	Z	-26.818	2.5
87	MP3A	Mx	0	2.5
88	MP3B	X	43.724	2.5
89	MP3B	Z	-25.244	2.5
90	MP3B	Mx	0	2.5
91	MP3C	X	61.824	2.5
92	MP3C	Z	-35.694	2.5
93	MP3C	Mx	0	2.5
94	OVP	X	81.779	1
95	OVP	Z	-47.215	1
96	OVP	Mx	0	1

Member Point Loads (BLC 6 : Antenna Wo (90 Deg))

	Member Label	Direction	Magnitude[lb.k-ft]	Location[ft,%]
RISA-3D Version 17.0.4 [.....]Rev. 01Risa467794-VZW_MT_LO_H.r3d] Page 20				



Company :
 Designer :
 Job Number :
 Model Name :

June 15, 2021
 2:35 PM
 Checked By: _____

Member Point Loads (BLC 6 : Antenna Wo (90 Deg)) (Continued)

	Member Label	Direction	Magnitude[lb.k-ft]	Location[ft,%]
1	OVP2	X	91.525	1
2	OVP2	Z	0	1
3	OVP2	Mx	0	1
4	MP1A	X	35.123	2.5
5	MP1A	Z	0	2.5
6	MP1A	Mx	-.018	2.5
7	MP1A	X	35.123	4.5
8	MP1A	Z	0	4.5
9	MP1A	Mx	-.018	4.5
10	MP1B	X	67.158	2.5
11	MP1B	Z	0	2.5
12	MP1B	Mx	.022	2.5
13	MP1B	X	67.158	4.5
14	MP1B	Z	0	4.5
15	MP1B	Mx	.022	4.5
16	MP1C	X	76.065	2.5
17	MP1C	Z	0	2.5
18	MP1C	Mx	.019	2.5
19	MP1C	X	76.065	4.5
20	MP1C	Z	0	4.5
21	MP1C	Mx	.019	4.5
22	MP2A	X	101.961	1
23	MP2A	Z	0	1
24	MP2A	Mx	-.051	1
25	MP2A	X	101.961	6
26	MP2A	Z	0	6
27	MP2A	Mx	-.051	6
28	MP2B	X	132.634	1
29	MP2B	Z	0	1
30	MP2B	Mx	-.021	1
31	MP2B	X	132.634	6
32	MP2B	Z	0	6
33	MP2B	Mx	-.021	6
34	MP2C	X	141.163	1
35	MP2C	Z	0	1
36	MP2C	Mx	.112	1
37	MP2C	X	141.163	6
38	MP2C	Z	0	6
39	MP2C	Mx	.112	6
40	MP2A	X	101.961	1
41	MP2A	Z	0	1
42	MP2A	Mx	-.051	1
43	MP2A	X	101.961	6
44	MP2A	Z	0	6
45	MP2A	Mx	-.051	6
46	MP2B	X	132.634	1
47	MP2B	Z	0	1
48	MP2B	Mx	.106	1
49	MP2B	X	132.634	6
50	MP2B	Z	0	6
51	MP2B	Mx	.106	6
52	MP2C	X	141.163	1
53	MP2C	Z	0	1
54	MP2C	Mx	-.041	1
55	MP2C	X	141.163	6
56	MP2C	Z	0	6
57	MP2C	Mx	-.041	6



Company :
 Designer :
 Job Number :
 Model Name :

June 15, 2021
 2:35 PM
 Checked By: _____

Member Point Loads (BLC 6 : Antenna Wo (90 Deg)) (Continued)

	Member Label	Direction	Magnitude[lb.k-ft]	Location[ft,%]
58	MP4A	X	81.333	1
59	MP4A	Z	0	1
60	MP4A	Mx	-.04	1
61	MP4A	X	81.333	6
62	MP4A	Z	0	6
63	MP4A	Mx	-.04	6
64	MP4B	X	117.587	1
65	MP4B	Z	0	1
66	MP4B	Mx	.038	1
67	MP4B	X	117.587	6
68	MP4B	Z	0	6
69	MP4B	Mx	.038	6
70	MP4C	X	128.214	1
71	MP4C	Z	0	1
72	MP4C	Mx	.032	1
73	MP4C	X	128.214	6
74	MP4C	Z	0	6
75	MP4C	Mx	.032	6
76	MP2A	X	38.653	2.5
77	MP2A	Z	0	2.5
78	MP2A	Mx	.019	2.5
79	MP2B	X	57.863	2.5
80	MP2B	Z	0	2.5
81	MP2B	Mx	-.019	2.5
82	MP2C	X	63.205	2.5
83	MP2C	Z	0	2.5
84	MP2C	Mx	-.016	2.5
85	MP3A	X	47.72	2.5
86	MP3A	Z	0	2.5
87	MP3A	Mx	0	2.5
88	MP3B	X	61.609	2.5
89	MP3B	Z	0	2.5
90	MP3B	Mx	0	2.5
91	MP3C	X	65.471	2.5
92	MP3C	Z	0	2.5
93	MP3C	Mx	0	2.5
94	OVP	X	91.525	1
95	OVP	Z	0	1
96	OVP	Mx	0	1

Member Point Loads (BLC 7 : Antenna Wo (120 Deg))

	Member Label	Direction	Magnitude[lb.k-ft]	Location[ft,%]
1	OVP2	X	65.648	1
2	OVP2	Z	37.902	1
3	OVP2	Mx	0	1
4	MP1A	X	42.236	2.5
5	MP1A	Z	24.385	2.5
6	MP1A	Mx	-.021	2.5
7	MP1A	X	42.236	4.5
8	MP1A	Z	24.385	4.5
9	MP1A	Mx	-.021	4.5
10	MP1B	X	76.268	2.5
11	MP1B	Z	44.033	2.5
12	MP1B	Mx	.008	2.5
13	MP1B	X	76.268	4.5
14	MP1B	Z	44.033	4.5

Member Point Loads (BLC 7 : Antenna Wo (120 Deg)) (Continued)

	Member Label	Direction	Magnitude[lb.k-ft]	Location[ft,%]
15	MP1B	Mx	.008	4.5
16	MP1C	X	42.236	2.5
17	MP1C	Z	24.385	2.5
18	MP1C	Mx	.021	2.5
19	MP1C	X	42.236	4.5
20	MP1C	Z	24.385	4.5
21	MP1C	Mx	.021	4.5
22	MP2A	X	99.618	1
23	MP2A	Z	57.514	1
24	MP2A	Mx	-.014	1
25	MP2A	X	99.618	6
26	MP2A	Z	57.514	6
27	MP2A	Mx	-.014	6
28	MP2B	X	132.202	1
29	MP2B	Z	76.327	1
30	MP2B	Mx	-.081	1
31	MP2B	X	132.202	6
32	MP2B	Z	76.327	6
33	MP2B	Mx	-.081	6
34	MP2C	X	99.618	1
35	MP2C	Z	57.514	1
36	MP2C	Mx	.086	1
37	MP2C	X	99.618	6
38	MP2C	Z	57.514	6
39	MP2C	Mx	.086	6
40	MP2A	X	99.618	1
41	MP2A	Z	57.514	1
42	MP2A	Mx	-.086	1
43	MP2A	X	99.618	6
44	MP2A	Z	57.514	6
45	MP2A	Mx	-.086	6
46	MP2B	X	132.202	1
47	MP2B	Z	76.327	1
48	MP2B	Mx	.107	1
49	MP2B	X	132.202	6
50	MP2B	Z	76.327	6
51	MP2B	Mx	.107	6
52	MP2C	X	99.618	1
53	MP2C	Z	57.514	1
54	MP2C	Mx	.014	1
55	MP2C	X	99.618	6
56	MP2C	Z	57.514	6
57	MP2C	Mx	.014	6
58	MP4A	X	75.334	1
59	MP4A	Z	43.494	1
60	MP4A	Mx	-.041	1
61	MP4A	X	75.334	6
62	MP4A	Z	43.494	6
63	MP4A	Mx	-.041	6
64	MP4B	X	123.436	1
65	MP4B	Z	71.266	1
66	MP4B	Mx	.012	1
67	MP4B	X	123.436	6
68	MP4B	Z	71.266	6
69	MP4B	Mx	.012	6
70	MP4C	X	82.836	1
71	MP4C	Z	47.825	1



Company :
 Designer :
 Job Number :
 Model Name :

June 15, 2021
 2:35 PM
 Checked By: _____

Member Point Loads (BLC 7 : Antenna Wo (120 Deg)) (Continued)

	Member Label	Direction	Magnitude[lb.k-ft]	Location[ft,%]
72	MP4C	Mx	.041	1
73	MP4C	X	82.836	6
74	MP4C	Z	47.825	6
75	MP4C	Mx	.041	6
76	MP2A	X	40.562	2.5
77	MP2A	Z	23.418	2.5
78	MP2A	Mx	.02	2.5
79	MP2B	X	60.97	2.5
80	MP2B	Z	35.201	2.5
81	MP2B	Mx	-.006	2.5
82	MP2C	X	40.562	2.5
83	MP2C	Z	23.418	2.5
84	MP2C	Mx	-.02	2.5
85	MP3A	X	46.451	2.5
86	MP3A	Z	26.818	2.5
87	MP3A	Mx	0	2.5
88	MP3B	X	61.206	2.5
89	MP3B	Z	35.338	2.5
90	MP3B	Mx	0	2.5
91	MP3C	X	46.451	2.5
92	MP3C	Z	26.818	2.5
93	MP3C	Mx	0	2.5
94	OVP	X	65.648	1
95	OVP	Z	37.902	1
96	OVP	Mx	0	1

Member Point Loads (BLC 8 : Antenna Wo (150 Deg))

	Member Label	Direction	Magnitude[lb.k-ft]	Location[ft,%]
1	OVP2	X	31.494	1
2	OVP2	Z	54.549	1
3	OVP2	Mx	0	1
4	MP1A	X	38.033	2.5
5	MP1A	Z	65.875	2.5
6	MP1A	Mx	-.019	2.5
7	MP1A	X	38.033	4.5
8	MP1A	Z	65.875	4.5
9	MP1A	Mx	-.019	4.5
10	MP1B	X	41.664	2.5
11	MP1B	Z	72.163	2.5
12	MP1B	Mx	-.014	2.5
13	MP1B	X	41.664	4.5
14	MP1B	Z	72.163	4.5
15	MP1B	Mx	-.014	4.5
16	MP1C	X	17.561	2.5
17	MP1C	Z	30.417	2.5
18	MP1C	Mx	.018	2.5
19	MP1C	X	17.561	4.5
20	MP1C	Z	30.417	4.5
21	MP1C	Mx	.018	4.5
22	MP2A	X	70.581	1
23	MP2A	Z	122.251	1
24	MP2A	Mx	.041	1
25	MP2A	X	70.581	6
26	MP2A	Z	122.251	6
27	MP2A	Mx	.041	6
28	MP2B	X	74.058	1



Company :
 Designer :
 Job Number :
 Model Name :

June 15, 2021
 2:35 PM
 Checked By: _____

Member Point Loads (BLC 8 : Antenna Wo (150 Deg)) (Continued)

	Member Label	Direction	Magnitude[lb.k-ft]	Location[ft,%]
29	MP2B	Z	128.272	1
30	MP2B	Mx	-.112	1
31	MP2B	X	74.058	6
32	MP2B	Z	128.272	6
33	MP2B	Mx	-.112	6
34	MP2C	X	50.981	1
35	MP2C	Z	88.301	1
36	MP2C	Mx	.051	1
37	MP2C	X	50.981	6
38	MP2C	Z	88.301	6
39	MP2C	Mx	.051	6
40	MP2A	X	70.581	1
41	MP2A	Z	122.251	1
42	MP2A	Mx	-.112	1
43	MP2A	X	70.581	6
44	MP2A	Z	122.251	6
45	MP2A	Mx	-.112	6
46	MP2B	X	74.058	1
47	MP2B	Z	128.272	1
48	MP2B	Mx	.062	1
49	MP2B	X	74.058	6
50	MP2B	Z	128.272	6
51	MP2B	Mx	.062	6
52	MP2C	X	50.981	1
53	MP2C	Z	88.301	1
54	MP2C	Mx	.051	1
55	MP2C	X	50.981	6
56	MP2C	Z	88.301	6
57	MP2C	Mx	.051	6
58	MP4A	X	58.793	1
59	MP4A	Z	101.833	1
60	MP4A	Mx	-.038	1
61	MP4A	X	58.793	6
62	MP4A	Z	101.833	6
63	MP4A	Mx	-.038	6
64	MP4B	X	68.439	1
65	MP4B	Z	118.539	1
66	MP4B	Mx	-.023	1
67	MP4B	X	68.439	6
68	MP4B	Z	118.539	6
69	MP4B	Mx	-.023	6
70	MP4C	X	39.685	1
71	MP4C	Z	68.736	1
72	MP4C	Mx	.04	1
73	MP4C	X	39.685	6
74	MP4C	Z	68.736	6
75	MP4C	Mx	.04	6
76	MP2A	X	31.602	2.5
77	MP2A	Z	54.737	2.5
78	MP2A	Mx	.016	2.5
79	MP2B	X	33.78	2.5
80	MP2B	Z	58.508	2.5
81	MP2B	Mx	.012	2.5
82	MP2C	X	19.326	2.5
83	MP2C	Z	33.474	2.5
84	MP2C	Mx	-.019	2.5
85	MP3A	X	32.736	2.5

Member Point Loads (BLC 8 : Antenna Wo (150 Deg)) (Continued)

	Member Label	Direction	Magnitude[lb.k-ft]	Location[ft,%]
86	MP3A	Z	56.7	2.5
87	MP3A	Mx	0	2.5
88	MP3B	X	34.31	2.5
89	MP3B	Z	59.427	2.5
90	MP3B	Mx	0	2.5
91	MP3C	X	23.86	2.5
92	MP3C	Z	41.327	2.5
93	MP3C	Mx	0	2.5
94	OVP	X	31.494	1
95	OVP	Z	54.549	1
96	OVP	Mx	0	1

Member Point Loads (BLC 9 : Antenna Wo (180 Deg))

	Member Label	Direction	Magnitude[lb.k-ft]	Location[ft,%]
1	OVP2	X	0	1
2	OVP2	Z	65.893	1
3	OVP2	Mx	0	1
4	MP1A	X	0	2.5
5	MP1A	Z	89.713	2.5
6	MP1A	Mx	0	2.5
7	MP1A	X	0	4.5
8	MP1A	Z	89.713	4.5
9	MP1A	Mx	0	4.5
10	MP1B	X	0	2.5
11	MP1B	Z	57.678	2.5
12	MP1B	Mx	-.022	2.5
13	MP1B	X	0	4.5
14	MP1B	Z	57.678	4.5
15	MP1B	Mx	-.022	4.5
16	MP1C	X	0	2.5
17	MP1C	Z	48.77	2.5
18	MP1C	Mx	.021	2.5
19	MP1C	X	0	4.5
20	MP1C	Z	48.77	4.5
21	MP1C	Mx	.021	4.5
22	MP2A	X	0	1
23	MP2A	Z	154.23	1
24	MP2A	Mx	.096	1
25	MP2A	X	0	6
26	MP2A	Z	154.23	6
27	MP2A	Mx	.096	6
28	MP2B	X	0	1
29	MP2B	Z	123.557	1
30	MP2B	Mx	-.097	1
31	MP2B	X	0	6
32	MP2B	Z	123.557	6
33	MP2B	Mx	-.097	6
34	MP2C	X	0	1
35	MP2C	Z	115.028	1
36	MP2C	Mx	.014	1
37	MP2C	X	0	6
38	MP2C	Z	115.028	6
39	MP2C	Mx	.014	6
40	MP2A	X	0	1
41	MP2A	Z	154.23	1
42	MP2A	Mx	-.096	1



Company :
 Designer :
 Job Number :
 Model Name :

June 15, 2021
 2:35 PM
 Checked By: _____

Member Point Loads (BLC 9 : Antenna Wo (180 Deg)) (Continued)

	Member Label	Direction	Magnitude[lb.k-ft]	Location[ft,%]
43	MP2A	X	0	6
44	MP2A	Z	154.23	6
45	MP2A	Mx	-.096	6
46	MP2B	X	0	1
47	MP2B	Z	123.557	1
48	MP2B	Mx	.002	1
49	MP2B	X	0	6
50	MP2B	Z	123.557	6
51	MP2B	Mx	.002	6
52	MP2C	X	0	1
53	MP2C	Z	115.028	1
54	MP2C	Mx	.086	1
55	MP2C	X	0	6
56	MP2C	Z	115.028	6
57	MP2C	Mx	.086	6
58	MP4A	X	0	1
59	MP4A	Z	142.532	1
60	MP4A	Mx	-.012	1
61	MP4A	X	0	6
62	MP4A	Z	142.532	6
63	MP4A	Mx	-.012	6
64	MP4B	X	0	1
65	MP4B	Z	106.278	1
66	MP4B	Mx	-.041	1
67	MP4B	X	0	6
68	MP4B	Z	106.278	6
69	MP4B	Mx	-.041	6
70	MP4C	X	0	1
71	MP4C	Z	95.651	1
72	MP4C	Mx	.041	1
73	MP4C	X	0	6
74	MP4C	Z	95.651	6
75	MP4C	Mx	.041	6
76	MP2A	X	0	2.5
77	MP2A	Z	71.389	2.5
78	MP2A	Mx	0	2.5
79	MP2B	X	0	2.5
80	MP2B	Z	52.179	2.5
81	MP2B	Mx	.02	2.5
82	MP2C	X	0	2.5
83	MP2C	Z	46.837	2.5
84	MP2C	Mx	-.02	2.5
85	MP3A	X	0	2.5
86	MP3A	Z	71.389	2.5
87	MP3A	Mx	0	2.5
88	MP3B	X	0	2.5
89	MP3B	Z	57.499	2.5
90	MP3B	Mx	0	2.5
91	MP3C	X	0	2.5
92	MP3C	Z	53.637	2.5
93	MP3C	Mx	0	2.5
94	OVP	X	0	1
95	OVP	Z	65.893	1
96	OVP	Mx	0	1

Member Point Loads (BLC 10 : Antenna Wo (210 Deg))

	Member Label	Direction	Magnitude[lb.k-ft]	Location[ft,%]
--	--------------	-----------	--------------------	----------------



Company :
 Designer :
 Job Number :
 Model Name :

June 15, 2021
 2:35 PM
 Checked By: _____

Member Point Loads (BLC 10 : Antenna Wo (210 Deg)) (Continued)

	Member Label	Direction	Magnitude[lb.k-ft]	Location[ft,%]
1	OVP2	X	-40.807	1
2	OVP2	Z	70.68	1
3	OVP2	Mx	0	1
4	MP1A	X	-38.033	2.5
5	MP1A	Z	65.875	2.5
6	MP1A	Mx	.019	2.5
7	MP1A	X	-38.033	4.5
8	MP1A	Z	65.875	4.5
9	MP1A	Mx	.019	4.5
10	MP1B	X	-18.384	2.5
11	MP1B	Z	31.843	2.5
12	MP1B	Mx	-.018	2.5
13	MP1B	X	-18.384	4.5
14	MP1B	Z	31.843	4.5
15	MP1B	Mx	-.018	4.5
16	MP1C	X	-38.033	2.5
17	MP1C	Z	65.875	2.5
18	MP1C	Mx	.019	2.5
19	MP1C	X	-38.033	4.5
20	MP1C	Z	65.875	4.5
21	MP1C	Mx	.019	4.5
22	MP2A	X	-70.581	1
23	MP2A	Z	122.251	1
24	MP2A	Mx	.112	1
25	MP2A	X	-70.581	6
26	MP2A	Z	122.251	6
27	MP2A	Mx	.112	6
28	MP2B	X	-51.769	1
29	MP2B	Z	89.666	1
30	MP2B	Mx	-.062	1
31	MP2B	X	-51.769	6
32	MP2B	Z	89.666	6
33	MP2B	Mx	-.062	6
34	MP2C	X	-70.581	1
35	MP2C	Z	122.251	1
36	MP2C	Mx	-.041	1
37	MP2C	X	-70.581	6
38	MP2C	Z	122.251	6
39	MP2C	Mx	-.041	6
40	MP2A	X	-70.581	1
41	MP2A	Z	122.251	1
42	MP2A	Mx	-.041	1
43	MP2A	X	-70.581	6
44	MP2A	Z	122.251	6
45	MP2A	Mx	-.041	6
46	MP2B	X	-51.769	1
47	MP2B	Z	89.666	1
48	MP2B	Mx	-.04	1
49	MP2B	X	-51.769	6
50	MP2B	Z	89.666	6
51	MP2B	Mx	-.04	6
52	MP2C	X	-70.581	1
53	MP2C	Z	122.251	1
54	MP2C	Mx	.112	1
55	MP2C	X	-70.581	6
56	MP2C	Z	122.251	6
57	MP2C	Mx	.112	6

Member Point Loads (BLC 10 : Antenna Wo (210 Deg)) (Continued)

	Member Label	Direction	Magnitude[lb.k-ft]	Location[ft,%]
58	MP4A	X	-68.439	1
59	MP4A	Z	118.539	1
60	MP4A	Mx	.023	1
61	MP4A	X	-68.439	6
62	MP4A	Z	118.539	6
63	MP4A	Mx	.023	6
64	MP4B	X	-40.667	1
65	MP4B	Z	70.437	1
66	MP4B	Mx	-.04	1
67	MP4B	X	-40.667	6
68	MP4B	Z	70.437	6
69	MP4B	Mx	-.04	6
70	MP4C	X	-64.107	1
71	MP4C	Z	111.036	1
72	MP4C	Mx	.032	1
73	MP4C	X	-64.107	6
74	MP4C	Z	111.036	6
75	MP4C	Mx	.032	6
76	MP2A	X	-31.602	2.5
77	MP2A	Z	54.737	2.5
78	MP2A	Mx	-.016	2.5
79	MP2B	X	-19.82	2.5
80	MP2B	Z	34.329	2.5
81	MP2B	Mx	.02	2.5
82	MP2C	X	-31.602	2.5
83	MP2C	Z	54.737	2.5
84	MP2C	Mx	-.016	2.5
85	MP3A	X	-32.736	2.5
86	MP3A	Z	56.7	2.5
87	MP3A	Mx	0	2.5
88	MP3B	X	-24.217	2.5
89	MP3B	Z	41.945	2.5
90	MP3B	Mx	0	2.5
91	MP3C	X	-32.736	2.5
92	MP3C	Z	56.7	2.5
93	MP3C	Mx	0	2.5
94	OVP	X	-40.807	1
95	OVP	Z	70.68	1
96	OVP	Mx	0	1

Member Point Loads (BLC 11 : Antenna Wo (240 Deg))

	Member Label	Direction	Magnitude[lb.k-ft]	Location[ft,%]
1	OVP2	X	-81.779	1
2	OVP2	Z	47.215	1
3	OVP2	Mx	0	1
4	MP1A	X	-42.236	2.5
5	MP1A	Z	24.385	2.5
6	MP1A	Mx	.021	2.5
7	MP1A	X	-42.236	4.5
8	MP1A	Z	24.385	4.5
9	MP1A	Mx	.021	4.5
10	MP1B	X	-35.947	2.5
11	MP1B	Z	20.754	2.5
12	MP1B	Mx	-.02	2.5
13	MP1B	X	-35.947	4.5
14	MP1B	Z	20.754	4.5



Company :
 Designer :
 Job Number :
 Model Name :

June 15, 2021
 2:36 PM
 Checked By: _____

Member Point Loads (BLC 11 : Antenna Wo (240 Deg)) (Continued)

	Member Label	Direction	Magnitude[lb.k-ft]	Location[ft,%]
15	MP1B	Mx	-.02	4.5
16	MP1C	X	-77.694	2.5
17	MP1C	Z	44.857	2.5
18	MP1C	Mx	0	2.5
19	MP1C	X	-77.694	4.5
20	MP1C	Z	44.857	4.5
21	MP1C	Mx	0	4.5
22	MP2A	X	-99.618	1
23	MP2A	Z	57.514	1
24	MP2A	Mx	.086	1
25	MP2A	X	-99.618	6
26	MP2A	Z	57.514	6
27	MP2A	Mx	.086	6
28	MP2B	X	-93.596	1
29	MP2B	Z	54.038	1
30	MP2B	Mx	-.028	1
31	MP2B	X	-93.596	6
32	MP2B	Z	54.038	6
33	MP2B	Mx	-.028	6
34	MP2C	X	-133.567	1
35	MP2C	Z	77.115	1
36	MP2C	Mx	-.096	1
37	MP2C	X	-133.567	6
38	MP2C	Z	77.115	6
39	MP2C	Mx	-.096	6
40	MP2A	X	-99.618	1
41	MP2A	Z	57.514	1
42	MP2A	Mx	.014	1
43	MP2A	X	-99.618	6
44	MP2A	Z	57.514	6
45	MP2A	Mx	.014	6
46	MP2B	X	-93.596	1
47	MP2B	Z	54.038	1
48	MP2B	Mx	-.074	1
49	MP2B	X	-93.596	6
50	MP2B	Z	54.038	6
51	MP2B	Mx	-.074	6
52	MP2C	X	-133.567	1
53	MP2C	Z	77.115	1
54	MP2C	Mx	.096	1
55	MP2C	X	-133.567	6
56	MP2C	Z	77.115	6
57	MP2C	Mx	.096	6
58	MP4A	X	-92.039	1
59	MP4A	Z	53.139	1
60	MP4A	Mx	.041	1
61	MP4A	X	-92.039	6
62	MP4A	Z	53.139	6
63	MP4A	Mx	.041	6
64	MP4B	X	-75.334	1
65	MP4B	Z	43.494	1
66	MP4B	Mx	-.041	1
67	MP4B	X	-75.334	6
68	MP4B	Z	43.494	6
69	MP4B	Mx	-.041	6
70	MP4C	X	-125.137	1
71	MP4C	Z	72.248	1



Company :
 Designer :
 Job Number :
 Model Name :

June 15, 2021
 2:36 PM
 Checked By: _____

Member Point Loads (BLC 11 : Antenna Wo (240 Deg)) (Continued)

	Member Label	Direction	Magnitude[lb.k-ft]	Location[ft,%]
72	MP4C	Mx	0	1
73	MP4C	X	-125.137	6
74	MP4C	Z	72.248	6
75	MP4C	Mx	0	6
76	MP2A	X	-40.562	2.5
77	MP2A	Z	23.418	2.5
78	MP2A	Mx	-.02	2.5
79	MP2B	X	-36.791	2.5
80	MP2B	Z	21.241	2.5
81	MP2B	Mx	.02	2.5
82	MP2C	X	-61.824	2.5
83	MP2C	Z	35.694	2.5
84	MP2C	Mx	0	2.5
85	MP3A	X	-46.451	2.5
86	MP3A	Z	26.818	2.5
87	MP3A	Mx	0	2.5
88	MP3B	X	-43.724	2.5
89	MP3B	Z	25.244	2.5
90	MP3B	Mx	0	2.5
91	MP3C	X	-61.824	2.5
92	MP3C	Z	35.694	2.5
93	MP3C	Mx	0	2.5
94	OVP	X	-81.779	1
95	OVP	Z	47.215	1
96	OVP	Mx	0	1

Member Point Loads (BLC 12 : Antenna Wo (270 Deg))

	Member Label	Direction	Magnitude[lb.k-ft]	Location[ft,%]
1	OVP2	X	-91.525	1
2	OVP2	Z	0	1
3	OVP2	Mx	0	1
4	MP1A	X	-35.123	2.5
5	MP1A	Z	0	2.5
6	MP1A	Mx	.018	2.5
7	MP1A	X	-35.123	4.5
8	MP1A	Z	0	4.5
9	MP1A	Mx	.018	4.5
10	MP1B	X	-67.158	2.5
11	MP1B	Z	0	2.5
12	MP1B	Mx	-.022	2.5
13	MP1B	X	-67.158	4.5
14	MP1B	Z	0	4.5
15	MP1B	Mx	-.022	4.5
16	MP1C	X	-76.065	2.5
17	MP1C	Z	0	2.5
18	MP1C	Mx	-.019	2.5
19	MP1C	X	-76.065	4.5
20	MP1C	Z	0	4.5
21	MP1C	Mx	-.019	4.5
22	MP2A	X	-101.961	1
23	MP2A	Z	0	1
24	MP2A	Mx	.051	1
25	MP2A	X	-101.961	6
26	MP2A	Z	0	6
27	MP2A	Mx	.051	6
28	MP2B	X	-132.634	1



Company :
 Designer :
 Job Number :
 Model Name :

June 15, 2021
 2:36 PM
 Checked By: _____

Member Point Loads (BLC 12 : Antenna Wo (270 Deg)) (Continued)

	Member Label	Direction	Magnitude[lb.k-ft]	Location[ft,%]
29	MP2B	Z	0	1
30	MP2B	Mx	.021	1
31	MP2B	X	-132.634	6
32	MP2B	Z	0	6
33	MP2B	Mx	.021	6
34	MP2C	X	-141.163	1
35	MP2C	Z	0	1
36	MP2C	Mx	-.112	1
37	MP2C	X	-141.163	6
38	MP2C	Z	0	6
39	MP2C	Mx	-.112	6
40	MP2A	X	-101.961	1
41	MP2A	Z	0	1
42	MP2A	Mx	.051	1
43	MP2A	X	-101.961	6
44	MP2A	Z	0	6
45	MP2A	Mx	.051	6
46	MP2B	X	-132.634	1
47	MP2B	Z	0	1
48	MP2B	Mx	-.106	1
49	MP2B	X	-132.634	6
50	MP2B	Z	0	6
51	MP2B	Mx	-.106	6
52	MP2C	X	-141.163	1
53	MP2C	Z	0	1
54	MP2C	Mx	.041	1
55	MP2C	X	-141.163	6
56	MP2C	Z	0	6
57	MP2C	Mx	.041	6
58	MP4A	X	-81.333	1
59	MP4A	Z	0	1
60	MP4A	Mx	.04	1
61	MP4A	X	-81.333	6
62	MP4A	Z	0	6
63	MP4A	Mx	.04	6
64	MP4B	X	-117.587	1
65	MP4B	Z	0	1
66	MP4B	Mx	-.038	1
67	MP4B	X	-117.587	6
68	MP4B	Z	0	6
69	MP4B	Mx	-.038	6
70	MP4C	X	-128.214	1
71	MP4C	Z	0	1
72	MP4C	Mx	-.032	1
73	MP4C	X	-128.214	6
74	MP4C	Z	0	6
75	MP4C	Mx	-.032	6
76	MP2A	X	-38.653	2.5
77	MP2A	Z	0	2.5
78	MP2A	Mx	-.019	2.5
79	MP2B	X	-57.863	2.5
80	MP2B	Z	0	2.5
81	MP2B	Mx	.019	2.5
82	MP2C	X	-63.205	2.5
83	MP2C	Z	0	2.5
84	MP2C	Mx	.016	2.5
85	MP3A	X	-47.72	2.5



Company :
 Designer :
 Job Number :
 Model Name :

June 15, 2021
 2:36 PM
 Checked By: _____

Member Point Loads (BLC 12 : Antenna Wo (270 Deg)) (Continued)

	Member Label	Direction	Magnitude[lb.k-ft]	Location[ft,%]
86	MP3A	Z	0	2.5
87	MP3A	Mx	0	2.5
88	MP3B	X	-61.609	2.5
89	MP3B	Z	0	2.5
90	MP3B	Mx	0	2.5
91	MP3C	X	-65.471	2.5
92	MP3C	Z	0	2.5
93	MP3C	Mx	0	2.5
94	OVP	X	-91.525	1
95	OVP	Z	0	1
96	OVP	Mx	0	1

Member Point Loads (BLC 13 : Antenna Wo (300 Deg))

	Member Label	Direction	Magnitude[lb.k-ft]	Location[ft,%]
1	OVP2	X	-65.648	1
2	OVP2	Z	-37.902	1
3	OVP2	Mx	0	1
4	MP1A	X	-42.236	2.5
5	MP1A	Z	-24.385	2.5
6	MP1A	Mx	.021	2.5
7	MP1A	X	-42.236	4.5
8	MP1A	Z	-24.385	4.5
9	MP1A	Mx	.021	4.5
10	MP1B	X	-76.268	2.5
11	MP1B	Z	-44.033	2.5
12	MP1B	Mx	-.008	2.5
13	MP1B	X	-76.268	4.5
14	MP1B	Z	-44.033	4.5
15	MP1B	Mx	-.008	4.5
16	MP1C	X	-42.236	2.5
17	MP1C	Z	-24.385	2.5
18	MP1C	Mx	-.021	2.5
19	MP1C	X	-42.236	4.5
20	MP1C	Z	-24.385	4.5
21	MP1C	Mx	-.021	4.5
22	MP2A	X	-99.618	1
23	MP2A	Z	-57.514	1
24	MP2A	Mx	.014	1
25	MP2A	X	-99.618	6
26	MP2A	Z	-57.514	6
27	MP2A	Mx	.014	6
28	MP2B	X	-132.202	1
29	MP2B	Z	-76.327	1
30	MP2B	Mx	.081	1
31	MP2B	X	-132.202	6
32	MP2B	Z	-76.327	6
33	MP2B	Mx	.081	6
34	MP2C	X	-99.618	1
35	MP2C	Z	-57.514	1
36	MP2C	Mx	-.086	1
37	MP2C	X	-99.618	6
38	MP2C	Z	-57.514	6
39	MP2C	Mx	-.086	6
40	MP2A	X	-99.618	1
41	MP2A	Z	-57.514	1
42	MP2A	Mx	.086	1



Company :
 Designer :
 Job Number :
 Model Name :

June 15, 2021
 2:36 PM
 Checked By: _____

Member Point Loads (BLC 13 : Antenna Wo (300 Deg)) (Continued)

	Member Label	Direction	Magnitude[lb.k-ft]	Location[ft,%]
43	MP2A	X	-99.618	6
44	MP2A	Z	-57.514	6
45	MP2A	Mx	.086	6
46	MP2B	X	-132.202	1
47	MP2B	Z	-76.327	1
48	MP2B	Mx	-.107	1
49	MP2B	X	-132.202	6
50	MP2B	Z	-76.327	6
51	MP2B	Mx	-.107	6
52	MP2C	X	-99.618	1
53	MP2C	Z	-57.514	1
54	MP2C	Mx	-.014	1
55	MP2C	X	-99.618	6
56	MP2C	Z	-57.514	6
57	MP2C	Mx	-.014	6
58	MP4A	X	-75.334	1
59	MP4A	Z	-43.494	1
60	MP4A	Mx	.041	1
61	MP4A	X	-75.334	6
62	MP4A	Z	-43.494	6
63	MP4A	Mx	.041	6
64	MP4B	X	-123.436	1
65	MP4B	Z	-71.266	1
66	MP4B	Mx	-.012	1
67	MP4B	X	-123.436	6
68	MP4B	Z	-71.266	6
69	MP4B	Mx	-.012	6
70	MP4C	X	-82.836	1
71	MP4C	Z	-47.825	1
72	MP4C	Mx	-.041	1
73	MP4C	X	-82.836	6
74	MP4C	Z	-47.825	6
75	MP4C	Mx	-.041	6
76	MP2A	X	-40.562	2.5
77	MP2A	Z	-23.418	2.5
78	MP2A	Mx	-.02	2.5
79	MP2B	X	-60.97	2.5
80	MP2B	Z	-35.201	2.5
81	MP2B	Mx	.006	2.5
82	MP2C	X	-40.562	2.5
83	MP2C	Z	-23.418	2.5
84	MP2C	Mx	.02	2.5
85	MP3A	X	-46.451	2.5
86	MP3A	Z	-26.818	2.5
87	MP3A	Mx	0	2.5
88	MP3B	X	-61.206	2.5
89	MP3B	Z	-35.338	2.5
90	MP3B	Mx	0	2.5
91	MP3C	X	-46.451	2.5
92	MP3C	Z	-26.818	2.5
93	MP3C	Mx	0	2.5
94	OVP	X	-65.648	1
95	OVP	Z	-37.902	1
96	OVP	Mx	0	1

Member Point Loads (BLC 14 : Antenna Wo (330 Deg))

	Member Label	Direction	Magnitude[lb.k-ft]	Location[ft,%]
--	--------------	-----------	--------------------	----------------



Company :
 Designer :
 Job Number :
 Model Name :

June 15, 2021
 2:36 PM
 Checked By: _____

Member Point Loads (BLC 14 : Antenna Wo (330 Deg)) (Continued)

	Member Label	Direction	Magnitude[lb.k-ft]	Location[ft,%]
1	OVP2	X	-31.494	1
2	OVP2	Z	-54.549	1
3	OVP2	Mx	0	1
4	MP1A	X	-38.033	2.5
5	MP1A	Z	-65.875	2.5
6	MP1A	Mx	.019	2.5
7	MP1A	X	-38.033	4.5
8	MP1A	Z	-65.875	4.5
9	MP1A	Mx	.019	4.5
10	MP1B	X	-41.664	2.5
11	MP1B	Z	-72.163	2.5
12	MP1B	Mx	.014	2.5
13	MP1B	X	-41.664	4.5
14	MP1B	Z	-72.163	4.5
15	MP1B	Mx	.014	4.5
16	MP1C	X	-17.561	2.5
17	MP1C	Z	-30.417	2.5
18	MP1C	Mx	-.018	2.5
19	MP1C	X	-17.561	4.5
20	MP1C	Z	-30.417	4.5
21	MP1C	Mx	-.018	4.5
22	MP2A	X	-70.581	1
23	MP2A	Z	-122.251	1
24	MP2A	Mx	-.041	1
25	MP2A	X	-70.581	6
26	MP2A	Z	-122.251	6
27	MP2A	Mx	-.041	6
28	MP2B	X	-74.058	1
29	MP2B	Z	-128.272	1
30	MP2B	Mx	.112	1
31	MP2B	X	-74.058	6
32	MP2B	Z	-128.272	6
33	MP2B	Mx	.112	6
34	MP2C	X	-50.981	1
35	MP2C	Z	-88.301	1
36	MP2C	Mx	-.051	1
37	MP2C	X	-50.981	6
38	MP2C	Z	-88.301	6
39	MP2C	Mx	-.051	6
40	MP2A	X	-70.581	1
41	MP2A	Z	-122.251	1
42	MP2A	Mx	.112	1
43	MP2A	X	-70.581	6
44	MP2A	Z	-122.251	6
45	MP2A	Mx	.112	6
46	MP2B	X	-74.058	1
47	MP2B	Z	-128.272	1
48	MP2B	Mx	-.062	1
49	MP2B	X	-74.058	6
50	MP2B	Z	-128.272	6
51	MP2B	Mx	-.062	6
52	MP2C	X	-50.981	1
53	MP2C	Z	-88.301	1
54	MP2C	Mx	-.051	1
55	MP2C	X	-50.981	6
56	MP2C	Z	-88.301	6
57	MP2C	Mx	-.051	6

Member Point Loads (BLC 14 : Antenna Wo (330 Deg)) (Continued)

	Member Label	Direction	Magnitude[lb.k-ft]	Location[ft,%]
58	MP4A	X	-58.793	1
59	MP4A	Z	-101.833	1
60	MP4A	Mx	.038	1
61	MP4A	X	-58.793	6
62	MP4A	Z	-101.833	6
63	MP4A	Mx	.038	6
64	MP4B	X	-68.439	1
65	MP4B	Z	-118.539	1
66	MP4B	Mx	.023	1
67	MP4B	X	-68.439	6
68	MP4B	Z	-118.539	6
69	MP4B	Mx	.023	6
70	MP4C	X	-39.685	1
71	MP4C	Z	-68.736	1
72	MP4C	Mx	-.04	1
73	MP4C	X	-39.685	6
74	MP4C	Z	-68.736	6
75	MP4C	Mx	-.04	6
76	MP2A	X	-31.602	2.5
77	MP2A	Z	-54.737	2.5
78	MP2A	Mx	-.016	2.5
79	MP2B	X	-33.78	2.5
80	MP2B	Z	-58.508	2.5
81	MP2B	Mx	-.012	2.5
82	MP2C	X	-19.326	2.5
83	MP2C	Z	-33.474	2.5
84	MP2C	Mx	.019	2.5
85	MP3A	X	-32.736	2.5
86	MP3A	Z	-56.7	2.5
87	MP3A	Mx	0	2.5
88	MP3B	X	-34.31	2.5
89	MP3B	Z	-59.427	2.5
90	MP3B	Mx	0	2.5
91	MP3C	X	-23.86	2.5
92	MP3C	Z	-41.327	2.5
93	MP3C	Mx	0	2.5
94	OVP	X	-31.494	1
95	OVP	Z	-54.549	1
96	OVP	Mx	0	1

Member Point Loads (BLC 15 : Antenna Wi (0 Deg))

	Member Label	Direction	Magnitude[lb.k-ft]	Location[ft,%]
1	OVP2	X	0	1
2	OVP2	Z	-15.834	1
3	OVP2	Mx	0	1
4	MP1A	X	0	2.5
5	MP1A	Z	-19.529	2.5
6	MP1A	Mx	0	2.5
7	MP1A	X	0	4.5
8	MP1A	Z	-19.529	4.5
9	MP1A	Mx	0	4.5
10	MP1B	X	0	2.5
11	MP1B	Z	-13.142	2.5
12	MP1B	Mx	.005	2.5
13	MP1B	X	0	4.5
14	MP1B	Z	-13.142	4.5

Member Point Loads (BLC 15 : Antenna Wi (0 Deg)) (Continued)

	Member Label	Direction	Magnitude[lb.k-ft]	Location[ft,%]
15	MP1B	Mx	.005	4.5
16	MP1C	X	0	2.5
17	MP1C	Z	-11.366	2.5
18	MP1C	Mx	-.005	2.5
19	MP1C	X	0	4.5
20	MP1C	Z	-11.366	4.5
21	MP1C	Mx	-.005	4.5
22	MP2A	X	0	1
23	MP2A	Z	-32.5	1
24	MP2A	Mx	-.02	1
25	MP2A	X	0	6
26	MP2A	Z	-32.5	6
27	MP2A	Mx	-.02	6
28	MP2B	X	0	1
29	MP2B	Z	-26.816	1
30	MP2B	Mx	.021	1
31	MP2B	X	0	6
32	MP2B	Z	-26.816	6
33	MP2B	Mx	.021	6
34	MP2C	X	0	1
35	MP2C	Z	-25.236	1
36	MP2C	Mx	-.003	1
37	MP2C	X	0	6
38	MP2C	Z	-25.236	6
39	MP2C	Mx	-.003	6
40	MP2A	X	0	1
41	MP2A	Z	-32.5	1
42	MP2A	Mx	.02	1
43	MP2A	X	0	6
44	MP2A	Z	-32.5	6
45	MP2A	Mx	.02	6
46	MP2B	X	0	1
47	MP2B	Z	-26.816	1
48	MP2B	Mx	-.000502	1
49	MP2B	X	0	6
50	MP2B	Z	-26.816	6
51	MP2B	Mx	-.000502	6
52	MP2C	X	0	1
53	MP2C	Z	-25.236	1
54	MP2C	Mx	-.019	1
55	MP2C	X	0	6
56	MP2C	Z	-25.236	6
57	MP2C	Mx	-.019	6
58	MP4A	X	0	1
59	MP4A	Z	-30.248	1
60	MP4A	Mx	.003	1
61	MP4A	X	0	6
62	MP4A	Z	-30.248	6
63	MP4A	Mx	.003	6
64	MP4B	X	0	1
65	MP4B	Z	-23.472	1
66	MP4B	Mx	.009	1
67	MP4B	X	0	6
68	MP4B	Z	-23.472	6
69	MP4B	Mx	.009	6
70	MP4C	X	0	1
71	MP4C	Z	-21.486	1



Company :
 Designer :
 Job Number :
 Model Name :

June 15, 2021
 2:36 PM
 Checked By: _____

Member Point Loads (BLC 15 : Antenna Wi (0 Deg)) (Continued)

	Member Label	Direction	Magnitude[lb.k-ft]	Location[ft,%]
72	MP4C	Mx	-.009	1
73	MP4C	X	0	6
74	MP4C	Z	-21.486	6
75	MP4C	Mx	-.009	6
76	MP2A	X	0	2.5
77	MP2A	Z	-16.879	2.5
78	MP2A	Mx	0	2.5
79	MP2B	X	0	2.5
80	MP2B	Z	-12.889	2.5
81	MP2B	Mx	-.005	2.5
82	MP2C	X	0	2.5
83	MP2C	Z	-11.779	2.5
84	MP2C	Mx	.005	2.5
85	MP3A	X	0	2.5
86	MP3A	Z	-16.879	2.5
87	MP3A	Mx	0	2.5
88	MP3B	X	0	2.5
89	MP3B	Z	-13.988	2.5
90	MP3B	Mx	0	2.5
91	MP3C	X	0	2.5
92	MP3C	Z	-13.184	2.5
93	MP3C	Mx	0	2.5
94	OVP	X	0	1
95	OVP	Z	-15.834	1
96	OVP	Mx	0	1

Member Point Loads (BLC 16 : Antenna Wi (30 Deg))

	Member Label	Direction	Magnitude[lb.k-ft]	Location[ft,%]
1	OVP2	X	9.498	1
2	OVP2	Z	-16.451	1
3	OVP2	Mx	0	1
4	MP1A	X	8.404	2.5
5	MP1A	Z	-14.556	2.5
6	MP1A	Mx	-.004	2.5
7	MP1A	X	8.404	4.5
8	MP1A	Z	-14.556	4.5
9	MP1A	Mx	-.004	4.5
10	MP1B	X	4.486	2.5
11	MP1B	Z	-7.771	2.5
12	MP1B	Mx	.004	2.5
13	MP1B	X	4.486	4.5
14	MP1B	Z	-7.771	4.5
15	MP1B	Mx	.004	4.5
16	MP1C	X	8.404	2.5
17	MP1C	Z	-14.556	2.5
18	MP1C	Mx	-.004	2.5
19	MP1C	X	8.404	4.5
20	MP1C	Z	-14.556	4.5
21	MP1C	Mx	-.004	4.5
22	MP2A	X	15.039	1
23	MP2A	Z	-26.049	1
24	MP2A	Mx	-.024	1
25	MP2A	X	15.039	6
26	MP2A	Z	-26.049	6
27	MP2A	Mx	-.024	6
28	MP2B	X	11.553	1



Company :
 Designer :
 Job Number :
 Model Name :

June 15, 2021
 2:36 PM
 Checked By: _____

Member Point Loads (BLC 16 : Antenna Wi (30 Deg)) (Continued)

	Member Label	Direction	Magnitude[lb.k-ft]	Location[ft,%]
29	MP2B	Z	-20.011	1
30	MP2B	Mx	.014	1
31	MP2B	X	11.553	6
32	MP2B	Z	-20.011	6
33	MP2B	Mx	.014	6
34	MP2C	X	15.039	1
35	MP2C	Z	-26.049	1
36	MP2C	Mx	.009	1
37	MP2C	X	15.039	6
38	MP2C	Z	-26.049	6
39	MP2C	Mx	.009	6
40	MP2A	X	15.039	1
41	MP2A	Z	-26.049	1
42	MP2A	Mx	.009	1
43	MP2A	X	15.039	6
44	MP2A	Z	-26.049	6
45	MP2A	Mx	.009	6
46	MP2B	X	11.553	1
47	MP2B	Z	-20.011	1
48	MP2B	Mx	.009	1
49	MP2B	X	11.553	6
50	MP2B	Z	-20.011	6
51	MP2B	Mx	.009	6
52	MP2C	X	15.039	1
53	MP2C	Z	-26.049	1
54	MP2C	Mx	-.024	1
55	MP2C	X	15.039	6
56	MP2C	Z	-26.049	6
57	MP2C	Mx	-.024	6
58	MP4A	X	14.595	1
59	MP4A	Z	-25.28	1
60	MP4A	Mx	-.005	1
61	MP4A	X	14.595	6
62	MP4A	Z	-25.28	6
63	MP4A	Mx	-.005	6
64	MP4B	X	9.405	1
65	MP4B	Z	-16.29	1
66	MP4B	Mx	.009	1
67	MP4B	X	9.405	6
68	MP4B	Z	-16.29	6
69	MP4B	Mx	.009	6
70	MP4C	X	13.786	1
71	MP4C	Z	-23.878	1
72	MP4C	Mx	-.007	1
73	MP4C	X	13.786	6
74	MP4C	Z	-23.878	6
75	MP4C	Mx	-.007	6
76	MP2A	X	7.59	2.5
77	MP2A	Z	-13.146	2.5
78	MP2A	Mx	.004	2.5
79	MP2B	X	5.142	2.5
80	MP2B	Z	-8.906	2.5
81	MP2B	Mx	-.005	2.5
82	MP2C	X	7.59	2.5
83	MP2C	Z	-13.146	2.5
84	MP2C	Mx	.004	2.5
85	MP3A	X	7.824	2.5



Company :
 Designer :
 Job Number :
 Model Name :

June 15, 2021
 2:36 PM
 Checked By: _____

Member Point Loads (BLC 16 : Antenna Wi (30 Deg)) (Continued)

	Member Label	Direction	Magnitude[lb.k-ft]	Location[ft,%]
86	MP3A	Z	-13.551	2.5
87	MP3A	Mx	0	2.5
88	MP3B	X	6.05	2.5
89	MP3B	Z	-10.479	2.5
90	MP3B	Mx	0	2.5
91	MP3C	X	7.824	2.5
92	MP3C	Z	-13.551	2.5
93	MP3C	Mx	0	2.5
94	OVP	X	9.498	1
95	OVP	Z	-16.451	1
96	OVP	Mx	0	1

Member Point Loads (BLC 17 : Antenna Wi (60 Deg))

	Member Label	Direction	Magnitude[lb.k-ft]	Location[ft,%]
1	OVP2	X	18.684	1
2	OVP2	Z	-10.787	1
3	OVP2	Mx	0	1
4	MP1A	X	9.843	2.5
5	MP1A	Z	-5.683	2.5
6	MP1A	Mx	-.005	2.5
7	MP1A	X	9.843	4.5
8	MP1A	Z	-5.683	4.5
9	MP1A	Mx	-.005	4.5
10	MP1B	X	8.589	2.5
11	MP1B	Z	-4.959	2.5
12	MP1B	Mx	.005	2.5
13	MP1B	X	8.589	4.5
14	MP1B	Z	-4.959	4.5
15	MP1B	Mx	.005	4.5
16	MP1C	X	16.913	2.5
17	MP1C	Z	-9.765	2.5
18	MP1C	Mx	0	2.5
19	MP1C	X	16.913	4.5
20	MP1C	Z	-9.765	4.5
21	MP1C	Mx	0	4.5
22	MP2A	X	21.855	1
23	MP2A	Z	-12.618	1
24	MP2A	Mx	-.019	1
25	MP2A	X	21.855	6
26	MP2A	Z	-12.618	6
27	MP2A	Mx	-.019	6
28	MP2B	X	20.739	1
29	MP2B	Z	-11.974	1
30	MP2B	Mx	.006	1
31	MP2B	X	20.739	6
32	MP2B	Z	-11.974	6
33	MP2B	Mx	.006	6
34	MP2C	X	28.146	1
35	MP2C	Z	-16.25	1
36	MP2C	Mx	.02	1
37	MP2C	X	28.146	6
38	MP2C	Z	-16.25	6
39	MP2C	Mx	.02	6
40	MP2A	X	21.855	1
41	MP2A	Z	-12.618	1
42	MP2A	Mx	-.003	1



Company :
 Designer :
 Job Number :
 Model Name :

June 15, 2021
 2:36 PM
 Checked By: _____

Member Point Loads (BLC 17 : Antenna Wi (60 Deg)) (Continued)

	Member Label	Direction	Magnitude[lb.k-ft]	Location[ft,%]
43	MP2A	X	21.855	6
44	MP2A	Z	-12.618	6
45	MP2A	Mx	-.003	6
46	MP2B	X	20.739	1
47	MP2B	Z	-11.974	1
48	MP2B	Mx	.016	1
49	MP2B	X	20.739	6
50	MP2B	Z	-11.974	6
51	MP2B	Mx	.016	6
52	MP2C	X	28.146	1
53	MP2C	Z	-16.25	1
54	MP2C	Mx	-.02	1
55	MP2C	X	28.146	6
56	MP2C	Z	-16.25	6
57	MP2C	Mx	-.02	6
58	MP4A	X	20.328	1
59	MP4A	Z	-11.736	1
60	MP4A	Mx	-.009	1
61	MP4A	X	20.328	6
62	MP4A	Z	-11.736	6
63	MP4A	Mx	-.009	6
64	MP4B	X	17.205	1
65	MP4B	Z	-9.934	1
66	MP4B	Mx	.009	1
67	MP4B	X	17.205	6
68	MP4B	Z	-9.934	6
69	MP4B	Mx	.009	6
70	MP4C	X	26.513	1
71	MP4C	Z	-15.307	1
72	MP4C	Mx	0	1
73	MP4C	X	26.513	6
74	MP4C	Z	-15.307	6
75	MP4C	Mx	0	6
76	MP2A	X	10.201	2.5
77	MP2A	Z	-5.89	2.5
78	MP2A	Mx	.005	2.5
79	MP2B	X	9.418	2.5
80	MP2B	Z	-5.437	2.5
81	MP2B	Mx	-.005	2.5
82	MP2C	X	14.618	2.5
83	MP2C	Z	-8.44	2.5
84	MP2C	Mx	0	2.5
85	MP3A	X	11.417	2.5
86	MP3A	Z	-6.592	2.5
87	MP3A	Mx	0	2.5
88	MP3B	X	10.85	2.5
89	MP3B	Z	-6.264	2.5
90	MP3B	Mx	0	2.5
91	MP3C	X	14.618	2.5
92	MP3C	Z	-8.44	2.5
93	MP3C	Mx	0	2.5
94	OVP	X	18.684	1
95	OVP	Z	-10.787	1
96	OVP	Mx	0	1

Member Point Loads (BLC 18 : Antenna Wi (90 Deg))

	Member Label	Direction	Magnitude[lb.k-ft]	Location[ft,%]
--	--------------	-----------	--------------------	----------------



Company :
 Designer :
 Job Number :
 Model Name :

June 15, 2021
 2:36 PM
 Checked By: _____

Member Point Loads (BLC 18 : Antenna Wi (90 Deg)) (Continued)

	Member Label	Direction	Magnitude[lb.k-ft]	Location[ft,%]
1	OVP2	X	20.99	1
2	OVP2	Z	0	1
3	OVP2	Mx	0	1
4	MP1A	X	8.645	2.5
5	MP1A	Z	0	2.5
6	MP1A	Mx	-.004	2.5
7	MP1A	X	8.645	4.5
8	MP1A	Z	0	4.5
9	MP1A	Mx	-.004	4.5
10	MP1B	X	15.032	2.5
11	MP1B	Z	0	2.5
12	MP1B	Mx	.005	2.5
13	MP1B	X	15.032	4.5
14	MP1B	Z	0	4.5
15	MP1B	Mx	.005	4.5
16	MP1C	X	16.808	2.5
17	MP1C	Z	0	2.5
18	MP1C	Mx	.004	2.5
19	MP1C	X	16.808	4.5
20	MP1C	Z	0	4.5
21	MP1C	Mx	.004	4.5
22	MP2A	X	22.815	1
23	MP2A	Z	0	1
24	MP2A	Mx	-.011	1
25	MP2A	X	22.815	6
26	MP2A	Z	0	6
27	MP2A	Mx	-.011	6
28	MP2B	X	28.498	1
29	MP2B	Z	0	1
30	MP2B	Mx	-.004	1
31	MP2B	X	28.498	6
32	MP2B	Z	0	6
33	MP2B	Mx	-.004	6
34	MP2C	X	30.079	1
35	MP2C	Z	0	1
36	MP2C	Mx	.024	1
37	MP2C	X	30.079	6
38	MP2C	Z	0	6
39	MP2C	Mx	.024	6
40	MP2A	X	22.815	1
41	MP2A	Z	0	1
42	MP2A	Mx	-.011	1
43	MP2A	X	22.815	6
44	MP2A	Z	0	6
45	MP2A	Mx	-.011	6
46	MP2B	X	28.498	1
47	MP2B	Z	0	1
48	MP2B	Mx	.023	1
49	MP2B	X	28.498	6
50	MP2B	Z	0	6
51	MP2B	Mx	.023	6
52	MP2C	X	30.079	1
53	MP2C	Z	0	1
54	MP2C	Mx	-.009	1
55	MP2C	X	30.079	6
56	MP2C	Z	0	6
57	MP2C	Mx	-.009	6

Member Point Loads (BLC 18 : Antenna Wi (90 Deg)) (Continued)

	Member Label	Direction	Magnitude[lb.k-ft]	Location[ft,%]
58	MP4A	X	18.81	1
59	MP4A	Z	0	1
60	MP4A	Mx	-.009	1
61	MP4A	X	18.81	6
62	MP4A	Z	0	6
63	MP4A	Mx	-.009	6
64	MP4B	X	25.586	1
65	MP4B	Z	0	1
66	MP4B	Mx	.008	1
67	MP4B	X	25.586	6
68	MP4B	Z	0	6
69	MP4B	Mx	.008	6
70	MP4C	X	27.572	1
71	MP4C	Z	0	1
72	MP4C	Mx	.007	1
73	MP4C	X	27.572	6
74	MP4C	Z	0	6
75	MP4C	Mx	.007	6
76	MP2A	X	10.079	2.5
77	MP2A	Z	0	2.5
78	MP2A	Mx	.005	2.5
79	MP2B	X	14.07	2.5
80	MP2B	Z	0	2.5
81	MP2B	Mx	-.005	2.5
82	MP2C	X	15.179	2.5
83	MP2C	Z	0	2.5
84	MP2C	Mx	-.004	2.5
85	MP3A	X	11.952	2.5
86	MP3A	Z	0	2.5
87	MP3A	Mx	0	2.5
88	MP3B	X	14.843	2.5
89	MP3B	Z	0	2.5
90	MP3B	Mx	0	2.5
91	MP3C	X	15.647	2.5
92	MP3C	Z	0	2.5
93	MP3C	Mx	0	2.5
94	OVP	X	20.99	1
95	OVP	Z	0	1
96	OVP	Mx	0	1

Member Point Loads (BLC 19 : Antenna Wi (120 Deg))

	Member Label	Direction	Magnitude[lb.k-ft]	Location[ft,%]
1	OVP2	X	15.439	1
2	OVP2	Z	8.914	1
3	OVP2	Mx	0	1
4	MP1A	X	9.843	2.5
5	MP1A	Z	5.683	2.5
6	MP1A	Mx	-.005	2.5
7	MP1A	X	9.843	4.5
8	MP1A	Z	5.683	4.5
9	MP1A	Mx	-.005	4.5
10	MP1B	X	16.629	2.5
11	MP1B	Z	9.601	2.5
12	MP1B	Mx	.002	2.5
13	MP1B	X	16.629	4.5
14	MP1B	Z	9.601	4.5



Company :
 Designer :
 Job Number :
 Model Name :

June 15, 2021
 2:36 PM
 Checked By: _____

Member Point Loads (BLC 19 : Antenna Wi (120 Deg)) (Continued)

	Member Label	Direction	Magnitude[lb.k-ft]	Location[ft,%]
15	MP1B	Mx	.002	4.5
16	MP1C	X	9.843	2.5
17	MP1C	Z	5.683	2.5
18	MP1C	Mx	.005	2.5
19	MP1C	X	9.843	4.5
20	MP1C	Z	5.683	4.5
21	MP1C	Mx	.005	4.5
22	MP2A	X	21.855	1
23	MP2A	Z	12.618	1
24	MP2A	Mx	-.003	1
25	MP2A	X	21.855	6
26	MP2A	Z	12.618	6
27	MP2A	Mx	-.003	6
28	MP2B	X	27.893	1
29	MP2B	Z	16.104	1
30	MP2B	Mx	-.017	1
31	MP2B	X	27.893	6
32	MP2B	Z	16.104	6
33	MP2B	Mx	-.017	6
34	MP2C	X	21.855	1
35	MP2C	Z	12.618	1
36	MP2C	Mx	.019	1
37	MP2C	X	21.855	6
38	MP2C	Z	12.618	6
39	MP2C	Mx	.019	6
40	MP2A	X	21.855	1
41	MP2A	Z	12.618	1
42	MP2A	Mx	-.019	1
43	MP2A	X	21.855	6
44	MP2A	Z	12.618	6
45	MP2A	Mx	-.019	6
46	MP2B	X	27.893	1
47	MP2B	Z	16.104	1
48	MP2B	Mx	.023	1
49	MP2B	X	27.893	6
50	MP2B	Z	16.104	6
51	MP2B	Mx	.023	6
52	MP2C	X	21.855	1
53	MP2C	Z	12.618	1
54	MP2C	Mx	.003	1
55	MP2C	X	21.855	6
56	MP2C	Z	12.618	6
57	MP2C	Mx	.003	6
58	MP4A	X	17.205	1
59	MP4A	Z	9.934	1
60	MP4A	Mx	-.009	1
61	MP4A	X	17.205	6
62	MP4A	Z	9.934	6
63	MP4A	Mx	-.009	6
64	MP4B	X	26.195	1
65	MP4B	Z	15.124	1
66	MP4B	Mx	.003	1
67	MP4B	X	26.195	6
68	MP4B	Z	15.124	6
69	MP4B	Mx	.003	6
70	MP4C	X	18.608	1
71	MP4C	Z	10.743	1



Company :
 Designer :
 Job Number :
 Model Name :

June 15, 2021
 2:36 PM
 Checked By: _____

Member Point Loads (BLC 19 : Antenna Wi (120 Deg)) (Continued)

	Member Label	Direction	Magnitude[lb.k-ft]	Location[ft,%]
72	MP4C	Mx	.009	1
73	MP4C	X	18.608	6
74	MP4C	Z	10.743	6
75	MP4C	Mx	.009	6
76	MP2A	X	10.201	2.5
77	MP2A	Z	5.89	2.5
78	MP2A	Mx	.005	2.5
79	MP2B	X	14.44	2.5
80	MP2B	Z	8.337	2.5
81	MP2B	Mx	-.001	2.5
82	MP2C	X	10.201	2.5
83	MP2C	Z	5.89	2.5
84	MP2C	Mx	-.005	2.5
85	MP3A	X	11.417	2.5
86	MP3A	Z	6.592	2.5
87	MP3A	Mx	0	2.5
88	MP3B	X	14.489	2.5
89	MP3B	Z	8.365	2.5
90	MP3B	Mx	0	2.5
91	MP3C	X	11.417	2.5
92	MP3C	Z	6.592	2.5
93	MP3C	Mx	0	2.5
94	OVP	X	15.439	1
95	OVP	Z	8.914	1
96	OVP	Mx	0	1

Member Point Loads (BLC 20 : Antenna Wi (150 Deg))

	Member Label	Direction	Magnitude[lb.k-ft]	Location[ft,%]
1	OVP2	X	7.625	1
2	OVP2	Z	13.206	1
3	OVP2	Mx	0	1
4	MP1A	X	8.404	2.5
5	MP1A	Z	14.556	2.5
6	MP1A	Mx	-.004	2.5
7	MP1A	X	8.404	4.5
8	MP1A	Z	14.556	4.5
9	MP1A	Mx	-.004	4.5
10	MP1B	X	9.128	2.5
11	MP1B	Z	15.81	2.5
12	MP1B	Mx	-.003	2.5
13	MP1B	X	9.128	4.5
14	MP1B	Z	15.81	4.5
15	MP1B	Mx	-.003	4.5
16	MP1C	X	4.322	2.5
17	MP1C	Z	7.486	2.5
18	MP1C	Mx	.004	2.5
19	MP1C	X	4.322	4.5
20	MP1C	Z	7.486	4.5
21	MP1C	Mx	.004	4.5
22	MP2A	X	15.039	1
23	MP2A	Z	26.049	1
24	MP2A	Mx	.009	1
25	MP2A	X	15.039	6
26	MP2A	Z	26.049	6
27	MP2A	Mx	.009	6
28	MP2B	X	15.683	1



Company :
 Designer :
 Job Number :
 Model Name :

June 15, 2021
 2:36 PM
 Checked By: _____

Member Point Loads (BLC 20 : Antenna Wi (150 Deg)) (Continued)

	Member Label	Direction	Magnitude[lb.k-ft]	Location[ft,%]
29	MP2B	Z	27.165	1
30	MP2B	Mx	-.024	1
31	MP2B	X	15.683	6
32	MP2B	Z	27.165	6
33	MP2B	Mx	-.024	6
34	MP2C	X	11.407	1
35	MP2C	Z	19.758	1
36	MP2C	Mx	.011	1
37	MP2C	X	11.407	6
38	MP2C	Z	19.758	6
39	MP2C	Mx	.011	6
40	MP2A	X	15.039	1
41	MP2A	Z	26.049	1
42	MP2A	Mx	-.024	1
43	MP2A	X	15.039	6
44	MP2A	Z	26.049	6
45	MP2A	Mx	-.024	6
46	MP2B	X	15.683	1
47	MP2B	Z	27.165	1
48	MP2B	Mx	.013	1
49	MP2B	X	15.683	6
50	MP2B	Z	27.165	6
51	MP2B	Mx	.013	6
52	MP2C	X	11.407	1
53	MP2C	Z	19.758	1
54	MP2C	Mx	.011	1
55	MP2C	X	11.407	6
56	MP2C	Z	19.758	6
57	MP2C	Mx	.011	6
58	MP4A	X	12.793	1
59	MP4A	Z	22.158	1
60	MP4A	Mx	-.008	1
61	MP4A	X	12.793	6
62	MP4A	Z	22.158	6
63	MP4A	Mx	-.008	6
64	MP4B	X	14.595	1
65	MP4B	Z	25.28	1
66	MP4B	Mx	-.005	1
67	MP4B	X	14.595	6
68	MP4B	Z	25.28	6
69	MP4B	Mx	-.005	6
70	MP4C	X	9.222	1
71	MP4C	Z	15.972	1
72	MP4C	Mx	.009	1
73	MP4C	X	9.222	6
74	MP4C	Z	15.972	6
75	MP4C	Mx	.009	6
76	MP2A	X	7.59	2.5
77	MP2A	Z	13.146	2.5
78	MP2A	Mx	.004	2.5
79	MP2B	X	8.042	2.5
80	MP2B	Z	13.929	2.5
81	MP2B	Mx	.003	2.5
82	MP2C	X	5.039	2.5
83	MP2C	Z	8.729	2.5
84	MP2C	Mx	-.005	2.5
85	MP3A	X	7.824	2.5



Company :
 Designer :
 Job Number :
 Model Name :

June 15, 2021
 2:36 PM
 Checked By: _____

Member Point Loads (BLC 20 : Antenna Wi (150 Deg)) (Continued)

	Member Label	Direction	Magnitude[lb.k-ft]	Location[ft,%]
86	MP3A	Z	13.551	2.5
87	MP3A	Mx	0	2.5
88	MP3B	X	8.152	2.5
89	MP3B	Z	14.119	2.5
90	MP3B	Mx	0	2.5
91	MP3C	X	5.976	2.5
92	MP3C	Z	10.35	2.5
93	MP3C	Mx	0	2.5
94	OVP	X	7.625	1
95	OVP	Z	13.206	1
96	OVP	Mx	0	1

Member Point Loads (BLC 21 : Antenna Wi (180 Deg))

	Member Label	Direction	Magnitude[lb.k-ft]	Location[ft,%]
1	OVP2	X	0	1
2	OVP2	Z	15.834	1
3	OVP2	Mx	0	1
4	MP1A	X	0	2.5
5	MP1A	Z	19.529	2.5
6	MP1A	Mx	0	2.5
7	MP1A	X	0	4.5
8	MP1A	Z	19.529	4.5
9	MP1A	Mx	0	4.5
10	MP1B	X	0	2.5
11	MP1B	Z	13.142	2.5
12	MP1B	Mx	-.005	2.5
13	MP1B	X	0	4.5
14	MP1B	Z	13.142	4.5
15	MP1B	Mx	-.005	4.5
16	MP1C	X	0	2.5
17	MP1C	Z	11.366	2.5
18	MP1C	Mx	.005	2.5
19	MP1C	X	0	4.5
20	MP1C	Z	11.366	4.5
21	MP1C	Mx	.005	4.5
22	MP2A	X	0	1
23	MP2A	Z	32.5	1
24	MP2A	Mx	.02	1
25	MP2A	X	0	6
26	MP2A	Z	32.5	6
27	MP2A	Mx	.02	6
28	MP2B	X	0	1
29	MP2B	Z	26.816	1
30	MP2B	Mx	-.021	1
31	MP2B	X	0	6
32	MP2B	Z	26.816	6
33	MP2B	Mx	-.021	6
34	MP2C	X	0	1
35	MP2C	Z	25.236	1
36	MP2C	Mx	.003	1
37	MP2C	X	0	6
38	MP2C	Z	25.236	6
39	MP2C	Mx	.003	6
40	MP2A	X	0	1
41	MP2A	Z	32.5	1
42	MP2A	Mx	-.02	1



Company :
 Designer :
 Job Number :
 Model Name :

June 15, 2021
 2:36 PM
 Checked By: _____

Member Point Loads (BLC 21 : Antenna Wi (180 Deg)) (Continued)

	Member Label	Direction	Magnitude[lb.k-ft]	Location[ft,%]
43	MP2A	X	0	6
44	MP2A	Z	32.5	6
45	MP2A	Mx	-.02	6
46	MP2B	X	0	1
47	MP2B	Z	26.816	1
48	MP2B	Mx	.000502	1
49	MP2B	X	0	6
50	MP2B	Z	26.816	6
51	MP2B	Mx	.000502	6
52	MP2C	X	0	1
53	MP2C	Z	25.236	1
54	MP2C	Mx	.019	1
55	MP2C	X	0	6
56	MP2C	Z	25.236	6
57	MP2C	Mx	.019	6
58	MP4A	X	0	1
59	MP4A	Z	30.248	1
60	MP4A	Mx	-.003	1
61	MP4A	X	0	6
62	MP4A	Z	30.248	6
63	MP4A	Mx	-.003	6
64	MP4B	X	0	1
65	MP4B	Z	23.472	1
66	MP4B	Mx	-.009	1
67	MP4B	X	0	6
68	MP4B	Z	23.472	6
69	MP4B	Mx	-.009	6
70	MP4C	X	0	1
71	MP4C	Z	21.486	1
72	MP4C	Mx	.009	1
73	MP4C	X	0	6
74	MP4C	Z	21.486	6
75	MP4C	Mx	.009	6
76	MP2A	X	0	2.5
77	MP2A	Z	16.879	2.5
78	MP2A	Mx	0	2.5
79	MP2B	X	0	2.5
80	MP2B	Z	12.889	2.5
81	MP2B	Mx	.005	2.5
82	MP2C	X	0	2.5
83	MP2C	Z	11.779	2.5
84	MP2C	Mx	-.005	2.5
85	MP3A	X	0	2.5
86	MP3A	Z	16.879	2.5
87	MP3A	Mx	0	2.5
88	MP3B	X	0	2.5
89	MP3B	Z	13.988	2.5
90	MP3B	Mx	0	2.5
91	MP3C	X	0	2.5
92	MP3C	Z	13.184	2.5
93	MP3C	Mx	0	2.5
94	OVP	X	0	1
95	OVP	Z	15.834	1
96	OVP	Mx	0	1

Member Point Loads (BLC 22 : Antenna Wi (210 Deg))

	Member Label	Direction	Magnitude[lb.k-ft]	Location[ft,%]
RISA-3D Version 17.0.4 [.....]Rev. 01Risa467794-VZW_MT_LO_H.r3d] Page 48				



Company :
 Designer :
 Job Number :
 Model Name :

June 15, 2021
 2:36 PM
 Checked By: _____

Member Point Loads (BLC 22 : Antenna Wi (210 Deg)) (Continued)

	Member Label	Direction	Magnitude[lb.k-ft]	Location[ft,%]
1	OVP2	X	-9.498	1
2	OVP2	Z	16.451	1
3	OVP2	Mx	0	1
4	MP1A	X	-8.404	2.5
5	MP1A	Z	14.556	2.5
6	MP1A	Mx	.004	2.5
7	MP1A	X	-8.404	4.5
8	MP1A	Z	14.556	4.5
9	MP1A	Mx	.004	4.5
10	MP1B	X	-4.486	2.5
11	MP1B	Z	7.771	2.5
12	MP1B	Mx	-.004	2.5
13	MP1B	X	-4.486	4.5
14	MP1B	Z	7.771	4.5
15	MP1B	Mx	-.004	4.5
16	MP1C	X	-8.404	2.5
17	MP1C	Z	14.556	2.5
18	MP1C	Mx	.004	2.5
19	MP1C	X	-8.404	4.5
20	MP1C	Z	14.556	4.5
21	MP1C	Mx	.004	4.5
22	MP2A	X	-15.039	1
23	MP2A	Z	26.049	1
24	MP2A	Mx	.024	1
25	MP2A	X	-15.039	6
26	MP2A	Z	26.049	6
27	MP2A	Mx	.024	6
28	MP2B	X	-11.553	1
29	MP2B	Z	20.011	1
30	MP2B	Mx	-.014	1
31	MP2B	X	-11.553	6
32	MP2B	Z	20.011	6
33	MP2B	Mx	-.014	6
34	MP2C	X	-15.039	1
35	MP2C	Z	26.049	1
36	MP2C	Mx	-.009	1
37	MP2C	X	-15.039	6
38	MP2C	Z	26.049	6
39	MP2C	Mx	-.009	6
40	MP2A	X	-15.039	1
41	MP2A	Z	26.049	1
42	MP2A	Mx	-.009	1
43	MP2A	X	-15.039	6
44	MP2A	Z	26.049	6
45	MP2A	Mx	-.009	6
46	MP2B	X	-11.553	1
47	MP2B	Z	20.011	1
48	MP2B	Mx	-.009	1
49	MP2B	X	-11.553	6
50	MP2B	Z	20.011	6
51	MP2B	Mx	-.009	6
52	MP2C	X	-15.039	1
53	MP2C	Z	26.049	1
54	MP2C	Mx	.024	1
55	MP2C	X	-15.039	6
56	MP2C	Z	26.049	6
57	MP2C	Mx	.024	6

Member Point Loads (BLC 22 : Antenna Wi (210 Deg)) (Continued)

	Member Label	Direction	Magnitude[lb.k-ft]	Location[ft,%]
58	MP4A	X	-14.595	1
59	MP4A	Z	25.28	1
60	MP4A	Mx	.005	1
61	MP4A	X	-14.595	6
62	MP4A	Z	25.28	6
63	MP4A	Mx	.005	6
64	MP4B	X	-9.405	1
65	MP4B	Z	16.29	1
66	MP4B	Mx	-.009	1
67	MP4B	X	-9.405	6
68	MP4B	Z	16.29	6
69	MP4B	Mx	-.009	6
70	MP4C	X	-13.786	1
71	MP4C	Z	23.878	1
72	MP4C	Mx	.007	1
73	MP4C	X	-13.786	6
74	MP4C	Z	23.878	6
75	MP4C	Mx	.007	6
76	MP2A	X	-7.59	2.5
77	MP2A	Z	13.146	2.5
78	MP2A	Mx	-.004	2.5
79	MP2B	X	-5.142	2.5
80	MP2B	Z	8.906	2.5
81	MP2B	Mx	.005	2.5
82	MP2C	X	-7.59	2.5
83	MP2C	Z	13.146	2.5
84	MP2C	Mx	-.004	2.5
85	MP3A	X	-7.824	2.5
86	MP3A	Z	13.551	2.5
87	MP3A	Mx	0	2.5
88	MP3B	X	-6.05	2.5
89	MP3B	Z	10.479	2.5
90	MP3B	Mx	0	2.5
91	MP3C	X	-7.824	2.5
92	MP3C	Z	13.551	2.5
93	MP3C	Mx	0	2.5
94	OVP	X	-9.498	1
95	OVP	Z	16.451	1
96	OVP	Mx	0	1

Member Point Loads (BLC 23 : Antenna Wi (240 Deg))

	Member Label	Direction	Magnitude[lb.k-ft]	Location[ft,%]
1	OVP2	X	-18.684	1
2	OVP2	Z	10.787	1
3	OVP2	Mx	0	1
4	MP1A	X	-9.843	2.5
5	MP1A	Z	5.683	2.5
6	MP1A	Mx	.005	2.5
7	MP1A	X	-9.843	4.5
8	MP1A	Z	5.683	4.5
9	MP1A	Mx	.005	4.5
10	MP1B	X	-8.589	2.5
11	MP1B	Z	4.959	2.5
12	MP1B	Mx	-.005	2.5
13	MP1B	X	-8.589	4.5
14	MP1B	Z	4.959	4.5



Company :
 Designer :
 Job Number :
 Model Name :

June 15, 2021
 2:36 PM
 Checked By: _____

Member Point Loads (BLC 23 : Antenna Wi (240 Deg)) (Continued)

	Member Label	Direction	Magnitude[lb.k-ft]	Location[ft,%]
15	MP1B	Mx	-.005	4.5
16	MP1C	X	-16.913	2.5
17	MP1C	Z	9.765	2.5
18	MP1C	Mx	0	2.5
19	MP1C	X	-16.913	4.5
20	MP1C	Z	9.765	4.5
21	MP1C	Mx	0	4.5
22	MP2A	X	-21.855	1
23	MP2A	Z	12.618	1
24	MP2A	Mx	.019	1
25	MP2A	X	-21.855	6
26	MP2A	Z	12.618	6
27	MP2A	Mx	.019	6
28	MP2B	X	-20.739	1
29	MP2B	Z	11.974	1
30	MP2B	Mx	-.006	1
31	MP2B	X	-20.739	6
32	MP2B	Z	11.974	6
33	MP2B	Mx	-.006	6
34	MP2C	X	-28.146	1
35	MP2C	Z	16.25	1
36	MP2C	Mx	-.02	1
37	MP2C	X	-28.146	6
38	MP2C	Z	16.25	6
39	MP2C	Mx	-.02	6
40	MP2A	X	-21.855	1
41	MP2A	Z	12.618	1
42	MP2A	Mx	.003	1
43	MP2A	X	-21.855	6
44	MP2A	Z	12.618	6
45	MP2A	Mx	.003	6
46	MP2B	X	-20.739	1
47	MP2B	Z	11.974	1
48	MP2B	Mx	-.016	1
49	MP2B	X	-20.739	6
50	MP2B	Z	11.974	6
51	MP2B	Mx	-.016	6
52	MP2C	X	-28.146	1
53	MP2C	Z	16.25	1
54	MP2C	Mx	.02	1
55	MP2C	X	-28.146	6
56	MP2C	Z	16.25	6
57	MP2C	Mx	.02	6
58	MP4A	X	-20.328	1
59	MP4A	Z	11.736	1
60	MP4A	Mx	.009	1
61	MP4A	X	-20.328	6
62	MP4A	Z	11.736	6
63	MP4A	Mx	.009	6
64	MP4B	X	-17.205	1
65	MP4B	Z	9.934	1
66	MP4B	Mx	-.009	1
67	MP4B	X	-17.205	6
68	MP4B	Z	9.934	6
69	MP4B	Mx	-.009	6
70	MP4C	X	-26.513	1
71	MP4C	Z	15.307	1



Company :
 Designer :
 Job Number :
 Model Name :

June 15, 2021
 2:36 PM
 Checked By: _____

Member Point Loads (BLC 23 : Antenna Wi (240 Deg)) (Continued)

	Member Label	Direction	Magnitude[lb.k-ft]	Location[ft,%]
72	MP4C	Mx	0	1
73	MP4C	X	-26.513	6
74	MP4C	Z	15.307	6
75	MP4C	Mx	0	6
76	MP2A	X	-10.201	2.5
77	MP2A	Z	5.89	2.5
78	MP2A	Mx	-.005	2.5
79	MP2B	X	-9.418	2.5
80	MP2B	Z	5.437	2.5
81	MP2B	Mx	.005	2.5
82	MP2C	X	-14.618	2.5
83	MP2C	Z	8.44	2.5
84	MP2C	Mx	0	2.5
85	MP3A	X	-11.417	2.5
86	MP3A	Z	6.592	2.5
87	MP3A	Mx	0	2.5
88	MP3B	X	-10.85	2.5
89	MP3B	Z	6.264	2.5
90	MP3B	Mx	0	2.5
91	MP3C	X	-14.618	2.5
92	MP3C	Z	8.44	2.5
93	MP3C	Mx	0	2.5
94	OVP	X	-18.684	1
95	OVP	Z	10.787	1
96	OVP	Mx	0	1

Member Point Loads (BLC 24 : Antenna Wi (270 Deg))

	Member Label	Direction	Magnitude[lb.k-ft]	Location[ft,%]
1	OVP2	X	-20.99	1
2	OVP2	Z	0	1
3	OVP2	Mx	0	1
4	MP1A	X	-8.645	2.5
5	MP1A	Z	0	2.5
6	MP1A	Mx	.004	2.5
7	MP1A	X	-8.645	4.5
8	MP1A	Z	0	4.5
9	MP1A	Mx	.004	4.5
10	MP1B	X	-15.032	2.5
11	MP1B	Z	0	2.5
12	MP1B	Mx	-.005	2.5
13	MP1B	X	-15.032	4.5
14	MP1B	Z	0	4.5
15	MP1B	Mx	-.005	4.5
16	MP1C	X	-16.808	2.5
17	MP1C	Z	0	2.5
18	MP1C	Mx	-.004	2.5
19	MP1C	X	-16.808	4.5
20	MP1C	Z	0	4.5
21	MP1C	Mx	-.004	4.5
22	MP2A	X	-22.815	1
23	MP2A	Z	0	1
24	MP2A	Mx	.011	1
25	MP2A	X	-22.815	6
26	MP2A	Z	0	6
27	MP2A	Mx	.011	6
28	MP2B	X	-28.498	1



Company :
 Designer :
 Job Number :
 Model Name :

June 15, 2021
 2:36 PM
 Checked By: _____

Member Point Loads (BLC 24 : Antenna Wi (270 Deg)) (Continued)

	Member Label	Direction	Magnitude[lb.k-ft]	Location[ft,%]
29	MP2B	Z	0	1
30	MP2B	Mx	.004	1
31	MP2B	X	-28.498	6
32	MP2B	Z	0	6
33	MP2B	Mx	.004	6
34	MP2C	X	-30.079	1
35	MP2C	Z	0	1
36	MP2C	Mx	-.024	1
37	MP2C	X	-30.079	6
38	MP2C	Z	0	6
39	MP2C	Mx	-.024	6
40	MP2A	X	-22.815	1
41	MP2A	Z	0	1
42	MP2A	Mx	.011	1
43	MP2A	X	-22.815	6
44	MP2A	Z	0	6
45	MP2A	Mx	.011	6
46	MP2B	X	-28.498	1
47	MP2B	Z	0	1
48	MP2B	Mx	-.023	1
49	MP2B	X	-28.498	6
50	MP2B	Z	0	6
51	MP2B	Mx	-.023	6
52	MP2C	X	-30.079	1
53	MP2C	Z	0	1
54	MP2C	Mx	.009	1
55	MP2C	X	-30.079	6
56	MP2C	Z	0	6
57	MP2C	Mx	.009	6
58	MP4A	X	-18.81	1
59	MP4A	Z	0	1
60	MP4A	Mx	.009	1
61	MP4A	X	-18.81	6
62	MP4A	Z	0	6
63	MP4A	Mx	.009	6
64	MP4B	X	-25.586	1
65	MP4B	Z	0	1
66	MP4B	Mx	-.008	1
67	MP4B	X	-25.586	6
68	MP4B	Z	0	6
69	MP4B	Mx	-.008	6
70	MP4C	X	-27.572	1
71	MP4C	Z	0	1
72	MP4C	Mx	-.007	1
73	MP4C	X	-27.572	6
74	MP4C	Z	0	6
75	MP4C	Mx	-.007	6
76	MP2A	X	-10.079	2.5
77	MP2A	Z	0	2.5
78	MP2A	Mx	-.005	2.5
79	MP2B	X	-14.07	2.5
80	MP2B	Z	0	2.5
81	MP2B	Mx	.005	2.5
82	MP2C	X	-15.179	2.5
83	MP2C	Z	0	2.5
84	MP2C	Mx	.004	2.5
85	MP3A	X	-11.952	2.5

Member Point Loads (BLC 24 : Antenna Wi (270 Deg)) (Continued)

	Member Label	Direction	Magnitude[lb.k-ft]	Location[ft,%]
86	MP3A	Z	0	2.5
87	MP3A	Mx	0	2.5
88	MP3B	X	-14.843	2.5
89	MP3B	Z	0	2.5
90	MP3B	Mx	0	2.5
91	MP3C	X	-15.647	2.5
92	MP3C	Z	0	2.5
93	MP3C	Mx	0	2.5
94	OVP	X	-20.99	1
95	OVP	Z	0	1
96	OVP	Mx	0	1

Member Point Loads (BLC 25 : Antenna Wi (300 Deg))

	Member Label	Direction	Magnitude[lb.k-ft]	Location[ft,%]
1	OVP2	X	-15.439	1
2	OVP2	Z	-8.914	1
3	OVP2	Mx	0	1
4	MP1A	X	-9.843	2.5
5	MP1A	Z	-5.683	2.5
6	MP1A	Mx	.005	2.5
7	MP1A	X	-9.843	4.5
8	MP1A	Z	-5.683	4.5
9	MP1A	Mx	.005	4.5
10	MP1B	X	-16.629	2.5
11	MP1B	Z	-9.601	2.5
12	MP1B	Mx	-.002	2.5
13	MP1B	X	-16.629	4.5
14	MP1B	Z	-9.601	4.5
15	MP1B	Mx	-.002	4.5
16	MP1C	X	-9.843	2.5
17	MP1C	Z	-5.683	2.5
18	MP1C	Mx	-.005	2.5
19	MP1C	X	-9.843	4.5
20	MP1C	Z	-5.683	4.5
21	MP1C	Mx	-.005	4.5
22	MP2A	X	-21.855	1
23	MP2A	Z	-12.618	1
24	MP2A	Mx	.003	1
25	MP2A	X	-21.855	6
26	MP2A	Z	-12.618	6
27	MP2A	Mx	.003	6
28	MP2B	X	-27.893	1
29	MP2B	Z	-16.104	1
30	MP2B	Mx	.017	1
31	MP2B	X	-27.893	6
32	MP2B	Z	-16.104	6
33	MP2B	Mx	.017	6
34	MP2C	X	-21.855	1
35	MP2C	Z	-12.618	1
36	MP2C	Mx	-.019	1
37	MP2C	X	-21.855	6
38	MP2C	Z	-12.618	6
39	MP2C	Mx	-.019	6
40	MP2A	X	-21.855	1
41	MP2A	Z	-12.618	1
42	MP2A	Mx	.019	1



Company :
 Designer :
 Job Number :
 Model Name :

June 15, 2021
 2:36 PM
 Checked By: _____

Member Point Loads (BLC 25 : Antenna Wi (300 Deg)) (Continued)

	Member Label	Direction	Magnitude[lb.k-ft]	Location[ft,%]
43	MP2A	X	-21.855	6
44	MP2A	Z	-12.618	6
45	MP2A	Mx	.019	6
46	MP2B	X	-27.893	1
47	MP2B	Z	-16.104	1
48	MP2B	Mx	-.023	1
49	MP2B	X	-27.893	6
50	MP2B	Z	-16.104	6
51	MP2B	Mx	-.023	6
52	MP2C	X	-21.855	1
53	MP2C	Z	-12.618	1
54	MP2C	Mx	-.003	1
55	MP2C	X	-21.855	6
56	MP2C	Z	-12.618	6
57	MP2C	Mx	-.003	6
58	MP4A	X	-17.205	1
59	MP4A	Z	-9.934	1
60	MP4A	Mx	.009	1
61	MP4A	X	-17.205	6
62	MP4A	Z	-9.934	6
63	MP4A	Mx	.009	6
64	MP4B	X	-26.195	1
65	MP4B	Z	-15.124	1
66	MP4B	Mx	-.003	1
67	MP4B	X	-26.195	6
68	MP4B	Z	-15.124	6
69	MP4B	Mx	-.003	6
70	MP4C	X	-18.608	1
71	MP4C	Z	-10.743	1
72	MP4C	Mx	-.009	1
73	MP4C	X	-18.608	6
74	MP4C	Z	-10.743	6
75	MP4C	Mx	-.009	6
76	MP2A	X	-10.201	2.5
77	MP2A	Z	-5.89	2.5
78	MP2A	Mx	-.005	2.5
79	MP2B	X	-14.44	2.5
80	MP2B	Z	-8.337	2.5
81	MP2B	Mx	.001	2.5
82	MP2C	X	-10.201	2.5
83	MP2C	Z	-5.89	2.5
84	MP2C	Mx	.005	2.5
85	MP3A	X	-11.417	2.5
86	MP3A	Z	-6.592	2.5
87	MP3A	Mx	0	2.5
88	MP3B	X	-14.489	2.5
89	MP3B	Z	-8.365	2.5
90	MP3B	Mx	0	2.5
91	MP3C	X	-11.417	2.5
92	MP3C	Z	-6.592	2.5
93	MP3C	Mx	0	2.5
94	OVP	X	-15.439	1
95	OVP	Z	-8.914	1
96	OVP	Mx	0	1

Member Point Loads (BLC 26 : Antenna Wi (330 Deg))

	Member Label	Direction	Magnitude[lb.k-ft]	Location[ft,%]
RISA-3D Version 17.0.4 [.....]Rev. 01Risa467794-VZW_MT_LO_H.r3d] Page 55				



Company :
 Designer :
 Job Number :
 Model Name :

June 15, 2021
 2:36 PM
 Checked By: _____

Member Point Loads (BLC 26 : Antenna Wi (330 Deg)) (Continued)

	Member Label	Direction	Magnitude[lb.k-ft]	Location[ft,%]
1	OVP2	X	-7.625	1
2	OVP2	Z	-13.206	1
3	OVP2	Mx	0	1
4	MP1A	X	-8.404	2.5
5	MP1A	Z	-14.556	2.5
6	MP1A	Mx	.004	2.5
7	MP1A	X	-8.404	4.5
8	MP1A	Z	-14.556	4.5
9	MP1A	Mx	.004	4.5
10	MP1B	X	-9.128	2.5
11	MP1B	Z	-15.81	2.5
12	MP1B	Mx	.003	2.5
13	MP1B	X	-9.128	4.5
14	MP1B	Z	-15.81	4.5
15	MP1B	Mx	.003	4.5
16	MP1C	X	-4.322	2.5
17	MP1C	Z	-7.486	2.5
18	MP1C	Mx	-.004	2.5
19	MP1C	X	-4.322	4.5
20	MP1C	Z	-7.486	4.5
21	MP1C	Mx	-.004	4.5
22	MP2A	X	-15.039	1
23	MP2A	Z	-26.049	1
24	MP2A	Mx	-.009	1
25	MP2A	X	-15.039	6
26	MP2A	Z	-26.049	6
27	MP2A	Mx	-.009	6
28	MP2B	X	-15.683	1
29	MP2B	Z	-27.165	1
30	MP2B	Mx	.024	1
31	MP2B	X	-15.683	6
32	MP2B	Z	-27.165	6
33	MP2B	Mx	.024	6
34	MP2C	X	-11.407	1
35	MP2C	Z	-19.758	1
36	MP2C	Mx	-.011	1
37	MP2C	X	-11.407	6
38	MP2C	Z	-19.758	6
39	MP2C	Mx	-.011	6
40	MP2A	X	-15.039	1
41	MP2A	Z	-26.049	1
42	MP2A	Mx	.024	1
43	MP2A	X	-15.039	6
44	MP2A	Z	-26.049	6
45	MP2A	Mx	.024	6
46	MP2B	X	-15.683	1
47	MP2B	Z	-27.165	1
48	MP2B	Mx	-.013	1
49	MP2B	X	-15.683	6
50	MP2B	Z	-27.165	6
51	MP2B	Mx	-.013	6
52	MP2C	X	-11.407	1
53	MP2C	Z	-19.758	1
54	MP2C	Mx	-.011	1
55	MP2C	X	-11.407	6
56	MP2C	Z	-19.758	6
57	MP2C	Mx	-.011	6

Member Point Loads (BLC 26 : Antenna Wi (330 Deg)) (Continued)

	Member Label	Direction	Magnitude[lb.k-ft]	Location[ft,%]
58	MP4A	X	-12.793	1
59	MP4A	Z	-22.158	1
60	MP4A	Mx	.008	1
61	MP4A	X	-12.793	6
62	MP4A	Z	-22.158	6
63	MP4A	Mx	.008	6
64	MP4B	X	-14.595	1
65	MP4B	Z	-25.28	1
66	MP4B	Mx	.005	1
67	MP4B	X	-14.595	6
68	MP4B	Z	-25.28	6
69	MP4B	Mx	.005	6
70	MP4C	X	-9.222	1
71	MP4C	Z	-15.972	1
72	MP4C	Mx	-.009	1
73	MP4C	X	-9.222	6
74	MP4C	Z	-15.972	6
75	MP4C	Mx	-.009	6
76	MP2A	X	-7.59	2.5
77	MP2A	Z	-13.146	2.5
78	MP2A	Mx	-.004	2.5
79	MP2B	X	-8.042	2.5
80	MP2B	Z	-13.929	2.5
81	MP2B	Mx	-.003	2.5
82	MP2C	X	-5.039	2.5
83	MP2C	Z	-8.729	2.5
84	MP2C	Mx	.005	2.5
85	MP3A	X	-7.824	2.5
86	MP3A	Z	-13.551	2.5
87	MP3A	Mx	0	2.5
88	MP3B	X	-8.152	2.5
89	MP3B	Z	-14.119	2.5
90	MP3B	Mx	0	2.5
91	MP3C	X	-5.976	2.5
92	MP3C	Z	-10.35	2.5
93	MP3C	Mx	0	2.5
94	OVP	X	-7.625	1
95	OVP	Z	-13.206	1
96	OVP	Mx	0	1

Member Point Loads (BLC 27 : Antenna Wm (0 Deg))

	Member Label	Direction	Magnitude[lb.k-ft]	Location[ft,%]
1	OVP2	X	0	1
2	OVP2	Z	-4.332	1
3	OVP2	Mx	0	1
4	MP1A	X	0	2.5
5	MP1A	Z	-5.898	2.5
6	MP1A	Mx	0	2.5
7	MP1A	X	0	4.5
8	MP1A	Z	-5.898	4.5
9	MP1A	Mx	0	4.5
10	MP1B	X	0	2.5
11	MP1B	Z	-3.792	2.5
12	MP1B	Mx	.001	2.5
13	MP1B	X	0	4.5
14	MP1B	Z	-3.792	4.5

Member Point Loads (BLC 27 : Antenna Wm (0 Deg)) (Continued)

	Member Label	Direction	Magnitude[lb.k-ft]	Location[ft,%]
15	MP1B	Mx	.001	4.5
16	MP1C	X	0	2.5
17	MP1C	Z	-3.206	2.5
18	MP1C	Mx	-.001	2.5
19	MP1C	X	0	4.5
20	MP1C	Z	-3.206	4.5
21	MP1C	Mx	-.001	4.5
22	MP2A	X	0	1
23	MP2A	Z	-10.14	1
24	MP2A	Mx	-.006	1
25	MP2A	X	0	6
26	MP2A	Z	-10.14	6
27	MP2A	Mx	-.006	6
28	MP2B	X	0	1
29	MP2B	Z	-8.123	1
30	MP2B	Mx	.006	1
31	MP2B	X	0	6
32	MP2B	Z	-8.123	6
33	MP2B	Mx	.006	6
34	MP2C	X	0	1
35	MP2C	Z	-7.563	1
36	MP2C	Mx	-.000911	1
37	MP2C	X	0	6
38	MP2C	Z	-7.563	6
39	MP2C	Mx	-.000911	6
40	MP2A	X	0	1
41	MP2A	Z	-10.14	1
42	MP2A	Mx	.006	1
43	MP2A	X	0	6
44	MP2A	Z	-10.14	6
45	MP2A	Mx	.006	6
46	MP2B	X	0	1
47	MP2B	Z	-8.123	1
48	MP2B	Mx	-.000152	1
49	MP2B	X	0	6
50	MP2B	Z	-8.123	6
51	MP2B	Mx	-.000152	6
52	MP2C	X	0	1
53	MP2C	Z	-7.563	1
54	MP2C	Mx	-.006	1
55	MP2C	X	0	6
56	MP2C	Z	-7.563	6
57	MP2C	Mx	-.006	6
58	MP4A	X	0	1
59	MP4A	Z	-9.371	1
60	MP4A	Mx	.000814	1
61	MP4A	X	0	6
62	MP4A	Z	-9.371	6
63	MP4A	Mx	.000814	6
64	MP4B	X	0	1
65	MP4B	Z	-6.987	1
66	MP4B	Mx	.003	1
67	MP4B	X	0	6
68	MP4B	Z	-6.987	6
69	MP4B	Mx	.003	6
70	MP4C	X	0	1
71	MP4C	Z	-6.289	1

Member Point Loads (BLC 27 : Antenna Wm (0 Deg)) (Continued)

	Member Label	Direction	Magnitude[lb.k-ft]	Location[ft,%]
72	MP4C	Mx	-.003	1
73	MP4C	X	0	6
74	MP4C	Z	-6.289	6
75	MP4C	Mx	-.003	6
76	MP2A	X	0	2.5
77	MP2A	Z	-4.694	2.5
78	MP2A	Mx	0	2.5
79	MP2B	X	0	2.5
80	MP2B	Z	-3.431	2.5
81	MP2B	Mx	-.001	2.5
82	MP2C	X	0	2.5
83	MP2C	Z	-3.079	2.5
84	MP2C	Mx	.001	2.5
85	MP3A	X	0	2.5
86	MP3A	Z	-4.694	2.5
87	MP3A	Mx	0	2.5
88	MP3B	X	0	2.5
89	MP3B	Z	-3.78	2.5
90	MP3B	Mx	0	2.5
91	MP3C	X	0	2.5
92	MP3C	Z	-3.526	2.5
93	MP3C	Mx	0	2.5
94	OVP	X	0	1
95	OVP	Z	-4.332	1
96	OVP	Mx	0	1

Member Point Loads (BLC 28 : Antenna Wm (30 Deg))

	Member Label	Direction	Magnitude[lb.k-ft]	Location[ft,%]
1	OVP2	X	2.683	1
2	OVP2	Z	-4.647	1
3	OVP2	Mx	0	1
4	MP1A	X	2.501	2.5
5	MP1A	Z	-4.331	2.5
6	MP1A	Mx	-.001	2.5
7	MP1A	X	2.501	4.5
8	MP1A	Z	-4.331	4.5
9	MP1A	Mx	-.001	4.5
10	MP1B	X	1.209	2.5
11	MP1B	Z	-2.094	2.5
12	MP1B	Mx	.001	2.5
13	MP1B	X	1.209	4.5
14	MP1B	Z	-2.094	4.5
15	MP1B	Mx	.001	4.5
16	MP1C	X	2.501	2.5
17	MP1C	Z	-4.331	2.5
18	MP1C	Mx	-.001	2.5
19	MP1C	X	2.501	4.5
20	MP1C	Z	-4.331	4.5
21	MP1C	Mx	-.001	4.5
22	MP2A	X	4.64	1
23	MP2A	Z	-8.038	1
24	MP2A	Mx	-.007	1
25	MP2A	X	4.64	6
26	MP2A	Z	-8.038	6
27	MP2A	Mx	-.007	6
28	MP2B	X	3.404	1



Company :
 Designer :
 Job Number :
 Model Name :

June 15, 2021
 2:36 PM
 Checked By: _____

Member Point Loads (BLC 28 : Antenna Wm (30 Deg)) (Continued)

	Member Label	Direction	Magnitude[lb.k-ft]	Location[ft,%]
29	MP2B	Z	-5.895	1
30	MP2B	Mx	.004	1
31	MP2B	X	3.404	6
32	MP2B	Z	-5.895	6
33	MP2B	Mx	.004	6
34	MP2C	X	4.64	1
35	MP2C	Z	-8.038	1
36	MP2C	Mx	.003	1
37	MP2C	X	4.64	6
38	MP2C	Z	-8.038	6
39	MP2C	Mx	.003	6
40	MP2A	X	4.64	1
41	MP2A	Z	-8.038	1
42	MP2A	Mx	.003	1
43	MP2A	X	4.64	6
44	MP2A	Z	-8.038	6
45	MP2A	Mx	.003	6
46	MP2B	X	3.404	1
47	MP2B	Z	-5.895	1
48	MP2B	Mx	.003	1
49	MP2B	X	3.404	6
50	MP2B	Z	-5.895	6
51	MP2B	Mx	.003	6
52	MP2C	X	4.64	1
53	MP2C	Z	-8.038	1
54	MP2C	Mx	-.007	1
55	MP2C	X	4.64	6
56	MP2C	Z	-8.038	6
57	MP2C	Mx	-.007	6
58	MP4A	X	4.5	1
59	MP4A	Z	-7.793	1
60	MP4A	Mx	-.002	1
61	MP4A	X	4.5	6
62	MP4A	Z	-7.793	6
63	MP4A	Mx	-.002	6
64	MP4B	X	2.674	1
65	MP4B	Z	-4.631	1
66	MP4B	Mx	.003	1
67	MP4B	X	2.674	6
68	MP4B	Z	-4.631	6
69	MP4B	Mx	.003	6
70	MP4C	X	4.215	1
71	MP4C	Z	-7.3	1
72	MP4C	Mx	-.002	1
73	MP4C	X	4.215	6
74	MP4C	Z	-7.3	6
75	MP4C	Mx	-.002	6
76	MP2A	X	2.078	2.5
77	MP2A	Z	-3.599	2.5
78	MP2A	Mx	.001	2.5
79	MP2B	X	1.303	2.5
80	MP2B	Z	-2.257	2.5
81	MP2B	Mx	-.001	2.5
82	MP2C	X	2.078	2.5
83	MP2C	Z	-3.599	2.5
84	MP2C	Mx	.001	2.5
85	MP3A	X	2.152	2.5



Company :
 Designer :
 Job Number :
 Model Name :

June 15, 2021
 2:36 PM
 Checked By: _____

Member Point Loads (BLC 28 : Antenna Wm (30 Deg)) (Continued)

	Member Label	Direction	Magnitude[lb.k-ft]	Location[ft,%]
86	MP3A	Z	-3.728	2.5
87	MP3A	Mx	0	2.5
88	MP3B	X	1.592	2.5
89	MP3B	Z	-2.758	2.5
90	MP3B	Mx	0	2.5
91	MP3C	X	2.152	2.5
92	MP3C	Z	-3.728	2.5
93	MP3C	Mx	0	2.5
94	OVP	X	2.683	1
95	OVP	Z	-4.647	1
96	OVP	Mx	0	1

Member Point Loads (BLC 29 : Antenna Wm (60 Deg))

	Member Label	Direction	Magnitude[lb.k-ft]	Location[ft,%]
1	OVP2	X	5.377	1
2	OVP2	Z	-3.104	1
3	OVP2	Mx	0	1
4	MP1A	X	2.777	2.5
5	MP1A	Z	-1.603	2.5
6	MP1A	Mx	-.001	2.5
7	MP1A	X	2.777	4.5
8	MP1A	Z	-1.603	4.5
9	MP1A	Mx	-.001	4.5
10	MP1B	X	2.363	2.5
11	MP1B	Z	-1.365	2.5
12	MP1B	Mx	.001	2.5
13	MP1B	X	2.363	4.5
14	MP1B	Z	-1.365	4.5
15	MP1B	Mx	.001	4.5
16	MP1C	X	5.108	2.5
17	MP1C	Z	-2.949	2.5
18	MP1C	Mx	0	2.5
19	MP1C	X	5.108	4.5
20	MP1C	Z	-2.949	4.5
21	MP1C	Mx	0	4.5
22	MP2A	X	6.549	1
23	MP2A	Z	-3.781	1
24	MP2A	Mx	-.006	1
25	MP2A	X	6.549	6
26	MP2A	Z	-3.781	6
27	MP2A	Mx	-.006	6
28	MP2B	X	6.154	1
29	MP2B	Z	-3.553	1
30	MP2B	Mx	.002	1
31	MP2B	X	6.154	6
32	MP2B	Z	-3.553	6
33	MP2B	Mx	.002	6
34	MP2C	X	8.782	1
35	MP2C	Z	-5.07	1
36	MP2C	Mx	.006	1
37	MP2C	X	8.782	6
38	MP2C	Z	-5.07	6
39	MP2C	Mx	.006	6
40	MP2A	X	6.549	1
41	MP2A	Z	-3.781	1
42	MP2A	Mx	-.000911	1



Company :
 Designer :
 Job Number :
 Model Name :

June 15, 2021
 2:36 PM
 Checked By: _____

Member Point Loads (BLC 29 : Antenna Wm (60 Deg)) (Continued)

	Member Label	Direction	Magnitude[lb.k-ft]	Location[ft,%]
43	MP2A	X	6.549	6
44	MP2A	Z	-3.781	6
45	MP2A	Mx	-.000911	6
46	MP2B	X	6.154	1
47	MP2B	Z	-3.553	1
48	MP2B	Mx	.005	1
49	MP2B	X	6.154	6
50	MP2B	Z	-3.553	6
51	MP2B	Mx	.005	6
52	MP2C	X	8.782	1
53	MP2C	Z	-5.07	1
54	MP2C	Mx	-.006	1
55	MP2C	X	8.782	6
56	MP2C	Z	-5.07	6
57	MP2C	Mx	-.006	6
58	MP4A	X	6.051	1
59	MP4A	Z	-3.494	1
60	MP4A	Mx	-.003	1
61	MP4A	X	6.051	6
62	MP4A	Z	-3.494	6
63	MP4A	Mx	-.003	6
64	MP4B	X	4.953	1
65	MP4B	Z	-2.86	1
66	MP4B	Mx	.003	1
67	MP4B	X	4.953	6
68	MP4B	Z	-2.86	6
69	MP4B	Mx	.003	6
70	MP4C	X	8.227	1
71	MP4C	Z	-4.75	1
72	MP4C	Mx	0	1
73	MP4C	X	8.227	6
74	MP4C	Z	-4.75	6
75	MP4C	Mx	0	6
76	MP2A	X	2.667	2.5
77	MP2A	Z	-1.54	2.5
78	MP2A	Mx	.001	2.5
79	MP2B	X	2.419	2.5
80	MP2B	Z	-1.397	2.5
81	MP2B	Mx	-.001	2.5
82	MP2C	X	4.065	2.5
83	MP2C	Z	-2.347	2.5
84	MP2C	Mx	0	2.5
85	MP3A	X	3.054	2.5
86	MP3A	Z	-1.763	2.5
87	MP3A	Mx	0	2.5
88	MP3B	X	2.875	2.5
89	MP3B	Z	-1.66	2.5
90	MP3B	Mx	0	2.5
91	MP3C	X	4.065	2.5
92	MP3C	Z	-2.347	2.5
93	MP3C	Mx	0	2.5
94	OVP	X	5.377	1
95	OVP	Z	-3.104	1
96	OVP	Mx	0	1

Member Point Loads (BLC 30 : Antenna Wm (90 Deg))

	Member Label	Direction	Magnitude[lb.k-ft]	Location[ft,%]
--	--------------	-----------	--------------------	----------------



Company :
 Designer :
 Job Number :
 Model Name :

June 15, 2021
 2:36 PM
 Checked By: _____

Member Point Loads (BLC 30 : Antenna Wm (90 Deg)) (Continued)

	Member Label	Direction	Magnitude[lb.k-ft]	Location[ft,%]
1	OVP2	X	6.017	1
2	OVP2	Z	0	1
3	OVP2	Mx	0	1
4	MP1A	X	2.309	2.5
5	MP1A	Z	0	2.5
6	MP1A	Mx	-.001	2.5
7	MP1A	X	2.309	4.5
8	MP1A	Z	0	4.5
9	MP1A	Mx	-.001	4.5
10	MP1B	X	4.415	2.5
11	MP1B	Z	0	2.5
12	MP1B	Mx	.001	2.5
13	MP1B	X	4.415	4.5
14	MP1B	Z	0	4.5
15	MP1B	Mx	.001	4.5
16	MP1C	X	5.001	2.5
17	MP1C	Z	0	2.5
18	MP1C	Mx	.001	2.5
19	MP1C	X	5.001	4.5
20	MP1C	Z	0	4.5
21	MP1C	Mx	.001	4.5
22	MP2A	X	6.704	1
23	MP2A	Z	0	1
24	MP2A	Mx	-.003	1
25	MP2A	X	6.704	6
26	MP2A	Z	0	6
27	MP2A	Mx	-.003	6
28	MP2B	X	8.72	1
29	MP2B	Z	0	1
30	MP2B	Mx	-.001	1
31	MP2B	X	8.72	6
32	MP2B	Z	0	6
33	MP2B	Mx	-.001	6
34	MP2C	X	9.281	1
35	MP2C	Z	0	1
36	MP2C	Mx	.007	1
37	MP2C	X	9.281	6
38	MP2C	Z	0	6
39	MP2C	Mx	.007	6
40	MP2A	X	6.704	1
41	MP2A	Z	0	1
42	MP2A	Mx	-.003	1
43	MP2A	X	6.704	6
44	MP2A	Z	0	6
45	MP2A	Mx	-.003	6
46	MP2B	X	8.72	1
47	MP2B	Z	0	1
48	MP2B	Mx	.007	1
49	MP2B	X	8.72	6
50	MP2B	Z	0	6
51	MP2B	Mx	.007	6
52	MP2C	X	9.281	1
53	MP2C	Z	0	1
54	MP2C	Mx	-.003	1
55	MP2C	X	9.281	6
56	MP2C	Z	0	6
57	MP2C	Mx	-.003	6

Member Point Loads (BLC 30 : Antenna Wm (90 Deg)) (Continued)

	Member Label	Direction	Magnitude[lb.k-ft]	Location[ft,%]
58	MP4A	X	5.347	1
59	MP4A	Z	0	1
60	MP4A	Mx	-.003	1
61	MP4A	X	5.347	6
62	MP4A	Z	0	6
63	MP4A	Mx	-.003	6
64	MP4B	X	7.731	1
65	MP4B	Z	0	1
66	MP4B	Mx	.002	1
67	MP4B	X	7.731	6
68	MP4B	Z	0	6
69	MP4B	Mx	.002	6
70	MP4C	X	8.43	1
71	MP4C	Z	0	1
72	MP4C	Mx	.002	1
73	MP4C	X	8.43	6
74	MP4C	Z	0	6
75	MP4C	Mx	.002	6
76	MP2A	X	2.541	2.5
77	MP2A	Z	0	2.5
78	MP2A	Mx	.001	2.5
79	MP2B	X	3.804	2.5
80	MP2B	Z	0	2.5
81	MP2B	Mx	-.001	2.5
82	MP2C	X	4.155	2.5
83	MP2C	Z	0	2.5
84	MP2C	Mx	-.001	2.5
85	MP3A	X	3.137	2.5
86	MP3A	Z	0	2.5
87	MP3A	Mx	0	2.5
88	MP3B	X	4.051	2.5
89	MP3B	Z	0	2.5
90	MP3B	Mx	0	2.5
91	MP3C	X	4.305	2.5
92	MP3C	Z	0	2.5
93	MP3C	Mx	0	2.5
94	OVP	X	6.017	1
95	OVP	Z	0	1
96	OVP	Mx	0	1

Member Point Loads (BLC 31 : Antenna Wm (120 Deg))

	Member Label	Direction	Magnitude[lb.k-ft]	Location[ft,%]
1	OVP2	X	4.316	1
2	OVP2	Z	2.492	1
3	OVP2	Mx	0	1
4	MP1A	X	2.777	2.5
5	MP1A	Z	1.603	2.5
6	MP1A	Mx	-.001	2.5
7	MP1A	X	2.777	4.5
8	MP1A	Z	1.603	4.5
9	MP1A	Mx	-.001	4.5
10	MP1B	X	5.014	2.5
11	MP1B	Z	2.895	2.5
12	MP1B	Mx	.000503	2.5
13	MP1B	X	5.014	4.5
14	MP1B	Z	2.895	4.5



Company :
 Designer :
 Job Number :
 Model Name :

June 15, 2021
 2:36 PM
 Checked By: _____

Member Point Loads (BLC 31 : Antenna Wm (120 Deg)) (Continued)

	Member Label	Direction	Magnitude[lb.k-ft]	Location[ft,%]
15	MP1B	Mx	.000503	4.5
16	MP1C	X	2.777	2.5
17	MP1C	Z	1.603	2.5
18	MP1C	Mx	.001	2.5
19	MP1C	X	2.777	4.5
20	MP1C	Z	1.603	4.5
21	MP1C	Mx	.001	4.5
22	MP2A	X	6.549	1
23	MP2A	Z	3.781	1
24	MP2A	Mx	-.000911	1
25	MP2A	X	6.549	6
26	MP2A	Z	3.781	6
27	MP2A	Mx	-.000911	6
28	MP2B	X	8.692	1
29	MP2B	Z	5.018	1
30	MP2B	Mx	-.005	1
31	MP2B	X	8.692	6
32	MP2B	Z	5.018	6
33	MP2B	Mx	-.005	6
34	MP2C	X	6.549	1
35	MP2C	Z	3.781	1
36	MP2C	Mx	.006	1
37	MP2C	X	6.549	6
38	MP2C	Z	3.781	6
39	MP2C	Mx	.006	6
40	MP2A	X	6.549	1
41	MP2A	Z	3.781	1
42	MP2A	Mx	-.006	1
43	MP2A	X	6.549	6
44	MP2A	Z	3.781	6
45	MP2A	Mx	-.006	6
46	MP2B	X	8.692	1
47	MP2B	Z	5.018	1
48	MP2B	Mx	.007	1
49	MP2B	X	8.692	6
50	MP2B	Z	5.018	6
51	MP2B	Mx	.007	6
52	MP2C	X	6.549	1
53	MP2C	Z	3.781	1
54	MP2C	Mx	.000911	1
55	MP2C	X	6.549	6
56	MP2C	Z	3.781	6
57	MP2C	Mx	.000911	6
58	MP4A	X	4.953	1
59	MP4A	Z	2.86	1
60	MP4A	Mx	-.003	1
61	MP4A	X	4.953	6
62	MP4A	Z	2.86	6
63	MP4A	Mx	-.003	6
64	MP4B	X	8.115	1
65	MP4B	Z	4.685	1
66	MP4B	Mx	.000814	1
67	MP4B	X	8.115	6
68	MP4B	Z	4.685	6
69	MP4B	Mx	.000814	6
70	MP4C	X	5.446	1
71	MP4C	Z	3.144	1

Member Point Loads (BLC 31 : Antenna Wm (120 Deg)) (Continued)

	Member Label	Direction	Magnitude[lb.k-ft]	Location[ft,%]
72	MP4C	Mx	.003	1
73	MP4C	X	5.446	6
74	MP4C	Z	3.144	6
75	MP4C	Mx	.003	6
76	MP2A	X	2.667	2.5
77	MP2A	Z	1.54	2.5
78	MP2A	Mx	.001	2.5
79	MP2B	X	4.009	2.5
80	MP2B	Z	2.314	2.5
81	MP2B	Mx	-.000402	2.5
82	MP2C	X	2.667	2.5
83	MP2C	Z	1.54	2.5
84	MP2C	Mx	-.001	2.5
85	MP3A	X	3.054	2.5
86	MP3A	Z	1.763	2.5
87	MP3A	Mx	0	2.5
88	MP3B	X	4.024	2.5
89	MP3B	Z	2.323	2.5
90	MP3B	Mx	0	2.5
91	MP3C	X	3.054	2.5
92	MP3C	Z	1.763	2.5
93	MP3C	Mx	0	2.5
94	OVP	X	4.316	1
95	OVP	Z	2.492	1
96	OVP	Mx	0	1

Member Point Loads (BLC 32 : Antenna Wm (150 Deg))

	Member Label	Direction	Magnitude[lb.k-ft]	Location[ft,%]
1	OVP2	X	2.071	1
2	OVP2	Z	3.586	1
3	OVP2	Mx	0	1
4	MP1A	X	2.501	2.5
5	MP1A	Z	4.331	2.5
6	MP1A	Mx	-.001	2.5
7	MP1A	X	2.501	4.5
8	MP1A	Z	4.331	4.5
9	MP1A	Mx	-.001	4.5
10	MP1B	X	2.739	2.5
11	MP1B	Z	4.744	2.5
12	MP1B	Mx	-.000937	2.5
13	MP1B	X	2.739	4.5
14	MP1B	Z	4.744	4.5
15	MP1B	Mx	-.000937	4.5
16	MP1C	X	1.155	2.5
17	MP1C	Z	2	2.5
18	MP1C	Mx	.001	2.5
19	MP1C	X	1.155	4.5
20	MP1C	Z	2	4.5
21	MP1C	Mx	.001	4.5
22	MP2A	X	4.64	1
23	MP2A	Z	8.038	1
24	MP2A	Mx	.003	1
25	MP2A	X	4.64	6
26	MP2A	Z	8.038	6
27	MP2A	Mx	.003	6
28	MP2B	X	4.869	1



Company :
 Designer :
 Job Number :
 Model Name :

June 15, 2021
 2:36 PM
 Checked By: _____

Member Point Loads (BLC 32 : Antenna Wm (150 Deg)) (Continued)

	Member Label	Direction	Magnitude[lb.k-ft]	Location[ft,%]
29	MP2B	Z	8.433	1
30	MP2B	Mx	-.007	1
31	MP2B	X	4.869	6
32	MP2B	Z	8.433	6
33	MP2B	Mx	-.007	6
34	MP2C	X	3.352	1
35	MP2C	Z	5.805	1
36	MP2C	Mx	.003	1
37	MP2C	X	3.352	6
38	MP2C	Z	5.805	6
39	MP2C	Mx	.003	6
40	MP2A	X	4.64	1
41	MP2A	Z	8.038	1
42	MP2A	Mx	-.007	1
43	MP2A	X	4.64	6
44	MP2A	Z	8.038	6
45	MP2A	Mx	-.007	6
46	MP2B	X	4.869	1
47	MP2B	Z	8.433	1
48	MP2B	Mx	.004	1
49	MP2B	X	4.869	6
50	MP2B	Z	8.433	6
51	MP2B	Mx	.004	6
52	MP2C	X	3.352	1
53	MP2C	Z	5.805	1
54	MP2C	Mx	.003	1
55	MP2C	X	3.352	6
56	MP2C	Z	5.805	6
57	MP2C	Mx	.003	6
58	MP4A	X	3.865	1
59	MP4A	Z	6.695	1
60	MP4A	Mx	-.002	1
61	MP4A	X	3.865	6
62	MP4A	Z	6.695	6
63	MP4A	Mx	-.002	6
64	MP4B	X	4.5	1
65	MP4B	Z	7.793	1
66	MP4B	Mx	-.002	1
67	MP4B	X	4.5	6
68	MP4B	Z	7.793	6
69	MP4B	Mx	-.002	6
70	MP4C	X	2.609	1
71	MP4C	Z	4.519	1
72	MP4C	Mx	.003	1
73	MP4C	X	2.609	6
74	MP4C	Z	4.519	6
75	MP4C	Mx	.003	6
76	MP2A	X	2.078	2.5
77	MP2A	Z	3.599	2.5
78	MP2A	Mx	.001	2.5
79	MP2B	X	2.221	2.5
80	MP2B	Z	3.847	2.5
81	MP2B	Mx	.00076	2.5
82	MP2C	X	1.271	2.5
83	MP2C	Z	2.201	2.5
84	MP2C	Mx	-.001	2.5
85	MP3A	X	2.152	2.5

Member Point Loads (BLC 32 : Antenna Wm (150 Deg)) (Continued)

	Member Label	Direction	Magnitude[lb.k-ft]	Location[ft,%]
86	MP3A	Z	3.728	2.5
87	MP3A	Mx	0	2.5
88	MP3B	X	2.256	2.5
89	MP3B	Z	3.907	2.5
90	MP3B	Mx	0	2.5
91	MP3C	X	1.569	2.5
92	MP3C	Z	2.717	2.5
93	MP3C	Mx	0	2.5
94	OVP	X	2.071	1
95	OVP	Z	3.586	1
96	OVP	Mx	0	1

Member Point Loads (BLC 33 : Antenna Wm (180 Deg))

	Member Label	Direction	Magnitude[lb.k-ft]	Location[ft,%]
1	OVP2	X	0	1
2	OVP2	Z	4.332	1
3	OVP2	Mx	0	1
4	MP1A	X	0	2.5
5	MP1A	Z	5.898	2.5
6	MP1A	Mx	0	2.5
7	MP1A	X	0	4.5
8	MP1A	Z	5.898	4.5
9	MP1A	Mx	0	4.5
10	MP1B	X	0	2.5
11	MP1B	Z	3.792	2.5
12	MP1B	Mx	-.001	2.5
13	MP1B	X	0	4.5
14	MP1B	Z	3.792	4.5
15	MP1B	Mx	-.001	4.5
16	MP1C	X	0	2.5
17	MP1C	Z	3.206	2.5
18	MP1C	Mx	.001	2.5
19	MP1C	X	0	4.5
20	MP1C	Z	3.206	4.5
21	MP1C	Mx	.001	4.5
22	MP2A	X	0	1
23	MP2A	Z	10.14	1
24	MP2A	Mx	.006	1
25	MP2A	X	0	6
26	MP2A	Z	10.14	6
27	MP2A	Mx	.006	6
28	MP2B	X	0	1
29	MP2B	Z	8.123	1
30	MP2B	Mx	-.006	1
31	MP2B	X	0	6
32	MP2B	Z	8.123	6
33	MP2B	Mx	-.006	6
34	MP2C	X	0	1
35	MP2C	Z	7.563	1
36	MP2C	Mx	.000911	1
37	MP2C	X	0	6
38	MP2C	Z	7.563	6
39	MP2C	Mx	.000911	6
40	MP2A	X	0	1
41	MP2A	Z	10.14	1
42	MP2A	Mx	-.006	1



Company :
 Designer :
 Job Number :
 Model Name :

June 15, 2021
 2:36 PM
 Checked By: _____

Member Point Loads (BLC 33 : Antenna Wm (180 Deg)) (Continued)

	Member Label	Direction	Magnitude[lb.k-ft]	Location[ft,%]
43	MP2A	X	0	6
44	MP2A	Z	10.14	6
45	MP2A	Mx	-.006	6
46	MP2B	X	0	1
47	MP2B	Z	8.123	1
48	MP2B	Mx	.000152	1
49	MP2B	X	0	6
50	MP2B	Z	8.123	6
51	MP2B	Mx	.000152	6
52	MP2C	X	0	1
53	MP2C	Z	7.563	1
54	MP2C	Mx	.006	1
55	MP2C	X	0	6
56	MP2C	Z	7.563	6
57	MP2C	Mx	.006	6
58	MP4A	X	0	1
59	MP4A	Z	9.371	1
60	MP4A	Mx	-.000814	1
61	MP4A	X	0	6
62	MP4A	Z	9.371	6
63	MP4A	Mx	-.000814	6
64	MP4B	X	0	1
65	MP4B	Z	6.987	1
66	MP4B	Mx	-.003	1
67	MP4B	X	0	6
68	MP4B	Z	6.987	6
69	MP4B	Mx	-.003	6
70	MP4C	X	0	1
71	MP4C	Z	6.289	1
72	MP4C	Mx	.003	1
73	MP4C	X	0	6
74	MP4C	Z	6.289	6
75	MP4C	Mx	.003	6
76	MP2A	X	0	2.5
77	MP2A	Z	4.694	2.5
78	MP2A	Mx	0	2.5
79	MP2B	X	0	2.5
80	MP2B	Z	3.431	2.5
81	MP2B	Mx	.001	2.5
82	MP2C	X	0	2.5
83	MP2C	Z	3.079	2.5
84	MP2C	Mx	-.001	2.5
85	MP3A	X	0	2.5
86	MP3A	Z	4.694	2.5
87	MP3A	Mx	0	2.5
88	MP3B	X	0	2.5
89	MP3B	Z	3.78	2.5
90	MP3B	Mx	0	2.5
91	MP3C	X	0	2.5
92	MP3C	Z	3.526	2.5
93	MP3C	Mx	0	2.5
94	OVP	X	0	1
95	OVP	Z	4.332	1
96	OVP	Mx	0	1

Member Point Loads (BLC 34 : Antenna Wm (210 Deg))

	Member Label	Direction	Magnitude[lb.k-ft]	Location[ft,%]
RISA-3D Version 17.0.4 [.....]Rev. 01Risa467794-VZW_MT_LO_H.r3d] Page 69				



Company :
 Designer :
 Job Number :
 Model Name :

June 15, 2021
 2:36 PM
 Checked By: _____

Member Point Loads (BLC 34 : Antenna Wm (210 Deg)) (Continued)

	Member Label	Direction	Magnitude[lb.k-ft]	Location[ft,%]
1	OVP2	X	-2.683	1
2	OVP2	Z	4.647	1
3	OVP2	Mx	0	1
4	MP1A	X	-2.501	2.5
5	MP1A	Z	4.331	2.5
6	MP1A	Mx	.001	2.5
7	MP1A	X	-2.501	4.5
8	MP1A	Z	4.331	4.5
9	MP1A	Mx	.001	4.5
10	MP1B	X	-1.209	2.5
11	MP1B	Z	2.094	2.5
12	MP1B	Mx	-.001	2.5
13	MP1B	X	-1.209	4.5
14	MP1B	Z	2.094	4.5
15	MP1B	Mx	-.001	4.5
16	MP1C	X	-2.501	2.5
17	MP1C	Z	4.331	2.5
18	MP1C	Mx	.001	2.5
19	MP1C	X	-2.501	4.5
20	MP1C	Z	4.331	4.5
21	MP1C	Mx	.001	4.5
22	MP2A	X	-4.64	1
23	MP2A	Z	8.038	1
24	MP2A	Mx	.007	1
25	MP2A	X	-4.64	6
26	MP2A	Z	8.038	6
27	MP2A	Mx	.007	6
28	MP2B	X	-3.404	1
29	MP2B	Z	5.895	1
30	MP2B	Mx	-.004	1
31	MP2B	X	-3.404	6
32	MP2B	Z	5.895	6
33	MP2B	Mx	-.004	6
34	MP2C	X	-4.64	1
35	MP2C	Z	8.038	1
36	MP2C	Mx	-.003	1
37	MP2C	X	-4.64	6
38	MP2C	Z	8.038	6
39	MP2C	Mx	-.003	6
40	MP2A	X	-4.64	1
41	MP2A	Z	8.038	1
42	MP2A	Mx	-.003	1
43	MP2A	X	-4.64	6
44	MP2A	Z	8.038	6
45	MP2A	Mx	-.003	6
46	MP2B	X	-3.404	1
47	MP2B	Z	5.895	1
48	MP2B	Mx	-.003	1
49	MP2B	X	-3.404	6
50	MP2B	Z	5.895	6
51	MP2B	Mx	-.003	6
52	MP2C	X	-4.64	1
53	MP2C	Z	8.038	1
54	MP2C	Mx	.007	1
55	MP2C	X	-4.64	6
56	MP2C	Z	8.038	6
57	MP2C	Mx	.007	6

Member Point Loads (BLC 34 : Antenna Wm (210 Deg)) (Continued)

	Member Label	Direction	Magnitude[lb.k-ft]	Location[ft.%]
58	MP4A	X	-4.5	1
59	MP4A	Z	7.793	1
60	MP4A	Mx	.002	1
61	MP4A	X	-4.5	6
62	MP4A	Z	7.793	6
63	MP4A	Mx	.002	6
64	MP4B	X	-2.674	1
65	MP4B	Z	4.631	1
66	MP4B	Mx	-.003	1
67	MP4B	X	-2.674	6
68	MP4B	Z	4.631	6
69	MP4B	Mx	-.003	6
70	MP4C	X	-4.215	1
71	MP4C	Z	7.3	1
72	MP4C	Mx	.002	1
73	MP4C	X	-4.215	6
74	MP4C	Z	7.3	6
75	MP4C	Mx	.002	6
76	MP2A	X	-2.078	2.5
77	MP2A	Z	3.599	2.5
78	MP2A	Mx	-.001	2.5
79	MP2B	X	-1.303	2.5
80	MP2B	Z	2.257	2.5
81	MP2B	Mx	.001	2.5
82	MP2C	X	-2.078	2.5
83	MP2C	Z	3.599	2.5
84	MP2C	Mx	-.001	2.5
85	MP3A	X	-2.152	2.5
86	MP3A	Z	3.728	2.5
87	MP3A	Mx	0	2.5
88	MP3B	X	-1.592	2.5
89	MP3B	Z	2.758	2.5
90	MP3B	Mx	0	2.5
91	MP3C	X	-2.152	2.5
92	MP3C	Z	3.728	2.5
93	MP3C	Mx	0	2.5
94	OVP	X	-2.683	1
95	OVP	Z	4.647	1
96	OVP	Mx	0	1

Member Point Loads (BLC 35 : Antenna Wm (240 Deg))

	Member Label	Direction	Magnitude[lb.k-ft]	Location[ft.%]
1	OVP2	X	-5.377	1
2	OVP2	Z	3.104	1
3	OVP2	Mx	0	1
4	MP1A	X	-2.777	2.5
5	MP1A	Z	1.603	2.5
6	MP1A	Mx	.001	2.5
7	MP1A	X	-2.777	4.5
8	MP1A	Z	1.603	4.5
9	MP1A	Mx	.001	4.5
10	MP1B	X	-2.363	2.5
11	MP1B	Z	1.365	2.5
12	MP1B	Mx	-.001	2.5
13	MP1B	X	-2.363	4.5
14	MP1B	Z	1.365	4.5

Member Point Loads (BLC 35 : Antenna Wm (240 Deg)) (Continued)

	Member Label	Direction	Magnitude[lb.k-ft]	Location[ft,%]
15	MP1B	Mx	-.001	4.5
16	MP1C	X	-5.108	2.5
17	MP1C	Z	2.949	2.5
18	MP1C	Mx	0	2.5
19	MP1C	X	-5.108	4.5
20	MP1C	Z	2.949	4.5
21	MP1C	Mx	0	4.5
22	MP2A	X	-6.549	1
23	MP2A	Z	3.781	1
24	MP2A	Mx	.006	1
25	MP2A	X	-6.549	6
26	MP2A	Z	3.781	6
27	MP2A	Mx	.006	6
28	MP2B	X	-6.154	1
29	MP2B	Z	3.553	1
30	MP2B	Mx	-.002	1
31	MP2B	X	-6.154	6
32	MP2B	Z	3.553	6
33	MP2B	Mx	-.002	6
34	MP2C	X	-8.782	1
35	MP2C	Z	5.07	1
36	MP2C	Mx	-.006	1
37	MP2C	X	-8.782	6
38	MP2C	Z	5.07	6
39	MP2C	Mx	-.006	6
40	MP2A	X	-6.549	1
41	MP2A	Z	3.781	1
42	MP2A	Mx	.000911	1
43	MP2A	X	-6.549	6
44	MP2A	Z	3.781	6
45	MP2A	Mx	.000911	6
46	MP2B	X	-6.154	1
47	MP2B	Z	3.553	1
48	MP2B	Mx	-.005	1
49	MP2B	X	-6.154	6
50	MP2B	Z	3.553	6
51	MP2B	Mx	-.005	6
52	MP2C	X	-8.782	1
53	MP2C	Z	5.07	1
54	MP2C	Mx	.006	1
55	MP2C	X	-8.782	6
56	MP2C	Z	5.07	6
57	MP2C	Mx	.006	6
58	MP4A	X	-6.051	1
59	MP4A	Z	3.494	1
60	MP4A	Mx	.003	1
61	MP4A	X	-6.051	6
62	MP4A	Z	3.494	6
63	MP4A	Mx	.003	6
64	MP4B	X	-4.953	1
65	MP4B	Z	2.86	1
66	MP4B	Mx	-.003	1
67	MP4B	X	-4.953	6
68	MP4B	Z	2.86	6
69	MP4B	Mx	-.003	6
70	MP4C	X	-8.227	1
71	MP4C	Z	4.75	1

Member Point Loads (BLC 35 : Antenna Wm (240 Deg)) (Continued)

	Member Label	Direction	Magnitude[lb.k-ft]	Location[ft,%]
72	MP4C	Mx	0	1
73	MP4C	X	-8.227	6
74	MP4C	Z	4.75	6
75	MP4C	Mx	0	6
76	MP2A	X	-2.667	2.5
77	MP2A	Z	1.54	2.5
78	MP2A	Mx	-.001	2.5
79	MP2B	X	-2.419	2.5
80	MP2B	Z	1.397	2.5
81	MP2B	Mx	.001	2.5
82	MP2C	X	-4.065	2.5
83	MP2C	Z	2.347	2.5
84	MP2C	Mx	0	2.5
85	MP3A	X	-3.054	2.5
86	MP3A	Z	1.763	2.5
87	MP3A	Mx	0	2.5
88	MP3B	X	-2.875	2.5
89	MP3B	Z	1.66	2.5
90	MP3B	Mx	0	2.5
91	MP3C	X	-4.065	2.5
92	MP3C	Z	2.347	2.5
93	MP3C	Mx	0	2.5
94	OVP	X	-5.377	1
95	OVP	Z	3.104	1
96	OVP	Mx	0	1

Member Point Loads (BLC 36 : Antenna Wm (270 Deg))

	Member Label	Direction	Magnitude[lb.k-ft]	Location[ft,%]
1	OVP2	X	-6.017	1
2	OVP2	Z	0	1
3	OVP2	Mx	0	1
4	MP1A	X	-2.309	2.5
5	MP1A	Z	0	2.5
6	MP1A	Mx	.001	2.5
7	MP1A	X	-2.309	4.5
8	MP1A	Z	0	4.5
9	MP1A	Mx	.001	4.5
10	MP1B	X	-4.415	2.5
11	MP1B	Z	0	2.5
12	MP1B	Mx	-.001	2.5
13	MP1B	X	-4.415	4.5
14	MP1B	Z	0	4.5
15	MP1B	Mx	-.001	4.5
16	MP1C	X	-5.001	2.5
17	MP1C	Z	0	2.5
18	MP1C	Mx	-.001	2.5
19	MP1C	X	-5.001	4.5
20	MP1C	Z	0	4.5
21	MP1C	Mx	-.001	4.5
22	MP2A	X	-6.704	1
23	MP2A	Z	0	1
24	MP2A	Mx	.003	1
25	MP2A	X	-6.704	6
26	MP2A	Z	0	6
27	MP2A	Mx	.003	6
28	MP2B	X	-8.72	1



Company :
 Designer :
 Job Number :
 Model Name :

June 15, 2021
 2:36 PM
 Checked By: _____

Member Point Loads (BLC 36 : Antenna Wm (270 Deg)) (Continued)

	Member Label	Direction	Magnitude[lb.k-ft]	Location[ft,%]
29	MP2B	Z	0	1
30	MP2B	Mx	.001	1
31	MP2B	X	-8.72	6
32	MP2B	Z	0	6
33	MP2B	Mx	.001	6
34	MP2C	X	-9.281	1
35	MP2C	Z	0	1
36	MP2C	Mx	-.007	1
37	MP2C	X	-9.281	6
38	MP2C	Z	0	6
39	MP2C	Mx	-.007	6
40	MP2A	X	-6.704	1
41	MP2A	Z	0	1
42	MP2A	Mx	.003	1
43	MP2A	X	-6.704	6
44	MP2A	Z	0	6
45	MP2A	Mx	.003	6
46	MP2B	X	-8.72	1
47	MP2B	Z	0	1
48	MP2B	Mx	-.007	1
49	MP2B	X	-8.72	6
50	MP2B	Z	0	6
51	MP2B	Mx	-.007	6
52	MP2C	X	-9.281	1
53	MP2C	Z	0	1
54	MP2C	Mx	.003	1
55	MP2C	X	-9.281	6
56	MP2C	Z	0	6
57	MP2C	Mx	.003	6
58	MP4A	X	-5.347	1
59	MP4A	Z	0	1
60	MP4A	Mx	.003	1
61	MP4A	X	-5.347	6
62	MP4A	Z	0	6
63	MP4A	Mx	.003	6
64	MP4B	X	-7.731	1
65	MP4B	Z	0	1
66	MP4B	Mx	-.002	1
67	MP4B	X	-7.731	6
68	MP4B	Z	0	6
69	MP4B	Mx	-.002	6
70	MP4C	X	-8.43	1
71	MP4C	Z	0	1
72	MP4C	Mx	-.002	1
73	MP4C	X	-8.43	6
74	MP4C	Z	0	6
75	MP4C	Mx	-.002	6
76	MP2A	X	-2.541	2.5
77	MP2A	Z	0	2.5
78	MP2A	Mx	-.001	2.5
79	MP2B	X	-3.804	2.5
80	MP2B	Z	0	2.5
81	MP2B	Mx	.001	2.5
82	MP2C	X	-4.155	2.5
83	MP2C	Z	0	2.5
84	MP2C	Mx	.001	2.5
85	MP3A	X	-3.137	2.5

Member Point Loads (BLC 36 : Antenna Wm (270 Deg)) (Continued)

	Member Label	Direction	Magnitude[lb.k-ft]	Location[ft,%]
86	MP3A	Z	0	2.5
87	MP3A	Mx	0	2.5
88	MP3B	X	-4.051	2.5
89	MP3B	Z	0	2.5
90	MP3B	Mx	0	2.5
91	MP3C	X	-4.305	2.5
92	MP3C	Z	0	2.5
93	MP3C	Mx	0	2.5
94	OVP	X	-6.017	1
95	OVP	Z	0	1
96	OVP	Mx	0	1

Member Point Loads (BLC 37 : Antenna Wm (300 Deg))

	Member Label	Direction	Magnitude[lb.k-ft]	Location[ft,%]
1	OVP2	X	-4.316	1
2	OVP2	Z	-2.492	1
3	OVP2	Mx	0	1
4	MP1A	X	-2.777	2.5
5	MP1A	Z	-1.603	2.5
6	MP1A	Mx	.001	2.5
7	MP1A	X	-2.777	4.5
8	MP1A	Z	-1.603	4.5
9	MP1A	Mx	.001	4.5
10	MP1B	X	-5.014	2.5
11	MP1B	Z	-2.895	2.5
12	MP1B	Mx	-.000503	2.5
13	MP1B	X	-5.014	4.5
14	MP1B	Z	-2.895	4.5
15	MP1B	Mx	-.000503	4.5
16	MP1C	X	-2.777	2.5
17	MP1C	Z	-1.603	2.5
18	MP1C	Mx	-.001	2.5
19	MP1C	X	-2.777	4.5
20	MP1C	Z	-1.603	4.5
21	MP1C	Mx	-.001	4.5
22	MP2A	X	-6.549	1
23	MP2A	Z	-3.781	1
24	MP2A	Mx	.000911	1
25	MP2A	X	-6.549	6
26	MP2A	Z	-3.781	6
27	MP2A	Mx	.000911	6
28	MP2B	X	-8.692	1
29	MP2B	Z	-5.018	1
30	MP2B	Mx	.005	1
31	MP2B	X	-8.692	6
32	MP2B	Z	-5.018	6
33	MP2B	Mx	.005	6
34	MP2C	X	-6.549	1
35	MP2C	Z	-3.781	1
36	MP2C	Mx	-.006	1
37	MP2C	X	-6.549	6
38	MP2C	Z	-3.781	6
39	MP2C	Mx	-.006	6
40	MP2A	X	-6.549	1
41	MP2A	Z	-3.781	1
42	MP2A	Mx	.006	1



Company :
 Designer :
 Job Number :
 Model Name :

June 15, 2021
 2:36 PM
 Checked By: _____

Member Point Loads (BLC 37 : Antenna Wm (300 Deg)) (Continued)

	Member Label	Direction	Magnitude[lb.k-ft]	Location[ft,%]
43	MP2A	X	-6.549	6
44	MP2A	Z	-3.781	6
45	MP2A	Mx	.006	6
46	MP2B	X	-8.692	1
47	MP2B	Z	-5.018	1
48	MP2B	Mx	-.007	1
49	MP2B	X	-8.692	6
50	MP2B	Z	-5.018	6
51	MP2B	Mx	-.007	6
52	MP2C	X	-6.549	1
53	MP2C	Z	-3.781	1
54	MP2C	Mx	-.000911	1
55	MP2C	X	-6.549	6
56	MP2C	Z	-3.781	6
57	MP2C	Mx	-.000911	6
58	MP4A	X	-4.953	1
59	MP4A	Z	-2.86	1
60	MP4A	Mx	.003	1
61	MP4A	X	-4.953	6
62	MP4A	Z	-2.86	6
63	MP4A	Mx	.003	6
64	MP4B	X	-8.115	1
65	MP4B	Z	-4.685	1
66	MP4B	Mx	-.000814	1
67	MP4B	X	-8.115	6
68	MP4B	Z	-4.685	6
69	MP4B	Mx	-.000814	6
70	MP4C	X	-5.446	1
71	MP4C	Z	-3.144	1
72	MP4C	Mx	-.003	1
73	MP4C	X	-5.446	6
74	MP4C	Z	-3.144	6
75	MP4C	Mx	-.003	6
76	MP2A	X	-2.667	2.5
77	MP2A	Z	-1.54	2.5
78	MP2A	Mx	-.001	2.5
79	MP2B	X	-4.009	2.5
80	MP2B	Z	-2.314	2.5
81	MP2B	Mx	.000402	2.5
82	MP2C	X	-2.667	2.5
83	MP2C	Z	-1.54	2.5
84	MP2C	Mx	.001	2.5
85	MP3A	X	-3.054	2.5
86	MP3A	Z	-1.763	2.5
87	MP3A	Mx	0	2.5
88	MP3B	X	-4.024	2.5
89	MP3B	Z	-2.323	2.5
90	MP3B	Mx	0	2.5
91	MP3C	X	-3.054	2.5
92	MP3C	Z	-1.763	2.5
93	MP3C	Mx	0	2.5
94	OVP	X	-4.316	1
95	OVP	Z	-2.492	1
96	OVP	Mx	0	1

Member Point Loads (BLC 38 : Antenna Wm (330 Deg))

	Member Label	Direction	Magnitude[lb.k-ft]	Location[ft,%]
--	--------------	-----------	--------------------	----------------



Company :
 Designer :
 Job Number :
 Model Name :

June 15, 2021
 2:36 PM
 Checked By: _____

Member Point Loads (BLC 38 : Antenna Wm (330 Deg)) (Continued)

	Member Label	Direction	Magnitude[lb.k-ft]	Location[ft,%]
1	OVP2	X	-2.071	1
2	OVP2	Z	-3.586	1
3	OVP2	Mx	0	1
4	MP1A	X	-2.501	2.5
5	MP1A	Z	-4.331	2.5
6	MP1A	Mx	.001	2.5
7	MP1A	X	-2.501	4.5
8	MP1A	Z	-4.331	4.5
9	MP1A	Mx	.001	4.5
10	MP1B	X	-2.739	2.5
11	MP1B	Z	-4.744	2.5
12	MP1B	Mx	.000937	2.5
13	MP1B	X	-2.739	4.5
14	MP1B	Z	-4.744	4.5
15	MP1B	Mx	.000937	4.5
16	MP1C	X	-1.155	2.5
17	MP1C	Z	-2	2.5
18	MP1C	Mx	-.001	2.5
19	MP1C	X	-1.155	4.5
20	MP1C	Z	-2	4.5
21	MP1C	Mx	-.001	4.5
22	MP2A	X	-4.64	1
23	MP2A	Z	-8.038	1
24	MP2A	Mx	-.003	1
25	MP2A	X	-4.64	6
26	MP2A	Z	-8.038	6
27	MP2A	Mx	-.003	6
28	MP2B	X	-4.869	1
29	MP2B	Z	-8.433	1
30	MP2B	Mx	.007	1
31	MP2B	X	-4.869	6
32	MP2B	Z	-8.433	6
33	MP2B	Mx	.007	6
34	MP2C	X	-3.352	1
35	MP2C	Z	-5.805	1
36	MP2C	Mx	-.003	1
37	MP2C	X	-3.352	6
38	MP2C	Z	-5.805	6
39	MP2C	Mx	-.003	6
40	MP2A	X	-4.64	1
41	MP2A	Z	-8.038	1
42	MP2A	Mx	.007	1
43	MP2A	X	-4.64	6
44	MP2A	Z	-8.038	6
45	MP2A	Mx	.007	6
46	MP2B	X	-4.869	1
47	MP2B	Z	-8.433	1
48	MP2B	Mx	-.004	1
49	MP2B	X	-4.869	6
50	MP2B	Z	-8.433	6
51	MP2B	Mx	-.004	6
52	MP2C	X	-3.352	1
53	MP2C	Z	-5.805	1
54	MP2C	Mx	-.003	1
55	MP2C	X	-3.352	6
56	MP2C	Z	-5.805	6
57	MP2C	Mx	-.003	6

Member Point Loads (BLC 38 : Antenna Wm (330 Deg)) (Continued)

	Member Label	Direction	Magnitude[lb.k-ft]	Location[ft.%]
58	MP4A	X	-3.865	1
59	MP4A	Z	-6.695	1
60	MP4A	Mx	.002	1
61	MP4A	X	-3.865	6
62	MP4A	Z	-6.695	6
63	MP4A	Mx	.002	6
64	MP4B	X	-4.5	1
65	MP4B	Z	-7.793	1
66	MP4B	Mx	.002	1
67	MP4B	X	-4.5	6
68	MP4B	Z	-7.793	6
69	MP4B	Mx	.002	6
70	MP4C	X	-2.609	1
71	MP4C	Z	-4.519	1
72	MP4C	Mx	-.003	1
73	MP4C	X	-2.609	6
74	MP4C	Z	-4.519	6
75	MP4C	Mx	-.003	6
76	MP2A	X	-2.078	2.5
77	MP2A	Z	-3.599	2.5
78	MP2A	Mx	-.001	2.5
79	MP2B	X	-2.221	2.5
80	MP2B	Z	-3.847	2.5
81	MP2B	Mx	-.00076	2.5
82	MP2C	X	-1.271	2.5
83	MP2C	Z	-2.201	2.5
84	MP2C	Mx	.001	2.5
85	MP3A	X	-2.152	2.5
86	MP3A	Z	-3.728	2.5
87	MP3A	Mx	0	2.5
88	MP3B	X	-2.256	2.5
89	MP3B	Z	-3.907	2.5
90	MP3B	Mx	0	2.5
91	MP3C	X	-1.569	2.5
92	MP3C	Z	-2.717	2.5
93	MP3C	Mx	0	2.5
94	OVP	X	-2.071	1
95	OVP	Z	-3.586	1
96	OVP	Mx	0	1

Member Point Loads (BLC 77 : Lm1)

	Member Label	Direction	Magnitude[lb.k-ft]	Location[ft.%]
1	M1	Y	-500	%97

Member Point Loads (BLC 78 : Lm2)

	Member Label	Direction	Magnitude[lb.k-ft]	Location[ft.%]
1	M1	Y	-500	%67

Member Point Loads (BLC 79 : Lv1)

	Member Label	Direction	Magnitude[lb.k-ft]	Location[ft.%]
1	M1	Y	-250	%100

Member Point Loads (BLC 80 : Lv2)

	Member Label	Direction	Magnitude[lb.k-ft]	Location[ft.%]
1	M1	Y	-250	%50



Company :
 Designer :
 Job Number :
 Model Name :

June 15, 2021
 2:36 PM
 Checked By: _____

Member Distributed Loads (BLC 40 : Structure Di)

	Member Label	Direction	Start Magnitude[lb/ft,...	End Magnitude[lb/ft,F...	Start Location[ft, %]	End Location[ft, %]
1	M1	Y	-10.659	-10.659	0	%100
2	M2	Y	-10.659	-10.659	0	%100
3	M3	Y	-10.659	-10.659	0	%100
4	M4	Y	-15.095	-15.095	0	%100
5	M5	Y	-15.095	-15.095	0	%100
6	M6	Y	-15.095	-15.095	0	%100
7	M7	Y	-15.095	-15.095	0	%100
8	M8	Y	-15.095	-15.095	0	%100
9	M9	Y	-15.095	-15.095	0	%100
10	M10	Y	-15.095	-15.095	0	%100
11	M11	Y	-15.095	-15.095	0	%100
12	M12	Y	-15.095	-15.095	0	%100
13	M13	Y	-9.278	-9.278	0	%100
14	M14	Y	-9.278	-9.278	0	%100
15	M15	Y	-9.278	-9.278	0	%100
16	M16	Y	-9.278	-9.278	0	%100
17	M17	Y	-9.278	-9.278	0	%100
18	M18	Y	-9.278	-9.278	0	%100
19	M19	Y	-15.825	-15.825	0	%100
20	M20	Y	-15.825	-15.825	0	%100
21	M21	Y	-15.825	-15.825	0	%100
22	M22	Y	-15.825	-15.825	0	%100
23	M23	Y	-15.825	-15.825	0	%100
24	M24	Y	-15.825	-15.825	0	%100
25	M25	Y	-15.825	-15.825	0	%100
26	M26	Y	-15.825	-15.825	0	%100
27	M27	Y	-15.825	-15.825	0	%100
28	M28	Y	-15.825	-15.825	0	%100
29	M29	Y	-15.825	-15.825	0	%100
30	M30	Y	-15.825	-15.825	0	%100
31	M31	Y	-15.843	-15.843	0	%100
32	M32	Y	-15.843	-15.843	0	%100
33	M33	Y	-15.843	-15.843	0	%100
34	M34	Y	-15.843	-15.843	0	%100
35	M35	Y	-15.843	-15.843	0	%100
36	M36	Y	-15.843	-15.843	0	%100
37	M37	Y	-15.843	-15.843	0	%100
38	M38	Y	-15.843	-15.843	0	%100
39	M39	Y	-15.843	-15.843	0	%100
40	M40	Y	-9.374	-9.374	0	%100
41	M41	Y	-9.374	-9.374	0	%100
42	M42	Y	-9.374	-9.374	0	%100
43	M43	Y	-12.187	-12.187	0	%100
44	M44	Y	-12.187	-12.187	0	%100
45	M45	Y	-12.187	-12.187	0	%100
46	OVP	Y	-8.346	-8.346	0	%100
47	OVP2	Y	-8.346	-8.346	0	%100
48	MP1A	Y	-8.346	-8.346	0	%100
49	MP2A	Y	-8.346	-8.346	0	%100
50	MP3A	Y	-8.346	-8.346	0	%100
51	MP4A	Y	-8.346	-8.346	0	%100
52	MP1B	Y	-8.346	-8.346	0	%100
53	MP2B	Y	-8.346	-8.346	0	%100
54	MP3B	Y	-8.346	-8.346	0	%100
55	MP4B	Y	-8.346	-8.346	0	%100
56	MP1C	Y	-8.346	-8.346	0	%100



Company :
 Designer :
 Job Number :
 Model Name :

June 15, 2021
 2:36 PM
 Checked By: _____

Member Distributed Loads (BLC 40 : Structure Di) (Continued)

	Member Label	Direction	Start Magnitude[lb/ft,...	End Magnitude[lb/ft,F...	Start Location[ft, %]	End Location[ft, %]
57	MP2C	Y	-8.346	-8.346	0	%100
58	MP3C	Y	-8.346	-8.346	0	%100
59	MP4C	Y	-8.346	-8.346	0	%100

Member Distributed Loads (BLC 41 : Structure Wo (0 Deg))

	Member Label	Direction	Start Magnitude[lb/ft,...	End Magnitude[lb/ft,F...	Start Location[ft, %]	End Location[ft, %]
1	M1	X	0	0	0	%100
2	M1	Z	-13.362	-13.362	0	%100
3	M2	X	0	0	0	%100
4	M2	Z	-3.34	-3.34	0	%100
5	M3	X	0	0	0	%100
6	M3	Z	-3.34	-3.34	0	%100
7	M4	X	0	0	0	%100
8	M4	Z	0	0	0	%100
9	M5	X	0	0	0	%100
10	M5	Z	-10.179	-10.179	0	%100
11	M6	X	0	0	0	%100
12	M6	Z	-10.179	-10.179	0	%100
13	M7	X	0	0	0	%100
14	M7	Z	-11.484	-11.484	0	%100
15	M8	X	0	0	0	%100
16	M8	Z	-11.484	-11.484	0	%100
17	M9	X	0	0	0	%100
18	M9	Z	-2.871	-2.871	0	%100
19	M10	X	0	0	0	%100
20	M10	Z	-2.871	-2.871	0	%100
21	M11	X	0	0	0	%100
22	M11	Z	-2.871	-2.871	0	%100
23	M12	X	0	0	0	%100
24	M12	Z	-2.871	-2.871	0	%100
25	M13	X	0	0	0	%100
26	M13	Z	-3.18	-3.18	0	%100
27	M14	X	0	0	0	%100
28	M14	Z	-3.18	-3.18	0	%100
29	M15	X	0	0	0	%100
30	M15	Z	-3.18	-3.18	0	%100
31	M16	X	0	0	0	%100
32	M16	Z	-12.719	-12.719	0	%100
33	M17	X	0	0	0	%100
34	M17	Z	-12.719	-12.719	0	%100
35	M18	X	0	0	0	%100
36	M18	Z	-3.18	-3.18	0	%100
37	M19	X	0	0	0	%100
38	M19	Z	-23.33	-23.33	0	%100
39	M20	X	0	0	0	%100
40	M20	Z	-17.179	-17.179	0	%100
41	M21	X	0	0	0	%100
42	M21	Z	-17.179	-17.179	0	%100
43	M22	X	0	0	0	%100
44	M22	Z	-23.33	-23.33	0	%100
45	M23	X	0	0	0	%100
46	M23	Z	-5.832	-5.832	0	%100
47	M24	X	0	0	0	%100
48	M24	Z	-17.179	-17.179	0	%100
49	M25	X	0	0	0	%100
50	M25	Z	0	0	0	%100



Company :
 Designer :
 Job Number :
 Model Name :

June 15, 2021
 2:36 PM
 Checked By: _____

Member Distributed Loads (BLC 41 : Structure Wo (0 Deg)) (Continued)

Member Label	Direction	Start Magnitude[lb/ft,...	End Magnitude[lb/ft,F...	Start Location[ft, %]	End Location[ft, %]
51	M26	X	0	0	%100
52	M26	Z	-5.832	-5.832	%100
53	M27	X	0	0	%100
54	M27	Z	-5.832	-5.832	%100
55	M28	X	0	0	%100
56	M28	Z	0	0	%100
57	M29	X	0	0	%100
58	M29	Z	-17.179	-17.179	%100
59	M30	X	0	0	%100
60	M30	Z	-5.832	-5.832	%100
61	M31	X	0	0	%100
62	M31	Z	-22.905	-22.905	%100
63	M32	X	0	0	%100
64	M32	Z	-5.726	-5.726	%100
65	M33	X	0	0	%100
66	M33	Z	-5.726	-5.726	%100
67	M34	X	0	0	%100
68	M34	Z	-6.143	-6.143	%100
69	M35	X	0	0	%100
70	M35	Z	-6.143	-6.143	%100
71	M36	X	0	0	%100
72	M36	Z	-6.143	-6.143	%100
73	M37	X	0	0	%100
74	M37	Z	-24.573	-24.573	%100
75	M38	X	0	0	%100
76	M38	Z	-24.573	-24.573	%100
77	M39	X	0	0	%100
78	M39	Z	-6.143	-6.143	%100
79	M40	X	0	0	%100
80	M40	Z	-10.976	-10.976	%100
81	M41	X	0	0	%100
82	M41	Z	-2.744	-2.744	%100
83	M42	X	0	0	%100
84	M42	Z	-2.744	-2.744	%100
85	M43	X	0	0	%100
86	M43	Z	-2.987	-2.987	%100
87	M44	X	0	0	%100
88	M44	Z	-11.948	-11.948	%100
89	M45	X	0	0	%100
90	M45	Z	-2.987	-2.987	%100
91	OVP	X	0	0	%100
92	OVP	Z	-7.414	-7.414	%100
93	OVP2	X	0	0	%100
94	OVP2	Z	-7.414	-7.414	%100
95	MP1A	X	0	0	%100
96	MP1A	Z	-9.067	-9.067	%100
97	MP2A	X	0	0	%100
98	MP2A	Z	-9.067	-9.067	%100
99	MP3A	X	0	0	%100
100	MP3A	Z	-9.067	-9.067	%100
101	MP4A	X	0	0	%100
102	MP4A	Z	-9.067	-9.067	%100
103	MP1B	X	0	0	%100
104	MP1B	Z	-9.067	-9.067	%100
105	MP2B	X	0	0	%100
106	MP2B	Z	-9.067	-9.067	%100
107	MP3B	X	0	0	%100

Member Distributed Loads (BLC 41 : Structure Wo (0 Deg)) (Continued)

	Member Label	Direction	Start Magnitude[lb/ft,...	End Magnitude[lb/ft,F...	Start Location[ft, %]	End Location[ft, %]
108	MP3B	Z	-9.067	-9.067	0	%100
109	MP4B	X	0	0	0	%100
110	MP4B	Z	-9.067	-9.067	0	%100
111	MP1C	X	0	0	0	%100
112	MP1C	Z	-9.067	-9.067	0	%100
113	MP2C	X	0	0	0	%100
114	MP2C	Z	-9.067	-9.067	0	%100
115	MP3C	X	0	0	0	%100
116	MP3C	Z	-9.067	-9.067	0	%100
117	MP4C	X	0	0	0	%100
118	MP4C	Z	-9.067	-9.067	0	%100

Member Distributed Loads (BLC 42 : Structure Wo (30 Deg))

	Member Label	Direction	Start Magnitude[lb/ft,...	End Magnitude[lb/ft,F...	Start Location[ft, %]	End Location[ft, %]
1	M1	X	5.011	5.011	0	%100
2	M1	Z	-8.679	-8.679	0	%100
3	M2	X	0	0	0	%100
4	M2	Z	0	0	0	%100
5	M3	X	5.011	5.011	0	%100
6	M3	Z	-8.679	-8.679	0	%100
7	M4	X	1.696	1.696	0	%100
8	M4	Z	-2.938	-2.938	0	%100
9	M5	X	6.786	6.786	0	%100
10	M5	Z	-11.753	-11.753	0	%100
11	M6	X	1.696	1.696	0	%100
12	M6	Z	-2.938	-2.938	0	%100
13	M7	X	4.306	4.306	0	%100
14	M7	Z	-7.459	-7.459	0	%100
15	M8	X	4.306	4.306	0	%100
16	M8	Z	-7.459	-7.459	0	%100
17	M9	X	0	0	0	%100
18	M9	Z	0	0	0	%100
19	M10	X	0	0	0	%100
20	M10	Z	0	0	0	%100
21	M11	X	4.306	4.306	0	%100
22	M11	Z	-7.459	-7.459	0	%100
23	M12	X	4.306	4.306	0	%100
24	M12	Z	-7.459	-7.459	0	%100
25	M13	X	0	0	0	%100
26	M13	Z	0	0	0	%100
27	M14	X	4.77	4.77	0	%100
28	M14	Z	-8.261	-8.261	0	%100
29	M15	X	4.77	4.77	0	%100
30	M15	Z	-8.261	-8.261	0	%100
31	M16	X	4.77	4.77	0	%100
32	M16	Z	-8.261	-8.261	0	%100
33	M17	X	4.77	4.77	0	%100
34	M17	Z	-8.261	-8.261	0	%100
35	M18	X	0	0	0	%100
36	M18	Z	0	0	0	%100
37	M19	X	8.749	8.749	0	%100
38	M19	Z	-15.153	-15.153	0	%100
39	M20	X	11.453	11.453	0	%100
40	M20	Z	-19.837	-19.837	0	%100
41	M21	X	2.863	2.863	0	%100
42	M21	Z	-4.959	-4.959	0	%100



Company :
 Designer :
 Job Number :
 Model Name :

June 15, 2021
 2:36 PM
 Checked By: _____

Member Distributed Loads (BLC 42 : Structure Wo (30 Deg)) (Continued)

Member Label	Direction	Start Magnitude[lb/ft,...	End Magnitude[lb/ft,F...	Start Location[ft, %]	End Location[ft, %]
43	M22	X	8.749	8.749	0 %100
44	M22	Z	-15.153	-15.153	0 %100
45	M23	X	0	0	0 %100
46	M23	Z	0	0	0 %100
47	M24	X	2.863	2.863	0 %100
48	M24	Z	-4.959	-4.959	0 %100
49	M25	X	2.863	2.863	0 %100
50	M25	Z	-4.959	-4.959	0 %100
51	M26	X	0	0	0 %100
52	M26	Z	0	0	0 %100
53	M27	X	8.749	8.749	0 %100
54	M27	Z	-15.153	-15.153	0 %100
55	M28	X	2.863	2.863	0 %100
56	M28	Z	-4.959	-4.959	0 %100
57	M29	X	11.453	11.453	0 %100
58	M29	Z	-19.837	-19.837	0 %100
59	M30	X	8.749	8.749	0 %100
60	M30	Z	-15.153	-15.153	0 %100
61	M31	X	8.59	8.59	0 %100
62	M31	Z	-14.878	-14.878	0 %100
63	M32	X	0	0	0 %100
64	M32	Z	0	0	0 %100
65	M33	X	8.59	8.59	0 %100
66	M33	Z	-14.878	-14.878	0 %100
67	M34	X	0	0	0 %100
68	M34	Z	0	0	0 %100
69	M35	X	9.215	9.215	0 %100
70	M35	Z	-15.96	-15.96	0 %100
71	M36	X	9.215	9.215	0 %100
72	M36	Z	-15.96	-15.96	0 %100
73	M37	X	9.215	9.215	0 %100
74	M37	Z	-15.96	-15.96	0 %100
75	M38	X	9.215	9.215	0 %100
76	M38	Z	-15.96	-15.96	0 %100
77	M39	X	0	0	0 %100
78	M39	Z	0	0	0 %100
79	M40	X	4.116	4.116	0 %100
80	M40	Z	-7.129	-7.129	0 %100
81	M41	X	0	0	0 %100
82	M41	Z	0	0	0 %100
83	M42	X	4.116	4.116	0 %100
84	M42	Z	-7.129	-7.129	0 %100
85	M43	X	4.481	4.481	0 %100
86	M43	Z	-7.761	-7.761	0 %100
87	M44	X	4.481	4.481	0 %100
88	M44	Z	-7.761	-7.761	0 %100
89	M45	X	0	0	0 %100
90	M45	Z	0	0	0 %100
91	OVP	X	3.707	3.707	0 %100
92	OVP	Z	-6.421	-6.421	0 %100
93	OVP2	X	3.707	3.707	0 %100
94	OVP2	Z	-6.421	-6.421	0 %100
95	MP1A	X	4.533	4.533	0 %100
96	MP1A	Z	-7.852	-7.852	0 %100
97	MP2A	X	4.533	4.533	0 %100
98	MP2A	Z	-7.852	-7.852	0 %100
99	MP3A	X	4.533	4.533	0 %100



Company :
 Designer :
 Job Number :
 Model Name :

June 15, 2021
 2:36 PM
 Checked By: _____

Member Distributed Loads (BLC 42 : Structure Wo (30 Deg)) (Continued)

	Member Label	Direction	Start Magnitude[lb/ft....	End Magnitude[lb/ft.F...	Start Location[ft.%]	End Location[ft.%]
100	MP3A	Z	-7.852	-7.852	0	%100
101	MP4A	X	4.533	4.533	0	%100
102	MP4A	Z	-7.852	-7.852	0	%100
103	MP1B	X	4.533	4.533	0	%100
104	MP1B	Z	-7.852	-7.852	0	%100
105	MP2B	X	4.533	4.533	0	%100
106	MP2B	Z	-7.852	-7.852	0	%100
107	MP3B	X	4.533	4.533	0	%100
108	MP3B	Z	-7.852	-7.852	0	%100
109	MP4B	X	4.533	4.533	0	%100
110	MP4B	Z	-7.852	-7.852	0	%100
111	MP1C	X	4.533	4.533	0	%100
112	MP1C	Z	-7.852	-7.852	0	%100
113	MP2C	X	4.533	4.533	0	%100
114	MP2C	Z	-7.852	-7.852	0	%100
115	MP3C	X	4.533	4.533	0	%100
116	MP3C	Z	-7.852	-7.852	0	%100
117	MP4C	X	4.533	4.533	0	%100
118	MP4C	Z	-7.852	-7.852	0	%100

Member Distributed Loads (BLC 43 : Structure Wo (60 Deg))

	Member Label	Direction	Start Magnitude[lb/ft....	End Magnitude[lb/ft.F...	Start Location[ft.%]	End Location[ft.%]
1	M1	X	2.893	2.893	0	%100
2	M1	Z	-1.67	-1.67	0	%100
3	M2	X	2.893	2.893	0	%100
4	M2	Z	-1.67	-1.67	0	%100
5	M3	X	11.571	11.571	0	%100
6	M3	Z	-6.681	-6.681	0	%100
7	M4	X	8.815	8.815	0	%100
8	M4	Z	-5.089	-5.089	0	%100
9	M5	X	8.815	8.815	0	%100
10	M5	Z	-5.089	-5.089	0	%100
11	M6	X	0	0	0	%100
12	M6	Z	0	0	0	%100
13	M7	X	2.486	2.486	0	%100
14	M7	Z	-1.435	-1.435	0	%100
15	M8	X	2.486	2.486	0	%100
16	M8	Z	-1.435	-1.435	0	%100
17	M9	X	2.486	2.486	0	%100
18	M9	Z	-1.435	-1.435	0	%100
19	M10	X	2.486	2.486	0	%100
20	M10	Z	-1.435	-1.435	0	%100
21	M11	X	9.945	9.945	0	%100
22	M11	Z	-5.742	-5.742	0	%100
23	M12	X	9.945	9.945	0	%100
24	M12	Z	-5.742	-5.742	0	%100
25	M13	X	2.754	2.754	0	%100
26	M13	Z	-1.59	-1.59	0	%100
27	M14	X	11.015	11.015	0	%100
28	M14	Z	-6.359	-6.359	0	%100
29	M15	X	11.015	11.015	0	%100
30	M15	Z	-6.359	-6.359	0	%100
31	M16	X	2.754	2.754	0	%100
32	M16	Z	-1.59	-1.59	0	%100
33	M17	X	2.754	2.754	0	%100
34	M17	Z	-1.59	-1.59	0	%100

Member Distributed Loads (BLC 43 : Structure Wo (60 Deg)) (Continued)

Member Label	Direction	Start Magnitude[lb/ft,...	End Magnitude[lb/ft,F...	Start Location[ft, %]	End Location[ft, %]
35	M18	X	2.754	2.754	0 %100
36	M18	Z	-1.59	-1.59	0 %100
37	M19	X	5.051	5.051	0 %100
38	M19	Z	-2.916	-2.916	0 %100
39	M20	X	14.878	14.878	0 %100
40	M20	Z	-8.59	-8.59	0 %100
41	M21	X	0	0	0 %100
42	M21	Z	0	0	0 %100
43	M22	X	5.051	5.051	0 %100
44	M22	Z	-2.916	-2.916	0 %100
45	M23	X	5.051	5.051	0 %100
46	M23	Z	-2.916	-2.916	0 %100
47	M24	X	0	0	0 %100
48	M24	Z	0	0	0 %100
49	M25	X	14.878	14.878	0 %100
50	M25	Z	-8.59	-8.59	0 %100
51	M26	X	5.051	5.051	0 %100
52	M26	Z	-2.916	-2.916	0 %100
53	M27	X	20.204	20.204	0 %100
54	M27	Z	-11.665	-11.665	0 %100
55	M28	X	14.878	14.878	0 %100
56	M28	Z	-8.59	-8.59	0 %100
57	M29	X	14.878	14.878	0 %100
58	M29	Z	-8.59	-8.59	0 %100
59	M30	X	20.204	20.204	0 %100
60	M30	Z	-11.665	-11.665	0 %100
61	M31	X	4.959	4.959	0 %100
62	M31	Z	-2.863	-2.863	0 %100
63	M32	X	4.959	4.959	0 %100
64	M32	Z	-2.863	-2.863	0 %100
65	M33	X	19.837	19.837	0 %100
66	M33	Z	-11.453	-11.453	0 %100
67	M34	X	5.32	5.32	0 %100
68	M34	Z	-3.072	-3.072	0 %100
69	M35	X	21.28	21.28	0 %100
70	M35	Z	-12.286	-12.286	0 %100
71	M36	X	21.28	21.28	0 %100
72	M36	Z	-12.286	-12.286	0 %100
73	M37	X	5.32	5.32	0 %100
74	M37	Z	-3.072	-3.072	0 %100
75	M38	X	5.32	5.32	0 %100
76	M38	Z	-3.072	-3.072	0 %100
77	M39	X	5.32	5.32	0 %100
78	M39	Z	-3.072	-3.072	0 %100
79	M40	X	2.376	2.376	0 %100
80	M40	Z	-1.372	-1.372	0 %100
81	M41	X	2.376	2.376	0 %100
82	M41	Z	-1.372	-1.372	0 %100
83	M42	X	9.505	9.505	0 %100
84	M42	Z	-5.488	-5.488	0 %100
85	M43	X	10.347	10.347	0 %100
86	M43	Z	-5.974	-5.974	0 %100
87	M44	X	2.587	2.587	0 %100
88	M44	Z	-1.494	-1.494	0 %100
89	M45	X	2.587	2.587	0 %100
90	M45	Z	-1.494	-1.494	0 %100
91	OVP	X	6.421	6.421	0 %100

Member Distributed Loads (BLC 43 : Structure Wo (60 Deg)) (Continued)

	Member Label	Direction	Start Magnitude[lb/ft,...	End Magnitude[lb/ft,F...	Start Location[ft,%]	End Location[ft,%]
92	OVP	Z	-3.707	-3.707	0	%100
93	OVP2	X	6.421	6.421	0	%100
94	OVP2	Z	-3.707	-3.707	0	%100
95	MP1A	X	7.852	7.852	0	%100
96	MP1A	Z	-4.533	-4.533	0	%100
97	MP2A	X	7.852	7.852	0	%100
98	MP2A	Z	-4.533	-4.533	0	%100
99	MP3A	X	7.852	7.852	0	%100
100	MP3A	Z	-4.533	-4.533	0	%100
101	MP4A	X	7.852	7.852	0	%100
102	MP4A	Z	-4.533	-4.533	0	%100
103	MP1B	X	7.852	7.852	0	%100
104	MP1B	Z	-4.533	-4.533	0	%100
105	MP2B	X	7.852	7.852	0	%100
106	MP2B	Z	-4.533	-4.533	0	%100
107	MP3B	X	7.852	7.852	0	%100
108	MP3B	Z	-4.533	-4.533	0	%100
109	MP4B	X	7.852	7.852	0	%100
110	MP4B	Z	-4.533	-4.533	0	%100
111	MP1C	X	7.852	7.852	0	%100
112	MP1C	Z	-4.533	-4.533	0	%100
113	MP2C	X	7.852	7.852	0	%100
114	MP2C	Z	-4.533	-4.533	0	%100
115	MP3C	X	7.852	7.852	0	%100
116	MP3C	Z	-4.533	-4.533	0	%100
117	MP4C	X	7.852	7.852	0	%100
118	MP4C	Z	-4.533	-4.533	0	%100

Member Distributed Loads (BLC 44 : Structure Wo (90 Deg))

	Member Label	Direction	Start Magnitude[lb/ft,...	End Magnitude[lb/ft,F...	Start Location[ft,%]	End Location[ft,%]
1	M1	X	0	0	0	%100
2	M1	Z	0	0	0	%100
3	M2	X	10.021	10.021	0	%100
4	M2	Z	0	0	0	%100
5	M3	X	10.021	10.021	0	%100
6	M3	Z	0	0	0	%100
7	M4	X	13.571	13.571	0	%100
8	M4	Z	0	0	0	%100
9	M5	X	3.393	3.393	0	%100
10	M5	Z	0	0	0	%100
11	M6	X	3.393	3.393	0	%100
12	M6	Z	0	0	0	%100
13	M7	X	0	0	0	%100
14	M7	Z	0	0	0	%100
15	M8	X	0	0	0	%100
16	M8	Z	0	0	0	%100
17	M9	X	8.613	8.613	0	%100
18	M9	Z	0	0	0	%100
19	M10	X	8.613	8.613	0	%100
20	M10	Z	0	0	0	%100
21	M11	X	8.613	8.613	0	%100
22	M11	Z	0	0	0	%100
23	M12	X	8.613	8.613	0	%100
24	M12	Z	0	0	0	%100
25	M13	X	9.539	9.539	0	%100
26	M13	Z	0	0	0	%100

Member Distributed Loads (BLC 44 : Structure Wo (90 Deg)) (Continued)

	Member Label	Direction	Start Magnitude[lb/ft,...	End Magnitude[lb/ft,F...	Start Location[ft, %]	End Location[ft, %]
27	M14	X	9.539	9.539	0	%100
28	M14	Z	0	0	0	%100
29	M15	X	9.539	9.539	0	%100
30	M15	Z	0	0	0	%100
31	M16	X	0	0	0	%100
32	M16	Z	0	0	0	%100
33	M17	X	0	0	0	%100
34	M17	Z	0	0	0	%100
35	M18	X	9.539	9.539	0	%100
36	M18	Z	0	0	0	%100
37	M19	X	0	0	0	%100
38	M19	Z	0	0	0	%100
39	M20	X	5.726	5.726	0	%100
40	M20	Z	0	0	0	%100
41	M21	X	5.726	5.726	0	%100
42	M21	Z	0	0	0	%100
43	M22	X	0	0	0	%100
44	M22	Z	0	0	0	%100
45	M23	X	17.497	17.497	0	%100
46	M23	Z	0	0	0	%100
47	M24	X	5.726	5.726	0	%100
48	M24	Z	0	0	0	%100
49	M25	X	22.905	22.905	0	%100
50	M25	Z	0	0	0	%100
51	M26	X	17.497	17.497	0	%100
52	M26	Z	0	0	0	%100
53	M27	X	17.497	17.497	0	%100
54	M27	Z	0	0	0	%100
55	M28	X	22.905	22.905	0	%100
56	M28	Z	0	0	0	%100
57	M29	X	5.726	5.726	0	%100
58	M29	Z	0	0	0	%100
59	M30	X	17.497	17.497	0	%100
60	M30	Z	0	0	0	%100
61	M31	X	0	0	0	%100
62	M31	Z	0	0	0	%100
63	M32	X	17.179	17.179	0	%100
64	M32	Z	0	0	0	%100
65	M33	X	17.179	17.179	0	%100
66	M33	Z	0	0	0	%100
67	M34	X	18.429	18.429	0	%100
68	M34	Z	0	0	0	%100
69	M35	X	18.429	18.429	0	%100
70	M35	Z	0	0	0	%100
71	M36	X	18.429	18.429	0	%100
72	M36	Z	0	0	0	%100
73	M37	X	0	0	0	%100
74	M37	Z	0	0	0	%100
75	M38	X	0	0	0	%100
76	M38	Z	0	0	0	%100
77	M39	X	18.429	18.429	0	%100
78	M39	Z	0	0	0	%100
79	M40	X	0	0	0	%100
80	M40	Z	0	0	0	%100
81	M41	X	8.232	8.232	0	%100
82	M41	Z	0	0	0	%100
83	M42	X	8.232	8.232	0	%100

Member Distributed Loads (BLC 44 : Structure Wo (90 Deg)) (Continued)

	Member Label	Direction	Start Magnitude[lb/ft,...	End Magnitude[lb/ft,F...	Start Location[ft, %]	End Location[ft, %]
84	M42	Z	0	0	0	%100
85	M43	X	8.961	8.961	0	%100
86	M43	Z	0	0	0	%100
87	M44	X	0	0	0	%100
88	M44	Z	0	0	0	%100
89	M45	X	8.961	8.961	0	%100
90	M45	Z	0	0	0	%100
91	OVP	X	7.414	7.414	0	%100
92	OVP	Z	0	0	0	%100
93	OVP2	X	7.414	7.414	0	%100
94	OVP2	Z	0	0	0	%100
95	MP1A	X	9.067	9.067	0	%100
96	MP1A	Z	0	0	0	%100
97	MP2A	X	9.067	9.067	0	%100
98	MP2A	Z	0	0	0	%100
99	MP3A	X	9.067	9.067	0	%100
100	MP3A	Z	0	0	0	%100
101	MP4A	X	9.067	9.067	0	%100
102	MP4A	Z	0	0	0	%100
103	MP1B	X	9.067	9.067	0	%100
104	MP1B	Z	0	0	0	%100
105	MP2B	X	9.067	9.067	0	%100
106	MP2B	Z	0	0	0	%100
107	MP3B	X	9.067	9.067	0	%100
108	MP3B	Z	0	0	0	%100
109	MP4B	X	9.067	9.067	0	%100
110	MP4B	Z	0	0	0	%100
111	MP1C	X	9.067	9.067	0	%100
112	MP1C	Z	0	0	0	%100
113	MP2C	X	9.067	9.067	0	%100
114	MP2C	Z	0	0	0	%100
115	MP3C	X	9.067	9.067	0	%100
116	MP3C	Z	0	0	0	%100
117	MP4C	X	9.067	9.067	0	%100
118	MP4C	Z	0	0	0	%100

Member Distributed Loads (BLC 45 : Structure Wo (120 Deg))

	Member Label	Direction	Start Magnitude[lb/ft,...	End Magnitude[lb/ft,F...	Start Location[ft, %]	End Location[ft, %]
1	M1	X	2.893	2.893	0	%100
2	M1	Z	1.67	1.67	0	%100
3	M2	X	11.571	11.571	0	%100
4	M2	Z	6.681	6.681	0	%100
5	M3	X	2.893	2.893	0	%100
6	M3	Z	1.67	1.67	0	%100
7	M4	X	8.815	8.815	0	%100
8	M4	Z	5.089	5.089	0	%100
9	M5	X	0	0	0	%100
10	M5	Z	0	0	0	%100
11	M6	X	8.815	8.815	0	%100
12	M6	Z	5.089	5.089	0	%100
13	M7	X	2.486	2.486	0	%100
14	M7	Z	1.435	1.435	0	%100
15	M8	X	2.486	2.486	0	%100
16	M8	Z	1.435	1.435	0	%100
17	M9	X	9.945	9.945	0	%100
18	M9	Z	5.742	5.742	0	%100



Company :
 Designer :
 Job Number :
 Model Name :

June 15, 2021
 2:36 PM
 Checked By: _____

Member Distributed Loads (BLC 45 : Structure Wo (120 Deg)) (Continued)

	Member Label	Direction	Start Magnitude[lb/ft,...	End Magnitude[lb/ft,F...	Start Location[ft, %]	End Location[ft, %]
19	M10	X	9.945	9.945	0	%100
20	M10	Z	5.742	5.742	0	%100
21	M11	X	2.486	2.486	0	%100
22	M11	Z	1.435	1.435	0	%100
23	M12	X	2.486	2.486	0	%100
24	M12	Z	1.435	1.435	0	%100
25	M13	X	11.015	11.015	0	%100
26	M13	Z	6.359	6.359	0	%100
27	M14	X	2.754	2.754	0	%100
28	M14	Z	1.59	1.59	0	%100
29	M15	X	2.754	2.754	0	%100
30	M15	Z	1.59	1.59	0	%100
31	M16	X	2.754	2.754	0	%100
32	M16	Z	1.59	1.59	0	%100
33	M17	X	2.754	2.754	0	%100
34	M17	Z	1.59	1.59	0	%100
35	M18	X	11.015	11.015	0	%100
36	M18	Z	6.359	6.359	0	%100
37	M19	X	5.051	5.051	0	%100
38	M19	Z	2.916	2.916	0	%100
39	M20	X	0	0	0	%100
40	M20	Z	0	0	0	%100
41	M21	X	14.878	14.878	0	%100
42	M21	Z	8.59	8.59	0	%100
43	M22	X	5.051	5.051	0	%100
44	M22	Z	2.916	2.916	0	%100
45	M23	X	20.204	20.204	0	%100
46	M23	Z	11.665	11.665	0	%100
47	M24	X	14.878	14.878	0	%100
48	M24	Z	8.59	8.59	0	%100
49	M25	X	14.878	14.878	0	%100
50	M25	Z	8.59	8.59	0	%100
51	M26	X	20.204	20.204	0	%100
52	M26	Z	11.665	11.665	0	%100
53	M27	X	5.051	5.051	0	%100
54	M27	Z	2.916	2.916	0	%100
55	M28	X	14.878	14.878	0	%100
56	M28	Z	8.59	8.59	0	%100
57	M29	X	0	0	0	%100
58	M29	Z	0	0	0	%100
59	M30	X	5.051	5.051	0	%100
60	M30	Z	2.916	2.916	0	%100
61	M31	X	4.959	4.959	0	%100
62	M31	Z	2.863	2.863	0	%100
63	M32	X	19.837	19.837	0	%100
64	M32	Z	11.453	11.453	0	%100
65	M33	X	4.959	4.959	0	%100
66	M33	Z	2.863	2.863	0	%100
67	M34	X	21.28	21.28	0	%100
68	M34	Z	12.286	12.286	0	%100
69	M35	X	5.32	5.32	0	%100
70	M35	Z	3.072	3.072	0	%100
71	M36	X	5.32	5.32	0	%100
72	M36	Z	3.072	3.072	0	%100
73	M37	X	5.32	5.32	0	%100
74	M37	Z	3.072	3.072	0	%100
75	M38	X	5.32	5.32	0	%100



Company :
 Designer :
 Job Number :
 Model Name :

June 15, 2021
 2:36 PM
 Checked By: _____

Member Distributed Loads (BLC 45 : Structure Wo (120 Deg)) (Continued)

	Member Label	Direction	Start Magnitude[lb/ft,...	End Magnitude[lb/ft,F...	Start Location[ft, %]	End Location[ft, %]
76	M38	Z	3.072	3.072	0	%100
77	M39	X	21.28	21.28	0	%100
78	M39	Z	12.286	12.286	0	%100
79	M40	X	2.376	2.376	0	%100
80	M40	Z	1.372	1.372	0	%100
81	M41	X	9.505	9.505	0	%100
82	M41	Z	5.488	5.488	0	%100
83	M42	X	2.376	2.376	0	%100
84	M42	Z	1.372	1.372	0	%100
85	M43	X	2.587	2.587	0	%100
86	M43	Z	1.494	1.494	0	%100
87	M44	X	2.587	2.587	0	%100
88	M44	Z	1.494	1.494	0	%100
89	M45	X	10.347	10.347	0	%100
90	M45	Z	5.974	5.974	0	%100
91	OVP	X	6.421	6.421	0	%100
92	OVP	Z	3.707	3.707	0	%100
93	OVP2	X	6.421	6.421	0	%100
94	OVP2	Z	3.707	3.707	0	%100
95	MP1A	X	7.852	7.852	0	%100
96	MP1A	Z	4.533	4.533	0	%100
97	MP2A	X	7.852	7.852	0	%100
98	MP2A	Z	4.533	4.533	0	%100
99	MP3A	X	7.852	7.852	0	%100
100	MP3A	Z	4.533	4.533	0	%100
101	MP4A	X	7.852	7.852	0	%100
102	MP4A	Z	4.533	4.533	0	%100
103	MP1B	X	7.852	7.852	0	%100
104	MP1B	Z	4.533	4.533	0	%100
105	MP2B	X	7.852	7.852	0	%100
106	MP2B	Z	4.533	4.533	0	%100
107	MP3B	X	7.852	7.852	0	%100
108	MP3B	Z	4.533	4.533	0	%100
109	MP4B	X	7.852	7.852	0	%100
110	MP4B	Z	4.533	4.533	0	%100
111	MP1C	X	7.852	7.852	0	%100
112	MP1C	Z	4.533	4.533	0	%100
113	MP2C	X	7.852	7.852	0	%100
114	MP2C	Z	4.533	4.533	0	%100
115	MP3C	X	7.852	7.852	0	%100
116	MP3C	Z	4.533	4.533	0	%100
117	MP4C	X	7.852	7.852	0	%100
118	MP4C	Z	4.533	4.533	0	%100

Member Distributed Loads (BLC 46 : Structure Wo (150 Deg))

	Member Label	Direction	Start Magnitude[lb/ft,...	End Magnitude[lb/ft,F...	Start Location[ft, %]	End Location[ft, %]
1	M1	X	5.011	5.011	0	%100
2	M1	Z	8.679	8.679	0	%100
3	M2	X	5.011	5.011	0	%100
4	M2	Z	8.679	8.679	0	%100
5	M3	X	0	0	0	%100
6	M3	Z	0	0	0	%100
7	M4	X	1.696	1.696	0	%100
8	M4	Z	2.938	2.938	0	%100
9	M5	X	1.696	1.696	0	%100
10	M5	Z	2.938	2.938	0	%100



Company :
 Designer :
 Job Number :
 Model Name :

June 15, 2021
 2:36 PM
 Checked By: _____

Member Distributed Loads (BLC 46 : Structure Wo (150 Deg)) (Continued)

Member Label	Direction	Start Magnitude[lb/ft,...	End Magnitude[lb/ft,F...	Start Location[ft, %]	End Location[ft, %]
11	M6	X	6.786	6.786	0 %100
12	M6	Z	11.753	11.753	0 %100
13	M7	X	4.306	4.306	0 %100
14	M7	Z	7.459	7.459	0 %100
15	M8	X	4.306	4.306	0 %100
16	M8	Z	7.459	7.459	0 %100
17	M9	X	4.306	4.306	0 %100
18	M9	Z	7.459	7.459	0 %100
19	M10	X	4.306	4.306	0 %100
20	M10	Z	7.459	7.459	0 %100
21	M11	X	0	0	0 %100
22	M11	Z	0	0	0 %100
23	M12	X	0	0	0 %100
24	M12	Z	0	0	0 %100
25	M13	X	4.77	4.77	0 %100
26	M13	Z	8.261	8.261	0 %100
27	M14	X	0	0	0 %100
28	M14	Z	0	0	0 %100
29	M15	X	0	0	0 %100
30	M15	Z	0	0	0 %100
31	M16	X	4.77	4.77	0 %100
32	M16	Z	8.261	8.261	0 %100
33	M17	X	4.77	4.77	0 %100
34	M17	Z	8.261	8.261	0 %100
35	M18	X	4.77	4.77	0 %100
36	M18	Z	8.261	8.261	0 %100
37	M19	X	8.749	8.749	0 %100
38	M19	Z	15.153	15.153	0 %100
39	M20	X	2.863	2.863	0 %100
40	M20	Z	4.959	4.959	0 %100
41	M21	X	11.453	11.453	0 %100
42	M21	Z	19.837	19.837	0 %100
43	M22	X	8.749	8.749	0 %100
44	M22	Z	15.153	15.153	0 %100
45	M23	X	8.749	8.749	0 %100
46	M23	Z	15.153	15.153	0 %100
47	M24	X	11.453	11.453	0 %100
48	M24	Z	19.837	19.837	0 %100
49	M25	X	2.863	2.863	0 %100
50	M25	Z	4.959	4.959	0 %100
51	M26	X	8.749	8.749	0 %100
52	M26	Z	15.153	15.153	0 %100
53	M27	X	0	0	0 %100
54	M27	Z	0	0	0 %100
55	M28	X	2.863	2.863	0 %100
56	M28	Z	4.959	4.959	0 %100
57	M29	X	2.863	2.863	0 %100
58	M29	Z	4.959	4.959	0 %100
59	M30	X	0	0	0 %100
60	M30	Z	0	0	0 %100
61	M31	X	8.59	8.59	0 %100
62	M31	Z	14.878	14.878	0 %100
63	M32	X	8.59	8.59	0 %100
64	M32	Z	14.878	14.878	0 %100
65	M33	X	0	0	0 %100
66	M33	Z	0	0	0 %100
67	M34	X	9.215	9.215	0 %100



Company :
 Designer :
 Job Number :
 Model Name :

June 15, 2021
 2:36 PM
 Checked By: _____

Member Distributed Loads (BLC 46 : Structure Wo (150 Deg)) (Continued)

	Member Label	Direction	Start Magnitude[lb/ft,...	End Magnitude[lb/ft,F...	Start Location[ft, %]	End Location[ft, %]
68	M34	Z	15.96	15.96	0	%100
69	M35	X	0	0	0	%100
70	M35	Z	0	0	0	%100
71	M36	X	0	0	0	%100
72	M36	Z	0	0	0	%100
73	M37	X	9.215	9.215	0	%100
74	M37	Z	15.96	15.96	0	%100
75	M38	X	9.215	9.215	0	%100
76	M38	Z	15.96	15.96	0	%100
77	M39	X	9.215	9.215	0	%100
78	M39	Z	15.96	15.96	0	%100
79	M40	X	4.116	4.116	0	%100
80	M40	Z	7.129	7.129	0	%100
81	M41	X	4.116	4.116	0	%100
82	M41	Z	7.129	7.129	0	%100
83	M42	X	0	0	0	%100
84	M42	Z	0	0	0	%100
85	M43	X	0	0	0	%100
86	M43	Z	0	0	0	%100
87	M44	X	4.481	4.481	0	%100
88	M44	Z	7.761	7.761	0	%100
89	M45	X	4.481	4.481	0	%100
90	M45	Z	7.761	7.761	0	%100
91	OVP	X	3.707	3.707	0	%100
92	OVP	Z	6.421	6.421	0	%100
93	OVP2	X	3.707	3.707	0	%100
94	OVP2	Z	6.421	6.421	0	%100
95	MP1A	X	4.533	4.533	0	%100
96	MP1A	Z	7.852	7.852	0	%100
97	MP2A	X	4.533	4.533	0	%100
98	MP2A	Z	7.852	7.852	0	%100
99	MP3A	X	4.533	4.533	0	%100
100	MP3A	Z	7.852	7.852	0	%100
101	MP4A	X	4.533	4.533	0	%100
102	MP4A	Z	7.852	7.852	0	%100
103	MP1B	X	4.533	4.533	0	%100
104	MP1B	Z	7.852	7.852	0	%100
105	MP2B	X	4.533	4.533	0	%100
106	MP2B	Z	7.852	7.852	0	%100
107	MP3B	X	4.533	4.533	0	%100
108	MP3B	Z	7.852	7.852	0	%100
109	MP4B	X	4.533	4.533	0	%100
110	MP4B	Z	7.852	7.852	0	%100
111	MP1C	X	4.533	4.533	0	%100
112	MP1C	Z	7.852	7.852	0	%100
113	MP2C	X	4.533	4.533	0	%100
114	MP2C	Z	7.852	7.852	0	%100
115	MP3C	X	4.533	4.533	0	%100
116	MP3C	Z	7.852	7.852	0	%100
117	MP4C	X	4.533	4.533	0	%100
118	MP4C	Z	7.852	7.852	0	%100

Member Distributed Loads (BLC 47 : Structure Wo (180 Deg))

	Member Label	Direction	Start Magnitude[lb/ft,...	End Magnitude[lb/ft,F...	Start Location[ft, %]	End Location[ft, %]
1	M1	X	0	0	0	%100
2	M1	Z	13.362	13.362	0	%100



Company :
 Designer :
 Job Number :
 Model Name :

June 15, 2021
 2:36 PM
 Checked By: _____

Member Distributed Loads (BLC 47 : Structure Wo (180 Deg)) (Continued)

Member Label	Direction	Start Magnitude[lb/ft,...	End Magnitude[lb/ft,F...	Start Location[ft, %]	End Location[ft, %]
3	M2	X	0	0	%100
4	M2	Z	3.34	3.34	%100
5	M3	X	0	0	%100
6	M3	Z	3.34	3.34	%100
7	M4	X	0	0	%100
8	M4	Z	0	0	%100
9	M5	X	0	0	%100
10	M5	Z	10.179	10.179	%100
11	M6	X	0	0	%100
12	M6	Z	10.179	10.179	%100
13	M7	X	0	0	%100
14	M7	Z	11.484	11.484	%100
15	M8	X	0	0	%100
16	M8	Z	11.484	11.484	%100
17	M9	X	0	0	%100
18	M9	Z	2.871	2.871	%100
19	M10	X	0	0	%100
20	M10	Z	2.871	2.871	%100
21	M11	X	0	0	%100
22	M11	Z	2.871	2.871	%100
23	M12	X	0	0	%100
24	M12	Z	2.871	2.871	%100
25	M13	X	0	0	%100
26	M13	Z	3.18	3.18	%100
27	M14	X	0	0	%100
28	M14	Z	3.18	3.18	%100
29	M15	X	0	0	%100
30	M15	Z	3.18	3.18	%100
31	M16	X	0	0	%100
32	M16	Z	12.719	12.719	%100
33	M17	X	0	0	%100
34	M17	Z	12.719	12.719	%100
35	M18	X	0	0	%100
36	M18	Z	3.18	3.18	%100
37	M19	X	0	0	%100
38	M19	Z	23.33	23.33	%100
39	M20	X	0	0	%100
40	M20	Z	17.179	17.179	%100
41	M21	X	0	0	%100
42	M21	Z	17.179	17.179	%100
43	M22	X	0	0	%100
44	M22	Z	23.33	23.33	%100
45	M23	X	0	0	%100
46	M23	Z	5.832	5.832	%100
47	M24	X	0	0	%100
48	M24	Z	17.179	17.179	%100
49	M25	X	0	0	%100
50	M25	Z	0	0	%100
51	M26	X	0	0	%100
52	M26	Z	5.832	5.832	%100
53	M27	X	0	0	%100
54	M27	Z	5.832	5.832	%100
55	M28	X	0	0	%100
56	M28	Z	0	0	%100
57	M29	X	0	0	%100
58	M29	Z	17.179	17.179	%100
59	M30	X	0	0	%100



Company :
 Designer :
 Job Number :
 Model Name :

June 15, 2021
 2:36 PM
 Checked By: _____

Member Distributed Loads (BLC 47 : Structure Wo (180 Deg)) (Continued)

Member Label	Direction	Start Magnitude[lb/ft,...	End Magnitude[lb/ft,F...	Start Location[ft,%]	End Location[ft,%]
60	M30	Z	5.832	5.832	0 %100
61	M31	X	0	0	0 %100
62	M31	Z	22.905	22.905	0 %100
63	M32	X	0	0	0 %100
64	M32	Z	5.726	5.726	0 %100
65	M33	X	0	0	0 %100
66	M33	Z	5.726	5.726	0 %100
67	M34	X	0	0	0 %100
68	M34	Z	6.143	6.143	0 %100
69	M35	X	0	0	0 %100
70	M35	Z	6.143	6.143	0 %100
71	M36	X	0	0	0 %100
72	M36	Z	6.143	6.143	0 %100
73	M37	X	0	0	0 %100
74	M37	Z	24.573	24.573	0 %100
75	M38	X	0	0	0 %100
76	M38	Z	24.573	24.573	0 %100
77	M39	X	0	0	0 %100
78	M39	Z	6.143	6.143	0 %100
79	M40	X	0	0	0 %100
80	M40	Z	10.976	10.976	0 %100
81	M41	X	0	0	0 %100
82	M41	Z	2.744	2.744	0 %100
83	M42	X	0	0	0 %100
84	M42	Z	2.744	2.744	0 %100
85	M43	X	0	0	0 %100
86	M43	Z	2.987	2.987	0 %100
87	M44	X	0	0	0 %100
88	M44	Z	11.948	11.948	0 %100
89	M45	X	0	0	0 %100
90	M45	Z	2.987	2.987	0 %100
91	OVP	X	0	0	0 %100
92	OVP	Z	7.414	7.414	0 %100
93	OVP2	X	0	0	0 %100
94	OVP2	Z	7.414	7.414	0 %100
95	MP1A	X	0	0	0 %100
96	MP1A	Z	9.067	9.067	0 %100
97	MP2A	X	0	0	0 %100
98	MP2A	Z	9.067	9.067	0 %100
99	MP3A	X	0	0	0 %100
100	MP3A	Z	9.067	9.067	0 %100
101	MP4A	X	0	0	0 %100
102	MP4A	Z	9.067	9.067	0 %100
103	MP1B	X	0	0	0 %100
104	MP1B	Z	9.067	9.067	0 %100
105	MP2B	X	0	0	0 %100
106	MP2B	Z	9.067	9.067	0 %100
107	MP3B	X	0	0	0 %100
108	MP3B	Z	9.067	9.067	0 %100
109	MP4B	X	0	0	0 %100
110	MP4B	Z	9.067	9.067	0 %100
111	MP1C	X	0	0	0 %100
112	MP1C	Z	9.067	9.067	0 %100
113	MP2C	X	0	0	0 %100
114	MP2C	Z	9.067	9.067	0 %100
115	MP3C	X	0	0	0 %100
116	MP3C	Z	9.067	9.067	0 %100



Company :
 Designer :
 Job Number :
 Model Name :

June 15, 2021
 2:36 PM
 Checked By: _____

Member Distributed Loads (BLC 47 : Structure Wo (180 Deg)) (Continued)

	Member Label	Direction	Start Magnitude[lb/ft,...	End Magnitude[lb/ft,F...	Start Location[ft, %]	End Location[ft, %]
117	MP4C	X	0	0	0	%100
118	MP4C	Z	9.067	9.067	0	%100

Member Distributed Loads (BLC 48 : Structure Wo (210 Deg))

	Member Label	Direction	Start Magnitude[lb/ft,...	End Magnitude[lb/ft,F...	Start Location[ft, %]	End Location[ft, %]
1	M1	X	-5.011	-5.011	0	%100
2	M1	Z	8.679	8.679	0	%100
3	M2	X	0	0	0	%100
4	M2	Z	0	0	0	%100
5	M3	X	-5.011	-5.011	0	%100
6	M3	Z	8.679	8.679	0	%100
7	M4	X	-1.696	-1.696	0	%100
8	M4	Z	2.938	2.938	0	%100
9	M5	X	-6.786	-6.786	0	%100
10	M5	Z	11.753	11.753	0	%100
11	M6	X	-1.696	-1.696	0	%100
12	M6	Z	2.938	2.938	0	%100
13	M7	X	-4.306	-4.306	0	%100
14	M7	Z	7.459	7.459	0	%100
15	M8	X	-4.306	-4.306	0	%100
16	M8	Z	7.459	7.459	0	%100
17	M9	X	0	0	0	%100
18	M9	Z	0	0	0	%100
19	M10	X	0	0	0	%100
20	M10	Z	0	0	0	%100
21	M11	X	-4.306	-4.306	0	%100
22	M11	Z	7.459	7.459	0	%100
23	M12	X	-4.306	-4.306	0	%100
24	M12	Z	7.459	7.459	0	%100
25	M13	X	0	0	0	%100
26	M13	Z	0	0	0	%100
27	M14	X	-4.77	-4.77	0	%100
28	M14	Z	8.261	8.261	0	%100
29	M15	X	-4.77	-4.77	0	%100
30	M15	Z	8.261	8.261	0	%100
31	M16	X	-4.77	-4.77	0	%100
32	M16	Z	8.261	8.261	0	%100
33	M17	X	-4.77	-4.77	0	%100
34	M17	Z	8.261	8.261	0	%100
35	M18	X	0	0	0	%100
36	M18	Z	0	0	0	%100
37	M19	X	-8.749	-8.749	0	%100
38	M19	Z	15.153	15.153	0	%100
39	M20	X	-11.453	-11.453	0	%100
40	M20	Z	19.837	19.837	0	%100
41	M21	X	-2.863	-2.863	0	%100
42	M21	Z	4.959	4.959	0	%100
43	M22	X	-8.749	-8.749	0	%100
44	M22	Z	15.153	15.153	0	%100
45	M23	X	0	0	0	%100
46	M23	Z	0	0	0	%100
47	M24	X	-2.863	-2.863	0	%100
48	M24	Z	4.959	4.959	0	%100
49	M25	X	-2.863	-2.863	0	%100
50	M25	Z	4.959	4.959	0	%100
51	M26	X	0	0	0	%100



Company :
 Designer :
 Job Number :
 Model Name :

June 15, 2021
 2:36 PM
 Checked By: _____

Member Distributed Loads (BLC 48 : Structure Wo (210 Deg)) (Continued)

Member Label	Direction	Start Magnitude[lb/ft,...	End Magnitude[lb/ft,F...	Start Location[ft,%]	End Location[ft,%]	
52	M26	Z	0	0	0	%100
53	M27	X	-8.749	-8.749	0	%100
54	M27	Z	15.153	15.153	0	%100
55	M28	X	-2.863	-2.863	0	%100
56	M28	Z	4.959	4.959	0	%100
57	M29	X	-11.453	-11.453	0	%100
58	M29	Z	19.837	19.837	0	%100
59	M30	X	-8.749	-8.749	0	%100
60	M30	Z	15.153	15.153	0	%100
61	M31	X	-8.59	-8.59	0	%100
62	M31	Z	14.878	14.878	0	%100
63	M32	X	0	0	0	%100
64	M32	Z	0	0	0	%100
65	M33	X	-8.59	-8.59	0	%100
66	M33	Z	14.878	14.878	0	%100
67	M34	X	0	0	0	%100
68	M34	Z	0	0	0	%100
69	M35	X	-9.215	-9.215	0	%100
70	M35	Z	15.96	15.96	0	%100
71	M36	X	-9.215	-9.215	0	%100
72	M36	Z	15.96	15.96	0	%100
73	M37	X	-9.215	-9.215	0	%100
74	M37	Z	15.96	15.96	0	%100
75	M38	X	-9.215	-9.215	0	%100
76	M38	Z	15.96	15.96	0	%100
77	M39	X	0	0	0	%100
78	M39	Z	0	0	0	%100
79	M40	X	-4.116	-4.116	0	%100
80	M40	Z	7.129	7.129	0	%100
81	M41	X	0	0	0	%100
82	M41	Z	0	0	0	%100
83	M42	X	-4.116	-4.116	0	%100
84	M42	Z	7.129	7.129	0	%100
85	M43	X	-4.481	-4.481	0	%100
86	M43	Z	7.761	7.761	0	%100
87	M44	X	-4.481	-4.481	0	%100
88	M44	Z	7.761	7.761	0	%100
89	M45	X	0	0	0	%100
90	M45	Z	0	0	0	%100
91	OVP	X	-3.707	-3.707	0	%100
92	OVP	Z	6.421	6.421	0	%100
93	OVP2	X	-3.707	-3.707	0	%100
94	OVP2	Z	6.421	6.421	0	%100
95	MP1A	X	-4.533	-4.533	0	%100
96	MP1A	Z	7.852	7.852	0	%100
97	MP2A	X	-4.533	-4.533	0	%100
98	MP2A	Z	7.852	7.852	0	%100
99	MP3A	X	-4.533	-4.533	0	%100
100	MP3A	Z	7.852	7.852	0	%100
101	MP4A	X	-4.533	-4.533	0	%100
102	MP4A	Z	7.852	7.852	0	%100
103	MP1B	X	-4.533	-4.533	0	%100
104	MP1B	Z	7.852	7.852	0	%100
105	MP2B	X	-4.533	-4.533	0	%100
106	MP2B	Z	7.852	7.852	0	%100
107	MP3B	X	-4.533	-4.533	0	%100
108	MP3B	Z	7.852	7.852	0	%100



Company :
 Designer :
 Job Number :
 Model Name :

June 15, 2021
 2:36 PM
 Checked By: _____

Member Distributed Loads (BLC 48 : Structure Wo (210 Deg)) (Continued)

	Member Label	Direction	Start Magnitude[lb/ft,...	End Magnitude[lb/ft,F...	Start Location[ft, %]	End Location[ft, %]
109	MP4B	X	-4.533	-4.533	0	%100
110	MP4B	Z	7.852	7.852	0	%100
111	MP1C	X	-4.533	-4.533	0	%100
112	MP1C	Z	7.852	7.852	0	%100
113	MP2C	X	-4.533	-4.533	0	%100
114	MP2C	Z	7.852	7.852	0	%100
115	MP3C	X	-4.533	-4.533	0	%100
116	MP3C	Z	7.852	7.852	0	%100
117	MP4C	X	-4.533	-4.533	0	%100
118	MP4C	Z	7.852	7.852	0	%100

Member Distributed Loads (BLC 49 : Structure Wo (240 Deg))

	Member Label	Direction	Start Magnitude[lb/ft,...	End Magnitude[lb/ft,F...	Start Location[ft, %]	End Location[ft, %]
1	M1	X	-2.893	-2.893	0	%100
2	M1	Z	1.67	1.67	0	%100
3	M2	X	-2.893	-2.893	0	%100
4	M2	Z	1.67	1.67	0	%100
5	M3	X	-11.571	-11.571	0	%100
6	M3	Z	6.681	6.681	0	%100
7	M4	X	-8.815	-8.815	0	%100
8	M4	Z	5.089	5.089	0	%100
9	M5	X	-8.815	-8.815	0	%100
10	M5	Z	5.089	5.089	0	%100
11	M6	X	0	0	0	%100
12	M6	Z	0	0	0	%100
13	M7	X	-2.486	-2.486	0	%100
14	M7	Z	1.435	1.435	0	%100
15	M8	X	-2.486	-2.486	0	%100
16	M8	Z	1.435	1.435	0	%100
17	M9	X	-2.486	-2.486	0	%100
18	M9	Z	1.435	1.435	0	%100
19	M10	X	-2.486	-2.486	0	%100
20	M10	Z	1.435	1.435	0	%100
21	M11	X	-9.945	-9.945	0	%100
22	M11	Z	5.742	5.742	0	%100
23	M12	X	-9.945	-9.945	0	%100
24	M12	Z	5.742	5.742	0	%100
25	M13	X	-2.754	-2.754	0	%100
26	M13	Z	1.59	1.59	0	%100
27	M14	X	-11.015	-11.015	0	%100
28	M14	Z	6.359	6.359	0	%100
29	M15	X	-11.015	-11.015	0	%100
30	M15	Z	6.359	6.359	0	%100
31	M16	X	-2.754	-2.754	0	%100
32	M16	Z	1.59	1.59	0	%100
33	M17	X	-2.754	-2.754	0	%100
34	M17	Z	1.59	1.59	0	%100
35	M18	X	-2.754	-2.754	0	%100
36	M18	Z	1.59	1.59	0	%100
37	M19	X	-5.051	-5.051	0	%100
38	M19	Z	2.916	2.916	0	%100
39	M20	X	-14.878	-14.878	0	%100
40	M20	Z	8.59	8.59	0	%100
41	M21	X	0	0	0	%100
42	M21	Z	0	0	0	%100
43	M22	X	-5.051	-5.051	0	%100



Company :
 Designer :
 Job Number :
 Model Name :

June 15, 2021
 2:36 PM
 Checked By: _____

Member Distributed Loads (BLC 49 : Structure Wo (240 Deg)) (Continued)

Member Label	Direction	Start Magnitude[lb/ft,...	End Magnitude[lb/ft,F...	Start Location[ft,%]	End Location[ft,%]
44	M22	Z	2.916	2.916	0 %100
45	M23	X	-5.051	-5.051	0 %100
46	M23	Z	2.916	2.916	0 %100
47	M24	X	0	0	0 %100
48	M24	Z	0	0	0 %100
49	M25	X	-14.878	-14.878	0 %100
50	M25	Z	8.59	8.59	0 %100
51	M26	X	-5.051	-5.051	0 %100
52	M26	Z	2.916	2.916	0 %100
53	M27	X	-20.204	-20.204	0 %100
54	M27	Z	11.665	11.665	0 %100
55	M28	X	-14.878	-14.878	0 %100
56	M28	Z	8.59	8.59	0 %100
57	M29	X	-14.878	-14.878	0 %100
58	M29	Z	8.59	8.59	0 %100
59	M30	X	-20.204	-20.204	0 %100
60	M30	Z	11.665	11.665	0 %100
61	M31	X	-4.959	-4.959	0 %100
62	M31	Z	2.863	2.863	0 %100
63	M32	X	-4.959	-4.959	0 %100
64	M32	Z	2.863	2.863	0 %100
65	M33	X	-19.837	-19.837	0 %100
66	M33	Z	11.453	11.453	0 %100
67	M34	X	-5.32	-5.32	0 %100
68	M34	Z	3.072	3.072	0 %100
69	M35	X	-21.28	-21.28	0 %100
70	M35	Z	12.286	12.286	0 %100
71	M36	X	-21.28	-21.28	0 %100
72	M36	Z	12.286	12.286	0 %100
73	M37	X	-5.32	-5.32	0 %100
74	M37	Z	3.072	3.072	0 %100
75	M38	X	-5.32	-5.32	0 %100
76	M38	Z	3.072	3.072	0 %100
77	M39	X	-5.32	-5.32	0 %100
78	M39	Z	3.072	3.072	0 %100
79	M40	X	-2.376	-2.376	0 %100
80	M40	Z	1.372	1.372	0 %100
81	M41	X	-2.376	-2.376	0 %100
82	M41	Z	1.372	1.372	0 %100
83	M42	X	-9.505	-9.505	0 %100
84	M42	Z	5.488	5.488	0 %100
85	M43	X	-10.347	-10.347	0 %100
86	M43	Z	5.974	5.974	0 %100
87	M44	X	-2.587	-2.587	0 %100
88	M44	Z	1.494	1.494	0 %100
89	M45	X	-2.587	-2.587	0 %100
90	M45	Z	1.494	1.494	0 %100
91	OVP	X	-6.421	-6.421	0 %100
92	OVP	Z	3.707	3.707	0 %100
93	OVP2	X	-6.421	-6.421	0 %100
94	OVP2	Z	3.707	3.707	0 %100
95	MP1A	X	-7.852	-7.852	0 %100
96	MP1A	Z	4.533	4.533	0 %100
97	MP2A	X	-7.852	-7.852	0 %100
98	MP2A	Z	4.533	4.533	0 %100
99	MP3A	X	-7.852	-7.852	0 %100
100	MP3A	Z	4.533	4.533	0 %100

Member Distributed Loads (BLC 49 : Structure Wo (240 Deg)) (Continued)

Member Label	Direction	Start Magnitude[lb/ft,...	End Magnitude[lb/ft,F...	Start Location[ft, %]	End Location[ft, %]
101	MP4A	X	-7.852	-7.852	0 %100
102	MP4A	Z	4.533	4.533	0 %100
103	MP1B	X	-7.852	-7.852	0 %100
104	MP1B	Z	4.533	4.533	0 %100
105	MP2B	X	-7.852	-7.852	0 %100
106	MP2B	Z	4.533	4.533	0 %100
107	MP3B	X	-7.852	-7.852	0 %100
108	MP3B	Z	4.533	4.533	0 %100
109	MP4B	X	-7.852	-7.852	0 %100
110	MP4B	Z	4.533	4.533	0 %100
111	MP1C	X	-7.852	-7.852	0 %100
112	MP1C	Z	4.533	4.533	0 %100
113	MP2C	X	-7.852	-7.852	0 %100
114	MP2C	Z	4.533	4.533	0 %100
115	MP3C	X	-7.852	-7.852	0 %100
116	MP3C	Z	4.533	4.533	0 %100
117	MP4C	X	-7.852	-7.852	0 %100
118	MP4C	Z	4.533	4.533	0 %100

Member Distributed Loads (BLC 50 : Structure Wo (270 Deg))

Member Label	Direction	Start Magnitude[lb/ft,...	End Magnitude[lb/ft,F...	Start Location[ft, %]	End Location[ft, %]
1	M1	X	0	0	0 %100
2	M1	Z	0	0	0 %100
3	M2	X	-10.021	-10.021	0 %100
4	M2	Z	0	0	0 %100
5	M3	X	-10.021	-10.021	0 %100
6	M3	Z	0	0	0 %100
7	M4	X	-13.571	-13.571	0 %100
8	M4	Z	0	0	0 %100
9	M5	X	-3.393	-3.393	0 %100
10	M5	Z	0	0	0 %100
11	M6	X	-3.393	-3.393	0 %100
12	M6	Z	0	0	0 %100
13	M7	X	0	0	0 %100
14	M7	Z	0	0	0 %100
15	M8	X	0	0	0 %100
16	M8	Z	0	0	0 %100
17	M9	X	-8.613	-8.613	0 %100
18	M9	Z	0	0	0 %100
19	M10	X	-8.613	-8.613	0 %100
20	M10	Z	0	0	0 %100
21	M11	X	-8.613	-8.613	0 %100
22	M11	Z	0	0	0 %100
23	M12	X	-8.613	-8.613	0 %100
24	M12	Z	0	0	0 %100
25	M13	X	-9.539	-9.539	0 %100
26	M13	Z	0	0	0 %100
27	M14	X	-9.539	-9.539	0 %100
28	M14	Z	0	0	0 %100
29	M15	X	-9.539	-9.539	0 %100
30	M15	Z	0	0	0 %100
31	M16	X	0	0	0 %100
32	M16	Z	0	0	0 %100
33	M17	X	0	0	0 %100
34	M17	Z	0	0	0 %100
35	M18	X	-9.539	-9.539	0 %100



Company :
 Designer :
 Job Number :
 Model Name :

June 15, 2021
 2:36 PM
 Checked By: _____

Member Distributed Loads (BLC 50 : Structure Wo (270 Deg)) (Continued)

Member Label	Direction	Start Magnitude[lb/ft,...	End Magnitude[lb/ft,F...	Start Location[ft,%]	End Location[ft,%]	
36	M18	Z	0	0	0	%100
37	M19	X	0	0	0	%100
38	M19	Z	0	0	0	%100
39	M20	X	-5.726	-5.726	0	%100
40	M20	Z	0	0	0	%100
41	M21	X	-5.726	-5.726	0	%100
42	M21	Z	0	0	0	%100
43	M22	X	0	0	0	%100
44	M22	Z	0	0	0	%100
45	M23	X	-17.497	-17.497	0	%100
46	M23	Z	0	0	0	%100
47	M24	X	-5.726	-5.726	0	%100
48	M24	Z	0	0	0	%100
49	M25	X	-22.905	-22.905	0	%100
50	M25	Z	0	0	0	%100
51	M26	X	-17.497	-17.497	0	%100
52	M26	Z	0	0	0	%100
53	M27	X	-17.497	-17.497	0	%100
54	M27	Z	0	0	0	%100
55	M28	X	-22.905	-22.905	0	%100
56	M28	Z	0	0	0	%100
57	M29	X	-5.726	-5.726	0	%100
58	M29	Z	0	0	0	%100
59	M30	X	-17.497	-17.497	0	%100
60	M30	Z	0	0	0	%100
61	M31	X	0	0	0	%100
62	M31	Z	0	0	0	%100
63	M32	X	-17.179	-17.179	0	%100
64	M32	Z	0	0	0	%100
65	M33	X	-17.179	-17.179	0	%100
66	M33	Z	0	0	0	%100
67	M34	X	-18.429	-18.429	0	%100
68	M34	Z	0	0	0	%100
69	M35	X	-18.429	-18.429	0	%100
70	M35	Z	0	0	0	%100
71	M36	X	-18.429	-18.429	0	%100
72	M36	Z	0	0	0	%100
73	M37	X	0	0	0	%100
74	M37	Z	0	0	0	%100
75	M38	X	0	0	0	%100
76	M38	Z	0	0	0	%100
77	M39	X	-18.429	-18.429	0	%100
78	M39	Z	0	0	0	%100
79	M40	X	0	0	0	%100
80	M40	Z	0	0	0	%100
81	M41	X	-8.232	-8.232	0	%100
82	M41	Z	0	0	0	%100
83	M42	X	-8.232	-8.232	0	%100
84	M42	Z	0	0	0	%100
85	M43	X	-8.961	-8.961	0	%100
86	M43	Z	0	0	0	%100
87	M44	X	0	0	0	%100
88	M44	Z	0	0	0	%100
89	M45	X	-8.961	-8.961	0	%100
90	M45	Z	0	0	0	%100
91	OVP	X	-7.414	-7.414	0	%100
92	OVP	Z	0	0	0	%100

Member Distributed Loads (BLC 50 : Structure Wo (270 Deg)) (Continued)

	Member Label	Direction	Start Magnitude[lb/ft,...	End Magnitude[lb/ft,F...	Start Location[ft, %]	End Location[ft, %]
93	OVP2	X	-7.414	-7.414	0	%100
94	OVP2	Z	0	0	0	%100
95	MP1A	X	-9.067	-9.067	0	%100
96	MP1A	Z	0	0	0	%100
97	MP2A	X	-9.067	-9.067	0	%100
98	MP2A	Z	0	0	0	%100
99	MP3A	X	-9.067	-9.067	0	%100
100	MP3A	Z	0	0	0	%100
101	MP4A	X	-9.067	-9.067	0	%100
102	MP4A	Z	0	0	0	%100
103	MP1B	X	-9.067	-9.067	0	%100
104	MP1B	Z	0	0	0	%100
105	MP2B	X	-9.067	-9.067	0	%100
106	MP2B	Z	0	0	0	%100
107	MP3B	X	-9.067	-9.067	0	%100
108	MP3B	Z	0	0	0	%100
109	MP4B	X	-9.067	-9.067	0	%100
110	MP4B	Z	0	0	0	%100
111	MP1C	X	-9.067	-9.067	0	%100
112	MP1C	Z	0	0	0	%100
113	MP2C	X	-9.067	-9.067	0	%100
114	MP2C	Z	0	0	0	%100
115	MP3C	X	-9.067	-9.067	0	%100
116	MP3C	Z	0	0	0	%100
117	MP4C	X	-9.067	-9.067	0	%100
118	MP4C	Z	0	0	0	%100

Member Distributed Loads (BLC 51 : Structure Wo (300 Deg))

	Member Label	Direction	Start Magnitude[lb/ft,...	End Magnitude[lb/ft,F...	Start Location[ft, %]	End Location[ft, %]
1	M1	X	-2.893	-2.893	0	%100
2	M1	Z	-1.67	-1.67	0	%100
3	M2	X	-11.571	-11.571	0	%100
4	M2	Z	-6.681	-6.681	0	%100
5	M3	X	-2.893	-2.893	0	%100
6	M3	Z	-1.67	-1.67	0	%100
7	M4	X	-8.815	-8.815	0	%100
8	M4	Z	-5.089	-5.089	0	%100
9	M5	X	0	0	0	%100
10	M5	Z	0	0	0	%100
11	M6	X	-8.815	-8.815	0	%100
12	M6	Z	-5.089	-5.089	0	%100
13	M7	X	-2.486	-2.486	0	%100
14	M7	Z	-1.435	-1.435	0	%100
15	M8	X	-2.486	-2.486	0	%100
16	M8	Z	-1.435	-1.435	0	%100
17	M9	X	-9.945	-9.945	0	%100
18	M9	Z	-5.742	-5.742	0	%100
19	M10	X	-9.945	-9.945	0	%100
20	M10	Z	-5.742	-5.742	0	%100
21	M11	X	-2.486	-2.486	0	%100
22	M11	Z	-1.435	-1.435	0	%100
23	M12	X	-2.486	-2.486	0	%100
24	M12	Z	-1.435	-1.435	0	%100
25	M13	X	-11.015	-11.015	0	%100
26	M13	Z	-6.359	-6.359	0	%100
27	M14	X	-2.754	-2.754	0	%100



Company :
 Designer :
 Job Number :
 Model Name :

June 15, 2021
 2:36 PM
 Checked By: _____

Member Distributed Loads (BLC 51 : Structure Wo (300 Deg)) (Continued)

Member Label	Direction	Start Magnitude[lb/ft,...	End Magnitude[lb/ft,F...	Start Location[ft,%]	End Location[ft,%]
28	M14	Z	-1.59	-1.59	0 %100
29	M15	X	-2.754	-2.754	0 %100
30	M15	Z	-1.59	-1.59	0 %100
31	M16	X	-2.754	-2.754	0 %100
32	M16	Z	-1.59	-1.59	0 %100
33	M17	X	-2.754	-2.754	0 %100
34	M17	Z	-1.59	-1.59	0 %100
35	M18	X	-11.015	-11.015	0 %100
36	M18	Z	-6.359	-6.359	0 %100
37	M19	X	-5.051	-5.051	0 %100
38	M19	Z	-2.916	-2.916	0 %100
39	M20	X	0	0	0 %100
40	M20	Z	0	0	0 %100
41	M21	X	-14.878	-14.878	0 %100
42	M21	Z	-8.59	-8.59	0 %100
43	M22	X	-5.051	-5.051	0 %100
44	M22	Z	-2.916	-2.916	0 %100
45	M23	X	-20.204	-20.204	0 %100
46	M23	Z	-11.665	-11.665	0 %100
47	M24	X	-14.878	-14.878	0 %100
48	M24	Z	-8.59	-8.59	0 %100
49	M25	X	-14.878	-14.878	0 %100
50	M25	Z	-8.59	-8.59	0 %100
51	M26	X	-20.204	-20.204	0 %100
52	M26	Z	-11.665	-11.665	0 %100
53	M27	X	-5.051	-5.051	0 %100
54	M27	Z	-2.916	-2.916	0 %100
55	M28	X	-14.878	-14.878	0 %100
56	M28	Z	-8.59	-8.59	0 %100
57	M29	X	0	0	0 %100
58	M29	Z	0	0	0 %100
59	M30	X	-5.051	-5.051	0 %100
60	M30	Z	-2.916	-2.916	0 %100
61	M31	X	-4.959	-4.959	0 %100
62	M31	Z	-2.863	-2.863	0 %100
63	M32	X	-19.837	-19.837	0 %100
64	M32	Z	-11.453	-11.453	0 %100
65	M33	X	-4.959	-4.959	0 %100
66	M33	Z	-2.863	-2.863	0 %100
67	M34	X	-21.28	-21.28	0 %100
68	M34	Z	-12.286	-12.286	0 %100
69	M35	X	-5.32	-5.32	0 %100
70	M35	Z	-3.072	-3.072	0 %100
71	M36	X	-5.32	-5.32	0 %100
72	M36	Z	-3.072	-3.072	0 %100
73	M37	X	-5.32	-5.32	0 %100
74	M37	Z	-3.072	-3.072	0 %100
75	M38	X	-5.32	-5.32	0 %100
76	M38	Z	-3.072	-3.072	0 %100
77	M39	X	-21.28	-21.28	0 %100
78	M39	Z	-12.286	-12.286	0 %100
79	M40	X	-2.376	-2.376	0 %100
80	M40	Z	-1.372	-1.372	0 %100
81	M41	X	-9.505	-9.505	0 %100
82	M41	Z	-5.488	-5.488	0 %100
83	M42	X	-2.376	-2.376	0 %100
84	M42	Z	-1.372	-1.372	0 %100

Member Distributed Loads (BLC 51 : Structure Wo (300 Deg)) (Continued)

	Member Label	Direction	Start Magnitude[lb/ft,...	End Magnitude[lb/ft,F...	Start Location[ft, %]	End Location[ft, %]
85	M43	X	-2.587	-2.587	0	%100
86	M43	Z	-1.494	-1.494	0	%100
87	M44	X	-2.587	-2.587	0	%100
88	M44	Z	-1.494	-1.494	0	%100
89	M45	X	-10.347	-10.347	0	%100
90	M45	Z	-5.974	-5.974	0	%100
91	OVP	X	-6.421	-6.421	0	%100
92	OVP	Z	-3.707	-3.707	0	%100
93	OVP2	X	-6.421	-6.421	0	%100
94	OVP2	Z	-3.707	-3.707	0	%100
95	MP1A	X	-7.852	-7.852	0	%100
96	MP1A	Z	-4.533	-4.533	0	%100
97	MP2A	X	-7.852	-7.852	0	%100
98	MP2A	Z	-4.533	-4.533	0	%100
99	MP3A	X	-7.852	-7.852	0	%100
100	MP3A	Z	-4.533	-4.533	0	%100
101	MP4A	X	-7.852	-7.852	0	%100
102	MP4A	Z	-4.533	-4.533	0	%100
103	MP1B	X	-7.852	-7.852	0	%100
104	MP1B	Z	-4.533	-4.533	0	%100
105	MP2B	X	-7.852	-7.852	0	%100
106	MP2B	Z	-4.533	-4.533	0	%100
107	MP3B	X	-7.852	-7.852	0	%100
108	MP3B	Z	-4.533	-4.533	0	%100
109	MP4B	X	-7.852	-7.852	0	%100
110	MP4B	Z	-4.533	-4.533	0	%100
111	MP1C	X	-7.852	-7.852	0	%100
112	MP1C	Z	-4.533	-4.533	0	%100
113	MP2C	X	-7.852	-7.852	0	%100
114	MP2C	Z	-4.533	-4.533	0	%100
115	MP3C	X	-7.852	-7.852	0	%100
116	MP3C	Z	-4.533	-4.533	0	%100
117	MP4C	X	-7.852	-7.852	0	%100
118	MP4C	Z	-4.533	-4.533	0	%100

Member Distributed Loads (BLC 52 : Structure Wo (330 Deg))

	Member Label	Direction	Start Magnitude[lb/ft,...	End Magnitude[lb/ft,F...	Start Location[ft, %]	End Location[ft, %]
1	M1	X	-5.011	-5.011	0	%100
2	M1	Z	-8.679	-8.679	0	%100
3	M2	X	-5.011	-5.011	0	%100
4	M2	Z	-8.679	-8.679	0	%100
5	M3	X	0	0	0	%100
6	M3	Z	0	0	0	%100
7	M4	X	-1.696	-1.696	0	%100
8	M4	Z	-2.938	-2.938	0	%100
9	M5	X	-1.696	-1.696	0	%100
10	M5	Z	-2.938	-2.938	0	%100
11	M6	X	-6.786	-6.786	0	%100
12	M6	Z	-11.753	-11.753	0	%100
13	M7	X	-4.306	-4.306	0	%100
14	M7	Z	-7.459	-7.459	0	%100
15	M8	X	-4.306	-4.306	0	%100
16	M8	Z	-7.459	-7.459	0	%100
17	M9	X	-4.306	-4.306	0	%100
18	M9	Z	-7.459	-7.459	0	%100
19	M10	X	-4.306	-4.306	0	%100



Company :
 Designer :
 Job Number :
 Model Name :

June 15, 2021
 2:36 PM
 Checked By: _____

Member Distributed Loads (BLC 52 : Structure Wo (330 Deg)) (Continued)

	Member Label	Direction	Start Magnitude[lb/ft,...	End Magnitude[lb/ft,F...	Start Location[ft,%]	End Location[ft,%]
20	M10	Z	-7.459	-7.459	0	%100
21	M11	X	0	0	0	%100
22	M11	Z	0	0	0	%100
23	M12	X	0	0	0	%100
24	M12	Z	0	0	0	%100
25	M13	X	-4.77	-4.77	0	%100
26	M13	Z	-8.261	-8.261	0	%100
27	M14	X	0	0	0	%100
28	M14	Z	0	0	0	%100
29	M15	X	0	0	0	%100
30	M15	Z	0	0	0	%100
31	M16	X	-4.77	-4.77	0	%100
32	M16	Z	-8.261	-8.261	0	%100
33	M17	X	-4.77	-4.77	0	%100
34	M17	Z	-8.261	-8.261	0	%100
35	M18	X	-4.77	-4.77	0	%100
36	M18	Z	-8.261	-8.261	0	%100
37	M19	X	-8.749	-8.749	0	%100
38	M19	Z	-15.153	-15.153	0	%100
39	M20	X	-2.863	-2.863	0	%100
40	M20	Z	-4.959	-4.959	0	%100
41	M21	X	-11.453	-11.453	0	%100
42	M21	Z	-19.837	-19.837	0	%100
43	M22	X	-8.749	-8.749	0	%100
44	M22	Z	-15.153	-15.153	0	%100
45	M23	X	-8.749	-8.749	0	%100
46	M23	Z	-15.153	-15.153	0	%100
47	M24	X	-11.453	-11.453	0	%100
48	M24	Z	-19.837	-19.837	0	%100
49	M25	X	-2.863	-2.863	0	%100
50	M25	Z	-4.959	-4.959	0	%100
51	M26	X	-8.749	-8.749	0	%100
52	M26	Z	-15.153	-15.153	0	%100
53	M27	X	0	0	0	%100
54	M27	Z	0	0	0	%100
55	M28	X	-2.863	-2.863	0	%100
56	M28	Z	-4.959	-4.959	0	%100
57	M29	X	-2.863	-2.863	0	%100
58	M29	Z	-4.959	-4.959	0	%100
59	M30	X	0	0	0	%100
60	M30	Z	0	0	0	%100
61	M31	X	-8.59	-8.59	0	%100
62	M31	Z	-14.878	-14.878	0	%100
63	M32	X	-8.59	-8.59	0	%100
64	M32	Z	-14.878	-14.878	0	%100
65	M33	X	0	0	0	%100
66	M33	Z	0	0	0	%100
67	M34	X	-9.215	-9.215	0	%100
68	M34	Z	-15.96	-15.96	0	%100
69	M35	X	0	0	0	%100
70	M35	Z	0	0	0	%100
71	M36	X	0	0	0	%100
72	M36	Z	0	0	0	%100
73	M37	X	-9.215	-9.215	0	%100
74	M37	Z	-15.96	-15.96	0	%100
75	M38	X	-9.215	-9.215	0	%100
76	M38	Z	-15.96	-15.96	0	%100

Member Distributed Loads (BLC 52 : Structure Wo (330 Deg)) (Continued)

	Member Label	Direction	Start Magnitude[lb/ft,...	End Magnitude[lb/ft,F...	Start Location[ft, %]	End Location[ft, %]
77	M39	X	-9.215	-9.215	0	%100
78	M39	Z	-15.96	-15.96	0	%100
79	M40	X	-4.116	-4.116	0	%100
80	M40	Z	-7.129	-7.129	0	%100
81	M41	X	-4.116	-4.116	0	%100
82	M41	Z	-7.129	-7.129	0	%100
83	M42	X	0	0	0	%100
84	M42	Z	0	0	0	%100
85	M43	X	0	0	0	%100
86	M43	Z	0	0	0	%100
87	M44	X	-4.481	-4.481	0	%100
88	M44	Z	-7.761	-7.761	0	%100
89	M45	X	-4.481	-4.481	0	%100
90	M45	Z	-7.761	-7.761	0	%100
91	OVP	X	-3.707	-3.707	0	%100
92	OVP	Z	-6.421	-6.421	0	%100
93	OVP2	X	-3.707	-3.707	0	%100
94	OVP2	Z	-6.421	-6.421	0	%100
95	MP1A	X	-4.533	-4.533	0	%100
96	MP1A	Z	-7.852	-7.852	0	%100
97	MP2A	X	-4.533	-4.533	0	%100
98	MP2A	Z	-7.852	-7.852	0	%100
99	MP3A	X	-4.533	-4.533	0	%100
100	MP3A	Z	-7.852	-7.852	0	%100
101	MP4A	X	-4.533	-4.533	0	%100
102	MP4A	Z	-7.852	-7.852	0	%100
103	MP1B	X	-4.533	-4.533	0	%100
104	MP1B	Z	-7.852	-7.852	0	%100
105	MP2B	X	-4.533	-4.533	0	%100
106	MP2B	Z	-7.852	-7.852	0	%100
107	MP3B	X	-4.533	-4.533	0	%100
108	MP3B	Z	-7.852	-7.852	0	%100
109	MP4B	X	-4.533	-4.533	0	%100
110	MP4B	Z	-7.852	-7.852	0	%100
111	MP1C	X	-4.533	-4.533	0	%100
112	MP1C	Z	-7.852	-7.852	0	%100
113	MP2C	X	-4.533	-4.533	0	%100
114	MP2C	Z	-7.852	-7.852	0	%100
115	MP3C	X	-4.533	-4.533	0	%100
116	MP3C	Z	-7.852	-7.852	0	%100
117	MP4C	X	-4.533	-4.533	0	%100
118	MP4C	Z	-7.852	-7.852	0	%100

Member Distributed Loads (BLC 53 : Structure Wi (0 Deg))

	Member Label	Direction	Start Magnitude[lb/ft,...	End Magnitude[lb/ft,F...	Start Location[ft, %]	End Location[ft, %]
1	M1	X	0	0	0	%100
2	M1	Z	-4.787	-4.787	0	%100
3	M2	X	0	0	0	%100
4	M2	Z	-1.197	-1.197	0	%100
5	M3	X	0	0	0	%100
6	M3	Z	-1.197	-1.197	0	%100
7	M4	X	0	0	0	%100
8	M4	Z	0	0	0	%100
9	M5	X	0	0	0	%100
10	M5	Z	-3.407	-3.407	0	%100
11	M6	X	0	0	0	%100

Member Distributed Loads (BLC 53 : Structure Wi (0 Deg)) (Continued)

Member Label	Direction	Start Magnitude[lb/ft,...	End Magnitude[lb/ft,F...	Start Location[ft,%]	End Location[ft,%]
12	M6	Z	-3.407	-3.407	0 %100
13	M7	X	0	0	0 %100
14	M7	Z	-3.726	-3.726	0 %100
15	M8	X	0	0	0 %100
16	M8	Z	-3.726	-3.726	0 %100
17	M9	X	0	0	0 %100
18	M9	Z	-.931	-.931	0 %100
19	M10	X	0	0	0 %100
20	M10	Z	-.931	-.931	0 %100
21	M11	X	0	0	0 %100
22	M11	Z	-.931	-.931	0 %100
23	M12	X	0	0	0 %100
24	M12	Z	-.931	-.931	0 %100
25	M13	X	0	0	0 %100
26	M13	Z	-1.057	-1.057	0 %100
27	M14	X	0	0	0 %100
28	M14	Z	-1.057	-1.057	0 %100
29	M15	X	0	0	0 %100
30	M15	Z	-1.057	-1.057	0 %100
31	M16	X	0	0	0 %100
32	M16	Z	-4.228	-4.228	0 %100
33	M17	X	0	0	0 %100
34	M17	Z	-4.228	-4.228	0 %100
35	M18	X	0	0	0 %100
36	M18	Z	-1.057	-1.057	0 %100
37	M19	X	0	0	0 %100
38	M19	Z	-5.63	-5.63	0 %100
39	M20	X	0	0	0 %100
40	M20	Z	-4.164	-4.164	0 %100
41	M21	X	0	0	0 %100
42	M21	Z	-4.164	-4.164	0 %100
43	M22	X	0	0	0 %100
44	M22	Z	-5.63	-5.63	0 %100
45	M23	X	0	0	0 %100
46	M23	Z	-1.407	-1.407	0 %100
47	M24	X	0	0	0 %100
48	M24	Z	-4.164	-4.164	0 %100
49	M25	X	0	0	0 %100
50	M25	Z	0	0	0 %100
51	M26	X	0	0	0 %100
52	M26	Z	-1.407	-1.407	0 %100
53	M27	X	0	0	0 %100
54	M27	Z	-1.407	-1.407	0 %100
55	M28	X	0	0	0 %100
56	M28	Z	0	0	0 %100
57	M29	X	0	0	0 %100
58	M29	Z	-4.164	-4.164	0 %100
59	M30	X	0	0	0 %100
60	M30	Z	-1.407	-1.407	0 %100
61	M31	X	0	0	0 %100
62	M31	Z	-5.603	-5.603	0 %100
63	M32	X	0	0	0 %100
64	M32	Z	-1.401	-1.401	0 %100
65	M33	X	0	0	0 %100
66	M33	Z	-1.401	-1.401	0 %100
67	M34	X	0	0	0 %100
68	M34	Z	-1.464	-1.464	0 %100

Member Distributed Loads (BLC 53 : Structure Wi (0 Deg)) (Continued)

	Member Label	Direction	Start Magnitude[lb/ft,...	End Magnitude[lb/ft,F...	Start Location[ft, %]	End Location[ft, %]
69	M35	X	0	0	0	%100
70	M35	Z	-1.464	-1.464	0	%100
71	M36	X	0	0	0	%100
72	M36	Z	-1.464	-1.464	0	%100
73	M37	X	0	0	0	%100
74	M37	Z	-5.857	-5.857	0	%100
75	M38	X	0	0	0	%100
76	M38	Z	-5.857	-5.857	0	%100
77	M39	X	0	0	0	%100
78	M39	Z	-1.464	-1.464	0	%100
79	M40	X	0	0	0	%100
80	M40	Z	-4.352	-4.352	0	%100
81	M41	X	0	0	0	%100
82	M41	Z	-1.088	-1.088	0	%100
83	M42	X	0	0	0	%100
84	M42	Z	-1.088	-1.088	0	%100
85	M43	X	0	0	0	%100
86	M43	Z	-.896	-.896	0	%100
87	M44	X	0	0	0	%100
88	M44	Z	-3.585	-3.585	0	%100
89	M45	X	0	0	0	%100
90	M45	Z	-.896	-.896	0	%100
91	OVP	X	0	0	0	%100
92	OVP	Z	-3.079	-3.079	0	%100
93	OVP2	X	0	0	0	%100
94	OVP2	Z	-3.079	-3.079	0	%100
95	MP1A	X	0	0	0	%100
96	MP1A	Z	-4.001	-4.001	0	%100
97	MP2A	X	0	0	0	%100
98	MP2A	Z	-4.001	-4.001	0	%100
99	MP3A	X	0	0	0	%100
100	MP3A	Z	-4.001	-4.001	0	%100
101	MP4A	X	0	0	0	%100
102	MP4A	Z	-4.001	-4.001	0	%100
103	MP1B	X	0	0	0	%100
104	MP1B	Z	-4.001	-4.001	0	%100
105	MP2B	X	0	0	0	%100
106	MP2B	Z	-4.001	-4.001	0	%100
107	MP3B	X	0	0	0	%100
108	MP3B	Z	-4.001	-4.001	0	%100
109	MP4B	X	0	0	0	%100
110	MP4B	Z	-4.001	-4.001	0	%100
111	MP1C	X	0	0	0	%100
112	MP1C	Z	-4.001	-4.001	0	%100
113	MP2C	X	0	0	0	%100
114	MP2C	Z	-4.001	-4.001	0	%100
115	MP3C	X	0	0	0	%100
116	MP3C	Z	-4.001	-4.001	0	%100
117	MP4C	X	0	0	0	%100
118	MP4C	Z	-4.001	-4.001	0	%100

Member Distributed Loads (BLC 54 : Structure Wi (30 Deg))

	Member Label	Direction	Start Magnitude[lb/ft,...	End Magnitude[lb/ft,F...	Start Location[ft, %]	End Location[ft, %]
1	M1	X	1.795	1.795	0	%100
2	M1	Z	-3.109	-3.109	0	%100
3	M2	X	0	0	0	%100



Company :
 Designer :
 Job Number :
 Model Name :

June 15, 2021
 2:36 PM
 Checked By: _____

Member Distributed Loads (BLC 54 : Structure Wi (30 Deg)) (Continued)

	Member Label	Direction	Start Magnitude[lb/ft,...	End Magnitude[lb/ft,F...	Start Location[ft, %]	End Location[ft, %]
4	M2	Z	0	0	0	%100
5	M3	X	1.795	1.795	0	%100
6	M3	Z	-3.109	-3.109	0	%100
7	M4	X	.568	.568	0	%100
8	M4	Z	-.984	-.984	0	%100
9	M5	X	2.271	2.271	0	%100
10	M5	Z	-3.934	-3.934	0	%100
11	M6	X	.568	.568	0	%100
12	M6	Z	-.984	-.984	0	%100
13	M7	X	1.397	1.397	0	%100
14	M7	Z	-2.42	-2.42	0	%100
15	M8	X	1.397	1.397	0	%100
16	M8	Z	-2.42	-2.42	0	%100
17	M9	X	0	0	0	%100
18	M9	Z	0	0	0	%100
19	M10	X	0	0	0	%100
20	M10	Z	0	0	0	%100
21	M11	X	1.397	1.397	0	%100
22	M11	Z	-2.42	-2.42	0	%100
23	M12	X	1.397	1.397	0	%100
24	M12	Z	-2.42	-2.42	0	%100
25	M13	X	0	0	0	%100
26	M13	Z	0	0	0	%100
27	M14	X	1.586	1.586	0	%100
28	M14	Z	-2.746	-2.746	0	%100
29	M15	X	1.586	1.586	0	%100
30	M15	Z	-2.746	-2.746	0	%100
31	M16	X	1.586	1.586	0	%100
32	M16	Z	-2.746	-2.746	0	%100
33	M17	X	1.586	1.586	0	%100
34	M17	Z	-2.746	-2.746	0	%100
35	M18	X	0	0	0	%100
36	M18	Z	0	0	0	%100
37	M19	X	2.111	2.111	0	%100
38	M19	Z	-3.657	-3.657	0	%100
39	M20	X	2.776	2.776	0	%100
40	M20	Z	-4.808	-4.808	0	%100
41	M21	X	.694	.694	0	%100
42	M21	Z	-1.202	-1.202	0	%100
43	M22	X	2.111	2.111	0	%100
44	M22	Z	-3.657	-3.657	0	%100
45	M23	X	0	0	0	%100
46	M23	Z	0	0	0	%100
47	M24	X	.694	.694	0	%100
48	M24	Z	-1.202	-1.202	0	%100
49	M25	X	.694	.694	0	%100
50	M25	Z	-1.202	-1.202	0	%100
51	M26	X	0	0	0	%100
52	M26	Z	0	0	0	%100
53	M27	X	2.111	2.111	0	%100
54	M27	Z	-3.657	-3.657	0	%100
55	M28	X	.694	.694	0	%100
56	M28	Z	-1.202	-1.202	0	%100
57	M29	X	2.776	2.776	0	%100
58	M29	Z	-4.808	-4.808	0	%100
59	M30	X	2.111	2.111	0	%100
60	M30	Z	-3.657	-3.657	0	%100



Company :
 Designer :
 Job Number :
 Model Name :

June 15, 2021
 2:36 PM
 Checked By: _____

Member Distributed Loads (BLC 54 : Structure Wi (30 Deg)) (Continued)

Member Label	Direction	Start Magnitude[lb/ft,...	End Magnitude[lb/ft,F...	Start Location[ft, %]	End Location[ft, %]
61	M31	X	2.101	2.101	0 %100
62	M31	Z	-3.64	-3.64	0 %100
63	M32	X	0	0	0 %100
64	M32	Z	0	0	0 %100
65	M33	X	2.101	2.101	0 %100
66	M33	Z	-3.64	-3.64	0 %100
67	M34	X	0	0	0 %100
68	M34	Z	0	0	0 %100
69	M35	X	2.196	2.196	0 %100
70	M35	Z	-3.804	-3.804	0 %100
71	M36	X	2.196	2.196	0 %100
72	M36	Z	-3.804	-3.804	0 %100
73	M37	X	2.196	2.196	0 %100
74	M37	Z	-3.804	-3.804	0 %100
75	M38	X	2.196	2.196	0 %100
76	M38	Z	-3.804	-3.804	0 %100
77	M39	X	0	0	0 %100
78	M39	Z	0	0	0 %100
79	M40	X	1.632	1.632	0 %100
80	M40	Z	-2.826	-2.826	0 %100
81	M41	X	0	0	0 %100
82	M41	Z	0	0	0 %100
83	M42	X	1.632	1.632	0 %100
84	M42	Z	-2.826	-2.826	0 %100
85	M43	X	1.344	1.344	0 %100
86	M43	Z	-2.328	-2.328	0 %100
87	M44	X	1.344	1.344	0 %100
88	M44	Z	-2.328	-2.328	0 %100
89	M45	X	0	0	0 %100
90	M45	Z	0	0	0 %100
91	OVP	X	1.54	1.54	0 %100
92	OVP	Z	-2.667	-2.667	0 %100
93	OVP2	X	1.54	1.54	0 %100
94	OVP2	Z	-2.667	-2.667	0 %100
95	MP1A	X	2	2	0 %100
96	MP1A	Z	-3.465	-3.465	0 %100
97	MP2A	X	2	2	0 %100
98	MP2A	Z	-3.465	-3.465	0 %100
99	MP3A	X	2	2	0 %100
100	MP3A	Z	-3.465	-3.465	0 %100
101	MP4A	X	2	2	0 %100
102	MP4A	Z	-3.465	-3.465	0 %100
103	MP1B	X	2	2	0 %100
104	MP1B	Z	-3.465	-3.465	0 %100
105	MP2B	X	2	2	0 %100
106	MP2B	Z	-3.465	-3.465	0 %100
107	MP3B	X	2	2	0 %100
108	MP3B	Z	-3.465	-3.465	0 %100
109	MP4B	X	2	2	0 %100
110	MP4B	Z	-3.465	-3.465	0 %100
111	MP1C	X	2	2	0 %100
112	MP1C	Z	-3.465	-3.465	0 %100
113	MP2C	X	2	2	0 %100
114	MP2C	Z	-3.465	-3.465	0 %100
115	MP3C	X	2	2	0 %100
116	MP3C	Z	-3.465	-3.465	0 %100
117	MP4C	X	2	2	0 %100



Company :
 Designer :
 Job Number :
 Model Name :

June 15, 2021
 2:36 PM
 Checked By: _____

Member Distributed Loads (BLC 54 : Structure Wi (30 Deg)) (Continued)

	Member Label	Direction	Start Magnitude[lb/ft,...	End Magnitude[lb/ft,F...	Start Location[ft, %]	End Location[ft, %]
118	MP4C	Z	-3.465	-3.465	0	%100

Member Distributed Loads (BLC 55 : Structure Wi (60 Deg))

	Member Label	Direction	Start Magnitude[lb/ft,...	End Magnitude[lb/ft,F...	Start Location[ft, %]	End Location[ft, %]
1	M1	X	1.036	1.036	0	%100
2	M1	Z	-.598	-.598	0	%100
3	M2	X	1.036	1.036	0	%100
4	M2	Z	-.598	-.598	0	%100
5	M3	X	4.146	4.146	0	%100
6	M3	Z	-2.394	-2.394	0	%100
7	M4	X	2.951	2.951	0	%100
8	M4	Z	-1.704	-1.704	0	%100
9	M5	X	2.951	2.951	0	%100
10	M5	Z	-1.704	-1.704	0	%100
11	M6	X	0	0	0	%100
12	M6	Z	0	0	0	%100
13	M7	X	.807	.807	0	%100
14	M7	Z	-.466	-.466	0	%100
15	M8	X	.807	.807	0	%100
16	M8	Z	-.466	-.466	0	%100
17	M9	X	.807	.807	0	%100
18	M9	Z	-.466	-.466	0	%100
19	M10	X	.807	.807	0	%100
20	M10	Z	-.466	-.466	0	%100
21	M11	X	3.227	3.227	0	%100
22	M11	Z	-1.863	-1.863	0	%100
23	M12	X	3.227	3.227	0	%100
24	M12	Z	-1.863	-1.863	0	%100
25	M13	X	.915	.915	0	%100
26	M13	Z	-.529	-.529	0	%100
27	M14	X	3.662	3.662	0	%100
28	M14	Z	-2.114	-2.114	0	%100
29	M15	X	3.662	3.662	0	%100
30	M15	Z	-2.114	-2.114	0	%100
31	M16	X	.915	.915	0	%100
32	M16	Z	-.529	-.529	0	%100
33	M17	X	.915	.915	0	%100
34	M17	Z	-.529	-.529	0	%100
35	M18	X	.915	.915	0	%100
36	M18	Z	-.529	-.529	0	%100
37	M19	X	1.219	1.219	0	%100
38	M19	Z	-.704	-.704	0	%100
39	M20	X	3.606	3.606	0	%100
40	M20	Z	-2.082	-2.082	0	%100
41	M21	X	0	0	0	%100
42	M21	Z	0	0	0	%100
43	M22	X	1.219	1.219	0	%100
44	M22	Z	-.704	-.704	0	%100
45	M23	X	1.219	1.219	0	%100
46	M23	Z	-.704	-.704	0	%100
47	M24	X	0	0	0	%100
48	M24	Z	0	0	0	%100
49	M25	X	3.606	3.606	0	%100
50	M25	Z	-2.082	-2.082	0	%100
51	M26	X	1.219	1.219	0	%100
52	M26	Z	-.704	-.704	0	%100

Member Distributed Loads (BLC 55 : Structure Wi (60 Deg)) (Continued)

Member Label	Direction	Start Magnitude[lb/ft,...	End Magnitude[lb/ft,F...	Start Location[ft,%]	End Location[ft,%]
53	M27	X	4.876	4.876	0 %100
54	M27	Z	-2.815	-2.815	0 %100
55	M28	X	3.606	3.606	0 %100
56	M28	Z	-2.082	-2.082	0 %100
57	M29	X	3.606	3.606	0 %100
58	M29	Z	-2.082	-2.082	0 %100
59	M30	X	4.876	4.876	0 %100
60	M30	Z	-2.815	-2.815	0 %100
61	M31	X	1.213	1.213	0 %100
62	M31	Z	-.7	-.7	0 %100
63	M32	X	1.213	1.213	0 %100
64	M32	Z	-.7	-.7	0 %100
65	M33	X	4.853	4.853	0 %100
66	M33	Z	-2.802	-2.802	0 %100
67	M34	X	1.268	1.268	0 %100
68	M34	Z	-.732	-.732	0 %100
69	M35	X	5.072	5.072	0 %100
70	M35	Z	-2.929	-2.929	0 %100
71	M36	X	5.072	5.072	0 %100
72	M36	Z	-2.929	-2.929	0 %100
73	M37	X	1.268	1.268	0 %100
74	M37	Z	-.732	-.732	0 %100
75	M38	X	1.268	1.268	0 %100
76	M38	Z	-.732	-.732	0 %100
77	M39	X	1.268	1.268	0 %100
78	M39	Z	-.732	-.732	0 %100
79	M40	X	.942	.942	0 %100
80	M40	Z	-.544	-.544	0 %100
81	M41	X	.942	.942	0 %100
82	M41	Z	-.544	-.544	0 %100
83	M42	X	3.769	3.769	0 %100
84	M42	Z	-2.176	-2.176	0 %100
85	M43	X	3.104	3.104	0 %100
86	M43	Z	-1.792	-1.792	0 %100
87	M44	X	.776	.776	0 %100
88	M44	Z	-.448	-.448	0 %100
89	M45	X	.776	.776	0 %100
90	M45	Z	-.448	-.448	0 %100
91	OVP	X	2.667	2.667	0 %100
92	OVP	Z	-1.54	-1.54	0 %100
93	OVP2	X	2.667	2.667	0 %100
94	OVP2	Z	-1.54	-1.54	0 %100
95	MP1A	X	3.465	3.465	0 %100
96	MP1A	Z	-2	-2	0 %100
97	MP2A	X	3.465	3.465	0 %100
98	MP2A	Z	-2	-2	0 %100
99	MP3A	X	3.465	3.465	0 %100
100	MP3A	Z	-2	-2	0 %100
101	MP4A	X	3.465	3.465	0 %100
102	MP4A	Z	-2	-2	0 %100
103	MP1B	X	3.465	3.465	0 %100
104	MP1B	Z	-2	-2	0 %100
105	MP2B	X	3.465	3.465	0 %100
106	MP2B	Z	-2	-2	0 %100
107	MP3B	X	3.465	3.465	0 %100
108	MP3B	Z	-2	-2	0 %100
109	MP4B	X	3.465	3.465	0 %100

Member Distributed Loads (BLC 55 : Structure Wi (60 Deg)) (Continued)

	Member Label	Direction	Start Magnitude[lb/ft,...	End Magnitude[lb/ft,F...	Start Location[ft, %]	End Location[ft, %]
110	MP4B	Z	-2	-2	0	%100
111	MP1C	X	3.465	3.465	0	%100
112	MP1C	Z	-2	-2	0	%100
113	MP2C	X	3.465	3.465	0	%100
114	MP2C	Z	-2	-2	0	%100
115	MP3C	X	3.465	3.465	0	%100
116	MP3C	Z	-2	-2	0	%100
117	MP4C	X	3.465	3.465	0	%100
118	MP4C	Z	-2	-2	0	%100

Member Distributed Loads (BLC 56 : Structure Wi (90 Deg))

	Member Label	Direction	Start Magnitude[lb/ft,...	End Magnitude[lb/ft,F...	Start Location[ft, %]	End Location[ft, %]
1	M1	X	0	0	0	%100
2	M1	Z	0	0	0	%100
3	M2	X	3.59	3.59	0	%100
4	M2	Z	0	0	0	%100
5	M3	X	3.59	3.59	0	%100
6	M3	Z	0	0	0	%100
7	M4	X	4.543	4.543	0	%100
8	M4	Z	0	0	0	%100
9	M5	X	1.136	1.136	0	%100
10	M5	Z	0	0	0	%100
11	M6	X	1.136	1.136	0	%100
12	M6	Z	0	0	0	%100
13	M7	X	0	0	0	%100
14	M7	Z	0	0	0	%100
15	M8	X	0	0	0	%100
16	M8	Z	0	0	0	%100
17	M9	X	2.794	2.794	0	%100
18	M9	Z	0	0	0	%100
19	M10	X	2.794	2.794	0	%100
20	M10	Z	0	0	0	%100
21	M11	X	2.794	2.794	0	%100
22	M11	Z	0	0	0	%100
23	M12	X	2.794	2.794	0	%100
24	M12	Z	0	0	0	%100
25	M13	X	3.171	3.171	0	%100
26	M13	Z	0	0	0	%100
27	M14	X	3.171	3.171	0	%100
28	M14	Z	0	0	0	%100
29	M15	X	3.171	3.171	0	%100
30	M15	Z	0	0	0	%100
31	M16	X	0	0	0	%100
32	M16	Z	0	0	0	%100
33	M17	X	0	0	0	%100
34	M17	Z	0	0	0	%100
35	M18	X	3.171	3.171	0	%100
36	M18	Z	0	0	0	%100
37	M19	X	0	0	0	%100
38	M19	Z	0	0	0	%100
39	M20	X	1.388	1.388	0	%100
40	M20	Z	0	0	0	%100
41	M21	X	1.388	1.388	0	%100
42	M21	Z	0	0	0	%100
43	M22	X	0	0	0	%100
44	M22	Z	0	0	0	%100



Company :
 Designer :
 Job Number :
 Model Name :

June 15, 2021
 2:36 PM
 Checked By: _____

Member Distributed Loads (BLC 56 : Structure Wi (90 Deg)) (Continued)

	Member Label	Direction	Start Magnitude[lb/ft,...	End Magnitude[lb/ft,F...	Start Location[ft, %]	End Location[ft, %]
45	M23	X	4.222	4.222	0	%100
46	M23	Z	0	0	0	%100
47	M24	X	1.388	1.388	0	%100
48	M24	Z	0	0	0	%100
49	M25	X	5.552	5.552	0	%100
50	M25	Z	0	0	0	%100
51	M26	X	4.222	4.222	0	%100
52	M26	Z	0	0	0	%100
53	M27	X	4.222	4.222	0	%100
54	M27	Z	0	0	0	%100
55	M28	X	5.552	5.552	0	%100
56	M28	Z	0	0	0	%100
57	M29	X	1.388	1.388	0	%100
58	M29	Z	0	0	0	%100
59	M30	X	4.222	4.222	0	%100
60	M30	Z	0	0	0	%100
61	M31	X	0	0	0	%100
62	M31	Z	0	0	0	%100
63	M32	X	4.203	4.203	0	%100
64	M32	Z	0	0	0	%100
65	M33	X	4.203	4.203	0	%100
66	M33	Z	0	0	0	%100
67	M34	X	4.393	4.393	0	%100
68	M34	Z	0	0	0	%100
69	M35	X	4.393	4.393	0	%100
70	M35	Z	0	0	0	%100
71	M36	X	4.393	4.393	0	%100
72	M36	Z	0	0	0	%100
73	M37	X	0	0	0	%100
74	M37	Z	0	0	0	%100
75	M38	X	0	0	0	%100
76	M38	Z	0	0	0	%100
77	M39	X	4.393	4.393	0	%100
78	M39	Z	0	0	0	%100
79	M40	X	0	0	0	%100
80	M40	Z	0	0	0	%100
81	M41	X	3.264	3.264	0	%100
82	M41	Z	0	0	0	%100
83	M42	X	3.264	3.264	0	%100
84	M42	Z	0	0	0	%100
85	M43	X	2.688	2.688	0	%100
86	M43	Z	0	0	0	%100
87	M44	X	0	0	0	%100
88	M44	Z	0	0	0	%100
89	M45	X	2.688	2.688	0	%100
90	M45	Z	0	0	0	%100
91	OVP	X	3.079	3.079	0	%100
92	OVP	Z	0	0	0	%100
93	OVP2	X	3.079	3.079	0	%100
94	OVP2	Z	0	0	0	%100
95	MP1A	X	4.001	4.001	0	%100
96	MP1A	Z	0	0	0	%100
97	MP2A	X	4.001	4.001	0	%100
98	MP2A	Z	0	0	0	%100
99	MP3A	X	4.001	4.001	0	%100
100	MP3A	Z	0	0	0	%100
101	MP4A	X	4.001	4.001	0	%100



Company :
 Designer :
 Job Number :
 Model Name :

June 15, 2021
 2:36 PM
 Checked By: _____

Member Distributed Loads (BLC 56 : Structure Wi (90 Deg)) (Continued)

	Member Label	Direction	Start Magnitude[lb/ft,...	End Magnitude[lb/ft,F...	Start Location[ft, %]	End Location[ft, %]
102	MP4A	Z	0	0	0	%100
103	MP1B	X	4.001	4.001	0	%100
104	MP1B	Z	0	0	0	%100
105	MP2B	X	4.001	4.001	0	%100
106	MP2B	Z	0	0	0	%100
107	MP3B	X	4.001	4.001	0	%100
108	MP3B	Z	0	0	0	%100
109	MP4B	X	4.001	4.001	0	%100
110	MP4B	Z	0	0	0	%100
111	MP1C	X	4.001	4.001	0	%100
112	MP1C	Z	0	0	0	%100
113	MP2C	X	4.001	4.001	0	%100
114	MP2C	Z	0	0	0	%100
115	MP3C	X	4.001	4.001	0	%100
116	MP3C	Z	0	0	0	%100
117	MP4C	X	4.001	4.001	0	%100
118	MP4C	Z	0	0	0	%100

Member Distributed Loads (BLC 57 : Structure Wi (120 Deg))

	Member Label	Direction	Start Magnitude[lb/ft,...	End Magnitude[lb/ft,F...	Start Location[ft, %]	End Location[ft, %]
1	M1	X	1.036	1.036	0	%100
2	M1	Z	.598	.598	0	%100
3	M2	X	4.146	4.146	0	%100
4	M2	Z	2.394	2.394	0	%100
5	M3	X	1.036	1.036	0	%100
6	M3	Z	.598	.598	0	%100
7	M4	X	2.951	2.951	0	%100
8	M4	Z	1.704	1.704	0	%100
9	M5	X	0	0	0	%100
10	M5	Z	0	0	0	%100
11	M6	X	2.951	2.951	0	%100
12	M6	Z	1.704	1.704	0	%100
13	M7	X	.807	.807	0	%100
14	M7	Z	.466	.466	0	%100
15	M8	X	.807	.807	0	%100
16	M8	Z	.466	.466	0	%100
17	M9	X	3.227	3.227	0	%100
18	M9	Z	1.863	1.863	0	%100
19	M10	X	3.227	3.227	0	%100
20	M10	Z	1.863	1.863	0	%100
21	M11	X	.807	.807	0	%100
22	M11	Z	.466	.466	0	%100
23	M12	X	.807	.807	0	%100
24	M12	Z	.466	.466	0	%100
25	M13	X	3.662	3.662	0	%100
26	M13	Z	2.114	2.114	0	%100
27	M14	X	.915	.915	0	%100
28	M14	Z	.529	.529	0	%100
29	M15	X	.915	.915	0	%100
30	M15	Z	.529	.529	0	%100
31	M16	X	.915	.915	0	%100
32	M16	Z	.529	.529	0	%100
33	M17	X	.915	.915	0	%100
34	M17	Z	.529	.529	0	%100
35	M18	X	3.662	3.662	0	%100
36	M18	Z	2.114	2.114	0	%100

Member Distributed Loads (BLC 57 : Structure Wi (120 Deg)) (Continued)

	Member Label	Direction	Start Magnitude[lb/ft,...	End Magnitude[lb/ft,F...	Start Location[ft, %]	End Location[ft, %]
37	M19	X	1.219	1.219	0	%100
38	M19	Z	.704	.704	0	%100
39	M20	X	0	0	0	%100
40	M20	Z	0	0	0	%100
41	M21	X	3.606	3.606	0	%100
42	M21	Z	2.082	2.082	0	%100
43	M22	X	1.219	1.219	0	%100
44	M22	Z	.704	.704	0	%100
45	M23	X	4.876	4.876	0	%100
46	M23	Z	2.815	2.815	0	%100
47	M24	X	3.606	3.606	0	%100
48	M24	Z	2.082	2.082	0	%100
49	M25	X	3.606	3.606	0	%100
50	M25	Z	2.082	2.082	0	%100
51	M26	X	4.876	4.876	0	%100
52	M26	Z	2.815	2.815	0	%100
53	M27	X	1.219	1.219	0	%100
54	M27	Z	.704	.704	0	%100
55	M28	X	3.606	3.606	0	%100
56	M28	Z	2.082	2.082	0	%100
57	M29	X	0	0	0	%100
58	M29	Z	0	0	0	%100
59	M30	X	1.219	1.219	0	%100
60	M30	Z	.704	.704	0	%100
61	M31	X	1.213	1.213	0	%100
62	M31	Z	.7	.7	0	%100
63	M32	X	4.853	4.853	0	%100
64	M32	Z	2.802	2.802	0	%100
65	M33	X	1.213	1.213	0	%100
66	M33	Z	.7	.7	0	%100
67	M34	X	5.072	5.072	0	%100
68	M34	Z	2.929	2.929	0	%100
69	M35	X	1.268	1.268	0	%100
70	M35	Z	.732	.732	0	%100
71	M36	X	1.268	1.268	0	%100
72	M36	Z	.732	.732	0	%100
73	M37	X	1.268	1.268	0	%100
74	M37	Z	.732	.732	0	%100
75	M38	X	1.268	1.268	0	%100
76	M38	Z	.732	.732	0	%100
77	M39	X	5.072	5.072	0	%100
78	M39	Z	2.929	2.929	0	%100
79	M40	X	.942	.942	0	%100
80	M40	Z	.544	.544	0	%100
81	M41	X	3.769	3.769	0	%100
82	M41	Z	2.176	2.176	0	%100
83	M42	X	.942	.942	0	%100
84	M42	Z	.544	.544	0	%100
85	M43	X	.776	.776	0	%100
86	M43	Z	.448	.448	0	%100
87	M44	X	.776	.776	0	%100
88	M44	Z	.448	.448	0	%100
89	M45	X	3.104	3.104	0	%100
90	M45	Z	1.792	1.792	0	%100
91	OVP	X	2.667	2.667	0	%100
92	OVP	Z	1.54	1.54	0	%100
93	OVP2	X	2.667	2.667	0	%100

Member Distributed Loads (BLC 57 : Structure Wi (120 Deg)) (Continued)

	Member Label	Direction	Start Magnitude[lb/ft....	End Magnitude[lb/ft,F...	Start Location[ft, %]	End Location[ft, %]
94	OVP2	Z	1.54	1.54	0	%100
95	MP1A	X	3.465	3.465	0	%100
96	MP1A	Z	2	2	0	%100
97	MP2A	X	3.465	3.465	0	%100
98	MP2A	Z	2	2	0	%100
99	MP3A	X	3.465	3.465	0	%100
100	MP3A	Z	2	2	0	%100
101	MP4A	X	3.465	3.465	0	%100
102	MP4A	Z	2	2	0	%100
103	MP1B	X	3.465	3.465	0	%100
104	MP1B	Z	2	2	0	%100
105	MP2B	X	3.465	3.465	0	%100
106	MP2B	Z	2	2	0	%100
107	MP3B	X	3.465	3.465	0	%100
108	MP3B	Z	2	2	0	%100
109	MP4B	X	3.465	3.465	0	%100
110	MP4B	Z	2	2	0	%100
111	MP1C	X	3.465	3.465	0	%100
112	MP1C	Z	2	2	0	%100
113	MP2C	X	3.465	3.465	0	%100
114	MP2C	Z	2	2	0	%100
115	MP3C	X	3.465	3.465	0	%100
116	MP3C	Z	2	2	0	%100
117	MP4C	X	3.465	3.465	0	%100
118	MP4C	Z	2	2	0	%100

Member Distributed Loads (BLC 58 : Structure Wi (150 Deg))

	Member Label	Direction	Start Magnitude[lb/ft....	End Magnitude[lb/ft,F...	Start Location[ft, %]	End Location[ft, %]
1	M1	X	1.795	1.795	0	%100
2	M1	Z	3.109	3.109	0	%100
3	M2	X	1.795	1.795	0	%100
4	M2	Z	3.109	3.109	0	%100
5	M3	X	0	0	0	%100
6	M3	Z	0	0	0	%100
7	M4	X	.568	.568	0	%100
8	M4	Z	.984	.984	0	%100
9	M5	X	.568	.568	0	%100
10	M5	Z	.984	.984	0	%100
11	M6	X	2.271	2.271	0	%100
12	M6	Z	3.934	3.934	0	%100
13	M7	X	1.397	1.397	0	%100
14	M7	Z	2.42	2.42	0	%100
15	M8	X	1.397	1.397	0	%100
16	M8	Z	2.42	2.42	0	%100
17	M9	X	1.397	1.397	0	%100
18	M9	Z	2.42	2.42	0	%100
19	M10	X	1.397	1.397	0	%100
20	M10	Z	2.42	2.42	0	%100
21	M11	X	0	0	0	%100
22	M11	Z	0	0	0	%100
23	M12	X	0	0	0	%100
24	M12	Z	0	0	0	%100
25	M13	X	1.586	1.586	0	%100
26	M13	Z	2.746	2.746	0	%100
27	M14	X	0	0	0	%100
28	M14	Z	0	0	0	%100



Company :
 Designer :
 Job Number :
 Model Name :

June 15, 2021
 2:36 PM
 Checked By: _____

Member Distributed Loads (BLC 58 : Structure Wi (150 Deg)) (Continued)

	Member Label	Direction	Start Magnitude[lb/ft,...	End Magnitude[lb/ft,F...	Start Location[ft, %]	End Location[ft, %]
29	M15	X	0	0	0	%100
30	M15	Z	0	0	0	%100
31	M16	X	1.586	1.586	0	%100
32	M16	Z	2.746	2.746	0	%100
33	M17	X	1.586	1.586	0	%100
34	M17	Z	2.746	2.746	0	%100
35	M18	X	1.586	1.586	0	%100
36	M18	Z	2.746	2.746	0	%100
37	M19	X	2.111	2.111	0	%100
38	M19	Z	3.657	3.657	0	%100
39	M20	X	.694	.694	0	%100
40	M20	Z	1.202	1.202	0	%100
41	M21	X	2.776	2.776	0	%100
42	M21	Z	4.808	4.808	0	%100
43	M22	X	2.111	2.111	0	%100
44	M22	Z	3.657	3.657	0	%100
45	M23	X	2.111	2.111	0	%100
46	M23	Z	3.657	3.657	0	%100
47	M24	X	2.776	2.776	0	%100
48	M24	Z	4.808	4.808	0	%100
49	M25	X	.694	.694	0	%100
50	M25	Z	1.202	1.202	0	%100
51	M26	X	2.111	2.111	0	%100
52	M26	Z	3.657	3.657	0	%100
53	M27	X	0	0	0	%100
54	M27	Z	0	0	0	%100
55	M28	X	.694	.694	0	%100
56	M28	Z	1.202	1.202	0	%100
57	M29	X	.694	.694	0	%100
58	M29	Z	1.202	1.202	0	%100
59	M30	X	0	0	0	%100
60	M30	Z	0	0	0	%100
61	M31	X	2.101	2.101	0	%100
62	M31	Z	3.64	3.64	0	%100
63	M32	X	2.101	2.101	0	%100
64	M32	Z	3.64	3.64	0	%100
65	M33	X	0	0	0	%100
66	M33	Z	0	0	0	%100
67	M34	X	2.196	2.196	0	%100
68	M34	Z	3.804	3.804	0	%100
69	M35	X	0	0	0	%100
70	M35	Z	0	0	0	%100
71	M36	X	0	0	0	%100
72	M36	Z	0	0	0	%100
73	M37	X	2.196	2.196	0	%100
74	M37	Z	3.804	3.804	0	%100
75	M38	X	2.196	2.196	0	%100
76	M38	Z	3.804	3.804	0	%100
77	M39	X	2.196	2.196	0	%100
78	M39	Z	3.804	3.804	0	%100
79	M40	X	1.632	1.632	0	%100
80	M40	Z	2.826	2.826	0	%100
81	M41	X	1.632	1.632	0	%100
82	M41	Z	2.826	2.826	0	%100
83	M42	X	0	0	0	%100
84	M42	Z	0	0	0	%100
85	M43	X	0	0	0	%100



Company :
 Designer :
 Job Number :
 Model Name :

June 15, 2021
 2:36 PM
 Checked By: _____

Member Distributed Loads (BLC 58 : Structure Wi (150 Deg)) (Continued)

	Member Label	Direction	Start Magnitude[lb/ft,...	End Magnitude[lb/ft,F...	Start Location[ft, %]	End Location[ft, %]
86	M43	Z	0	0	0	%100
87	M44	X	1.344	1.344	0	%100
88	M44	Z	2.328	2.328	0	%100
89	M45	X	1.344	1.344	0	%100
90	M45	Z	2.328	2.328	0	%100
91	OVP	X	1.54	1.54	0	%100
92	OVP	Z	2.667	2.667	0	%100
93	OVP2	X	1.54	1.54	0	%100
94	OVP2	Z	2.667	2.667	0	%100
95	MP1A	X	2	2	0	%100
96	MP1A	Z	3.465	3.465	0	%100
97	MP2A	X	2	2	0	%100
98	MP2A	Z	3.465	3.465	0	%100
99	MP3A	X	2	2	0	%100
100	MP3A	Z	3.465	3.465	0	%100
101	MP4A	X	2	2	0	%100
102	MP4A	Z	3.465	3.465	0	%100
103	MP1B	X	2	2	0	%100
104	MP1B	Z	3.465	3.465	0	%100
105	MP2B	X	2	2	0	%100
106	MP2B	Z	3.465	3.465	0	%100
107	MP3B	X	2	2	0	%100
108	MP3B	Z	3.465	3.465	0	%100
109	MP4B	X	2	2	0	%100
110	MP4B	Z	3.465	3.465	0	%100
111	MP1C	X	2	2	0	%100
112	MP1C	Z	3.465	3.465	0	%100
113	MP2C	X	2	2	0	%100
114	MP2C	Z	3.465	3.465	0	%100
115	MP3C	X	2	2	0	%100
116	MP3C	Z	3.465	3.465	0	%100
117	MP4C	X	2	2	0	%100
118	MP4C	Z	3.465	3.465	0	%100

Member Distributed Loads (BLC 59 : Structure Wi (180 Deg))

	Member Label	Direction	Start Magnitude[lb/ft,...	End Magnitude[lb/ft,F...	Start Location[ft, %]	End Location[ft, %]
1	M1	X	0	0	0	%100
2	M1	Z	4.787	4.787	0	%100
3	M2	X	0	0	0	%100
4	M2	Z	1.197	1.197	0	%100
5	M3	X	0	0	0	%100
6	M3	Z	1.197	1.197	0	%100
7	M4	X	0	0	0	%100
8	M4	Z	0	0	0	%100
9	M5	X	0	0	0	%100
10	M5	Z	3.407	3.407	0	%100
11	M6	X	0	0	0	%100
12	M6	Z	3.407	3.407	0	%100
13	M7	X	0	0	0	%100
14	M7	Z	3.726	3.726	0	%100
15	M8	X	0	0	0	%100
16	M8	Z	3.726	3.726	0	%100
17	M9	X	0	0	0	%100
18	M9	Z	.931	.931	0	%100
19	M10	X	0	0	0	%100
20	M10	Z	.931	.931	0	%100



Company :
 Designer :
 Job Number :
 Model Name :

June 15, 2021
 2:36 PM
 Checked By: _____

Member Distributed Loads (BLC 59 : Structure Wi (180 Deg)) (Continued)

Member Label	Direction	Start Magnitude[lb/ft,...	End Magnitude[lb/ft,F...	Start Location[ft, %]	End Location[ft, %]
21	M11	X	0	0	%100
22	M11	Z	.931	.931	%100
23	M12	X	0	0	%100
24	M12	Z	.931	.931	%100
25	M13	X	0	0	%100
26	M13	Z	1.057	1.057	%100
27	M14	X	0	0	%100
28	M14	Z	1.057	1.057	%100
29	M15	X	0	0	%100
30	M15	Z	1.057	1.057	%100
31	M16	X	0	0	%100
32	M16	Z	4.228	4.228	%100
33	M17	X	0	0	%100
34	M17	Z	4.228	4.228	%100
35	M18	X	0	0	%100
36	M18	Z	1.057	1.057	%100
37	M19	X	0	0	%100
38	M19	Z	5.63	5.63	%100
39	M20	X	0	0	%100
40	M20	Z	4.164	4.164	%100
41	M21	X	0	0	%100
42	M21	Z	4.164	4.164	%100
43	M22	X	0	0	%100
44	M22	Z	5.63	5.63	%100
45	M23	X	0	0	%100
46	M23	Z	1.407	1.407	%100
47	M24	X	0	0	%100
48	M24	Z	4.164	4.164	%100
49	M25	X	0	0	%100
50	M25	Z	0	0	%100
51	M26	X	0	0	%100
52	M26	Z	1.407	1.407	%100
53	M27	X	0	0	%100
54	M27	Z	1.407	1.407	%100
55	M28	X	0	0	%100
56	M28	Z	0	0	%100
57	M29	X	0	0	%100
58	M29	Z	4.164	4.164	%100
59	M30	X	0	0	%100
60	M30	Z	1.407	1.407	%100
61	M31	X	0	0	%100
62	M31	Z	5.603	5.603	%100
63	M32	X	0	0	%100
64	M32	Z	1.401	1.401	%100
65	M33	X	0	0	%100
66	M33	Z	1.401	1.401	%100
67	M34	X	0	0	%100
68	M34	Z	1.464	1.464	%100
69	M35	X	0	0	%100
70	M35	Z	1.464	1.464	%100
71	M36	X	0	0	%100
72	M36	Z	1.464	1.464	%100
73	M37	X	0	0	%100
74	M37	Z	5.857	5.857	%100
75	M38	X	0	0	%100
76	M38	Z	5.857	5.857	%100
77	M39	X	0	0	%100

Member Distributed Loads (BLC 59 : Structure Wi (180 Deg)) (Continued)

	Member Label	Direction	Start Magnitude[lb/ft,...	End Magnitude[lb/ft,F...	Start Location[ft, %]	End Location[ft, %]
78	M39	Z	1.464	1.464	0	%100
79	M40	X	0	0	0	%100
80	M40	Z	4.352	4.352	0	%100
81	M41	X	0	0	0	%100
82	M41	Z	1.088	1.088	0	%100
83	M42	X	0	0	0	%100
84	M42	Z	1.088	1.088	0	%100
85	M43	X	0	0	0	%100
86	M43	Z	.896	.896	0	%100
87	M44	X	0	0	0	%100
88	M44	Z	3.585	3.585	0	%100
89	M45	X	0	0	0	%100
90	M45	Z	.896	.896	0	%100
91	OVP	X	0	0	0	%100
92	OVP	Z	3.079	3.079	0	%100
93	OVP2	X	0	0	0	%100
94	OVP2	Z	3.079	3.079	0	%100
95	MP1A	X	0	0	0	%100
96	MP1A	Z	4.001	4.001	0	%100
97	MP2A	X	0	0	0	%100
98	MP2A	Z	4.001	4.001	0	%100
99	MP3A	X	0	0	0	%100
100	MP3A	Z	4.001	4.001	0	%100
101	MP4A	X	0	0	0	%100
102	MP4A	Z	4.001	4.001	0	%100
103	MP1B	X	0	0	0	%100
104	MP1B	Z	4.001	4.001	0	%100
105	MP2B	X	0	0	0	%100
106	MP2B	Z	4.001	4.001	0	%100
107	MP3B	X	0	0	0	%100
108	MP3B	Z	4.001	4.001	0	%100
109	MP4B	X	0	0	0	%100
110	MP4B	Z	4.001	4.001	0	%100
111	MP1C	X	0	0	0	%100
112	MP1C	Z	4.001	4.001	0	%100
113	MP2C	X	0	0	0	%100
114	MP2C	Z	4.001	4.001	0	%100
115	MP3C	X	0	0	0	%100
116	MP3C	Z	4.001	4.001	0	%100
117	MP4C	X	0	0	0	%100
118	MP4C	Z	4.001	4.001	0	%100

Member Distributed Loads (BLC 60 : Structure Wi (210 Deg))

	Member Label	Direction	Start Magnitude[lb/ft,...	End Magnitude[lb/ft,F...	Start Location[ft, %]	End Location[ft, %]
1	M1	X	-1.795	-1.795	0	%100
2	M1	Z	3.109	3.109	0	%100
3	M2	X	0	0	0	%100
4	M2	Z	0	0	0	%100
5	M3	X	-1.795	-1.795	0	%100
6	M3	Z	3.109	3.109	0	%100
7	M4	X	-.568	-.568	0	%100
8	M4	Z	.984	.984	0	%100
9	M5	X	-2.271	-2.271	0	%100
10	M5	Z	3.934	3.934	0	%100
11	M6	X	-.568	-.568	0	%100
12	M6	Z	.984	.984	0	%100



Company :
 Designer :
 Job Number :
 Model Name :

June 15, 2021
 2:36 PM
 Checked By: _____

Member Distributed Loads (BLC 60 : Structure Wi (210 Deg)) (Continued)

Member Label	Direction	Start Magnitude[lb/ft,...	End Magnitude[lb/ft,F...	Start Location[ft, %]	End Location[ft, %]
70	M35	Z	3.804	3.804	0 %100
71	M36	X	-2.196	-2.196	0 %100
72	M36	Z	3.804	3.804	0 %100
73	M37	X	-2.196	-2.196	0 %100
74	M37	Z	3.804	3.804	0 %100
75	M38	X	-2.196	-2.196	0 %100
76	M38	Z	3.804	3.804	0 %100
77	M39	X	0	0	0 %100
78	M39	Z	0	0	0 %100
79	M40	X	-1.632	-1.632	0 %100
80	M40	Z	2.826	2.826	0 %100
81	M41	X	0	0	0 %100
82	M41	Z	0	0	0 %100
83	M42	X	-1.632	-1.632	0 %100
84	M42	Z	2.826	2.826	0 %100
85	M43	X	-1.344	-1.344	0 %100
86	M43	Z	2.328	2.328	0 %100
87	M44	X	-1.344	-1.344	0 %100
88	M44	Z	2.328	2.328	0 %100
89	M45	X	0	0	0 %100
90	M45	Z	0	0	0 %100
91	OVP	X	-1.54	-1.54	0 %100
92	OVP	Z	2.667	2.667	0 %100
93	OVP2	X	-1.54	-1.54	0 %100
94	OVP2	Z	2.667	2.667	0 %100
95	MP1A	X	-2	-2	0 %100
96	MP1A	Z	3.465	3.465	0 %100
97	MP2A	X	-2	-2	0 %100
98	MP2A	Z	3.465	3.465	0 %100
99	MP3A	X	-2	-2	0 %100
100	MP3A	Z	3.465	3.465	0 %100
101	MP4A	X	-2	-2	0 %100
102	MP4A	Z	3.465	3.465	0 %100
103	MP1B	X	-2	-2	0 %100
104	MP1B	Z	3.465	3.465	0 %100
105	MP2B	X	-2	-2	0 %100
106	MP2B	Z	3.465	3.465	0 %100
107	MP3B	X	-2	-2	0 %100
108	MP3B	Z	3.465	3.465	0 %100
109	MP4B	X	-2	-2	0 %100
110	MP4B	Z	3.465	3.465	0 %100
111	MP1C	X	-2	-2	0 %100
112	MP1C	Z	3.465	3.465	0 %100
113	MP2C	X	-2	-2	0 %100
114	MP2C	Z	3.465	3.465	0 %100
115	MP3C	X	-2	-2	0 %100
116	MP3C	Z	3.465	3.465	0 %100
117	MP4C	X	-2	-2	0 %100
118	MP4C	Z	3.465	3.465	0 %100

Member Distributed Loads (BLC 61 : Structure Wi (240 Deg))

Member Label	Direction	Start Magnitude[lb/ft,...	End Magnitude[lb/ft,F...	Start Location[ft, %]	End Location[ft, %]
1	M1	X	-1.036	-1.036	0 %100
2	M1	Z	.598	.598	0 %100
3	M2	X	-1.036	-1.036	0 %100
4	M2	Z	.598	.598	0 %100



Company :
 Designer :
 Job Number :
 Model Name :

June 15, 2021
 2:36 PM
 Checked By: _____

Member Distributed Loads (BLC 61 : Structure Wi (240 Deg)) (Continued)

Member Label	Direction	Start Magnitude[lb/ft,...	End Magnitude[lb/ft,F...	Start Location[ft, %]	End Location[ft, %]
5	M3	X	-4.146	-4.146	0 %100
6	M3	Z	2.394	2.394	0 %100
7	M4	X	-2.951	-2.951	0 %100
8	M4	Z	1.704	1.704	0 %100
9	M5	X	-2.951	-2.951	0 %100
10	M5	Z	1.704	1.704	0 %100
11	M6	X	0	0	0 %100
12	M6	Z	0	0	0 %100
13	M7	X	-.807	-.807	0 %100
14	M7	Z	.466	.466	0 %100
15	M8	X	-.807	-.807	0 %100
16	M8	Z	.466	.466	0 %100
17	M9	X	-.807	-.807	0 %100
18	M9	Z	.466	.466	0 %100
19	M10	X	-.807	-.807	0 %100
20	M10	Z	.466	.466	0 %100
21	M11	X	-3.227	-3.227	0 %100
22	M11	Z	1.863	1.863	0 %100
23	M12	X	-3.227	-3.227	0 %100
24	M12	Z	1.863	1.863	0 %100
25	M13	X	-.915	-.915	0 %100
26	M13	Z	.529	.529	0 %100
27	M14	X	-3.662	-3.662	0 %100
28	M14	Z	2.114	2.114	0 %100
29	M15	X	-3.662	-3.662	0 %100
30	M15	Z	2.114	2.114	0 %100
31	M16	X	-.915	-.915	0 %100
32	M16	Z	.529	.529	0 %100
33	M17	X	-.915	-.915	0 %100
34	M17	Z	.529	.529	0 %100
35	M18	X	-.915	-.915	0 %100
36	M18	Z	.529	.529	0 %100
37	M19	X	-1.219	-1.219	0 %100
38	M19	Z	.704	.704	0 %100
39	M20	X	-3.606	-3.606	0 %100
40	M20	Z	2.082	2.082	0 %100
41	M21	X	0	0	0 %100
42	M21	Z	0	0	0 %100
43	M22	X	-1.219	-1.219	0 %100
44	M22	Z	.704	.704	0 %100
45	M23	X	-1.219	-1.219	0 %100
46	M23	Z	.704	.704	0 %100
47	M24	X	0	0	0 %100
48	M24	Z	0	0	0 %100
49	M25	X	-3.606	-3.606	0 %100
50	M25	Z	2.082	2.082	0 %100
51	M26	X	-1.219	-1.219	0 %100
52	M26	Z	.704	.704	0 %100
53	M27	X	-4.876	-4.876	0 %100
54	M27	Z	2.815	2.815	0 %100
55	M28	X	-3.606	-3.606	0 %100
56	M28	Z	2.082	2.082	0 %100
57	M29	X	-3.606	-3.606	0 %100
58	M29	Z	2.082	2.082	0 %100
59	M30	X	-4.876	-4.876	0 %100
60	M30	Z	2.815	2.815	0 %100
61	M31	X	-1.213	-1.213	0 %100



Company :
 Designer :
 Job Number :
 Model Name :

June 15, 2021
 2:36 PM
 Checked By: _____

Member Distributed Loads (BLC 61 : Structure Wi (240 Deg)) (Continued)

Member Label	Direction	Start Magnitude[lb/ft,...	End Magnitude[lb/ft,F...	Start Location[ft,%]	End Location[ft,%]
62	M31	Z	.7	.7	0 %100
63	M32	X	-1.213	-1.213	0 %100
64	M32	Z	.7	.7	0 %100
65	M33	X	-4.853	-4.853	0 %100
66	M33	Z	2.802	2.802	0 %100
67	M34	X	-1.268	-1.268	0 %100
68	M34	Z	.732	.732	0 %100
69	M35	X	-5.072	-5.072	0 %100
70	M35	Z	2.929	2.929	0 %100
71	M36	X	-5.072	-5.072	0 %100
72	M36	Z	2.929	2.929	0 %100
73	M37	X	-1.268	-1.268	0 %100
74	M37	Z	.732	.732	0 %100
75	M38	X	-1.268	-1.268	0 %100
76	M38	Z	.732	.732	0 %100
77	M39	X	-1.268	-1.268	0 %100
78	M39	Z	.732	.732	0 %100
79	M40	X	-.942	-.942	0 %100
80	M40	Z	.544	.544	0 %100
81	M41	X	-.942	-.942	0 %100
82	M41	Z	.544	.544	0 %100
83	M42	X	-3.769	-3.769	0 %100
84	M42	Z	2.176	2.176	0 %100
85	M43	X	-3.104	-3.104	0 %100
86	M43	Z	1.792	1.792	0 %100
87	M44	X	-.776	-.776	0 %100
88	M44	Z	.448	.448	0 %100
89	M45	X	-.776	-.776	0 %100
90	M45	Z	.448	.448	0 %100
91	OVP	X	-2.667	-2.667	0 %100
92	OVP	Z	1.54	1.54	0 %100
93	OVP2	X	-2.667	-2.667	0 %100
94	OVP2	Z	1.54	1.54	0 %100
95	MP1A	X	-3.465	-3.465	0 %100
96	MP1A	Z	2	2	0 %100
97	MP2A	X	-3.465	-3.465	0 %100
98	MP2A	Z	2	2	0 %100
99	MP3A	X	-3.465	-3.465	0 %100
100	MP3A	Z	2	2	0 %100
101	MP4A	X	-3.465	-3.465	0 %100
102	MP4A	Z	2	2	0 %100
103	MP1B	X	-3.465	-3.465	0 %100
104	MP1B	Z	2	2	0 %100
105	MP2B	X	-3.465	-3.465	0 %100
106	MP2B	Z	2	2	0 %100
107	MP3B	X	-3.465	-3.465	0 %100
108	MP3B	Z	2	2	0 %100
109	MP4B	X	-3.465	-3.465	0 %100
110	MP4B	Z	2	2	0 %100
111	MP1C	X	-3.465	-3.465	0 %100
112	MP1C	Z	2	2	0 %100
113	MP2C	X	-3.465	-3.465	0 %100
114	MP2C	Z	2	2	0 %100
115	MP3C	X	-3.465	-3.465	0 %100
116	MP3C	Z	2	2	0 %100
117	MP4C	X	-3.465	-3.465	0 %100
118	MP4C	Z	2	2	0 %100

Member Distributed Loads (BLC 62 : Structure Wi (270 Deg))

	Member Label	Direction	Start Magnitude[lb/ft,...	End Magnitude[lb/ft,F...	Start Location[ft, %]	End Location[ft, %]
1	M1	X	0	0	0	%100
2	M1	Z	0	0	0	%100
3	M2	X	-3.59	-3.59	0	%100
4	M2	Z	0	0	0	%100
5	M3	X	-3.59	-3.59	0	%100
6	M3	Z	0	0	0	%100
7	M4	X	-4.543	-4.543	0	%100
8	M4	Z	0	0	0	%100
9	M5	X	-1.136	-1.136	0	%100
10	M5	Z	0	0	0	%100
11	M6	X	-1.136	-1.136	0	%100
12	M6	Z	0	0	0	%100
13	M7	X	0	0	0	%100
14	M7	Z	0	0	0	%100
15	M8	X	0	0	0	%100
16	M8	Z	0	0	0	%100
17	M9	X	-2.794	-2.794	0	%100
18	M9	Z	0	0	0	%100
19	M10	X	-2.794	-2.794	0	%100
20	M10	Z	0	0	0	%100
21	M11	X	-2.794	-2.794	0	%100
22	M11	Z	0	0	0	%100
23	M12	X	-2.794	-2.794	0	%100
24	M12	Z	0	0	0	%100
25	M13	X	-3.171	-3.171	0	%100
26	M13	Z	0	0	0	%100
27	M14	X	-3.171	-3.171	0	%100
28	M14	Z	0	0	0	%100
29	M15	X	-3.171	-3.171	0	%100
30	M15	Z	0	0	0	%100
31	M16	X	0	0	0	%100
32	M16	Z	0	0	0	%100
33	M17	X	0	0	0	%100
34	M17	Z	0	0	0	%100
35	M18	X	-3.171	-3.171	0	%100
36	M18	Z	0	0	0	%100
37	M19	X	0	0	0	%100
38	M19	Z	0	0	0	%100
39	M20	X	-1.388	-1.388	0	%100
40	M20	Z	0	0	0	%100
41	M21	X	-1.388	-1.388	0	%100
42	M21	Z	0	0	0	%100
43	M22	X	0	0	0	%100
44	M22	Z	0	0	0	%100
45	M23	X	-4.222	-4.222	0	%100
46	M23	Z	0	0	0	%100
47	M24	X	-1.388	-1.388	0	%100
48	M24	Z	0	0	0	%100
49	M25	X	-5.552	-5.552	0	%100
50	M25	Z	0	0	0	%100
51	M26	X	-4.222	-4.222	0	%100
52	M26	Z	0	0	0	%100
53	M27	X	-4.222	-4.222	0	%100
54	M27	Z	0	0	0	%100
55	M28	X	-5.552	-5.552	0	%100
56	M28	Z	0	0	0	%100
57	M29	X	-1.388	-1.388	0	%100



Company :
 Designer :
 Job Number :
 Model Name :

June 15, 2021
 2:36 PM
 Checked By: _____

Member Distributed Loads (BLC 62 : Structure Wi (270 Deg)) (Continued)

Member Label	Direction	Start Magnitude[lb/ft,...	End Magnitude[lb/ft,F...	Start Location[ft,%]	End Location[ft,%]	
58	M29	Z	0	0	0	%100
59	M30	X	-4.222	-4.222	0	%100
60	M30	Z	0	0	0	%100
61	M31	X	0	0	0	%100
62	M31	Z	0	0	0	%100
63	M32	X	-4.203	-4.203	0	%100
64	M32	Z	0	0	0	%100
65	M33	X	-4.203	-4.203	0	%100
66	M33	Z	0	0	0	%100
67	M34	X	-4.393	-4.393	0	%100
68	M34	Z	0	0	0	%100
69	M35	X	-4.393	-4.393	0	%100
70	M35	Z	0	0	0	%100
71	M36	X	-4.393	-4.393	0	%100
72	M36	Z	0	0	0	%100
73	M37	X	0	0	0	%100
74	M37	Z	0	0	0	%100
75	M38	X	0	0	0	%100
76	M38	Z	0	0	0	%100
77	M39	X	-4.393	-4.393	0	%100
78	M39	Z	0	0	0	%100
79	M40	X	0	0	0	%100
80	M40	Z	0	0	0	%100
81	M41	X	-3.264	-3.264	0	%100
82	M41	Z	0	0	0	%100
83	M42	X	-3.264	-3.264	0	%100
84	M42	Z	0	0	0	%100
85	M43	X	-2.688	-2.688	0	%100
86	M43	Z	0	0	0	%100
87	M44	X	0	0	0	%100
88	M44	Z	0	0	0	%100
89	M45	X	-2.688	-2.688	0	%100
90	M45	Z	0	0	0	%100
91	OVP	X	-3.079	-3.079	0	%100
92	OVP	Z	0	0	0	%100
93	OVP2	X	-3.079	-3.079	0	%100
94	OVP2	Z	0	0	0	%100
95	MP1A	X	-4.001	-4.001	0	%100
96	MP1A	Z	0	0	0	%100
97	MP2A	X	-4.001	-4.001	0	%100
98	MP2A	Z	0	0	0	%100
99	MP3A	X	-4.001	-4.001	0	%100
100	MP3A	Z	0	0	0	%100
101	MP4A	X	-4.001	-4.001	0	%100
102	MP4A	Z	0	0	0	%100
103	MP1B	X	-4.001	-4.001	0	%100
104	MP1B	Z	0	0	0	%100
105	MP2B	X	-4.001	-4.001	0	%100
106	MP2B	Z	0	0	0	%100
107	MP3B	X	-4.001	-4.001	0	%100
108	MP3B	Z	0	0	0	%100
109	MP4B	X	-4.001	-4.001	0	%100
110	MP4B	Z	0	0	0	%100
111	MP1C	X	-4.001	-4.001	0	%100
112	MP1C	Z	0	0	0	%100
113	MP2C	X	-4.001	-4.001	0	%100
114	MP2C	Z	0	0	0	%100



Company :
 Designer :
 Job Number :
 Model Name :

June 15, 2021
 2:36 PM
 Checked By: _____

Member Distributed Loads (BLC 62 : Structure Wi (270 Deg)) (Continued)

	Member Label	Direction	Start Magnitude[lb/ft,...	End Magnitude[lb/ft,F...	Start Location[ft, %]	End Location[ft, %]
115	MP3C	X	-4.001	-4.001	0	%100
116	MP3C	Z	0	0	0	%100
117	MP4C	X	-4.001	-4.001	0	%100
118	MP4C	Z	0	0	0	%100

Member Distributed Loads (BLC 63 : Structure Wi (300 Deg))

	Member Label	Direction	Start Magnitude[lb/ft,...	End Magnitude[lb/ft,F...	Start Location[ft, %]	End Location[ft, %]
1	M1	X	-1.036	-1.036	0	%100
2	M1	Z	-.598	-.598	0	%100
3	M2	X	-4.146	-4.146	0	%100
4	M2	Z	-2.394	-2.394	0	%100
5	M3	X	-1.036	-1.036	0	%100
6	M3	Z	-.598	-.598	0	%100
7	M4	X	-2.951	-2.951	0	%100
8	M4	Z	-1.704	-1.704	0	%100
9	M5	X	0	0	0	%100
10	M5	Z	0	0	0	%100
11	M6	X	-2.951	-2.951	0	%100
12	M6	Z	-1.704	-1.704	0	%100
13	M7	X	-.807	-.807	0	%100
14	M7	Z	-.466	-.466	0	%100
15	M8	X	-.807	-.807	0	%100
16	M8	Z	-.466	-.466	0	%100
17	M9	X	-3.227	-3.227	0	%100
18	M9	Z	-1.863	-1.863	0	%100
19	M10	X	-3.227	-3.227	0	%100
20	M10	Z	-1.863	-1.863	0	%100
21	M11	X	-.807	-.807	0	%100
22	M11	Z	-.466	-.466	0	%100
23	M12	X	-.807	-.807	0	%100
24	M12	Z	-.466	-.466	0	%100
25	M13	X	-3.662	-3.662	0	%100
26	M13	Z	-2.114	-2.114	0	%100
27	M14	X	-.915	-.915	0	%100
28	M14	Z	-.529	-.529	0	%100
29	M15	X	-.915	-.915	0	%100
30	M15	Z	-.529	-.529	0	%100
31	M16	X	-.915	-.915	0	%100
32	M16	Z	-.529	-.529	0	%100
33	M17	X	-.915	-.915	0	%100
34	M17	Z	-.529	-.529	0	%100
35	M18	X	-3.662	-3.662	0	%100
36	M18	Z	-2.114	-2.114	0	%100
37	M19	X	-1.219	-1.219	0	%100
38	M19	Z	-.704	-.704	0	%100
39	M20	X	0	0	0	%100
40	M20	Z	0	0	0	%100
41	M21	X	-3.606	-3.606	0	%100
42	M21	Z	-2.082	-2.082	0	%100
43	M22	X	-1.219	-1.219	0	%100
44	M22	Z	-.704	-.704	0	%100
45	M23	X	-4.876	-4.876	0	%100
46	M23	Z	-2.815	-2.815	0	%100
47	M24	X	-3.606	-3.606	0	%100
48	M24	Z	-2.082	-2.082	0	%100
49	M25	X	-3.606	-3.606	0	%100



Company :
 Designer :
 Job Number :
 Model Name :

June 15, 2021
 2:36 PM
 Checked By: _____

Member Distributed Loads (BLC 63 : Structure Wi (300 Deg)) (Continued)

Member Label	Direction	Start Magnitude[lb/ft,...	End Magnitude[lb/ft,F...	Start Location[ft,%]	End Location[ft,%]
50	M25	Z	-2.082	-2.082	0 %100
51	M26	X	-4.876	-4.876	0 %100
52	M26	Z	-2.815	-2.815	0 %100
53	M27	X	-1.219	-1.219	0 %100
54	M27	Z	-.704	-.704	0 %100
55	M28	X	-3.606	-3.606	0 %100
56	M28	Z	-2.082	-2.082	0 %100
57	M29	X	0	0	0 %100
58	M29	Z	0	0	0 %100
59	M30	X	-1.219	-1.219	0 %100
60	M30	Z	-.704	-.704	0 %100
61	M31	X	-1.213	-1.213	0 %100
62	M31	Z	-.7	-.7	0 %100
63	M32	X	-4.853	-4.853	0 %100
64	M32	Z	-2.802	-2.802	0 %100
65	M33	X	-1.213	-1.213	0 %100
66	M33	Z	-.7	-.7	0 %100
67	M34	X	-5.072	-5.072	0 %100
68	M34	Z	-2.929	-2.929	0 %100
69	M35	X	-1.268	-1.268	0 %100
70	M35	Z	-.732	-.732	0 %100
71	M36	X	-1.268	-1.268	0 %100
72	M36	Z	-.732	-.732	0 %100
73	M37	X	-1.268	-1.268	0 %100
74	M37	Z	-.732	-.732	0 %100
75	M38	X	-1.268	-1.268	0 %100
76	M38	Z	-.732	-.732	0 %100
77	M39	X	-5.072	-5.072	0 %100
78	M39	Z	-2.929	-2.929	0 %100
79	M40	X	-.942	-.942	0 %100
80	M40	Z	-.544	-.544	0 %100
81	M41	X	-3.769	-3.769	0 %100
82	M41	Z	-2.176	-2.176	0 %100
83	M42	X	-.942	-.942	0 %100
84	M42	Z	-.544	-.544	0 %100
85	M43	X	-.776	-.776	0 %100
86	M43	Z	-.448	-.448	0 %100
87	M44	X	-.776	-.776	0 %100
88	M44	Z	-.448	-.448	0 %100
89	M45	X	-3.104	-3.104	0 %100
90	M45	Z	-1.792	-1.792	0 %100
91	OVP	X	-2.667	-2.667	0 %100
92	OVP	Z	-1.54	-1.54	0 %100
93	OVP2	X	-2.667	-2.667	0 %100
94	OVP2	Z	-1.54	-1.54	0 %100
95	MP1A	X	-3.465	-3.465	0 %100
96	MP1A	Z	-2	-2	0 %100
97	MP2A	X	-3.465	-3.465	0 %100
98	MP2A	Z	-2	-2	0 %100
99	MP3A	X	-3.465	-3.465	0 %100
100	MP3A	Z	-2	-2	0 %100
101	MP4A	X	-3.465	-3.465	0 %100
102	MP4A	Z	-2	-2	0 %100
103	MP1B	X	-3.465	-3.465	0 %100
104	MP1B	Z	-2	-2	0 %100
105	MP2B	X	-3.465	-3.465	0 %100
106	MP2B	Z	-2	-2	0 %100

Member Distributed Loads (BLC 63 : Structure Wi (300 Deg)) (Continued)

	Member Label	Direction	Start Magnitude[lb/ft,...	End Magnitude[lb/ft,F...	Start Location[ft, %]	End Location[ft, %]
107	MP3B	X	-3.465	-3.465	0	%100
108	MP3B	Z	-2	-2	0	%100
109	MP4B	X	-3.465	-3.465	0	%100
110	MP4B	Z	-2	-2	0	%100
111	MP1C	X	-3.465	-3.465	0	%100
112	MP1C	Z	-2	-2	0	%100
113	MP2C	X	-3.465	-3.465	0	%100
114	MP2C	Z	-2	-2	0	%100
115	MP3C	X	-3.465	-3.465	0	%100
116	MP3C	Z	-2	-2	0	%100
117	MP4C	X	-3.465	-3.465	0	%100
118	MP4C	Z	-2	-2	0	%100

Member Distributed Loads (BLC 64 : Structure Wi (330 Deg))

	Member Label	Direction	Start Magnitude[lb/ft,...	End Magnitude[lb/ft,F...	Start Location[ft, %]	End Location[ft, %]
1	M1	X	-1.795	-1.795	0	%100
2	M1	Z	-3.109	-3.109	0	%100
3	M2	X	-1.795	-1.795	0	%100
4	M2	Z	-3.109	-3.109	0	%100
5	M3	X	0	0	0	%100
6	M3	Z	0	0	0	%100
7	M4	X	-.568	-.568	0	%100
8	M4	Z	-.984	-.984	0	%100
9	M5	X	-.568	-.568	0	%100
10	M5	Z	-.984	-.984	0	%100
11	M6	X	-2.271	-2.271	0	%100
12	M6	Z	-3.934	-3.934	0	%100
13	M7	X	-1.397	-1.397	0	%100
14	M7	Z	-2.42	-2.42	0	%100
15	M8	X	-1.397	-1.397	0	%100
16	M8	Z	-2.42	-2.42	0	%100
17	M9	X	-1.397	-1.397	0	%100
18	M9	Z	-2.42	-2.42	0	%100
19	M10	X	-1.397	-1.397	0	%100
20	M10	Z	-2.42	-2.42	0	%100
21	M11	X	0	0	0	%100
22	M11	Z	0	0	0	%100
23	M12	X	0	0	0	%100
24	M12	Z	0	0	0	%100
25	M13	X	-1.586	-1.586	0	%100
26	M13	Z	-2.746	-2.746	0	%100
27	M14	X	0	0	0	%100
28	M14	Z	0	0	0	%100
29	M15	X	0	0	0	%100
30	M15	Z	0	0	0	%100
31	M16	X	-1.586	-1.586	0	%100
32	M16	Z	-2.746	-2.746	0	%100
33	M17	X	-1.586	-1.586	0	%100
34	M17	Z	-2.746	-2.746	0	%100
35	M18	X	-1.586	-1.586	0	%100
36	M18	Z	-2.746	-2.746	0	%100
37	M19	X	-2.111	-2.111	0	%100
38	M19	Z	-3.657	-3.657	0	%100
39	M20	X	-.694	-.694	0	%100
40	M20	Z	-1.202	-1.202	0	%100
41	M21	X	-2.776	-2.776	0	%100



Company :
 Designer :
 Job Number :
 Model Name :

June 15, 2021
 2:36 PM
 Checked By: _____

Member Distributed Loads (BLC 64 : Structure Wi (330 Deg)) (Continued)

	Member Label	Direction	Start Magnitude[lb/ft,...	End Magnitude[lb/ft,F...	Start Location[ft,%]	End Location[ft,%]
42	M21	Z	-4.808	-4.808	0	%100
43	M22	X	-2.111	-2.111	0	%100
44	M22	Z	-3.657	-3.657	0	%100
45	M23	X	-2.111	-2.111	0	%100
46	M23	Z	-3.657	-3.657	0	%100
47	M24	X	-2.776	-2.776	0	%100
48	M24	Z	-4.808	-4.808	0	%100
49	M25	X	-.694	-.694	0	%100
50	M25	Z	-1.202	-1.202	0	%100
51	M26	X	-2.111	-2.111	0	%100
52	M26	Z	-3.657	-3.657	0	%100
53	M27	X	0	0	0	%100
54	M27	Z	0	0	0	%100
55	M28	X	-.694	-.694	0	%100
56	M28	Z	-1.202	-1.202	0	%100
57	M29	X	-.694	-.694	0	%100
58	M29	Z	-1.202	-1.202	0	%100
59	M30	X	0	0	0	%100
60	M30	Z	0	0	0	%100
61	M31	X	-2.101	-2.101	0	%100
62	M31	Z	-3.64	-3.64	0	%100
63	M32	X	-2.101	-2.101	0	%100
64	M32	Z	-3.64	-3.64	0	%100
65	M33	X	0	0	0	%100
66	M33	Z	0	0	0	%100
67	M34	X	-2.196	-2.196	0	%100
68	M34	Z	-3.804	-3.804	0	%100
69	M35	X	0	0	0	%100
70	M35	Z	0	0	0	%100
71	M36	X	0	0	0	%100
72	M36	Z	0	0	0	%100
73	M37	X	-2.196	-2.196	0	%100
74	M37	Z	-3.804	-3.804	0	%100
75	M38	X	-2.196	-2.196	0	%100
76	M38	Z	-3.804	-3.804	0	%100
77	M39	X	-2.196	-2.196	0	%100
78	M39	Z	-3.804	-3.804	0	%100
79	M40	X	-1.632	-1.632	0	%100
80	M40	Z	-2.826	-2.826	0	%100
81	M41	X	-1.632	-1.632	0	%100
82	M41	Z	-2.826	-2.826	0	%100
83	M42	X	0	0	0	%100
84	M42	Z	0	0	0	%100
85	M43	X	0	0	0	%100
86	M43	Z	0	0	0	%100
87	M44	X	-1.344	-1.344	0	%100
88	M44	Z	-2.328	-2.328	0	%100
89	M45	X	-1.344	-1.344	0	%100
90	M45	Z	-2.328	-2.328	0	%100
91	OVP	X	-1.54	-1.54	0	%100
92	OVP	Z	-2.667	-2.667	0	%100
93	OVP2	X	-1.54	-1.54	0	%100
94	OVP2	Z	-2.667	-2.667	0	%100
95	MP1A	X	-2	-2	0	%100
96	MP1A	Z	-3.465	-3.465	0	%100
97	MP2A	X	-2	-2	0	%100
98	MP2A	Z	-3.465	-3.465	0	%100

Member Distributed Loads (BLC 64 : Structure Wi (330 Deg)) (Continued)

	Member Label	Direction	Start Magnitude[lb/ft,...	End Magnitude[lb/ft,F...	Start Location[ft, %]	End Location[ft, %]
99	MP3A	X	-2	-2	0	%100
100	MP3A	Z	-3.465	-3.465	0	%100
101	MP4A	X	-2	-2	0	%100
102	MP4A	Z	-3.465	-3.465	0	%100
103	MP1B	X	-2	-2	0	%100
104	MP1B	Z	-3.465	-3.465	0	%100
105	MP2B	X	-2	-2	0	%100
106	MP2B	Z	-3.465	-3.465	0	%100
107	MP3B	X	-2	-2	0	%100
108	MP3B	Z	-3.465	-3.465	0	%100
109	MP4B	X	-2	-2	0	%100
110	MP4B	Z	-3.465	-3.465	0	%100
111	MP1C	X	-2	-2	0	%100
112	MP1C	Z	-3.465	-3.465	0	%100
113	MP2C	X	-2	-2	0	%100
114	MP2C	Z	-3.465	-3.465	0	%100
115	MP3C	X	-2	-2	0	%100
116	MP3C	Z	-3.465	-3.465	0	%100
117	MP4C	X	-2	-2	0	%100
118	MP4C	Z	-3.465	-3.465	0	%100

Member Distributed Loads (BLC 65 : Structure Wm (0 Deg))

	Member Label	Direction	Start Magnitude[lb/ft,...	End Magnitude[lb/ft,F...	Start Location[ft, %]	End Location[ft, %]
1	M1	X	0	0	0	%100
2	M1	Z	-0.878	-0.878	0	%100
3	M2	X	0	0	0	%100
4	M2	Z	-0.22	-0.22	0	%100
5	M3	X	0	0	0	%100
6	M3	Z	-0.22	-0.22	0	%100
7	M4	X	0	0	0	%100
8	M4	Z	0	0	0	%100
9	M5	X	0	0	0	%100
10	M5	Z	-0.669	-0.669	0	%100
11	M6	X	0	0	0	%100
12	M6	Z	-0.669	-0.669	0	%100
13	M7	X	0	0	0	%100
14	M7	Z	-0.755	-0.755	0	%100
15	M8	X	0	0	0	%100
16	M8	Z	-0.755	-0.755	0	%100
17	M9	X	0	0	0	%100
18	M9	Z	-0.189	-0.189	0	%100
19	M10	X	0	0	0	%100
20	M10	Z	-0.189	-0.189	0	%100
21	M11	X	0	0	0	%100
22	M11	Z	-0.189	-0.189	0	%100
23	M12	X	0	0	0	%100
24	M12	Z	-0.189	-0.189	0	%100
25	M13	X	0	0	0	%100
26	M13	Z	-0.209	-0.209	0	%100
27	M14	X	0	0	0	%100
28	M14	Z	-0.209	-0.209	0	%100
29	M15	X	0	0	0	%100
30	M15	Z	-0.209	-0.209	0	%100
31	M16	X	0	0	0	%100
32	M16	Z	-0.836	-0.836	0	%100
33	M17	X	0	0	0	%100

Member Distributed Loads (BLC 65 : Structure Wm (0 Deg)) (Continued)

Member Label	Direction	Start Magnitude[lb/ft,...	End Magnitude[lb/ft,F...	Start Location[ft,%]	End Location[ft,%]
34	M17	Z	- .836	- .836	0 %100
35	M18	X	0	0	0 %100
36	M18	Z	- .209	- .209	0 %100
37	M19	X	0	0	0 %100
38	M19	Z	-1.534	-1.534	0 %100
39	M20	X	0	0	0 %100
40	M20	Z	-1.129	-1.129	0 %100
41	M21	X	0	0	0 %100
42	M21	Z	-1.129	-1.129	0 %100
43	M22	X	0	0	0 %100
44	M22	Z	-1.534	-1.534	0 %100
45	M23	X	0	0	0 %100
46	M23	Z	- .383	- .383	0 %100
47	M24	X	0	0	0 %100
48	M24	Z	-1.129	-1.129	0 %100
49	M25	X	0	0	0 %100
50	M25	Z	0	0	0 %100
51	M26	X	0	0	0 %100
52	M26	Z	- .383	- .383	0 %100
53	M27	X	0	0	0 %100
54	M27	Z	- .383	- .383	0 %100
55	M28	X	0	0	0 %100
56	M28	Z	0	0	0 %100
57	M29	X	0	0	0 %100
58	M29	Z	-1.129	-1.129	0 %100
59	M30	X	0	0	0 %100
60	M30	Z	- .383	- .383	0 %100
61	M31	X	0	0	0 %100
62	M31	Z	-1.506	-1.506	0 %100
63	M32	X	0	0	0 %100
64	M32	Z	- .376	- .376	0 %100
65	M33	X	0	0	0 %100
66	M33	Z	- .376	- .376	0 %100
67	M34	X	0	0	0 %100
68	M34	Z	- .404	- .404	0 %100
69	M35	X	0	0	0 %100
70	M35	Z	- .404	- .404	0 %100
71	M36	X	0	0	0 %100
72	M36	Z	- .404	- .404	0 %100
73	M37	X	0	0	0 %100
74	M37	Z	-1.616	-1.616	0 %100
75	M38	X	0	0	0 %100
76	M38	Z	-1.616	-1.616	0 %100
77	M39	X	0	0	0 %100
78	M39	Z	- .404	- .404	0 %100
79	M40	X	0	0	0 %100
80	M40	Z	- .722	- .722	0 %100
81	M41	X	0	0	0 %100
82	M41	Z	- .18	- .18	0 %100
83	M42	X	0	0	0 %100
84	M42	Z	- .18	- .18	0 %100
85	M43	X	0	0	0 %100
86	M43	Z	- .196	- .196	0 %100
87	M44	X	0	0	0 %100
88	M44	Z	- .786	- .786	0 %100
89	M45	X	0	0	0 %100
90	M45	Z	- .196	- .196	0 %100

Member Distributed Loads (BLC 65 : Structure Wm (0 Deg)) (Continued)

Member Label	Direction	Start Magnitude[lb/ft,...	End Magnitude[lb/ft,F...	Start Location[ft, %]	End Location[ft, %]	
91	OVP	X	0	0	0	%100
92	OVP	Z	-.487	-.487	0	%100
93	OVP2	X	0	0	0	%100
94	OVP2	Z	-.487	-.487	0	%100
95	MP1A	X	0	0	0	%100
96	MP1A	Z	-.596	-.596	0	%100
97	MP2A	X	0	0	0	%100
98	MP2A	Z	-.596	-.596	0	%100
99	MP3A	X	0	0	0	%100
100	MP3A	Z	-.596	-.596	0	%100
101	MP4A	X	0	0	0	%100
102	MP4A	Z	-.596	-.596	0	%100
103	MP1B	X	0	0	0	%100
104	MP1B	Z	-.596	-.596	0	%100
105	MP2B	X	0	0	0	%100
106	MP2B	Z	-.596	-.596	0	%100
107	MP3B	X	0	0	0	%100
108	MP3B	Z	-.596	-.596	0	%100
109	MP4B	X	0	0	0	%100
110	MP4B	Z	-.596	-.596	0	%100
111	MP1C	X	0	0	0	%100
112	MP1C	Z	-.596	-.596	0	%100
113	MP2C	X	0	0	0	%100
114	MP2C	Z	-.596	-.596	0	%100
115	MP3C	X	0	0	0	%100
116	MP3C	Z	-.596	-.596	0	%100
117	MP4C	X	0	0	0	%100
118	MP4C	Z	-.596	-.596	0	%100

Member Distributed Loads (BLC 66 : Structure Wm (30 Deg))

Member Label	Direction	Start Magnitude[lb/ft,...	End Magnitude[lb/ft,F...	Start Location[ft, %]	End Location[ft, %]	
1	M1	X	.329	.329	0	%100
2	M1	Z	-.571	-.571	0	%100
3	M2	X	0	0	0	%100
4	M2	Z	0	0	0	%100
5	M3	X	.329	.329	0	%100
6	M3	Z	-.571	-.571	0	%100
7	M4	X	.112	.112	0	%100
8	M4	Z	-.193	-.193	0	%100
9	M5	X	.446	.446	0	%100
10	M5	Z	-.773	-.773	0	%100
11	M6	X	.112	.112	0	%100
12	M6	Z	-.193	-.193	0	%100
13	M7	X	.283	.283	0	%100
14	M7	Z	-.49	-.49	0	%100
15	M8	X	.283	.283	0	%100
16	M8	Z	-.49	-.49	0	%100
17	M9	X	0	0	0	%100
18	M9	Z	0	0	0	%100
19	M10	X	0	0	0	%100
20	M10	Z	0	0	0	%100
21	M11	X	.283	.283	0	%100
22	M11	Z	-.49	-.49	0	%100
23	M12	X	.283	.283	0	%100
24	M12	Z	-.49	-.49	0	%100
25	M13	X	0	0	0	%100



Company :
 Designer :
 Job Number :
 Model Name :

June 15, 2021
 2:36 PM
 Checked By: _____

Member Distributed Loads (BLC 66 : Structure Wm (30 Deg)) (Continued)

Member Label	Direction	Start Magnitude[lb/ft,...	End Magnitude[lb/ft,F...	Start Location[ft,%]	End Location[ft,%]	
26	M13	Z	0	0	0	%100
27	M14	X	.314	.314	0	%100
28	M14	Z	-.543	-.543	0	%100
29	M15	X	.314	.314	0	%100
30	M15	Z	-.543	-.543	0	%100
31	M16	X	.314	.314	0	%100
32	M16	Z	-.543	-.543	0	%100
33	M17	X	.314	.314	0	%100
34	M17	Z	-.543	-.543	0	%100
35	M18	X	0	0	0	%100
36	M18	Z	0	0	0	%100
37	M19	X	.575	.575	0	%100
38	M19	Z	-.996	-.996	0	%100
39	M20	X	.753	.753	0	%100
40	M20	Z	-1.304	-1.304	0	%100
41	M21	X	.188	.188	0	%100
42	M21	Z	-.326	-.326	0	%100
43	M22	X	.575	.575	0	%100
44	M22	Z	-.996	-.996	0	%100
45	M23	X	0	0	0	%100
46	M23	Z	0	0	0	%100
47	M24	X	.188	.188	0	%100
48	M24	Z	-.326	-.326	0	%100
49	M25	X	.188	.188	0	%100
50	M25	Z	-.326	-.326	0	%100
51	M26	X	0	0	0	%100
52	M26	Z	0	0	0	%100
53	M27	X	.575	.575	0	%100
54	M27	Z	-.996	-.996	0	%100
55	M28	X	.188	.188	0	%100
56	M28	Z	-.326	-.326	0	%100
57	M29	X	.753	.753	0	%100
58	M29	Z	-1.304	-1.304	0	%100
59	M30	X	.575	.575	0	%100
60	M30	Z	-.996	-.996	0	%100
61	M31	X	.565	.565	0	%100
62	M31	Z	-.978	-.978	0	%100
63	M32	X	0	0	0	%100
64	M32	Z	0	0	0	%100
65	M33	X	.565	.565	0	%100
66	M33	Z	-.978	-.978	0	%100
67	M34	X	0	0	0	%100
68	M34	Z	0	0	0	%100
69	M35	X	.606	.606	0	%100
70	M35	Z	-1.049	-1.049	0	%100
71	M36	X	.606	.606	0	%100
72	M36	Z	-1.049	-1.049	0	%100
73	M37	X	.606	.606	0	%100
74	M37	Z	-1.049	-1.049	0	%100
75	M38	X	.606	.606	0	%100
76	M38	Z	-1.049	-1.049	0	%100
77	M39	X	0	0	0	%100
78	M39	Z	0	0	0	%100
79	M40	X	.271	.271	0	%100
80	M40	Z	-.469	-.469	0	%100
81	M41	X	0	0	0	%100
82	M41	Z	0	0	0	%100

Member Distributed Loads (BLC 66 : Structure Wm (30 Deg)) (Continued)

	Member Label	Direction	Start Magnitude[lb/ft,...	End Magnitude[lb/ft,F...	Start Location[ft, %]	End Location[ft, %]
83	M42	X	.271	.271	0	%100
84	M42	Z	-.469	-.469	0	%100
85	M43	X	.295	.295	0	%100
86	M43	Z	-.51	-.51	0	%100
87	M44	X	.295	.295	0	%100
88	M44	Z	-.51	-.51	0	%100
89	M45	X	0	0	0	%100
90	M45	Z	0	0	0	%100
91	OVP	X	.244	.244	0	%100
92	OVP	Z	-.422	-.422	0	%100
93	OVP2	X	.244	.244	0	%100
94	OVP2	Z	-.422	-.422	0	%100
95	MP1A	X	.298	.298	0	%100
96	MP1A	Z	-.516	-.516	0	%100
97	MP2A	X	.298	.298	0	%100
98	MP2A	Z	-.516	-.516	0	%100
99	MP3A	X	.298	.298	0	%100
100	MP3A	Z	-.516	-.516	0	%100
101	MP4A	X	.298	.298	0	%100
102	MP4A	Z	-.516	-.516	0	%100
103	MP1B	X	.298	.298	0	%100
104	MP1B	Z	-.516	-.516	0	%100
105	MP2B	X	.298	.298	0	%100
106	MP2B	Z	-.516	-.516	0	%100
107	MP3B	X	.298	.298	0	%100
108	MP3B	Z	-.516	-.516	0	%100
109	MP4B	X	.298	.298	0	%100
110	MP4B	Z	-.516	-.516	0	%100
111	MP1C	X	.298	.298	0	%100
112	MP1C	Z	-.516	-.516	0	%100
113	MP2C	X	.298	.298	0	%100
114	MP2C	Z	-.516	-.516	0	%100
115	MP3C	X	.298	.298	0	%100
116	MP3C	Z	-.516	-.516	0	%100
117	MP4C	X	.298	.298	0	%100
118	MP4C	Z	-.516	-.516	0	%100

Member Distributed Loads (BLC 67 : Structure Wm (60 Deg))

	Member Label	Direction	Start Magnitude[lb/ft,...	End Magnitude[lb/ft,F...	Start Location[ft, %]	End Location[ft, %]
1	M1	X	.19	.19	0	%100
2	M1	Z	-.11	-.11	0	%100
3	M2	X	.19	.19	0	%100
4	M2	Z	-.11	-.11	0	%100
5	M3	X	.761	.761	0	%100
6	M3	Z	-.439	-.439	0	%100
7	M4	X	.58	.58	0	%100
8	M4	Z	-.335	-.335	0	%100
9	M5	X	.58	.58	0	%100
10	M5	Z	-.335	-.335	0	%100
11	M6	X	0	0	0	%100
12	M6	Z	0	0	0	%100
13	M7	X	.163	.163	0	%100
14	M7	Z	-.094	-.094	0	%100
15	M8	X	.163	.163	0	%100
16	M8	Z	-.094	-.094	0	%100
17	M9	X	.163	.163	0	%100



Company :
 Designer :
 Job Number :
 Model Name :

June 15, 2021
 2:36 PM
 Checked By: _____

Member Distributed Loads (BLC 67 : Structure Wm (60 Deg)) (Continued)

	Member Label	Direction	Start Magnitude[lb/ft,...	End Magnitude[lb/ft,F...	Start Location[ft,%]	End Location[ft,%]
18	M9	Z	-.094	-.094	0	%100
19	M10	X	.163	.163	0	%100
20	M10	Z	-.094	-.094	0	%100
21	M11	X	.654	.654	0	%100
22	M11	Z	-.378	-.378	0	%100
23	M12	X	.654	.654	0	%100
24	M12	Z	-.378	-.378	0	%100
25	M13	X	.181	.181	0	%100
26	M13	Z	-.105	-.105	0	%100
27	M14	X	.724	.724	0	%100
28	M14	Z	-.418	-.418	0	%100
29	M15	X	.724	.724	0	%100
30	M15	Z	-.418	-.418	0	%100
31	M16	X	.181	.181	0	%100
32	M16	Z	-.105	-.105	0	%100
33	M17	X	.181	.181	0	%100
34	M17	Z	-.105	-.105	0	%100
35	M18	X	.181	.181	0	%100
36	M18	Z	-.105	-.105	0	%100
37	M19	X	.332	.332	0	%100
38	M19	Z	-.192	-.192	0	%100
39	M20	X	.978	.978	0	%100
40	M20	Z	-.565	-.565	0	%100
41	M21	X	0	0	0	%100
42	M21	Z	0	0	0	%100
43	M22	X	.332	.332	0	%100
44	M22	Z	-.192	-.192	0	%100
45	M23	X	.332	.332	0	%100
46	M23	Z	-.192	-.192	0	%100
47	M24	X	0	0	0	%100
48	M24	Z	0	0	0	%100
49	M25	X	.978	.978	0	%100
50	M25	Z	-.565	-.565	0	%100
51	M26	X	.332	.332	0	%100
52	M26	Z	-.192	-.192	0	%100
53	M27	X	1.328	1.328	0	%100
54	M27	Z	-.767	-.767	0	%100
55	M28	X	.978	.978	0	%100
56	M28	Z	-.565	-.565	0	%100
57	M29	X	.978	.978	0	%100
58	M29	Z	-.565	-.565	0	%100
59	M30	X	1.328	1.328	0	%100
60	M30	Z	-.767	-.767	0	%100
61	M31	X	.326	.326	0	%100
62	M31	Z	-.188	-.188	0	%100
63	M32	X	.326	.326	0	%100
64	M32	Z	-.188	-.188	0	%100
65	M33	X	1.304	1.304	0	%100
66	M33	Z	-.753	-.753	0	%100
67	M34	X	.35	.35	0	%100
68	M34	Z	-.202	-.202	0	%100
69	M35	X	1.399	1.399	0	%100
70	M35	Z	-.808	-.808	0	%100
71	M36	X	1.399	1.399	0	%100
72	M36	Z	-.808	-.808	0	%100
73	M37	X	.35	.35	0	%100
74	M37	Z	-.202	-.202	0	%100

Member Distributed Loads (BLC 67 : Structure Wm (60 Deg)) (Continued)

	Member Label	Direction	Start Magnitude[lb/ft,...	End Magnitude[lb/ft,F...	Start Location[ft, %]	End Location[ft, %]
75	M38	X	.35	.35	0	%100
76	M38	Z	-.202	-.202	0	%100
77	M39	X	.35	.35	0	%100
78	M39	Z	-.202	-.202	0	%100
79	M40	X	.156	.156	0	%100
80	M40	Z	-.09	-.09	0	%100
81	M41	X	.156	.156	0	%100
82	M41	Z	-.09	-.09	0	%100
83	M42	X	.625	.625	0	%100
84	M42	Z	-.361	-.361	0	%100
85	M43	X	.68	.68	0	%100
86	M43	Z	-.393	-.393	0	%100
87	M44	X	.17	.17	0	%100
88	M44	Z	-.098	-.098	0	%100
89	M45	X	.17	.17	0	%100
90	M45	Z	-.098	-.098	0	%100
91	OVP	X	.422	.422	0	%100
92	OVP	Z	-.244	-.244	0	%100
93	OVP2	X	.422	.422	0	%100
94	OVP2	Z	-.244	-.244	0	%100
95	MP1A	X	.516	.516	0	%100
96	MP1A	Z	-.298	-.298	0	%100
97	MP2A	X	.516	.516	0	%100
98	MP2A	Z	-.298	-.298	0	%100
99	MP3A	X	.516	.516	0	%100
100	MP3A	Z	-.298	-.298	0	%100
101	MP4A	X	.516	.516	0	%100
102	MP4A	Z	-.298	-.298	0	%100
103	MP1B	X	.516	.516	0	%100
104	MP1B	Z	-.298	-.298	0	%100
105	MP2B	X	.516	.516	0	%100
106	MP2B	Z	-.298	-.298	0	%100
107	MP3B	X	.516	.516	0	%100
108	MP3B	Z	-.298	-.298	0	%100
109	MP4B	X	.516	.516	0	%100
110	MP4B	Z	-.298	-.298	0	%100
111	MP1C	X	.516	.516	0	%100
112	MP1C	Z	-.298	-.298	0	%100
113	MP2C	X	.516	.516	0	%100
114	MP2C	Z	-.298	-.298	0	%100
115	MP3C	X	.516	.516	0	%100
116	MP3C	Z	-.298	-.298	0	%100
117	MP4C	X	.516	.516	0	%100
118	MP4C	Z	-.298	-.298	0	%100

Member Distributed Loads (BLC 68 : Structure Wm (90 Deg))

	Member Label	Direction	Start Magnitude[lb/ft,...	End Magnitude[lb/ft,F...	Start Location[ft, %]	End Location[ft, %]
1	M1	X	0	0	0	%100
2	M1	Z	0	0	0	%100
3	M2	X	.659	.659	0	%100
4	M2	Z	0	0	0	%100
5	M3	X	.659	.659	0	%100
6	M3	Z	0	0	0	%100
7	M4	X	.892	.892	0	%100
8	M4	Z	0	0	0	%100
9	M5	X	.223	.223	0	%100



Company :
 Designer :
 Job Number :
 Model Name :

June 15, 2021
 2:36 PM
 Checked By: _____

Member Distributed Loads (BLC 68 : Structure Wm (90 Deg)) (Continued)

Member Label	Direction	Start Magnitude[lb/ft,...	End Magnitude[lb/ft,F...	Start Location[ft,%]	End Location[ft,%]	
10	M5	Z	0	0	0	%100
11	M6	X	.223	.223	0	%100
12	M6	Z	0	0	0	%100
13	M7	X	0	0	0	%100
14	M7	Z	0	0	0	%100
15	M8	X	0	0	0	%100
16	M8	Z	0	0	0	%100
17	M9	X	.566	.566	0	%100
18	M9	Z	0	0	0	%100
19	M10	X	.566	.566	0	%100
20	M10	Z	0	0	0	%100
21	M11	X	.566	.566	0	%100
22	M11	Z	0	0	0	%100
23	M12	X	.566	.566	0	%100
24	M12	Z	0	0	0	%100
25	M13	X	.627	.627	0	%100
26	M13	Z	0	0	0	%100
27	M14	X	.627	.627	0	%100
28	M14	Z	0	0	0	%100
29	M15	X	.627	.627	0	%100
30	M15	Z	0	0	0	%100
31	M16	X	0	0	0	%100
32	M16	Z	0	0	0	%100
33	M17	X	0	0	0	%100
34	M17	Z	0	0	0	%100
35	M18	X	.627	.627	0	%100
36	M18	Z	0	0	0	%100
37	M19	X	0	0	0	%100
38	M19	Z	0	0	0	%100
39	M20	X	.376	.376	0	%100
40	M20	Z	0	0	0	%100
41	M21	X	.376	.376	0	%100
42	M21	Z	0	0	0	%100
43	M22	X	0	0	0	%100
44	M22	Z	0	0	0	%100
45	M23	X	1.15	1.15	0	%100
46	M23	Z	0	0	0	%100
47	M24	X	.376	.376	0	%100
48	M24	Z	0	0	0	%100
49	M25	X	1.506	1.506	0	%100
50	M25	Z	0	0	0	%100
51	M26	X	1.15	1.15	0	%100
52	M26	Z	0	0	0	%100
53	M27	X	1.15	1.15	0	%100
54	M27	Z	0	0	0	%100
55	M28	X	1.506	1.506	0	%100
56	M28	Z	0	0	0	%100
57	M29	X	.376	.376	0	%100
58	M29	Z	0	0	0	%100
59	M30	X	1.15	1.15	0	%100
60	M30	Z	0	0	0	%100
61	M31	X	0	0	0	%100
62	M31	Z	0	0	0	%100
63	M32	X	1.129	1.129	0	%100
64	M32	Z	0	0	0	%100
65	M33	X	1.129	1.129	0	%100
66	M33	Z	0	0	0	%100

Member Distributed Loads (BLC 68 : Structure Wm (90 Deg)) (Continued)

	Member Label	Direction	Start Magnitude[lb/ft,...	End Magnitude[lb/ft,F...	Start Location[ft, %]	End Location[ft, %]
67	M34	X	1.212	1.212	0	%100
68	M34	Z	0	0	0	%100
69	M35	X	1.212	1.212	0	%100
70	M35	Z	0	0	0	%100
71	M36	X	1.212	1.212	0	%100
72	M36	Z	0	0	0	%100
73	M37	X	0	0	0	%100
74	M37	Z	0	0	0	%100
75	M38	X	0	0	0	%100
76	M38	Z	0	0	0	%100
77	M39	X	1.212	1.212	0	%100
78	M39	Z	0	0	0	%100
79	M40	X	0	0	0	%100
80	M40	Z	0	0	0	%100
81	M41	X	.541	.541	0	%100
82	M41	Z	0	0	0	%100
83	M42	X	.541	.541	0	%100
84	M42	Z	0	0	0	%100
85	M43	X	.589	.589	0	%100
86	M43	Z	0	0	0	%100
87	M44	X	0	0	0	%100
88	M44	Z	0	0	0	%100
89	M45	X	.589	.589	0	%100
90	M45	Z	0	0	0	%100
91	OVP	X	.487	.487	0	%100
92	OVP	Z	0	0	0	%100
93	OVP2	X	.487	.487	0	%100
94	OVP2	Z	0	0	0	%100
95	MP1A	X	.596	.596	0	%100
96	MP1A	Z	0	0	0	%100
97	MP2A	X	.596	.596	0	%100
98	MP2A	Z	0	0	0	%100
99	MP3A	X	.596	.596	0	%100
100	MP3A	Z	0	0	0	%100
101	MP4A	X	.596	.596	0	%100
102	MP4A	Z	0	0	0	%100
103	MP1B	X	.596	.596	0	%100
104	MP1B	Z	0	0	0	%100
105	MP2B	X	.596	.596	0	%100
106	MP2B	Z	0	0	0	%100
107	MP3B	X	.596	.596	0	%100
108	MP3B	Z	0	0	0	%100
109	MP4B	X	.596	.596	0	%100
110	MP4B	Z	0	0	0	%100
111	MP1C	X	.596	.596	0	%100
112	MP1C	Z	0	0	0	%100
113	MP2C	X	.596	.596	0	%100
114	MP2C	Z	0	0	0	%100
115	MP3C	X	.596	.596	0	%100
116	MP3C	Z	0	0	0	%100
117	MP4C	X	.596	.596	0	%100
118	MP4C	Z	0	0	0	%100

Member Distributed Loads (BLC 69 : Structure Wm (120 Deg))

	Member Label	Direction	Start Magnitude[lb/ft,...	End Magnitude[lb/ft,F...	Start Location[ft, %]	End Location[ft, %]
1	M1	X	.19	.19	0	%100



Company :
 Designer :
 Job Number :
 Model Name :

June 15, 2021
 2:36 PM
 Checked By: _____

Member Distributed Loads (BLC 69 : Structure Wm (120 Deg)) (Continued)

	Member Label	Direction	Start Magnitude[lb/ft,...	End Magnitude[lb/ft,F...	Start Location[ft, %]	End Location[ft, %]
2	M1	Z	.11	.11	0	%100
3	M2	X	.761	.761	0	%100
4	M2	Z	.439	.439	0	%100
5	M3	X	.19	.19	0	%100
6	M3	Z	.11	.11	0	%100
7	M4	X	.58	.58	0	%100
8	M4	Z	.335	.335	0	%100
9	M5	X	0	0	0	%100
10	M5	Z	0	0	0	%100
11	M6	X	.58	.58	0	%100
12	M6	Z	.335	.335	0	%100
13	M7	X	.163	.163	0	%100
14	M7	Z	.094	.094	0	%100
15	M8	X	.163	.163	0	%100
16	M8	Z	.094	.094	0	%100
17	M9	X	.654	.654	0	%100
18	M9	Z	.378	.378	0	%100
19	M10	X	.654	.654	0	%100
20	M10	Z	.378	.378	0	%100
21	M11	X	.163	.163	0	%100
22	M11	Z	.094	.094	0	%100
23	M12	X	.163	.163	0	%100
24	M12	Z	.094	.094	0	%100
25	M13	X	.724	.724	0	%100
26	M13	Z	.418	.418	0	%100
27	M14	X	.181	.181	0	%100
28	M14	Z	.105	.105	0	%100
29	M15	X	.181	.181	0	%100
30	M15	Z	.105	.105	0	%100
31	M16	X	.181	.181	0	%100
32	M16	Z	.105	.105	0	%100
33	M17	X	.181	.181	0	%100
34	M17	Z	.105	.105	0	%100
35	M18	X	.724	.724	0	%100
36	M18	Z	.418	.418	0	%100
37	M19	X	.332	.332	0	%100
38	M19	Z	.192	.192	0	%100
39	M20	X	0	0	0	%100
40	M20	Z	0	0	0	%100
41	M21	X	.978	.978	0	%100
42	M21	Z	.565	.565	0	%100
43	M22	X	.332	.332	0	%100
44	M22	Z	.192	.192	0	%100
45	M23	X	1.328	1.328	0	%100
46	M23	Z	.767	.767	0	%100
47	M24	X	.978	.978	0	%100
48	M24	Z	.565	.565	0	%100
49	M25	X	.978	.978	0	%100
50	M25	Z	.565	.565	0	%100
51	M26	X	1.328	1.328	0	%100
52	M26	Z	.767	.767	0	%100
53	M27	X	.332	.332	0	%100
54	M27	Z	.192	.192	0	%100
55	M28	X	.978	.978	0	%100
56	M28	Z	.565	.565	0	%100
57	M29	X	0	0	0	%100
58	M29	Z	0	0	0	%100



Company :
 Designer :
 Job Number :
 Model Name :

June 15, 2021
 2:36 PM
 Checked By: _____

Member Distributed Loads (BLC 69 : Structure Wm (120 Deg)) (Continued)

Member Label	Direction	Start Magnitude[lb/ft,...	End Magnitude[lb/ft,F...	Start Location[ft, %]	End Location[ft, %]
59	M30	X	.332	.332	0 %100
60	M30	Z	.192	.192	0 %100
61	M31	X	.326	.326	0 %100
62	M31	Z	.188	.188	0 %100
63	M32	X	1.304	1.304	0 %100
64	M32	Z	.753	.753	0 %100
65	M33	X	.326	.326	0 %100
66	M33	Z	.188	.188	0 %100
67	M34	X	1.399	1.399	0 %100
68	M34	Z	.808	.808	0 %100
69	M35	X	.35	.35	0 %100
70	M35	Z	.202	.202	0 %100
71	M36	X	.35	.35	0 %100
72	M36	Z	.202	.202	0 %100
73	M37	X	.35	.35	0 %100
74	M37	Z	.202	.202	0 %100
75	M38	X	.35	.35	0 %100
76	M38	Z	.202	.202	0 %100
77	M39	X	1.399	1.399	0 %100
78	M39	Z	.808	.808	0 %100
79	M40	X	.156	.156	0 %100
80	M40	Z	.09	.09	0 %100
81	M41	X	.625	.625	0 %100
82	M41	Z	.361	.361	0 %100
83	M42	X	.156	.156	0 %100
84	M42	Z	.09	.09	0 %100
85	M43	X	.17	.17	0 %100
86	M43	Z	.098	.098	0 %100
87	M44	X	.17	.17	0 %100
88	M44	Z	.098	.098	0 %100
89	M45	X	.68	.68	0 %100
90	M45	Z	.393	.393	0 %100
91	OVP	X	.422	.422	0 %100
92	OVP	Z	.244	.244	0 %100
93	OVP2	X	.422	.422	0 %100
94	OVP2	Z	.244	.244	0 %100
95	MP1A	X	.516	.516	0 %100
96	MP1A	Z	.298	.298	0 %100
97	MP2A	X	.516	.516	0 %100
98	MP2A	Z	.298	.298	0 %100
99	MP3A	X	.516	.516	0 %100
100	MP3A	Z	.298	.298	0 %100
101	MP4A	X	.516	.516	0 %100
102	MP4A	Z	.298	.298	0 %100
103	MP1B	X	.516	.516	0 %100
104	MP1B	Z	.298	.298	0 %100
105	MP2B	X	.516	.516	0 %100
106	MP2B	Z	.298	.298	0 %100
107	MP3B	X	.516	.516	0 %100
108	MP3B	Z	.298	.298	0 %100
109	MP4B	X	.516	.516	0 %100
110	MP4B	Z	.298	.298	0 %100
111	MP1C	X	.516	.516	0 %100
112	MP1C	Z	.298	.298	0 %100
113	MP2C	X	.516	.516	0 %100
114	MP2C	Z	.298	.298	0 %100
115	MP3C	X	.516	.516	0 %100



Company :
 Designer :
 Job Number :
 Model Name :

June 15, 2021
 2:36 PM
 Checked By: _____

Member Distributed Loads (BLC 69 : Structure Wm (120 Deg)) (Continued)

	Member Label	Direction	Start Magnitude[lb/ft,...	End Magnitude[lb/ft,F...	Start Location[ft, %]	End Location[ft, %]
116	MP3C	Z	.298	.298	0	%100
117	MP4C	X	.516	.516	0	%100
118	MP4C	Z	.298	.298	0	%100

Member Distributed Loads (BLC 70 : Structure Wm (150 Deg))

	Member Label	Direction	Start Magnitude[lb/ft,...	End Magnitude[lb/ft,F...	Start Location[ft, %]	End Location[ft, %]
1	M1	X	.329	.329	0	%100
2	M1	Z	.571	.571	0	%100
3	M2	X	.329	.329	0	%100
4	M2	Z	.571	.571	0	%100
5	M3	X	0	0	0	%100
6	M3	Z	0	0	0	%100
7	M4	X	.112	.112	0	%100
8	M4	Z	.193	.193	0	%100
9	M5	X	.112	.112	0	%100
10	M5	Z	.193	.193	0	%100
11	M6	X	.446	.446	0	%100
12	M6	Z	.773	.773	0	%100
13	M7	X	.283	.283	0	%100
14	M7	Z	.49	.49	0	%100
15	M8	X	.283	.283	0	%100
16	M8	Z	.49	.49	0	%100
17	M9	X	.283	.283	0	%100
18	M9	Z	.49	.49	0	%100
19	M10	X	.283	.283	0	%100
20	M10	Z	.49	.49	0	%100
21	M11	X	0	0	0	%100
22	M11	Z	0	0	0	%100
23	M12	X	0	0	0	%100
24	M12	Z	0	0	0	%100
25	M13	X	.314	.314	0	%100
26	M13	Z	.543	.543	0	%100
27	M14	X	0	0	0	%100
28	M14	Z	0	0	0	%100
29	M15	X	0	0	0	%100
30	M15	Z	0	0	0	%100
31	M16	X	.314	.314	0	%100
32	M16	Z	.543	.543	0	%100
33	M17	X	.314	.314	0	%100
34	M17	Z	.543	.543	0	%100
35	M18	X	.314	.314	0	%100
36	M18	Z	.543	.543	0	%100
37	M19	X	.575	.575	0	%100
38	M19	Z	.996	.996	0	%100
39	M20	X	.188	.188	0	%100
40	M20	Z	.326	.326	0	%100
41	M21	X	.753	.753	0	%100
42	M21	Z	1.304	1.304	0	%100
43	M22	X	.575	.575	0	%100
44	M22	Z	.996	.996	0	%100
45	M23	X	.575	.575	0	%100
46	M23	Z	.996	.996	0	%100
47	M24	X	.753	.753	0	%100
48	M24	Z	1.304	1.304	0	%100
49	M25	X	.188	.188	0	%100
50	M25	Z	.326	.326	0	%100



Company :
 Designer :
 Job Number :
 Model Name :

June 15, 2021
 2:36 PM
 Checked By: _____

Member Distributed Loads (BLC 70 : Structure Wm (150 Deg)) (Continued)

Member Label	Direction	Start Magnitude[lb/ft,...	End Magnitude[lb/ft,F...	Start Location[ft, %]	End Location[ft, %]
51	M26	X	.575	.575	0 %100
52	M26	Z	.996	.996	0 %100
53	M27	X	0	0	0 %100
54	M27	Z	0	0	0 %100
55	M28	X	.188	.188	0 %100
56	M28	Z	.326	.326	0 %100
57	M29	X	.188	.188	0 %100
58	M29	Z	.326	.326	0 %100
59	M30	X	0	0	0 %100
60	M30	Z	0	0	0 %100
61	M31	X	.565	.565	0 %100
62	M31	Z	.978	.978	0 %100
63	M32	X	.565	.565	0 %100
64	M32	Z	.978	.978	0 %100
65	M33	X	0	0	0 %100
66	M33	Z	0	0	0 %100
67	M34	X	.606	.606	0 %100
68	M34	Z	1.049	1.049	0 %100
69	M35	X	0	0	0 %100
70	M35	Z	0	0	0 %100
71	M36	X	0	0	0 %100
72	M36	Z	0	0	0 %100
73	M37	X	.606	.606	0 %100
74	M37	Z	1.049	1.049	0 %100
75	M38	X	.606	.606	0 %100
76	M38	Z	1.049	1.049	0 %100
77	M39	X	.606	.606	0 %100
78	M39	Z	1.049	1.049	0 %100
79	M40	X	.271	.271	0 %100
80	M40	Z	.469	.469	0 %100
81	M41	X	.271	.271	0 %100
82	M41	Z	.469	.469	0 %100
83	M42	X	0	0	0 %100
84	M42	Z	0	0	0 %100
85	M43	X	0	0	0 %100
86	M43	Z	0	0	0 %100
87	M44	X	.295	.295	0 %100
88	M44	Z	.51	.51	0 %100
89	M45	X	.295	.295	0 %100
90	M45	Z	.51	.51	0 %100
91	OVP	X	.244	.244	0 %100
92	OVP	Z	.422	.422	0 %100
93	OVP2	X	.244	.244	0 %100
94	OVP2	Z	.422	.422	0 %100
95	MP1A	X	.298	.298	0 %100
96	MP1A	Z	.516	.516	0 %100
97	MP2A	X	.298	.298	0 %100
98	MP2A	Z	.516	.516	0 %100
99	MP3A	X	.298	.298	0 %100
100	MP3A	Z	.516	.516	0 %100
101	MP4A	X	.298	.298	0 %100
102	MP4A	Z	.516	.516	0 %100
103	MP1B	X	.298	.298	0 %100
104	MP1B	Z	.516	.516	0 %100
105	MP2B	X	.298	.298	0 %100
106	MP2B	Z	.516	.516	0 %100
107	MP3B	X	.298	.298	0 %100

Member Distributed Loads (BLC 70 : Structure Wm (150 Deg)) (Continued)

	Member Label	Direction	Start Magnitude[lb/ft,...	End Magnitude[lb/ft,F...	Start Location[ft, %]	End Location[ft, %]
108	MP3B	Z	.516	.516	0	%100
109	MP4B	X	.298	.298	0	%100
110	MP4B	Z	.516	.516	0	%100
111	MP1C	X	.298	.298	0	%100
112	MP1C	Z	.516	.516	0	%100
113	MP2C	X	.298	.298	0	%100
114	MP2C	Z	.516	.516	0	%100
115	MP3C	X	.298	.298	0	%100
116	MP3C	Z	.516	.516	0	%100
117	MP4C	X	.298	.298	0	%100
118	MP4C	Z	.516	.516	0	%100

Member Distributed Loads (BLC 71 : Structure Wm (180 Deg))

	Member Label	Direction	Start Magnitude[lb/ft,...	End Magnitude[lb/ft,F...	Start Location[ft, %]	End Location[ft, %]
1	M1	X	0	0	0	%100
2	M1	Z	.878	.878	0	%100
3	M2	X	0	0	0	%100
4	M2	Z	.22	.22	0	%100
5	M3	X	0	0	0	%100
6	M3	Z	.22	.22	0	%100
7	M4	X	0	0	0	%100
8	M4	Z	0	0	0	%100
9	M5	X	0	0	0	%100
10	M5	Z	.669	.669	0	%100
11	M6	X	0	0	0	%100
12	M6	Z	.669	.669	0	%100
13	M7	X	0	0	0	%100
14	M7	Z	.755	.755	0	%100
15	M8	X	0	0	0	%100
16	M8	Z	.755	.755	0	%100
17	M9	X	0	0	0	%100
18	M9	Z	.189	.189	0	%100
19	M10	X	0	0	0	%100
20	M10	Z	.189	.189	0	%100
21	M11	X	0	0	0	%100
22	M11	Z	.189	.189	0	%100
23	M12	X	0	0	0	%100
24	M12	Z	.189	.189	0	%100
25	M13	X	0	0	0	%100
26	M13	Z	.209	.209	0	%100
27	M14	X	0	0	0	%100
28	M14	Z	.209	.209	0	%100
29	M15	X	0	0	0	%100
30	M15	Z	.209	.209	0	%100
31	M16	X	0	0	0	%100
32	M16	Z	.836	.836	0	%100
33	M17	X	0	0	0	%100
34	M17	Z	.836	.836	0	%100
35	M18	X	0	0	0	%100
36	M18	Z	.209	.209	0	%100
37	M19	X	0	0	0	%100
38	M19	Z	1.534	1.534	0	%100
39	M20	X	0	0	0	%100
40	M20	Z	1.129	1.129	0	%100
41	M21	X	0	0	0	%100
42	M21	Z	1.129	1.129	0	%100



Company :
 Designer :
 Job Number :
 Model Name :

June 15, 2021
 2:36 PM
 Checked By: _____

Member Distributed Loads (BLC 71 : Structure Wm (180 Deg)) (Continued)

Member Label	Direction	Start Magnitude[lb/ft,...	End Magnitude[lb/ft,F...	Start Location[ft, %]	End Location[ft, %]	
43	M22	X	0	0	0	%100
44	M22	Z	1.534	1.534	0	%100
45	M23	X	0	0	0	%100
46	M23	Z	.383	.383	0	%100
47	M24	X	0	0	0	%100
48	M24	Z	1.129	1.129	0	%100
49	M25	X	0	0	0	%100
50	M25	Z	0	0	0	%100
51	M26	X	0	0	0	%100
52	M26	Z	.383	.383	0	%100
53	M27	X	0	0	0	%100
54	M27	Z	.383	.383	0	%100
55	M28	X	0	0	0	%100
56	M28	Z	0	0	0	%100
57	M29	X	0	0	0	%100
58	M29	Z	1.129	1.129	0	%100
59	M30	X	0	0	0	%100
60	M30	Z	.383	.383	0	%100
61	M31	X	0	0	0	%100
62	M31	Z	1.506	1.506	0	%100
63	M32	X	0	0	0	%100
64	M32	Z	.376	.376	0	%100
65	M33	X	0	0	0	%100
66	M33	Z	.376	.376	0	%100
67	M34	X	0	0	0	%100
68	M34	Z	.404	.404	0	%100
69	M35	X	0	0	0	%100
70	M35	Z	.404	.404	0	%100
71	M36	X	0	0	0	%100
72	M36	Z	.404	.404	0	%100
73	M37	X	0	0	0	%100
74	M37	Z	1.616	1.616	0	%100
75	M38	X	0	0	0	%100
76	M38	Z	1.616	1.616	0	%100
77	M39	X	0	0	0	%100
78	M39	Z	.404	.404	0	%100
79	M40	X	0	0	0	%100
80	M40	Z	.722	.722	0	%100
81	M41	X	0	0	0	%100
82	M41	Z	.18	.18	0	%100
83	M42	X	0	0	0	%100
84	M42	Z	.18	.18	0	%100
85	M43	X	0	0	0	%100
86	M43	Z	.196	.196	0	%100
87	M44	X	0	0	0	%100
88	M44	Z	.786	.786	0	%100
89	M45	X	0	0	0	%100
90	M45	Z	.196	.196	0	%100
91	OVP	X	0	0	0	%100
92	OVP	Z	.487	.487	0	%100
93	OVP2	X	0	0	0	%100
94	OVP2	Z	.487	.487	0	%100
95	MP1A	X	0	0	0	%100
96	MP1A	Z	.596	.596	0	%100
97	MP2A	X	0	0	0	%100
98	MP2A	Z	.596	.596	0	%100
99	MP3A	X	0	0	0	%100

Member Distributed Loads (BLC 71 : Structure Wm (180 Deg)) (Continued)

	Member Label	Direction	Start Magnitude[lb/ft,...	End Magnitude[lb/ft,F...	Start Location[ft, %]	End Location[ft, %]
100	MP3A	Z	.596	.596	0	%100
101	MP4A	X	0	0	0	%100
102	MP4A	Z	.596	.596	0	%100
103	MP1B	X	0	0	0	%100
104	MP1B	Z	.596	.596	0	%100
105	MP2B	X	0	0	0	%100
106	MP2B	Z	.596	.596	0	%100
107	MP3B	X	0	0	0	%100
108	MP3B	Z	.596	.596	0	%100
109	MP4B	X	0	0	0	%100
110	MP4B	Z	.596	.596	0	%100
111	MP1C	X	0	0	0	%100
112	MP1C	Z	.596	.596	0	%100
113	MP2C	X	0	0	0	%100
114	MP2C	Z	.596	.596	0	%100
115	MP3C	X	0	0	0	%100
116	MP3C	Z	.596	.596	0	%100
117	MP4C	X	0	0	0	%100
118	MP4C	Z	.596	.596	0	%100

Member Distributed Loads (BLC 72 : Structure Wm (210 Deg))

	Member Label	Direction	Start Magnitude[lb/ft,...	End Magnitude[lb/ft,F...	Start Location[ft, %]	End Location[ft, %]
1	M1	X	-.329	-.329	0	%100
2	M1	Z	.571	.571	0	%100
3	M2	X	0	0	0	%100
4	M2	Z	0	0	0	%100
5	M3	X	-.329	-.329	0	%100
6	M3	Z	.571	.571	0	%100
7	M4	X	-.112	-.112	0	%100
8	M4	Z	.193	.193	0	%100
9	M5	X	-.446	-.446	0	%100
10	M5	Z	.773	.773	0	%100
11	M6	X	-.112	-.112	0	%100
12	M6	Z	.193	.193	0	%100
13	M7	X	-.283	-.283	0	%100
14	M7	Z	.49	.49	0	%100
15	M8	X	-.283	-.283	0	%100
16	M8	Z	.49	.49	0	%100
17	M9	X	0	0	0	%100
18	M9	Z	0	0	0	%100
19	M10	X	0	0	0	%100
20	M10	Z	0	0	0	%100
21	M11	X	-.283	-.283	0	%100
22	M11	Z	.49	.49	0	%100
23	M12	X	-.283	-.283	0	%100
24	M12	Z	.49	.49	0	%100
25	M13	X	0	0	0	%100
26	M13	Z	0	0	0	%100
27	M14	X	-.314	-.314	0	%100
28	M14	Z	.543	.543	0	%100
29	M15	X	-.314	-.314	0	%100
30	M15	Z	.543	.543	0	%100
31	M16	X	-.314	-.314	0	%100
32	M16	Z	.543	.543	0	%100
33	M17	X	-.314	-.314	0	%100
34	M17	Z	.543	.543	0	%100



Company :
 Designer :
 Job Number :
 Model Name :

June 15, 2021
 2:36 PM
 Checked By: _____

Member Distributed Loads (BLC 72 : Structure Wm (210 Deg)) (Continued)

Member Label	Direction	Start Magnitude[lb/ft,...	End Magnitude[lb/ft,F...	Start Location[ft, %]	End Location[ft, %]	
35	M18	X	0	0	0	%100
36	M18	Z	0	0	0	%100
37	M19	X	-.575	-.575	0	%100
38	M19	Z	.996	.996	0	%100
39	M20	X	-.753	-.753	0	%100
40	M20	Z	1.304	1.304	0	%100
41	M21	X	-.188	-.188	0	%100
42	M21	Z	.326	.326	0	%100
43	M22	X	-.575	-.575	0	%100
44	M22	Z	.996	.996	0	%100
45	M23	X	0	0	0	%100
46	M23	Z	0	0	0	%100
47	M24	X	-.188	-.188	0	%100
48	M24	Z	.326	.326	0	%100
49	M25	X	-.188	-.188	0	%100
50	M25	Z	.326	.326	0	%100
51	M26	X	0	0	0	%100
52	M26	Z	0	0	0	%100
53	M27	X	-.575	-.575	0	%100
54	M27	Z	.996	.996	0	%100
55	M28	X	-.188	-.188	0	%100
56	M28	Z	.326	.326	0	%100
57	M29	X	-.753	-.753	0	%100
58	M29	Z	1.304	1.304	0	%100
59	M30	X	-.575	-.575	0	%100
60	M30	Z	.996	.996	0	%100
61	M31	X	-.565	-.565	0	%100
62	M31	Z	.978	.978	0	%100
63	M32	X	0	0	0	%100
64	M32	Z	0	0	0	%100
65	M33	X	-.565	-.565	0	%100
66	M33	Z	.978	.978	0	%100
67	M34	X	0	0	0	%100
68	M34	Z	0	0	0	%100
69	M35	X	-.606	-.606	0	%100
70	M35	Z	1.049	1.049	0	%100
71	M36	X	-.606	-.606	0	%100
72	M36	Z	1.049	1.049	0	%100
73	M37	X	-.606	-.606	0	%100
74	M37	Z	1.049	1.049	0	%100
75	M38	X	-.606	-.606	0	%100
76	M38	Z	1.049	1.049	0	%100
77	M39	X	0	0	0	%100
78	M39	Z	0	0	0	%100
79	M40	X	-.271	-.271	0	%100
80	M40	Z	.469	.469	0	%100
81	M41	X	0	0	0	%100
82	M41	Z	0	0	0	%100
83	M42	X	-.271	-.271	0	%100
84	M42	Z	.469	.469	0	%100
85	M43	X	-.295	-.295	0	%100
86	M43	Z	.51	.51	0	%100
87	M44	X	-.295	-.295	0	%100
88	M44	Z	.51	.51	0	%100
89	M45	X	0	0	0	%100
90	M45	Z	0	0	0	%100
91	OVP	X	-.244	-.244	0	%100

Member Distributed Loads (BLC 72 : Structure Wm (210 Deg)) (Continued)

	Member Label	Direction	Start Magnitude[lb/ft,...	End Magnitude[lb/ft,F...	Start Location[ft, %]	End Location[ft, %]
92	OVP	Z	.422	.422	0	%100
93	OVP2	X	-.244	-.244	0	%100
94	OVP2	Z	.422	.422	0	%100
95	MP1A	X	-.298	-.298	0	%100
96	MP1A	Z	.516	.516	0	%100
97	MP2A	X	-.298	-.298	0	%100
98	MP2A	Z	.516	.516	0	%100
99	MP3A	X	-.298	-.298	0	%100
100	MP3A	Z	.516	.516	0	%100
101	MP4A	X	-.298	-.298	0	%100
102	MP4A	Z	.516	.516	0	%100
103	MP1B	X	-.298	-.298	0	%100
104	MP1B	Z	.516	.516	0	%100
105	MP2B	X	-.298	-.298	0	%100
106	MP2B	Z	.516	.516	0	%100
107	MP3B	X	-.298	-.298	0	%100
108	MP3B	Z	.516	.516	0	%100
109	MP4B	X	-.298	-.298	0	%100
110	MP4B	Z	.516	.516	0	%100
111	MP1C	X	-.298	-.298	0	%100
112	MP1C	Z	.516	.516	0	%100
113	MP2C	X	-.298	-.298	0	%100
114	MP2C	Z	.516	.516	0	%100
115	MP3C	X	-.298	-.298	0	%100
116	MP3C	Z	.516	.516	0	%100
117	MP4C	X	-.298	-.298	0	%100
118	MP4C	Z	.516	.516	0	%100

Member Distributed Loads (BLC 73 : Structure Wm (240 Deg))

	Member Label	Direction	Start Magnitude[lb/ft,...	End Magnitude[lb/ft,F...	Start Location[ft, %]	End Location[ft, %]
1	M1	X	-.19	-.19	0	%100
2	M1	Z	.11	.11	0	%100
3	M2	X	-.19	-.19	0	%100
4	M2	Z	.11	.11	0	%100
5	M3	X	-.761	-.761	0	%100
6	M3	Z	.439	.439	0	%100
7	M4	X	-.58	-.58	0	%100
8	M4	Z	.335	.335	0	%100
9	M5	X	-.58	-.58	0	%100
10	M5	Z	.335	.335	0	%100
11	M6	X	0	0	0	%100
12	M6	Z	0	0	0	%100
13	M7	X	-.163	-.163	0	%100
14	M7	Z	.094	.094	0	%100
15	M8	X	-.163	-.163	0	%100
16	M8	Z	.094	.094	0	%100
17	M9	X	-.163	-.163	0	%100
18	M9	Z	.094	.094	0	%100
19	M10	X	-.163	-.163	0	%100
20	M10	Z	.094	.094	0	%100
21	M11	X	-.654	-.654	0	%100
22	M11	Z	.378	.378	0	%100
23	M12	X	-.654	-.654	0	%100
24	M12	Z	.378	.378	0	%100
25	M13	X	-.181	-.181	0	%100
26	M13	Z	.105	.105	0	%100

Member Distributed Loads (BLC 73 : Structure Wm (240 Deg)) (Continued)

	Member Label	Direction	Start Magnitude[lb/ft,...	End Magnitude[lb/ft,F...	Start Location[ft, %]	End Location[ft, %]
84	M42	Z	.361	.361	0	%100
85	M43	X	-.68	-.68	0	%100
86	M43	Z	.393	.393	0	%100
87	M44	X	-.17	-.17	0	%100
88	M44	Z	.098	.098	0	%100
89	M45	X	-.17	-.17	0	%100
90	M45	Z	.098	.098	0	%100
91	OVP	X	-.422	-.422	0	%100
92	OVP	Z	.244	.244	0	%100
93	OVP2	X	-.422	-.422	0	%100
94	OVP2	Z	.244	.244	0	%100
95	MP1A	X	-.516	-.516	0	%100
96	MP1A	Z	.298	.298	0	%100
97	MP2A	X	-.516	-.516	0	%100
98	MP2A	Z	.298	.298	0	%100
99	MP3A	X	-.516	-.516	0	%100
100	MP3A	Z	.298	.298	0	%100
101	MP4A	X	-.516	-.516	0	%100
102	MP4A	Z	.298	.298	0	%100
103	MP1B	X	-.516	-.516	0	%100
104	MP1B	Z	.298	.298	0	%100
105	MP2B	X	-.516	-.516	0	%100
106	MP2B	Z	.298	.298	0	%100
107	MP3B	X	-.516	-.516	0	%100
108	MP3B	Z	.298	.298	0	%100
109	MP4B	X	-.516	-.516	0	%100
110	MP4B	Z	.298	.298	0	%100
111	MP1C	X	-.516	-.516	0	%100
112	MP1C	Z	.298	.298	0	%100
113	MP2C	X	-.516	-.516	0	%100
114	MP2C	Z	.298	.298	0	%100
115	MP3C	X	-.516	-.516	0	%100
116	MP3C	Z	.298	.298	0	%100
117	MP4C	X	-.516	-.516	0	%100
118	MP4C	Z	.298	.298	0	%100

Member Distributed Loads (BLC 74 : Structure Wm (270 Deg))

	Member Label	Direction	Start Magnitude[lb/ft,...	End Magnitude[lb/ft,F...	Start Location[ft, %]	End Location[ft, %]
1	M1	X	0	0	0	%100
2	M1	Z	0	0	0	%100
3	M2	X	-.659	-.659	0	%100
4	M2	Z	0	0	0	%100
5	M3	X	-.659	-.659	0	%100
6	M3	Z	0	0	0	%100
7	M4	X	-.892	-.892	0	%100
8	M4	Z	0	0	0	%100
9	M5	X	-.223	-.223	0	%100
10	M5	Z	0	0	0	%100
11	M6	X	-.223	-.223	0	%100
12	M6	Z	0	0	0	%100
13	M7	X	0	0	0	%100
14	M7	Z	0	0	0	%100
15	M8	X	0	0	0	%100
16	M8	Z	0	0	0	%100
17	M9	X	-.566	-.566	0	%100
18	M9	Z	0	0	0	%100

Member Distributed Loads (BLC 74 : Structure Wm (270 Deg)) (Continued)

	Member Label	Direction	Start Magnitude[lb/ft,...	End Magnitude[lb/ft,F...	Start Location[ft, %]	End Location[ft, %]
19	M10	X	-.566	-.566	0	%100
20	M10	Z	0	0	0	%100
21	M11	X	-.566	-.566	0	%100
22	M11	Z	0	0	0	%100
23	M12	X	-.566	-.566	0	%100
24	M12	Z	0	0	0	%100
25	M13	X	-.627	-.627	0	%100
26	M13	Z	0	0	0	%100
27	M14	X	-.627	-.627	0	%100
28	M14	Z	0	0	0	%100
29	M15	X	-.627	-.627	0	%100
30	M15	Z	0	0	0	%100
31	M16	X	0	0	0	%100
32	M16	Z	0	0	0	%100
33	M17	X	0	0	0	%100
34	M17	Z	0	0	0	%100
35	M18	X	-.627	-.627	0	%100
36	M18	Z	0	0	0	%100
37	M19	X	0	0	0	%100
38	M19	Z	0	0	0	%100
39	M20	X	-.376	-.376	0	%100
40	M20	Z	0	0	0	%100
41	M21	X	-.376	-.376	0	%100
42	M21	Z	0	0	0	%100
43	M22	X	0	0	0	%100
44	M22	Z	0	0	0	%100
45	M23	X	-1.15	-1.15	0	%100
46	M23	Z	0	0	0	%100
47	M24	X	-.376	-.376	0	%100
48	M24	Z	0	0	0	%100
49	M25	X	-1.506	-1.506	0	%100
50	M25	Z	0	0	0	%100
51	M26	X	-1.15	-1.15	0	%100
52	M26	Z	0	0	0	%100
53	M27	X	-1.15	-1.15	0	%100
54	M27	Z	0	0	0	%100
55	M28	X	-1.506	-1.506	0	%100
56	M28	Z	0	0	0	%100
57	M29	X	-.376	-.376	0	%100
58	M29	Z	0	0	0	%100
59	M30	X	-1.15	-1.15	0	%100
60	M30	Z	0	0	0	%100
61	M31	X	0	0	0	%100
62	M31	Z	0	0	0	%100
63	M32	X	-1.129	-1.129	0	%100
64	M32	Z	0	0	0	%100
65	M33	X	-1.129	-1.129	0	%100
66	M33	Z	0	0	0	%100
67	M34	X	-1.212	-1.212	0	%100
68	M34	Z	0	0	0	%100
69	M35	X	-1.212	-1.212	0	%100
70	M35	Z	0	0	0	%100
71	M36	X	-1.212	-1.212	0	%100
72	M36	Z	0	0	0	%100
73	M37	X	0	0	0	%100
74	M37	Z	0	0	0	%100
75	M38	X	0	0	0	%100

Member Distributed Loads (BLC 74 : Structure Wm (270 Deg)) (Continued)

	Member Label	Direction	Start Magnitude[lb/ft,...	End Magnitude[lb/ft,F...	Start Location[ft, %]	End Location[ft, %]
76	M38	Z	0	0	0	%100
77	M39	X	-1.212	-1.212	0	%100
78	M39	Z	0	0	0	%100
79	M40	X	0	0	0	%100
80	M40	Z	0	0	0	%100
81	M41	X	-.541	-.541	0	%100
82	M41	Z	0	0	0	%100
83	M42	X	-.541	-.541	0	%100
84	M42	Z	0	0	0	%100
85	M43	X	-.589	-.589	0	%100
86	M43	Z	0	0	0	%100
87	M44	X	0	0	0	%100
88	M44	Z	0	0	0	%100
89	M45	X	-.589	-.589	0	%100
90	M45	Z	0	0	0	%100
91	OVP	X	-.487	-.487	0	%100
92	OVP	Z	0	0	0	%100
93	OVP2	X	-.487	-.487	0	%100
94	OVP2	Z	0	0	0	%100
95	MP1A	X	-.596	-.596	0	%100
96	MP1A	Z	0	0	0	%100
97	MP2A	X	-.596	-.596	0	%100
98	MP2A	Z	0	0	0	%100
99	MP3A	X	-.596	-.596	0	%100
100	MP3A	Z	0	0	0	%100
101	MP4A	X	-.596	-.596	0	%100
102	MP4A	Z	0	0	0	%100
103	MP1B	X	-.596	-.596	0	%100
104	MP1B	Z	0	0	0	%100
105	MP2B	X	-.596	-.596	0	%100
106	MP2B	Z	0	0	0	%100
107	MP3B	X	-.596	-.596	0	%100
108	MP3B	Z	0	0	0	%100
109	MP4B	X	-.596	-.596	0	%100
110	MP4B	Z	0	0	0	%100
111	MP1C	X	-.596	-.596	0	%100
112	MP1C	Z	0	0	0	%100
113	MP2C	X	-.596	-.596	0	%100
114	MP2C	Z	0	0	0	%100
115	MP3C	X	-.596	-.596	0	%100
116	MP3C	Z	0	0	0	%100
117	MP4C	X	-.596	-.596	0	%100
118	MP4C	Z	0	0	0	%100

Member Distributed Loads (BLC 75 : Structure Wm (300 Deg))

	Member Label	Direction	Start Magnitude[lb/ft,...	End Magnitude[lb/ft,F...	Start Location[ft, %]	End Location[ft, %]
1	M1	X	-.19	-.19	0	%100
2	M1	Z	-.11	-.11	0	%100
3	M2	X	-.761	-.761	0	%100
4	M2	Z	-.439	-.439	0	%100
5	M3	X	-.19	-.19	0	%100
6	M3	Z	-.11	-.11	0	%100
7	M4	X	-.58	-.58	0	%100
8	M4	Z	-.335	-.335	0	%100
9	M5	X	0	0	0	%100
10	M5	Z	0	0	0	%100



Company :
 Designer :
 Job Number :
 Model Name :

June 15, 2021
 2:36 PM
 Checked By: _____

Member Distributed Loads (BLC 75 : Structure Wm (300 Deg)) (Continued)

Member Label	Direction	Start Magnitude[lb/ft,...	End Magnitude[lb/ft,F...	Start Location[ft, %]	End Location[ft, %]
11	M6	X	- .58	- .58	0 %100
12	M6	Z	- .335	- .335	0 %100
13	M7	X	- .163	- .163	0 %100
14	M7	Z	- .094	- .094	0 %100
15	M8	X	- .163	- .163	0 %100
16	M8	Z	- .094	- .094	0 %100
17	M9	X	- .654	- .654	0 %100
18	M9	Z	- .378	- .378	0 %100
19	M10	X	- .654	- .654	0 %100
20	M10	Z	- .378	- .378	0 %100
21	M11	X	- .163	- .163	0 %100
22	M11	Z	- .094	- .094	0 %100
23	M12	X	- .163	- .163	0 %100
24	M12	Z	- .094	- .094	0 %100
25	M13	X	- .724	- .724	0 %100
26	M13	Z	- .418	- .418	0 %100
27	M14	X	- .181	- .181	0 %100
28	M14	Z	- .105	- .105	0 %100
29	M15	X	- .181	- .181	0 %100
30	M15	Z	- .105	- .105	0 %100
31	M16	X	- .181	- .181	0 %100
32	M16	Z	- .105	- .105	0 %100
33	M17	X	- .181	- .181	0 %100
34	M17	Z	- .105	- .105	0 %100
35	M18	X	- .724	- .724	0 %100
36	M18	Z	- .418	- .418	0 %100
37	M19	X	- .332	- .332	0 %100
38	M19	Z	- .192	- .192	0 %100
39	M20	X	0	0	0 %100
40	M20	Z	0	0	0 %100
41	M21	X	- .978	- .978	0 %100
42	M21	Z	- .565	- .565	0 %100
43	M22	X	- .332	- .332	0 %100
44	M22	Z	- .192	- .192	0 %100
45	M23	X	- 1.328	- 1.328	0 %100
46	M23	Z	- .767	- .767	0 %100
47	M24	X	- .978	- .978	0 %100
48	M24	Z	- .565	- .565	0 %100
49	M25	X	- .978	- .978	0 %100
50	M25	Z	- .565	- .565	0 %100
51	M26	X	- 1.328	- 1.328	0 %100
52	M26	Z	- .767	- .767	0 %100
53	M27	X	- .332	- .332	0 %100
54	M27	Z	- .192	- .192	0 %100
55	M28	X	- .978	- .978	0 %100
56	M28	Z	- .565	- .565	0 %100
57	M29	X	0	0	0 %100
58	M29	Z	0	0	0 %100
59	M30	X	- .332	- .332	0 %100
60	M30	Z	- .192	- .192	0 %100
61	M31	X	- .326	- .326	0 %100
62	M31	Z	- .188	- .188	0 %100
63	M32	X	- 1.304	- 1.304	0 %100
64	M32	Z	- .753	- .753	0 %100
65	M33	X	- .326	- .326	0 %100
66	M33	Z	- .188	- .188	0 %100
67	M34	X	- 1.399	- 1.399	0 %100

Member Distributed Loads (BLC 75 : Structure Wm (300 Deg)) (Continued)

	Member Label	Direction	Start Magnitude[lb/ft,...	End Magnitude[lb/ft,F...	Start Location[ft, %]	End Location[ft, %]
68	M34	Z	- .808	- .808	0	%100
69	M35	X	- .35	- .35	0	%100
70	M35	Z	- .202	- .202	0	%100
71	M36	X	- .35	- .35	0	%100
72	M36	Z	- .202	- .202	0	%100
73	M37	X	- .35	- .35	0	%100
74	M37	Z	- .202	- .202	0	%100
75	M38	X	- .35	- .35	0	%100
76	M38	Z	- .202	- .202	0	%100
77	M39	X	-1.399	-1.399	0	%100
78	M39	Z	- .808	- .808	0	%100
79	M40	X	- .156	- .156	0	%100
80	M40	Z	- .09	- .09	0	%100
81	M41	X	- .625	- .625	0	%100
82	M41	Z	- .361	- .361	0	%100
83	M42	X	- .156	- .156	0	%100
84	M42	Z	- .09	- .09	0	%100
85	M43	X	- .17	- .17	0	%100
86	M43	Z	- .098	- .098	0	%100
87	M44	X	- .17	- .17	0	%100
88	M44	Z	- .098	- .098	0	%100
89	M45	X	- .68	- .68	0	%100
90	M45	Z	- .393	- .393	0	%100
91	OVP	X	- .422	- .422	0	%100
92	OVP	Z	- .244	- .244	0	%100
93	OVP2	X	- .422	- .422	0	%100
94	OVP2	Z	- .244	- .244	0	%100
95	MP1A	X	- .516	- .516	0	%100
96	MP1A	Z	- .298	- .298	0	%100
97	MP2A	X	- .516	- .516	0	%100
98	MP2A	Z	- .298	- .298	0	%100
99	MP3A	X	- .516	- .516	0	%100
100	MP3A	Z	- .298	- .298	0	%100
101	MP4A	X	- .516	- .516	0	%100
102	MP4A	Z	- .298	- .298	0	%100
103	MP1B	X	- .516	- .516	0	%100
104	MP1B	Z	- .298	- .298	0	%100
105	MP2B	X	- .516	- .516	0	%100
106	MP2B	Z	- .298	- .298	0	%100
107	MP3B	X	- .516	- .516	0	%100
108	MP3B	Z	- .298	- .298	0	%100
109	MP4B	X	- .516	- .516	0	%100
110	MP4B	Z	- .298	- .298	0	%100
111	MP1C	X	- .516	- .516	0	%100
112	MP1C	Z	- .298	- .298	0	%100
113	MP2C	X	- .516	- .516	0	%100
114	MP2C	Z	- .298	- .298	0	%100
115	MP3C	X	- .516	- .516	0	%100
116	MP3C	Z	- .298	- .298	0	%100
117	MP4C	X	- .516	- .516	0	%100
118	MP4C	Z	- .298	- .298	0	%100

Member Distributed Loads (BLC 76 : Structure Wm (330 Deg))

	Member Label	Direction	Start Magnitude[lb/ft,...	End Magnitude[lb/ft,F...	Start Location[ft, %]	End Location[ft, %]
1	M1	X	- .329	- .329	0	%100
2	M1	Z	- .571	- .571	0	%100



Company :
 Designer :
 Job Number :
 Model Name :

June 15, 2021
 2:36 PM
 Checked By: _____

Member Distributed Loads (BLC 76 : Structure Wm (330 Deg)) (Continued)

Member Label	Direction	Start Magnitude[lb/ft,...	End Magnitude[lb/ft,F...	Start Location[ft, %]	End Location[ft, %]
3	M2	X	-0.329	-0.329	0 %100
4	M2	Z	-0.571	-0.571	0 %100
5	M3	X	0	0	0 %100
6	M3	Z	0	0	0 %100
7	M4	X	-0.112	-0.112	0 %100
8	M4	Z	-0.193	-0.193	0 %100
9	M5	X	-0.112	-0.112	0 %100
10	M5	Z	-0.193	-0.193	0 %100
11	M6	X	-0.446	-0.446	0 %100
12	M6	Z	-0.773	-0.773	0 %100
13	M7	X	-0.283	-0.283	0 %100
14	M7	Z	-0.49	-0.49	0 %100
15	M8	X	-0.283	-0.283	0 %100
16	M8	Z	-0.49	-0.49	0 %100
17	M9	X	-0.283	-0.283	0 %100
18	M9	Z	-0.49	-0.49	0 %100
19	M10	X	-0.283	-0.283	0 %100
20	M10	Z	-0.49	-0.49	0 %100
21	M11	X	0	0	0 %100
22	M11	Z	0	0	0 %100
23	M12	X	0	0	0 %100
24	M12	Z	0	0	0 %100
25	M13	X	-0.314	-0.314	0 %100
26	M13	Z	-0.543	-0.543	0 %100
27	M14	X	0	0	0 %100
28	M14	Z	0	0	0 %100
29	M15	X	0	0	0 %100
30	M15	Z	0	0	0 %100
31	M16	X	-0.314	-0.314	0 %100
32	M16	Z	-0.543	-0.543	0 %100
33	M17	X	-0.314	-0.314	0 %100
34	M17	Z	-0.543	-0.543	0 %100
35	M18	X	-0.314	-0.314	0 %100
36	M18	Z	-0.543	-0.543	0 %100
37	M19	X	-0.575	-0.575	0 %100
38	M19	Z	-0.996	-0.996	0 %100
39	M20	X	-0.188	-0.188	0 %100
40	M20	Z	-0.326	-0.326	0 %100
41	M21	X	-0.753	-0.753	0 %100
42	M21	Z	-1.304	-1.304	0 %100
43	M22	X	-0.575	-0.575	0 %100
44	M22	Z	-0.996	-0.996	0 %100
45	M23	X	-0.575	-0.575	0 %100
46	M23	Z	-0.996	-0.996	0 %100
47	M24	X	-0.753	-0.753	0 %100
48	M24	Z	-1.304	-1.304	0 %100
49	M25	X	-0.188	-0.188	0 %100
50	M25	Z	-0.326	-0.326	0 %100
51	M26	X	-0.575	-0.575	0 %100
52	M26	Z	-0.996	-0.996	0 %100
53	M27	X	0	0	0 %100
54	M27	Z	0	0	0 %100
55	M28	X	-0.188	-0.188	0 %100
56	M28	Z	-0.326	-0.326	0 %100
57	M29	X	-0.188	-0.188	0 %100
58	M29	Z	-0.326	-0.326	0 %100
59	M30	X	0	0	0 %100

Member Distributed Loads (BLC 76 : Structure Wm (330 Deg)) (Continued)

Member Label	Direction	Start Magnitude[lb/ft,...	End Magnitude[lb/ft,F...	Start Location[ft, %]	End Location[ft, %]
60	M30	Z	0	0	%100
61	M31	X	-.565	-.565	%100
62	M31	Z	-.978	-.978	%100
63	M32	X	-.565	-.565	%100
64	M32	Z	-.978	-.978	%100
65	M33	X	0	0	%100
66	M33	Z	0	0	%100
67	M34	X	-.606	-.606	%100
68	M34	Z	-1.049	-1.049	%100
69	M35	X	0	0	%100
70	M35	Z	0	0	%100
71	M36	X	0	0	%100
72	M36	Z	0	0	%100
73	M37	X	-.606	-.606	%100
74	M37	Z	-1.049	-1.049	%100
75	M38	X	-.606	-.606	%100
76	M38	Z	-1.049	-1.049	%100
77	M39	X	-.606	-.606	%100
78	M39	Z	-1.049	-1.049	%100
79	M40	X	-.271	-.271	%100
80	M40	Z	-.469	-.469	%100
81	M41	X	-.271	-.271	%100
82	M41	Z	-.469	-.469	%100
83	M42	X	0	0	%100
84	M42	Z	0	0	%100
85	M43	X	0	0	%100
86	M43	Z	0	0	%100
87	M44	X	-.295	-.295	%100
88	M44	Z	-.51	-.51	%100
89	M45	X	-.295	-.295	%100
90	M45	Z	-.51	-.51	%100
91	OVP	X	-.244	-.244	%100
92	OVP	Z	-.422	-.422	%100
93	OVP2	X	-.244	-.244	%100
94	OVP2	Z	-.422	-.422	%100
95	MP1A	X	-.298	-.298	%100
96	MP1A	Z	-.516	-.516	%100
97	MP2A	X	-.298	-.298	%100
98	MP2A	Z	-.516	-.516	%100
99	MP3A	X	-.298	-.298	%100
100	MP3A	Z	-.516	-.516	%100
101	MP4A	X	-.298	-.298	%100
102	MP4A	Z	-.516	-.516	%100
103	MP1B	X	-.298	-.298	%100
104	MP1B	Z	-.516	-.516	%100
105	MP2B	X	-.298	-.298	%100
106	MP2B	Z	-.516	-.516	%100
107	MP3B	X	-.298	-.298	%100
108	MP3B	Z	-.516	-.516	%100
109	MP4B	X	-.298	-.298	%100
110	MP4B	Z	-.516	-.516	%100
111	MP1C	X	-.298	-.298	%100
112	MP1C	Z	-.516	-.516	%100
113	MP2C	X	-.298	-.298	%100
114	MP2C	Z	-.516	-.516	%100
115	MP3C	X	-.298	-.298	%100
116	MP3C	Z	-.516	-.516	%100



Company :
 Designer :
 Job Number :
 Model Name :

June 15, 2021
 2:36 PM
 Checked By: _____

Member Distributed Loads (BLC 76 : Structure Wm (330 Deg)) (Continued)

	Member Label	Direction	Start Magnitude[lb/ft,...	End Magnitude[lb/ft,F...	Start Location[ft, %]	End Location[ft, %]
117	MP4C	X	- .298	- .298	0	%100
118	MP4C	Z	- .516	- .516	0	%100

Member Distributed Loads (BLC 81 : BLC 39 Transient Area Loads)

	Member Label	Direction	Start Magnitude[lb/ft,...	End Magnitude[lb/ft,F...	Start Location[ft, %]	End Location[ft, %]
1	M17	Y	-3.336	-6.325	0	.832
2	M17	Y	-6.325	-7.939	.832	1.665
3	M17	Y	-7.939	-6.771	1.665	2.497
4	M17	Y	-6.771	-4.258	2.497	3.329
5	M17	Y	-4.258	-1.807	3.329	4.162
6	M18	Y	-1.601	-4.064	0	.832
7	M18	Y	-4.064	-6.634	.832	1.665
8	M18	Y	-6.634	-7.874	1.665	2.497
9	M18	Y	-7.874	-6.293	2.497	3.329
10	M18	Y	-6.293	-3.33	3.329	4.162
11	M15	Y	-3.33	-6.293	0	.832
12	M15	Y	-6.293	-7.874	.832	1.665
13	M15	Y	-7.874	-6.636	1.665	2.497
14	M15	Y	-6.636	-4.066	2.497	3.329
15	M15	Y	-4.066	-1.597	3.329	4.162
16	M16	Y	-1.812	-4.256	0	.832
17	M16	Y	-4.256	-6.773	.832	1.665
18	M16	Y	-6.773	-7.943	1.665	2.497
19	M16	Y	-7.943	-6.32	2.497	3.329
20	M16	Y	-6.32	-3.329	3.329	4.162
21	M13	Y	-3.33	-6.293	0	.832
22	M13	Y	-6.293	-7.874	.832	1.665
23	M13	Y	-7.874	-6.636	1.665	2.497
24	M13	Y	-6.636	-4.066	2.497	3.329
25	M13	Y	-4.066	-1.597	3.329	4.162
26	M14	Y	-1.812	-4.256	0	.832
27	M14	Y	-4.256	-6.773	.832	1.665
28	M14	Y	-6.773	-7.943	1.665	2.497
29	M14	Y	-7.943	-6.32	2.497	3.329
30	M14	Y	-6.32	-3.329	3.329	4.162

Member Distributed Loads (BLC 82 : BLC 40 Transient Area Loads)

	Member Label	Direction	Start Magnitude[lb/ft,...	End Magnitude[lb/ft,F...	Start Location[ft, %]	End Location[ft, %]
1	M17	Y	-10.676	-20.24	0	.832
2	M17	Y	-20.24	-25.404	.832	1.665
3	M17	Y	-25.404	-21.667	1.665	2.497
4	M17	Y	-21.667	-13.625	2.497	3.329
5	M17	Y	-13.625	-5.783	3.329	4.162
6	M18	Y	-5.125	-13.006	0	.832
7	M18	Y	-13.006	-21.23	.832	1.665
8	M18	Y	-21.23	-25.196	1.665	2.497
9	M18	Y	-25.196	-20.137	2.497	3.329
10	M18	Y	-20.137	-10.655	3.329	4.162
11	M15	Y	-10.656	-20.137	0	.832
12	M15	Y	-20.137	-25.196	.832	1.665
13	M15	Y	-25.196	-21.236	1.665	2.497
14	M15	Y	-21.236	-13.01	2.497	3.329
15	M15	Y	-13.01	-5.112	3.329	4.162
16	M16	Y	-5.798	-13.619	0	.832
17	M16	Y	-13.619	-21.675	.832	1.665
18	M16	Y	-21.675	-25.417	1.665	2.497



Company :
 Designer :
 Job Number :
 Model Name :

June 15, 2021
 2:36 PM
 Checked By: _____

Member Distributed Loads (BLC 82 : BLC 40 Transient Area Loads) (Continued)

	Member Label	Direction	Start Magnitude[lb/ft,...	End Magnitude[lb/ft,F...	Start Location[ft, %]	End Location[ft, %]
19	M16	Y	-25.417	-20.225	2.497	3.329
20	M16	Y	-20.225	-10.651	3.329	4.162
21	M13	Y	-10.656	-20.137	0	.832
22	M13	Y	-20.137	-25.196	.832	1.665
23	M13	Y	-25.196	-21.236	1.665	2.497
24	M13	Y	-21.236	-13.01	2.497	3.329
25	M13	Y	-13.01	-5.112	3.329	4.162
26	M14	Y	-5.798	-13.619	0	.832
27	M14	Y	-13.619	-21.675	.832	1.665
28	M14	Y	-21.675	-25.417	1.665	2.497
29	M14	Y	-25.417	-20.225	2.497	3.329
30	M14	Y	-20.225	-10.651	3.329	4.162

Member Area Loads (BLC 39 : Structure D)

	Joint A	Joint B	Joint C	Joint D	Direction	Distribution	Magnitude[ksf]
1	N52	N51	N73	N75	Y	Two Way	-.005
2	N79	N78	N100	N102	Y	Two Way	-.005
3	N9	N8	N46	N48	Y	Two Way	-.005

Member Area Loads (BLC 40 : Structure Di)

	Joint A	Joint B	Joint C	Joint D	Direction	Distribution	Magnitude[ksf]
1	N52	N51	N73	N75	Y	Two Way	-.016
2	N79	N78	N100	N102	Y	Two Way	-.016
3	N9	N8	N46	N48	Y	Two Way	-.016

Envelope Joint Reactions

Joint	X [lb]	LC	Y [lb]	LC	Z [lb]	LC	MX [k-ft]	LC	MY [k-ft]	LC	MZ [k-ft]	LC		
1	N2	max	1086.251	10	2729.818	13	2137.522	1	5.585	13	1.79	4	.201	25
2		min	-1076.065	4	807.048	43	-2260.68	7	1.45	31	-1.777	10	-.002	8
3	N3	max	1928.636	10	2871.111	21	1274.394	1	-.774	3	1.92	12	-1.145	27
4		min	-2043.462	4	918.123	3	-1222.001	7	-2.703	21	-1.906	6	-5.048	21
5	N4	max	1917.431	11	2871.029	17	1529.54	1	-.803	12	1.899	8	4.866	17
6		min	-1816.237	5	918.935	11	-1458.774	7	-3.033	18	-1.886	2	1.384	11
7	Totals:	max	4835.834	10	8380.246	14	4941.456	1						
8		min	-4835.835	4	3040.6	8	-4941.455	7						

Envelope AISC 15th(360-16): LRFD Steel Code Checks

Member	Shape	Code ...	Loc[ft]	LC	Shear ...	Loc[ft]	Dir	LC	phi*Pnc [lb]	phi*Pnt [lb]	phi*Mn y...	phi*Mn z...	Cb	Eqn
1	M1	PIPE 3.0	.136	4.948	20	.073	8.333	14	28250.554	65205	5.749	5.749	1...	H1-1b
2	M2	PIPE 3.0	.136	7.552	24	.073	4.167	18	28250.554	65205	5.749	5.749	1...	H1-1b
3	M3	PIPE 3.0	.136	7.552	16	.073	4.167	22	28250.554	65205	5.749	5.749	1...	H1-1b
4	M4	HSS4X4X4	.374	0	16	.083	0	y 13	124657.752	139518	16.181	16.181	3...	H1-1b
5	M5	HSS4X4X4	.383	0	20	.093	0	y 42	124657.752	139518	16.181	16.181	3...	H1-1b
6	M6	HSS4X4X4	.382	0	24	.089	0	y 22	124657.752	139518	16.181	16.181	3...	H1-1b
7	M7	HSS4X4X4	.190	0	24	.057	0	y 17	136263.03	139518	16.181	16.181	1...	H1-1b
8	M8	HSS4X4X4	.191	2.375	14	.066	2.375	y 21	136263.03	139518	16.181	16.181	1...	H1-1b
9	M9	HSS4X4X4	.189	0	16	.057	0	y 21	136263.03	139518	16.181	16.181	1...	H1-1b
10	M10	HSS4X4X4	.189	2.375	18	.066	2.375	y 13	136263.03	139518	16.181	16.181	1...	H1-1b
11	M11	HSS4X4X4	.190	0	20	.057	0	y 13	136263.03	139518	16.181	16.181	1...	H1-1b
12	M12	HSS4X4X4	.189	2.375	22	.066	2.375	y 17	136263.03	139518	16.181	16.181	1...	H1-1b
13	M13	L2x2x3	.154	0	12	.016	0	y 21	9823.122	23392.8	.558	1.091	1...	H2-1
14	M14	L2x2x3	.168	4.162	2	.015	4.162	y 17	9823.122	23392.8	.558	1.09	1...	H2-1

Envelope AISC 15th(360-16): LRFD Steel Code Checks (Continued)

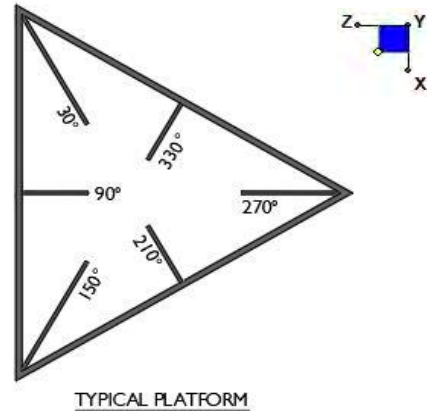
Member	Shape	Code ...	Loc[ft]	LC	Shear ...	Loc[ft]	Dir	LC	phi*Pnc [lb]	phi*Pnt [lb]	phi*Mn y...	phi*Mn z...	Cb	Eqn
15	M15	L2x2x3	.150	0	4	.016	0	y 13	9823.122	23392.8	.558	1.091	1...	H2-1
16	M16	L2x2x3	.169	4.162	7	.015	4.162	y 20	9823.122	23392.8	.558	1.07	1...	H2-1
17	M17	L2x2x3	.154	0	8	.016	0	y 17	9823.122	23392.8	.558	1.09	1...	H2-1
18	M18	L2x2x3	.167	4.162	11	.015	4.162	y 13	9823.122	23392.8	.558	1.071	1...	H2-1
19	M19	PL3/8x6	.284	.167	12	.384	0	y 17	71601.728	72900	.57	9.113	1...	H1-1b
20	M20	PL3/8x6	.152	0	12	.196	0	y 13	70677.939	72900	.57	9.113	1...	H1-1b
21	M21	PL3/8x6	.263	0	8	.317	0	y 15	70677.939	72900	.57	9.113	1...	H1-1b
22	M22	PL3/8x6	.265	.167	2	.372	0	y 21	71601.728	72900	.57	9.113	1...	H1-1b
23	M23	PL3/8x6	.273	.167	4	.384	0	y 20	71601.728	72900	.57	9.113	1...	H1-1b
24	M24	PL3/8x6	.147	0	4	.198	0	y 17	70677.939	72900	.57	9.113	1...	H1-1b
25	M25	PL3/8x6	.261	0	12	.316	0	y 19	70677.939	72900	.57	9.113	1...	H1-1b
26	M26	PL3/8x6	.266	.167	6	.373	0	y 13	71601.728	72900	.57	9.113	1...	H1-1b
27	M27	PL3/8x6	.285	.167	8	.386	0	y 13	71601.728	72900	.57	9.113	1...	H1-1b
28	M28	PL3/8x6	.151	0	8	.197	0	y 20	70677.939	72900	.57	9.113	1...	H1-1b
29	M29	PL3/8x6	.252	0	4	.316	0	y 23	70677.939	72900	.57	9.113	1...	H1-1b
30	M30	PL3/8x6	.259	.167	10	.372	0	y 17	71601.728	72900	.57	9.113	1...	H1-1b
31	M31	PL1/2x6	.178	.516	12	.099	.516	y 24	66009.234	97200	1.012	12.15	1...	H1-1b
32	M32	PL1/2x6	.172	.516	4	.157	.516	y 28	66009.234	97200	1.012	12.15	1...	H1-1b
33	M33	PL1/2x6	.178	.516	8	.099	.516	y 20	66009.234	97200	1.012	12.15	1...	H1-1b
34	M34	PL1/2x6	.053	0	12	.023	.112	y 22	96757.507	97200	1.012	12.15	1...	H1-1b
35	M35	PL1/2x6	.042	0	8	.024	0	y 22	96757.507	97200	1.012	12.15	1...	H1-1b
36	M36	PL1/2x6	.051	0	4	.066	.112	y 25	96757.507	97200	1.012	12.15	1...	H1-1b
37	M37	PL1/2x6	.042	0	12	.153	0	y 25	96757.507	97200	1.012	12.15	1...	H1-1b
38	M38	PL1/2x6	.053	0	8	.053	.112	y 29	96757.507	97200	1.012	12.15	1...	H1-1b
39	M39	PL1/2x6	.041	0	4	.030	0	y 29	96757.507	97200	1.012	12.15	1...	H1-1b
40	M40	PIPE 2.5	.151	8.073	16	.030	8.073	2	14558.792	50715	3.596	3.596	2...	H1-1b
41	M41	PIPE 2.5	.151	8.073	21	.030	8.073	6	14558.792	50715	3.596	3.596	2...	H1-1b
42	M42	PIPE 2.5	.151	8.073	13	.030	8.073	10	14558.792	50715	3.596	3.596	2...	H1-1b
43	M43	L3X3X4	.072	0	11	.033	0	y 6	45794.971	46656	1.688	3.756	1...	H2-1
44	M44	L3X3X4	.073	0	3	.033	0	y 10	45794.971	46656	1.688	3.756	1...	H2-1
45	M45	L3X3X4	.073	0	7	.047	0	y 26	45794.971	46656	1.688	3.756	1...	H2-1
46	OVP	PIPE 2.0	.089	2.5	3	.012	2.5	3	28843.414	32130	1.872	1.872	1...	H1-1b
47	OVP2	PIPE 2.0	.089	2.5	9	.012	2.5	9	28843.414	32130	1.872	1.872	1...	H1-1b
48	MP1A	PIPE 2.0	.245	3.5	23	.054	3.5	12	14916.096	32130	1.872	1.872	4...	H1-1b
49	MP2A	PIPE 2.0	.485	3.5	1	.096	3.5	11	14916.096	32130	1.872	1.872	4...	H1-1b
50	MP3A	PIPE 2.0	.251	3.5	1	.043	3.5	7	14916.096	32130	1.872	1.872	4...	H1-1b
51	MP4A	PIPE 2.0	.277	3.5	15	.061	.917	6	14916.096	32130	1.872	1.872	3...	H1-1b
52	MP1B	PIPE 2.0	.244	3.5	15	.052	3.5	4	14916.096	32130	1.872	1.872	3...	H1-1b
53	MP2B	PIPE 2.0	.476	3.5	5	.096	3.5	2	14916.096	32130	1.872	1.872	1...	H1-1b
54	MP3B	PIPE 2.0	.249	3.5	5	.044	3.5	11	14916.096	32130	1.872	1.872	2...	H1-1b
55	MP4B	PIPE 2.0	.276	3.5	19	.060	.917	10	14916.096	32130	1.872	1.872	2...	H1-1b
56	MP1C	PIPE 2.0	.247	3.5	19	.054	3.5	8	14916.096	32130	1.872	1.872	2...	H1-1b
57	MP2C	PIPE 2.0	.485	3.5	9	.096	3.5	7	14916.096	32130	1.872	1.872	1...	H1-1b
58	MP3C	PIPE 2.0	.251	3.5	9	.043	3.5	3	14916.096	32130	1.872	1.872	3...	H1-1b
59	MP4C	PIPE 2.0	.275	3.5	23	.058	.917	2	14916.096	32130	1.872	1.872	2...	H1-1b



I. Mount-to-Tower Connection Check

RISA Model Data

Nodes (labeled per RISA)	Orientation (per graphic of typical platform)
N3	30
N2	270
N4	150



Tower Connection Bolt Checks

Any moment resistance?:

Bolt Quantity per Reaction:

d_x (in) (Delta X of typ. bolt config. sketch) :

d_y (in) (Delta Y of typ. bolt config. sketch) :

Bolt Type:

Bolt Diameter (in):

Required Tensile Strength (kips):

Required Shear Strength (kips):

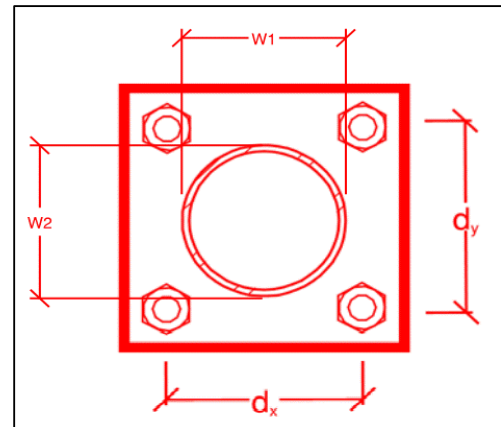
Tensile Strength / bolt (kips):

Shear Strength / bolt (kips):

Tensile Capacity Overall:

Shear Capacity Overall:

yes
4
6
6
A325N
0.625
23.3
4.3
20.7
12.4
28.2%*
8.7%



*Note: Tension reduction not required if tension or shear capacity < 30%

Tower Connection Plate and Weld Check

Connecting Standoff Member Shape:

Plate Width (in):

Plate Height (in):

W1 (in):

W2 (in):

Fy (ksi, plate):

t_{plate} (in):

Weld Size (1/16 in):

$\Phi * R_n$ (kip/in):

Required Weld Strength (kip/in):

Plate Bending Capacity:

Weld Capacity:

Rect
8
8
4
4
36
0.75
6
8.35
3.26
34.2%
39.0%

Max Plate Bending Strengths

Mu_{xx} (kip-in) :	11.4
$\Phi * Mn_{xx}$ (kip-in) :	36.5
Mu_{yy} (kip-in) :	1.1
$\Phi * Mn_{yy}$ (kip-in) :	36.5

Mount Desktop – Post Modification Inspection (PMI) Report Requirements

Documents & Photos Required from Contractor – Passing Mount Analysis

Purpose – to provide Maser Consulting Connecticut the proper documentation in order to complete the required Mount Desktop review of the Post Modification Inspection Report.

- Contractor is responsible for making certain the photos provided as noted below provide confirmation that the installation was completed in accordance with this Passing Mount Analysis.
- Contractor shall relay any data that can impact the performance of the mount, this includes safety issues.

Base Requirements:

- Any special photos outside of the standard requirements will be indicated on the passing MA
- Verification that loading is as communicated in the Passing Mount Analysis. NOTE If loading is different than what is conveyed contact Maser Consulting Connecticut immediately.
- Each photo should be time and date stamped
- Photos should be high resolution and submitted in a Zip File and should be organized in the file structure as depicted in Schedule A attached.
- Contractor shall ensure that the safety climb wire rope is supported and not adversely impacted by the install of the modification components. This may involve the install of wire rope guides, or other items to protect the wire rope.
- The photos in the file structure should be uploaded to <https://pmi.vzsmart.com> as depicted on the drawings

Photo Requirements:

- Base and “During Installation Photos”
 - Base pictures include
 - Photo of Gate Signs showing the tower owner, site name, and number
 - Photo of carrier shelter showing the carrier site name and number if available
 - Photos of the galvanizing compound and/or paint used (if applicable), clearly showing the label and name
 - “During Installation Photos if provided - must be placed only in this folder
- Photos taken at ground level
 - Overall tower structure before and after installation of the equipment modifications
 - Photos of the appropriate mount before and after installation of the modifications; if the mounts are at different rad elevations, pictures must be provided for all elevations that the modifications were installed
- Photos taken at Mount Elevation
 - Photos showing each individual sector before and also after installation of equipment.

- These photos should also certify that the placement and geometry of the equipment on the mount is as depicted on the sketch and table in the mount analysis
- Photos showing the safety climb wire rope above and below the mount prior to modification.
- Photos showing the climbing facility and safety climb if present.

Antenna & equipment placement and Geometry Confirmation:

- The contractor must certify that the antenna & equipment placement and geometry is in accordance with the antenna placement diagrams as included in this mount analysis.
- The contractor certifies that the photos support and the equipment on the mount is as depicted on the antenna placement diagrams as included in this mount analysis.
- The contractor notes that the equipment on the mount is not in accordance with the antenna placement diagrams and has accordingly marked up the diagrams or provided a diagram outlining the differences.

Certifying Individual:	Company	_____
	Name	_____
	Signature	_____


















Special Instructions / Validation as required from the MA or any other information the contractor deems necessary to share that was identified:

Issue:

- Contractor shall Install (2) OVP pipes, 36" long P2.0 STD in alpha and beta sector. Connect to standoff arm at 12" from standoff end close to monopole using crossover plate (Site Pro 1, Part #: SQCX4-K or EOR approved equivalent). OVP pipes to be cantilevered up by 30" from standoff. Install proposed OVPs on to the same pipes.

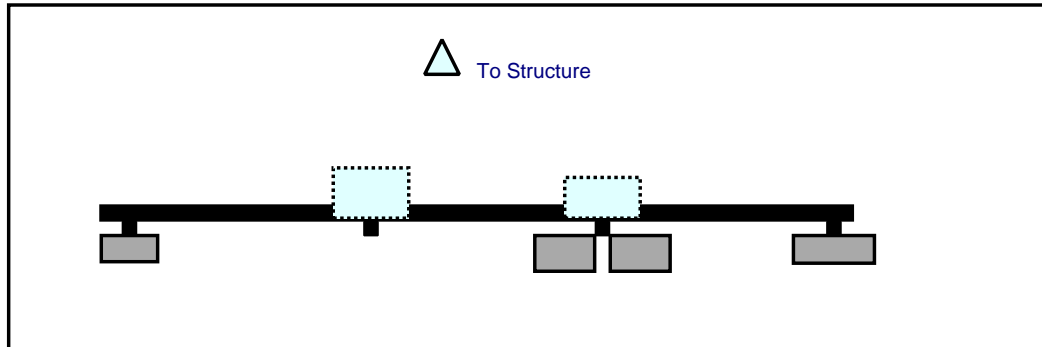
Response:

Schedule A – Photo & Document File Structure

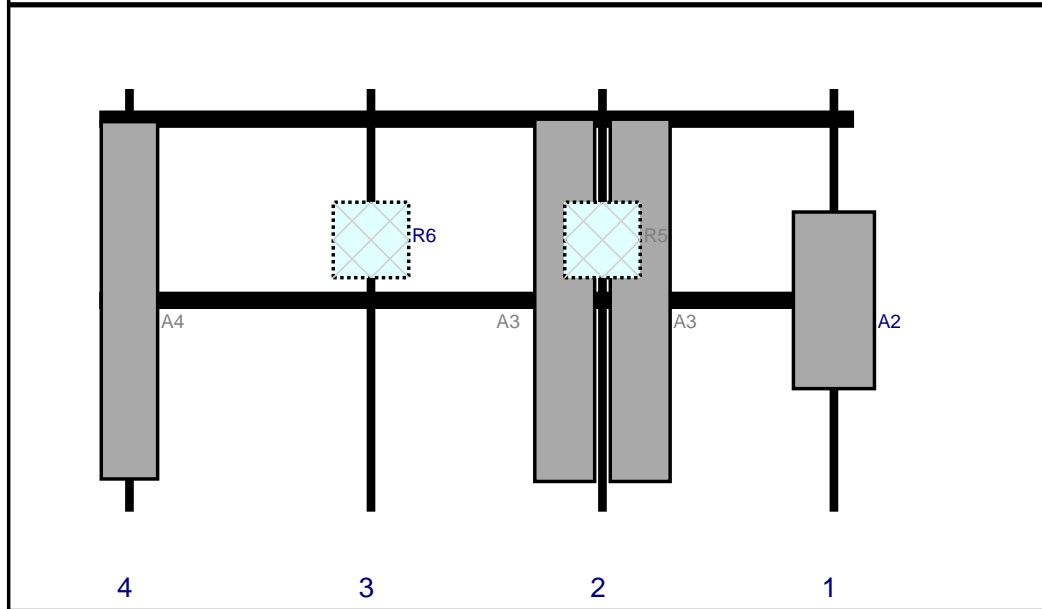
-  VzW Site Number / Name
 -  Base & “During Installation” Photos
 -  Pre-Installation Photos
 -  Alpha
 -  Beta
 -  Gamma
 -  Ground Level
 -  Tape Drop
 -  Post-Installation Photos
 -  Alpha
 -  Beta
 -  Gamma
 -  Ground Level
 -  Tape Drop
 -  Photos of climbing facility and safety climb – If Present
 -  Certifications – Submission of this document including certifications
 -  Specific Required Additional Photos



Plan View



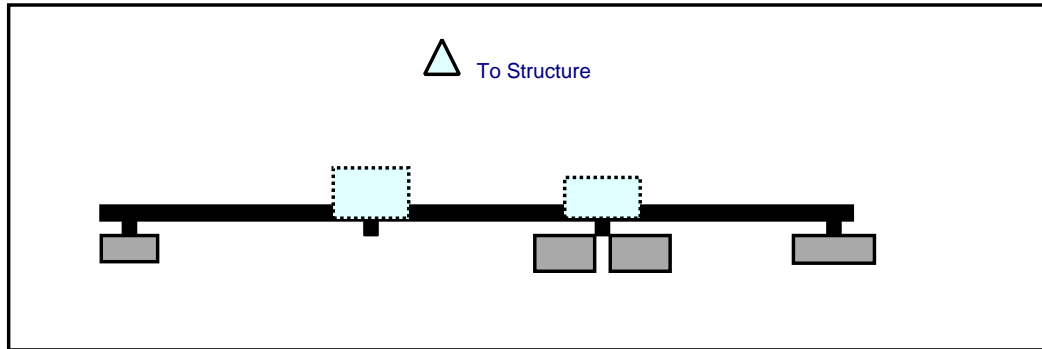
Front View
Looking at Structure



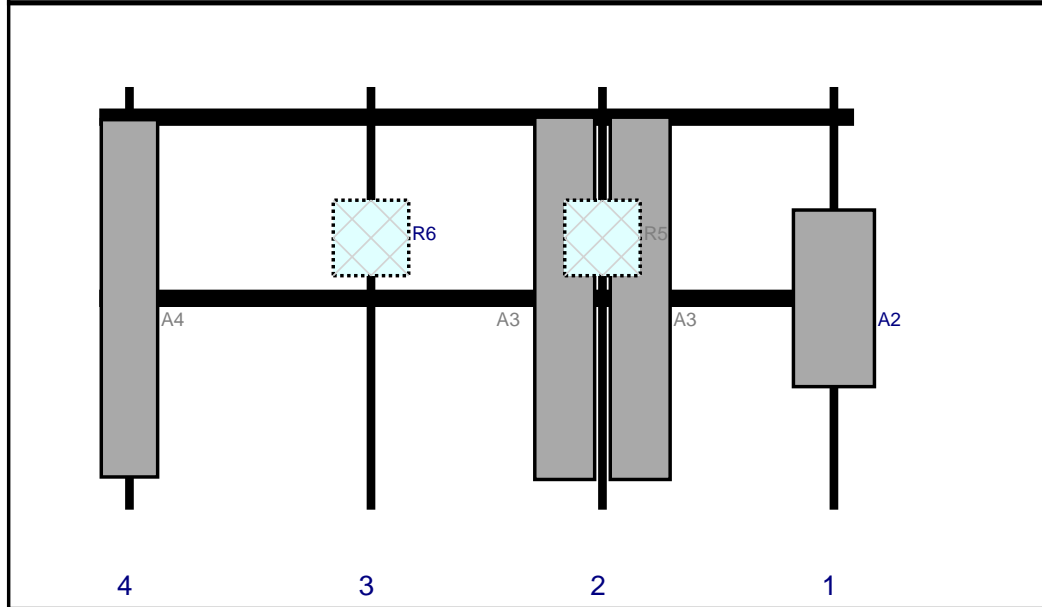
Ref#	Model	Height (in)	Width (in)	H Dist Frm L.	Pipe #	Pipe Pos V	Ant Pos	C. Ant Frm T.	Ant H Off	Status	Validation
A2	MT6407-77A	35.1	16.1	146	1	a	Front	42	0	Added	
A3	SBNHH-1D65B	72	11.9	100	2	a	Front	42	7.5	Retained	03/18/2021
A3	SBNHH-1D65B	72	11.9	100	2	b	Front	42	-7.5	Retained	03/18/2021
R5	B5/B13 RRH-BR04C	15	15	100	2	a	Behind	30	0	Retained	03/18/2021
R6	B2/B66A RRH-BR049	15	15	54	3	a	Behind	30	0	Retained	03/18/2021
A4	BXA-70063-6CF-6-850MHZ	71	11.2	6	4	a	Front	42	0	Retained	03/18/2021



Plan View

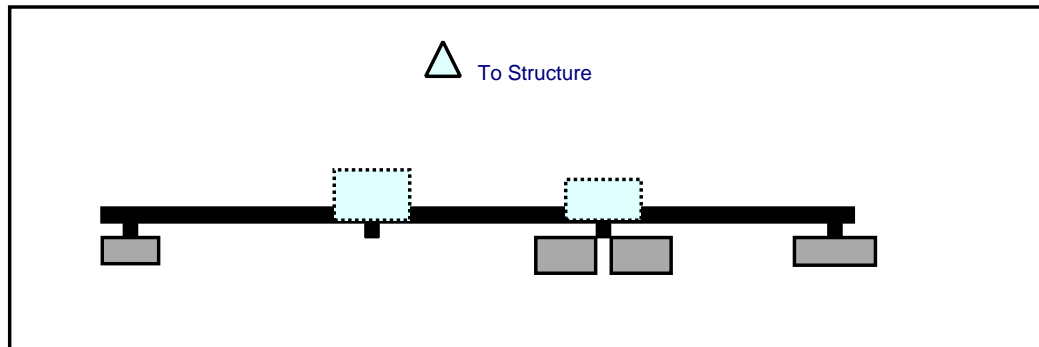


Front View
Looking at Structure

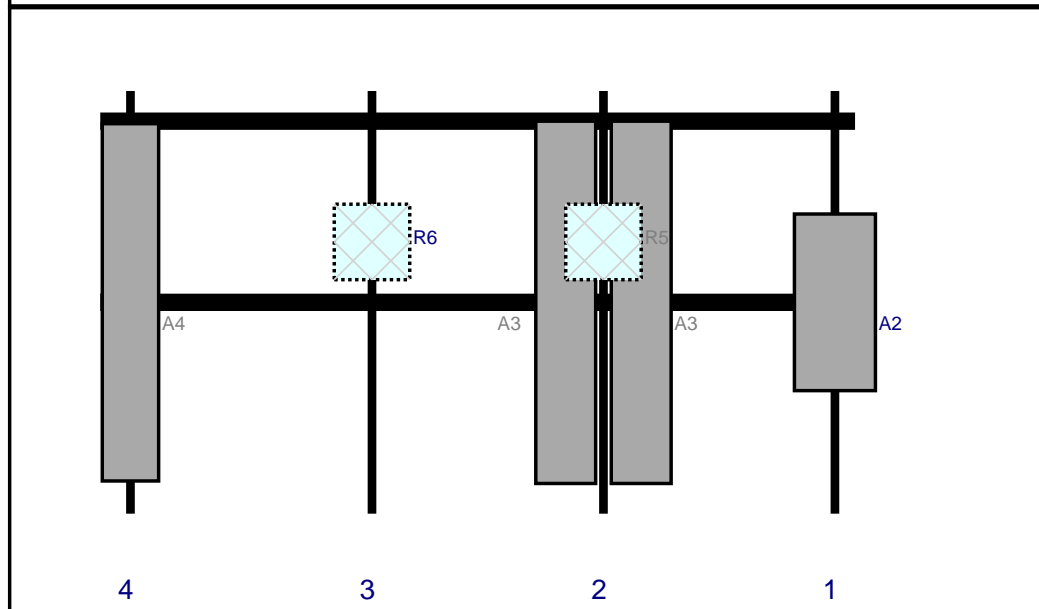


Ref#	Model	Height (in)	Width (in)	H Dist Frm L.	Pipe #	Pipe Pos V	Ant Pos	C. Ant Frm T.	Ant H Off	Status	Validation
R6	B2/B66A RRH-BR049	15	15	54	3	a	Behind	30	0	Retained	03/18/2021
A4	BXA-70063-6CF-6-850MHZ	71	11.2	6	4	a	Front	42	0	Retained	03/18/2021
A2	MT6407-77A	35.1	16.1	146	1	a	Front	42	0	Added	
A3	SBNHH-1D65B	72	11.9	100	2	a	Front	42	7.5	Retained	03/18/2021
A3	SBNHH-1D65B	72	11.9	100	2	b	Front	42	-7.5	Retained	03/18/2021
R5	B5/B13 RRH-BR04C	15	15	100	2	a	Behind	30	0	Retained	03/18/2021

Plan View



Front View
Looking at Structure



Ref#	Model	Height (in)	Width (in)	H Dist Frm L.	Pipe #	Pipe Pos V	Ant Pos	C. Ant Frm T.	Ant H Off	Status	Validation
A2	MT6407-77A	35.1	16.1	146	1	a	Front	42	0	Added	
A3	SBNHH-1D65B	72	11.9	100	2	a	Front	42	7.5	Retained	03/18/2021
A3	SBNHH-1D65B	72	11.9	100	2	b	Front	42	-7.5	Retained	03/18/2021
R5	B5/B13 RRH-BR04C	15	15	100	2	a	Behind	30	0	Retained	03/18/2021
R6	B2/B66A RRH-BR049	15	15	54	3	a	Behind	30	0	Retained	03/18/2021
A4	BXA-70063-6CF-6-850MHZ	71	11.2	6	4	a	Front	42	0	Retained	03/18/2021

Maser Consulting Connecticut

Subject

TIA-222-H Usage

Site Information

Site ID: 467794-VZW / WEST HARTFORD 4 CT

Site Name: WEST HARTFORD 4 CT

Carrier Name: Verizon Wireless

Address: 219 New Park Ave
Hartford, Connecticut 06106
Hartford County

Latitude: 41.750775°

Longitude: -72.713675°

Structure Information

Tower Type: Monopole

Mount Type: (2) 12.50-ft T-Frame
(1) 7.50-ft T-Frame

To Whom It May Concern,

We respectfully submit the above referenced Antenna Mount Structural Analysis report in conformance with ANSI/TIA-222-H, Structural Standard for Antenna Supporting Structures and Antennas and Small Wind Turbine Support Structures.

The 2015 International Building Code states that, in Section 3108, telecommunication towers shall be designed and constructed in accordance with the provisions of TIA-222. The TIA-222-H is the latest revision of the TIA-222 Standard, effective as of January 01, 2018.

As with all ANSI standards and engineering best practice is to apply the most current revision of the standard. This ensures the engineer is applying all updates. As an example, the TIA-222-H standard includes updates to bring it in line with the latest AISC and ACI standards and it also incorporates the latest wind speed maps by ASCE 7 based on updated studies of the wind data.

The TIA-222-H standard clarifies these specific requirements for the antenna mount analysis such as modeling methods, seismic analysis, 30-degree increment wind directions and maintenance loading. Therefore, it is our opinion that TIA-222-H is the most appropriate standard for antenna mount structural analysis and is acceptable for use at this site to ensure the engineer is taking into account the most current engineering standard available.

Sincerely,

Taqi Khawaja, PE
Technical Manager

Exhibit F

Power Density/RF Emissions Report

Site Name: WEST HARTFORD 4 CT
Cumulative Power Density

Operator	Operating Frequency	Number of Trans.	ERP Per Trans.	Total ERP	Distance to Target	Calculated Power Density
	(MHz)		(watts)	(watts)	(feet)	(mW/cm ²)
VZW 700	751	4	697	2788	105	0.0091
VZW Cellular	874	4	484	1937	105	0.0063
VZW PCS	1975	4	1593	6370	105	0.0208
VZW AWS	2120	4	1563	6251	105	0.0204
VZW CBAND	3730.005	4	6531	26125	105	0.0852

Total Percentage of Maximum Permissible Exposure

*Guidelines adopted by the FCC on August 1, 1996, 47 CFR Part 1 based on NCRP Report 86, 1986 and generally on ANSI
 **Calculation includes a -10 dB Off Beam Antenna Pattern Adjustment pursuant to Attachments B and C of the Siting Council

MHz = Megahertz
 mW/cm² = milliwatts per square centimeter
 ERP = Effective Radiated Power


Absolute worst case maximum values used.

Maximum Permissible Exposure*	Fraction of MPE
(mW/cm ²)	(%)
0.5007	1.82%
0.5827	1.08%
1.0000	2.08%
1.0000	2.04%
1.0000	8.52%
	15.54%

/IEEE C95.1-1992

It's November 10, 2015 Memorandum for Exempt Modification filing:

Exhibit G



**UNITED STATES
POSTAL SERVICE®**

Click-N-Ship®

P

USPS.com 9405 5036 9930 0003 8598 57 0155 0000 0010 6103
US POSTAGE
 MD Flat Rate Box

U.S. POSTAGE PAID
click-n-ship®

09/14/2021 Mailed from 01566


PRIORITY MAIL 2-DAY™

Expected Delivery Date: 09/17/21
 Ref#: 254B-AN-L6
0004

C006

SHIP TO: LUKE BRONIN
 MAYOR OF HARTFORD
 550 MAIN ST RM 200
 HARTFORD CT 06103-2913

USPS TRACKING #



9405 5036 9930 0003 8598 57

Electronic Rate Approved #038555749



Cut on dotted line.

Instructions

1. Each Click-N-Ship® label is unique. Labels are to be used as printed and used only once. DO NOT PHOTO COPY OR ALTER LABEL.
2. Place your label so it does not wrap around the edge of the package.
3. Adhere your label to the package. A self-adhesive label is recommended. If tape or glue is used, DO NOT TAPE OVER BARCODE. Be sure all edges are secure.
4. To mail your package with PC Postage®, you may schedule a Package Pickup online, hand to your letter carrier, take to a Post Office™, or drop in a USPS collection box.
5. Mail your package on the "Ship Date" you selected when creating this label.

Click-N-Ship® Label Record

USPS TRACKING # :
9405 5036 9930 0003 8598 57

Trans. #: 543588796	Priority Mail® Postage: \$15.50
Print Date: 09/14/2021	Total: \$15.50
Ship Date: 09/14/2021	
Expected Delivery Date: 09/17/2021	


From: DEBORAH CHASE Ref#: 254B-AN-L6
 NORTHEAST SITE SOLUTIONS
 420 MAIN ST
 STE 1
 STURBRIDGE MA 01566-1359

To: LUKE BRONIN
 MAYOR OF HARTFORD
 550 MAIN ST RM 200
 HARTFORD CT 06103-2913

* Retail Pricing Priority Mail rates apply. There is no fee for USPS Tracking® service on Priority Mail service with use of this electronic rate shipping label. Refunds for unused postage paid labels can be requested online 30 days from the print date.



Thank you for shipping with the United States Postal Service!
 Check the status of your shipment on the USPS Tracking® page at usps.com



**UNITED STATES
POSTAL SERVICE®**

Click-N-Ship®

P

USPS.com 9405 5036 9930 0003 8598 71 0155 0000 0010 6103
US POSTAGE
 MD Flat Rate Box

09/14/2021 Mailed from 01566

U.S. POSTAGE PAID
click-n-ship®


PRIORITY MAIL 2-DAY™

Expected Delivery Date: 09/17/21
 Ref#: 254B-AN-L6
0004

C003

SHIP TO: AIMEE CHAMBERS
 DIRECTOR OF PLANNING
 250 CONSTITUTION PLZ
 FL 4
 HARTFORD CT 06103-1800

USPS TRACKING #



9405 5036 9930 0003 8598 71

Electronic Rate Approved #038555749



Cut on dotted line.

Instructions

1. Each Click-N-Ship® label is unique. Labels are to be used as printed and used only once. DO NOT PHOTO COPY OR ALTER LABEL.
2. Place your label so it does not wrap around the edge of the package.
3. Adhere your label to the package. A self-adhesive label is recommended. If tape or glue is used, DO NOT TAPE OVER BARCODE. Be sure all edges are secure.
4. To mail your package with PC Postage®, you may schedule a Package Pickup online, hand to your letter carrier, take to a Post Office™, or drop in a USPS collection box.
5. Mail your package on the "Ship Date" you selected when creating this label.

Click-N-Ship® Label Record

USPS TRACKING # :
9405 5036 9930 0003 8598 71

Trans. #: 543588796	Priority Mail® Postage: \$15.50
Print Date: 09/14/2021	Total: \$15.50
Ship Date: 09/14/2021	
Expected Delivery Date: 09/17/2021	


From: DEBORAH CHASE Ref#: 254B-AN-L6
 NORTHEAST SITE SOLUTIONS
 420 MAIN ST
 STE 1
 STURBRIDGE MA 01566-1359

To: AIMEE CHAMBERS
 DIRECTOR OF PLANNING
 250 CONSTITUTION PLZ
 FL 4
 HARTFORD CT 06103-1800

* Retail Pricing Priority Mail rates apply. There is no fee for USPS Tracking® service on Priority Mail service with use of this electronic rate shipping label. Refunds for unused postage paid labels can be requested online 30 days from the print date.



Thank you for shipping with the United States Postal Service!
 Check the status of your shipment on the USPS Tracking® page at usps.com



**UNITED STATES
POSTAL SERVICE®**

Click-N-Ship®

P

USPS.com 9405 5036 9930 0003 8598 88 0155 0000 0010 6037
US POSTAGE
 MD Flat Rate Box

U.S. POSTAGE PAID
Click-N-Ship®

09/14/2021 Mailed from 01566

PRIORITY MAIL 2-DAY™

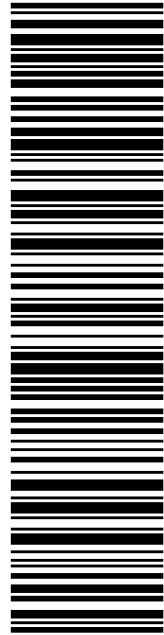
Expected Delivery Date: 09/17/21
 Ref#: 254B-ANCH-
0004

DEBORAH CHASE
 NORTHEAST SITE SOLUTIONS
 420 MAIN ST
 STE 1
 STURBRIDGE MA 01566-1359

C015

SHIP TO: CHRIS GELINAS
 EVERSOURCE
 107 SELDEN ST
 BERLIN CT 06037-1616

USPS TRACKING #



9405 5036 9930 0003 8598 88

Electronic Rate Approved #038555749



Cut on dotted line.

Instructions


1. Each Click-N-Ship® label is unique. Labels are to be used as printed and used only once. DO NOT PHOTO COPY OR ALTER LABEL.
2. Place your label so it does not wrap around the edge of the package.
3. Adhere your label to the package. A self-adhesive label is recommended. If tape or glue is used, DO NOT TAPE OVER BARCODE. Be sure all edges are secure.
4. To mail your package with PC Postage®, you may schedule a Package Pickup online, hand to your letter carrier, take to a Post Office™, or drop in a USPS collection box.
5. Mail your package on the "Ship Date" you selected when creating this label.

Click-N-Ship® Label Record

USPS TRACKING # :	
9405 5036 9930 0003 8598 88	
Trans. #: 543588796	Priority Mail® Postage: \$15.50
Print Date: 09/14/2021	Total: \$15.50
Ship Date: 09/14/2021	
Expected Delivery Date: 09/17/2021	
From: DEBORAH CHASE Ref#: 254B-ANCH- NORTHEAST SITE SOLUTIONS 420 MAIN ST STE 1 STURBRIDGE MA 01566-1359	
To: CHRIS GELINAS EVERSOURCE 107 SELDEN ST BERLIN CT 06037-1616	
* Retail Pricing Priority Mail rates apply. There is no fee for USPS Tracking® service on Priority Mail service with use of this electronic rate shipping label. Refunds for unused postage paid labels can be requested online 30 days from the print date.	



Thank you for shipping with the United States Postal Service!
 Check the status of your shipment on the USPS Tracking® page at usps.com



**UNITED STATES
POSTAL SERVICE®**

Click-N-Ship®

P

usps.com 9405 5036 9930 0003 8728 87 0079 5000 0010 1581
US POSTAGE
 Flat Rate Env
 09/14/2021

U.S. POSTAGE PAID
click-n-ship®

Mailed from 01566

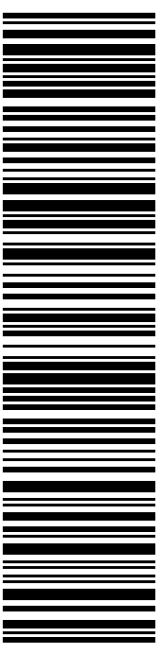
PRIORITY MAIL 1-DAY™

Expected Delivery Date: 09/15/21
 Ref#: CR-876363
0006

C006

SHIP TO:
 SARAH SNELL
 1800 W PARK DR
 WESTBOROUGH MA 01581-3926

USPS TRACKING #



9405 5036 9930 0003 8728 87

Electronic Rate Approved #038555749



Cut on dotted line.

Instructions

1. Each Click-N-Ship® label is unique. Labels are to be used as printed and used only once. DO NOT PHOTO COPY OR ALTER LABEL.
2. Place your label so it does not wrap around the edge of the package.
3. Adhere your label to the package. A self-adhesive label is recommended. If tape or glue is used, DO NOT TAPE OVER BARCODE. Be sure all edges are secure.
4. To mail your package with PC Postage®, you may schedule a Package Pickup online, hand to your letter carrier, take to a Post Office™, or drop in a USPS collection box.
5. Mail your package on the "Ship Date" you selected when creating this label.

Click-N-Ship® Label Record

USPS TRACKING # :
9405 5036 9930 0003 8728 87

Trans. #: 543589480	Priority Mail® Postage: \$7.95
Print Date: 09/14/2021	Total: \$7.95
Ship Date: 09/14/2021	
Expected Delivery Date: 09/15/2021	

From: DEBORAH CHASE
 NORTHEAST SITE SOLUTIONS
 420 MAIN ST
 STE 1
 STURBRIDGE MA 01566-1359

Ref#: CR-876363

To: SARAH SNELL
 1800 W PARK DR
 WESTBOROUGH MA 01581-3926

* Retail Pricing Priority Mail rates apply. There is no fee for USPS Tracking® service on Priority Mail service with use of this electronic rate shipping label. Refunds for unused postage paid labels can be requested online 30 days from the print date.



Thank you for shipping with the United States Postal Service!
 Check the status of your shipment on the USPS Tracking® page at usps.com

CR-876363



**UNITED STATES
POSTAL SERVICE.**

FISKDALE
458 MAIN ST
FISKDALE, MA 01518-9998
(800)275-8777

09/16/2021 11:43 AM

Product Qty Unit Price

Prepaid Mail 1 \$0.00
Hartford, CT 06103
Weight: 3 lb 6.20 oz
Acceptance Date:
Thu 09/16/2021
Tracking #:
9405 5036 9930 0003 8598 57

Prepaid Mail 1 \$0.00
Berlin, CT 06037
Weight: 3 lb 5.40 oz
Acceptance Date:
Thu 09/16/2021
Tracking #:
9405 5036 9930 0003 8598 88

Prepaid Mail 1 \$0.00
Westborough, MA 01581
Weight: 0 lb 2.50 oz
Acceptance Date:
Thu 09/16/2021
Tracking #:
9405 5036 9930 0003 8728 87

Prepaid Mail 1 \$0.00
Hartford, CT 06103
Weight: 3 lb 5.50 oz
Acceptance Date:
Thu 09/16/2021
Tracking #:
9405 5036 9930 0003 8598 71

Grand Total: \$0.00
