



August 29, 2022

Melanie A. Bachman
Executive Director
Connecticut Siting Council
10 Franklin Square
New Britain, CT 06051

Re: Notice of Exempt Modification – AT&T Mobility Site # 13757798
AT&T Wireless Telecommunications Facility @ 139 Morris Hubbard Rd, Higganum, CT

Dear Ms. Bachman,

AT&T is proposing modifications to a wireless telecommunications facility on an existing tower at 139 Morris Hubbard Rd, Higganum. Enclosed please find Check Number 034925 in the amount of Six Hundred and Twenty Five Dollars (\$625.00); an original and two (2) copies of the following documents: the CSC Exempt Mod letter; a Letter of Authorization from the tower owner; the Property Card and GIS data of the property; a set of Construction and Modification Drawings; a Structural Analysis Report; an Antenna Mount Analysis Report; an EME Study Report; and Four (4) Notice Confirmations.

I will email a .pdf copy of these documents to the Council.

If you have any questions, please feel free to contact me; I can be reached at 443-677-0144 or via email at jmandrews@clinellc.com. Thank you for your kind cooperation in this matter.

Respectfully Submitted,

A handwritten signature in blue ink, appearing to read "Jack Andrews", is written over the typed name.

Jack Andrews
Zoning Manager, Centerline Communications
10130 Donleigh Drive
Columbia, MD 21046
443-677-0144



August 24, 2022

Melanie A. Bachman
Executive Director
Connecticut Siting Council
10 Franklin Square
New Britain, CT 06051

Re: Notice of Exempt Modification – AT&T Mobility Site # 13757798
AT&T Wireless Telecommunications Facility @ 139 Morris Hubbard Rd, Higganum, CT

Dear Ms. Bachman,

AT&T Mobility (“AT&T”) is proposing to modify a wireless telecommunications facility on an existing monopole tower at 139 Morris Hubbard Rd, in Higganum (Latitude: 41.472239, Longitude: -72.554567). The monopole tower is owned and operated by American Tower Corporation. The subject property is owned by Joann M. Baroni Foristall.

AT&T proposes to remove 9 antennas, 3 RRHs, 6 TMAs, 6 Diplexers and six 1 5/8" coax cables; and install mount modifications, 12 antennas, 9 RRHs, 3 Y cables, 1 CD-9 squid, three 0.92" DC trunks, and one 0.405" fiber trunk. The work on the ground involves removing 6 Diplexers and install 6648 and XCEDE cable.

Please accept this application as notification in accordance with R.C.S.A. § 16-50j-73, for construction that constitutes an exempt modification pursuant to R.C.S.A. § 16-50j-72 (b)(2). In accordance with R.C.S.A §16-50j-73, a copy of this letter is being sent to the following individuals: American Tower Corporation as Tower Operator/Owner, Joann M. Baroni Foristall, as Property Owner; the Honorable Robert McGarry, the First Selectman of the Town of Haddam and Bill Warner, the Town Planner.

The applicant’s proposal falls squarely within those activities explicitly provided for in R.C.S.A. § 16-50j-72(b)(2):

1. The proposed modifications will NOT result in an increase in the height of the existing structure.
2. The proposed modifications will NOT require an extension of the site boundary.
3. The proposed modifications will NOT increase noise levels at the facility by six decibels or more, or to levels that exceed state and local criteria.
4. The operation of the modified facility will NOT increase radio frequency emissions at the facility to a level at or above the Federal Communications Commission (FCC) safety standard. Please see the RF emissions calculation for AT&T’s modified facility enclosed herewith.
5. The proposed modifications will NOT cause an ineligible change or alteration in the physical or environmental characteristics of the site.
6. The existing structure and its foundation can support the proposed loading. Please see the structural analysis enclosed herewith.



For the foregoing reasons, AT&T respectfully requests that the Council approve this request for the exempt modifications under R.C.S.A. § 16-50j-72(b)(2), for this tower located at 139 Morris Hubbard Rd. in Higganum.

If you have any questions, please feel free to contact me.

Sincerely,

A handwritten signature in blue ink, appearing to read 'Jack Andrews', is written over the typed name.

Jack Andrews
Zoning Manager, Centerline Communications
10130 Donleigh Drive
Columbia, MD 21046
443-677-0144

Enclosures: Exhibit 1 – Letter of Authorization
 Exhibit 2 – GIS Map
 Exhibit 3 – Construction/Mount Modification Drawings
 Exhibit 4 – Structural Analysis Report
 Exhibit 5 – Antenna Mount Analysis Report
 Exhibit 6 – EME Study Report
 Exhibit 7 – (4) Notice Confirmations
 Exhibit 8 – Original Decision CSC Tower Approval

cc: American Tower Corporation - Tower Operator/Owner
 Joann M. Baroni Foristall - Property Owner
 The Honorable Robert McGarry - First Selectman of the Town of Haddam
 Bill Warner - Town Planner



AMERICAN TOWER®
CORPORATION
LETTER OF AUTHORIZATION

CENTERLINE COMMUNICATIONS LLC/ AT&T MOBILITY

I, Margaret Robinson, Vice President, US Tower Legal Division on behalf of American Tower*, owner/operator of the tower facility located at the address identified below (the "Tower Facilities"), do hereby authorize AT&T MOBILITY, CENTERLINE COMMUNICATIONS LLC, its successors and assigns, to act as American Tower's non-exclusive agent for the purpose of filing and securing any zoning, land-use, building permit and/or electrical permit application(s) and approvals of the applicable jurisdiction for and to conduct the construction of the installation of antennas and related telecommunications equipment on the Tower Facility located at the above address. This installation shall not affect adjoining lands and will occur only within the area leased by American Tower.

American Tower understands that the application may be denied, modified or approved with conditions. The above authorization is limited to the acceptance by American Tower of conditions related to American Tower's installation. Any such conditions of approval or modifications will not be effective unless approved in writing by American Tower.

The above authorization does not permit AT&T MOBILITY, CENTERLINE COMMUNICATIONS LLC to modify or alter any existing permit(s) and/or zoning or land-use conditions or impose any additional conditions unrelated to American Tower's installation of telecommunications equipment without the prior written approval of American Tower.

*American Tower includes all affiliates and subsidiaries of American Tower Corporation.


ATC Asset #	Site Name	Project Number	Site Address
283420	STONEBROOK RD CT	13682835	23 Stonybrook Road, Stratford, Connecticut
243036	WEST HAVEN & RT 162 CT	13682841	668 Jones Hill Road, West Haven, Connecticut
302479	Rkhl - Rocky Hill	13683394	699 West Street, Rocky Hill, Connecticut
302537	Middletown CT 3	13747862	47 Inwood Road, Rocky Hill, Connecticut
302535	Milford CT 2	13748383	185 Research Drive, Milford, Connecticut
302473	E H F R - Prestige Park	13748397	310 Prestige Park Road, East Hartford, Connecticut
302505	Wshn - West Haven	13748405	204 Burwell Street, West Haven, Connecticut
302489	Enfd - Enfield	13753208	77 Town Farm Road, Enfield, Connecticut
302524	Beacon Falls	13753210	664 Rimmon Hill Road, Seymour, Connecticut
310968	WSPT-WESTPORT REBUILD CT	13753216	180A Bayberry Lane, Westport, Connecticut
302526	Naugatuck (telephone Pole)	13753218	585 South Main St. (soc. Club), Naugatuck, Connecticut
310972	WATERFORD REBUILD CT	13753547	15 Miner Lane, Waterford, Connecticut
302538	Parsonage Hill Aka Wallin	13753549	922 Northrop Road, Wallingford, Connecticut
370624	Mankes Silo	13754283	1338 Highland Ave, Cheshire, Connecticut



AMERICAN TOWER®
CORPORATION

88017	SHELTON-TRUMBULL	13755484	14 OXFORD DRIVE/BOOTH HILL RD, Shelton, Connecticut
414240	Byram Park CT	13755490	48 RITCH AVENUE WEST, Greenwich, Connecticut
283423	NAUGATUCK CT	13755758	880 Andrew Mountain Road, Naugatuck, Connecticut
302480	Woodbridge CT 1	13756843	77 Pease Road, Woodbridge, Connecticut
411183	WATERFORD CT	13756866	53 Dayton Rd. Waterford, Connecticut
302540	Madison CT 6	13757740	8 Old 79, Madison, Connecticut
411259	CT Collinsville CAC 802816 CT	13757764	650 Albany Turnpike, Collinsville, Connecticut
411256	CANTON CT	13757774	14 CANTON SPRINGS ROAD, Canton, Connecticut
302493	Nrwc - Norwich	13757776	225 Rogers Road, Norwich, Connecticut
302476	Wtbr - Waterbury	13757794	352 Garden Circle, Waterbury, Connecticut
302475	Sttn - Southington	13757796	80 Shuttle Meadow Road, Southington, Connecticut
302494	Hddm - Haddam	13757798	139 Morris Hubbard Rd, Higganum, Connecticut
283419	PINE ORCHARD BRANFORD CT	13757800	123 Pine Orchard Road, Branford, Connecticut
302482	North Havent CT 1	13757802	15 Dewight Street, North Haven, Connecticut
302485	Mdfd - Middlefield	13757806	134 Kikapoo Road, Middlefield, Connecticut
302500	Brst - Bristol	13757810	790 Willis Street, Bristol, Connecticut
302467	Bilkays Express	13757812	90 North Plains Industrial Rd. Wallingford, Connecticut
302536	Cherry Hill-branford	13759895	4 Beaver Road, Brandford, Connecticut
302482	North Havent CT 1	14050356	15 Dewight Street, North Haven, Connecticut
311305	GLFD-GUILFORD REBUILD CT	14050358	10 Tanner Marsh Road, Guilford, Connecticut
411261	CROMWELLSW CT	14089799	99 Christian Hill Road, Cromwell, Connecticut
302481	Hrfr - South	14090117	289 Mountain Street, Hartford, Connecticut

Signature: _____


Margaret Robinson, Vice President
US Tower Legal Division

See attached Notary Block



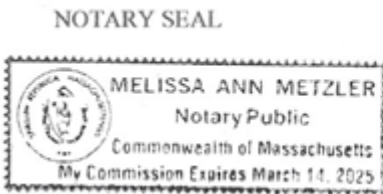
**LETTER OF AUTHORIZATION
CENTERLINE COMMUNICATIONS LLC/ AT&T MOBILITY**

NOTARY BLOCK

COMMONWEALTH OF MASSACHUSETTS
County of Middlesex

This instrument was acknowledged before me by Margaret Robinson, Vice President, UST Legal of American Tower (Tower Facility owner), personally known to me (or proved to me on the basis of satisfactory evidence) to be the person whose name is subscribed to the within instrument and acknowledged to me that he/she executed the same.

WITNESS my hand and official seal, this 30th day of June, 2022.



Notary Public 
My Commission Expires: March 14, 2025

DOCKET NO. 84 - AN APPLICATION OF SNET : CONNECTICUT SITING
CELLULAR, INC., FOR A CERTIFICATE OF :
ENVIRONMENTAL COMPATIBILITY AND PUBLIC : COUNCIL
NEED FOR A CELLULAR TELEPHONE ANTENNA :
TOWER AND ASSOCIATED EQUIPMENT IN THE : February 5, 1988
TOWN OF HADDAM, CONNECTICUT.

D E C I S I O N A N D O R D E R

Pursuant to the forgoing opinion, the Connecticut Siting Council hereby directs that a Certificate of Environmental Compatibility and Public Need, as provided by Section 16-50k of the General Statutes of Connecticut (CGS), be issued to Southern New England Telephone Cellular, Inc., (SNET) for the construction, operation, and maintenance of a cellular telephone tower and associated equipment in the Town of Haddam, Connecticut.

The facility shall be constructed, operated, and maintained as specified in the Council's record in this matter, and subject to the following conditions:

1. The monopole tower shall be no taller than necessary to provide the proposed service, and in no event shall exceed a height of 167 feet, including antennas.
2. The facility shall be constructed in accordance with all applicable federal, state, and municipal laws and regulations.
3. Unless necessary to comply with condition number 2, above, no lights shall be installed on this tower.

4. The Certificate Holder shall prepare a development and management (D&M) plan for the Haddam site in compliance with sections 16-50j-75 through 16-50j-77 of the Regulations of State Agencies. The D&M plan shall provide for evergreen screening around the outside perimeter of the eight-foot chain link fence which will surround the site and the color the tower will be painted.

5. The Certificate Holder or its successor shall notify the Council if and when directional antennas or any equipment other than that listed in this application is added to this facility.

6. The Certificate Holder or its successor shall permit public or private entities to share space on the Haddam tower, for due consideration, or shall provide any requesting entity with specific legal, technical, environmental, or economic reasons precluding such tower sharing.

7. If this facility does not provide or permanently ceases to provide cellular service following completion of construction, this Decision and Order shall be void, and the tower and all associated equipment in this application shall be dismantled and removed or reapplication for any new use shall be made to the Council before any such new use is made.

8. The Certificate Holder shall comply with any future radio frequency (RF) standards promulgated by State or federal regulatory agencies. Upon the establishment of any new governmental RF Standards, the facility granted in this Decision and Order shall be brought into compliance with such standards.

9. Unless otherwise approved by the Council, this Decision and Order shall be void if all construction authorized herein is not completed within three years of the issuance of this Decision and Order, or within three years of the completion of any appeal taken in this Decision and Order.

Pursuant to CGS Section 16-50p, we hereby direct that a copy of this Decision and Order be served on each person listed below. A notice of the issuance shall be published in the Middletown Press and the Hartford Courant.

The parties to this proceeding are:

SNET Cellular, Inc.
555 Long Warf Drive
New Haven CT 06511

(applicant)

Peter J. Tyrrell
Senior Attorney
227 Church Street
Room 1021
New Haven, CT 06506

(its representative)

Metro Mobile CTS of Hartford, Inc.
P.O. Box 1235
East Granby, Connecticut 06206

(intervenor)

Mr. Howard Slater
Ms. Jennifer Gaudet
Byrne, Slater, Sandler,
Schulman & Rouse, P.C.
330 Main Street
P.O. Box 3216
Hartford, CT 06103

(its representative)

Elizabeth Giurintano
119 Morris Hubbard Road
Higganum, CT 06441

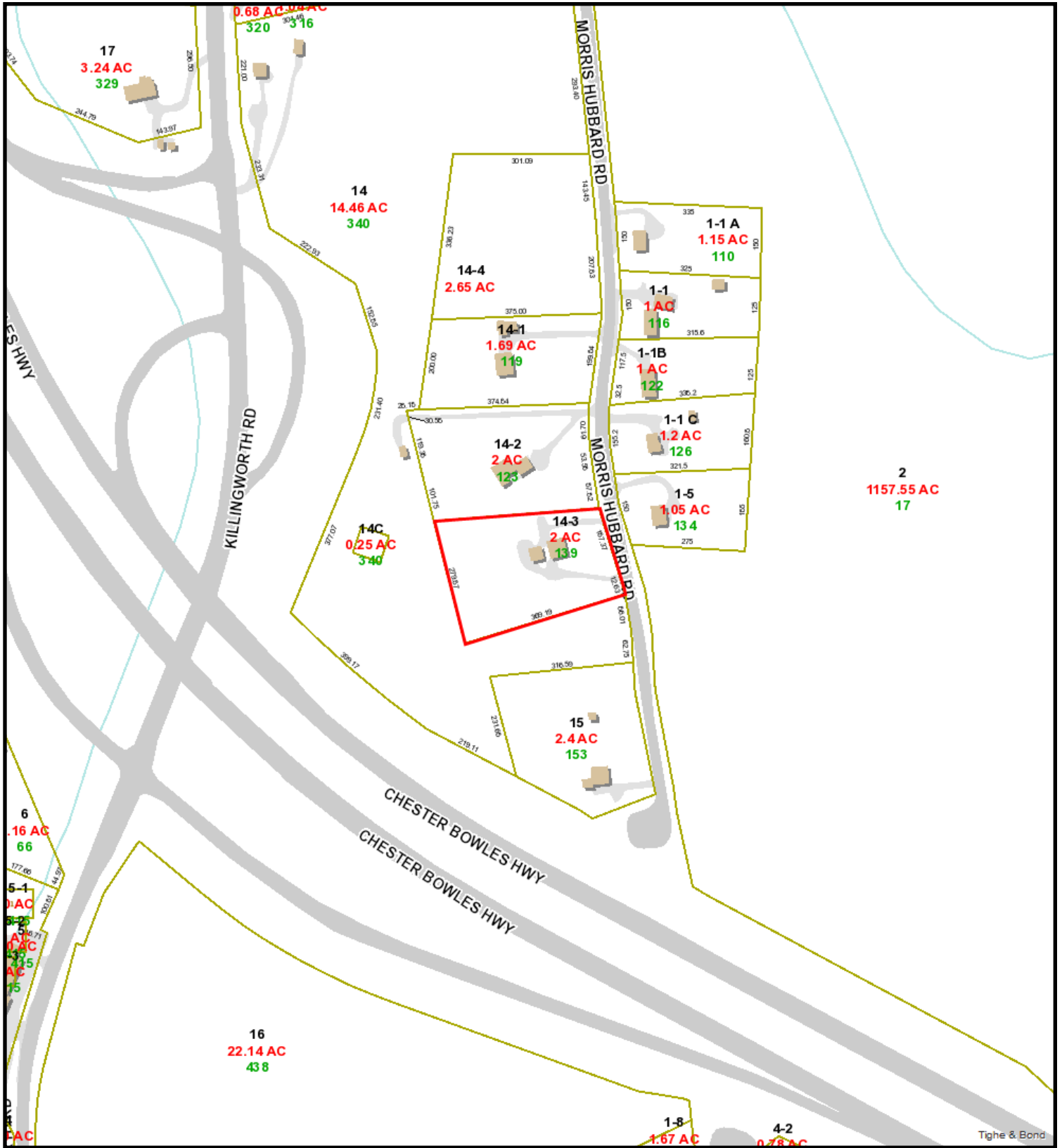
(party)

CERTIFICATION

The undersigned members of the Connecticut Siting Council hereby certify that they have heard this case in Docket No. 84 or read the record thereof, and that we voted as follows:

Dated at New Britain, Connecticut the 5th day of February, 1988.

<u>Council Members</u>	<u>Vote Cast</u>
<u><i>Gloria Dibble Pond</i></u> Gloria Dibble Pond Chairperson	Yes
<u><i>Gerald Feinberg</i></u> Commissioner Peter Boucher Designee: Gerald Feinberg	Yes
<u><i>Brian Emerick</i></u> Commissioner Leslie Carothers Designee: Brian Emerick	Yes
<u><i>Owen L. Clark</i></u> Owen L. Clark	Yes
<u><i>Fred J. Doocy</i></u> Fred J. Doocy	Yes
<u><i>Mortimer A. Gelston</i></u> Mortimer A. Gelston	Yes
<u><i>James G. Horsfall</i></u> James G. Horsfall	Yes
<u>William H. Smith</u>	Absent
<u><i>Colin C. Tait</i></u> Colin C. Tait	Yes



139 Morris Hubbard Rd

8/23/2022 3:07:21 PM

Scale: 1"=300'

Scale is approximate

The information depicted on this map is for planning purposes only. It is not adequate for legal boundary definition, regulatory interpretation, or parcel-level analyses.





Radio Frequency Exposure Analysis Report

July 7, 2022

American Tower on behalf of AT&T
Centerline Communications Project Number: 950035-008

AT&T Site Name: Haddam
Site Number: CTL02031 / 302494
FA#: 10035050
USID: 59407

Site Address: 139 Morris Hubbard Road, Haddam, CT 06438

Site Compliance Summary

AT&T Compliance Status:	Compliant
Cumulative Calculated Power Density (Ground Level):	9.94008 $\mu\text{W}/\text{cm}^2$
Cumulative General Population % MPE (Ground Level):	0.99411%



July 7, 2022

American Tower Corporation
Attn: John Luca, Associate Project Manager
3500 Regency Parkway
Cary, NC 27518

RF Exposure Analysis for Site: **Haddam**

Centerline Communications, LLC ("Centerline") was contracted to analyze the proposed AT&T facility at **139 Morris Hubbard Road, Haddam, CT 06438** for the purpose of determining whether the predictive exposure from the proposed facility is within specified federal limits.

All information used in this report was analyzed as a percentage of the Maximum Permissible Exposure (% MPE) limits as detailed in 47 CFR § 1.1310 as well as Federal Communications Commission (FCC) OET Bulletin 65 Edition 97-01. The FCC MPE limits are typically expressed in units of milliwatts per square centimeter (mW/cm^2) or microwatts per square centimeter ($\mu\text{W}/\text{cm}^2$). The exposure limits vary depending upon the frequencies being utilized. The General Population/Uncontrolled MPE limit (in mW/cm^2) for frequencies between 300 and 1500 is defined as frequency (in MHz) divided by 1500 ($f_{\text{MHz}}/1500$). Frequencies between 1500 and 100,000 MHz have a General Population/Uncontrolled MPE limit of $1 \text{ mW}/\text{cm}^2$ ($1000 \mu\text{W}/\text{cm}^2$). The calculated power density at each sample point divided by the limit at each calculated frequency provides a result in % MPE. Summing the calculated % MPE from all contributors provides a cumulative % MPE at a particular sample point. Wireless carriers use different frequency bands with varying MPE limits; therefore, it is useful to report results in terms of % MPE as opposed to power density.

All results were compared to the FCC radio frequency exposure rules as detailed in 47 CFR § 1.1307(b) to determine compliance with the MPE limits for General Population/Uncontrolled environments as defined below.

General population/uncontrolled exposure limits apply to situations in which the general population may be exposed or in which persons who are exposed as a consequence of their employment may not be made fully aware of the potential for exposure or cannot exercise control over their exposure. Therefore, members of the general population would always be considered under this category when exposure is not employment related, for example, in the case of a telecommunications tower that exposes persons in a nearby residential area.

Occupational/controlled exposure limits apply to situations in which persons are exposed as a consequence of their employment and in which those persons who are exposed have been made fully aware of the potential for exposure and can exercise control over their exposure. Occupational/controlled exposure limits also apply where exposure is of a transient nature as a result of incidental passage through a location where exposure levels may be above general population/uncontrolled limits, as long as the exposed person has been made fully aware of the potential for exposure and can exercise control over his or her exposure by leaving the area or by some other appropriate means. Additional details can be found in FCC OET 65.



Calculation Methodology

Centerline Communications, LLC has performed theoretical modeling of the site using a software tool, RoofMaster®, which incorporates calculation methodologies detailed in FCC OET 65. RoofMaster® uses a cylindrical model for conservative power density predictions within the near field of the antenna where the antenna pattern has not truly formed yet. Within this area power density values tend to decrease based upon an inverse distance function. At the point where it is appropriate for modeling to change from near-field calculations to far-field calculations, the power decreases inversely with the square of the distance. The modeling is based on worst-case assumptions in terms of transmitter power and duty cycle. No losses were included in the power calculations unless they were specifically provided for the project.

In OET 65, a far field model is presented to calculate the spatial peak power density. The RoofMaster® implementation of this model incorporates antenna manufacturer's horizontal and vertical pattern data to determine the power density in all directions. This model yields the power density at a single point in space. In order to determine the spatial power density for comparison to the FCC limits, the average of several points calculated within the human profile (0-6') must be conducted. RoofMaster® calculates seven power density values between 0-6' above the specified study plane and performs a linear spatial average.



Data & Results

The following table details the antennas and operating parameters for the AT&T antenna system as well as any other antenna systems at the site. This is based on antenna information provided by the client and data compiled from other sources where necessary. The data below was input into Roofmaster® to perform the theoretical exposure calculations at the Ground.

The theoretical calculations performed in Roofmaster® determine the cumulative exposure at all sample points at ground level (0-6' spatial average). The results from highest cumulative sample point at ground level surrounding the site are displayed in the table below. The contribution from directional antennas to the maximum cumulative totals varies greatly depending on location; therefore, the contribution from one antenna sector at the highest calculated exposure point may be greater or less than other sectors since sectorized directional antennas are pointed in different directions and there is not much overlapping exposure.

The contribution to the cumulative power density and % MPE for each antenna/frequency band is listed in the table. The cumulative power density and cumulative % MPE are displayed at the bottom of the table.



Maximum Calculated Cumulative Power Density (Location: approximately 191' NE of site)

Antenna ID	Make / Model	Frequency Band (MHz)	Antenna Gain (dBd)	Antenna Centerline (ft)	Channel Count	TX Power/Channel (watts)	ERP (watts)	Calculated Power Density ($\mu\text{W}/\text{cm}^2$)	General Population MPE Limit ($\mu\text{W}/\text{cm}^2$)	General Population % MPE
AT&T A 1	CCI TPA65R-BU6D	700	11.75	153.00	4.00	30.00	1795.48	0.00010	466.67	0.00002
AT&T A 1	CCI TPA65R-BU6D	1900	14.85	153.00	2.00	30.00	1832.95	0.00004	1000.00	0.00000
AT&T A 1	CCI TPA65R-BU6D	1900	14.85	153.00	2.00	30.00	1832.95	0.00004	1000.00	0.00000
AT&T A 1	CCI TPA65R-BU6D	2100	15.85	153.00	2.00	45.00	3461.33	0.00006	1000.00	0.00001
AT&T A 1	CCI TPA65R-BU6D	2100	15.85	153.00	2.00	45.00	3461.33	0.00006	1000.00	0.00001
AT&T A 2	Ericsson AIR6449	3700	23.45	155.00	1.00	108.40	23989.95	0.00100	1000.00	0.00010
AT&T A 3	Ericsson AIR6419	3450	23.45	151.00	1.00	108.40	23989.95	0.00104	1000.00	0.00010
AT&T A 4	CCI DMP65R-BU6D	700	11.65	153.00	2.00	30.00	877.31	0.00004	466.67	0.00001
AT&T A 4	CCI DMP65R-BU6D	850	11.45	153.00	2.00	30.00	837.82	0.00004	566.67	0.00001
AT&T A 4	CCI DMP65R-BU6D	2300	15.25	153.00	4.00	18.75	2512.24	0.00006	1000.00	0.00001
AT&T B 5	CCI TPA65R-BU6D	700	11.75	153.00	4.00	30.00	1795.48	0.00000	466.67	0.00000
AT&T B 5	CCI TPA65R-BU6D	1900	15.05	153.00	2.00	30.00	1919.34	0.00000	1000.00	0.00000
AT&T B 5	CCI TPA65R-BU6D	1900	15.05	153.00	2.00	30.00	1919.34	0.00000	1000.00	0.00000
AT&T B 5	CCI TPA65R-BU6D	2100	15.95	153.00	2.00	45.00	3541.95	0.00000	1000.00	0.00000
AT&T B 5	CCI TPA65R-BU6D	2100	15.95	153.00	2.00	45.00	3541.95	0.00000	1000.00	0.00000
AT&T B 6	Ericsson AIR6449	3700	23.45	155.00	1.00	108.40	23989.95	0.00000	1000.00	0.00000
AT&T B 7	Ericsson AIR6419	3450	23.45	151.00	1.00	108.40	23989.95	0.00000	1000.00	0.00000
AT&T B 8	CCI DMP65R-BU6D	700	11.75	153.00	2.00	30.00	897.74	0.00000	466.67	0.00000
AT&T B 8	CCI DMP65R-BU6D	850	11.45	153.00	2.00	30.00	837.82	0.00000	566.67	0.00000
AT&T B 8	CCI DMP65R-BU6D	2300	15.25	153.00	4.00	18.75	2512.24	0.00000	1000.00	0.00000
AT&T C 9	CCI TPA65R-BU6D	700	11.35	153.00	4.00	30.00	1637.50	0.00005	466.67	0.00001
AT&T C 9	CCI TPA65R-BU6D	1900	15.55	153.00	2.00	30.00	2153.53	0.00001	1000.00	0.00000
AT&T C 9	CCI TPA65R-BU6D	1900	15.55	153.00	2.00	30.00	2153.53	0.00001	1000.00	0.00000
AT&T C 9	CCI TPA65R-BU6D	2100	16.05	153.00	2.00	45.00	3624.45	0.00002	1000.00	0.00000
AT&T C 9	CCI TPA65R-BU6D	2100	16.05	153.00	2.00	45.00	3624.45	0.00002	1000.00	0.00000
AT&T C 10	Ericsson AIR6449	3700	23.45	155.00	1.00	108.40	23989.95	0.00044	1000.00	0.00004
AT&T C 11	Ericsson AIR6419	3450	23.45	151.00	1.00	108.40	23989.95	0.00054	1000.00	0.00005
AT&T C 12	CCI DMP65R-BU6D	700	11.25	153.00	2.00	30.00	800.11	0.00003	466.67	0.00001
AT&T C 12	CCI DMP65R-BU6D	850	11.35	153.00	2.00	30.00	818.75	0.00001	566.67	0.00000
AT&T C 12	CCI DMP65R-BU6D	2300	15.25	153.00	4.00	18.75	2512.24	0.00001	1000.00	0.00000
Unknown A 13	GENERIC PANEL 6FT	850	12.62	141.00	4.00	40.00	2924.96	0.00010	566.67	0.00002
Unknown A 13	GENERIC PANEL 6FT	1900	15.84	141.00	4.00	40.00	6139.32	0.00009	1000.00	0.00001
Unknown A 14	GENERIC PANEL 6FT	2100	16.39	141.00	4.00	40.00	6968.19	0.00012	1000.00	0.00001
Unknown A 14	GENERIC PANEL 6FT	700	12.33	141.00	4.00	40.00	2736.02	0.00012	466.67	0.00003



Antenna ID	Make / Model	Frequency Band (MHz)	Antenna Gain (dBd)	Antenna Centerline (ft)	Channel Count	TX Power/ Channel (watts)	ERP (watts)	Calculated Power Density ($\mu\text{W}/\text{cm}^2$)	General Population MPE Limit ($\mu\text{W}/\text{cm}^2$)	General Population % MPE
Unknown B 15	GENERIC PANEL 6FT	850	12.62	141.00	4.00	40.00	2924.96	0.00000	566.67	0.00000
Unknown B 15	GENERIC PANEL 6FT	1900	15.84	141.00	4.00	40.00	6139.32	0.00000	1000.00	0.00000
Unknown B 16	GENERIC PANEL 6FT	2100	16.39	141.00	4.00	40.00	6968.19	0.00000	1000.00	0.00000
Unknown B 16	GENERIC PANEL 6FT	700	12.33	141.00	4.00	40.00	2736.02	0.00000	466.67	0.00000
Unknown C 17	GENERIC PANEL 6FT	850	12.62	141.00	4.00	40.00	2924.96	0.00005	566.67	0.00001
Unknown C 17	GENERIC PANEL 6FT	1900	15.84	141.00	4.00	40.00	6139.32	0.00003	1000.00	0.00000
Unknown C 18	GENERIC PANEL 6FT	2100	16.39	141.00	4.00	40.00	6968.19	0.00003	1000.00	0.00000
Unknown C 18	GENERIC PANEL 6FT	700	12.33	141.00	4.00	40.00	2736.02	0.00006	466.67	0.00001
Unknown A 19	GENERIC PANEL 6FT	1900	15.84	129.00	2.00	60.00	4604.49	0.00008	1000.00	0.00001
Unknown A 20	GENERIC PANEL 6FT	600	12.33	129.00	2.00	60.00	2052.02	0.00011	400.00	0.00003
Unknown A 21	GENERIC PANEL 6FT	700	12.33	129.00	2.00	60.00	2052.02	0.00011	466.67	0.00002
Unknown A 22	GENERIC PANEL 6FT	2100	15.84	129.00	2.00	60.00	4604.49	0.00008	1000.00	0.00001
Unknown B 23	GENERIC PANEL 6FT	1900	15.84	129.00	2.00	60.00	4604.49	0.00000	1000.00	0.00000
Unknown B 24	GENERIC PANEL 6FT	600	12.33	129.00	2.00	60.00	2052.02	0.00000	400.00	0.00000
Unknown B 25	GENERIC PANEL 6FT	700	12.33	129.00	2.00	60.00	2052.02	0.00000	466.67	0.00000
Unknown B 26	GENERIC PANEL 6FT	2100	15.84	129.00	2.00	60.00	4604.49	0.00000	1000.00	0.00000
Unknown C 27	GENERIC PANEL 6FT	1900	15.84	129.00	2.00	60.00	4604.49	0.00003	1000.00	0.00000
Unknown C 28	GENERIC PANEL 6FT	600	12.33	129.00	2.00	60.00	2052.02	0.00005	400.00	0.00001
Unknown C 29	GENERIC PANEL 6FT	700	12.33	129.00	2.00	60.00	2052.02	0.00005	466.67	0.00001
Unknown C 30	GENERIC PANEL 6FT	2100	15.84	129.00	2.00	60.00	4604.49	0.00003	1000.00	0.00000
							Cumulative Power Density:	9.94008 $\mu\text{W}/\text{cm}^2$	Cumulative % MPE:	0.99411%



Summary

The theoretical calculations performed for this analysis yielded cumulative power density totals in all areas at Ground that are within the allowable federal limits for public exposure to RF energy. Therefore, the site is **Compliant** with FCC rules and regulations.

Michelle Stone

Michelle Stone

RF EME Technical Writer II

Centerline Communications, LLC



AMERICAN TOWER®
CORPORATION

Post – Modification Structural Analysis Report

Structure : 150 ft Monopole
ATC Site Name : Hddm - Haddam,CT
ATC Site Number : 302494
Engineering Number : 13757798_C4_06
Proposed Carrier : AT&T MOBILITY
Carrier Site Name : MRCTB056046
Carrier Site Number : CTL02028
Site Location : 139 Morris Hubbard Rd
Higganum, CT 06441-4307
41.4722, -72.5546
County : Middlesex
Date : August 15, 2022
Max Usage : 93%
Result : Pass

Prepared By:

Matthew Reeves, CWI
Structural Engineer III

Reviewed By:



COA : PEC.0001553



Table of Contents

Introduction.....	3
Supporting Documents	3
Analysis	3
Conclusion	3
Existing and Reserved Equipment.....	4
Equipment to be Removed	4
Proposed Equipment	4
Structure Usages.....	5
Foundations	5
Deflection, Twist and Sway*	5
Standard Conditions	6
Calculations	Attached

Introduction

The purpose of this report is to summarize results of a structural analysis performed on the 150 ft Monopole to reflect the change in loading by AT&T MOBILITY.

Supporting Documents

Tower Drawings	ITT Meyer Type "B", Mapping by Smith Cullum, Acq. #CT-0027, dated August 23, 2001
Foundation Drawing	Mapping by FDH, Project #01-1004, dated October 12, 2001
Geotechnical Report	GeoTechnologies Project #1-04-0265-EA, dated March 4, 2004
Modifications	VSI Job #MR-311, Rev. 1, dated April 28, 2006 ATC Job #13757798_C6_05, dated August 1, 2022 (Pending)

Analysis

The tower was analyzed using American Tower Corporation's tower analysis software. This program considers an elastic three-dimensional model and second-order effects per ANSI/TIA-222.

Basic Wind Speed:	121 mph (3-second gust)
Basic Wind Speed w/ Ice:	50 mph (3-second gust) w/ 1.00" radial ice concurrent
Code:	ANSI/TIA-222-H / 2015 IBC / 2018 Connecticut State Building Code
Exposure Category:	B
Risk Category:	II
Topographic Factor Procedure:	Method 1
Topographic Category:	1
Crest Height (H):	0 ft
Crest Length (L):	0 ft
Spectral Response:	$S_s = 0.21, S_i = 0.06$
Site Class:	D - Stiff Soil - Default

****Wind load and Ice thickness have been reduced by applicable existing structure load modification factors in accordance with TIA-222-H, Annex S.**

Conclusion

Based on the analysis results, the structure meets the requirements per the applicable codes listed above. The tower and foundation can support the equipment as described in this report. If the pending modifications cited in the Supporting Documents table are not completed, the results of this analysis are no longer valid, and AT&T MOBILITY should contact American Tower's Site Manager for further direction on how to proceed.

If you have any questions or require additional information, please contact American Tower via email at Engineering@americantower.com. Please include the American Tower site name, site number, and engineering number in the subject line for any questions.

Existing and Reserved Equipment

Elev. ¹ (ft)	Qty	Equipment	Mount Type	Lines	Carrier
153.0	2	Raycap DC6-48-60-18-8F ("Squid")	Triangular Platform with Handrails	(1) 0.39" (10mm) Fiber Trunk (6) 1 5/8" Coax	AT&T MOBILITY
	3	Ericsson RRUS 32 B2			
140.0	3	RFS APXVAALL24 43-U-NA20	Triangular Platform with Handrails	(3) 1.99" (50.7mm) Hybrid	T-MOBILE
	3	Ericsson Radio 4480 B71+B85A			
	3	Commscope VV-65A-R1			
	3	Ericsson Radio 4460 B25+B66			

Equipment to be Removed

Elev. ¹ (ft)	Qty	Equipment	Mount Type	Lines	Carrier
160.0	2	Decibel DB910CE-M	-	(1) 1 5/8" Coax	SPRINT NEXTEL
154.0	6	Kaelus DBC0061F1V51-2	-	(6) 1 5/8" Coax (1) 0.39" (10mm) Fiber Trunk	AT&T MOBILITY
	3	Quintel QS66512-2			
	3	Powerwave Allgon 7770.00			
153.0	2	KMW AM-X-CD-16-65-00T-RET	-	(4) 0.78" (19.7mm) 8 AWG 6 (2) 3" conduit	AT&T MOBILITY
	3	Ericsson RRUS 32 (50.8 lbs)			
	3	Ericsson RRUS 11 (Band 12) (55 lb)			
	1	Powerwave Allgon P65-17-XLH-RR (50 lbs)			
	6	Powerwave Allgon LGP17201			

Proposed Equipment

Elev. ¹ (ft)	Qty	Equipment	Mount Type	Lines	Carrier
155.0	3	Ericsson Air 6449 B77D	Triangular Platform with Handrails	(3) 0.39" (9.8mm) Cable (2) 0.41" (10.3mm) Fiber (3) 0.92" (23.4mm) Cable (4) 2" conduit	AT&T MOBILITY
153.0	3	Ericsson RRUS 4426 B66			
	3	Ericsson RRUS 4449 B5, B12			
	3	Ericsson RRUS 4478 B14			
	3	Ericsson RRUS 32 B30			
	1	Raycap DC9-48-60-24-8C-EV			
	3	CCI DMP65R-BU6DA			
	3	CCI TPA-65R-BU6DA-K			
152.0	3	Ericsson AIR 6419 B77G			

¹ Contracted elevations are shown for appurtenances within contracted installation tolerances. Appurtenances outside of contract limits are shown at installed elevations.

Install proposed lines inside the pole shaft.

Structure Usages

Structural Component	Controlling Usage	Pass/Fail
Anchor Bolts	86%	Pass
Shaft	93%	Pass
Base Plate	93%	Pass
Flange	27%	Pass
Reinforcement	83%	Pass

Foundations

Reaction Component	Analysis Reactions	% of Usage
Moment (Kips-Ft)	2035.11	84%
Shear (Kips)	18.08	11%

The structure base reactions resulting from this analysis were found to be acceptable through analysis based on geotechnical and foundation information, therefore no modification or reinforcement of the foundation will be required.

Deflection, Twist and Sway*

Antenna Elevation (ft)	Antenna	Carrier	Deflection (ft)	Sway (Rotation) (°)
155.0	Ericsson Air 6449 B77D	AT&T MOBILITY	0.000	0.000
153.0	Ericsson RRUS 4449 B5, B12	AT&T MOBILITY	0.000	0.000
	Ericsson RRUS 4478 B14			
	Ericsson RRUS 4426 B66			
	Ericsson RRUS 32 B30			
	Raycap DC9-48-60-24-8C-EV			
	CCI DMP65R-BU6DA			
152.0	Ericsson AIR 6419 B77G	AT&T MOBILITY	0.000	0.000

*Deflection, Twist and Sway was evaluated considering a design wind speed of 60 mph (3-Second Gust) per ANSI/TIA-222-H

Standard Conditions

All engineering services performed by A.T. Engineering Services LLC are prepared on the basis that the information used is current and correct. This information may consist of, but is not limited to the following:

- Information supplied by the client regarding antenna, mounts and feed line loading
- Information from drawings, design and analysis documents, and field notes in the possession of A.T. Engineering Services LLC

It is the responsibility of the client to ensure that the information provided to A.T. Engineering Services LLC and used in the performance of our engineering services is correct and complete.

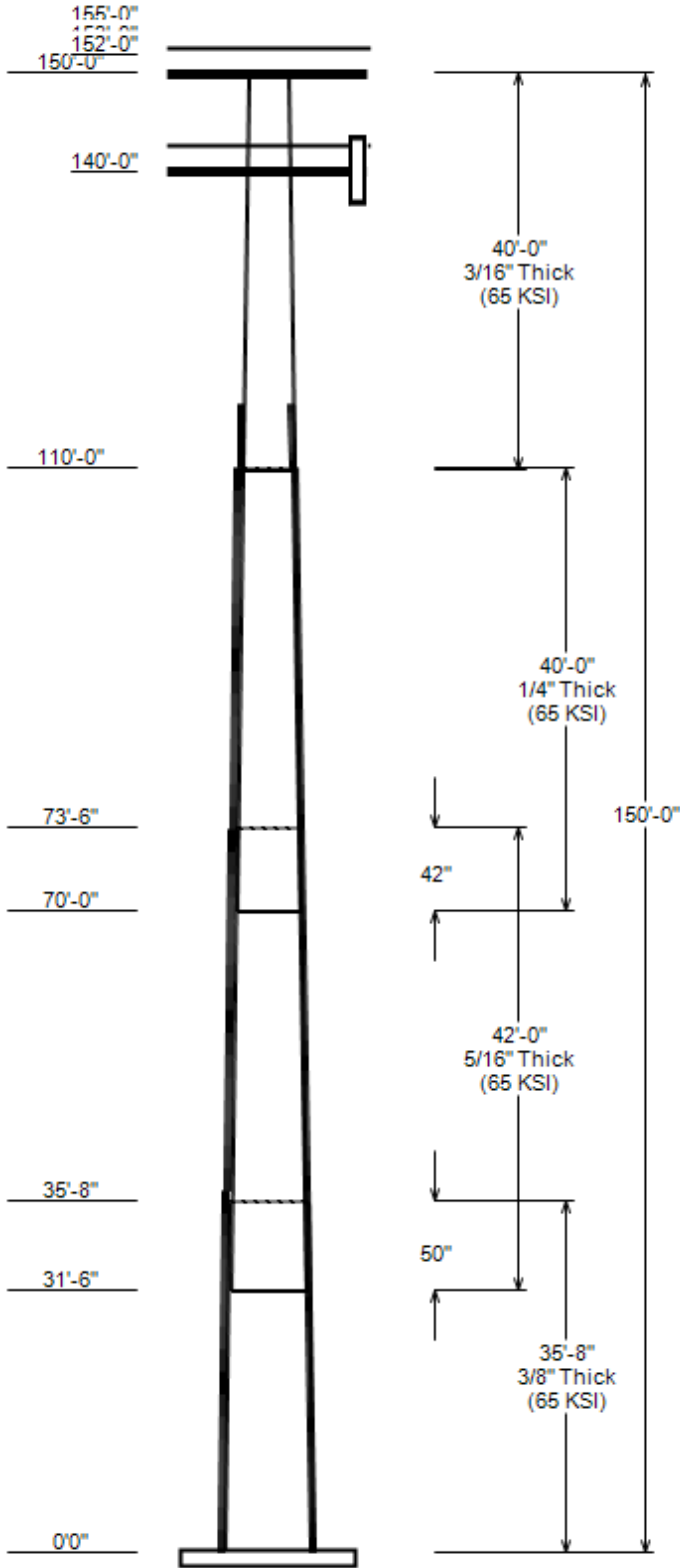
All assets of American Tower Corporation, its affiliates, and subsidiaries (collectively “American Tower”) are inspected at regular intervals. Based upon these inspections and in the absence of information to the contrary, American Tower assumes that all structures were constructed in accordance with the drawings and specifications.

Unless explicitly agreed by both the client and A.T. Engineering Services LLC, all services will be performed in accordance with the current revision of ANSI/TIA-222.

All services are performed, results obtained, and recommendations made in accordance with generally accepted engineering principles and practices. A.T. Engineering Services LLC is not responsible for the conclusions, opinions and recommendations made by others based on the information supplied herein.

Asset : 302494, Hddm - Haddam
 Client : AT&T MOBILITY
 Code : ANSI/TIA-222-H

Height : 150 ft
 Base Width : 37.38
 Shape : 12 Sides



SITE PARAMETERS

Nominal Wind: 117.94 mph wind with no ic **Topo Category:** 1
 Ice Wind: 48.73 mph wind with 0.850" **Topo Method:** Method 1
 Base Elev (ft): 0.00 **Taper :** 0.15700(ln/ft) **Topo Feature:**
Structure Class: II **Exposure :** B **S_s :** 0.214 **S₁ :** 0.055

SECTION PROPERTIES

Shaft Section	Length (ft)	Diameter (in) Across Flats		Thick Joint (in) Type	Overlap Length (in) Shape	Steel Grade (ksi)
		Top	Bottom			
1	35.667	31.79	37.38	0.375	0.000 12 Sides	65
2	42.000	26.49	33.07	0.312 Slip Joint	50.000 12 Sides	65
3	40.000	21.27	27.54	0.250 Slip Joint	42.000 12 Sides	65
4	40.000	15.00	21.27	0.188 Butt Joint	0.000 12 Sides	65

DISCRETE APPURTENANCE

Attach Elev (ft)	Force Elev (ft)	Qty	Description
155.0	155.0	3	Ericsson Air 6449 B77D
153.0	157.0	2	Raycap DC6-48-60-18-8F ("Squid
153.0	153.0	3	Ericsson RRUS 4426 B66
153.0	153.0	3	Ericsson RRUS 4449 B5, B12
153.0	153.0	3	Ericsson RRUS 4478 B14
153.0	157.0	3	Ericsson RRUS 32 B2
153.0	153.0	3	Ericsson RRUS 32 B30
153.0	153.0	1	Raycap DC9-48-60-24-8C-EV
153.0	153.0	3	CCI DMP65R-BU6DA
153.0	153.0	3	CCI TPA-65R-BU6DA-K
152.0	152.0	3	Ericsson AIR 6419 B77G
150.0	150.0	1	Generic Flat Platform with Han
140.0	140.0	3	Ericsson Radio 4460 B25+B66
140.0	140.0	3	Ericsson Radio 4480 B71+B85A
140.0	140.0	3	Commscope VV-65A-R1
140.0	140.0	3	RFS APXVAALL24 43-U-NA20
140.0	140.0	1	Generic Flat Platform with Han

LINEAR APPURTENANCE

Elev From (ft)	Elev To (ft)	Description	Exp To Wind
8.0	153.0	0.39" (10mm) Fiber Trunk	No
0.0	153.0	2" conduit	No
0.0	153.0	1 5/8" Coax	No
0.0	153.0	0.92" (23.4mm) Cable	No
0.0	153.0	0.41" (10.3mm) Fiber	No
0.0	153.0	0.39" (9.8mm) Cable	No
0.0	140.0	1.99" (50.7mm) Hybrid	No
0.0	118.0	1.25" Thick Flat Plate	Yes
0.0	118.0	1.25" Thick Flat Plate	Yes
0.0	118.0	1.25" Thick Flat Plate	Yes

LOAD CASES

1.2D + 1.0W 117.94 mph wind with no ice
 0.9D + 1.0W 117.94 mph wind with no ice
 1.2D + 1.0Di + 1.0Wi 48.73 mph wind with 0.850" radial
 1.2D + 1.0Ev + 1.0Eh Seismic
 0.9D - 1.0Ev + 1.0Eh Seismic (Reduced DL)
 1.0D + 1.0W 60 mph Wind with No Ice

JOB INFORMATION

Asset : 302494, Hddm - Haddam
 Client : AT&T MOBILITY
 Code : ANSI/TIA-222-H

Height : 150 ft
 Base Width : 37.38
 Shape : 12 Sides

REACTIONS

Load Case	Moment (kip-ft)	Shear (Kip)	Axial (Kip)
1.2D + 1.0W	2035.11	18.08	41.05
0.9D + 1.0W	1992.04	18.08	30.79
1.2D + 1.0Di + 1.0Wi	454.99	3.98	49.86
1.2D + 1.0Ev + 1.0Eh	139.94	1.02	42.45
0.9D - 1.0Ev + 1.0Eh	135.99	1.02	29.11
1.0D + 1.0W	465.54	4.19	34.21

DISH DEFLECTIONS

Load Case	Attach Elev (ft)	Deflection (in)	Rotation (deg)
------------------	-----------------------------	----------------------------	---------------------------

ASSET: 302494, Hddm - Haddam
CUSTOMER: AT&T MOBILITY

CODE: ANSI/TIA-222-H
ENG NO: 13757798_C4_06

ANALYSIS PARAMETERS

Location:	Middlesex County,CT	Height:	150 ft
Type and Shape:	Taper, 12 Sides	Base Diameter:	37.38 in
Manufacturer:	ITT Meyer	Top Diameter:	15.00 in
K_d (non-service):	0.95	Taper:	0.1570 in/ft
K_e:	0.99	Rotation:	0.000°

ICE & WIND PARAMETERS

Exposure Category:	B	Design Wind Speed w/o Ice:	118 mph
Risk Category:	II	Design Wind Speed w/Ice:	49 mph
Topo Factor Procedure:	Method 1	Operational Wind Speed:	60 mph
Topographic Category:	1	Design Ice Thickness:	0.85 in
Crest Height:	0 ft	HMSL:	344.00 ft

SEISMIC PARAMETERS

Analysis Method:	Equivalent Lateral Force Method		
Site Class:	D - Stiff Soil	Period Based on Rayleigh Method (sec):	3.19
T_L (sec):	6	P:	1
S_s:	0.214	S₁:	0.055
F_a:	1.600	F_v:	2.400
S_{ds}:	0.228	S_{dt}:	0.088
		C_s:	0.030
		C_s Max:	0.030
		C_s Min:	0.030

LOAD CASES

1.2D + 1.0W	117.94 mph wind with no ice
0.9D + 1.0W	117.94 mph wind with no ice
1.2D + 1.0Di + 1.0Wi	48.73 mph wind with 0.850" radial ice
1.2D + 1.0Ev + 1.0Eh	Seismic
0.9D - 1.0Ev + 1.0Eh	Seismic (Reduced DL)
1.0D + 1.0W	60 mph Wind with No Ice

ASSET: 302494, Hddm - Haddam
 CUSTOMER: AT&T MOBILITY

CODE: ANSI/TIA-222-H
 ENG NO: 13757798_C4_06

SHAFT SECTION PROPERTIES

Sect Info	Length (ft)	Thick (in)	Fy (ksi)	Joint Type	Slip Joint len (in)	Weight (lb)	Bottom						Top							
							Dia (in)	Elev (ft)	Area (in ²)	Ix (in ⁴)	W/t Ratio	D/t Ratio	Dia (in)	Elev (in)	Area (in ²)	Ix (in ⁴)	W/t Ratio	D/t Ratio	Taper (in/ft)	
1-12	35.67	0.3750	65		0.00	5,014	37.38	0.003	44.68	7,810.1	24.03	99.68	31.79	35.67	37.93	4,778.9	20.04	84.78	0.1567	
2-12	42.00	0.3125	65	Slip	50.00	4,237	33.07	31.500	32.96	4,514.2	25.68	105.82	26.49	73.50	26.34	2,303.3	20.03	84.76	0.1567	
3-12	40.00	0.2500	65	Slip	42.00	2,646	27.54	70.000	21.97	2,087.4	26.83	110.14	21.27	110.00	16.92	954.0	20.12	85.07	0.1567	
								110.00								250.5				
4-12	40.00	0.1875	65	Butt	0.00	1,475	21.27	0	12.73	721.9	27.71	113.43	15.00	150.00	8.94		18.76	80.00	0.1567	
Shaft Weight						13,372														

DISCRETE APPURTENANCE PROPERTIES

Attach Elev (ft)	Description	Qty	Ka	Vert Ecc (ft)	No Ice			Ice		
					Weight (lb)	EPAA (sf)	Orientation Factor	Weight (lb)	EPAA (sf)	Orientation Factor
155.00	Ericsson Air 6449 B77D	3	0.75	0.000	81.60	4.028	0.65	139.98	4.809	0.65
153.00	Ericsson RRUS 4426 B66	3	0.75	0.000	48.40	1.650	0.50	73.75	2.132	0.50
153.00	CCI TPA-65R-BU6DA-K	3	0.75	0.000	79.60	15.270	0.60	249.58	16.895	0.60
153.00	CCI DMP65R-BU6DA	3	0.75	0.000	79.40	12.709	0.63	225.65	14.292	0.63
153.00	Raycap DC9-48-60-24-8C-EV	1	0.75	0.000	16.00	4.788	0.50	89.29	5.623	0.50
153.00	Ericsson RRUS 32 B2	3	0.75	4.000	53.00	2.743	0.50	94.76	3.407	0.50
153.00	Ericsson RRUS 32 B30	3	0.75	0.000	60.00	2.743	0.50	101.77	3.407	0.50
153.00	Ericsson RRUS 4478 B14	3	0.75	0.000	59.40	2.021	0.50	94.24	2.557	0.50
153.00	Raycap DC6-48-60-18-8F ("Squid	2	0.75	4.000	31.80	1.470	0.50	66.83	1.867	0.50
153.00	Ericsson RRUS 4449 B5, B12	3	0.75	0.000	71.00	1.969	0.50	107.59	2.499	0.50
152.00	Ericsson AIR 6419 B77G	3	0.75	0.000	66.10	3.797	0.65	121.18	4.545	0.65
150.00	Generic Flat Platform with Han	1	1.00	0.000	2500.00	42.400	1.00	3508.57	54.307	1.00
140.00	Ericsson Radio 4460 B25+B66	3	0.75	0.000	109.00	2.564	0.50	158.84	3.158	0.50
140.00	Generic Flat Platform with Han	1	1.00	0.000	2500.00	42.400	1.00	3501.62	54.225	1.00
140.00	RFS APXVAALL24 43-U-NA20	3	0.75	0.000	122.80	20.243	0.63	342.41	22.334	0.63
140.00	Commscope VV-65A-R1	3	0.75	0.000	23.80	5.928	0.63	90.01	7.123	0.63
140.00	Ericsson Radio 4480 B71+B85A	3	0.75	0.000	84.00	2.852	0.50	126.60	3.482	0.50
Totals	Num Loadings: 17	44			7,893.90			13,012.22		

LINEAR APPURTENANCE PROPERTIES

Load Case Azimuth (deg) : 90.00

Elev From (ft)	Elev To (ft)	Qty	Description	Coax Dia (in)	Coax Wt (lb/ft)	Flat	Max Coax/ Row	Dist Between Rows (in)	Dist Between Cols (in)	Azimuth (deg)	Dist From Face (in)	Exposed To Wind	Carrier
0.00	153.00	6	1 5/8" Coax	1.98	0.82	N	0	0	0	0	0	N	AT&T MOBILITY
0.00	153.00	4	2" conduit	2.38	3.65	N	0	0	0	0	0	N	AT&T MOBILITY
0.00	153.00	3	0.92" (23.4mm) Cable	0.92	0.89	N	0	0	0	0	0	N	AT&T MOBILITY
0.00	153.00	3	0.39" (9.8mm) Cable	0.39	0.07	N	0	0	0	0	0	N	AT&T MOBILITY
0.00	153.00	2	0.41" (10.3mm) Fiber	0.41	0.09	N	0	0	0	0	0	N	AT&T MOBILITY
8.00	153.00	1	0.39" (10mm) Fiber Tr	0.39	0.06	N	0	0	0	0	0	N	AT&T MOBILITY
0.00	140.00	3	1.99" (50.7mm) Hybrid	1.99	1.9	N	0	0	0	0	0	N	T-MOBILE
0.00	118.00	1	1.25" Thick Flat Plat	1.25	0	Y	1	0	0	180	0	Y	
0.00	118.00	1	1.25" Thick Flat Plat	1.25	0	Y	1	0	0	60	0	Y	
0.00	118.00	1	1.25" Thick Flat Plat	1.25	0	Y	1	0	0	300	0	Y	

ADDITIONAL STEEL

Intermediate Connectors											
Elev From (ft)	Elev To (ft)	Qty	Description	Fy (ksi)	Offset (in)	Description	Spacing (in)	Len (in)	Connectors	Continuation?	
0.00	36.67	3	PL PL 7 x 1.25	58	0.00	AJAX M20 Class 8.8	18.00		AJAX M20 Class 8.8	N	
36.67	73.33	3	PL PL 6 x 1.25	56	0.00	AJAX M20 Class 8.8	18.00		AJAX M20 Class 8.8	Y	
73.33	110.00	3	PL PL 5" x 1.25"	52	0.00	AJAX M20 Class 8.8	18.00		AJAX M20 Class 8.8	Y	
110.00	116.50	3	PL PL 4 x 1.25	48	0.00	AJAX M20 Class 8.8	18.00	3.00	AJAX M20 Class 8.8	Y	

SEGMENT PROPERTIES

(Max Len: 0 . 5.ft)

Additional Reinforcing

Seg Top Elev (ft)	Description	Thick (in)	Flat Dia (in)	Area (in ²)	Ix (in ⁴)	W/t Ratio	D/t Ratio	F'y (ksi)	S (in ³)	Z (in ³)	Weight (lb)	Area (in ²)	Ix (in ⁴)	Weight (lb)
0.00		0.3750	37.380	44.684	7,810.10	24.03	99.68	78.5	403.6	0.0	0.0	26.250	4,951.80	0.0
0.50		0.3750	37.302	44.589	7,760.60	23.97	99.47	78.6	401.9	0.0	75.9	26.250	4,932.00	44.6
1.00		0.3750	37.223	44.494	7,711.30	23.92	99.26	78.6	400.2	0.0	75.8	26.250	4,912.20	44.6
1.50		0.3750	37.145	44.400	7,662.20	23.86	99.05	78.7	398.5	0.0	75.6	26.250	4,892.40	44.6
2.00		0.3750	37.067	44.305	7,613.30	23.81	98.84	78.8	396.8	0.0	75.5	26.250	4,872.70	44.6
2.50		0.3750	36.988	44.210	7,564.60	23.75	98.64	78.8	395.1	0.0	75.3	26.250	4,853.00	44.6
3.00		0.3750	36.910	44.116	7,516.20	23.69	98.43	78.9	393.4	0.0	75.1	26.250	4,833.30	44.6
3.50		0.3750	36.832	44.021	7,467.90	23.64	98.22	78.9	391.7	0.0	75.0	26.250	4,813.70	44.6
4.00		0.3750	36.753	43.927	7,419.90	23.58	98.01	79	390.0	0.0	74.8	26.250	4,794.20	44.6
4.50		0.3750	36.675	43.832	7,372.00	23.53	97.80	79.1	388.3	0.0	74.7	26.250	4,774.70	44.6
5.00		0.3750	36.597	43.737	7,324.40	23.47	97.59	79.1	386.6	0.0	74.5	26.250	4,755.20	44.6
5.50		0.3750	36.518	43.643	7,277.00	23.41	97.38	79.2	385.0	0.0	74.3	26.250	4,735.70	44.6
6.00		0.3750	36.440	43.548	7,229.80	23.36	97.17	79.2	383.3	0.0	74.2	26.250	4,716.40	44.6
6.50		0.3750	36.361	43.454	7,182.70	23.30	96.96	79.3	381.6	0.0	74.0	26.250	4,697.00	44.6
7.00		0.3750	36.283	43.359	7,135.90	23.25	96.75	79.4	379.9	0.0	73.9	26.250	4,677.70	44.6
7.50		0.3750	36.205	43.264	7,089.30	23.19	96.55	79.4	378.3	0.0	73.7	26.250	4,658.40	44.6
8.00		0.3750	36.126	43.170	7,042.90	23.13	96.34	79.5	376.6	0.0	73.5	26.250	4,639.20	44.6
8.50		0.3750	36.048	43.075	6,996.70	23.08	96.13	79.5	375.0	0.0	73.4	26.250	4,620.00	44.6
9.00		0.3750	35.970	42.981	6,950.70	23.02	95.92	79.6	373.3	0.0	73.2	26.250	4,600.80	44.6
9.50		0.3750	35.891	42.886	6,904.90	22.97	95.71	79.7	371.7	0.0	73.0	26.250	4,581.70	44.6
10.00		0.3750	35.813	42.791	6,859.30	22.91	95.50	79.7	370.0	0.0	72.9	26.250	4,562.60	44.6
10.50		0.3750	35.735	42.697	6,813.90	22.85	95.29	79.8	368.4	0.0	72.7	26.250	4,543.60	44.6
11.00		0.3750	35.656	42.602	6,768.70	22.80	95.08	79.9	366.7	0.0	72.6	26.250	4,524.60	44.6
11.50		0.3750	35.578	42.508	6,723.70	22.74	94.87	79.9	365.1	0.0	72.4	26.250	4,505.60	44.6
12.00		0.3750	35.500	42.413	6,678.90	22.69	94.67	80	363.5	0.0	72.2	26.250	4,486.70	44.6
12.50		0.3750	35.421	42.318	6,634.30	22.63	94.46	80	361.8	0.0	72.1	26.250	4,467.80	44.6
13.00		0.3750	35.343	42.224	6,589.90	22.57	94.25	80.1	360.2	0.0	71.9	26.250	4,449.00	44.6
13.50		0.3750	35.265	42.129	6,545.70	22.52	94.04	80.2	358.6	0.0	71.8	26.250	4,430.20	44.6
14.00		0.3750	35.186	42.035	6,501.70	22.46	93.83	80.2	357.0	0.0	71.6	26.250	4,411.40	44.6
14.50		0.3750	35.108	41.940	6,457.90	22.41	93.62	80.3	355.4	0.0	71.4	26.250	4,392.70	44.6
15.00		0.3750	35.030	41.845	6,414.30	22.35	93.41	80.3	353.7	0.0	71.3	26.250	4,374.10	44.6
15.50		0.3750	34.951	41.751	6,370.90	22.29	93.20	80.4	352.1	0.0	71.1	26.250	4,355.40	44.6
16.00		0.3750	34.873	41.656	6,327.70	22.24	92.99	80.5	350.5	0.0	71.0	26.250	4,336.80	44.6
16.50		0.3750	34.794	41.561	6,284.70	22.18	92.79	80.5	348.9	0.0	70.8	26.250	4,318.30	44.6
17.00		0.3750	34.716	41.467	6,241.90	22.13	92.58	80.6	347.3	0.0	70.6	26.250	4,299.80	44.6
17.50		0.3750	34.638	41.372	6,199.30	22.07	92.37	80.6	345.8	0.0	70.5	26.250	4,281.30	44.6
18.00		0.3750	34.559	41.278	6,156.80	22.01	92.16	80.7	344.2	0.0	70.3	26.250	4,262.90	44.6
18.50		0.3750	34.481	41.183	6,114.60	21.96	91.95	80.8	342.6	0.0	70.1	26.250	4,244.50	44.6
19.00		0.3750	34.403	41.088	6,072.50	21.90	91.74	80.8	341.0	0.0	70.0	26.250	4,226.10	44.6
19.50		0.3750	34.324	40.994	6,030.70	21.85	91.53	80.9	339.4	0.0	69.8	26.250	4,207.80	44.6
20.00		0.3750	34.246	40.899	5,989.00	21.79	91.32	80.9	337.8	0.0	69.7	26.250	4,189.50	44.6
20.50		0.3750	34.168	40.805	5,947.60	21.73	91.11	81	336.3	0.0	69.5	26.250	4,171.30	44.6
21.00		0.3750	34.089	40.710	5,906.30	21.68	90.90	81.1	334.7	0.0	69.3	26.250	4,153.10	44.6
21.50		0.3750	34.011	40.615	5,865.20	21.62	90.70	81.1	333.1	0.0	69.2	26.250	4,135.00	44.6
22.00		0.3750	33.933	40.521	5,824.30	21.57	90.49	81.2	331.6	0.0	69.0	26.250	4,116.80	44.6
22.50		0.3750	33.854	40.426	5,783.60	21.51	90.28	81.3	330.0	0.0	68.9	26.250	4,098.80	44.6
23.00		0.3750	33.776	40.332	5,743.10	21.45	90.07	81.3	328.5	0.0	68.7	26.250	4,080.70	44.6
23.50		0.3750	33.698	40.237	5,702.80	21.40	89.86	81.4	326.9	0.0	68.5	26.250	4,062.80	44.6
24.00		0.3750	33.619	40.142	5,662.70	21.34	89.65	81.4	325.4	0.0	68.4	26.250	4,044.80	44.6
24.50		0.3750	33.541	40.048	5,622.70	21.29	89.44	81.5	323.9	0.0	68.2	26.250	4,026.90	44.6
25.00		0.3750	33.463	39.953	5,583.00	21.23	89.23	81.6	322.3	0.0	68.1	26.250	4,009.00	44.6
25.50		0.3750	33.384	39.859	5,543.40	21.17	89.02	81.6	320.8	0.0	67.9	26.250	3,991.20	44.6
26.00		0.3750	33.306	39.764	5,504.00	21.12	88.82	81.7	319.3	0.0	67.7	26.250	3,973.40	44.6
26.50		0.3750	33.227	39.669	5,464.80	21.06	88.61	81.7	317.7	0.0	67.6	26.250	3,955.70	44.6
27.00		0.3750	33.149	39.575	5,425.80	21.01	88.40	81.8	316.2	0.0	67.4	26.250	3,938.00	44.6
27.50		0.3750	33.071	39.480	5,387.00	20.95	88.19	81.9	314.7	0.0	67.3	26.250	3,920.30	44.6
28.00		0.3750	32.992	39.386	5,348.40	20.89	87.98	81.9	313.2	0.0	67.1	26.250	3,902.70	44.6
28.50		0.3750	32.914	39.291	5,309.90	20.84	87.77	81.9	311.7	0.0	66.9	26.250	3,885.10	44.6
29.00		0.3750	32.836	39.196	5,271.70	20.78	87.56	81.9	310.2	0.0	66.8	26.250	3,867.50	44.6

SEGMENT PROPERTIES

(Max Len: 0 . 5.ft)

Additional Reinforcing

Seg Top Elev (ft)	Description	Thick (in)	Flat Dia (in)	Area (in ²)	Ix (in ⁴)	W/t Ratio	D/t Ratio	F'y (ksi)	S (in ³)	Z (in ³)	Weight (lb)	Area (in ²)	Ix (in ⁴)	Weight (lb)
29.50		0.3750	32.757	39.102	5,233.60	20.73	87.35	81.9	308.6	0.0	66.6	26.250	3,850.00	44.6
30.00		0.3750	32.679	39.007	5,195.70	20.67	87.14	81.9	307.1	0.0	66.4	26.250	3,832.60	44.6
30.50		0.3750	32.601	38.912	5,158.00	20.61	86.94	81.9	305.7	0.0	66.3	26.250	3,815.10	44.6
31.00		0.3750	32.522	38.818	5,120.40	20.56	86.73	81.9	304.2	0.0	66.1	26.250	3,797.80	44.6
31.50	Bot - Section 2	0.3750	32.444	38.723	5,083.10	20.50	86.52	81.9	302.7	0.0	66.0	26.250	3,780.40	44.6
32.00		0.3750	32.366	38.629	5,045.90	20.45	86.31	81.9	301.2	0.0	121.8	26.250	3,902.30	44.6
32.50		0.3750	32.287	38.534	5,008.90	20.39	86.10	81.9	299.7	0.0	121.5	26.250	3,884.70	44.6
33.00		0.3750	32.209	38.439	4,972.10	20.33	85.89	81.9	298.2	0.0	121.2	26.250	3,867.10	44.6
33.50		0.3750	32.131	38.345	4,935.50	20.28	85.68	81.9	296.7	0.0	120.9	26.250	3,849.60	44.6
34.00		0.3750	32.052	38.250	4,899.10	20.22	85.47	81.9	295.3	0.0	120.6	26.250	3,832.20	44.6
34.50		0.3750	31.974	38.156	4,862.80	20.17	85.26	81.9	293.8	0.0	120.3	26.250	3,814.70	44.6
35.00		0.3750	31.896	38.061	4,826.70	20.11	85.05	81.9	292.3	0.0	120.0	26.250	3,797.40	44.6
35.50		0.3750	31.817	37.966	4,790.80	20.05	84.85	81.9	290.9	0.0	119.7	26.250	3,780.00	44.6
35.67	Top - Section 1	0.3125	32.416	32.304	4,249.60	25.12	103.73	77.3	253.3	0.0	39.9	26.250	3,774.20	14.9
36.00		0.3125	32.364	32.252	4,228.90	25.07	103.56	77.4	252.4	0.0	36.6	26.250	3,762.70	29.7
36.50		0.3125	32.285	32.173	4,198.00	25.00	103.31	77.4	251.2	0.0	54.8	26.250	3,745.40	44.6
36.67	Reinf. Top Reinf Bottom	0.3125	32.259	32.146	4,187.50	24.98	103.23	77.5	250.8	0.0	18.6	26.250	3,739.60	15.2
37.00		0.3125	32.207	32.094	4,167.20	24.94	103.06	77.5	250.0	0.0	36.1	22.500	3,183.50	25.2
37.50		0.3125	32.129	32.015	4,136.60	24.87	102.81	77.6	248.7	0.0	54.5	22.500	3,168.70	38.3
38.00		0.3125	32.050	31.936	4,106.10	24.80	102.56	77.7	247.5	0.0	54.4	22.500	3,154.00	38.3
38.50		0.3125	31.972	31.857	4,075.70	24.73	102.31	77.7	246.3	0.0	54.3	22.500	3,139.40	38.3
39.00		0.3125	31.894	31.779	4,045.60	24.67	102.06	77.8	245.0	0.0	54.1	22.500	3,124.80	38.3
39.50		0.3125	31.815	31.700	4,015.50	24.60	101.81	77.9	243.8	0.0	54.0	22.500	3,110.20	38.3
40.00		0.3125	31.737	31.621	3,985.60	24.53	101.56	78	242.6	0.0	53.9	22.500	3,095.60	38.3
40.50		0.3125	31.659	31.542	3,955.90	24.47	101.31	78	241.4	0.0	53.7	22.500	3,081.10	38.3
41.00		0.3125	31.580	31.463	3,926.30	24.40	101.06	78.1	240.2	0.0	53.6	22.500	3,066.60	38.3
41.50		0.3125	31.502	31.384	3,896.90	24.33	100.81	78.2	239.0	0.0	53.5	22.500	3,052.20	38.3
42.00		0.3125	31.424	31.306	3,867.60	24.26	100.56	78.3	237.8	0.0	53.3	22.500	3,037.70	38.3
42.50		0.3125	31.345	31.227	3,838.40	24.20	100.30	78.3	236.6	0.0	53.2	22.500	3,023.40	38.3
43.00		0.3125	31.267	31.148	3,809.40	24.13	100.05	78.4	235.4	0.0	53.1	22.500	3,009.00	38.3
43.50		0.3125	31.189	31.069	3,780.60	24.06	99.80	78.5	234.2	0.0	52.9	22.500	2,994.70	38.3
44.00		0.3125	31.110	30.990	3,751.90	24.00	99.55	78.5	233.0	0.0	52.8	22.500	2,980.40	38.3
44.50		0.3125	31.032	30.911	3,723.30	23.93	99.30	78.6	231.8	0.0	52.7	22.500	2,966.20	38.3
45.00		0.3125	30.954	30.833	3,694.90	23.86	99.05	78.7	230.6	0.0	52.5	22.500	2,952.00	38.3
45.50		0.3125	30.875	30.754	3,666.60	23.79	98.80	78.8	229.4	0.0	52.4	22.500	2,937.80	38.3
46.00		0.3125	30.797	30.675	3,638.50	23.73	98.55	78.8	228.2	0.0	52.3	22.500	2,923.60	38.3
46.50		0.3125	30.718	30.596	3,610.50	23.66	98.30	78.9	227.1	0.0	52.1	22.500	2,909.50	38.3
47.00		0.3125	30.640	30.517	3,582.70	23.59	98.05	79	225.9	0.0	52.0	22.500	2,895.50	38.3
47.50		0.3125	30.562	30.438	3,555.00	23.53	97.80	79.1	224.7	0.0	51.9	22.500	2,881.40	38.3
48.00		0.3125	30.483	30.359	3,527.40	23.46	97.55	79.1	223.5	0.0	51.7	22.500	2,867.40	38.3
48.50		0.3125	30.405	30.281	3,500.00	23.39	97.30	79.2	222.4	0.0	51.6	22.500	2,853.50	38.3
49.00		0.3125	30.327	30.202	3,472.70	23.32	97.05	79.3	221.2	0.0	51.5	22.500	2,839.50	38.3
49.50		0.3125	30.248	30.123	3,445.60	23.26	96.79	79.3	220.1	0.0	51.3	22.500	2,825.60	38.3
50.00		0.3125	30.170	30.044	3,418.60	23.19	96.54	79.4	218.9	0.0	51.2	22.500	2,811.80	38.3
50.50		0.3125	30.092	29.965	3,391.80	23.12	96.29	79.5	217.7	0.0	51.0	22.500	2,797.90	38.3
51.00		0.3125	30.013	29.886	3,365.10	23.06	96.04	79.6	216.6	0.0	50.9	22.500	2,784.10	38.3
51.50		0.3125	29.935	29.808	3,338.50	22.99	95.79	79.6	215.5	0.0	50.8	22.500	2,770.40	38.3
52.00		0.3125	29.857	29.729	3,312.10	22.92	95.54	79.7	214.3	0.0	50.6	22.500	2,756.60	38.3
52.50		0.3125	29.778	29.650	3,285.80	22.85	95.29	79.8	213.2	0.0	50.5	22.500	2,743.00	38.3
53.00		0.3125	29.700	29.571	3,259.70	22.79	95.04	79.9	212.0	0.0	50.4	22.500	2,729.30	38.3
53.50		0.3125	29.622	29.492	3,233.70	22.72	94.79	79.9	210.9	0.0	50.2	22.500	2,715.70	38.3
54.00		0.3125	29.543	29.413	3,207.80	22.65	94.54	80	209.8	0.0	50.1	22.500	2,702.10	38.3
54.50		0.3125	29.465	29.335	3,182.10	22.58	94.29	80.1	208.6	0.0	50.0	22.500	2,688.50	38.3
55.00		0.3125	29.387	29.256	3,156.50	22.52	94.04	80.2	207.5	0.0	49.8	22.500	2,675.00	38.3
55.50		0.3125	29.308	29.177	3,131.10	22.45	93.79	80.2	206.4	0.0	49.7	22.500	2,661.50	38.3
56.00		0.3125	29.230	29.098	3,105.70	22.38	93.54	80.3	205.3	0.0	49.6	22.500	2,648.10	38.3
56.50		0.3125	29.151	29.019	3,080.60	22.32	93.28	80.4	204.1	0.0	49.4	22.500	2,634.70	38.3
57.00		0.3125	29.073	28.940	3,055.50	22.25	93.03	80.4	203.0	0.0	49.3	22.500	2,621.30	38.3
57.50		0.3125	28.995	28.862	3,030.60	22.18	92.78	80.5	201.9	0.0	49.2	22.500	2,607.90	38.3

SEGMENT PROPERTIES

(Max Len: 0 . 5.ft)

Additional Reinforcing

Seg Top Elev (ft)	Description	Thick (in)	Flat Dia (in)	Area (in ²)	Ix (in ⁴)	W/t Ratio	D/t Ratio	F'y (ksi)	S (in ³)	Z (in ³)	Weight (lb)	Area (in ²)	Ix (in ⁴)	Weight (lb)
58.00		0.3125	28.916	28.783	3,005.90	22.11	92.53	80.6	200.8	0.0	49.0	22.500	2,594.60	38.3
58.50		0.3125	28.838	28.704	2,981.20	22.05	92.28	80.7	199.7	0.0	48.9	22.500	2,581.30	38.3
59.00		0.3125	28.760	28.625	2,956.70	21.98	92.03	80.7	198.6	0.0	48.8	22.500	2,568.10	38.3
59.50		0.3125	28.681	28.546	2,932.40	21.91	91.78	80.8	197.5	0.0	48.6	22.500	2,554.90	38.3
60.00		0.3125	28.603	28.467	2,908.10	21.85	91.53	80.9	196.4	0.0	48.5	22.500	2,541.70	38.3
60.50		0.3125	28.525	28.388	2,884.00	21.78	91.28	81	195.3	0.0	48.4	22.500	2,528.60	38.3
61.00		0.3125	28.446	28.310	2,860.10	21.71	91.03	81	194.2	0.0	48.2	22.500	2,515.50	38.3
61.50		0.3125	28.368	28.231	2,836.20	21.64	90.78	81.1	193.1	0.0	48.1	22.500	2,502.40	38.3
62.00		0.3125	28.290	28.152	2,812.50	21.58	90.53	81.2	192.1	0.0	48.0	22.500	2,489.40	38.3
62.50		0.3125	28.211	28.073	2,789.00	21.51	90.28	81.3	191.0	0.0	47.8	22.500	2,476.40	38.3
63.00		0.3125	28.133	27.994	2,765.60	21.44	90.03	81.3	189.9	0.0	47.7	22.500	2,463.40	38.3
63.50		0.3125	28.055	27.915	2,742.30	21.38	89.77	81.4	188.8	0.0	47.6	22.500	2,450.50	38.3
64.00		0.3125	27.976	27.837	2,719.10	21.31	89.52	81.5	187.8	0.0	47.4	22.500	2,437.60	38.3
64.50		0.3125	27.898	27.758	2,696.00	21.24	89.27	81.5	186.7	0.0	47.3	22.500	2,424.70	38.3
65.00		0.3125	27.820	27.679	2,673.10	21.17	89.02	81.6	185.6	0.0	47.2	22.500	2,411.90	38.3
65.50		0.3125	27.741	27.600	2,650.40	21.11	88.77	81.7	184.6	0.0	47.0	22.500	2,399.10	38.3
66.00		0.3125	27.663	27.521	2,627.70	21.04	88.52	81.8	183.5	0.0	46.9	22.500	2,386.30	38.3
66.50		0.3125	27.584	27.442	2,605.20	20.97	88.27	81.8	182.5	0.0	46.8	22.500	2,373.60	38.3
67.00		0.3125	27.506	27.364	2,582.80	20.91	88.02	81.9	181.4	0.0	46.6	22.500	2,360.90	38.3
67.50		0.3125	27.428	27.285	2,560.50	20.84	87.77	81.9	180.4	0.0	46.5	22.500	2,348.30	38.3
68.00		0.3125	27.349	27.206	2,538.40	20.77	87.52	81.9	179.3	0.0	46.4	22.500	2,335.60	38.3
68.50		0.3125	27.271	27.127	2,516.40	20.70	87.27	81.9	178.3	0.0	46.2	22.500	2,323.00	38.3
69.00		0.3125	27.193	27.048	2,494.50	20.64	87.02	81.9	177.2	0.0	46.1	22.500	2,310.50	38.3
69.50		0.3125	27.114	26.969	2,472.80	20.57	86.77	81.9	176.2	0.0	46.0	22.500	2,298.00	38.3
70.00	Bot - Section 3	0.3125	27.036	26.891	2,451.20	20.50	86.52	81.9	175.1	0.0	45.8	22.500	2,285.50	38.3
70.50		0.3125	26.958	26.812	2,429.70	20.44	86.26	81.9	174.1	0.0	83.0	22.500	2,353.10	38.2
71.00		0.3125	26.879	26.733	2,408.30	20.37	86.01	81.9	173.1	0.0	82.8	22.500	2,340.40	38.3
71.50		0.3125	26.801	26.654	2,387.00	20.30	85.76	81.9	172.1	0.0	82.5	22.500	2,327.80	38.3
72.00		0.3125	26.723	26.575	2,365.90	20.23	85.51	81.9	171.0	0.0	82.3	22.500	2,315.30	38.3
72.50		0.3125	26.644	26.496	2,344.90	20.17	85.26	81.9	170.0	0.0	82.0	22.500	2,302.70	38.3
73.00		0.3125	26.566	26.417	2,324.10	20.10	85.01	81.9	169.0	0.0	81.8	22.500	2,290.20	38.3
73.33	Reinf. Top Reinf Bottom	0.3125	26.514	26.365	2,310.40	20.05	84.85	81.9	168.3	0.0	53.9	22.500	2,282.00	25.2
73.50	Top - Section 2	0.2500	26.988	21.524	1,964.00	26.25	107.95	76.1	140.6	0.0	27.7	18.750	1,889.60	10.9
74.00		0.2500	26.909	21.461	1,946.80	26.16	107.64	76.2	139.8	0.0	36.6	18.750	1,879.20	31.9
74.50		0.2500	26.831	21.398	1,929.70	26.08	107.32	76.3	138.9	0.0	36.5	18.750	1,868.90	32.0
75.00		0.2500	26.753	21.335	1,912.70	25.99	107.01	76.4	138.1	0.0	36.4	18.750	1,858.60	32.0
75.50		0.2500	26.674	21.271	1,895.80	25.91	106.70	76.5	137.3	0.0	36.2	18.750	1,848.30	32.0
76.00		0.2500	26.596	21.208	1,879.00	25.83	106.38	76.5	136.5	0.0	36.1	18.750	1,838.10	32.0
76.50		0.2500	26.517	21.145	1,862.20	25.74	106.07	76.6	135.7	0.0	36.0	18.750	1,827.80	32.0
77.00		0.2500	26.439	21.082	1,845.60	25.66	105.76	76.7	134.9	0.0	35.9	18.750	1,817.70	32.0
77.50		0.2500	26.361	21.019	1,829.10	25.57	105.44	76.8	134.0	0.0	35.8	18.750	1,807.50	32.0
78.00		0.2500	26.282	20.956	1,812.70	25.49	105.13	76.9	133.2	0.0	35.7	18.750	1,797.40	32.0
78.50		0.2500	26.204	20.893	1,796.40	25.41	104.82	77	132.4	0.0	35.6	18.750	1,787.30	32.0
79.00		0.2500	26.126	20.830	1,780.20	25.32	104.50	77.1	131.6	0.0	35.5	18.750	1,777.20	32.0
79.50		0.2500	26.047	20.767	1,764.00	25.24	104.19	77.2	130.8	0.0	35.4	18.750	1,767.20	32.0
80.00		0.2500	25.969	20.704	1,748.00	25.15	103.88	77.3	130.0	0.0	35.3	18.750	1,757.20	32.0
80.50		0.2500	25.891	20.641	1,732.10	25.07	103.56	77.4	129.2	0.0	35.2	18.750	1,747.20	32.0
81.00		0.2500	25.812	20.578	1,716.30	24.99	103.25	77.5	128.4	0.0	35.1	18.750	1,737.20	32.0
81.50		0.2500	25.734	20.515	1,700.50	24.90	102.94	77.6	127.7	0.0	35.0	18.750	1,727.30	32.0
82.00		0.2500	25.656	20.452	1,684.90	24.82	102.62	77.6	126.9	0.0	34.8	18.750	1,717.40	32.0
82.50		0.2500	25.577	20.388	1,669.30	24.73	102.31	77.7	126.1	0.0	34.7	18.750	1,707.50	32.0
83.00		0.2500	25.499	20.325	1,653.90	24.65	102.00	77.8	125.3	0.0	34.6	18.750	1,697.70	32.0
83.50		0.2500	25.421	20.262	1,638.60	24.57	101.68	77.9	124.5	0.0	34.5	18.750	1,687.90	32.0
84.00		0.2500	25.342	20.199	1,623.30	24.48	101.37	78	123.7	0.0	34.4	18.750	1,678.10	32.0
84.50		0.2500	25.264	20.136	1,608.10	24.40	101.06	78.1	123.0	0.0	34.3	18.750	1,668.40	32.0
85.00		0.2500	25.186	20.073	1,593.10	24.31	100.74	78.2	122.2	0.0	34.2	18.750	1,658.60	32.0
85.50		0.2500	25.107	20.010	1,578.10	24.23	100.43	78.3	121.4	0.0	34.1	18.750	1,648.90	32.0
86.00		0.2500	25.029	19.947	1,563.20	24.15	100.12	78.4	120.7	0.0	34.0	18.750	1,639.30	32.0
86.50		0.2500	24.950	19.884	1,548.40	24.06	99.80	78.5	119.9	0.0	33.9	18.750	1,629.60	32.0

SEGMENT PROPERTIES

(Max Len: 0 . 5.ft)

Additional Reinforcing

Seg Top Elev (ft)	Description	Thick (in)	Flat Dia (in)	Area (in ²)	Ix (in ⁴)	W/t Ratio	D/t Ratio	F'y (ksi)	S (in ³)	Z (in ³)	Weight (lb)	Area (in ²)	Ix (in ⁴)	Weight (lb)
87.00		0.2500	24.872	19.821	1,533.80	23.98	99.49	78.6	119.1	0.0	33.8	18.750	1,620.00	32.0
87.50		0.2500	24.794	19.758	1,519.20	23.89	99.18	78.7	118.4	0.0	33.7	18.750	1,610.50	32.0
88.00		0.2500	24.715	19.695	1,504.70	23.81	98.86	78.7	117.6	0.0	33.6	18.750	1,600.90	32.0
88.50		0.2500	24.637	19.632	1,490.30	23.73	98.55	78.8	116.9	0.0	33.5	18.750	1,591.40	32.0
89.00		0.2500	24.559	19.569	1,475.90	23.64	98.23	78.9	116.1	0.0	33.3	18.750	1,581.90	32.0
89.50		0.2500	24.480	19.505	1,461.70	23.56	97.92	79	115.3	0.0	33.2	18.750	1,572.40	32.0
90.00		0.2500	24.402	19.442	1,447.60	23.47	97.61	79.1	114.6	0.0	33.1	18.750	1,563.00	32.0
90.50		0.2500	24.324	19.379	1,433.50	23.39	97.29	79.2	113.9	0.0	33.0	18.750	1,553.60	32.0
91.00		0.2500	24.245	19.316	1,419.60	23.31	96.98	79.3	113.1	0.0	32.9	18.750	1,544.20	32.0
91.50		0.2500	24.167	19.253	1,405.70	23.22	96.67	79.4	112.4	0.0	32.8	18.750	1,534.90	32.0
92.00		0.2500	24.089	19.190	1,392.00	23.14	96.35	79.5	111.6	0.0	32.7	18.750	1,525.50	32.0
92.50		0.2500	24.010	19.127	1,378.30	23.05	96.04	79.6	110.9	0.0	32.6	18.750	1,516.20	32.0
93.00		0.2500	23.932	19.064	1,364.70	22.97	95.73	79.7	110.2	0.0	32.5	18.750	1,507.00	32.0
93.50		0.2500	23.854	19.001	1,351.20	22.89	95.41	79.8	109.4	0.0	32.4	18.750	1,497.70	32.0
94.00		0.2500	23.775	18.938	1,337.80	22.80	95.10	79.8	108.7	0.0	32.3	18.750	1,488.50	32.0
94.50		0.2500	23.697	18.875	1,324.40	22.72	94.79	79.9	108.0	0.0	32.2	18.750	1,479.40	32.0
95.00		0.2500	23.619	18.812	1,311.20	22.63	94.47	80	107.2	0.0	32.1	18.750	1,470.20	32.0
95.50		0.2500	23.540	18.749	1,298.10	22.55	94.16	80.1	106.5	0.0	32.0	18.750	1,461.10	32.0
96.00		0.2500	23.462	18.685	1,285.00	22.47	93.85	80.2	105.8	0.0	31.8	18.750	1,452.00	32.0
96.50		0.2500	23.383	18.622	1,272.00	22.38	93.53	80.3	105.1	0.0	31.7	18.750	1,442.90	32.0
97.00		0.2500	23.305	18.559	1,259.20	22.30	93.22	80.4	104.4	0.0	31.6	18.750	1,433.90	32.0
97.50		0.2500	23.227	18.496	1,246.40	22.21	92.91	80.5	103.7	0.0	31.5	18.750	1,424.90	32.0
98.00		0.2500	23.148	18.433	1,233.70	22.13	92.59	80.6	103.0	0.0	31.4	18.750	1,415.90	32.0
98.50		0.2500	23.070	18.370	1,221.00	22.05	92.28	80.7	102.2	0.0	31.3	18.750	1,407.00	32.0
99.00		0.2500	22.992	18.307	1,208.50	21.96	91.97	80.8	101.5	0.0	31.2	18.750	1,398.10	32.0
99.50		0.2500	22.913	18.244	1,196.10	21.88	91.65	80.9	100.8	0.0	31.1	18.750	1,389.20	32.0
100.00		0.2500	22.835	18.181	1,183.70	21.79	91.34	80.9	100.1	0.0	31.0	18.750	1,380.30	32.0
100.50		0.2500	22.757	18.118	1,171.40	21.71	91.03	81	99.4	0.0	30.9	18.750	1,371.50	32.0
101.00		0.2500	22.678	18.055	1,159.20	21.63	90.71	81.1	98.7	0.0	30.8	18.750	1,362.70	32.0
101.50		0.2500	22.600	17.992	1,147.10	21.54	90.40	81.2	98.1	0.0	30.7	18.750	1,353.90	32.0
102.00		0.2500	22.522	17.929	1,135.10	21.46	90.09	81.3	97.4	0.0	30.6	18.750	1,345.20	32.0
102.50		0.2500	22.443	17.866	1,123.20	21.38	89.77	81.4	96.7	0.0	30.4	18.750	1,336.50	32.0
103.00		0.2500	22.365	17.802	1,111.30	21.29	89.46	81.5	96.0	0.0	30.3	18.750	1,327.80	32.0
103.50		0.2500	22.287	17.739	1,099.50	21.21	89.15	81.6	95.3	0.0	30.2	18.750	1,319.10	32.0
104.00		0.2500	22.208	17.676	1,087.90	21.12	88.83	81.7	94.6	0.0	30.1	18.750	1,310.50	32.0
104.50		0.2500	22.130	17.613	1,076.30	21.04	88.52	81.8	94.0	0.0	30.0	18.750	1,301.90	32.0
105.00		0.2500	22.052	17.550	1,064.70	20.96	88.21	81.9	93.3	0.0	29.9	18.750	1,293.30	32.0
105.50		0.2500	21.973	17.487	1,053.30	20.87	87.89	81.9	92.6	0.0	29.8	18.750	1,284.80	32.0
106.00		0.2500	21.895	17.424	1,041.90	20.79	87.58	81.9	91.9	0.0	29.7	18.750	1,276.20	32.0
106.50		0.2500	21.816	17.361	1,030.70	20.70	87.27	81.9	91.3	0.0	29.6	18.750	1,267.80	32.0
107.00		0.2500	21.738	17.298	1,019.50	20.62	86.95	81.9	90.6	0.0	29.5	18.750	1,259.30	32.0
107.50		0.2500	21.660	17.235	1,008.40	20.54	86.64	81.9	89.9	0.0	29.4	18.750	1,250.90	32.0
108.00		0.2500	21.581	17.172	997.30	20.45	86.33	81.9	89.3	0.0	29.3	18.750	1,242.50	32.0
108.50		0.2500	21.503	17.109	986.40	20.37	86.01	81.9	88.6	0.0	29.2	18.750	1,234.10	32.0
109.00		0.2500	21.425	17.046	975.50	20.28	85.70	81.9	88.0	0.0	29.1	18.750	1,225.80	32.0
109.50		0.2500	21.346	16.983	964.70	20.20	85.39	81.9	87.3	0.0	28.9	18.750	1,217.40	32.0
110.00	Top - Section 3 Reinf. Top Reinf Bottom	0.2500	21.268	16.919	954.00	20.12	85.07	81.9	86.7	0.0	28.8	18.750	1,209.20	32.0
110.00	Bot - Section 4	0.1875	21.268	12.727	721.90	27.71	113.43	74.5	65.6	0.0		15.000	961.70	
110.50		0.1875	21.190	12.680	713.90	27.60	113.01	74.6	65.1	0.0	21.6	15.000	955.10	25.5
111.00		0.1875	21.111	12.633	705.90	27.49	112.59	74.7	64.6	0.0	21.5	15.000	948.50	25.5
111.50		0.1875	21.033	12.585	698.00	27.38	112.18	74.9	64.1	0.0	21.5	15.000	942.00	25.5
112.00		0.1875	20.955	12.538	690.20	27.27	111.76	75	63.6	0.0	21.4	15.000	935.40	25.5
112.50		0.1875	20.876	12.491	682.40	27.15	111.34	75.1	63.1	0.0	21.3	15.000	928.90	25.5
113.00		0.1875	20.798	12.444	674.70	27.04	110.92	75.2	62.7	0.0	21.2	15.000	922.40	25.5
113.50		0.1875	20.720	12.396	667.00	26.93	110.50	75.3	62.2	0.0	21.1	15.000	916.00	25.5
114.00		0.1875	20.641	12.349	659.40	26.82	110.09	75.5	61.7	0.0	21.1	15.000	909.50	25.5
114.50		0.1875	20.563	12.302	651.90	26.71	109.67	75.6	61.2	0.0	21.0	15.000	903.10	25.5
115.00		0.1875	20.485	12.254	644.40	26.59	109.25	75.7	60.8	0.0	20.9	15.000	896.70	25.5
115.50		0.1875	20.406	12.207	636.90	26.48	108.83	75.8	60.3	0.0	20.8	15.000	890.30	25.5

SEGMENT PROPERTIES

(Max Len: 0 . 5.ft)

Additional Reinforcing

Seg Top Elev (ft)	Description	Thick (in)	Flat Dia (in)	Area (in ²)	Ix (in ⁴)	W/t Ratio	D/t Ratio	F'y (ksi)	S (in ³)	Z (in ³)	Weight (lb)	Area (in ²)	Ix (in ⁴)	Weight (lb)
116.00	Reinf. Top	0.1875	20.328	12.160	629.60	26.37	108.41	76	59.8	0.0	20.7	15.000	884.00	25.5
116.50		0.1875	20.249	12.112	622.20	26.26	108.00	76.1	59.4	0.0	20.6	15.000	877.70	25.5
117.00		0.1875	20.171	12.065	615.00	26.15	107.58	76.2	58.9	0.0	20.6			
117.50		0.1875	20.093	12.018	607.80	26.03	107.16	76.3	58.4	0.0	20.5			
118.00		0.1875	20.014	11.970	600.60	25.92	106.74	76.4	58.0	0.0	20.4			
118.50		0.1875	19.936	11.923	593.50	25.81	106.33	76.6	57.5	0.0	20.3			
119.00		0.1875	19.858	11.876	586.50	25.70	105.91	76.7	57.1	0.0	20.2			
119.50		0.1875	19.779	11.829	579.50	25.59	105.49	76.8	56.6	0.0	20.2			
120.00		0.1875	19.701	11.781	572.60	25.47	105.07	76.9	56.1	0.0	20.1			
120.50		0.1875	19.623	11.734	565.70	25.36	104.65	77.1	55.7	0.0	20.0			
121.00		0.1875	19.544	11.687	558.90	25.25	104.24	77.2	55.2	0.0	19.9			
121.50		0.1875	19.466	11.639	552.20	25.14	103.82	77.3	54.8	0.0	19.8			
122.00		0.1875	19.388	11.592	545.40	25.03	103.40	77.4	54.4	0.0	19.8			
122.50		0.1875	19.309	11.545	538.80	24.91	102.98	77.5	53.9	0.0	19.7			
123.00		0.1875	19.231	11.497	532.20	24.80	102.56	77.7	53.5	0.0	19.6			
123.50	0.1875	19.153	11.450	525.70	24.69	102.15	77.8	53.0	0.0	19.5				
124.00	0.1875	19.074	11.403	519.20	24.58	101.73	77.9	52.6	0.0	19.4				
124.50	0.1875	18.996	11.356	512.70	24.47	101.31	78	52.1	0.0	19.4				
125.00	0.1875	18.918	11.308	506.40	24.35	100.89	78.2	51.7	0.0	19.3				
125.50	0.1875	18.839	11.261	500.00	24.24	100.48	78.3	51.3	0.0	19.2				
126.00	0.1875	18.761	11.214	493.80	24.13	100.06	78.4	50.8	0.0	19.1				
126.50	0.1875	18.682	11.166	487.50	24.02	99.64	78.5	50.4	0.0	19.0				
127.00	0.1875	18.604	11.119	481.40	23.91	99.22	78.6	50.0	0.0	19.0				
127.50	0.1875	18.526	11.072	475.20	23.79	98.80	78.8	49.6	0.0	18.9				
128.00	0.1875	18.447	11.024	469.20	23.68	98.39	78.9	49.1	0.0	18.8				
128.50	0.1875	18.369	10.977	463.20	23.57	97.97	79	48.7	0.0	18.7				
129.00	0.1875	18.291	10.930	457.20	23.46	97.55	79.1	48.3	0.0	18.6				
129.50	0.1875	18.212	10.883	451.30	23.35	97.13	79.3	47.9	0.0	18.6				
130.00	0.1875	18.134	10.835	445.40	23.24	96.71	79.4	47.5	0.0	18.5				
130.50	0.1875	18.056	10.788	439.60	23.12	96.30	79.5	47.0	0.0	18.4				
131.00	0.1875	17.977	10.741	433.90	23.01	95.88	79.6	46.6	0.0	18.3				
131.50	0.1875	17.899	10.693	428.20	22.90	95.46	79.7	46.2	0.0	18.2				
132.00	0.1875	17.821	10.646	422.50	22.79	95.04	79.9	45.8	0.0	18.2				
132.50	0.1875	17.742	10.599	416.90	22.68	94.63	80	45.4	0.0	18.1				
133.00	0.1875	17.664	10.551	411.30	22.56	94.21	80.1	45.0	0.0	18.0				
133.50	0.1875	17.586	10.504	405.80	22.45	93.79	80.2	44.6	0.0	17.9				
134.00	0.1875	17.507	10.457	400.40	22.34	93.37	80.4	44.2	0.0	17.8				
134.50	0.1875	17.429	10.409	395.00	22.23	92.95	80.5	43.8	0.0	17.8				
135.00	0.1875	17.351	10.362	389.60	22.12	92.54	80.6	43.4	0.0	17.7				
135.50	0.1875	17.272	10.315	384.30	22.00	92.12	80.7	43.0	0.0	17.6				
136.00	0.1875	17.194	10.268	379.00	21.89	91.70	80.8	42.6	0.0	17.5				
136.50	0.1875	17.115	10.220	373.80	21.78	91.28	81	42.2	0.0	17.4				
137.00	0.1875	17.037	10.173	368.60	21.67	90.86	81.1	41.8	0.0	17.3				
137.50	0.1875	16.959	10.126	363.50	21.56	90.45	81.2	41.4	0.0	17.3				
138.00	0.1875	16.880	10.078	358.50	21.44	90.03	81.3	41.0	0.0	17.2				
138.50	0.1875	16.802	10.031	353.40	21.33	89.61	81.4	40.6	0.0	17.1				
139.00	0.1875	16.724	9.984	348.50	21.22	89.19	81.6	40.3	0.0	17.0				
139.50	0.1875	16.645	9.936	343.50	21.11	88.78	81.7	39.9	0.0	16.9				
140.00	0.1875	16.567	9.889	338.60	21.00	88.36	81.8	39.5	0.0	16.9				
140.50	0.1875	16.489	9.842	333.80	20.88	87.94	81.9	39.1	0.0	16.8				
141.00	0.1875	16.410	9.795	329.00	20.77	87.52	81.9	38.7	0.0	16.7				
141.50	0.1875	16.332	9.747	324.30	20.66	87.10	81.9	38.4	0.0	16.6				
142.00	0.1875	16.254	9.700	319.60	20.55	86.69	81.9	38.0	0.0	16.5				
142.50	0.1875	16.175	9.653	314.90	20.44	86.27	81.9	37.6	0.0	16.5				
143.00	0.1875	16.097	9.605	310.30	20.32	85.85	81.9	37.2	0.0	16.4				
143.50	0.1875	16.019	9.558	305.80	20.21	85.43	81.9	36.9	0.0	16.3				
144.00	0.1875	15.940	9.511	301.20	20.10	85.01	81.9	36.5	0.0	16.2				
144.50	0.1875	15.862	9.463	296.80	19.99	84.60	81.9	36.1	0.0	16.1				
145.00	0.1875	15.784	9.416	292.30	19.88	84.18	81.9	35.8	0.0	16.1				

ASSET: 302494, Hddm - Haddam
 CUSTOMER: AT&T MOBILITY

CODE: ANSI/TIA-222-H
 ENG NO: 13757798_C4_06

SEGMENT PROPERTIES

(Max Len: 0 . 5.ft)

Additional Reinforcing

Seg Top Elev (ft)	Description	Thick (in)	Flat Dia (in)	Area (in ²)	Ix (in ⁴)	W/t Ratio	D/t Ratio	F'y (ksi)	S (in ³)	Z (in ³)	Weight (lb)	Area (in ²)	Ix (in ⁴)	Weight (lb)
145.50		0.1875	15.705	9.369	288.00	19.76	83.76	81.9	35.4	0.0	16.0			
146.00		0.1875	15.627	9.321	283.60	19.65	83.34	81.9	35.1	0.0	15.9			
146.50		0.1875	15.548	9.274	279.30	19.54	82.93	81.9	34.7	0.0	15.8			
147.00		0.1875	15.470	9.227	275.10	19.43	82.51	81.9	34.3	0.0	15.7			
147.50		0.1875	15.392	9.180	270.90	19.32	82.09	81.9	34.0	0.0	15.7			
148.00		0.1875	15.313	9.132	266.70	19.20	81.67	81.9	33.6	0.0	15.6			
148.50		0.1875	15.235	9.085	262.60	19.09	81.25	81.9	33.3	0.0	15.5			
149.00		0.1875	15.157	9.038	258.50	18.98	80.84	81.9	32.9	0.0	15.4			
149.50		0.1875	15.078	8.990	254.40	18.87	80.42	81.9	32.6	0.0	15.3			
150.00		0.1875	15.000	8.943	250.50	18.76	80.00	81.9	32.3	0.0	15.3			
Totals:											13,372.0			8,757.2

Load Case: 1.2D + 1.0W	117.94 mph wind with no ice	41 Iterations
Gust Response Factor:	1.10	
Dead load Factor:	1.20	
Wind Load Factor:	1.00	

CALCULATED FORCES

Seg Elev (ft)	Pu FY (-) (kips)	Vu FX (-) (kips)	Tu MY (ft-kips)	Mu MZ (ft-kips)	Mu MX (ft-kips)	Resultant Moment (ft-kips)	Phi Pn (kips)	Phi Vn (kips)	Phi Tn (ft-kips)	Phi Mn (ft-kips)	Total Deflect (in)	Rotation (deg)	Ratio
0.00	-41.05	-18.08	0.00	-2,035.1	0.00	2,035.11	3,157.17	784.20	2,737.77	2,376.61	0	0	0.533
0.50	-40.88	-18.06	0.00	-2,026.1	0.00	2,026.07	3,152.93	782.54	2,726.19	2,368.34	0	-0.02	0.532
1.00	-40.71	-18.04	0.00	-2,017.0	0.00	2,017.04	3,148.69	780.88	2,714.64	2,360.09	0.01	-0.05	0.531
1.50	-40.54	-18.01	0.00	-2,008.0	0.00	2,008.02	3,144.43	779.21	2,703.11	2,351.83	0.01	-0.07	0.530
2.00	-40.38	-17.99	0.00	-1,999.0	0.00	1,999.01	3,140.17	777.55	2,691.61	2,343.59	0.02	-0.09	0.529
2.50	-40.21	-17.97	0.00	-1,990.0	0.00	1,990.02	3,135.89	775.89	2,680.13	2,335.35	0.03	-0.11	0.528
3.00	-40.04	-17.94	0.00	-1,981.0	0.00	1,981.03	3,131.60	774.23	2,668.68	2,327.12	0.04	-0.14	0.527
3.50	-39.87	-17.92	0.00	-1,972.1	0.00	1,972.06	3,127.31	772.57	2,657.25	2,318.89	0.06	-0.16	0.526
4.00	-39.71	-17.90	0.00	-1,963.1	0.00	1,963.10	3,123.00	770.91	2,645.84	2,310.67	0.08	-0.18	0.525
4.50	-39.54	-17.87	0.00	-1,954.2	0.00	1,954.15	3,118.68	769.25	2,634.46	2,302.45	0.1	-0.2	0.524
5.00	-39.37	-17.85	0.00	-1,945.2	0.00	1,945.22	3,114.35	767.59	2,623.11	2,294.24	0.12	-0.23	0.523
5.50	-39.20	-17.83	0.00	-1,936.3	0.00	1,936.29	3,110.02	765.93	2,611.77	2,286.04	0.15	-0.25	0.522
6.00	-39.04	-17.80	0.00	-1,927.4	0.00	1,927.38	3,105.67	764.27	2,600.47	2,277.85	0.17	-0.27	0.520
6.50	-38.87	-17.78	0.00	-1,918.5	0.00	1,918.48	3,101.31	762.61	2,589.18	2,269.66	0.2	-0.3	0.519
7.00	-38.71	-17.76	0.00	-1,909.6	0.00	1,909.59	3,096.94	760.95	2,577.93	2,261.47	0.24	-0.32	0.518
7.50	-38.54	-17.73	0.00	-1,900.7	0.00	1,900.71	3,092.56	759.29	2,566.69	2,253.30	0.27	-0.34	0.517
8.00	-38.37	-17.71	0.00	-1,891.8	0.00	1,891.84	3,088.17	757.63	2,555.48	2,245.13	0.31	-0.36	0.516
8.50	-38.21	-17.69	0.00	-1,883.0	0.00	1,882.99	3,083.77	755.97	2,544.30	2,236.96	0.35	-0.39	0.515
9.00	-38.04	-17.66	0.00	-1,874.2	0.00	1,874.15	3,079.36	754.31	2,533.14	2,228.81	0.39	-0.41	0.514
9.50	-37.88	-17.64	0.00	-1,865.3	0.00	1,865.32	3,074.94	752.65	2,522.00	2,220.66	0.43	-0.43	0.513
10.00	-37.71	-17.61	0.00	-1,856.5	0.00	1,856.50	3,070.50	750.99	2,510.89	2,212.51	0.48	-0.46	0.512
10.50	-37.55	-17.59	0.00	-1,847.7	0.00	1,847.69	3,066.06	749.33	2,499.81	2,204.38	0.53	-0.48	0.511
11.00	-37.39	-17.57	0.00	-1,838.9	0.00	1,838.90	3,061.61	747.67	2,488.74	2,196.25	0.58	-0.5	0.510
11.50	-37.22	-17.54	0.00	-1,830.1	0.00	1,830.11	3,057.15	746.01	2,477.71	2,188.12	0.64	-0.53	0.509
12.00	-37.06	-17.52	0.00	-1,821.3	0.00	1,821.34	3,052.67	744.35	2,466.69	2,180.01	0.69	-0.55	0.508
12.50	-36.89	-17.49	0.00	-1,812.6	0.00	1,812.58	3,048.19	742.69	2,455.71	2,171.90	0.75	-0.57	0.507
13.00	-36.73	-17.47	0.00	-1,803.8	0.00	1,803.84	3,043.69	741.03	2,444.74	2,163.80	0.81	-0.6	0.506
13.50	-36.57	-17.45	0.00	-1,795.1	0.00	1,795.10	3,039.19	739.37	2,433.80	2,155.70	0.88	-0.62	0.505
14.00	-36.40	-17.42	0.00	-1,786.4	0.00	1,786.38	3,034.67	737.71	2,422.89	2,147.61	0.94	-0.64	0.504
14.50	-36.24	-17.40	0.00	-1,777.7	0.00	1,777.67	3,030.15	736.05	2,412.00	2,139.53	1.01	-0.67	0.502
15.00	-36.08	-17.37	0.00	-1,769.0	0.00	1,768.97	3,025.61	734.39	2,401.13	2,131.46	1.08	-0.69	0.501
15.50	-35.92	-17.35	0.00	-1,760.3	0.00	1,760.28	3,021.07	732.72	2,390.29	2,123.39	1.15	-0.71	0.500
16.00	-35.75	-17.33	0.00	-1,751.6	0.00	1,751.61	3,016.51	731.06	2,379.47	2,115.34	1.23	-0.73	0.499
16.50	-35.59	-17.30	0.00	-1,743.0	0.00	1,742.95	3,011.94	729.40	2,368.68	2,107.28	1.31	-0.76	0.498
17.00	-35.43	-17.28	0.00	-1,734.3	0.00	1,734.29	3,007.37	727.74	2,357.91	2,099.24	1.39	-0.78	0.497
17.50	-35.27	-17.25	0.00	-1,725.7	0.00	1,725.66	3,002.78	726.08	2,347.17	2,091.20	1.47	-0.8	0.496
18.00	-35.11	-17.23	0.00	-1,717.0	0.00	1,717.03	2,998.18	724.42	2,336.45	2,083.18	1.56	-0.83	0.495
18.50	-34.94	-17.20	0.00	-1,708.4	0.00	1,708.42	2,993.57	722.76	2,325.76	2,075.15	1.65	-0.85	0.494
19.00	-34.78	-17.18	0.00	-1,699.8	0.00	1,699.81	2,988.95	721.10	2,315.09	2,067.14	1.74	-0.88	0.493
19.50	-34.62	-17.16	0.00	-1,691.2	0.00	1,691.22	2,984.32	719.44	2,304.44	2,059.13	1.83	-0.9	0.491
20.00	-34.46	-17.13	0.00	-1,682.6	0.00	1,682.65	2,979.68	717.78	2,293.82	2,051.14	1.93	-0.92	0.490
20.50	-34.30	-17.11	0.00	-1,674.1	0.00	1,674.08	2,975.03	716.12	2,283.23	2,043.15	2.02	-0.95	0.489
21.00	-34.14	-17.08	0.00	-1,665.5	0.00	1,665.53	2,970.37	714.46	2,272.66	2,035.16	2.12	-0.97	0.488
21.50	-33.98	-17.06	0.00	-1,657.0	0.00	1,656.99	2,965.70	712.80	2,262.11	2,027.19	2.23	-0.99	0.487
22.00	-33.82	-17.03	0.00	-1,648.5	0.00	1,648.46	2,961.02	711.14	2,251.59	2,019.22	2.33	-1.02	0.486
22.50	-33.66	-17.01	0.00	-1,639.9	0.00	1,639.94	2,956.33	709.48	2,241.09	2,011.26	2.44	-1.04	0.485
23.00	-33.50	-16.98	0.00	-1,631.4	0.00	1,631.44	2,951.63	707.82	2,230.62	2,003.31	2.55	-1.06	0.484
23.50	-33.34	-16.96	0.00	-1,623.0	0.00	1,622.95	2,946.91	706.16	2,220.17	1,995.37	2.66	-1.09	0.482
24.00	-33.19	-16.93	0.00	-1,614.5	0.00	1,614.47	2,942.19	704.50	2,209.74	1,987.44	2.78	-1.11	0.481
24.50	-33.03	-16.91	0.00	-1,606.0	0.00	1,606.00	2,937.46	702.84	2,199.35	1,979.51	2.9	-1.13	0.480
25.00	-32.87	-16.88	0.00	-1,597.6	0.00	1,597.55	2,932.71	701.18	2,188.97	1,971.59	3.02	-1.16	0.479
25.50	-32.71	-16.86	0.00	-1,589.1	0.00	1,589.11	2,927.96	699.52	2,178.62	1,963.68	3.14	-1.18	0.478
26.00	-32.55	-16.84	0.00	-1,580.7	0.00	1,580.68	2,923.19	697.86	2,168.29	1,955.78	3.26	-1.2	0.477
26.50	-32.39	-16.81	0.00	-1,572.3	0.00	1,572.26	2,918.42	696.20	2,157.99	1,947.89	3.39	-1.23	0.475
27.00	-32.24	-16.79	0.00	-1,563.8	0.00	1,563.85	2,913.63	694.54	2,147.72	1,940.01	3.52	-1.25	0.474
27.50	-32.08	-16.76	0.00	-1,555.5	0.00	1,555.46	2,910.08	692.88	2,137.46	1,932.96	3.65	-1.28	0.473
28.00	-31.92	-16.74	0.00	-1,547.1	0.00	1,547.08	2,903.11	691.22	2,127.23	1,923.65	3.79	-1.3	0.472
28.50	-31.77	-16.71	0.00	-1,538.7	0.00	1,538.71	2,896.13	689.56	2,117.03	1,914.37	3.93	-1.32	0.471
29.00	-31.61	-16.69	0.00	-1,530.4	0.00	1,530.36	2,889.16	687.89	2,106.85	1,905.11	4.07	-1.35	0.470
29.50	-31.45	-16.66	0.00	-1,522.0	0.00	1,522.02	2,882.19	686.23	2,096.70	1,895.87	4.21	-1.37	0.470
30.00	-31.30	-16.64	0.00	-1,513.7	0.00	1,513.69	2,875.21	684.57	2,086.57	1,886.65	4.35	-1.39	0.469
30.50	-31.14	-16.61	0.00	-1,505.4	0.00	1,505.37	2,868.24	682.91	2,076.46	1,877.46	4.5	-1.42	0.468
31.00	-30.98	-16.58	0.00	-1,497.1	0.00	1,497.06	2,861.26	681.25	2,066.38	1,868.29	4.65	-1.44	0.467
31.50	-30.83	-16.56	0.00	-1,488.8	0.00	1,488.77	2,854.29	679.59	2,056.33	1,859.14	4.8	-1.47	0.466
32.00	-30.61	-16.53	0.00	-1,480.5	0.00	1,480.49	2,847.32	677.93	2,046.29	1,850.02	4.96	-1.49	0.458

ASSET: 302494, Hddm - Haddam
CUSTOMER: AT&T MOBILITY

CODE: ANSI/TIA-222-H
ENG NO: 13757798_C4_06

32.50	-30.38	-16.50	0.00	-1,472.2	0.00	1,472.23	2,840.34	676.27	2,036.29	1,840.91	5.12	-1.51	0.457
33.00	-30.16	-16.47	0.00	-1,464.0	0.00	1,463.98	2,833.37	674.61	2,026.31	1,831.83	5.28	-1.54	0.456
33.50	-29.94	-16.44	0.00	-1,455.7	0.00	1,455.74	2,826.40	672.95	2,016.35	1,822.77	5.44	-1.56	0.456
34.00	-29.72	-16.41	0.00	-1,447.5	0.00	1,447.52	2,819.42	671.29	2,006.41	1,813.74	5.6	-1.58	0.455
34.50	-29.50	-16.38	0.00	-1,439.3	0.00	1,439.31	2,812.45	669.63	1,996.50	1,804.72	5.77	-1.61	0.454
35.00	-29.28	-16.35	0.00	-1,431.1	0.00	1,431.12	2,805.48	667.97	1,986.62	1,795.73	5.94	-1.63	0.453
35.50	-29.06	-16.33	0.00	-1,422.9	0.00	1,422.94	2,798.50	666.31	1,976.76	1,786.77	6.11	-1.65	0.452
35.67	-28.99	-16.32	0.00	-1,420.2	0.00	1,420.22	2,248.07	566.94	1,717.07	1,468.70	6.17	-1.66	0.520
36.00	-28.89	-16.30	0.00	-1,414.8	0.00	1,414.78	2,245.83	566.02	1,711.49	1,464.83	6.29	-1.68	0.519
36.50	-28.75	-16.28	0.00	-1,406.6	0.00	1,406.64	2,242.46	564.63	1,703.14	1,459.02	6.46	-1.7	0.517
36.67	-28.70	-16.26	0.00	-1,403.9	0.00	1,403.87	2,241.31	564.16	1,700.30	1,457.05	6.52	-1.71	0.517
36.67	-28.70	-16.26	0.00	-1,403.9	0.00	1,403.87	2,241.31	564.16	1,700.30	1,457.05	6.52	-1.71	0.555
37.00	-28.61	-16.24	0.00	-1,398.5	0.00	1,398.50	2,239.08	563.25	1,694.80	1,453.22	6.64	-1.73	0.554
37.50	-28.48	-16.21	0.00	-1,390.4	0.00	1,390.38	2,235.69	561.87	1,686.49	1,447.42	6.83	-1.75	0.552
38.00	-28.34	-16.19	0.00	-1,382.3	0.00	1,382.27	2,232.29	560.48	1,678.20	1,441.62	7.01	-1.78	0.551
38.50	-28.21	-16.16	0.00	-1,374.2	0.00	1,374.18	2,228.88	559.10	1,669.92	1,435.83	7.2	-1.81	0.549
39.00	-28.07	-16.13	0.00	-1,366.1	0.00	1,366.10	2,225.46	557.71	1,661.67	1,430.05	7.39	-1.84	0.547
39.50	-27.94	-16.11	0.00	-1,358.0	0.00	1,358.03	2,222.03	556.33	1,653.44	1,424.27	7.58	-1.86	0.546
40.00	-27.80	-16.08	0.00	-1,350.0	0.00	1,349.98	2,218.59	554.95	1,645.23	1,418.49	7.78	-1.89	0.544
40.50	-27.67	-16.05	0.00	-1,341.9	0.00	1,341.94	2,215.14	553.56	1,637.04	1,412.72	7.98	-1.92	0.542
41.00	-27.54	-16.02	0.00	-1,333.9	0.00	1,333.91	2,211.67	552.18	1,628.87	1,406.95	8.18	-1.94	0.540
41.50	-27.40	-16.00	0.00	-1,325.9	0.00	1,325.90	2,208.20	550.80	1,620.72	1,401.18	8.39	-1.97	0.539
42.00	-27.27	-15.97	0.00	-1,317.9	0.00	1,317.90	2,204.72	549.41	1,612.59	1,395.43	8.6	-2	0.537
42.50	-27.14	-15.94	0.00	-1,309.9	0.00	1,309.92	2,201.23	548.03	1,604.48	1,389.67	8.81	-2.03	0.535
43.00	-27.01	-15.91	0.00	-1,302.0	0.00	1,301.95	2,197.72	546.65	1,596.39	1,383.92	9.02	-2.05	0.534
43.50	-26.87	-15.88	0.00	-1,294.0	0.00	1,294.00	2,194.21	545.26	1,588.32	1,378.18	9.24	-2.08	0.532
44.00	-26.74	-15.85	0.00	-1,286.0	0.00	1,286.05	2,190.68	543.88	1,580.27	1,372.44	9.46	-2.11	0.530
44.50	-26.61	-15.83	0.00	-1,278.1	0.00	1,278.13	2,187.15	542.49	1,572.25	1,366.70	9.68	-2.13	0.528
45.00	-26.48	-15.80	0.00	-1,270.2	0.00	1,270.21	2,183.60	541.11	1,564.24	1,360.97	9.9	-2.16	0.527
45.50	-26.35	-15.77	0.00	-1,262.3	0.00	1,262.32	2,180.05	539.73	1,556.25	1,355.24	10.13	-2.19	0.525
46.00	-26.21	-15.74	0.00	-1,254.4	0.00	1,254.43	2,176.48	538.34	1,548.29	1,349.52	10.36	-2.21	0.523
46.50	-26.08	-15.71	0.00	-1,246.6	0.00	1,246.56	2,172.91	536.96	1,540.34	1,343.81	10.6	-2.24	0.521
47.00	-25.95	-15.68	0.00	-1,238.7	0.00	1,238.71	2,169.32	535.58	1,532.41	1,338.10	10.83	-2.27	0.520
47.50	-25.82	-15.65	0.00	-1,230.9	0.00	1,230.87	2,165.72	534.19	1,524.51	1,332.39	11.07	-2.3	0.518
48.00	-25.69	-15.62	0.00	-1,223.0	0.00	1,223.04	2,162.12	532.81	1,516.63	1,326.69	11.31	-2.32	0.516
48.50	-25.56	-15.59	0.00	-1,215.2	0.00	1,215.23	2,158.50	531.43	1,508.76	1,321.00	11.56	-2.35	0.514
49.00	-25.43	-15.56	0.00	-1,207.4	0.00	1,207.43	2,154.87	530.04	1,500.92	1,315.31	11.81	-2.38	0.513
49.50	-25.30	-15.53	0.00	-1,199.6	0.00	1,199.65	2,151.23	528.66	1,493.09	1,309.62	12.06	-2.4	0.511
50.00	-25.17	-15.50	0.00	-1,191.9	0.00	1,191.89	2,147.58	527.27	1,485.29	1,303.95	12.31	-2.43	0.509
50.50	-25.04	-15.47	0.00	-1,184.1	0.00	1,184.14	2,143.92	525.89	1,477.51	1,298.27	12.57	-2.46	0.507
51.00	-24.91	-15.44	0.00	-1,176.4	0.00	1,176.40	2,140.25	524.51	1,469.75	1,292.61	12.82	-2.49	0.506
51.50	-24.78	-15.41	0.00	-1,168.7	0.00	1,168.68	2,136.57	523.12	1,462.01	1,286.94	13.09	-2.51	0.504
52.00	-24.65	-15.38	0.00	-1,161.0	0.00	1,160.98	2,132.88	521.74	1,454.29	1,281.29	13.35	-2.54	0.502
52.50	-24.52	-15.35	0.00	-1,153.3	0.00	1,153.29	2,129.18	520.36	1,446.59	1,275.64	13.62	-2.57	0.500
53.00	-24.39	-15.32	0.00	-1,145.6	0.00	1,145.61	2,125.47	518.97	1,438.91	1,269.99	13.89	-2.59	0.498
53.50	-24.26	-15.29	0.00	-1,138.0	0.00	1,137.95	2,121.75	517.59	1,431.25	1,264.35	14.16	-2.62	0.497
54.00	-24.14	-15.26	0.00	-1,130.3	0.00	1,130.31	2,118.01	516.21	1,423.61	1,258.72	14.44	-2.65	0.495
54.50	-24.01	-15.23	0.00	-1,122.7	0.00	1,122.68	2,114.27	514.82	1,415.99	1,253.09	14.72	-2.68	0.493
55.00	-23.88	-15.19	0.00	-1,115.1	0.00	1,115.07	2,110.52	513.44	1,408.39	1,247.47	15	-2.7	0.491
55.50	-23.75	-15.16	0.00	-1,107.5	0.00	1,107.47	2,106.75	512.05	1,400.81	1,241.85	15.28	-2.73	0.489
56.00	-23.62	-15.13	0.00	-1,099.9	0.00	1,099.89	2,102.98	510.67	1,393.25	1,236.24	15.57	-2.76	0.487
56.50	-23.50	-15.10	0.00	-1,092.3	0.00	1,092.33	2,099.20	509.29	1,385.72	1,230.64	15.86	-2.78	0.486
57.00	-23.37	-15.07	0.00	-1,084.8	0.00	1,084.78	2,095.40	507.90	1,378.20	1,225.04	16.15	-2.81	0.484
57.50	-23.24	-15.04	0.00	-1,077.2	0.00	1,077.24	2,091.60	506.52	1,370.71	1,219.45	16.45	-2.84	0.482
58.00	-23.11	-15.00	0.00	-1,069.7	0.00	1,069.72	2,087.78	505.14	1,363.23	1,213.86	16.75	-2.87	0.480
58.50	-22.99	-14.97	0.00	-1,062.2	0.00	1,062.22	2,083.96	503.75	1,355.77	1,208.28	17.05	-2.89	0.478
59.00	-22.86	-14.94	0.00	-1,054.7	0.00	1,054.74	2,080.12	502.37	1,348.34	1,202.71	17.36	-2.92	0.476
59.50	-22.74	-14.91	0.00	-1,047.3	0.00	1,047.27	2,076.27	500.99	1,340.93	1,197.14	17.66	-2.95	0.474
60.00	-22.61	-14.88	0.00	-1,039.8	0.00	1,039.81	2,072.42	499.60	1,333.53	1,191.58	17.97	-2.97	0.473
60.50	-22.48	-14.84	0.00	-1,032.4	0.00	1,032.38	2,068.55	498.22	1,326.16	1,186.03	18.29	-3	0.471
61.00	-22.36	-14.81	0.00	-1,025.0	0.00	1,024.95	2,064.67	496.83	1,318.81	1,180.48	18.6	-3.03	0.469
61.50	-22.23	-14.78	0.00	-1,017.6	0.00	1,017.55	2,060.78	495.45	1,311.47	1,174.94	18.92	-3.05	0.467
62.00	-22.11	-14.75	0.00	-1,010.2	0.00	1,010.16	2,056.88	494.07	1,304.16	1,169.41	19.24	-3.08	0.465
62.50	-21.98	-14.71	0.00	-1,002.8	0.00	1,002.79	2,052.97	492.68	1,296.87	1,163.88	19.57	-3.11	0.463
63.00	-21.86	-14.68	0.00	-995.4	0.00	995.43	2,049.05	491.30	1,289.60	1,158.36	19.89	-3.14	0.461
63.50	-21.73	-14.65	0.00	-988.1	0.00	988.09	2,045.12	489.92	1,282.35	1,152.85	20.22	-3.16	0.459
64.00	-21.61	-14.61	0.00	-980.8	0.00	980.77	2,041.18	488.53	1,275.12	1,147.34	20.56	-3.19	0.457
64.50	-21.48	-14.58	0.00	-973.5	0.00	973.46	2,037.23	487.15	1,267.91	1,141.84	20.89	-3.22	0.456
65.00	-21.36	-14.55	0.00	-966.2	0.00	966.17	2,033.27	485.77	1,260.72	1,136.35	21.23	-3.24	0.454
65.50	-21.24	-14.51	0.00	-958.9	0.00	958.90	2,029.30	484.38	1,253.55	1,130.86	21.57	-3.27	0.452
66.00	-21.11	-14.48	0.00	-951.6	0.00	951.64	2,025.32	483.00	1,246.40	1,125.38	21.91	-3.3	0.450
66.50	-20.99	-14.45	0.00	-944.4	0.00	944.40	2,021.33	481.61	1,239.27	1,119.91	22.26	-3.32	0.448
67.00	-20.87	-14.41	0.00	-937.2	0.00	937.18	2,016.97	480.23	1,232.16	1,114.25	22.61	-3.35	0.446
67.50	-20.74	-14.38	0.00	-930.0	0.00	929.97	2,011.16	478.85	1,225.08	1,107.80	22.96	-3.38	0.444
68.00	-20.62	-14.35	0.00	-922.8	0.00	922.78	2,005.35	477.46	1,218.01	1,101.37	23.32	-3.41	0.443

ASSET: 302494, Hddm - Haddam
CUSTOMER: AT&T MOBILITY

CODE: ANSI/TIA-222-H
ENG NO: 13757798_C4_06

68.50	-20.50	-14.31	0.00	-915.6	0.00	915.61	1,999.53	476.08	1,210.96	1,094.96	23.68	-3.43	0.441
69.00	-20.37	-14.28	0.00	-908.5	0.00	908.46	1,993.72	474.70	1,203.94	1,088.57	24.04	-3.46	0.440
69.50	-20.25	-14.24	0.00	-901.3	0.00	901.32	1,987.91	473.31	1,196.93	1,082.20	24.4	-3.49	0.438
70.00	-20.13	-14.21	0.00	-894.2	0.00	894.19	1,982.10	471.93	1,189.95	1,075.84	24.77	-3.51	0.437
70.50	-19.96	-14.17	0.00	-887.1	0.00	887.09	1,976.29	470.55	1,182.98	1,069.51	25.14	-3.54	0.428
71.00	-19.80	-14.13	0.00	-880.0	0.00	880.00	1,970.48	469.16	1,176.04	1,063.19	25.51	-3.57	0.426
71.50	-19.63	-14.10	0.00	-872.9	0.00	872.94	1,964.67	467.78	1,169.12	1,056.89	25.88	-3.59	0.424
72.00	-19.47	-14.06	0.00	-865.9	0.00	865.89	1,958.86	466.39	1,162.21	1,050.61	26.26	-3.62	0.423
72.50	-19.30	-14.02	0.00	-858.9	0.00	858.86	1,953.04	465.01	1,155.33	1,044.35	26.64	-3.64	0.421
73.00	-19.14	-13.99	0.00	-851.8	0.00	851.85	1,947.23	463.63	1,148.47	1,038.11	27.02	-3.67	0.420
73.33	-19.03	-13.97	0.00	-847.2	0.00	847.24	1,943.40	462.71	1,143.95	1,034.00	27.28	-3.69	0.418
73.33	-19.03	-13.97	0.00	-847.2	0.00	847.24	1,943.40	462.71	1,143.95	1,034.00	27.28	-3.69	0.457
73.50	-18.97	-13.94	0.00	-844.9	0.00	844.86	1,473.96	377.74	952.81	802.32	27.41	-3.7	0.545
74.00	-18.87	-13.91	0.00	-837.9	0.00	837.89	1,471.41	376.63	947.23	798.56	27.8	-3.72	0.542
74.50	-18.77	-13.88	0.00	-830.9	0.00	830.93	1,468.85	375.53	941.68	794.80	28.19	-3.76	0.539
75.00	-18.66	-13.84	0.00	-824.0	0.00	824.00	1,466.28	374.42	936.13	791.05	28.58	-3.79	0.536
75.50	-18.56	-13.81	0.00	-817.1	0.00	817.07	1,463.70	373.31	930.61	787.30	28.98	-3.82	0.534
76.00	-18.46	-13.78	0.00	-810.2	0.00	810.17	1,461.11	372.21	925.10	783.56	29.38	-3.85	0.531
76.50	-18.35	-13.75	0.00	-803.3	0.00	803.28	1,458.51	371.10	919.61	779.81	29.79	-3.88	0.528
77.00	-18.25	-13.71	0.00	-796.4	0.00	796.41	1,455.89	369.99	914.13	776.07	30.2	-3.91	0.525
77.50	-18.15	-13.68	0.00	-789.6	0.00	789.55	1,453.27	368.89	908.67	772.34	30.61	-3.94	0.522
78.00	-18.04	-13.65	0.00	-782.7	0.00	782.71	1,450.64	367.78	903.23	768.60	31.02	-3.97	0.519
78.50	-17.94	-13.61	0.00	-775.9	0.00	775.89	1,447.99	366.67	897.80	764.87	31.44	-4	0.516
79.00	-17.84	-13.58	0.00	-769.1	0.00	769.08	1,445.34	365.57	892.39	761.14	31.86	-4.03	0.514
79.50	-17.74	-13.54	0.00	-762.3	0.00	762.29	1,442.68	364.46	887.00	757.41	32.28	-4.06	0.511
80.00	-17.63	-13.51	0.00	-755.5	0.00	755.52	1,440.00	363.35	881.62	753.69	32.71	-4.09	0.508
80.50	-17.53	-13.48	0.00	-748.8	0.00	748.77	1,437.32	362.24	876.26	749.97	33.14	-4.13	0.505
81.00	-17.43	-13.44	0.00	-742.0	0.00	742.03	1,434.62	361.14	870.91	746.26	33.57	-4.16	0.502
81.50	-17.33	-13.41	0.00	-735.3	0.00	735.31	1,431.91	360.03	865.58	742.54	34.01	-4.19	0.499
82.00	-17.23	-13.38	0.00	-728.6	0.00	728.60	1,429.20	358.92	860.27	738.83	34.45	-4.22	0.496
82.50	-17.13	-13.34	0.00	-721.9	0.00	721.92	1,426.47	357.82	854.98	735.13	34.89	-4.25	0.493
83.00	-17.03	-13.31	0.00	-715.2	0.00	715.24	1,423.73	356.71	849.70	731.43	35.34	-4.28	0.490
83.50	-16.92	-13.27	0.00	-708.6	0.00	708.59	1,420.98	355.60	844.43	727.73	35.79	-4.31	0.487
84.00	-16.82	-13.24	0.00	-702.0	0.00	701.96	1,418.23	354.50	839.18	724.03	36.24	-4.34	0.484
84.50	-16.72	-13.20	0.00	-695.3	0.00	695.34	1,415.46	353.39	833.95	720.34	36.7	-4.37	0.481
85.00	-16.62	-13.17	0.00	-688.7	0.00	688.73	1,412.68	352.28	828.74	716.65	37.16	-4.4	0.478
85.50	-16.52	-13.14	0.00	-682.2	0.00	682.15	1,409.89	351.18	823.54	712.97	37.62	-4.43	0.475
86.00	-16.42	-13.10	0.00	-675.6	0.00	675.58	1,407.09	350.07	818.36	709.28	38.08	-4.46	0.472
86.50	-16.32	-13.07	0.00	-669.0	0.00	669.03	1,404.28	348.96	813.19	705.61	38.55	-4.49	0.469
87.00	-16.22	-13.03	0.00	-662.5	0.00	662.50	1,401.46	347.85	808.05	701.93	39.02	-4.52	0.466
87.50	-16.12	-13.00	0.00	-656.0	0.00	655.98	1,398.63	346.75	802.91	698.27	39.5	-4.55	0.463
88.00	-16.03	-12.96	0.00	-649.5	0.00	649.48	1,395.79	345.64	797.80	694.60	39.97	-4.58	0.460
88.50	-15.93	-12.93	0.00	-643.0	0.00	643.00	1,392.93	344.53	792.70	690.94	40.45	-4.61	0.457
89.00	-15.83	-12.89	0.00	-636.5	0.00	636.54	1,390.07	343.43	787.61	687.28	40.94	-4.64	0.454
89.50	-15.73	-12.86	0.00	-630.1	0.00	630.09	1,387.20	342.32	782.55	683.63	41.43	-4.67	0.451
90.00	-15.63	-12.82	0.00	-623.7	0.00	623.66	1,384.32	341.21	777.50	679.98	41.91	-4.69	0.448
90.50	-15.53	-12.79	0.00	-617.2	0.00	617.25	1,381.42	340.11	772.46	676.33	42.41	-4.72	0.445
91.00	-15.43	-12.75	0.00	-610.9	0.00	610.86	1,378.52	339.00	767.44	672.69	42.9	-4.75	0.442
91.50	-15.34	-12.72	0.00	-604.5	0.00	604.48	1,375.61	337.89	762.44	669.06	43.4	-4.78	0.439
92.00	-15.24	-12.68	0.00	-598.1	0.00	598.12	1,372.68	336.79	757.46	665.42	43.9	-4.81	0.436
92.50	-15.14	-12.65	0.00	-591.8	0.00	591.78	1,369.75	335.68	752.49	661.80	44.41	-4.84	0.433
93.00	-15.04	-12.61	0.00	-585.4	0.00	585.45	1,366.80	334.57	747.53	658.17	44.92	-4.87	0.430
93.50	-14.95	-12.58	0.00	-579.2	0.00	579.15	1,363.85	333.47	742.60	654.55	45.43	-4.9	0.427
94.00	-14.85	-12.54	0.00	-572.9	0.00	572.86	1,360.88	332.36	737.68	650.94	45.94	-4.93	0.423
94.50	-14.75	-12.51	0.00	-566.6	0.00	566.59	1,357.90	331.25	732.77	647.33	46.46	-4.96	0.420
95.00	-14.66	-12.47	0.00	-560.3	0.00	560.33	1,354.92	330.14	727.89	643.72	46.98	-4.98	0.417
95.50	-14.56	-12.44	0.00	-554.1	0.00	554.10	1,351.92	329.04	723.02	640.12	47.5	-5.01	0.414
96.00	-14.46	-12.40	0.00	-547.9	0.00	547.88	1,348.91	327.93	718.16	636.53	48.03	-5.04	0.411
96.50	-14.37	-12.37	0.00	-541.7	0.00	541.68	1,345.89	326.82	713.32	632.94	48.56	-5.07	0.408
97.00	-14.27	-12.33	0.00	-535.5	0.00	535.49	1,342.86	325.72	708.50	629.35	49.09	-5.1	0.405
97.50	-14.17	-12.30	0.00	-529.3	0.00	529.33	1,339.83	324.61	703.69	625.77	49.62	-5.13	0.401
98.00	-14.08	-12.26	0.00	-523.2	0.00	523.18	1,336.78	323.50	698.91	622.19	50.16	-5.15	0.398
98.50	-13.98	-12.22	0.00	-517.0	0.00	517.05	1,333.72	322.40	694.13	618.62	50.7	-5.18	0.395
99.00	-13.89	-12.19	0.00	-510.9	0.00	510.94	1,330.65	321.29	689.38	615.06	51.25	-5.21	0.392
99.50	-13.79	-12.15	0.00	-504.8	0.00	504.85	1,327.57	320.18	684.64	611.50	51.79	-5.24	0.389
100.00	-13.70	-12.12	0.00	-498.8	0.00	498.77	1,324.47	319.08	679.91	607.94	52.34	-5.26	0.385
100.50	-13.60	-12.08	0.00	-492.7	0.00	492.71	1,321.37	317.97	675.21	604.39	52.9	-5.29	0.382
101.00	-13.51	-12.05	0.00	-486.7	0.00	486.67	1,318.26	316.86	670.51	600.84	53.45	-5.32	0.379
101.50	-13.42	-12.01	0.00	-480.6	0.00	480.65	1,315.14	315.75	665.84	597.30	54.01	-5.35	0.376
102.00	-13.32	-11.97	0.00	-474.6	0.00	474.64	1,312.01	314.65	661.18	593.77	54.57	-5.37	0.372
102.50	-13.23	-11.94	0.00	-468.7	0.00	468.66	1,308.86	313.54	656.54	590.24	55.13	-5.4	0.369
103.00	-13.13	-11.90	0.00	-462.7	0.00	462.69	1,305.71	312.43	651.91	586.72	55.7	-5.43	0.366
103.50	-13.04	-11.87	0.00	-456.7	0.00	456.74	1,302.55	311.33	647.30	583.20	56.27	-5.45	0.362
104.00	-12.95	-11.83	0.00	-450.8	0.00	450.80	1,299.37	310.22	642.71	579.69	56.84	-5.48	0.359
104.50	-12.85	-11.79	0.00	-444.9	0.00	444.89	1,296.19	309.11	638.13	576.18	57.42	-5.51	0.356

ASSET: 302494, Hddm - Haddam
CUSTOMER: AT&T MOBILITY

CODE: ANSI/TIA-222-H
ENG NO: 13757798_C4_06

105.00	-12.76	-11.76	0.00	-439.0	0.00	438.99	1,292.99	308.01	633.57	572.68	57.99	-5.53	0.352
105.50	-12.67	-11.72	0.00	-433.1	0.00	433.11	1,288.98	306.90	629.03	568.82	58.57	-5.56	0.349
106.00	-12.57	-11.69	0.00	-427.2	0.00	427.25	1,284.33	305.79	624.50	564.70	59.16	-5.59	0.346
106.50	-12.48	-11.65	0.00	-421.4	0.00	421.41	1,279.68	304.69	619.99	560.60	59.74	-5.61	0.343
107.00	-12.39	-11.61	0.00	-415.6	0.00	415.58	1,275.03	303.58	615.50	556.51	60.33	-5.64	0.340
107.50	-12.30	-11.58	0.00	-409.8	0.00	409.78	1,270.38	302.47	611.02	552.44	60.92	-5.66	0.337
108.00	-12.21	-11.54	0.00	-404.0	0.00	403.99	1,265.73	301.36	606.56	548.38	61.52	-5.69	0.334
108.50	-12.11	-11.51	0.00	-398.2	0.00	398.22	1,261.08	300.26	602.11	544.33	62.11	-5.72	0.331
109.00	-12.02	-11.47	0.00	-392.5	0.00	392.46	1,256.43	299.15	597.68	540.30	62.71	-5.74	0.328
109.50	-11.93	-11.43	0.00	-386.7	0.00	386.73	1,251.78	298.04	593.27	536.29	63.31	-5.77	0.325
110.00	-11.84	-11.40	0.00	-381.0	0.00	381.01	853.24	293.36	444.19	366.34	63.92	-5.79	0.000
110.00	-11.84	-11.40	0.00	-381.0	0.00	381.01	1,247.14	296.94	588.87	532.29	63.92	-5.79	0.322
110.50	-11.76	-11.36	0.00	-375.3	0.00	375.32	851.46	222.53	440.90	364.21	64.52	-5.82	0.450
111.00	-11.69	-11.33	0.00	-369.6	0.00	369.63	849.67	221.70	437.62	362.07	65.13	-5.85	0.444
111.50	-11.61	-11.30	0.00	-364.0	0.00	363.97	847.88	220.87	434.35	359.94	65.75	-5.88	0.439
112.00	-11.54	-11.26	0.00	-358.3	0.00	358.32	846.07	220.04	431.09	357.81	66.36	-5.91	0.434
112.50	-11.46	-11.23	0.00	-352.7	0.00	352.69	844.25	219.21	427.84	355.68	66.98	-5.94	0.429
113.00	-11.39	-11.20	0.00	-347.1	0.00	347.07	842.42	218.38	424.61	353.56	67.61	-5.97	0.423
113.50	-11.31	-11.16	0.00	-341.5	0.00	341.48	840.58	217.55	421.39	351.43	68.23	-6	0.418
114.00	-11.24	-11.13	0.00	-335.9	0.00	335.90	838.73	216.72	418.18	349.31	68.86	-6.03	0.413
114.50	-11.16	-11.10	0.00	-330.3	0.00	330.33	836.87	215.89	414.98	347.19	69.5	-6.06	0.408
115.00	-11.09	-11.06	0.00	-324.8	0.00	324.78	835.00	215.06	411.80	345.06	70.13	-6.09	0.402
115.50	-11.01	-11.03	0.00	-319.2	0.00	319.25	833.11	214.23	408.63	342.95	70.77	-6.12	0.397
116.00	-10.94	-11.00	0.00	-313.7	0.00	313.74	831.22	213.40	405.47	340.83	71.41	-6.15	0.391
116.50	-10.86	-10.96	0.00	-308.2	0.00	308.24	829.32	212.57	402.32	338.71	72.06	-6.18	0.386
116.50	-10.86	-10.96	0.00	-308.2	0.00	308.24	829.32	212.57	402.32	338.71	72.06	-6.18	0.926
117.00	-10.82	-10.94	0.00	-302.8	0.00	302.76	827.41	211.74	399.18	336.60	72.71	-6.21	0.915
117.50	-10.76	-10.91	0.00	-297.3	0.00	297.29	825.48	210.91	396.06	334.49	73.36	-6.28	0.905
118.00	-10.71	-10.89	0.00	-291.8	0.00	291.83	823.55	210.08	392.95	332.38	74.02	-6.35	0.894
118.50	-10.66	-10.87	0.00	-286.4	0.00	286.39	821.61	209.25	389.85	330.27	74.69	-6.42	0.883
119.00	-10.61	-10.84	0.00	-281.0	0.00	280.95	819.65	208.42	386.76	328.17	75.36	-6.49	0.872
119.50	-10.56	-10.82	0.00	-275.5	0.00	275.53	817.69	207.59	383.69	326.06	76.04	-6.55	0.861
120.00	-10.51	-10.80	0.00	-270.1	0.00	270.12	815.71	206.76	380.63	323.96	76.73	-6.62	0.849
120.50	-10.46	-10.78	0.00	-264.7	0.00	264.72	813.73	205.93	377.58	321.87	77.43	-6.69	0.838
121.00	-10.41	-10.75	0.00	-259.3	0.00	259.33	811.73	205.10	374.54	319.77	78.13	-6.75	0.827
121.50	-10.36	-10.73	0.00	-254.0	0.00	253.96	809.72	204.27	371.52	317.68	78.84	-6.82	0.815
122.00	-10.32	-10.71	0.00	-248.6	0.00	248.59	807.71	203.44	368.50	315.58	79.56	-6.88	0.803
122.50	-10.27	-10.68	0.00	-243.2	0.00	243.24	805.68	202.61	365.50	313.49	80.28	-6.95	0.791
123.00	-10.22	-10.66	0.00	-237.9	0.00	237.90	803.64	201.78	362.52	311.41	81.01	-7.01	0.779
123.50	-10.17	-10.63	0.00	-232.6	0.00	232.57	801.59	200.95	359.54	309.32	81.74	-7.07	0.767
124.00	-10.12	-10.61	0.00	-227.3	0.00	227.26	799.54	200.12	356.58	307.24	82.49	-7.14	0.755
124.50	-10.08	-10.59	0.00	-222.0	0.00	221.95	797.47	199.29	353.62	305.16	83.23	-7.2	0.743
125.00	-10.03	-10.56	0.00	-216.7	0.00	216.66	795.39	198.46	350.69	303.09	83.99	-7.26	0.730
125.50	-9.98	-10.54	0.00	-211.4	0.00	211.38	793.30	197.63	347.76	301.01	84.75	-7.32	0.718
126.00	-9.94	-10.51	0.00	-206.1	0.00	206.11	791.20	196.80	344.84	298.94	85.52	-7.38	0.705
126.50	-9.89	-10.49	0.00	-200.8	0.00	200.85	789.09	195.97	341.94	296.88	86.29	-7.44	0.692
127.00	-9.84	-10.46	0.00	-195.6	0.00	195.61	786.97	195.14	339.05	294.81	87.07	-7.49	0.679
127.50	-9.80	-10.44	0.00	-190.4	0.00	190.38	784.84	194.31	336.17	292.75	87.86	-7.55	0.666
128.00	-9.75	-10.41	0.00	-185.2	0.00	185.16	782.69	193.48	333.31	290.69	88.65	-7.61	0.652
128.50	-9.71	-10.39	0.00	-180.0	0.00	179.95	780.54	192.65	330.46	288.64	89.45	-7.66	0.639
129.00	-9.66	-10.36	0.00	-174.8	0.00	174.76	778.38	191.82	327.61	286.58	90.25	-7.72	0.625
129.50	-9.62	-10.34	0.00	-169.6	0.00	169.58	776.21	190.99	324.79	284.53	91.06	-7.77	0.611
130.00	-9.57	-10.31	0.00	-164.4	0.00	164.41	774.02	190.16	321.97	282.49	91.87	-7.82	0.597
130.50	-9.53	-10.29	0.00	-159.2	0.00	159.25	771.83	189.33	319.17	280.44	92.69	-7.88	0.583
131.00	-9.49	-10.26	0.00	-154.1	0.00	154.11	769.63	188.50	316.37	278.40	93.52	-7.93	0.569
131.50	-9.44	-10.24	0.00	-149.0	0.00	148.98	767.41	187.67	313.59	276.37	94.35	-7.98	0.554
132.00	-9.40	-10.21	0.00	-143.9	0.00	143.86	765.19	186.84	310.83	274.34	95.19	-8.02	0.540
132.50	-9.36	-10.18	0.00	-138.8	0.00	138.76	762.95	186.01	308.07	272.31	96.03	-8.07	0.525
133.00	-9.31	-10.16	0.00	-133.7	0.00	133.66	760.71	185.18	305.33	270.28	96.87	-8.12	0.510
133.50	-9.27	-10.13	0.00	-128.6	0.00	128.58	758.45	184.35	302.60	268.26	97.72	-8.16	0.495
134.00	-9.23	-10.11	0.00	-123.5	0.00	123.52	756.18	183.52	299.88	266.24	98.58	-8.21	0.479
134.50	-9.19	-10.08	0.00	-118.5	0.00	118.47	753.91	182.69	297.17	264.22	99.44	-8.25	0.464
135.00	-9.15	-10.05	0.00	-113.4	0.00	113.43	751.62	181.86	294.48	262.21	100.3	-8.29	0.448
135.50	-9.11	-10.02	0.00	-108.4	0.00	108.40	749.32	181.03	291.80	260.20	101.17	-8.33	0.432
136.00	-9.07	-10.00	0.00	-103.4	0.00	103.39	747.02	180.20	289.13	258.20	102.04	-8.37	0.416
136.50	-9.03	-9.97	0.00	-98.4	0.00	98.39	744.70	179.37	286.47	256.20	102.91	-8.41	0.399
137.00	-8.99	-9.94	0.00	-93.4	0.00	93.41	742.37	178.54	283.83	254.20	103.79	-8.45	0.383
137.50	-8.95	-9.92	0.00	-88.4	0.00	88.43	740.03	177.71	281.20	252.21	104.68	-8.48	0.366
138.00	-8.91	-9.89	0.00	-83.5	0.00	83.48	737.68	176.87	278.58	250.22	105.57	-8.52	0.349
138.50	-8.87	-9.86	0.00	-78.5	0.00	78.53	735.32	176.04	275.97	248.24	106.46	-8.55	0.332
139.00	-8.83	-9.83	0.00	-73.6	0.00	73.60	732.95	175.21	273.37	246.26	107.35	-8.58	0.314
139.50	-8.80	-9.80	0.00	-68.7	0.00	68.69	730.57	174.38	270.79	244.28	108.25	-8.61	0.296
140.00	-5.10	-5.76	0.00	-63.8	0.00	63.79	728.18	173.55	268.22	242.31	109.15	-8.63	0.271
140.50	-5.07	-5.73	0.00	-60.9	0.00	60.91	725.44	172.72	265.66	240.23	110.05	-8.66	0.262
141.00	-5.03	-5.70	0.00	-58.0	0.00	58.04	721.95	171.89	263.11	237.92	110.95	-8.69	0.252

ASSET: 302494, Hddm - Haddam
CUSTOMER: AT&T MOBILITY

CODE: ANSI/TIA-222-H
ENG NO: 13757798_C4_06

141.50	-5.00	-5.67	0.00	-55.2	0.00	55.19	718.47	171.06	260.58	235.61	111.86	-8.71	0.242
142.00	-4.97	-5.64	0.00	-52.4	0.00	52.36	714.98	170.23	258.06	233.32	112.77	-8.73	0.232
142.50	-4.94	-5.61	0.00	-49.5	0.00	49.54	711.49	169.40	255.55	231.03	113.68	-8.76	0.222
143.00	-4.91	-5.58	0.00	-46.7	0.00	46.74	708.01	168.57	253.05	228.76	114.6	-8.78	0.212
143.50	-4.88	-5.55	0.00	-44.0	0.00	43.95	704.52	167.74	250.56	226.50	115.52	-8.8	0.202
144.00	-4.85	-5.52	0.00	-41.2	0.00	41.17	701.03	166.91	248.09	224.25	116.43	-8.82	0.192
144.50	-4.82	-5.49	0.00	-38.4	0.00	38.41	697.55	166.08	245.63	222.01	117.36	-8.84	0.181
145.00	-4.79	-5.46	0.00	-35.7	0.00	35.66	694.06	165.25	243.18	219.79	118.28	-8.86	0.170
145.50	-4.76	-5.43	0.00	-32.9	0.00	32.93	690.57	164.42	240.74	217.57	119.2	-8.87	0.159
146.00	-4.73	-5.40	0.00	-30.2	0.00	30.22	687.09	163.59	238.32	215.36	120.13	-8.89	0.148
146.50	-4.70	-5.37	0.00	-27.5	0.00	27.51	683.60	162.76	235.91	213.17	121.06	-8.9	0.137
147.00	-4.67	-5.35	0.00	-24.8	0.00	24.83	680.11	161.93	233.51	210.99	121.99	-8.92	0.126
147.50	-4.64	-5.32	0.00	-22.2	0.00	22.15	676.63	161.10	231.12	208.82	122.92	-8.93	0.114
148.00	-4.61	-5.29	0.00	-19.5	0.00	19.50	673.14	160.27	228.75	206.66	123.85	-8.94	0.102
148.50	-4.58	-5.26	0.00	-16.8	0.00	16.85	669.65	159.44	226.38	204.51	124.78	-8.95	0.090
149.00	-4.56	-5.23	0.00	-14.2	0.00	14.23	666.17	158.61	224.03	202.37	125.72	-8.96	0.078
149.50	-4.53	-5.20	0.00	-11.6	0.00	11.61	662.68	157.78	221.70	200.25	126.65	-8.96	0.066
150.00	0.00	-4.43	0.00	-9.0	0.00	9.01	659.19	156.95	219.37	198.13	127.59	-8.97	0.046

Load Case: 0.9D + 1.0W	117.94 mph wind with no ice	41 Iterations
Gust Response Factor: 1.10		
Dead load Factor: 0.90		
Wind Load Factor: 1.00		

CALCULATED FORCES

Seg Elev (ft)	Pu FY (-) (kips)	Vu FX (-) (kips)	Tu MY (ft-kips)	Mu MZ (ft-kips)	Mu MX (ft-kips)	Resultant Moment (ft-kips)	Phi Pn (kips)	Phi Vn (kips)	Phi Tn (ft-kips)	Phi Mn (ft-kips)	Total Deflect (in)	Rotation (deg)	Ratio
0.00	-30.79	-18.08	0.00	-1,992.0	0.00	1,992.04	3,157.17	784.20	2,737.77	2,376.61	0	0	0.520
0.50	-30.66	-18.05	0.00	-1,983.0	0.00	1,983.00	3,152.93	782.54	2,726.19	2,368.34	0	-0.02	0.519
1.00	-30.53	-18.03	0.00	-1,974.0	0.00	1,973.97	3,148.69	780.88	2,714.64	2,360.09	0	-0.04	0.518
1.50	-30.40	-18.00	0.00	-1,965.0	0.00	1,964.96	3,144.43	779.21	2,703.11	2,351.83	0.01	-0.07	0.517
2.00	-30.27	-17.97	0.00	-1,956.0	0.00	1,955.96	3,140.17	777.55	2,691.61	2,343.59	0.02	-0.09	0.515
2.50	-30.15	-17.94	0.00	-1,947.0	0.00	1,946.97	3,135.89	775.89	2,680.13	2,335.35	0.03	-0.11	0.514
3.00	-30.02	-17.92	0.00	-1,938.0	0.00	1,938.00	3,131.60	774.23	2,668.68	2,327.12	0.04	-0.13	0.513
3.50	-29.89	-17.89	0.00	-1,929.0	0.00	1,929.04	3,127.31	772.57	2,657.25	2,318.89	0.06	-0.16	0.512
4.00	-29.77	-17.86	0.00	-1,920.1	0.00	1,920.10	3,123.00	770.91	2,645.84	2,310.67	0.08	-0.18	0.511
4.50	-29.64	-17.83	0.00	-1,911.2	0.00	1,911.17	3,118.68	769.25	2,634.46	2,302.45	0.1	-0.2	0.510
5.00	-29.51	-17.81	0.00	-1,902.2	0.00	1,902.25	3,114.35	767.59	2,623.11	2,294.24	0.12	-0.22	0.509
5.50	-29.39	-17.78	0.00	-1,893.4	0.00	1,893.35	3,110.02	765.93	2,611.77	2,286.04	0.14	-0.24	0.508
6.00	-29.26	-17.75	0.00	-1,884.5	0.00	1,884.46	3,105.67	764.27	2,600.47	2,277.85	0.17	-0.27	0.507
6.50	-29.13	-17.72	0.00	-1,875.6	0.00	1,875.58	3,101.31	762.61	2,589.18	2,269.66	0.2	-0.29	0.506
7.00	-29.01	-17.70	0.00	-1,866.7	0.00	1,866.72	3,096.94	760.95	2,577.93	2,261.47	0.23	-0.31	0.505
7.50	-28.88	-17.67	0.00	-1,857.9	0.00	1,857.87	3,092.56	759.29	2,566.69	2,253.30	0.26	-0.33	0.504
8.00	-28.75	-17.64	0.00	-1,849.0	0.00	1,849.04	3,088.17	757.63	2,555.48	2,245.13	0.3	-0.36	0.503
8.50	-28.63	-17.61	0.00	-1,840.2	0.00	1,840.22	3,083.77	755.97	2,544.30	2,236.96	0.34	-0.38	0.502
9.00	-28.50	-17.59	0.00	-1,831.4	0.00	1,831.41	3,079.36	754.31	2,533.14	2,228.81	0.38	-0.4	0.501
9.50	-28.38	-17.56	0.00	-1,822.6	0.00	1,822.62	3,074.94	752.65	2,522.00	2,220.66	0.42	-0.42	0.500
10.00	-28.25	-17.53	0.00	-1,813.8	0.00	1,813.84	3,070.50	750.99	2,510.89	2,212.51	0.47	-0.45	0.499
10.50	-28.13	-17.50	0.00	-1,805.1	0.00	1,805.07	3,066.06	749.33	2,499.81	2,204.38	0.52	-0.47	0.498
11.00	-28.00	-17.48	0.00	-1,796.3	0.00	1,796.32	3,061.61	747.67	2,488.74	2,196.25	0.57	-0.49	0.496
11.50	-27.88	-17.45	0.00	-1,787.6	0.00	1,787.58	3,057.15	746.01	2,477.71	2,188.12	0.62	-0.51	0.495
12.00	-27.75	-17.42	0.00	-1,778.9	0.00	1,778.86	3,052.67	744.35	2,466.69	2,180.01	0.68	-0.54	0.494
12.50	-27.63	-17.39	0.00	-1,770.2	0.00	1,770.15	3,048.19	742.69	2,455.71	2,171.90	0.73	-0.56	0.493
13.00	-27.51	-17.37	0.00	-1,761.4	0.00	1,761.45	3,043.69	741.03	2,444.74	2,163.80	0.79	-0.58	0.492
13.50	-27.38	-17.34	0.00	-1,752.8	0.00	1,752.77	3,039.19	739.37	2,433.80	2,155.70	0.86	-0.6	0.491
14.00	-27.26	-17.31	0.00	-1,744.1	0.00	1,744.10	3,034.67	737.71	2,422.89	2,147.61	0.92	-0.63	0.490
14.50	-27.13	-17.28	0.00	-1,735.4	0.00	1,735.44	3,030.15	736.05	2,412.00	2,139.53	0.99	-0.65	0.489
15.00	-27.01	-17.26	0.00	-1,726.8	0.00	1,726.80	3,025.61	734.39	2,401.13	2,131.46	1.06	-0.67	0.488
15.50	-26.89	-17.23	0.00	-1,718.2	0.00	1,718.18	3,021.07	732.72	2,390.29	2,123.39	1.13	-0.7	0.487
16.00	-26.76	-17.20	0.00	-1,709.6	0.00	1,709.56	3,016.51	731.06	2,379.47	2,115.34	1.2	-0.72	0.486
16.50	-26.64	-17.17	0.00	-1,701.0	0.00	1,700.96	3,011.94	729.40	2,368.68	2,107.28	1.28	-0.74	0.484
17.00	-26.52	-17.15	0.00	-1,692.4	0.00	1,692.38	3,007.37	727.74	2,357.91	2,099.24	1.36	-0.76	0.483
17.50	-26.40	-17.12	0.00	-1,683.8	0.00	1,683.80	3,002.78	726.08	2,347.17	2,091.20	1.44	-0.79	0.482
18.00	-26.27	-17.09	0.00	-1,675.2	0.00	1,675.24	2,998.18	724.42	2,336.45	2,083.18	1.52	-0.81	0.481
18.50	-26.15	-17.06	0.00	-1,666.7	0.00	1,666.70	2,993.57	722.76	2,325.76	2,075.15	1.61	-0.83	0.480
19.00	-26.03	-17.04	0.00	-1,658.2	0.00	1,658.17	2,988.95	721.10	2,315.09	2,067.14	1.7	-0.86	0.479
19.50	-25.91	-17.01	0.00	-1,649.6	0.00	1,649.65	2,984.32	719.44	2,304.44	2,059.13	1.79	-0.88	0.478
20.00	-25.79	-16.98	0.00	-1,641.2	0.00	1,641.15	2,979.68	717.78	2,293.82	2,051.14	1.88	-0.9	0.477
20.50	-25.66	-16.95	0.00	-1,632.7	0.00	1,632.66	2,975.03	716.12	2,283.23	2,043.15	1.98	-0.92	0.475
21.00	-25.54	-16.92	0.00	-1,624.2	0.00	1,624.18	2,970.37	714.46	2,272.66	2,035.16	2.08	-0.95	0.474
21.50	-25.42	-16.90	0.00	-1,615.7	0.00	1,615.72	2,965.70	712.80	2,262.11	2,027.19	2.18	-0.97	0.473
22.00	-25.30	-16.87	0.00	-1,607.3	0.00	1,607.27	2,961.02	711.14	2,251.59	2,019.22	2.28	-0.99	0.472
22.50	-25.18	-16.84	0.00	-1,598.8	0.00	1,598.84	2,956.33	709.48	2,241.09	2,011.26	2.39	-1.02	0.471
23.00	-25.06	-16.81	0.00	-1,590.4	0.00	1,590.41	2,951.63	707.82	2,230.62	2,003.31	2.49	-1.04	0.470
23.50	-24.94	-16.79	0.00	-1,582.0	0.00	1,582.01	2,946.91	706.16	2,220.17	1,995.37	2.6	-1.06	0.469
24.00	-24.82	-16.76	0.00	-1,573.6	0.00	1,573.61	2,942.19	704.50	2,209.74	1,987.44	2.72	-1.08	0.468
24.50	-24.70	-16.73	0.00	-1,565.2	0.00	1,565.23	2,937.46	702.84	2,199.35	1,979.51	2.83	-1.11	0.466
25.00	-24.58	-16.70	0.00	-1,556.9	0.00	1,556.87	2,932.71	701.18	2,188.97	1,971.59	2.95	-1.13	0.465
25.50	-24.46	-16.68	0.00	-1,548.5	0.00	1,548.52	2,927.96	699.52	2,178.62	1,963.68	3.07	-1.15	0.464
26.00	-24.34	-16.65	0.00	-1,540.2	0.00	1,540.18	2,923.19	697.86	2,168.29	1,955.78	3.19	-1.18	0.463
26.50	-24.22	-16.62	0.00	-1,531.9	0.00	1,531.86	2,918.42	696.20	2,157.99	1,947.89	3.31	-1.2	0.462
27.00	-24.10	-16.59	0.00	-1,523.6	0.00	1,523.55	2,913.63	694.54	2,147.72	1,940.01	3.44	-1.22	0.461
27.50	-23.98	-16.57	0.00	-1,515.2	0.00	1,515.25	2,910.08	692.88	2,137.46	1,932.96	3.57	-1.25	0.459
28.00	-23.86	-16.54	0.00	-1,507.0	0.00	1,506.97	2,903.11	691.22	2,127.23	1,923.65	3.7	-1.27	0.458
28.50	-23.74	-16.51	0.00	-1,498.7	0.00	1,498.70	2,896.13	689.56	2,117.03	1,914.37	3.84	-1.29	0.458
29.00	-23.62	-16.48	0.00	-1,490.4	0.00	1,490.44	2,889.16	687.89	2,106.85	1,905.11	3.97	-1.31	0.457
29.50	-23.50	-16.46	0.00	-1,482.2	0.00	1,482.20	2,882.19	686.23	2,096.70	1,895.87	4.11	-1.34	0.456
30.00	-23.38	-16.43	0.00	-1,474.0	0.00	1,473.97	2,875.21	684.57	2,086.57	1,886.65	4.25	-1.36	0.455
30.50	-23.27	-16.40	0.00	-1,465.8	0.00	1,465.76	2,868.24	682.91	2,076.46	1,877.46	4.4	-1.38	0.454

ASSET: 302494, Hddm - Haddam
CUSTOMER: AT&T MOBILITY

CODE: ANSI/TIA-222-H
ENG NO: 13757798_C4_06

31.00	-23.15	-16.37	0.00	-1,457.6	0.00	1,457.56	2,861.26	681.25	2,066.38	1,868.29	4.54	-1.41	0.453
31.50	-23.03	-16.34	0.00	-1,449.4	0.00	1,449.37	2,854.29	679.59	2,056.33	1,859.14	4.69	-1.43	0.452
32.00	-22.86	-16.31	0.00	-1,441.2	0.00	1,441.20	2,847.32	677.93	2,046.29	1,850.02	4.84	-1.45	0.445
32.50	-22.69	-16.28	0.00	-1,433.0	0.00	1,433.05	2,840.34	676.27	2,036.29	1,840.91	5	-1.48	0.444
33.00	-22.53	-16.25	0.00	-1,424.9	0.00	1,424.91	2,833.37	674.61	2,026.31	1,831.83	5.15	-1.5	0.443
33.50	-22.36	-16.22	0.00	-1,416.8	0.00	1,416.78	2,826.40	672.95	2,016.35	1,822.77	5.31	-1.52	0.442
34.00	-22.19	-16.19	0.00	-1,408.7	0.00	1,408.67	2,819.42	671.29	2,006.41	1,813.74	5.47	-1.55	0.441
34.50	-22.03	-16.16	0.00	-1,400.6	0.00	1,400.58	2,812.45	669.63	1,996.50	1,804.72	5.64	-1.57	0.440
35.00	-21.86	-16.13	0.00	-1,392.5	0.00	1,392.50	2,805.48	667.97	1,986.62	1,795.73	5.8	-1.59	0.439
35.50	-21.69	-16.10	0.00	-1,384.4	0.00	1,384.43	2,798.50	666.31	1,976.76	1,786.77	5.97	-1.61	0.438
35.67	-21.64	-16.09	0.00	-1,381.8	0.00	1,381.75	2,248.07	666.94	1,717.07	1,468.70	6.03	-1.62	0.504
36.00	-21.57	-16.06	0.00	-1,376.4	0.00	1,376.39	2,245.83	666.02	1,711.49	1,464.83	6.14	-1.64	0.503
36.50	-21.46	-16.04	0.00	-1,368.4	0.00	1,368.36	2,242.46	664.63	1,703.14	1,459.02	6.31	-1.66	0.502
36.67	-21.42	-16.03	0.00	-1,365.6	0.00	1,365.63	2,241.31	664.16	1,700.30	1,457.05	6.37	-1.67	0.501
36.67	-21.42	-16.03	0.00	-1,365.6	0.00	1,365.63	2,241.31	664.16	1,700.30	1,457.05	6.37	-1.67	0.538
37.00	-21.35	-16.00	0.00	-1,360.3	0.00	1,360.34	2,239.08	663.25	1,694.80	1,453.22	6.49	-1.69	0.537
37.50	-21.25	-15.98	0.00	-1,352.3	0.00	1,352.34	2,235.69	661.87	1,686.49	1,447.42	6.67	-1.71	0.535
38.00	-21.15	-15.95	0.00	-1,344.4	0.00	1,344.35	2,232.29	660.48	1,678.20	1,441.62	6.85	-1.74	0.534
38.50	-21.05	-15.92	0.00	-1,336.4	0.00	1,336.38	2,228.88	659.10	1,669.92	1,435.83	7.03	-1.76	0.532
39.00	-20.94	-15.89	0.00	-1,328.4	0.00	1,328.42	2,225.46	657.71	1,661.67	1,430.05	7.22	-1.79	0.530
39.50	-20.84	-15.86	0.00	-1,320.5	0.00	1,320.48	2,222.03	656.33	1,653.44	1,424.27	7.41	-1.82	0.529
40.00	-20.74	-15.83	0.00	-1,312.6	0.00	1,312.55	2,218.59	654.95	1,645.23	1,418.49	7.6	-1.84	0.527
40.50	-20.64	-15.80	0.00	-1,304.6	0.00	1,304.63	2,215.14	653.56	1,637.04	1,412.72	7.79	-1.87	0.525
41.00	-20.54	-15.77	0.00	-1,296.7	0.00	1,296.74	2,211.67	652.18	1,628.87	1,406.95	7.99	-1.9	0.524
41.50	-20.44	-15.74	0.00	-1,288.8	0.00	1,288.85	2,208.20	650.80	1,620.72	1,401.18	8.19	-1.92	0.522
42.00	-20.34	-15.71	0.00	-1,281.0	0.00	1,280.98	2,204.72	649.41	1,612.59	1,395.43	8.39	-1.95	0.520
42.50	-20.23	-15.68	0.00	-1,273.1	0.00	1,273.13	2,201.23	648.03	1,604.48	1,389.67	8.6	-1.97	0.519
43.00	-20.13	-15.65	0.00	-1,265.3	0.00	1,265.29	2,197.72	646.65	1,596.39	1,383.92	8.81	-2	0.517
43.50	-20.03	-15.61	0.00	-1,257.5	0.00	1,257.47	2,194.21	645.26	1,588.32	1,378.18	9.02	-2.03	0.515
44.00	-19.93	-15.58	0.00	-1,249.7	0.00	1,249.66	2,190.68	643.88	1,580.27	1,372.44	9.23	-2.05	0.514
44.50	-19.83	-15.55	0.00	-1,241.9	0.00	1,241.87	2,187.15	642.49	1,572.25	1,366.70	9.45	-2.08	0.512
45.00	-19.73	-15.52	0.00	-1,234.1	0.00	1,234.09	2,183.60	641.11	1,564.24	1,360.97	9.67	-2.11	0.510
45.50	-19.63	-15.49	0.00	-1,226.3	0.00	1,226.33	2,180.05	639.73	1,556.25	1,355.24	9.89	-2.13	0.508
46.00	-19.53	-15.46	0.00	-1,218.6	0.00	1,218.59	2,176.48	638.34	1,548.29	1,349.52	10.12	-2.16	0.507
46.50	-19.43	-15.43	0.00	-1,210.9	0.00	1,210.86	2,172.91	636.96	1,540.34	1,343.81	10.34	-2.19	0.505
47.00	-19.33	-15.40	0.00	-1,203.1	0.00	1,203.14	2,169.32	635.58	1,532.41	1,338.10	10.57	-2.21	0.503
47.50	-19.23	-15.37	0.00	-1,195.4	0.00	1,195.45	2,165.72	634.19	1,524.51	1,332.39	10.81	-2.24	0.501
48.00	-19.13	-15.33	0.00	-1,187.8	0.00	1,187.76	2,162.12	632.81	1,516.63	1,326.69	11.04	-2.26	0.500
48.50	-19.04	-15.30	0.00	-1,180.1	0.00	1,180.10	2,158.50	631.43	1,508.76	1,321.00	11.28	-2.29	0.498
49.00	-18.94	-15.27	0.00	-1,172.4	0.00	1,172.44	2,154.87	630.04	1,500.92	1,315.31	11.52	-2.32	0.496
49.50	-18.84	-15.24	0.00	-1,164.8	0.00	1,164.81	2,151.23	628.66	1,493.09	1,309.62	11.77	-2.34	0.495
50.00	-18.74	-15.21	0.00	-1,157.2	0.00	1,157.19	2,147.58	627.27	1,485.29	1,303.95	12.01	-2.37	0.493
50.50	-18.64	-15.17	0.00	-1,149.6	0.00	1,149.59	2,143.92	625.89	1,477.51	1,298.27	12.26	-2.4	0.491
51.00	-18.54	-15.14	0.00	-1,142.0	0.00	1,142.00	2,140.25	624.51	1,469.75	1,292.61	12.52	-2.42	0.489
51.50	-18.44	-15.11	0.00	-1,134.4	0.00	1,134.43	2,136.57	623.12	1,462.01	1,286.94	12.77	-2.45	0.487
52.00	-18.35	-15.08	0.00	-1,126.9	0.00	1,126.88	2,132.88	621.74	1,454.29	1,281.29	13.03	-2.48	0.486
52.50	-18.25	-15.04	0.00	-1,119.3	0.00	1,119.34	2,129.18	620.36	1,446.59	1,275.64	13.29	-2.5	0.484
53.00	-18.15	-15.01	0.00	-1,111.8	0.00	1,111.81	2,125.47	618.97	1,438.91	1,269.99	13.55	-2.53	0.482
53.50	-18.05	-14.98	0.00	-1,104.3	0.00	1,104.31	2,121.75	617.59	1,431.25	1,264.35	13.82	-2.55	0.480
54.00	-17.96	-14.95	0.00	-1,096.8	0.00	1,096.82	2,118.01	616.21	1,423.61	1,258.72	14.09	-2.58	0.479
54.50	-17.86	-14.91	0.00	-1,089.4	0.00	1,089.35	2,114.27	614.82	1,415.99	1,253.09	14.36	-2.61	0.477
55.00	-17.76	-14.88	0.00	-1,081.9	0.00	1,081.89	2,110.52	613.44	1,408.39	1,247.47	14.63	-2.63	0.475
55.50	-17.66	-14.85	0.00	-1,074.4	0.00	1,074.45	2,106.75	612.05	1,400.81	1,241.85	14.91	-2.66	0.473
56.00	-17.57	-14.82	0.00	-1,067.0	0.00	1,067.02	2,102.98	610.67	1,393.25	1,236.24	15.19	-2.69	0.471
56.50	-17.47	-14.78	0.00	-1,059.6	0.00	1,059.62	2,099.20	609.29	1,385.72	1,230.64	15.47	-2.71	0.470
57.00	-17.37	-14.75	0.00	-1,052.2	0.00	1,052.23	2,095.40	607.90	1,378.20	1,225.04	15.76	-2.74	0.468
57.50	-17.28	-14.72	0.00	-1,044.8	0.00	1,044.85	2,091.60	606.52	1,370.71	1,219.45	16.05	-2.76	0.466
58.00	-17.18	-14.68	0.00	-1,037.5	0.00	1,037.49	2,087.78	605.14	1,363.23	1,213.86	16.34	-2.79	0.464
58.50	-17.09	-14.65	0.00	-1,030.2	0.00	1,030.15	2,083.96	603.75	1,355.77	1,208.28	16.63	-2.82	0.462
59.00	-16.99	-14.62	0.00	-1,022.8	0.00	1,022.83	2,080.12	602.37	1,348.34	1,202.71	16.93	-2.84	0.461
59.50	-16.89	-14.58	0.00	-1,015.5	0.00	1,015.52	2,076.27	600.99	1,340.93	1,197.14	17.23	-2.87	0.459
60.00	-16.80	-14.55	0.00	-1,008.2	0.00	1,008.23	2,072.42	499.60	1,333.53	1,191.58	17.53	-2.9	0.457
60.50	-16.70	-14.51	0.00	-1,001.0	0.00	1,000.96	2,068.55	498.22	1,326.16	1,186.03	17.83	-2.92	0.455
61.00	-16.61	-14.48	0.00	-993.7	0.00	993.70	2,064.67	496.83	1,318.81	1,180.48	18.14	-2.95	0.453
61.50	-16.51	-14.45	0.00	-986.5	0.00	986.46	2,060.78	495.45	1,311.47	1,174.94	18.45	-2.97	0.451
62.00	-16.42	-14.41	0.00	-979.2	0.00	979.24	2,056.88	494.07	1,304.16	1,169.41	18.77	-3	0.449
62.50	-16.32	-14.38	0.00	-972.0	0.00	972.03	2,052.97	492.68	1,296.87	1,163.88	19.08	-3.03	0.448
63.00	-16.23	-14.35	0.00	-964.8	0.00	964.84	2,049.05	491.30	1,289.60	1,158.36	19.4	-3.05	0.446
63.50	-16.13	-14.31	0.00	-957.7	0.00	957.67	2,045.12	489.92	1,282.35	1,152.85	19.72	-3.08	0.444
64.00	-16.04	-14.28	0.00	-950.5	0.00	950.51	2,041.18	488.53	1,275.12	1,147.34	20.04	-3.11	0.442
64.50	-15.95	-14.24	0.00	-943.4	0.00	943.37	2,037.23	487.15	1,267.91	1,141.84	20.37	-3.13	0.440
65.00	-15.85	-14.21	0.00	-936.2	0.00	936.25	2,033.27	485.77	1,260.72	1,136.35	20.7	-3.16	0.438
65.50	-15.76	-14.17	0.00	-929.2	0.00	929.15	2,029.30	484.38	1,253.55	1,130.86	21.03	-3.18	0.436
66.00	-15.66	-14.14	0.00	-922.1	0.00	922.06	2,025.32	483.00	1,246.40	1,125.38	21.37	-3.21	0.435
66.50	-15.57	-14.11	0.00	-915.0	0.00	914.99	2,021.33	481.61	1,239.27	1,119.91	21.7	-3.24	0.433

ASSET: 302494, Hddm - Haddam
CUSTOMER: AT&T MOBILITY

CODE: ANSI/TIA-222-H
ENG NO: 13757798_C4_06

67.00	-15.48	-14.07	0.00	-907.9	0.00	907.94	2,016.97	480.23	1,232.16	1,114.25	22.04	-3.26	0.431
67.50	-15.38	-14.04	0.00	-900.9	0.00	900.90	2,011.16	478.85	1,225.08	1,107.80	22.39	-3.29	0.429
68.00	-15.29	-14.00	0.00	-893.9	0.00	893.88	2,005.35	477.46	1,218.01	1,101.37	22.73	-3.31	0.428
68.50	-15.20	-13.97	0.00	-886.9	0.00	886.88	1,999.53	476.08	1,210.96	1,094.96	23.08	-3.34	0.426
69.00	-15.11	-13.93	0.00	-879.9	0.00	879.90	1,993.72	474.70	1,203.94	1,088.57	23.43	-3.37	0.425
69.50	-15.01	-13.90	0.00	-872.9	0.00	872.93	1,987.91	473.31	1,196.93	1,082.20	23.79	-3.39	0.423
70.00	-14.92	-13.86	0.00	-866.0	0.00	865.98	1,982.10	471.93	1,189.95	1,075.84	24.14	-3.42	0.422
70.50	-14.80	-13.83	0.00	-859.0	0.00	859.05	1,976.29	470.55	1,182.98	1,069.51	24.5	-3.44	0.413
71.00	-14.67	-13.79	0.00	-852.1	0.00	852.14	1,970.48	469.16	1,176.04	1,063.19	24.86	-3.47	0.411
71.50	-14.55	-13.75	0.00	-845.2	0.00	845.25	1,964.67	467.78	1,169.12	1,056.89	25.23	-3.49	0.410
72.00	-14.42	-13.71	0.00	-838.4	0.00	838.37	1,958.86	466.39	1,162.21	1,050.61	25.6	-3.52	0.408
72.50	-14.30	-13.67	0.00	-831.5	0.00	831.52	1,953.04	465.01	1,155.33	1,044.35	25.97	-3.55	0.407
73.00	-14.17	-13.64	0.00	-824.7	0.00	824.68	1,947.23	463.63	1,148.47	1,038.11	26.34	-3.57	0.405
73.33	-14.09	-13.62	0.00	-820.2	0.00	820.18	1,943.40	462.71	1,143.95	1,034.00	26.59	-3.59	0.404
73.33	-14.09	-13.62	0.00	-820.2	0.00	820.18	1,943.40	462.71	1,143.95	1,034.00	26.59	-3.59	0.441
73.50	-14.05	-13.60	0.00	-817.9	0.00	817.86	1,473.96	377.74	952.81	802.32	26.71	-3.6	0.526
74.00	-13.97	-13.56	0.00	-811.1	0.00	811.06	1,471.41	376.63	947.23	798.56	27.09	-3.62	0.523
74.50	-13.89	-13.53	0.00	-804.3	0.00	804.28	1,468.85	375.53	941.68	794.80	27.47	-3.65	0.520
75.00	-13.81	-13.50	0.00	-797.5	0.00	797.52	1,466.28	374.42	936.13	791.05	27.86	-3.68	0.518
75.50	-13.73	-13.46	0.00	-790.8	0.00	790.77	1,463.70	373.31	930.61	787.30	28.24	-3.71	0.515
76.00	-13.66	-13.43	0.00	-784.0	0.00	784.04	1,461.11	372.21	925.10	783.56	28.63	-3.74	0.512
76.50	-13.58	-13.39	0.00	-777.3	0.00	777.33	1,458.51	371.10	919.61	779.81	29.03	-3.77	0.509
77.00	-13.50	-13.36	0.00	-770.6	0.00	770.63	1,455.89	369.99	914.13	776.07	29.42	-3.8	0.506
77.50	-13.42	-13.32	0.00	-764.0	0.00	763.95	1,453.27	368.89	908.67	772.34	29.82	-3.83	0.504
78.00	-13.34	-13.29	0.00	-757.3	0.00	757.29	1,450.64	367.78	903.23	768.60	30.23	-3.86	0.501
78.50	-13.27	-13.26	0.00	-750.6	0.00	750.64	1,447.99	366.67	897.80	764.87	30.63	-3.89	0.498
79.00	-13.19	-13.22	0.00	-744.0	0.00	744.01	1,445.34	365.57	892.39	761.14	31.04	-3.92	0.495
79.50	-13.11	-13.19	0.00	-737.4	0.00	737.40	1,442.68	364.46	887.00	757.41	31.45	-3.95	0.492
80.00	-13.03	-13.15	0.00	-730.8	0.00	730.81	1,440.00	363.35	881.62	753.69	31.87	-3.98	0.490
80.50	-12.96	-13.12	0.00	-724.2	0.00	724.23	1,437.32	362.24	876.26	749.97	32.29	-4.01	0.487
81.00	-12.88	-13.08	0.00	-717.7	0.00	717.68	1,434.62	361.14	870.91	746.26	32.71	-4.04	0.484
81.50	-12.80	-13.05	0.00	-711.1	0.00	711.13	1,431.91	360.03	865.58	742.54	33.13	-4.07	0.481
82.00	-12.72	-13.01	0.00	-704.6	0.00	704.61	1,429.20	358.92	860.27	738.83	33.56	-4.1	0.478
82.50	-12.65	-12.98	0.00	-698.1	0.00	698.10	1,426.47	357.82	854.98	735.13	33.99	-4.13	0.475
83.00	-12.57	-12.94	0.00	-691.6	0.00	691.61	1,423.73	356.71	849.70	731.43	34.43	-4.16	0.473
83.50	-12.50	-12.91	0.00	-685.1	0.00	685.14	1,420.98	355.60	844.43	727.73	34.86	-4.19	0.470
84.00	-12.42	-12.88	0.00	-678.7	0.00	678.69	1,418.23	354.50	839.18	724.03	35.3	-4.22	0.467
84.50	-12.34	-12.84	0.00	-672.2	0.00	672.25	1,415.46	353.39	833.95	720.34	35.75	-4.25	0.464
85.00	-12.27	-12.81	0.00	-665.8	0.00	665.83	1,412.68	352.28	828.74	716.65	36.19	-4.27	0.461
85.50	-12.19	-12.77	0.00	-659.4	0.00	659.43	1,409.89	351.18	823.54	712.97	36.64	-4.3	0.458
86.00	-12.12	-12.74	0.00	-653.0	0.00	653.04	1,407.09	350.07	818.36	709.28	37.09	-4.33	0.455
86.50	-12.04	-12.70	0.00	-646.7	0.00	646.67	1,404.28	348.96	813.19	705.61	37.55	-4.36	0.452
87.00	-11.96	-12.67	0.00	-640.3	0.00	640.32	1,401.46	347.85	808.05	701.93	38.01	-4.39	0.449
87.50	-11.89	-12.63	0.00	-634.0	0.00	633.99	1,398.63	346.75	802.91	698.27	38.47	-4.42	0.446
88.00	-11.81	-12.60	0.00	-627.7	0.00	627.67	1,395.79	345.64	797.80	694.60	38.93	-4.45	0.443
88.50	-11.74	-12.56	0.00	-621.4	0.00	621.38	1,392.93	344.53	792.70	690.94	39.4	-4.48	0.441
89.00	-11.66	-12.53	0.00	-615.1	0.00	615.10	1,390.07	343.43	787.61	687.28	39.87	-4.5	0.438
89.50	-11.59	-12.49	0.00	-608.8	0.00	608.83	1,387.20	342.32	782.55	683.63	40.34	-4.53	0.435
90.00	-11.52	-12.46	0.00	-602.6	0.00	602.59	1,384.32	341.21	777.50	679.98	40.82	-4.56	0.432
90.50	-11.44	-12.42	0.00	-596.4	0.00	596.36	1,381.42	340.11	772.46	676.33	41.3	-4.59	0.429
91.00	-11.37	-12.39	0.00	-590.2	0.00	590.15	1,378.52	339.00	767.44	672.69	41.78	-4.62	0.426
91.50	-11.29	-12.35	0.00	-584.0	0.00	583.96	1,375.61	337.89	762.44	669.06	42.26	-4.65	0.423
92.00	-11.22	-12.32	0.00	-577.8	0.00	577.78	1,372.68	336.79	757.46	665.42	42.75	-4.67	0.420
92.50	-11.15	-12.28	0.00	-571.6	0.00	571.62	1,369.75	335.68	752.49	661.80	43.24	-4.7	0.417
93.00	-11.07	-12.24	0.00	-565.5	0.00	565.48	1,366.80	334.57	747.53	658.17	43.73	-4.73	0.414
93.50	-11.00	-12.21	0.00	-559.4	0.00	559.36	1,363.85	333.47	742.60	654.55	44.23	-4.76	0.411
94.00	-10.93	-12.17	0.00	-553.3	0.00	553.26	1,360.88	332.36	737.68	650.94	44.73	-4.79	0.408
94.50	-10.85	-12.14	0.00	-547.2	0.00	547.17	1,357.90	331.25	732.77	647.33	45.23	-4.81	0.405
95.00	-10.78	-12.10	0.00	-541.1	0.00	541.10	1,354.92	330.14	727.89	643.72	45.74	-4.84	0.402
95.50	-10.71	-12.07	0.00	-535.0	0.00	535.05	1,351.92	329.04	723.02	640.12	46.24	-4.87	0.399
96.00	-10.63	-12.03	0.00	-529.0	0.00	529.01	1,348.91	327.93	718.16	636.53	46.76	-4.9	0.395
96.50	-10.56	-12.00	0.00	-523.0	0.00	523.00	1,345.89	326.82	713.32	632.94	47.27	-4.92	0.392
97.00	-10.49	-11.96	0.00	-517.0	0.00	517.00	1,342.86	325.72	708.50	629.35	47.79	-4.95	0.389
97.50	-10.42	-11.93	0.00	-511.0	0.00	511.02	1,339.83	324.61	703.69	625.77	48.31	-4.98	0.386
98.00	-10.34	-11.89	0.00	-505.0	0.00	505.05	1,336.78	323.50	698.91	622.19	48.83	-5	0.383
98.50	-10.27	-11.86	0.00	-499.1	0.00	499.11	1,333.72	322.40	694.13	618.62	49.35	-5.03	0.380
99.00	-10.20	-11.82	0.00	-493.2	0.00	493.18	1,330.65	321.29	689.38	615.06	49.88	-5.06	0.377
99.50	-10.13	-11.79	0.00	-487.3	0.00	487.27	1,327.57	320.18	684.64	611.50	50.41	-5.09	0.374
100.00	-10.06	-11.75	0.00	-481.4	0.00	481.38	1,324.47	319.08	679.91	607.94	50.95	-5.11	0.371
100.50	-9.99	-11.72	0.00	-475.5	0.00	475.50	1,321.37	317.97	675.21	604.39	51.48	-5.14	0.367
101.00	-9.91	-11.68	0.00	-469.6	0.00	469.64	1,318.26	316.86	670.51	600.84	52.02	-5.16	0.364
101.50	-9.84	-11.64	0.00	-463.8	0.00	463.80	1,315.14	315.75	665.84	597.30	52.56	-5.19	0.361
102.00	-9.77	-11.61	0.00	-458.0	0.00	457.98	1,312.01	314.65	661.18	593.77	53.11	-5.22	0.358
102.50	-9.70	-11.57	0.00	-452.2	0.00	452.18	1,308.86	313.54	656.54	590.24	53.65	-5.24	0.355
103.00	-9.63	-11.54	0.00	-446.4	0.00	446.39	1,305.71	312.43	651.91	586.72	54.2	-5.27	0.352

ASSET: 302494, Hddm - Haddam
CUSTOMER: AT&T MOBILITY

CODE: ANSI/TIA-222-H
ENG NO: 13757798_C4_06

103.50	-9.56	-11.50	0.00	-440.6	0.00	440.62	1,302.55	311.33	647.30	583.20	54.76	-5.3	0.348
104.00	-9.49	-11.47	0.00	-434.9	0.00	434.87	1,299.37	310.22	642.71	579.69	55.31	-5.32	0.345
104.50	-9.42	-11.43	0.00	-429.1	0.00	429.13	1,296.19	309.11	638.13	576.18	55.87	-5.35	0.342
105.00	-9.35	-11.40	0.00	-423.4	0.00	423.42	1,292.99	308.01	633.57	572.68	56.43	-5.37	0.339
105.50	-9.28	-11.36	0.00	-417.7	0.00	417.72	1,288.98	306.90	629.03	568.82	56.99	-5.4	0.336
106.00	-9.21	-11.33	0.00	-412.0	0.00	412.04	1,284.33	305.79	624.50	564.70	57.56	-5.42	0.333
106.50	-9.14	-11.29	0.00	-406.4	0.00	406.37	1,279.68	304.69	619.99	560.60	58.13	-5.45	0.330
107.00	-9.07	-11.26	0.00	-400.7	0.00	400.73	1,275.03	303.58	615.50	556.51	58.7	-5.47	0.327
107.50	-9.00	-11.22	0.00	-395.1	0.00	395.10	1,270.38	302.47	611.02	552.44	59.27	-5.5	0.324
108.00	-8.93	-11.19	0.00	-389.5	0.00	389.49	1,265.73	301.36	606.56	548.38	59.85	-5.52	0.321
108.50	-8.86	-11.15	0.00	-383.9	0.00	383.90	1,261.08	300.26	602.11	544.33	60.43	-5.55	0.318
109.00	-8.79	-11.11	0.00	-378.3	0.00	378.32	1,256.43	299.15	597.68	540.30	61.01	-5.57	0.315
109.50	-8.73	-11.08	0.00	-372.8	0.00	372.77	1,251.78	298.04	593.27	536.29	61.59	-5.6	0.312
110.00	-8.66	-11.04	0.00	-367.2	0.00	367.23	853.24	223.36	444.19	366.34	62.18	-5.62	0.000
110.00	-8.66	-11.04	0.00	-367.2	0.00	367.23	1,247.14	296.94	588.87	532.29	62.18	-5.62	0.309
110.50	-8.60	-11.01	0.00	-361.7	0.00	361.70	851.46	222.53	440.90	364.21	62.77	-5.64	0.432
111.00	-8.54	-10.98	0.00	-356.2	0.00	356.20	849.67	221.70	437.62	362.07	63.36	-5.67	0.427
111.50	-8.48	-10.94	0.00	-350.7	0.00	350.71	847.88	220.87	434.35	359.94	63.96	-5.7	0.422
112.00	-8.43	-10.91	0.00	-345.2	0.00	345.24	846.07	220.04	431.09	357.81	64.56	-5.73	0.417
112.50	-8.37	-10.88	0.00	-339.8	0.00	339.78	844.25	219.21	427.84	355.68	65.16	-5.76	0.412
113.00	-8.31	-10.84	0.00	-334.3	0.00	334.34	842.42	218.38	424.61	353.56	65.76	-5.79	0.406
113.50	-8.26	-10.81	0.00	-328.9	0.00	328.92	840.58	217.55	421.39	351.43	66.37	-5.82	0.401
114.00	-8.20	-10.78	0.00	-323.5	0.00	323.52	838.73	216.72	418.18	349.31	66.98	-5.85	0.396
114.50	-8.14	-10.75	0.00	-318.1	0.00	318.13	836.87	215.89	414.98	347.19	67.59	-5.88	0.391
115.00	-8.09	-10.71	0.00	-312.8	0.00	312.75	835.00	215.06	411.80	345.06	68.21	-5.91	0.386
115.50	-8.03	-10.68	0.00	-307.4	0.00	307.40	833.11	214.23	408.63	342.95	68.83	-5.94	0.381
116.00	-7.98	-10.65	0.00	-302.1	0.00	302.06	831.22	213.40	405.47	340.83	69.45	-5.97	0.375
116.50	-7.92	-10.61	0.00	-296.7	0.00	296.74	829.32	212.57	402.32	338.71	70.08	-6	0.370
116.50	-7.92	-10.61	0.00	-296.7	0.00	296.74	829.32	212.57	402.32	338.71	70.08	-6	0.888
117.00	-7.88	-10.59	0.00	-291.4	0.00	291.43	827.41	211.74	399.18	336.60	70.71	-6.02	0.878
117.50	-7.84	-10.56	0.00	-286.1	0.00	286.14	825.48	210.91	396.06	334.49	71.34	-6.09	0.867
118.00	-7.80	-10.53	0.00	-280.9	0.00	280.86	823.55	210.08	392.95	332.38	71.98	-6.16	0.857
118.50	-7.76	-10.51	0.00	-275.6	0.00	275.59	821.61	209.25	389.85	330.27	72.63	-6.22	0.846
119.00	-7.72	-10.48	0.00	-270.3	0.00	270.33	819.65	208.42	386.76	328.17	73.28	-6.29	0.836
119.50	-7.69	-10.46	0.00	-265.1	0.00	265.09	817.69	207.59	383.69	326.06	73.94	-6.35	0.825
120.00	-7.65	-10.43	0.00	-259.9	0.00	259.86	815.71	206.76	380.63	323.96	74.61	-6.42	0.814
120.50	-7.61	-10.41	0.00	-254.6	0.00	254.65	813.73	205.93	377.58	321.87	75.29	-6.48	0.803
121.00	-7.57	-10.38	0.00	-249.4	0.00	249.44	811.73	205.10	374.54	319.77	75.97	-6.55	0.792
121.50	-7.53	-10.36	0.00	-244.2	0.00	244.25	809.72	204.27	371.52	317.68	76.65	-6.61	0.781
122.00	-7.49	-10.33	0.00	-239.1	0.00	239.08	807.71	203.44	368.50	315.58	77.35	-6.67	0.769
122.50	-7.46	-10.30	0.00	-233.9	0.00	233.91	805.68	202.61	365.50	313.49	78.05	-6.73	0.758
123.00	-7.42	-10.28	0.00	-228.8	0.00	228.76	803.64	201.78	362.52	311.41	78.76	-6.79	0.746
123.50	-7.38	-10.25	0.00	-223.6	0.00	223.62	801.59	200.95	359.54	309.32	79.47	-6.85	0.735
124.00	-7.34	-10.23	0.00	-218.5	0.00	218.49	799.54	200.12	356.58	307.24	80.19	-6.91	0.723
124.50	-7.31	-10.20	0.00	-213.4	0.00	213.38	797.47	199.29	353.62	305.16	80.91	-6.97	0.711
125.00	-7.27	-10.17	0.00	-208.3	0.00	208.28	795.39	198.46	350.69	303.09	81.65	-7.03	0.699
125.50	-7.23	-10.15	0.00	-203.2	0.00	203.19	793.30	197.63	347.76	301.01	82.38	-7.09	0.687
126.00	-7.20	-10.12	0.00	-198.1	0.00	198.12	791.20	196.80	344.84	298.94	83.13	-7.15	0.674
126.50	-7.16	-10.10	0.00	-193.1	0.00	193.06	789.09	195.97	341.94	296.88	83.88	-7.2	0.662
127.00	-7.13	-10.07	0.00	-188.0	0.00	188.01	786.97	195.14	339.05	294.81	84.63	-7.26	0.649
127.50	-7.09	-10.04	0.00	-183.0	0.00	182.98	784.84	194.31	336.17	292.75	85.39	-7.31	0.637
128.00	-7.06	-10.02	0.00	-178.0	0.00	177.95	782.69	193.48	333.31	290.69	86.16	-7.37	0.624
128.50	-7.02	-9.99	0.00	-173.0	0.00	172.95	780.54	192.65	330.46	288.64	86.93	-7.42	0.611
129.00	-6.99	-9.96	0.00	-168.0	0.00	167.95	778.38	191.82	327.61	286.58	87.71	-7.47	0.598
129.50	-6.95	-9.94	0.00	-163.0	0.00	162.97	776.21	190.99	324.79	284.53	88.5	-7.52	0.584
130.00	-6.92	-9.91	0.00	-158.0	0.00	158.00	774.02	190.16	321.97	282.49	89.28	-7.57	0.571
130.50	-6.88	-9.88	0.00	-153.0	0.00	153.04	771.83	189.33	319.17	280.44	90.08	-7.62	0.557
131.00	-6.85	-9.86	0.00	-148.1	0.00	148.10	769.63	188.50	316.37	278.40	90.88	-7.67	0.544
131.50	-6.82	-9.83	0.00	-143.2	0.00	143.17	767.41	187.67	313.59	276.37	91.68	-7.72	0.530
132.00	-6.79	-9.80	0.00	-138.3	0.00	138.26	765.19	186.84	310.83	274.34	92.49	-7.77	0.516
132.50	-6.75	-9.78	0.00	-133.4	0.00	133.36	762.95	186.01	308.07	272.31	93.3	-7.81	0.501
133.00	-6.72	-9.75	0.00	-128.5	0.00	128.47	760.71	185.18	305.33	270.28	94.12	-7.86	0.487
133.50	-6.69	-9.72	0.00	-123.6	0.00	123.59	758.45	184.35	302.60	268.26	94.94	-7.9	0.472
134.00	-6.66	-9.70	0.00	-118.7	0.00	118.73	756.18	183.52	299.88	266.24	95.77	-7.94	0.458
134.50	-6.63	-9.67	0.00	-113.9	0.00	113.89	753.91	182.69	297.17	264.22	96.6	-7.99	0.443
135.00	-6.59	-9.64	0.00	-109.0	0.00	109.05	751.62	181.86	294.48	262.21	97.44	-8.03	0.427
135.50	-6.56	-9.61	0.00	-104.2	0.00	104.23	749.32	181.03	291.80	260.20	98.28	-8.06	0.412
136.00	-6.53	-9.59	0.00	-99.4	0.00	99.42	747.02	180.20	289.13	258.20	99.12	-8.1	0.397
136.50	-6.50	-9.56	0.00	-94.6	0.00	94.63	744.70	179.37	286.47	256.20	99.97	-8.14	0.381
137.00	-6.47	-9.53	0.00	-89.8	0.00	89.85	742.37	178.54	283.83	254.20	100.82	-8.17	0.365
137.50	-6.44	-9.50	0.00	-85.1	0.00	85.09	740.03	177.71	281.20	252.21	101.68	-8.21	0.349
138.00	-6.41	-9.48	0.00	-80.3	0.00	80.33	737.68	176.87	278.58	250.22	102.54	-8.24	0.333
138.50	-6.39	-9.45	0.00	-75.6	0.00	75.60	735.32	176.04	275.97	248.24	103.4	-8.27	0.316
139.00	-6.36	-9.42	0.00	-70.9	0.00	70.87	732.95	175.21	273.37	246.26	104.26	-8.3	0.299
139.50	-6.33	-9.39	0.00	-66.2	0.00	66.16	730.57	174.38	270.79	244.28	105.13	-8.33	0.282

ASSET: 302494, Hddm - Haddam
CUSTOMER: AT&T MOBILITY

CODE: ANSI/TIA-222-H
ENG NO: 13757798_C4_06

140.00	-3.67	-5.52	0.00	-61.5	0.00	61.47	728.18	173.55	268.22	242.31	106	-8.35	0.260
140.50	-3.64	-5.49	0.00	-58.7	0.00	58.71	725.44	172.72	265.66	240.23	106.88	-8.38	0.250
141.00	-3.62	-5.46	0.00	-56.0	0.00	55.96	721.95	171.89	263.11	237.92	107.75	-8.4	0.241
141.50	-3.60	-5.43	0.00	-53.2	0.00	53.23	718.47	171.06	260.58	235.61	108.63	-8.43	0.232
142.00	-3.57	-5.40	0.00	-50.5	0.00	50.52	714.98	170.23	258.06	233.32	109.51	-8.45	0.223
142.50	-3.55	-5.37	0.00	-47.8	0.00	47.82	711.49	169.40	255.55	231.03	110.39	-8.47	0.213
143.00	-3.53	-5.34	0.00	-45.1	0.00	45.13	708.01	168.57	253.05	228.76	111.28	-8.49	0.203
143.50	-3.50	-5.32	0.00	-42.5	0.00	42.46	704.52	167.74	250.56	226.50	112.17	-8.51	0.193
144.00	-3.48	-5.29	0.00	-39.8	0.00	39.80	701.03	166.91	248.09	224.25	113.06	-8.53	0.183
144.50	-3.46	-5.26	0.00	-37.2	0.00	37.16	697.55	166.08	245.63	222.01	113.95	-8.55	0.173
145.00	-3.44	-5.23	0.00	-34.5	0.00	34.53	694.06	165.25	243.18	219.79	114.84	-8.57	0.163
145.50	-3.42	-5.20	0.00	-31.9	0.00	31.91	690.57	164.42	240.74	217.57	115.74	-8.58	0.153
146.00	-3.39	-5.17	0.00	-29.3	0.00	29.31	687.09	163.59	238.32	215.36	116.63	-8.6	0.142
146.50	-3.37	-5.15	0.00	-26.7	0.00	26.72	683.60	162.76	235.91	213.17	117.53	-8.61	0.131
147.00	-3.35	-5.12	0.00	-24.2	0.00	24.15	680.11	161.93	233.51	210.99	118.43	-8.63	0.120
147.50	-3.33	-5.09	0.00	-21.6	0.00	21.59	676.63	161.10	231.12	208.82	119.33	-8.64	0.109
148.00	-3.31	-5.06	0.00	-19.0	0.00	19.05	673.14	160.27	228.75	206.66	120.23	-8.65	0.098
148.50	-3.29	-5.03	0.00	-16.5	0.00	16.52	669.65	159.44	226.38	204.51	121.14	-8.66	0.087
149.00	-3.27	-5.00	0.00	-14.0	0.00	14.00	666.17	158.61	224.03	202.37	122.04	-8.67	0.075
149.50	-3.25	-4.98	0.00	-11.5	0.00	11.50	662.68	157.78	221.70	200.25	122.94	-8.67	0.063
150.00	0.00	-4.43	0.00	-9.0	0.00	9.01	659.19	156.95	219.37	198.13	123.85	-8.68	0.046

Load Case: 1.2D + 1.0Di + 1.0Wi	48.73 mph wind with 0.850" radial ice		39 Iterations
Gust Response Factor: 1.10	Ice Dead Load Factor	1.00	
Dead load Factor: 1.20			Ice Importance Factor 1.00
Wind Load Factor: 1.00			

CALCULATED FORCES

Seg Elev (ft)	Pu FY (-) (kips)	Vu FX (-) (kips)	Tu MY (ft-kips)	Mu MZ (ft-kips)	Mu MX (ft-kips)	Resultant Moment (ft-kips)	Phi Pn (kips)	Phi Vn (kips)	Phi Tn (ft-kips)	Phi Mn (ft-kips)	Total Deflect (in)	Rotation (deg)	Ratio
0.00	-49.86	-3.98	0.00	-455.0	0.00	454.99	3,157.17	784.20	2,737.77	2,376.61	0	0	0.127
0.50	-49.69	-3.97	0.00	-453.0	0.00	453.00	3,152.93	782.54	2,726.19	2,368.34	0	-0.01	0.127
1.00	-49.51	-3.97	0.00	-451.0	0.00	451.01	3,148.69	780.88	2,714.64	2,360.09	0	-0.01	0.127
1.50	-49.33	-3.96	0.00	-449.0	0.00	449.03	3,144.43	779.21	2,703.11	2,351.83	0	-0.02	0.126
2.00	-49.16	-3.96	0.00	-447.0	0.00	447.05	3,140.17	777.55	2,691.61	2,343.59	0	-0.02	0.126
2.50	-48.98	-3.96	0.00	-445.1	0.00	445.07	3,135.89	775.89	2,680.13	2,335.35	0.01	-0.03	0.126
3.00	-48.80	-3.95	0.00	-443.1	0.00	443.09	3,131.60	774.23	2,668.68	2,327.12	0.01	-0.03	0.126
3.50	-48.62	-3.95	0.00	-441.1	0.00	441.11	3,127.31	772.57	2,657.25	2,318.89	0.01	-0.04	0.125
4.00	-48.44	-3.94	0.00	-439.1	0.00	439.14	3,123.00	770.91	2,645.84	2,310.67	0.02	-0.04	0.125
4.50	-48.27	-3.94	0.00	-437.2	0.00	437.17	3,118.68	769.25	2,634.46	2,302.45	0.02	-0.05	0.125
5.00	-48.09	-3.93	0.00	-435.2	0.00	435.20	3,114.35	767.59	2,623.11	2,294.24	0.03	-0.05	0.125
5.50	-47.91	-3.93	0.00	-433.2	0.00	433.23	3,110.02	765.93	2,611.77	2,286.04	0.03	-0.06	0.124
6.00	-47.73	-3.92	0.00	-431.3	0.00	431.27	3,105.67	764.27	2,600.47	2,277.85	0.04	-0.06	0.124
6.50	-47.55	-3.92	0.00	-429.3	0.00	429.31	3,101.31	762.61	2,589.18	2,269.66	0.05	-0.07	0.124
7.00	-47.38	-3.91	0.00	-427.4	0.00	427.35	3,096.94	760.95	2,577.93	2,261.47	0.05	-0.07	0.124
7.50	-47.20	-3.91	0.00	-425.4	0.00	425.39	3,092.56	759.29	2,566.69	2,253.30	0.06	-0.08	0.123
8.00	-47.02	-3.91	0.00	-423.4	0.00	423.44	3,088.17	757.63	2,555.48	2,245.13	0.07	-0.08	0.123
8.50	-46.84	-3.90	0.00	-421.5	0.00	421.48	3,083.77	755.97	2,544.30	2,236.96	0.08	-0.09	0.123
9.00	-46.66	-3.90	0.00	-419.5	0.00	419.53	3,079.36	754.31	2,533.14	2,228.81	0.09	-0.09	0.123
9.50	-46.49	-3.89	0.00	-417.6	0.00	417.58	3,074.94	752.65	2,522.00	2,220.66	0.1	-0.1	0.122
10.00	-46.31	-3.89	0.00	-415.6	0.00	415.64	3,070.50	750.99	2,510.89	2,212.51	0.11	-0.1	0.122
10.50	-46.13	-3.88	0.00	-413.7	0.00	413.70	3,066.06	749.33	2,499.81	2,204.38	0.12	-0.11	0.122
11.00	-45.96	-3.88	0.00	-411.8	0.00	411.75	3,061.61	747.67	2,488.74	2,196.25	0.13	-0.11	0.122
11.50	-45.78	-3.87	0.00	-409.8	0.00	409.81	3,057.15	746.01	2,477.71	2,188.12	0.14	-0.12	0.121
12.00	-45.60	-3.87	0.00	-407.9	0.00	407.88	3,052.67	744.35	2,466.69	2,180.01	0.15	-0.12	0.121
12.50	-45.43	-3.86	0.00	-405.9	0.00	405.94	3,048.19	742.69	2,455.71	2,171.90	0.17	-0.13	0.121
13.00	-45.25	-3.86	0.00	-404.0	0.00	404.01	3,043.69	741.03	2,444.74	2,163.80	0.18	-0.13	0.121
13.50	-45.07	-3.85	0.00	-402.1	0.00	402.08	3,039.19	739.37	2,433.80	2,155.70	0.2	-0.14	0.120
14.00	-44.90	-3.85	0.00	-400.2	0.00	400.15	3,034.67	737.71	2,422.89	2,147.61	0.21	-0.14	0.120
14.50	-44.72	-3.85	0.00	-398.2	0.00	398.23	3,030.15	736.05	2,412.00	2,139.53	0.23	-0.15	0.120
15.00	-44.54	-3.84	0.00	-396.3	0.00	396.31	3,025.61	734.39	2,401.13	2,131.46	0.24	-0.15	0.120
15.50	-44.37	-3.84	0.00	-394.4	0.00	394.39	3,021.07	732.72	2,390.29	2,123.39	0.26	-0.16	0.119
16.00	-44.19	-3.83	0.00	-392.5	0.00	392.47	3,016.51	731.06	2,379.47	2,115.34	0.28	-0.16	0.119
16.50	-44.02	-3.83	0.00	-390.6	0.00	390.55	3,011.94	729.40	2,368.68	2,107.28	0.29	-0.17	0.119
17.00	-43.84	-3.82	0.00	-388.6	0.00	388.64	3,007.37	727.74	2,357.91	2,099.24	0.31	-0.17	0.119
17.50	-43.67	-3.82	0.00	-386.7	0.00	386.73	3,002.78	726.08	2,347.17	2,091.20	0.33	-0.18	0.118
18.00	-43.49	-3.81	0.00	-384.8	0.00	384.82	2,998.18	724.42	2,336.45	2,083.18	0.35	-0.19	0.118
18.50	-43.32	-3.81	0.00	-382.9	0.00	382.92	2,993.57	722.76	2,325.76	2,075.15	0.37	-0.19	0.118
19.00	-43.14	-3.80	0.00	-381.0	0.00	381.01	2,988.95	721.10	2,315.09	2,067.14	0.39	-0.2	0.118
19.50	-42.97	-3.80	0.00	-379.1	0.00	379.11	2,984.32	719.44	2,304.44	2,059.13	0.41	-0.2	0.117
20.00	-42.80	-3.79	0.00	-377.2	0.00	377.21	2,979.68	717.78	2,293.82	2,051.14	0.43	-0.21	0.117
20.50	-42.62	-3.79	0.00	-375.3	0.00	375.32	2,975.03	716.12	2,283.23	2,043.15	0.45	-0.21	0.117
21.00	-42.45	-3.78	0.00	-373.4	0.00	373.42	2,970.37	714.46	2,272.66	2,035.16	0.48	-0.22	0.116
21.50	-42.28	-3.78	0.00	-371.5	0.00	371.53	2,965.70	712.80	2,262.11	2,027.19	0.5	-0.22	0.116
22.00	-42.10	-3.77	0.00	-369.6	0.00	369.64	2,961.02	711.14	2,251.59	2,019.22	0.52	-0.23	0.116
22.50	-41.93	-3.77	0.00	-367.8	0.00	367.75	2,956.33	709.48	2,241.09	2,011.26	0.55	-0.23	0.116
23.00	-41.76	-3.76	0.00	-365.9	0.00	365.87	2,951.63	707.82	2,230.62	2,003.31	0.57	-0.24	0.115
23.50	-41.58	-3.76	0.00	-364.0	0.00	363.99	2,946.91	706.16	2,220.17	1,995.37	0.6	-0.24	0.115
24.00	-41.41	-3.75	0.00	-362.1	0.00	362.11	2,942.19	704.50	2,209.74	1,987.44	0.62	-0.25	0.115
24.50	-41.24	-3.75	0.00	-360.2	0.00	360.23	2,937.46	702.84	2,199.35	1,979.51	0.65	-0.25	0.115
25.00	-41.07	-3.74	0.00	-358.4	0.00	358.36	2,932.71	701.18	2,188.97	1,971.59	0.68	-0.26	0.114
25.50	-40.89	-3.74	0.00	-356.5	0.00	356.49	2,927.96	699.52	2,178.62	1,963.68	0.7	-0.26	0.114
26.00	-40.72	-3.73	0.00	-354.6	0.00	354.62	2,923.19	697.86	2,168.29	1,955.78	0.73	-0.27	0.114
26.50	-40.55	-3.73	0.00	-352.8	0.00	352.75	2,918.42	696.20	2,157.99	1,947.89	0.76	-0.28	0.113
27.00	-40.38	-3.72	0.00	-350.9	0.00	350.89	2,913.63	694.54	2,147.72	1,940.01	0.79	-0.28	0.113
27.50	-40.21	-3.72	0.00	-349.0	0.00	349.02	2,910.08	692.88	2,137.46	1,932.96	0.82	-0.29	0.113
28.00	-40.04	-3.71	0.00	-347.2	0.00	347.16	2,903.11	691.22	2,127.23	1,923.65	0.85	-0.29	0.113
28.50	-39.87	-3.71	0.00	-345.3	0.00	345.31	2,896.13	689.56	2,117.03	1,914.37	0.88	-0.3	0.112
29.00	-39.70	-3.70	0.00	-343.4	0.00	343.45	2,889.16	687.89	2,106.85	1,905.11	0.91	-0.3	0.112
29.50	-39.53	-3.70	0.00	-341.6	0.00	341.60	2,882.19	686.23	2,096.70	1,895.87	0.94	-0.31	0.112
30.00	-39.36	-3.69	0.00	-339.8	0.00	339.75	2,875.21	684.57	2,086.57	1,886.65	0.97	-0.31	0.112
30.50	-39.19	-3.69	0.00	-337.9	0.00	337.90	2,868.24	682.91	2,076.46	1,877.46	1.01	-0.32	0.112

31.00	-39.02	-3.68	0.00	-336.1	0.00	336.06	2,861.26	681.25	2,066.38	1,868.29	1.04	-0.32	0.111
31.50	-38.85	-3.68	0.00	-334.2	0.00	334.22	2,854.29	679.59	2,056.33	1,859.14	1.08	-0.33	0.111
32.00	-38.61	-3.67	0.00	-332.4	0.00	332.38	2,847.32	677.93	2,046.29	1,850.02	1.11	-0.33	0.109
32.50	-38.37	-3.67	0.00	-330.5	0.00	330.54	2,840.34	676.27	2,036.29	1,840.91	1.15	-0.34	0.109
33.00	-38.14	-3.66	0.00	-328.7	0.00	328.71	2,833.37	674.61	2,026.31	1,831.83	1.18	-0.34	0.109
33.50	-37.90	-3.65	0.00	-326.9	0.00	326.88	2,826.40	672.95	2,016.35	1,822.77	1.22	-0.35	0.109
34.00	-37.67	-3.65	0.00	-325.0	0.00	325.05	2,819.42	671.29	2,006.41	1,813.74	1.25	-0.35	0.109
34.50	-37.43	-3.64	0.00	-323.2	0.00	323.23	2,812.45	669.63	1,996.50	1,804.72	1.29	-0.36	0.108
35.00	-37.20	-3.64	0.00	-321.4	0.00	321.41	2,805.48	667.97	1,986.62	1,795.73	1.33	-0.37	0.108
35.50	-36.96	-3.63	0.00	-319.6	0.00	319.59	2,798.50	666.31	1,976.76	1,786.77	1.37	-0.37	0.108
35.67	-36.88	-3.63	0.00	-319.0	0.00	318.98	2,248.07	566.94	1,717.07	1,468.70	1.38	-0.37	0.124
36.00	-36.78	-3.62	0.00	-317.8	0.00	317.77	2,245.83	566.02	1,711.49	1,464.83	1.41	-0.38	0.124
36.50	-36.62	-3.62	0.00	-316.0	0.00	315.96	2,242.46	564.63	1,703.14	1,459.02	1.45	-0.38	0.123
36.67	-36.57	-3.62	0.00	-315.4	0.00	315.35	2,241.31	564.16	1,700.30	1,457.05	1.46	-0.38	0.123
36.67	-36.57	-3.62	0.00	-315.4	0.00	315.35	2,241.31	564.16	1,700.30	1,457.05	1.46	-0.38	0.132
37.00	-36.47	-3.61	0.00	-314.2	0.00	314.15	2,239.08	563.25	1,694.80	1,453.22	1.49	-0.39	0.132
37.50	-36.32	-3.61	0.00	-312.4	0.00	312.35	2,235.69	561.87	1,686.49	1,447.42	1.53	-0.39	0.132
38.00	-36.18	-3.60	0.00	-310.5	0.00	310.54	2,232.29	560.48	1,678.20	1,441.62	1.57	-0.4	0.131
38.50	-36.03	-3.60	0.00	-308.7	0.00	308.74	2,228.88	559.10	1,669.92	1,435.83	1.61	-0.41	0.131
39.00	-35.88	-3.59	0.00	-306.9	0.00	306.94	2,225.46	557.71	1,661.67	1,430.05	1.66	-0.41	0.131
39.50	-35.73	-3.59	0.00	-305.2	0.00	305.15	2,222.03	556.33	1,653.44	1,424.27	1.7	-0.42	0.130
40.00	-35.58	-3.58	0.00	-303.4	0.00	303.35	2,218.59	554.95	1,645.23	1,418.49	1.74	-0.42	0.130
40.50	-35.44	-3.57	0.00	-301.6	0.00	301.56	2,215.14	553.56	1,637.04	1,412.72	1.79	-0.43	0.129
41.00	-35.29	-3.57	0.00	-299.8	0.00	299.78	2,211.67	552.18	1,628.87	1,406.95	1.83	-0.44	0.129
41.50	-35.14	-3.56	0.00	-298.0	0.00	297.99	2,208.20	550.80	1,620.72	1,401.18	1.88	-0.44	0.129
42.00	-35.00	-3.56	0.00	-296.2	0.00	296.21	2,204.72	549.41	1,612.59	1,395.43	1.93	-0.45	0.128
42.50	-34.85	-3.55	0.00	-294.4	0.00	294.43	2,201.23	548.03	1,604.48	1,389.67	1.97	-0.45	0.128
43.00	-34.70	-3.55	0.00	-292.7	0.00	292.66	2,197.72	546.65	1,596.39	1,383.92	2.02	-0.46	0.127
43.50	-34.56	-3.54	0.00	-290.9	0.00	290.88	2,194.21	545.26	1,588.32	1,378.18	2.07	-0.47	0.127
44.00	-34.41	-3.53	0.00	-289.1	0.00	289.11	2,190.68	543.88	1,580.27	1,372.44	2.12	-0.47	0.127
44.50	-34.27	-3.53	0.00	-287.4	0.00	287.35	2,187.15	542.49	1,572.25	1,366.70	2.17	-0.48	0.126
45.00	-34.12	-3.52	0.00	-285.6	0.00	285.58	2,183.60	541.11	1,564.24	1,360.97	2.22	-0.48	0.126
45.50	-33.97	-3.52	0.00	-283.8	0.00	283.82	2,180.05	539.73	1,556.25	1,355.24	2.27	-0.49	0.125
46.00	-33.83	-3.51	0.00	-282.1	0.00	282.06	2,176.48	538.34	1,548.29	1,349.52	2.32	-0.5	0.125
46.50	-33.68	-3.50	0.00	-280.3	0.00	280.31	2,172.91	536.96	1,540.34	1,343.81	2.37	-0.5	0.124
47.00	-33.54	-3.50	0.00	-278.6	0.00	278.55	2,169.32	535.58	1,532.41	1,338.10	2.43	-0.51	0.124
47.50	-33.39	-3.49	0.00	-276.8	0.00	276.80	2,165.72	534.19	1,524.51	1,332.39	2.48	-0.52	0.124
48.00	-33.25	-3.49	0.00	-275.1	0.00	275.06	2,162.12	532.81	1,516.63	1,326.69	2.54	-0.52	0.123
48.50	-33.11	-3.48	0.00	-273.3	0.00	273.31	2,158.50	531.43	1,508.76	1,321.00	2.59	-0.53	0.123
49.00	-32.96	-3.47	0.00	-271.6	0.00	271.57	2,154.87	530.04	1,500.92	1,315.31	2.65	-0.53	0.122
49.50	-32.82	-3.47	0.00	-269.8	0.00	269.84	2,151.23	528.66	1,493.09	1,309.62	2.7	-0.54	0.122
50.00	-32.67	-3.46	0.00	-268.1	0.00	268.10	2,147.58	527.27	1,485.29	1,303.95	2.76	-0.55	0.122
50.50	-32.53	-3.46	0.00	-266.4	0.00	266.37	2,143.92	525.89	1,477.51	1,298.27	2.82	-0.55	0.121
51.00	-32.39	-3.45	0.00	-264.6	0.00	264.65	2,140.25	524.51	1,469.75	1,292.61	2.87	-0.56	0.121
51.50	-32.24	-3.44	0.00	-262.9	0.00	262.92	2,136.57	523.12	1,462.01	1,286.94	2.93	-0.56	0.120
52.00	-32.10	-3.44	0.00	-261.2	0.00	261.20	2,132.88	521.74	1,454.29	1,281.29	2.99	-0.57	0.120
52.50	-31.96	-3.43	0.00	-259.5	0.00	259.48	2,129.18	520.36	1,446.59	1,275.64	3.05	-0.58	0.119
53.00	-31.81	-3.42	0.00	-257.8	0.00	257.77	2,125.47	518.97	1,438.91	1,269.99	3.11	-0.58	0.119
53.50	-31.67	-3.42	0.00	-256.1	0.00	256.06	2,121.75	517.59	1,431.25	1,264.35	3.17	-0.59	0.119
54.00	-31.53	-3.41	0.00	-254.4	0.00	254.35	2,118.01	516.21	1,423.61	1,258.72	3.24	-0.59	0.118
54.50	-31.39	-3.40	0.00	-252.6	0.00	252.64	2,114.27	514.82	1,415.99	1,253.09	3.3	-0.6	0.118
55.00	-31.25	-3.40	0.00	-250.9	0.00	250.94	2,110.52	513.44	1,408.39	1,247.47	3.36	-0.61	0.117
55.50	-31.10	-3.39	0.00	-249.2	0.00	249.24	2,106.75	512.05	1,400.81	1,241.85	3.43	-0.61	0.117
56.00	-30.96	-3.38	0.00	-247.6	0.00	247.55	2,102.98	510.67	1,393.25	1,236.24	3.49	-0.62	0.116
56.50	-30.82	-3.38	0.00	-245.8	0.00	245.85	2,099.20	509.29	1,385.72	1,230.64	3.56	-0.62	0.116
57.00	-30.68	-3.37	0.00	-244.2	0.00	244.17	2,095.40	507.90	1,378.20	1,225.04	3.62	-0.63	0.116
57.50	-30.54	-3.36	0.00	-242.5	0.00	242.48	2,091.60	506.52	1,370.71	1,219.45	3.69	-0.64	0.115
58.00	-30.40	-3.36	0.00	-240.8	0.00	240.80	2,087.78	505.14	1,363.23	1,213.86	3.76	-0.64	0.115
58.50	-30.26	-3.35	0.00	-239.1	0.00	239.12	2,083.96	503.75	1,355.77	1,208.28	3.82	-0.65	0.114
59.00	-30.12	-3.34	0.00	-237.4	0.00	237.45	2,080.12	502.37	1,348.34	1,202.71	3.89	-0.66	0.114
59.50	-29.98	-3.34	0.00	-235.8	0.00	235.77	2,076.27	500.99	1,340.93	1,197.14	3.96	-0.66	0.113
60.00	-29.84	-3.33	0.00	-234.1	0.00	234.11	2,072.42	499.60	1,333.53	1,191.58	4.03	-0.67	0.113
60.50	-29.70	-3.32	0.00	-232.4	0.00	232.44	2,068.55	498.22	1,326.16	1,186.03	4.1	-0.67	0.112
61.00	-29.56	-3.32	0.00	-230.8	0.00	230.78	2,064.67	496.83	1,318.81	1,180.48	4.17	-0.68	0.112
61.50	-29.42	-3.31	0.00	-229.1	0.00	229.12	2,060.78	495.45	1,311.47	1,174.94	4.24	-0.69	0.112
62.00	-29.28	-3.30	0.00	-227.5	0.00	227.47	2,056.88	494.07	1,304.16	1,169.41	4.31	-0.69	0.111
62.50	-29.14	-3.30	0.00	-225.8	0.00	225.82	2,052.97	492.68	1,296.87	1,163.88	4.39	-0.7	0.111
63.00	-29.00	-3.29	0.00	-224.2	0.00	224.17	2,049.05	491.30	1,289.60	1,158.36	4.46	-0.7	0.110
63.50	-28.86	-3.28	0.00	-222.5	0.00	222.52	2,045.12	489.92	1,282.35	1,152.85	4.54	-0.71	0.110
64.00	-28.72	-3.27	0.00	-220.9	0.00	220.88	2,041.18	488.53	1,275.12	1,147.34	4.61	-0.72	0.109
64.50	-28.59	-3.27	0.00	-219.2	0.00	219.25	2,037.23	487.15	1,267.91	1,141.84	4.69	-0.72	0.109
65.00	-28.45	-3.26	0.00	-217.6	0.00	217.61	2,033.27	485.77	1,260.72	1,136.35	4.76	-0.73	0.108
65.50	-28.31	-3.25	0.00	-216.0	0.00	215.98	2,029.30	484.38	1,253.55	1,130.86	4.84	-0.73	0.108
66.00	-28.17	-3.25	0.00	-214.4	0.00	214.36	2,025.32	483.00	1,246.40	1,125.38	4.92	-0.74	0.108
66.50	-28.04	-3.24	0.00	-212.7	0.00	212.74	2,021.33	481.61	1,239.27	1,119.91	4.99	-0.75	0.107

ASSET: 302494, Hddm - Haddam
CUSTOMER: AT&T MOBILITY

CODE: ANSI/TIA-222-H
ENG NO: 13757798_C4_06

67.00	-27.90	-3.23	0.00	-211.1	0.00	211.12	2,016.97	480.23	1,232.16	1,114.25	5.07	-0.75	0.107
67.50	-27.76	-3.22	0.00	-209.5	0.00	209.50	2,011.16	478.85	1,225.08	1,107.80	5.15	-0.76	0.106
68.00	-27.62	-3.22	0.00	-207.9	0.00	207.89	2,005.35	477.46	1,218.01	1,101.37	5.23	-0.76	0.106
68.50	-27.49	-3.21	0.00	-206.3	0.00	206.28	1,999.53	476.08	1,210.96	1,094.96	5.31	-0.77	0.106
69.00	-27.35	-3.20	0.00	-204.7	0.00	204.68	1,993.72	474.70	1,203.94	1,088.57	5.39	-0.78	0.105
69.50	-27.21	-3.19	0.00	-203.1	0.00	203.08	1,987.91	473.31	1,196.93	1,082.20	5.47	-0.78	0.105
70.00	-27.08	-3.19	0.00	-201.5	0.00	201.48	1,982.10	471.93	1,189.95	1,075.84	5.56	-0.79	0.104
70.50	-26.90	-3.18	0.00	-199.9	0.00	199.88	1,976.29	470.55	1,182.98	1,069.51	5.64	-0.79	0.102
71.00	-26.72	-3.17	0.00	-198.3	0.00	198.29	1,970.48	469.16	1,176.04	1,063.19	5.72	-0.8	0.102
71.50	-26.54	-3.16	0.00	-196.7	0.00	196.71	1,964.67	467.78	1,169.12	1,056.89	5.81	-0.81	0.102
72.00	-26.36	-3.15	0.00	-195.1	0.00	195.13	1,958.86	466.39	1,162.21	1,050.61	5.89	-0.81	0.101
72.50	-26.18	-3.15	0.00	-193.6	0.00	193.55	1,953.04	465.01	1,155.33	1,044.35	5.98	-0.82	0.101
73.00	-26.00	-3.14	0.00	-192.0	0.00	191.98	1,947.23	463.63	1,148.47	1,038.11	6.06	-0.82	0.100
73.33	-25.88	-3.13	0.00	-190.9	0.00	190.94	1,943.40	462.71	1,143.95	1,034.00	6.12	-0.83	0.100
73.33	-25.88	-3.13	0.00	-190.9	0.00	190.94	1,943.40	462.71	1,143.95	1,034.00	6.12	-0.83	0.109
73.50	-25.82	-3.13	0.00	-190.4	0.00	190.41	1,473.96	377.74	952.81	802.32	6.15	-0.83	0.130
74.00	-25.70	-3.12	0.00	-188.8	0.00	188.85	1,471.41	376.63	947.23	798.56	6.24	-0.84	0.130
74.50	-25.59	-3.12	0.00	-187.3	0.00	187.28	1,468.85	375.53	941.68	794.80	6.33	-0.84	0.129
75.00	-25.47	-3.11	0.00	-185.7	0.00	185.73	1,466.28	374.42	936.13	791.05	6.41	-0.85	0.128
75.50	-25.35	-3.10	0.00	-184.2	0.00	184.17	1,463.70	373.31	930.61	787.30	6.5	-0.86	0.128
76.00	-25.24	-3.09	0.00	-182.6	0.00	182.62	1,461.11	372.21	925.10	783.56	6.59	-0.86	0.127
76.50	-25.12	-3.09	0.00	-181.1	0.00	181.08	1,458.51	371.10	919.61	779.81	6.68	-0.87	0.126
77.00	-25.00	-3.08	0.00	-179.5	0.00	179.53	1,455.89	369.99	914.13	776.07	6.78	-0.88	0.126
77.50	-24.89	-3.07	0.00	-178.0	0.00	177.99	1,453.27	368.89	908.67	772.34	6.87	-0.89	0.125
78.00	-24.77	-3.07	0.00	-176.5	0.00	176.46	1,450.64	367.78	903.23	768.60	6.96	-0.89	0.124
78.50	-24.65	-3.06	0.00	-174.9	0.00	174.92	1,447.99	366.67	897.80	764.87	7.06	-0.9	0.124
79.00	-24.54	-3.05	0.00	-173.4	0.00	173.39	1,445.34	365.57	892.39	761.14	7.15	-0.91	0.123
79.50	-24.42	-3.04	0.00	-171.9	0.00	171.87	1,442.68	364.46	887.00	757.41	7.25	-0.91	0.122
80.00	-24.31	-3.04	0.00	-170.4	0.00	170.35	1,440.00	363.35	881.62	753.69	7.34	-0.92	0.122
80.50	-24.19	-3.03	0.00	-168.8	0.00	168.83	1,437.32	362.24	876.26	749.97	7.44	-0.93	0.121
81.00	-24.08	-3.02	0.00	-167.3	0.00	167.31	1,434.62	361.14	870.91	746.26	7.54	-0.93	0.120
81.50	-23.96	-3.01	0.00	-165.8	0.00	165.80	1,431.91	360.03	865.58	742.54	7.63	-0.94	0.120
82.00	-23.85	-3.01	0.00	-164.3	0.00	164.30	1,429.20	358.92	860.27	738.83	7.73	-0.95	0.119
82.50	-23.73	-3.00	0.00	-162.8	0.00	162.79	1,426.47	357.82	854.98	735.13	7.83	-0.95	0.118
83.00	-23.62	-2.99	0.00	-161.3	0.00	161.29	1,423.73	356.71	849.70	731.43	7.93	-0.96	0.118
83.50	-23.50	-2.98	0.00	-159.8	0.00	159.80	1,420.98	355.60	844.43	727.73	8.03	-0.97	0.117
84.00	-23.39	-2.98	0.00	-158.3	0.00	158.30	1,418.23	354.50	839.18	724.03	8.14	-0.97	0.116
84.50	-23.27	-2.97	0.00	-156.8	0.00	156.82	1,415.46	353.39	833.95	720.34	8.24	-0.98	0.115
85.00	-23.16	-2.96	0.00	-155.3	0.00	155.33	1,412.68	352.28	828.74	716.65	8.34	-0.99	0.115
85.50	-23.05	-2.96	0.00	-153.8	0.00	153.85	1,409.89	351.18	823.54	712.97	8.45	-1	0.114
86.00	-22.93	-2.95	0.00	-152.4	0.00	152.37	1,407.09	350.07	818.36	709.28	8.55	-1	0.113
86.50	-22.82	-2.94	0.00	-150.9	0.00	150.90	1,404.28	348.96	813.19	705.61	8.66	-1.01	0.113
87.00	-22.71	-2.93	0.00	-149.4	0.00	149.43	1,401.46	347.85	808.05	701.93	8.76	-1.02	0.112
87.50	-22.59	-2.92	0.00	-148.0	0.00	147.96	1,398.63	346.75	802.91	698.27	8.87	-1.02	0.111
88.00	-22.48	-2.92	0.00	-146.5	0.00	146.50	1,395.79	345.64	797.80	694.60	8.98	-1.03	0.111
88.50	-22.37	-2.91	0.00	-145.0	0.00	145.04	1,392.93	344.53	792.70	690.94	9.08	-1.04	0.110
89.00	-22.26	-2.90	0.00	-143.6	0.00	143.59	1,390.07	343.43	787.61	687.28	9.19	-1.04	0.109
89.50	-22.14	-2.89	0.00	-142.1	0.00	142.14	1,387.20	342.32	782.55	683.63	9.3	-1.05	0.108
90.00	-22.03	-2.89	0.00	-140.7	0.00	140.69	1,384.32	341.21	777.50	679.98	9.41	-1.06	0.108
90.50	-21.92	-2.88	0.00	-139.2	0.00	139.25	1,381.42	340.11	772.46	676.33	9.52	-1.06	0.107
91.00	-21.81	-2.87	0.00	-137.8	0.00	137.81	1,378.52	339.00	767.44	672.69	9.63	-1.07	0.106
91.50	-21.70	-2.86	0.00	-136.4	0.00	136.37	1,375.61	337.89	762.44	669.06	9.75	-1.08	0.105
92.00	-21.58	-2.86	0.00	-134.9	0.00	134.94	1,372.68	336.79	757.46	665.42	9.86	-1.08	0.105
92.50	-21.47	-2.85	0.00	-133.5	0.00	133.51	1,369.75	335.68	752.49	661.80	9.97	-1.09	0.104
93.00	-21.36	-2.84	0.00	-132.1	0.00	132.09	1,366.80	334.57	747.53	658.17	10.09	-1.09	0.103
93.50	-21.25	-2.83	0.00	-130.7	0.00	130.67	1,363.85	333.47	742.60	654.55	10.2	-1.1	0.103
94.00	-21.14	-2.82	0.00	-129.2	0.00	129.25	1,360.88	332.36	737.68	650.94	10.32	-1.11	0.102
94.50	-21.03	-2.82	0.00	-127.8	0.00	127.84	1,357.90	331.25	732.77	647.33	10.44	-1.11	0.101
95.00	-20.92	-2.81	0.00	-126.4	0.00	126.43	1,354.92	330.14	727.89	643.72	10.55	-1.12	0.100
95.50	-20.81	-2.80	0.00	-125.0	0.00	125.03	1,351.92	329.04	723.02	640.12	10.67	-1.13	0.100
96.00	-20.70	-2.79	0.00	-123.6	0.00	123.63	1,348.91	327.93	718.16	636.53	10.79	-1.13	0.099
96.50	-20.59	-2.79	0.00	-122.2	0.00	122.23	1,345.89	326.82	713.32	632.94	10.91	-1.14	0.098
97.00	-20.48	-2.78	0.00	-120.8	0.00	120.84	1,342.86	325.72	708.50	629.35	11.03	-1.15	0.097
97.50	-20.37	-2.77	0.00	-119.4	0.00	119.45	1,339.83	324.61	703.69	625.77	11.15	-1.15	0.097
98.00	-20.26	-2.76	0.00	-118.1	0.00	118.06	1,336.78	323.50	698.91	622.19	11.27	-1.16	0.096
98.50	-20.15	-2.75	0.00	-116.7	0.00	116.68	1,333.72	322.40	694.13	618.62	11.39	-1.17	0.095
99.00	-20.04	-2.75	0.00	-115.3	0.00	115.30	1,330.65	321.29	689.38	615.06	11.51	-1.17	0.094
99.50	-19.93	-2.74	0.00	-113.9	0.00	113.93	1,327.57	320.18	684.64	611.50	11.64	-1.18	0.094
100.00	-19.82	-2.73	0.00	-112.6	0.00	112.56	1,324.47	319.08	679.91	607.94	11.76	-1.18	0.093
100.50	-19.71	-2.72	0.00	-111.2	0.00	111.20	1,321.37	317.97	675.21	604.39	11.88	-1.19	0.092
101.00	-19.61	-2.71	0.00	-109.8	0.00	109.84	1,318.26	316.86	670.51	600.84	12.01	-1.2	0.091
101.50	-19.50	-2.71	0.00	-108.5	0.00	108.48	1,315.14	315.75	665.84	597.30	12.13	-1.2	0.091
102.00	-19.39	-2.70	0.00	-107.1	0.00	107.13	1,312.01	314.65	661.18	593.77	12.26	-1.21	0.090
102.50	-19.28	-2.69	0.00	-105.8	0.00	105.78	1,308.86	313.54	656.54	590.24	12.39	-1.21	0.089
103.00	-19.17	-2.68	0.00	-104.4	0.00	104.43	1,305.71	312.43	651.91	586.72	12.52	-1.22	0.088

ASSET: 302494, Hddm - Haddam
CUSTOMER: AT&T MOBILITY

CODE: ANSI/TIA-222-H
ENG NO: 13757798_C4_06

103.50	-19.07	-2.67	0.00	-103.1	0.00	103.09	1,302.55	311.33	647.30	583.20	12.64	-1.23	0.088
104.00	-18.96	-2.67	0.00	-101.8	0.00	101.76	1,299.37	310.22	642.71	579.69	12.77	-1.23	0.087
104.50	-18.85	-2.66	0.00	-100.4	0.00	100.42	1,296.19	309.11	638.13	576.18	12.9	-1.24	0.086
105.00	-18.75	-2.65	0.00	-99.1	0.00	99.09	1,292.99	308.01	633.57	572.68	13.03	-1.24	0.085
105.50	-18.64	-2.64	0.00	-97.8	0.00	97.77	1,288.98	306.90	629.03	568.82	13.16	-1.25	0.084
106.00	-18.53	-2.63	0.00	-96.4	0.00	96.45	1,284.33	305.79	624.50	564.70	13.29	-1.26	0.084
106.50	-18.43	-2.62	0.00	-95.1	0.00	95.13	1,279.68	304.69	619.99	560.60	13.43	-1.26	0.083
107.00	-18.32	-2.62	0.00	-93.8	0.00	93.82	1,275.03	303.58	615.50	556.51	13.56	-1.27	0.082
107.50	-18.21	-2.61	0.00	-92.5	0.00	92.51	1,270.38	302.47	611.02	552.44	13.69	-1.27	0.082
108.00	-18.11	-2.60	0.00	-91.2	0.00	91.21	1,265.73	301.36	606.56	548.38	13.83	-1.28	0.081
108.50	-18.00	-2.59	0.00	-89.9	0.00	89.91	1,261.08	300.26	602.11	544.33	13.96	-1.29	0.080
109.00	-17.90	-2.58	0.00	-88.6	0.00	88.61	1,256.43	299.15	597.68	540.30	14.1	-1.29	0.080
109.50	-17.79	-2.58	0.00	-87.3	0.00	87.32	1,251.78	298.04	593.27	536.29	14.23	-1.3	0.079
110.00	-17.68	-2.57	0.00	-86.0	0.00	86.03	853.24	223.36	444.19	366.34	14.37	-1.3	0.000
110.00	-17.68	-2.57	0.00	-86.0	0.00	86.03	1,247.14	296.94	588.87	532.29	14.37	-1.3	0.078
110.50	-17.60	-2.56	0.00	-84.8	0.00	84.75	851.46	222.53	440.90	364.21	14.5	-1.31	0.109
111.00	-17.51	-2.55	0.00	-83.5	0.00	83.47	849.67	221.70	437.62	362.07	14.64	-1.32	0.108
111.50	-17.42	-2.54	0.00	-82.2	0.00	82.19	847.88	220.87	434.35	359.94	14.78	-1.32	0.107
112.00	-17.33	-2.54	0.00	-80.9	0.00	80.92	846.07	220.04	431.09	357.81	14.92	-1.33	0.105
112.50	-17.24	-2.53	0.00	-79.6	0.00	79.65	844.25	219.21	427.84	355.68	15.06	-1.34	0.104
113.00	-17.15	-2.52	0.00	-78.4	0.00	78.39	842.42	218.38	424.61	353.56	15.2	-1.34	0.103
113.50	-17.06	-2.51	0.00	-77.1	0.00	77.13	840.58	217.55	421.39	351.43	15.34	-1.35	0.102
114.00	-16.98	-2.51	0.00	-75.9	0.00	75.87	838.73	216.72	418.18	349.31	15.48	-1.36	0.101
114.50	-16.89	-2.50	0.00	-74.6	0.00	74.62	836.87	215.89	414.98	347.19	15.62	-1.36	0.099
115.00	-16.80	-2.49	0.00	-73.4	0.00	73.37	835.00	215.06	411.80	345.06	15.77	-1.37	0.098
115.50	-16.71	-2.48	0.00	-72.1	0.00	72.12	833.11	214.23	408.63	342.95	15.91	-1.38	0.097
116.00	-16.63	-2.48	0.00	-70.9	0.00	70.88	831.22	213.40	405.47	340.83	16.06	-1.38	0.096
116.50	-16.54	-2.47	0.00	-69.6	0.00	69.64	829.32	212.57	402.32	338.71	16.2	-1.39	0.094
116.50	-16.54	-2.47	0.00	-69.6	0.00	69.64	829.32	212.57	402.32	338.71	16.2	-1.39	0.226
117.00	-16.48	-2.46	0.00	-68.4	0.00	68.41	827.41	211.74	399.18	336.60	16.35	-1.4	0.223
117.50	-16.43	-2.46	0.00	-67.2	0.00	67.17	825.48	210.91	396.06	334.49	16.49	-1.41	0.221
118.00	-16.37	-2.46	0.00	-65.9	0.00	65.94	823.55	210.08	392.95	332.38	16.64	-1.43	0.218
118.50	-16.31	-2.45	0.00	-64.7	0.00	64.72	821.61	209.25	389.85	330.27	16.79	-1.44	0.216
119.00	-16.26	-2.45	0.00	-63.5	0.00	63.49	819.65	208.42	386.76	328.17	16.95	-1.46	0.213
119.50	-16.20	-2.44	0.00	-62.3	0.00	62.27	817.69	207.59	383.69	326.06	17.1	-1.48	0.211
120.00	-16.15	-2.44	0.00	-61.0	0.00	61.05	815.71	206.76	380.63	323.96	17.26	-1.49	0.208
120.50	-16.10	-2.43	0.00	-59.8	0.00	59.83	813.73	205.93	377.58	321.87	17.41	-1.51	0.206
121.00	-16.04	-2.43	0.00	-58.6	0.00	58.61	811.73	205.10	374.54	319.77	17.57	-1.52	0.203
121.50	-15.99	-2.42	0.00	-57.4	0.00	57.40	809.72	204.27	371.52	317.68	17.73	-1.53	0.201
122.00	-15.93	-2.42	0.00	-56.2	0.00	56.18	807.71	203.44	368.50	315.58	17.89	-1.55	0.198
122.50	-15.88	-2.42	0.00	-55.0	0.00	54.97	805.68	202.61	365.50	313.49	18.06	-1.56	0.195
123.00	-15.83	-2.41	0.00	-53.8	0.00	53.77	803.64	201.78	362.52	311.41	18.22	-1.58	0.192
123.50	-15.77	-2.41	0.00	-52.6	0.00	52.56	801.59	200.95	359.54	309.32	18.39	-1.59	0.190
124.00	-15.72	-2.40	0.00	-51.4	0.00	51.36	799.54	200.12	356.58	307.24	18.55	-1.61	0.187
124.50	-15.67	-2.40	0.00	-50.2	0.00	50.16	797.47	199.29	353.62	305.16	18.72	-1.62	0.184
125.00	-15.61	-2.39	0.00	-49.0	0.00	48.96	795.39	198.46	350.69	303.09	18.89	-1.63	0.181
125.50	-15.56	-2.39	0.00	-47.8	0.00	47.77	793.30	197.63	347.76	301.01	19.07	-1.65	0.178
126.00	-15.51	-2.38	0.00	-46.6	0.00	46.57	791.20	196.80	344.84	298.94	19.24	-1.66	0.176
126.50	-15.46	-2.38	0.00	-45.4	0.00	45.38	789.09	195.97	341.94	296.88	19.41	-1.67	0.173
127.00	-15.40	-2.37	0.00	-44.2	0.00	44.19	786.97	195.14	339.05	294.81	19.59	-1.69	0.170
127.50	-15.35	-2.37	0.00	-43.0	0.00	43.01	784.84	194.31	336.17	292.75	19.77	-1.7	0.167
128.00	-15.30	-2.36	0.00	-41.8	0.00	41.83	782.69	193.48	333.31	290.69	19.95	-1.71	0.164
128.50	-15.25	-2.36	0.00	-40.6	0.00	40.64	780.54	192.65	330.46	288.64	20.13	-1.73	0.161
129.00	-15.20	-2.35	0.00	-39.5	0.00	39.47	778.38	191.82	327.61	286.58	20.31	-1.74	0.157
129.50	-15.14	-2.35	0.00	-38.3	0.00	38.29	776.21	190.99	324.79	284.53	20.49	-1.75	0.154
130.00	-15.09	-2.34	0.00	-37.1	0.00	37.12	774.02	190.16	321.97	282.49	20.67	-1.76	0.151
130.50	-15.04	-2.33	0.00	-36.0	0.00	35.95	771.83	189.33	319.17	280.44	20.86	-1.77	0.148
131.00	-14.99	-2.33	0.00	-34.8	0.00	34.78	769.63	188.50	316.37	278.40	21.05	-1.79	0.145
131.50	-14.94	-2.32	0.00	-33.6	0.00	33.62	767.41	187.67	313.59	276.37	21.23	-1.8	0.141
132.00	-14.89	-2.32	0.00	-32.5	0.00	32.46	765.19	186.84	310.83	274.34	21.42	-1.81	0.138
132.50	-14.84	-2.31	0.00	-31.3	0.00	31.30	762.95	186.01	308.07	272.31	21.61	-1.82	0.135
133.00	-14.79	-2.31	0.00	-30.1	0.00	30.14	760.71	185.18	305.33	270.28	21.8	-1.83	0.131
133.50	-14.74	-2.30	0.00	-29.0	0.00	28.99	758.45	184.35	302.60	268.26	21.99	-1.84	0.128
134.00	-14.69	-2.30	0.00	-27.8	0.00	27.84	756.18	183.52	299.88	266.24	22.19	-1.85	0.124
134.50	-14.64	-2.29	0.00	-26.7	0.00	26.69	753.91	182.69	297.17	264.22	22.38	-1.86	0.121
135.00	-14.59	-2.28	0.00	-25.6	0.00	25.55	751.62	181.86	294.48	262.21	22.58	-1.87	0.117
135.50	-14.54	-2.28	0.00	-24.4	0.00	24.40	749.32	181.03	291.80	260.20	22.77	-1.88	0.113
136.00	-14.49	-2.27	0.00	-23.3	0.00	23.27	747.02	180.20	289.13	258.20	22.97	-1.89	0.110
136.50	-14.44	-2.26	0.00	-22.1	0.00	22.13	744.70	179.37	286.47	256.20	23.17	-1.89	0.106
137.00	-14.39	-2.26	0.00	-21.0	0.00	21.00	742.37	178.54	283.83	254.20	23.37	-1.9	0.102
137.50	-14.34	-2.25	0.00	-19.9	0.00	19.87	740.03	177.71	281.20	252.21	23.57	-1.91	0.098
138.00	-14.29	-2.25	0.00	-18.7	0.00	18.74	737.68	176.87	278.58	250.22	23.77	-1.92	0.094
138.50	-14.24	-2.24	0.00	-17.6	0.00	17.62	735.32	176.04	275.97	248.24	23.97	-1.93	0.091
139.00	-14.19	-2.23	0.00	-16.5	0.00	16.50	732.95	175.21	273.37	246.26	24.17	-1.93	0.087
139.50	-14.14	-2.23	0.00	-15.4	0.00	15.38	730.57	174.38	270.79	244.28	24.37	-1.94	0.082

ASSET: 302494, Hddm - Haddam
CUSTOMER: AT&T MOBILITY

CODE: ANSI/TIA-222-H
ENG NO: 13757798_C4_06

140.00	-8.31	-1.32	0.00	-14.3	0.00	14.27	728.18	173.55	268.22	242.31	24.58	-1.94	0.070
140.50	-8.26	-1.31	0.00	-13.6	0.00	13.61	725.44	172.72	265.66	240.23	24.78	-1.95	0.068
141.00	-8.22	-1.30	0.00	-13.0	0.00	12.96	721.95	171.89	263.11	237.92	24.99	-1.96	0.066
141.50	-8.17	-1.29	0.00	-12.3	0.00	12.31	718.47	171.06	260.58	235.61	25.19	-1.96	0.064
142.00	-8.13	-1.29	0.00	-11.7	0.00	11.66	714.98	170.23	258.06	233.32	25.4	-1.97	0.061
142.50	-8.09	-1.28	0.00	-11.0	0.00	11.02	711.49	169.40	255.55	231.03	25.6	-1.97	0.059
143.00	-8.04	-1.27	0.00	-10.4	0.00	10.38	708.01	168.57	253.05	228.76	25.81	-1.98	0.057
143.50	-8.00	-1.27	0.00	-9.7	0.00	9.74	704.52	167.74	250.56	226.50	26.02	-1.98	0.054
144.00	-7.95	-1.26	0.00	-9.1	0.00	9.11	701.03	166.91	248.09	224.25	26.22	-1.99	0.052
144.50	-7.91	-1.25	0.00	-8.5	0.00	8.48	697.55	166.08	245.63	222.01	26.43	-1.99	0.050
145.00	-7.87	-1.24	0.00	-7.8	0.00	7.85	694.06	165.25	243.18	219.79	26.64	-1.99	0.047
145.50	-7.82	-1.24	0.00	-7.2	0.00	7.23	690.57	164.42	240.74	217.57	26.85	-2	0.045
146.00	-7.78	-1.23	0.00	-6.6	0.00	6.61	687.09	163.59	238.32	215.36	27.06	-2	0.042
146.50	-7.74	-1.22	0.00	-6.0	0.00	6.00	683.60	162.76	235.91	213.17	27.27	-2	0.040
147.00	-7.70	-1.21	0.00	-5.4	0.00	5.39	680.11	161.93	233.51	210.99	27.48	-2.01	0.037
147.50	-7.65	-1.21	0.00	-4.8	0.00	4.78	676.63	161.10	231.12	208.82	27.69	-2.01	0.034
148.00	-7.61	-1.20	0.00	-4.2	0.00	4.18	673.14	160.27	228.75	206.66	27.9	-2.01	0.032
148.50	-7.57	-1.19	0.00	-3.6	0.00	3.58	669.65	159.44	226.38	204.51	28.11	-2.01	0.029
149.00	-7.53	-1.19	0.00	-3.0	0.00	2.98	666.17	158.61	224.03	202.37	28.32	-2.02	0.026
149.50	-7.48	-1.18	0.00	-2.4	0.00	2.39	662.68	157.78	221.70	200.25	28.53	-2.02	0.023
150.00	0.00	-0.91	0.00	-1.8	0.00	1.80	659.19	156.95	219.37	198.13	28.74	-2.02	0.009

Load Case: 1.0D + 1.0W	60 mph Wind with No Ice	39 Iterations
Gust Response Factor: 1.10		
Dead load Factor: 1.00		
Wind Load Factor: 1.00		

CALCULATED FORCES

Seg Elev (ft)	Pu FY (-) (kips)	Vu FX (-) (kips)	Tu MY (ft-kips)	Mu MZ (ft-kips)	Mu MX (ft-kips)	Resultant Moment (ft-kips)	Phi Pn (kips)	Phi Vn (kips)	Phi Tn (ft-kips)	Phi Mn (ft-kips)	Total Deflect (in)	Rotation (deg)	Ratio
0.00	-34.21	-4.19	0.00	-465.5	0.00	465.54	3,157.17	784.20	2,737.77	2,376.61	0	0	0.127
0.50	-34.08	-4.18	0.00	-463.4	0.00	463.44	3,152.93	782.54	2,726.19	2,368.34	0	-0.01	0.126
1.00	-33.94	-4.17	0.00	-461.4	0.00	461.35	3,148.69	780.88	2,714.64	2,360.09	0	-0.01	0.126
1.50	-33.81	-4.17	0.00	-459.3	0.00	459.27	3,144.43	779.21	2,703.11	2,351.83	0	-0.02	0.126
2.00	-33.67	-4.16	0.00	-457.2	0.00	457.18	3,140.17	777.55	2,691.61	2,343.59	0	-0.02	0.126
2.50	-33.54	-4.16	0.00	-455.1	0.00	455.10	3,135.89	775.89	2,680.13	2,335.35	0.01	-0.03	0.125
3.00	-33.40	-4.15	0.00	-453.0	0.00	453.02	3,131.60	774.23	2,668.68	2,327.12	0.01	-0.03	0.125
3.50	-33.27	-4.14	0.00	-451.0	0.00	450.95	3,127.31	772.57	2,657.25	2,318.89	0.01	-0.04	0.125
4.00	-33.14	-4.14	0.00	-448.9	0.00	448.88	3,123.00	770.91	2,645.84	2,310.67	0.02	-0.04	0.125
4.50	-33.00	-4.13	0.00	-446.8	0.00	446.81	3,118.68	769.25	2,634.46	2,302.45	0.02	-0.05	0.124
5.00	-32.87	-4.13	0.00	-444.7	0.00	444.74	3,114.35	767.59	2,623.11	2,294.24	0.03	-0.05	0.124
5.50	-32.73	-4.12	0.00	-442.7	0.00	442.68	3,110.02	765.93	2,611.77	2,286.04	0.03	-0.06	0.124
6.00	-32.60	-4.11	0.00	-440.6	0.00	440.62	3,105.67	764.27	2,600.47	2,277.85	0.04	-0.06	0.124
6.50	-32.47	-4.11	0.00	-438.6	0.00	438.57	3,101.31	762.61	2,589.18	2,269.66	0.05	-0.07	0.123
7.00	-32.34	-4.10	0.00	-436.5	0.00	436.51	3,096.94	760.95	2,577.93	2,261.47	0.05	-0.07	0.123
7.50	-32.20	-4.09	0.00	-434.5	0.00	434.46	3,092.56	759.29	2,566.69	2,253.30	0.06	-0.08	0.123
8.00	-32.07	-4.09	0.00	-432.4	0.00	432.41	3,088.17	757.63	2,555.48	2,245.13	0.07	-0.08	0.123
8.50	-31.94	-4.08	0.00	-430.4	0.00	430.37	3,083.77	755.97	2,544.30	2,236.96	0.08	-0.09	0.122
9.00	-31.80	-4.08	0.00	-428.3	0.00	428.33	3,079.36	754.31	2,533.14	2,228.81	0.09	-0.09	0.122
9.50	-31.67	-4.07	0.00	-426.3	0.00	426.29	3,074.94	752.65	2,522.00	2,220.66	0.1	-0.1	0.122
10.00	-31.54	-4.06	0.00	-424.3	0.00	424.26	3,070.50	750.99	2,510.89	2,212.51	0.11	-0.1	0.122
10.50	-31.41	-4.06	0.00	-422.2	0.00	422.22	3,066.06	749.33	2,499.81	2,204.38	0.12	-0.11	0.121
11.00	-31.28	-4.05	0.00	-420.2	0.00	420.19	3,061.61	747.67	2,488.74	2,196.25	0.13	-0.11	0.121
11.50	-31.15	-4.05	0.00	-418.2	0.00	418.17	3,057.15	746.01	2,477.71	2,188.12	0.15	-0.12	0.121
12.00	-31.01	-4.04	0.00	-416.1	0.00	416.14	3,052.67	744.35	2,466.69	2,180.01	0.16	-0.13	0.120
12.50	-30.88	-4.03	0.00	-414.1	0.00	414.12	3,048.19	742.69	2,455.71	2,171.90	0.17	-0.13	0.120
13.00	-30.75	-4.03	0.00	-412.1	0.00	412.11	3,043.69	741.03	2,444.74	2,163.80	0.19	-0.14	0.120
13.50	-30.62	-4.02	0.00	-410.1	0.00	410.09	3,039.19	739.37	2,433.80	2,155.70	0.2	-0.14	0.120
14.00	-30.49	-4.02	0.00	-408.1	0.00	408.08	3,034.67	737.71	2,422.89	2,147.61	0.22	-0.15	0.119
14.50	-30.36	-4.01	0.00	-406.1	0.00	406.08	3,030.15	736.05	2,412.00	2,139.53	0.23	-0.15	0.119
15.00	-30.23	-4.00	0.00	-404.1	0.00	404.07	3,025.61	734.39	2,401.13	2,131.46	0.25	-0.16	0.119
15.50	-30.10	-4.00	0.00	-402.1	0.00	402.07	3,021.07	732.72	2,390.29	2,123.39	0.26	-0.16	0.119
16.00	-29.97	-3.99	0.00	-400.1	0.00	400.07	3,016.51	731.06	2,379.47	2,115.34	0.28	-0.17	0.118
16.50	-29.84	-3.99	0.00	-398.1	0.00	398.07	3,011.94	729.40	2,368.68	2,107.28	0.3	-0.17	0.118
17.00	-29.71	-3.98	0.00	-396.1	0.00	396.08	3,007.37	727.74	2,357.91	2,099.24	0.32	-0.18	0.118
17.50	-29.58	-3.97	0.00	-394.1	0.00	394.09	3,002.78	726.08	2,347.17	2,091.20	0.34	-0.18	0.118
18.00	-29.45	-3.97	0.00	-392.1	0.00	392.11	2,998.18	724.42	2,336.45	2,083.18	0.36	-0.19	0.117
18.50	-29.32	-3.96	0.00	-390.1	0.00	390.12	2,993.57	722.76	2,325.76	2,075.15	0.38	-0.19	0.117
19.00	-29.19	-3.95	0.00	-388.1	0.00	388.14	2,988.95	721.10	2,315.09	2,067.14	0.4	-0.2	0.117
19.50	-29.06	-3.95	0.00	-386.2	0.00	386.16	2,984.32	719.44	2,304.44	2,059.13	0.42	-0.21	0.116
20.00	-28.93	-3.94	0.00	-384.2	0.00	384.19	2,979.68	717.78	2,293.82	2,051.14	0.44	-0.21	0.116
20.50	-28.81	-3.94	0.00	-382.2	0.00	382.22	2,975.03	716.12	2,283.23	2,043.15	0.46	-0.22	0.116
21.00	-28.68	-3.93	0.00	-380.2	0.00	380.25	2,970.37	714.46	2,272.66	2,035.16	0.49	-0.22	0.116
21.50	-28.55	-3.92	0.00	-378.3	0.00	378.29	2,965.70	712.80	2,262.11	2,027.19	0.51	-0.23	0.115
22.00	-28.42	-3.92	0.00	-376.3	0.00	376.32	2,961.02	711.14	2,251.59	2,019.22	0.53	-0.23	0.115
22.50	-28.29	-3.91	0.00	-374.4	0.00	374.36	2,956.33	709.48	2,241.09	2,011.26	0.56	-0.24	0.115
23.00	-28.16	-3.91	0.00	-372.4	0.00	372.41	2,951.63	707.82	2,230.62	2,003.31	0.58	-0.24	0.114
23.50	-28.04	-3.90	0.00	-370.5	0.00	370.46	2,946.91	706.16	2,220.17	1,995.37	0.61	-0.25	0.114
24.00	-27.91	-3.89	0.00	-368.5	0.00	368.51	2,942.19	704.50	2,209.74	1,987.44	0.64	-0.25	0.114
24.50	-27.78	-3.89	0.00	-366.6	0.00	366.56	2,937.46	702.84	2,199.35	1,979.51	0.66	-0.26	0.114
25.00	-27.65	-3.88	0.00	-364.6	0.00	364.62	2,932.71	701.18	2,188.97	1,971.59	0.69	-0.26	0.113
25.50	-27.53	-3.87	0.00	-362.7	0.00	362.68	2,927.96	699.52	2,178.62	1,963.68	0.72	-0.27	0.113
26.00	-27.40	-3.87	0.00	-360.7	0.00	360.74	2,923.19	697.86	2,168.29	1,955.78	0.75	-0.28	0.113
26.50	-27.27	-3.86	0.00	-358.8	0.00	358.80	2,918.42	696.20	2,157.99	1,947.89	0.78	-0.28	0.113
27.00	-27.15	-3.86	0.00	-356.9	0.00	356.87	2,913.63	694.54	2,147.72	1,940.01	0.8	-0.29	0.112
27.50	-27.02	-3.85	0.00	-354.9	0.00	354.94	2,910.08	692.88	2,137.46	1,932.96	0.84	-0.29	0.112
28.00	-26.89	-3.84	0.00	-353.0	0.00	353.02	2,903.11	691.22	2,127.23	1,923.65	0.87	-0.3	0.112
28.50	-26.77	-3.84	0.00	-351.1	0.00	351.10	2,896.13	689.56	2,117.03	1,914.37	0.9	-0.3	0.111
29.00	-26.64	-3.83	0.00	-349.2	0.00	349.18	2,889.16	687.89	2,106.85	1,905.11	0.93	-0.31	0.111
29.50	-26.52	-3.83	0.00	-347.3	0.00	347.26	2,882.19	686.23	2,096.70	1,895.87	0.96	-0.31	0.111
30.00	-26.39	-3.82	0.00	-345.4	0.00	345.35	2,875.21	684.57	2,086.57	1,886.65	1	-0.32	0.111
30.50	-26.27	-3.81	0.00	-343.4	0.00	343.44	2,868.24	682.91	2,076.46	1,877.46	1.03	-0.32	0.111

ASSET: 302494, Hddm - Haddam
CUSTOMER: AT&T MOBILITY

CODE: ANSI/TIA-222-H
ENG NO: 13757798_C4_06

31.00	-26.14	-3.81	0.00	-341.5	0.00	341.53	2,861.26	681.25	2,066.38	1,868.29	1.06	-0.33	0.110
31.50	-26.02	-3.80	0.00	-339.6	0.00	339.63	2,854.29	679.59	2,056.33	1,859.14	1.1	-0.33	0.110
32.00	-25.84	-3.79	0.00	-337.7	0.00	337.73	2,847.32	677.93	2,046.29	1,850.02	1.13	-0.34	0.108
32.50	-25.65	-3.79	0.00	-335.8	0.00	335.83	2,840.34	676.27	2,036.29	1,840.91	1.17	-0.35	0.108
33.00	-25.47	-3.78	0.00	-333.9	0.00	333.94	2,833.37	674.61	2,026.31	1,831.83	1.21	-0.35	0.108
33.50	-25.29	-3.77	0.00	-332.0	0.00	332.05	2,826.40	672.95	2,016.35	1,822.77	1.24	-0.36	0.108
34.00	-25.11	-3.77	0.00	-330.2	0.00	330.16	2,819.42	671.29	2,006.41	1,813.74	1.28	-0.36	0.107
34.50	-24.94	-3.76	0.00	-328.3	0.00	328.28	2,812.45	669.63	1,996.50	1,804.72	1.32	-0.37	0.107
35.00	-24.76	-3.75	0.00	-326.4	0.00	326.40	2,805.48	667.97	1,986.62	1,795.73	1.36	-0.37	0.107
35.50	-24.58	-3.75	0.00	-324.5	0.00	324.52	2,798.50	666.31	1,976.76	1,786.77	1.4	-0.38	0.107
35.67	-24.52	-3.74	0.00	-323.9	0.00	323.90	2,248.07	566.94	1,717.07	1,468.70	1.41	-0.38	0.123
36.00	-24.44	-3.74	0.00	-322.6	0.00	322.65	2,245.83	566.02	1,711.49	1,464.83	1.44	-0.38	0.123
36.50	-24.33	-3.73	0.00	-320.8	0.00	320.78	2,242.46	564.63	1,703.14	1,459.02	1.48	-0.39	0.122
36.67	-24.29	-3.73	0.00	-320.2	0.00	320.15	2,241.31	564.16	1,700.30	1,457.05	1.49	-0.39	0.122
36.67	-24.29	-3.73	0.00	-320.2	0.00	320.15	2,241.31	564.16	1,700.30	1,457.05	1.49	-0.39	0.131
37.00	-24.22	-3.72	0.00	-318.9	0.00	318.92	2,239.08	563.25	1,694.80	1,453.22	1.52	-0.39	0.131
37.50	-24.11	-3.72	0.00	-317.1	0.00	317.06	2,235.69	561.87	1,686.49	1,447.42	1.56	-0.4	0.130
38.00	-24.00	-3.71	0.00	-315.2	0.00	315.20	2,232.29	560.48	1,678.20	1,441.62	1.6	-0.41	0.130
38.50	-23.90	-3.70	0.00	-313.3	0.00	313.34	2,228.88	559.10	1,669.92	1,435.83	1.65	-0.41	0.130
39.00	-23.79	-3.70	0.00	-311.5	0.00	311.49	2,225.46	557.71	1,661.67	1,430.05	1.69	-0.42	0.129
39.50	-23.68	-3.69	0.00	-309.6	0.00	309.64	2,222.03	556.33	1,653.44	1,424.27	1.73	-0.43	0.129
40.00	-23.58	-3.68	0.00	-307.8	0.00	307.79	2,218.59	554.95	1,645.23	1,418.49	1.78	-0.43	0.128
40.50	-23.47	-3.68	0.00	-306.0	0.00	305.95	2,215.14	553.56	1,637.04	1,412.72	1.82	-0.44	0.128
41.00	-23.36	-3.67	0.00	-304.1	0.00	304.11	2,211.67	552.18	1,628.87	1,406.95	1.87	-0.44	0.128
41.50	-23.26	-3.66	0.00	-302.3	0.00	302.28	2,208.20	550.80	1,620.72	1,401.18	1.92	-0.45	0.127
42.00	-23.15	-3.66	0.00	-300.4	0.00	300.45	2,204.72	549.41	1,612.59	1,395.43	1.96	-0.46	0.127
42.50	-23.05	-3.65	0.00	-298.6	0.00	298.62	2,201.23	548.03	1,604.48	1,389.67	2.01	-0.46	0.126
43.00	-22.94	-3.64	0.00	-296.8	0.00	296.79	2,197.72	546.65	1,596.39	1,383.92	2.06	-0.47	0.126
43.50	-22.83	-3.64	0.00	-295.0	0.00	294.97	2,194.21	545.26	1,588.32	1,378.18	2.11	-0.47	0.126
44.00	-22.73	-3.63	0.00	-293.2	0.00	293.15	2,190.68	543.88	1,580.27	1,372.44	2.16	-0.48	0.125
44.50	-22.62	-3.62	0.00	-291.3	0.00	291.34	2,187.15	542.49	1,572.25	1,366.70	2.21	-0.49	0.125
45.00	-22.52	-3.62	0.00	-289.5	0.00	289.52	2,183.60	541.11	1,564.24	1,360.97	2.26	-0.49	0.124
45.50	-22.41	-3.61	0.00	-287.7	0.00	287.72	2,180.05	539.73	1,556.25	1,355.24	2.31	-0.5	0.124
46.00	-22.31	-3.60	0.00	-285.9	0.00	285.91	2,176.48	538.34	1,548.29	1,349.52	2.37	-0.51	0.123
46.50	-22.20	-3.60	0.00	-284.1	0.00	284.11	2,172.91	536.96	1,540.34	1,343.81	2.42	-0.51	0.123
47.00	-22.10	-3.59	0.00	-282.3	0.00	282.31	2,169.32	535.58	1,532.41	1,338.10	2.47	-0.52	0.123
47.50	-21.99	-3.58	0.00	-280.5	0.00	280.52	2,165.72	534.19	1,524.51	1,332.39	2.53	-0.52	0.122
48.00	-21.89	-3.57	0.00	-278.7	0.00	278.73	2,162.12	532.81	1,516.63	1,326.69	2.58	-0.53	0.122
48.50	-21.78	-3.57	0.00	-276.9	0.00	276.94	2,158.50	531.43	1,508.76	1,321.00	2.64	-0.54	0.121
49.00	-21.68	-3.56	0.00	-275.2	0.00	275.16	2,154.87	530.04	1,500.92	1,315.31	2.7	-0.54	0.121
49.50	-21.58	-3.55	0.00	-273.4	0.00	273.38	2,151.23	528.66	1,493.09	1,309.62	2.75	-0.55	0.120
50.00	-21.47	-3.55	0.00	-271.6	0.00	271.60	2,147.58	527.27	1,485.29	1,303.95	2.81	-0.56	0.120
50.50	-21.37	-3.54	0.00	-269.8	0.00	269.83	2,143.92	525.89	1,477.51	1,298.27	2.87	-0.56	0.120
51.00	-21.27	-3.53	0.00	-268.1	0.00	268.06	2,140.25	524.51	1,469.75	1,292.61	2.93	-0.57	0.119
51.50	-21.16	-3.52	0.00	-266.3	0.00	266.29	2,136.57	523.12	1,462.01	1,286.94	2.99	-0.57	0.119
52.00	-21.06	-3.52	0.00	-264.5	0.00	264.53	2,132.88	521.74	1,454.29	1,281.29	3.05	-0.58	0.118
52.50	-20.95	-3.51	0.00	-262.8	0.00	262.77	2,129.18	520.36	1,446.59	1,275.64	3.11	-0.59	0.118
53.00	-20.85	-3.50	0.00	-261.0	0.00	261.02	2,125.47	518.97	1,438.91	1,269.99	3.17	-0.59	0.117
53.50	-20.75	-3.49	0.00	-259.3	0.00	259.27	2,121.75	517.59	1,431.25	1,264.35	3.23	-0.6	0.117
54.00	-20.65	-3.49	0.00	-257.5	0.00	257.52	2,118.01	516.21	1,423.61	1,258.72	3.3	-0.6	0.117
54.50	-20.54	-3.48	0.00	-255.8	0.00	255.78	2,114.27	514.82	1,415.99	1,253.09	3.36	-0.61	0.116
55.00	-20.44	-3.47	0.00	-254.0	0.00	254.04	2,110.52	513.44	1,408.39	1,247.47	3.43	-0.62	0.116
55.50	-20.34	-3.46	0.00	-252.3	0.00	252.30	2,106.75	512.05	1,400.81	1,241.85	3.49	-0.62	0.115
56.00	-20.24	-3.46	0.00	-250.6	0.00	250.57	2,102.98	510.67	1,393.25	1,236.24	3.56	-0.63	0.115
56.50	-20.13	-3.45	0.00	-248.8	0.00	248.84	2,099.20	509.29	1,385.72	1,230.64	3.62	-0.64	0.114
57.00	-20.03	-3.44	0.00	-247.1	0.00	247.12	2,095.40	507.90	1,378.20	1,225.04	3.69	-0.64	0.114
57.50	-19.93	-3.43	0.00	-245.4	0.00	245.40	2,091.60	506.52	1,370.71	1,219.45	3.76	-0.65	0.114
58.00	-19.83	-3.43	0.00	-243.7	0.00	243.68	2,087.78	505.14	1,363.23	1,213.86	3.83	-0.65	0.113
58.50	-19.73	-3.42	0.00	-242.0	0.00	241.96	2,083.96	503.75	1,355.77	1,208.28	3.89	-0.66	0.113
59.00	-19.63	-3.41	0.00	-240.2	0.00	240.25	2,080.12	502.37	1,348.34	1,202.71	3.96	-0.67	0.112
59.50	-19.52	-3.40	0.00	-238.6	0.00	238.55	2,076.27	500.99	1,340.93	1,197.14	4.03	-0.67	0.112
60.00	-19.42	-3.40	0.00	-236.8	0.00	236.85	2,072.42	499.60	1,333.53	1,191.58	4.1	-0.68	0.111
60.50	-19.32	-3.39	0.00	-235.2	0.00	235.15	2,068.55	498.22	1,326.16	1,186.03	4.18	-0.68	0.111
61.00	-19.22	-3.38	0.00	-233.4	0.00	233.45	2,064.67	496.83	1,318.81	1,180.48	4.25	-0.69	0.110
61.50	-19.12	-3.37	0.00	-231.8	0.00	231.76	2,060.78	495.45	1,311.47	1,174.94	4.32	-0.7	0.110
62.00	-19.02	-3.37	0.00	-230.1	0.00	230.08	2,056.88	494.07	1,304.16	1,169.41	4.39	-0.7	0.110
62.50	-18.92	-3.36	0.00	-228.4	0.00	228.39	2,052.97	492.68	1,296.87	1,163.88	4.47	-0.71	0.109
63.00	-18.82	-3.35	0.00	-226.7	0.00	226.71	2,049.05	491.30	1,289.60	1,158.36	4.54	-0.72	0.109
63.50	-18.72	-3.34	0.00	-225.0	0.00	225.04	2,045.12	489.92	1,282.35	1,152.85	4.62	-0.72	0.108
64.00	-18.62	-3.34	0.00	-223.4	0.00	223.37	2,041.18	488.53	1,275.12	1,147.34	4.69	-0.73	0.108
64.50	-18.52	-3.33	0.00	-221.7	0.00	221.70	2,037.23	487.15	1,267.91	1,141.84	4.77	-0.73	0.107
65.00	-18.42	-3.32	0.00	-220.0	0.00	220.04	2,033.27	485.77	1,260.72	1,136.35	4.85	-0.74	0.107
65.50	-18.32	-3.31	0.00	-218.4	0.00	218.38	2,029.30	484.38	1,253.55	1,130.86	4.93	-0.75	0.106
66.00	-18.22	-3.30	0.00	-216.7	0.00	216.72	2,025.32	483.00	1,246.40	1,125.38	5	-0.75	0.106
66.50	-18.12	-3.30	0.00	-215.1	0.00	215.07	2,021.33	481.61	1,239.27	1,119.91	5.08	-0.76	0.105

ASSET: 302494, Hddm - Haddam
CUSTOMER: AT&T MOBILITY

CODE: ANSI/TIA-222-H
ENG NO: 13757798_C4_06

67.00	-18.02	-3.29	0.00	-213.4	0.00	213.42	2,016.97	480.23	1,232.16	1,114.25	5.16	-0.76	0.105
67.50	-17.92	-3.28	0.00	-211.8	0.00	211.78	2,011.16	478.85	1,225.08	1,107.80	5.24	-0.77	0.105
68.00	-17.82	-3.27	0.00	-210.1	0.00	210.14	2,005.35	477.46	1,218.01	1,101.37	5.32	-0.78	0.104
68.50	-17.72	-3.26	0.00	-208.5	0.00	208.50	1,999.53	476.08	1,210.96	1,094.96	5.41	-0.78	0.104
69.00	-17.63	-3.26	0.00	-206.9	0.00	206.87	1,993.72	474.70	1,203.94	1,088.57	5.49	-0.79	0.104
69.50	-17.53	-3.25	0.00	-205.2	0.00	205.24	1,987.91	473.31	1,196.93	1,082.20	5.57	-0.8	0.103
70.00	-17.43	-3.24	0.00	-203.6	0.00	203.61	1,982.10	471.93	1,189.95	1,075.84	5.66	-0.8	0.103
70.50	-17.29	-3.23	0.00	-202.0	0.00	201.99	1,976.29	470.55	1,182.98	1,069.51	5.74	-0.81	0.101
71.00	-17.16	-3.22	0.00	-200.4	0.00	200.38	1,970.48	469.16	1,176.04	1,063.19	5.82	-0.81	0.100
71.50	-17.02	-3.21	0.00	-198.8	0.00	198.77	1,964.67	467.78	1,169.12	1,056.89	5.91	-0.82	0.100
72.00	-16.89	-3.21	0.00	-197.2	0.00	197.16	1,958.86	466.39	1,162.21	1,050.61	6	-0.83	0.100
72.50	-16.75	-3.20	0.00	-195.6	0.00	195.55	1,953.04	465.01	1,155.33	1,044.35	6.08	-0.83	0.099
73.00	-16.62	-3.19	0.00	-194.0	0.00	193.96	1,947.23	463.63	1,148.47	1,038.11	6.17	-0.84	0.099
73.33	-16.53	-3.19	0.00	-192.9	0.00	192.90	1,943.40	462.71	1,143.95	1,034.00	6.23	-0.84	0.098
73.33	-16.53	-3.19	0.00	-192.9	0.00	192.90	1,943.40	462.71	1,143.95	1,034.00	6.23	-0.84	0.108
73.50	-16.49	-3.18	0.00	-192.4	0.00	192.36	1,473.96	377.74	952.81	802.32	6.26	-0.84	0.128
74.00	-16.40	-3.17	0.00	-190.8	0.00	190.77	1,471.41	376.63	947.23	798.56	6.35	-0.85	0.128
74.50	-16.32	-3.16	0.00	-189.2	0.00	189.19	1,468.85	375.53	941.68	794.80	6.44	-0.86	0.127
75.00	-16.24	-3.16	0.00	-187.6	0.00	187.60	1,466.28	374.42	936.13	791.05	6.53	-0.86	0.126
75.50	-16.15	-3.15	0.00	-186.0	0.00	186.03	1,463.70	373.31	930.61	787.30	6.62	-0.87	0.126
76.00	-16.07	-3.14	0.00	-184.4	0.00	184.45	1,461.11	372.21	925.10	783.56	6.71	-0.88	0.125
76.50	-15.99	-3.13	0.00	-182.9	0.00	182.88	1,458.51	371.10	919.61	779.81	6.8	-0.88	0.124
77.00	-15.91	-3.13	0.00	-181.3	0.00	181.31	1,455.89	369.99	914.13	776.07	6.89	-0.89	0.124
77.50	-15.83	-3.12	0.00	-179.8	0.00	179.75	1,453.27	368.89	908.67	772.34	6.99	-0.9	0.123
78.00	-15.74	-3.11	0.00	-178.2	0.00	178.19	1,450.64	367.78	903.23	768.60	7.08	-0.91	0.122
78.50	-15.66	-3.10	0.00	-176.6	0.00	176.64	1,447.99	366.67	897.80	764.87	7.18	-0.91	0.122
79.00	-15.58	-3.09	0.00	-175.1	0.00	175.08	1,445.34	365.57	892.39	761.14	7.27	-0.92	0.121
79.50	-15.50	-3.09	0.00	-173.5	0.00	173.54	1,442.68	364.46	887.00	757.41	7.37	-0.93	0.120
80.00	-15.42	-3.08	0.00	-172.0	0.00	171.99	1,440.00	363.35	881.62	753.69	7.47	-0.93	0.119
80.50	-15.33	-3.07	0.00	-170.4	0.00	170.45	1,437.32	362.24	876.26	749.97	7.57	-0.94	0.119
81.00	-15.25	-3.06	0.00	-168.9	0.00	168.92	1,434.62	361.14	870.91	746.26	7.67	-0.95	0.118
81.50	-15.17	-3.06	0.00	-167.4	0.00	167.39	1,431.91	360.03	865.58	742.54	7.77	-0.95	0.117
82.00	-15.09	-3.05	0.00	-165.9	0.00	165.86	1,429.20	358.92	860.27	738.83	7.87	-0.96	0.117
82.50	-15.01	-3.04	0.00	-164.3	0.00	164.34	1,426.47	357.82	854.98	735.13	7.97	-0.97	0.116
83.00	-14.93	-3.03	0.00	-162.8	0.00	162.82	1,423.73	356.71	849.70	731.43	8.07	-0.98	0.115
83.50	-14.85	-3.02	0.00	-161.3	0.00	161.30	1,420.98	355.60	844.43	727.73	8.17	-0.98	0.115
84.00	-14.77	-3.02	0.00	-159.8	0.00	159.79	1,418.23	354.50	839.18	724.03	8.27	-0.99	0.114
84.50	-14.69	-3.01	0.00	-158.3	0.00	158.28	1,415.46	353.39	833.95	720.34	8.38	-1	0.113
85.00	-14.61	-3.00	0.00	-156.8	0.00	156.78	1,412.68	352.28	828.74	716.65	8.48	-1	0.113
85.50	-14.53	-2.99	0.00	-155.3	0.00	155.28	1,409.89	351.18	823.54	712.97	8.59	-1.01	0.112
86.00	-14.45	-2.98	0.00	-153.8	0.00	153.78	1,407.09	350.07	818.36	709.28	8.69	-1.02	0.111
86.50	-14.37	-2.98	0.00	-152.3	0.00	152.29	1,404.28	348.96	813.19	705.61	8.8	-1.02	0.110
87.00	-14.28	-2.97	0.00	-150.8	0.00	150.80	1,401.46	347.85	808.05	701.93	8.91	-1.03	0.110
87.50	-14.20	-2.96	0.00	-149.3	0.00	149.32	1,398.63	346.75	802.91	698.27	9.02	-1.04	0.109
88.00	-14.13	-2.95	0.00	-147.8	0.00	147.84	1,395.79	345.64	797.80	694.60	9.13	-1.04	0.108
88.50	-14.05	-2.94	0.00	-146.4	0.00	146.36	1,392.93	344.53	792.70	690.94	9.24	-1.05	0.108
89.00	-13.97	-2.94	0.00	-144.9	0.00	144.89	1,390.07	343.43	787.61	687.28	9.35	-1.06	0.107
89.50	-13.89	-2.93	0.00	-143.4	0.00	143.42	1,387.20	342.32	782.55	683.63	9.46	-1.06	0.106
90.00	-13.81	-2.92	0.00	-142.0	0.00	141.96	1,384.32	341.21	777.50	679.98	9.57	-1.07	0.106
90.50	-13.73	-2.91	0.00	-140.5	0.00	140.50	1,381.42	340.11	772.46	676.33	9.68	-1.08	0.105
91.00	-13.65	-2.90	0.00	-139.0	0.00	139.04	1,378.52	339.00	767.44	672.69	9.79	-1.08	0.104
91.50	-13.57	-2.90	0.00	-137.6	0.00	137.59	1,375.61	337.89	762.44	669.06	9.91	-1.09	0.103
92.00	-13.49	-2.89	0.00	-136.1	0.00	136.14	1,372.68	336.79	757.46	665.42	10.02	-1.1	0.103
92.50	-13.41	-2.88	0.00	-134.7	0.00	134.70	1,369.75	335.68	752.49	661.80	10.14	-1.1	0.102
93.00	-13.33	-2.87	0.00	-133.3	0.00	133.26	1,366.80	334.57	747.53	658.17	10.25	-1.11	0.101
93.50	-13.25	-2.86	0.00	-131.8	0.00	131.82	1,363.85	333.47	742.60	654.55	10.37	-1.12	0.100
94.00	-13.18	-2.86	0.00	-130.4	0.00	130.39	1,360.88	332.36	737.68	650.94	10.49	-1.12	0.100
94.50	-13.10	-2.85	0.00	-129.0	0.00	128.96	1,357.90	331.25	732.77	647.33	10.61	-1.13	0.099
95.00	-13.02	-2.84	0.00	-127.5	0.00	127.54	1,354.92	330.14	727.89	643.72	10.73	-1.14	0.098
95.50	-12.94	-2.83	0.00	-126.1	0.00	126.12	1,351.92	329.04	723.02	640.12	10.84	-1.14	0.098
96.00	-12.86	-2.82	0.00	-124.7	0.00	124.70	1,348.91	327.93	718.16	636.53	10.96	-1.15	0.097
96.50	-12.78	-2.82	0.00	-123.3	0.00	123.29	1,345.89	326.82	713.32	632.94	11.09	-1.16	0.096
97.00	-12.71	-2.81	0.00	-121.9	0.00	121.88	1,342.86	325.72	708.50	629.35	11.21	-1.16	0.095
97.50	-12.63	-2.80	0.00	-120.5	0.00	120.48	1,339.83	324.61	703.69	625.77	11.33	-1.17	0.095
98.00	-12.55	-2.79	0.00	-119.1	0.00	119.08	1,336.78	323.50	698.91	622.19	11.45	-1.17	0.094
98.50	-12.47	-2.78	0.00	-117.7	0.00	117.68	1,333.72	322.40	694.13	618.62	11.58	-1.18	0.093
99.00	-12.40	-2.77	0.00	-116.3	0.00	116.29	1,330.65	321.29	689.38	615.06	11.7	-1.19	0.092
99.50	-12.32	-2.77	0.00	-114.9	0.00	114.90	1,327.57	320.18	684.64	611.50	11.82	-1.19	0.092
100.00	-12.24	-2.76	0.00	-113.5	0.00	113.52	1,324.47	319.08	679.91	607.94	11.95	-1.2	0.091
100.50	-12.16	-2.75	0.00	-112.1	0.00	112.14	1,321.37	317.97	675.21	604.39	12.08	-1.21	0.090
101.00	-12.09	-2.74	0.00	-110.8	0.00	110.77	1,318.26	316.86	670.51	600.84	12.2	-1.21	0.089
101.50	-12.01	-2.73	0.00	-109.4	0.00	109.39	1,315.14	315.75	665.84	597.30	12.33	-1.22	0.089
102.00	-11.93	-2.73	0.00	-108.0	0.00	108.03	1,312.01	314.65	661.18	593.77	12.46	-1.22	0.088
102.50	-11.86	-2.72	0.00	-106.7	0.00	106.66	1,308.86	313.54	656.54	590.24	12.59	-1.23	0.087
103.00	-11.78	-2.71	0.00	-105.3	0.00	105.30	1,305.71	312.43	651.91	586.72	12.72	-1.24	0.086

ASSET: 302494, Hddm - Haddam
CUSTOMER: AT&T MOBILITY

CODE: ANSI/TIA-222-H
ENG NO: 13757798_C4_06

103.50	-11.70	-2.70	0.00	-104.0	0.00	103.95	1,302.55	311.33	647.30	583.20	12.85	-1.24	0.085
104.00	-11.63	-2.69	0.00	-102.6	0.00	102.60	1,299.37	310.22	642.71	579.69	12.98	-1.25	0.085
104.50	-11.55	-2.69	0.00	-101.2	0.00	101.25	1,296.19	309.11	638.13	576.18	13.11	-1.26	0.084
105.00	-11.48	-2.68	0.00	-99.9	0.00	99.91	1,292.99	308.01	633.57	572.68	13.24	-1.26	0.083
105.50	-11.40	-2.67	0.00	-98.6	0.00	98.57	1,288.98	306.90	629.03	568.82	13.37	-1.27	0.082
106.00	-11.32	-2.66	0.00	-97.2	0.00	97.24	1,284.33	305.79	624.50	564.70	13.5	-1.27	0.082
106.50	-11.25	-2.65	0.00	-95.9	0.00	95.91	1,279.68	304.69	619.99	560.60	13.64	-1.28	0.081
107.00	-11.17	-2.64	0.00	-94.6	0.00	94.58	1,275.03	303.58	615.50	556.51	13.77	-1.29	0.080
107.50	-11.10	-2.64	0.00	-93.3	0.00	93.26	1,270.38	302.47	611.02	552.44	13.91	-1.29	0.080
108.00	-11.02	-2.63	0.00	-91.9	0.00	91.94	1,265.73	301.36	606.56	548.38	14.04	-1.3	0.079
108.50	-10.95	-2.62	0.00	-90.6	0.00	90.63	1,261.08	300.26	602.11	544.33	14.18	-1.3	0.078
109.00	-10.87	-2.61	0.00	-89.3	0.00	89.32	1,256.43	299.15	597.68	540.30	14.32	-1.31	0.077
109.50	-10.79	-2.60	0.00	-88.0	0.00	88.01	1,251.78	298.04	593.27	536.29	14.45	-1.31	0.077
110.00	-10.72	-2.60	0.00	-86.7	0.00	86.71	853.24	223.36	444.19	366.34	14.59	-1.32	0.000
110.00	-10.72	-2.60	0.00	-86.7	0.00	86.71	1,247.14	296.94	588.87	532.29	14.59	-1.32	0.076
110.50	-10.66	-2.59	0.00	-85.4	0.00	85.41	851.46	222.53	440.90	364.21	14.73	-1.33	0.106
111.00	-10.60	-2.58	0.00	-84.1	0.00	84.12	849.67	221.70	437.62	362.07	14.87	-1.33	0.105
111.50	-10.54	-2.57	0.00	-82.8	0.00	82.83	847.88	220.87	434.35	359.94	15.01	-1.34	0.104
112.00	-10.47	-2.56	0.00	-81.5	0.00	81.54	846.07	220.04	431.09	357.81	15.15	-1.35	0.103
112.50	-10.41	-2.56	0.00	-80.3	0.00	80.26	844.25	219.21	427.84	355.68	15.29	-1.35	0.101
113.00	-10.35	-2.55	0.00	-79.0	0.00	78.98	842.42	218.38	424.61	353.56	15.43	-1.36	0.100
113.50	-10.29	-2.54	0.00	-77.7	0.00	77.70	840.58	217.55	421.39	351.43	15.58	-1.37	0.099
114.00	-10.23	-2.53	0.00	-76.4	0.00	76.43	838.73	216.72	418.18	349.31	15.72	-1.38	0.098
114.50	-10.17	-2.53	0.00	-75.2	0.00	75.17	836.87	215.89	414.98	347.19	15.86	-1.38	0.096
115.00	-10.11	-2.52	0.00	-73.9	0.00	73.90	835.00	215.06	411.80	345.06	16.01	-1.39	0.095
115.50	-10.05	-2.51	0.00	-72.6	0.00	72.64	833.11	214.23	408.63	342.95	16.16	-1.4	0.094
116.00	-9.99	-2.50	0.00	-71.4	0.00	71.39	831.22	213.40	405.47	340.83	16.3	-1.4	0.093
116.50	-9.93	-2.50	0.00	-70.1	0.00	70.14	829.32	212.57	402.32	338.71	16.45	-1.41	0.091
116.50	-9.93	-2.50	0.00	-70.1	0.00	70.14	829.32	212.57	402.32	338.71	16.45	-1.41	0.219
117.00	-9.89	-2.49	0.00	-68.9	0.00	68.89	827.41	211.74	399.18	336.60	16.6	-1.42	0.217
117.50	-9.86	-2.49	0.00	-67.6	0.00	67.64	825.48	210.91	396.06	334.49	16.75	-1.43	0.214
118.00	-9.82	-2.48	0.00	-66.4	0.00	66.40	823.55	210.08	392.95	332.38	16.9	-1.45	0.212
118.50	-9.79	-2.47	0.00	-65.2	0.00	65.16	821.61	209.25	389.85	330.27	17.05	-1.46	0.209
119.00	-9.75	-2.47	0.00	-63.9	0.00	63.92	819.65	208.42	386.76	328.17	17.2	-1.48	0.207
119.50	-9.72	-2.46	0.00	-62.7	0.00	62.69	817.69	207.59	383.69	326.06	17.36	-1.49	0.204
120.00	-9.68	-2.46	0.00	-61.5	0.00	61.46	815.71	206.76	380.63	323.96	17.52	-1.51	0.202
120.50	-9.65	-2.45	0.00	-60.2	0.00	60.23	813.73	205.93	377.58	321.87	17.68	-1.52	0.199
121.00	-9.61	-2.45	0.00	-59.0	0.00	59.00	811.73	205.10	374.54	319.77	17.84	-1.54	0.196
121.50	-9.58	-2.44	0.00	-57.8	0.00	57.78	809.72	204.27	371.52	317.68	18	-1.55	0.194
122.00	-9.55	-2.44	0.00	-56.6	0.00	56.56	807.71	203.44	368.50	315.58	18.16	-1.57	0.191
122.50	-9.51	-2.43	0.00	-55.3	0.00	55.34	805.68	202.61	365.50	313.49	18.33	-1.58	0.188
123.00	-9.48	-2.42	0.00	-54.1	0.00	54.12	803.64	201.78	362.52	311.41	18.49	-1.6	0.186
123.50	-9.44	-2.42	0.00	-52.9	0.00	52.91	801.59	200.95	359.54	309.32	18.66	-1.61	0.183
124.00	-9.41	-2.41	0.00	-51.7	0.00	51.70	799.54	200.12	356.58	307.24	18.83	-1.63	0.180
124.50	-9.37	-2.41	0.00	-50.5	0.00	50.50	797.47	199.29	353.62	305.16	19	-1.64	0.177
125.00	-9.34	-2.40	0.00	-49.3	0.00	49.29	795.39	198.46	350.69	303.09	19.17	-1.65	0.175
125.50	-9.31	-2.40	0.00	-48.1	0.00	48.09	793.30	197.63	347.76	301.01	19.35	-1.67	0.172
126.00	-9.27	-2.39	0.00	-46.9	0.00	46.89	791.20	196.80	344.84	298.94	19.52	-1.68	0.169
126.50	-9.24	-2.39	0.00	-45.7	0.00	45.70	789.09	195.97	341.94	296.88	19.7	-1.69	0.166
127.00	-9.21	-2.38	0.00	-44.5	0.00	44.50	786.97	195.14	339.05	294.81	19.88	-1.71	0.163
127.50	-9.17	-2.37	0.00	-43.3	0.00	43.31	784.84	194.31	336.17	292.75	20.06	-1.72	0.160
128.00	-9.14	-2.37	0.00	-42.1	0.00	42.13	782.69	193.48	333.31	290.69	20.24	-1.73	0.157
128.50	-9.11	-2.36	0.00	-40.9	0.00	40.94	780.54	192.65	330.46	288.64	20.42	-1.75	0.154
129.00	-9.07	-2.36	0.00	-39.8	0.00	39.76	778.38	191.82	327.61	286.58	20.61	-1.76	0.151
129.50	-9.04	-2.35	0.00	-38.6	0.00	38.58	776.21	190.99	324.79	284.53	20.79	-1.77	0.147
130.00	-9.01	-2.34	0.00	-37.4	0.00	37.41	774.02	190.16	321.97	282.49	20.98	-1.78	0.144
130.50	-8.98	-2.34	0.00	-36.2	0.00	36.24	771.83	189.33	319.17	280.44	21.16	-1.79	0.141
131.00	-8.94	-2.33	0.00	-35.1	0.00	35.07	769.63	188.50	316.37	278.40	21.35	-1.81	0.138
131.50	-8.91	-2.33	0.00	-33.9	0.00	33.90	767.41	187.67	313.59	276.37	21.54	-1.82	0.134
132.00	-8.88	-2.32	0.00	-32.7	0.00	32.74	765.19	186.84	310.83	274.34	21.73	-1.83	0.131
132.50	-8.84	-2.31	0.00	-31.6	0.00	31.58	762.95	186.01	308.07	272.31	21.92	-1.84	0.128
133.00	-8.81	-2.31	0.00	-30.4	0.00	30.42	760.71	185.18	305.33	270.28	22.12	-1.85	0.124
133.50	-8.78	-2.30	0.00	-29.3	0.00	29.27	758.45	184.35	302.60	268.26	22.31	-1.86	0.121
134.00	-8.75	-2.30	0.00	-28.1	0.00	28.11	756.18	183.52	299.88	266.24	22.51	-1.87	0.117
134.50	-8.72	-2.29	0.00	-27.0	0.00	26.97	753.91	182.69	297.17	264.22	22.7	-1.88	0.114
135.00	-8.68	-2.28	0.00	-25.8	0.00	25.82	751.62	181.86	294.48	262.21	22.9	-1.89	0.110
135.50	-8.65	-2.28	0.00	-24.7	0.00	24.68	749.32	181.03	291.80	260.20	23.1	-1.9	0.107
136.00	-8.62	-2.27	0.00	-23.5	0.00	23.54	747.02	180.20	289.13	258.20	23.3	-1.91	0.103
136.50	-8.59	-2.27	0.00	-22.4	0.00	22.40	744.70	179.37	286.47	256.20	23.5	-1.92	0.099
137.00	-8.56	-2.26	0.00	-21.3	0.00	21.27	742.37	178.54	283.83	254.20	23.7	-1.92	0.095
137.50	-8.53	-2.25	0.00	-20.1	0.00	20.14	740.03	177.71	281.20	252.21	23.9	-1.93	0.092
138.00	-8.49	-2.25	0.00	-19.0	0.00	19.01	737.68	176.87	278.58	250.22	24.1	-1.94	0.088
138.50	-8.46	-2.24	0.00	-17.9	0.00	17.89	735.32	176.04	275.97	248.24	24.31	-1.95	0.084
139.00	-8.43	-2.23	0.00	-16.8	0.00	16.77	732.95	175.21	273.37	246.26	24.51	-1.95	0.080
139.50	-8.40	-2.23	0.00	-15.6	0.00	15.65	730.57	174.38	270.79	244.28	24.72	-1.96	0.076

ASSET: 302494, Hddm - Haddam
CUSTOMER: AT&T MOBILITY

CODE: ANSI/TIA-222-H
ENG NO: 13757798_C4_06

140.00	-4.88	-1.31	0.00	-14.5	0.00	14.54	728.18	173.55	268.22	242.31	24.92	-1.97	0.067
140.50	-4.85	-1.30	0.00	-13.9	0.00	13.88	725.44	172.72	265.66	240.23	25.13	-1.97	0.065
141.00	-4.82	-1.30	0.00	-13.2	0.00	13.23	721.95	171.89	263.11	237.92	25.34	-1.98	0.062
141.50	-4.80	-1.29	0.00	-12.6	0.00	12.59	718.47	171.06	260.58	235.61	25.54	-1.98	0.060
142.00	-4.77	-1.28	0.00	-11.9	0.00	11.94	714.98	170.23	258.06	233.32	25.75	-1.99	0.058
142.50	-4.74	-1.28	0.00	-11.3	0.00	11.30	711.49	169.40	255.55	231.03	25.96	-1.99	0.056
143.00	-4.71	-1.27	0.00	-10.7	0.00	10.66	708.01	168.57	253.05	228.76	26.17	-2	0.053
143.50	-4.69	-1.26	0.00	-10.0	0.00	10.03	704.52	167.74	250.56	226.50	26.38	-2	0.051
144.00	-4.66	-1.26	0.00	-9.4	0.00	9.40	701.03	166.91	248.09	224.25	26.59	-2.01	0.049
144.50	-4.63	-1.25	0.00	-8.8	0.00	8.77	697.55	166.08	245.63	222.01	26.8	-2.01	0.046
145.00	-4.60	-1.24	0.00	-8.2	0.00	8.15	694.06	165.25	243.18	219.79	27.01	-2.02	0.044
145.50	-4.58	-1.24	0.00	-7.5	0.00	7.53	690.57	164.42	240.74	217.57	27.22	-2.02	0.041
146.00	-4.55	-1.23	0.00	-6.9	0.00	6.91	687.09	163.59	238.32	215.36	27.43	-2.02	0.039
146.50	-4.52	-1.22	0.00	-6.3	0.00	6.29	683.60	162.76	235.91	213.17	27.65	-2.03	0.036
147.00	-4.50	-1.22	0.00	-5.7	0.00	5.68	680.11	161.93	233.51	210.99	27.86	-2.03	0.034
147.50	-4.47	-1.21	0.00	-5.1	0.00	5.07	676.63	161.10	231.12	208.82	28.07	-2.03	0.031
148.00	-4.44	-1.20	0.00	-4.5	0.00	4.47	673.14	160.27	228.75	206.66	28.29	-2.04	0.028
148.50	-4.42	-1.20	0.00	-3.9	0.00	3.87	669.65	159.44	226.38	204.51	28.5	-2.04	0.026
149.00	-4.39	-1.19	0.00	-3.3	0.00	3.27	666.17	158.61	224.03	202.37	28.71	-2.04	0.023
149.50	-4.36	-1.18	0.00	-2.7	0.00	2.68	662.68	157.78	221.70	200.25	28.93	-2.04	0.020
150.00	0.00	-1.03	0.00	-2.1	0.00	2.09	659.19	156.95	219.37	198.13	29.14	-2.04	0.011

EQUIVALENT LATERAL FORCES METHOD ANALYSIS

(Based on ASCE7-16 Chapters 11, 12 and 15)

Spectral Response Acceleration for Short Period (S_S):	0.214
Spectral Response Acceleration at 1.0 Second Period (S_1):	0.055
Long-Period Transition Period (T_L – Seconds):	6
Importance Factor (I_e):	1.000
Site Coefficient F_a :	1.600
Site Coefficient F_v :	2.400
Response Modification Coefficient (R):	1.500
Design Spectral Response Acceleration at Short Period (S_{ds}):	0.228
Design Spectral Response Acceleration at 1.0 Second Period (S_{d1}):	0.088
Seismic Response Coefficient (C_s):	0.030
Upper Limit C_s :	0.030
Lower Limit C_s :	0.030
Period based on Rayleigh Method (sec):	3.190
Redundancy Factor (ρ):	1.000
Seismic Force Distribution Exponent (k):	2.000
Total Unfactored Dead Load:	34.210 k
Seismic Base Shear (E):	1.030 k

1.2D + 1.0Ev + 1.0Eh Seismic

Segment	Height Above Base (ft)	Weight (lb)	W_z (lb-ft)	C_{vx}	Horizontal Force (lb)	Vertical Force (lb)
303	149.75	27	596	0.002	2	33
302	149.25	27	594	0.002	2	33
301	148.75	27	592	0.002	2	33
300	148.25	27	589	0.002	2	33
299	147.75	27	587	0.002	2	34
298	147.25	27	585	0.002	2	34
297	146.75	27	583	0.002	2	34
296	146.25	27	580	0.002	2	34
295	145.75	27	578	0.002	2	34
294	145.25	27	576	0.002	2	34
293	144.75	27	574	0.002	2	34
292	144.25	27	571	0.002	2	34
291	143.75	28	569	0.002	2	34
290	143.25	28	567	0.002	2	34
289	142.75	28	565	0.002	2	35
288	142.25	28	562	0.002	2	35
287	141.75	28	560	0.002	2	35
286	141.25	28	558	0.002	2	35
285	140.75	28	555	0.002	2	35
284	140.25	28	553	0.002	2	35
283	139.75	31	606	0.002	2	39
282	139.25	31	603	0.002	2	39
281	138.75	31	601	0.002	2	39
280	138.25	31	598	0.002	2	39
279	137.75	31	595	0.002	2	39
278	137.25	31	592	0.002	2	39
277	136.75	32	589	0.002	2	39
276	136.25	32	587	0.002	2	39
275	135.75	32	584	0.002	2	39
274	135.25	32	581	0.002	2	40
273	134.75	32	578	0.002	2	40
272	134.25	32	575	0.002	2	40
271	133.75	32	572	0.002	2	40
270	133.25	32	570	0.002	2	40

Segment	Height Above Base (ft)	Weight (lb)	W _z (lb-ft)	C _{vx}	Horizontal Force (lb)	Vertical Force (lb)
269	132.75	32	567	0.002	2	40
268	132.25	32	564	0.002	2	40
267	131.75	32	561	0.002	2	40
266	131.25	32	558	0.002	2	40
265	130.75	32	555	0.002	2	40
264	130.25	33	552	0.002	2	41
263	129.75	33	550	0.002	2	41
262	129.25	33	547	0.002	2	41
261	128.75	33	544	0.002	2	41
260	128.25	33	541	0.002	2	41
259	127.75	33	538	0.002	2	41
258	127.25	33	535	0.002	2	41
257	126.75	33	532	0.002	2	41
256	126.25	33	529	0.002	2	41
255	125.75	33	526	0.002	2	41
254	125.25	33	523	0.002	2	42
253	124.75	33	521	0.002	2	42
252	124.25	34	518	0.002	2	42
251	123.75	34	515	0.002	2	42
250	123.25	34	512	0.002	2	42
249	122.75	34	509	0.002	2	42
248	122.25	34	506	0.002	2	42
247	121.75	34	503	0.002	2	42
246	121.25	34	500	0.002	2	42
245	120.75	34	497	0.002	2	42
244	120.25	34	494	0.002	2	43
243	119.75	34	491	0.002	2	43
242	119.25	34	488	0.002	2	43
241	118.75	34	485	0.002	2	43
240	118.25	34	482	0.002	2	43
239	117.75	35	479	0.002	2	43
238	117.25	35	476	0.002	2	43
237	116.75	35	473	0.002	2	43
236	116.25	60	815	0.003	3	75
235	115.75	60	809	0.003	3	75
234	115.25	60	804	0.003	3	75
233	114.75	61	798	0.003	3	75
232	114.25	61	792	0.003	3	76
231	113.75	61	786	0.003	3	76
230	113.25	61	780	0.003	3	76
229	112.75	61	774	0.003	3	76
228	112.25	61	768	0.003	3	76
227	111.75	61	762	0.003	3	76
226	111.25	61	757	0.003	3	76
225	110.75	61	751	0.003	3	76
224	110.25	61	745	0.002	3	76
223	109.75	75	903	0.003	3	93
222	109.25	75	896	0.003	3	94
221	108.75	75	889	0.003	3	94
220	108.25	75	882	0.003	3	94
219	107.75	75	875	0.003	3	94
218	107.25	75	868	0.003	3	94
217	106.75	76	862	0.003	3	94
216	106.25	76	855	0.003	3	94
215	105.75	76	848	0.003	3	94
214	105.25	76	841	0.003	3	95
213	104.75	76	834	0.003	3	95
212	104.25	76	828	0.003	3	95
211	103.75	76	821	0.003	3	95
210	103.25	76	814	0.003	3	95
209	102.75	76	807	0.003	3	95
208	102.25	77	801	0.003	3	95
207	101.75	77	794	0.003	3	96
206	101.25	77	787	0.003	3	96
205	100.75	77	780	0.003	3	96
204	100.25	77	774	0.003	3	96
203	99.75	77	767	0.003	3	96
202	99.25	77	761	0.003	3	96
201	98.75	77	754	0.003	3	96
200	98.25	77	747	0.003	3	96

Segment	Height Above Base (ft)	Weight (lb)	W _z (lb-ft)	C _{vx}	Horizontal Force (lb)	Vertical Force (lb)
199	97.75	78	741	0.002	3	97
198	97.25	78	734	0.002	3	97
197	96.75	78	728	0.002	3	97
196	96.25	78	721	0.002	3	97
195	95.75	78	715	0.002	3	97
194	95.25	78	708	0.002	2	97
193	94.75	78	702	0.002	2	97
192	94.25	78	695	0.002	2	98
191	93.75	78	689	0.002	2	98
190	93.25	79	683	0.002	2	98
189	92.75	79	676	0.002	2	98
188	92.25	79	670	0.002	2	98
187	91.75	79	664	0.002	2	98
186	91.25	79	657	0.002	2	98
185	90.75	79	651	0.002	2	98
184	90.25	79	645	0.002	2	99
183	89.75	79	638	0.002	2	99
182	89.25	79	632	0.002	2	99
181	88.75	79	626	0.002	2	99
180	88.25	80	620	0.002	2	99
179	87.75	80	614	0.002	2	99
178	87.25	80	607	0.002	2	99
177	86.75	80	601	0.002	2	100
176	86.25	80	595	0.002	2	100
175	85.75	80	589	0.002	2	100
174	85.25	80	583	0.002	2	100
173	84.75	80	577	0.002	2	100
172	84.25	80	571	0.002	2	100
171	83.75	81	565	0.002	2	100
170	83.25	81	559	0.002	2	100
169	82.75	81	553	0.002	2	101
168	82.25	81	547	0.002	2	101
167	81.75	81	541	0.002	2	101
166	81.25	81	535	0.002	2	101
165	80.75	81	529	0.002	2	101
164	80.25	81	524	0.002	2	101
163	79.75	81	518	0.002	2	101
162	79.25	82	512	0.002	2	102
161	78.75	82	506	0.002	2	102
160	78.25	82	500	0.002	2	102
159	77.75	82	495	0.002	2	102
158	77.25	82	489	0.002	2	102
157	76.75	82	483	0.002	2	102
156	76.25	82	478	0.002	2	102
155	75.75	82	472	0.002	2	102
154	75.25	82	466	0.002	2	103
153	74.75	82	461	0.002	2	103
152	74.25	83	455	0.002	2	103
151	73.75	83	450	0.002	2	103
150	73.415	43	234	0.001	1	54
149	73.165	88	473	0.002	2	110
148	72.75	134	710	0.002	2	167
147	72.25	134	702	0.002	2	167
146	71.75	135	693	0.002	2	168
145	71.25	135	685	0.002	2	168
144	70.75	135	677	0.002	2	168
143	70.25	135	668	0.002	2	169
142	69.75	98	478	0.002	2	122
141	69.25	98	472	0.002	2	123
140	68.75	99	466	0.002	2	123
139	68.25	99	459	0.002	2	123
138	67.75	99	453	0.002	2	123
137	67.25	99	447	0.002	2	123
136	66.75	99	441	0.002	2	123
135	66.25	99	435	0.002	2	124
134	65.75	99	429	0.002	2	124
133	65.25	99	423	0.001	1	124
132	64.75	100	417	0.001	1	124
131	64.25	100	412	0.001	1	124
130	63.75	100	406	0.001	1	124

Segment	Height Above Base (ft)	Weight (lb)	W _z (lb-ft)	C _{vx}	Horizontal Force (lb)	Vertical Force (lb)
129	63.25	100	400	0.001	1	125
128	62.75	100	394	0.001	1	125
127	62.25	100	388	0.001	1	125
126	61.75	100	383	0.001	1	125
125	61.25	101	377	0.001	1	125
124	60.75	101	371	0.001	1	125
123	60.25	101	366	0.001	1	126
122	59.75	101	360	0.001	1	126
121	59.25	101	355	0.001	1	126
120	58.75	101	349	0.001	1	126
119	58.25	101	344	0.001	1	126
118	57.75	101	338	0.001	1	126
117	57.25	102	333	0.001	1	127
116	56.75	102	328	0.001	1	127
115	56.25	102	322	0.001	1	127
114	55.75	102	317	0.001	1	127
113	55.25	102	312	0.001	1	127
112	54.75	102	307	0.001	1	127
111	54.25	102	301	0.001	1	128
110	53.75	103	296	0.001	1	128
109	53.25	103	291	0.001	1	128
108	52.75	103	286	0.001	1	128
107	52.25	103	281	0.001	1	128
106	51.75	103	276	0.001	1	128
105	51.25	103	271	0.001	1	129
104	50.75	103	266	0.001	1	129
103	50.25	103	261	0.001	1	129
102	49.75	104	256	0.001	1	129
101	49.25	104	252	0.001	1	129
100	48.75	104	247	0.001	1	129
99	48.25	104	242	0.001	1	130
98	47.75	104	237	0.001	1	130
97	47.25	104	233	0.001	1	130
96	46.75	104	228	0.001	1	130
95	46.25	105	224	0.001	1	130
94	45.75	105	219	0.001	1	130
93	45.25	105	215	0.001	1	131
92	44.75	105	210	0.001	1	131
91	44.25	105	206	0.001	1	131
90	43.75	105	201	0.001	1	131
89	43.25	105	197	0.001	1	131
88	42.75	105	193	0.001	1	131
87	42.25	106	189	0.001	1	132
86	41.75	106	184	0.001	1	132
85	41.25	106	180	0.001	1	132
84	40.75	106	176	0.001	1	132
83	40.25	106	172	0.001	1	132
82	39.75	106	168	0.001	1	132
81	39.25	106	164	0.001	1	133
80	38.75	107	160	0.000	1	133
79	38.25	107	156	0.000	1	133
78	37.75	107	152	0.000	1	133
77	37.25	107	148	0.000	1	133
76	36.835	71	96	0.000	0	88
75	36.585	39	52	0.000	0	48
74	36.25	114	149	0.000	1	142
73	35.8334	76	97	0.000	0	94
72	35.5834	59	75	0.000	0	74
71	35.25	179	222	0.001	1	222
70	34.75	179	216	0.001	1	223
69	34.25	179	210	0.001	1	223
68	33.75	179	204	0.001	1	224
67	33.25	180	199	0.001	1	224
66	32.75	180	193	0.001	1	224
65	32.25	180	188	0.001	1	225
64	31.75	181	182	0.001	1	225
63	31.25	125	122	0.000	0	155
62	30.75	125	118	0.000	0	156
61	30.25	125	114	0.000	0	156
60	29.75	125	111	0.000	0	156

Segment	Height Above Base (ft)	Weight (lb)	W _z (lb-ft)	C _{vx}	Horizontal Force (lb)	Vertical Force (lb)
59	29.25	125	107	0.000	0	156
58	28.75	126	104	0.000	0	156
57	28.25	126	100	0.000	0	157
56	27.75	126	97	0.000	0	157
55	27.25	126	94	0.000	0	157
54	26.75	126	90	0.000	0	157
53	26.25	126	87	0.000	0	157
52	25.75	127	84	0.000	0	158
51	25.25	127	81	0.000	0	158
50	24.75	127	78	0.000	0	158
49	24.25	127	75	0.000	0	158
48	23.75	127	72	0.000	0	158
47	23.25	127	69	0.000	0	159
46	22.75	127	66	0.000	0	159
45	22.25	128	63	0.000	0	159
44	21.75	128	60	0.000	0	159
43	21.25	128	58	0.000	0	159
42	20.75	128	55	0.000	0	160
41	20.25	128	53	0.000	0	160
40	19.75	128	50	0.000	0	160
39	19.25	129	48	0.000	0	160
38	18.75	129	45	0.000	0	160
37	18.25	129	43	0.000	0	161
36	17.75	129	41	0.000	0	161
35	17.25	129	38	0.000	0	161
34	16.75	129	36	0.000	0	161
33	16.25	130	34	0.000	0	161
32	15.75	130	32	0.000	0	162
31	15.25	130	30	0.000	0	162
30	14.75	130	28	0.000	0	162
29	14.25	130	26	0.000	0	162
28	13.75	130	25	0.000	0	162
27	13.25	131	23	0.000	0	163
26	12.75	131	21	0.000	0	163
25	12.25	131	20	0.000	0	163
24	11.75	131	18	0.000	0	163
23	11.25	131	17	0.000	0	163
22	10.75	131	15	0.000	0	164
21	10.25	132	14	0.000	0	164
20	9.75	132	13	0.000	0	164
19	9.25	132	11	0.000	0	164
18	8.75	132	10	0.000	0	164
17	8.25	132	9	0.000	0	165
16	7.75	132	8	0.000	0	165
15	7.25	132	7	0.000	0	165
14	6.75	133	6	0.000	0	165
13	6.25	133	5	0.000	0	165
12	5.75	133	4	0.000	0	166
11	5.25	133	4	0.000	0	166
10	4.75	133	3	0.000	0	166
9	4.25	133	2	0.000	0	166
8	3.75	134	2	0.000	0	166
7	3.25	134	1	0.000	0	167
6	2.75	134	1	0.000	0	167
5	2.25	134	1	0.000	0	167
4	1.75	134	0	0.000	0	167
3	1.25	134	0	0.000	0	167
2	0.75	135	0	0.000	0	168
1	0.25	135	0	0.000	0	168
Ericsson Air 6449 B77D	150	245	5,508	0.019	19	305
Raycap DC6-48-60-18-8F ("Squid")	150	64	1,431	0.005	5	79
Ericsson RRUS 4426 B66	150	145	3,267	0.011	11	181
Ericsson RRUS 4449 B5, B12	150	213	4,792	0.016	17	265
Ericsson RRUS 4478 B14	150	178	4,010	0.014	14	222
Ericsson RRUS 32 B30	150	180	4,050	0.014	14	224
Ericsson RRUS 32 B2	150	159	3,578	0.012	13	198
Raycap DC9-48-60-24-8C-EV	150	16	360	0.001	1	20
CCI DMP65R-BU6DA	150	238	5,360	0.018	19	297
CCI TPA-65R-BU6DA-K	150	239	5,373	0.018	19	297
Ericsson AIR 6419 B77G	150	198	4,462	0.015	16	247

ASSET: 302494, Hddm - Haddam
 CUSTOMER: AT&T MOBILITY

CODE: ANSI/TIA-222-H
 ENG NO: 13757798_C4_06

Segment	Height Above Base (ft)	Weight (lb)	W _z (lb-ft)	C _{vx}	Horizontal Force (lb)	Vertical Force (lb)
Generic Flat Platform with Handrails	150	2,500	56,250	0.192	197	3,114
Generic Flat Platform with Handrails	140	2,500	49,000	0.168	172	3,114
Ericsson Radio 4460 B25+B66	140	327	6,409	0.022	22	407
Ericsson Radio 4480 B71+B85A	140	252	4,939	0.017	17	314
Commscope VV-65A-R1	140	71	1,399	0.005	5	89
RFS APXVAALL24 43-U-NA20	140	368	7,221	0.025	25	459
		34,212	292,607	0.999	1,026	42,616

0.9D - 1.0Ev + 1.0Eh Seismic (Reduced DL)

Segment	Height Above Base (ft)	Weight (lb)	W _z (lb-ft)	C _{vx}	Horizontal Force (lb)	Vertical Force (lb)
303	149.75	27	596	0.002	2	23
302	149.25	27	594	0.002	2	23
301	148.75	27	592	0.002	2	23
300	148.25	27	589	0.002	2	23
299	147.75	27	587	0.002	2	23
298	147.25	27	585	0.002	2	23
297	146.75	27	583	0.002	2	23
296	146.25	27	580	0.002	2	23
295	145.75	27	578	0.002	2	23
294	145.25	27	576	0.002	2	23
293	144.75	27	574	0.002	2	23
292	144.25	27	571	0.002	2	23
291	143.75	28	569	0.002	2	24
290	143.25	28	567	0.002	2	24
289	142.75	28	565	0.002	2	24
288	142.25	28	562	0.002	2	24
287	141.75	28	560	0.002	2	24
286	141.25	28	558	0.002	2	24
285	140.75	28	555	0.002	2	24
284	140.25	28	553	0.002	2	24
283	139.75	31	606	0.002	2	27
282	139.25	31	603	0.002	2	27
281	138.75	31	601	0.002	2	27
280	138.25	31	598	0.002	2	27
279	137.75	31	595	0.002	2	27
278	137.25	31	592	0.002	2	27
277	136.75	32	589	0.002	2	27
276	136.25	32	587	0.002	2	27
275	135.75	32	584	0.002	2	27
274	135.25	32	581	0.002	2	27
273	134.75	32	578	0.002	2	27
272	134.25	32	575	0.002	2	27
271	133.75	32	572	0.002	2	27
270	133.25	32	570	0.002	2	27
269	132.75	32	567	0.002	2	27
268	132.25	32	564	0.002	2	28
267	131.75	32	561	0.002	2	28
266	131.25	32	558	0.002	2	28
265	130.75	32	555	0.002	2	28
264	130.25	33	552	0.002	2	28
263	129.75	33	550	0.002	2	28
262	129.25	33	547	0.002	2	28
261	128.75	33	544	0.002	2	28
260	128.25	33	541	0.002	2	28
259	127.75	33	538	0.002	2	28
258	127.25	33	535	0.002	2	28
257	126.75	33	532	0.002	2	28
256	126.25	33	529	0.002	2	28
255	125.75	33	526	0.002	2	28
254	125.25	33	523	0.002	2	29
253	124.75	33	521	0.002	2	29

Segment	Height Above Base (ft)	Weight (lb)	W _z (lb-ft)	C _{vx}	Horizontal Force (lb)	Vertical Force (lb)
252	124.25	34	518	0.002	2	29
251	123.75	34	515	0.002	2	29
250	123.25	34	512	0.002	2	29
249	122.75	34	509	0.002	2	29
248	122.25	34	506	0.002	2	29
247	121.75	34	503	0.002	2	29
246	121.25	34	500	0.002	2	29
245	120.75	34	497	0.002	2	29
244	120.25	34	494	0.002	2	29
243	119.75	34	491	0.002	2	29
242	119.25	34	488	0.002	2	29
241	118.75	34	485	0.002	2	29
240	118.25	34	482	0.002	2	29
239	117.75	35	479	0.002	2	30
238	117.25	35	476	0.002	2	30
237	116.75	35	473	0.002	2	30
236	116.25	60	815	0.003	3	52
235	115.75	60	809	0.003	3	52
234	115.25	60	804	0.003	3	52
233	114.75	61	798	0.003	3	52
232	114.25	61	792	0.003	3	52
231	113.75	61	786	0.003	3	52
230	113.25	61	780	0.003	3	52
229	112.75	61	774	0.003	3	52
228	112.25	61	768	0.003	3	52
227	111.75	61	762	0.003	3	52
226	111.25	61	757	0.003	3	52
225	110.75	61	751	0.003	3	52
224	110.25	61	745	0.002	3	52
223	109.75	75	903	0.003	3	64
222	109.25	75	896	0.003	3	64
221	108.75	75	889	0.003	3	64
220	108.25	75	882	0.003	3	64
219	107.75	75	875	0.003	3	64
218	107.25	75	868	0.003	3	65
217	106.75	76	862	0.003	3	65
216	106.25	76	855	0.003	3	65
215	105.75	76	848	0.003	3	65
214	105.25	76	841	0.003	3	65
213	104.75	76	834	0.003	3	65
212	104.25	76	828	0.003	3	65
211	103.75	76	821	0.003	3	65
210	103.25	76	814	0.003	3	65
209	102.75	76	807	0.003	3	65
208	102.25	77	801	0.003	3	65
207	101.75	77	794	0.003	3	66
206	101.25	77	787	0.003	3	66
205	100.75	77	780	0.003	3	66
204	100.25	77	774	0.003	3	66
203	99.75	77	767	0.003	3	66
202	99.25	77	761	0.003	3	66
201	98.75	77	754	0.003	3	66
200	98.25	77	747	0.003	3	66
199	97.75	78	741	0.002	3	66
198	97.25	78	734	0.002	3	66
197	96.75	78	728	0.002	3	66
196	96.25	78	721	0.002	3	67
195	95.75	78	715	0.002	3	67
194	95.25	78	708	0.002	2	67
193	94.75	78	702	0.002	2	67
192	94.25	78	695	0.002	2	67
191	93.75	78	689	0.002	2	67
190	93.25	79	683	0.002	2	67
189	92.75	79	676	0.002	2	67
188	92.25	79	670	0.002	2	67
187	91.75	79	664	0.002	2	67
186	91.25	79	657	0.002	2	67
185	90.75	79	651	0.002	2	68
184	90.25	79	645	0.002	2	68
183	89.75	79	638	0.002	2	68

Segment	Height Above Base (ft)	Weight (lb)	W _z (lb-ft)	C _{vx}	Horizontal Force (lb)	Vertical Force (lb)
182	89.25	79	632	0.002	2	68
181	88.75	79	626	0.002	2	68
180	88.25	80	620	0.002	2	68
179	87.75	80	614	0.002	2	68
178	87.25	80	607	0.002	2	68
177	86.75	80	601	0.002	2	68
176	86.25	80	595	0.002	2	68
175	85.75	80	589	0.002	2	68
174	85.25	80	583	0.002	2	69
173	84.75	80	577	0.002	2	69
172	84.25	80	571	0.002	2	69
171	83.75	81	565	0.002	2	69
170	83.25	81	559	0.002	2	69
169	82.75	81	553	0.002	2	69
168	82.25	81	547	0.002	2	69
167	81.75	81	541	0.002	2	69
166	81.25	81	535	0.002	2	69
165	80.75	81	529	0.002	2	69
164	80.25	81	524	0.002	2	69
163	79.75	81	518	0.002	2	70
162	79.25	82	512	0.002	2	70
161	78.75	82	506	0.002	2	70
160	78.25	82	500	0.002	2	70
159	77.75	82	495	0.002	2	70
158	77.25	82	489	0.002	2	70
157	76.75	82	483	0.002	2	70
156	76.25	82	478	0.002	2	70
155	75.75	82	472	0.002	2	70
154	75.25	82	466	0.002	2	70
153	74.75	82	461	0.002	2	70
152	74.25	83	455	0.002	2	71
151	73.75	83	450	0.002	2	71
150	73.415	43	234	0.001	1	37
149	73.165	88	473	0.002	2	76
148	72.75	134	710	0.002	2	115
147	72.25	134	702	0.002	2	115
146	71.75	135	693	0.002	2	115
145	71.25	135	685	0.002	2	115
144	70.75	135	677	0.002	2	115
143	70.25	135	668	0.002	2	116
142	69.75	98	478	0.002	2	84
141	69.25	98	472	0.002	2	84
140	68.75	99	466	0.002	2	84
139	68.25	99	459	0.002	2	84
138	67.75	99	453	0.002	2	84
137	67.25	99	447	0.002	2	85
136	66.75	99	441	0.002	2	85
135	66.25	99	435	0.002	2	85
134	65.75	99	429	0.002	2	85
133	65.25	99	423	0.001	1	85
132	64.75	100	417	0.001	1	85
131	64.25	100	412	0.001	1	85
130	63.75	100	406	0.001	1	85
129	63.25	100	400	0.001	1	85
128	62.75	100	394	0.001	1	86
127	62.25	100	388	0.001	1	86
126	61.75	100	383	0.001	1	86
125	61.25	101	377	0.001	1	86
124	60.75	101	371	0.001	1	86
123	60.25	101	366	0.001	1	86
122	59.75	101	360	0.001	1	86
121	59.25	101	355	0.001	1	86
120	58.75	101	349	0.001	1	86
119	58.25	101	344	0.001	1	87
118	57.75	101	338	0.001	1	87
117	57.25	102	333	0.001	1	87
116	56.75	102	328	0.001	1	87
115	56.25	102	322	0.001	1	87
114	55.75	102	317	0.001	1	87
113	55.25	102	312	0.001	1	87

Segment	Height Above Base (ft)	Weight (lb)	W _z (lb-ft)	C _{vx}	Horizontal Force (lb)	Vertical Force (lb)
112	54.75	102	307	0.001	1	87
111	54.25	102	301	0.001	1	87
110	53.75	103	296	0.001	1	88
109	53.25	103	291	0.001	1	88
108	52.75	103	286	0.001	1	88
107	52.25	103	281	0.001	1	88
106	51.75	103	276	0.001	1	88
105	51.25	103	271	0.001	1	88
104	50.75	103	266	0.001	1	88
103	50.25	103	261	0.001	1	88
102	49.75	104	256	0.001	1	89
101	49.25	104	252	0.001	1	89
100	48.75	104	247	0.001	1	89
99	48.25	104	242	0.001	1	89
98	47.75	104	237	0.001	1	89
97	47.25	104	233	0.001	1	89
96	46.75	104	228	0.001	1	89
95	46.25	105	224	0.001	1	89
94	45.75	105	219	0.001	1	89
93	45.25	105	215	0.001	1	90
92	44.75	105	210	0.001	1	90
91	44.25	105	206	0.001	1	90
90	43.75	105	201	0.001	1	90
89	43.25	105	197	0.001	1	90
88	42.75	105	193	0.001	1	90
87	42.25	106	189	0.001	1	90
86	41.75	106	184	0.001	1	90
85	41.25	106	180	0.001	1	90
84	40.75	106	176	0.001	1	91
83	40.25	106	172	0.001	1	91
82	39.75	106	168	0.001	1	91
81	39.25	106	164	0.001	1	91
80	38.75	107	160	0.000	1	91
79	38.25	107	156	0.000	1	91
78	37.75	107	152	0.000	1	91
77	37.25	107	148	0.000	1	91
76	36.835	71	96	0.000	0	60
75	36.585	39	52	0.000	0	33
74	36.25	114	149	0.000	1	97
73	35.8334	76	97	0.000	0	65
72	35.5834	59	75	0.000	0	51
71	35.25	179	222	0.001	1	153
70	34.75	179	216	0.001	1	153
69	34.25	179	210	0.001	1	153
68	33.75	179	204	0.001	1	153
67	33.25	180	199	0.001	1	154
66	32.75	180	193	0.001	1	154
65	32.25	180	188	0.001	1	154
64	31.75	181	182	0.001	1	154
63	31.25	125	122	0.000	0	107
62	30.75	125	118	0.000	0	107
61	30.25	125	114	0.000	0	107
60	29.75	125	111	0.000	0	107
59	29.25	125	107	0.000	0	107
58	28.75	126	104	0.000	0	107
57	28.25	126	100	0.000	0	107
56	27.75	126	97	0.000	0	108
55	27.25	126	94	0.000	0	108
54	26.75	126	90	0.000	0	108
53	26.25	126	87	0.000	0	108
52	25.75	127	84	0.000	0	108
51	25.25	127	81	0.000	0	108
50	24.75	127	78	0.000	0	108
49	24.25	127	75	0.000	0	109
48	23.75	127	72	0.000	0	109
47	23.25	127	69	0.000	0	109
46	22.75	127	66	0.000	0	109
45	22.25	128	63	0.000	0	109
44	21.75	128	60	0.000	0	109
43	21.25	128	58	0.000	0	109

Segment	Height Above Base (ft)	Weight (lb)	W _z (lb-ft)	C _{vx}	Horizontal Force (lb)	Vertical Force (lb)
42	20.75	128	55	0.000	0	109
41	20.25	128	53	0.000	0	110
40	19.75	128	50	0.000	0	110
39	19.25	129	48	0.000	0	110
38	18.75	129	45	0.000	0	110
37	18.25	129	43	0.000	0	110
36	17.75	129	41	0.000	0	110
35	17.25	129	38	0.000	0	110
34	16.75	129	36	0.000	0	111
33	16.25	130	34	0.000	0	111
32	15.75	130	32	0.000	0	111
31	15.25	130	30	0.000	0	111
30	14.75	130	28	0.000	0	111
29	14.25	130	26	0.000	0	111
28	13.75	130	25	0.000	0	111
27	13.25	131	23	0.000	0	112
26	12.75	131	21	0.000	0	112
25	12.25	131	20	0.000	0	112
24	11.75	131	18	0.000	0	112
23	11.25	131	17	0.000	0	112
22	10.75	131	15	0.000	0	112
21	10.25	132	14	0.000	0	112
20	9.75	132	13	0.000	0	113
19	9.25	132	11	0.000	0	113
18	8.75	132	10	0.000	0	113
17	8.25	132	9	0.000	0	113
16	7.75	132	8	0.000	0	113
15	7.25	132	7	0.000	0	113
14	6.75	133	6	0.000	0	113
13	6.25	133	5	0.000	0	113
12	5.75	133	4	0.000	0	114
11	5.25	133	4	0.000	0	114
10	4.75	133	3	0.000	0	114
9	4.25	133	2	0.000	0	114
8	3.75	134	2	0.000	0	114
7	3.25	134	1	0.000	0	114
6	2.75	134	1	0.000	0	114
5	2.25	134	1	0.000	0	115
4	1.75	134	0	0.000	0	115
3	1.25	134	0	0.000	0	115
2	0.75	135	0	0.000	0	115
1	0.25	135	0	0.000	0	115
Ericsson Air 6449 B77D	150	245	5,508	0.019	19	209
Raycap DC6-48-60-18-8F ("Squid")	150	64	1,431	0.005	5	54
Ericsson RRUS 4426 B66	150	145	3,267	0.011	11	124
Ericsson RRUS 4449 B5, B12	150	213	4,792	0.016	17	182
Ericsson RRUS 4478 B14	150	178	4,010	0.014	14	152
Ericsson RRUS 32 B30	150	180	4,050	0.014	14	154
Ericsson RRUS 32 B2	150	159	3,578	0.012	13	136
Raycap DC9-48-60-24-8C-EV	150	16	360	0.001	1	14
CCI DMP65R-BU6DA	150	238	5,360	0.018	19	204
CCI TPA-65R-BU6DA-K	150	239	5,373	0.018	19	204
Ericsson AIR 6419 B77G	150	198	4,462	0.015	16	169
Generic Flat Platform with Handrails	150	2,500	56,250	0.192	197	2,136
Generic Flat Platform with Handrails	140	2,500	49,000	0.168	172	2,136
Ericsson Radio 4460 B25+B66	140	327	6,409	0.022	22	279
Ericsson Radio 4480 B71+B85A	140	252	4,939	0.017	17	215
Commscope VV-65A-R1	140	71	1,399	0.005	5	61
RFS APXVAALL24 43-U-NA20	140	368	7,221	0.025	25	315
		34,212	292,607	0.999	1,026	29,229

1.2D + 1.0Ev + 1.0Eh Seismic

CALCULATED FORCES

Seg Elev	Pu FY (-)	Vu FX (-)	Tu MY	Mu MZ	Mu Mx	Resultant Moment	Phi Pn	Phi Vn	Phi Tn	Phi Mn	Total Deflect	Rotation (deg)	Ratio
----------	-----------	-----------	-------	-------	-------	------------------	--------	--------	--------	--------	---------------	----------------	-------

(ft)	(kips)	(kips)	(ft-kips)	(fr-kips)	(ft-kips)	(ft-kips)	(kips)	(kips)	(kips)	(kips)	(in)		
0.00	-42.45	-1.02	0.00	-139.94	0.00	139.94	3,157.17	784.20	2,738	2,376.61	0.00	0.00	0.05
0.50	-42.28	-1.02	0.00	-139.43	0.00	139.43	3,152.93	782.54	2,726	2,368.34	0.00	0.00	0.04
1.00	-42.11	-1.02	0.00	-138.92	0.00	138.92	3,148.69	780.88	2,715	2,360.09	0.00	0.00	0.04
1.50	-41.95	-1.03	0.00	-138.41	0.00	138.41	3,144.43	779.21	2,703	2,351.83	0.00	0.00	0.04
2.00	-41.78	-1.03	0.00	-137.90	0.00	137.90	3,140.17	777.55	2,692	2,343.59	0.00	-0.01	0.04
2.50	-41.61	-1.03	0.00	-137.38	0.00	137.38	3,135.89	775.89	2,680	2,335.35	0.00	-0.01	0.04
3.00	-41.45	-1.03	0.00	-136.87	0.00	136.87	3,131.60	774.23	2,669	2,327.12	0.00	-0.01	0.04
3.50	-41.28	-1.03	0.00	-136.35	0.00	136.35	3,127.31	772.57	2,657	2,318.89	0.00	-0.01	0.04
4.00	-41.11	-1.03	0.00	-135.84	0.00	135.84	3,123.00	770.91	2,646	2,310.67	0.01	-0.01	0.04
4.50	-40.95	-1.03	0.00	-135.32	0.00	135.32	3,118.68	769.25	2,634	2,302.45	0.01	-0.01	0.04
5.00	-40.78	-1.03	0.00	-134.81	0.00	134.81	3,114.35	767.59	2,623	2,294.24	0.01	-0.02	0.04
5.50	-40.62	-1.03	0.00	-134.29	0.00	134.29	3,110.02	765.93	2,612	2,286.04	0.01	-0.02	0.04
6.00	-40.45	-1.04	0.00	-133.77	0.00	133.77	3,105.67	764.27	2,600	2,277.85	0.01	-0.02	0.04
6.50	-40.28	-1.04	0.00	-133.26	0.00	133.26	3,101.31	762.61	2,589	2,269.66	0.01	-0.02	0.04
7.00	-40.12	-1.04	0.00	-132.74	0.00	132.74	3,096.94	760.95	2,578	2,261.47	0.02	-0.02	0.04
7.50	-39.95	-1.04	0.00	-132.22	0.00	132.22	3,092.56	759.29	2,567	2,253.30	0.02	-0.02	0.04
8.00	-39.79	-1.04	0.00	-131.70	0.00	131.70	3,088.17	757.63	2,555	2,245.13	0.02	-0.03	0.04
8.50	-39.63	-1.04	0.00	-131.18	0.00	131.18	3,083.77	755.97	2,544	2,236.96	0.02	-0.03	0.04
9.00	-39.46	-1.04	0.00	-130.66	0.00	130.66	3,079.36	754.31	2,533	2,228.81	0.03	-0.03	0.04
9.50	-39.30	-1.04	0.00	-130.14	0.00	130.14	3,074.94	752.65	2,522	2,220.66	0.03	-0.03	0.04
10.00	-39.13	-1.04	0.00	-129.62	0.00	129.62	3,070.50	750.99	2,511	2,212.51	0.03	-0.03	0.04
10.50	-38.97	-1.04	0.00	-129.10	0.00	129.10	3,066.06	749.33	2,500	2,204.38	0.04	-0.03	0.04
11.00	-38.81	-1.05	0.00	-128.57	0.00	128.57	3,061.61	747.67	2,489	2,196.25	0.04	-0.03	0.04
11.50	-38.64	-1.05	0.00	-128.05	0.00	128.05	3,057.15	746.01	2,478	2,188.12	0.04	-0.04	0.04
12.00	-38.48	-1.05	0.00	-127.53	0.00	127.53	3,052.67	744.35	2,467	2,180.01	0.05	-0.04	0.04
12.50	-38.32	-1.05	0.00	-127.01	0.00	127.01	3,048.19	742.69	2,456	2,171.90	0.05	-0.04	0.04
13.00	-38.15	-1.05	0.00	-126.48	0.00	126.48	3,043.69	741.03	2,445	2,163.80	0.06	-0.04	0.04
13.50	-37.99	-1.05	0.00	-125.96	0.00	125.96	3,039.19	739.37	2,434	2,155.70	0.06	-0.04	0.04
14.00	-37.83	-1.05	0.00	-125.43	0.00	125.43	3,034.67	737.71	2,423	2,147.61	0.07	-0.04	0.04
14.50	-37.67	-1.05	0.00	-124.91	0.00	124.91	3,030.15	736.05	2,412	2,139.53	0.07	-0.05	0.04
15.00	-37.51	-1.05	0.00	-124.38	0.00	124.38	3,025.61	734.39	2,401	2,131.46	0.07	-0.05	0.04
15.50	-37.34	-1.05	0.00	-123.85	0.00	123.85	3,021.07	732.72	2,390	2,123.39	0.08	-0.05	0.04
16.00	-37.18	-1.05	0.00	-123.33	0.00	123.33	3,016.51	731.06	2,379	2,115.34	0.09	-0.05	0.04
16.50	-37.02	-1.05	0.00	-122.80	0.00	122.80	3,011.94	729.40	2,369	2,107.28	0.09	-0.05	0.04
17.00	-36.86	-1.06	0.00	-122.27	0.00	122.27	3,007.37	727.74	2,358	2,099.24	0.10	-0.05	0.04
17.50	-36.70	-1.06	0.00	-121.75	0.00	121.75	3,002.78	726.08	2,347	2,091.20	0.10	-0.06	0.04
18.00	-36.54	-1.06	0.00	-121.22	0.00	121.22	2,998.18	724.42	2,336	2,083.18	0.11	-0.06	0.04
18.50	-36.38	-1.06	0.00	-120.69	0.00	120.69	2,993.57	722.76	2,326	2,075.15	0.11	-0.06	0.04
19.00	-36.22	-1.06	0.00	-120.16	0.00	120.16	2,988.95	721.10	2,315	2,067.14	0.12	-0.06	0.04
19.50	-36.06	-1.06	0.00	-119.63	0.00	119.63	2,984.32	719.44	2,304	2,059.13	0.13	-0.06	0.04
20.00	-35.90	-1.06	0.00	-119.10	0.00	119.10	2,979.68	717.78	2,294	2,051.14	0.13	-0.06	0.04
20.50	-35.74	-1.06	0.00	-118.57	0.00	118.57	2,975.03	716.12	2,283	2,043.15	0.14	-0.07	0.04
21.00	-35.58	-1.06	0.00	-118.04	0.00	118.04	2,970.37	714.46	2,273	2,035.16	0.15	-0.07	0.04
21.50	-35.42	-1.06	0.00	-117.51	0.00	117.51	2,965.70	712.80	2,262	2,027.19	0.15	-0.07	0.04
22.00	-35.26	-1.06	0.00	-116.98	0.00	116.98	2,961.02	711.14	2,252	2,019.22	0.16	-0.07	0.04
22.50	-35.10	-1.06	0.00	-116.45	0.00	116.45	2,956.33	709.48	2,241	2,011.26	0.17	-0.07	0.04
23.00	-34.94	-1.06	0.00	-115.92	0.00	115.92	2,951.63	707.82	2,231	2,003.31	0.18	-0.07	0.04
23.50	-34.79	-1.06	0.00	-115.39	0.00	115.39	2,946.91	706.16	2,220	1,995.37	0.19	-0.08	0.04
24.00	-34.63	-1.06	0.00	-114.85	0.00	114.85	2,942.19	704.50	2,210	1,987.44	0.19	-0.08	0.04
24.50	-34.47	-1.07	0.00	-114.32	0.00	114.32	2,937.46	702.84	2,199	1,979.51	0.20	-0.08	0.04
25.00	-34.31	-1.07	0.00	-113.79	0.00	113.79	2,932.71	701.18	2,189	1,971.59	0.21	-0.08	0.04
25.50	-34.15	-1.07	0.00	-113.26	0.00	113.26	2,927.96	699.52	2,179	1,963.68	0.22	-0.08	0.04
26.00	-34.00	-1.07	0.00	-112.72	0.00	112.72	2,923.19	697.86	2,168	1,955.78	0.23	-0.08	0.04
26.50	-33.84	-1.07	0.00	-112.19	0.00	112.19	2,918.42	696.20	2,158	1,947.89	0.24	-0.09	0.04
27.00	-33.68	-1.07	0.00	-111.66	0.00	111.66	2,913.63	694.54	2,148	1,940.01	0.25	-0.09	0.04
27.50	-33.52	-1.07	0.00	-111.12	0.00	111.12	2,908.88	692.88	2,137	1,932.96	0.25	-0.09	0.04
28.00	-33.37	-1.07	0.00	-110.59	0.00	110.59	2,903.11	691.22	2,127	1,923.65	0.26	-0.09	0.04
28.50	-33.21	-1.07	0.00	-110.05	0.00	110.05	2,896.13	689.56	2,117	1,914.37	0.27	-0.09	0.04
29.00	-33.06	-1.07	0.00	-109.52	0.00	109.52	2,889.16	687.89	2,107	1,905.11	0.28	-0.09	0.04
29.50	-32.90	-1.07	0.00	-108.99	0.00	108.99	2,882.19	686.23	2,097	1,895.87	0.29	-0.10	0.04
30.00	-32.74	-1.07	0.00	-108.45	0.00	108.45	2,875.21	684.57	2,087	1,886.65	0.30	-0.10	0.04
30.50	-32.59	-1.07	0.00	-107.92	0.00	107.92	2,868.24	682.91	2,076	1,877.46	0.31	-0.10	0.04
31.00	-32.43	-1.07	0.00	-107.38	0.00	107.38	2,861.26	681.25	2,066	1,868.29	0.32	-0.10	0.04
31.50	-32.27	-1.07	0.00	-106.85	0.00	106.85	2,854.29	679.59	2,056	1,859.14	0.34	-0.10	0.04
32.00	-32.11	-1.07	0.00	-106.31	0.00	106.31	2,847.32	677.93	2,046	1,850.02	0.35	-0.10	0.04
32.50	-31.96	-1.07	0.00	-105.78	0.00	105.78	2,840.34	676.27	2,036	1,840.91	0.36	-0.11	0.04
33.00	-31.80	-1.07	0.00	-105.24	0.00	105.24	2,833.37	674.61	2,026	1,831.83	0.37	-0.11	0.04
33.50	-31.64	-1.07	0.00	-104.71	0.00	104.71	2,826.40	672.95	2,016	1,822.77	0.38	-0.11	0.04
34.00	-31.49	-1.07	0.00	-104.17	0.00	104.17	2,819.42	671.29	2,006	1,813.74	0.39	-0.11	0.04
34.50	-31.33	-1.07	0.00	-103.64	0.00	103.64	2,812.45	669.63	1,996	1,804.72	0.40	-0.11	0.04
35.00	-31.18	-1.07	0.00	-103.10	0.00	103.10	2,805.48	667.97	1,987	1,795.73	0.42	-0.11	0.04
35.50	-31.02	-1.07	0.00	-102.57	0.00	102.57	2,798.50	666.31	1,977	1,786.77	0.43	-0.12	0.04
35.67	-30.87	-1.07	0.00	-102.39	0.00	102.39	2,248.07	566.94	1,717	1,468.70	0.43	-0.12	0.04

(ft)	(kips)	(kips)	(ft-kips)	(fr-kips)	(ft-kips)	(ft-kips)	(kips)	(kips)	(kips)	(kips)	(in)		
36.00	-30.33	-1.07	0.00	-102.03	0.00	102.03	2,245.83	566.02	1,711	1,464.83	0.44	-0.12	0.04
36.50	-30.28	-1.07	0.00	-101.50	0.00	101.50	2,242.46	564.63	1,703	1,459.02	0.45	-0.12	0.04
36.67	-30.20	-1.07	0.00	-101.32	0.00	101.32	2,241.31	564.16	1,700	1,457.05	0.46	-0.12	0.04
36.67	-30.20	-1.07	0.00	-101.32	0.00	101.32	2,241.31	564.16	1,700	1,457.05	0.46	-0.12	0.05
37.00	-30.06	-1.07	0.00	-100.96	0.00	100.96	2,239.08	563.25	1,695	1,453.22	0.47	-0.12	0.05
37.50	-29.93	-1.07	0.00	-100.43	0.00	100.43	2,235.69	561.87	1,686	1,447.42	0.48	-0.12	0.05
38.00	-29.80	-1.07	0.00	-99.90	0.00	99.90	2,232.29	560.48	1,678	1,441.62	0.49	-0.13	0.05
38.50	-29.66	-1.07	0.00	-99.36	0.00	99.36	2,228.88	559.10	1,670	1,435.83	0.50	-0.13	0.05
39.00	-29.53	-1.07	0.00	-98.83	0.00	98.83	2,225.46	557.71	1,662	1,430.05	0.52	-0.13	0.05
39.50	-29.40	-1.07	0.00	-98.29	0.00	98.29	2,222.03	556.33	1,653	1,424.27	0.53	-0.13	0.05
40.00	-29.27	-1.07	0.00	-97.76	0.00	97.76	2,218.59	554.95	1,645	1,418.49	0.55	-0.13	0.05
40.50	-29.14	-1.07	0.00	-97.22	0.00	97.22	2,215.14	553.56	1,637	1,412.72	0.56	-0.14	0.05
41.00	-29.00	-1.07	0.00	-96.69	0.00	96.69	2,211.67	552.18	1,629	1,406.95	0.57	-0.14	0.05
41.50	-28.87	-1.07	0.00	-96.15	0.00	96.15	2,208.20	550.80	1,621	1,401.18	0.59	-0.14	0.05
42.00	-28.74	-1.07	0.00	-95.62	0.00	95.62	2,204.72	549.41	1,613	1,395.43	0.60	-0.14	0.05
42.50	-28.61	-1.07	0.00	-95.08	0.00	95.08	2,201.23	548.03	1,604	1,389.67	0.62	-0.14	0.05
43.00	-28.48	-1.07	0.00	-94.55	0.00	94.55	2,197.72	546.65	1,596	1,383.92	0.63	-0.15	0.05
43.50	-28.35	-1.07	0.00	-94.01	0.00	94.01	2,194.21	545.26	1,588	1,378.18	0.65	-0.15	0.05
44.00	-28.22	-1.07	0.00	-93.48	0.00	93.48	2,190.68	543.88	1,580	1,372.44	0.66	-0.15	0.05
44.50	-28.08	-1.07	0.00	-92.94	0.00	92.94	2,187.15	542.49	1,572	1,366.70	0.68	-0.15	0.05
45.00	-27.95	-1.07	0.00	-92.41	0.00	92.41	2,183.60	541.11	1,564	1,360.97	0.70	-0.15	0.05
45.50	-27.82	-1.07	0.00	-91.87	0.00	91.87	2,180.05	539.73	1,556	1,355.24	0.71	-0.16	0.05
46.00	-27.69	-1.07	0.00	-91.34	0.00	91.34	2,176.48	538.34	1,548	1,349.52	0.73	-0.16	0.05
46.50	-27.56	-1.07	0.00	-90.80	0.00	90.80	2,172.91	536.96	1,540	1,343.81	0.75	-0.16	0.05
47.00	-27.43	-1.07	0.00	-90.27	0.00	90.27	2,169.32	535.58	1,532	1,338.10	0.76	-0.16	0.05
47.50	-27.30	-1.07	0.00	-89.73	0.00	89.73	2,165.72	534.19	1,525	1,332.39	0.78	-0.16	0.04
48.00	-27.17	-1.07	0.00	-89.20	0.00	89.20	2,162.12	532.81	1,517	1,326.69	0.80	-0.17	0.04
48.50	-27.04	-1.07	0.00	-88.66	0.00	88.66	2,158.50	531.43	1,509	1,321.00	0.81	-0.17	0.04
49.00	-26.92	-1.07	0.00	-88.13	0.00	88.13	2,154.87	530.04	1,501	1,315.31	0.83	-0.17	0.04
49.50	-26.79	-1.07	0.00	-87.60	0.00	87.60	2,151.23	528.66	1,493	1,309.62	0.85	-0.17	0.04
50.00	-26.66	-1.07	0.00	-87.06	0.00	87.06	2,147.58	527.27	1,485	1,303.95	0.87	-0.17	0.04
50.50	-26.53	-1.07	0.00	-86.53	0.00	86.53	2,143.92	525.89	1,478	1,298.27	0.89	-0.18	0.04
51.00	-26.40	-1.07	0.00	-86.00	0.00	86.00	2,140.25	524.51	1,470	1,292.61	0.90	-0.18	0.04
51.50	-26.27	-1.07	0.00	-85.46	0.00	85.46	2,136.57	523.12	1,462	1,286.94	0.92	-0.18	0.04
52.00	-26.14	-1.07	0.00	-84.93	0.00	84.93	2,132.88	521.74	1,454	1,281.29	0.94	-0.18	0.04
52.50	-26.01	-1.06	0.00	-84.40	0.00	84.40	2,129.18	520.36	1,447	1,275.64	0.96	-0.18	0.04
53.00	-25.89	-1.06	0.00	-83.87	0.00	83.87	2,125.47	518.97	1,439	1,269.99	0.98	-0.19	0.04
53.50	-25.76	-1.06	0.00	-83.33	0.00	83.33	2,121.75	517.59	1,431	1,264.35	1.00	-0.19	0.04
54.00	-25.63	-1.06	0.00	-82.80	0.00	82.80	2,118.01	516.21	1,424	1,258.72	1.02	-0.19	0.04
54.50	-25.50	-1.06	0.00	-82.27	0.00	82.27	2,114.27	514.82	1,416	1,253.09	1.04	-0.19	0.04
55.00	-25.38	-1.06	0.00	-81.74	0.00	81.74	2,110.52	513.44	1,408	1,247.47	1.06	-0.19	0.04
55.50	-25.25	-1.06	0.00	-81.21	0.00	81.21	2,106.75	512.05	1,401	1,241.85	1.08	-0.19	0.04
56.00	-25.12	-1.06	0.00	-80.68	0.00	80.68	2,102.98	510.67	1,393	1,236.24	1.10	-0.20	0.04
56.50	-25.00	-1.06	0.00	-80.15	0.00	80.15	2,099.20	509.29	1,386	1,230.64	1.12	-0.20	0.04
57.00	-24.87	-1.06	0.00	-79.62	0.00	79.62	2,095.40	507.90	1,378	1,225.04	1.14	-0.20	0.04
57.50	-24.74	-1.06	0.00	-79.09	0.00	79.09	2,091.60	506.52	1,371	1,219.45	1.16	-0.20	0.04
58.00	-24.62	-1.06	0.00	-78.56	0.00	78.56	2,087.78	505.14	1,363	1,213.86	1.18	-0.20	0.04
58.50	-24.49	-1.06	0.00	-78.03	0.00	78.03	2,083.96	503.75	1,356	1,208.28	1.21	-0.21	0.04
59.00	-24.36	-1.06	0.00	-77.50	0.00	77.50	2,080.12	502.37	1,348	1,202.71	1.23	-0.21	0.04
59.50	-24.24	-1.05	0.00	-76.97	0.00	76.97	2,076.27	500.99	1,341	1,197.14	1.25	-0.21	0.04
60.00	-24.11	-1.05	0.00	-76.45	0.00	76.45	2,072.42	499.60	1,334	1,191.58	1.27	-0.21	0.04
60.50	-23.99	-1.05	0.00	-75.92	0.00	75.92	2,068.55	498.22	1,326	1,186.03	1.29	-0.21	0.04
61.00	-23.86	-1.05	0.00	-75.39	0.00	75.39	2,064.67	496.83	1,319	1,180.48	1.32	-0.22	0.04
61.50	-23.74	-1.05	0.00	-74.87	0.00	74.87	2,060.78	495.45	1,311	1,174.94	1.34	-0.22	0.04
62.00	-23.61	-1.05	0.00	-74.34	0.00	74.34	2,056.88	494.07	1,304	1,169.41	1.36	-0.22	0.04
62.50	-23.49	-1.05	0.00	-73.82	0.00	73.82	2,052.97	492.68	1,297	1,163.88	1.39	-0.22	0.04
63.00	-23.36	-1.05	0.00	-73.29	0.00	73.29	2,049.05	491.30	1,290	1,158.36	1.41	-0.22	0.04
63.50	-23.24	-1.05	0.00	-72.77	0.00	72.77	2,045.12	489.92	1,282	1,152.85	1.43	-0.23	0.04
64.00	-23.12	-1.05	0.00	-72.24	0.00	72.24	2,041.18	488.53	1,275	1,147.34	1.46	-0.23	0.04
64.50	-22.99	-1.04	0.00	-71.72	0.00	71.72	2,037.23	487.15	1,268	1,141.84	1.48	-0.23	0.04
65.00	-22.87	-1.04	0.00	-71.20	0.00	71.20	2,033.27	485.77	1,261	1,136.35	1.51	-0.23	0.04
65.50	-22.74	-1.04	0.00	-70.68	0.00	70.68	2,029.30	484.38	1,254	1,130.86	1.53	-0.23	0.04
66.00	-22.62	-1.04	0.00	-70.16	0.00	70.16	2,025.32	483.00	1,246	1,125.38	1.55	-0.24	0.04
66.50	-22.50	-1.04	0.00	-69.64	0.00	69.64	2,021.33	481.61	1,239	1,119.91	1.58	-0.24	0.04
67.00	-22.37	-1.04	0.00	-69.12	0.00	69.12	2,017.36	480.23	1,232	1,114.45	1.60	-0.24	0.04
67.50	-22.25	-1.04	0.00	-68.60	0.00	68.60	2,013.37	478.85	1,225	1,108.98	1.63	-0.24	0.04
68.00	-22.13	-1.04	0.00	-68.08	0.00	68.08	2,009.35	477.46	1,218	1,103.51	1.66	-0.24	0.04
68.50	-22.00	-1.03	0.00	-67.56	0.00	67.56	1,999.53	476.08	1,211	1,099.96	1.68	-0.25	0.04
69.00	-21.88	-1.03	0.00	-67.04	0.00	67.04	1,993.72	474.70	1,204	1,088.57	1.71	-0.25	0.04
69.50	-21.76	-1.03	0.00	-66.53	0.00	66.53	1,987.91	473.31	1,197	1,082.20	1.73	-0.25	0.04
70.00	-21.59	-1.03	0.00	-66.01	0.00	66.01	1,982.10	471.93	1,190	1,075.84	1.76	-0.25	0.04
70.50	-21.42	-1.03	0.00	-65.50	0.00	65.50	1,976.29	470.55	1,183	1,069.51	1.79	-0.25	0.04
71.00	-21.25	-1.02	0.00	-64.98	0.00	64.98	1,970.48	469.16	1,176	1,063.19	1.81	-0.26	0.04
71.50	-21.09	-1.02	0.00	-64.47	0.00	64.47	1,964.67	467.78	1,169	1,056.89	1.84	-0.26	0.04

(ft)	(kips)	(kips)	(ft-kips)	(fr-kips)	(ft-kips)	(ft-kips)	(kips)	(kips)	(kips)	(kips)	(in)		
72.00	-20.92	-1.02	0.00	-63.96	0.00	63.96	1,958.86	466.39	1,162	1,050.61	1.87	-0.26	0.04
72.50	-20.75	-1.02	0.00	-63.45	0.00	63.45	1,953.04	465.01	1,155	1,044.35	1.89	-0.26	0.04
73.00	-20.64	-1.02	0.00	-62.94	0.00	62.94	1,947.23	463.63	1,148	1,038.11	1.92	-0.26	0.04
73.33	-20.59	-1.01	0.00	-62.61	0.00	62.61	1,943.40	462.71	1,144	1,034.00	1.94	-0.27	0.04
73.33	-20.59	-1.01	0.00	-62.61	0.00	62.61	1,943.40	462.71	1,144	1,034.00	1.94	-0.27	0.04
73.50	-20.48	-1.01	0.00	-62.43	0.00	62.43	1,473.96	377.74	953	802.32	1.95	-0.27	0.05
74.00	-20.38	-1.01	0.00	-61.93	0.00	61.93	1,471.41	376.63	947	798.56	1.98	-0.27	0.05
74.50	-20.28	-1.01	0.00	-61.42	0.00	61.42	1,468.85	375.53	942	794.80	2.01	-0.27	0.05
75.00	-20.18	-1.01	0.00	-60.92	0.00	60.92	1,466.28	374.42	936	791.05	2.03	-0.27	0.05
75.50	-20.07	-1.01	0.00	-60.41	0.00	60.41	1,463.70	373.31	931	787.30	2.06	-0.28	0.05
76.00	-19.97	-1.01	0.00	-59.91	0.00	59.91	1,461.11	372.21	925	783.56	2.09	-0.28	0.05
76.50	-19.87	-1.01	0.00	-59.41	0.00	59.41	1,458.51	371.10	920	779.81	2.12	-0.28	0.05
77.00	-19.77	-1.00	0.00	-58.90	0.00	58.90	1,455.89	369.99	914	776.07	2.15	-0.28	0.05
77.50	-19.67	-1.00	0.00	-58.40	0.00	58.40	1,453.27	368.89	909	772.34	2.18	-0.28	0.05
78.00	-19.56	-1.00	0.00	-57.90	0.00	57.90	1,450.64	367.78	903	768.60	2.21	-0.29	0.05
78.50	-19.46	-1.00	0.00	-57.40	0.00	57.40	1,447.99	366.67	898	764.87	2.24	-0.29	0.05
79.00	-19.36	-1.00	0.00	-56.90	0.00	56.90	1,445.34	365.57	892	761.14	2.27	-0.29	0.04
79.50	-19.26	-1.00	0.00	-56.40	0.00	56.40	1,442.68	364.46	887	757.41	2.30	-0.29	0.04
80.00	-19.16	-0.99	0.00	-55.90	0.00	55.90	1,440.00	363.35	882	753.69	2.33	-0.30	0.04
80.50	-19.06	-0.99	0.00	-55.41	0.00	55.41	1,437.32	362.24	876	749.97	2.36	-0.30	0.04
81.00	-18.96	-0.99	0.00	-54.91	0.00	54.91	1,434.62	361.14	871	746.26	2.39	-0.30	0.04
81.50	-18.85	-0.99	0.00	-54.41	0.00	54.41	1,431.91	360.03	866	742.54	2.43	-0.30	0.04
82.00	-18.75	-0.99	0.00	-53.92	0.00	53.92	1,429.20	358.92	860	738.83	2.46	-0.30	0.04
82.50	-18.65	-0.99	0.00	-53.43	0.00	53.43	1,426.47	357.82	855	735.13	2.49	-0.31	0.04
83.00	-18.55	-0.98	0.00	-52.93	0.00	52.93	1,423.73	356.71	850	731.43	2.52	-0.31	0.04
83.50	-18.45	-0.98	0.00	-52.44	0.00	52.44	1,420.98	355.60	844	727.73	2.55	-0.31	0.04
84.00	-18.35	-0.98	0.00	-51.95	0.00	51.95	1,418.23	354.50	839	724.03	2.59	-0.31	0.04
84.50	-18.25	-0.98	0.00	-51.46	0.00	51.46	1,415.46	353.39	834	720.34	2.62	-0.32	0.04
85.00	-18.15	-0.98	0.00	-50.97	0.00	50.97	1,412.68	352.28	829	716.65	2.65	-0.32	0.04
85.50	-18.05	-0.98	0.00	-50.48	0.00	50.48	1,409.89	351.18	824	712.97	2.69	-0.32	0.04
86.00	-17.95	-0.97	0.00	-49.99	0.00	49.99	1,407.09	350.07	818	709.28	2.72	-0.32	0.04
86.50	-17.85	-0.97	0.00	-49.51	0.00	49.51	1,404.28	348.96	813	705.61	2.75	-0.32	0.04
87.00	-17.75	-0.97	0.00	-49.02	0.00	49.02	1,401.46	347.85	808	701.93	2.79	-0.33	0.04
87.50	-17.65	-0.97	0.00	-48.54	0.00	48.54	1,398.63	346.75	803	698.27	2.82	-0.33	0.04
88.00	-17.55	-0.97	0.00	-48.05	0.00	48.05	1,395.79	345.64	798	694.60	2.86	-0.33	0.04
88.50	-17.46	-0.96	0.00	-47.57	0.00	47.57	1,392.93	344.53	793	690.94	2.89	-0.33	0.04
89.00	-17.36	-0.96	0.00	-47.09	0.00	47.09	1,390.07	343.43	788	687.28	2.93	-0.34	0.04
89.50	-17.26	-0.96	0.00	-46.61	0.00	46.61	1,387.20	342.32	783	683.63	2.96	-0.34	0.04
90.00	-17.16	-0.96	0.00	-46.13	0.00	46.13	1,384.32	341.21	778	679.98	3.00	-0.34	0.04
90.50	-17.06	-0.95	0.00	-45.65	0.00	45.65	1,381.42	340.11	772	676.33	3.03	-0.34	0.04
91.00	-16.96	-0.95	0.00	-45.17	0.00	45.17	1,378.52	339.00	767	672.69	3.07	-0.34	0.04
91.50	-16.86	-0.95	0.00	-44.70	0.00	44.70	1,375.61	337.89	762	669.06	3.11	-0.35	0.04
92.00	-16.77	-0.95	0.00	-44.22	0.00	44.22	1,372.68	336.79	757	665.42	3.14	-0.35	0.04
92.50	-16.67	-0.95	0.00	-43.75	0.00	43.75	1,369.75	335.68	752	661.80	3.18	-0.35	0.04
93.00	-16.57	-0.94	0.00	-43.28	0.00	43.28	1,366.80	334.57	748	658.17	3.22	-0.35	0.04
93.50	-16.47	-0.94	0.00	-42.80	0.00	42.80	1,363.85	333.47	743	654.55	3.25	-0.36	0.04
94.00	-16.38	-0.94	0.00	-42.33	0.00	42.33	1,360.88	332.36	738	650.94	3.29	-0.36	0.04
94.50	-16.28	-0.94	0.00	-41.87	0.00	41.87	1,357.90	331.25	733	647.33	3.33	-0.36	0.04
95.00	-16.18	-0.93	0.00	-41.40	0.00	41.40	1,354.92	330.14	728	643.72	3.37	-0.36	0.04
95.50	-16.08	-0.93	0.00	-40.93	0.00	40.93	1,351.92	329.04	723	640.12	3.40	-0.36	0.04
96.00	-15.99	-0.93	0.00	-40.47	0.00	40.47	1,348.91	327.93	718	636.53	3.44	-0.37	0.04
96.50	-15.89	-0.93	0.00	-40.00	0.00	40.00	1,345.89	326.82	713	632.94	3.48	-0.37	0.04
97.00	-15.79	-0.92	0.00	-39.54	0.00	39.54	1,342.86	325.72	708	629.35	3.52	-0.37	0.04
97.50	-15.70	-0.92	0.00	-39.08	0.00	39.08	1,339.83	324.61	704	625.77	3.56	-0.37	0.04
98.00	-15.60	-0.92	0.00	-38.62	0.00	38.62	1,336.78	323.50	699	622.19	3.60	-0.37	0.04
98.50	-15.50	-0.92	0.00	-38.16	0.00	38.16	1,333.72	322.40	694	618.62	3.64	-0.38	0.03
99.00	-15.41	-0.91	0.00	-37.70	0.00	37.70	1,330.65	321.29	689	615.06	3.68	-0.38	0.03
99.50	-15.31	-0.91	0.00	-37.24	0.00	37.24	1,327.57	320.18	685	611.50	3.72	-0.38	0.03
100.00	-15.22	-0.91	0.00	-36.79	0.00	36.79	1,324.47	319.08	680	607.94	3.76	-0.38	0.03
100.50	-15.12	-0.90	0.00	-36.34	0.00	36.34	1,321.37	317.97	675	604.39	3.80	-0.38	0.03
101.00	-15.02	-0.90	0.00	-35.88	0.00	35.88	1,318.26	316.86	671	600.84	3.84	-0.39	0.03
101.50	-14.93	-0.90	0.00	-35.43	0.00	35.43	1,315.14	315.75	666	597.30	3.88	-0.39	0.03
102.00	-14.83	-0.90	0.00	-34.99	0.00	34.99	1,312.01	314.65	661	593.77	3.92	-0.39	0.03
102.50	-14.74	-0.89	0.00	-34.54	0.00	34.54	1,308.86	313.54	657	590.24	3.96	-0.39	0.03
103.00	-14.64	-0.89	0.00	-34.09	0.00	34.09	1,305.71	312.43	652	586.72	4.00	-0.39	0.03
103.50	-14.55	-0.89	0.00	-33.65	0.00	33.65	1,302.55	311.33	647	583.20	4.04	-0.40	0.03
104.00	-14.45	-0.88	0.00	-33.20	0.00	33.20	1,299.37	310.22	643	579.69	4.08	-0.40	0.03
104.50	-14.36	-0.88	0.00	-32.76	0.00	32.76	1,296.19	309.11	638	576.18	4.12	-0.40	0.03
105.00	-14.26	-0.88	0.00	-32.32	0.00	32.32	1,292.99	308.01	634	572.68	4.17	-0.40	0.03
105.50	-14.17	-0.87	0.00	-31.88	0.00	31.88	1,289.88	306.90	629	568.82	4.21	-0.40	0.03
106.00	-14.07	-0.87	0.00	-31.45	0.00	31.45	1,284.33	305.79	624	564.70	4.25	-0.41	0.03
106.50	-13.98	-0.87	0.00	-31.01	0.00	31.01	1,279.68	304.69	620	560.60	4.29	-0.41	0.03
107.00	-13.89	-0.86	0.00	-30.58	0.00	30.58	1,275.03	303.58	616	556.51	4.34	-0.41	0.03
107.50	-13.79	-0.86	0.00	-30.15	0.00	30.15	1,270.38	302.47	611	552.44	4.38	-0.41	0.03

(ft)	(kips)	(kips)	(ft-kips)	(fr-kips)	(ft-kips)	(ft-kips)	(kips)	(kips)	(kips)	(kips)	(in)		
108.00	-13.70	-0.86	0.00	-29.72	0.00	29.72	1,265.73	301.36	607	548.38	4.42	-0.41	0.03
108.50	-13.61	-0.85	0.00	-29.29	0.00	29.29	1,261.08	300.26	602	544.33	4.47	-0.42	0.03
109.00	-13.51	-0.85	0.00	-28.86	0.00	28.86	1,256.43	299.15	598	540.30	4.51	-0.42	0.03
109.50	-13.42	-0.85	0.00	-28.43	0.00	28.43	1,251.78	298.04	593	536.29	4.55	-0.42	0.03
110.00	-13.34	-0.85	0.00	-28.01	0.00	28.01	1,247.14	296.94	589	532.29	4.60	-0.42	0.03
110.00	-13.34	-0.85	0.00	-28.01	0.00	28.01	853.24	223.36	444	366.34	4.60	-0.42	0.00
110.50	-13.27	-0.84	0.00	-27.59	0.00	27.59	851.46	222.53	441	364.21	4.64	-0.42	0.04
111.00	-13.19	-0.84	0.00	-27.17	0.00	27.17	849.67	221.70	438	362.07	4.69	-0.43	0.04
111.50	-13.11	-0.84	0.00	-26.75	0.00	26.75	847.88	220.87	434	359.94	4.73	-0.43	0.04
112.00	-13.04	-0.83	0.00	-26.33	0.00	26.33	846.07	220.04	431	357.81	4.78	-0.43	0.04
112.50	-12.96	-0.83	0.00	-25.91	0.00	25.91	844.25	219.21	428	355.68	4.82	-0.43	0.04
113.00	-12.89	-0.83	0.00	-25.50	0.00	25.50	842.42	218.38	425	353.56	4.87	-0.43	0.04
113.50	-12.81	-0.83	0.00	-25.08	0.00	25.08	840.58	217.55	421	351.43	4.91	-0.44	0.04
114.00	-12.73	-0.82	0.00	-24.67	0.00	24.67	838.73	216.72	418	349.31	4.96	-0.44	0.04
114.50	-12.66	-0.82	0.00	-24.26	0.00	24.26	836.87	215.89	415	347.19	5.00	-0.44	0.04
115.00	-12.58	-0.82	0.00	-23.85	0.00	23.85	835.00	215.06	412	345.06	5.05	-0.44	0.04
115.50	-12.51	-0.81	0.00	-23.44	0.00	23.44	833.11	214.23	409	342.95	5.10	-0.45	0.04
116.00	-12.43	-0.81	0.00	-23.03	0.00	23.03	831.22	213.40	405	340.83	5.14	-0.45	0.04
116.50	-12.39	-0.81	0.00	-22.62	0.00	22.62	829.32	212.57	402	338.71	5.19	-0.45	0.03
116.50	-12.39	-0.81	0.00	-22.62	0.00	22.62	829.32	212.57	402	338.71	5.19	-0.45	0.08
117.00	-12.35	-0.81	0.00	-22.22	0.00	22.22	827.41	211.74	399	336.60	5.24	-0.45	0.08
117.50	-12.30	-0.81	0.00	-21.82	0.00	21.82	825.48	210.91	396	334.49	5.29	-0.46	0.08
118.00	-12.26	-0.81	0.00	-21.41	0.00	21.41	823.55	210.08	393	332.38	5.33	-0.46	0.08
118.50	-12.22	-0.81	0.00	-21.01	0.00	21.01	821.61	209.25	390	330.27	5.38	-0.47	0.08
119.00	-12.18	-0.81	0.00	-20.61	0.00	20.61	819.65	208.42	387	328.17	5.43	-0.47	0.08
119.50	-12.13	-0.80	0.00	-20.20	0.00	20.20	817.69	207.59	384	326.06	5.48	-0.48	0.08
120.00	-12.09	-0.80	0.00	-19.80	0.00	19.80	815.71	206.76	381	323.96	5.53	-0.48	0.08
120.50	-12.05	-0.80	0.00	-19.40	0.00	19.40	813.73	205.93	378	321.87	5.58	-0.49	0.08
121.00	-12.00	-0.80	0.00	-19.00	0.00	19.00	811.73	205.10	375	319.77	5.63	-0.49	0.07
121.50	-11.96	-0.80	0.00	-18.60	0.00	18.60	809.72	204.27	372	317.68	5.68	-0.50	0.07
122.00	-11.92	-0.80	0.00	-18.20	0.00	18.20	807.71	203.44	368	315.58	5.74	-0.50	0.07
122.50	-11.88	-0.80	0.00	-17.80	0.00	17.80	805.68	202.61	366	313.49	5.79	-0.51	0.07
123.00	-11.84	-0.80	0.00	-17.40	0.00	17.40	803.64	201.78	363	311.41	5.84	-0.51	0.07
123.50	-11.79	-0.80	0.00	-17.00	0.00	17.00	801.59	200.95	360	309.32	5.90	-0.51	0.07
124.00	-11.75	-0.79	0.00	-16.60	0.00	16.60	799.54	200.12	357	307.24	5.95	-0.52	0.07
124.50	-11.71	-0.79	0.00	-16.21	0.00	16.21	797.47	199.29	354	305.16	6.01	-0.52	0.07
125.00	-11.67	-0.79	0.00	-15.81	0.00	15.81	795.39	198.46	351	303.09	6.06	-0.53	0.07
125.50	-11.63	-0.79	0.00	-15.42	0.00	15.42	793.30	197.63	348	301.01	6.12	-0.53	0.07
126.00	-11.59	-0.79	0.00	-15.02	0.00	15.02	791.20	196.80	345	298.94	6.17	-0.54	0.07
126.50	-11.54	-0.79	0.00	-14.63	0.00	14.63	789.09	195.97	342	296.88	6.23	-0.54	0.06
127.00	-11.50	-0.79	0.00	-14.23	0.00	14.23	786.97	195.14	339	294.81	6.29	-0.55	0.06
127.50	-11.46	-0.78	0.00	-13.84	0.00	13.84	784.84	194.31	336	292.75	6.34	-0.55	0.06
128.00	-11.42	-0.78	0.00	-13.45	0.00	13.45	782.69	193.48	333	290.69	6.40	-0.55	0.06
128.50	-11.38	-0.78	0.00	-13.06	0.00	13.06	780.54	192.65	330	288.64	6.46	-0.56	0.06
129.00	-11.34	-0.78	0.00	-12.67	0.00	12.67	778.38	191.82	328	286.58	6.52	-0.56	0.06
129.50	-11.30	-0.78	0.00	-12.28	0.00	12.28	776.21	190.99	325	284.53	6.58	-0.57	0.06
130.00	-11.26	-0.78	0.00	-11.89	0.00	11.89	774.02	190.16	322	282.49	6.64	-0.57	0.06
130.50	-11.22	-0.78	0.00	-11.50	0.00	11.50	771.83	189.33	319	280.44	6.70	-0.57	0.06
131.00	-11.18	-0.77	0.00	-11.11	0.00	11.11	769.63	188.50	316	278.40	6.76	-0.58	0.05
131.50	-11.14	-0.77	0.00	-10.72	0.00	10.72	767.41	187.67	314	276.37	6.82	-0.58	0.05
132.00	-11.10	-0.77	0.00	-10.34	0.00	10.34	765.19	186.84	311	274.34	6.88	-0.58	0.05
132.50	-11.06	-0.77	0.00	-9.95	0.00	9.95	762.95	186.01	308	272.31	6.94	-0.59	0.05
133.00	-11.02	-0.77	0.00	-9.57	0.00	9.57	760.71	185.18	305	270.28	7.00	-0.59	0.05
133.50	-10.98	-0.77	0.00	-9.18	0.00	9.18	758.45	184.35	303	268.26	7.06	-0.59	0.05
134.00	-10.94	-0.76	0.00	-8.80	0.00	8.80	756.18	183.52	300	266.24	7.13	-0.60	0.05
134.50	-10.90	-0.76	0.00	-8.42	0.00	8.42	753.91	182.69	297	264.22	7.19	-0.60	0.05
135.00	-10.86	-0.76	0.00	-8.04	0.00	8.04	751.62	181.86	294	262.21	7.25	-0.60	0.05
135.50	-10.82	-0.76	0.00	-7.66	0.00	7.66	749.32	181.03	292	260.20	7.31	-0.61	0.04
136.00	-10.78	-0.76	0.00	-7.28	0.00	7.28	747.02	180.20	289	258.20	7.38	-0.61	0.04
136.50	-10.74	-0.75	0.00	-6.90	0.00	6.90	744.70	179.37	286	256.20	7.44	-0.61	0.04
137.00	-10.70	-0.75	0.00	-6.53	0.00	6.53	742.37	178.54	284	254.20	7.51	-0.61	0.04
137.50	-10.66	-0.75	0.00	-6.15	0.00	6.15	740.03	177.71	281	252.21	7.57	-0.62	0.04
138.00	-10.62	-0.75	0.00	-5.77	0.00	5.77	737.68	176.87	279	250.22	7.64	-0.62	0.04
138.50	-10.58	-0.75	0.00	-5.40	0.00	5.40	735.32	176.04	276	248.24	7.70	-0.62	0.04
139.00	-10.55	-0.74	0.00	-5.03	0.00	5.03	732.95	175.21	273	246.26	7.77	-0.62	0.04
139.50	-10.51	-0.74	0.00	-4.66	0.00	4.66	730.57	174.38	271	244.28	7.83	-0.63	0.03
140.00	-6.09	-0.45	0.00	-4.29	0.00	4.29	728.18	173.55	268	242.31	7.90	-0.63	0.03
140.50	-6.06	-0.45	0.00	-4.06	0.00	4.06	725.44	172.72	266	240.23	7.96	-0.63	0.03
141.00	-6.02	-0.45	0.00	-3.84	0.00	3.84	721.95	171.89	263	237.92	8.03	-0.63	0.02
141.50	-5.99	-0.44	0.00	-3.61	0.00	3.61	718.47	171.06	261	235.61	8.09	-0.63	0.02
142.00	-5.95	-0.44	0.00	-3.39	0.00	3.39	714.98	170.23	258	233.32	8.16	-0.63	0.02
142.50	-5.92	-0.44	0.00	-3.17	0.00	3.17	711.49	169.40	256	231.03	8.23	-0.63	0.02
143.00	-5.88	-0.44	0.00	-2.95	0.00	2.95	708.01	168.57	253	228.76	8.29	-0.64	0.02
143.50	-5.85	-0.43	0.00	-2.73	0.00	2.73	704.52	167.74	251	226.50	8.36	-0.64	0.02

(ft)	(kips)	(kips)	(ft-kips)	(fr-kips)	(ft-kips)	(ft-kips)	(kips)	(kips)	(kips)	(kips)	(in)		
144.00	-5.81	-0.43	0.00	-2.52	0.00	2.52	701.03	166.91	248	224.25	8.43	-0.64	0.02
144.50	-5.78	-0.43	0.00	-2.30	0.00	2.30	697.55	166.08	246	222.01	8.49	-0.64	0.02
145.00	-5.75	-0.43	0.00	-2.09	0.00	2.09	694.06	165.25	243	219.79	8.56	-0.64	0.02
145.50	-5.71	-0.43	0.00	-1.87	0.00	1.87	690.57	164.42	241	217.57	8.63	-0.64	0.02
146.00	-5.68	-0.42	0.00	-1.66	0.00	1.66	687.09	163.59	238	215.36	8.70	-0.64	0.02
146.50	-5.65	-0.42	0.00	-1.45	0.00	1.45	683.60	162.76	236	213.17	8.76	-0.64	0.02
147.00	-5.61	-0.42	0.00	-1.24	0.00	1.24	680.11	161.93	234	210.99	8.83	-0.64	0.01
147.50	-5.58	-0.42	0.00	-1.03	0.00	1.03	676.63	161.10	231	208.82	8.90	-0.64	0.01
148.00	-5.55	-0.41	0.00	-0.82	0.00	0.82	673.14	160.27	229	206.66	8.97	-0.65	0.01
148.50	-5.51	-0.41	0.00	-0.61	0.00	0.61	669.65	159.44	226	204.51	9.03	-0.65	0.01
149.00	-5.48	-0.41	0.00	-0.41	0.00	0.41	666.17	158.61	224	202.37	9.10	-0.65	0.01
149.50	-5.45	-0.41	0.00	-0.20	0.00	0.20	662.68	157.78	222	200.25	9.17	-0.65	0.01
150.00	0.00	-0.35	0.00	0.00	0.00	0.00	659.19	156.95	219	198.13	9.24	-0.65	0.00

0.9D - 1.0Ev + 1.0Eh Seismic (Reduced DL)

CALCULATED FORCES

Seg Elev (ft)	Pu FY (-) (kips)	Vu FX (-) (kips)	Tu MY (ft-kips)	Mu MZ (fr-kips)	Mu Mx (ft-kips)	Resultant Moment (ft-kips)	Phi Pn (kips)	Phi Vn (kips)	Phi Tn (kips)	Phi Mn (kips)	Total Deflect (in)	Rotation (deg)	Ratio
0.00	-29.11	-1.02	0.00	-135.99	0.00	135.99	3,157.17	784.20	2,738	2,376.61	0.00	0.00	0.04
0.50	-29.00	-1.02	0.00	-135.48	0.00	135.48	3,152.93	782.54	2,726	2,368.34	0.00	0.00	0.04
1.00	-28.88	-1.02	0.00	-134.97	0.00	134.97	3,148.69	780.88	2,715	2,360.09	0.00	0.00	0.04
1.50	-28.77	-1.02	0.00	-134.46	0.00	134.46	3,144.43	779.21	2,703	2,351.83	0.00	0.00	0.04
2.00	-28.65	-1.03	0.00	-133.94	0.00	133.94	3,140.17	777.55	2,692	2,343.59	0.00	-0.01	0.04
2.50	-28.54	-1.03	0.00	-133.43	0.00	133.43	3,135.89	775.89	2,680	2,335.35	0.00	-0.01	0.04
3.00	-28.43	-1.03	0.00	-132.92	0.00	132.92	3,131.60	774.23	2,669	2,327.12	0.00	-0.01	0.04
3.50	-28.31	-1.03	0.00	-132.40	0.00	132.40	3,127.31	772.57	2,657	2,318.89	0.00	-0.01	0.04
4.00	-28.20	-1.03	0.00	-131.89	0.00	131.89	3,123.00	770.91	2,646	2,310.67	0.01	-0.01	0.04
4.50	-28.08	-1.03	0.00	-131.38	0.00	131.38	3,118.68	769.25	2,634	2,302.45	0.01	-0.01	0.04
5.00	-27.97	-1.03	0.00	-130.86	0.00	130.86	3,114.35	767.59	2,623	2,294.24	0.01	-0.02	0.04
5.50	-27.86	-1.03	0.00	-130.35	0.00	130.35	3,110.02	765.93	2,612	2,286.04	0.01	-0.02	0.04
6.00	-27.74	-1.03	0.00	-129.83	0.00	129.83	3,105.67	764.27	2,600	2,277.85	0.01	-0.02	0.04
6.50	-27.63	-1.03	0.00	-129.31	0.00	129.31	3,101.31	762.61	2,589	2,269.66	0.01	-0.02	0.04
7.00	-27.52	-1.03	0.00	-128.80	0.00	128.80	3,096.94	760.95	2,578	2,261.47	0.02	-0.02	0.04
7.50	-27.40	-1.03	0.00	-128.28	0.00	128.28	3,092.56	759.29	2,567	2,253.30	0.02	-0.02	0.04
8.00	-27.29	-1.03	0.00	-127.77	0.00	127.77	3,088.17	757.63	2,555	2,245.13	0.02	-0.02	0.04
8.50	-27.18	-1.03	0.00	-127.25	0.00	127.25	3,083.77	755.97	2,544	2,236.96	0.02	-0.03	0.04
9.00	-27.06	-1.04	0.00	-126.73	0.00	126.73	3,079.36	754.31	2,533	2,228.81	0.03	-0.03	0.04
9.50	-26.95	-1.04	0.00	-126.21	0.00	126.21	3,074.94	752.65	2,522	2,220.66	0.03	-0.03	0.04
10.00	-26.84	-1.04	0.00	-125.69	0.00	125.69	3,070.50	750.99	2,511	2,212.51	0.03	-0.03	0.04
10.50	-26.73	-1.04	0.00	-125.18	0.00	125.18	3,066.06	749.33	2,500	2,204.38	0.04	-0.03	0.04
11.00	-26.62	-1.04	0.00	-124.66	0.00	124.66	3,061.61	747.67	2,489	2,196.25	0.04	-0.03	0.04
11.50	-26.50	-1.04	0.00	-124.14	0.00	124.14	3,057.15	746.01	2,478	2,188.12	0.04	-0.04	0.04
12.00	-26.39	-1.04	0.00	-123.62	0.00	123.62	3,052.67	744.35	2,467	2,180.01	0.05	-0.04	0.04
12.50	-26.28	-1.04	0.00	-123.10	0.00	123.10	3,048.19	742.69	2,456	2,171.90	0.05	-0.04	0.04
13.00	-26.17	-1.04	0.00	-122.58	0.00	122.58	3,043.69	741.03	2,445	2,163.80	0.05	-0.04	0.04
13.50	-26.06	-1.04	0.00	-122.06	0.00	122.06	3,039.19	739.37	2,434	2,155.70	0.06	-0.04	0.04
14.00	-25.95	-1.04	0.00	-121.54	0.00	121.54	3,034.67	737.71	2,423	2,147.61	0.06	-0.04	0.04
14.50	-25.83	-1.04	0.00	-121.02	0.00	121.02	3,030.15	736.05	2,412	2,139.53	0.07	-0.04	0.04
15.00	-25.72	-1.04	0.00	-120.50	0.00	120.50	3,025.61	734.39	2,401	2,131.46	0.07	-0.05	0.04
15.50	-25.61	-1.04	0.00	-119.98	0.00	119.98	3,021.07	732.72	2,390	2,123.39	0.08	-0.05	0.04
16.00	-25.50	-1.04	0.00	-119.46	0.00	119.46	3,016.51	731.06	2,379	2,115.34	0.08	-0.05	0.04
16.50	-25.39	-1.04	0.00	-118.93	0.00	118.93	3,011.94	729.40	2,369	2,107.28	0.09	-0.05	0.04
17.00	-25.28	-1.04	0.00	-118.41	0.00	118.41	3,007.37	727.74	2,358	2,099.24	0.09	-0.05	0.04
17.50	-25.17	-1.04	0.00	-117.89	0.00	117.89	3,002.78	726.08	2,347	2,091.20	0.10	-0.05	0.04
18.00	-25.06	-1.05	0.00	-117.37	0.00	117.37	2,998.18	724.42	2,336	2,083.18	0.10	-0.06	0.04
18.50	-24.95	-1.05	0.00	-116.84	0.00	116.84	2,993.57	722.76	2,326	2,075.15	0.11	-0.06	0.04
19.00	-24.84	-1.05	0.00	-116.32	0.00	116.32	2,988.95	721.10	2,315	2,067.14	0.12	-0.06	0.04
19.50	-24.73	-1.05	0.00	-115.80	0.00	115.80	2,984.32	719.44	2,304	2,059.13	0.12	-0.06	0.04
20.00	-24.62	-1.05	0.00	-115.28	0.00	115.28	2,979.68	717.78	2,294	2,051.14	0.13	-0.06	0.04
20.50	-24.51	-1.05	0.00	-114.75	0.00	114.75	2,975.03	716.12	2,283	2,043.15	0.14	-0.06	0.04
21.00	-24.40	-1.05	0.00	-114.23	0.00	114.23	2,970.37	714.46	2,273	2,035.16	0.14	-0.07	0.04
21.50	-24.29	-1.05	0.00	-113.70	0.00	113.70	2,965.70	712.80	2,262	2,027.19	0.15	-0.07	0.04
22.00	-24.18	-1.05	0.00	-113.18	0.00	113.18	2,961.02	711.14	2,252	2,019.22	0.16	-0.07	0.04
22.50	-24.07	-1.05	0.00	-112.66	0.00	112.66	2,956.33	709.48	2,241	2,011.26	0.16	-0.07	0.04
23.00	-23.97	-1.05	0.00	-112.13	0.00	112.13	2,951.63	707.82	2,231	2,003.31	0.17	-0.07	0.04
23.50	-23.86	-1.05	0.00	-111.61	0.00	111.61	2,946.91	706.16	2,220	1,995.37	0.18	-0.07	0.04
24.00	-23.75	-1.05	0.00	-111.08	0.00	111.08	2,942.19	704.50	2,210	1,987.44	0.19	-0.08	0.04
24.50	-23.64	-1.05	0.00	-110.56	0.00	110.56	2,937.46	702.84	2,199	1,979.51	0.20	-0.08	0.04
25.00	-23.53	-1.05	0.00	-110.03	0.00	110.03	2,932.71	701.18	2,189	1,971.59	0.20	-0.08	0.04

Seg Elev (ft)	Pu FY (-) (kips)	Vu FX (-) (kips)	Tu MY (ft-kips)	Mu MZ (fr-kips)	Mu Mx (ft-kips)	Resultant Moment (ft-kips)	Phi Pn (kips)	Phi Vn (kips)	Phi Tn (kips)	Phi Mn (kips)	Total Deflect (in)	Rotation (deg)	Ratio
25.50	-23.42	-1.05	0.00	-109.51	0.00	109.51	2,927.96	699.52	2,179	1,963.68	0.21	-0.08	0.04
26.00	-23.32	-1.05	0.00	-108.98	0.00	108.98	2,923.19	697.86	2,168	1,955.78	0.22	-0.08	0.04
26.50	-23.21	-1.05	0.00	-108.46	0.00	108.46	2,918.42	696.20	2,158	1,947.89	0.23	-0.08	0.04
27.00	-23.10	-1.05	0.00	-107.93	0.00	107.93	2,913.63	694.54	2,148	1,940.01	0.24	-0.09	0.04
27.50	-22.99	-1.05	0.00	-107.41	0.00	107.41	2,910.08	692.88	2,137	1,932.96	0.25	-0.09	0.04
28.00	-22.89	-1.05	0.00	-106.88	0.00	106.88	2,903.11	691.22	2,127	1,923.65	0.26	-0.09	0.04
28.50	-22.78	-1.05	0.00	-106.36	0.00	106.36	2,896.13	689.56	2,117	1,914.37	0.27	-0.09	0.04
29.00	-22.67	-1.05	0.00	-105.83	0.00	105.83	2,889.16	687.89	2,107	1,905.11	0.28	-0.09	0.04
29.50	-22.56	-1.05	0.00	-105.31	0.00	105.31	2,882.19	686.23	2,097	1,895.87	0.28	-0.09	0.04
30.00	-22.46	-1.05	0.00	-104.78	0.00	104.78	2,875.21	684.57	2,087	1,886.65	0.29	-0.09	0.04
30.50	-22.35	-1.05	0.00	-104.25	0.00	104.25	2,868.24	682.91	2,076	1,877.46	0.30	-0.10	0.04
31.00	-22.24	-1.05	0.00	-103.73	0.00	103.73	2,861.26	681.25	2,066	1,868.29	0.31	-0.10	0.04
31.50	-22.09	-1.05	0.00	-103.20	0.00	103.20	2,854.29	679.59	2,056	1,859.14	0.33	-0.10	0.04
32.00	-21.94	-1.05	0.00	-102.68	0.00	102.68	2,847.32	677.93	2,046	1,850.02	0.34	-0.10	0.04
32.50	-21.78	-1.05	0.00	-102.15	0.00	102.15	2,840.34	676.27	2,036	1,840.91	0.35	-0.10	0.04
33.00	-21.63	-1.05	0.00	-101.63	0.00	101.63	2,833.37	674.61	2,026	1,831.83	0.36	-0.10	0.04
33.50	-21.47	-1.05	0.00	-101.10	0.00	101.10	2,826.40	672.95	2,016	1,822.77	0.37	-0.11	0.04
34.00	-21.32	-1.05	0.00	-100.58	0.00	100.58	2,819.42	671.29	2,006	1,813.74	0.38	-0.11	0.04
34.50	-21.17	-1.05	0.00	-100.05	0.00	100.05	2,812.45	669.63	1,996	1,804.72	0.39	-0.11	0.04
35.00	-21.02	-1.05	0.00	-99.53	0.00	99.53	2,805.48	667.97	1,987	1,795.73	0.40	-0.11	0.04
35.50	-20.97	-1.05	0.00	-99.00	0.00	99.00	2,798.50	666.31	1,977	1,786.77	0.41	-0.11	0.04
35.67	-20.90	-1.05	0.00	-98.83	0.00	98.83	2,248.07	566.94	1,717	1,468.70	0.42	-0.11	0.04
36.00	-20.80	-1.05	0.00	-98.48	0.00	98.48	2,245.83	566.02	1,711	1,464.83	0.43	-0.11	0.04
36.50	-20.77	-1.05	0.00	-97.95	0.00	97.95	2,242.46	564.63	1,703	1,459.02	0.44	-0.12	0.04
36.67	-20.71	-1.05	0.00	-97.78	0.00	97.78	2,241.31	564.16	1,700	1,457.05	0.44	-0.12	0.04
36.67	-20.71	-1.05	0.00	-97.78	0.00	97.78	2,241.31	564.16	1,700	1,457.05	0.44	-0.12	0.04
37.00	-20.62	-1.05	0.00	-97.43	0.00	97.43	2,239.08	563.25	1,695	1,453.22	0.45	-0.12	0.04
37.50	-20.53	-1.05	0.00	-96.91	0.00	96.91	2,235.69	561.87	1,686	1,447.42	0.46	-0.12	0.04
38.00	-20.44	-1.05	0.00	-96.38	0.00	96.38	2,232.29	560.48	1,678	1,441.62	0.48	-0.12	0.04
38.50	-20.35	-1.05	0.00	-95.86	0.00	95.86	2,228.88	559.10	1,670	1,435.83	0.49	-0.12	0.04
39.00	-20.25	-1.05	0.00	-95.33	0.00	95.33	2,225.46	557.71	1,662	1,430.05	0.50	-0.13	0.04
39.50	-20.16	-1.05	0.00	-94.81	0.00	94.81	2,222.03	556.33	1,653	1,424.27	0.52	-0.13	0.04
40.00	-20.07	-1.05	0.00	-94.29	0.00	94.29	2,218.59	554.95	1,645	1,418.49	0.53	-0.13	0.04
40.50	-19.98	-1.05	0.00	-93.76	0.00	93.76	2,215.14	553.56	1,637	1,412.72	0.54	-0.13	0.04
41.00	-19.89	-1.05	0.00	-93.24	0.00	93.24	2,211.67	552.18	1,629	1,406.95	0.56	-0.13	0.04
41.50	-19.80	-1.05	0.00	-92.71	0.00	92.71	2,208.20	550.80	1,621	1,401.18	0.57	-0.14	0.04
42.00	-19.71	-1.05	0.00	-92.19	0.00	92.19	2,204.72	549.41	1,613	1,395.43	0.58	-0.14	0.04
42.50	-19.62	-1.05	0.00	-91.67	0.00	91.67	2,201.23	548.03	1,604	1,389.67	0.60	-0.14	0.04
43.00	-19.53	-1.05	0.00	-91.14	0.00	91.14	2,197.72	546.65	1,596	1,383.92	0.61	-0.14	0.04
43.50	-19.44	-1.05	0.00	-90.62	0.00	90.62	2,194.21	545.26	1,588	1,378.18	0.63	-0.14	0.04
44.00	-19.35	-1.05	0.00	-90.10	0.00	90.10	2,190.68	543.88	1,580	1,372.44	0.64	-0.14	0.04
44.50	-19.26	-1.05	0.00	-89.58	0.00	89.58	2,187.15	542.49	1,572	1,366.70	0.66	-0.15	0.04
45.00	-19.17	-1.05	0.00	-89.05	0.00	89.05	2,183.60	541.11	1,564	1,360.97	0.67	-0.15	0.04
45.50	-19.08	-1.04	0.00	-88.53	0.00	88.53	2,180.05	539.73	1,556	1,355.24	0.69	-0.15	0.04
46.00	-18.99	-1.04	0.00	-88.01	0.00	88.01	2,176.48	538.34	1,548	1,349.52	0.71	-0.15	0.04
46.50	-18.90	-1.04	0.00	-87.49	0.00	87.49	2,172.91	536.96	1,540	1,343.81	0.72	-0.15	0.04
47.00	-18.81	-1.04	0.00	-86.96	0.00	86.96	2,169.32	535.58	1,532	1,338.10	0.74	-0.16	0.04
47.50	-18.73	-1.04	0.00	-86.44	0.00	86.44	2,165.72	534.19	1,525	1,332.39	0.75	-0.16	0.04
48.00	-18.64	-1.04	0.00	-85.92	0.00	85.92	2,162.12	532.81	1,517	1,326.69	0.77	-0.16	0.04
48.50	-18.55	-1.04	0.00	-85.40	0.00	85.40	2,158.50	531.43	1,509	1,321.00	0.79	-0.16	0.04
49.00	-18.46	-1.04	0.00	-84.88	0.00	84.88	2,154.87	530.04	1,501	1,315.31	0.81	-0.16	0.04
49.50	-18.37	-1.04	0.00	-84.36	0.00	84.36	2,151.23	528.66	1,493	1,309.62	0.82	-0.17	0.04
50.00	-18.28	-1.04	0.00	-83.84	0.00	83.84	2,147.58	527.27	1,485	1,303.95	0.84	-0.17	0.04
50.50	-18.19	-1.04	0.00	-83.32	0.00	83.32	2,143.92	525.89	1,478	1,298.27	0.86	-0.17	0.04
51.00	-18.11	-1.04	0.00	-82.80	0.00	82.80	2,140.25	524.51	1,470	1,292.61	0.88	-0.17	0.04
51.50	-18.02	-1.04	0.00	-82.28	0.00	82.28	2,136.57	523.12	1,462	1,286.94	0.89	-0.17	0.04
52.00	-17.93	-1.04	0.00	-81.76	0.00	81.76	2,132.88	521.74	1,454	1,281.29	0.91	-0.18	0.04
52.50	-17.84	-1.04	0.00	-81.24	0.00	81.24	2,129.18	520.36	1,447	1,275.64	0.93	-0.18	0.04
53.00	-17.75	-1.04	0.00	-80.72	0.00	80.72	2,125.47	518.97	1,439	1,269.99	0.95	-0.18	0.04
53.50	-17.67	-1.04	0.00	-80.20	0.00	80.20	2,121.75	517.59	1,431	1,264.35	0.97	-0.18	0.04
54.00	-17.58	-1.04	0.00	-79.68	0.00	79.68	2,118.01	516.21	1,424	1,258.72	0.99	-0.18	0.04
54.50	-17.49	-1.03	0.00	-79.17	0.00	79.17	2,114.27	514.82	1,416	1,253.09	1.01	-0.18	0.04
55.00	-17.40	-1.03	0.00	-78.65	0.00	78.65	2,110.52	513.44	1,408	1,247.47	1.03	-0.19	0.04
55.50	-17.32	-1.03	0.00	-78.13	0.00	78.13	2,106.75	512.05	1,401	1,241.85	1.04	-0.19	0.04
56.00	-17.23	-1.03	0.00	-77.62	0.00	77.62	2,102.98	510.67	1,393	1,236.24	1.06	-0.19	0.04
56.50	-17.14	-1.03	0.00	-77.10	0.00	77.10	2,099.20	509.29	1,386	1,230.64	1.08	-0.19	0.04
57.00	-17.06	-1.03	0.00	-76.59	0.00	76.59	2,095.40	507.90	1,378	1,225.04	1.11	-0.19	0.04
57.50	-16.97	-1.03	0.00	-76.07	0.00	76.07	2,091.60	506.52	1,371	1,219.45	1.13	-0.20	0.04
58.00	-16.88	-1.03	0.00	-75.56	0.00	75.56	2,087.78	505.14	1,363	1,213.86	1.15	-0.20	0.04
58.50	-16.80	-1.03	0.00	-75.04	0.00	75.04	2,083.96	503.75	1,356	1,208.28	1.17	-0.20	0.04
59.00	-16.71	-1.03	0.00	-74.53	0.00	74.53	2,080.12	502.37	1,348	1,202.71	1.19	-0.20	0.04
59.50	-16.62	-1.03	0.00	-74.01	0.00	74.01	2,076.27	500.99	1,341	1,197.14	1.21	-0.20	0.04

Seg Elev (ft)	Pu FY (-) (kips)	Vu FX (-) (kips)	Tu MY (ft-kips)	Mu MZ (fr-kips)	Mu Mx (ft-kips)	Resultant Moment (ft-kips)	Phi Pn (kips)	Phi Vn (kips)	Phi Tn (kips)	Phi Mn (kips)	Total Deflect (in)	Rotation (deg)	Ratio
60.00	-16.54	-1.02	0.00	-73.50	0.00	73.50	2,072.42	499.60	1,334	1,191.58	1.23	-0.21	0.04
60.50	-16.45	-1.02	0.00	-72.99	0.00	72.99	2,068.55	498.22	1,326	1,186.03	1.25	-0.21	0.04
61.00	-16.37	-1.02	0.00	-72.48	0.00	72.48	2,064.67	496.83	1,319	1,180.48	1.27	-0.21	0.04
61.50	-16.28	-1.02	0.00	-71.97	0.00	71.97	2,060.78	495.45	1,311	1,174.94	1.30	-0.21	0.04
62.00	-16.19	-1.02	0.00	-71.46	0.00	71.46	2,056.88	494.07	1,304	1,169.41	1.32	-0.21	0.04
62.50	-16.11	-1.02	0.00	-70.95	0.00	70.95	2,052.97	492.68	1,297	1,163.88	1.34	-0.22	0.04
63.00	-16.02	-1.02	0.00	-70.44	0.00	70.44	2,049.05	491.30	1,290	1,158.36	1.36	-0.22	0.04
63.50	-15.94	-1.02	0.00	-69.93	0.00	69.93	2,045.12	489.92	1,282	1,152.85	1.39	-0.22	0.04
64.00	-15.85	-1.02	0.00	-69.42	0.00	69.42	2,041.18	488.53	1,275	1,147.34	1.41	-0.22	0.04
64.50	-15.77	-1.01	0.00	-68.91	0.00	68.91	2,037.23	487.15	1,268	1,141.84	1.43	-0.22	0.04
65.00	-15.68	-1.01	0.00	-68.41	0.00	68.41	2,033.27	485.77	1,261	1,136.35	1.46	-0.22	0.04
65.50	-15.60	-1.01	0.00	-67.90	0.00	67.90	2,029.30	484.38	1,254	1,130.86	1.48	-0.23	0.04
66.00	-15.51	-1.01	0.00	-67.39	0.00	67.39	2,025.32	483.00	1,246	1,125.38	1.50	-0.23	0.04
66.50	-15.43	-1.01	0.00	-66.89	0.00	66.89	2,021.33	481.61	1,239	1,119.91	1.53	-0.23	0.04
67.00	-15.34	-1.01	0.00	-66.38	0.00	66.38	2,016.97	480.23	1,232	1,114.25	1.55	-0.23	0.04
67.50	-15.26	-1.01	0.00	-65.88	0.00	65.88	2,011.16	478.85	1,225	1,107.80	1.58	-0.23	0.04
68.00	-15.18	-1.00	0.00	-65.38	0.00	65.38	2,005.35	477.46	1,218	1,101.37	1.60	-0.24	0.04
68.50	-15.09	-1.00	0.00	-64.88	0.00	64.88	1,999.53	476.08	1,211	1,094.96	1.63	-0.24	0.04
69.00	-15.01	-1.00	0.00	-64.37	0.00	64.37	1,993.72	474.70	1,204	1,088.57	1.65	-0.24	0.04
69.50	-14.92	-1.00	0.00	-63.87	0.00	63.87	1,987.91	473.31	1,197	1,082.20	1.68	-0.24	0.04
70.00	-14.81	-1.00	0.00	-63.37	0.00	63.37	1,982.10	471.93	1,190	1,075.84	1.70	-0.24	0.04
70.50	-14.69	-1.00	0.00	-62.87	0.00	62.87	1,976.29	470.55	1,183	1,069.51	1.73	-0.25	0.03
71.00	-14.58	-0.99	0.00	-62.38	0.00	62.38	1,970.48	469.16	1,176	1,063.19	1.75	-0.25	0.03
71.50	-14.46	-0.99	0.00	-61.88	0.00	61.88	1,964.67	467.78	1,169	1,056.89	1.78	-0.25	0.03
72.00	-14.35	-0.99	0.00	-61.39	0.00	61.39	1,958.86	466.39	1,162	1,050.61	1.81	-0.25	0.03
72.50	-14.23	-0.99	0.00	-60.89	0.00	60.89	1,953.04	465.01	1,155	1,044.35	1.83	-0.25	0.03
73.00	-14.16	-0.98	0.00	-60.40	0.00	60.40	1,947.23	463.63	1,148	1,038.11	1.86	-0.25	0.03
73.33	-14.12	-0.98	0.00	-60.07	0.00	60.07	1,943.40	462.71	1,144	1,034.00	1.88	-0.26	0.03
73.33	-14.12	-0.98	0.00	-60.07	0.00	60.07	1,943.40	462.71	1,144	1,034.00	1.88	-0.26	0.04
73.50	-14.05	-0.98	0.00	-59.91	0.00	59.91	1,473.96	377.74	953	802.32	1.89	-0.26	0.04
74.00	-13.98	-0.98	0.00	-59.42	0.00	59.42	1,471.41	376.63	947	798.56	1.91	-0.26	0.04
74.50	-13.91	-0.98	0.00	-58.93	0.00	58.93	1,468.85	375.53	942	794.80	1.94	-0.26	0.04
75.00	-13.84	-0.98	0.00	-58.44	0.00	58.44	1,466.28	374.42	936	791.05	1.97	-0.26	0.04
75.50	-13.77	-0.98	0.00	-57.95	0.00	57.95	1,463.70	373.31	931	787.30	1.99	-0.27	0.04
76.00	-13.70	-0.97	0.00	-57.46	0.00	57.46	1,461.11	372.21	925	783.56	2.02	-0.27	0.04
76.50	-13.63	-0.97	0.00	-56.97	0.00	56.97	1,458.51	371.10	920	779.81	2.05	-0.27	0.04
77.00	-13.56	-0.97	0.00	-56.49	0.00	56.49	1,455.89	369.99	914	776.07	2.08	-0.27	0.04
77.50	-13.49	-0.97	0.00	-56.00	0.00	56.00	1,453.27	368.89	909	772.34	2.11	-0.27	0.04
78.00	-13.42	-0.97	0.00	-55.52	0.00	55.52	1,450.64	367.78	903	768.60	2.14	-0.28	0.04
78.50	-13.35	-0.97	0.00	-55.03	0.00	55.03	1,447.99	366.67	898	764.87	2.17	-0.28	0.04
79.00	-13.28	-0.96	0.00	-54.55	0.00	54.55	1,445.34	365.57	892	761.14	2.19	-0.28	0.04
79.50	-13.21	-0.96	0.00	-54.07	0.00	54.07	1,442.68	364.46	887	757.41	2.22	-0.28	0.04
80.00	-13.14	-0.96	0.00	-53.59	0.00	53.59	1,440.00	363.35	882	753.69	2.25	-0.29	0.04
80.50	-13.07	-0.96	0.00	-53.11	0.00	53.11	1,437.32	362.24	876	749.97	2.28	-0.29	0.04
81.00	-13.00	-0.96	0.00	-52.63	0.00	52.63	1,434.62	361.14	871	746.26	2.31	-0.29	0.04
81.50	-12.93	-0.96	0.00	-52.15	0.00	52.15	1,431.91	360.03	866	742.54	2.34	-0.29	0.04
82.00	-12.86	-0.95	0.00	-51.67	0.00	51.67	1,429.20	358.92	860	738.83	2.38	-0.29	0.04
82.50	-12.79	-0.95	0.00	-51.19	0.00	51.19	1,426.47	357.82	855	735.13	2.41	-0.30	0.04
83.00	-12.72	-0.95	0.00	-50.71	0.00	50.71	1,423.73	356.71	850	731.43	2.44	-0.30	0.04
83.50	-12.65	-0.95	0.00	-50.24	0.00	50.24	1,420.98	355.60	844	727.73	2.47	-0.30	0.04
84.00	-12.59	-0.95	0.00	-49.76	0.00	49.76	1,418.23	354.50	839	724.03	2.50	-0.30	0.04
84.50	-12.52	-0.95	0.00	-49.29	0.00	49.29	1,415.46	353.39	834	720.34	2.53	-0.30	0.04
85.00	-12.45	-0.94	0.00	-48.82	0.00	48.82	1,412.68	352.28	829	716.65	2.56	-0.31	0.04
85.50	-12.38	-0.94	0.00	-48.35	0.00	48.35	1,409.89	351.18	824	712.97	2.60	-0.31	0.04
86.00	-12.31	-0.94	0.00	-47.88	0.00	47.88	1,407.09	350.07	818	709.28	2.63	-0.31	0.04
86.50	-12.24	-0.94	0.00	-47.41	0.00	47.41	1,404.28	348.96	813	705.61	2.66	-0.31	0.04
87.00	-12.17	-0.94	0.00	-46.94	0.00	46.94	1,401.46	347.85	808	701.93	2.69	-0.32	0.04
87.50	-12.11	-0.93	0.00	-46.47	0.00	46.47	1,398.63	346.75	803	698.27	2.73	-0.32	0.04
88.00	-12.04	-0.93	0.00	-46.00	0.00	46.00	1,395.79	345.64	798	694.60	2.76	-0.32	0.04
88.50	-11.97	-0.93	0.00	-45.54	0.00	45.54	1,392.93	344.53	793	690.94	2.79	-0.32	0.04
89.00	-11.90	-0.93	0.00	-45.07	0.00	45.07	1,390.07	343.43	788	687.28	2.83	-0.32	0.04
89.50	-11.84	-0.92	0.00	-44.61	0.00	44.61	1,387.20	342.32	783	683.63	2.86	-0.33	0.04
90.00	-11.77	-0.92	0.00	-44.15	0.00	44.15	1,384.32	341.21	778	679.98	2.90	-0.33	0.04
90.50	-11.70	-0.92	0.00	-43.69	0.00	43.69	1,381.42	340.11	772	676.33	2.93	-0.33	0.04
91.00	-11.63	-0.92	0.00	-43.23	0.00	43.23	1,378.52	339.00	767	672.69	2.97	-0.33	0.04
91.50	-11.57	-0.92	0.00	-42.77	0.00	42.77	1,375.61	337.89	762	669.06	3.00	-0.33	0.04
92.00	-11.50	-0.91	0.00	-42.31	0.00	42.31	1,372.68	336.79	757	665.42	3.04	-0.34	0.04
92.50	-11.43	-0.91	0.00	-41.85	0.00	41.85	1,369.75	335.68	752	661.80	3.07	-0.34	0.03
93.00	-11.36	-0.91	0.00	-41.40	0.00	41.40	1,366.80	334.57	748	658.17	3.11	-0.34	0.03
93.50	-11.30	-0.91	0.00	-40.94	0.00	40.94	1,363.85	333.47	743	654.55	3.14	-0.34	0.03
94.00	-11.23	-0.90	0.00	-40.49	0.00	40.49	1,360.88	332.36	738	650.94	3.18	-0.34	0.03
94.50	-11.16	-0.90	0.00	-40.04	0.00	40.04	1,357.90	331.25	733	647.33	3.21	-0.35	0.03

Seg Elev (ft)	Pu FY (-) (kips)	Vu FX (-) (kips)	Tu MY (ft-kips)	Mu MZ (fr-kips)	Mu Mx (ft-kips)	Resultant Moment (ft-kips)	Phi Pn (kips)	Phi Vn (kips)	Phi Tn (kips)	Phi Mn (kips)	Total Deflect (in)	Rotation (deg)	Ratio
95.00	-11.10	-0.90	0.00	-39.59	0.00	39.59	1,354.92	330.14	728	643.72	3.25	-0.35	0.03
95.50	-11.03	-0.90	0.00	-39.14	0.00	39.14	1,351.92	329.04	723	640.12	3.29	-0.35	0.03
96.00	-10.96	-0.89	0.00	-38.69	0.00	38.69	1,348.91	327.93	718	636.53	3.32	-0.35	0.03
96.50	-10.90	-0.89	0.00	-38.24	0.00	38.24	1,345.89	326.82	713	632.94	3.36	-0.35	0.03
97.00	-10.83	-0.89	0.00	-37.80	0.00	37.80	1,342.86	325.72	708	629.35	3.40	-0.36	0.03
97.50	-10.76	-0.89	0.00	-37.35	0.00	37.35	1,339.83	324.61	704	625.77	3.44	-0.36	0.03
98.00	-10.70	-0.88	0.00	-36.91	0.00	36.91	1,336.78	323.50	699	622.19	3.47	-0.36	0.03
98.50	-10.63	-0.88	0.00	-36.47	0.00	36.47	1,333.72	322.40	694	618.62	3.51	-0.36	0.03
99.00	-10.57	-0.88	0.00	-36.03	0.00	36.03	1,330.65	321.29	689	615.06	3.55	-0.36	0.03
99.50	-10.50	-0.88	0.00	-35.59	0.00	35.59	1,327.57	320.18	685	611.50	3.59	-0.37	0.03
100.00	-10.43	-0.87	0.00	-35.15	0.00	35.15	1,324.47	319.08	680	607.94	3.63	-0.37	0.03
100.50	-10.37	-0.87	0.00	-34.71	0.00	34.71	1,321.37	317.97	675	604.39	3.66	-0.37	0.03
101.00	-10.30	-0.87	0.00	-34.28	0.00	34.28	1,318.26	316.86	671	600.84	3.70	-0.37	0.03
101.50	-10.24	-0.86	0.00	-33.84	0.00	33.84	1,315.14	315.75	666	597.30	3.74	-0.37	0.03
102.00	-10.17	-0.86	0.00	-33.41	0.00	33.41	1,312.01	314.65	661	593.77	3.78	-0.38	0.03
102.50	-10.11	-0.86	0.00	-32.98	0.00	32.98	1,308.86	313.54	657	590.24	3.82	-0.38	0.03
103.00	-10.04	-0.86	0.00	-32.55	0.00	32.55	1,305.71	312.43	652	586.72	3.86	-0.38	0.03
103.50	-9.98	-0.85	0.00	-32.13	0.00	32.13	1,302.55	311.33	647	583.20	3.90	-0.38	0.03
104.00	-9.91	-0.85	0.00	-31.70	0.00	31.70	1,299.37	310.22	643	579.69	3.94	-0.38	0.03
104.50	-9.85	-0.85	0.00	-31.27	0.00	31.27	1,296.19	309.11	638	576.18	3.98	-0.38	0.03
105.00	-9.78	-0.84	0.00	-30.85	0.00	30.85	1,292.99	308.01	634	572.68	4.02	-0.39	0.03
105.50	-9.72	-0.84	0.00	-30.43	0.00	30.43	1,288.98	306.90	629	568.82	4.06	-0.39	0.03
106.00	-9.65	-0.84	0.00	-30.01	0.00	30.01	1,284.33	305.79	624	564.70	4.10	-0.39	0.03
106.50	-9.59	-0.83	0.00	-29.59	0.00	29.59	1,279.68	304.69	620	560.60	4.14	-0.39	0.03
107.00	-9.52	-0.83	0.00	-29.17	0.00	29.17	1,275.03	303.58	616	556.51	4.18	-0.39	0.03
107.50	-9.46	-0.83	0.00	-28.76	0.00	28.76	1,270.38	302.47	611	552.44	4.23	-0.40	0.03
108.00	-9.39	-0.82	0.00	-28.34	0.00	28.34	1,265.73	301.36	607	548.38	4.27	-0.40	0.03
108.50	-9.33	-0.82	0.00	-27.93	0.00	27.93	1,261.08	300.26	602	544.33	4.31	-0.40	0.03
109.00	-9.27	-0.82	0.00	-27.52	0.00	27.52	1,256.43	299.15	598	540.30	4.35	-0.40	0.03
109.50	-9.20	-0.81	0.00	-27.11	0.00	27.11	1,251.78	298.04	593	536.29	4.39	-0.40	0.03
110.00	-9.15	-0.81	0.00	-26.71	0.00	26.71	1,247.14	296.94	589	532.29	4.44	-0.40	0.03
110.00	-9.15	-0.81	0.00	-26.71	0.00	26.71	853.24	223.36	444	366.34	4.44	-0.40	0.00
110.50	-9.10	-0.81	0.00	-26.30	0.00	26.30	851.46	222.53	441	364.21	4.48	-0.41	0.04
111.00	-9.04	-0.81	0.00	-25.89	0.00	25.89	849.67	221.70	438	362.07	4.52	-0.41	0.04
111.50	-8.99	-0.80	0.00	-25.49	0.00	25.49	847.88	220.87	434	359.94	4.56	-0.41	0.04
112.00	-8.94	-0.80	0.00	-25.09	0.00	25.09	846.07	220.04	431	357.81	4.61	-0.41	0.04
112.50	-8.89	-0.80	0.00	-24.69	0.00	24.69	844.25	219.21	428	355.68	4.65	-0.42	0.03
113.00	-8.84	-0.80	0.00	-24.29	0.00	24.29	842.42	218.38	425	353.56	4.69	-0.42	0.03
113.50	-8.78	-0.79	0.00	-23.89	0.00	23.89	840.58	217.55	421	351.43	4.74	-0.42	0.03
114.00	-8.73	-0.79	0.00	-23.49	0.00	23.49	838.73	216.72	418	349.31	4.78	-0.42	0.03
114.50	-8.68	-0.79	0.00	-23.10	0.00	23.10	836.87	215.89	415	347.19	4.83	-0.42	0.03
115.00	-8.63	-0.78	0.00	-22.71	0.00	22.71	835.00	215.06	412	345.06	4.87	-0.43	0.03
115.50	-8.58	-0.78	0.00	-22.31	0.00	22.31	833.11	214.23	409	342.95	4.92	-0.43	0.03
116.00	-8.53	-0.78	0.00	-21.92	0.00	21.92	831.22	213.40	405	340.83	4.96	-0.43	0.03
116.50	-8.50	-0.78	0.00	-21.53	0.00	21.53	829.32	212.57	402	338.71	5.01	-0.43	0.03
116.50	-8.50	-0.78	0.00	-21.53	0.00	21.53	829.32	212.57	402	338.71	5.01	-0.43	0.07
117.00	-8.47	-0.78	0.00	-21.15	0.00	21.15	827.41	211.74	399	336.60	5.05	-0.43	0.07
117.50	-8.44	-0.77	0.00	-20.76	0.00	20.76	825.48	210.91	396	334.49	5.10	-0.44	0.07
118.00	-8.41	-0.77	0.00	-20.37	0.00	20.37	823.55	210.08	393	332.38	5.14	-0.44	0.07
118.50	-8.38	-0.77	0.00	-19.98	0.00	19.98	821.61	209.25	390	330.27	5.19	-0.45	0.07
119.00	-8.35	-0.77	0.00	-19.60	0.00	19.60	819.65	208.42	387	328.17	5.24	-0.45	0.07
119.50	-8.32	-0.77	0.00	-19.21	0.00	19.21	817.69	207.59	384	326.06	5.29	-0.46	0.07
120.00	-8.29	-0.77	0.00	-18.83	0.00	18.83	815.71	206.76	381	323.96	5.33	-0.46	0.07
120.50	-8.26	-0.77	0.00	-18.44	0.00	18.44	813.73	205.93	378	321.87	5.38	-0.47	0.07
121.00	-8.23	-0.77	0.00	-18.06	0.00	18.06	811.73	205.10	375	319.77	5.43	-0.47	0.07
121.50	-8.20	-0.76	0.00	-17.68	0.00	17.68	809.72	204.27	372	317.68	5.48	-0.48	0.07
122.00	-8.17	-0.76	0.00	-17.29	0.00	17.29	807.71	203.44	368	315.58	5.53	-0.48	0.07
122.50	-8.15	-0.76	0.00	-16.91	0.00	16.91	805.68	202.61	366	313.49	5.58	-0.49	0.06
123.00	-8.12	-0.76	0.00	-16.53	0.00	16.53	803.64	201.78	363	311.41	5.63	-0.49	0.06
123.50	-8.09	-0.76	0.00	-16.15	0.00	16.15	801.59	200.95	360	309.32	5.68	-0.49	0.06
124.00	-8.06	-0.76	0.00	-15.77	0.00	15.77	799.54	200.12	357	307.24	5.74	-0.50	0.06
124.50	-8.03	-0.76	0.00	-15.39	0.00	15.39	797.47	199.29	354	305.16	5.79	-0.50	0.06
125.00	-8.00	-0.75	0.00	-15.01	0.00	15.01	795.39	198.46	351	303.09	5.84	-0.51	0.06
125.50	-7.97	-0.75	0.00	-14.64	0.00	14.64	793.30	197.63	348	301.01	5.90	-0.51	0.06
126.00	-7.94	-0.75	0.00	-14.26	0.00	14.26	791.20	196.80	345	298.94	5.95	-0.52	0.06
126.50	-7.92	-0.75	0.00	-13.89	0.00	13.89	789.09	195.97	342	296.88	6.00	-0.52	0.06
127.00	-7.89	-0.75	0.00	-13.51	0.00	13.51	786.97	195.14	339	294.81	6.06	-0.52	0.06
127.50	-7.86	-0.75	0.00	-13.14	0.00	13.14	784.84	194.31	336	292.75	6.11	-0.53	0.06
128.00	-7.83	-0.75	0.00	-12.76	0.00	12.76	782.69	193.48	333	290.69	6.17	-0.53	0.05
128.50	-7.80	-0.74	0.00	-12.39	0.00	12.39	780.54	192.65	330	288.64	6.22	-0.54	0.05
129.00	-7.78	-0.74	0.00	-12.02	0.00	12.02	778.38	191.82	328	286.58	6.28	-0.54	0.05
129.50	-7.75	-0.74	0.00	-11.65	0.00	11.65	776.21	190.99	325	284.53	6.34	-0.54	0.05

ASSET: 302494, Hddm - Haddam
 CUSTOMER: AT&T MOBILITY

CODE: ANSI/TIA-222-H
 ENG NO: 13757798_C4_06

Seg Elev (ft)	Pu FY (-) (kips)	Vu FX (-) (kips)	Tu MY (ft-kips)	Mu MZ (fr-kips)	Mu Mx (ft-kips)	Resultant Moment (ft-kips)	Phi Pn (kips)	Phi Vn (kips)	Phi Tn (kips)	Phi Mn (kips)	Total Deflect (in)	Rotation (deg)	Ratio
130.00	-7.72	-0.74	0.00	-11.28	0.00	11.28	774.02	190.16	322	282.49	6.39	-0.55	0.05
130.50	-7.69	-0.74	0.00	-10.91	0.00	10.91	771.83	189.33	319	280.44	6.45	-0.55	0.05
131.00	-7.66	-0.74	0.00	-10.54	0.00	10.54	769.63	188.50	316	278.40	6.51	-0.55	0.05
131.50	-7.64	-0.73	0.00	-10.17	0.00	10.17	767.41	187.67	314	276.37	6.57	-0.56	0.05
132.00	-7.61	-0.73	0.00	-9.80	0.00	9.80	765.19	186.84	311	274.34	6.63	-0.56	0.05
132.50	-7.58	-0.73	0.00	-9.44	0.00	9.44	762.95	186.01	308	272.31	6.68	-0.56	0.05
133.00	-7.55	-0.73	0.00	-9.07	0.00	9.07	760.71	185.18	305	270.28	6.74	-0.57	0.04
133.50	-7.53	-0.73	0.00	-8.71	0.00	8.71	758.45	184.35	303	268.26	6.80	-0.57	0.04
134.00	-7.50	-0.72	0.00	-8.35	0.00	8.35	756.18	183.52	300	266.24	6.86	-0.57	0.04
134.50	-7.47	-0.72	0.00	-7.98	0.00	7.98	753.91	182.69	297	264.22	6.92	-0.58	0.04
135.00	-7.45	-0.72	0.00	-7.62	0.00	7.62	751.62	181.86	294	262.21	6.98	-0.58	0.04
135.50	-7.42	-0.72	0.00	-7.26	0.00	7.26	749.32	181.03	292	260.20	7.04	-0.58	0.04
136.00	-7.39	-0.72	0.00	-6.90	0.00	6.90	747.02	180.20	289	258.20	7.11	-0.58	0.04
136.50	-7.36	-0.71	0.00	-6.55	0.00	6.55	744.70	179.37	286	256.20	7.17	-0.59	0.04
137.00	-7.34	-0.71	0.00	-6.19	0.00	6.19	742.37	178.54	284	254.20	7.23	-0.59	0.03
137.50	-7.31	-0.71	0.00	-5.83	0.00	5.83	740.03	177.71	281	252.21	7.29	-0.59	0.03
138.00	-7.28	-0.71	0.00	-5.48	0.00	5.48	737.68	176.87	279	250.22	7.35	-0.59	0.03
138.50	-7.26	-0.71	0.00	-5.12	0.00	5.12	735.32	176.04	276	248.24	7.41	-0.59	0.03
139.00	-7.23	-0.70	0.00	-4.77	0.00	4.77	732.95	175.21	273	246.26	7.48	-0.60	0.03
139.50	-7.20	-0.70	0.00	-4.42	0.00	4.42	730.57	174.38	271	244.28	7.54	-0.60	0.03
140.00	-4.18	-0.43	0.00	-4.07	0.00	4.07	728.18	173.55	268	242.31	7.60	-0.60	0.02
140.50	-4.15	-0.42	0.00	-3.85	0.00	3.85	725.44	172.72	266	240.23	7.67	-0.60	0.02
141.00	-4.13	-0.42	0.00	-3.64	0.00	3.64	721.95	171.89	263	237.92	7.73	-0.60	0.02
141.50	-4.11	-0.42	0.00	-3.43	0.00	3.43	718.47	171.06	261	235.61	7.79	-0.61	0.02
142.00	-4.08	-0.42	0.00	-3.22	0.00	3.22	714.98	170.23	258	233.32	7.86	-0.61	0.02
142.50	-4.06	-0.42	0.00	-3.01	0.00	3.01	711.49	169.40	256	231.03	7.92	-0.61	0.02
143.00	-4.03	-0.41	0.00	-2.80	0.00	2.80	708.01	168.57	253	228.76	7.98	-0.61	0.02
143.50	-4.01	-0.41	0.00	-2.59	0.00	2.59	704.52	167.74	251	226.50	8.05	-0.61	0.02
144.00	-3.99	-0.41	0.00	-2.39	0.00	2.39	701.03	166.91	248	224.25	8.11	-0.61	0.02
144.50	-3.96	-0.41	0.00	-2.18	0.00	2.18	697.55	166.08	246	222.01	8.17	-0.61	0.02
145.00	-3.94	-0.41	0.00	-1.98	0.00	1.98	694.06	165.25	243	219.79	8.24	-0.61	0.02
145.50	-3.92	-0.40	0.00	-1.78	0.00	1.78	690.57	164.42	241	217.57	8.30	-0.61	0.01
146.00	-3.89	-0.40	0.00	-1.57	0.00	1.57	687.09	163.59	238	215.36	8.37	-0.62	0.01
146.50	-3.87	-0.40	0.00	-1.37	0.00	1.37	683.60	162.76	236	213.17	8.43	-0.62	0.01
147.00	-3.85	-0.40	0.00	-1.17	0.00	1.17	680.11	161.93	234	210.99	8.50	-0.62	0.01
147.50	-3.82	-0.39	0.00	-0.98	0.00	0.98	676.63	161.10	231	208.82	8.56	-0.62	0.01
148.00	-3.80	-0.39	0.00	-0.78	0.00	0.78	673.14	160.27	229	206.66	8.63	-0.62	0.01
148.50	-3.78	-0.39	0.00	-0.58	0.00	0.58	669.65	159.44	226	204.51	8.69	-0.62	0.01
149.00	-3.76	-0.39	0.00	-0.39	0.00	0.39	666.17	158.61	224	202.37	8.76	-0.62	0.01
149.50	-3.73	-0.39	0.00	-0.19	0.00	0.19	662.68	157.78	222	200.25	8.82	-0.62	0.01
150.00	0.00	-0.35	0.00	0.00	0.00	0.00	659.19	156.95	219	198.13	8.89	-0.62	0.00

ANALYSIS SUMMARY

Load Case	Reactions						Max Usage	
	Shear FX	Shear FZ	Axial FY	Moment MX	Moment MY	Moment MZ	Elev	Interaction
	(kips)	(kips)	(kips)	(ft-kips)	(ft-kips)	(ft-kips)	(ft)	Ratio
1.2D + 1.0W	18.08	0.00	41.05	0.00	0.00	2035.11	116.50	0.93
0.9D + 1.0W	18.08	0.00	30.79	0.00	0.00	1992.04	116.50	0.89
1.2D + 1.0Di + 1.0Wi	3.98	0.00	49.86	0.00	0.00	454.99	116.50	0.23
1.2D + 1.0Ev + 1.0Eh	1.07	0.00	42.45	0.00	0.00	139.94	116.50	0.08
0.9D - 1.0Ev + 1.0Eh	1.05	0.00	29.11	0.00	0.00	135.99	116.50	0.07
1.0D + 1.0W	4.19	0.00	34.21	0.00	0.00	465.54	116.50	0.22

ADDITIONAL STEEL SUMMARY

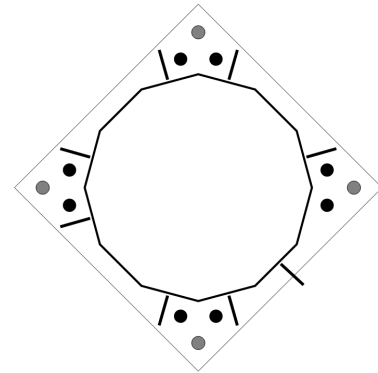
Elev From (ft)	Elev To (ft)	Member	Intermediate Connectors				Max member			
			VQ/I	Shear Applied (kips)	Shear (phiVn) (kips)	Ratio	Pu (kip)	PhiPn (kip)	Ratio	
0.00	36.67	PL PL 7 x 1.25	300.8	5.4	38.3	0.1415	328.5	431.2	0.7618	
36.67	73.33	PL PL 6 x 1.25	322.3	5.8	38.3	0.1516	290.8	356.2	0.8163	
73.33	110.00	PL PL 5" x 1.25"	370.7	6.7	38.3	0.1744	234.2	281.0	0.8333	
110.00	116.50	PL PL 4 x 1.25	392.8	7.1	38.3	0.1848	153.5	206.4	0.7439	

Elev From (ft)	Elev To (ft)	Member	Upper Termination Connectors					Lower Termination Connectors				
			MQ/I	phiVn (kips)	Num Reqd	Num Actual	Ratio	MQ/I (kips)	phiVn (kip)	Num Reqd	Num Actual	Ratio
0.00	36.67	PL PL 7 x 1.25	0	38.27	0	0	0.0000	0	38.27	0	0	0.0000
36.67	73.33	PL PL 6 x 1.25	0	38.27	0	0	0.0000	0	38.27	0	0	0.0000
73.33	110.00	PL PL 5" x 1.25"	0	38.27	0	0	0.0000	0	38.27	0	0	0.0000
110.00	116.50	PL PL 4 x 1.25	132.5476	38.27	4	6	0.5772	0	38.27	0	0	0.0000

BASE PLATE ANALYSIS @ 0 FT

PLATE PARAMETERS (ID# 16823)

Width: 44 in
 Shape: Square
 Thickness: 2.5 in
 Grade: A633 Gr. E
 Yield Strength: 60 ksi
 Tensile Strength: 80 ksi
 Clip Length: in
 Rod Detail Type: d
 Clear Distance: 3 in
 Base Weld Size: 0.125 in
 Orientation Offset: 45 °
 Analysis Type: Elastic
 Neutral Axis: 266 °

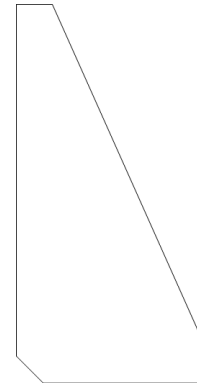


ANCHOR ROD PARAMETERS

Class	Arrangement	Quantity	Diameter (in)	Circle (in)	Grade	Fy (ksi)	Fu (ksi)	Spacing (in)	Offset (°)
Original [ID# 17217]	Cluster	8	2.25	44	A615-75	75	100	6	45
Additional [ID# 17218]	Radial	4	2.25	52.67	A615-75	75	100	-	-

STIFFENER PARAMETERS

Arrangement: Cluster
 Quantity: 8
 Height: 10.5 in
 Width: 5.25 in
 Thickness: 0.5 in
 Notch: 0.75 in
 Grade: A572-50
 Yield Strength: 50 ksi
 Tensile Strength: 65 ksi
 Horizontal Weld Type: Fillet
 Horizontal Weld Fillet Size: 0.5 in
 Vertical Weld Fillet Size: 0.25 in
 Weld Strength: 70 ksi
 Orientation Offset: 45 °



ANCHOR ROD GEOMETRY AND APPLIED LOADS --- ORIGINAL (8) 2.25"Ø [ID 17217]

Position	Radians	X (in)	Y (in)	Moment Arm (in)	Inertia (in ⁴)	Axial Load (k)	Shear Load (k)
1	1.434	2.99	21.80	1.376	6.986	13.67	2.98
2	1.707	-2.99	21.80	-4.235	59.091	-30.51	2.92
3	3.005	-21.80	2.99	-20.642	1384.615	-159.67	0.20
4	3.278	-21.80	-2.99	-20.249	1332.510	-156.58	0.61
5	4.576	-2.99	-21.80	-1.376	6.986	-8.00	2.98
6	4.849	2.99	-21.80	4.235	59.091	36.18	2.92
7	6.147	21.80	-2.99	20.642	1384.615	165.34	0.20
8	0.136	21.80	2.99	20.249	1332.510	162.25	0.61

ANCHOR ROD GEOMETRY AND APPLIED LOADS --- ADDITIONAL (4) 2.25"Ø [ID 17218]

Position	Radians	X (in)	Y (in)	Moment Arm (in)	Inertia (in ⁴)	Axial Load (k)	Shear Load (k)
1	1.571	0.00	26.34	-1.837	11.799	-12.93	2.07
2	3.142	-26.34	0.00	-26.271	2242.257	-205.29	0.14
3	4.712	0.00	-26.34	1.837	11.799	15.99	2.07
4	6.283	26.34	0.00	26.271	2242.257	208.35	0.14

STIFFENER GEOMETRY AND APPLIED LOADS

Position	Radians	Moment Arm (in)	Inertia (in ⁴)	Axial Load (k)	Shear Load (k)
1	1.295	4.359	44.253	21.64	1.18
2	1.847	-7.227	111.113	-31.59	1.13
3	2.866	-20.865	881.911	-94.26	0.25
4	3.418	-20.050	814.784	-90.51	0.41
5	4.436	-4.373	44.509	-18.48	1.18
6	4.988	7.217	110.808	34.77	1.13
7	5.536	16.609	561.033	77.93	0.75
8	0.276	20.054	815.089	93.76	0.41

REACTION DISTRIBUTION

Component	ID	Moment Mu (k-ft)	Axial Load Pu (k)	Shear Vu (k)	Moment Factor
Pole	37.38"Ø x 0.375" (12 Sides)	2035.1	41.05	18.08	1.000
Bolt Group	Original (8) 2.25"Ø	1124.4	-	13.41	0.553
Bolt Group	Additional (4) 2.25"Ø	910.7	-	4.67	0.447
Stiffeners	(8) 10.5"H x 5.25"W x 0.5"T	639.8	-	5.68	0.314
TOTALS		2035.11	41.05	18.08	

COMPONENT PROPERTIES

Component	ID	Gross Area (in ²)	Net Area (in ²)	Individual Inertia (in ⁴)	Moment of Inertia (in ⁴)	Threads/in
Pole	37.38"Ø x 0.375" (12 Sides)	43.0992	-	-	7379.37	-
Bolt Group	Original (8) 2.25"Ø	3.9761	3.2477	0.8393	5566.40	4.5
Bolt Group	Additional (4) 2.25"Ø	3.9761	3.2477	0.8393	4508.11	4.5
Stiffeners	(8) 10.5"H x 5.25"W x 0.5"T	2.2500	2.0250	24.1172	3383.50	-

ASSET: 302494, Hddm - Haddam
 CUSTOMER: AT&T MOBILITY

CODE: ANSI/TIA-222-H
 ENG NO: 13757798

EXTERNAL BASE PLATE BEND LINE ANALYSIS @ 0 FT

POLE PROPERTIES

Flat-to-Flat Diameter: 37.50 in
 Point-to-Point Diameter: 38.83 in
 Flat Width: 10.049 in
 Flat Radians: 0.524 rad

PLATE PROPERTIES

Neutral Axis: 266 °
 Bend Line Lower Limit: rad
 Bend Line Upper Limit: -0.179 rad

Bend Line	Chord Length (in)	Additional Length (in)	Section Modulus (in ³)	Applied Moment Mu (k-in)	Moment Capacity φMn (k-in)	Ratio
Flat	24.720	2.37	42.323	2121.7	2285.4	0.928
Corner	23.397	1.42	38.773	1767.1	2093.7	0.844

ELASTIC ANCHOR ROD ANALYSIS

Class	Group Quantity	Rod Diameter (in)	Applied Axial Load Pu (k)	Applied Shear Load Vu (k)	Compressive Capacity φPn (k)	Ratio	Interaction
Original	8	2.25	165.3	0.2	243.6	0.679	0.680
Additional	4	2.25	208.4	0.1	243.6	0.855	0.857

BASE PLATE STIFFENER ANALYSIS

Quantity:	8	
Height:	10.5	in
Width:	5.25	in
Effective Width:	5.250	in
Thickness:	0.5	in
Notch:	0.75	in
Grade:	A572-50	
Yield Strength:	50	ksi
Tensile Strength:	65	ksi
Horizontal Weld Type:	Fillet	
Horizontal Weld Fillet Size:	0.5	in
Horizontal Weld Bevel Size:		in
Vertical Weld Fillet Size:	0.25	in
Weld Strength:	70	ksi
Electrode Coefficient:	1.000	

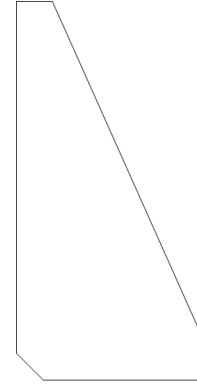


PLATE COMPRESSION

Radius of Gyration:	0.144	in ³
kl/r:	43.65	
4.71 √(E/Fy):	113.43	
Buckling Stress, Fe:	150.24	ksi
Crit. Buckling Stress, Fcr:	131.76	ksi
Applied Compression, Pu:	93.76	k
Compressive Capacity, φPn:	266.81	k
Pu/φPn:	0.176	

PLATE TENSION

Gross Cross Section:	2.2500	in ²
Net Cross Section:	2.0250	in ²
Applied Tension, Tu:	94.26	k
Tensile Capacity, φTn:	98.72	k
Tu/φTn:	0.477	

VERTICAL WELD TO POLE

Vertical Eccentricity Ratio, a=e _x /l:	0.167	
Spacing Ratio, k:	0.048	
Weld Coefficient, C:	3.670	
Applied Compression, Pu:	93.76	k
Compressive Capacity, φPn:	115.61	k
Horizontal Eccentricity Ratio, a=e _x /l:	0.333	
Weld Coefficient, C:	2.940	
Applied Shear, Vu:	0.25	k
Shear Capacity, φVn:	92.61	k
Pu/φPn + Vu/φVn:	0.814	

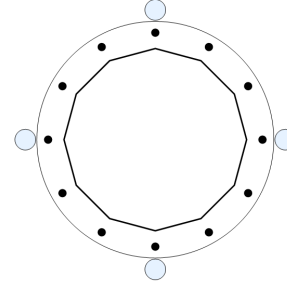
HORIZONTAL WELD TO PLATE

Horizontal Eccentricity Ratio, a=e _x /l:	0.167	
Spacing Ratio, k:	0.095	
Weld Coefficient, C:	3.900	
Effective Fillet Size:	0.500	in
Applied Compression, Pu:	93.76	k
Compressive Capacity, φPn:	122.85	k
Vertical Eccentricity Ratio, a=e _x /l:	0.333	
Weld Coefficient, C:	3.090	
Applied Shear, Vu:	0.25	k
Shear Capacity, φVn:	97.34	k
Pu/φPn + Vu/φVn:	0.766	

UPPER FLANGE PLATE ANALYSIS @ 110 FT

PLATE PARAMETERS (ID# 16824)

Diameter: 28.5 in
 Shape: Round
 Thickness: 1 in
 Grade: A572-60
 Yield Strength: 60 ksi
 Tensile Strength: 75 ksi
 Pole Weld Size: 0.125 in
 Orientation Offset: - °
 Analysis Type: Elastic
 Neutral Axis: 150 °



FLANGE BOLT PARAMETERS

Class	Arrangement	Quantity	Diameter (in)	Circle (in)	Grade	Fy (ksi)	Fu (ksi)	Spacing (in)	Offset (°)
Original [ID# 17219]	Radial	12	1	25.78	A325	92	120	-	-

DYWIDAG BAR PARAMETERS

Quantity	Bar Size	Bar Diameter (in)	Fy (ksi)	Fu (ksi)	Bracket Type	Bracket Offset (in)	Circle (in)	Offset (°)
4 [ID# 1102]	#20	2.5	80	100	Not Listed	3.75	31.27	-

FLANGE BOLT GEOMETRY AND APPLIED LOADS --- ORIGINAL (12) 1"Ø [ID 17219]

Position	Radians	X (in)	Y (in)	Moment Arm (in)	Inertia (in ⁴)	Axial Load (k)	Shear Load (k)
1	0.524	11.16	6.44	-10.622	68.371	-11.65	0.76
2	1.047	6.44	11.16	-12.265	91.152	-13.49	0.00
3	1.571	0.00	12.89	-10.622	68.371	-11.65	0.76
4	2.094	-6.44	11.16	-6.133	22.810	-6.64	1.32
5	2.618	-11.16	6.44	0.000	0.029	0.22	1.53
6	3.142	-12.89	0.00	6.133	22.810	7.07	1.32
7	3.665	-11.16	-6.44	10.622	68.371	12.09	0.76
8	4.189	-6.44	-11.16	12.265	91.152	13.93	0.00
9	4.712	0.00	-12.89	10.622	68.371	12.09	0.76
10	5.236	6.44	-11.16	6.133	22.810	7.07	1.32
11	5.760	11.16	-6.44	0.000	0.029	0.22	1.53
12	6.283	12.89	0.00	-6.133	22.810	-6.64	1.32

DYWIDAG BAR GEOMETRY AND APPLIED LOADS --- (4) #20 [ID 1102]

Position	Radians	X (in)	Y (in)	Moment Arm (in)	Inertia (in ⁴)	Axial Load (k)
1	1.571	0.00	15.63	-13.539	901.770	-96.05
2	3.142	-15.63	0.00	7.817	301.868	59.10
3	4.712	0.00	-15.63	13.539	901.770	100.67
4	6.283	15.63	0.00	-7.817	301.868	-54.48

REACTION DISTRIBUTION

Component	ID	Moment Mu (k-ft)	Axial Load Pu (k)	Shear Vu (k)	Moment Factor
Pole	21.268"ø x 0.1875" (12 Sides)	84.1	11.84	11.40	0.221
Bolt Group	Original (12) 1"ø	84.1	-	11.40	0.221
Dywidag Group	(4) #20	296.9	-	-	0.779
TOTALS		381.01	11.84	11.4	

COMPONENT PROPERTIES

Component	ID	Gross Area (in ²)	Net Area (in ²)	Individual Inertia (in ⁴)	Moment of Inertia (in ⁴)	Threads/in
Pole	21.268"ø x 0.1875" (12 Sides)	12.2761	-	-	682.06	-
Bolt Group	Original (12) 1"ø	0.7854	0.6057	0.0292	547.08	8.0
Dywidag Group	(4) #20	4.9087	4.9087	1.9175	2407.28	-

EXTERNAL UPPER FLANGE PLATE BEND LINE ANALYSIS @ 110 FT

POLE PROPERTIES

Flat-to-Flat Diameter: 21.39 in
 Point-to-Point Diameter: 22.15 in
 Flat Width: 5.732 in
 Flat Radians: 0.524 rad

PLATE PROPERTIES

Neutral Axis: 150 °
 Bend Line Lower Limit: 3.881 rad
 Bend Line Upper Limit: 4.497 rad

Bend Line	Chord Length (in)	Additional Length (in)	Section Modulus (in ³)	Applied Moment Mu (k-in)	Moment Capacity φMn (k-in)	Ratio
Flat	17.048	0.00	4.262	21.8	230.1	0.095
Corner	16.055	0.00	4.014	16.6	216.7	0.077
Circumferential	15.357	0.00	3.839	16.6	207.3	0.080

ELASTIC FLANGE BOLT ANALYSIS

Class	Group Quantity	Bolt Diameter (in)	Applied Axial Load Pu (k)	Applied Shear Load Vu (k)	Compressive Capacity φPn (k)	Ratio	Interaction
Original	12	1	13.9	0.0	54.5	0.255	0.255

DYWIDAG BAR ANALYSIS

Group Quantity	Bar Size	Bar Circle (in)	Applied Axial Load Pu (k)	Compressive Capacity φPn (k)	Ratio
4	#20	31.27	100.7	368.2	0.273

Monolithic Mat Foundation Analysis (ANSI/TIA-222-H)

Foundation & Tower Parameters

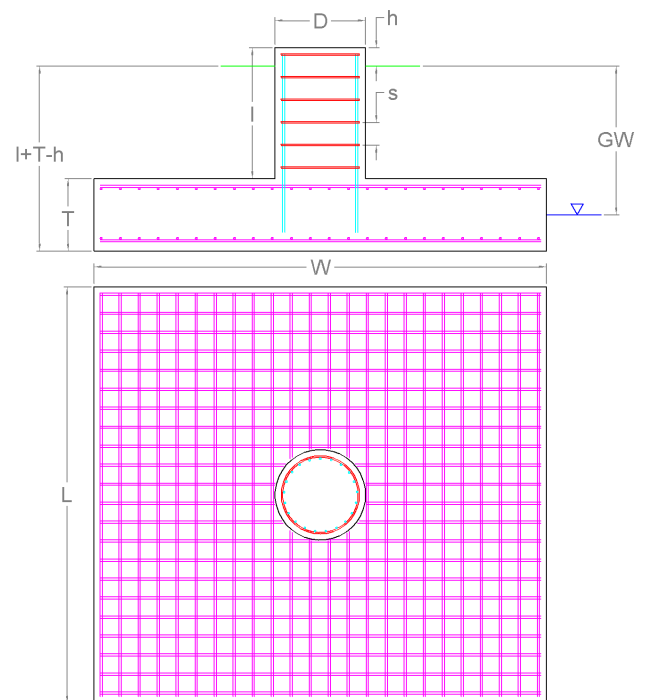
Ignore Mat Rebar?		Y	
Ignore Pier Rebar?		Y	
Foundation has Pier(s)?		Y	
Pier Shape		Square	
Pier Diameter	<i>D</i>	5	ft
Pier Height Above Ground	<i>h</i>	1.8	ft
Pier Length	<i>l</i>	4	ft
Mat Base Depth	<i>l+T-h</i>	4.4	ft
Mat Length	<i>L</i>	20	ft
Mat Width	<i>W</i>	19.4	ft
Mat Thickness	<i>T</i>	2.2	ft
Unit Weight of Concrete		150	pcf
Tower Eccentricity	<i>ecc</i>	0	ft
Tower Face Width	<i>FW</i>	3.12	ft
Tower Leg Count		1	

Reactions

Moment, M_u	2,035.11	k-ft
Shear, V_u	18.08	k
Axial, P_u	41.05	k
Uplift, T_u	0	k
Tower Weight	41.05	k
Tower Dead Load Factor	0.9	

Soil Parameters

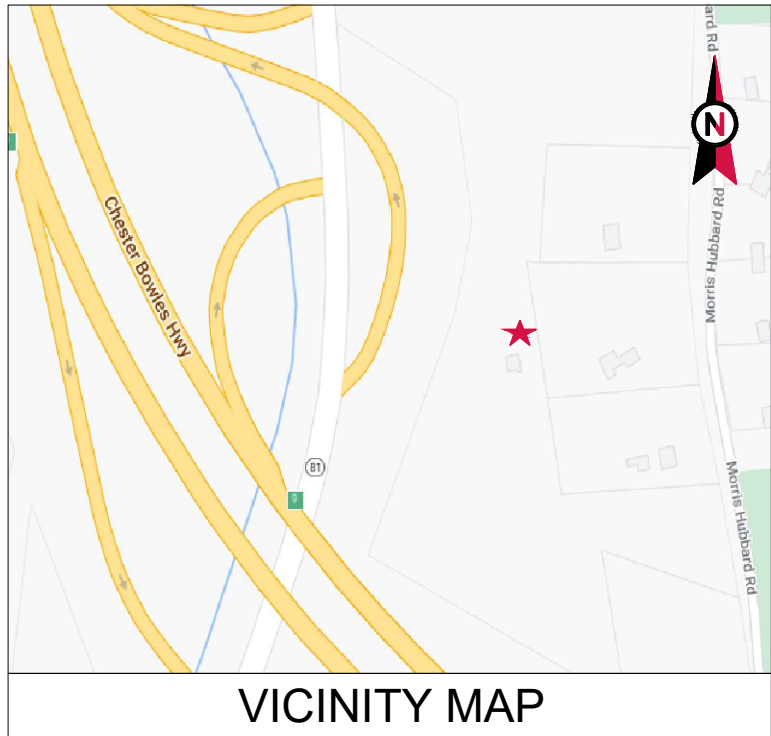
Water Table Depth [BGL]	<i>GW</i>	8	ft
Unit Weight of Soil		128	pcf
Unit Weight of Soil [Submerged]		65.6	pcf
Shear Friction Coefficient		0.75	
Ultimate Bearing Pressure		7,610	psf
Bearing Pressure Type		Gross	
Conical Failure Angle		15	°
Capacity Increase (Transient Loads)		1.00	
Soil Strength Reduction Factor, ϕ_s		0.75	
Dead Load Factor		1.2	



Soil Capacities

Design Moment, M_u	2,147.21	k-ft
Nominal Moment Capacity, $\phi_m M_n$	2,553.67	k-ft
$M_u / \phi_s M_n$	84.1%	
Net Bearing Pressure	3,648	k
Nominal Bearing Capacity, $\phi_b P_n$	5,708	k
Bearing Pressure Controlling Load Direction	Parallel to Pad Edge	
$P_u / \phi_s P_n$	63.9%	
Ultimate Friction Resistance	209.6	k
Ultimate Passive Pressure Resistance	18.59	k
Nominal Shear Capacity, $\phi_s V_n$	171.14	k
$V_u / \phi_s V_n$	11.0%	





VICINITY MAP



AMERICAN TOWER®

ATC SITE NAME: HDDM - HADDAM
 ATC SITE NUMBER: 302494
 AT&T PACE NUMBERS: MRCTB056046/ MRCTB054862/
 MRCTB054863/ MRCTB054135/
 MRCTB055048/ MRCTB054890/
 MRCTB056054

AT&T SITE ID: CTL02031
 AT&T FA CODE: 10035050
 AT&T SITE NAME: HADDAM
 SITE ADDRESS: 139 MORRIS HUBBARD RD
 HIGGANUM, CT 06441-4307



LOCATION MAP

BIRD WATCH SITE:
 PLEASE CONTACT BIRD.WATCH@AMERICANTOWER.COM OR
 AMERICAN TOWER NOC AT 877-518-6937 FOR ASSISTANCE

AT&T 5G NR RADIO, 5G NR 1DR-1, 5G NR SOFTWARE UPGRADE, LTE 4C, 4TX4RX RETROFIT, 5G NR 1SR CBAND AMENDMENT PLAN

COMPLIANCE CODE	PROJECT SUMMARY	PROJECT DESCRIPTION	SHEET INDEX				
ALL WORK SHALL BE PERFORMED AND MATERIALS INSTALLED IN ACCORDANCE WITH THE CURRENT EDITIONS OF THE FOLLOWING CODES AS ADOPTED BY THE LOCAL GOVERNMENT AUTHORITIES. NOTHING IN THESE PLANS IS TO BE CONSTRUED TO PERMIT WORK NOT CONFORMING TO THESE CODES. 1. INTERNATIONAL BUILDING CODE (IBC) 2. NATIONAL ELECTRIC CODE (NEC) 3. LOCAL BUILDING CODE 4. CITY/COUNTY ORDINANCES	<u>SITE ADDRESS:</u> 139 MORRIS HUBBARD RD HIGGANUM, CT 06441-4307 COUNTY: MIDDLESEX <u>GEOGRAPHIC COORDINATES:</u> LATITUDE: 41.472239 LONGITUDE: -72.554567 GROUND ELEVATION: 344' AMSL	THE PROPOSED PROJECT INCLUDES MODIFYING GROUND BASED AND TOWER MOUNTED EQUIPMENT AS INDICATED PER BELOW: TOWER WORK: REMOVE (9) ANTENNA(S), (3) RRH(S), (6) TMA(S), (6) DIPLEXER(S) AND (6) 1 5/8" COAX CABLE(S) INSTALL MOUNT MODIFICATION(S), (12) ANTENNA(S), (9) RRH(S), (3) Y-CABLE(S), (1) DC-9 SQUID, (3) 0.92" DC TRUNK(S), AND (1) 0.405" FIBER TRUNK EXISTING (6) RRH(S), (2) DC-6 SQUID(S), (4) 0.394" DC TRUNK(S), (1) 0.394" FIBER TRUNKS, (1) 0.405" FIBER TRUNK AND (6) 1 5/8" COAX CABLE(S) TO REMAIN GROUND WORK: REMOVE (6) DIPLEXERS INSTALL 6648 + XCEDE CABLE EXISTING (1) 5216, (1) XMU, 6630+IDLE TO REMAIN	SHEET NO:	DESCRIPTION:	REV:	DATE:	BY:
	<u>PROJECT TEAM</u> <u>TOWER OWNER:</u> AMERICAN TOWER 10 PRESIDENTIAL WAY WOBURN, MA 01801 <u>ENGINEER:</u> HUDSON DESIGN GROUP, LLC 45 BEECHWOOD DRIVE NORTH ANDOVER, MA 01845 <u>PROPERTY OWNER:</u> JOANN M BARONI FORISTALL 139 MORRIS HUBBARD RD HIGGANUM, CT 06441-4307	<u>PROJECT NOTES</u> 1. THE FACILITY IS UNMANNED. 2. A TECHNICIAN WILL VISIT THE SITE APPROXIMATELY ONCE A MONTH FOR ROUTINE INSPECTION AND MAINTENANCE. 3. THE PROJECT WILL NOT RESULT IN ANY SIGNIFICANT LAND DISTURBANCE OR EFFECT OF STORM WATER DRAINAGE. 4. NO SANITARY SEWER, POTABLE WATER OR TRASH DISPOSAL IS REQUIRED. 5. HANDICAP ACCESS IS NOT REQUIRED. 6. THE PROJECT DEPICTED IN THESE PLANS QUALIFIES AS AN ELIGIBLE FACILITIES REQUEST ENTITLED TO EXPEDITED REVIEW UNDER 47 U.S.C. § 1455(A) AS A MODIFICATION OF AN EXISTING WIRELESS TOWER THAT INVOLVES THE COLLOCATION, REMOVAL, AND/OR REPLACEMENT OF TRANSMISSION EQUIPMENT THAT IS NOT A SUBSTANTIAL CHANGE UNDER CFR § 1.61000 (B)(7).	G-001	TITLE SHEET	0	07/13/22	TR
<u>UTILITY COMPANIES</u> POWER COMPANY: UTILITY COMPANY DIRECT PHONE: UNKNOWN TELEPHONE COMPANY: UNKNOWN PHONE: UNKNOWN	<u>PROJECT TEAM</u> <u>APPLICANT:</u> AT&T MOBILITY	<u>PROJECT LOCATION DIRECTIONS</u> FROM HARTFORD - I 91 SOUTH TO RT 9 SOUTH TO EXIT 9 FOR RT 81. TAKE LEFT AT OFF RAMP AND FOLLOW TO AND TAKE RIGHT ONTO MORRIS HUBBARD ROAD AND FOLLOW TO TOWER SITE DOWN ON RIGHT.	G-002	GENERAL NOTES	0	07/13/22	TR
	<u>PROJECT TEAM</u> <u>APPLICANT:</u> AT&T MOBILITY	<u>PROJECT LOCATION DIRECTIONS</u> FROM HARTFORD - I 91 SOUTH TO RT 9 SOUTH TO EXIT 9 FOR RT 81. TAKE LEFT AT OFF RAMP AND FOLLOW TO AND TAKE RIGHT ONTO MORRIS HUBBARD ROAD AND FOLLOW TO TOWER SITE DOWN ON RIGHT.	C-101	DETAILED SITE PLAN	0	07/13/22	TR
			C-201	TOWER ELEVATION	0	07/13/22	TR
			E-501	GROUNDING DETAILS	0	07/13/22	TR
			R-601	SUPPLEMENTAL			
			R-602	SUPPLEMENTAL			
			R-603	SUPPLEMENTAL			
			R-604	SUPPLEMENTAL			
			MOUNT MODIFICATION SHEETS				
			AT&T RAN SCOPING NOTES: (0) DC UP CONVERTERS REQUIRED INSTALL (3) RECTIFIERS				



45 BEECHWOOD DRIVE TEL: (978) 557-5553
 N. ANDOVER, MA 01845 FAX: (978) 336-5586

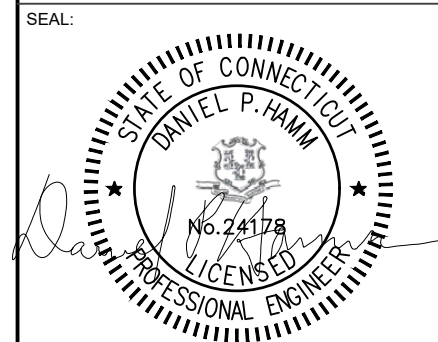
REV.	DESCRIPTION	BY	DATE
A	PRELIM	MR	04/08/22
0	FINALS	TR	07/13/22

ATC SITE NUMBER:
302494

ATC SITE NAME:
HDDM - HADDAM

AT&T SITE NAME:
HADDAM

SITE ADDRESS:
139 MORRIS HUBBARD RD
HIGGANUM, CT 06441-4307



DATE DRAWN:	04/05/22
ATC JOB NO:	13757798_G5
CUSTOMER ID:	CTL02031
CUSTOMER #:	10035050

TITLE SHEET

SHEET NUMBER: **G-001** REVISION: **0**

GENERAL CONSTRUCTION NOTES:

1. OWNER FURNISHED MATERIALS, AT&T "THE COMPANY" WILL PROVIDE AND THE CONTRACTOR WILL INSTALL
 - A. BTS EQUIPMENT FRAME (PLATFORM) AND ICEBRIDGE SHELTER (GROUND BUILD/CO-LOCATE ONLY)
 - B. AC/TELCO INTERFACE BOX (PPC)
 - C. ICE BRIDGE (CABLE TRAY WITH COVER) (GROUND BUILD/CO-LOCATE ONLY, GC TO FURNISH AND INSTALL FOR ROOFTOP INSTALLATION)
 - D. TOWERS, MONOPOLES
 - E. TOWER LIGHTING
 - F. GENERATORS & LIQUID PROPANE TANK
 - G. ANTENNA STANDARD BRACKETS, FRAMES AND PIPES FOR MOUNTING
 - H. ANTENNAS (INSTALLED BY OTHERS)
 - I. TRANSMISSION LINE
 - J. TRANSMISSION LINE JUMPERS
 - K. TRANSMISSION LINE CONNECTORS WITH WEATHERPROOFING KITS
 - L. TRANSMISSION LINE GROUND KITS
 - M. HANGERS
 - N. HOISTING GRIPS
 - O. BTS EQUIPMENT
2. THE CONTRACTOR IS RESPONSIBLE TO PROVIDE ALL OTHER MATERIALS FOR THE COMPLETE INSTALLATION OF THE SITE INCLUDING, BUT NOT LIMITED TO, SUCH MATERIALS AS FENCING, STRUCTURAL STEEL SUPPORTING SUB-FRAME FOR PLATFORM, ROOFING LABOR AND MATERIALS, GROUNDING RINGS, GROUNDING WIRES, COPPER-CLAD OR XIT CHEMICAL GROUND ROD(S), BUSS BARS, TRANSFORMERS AND DISCONNECT SWITCHES WHERE APPLICABLE, TEMPORARY ELECTRICAL POWER, CONDUIT, LANDSCAPING COMPOUND STONE, CRANES, CORE DRILLING, SLEEPERS AND RUBBER MATTING, REBAR, CONCRETE CAISSONS, PADS AND/OR AUGER MOUNTS, MISCELLANEOUS FASTENERS, CABLE TRAYS, NON-STANDARD ANTENNA FRAMES AND ALL OTHER MATERIAL AND LABOR REQUIRED TO COMPLETE THE JOB ACCORDING TO THE DRAWINGS AND SPECIFICATIONS. IT IS THE POSITION OF AT&T TO APPLY FOR PERMITTING AND CONTRACTOR RESPONSIBLE FOR PICKUP AND PAYMENT OF REQUIRED PERMITS.
3. ALL WORK SHALL CONFORM TO ALL CURRENT APPLICABLE FEDERAL, STATE, AND LOCAL CODES, INCLUDING ANSIEIA/ITIA-222, AND COMPLY WITH ATC CONSTRUCTION SPECIFICATIONS.
4. CONTRACTOR SHALL CONTACT LOCAL 811 FOR IDENTIFICATION OF UNDERGROUND UTILITIES PRIOR TO START OF CONSTRUCTION.
5. CONTRACTOR SHALL BE RESPONSIBLE FOR COORDINATING ALL REQUIRED INSPECTIONS.
6. ALL DIMENSIONS TO, OF, AND ON EXISTING BUILDINGS, DRAINAGE STRUCTURES, AND SITE IMPROVEMENTS SHALL BE VERIFIED IN FIELD BY CONTRACTOR WITH ALL DISCREPANCIES REPORTED TO THE ENGINEER.
7. DO NOT CHANGE SIZE OR SPACING OF STRUCTURAL ELEMENTS.
8. DETAILS SHOWN ARE TYPICAL; SIMILAR DETAILS APPLY TO SIMILAR CONDITIONS UNLESS OTHERWISE NOTED.
9. THESE DRAWINGS DO NOT INCLUDE NECESSARY COMPONENTS FOR CONSTRUCTION SAFETY WHICH SHALL BE THE SOLE RESPONSIBILITY OF THE CONTRACTOR.
10. CONTRACTOR SHALL BRACE STRUCTURES UNTIL ALL STRUCTURAL ELEMENTS NEEDED FOR STABILITY ARE INSTALLED. THESE ELEMENTS ARE AS FOLLOWS: LATERAL BRACING, ANCHOR BOLTS, ETC.
11. CONTRACTOR SHALL DETERMINE EXACT LOCATION OF EXISTING UTILITIES, GROUNDS DRAINS, DRAIN PIPES, VENTS, ETC. BEFORE COMMENCING WORK.
12. INCORRECTLY FABRICATED, DAMAGED, OR OTHERWISE MISFITTING OR NONCONFORMING MATERIALS OR CONDITIONS SHALL BE REPORTED TO THE AT&T REP PRIOR TO REMEDIAL OR CORRECTIVE ACTION. ANY SUCH REMEDIAL ACTION SHALL REQUIRE WRITTEN APPROVAL BY THE AT&T REP PRIOR TO PROCEEDING.
13. EACH CONTRACTOR SHALL COOPERATE WITH THE AT&T REP, AND COORDINATE HIS WORK WITH THE WORK OF OTHERS.
14. CONTRACTOR SHALL REPAIR ANY DAMAGE CAUSED BY CONSTRUCTION OF THIS PROJECT TO MATCH EXISTING PRE-CONSTRUCTION CONDITIONS TO THE SATISFACTION OF THE AT&T CONSTRUCTION MANAGER.
15. ALL CABLE/CONDUIT ENTRY/EXIT PORTS SHALL BE WEATHERPROOFED DURING INSTALLATION USING A SILICONE SEALANT.
16. WHERE EXISTING CONDITIONS DO NOT MATCH THOSE SHOWN IN THIS PLAN SET, CONTRACTOR SHALL NOTIFY THE AT&T REP AND ENGINEER OF RECORD IMMEDIATELY.
17. CONTRACTOR SHALL ENSURE ALL SUBCONTRACTORS ARE PROVIDED WITH A COMPLETE AND CURRENT SET OF DRAWINGS AND SPECIFICATIONS FOR THIS PROJECT.
18. CONTRACTOR SHALL REMOVE ALL RUBBISH AND DEBRIS FROM THE SITE AT THE END OF EACH DAY.
19. CONTRACTOR SHALL COORDINATE WORK SCHEDULE WITH AMERICAN TOWER CORPORATION (ATC) AND TAKE PRECAUTIONS TO MINIMIZE IMPACT AND DISRUPTION OF OTHER OCCUPANTS OF THE FACILITY.
20. CONTRACTOR SHALL FURNISH AT&T AND AMERICAN TOWER CORPORATION (ATC) WITH A PDF MARKED UP AS-BUILT SET OF DRAWINGS UPON COMPLETION OF WORK.
21. PRIOR TO SUBMISSION OF BID, CONTRACTOR SHALL COORDINATE WITH AT&T REP TO DETERMINE WHAT, IF ANY, ITEMS WILL BE PROVIDED. ALL ITEMS NOT PROVIDED SHALL BE PROVIDED AND INSTALLED BY THE CONTRACTOR. CONTRACTOR WILL INSTALL ALL ITEMS PROVIDED.
22. PRIOR TO SUBMISSION OF BID, CONTRACTOR SHALL COORDINATE WITH AT&T REP TO

- DETERMINE IF ANY PERMITS WILL BE OBTAINED BY CONTRACTOR. ALL REQUIRED PERMITS NOT OBTAINED BY AT&T MUST BE OBTAINED, AND PAID FOR, BY THE CONTRACTOR.
23. CONTRACTOR SHALL INSTALL ALL SITE SIGNAGE IN ACCORDANCE WITH AT&T SPECIFICATIONS AND REQUIREMENTS.
 24. CONTRACTOR SHALL SUBMIT ALL SHOP DRAWINGS TO AT&T FOR REVIEW AND APPROVAL PRIOR TO FABRICATION.
 25. ALL EQUIPMENT SHALL BE INSTALLED ACCORDING TO MANUFACTURER'S SPECIFICATIONS AND LOCATED ACCORDING TO AT&T SPECIFICATIONS, AND AS SHOWN IN THESE PLANS.
 26. THE CONTRACTOR SHALL SUPERVISE AND DIRECT THE PROJECT DESCRIBED HEREIN. THE CONTRACTOR SHALL BE SOLELY RESPONSIBLE FOR ALL THE CONSTRUCTION MEANS, METHODS, TECHNIQUES, SEQUENCES AND PROCEDURES AND FOR COORDINATING ALL PORTIONS OF THE WORK UNDER THE CONTRACT.
 27. CONTRACTOR SHALL NOTIFY AT&T REP A MINIMUM OF 48 HOURS IN ADVANCE OF POURING CONCRETE OR BACKFILLING ANY UNDERGROUND UTILITIES, FOUNDATIONS OR SEALING ANY WALL, FLOOR OR ROOF PENETRATIONS FOR ENGINEERING REVIEW AND APPROVAL.
 28. CONTRACTOR SHALL BE RESPONSIBLE FOR SITE SAFETY INCLUDING COMPLIANCE WITH ALL APPLICABLE OSHA STANDARDS AND RECOMMENDATIONS AND SHALL PROVIDE ALL NECESSARY SAFETY DEVICES INCLUDING PPE AND PPM AND CONSTRUCTION DEVICES SUCH AS WELDING AND FIRE PREVENTION, TEMPORARY SHORING, SCAFFOLDING, TRENCH BOXES/SLOPING, BARRIERS, ETC.
 29. THE CONTRACTOR SHALL PROTECT AT HIS OWN EXPENSE, ALL EXISTING FACILITIES AND SUCH OF HIS NEW WORK LIABLE TO INJURY DURING THE CONSTRUCTION PERIOD. ANY DAMAGE CAUSED BY NEGLIGENCE ON THE PART OF THIS CONTRACTOR OR HIS REPRESENTATIVES, OR BY THE ELEMENTS DUE TO NEGLIGENCE ON THE PART OF THIS CONTRACTOR OR HIS REPRESENTATIVES, EITHER TO THE EXISTING WORK, OR TO HIS WORK OR THE WORK OF ANY OTHER CONTRACTOR, SHALL BE REPAIRED AT HIS EXPENSE TO THE OWNER'S SATISFACTION.
 30. ALL WORK SHALL BE INSTALLED IN A FIRST CLASS, NEAT AND WORKMANLIKE MANNER BY MECHANICS SKILLED IN THE TRADE INVOLVED. THE QUALITY OF WORKMANSHIP SHALL BE SUBJECT TO THE APPROVAL OF THE AT&T REP. ANY WORK FOUND BY THE AT&T REP TO BE OF INFERIOR QUALITY AND/OR WORKMANSHIP SHALL BE REPLACED AND/OR REWORKED AT CONTRACTOR EXPENSE UNTIL APPROVAL IS OBTAINED.
 31. IN ORDER TO ESTABLISH STANDARDS OF QUALITY AND PERFORMANCE, ALL TYPES OF MATERIALS LISTED HEREINAFTER BY MANUFACTURER'S NAMES AND/OR MANUFACTURER'S CATALOG NUMBER SHALL BE PROVIDED BY THESE MANUFACTURERS AS SPECIFIED.
 32. AT&T FURNISHED EQUIPMENT SHALL BE PICKED-UP AT THE AT&T WAREHOUSE, NO LATER THAN 48HR AFTER BEING NOTIFIED INSURED, STORED, UNCRATE, PROTECTED AND INSTALLED BY THE CONTRACTOR WITH ALL APPURTENANCES REQUIRED TO PLACE THE EQUIPMENT IN OPERATION, READY FOR USE. THE CONTRACTOR SHALL BE RESPONSIBLE FOR THE EQUIPMENT AFTER PICKING IT UP.
 33. AT&T OR HIS ARCHITECT/ENGINEER RESERVES THE RIGHT TO REJECT ANY EQUIPMENT OR MATERIALS WHICH, IN HIS OWN OPINION ARE NOT IN COMPLIANCE WITH THE CONTRACT DOCUMENTS, EITHER BEFORE OR AFTER INSTALLATION AND THE EQUIPMENT SHALL BE REPLACED WITH EQUIPMENT CONFORMING TO THE REQUIREMENTS OF THE CONTRACT DOCUMENTS BY THE CONTRACTOR AT NO COST TO AT&T OR THEIR ARCHITECT/ENGINEER.

STRUCTURAL STEEL NOTES:

1. STRUCTURAL STEEL SHALL CONFORM TO THE LATEST EDITION OF THE AISC "SPECIFICATION FOR THE DESIGN, FABRICATION AND ERECTION OF STRUCTURAL STEEL FOR BUILDINGS."
2. STRUCTURAL STEEL ROLLED SHAPES, PLATES AND BARS SHALL CONFORM TO THE FOLLOWING ASTM DESIGNATIONS:
 - A. ASTM A-572, GRADE 50 - ALL W SHAPES, UNLESS NOTED OR A992 OTHERWISE
 - B. ASTM A-36 - ALL OTHER ROLLED SHAPES, PLATES AND BARS UNLESS NOTED OTHERWISE.
 - C. ASTM A-500, GRADE B - HSS SECTION (SQUARE, RECTANGULAR, AND ROUND)
 - D. ASTM A-325, TYPE SC OR N - ALL BOLTS FOR CONNECTING STRUCTURAL MEMBERS
 - E. ASTM F-1554 07 - ALL ANCHOR BOLTS, UNLESS NOTED OTHERWISE
3. ALL EXPOSED STRUCTURAL STEEL MEMBERS SHALL BE HOT-DIPPED GALVANIZED AFTER FABRICATION PER ASTM A123, EXPOSED STEEL HARDWARE AND ANCHOR BOLTS SHALL BE GALVANIZED PER ASTM A153 OR B695.
4. ALL FIELD CUT SURFACES, FIELD DRILLED HOLES AND GROUND SURFACES WHERE EXISTING PAINT OR GALVANIZATION REMOVAL WAS REQUIRED SHALL BE REPAIRED WITH (2) BRUSHED COATS OF ZRC GALVILITE COLD GALVANIZING COMPOUND PER ASTM A780 AND MANUFACTURER'S RECOMMENDATIONS.
5. DO NOT DRILL HOLES THROUGH STRUCTURAL STEEL MEMBERS EXCEPT AS SHOWN AND DETAILED ON STRUCTURAL DRAWINGS.
6. CONNECTIONS:
 - A. ALL WELDING TO BE PERFORMED BY AWS CERTIFIED WELDERS AND CONDUCTED IN ACCORDANCE WITH THE LATEST EDITION OF THE AWS WELDING CODE D1.1.
 - B. ALL WELDS SHALL BE INSPECTED VISUALLY. 25% OF WELDS SHALL BE

- INSPECTED WITH DYE PENETRANT OR MAGNETIC PARTICLE TO MEET THE ACCEPTANCE CRITERIA OF AWS D1.1. REPAIR ALL WELDS AS NECESSARY.
- C. INSPECTION SHALL BE PERFORMED BY AN AWS CERTIFIED WELD INSPECTOR.
 - D. IT IS THE CONTRACTORS RESPONSIBILITY TO PROVIDE BURNING/WELDING PERMITS AS REQUIRED BY LOCAL GOVERNING AUTHORITY AND IF REQUIRED SHALL HAVE FIRE DEPARTMENT DETAIL FOR ANY WELDING ACTIVITY.
 - E. ALL ELECTRODES TO BE LOW HYDROGEN, MATCHING FILLER METAL, PER AWS D1.1, UNLESS NOTED OTHERWISE.
 - F. MINIMUM WELD SIZE TO BE 0.1875 INCH FILLET WELDS, UNLESS NOTED OTHERWISE.
 - G. PRIOR TO FIELD WELDING GALVANIZING MATERIAL, CONTRACTOR SHALL GRIND OFF GALVANIZING 1/4" BEYOND ALL FIELD WELD SURFACES. AFTER WELD AND WELD INSPECTION IS COMPLETE, REPAIR ALL GROUND AND WELDED SURFACES WITH ZRC GALVILITE COLD GALVANIZING COMPOUND PER ASTM A780 AND MANUFACTURERS RECOMMENDATIONS.
 - H. THE CONTRACTOR SHALL PROVIDE ADEQUATE SHORING AND/OR BRACING WHERE REQUIRED DURING CONSTRUCTION UNTIL ALL CONNECTIONS ARE COMPLETE.
 - I. ANY FIELD CHANGES OR SUBSTITUTIONS SHALL HAVE PRIOR APPROVAL FROM THE ENGINEER, AND T- MOBILE PROJECT MANAGER IN WRITING

SPECIAL CONSTRUCTION ANTENNA INSTALLATION NOTES:

1. WORK INCLUDED:
 - A. ANTENNA AND COAXIAL CABLES ARE FURNISHED BY AT&T UNDER A SEPARATE CONTRACT. THE CONTRACTOR SHALL ASSIST ANTENNA INSTALLATION CONTRACTOR IN TERMS OF COORDINATION AND SITE ACCESS. ERECTION SUBCONTRACTOR SHALL BE RESPONSIBLE FOR THE PROTECTION OF PERSONNEL.
 - B. INSTALL ANTENNAS AS INDICATED ON DRAWINGS AND AT&T SPECIFICATIONS.
 - C. INSTALL GALVANIZED STEEL ANTENNA MOUNTS AS INDICATED ON DRAWINGS.
 - D. INSTALL FURNISHED GALVANIZED STEEL OR ALUMINUM WAVEGUIDE AND PROVIDE PRINTOUT OF THAT TEST.
 - E. CONTRACTOR SHALL PROVIDE FOUR (4) SETS OF SWEEP TESTS USING ANRITZU-PACKARD 8713B RF SCALAR NETWORK ANALYZER. SUBMIT FREQUENCY DOMAIN REFLECTOMETER(FDR) TESTS RESULTS TO THE PROJECT MANAGER. SWEEP TESTS SHALL BE AS PER ATTACHED RFS "MINIMUM FIELD TESTING RECOMMENDED FOR ANTENNA AND HELIAX COAXIAL CABLE SYSTEMS" DATED 10/5/93. TESTING SHALL BE PERFORMED BY AN INDEPENDENT TESTING SERVICE AND BE BOUND AND SUBMITTED WITHIN ONE WEEK OF WORK COMPLETION.
 - F. INSTALL COAXIAL CABLES AND TERMINATING BETWEEN ANTENNAS AND EQUIPMENT PER MANUFACTURER'S RECOMMENDATIONS. WEATHERPROOF ALL CONNECTIONS BETWEEN THE ANTENNA AND EQUIPMENT PER MANUFACTURER'S REQUIREMENTS. TERMINATE ALL COAXIAL CABLE THREE (3) FEET IN EXCESS OF ENTRY PORT LOCATION UNLESS OTHERWISE STATED.
 - G. ANTENNA AND COAXIAL CABLE GROUNDING:
 2. ALL EXTERIOR #6 GREEN GROUND WIRE "DAISY CHAIN" CONNECTIONS ARE TO BE WEATHER SEALED WITH RFS CONNECTORS/SPLICE WEATHERPROOFING KIT #221213 OR EQUAL.
 3. ALL COAXIAL CABLE GROUNDING KITS ARE TO BE INSTALLED ON STRAIGHT RUNS OF COAXIAL CABLE (NOT WITHIN BENDS).

ALL DISCREPANCIES FROM WHAT IS SHOWN ON THESE CONSTRUCTION DRAWINGS SHALL BE COMMUNICATED TO ATC ENGINEERING IMMEDIATELY FOR CORRECTION OR RE-DESIGN. FAILURE TO COMMUNICATE DIRECTLY WITH ATC ENGINEERING OR ANY CHANGES FROM THE DESIGN CONDUCTED WITHOUT PRIOR APPROVAL FROM ATC ENGINEERING SHALL BE THE SOLE RESPONSIBILITY OF THE GENERAL CONTRACTOR.



45 BEECHWOOD DRIVE TEL: (978) 557-5553
N. ANDOVER, MA 01845 FAX: (978) 336-5586

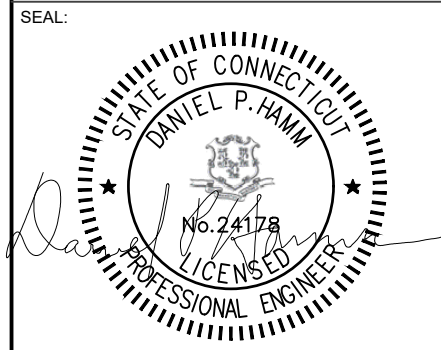
REV.	DESCRIPTION	BY	DATE
A	PRELIM	MR	04/08/22
0	FINALS	TR	07/13/22

ATC SITE NUMBER:
302494

ATC SITE NAME:
HDDM - HADDAM

AT&T SITE NAME:
HADDAM

SITE ADDRESS:
139 MORRIS HUBBARD RD
HIGGANUM, CT 06441-4307



DATE DRAWN:	04/05/22
ATC JOB NO:	13757798_G5
CUSTOMER ID:	CTL02031
CUSTOMER #:	10035050

GENERAL NOTES

SHEET NUMBER: **G-002** REVISION: **0**

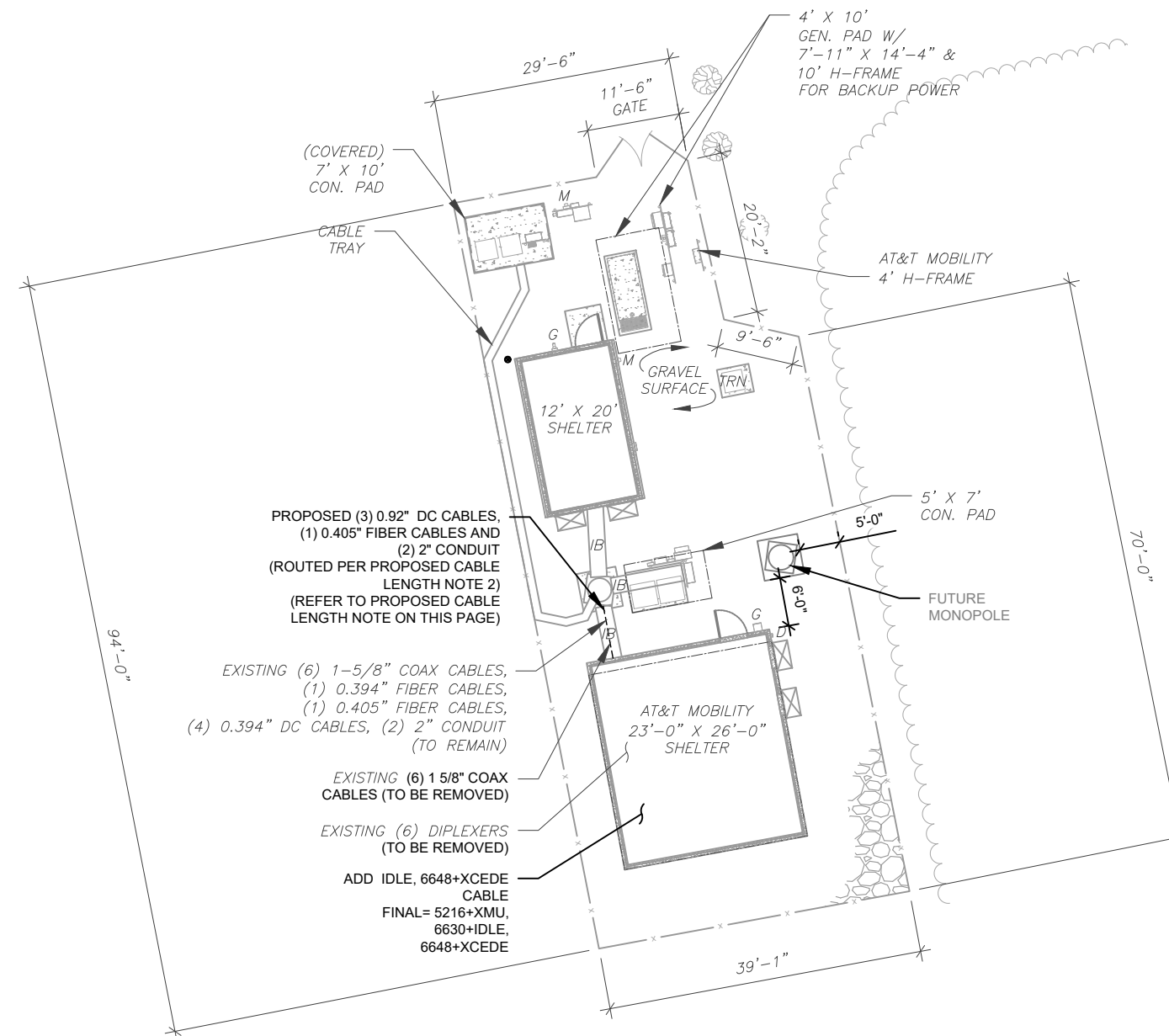
Copyright © 2022 ATC IP, LLC, All Rights Reserved.

SITE PLAN NOTES:

1. THIS SITE PLAN REPRESENTS THE BEST PRESENT KNOWLEDGE AVAILABLE TO THE ENGINEER AT THE TIME OF THIS DESIGN. THE CONTRACTOR SHALL VISIT THE SITE PRIOR TO CONSTRUCTION AND VERIFY ALL EXISTING CONDITIONS RELATED TO THE SCOPE OF WORK FOR THIS PROJECT.
2. ICE BRIDGE, CABLE LADDER, COAX PORT, AND COAX CABLE ARE SHOWN FOR REFERENCE ONLY. CONTRACTOR SHALL CONFIRM THE EXACT LOCATION OF ALL PROPOSED AND EXISTING EQUIPMENT AND STRUCTURES DEPICTED ON THIS PLAN. BEFORE UTILIZING EXISTING CABLE SUPPORTS, COAX PORTS, INSTALLING NEW PORTS OR ANY OTHER EQUIPMENT, CONTRACTOR SHALL VERIFY ALL ASPECTS OF THE COMPONENTS MEET THE ATC SPECIFICATIONS.
3. NO ELECTRICAL SCOPE IS INCLUDED IN THIS PROJECT.

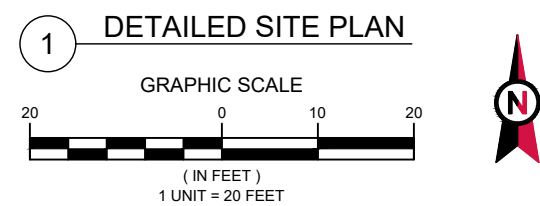
THIS PAGE CONTAINS CONFIDENTIAL, PROPRIETARY OR TRADE SECRET INFORMATION EXEMPT FROM DISCLOSURE UNDER APPLICABLE LAW.

LEGEND	
⊗	GROUNDING TEST WELL
ATS	AUTOMATIC TRANSFER SWITCH
B	BOLLARD
CSC	CELL SITE CABINET
D	DISCONNECT
E	ELECTRICAL
F	FIBER
GEN	GENERATOR
G	GENERATOR RECEPTACAL
HH, V	HAND HOLE, VAULT
IB	ICE BRIDGE
K	KENTROX BOX
LC	LIGHTING CONTROL
M	METER
PB	PULL BOX
PP	POWER POLE
T	TELCO
TRN	TRANSFORMER
— x —	CHAINLINK FENCE



PROPOSED CABLE LENGTH:

1. ESTIMATED LENGTH OF PROPOSED CABLE IS **190'**. ESTIMATED LENGTH OF CABLE WAS PROVIDED BY CUSTOMER OR CALCULATED BY ADDING THE RAD CENTER AND THE DISTANCE FROM THE SHELTER ENTRY PLATE TO THE TOWER (ALONG THE ICE BRIDGE) AND A SAFETY FACTOR MEASUREMENT OF 15% (OF THE TWO PREVIOUS VALUES), CDS DEFER TO GREATEST CABLE LENGTH.
2. ROUTE PROPOSED CABLES ALONG SAME PATH AS EXISTING CABLES AND IN ACCORDANCE WITH STRUCTURAL ANALYSIS. IF ADEQUATE SPACE EXISTS, ROUTE CABLES THROUGH ENTRY PORT HOLE, UP INSIDE OF MONOPOLE, AND THROUGH EXIT PORT HOLE. IF ROUTING OUTSIDE THE MONOPOLE, ATTACH CABLES USING STAND-OFF ADAPTERS MOUNTED TO TOWER USING STAINLESS STEEL BANDING. ADEQUATELY SECURE CABLES USING EITHER APPROPRIATELY SIZED STAINLESS STEEL SNAP-INS OR MOUNTING HARDWARE AND BRACKETS AS SPECIFIED BY CABLE MANUFACTURER.



45 BEECHWOOD DRIVE TEL: (978) 557-5553
N. ANDOVER, MA 01845 FAX: (978) 336-5586

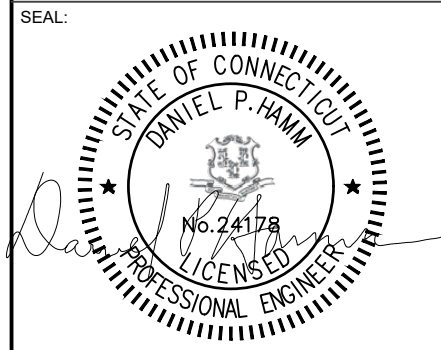
REV.	DESCRIPTION	BY	DATE
A	PRELIM	MR	04/08/22
0	FINALS	TR	07/13/22

ATC SITE NUMBER:
302494

ATC SITE NAME:
HDDM - HADDAM

AT&T SITE NAME:
HADDAM

SITE ADDRESS:
139 MORRIS HUBBARD RD
HIGGANUM, CT 06441-4307

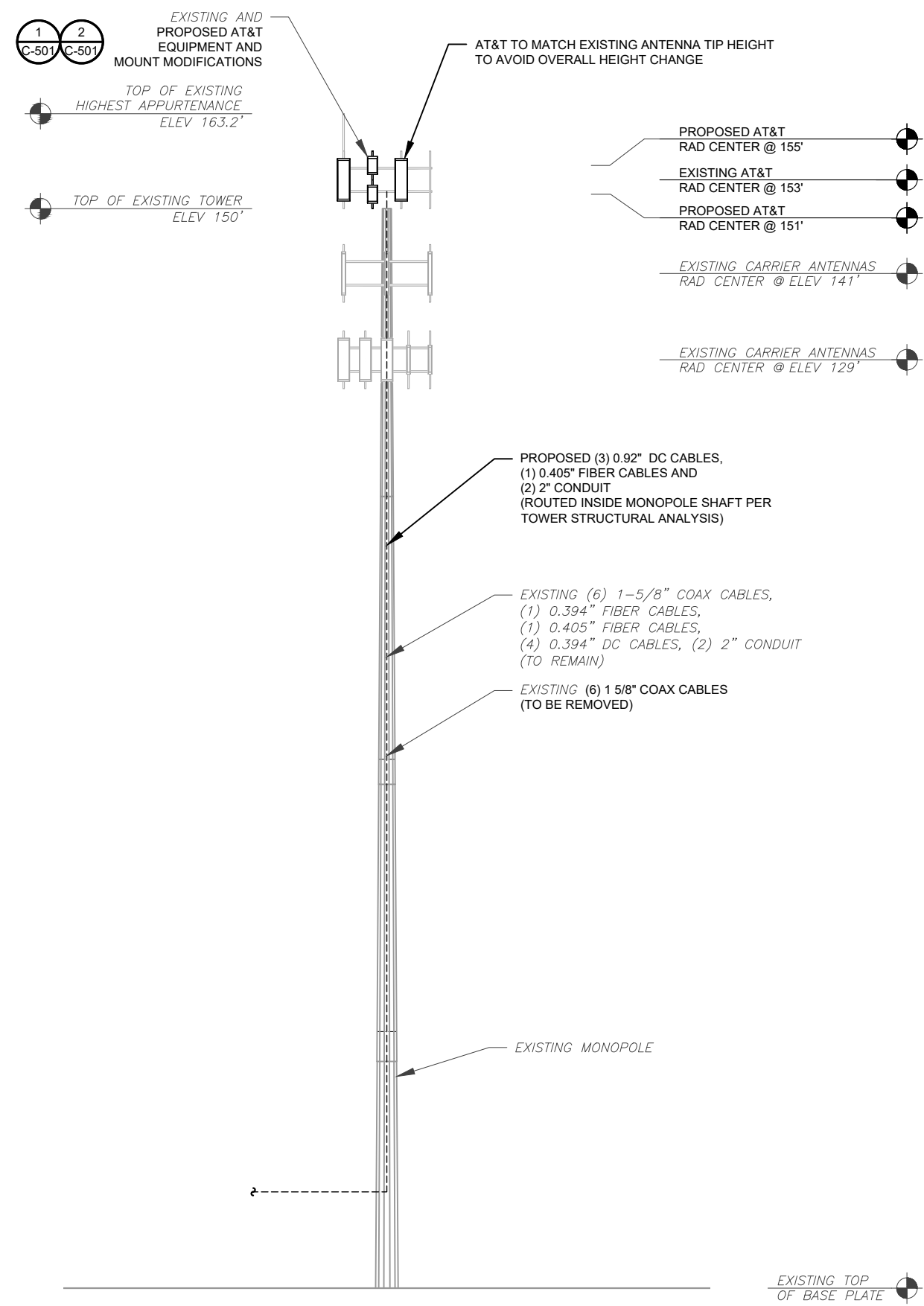


DATE DRAWN:	04/05/22
ATC JOB NO:	13757798_G5
CUSTOMER ID:	CTL02031
CUSTOMER #:	10035050

DETAILED SITE PLAN	
SHEET NUMBER:	REVISION:
C-101	0

Copyright © 2022 ATC IP, LLC. All Rights Reserved.

THIS PAGE CONTAINS CONFIDENTIAL, PROPRIETARY OR TRADE SECRET INFORMATION EXEMPT FROM DISCLOSURE UNDER APPLICABLE LAW.



PER MOUNT ANALYSIS COMPLETED BY ATC, DATED 04/07/2022, THE EXISTING MOUNT MUST BE MODIFIED TO ADEQUATELY SUPPORT THE PROPOSED LOADING. THE MOUNT MODIFICATION DETAILED AT THE END OF THIS PLAN SET, MUST BE INSTALLED PRIOR TO THE INSTALLATION OF THE PROPOSED ANTENNAS AND OTHER EQUIPMENT.

1 TOWER ELEVATION
SCALE: N.T.S.

TOWER NOTE:

- IT IS THE CONTRACTOR'S RESPONSIBILITY TO CONFIRM WITH THE PROJECT MANAGER THAT THEY HAVE THE MOST RECENT VERSION OF THE STRUCTURAL ANALYSIS BEFORE COMMENCING WORK. EXISTING AND PROPOSED TOWER APPURTENANCES, MOUNTS, AND ANTENNAS ARE SHOWN BASED ON THE STRUCTURAL ANALYSIS. WHERE APPLICABLE, ALL NEW ANTENNAS, EQUIPMENT, MOUNTS, CABLING, ETC. SHALL BE PAINTED/SOCKED TO MATCH EXISTING EQUIPMENT IN ACCORDANCE WITH FAA, JURISDICTION, AND/OR OTHER LOCAL REQUIREMENTS.
- ROUTE PROPOSED CABLES ALONG SAME PATH AS EXISTING CABLES AND IN ACCORDANCE WITH STRUCTURAL ANALYSIS. IF ADEQUATE SPACE EXISTS, ROUTE CABLES THROUGH ENTRY PORT HOLE, UP INSIDE OF MONOPOLE, AND THROUGH EXIT PORT HOLE. IF ROUTING OUTSIDE THE MONOPOLE, ATTACH CABLES USING STAND-OFF ADAPTERS MOUNTED TO TOWER USING STAINLESS STEEL BANDING. ADEQUATELY SECURE CABLES USING EITHER APPROPRIATELY SIZED STAINLESS STEEL SNAP-INS OR MOUNTING HARDWARE AND BRACKETS AS SPECIFIED BY CABLE MANUFACTURER.
- TOWER ELEVATIONS ARE MEASURED FROM TOP OF BASE PLATE TO MATCH STRUCTURAL ANALYSIS. ELEVATIONS DO NOT REFLECT TRUE ABOVE GROUND LEVEL (A.G.L.)
- TOWER ELEVATION DEPICTION MAY NOT REFLECT ALL EQUIPMENT INCLUDED IN STRUCTURAL ANALYSIS. REFER TO STRUCTURAL ANALYSIS FOR FULL TOWER LOADING.



45 BEECHWOOD DRIVE TEL: (978) 557-5553
N. ANDOVER, MA 01845 FAX: (978) 336-5586

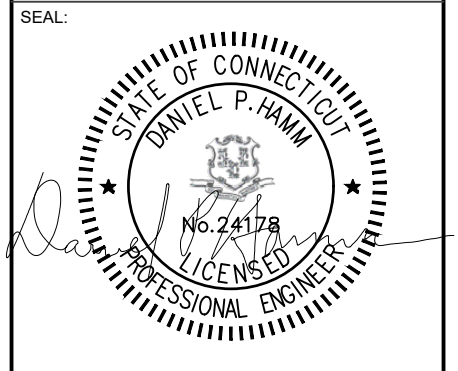
REV.	DESCRIPTION	BY	DATE
A	PRELIM	MR	04/08/22
0	FINALS	TR	07/13/22

ATC SITE NUMBER:
302494

ATC SITE NAME:
HDDM - HADDAM

AT&T SITE NAME:
HADDAM

SITE ADDRESS:
139 MORRIS HUBBARD RD
HIGGANUM, CT 06441-4307

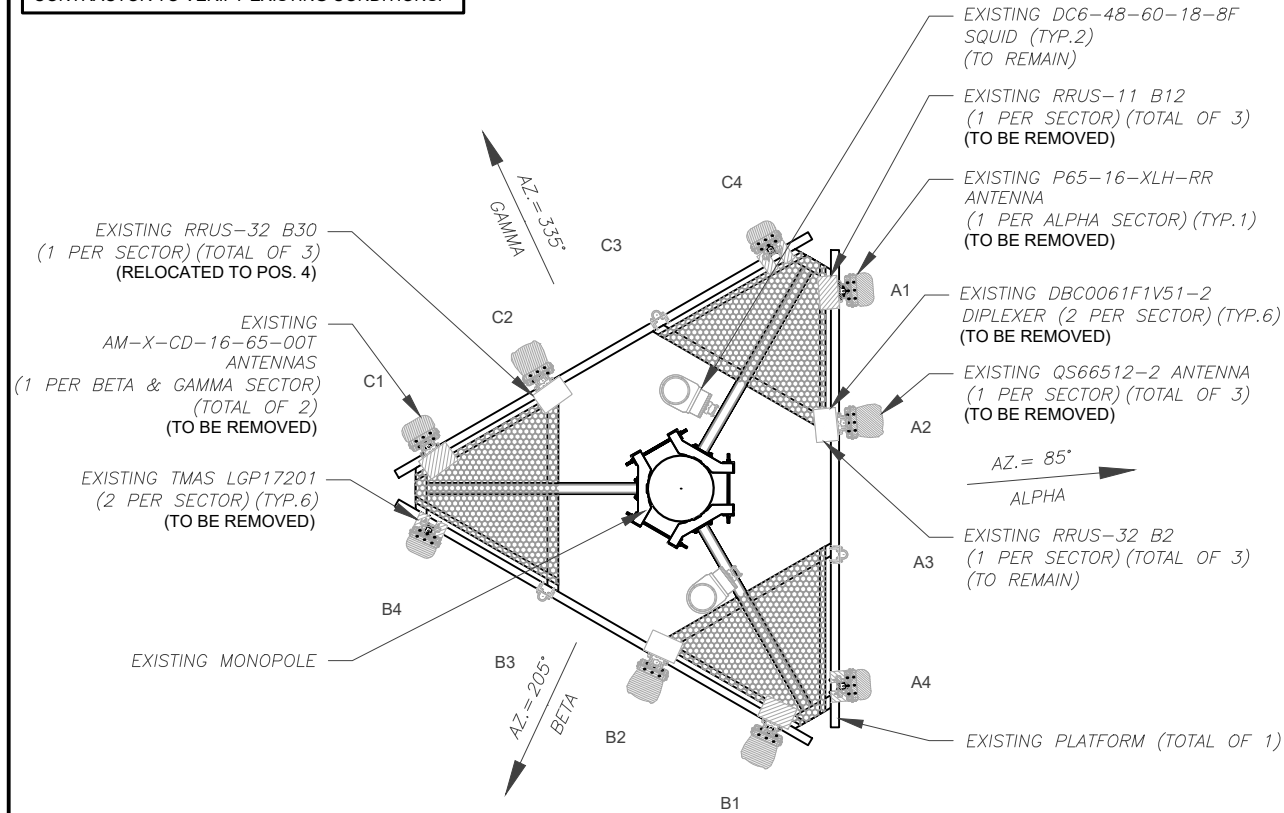


DATE DRAWN:	04/05/22
ATC JOB NO:	13757798_G5
CUSTOMER ID:	CTL02031
CUSTOMER #:	10035050

TOWER ELEVATION	
SHEET NUMBER: C-201	REVISION: 0

Copyright © 2022 ATC IP, LLC. All Rights Reserved.

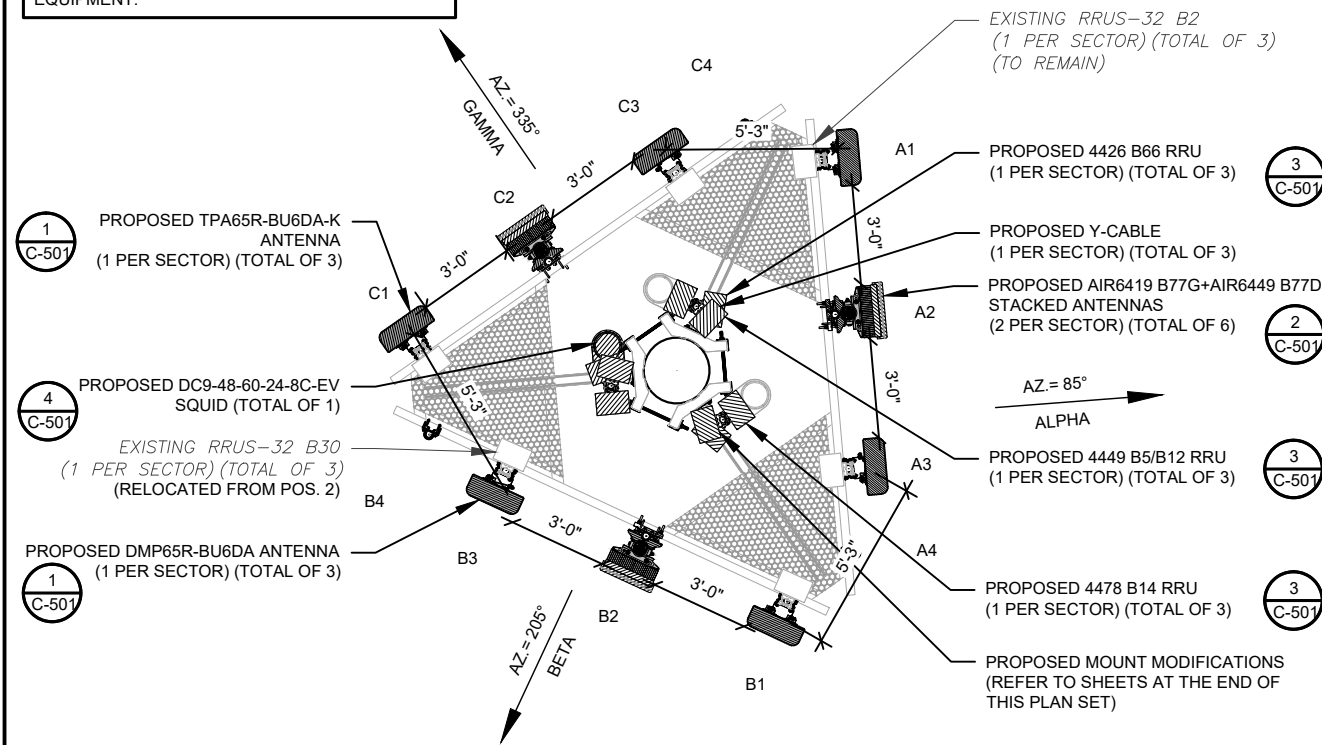
EXISTING CONFIGURATIONS ARE BASED ON RFDS. CONTRACTOR TO VERIFY EXISTING CONDITIONS.



1 CURRENT ANTENNA PLAN
SCALE: N.T.S.

PER MOUNT ANALYSIS COMPLETED BY ATC, DATED 04/07/2022, THE EXISTING MOUNT MUST BE MODIFIED TO ADEQUATELY SUPPORT THE PROPOSED LOADING. THE MOUNT MODIFICATION DETAILED AT THE END OF THIS PLAN SET, MUST BE INSTALLED PRIOR TO THE INSTALLATION OF THE PROPOSED ANTENNAS AND OTHER EQUIPMENT.

CONTRACTOR SHALL RE-ORIENT ANTENNA MOUNT(S) AS NECESSARY TO ACHIEVE PROPOSED ANTENNA AZIMUTHS



2 FINAL ANTENNA PLAN
SCALE: N.T.S.

THIS PAGE CONTAINS CONFIDENTIAL, PROPRIETARY OR TRADE SECRET INFORMATION EXEMPT FROM DISCLOSURE UNDER APPLICABLE LAW.

PROPOSED RRUS MUST BE INSTALLED A MINIMUM OF 8" AWAY FROM ALL ANTENNAS

EXISTING ANTENNA SCHEDULE							
LOCATION		ANTENNA SUMMARY				NON ANTENNA SUMMARY	
SECTOR	RAD	AZ	POS	ANTENNA	BAND	STATUS	ADDITIONAL TOWER MOUNTED EQUIPMENT
ALPHA	153'	85°	A1	P65-16-XLH-RR	700	RMV	RRUS-11 B12
		85°	A2	QS66512-2	1900,WCS	RMV	RRUS-32 B2 RRUS-32 B30 DBC0061F1V51-2 DIPLEXER
		-	A3	-	-	EMPTY	-
		107°	A4	7770	-	RMV	TMAS LGP17201
BETA	153'	205°	B1	AM-X-CD-16-65-00T-RET	700	RMV	RRUS-11 B12
		205°	B2	QS66512-2	1900,WCS	RMV	RRUS-32 B2 RRUS-32 B30 DBC0061F1V51-2 DIPLEXER
		-	B3	-	-	EMPTY	-
		231°	B4	7770	-	RMV	TMAS LGP17201
GAMMA	153'	335°	C1	AM-X-CD-16-65-00T-RET	700	RMV	RRUS-11 B12
		335°	C2	QS66512-2	1900,WCS	RMV	RRUS-32 B2 RRUS-32 B30 DBC0061F1V51-2 DIPLEXER
		-	C3	-	-	EMPTY	-
		350°	C4	7770	-	RMV	TMAS LGP17201

NOTES

- CONFIRM WITH AT&T REP FOR APPLICABLE UPDATES/REVISIONS AND MOST RECENT RFDS FOR NSN CONFIGURATION (CONFIG). GC TO CAP ALL UNUSED PORTS.
- CONFIRM SPACING OF PROPOSED EQUIP DOES NOT CAUSE TOWER CONFLICTS NOR IMPEDE TOWER CLIMBING PEGS.
- THE ANTENNA ORIENTATION PLAN IS A SCHEMATIC. ATC DID NOT CONFIRM EXISTING SITE CONDITIONS INCLUDING, BUT NOT LIMITED TO, ANTENNA AZIMUTHS, MOUNT CONFIGURATIONS AND TOWER ORIENTATION. SCALES SHOWN ARE FOR REFERENCE ONLY AND EXISTING DIMENSIONS ARE APPROXIMATE. THE CONTRACTOR SHALL VERIFY ALL EXISTING CONDITIONS PRIOR TO INSTALLATION AND NOTIFY ATC OF ANY DISCREPANCIES.
- CONTRACTOR TO ENSURE PROPER SEPARATION IN ACCORDANCE WITH AT&T'S FIRSTNET REQUIREMENTS (SEE SHEET R-602)

STATUS ABBREVIATIONS
 RMV: TO BE REMOVED
 RMN: TO REMAIN
 REL: TO BE RELOCATED
 ADD: TO BE ADDED

FINAL ANTENNA SCHEDULE							
LOCATION		ANTENNA SUMMARY				NON ANTENNA SUMMARY	
SECTOR	RAD	AZ	POS	ANTENNA	BAND	STATUS	ADDITIONAL TOWER MOUNTED EQUIPMENT
ALPHA	153'	85°	A1	TPA-65R-BU6DA-K	LTE 700 B14/ AWS/ PCS	ADD	4478 B14 RRUS-32 B2 4426 B66
			A3 UP A3 DN	AIR6419 B77G AIR6449 B77D	C-BAND DOD	ADD	-
			A3	DMP65R-BU6DA	LTE 700 BC/ 850/ WCS	ADD	Y-CABLE 4449 B5/B12 RRUS-32 B30
			A4	EMPTY	-	-	-
BETA	153'	205°	B1	TPA-65R-BU6DA-K	LTE 700 B14/ AWS/ PCS	ADD	4478 B14 RRUS-32 B2 4426 B66
			B2	AIR6419 B77G AIR6449 B77D	C-BAND DOD	ADD	-
			B3 UP B3 DN	DMP65R-BU6DA	LTE 700 BC/ 850/ WCS	ADD	Y-CABLE 4449 B5/B12 RRUS-32 B30
			B4	EMPTY	-	-	-
GAMMA	153'	335°	C1	TPA-65R-BU6DA-K	LTE 700 B14/ AWS/ PCS	ADD	4478 B14 RRUS-32 B2 4426 B66
			C2	AIR6419 B77G AIR6449 B77D	C-BAND DOD	ADD	-
			C3UP C3DN	DMP65R-BU6DA	LTE 700 BC/ 850/ WCS	ADD	Y-CABLE 4449 B5/B12 RRUS-32 B30
			C4	EMPTY	-	-	-

CABLE LENGTHS FOR JUMPERS
 JUNCTION BOX TO RRU: 15'
 RRU TO ANTENNA: 10'

EXISTING FIBER DISTRIBUTION/SQUID		EXISTING CABLING SUMMARY			
MODEL NUMBER	STATUS	COAX	DC	FIBER	STATUS
(2) DC6-48-60-18	RMN	(6) 1-5/8"	(4) 0.394"	(1) 0.394" (1) 0.405"	RMN
-	-	(6) 1-5/8"	-	-	RMV

3 EQUIPMENT SCHEDULES

FINAL FIBER DISTRIBUTION/SQUID		FINAL CABLING SUMMARY			
MODEL NUMBER	STATUS	COAX	DC	FIBER	STATUS
(2) DC6-48-60-18	RMN	(6) 1-5/8"	(4) 0.394"	(1) 0.394" (1) 0.405"	RMN
(1) DC9-48-60-24-8C-EV	ADD	-	(3) 0.92"	(1) 0.405"	ADD



45 BEECHWOOD DRIVE
N. ANDOVER, MA 01845
TEL: (978) 557-5553
FAX: (978) 336-5586

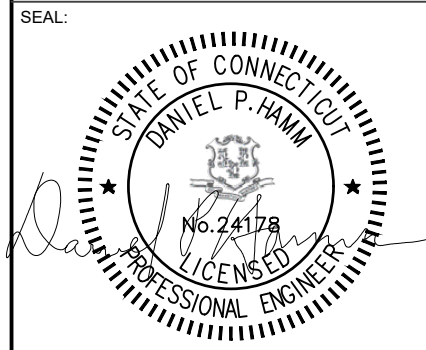
REV.	DESCRIPTION	BY	DATE
0	PRELIM	MR	04/05/22
0	FINALS	TR	07/13/22

ATC SITE NUMBER:
302494

ATC SITE NAME:
HDDM - HADDAM

AT&T SITE NAME:
HADDAM

SITE ADDRESS:
139 MORRIS HUBBARD RD
HIGGANUM, CT 06441-4307



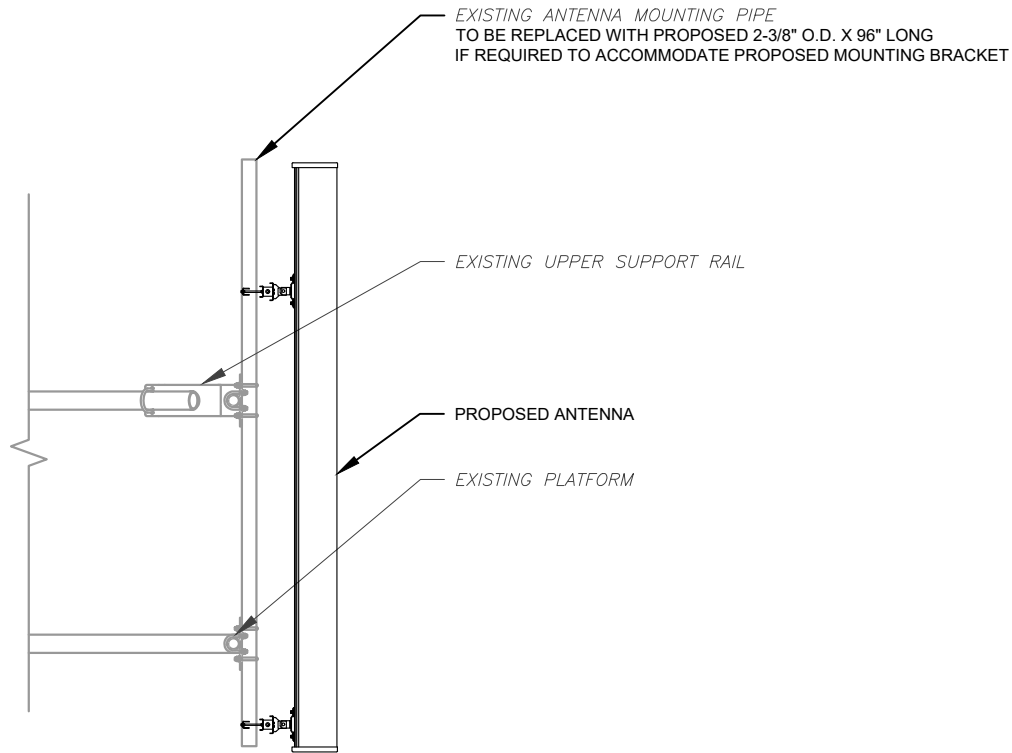
DATE DRAWN:	04/05/22
ATC JOB NO:	13757798_G5
CUSTOMER ID:	CTL02031
CUSTOMER #:	10035050

RF SCHEDULE AND ANTENNA INSTALLATION

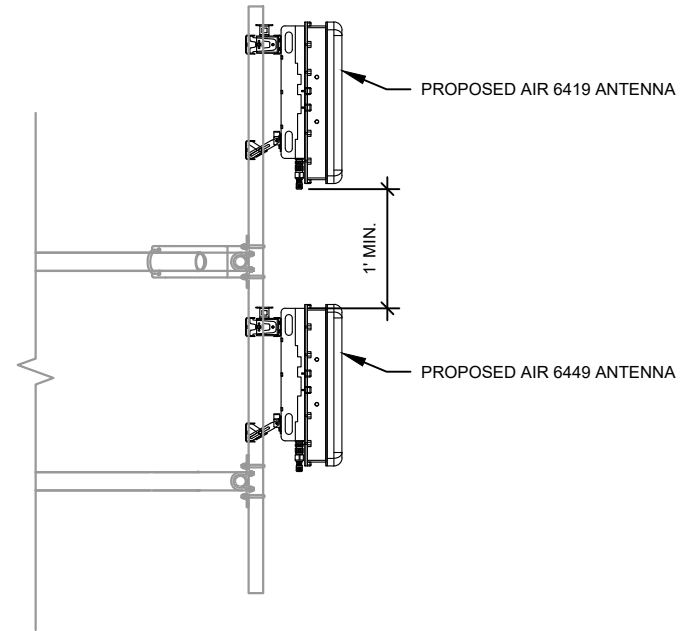
SHEET NUMBER:
C-401
REVISION:
0

Copyright © 2022 ATC IP LLC, All Rights Reserved.

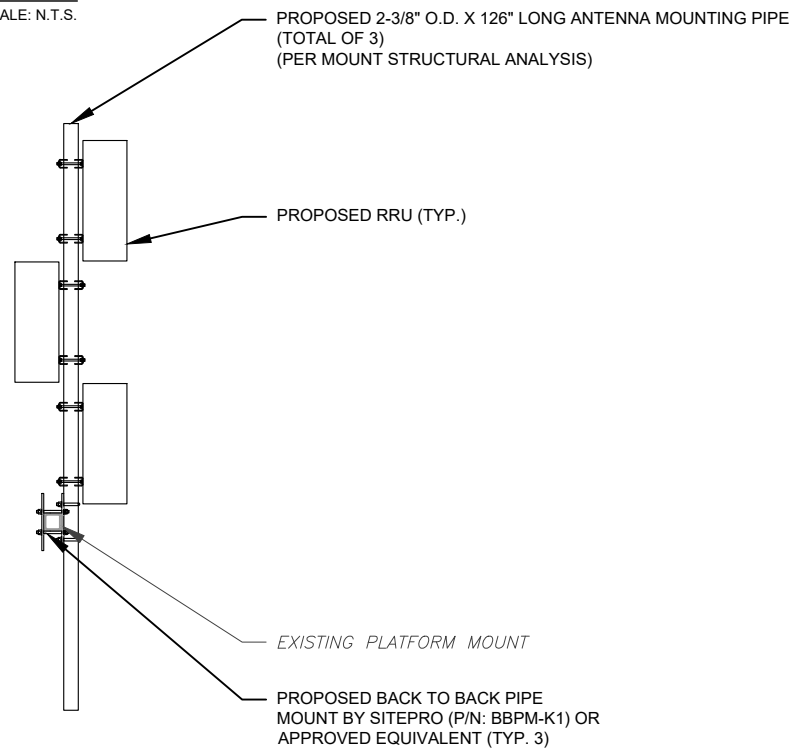
THIS PAGE CONTAINS CONFIDENTIAL, PROPRIETARY OR TRADE SECRET INFORMATION EXEMPT FROM DISCLOSURE UNDER APPLICABLE LAW.



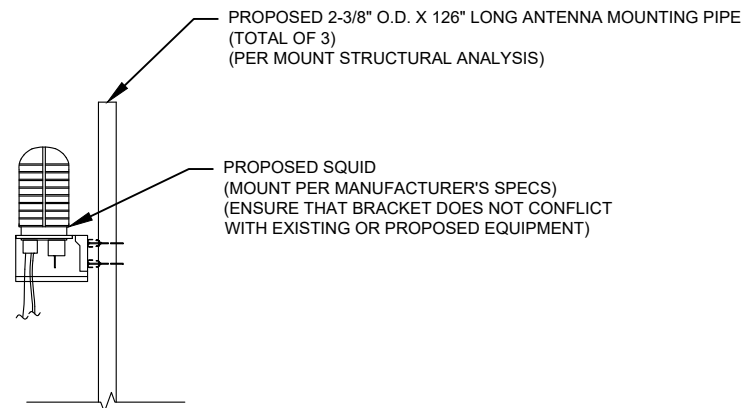
1 ANTENNA DETAIL
SCALE: N.T.S.



2 PROPOSED 5G ANTENNA MOUNTING DETAIL - TYPICAL
SCALE: N.T.S.



3 PROPOSED RRU MOUNTING DETAIL - TYPICAL
SCALE: N.T.S.



4 PROPOSED SQUID MOUNTING
SCALE: N.T.S.



45 BEECHWOOD DRIVE TEL: (978) 557-5553
N. ANDOVER, MA 01845 FAX: (978) 336-5586

REV.	DESCRIPTION	BY	DATE
A	PRELIM	MR	04/05/22
0	FINALS	TR	07/13/22

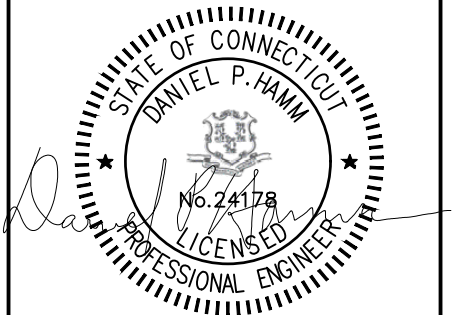
ATC SITE NUMBER:
302494

ATC SITE NAME:
HDDM - HADDAM

AT&T SITE NAME:
HADDAM

SITE ADDRESS:
139 MORRIS HUBBARD RD
HIGGANUM, CT 06441-4307

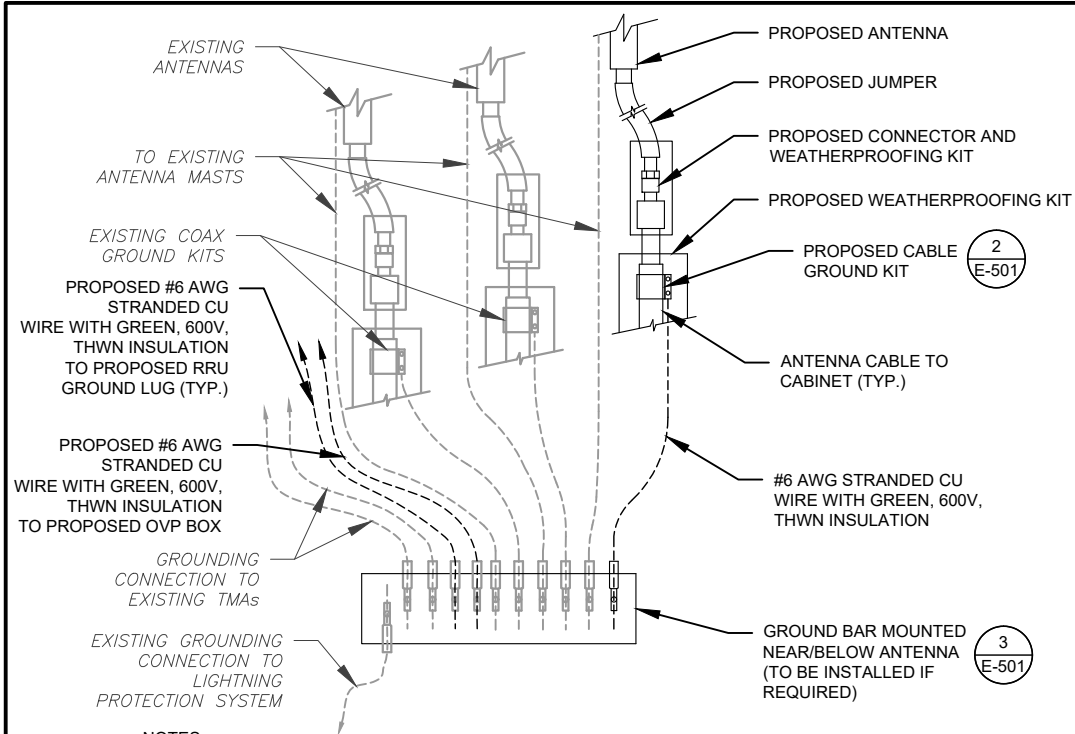
SEAL:



DATE DRAWN:	04/05/22
ATC JOB NO:	13757798_G5
CUSTOMER ID:	CTL02031
CUSTOMER #:	10035050

CONSTRUCTION
DETAILS

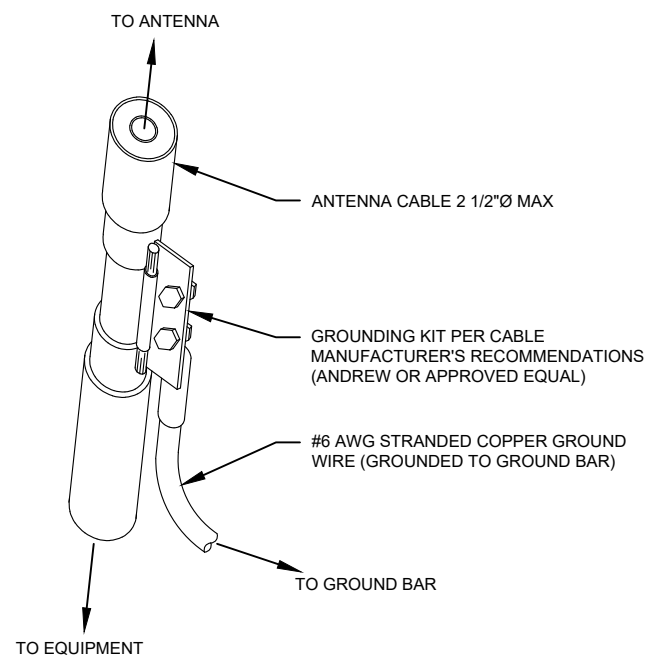
SHEET NUMBER:	REVISION:
C-501	0



NOTES:

1. THIS DETAIL IS INTENDED TO SHOW THE GENERAL GROUNDING REQUIREMENTS. SLIGHT ADJUSTMENTS MAY BE REQUIRED BASED ON EXISTING SITE CONDITIONS. THE CONTRACTOR SHALL MAKE FIELD ADJUSTMENTS AS NEEDED AND INFORM THE CONSTRUCTION MANAGER OF ANY CONFLICTS.
2. SITE GROUNDING SHALL COMPLY WITH AT&T GROUNDING STANDARDS, LATEST EDITION, AND COMPLY WITH AT&T GROUNDING CHECKLIST, LATEST VERSION. WHEN NATIONAL AND LOCAL GROUNDING CODES ARE MORE STRINGENT THEY SHALL GOVERN.

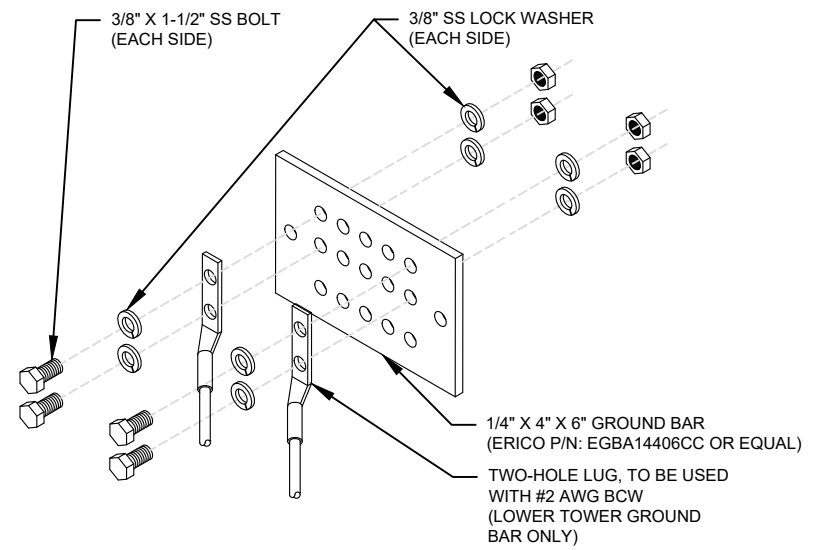
1 TYPICAL ANTENNA GROUNDING DIAGRAM
SCALE: N.T.S.



GROUND KIT NOTES:

1. DO NOT INSTALL CABLE GROUND KIT AT A BEND AND ALWAYS DIRECT GROUND WIRE DOWN TO GROUND BAR.
2. CONTRACTOR SHALL PROVIDE WEATHERPROOFING KIT (ANDREW PART NUMBER 221213) AND INSTALL/TAPE PER MANUFACTURER'S SPECIFICATIONS.

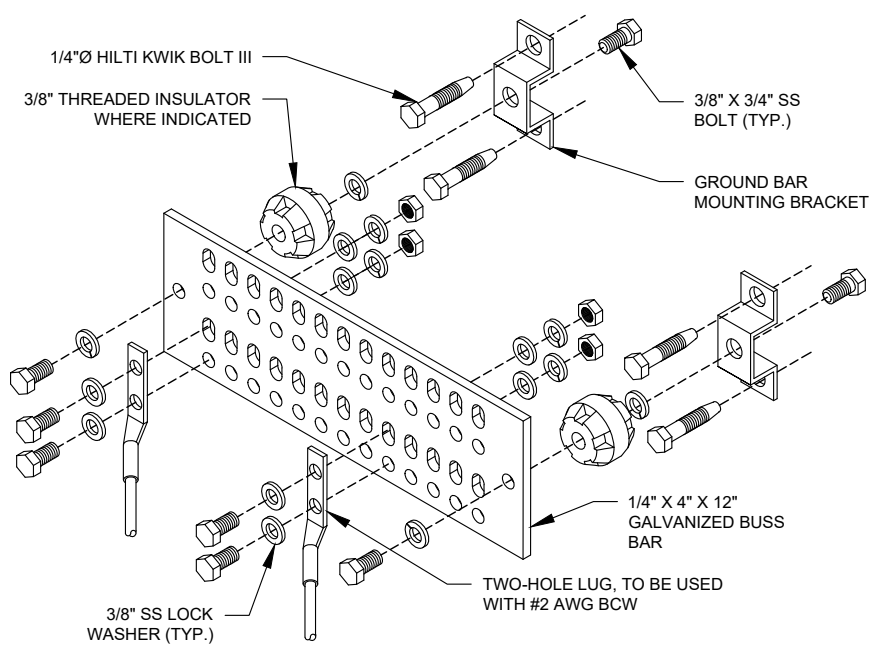
2 CABLE GROUND KIT CONNECTION DETAIL
SCALE: N.T.S.



GROUND BAR NOTES:

1. GROUND BAR KITS COME WITH ALL HARDWARE, NUTS, BOLTS, WASHERS, ETC. EXCEPT THE STRUCTURAL MOUNTING MEMBER(S).
2. GROUND BAR TO BE BONDED DIRECTLY TO TOWER.

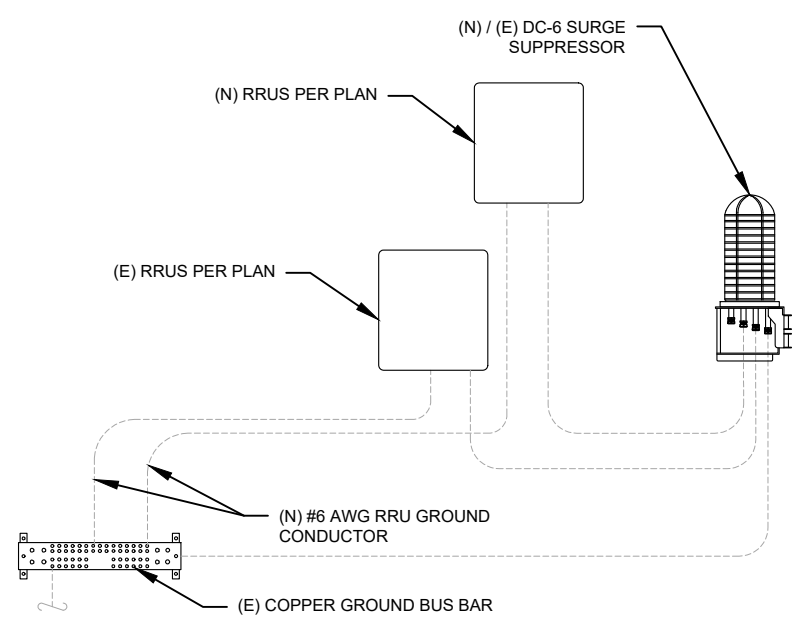
3 TOWER GROUND BAR DETAIL
SCALE: N.T.S.



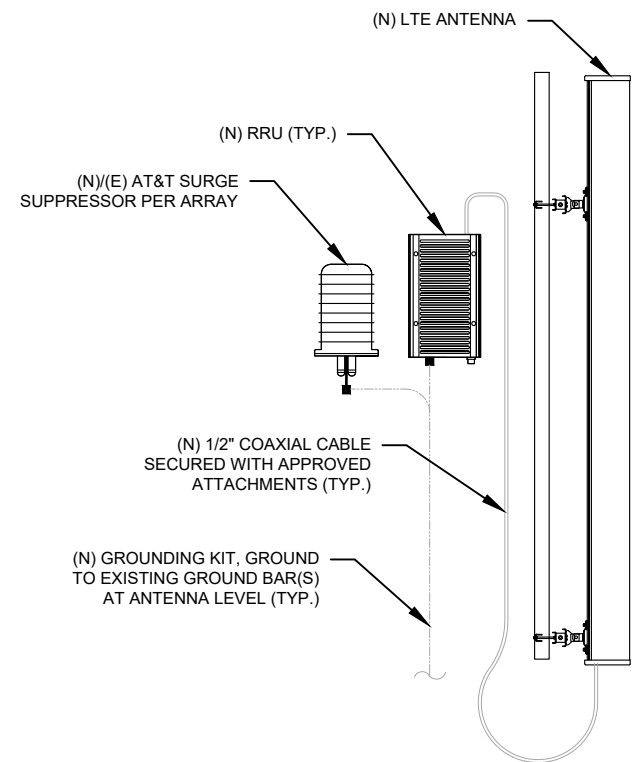
GROUND BAR NOTES

1. GROUND KITS COME WITH ALL HARDWARE, NUTS, BOLTS, WASHERS, ETC. EXCEPT THE STRUCTURAL MOUNTING MEMBER(S).
2. GROUND BAR SHALL BE BOLTED TO STRUCTURAL MEMBER OR ANCHORED TO CONCRETE SLAB W/ HILTI KWIK BOLT III.

4 MAIN GROUND BAR DETAIL
SCALE: N.T.S.



5 RRU GROUNDING
SCALE: N.T.S.



6 ANTENNA/RRU GROUNDING
SCALE: N.T.S.



45 BEECHWOOD DRIVE N. ANDOVER, MA 01845
TEL: (978) 557-5553 FAX: (978) 336-5586

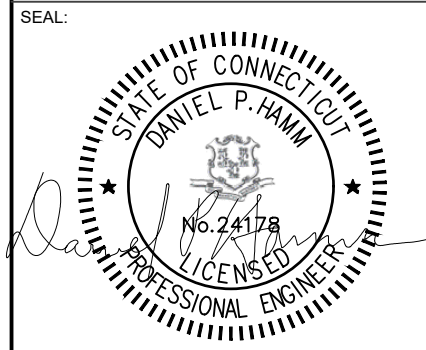
REV.	DESCRIPTION	BY	DATE
A	PRELIM	MR	04/08/22
0	FINALS	TR	07/13/22

ATC SITE NUMBER:
302494

ATC SITE NAME:
HDDM - HADDAM

AT&T SITE NAME:
HADDAM

SITE ADDRESS:
139 MORRIS HUBBARD RD
HIGGANUM, CT 06441-4307

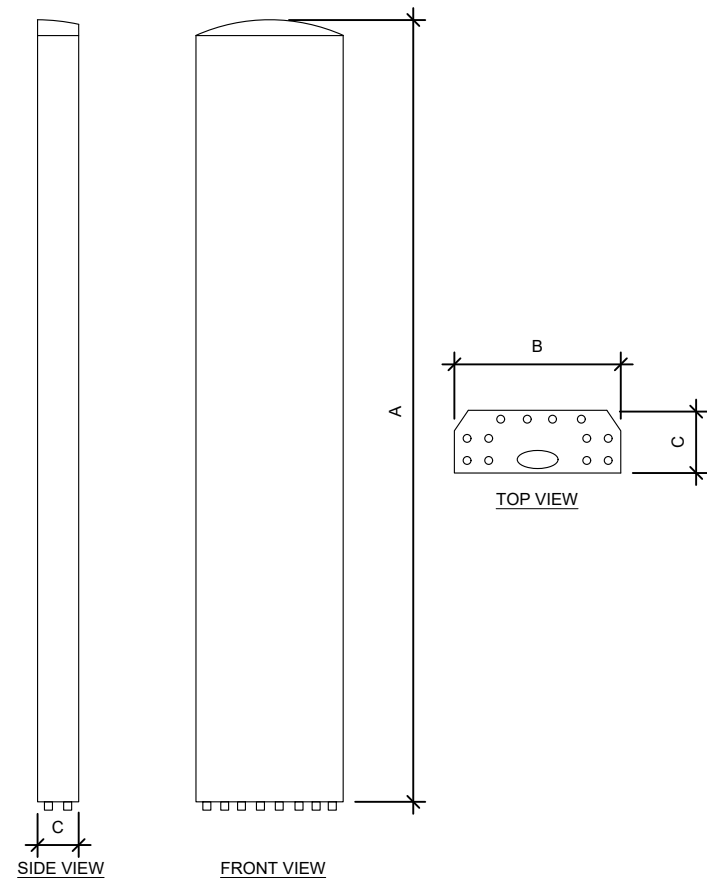


DATE DRAWN:	04/05/22
ATC JOB NO:	13757798_G5
CUSTOMER ID:	CTL02031
CUSTOMER #:	10035050

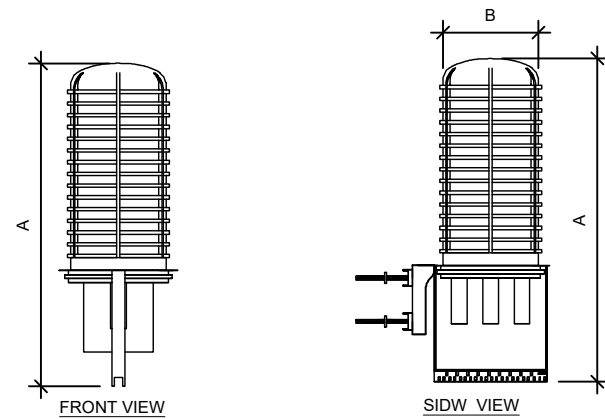
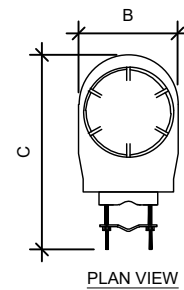
GROUNDING DETAILS

SHEET NUMBER: E-501	REVISION: 0
-------------------------------	-----------------------

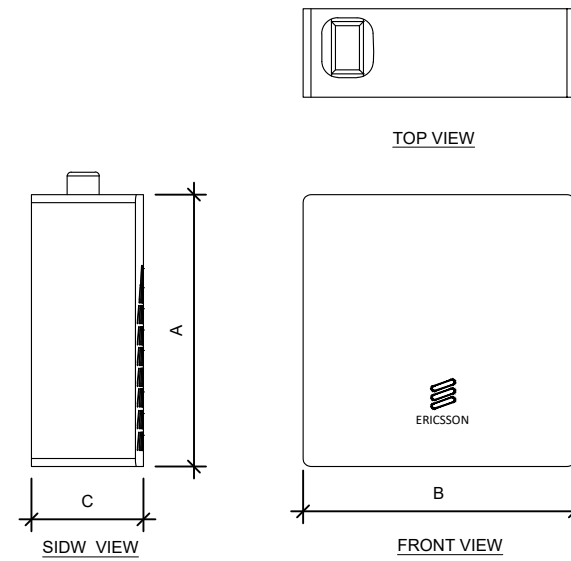
Copyright © 2022 ATC IP LLC, All Rights Reserved.



ANTENNA SPECIFICATIONS				
ANTENNA MODEL	A	B	C	WEIGHT (LBS)
TPA65R-BU6DA-K	71.2"	20.7"	7.7"	52.6
Air 6449 B77D	30.4"	15.9"	8.1"	81.6
AIR 6419 B77G	28.3"	16.1"	7.9"	66.1
DMP65R-BU6DA	71.2"	20.7"	7.7"	79.4



RAYCAP SPECIFICATIONS				
RAYCAP MODEL	A	B	C	WEIGHT (LBS)
DC9-48-60-24-8C-EV	31.4"	18.3"	10.2"	16.0



RRU SPECIFICATIONS				
RRU MODEL	A	B	C	WEIGHT (LBS)
4478 B14	18.1"	13.4"	8.3"	59.4
4426 B66	14.9"	13.2"	5.8"	48.4
4449 B5, B12	17.9"	13.2"	9.4"	71.0

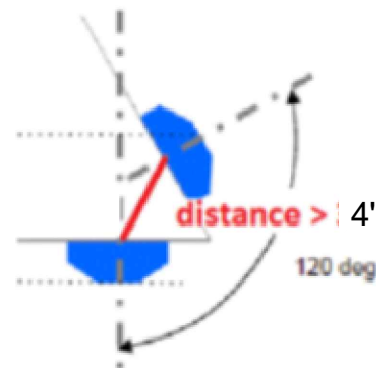
1 EQUIPMENT SPECIFICATIONS
SCALE: N.T.S.

SUPPLEMENTAL

SHEET NUMBER: R-601
REVISION: 0

RF REQUIREMENTS FOR 700 B14 FIRSTNET, 700 B12, 700D B29 ANTENNA SEPARATION

- ❑ Horizontal separation (side to side of antenna): $\geq 3'$
- ❑ Vertical separation (between the tips of the antennas): $> 3'$
- ❑ Inter-sector separation: $> 4'$ between the center of the antenna backplanes.



- ❑ Please note additional horizontal separation may be required if B14 antennas azimuth are different from others or antennas are severely angled with respect to the mount.
- ❑ Typical 3' horizontal separation can tolerate skew angle up to 6° .



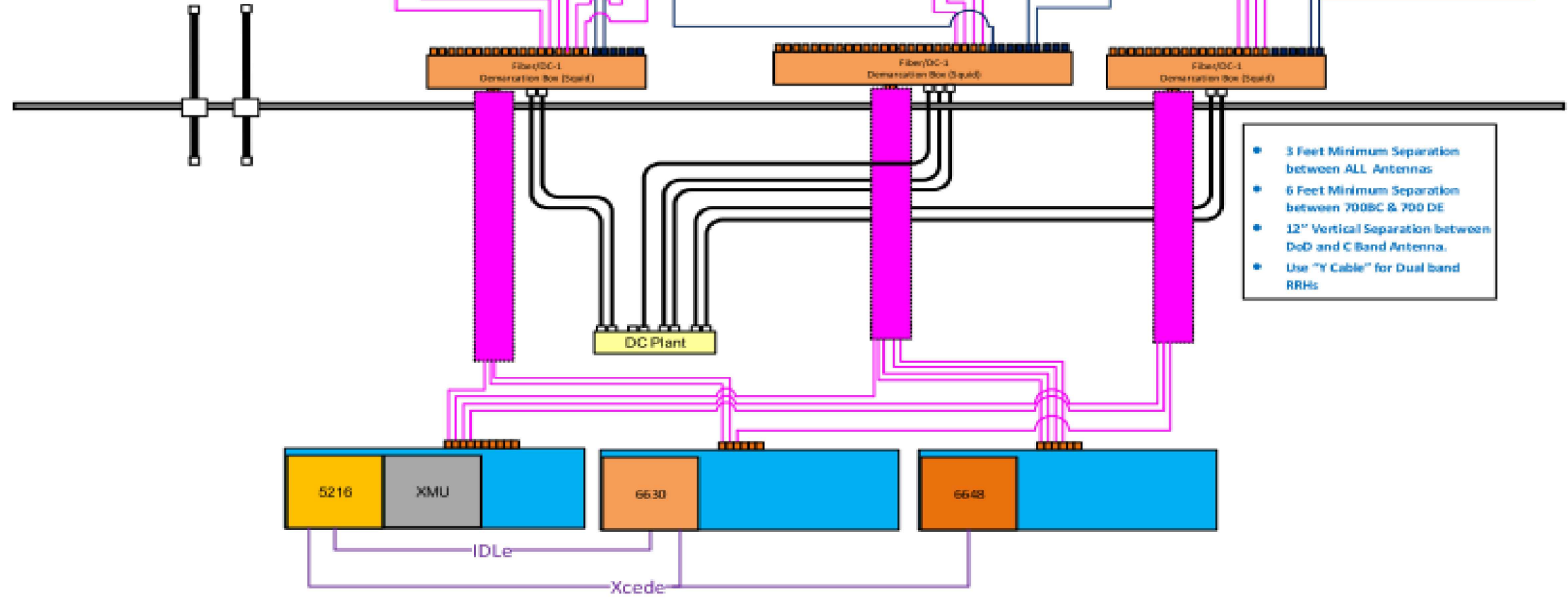
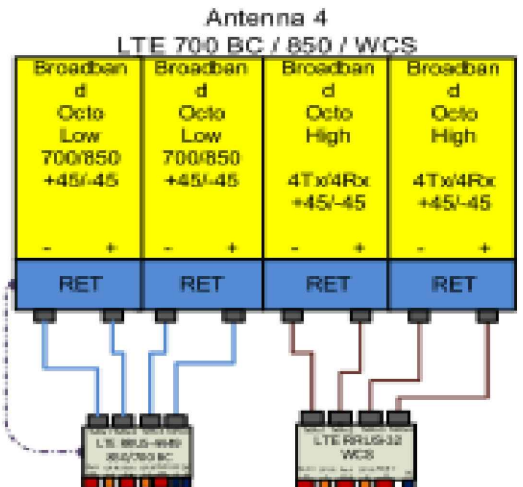
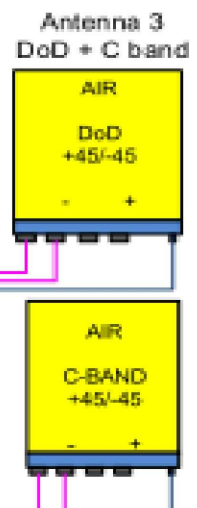
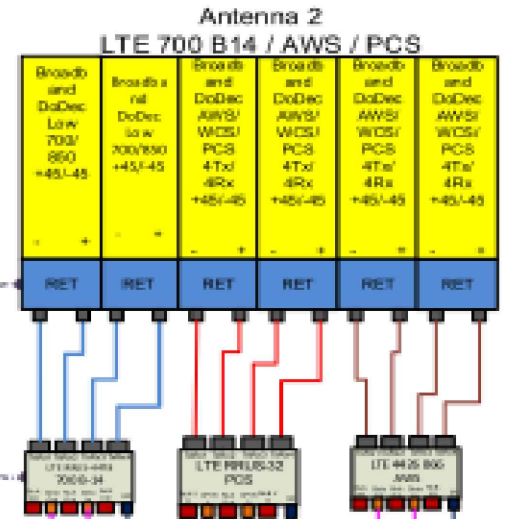
NOTE: THIS SHEET CREATED BY OTHERS AND PROVIDED BY REQUEST OF CUSTOMER WITHOUT EDIT.

SUPPLEMENTAL

SHEET NUMBER:
R-602

REVISION:
0

Antenna 1
Empty



- 3 Feet Minimum Separation between ALL Antennas
- 6 Feet Minimum Separation between 700BC & 700 DE
- 12" Vertical Separation between DoD and C Band Antenna.
- Use "Y Cable" for Dual band RRHs

NOTE: THIS SHEET WAS CREATED BY OTHERS AND PROVIDED AT THE REQUEST OF THE CUSTOMER WITHOUT EDIT. GENERAL CONTRACTOR IS TO CHECK WITH THE AT&CM TO ENSURE THIS IS THE MOST RECENT VERSION OF THE RFDS.

SUPPLEMENTAL	
SHEET NUMBER: R-603	REVISION: 0



Post Modification Mount Analysis Report

ATC Site Name : Nrwc - Norwich, CT
ATC Site Number : 302493
Engineering Number : 13757776_C9_04
Mount Elevation : 154 ft
Carrier : AT&T Mobility
Carrier Site Name : MRCTB055745
Carrier Site Number : CTL02028
Site Location : 225 Rogers Road
 Norwich, CT 06360-4036
 41.53365099, -72.134991
County : New London
Date : April 7, 2022
Max Usage : 64%
Result : Contingent Pass

Prepared By: Michael Ellis
 Structural Engineer I

Reviewed By:

COA: PEC.0001553

A.T. Engineering Service, PLLC - 3500 Regency Parkway, Suite 100 - Cary, NC 27518 - 919.468.0132 Office - 919.466.5414 Fax - www.americantower.com



Eng. Number 13757776_C9_04
 April 7, 2022
 Page 1

Introduction

The purpose of this report is to summarize results of the mount analysis performed for AT&T Mobility at 154 ft.

Supporting Documents

Specifications Sheet	Site Pro 1 RMQLP-4126-HK, dated May 26, 2021
Previous Analysis	Infinigy Project #1009-Z0003-B, dated July 7, 2020
Radio Frequency Data Sheet	RFDS ID #10034991, dated February 10, 2022
Reference Photos	Site photos from 2021

Analysis

This mount was analyzed using American Tower Corporation's Mount Analysis Program and RISA-3D

Basic Wind Speed:	124 mph (3-Second Gust)
Basic Wind Speed w/ Ice:	50 mph (3-Second Gust) w/ 1.00" radial ice concurrent
Codes:	ANSI/TIA-222-H
Exposure Category:	B
Risk Category:	II
Topographic Factor Procedure:	Method 2
Feature:	Flat
Crest Height (H):	0 ft
Crest Length (L):	0 ft
Spectral Response:	S _s = 0.196, S ₁ = 0.054
Site Class:	D - Stiff Soil
Live Loads:	L _m = 500 lbs

* Based on experience, it has been determined that the L_v load cases will not control over L_m load cases in platform mount analyses. Therefore, these load cases have been excluded from this analysis.

Conclusion

Based on the analysis results, the antenna mount meets the requirements per the applicable codes listed above provided the modifications listed below are completed:

- Install modification per ATC Drawing #13757776_C9_04

If you have any questions or require additional information, please contact American Tower via email at Engineering@americantower.com. Please include the American Tower site name, site number, and engineering number in the subject line for any questions.

A.T. Engineering Service, PLLC - 3500 Regency Parkway, Suite 100 - Cary, NC 27518 - 919.468.0132 Office - 919.466.5414 Fax - www.americantower.com

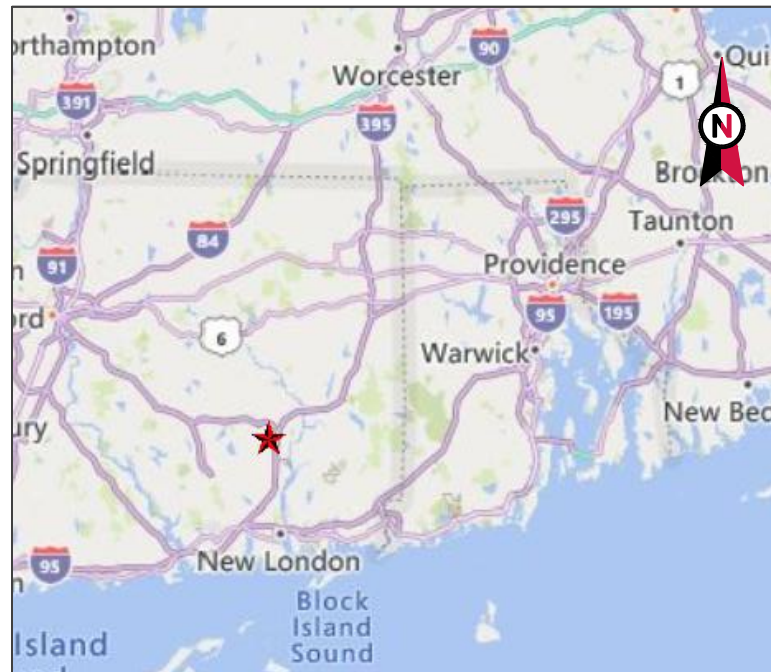
SUPPLEMENTAL

SHEET NUMBER:
R-604

REVISION:
0

1 MOUNT ANALYSIS

NOTE: THIS SHEET WAS CREATED BY OTHERS AND PROVIDED AT THE REQUEST OF THE CUSTOMER WITHOUT EDIT. PLEASE REFERENCE THE MOUNT ANALYSIS REPORT FOR COMPLETE MOUNT ANALYSIS CALCULATIONS AND DETAILS. SUPPLEMENTAL PAGES INCLUDED IN THE CONSTRUCTION DRAWINGS ARE FOR REFERENCE ONLY. GENERAL CONTRACTOR IS TO VERIFY THEY HAVE THE MOST RECENT MOUNT ANALYSIS PRIOR TO CONSTRUCTION.



VICINITY MAP



AMERICAN TOWER®

SITE NAME: NRWC - NORWICH
 SITE NUMBER: 302493
 ATC PROJECT NUMBER: 13757776_C9_04
 SITE ADDRESS: 225 ROGERS ROAD
 NORWICH, CT 06360



LOCATION MAP

**MOUNT REINFORCEMENT DRAWINGS
 PREPARED FOR AT&T MOBILITY**

AMERICAN TOWER®
 A.T. ENGINEERING SERVICE, PLLC
 3500 REGENCY PARKWAY
 SUITE 100
 CARY, NC 27518
 PHONE: (919) 468-0112
 COA: PEC.0001553

THESE DRAWINGS AND/OR THE ACCOMPANYING SPECIFICATION AS INSTRUMENTS OR SERVICE ARE THE EXCLUSIVE PROPERTY OF AMERICAN TOWER. THEIR USE AND PUBLICATION SHALL BE RESTRICTED TO THE ORIGINAL SITE FOR WHICH THEY ARE PREPARED. ANY USE OR DISCLOSURE OTHER THAN THAT WHICH RELATES TO AMERICAN TOWER OR THE SPECIFIED CARRIER IS STRICTLY PROHIBITED. TITLE TO THESE DOCUMENTS SHALL REMAIN THE PROPERTY OF AMERICAN TOWER WHETHER OR NOT THE PROJECT IS EXECUTED. NEITHER THE ARCHITECT NOR THE ENGINEER WILL BE PROVIDING ON-SITE CONSTRUCTION REVIEW OF THIS PROJECT. CONTRACTOR(S) MUST VERIFY ALL DIMENSIONS AND ADVISE AMERICAN TOWER OF ANY DISCREPANCIES. ANY PRIOR ISSUANCE OF THIS DRAWING IS SUPERSEDED BY THE LATEST VERSION ON FILE WITH AMERICAN TOWER.

REV.	DESCRIPTION	BY	DATE
0	FIRST ISSUE	RFL	04/12/22

ATC SITE NUMBER:
 302493
 ATC SITE NAME:
 NRWC - NORWICH
 CONNECTICUT
 SITE ADDRESS:
 225 ROGERS ROAD
 NORWICH, CT 06360



DRAWN BY:	RFL
APPROVED BY:	MFE
DATE DRAWN:	04/12/22
ATC JOB NO:	13757776_C9_04

COVER

SHEET NUMBER:
G-001
 REVISION:
0

PROJECT TEAM	PROJECT DESCRIPTION	SHEET	SHEET TITLE	REV.
<p>TOWER OWNER AMERICAN TOWER 10 PRESIDENTAL WAY WOBURN, MA 01801</p> <p>ENGINEERED BY ATC TOWER SERVICES 3500 REGENCY PARKWAY, SUITE 100 CARY, NC 27518</p> <p>CARRIER INFORMATION CARRIER: AT&T MOBILITY CARRIER SITE NAME: MRCTB055745 CARRIER SITE NUMBER: CTL02028</p>	<p>THE PROJECT DEPICTED IN THESE PLANS ARE BASED ON THE RECOMMENDATIONS OUTLINED IN THE STRUCTURAL ANALYSIS COMPLETED UNDER ENGINEERING PROJECT NUMBER 13757776_C8_01 DATED 03/08/22. SATISFACTORY COMPLETION OF THE WORK INDICATED IN THESE PLANS WILL RESULT IN THE STRUCTURE MEETING THE REQUIREMENTS OF THE SPECIFICATIONS UNDER WHICH THE STRUCTURAL WAS COMPLETED.</p> <p>PROJECT NOTE THE PROJECT DEPICTED IN THESE PLANS QUALIFIES AS AN ELIGIBLE FACILITIES REQUEST ENTITLED TO EXPEDITED REVIEW UNDER 47 U.S.C. § 1455(A) AS A MODIFICATION OF AN EXISTING WIRELESS TOWER THAT INVOLVES THE COLLOCATION, REMOVAL, AND/OR REPLACEMENT OF TRANSMISSION EQUIPMENT THAT IS NOT A SUBSTANTIAL CHANGE UNDER CFR § 1.6100 (B)(7).</p> <p>COMPLIANCE CODE ALL WORK SHALL BE PERFORMED AND MATERIALS INSTALLED IN ACCORDANCE WITH THE CURRENT EDITIONS OF THE FOLLOWING CODES AS ADOPTED BY THE LOCAL GOVERNMENT AUTHORITIES. NOTHING IN THESE PLANS IS TO BE CONSTRUED TO PERMIT WORK NOT CONFORMING TO THESE CODES.</p> <p>1. ANSITIA/EIA: STRUCTURAL STANDARDS (222-H EDITION) 2. INTERNATIONAL BUILDING CODE (2015 IBC) 3. CONNECTICUT STATE BUILDING CODE (2018)</p> <p>PROJECT LOCATION GEOGRAPHIC COORDINATES LATITUDE: 41.5336581 LONGITUDE: -72.13501735</p>	G-002	IBC GENERAL NOTES & MOUNT MODIFICATION INSPECTION	0
		S-101	MODIFICATION PROFILE & SAFETY CLIMB LAYOUT	0
		R-901	SUPPLEMENTAL	0
		R-902	SUPPLEMENTAL	0
		R-903	SUPPLEMENTAL	0
		R-904	SUPPLEMENTAL	0



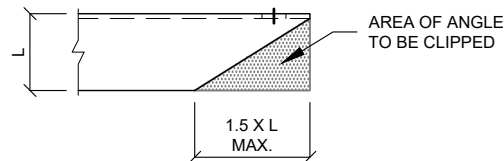
GENERAL

- ALL WORK TO BE COMPLETED PER APPLICABLE LOCAL, STATE, FEDERAL CODES AND ORDINANCES AND COMPLY WITH ATC CONSTRUCTION SPECIFICATIONS FOR WIRELESS TOWER SITES. THE CONTRACTOR IS RESPONSIBLE FOR OBTAINING AND ABIDING BY ALL REQUIRED PERMITS.
- ALL WORK INDICATED ON THESE DRAWINGS SHALL BE PERFORMED BY QUALIFIED CONTRACTORS EXPERIENCED IN TOWER AND FOUNDATION CONSTRUCTION.
- THE CONTRACTOR SHALL NOTIFY THE ENGINEER OF RECORD IMMEDIATELY OF ANY INSTALLATION INTERFERENCES. ALL NEW WORK SHALL ACCOMMODATE EXISTING CONDITIONS. DETAILS NOT SPECIFICALLY SHOWN ON THE DRAWINGS SHALL FOLLOW SIMILAR DETAILS FOR THIS JOB.
- ANY SUBSTITUTIONS SHALL CONFORM TO THE REQUIREMENTS OF THESE NOTES AND SPECIFICATIONS, AND SHOULD BE SIMILAR TO THOSE SHOWN. ALL SUBSTITUTIONS SHALL BE SUBMITTED TO THE ENGINEER OF RECORD FOR REVIEW AND APPROVAL PRIOR TO FABRICATION.
- ANY MANUFACTURED DESIGN ELEMENTS SHALL CONFORM TO THE REQUIREMENTS OF THESE NOTES AND SPECIFICATIONS AND SHOULD BE SIMILAR TO THOSE SHOWN. THESE DESIGN ELEMENTS MUST BE STAMPED BY AN ENGINEER PROFESSIONALLY REGISTERED IN THE STATE OF THE PROJECT, AND SUBMITTED TO THE ENGINEER OF RECORD FOR APPROVAL PRIOR TO FABRICATION.
- ALL WORK SHALL BE DONE IN ACCORDANCE WITH LOCAL CODES AND OSHA SAFETY REGULATIONS.
- THE CONTRACTOR IS RESPONSIBLE FOR THE DESIGN AND EXECUTION OF ALL MISCELLANEOUS SHORING, BRACING, TEMPORARY SUPPORTS, ETC. NECESSARY, PER ANSI/TIA-322 AND ANSI/ASSE A10.48, TO PROVIDE A COMPLETE AND STABLE STRUCTURE AS SHOWN ON THESE DRAWINGS.
- CONTRACTOR'S PROPOSED INSTALLATION SHALL NOT INTERFERE, NOR DENY ACCESS TO, ANY EXISTING OPERATIONAL AND SAFETY EQUIPMENT.

STRUCTURAL STEEL

- ALL DETAILING, FABRICATION AND ERECTION OF STRUCTURAL STEEL SHALL CONFORM TO THE AISC SPECIFICATIONS, LATEST EDITION.
- ALL EXPOSED STRUCTURAL STEEL MEMBERS SHALL BE HOT-DIPPED GALVANIZED AFTER FABRICATION PER ASTM A123. EXPOSED STEEL HARDWARE AND ANCHOR BOLTS SHALL BE GALVANIZED PER ASTM A153 OR B695.
- ALL U-BOLTS SHALL BE ASTM A36 OR EQUIVALENT, WITH LOCKING DEVICE, UNLESS NOTED OTHERWISE.
- FIELD CUT EDGES, EXCEPT DRILLED HOLES, SHALL BE GROUND SMOOTH.
- ALL FIELD CUT SURFACES, FIELD DRILLED HOLES & GROUND SURFACES WHERE EXISTING PAINT OR GALVANIZATION REMOVAL WAS REQUIRED SHALL BE REPAIRED WITH (2) BRUSHED COATS OF ZRC GALVILITE COLD GALVANIZING COMPOUND PER ASTM A780 AND MANUFACTURERS RECOMMENDATIONS.
- ALL STRUCTURAL STEEL EMBEDDED IN THE CONCRETE SHALL BE APPLIED WITH (2) BRUSHED COATS OF POLYGUARD CA-14 MASTIC OR EQUIVALENT. REFER TO THE MANUFACTURER SPECIFICATIONS FOR SURFACE PREPARATION AND APPLICATION. APPLICATION OF POLYGUARD 400 WRAP IS NOT ESSENTIAL.
- CONTRACTOR SHALL PERFORM WORK ON ONLY ONE (1) TOWER FACE AND REPLACE/REINFORCE ONE (1) BOLT/MEMBER AT A TIME.
- ALL FIELD DRILLED HOLES TO BE USED FOR FIELD BOLTING INSTALLATION SHALL BE STANDARD HOLES, AS DEFINED BY AISC, UNLESS NOTED OTHERWISE.

MAXIMUM ALLOWABLE ANGLE CLIP



PAINT

- AS REQUIRED, CLEAN AND PAINT PROPOSED STEEL ACCORDING TO FAA ADVISORY CIRCULAR AC 70/7460-1L.

WELDING

- ALL WELDING TO BE PERFORMED BY AWS CERTIFIED WELDERS AND CONDUCTED IN ACCORDANCE WITH THE LATEST EDITION OF THE AWS WELDING CODE D1.1.
- ALL WELDS SHALL BE INSPECTED VISUALLY. IF DIRECTED BY ENGINEER OF RECORD, 25% OF WELDS SHALL BE INSPECTED WITH DYE PENETRANT OR MAGNETIC PARTICLE (100% IF REJECTABLE DEFECTS ARE FOUND) TO MEET THE ACCEPTANCE CRITERIA OF AWS D1.1. REPAIR ALL WELDS AS NECESSARY.
- INSPECTION SHALL BE PERFORMED BY AN AWS CERTIFIED WELD INSPECTOR.
- ALL ELECTRODES TO BE LOW HYDROGEN, MATCHING FILLER AND/OR BASE METAL, PER AWS D1.1, UNLESS NOTED OTHERWISE.
- IN CASES WHERE BASE METAL GRADE IS UNKNOWN, ALL WELDING ON LATTICE TOWERS SHALL BE DONE WITH E70XX ELECTRODES; ALL WELDING ON POLE STRUCTURES SHALL BE DONE WITH E80XX ELECTRODES, UNLESS NOTED OTHERWISE.
- PRIOR TO FIELD WELDING GALVANIZED MATERIAL, CONTRACTOR SHALL GRIND OFF GALVANIZING 1/2" BEYOND ALL FIELD WELD SURFACES. AFTER WELD AND WELD INSPECTION IS COMPLETE, REPAIR ALL GROUND AND WELDED SURFACES WITH ZRC GALVILITE COLD GALVANIZING COMPOUND PER ASTM A780 AND MANUFACTURERS RECOMMENDATIONS.

BOLT TIGHTENING PROCEDURE

- STRUCTURAL CONNECTIONS TO BE ASSEMBLED AND INSPECTED IN ACCORDANCE WITH RCSC SPECIFICATIONS.
- FLANGE BOLTS SHALL BE INSTALLED AND TIGHTENED USING DIRECT TENSION INDICATING (DTI) SQUIRTER WASHERS. DTI SQUIRTER WASHERS ARE TO BE INSTALLED AND ORIENTED / TIGHTENED PER MANUFACTURER SPECIFICATIONS TO ACHIEVE DESIRED LEVEL OF BOLT PRE-TENSION.
- IN LIEU OF USING DTI SQUIRTER WASHERS, FLANGE BOLTS MAY BE TIGHTENED USING AISC / RCSC "TURN-OF-THE-NUT" METHOD, PENDING APPROVAL BY THE ENGINEER OF RECORD (EOR). TIGHTEN FLANGE BOLTS USING THE CHART BELOW:

BOLT LENGTHS UP TO AND INCLUDING FOUR DIAMETERS

1/2"	BOLTS UP TO AND INCLUDING 2.0 INCH LENGTH	+1/3 TURN BEYOND SNUG TIGHT
5/8"	BOLTS UP TO AND INCLUDING 2.5 INCH LENGTH	+1/3 TURN BEYOND SNUG TIGHT
3/4"	BOLTS UP TO AND INCLUDING 3.0 INCH LENGTH	+1/3 TURN BEYOND SNUG TIGHT
7/8"	BOLTS UP TO AND INCLUDING 3.5 INCH LENGTH	+1/3 TURN BEYOND SNUG TIGHT
1"	BOLTS UP TO AND INCLUDING 4.0 INCH LENGTH	+1/3 TURN BEYOND SNUG TIGHT
1-1/8"	BOLTS UP TO AND INCLUDING 4.5 INCH LENGTH	+1/3 TURN BEYOND SNUG TIGHT
1-1/4"	BOLTS UP TO AND INCLUDING 5.0 INCH LENGTH	+1/3 TURN BEYOND SNUG TIGHT
1-3/8"	BOLTS UP TO AND INCLUDING 5.5 INCH LENGTH	+1/3 TURN BEYOND SNUG TIGHT
1-1/2"	BOLTS UP TO AND INCLUDING 6.0 INCH LENGTH	+1/3 TURN BEYOND SNUG TIGHT

BOLT LENGTHS OVER FOUR DIAMETERS BUT NOT EXCEEDING EIGHT DIAMETERS

1/2"	BOLTS 2.25 TO 4.0 INCH LENGTH	+1/2 TURN BEYOND SNUG TIGHT
5/8"	BOLTS 2.75 TO 5.0 INCH LENGTH	+1/2 TURN BEYOND SNUG TIGHT
3/4"	BOLTS 3.25 TO 6.0 INCH LENGTH	+1/2 TURN BEYOND SNUG TIGHT
7/8"	BOLTS 3.75 TO 7.0 INCH LENGTH	+1/2 TURN BEYOND SNUG TIGHT
1"	BOLTS 4.25 TO 8.0 INCH LENGTH	+1/2 TURN BEYOND SNUG TIGHT
1-1/8"	BOLTS 4.75 TO 9.0 INCH LENGTH	+1/2 TURN BEYOND SNUG TIGHT
1-1/4"	BOLTS 5.25 TO 10.0 INCH LENGTH	+1/2 TURN BEYOND SNUG TIGHT
1-3/8"	BOLTS 5.75 TO 11.0 INCH LENGTH	+1/2 TURN BEYOND SNUG TIGHT
1-1/2"	BOLTS 6.25 TO 12.0 INCH LENGTH	+1/2 TURN BEYOND SNUG TIGHT

MODIFICATION INSPECTION NOTES

THE MOUNT MODIFICATION INSPECTION (MMI) PROCEDURE IS INTENDED TO CONFIRM THAT CONSTRUCTION AND INSTALLATION MEETS ENGINEERING DESIGN, ATC PROCEDURES AND ATC STANDARD SPECIFICATIONS FOR WIRELESS TOWER SITES.

TO ENSURE THAT THE REQUIREMENTS OF THE MMI ARE MET, IT IS VITAL THAT THE GENERAL CONTRACTOR SUBMIT ALL REQUIRED PHOTOGRAPHS AND DRAWINGS TO AMERICAN TOWER CORPORATION (ATC).

MOUNT MODIFICATION INSPECTION CHECKLIST			
INSPECTION DOCUMENT	DESCRIPTION	INSPECTION TESTING REQUIRED	RESPONSIBILITY
ON-SITE COLD GALVANIZING VERIFICATION	PHOTOGRAPHIC EVIDENCE OF COLD GALVANIZATION TYPE AND APPLICATION IN ALL APPLICABLE LOCATIONS TO BE INCLUDED WITHIN THE MMI REPORT	✓	GC
GC AS-BUILT DRAWINGS WITH CONSTRUCTION RED-LINES	"AS-BUILT" DRAWINGS INDICATING ANY APPROVED CHANGES TO ENGINEERED PLANS TO MMI FOR APPROVAL/REVIEW AND INCLUSION IN MMI REPORT	✓	GC
PHOTOGRAPHS	PHOTOGRAPHIC EVIDENCE OF MOUNT MODIFICATION INSPECTION, ON SITE REMEDIATION, AND ITEMS FAILING INSPECTION & REQUIRING FOLLOW UP TO BE INCLUDED WITHIN THE MMI REPORT. COMPLETE PHOTO LOG IS TO BE SUBMITTED WITHIN MMI REPORT.	✓	GC

TABLE KEY:
MMI - MOUNT MODIFICATION INSPECTION
GC - GENERAL CONTRACTOR
ATC - AMERICAN TOWER CORPORATION

BOLT TIGHTENING PROCEDURE (CONTINUED)

- SPLICE BOLTS SUBJECT TO DIRECT TENSION SHALL BE INSTALLED AND TIGHTENED AS PER SECTION 8.2.1 OF THE AISC "SPECIFICATION FOR STRUCTURAL JOINTS USING A325 OR A490 BOLTS", LOCATED IN THE AISC MANUAL OF STEEL CONSTRUCTION. THE INSTALLATION PROCEDURE IS PARAPHRASED AS FOLLOWS:

FASTENERS SHALL BE INSTALLED IN PROPERLY ALIGNED HOLES AND TIGHTENED BY ONE OF THE METHODS DESCRIBED IN SUBSECTION 8.2.1 THROUGH 8.2.4.

8.2.1 TURN-OF-NUT PRETENSIONING

BOLTS SHALL BE INSTALLED IN ALL HOLES OF THE CONNECTION AND BROUGHT TO A SNUG TIGHT CONDITION AS DEFINED IN SECTION 8.1, UNTIL ALL THE BOLTS ARE SIMULTANEOUSLY SNUG TIGHT AND THE CONNECTION IS FULLY COMPACTED.

FOLLOWING THIS INITIAL OPERATION ALL BOLTS IN THE CONNECTION SHALL BE TIGHTENED FURTHER BY THE APPLICABLE AMOUNT OF ROTATION SPECIFIED ABOVE. DURING THE TIGHTENING OPERATION THERE SHALL BE NO ROTATION OF THE PART NOT TURNED BY THE WRENCH. TIGHTENING SHALL PROGRESS SYSTEMATICALLY.

- ALL OTHER BOLTED CONNECTIONS SHALL BE BROUGHT TO A SNUG TIGHT CONDITION AS DEFINED IN SECTION 8.1 OF THE SPECIFICATION.


ALL BOLT HOLES SHALL BE ALIGNED TO PERMIT INSERTION OF THE BOLTS WITHOUT UNDUE DAMAGE TO THE THREADS. BOLTS SHALL BE PLACED IN ALL HOLES WITH WASHERS POSITIONED AS REQUIRED AND NUTS THREADED TO COMPLETE THE ASSEMBLY. COMPACTING THE JOINT TO THE SNUG-TIGHT CONDITION SHALL PROGRESS SYSTEMATICALLY FROM THE MOST RIGID PART OF THE JOINT. THE SNUG-TIGHTENED CONDITION IS THE TIGHTNESS THAT IS ATTAINED WITH A FEW IMPACTS OF AN IMPACT WRENCH OR THE FULL EFFORT OF AN IRONWORKER USING AN ORDINARY SPUD WRENCH TO BRING THE CONNECTED PLIES INTO FIRM CONTACT.

GENERAL CONTRACTOR

THE GENERAL CONTRACTOR IS REQUIRED TO:

- REVIEW THE REQUIREMENTS OF THE MMI CHECKLIST.
- UNDERSTAND ALL INSPECTION REQUIREMENTS.

THE GENERAL CONTRACTOR SHALL PERFORM AND RECORD THE INSPECTION RESULTS IN ACCORDANCE WITH THE REQUIREMENTS OF THE MMI CHECKLIST.



AMERICAN TOWER®
A.T. ENGINEERING SERVICE, PLLC
3500 REGENCY PARKWAY
SUITE 100
CARY, NC 27518
PHONE: (919) 468-0112
COA: PEC.0001553

THESE DRAWINGS AND/OR THE ACCOMPANYING SPECIFICATION AS INSTRUMENTS OR SERVICE ARE THE EXCLUSIVE PROPERTY OF AMERICAN TOWER. THEIR USE AND PUBLICATION SHALL BE RESTRICTED TO THE ORIGINAL SITE FOR WHICH THEY ARE PREPARED. ANY USE OR DISCLOSURE OTHER THAN THAT WHICH RELATES TO AMERICAN TOWER OR THE SPECIFIED CARRIER IS STRICTLY PROHIBITED. TITLE TO THESE DOCUMENTS SHALL REMAIN THE PROPERTY OF AMERICAN TOWER WHETHER OR NOT THE PROJECT IS EXECUTED. NEITHER THE ARCHITECT NOR THE ENGINEER WILL BE PROVIDING ON-SITE CONSTRUCTION REVIEW OF THIS PROJECT. CONTRACTOR(S) MUST VERIFY ALL DIMENSIONS AND ADVISE AMERICAN TOWER OF ANY DISCREPANCIES. ANY PRIOR ISSUANCE OF THIS DRAWING IS SUPERSEDED BY THE LATEST VERSION ON FILE WITH AMERICAN TOWER.

REV.	DESCRIPTION	BY	DATE
△	FIRST ISSUE	RFL	04/12/22
△			
△			
△			
△			

ATC SITE NUMBER:
302493

ATC SITE NAME:
NRWC - NORWICH CONNECTICUT

SITE ADDRESS:
225 ROGERS ROAD
NORWICH, CT 06360



DRAWN BY:	RFL
APPROVED BY:	MFE
DATE DRAWN:	04/12/22
ATC JOB NO:	13757776_C9_04

IBC GENERAL NOTES & MOUNT MODIFICATION INSPECTION

SHEET NUMBER: **G-002** REVISION: **0**



AMERICAN TOWER®
A.T. ENGINEERING SERVICE, PLLC
 3500 REGENCY PARKWAY
 SUITE 100
 CARY, NC 27518
 PHONE: (919) 468-0112
 COA: PEC.0001553

THESE DRAWINGS AND/OR THE ACCOMPANYING SPECIFICATION AS INSTRUMENTS OR SERVICE ARE THE EXCLUSIVE PROPERTY OF AMERICAN TOWER. THEIR USE AND PUBLICATION SHALL BE RESTRICTED TO THE ORIGINAL SITE FOR WHICH THEY ARE PREPARED. ANY USE OR DISCLOSURE OTHER THAN THAT WHICH RELATES TO AMERICAN TOWER OR THE SPECIFIED CARRIER IS STRICTLY PROHIBITED. TITLE TO THESE DOCUMENTS SHALL REMAIN THE PROPERTY OF AMERICAN TOWER WHETHER OR NOT THE PROJECT IS EXECUTED. NEITHER THE ARCHITECT NOR THE ENGINEER WILL BE PROVIDING ON-SITE CONSTRUCTION REVIEW OF THIS PROJECT. CONTRACTOR(S) MUST VERIFY ALL DIMENSIONS AND ADVISE AMERICAN TOWER OF ANY DISCREPANCIES. ANY PRIOR ISSUANCE OF THIS DRAWING IS SUPERSEDED BY THE LATEST VERSION ON FILE WITH AMERICAN TOWER.

REV.	DESCRIPTION	BY	DATE
0	FIRST ISSUE	RFL	04/12/22

ATC SITE NUMBER:
302493

ATC SITE NAME:
NRWC - NORWICH

CONNECTICUT

SITE ADDRESS:
 225 ROGERS ROAD
 NORWICH, CT 06360

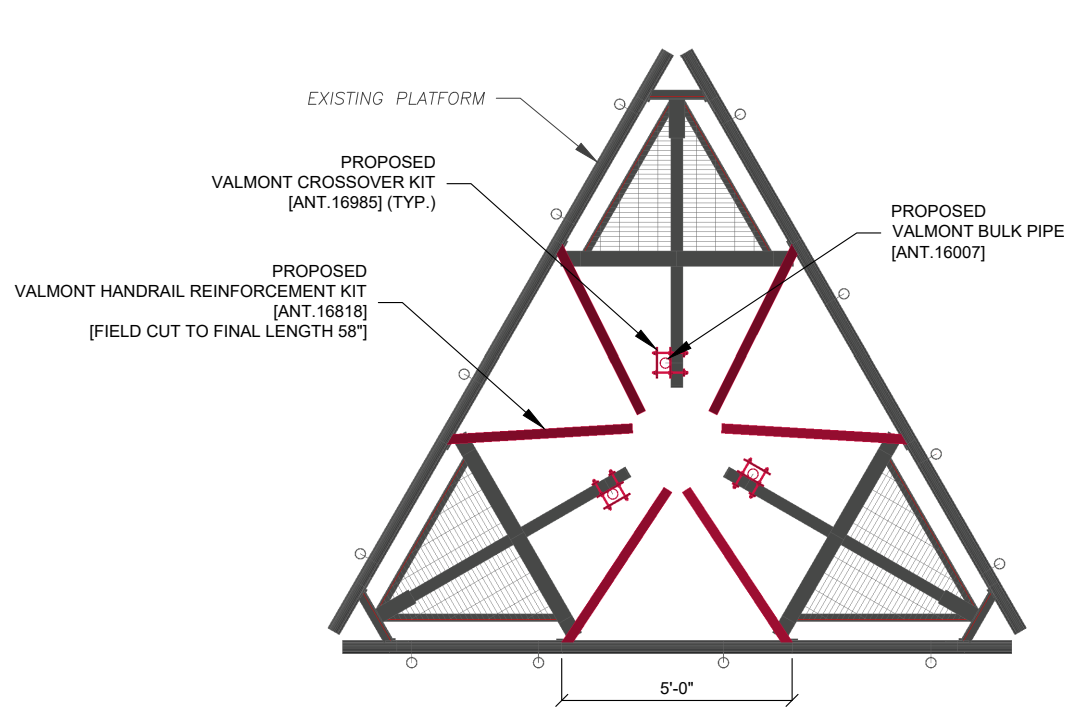


DRAWN BY:	RFL
APPROVED BY:	MFE
DATE DRAWN:	04/12/22
ATC JOB NO:	13757776_C9_04

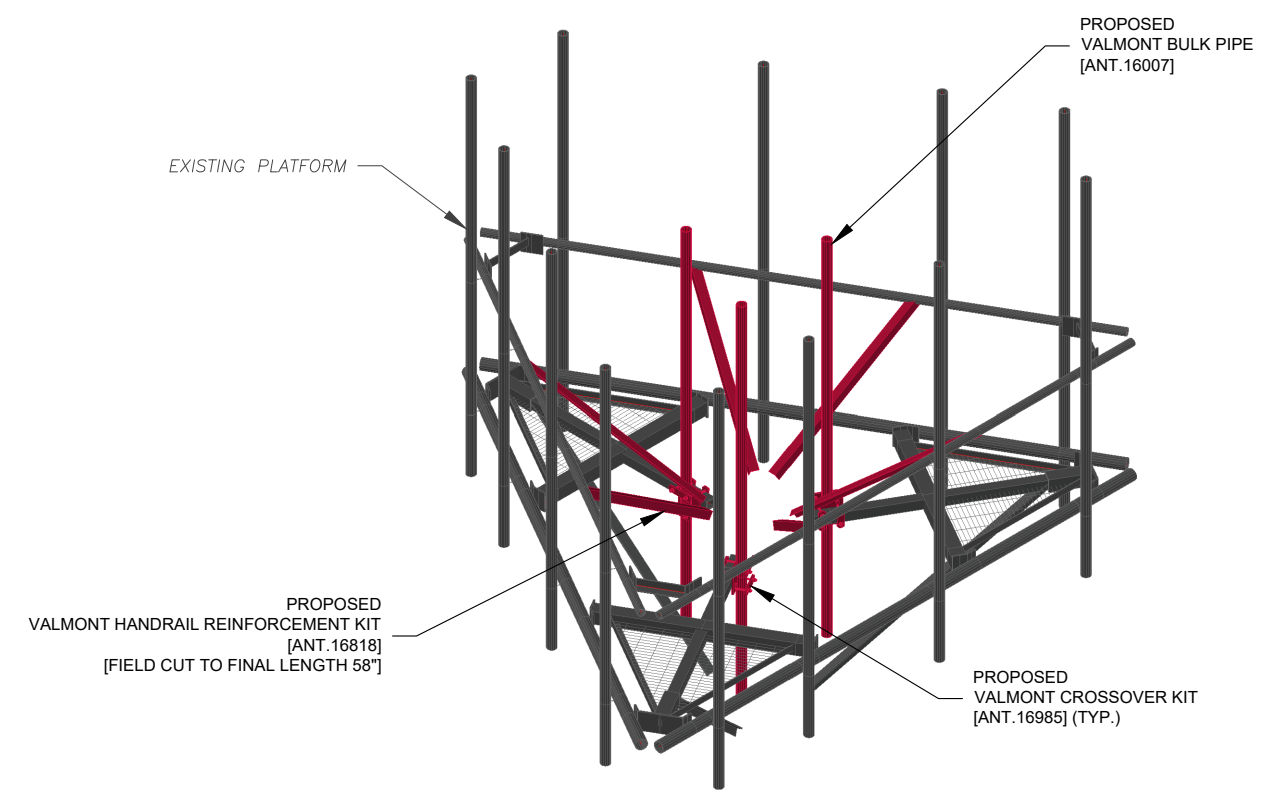
MODIFICATION PROFILE &
 SAFETY CLIMB LAYOUT

SHEET NUMBER:
S-101

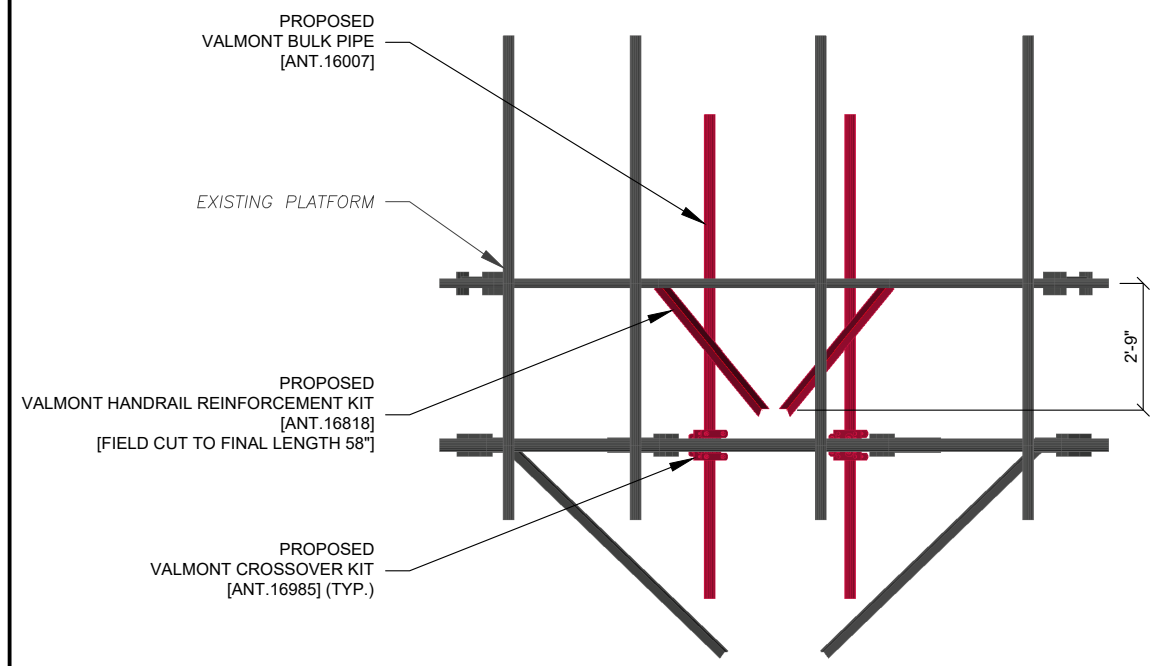
REVISION:
0



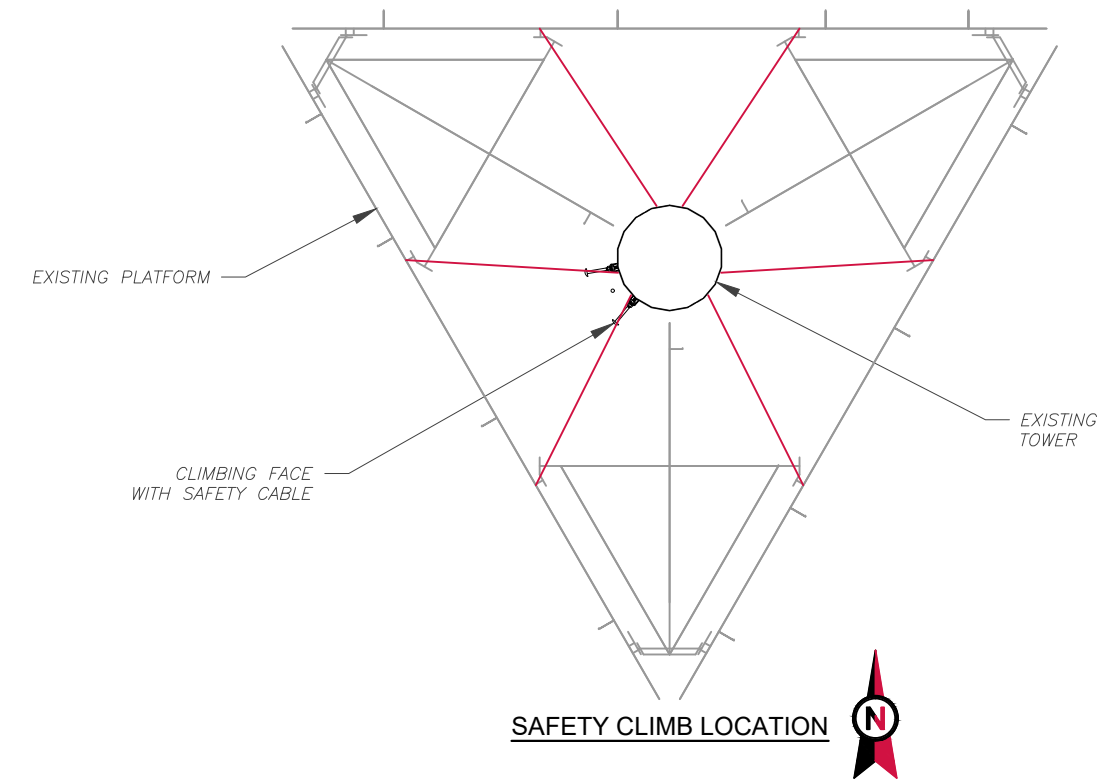
**MOUNT MODIFICATION
 TOP VIEW**



**MOUNT MODIFICATION
 ISOMETRIC VIEW**



**MOUNT MODIFICATION
 FRONT VIEW**



- NOTES:**
- CONTRACTOR TO INSTALL MOUNT MODIFICATIONS PER THE MANUFACTURERS SPECIFICATION. MODIFICATIONS SHALL NOT OBSTRUCT, INTERFERE, OR BLOCK EXISTING SAFETY CLIMB SYSTEM. IF ANY OF THESE OCCURS DURING INSTALLATION CONTACT THE AMERICAN TOWER PMI INBOX PMI@AMERICANTOWER.COM
 - IN THE EVENT A PROPOSED MODIFICATION PART LISTED IN THE DRAWINGS IS NOT AVAILABLE, AN APPROVED EQUIVALENT CAN BE SUBSTITUTED. FOR APPROVAL OF EQUIVALENT PART OR QUESTIONS PLEASE CONTACT AMERICAN TOWER PMI INBOX AT PMI@AMERICANTOWER.COM.

REINFORCEMENT MATERIALS LIST (ALL SECTORS)							
QUANTITY REQUIRED	MANUFACTURER	PART NUMBER	DESCRIPTION	LENGTH	PART WEIGHT (lb)	WEIGHT (lb)	NOTES
3	VALMONT	ANT.16007	PIPE 2-3/8"OD X 126", ASTM A53 GRADE B, SCHEDULE 40	10'-6"	39.0	117	OR EQUIVALENT SITE PRO 1 - P2126
3	VALMONT	ANT.16985	CROSSOVER PLATE	----	12.0	36	OR EQUIVALENT SITE PRO 1 - SCX7-U
1	VALMONT	ANT.16818	HANDRAIL REINFORCEMENT KIT (LONG)	----	642.0	642	OR EQUIVALENT SITE PRO 1 - PRK-SFS-L
					TOTAL WEIGHT (lb)	795	

Copyright © 2022 ATC IP LLC, All Rights Reserved.

2:53 PM 4/7/2022

Option 1 - Modify: Estimate for AT&T Mobility @ 302493 (Nrwc - Norwich) -- 13757776_C9_04

Site Data and Design Parameters		Dates and Designers	
Asset OTM #	302493	Mount Analysis Date / By	3/8/2022 / MFE
Asset Name	Nrwc - Norwich	Design Date / By	4/7/2022 / MFE
State	CT	Checked Date / By	/ /
County	New London	Detailer (Prev/Current/Level)	/ /
City	Norwich	Software	RISA
Failing Analysis Eng. #	13757776_C8_01	Tower Type	Monopole Round
Mod. Drawing Eng. #	13757776_C9_04	Mount Type	Platform w/ Handrails
Building Codes		Carriers	
TIA/IBC:	ANSI/TIA-222-H / 2015 IBC	# of RADs	1
Local:	2018 Connecticut State Building Code	Carrier	AT&T Mobility
Failing Analysis % / Code	167% / TIA-H		
Post Mod % / Controlling Member	64% / Horizontals		
Usage Limit % / Reason	105% / N/A		

Any modification design comments or assumptions? No (including notes to the Estimator)

Modification Summary	
Item #	Scope Item
1	Install Site Pro 1 P2126 (ANT.16007) MP w/ Site Pro 1 SCX7-U (ANT.16985) crossovers on All (3) sector(s) at position 5.*
2	Install Site Pro 1 PRK-SFS-L V Style Stabilizer (ANT.16818) on All (3) MP sector(s)

Estimated Modification Cost \$12,000

Option 2 - Replace: Estimate for AT&T Mobility @ 302493 (Nrwc - Norwich) -- 13757776_C9_04

Tower Info		Additional Info	
Tower Number	302493	Can modifications be Installed?	Yes
Tower Name	Nrwc - Norwich	What is the post-mod capacity?	64%
State	CT		
Jurisdictional Codes		Project Requirements	
Design TIA Code	Unknown	New Mount Face Width	150 in
Current TIA Code	ANSI/TIA-222-H	Number of Sectors	3
IBC	2015 IBC		
Other	2018 Connecticut State Building Code		
Project Information			
Carrier	AT&T Mobility		
Structure Type	Monopole		
Recommended Mount Replacement	Sabre C10857802DP*	Estimated Replacement Cost	\$ 36,000.00
	*or approved equivalent		

SUPPLEMENTAL

SHEET NUMBER:
R-901

REVISION:
0



Post Modification Mount Analysis Report

ATC Site Name : Nrcw - Norwich, CT
 ATC Site Number : 302493
 Engineering Number : 13757776_C9_04
 Mount Elevation : 154 ft
 Carrier : AT&T Mobility
 Carrier Site Name : MRCTB055745
 Carrier Site Number : CTL02028
 Site Location : 225 Rogers Road
 Norwich, CT 06360-4036
 41.53365099, -72.134991
 County : New London
 Date : April 7, 2022
 Max Usage : 64%
 Result : Contingent Pass

Prepared By: Michael Ellis
 Structural Engineer I

Reviewed By:

Michael Ellis

COA: PEC.0001553



Eng. Number 13757776_C9_04
 April 7, 2022

Table of Contents

Introduction 1
 Supporting Documents 1
 Analysis 1
 Conclusion 1
 Application Loading 2
 Structure Usages 2
 Mount Layout 3
 Equipment Layout 4
 Standard Conditions 8
 Calculations Attached



Eng. Number 13757776_C9_04
 April 7, 2022
 Page 1

Introduction

The purpose of this report is to summarize results of the mount analysis performed for AT&T Mobility at 154 ft.

Supporting Documents

Specifications Sheet	Site Pro 1 RMQLP-4126-HK, dated May 26, 2021
Previous Analysis	Infinigy Project #1009-Z0003-B, dated July 7, 2020
Radio Frequency Data Sheet	RFDS ID #10034991, dated February 10, 2022
Reference Photos	Site photos from 2021

Analysis

This mount was analyzed using American Tower Corporation's Mount Analysis Program and RISA-3D

Basic Wind Speed:	124 mph (3-Second Gust)
Basic Wind Speed w/ Ice:	50 mph (3-Second Gust) w/ 1.00" radial ice concurrent
Codes:	ANSI/TIA-222-H
Exposure Category:	B
Risk Category:	II
Topographic Factor Procedure:	Method 2
Feature:	Flat
Crest Height (H):	0 ft
Crest Length (L):	0 ft
Spectral Response:	Ss = 0.196, S1 = 0.054
Site Class:	D - Stiff Soil
Live Loads:	Lm = 500 lbs

* Based on experience, it has been determined that the Lr load cases will not control over Lm load cases in platform mount analyses. Therefore, these load cases have been excluded from this analysis.

Conclusion

Based on the analysis results, the antenna mount meets the requirements per the applicable codes listed above provided the modifications listed below are completed:

- Install modification per ATC Drawing #13757776_C9_04

If you have any questions or require additional information, please contact American Tower via email at Engineering@americantower.com. Please include the American Tower site name, site number, and engineering number in the subject line for any questions.



Eng. Number 13757776_C9_04
 April 7, 2022
 Page 2

Application Loading

Mount Centerline (ft)	Equipment Centerline (ft)	Qty	Equipment Manufacturer & Model
158.0	158.0	3	Ericsson Air 6449 B77D
		2	CCI OPA65R-BU8D
154.0	156.0	1	CCI DMP65R-BU4D
		2	CCI DMP65R-BU8D
		1	CCI OPA65R-BU4DA-K
		1	Raycap DC6-48-60-18-8F (23.5" Height)
		1	Raycap DC9-48-60-24-8C-EV
		3	Ericsson RRU5 8843 B2, B66A
154.0	154.0	3	Ericsson RRU5 4449 B5, B12
		3	Ericsson AIR 6419 B77G

Structure Usages

Structural Component	Controlling Usage	Pass/Fail
Horizontals	64%	Pass
Tie-Backs	16%	Pass
Mount Pipes	36%	Pass

AMERICAN TOWER®
A.T. ENGINEERING SERVICE, PLLC
 3500 REGENCY PARKWAY
 SUITE 100
 CARY, NC 27518
 PHONE: (919) 468-0112
 COA: PEC.0001553

THESE DRAWINGS AND/OR THE ACCOMPANYING SPECIFICATION AS INSTRUMENTS OR SERVICE ARE THE EXCLUSIVE PROPERTY OF AMERICAN TOWER. THEIR USE AND PUBLICATION SHALL BE RESTRICTED TO THE ORIGINAL SITE FOR WHICH THEY ARE PREPARED. ANY USE OR DISCLOSURE OTHER THAN THAT WHICH RELATES TO AMERICAN TOWER OR THE SPECIFIED CARRIER IS STRICTLY PROHIBITED. TITLE TO THESE DOCUMENTS SHALL REMAIN THE PROPERTY OF AMERICAN TOWER WHETHER OR NOT THE PROJECT IS EXECUTED. NEITHER THE ARCHITECT NOR THE ENGINEER WILL BE PROVIDING ON-SITE CONSTRUCTION REVIEW OF THIS PROJECT. CONTRACTOR(S) MUST VERIFY ALL DIMENSIONS AND ADVISE AMERICAN TOWER OF ANY DISCREPANCIES. ANY PRIOR ISSUANCE OF THIS DRAWING IS SUPERSEDED BY THE LATEST VERSION ON FILE WITH AMERICAN TOWER.

REV.	DESCRIPTION	BY	DATE
0	FIRST ISSUE	RFL	04/12/22

ATC SITE NUMBER:
 302493
 ATC SITE NAME:
 NRWC - NORWICH
 CONNECTICUT
 SITE ADDRESS:
 225 ROGERS ROAD
 NORWICH, CT 06360



DRAWN BY:	RFL
APPROVED BY:	MFE
DATE DRAWN:	04/12/22
ATC JOB NO:	13757776_C9_04

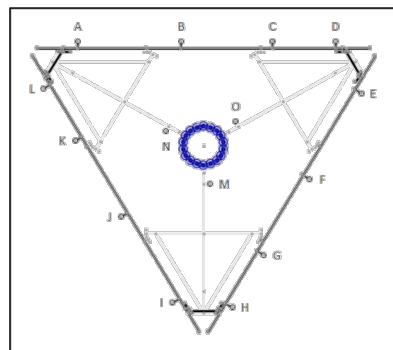
SUPPLEMENTAL

SHEET NUMBER: **R-902** REVISION: **0**



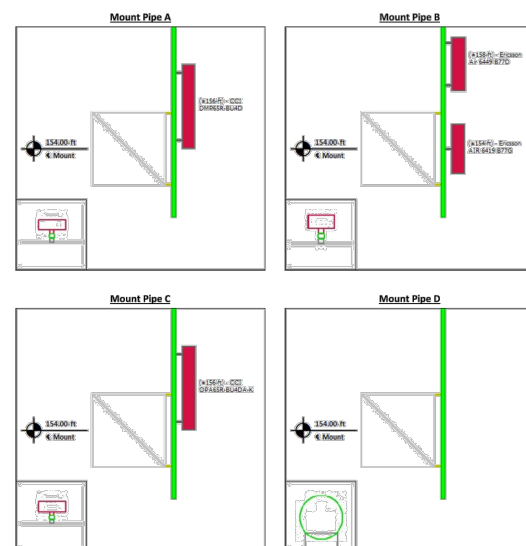
Eng. Number 13757776_C9_04
 April 7, 2022
 Page 3

Mount Layout



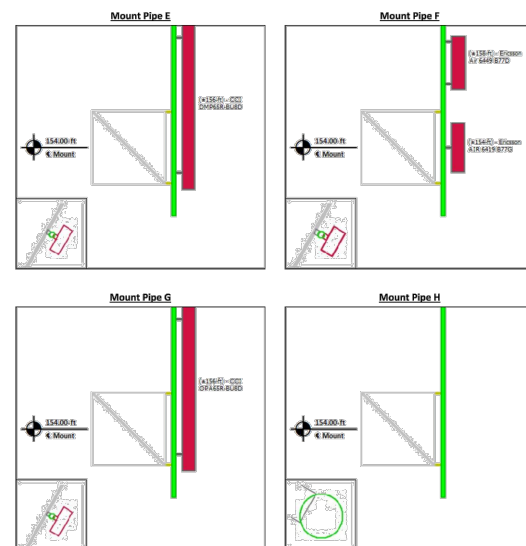
Eng. Number 13757776_C9_04
 April 7, 2022
 Page 4

Equipment Layout



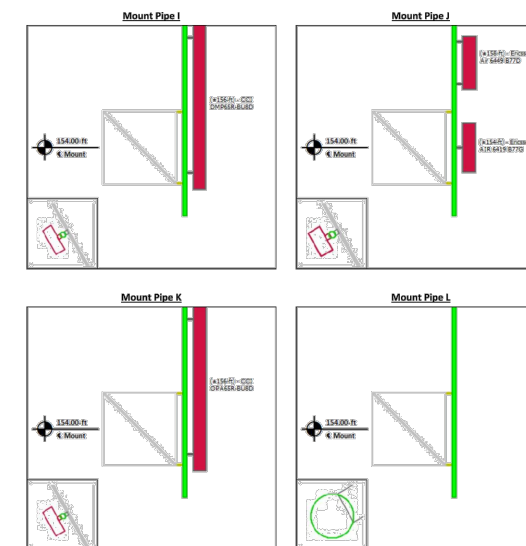
Eng. Number 13757776_C9_04
 April 7, 2022
 Page 5

Equipment Layout Cont'd.



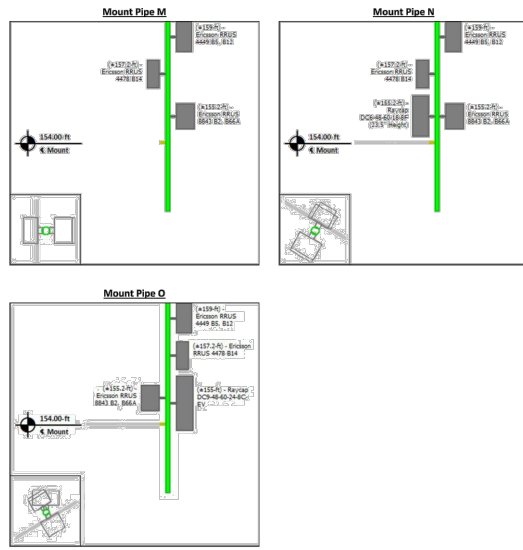
Eng. Number 13757776_C9_04
 April 7, 2022
 Page 6

Equipment Layout Cont'd.





Equipment Layout Cont'd.



Standard Conditions

All engineering services performed by A.T. Engineering Service, PLLC are prepared on the basis that the information used is current and correct. This information may consist of, but is not limited to the following:

- Information supplied by the client regarding equipment, mounts and feed line loading
- Information from drawings, design and analysis documents, and field notes in the possession of A.T. Engineering Service, PLLC

It is the responsibility of the client to ensure that the information provided to A.T. Engineering Service, PLLC and used in the performance of our engineering services is correct and complete.

American Tower assumes that all structures were constructed in accordance with the drawings and specifications.

All connections are to be verified for condition and tightness by the installation contractor preceding any changes to the appearance mounting system and/or equipment attached to it.

Unless explicitly agreed by both the client and A.T. Engineering Service, PLLC, all services will be performed in accordance with the current revision of ANSI/TIA-222.

Installation of all equipment and steel should be confirmed not to cause tower conflicts nor impede the tower climbing pegs.

All services are performed, results obtained, and recommendations made in accordance with generally accepted engineering principles and practices. A.T. Engineering Service, PLLC is not responsible for the conclusions, opinions and recommendations made by others based on the information supplied herein.

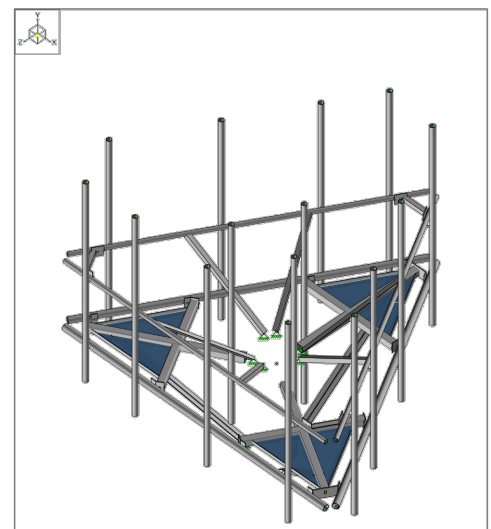


Mount Analysis Force Calculations

Wind & Ice Load Calculations		Seismic Load Calculations	
Velocity Pressure Coefficient	K_z 1.12	Short Period DSRAP	S_{DS} 0.209
Topographic Factor	K_{zt} 1.00	1 Second DSRAP	S_{1S} 0.086
Rooftop Wind Speed-up Factor	K_s 1.00	Importance Factor	I 1.0
Shielding Factor	K_{sd} 0.90	Response Modification Coefficient	R 2.0
Ground Elevation Factor	K_e 0.99	Seismic Response Coefficient	C_s 0.105
Wind Direction Probability Factor	K_d 0.95	Amplification Factor	A 1.0
Basic Wind Speed	V 124 mph	Total Weight	W 3808.2 lbs
Velocity Pressure	q_z 41.2 psf	Total Shear Force	V_u 398.1 lbs
Height Exclusion Factor	K_{ex} 1.17	Horizontal Seismic Load	F_h 398.1 lbs
Thickness of Radial Glaze Ice	T_{gi} 1.17 in	Vertical Seismic Load	F_v 159.2 lbs

Antenna Calculations (Elevations per Application/RFDS)*									
Equipment Model #	Height in	Width in	Depth in	Weight lbs	EPA_x sqft	EPA_y sqft	EPA_z sqft	EPA_{xy} sqft	EPA_{yz} sqft
Ericsson Air 6449 B77D	30.4	15.9	8.1	81.6	4.03	1.34	4.97	1.86	
CCI OPA65R-BU4D	96.0	21.0	7.8	76.5	18.09	3.12	20.59	4.15	
CCI DMP65R-BU4D	48.0	20.7	7.7	67.9	8.28	2.44	9.66	3.33	
CCI DMP65R-BU4D	96.0	20.7	7.7	95.7	17.87	3.08	20.37	4.11	
CCI OPA65R-BU4D-K	48.2	21.0	7.8	52.5	8.44	2.47	9.83	3.36	
Raycap DC6-48-60-18-8F (23.5" Height)	23.5	9.7	9.7	20.0	1.90	1.90	2.59	2.59	
Raycap DC6-48-60-24-8C-EV	31.4	18.3	10.2	16.0	4.79	2.73	5.80	3.60	
Ericsson RRUS 8843 B2, B65A	14.9	13.2	10.9	72.0	1.64	1.35	2.23	1.90	
Ericsson RRUS 4478 B14	16.5	13.4	7.7	59.9	1.84	1.06	2.47	1.57	
Ericsson RRUS 4449 B5, B12	17.9	13.2	9.4	71.0	1.97	1.40	2.62	1.98	
Ericsson AIR 6419 B77G	28.3	16.1	7.9	66.1	3.80	1.20	4.71	1.68	

* Equipment with EPA values N/A were not considered in the mount analysis



American Tower Corp.	302493, Nwrc - Norwich	SK-1
Michael Ellis	3D Rendering (Final Configuration)	Apr 07, 2022
13757776_C9_04		RSD, AT&T MOBILITY @ 302493, ...

AMERICAN TOWER®
A.T. ENGINEERING SERVICE, PLLC
3500 REGENCY PARKWAY
SUITE 100
CARY, NC 27518
PHONE: (919) 468-0112
COA: PEC.0001553

THESE DRAWINGS AND/OR THE ACCOMPANYING SPECIFICATION AS INSTRUMENTS OR SERVICE ARE THE EXCLUSIVE PROPERTY OF AMERICAN TOWER. THEIR USE AND PUBLICATION SHALL BE RESTRICTED TO THE ORIGINAL SITE FOR WHICH THEY ARE PREPARED. ANY USE OR DISCLOSURE OTHER THAN THAT WHICH RELATES TO AMERICAN TOWER OR THE SPECIFIED CARRIER IS STRICTLY PROHIBITED. TITLE TO THESE DOCUMENTS SHALL REMAIN THE PROPERTY OF AMERICAN TOWER WHETHER OR NOT THE PROJECT IS EXECUTED. NEITHER THE ARCHITECT NOR THE ENGINEER WILL BE PROVIDING ON-SITE CONSTRUCTION REVIEW OF THIS PROJECT. CONTRACTOR(S) MUST VERIFY ALL DIMENSIONS AND ADVISE AMERICAN TOWER OF ANY DISCREPANCIES. ANY PRIOR ISSUANCE OF THIS DRAWING IS SUPERSEDED BY THE LATEST VERSION ON FILE WITH AMERICAN TOWER.

REV.	DESCRIPTION	BY	DATE
0	FIRST ISSUE	RFL	04/12/22

ATC SITE NUMBER:
302493

ATC SITE NAME:
NWRC - NORWICH
CONNECTICUT

SITE ADDRESS:
225 ROGERS ROAD
NORWICH, CT 06360

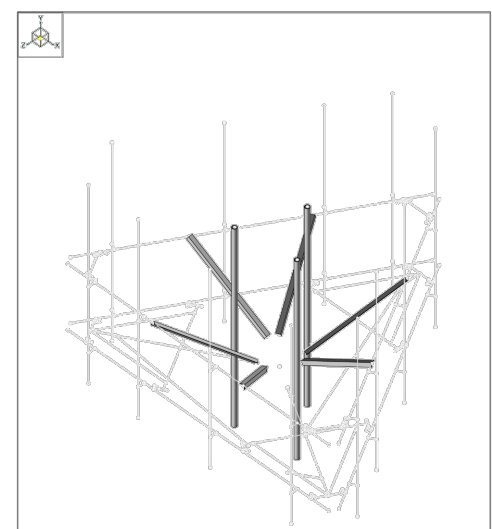


DRAWN BY:	RFL
APPROVED BY:	MFE
DATE DRAWN:	04/12/22
ATC JOB NO:	13757776_C9_04

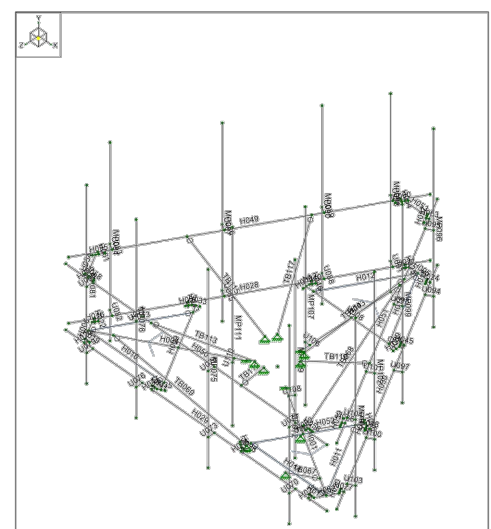
SUPPLEMENTAL

SHEET NUMBER:
R-903

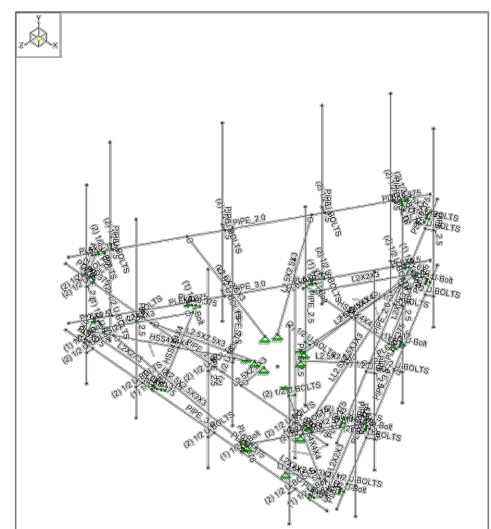
REVISION:
0



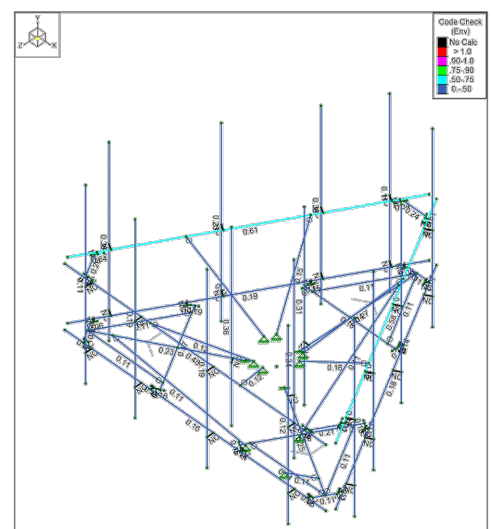
American Tower Corp.	302493, Nwrc - Norwich	SK-2
Michael Ellis	3D Rendering (Proposed Configuration)	Apr 07, 2022
13757776_C9_04		RSD, AT&T MOBILITY @ 302493, ...



American Tower Corp.	302493, Nwrc - Norwich	SK-3
Michael Ellis	3D Rendering (Proposed Configuration)	Apr 07, 2022
13757776_C9_04		RSD, AT&T MOBILITY @ 302493, ...

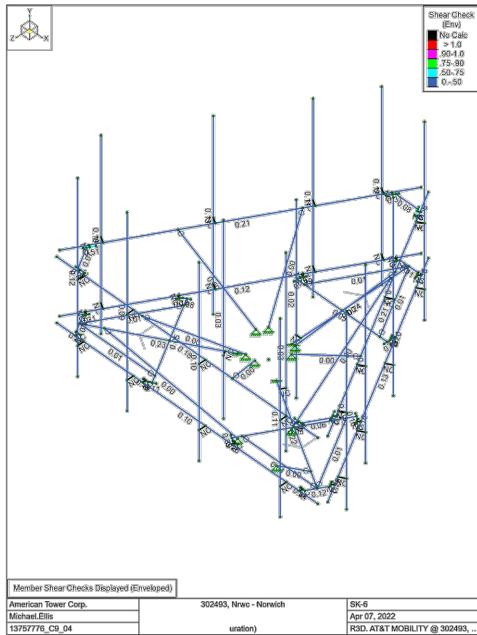


American Tower Corp.	302493, Nwrc - Norwich	SK-4
Michael Ellis	3D Rendering (Proposed Configuration)	Apr 07, 2022
13757776_C9_04		RSD, AT&T MOBILITY @ 302493, ...



American Tower Corp.	302493, Nwrc - Norwich	SK-5
Michael Ellis	3D Rendering (Proposed Configuration)	Apr 07, 2022
13757776_C9_04		RSD, AT&T MOBILITY @ 302493, ...

Copyright © 2022 ATC IP, LLC. All Rights Reserved.



Member Shear Checks Displayed (Unwrapped)	302493, Nrwc - Norwich	SK-6
American Tower Corp.		Apr 07, 2022
Michael.Ellis		RSD, AT&T MOBILITY @ 302493, ...
13757776_C9_04		

Basic Load Cases						
BLC Description	Category	Y Gravity	Nodal	Point	Distributed	Surface(Plate/Wall)
1 D	DL	-1		32	72	3
2 W 0	WL			32	117	
3 W 30	WL			64	234	
4 W 60	WL			64	234	
5 W 90	WL			32	120	
6 W 120	WL			64	234	
7 W 150	WL			64	234	
8 W 180	WL			32	117	
9 W 210	WL			64	234	
10 W 240	WL			64	234	
11 W 270	WL			32	120	
12 W 300	WL			64	234	
13 W 330	WL			64	234	
14 W 0	WL			32	117	
15 W 30	WL			64	234	
16 W 60	WL			64	234	
17 W 90	WL			32	120	
18 W 120	WL			64	234	
19 W 150	WL			64	234	
20 W 180	WL			32	117	
21 W 210	WL			64	234	
22 W 240	WL			64	234	
23 W 270	WL			32	120	
24 W 300	WL			64	234	
25 W 330	WL			64	234	
26 W 0	WL			32	117	
27 W 30	WL			64	234	
28 W 60	WL			64	234	
29 W 90	WL			32	120	
30 W 120	WL			64	234	
31 W 150	WL			64	234	
32 W 180	WL			32	117	
33 W 210	WL			64	234	
34 W 240	WL			64	234	
35 W 270	WL			32	120	
36 W 300	WL			64	234	
37 W 330	WL			64	234	
38 W 0	WL			32	117	
39 Ev -Y	ELY				72	
40 Ev -Z	ELZ				72	
41 Ev -X	ELX				72	
42 Lm (1)	LL		1			
43 Lm (2)	LL		1			
44 Lm (3)	LL		1			
45 Lm (4)	LL		1			
46 Lm (5)	LL		1			
47 Lm (6)	LL		1			
48 Lm (7)	LL		1			
49 Lm (8)	LL		1			
50 Lm (9)	LL		1			
51 Lm (10)	LL		1			
52 Lm (11)	LL		1			
53 Lm (12)	LL		1			
54 Lm (13)	LL		1			
55 Lm (14)	LL		1			

Basic Load Cases (Continued)						
BLC Description	Category	Y Gravity	Nodal	Point	Distributed	Surface(Plate/Wall)
56 Lm (15)	LL		1			

Node Boundary Conditions						
Node Label	X [lb/in]	Y [lb/in]	Z [lb/in]	X Rot [k-in/rad]	Y Rot [k-in/rad]	Z Rot [k-in/rad]
1 N002	Reaction	Reaction	Reaction	Reaction	Reaction	Reaction
2 N006	Reaction	Reaction	Reaction	Reaction	Reaction	Reaction
3 N007	Reaction	Reaction	Reaction	Reaction	Reaction	Reaction
4 N119	Reaction	Reaction	Reaction	Reaction	Reaction	Reaction
5 N120	Reaction	Reaction	Reaction	Reaction	Reaction	Reaction
6 N121	Reaction	Reaction	Reaction	Reaction	Reaction	Reaction
7 N215	Reaction	Reaction	Reaction	Reaction	Reaction	Reaction
8 N216	Reaction	Reaction	Reaction	Reaction	Reaction	Reaction
9 N217	Reaction	Reaction	Reaction	Reaction	Reaction	Reaction
10 N218	Reaction	Reaction	Reaction	Reaction	Reaction	Reaction
11 N219	Reaction	Reaction	Reaction	Reaction	Reaction	Reaction
12 N220	Reaction	Reaction	Reaction	Reaction	Reaction	Reaction

Member Primary Data								
Label	I Node	J Node	Rotate(deg)	Section/Shape	Type	Design List	Material	Design Rule
1 H001	N002	N003		HSS4X4X4	Beam	None	A500 Gr. B [SQR]	Typical
2 H002	N004	N005		PL6X0.5	Beam	None	A36	Typical
3 H003	N006	N012		HSS4X4X4	Beam	None	A500 Gr. B [SQR]	Typical
4 H004	N007	N013		HSS4X4X4	Beam	None	A500 Gr. B [SQR]	Typical
5 H005	N008	N010		PL6X0.5	Beam	None	A36	Typical
6 H006	N009	N011		PL6X0.5	Beam	None	A36	Typical
7 H007	N015	N016		HSS4X4X4	Beam	None	A500 Gr. B [SQR]	Typical
8 H008	N021	N023		HSS4X4X4	Beam	None	A500 Gr. B [SQR]	Typical
9 H009	N022	N024		HSS4X4X4	Beam	None	A500 Gr. B [SQR]	Typical
10 H010	N033	N013		L2X2X3	Beam	None	A36	Typical
11 H011	N034	N003		L2X2X3	Beam	None	A36	Typical
12 H012	N029	N012		L2X2X3	Beam	None	A36	Typical
13 H013	N030	N013	270	L2X2X3	Beam	None	A36	Typical
14 H014	N031	N003	270	L2X2X3	Beam	None	A36	Typical
15 H015	N032	N012	270	L2X2X3	Beam	None	A36	Typical
16 H016	N009	N036		PL6X0.5	Beam	None	A36	Typical
17 H017	N004	N042		PL6X0.5	Beam	None	A36	Typical
18 H018	N008	N043		PL6X0.5	Beam	None	A36	Typical
19 H019	N011	N048		PL6X0.5	Beam	None	A36	Typical
20 H020	N005	N049		PL6X0.5	Beam	None	A36	Typical
21 H021	N010	N037		PL6X0.5	Beam	None	A36	Typical
22 H022	N038	N040		(1) 1/2 U-Bolt	Beam	None	SAE J429 Gr. 2	Typical
23 H023	N044	N050		(1) 1/2 U-Bolt	Beam	None	SAE J429 Gr. 2	Typical
24 H024	N045	N051		(1) 1/2 U-Bolt	Beam	None	SAE J429 Gr. 2	Typical
25 H025	N039	N041		(1) 1/2 U-Bolt	Beam	None	SAE J429 Gr. 2	Typical
26 H026	N046	N052		(1) 1/2 U-Bolt	Beam	None	SAE J429 Gr. 2	Typical
27 H027	N047	N053		(1) 1/2 U-Bolt	Beam	None	SAE J429 Gr. 2	Typical
28 H028	N017	N018		PIPE 3.0	Beam	None	A53 Gr. B	Typical
29 H029	N025	N027		PIPE 3.0	Beam	None	A53 Gr. B	Typical
30 H030	N026	N028		PIPE 3.0	Beam	None	A53 Gr. B	Typical
31 H031	N054	N055		PL6X0.375	Beam	None	A36	Typical
32 H032	N056	N058		PL6X0.375	Beam	None	A36	Typical
33 H033	N057	N059		PL6X0.375	Beam	None	A36	Typical
34 H034	N060	N062		PL6X0.375	Beam	None	A36	Typical

AMERICAN TOWER®
A.T. ENGINEERING SERVICE, PLLC
 3500 REGENCY PARKWAY
 SUITE 100
 CARY, NC 27518
 PHONE: (919) 468-0112
 COA: PEC.0001553

THESE DRAWINGS AND/OR THE ACCOMPANYING SPECIFICATION AS INSTRUMENTS OR SERVICE ARE THE EXCLUSIVE PROPERTY OF AMERICAN TOWER. THEIR USE AND PUBLICATION SHALL BE RESTRICTED TO THE ORIGINAL SITE FOR WHICH THEY ARE PREPARED. ANY USE OR DISCLOSURE OTHER THAN THAT WHICH RELATES TO AMERICAN TOWER OR THE SPECIFIED CARRIER IS STRICTLY PROHIBITED. TITLE TO THESE DOCUMENTS SHALL REMAIN THE PROPERTY OF AMERICAN TOWER WHETHER OR NOT THE PROJECT IS EXECUTED. NEITHER THE ARCHITECT NOR THE ENGINEER WILL BE PROVIDING ON-SITE CONSTRUCTION REVIEW OF THIS PROJECT. CONTRACTOR(S) MUST VERIFY ALL DIMENSIONS AND ADVISE AMERICAN TOWER OF ANY DISCREPANCIES. ANY PRIOR ISSUANCE OF THIS DRAWING IS SUPERSEDED BY THE LATEST VERSION ON FILE WITH AMERICAN TOWER.

REV.	DESCRIPTION	BY	DATE
0	FIRST ISSUE	RFL	04/12/22

ATC SITE NUMBER:
302493

ATC SITE NAME:
NRWC - NORWICH
CONNECTICUT

SITE ADDRESS:
 225 ROGERS ROAD
 NORWICH, CT 06360



DRAWN BY:	RFL
APPROVED BY:	MFE
DATE DRAWN:	04/12/22
ATC JOB NO:	13757776_C9_04

SUPPLEMENTAL

SHEET NUMBER:
R-904

REVISION:
0

Copyright © 2022 ATC IP, LLC. All Rights Reserved.

About 28,800,000 results (0.42 seconds)

Track your package

Data provided by USPS

Tracking number 9505510391962236649797

Delivered **Joann M. Baroni Foristall - Property Owner**

August 26, 11:24AM
Higganum, CT

View details on USPS

Call 1-800-275-8777

Track another package

<https://tools.usps.com>

USPS.com® - USPS Tracking®

The shipping confirmation email you received from an online retailer · The bottom peel-off portion of your **USPS Tracking®** label ...

Where is my package?

Responses to common requests such as package not received ...

Schedule a Pickup

Step 1: Where should we pick up your package(s)? Tell us your ...

[More results from usps.com »](#)

<https://www.usps.com>

USPS: Welcome

Welcome to **USPS.com**. Find information on our most ... Use our quick tools to find locations, calculate prices, look up a ZIP Code, and get **Track & Confirm** info.

<https://www.usps.com> > manage

Receive Mail & Packages - USPS

Track USPS package deliveries, get **tracking** text and email notifications, forward mail, change your address, and learn about setting up PO boxes or home ...

<https://faq.usps.com> > topic > usps-tracking-

USPS Tracking®

USPS Tracking® provides end-to-end item tracking. With the tracking number, you can check delivery progress online, by phone, and by text.

<https://faq.usps.com> > article > USPS-Tracking-The-Basics

USPS Tracking® - The Basics

USPS Tracking does not expedite or guarantee delivery. There is no additional cost for the tracking mechanism on products that automatically include USPS ...

About 28,800,000 results (0.42 seconds)

Track your package

Data provided by USPS

Tracking number 9505510391962236649766

Delivered

August 26, 09:04AM The Honorable Robert McGarry - First Selectman of the Town of Haddam
Haddam, CT

View details on USPS

Call 1-800-275-8777

Track another package

<https://tools.usps.com>

USPS.com® - USPS Tracking®

The shipping confirmation email you received from an online retailer · The bottom peel-off portion of your **USPS Tracking®** label ...

Where is my package?

Responses to common requests such as package not received ...

Schedule a Pickup

Step 1: Where should we pick up your package(s)? Tell us your ...

[More results from usps.com »](#)

<https://www.usps.com>

USPS: Welcome

Welcome to **USPS.com**. Find information on our most ... Use our quick tools to find locations, calculate prices, look up a ZIP Code, and get **Track & Confirm** info.

<https://www.usps.com> > [manage](#)

Receive Mail & Packages - USPS

Track USPS package deliveries, get **tracking** text and email notifications, forward mail, change your address, and learn about setting up PO boxes or home ...

<https://faq.usps.com> > [topic](#) > [usps-tracking-](#)

USPS Tracking®

USPS Tracking® provides end-to-end item tracking. With the tracking number, you can check delivery progress online, by phone, and by text.

<https://faq.usps.com> > [article](#) > [USPS-Tracking-The-Basics](#)

USPS Tracking® - The Basics

USPS Tracking does not expedite or guarantee delivery. There is no additional cost for the tracking mechanism on products that automatically include USPS ...

About 28,800,000 results (0.42 seconds)

Track your package

Data provided by USPS

Tracking number 9505510391962236649780

Delivered

August 26, 04:14PM **Bill Warner - Town Planner**
Haddam, CT

View details on USPS

Call 1-800-275-8777

Track another package

<https://tools.usps.com>

USPS.com® - USPS Tracking®

The shipping confirmation email you received from an online retailer · The bottom peel-off portion of your **USPS Tracking®** label ...

Where is my package?

Responses to common requests such as package not received ...

Schedule a Pickup

Step 1: Where should we pick up your package(s)? · Tell us your ...

[More results from usps.com »](#)

<https://www.usps.com>

USPS: Welcome

Welcome to **USPS.com**. Find information on our most ... Use our quick tools to find locations, calculate prices, look up a ZIP Code, and get **Track & Confirm** info.

<https://www.usps.com> > manage

Receive Mail & Packages - USPS

Track USPS package deliveries, get **tracking** text and email notifications, forward mail, change your address, and learn about setting up PO boxes or home ...

<https://faq.usps.com> > topic > usps-tracking-

USPS Tracking®

USPS Tracking® provides end-to-end item tracking. With the tracking number, you can check delivery progress online, by phone, and by text.

<https://faq.usps.com> > article > USPS-Tracking-The-Basics

USPS Tracking® - The Basics

USPS Tracking does not expedite or guarantee delivery. There is no additional cost for the tracking mechanism on products that automatically include USPS ...

About 28,800,000 results (0.42 seconds)

Track your package

Data provided by USPS

Tracking number 9505510391962236649773

Delivered

August 26, 11:05AM American Tower Corporation - Tower Owner
Woburn, MA

View details on USPS

Call 1-800-275-8777

Track another package

<https://tools.usps.com>

USPS.com® - USPS Tracking®

The shipping confirmation email you received from an online retailer · The bottom peel-off portion of your **USPS Tracking®** label ...

Where is my package?

Responses to common requests such as package not received ...

Schedule a Pickup

Step 1: Where should we pick up your package(s)? · Tell us your ...

[More results from usps.com »](#)

<https://www.usps.com>

USPS: Welcome

Welcome to **USPS.com**. Find information on our most ... Use our quick tools to find locations, calculate prices, look up a ZIP Code, and get **Track & Confirm** info.

<https://www.usps.com> > [manage](#)

Receive Mail & Packages - USPS

Track USPS package deliveries, get **tracking** text and email notifications, forward mail, change your address, and learn about setting up PO boxes or home ...

<https://faq.usps.com> > [topic](#) > [usps-tracking-](#)

USPS Tracking®

USPS Tracking® provides end-to-end item tracking. With the tracking number, you can check delivery progress online, by phone, and by text.

<https://faq.usps.com> > [article](#) > [USPS-Tracking-The-Basics](#)

USPS Tracking® - The Basics

USPS Tracking does not expedite or guarantee delivery. There is no additional cost for the tracking mechanism on products that automatically include USPS ...



August 24, 2022

Joann M. Baroni Foristall
139 Morris Hubbard Rd.
Higganum, CT 06441

Re: Notice of Exempt Modification – AT&T Mobility Site # 13757798
AT&T Wireless Telecommunications Facility @ 139 Morris Hubbard Rd, Higganum, CT

Dear Property Owner:

AT&T Mobility ("AT&T") is proposing to modify a wireless telecommunications facility on an existing monopole tower at 139 Morris Hubbard Rd, in Higganum (Latitude: 41.472239, Longitude: -72.554567). The monopole tower is owned and operated by American Tower Corporation. The subject property is owned by Joann M. Baroni Foristall.

AT&T proposes to remove 9 antennas, 3 RRHs, 6 TMAs, 6 Diplexers and six 1 5/8" coax cables; and install mount modifications, 12 antennas, 9 RRHs, 3 Y cables, 1 CD-9 squid, three 0.92" DC trunks, and one 0.405" fiber trunk. The work on the ground involves removing 6 Diplexers and install 6648 and XCEDE cable.

This letter is intended to serve as the required notice to the property owner. As required by Regulations of Connecticut State Agencies ("RCSA") 16-50j-73 the Connecticut Siting Council ("CSC") has been notified of this proposal and will review this application. Please accept this letter as notification pursuant to RCSA 16-50j-73.

The enclosed letter and attachments to the CSC fully describe AT&T's proposal for the site. However, if you have any questions or require any additional information concerning our plans or the CSC procedures, please contact me at 443-677-0144 or contact Melanie Bachman, Executive Director of the CSC at 860-972-2935.

Respectfully Submitted,

A handwritten signature in blue ink, appearing to read 'Jack Andrews', is written over the printed name.

Jack Andrews
Zoning Manager, Centerline Communications
10130 Donleigh Drive
Columbia, MD 21046



August 24, 2022

The Honorable Robert McGarry
Town Office Building
30 Field Park Drive
Haddam, CT 06438

Re: Notice of Exempt Modification – AT&T Mobility Site # 13757798
AT&T Wireless Telecommunications Facility @ 139 Morris Hubbard Rd, Higganum, CT

Dear First Selectman McGarry:

AT&T Mobility (“AT&T”) is proposing to modify a wireless telecommunications facility on an existing monopole tower at 139 Morris Hubbard Rd, in Higganum (Latitude: 41.472239, Longitude: -72.554567). The monopole tower is owned and operated by American Tower Corporation. The subject property is owned by Joann M. Baroni Foristall.

AT&T proposes to remove 9 antennas, 3 RRHs, 6 TMAs, 6 Diplexers and six 1 5/8" coax cables; and install mount modifications, 12 antennas, 9 RRHs, 3 Y cables, 1 CD-9 squid, three 0.92" DC trunks, and one 0.405" fiber trunk. The work on the ground involves removing 6 Diplexers and install 6648 and XCEDE cable.

This letter is intended to serve as the required notice to the chief elected municipal officer. As required by Regulations of Connecticut State Agencies (“RCSA”) 16-50j-73 the Connecticut Siting Council (“CSC”) has been notified of this proposal and will review this application. Please accept this letter as notification pursuant to RSCA 16-50j-73.

The enclosed letter and attachments to the CSC fully describe AT&T’s proposal for the site. However, if you have any questions or require any additional information concerning our plans or the CSC procedures, please contact me at 443-677-0144 or contact Melanie Bachmann, Executive Director of the CSC at 860-972-2935.

Respectfully Submitted,

A handwritten signature in blue ink, appearing to read 'Jack Andrews', is written over a circular blue stamp or seal.

Jack Andrews
Zoning Manager, Centerline Communications
10130 Donleigh Drive
Columbia, MD 21046



August 24, 2022

Bill Warner, Town Planner
Town Office Building
30 Field Park Drive
Haddam, CT 06438

Re: Notice of Exempt Modification – AT&T Mobility Site # 13757798
AT&T Wireless Telecommunications Facility @ 139 Morris Hubbard Rd, Higganum, CT

Dear Mr. Warner:

AT&T Mobility (“AT&T”) is proposing to modify a wireless telecommunications facility on an existing monopole tower at 139 Morris Hubbard Rd, in Higganum (Latitude: 41.472239, Longitude: -72.554567). The monopole tower is owned and operated by American Tower Corporation. The subject property is owned by Joann M. Baroni Foristall.

AT&T proposes to remove 9 antennas, 3 RRHs, 6 TMAs, 6 Diplexers and six 1 5/8" coax cables; and install mount modifications, 12 antennas, 9 RRHs, 3 Y cables, 1 CD-9 squid, three 0.92" DC trunks, and one 0.405" fiber trunk. The work on the ground involves removing 6 Diplexers and install 6648 and XCEDE cable.

This letter is intended to serve as the required notice to the municipal planning agency. As required by Regulations of Connecticut State Agencies (“RCSA”) 16-50j-73 the Connecticut Siting Council (“CSC”) has been notified of this proposal and will review this application. Please accept this letter as notification pursuant to RCSA 16-50j-73.

The enclosed letter and attachments to the CSC fully describe AT&T’s proposal for the site. However, if you have any questions or require any additional information concerning our plans or the CSC procedures, please contact me at 443-677-0144 or contact Melanie Bachmann, Executive Director of the CSC at 860-972-2935.

Respectfully Submitted,

A handwritten signature in blue ink, appearing to read 'Jack Andrews', is written over the printed name.

Jack Andrews
Zoning Manager, Centerline Communications
10130 Donleigh Drive
Columbia, MD 21046



August 24, 2022

Blake Paynter
Project Manager, Site Development
American Tower Corporation
10 Presidential Way
Woburn, MA 01801

Re: Notice of Exempt Modification – AT&T Mobility Site # 13757798
AT&T Wireless Telecommunications Facility @ 139 Morris Hubbard Rd, Higganum, CT

Dear Mr. Paynter:

AT&T Mobility (“AT&T”) is proposing to modify a wireless telecommunications facility on an existing monopole tower at 139 Morris Hubbard Rd, in Higganum (Latitude: 41.472239, Longitude: -72.554567). The monopole tower is owned and operated by American Tower Corporation. The subject property is owned by Joann M. Baroni Foristall.

AT&T proposes to remove 9 antennas, 3 RRHs, 6 TMAs, 6 Diplexers and six 1 5/8” coax cables; and install mount modifications, 12 antennas, 9 RRHs, 3 Y cables, 1 CD-9 squid, three 0.92” DC trunks, and one 0.405” fiber trunk. The work on the ground involves removing 6 Diplexers and install 6648 and XCEDE cable.

This letter is intended to serve as the required notice to the tower owner. As required by Regulations of Connecticut State Agencies (“RCSA”) 16-50j-73 the Connecticut Siting Council (“CSC”) has been notified of this proposal and will review this application. Please accept this letter as notification pursuant to RSCA 16-50j-73.

The enclosed letter and attachments to the CSC fully describe AT&T’s proposal for the site. However, if you have any questions or require any additional information concerning our plans or the CSC procedures, please contact me at 443-677-0144 or contact Melanie Bachmann, Executive Director of the CSC at 860-972-2935.

Respectfully Submitted,

A handwritten signature in blue ink, appearing to read 'Jack Andrews', is written over the typed name.

Jack Andrews
Zoning Manager, Centerline Communications
10130 Donleigh Drive
Columbia, MD 21046