

July 12, 2018

Melanie Bachman, Executive Director
Connecticut Siting Council
Ten Franklin Square
New Britain, CT 06051

RE: The Connecticut Light and Power Company's Notice of Exempt Modification Pursuant to RCSA § 16-50j-57(a) to Existing Energy Facility Site at 20 Bailey Rd in the Town of Enfield, Connecticut ("Notice of Exempt Modification")

Dear Melanie Bachman:

The Connecticut Light and Power Company dba Eversource Energy ("Eversource") hereby gives notice to the Connecticut Siting Council of its intent to undertake an exempt modification in accordance with Section 16-50j-57(a) of the Regulations of Connecticut State Agencies ("RCSA") for the modifications to Eversource's Scitico Substation described herein.

Proposed Modification

The proposed modification would take place within the existing fenced area at Eversource's Scitico Substation ("Substation"), located on Eversource property at 20 Bailey Rd in the Town of Enfield, Connecticut. The Substation is a 115- to 23-kilovolt ("kV") facility with two 115-kV transmission circuits, two 115- to 23-kV power transformers, and eight 23-kV distribution circuits.

Eversource proposes the following modification to convert the Substation from a tie-breaker design to a ring bus design:

- Removal of two 115-kV motor-operated disconnect ("MOD") switches.
- Removal of three 115-kV bus support insulators
- Installation of one 115- to 23-kV (60-megavolt ampere) transformer.
- Installation of two 115-kV MOD switches.
- Installation of three 115-kV circuit breakers.
- Installation of three 115-kV coupling capacitor voltage transformers.

- Installation of two 115-kV circuit switchers.
- Installation of five 115-kV manually-operated disconnect switches.
- Installation of 23-kV distribution equipment (voltage and service transformers, switchgear and disconnect switches).
- Installation of foundations, underground conduits, mounting and support beams and relay/control cables to accommodate the new equipment.

The existing substation arrangement with the proposed modification is shown on Attachment A, Drawing No. 14910-92001 – Scitico 27H–Plan & Sections – Connecticut Siting Council.

The proposed modification would not have a substantial adverse environmental effect or cause a significant adverse change or alteration in the physical or environmental characteristics of the Substation because:

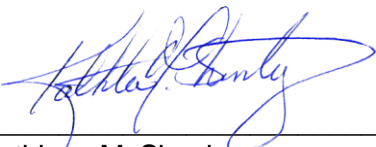
- The modification would be made within the Substation’s existing fenced area and would not impair the structural integrity of the facility.
- The new equipment would be shorter than the tallest existing structure within the Substation and would not cause any significant adverse change in the physical or environmental characteristics of the Substation.
- The work would not affect wetlands or waterways. The Substation is not in a flood zone.
- Eversource’s review of the Department of Energy and Environmental Protection’s Natural Diversity Data Base identified no state-listed endangered, threatened, or special concern species in the vicinity of the Substation.
- There would be no increase in television or radio interference from the modification.
- Sound-pressure levels at all points along the property line would continue to meet state regulations.
- Electric and magnetic field levels at the Substation boundary would not change as the result of the modification.

Eversource proposes to commence construction in August 2018. Work is scheduled to be completed by December 2018.

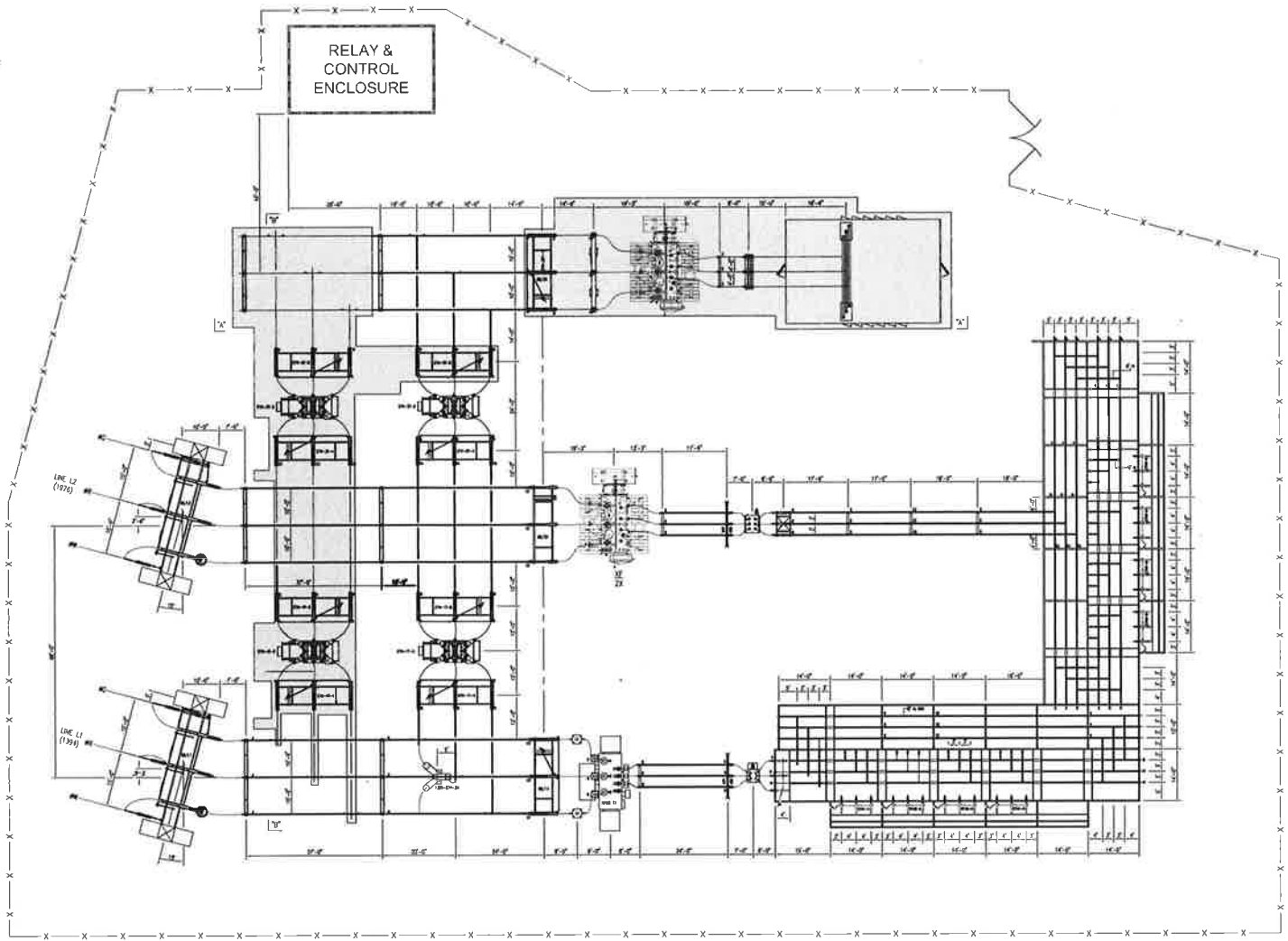
Enclosed are two (2) copies of this Notice of Exempt Modification along with the filing fee of \$625.00.

A notice of the exempt modification filing has been provided to the Christopher Bromson, Acting Town Manager of Enfield.

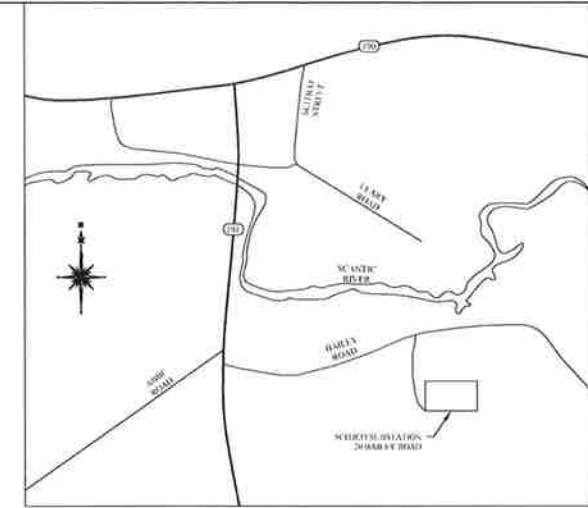
Communications regarding this Notice of Exempt Modification should be directed to Kathleen M. Shanley at (860) 728-4527.

By: 

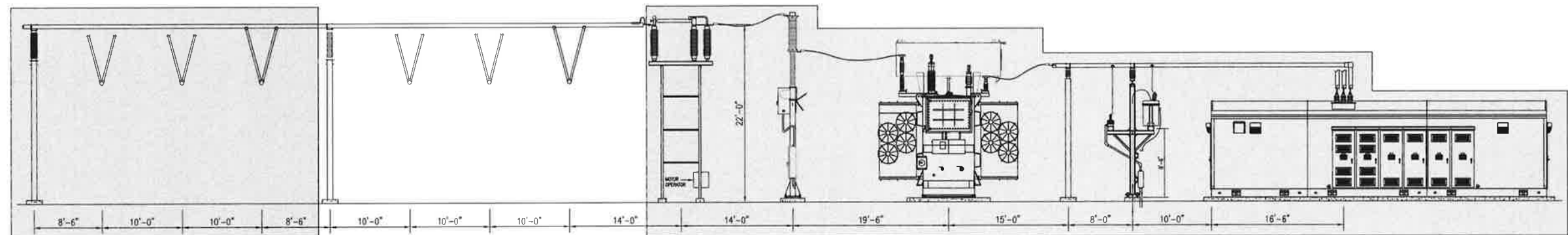
Kathleen M. Shanley
Manager – Transmission Siting



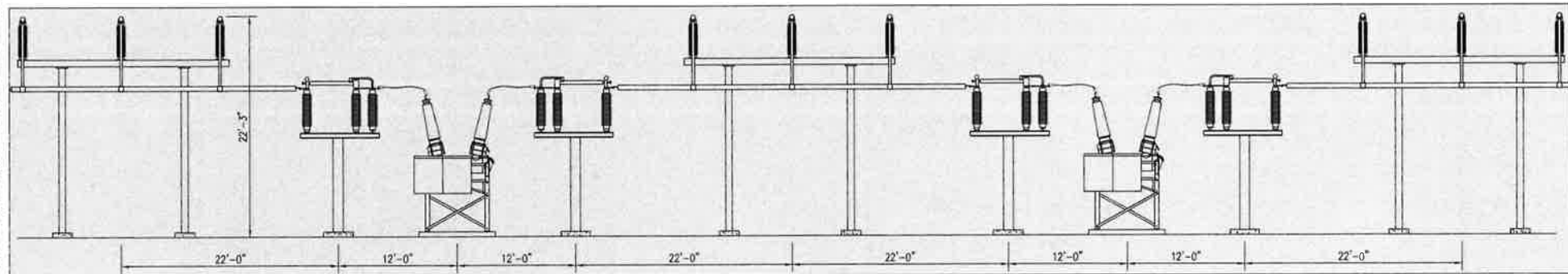
GENERAL ARRANGEMENT PLAN VIEW
SCALE: 1"=10'



LOCATION PLAN
SCALE: 1"=200'



SECTION VIEW A-A
SCALE: 1/4"=1'-0"



SECTION VIEW B-B
SCALE: 1"=1'-0"

LEGEND

SUBSTATION FENCE	- X - X - X -
OVERHEAD BUSES	[Symbol]

REV AK AL AM ADDITIONS

REVISIONS DURING CONSTRUCTION			
NO.	DATE	BY	APP.
1	5/18	AK	AK
2	AS NOTED	AK	AK
3	AS NOTED	AK	AK

EVERSOURCE ENERGY

SCITICO 27H
PLAN & SECTIONS
CONNECTICUT SITING COUNCIL
ENFIELD, CT

DATE	AS BUILT	BY	DATE	APP.
14910-92001				