

MJ Umali, Site Acquisition Consultant
c/o Cellco Partnership d/b/a Verizon Wireless
Centerline Communications, LLC
750 West Center Street, Floor 3
West Bridgewater, MA 02379
Mobile: (978) 568-7906
MUmali@centerlinecommunications.com

August 11, 2021

Melanie A. Bachman
Acting Executive Director
Connecticut Siting Council
10 Franklin Square
New Britain, CT 06051

**RE: Notice of Exempt Modification // Site: EAST HARTFORD III (ATC: 370626)
148 Roberts Street East Hartford, CT 06108
N 41.7733 // W 72.6134**

Dear Ms. Bachman:

Cellco Partnership d/b/a Verizon Wireless currently maintains 6 antennas at the 118-ft level on the existing 130 foot monopole tower, located at 148 Roberts Street East Hartford, CT. The tower is owned by American Tower. The property is owned by the Double E Properties of Middletown LLC. The tower was originally approved by the Council in 2002. Verizon Wireless now intends to remove 6 antennas and install 12 new ones for the LTE (3700 MHz) replacements for its 5G upgrade. Additionally, Verizon Wireless will remove 12 Remote Radio Heads (RRHs) and replace them with 12 new ones and install 2 new 6x12 hybrid cables; altogether updating leased equipment rights, as reflected by the final configuration outlined in the structural analysis and proposed hereby.

Please accept this letter as notification pursuant to Regulations of Connecticut State Agencies §16-50j-73, for construction that constitutes an exempt modification pursuant to R.C.S.A. § 16-50j-72(b)(2). In accordance with R.C.S.A. § 16-50j-73, a copy of this letter is being sent to Marcia A. Leclerc, Mayor of East Hartford, Jeff Cormier, the Town Planner of East Hartford, American Tower, the tower owner, and the property owner, Double E. Properties of Middletown, LLC.

The planned modifications to the facility fall squarely within those activities explicitly provided for in R.C.S.A. § 16-50j-72(b)(2). Enclosed to accommodate this filing are construction drawings dated July 13, 2021, by Dewberry Engineers, Inc., a structural analysis dated June 22, 2021, by A.T. Engineering Service, PLLC., and a structural mount analysis by Maser Consulting Connecticut date April 22, 2021, and radio frequency (RF) analysis table showing worst-case RF emission calculation by Verizon Wireless RF Design Engineering.

1. The proposed modifications will not result in an increase in the height of the existing structure.
2. The proposed modifications will not require the extension of the site boundary.
3. The proposed modifications will not increase noise levels at the facility by six decibels or more, or to levels that exceed state and local criteria.
4. The operation of the new antennas will not increase radio frequency emissions at the facility to a level at or above the Federal Communications Commission safety standard.
5. The proposed modifications will not cause a change or alteration in the physical or environmental characteristics of the site.
6. The existing structure and its foundation can support the proposed loading, as shown in the attached structural analysis by A.T. Engineering Service, PLLC, dated June 22, 2021, and a structural mount analysis by Maser Consulting Connecticut, dated April 22, 2021, pursuant to certain conditions defined therein. Design and engineering are fully illustrated within final construction drawings, signed and stamped dated July 13, 2021.

For the foregoing reasons, Verizon Wireless respectfully submits that the proposed modifications to the above referenced telecommunications facility constitute an exempt modification under R.C.S.A. § 16-50j-72(b)(2).

Sincerely,

MJ Umali

MJ Umali, Site Acquisition Consultant
c/o Cellco Partnership d/b/a Verizon Wireless
Centerline Communications, LLC
750 West Center Street, Floor 3
West Bridgewater, MA 02379
Mobile: (978) 568-7906
MUmali@centerlinecommunications.com

Attachments

cc: Marcia A. Leclerc, Mayor of East Hartford – Chief Elected Official
Jeff Cormier, Town Planner as P&Z official
American Tower Corporation - as tower owner
Double E Properties of Middletown LLC – Property Owner

UPS CampusShip: View/Print Label

- 1. Ensure there are no other shipping or tracking labels attached to your package.** Select the Print button on the print dialog box that appears. Note: If your browser does not support this function select Print from the File menu to print the label.
- 2. Fold the printed label at the solid line below.** Place the label in a UPS Shipping Pouch. If you do not have a pouch, affix the folded label using clear plastic shipping tape over the entire label.
- 3. GETTING YOUR SHIPMENT TO UPS**
Customers with a Daily Pickup
 Your driver will pickup your shipment(s) as usual.

Customers without a Daily Pickup

Take your package to any location of The UPS Store®, UPS Access Point(TM) location, UPS Drop Box, UPS Customer Center, Staples® or Authorized Shipping Outlet near you. Items sent via UPS Return Services(SM) (including via Ground) are also accepted at Drop Boxes. To find the location nearest you, please visit the Resources area of CampusShip and select UPS Locations.


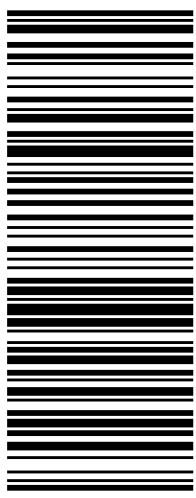

Schedule a same day or future day Pickup to have a UPS driver pickup all your CampusShip packages. Hand the package to any UPS driver in your area.

UPS Access Point™
CVS STORE # 972
555 WASHINGTON ST
SOUTH EASTON ,MA 02375

UPS Access Point™
CVS STORE # 7232
689 DEPOT ST
NORTH EASTON ,MA 02356

UPS Access Point™
TOWN LINE GENERAL STORE
450 E CENTER ST
WEST BRIDGEWATER ,MA 02379

FOLD HERE

<p>1 LBS</p> <p>1 OF 1</p> <p>SHIP TO: MAYORS OFFICE MARCIA A. LECLERC, MAYOR 740 MAIN STREET EAST EAST HARTFORD CT 06108-3140</p>	<p>CT 061 9-01</p> 	<p>UPS GROUND</p> <p>TRACKING #: 1Z 9Y4 503 03 0282 4307</p> 	<p>BILLING: P/P</p> <p>Reference # 1: 370626 Reference # 2: East Hartford CS22018</p> <p>W/NT/INV50 32.OA 08/2021*</p> 
--	--	--	--

UPS CampusShip: View/Print Label

- 1. Ensure there are no other shipping or tracking labels attached to your package.** Select the Print button on the print dialog box that appears. Note: If your browser does not support this function select Print from the File menu to print the label.
- 2. Fold the printed label at the solid line below.** Place the label in a UPS Shipping Pouch. If you do not have a pouch, affix the folded label using clear plastic shipping tape over the entire label.
- 3. GETTING YOUR SHIPMENT TO UPS**
Customers with a Daily Pickup
 Your driver will pickup your shipment(s) as usual.

Customers without a Daily Pickup

Take your package to any location of The UPS Store®, UPS Access Point(TM) location, UPS Drop Box, UPS Customer Center, Staples® or Authorized Shipping Outlet near you. Items sent via UPS Return Services(SM) (including via Ground) are also accepted at Drop Boxes. To find the location nearest you, please visit the Resources area of CampusShip and select UPS Locations.


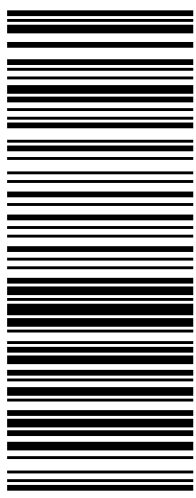

Schedule a same day or future day Pickup to have a UPS driver pickup all your CampusShip packages. Hand the package to any UPS driver in your area.

UPS Access Point™
CVS STORE # 972
555 WASHINGTON ST
SOUTH EASTON ,MA 02375

UPS Access Point™
CVS STORE # 7232
689 DEPOT ST
NORTH EASTON ,MA 02356

UPS Access Point™
TOWN LINE GENERAL STORE
450 E CENTER ST
WEST BRIDGEWATER ,MA 02379

FOLD HERE

<p>1 LBS</p> <p>1 OF 1</p> <p>SHIP TO: DEVELOPMENT DEPARTMENT JEFF CORMIER, TOWN PLANNER 2ND FLOOR 740 MAIN STREET EAST EAST HARTFORD CT 06108-3140</p>	<p>CT 061 9-01</p> 	<p>UPS GROUND</p> <p>TRACKING #: 1Z 9Y4 503 03 0768 7313</p> 	<p>BILLING: P/P</p> <p>Reference # 1: 370626 Reference # 2: East Hartford CS22018</p> <p>W:NTNV50 32.OA 08/2021*</p> 
--	---	--	---

UPS CampusShip: View/Print Label

- 1. Ensure there are no other shipping or tracking labels attached to your package.** Select the Print button on the print dialog box that appears. Note: If your browser does not support this function select Print from the File menu to print the label.
- 2. Fold the printed label at the solid line below.** Place the label in a UPS Shipping Pouch. If you do not have a pouch, affix the folded label using clear plastic shipping tape over the entire label.
- 3. GETTING YOUR SHIPMENT TO UPS**
Customers with a Daily Pickup
 Your driver will pickup your shipment(s) as usual.

Customers without a Daily Pickup

Take your package to any location of The UPS Store®, UPS Access Point(TM) location, UPS Drop Box, UPS Customer Center, Staples® or Authorized Shipping Outlet near you. Items sent via UPS Return Services(SM) (including via Ground) are also accepted at Drop Boxes. To find the location nearest you, please visit the Resources area of CampusShip and select UPS Locations.

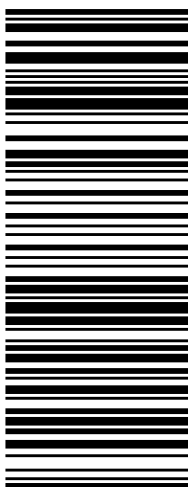
Schedule a same day or future day Pickup to have a UPS driver pickup all your CampusShip packages. Hand the package to any UPS driver in your area.

UPS Access Point™
CVS STORE # 972
555 WASHINGTON ST
SOUTH EASTON ,MA 02375

UPS Access Point™
CVS STORE # 7232
689 DEPOT ST
NORTH EASTON ,MA 02356

UPS Access Point™
TOWN LINE GENERAL STORE
450 E CENTER ST
WEST BRIDGEWATER ,MA 02379

FOLD HERE

<p style="text-align: right;">5 LBS</p> <p style="text-align: right;">1 OF 1</p> <p>SHIP TO: MJ UMALT 9785687906 CENTERLINE COMMUNICATIONS, LLC 750 WEST CENTER STREET WEST BRIDGEWATER MA 02379</p> <p>LAND MANAGEMENT 7814287250 AMERICAN TOWER CORPORATION 10 PRESIDENTIAL WAY WOBURN MA 01801-1053</p>	<p style="font-size: 2em; font-weight: bold;">MA 018 9-04</p> 	<p style="font-size: 1.5em; font-weight: bold;">UPS GROUND</p> <p>TRACKING #: 1Z 9Y4 503 03 0742 7577</p> 	<p style="text-align: center;">BILLING: P/P</p> <p style="text-align: center;">Reference # 1: ATC CSC Hard Copies</p> <p style="text-align: center; font-size: 0.8em;">CS 22.0.18. WNTNV50 32.0A 08/2021*</p> 
--	---	---	--

UPS CampusShip: View/Print Label

- 1. Ensure there are no other shipping or tracking labels attached to your package.** Select the Print button on the print dialog box that appears. Note: If your browser does not support this function select Print from the File menu to print the label.
- 2. Fold the printed label at the solid line below.** Place the label in a UPS Shipping Pouch. If you do not have a pouch, affix the folded label using clear plastic shipping tape over the entire label.
- 3. GETTING YOUR SHIPMENT TO UPS**
Customers with a Daily Pickup
 Your driver will pickup your shipment(s) as usual.

Customers without a Daily Pickup


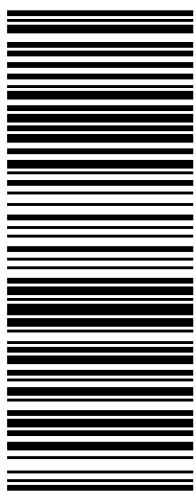

Take your package to any location of The UPS Store®, UPS Access Point(TM) location, UPS Drop Box, UPS Customer Center, Staples® or Authorized Shipping Outlet near you. Items sent via UPS Return Services(SM) (including via Ground) are also accepted at Drop Boxes. To find the location nearest you, please visit the Resources area of CampusShip and select UPS Locations.
 Schedule a same day or future day Pickup to have a UPS driver pickup all your CampusShip packages.
 Hand the package to any UPS driver in your area.

UPS Access Point™
 CVS STORE # 972
 555 WASHINGTON ST
 SOUTH EASTON ,MA 02375

UPS Access Point™
 CVS STORE # 7232
 689 DEPOT ST
 NORTH EASTON ,MA 02356

UPS Access Point™
 TOWN LINE GENERAL STORE
 450 E CENTER ST
 WEST BRIDGEWATER ,MA 02379

FOLD HERE

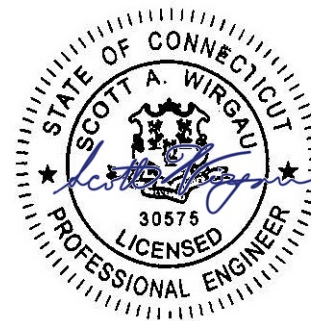
<p>1 LBS</p> <p>1 OF 1</p> <p>MIJMAIL 9785687906 CENTERLINE COMMUNICATIONS 750 W. CENTER ST. WEST BRIDGEWATER MA 02379</p> <p>SHIP TO: DOUBLE E PROPERTIES OF MIDDLETOWN 148 ROBERTS STREET EAST HARTFORD CT 06108-3609</p>	<p>CT 061 9-01</p> 	<p>UPS GROUND</p> <p>TRACKING #: 1Z 9Y4 503 03 0515 2322</p> 	<p>BILLING: P/P</p> <p>Reference # 1: 370626 Reference # 2: East Hartford <small>CS22.0.18 W/NTNV50 32.OA 08/2021*</small></p> 
---	---	--	---



AMERICAN TOWER®
CORPORATION

Structural Analysis Report

Structure : 130 ft Monopole
ATC Site Name : East Hartford, CT
ATC Asset Number : 370626
Engineering Number : 13678644_C3_02
Proposed Carrier : VERIZON WIRELESS
Carrier Site Name : EAST HARTFORD III
Carrier Site Number : 467627
Site Location : 148 Roberts St.
East Hartford, CT 06108-0000
41.773300,-72.613400
County : Hartford
Date : June 22, 2021
Max Usage : 61%
Result : Pass



Prepared By:
Julia Yan
Engineer Intern

Reviewed By:

COA: PEC.0001553



Table of Contents

Introduction	1
Supporting Documents	1
Analysis	1
Conclusion.....	1
Existing and Reserved Equipment.....	2
Equipment to be Removed.....	2
Proposed Equipment	3
Structure Usages	4
Foundations	4
Deflection and Sway	4
Standard Conditions	5
Calculations	Attached



Introduction

The purpose of this report is to summarize results of a structural analysis performed on the 130 ft monopole to reflect the change in loading by VERIZON WIRELESS.

Supporting Documents

Tower Drawings	Glen Martin Engineering Drawing #MP1400800-0001, dated August 20, 2003
Foundation Drawing	Glen Martin Engineering Drawing #GME-03309, dated August 26, 2003
Geotechnical Report	Geotechnical Engineering Project Name: The Marcus Group, dated April 25, 2003

Analysis

The tower was analyzed using American Tower Corporation's tower analysis software. This program considers an elastic three-dimensional model and second-order effects per ANSI/TIA-222.

Basic Wind Speed:	118 mph (3-Second Gust)
Basic Wind Speed w/ Ice:	50 mph (3-Second Gust) w/ 1 ½" radial ice concurrent
Code:	ANSI/TIA-222-H / 2015 IBC / 2018 Connecticut State Building Code
Exposure Category:	B
Risk Category:	II
Topographic Factor Procedure:	Method 1
Topographic Category:	1
Crest Height (H):	0 ft
Spectral Response:	$S_s = 0.19, S_1 = 0.05$
Site Class:	D - Stiff Soil

Conclusion

Based on the analysis results, the structure meets the requirements per the applicable codes listed above. The tower and foundation can support the equipment as described in this report.

If you have any questions or require additional information, please contact American Tower via email at Engineering@americantower.com. Please include the American Tower site name, site number, and engineering number in the subject line for any questions.



Existing and Reserved Equipment

Elev. ¹ (ft)	Qty	Equipment	Mount Type	Lines	Carrier
128.0	6	Alcatel-Lucent RRH2x50-08	T-Arm	(2) 0.41" (10.3mm) Fiber (3) 1 1/4" Hybriflex Cable (1) 1.7" (43.2mm) Hybrid (3) 1/2" Coax (2) 2" Carflex Non-Metallic Conduit (3) 5/8" Coax	CLEARWIRE CORPORATION
	3	DragonWave Horizon Compact (11.5 lbs)			
	3	Commscope NNVV-65B-R4			
	3	Nokia 2.5G MAA - AAHC(64T64R)			
	3	Argus LLPX310R			
	3	DragonWave A-ANT-18G-2-C			
	3	Alcatel-Lucent 1900 MHz 4X45 RRH			
118.0	2	RFS DB-T1-6Z-8AB-0Z	Triangular Platform with Handrails	(6) 1 5/8" Coax	VERIZON WIRELESS
110.0	9	Generic 48" x 12" Panel	Triangular Low Profile Platform	(9) 1 5/8" Coax	SPRINT NEXTEL
100.0	3	Ericsson Radio 4449 B71 B85A	PerfectVision PV-RP14M-HR-9-96 Round Platform w/ Handrails w/ PV-PKBK-M Kicker Kit	(3) 1 5/8" Hybriflex (6) 7/8" Coax	T-MOBILE
	3	Commscope SDX1926Q-43			
	3	Ericsson AIR32 B66Aa/B2a			
	3	RFS APXVAALL24 43-U-NA20			
	3	Ericsson RRUS 4415 B66			
	3	Ericsson Air6449 B41			
	3	Ericsson RRUS 4415 B25			
90.0	3	Ericsson RRUS-32 (77 lbs)	Triangular Platform with Handrails	(3) 0.35" (9mm) Fiber (2) 0.39" (10mm) Fiber Trunk (8) 0.76" (19.2mm) 8 AWG 6 (8) 0.78" (19.7mm) 8 AWG 6 (3) 1/2" Coax (6) 2" conduit	AT&T MOBILITY
	6	Ericsson RRUS-11			
	12	CCI HPA-65R-BUU-H8			
	3	Ericsson RRUS E2 B29			
	2	Raycap DC6-48-60-18-8F			
	2	Raycap DC6-48-60-0-8F			
	3	Ericsson RRUS 4478 B14			
	3	Ericsson RRUS 32 B2			
3	Ericsson RRUS 32 B66				
70.0	1	Generic 2' Std. Dish	Flush	(1) 1 5/8" Coax	SPRINT NEXTEL
50.0	1	Generic GPS	Flush	(1) 1/2" Coax	

Equipment to be Removed

Elev. ¹ (ft)	Qty	Equipment	Mount Type	Lines	Carrier
118.0	3	Nokia AirScale RRH 4T4R B5 160W AHCA	-	(2) 1 5/8" (1.63"-41.3mm) Fiber	VERIZON WIRELESS
	3	Alcatel-Lucent RRH2x60 700			
	3	Alcatel-Lucent PCS B25 RRH2x60/4x30			
	6	Commscope JAHH-65B-R3B			
	3	Andrew DB844G65ZAXY			
	3	Amphenol Antel BXA-70063-6CF-EDIN-X			
	3	Alcatel-Lucent RRH4X45-B66 w/ Solar Shield			



Proposed Equipment

Elev. ¹ (ft)	Qty	Equipment	Mount Type	Lines	Carrier
118.0	3	Samsung RT4401-48A	Triangular Platform with Handrails	(2) 1 5/8" Hybriflex	VERIZON WIRELESS
	3	Samsung B2/B66A RRH-BR049			
	3	Samsung B5/B13 RRH-BR04C			
	3	Samsung MT6407-77A			
	3	Andrew LNX-6513DS-A1M (32.6lb)			
	3	Commscope NHHSS-65B-R2BT4			
	3	Commscope NHH-65B-R2B			

¹ Contracted elevations are shown for appurtenances within contracted installation tolerances. Appurtenances outside of contract limits are shown at installed elevations.

Install proposed coax inside the pole shaft.



Structure Usages

Structural Component	Controlling Usage	Pass/Fail
Anchor Bolts	50%	Pass
Shaft	61%	Pass
Base Plate	22%	Pass
Flange Plate	16%	Pass

Foundations

Reaction Component	Original Design Reactions	Factored Design Reactions*	Analysis Reactions	% of Design
Moment (Kips-Ft)	2,740.2	3,699.3	2,305.6	62%
Shear (Kips)	28.5	38.4	24.5	64%

* The design reactions are factored by 1.35 per ANSI/TIA-222-H, Sec. 15.6.2

The structure base reactions resulting from this analysis are acceptable when compared to those shown on the original structure drawings, therefore no modification or reinforcement of the foundation will be required.

Deflection and Sway*

Antenna Elevation (ft)	Antenna	Carrier	Deflection (ft)	Sway (Rotation) (°)
128.0	DragonWave A-ANT-18G-2-C	CLEARWIRE CORPORATION	1.258	0.979
118.0	Samsung RT4401-48A	VERIZON WIRELESS	1.088	0.968
	Samsung B2/B66A RRH-BR049			
	Samsung B5/B13 RRH-BR04C			
	Samsung MT6407-77A			
	Andrew LNX-6513DS-A1M (32.6lb)			
	Commscope NHHSS-65B-R2BT4			
	Commscope NHH-65B-R2B			
70.0	Generic 2' Std. Dish	SPRINT NEXTEL	0.384	0.652

*Deflection and Sway was evaluated considering a design wind speed of 60 mph (3-Second Gust) per ANSI/TIA-222-H



Standard Conditions

All engineering services performed by A.T. Engineering Service, PLLC are prepared on the basis that the information used is current and correct. This information may consist of, but is not limited to the following:

- Information supplied by the client regarding antenna, mounts and feed line loading
- Information from drawings, design and analysis documents, and field notes in the possession of A.T. Engineering Service, PLLC

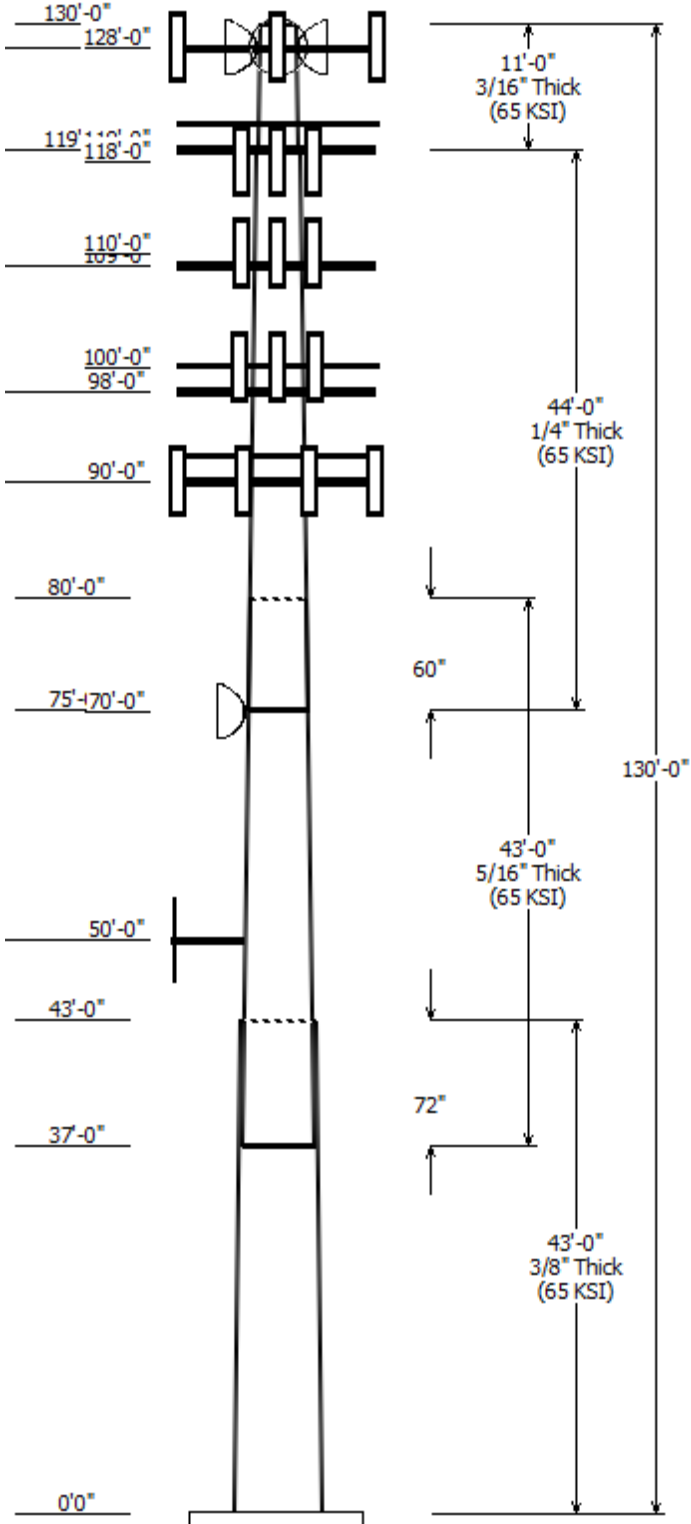
It is the responsibility of the client to ensure that the information provided to A.T. Engineering Service, PLLC and used in the performance of our engineering services is correct and complete.

All assets of American Tower Corporation, its affiliates and subsidiaries (collectively "American Tower") are inspected at regular intervals. Based upon these inspections and in the absence of information to the contrary, American Tower assumes that all structures were constructed in accordance with the drawings and specifications.

Unless explicitly agreed by both the client and A.T. Engineering Service, PLLC, all services will be performed in accordance with the current revision of ANSI/TIA-222.

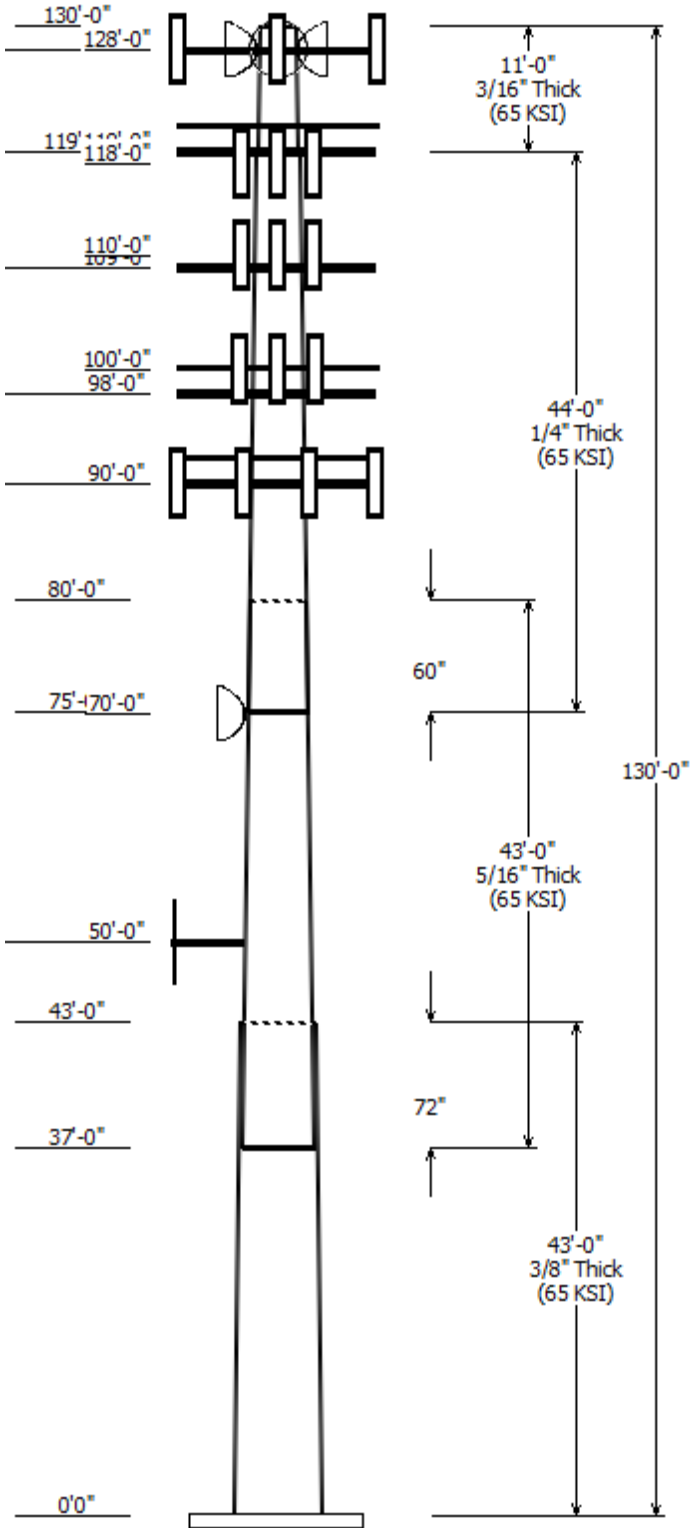
All services are performed, results obtained, and recommendations made in accordance with generally accepted engineering principles and practices. A.T. Engineering Service, PLLC is not responsible for the conclusions, opinions and recommendations made by others based on the information supplied herein.

Job Information	
Client : VERIZON WIRELESS	Code: ANSI/TIA-222-H
Pole : 370626	
Location : East Hartford, CT	
Description : 130 ft. Monopole	Risk Category : II
Shape : 16 Sides	Exposure : B
Height : 130.00 (ft)	Topo Method : Method 1
Base Elev (ft): 0.00	Topographic Category : 1
Taper: 0.233192in/ft)	



Sections Properties						
Shaft Section	Length (ft)	Diameter (in)		Thick Joint (in)	Overlap Length (in)	Steel Grade
		Top	Bottom			
1	43.000	39.16	49.19	0.375	0.000	16 Sides 65
2	43.000	31.16	41.18	0.313 Slip Joint	72.000	16 Sides 65
3	44.000	22.56	32.82	0.250 Slip Joint	60.000	16 Sides 65
4	11.000	20.00	22.56	0.188 Butt Joint	0.000	16 Sides 65

Discrete Appurtenance			
Attach Elev (ft)	Force Elev (ft)	Qty	Description
128.000	128.000	3	Commscope NNVV-65B-R4
128.000	128.000	3	DragonWave A-ANT-18G-2-C
128.000	128.000	3	Argus LLPX310R
128.000	128.000	3	Nokia 2.5G MAA -
128.000	128.000	3	Alcatel-Lucent 1900 MHz 4X45
128.000	128.000	6	Alcatel-Lucent RRH2x50-08
128.000	128.000	3	DragonWave Horizon Compact
128.000	128.000	3	Infinity T-Arm CT52XC030
119.000	119.000	1	Generic Round Platform with
118.000	118.000	3	Commscope NHH-65B-R2B
118.000	118.000	3	Commscope NHHSS-65B-
118.000	118.000	3	Andrew LNX-6513DS-A1M
118.000	120.000	2	RFS DB-T1-6Z-8AB-0Z
118.000	118.000	3	Samsung MT6407-77A
118.000	118.000	3	Samsung B5/B13 RRH-BR04C
118.000	118.000	3	Samsung B2/B66A RRH-BR049
118.000	118.000	3	Samsung RT4401-48A
110.000	110.000	9	Generic 48" x 12" Panel
109.000	109.000	1	Generic Round Low Profile
100.000	100.000	3	RFS APXVAALL24 43-U-NA20
100.000	100.000	3	Ericsson AIR32 B66Aa/B2a
100.000	100.000	3	Ericsson Air6449 B41
100.000	100.000	3	Ericsson RRUS 4415 B25
100.000	100.000	3	Ericsson RRUS 4415 B66
100.000	100.000	3	Ericsson Radio 4449 B71 B85A
100.000	100.000	3	Commscope SDX1926Q-43
98.000	98.000	1	PerfectVision PV-RP14M-HR-9-
90.000	90.000	3	Ericsson RRUS-32 (77 lbs)
90.000	90.000	3	Ericsson RRUS E2 B29
90.000	90.000	3	Ericsson RRUS 32 B66
90.000	90.000	3	Ericsson RRUS 32 B2
90.000	90.000	3	Ericsson RRUS 4478 B14
90.000	90.000	2	Raycap DC6-48-60-0-8F
90.000	90.000	2	Raycap DC6-48-60-18-8F
90.000	90.000	1	Generic Round Platform with
90.000	90.000	12	CCI HPA-65R-BUU-H8
90.000	90.000	6	Ericsson RRUS-11
70.000	70.000	1	Generic 2' Std. Dish
50.000	50.000	1	Round Side Arm
50.000	50.000	1	Generic GPS



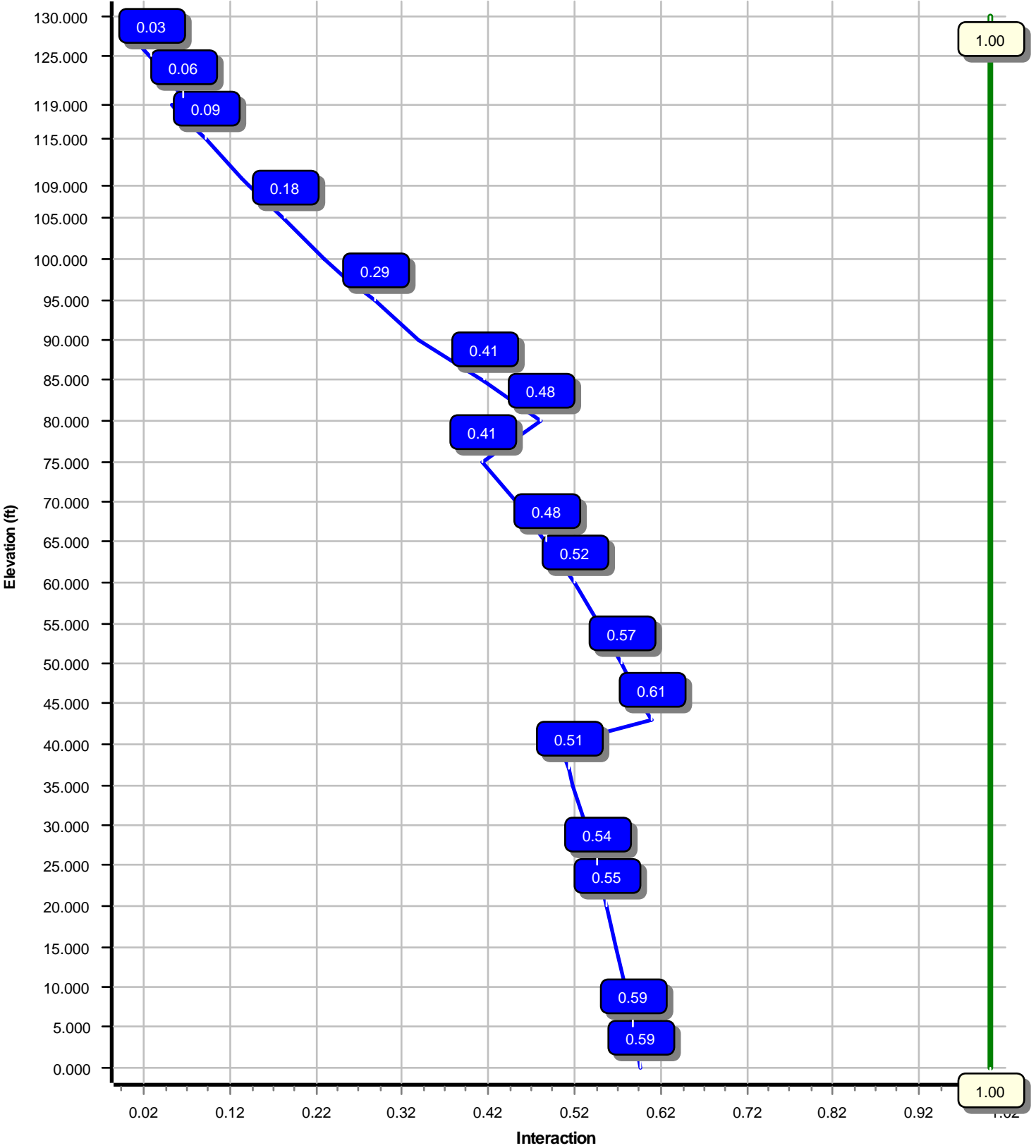
Linear Appurtenance			
Elev (ft)		Description	Exposed To Wind
From	To		
0.000	50.000	1/2" Coax	No
0.000	70.000	1 5/8" Coax	Yes
0.000	90.000	0.35" (9mm) Fiber	No
0.000	90.000	0.39" (10mm)	No
0.000	90.000	0.76" (19.2mm) 8	No
0.000	90.000	0.78" (19.7mm) 8	No
0.000	90.000	1/2" Coax	No
0.000	90.000	2" conduit	No
0.000	100.0	1 5/8" Hybriflex	Yes
0.000	100.0	1 5/8" Hybriflex	No
0.000	100.0	7/8" Coax	Yes
0.000	110.0	1 5/8" Coax	No
0.000	118.0	1 5/8" Coax	Yes
0.000	118.0	1 5/8" Hybriflex	No
0.000	128.0	0.41" (10.3mm)	No
0.000	128.0	1 1/4" Hybriflex	No
0.000	128.0	1.7" (43.2mm)	No
0.000	128.0	1/2" Coax	No
0.000	128.0	2" Carflex Non-	No
0.000	128.0	5/8" Coax	No

Load Cases	
1.2D + 1.0W	118 mph with No Ice
0.9D + 1.0W	118 mph with No Ice (Reduced DL)
1.2D + 1.0Di + 1.0Wi	50 mph with 1.50 in Radial Ice
1.2D + 1.0Ev + 1.0Eh	Seismic
0.9D - 1.0Ev + 1.0Eh	Seismic (Reduced DL)
1.0D + 1.0W	Serviceability 60 mph

Reactions			
Load Case	Moment (kip-ft)	Shear (kip)	Axial (kip)
1.2D + 1.0W	2305.58	24.50	46.84
0.9D + 1.0W	2276.40	24.48	35.12
1.2D + 1.0Di + 1.0Wi	705.04	7.30	76.02
1.2D + 1.0Ev + 1.0Eh	123.51	1.18	46.86
0.9D - 1.0Ev + 1.0Eh	121.54	1.17	32.48
1.0D + 1.0W	529.21	5.66	39.06

Dish Deflections			
Load Case	Attach Elev (ft)	Deflection (in)	Rotation (deg)
1.0D + 1.0W	70.00	4.602	0.652
1.0D + 1.0W	128.00	15.099	0.979

Load Case : 1.2D + 1.0W
Max Ratio 60.61% at 43.0 ft



Site Number: 370626

Code: ANSI/TIA-222-H

© 2007 - 2021 by ATC IP LLC. All rights reserved.

Site Name: East Hartford, CT

Engineering Number: 13678644_C3_02

6/23/2021 1:31:04 PM

Customer: VERIZON WIRELESS

Analysis Parameters

Location :	Hartford County, CT	Height (ft) :	130
Code :	ANSI/TIA-222-H	Base Diameter (in) :	49.19
Shape :	16 Sides	Top Diameter (in) :	20.00
Pole Type :	Taper	Taper (in/ft) :	0.233
Pole Manufacturer :	Glen Martin	Rotation (deg) :	0.00
Kd (non-service) :	0.95	Ke :	1.00

Ice & Wind Parameters

Exposure Category:	B	Design Wind Speed Without Ice:	118 mph
Risk Category:	II	Design Wind Speed With Ice:	50 mph
Topographic Factor Procedure:	Method 1	Operational Wind Speed:	60 mph
Topographic Category:	1	Design Ice Thickness:	1.50 in
Crest Height:	0 ft	HMSL:	50.00 ft

Seismic Parameters

Analysis Method:	Equivalent Lateral Force Method		
Site Class:	D - Stiff Soil		
Period Based on Rayleigh Method (sec):	2.27		
T _L (sec):	6	p:	1
S _s :	0.189	S ₁ :	0.055
F _a :	1.600	F _v :	2.400
S _{ds} :	0.202	S _{d1} :	0.088
		C _s :	0.030
		C _s Max:	0.030
		C _s Min:	0.030

Load Cases

1.2D + 1.0W	118 mph with No Ice
0.9D + 1.0W	118 mph with No Ice (Reduced DL)
1.2D + 1.0Di + 1.0Wi	50 mph with 1.50 in Radial Ice
1.2D + 1.0Ev + 1.0Eh	Seismic
0.9D - 1.0Ev + 1.0Eh	Seismic (Reduced DL)
1.0D + 1.0W	Serviceability 60 mph

Site Number: 370626

Code: ANSI/TIA-222-H

© 2007 - 2021 by ATC IP LLC. All rights reserved.

Site Name: East Hartford, CT

Engineering Number: 13678644_C3_02

6/23/2021 1:31:04 PM

Customer: VERIZON WIRELESS

Shaft Section Properties

Sect Info	Length (ft)	Thick (in)	Fy (ksi)	Slip		Weight (lb)	Bottom						Top							
				Joint Type	Joint Len (in)		Dia (in)	Elev (ft)	Area (in ²)	Ix (in ⁴)	W/t Ratio	D/t Ratio	Dia (in)	Elev (ft)	Area (in ²)	Ix (in ⁴)	W/t Ratio	D/t Ratio	Taper (in/ft)	
1-16	43.000	0.3750	65		0.00	7,667	49.19	0.00	58.39	17579.1	24.10	131.17	39.16	43.00	46.40	8819.0	18.78	104.43	0.233192	
2-16	43.000	0.3125	65	Slip	72.00	5,231	41.18	37.00	40.75	8600.2	24.23	131.80	31.16	80.00	30.75	3696.6	17.84	99.71	0.233192	
3-16	44.000	0.2500	65	Slip	60.00	3,277	32.82	75.00	25.98	3482.7	24.13	131.30	22.56	119.00	17.80	1119.5	15.96	90.26	0.233192	
4-16	11.000	0.1875	65	Butt	0.00	472	22.56	119.00	13.38	846.7	21.95	120.35	20.00	130.00	11.85	587.7	19.23	106.67	0.233192	
Shaft Weight						16,647														

Discrete Appurtenance Properties

Attach Elev (ft)	Description	Qty	Ka	Vert Ecc (ft)	Weight (lb)	No Ice EPAa (sf)	Orientation Factor	Weight (lb)	Ice EPAa (sf)	Orientation Factor
128.00	DragonWave Horizon Compact	3	0.80	0.000	11.50	0.721	0.50	33.65	1.282	0.50
128.00	Alcatel-Lucent RRH2x50-08	6	0.80	0.000	52.90	1.701	0.50	111.28	2.551	0.50
128.00	Alcatel-Lucent 1900 MHz 4X45	3	0.80	0.000	60.00	2.322	0.67	139.39	3.387	0.67
128.00	Nokia 2.5G MAA - AAHC(64T64R)	3	0.80	0.000	103.60	4.203	0.64	214.66	5.524	0.64
128.00	Argus LLPX310R	3	0.80	0.000	28.60	4.292	0.63	117.38	5.921	0.63
128.00	DragonWave A-ANT-18G-2-C	3	0.80	0.000	27.10	4.688	1.00	123.24	5.943	1.00
128.00	Infinity T-Arm CT52XC030	3	0.75	0.000	250.00	9.700	0.67	455.89	17.822	0.67
128.00	Commscope NNVV-65B-R4	3	0.80	0.000	77.40	12.271	0.64	324.93	15.033	0.64
119.00	Generic Round Platform with	1	1.00	0.000	2,500.00	27.200	1.00	4,085.24	51.124	1.00
118.00	Samsung RT4401-48A	3	0.75	0.000	18.60	0.996	0.50	44.98	1.664	0.50
118.00	Samsung B2/B66A RRH-BR049	3	0.75	0.000	84.40	1.875	0.50	146.73	2.757	0.50
118.00	Samsung B5/B13 RRH-BR04C	3	0.75	0.000	70.30	1.875	0.50	126.19	2.757	0.50
118.00	Samsung MT6407-77A	3	0.75	0.000	81.60	4.709	0.61	181.19	6.193	0.61
118.00	RFS DB-T1-6Z-8AB-0Z	2	0.75	2.000	44.00	4.800	0.72	166.97	6.189	0.72
118.00	Andrew LNX-6513DS-A1M	3	0.75	0.000	32.60	5.846	0.69	164.78	7.911	0.69
118.00	Commscope NHHSS-65B-R2BT4	3	0.75	0.000	51.00	8.079	0.69	220.82	10.812	0.69
118.00	Commscope NHH-65B-R2B	3	0.75	0.000	43.70	8.079	0.69	214.05	10.801	0.69
110.00	Generic 48" x 12" Panel	9	0.80	0.000	30.00	5.067	0.66	139.93	6.884	0.66
109.00	Generic Round Low Profile	1	1.00	0.000	1,875.00	21.700	1.00	2,659.57	40.300	1.00
100.00	Commscope SDX1926Q-43	3	0.75	0.000	6.20	0.242	0.50	14.47	0.580	0.50
100.00	Ericsson Radio 4449 B71 B85A	3	0.75	0.000	75.00	1.650	0.50	132.81	2.467	0.50
100.00	Ericsson RRUS 4415 B66	3	0.75	0.000	46.00	1.650	0.50	87.62	2.467	0.50
100.00	Ericsson RRUS 4415 B25	3	0.75	0.000	46.00	1.842	0.50	93.13	2.704	0.50
100.00	Ericsson Air6449 B41	3	0.75	0.000	104.00	5.682	0.63	235.00	7.208	0.63
100.00	Ericsson AIR32 B66Aa/B2a	3	0.75	0.000	132.20	6.510	0.71	285.62	8.616	0.71
100.00	RFS APXVAALL24 43-U-NA20	3	0.75	0.000	122.80	20.243	0.63	497.22	23.808	0.63
98.00	PerfectVision PV-RP14M-HR-9-	1	1.00	0.000	2,000.00	27.200	1.00	3,242.41	50.637	1.00
90.00	Raycap DC6-48-60-18-8F	2	0.75	0.000	20.00	1.260	1.00	69.99	1.885	1.00
90.00	Raycap DC6-48-60-0-8F	2	0.75	0.000	32.80	1.360	1.00	87.99	1.990	1.00
90.00	Ericsson RRUS 4478 B14	3	0.75	0.000	59.40	2.021	0.67	117.67	2.917	0.67
90.00	Ericsson RRUS 32 B2	3	0.75	0.000	53.00	2.743	0.67	122.83	3.853	0.67
90.00	Ericsson RRUS 32 B66	3	0.75	0.000	53.00	2.743	0.67	122.83	3.853	0.67
90.00	Ericsson RRUS E2 B29	3	0.75	0.000	60.00	3.145	0.62	136.79	4.245	0.62
90.00	Ericsson RRUS-32 (77 lbs)	3	0.75	0.000	77.00	3.314	0.71	169.34	4.533	0.71
90.00	Ericsson RRUS-11	6	0.75	0.000	55.00	3.792	0.61	140.24	5.011	0.61
90.00	CCI HPA-65R-BUU-H8	12	0.75	0.000	68.00	12.976	0.67	311.97	16.375	0.67
90.00	Generic Round Platform with	1	1.00	0.000	2,500.00	27.200	1.00	4,037.88	50.409	1.00
70.00	Generic 2' Std. Dish	1	1.00	0.000	14.00	5.228	1.00	65.26	6.660	1.00
50.00	Generic GPS	1	1.00	0.000	10.00	0.900	1.00	36.13	1.471	1.00
50.00	Round Side Arm	1	1.00	0.000	150.00	5.200	1.00	215.34	7.627	1.00
Totals	Num Loadings:40							35,073.50		

Site Number: 370626

Code: ANSI/TIA-222-H

© 2007 - 2021 by ATC IP LLC. All rights reserved.

Site Name: East Hartford, CT

Engineering Number: 13678644_C3_02

6/23/2021 1:31:05 PM

Customer: VERIZON WIRELESS

Linear Appurtenance Properties Load Case Azimuth (deg) : 90

Elev From (ft)	Elev To (ft)	Qty	Description	Coax Dia (in)	Coax Wt (lb/ft)	Max Coax / Flat Row	Dist Between Rows (in)	Dist Between Cols (in)	Azimuth (deg)	Dist From Face (in)	Exposed To Wind	Carrier
0.00	128.00	2	0.41" (10.3mm) Fiber	0.41	0.09	N 0	0.00	0.00	0	0.00	N	CLEARWIRE
0.00	128.00	3	1 1/4" Hybriflex Cable	1.54	1.00	N 0	0.00	0.00	0	0.00	N	CLEARWIRE
0.00	128.00	1	1.7" (43.2mm) Hybrid	1.70	1.78	N 0	0.00	0.00	0	0.00	N	CLEARWIRE
0.00	128.00	3	1/2" Coax	0.63	0.15	N 0	0.00	0.00	0	0.00	N	CLEARWIRE
0.00	128.00	2	2" Carflex Non-	2.36	0.68	N 0	0.00	0.00	0	0.00	N	CLEARWIRE
0.00	128.00	3	5/8" Coax	0.86	0.15	N 0	0.00	0.00	0	0.00	N	CLEARWIRE
0.00	118.00	6	1 5/8" Coax	1.98	0.82	N 5	1.00	1.00	220	1.00	Y	VERIZON WIRELESS
0.00	118.00	2	1 5/8" Hybriflex	1.98	1.30	N 0	0.00	0.00	0	0.00	N	VERIZON WIRELESS
0.00	110.00	9	1 5/8" Coax	1.98	0.82	N 0	0.00	0.00	0	0.00	N	SPRINT NEXTEL
0.00	100.00	2	1 5/8" Hybriflex	1.98	1.30	N 2	0.00	0.00	310	0.25	Y	T-MOBILE
0.00	100.00	1	1 5/8" Hybriflex	1.98	1.30	N 0	0.00	0.00	0	0.00	N	T-MOBILE
0.00	100.00	6	7/8" Coax	1.09	0.33	N 6	0.00	0.25	330	0.25	Y	T-MOBILE
0.00	90.00	3	0.35" (9mm) Fiber	0.35	0.05	N 0	0.00	0.00	0	0.00	N	AT&T MOBILITY
0.00	90.00	2	0.39" (10mm) Fiber	0.39	0.06	N 0	0.00	0.00	0	0.00	N	AT&T MOBILITY
0.00	90.00	8	0.76" (19.2mm) 8 AWG	0.76	0.53	N 0	0.00	0.00	0	0.00	N	AT&T MOBILITY
0.00	90.00	8	0.78" (19.7mm) 8 AWG	0.78	0.59	N 0	0.00	0.00	0	0.00	N	AT&T MOBILITY
0.00	90.00	3	1/2" Coax	0.63	0.15	N 0	0.00	0.00	0	0.00	N	AT&T MOBILITY
0.00	90.00	6	2" conduit	2.38	3.65	N 0	0.00	0.00	0	0.00	N	AT&T MOBILITY
0.00	70.00	1	1 5/8" Coax	1.98	0.82	N 1	0.00	0.00	0	0.25	Y	SPRINT NEXTEL
0.00	50.00	1	1/2" Coax	0.63	0.15	N 0	0.00	0.00	0	0.00	N	SPRINT NEXTEL

Segment Properties (Max Len : 5. ft)

Seg Top Elev (ft)	Description	Thick (in)	Flat Dia (in)	Area (in ²)	Ix (in ⁴)	W/t Ratio	D/t Ratio	F'y (ksi)	S (in ³)	Z (in ³)	Weight (lb)
0.00		0.3750	49.190	58.395	17,579.1	24.10	131.17	75.3	701.0	0.0	0.0
5.00		0.3750	48.024	57.000	16,349.3	23.48	128.06	76.0	667.8	0.0	981.7
10.00		0.3750	46.858	55.605	15,178.2	22.87	124.95	76.7	635.4	0.0	957.9
15.00		0.3750	45.692	54.211	14,064.5	22.25	121.85	77.4	603.8	0.0	934.2
20.00		0.3750	44.526	52.816	13,006.6	21.63	118.74	78.1	573.0	0.0	910.5
25.00		0.3750	43.360	51.421	12,003.1	21.01	115.63	78.8	543.0	0.0	886.7
30.00		0.3750	42.194	50.026	11,052.6	20.39	112.52	79.5	513.8	0.0	863.0
35.00		0.3750	41.028	48.631	10,153.7	19.77	109.41	80.2	485.4	0.0	839.3
37.00	Bot - Section 2	0.3750	40.562	48.074	9,808.2	19.53	108.17	80.5	474.3	0.0	329.1
40.00		0.3750	39.862	47.237	9,304.8	19.16	106.30	80.9	457.9	0.0	898.9
43.00	Top - Section 1	0.3125	39.788	39.352	7,746.9	23.34	127.32	76.2	381.9	0.0	883.2
45.00		0.3125	39.321	38.887	7,475.6	23.04	125.83	76.5	372.9	0.0	266.2
50.00		0.3125	38.155	37.725	6,825.1	22.30	122.10	77.3	350.9	0.0	651.7
55.00		0.3125	36.989	36.562	6,213.5	21.56	118.37	78.2	329.5	0.0	632.0
60.00		0.3125	35.823	35.400	5,639.5	20.81	114.64	79.0	308.8	0.0	612.2
65.00		0.3125	34.657	34.238	5,102.1	20.07	110.90	79.9	288.8	0.0	592.4
70.00		0.3125	33.492	33.075	4,599.9	19.33	107.17	80.7	269.4	0.0	572.6
75.00	Bot - Section 3	0.3125	32.326	31.913	4,131.8	18.59	103.44	81.5	250.7	0.0	552.9
80.00	Top - Section 2	0.2500	31.660	25.049	3,122.0	23.20	126.64	76.3	193.4	0.0	967.2
85.00		0.2500	30.494	24.119	2,787.1	22.27	121.97	77.4	179.3	0.0	418.3
90.00		0.2500	29.328	23.189	2,477.0	21.35	117.31	78.4	165.7	0.0	402.5
95.00		0.2500	28.162	22.260	2,190.8	20.42	112.65	79.5	152.6	0.0	386.6
98.00		0.2500	27.462	21.702	2,030.2	19.86	109.85	80.1	145.0	0.0	224.4
100.0		0.2500	26.996	21.330	1,927.6	19.49	107.98	80.5	140.1	0.0	146.4
105.0		0.2500	25.830	20.400	1,686.3	18.56	103.32	81.6	128.1	0.0	355.0
109.0		0.2500	24.897	19.656	1,508.5	17.82	99.59	82.4	118.8	0.0	272.6
110.0		0.2500	24.664	19.470	1,466.1	17.63	98.66	82.6	116.6	0.0	66.6
115.0		0.2500	23.498	18.540	1,265.9	16.71	93.99	82.6	105.7	0.0	323.4
118.0		0.2500	22.798	17.982	1,155.0	16.15	91.19	82.6	99.4	0.0	186.4
119.0	Top - Section 3	0.2500	22.565	17.796	1,119.5	15.96	90.26	82.6	97.3	0.0	60.9
119.0	Bot - Section 4	0.1875	22.565	13.385	846.7	21.95	120.35	77.7	73.6	0.0	
120.0		0.1875	22.332	13.245	820.5	21.70	119.10	78.0	72.1	0.0	45.3
125.0		0.1875	21.166	12.548	697.6	20.47	112.89	79.4	64.7	0.0	219.4
128.0		0.1875	20.466	12.129	630.1	19.72	109.15	80.3	60.4	0.0	126.0
130.0		0.1875	20.000	11.850	587.7	19.23	106.67	80.8	57.6	0.0	81.6
											16,646.8

Load Case: 1.2D + 1.0W	118 mph with No Ice	23 Iterations
Gust Response Factor :1.10		
Dead Load Factor :1.20		
Wind Load Factor :1.00		

Applied Segment Forces Summary

Seg Elev (ft)	Description	Shaft Forces		Discrete Forces			Linear Forces		Sum of Forces				
		Wind FX (lb)	Dead Load (lb)	Wind FX (lb)	Torsion MY (lb-ft)	Moment MZ (lb-ft)	Dead Load (lb)	Wind FX (lb)	Dead Load (lb)	Wind FX (lb)	Dead Load (lb)	Torsion MY (lb-ft)	Moment MZ (lb)
0.00		201.5	0.0					0.0	0.0	201.5	0.0	0.0	0.0
5.00		398.3	1,178.0					0.0	363.3	398.3	1,541.3	0.0	0.0
10.00		388.6	1,149.5					0.0	363.3	388.6	1,512.8	0.0	0.0
15.00		378.9	1,121.0					0.0	363.3	378.9	1,484.3	0.0	0.0
20.00		369.3	1,092.6					0.0	363.3	369.3	1,455.9	0.0	0.0
25.00		359.6	1,064.1					0.0	363.3	359.6	1,427.4	0.0	0.0
30.00		354.1	1,035.6					0.0	363.3	354.1	1,398.9	0.0	0.0
35.00		248.0	1,007.1					0.0	363.3	248.0	1,370.4	0.0	0.0
37.00	Bot - Section 2	180.5	394.9					0.0	145.3	180.5	540.2	0.0	0.0
40.00		218.8	1,078.7					0.0	218.0	218.8	1,296.6	0.0	0.0
43.00	Top - Section 1	182.9	1,059.9					0.0	218.0	182.9	1,277.8	0.0	0.0
45.00		256.6	319.5					0.0	145.3	256.6	464.8	0.0	0.0
50.00	Appurtenance(s)	366.3	782.1	183.9	0.0	0.0	192.0	0.0	363.3	550.1	1,337.4	0.0	0.0
55.00		364.9	758.3					0.0	362.4	364.9	1,120.7	0.0	0.0
60.00		363.2	734.6					0.0	362.4	363.2	1,097.0	0.0	0.0
65.00		368.3	710.9					0.0	362.4	368.3	1,073.3	0.0	0.0
70.00	Appurtenance(s)	362.7	687.2	173.5	0.0	0.0	16.8	0.0	362.4	536.2	1,066.4	0.0	0.0
75.00	Bot - Section 3	351.2	663.4					0.0	357.5	351.2	1,020.9	0.0	0.0
80.00	Top - Section 2	347.7	1,160.6					0.0	357.5	347.7	1,518.1	0.0	0.0
85.00		340.7	501.9					0.0	357.5	340.7	859.4	0.0	0.0
90.00	Appurtenance(s)	333.1	482.9	5,019.6	0.0	0.0	5,590.6	0.0	357.5	5,352.7	6,431.0	0.0	0.0
95.00		261.3	464.0					0.8	168.0	262.1	632.0	0.0	0.0
98.00	Appurtenance(s)	161.5	269.3	993.7	0.0	0.0	2,400.0	0.8	100.8	1,156.0	2,770.1	0.0	0.0
100.00	Appurtenance(s)	220.5	175.7	1,955.0	0.0	0.0	1,915.9	0.6	67.2	2,176.2	2,158.8	0.0	0.0
105.00		276.8	426.0					1.8	132.7	278.6	558.7	0.0	0.0
109.00	Appurtenance(s)	150.9	327.1	817.2	0.0	0.0	2,250.0	1.6	106.2	969.7	2,683.3	0.0	0.0
110.00	Appurtenance(s)	175.6	79.9	909.2	0.0	0.0	324.0	0.4	26.5	1,085.1	430.4	0.0	0.0
115.00		233.7	388.0					3.1	88.4	236.8	476.5	0.0	0.0
118.00	Appurtenance(s)	115.7	223.7	1,971.4	0.0	401.3	1,481.5	1.7	53.1	2,088.8	1,758.3	0.0	0.0
119.00	Top - Section 3	55.5	73.0	1,050.4	0.0	0.0	3,000.0	0.0	8.7	1,105.9	3,081.7	0.0	0.0
120.00		162.6	54.4					0.0	8.7	162.6	63.0	0.0	0.0
125.00		213.1	263.3					0.0	43.3	213.1	306.6	0.0	0.0
128.00	Appurtenance(s)	122.3	151.1	2,616.1	0.0	0.0	2,390.4	0.0	26.0	2,738.5	2,567.5	0.0	0.0
130.00		44.2	97.9					0.0	0.0	44.2	97.9	0.0	0.0
Totals:										24,629.7	46,879.5	0.00	0.00

Load Case: 1.2D + 1.0W	118 mph with No Ice	23 Iterations
Gust Response Factor :1.10		
Dead Load Factor :1.20		
Wind Load Factor :1.00		

Calculated Forces

Seg Elev (ft)	Pu FY (-) (kips)	Vu FX (-) (kips)	Tu MY (ft-kips)	Mu MZ (ft-kips)	Mu MX (ft-kips)	Resultant Moment (ft-kips)	phi Pn (kips)	phi Vn (kips)	phi Tn (ft-kips)	phi Mn (ft-kips)	Total Deflect (in)	Rotation (deg)	Ratio
0.00	-46.84	-24.50	0.00	-2,305.58	0.00	2,305.58	3,957.37	1,024.83	4,561.65	3,958.89	0.00	0.00	0.595
5.00	-45.22	-24.25	0.00	-2,183.07	0.00	2,183.07	3,898.74	1,000.35	4,346.37	3,806.37	0.10	-0.18	0.586
10.00	-43.63	-23.99	0.00	-2,061.83	0.00	2,061.83	3,838.36	975.87	4,136.30	3,655.00	0.39	-0.37	0.576
15.00	-42.07	-23.74	0.00	-1,941.87	0.00	1,941.87	3,776.22	951.40	3,931.42	3,504.92	0.87	-0.55	0.566
20.00	-40.54	-23.49	0.00	-1,823.16	0.00	1,823.16	3,712.32	926.92	3,731.76	3,356.23	1.55	-0.74	0.555
25.00	-39.04	-23.24	0.00	-1,705.71	0.00	1,705.71	3,646.67	902.44	3,537.29	3,209.08	2.44	-0.94	0.543
30.00	-37.57	-22.99	0.00	-1,589.49	0.00	1,589.49	3,579.26	877.96	3,348.03	3,063.58	3.52	-1.13	0.530
35.00	-36.15	-22.80	0.00	-1,474.53	0.00	1,474.53	3,510.10	853.48	3,163.97	2,919.87	4.82	-1.33	0.516
37.00	-35.58	-22.67	0.00	-1,428.92	0.00	1,428.92	3,481.94	843.69	3,091.80	2,862.92	5.39	-1.41	0.510
40.00	-34.24	-22.49	0.00	-1,360.91	0.00	1,360.91	3,439.17	829.00	2,985.11	2,778.07	6.32	-1.53	0.501
43.00	-32.93	-22.33	0.00	-1,293.43	0.00	1,293.43	2,697.55	690.63	2,485.92	2,181.75	7.32	-1.65	0.606
45.00	-32.41	-22.15	0.00	-1,248.76	0.00	1,248.76	2,677.43	682.47	2,427.54	2,139.70	8.03	-1.74	0.597
50.00	-31.01	-21.68	0.00	-1,138.01	0.00	1,138.01	2,625.91	662.07	2,284.61	2,035.31	9.97	-1.96	0.572
55.00	-29.81	-21.39	0.00	-1,029.60	0.00	1,029.60	2,572.64	641.67	2,146.02	1,932.08	12.15	-2.19	0.546
60.00	-28.65	-21.10	0.00	-922.64	0.00	922.64	2,517.61	621.27	2,011.77	1,830.13	14.56	-2.41	0.517
65.00	-27.52	-20.79	0.00	-817.16	0.00	817.16	2,460.82	600.87	1,881.85	1,729.60	17.21	-2.63	0.485
70.00	-26.40	-20.30	0.00	-713.23	0.00	713.23	2,402.27	580.47	1,756.27	1,630.62	20.08	-2.85	0.450
75.00	-25.33	-19.98	0.00	-611.75	0.00	611.75	2,341.97	560.07	1,635.02	1,533.30	23.17	-3.05	0.411
80.00	-23.77	-19.63	0.00	-511.85	0.00	511.85	1,720.57	439.61	1,259.08	1,107.20	26.47	-3.24	0.478
85.00	-22.87	-19.31	0.00	-413.71	0.00	413.71	1,679.48	423.29	1,167.35	1,040.33	29.96	-3.42	0.413
90.00	-16.74	-13.62	0.00	-317.16	0.00	317.16	1,636.64	406.98	1,079.09	974.39	33.65	-3.61	0.337
95.00	-16.10	-13.36	0.00	-249.04	0.00	249.04	1,592.04	390.66	994.30	909.51	37.52	-3.77	0.285
98.00	-13.40	-12.04	0.00	-208.97	0.00	208.97	1,564.44	380.86	945.09	871.14	39.92	-3.86	0.249
100.00	-11.38	-9.74	0.00	-184.90	0.00	184.90	1,545.69	374.34	912.98	845.81	41.54	-3.92	0.227
105.00	-10.82	-9.44	0.00	-136.22	0.00	136.22	1,497.58	358.02	835.13	783.43	45.71	-4.03	0.182
109.00	-8.21	-8.29	0.00	-98.47	0.00	98.47	1,457.82	344.96	775.35	734.55	49.12	-4.11	0.140
110.00	-7.85	-7.18	0.00	-90.18	0.00	90.18	1,446.53	341.70	760.75	721.90	49.98	-4.13	0.131
115.00	-7.39	-6.91	0.00	-54.29	0.00	54.29	1,377.44	325.38	689.83	654.26	54.35	-4.20	0.089
118.00	-5.79	-4.70	0.00	-33.14	0.00	33.14	1,335.99	315.59	648.95	615.27	56.99	-4.23	0.058
119.00	-2.79	-3.37	0.00	-28.44	0.00	28.44	1,322.18	312.33	635.60	602.54	57.88	-4.24	0.049
119.00	-2.79	-3.37	0.00	-28.44	0.00	28.44	936.41	234.90	479.32	429.14	57.88	-4.24	0.069
120.00	-2.74	-3.21	0.00	-25.06	0.00	25.06	929.99	232.45	469.38	421.71	58.77	-4.24	0.063
125.00	-2.45	-2.97	0.00	-9.02	0.00	9.02	896.83	220.21	421.26	385.08	63.23	-4.27	0.026
128.00	-0.09	-0.05	0.00	-0.10	0.00	0.10	876.09	212.87	393.64	363.52	65.91	-4.28	0.000
130.00	0.00	-0.04	0.00	0.00	0.00	0.00	861.91	207.97	375.75	349.34	67.71	-4.28	0.000

Load Case: 0.9D + 1.0W	118 mph with No Ice (Reduced DL)	23 Iterations
Gust Response Factor :1.10		
Dead Load Factor :0.90		
Wind Load Factor :1.00		

Applied Segment Forces Summary

Seg Elev (ft)	Description	Shaft Forces		Discrete Forces			Linear Forces		Sum of Forces				
		Wind FX (lb)	Dead Load (lb)	Wind FX (lb)	Torsion MY (lb-ft)	Moment MZ (lb-ft)	Dead Load (lb)	Wind FX (lb)	Dead Load (lb)	Wind FX (lb)	Dead Load (lb)	Torsion MY (lb-ft)	Moment MZ (lb)
0.00		201.5	0.0					0.0	0.0	201.5	0.0	0.0	0.0
5.00		398.3	883.5					0.0	272.5	398.3	1,156.0	0.0	0.0
10.00		388.6	862.1					0.0	272.5	388.6	1,134.6	0.0	0.0
15.00		378.9	840.8					0.0	272.5	378.9	1,113.3	0.0	0.0
20.00		369.3	819.4					0.0	272.5	369.3	1,091.9	0.0	0.0
25.00		359.6	798.1					0.0	272.5	359.6	1,070.5	0.0	0.0
30.00		354.1	776.7					0.0	272.5	354.1	1,049.2	0.0	0.0
35.00		248.0	755.3					0.0	272.5	248.0	1,027.8	0.0	0.0
37.00	Bot - Section 2	180.5	296.2					0.0	109.0	180.5	405.1	0.0	0.0
40.00		218.8	809.0					0.0	163.5	218.8	972.5	0.0	0.0
43.00	Top - Section 1	182.9	794.9					0.0	163.5	182.9	958.4	0.0	0.0
45.00		256.6	239.6					0.0	109.0	256.6	348.6	0.0	0.0
50.00	Appurtenance(s)	366.3	586.6	183.9	0.0	0.0	144.0	0.0	272.5	550.1	1,003.0	0.0	0.0
55.00		364.9	568.8					0.0	271.8	364.9	840.6	0.0	0.0
60.00		363.2	551.0					0.0	271.8	363.2	822.8	0.0	0.0
65.00		368.3	533.2					0.0	271.8	368.3	805.0	0.0	0.0
70.00	Appurtenance(s)	362.7	515.4	173.5	0.0	0.0	12.6	0.0	271.8	536.2	799.8	0.0	0.0
75.00	Bot - Section 3	351.2	497.6					0.0	268.1	351.2	765.7	0.0	0.0
80.00	Top - Section 2	347.7	870.5					0.0	268.1	347.7	1,138.6	0.0	0.0
85.00		340.7	376.4					0.0	268.1	340.7	644.6	0.0	0.0
90.00	Appurtenance(s)	333.1	362.2	5,019.6	0.0	0.0	4,192.9	0.0	268.1	5,352.7	4,823.2	0.0	0.0
95.00		261.3	348.0					0.8	126.0	262.1	474.0	0.0	0.0
98.00	Appurtenance(s)	161.5	201.9	993.7	0.0	0.0	1,800.0	0.8	75.6	1,156.0	2,077.5	0.0	0.0
100.00	Appurtenance(s)	220.5	131.8	1,955.0	0.0	0.0	1,436.9	0.6	50.4	2,176.2	1,619.1	0.0	0.0
105.00		276.8	319.5					1.8	99.5	278.6	419.0	0.0	0.0
109.00	Appurtenance(s)	150.9	245.3	817.2	0.0	0.0	1,687.5	1.6	79.6	969.7	2,012.5	0.0	0.0
110.00	Appurtenance(s)	175.6	59.9	909.2	0.0	0.0	243.0	0.4	19.9	1,085.1	322.8	0.0	0.0
115.00		233.7	291.0					3.1	66.3	236.8	357.3	0.0	0.0
118.00	Appurtenance(s)	115.7	167.8	1,971.4	0.0	401.3	1,111.1	1.7	39.8	2,088.8	1,318.7	0.0	0.0
119.00	Top - Section 3	55.5	54.8	1,050.4	0.0	0.0	2,250.0	0.0	6.5	1,105.9	2,311.3	0.0	0.0
120.00		162.6	40.8					0.0	6.5	162.6	47.3	0.0	0.0
125.00		213.1	197.5					0.0	32.5	213.1	230.0	0.0	0.0
128.00	Appurtenance(s)	122.3	113.4	2,616.1	0.0	0.0	1,792.8	0.0	19.5	2,738.5	1,925.7	0.0	0.0
130.00		44.2	73.4					0.0	0.0	44.2	73.4	0.0	0.0
Totals:										24,629.7	35,159.6	0.00	0.00

Load Case: 0.9D + 1.0W

118 mph with No Ice (Reduced DL)

23 Iterations

Gust Response Factor :1.10

Dead Load Factor :0.90

Wind Load Factor :1.00

Calculated Forces

Seg Elev (ft)	Pu FY (-) (kips)	Vu FX (-) (kips)	Tu MY (ft-kips)	Mu MZ (ft-kips)	Mu MX (ft-kips)	Resultant Moment (ft-kips)	phi Pn (kips)	phi Vn (kips)	phi Tn (ft-kips)	phi Mn (ft-kips)	Total Deflect (in)	Rotation (deg)	Ratio
0.00	-35.12	-24.48	0.00	-2,276.40	0.00	2,276.40	3,957.37	1,024.83	4,561.65	3,958.89	0.00	0.00	0.584
5.00	-33.89	-24.19	0.00	-2,153.98	0.00	2,153.98	3,898.74	1,000.35	4,346.37	3,806.37	0.10	-0.18	0.575
10.00	-32.68	-23.90	0.00	-2,033.03	0.00	2,033.03	3,838.36	975.87	4,136.30	3,655.00	0.38	-0.36	0.565
15.00	-31.49	-23.62	0.00	-1,913.52	0.00	1,913.52	3,776.22	951.40	3,931.42	3,504.92	0.86	-0.55	0.555
20.00	-30.33	-23.34	0.00	-1,795.44	0.00	1,795.44	3,712.32	926.92	3,731.76	3,356.23	1.53	-0.73	0.544
25.00	-29.19	-23.06	0.00	-1,678.77	0.00	1,678.77	3,646.67	902.44	3,537.29	3,209.08	2.40	-0.92	0.532
30.00	-28.07	-22.78	0.00	-1,563.49	0.00	1,563.49	3,579.26	877.96	3,348.03	3,063.58	3.48	-1.12	0.519
35.00	-26.99	-22.57	0.00	-1,449.59	0.00	1,449.59	3,510.10	853.48	3,163.97	2,919.87	4.75	-1.31	0.505
37.00	-26.55	-22.43	0.00	-1,404.44	0.00	1,404.44	3,481.94	843.69	3,091.80	2,862.92	5.31	-1.39	0.499
40.00	-25.54	-22.24	0.00	-1,337.15	0.00	1,337.15	3,439.17	829.00	2,985.11	2,778.07	6.23	-1.51	0.489
43.00	-24.55	-22.07	0.00	-1,270.44	0.00	1,270.44	2,697.55	690.63	2,485.92	2,181.75	7.21	-1.63	0.592
45.00	-24.15	-21.87	0.00	-1,226.29	0.00	1,226.29	2,677.43	682.47	2,427.54	2,139.70	7.91	-1.71	0.583
50.00	-23.08	-21.38	0.00	-1,116.93	0.00	1,116.93	2,625.91	662.07	2,284.61	2,035.31	9.82	-1.93	0.559
55.00	-22.17	-21.07	0.00	-1,010.04	0.00	1,010.04	2,572.64	641.67	2,146.02	1,932.08	11.97	-2.15	0.532
60.00	-21.29	-20.76	0.00	-904.68	0.00	904.68	2,517.61	621.27	2,011.77	1,830.13	14.34	-2.37	0.504
65.00	-20.42	-20.43	0.00	-800.91	0.00	800.91	2,460.82	600.87	1,881.85	1,729.60	16.94	-2.59	0.473
70.00	-19.58	-19.93	0.00	-698.76	0.00	698.76	2,402.27	580.47	1,756.27	1,630.62	19.77	-2.80	0.438
75.00	-18.76	-19.60	0.00	-599.13	0.00	599.13	2,341.97	560.07	1,635.02	1,533.30	22.81	-3.00	0.400
80.00	-17.58	-19.25	0.00	-501.13	0.00	501.13	1,720.57	439.61	1,259.08	1,107.20	26.05	-3.19	0.465
85.00	-16.90	-18.92	0.00	-404.89	0.00	404.89	1,679.48	423.29	1,167.35	1,040.33	29.48	-3.36	0.401
90.00	-12.37	-13.33	0.00	-310.28	0.00	310.28	1,636.64	406.98	1,079.09	974.39	33.10	-3.54	0.327
95.00	-11.89	-13.06	0.00	-243.64	0.00	243.64	1,592.04	390.66	994.30	909.51	36.90	-3.70	0.276
98.00	-9.87	-11.78	0.00	-204.46	0.00	204.46	1,564.44	380.86	945.09	871.14	39.25	-3.79	0.242
100.00	-8.39	-9.52	0.00	-180.90	0.00	180.90	1,545.69	374.34	912.98	845.81	40.85	-3.84	0.220
105.00	-7.97	-9.22	0.00	-133.32	0.00	133.32	1,497.58	358.02	835.13	783.43	44.94	-3.96	0.176
109.00	-6.03	-8.12	0.00	-96.42	0.00	96.42	1,457.82	344.96	775.35	734.55	48.29	-4.04	0.136
110.00	-5.78	-7.02	0.00	-88.30	0.00	88.30	1,446.53	341.70	760.75	721.90	49.14	-4.06	0.127
115.00	-5.43	-6.76	0.00	-53.20	0.00	53.20	1,377.44	325.38	689.83	654.26	53.42	-4.12	0.086
118.00	-4.27	-4.59	0.00	-32.51	0.00	32.51	1,335.99	315.59	648.95	615.27	56.02	-4.15	0.056
119.00	-2.04	-3.32	0.00	-27.93	0.00	27.93	1,322.18	312.33	635.60	602.54	56.89	-4.16	0.048
119.00	-2.04	-3.32	0.00	-27.93	0.00	27.93	936.41	234.90	479.32	429.14	56.89	-4.16	0.067
120.00	-2.00	-3.15	0.00	-24.61	0.00	24.61	929.99	232.45	469.38	421.71	57.76	-4.17	0.061
125.00	-1.79	-2.92	0.00	-8.86	0.00	8.86	896.83	220.21	421.26	385.08	62.14	-4.20	0.025
128.00	-0.07	-0.05	0.00	-0.10	0.00	0.10	876.09	212.87	393.64	363.52	64.78	-4.20	0.000
130.00	0.00	-0.04	0.00	0.00	0.00	0.00	861.91	207.97	375.75	349.34	66.54	-4.20	0.000

Load Case: 1.2D + 1.0Di + 1.0Wi	50 mph with 1.50 in Radial Ice	23 Iterations
Gust Response Factor :1.10	Ice Dead Load Factor :1.00	
Dead Load Factor :1.20		Ice Importance Factor :1.00
Wind Load Factor :1.00		

Applied Segment Forces Summary

Seg Elev (ft)	Description	Shaft Forces		Discrete Forces			Linear Forces		Sum of Forces				
		Wind FX (lb)	Dead Load (lb)	Wind FX (lb)	Torsion MY (lb-ft)	Moment MZ (lb-ft)	Dead Load (lb)	Wind FX (lb)	Dead Load (lb)	Wind FX (lb)	Dead Load (lb)	Torsion MY (lb-ft)	Moment MZ (lb)
0.00		60.6	0.0					0.0	0.0	60.6	0.0	0.0	0.0
5.00		120.1	1,538.3					0.0	511.6	120.1	2,049.9	0.0	0.0
10.00		117.8	1,543.2					0.0	527.2	117.8	2,070.4	0.0	0.0
15.00		115.3	1,525.9					0.0	535.2	115.3	2,061.1	0.0	0.0
20.00		112.7	1,501.3					0.0	540.8	112.7	2,042.1	0.0	0.0
25.00		110.1	1,472.9					0.0	545.1	110.1	2,018.0	0.0	0.0
30.00		108.7	1,442.1					0.0	548.7	108.7	1,990.8	0.0	0.0
35.00		76.3	1,409.7					0.0	551.7	76.3	1,961.4	0.0	0.0
37.00	Bot - Section 2	55.6	555.8					0.0	221.4	55.6	777.3	0.0	0.0
40.00		67.5	1,321.3					0.0	332.9	67.5	1,654.2	0.0	0.0
43.00	Top - Section 1	56.5	1,300.3					0.0	333.8	56.5	1,634.1	0.0	0.0
45.00		79.5	479.0					0.0	223.0	79.5	701.9	0.0	0.0
50.00	Appurtenance(s)	113.7	1,172.5	49.2	0.0	0.0	268.8	0.0	558.9	162.9	2,000.1	0.0	0.0
55.00		113.6	1,141.2					0.0	559.9	113.6	1,701.1	0.0	0.0
60.00		113.2	1,109.5					25.1	561.7	138.2	1,671.2	0.0	0.0
65.00		112.4	1,077.2					26.3	563.4	138.6	1,640.6	0.0	0.0
70.00	Appurtenance(s)	111.3	1,044.5	39.7	0.0	0.0	60.1	27.4	564.9	178.4	1,669.6	0.0	0.0
75.00	Bot - Section 3	110.8	1,011.5					28.6	547.6	139.4	1,559.1	0.0	0.0
80.00	Top - Section 2	110.0	1,504.3					29.7	548.9	139.7	2,053.1	0.0	0.0
85.00		108.3	835.7					30.6	550.1	138.9	1,385.8	0.0	0.0
90.00	Appurtenance(s)	106.3	806.6	1,266.9	0.0	0.0	10,928.3	31.7	551.2	1,404.9	12,286.1	0.0	0.0
95.00		83.7	777.3					32.9	362.8	116.6	1,140.0	0.0	0.0
98.00	Appurtenance(s)	51.5	453.7	332.1	0.0	0.0	3,456.4	20.3	218.2	403.9	4,128.2	0.0	0.0
100.00	Appurtenance(s)	70.8	297.0	441.8	0.0	0.0	3,992.4	13.7	145.6	526.4	4,435.1	0.0	0.0
105.00		89.6	717.9					35.1	240.2	124.7	958.1	0.0	0.0
109.00	Appurtenance(s)	49.0	553.8	272.5	0.0	0.0	2,918.3	28.9	192.5	350.4	3,664.6	0.0	0.0
110.00	Appurtenance(s)	57.4	136.2	221.8	0.0	0.0	1,167.1	7.3	48.2	286.5	1,351.5	0.0	0.0
115.00		75.6	657.9					37.3	196.8	112.9	854.6	0.0	0.0
118.00	Appurtenance(s)	37.1	381.7	478.1	0.0	92.9	3,525.2	22.9	118.3	538.2	4,025.1	0.0	0.0
119.00	Top - Section 3	18.3	125.3	354.5	0.0	0.0	4,352.7	0.0	8.7	372.8	4,486.7	0.0	0.0
120.00		53.9	106.2					0.0	8.7	53.9	114.8	0.0	0.0
125.00		70.8	510.4					0.0	43.3	70.8	553.7	0.0	0.0
128.00	Appurtenance(s)	41.7	295.3	670.9	0.0	0.0	4,870.5	0.0	26.0	712.6	5,191.8	0.0	0.0
130.00		15.7	192.2					0.0	0.0	15.7	192.2	0.0	0.0
Totals:									7,321.03	76,024.3	0.00	0.00	

Site Number: 370626

Code: ANSI/TIA-222-H

© 2007 - 2021 by ATC IP LLC. All rights reserved.

Site Name: East Hartford, CT

Engineering Number: 13678644_C3_02

6/23/2021 1:31:25 PM

Customer: VERIZON WIRELESS

Load Case: 1.2D + 1.0Di + 1.0Wi

50 mph with 1.50 in Radial Ice

23 Iterations

Gust Response Factor :1.10

Ice Dead Load Factor :1.00

Dead Load Factor :1.20

Ice Importance Factor :1.00

Wind Load Factor :1.00

Calculated Forces

Seg Elev (ft)	Pu FY (-) (kips)	Vu FX (-) (kips)	Tu MY (ft-kips)	Mu MZ (ft-kips)	Mu MX (ft-kips)	Resultant Moment (ft-kips)	phi Pn (kips)	phi Vn (kips)	phi Tn (ft-kips)	phi Mn (ft-kips)	Total Deflect (in)	Rotation (deg)	Ratio
0.00	-76.02	-7.30	0.00	-705.04	0.00	705.04	3,957.37	1,024.83	4,561.65	3,958.89	0.00	0.00	0.197
5.00	-73.96	-7.25	0.00	-668.55	0.00	668.55	3,898.74	1,000.35	4,346.37	3,806.37	0.03	-0.06	0.195
10.00	-71.89	-7.20	0.00	-632.31	0.00	632.31	3,838.36	975.87	4,136.30	3,655.00	0.12	-0.11	0.192
15.00	-69.82	-7.15	0.00	-596.31	0.00	596.31	3,776.22	951.40	3,931.42	3,504.92	0.27	-0.17	0.189
20.00	-67.77	-7.10	0.00	-560.56	0.00	560.56	3,712.32	926.92	3,731.76	3,356.23	0.48	-0.23	0.185
25.00	-65.74	-7.05	0.00	-525.06	0.00	525.06	3,646.67	902.44	3,537.29	3,209.08	0.75	-0.29	0.182
30.00	-63.75	-7.00	0.00	-489.81	0.00	489.81	3,579.26	877.96	3,348.03	3,063.58	1.08	-0.35	0.178
35.00	-61.78	-6.95	0.00	-454.83	0.00	454.83	3,510.10	853.48	3,163.97	2,919.87	1.48	-0.41	0.173
37.00	-61.00	-6.93	0.00	-440.92	0.00	440.92	3,481.94	843.69	3,091.80	2,862.92	1.65	-0.43	0.172
40.00	-59.34	-6.88	0.00	-420.14	0.00	420.14	3,439.17	829.00	2,985.11	2,778.07	1.94	-0.47	0.169
43.00	-57.71	-6.85	0.00	-399.49	0.00	399.49	2,697.55	690.63	2,485.92	2,181.75	2.25	-0.51	0.205
45.00	-57.00	-6.81	0.00	-385.80	0.00	385.80	2,677.43	682.47	2,427.54	2,139.70	2.47	-0.53	0.202
50.00	-54.99	-6.69	0.00	-351.77	0.00	351.77	2,625.91	662.07	2,284.61	2,035.31	3.06	-0.60	0.194
55.00	-53.28	-6.62	0.00	-318.31	0.00	318.31	2,572.64	641.67	2,146.02	1,932.08	3.73	-0.67	0.186
60.00	-51.61	-6.53	0.00	-285.19	0.00	285.19	2,517.61	621.27	2,011.77	1,830.13	4.48	-0.74	0.176
65.00	-49.96	-6.42	0.00	-252.56	0.00	252.56	2,460.82	600.87	1,881.85	1,729.60	5.29	-0.81	0.166
70.00	-48.29	-6.28	0.00	-220.44	0.00	220.44	2,402.27	580.47	1,756.27	1,630.62	6.18	-0.88	0.155
75.00	-46.72	-6.16	0.00	-189.07	0.00	189.07	2,341.97	560.07	1,635.02	1,533.30	7.13	-0.94	0.143
80.00	-44.67	-6.03	0.00	-158.26	0.00	158.26	1,720.57	439.61	1,259.08	1,107.20	8.15	-1.00	0.169
85.00	-43.28	-5.91	0.00	-128.10	0.00	128.10	1,679.48	423.29	1,167.35	1,040.33	9.23	-1.06	0.149
90.00	-31.02	-4.30	0.00	-98.54	0.00	98.54	1,636.64	406.98	1,079.09	974.39	10.36	-1.11	0.120
95.00	-29.88	-4.18	0.00	-77.03	0.00	77.03	1,592.04	390.66	994.30	909.51	11.56	-1.16	0.104
98.00	-25.76	-3.70	0.00	-64.48	0.00	64.48	1,564.44	380.86	945.09	871.14	12.30	-1.19	0.091
100.00	-21.33	-3.10	0.00	-57.07	0.00	57.07	1,545.69	374.34	912.98	845.81	12.80	-1.21	0.081
105.00	-20.37	-2.96	0.00	-41.59	0.00	41.59	1,497.58	358.02	835.13	783.43	14.08	-1.24	0.067
109.00	-16.72	-2.53	0.00	-29.74	0.00	29.74	1,457.82	344.96	775.35	734.55	15.14	-1.27	0.052
110.00	-15.37	-2.22	0.00	-27.21	0.00	27.21	1,446.53	341.70	760.75	721.90	15.40	-1.27	0.048
115.00	-14.52	-2.09	0.00	-16.10	0.00	16.10	1,377.44	325.38	689.83	654.26	16.75	-1.29	0.035
118.00	-10.51	-1.47	0.00	-9.73	0.00	9.73	1,335.99	315.59	648.95	615.27	17.57	-1.30	0.024
119.00	-6.03	-0.99	0.00	-8.26	0.00	8.26	1,322.18	312.33	635.60	602.54	17.84	-1.31	0.018
119.00	-6.03	-0.99	0.00	-8.26	0.00	8.26	936.41	234.90	479.32	429.14	17.84	-1.31	0.026
120.00	-5.92	-0.93	0.00	-7.27	0.00	7.27	929.99	232.45	469.38	421.71	18.11	-1.31	0.024
125.00	-5.37	-0.85	0.00	-2.60	0.00	2.60	896.83	220.21	421.26	385.08	19.49	-1.32	0.013
128.00	-0.19	-0.02	0.00	-0.04	0.00	0.04	876.09	212.87	393.64	363.52	20.32	-1.32	0.000
130.00	0.00	-0.02	0.00	0.00	0.00	0.00	861.91	207.97	375.75	349.34	20.87	-1.32	0.000

Load Case: 1.0D + 1.0W	Serviceability 60 mph	22 Iterations
Gust Response Factor :1.10		
Dead Load Factor :1.00		
Wind Load Factor :1.00		

Applied Segment Forces Summary

Seg Elev (ft)	Description	Shaft Forces		Discrete Forces			Linear Forces		Sum of Forces				
		Wind FX (lb)	Dead Load (lb)	Wind FX (lb)	Torsion MY (lb-ft)	Moment MZ (lb-ft)	Dead Load (lb)	Wind FX (lb)	Dead Load (lb)	Wind FX (lb)	Dead Load (lb)	Torsion MY (lb-ft)	Moment MZ (lb)
0.00		46.6	0.0					0.0	0.0	46.6	0.0	0.0	0.0
5.00		92.1	981.7					0.0	302.7	92.1	1,284.4	0.0	0.0
10.00		89.9	957.9					0.0	302.7	89.9	1,260.7	0.0	0.0
15.00		87.7	934.2					0.0	302.7	87.7	1,236.9	0.0	0.0
20.00		85.4	910.5					0.0	302.7	85.4	1,213.2	0.0	0.0
25.00		83.2	886.7					0.0	302.7	83.2	1,189.5	0.0	0.0
30.00		81.9	863.0					0.0	302.7	81.9	1,165.8	0.0	0.0
35.00		57.4	839.3					0.0	302.7	57.4	1,142.0	0.0	0.0
37.00	Bot - Section 2	41.8	329.1					0.0	121.1	41.8	450.2	0.0	0.0
40.00		50.6	898.9					0.0	181.7	50.6	1,080.5	0.0	0.0
43.00	Top - Section 1	42.3	883.2					0.0	181.7	42.3	1,064.9	0.0	0.0
45.00		59.4	266.2					0.0	121.1	59.4	387.3	0.0	0.0
50.00	Appurtenance(s)	84.7	651.7	42.5	0.0	0.0	160.0	0.0	302.7	127.3	1,114.5	0.0	0.0
55.00		84.4	632.0					0.0	302.0	84.4	934.0	0.0	0.0
60.00		84.0	612.2					0.0	302.0	84.0	914.2	0.0	0.0
65.00		85.2	592.4					0.0	302.0	85.2	894.4	0.0	0.0
70.00	Appurtenance(s)	83.9	572.6	40.1	0.0	0.0	14.0	0.0	302.0	124.0	888.6	0.0	0.0
75.00	Bot - Section 3	81.2	552.9					0.0	297.9	81.2	850.8	0.0	0.0
80.00	Top - Section 2	80.4	967.2					0.0	297.9	80.4	1,265.1	0.0	0.0
85.00		78.8	418.3					0.0	297.9	78.8	716.2	0.0	0.0
90.00	Appurtenance(s)	77.1	402.5	1,161.2	0.0	0.0	4,658.8	0.0	297.9	1,238.2	5,359.2	0.0	0.0
95.00		60.4	386.6					0.2	140.0	60.6	526.6	0.0	0.0
98.00	Appurtenance(s)	37.4	224.4	229.9	0.0	0.0	2,000.0	0.2	84.0	267.4	2,308.4	0.0	0.0
100.00	Appurtenance(s)	51.0	146.4	452.3	0.0	0.0	1,596.6	0.1	56.0	503.4	1,799.0	0.0	0.0
105.00		64.0	355.0					0.4	110.6	64.5	465.6	0.0	0.0
109.00	Appurtenance(s)	34.9	272.6	189.1	0.0	0.0	1,875.0	0.4	88.5	224.3	2,236.1	0.0	0.0
110.00	Appurtenance(s)	40.6	66.6	210.3	0.0	0.0	270.0	0.1	22.1	251.0	358.7	0.0	0.0
115.00		54.1	323.4					0.7	73.7	54.8	397.1	0.0	0.0
118.00	Appurtenance(s)	26.8	186.4	456.0	0.0	92.8	1,234.6	0.4	44.2	483.2	1,465.2	0.0	0.0
119.00	Top - Section 3	12.8	60.9	243.0	0.0	0.0	2,500.0	0.0	7.2	255.8	2,568.1	0.0	0.0
120.00		37.6	45.3					0.0	7.2	37.6	52.5	0.0	0.0
125.00		49.3	219.4					0.0	36.1	49.3	255.5	0.0	0.0
128.00	Appurtenance(s)	28.3	126.0	605.2	0.0	0.0	1,992.0	0.0	21.7	633.5	2,139.6	0.0	0.0
130.00		10.2	81.6					0.0	0.0	10.2	81.6	0.0	0.0
Totals:									5,697.62	39,066.2	0.00	0.00	

Load Case: 1.0D + 1.0W

Serviceability 60 mph

22 Iterations

Gust Response Factor :1.10

Dead Load Factor :1.00

Wind Load Factor :1.00

Calculated Forces

Seg Elev (ft)	Pu FY (-) (kips)	Vu FX (-) (kips)	Tu MY (ft-kips)	Mu MZ (ft-kips)	Mu MX (ft-kips)	Resultant Moment (ft-kips)	phi Pn (kips)	phi Vn (kips)	phi Tn (ft-kips)	phi Mn (ft-kips)	Total Deflect (in)	Rotation (deg)	Ratio
0.00	-39.06	-5.66	0.00	-529.21	0.00	529.21	3,957.37	1,024.83	4,561.65	3,958.89	0.00	0.00	0.144
5.00	-37.78	-5.60	0.00	-500.88	0.00	500.88	3,898.74	1,000.35	4,346.37	3,806.37	0.02	-0.04	0.141
10.00	-36.51	-5.54	0.00	-472.88	0.00	472.88	3,838.36	975.87	4,136.30	3,655.00	0.09	-0.08	0.139
15.00	-35.27	-5.47	0.00	-445.20	0.00	445.20	3,776.22	951.40	3,931.42	3,504.92	0.20	-0.13	0.136
20.00	-34.05	-5.41	0.00	-417.84	0.00	417.84	3,712.32	926.92	3,731.76	3,356.23	0.36	-0.17	0.134
25.00	-32.86	-5.35	0.00	-390.79	0.00	390.79	3,646.67	902.44	3,537.29	3,209.08	0.56	-0.21	0.131
30.00	-31.69	-5.29	0.00	-364.05	0.00	364.05	3,579.26	877.96	3,348.03	3,063.58	0.81	-0.26	0.128
35.00	-30.55	-5.24	0.00	-337.61	0.00	337.61	3,510.10	853.48	3,163.97	2,919.87	1.10	-0.30	0.124
37.00	-30.09	-5.21	0.00	-327.13	0.00	327.13	3,481.94	843.69	3,091.80	2,862.92	1.24	-0.32	0.123
40.00	-29.01	-5.17	0.00	-311.51	0.00	311.51	3,439.17	829.00	2,985.11	2,778.07	1.45	-0.35	0.121
43.00	-27.94	-5.13	0.00	-296.01	0.00	296.01	2,697.55	690.63	2,485.92	2,181.75	1.68	-0.38	0.146
45.00	-27.55	-5.08	0.00	-285.76	0.00	285.76	2,677.43	682.47	2,427.54	2,139.70	1.84	-0.40	0.144
50.00	-26.44	-4.97	0.00	-260.34	0.00	260.34	2,625.91	662.07	2,284.61	2,035.31	2.29	-0.45	0.138
55.00	-25.50	-4.90	0.00	-235.48	0.00	235.48	2,572.64	641.67	2,146.02	1,932.08	2.79	-0.50	0.132
60.00	-24.58	-4.83	0.00	-210.97	0.00	210.97	2,517.61	621.27	2,011.77	1,830.13	3.34	-0.55	0.125
65.00	-23.68	-4.76	0.00	-186.82	0.00	186.82	2,460.82	600.87	1,881.85	1,729.60	3.94	-0.60	0.118
70.00	-22.79	-4.64	0.00	-163.03	0.00	163.03	2,402.27	580.47	1,756.27	1,630.62	4.60	-0.65	0.110
75.00	-21.94	-4.57	0.00	-139.81	0.00	139.81	2,341.97	560.07	1,635.02	1,533.30	5.31	-0.70	0.101
80.00	-20.67	-4.49	0.00	-116.97	0.00	116.97	1,720.57	439.61	1,259.08	1,107.20	6.07	-0.74	0.118
85.00	-19.95	-4.41	0.00	-94.52	0.00	94.52	1,679.48	423.29	1,167.35	1,040.33	6.87	-0.78	0.103
90.00	-14.61	-3.11	0.00	-72.45	0.00	72.45	1,636.64	406.98	1,079.09	974.39	7.71	-0.83	0.083
95.00	-14.08	-3.05	0.00	-56.90	0.00	56.90	1,592.04	390.66	994.30	909.51	8.60	-0.86	0.071
98.00	-11.78	-2.75	0.00	-47.75	0.00	47.75	1,564.44	380.86	945.09	871.14	9.14	-0.88	0.062
100.00	-9.99	-2.22	0.00	-42.25	0.00	42.25	1,545.69	374.34	912.98	845.81	9.52	-0.90	0.056
105.00	-9.52	-2.15	0.00	-31.13	0.00	31.13	1,497.58	358.02	835.13	783.43	10.47	-0.92	0.046
109.00	-7.29	-1.90	0.00	-22.51	0.00	22.51	1,457.82	344.96	775.35	734.55	11.25	-0.94	0.036
110.00	-6.93	-1.64	0.00	-20.62	0.00	20.62	1,446.53	341.70	760.75	721.90	11.45	-0.95	0.033
115.00	-6.54	-1.58	0.00	-12.42	0.00	12.42	1,377.44	325.38	689.83	654.26	12.45	-0.96	0.024
118.00	-5.08	-1.07	0.00	-7.59	0.00	7.59	1,335.99	315.59	648.95	615.27	13.06	-0.97	0.016
119.00	-2.52	-0.77	0.00	-6.52	0.00	6.52	1,322.18	312.33	635.60	602.54	13.26	-0.97	0.013
119.00	-2.52	-0.77	0.00	-6.52	0.00	6.52	936.41	234.90	479.32	429.14	13.26	-0.97	0.018
120.00	-2.46	-0.73	0.00	-5.74	0.00	5.74	929.99	232.45	469.38	421.71	13.46	-0.97	0.016
125.00	-2.21	-0.68	0.00	-2.07	0.00	2.07	896.83	220.21	421.26	385.08	14.48	-0.98	0.008
128.00	-0.08	-0.01	0.00	-0.02	0.00	0.02	876.09	212.87	393.64	363.52	15.10	-0.98	0.000
130.00	0.00	-0.01	0.00	0.00	0.00	0.00	861.91	207.97	375.75	349.34	15.51	-0.98	0.000

Equivalent Lateral Forces Method Analysis

Spectral Response Acceleration for Short Period (S_s):	0.19
Spectral Response Acceleration at 1.0 Second Period (S_{d1}):	0.05
Long-Period Transition Period (T_L):	6
Importance Factor (I_E):	1.00
Site Coefficient F_a :	1.60
Site Coefficient F_v :	2.40
Response Modification Coefficient (R):	1.50
Design Spectral Response Acceleration at Short Period (S_{ds}):	0.20
Design Spectral Response Acceleration at 1.0 Second Period (S_{d1}):	0.09
Seismic Response Coefficient (C_s):	0.03
Upper Limit C_s	0.03
Lower Limit C_s	0.03
Period based on Rayleigh Method (sec):	2.27
Redundancy Factor (ρ):	1.00
Seismic Force Distribution Exponent (k):	1.88
Total Unfactored Dead Load:	39.07 k
Seismic Base Shear (E):	1.17 k

Load Case 1.2D + 1.0Ev + 1.0Eh

Seismic

Segment	Height Above Base (ft)	Weight (lb)	W_z (lb-ft)	C_{vx}	Horizontal Force (lb)	Vertical Force (lb)
33	129.00	82	768	0.005	6	101
32	126.50	148	1,339	0.009	10	183
31	122.50	256	2,182	0.014	16	317
30	119.50	53	428	0.003	3	65
29	118.50	68	546	0.004	4	84
28	116.50	231	1,792	0.012	13	286
27	112.50	397	2,888	0.019	22	492
26	109.50	89	613	0.004	5	110
25	107.00	361	2,390	0.015	18	448
24	102.50	466	2,842	0.018	21	577
23	99.00	202	1,157	0.007	9	251
22	96.50	308	1,680	0.011	13	382
21	92.50	527	2,650	0.017	20	653
20	87.50	700	3,174	0.020	24	869
19	82.50	716	2,905	0.019	22	888
18	77.50	1,265	4,562	0.029	34	1,569
17	72.50	851	2,706	0.017	20	1,055
16	67.50	875	2,432	0.016	18	1,085
15	62.50	894	2,151	0.014	16	1,109
14	57.50	914	1,879	0.012	14	1,134
13	52.50	934	1,618	0.010	12	1,158
12	47.50	954	1,369	0.009	10	1,184
11	44.00	387	481	0.003	4	480
10	41.50	1,065	1,185	0.008	9	1,321
9	38.50	1,081	1,044	0.007	8	1,340

8	36.00	450	383	0.002	3	558
7	32.50	1,142	802	0.005	6	1,416
6	27.50	1,166	598	0.004	4	1,446
5	22.50	1,189	418	0.003	3	1,475
4	17.50	1,213	266	0.002	2	1,505
3	12.50	1,237	144	0.001	1	1,534
2	7.50	1,261	56	0.000	0	1,564
1	2.50	1,284	7	0.000	0	1,593
DragonWave Horizon C	128.00	34	320	0.002	2	43
Alcatel-Lucent RRH2x	128.00	317	2,944	0.019	22	394
Alcatel-Lucent 1900	128.00	180	1,669	0.011	13	223
Nokia 2.5G MAA - AAH	128.00	311	2,882	0.019	22	385
Argus LLPX310R	128.00	86	796	0.005	6	106
DragonWave A-ANT-18G	128.00	81	754	0.005	6	101
Infinity T-Arm CT52X	128.00	750	6,956	0.045	52	930
Commscope NNVV-65B-R	128.00	232	2,153	0.014	16	288
Generic Round Platfo	119.00	2,500	20,212	0.130	152	3,101
Samsung RT4401-48A	118.00	56	444	0.003	3	69
Samsung B2/B66A RRH-	118.00	253	2,015	0.013	15	314
Samsung B5/B13 RRH-B	118.00	211	1,678	0.011	13	262
Samsung MT6407-77A	118.00	245	1,948	0.013	15	304
RFS DB-T1-6Z-8AB-0Z	118.00	88	700	0.004	5	109
Andrew LNX-6513DS-A1	118.00	98	778	0.005	6	121
Commscope NHHSS-65B-	118.00	153	1,217	0.008	9	190
Commscope NHH-65B-R2	118.00	131	1,043	0.007	8	163
Generic 48" x 12" Pa	110.00	270	1,882	0.012	14	335
Generic Round Low Pr	109.00	1,875	12,850	0.082	97	2,326
Commscope SDX1926Q-4	100.00	19	108	0.001	1	23
Ericsson Radio 4449	100.00	225	1,311	0.008	10	279
Ericsson RRUS 4415 B	100.00	138	804	0.005	6	171
Ericsson RRUS 4415 B	100.00	138	804	0.005	6	171
Ericsson Air6449 B41	100.00	312	1,818	0.012	14	387
Ericsson AIR32 B66Aa	100.00	397	2,311	0.015	17	492
RFS APXVAALL24 43-U-	100.00	368	2,147	0.014	16	457
PerfectVision PV-RP1	98.00	2,000	11,219	0.072	84	2,481
Raycap DC6-48-60-18-	90.00	40	191	0.001	1	50
Raycap DC6-48-60-0-8	90.00	66	313	0.002	2	81
Ericsson RRUS 4478 B	90.00	178	852	0.005	6	221
Ericsson RRUS 32 B2	90.00	159	760	0.005	6	197
Ericsson RRUS 32 B66	90.00	159	760	0.005	6	197
Ericsson RRUS E2 B29	90.00	180	860	0.006	6	223
Ericsson RRUS-32 (77	90.00	231	1,104	0.007	8	287
Ericsson RRUS-11	90.00	330	1,577	0.010	12	409
CCI HPA-65R-BUU-H8	90.00	816	3,899	0.025	29	1,012
Generic Round Platfo	90.00	2,500	11,946	0.077	90	3,101
Generic 2' Std. Dish	70.00	14	42	0.000	0	17
Generic GPS	50.00	10	16	0.000	0	12
Round Side Arm	50.00	150	237	0.002	2	186
		39,066	155,772	1.000	1,172	48,455

Load Case 0.9D - 1.0Ev + 1.0Eh

Seismic (Reduced DL)

Segment	Height Above Base (ft)	Weight (lb)	W _z (lb-ft)	C _{vx}	Horizontal Force (lb)	Vertical Force (lb)
33	129.00	82	768	0.005	6	70
32	126.50	148	1,339	0.009	10	127
31	122.50	256	2,182	0.014	16	220
30	119.50	53	428	0.003	3	45
29	118.50	68	546	0.004	4	59
28	116.50	231	1,792	0.012	13	198
27	112.50	397	2,888	0.019	22	341

26	109.50	89	613	0.004	5	76
25	107.00	361	2,390	0.015	18	310
24	102.50	466	2,842	0.018	21	400
23	99.00	202	1,157	0.007	9	174
22	96.50	308	1,680	0.011	13	265
21	92.50	527	2,650	0.017	20	453
20	87.50	700	3,174	0.020	24	602
19	82.50	716	2,905	0.019	22	616
18	77.50	1,265	4,562	0.029	34	1,088
17	72.50	851	2,706	0.017	20	731
16	67.50	875	2,432	0.016	18	752
15	62.50	894	2,151	0.014	16	769
14	57.50	914	1,879	0.012	14	786
13	52.50	934	1,618	0.010	12	803
12	47.50	954	1,369	0.009	10	821
11	44.00	387	481	0.003	4	333
10	41.50	1,065	1,185	0.008	9	915
9	38.50	1,081	1,044	0.007	8	929
8	36.00	450	383	0.002	3	387
7	32.50	1,142	802	0.005	6	982
6	27.50	1,166	598	0.004	4	1,002
5	22.50	1,189	418	0.003	3	1,023
4	17.50	1,213	266	0.002	2	1,043
3	12.50	1,237	144	0.001	1	1,063
2	7.50	1,261	56	0.000	0	1,084
1	2.50	1,284	7	0.000	0	1,104
DragonWave Horizon C	128.00	34	320	0.002	2	30
Alcatel-Lucent RRH2x	128.00	317	2,944	0.019	22	273
Alcatel-Lucent 1900	128.00	180	1,669	0.011	13	155
Nokia 2.5G MAA - AAH	128.00	311	2,882	0.019	22	267
Argus LLPX310R	128.00	86	796	0.005	6	74
DragonWave A-ANT-18G	128.00	81	754	0.005	6	70
Infinity T-Arm CT52X	128.00	750	6,956	0.045	52	645
Commscope NNVV-65B-R	128.00	232	2,153	0.014	16	200
Generic Round Platfo	119.00	2,500	20,212	0.130	152	2,149
Samsung RT4401-48A	118.00	56	444	0.003	3	48
Samsung B2/B66A RRH-	118.00	253	2,015	0.013	15	218
Samsung B5/B13 RRH-B	118.00	211	1,678	0.011	13	181
Samsung MT6407-77A	118.00	245	1,948	0.013	15	210
RFS DB-T1-6Z-8AB-0Z	118.00	88	700	0.004	5	76
Andrew LNX-6513DS-A1	118.00	98	778	0.005	6	84
Commscope NHHSS-65B-	118.00	153	1,217	0.008	9	132
Commscope NHH-65B-R2	118.00	131	1,043	0.007	8	113
Generic 48" x 12" Pa	110.00	270	1,882	0.012	14	232
Generic Round Low Pr	109.00	1,875	12,850	0.082	97	1,612
Commscope SDX1926Q-4	100.00	19	108	0.001	1	16
Ericsson Radio 4449	100.00	225	1,311	0.008	10	193
Ericsson RRUS 4415 B	100.00	138	804	0.005	6	119
Ericsson RRUS 4415 B	100.00	138	804	0.005	6	119
Ericsson Air6449 B41	100.00	312	1,818	0.012	14	268
Ericsson AIR32 B66Aa	100.00	397	2,311	0.015	17	341
RFS APXVAALL24 43-U-	100.00	368	2,147	0.014	16	317
PerfectVision PV-RP1	98.00	2,000	11,219	0.072	84	1,719
Raycap DC6-48-60-18-	90.00	40	191	0.001	1	34
Raycap DC6-48-60-0-8	90.00	66	313	0.002	2	56
Ericsson RRUS 4478 B	90.00	178	852	0.005	6	153
Ericsson RRUS 32 B2	90.00	159	760	0.005	6	137
Ericsson RRUS 32 B66	90.00	159	760	0.005	6	137
Ericsson RRUS E2 B29	90.00	180	860	0.006	6	155
Ericsson RRUS-32 (77	90.00	231	1,104	0.007	8	199
Ericsson RRUS-11	90.00	330	1,577	0.010	12	284
CCI HPA-65R-BUU-H8	90.00	816	3,899	0.025	29	701
Generic Round Platfo	90.00	2,500	11,946	0.077	90	2,149
Generic 2' Std. Dish	70.00	14	42	0.000	0	12

Site Number: 370626

Code: ANSI/TIA-222-H

© 2007 - 2021 by ATC IP LLC. All rights reserved.

Site Name: East Hartford, CT

Engineering Number: 13678644_C3_02

6/23/2021 1:31:33 PM

Customer: VERIZON WIRELESS

Generic GPS	50.00	10	16	0.000	0	9
Round Side Arm	50.00	150	237	0.002	2	129
		39,066	155,772	1.000	1,172	33,584

Load Case 1.2D + 1.0Ev + 1.0Eh

Seismic

Calculated Forces

Seg Elev (ft)	Pu FY (-) (kips)	Vu FX (-) (kips)	Tu MY (ft-kips)	Mu MZ (ft-kips)	Mu MX (ft-kips)	Resultant Moment (ft-kips)	phi Pn (kips)	phi Vn (kips)	phi Tn (ft-kips)	phi Mn (ft-kips)	Total Deflect (in)	Rotation (deg)	Ratio
0.00	-46.86	-1.18	0.00	-123.51	0.00	123.51	3,957.37	1,024.83	4,561.65	3,958.89	0.00	0.00	0.043
5.00	-45.30	-1.18	0.00	-117.64	0.00	117.64	3,898.74	1,000.35	4,346.37	3,806.37	0.01	-0.01	0.043
10.00	-43.76	-1.19	0.00	-111.72	0.00	111.72	3,838.36	975.87	4,136.30	3,655.00	0.02	-0.02	0.042
15.00	-42.26	-1.19	0.00	-105.78	0.00	105.78	3,776.22	951.40	3,931.42	3,504.92	0.05	-0.03	0.041
20.00	-40.78	-1.20	0.00	-99.81	0.00	99.81	3,712.32	926.92	3,731.76	3,356.23	0.08	-0.04	0.041
25.00	-39.34	-1.20	0.00	-93.82	0.00	93.82	3,646.67	902.44	3,537.29	3,209.08	0.13	-0.05	0.040
30.00	-37.92	-1.20	0.00	-87.83	0.00	87.83	3,579.26	877.96	3,348.03	3,063.58	0.19	-0.06	0.039
35.00	-37.36	-1.20	0.00	-81.84	0.00	81.84	3,510.10	853.48	3,163.97	2,919.87	0.26	-0.07	0.039
37.00	-36.02	-1.19	0.00	-79.44	0.00	79.44	3,481.94	843.69	3,091.80	2,862.92	0.29	-0.08	0.038
40.00	-34.70	-1.19	0.00	-75.85	0.00	75.85	3,439.17	829.00	2,985.11	2,778.07	0.34	-0.08	0.037
43.00	-34.22	-1.19	0.00	-72.29	0.00	72.29	2,697.55	690.63	2,485.92	2,181.75	0.40	-0.09	0.046
45.00	-33.04	-1.18	0.00	-69.92	0.00	69.92	2,677.43	682.47	2,427.54	2,139.70	0.44	-0.10	0.045
50.00	-31.68	-1.17	0.00	-64.02	0.00	64.02	2,625.91	662.07	2,284.61	2,035.31	0.54	-0.11	0.044
55.00	-30.54	-1.16	0.00	-58.17	0.00	58.17	2,572.64	641.67	2,146.02	1,932.08	0.66	-0.12	0.042
60.00	-29.43	-1.15	0.00	-52.37	0.00	52.37	2,517.61	621.27	2,011.77	1,830.13	0.80	-0.13	0.040
65.00	-28.35	-1.13	0.00	-46.63	0.00	46.63	2,460.82	600.87	1,881.85	1,729.60	0.94	-0.15	0.038
70.00	-27.28	-1.12	0.00	-40.96	0.00	40.96	2,402.27	580.47	1,756.27	1,630.62	1.10	-0.16	0.036
75.00	-25.71	-1.08	0.00	-35.39	0.00	35.39	2,341.97	560.07	1,635.02	1,533.30	1.28	-0.17	0.034
80.00	-24.82	-1.06	0.00	-29.98	0.00	29.98	1,720.57	439.61	1,259.08	1,107.20	1.46	-0.18	0.042
85.00	-23.95	-1.04	0.00	-24.67	0.00	24.67	1,679.48	423.29	1,167.35	1,040.33	1.65	-0.19	0.038
90.00	-17.52	-0.83	0.00	-19.47	0.00	19.47	1,636.64	406.98	1,079.09	974.39	1.86	-0.20	0.031
95.00	-17.14	-0.82	0.00	-15.30	0.00	15.30	1,592.04	390.66	994.30	909.51	2.08	-0.21	0.028
98.00	-14.41	-0.72	0.00	-12.83	0.00	12.83	1,564.44	380.86	945.09	871.14	2.22	-0.22	0.024
100.00	-11.85	-0.62	0.00	-11.40	0.00	11.40	1,545.69	374.34	912.98	845.81	2.31	-0.22	0.021
105.00	-11.40	-0.60	0.00	-8.30	0.00	8.30	1,497.58	358.02	835.13	783.43	2.54	-0.23	0.018
109.00	-8.97	-0.49	0.00	-5.89	0.00	5.89	1,457.82	344.96	775.35	734.55	2.74	-0.23	0.014
110.00	-8.14	-0.45	0.00	-5.40	0.00	5.40	1,446.53	341.70	760.75	721.90	2.79	-0.23	0.013
115.00	-7.85	-0.44	0.00	-3.15	0.00	3.15	1,377.44	325.38	689.83	654.26	3.04	-0.24	0.011
118.00	-6.24	-0.35	0.00	-1.84	0.00	1.84	1,335.99	315.59	648.95	615.27	3.19	-0.24	0.008
119.00	-3.07	-0.18	0.00	-1.48	0.00	1.48	1,322.18	312.33	635.60	602.54	3.24	-0.24	0.005
119.00	-3.07	-0.18	0.00	-1.48	0.00	1.48	936.41	234.90	479.32	429.14	3.24	-0.24	0.007
120.00	-2.75	-0.17	0.00	-1.30	0.00	1.30	929.99	232.45	469.38	421.71	3.29	-0.24	0.006
125.00	-2.57	-0.16	0.00	-0.47	0.00	0.47	896.83	220.21	421.26	385.08	3.54	-0.24	0.004
128.00	0.00	0.00	0.00	0.00	0.00	0.00	876.09	212.87	393.64	363.52	3.69	-0.24	0.000
130.00	0.00	0.00	0.00	0.00	0.00	0.00	861.91	207.97	375.75	349.34	3.80	-0.24	0.000

Load Case 0.9D - 1.0Ev + 1.0Eh

Seismic (Reduced DL)

Calculated Forces

Seg Elev (ft)	Pu FY (-) (kips)	Vu FX (-) (kips)	Tu MY (ft-kips)	Mu MZ (ft-kips)	Mu MX (ft-kips)	Resultant Moment (ft-kips)	phi Pn (kips)	phi Vn (kips)	phi Tn (ft-kips)	phi Mn (ft-kips)	Total Deflect (in)	Rotation (deg)	Ratio
0.00	-32.48	-1.17	0.00	-121.54	0.00	121.54	3,957.37	1,024.83	4,561.65	3,958.89	0.00	0.00	0.039
5.00	-31.40	-1.18	0.00	-115.67	0.00	115.67	3,898.74	1,000.35	4,346.37	3,806.37	0.01	-0.01	0.038
10.00	-30.33	-1.18	0.00	-109.78	0.00	109.78	3,838.36	975.87	4,136.30	3,655.00	0.02	-0.02	0.038
15.00	-29.29	-1.19	0.00	-103.86	0.00	103.86	3,776.22	951.40	3,931.42	3,504.92	0.05	-0.03	0.037
20.00	-28.27	-1.19	0.00	-97.93	0.00	97.93	3,712.32	926.92	3,731.76	3,356.23	0.08	-0.04	0.037
25.00	-27.26	-1.19	0.00	-92.00	0.00	92.00	3,646.67	902.44	3,537.29	3,209.08	0.13	-0.05	0.036
30.00	-26.28	-1.18	0.00	-86.07	0.00	86.07	3,579.26	877.96	3,348.03	3,063.58	0.19	-0.06	0.035
35.00	-25.90	-1.18	0.00	-80.14	0.00	80.14	3,510.10	853.48	3,163.97	2,919.87	0.26	-0.07	0.035
37.00	-24.97	-1.18	0.00	-77.77	0.00	77.77	3,481.94	843.69	3,091.80	2,862.92	0.29	-0.08	0.034
40.00	-24.05	-1.17	0.00	-74.24	0.00	74.24	3,439.17	829.00	2,985.11	2,778.07	0.34	-0.08	0.034
43.00	-23.72	-1.17	0.00	-70.73	0.00	70.73	2,697.55	690.63	2,485.92	2,181.75	0.39	-0.09	0.041
45.00	-22.90	-1.16	0.00	-68.39	0.00	68.39	2,677.43	682.47	2,427.54	2,139.70	0.43	-0.09	0.041
50.00	-21.96	-1.15	0.00	-62.59	0.00	62.59	2,625.91	662.07	2,284.61	2,035.31	0.53	-0.11	0.039
55.00	-21.17	-1.14	0.00	-56.84	0.00	56.84	2,572.64	641.67	2,146.02	1,932.08	0.65	-0.12	0.038
60.00	-20.40	-1.13	0.00	-51.15	0.00	51.15	2,517.61	621.27	2,011.77	1,830.13	0.78	-0.13	0.036
65.00	-19.65	-1.11	0.00	-45.52	0.00	45.52	2,460.82	600.87	1,881.85	1,729.60	0.93	-0.14	0.034
70.00	-18.91	-1.09	0.00	-39.98	0.00	39.98	2,402.27	580.47	1,756.27	1,630.62	1.08	-0.15	0.032
75.00	-17.82	-1.06	0.00	-34.52	0.00	34.52	2,341.97	560.07	1,635.02	1,533.30	1.25	-0.17	0.030
80.00	-17.20	-1.04	0.00	-29.24	0.00	29.24	1,720.57	439.61	1,259.08	1,107.20	1.43	-0.18	0.036
85.00	-16.60	-1.01	0.00	-24.06	0.00	24.06	1,679.48	423.29	1,167.35	1,040.33	1.62	-0.19	0.033
90.00	-12.14	-0.81	0.00	-18.99	0.00	18.99	1,636.64	406.98	1,079.09	974.39	1.82	-0.20	0.027
95.00	-11.88	-0.80	0.00	-14.93	0.00	14.93	1,592.04	390.66	994.30	909.51	2.04	-0.21	0.024
98.00	-9.98	-0.70	0.00	-12.53	0.00	12.53	1,564.44	380.86	945.09	871.14	2.17	-0.21	0.021
100.00	-8.21	-0.60	0.00	-11.12	0.00	11.12	1,545.69	374.34	912.98	845.81	2.26	-0.22	0.018
105.00	-7.90	-0.59	0.00	-8.10	0.00	8.10	1,497.58	358.02	835.13	783.43	2.49	-0.22	0.016
109.00	-6.21	-0.48	0.00	-5.75	0.00	5.75	1,457.82	344.96	775.35	734.55	2.68	-0.23	0.012
110.00	-5.64	-0.44	0.00	-5.28	0.00	5.28	1,446.53	341.70	760.75	721.90	2.73	-0.23	0.011
115.00	-5.44	-0.43	0.00	-3.07	0.00	3.07	1,377.44	325.38	689.83	654.26	2.97	-0.23	0.009
118.00	-4.32	-0.34	0.00	-1.79	0.00	1.79	1,335.99	315.59	648.95	615.27	3.12	-0.24	0.006
119.00	-2.13	-0.18	0.00	-1.45	0.00	1.45	1,322.18	312.33	635.60	602.54	3.17	-0.24	0.004
119.00	-2.13	-0.18	0.00	-1.45	0.00	1.45	936.41	234.90	479.32	429.14	3.17	-0.24	0.006
120.00	-1.91	-0.16	0.00	-1.27	0.00	1.27	929.99	232.45	469.38	421.71	3.22	-0.24	0.005
125.00	-1.78	-0.15	0.00	-0.46	0.00	0.46	896.83	220.21	421.26	385.08	3.47	-0.24	0.003
128.00	0.00	0.00	0.00	0.00	0.00	0.00	876.09	212.87	393.64	363.52	3.62	-0.24	0.000
130.00	0.00	0.00	0.00	0.00	0.00	0.00	861.91	207.97	375.75	349.34	3.72	-0.24	0.000

Site Number: 370626

Code: ANSI/TIA-222-H

© 2007 - 2021 by ATC IP LLC. All rights reserved.

Site Name: East Hartford, CT

Engineering Number: 13678644_C3_02

6/23/2021 1:31:33 PM

Customer: VERIZON WIRELESS

Analysis Summary

Load Case	Reactions						Max Usage	
	Shear FX (kips)	Shear FZ (kips)	Axial FY (kips)	Moment MX (ft-kips)	Moment MY (ft-kips)	Moment MZ (ft-kips)	Elev (ft)	Interaction Ratio
1.2D + 1.0W	24.50	0.00	46.84	0.00	0.00	2305.58	43.00	0.61
0.9D + 1.0W	24.48	0.00	35.12	0.00	0.00	2276.40	43.00	0.59
1.2D + 1.0Di + 1.0Wi	7.30	0.00	76.02	0.00	0.00	705.04	43.00	0.20
1.2D + 1.0Ev + 1.0Eh	1.18	0.00	46.86	0.00	0.00	123.51	43.00	0.05
0.9D - 1.0Ev + 1.0Eh	1.17	0.00	32.48	0.00	0.00	121.54	43.00	0.04
1.0D + 1.0W	5.66	0.00	39.06	0.00	0.00	529.21	43.00	0.15



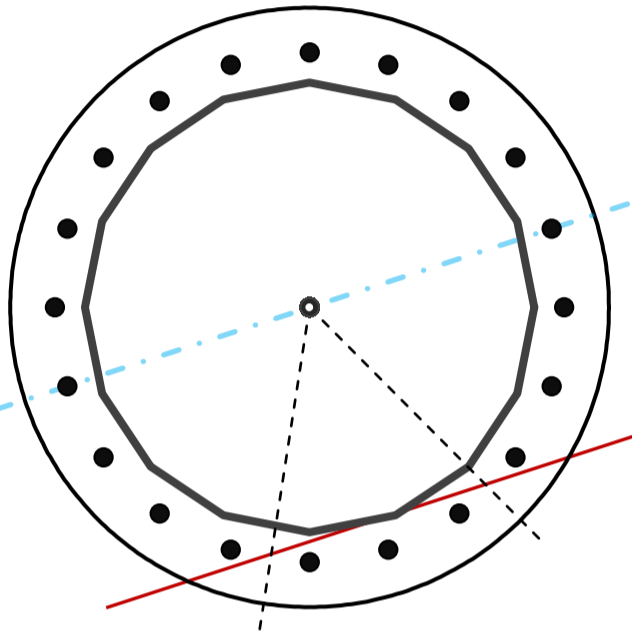
Base Plate & Anchor Rod Analysis

Pole Dimensions		
Number of Sides	16	-
Diameter	49.19	in
Thickness	3/8	in
Orientation Offset	0	°

Base Reactions		
Moment, Mu	2,305.6	k-ft
Axial, Pu	46.8	k
Shear, Vu	24.5	k
Neutral Axis	198	°

Report Capacities		
Component	Capacity	Result
Base Plate	22%	Pass
Anchor Rods	50%	Pass
Dwyidag	-	-

Base Plate		
Shape	Round	-
Diameter, ϕ	67	in
Thickness	2 1/2	in
Grade	A572-55	
Yield Strength, Fy	55	ksi
Tensile Strength, Fu	70	ksi
Clip	N/A	in
Orientation Offset	0	°
Anchor Rod Detail	d	$\eta=0.5$
Clear Distance	4	in
Applied Moment, Mu	500.7	k
Bending Stress, ϕMn	2236.3	k



Original Anchor Rods		
Arrangement	Radial	-
Quantity	20	-
Diameter, ϕ	2 1/2	in
Bolt Circle	57	in
Grade	Other	
Yield Strength, Fy	55	ksi
Tensile Strength, Fu	70	ksi
Spacing	9.0	in
Orientation Offset	0	°
Applied Force, Pu	104.0	k
Anchor Rods, ϕPn	209.9	k

Calculations for Monopole Base Plate & Anchor Rod Analysis

Reaction Distribution

Reaction	Shear Vu	Moment Mu	Factor
-	k	k-ft	-
Base Forces	24.5	2305.6	1.00
Anchor Rod Forces	24.5	2305.6	1.00
Additional Bolt (Grp1) Forces	0.0	0.0	0.00
Additional Bolt (Grp2) Forces	0.0	0.0	0.00
Dywidag Forces	0.0	0.0	0.00
Stiffener Forces	0.0	0.0	0.00

Geometric Properties

Section	Gross Area	Net Area	Individual Inertia	Threads per Inch	Moment of Inertia
-	in ²	in ²	in ⁴	#	in ⁴
Pole	57.1400	3.5713	0.1680		17022.58
Bolt	4.9087	3.9988	1.2725	4	29583.19
Bolt1	0.0000	0.0000	0.0000	0	0.00
Bolt2	0.0000	0.0000	0.0000	0	0.00
Dywidag	0.0000	0.0000	0.0000		0.00
Stiffener	0.0000	0.0000	0.0000		0.00

Base Plate		
Shape	Round	-
Diameter, D	67	in
Thickness, t	2.5	in
Yield Strength, Fy	55	ksi
Tensile Strength, Fu	70	ksi
Base Plate Chord	45.490	in
Detail Type	d	-
Detail Factor	0.50	-
Clear Distance	4	-

Anchor Rods		
Anchor Rod Quantity, N	20	-
Rod Diameter, d	2.5	in
Bolt Circle, BC	57	in
Yield Strength, Fy	55	ksi
Tensile Strength, Fu	70	ksi
Applied Axial, Pu	104.0	k
Applied Shear, Vu	0.6	k
Compressive Capacity, ϕP_n	209.9	k
Tensile Capacity, ϕR_n	0.495	OK
Interaction Capacity	0.501	OK

External Base Plate		
Chord Length AA	33.736	in
Additional AA	5.000	in
Section Modulus, Z	60.524	in ³
Applied Moment, Mu	500.7	k-ft
Bending Capacity, ϕM_n	2996.0	k-ft
Capacity, Mu/ ϕM_n	0.167	OK

Chord Length AB	32.278	in
Additional AB	5.000	in
Section Modulus, Z	58.247	in ³
Applied Moment, Mu	354.8	k-ft
Bending Capacity, ϕM_n	2883.2	k-ft
Capacity, Mu/ ϕM_n	0.123	OK

Bend Line Length	28.914	in
Additional Bend Line	0.000	in
Section Modulus, Z	45.178	in ³
Applied Moment, Mu	500.7	k-ft
Bending Capacity, ϕM_n	2236.3	k-ft
Capacity, Mu/ ϕM_n	0.224	OK

Internal Base Plate		
Arc Length	0.000	in
Section Modulus, Z	0.000	in ³
Moment Arm	0.000	in
Applied Moment, Mu	0.0	k-ft
Bending Capacity, ϕM_n	0.0	k-ft
Capacity, Mu/ ϕM_n		

Flange Plate Analysis

Flange Plate	Plate Type	Flange	@ 119 ft
	Pole Diameter	22	in
	Pole Thickness	0.1875	in
	Plate Diameter	31	in
	Plate Thickness	1	in
	Plate Fy	36	ksi
	Weld Length	0.3125	in
	f _s Resistance Applied	61.38	k-in
		9.70	k-in

Code Rev. **H**

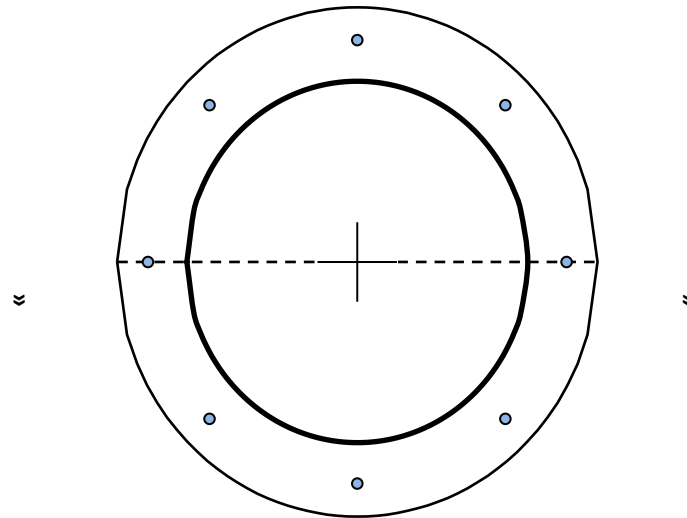
Date	6/22/2021
Engineer	Julia Yan
Site #	370626
Carrier	Verizon Wireless

Moment 28.4 k-ft
Axial 2.8 k

Required Flange Thickness:
0.40 in OK

Stiffeners	#	
------------	---	--

Bolts	#	8	
	Bolt Circle (R)adial / (S)quare	27	in
	Bolt Gap	R	
	Diameter	6	in
	Hole Diameter	1	in
	Type	1.125	in
	Fy	A325	
	Fu	92	ksi
	f _s Resistance Applied	120	ksi
		54.52	k
	5.97	k	



Reinforcement	#	
---------------	---	--

Plate Stress Ratio:
16% Pass

Bolt Stress Ratio:
11% Pass

Extra Bolts	O	
-------------	---	--



Maser Consulting Connecticut
2000 Midlantic Drive, Suite 100
Mt. Laurel, NJ 08054
(856) 797-0412
peter.albano@colliersengineering.com

Antenna Mount Analysis Report and PMI Requirements

Mount Analysis

SMART Tool Project #: 10050365
Maser Consulting Connecticut Project #: 21777429A

April 22, 2021

Site Information

Site ID: 467627-VZW / E HARTFORD 3 CT
Site Name: E HARTFORD 3 CT
Carrier Name: Verizon Wireless
Address: 148 Roberts St
East Hartford, Connecticut 06108
Hartford County
Latitude: 41.773333°
Longitude: -72.613442°

Structure Information

Tower Type: Monopole
Mount Type: 12.50-ft Platform

FUZE ID # 16053192

Analysis Results

Platform: 69.5% Pass

*****Contractor PMI Requirements:**

Included at the end of this MA report

Available & Submitted via portal at <https://pmi.vzwsmart.com>

Contractor - Please Review Specific Site PMI Requirements Upon Award

Requirements also Noted on Mount Modification Drawings

Requirements may also be Noted on A & E drawings

Report Prepared By: Erin Towler



Executive Summary:

The objective of this report is to determine the capacity of the antenna support mount at the subject facility for the final wireless telecommunications configuration, per the applicable codes and standards. Any modification listed under Sources of Information was assumed completed and was included in this analysis.

This analysis is inclusive of the mount structure only and does not address the structural capacity of the supporting structure. This mounting frame was not analyzed as an anchor attachment point for fall protection. All climbing activities are required to have a fall protection plan completed by a competent person.

Sources of Information:

Document Type	Remarks
<i>Radio Frequency Data Sheet (RFDS)</i>	<i>Verizon RFDS, Site ID: 674879, dated March 18, 2021</i>
<i>Mount Mapping Report</i>	<i>RKS Design & Engineering LLC, Site ID: 467627, dated March 18, 2021</i>

Analysis Criteria:

Codes and Standards:	ANSI/TIA-222-H
Wind Parameters:	Basic Wind Speed (Ultimate 3-sec. Gust), V_{ULT} : 118 mph Ice Wind Speed (3-sec. Gust): 50 mph Design Ice Thickness: 1.50 in Risk Category: II Exposure Category: C Topographic Category: 1 Topographic Feature Considered: N/A Topographic Method: N/A Ground Elevation Factor, K_e : 0.998
Seismic Parameters:	S_s : 0.189 S_1 : 0.055
Maintenance Parameters:	Wind Speed (3-sec. Gust): 30 mph Maintenance Live Load, L_v : 250 lbs Maintenance Live Load, L_m : 500 lbs
Analysis Software:	RISA-3D (V17)

Final Loading Configuration:

The following equipment has been considered for the analysis of the mount:

Mount Elevation (ft)	Equipment Elevation (ft)	Quantity	Manufacturer	Model	Status
115.00	118.00	3	Andrew	LNx-6513DS-A1M	Added
		3	Commscope	NHH-65B-R2B	
		3	Commscope	NHHSS-65B-R2BT0	
		3	Samsung	MT6407-77A	
		3	Samsung	B2/B66A RRH-BR049	
		3	Samsung	B5/B13 RRH-BR04C	
		2	Raycap	RRFDC-3315-PF-48	Retained

Standard Conditions:

1. All engineering services are performed on the basis that the information provided to Maser Consulting Connecticut and used in this analysis is current and correct. The existing equipment loading has been applied at locations determined from the supplied documentation. Any deviation from the loading locations specified in this report shall be communicated to Maser Consulting Connecticut to verify deviation will not adversely impact the analysis.
2. Mounts are assumed to have been properly fabricated, installed and maintained in good condition, twist free and plumb in accordance with its original design and manufacturer’s specifications.

Obvious safety and structural issues/deficiencies noticed at the time of the mount mapping and reported in the Mount Mapping Report are assumed to be corrected and documented as part of the PMI process and are not considered in the mount analysis.

The mount analysis and the mount mapping are not a condition assessment of the mount. Proper maintenance and condition assessments are still required post analysis.

3. For mount analyses completed from other data sources (including new replacement mounts) and not specifically mapped by Maser Consulting Connecticut, the mounts are assumed to have been properly fabricated, installed and maintained in good condition, twist free and plumb in accordance with its original design and manufacturer’s specifications.
4. All member connections are assumed to have been designed to meet or exceed the load carrying capacity of the connected member unless otherwise specified in this report.
5. The mount was checked up to, and including, the bolts that fasten it to the mount collar/attachment and threaded rod connections in collar members if applicable. Local deformation and interaction between the mount collar/attachment and the supporting tower structure are outside the scope of this analysis.
6. All services are performed, results obtained, and recommendations made in accordance with generally accepted engineering principles and practices. Maser Consulting Connecticut is not responsible for the conclusion, opinions, and recommendations made by others based on the information supplied.

7. Structural Steel Grades have been assumed as follows, if applicable, unless otherwise noted in this analysis:
- Channel, Solid Round, Angle, Plate ASTM A36 (Gr. 36)
 - HSS (Rectangular) ASTM 500 (Gr. B-46)
 - Pipe ASTM A53 (Gr. B-35)
 - Threaded Rod F1554 (Gr. 36)
 - Bolts ASTM A325

Discrepancies between in-field conditions and the assumptions listed above may render this analysis invalid unless explicitly approved by Maser Consulting Connecticut.

Analysis Results:

Component	Utilization %	Pass/Fail
Face Horizontal	28.9 %	Pass
Standoff Horizontal	52.1 %	Pass
Corner Plate	24.2 %	Pass
Crossmember	22.8 %	Pass
Grating Support	17.1 %	Pass
Cross Arm Plate	44.6 %	Pass
Support Rail	57.0 %	Pass
Support Rail Corner	60.1 %	Pass
Antenna Pipe	69.5 %	Pass
Mount Connection	57.2 %	Pass

Structure Rating – (Controlling Utilization of all Components)	69.5%
---	--------------

Recommendation:


The existing mount is **SUFFICIENT** for the final loading configuration and do not require modifications.

ANSI/ASSP rigging plan review services compliant with the requirements of ANSI/TIA 322 are available for a Construction Class IV site or other, if required. Separate review fees will apply.

Attachments:

1. Mount Photos
2. Mount Mapping Report (for reference only)
3. Analysis Calculations
4. **Contractor Required Post Installation Inspection (PMI) Report Deliverables**
5. Antenna Placement Diagrams
6. TIA Adoption Windspeed Usage Letter



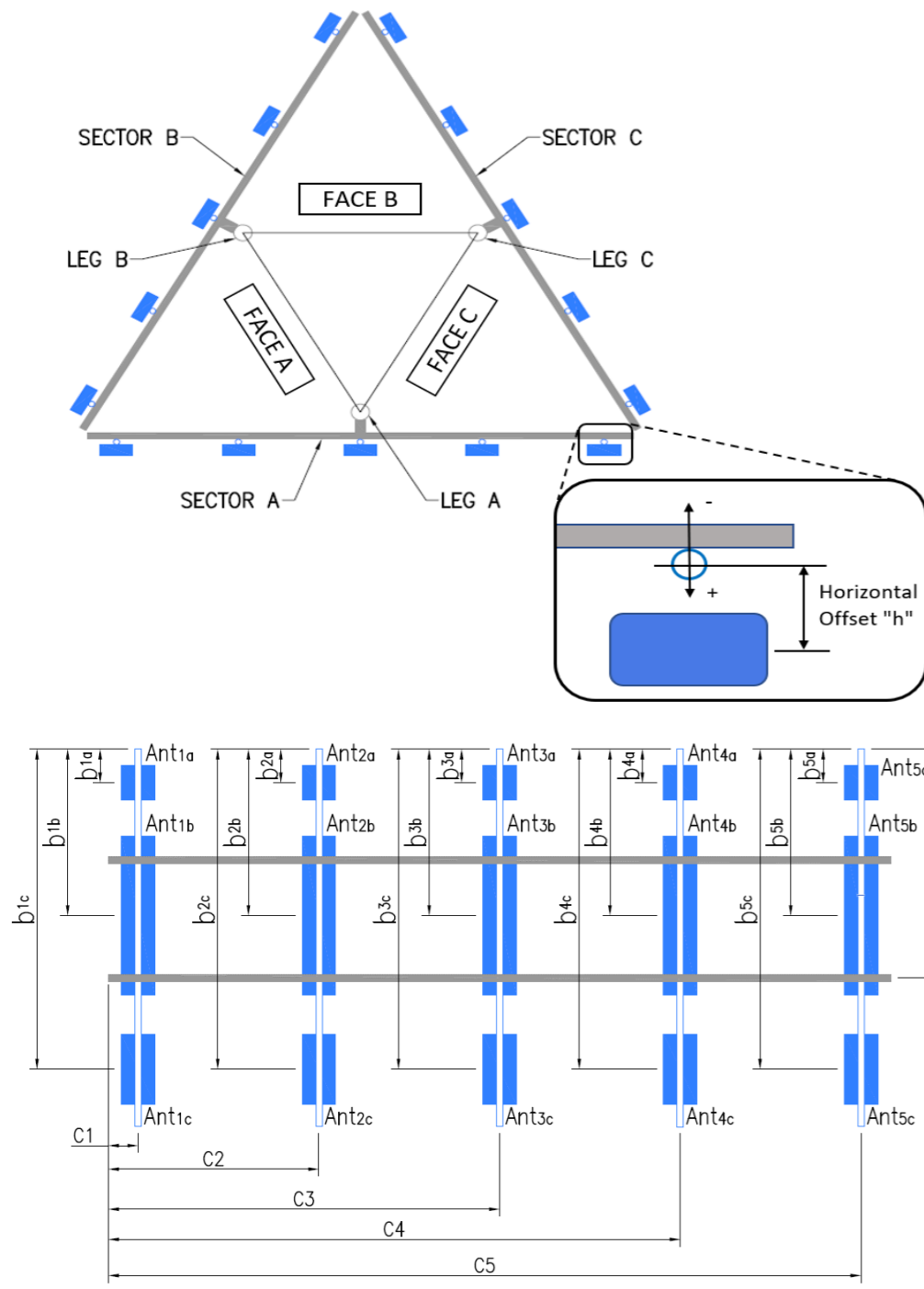
	Antenna Mount Mapping Form (PATENT PENDING)			FCC #
				UNKNOWN
	Tower Owner:	ATC	Mapping Date:	3/18/2021
	Site Name:	VZW:E HARTFORD 3 CT	Tower Type:	Monopole
Site Number or ID:	VZW:467627	Tower Height (Ft.):	UNKNOWN	
Mapping Contractor:	RKS Design & Engineering LLC	Mount Elevation (Ft.):	115.5	

This antenna mapping form is the property of TES and under **PATENT PENDING**. The formation contained herein is considered confidential in nature and is to be used only for the specific customer it was intended for. Reproduction, transmission, publication, modification or disclosure by any method is prohibited except by express written permission of TES. All means and methods are the responsibility of the contractor and the work shall be compliant with ANSI/ASSE A 10.48, OSHA, FCC, FAA and other safety requirements that may apply. TES is not warranting the usability of the safety climb as it must be assessed prior to each use in compliance with OSHA requirements.

Please insert the sketches of the antenna mount from the "Sketches" tab with dimensions and members here.

Mount Pipe Configuration and Geometries [Unit = Inches]							
Sector / Position	Mount Pipe Size & Length	Vertical Offset Dimension "u"	Horizontal Offset "C1, C2, C3, etc."	Sector / Position	Mount Pipe Size & Length	Vertical Offset Dimension "u"	Horizontal Offset "C1, C2, C3, etc."
A1	Pipe 2.375"Ø X 0.16" X 110" Long	87.75	4.50	C1	Pipe 2.375"Ø X 0.16" X 110" Long	87.75	4.50
A2	Pipe 2.375"Ø X 0.16" X 110" Long	87.00	50.50	C2	Pipe 2.375"Ø X 0.16" X 110" Long	87.00	50.50
A3	Pipe 2.375"Ø X 0.16" X 110" Long	88.50	100.00	C3	Pipe 2.375"Ø X 0.16" X 110" Long	88.50	100.00
A4	Pipe 2.375"Ø X 0.16" X 110" Long	86.50	146.25	C4	Pipe 2.375"Ø X 0.16" X 110" Long	86.50	146.25
A5				C5			
A6				C6			
B1	Pipe 2.375"Ø X 0.16" X 110" Long	87.75	4.50	D1			
B2	Pipe 2.375"Ø X 0.16" X 110" Long	87.00	50.50	D2			
B3	Pipe 2.375"Ø X 0.16" X 110" Long	88.50	100.00	D3			
B4	Pipe 2.375"Ø X 0.16" X 110" Long	86.50	146.25	D4			
B5				D5			
B6				D6			
Distance between bottom rail and mount CL elevation (dim d). Unit is inches. See 'Mount Elev Ref' tab for details. :							
Distance from top of bottom support rail to lowest tip of ant./eqpt. of Carrier above. (N/A if > 10 ft.) :							
Distance from top of bottom support rail to highest tip of ant./eqpt. of Carrier below. (N/A if > 10 ft.) :							
Please enter additional information or comments below.							
Tower Face Width at Mount Elev. (ft.):							
Tower Leg Size or Pole Shaft Diameter at Mount Elev. (in.):							
22.61							

Ants. Items	Enter antenna model. If not labeled, enter "Unknown".						Mounting Locations [Units are inches and degrees]			Photos of antennas
	Antenna Models if Known	Width (in.)	Depth (in.)	Height (in.)	Coax Size and Qty	Antenna Center-line (Ft.)	Vertical Distances "b _{1a} , b _{2a} , b _{3a} , b _{1b} ..." (Inches)	Horiz. Offset "h" (Use "-" if Ant. is behind)	Antenna Azimuth (Degrees)	
Sector A										
Ant _{1a}										
Ant _{1b}	DB844G65ZAXY	9.75	8.25	48.00		118.313	54.00	7.50	40.00	8,136
Ant _{1c}										
Ant _{2a}	UNKNOWN RRH	26.00	12.00	26.00		120.833	23.00	-9.00		8,136
Ant _{2b}	(2)JAHH-65B-R3B	13.80	8.20	72.00		118.5	51.00	16.50	40.00	8,136
Ant _{2c}	B66a RRH 4x45	11.80	7.20	25.80		117.917	58.00	-10.50		8,136
Ant _{3a}	B13 RRH4x30	12.00	9.00	21.60		117.875	60.00	-13.00		8,137
Ant _{3b}										8,137
Ant _{3c}	B25 RRH 4x30	12.00	7.20	21.20		120.667	26.50	10.50		
Ant _{4a}										
Ant _{4b}	DB844G65ZAXY	9.75	8.25	48.00		118.208	54.00	7.50	40.00	8,137
Ant _{4c}										
Ant _{5a}										
Ant _{5b}										
Ant _{5c}										
Ant on Standoff										
Ant on Standoff										
Ant on Tower	RHSDC-3315-PF-48	15.70	10.20	25.60			33.00			338
Ant on Tower										



Antenna Layout (Looking Out From Tower)

1	COAX TOTAL (8): (2) 1.49"Ø HYBRID, (6) FH 1-5/8	
2		
3		
4		
5		
6		
7		
8		

Mapping Notes

1. Please report any visible structural or safety issues observed on the antenna mounts (Damaged members, loose connections, tilting mounts, safety climb issues, etc.)
2. If the thickness of the existing pipes or tubing can't be obtained from a general tool (such as Caliper), please use an ultrasonic measurement tool (thickness gauge) to measure the thickness.
3. Please create all required detail sketches of the mounts and insert them into the "Sketches" tab.
4. Please measure and enter the bolt sizes and types under the Members Box in the spreadsheet of the mount type.
5. Take and label the photos of the tower, mounts, connections, antennas and all measurements. Minimum 50 photos are required.
6. Please measure and report the size and length of all existing antenna mounting pipes.
7. Please measure and report the antenna information for all sectors.
8. Don't delete or rearrange any sheet or contents of any sheet from this mapping form.

Standard Conditions

1. Obvious safety and structural issues/deficiencies noticed at the time of the mount mapping are to be reported in this mapping. However, this mount mapping is not a condition assessment of the mount.



Antenna Mount Mapping Form (PATENT PENDING)

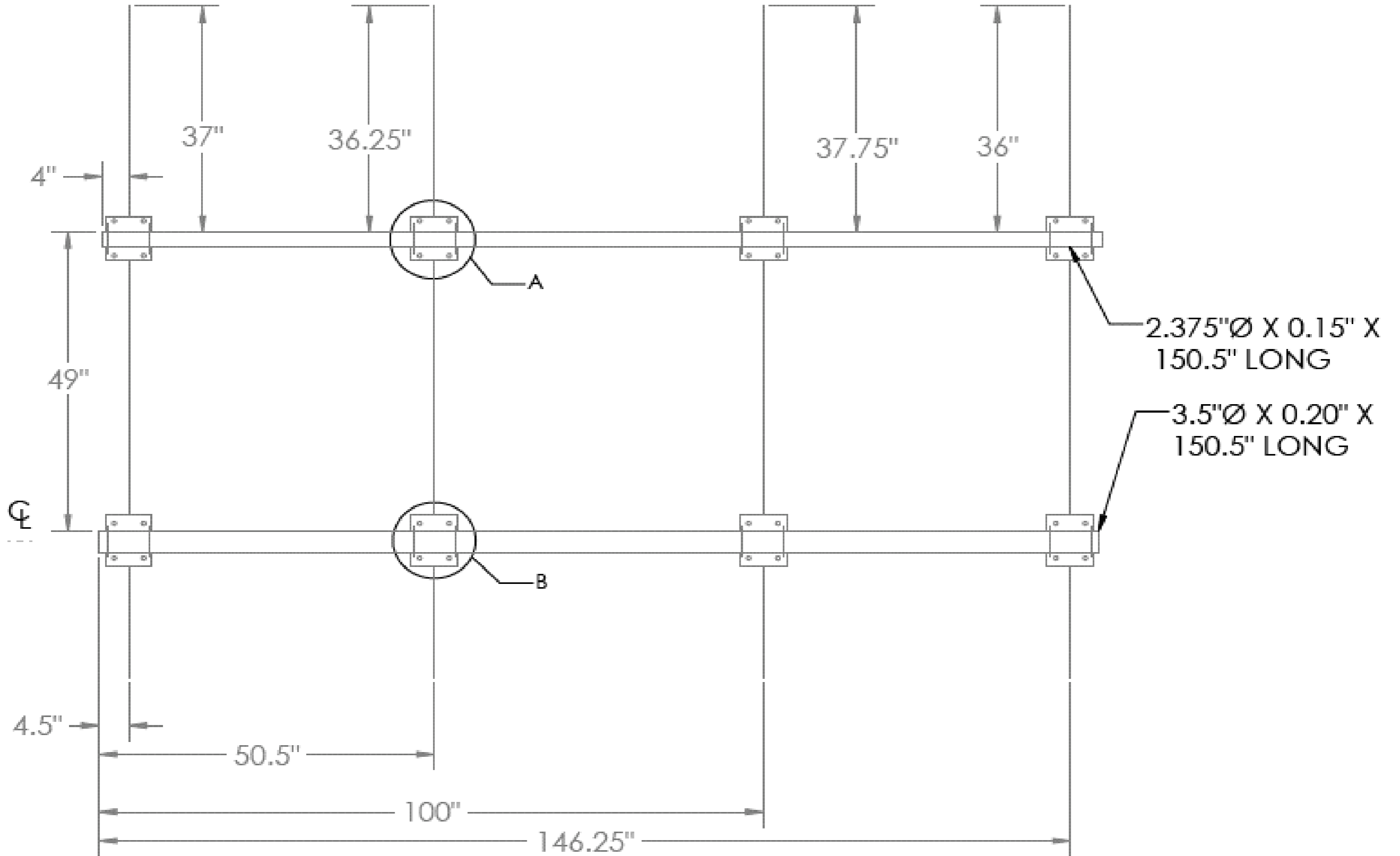
FCC #

UNKNOWN

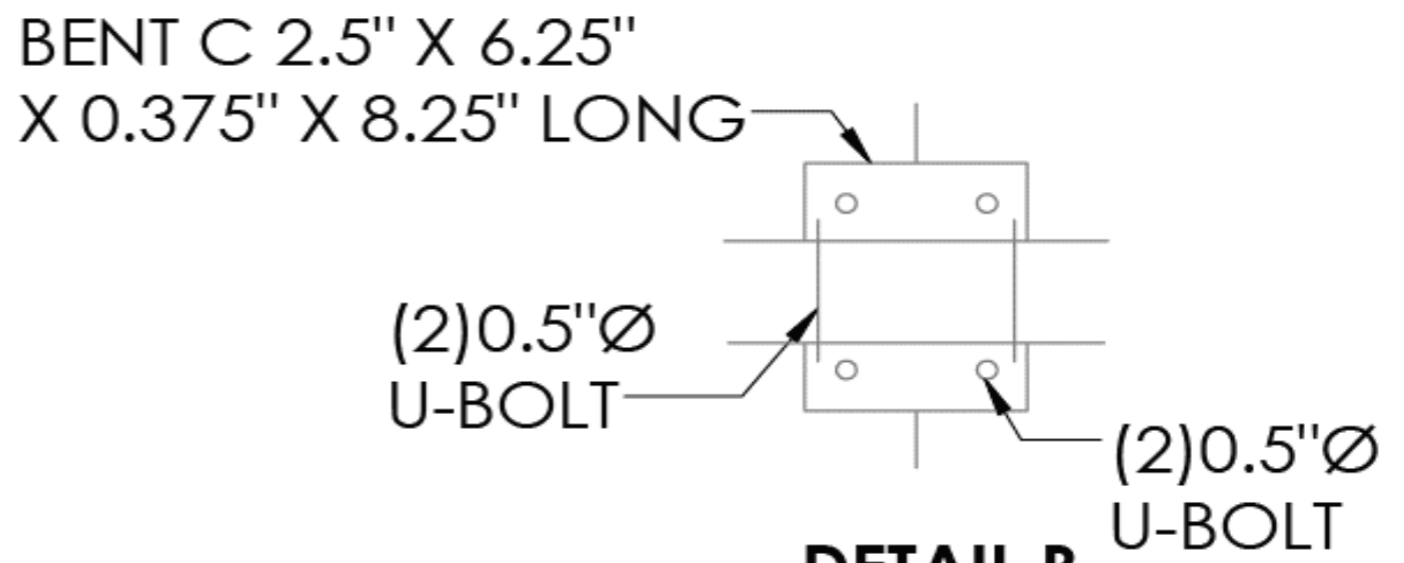
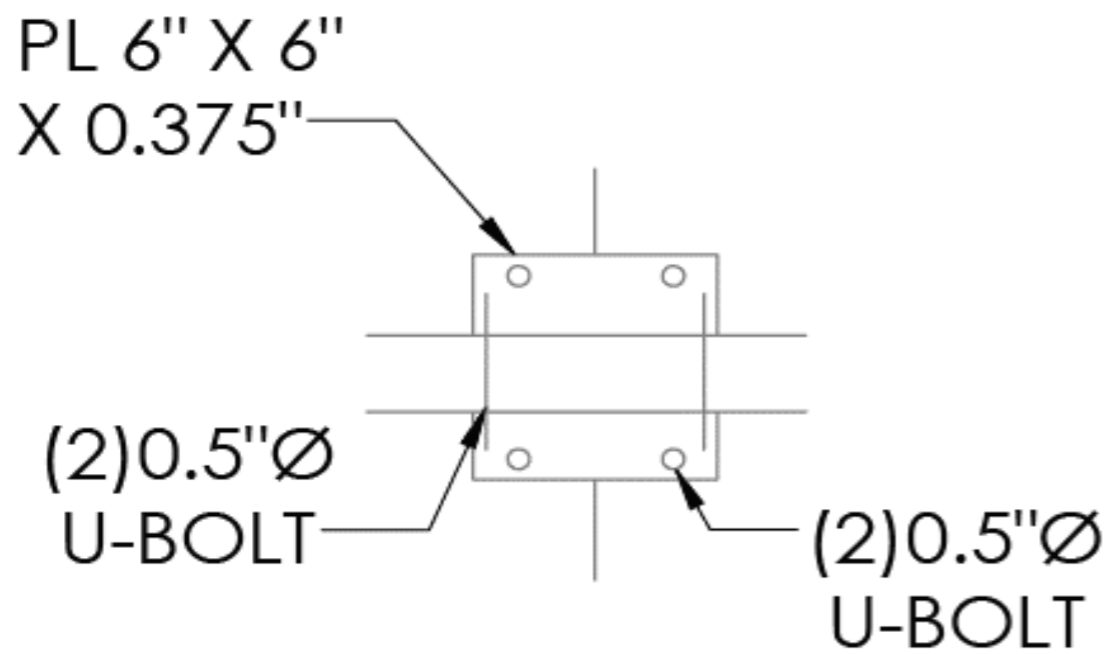
Tower Owner:	ATC	Mapping Date:	3/18/2021
Site Name:	VZW:E HARTFORD 3 CT	Tower Type:	Monopole
Site Number or ID:	VZW:467627	Tower Height (Ft.):	UNKNOWN
Mapping Contractor:	RKS Design & Engineering LLC	Mount Elevation (Ft.):	115.5

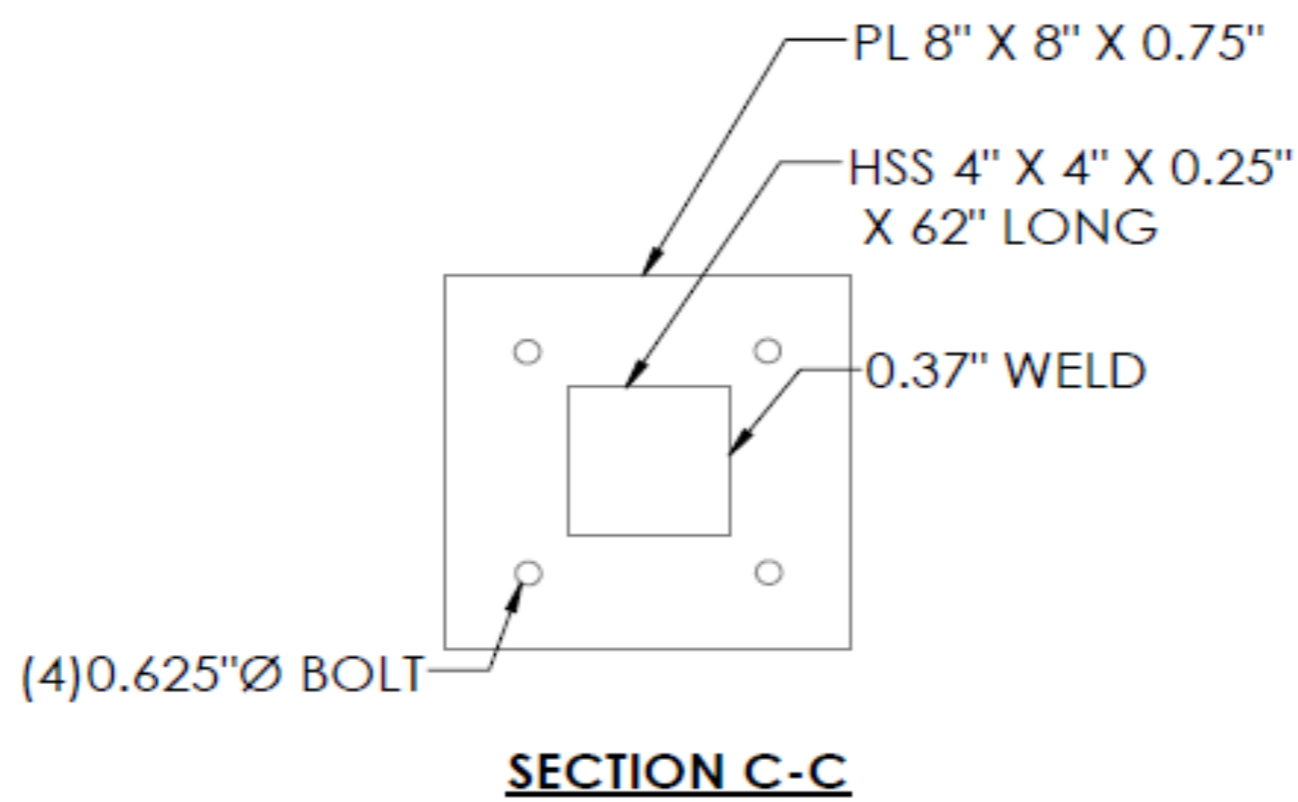
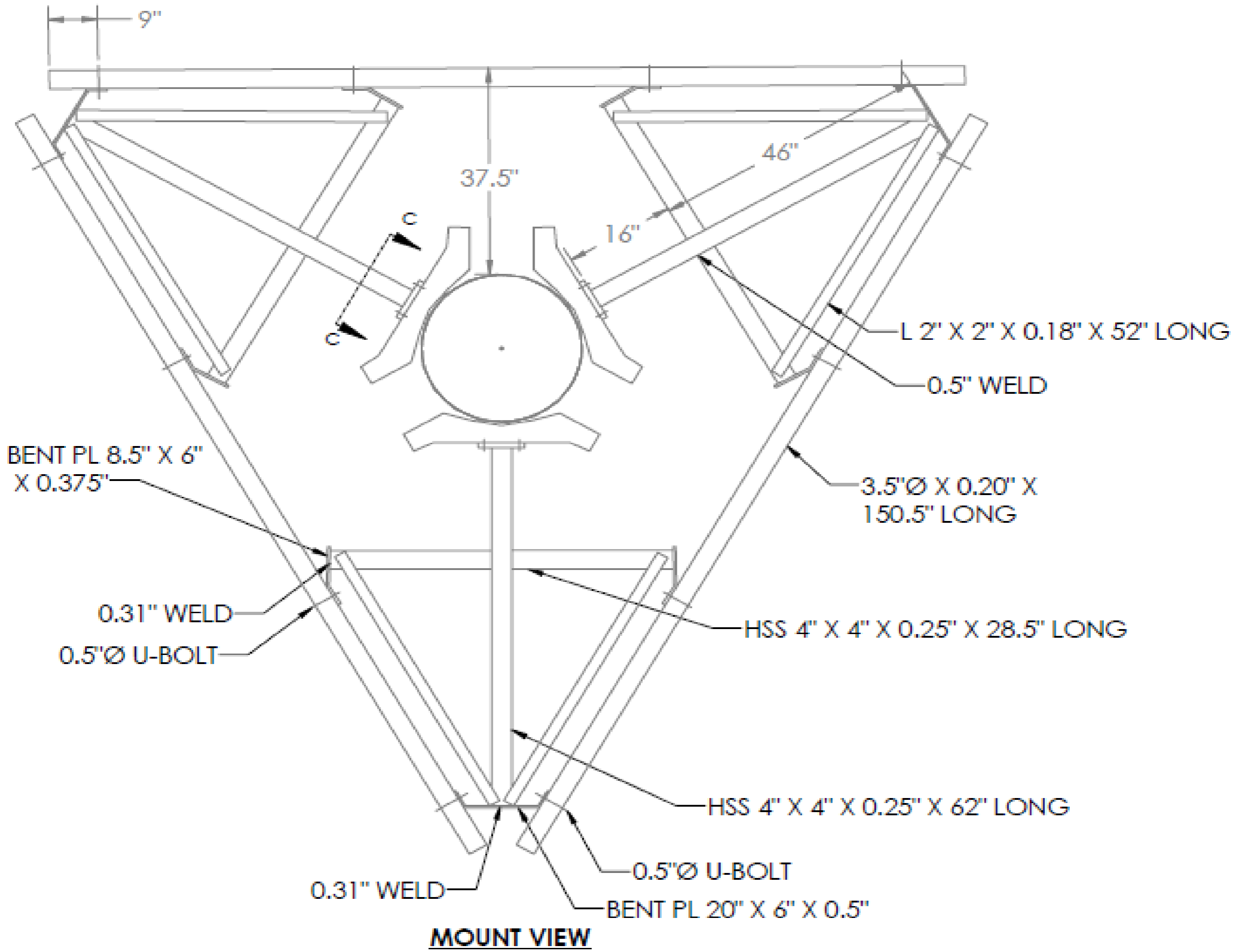
This antenna mapping form is the property of TES and under **PATENT PENDING**. The formation contained herein is considered confidential in nature and is to be used only for the specific customer it was intended for. Reproduction, transmission, publication, modification or disclosure by any method is prohibited except by express written permission of TES. All means and methods are the responsibility of the contractor and the work shall be compliant with ANSI/ASSE A 10.48, OSHA, FCC, FAA and other safety requirements that may apply. TES is not warranting the usability of the safety climb as it must be assessed prior to each use in compliance with OSHA requirements.

Please Insert Sketches of the Antenna Mount

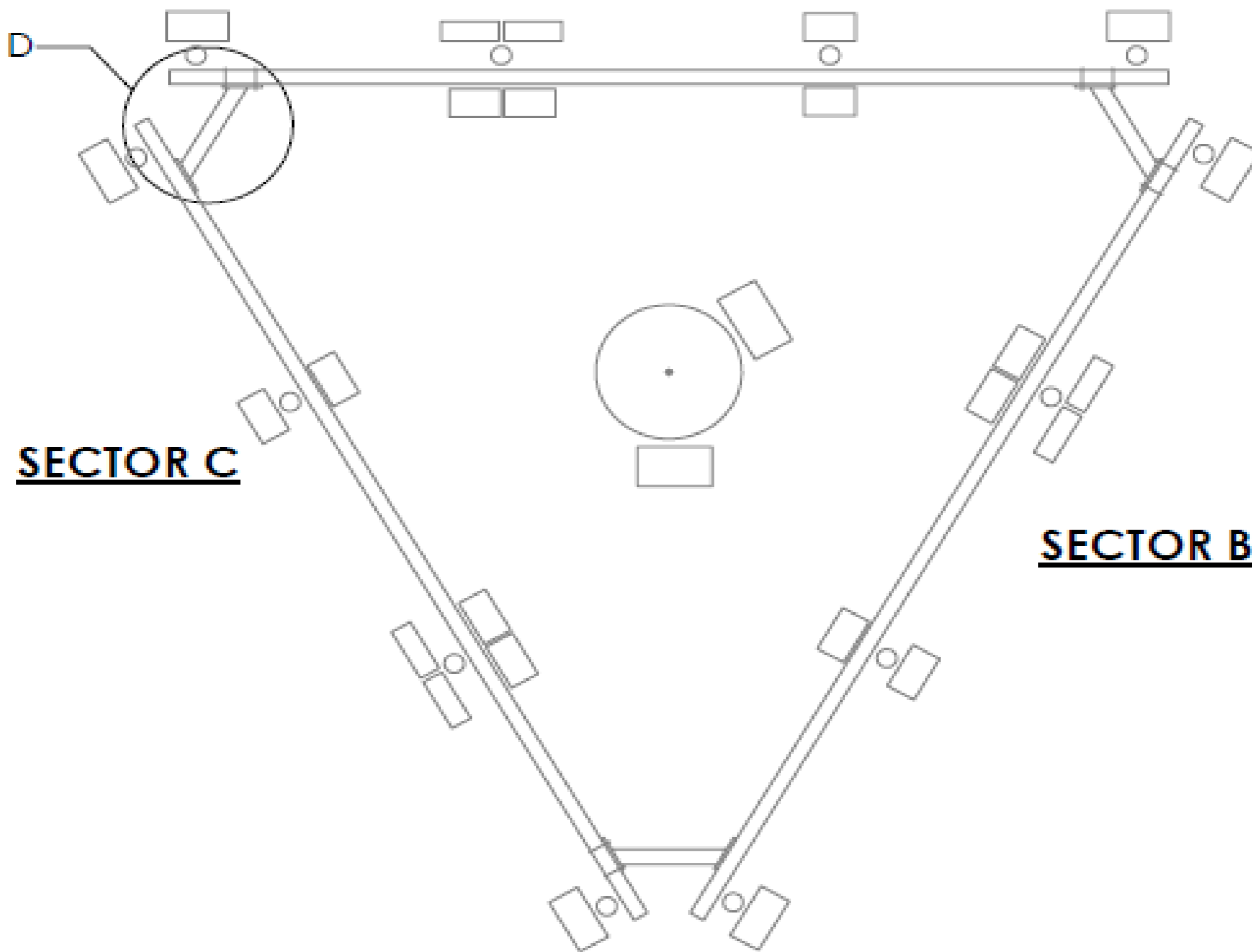


SECTOR A,B & C





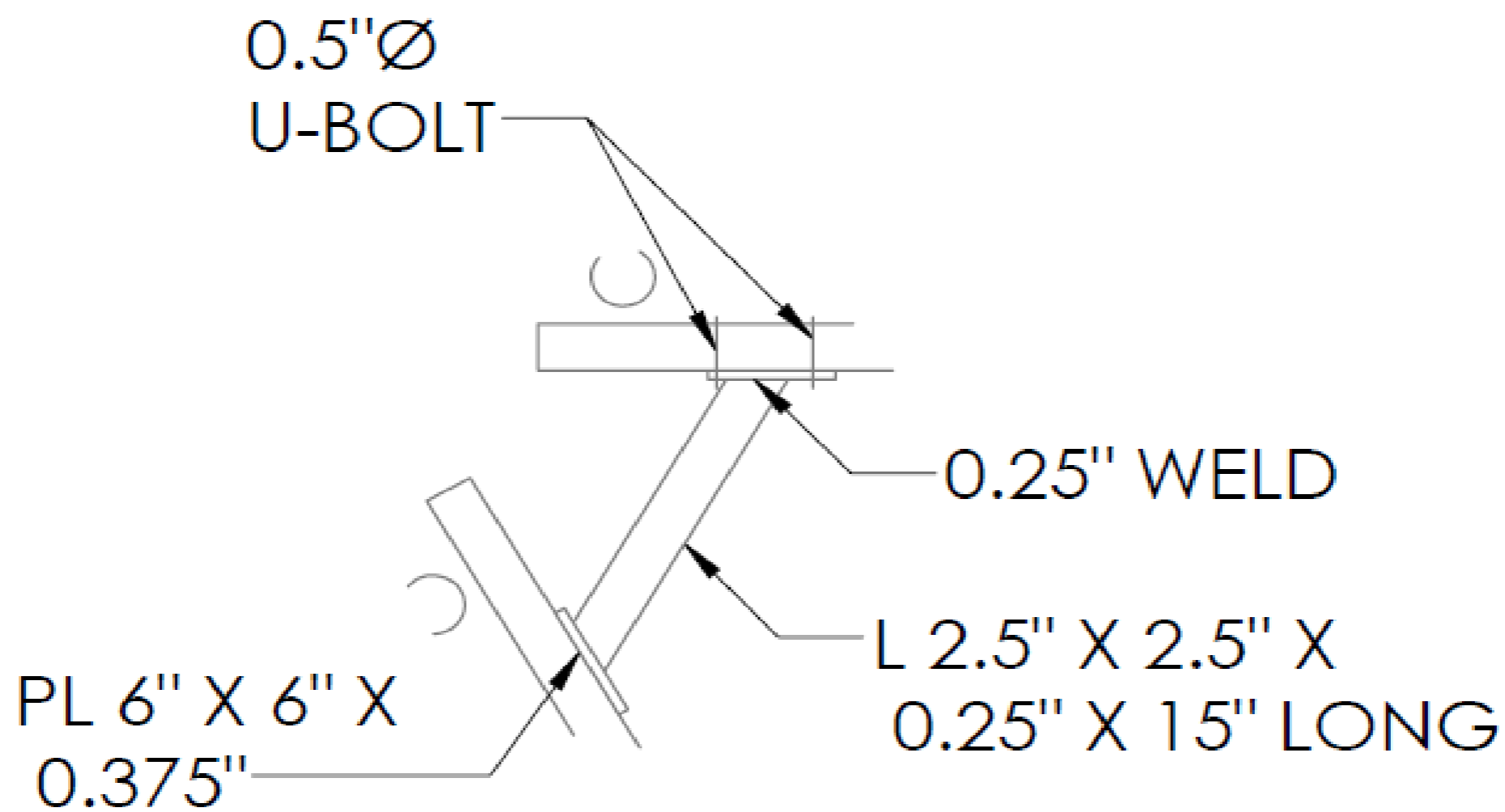
SECTOR A



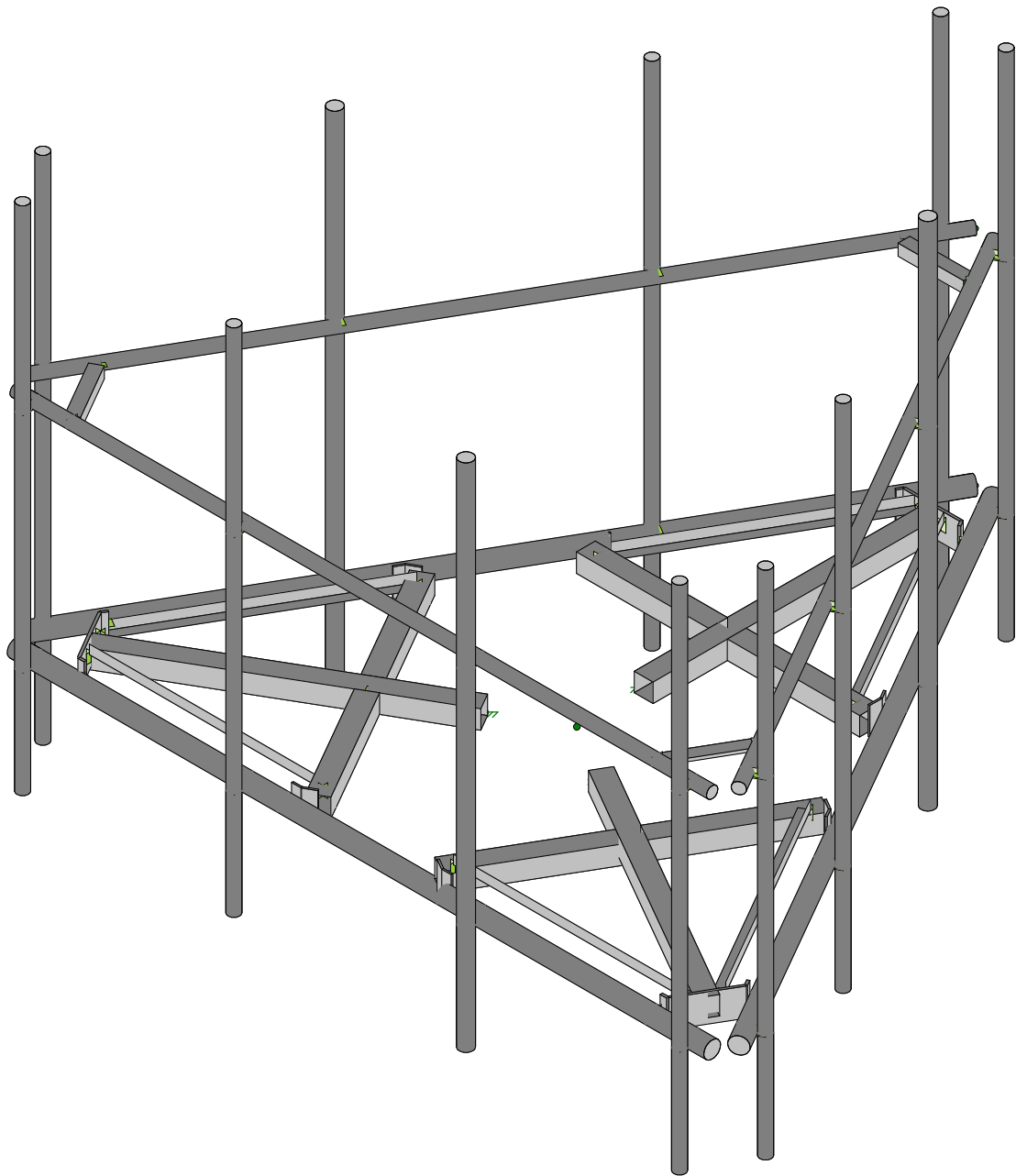
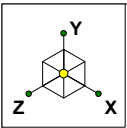
SECTOR C

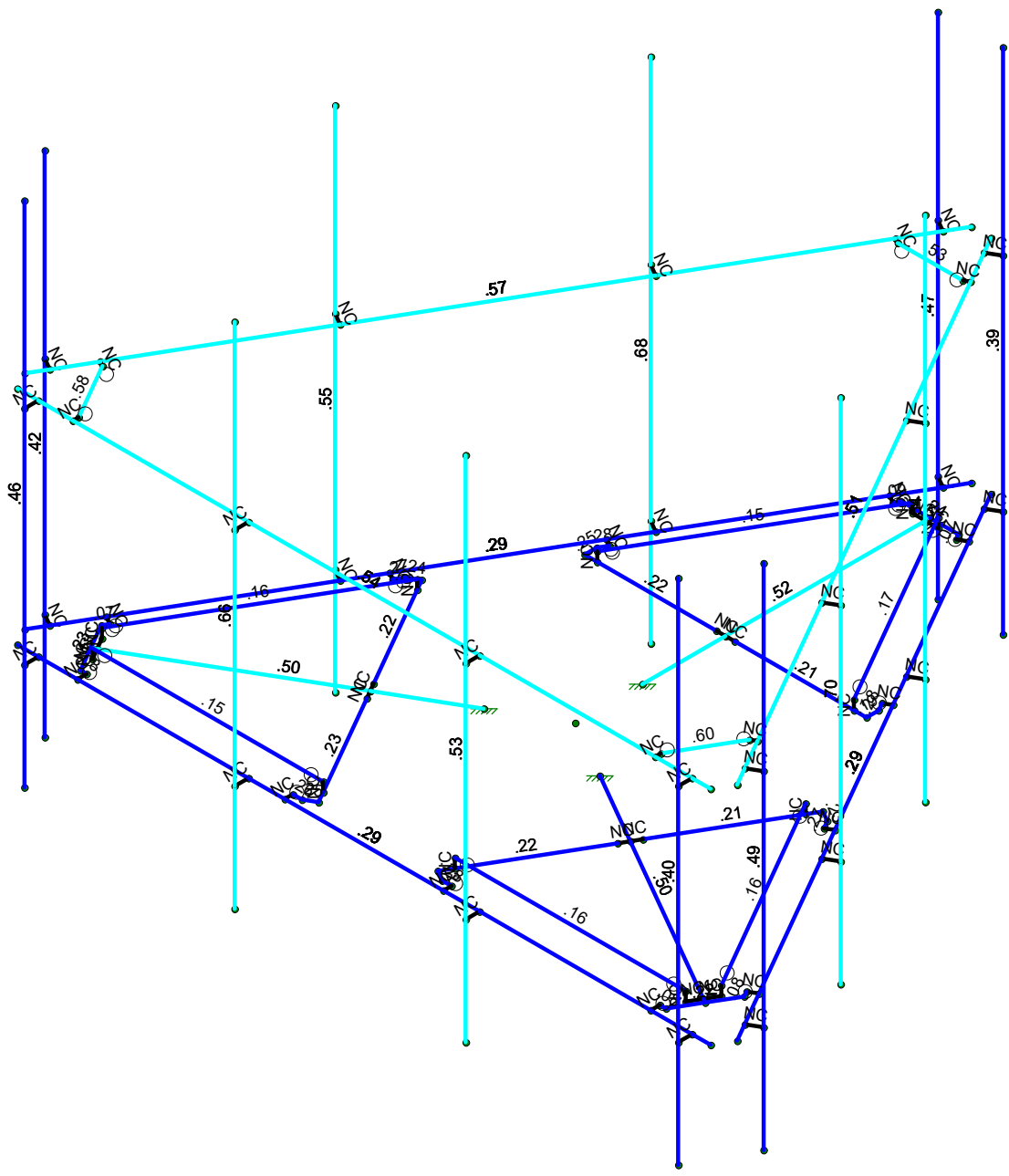
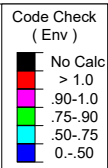
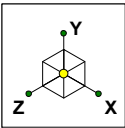
SECTOR B

ANTENNA PLAN VIEW

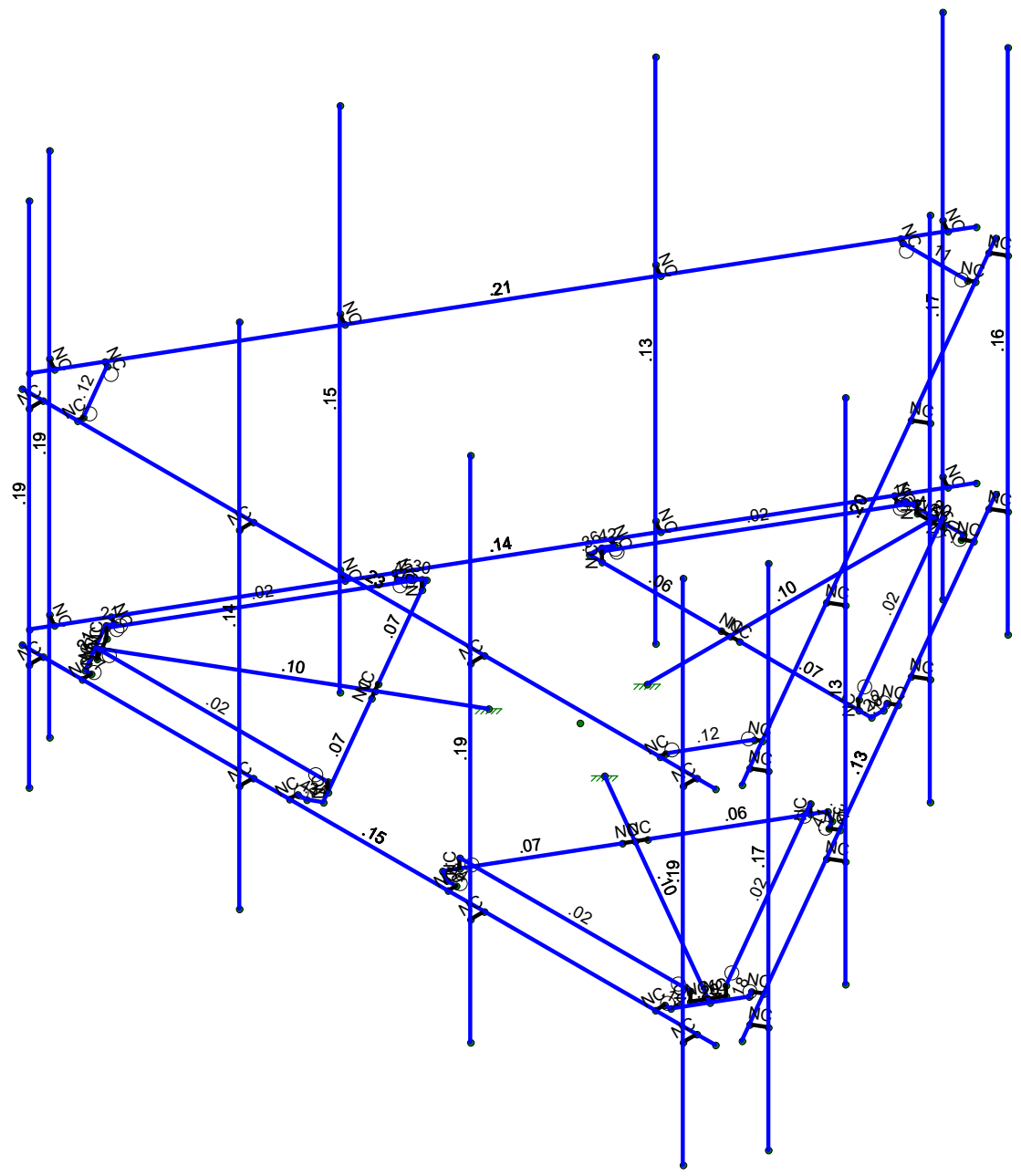
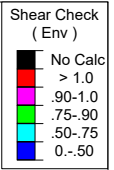
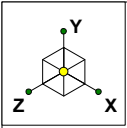


DETAIL D





Member Code Checks Displayed (Enveloped)
Envelope Only Solution



Member Shear Checks Displayed (Enveloped)
Envelope Only Solution

Basic Load Cases

	BLC Description	Category	X Gravity	Y Gravity	Z Gravity	Joint	Point	Distribut...	Area(Me...	Surface(...
1	Antenna D	None					90			
2	Antenna Di	None					90			
3	Antenna Wo (0 Deg)	None					90			
4	Antenna Wo (30 Deg)	None					90			
5	Antenna Wo (60 Deg)	None					90			
6	Antenna Wo (90 Deg)	None					90			
7	Antenna Wo (120 Deg)	None					90			
8	Antenna Wo (150 Deg)	None					90			
9	Antenna Wo (180 Deg)	None					90			
10	Antenna Wo (210 Deg)	None					90			
11	Antenna Wo (240 Deg)	None					90			
12	Antenna Wo (270 Deg)	None					90			
13	Antenna Wo (300 Deg)	None					90			
14	Antenna Wo (330 Deg)	None					90			
15	Antenna Wi (0 Deg)	None					90			
16	Antenna Wi (30 Deg)	None					90			
17	Antenna Wi (60 Deg)	None					90			
18	Antenna Wi (90 Deg)	None					90			
19	Antenna Wi (120 Deg)	None					90			
20	Antenna Wi (150 Deg)	None					90			
21	Antenna Wi (180 Deg)	None					90			
22	Antenna Wi (210 Deg)	None					90			
23	Antenna Wi (240 Deg)	None					90			
24	Antenna Wi (270 Deg)	None					90			
25	Antenna Wi (300 Deg)	None					90			
26	Antenna Wi (330 Deg)	None					90			
27	Antenna Wm (0 Deg)	None					90			
28	Antenna Wm (30 Deg)	None					90			
29	Antenna Wm (60 Deg)	None					90			
30	Antenna Wm (90 Deg)	None					90			
31	Antenna Wm (120 Deg)	None					90			
32	Antenna Wm (150 Deg)	None					90			
33	Antenna Wm (180 Deg)	None					90			
34	Antenna Wm (210 Deg)	None					90			
35	Antenna Wm (240 Deg)	None					90			
36	Antenna Wm (270 Deg)	None					90			
37	Antenna Wm (300 Deg)	None					90			
38	Antenna Wm (330 Deg)	None					90			
39	Structure D	None		-1					3	
40	Structure Di	None						57	3	
41	Structure Wo (0 Deg)	None						114		
42	Structure Wo (30 Deg)	None						114		
43	Structure Wo (60 Deg)	None						114		
44	Structure Wo (90 Deg)	None						114		
45	Structure Wo (120 Deg)	None						114		
46	Structure Wo (150 Deg)	None						114		
47	Structure Wo (180 Deg)	None						114		
48	Structure Wo (210 Deg)	None						114		
49	Structure Wo (240 Deg)	None						114		
50	Structure Wo (270 Deg)	None						114		
51	Structure Wo (300 Deg)	None						114		
52	Structure Wo (330 Deg)	None						114		
53	Structure Wi (0 Deg)	None						114		
54	Structure Wi (30 Deg)	None						114		
55	Structure Wi (60 Deg)	None						114		
56	Structure Wi (90 Deg)	None						114		
57	Structure Wi (120 Deg)	None						114		
58	Structure Wi (150 Deg)	None						114		
59	Structure Wi (180 Deg)	None						114		
60	Structure Wi (210 Deg)	None						114		
61	Structure Wi (240 Deg)	None						114		

Basic Load Cases (Continued)

BLC Description		Category	X Gravity	Y Gravity	Z Gravity	Joint	Point	Distribut...	Area(Me...	Surface(...
62	Structure Wi (270 Deg)	None						114		
63	Structure Wi (300 Deg)	None						114		
64	Structure Wi (330 Deg)	None						114		
65	Structure Wm (0 Deg)	None						114		
66	Structure Wm (30 Deg)	None						114		
67	Structure Wm (60 Deg)	None						114		
68	Structure Wm (90 Deg)	None						114		
69	Structure Wm (120 Deg)	None						114		
70	Structure Wm (150 Deg)	None						114		
71	Structure Wm (180 Deg)	None						114		
72	Structure Wm (210 Deg)	None						114		
73	Structure Wm (240 Deg)	None						114		
74	Structure Wm (270 Deg)	None						114		
75	Structure Wm (300 Deg)	None						114		
76	Structure Wm (330 Deg)	None						114		
77	Lm1	None					1			
78	Lm2	None					1			
79	Lv1	None					1			
80	Lv2	None					1			
81	BLC 39 Transient Area Loads	None						30		
82	BLC 40 Transient Area Loads	None						30		

Load Combinations

Description	S...	PDe...	S...	B...	Fa...	B...	Fa...	B...	Fa...	B...	Fa...	B...	Fa...	B...	Fa...	B...	Fa...	B...	Fa...	B...	Fa...	B...	Fa...	
1	1.2D+1.0Wo (0 Deg)	Yes	Y		1	1.2	39	1.2	3	1	41	1												
2	1.2D+1.0Wo (30 Deg)	Yes	Y		1	1.2	39	1.2	4	1	42	1												
3	1.2D+1.0Wo (60 Deg)	Yes	Y		1	1.2	39	1.2	5	1	43	1												
4	1.2D+1.0Wo (90 Deg)	Yes	Y		1	1.2	39	1.2	6	1	44	1												
5	1.2D+1.0Wo (120 Deg)	Yes	Y		1	1.2	39	1.2	7	1	45	1												
6	1.2D+1.0Wo (150 Deg)	Yes	Y		1	1.2	39	1.2	8	1	46	1												
7	1.2D+1.0Wo (180 Deg)	Yes	Y		1	1.2	39	1.2	9	1	47	1												
8	1.2D+1.0Wo (210 Deg)	Yes	Y		1	1.2	39	1.2	10	1	48	1												
9	1.2D+1.0Wo (240 Deg)	Yes	Y		1	1.2	39	1.2	11	1	49	1												
10	1.2D+1.0Wo (270 Deg)	Yes	Y		1	1.2	39	1.2	12	1	50	1												
11	1.2D+1.0Wo (300 Deg)	Yes	Y		1	1.2	39	1.2	13	1	51	1												
12	1.2D+1.0Wo (330 Deg)	Yes	Y		1	1.2	39	1.2	14	1	52	1												
13	1.2D + 1.0Di + 1.0Wi (0 Deg)	Yes	Y		1	1.2	39	1.2	2	1	40	1	15	1	53	1								
14	1.2D + 1.0Di + 1.0Wi (30 Deg)	Yes	Y		1	1.2	39	1.2	2	1	40	1	16	1	54	1								
15	1.2D + 1.0Di + 1.0Wi (60 Deg)	Yes	Y		1	1.2	39	1.2	2	1	40	1	17	1	55	1								
16	1.2D + 1.0Di + 1.0Wi (90 Deg)	Yes	Y		1	1.2	39	1.2	2	1	40	1	18	1	56	1								
17	1.2D + 1.0Di + 1.0Wi (120 Deg)	Yes	Y		1	1.2	39	1.2	2	1	40	1	19	1	57	1								
18	1.2D + 1.0Di + 1.0Wi (150 Deg)	Yes	Y		1	1.2	39	1.2	2	1	40	1	20	1	58	1								
19	1.2D + 1.0Di + 1.0Wi (180 Deg)	Yes	Y		1	1.2	39	1.2	2	1	40	1	21	1	59	1								
20	1.2D + 1.0Di + 1.0Wi (210 Deg)	Yes	Y		1	1.2	39	1.2	2	1	40	1	22	1	60	1								
21	1.2D + 1.0Di + 1.0Wi (240 Deg)	Yes	Y		1	1.2	39	1.2	2	1	40	1	23	1	61	1								
22	1.2D + 1.0Di + 1.0Wi (270 Deg)	Yes	Y		1	1.2	39	1.2	2	1	40	1	24	1	62	1								
23	1.2D + 1.0Di + 1.0Wi (300 Deg)	Yes	Y		1	1.2	39	1.2	2	1	40	1	25	1	63	1								
24	1.2D + 1.0Di + 1.0Wi (330 Deg)	Yes	Y		1	1.2	39	1.2	2	1	40	1	26	1	64	1								
25	1.2D + 1.5Lm1 + 1.0Wm (0 Deg)	Yes	Y		1	1.2	39	1.2	77	1.5	27	1	65	1										
26	1.2D + 1.5Lm1 + 1.0Wm (30 D...)	Yes	Y		1	1.2	39	1.2	77	1.5	28	1	66	1										
27	1.2D + 1.5Lm1 + 1.0Wm (60 D...)	Yes	Y		1	1.2	39	1.2	77	1.5	29	1	67	1										
28	1.2D + 1.5Lm1 + 1.0Wm (90 D...)	Yes	Y		1	1.2	39	1.2	77	1.5	30	1	68	1										
29	1.2D + 1.5Lm1 + 1.0Wm (120 ...)	Yes	Y		1	1.2	39	1.2	77	1.5	31	1	69	1										
30	1.2D + 1.5Lm1 + 1.0Wm (150 ...)	Yes	Y		1	1.2	39	1.2	77	1.5	32	1	70	1										
31	1.2D + 1.5Lm1 + 1.0Wm (180 ...)	Yes	Y		1	1.2	39	1.2	77	1.5	33	1	71	1										
32	1.2D + 1.5Lm1 + 1.0Wm (210 ...)	Yes	Y		1	1.2	39	1.2	77	1.5	34	1	72	1										
33	1.2D + 1.5Lm1 + 1.0Wm (240 ...)	Yes	Y		1	1.2	39	1.2	77	1.5	35	1	73	1										
34	1.2D + 1.5Lm1 + 1.0Wm (270 ...)	Yes	Y		1	1.2	39	1.2	77	1.5	36	1	74	1										
35	1.2D + 1.5Lm1 + 1.0Wm (300 ...)	Yes	Y		1	1.2	39	1.2	77	1.5	37	1	75	1										
36	1.2D + 1.5Lm1 + 1.0Wm (330 ...)	Yes	Y		1	1.2	39	1.2	77	1.5	38	1	76	1										

Load Combinations (Continued)

	Description	S...	PDe...	S...	B...	Fa...	B...	Fa...	B...	Fa...	B...	Fa...	B...	Fa...	B...	Fa...	B...	Fa...	B...	Fa...	B...	Fa...
37	1.2D + 1.5Lm2 + 1.0Wm (0 Deg)	Yes	Y		1	1.2	39	1.2	78	1.5	27	1	65	1								
38	1.2D + 1.5Lm2 + 1.0Wm (30 D...	Yes	Y		1	1.2	39	1.2	78	1.5	28	1	66	1								
39	1.2D + 1.5Lm2 + 1.0Wm (60 D...	Yes	Y		1	1.2	39	1.2	78	1.5	29	1	67	1								
40	1.2D + 1.5Lm2 + 1.0Wm (90 D...	Yes	Y		1	1.2	39	1.2	78	1.5	30	1	68	1								
41	1.2D + 1.5Lm2 + 1.0Wm (120 ...	Yes	Y		1	1.2	39	1.2	78	1.5	31	1	69	1								
42	1.2D + 1.5Lm2 + 1.0Wm (150 ...	Yes	Y		1	1.2	39	1.2	78	1.5	32	1	70	1								
43	1.2D + 1.5Lm2 + 1.0Wm (180 ...	Yes	Y		1	1.2	39	1.2	78	1.5	33	1	71	1								
44	1.2D + 1.5Lm2 + 1.0Wm (210 ...	Yes	Y		1	1.2	39	1.2	78	1.5	34	1	72	1								
45	1.2D + 1.5Lm2 + 1.0Wm (240 ...	Yes	Y		1	1.2	39	1.2	78	1.5	35	1	73	1								
46	1.2D + 1.5Lm2 + 1.0Wm (270 ...	Yes	Y		1	1.2	39	1.2	78	1.5	36	1	74	1								
47	1.2D + 1.5Lm2 + 1.0Wm (300 ...	Yes	Y		1	1.2	39	1.2	78	1.5	37	1	75	1								
48	1.2D + 1.5Lm2 + 1.0Wm (330 ...	Yes	Y		1	1.2	39	1.2	78	1.5	38	1	76	1								
49	1.2D + 1.5Lv1	Yes	Y		1	1.2	39	1.2	79	1.5												
50	1.2D + 1.5Lv2	Yes	Y		1	1.2	39	1.2	80	1.5												
51	1.4D	Yes	Y		1	1.4	39	1.4														
52	Seismic Mass		Y		1	1	39	1														
53	1.2D + 1.0Ev + 1.0Eh (0 Deg)		Y		1	1.2	39	1.2	SX		SY	1	SZ	-1								
54	1.2D + 1.0Ev + 1.0Eh (30 Deg)		Y		1	1.2	39	1.2	SX	.5	SY	1	SZ	-8...								
55	1.2D + 1.0Ev + 1.0Eh (60 Deg)		Y		1	1.2	39	1.2	SX	.866	SY	1	SZ	-5								
56	1.2D + 1.0Ev + 1.0Eh (90 Deg)		Y		1	1.2	39	1.2	SX	1	SY	1	SZ									
57	1.2D + 1.0Ev + 1.0Eh (120 Deg)		Y		1	1.2	39	1.2	SX	.866	SY	1	SZ	.5								
58	1.2D + 1.0Ev + 1.0Eh (150 Deg)		Y		1	1.2	39	1.2	SX	.5	SY	1	SZ	.866								
59	1.2D + 1.0Ev + 1.0Eh (180 Deg)		Y		1	1.2	39	1.2	SX		SY	1	SZ	1								
60	1.2D + 1.0Ev + 1.0Eh (210 Deg)		Y		1	1.2	39	1.2	SX	-.5	SY	1	SZ	.866								
61	1.2D + 1.0Ev + 1.0Eh (240 Deg)		Y		1	1.2	39	1.2	SX	-.8...	SY	1	SZ	.5								
62	1.2D + 1.0Ev + 1.0Eh (270 Deg)		Y		1	1.2	39	1.2	SX	-1	SY	1	SZ									
63	1.2D + 1.0Ev + 1.0Eh (300 Deg)		Y		1	1.2	39	1.2	SX	-.8...	SY	1	SZ	-.5								
64	1.2D + 1.0Ev + 1.0Eh (330 Deg)		Y		1	1.2	39	1.2	SX	-.5	SY	1	SZ	-.8...								

Joint Coordinates and Temperatures

	Label	X [ft]	Y [ft]	Z [ft]	Temp [F]	Detach From Dia...
1	N1	0	0	0	0	
2	N2	0	0	-1.208333	0	
3	N3	-1.046447	0	0.604167	0	
4	N4	1.046447	0	0.604167	0	
5	N5	6.25	0	3.810523	0	
6	N6	-6.25	0	3.810523	0	
7	N7	-2.541667	0	-2.708333	0	
8	N8	2.315104	0.166667	-2.708333	0	
9	N9	-2.315104	0.166667	-2.708333	0	
10	N10	0	0	-2.708333	0	
11	N11	0	0	-6.395833	0	
12	N12	2.315104	0	-2.708333	0	
13	N13	-2.315104	0	-2.708333	0	
14	N14	2.541667	0	-2.708333	0	
15	N15	-0.166667	0	-2.708333	0	
16	N16	0.166667	0	-2.708333	0	
17	N17	-2.541667	0	-2.927083	0	
18	N18	2.541667	0	-2.927083	0	
19	N19	2.458333	0	-3.071421	0	
20	N20	0.571615	0	-6.298857	0	
21	N21	-2.458333	0	-3.071421	0	
22	N22	-0.571615	0	-6.298857	0	
23	N23	2.584629	0	-3.144338	0	
24	N24	-2.584629	0	-3.144338	0	
25	N25	-0.515625	0	-6.395833	0	
26	N26	0.515625	0	-6.395833	0	
27	N27	0.715429	0	-6.381888	0	
28	N28	-0.715429	0	-6.381888	0	
29	N29	0	0	-6.3125	0	

Joint Coordinates and Temperatures (Continued)

	Label	X [ft]	Y [ft]	Z [ft]	Temp [F]	Detach From Dia...
30	N30	0.234238	0.166667	-6.3125	0	
31	N31	0.234238	0	-6.3125	0	
32	N32	-0.234238	0.166667	-6.3125	0	
33	N33	-0.234238	0	-6.3125	0	
34	N34	-1.074652	0	3.555315	0	
35	N35	-3.503038	0.166667	-0.650772	0	
36	N36	-1.187933	0.166667	3.359106	0	
37	N37	-2.345485	0	1.354167	0	
38	N38	-5.538954	0	3.197917	0	
39	N39	-3.503038	0	-0.650772	0	
40	N40	-1.187933	0	3.359106	0	
41	N41	-3.616319	0	-0.846981	0	
42	N42	-2.262152	0	1.498504	0	
43	N43	-2.428819	0	1.209829	0	
44	N44	-1.264095	0	3.66469	0	
45	N45	-3.805762	0	-0.737606	0	
46	N46	-3.889095	0	-0.593269	0	
47	N47	-5.740777	0	2.654396	0	
48	N48	-1.430762	0	3.66469	0	
49	N49	-5.169162	0	3.644461	0	
50	N50	-4.015391	0	-0.666185	0	
51	N51	-1.430762	0	3.810523	0	
52	N52	-5.281142	0	3.644461	0	
53	N53	-5.796767	0	2.751372	0	
54	N54	-5.884591	0	2.571364	0	
55	N55	-5.169162	0	3.810523	0	
56	N56	-5.466785	0	3.15625	0	
57	N57	-5.583904	0.166667	2.953394	0	
58	N58	-5.583904	0	2.953394	0	
59	N59	-5.349667	0.166667	3.359106	0	
60	N60	-5.349667	0	3.359106	0	
61	N61	3.616319	0	-0.846981	0	
62	N62	1.187933	0.166667	3.359106	0	
63	N63	3.503038	0.166667	-0.650772	0	
64	N64	2.345485	0	1.354167	0	
65	N65	5.538954	0	3.197917	0	
66	N66	1.187933	0	3.359106	0	
67	N67	3.503038	0	-0.650772	0	
68	N68	1.074652	0	3.555315	0	
69	N69	2.428819	0	1.209829	0	
70	N70	2.262152	0	1.498504	0	
71	N71	3.805762	0	-0.737606	0	
72	N72	1.264095	0	3.66469	0	
73	N73	1.430762	0	3.66469	0	
74	N74	5.169162	0	3.644461	0	
75	N75	3.889095	0	-0.593269	0	
76	N76	5.740777	0	2.654396	0	
77	N77	1.430762	0	3.810523	0	
78	N78	4.015391	0	-0.666186	0	
79	N79	5.796767	0	2.751372	0	
80	N80	5.281142	0	3.644461	0	
81	N81	5.169162	0	3.810523	0	
82	N82	5.884591	0	2.571364	0	
83	N83	5.466785	0	3.15625	0	
84	N84	5.349667	0.166667	3.359106	0	
85	N85	5.349667	0	3.359106	0	
86	N86	5.583904	0.166667	2.953394	0	
87	N87	5.583904	0	2.953394	0	
88	N88	0.17501	0	-7.31792	0	
89	N89	6.42501	0	3.507397	0	
90	N90	-6.42501	0	3.507397	0	

Joint Coordinates and Temperatures (Continued)

	Label	X [ft]	Y [ft]	Z [ft]	Temp [F]	Detach From Dia...
91	N91	-0.17501	0	-7.31792	0	
92	N92	-5.875	0	3.810523	0	
93	N93	-2.083333	0	3.810523	0	
94	N94	2.083333	0	3.810523	0	
95	N95	5.916667	0	3.810523	0	
96	N96	6.25	4	3.810523	0	
97	N97	-6.25	4	3.810523	0	
98	N98	-5.875	4	3.810523	0	
99	N99	-2.083333	4	3.810523	0	
100	N100	2.083333	4	3.810523	0	
101	N101	5.916667	4	3.810523	0	
102	N102	5.25	4	3.810523	0	
103	N103	-5.875	0	4.060523	0	
104	N104	-2.083333	0	4.060523	0	
105	N105	2.083333	0	4.060523	0	
106	N106	5.916667	0	4.060523	0	
107	N107	-2.083333	4	4.060523	0	
108	N108	2.083333	4	4.060523	0	
109	N109	5.916667	4	4.060523	0	
110	N110	-2.083333	7.25	4.060523	0	
111	N111	2.083333	7.25	4.060523	0	
112	N112	5.916667	7.25	4.060523	0	
113	N113	-2.083333	-1.916667	4.060523	0	
114	N114	2.083333	-1.916667	4.060523	0	
115	N115	5.916667	-1.916667	4.060523	0	
116	N116	5.25	4	3.706357	0	
117	N117	-5.875	4	4.060523	0	
118	N118	-5.875	7.25	4.060523	0	
119	N119	-5.875	-1.916667	4.060523	0	
120	N120	-5.25	4	3.810523	0	
121	N121	-5.25	4	3.706357	0	
122	N122	6.23751	0	3.182638	0	
123	N123	4.341677	0	-0.101042	0	
124	N124	2.258343	0	-3.709481	0	
125	N125	0.341677	0	-7.029245	0	
126	N126	0.17501	4	-7.31792	0	
127	N127	6.42501	4	3.507397	0	
128	N128	6.23751	4	3.182638	0	
129	N129	4.341677	4	-0.101042	0	
130	N130	2.258343	4	-3.709481	0	
131	N131	0.341677	4	-7.029245	0	
132	N132	0.67501	4	-6.451895	0	
133	N133	6.454016	0	3.057638	0	
134	N134	4.558183	0	-0.226042	0	
135	N135	2.47485	0	-3.834481	0	
136	N136	0.558183	0	-7.154245	0	
137	N137	4.558183	4	-0.226042	0	
138	N138	2.47485	4	-3.834481	0	
139	N139	0.558183	4	-7.154245	0	
140	N140	4.558183	7.25	-0.226042	0	
141	N141	2.47485	7.25	-3.834481	0	
142	N142	0.558183	7.25	-7.154245	0	
143	N143	4.558183	-1.916667	-0.226042	0	
144	N144	2.47485	-1.916667	-3.834481	0	
145	N145	0.558183	-1.916667	-7.154245	0	
146	N146	0.584799	4	-6.399812	0	
147	N147	6.454016	4	3.057638	0	
148	N148	6.454016	7.25	3.057638	0	
149	N149	6.454016	-1.916667	3.057638	0	
150	N150	5.92501	4	2.641372	0	
151	N151	5.834799	4	2.693455	0	

Joint Coordinates and Temperatures (Continued)

	Label	X [ft]	Y [ft]	Z [ft]	Temp [F]	Detach From Dia...
152	N152	-0.36251	0	-6.993161	0	
153	N153	-2.258343	0	-3.709481	0	
154	N154	-4.341677	0	-0.101042	0	
155	N155	-6.258343	0	3.218722	0	
156	N156	-6.42501	4	3.507397	0	
157	N157	-0.17501	4	-7.31792	0	
158	N158	-0.36251	4	-6.993161	0	
159	N159	-2.258343	4	-3.709481	0	
160	N160	-4.341677	4	-0.101042	0	
161	N161	-6.258343	4	3.218722	0	
162	N162	-5.92501	4	2.641372	0	
163	N163	-0.579016	0	-7.118161	0	
164	N164	-2.47485	0	-3.834481	0	
165	N165	-4.558183	0	-0.226042	0	
166	N166	-6.47485	0	3.093722	0	
167	N167	-2.47485	4	-3.834481	0	
168	N168	-4.558183	4	-0.226042	0	
169	N169	-6.47485	4	3.093722	0	
170	N170	-2.47485	7.25	-3.834481	0	
171	N171	-4.558183	7.25	-0.226042	0	
172	N172	-6.47485	7.25	3.093722	0	
173	N173	-2.47485	-1.916667	-3.834481	0	
174	N174	-4.558183	-1.916667	-0.226042	0	
175	N175	-6.47485	-1.916667	3.093722	0	
176	N176	-5.834799	4	2.693455	0	
177	N177	-0.579016	4	-7.118161	0	
178	N178	-0.579016	7.25	-7.118161	0	
179	N179	-0.579016	-1.916667	-7.118161	0	
180	N180	-0.67501	4	-6.451895	0	
181	N181	-0.584799	4	-6.399812	0	

Hot Rolled Steel Section Sets

	Label	Shape	Type	Design List	Material	Design ...	A [in2]	Iyy [in4]	Izz [in4]	J [in4]
1	Face Horizontal	PIPE 3.0	Beam	Pipe	A53 Gr.B	Typical	2.07	2.85	2.85	5.69
2	Standoff Horizontal	HSS4X4X4	Beam	SquareTube	A500 Gr.B Rect	Typical	3.37	7.8	7.8	12.8
3	Corner Plate	PL1/2x6	Beam	RECT	A36 Gr.36	Typical	3	.063	9	.237
4	Crossmember	HSS4X4X4	Beam	SquareTube	A500 Gr.B Rect	Typical	3.37	7.8	7.8	12.8
5	Grating Support	L2x2x3	Beam	Single Angle	A36 Gr.36	Typical	.722	.271	.271	.009
6	Cross Arm Plate	PL3/8x6	Beam	RECT	A36 Gr.36	Typical	2.25	.026	6.75	.101
7	Support Rail	PIPE 2.0	Beam	Pipe	A53 Gr.B	Typical	1.02	.627	.627	1.25
8	Support Rail Corner	L2.5x2.5x4	Beam	Single Angle	A36 Gr.36	Typical	1.19	.692	.692	.026
9	Antenna Pipe	PIPE 2.0	Column	Pipe	A53 Gr.B	Typical	1.02	.627	.627	1.25
10	Large Antenna Pipe	PIPE 2.5	Column	Pipe	A53 Gr.B	Typical	1.61	1.45	1.45	2.89

Hot Rolled Steel Properties

	Label	E [ksi]	G [ksi]	Nu	Therm (/1...	Density[k/ft^3]	Yield[ksi]	Ry	Fu[ksi]	Rt
1	A992	29000	11154	.3	.65	.49	50	1.1	65	1.1
2	A36 Gr.36	29000	11154	.3	.65	.49	36	1.5	58	1.2
3	A572 Gr.50	29000	11154	.3	.65	.49	50	1.1	65	1.1
4	A500 Gr.B RND	29000	11154	.3	.65	.527	42	1.4	58	1.3
5	A500 Gr.B Rect	29000	11154	.3	.65	.527	46	1.4	58	1.3
6	A53 Gr.B	29000	11154	.3	.65	.49	35	1.6	60	1.2
7	A1085	29000	11154	.3	.65	.49	50	1.4	65	1.3
8	Q235	29000	11154	.3	.65	.49	35	1.5	58	1.2

Member Primary Data

	Label	I Joint	J Joint	K Jo...Ro...	Section/Shape	Type	Design List	Material	Design Rules
1	M1	N5	N6		Face Horizontal	Beam	Pipe	A53 Gr.B	Typical
2	M2	N88	N89		Face Horizontal	Beam	Pipe	A53 Gr.B	Typical
3	M3	N90	N91		Face Horizontal	Beam	Pipe	A53 Gr.B	Typical
4	M4	N2	N11		Standoff Horizontal	Beam	SquareTube	A500 Gr.B ...	Typical
5	M5	N3	N38		Standoff Horizontal	Beam	SquareTube	A500 Gr.B ...	Typical
6	M6	N4	N65		Standoff Horizontal	Beam	SquareTube	A500 Gr.B ...	Typical
7	M7	N25	N26		Corner Plate	Beam	RECT	A36 Gr.36	Typical
8	M8	N26	N20		Corner Plate	Beam	RECT	A36 Gr.36	Typical
9	M9	N25	N22		Corner Plate	Beam	RECT	A36 Gr.36	Typical
10	M10	N52	N53		Corner Plate	Beam	RECT	A36 Gr.36	Typical
11	M11	N53	N47		Corner Plate	Beam	RECT	A36 Gr.36	Typical
12	M12	N52	N49		Corner Plate	Beam	RECT	A36 Gr.36	Typical
13	M13	N79	N80		Corner Plate	Beam	RECT	A36 Gr.36	Typical
14	M14	N80	N74		Corner Plate	Beam	RECT	A36 Gr.36	Typical
15	M15	N79	N76		Corner Plate	Beam	RECT	A36 Gr.36	Typical
16	M16	N14	N16		Crossmember	Beam	SquareTube	A500 Gr.B ...	Typical
17	M17	N15	N7		Crossmember	Beam	SquareTube	A500 Gr.B ...	Typical
18	M18	N41	N43		Crossmember	Beam	SquareTube	A500 Gr.B ...	Typical
19	M19	N42	N34		Crossmember	Beam	SquareTube	A500 Gr.B ...	Typical
20	M20	N68	N70		Crossmember	Beam	SquareTube	A500 Gr.B ...	Typical
21	M21	N69	N61		Crossmember	Beam	SquareTube	A500 Gr.B ...	Typical
22	M22	N30	N8		Grating Support	Beam	Single Angle	A36 Gr.36	Typical
23	M23	N9	N32		Grating Support	Beam	Single Angle	A36 Gr.36	Typical
24	M24	N57	N35		Grating Support	Beam	Single Angle	A36 Gr.36	Typical
25	M25	N36	N59		Grating Support	Beam	Single Angle	A36 Gr.36	Typical
26	M26	N84	N62		Grating Support	Beam	Single Angle	A36 Gr.36	Typical
27	M27	N63	N86		Grating Support	Beam	Single Angle	A36 Gr.36	Typical
28	M28	N14	N18		Cross Arm Plate	Beam	RECT	A36 Gr.36	Typical
29	M29	N18	N19		Cross Arm Plate	Beam	RECT	A36 Gr.36	Typical
30	M30	N7	N17		Cross Arm Plate	Beam	RECT	A36 Gr.36	Typical
31	M31	N17	N21		Cross Arm Plate	Beam	RECT	A36 Gr.36	Typical
32	M32	N41	N45		Cross Arm Plate	Beam	RECT	A36 Gr.36	Typical
33	M33	N45	N46		Cross Arm Plate	Beam	RECT	A36 Gr.36	Typical
34	M34	N34	N44		Cross Arm Plate	Beam	RECT	A36 Gr.36	Typical
35	M35	N44	N48		Cross Arm Plate	Beam	RECT	A36 Gr.36	Typical
36	M36	N68	N72		Cross Arm Plate	Beam	RECT	A36 Gr.36	Typical
37	M37	N72	N73		Cross Arm Plate	Beam	RECT	A36 Gr.36	Typical
38	M38	N61	N71		Cross Arm Plate	Beam	RECT	A36 Gr.36	Typical
39	M39	N71	N75		Cross Arm Plate	Beam	RECT	A36 Gr.36	Typical
40	M40	N96	N97		Support Rail	Beam	Pipe	A53 Gr.B	Typical
41	M41	N126	N127		Support Rail	Beam	Pipe	A53 Gr.B	Typical
42	M42	N156	N157		Support Rail	Beam	Pipe	A53 Gr.B	Typical
43	M43	N121	N176	180	Support Rail Corner	Beam	Single Angle	A36 Gr.36	Typical
44	M44	N181	N146	180	Support Rail Corner	Beam	Single Angle	A36 Gr.36	Typical
45	M45	N151	N116	180	Support Rail Corner	Beam	Single Angle	A36 Gr.36	Typical
46	MP1A	N112	N115		Antenna Pipe	Column	Pipe	A53 Gr.B	Typical
47	MP2A	N111	N114		Large Antenna Pipe	Column	Pipe	A53 Gr.B	Typical
48	MP3A	N110	N113		Antenna Pipe	Column	Pipe	A53 Gr.B	Typical
49	MP4A	N118	N119		Antenna Pipe	Column	Pipe	A53 Gr.B	Typical
50	MP1B	N172	N175		Antenna Pipe	Column	Pipe	A53 Gr.B	Typical
51	MP2B	N171	N174		Large Antenna Pipe	Column	Pipe	A53 Gr.B	Typical
52	MP3B	N170	N173		Antenna Pipe	Column	Pipe	A53 Gr.B	Typical
53	MP4B	N178	N179		Antenna Pipe	Column	Pipe	A53 Gr.B	Typical
54	MP1C	N142	N145		Antenna Pipe	Column	Pipe	A53 Gr.B	Typical
55	MP2C	N141	N144		Large Antenna Pipe	Column	Pipe	A53 Gr.B	Typical
56	MP3C	N140	N143		Antenna Pipe	Column	Pipe	A53 Gr.B	Typical
57	MP4C	N148	N149		Antenna Pipe	Column	Pipe	A53 Gr.B	Typical
58	M58	N9	N13		RIGID	None	None	RIGID	Typical
59	M59	N8	N12		RIGID	None	None	RIGID	Typical
60	M60	N32	N33		RIGID	None	None	RIGID	Typical

Member Primary Data (Continued)

	Label	I Joint	J Joint	K Jo..Ro...	Section/Shape	Type	Design List	Material	Design Rules
61	M61	N15	N10		RIGID	None	None	RIGID	Typical
62	M62	N10	N16		RIGID	None	None	RIGID	Typical
63	M63	N19	N23		RIGID	None	None	RIGID	Typical
64	M64	N20	N27		RIGID	None	None	RIGID	Typical
65	M65	N21	N24		RIGID	None	None	RIGID	Typical
66	M66	N22	N28		RIGID	None	None	RIGID	Typical
67	M67	N33	N29		RIGID	None	None	RIGID	Typical
68	M68	N29	N31		RIGID	None	None	RIGID	Typical
69	M69	N30	N31		RIGID	None	None	RIGID	Typical
70	M70	N36	N40		RIGID	None	None	RIGID	Typical
71	M71	N35	N39		RIGID	None	None	RIGID	Typical
72	M72	N59	N60		RIGID	None	None	RIGID	Typical
73	M73	N42	N37		RIGID	None	None	RIGID	Typical
74	M74	N37	N43		RIGID	None	None	RIGID	Typical
75	M75	N46	N50		RIGID	None	None	RIGID	Typical
76	M76	N47	N54		RIGID	None	None	RIGID	Typical
77	M77	N48	N51		RIGID	None	None	RIGID	Typical
78	M78	N49	N55		RIGID	None	None	RIGID	Typical
79	M79	N60	N56		RIGID	None	None	RIGID	Typical
80	M80	N56	N58		RIGID	None	None	RIGID	Typical
81	M81	N57	N58		RIGID	None	None	RIGID	Typical
82	M82	N63	N67		RIGID	None	None	RIGID	Typical
83	M83	N62	N66		RIGID	None	None	RIGID	Typical
84	M84	N86	N87		RIGID	None	None	RIGID	Typical
85	M85	N69	N64		RIGID	None	None	RIGID	Typical
86	M86	N64	N70		RIGID	None	None	RIGID	Typical
87	M87	N73	N77		RIGID	None	None	RIGID	Typical
88	M88	N74	N81		RIGID	None	None	RIGID	Typical
89	M89	N75	N78		RIGID	None	None	RIGID	Typical
90	M90	N76	N82		RIGID	None	None	RIGID	Typical
91	M91	N87	N83		RIGID	None	None	RIGID	Typical
92	M92	N83	N85		RIGID	None	None	RIGID	Typical
93	M93	N84	N85		RIGID	None	None	RIGID	Typical
94	M94	N95	N106		RIGID	None	None	RIGID	Typical
95	M95	N101	N109		RIGID	None	None	RIGID	Typical
96	M96	N94	N105		RIGID	None	None	RIGID	Typical
97	M97	N100	N108		RIGID	None	None	RIGID	Typical
98	M98	N93	N104		RIGID	None	None	RIGID	Typical
99	M99	N99	N107		RIGID	None	None	RIGID	Typical
100	M100	N92	N103		RIGID	None	None	RIGID	Typical
101	M101	N98	N117		RIGID	None	None	RIGID	Typical
102	M102	N102	N116		RIGID	None	None	RIGID	Typical
103	M103	N120	N121		RIGID	None	None	RIGID	Typical
104	M104	N125	N136		RIGID	None	None	RIGID	Typical
105	M105	N131	N139		RIGID	None	None	RIGID	Typical
106	M106	N124	N135		RIGID	None	None	RIGID	Typical
107	M107	N130	N138		RIGID	None	None	RIGID	Typical
108	M108	N123	N134		RIGID	None	None	RIGID	Typical
109	M109	N129	N137		RIGID	None	None	RIGID	Typical
110	M110	N122	N133		RIGID	None	None	RIGID	Typical
111	M111	N132	N146		RIGID	None	None	RIGID	Typical
112	M112	N128	N147		RIGID	None	None	RIGID	Typical
113	M113	N150	N151		RIGID	None	None	RIGID	Typical
114	M114	N155	N166		RIGID	None	None	RIGID	Typical
115	M115	N161	N169		RIGID	None	None	RIGID	Typical
116	M116	N154	N165		RIGID	None	None	RIGID	Typical
117	M117	N160	N168		RIGID	None	None	RIGID	Typical
118	M118	N153	N164		RIGID	None	None	RIGID	Typical
119	M119	N159	N167		RIGID	None	None	RIGID	Typical
120	M120	N152	N163		RIGID	None	None	RIGID	Typical
121	M121	N162	N176		RIGID	None	None	RIGID	Typical

Member Primary Data (Continued)

	Label	I Joint	J Joint	K Jo..Ro...	Section/Shape	Type	Design List	Material	Design Rules
122	M122	N158	N177		RIGID	None	None	RIGID	Typical
123	M123	N180	N181		RIGID	None	None	RIGID	Typical

Member Advanced Data

	Label	I Release	J Release	I Offset[in]	J Offset[in]	T/C Only	Physical	Defl Rat...Analysis ...	Inactive	Seismic...
1	M1						Yes	Default		None
2	M2						Yes	Default		None
3	M3						Yes	Default		None
4	M4						Yes			None
5	M5						Yes			None
6	M6						Yes			None
7	M7						Yes	Default		None
8	M8						Yes			None
9	M9						Yes			None
10	M10						Yes	Default		None
11	M11						Yes			None
12	M12						Yes			None
13	M13						Yes	Default		None
14	M14						Yes			None
15	M15						Yes			None
16	M16						Yes	Default		None
17	M17						Yes	Default		None
18	M18						Yes	Default		None
19	M19						Yes	Default		None
20	M20						Yes	Default		None
21	M21						Yes	Default		None
22	M22	OOOOOX	OOOOOX				Yes	Default		None
23	M23	OOOOOX	OOOOOX				Yes	Default		None
24	M24	OOOOOX	OOOOOX				Yes	Default		None
25	M25	OOOOOX	OOOOOX				Yes	Default		None
26	M26	OOOOOX	OOOOOX				Yes	Default		None
27	M27	OOOOOX	OOOOOX				Yes	Default		None
28	M28						Yes			None
29	M29						Yes			None
30	M30						Yes			None
31	M31						Yes			None
32	M32						Yes			None
33	M33						Yes			None
34	M34						Yes			None
35	M35						Yes			None
36	M36						Yes			None
37	M37						Yes			None
38	M38						Yes			None
39	M39						Yes			None
40	M40						Yes	Default		None
41	M41						Yes	Default		None
42	M42						Yes	Default		None
43	M43						Yes			None
44	M44						Yes			None
45	M45						Yes			None
46	MP1A						Yes	** NA **		None
47	MP2A						Yes	** NA **		None
48	MP3A						Yes	** NA **		None
49	MP4A						Yes	** NA **		None
50	MP1B						Yes	** NA **		None
51	MP2B						Yes	** NA **		None
52	MP3B						Yes	** NA **		None
53	MP4B						Yes	** NA **		None
54	MP1C						Yes	** NA **		None
55	MP2C						Yes	** NA **		None

Member Advanced Data (Continued)

	Label	I Release	J Release	I Offset[in]	J Offset[in]	T/C Only	Physical	Defl Rat..	Analysis ...	Inactive	Seismic...
56	MP3C						Yes	** NA **			None
57	MP4C						Yes	** NA **			None
58	M58						Yes	** NA **			None
59	M59						Yes	** NA **			None
60	M60						Yes	** NA **			None
61	M61						Yes	** NA **			None
62	M62						Yes	** NA **			None
63	M63		BenPIN				Yes	** NA **			None
64	M64		BenPIN				Yes	** NA **			None
65	M65		BenPIN				Yes	** NA **			None
66	M66		BenPIN				Yes	** NA **			None
67	M67						Yes	** NA **			None
68	M68						Yes	** NA **			None
69	M69						Yes	** NA **			None
70	M70						Yes	** NA **			None
71	M71						Yes	** NA **			None
72	M72						Yes	** NA **			None
73	M73						Yes	** NA **			None
74	M74						Yes	** NA **			None
75	M75		BenPIN				Yes	** NA **			None
76	M76		BenPIN				Yes	** NA **			None
77	M77		BenPIN				Yes	** NA **			None
78	M78		BenPIN				Yes	** NA **			None
79	M79						Yes	** NA **			None
80	M80						Yes	** NA **			None
81	M81						Yes	** NA **			None
82	M82						Yes	** NA **			None
83	M83						Yes	** NA **			None
84	M84						Yes	** NA **			None
85	M85						Yes	** NA **			None
86	M86						Yes	** NA **			None
87	M87		BenPIN				Yes	** NA **			None
88	M88		BenPIN				Yes	** NA **			None
89	M89		BenPIN				Yes	** NA **			None
90	M90		BenPIN				Yes	** NA **			None
91	M91						Yes	** NA **			None
92	M92						Yes	** NA **			None
93	M93						Yes	** NA **			None
94	M94						Yes	** NA **			None
95	M95						Yes	** NA **			None
96	M96						Yes	** NA **			None
97	M97						Yes	** NA **			None
98	M98						Yes	** NA **			None
99	M99						Yes	** NA **			None
100	M100						Yes	** NA **			None
101	M101						Yes	** NA **			None
102	M102	OOOOOX					Yes	** NA **			None
103	M103	OOOOOX					Yes	** NA **			None
104	M104						Yes	** NA **			None
105	M105						Yes	** NA **			None
106	M106						Yes	** NA **			None
107	M107						Yes	** NA **			None
108	M108						Yes	** NA **			None
109	M109						Yes	** NA **			None
110	M110						Yes	** NA **			None
111	M111	OOOOOX					Yes	** NA **			None
112	M112						Yes	** NA **			None
113	M113	OOOOOX					Yes	** NA **			None
114	M114						Yes	** NA **			None
115	M115						Yes	** NA **			None
116	M116						Yes	** NA **			None

Member Advanced Data (Continued)

	Label	I Release	J Release	I Offset[in]	J Offset[in]	T/C Only	Physical	Defl Rat..	Analysis ...	Inactive	Seismic...
117	M117						Yes	** NA **			None
118	M118						Yes	** NA **			None
119	M119						Yes	** NA **			None
120	M120						Yes	** NA **			None
121	M121	OOOOOX					Yes	** NA **			None
122	M122						Yes	** NA **			None
123	M123	OOOOOX					Yes	** NA **			None

Member Point Loads (BLC 1 : Antenna D)

	Member Label	Direction	Magnitude[lb,k-ft]	Location[ft,%]
1	MP1A	Y	-15.2	3.25
2	MP1A	My	-.008	3.25
3	MP1A	Mz	.000662	3.25
4	MP1A	Y	-15.2	6
5	MP1A	My	-.008	6
6	MP1A	Mz	.000662	6
7	MP1B	Y	-15.2	3.25
8	MP1B	My	.001	3.25
9	MP1B	Mz	-.007	3.25
10	MP1B	Y	-15.2	6
11	MP1B	My	.001	6
12	MP1B	Mz	-.007	6
13	MP1C	Y	-15.2	3.25
14	MP1C	My	.006	3.25
15	MP1C	Mz	.005	3.25
16	MP1C	Y	-15.2	6
17	MP1C	My	.006	6
18	MP1C	Mz	.005	6
19	MP2A	Y	-21.85	2
20	MP2A	My	-.015	2
21	MP2A	Mz	.018	2
22	MP2A	Y	-21.85	7
23	MP2A	My	-.015	7
24	MP2A	Mz	.018	7
25	MP2B	Y	-21.85	2
26	MP2B	My	-.013	2
27	MP2B	Mz	-.019	2
28	MP2B	Y	-21.85	7
29	MP2B	My	-.013	7
30	MP2B	Mz	-.019	7
31	MP2C	Y	-21.85	2
32	MP2C	My	.023	2
33	MP2C	Mz	-.002	2
34	MP2C	Y	-21.85	7
35	MP2C	My	.023	7
36	MP2C	Mz	-.002	7
37	MP2A	Y	-38.7	2
38	MP2A	My	-.031	2
39	MP2A	Mz	-.026	2
40	MP2A	Y	-38.7	7
41	MP2A	My	-.031	7
42	MP2A	Mz	-.026	7
43	MP2B	Y	-38.7	2
44	MP2B	My	-.031	2
45	MP2B	Mz	-.026	2
46	MP2B	Y	-38.7	7
47	MP2B	My	-.031	7
48	MP2B	Mz	-.026	7
49	MP2C	Y	-38.7	2
50	MP2C	My	-.031	2

Member Point Loads (BLC 1 : Antenna D) (Continued)

	Member Label	Direction	Magnitude[lb,k-ft]	Location[ft,%]
51	MP2C	Mz	-.026	2
52	MP2C	Y	-38.7	7
53	MP2C	My	-.031	7
54	MP2C	Mz	-.026	7
55	MP4A	Y	-43.55	4
56	MP4A	My	-.022	4
57	MP4A	Mz	.002	4
58	MP4A	Y	-43.55	5
59	MP4A	My	-.022	5
60	MP4A	Mz	.002	5
61	MP4B	Y	-43.55	4
62	MP4B	My	.004	4
63	MP4B	Mz	-.021	4
64	MP4B	Y	-43.55	5
65	MP4B	My	.004	5
66	MP4B	Mz	-.021	5
67	MP4C	Y	-43.55	4
68	MP4C	My	.017	4
69	MP4C	Mz	.014	4
70	MP4C	Y	-43.55	5
71	MP4C	My	.017	5
72	MP4C	Mz	.014	5
73	MP2A	Y	-84.4	4
74	MP2A	My	.032	4
75	MP2A	Mz	-.027	4
76	MP2B	Y	-84.4	4
77	MP2B	My	.032	4
78	MP2B	Mz	-.027	4
79	MP2C	Y	-84.4	4
80	MP2C	My	.032	4
81	MP2C	Mz	-.027	4
82	MP3A	Y	-70.3	4
83	MP3A	My	.027	4
84	MP3A	Mz	-.023	4
85	MP3B	Y	-70.3	4
86	MP3B	My	.027	4
87	MP3B	Mz	-.023	4
88	MP3C	Y	-70.3	4
89	MP3C	My	.027	4
90	MP3C	Mz	-.023	4

Member Point Loads (BLC 2 : Antenna Di)

	Member Label	Direction	Magnitude[lb,k-ft]	Location[ft,%]
1	MP1A	Y	-73.061	3.25
2	MP1A	My	-.036	3.25
3	MP1A	Mz	.003	3.25
4	MP1A	Y	-73.061	6
5	MP1A	My	-.036	6
6	MP1A	Mz	.003	6
7	MP1B	Y	-73.061	3.25
8	MP1B	My	.006	3.25
9	MP1B	Mz	-.036	3.25
10	MP1B	Y	-73.061	6
11	MP1B	My	.006	6
12	MP1B	Mz	-.036	6
13	MP1C	Y	-73.061	3.25
14	MP1C	My	.028	3.25
15	MP1C	Mz	.023	3.25
16	MP1C	Y	-73.061	6
17	MP1C	My	.028	6
18	MP1C	Mz	.023	6

Member Point Loads (BLC 2 : Antenna Di) (Continued)

	Member Label	Direction	Magnitude[lb.k-ft]	Location[ft,%]
19	MP2A	Y	-93.708	2
20	MP2A	My	-.064	2
21	MP2A	Mz	.076	2
22	MP2A	Y	-93.708	7
23	MP2A	My	-.064	7
24	MP2A	Mz	.076	7
25	MP2B	Y	-93.708	2
26	MP2B	My	-.057	2
27	MP2B	Mz	-.081	2
28	MP2B	Y	-93.708	7
29	MP2B	My	-.057	7
30	MP2B	Mz	-.081	7
31	MP2C	Y	-93.708	2
32	MP2C	My	.099	2
33	MP2C	Mz	-.009	2
34	MP2C	Y	-93.708	7
35	MP2C	My	.099	7
36	MP2C	Mz	-.009	7
37	MP2A	Y	-93.708	2
38	MP2A	My	-.076	2
39	MP2A	Mz	-.064	2
40	MP2A	Y	-93.708	7
41	MP2A	My	-.076	7
42	MP2A	Mz	-.064	7
43	MP2B	Y	-93.708	2
44	MP2B	My	-.076	2
45	MP2B	Mz	-.064	2
46	MP2B	Y	-93.708	7
47	MP2B	My	-.076	7
48	MP2B	Mz	-.064	7
49	MP2C	Y	-93.708	2
50	MP2C	My	-.076	2
51	MP2C	Mz	-.064	2
52	MP2C	Y	-93.708	7
53	MP2C	My	-.076	7
54	MP2C	Mz	-.064	7
55	MP4A	Y	-55.302	4
56	MP4A	My	-.028	4
57	MP4A	Mz	.002	4
58	MP4A	Y	-55.302	5
59	MP4A	My	-.028	5
60	MP4A	Mz	.002	5
61	MP4B	Y	-55.302	4
62	MP4B	My	.005	4
63	MP4B	Mz	-.027	4
64	MP4B	Y	-55.302	5
65	MP4B	My	.005	5
66	MP4B	Mz	-.027	5
67	MP4C	Y	-55.302	4
68	MP4C	My	.021	4
69	MP4C	Mz	.018	4
70	MP4C	Y	-55.302	5
71	MP4C	My	.021	5
72	MP4C	Mz	.018	5
73	MP2A	Y	-70.257	4
74	MP2A	My	.027	4
75	MP2A	Mz	-.023	4
76	MP2B	Y	-70.257	4
77	MP2B	My	.027	4
78	MP2B	Mz	-.023	4
79	MP2C	Y	-70.257	4

Member Point Loads (BLC 2 : Antenna Di) (Continued)

	Member Label	Direction	Magnitude[lb,k-ft]	Location[ft,%]
80	MP2C	My	.027	4
81	MP2C	Mz	-.023	4
82	MP3A	Y	-63.42	4
83	MP3A	My	.024	4
84	MP3A	Mz	-.02	4
85	MP3B	Y	-63.42	4
86	MP3B	My	.024	4
87	MP3B	Mz	-.02	4
88	MP3C	Y	-63.42	4
89	MP3C	My	.024	4
90	MP3C	Mz	-.02	4

Member Point Loads (BLC 3 : Antenna Wo (0 Deg))

	Member Label	Direction	Magnitude[lb,k-ft]	Location[ft,%]
1	MP1A	X	0	3.25
2	MP1A	Z	-115.285	3.25
3	MP1A	Mx	-.005	3.25
4	MP1A	X	0	6
5	MP1A	Z	-115.285	6
6	MP1A	Mx	-.005	6
7	MP1B	X	0	3.25
8	MP1B	Z	-77.304	3.25
9	MP1B	Mx	.038	3.25
10	MP1B	X	0	6
11	MP1B	Z	-77.304	6
12	MP1B	Mx	.038	6
13	MP1C	X	0	3.25
14	MP1C	Z	-99.276	3.25
15	MP1C	Mx	-.032	3.25
16	MP1C	X	0	6
17	MP1C	Z	-99.276	6
18	MP1C	Mx	-.032	6
19	MP2A	X	0	2
20	MP2A	Z	-159.78	2
21	MP2A	Mx	-.13	2
22	MP2A	X	0	7
23	MP2A	Z	-159.78	7
24	MP2A	Mx	-.13	7
25	MP2B	X	0	2
26	MP2B	Z	-107.54	2
27	MP2B	Mx	.093	2
28	MP2B	X	0	7
29	MP2B	Z	-107.54	7
30	MP2B	Mx	.093	7
31	MP2C	X	0	2
32	MP2C	Z	-137.762	2
33	MP2C	Mx	.013	2
34	MP2C	X	0	7
35	MP2C	Z	-137.762	7
36	MP2C	Mx	.013	7
37	MP2A	X	0	2
38	MP2A	Z	-159.19	2
39	MP2A	Mx	.109	2
40	MP2A	X	0	7
41	MP2A	Z	-159.19	7
42	MP2A	Mx	.109	7
43	MP2B	X	0	2
44	MP2B	Z	-159.19	2
45	MP2B	Mx	.109	2
46	MP2B	X	0	7
47	MP2B	Z	-159.19	7

Member Point Loads (BLC 3 : Antenna Wo (0 Deg)) (Continued)

	Member Label	Direction	Magnitude[lb,k-ft]	Location[ft,%]
48	MP2B	Mx	.109	7
49	MP2C	X	0	2
50	MP2C	Z	-159.19	2
51	MP2C	Mx	.109	2
52	MP2C	X	0	7
53	MP2C	Z	-159.19	7
54	MP2C	Mx	.109	7
55	MP4A	X	0	4
56	MP4A	Z	-92.751	4
57	MP4A	Mx	-.004	4
58	MP4A	X	0	5
59	MP4A	Z	-92.751	5
60	MP4A	Mx	-.004	5
61	MP4B	X	0	4
62	MP4B	Z	-38.19	4
63	MP4B	Mx	.019	4
64	MP4B	X	0	5
65	MP4B	Z	-38.19	5
66	MP4B	Mx	.019	5
67	MP4C	X	0	4
68	MP4C	Z	-69.754	4
69	MP4C	Mx	-.022	4
70	MP4C	X	0	5
71	MP4C	Z	-69.754	5
72	MP4C	Mx	-.022	5
73	MP2A	X	0	4
74	MP2A	Z	-63.991	4
75	MP2A	Mx	.021	4
76	MP2B	X	0	4
77	MP2B	Z	-63.991	4
78	MP2B	Mx	.021	4
79	MP2C	X	0	4
80	MP2C	Z	-63.991	4
81	MP2C	Mx	.021	4
82	MP3A	X	0	4
83	MP3A	Z	-60.1	4
84	MP3A	Mx	.019	4
85	MP3B	X	0	4
86	MP3B	Z	-60.1	4
87	MP3B	Mx	.019	4
88	MP3C	X	0	4
89	MP3C	Z	-60.1	4
90	MP3C	Mx	.019	4

Member Point Loads (BLC 4 : Antenna Wo (30 Deg))

	Member Label	Direction	Magnitude[lb,k-ft]	Location[ft,%]
1	MP1A	X	51.3	3.25
2	MP1A	Z	-88.854	3.25
3	MP1A	Mx	-.029	3.25
4	MP1A	X	51.3	6
5	MP1A	Z	-88.854	6
6	MP1A	Mx	-.029	6
7	MP1B	X	40.366	3.25
8	MP1B	Z	-69.915	3.25
9	MP1B	Mx	.038	3.25
10	MP1B	X	40.366	6
11	MP1B	Z	-69.915	6
12	MP1B	Mx	.038	6
13	MP1C	X	57.197	3.25
14	MP1C	Z	-99.069	3.25
15	MP1C	Mx	-.01	3.25

Member Point Loads (BLC 4 : Antenna Wo (30 Deg)) (Continued)

	Member Label	Direction	Magnitude[lb,k-ft]	Location[ft,%]
16	MP1C	X	57.197	6
17	MP1C	Z	-99.069	6
18	MP1C	Mx	-.01	6
19	MP2A	X	71.166	2
20	MP2A	Z	-123.263	2
21	MP2A	Mx	-.149	2
22	MP2A	X	71.166	7
23	MP2A	Z	-123.263	7
24	MP2A	Mx	-.149	7
25	MP2B	X	56.127	2
26	MP2B	Z	-97.215	2
27	MP2B	Mx	.05	2
28	MP2B	X	56.127	7
29	MP2B	Z	-97.215	7
30	MP2B	Mx	.05	7
31	MP2C	X	79.278	2
32	MP2C	Z	-137.313	2
33	MP2C	Mx	.096	2
34	MP2C	X	79.278	7
35	MP2C	Z	-137.313	7
36	MP2C	Mx	.096	7
37	MP2A	X	70.966	2
38	MP2A	Z	-122.917	2
39	MP2A	Mx	.026	2
40	MP2A	X	70.966	7
41	MP2A	Z	-122.917	7
42	MP2A	Mx	.026	7
43	MP2B	X	70.966	2
44	MP2B	Z	-122.917	2
45	MP2B	Mx	.026	2
46	MP2B	X	70.966	7
47	MP2B	Z	-122.917	7
48	MP2B	Mx	.026	7
49	MP2C	X	70.966	2
50	MP2C	Z	-122.917	2
51	MP2C	Mx	.026	2
52	MP2C	X	70.966	7
53	MP2C	Z	-122.917	7
54	MP2C	Mx	.026	7
55	MP4A	X	37.264	4
56	MP4A	Z	-64.543	4
57	MP4A	Mx	-.021	4
58	MP4A	X	37.264	5
59	MP4A	Z	-64.543	5
60	MP4A	Mx	-.021	5
61	MP4B	X	21.557	4
62	MP4B	Z	-37.337	4
63	MP4B	Mx	.02	4
64	MP4B	X	21.557	5
65	MP4B	Z	-37.337	5
66	MP4B	Mx	.02	5
67	MP4C	X	45.736	4
68	MP4C	Z	-79.217	4
69	MP4C	Mx	-.008	4
70	MP4C	X	45.736	5
71	MP4C	Z	-79.217	5
72	MP4C	Mx	-.008	5
73	MP2A	X	26.22	4
74	MP2A	Z	-45.415	4
75	MP2A	Mx	.025	4
76	MP2B	X	26.22	4

Member Point Loads (BLC 4 : Antenna Wo (30 Deg)) (Continued)

	Member Label	Direction	Magnitude[lb,k-ft]	Location[ft,%]
77	MP2B	Z	-45.415	4
78	MP2B	Mx	.025	4
79	MP2C	X	26.22	4
80	MP2C	Z	-45.415	4
81	MP2C	Mx	.025	4
82	MP3A	X	22.062	4
83	MP3A	Z	-38.213	4
84	MP3A	Mx	.021	4
85	MP3B	X	22.062	4
86	MP3B	Z	-38.213	4
87	MP3B	Mx	.021	4
88	MP3C	X	22.062	4
89	MP3C	Z	-38.213	4
90	MP3C	Mx	.021	4

Member Point Loads (BLC 5 : Antenna Wo (60 Deg))

	Member Label	Direction	Magnitude[lb,k-ft]	Location[ft,%]
1	MP1A	X	72.022	3.25
2	MP1A	Z	-41.582	3.25
3	MP1A	Mx	-.038	3.25
4	MP1A	X	72.022	6
5	MP1A	Z	-41.582	6
6	MP1A	Mx	-.038	6
7	MP1B	X	85.976	3.25
8	MP1B	Z	-49.638	3.25
9	MP1B	Mx	.032	3.25
10	MP1B	X	85.976	6
11	MP1B	Z	-49.638	6
12	MP1B	Mx	.032	6
13	MP1C	X	96.101	3.25
14	MP1C	Z	-55.484	3.25
15	MP1C	Mx	.019	3.25
16	MP1C	X	96.101	6
17	MP1C	Z	-55.484	6
18	MP1C	Mx	.019	6
19	MP2A	X	100.112	2
20	MP2A	Z	-57.8	2
21	MP2A	Mx	-.115	2
22	MP2A	X	100.112	7
23	MP2A	Z	-57.8	7
24	MP2A	Mx	-.115	7
25	MP2B	X	119.305	2
26	MP2B	Z	-68.881	2
27	MP2B	Mx	-.013	2
28	MP2B	X	119.305	7
29	MP2B	Z	-68.881	7
30	MP2B	Mx	-.013	7
31	MP2C	X	133.231	2
32	MP2C	Z	-76.921	2
33	MP2C	Mx	.148	2
34	MP2C	X	133.231	7
35	MP2C	Z	-76.921	7
36	MP2C	Mx	.148	7
37	MP2A	X	100.02	2
38	MP2A	Z	-57.747	2
39	MP2A	Mx	-.042	2
40	MP2A	X	100.02	7
41	MP2A	Z	-57.747	7
42	MP2A	Mx	-.042	7
43	MP2B	X	100.02	2
44	MP2B	Z	-57.747	2

Member Point Loads (BLC 5 : Antenna Wo (60 Deg)) (Continued)

	Member Label	Direction	Magnitude[lb,k-ft]	Location[ft,%]
45	MP2B	Mx	-.042	2
46	MP2B	X	100.02	7
47	MP2B	Z	-57.747	7
48	MP2B	Mx	-.042	7
49	MP2C	X	100.02	2
50	MP2C	Z	-57.747	2
51	MP2C	Mx	-.042	2
52	MP2C	X	100.02	7
53	MP2C	Z	-57.747	7
54	MP2C	Mx	-.042	7
55	MP4A	X	40.363	4
56	MP4A	Z	-23.304	4
57	MP4A	Mx	-.021	4
58	MP4A	X	40.363	5
59	MP4A	Z	-23.304	5
60	MP4A	Mx	-.021	5
61	MP4B	X	60.409	4
62	MP4B	Z	-34.877	4
63	MP4B	Mx	.022	4
64	MP4B	X	60.409	5
65	MP4B	Z	-34.877	5
66	MP4B	Mx	.022	5
67	MP4C	X	74.953	4
68	MP4C	Z	-43.274	4
69	MP4C	Mx	.015	4
70	MP4C	X	74.953	5
71	MP4C	Z	-43.274	5
72	MP4C	Mx	.015	5
73	MP2A	X	43.566	4
74	MP2A	Z	-25.153	4
75	MP2A	Mx	.025	4
76	MP2B	X	43.566	4
77	MP2B	Z	-25.153	4
78	MP2B	Mx	.025	4
79	MP2C	X	43.566	4
80	MP2C	Z	-25.153	4
81	MP2C	Mx	.025	4
82	MP3A	X	35.657	4
83	MP3A	Z	-20.586	4
84	MP3A	Mx	.02	4
85	MP3B	X	35.657	4
86	MP3B	Z	-20.586	4
87	MP3B	Mx	.02	4
88	MP3C	X	35.657	4
89	MP3C	Z	-20.586	4
90	MP3C	Mx	.02	4

Member Point Loads (BLC 6 : Antenna Wo (90 Deg))

	Member Label	Direction	Magnitude[lb,k-ft]	Location[ft,%]
1	MP1A	X	76.414	3.25
2	MP1A	Z	0	3.25
3	MP1A	Mx	-.038	3.25
4	MP1A	X	76.414	6
5	MP1A	Z	0	6
6	MP1A	Mx	-.038	6
7	MP1B	X	114.394	3.25
8	MP1B	Z	0	3.25
9	MP1B	Mx	.01	3.25
10	MP1B	X	114.394	6
11	MP1B	Z	0	6
12	MP1B	Mx	.01	6

Member Point Loads (BLC 6 : Antenna Wo (90 Deg)) (Continued)

	Member Label	Direction	Magnitude[lb,k-ft]	Location[ft,%]
13	MP1C	X	92.422	3.25
14	MP1C	Z	0	3.25
15	MP1C	Mx	.035	3.25
16	MP1C	X	92.422	6
17	MP1C	Z	0	6
18	MP1C	Mx	.035	6
19	MP2A	X	106.315	2
20	MP2A	Z	0	2
21	MP2A	Mx	-.072	2
22	MP2A	X	106.315	7
23	MP2A	Z	0	7
24	MP2A	Mx	-.072	7
25	MP2B	X	158.556	2
26	MP2B	Z	0	2
27	MP2B	Mx	-.096	2
28	MP2B	X	158.556	7
29	MP2B	Z	0	7
30	MP2B	Mx	-.096	7
31	MP2C	X	128.334	2
32	MP2C	Z	0	2
33	MP2C	Mx	.136	2
34	MP2C	X	128.334	7
35	MP2C	Z	0	7
36	MP2C	Mx	.136	7
37	MP2A	X	106.311	2
38	MP2A	Z	0	2
39	MP2A	Mx	-.086	2
40	MP2A	X	106.311	7
41	MP2A	Z	0	7
42	MP2A	Mx	-.086	7
43	MP2B	X	106.311	2
44	MP2B	Z	0	2
45	MP2B	Mx	-.086	2
46	MP2B	X	106.311	7
47	MP2B	Z	0	7
48	MP2B	Mx	-.086	7
49	MP2C	X	106.311	2
50	MP2C	Z	0	2
51	MP2C	Mx	-.086	2
52	MP2C	X	106.311	7
53	MP2C	Z	0	7
54	MP2C	Mx	-.086	7
55	MP4A	X	36.911	4
56	MP4A	Z	0	4
57	MP4A	Mx	-.018	4
58	MP4A	X	36.911	5
59	MP4A	Z	0	5
60	MP4A	Mx	-.018	5
61	MP4B	X	91.472	4
62	MP4B	Z	0	4
63	MP4B	Mx	.008	4
64	MP4B	X	91.472	5
65	MP4B	Z	0	5
66	MP4B	Mx	.008	5
67	MP4C	X	59.908	4
68	MP4C	Z	0	4
69	MP4C	Mx	.023	4
70	MP4C	X	59.908	5
71	MP4C	Z	0	5
72	MP4C	Mx	.023	5
73	MP2A	X	59.722	4

Member Point Loads (BLC 6 : Antenna Wo (90 Deg)) (Continued)

	Member Label	Direction	Magnitude[lb,k-ft]	Location[ft,%]
74	MP2A	Z	0	4
75	MP2A	Mx	.023	4
76	MP2B	X	59.722	4
77	MP2B	Z	0	4
78	MP2B	Mx	.023	4
79	MP2C	X	59.722	4
80	MP2C	Z	0	4
81	MP2C	Mx	.023	4
82	MP3A	X	54.196	4
83	MP3A	Z	0	4
84	MP3A	Mx	.021	4
85	MP3B	X	54.196	4
86	MP3B	Z	0	4
87	MP3B	Mx	.021	4
88	MP3C	X	54.196	4
89	MP3C	Z	0	4
90	MP3C	Mx	.021	4

Member Point Loads (BLC 7 : Antenna Wo (120 Deg))

	Member Label	Direction	Magnitude[lb,k-ft]	Location[ft,%]
1	MP1A	X	77.162	3.25
2	MP1A	Z	44.55	3.25
3	MP1A	Mx	-.036	3.25
4	MP1A	X	77.162	6
5	MP1A	Z	44.55	6
6	MP1A	Mx	-.036	6
7	MP1B	X	96.101	3.25
8	MP1B	Z	55.484	3.25
9	MP1B	Mx	-.019	3.25
10	MP1B	X	96.101	6
11	MP1B	Z	55.484	6
12	MP1B	Mx	-.019	6
13	MP1C	X	66.947	3.25
14	MP1C	Z	38.652	3.25
15	MP1C	Mx	.038	3.25
16	MP1C	X	66.947	6
17	MP1C	Z	38.652	6
18	MP1C	Mx	.038	6
19	MP2A	X	107.183	2
20	MP2A	Z	61.882	2
21	MP2A	Mx	-.023	2
22	MP2A	X	107.183	7
23	MP2A	Z	61.882	7
24	MP2A	Mx	-.023	7
25	MP2B	X	133.231	2
26	MP2B	Z	76.921	2
27	MP2B	Mx	-.148	2
28	MP2B	X	133.231	7
29	MP2B	Z	76.921	7
30	MP2B	Mx	-.148	7
31	MP2C	X	93.132	2
32	MP2C	Z	53.77	2
33	MP2C	Mx	.093	2
34	MP2C	X	93.132	7
35	MP2C	Z	53.77	7
36	MP2C	Mx	.093	7
37	MP2A	X	107.013	2
38	MP2A	Z	61.784	2
39	MP2A	Mx	-.129	2
40	MP2A	X	107.013	7
41	MP2A	Z	61.784	7

Member Point Loads (BLC 7 : Antenna Wo (120 Deg)) (Continued)

	Member Label	Direction	Magnitude[lb,k-ft]	Location[ft,%]
42	MP2A	Mx	-.129	7
43	MP2B	X	107.013	2
44	MP2B	Z	61.784	2
45	MP2B	Mx	-.129	2
46	MP2B	X	107.013	7
47	MP2B	Z	61.784	7
48	MP2B	Mx	-.129	7
49	MP2C	X	107.013	2
50	MP2C	Z	61.784	2
51	MP2C	Mx	-.129	2
52	MP2C	X	107.013	7
53	MP2C	Z	61.784	7
54	MP2C	Mx	-.129	7
55	MP4A	X	47.748	4
56	MP4A	Z	27.567	4
57	MP4A	Mx	-.023	4
58	MP4A	X	47.748	5
59	MP4A	Z	27.567	5
60	MP4A	Mx	-.023	5
61	MP4B	X	74.953	4
62	MP4B	Z	43.274	4
63	MP4B	Mx	-.015	4
64	MP4B	X	74.953	5
65	MP4B	Z	43.274	5
66	MP4B	Mx	-.015	5
67	MP4C	X	33.074	4
68	MP4C	Z	19.095	4
69	MP4C	Mx	.019	4
70	MP4C	X	33.074	5
71	MP4C	Z	19.095	5
72	MP4C	Mx	.019	5
73	MP2A	X	61.724	4
74	MP2A	Z	35.636	4
75	MP2A	Mx	.012	4
76	MP2B	X	61.724	4
77	MP2B	Z	35.636	4
78	MP2B	Mx	.012	4
79	MP2C	X	61.724	4
80	MP2C	Z	35.636	4
81	MP2C	Mx	.012	4
82	MP3A	X	60.77	4
83	MP3A	Z	35.086	4
84	MP3A	Mx	.012	4
85	MP3B	X	60.77	4
86	MP3B	Z	35.086	4
87	MP3B	Mx	.012	4
88	MP3C	X	60.77	4
89	MP3C	Z	35.086	4
90	MP3C	Mx	.012	4

Member Point Loads (BLC 8 : Antenna Wo (150 Deg))

	Member Label	Direction	Magnitude[lb,k-ft]	Location[ft,%]
1	MP1A	X	54.267	3.25
2	MP1A	Z	93.994	3.25
3	MP1A	Mx	-.023	3.25
4	MP1A	X	54.267	6
5	MP1A	Z	93.994	6
6	MP1A	Mx	-.023	6
7	MP1B	X	46.211	3.25
8	MP1B	Z	80.04	3.25
9	MP1B	Mx	-.035	3.25

Member Point Loads (BLC 8 : Antenna Wo (150 Deg)) (Continued)

	Member Label	Direction	Magnitude[lb,k-ft]	Location[ft,%]
10	MP1B	X	46.211	6
11	MP1B	Z	80.04	6
12	MP1B	Mx	-.035	6
13	MP1C	X	40.366	3.25
14	MP1C	Z	69.915	3.25
15	MP1C	Mx	.038	3.25
16	MP1C	X	40.366	6
17	MP1C	Z	69.915	6
18	MP1C	Mx	.038	6
19	MP2A	X	75.248	2
20	MP2A	Z	130.334	2
21	MP2A	Mx	.055	2
22	MP2A	X	75.248	7
23	MP2A	Z	130.334	7
24	MP2A	Mx	.055	7
25	MP2B	X	64.167	2
26	MP2B	Z	111.141	2
27	MP2B	Mx	-.136	2
28	MP2B	X	64.167	7
29	MP2B	Z	111.141	7
30	MP2B	Mx	-.136	7
31	MP2C	X	56.127	2
32	MP2C	Z	97.215	2
33	MP2C	Mx	.05	2
34	MP2C	X	56.127	7
35	MP2C	Z	97.215	7
36	MP2C	Mx	.05	7
37	MP2A	X	75.004	2
38	MP2A	Z	129.911	2
39	MP2A	Mx	-.15	2
40	MP2A	X	75.004	7
41	MP2A	Z	129.911	7
42	MP2A	Mx	-.15	7
43	MP2B	X	75.004	2
44	MP2B	Z	129.911	2
45	MP2B	Mx	-.15	2
46	MP2B	X	75.004	7
47	MP2B	Z	129.911	7
48	MP2B	Mx	-.15	7
49	MP2C	X	75.004	2
50	MP2C	Z	129.911	2
51	MP2C	Mx	-.15	2
52	MP2C	X	75.004	7
53	MP2C	Z	129.911	7
54	MP2C	Mx	-.15	7
55	MP4A	X	41.527	4
56	MP4A	Z	71.927	4
57	MP4A	Mx	-.018	4
58	MP4A	X	41.527	5
59	MP4A	Z	71.927	5
60	MP4A	Mx	-.018	5
61	MP4B	X	29.954	4
62	MP4B	Z	51.882	4
63	MP4B	Mx	-.023	4
64	MP4B	X	29.954	5
65	MP4B	Z	51.882	5
66	MP4B	Mx	-.023	5
67	MP4C	X	21.557	4
68	MP4C	Z	37.337	4
69	MP4C	Mx	.02	4
70	MP4C	X	21.557	5

Member Point Loads (BLC 8 : Antenna Wo (150 Deg)) (Continued)

	Member Label	Direction	Magnitude[lb,k-ft]	Location[ft,%]
71	MP4C	Z	37.337	5
72	MP4C	Mx	.02	5
73	MP2A	X	36.704	4
74	MP2A	Z	63.573	4
75	MP2A	Mx	-.006	4
76	MP2B	X	36.704	4
77	MP2B	Z	63.573	4
78	MP2B	Mx	-.006	4
79	MP2C	X	36.704	4
80	MP2C	Z	63.573	4
81	MP2C	Mx	-.006	4
82	MP3A	X	36.562	4
83	MP3A	Z	63.327	4
84	MP3A	Mx	-.006	4
85	MP3B	X	36.562	4
86	MP3B	Z	63.327	4
87	MP3B	Mx	-.006	4
88	MP3C	X	36.562	4
89	MP3C	Z	63.327	4
90	MP3C	Mx	-.006	4

Member Point Loads (BLC 9 : Antenna Wo (180 Deg))

	Member Label	Direction	Magnitude[lb,k-ft]	Location[ft,%]
1	MP1A	X	0	3.25
2	MP1A	Z	115.285	3.25
3	MP1A	Mx	.005	3.25
4	MP1A	X	0	6
5	MP1A	Z	115.285	6
6	MP1A	Mx	.005	6
7	MP1B	X	0	3.25
8	MP1B	Z	77.304	3.25
9	MP1B	Mx	-.038	3.25
10	MP1B	X	0	6
11	MP1B	Z	77.304	6
12	MP1B	Mx	-.038	6
13	MP1C	X	0	3.25
14	MP1C	Z	99.276	3.25
15	MP1C	Mx	.032	3.25
16	MP1C	X	0	6
17	MP1C	Z	99.276	6
18	MP1C	Mx	.032	6
19	MP2A	X	0	2
20	MP2A	Z	159.78	2
21	MP2A	Mx	.13	2
22	MP2A	X	0	7
23	MP2A	Z	159.78	7
24	MP2A	Mx	.13	7
25	MP2B	X	0	2
26	MP2B	Z	107.54	2
27	MP2B	Mx	-.093	2
28	MP2B	X	0	7
29	MP2B	Z	107.54	7
30	MP2B	Mx	-.093	7
31	MP2C	X	0	2
32	MP2C	Z	137.762	2
33	MP2C	Mx	-.013	2
34	MP2C	X	0	7
35	MP2C	Z	137.762	7
36	MP2C	Mx	-.013	7
37	MP2A	X	0	2
38	MP2A	Z	159.19	2

Member Point Loads (BLC 9 : Antenna Wo (180 Deg)) (Continued)

	Member Label	Direction	Magnitude[lb,k-ft]	Location[ft,%]
39	MP2A	Mx	-.109	2
40	MP2A	X	0	7
41	MP2A	Z	159.19	7
42	MP2A	Mx	-.109	7
43	MP2B	X	0	2
44	MP2B	Z	159.19	2
45	MP2B	Mx	-.109	2
46	MP2B	X	0	7
47	MP2B	Z	159.19	7
48	MP2B	Mx	-.109	7
49	MP2C	X	0	2
50	MP2C	Z	159.19	2
51	MP2C	Mx	-.109	2
52	MP2C	X	0	7
53	MP2C	Z	159.19	7
54	MP2C	Mx	-.109	7
55	MP4A	X	0	4
56	MP4A	Z	92.751	4
57	MP4A	Mx	.004	4
58	MP4A	X	0	5
59	MP4A	Z	92.751	5
60	MP4A	Mx	.004	5
61	MP4B	X	0	4
62	MP4B	Z	38.19	4
63	MP4B	Mx	-.019	4
64	MP4B	X	0	5
65	MP4B	Z	38.19	5
66	MP4B	Mx	-.019	5
67	MP4C	X	0	4
68	MP4C	Z	69.754	4
69	MP4C	Mx	.022	4
70	MP4C	X	0	5
71	MP4C	Z	69.754	5
72	MP4C	Mx	.022	5
73	MP2A	X	0	4
74	MP2A	Z	63.991	4
75	MP2A	Mx	-.021	4
76	MP2B	X	0	4
77	MP2B	Z	63.991	4
78	MP2B	Mx	-.021	4
79	MP2C	X	0	4
80	MP2C	Z	63.991	4
81	MP2C	Mx	-.021	4
82	MP3A	X	0	4
83	MP3A	Z	60.1	4
84	MP3A	Mx	-.019	4
85	MP3B	X	0	4
86	MP3B	Z	60.1	4
87	MP3B	Mx	-.019	4
88	MP3C	X	0	4
89	MP3C	Z	60.1	4
90	MP3C	Mx	-.019	4

Member Point Loads (BLC 10 : Antenna Wo (210 Deg))

	Member Label	Direction	Magnitude[lb,k-ft]	Location[ft,%]
1	MP1A	X	-51.3	3.25
2	MP1A	Z	88.854	3.25
3	MP1A	Mx	.029	3.25
4	MP1A	X	-51.3	6
5	MP1A	Z	88.854	6
6	MP1A	Mx	.029	6

Member Point Loads (BLC 10 : Antenna Wo (210 Deg)) (Continued)

	Member Label	Direction	Magnitude[lb,k-ft]	Location[ft,%]
7	MP1B	X	-40.366	3.25
8	MP1B	Z	69.915	3.25
9	MP1B	Mx	-.038	3.25
10	MP1B	X	-40.366	6
11	MP1B	Z	69.915	6
12	MP1B	Mx	-.038	6
13	MP1C	X	-57.197	3.25
14	MP1C	Z	99.069	3.25
15	MP1C	Mx	.01	3.25
16	MP1C	X	-57.197	6
17	MP1C	Z	99.069	6
18	MP1C	Mx	.01	6
19	MP2A	X	-71.166	2
20	MP2A	Z	123.263	2
21	MP2A	Mx	.149	2
22	MP2A	X	-71.166	7
23	MP2A	Z	123.263	7
24	MP2A	Mx	.149	7
25	MP2B	X	-56.127	2
26	MP2B	Z	97.215	2
27	MP2B	Mx	-.05	2
28	MP2B	X	-56.127	7
29	MP2B	Z	97.215	7
30	MP2B	Mx	-.05	7
31	MP2C	X	-79.278	2
32	MP2C	Z	137.313	2
33	MP2C	Mx	-.096	2
34	MP2C	X	-79.278	7
35	MP2C	Z	137.313	7
36	MP2C	Mx	-.096	7
37	MP2A	X	-70.966	2
38	MP2A	Z	122.917	2
39	MP2A	Mx	-.026	2
40	MP2A	X	-70.966	7
41	MP2A	Z	122.917	7
42	MP2A	Mx	-.026	7
43	MP2B	X	-70.966	2
44	MP2B	Z	122.917	2
45	MP2B	Mx	-.026	2
46	MP2B	X	-70.966	7
47	MP2B	Z	122.917	7
48	MP2B	Mx	-.026	7
49	MP2C	X	-70.966	2
50	MP2C	Z	122.917	2
51	MP2C	Mx	-.026	2
52	MP2C	X	-70.966	7
53	MP2C	Z	122.917	7
54	MP2C	Mx	-.026	7
55	MP4A	X	-37.264	4
56	MP4A	Z	64.543	4
57	MP4A	Mx	.021	4
58	MP4A	X	-37.264	5
59	MP4A	Z	64.543	5
60	MP4A	Mx	.021	5
61	MP4B	X	-21.557	4
62	MP4B	Z	37.337	4
63	MP4B	Mx	-.02	4
64	MP4B	X	-21.557	5
65	MP4B	Z	37.337	5
66	MP4B	Mx	-.02	5
67	MP4C	X	-45.736	4

Member Point Loads (BLC 10 : Antenna Wo (210 Deg)) (Continued)

	Member Label	Direction	Magnitude[lb,k-ft]	Location[ft,%]
68	MP4C	Z	79.217	4
69	MP4C	Mx	.008	4
70	MP4C	X	-45.736	5
71	MP4C	Z	79.217	5
72	MP4C	Mx	.008	5
73	MP2A	X	-26.22	4
74	MP2A	Z	45.415	4
75	MP2A	Mx	-.025	4
76	MP2B	X	-26.22	4
77	MP2B	Z	45.415	4
78	MP2B	Mx	-.025	4
79	MP2C	X	-26.22	4
80	MP2C	Z	45.415	4
81	MP2C	Mx	-.025	4
82	MP3A	X	-22.062	4
83	MP3A	Z	38.213	4
84	MP3A	Mx	-.021	4
85	MP3B	X	-22.062	4
86	MP3B	Z	38.213	4
87	MP3B	Mx	-.021	4
88	MP3C	X	-22.062	4
89	MP3C	Z	38.213	4
90	MP3C	Mx	-.021	4

Member Point Loads (BLC 11 : Antenna Wo (240 Deg))

	Member Label	Direction	Magnitude[lb,k-ft]	Location[ft,%]
1	MP1A	X	-72.022	3.25
2	MP1A	Z	41.582	3.25
3	MP1A	Mx	.038	3.25
4	MP1A	X	-72.022	6
5	MP1A	Z	41.582	6
6	MP1A	Mx	.038	6
7	MP1B	X	-85.976	3.25
8	MP1B	Z	49.638	3.25
9	MP1B	Mx	-.032	3.25
10	MP1B	X	-85.976	6
11	MP1B	Z	49.638	6
12	MP1B	Mx	-.032	6
13	MP1C	X	-96.101	3.25
14	MP1C	Z	55.484	3.25
15	MP1C	Mx	-.019	3.25
16	MP1C	X	-96.101	6
17	MP1C	Z	55.484	6
18	MP1C	Mx	-.019	6
19	MP2A	X	-100.112	2
20	MP2A	Z	57.8	2
21	MP2A	Mx	.115	2
22	MP2A	X	-100.112	7
23	MP2A	Z	57.8	7
24	MP2A	Mx	.115	7
25	MP2B	X	-119.305	2
26	MP2B	Z	68.881	2
27	MP2B	Mx	.013	2
28	MP2B	X	-119.305	7
29	MP2B	Z	68.881	7
30	MP2B	Mx	.013	7
31	MP2C	X	-133.231	2
32	MP2C	Z	76.921	2
33	MP2C	Mx	-.148	2
34	MP2C	X	-133.231	7
35	MP2C	Z	76.921	7

Member Point Loads (BLC 11 : Antenna Wo (240 Deg)) (Continued)

	Member Label	Direction	Magnitude[lb,k-ft]	Location[ft,%]
36	MP2C	Mx	-.148	7
37	MP2A	X	-100.02	2
38	MP2A	Z	57.747	2
39	MP2A	Mx	.042	2
40	MP2A	X	-100.02	7
41	MP2A	Z	57.747	7
42	MP2A	Mx	.042	7
43	MP2B	X	-100.02	2
44	MP2B	Z	57.747	2
45	MP2B	Mx	.042	2
46	MP2B	X	-100.02	7
47	MP2B	Z	57.747	7
48	MP2B	Mx	.042	7
49	MP2C	X	-100.02	2
50	MP2C	Z	57.747	2
51	MP2C	Mx	.042	2
52	MP2C	X	-100.02	7
53	MP2C	Z	57.747	7
54	MP2C	Mx	.042	7
55	MP4A	X	-40.363	4
56	MP4A	Z	23.304	4
57	MP4A	Mx	.021	4
58	MP4A	X	-40.363	5
59	MP4A	Z	23.304	5
60	MP4A	Mx	.021	5
61	MP4B	X	-60.409	4
62	MP4B	Z	34.877	4
63	MP4B	Mx	-.022	4
64	MP4B	X	-60.409	5
65	MP4B	Z	34.877	5
66	MP4B	Mx	-.022	5
67	MP4C	X	-74.953	4
68	MP4C	Z	43.274	4
69	MP4C	Mx	-.015	4
70	MP4C	X	-74.953	5
71	MP4C	Z	43.274	5
72	MP4C	Mx	-.015	5
73	MP2A	X	-43.566	4
74	MP2A	Z	25.153	4
75	MP2A	Mx	-.025	4
76	MP2B	X	-43.566	4
77	MP2B	Z	25.153	4
78	MP2B	Mx	-.025	4
79	MP2C	X	-43.566	4
80	MP2C	Z	25.153	4
81	MP2C	Mx	-.025	4
82	MP3A	X	-35.657	4
83	MP3A	Z	20.586	4
84	MP3A	Mx	-.02	4
85	MP3B	X	-35.657	4
86	MP3B	Z	20.586	4
87	MP3B	Mx	-.02	4
88	MP3C	X	-35.657	4
89	MP3C	Z	20.586	4
90	MP3C	Mx	-.02	4

Member Point Loads (BLC 12 : Antenna Wo (270 Deg))

	Member Label	Direction	Magnitude[lb,k-ft]	Location[ft,%]
1	MP1A	X	-76.414	3.25
2	MP1A	Z	0	3.25
3	MP1A	Mx	.038	3.25

Member Point Loads (BLC 12 : Antenna Wo (270 Deg)) (Continued)

	Member Label	Direction	Magnitude[lb,k-ft]	Location[ft,%]
4	MP1A	X	-76.414	6
5	MP1A	Z	0	6
6	MP1A	Mx	.038	6
7	MP1B	X	-114.394	3.25
8	MP1B	Z	0	3.25
9	MP1B	Mx	-.01	3.25
10	MP1B	X	-114.394	6
11	MP1B	Z	0	6
12	MP1B	Mx	-.01	6
13	MP1C	X	-92.422	3.25
14	MP1C	Z	0	3.25
15	MP1C	Mx	-.035	3.25
16	MP1C	X	-92.422	6
17	MP1C	Z	0	6
18	MP1C	Mx	-.035	6
19	MP2A	X	-106.315	2
20	MP2A	Z	0	2
21	MP2A	Mx	.072	2
22	MP2A	X	-106.315	7
23	MP2A	Z	0	7
24	MP2A	Mx	.072	7
25	MP2B	X	-158.556	2
26	MP2B	Z	0	2
27	MP2B	Mx	.096	2
28	MP2B	X	-158.556	7
29	MP2B	Z	0	7
30	MP2B	Mx	.096	7
31	MP2C	X	-128.334	2
32	MP2C	Z	0	2
33	MP2C	Mx	-.136	2
34	MP2C	X	-128.334	7
35	MP2C	Z	0	7
36	MP2C	Mx	-.136	7
37	MP2A	X	-106.311	2
38	MP2A	Z	0	2
39	MP2A	Mx	.086	2
40	MP2A	X	-106.311	7
41	MP2A	Z	0	7
42	MP2A	Mx	.086	7
43	MP2B	X	-106.311	2
44	MP2B	Z	0	2
45	MP2B	Mx	.086	2
46	MP2B	X	-106.311	7
47	MP2B	Z	0	7
48	MP2B	Mx	.086	7
49	MP2C	X	-106.311	2
50	MP2C	Z	0	2
51	MP2C	Mx	.086	2
52	MP2C	X	-106.311	7
53	MP2C	Z	0	7
54	MP2C	Mx	.086	7
55	MP4A	X	-36.911	4
56	MP4A	Z	0	4
57	MP4A	Mx	.018	4
58	MP4A	X	-36.911	5
59	MP4A	Z	0	5
60	MP4A	Mx	.018	5
61	MP4B	X	-91.472	4
62	MP4B	Z	0	4
63	MP4B	Mx	-.008	4
64	MP4B	X	-91.472	5

Member Point Loads (BLC 12 : Antenna Wo (270 Deg)) (Continued)

	Member Label	Direction	Magnitude[lb,k-ft]	Location[ft,%]
65	MP4B	Z	0	5
66	MP4B	Mx	-.008	5
67	MP4C	X	-59.908	4
68	MP4C	Z	0	4
69	MP4C	Mx	-.023	4
70	MP4C	X	-59.908	5
71	MP4C	Z	0	5
72	MP4C	Mx	-.023	5
73	MP2A	X	-59.722	4
74	MP2A	Z	0	4
75	MP2A	Mx	-.023	4
76	MP2B	X	-59.722	4
77	MP2B	Z	0	4
78	MP2B	Mx	-.023	4
79	MP2C	X	-59.722	4
80	MP2C	Z	0	4
81	MP2C	Mx	-.023	4
82	MP3A	X	-54.196	4
83	MP3A	Z	0	4
84	MP3A	Mx	-.021	4
85	MP3B	X	-54.196	4
86	MP3B	Z	0	4
87	MP3B	Mx	-.021	4
88	MP3C	X	-54.196	4
89	MP3C	Z	0	4
90	MP3C	Mx	-.021	4

Member Point Loads (BLC 13 : Antenna Wo (300 Deg))

	Member Label	Direction	Magnitude[lb,k-ft]	Location[ft,%]
1	MP1A	X	-77.162	3.25
2	MP1A	Z	-44.55	3.25
3	MP1A	Mx	.036	3.25
4	MP1A	X	-77.162	6
5	MP1A	Z	-44.55	6
6	MP1A	Mx	.036	6
7	MP1B	X	-96.101	3.25
8	MP1B	Z	-55.484	3.25
9	MP1B	Mx	.019	3.25
10	MP1B	X	-96.101	6
11	MP1B	Z	-55.484	6
12	MP1B	Mx	.019	6
13	MP1C	X	-66.947	3.25
14	MP1C	Z	-38.652	3.25
15	MP1C	Mx	-.038	3.25
16	MP1C	X	-66.947	6
17	MP1C	Z	-38.652	6
18	MP1C	Mx	-.038	6
19	MP2A	X	-107.183	2
20	MP2A	Z	-61.882	2
21	MP2A	Mx	.023	2
22	MP2A	X	-107.183	7
23	MP2A	Z	-61.882	7
24	MP2A	Mx	.023	7
25	MP2B	X	-133.231	2
26	MP2B	Z	-76.921	2
27	MP2B	Mx	.148	2
28	MP2B	X	-133.231	7
29	MP2B	Z	-76.921	7
30	MP2B	Mx	.148	7
31	MP2C	X	-93.132	2
32	MP2C	Z	-53.77	2

Member Point Loads (BLC 13 : Antenna Wo (300 Deg)) (Continued)

	Member Label	Direction	Magnitude[lb,k-ft]	Location[ft,%]
33	MP2C	Mx	-.093	2
34	MP2C	X	-93.132	7
35	MP2C	Z	-53.77	7
36	MP2C	Mx	-.093	7
37	MP2A	X	-107.013	2
38	MP2A	Z	-61.784	2
39	MP2A	Mx	.129	2
40	MP2A	X	-107.013	7
41	MP2A	Z	-61.784	7
42	MP2A	Mx	.129	7
43	MP2B	X	-107.013	2
44	MP2B	Z	-61.784	2
45	MP2B	Mx	.129	2
46	MP2B	X	-107.013	7
47	MP2B	Z	-61.784	7
48	MP2B	Mx	.129	7
49	MP2C	X	-107.013	2
50	MP2C	Z	-61.784	2
51	MP2C	Mx	.129	2
52	MP2C	X	-107.013	7
53	MP2C	Z	-61.784	7
54	MP2C	Mx	.129	7
55	MP4A	X	-47.748	4
56	MP4A	Z	-27.567	4
57	MP4A	Mx	.023	4
58	MP4A	X	-47.748	5
59	MP4A	Z	-27.567	5
60	MP4A	Mx	.023	5
61	MP4B	X	-74.953	4
62	MP4B	Z	-43.274	4
63	MP4B	Mx	.015	4
64	MP4B	X	-74.953	5
65	MP4B	Z	-43.274	5
66	MP4B	Mx	.015	5
67	MP4C	X	-33.074	4
68	MP4C	Z	-19.095	4
69	MP4C	Mx	-.019	4
70	MP4C	X	-33.074	5
71	MP4C	Z	-19.095	5
72	MP4C	Mx	-.019	5
73	MP2A	X	-61.724	4
74	MP2A	Z	-35.636	4
75	MP2A	Mx	-.012	4
76	MP2B	X	-61.724	4
77	MP2B	Z	-35.636	4
78	MP2B	Mx	-.012	4
79	MP2C	X	-61.724	4
80	MP2C	Z	-35.636	4
81	MP2C	Mx	-.012	4
82	MP3A	X	-60.77	4
83	MP3A	Z	-35.086	4
84	MP3A	Mx	-.012	4
85	MP3B	X	-60.77	4
86	MP3B	Z	-35.086	4
87	MP3B	Mx	-.012	4
88	MP3C	X	-60.77	4
89	MP3C	Z	-35.086	4
90	MP3C	Mx	-.012	4

Member Point Loads (BLC 14 : Antenna Wo (330 Deg))

	Member Label	Direction	Magnitude[lb,k-ft]	Location[ft,%]
--	--------------	-----------	--------------------	----------------

Member Point Loads (BLC 14 : Antenna Wo (330 Deg)) (Continued)

	Member Label	Direction	Magnitude[lb,k-ft]	Location[ft,%]
1	MP1A	X	-54.267	3.25
2	MP1A	Z	-93.994	3.25
3	MP1A	Mx	.023	3.25
4	MP1A	X	-54.267	6
5	MP1A	Z	-93.994	6
6	MP1A	Mx	.023	6
7	MP1B	X	-46.211	3.25
8	MP1B	Z	-80.04	3.25
9	MP1B	Mx	.035	3.25
10	MP1B	X	-46.211	6
11	MP1B	Z	-80.04	6
12	MP1B	Mx	.035	6
13	MP1C	X	-40.366	3.25
14	MP1C	Z	-69.915	3.25
15	MP1C	Mx	-.038	3.25
16	MP1C	X	-40.366	6
17	MP1C	Z	-69.915	6
18	MP1C	Mx	-.038	6
19	MP2A	X	-75.248	2
20	MP2A	Z	-130.334	2
21	MP2A	Mx	-.055	2
22	MP2A	X	-75.248	7
23	MP2A	Z	-130.334	7
24	MP2A	Mx	-.055	7
25	MP2B	X	-64.167	2
26	MP2B	Z	-111.141	2
27	MP2B	Mx	.136	2
28	MP2B	X	-64.167	7
29	MP2B	Z	-111.141	7
30	MP2B	Mx	.136	7
31	MP2C	X	-56.127	2
32	MP2C	Z	-97.215	2
33	MP2C	Mx	-.05	2
34	MP2C	X	-56.127	7
35	MP2C	Z	-97.215	7
36	MP2C	Mx	-.05	7
37	MP2A	X	-75.004	2
38	MP2A	Z	-129.911	2
39	MP2A	Mx	.15	2
40	MP2A	X	-75.004	7
41	MP2A	Z	-129.911	7
42	MP2A	Mx	.15	7
43	MP2B	X	-75.004	2
44	MP2B	Z	-129.911	2
45	MP2B	Mx	.15	2
46	MP2B	X	-75.004	7
47	MP2B	Z	-129.911	7
48	MP2B	Mx	.15	7
49	MP2C	X	-75.004	2
50	MP2C	Z	-129.911	2
51	MP2C	Mx	.15	2
52	MP2C	X	-75.004	7
53	MP2C	Z	-129.911	7
54	MP2C	Mx	.15	7
55	MP4A	X	-41.527	4
56	MP4A	Z	-71.927	4
57	MP4A	Mx	.018	4
58	MP4A	X	-41.527	5
59	MP4A	Z	-71.927	5
60	MP4A	Mx	.018	5
61	MP4B	X	-29.954	4

Member Point Loads (BLC 14 : Antenna Wo (330 Deg)) (Continued)

	Member Label	Direction	Magnitude[lb,k-ft]	Location[ft,%]
62	MP4B	Z	-51.882	4
63	MP4B	Mx	.023	4
64	MP4B	X	-29.954	5
65	MP4B	Z	-51.882	5
66	MP4B	Mx	.023	5
67	MP4C	X	-21.557	4
68	MP4C	Z	-37.337	4
69	MP4C	Mx	-.02	4
70	MP4C	X	-21.557	5
71	MP4C	Z	-37.337	5
72	MP4C	Mx	-.02	5
73	MP2A	X	-36.704	4
74	MP2A	Z	-63.573	4
75	MP2A	Mx	.006	4
76	MP2B	X	-36.704	4
77	MP2B	Z	-63.573	4
78	MP2B	Mx	.006	4
79	MP2C	X	-36.704	4
80	MP2C	Z	-63.573	4
81	MP2C	Mx	.006	4
82	MP3A	X	-36.562	4
83	MP3A	Z	-63.327	4
84	MP3A	Mx	.006	4
85	MP3B	X	-36.562	4
86	MP3B	Z	-63.327	4
87	MP3B	Mx	.006	4
88	MP3C	X	-36.562	4
89	MP3C	Z	-63.327	4
90	MP3C	Mx	.006	4

Member Point Loads (BLC 15 : Antenna Wi (0 Deg))

	Member Label	Direction	Magnitude[lb,k-ft]	Location[ft,%]
1	MP1A	X	0	3.25
2	MP1A	Z	-24.467	3.25
3	MP1A	Mx	-.001	3.25
4	MP1A	X	0	6
5	MP1A	Z	-24.467	6
6	MP1A	Mx	-.001	6
7	MP1B	X	0	3.25
8	MP1B	Z	-17.245	3.25
9	MP1B	Mx	.008	3.25
10	MP1B	X	0	6
11	MP1B	Z	-17.245	6
12	MP1B	Mx	.008	6
13	MP1C	X	0	3.25
14	MP1C	Z	-21.423	3.25
15	MP1C	Mx	-.007	3.25
16	MP1C	X	0	6
17	MP1C	Z	-21.423	6
18	MP1C	Mx	-.007	6
19	MP2A	X	0	2
20	MP2A	Z	-33.157	2
21	MP2A	Mx	-.027	2
22	MP2A	X	0	7
23	MP2A	Z	-33.157	7
24	MP2A	Mx	-.027	7
25	MP2B	X	0	2
26	MP2B	Z	-23.639	2
27	MP2B	Mx	.021	2
28	MP2B	X	0	7
29	MP2B	Z	-23.639	7

Member Point Loads (BLC 15 : Antenna Wi (0 Deg)) (Continued)

	Member Label	Direction	Magnitude[lb,k-ft]	Location[ft,%]
30	MP2B	Mx	.021	7
31	MP2C	X	0	2
32	MP2C	Z	-29.145	2
33	MP2C	Mx	.003	2
34	MP2C	X	0	7
35	MP2C	Z	-29.145	7
36	MP2C	Mx	.003	7
37	MP2A	X	0	2
38	MP2A	Z	-33.157	2
39	MP2A	Mx	.023	2
40	MP2A	X	0	7
41	MP2A	Z	-33.157	7
42	MP2A	Mx	.023	7
43	MP2B	X	0	2
44	MP2B	Z	-33.157	2
45	MP2B	Mx	.023	2
46	MP2B	X	0	7
47	MP2B	Z	-33.157	7
48	MP2B	Mx	.023	7
49	MP2C	X	0	2
50	MP2C	Z	-33.157	2
51	MP2C	Mx	.023	2
52	MP2C	X	0	7
53	MP2C	Z	-33.157	7
54	MP2C	Mx	.023	7
55	MP4A	X	0	4
56	MP4A	Z	-19.89	4
57	MP4A	Mx	-.000867	4
58	MP4A	X	0	5
59	MP4A	Z	-19.89	5
60	MP4A	Mx	-.000867	5
61	MP4B	X	0	4
62	MP4B	Z	-9.187	4
63	MP4B	Mx	.005	4
64	MP4B	X	0	5
65	MP4B	Z	-9.187	5
66	MP4B	Mx	.005	5
67	MP4C	X	0	4
68	MP4C	Z	-15.379	4
69	MP4C	Mx	-.005	4
70	MP4C	X	0	5
71	MP4C	Z	-15.379	5
72	MP4C	Mx	-.005	5
73	MP2A	X	0	4
74	MP2A	Z	-15.196	4
75	MP2A	Mx	.005	4
76	MP2B	X	0	4
77	MP2B	Z	-15.196	4
78	MP2B	Mx	.005	4
79	MP2C	X	0	4
80	MP2C	Z	-15.196	4
81	MP2C	Mx	.005	4
82	MP3A	X	0	4
83	MP3A	Z	-14.405	4
84	MP3A	Mx	.005	4
85	MP3B	X	0	4
86	MP3B	Z	-14.405	4
87	MP3B	Mx	.005	4
88	MP3C	X	0	4
89	MP3C	Z	-14.405	4
90	MP3C	Mx	.005	4

Member Point Loads (BLC 16 : Antenna Wi (30 Deg))

	Member Label	Direction	Magnitude[lb,k-ft]	Location[ft,%]
1	MP1A	X	11.027	3.25
2	MP1A	Z	-19.1	3.25
3	MP1A	Mx	-.006	3.25
4	MP1A	X	11.027	6
5	MP1A	Z	-19.1	6
6	MP1A	Mx	-.006	6
7	MP1B	X	8.948	3.25
8	MP1B	Z	-15.499	3.25
9	MP1B	Mx	.008	3.25
10	MP1B	X	8.948	6
11	MP1B	Z	-15.499	6
12	MP1B	Mx	.008	6
13	MP1C	X	12.149	3.25
14	MP1C	Z	-21.042	3.25
15	MP1C	Mx	-.002	3.25
16	MP1C	X	12.149	6
17	MP1C	Z	-21.042	6
18	MP1C	Mx	-.002	6
19	MP2A	X	14.989	2
20	MP2A	Z	-25.962	2
21	MP2A	Mx	-.031	2
22	MP2A	X	14.989	7
23	MP2A	Z	-25.962	7
24	MP2A	Mx	-.031	7
25	MP2B	X	12.249	2
26	MP2B	Z	-21.216	2
27	MP2B	Mx	.011	2
28	MP2B	X	12.249	7
29	MP2B	Z	-21.216	7
30	MP2B	Mx	.011	7
31	MP2C	X	16.467	2
32	MP2C	Z	-28.522	2
33	MP2C	Mx	.02	2
34	MP2C	X	16.467	7
35	MP2C	Z	-28.522	7
36	MP2C	Mx	.02	7
37	MP2A	X	14.989	2
38	MP2A	Z	-25.962	2
39	MP2A	Mx	.006	2
40	MP2A	X	14.989	7
41	MP2A	Z	-25.962	7
42	MP2A	Mx	.006	7
43	MP2B	X	14.989	2
44	MP2B	Z	-25.962	2
45	MP2B	Mx	.006	2
46	MP2B	X	14.989	7
47	MP2B	Z	-25.962	7
48	MP2B	Mx	.006	7
49	MP2C	X	14.989	2
50	MP2C	Z	-25.962	2
51	MP2C	Mx	.006	2
52	MP2C	X	14.989	7
53	MP2C	Z	-25.962	7
54	MP2C	Mx	.006	7
55	MP4A	X	8.158	4
56	MP4A	Z	-14.129	4
57	MP4A	Mx	-.005	4
58	MP4A	X	8.158	5
59	MP4A	Z	-14.129	5
60	MP4A	Mx	-.005	5
61	MP4B	X	5.076	4

Member Point Loads (BLC 16 : Antenna Wi (30 Deg)) (Continued)

	Member Label	Direction	Magnitude[lb,k-ft]	Location[ft,%]
62	MP4B	Z	-8.793	4
63	MP4B	Mx	.005	4
64	MP4B	X	5.076	5
65	MP4B	Z	-8.793	5
66	MP4B	Mx	.005	5
67	MP4C	X	9.82	4
68	MP4C	Z	-17.008	4
69	MP4C	Mx	-.002	4
70	MP4C	X	9.82	5
71	MP4C	Z	-17.008	5
72	MP4C	Mx	-.002	5
73	MP2A	X	6.414	4
74	MP2A	Z	-11.11	4
75	MP2A	Mx	.006	4
76	MP2B	X	6.414	4
77	MP2B	Z	-11.11	4
78	MP2B	Mx	.006	4
79	MP2C	X	6.414	4
80	MP2C	Z	-11.11	4
81	MP2C	Mx	.006	4
82	MP3A	X	5.569	4
83	MP3A	Z	-9.646	4
84	MP3A	Mx	.005	4
85	MP3B	X	5.569	4
86	MP3B	Z	-9.646	4
87	MP3B	Mx	.005	4
88	MP3C	X	5.569	4
89	MP3C	Z	-9.646	4
90	MP3C	Mx	.005	4

Member Point Loads (BLC 17 : Antenna Wi (60 Deg))

	Member Label	Direction	Magnitude[lb,k-ft]	Location[ft,%]
1	MP1A	X	15.9	3.25
2	MP1A	Z	-9.18	3.25
3	MP1A	Mx	-.008	3.25
4	MP1A	X	15.9	6
5	MP1A	Z	-9.18	6
6	MP1A	Mx	-.008	6
7	MP1B	X	18.553	3.25
8	MP1B	Z	-10.711	3.25
9	MP1B	Mx	.007	3.25
10	MP1B	X	18.553	6
11	MP1B	Z	-10.711	6
12	MP1B	Mx	.007	6
13	MP1C	X	20.478	3.25
14	MP1C	Z	-11.823	3.25
15	MP1C	Mx	.004	3.25
16	MP1C	X	20.478	6
17	MP1C	Z	-11.823	6
18	MP1C	Mx	.004	6
19	MP2A	X	21.744	2
20	MP2A	Z	-12.554	2
21	MP2A	Mx	-.025	2
22	MP2A	X	21.744	7
23	MP2A	Z	-12.554	7
24	MP2A	Mx	-.025	7
25	MP2B	X	25.241	2
26	MP2B	Z	-14.573	2
27	MP2B	Mx	-.003	2
28	MP2B	X	25.241	7
29	MP2B	Z	-14.573	7

Member Point Loads (BLC 17 : Antenna Wi (60 Deg)) (Continued)

	Member Label	Direction	Magnitude[lb,k-ft]	Location[ft,%]
30	MP2B	Mx	-.003	7
31	MP2C	X	27.778	2
32	MP2C	Z	-16.038	2
33	MP2C	Mx	.031	2
34	MP2C	X	27.778	7
35	MP2C	Z	-16.038	7
36	MP2C	Mx	.031	7
37	MP2A	X	21.744	2
38	MP2A	Z	-12.554	2
39	MP2A	Mx	-.009	2
40	MP2A	X	21.744	7
41	MP2A	Z	-12.554	7
42	MP2A	Mx	-.009	7
43	MP2B	X	21.744	2
44	MP2B	Z	-12.554	2
45	MP2B	Mx	-.009	2
46	MP2B	X	21.744	7
47	MP2B	Z	-12.554	7
48	MP2B	Mx	-.009	7
49	MP2C	X	21.744	2
50	MP2C	Z	-12.554	2
51	MP2C	Mx	-.009	2
52	MP2C	X	21.744	7
53	MP2C	Z	-12.554	7
54	MP2C	Mx	-.009	7
55	MP4A	X	9.386	4
56	MP4A	Z	-5.419	4
57	MP4A	Mx	-.005	4
58	MP4A	X	9.386	5
59	MP4A	Z	-5.419	5
60	MP4A	Mx	-.005	5
61	MP4B	X	13.318	4
62	MP4B	Z	-7.689	4
63	MP4B	Mx	.005	4
64	MP4B	X	13.318	5
65	MP4B	Z	-7.689	5
66	MP4B	Mx	.005	5
67	MP4C	X	16.172	4
68	MP4C	Z	-9.337	4
69	MP4C	Mx	.003	4
70	MP4C	X	16.172	5
71	MP4C	Z	-9.337	5
72	MP4C	Mx	.003	5
73	MP2A	X	10.731	4
74	MP2A	Z	-6.196	4
75	MP2A	Mx	.006	4
76	MP2B	X	10.731	4
77	MP2B	Z	-6.196	4
78	MP2B	Mx	.006	4
79	MP2C	X	10.731	4
80	MP2C	Z	-6.196	4
81	MP2C	Mx	.006	4
82	MP3A	X	9.124	4
83	MP3A	Z	-5.267	4
84	MP3A	Mx	.005	4
85	MP3B	X	9.124	4
86	MP3B	Z	-5.267	4
87	MP3B	Mx	.005	4
88	MP3C	X	9.124	4
89	MP3C	Z	-5.267	4
90	MP3C	Mx	.005	4

Member Point Loads (BLC 18 : Antenna Wi (90 Deg))

	Member Label	Direction	Magnitude[lb.k-ft]	Location[ft,%]
1	MP1A	X	17.076	3.25
2	MP1A	Z	0	3.25
3	MP1A	Mx	-.009	3.25
4	MP1A	X	17.076	6
5	MP1A	Z	0	6
6	MP1A	Mx	-.009	6
7	MP1B	X	24.297	3.25
8	MP1B	Z	0	3.25
9	MP1B	Mx	.002	3.25
10	MP1B	X	24.297	6
11	MP1B	Z	0	6
12	MP1B	Mx	.002	6
13	MP1C	X	20.12	3.25
14	MP1C	Z	0	3.25
15	MP1C	Mx	.008	3.25
16	MP1C	X	20.12	6
17	MP1C	Z	0	6
18	MP1C	Mx	.008	6
19	MP2A	X	23.416	2
20	MP2A	Z	0	2
21	MP2A	Mx	-.016	2
22	MP2A	X	23.416	7
23	MP2A	Z	0	7
24	MP2A	Mx	-.016	7
25	MP2B	X	32.934	2
26	MP2B	Z	0	2
27	MP2B	Mx	-.02	2
28	MP2B	X	32.934	7
29	MP2B	Z	0	7
30	MP2B	Mx	-.02	7
31	MP2C	X	27.428	2
32	MP2C	Z	0	2
33	MP2C	Mx	.029	2
34	MP2C	X	27.428	7
35	MP2C	Z	0	7
36	MP2C	Mx	.029	7
37	MP2A	X	23.416	2
38	MP2A	Z	0	2
39	MP2A	Mx	-.019	2
40	MP2A	X	23.416	7
41	MP2A	Z	0	7
42	MP2A	Mx	-.019	7
43	MP2B	X	23.416	2
44	MP2B	Z	0	2
45	MP2B	Mx	-.019	2
46	MP2B	X	23.416	7
47	MP2B	Z	0	7
48	MP2B	Mx	-.019	7
49	MP2C	X	23.416	2
50	MP2C	Z	0	2
51	MP2C	Mx	-.019	2
52	MP2C	X	23.416	7
53	MP2C	Z	0	7
54	MP2C	Mx	-.019	7
55	MP4A	X	8.936	4
56	MP4A	Z	0	4
57	MP4A	Mx	-.004	4
58	MP4A	X	8.936	5
59	MP4A	Z	0	5
60	MP4A	Mx	-.004	5
61	MP4B	X	19.639	4

Member Point Loads (BLC 18 : Antenna Wi (90 Deg)) (Continued)

	Member Label	Direction	Magnitude[lb,k-ft]	Location[ft,%]
62	MP4B	Z	0	4
63	MP4B	Mx	.002	4
64	MP4B	X	19.639	5
65	MP4B	Z	0	5
66	MP4B	Mx	.002	5
67	MP4C	X	13.447	4
68	MP4C	Z	0	4
69	MP4C	Mx	.005	4
70	MP4C	X	13.447	5
71	MP4C	Z	0	5
72	MP4C	Mx	.005	5
73	MP2A	X	14.321	4
74	MP2A	Z	0	4
75	MP2A	Mx	.005	4
76	MP2B	X	14.321	4
77	MP2B	Z	0	4
78	MP2B	Mx	.005	4
79	MP2C	X	14.321	4
80	MP2C	Z	0	4
81	MP2C	Mx	.005	4
82	MP3A	X	13.198	4
83	MP3A	Z	0	4
84	MP3A	Mx	.005	4
85	MP3B	X	13.198	4
86	MP3B	Z	0	4
87	MP3B	Mx	.005	4
88	MP3C	X	13.198	4
89	MP3C	Z	0	4
90	MP3C	Mx	.005	4

Member Point Loads (BLC 19 : Antenna Wi (120 Deg))

	Member Label	Direction	Magnitude[lb,k-ft]	Location[ft,%]
1	MP1A	X	16.877	3.25
2	MP1A	Z	9.744	3.25
3	MP1A	Mx	-.008	3.25
4	MP1A	X	16.877	6
5	MP1A	Z	9.744	6
6	MP1A	Mx	-.008	6
7	MP1B	X	20.478	3.25
8	MP1B	Z	11.823	3.25
9	MP1B	Mx	-.004	3.25
10	MP1B	X	20.478	6
11	MP1B	Z	11.823	6
12	MP1B	Mx	-.004	6
13	MP1C	X	14.935	3.25
14	MP1C	Z	8.623	3.25
15	MP1C	Mx	.008	3.25
16	MP1C	X	14.935	6
17	MP1C	Z	8.623	6
18	MP1C	Mx	.008	6
19	MP2A	X	23.032	2
20	MP2A	Z	13.298	2
21	MP2A	Mx	-.005	2
22	MP2A	X	23.032	7
23	MP2A	Z	13.298	7
24	MP2A	Mx	-.005	7
25	MP2B	X	27.778	2
26	MP2B	Z	16.038	2
27	MP2B	Mx	-.031	2
28	MP2B	X	27.778	7
29	MP2B	Z	16.038	7

Member Point Loads (BLC 19 : Antenna Wi (120 Deg)) (Continued)

	Member Label	Direction	Magnitude[lb,k-ft]	Location[ft,%]
30	MP2B	Mx	-.031	7
31	MP2C	X	20.472	2
32	MP2C	Z	11.82	2
33	MP2C	Mx	.021	2
34	MP2C	X	20.472	7
35	MP2C	Z	11.82	7
36	MP2C	Mx	.021	7
37	MP2A	X	23.032	2
38	MP2A	Z	13.298	2
39	MP2A	Mx	-.028	2
40	MP2A	X	23.032	7
41	MP2A	Z	13.298	7
42	MP2A	Mx	-.028	7
43	MP2B	X	23.032	2
44	MP2B	Z	13.298	2
45	MP2B	Mx	-.028	2
46	MP2B	X	23.032	7
47	MP2B	Z	13.298	7
48	MP2B	Mx	-.028	7
49	MP2C	X	23.032	2
50	MP2C	Z	13.298	2
51	MP2C	Mx	-.028	2
52	MP2C	X	23.032	7
53	MP2C	Z	13.298	7
54	MP2C	Mx	-.028	7
55	MP4A	X	10.835	4
56	MP4A	Z	6.256	4
57	MP4A	Mx	-.005	4
58	MP4A	X	10.835	5
59	MP4A	Z	6.256	5
60	MP4A	Mx	-.005	5
61	MP4B	X	16.172	4
62	MP4B	Z	9.337	4
63	MP4B	Mx	-.003	4
64	MP4B	X	16.172	5
65	MP4B	Z	9.337	5
66	MP4B	Mx	-.003	5
67	MP4C	X	7.956	4
68	MP4C	Z	4.594	4
69	MP4C	Mx	.005	4
70	MP4C	X	7.956	5
71	MP4C	Z	4.594	5
72	MP4C	Mx	.005	5
73	MP2A	X	14.452	4
74	MP2A	Z	8.344	4
75	MP2A	Mx	.003	4
76	MP2B	X	14.452	4
77	MP2B	Z	8.344	4
78	MP2B	Mx	.003	4
79	MP2C	X	14.452	4
80	MP2C	Z	8.344	4
81	MP2C	Mx	.003	4
82	MP3A	X	14.258	4
83	MP3A	Z	8.232	4
84	MP3A	Mx	.003	4
85	MP3B	X	14.258	4
86	MP3B	Z	8.232	4
87	MP3B	Mx	.003	4
88	MP3C	X	14.258	4
89	MP3C	Z	8.232	4
90	MP3C	Mx	.003	4

Member Point Loads (BLC 20 : Antenna Wi (150 Deg))

	Member Label	Direction	Magnitude[lb,k-ft]	Location[ft,%]
1	MP1A	X	11.592	3.25
2	MP1A	Z	20.077	3.25
3	MP1A	Mx	-.005	3.25
4	MP1A	X	11.592	6
5	MP1A	Z	20.077	6
6	MP1A	Mx	-.005	6
7	MP1B	X	10.06	3.25
8	MP1B	Z	17.424	3.25
9	MP1B	Mx	-.008	3.25
10	MP1B	X	10.06	6
11	MP1B	Z	17.424	6
12	MP1B	Mx	-.008	6
13	MP1C	X	8.948	3.25
14	MP1C	Z	15.499	3.25
15	MP1C	Mx	.008	3.25
16	MP1C	X	8.948	6
17	MP1C	Z	15.499	6
18	MP1C	Mx	.008	6
19	MP2A	X	15.733	2
20	MP2A	Z	27.25	2
21	MP2A	Mx	.011	2
22	MP2A	X	15.733	7
23	MP2A	Z	27.25	7
24	MP2A	Mx	.011	7
25	MP2B	X	13.714	2
26	MP2B	Z	23.753	2
27	MP2B	Mx	-.029	2
28	MP2B	X	13.714	7
29	MP2B	Z	23.753	7
30	MP2B	Mx	-.029	7
31	MP2C	X	12.249	2
32	MP2C	Z	21.216	2
33	MP2C	Mx	.011	2
34	MP2C	X	12.249	7
35	MP2C	Z	21.216	7
36	MP2C	Mx	.011	7
37	MP2A	X	15.733	2
38	MP2A	Z	27.25	2
39	MP2A	Mx	-.031	2
40	MP2A	X	15.733	7
41	MP2A	Z	27.25	7
42	MP2A	Mx	-.031	7
43	MP2B	X	15.733	2
44	MP2B	Z	27.25	2
45	MP2B	Mx	-.031	2
46	MP2B	X	15.733	7
47	MP2B	Z	27.25	7
48	MP2B	Mx	-.031	7
49	MP2C	X	15.733	2
50	MP2C	Z	27.25	2
51	MP2C	Mx	-.031	2
52	MP2C	X	15.733	7
53	MP2C	Z	27.25	7
54	MP2C	Mx	-.031	7
55	MP4A	X	8.994	4
56	MP4A	Z	15.578	4
57	MP4A	Mx	-.004	4
58	MP4A	X	8.994	5
59	MP4A	Z	15.578	5
60	MP4A	Mx	-.004	5
61	MP4B	X	6.724	4

Member Point Loads (BLC 20 : Antenna Wi (150 Deg)) (Continued)

	Member Label	Direction	Magnitude[lb,k-ft]	Location[ft,%]
62	MP4B	Z	11.646	4
63	MP4B	Mx	-.005	4
64	MP4B	X	6.724	5
65	MP4B	Z	11.646	5
66	MP4B	Mx	-.005	5
67	MP4C	X	5.076	4
68	MP4C	Z	8.793	4
69	MP4C	Mx	.005	4
70	MP4C	X	5.076	5
71	MP4C	Z	8.793	5
72	MP4C	Mx	.005	5
73	MP2A	X	8.563	4
74	MP2A	Z	14.831	4
75	MP2A	Mx	-.001	4
76	MP2B	X	8.563	4
77	MP2B	Z	14.831	4
78	MP2B	Mx	-.001	4
79	MP2C	X	8.563	4
80	MP2C	Z	14.831	4
81	MP2C	Mx	-.001	4
82	MP3A	X	8.534	4
83	MP3A	Z	14.781	4
84	MP3A	Mx	-.001	4
85	MP3B	X	8.534	4
86	MP3B	Z	14.781	4
87	MP3B	Mx	-.001	4
88	MP3C	X	8.534	4
89	MP3C	Z	14.781	4
90	MP3C	Mx	-.001	4

Member Point Loads (BLC 21 : Antenna Wi (180 Deg))

	Member Label	Direction	Magnitude[lb,k-ft]	Location[ft,%]
1	MP1A	X	0	3.25
2	MP1A	Z	24.467	3.25
3	MP1A	Mx	.001	3.25
4	MP1A	X	0	6
5	MP1A	Z	24.467	6
6	MP1A	Mx	.001	6
7	MP1B	X	0	3.25
8	MP1B	Z	17.245	3.25
9	MP1B	Mx	-.008	3.25
10	MP1B	X	0	6
11	MP1B	Z	17.245	6
12	MP1B	Mx	-.008	6
13	MP1C	X	0	3.25
14	MP1C	Z	21.423	3.25
15	MP1C	Mx	.007	3.25
16	MP1C	X	0	6
17	MP1C	Z	21.423	6
18	MP1C	Mx	.007	6
19	MP2A	X	0	2
20	MP2A	Z	33.157	2
21	MP2A	Mx	.027	2
22	MP2A	X	0	7
23	MP2A	Z	33.157	7
24	MP2A	Mx	.027	7
25	MP2B	X	0	2
26	MP2B	Z	23.639	2
27	MP2B	Mx	-.021	2
28	MP2B	X	0	7
29	MP2B	Z	23.639	7

Member Point Loads (BLC 21 : Antenna Wi (180 Deg)) (Continued)

	Member Label	Direction	Magnitude[lb,k-ft]	Location[ft,%]
30	MP2B	Mx	-.021	7
31	MP2C	X	0	2
32	MP2C	Z	29.145	2
33	MP2C	Mx	-.003	2
34	MP2C	X	0	7
35	MP2C	Z	29.145	7
36	MP2C	Mx	-.003	7
37	MP2A	X	0	2
38	MP2A	Z	33.157	2
39	MP2A	Mx	-.023	2
40	MP2A	X	0	7
41	MP2A	Z	33.157	7
42	MP2A	Mx	-.023	7
43	MP2B	X	0	2
44	MP2B	Z	33.157	2
45	MP2B	Mx	-.023	2
46	MP2B	X	0	7
47	MP2B	Z	33.157	7
48	MP2B	Mx	-.023	7
49	MP2C	X	0	2
50	MP2C	Z	33.157	2
51	MP2C	Mx	-.023	2
52	MP2C	X	0	7
53	MP2C	Z	33.157	7
54	MP2C	Mx	-.023	7
55	MP4A	X	0	4
56	MP4A	Z	19.89	4
57	MP4A	Mx	.000867	4
58	MP4A	X	0	5
59	MP4A	Z	19.89	5
60	MP4A	Mx	.000867	5
61	MP4B	X	0	4
62	MP4B	Z	9.187	4
63	MP4B	Mx	-.005	4
64	MP4B	X	0	5
65	MP4B	Z	9.187	5
66	MP4B	Mx	-.005	5
67	MP4C	X	0	4
68	MP4C	Z	15.379	4
69	MP4C	Mx	.005	4
70	MP4C	X	0	5
71	MP4C	Z	15.379	5
72	MP4C	Mx	.005	5
73	MP2A	X	0	4
74	MP2A	Z	15.196	4
75	MP2A	Mx	-.005	4
76	MP2B	X	0	4
77	MP2B	Z	15.196	4
78	MP2B	Mx	-.005	4
79	MP2C	X	0	4
80	MP2C	Z	15.196	4
81	MP2C	Mx	-.005	4
82	MP3A	X	0	4
83	MP3A	Z	14.405	4
84	MP3A	Mx	-.005	4
85	MP3B	X	0	4
86	MP3B	Z	14.405	4
87	MP3B	Mx	-.005	4
88	MP3C	X	0	4
89	MP3C	Z	14.405	4
90	MP3C	Mx	-.005	4

Member Point Loads (BLC 22 : Antenna Wi (210 Deg))

	Member Label	Direction	Magnitude[lb,k-ft]	Location[ft,%]
1	MP1A	X	-11.027	3.25
2	MP1A	Z	19.1	3.25
3	MP1A	Mx	.006	3.25
4	MP1A	X	-11.027	6
5	MP1A	Z	19.1	6
6	MP1A	Mx	.006	6
7	MP1B	X	-8.948	3.25
8	MP1B	Z	15.499	3.25
9	MP1B	Mx	-.008	3.25
10	MP1B	X	-8.948	6
11	MP1B	Z	15.499	6
12	MP1B	Mx	-.008	6
13	MP1C	X	-12.149	3.25
14	MP1C	Z	21.042	3.25
15	MP1C	Mx	.002	3.25
16	MP1C	X	-12.149	6
17	MP1C	Z	21.042	6
18	MP1C	Mx	.002	6
19	MP2A	X	-14.989	2
20	MP2A	Z	25.962	2
21	MP2A	Mx	.031	2
22	MP2A	X	-14.989	7
23	MP2A	Z	25.962	7
24	MP2A	Mx	.031	7
25	MP2B	X	-12.249	2
26	MP2B	Z	21.216	2
27	MP2B	Mx	-.011	2
28	MP2B	X	-12.249	7
29	MP2B	Z	21.216	7
30	MP2B	Mx	-.011	7
31	MP2C	X	-16.467	2
32	MP2C	Z	28.522	2
33	MP2C	Mx	-.02	2
34	MP2C	X	-16.467	7
35	MP2C	Z	28.522	7
36	MP2C	Mx	-.02	7
37	MP2A	X	-14.989	2
38	MP2A	Z	25.962	2
39	MP2A	Mx	-.006	2
40	MP2A	X	-14.989	7
41	MP2A	Z	25.962	7
42	MP2A	Mx	-.006	7
43	MP2B	X	-14.989	2
44	MP2B	Z	25.962	2
45	MP2B	Mx	-.006	2
46	MP2B	X	-14.989	7
47	MP2B	Z	25.962	7
48	MP2B	Mx	-.006	7
49	MP2C	X	-14.989	2
50	MP2C	Z	25.962	2
51	MP2C	Mx	-.006	2
52	MP2C	X	-14.989	7
53	MP2C	Z	25.962	7
54	MP2C	Mx	-.006	7
55	MP4A	X	-8.158	4
56	MP4A	Z	14.129	4
57	MP4A	Mx	.005	4
58	MP4A	X	-8.158	5
59	MP4A	Z	14.129	5
60	MP4A	Mx	.005	5
61	MP4B	X	-5.076	4

Member Point Loads (BLC 22 : Antenna Wi (210 Deg)) (Continued)

	Member Label	Direction	Magnitude[lb,k-ft]	Location[ft,%]
62	MP4B	Z	8.793	4
63	MP4B	Mx	-.005	4
64	MP4B	X	-5.076	5
65	MP4B	Z	8.793	5
66	MP4B	Mx	-.005	5
67	MP4C	X	-9.82	4
68	MP4C	Z	17.008	4
69	MP4C	Mx	.002	4
70	MP4C	X	-9.82	5
71	MP4C	Z	17.008	5
72	MP4C	Mx	.002	5
73	MP2A	X	-6.414	4
74	MP2A	Z	11.11	4
75	MP2A	Mx	-.006	4
76	MP2B	X	-6.414	4
77	MP2B	Z	11.11	4
78	MP2B	Mx	-.006	4
79	MP2C	X	-6.414	4
80	MP2C	Z	11.11	4
81	MP2C	Mx	-.006	4
82	MP3A	X	-5.569	4
83	MP3A	Z	9.646	4
84	MP3A	Mx	-.005	4
85	MP3B	X	-5.569	4
86	MP3B	Z	9.646	4
87	MP3B	Mx	-.005	4
88	MP3C	X	-5.569	4
89	MP3C	Z	9.646	4
90	MP3C	Mx	-.005	4

Member Point Loads (BLC 23 : Antenna Wi (240 Deg))

	Member Label	Direction	Magnitude[lb,k-ft]	Location[ft,%]
1	MP1A	X	-15.9	3.25
2	MP1A	Z	9.18	3.25
3	MP1A	Mx	.008	3.25
4	MP1A	X	-15.9	6
5	MP1A	Z	9.18	6
6	MP1A	Mx	.008	6
7	MP1B	X	-18.553	3.25
8	MP1B	Z	10.711	3.25
9	MP1B	Mx	-.007	3.25
10	MP1B	X	-18.553	6
11	MP1B	Z	10.711	6
12	MP1B	Mx	-.007	6
13	MP1C	X	-20.478	3.25
14	MP1C	Z	11.823	3.25
15	MP1C	Mx	-.004	3.25
16	MP1C	X	-20.478	6
17	MP1C	Z	11.823	6
18	MP1C	Mx	-.004	6
19	MP2A	X	-21.744	2
20	MP2A	Z	12.554	2
21	MP2A	Mx	.025	2
22	MP2A	X	-21.744	7
23	MP2A	Z	12.554	7
24	MP2A	Mx	.025	7
25	MP2B	X	-25.241	2
26	MP2B	Z	14.573	2
27	MP2B	Mx	.003	2
28	MP2B	X	-25.241	7
29	MP2B	Z	14.573	7

Member Point Loads (BLC 23 : Antenna Wi (240 Deg)) (Continued)

	Member Label	Direction	Magnitude[lb,k-ft]	Location[ft,%]
30	MP2B	Mx	.003	7
31	MP2C	X	-27.778	2
32	MP2C	Z	16.038	2
33	MP2C	Mx	-.031	2
34	MP2C	X	-27.778	7
35	MP2C	Z	16.038	7
36	MP2C	Mx	-.031	7
37	MP2A	X	-21.744	2
38	MP2A	Z	12.554	2
39	MP2A	Mx	.009	2
40	MP2A	X	-21.744	7
41	MP2A	Z	12.554	7
42	MP2A	Mx	.009	7
43	MP2B	X	-21.744	2
44	MP2B	Z	12.554	2
45	MP2B	Mx	.009	2
46	MP2B	X	-21.744	7
47	MP2B	Z	12.554	7
48	MP2B	Mx	.009	7
49	MP2C	X	-21.744	2
50	MP2C	Z	12.554	2
51	MP2C	Mx	.009	2
52	MP2C	X	-21.744	7
53	MP2C	Z	12.554	7
54	MP2C	Mx	.009	7
55	MP4A	X	-9.386	4
56	MP4A	Z	5.419	4
57	MP4A	Mx	.005	4
58	MP4A	X	-9.386	5
59	MP4A	Z	5.419	5
60	MP4A	Mx	.005	5
61	MP4B	X	-13.318	4
62	MP4B	Z	7.689	4
63	MP4B	Mx	-.005	4
64	MP4B	X	-13.318	5
65	MP4B	Z	7.689	5
66	MP4B	Mx	-.005	5
67	MP4C	X	-16.172	4
68	MP4C	Z	9.337	4
69	MP4C	Mx	-.003	4
70	MP4C	X	-16.172	5
71	MP4C	Z	9.337	5
72	MP4C	Mx	-.003	5
73	MP2A	X	-10.731	4
74	MP2A	Z	6.196	4
75	MP2A	Mx	-.006	4
76	MP2B	X	-10.731	4
77	MP2B	Z	6.196	4
78	MP2B	Mx	-.006	4
79	MP2C	X	-10.731	4
80	MP2C	Z	6.196	4
81	MP2C	Mx	-.006	4
82	MP3A	X	-9.124	4
83	MP3A	Z	5.267	4
84	MP3A	Mx	-.005	4
85	MP3B	X	-9.124	4
86	MP3B	Z	5.267	4
87	MP3B	Mx	-.005	4
88	MP3C	X	-9.124	4
89	MP3C	Z	5.267	4
90	MP3C	Mx	-.005	4

Member Point Loads (BLC 24 : Antenna Wi (270 Deg))

	Member Label	Direction	Magnitude[lb.k-ft]	Location[ft,%]
1	MP1A	X	-17.076	3.25
2	MP1A	Z	0	3.25
3	MP1A	Mx	.009	3.25
4	MP1A	X	-17.076	6
5	MP1A	Z	0	6
6	MP1A	Mx	.009	6
7	MP1B	X	-24.297	3.25
8	MP1B	Z	0	3.25
9	MP1B	Mx	-.002	3.25
10	MP1B	X	-24.297	6
11	MP1B	Z	0	6
12	MP1B	Mx	-.002	6
13	MP1C	X	-20.12	3.25
14	MP1C	Z	0	3.25
15	MP1C	Mx	-.008	3.25
16	MP1C	X	-20.12	6
17	MP1C	Z	0	6
18	MP1C	Mx	-.008	6
19	MP2A	X	-23.416	2
20	MP2A	Z	0	2
21	MP2A	Mx	.016	2
22	MP2A	X	-23.416	7
23	MP2A	Z	0	7
24	MP2A	Mx	.016	7
25	MP2B	X	-32.934	2
26	MP2B	Z	0	2
27	MP2B	Mx	.02	2
28	MP2B	X	-32.934	7
29	MP2B	Z	0	7
30	MP2B	Mx	.02	7
31	MP2C	X	-27.428	2
32	MP2C	Z	0	2
33	MP2C	Mx	-.029	2
34	MP2C	X	-27.428	7
35	MP2C	Z	0	7
36	MP2C	Mx	-.029	7
37	MP2A	X	-23.416	2
38	MP2A	Z	0	2
39	MP2A	Mx	.019	2
40	MP2A	X	-23.416	7
41	MP2A	Z	0	7
42	MP2A	Mx	.019	7
43	MP2B	X	-23.416	2
44	MP2B	Z	0	2
45	MP2B	Mx	.019	2
46	MP2B	X	-23.416	7
47	MP2B	Z	0	7
48	MP2B	Mx	.019	7
49	MP2C	X	-23.416	2
50	MP2C	Z	0	2
51	MP2C	Mx	.019	2
52	MP2C	X	-23.416	7
53	MP2C	Z	0	7
54	MP2C	Mx	.019	7
55	MP4A	X	-8.936	4
56	MP4A	Z	0	4
57	MP4A	Mx	.004	4
58	MP4A	X	-8.936	5
59	MP4A	Z	0	5
60	MP4A	Mx	.004	5
61	MP4B	X	-19.639	4

Member Point Loads (BLC 24 : Antenna Wi (270 Deg)) (Continued)

	Member Label	Direction	Magnitude[lb,k-ft]	Location[ft,%]
62	MP4B	Z	0	4
63	MP4B	Mx	-.002	4
64	MP4B	X	-19.639	5
65	MP4B	Z	0	5
66	MP4B	Mx	-.002	5
67	MP4C	X	-13.447	4
68	MP4C	Z	0	4
69	MP4C	Mx	-.005	4
70	MP4C	X	-13.447	5
71	MP4C	Z	0	5
72	MP4C	Mx	-.005	5
73	MP2A	X	-14.321	4
74	MP2A	Z	0	4
75	MP2A	Mx	-.005	4
76	MP2B	X	-14.321	4
77	MP2B	Z	0	4
78	MP2B	Mx	-.005	4
79	MP2C	X	-14.321	4
80	MP2C	Z	0	4
81	MP2C	Mx	-.005	4
82	MP3A	X	-13.198	4
83	MP3A	Z	0	4
84	MP3A	Mx	-.005	4
85	MP3B	X	-13.198	4
86	MP3B	Z	0	4
87	MP3B	Mx	-.005	4
88	MP3C	X	-13.198	4
89	MP3C	Z	0	4
90	MP3C	Mx	-.005	4

Member Point Loads (BLC 25 : Antenna Wi (300 Deg))

	Member Label	Direction	Magnitude[lb,k-ft]	Location[ft,%]
1	MP1A	X	-16.877	3.25
2	MP1A	Z	-9.744	3.25
3	MP1A	Mx	.008	3.25
4	MP1A	X	-16.877	6
5	MP1A	Z	-9.744	6
6	MP1A	Mx	.008	6
7	MP1B	X	-20.478	3.25
8	MP1B	Z	-11.823	3.25
9	MP1B	Mx	.004	3.25
10	MP1B	X	-20.478	6
11	MP1B	Z	-11.823	6
12	MP1B	Mx	.004	6
13	MP1C	X	-14.935	3.25
14	MP1C	Z	-8.623	3.25
15	MP1C	Mx	-.008	3.25
16	MP1C	X	-14.935	6
17	MP1C	Z	-8.623	6
18	MP1C	Mx	-.008	6
19	MP2A	X	-23.032	2
20	MP2A	Z	-13.298	2
21	MP2A	Mx	.005	2
22	MP2A	X	-23.032	7
23	MP2A	Z	-13.298	7
24	MP2A	Mx	.005	7
25	MP2B	X	-27.778	2
26	MP2B	Z	-16.038	2
27	MP2B	Mx	.031	2
28	MP2B	X	-27.778	7
29	MP2B	Z	-16.038	7

Member Point Loads (BLC 25 : Antenna Wi (300 Deg)) (Continued)

	Member Label	Direction	Magnitude[lb,k-ft]	Location[ft,%]
30	MP2B	Mx	.031	7
31	MP2C	X	-20.472	2
32	MP2C	Z	-11.82	2
33	MP2C	Mx	-.021	2
34	MP2C	X	-20.472	7
35	MP2C	Z	-11.82	7
36	MP2C	Mx	-.021	7
37	MP2A	X	-23.032	2
38	MP2A	Z	-13.298	2
39	MP2A	Mx	.028	2
40	MP2A	X	-23.032	7
41	MP2A	Z	-13.298	7
42	MP2A	Mx	.028	7
43	MP2B	X	-23.032	2
44	MP2B	Z	-13.298	2
45	MP2B	Mx	.028	2
46	MP2B	X	-23.032	7
47	MP2B	Z	-13.298	7
48	MP2B	Mx	.028	7
49	MP2C	X	-23.032	2
50	MP2C	Z	-13.298	2
51	MP2C	Mx	.028	2
52	MP2C	X	-23.032	7
53	MP2C	Z	-13.298	7
54	MP2C	Mx	.028	7
55	MP4A	X	-10.835	4
56	MP4A	Z	-6.256	4
57	MP4A	Mx	.005	4
58	MP4A	X	-10.835	5
59	MP4A	Z	-6.256	5
60	MP4A	Mx	.005	5
61	MP4B	X	-16.172	4
62	MP4B	Z	-9.337	4
63	MP4B	Mx	.003	4
64	MP4B	X	-16.172	5
65	MP4B	Z	-9.337	5
66	MP4B	Mx	.003	5
67	MP4C	X	-7.956	4
68	MP4C	Z	-4.594	4
69	MP4C	Mx	-.005	4
70	MP4C	X	-7.956	5
71	MP4C	Z	-4.594	5
72	MP4C	Mx	-.005	5
73	MP2A	X	-14.452	4
74	MP2A	Z	-8.344	4
75	MP2A	Mx	-.003	4
76	MP2B	X	-14.452	4
77	MP2B	Z	-8.344	4
78	MP2B	Mx	-.003	4
79	MP2C	X	-14.452	4
80	MP2C	Z	-8.344	4
81	MP2C	Mx	-.003	4
82	MP3A	X	-14.258	4
83	MP3A	Z	-8.232	4
84	MP3A	Mx	-.003	4
85	MP3B	X	-14.258	4
86	MP3B	Z	-8.232	4
87	MP3B	Mx	-.003	4
88	MP3C	X	-14.258	4
89	MP3C	Z	-8.232	4
90	MP3C	Mx	-.003	4

Member Point Loads (BLC 26 : Antenna Wi (330 Deg))

	Member Label	Direction	Magnitude[lb,k-ft]	Location[ft,%]
1	MP1A	X	-11.592	3.25
2	MP1A	Z	-20.077	3.25
3	MP1A	Mx	.005	3.25
4	MP1A	X	-11.592	6
5	MP1A	Z	-20.077	6
6	MP1A	Mx	.005	6
7	MP1B	X	-10.06	3.25
8	MP1B	Z	-17.424	3.25
9	MP1B	Mx	.008	3.25
10	MP1B	X	-10.06	6
11	MP1B	Z	-17.424	6
12	MP1B	Mx	.008	6
13	MP1C	X	-8.948	3.25
14	MP1C	Z	-15.499	3.25
15	MP1C	Mx	-.008	3.25
16	MP1C	X	-8.948	6
17	MP1C	Z	-15.499	6
18	MP1C	Mx	-.008	6
19	MP2A	X	-15.733	2
20	MP2A	Z	-27.25	2
21	MP2A	Mx	-.011	2
22	MP2A	X	-15.733	7
23	MP2A	Z	-27.25	7
24	MP2A	Mx	-.011	7
25	MP2B	X	-13.714	2
26	MP2B	Z	-23.753	2
27	MP2B	Mx	.029	2
28	MP2B	X	-13.714	7
29	MP2B	Z	-23.753	7
30	MP2B	Mx	.029	7
31	MP2C	X	-12.249	2
32	MP2C	Z	-21.216	2
33	MP2C	Mx	-.011	2
34	MP2C	X	-12.249	7
35	MP2C	Z	-21.216	7
36	MP2C	Mx	-.011	7
37	MP2A	X	-15.733	2
38	MP2A	Z	-27.25	2
39	MP2A	Mx	.031	2
40	MP2A	X	-15.733	7
41	MP2A	Z	-27.25	7
42	MP2A	Mx	.031	7
43	MP2B	X	-15.733	2
44	MP2B	Z	-27.25	2
45	MP2B	Mx	.031	2
46	MP2B	X	-15.733	7
47	MP2B	Z	-27.25	7
48	MP2B	Mx	.031	7
49	MP2C	X	-15.733	2
50	MP2C	Z	-27.25	2
51	MP2C	Mx	.031	2
52	MP2C	X	-15.733	7
53	MP2C	Z	-27.25	7
54	MP2C	Mx	.031	7
55	MP4A	X	-8.994	4
56	MP4A	Z	-15.578	4
57	MP4A	Mx	.004	4
58	MP4A	X	-8.994	5
59	MP4A	Z	-15.578	5
60	MP4A	Mx	.004	5
61	MP4B	X	-6.724	4

Member Point Loads (BLC 26 : Antenna Wi (330 Deg)) (Continued)

	Member Label	Direction	Magnitude[lb,k-ft]	Location[ft,%]
62	MP4B	Z	-11.646	4
63	MP4B	Mx	.005	4
64	MP4B	X	-6.724	5
65	MP4B	Z	-11.646	5
66	MP4B	Mx	.005	5
67	MP4C	X	-5.076	4
68	MP4C	Z	-8.793	4
69	MP4C	Mx	-.005	4
70	MP4C	X	-5.076	5
71	MP4C	Z	-8.793	5
72	MP4C	Mx	-.005	5
73	MP2A	X	-8.563	4
74	MP2A	Z	-14.831	4
75	MP2A	Mx	.001	4
76	MP2B	X	-8.563	4
77	MP2B	Z	-14.831	4
78	MP2B	Mx	.001	4
79	MP2C	X	-8.563	4
80	MP2C	Z	-14.831	4
81	MP2C	Mx	.001	4
82	MP3A	X	-8.534	4
83	MP3A	Z	-14.781	4
84	MP3A	Mx	.001	4
85	MP3B	X	-8.534	4
86	MP3B	Z	-14.781	4
87	MP3B	Mx	.001	4
88	MP3C	X	-8.534	4
89	MP3C	Z	-14.781	4
90	MP3C	Mx	.001	4

Member Point Loads (BLC 27 : Antenna Wm (0 Deg))

	Member Label	Direction	Magnitude[lb,k-ft]	Location[ft,%]
1	MP1A	X	0	3.25
2	MP1A	Z	-7.452	3.25
3	MP1A	Mx	-.000325	3.25
4	MP1A	X	0	6
5	MP1A	Z	-7.452	6
6	MP1A	Mx	-.000325	6
7	MP1B	X	0	3.25
8	MP1B	Z	-4.997	3.25
9	MP1B	Mx	.002	3.25
10	MP1B	X	0	6
11	MP1B	Z	-4.997	6
12	MP1B	Mx	.002	6
13	MP1C	X	0	3.25
14	MP1C	Z	-6.417	3.25
15	MP1C	Mx	-.002	3.25
16	MP1C	X	0	6
17	MP1C	Z	-6.417	6
18	MP1C	Mx	-.002	6
19	MP2A	X	0	2
20	MP2A	Z	-10.328	2
21	MP2A	Mx	-.008	2
22	MP2A	X	0	7
23	MP2A	Z	-10.328	7
24	MP2A	Mx	-.008	7
25	MP2B	X	0	2
26	MP2B	Z	-6.951	2
27	MP2B	Mx	.006	2
28	MP2B	X	0	7
29	MP2B	Z	-6.951	7

Member Point Loads (BLC 27 : Antenna Wm (0 Deg)) (Continued)

	Member Label	Direction	Magnitude[lb,k-ft]	Location[ft,%]
30	MP2B	Mx	.006	7
31	MP2C	X	0	2
32	MP2C	Z	-8.904	2
33	MP2C	Mx	.000823	2
34	MP2C	X	0	7
35	MP2C	Z	-8.904	7
36	MP2C	Mx	.000823	7
37	MP2A	X	0	2
38	MP2A	Z	-10.29	2
39	MP2A	Mx	.007	2
40	MP2A	X	0	7
41	MP2A	Z	-10.29	7
42	MP2A	Mx	.007	7
43	MP2B	X	0	2
44	MP2B	Z	-10.29	2
45	MP2B	Mx	.007	2
46	MP2B	X	0	7
47	MP2B	Z	-10.29	7
48	MP2B	Mx	.007	7
49	MP2C	X	0	2
50	MP2C	Z	-10.29	2
51	MP2C	Mx	.007	2
52	MP2C	X	0	7
53	MP2C	Z	-10.29	7
54	MP2C	Mx	.007	7
55	MP4A	X	0	4
56	MP4A	Z	-5.995	4
57	MP4A	Mx	-.000261	4
58	MP4A	X	0	5
59	MP4A	Z	-5.995	5
60	MP4A	Mx	-.000261	5
61	MP4B	X	0	4
62	MP4B	Z	-2.468	4
63	MP4B	Mx	.001	4
64	MP4B	X	0	5
65	MP4B	Z	-2.468	5
66	MP4B	Mx	.001	5
67	MP4C	X	0	4
68	MP4C	Z	-4.509	4
69	MP4C	Mx	-.001	4
70	MP4C	X	0	5
71	MP4C	Z	-4.509	5
72	MP4C	Mx	-.001	5
73	MP2A	X	0	4
74	MP2A	Z	-4.136	4
75	MP2A	Mx	.001	4
76	MP2B	X	0	4
77	MP2B	Z	-4.136	4
78	MP2B	Mx	.001	4
79	MP2C	X	0	4
80	MP2C	Z	-4.136	4
81	MP2C	Mx	.001	4
82	MP3A	X	0	4
83	MP3A	Z	-3.885	4
84	MP3A	Mx	.001	4
85	MP3B	X	0	4
86	MP3B	Z	-3.885	4
87	MP3B	Mx	.001	4
88	MP3C	X	0	4
89	MP3C	Z	-3.885	4
90	MP3C	Mx	.001	4

Member Point Loads (BLC 28 : Antenna Wm (30 Deg))

	Member Label	Direction	Magnitude[lb,k-ft]	Location[ft,%]
1	MP1A	X	3.316	3.25
2	MP1A	Z	-5.743	3.25
3	MP1A	Mx	-.002	3.25
4	MP1A	X	3.316	6
5	MP1A	Z	-5.743	6
6	MP1A	Mx	-.002	6
7	MP1B	X	2.609	3.25
8	MP1B	Z	-4.519	3.25
9	MP1B	Mx	.002	3.25
10	MP1B	X	2.609	6
11	MP1B	Z	-4.519	6
12	MP1B	Mx	.002	6
13	MP1C	X	3.697	3.25
14	MP1C	Z	-6.403	3.25
15	MP1C	Mx	-.000642	3.25
16	MP1C	X	3.697	6
17	MP1C	Z	-6.403	6
18	MP1C	Mx	-.000642	6
19	MP2A	X	4.6	2
20	MP2A	Z	-7.967	2
21	MP2A	Mx	-.01	2
22	MP2A	X	4.6	7
23	MP2A	Z	-7.967	7
24	MP2A	Mx	-.01	7
25	MP2B	X	3.628	2
26	MP2B	Z	-6.284	2
27	MP2B	Mx	.003	2
28	MP2B	X	3.628	7
29	MP2B	Z	-6.284	7
30	MP2B	Mx	.003	7
31	MP2C	X	5.124	2
32	MP2C	Z	-8.875	2
33	MP2C	Mx	.006	2
34	MP2C	X	5.124	7
35	MP2C	Z	-8.875	7
36	MP2C	Mx	.006	7
37	MP2A	X	4.587	2
38	MP2A	Z	-7.945	2
39	MP2A	Mx	.002	2
40	MP2A	X	4.587	7
41	MP2A	Z	-7.945	7
42	MP2A	Mx	.002	7
43	MP2B	X	4.587	2
44	MP2B	Z	-7.945	2
45	MP2B	Mx	.002	2
46	MP2B	X	4.587	7
47	MP2B	Z	-7.945	7
48	MP2B	Mx	.002	7
49	MP2C	X	4.587	2
50	MP2C	Z	-7.945	2
51	MP2C	Mx	.002	2
52	MP2C	X	4.587	7
53	MP2C	Z	-7.945	7
54	MP2C	Mx	.002	7
55	MP4A	X	2.409	4
56	MP4A	Z	-4.172	4
57	MP4A	Mx	-.001	4
58	MP4A	X	2.409	5
59	MP4A	Z	-4.172	5
60	MP4A	Mx	-.001	5
61	MP4B	X	1.393	4

Member Point Loads (BLC 28 : Antenna Wm (30 Deg)) (Continued)

	Member Label	Direction	Magnitude[lb,k-ft]	Location[ft,%]
62	MP4B	Z	-2.413	4
63	MP4B	Mx	.001	4
64	MP4B	X	1.393	5
65	MP4B	Z	-2.413	5
66	MP4B	Mx	.001	5
67	MP4C	X	2.956	4
68	MP4C	Z	-5.12	4
69	MP4C	Mx	-.000513	4
70	MP4C	X	2.956	5
71	MP4C	Z	-5.12	5
72	MP4C	Mx	-.000513	5
73	MP2A	X	1.695	4
74	MP2A	Z	-2.935	4
75	MP2A	Mx	.002	4
76	MP2B	X	1.695	4
77	MP2B	Z	-2.935	4
78	MP2B	Mx	.002	4
79	MP2C	X	1.695	4
80	MP2C	Z	-2.935	4
81	MP2C	Mx	.002	4
82	MP3A	X	1.426	4
83	MP3A	Z	-2.47	4
84	MP3A	Mx	.001	4
85	MP3B	X	1.426	4
86	MP3B	Z	-2.47	4
87	MP3B	Mx	.001	4
88	MP3C	X	1.426	4
89	MP3C	Z	-2.47	4
90	MP3C	Mx	.001	4

Member Point Loads (BLC 29 : Antenna Wm (60 Deg))

	Member Label	Direction	Magnitude[lb,k-ft]	Location[ft,%]
1	MP1A	X	4.655	3.25
2	MP1A	Z	-2.688	3.25
3	MP1A	Mx	-.002	3.25
4	MP1A	X	4.655	6
5	MP1A	Z	-2.688	6
6	MP1A	Mx	-.002	6
7	MP1B	X	5.557	3.25
8	MP1B	Z	-3.208	3.25
9	MP1B	Mx	.002	3.25
10	MP1B	X	5.557	6
11	MP1B	Z	-3.208	6
12	MP1B	Mx	.002	6
13	MP1C	X	6.212	3.25
14	MP1C	Z	-3.586	3.25
15	MP1C	Mx	.001	3.25
16	MP1C	X	6.212	6
17	MP1C	Z	-3.586	6
18	MP1C	Mx	.001	6
19	MP2A	X	6.471	2
20	MP2A	Z	-3.736	2
21	MP2A	Mx	-.007	2
22	MP2A	X	6.471	7
23	MP2A	Z	-3.736	7
24	MP2A	Mx	-.007	7
25	MP2B	X	7.711	2
26	MP2B	Z	-4.452	2
27	MP2B	Mx	-.000823	2
28	MP2B	X	7.711	7
29	MP2B	Z	-4.452	7

Member Point Loads (BLC 29 : Antenna Wm (60 Deg)) (Continued)

	Member Label	Direction	Magnitude[lb,k-ft]	Location[ft,%]
30	MP2B	Mx	-.000823	7
31	MP2C	X	8.612	2
32	MP2C	Z	-4.972	2
33	MP2C	Mx	.01	2
34	MP2C	X	8.612	7
35	MP2C	Z	-4.972	7
36	MP2C	Mx	.01	7
37	MP2A	X	6.465	2
38	MP2A	Z	-3.733	2
39	MP2A	Mx	-.003	2
40	MP2A	X	6.465	7
41	MP2A	Z	-3.733	7
42	MP2A	Mx	-.003	7
43	MP2B	X	6.465	2
44	MP2B	Z	-3.733	2
45	MP2B	Mx	-.003	2
46	MP2B	X	6.465	7
47	MP2B	Z	-3.733	7
48	MP2B	Mx	-.003	7
49	MP2C	X	6.465	2
50	MP2C	Z	-3.733	2
51	MP2C	Mx	-.003	2
52	MP2C	X	6.465	7
53	MP2C	Z	-3.733	7
54	MP2C	Mx	-.003	7
55	MP4A	X	2.609	4
56	MP4A	Z	-1.506	4
57	MP4A	Mx	-.001	4
58	MP4A	X	2.609	5
59	MP4A	Z	-1.506	5
60	MP4A	Mx	-.001	5
61	MP4B	X	3.905	4
62	MP4B	Z	-2.254	4
63	MP4B	Mx	.001	4
64	MP4B	X	3.905	5
65	MP4B	Z	-2.254	5
66	MP4B	Mx	.001	5
67	MP4C	X	4.845	4
68	MP4C	Z	-2.797	4
69	MP4C	Mx	.000957	4
70	MP4C	X	4.845	5
71	MP4C	Z	-2.797	5
72	MP4C	Mx	.000957	5
73	MP2A	X	2.816	4
74	MP2A	Z	-1.626	4
75	MP2A	Mx	.002	4
76	MP2B	X	2.816	4
77	MP2B	Z	-1.626	4
78	MP2B	Mx	.002	4
79	MP2C	X	2.816	4
80	MP2C	Z	-1.626	4
81	MP2C	Mx	.002	4
82	MP3A	X	2.305	4
83	MP3A	Z	-1.331	4
84	MP3A	Mx	.001	4
85	MP3B	X	2.305	4
86	MP3B	Z	-1.331	4
87	MP3B	Mx	.001	4
88	MP3C	X	2.305	4
89	MP3C	Z	-1.331	4
90	MP3C	Mx	.001	4

Member Point Loads (BLC 30 : Antenna Wm (90 Deg))

	Member Label	Direction	Magnitude[lb.k-ft]	Location[ft,%]
1	MP1A	X	4.939	3.25
2	MP1A	Z	0	3.25
3	MP1A	Mx	-.002	3.25
4	MP1A	X	4.939	6
5	MP1A	Z	0	6
6	MP1A	Mx	-.002	6
7	MP1B	X	7.394	3.25
8	MP1B	Z	0	3.25
9	MP1B	Mx	.000642	3.25
10	MP1B	X	7.394	6
11	MP1B	Z	0	6
12	MP1B	Mx	.000642	6
13	MP1C	X	5.974	3.25
14	MP1C	Z	0	3.25
15	MP1C	Mx	.002	3.25
16	MP1C	X	5.974	6
17	MP1C	Z	0	6
18	MP1C	Mx	.002	6
19	MP2A	X	6.872	2
20	MP2A	Z	0	2
21	MP2A	Mx	-.005	2
22	MP2A	X	6.872	7
23	MP2A	Z	0	7
24	MP2A	Mx	-.005	7
25	MP2B	X	10.249	2
26	MP2B	Z	0	2
27	MP2B	Mx	-.006	2
28	MP2B	X	10.249	7
29	MP2B	Z	0	7
30	MP2B	Mx	-.006	7
31	MP2C	X	8.295	2
32	MP2C	Z	0	2
33	MP2C	Mx	.009	2
34	MP2C	X	8.295	7
35	MP2C	Z	0	7
36	MP2C	Mx	.009	7
37	MP2A	X	6.872	2
38	MP2A	Z	0	2
39	MP2A	Mx	-.006	2
40	MP2A	X	6.872	7
41	MP2A	Z	0	7
42	MP2A	Mx	-.006	7
43	MP2B	X	6.872	2
44	MP2B	Z	0	2
45	MP2B	Mx	-.006	2
46	MP2B	X	6.872	7
47	MP2B	Z	0	7
48	MP2B	Mx	-.006	7
49	MP2C	X	6.872	2
50	MP2C	Z	0	2
51	MP2C	Mx	-.006	2
52	MP2C	X	6.872	7
53	MP2C	Z	0	7
54	MP2C	Mx	-.006	7
55	MP4A	X	2.386	4
56	MP4A	Z	0	4
57	MP4A	Mx	-.001	4
58	MP4A	X	2.386	5
59	MP4A	Z	0	5
60	MP4A	Mx	-.001	5
61	MP4B	X	5.912	4

Member Point Loads (BLC 30 : Antenna Wm (90 Deg)) (Continued)

	Member Label	Direction	Magnitude[lb,k-ft]	Location[ft,%]
62	MP4B	Z	0	4
63	MP4B	Mx	.000513	4
64	MP4B	X	5.912	5
65	MP4B	Z	0	5
66	MP4B	Mx	.000513	5
67	MP4C	X	3.872	4
68	MP4C	Z	0	4
69	MP4C	Mx	.001	4
70	MP4C	X	3.872	5
71	MP4C	Z	0	5
72	MP4C	Mx	.001	5
73	MP2A	X	3.86	4
74	MP2A	Z	0	4
75	MP2A	Mx	.001	4
76	MP2B	X	3.86	4
77	MP2B	Z	0	4
78	MP2B	Mx	.001	4
79	MP2C	X	3.86	4
80	MP2C	Z	0	4
81	MP2C	Mx	.001	4
82	MP3A	X	3.503	4
83	MP3A	Z	0	4
84	MP3A	Mx	.001	4
85	MP3B	X	3.503	4
86	MP3B	Z	0	4
87	MP3B	Mx	.001	4
88	MP3C	X	3.503	4
89	MP3C	Z	0	4
90	MP3C	Mx	.001	4

Member Point Loads (BLC 31 : Antenna Wm (120 Deg))

	Member Label	Direction	Magnitude[lb,k-ft]	Location[ft,%]
1	MP1A	X	4.988	3.25
2	MP1A	Z	2.88	3.25
3	MP1A	Mx	-.002	3.25
4	MP1A	X	4.988	6
5	MP1A	Z	2.88	6
6	MP1A	Mx	-.002	6
7	MP1B	X	6.212	3.25
8	MP1B	Z	3.586	3.25
9	MP1B	Mx	-.001	3.25
10	MP1B	X	6.212	6
11	MP1B	Z	3.586	6
12	MP1B	Mx	-.001	6
13	MP1C	X	4.327	3.25
14	MP1C	Z	2.498	3.25
15	MP1C	Mx	.002	3.25
16	MP1C	X	4.327	6
17	MP1C	Z	2.498	6
18	MP1C	Mx	.002	6
19	MP2A	X	6.928	2
20	MP2A	Z	4	2
21	MP2A	Mx	-.001	2
22	MP2A	X	6.928	7
23	MP2A	Z	4	7
24	MP2A	Mx	-.001	7
25	MP2B	X	8.612	2
26	MP2B	Z	4.972	2
27	MP2B	Mx	-.01	2
28	MP2B	X	8.612	7
29	MP2B	Z	4.972	7

Member Point Loads (BLC 31 : Antenna Wm (120 Deg)) (Continued)

	Member Label	Direction	Magnitude[lb,k-ft]	Location[ft,%]
30	MP2B	Mx	-.01	7
31	MP2C	X	6.02	2
32	MP2C	Z	3.476	2
33	MP2C	Mx	.006	2
34	MP2C	X	6.02	7
35	MP2C	Z	3.476	7
36	MP2C	Mx	.006	7
37	MP2A	X	6.917	2
38	MP2A	Z	3.994	2
39	MP2A	Mx	-.008	2
40	MP2A	X	6.917	7
41	MP2A	Z	3.994	7
42	MP2A	Mx	-.008	7
43	MP2B	X	6.917	2
44	MP2B	Z	3.994	2
45	MP2B	Mx	-.008	2
46	MP2B	X	6.917	7
47	MP2B	Z	3.994	7
48	MP2B	Mx	-.008	7
49	MP2C	X	6.917	2
50	MP2C	Z	3.994	2
51	MP2C	Mx	-.008	2
52	MP2C	X	6.917	7
53	MP2C	Z	3.994	7
54	MP2C	Mx	-.008	7
55	MP4A	X	3.086	4
56	MP4A	Z	1.782	4
57	MP4A	Mx	-.001	4
58	MP4A	X	3.086	5
59	MP4A	Z	1.782	5
60	MP4A	Mx	-.001	5
61	MP4B	X	4.845	4
62	MP4B	Z	2.797	4
63	MP4B	Mx	-.000957	4
64	MP4B	X	4.845	5
65	MP4B	Z	2.797	5
66	MP4B	Mx	-.000957	5
67	MP4C	X	2.138	4
68	MP4C	Z	1.234	4
69	MP4C	Mx	.001	4
70	MP4C	X	2.138	5
71	MP4C	Z	1.234	5
72	MP4C	Mx	.001	5
73	MP2A	X	3.99	4
74	MP2A	Z	2.303	4
75	MP2A	Mx	.000788	4
76	MP2B	X	3.99	4
77	MP2B	Z	2.303	4
78	MP2B	Mx	.000788	4
79	MP2C	X	3.99	4
80	MP2C	Z	2.303	4
81	MP2C	Mx	.000788	4
82	MP3A	X	3.928	4
83	MP3A	Z	2.268	4
84	MP3A	Mx	.000776	4
85	MP3B	X	3.928	4
86	MP3B	Z	2.268	4
87	MP3B	Mx	.000776	4
88	MP3C	X	3.928	4
89	MP3C	Z	2.268	4
90	MP3C	Mx	.000776	4

Member Point Loads (BLC 32 : Antenna Wm (150 Deg))

	Member Label	Direction	Magnitude[lb,k-ft]	Location[ft,%]
1	MP1A	X	3.508	3.25
2	MP1A	Z	6.075	3.25
3	MP1A	Mx	-.001	3.25
4	MP1A	X	3.508	6
5	MP1A	Z	6.075	6
6	MP1A	Mx	-.001	6
7	MP1B	X	2.987	3.25
8	MP1B	Z	5.174	3.25
9	MP1B	Mx	-.002	3.25
10	MP1B	X	2.987	6
11	MP1B	Z	5.174	6
12	MP1B	Mx	-.002	6
13	MP1C	X	2.609	3.25
14	MP1C	Z	4.519	3.25
15	MP1C	Mx	.002	3.25
16	MP1C	X	2.609	6
17	MP1C	Z	4.519	6
18	MP1C	Mx	.002	6
19	MP2A	X	4.864	2
20	MP2A	Z	8.424	2
21	MP2A	Mx	.004	2
22	MP2A	X	4.864	7
23	MP2A	Z	8.424	7
24	MP2A	Mx	.004	7
25	MP2B	X	4.148	2
26	MP2B	Z	7.184	2
27	MP2B	Mx	-.009	2
28	MP2B	X	4.148	7
29	MP2B	Z	7.184	7
30	MP2B	Mx	-.009	7
31	MP2C	X	3.628	2
32	MP2C	Z	6.284	2
33	MP2C	Mx	.003	2
34	MP2C	X	3.628	7
35	MP2C	Z	6.284	7
36	MP2C	Mx	.003	7
37	MP2A	X	4.848	2
38	MP2A	Z	8.397	2
39	MP2A	Mx	-.01	2
40	MP2A	X	4.848	7
41	MP2A	Z	8.397	7
42	MP2A	Mx	-.01	7
43	MP2B	X	4.848	2
44	MP2B	Z	8.397	2
45	MP2B	Mx	-.01	2
46	MP2B	X	4.848	7
47	MP2B	Z	8.397	7
48	MP2B	Mx	-.01	7
49	MP2C	X	4.848	2
50	MP2C	Z	8.397	2
51	MP2C	Mx	-.01	2
52	MP2C	X	4.848	7
53	MP2C	Z	8.397	7
54	MP2C	Mx	-.01	7
55	MP4A	X	2.684	4
56	MP4A	Z	4.649	4
57	MP4A	Mx	-.001	4
58	MP4A	X	2.684	5
59	MP4A	Z	4.649	5
60	MP4A	Mx	-.001	5
61	MP4B	X	1.936	4

Member Point Loads (BLC 32 : Antenna Wm (150 Deg)) (Continued)

	Member Label	Direction	Magnitude[lb,k-ft]	Location[ft,%]
62	MP4B	Z	3.353	4
63	MP4B	Mx	-.001	4
64	MP4B	X	1.936	5
65	MP4B	Z	3.353	5
66	MP4B	Mx	-.001	5
67	MP4C	X	1.393	4
68	MP4C	Z	2.413	4
69	MP4C	Mx	.001	4
70	MP4C	X	1.393	5
71	MP4C	Z	2.413	5
72	MP4C	Mx	.001	5
73	MP2A	X	2.372	4
74	MP2A	Z	4.109	4
75	MP2A	Mx	-.000412	4
76	MP2B	X	2.372	4
77	MP2B	Z	4.109	4
78	MP2B	Mx	-.000412	4
79	MP2C	X	2.372	4
80	MP2C	Z	4.109	4
81	MP2C	Mx	-.000412	4
82	MP3A	X	2.363	4
83	MP3A	Z	4.093	4
84	MP3A	Mx	-.00041	4
85	MP3B	X	2.363	4
86	MP3B	Z	4.093	4
87	MP3B	Mx	-.00041	4
88	MP3C	X	2.363	4
89	MP3C	Z	4.093	4
90	MP3C	Mx	-.00041	4

Member Point Loads (BLC 33 : Antenna Wm (180 Deg))

	Member Label	Direction	Magnitude[lb,k-ft]	Location[ft,%]
1	MP1A	X	0	3.25
2	MP1A	Z	7.452	3.25
3	MP1A	Mx	.000325	3.25
4	MP1A	X	0	6
5	MP1A	Z	7.452	6
6	MP1A	Mx	.000325	6
7	MP1B	X	0	3.25
8	MP1B	Z	4.997	3.25
9	MP1B	Mx	-.002	3.25
10	MP1B	X	0	6
11	MP1B	Z	4.997	6
12	MP1B	Mx	-.002	6
13	MP1C	X	0	3.25
14	MP1C	Z	6.417	3.25
15	MP1C	Mx	.002	3.25
16	MP1C	X	0	6
17	MP1C	Z	6.417	6
18	MP1C	Mx	.002	6
19	MP2A	X	0	2
20	MP2A	Z	10.328	2
21	MP2A	Mx	.008	2
22	MP2A	X	0	7
23	MP2A	Z	10.328	7
24	MP2A	Mx	.008	7
25	MP2B	X	0	2
26	MP2B	Z	6.951	2
27	MP2B	Mx	-.006	2
28	MP2B	X	0	7
29	MP2B	Z	6.951	7

Member Point Loads (BLC 33 : Antenna Wm (180 Deg)) (Continued)

	Member Label	Direction	Magnitude[lb,k-ft]	Location[ft,%]
30	MP2B	Mx	-.006	7
31	MP2C	X	0	2
32	MP2C	Z	8.904	2
33	MP2C	Mx	-.000823	2
34	MP2C	X	0	7
35	MP2C	Z	8.904	7
36	MP2C	Mx	-.000823	7
37	MP2A	X	0	2
38	MP2A	Z	10.29	2
39	MP2A	Mx	-.007	2
40	MP2A	X	0	7
41	MP2A	Z	10.29	7
42	MP2A	Mx	-.007	7
43	MP2B	X	0	2
44	MP2B	Z	10.29	2
45	MP2B	Mx	-.007	2
46	MP2B	X	0	7
47	MP2B	Z	10.29	7
48	MP2B	Mx	-.007	7
49	MP2C	X	0	2
50	MP2C	Z	10.29	2
51	MP2C	Mx	-.007	2
52	MP2C	X	0	7
53	MP2C	Z	10.29	7
54	MP2C	Mx	-.007	7
55	MP4A	X	0	4
56	MP4A	Z	5.995	4
57	MP4A	Mx	.000261	4
58	MP4A	X	0	5
59	MP4A	Z	5.995	5
60	MP4A	Mx	.000261	5
61	MP4B	X	0	4
62	MP4B	Z	2.468	4
63	MP4B	Mx	-.001	4
64	MP4B	X	0	5
65	MP4B	Z	2.468	5
66	MP4B	Mx	-.001	5
67	MP4C	X	0	4
68	MP4C	Z	4.509	4
69	MP4C	Mx	.001	4
70	MP4C	X	0	5
71	MP4C	Z	4.509	5
72	MP4C	Mx	.001	5
73	MP2A	X	0	4
74	MP2A	Z	4.136	4
75	MP2A	Mx	-.001	4
76	MP2B	X	0	4
77	MP2B	Z	4.136	4
78	MP2B	Mx	-.001	4
79	MP2C	X	0	4
80	MP2C	Z	4.136	4
81	MP2C	Mx	-.001	4
82	MP3A	X	0	4
83	MP3A	Z	3.885	4
84	MP3A	Mx	-.001	4
85	MP3B	X	0	4
86	MP3B	Z	3.885	4
87	MP3B	Mx	-.001	4
88	MP3C	X	0	4
89	MP3C	Z	3.885	4
90	MP3C	Mx	-.001	4

Member Point Loads (BLC 34 : Antenna Wm (210 Deg))

	Member Label	Direction	Magnitude[lb,k-ft]	Location[ft,%]
1	MP1A	X	-3.316	3.25
2	MP1A	Z	5.743	3.25
3	MP1A	Mx	.002	3.25
4	MP1A	X	-3.316	6
5	MP1A	Z	5.743	6
6	MP1A	Mx	.002	6
7	MP1B	X	-2.609	3.25
8	MP1B	Z	4.519	3.25
9	MP1B	Mx	-.002	3.25
10	MP1B	X	-2.609	6
11	MP1B	Z	4.519	6
12	MP1B	Mx	-.002	6
13	MP1C	X	-3.697	3.25
14	MP1C	Z	6.403	3.25
15	MP1C	Mx	.000642	3.25
16	MP1C	X	-3.697	6
17	MP1C	Z	6.403	6
18	MP1C	Mx	.000642	6
19	MP2A	X	-4.6	2
20	MP2A	Z	7.967	2
21	MP2A	Mx	.01	2
22	MP2A	X	-4.6	7
23	MP2A	Z	7.967	7
24	MP2A	Mx	.01	7
25	MP2B	X	-3.628	2
26	MP2B	Z	6.284	2
27	MP2B	Mx	-.003	2
28	MP2B	X	-3.628	7
29	MP2B	Z	6.284	7
30	MP2B	Mx	-.003	7
31	MP2C	X	-5.124	2
32	MP2C	Z	8.875	2
33	MP2C	Mx	-.006	2
34	MP2C	X	-5.124	7
35	MP2C	Z	8.875	7
36	MP2C	Mx	-.006	7
37	MP2A	X	-4.587	2
38	MP2A	Z	7.945	2
39	MP2A	Mx	-.002	2
40	MP2A	X	-4.587	7
41	MP2A	Z	7.945	7
42	MP2A	Mx	-.002	7
43	MP2B	X	-4.587	2
44	MP2B	Z	7.945	2
45	MP2B	Mx	-.002	2
46	MP2B	X	-4.587	7
47	MP2B	Z	7.945	7
48	MP2B	Mx	-.002	7
49	MP2C	X	-4.587	2
50	MP2C	Z	7.945	2
51	MP2C	Mx	-.002	2
52	MP2C	X	-4.587	7
53	MP2C	Z	7.945	7
54	MP2C	Mx	-.002	7
55	MP4A	X	-2.409	4
56	MP4A	Z	4.172	4
57	MP4A	Mx	.001	4
58	MP4A	X	-2.409	5
59	MP4A	Z	4.172	5
60	MP4A	Mx	.001	5
61	MP4B	X	-1.393	4

Member Point Loads (BLC 34 : Antenna Wm (210 Deg)) (Continued)

	Member Label	Direction	Magnitude[lb,k-ft]	Location[ft,%]
62	MP4B	Z	2.413	4
63	MP4B	Mx	-.001	4
64	MP4B	X	-1.393	5
65	MP4B	Z	2.413	5
66	MP4B	Mx	-.001	5
67	MP4C	X	-2.956	4
68	MP4C	Z	5.12	4
69	MP4C	Mx	.000513	4
70	MP4C	X	-2.956	5
71	MP4C	Z	5.12	5
72	MP4C	Mx	.000513	5
73	MP2A	X	-1.695	4
74	MP2A	Z	2.935	4
75	MP2A	Mx	-.002	4
76	MP2B	X	-1.695	4
77	MP2B	Z	2.935	4
78	MP2B	Mx	-.002	4
79	MP2C	X	-1.695	4
80	MP2C	Z	2.935	4
81	MP2C	Mx	-.002	4
82	MP3A	X	-1.426	4
83	MP3A	Z	2.47	4
84	MP3A	Mx	-.001	4
85	MP3B	X	-1.426	4
86	MP3B	Z	2.47	4
87	MP3B	Mx	-.001	4
88	MP3C	X	-1.426	4
89	MP3C	Z	2.47	4
90	MP3C	Mx	-.001	4

Member Point Loads (BLC 35 : Antenna Wm (240 Deg))

	Member Label	Direction	Magnitude[lb,k-ft]	Location[ft,%]
1	MP1A	X	-4.655	3.25
2	MP1A	Z	2.688	3.25
3	MP1A	Mx	.002	3.25
4	MP1A	X	-4.655	6
5	MP1A	Z	2.688	6
6	MP1A	Mx	.002	6
7	MP1B	X	-5.557	3.25
8	MP1B	Z	3.208	3.25
9	MP1B	Mx	-.002	3.25
10	MP1B	X	-5.557	6
11	MP1B	Z	3.208	6
12	MP1B	Mx	-.002	6
13	MP1C	X	-6.212	3.25
14	MP1C	Z	3.586	3.25
15	MP1C	Mx	-.001	3.25
16	MP1C	X	-6.212	6
17	MP1C	Z	3.586	6
18	MP1C	Mx	-.001	6
19	MP2A	X	-6.471	2
20	MP2A	Z	3.736	2
21	MP2A	Mx	.007	2
22	MP2A	X	-6.471	7
23	MP2A	Z	3.736	7
24	MP2A	Mx	.007	7
25	MP2B	X	-7.711	2
26	MP2B	Z	4.452	2
27	MP2B	Mx	.000823	2
28	MP2B	X	-7.711	7
29	MP2B	Z	4.452	7

Member Point Loads (BLC 35 : Antenna Wm (240 Deg)) (Continued)

	Member Label	Direction	Magnitude[lb,k-ft]	Location[ft,%]
30	MP2B	Mx	.000823	7
31	MP2C	X	-8.612	2
32	MP2C	Z	4.972	2
33	MP2C	Mx	-.01	2
34	MP2C	X	-8.612	7
35	MP2C	Z	4.972	7
36	MP2C	Mx	-.01	7
37	MP2A	X	-6.465	2
38	MP2A	Z	3.733	2
39	MP2A	Mx	.003	2
40	MP2A	X	-6.465	7
41	MP2A	Z	3.733	7
42	MP2A	Mx	.003	7
43	MP2B	X	-6.465	2
44	MP2B	Z	3.733	2
45	MP2B	Mx	.003	2
46	MP2B	X	-6.465	7
47	MP2B	Z	3.733	7
48	MP2B	Mx	.003	7
49	MP2C	X	-6.465	2
50	MP2C	Z	3.733	2
51	MP2C	Mx	.003	2
52	MP2C	X	-6.465	7
53	MP2C	Z	3.733	7
54	MP2C	Mx	.003	7
55	MP4A	X	-2.609	4
56	MP4A	Z	1.506	4
57	MP4A	Mx	.001	4
58	MP4A	X	-2.609	5
59	MP4A	Z	1.506	5
60	MP4A	Mx	.001	5
61	MP4B	X	-3.905	4
62	MP4B	Z	2.254	4
63	MP4B	Mx	-.001	4
64	MP4B	X	-3.905	5
65	MP4B	Z	2.254	5
66	MP4B	Mx	-.001	5
67	MP4C	X	-4.845	4
68	MP4C	Z	2.797	4
69	MP4C	Mx	-.000957	4
70	MP4C	X	-4.845	5
71	MP4C	Z	2.797	5
72	MP4C	Mx	-.000957	5
73	MP2A	X	-2.816	4
74	MP2A	Z	1.626	4
75	MP2A	Mx	-.002	4
76	MP2B	X	-2.816	4
77	MP2B	Z	1.626	4
78	MP2B	Mx	-.002	4
79	MP2C	X	-2.816	4
80	MP2C	Z	1.626	4
81	MP2C	Mx	-.002	4
82	MP3A	X	-2.305	4
83	MP3A	Z	1.331	4
84	MP3A	Mx	-.001	4
85	MP3B	X	-2.305	4
86	MP3B	Z	1.331	4
87	MP3B	Mx	-.001	4
88	MP3C	X	-2.305	4
89	MP3C	Z	1.331	4
90	MP3C	Mx	-.001	4

Member Point Loads (BLC 36 : Antenna Wm (270 Deg))

	Member Label	Direction	Magnitude[lb,k-ft]	Location[ft,%]
1	MP1A	X	-4.939	3.25
2	MP1A	Z	0	3.25
3	MP1A	Mx	.002	3.25
4	MP1A	X	-4.939	6
5	MP1A	Z	0	6
6	MP1A	Mx	.002	6
7	MP1B	X	-7.394	3.25
8	MP1B	Z	0	3.25
9	MP1B	Mx	-.000642	3.25
10	MP1B	X	-7.394	6
11	MP1B	Z	0	6
12	MP1B	Mx	-.000642	6
13	MP1C	X	-5.974	3.25
14	MP1C	Z	0	3.25
15	MP1C	Mx	-.002	3.25
16	MP1C	X	-5.974	6
17	MP1C	Z	0	6
18	MP1C	Mx	-.002	6
19	MP2A	X	-6.872	2
20	MP2A	Z	0	2
21	MP2A	Mx	.005	2
22	MP2A	X	-6.872	7
23	MP2A	Z	0	7
24	MP2A	Mx	.005	7
25	MP2B	X	-10.249	2
26	MP2B	Z	0	2
27	MP2B	Mx	.006	2
28	MP2B	X	-10.249	7
29	MP2B	Z	0	7
30	MP2B	Mx	.006	7
31	MP2C	X	-8.295	2
32	MP2C	Z	0	2
33	MP2C	Mx	-.009	2
34	MP2C	X	-8.295	7
35	MP2C	Z	0	7
36	MP2C	Mx	-.009	7
37	MP2A	X	-6.872	2
38	MP2A	Z	0	2
39	MP2A	Mx	.006	2
40	MP2A	X	-6.872	7
41	MP2A	Z	0	7
42	MP2A	Mx	.006	7
43	MP2B	X	-6.872	2
44	MP2B	Z	0	2
45	MP2B	Mx	.006	2
46	MP2B	X	-6.872	7
47	MP2B	Z	0	7
48	MP2B	Mx	.006	7
49	MP2C	X	-6.872	2
50	MP2C	Z	0	2
51	MP2C	Mx	.006	2
52	MP2C	X	-6.872	7
53	MP2C	Z	0	7
54	MP2C	Mx	.006	7
55	MP4A	X	-2.386	4
56	MP4A	Z	0	4
57	MP4A	Mx	.001	4
58	MP4A	X	-2.386	5
59	MP4A	Z	0	5
60	MP4A	Mx	.001	5
61	MP4B	X	-5.912	4

Member Point Loads (BLC 36 : Antenna Wm (270 Deg)) (Continued)

	Member Label	Direction	Magnitude[lb,k-ft]	Location[ft,%]
62	MP4B	Z	0	4
63	MP4B	Mx	-.000513	4
64	MP4B	X	-5.912	5
65	MP4B	Z	0	5
66	MP4B	Mx	-.000513	5
67	MP4C	X	-3.872	4
68	MP4C	Z	0	4
69	MP4C	Mx	-.001	4
70	MP4C	X	-3.872	5
71	MP4C	Z	0	5
72	MP4C	Mx	-.001	5
73	MP2A	X	-3.86	4
74	MP2A	Z	0	4
75	MP2A	Mx	-.001	4
76	MP2B	X	-3.86	4
77	MP2B	Z	0	4
78	MP2B	Mx	-.001	4
79	MP2C	X	-3.86	4
80	MP2C	Z	0	4
81	MP2C	Mx	-.001	4
82	MP3A	X	-3.503	4
83	MP3A	Z	0	4
84	MP3A	Mx	-.001	4
85	MP3B	X	-3.503	4
86	MP3B	Z	0	4
87	MP3B	Mx	-.001	4
88	MP3C	X	-3.503	4
89	MP3C	Z	0	4
90	MP3C	Mx	-.001	4

Member Point Loads (BLC 37 : Antenna Wm (300 Deg))

	Member Label	Direction	Magnitude[lb,k-ft]	Location[ft,%]
1	MP1A	X	-4.988	3.25
2	MP1A	Z	-2.88	3.25
3	MP1A	Mx	.002	3.25
4	MP1A	X	-4.988	6
5	MP1A	Z	-2.88	6
6	MP1A	Mx	.002	6
7	MP1B	X	-6.212	3.25
8	MP1B	Z	-3.586	3.25
9	MP1B	Mx	.001	3.25
10	MP1B	X	-6.212	6
11	MP1B	Z	-3.586	6
12	MP1B	Mx	.001	6
13	MP1C	X	-4.327	3.25
14	MP1C	Z	-2.498	3.25
15	MP1C	Mx	-.002	3.25
16	MP1C	X	-4.327	6
17	MP1C	Z	-2.498	6
18	MP1C	Mx	-.002	6
19	MP2A	X	-6.928	2
20	MP2A	Z	-4	2
21	MP2A	Mx	.001	2
22	MP2A	X	-6.928	7
23	MP2A	Z	-4	7
24	MP2A	Mx	.001	7
25	MP2B	X	-8.612	2
26	MP2B	Z	-4.972	2
27	MP2B	Mx	.01	2
28	MP2B	X	-8.612	7
29	MP2B	Z	-4.972	7

Member Point Loads (BLC 37 : Antenna Wm (300 Deg)) (Continued)

	Member Label	Direction	Magnitude[lb,k-ft]	Location[ft,%]
30	MP2B	Mx	.01	7
31	MP2C	X	-6.02	2
32	MP2C	Z	-3.476	2
33	MP2C	Mx	-.006	2
34	MP2C	X	-6.02	7
35	MP2C	Z	-3.476	7
36	MP2C	Mx	-.006	7
37	MP2A	X	-6.917	2
38	MP2A	Z	-3.994	2
39	MP2A	Mx	.008	2
40	MP2A	X	-6.917	7
41	MP2A	Z	-3.994	7
42	MP2A	Mx	.008	7
43	MP2B	X	-6.917	2
44	MP2B	Z	-3.994	2
45	MP2B	Mx	.008	2
46	MP2B	X	-6.917	7
47	MP2B	Z	-3.994	7
48	MP2B	Mx	.008	7
49	MP2C	X	-6.917	2
50	MP2C	Z	-3.994	2
51	MP2C	Mx	.008	2
52	MP2C	X	-6.917	7
53	MP2C	Z	-3.994	7
54	MP2C	Mx	.008	7
55	MP4A	X	-3.086	4
56	MP4A	Z	-1.782	4
57	MP4A	Mx	.001	4
58	MP4A	X	-3.086	5
59	MP4A	Z	-1.782	5
60	MP4A	Mx	.001	5
61	MP4B	X	-4.845	4
62	MP4B	Z	-2.797	4
63	MP4B	Mx	.000957	4
64	MP4B	X	-4.845	5
65	MP4B	Z	-2.797	5
66	MP4B	Mx	.000957	5
67	MP4C	X	-2.138	4
68	MP4C	Z	-1.234	4
69	MP4C	Mx	-.001	4
70	MP4C	X	-2.138	5
71	MP4C	Z	-1.234	5
72	MP4C	Mx	-.001	5
73	MP2A	X	-3.99	4
74	MP2A	Z	-2.303	4
75	MP2A	Mx	-.000788	4
76	MP2B	X	-3.99	4
77	MP2B	Z	-2.303	4
78	MP2B	Mx	-.000788	4
79	MP2C	X	-3.99	4
80	MP2C	Z	-2.303	4
81	MP2C	Mx	-.000788	4
82	MP3A	X	-3.928	4
83	MP3A	Z	-2.268	4
84	MP3A	Mx	-.000776	4
85	MP3B	X	-3.928	4
86	MP3B	Z	-2.268	4
87	MP3B	Mx	-.000776	4
88	MP3C	X	-3.928	4
89	MP3C	Z	-2.268	4
90	MP3C	Mx	-.000776	4

Member Point Loads (BLC 38 : Antenna Wm (330 Deg))

	Member Label	Direction	Magnitude[lb,k-ft]	Location[ft,%]
1	MP1A	X	-3.508	3.25
2	MP1A	Z	-6.075	3.25
3	MP1A	Mx	.001	3.25
4	MP1A	X	-3.508	6
5	MP1A	Z	-6.075	6
6	MP1A	Mx	.001	6
7	MP1B	X	-2.987	3.25
8	MP1B	Z	-5.174	3.25
9	MP1B	Mx	.002	3.25
10	MP1B	X	-2.987	6
11	MP1B	Z	-5.174	6
12	MP1B	Mx	.002	6
13	MP1C	X	-2.609	3.25
14	MP1C	Z	-4.519	3.25
15	MP1C	Mx	-.002	3.25
16	MP1C	X	-2.609	6
17	MP1C	Z	-4.519	6
18	MP1C	Mx	-.002	6
19	MP2A	X	-4.864	2
20	MP2A	Z	-8.424	2
21	MP2A	Mx	-.004	2
22	MP2A	X	-4.864	7
23	MP2A	Z	-8.424	7
24	MP2A	Mx	-.004	7
25	MP2B	X	-4.148	2
26	MP2B	Z	-7.184	2
27	MP2B	Mx	.009	2
28	MP2B	X	-4.148	7
29	MP2B	Z	-7.184	7
30	MP2B	Mx	.009	7
31	MP2C	X	-3.628	2
32	MP2C	Z	-6.284	2
33	MP2C	Mx	-.003	2
34	MP2C	X	-3.628	7
35	MP2C	Z	-6.284	7
36	MP2C	Mx	-.003	7
37	MP2A	X	-4.848	2
38	MP2A	Z	-8.397	2
39	MP2A	Mx	.01	2
40	MP2A	X	-4.848	7
41	MP2A	Z	-8.397	7
42	MP2A	Mx	.01	7
43	MP2B	X	-4.848	2
44	MP2B	Z	-8.397	2
45	MP2B	Mx	.01	2
46	MP2B	X	-4.848	7
47	MP2B	Z	-8.397	7
48	MP2B	Mx	.01	7
49	MP2C	X	-4.848	2
50	MP2C	Z	-8.397	2
51	MP2C	Mx	.01	2
52	MP2C	X	-4.848	7
53	MP2C	Z	-8.397	7
54	MP2C	Mx	.01	7
55	MP4A	X	-2.684	4
56	MP4A	Z	-4.649	4
57	MP4A	Mx	.001	4
58	MP4A	X	-2.684	5
59	MP4A	Z	-4.649	5
60	MP4A	Mx	.001	5
61	MP4B	X	-1.936	4

Member Point Loads (BLC 38 : Antenna Wm (330 Deg)) (Continued)

	Member Label	Direction	Magnitude[lb,k-ft]	Location[ft,%]
62	MP4B	Z	-3.353	4
63	MP4B	Mx	.001	4
64	MP4B	X	-1.936	5
65	MP4B	Z	-3.353	5
66	MP4B	Mx	.001	5
67	MP4C	X	-1.393	4
68	MP4C	Z	-2.413	4
69	MP4C	Mx	-.001	4
70	MP4C	X	-1.393	5
71	MP4C	Z	-2.413	5
72	MP4C	Mx	-.001	5
73	MP2A	X	-2.372	4
74	MP2A	Z	-4.109	4
75	MP2A	Mx	.000412	4
76	MP2B	X	-2.372	4
77	MP2B	Z	-4.109	4
78	MP2B	Mx	.000412	4
79	MP2C	X	-2.372	4
80	MP2C	Z	-4.109	4
81	MP2C	Mx	.000412	4
82	MP3A	X	-2.363	4
83	MP3A	Z	-4.093	4
84	MP3A	Mx	.00041	4
85	MP3B	X	-2.363	4
86	MP3B	Z	-4.093	4
87	MP3B	Mx	.00041	4
88	MP3C	X	-2.363	4
89	MP3C	Z	-4.093	4
90	MP3C	Mx	.00041	4

Member Point Loads (BLC 77 : Lm1)

	Member Label	Direction	Magnitude[lb,k-ft]	Location[ft,%]
1	M1	Y	-500	%33

Member Point Loads (BLC 78 : Lm2)

	Member Label	Direction	Magnitude[lb,k-ft]	Location[ft,%]
1	M1	Y	-500	%97

Member Point Loads (BLC 79 : Lv1)

	Member Label	Direction	Magnitude[lb,k-ft]	Location[ft,%]
1	M1	Y	-250	0

Member Point Loads (BLC 80 : Lv2)

	Member Label	Direction	Magnitude[lb,k-ft]	Location[ft,%]
1	M1	Y	-250	%50

Member Distributed Loads (BLC 40 : Structure Di)

	Member Label	Direction	Start Magnitude[lb/ft,...	End Magnitude[lb/ft,F...	Start Location[ft,%]	End Location[ft,%]
1	M1	Y	-10.796	-10.796	0	%100
2	M2	Y	-10.796	-10.796	0	%100
3	M3	Y	-10.796	-10.796	0	%100
4	M4	Y	-15.274	-15.274	0	%100
5	M5	Y	-15.274	-15.274	0	%100
6	M6	Y	-15.274	-15.274	0	%100
7	M7	Y	-16.029	-16.029	0	%100
8	M8	Y	-16.029	-16.029	0	%100
9	M9	Y	-16.029	-16.029	0	%100
10	M10	Y	-16.029	-16.029	0	%100

Member Distributed Loads (BLC 40 : Structure Di) (Continued)

	Member Label	Direction	Start Magnitude[lb/ft,...	End Magnitude[lb/ft,F...	Start Location[ft, %]	End Location[ft, %]
11	M11	Y	-16.029	-16.029	0	%100
12	M12	Y	-16.029	-16.029	0	%100
13	M13	Y	-16.029	-16.029	0	%100
14	M14	Y	-16.029	-16.029	0	%100
15	M15	Y	-16.029	-16.029	0	%100
16	M16	Y	-15.274	-15.274	0	%100
17	M17	Y	-15.274	-15.274	0	%100
18	M18	Y	-15.274	-15.274	0	%100
19	M19	Y	-15.274	-15.274	0	%100
20	M20	Y	-15.274	-15.274	0	%100
21	M21	Y	-15.274	-15.274	0	%100
22	M22	Y	-9.401	-9.401	0	%100
23	M23	Y	-9.401	-9.401	0	%100
24	M24	Y	-9.401	-9.401	0	%100
25	M25	Y	-9.401	-9.401	0	%100
26	M26	Y	-9.401	-9.401	0	%100
27	M27	Y	-9.401	-9.401	0	%100
28	M28	Y	-16.011	-16.011	0	%100
29	M29	Y	-16.011	-16.011	0	%100
30	M30	Y	-16.011	-16.011	0	%100
31	M31	Y	-16.011	-16.011	0	%100
32	M32	Y	-16.011	-16.011	0	%100
33	M33	Y	-16.011	-16.011	0	%100
34	M34	Y	-16.011	-16.011	0	%100
35	M35	Y	-16.011	-16.011	0	%100
36	M36	Y	-16.011	-16.011	0	%100
37	M37	Y	-16.011	-16.011	0	%100
38	M38	Y	-16.011	-16.011	0	%100
39	M39	Y	-16.011	-16.011	0	%100
40	M40	Y	-8.46	-8.46	0	%100
41	M41	Y	-8.46	-8.46	0	%100
42	M42	Y	-8.46	-8.46	0	%100
43	M43	Y	-10.869	-10.869	0	%100
44	M44	Y	-10.869	-10.869	0	%100
45	M45	Y	-10.869	-10.869	0	%100
46	MP1A	Y	-8.46	-8.46	0	%100
47	MP2A	Y	-9.498	-9.498	0	%100
48	MP3A	Y	-8.46	-8.46	0	%100
49	MP4A	Y	-8.46	-8.46	0	%100
50	MP1B	Y	-8.46	-8.46	0	%100
51	MP2B	Y	-9.498	-9.498	0	%100
52	MP3B	Y	-8.46	-8.46	0	%100
53	MP4B	Y	-8.46	-8.46	0	%100
54	MP1C	Y	-8.46	-8.46	0	%100
55	MP2C	Y	-9.498	-9.498	0	%100
56	MP3C	Y	-8.46	-8.46	0	%100
57	MP4C	Y	-8.46	-8.46	0	%100

Member Distributed Loads (BLC 41 : Structure Wo (0 Deg))

	Member Label	Direction	Start Magnitude[lb/ft,...	End Magnitude[lb/ft,F...	Start Location[ft, %]	End Location[ft, %]
1	M1	X	0	0	0	%100
2	M1	Z	-13.787	-13.787	0	%100
3	M2	X	0	0	0	%100
4	M2	Z	-3.447	-3.447	0	%100
5	M3	X	0	0	0	%100
6	M3	Z	-3.447	-3.447	0	%100
7	M4	X	0	0	0	%100
8	M4	Z	0	0	0	%100
9	M5	X	0	0	0	%100
10	M5	Z	-10.572	-10.572	0	%100
11	M6	X	0	0	0	%100

Member Distributed Loads (BLC 41 : Structure Wo (0 Deg)) (Continued)

	Member Label	Direction	Start Magnitude[lb/ft,...	End Magnitude[lb/ft,F...	Start Location[ft, %]	End Location[ft, %]
12	M6	Z	-10.572	-10.572	0	%100
13	M7	X	0	0	0	%100
14	M7	Z	-23.791	-23.791	0	%100
15	M8	X	0	0	0	%100
16	M8	Z	-6.381	-6.381	0	%100
17	M9	X	0	0	0	%100
18	M9	Z	-6.381	-6.381	0	%100
19	M10	X	0	0	0	%100
20	M10	Z	-5.948	-5.948	0	%100
21	M11	X	0	0	0	%100
22	M11	Z	-6.381	-6.381	0	%100
23	M12	X	0	0	0	%100
24	M12	Z	-25.523	-25.523	0	%100
25	M13	X	0	0	0	%100
26	M13	Z	-5.948	-5.948	0	%100
27	M14	X	0	0	0	%100
28	M14	Z	-25.523	-25.523	0	%100
29	M15	X	0	0	0	%100
30	M15	Z	-6.381	-6.381	0	%100
31	M16	X	0	0	0	%100
32	M16	Z	-11.928	-11.928	0	%100
33	M17	X	0	0	0	%100
34	M17	Z	-11.928	-11.928	0	%100
35	M18	X	0	0	0	%100
36	M18	Z	-2.982	-2.982	0	%100
37	M19	X	0	0	0	%100
38	M19	Z	-2.982	-2.982	0	%100
39	M20	X	0	0	0	%100
40	M20	Z	-2.982	-2.982	0	%100
41	M21	X	0	0	0	%100
42	M21	Z	-2.982	-2.982	0	%100
43	M22	X	0	0	0	%100
44	M22	Z	-3.303	-3.303	0	%100
45	M23	X	0	0	0	%100
46	M23	Z	-3.303	-3.303	0	%100
47	M24	X	0	0	0	%100
48	M24	Z	-3.303	-3.303	0	%100
49	M25	X	0	0	0	%100
50	M25	Z	-13.211	-13.211	0	%100
51	M26	X	0	0	0	%100
52	M26	Z	-13.211	-13.211	0	%100
53	M27	X	0	0	0	%100
54	M27	Z	-3.303	-3.303	0	%100
55	M28	X	0	0	0	%100
56	M28	Z	0	0	0	%100
57	M29	X	0	0	0	%100
58	M29	Z	-6.058	-6.058	0	%100
59	M30	X	0	0	0	%100
60	M30	Z	0	0	0	%100
61	M31	X	0	0	0	%100
62	M31	Z	-6.058	-6.058	0	%100
63	M32	X	0	0	0	%100
64	M32	Z	-17.843	-17.843	0	%100
65	M33	X	0	0	0	%100
66	M33	Z	-6.058	-6.058	0	%100
67	M34	X	0	0	0	%100
68	M34	Z	-17.843	-17.843	0	%100
69	M35	X	0	0	0	%100
70	M35	Z	-24.232	-24.232	0	%100
71	M36	X	0	0	0	%100
72	M36	Z	-17.843	-17.843	0	%100

Member Distributed Loads (BLC 41 : Structure Wo (0 Deg)) (Continued)

	Member Label	Direction	Start Magnitude[lb/ft,...	End Magnitude[lb/ft,F...	Start Location[ft, %]	End Location[ft, %]
73	M37	X	0	0	0	%100
74	M37	Z	-24.232	-24.232	0	%100
75	M38	X	0	0	0	%100
76	M38	Z	-17.843	-17.843	0	%100
77	M39	X	0	0	0	%100
78	M39	Z	-6.058	-6.058	0	%100
79	M40	X	0	0	0	%100
80	M40	Z	-9.417	-9.417	0	%100
81	M41	X	0	0	0	%100
82	M41	Z	-2.354	-2.354	0	%100
83	M42	X	0	0	0	%100
84	M42	Z	-2.354	-2.354	0	%100
85	M43	X	0	0	0	%100
86	M43	Z	-2.764	-2.764	0	%100
87	M44	X	0	0	0	%100
88	M44	Z	-11.056	-11.056	0	%100
89	M45	X	0	0	0	%100
90	M45	Z	-2.764	-2.764	0	%100
91	MP1A	X	0	0	0	%100
92	MP1A	Z	-9.417	-9.417	0	%100
93	MP2A	X	0	0	0	%100
94	MP2A	Z	-11.4	-11.4	0	%100
95	MP3A	X	0	0	0	%100
96	MP3A	Z	-9.417	-9.417	0	%100
97	MP4A	X	0	0	0	%100
98	MP4A	Z	-9.417	-9.417	0	%100
99	MP1B	X	0	0	0	%100
100	MP1B	Z	-9.417	-9.417	0	%100
101	MP2B	X	0	0	0	%100
102	MP2B	Z	-11.4	-11.4	0	%100
103	MP3B	X	0	0	0	%100
104	MP3B	Z	-9.417	-9.417	0	%100
105	MP4B	X	0	0	0	%100
106	MP4B	Z	-9.417	-9.417	0	%100
107	MP1C	X	0	0	0	%100
108	MP1C	Z	-9.417	-9.417	0	%100
109	MP2C	X	0	0	0	%100
110	MP2C	Z	-11.4	-11.4	0	%100
111	MP3C	X	0	0	0	%100
112	MP3C	Z	-9.417	-9.417	0	%100
113	MP4C	X	0	0	0	%100
114	MP4C	Z	-9.417	-9.417	0	%100

Member Distributed Loads (BLC 42 : Structure Wo (30 Deg))

	Member Label	Direction	Start Magnitude[lb/ft,...	End Magnitude[lb/ft,F...	Start Location[ft, %]	End Location[ft, %]
1	M1	X	5.17	5.17	0	%100
2	M1	Z	-8.955	-8.955	0	%100
3	M2	X	5.17	5.17	0	%100
4	M2	Z	-8.955	-8.955	0	%100
5	M3	X	0	0	0	%100
6	M3	Z	0	0	0	%100
7	M4	X	1.762	1.762	0	%100
8	M4	Z	-3.052	-3.052	0	%100
9	M5	X	1.762	1.762	0	%100
10	M5	Z	-3.052	-3.052	0	%100
11	M6	X	7.048	7.048	0	%100
12	M6	Z	-12.208	-12.208	0	%100
13	M7	X	8.922	8.922	0	%100
14	M7	Z	-15.453	-15.453	0	%100
15	M8	X	9.571	9.571	0	%100
16	M8	Z	-16.577	-16.577	0	%100

Member Distributed Loads (BLC 42 : Structure Wo (30 Deg)) (Continued)

	Member Label	Direction	Start Magnitude[lb/ft,...	End Magnitude[lb/ft,F...	Start Location[ft, %]	End Location[ft, %]
17	M9	X	0	0	0	%100
18	M9	Z	0	0	0	%100
19	M10	X	8.922	8.922	0	%100
20	M10	Z	-15.453	-15.453	0	%100
21	M11	X	0	0	0	%100
22	M11	Z	0	0	0	%100
23	M12	X	9.571	9.571	0	%100
24	M12	Z	-16.577	-16.577	0	%100
25	M13	X	0	0	0	%100
26	M13	Z	0	0	0	%100
27	M14	X	9.571	9.571	0	%100
28	M14	Z	-16.577	-16.577	0	%100
29	M15	X	9.571	9.571	0	%100
30	M15	Z	-16.577	-16.577	0	%100
31	M16	X	4.473	4.473	0	%100
32	M16	Z	-7.747	-7.747	0	%100
33	M17	X	4.473	4.473	0	%100
34	M17	Z	-7.747	-7.747	0	%100
35	M18	X	4.473	4.473	0	%100
36	M18	Z	-7.747	-7.747	0	%100
37	M19	X	4.473	4.473	0	%100
38	M19	Z	-7.747	-7.747	0	%100
39	M20	X	0	0	0	%100
40	M20	Z	0	0	0	%100
41	M21	X	0	0	0	%100
42	M21	Z	0	0	0	%100
43	M22	X	4.954	4.954	0	%100
44	M22	Z	-8.581	-8.581	0	%100
45	M23	X	0	0	0	%100
46	M23	Z	0	0	0	%100
47	M24	X	0	0	0	%100
48	M24	Z	0	0	0	%100
49	M25	X	4.954	4.954	0	%100
50	M25	Z	-8.581	-8.581	0	%100
51	M26	X	4.954	4.954	0	%100
52	M26	Z	-8.581	-8.581	0	%100
53	M27	X	4.954	4.954	0	%100
54	M27	Z	-8.581	-8.581	0	%100
55	M28	X	2.974	2.974	0	%100
56	M28	Z	-5.151	-5.151	0	%100
57	M29	X	9.087	9.087	0	%100
58	M29	Z	-15.739	-15.739	0	%100
59	M30	X	2.974	2.974	0	%100
60	M30	Z	-5.151	-5.151	0	%100
61	M31	X	0	0	0	%100
62	M31	Z	0	0	0	%100
63	M32	X	2.974	2.974	0	%100
64	M32	Z	-5.151	-5.151	0	%100
65	M33	X	0	0	0	%100
66	M33	Z	0	0	0	%100
67	M34	X	2.974	2.974	0	%100
68	M34	Z	-5.151	-5.151	0	%100
69	M35	X	9.087	9.087	0	%100
70	M35	Z	-15.739	-15.739	0	%100
71	M36	X	11.896	11.896	0	%100
72	M36	Z	-20.604	-20.604	0	%100
73	M37	X	9.087	9.087	0	%100
74	M37	Z	-15.739	-15.739	0	%100
75	M38	X	11.896	11.896	0	%100
76	M38	Z	-20.604	-20.604	0	%100
77	M39	X	9.087	9.087	0	%100

Member Distributed Loads (BLC 42 : Structure Wo (30 Deg)) (Continued)

	Member Label	Direction	Start Magnitude[lb/ft,...	End Magnitude[lb/ft,F...	Start Location[ft, %]	End Location[ft, %]
78	M39	Z	-15.739	-15.739	0	%100
79	M40	X	3.531	3.531	0	%100
80	M40	Z	-6.117	-6.117	0	%100
81	M41	X	3.531	3.531	0	%100
82	M41	Z	-6.117	-6.117	0	%100
83	M42	X	0	0	0	%100
84	M42	Z	0	0	0	%100
85	M43	X	4.146	4.146	0	%100
86	M43	Z	-7.181	-7.181	0	%100
87	M44	X	4.146	4.146	0	%100
88	M44	Z	-7.181	-7.181	0	%100
89	M45	X	0	0	0	%100
90	M45	Z	0	0	0	%100
91	MP1A	X	4.709	4.709	0	%100
92	MP1A	Z	-8.156	-8.156	0	%100
93	MP2A	X	5.7	5.7	0	%100
94	MP2A	Z	-9.873	-9.873	0	%100
95	MP3A	X	4.709	4.709	0	%100
96	MP3A	Z	-8.156	-8.156	0	%100
97	MP4A	X	4.709	4.709	0	%100
98	MP4A	Z	-8.156	-8.156	0	%100
99	MP1B	X	4.709	4.709	0	%100
100	MP1B	Z	-8.156	-8.156	0	%100
101	MP2B	X	5.7	5.7	0	%100
102	MP2B	Z	-9.873	-9.873	0	%100
103	MP3B	X	4.709	4.709	0	%100
104	MP3B	Z	-8.156	-8.156	0	%100
105	MP4B	X	4.709	4.709	0	%100
106	MP4B	Z	-8.156	-8.156	0	%100
107	MP1C	X	4.709	4.709	0	%100
108	MP1C	Z	-8.156	-8.156	0	%100
109	MP2C	X	5.7	5.7	0	%100
110	MP2C	Z	-9.873	-9.873	0	%100
111	MP3C	X	4.709	4.709	0	%100
112	MP3C	Z	-8.156	-8.156	0	%100
113	MP4C	X	4.709	4.709	0	%100
114	MP4C	Z	-8.156	-8.156	0	%100

Member Distributed Loads (BLC 43 : Structure Wo (60 Deg))

	Member Label	Direction	Start Magnitude[lb/ft,...	End Magnitude[lb/ft,F...	Start Location[ft, %]	End Location[ft, %]
1	M1	X	2.985	2.985	0	%100
2	M1	Z	-1.723	-1.723	0	%100
3	M2	X	11.94	11.94	0	%100
4	M2	Z	-6.894	-6.894	0	%100
5	M3	X	2.985	2.985	0	%100
6	M3	Z	-1.723	-1.723	0	%100
7	M4	X	9.156	9.156	0	%100
8	M4	Z	-5.286	-5.286	0	%100
9	M5	X	0	0	0	%100
10	M5	Z	0	0	0	%100
11	M6	X	9.156	9.156	0	%100
12	M6	Z	-5.286	-5.286	0	%100
13	M7	X	5.151	5.151	0	%100
14	M7	Z	-2.974	-2.974	0	%100
15	M8	X	22.103	22.103	0	%100
16	M8	Z	-12.761	-12.761	0	%100
17	M9	X	5.526	5.526	0	%100
18	M9	Z	-3.19	-3.19	0	%100
19	M10	X	20.604	20.604	0	%100
20	M10	Z	-11.896	-11.896	0	%100
21	M11	X	5.526	5.526	0	%100

Member Distributed Loads (BLC 43 : Structure Wo (60 Deg)) (Continued)

	Member Label	Direction	Start Magnitude[lb/ft,...	End Magnitude[lb/ft,F...	Start Location[ft, %]	End Location[ft, %]
22	M11	Z	-3.19	-3.19	0	%100
23	M12	X	5.526	5.526	0	%100
24	M12	Z	-3.19	-3.19	0	%100
25	M13	X	5.151	5.151	0	%100
26	M13	Z	-2.974	-2.974	0	%100
27	M14	X	5.526	5.526	0	%100
28	M14	Z	-3.19	-3.19	0	%100
29	M15	X	22.103	22.103	0	%100
30	M15	Z	-12.761	-12.761	0	%100
31	M16	X	2.582	2.582	0	%100
32	M16	Z	-1.491	-1.491	0	%100
33	M17	X	2.582	2.582	0	%100
34	M17	Z	-1.491	-1.491	0	%100
35	M18	X	10.33	10.33	0	%100
36	M18	Z	-5.964	-5.964	0	%100
37	M19	X	10.33	10.33	0	%100
38	M19	Z	-5.964	-5.964	0	%100
39	M20	X	2.582	2.582	0	%100
40	M20	Z	-1.491	-1.491	0	%100
41	M21	X	2.582	2.582	0	%100
42	M21	Z	-1.491	-1.491	0	%100
43	M22	X	11.441	11.441	0	%100
44	M22	Z	-6.605	-6.605	0	%100
45	M23	X	2.86	2.86	0	%100
46	M23	Z	-1.651	-1.651	0	%100
47	M24	X	2.86	2.86	0	%100
48	M24	Z	-1.651	-1.651	0	%100
49	M25	X	2.86	2.86	0	%100
50	M25	Z	-1.651	-1.651	0	%100
51	M26	X	2.86	2.86	0	%100
52	M26	Z	-1.651	-1.651	0	%100
53	M27	X	11.441	11.441	0	%100
54	M27	Z	-6.605	-6.605	0	%100
55	M28	X	15.453	15.453	0	%100
56	M28	Z	-8.922	-8.922	0	%100
57	M29	X	20.985	20.985	0	%100
58	M29	Z	-12.116	-12.116	0	%100
59	M30	X	15.453	15.453	0	%100
60	M30	Z	-8.922	-8.922	0	%100
61	M31	X	5.246	5.246	0	%100
62	M31	Z	-3.029	-3.029	0	%100
63	M32	X	0	0	0	%100
64	M32	Z	0	0	0	%100
65	M33	X	5.246	5.246	0	%100
66	M33	Z	-3.029	-3.029	0	%100
67	M34	X	0	0	0	%100
68	M34	Z	0	0	0	%100
69	M35	X	5.246	5.246	0	%100
70	M35	Z	-3.029	-3.029	0	%100
71	M36	X	15.453	15.453	0	%100
72	M36	Z	-8.922	-8.922	0	%100
73	M37	X	5.246	5.246	0	%100
74	M37	Z	-3.029	-3.029	0	%100
75	M38	X	15.453	15.453	0	%100
76	M38	Z	-8.922	-8.922	0	%100
77	M39	X	20.985	20.985	0	%100
78	M39	Z	-12.116	-12.116	0	%100
79	M40	X	2.039	2.039	0	%100
80	M40	Z	-1.177	-1.177	0	%100
81	M41	X	8.156	8.156	0	%100
82	M41	Z	-4.709	-4.709	0	%100

Member Distributed Loads (BLC 43 : Structure Wo (60 Deg)) (Continued)

	Member Label	Direction	Start Magnitude[lb/ft,...	End Magnitude[lb/ft,F...	Start Location[ft, %]	End Location[ft, %]
83	M42	X	2.039	2.039	0	%100
84	M42	Z	-1.177	-1.177	0	%100
85	M43	X	9.575	9.575	0	%100
86	M43	Z	-5.528	-5.528	0	%100
87	M44	X	2.394	2.394	0	%100
88	M44	Z	-1.382	-1.382	0	%100
89	M45	X	2.394	2.394	0	%100
90	M45	Z	-1.382	-1.382	0	%100
91	MP1A	X	8.156	8.156	0	%100
92	MP1A	Z	-4.709	-4.709	0	%100
93	MP2A	X	9.873	9.873	0	%100
94	MP2A	Z	-5.7	-5.7	0	%100
95	MP3A	X	8.156	8.156	0	%100
96	MP3A	Z	-4.709	-4.709	0	%100
97	MP4A	X	8.156	8.156	0	%100
98	MP4A	Z	-4.709	-4.709	0	%100
99	MP1B	X	8.156	8.156	0	%100
100	MP1B	Z	-4.709	-4.709	0	%100
101	MP2B	X	9.873	9.873	0	%100
102	MP2B	Z	-5.7	-5.7	0	%100
103	MP3B	X	8.156	8.156	0	%100
104	MP3B	Z	-4.709	-4.709	0	%100
105	MP4B	X	8.156	8.156	0	%100
106	MP4B	Z	-4.709	-4.709	0	%100
107	MP1C	X	8.156	8.156	0	%100
108	MP1C	Z	-4.709	-4.709	0	%100
109	MP2C	X	9.873	9.873	0	%100
110	MP2C	Z	-5.7	-5.7	0	%100
111	MP3C	X	8.156	8.156	0	%100
112	MP3C	Z	-4.709	-4.709	0	%100
113	MP4C	X	8.156	8.156	0	%100
114	MP4C	Z	-4.709	-4.709	0	%100

Member Distributed Loads (BLC 44 : Structure Wo (90 Deg))

	Member Label	Direction	Start Magnitude[lb/ft,...	End Magnitude[lb/ft,F...	Start Location[ft, %]	End Location[ft, %]
1	M1	X	0	0	0	%100
2	M1	Z	0	0	0	%100
3	M2	X	10.34	10.34	0	%100
4	M2	Z	0	0	0	%100
5	M3	X	10.34	10.34	0	%100
6	M3	Z	0	0	0	%100
7	M4	X	14.096	14.096	0	%100
8	M4	Z	0	0	0	%100
9	M5	X	3.524	3.524	0	%100
10	M5	Z	0	0	0	%100
11	M6	X	3.524	3.524	0	%100
12	M6	Z	0	0	0	%100
13	M7	X	0	0	0	%100
14	M7	Z	0	0	0	%100
15	M8	X	19.142	19.142	0	%100
16	M8	Z	0	0	0	%100
17	M9	X	19.142	19.142	0	%100
18	M9	Z	0	0	0	%100
19	M10	X	17.843	17.843	0	%100
20	M10	Z	0	0	0	%100
21	M11	X	19.142	19.142	0	%100
22	M11	Z	0	0	0	%100
23	M12	X	0	0	0	%100
24	M12	Z	0	0	0	%100
25	M13	X	17.843	17.843	0	%100
26	M13	Z	0	0	0	%100

Member Distributed Loads (BLC 44 : Structure Wo (90 Deg)) (Continued)

	Member Label	Direction	Start Magnitude[lb/ft,...	End Magnitude[lb/ft,F...	Start Location[ft, %]	End Location[ft, %]
27	M14	X	0	0	0	%100
28	M14	Z	0	0	0	%100
29	M15	X	19.142	19.142	0	%100
30	M15	Z	0	0	0	%100
31	M16	X	0	0	0	%100
32	M16	Z	0	0	0	%100
33	M17	X	0	0	0	%100
34	M17	Z	0	0	0	%100
35	M18	X	8.946	8.946	0	%100
36	M18	Z	0	0	0	%100
37	M19	X	8.946	8.946	0	%100
38	M19	Z	0	0	0	%100
39	M20	X	8.946	8.946	0	%100
40	M20	Z	0	0	0	%100
41	M21	X	8.946	8.946	0	%100
42	M21	Z	0	0	0	%100
43	M22	X	9.908	9.908	0	%100
44	M22	Z	0	0	0	%100
45	M23	X	9.908	9.908	0	%100
46	M23	Z	0	0	0	%100
47	M24	X	9.908	9.908	0	%100
48	M24	Z	0	0	0	%100
49	M25	X	0	0	0	%100
50	M25	Z	0	0	0	%100
51	M26	X	0	0	0	%100
52	M26	Z	0	0	0	%100
53	M27	X	9.908	9.908	0	%100
54	M27	Z	0	0	0	%100
55	M28	X	23.791	23.791	0	%100
56	M28	Z	0	0	0	%100
57	M29	X	18.174	18.174	0	%100
58	M29	Z	0	0	0	%100
59	M30	X	23.791	23.791	0	%100
60	M30	Z	0	0	0	%100
61	M31	X	18.174	18.174	0	%100
62	M31	Z	0	0	0	%100
63	M32	X	5.948	5.948	0	%100
64	M32	Z	0	0	0	%100
65	M33	X	18.174	18.174	0	%100
66	M33	Z	0	0	0	%100
67	M34	X	5.948	5.948	0	%100
68	M34	Z	0	0	0	%100
69	M35	X	0	0	0	%100
70	M35	Z	0	0	0	%100
71	M36	X	5.948	5.948	0	%100
72	M36	Z	0	0	0	%100
73	M37	X	0	0	0	%100
74	M37	Z	0	0	0	%100
75	M38	X	5.948	5.948	0	%100
76	M38	Z	0	0	0	%100
77	M39	X	18.174	18.174	0	%100
78	M39	Z	0	0	0	%100
79	M40	X	0	0	0	%100
80	M40	Z	0	0	0	%100
81	M41	X	7.063	7.063	0	%100
82	M41	Z	0	0	0	%100
83	M42	X	7.063	7.063	0	%100
84	M42	Z	0	0	0	%100
85	M43	X	8.292	8.292	0	%100
86	M43	Z	0	0	0	%100
87	M44	X	0	0	0	%100

Member Distributed Loads (BLC 44 : Structure Wo (90 Deg)) (Continued)

	Member Label	Direction	Start Magnitude[lb/ft,...	End Magnitude[lb/ft,F...	Start Location[ft, %]	End Location[ft, %]
88	M44	Z	0	0	0	%100
89	M45	X	8.292	8.292	0	%100
90	M45	Z	0	0	0	%100
91	MP1A	X	9.417	9.417	0	%100
92	MP1A	Z	0	0	0	%100
93	MP2A	X	11.4	11.4	0	%100
94	MP2A	Z	0	0	0	%100
95	MP3A	X	9.417	9.417	0	%100
96	MP3A	Z	0	0	0	%100
97	MP4A	X	9.417	9.417	0	%100
98	MP4A	Z	0	0	0	%100
99	MP1B	X	9.417	9.417	0	%100
100	MP1B	Z	0	0	0	%100
101	MP2B	X	11.4	11.4	0	%100
102	MP2B	Z	0	0	0	%100
103	MP3B	X	9.417	9.417	0	%100
104	MP3B	Z	0	0	0	%100
105	MP4B	X	9.417	9.417	0	%100
106	MP4B	Z	0	0	0	%100
107	MP1C	X	9.417	9.417	0	%100
108	MP1C	Z	0	0	0	%100
109	MP2C	X	11.4	11.4	0	%100
110	MP2C	Z	0	0	0	%100
111	MP3C	X	9.417	9.417	0	%100
112	MP3C	Z	0	0	0	%100
113	MP4C	X	9.417	9.417	0	%100
114	MP4C	Z	0	0	0	%100

Member Distributed Loads (BLC 45 : Structure Wo (120 Deg))

	Member Label	Direction	Start Magnitude[lb/ft,...	End Magnitude[lb/ft,F...	Start Location[ft, %]	End Location[ft, %]
1	M1	X	2.985	2.985	0	%100
2	M1	Z	1.723	1.723	0	%100
3	M2	X	2.985	2.985	0	%100
4	M2	Z	1.723	1.723	0	%100
5	M3	X	11.94	11.94	0	%100
6	M3	Z	6.894	6.894	0	%100
7	M4	X	9.156	9.156	0	%100
8	M4	Z	5.286	5.286	0	%100
9	M5	X	9.156	9.156	0	%100
10	M5	Z	5.286	5.286	0	%100
11	M6	X	0	0	0	%100
12	M6	Z	0	0	0	%100
13	M7	X	5.151	5.151	0	%100
14	M7	Z	2.974	2.974	0	%100
15	M8	X	5.526	5.526	0	%100
16	M8	Z	3.19	3.19	0	%100
17	M9	X	22.103	22.103	0	%100
18	M9	Z	12.761	12.761	0	%100
19	M10	X	5.151	5.151	0	%100
20	M10	Z	2.974	2.974	0	%100
21	M11	X	22.103	22.103	0	%100
22	M11	Z	12.761	12.761	0	%100
23	M12	X	5.526	5.526	0	%100
24	M12	Z	3.19	3.19	0	%100
25	M13	X	20.604	20.604	0	%100
26	M13	Z	11.896	11.896	0	%100
27	M14	X	5.526	5.526	0	%100
28	M14	Z	3.19	3.19	0	%100
29	M15	X	5.526	5.526	0	%100
30	M15	Z	3.19	3.19	0	%100
31	M16	X	2.582	2.582	0	%100

Member Distributed Loads (BLC 45 : Structure Wo (120 Deg)) (Continued)

	Member Label	Direction	Start Magnitude[lb/ft,...	End Magnitude[lb/ft,F...	Start Location[ft, %]	End Location[ft, %]
32	M16	Z	1.491	1.491	0	%100
33	M17	X	2.582	2.582	0	%100
34	M17	Z	1.491	1.491	0	%100
35	M18	X	2.582	2.582	0	%100
36	M18	Z	1.491	1.491	0	%100
37	M19	X	2.582	2.582	0	%100
38	M19	Z	1.491	1.491	0	%100
39	M20	X	10.33	10.33	0	%100
40	M20	Z	5.964	5.964	0	%100
41	M21	X	10.33	10.33	0	%100
42	M21	Z	5.964	5.964	0	%100
43	M22	X	2.86	2.86	0	%100
44	M22	Z	1.651	1.651	0	%100
45	M23	X	11.441	11.441	0	%100
46	M23	Z	6.605	6.605	0	%100
47	M24	X	11.441	11.441	0	%100
48	M24	Z	6.605	6.605	0	%100
49	M25	X	2.86	2.86	0	%100
50	M25	Z	1.651	1.651	0	%100
51	M26	X	2.86	2.86	0	%100
52	M26	Z	1.651	1.651	0	%100
53	M27	X	2.86	2.86	0	%100
54	M27	Z	1.651	1.651	0	%100
55	M28	X	15.453	15.453	0	%100
56	M28	Z	8.922	8.922	0	%100
57	M29	X	5.246	5.246	0	%100
58	M29	Z	3.029	3.029	0	%100
59	M30	X	15.453	15.453	0	%100
60	M30	Z	8.922	8.922	0	%100
61	M31	X	20.985	20.985	0	%100
62	M31	Z	12.116	12.116	0	%100
63	M32	X	15.453	15.453	0	%100
64	M32	Z	8.922	8.922	0	%100
65	M33	X	20.985	20.985	0	%100
66	M33	Z	12.116	12.116	0	%100
67	M34	X	15.453	15.453	0	%100
68	M34	Z	8.922	8.922	0	%100
69	M35	X	5.246	5.246	0	%100
70	M35	Z	3.029	3.029	0	%100
71	M36	X	0	0	0	%100
72	M36	Z	0	0	0	%100
73	M37	X	5.246	5.246	0	%100
74	M37	Z	3.029	3.029	0	%100
75	M38	X	0	0	0	%100
76	M38	Z	0	0	0	%100
77	M39	X	5.246	5.246	0	%100
78	M39	Z	3.029	3.029	0	%100
79	M40	X	2.039	2.039	0	%100
80	M40	Z	1.177	1.177	0	%100
81	M41	X	2.039	2.039	0	%100
82	M41	Z	1.177	1.177	0	%100
83	M42	X	8.156	8.156	0	%100
84	M42	Z	4.709	4.709	0	%100
85	M43	X	2.394	2.394	0	%100
86	M43	Z	1.382	1.382	0	%100
87	M44	X	2.394	2.394	0	%100
88	M44	Z	1.382	1.382	0	%100
89	M45	X	9.575	9.575	0	%100
90	M45	Z	5.528	5.528	0	%100
91	MP1A	X	8.156	8.156	0	%100
92	MP1A	Z	4.709	4.709	0	%100

Member Distributed Loads (BLC 45 : Structure Wo (120 Deg)) (Continued)

	Member Label	Direction	Start Magnitude[lb/ft,...	End Magnitude[lb/ft,F...	Start Location[ft, %]	End Location[ft, %]
93	MP2A	X	9.873	9.873	0	%100
94	MP2A	Z	5.7	5.7	0	%100
95	MP3A	X	8.156	8.156	0	%100
96	MP3A	Z	4.709	4.709	0	%100
97	MP4A	X	8.156	8.156	0	%100
98	MP4A	Z	4.709	4.709	0	%100
99	MP1B	X	8.156	8.156	0	%100
100	MP1B	Z	4.709	4.709	0	%100
101	MP2B	X	9.873	9.873	0	%100
102	MP2B	Z	5.7	5.7	0	%100
103	MP3B	X	8.156	8.156	0	%100
104	MP3B	Z	4.709	4.709	0	%100
105	MP4B	X	8.156	8.156	0	%100
106	MP4B	Z	4.709	4.709	0	%100
107	MP1C	X	8.156	8.156	0	%100
108	MP1C	Z	4.709	4.709	0	%100
109	MP2C	X	9.873	9.873	0	%100
110	MP2C	Z	5.7	5.7	0	%100
111	MP3C	X	8.156	8.156	0	%100
112	MP3C	Z	4.709	4.709	0	%100
113	MP4C	X	8.156	8.156	0	%100
114	MP4C	Z	4.709	4.709	0	%100

Member Distributed Loads (BLC 46 : Structure Wo (150 Deg))

	Member Label	Direction	Start Magnitude[lb/ft,...	End Magnitude[lb/ft,F...	Start Location[ft, %]	End Location[ft, %]
1	M1	X	5.17	5.17	0	%100
2	M1	Z	8.955	8.955	0	%100
3	M2	X	0	0	0	%100
4	M2	Z	0	0	0	%100
5	M3	X	5.17	5.17	0	%100
6	M3	Z	8.955	8.955	0	%100
7	M4	X	1.762	1.762	0	%100
8	M4	Z	3.052	3.052	0	%100
9	M5	X	7.048	7.048	0	%100
10	M5	Z	12.208	12.208	0	%100
11	M6	X	1.762	1.762	0	%100
12	M6	Z	3.052	3.052	0	%100
13	M7	X	8.922	8.922	0	%100
14	M7	Z	15.453	15.453	0	%100
15	M8	X	0	0	0	%100
16	M8	Z	0	0	0	%100
17	M9	X	9.571	9.571	0	%100
18	M9	Z	16.577	16.577	0	%100
19	M10	X	0	0	0	%100
20	M10	Z	0	0	0	%100
21	M11	X	9.571	9.571	0	%100
22	M11	Z	16.577	16.577	0	%100
23	M12	X	9.571	9.571	0	%100
24	M12	Z	16.577	16.577	0	%100
25	M13	X	8.922	8.922	0	%100
26	M13	Z	15.453	15.453	0	%100
27	M14	X	9.571	9.571	0	%100
28	M14	Z	16.577	16.577	0	%100
29	M15	X	0	0	0	%100
30	M15	Z	0	0	0	%100
31	M16	X	4.473	4.473	0	%100
32	M16	Z	7.747	7.747	0	%100
33	M17	X	4.473	4.473	0	%100
34	M17	Z	7.747	7.747	0	%100
35	M18	X	0	0	0	%100
36	M18	Z	0	0	0	%100

Member Distributed Loads (BLC 46 : Structure Wo (150 Deg)) (Continued)

	Member Label	Direction	Start Magnitude[lb/ft,...	End Magnitude[lb/ft,F...	Start Location[ft, %]	End Location[ft, %]
37	M19	X	0	0	0	%100
38	M19	Z	0	0	0	%100
39	M20	X	4.473	4.473	0	%100
40	M20	Z	7.747	7.747	0	%100
41	M21	X	4.473	4.473	0	%100
42	M21	Z	7.747	7.747	0	%100
43	M22	X	0	0	0	%100
44	M22	Z	0	0	0	%100
45	M23	X	4.954	4.954	0	%100
46	M23	Z	8.581	8.581	0	%100
47	M24	X	4.954	4.954	0	%100
48	M24	Z	8.581	8.581	0	%100
49	M25	X	4.954	4.954	0	%100
50	M25	Z	8.581	8.581	0	%100
51	M26	X	4.954	4.954	0	%100
52	M26	Z	8.581	8.581	0	%100
53	M27	X	0	0	0	%100
54	M27	Z	0	0	0	%100
55	M28	X	2.974	2.974	0	%100
56	M28	Z	5.151	5.151	0	%100
57	M29	X	0	0	0	%100
58	M29	Z	0	0	0	%100
59	M30	X	2.974	2.974	0	%100
60	M30	Z	5.151	5.151	0	%100
61	M31	X	9.087	9.087	0	%100
62	M31	Z	15.739	15.739	0	%100
63	M32	X	11.896	11.896	0	%100
64	M32	Z	20.604	20.604	0	%100
65	M33	X	9.087	9.087	0	%100
66	M33	Z	15.739	15.739	0	%100
67	M34	X	11.896	11.896	0	%100
68	M34	Z	20.604	20.604	0	%100
69	M35	X	9.087	9.087	0	%100
70	M35	Z	15.739	15.739	0	%100
71	M36	X	2.974	2.974	0	%100
72	M36	Z	5.151	5.151	0	%100
73	M37	X	9.087	9.087	0	%100
74	M37	Z	15.739	15.739	0	%100
75	M38	X	2.974	2.974	0	%100
76	M38	Z	5.151	5.151	0	%100
77	M39	X	0	0	0	%100
78	M39	Z	0	0	0	%100
79	M40	X	3.531	3.531	0	%100
80	M40	Z	6.117	6.117	0	%100
81	M41	X	0	0	0	%100
82	M41	Z	0	0	0	%100
83	M42	X	3.531	3.531	0	%100
84	M42	Z	6.117	6.117	0	%100
85	M43	X	0	0	0	%100
86	M43	Z	0	0	0	%100
87	M44	X	4.146	4.146	0	%100
88	M44	Z	7.181	7.181	0	%100
89	M45	X	4.146	4.146	0	%100
90	M45	Z	7.181	7.181	0	%100
91	MP1A	X	4.709	4.709	0	%100
92	MP1A	Z	8.156	8.156	0	%100
93	MP2A	X	5.7	5.7	0	%100
94	MP2A	Z	9.873	9.873	0	%100
95	MP3A	X	4.709	4.709	0	%100
96	MP3A	Z	8.156	8.156	0	%100
97	MP4A	X	4.709	4.709	0	%100

Member Distributed Loads (BLC 46 : Structure Wo (150 Deg)) (Continued)

	Member Label	Direction	Start Magnitude[lb/ft,...	End Magnitude[lb/ft,F...	Start Location[ft, %]	End Location[ft, %]
98	MP4A	Z	8.156	8.156	0	%100
99	MP1B	X	4.709	4.709	0	%100
100	MP1B	Z	8.156	8.156	0	%100
101	MP2B	X	5.7	5.7	0	%100
102	MP2B	Z	9.873	9.873	0	%100
103	MP3B	X	4.709	4.709	0	%100
104	MP3B	Z	8.156	8.156	0	%100
105	MP4B	X	4.709	4.709	0	%100
106	MP4B	Z	8.156	8.156	0	%100
107	MP1C	X	4.709	4.709	0	%100
108	MP1C	Z	8.156	8.156	0	%100
109	MP2C	X	5.7	5.7	0	%100
110	MP2C	Z	9.873	9.873	0	%100
111	MP3C	X	4.709	4.709	0	%100
112	MP3C	Z	8.156	8.156	0	%100
113	MP4C	X	4.709	4.709	0	%100
114	MP4C	Z	8.156	8.156	0	%100

Member Distributed Loads (BLC 47 : Structure Wo (180 Deg))

	Member Label	Direction	Start Magnitude[lb/ft,...	End Magnitude[lb/ft,F...	Start Location[ft, %]	End Location[ft, %]
1	M1	X	0	0	0	%100
2	M1	Z	13.787	13.787	0	%100
3	M2	X	0	0	0	%100
4	M2	Z	3.447	3.447	0	%100
5	M3	X	0	0	0	%100
6	M3	Z	3.447	3.447	0	%100
7	M4	X	0	0	0	%100
8	M4	Z	0	0	0	%100
9	M5	X	0	0	0	%100
10	M5	Z	10.572	10.572	0	%100
11	M6	X	0	0	0	%100
12	M6	Z	10.572	10.572	0	%100
13	M7	X	0	0	0	%100
14	M7	Z	23.791	23.791	0	%100
15	M8	X	0	0	0	%100
16	M8	Z	6.381	6.381	0	%100
17	M9	X	0	0	0	%100
18	M9	Z	6.381	6.381	0	%100
19	M10	X	0	0	0	%100
20	M10	Z	5.948	5.948	0	%100
21	M11	X	0	0	0	%100
22	M11	Z	6.381	6.381	0	%100
23	M12	X	0	0	0	%100
24	M12	Z	25.523	25.523	0	%100
25	M13	X	0	0	0	%100
26	M13	Z	5.948	5.948	0	%100
27	M14	X	0	0	0	%100
28	M14	Z	25.523	25.523	0	%100
29	M15	X	0	0	0	%100
30	M15	Z	6.381	6.381	0	%100
31	M16	X	0	0	0	%100
32	M16	Z	11.928	11.928	0	%100
33	M17	X	0	0	0	%100
34	M17	Z	11.928	11.928	0	%100
35	M18	X	0	0	0	%100
36	M18	Z	2.982	2.982	0	%100
37	M19	X	0	0	0	%100
38	M19	Z	2.982	2.982	0	%100
39	M20	X	0	0	0	%100
40	M20	Z	2.982	2.982	0	%100
41	M21	X	0	0	0	%100

Member Distributed Loads (BLC 47 : Structure Wo (180 Deg)) (Continued)

	Member Label	Direction	Start Magnitude[lb/ft,...	End Magnitude[lb/ft,F...	Start Location[ft, %]	End Location[ft, %]
42	M21	Z	2.982	2.982	0	%100
43	M22	X	0	0	0	%100
44	M22	Z	3.303	3.303	0	%100
45	M23	X	0	0	0	%100
46	M23	Z	3.303	3.303	0	%100
47	M24	X	0	0	0	%100
48	M24	Z	3.303	3.303	0	%100
49	M25	X	0	0	0	%100
50	M25	Z	13.211	13.211	0	%100
51	M26	X	0	0	0	%100
52	M26	Z	13.211	13.211	0	%100
53	M27	X	0	0	0	%100
54	M27	Z	3.303	3.303	0	%100
55	M28	X	0	0	0	%100
56	M28	Z	0	0	0	%100
57	M29	X	0	0	0	%100
58	M29	Z	6.058	6.058	0	%100
59	M30	X	0	0	0	%100
60	M30	Z	0	0	0	%100
61	M31	X	0	0	0	%100
62	M31	Z	6.058	6.058	0	%100
63	M32	X	0	0	0	%100
64	M32	Z	17.843	17.843	0	%100
65	M33	X	0	0	0	%100
66	M33	Z	6.058	6.058	0	%100
67	M34	X	0	0	0	%100
68	M34	Z	17.843	17.843	0	%100
69	M35	X	0	0	0	%100
70	M35	Z	24.232	24.232	0	%100
71	M36	X	0	0	0	%100
72	M36	Z	17.843	17.843	0	%100
73	M37	X	0	0	0	%100
74	M37	Z	24.232	24.232	0	%100
75	M38	X	0	0	0	%100
76	M38	Z	17.843	17.843	0	%100
77	M39	X	0	0	0	%100
78	M39	Z	6.058	6.058	0	%100
79	M40	X	0	0	0	%100
80	M40	Z	9.417	9.417	0	%100
81	M41	X	0	0	0	%100
82	M41	Z	2.354	2.354	0	%100
83	M42	X	0	0	0	%100
84	M42	Z	2.354	2.354	0	%100
85	M43	X	0	0	0	%100
86	M43	Z	2.764	2.764	0	%100
87	M44	X	0	0	0	%100
88	M44	Z	11.056	11.056	0	%100
89	M45	X	0	0	0	%100
90	M45	Z	2.764	2.764	0	%100
91	MP1A	X	0	0	0	%100
92	MP1A	Z	9.417	9.417	0	%100
93	MP2A	X	0	0	0	%100
94	MP2A	Z	11.4	11.4	0	%100
95	MP3A	X	0	0	0	%100
96	MP3A	Z	9.417	9.417	0	%100
97	MP4A	X	0	0	0	%100
98	MP4A	Z	9.417	9.417	0	%100
99	MP1B	X	0	0	0	%100
100	MP1B	Z	9.417	9.417	0	%100
101	MP2B	X	0	0	0	%100
102	MP2B	Z	11.4	11.4	0	%100

Member Distributed Loads (BLC 47 : Structure Wo (180 Deg)) (Continued)

	Member Label	Direction	Start Magnitude[lb/ft,...	End Magnitude[lb/ft,F...	Start Location[ft, %]	End Location[ft, %]
103	MP3B	X	0	0	0	%100
104	MP3B	Z	9.417	9.417	0	%100
105	MP4B	X	0	0	0	%100
106	MP4B	Z	9.417	9.417	0	%100
107	MP1C	X	0	0	0	%100
108	MP1C	Z	9.417	9.417	0	%100
109	MP2C	X	0	0	0	%100
110	MP2C	Z	11.4	11.4	0	%100
111	MP3C	X	0	0	0	%100
112	MP3C	Z	9.417	9.417	0	%100
113	MP4C	X	0	0	0	%100
114	MP4C	Z	9.417	9.417	0	%100

Member Distributed Loads (BLC 48 : Structure Wo (210 Deg))

	Member Label	Direction	Start Magnitude[lb/ft,...	End Magnitude[lb/ft,F...	Start Location[ft, %]	End Location[ft, %]
1	M1	X	-5.17	-5.17	0	%100
2	M1	Z	8.955	8.955	0	%100
3	M2	X	-5.17	-5.17	0	%100
4	M2	Z	8.955	8.955	0	%100
5	M3	X	0	0	0	%100
6	M3	Z	0	0	0	%100
7	M4	X	-1.762	-1.762	0	%100
8	M4	Z	3.052	3.052	0	%100
9	M5	X	-1.762	-1.762	0	%100
10	M5	Z	3.052	3.052	0	%100
11	M6	X	-7.048	-7.048	0	%100
12	M6	Z	12.208	12.208	0	%100
13	M7	X	-8.922	-8.922	0	%100
14	M7	Z	15.453	15.453	0	%100
15	M8	X	-9.571	-9.571	0	%100
16	M8	Z	16.577	16.577	0	%100
17	M9	X	0	0	0	%100
18	M9	Z	0	0	0	%100
19	M10	X	-8.922	-8.922	0	%100
20	M10	Z	15.453	15.453	0	%100
21	M11	X	0	0	0	%100
22	M11	Z	0	0	0	%100
23	M12	X	-9.571	-9.571	0	%100
24	M12	Z	16.577	16.577	0	%100
25	M13	X	0	0	0	%100
26	M13	Z	0	0	0	%100
27	M14	X	-9.571	-9.571	0	%100
28	M14	Z	16.577	16.577	0	%100
29	M15	X	-9.571	-9.571	0	%100
30	M15	Z	16.577	16.577	0	%100
31	M16	X	-4.473	-4.473	0	%100
32	M16	Z	7.747	7.747	0	%100
33	M17	X	-4.473	-4.473	0	%100
34	M17	Z	7.747	7.747	0	%100
35	M18	X	-4.473	-4.473	0	%100
36	M18	Z	7.747	7.747	0	%100
37	M19	X	-4.473	-4.473	0	%100
38	M19	Z	7.747	7.747	0	%100
39	M20	X	0	0	0	%100
40	M20	Z	0	0	0	%100
41	M21	X	0	0	0	%100
42	M21	Z	0	0	0	%100
43	M22	X	-4.954	-4.954	0	%100
44	M22	Z	8.581	8.581	0	%100
45	M23	X	0	0	0	%100
46	M23	Z	0	0	0	%100

Member Distributed Loads (BLC 48 : Structure Wo (210 Deg)) (Continued)

	Member Label	Direction	Start Magnitude[lb/ft,...	End Magnitude[lb/ft,F...	Start Location[ft, %]	End Location[ft, %]
47	M24	X	0	0	0	%100
48	M24	Z	0	0	0	%100
49	M25	X	-4.954	-4.954	0	%100
50	M25	Z	8.581	8.581	0	%100
51	M26	X	-4.954	-4.954	0	%100
52	M26	Z	8.581	8.581	0	%100
53	M27	X	-4.954	-4.954	0	%100
54	M27	Z	8.581	8.581	0	%100
55	M28	X	-2.974	-2.974	0	%100
56	M28	Z	5.151	5.151	0	%100
57	M29	X	-9.087	-9.087	0	%100
58	M29	Z	15.739	15.739	0	%100
59	M30	X	-2.974	-2.974	0	%100
60	M30	Z	5.151	5.151	0	%100
61	M31	X	0	0	0	%100
62	M31	Z	0	0	0	%100
63	M32	X	-2.974	-2.974	0	%100
64	M32	Z	5.151	5.151	0	%100
65	M33	X	0	0	0	%100
66	M33	Z	0	0	0	%100
67	M34	X	-2.974	-2.974	0	%100
68	M34	Z	5.151	5.151	0	%100
69	M35	X	-9.087	-9.087	0	%100
70	M35	Z	15.739	15.739	0	%100
71	M36	X	-11.896	-11.896	0	%100
72	M36	Z	20.604	20.604	0	%100
73	M37	X	-9.087	-9.087	0	%100
74	M37	Z	15.739	15.739	0	%100
75	M38	X	-11.896	-11.896	0	%100
76	M38	Z	20.604	20.604	0	%100
77	M39	X	-9.087	-9.087	0	%100
78	M39	Z	15.739	15.739	0	%100
79	M40	X	-3.531	-3.531	0	%100
80	M40	Z	6.117	6.117	0	%100
81	M41	X	-3.531	-3.531	0	%100
82	M41	Z	6.117	6.117	0	%100
83	M42	X	0	0	0	%100
84	M42	Z	0	0	0	%100
85	M43	X	-4.146	-4.146	0	%100
86	M43	Z	7.181	7.181	0	%100
87	M44	X	-4.146	-4.146	0	%100
88	M44	Z	7.181	7.181	0	%100
89	M45	X	0	0	0	%100
90	M45	Z	0	0	0	%100
91	MP1A	X	-4.709	-4.709	0	%100
92	MP1A	Z	8.156	8.156	0	%100
93	MP2A	X	-5.7	-5.7	0	%100
94	MP2A	Z	9.873	9.873	0	%100
95	MP3A	X	-4.709	-4.709	0	%100
96	MP3A	Z	8.156	8.156	0	%100
97	MP4A	X	-4.709	-4.709	0	%100
98	MP4A	Z	8.156	8.156	0	%100
99	MP1B	X	-4.709	-4.709	0	%100
100	MP1B	Z	8.156	8.156	0	%100
101	MP2B	X	-5.7	-5.7	0	%100
102	MP2B	Z	9.873	9.873	0	%100
103	MP3B	X	-4.709	-4.709	0	%100
104	MP3B	Z	8.156	8.156	0	%100
105	MP4B	X	-4.709	-4.709	0	%100
106	MP4B	Z	8.156	8.156	0	%100
107	MP1C	X	-4.709	-4.709	0	%100

Member Distributed Loads (BLC 48 : Structure Wo (210 Deg)) (Continued)

	Member Label	Direction	Start Magnitude[lb/ft,...	End Magnitude[lb/ft,F...	Start Location[ft, %]	End Location[ft, %]
108	MP1C	Z	8.156	8.156	0	%100
109	MP2C	X	-5.7	-5.7	0	%100
110	MP2C	Z	9.873	9.873	0	%100
111	MP3C	X	-4.709	-4.709	0	%100
112	MP3C	Z	8.156	8.156	0	%100
113	MP4C	X	-4.709	-4.709	0	%100
114	MP4C	Z	8.156	8.156	0	%100

Member Distributed Loads (BLC 49 : Structure Wo (240 Deg))

	Member Label	Direction	Start Magnitude[lb/ft,...	End Magnitude[lb/ft,F...	Start Location[ft, %]	End Location[ft, %]
1	M1	X	-2.985	-2.985	0	%100
2	M1	Z	1.723	1.723	0	%100
3	M2	X	-11.94	-11.94	0	%100
4	M2	Z	6.894	6.894	0	%100
5	M3	X	-2.985	-2.985	0	%100
6	M3	Z	1.723	1.723	0	%100
7	M4	X	-9.156	-9.156	0	%100
8	M4	Z	5.286	5.286	0	%100
9	M5	X	0	0	0	%100
10	M5	Z	0	0	0	%100
11	M6	X	-9.156	-9.156	0	%100
12	M6	Z	5.286	5.286	0	%100
13	M7	X	-5.151	-5.151	0	%100
14	M7	Z	2.974	2.974	0	%100
15	M8	X	-22.103	-22.103	0	%100
16	M8	Z	12.761	12.761	0	%100
17	M9	X	-5.526	-5.526	0	%100
18	M9	Z	3.19	3.19	0	%100
19	M10	X	-20.604	-20.604	0	%100
20	M10	Z	11.896	11.896	0	%100
21	M11	X	-5.526	-5.526	0	%100
22	M11	Z	3.19	3.19	0	%100
23	M12	X	-5.526	-5.526	0	%100
24	M12	Z	3.19	3.19	0	%100
25	M13	X	-5.151	-5.151	0	%100
26	M13	Z	2.974	2.974	0	%100
27	M14	X	-5.526	-5.526	0	%100
28	M14	Z	3.19	3.19	0	%100
29	M15	X	-22.103	-22.103	0	%100
30	M15	Z	12.761	12.761	0	%100
31	M16	X	-2.582	-2.582	0	%100
32	M16	Z	1.491	1.491	0	%100
33	M17	X	-2.582	-2.582	0	%100
34	M17	Z	1.491	1.491	0	%100
35	M18	X	-10.33	-10.33	0	%100
36	M18	Z	5.964	5.964	0	%100
37	M19	X	-10.33	-10.33	0	%100
38	M19	Z	5.964	5.964	0	%100
39	M20	X	-2.582	-2.582	0	%100
40	M20	Z	1.491	1.491	0	%100
41	M21	X	-2.582	-2.582	0	%100
42	M21	Z	1.491	1.491	0	%100
43	M22	X	-11.441	-11.441	0	%100
44	M22	Z	6.605	6.605	0	%100
45	M23	X	-2.86	-2.86	0	%100
46	M23	Z	1.651	1.651	0	%100
47	M24	X	-2.86	-2.86	0	%100
48	M24	Z	1.651	1.651	0	%100
49	M25	X	-2.86	-2.86	0	%100
50	M25	Z	1.651	1.651	0	%100
51	M26	X	-2.86	-2.86	0	%100

Member Distributed Loads (BLC 49 : Structure Wo (240 Deg)) (Continued)

	Member Label	Direction	Start Magnitude[lb/ft,...	End Magnitude[lb/ft,F...	Start Location[ft, %]	End Location[ft, %]
52	M26	Z	1.651	1.651	0	%100
53	M27	X	-11.441	-11.441	0	%100
54	M27	Z	6.605	6.605	0	%100
55	M28	X	-15.453	-15.453	0	%100
56	M28	Z	8.922	8.922	0	%100
57	M29	X	-20.985	-20.985	0	%100
58	M29	Z	12.116	12.116	0	%100
59	M30	X	-15.453	-15.453	0	%100
60	M30	Z	8.922	8.922	0	%100
61	M31	X	-5.246	-5.246	0	%100
62	M31	Z	3.029	3.029	0	%100
63	M32	X	0	0	0	%100
64	M32	Z	0	0	0	%100
65	M33	X	-5.246	-5.246	0	%100
66	M33	Z	3.029	3.029	0	%100
67	M34	X	0	0	0	%100
68	M34	Z	0	0	0	%100
69	M35	X	-5.246	-5.246	0	%100
70	M35	Z	3.029	3.029	0	%100
71	M36	X	-15.453	-15.453	0	%100
72	M36	Z	8.922	8.922	0	%100
73	M37	X	-5.246	-5.246	0	%100
74	M37	Z	3.029	3.029	0	%100
75	M38	X	-15.453	-15.453	0	%100
76	M38	Z	8.922	8.922	0	%100
77	M39	X	-20.985	-20.985	0	%100
78	M39	Z	12.116	12.116	0	%100
79	M40	X	-2.039	-2.039	0	%100
80	M40	Z	1.177	1.177	0	%100
81	M41	X	-8.156	-8.156	0	%100
82	M41	Z	4.709	4.709	0	%100
83	M42	X	-2.039	-2.039	0	%100
84	M42	Z	1.177	1.177	0	%100
85	M43	X	-9.575	-9.575	0	%100
86	M43	Z	5.528	5.528	0	%100
87	M44	X	-2.394	-2.394	0	%100
88	M44	Z	1.382	1.382	0	%100
89	M45	X	-2.394	-2.394	0	%100
90	M45	Z	1.382	1.382	0	%100
91	MP1A	X	-8.156	-8.156	0	%100
92	MP1A	Z	4.709	4.709	0	%100
93	MP2A	X	-9.873	-9.873	0	%100
94	MP2A	Z	5.7	5.7	0	%100
95	MP3A	X	-8.156	-8.156	0	%100
96	MP3A	Z	4.709	4.709	0	%100
97	MP4A	X	-8.156	-8.156	0	%100
98	MP4A	Z	4.709	4.709	0	%100
99	MP1B	X	-8.156	-8.156	0	%100
100	MP1B	Z	4.709	4.709	0	%100
101	MP2B	X	-9.873	-9.873	0	%100
102	MP2B	Z	5.7	5.7	0	%100
103	MP3B	X	-8.156	-8.156	0	%100
104	MP3B	Z	4.709	4.709	0	%100
105	MP4B	X	-8.156	-8.156	0	%100
106	MP4B	Z	4.709	4.709	0	%100
107	MP1C	X	-8.156	-8.156	0	%100
108	MP1C	Z	4.709	4.709	0	%100
109	MP2C	X	-9.873	-9.873	0	%100
110	MP2C	Z	5.7	5.7	0	%100
111	MP3C	X	-8.156	-8.156	0	%100
112	MP3C	Z	4.709	4.709	0	%100

Member Distributed Loads (BLC 49 : Structure Wo (240 Deg)) (Continued)

	Member Label	Direction	Start Magnitude[lb/ft,...	End Magnitude[lb/ft,F...	Start Location[ft, %]	End Location[ft, %]
113	MP4C	X	-8.156	-8.156	0	%100
114	MP4C	Z	4.709	4.709	0	%100

Member Distributed Loads (BLC 50 : Structure Wo (270 Deg))

	Member Label	Direction	Start Magnitude[lb/ft,...	End Magnitude[lb/ft,F...	Start Location[ft, %]	End Location[ft, %]
1	M1	X	0	0	0	%100
2	M1	Z	0	0	0	%100
3	M2	X	-10.34	-10.34	0	%100
4	M2	Z	0	0	0	%100
5	M3	X	-10.34	-10.34	0	%100
6	M3	Z	0	0	0	%100
7	M4	X	-14.096	-14.096	0	%100
8	M4	Z	0	0	0	%100
9	M5	X	-3.524	-3.524	0	%100
10	M5	Z	0	0	0	%100
11	M6	X	-3.524	-3.524	0	%100
12	M6	Z	0	0	0	%100
13	M7	X	0	0	0	%100
14	M7	Z	0	0	0	%100
15	M8	X	-19.142	-19.142	0	%100
16	M8	Z	0	0	0	%100
17	M9	X	-19.142	-19.142	0	%100
18	M9	Z	0	0	0	%100
19	M10	X	-17.843	-17.843	0	%100
20	M10	Z	0	0	0	%100
21	M11	X	-19.142	-19.142	0	%100
22	M11	Z	0	0	0	%100
23	M12	X	0	0	0	%100
24	M12	Z	0	0	0	%100
25	M13	X	-17.843	-17.843	0	%100
26	M13	Z	0	0	0	%100
27	M14	X	0	0	0	%100
28	M14	Z	0	0	0	%100
29	M15	X	-19.142	-19.142	0	%100
30	M15	Z	0	0	0	%100
31	M16	X	0	0	0	%100
32	M16	Z	0	0	0	%100
33	M17	X	0	0	0	%100
34	M17	Z	0	0	0	%100
35	M18	X	-8.946	-8.946	0	%100
36	M18	Z	0	0	0	%100
37	M19	X	-8.946	-8.946	0	%100
38	M19	Z	0	0	0	%100
39	M20	X	-8.946	-8.946	0	%100
40	M20	Z	0	0	0	%100
41	M21	X	-8.946	-8.946	0	%100
42	M21	Z	0	0	0	%100
43	M22	X	-9.908	-9.908	0	%100
44	M22	Z	0	0	0	%100
45	M23	X	-9.908	-9.908	0	%100
46	M23	Z	0	0	0	%100
47	M24	X	-9.908	-9.908	0	%100
48	M24	Z	0	0	0	%100
49	M25	X	0	0	0	%100
50	M25	Z	0	0	0	%100
51	M26	X	0	0	0	%100
52	M26	Z	0	0	0	%100
53	M27	X	-9.908	-9.908	0	%100
54	M27	Z	0	0	0	%100
55	M28	X	-23.791	-23.791	0	%100
56	M28	Z	0	0	0	%100

Member Distributed Loads (BLC 50 : Structure Wo (270 Deg)) (Continued)

	Member Label	Direction	Start Magnitude[lb/ft,...	End Magnitude[lb/ft,F...	Start Location[ft, %]	End Location[ft, %]
57	M29	X	-18.174	-18.174	0	%100
58	M29	Z	0	0	0	%100
59	M30	X	-23.791	-23.791	0	%100
60	M30	Z	0	0	0	%100
61	M31	X	-18.174	-18.174	0	%100
62	M31	Z	0	0	0	%100
63	M32	X	-5.948	-5.948	0	%100
64	M32	Z	0	0	0	%100
65	M33	X	-18.174	-18.174	0	%100
66	M33	Z	0	0	0	%100
67	M34	X	-5.948	-5.948	0	%100
68	M34	Z	0	0	0	%100
69	M35	X	0	0	0	%100
70	M35	Z	0	0	0	%100
71	M36	X	-5.948	-5.948	0	%100
72	M36	Z	0	0	0	%100
73	M37	X	0	0	0	%100
74	M37	Z	0	0	0	%100
75	M38	X	-5.948	-5.948	0	%100
76	M38	Z	0	0	0	%100
77	M39	X	-18.174	-18.174	0	%100
78	M39	Z	0	0	0	%100
79	M40	X	0	0	0	%100
80	M40	Z	0	0	0	%100
81	M41	X	-7.063	-7.063	0	%100
82	M41	Z	0	0	0	%100
83	M42	X	-7.063	-7.063	0	%100
84	M42	Z	0	0	0	%100
85	M43	X	-8.292	-8.292	0	%100
86	M43	Z	0	0	0	%100
87	M44	X	0	0	0	%100
88	M44	Z	0	0	0	%100
89	M45	X	-8.292	-8.292	0	%100
90	M45	Z	0	0	0	%100
91	MP1A	X	-9.417	-9.417	0	%100
92	MP1A	Z	0	0	0	%100
93	MP2A	X	-11.4	-11.4	0	%100
94	MP2A	Z	0	0	0	%100
95	MP3A	X	-9.417	-9.417	0	%100
96	MP3A	Z	0	0	0	%100
97	MP4A	X	-9.417	-9.417	0	%100
98	MP4A	Z	0	0	0	%100
99	MP1B	X	-9.417	-9.417	0	%100
100	MP1B	Z	0	0	0	%100
101	MP2B	X	-11.4	-11.4	0	%100
102	MP2B	Z	0	0	0	%100
103	MP3B	X	-9.417	-9.417	0	%100
104	MP3B	Z	0	0	0	%100
105	MP4B	X	-9.417	-9.417	0	%100
106	MP4B	Z	0	0	0	%100
107	MP1C	X	-9.417	-9.417	0	%100
108	MP1C	Z	0	0	0	%100
109	MP2C	X	-11.4	-11.4	0	%100
110	MP2C	Z	0	0	0	%100
111	MP3C	X	-9.417	-9.417	0	%100
112	MP3C	Z	0	0	0	%100
113	MP4C	X	-9.417	-9.417	0	%100
114	MP4C	Z	0	0	0	%100

Member Distributed Loads (BLC 51 : Structure Wo (300 Deg))

	Member Label	Direction	Start Magnitude[lb/ft,...	End Magnitude[lb/ft,F...	Start Location[ft, %]	End Location[ft, %]
--	--------------	-----------	---------------------------	--------------------------	-----------------------	---------------------

Member Distributed Loads (BLC 51 : Structure Wo (300 Deg)) (Continued)

	Member Label	Direction	Start Magnitude[lb/ft,...	End Magnitude[lb/ft,F...	Start Location[ft, %]	End Location[ft, %]
1	M1	X	-2.985	-2.985	0	%100
2	M1	Z	-1.723	-1.723	0	%100
3	M2	X	-2.985	-2.985	0	%100
4	M2	Z	-1.723	-1.723	0	%100
5	M3	X	-11.94	-11.94	0	%100
6	M3	Z	-6.894	-6.894	0	%100
7	M4	X	-9.156	-9.156	0	%100
8	M4	Z	-5.286	-5.286	0	%100
9	M5	X	-9.156	-9.156	0	%100
10	M5	Z	-5.286	-5.286	0	%100
11	M6	X	0	0	0	%100
12	M6	Z	0	0	0	%100
13	M7	X	-5.151	-5.151	0	%100
14	M7	Z	-2.974	-2.974	0	%100
15	M8	X	-5.526	-5.526	0	%100
16	M8	Z	-3.19	-3.19	0	%100
17	M9	X	-22.103	-22.103	0	%100
18	M9	Z	-12.761	-12.761	0	%100
19	M10	X	-5.151	-5.151	0	%100
20	M10	Z	-2.974	-2.974	0	%100
21	M11	X	-22.103	-22.103	0	%100
22	M11	Z	-12.761	-12.761	0	%100
23	M12	X	-5.526	-5.526	0	%100
24	M12	Z	-3.19	-3.19	0	%100
25	M13	X	-20.604	-20.604	0	%100
26	M13	Z	-11.896	-11.896	0	%100
27	M14	X	-5.526	-5.526	0	%100
28	M14	Z	-3.19	-3.19	0	%100
29	M15	X	-5.526	-5.526	0	%100
30	M15	Z	-3.19	-3.19	0	%100
31	M16	X	-2.582	-2.582	0	%100
32	M16	Z	-1.491	-1.491	0	%100
33	M17	X	-2.582	-2.582	0	%100
34	M17	Z	-1.491	-1.491	0	%100
35	M18	X	-2.582	-2.582	0	%100
36	M18	Z	-1.491	-1.491	0	%100
37	M19	X	-2.582	-2.582	0	%100
38	M19	Z	-1.491	-1.491	0	%100
39	M20	X	-10.33	-10.33	0	%100
40	M20	Z	-5.964	-5.964	0	%100
41	M21	X	-10.33	-10.33	0	%100
42	M21	Z	-5.964	-5.964	0	%100
43	M22	X	-2.86	-2.86	0	%100
44	M22	Z	-1.651	-1.651	0	%100
45	M23	X	-11.441	-11.441	0	%100
46	M23	Z	-6.605	-6.605	0	%100
47	M24	X	-11.441	-11.441	0	%100
48	M24	Z	-6.605	-6.605	0	%100
49	M25	X	-2.86	-2.86	0	%100
50	M25	Z	-1.651	-1.651	0	%100
51	M26	X	-2.86	-2.86	0	%100
52	M26	Z	-1.651	-1.651	0	%100
53	M27	X	-2.86	-2.86	0	%100
54	M27	Z	-1.651	-1.651	0	%100
55	M28	X	-15.453	-15.453	0	%100
56	M28	Z	-8.922	-8.922	0	%100
57	M29	X	-5.246	-5.246	0	%100
58	M29	Z	-3.029	-3.029	0	%100
59	M30	X	-15.453	-15.453	0	%100
60	M30	Z	-8.922	-8.922	0	%100
61	M31	X	-20.985	-20.985	0	%100

Member Distributed Loads (BLC 51 : Structure Wo (300 Deg)) (Continued)

	Member Label	Direction	Start Magnitude[lb/ft,...	End Magnitude[lb/ft,F...	Start Location[ft, %]	End Location[ft, %]
62	M31	Z	-12.116	-12.116	0	%100
63	M32	X	-15.453	-15.453	0	%100
64	M32	Z	-8.922	-8.922	0	%100
65	M33	X	-20.985	-20.985	0	%100
66	M33	Z	-12.116	-12.116	0	%100
67	M34	X	-15.453	-15.453	0	%100
68	M34	Z	-8.922	-8.922	0	%100
69	M35	X	-5.246	-5.246	0	%100
70	M35	Z	-3.029	-3.029	0	%100
71	M36	X	0	0	0	%100
72	M36	Z	0	0	0	%100
73	M37	X	-5.246	-5.246	0	%100
74	M37	Z	-3.029	-3.029	0	%100
75	M38	X	0	0	0	%100
76	M38	Z	0	0	0	%100
77	M39	X	-5.246	-5.246	0	%100
78	M39	Z	-3.029	-3.029	0	%100
79	M40	X	-2.039	-2.039	0	%100
80	M40	Z	-1.177	-1.177	0	%100
81	M41	X	-2.039	-2.039	0	%100
82	M41	Z	-1.177	-1.177	0	%100
83	M42	X	-8.156	-8.156	0	%100
84	M42	Z	-4.709	-4.709	0	%100
85	M43	X	-2.394	-2.394	0	%100
86	M43	Z	-1.382	-1.382	0	%100
87	M44	X	-2.394	-2.394	0	%100
88	M44	Z	-1.382	-1.382	0	%100
89	M45	X	-9.575	-9.575	0	%100
90	M45	Z	-5.528	-5.528	0	%100
91	MP1A	X	-8.156	-8.156	0	%100
92	MP1A	Z	-4.709	-4.709	0	%100
93	MP2A	X	-9.873	-9.873	0	%100
94	MP2A	Z	-5.7	-5.7	0	%100
95	MP3A	X	-8.156	-8.156	0	%100
96	MP3A	Z	-4.709	-4.709	0	%100
97	MP4A	X	-8.156	-8.156	0	%100
98	MP4A	Z	-4.709	-4.709	0	%100
99	MP1B	X	-8.156	-8.156	0	%100
100	MP1B	Z	-4.709	-4.709	0	%100
101	MP2B	X	-9.873	-9.873	0	%100
102	MP2B	Z	-5.7	-5.7	0	%100
103	MP3B	X	-8.156	-8.156	0	%100
104	MP3B	Z	-4.709	-4.709	0	%100
105	MP4B	X	-8.156	-8.156	0	%100
106	MP4B	Z	-4.709	-4.709	0	%100
107	MP1C	X	-8.156	-8.156	0	%100
108	MP1C	Z	-4.709	-4.709	0	%100
109	MP2C	X	-9.873	-9.873	0	%100
110	MP2C	Z	-5.7	-5.7	0	%100
111	MP3C	X	-8.156	-8.156	0	%100
112	MP3C	Z	-4.709	-4.709	0	%100
113	MP4C	X	-8.156	-8.156	0	%100
114	MP4C	Z	-4.709	-4.709	0	%100

Member Distributed Loads (BLC 52 : Structure Wo (330 Deg))

	Member Label	Direction	Start Magnitude[lb/ft,...	End Magnitude[lb/ft,F...	Start Location[ft, %]	End Location[ft, %]
1	M1	X	-5.17	-5.17	0	%100
2	M1	Z	-8.955	-8.955	0	%100
3	M2	X	0	0	0	%100
4	M2	Z	0	0	0	%100
5	M3	X	-5.17	-5.17	0	%100

Member Distributed Loads (BLC 52 : Structure Wo (330 Deg)) (Continued)

	Member Label	Direction	Start Magnitude[lb/ft,...	End Magnitude[lb/ft,F...	Start Location[ft, %]	End Location[ft, %]
6	M3	Z	-8.955	-8.955	0	%100
7	M4	X	-1.762	-1.762	0	%100
8	M4	Z	-3.052	-3.052	0	%100
9	M5	X	-7.048	-7.048	0	%100
10	M5	Z	-12.208	-12.208	0	%100
11	M6	X	-1.762	-1.762	0	%100
12	M6	Z	-3.052	-3.052	0	%100
13	M7	X	-8.922	-8.922	0	%100
14	M7	Z	-15.453	-15.453	0	%100
15	M8	X	0	0	0	%100
16	M8	Z	0	0	0	%100
17	M9	X	-9.571	-9.571	0	%100
18	M9	Z	-16.577	-16.577	0	%100
19	M10	X	0	0	0	%100
20	M10	Z	0	0	0	%100
21	M11	X	-9.571	-9.571	0	%100
22	M11	Z	-16.577	-16.577	0	%100
23	M12	X	-9.571	-9.571	0	%100
24	M12	Z	-16.577	-16.577	0	%100
25	M13	X	-8.922	-8.922	0	%100
26	M13	Z	-15.453	-15.453	0	%100
27	M14	X	-9.571	-9.571	0	%100
28	M14	Z	-16.577	-16.577	0	%100
29	M15	X	0	0	0	%100
30	M15	Z	0	0	0	%100
31	M16	X	-4.473	-4.473	0	%100
32	M16	Z	-7.747	-7.747	0	%100
33	M17	X	-4.473	-4.473	0	%100
34	M17	Z	-7.747	-7.747	0	%100
35	M18	X	0	0	0	%100
36	M18	Z	0	0	0	%100
37	M19	X	0	0	0	%100
38	M19	Z	0	0	0	%100
39	M20	X	-4.473	-4.473	0	%100
40	M20	Z	-7.747	-7.747	0	%100
41	M21	X	-4.473	-4.473	0	%100
42	M21	Z	-7.747	-7.747	0	%100
43	M22	X	0	0	0	%100
44	M22	Z	0	0	0	%100
45	M23	X	-4.954	-4.954	0	%100
46	M23	Z	-8.581	-8.581	0	%100
47	M24	X	-4.954	-4.954	0	%100
48	M24	Z	-8.581	-8.581	0	%100
49	M25	X	-4.954	-4.954	0	%100
50	M25	Z	-8.581	-8.581	0	%100
51	M26	X	-4.954	-4.954	0	%100
52	M26	Z	-8.581	-8.581	0	%100
53	M27	X	0	0	0	%100
54	M27	Z	0	0	0	%100
55	M28	X	-2.974	-2.974	0	%100
56	M28	Z	-5.151	-5.151	0	%100
57	M29	X	0	0	0	%100
58	M29	Z	0	0	0	%100
59	M30	X	-2.974	-2.974	0	%100
60	M30	Z	-5.151	-5.151	0	%100
61	M31	X	-9.087	-9.087	0	%100
62	M31	Z	-15.739	-15.739	0	%100
63	M32	X	-11.896	-11.896	0	%100
64	M32	Z	-20.604	-20.604	0	%100
65	M33	X	-9.087	-9.087	0	%100
66	M33	Z	-15.739	-15.739	0	%100

Member Distributed Loads (BLC 52 : Structure Wo (330 Deg)) (Continued)

	Member Label	Direction	Start Magnitude[lb/ft,...	End Magnitude[lb/ft,F...	Start Location[ft, %]	End Location[ft, %]
67	M34	X	-11.896	-11.896	0	%100
68	M34	Z	-20.604	-20.604	0	%100
69	M35	X	-9.087	-9.087	0	%100
70	M35	Z	-15.739	-15.739	0	%100
71	M36	X	-2.974	-2.974	0	%100
72	M36	Z	-5.151	-5.151	0	%100
73	M37	X	-9.087	-9.087	0	%100
74	M37	Z	-15.739	-15.739	0	%100
75	M38	X	-2.974	-2.974	0	%100
76	M38	Z	-5.151	-5.151	0	%100
77	M39	X	0	0	0	%100
78	M39	Z	0	0	0	%100
79	M40	X	-3.531	-3.531	0	%100
80	M40	Z	-6.117	-6.117	0	%100
81	M41	X	0	0	0	%100
82	M41	Z	0	0	0	%100
83	M42	X	-3.531	-3.531	0	%100
84	M42	Z	-6.117	-6.117	0	%100
85	M43	X	0	0	0	%100
86	M43	Z	0	0	0	%100
87	M44	X	-4.146	-4.146	0	%100
88	M44	Z	-7.181	-7.181	0	%100
89	M45	X	-4.146	-4.146	0	%100
90	M45	Z	-7.181	-7.181	0	%100
91	MP1A	X	-4.709	-4.709	0	%100
92	MP1A	Z	-8.156	-8.156	0	%100
93	MP2A	X	-5.7	-5.7	0	%100
94	MP2A	Z	-9.873	-9.873	0	%100
95	MP3A	X	-4.709	-4.709	0	%100
96	MP3A	Z	-8.156	-8.156	0	%100
97	MP4A	X	-4.709	-4.709	0	%100
98	MP4A	Z	-8.156	-8.156	0	%100
99	MP1B	X	-4.709	-4.709	0	%100
100	MP1B	Z	-8.156	-8.156	0	%100
101	MP2B	X	-5.7	-5.7	0	%100
102	MP2B	Z	-9.873	-9.873	0	%100
103	MP3B	X	-4.709	-4.709	0	%100
104	MP3B	Z	-8.156	-8.156	0	%100
105	MP4B	X	-4.709	-4.709	0	%100
106	MP4B	Z	-8.156	-8.156	0	%100
107	MP1C	X	-4.709	-4.709	0	%100
108	MP1C	Z	-8.156	-8.156	0	%100
109	MP2C	X	-5.7	-5.7	0	%100
110	MP2C	Z	-9.873	-9.873	0	%100
111	MP3C	X	-4.709	-4.709	0	%100
112	MP3C	Z	-8.156	-8.156	0	%100
113	MP4C	X	-4.709	-4.709	0	%100
114	MP4C	Z	-8.156	-8.156	0	%100

Member Distributed Loads (BLC 53 : Structure Wi (0 Deg))

	Member Label	Direction	Start Magnitude[lb/ft,...	End Magnitude[lb/ft,F...	Start Location[ft, %]	End Location[ft, %]
1	M1	X	0	0	0	%100
2	M1	Z	-4.912	-4.912	0	%100
3	M2	X	0	0	0	%100
4	M2	Z	-1.228	-1.228	0	%100
5	M3	X	0	0	0	%100
6	M3	Z	-1.228	-1.228	0	%100
7	M4	X	0	0	0	%100
8	M4	Z	0	0	0	%100
9	M5	X	0	0	0	%100
10	M5	Z	-3.488	-3.488	0	%100

Member Distributed Loads (BLC 53 : Structure Wi (0 Deg)) (Continued)

	Member Label	Direction	Start Magnitude[lb/ft,...	End Magnitude[lb/ft,F...	Start Location[ft, %]	End Location[ft, %]
11	M6	X	0	0	0	%100
12	M6	Z	-3.488	-3.488	0	%100
13	M7	X	0	0	0	%100
14	M7	Z	-5.734	-5.734	0	%100
15	M8	X	0	0	0	%100
16	M8	Z	-1.499	-1.499	0	%100
17	M9	X	0	0	0	%100
18	M9	Z	-1.499	-1.499	0	%100
19	M10	X	0	0	0	%100
20	M10	Z	-1.434	-1.434	0	%100
21	M11	X	0	0	0	%100
22	M11	Z	-1.499	-1.499	0	%100
23	M12	X	0	0	0	%100
24	M12	Z	-5.995	-5.995	0	%100
25	M13	X	0	0	0	%100
26	M13	Z	-1.434	-1.434	0	%100
27	M14	X	0	0	0	%100
28	M14	Z	-5.995	-5.995	0	%100
29	M15	X	0	0	0	%100
30	M15	Z	-1.499	-1.499	0	%100
31	M16	X	0	0	0	%100
32	M16	Z	-3.817	-3.817	0	%100
33	M17	X	0	0	0	%100
34	M17	Z	-3.817	-3.817	0	%100
35	M18	X	0	0	0	%100
36	M18	Z	-.954	-.954	0	%100
37	M19	X	0	0	0	%100
38	M19	Z	-.954	-.954	0	%100
39	M20	X	0	0	0	%100
40	M20	Z	-.954	-.954	0	%100
41	M21	X	0	0	0	%100
42	M21	Z	-.954	-.954	0	%100
43	M22	X	0	0	0	%100
44	M22	Z	-1.082	-1.082	0	%100
45	M23	X	0	0	0	%100
46	M23	Z	-1.082	-1.082	0	%100
47	M24	X	0	0	0	%100
48	M24	Z	-1.082	-1.082	0	%100
49	M25	X	0	0	0	%100
50	M25	Z	-4.33	-4.33	0	%100
51	M26	X	0	0	0	%100
52	M26	Z	-4.33	-4.33	0	%100
53	M27	X	0	0	0	%100
54	M27	Z	-1.082	-1.082	0	%100
55	M28	X	0	0	0	%100
56	M28	Z	0	0	0	%100
57	M29	X	0	0	0	%100
58	M29	Z	-1.441	-1.441	0	%100
59	M30	X	0	0	0	%100
60	M30	Z	0	0	0	%100
61	M31	X	0	0	0	%100
62	M31	Z	-1.441	-1.441	0	%100
63	M32	X	0	0	0	%100
64	M32	Z	-4.262	-4.262	0	%100
65	M33	X	0	0	0	%100
66	M33	Z	-1.441	-1.441	0	%100
67	M34	X	0	0	0	%100
68	M34	Z	-4.262	-4.262	0	%100
69	M35	X	0	0	0	%100
70	M35	Z	-5.762	-5.762	0	%100
71	M36	X	0	0	0	%100

Member Distributed Loads (BLC 53 : Structure Wi (0 Deg)) (Continued)

	Member Label	Direction	Start Magnitude[lb/ft,...	End Magnitude[lb/ft,F...	Start Location[ft, %]	End Location[ft, %]
72	M36	Z	-4.262	-4.262	0	%100
73	M37	X	0	0	0	%100
74	M37	Z	-5.762	-5.762	0	%100
75	M38	X	0	0	0	%100
76	M38	Z	-4.262	-4.262	0	%100
77	M39	X	0	0	0	%100
78	M39	Z	-1.441	-1.441	0	%100
79	M40	X	0	0	0	%100
80	M40	Z	-4.111	-4.111	0	%100
81	M41	X	0	0	0	%100
82	M41	Z	-1.028	-1.028	0	%100
83	M42	X	0	0	0	%100
84	M42	Z	-1.028	-1.028	0	%100
85	M43	X	0	0	0	%100
86	M43	Z	-.867	-.867	0	%100
87	M44	X	0	0	0	%100
88	M44	Z	-3.47	-3.47	0	%100
89	M45	X	0	0	0	%100
90	M45	Z	-.867	-.867	0	%100
91	MP1A	X	0	0	0	%100
92	MP1A	Z	-4.111	-4.111	0	%100
93	MP2A	X	0	0	0	%100
94	MP2A	Z	-4.467	-4.467	0	%100
95	MP3A	X	0	0	0	%100
96	MP3A	Z	-4.111	-4.111	0	%100
97	MP4A	X	0	0	0	%100
98	MP4A	Z	-4.111	-4.111	0	%100
99	MP1B	X	0	0	0	%100
100	MP1B	Z	-4.111	-4.111	0	%100
101	MP2B	X	0	0	0	%100
102	MP2B	Z	-4.467	-4.467	0	%100
103	MP3B	X	0	0	0	%100
104	MP3B	Z	-4.111	-4.111	0	%100
105	MP4B	X	0	0	0	%100
106	MP4B	Z	-4.111	-4.111	0	%100
107	MP1C	X	0	0	0	%100
108	MP1C	Z	-4.111	-4.111	0	%100
109	MP2C	X	0	0	0	%100
110	MP2C	Z	-4.467	-4.467	0	%100
111	MP3C	X	0	0	0	%100
112	MP3C	Z	-4.111	-4.111	0	%100
113	MP4C	X	0	0	0	%100
114	MP4C	Z	-4.111	-4.111	0	%100

Member Distributed Loads (BLC 54 : Structure Wi (30 Deg))

	Member Label	Direction	Start Magnitude[lb/ft,...	End Magnitude[lb/ft,F...	Start Location[ft, %]	End Location[ft, %]
1	M1	X	1.842	1.842	0	%100
2	M1	Z	-3.19	-3.19	0	%100
3	M2	X	1.842	1.842	0	%100
4	M2	Z	-3.19	-3.19	0	%100
5	M3	X	0	0	0	%100
6	M3	Z	0	0	0	%100
7	M4	X	.581	.581	0	%100
8	M4	Z	-1.007	-1.007	0	%100
9	M5	X	.581	.581	0	%100
10	M5	Z	-1.007	-1.007	0	%100
11	M6	X	2.326	2.326	0	%100
12	M6	Z	-4.028	-4.028	0	%100
13	M7	X	2.15	2.15	0	%100
14	M7	Z	-3.725	-3.725	0	%100
15	M8	X	2.248	2.248	0	%100

Member Distributed Loads (BLC 54 : Structure Wi (30 Deg)) (Continued)

	Member Label	Direction	Start Magnitude[lb/ft,...	End Magnitude[lb/ft,F...	Start Location[ft,%]	End Location[ft,%]
16	M8	Z	-3.894	-3.894	0	%100
17	M9	X	0	0	0	%100
18	M9	Z	0	0	0	%100
19	M10	X	2.15	2.15	0	%100
20	M10	Z	-3.725	-3.725	0	%100
21	M11	X	0	0	0	%100
22	M11	Z	0	0	0	%100
23	M12	X	2.248	2.248	0	%100
24	M12	Z	-3.894	-3.894	0	%100
25	M13	X	0	0	0	%100
26	M13	Z	0	0	0	%100
27	M14	X	2.248	2.248	0	%100
28	M14	Z	-3.894	-3.894	0	%100
29	M15	X	2.248	2.248	0	%100
30	M15	Z	-3.894	-3.894	0	%100
31	M16	X	1.431	1.431	0	%100
32	M16	Z	-2.479	-2.479	0	%100
33	M17	X	1.431	1.431	0	%100
34	M17	Z	-2.479	-2.479	0	%100
35	M18	X	1.431	1.431	0	%100
36	M18	Z	-2.479	-2.479	0	%100
37	M19	X	1.431	1.431	0	%100
38	M19	Z	-2.479	-2.479	0	%100
39	M20	X	0	0	0	%100
40	M20	Z	0	0	0	%100
41	M21	X	0	0	0	%100
42	M21	Z	0	0	0	%100
43	M22	X	1.624	1.624	0	%100
44	M22	Z	-2.812	-2.812	0	%100
45	M23	X	0	0	0	%100
46	M23	Z	0	0	0	%100
47	M24	X	0	0	0	%100
48	M24	Z	0	0	0	%100
49	M25	X	1.624	1.624	0	%100
50	M25	Z	-2.812	-2.812	0	%100
51	M26	X	1.624	1.624	0	%100
52	M26	Z	-2.812	-2.812	0	%100
53	M27	X	1.624	1.624	0	%100
54	M27	Z	-2.812	-2.812	0	%100
55	M28	X	.71	.71	0	%100
56	M28	Z	-1.23	-1.23	0	%100
57	M29	X	2.161	2.161	0	%100
58	M29	Z	-3.743	-3.743	0	%100
59	M30	X	.71	.71	0	%100
60	M30	Z	-1.23	-1.23	0	%100
61	M31	X	0	0	0	%100
62	M31	Z	0	0	0	%100
63	M32	X	.71	.71	0	%100
64	M32	Z	-1.23	-1.23	0	%100
65	M33	X	0	0	0	%100
66	M33	Z	0	0	0	%100
67	M34	X	.71	.71	0	%100
68	M34	Z	-1.23	-1.23	0	%100
69	M35	X	2.161	2.161	0	%100
70	M35	Z	-3.743	-3.743	0	%100
71	M36	X	2.842	2.842	0	%100
72	M36	Z	-4.922	-4.922	0	%100
73	M37	X	2.161	2.161	0	%100
74	M37	Z	-3.743	-3.743	0	%100
75	M38	X	2.842	2.842	0	%100
76	M38	Z	-4.922	-4.922	0	%100

Member Distributed Loads (BLC 54 : Structure Wi (30 Deg)) (Continued)

	Member Label	Direction	Start Magnitude[lb/ft,...	End Magnitude[lb/ft,F...	Start Location[ft, %]	End Location[ft, %]
77	M39	X	2.161	2.161	0	%100
78	M39	Z	-3.743	-3.743	0	%100
79	M40	X	1.541	1.541	0	%100
80	M40	Z	-2.67	-2.67	0	%100
81	M41	X	1.541	1.541	0	%100
82	M41	Z	-2.67	-2.67	0	%100
83	M42	X	0	0	0	%100
84	M42	Z	0	0	0	%100
85	M43	X	1.301	1.301	0	%100
86	M43	Z	-2.254	-2.254	0	%100
87	M44	X	1.301	1.301	0	%100
88	M44	Z	-2.254	-2.254	0	%100
89	M45	X	0	0	0	%100
90	M45	Z	0	0	0	%100
91	MP1A	X	2.055	2.055	0	%100
92	MP1A	Z	-3.56	-3.56	0	%100
93	MP2A	X	2.233	2.233	0	%100
94	MP2A	Z	-3.868	-3.868	0	%100
95	MP3A	X	2.055	2.055	0	%100
96	MP3A	Z	-3.56	-3.56	0	%100
97	MP4A	X	2.055	2.055	0	%100
98	MP4A	Z	-3.56	-3.56	0	%100
99	MP1B	X	2.055	2.055	0	%100
100	MP1B	Z	-3.56	-3.56	0	%100
101	MP2B	X	2.233	2.233	0	%100
102	MP2B	Z	-3.868	-3.868	0	%100
103	MP3B	X	2.055	2.055	0	%100
104	MP3B	Z	-3.56	-3.56	0	%100
105	MP4B	X	2.055	2.055	0	%100
106	MP4B	Z	-3.56	-3.56	0	%100
107	MP1C	X	2.055	2.055	0	%100
108	MP1C	Z	-3.56	-3.56	0	%100
109	MP2C	X	2.233	2.233	0	%100
110	MP2C	Z	-3.868	-3.868	0	%100
111	MP3C	X	2.055	2.055	0	%100
112	MP3C	Z	-3.56	-3.56	0	%100
113	MP4C	X	2.055	2.055	0	%100
114	MP4C	Z	-3.56	-3.56	0	%100

Member Distributed Loads (BLC 55 : Structure Wi (60 Deg))

	Member Label	Direction	Start Magnitude[lb/ft,...	End Magnitude[lb/ft,F...	Start Location[ft, %]	End Location[ft, %]
1	M1	X	1.063	1.063	0	%100
2	M1	Z	-.614	-.614	0	%100
3	M2	X	4.254	4.254	0	%100
4	M2	Z	-2.456	-2.456	0	%100
5	M3	X	1.063	1.063	0	%100
6	M3	Z	-.614	-.614	0	%100
7	M4	X	3.021	3.021	0	%100
8	M4	Z	-1.744	-1.744	0	%100
9	M5	X	0	0	0	%100
10	M5	Z	0	0	0	%100
11	M6	X	3.021	3.021	0	%100
12	M6	Z	-1.744	-1.744	0	%100
13	M7	X	1.242	1.242	0	%100
14	M7	Z	-.717	-.717	0	%100
15	M8	X	5.192	5.192	0	%100
16	M8	Z	-2.998	-2.998	0	%100
17	M9	X	1.298	1.298	0	%100
18	M9	Z	-.749	-.749	0	%100
19	M10	X	4.966	4.966	0	%100
20	M10	Z	-2.867	-2.867	0	%100

Member Distributed Loads (BLC 55 : Structure Wi (60 Deg)) (Continued)

	Member Label	Direction	Start Magnitude[lb/ft,...	End Magnitude[lb/ft,F...	Start Location[ft, %]	End Location[ft, %]
21	M11	X	1.298	1.298	0	%100
22	M11	Z	-.749	-.749	0	%100
23	M12	X	1.298	1.298	0	%100
24	M12	Z	-.749	-.749	0	%100
25	M13	X	1.242	1.242	0	%100
26	M13	Z	-.717	-.717	0	%100
27	M14	X	1.298	1.298	0	%100
28	M14	Z	-.749	-.749	0	%100
29	M15	X	5.192	5.192	0	%100
30	M15	Z	-2.998	-2.998	0	%100
31	M16	X	.826	.826	0	%100
32	M16	Z	-.477	-.477	0	%100
33	M17	X	.826	.826	0	%100
34	M17	Z	-.477	-.477	0	%100
35	M18	X	3.305	3.305	0	%100
36	M18	Z	-1.908	-1.908	0	%100
37	M19	X	3.305	3.305	0	%100
38	M19	Z	-1.908	-1.908	0	%100
39	M20	X	.826	.826	0	%100
40	M20	Z	-.477	-.477	0	%100
41	M21	X	.826	.826	0	%100
42	M21	Z	-.477	-.477	0	%100
43	M22	X	3.75	3.75	0	%100
44	M22	Z	-2.165	-2.165	0	%100
45	M23	X	.937	.937	0	%100
46	M23	Z	-.541	-.541	0	%100
47	M24	X	.937	.937	0	%100
48	M24	Z	-.541	-.541	0	%100
49	M25	X	.937	.937	0	%100
50	M25	Z	-.541	-.541	0	%100
51	M26	X	.937	.937	0	%100
52	M26	Z	-.541	-.541	0	%100
53	M27	X	3.75	3.75	0	%100
54	M27	Z	-2.165	-2.165	0	%100
55	M28	X	3.691	3.691	0	%100
56	M28	Z	-2.131	-2.131	0	%100
57	M29	X	4.99	4.99	0	%100
58	M29	Z	-2.881	-2.881	0	%100
59	M30	X	3.691	3.691	0	%100
60	M30	Z	-2.131	-2.131	0	%100
61	M31	X	1.248	1.248	0	%100
62	M31	Z	-.72	-.72	0	%100
63	M32	X	0	0	0	%100
64	M32	Z	0	0	0	%100
65	M33	X	1.248	1.248	0	%100
66	M33	Z	-.72	-.72	0	%100
67	M34	X	0	0	0	%100
68	M34	Z	0	0	0	%100
69	M35	X	1.248	1.248	0	%100
70	M35	Z	-.72	-.72	0	%100
71	M36	X	3.691	3.691	0	%100
72	M36	Z	-2.131	-2.131	0	%100
73	M37	X	1.248	1.248	0	%100
74	M37	Z	-.72	-.72	0	%100
75	M38	X	3.691	3.691	0	%100
76	M38	Z	-2.131	-2.131	0	%100
77	M39	X	4.99	4.99	0	%100
78	M39	Z	-2.881	-2.881	0	%100
79	M40	X	.89	.89	0	%100
80	M40	Z	-.514	-.514	0	%100
81	M41	X	3.56	3.56	0	%100

Member Distributed Loads (BLC 55 : Structure Wi (60 Deg)) (Continued)

	Member Label	Direction	Start Magnitude[lb/ft,...	End Magnitude[lb/ft,F...	Start Location[ft, %]	End Location[ft, %]
82	M41	Z	-2.055	-2.055	0	%100
83	M42	X	.89	.89	0	%100
84	M42	Z	-.514	-.514	0	%100
85	M43	X	3.005	3.005	0	%100
86	M43	Z	-1.735	-1.735	0	%100
87	M44	X	.751	.751	0	%100
88	M44	Z	-.434	-.434	0	%100
89	M45	X	.751	.751	0	%100
90	M45	Z	-.434	-.434	0	%100
91	MP1A	X	3.56	3.56	0	%100
92	MP1A	Z	-2.055	-2.055	0	%100
93	MP2A	X	3.868	3.868	0	%100
94	MP2A	Z	-2.233	-2.233	0	%100
95	MP3A	X	3.56	3.56	0	%100
96	MP3A	Z	-2.055	-2.055	0	%100
97	MP4A	X	3.56	3.56	0	%100
98	MP4A	Z	-2.055	-2.055	0	%100
99	MP1B	X	3.56	3.56	0	%100
100	MP1B	Z	-2.055	-2.055	0	%100
101	MP2B	X	3.868	3.868	0	%100
102	MP2B	Z	-2.233	-2.233	0	%100
103	MP3B	X	3.56	3.56	0	%100
104	MP3B	Z	-2.055	-2.055	0	%100
105	MP4B	X	3.56	3.56	0	%100
106	MP4B	Z	-2.055	-2.055	0	%100
107	MP1C	X	3.56	3.56	0	%100
108	MP1C	Z	-2.055	-2.055	0	%100
109	MP2C	X	3.868	3.868	0	%100
110	MP2C	Z	-2.233	-2.233	0	%100
111	MP3C	X	3.56	3.56	0	%100
112	MP3C	Z	-2.055	-2.055	0	%100
113	MP4C	X	3.56	3.56	0	%100
114	MP4C	Z	-2.055	-2.055	0	%100

Member Distributed Loads (BLC 56 : Structure Wi (90 Deg))

	Member Label	Direction	Start Magnitude[lb/ft,...	End Magnitude[lb/ft,F...	Start Location[ft, %]	End Location[ft, %]
1	M1	X	0	0	0	%100
2	M1	Z	0	0	0	%100
3	M2	X	3.684	3.684	0	%100
4	M2	Z	0	0	0	%100
5	M3	X	3.684	3.684	0	%100
6	M3	Z	0	0	0	%100
7	M4	X	4.651	4.651	0	%100
8	M4	Z	0	0	0	%100
9	M5	X	1.163	1.163	0	%100
10	M5	Z	0	0	0	%100
11	M6	X	1.163	1.163	0	%100
12	M6	Z	0	0	0	%100
13	M7	X	0	0	0	%100
14	M7	Z	0	0	0	%100
15	M8	X	4.497	4.497	0	%100
16	M8	Z	0	0	0	%100
17	M9	X	4.497	4.497	0	%100
18	M9	Z	0	0	0	%100
19	M10	X	4.301	4.301	0	%100
20	M10	Z	0	0	0	%100
21	M11	X	4.497	4.497	0	%100
22	M11	Z	0	0	0	%100
23	M12	X	0	0	0	%100
24	M12	Z	0	0	0	%100
25	M13	X	4.301	4.301	0	%100

Member Distributed Loads (BLC 56 : Structure Wi (90 Deg)) (Continued)

	Member Label	Direction	Start Magnitude[lb/ft,...	End Magnitude[lb/ft,F...	Start Location[ft,%]	End Location[ft,%]
26	M13	Z	0	0	0	%100
27	M14	X	0	0	0	%100
28	M14	Z	0	0	0	%100
29	M15	X	4.497	4.497	0	%100
30	M15	Z	0	0	0	%100
31	M16	X	0	0	0	%100
32	M16	Z	0	0	0	%100
33	M17	X	0	0	0	%100
34	M17	Z	0	0	0	%100
35	M18	X	2.863	2.863	0	%100
36	M18	Z	0	0	0	%100
37	M19	X	2.863	2.863	0	%100
38	M19	Z	0	0	0	%100
39	M20	X	2.863	2.863	0	%100
40	M20	Z	0	0	0	%100
41	M21	X	2.863	2.863	0	%100
42	M21	Z	0	0	0	%100
43	M22	X	3.247	3.247	0	%100
44	M22	Z	0	0	0	%100
45	M23	X	3.247	3.247	0	%100
46	M23	Z	0	0	0	%100
47	M24	X	3.247	3.247	0	%100
48	M24	Z	0	0	0	%100
49	M25	X	0	0	0	%100
50	M25	Z	0	0	0	%100
51	M26	X	0	0	0	%100
52	M26	Z	0	0	0	%100
53	M27	X	3.247	3.247	0	%100
54	M27	Z	0	0	0	%100
55	M28	X	5.683	5.683	0	%100
56	M28	Z	0	0	0	%100
57	M29	X	4.322	4.322	0	%100
58	M29	Z	0	0	0	%100
59	M30	X	5.683	5.683	0	%100
60	M30	Z	0	0	0	%100
61	M31	X	4.322	4.322	0	%100
62	M31	Z	0	0	0	%100
63	M32	X	1.421	1.421	0	%100
64	M32	Z	0	0	0	%100
65	M33	X	4.322	4.322	0	%100
66	M33	Z	0	0	0	%100
67	M34	X	1.421	1.421	0	%100
68	M34	Z	0	0	0	%100
69	M35	X	0	0	0	%100
70	M35	Z	0	0	0	%100
71	M36	X	1.421	1.421	0	%100
72	M36	Z	0	0	0	%100
73	M37	X	0	0	0	%100
74	M37	Z	0	0	0	%100
75	M38	X	1.421	1.421	0	%100
76	M38	Z	0	0	0	%100
77	M39	X	4.322	4.322	0	%100
78	M39	Z	0	0	0	%100
79	M40	X	0	0	0	%100
80	M40	Z	0	0	0	%100
81	M41	X	3.083	3.083	0	%100
82	M41	Z	0	0	0	%100
83	M42	X	3.083	3.083	0	%100
84	M42	Z	0	0	0	%100
85	M43	X	2.602	2.602	0	%100
86	M43	Z	0	0	0	%100

Member Distributed Loads (BLC 56 : Structure Wi (90 Deg)) (Continued)

	Member Label	Direction	Start Magnitude[lb/ft,...	End Magnitude[lb/ft,F...	Start Location[ft, %]	End Location[ft, %]
87	M44	X	0	0	0	%100
88	M44	Z	0	0	0	%100
89	M45	X	2.602	2.602	0	%100
90	M45	Z	0	0	0	%100
91	MP1A	X	4.111	4.111	0	%100
92	MP1A	Z	0	0	0	%100
93	MP2A	X	4.467	4.467	0	%100
94	MP2A	Z	0	0	0	%100
95	MP3A	X	4.111	4.111	0	%100
96	MP3A	Z	0	0	0	%100
97	MP4A	X	4.111	4.111	0	%100
98	MP4A	Z	0	0	0	%100
99	MP1B	X	4.111	4.111	0	%100
100	MP1B	Z	0	0	0	%100
101	MP2B	X	4.467	4.467	0	%100
102	MP2B	Z	0	0	0	%100
103	MP3B	X	4.111	4.111	0	%100
104	MP3B	Z	0	0	0	%100
105	MP4B	X	4.111	4.111	0	%100
106	MP4B	Z	0	0	0	%100
107	MP1C	X	4.111	4.111	0	%100
108	MP1C	Z	0	0	0	%100
109	MP2C	X	4.467	4.467	0	%100
110	MP2C	Z	0	0	0	%100
111	MP3C	X	4.111	4.111	0	%100
112	MP3C	Z	0	0	0	%100
113	MP4C	X	4.111	4.111	0	%100
114	MP4C	Z	0	0	0	%100

Member Distributed Loads (BLC 57 : Structure Wi (120 Deg))

	Member Label	Direction	Start Magnitude[lb/ft,...	End Magnitude[lb/ft,F...	Start Location[ft, %]	End Location[ft, %]
1	M1	X	1.063	1.063	0	%100
2	M1	Z	.614	.614	0	%100
3	M2	X	1.063	1.063	0	%100
4	M2	Z	.614	.614	0	%100
5	M3	X	4.254	4.254	0	%100
6	M3	Z	2.456	2.456	0	%100
7	M4	X	3.021	3.021	0	%100
8	M4	Z	1.744	1.744	0	%100
9	M5	X	3.021	3.021	0	%100
10	M5	Z	1.744	1.744	0	%100
11	M6	X	0	0	0	%100
12	M6	Z	0	0	0	%100
13	M7	X	1.242	1.242	0	%100
14	M7	Z	.717	.717	0	%100
15	M8	X	1.298	1.298	0	%100
16	M8	Z	.749	.749	0	%100
17	M9	X	5.192	5.192	0	%100
18	M9	Z	2.998	2.998	0	%100
19	M10	X	1.242	1.242	0	%100
20	M10	Z	.717	.717	0	%100
21	M11	X	5.192	5.192	0	%100
22	M11	Z	2.998	2.998	0	%100
23	M12	X	1.298	1.298	0	%100
24	M12	Z	.749	.749	0	%100
25	M13	X	4.966	4.966	0	%100
26	M13	Z	2.867	2.867	0	%100
27	M14	X	1.298	1.298	0	%100
28	M14	Z	.749	.749	0	%100
29	M15	X	1.298	1.298	0	%100
30	M15	Z	.749	.749	0	%100

Member Distributed Loads (BLC 57 : Structure Wi (120 Deg)) (Continued)

	Member Label	Direction	Start Magnitude[lb/ft,...	End Magnitude[lb/ft,F...	Start Location[ft, %]	End Location[ft, %]
31	M16	X	.826	.826	0	%100
32	M16	Z	.477	.477	0	%100
33	M17	X	.826	.826	0	%100
34	M17	Z	.477	.477	0	%100
35	M18	X	.826	.826	0	%100
36	M18	Z	.477	.477	0	%100
37	M19	X	.826	.826	0	%100
38	M19	Z	.477	.477	0	%100
39	M20	X	3.305	3.305	0	%100
40	M20	Z	1.908	1.908	0	%100
41	M21	X	3.305	3.305	0	%100
42	M21	Z	1.908	1.908	0	%100
43	M22	X	.937	.937	0	%100
44	M22	Z	.541	.541	0	%100
45	M23	X	3.75	3.75	0	%100
46	M23	Z	2.165	2.165	0	%100
47	M24	X	3.75	3.75	0	%100
48	M24	Z	2.165	2.165	0	%100
49	M25	X	.937	.937	0	%100
50	M25	Z	.541	.541	0	%100
51	M26	X	.937	.937	0	%100
52	M26	Z	.541	.541	0	%100
53	M27	X	.937	.937	0	%100
54	M27	Z	.541	.541	0	%100
55	M28	X	3.691	3.691	0	%100
56	M28	Z	2.131	2.131	0	%100
57	M29	X	1.248	1.248	0	%100
58	M29	Z	.72	.72	0	%100
59	M30	X	3.691	3.691	0	%100
60	M30	Z	2.131	2.131	0	%100
61	M31	X	4.99	4.99	0	%100
62	M31	Z	2.881	2.881	0	%100
63	M32	X	3.691	3.691	0	%100
64	M32	Z	2.131	2.131	0	%100
65	M33	X	4.99	4.99	0	%100
66	M33	Z	2.881	2.881	0	%100
67	M34	X	3.691	3.691	0	%100
68	M34	Z	2.131	2.131	0	%100
69	M35	X	1.248	1.248	0	%100
70	M35	Z	.72	.72	0	%100
71	M36	X	0	0	0	%100
72	M36	Z	0	0	0	%100
73	M37	X	1.248	1.248	0	%100
74	M37	Z	.72	.72	0	%100
75	M38	X	0	0	0	%100
76	M38	Z	0	0	0	%100
77	M39	X	1.248	1.248	0	%100
78	M39	Z	.72	.72	0	%100
79	M40	X	.89	.89	0	%100
80	M40	Z	.514	.514	0	%100
81	M41	X	.89	.89	0	%100
82	M41	Z	.514	.514	0	%100
83	M42	X	3.56	3.56	0	%100
84	M42	Z	2.055	2.055	0	%100
85	M43	X	.751	.751	0	%100
86	M43	Z	.434	.434	0	%100
87	M44	X	.751	.751	0	%100
88	M44	Z	.434	.434	0	%100
89	M45	X	3.005	3.005	0	%100
90	M45	Z	1.735	1.735	0	%100
91	MP1A	X	3.56	3.56	0	%100

Member Distributed Loads (BLC 57 : Structure Wi (120 Deg)) (Continued)

	Member Label	Direction	Start Magnitude[lb/ft,...	End Magnitude[lb/ft,F...	Start Location[ft, %]	End Location[ft, %]
92	MP1A	Z	2.055	2.055	0	%100
93	MP2A	X	3.868	3.868	0	%100
94	MP2A	Z	2.233	2.233	0	%100
95	MP3A	X	3.56	3.56	0	%100
96	MP3A	Z	2.055	2.055	0	%100
97	MP4A	X	3.56	3.56	0	%100
98	MP4A	Z	2.055	2.055	0	%100
99	MP1B	X	3.56	3.56	0	%100
100	MP1B	Z	2.055	2.055	0	%100
101	MP2B	X	3.868	3.868	0	%100
102	MP2B	Z	2.233	2.233	0	%100
103	MP3B	X	3.56	3.56	0	%100
104	MP3B	Z	2.055	2.055	0	%100
105	MP4B	X	3.56	3.56	0	%100
106	MP4B	Z	2.055	2.055	0	%100
107	MP1C	X	3.56	3.56	0	%100
108	MP1C	Z	2.055	2.055	0	%100
109	MP2C	X	3.868	3.868	0	%100
110	MP2C	Z	2.233	2.233	0	%100
111	MP3C	X	3.56	3.56	0	%100
112	MP3C	Z	2.055	2.055	0	%100
113	MP4C	X	3.56	3.56	0	%100
114	MP4C	Z	2.055	2.055	0	%100

Member Distributed Loads (BLC 58 : Structure Wi (150 Deg))

	Member Label	Direction	Start Magnitude[lb/ft,...	End Magnitude[lb/ft,F...	Start Location[ft, %]	End Location[ft, %]
1	M1	X	1.842	1.842	0	%100
2	M1	Z	3.19	3.19	0	%100
3	M2	X	0	0	0	%100
4	M2	Z	0	0	0	%100
5	M3	X	1.842	1.842	0	%100
6	M3	Z	3.19	3.19	0	%100
7	M4	X	.581	.581	0	%100
8	M4	Z	1.007	1.007	0	%100
9	M5	X	2.326	2.326	0	%100
10	M5	Z	4.028	4.028	0	%100
11	M6	X	.581	.581	0	%100
12	M6	Z	1.007	1.007	0	%100
13	M7	X	2.15	2.15	0	%100
14	M7	Z	3.725	3.725	0	%100
15	M8	X	0	0	0	%100
16	M8	Z	0	0	0	%100
17	M9	X	2.248	2.248	0	%100
18	M9	Z	3.894	3.894	0	%100
19	M10	X	0	0	0	%100
20	M10	Z	0	0	0	%100
21	M11	X	2.248	2.248	0	%100
22	M11	Z	3.894	3.894	0	%100
23	M12	X	2.248	2.248	0	%100
24	M12	Z	3.894	3.894	0	%100
25	M13	X	2.15	2.15	0	%100
26	M13	Z	3.725	3.725	0	%100
27	M14	X	2.248	2.248	0	%100
28	M14	Z	3.894	3.894	0	%100
29	M15	X	0	0	0	%100
30	M15	Z	0	0	0	%100
31	M16	X	1.431	1.431	0	%100
32	M16	Z	2.479	2.479	0	%100
33	M17	X	1.431	1.431	0	%100
34	M17	Z	2.479	2.479	0	%100
35	M18	X	0	0	0	%100

Member Distributed Loads (BLC 58 : Structure Wi (150 Deg)) (Continued)

	Member Label	Direction	Start Magnitude[lb/ft,...	End Magnitude[lb/ft,F...	Start Location[ft,%]	End Location[ft,%]
36	M18	Z	0	0	0	%100
37	M19	X	0	0	0	%100
38	M19	Z	0	0	0	%100
39	M20	X	1.431	1.431	0	%100
40	M20	Z	2.479	2.479	0	%100
41	M21	X	1.431	1.431	0	%100
42	M21	Z	2.479	2.479	0	%100
43	M22	X	0	0	0	%100
44	M22	Z	0	0	0	%100
45	M23	X	1.624	1.624	0	%100
46	M23	Z	2.812	2.812	0	%100
47	M24	X	1.624	1.624	0	%100
48	M24	Z	2.812	2.812	0	%100
49	M25	X	1.624	1.624	0	%100
50	M25	Z	2.812	2.812	0	%100
51	M26	X	1.624	1.624	0	%100
52	M26	Z	2.812	2.812	0	%100
53	M27	X	0	0	0	%100
54	M27	Z	0	0	0	%100
55	M28	X	.71	.71	0	%100
56	M28	Z	1.23	1.23	0	%100
57	M29	X	0	0	0	%100
58	M29	Z	0	0	0	%100
59	M30	X	.71	.71	0	%100
60	M30	Z	1.23	1.23	0	%100
61	M31	X	2.161	2.161	0	%100
62	M31	Z	3.743	3.743	0	%100
63	M32	X	2.842	2.842	0	%100
64	M32	Z	4.922	4.922	0	%100
65	M33	X	2.161	2.161	0	%100
66	M33	Z	3.743	3.743	0	%100
67	M34	X	2.842	2.842	0	%100
68	M34	Z	4.922	4.922	0	%100
69	M35	X	2.161	2.161	0	%100
70	M35	Z	3.743	3.743	0	%100
71	M36	X	.71	.71	0	%100
72	M36	Z	1.23	1.23	0	%100
73	M37	X	2.161	2.161	0	%100
74	M37	Z	3.743	3.743	0	%100
75	M38	X	.71	.71	0	%100
76	M38	Z	1.23	1.23	0	%100
77	M39	X	0	0	0	%100
78	M39	Z	0	0	0	%100
79	M40	X	1.541	1.541	0	%100
80	M40	Z	2.67	2.67	0	%100
81	M41	X	0	0	0	%100
82	M41	Z	0	0	0	%100
83	M42	X	1.541	1.541	0	%100
84	M42	Z	2.67	2.67	0	%100
85	M43	X	0	0	0	%100
86	M43	Z	0	0	0	%100
87	M44	X	1.301	1.301	0	%100
88	M44	Z	2.254	2.254	0	%100
89	M45	X	1.301	1.301	0	%100
90	M45	Z	2.254	2.254	0	%100
91	MP1A	X	2.055	2.055	0	%100
92	MP1A	Z	3.56	3.56	0	%100
93	MP2A	X	2.233	2.233	0	%100
94	MP2A	Z	3.868	3.868	0	%100
95	MP3A	X	2.055	2.055	0	%100
96	MP3A	Z	3.56	3.56	0	%100

Member Distributed Loads (BLC 58 : Structure Wi (150 Deg)) (Continued)

	Member Label	Direction	Start Magnitude[lb/ft,...	End Magnitude[lb/ft,F...	Start Location[ft, %]	End Location[ft, %]
97	MP4A	X	2.055	2.055	0	%100
98	MP4A	Z	3.56	3.56	0	%100
99	MP1B	X	2.055	2.055	0	%100
100	MP1B	Z	3.56	3.56	0	%100
101	MP2B	X	2.233	2.233	0	%100
102	MP2B	Z	3.868	3.868	0	%100
103	MP3B	X	2.055	2.055	0	%100
104	MP3B	Z	3.56	3.56	0	%100
105	MP4B	X	2.055	2.055	0	%100
106	MP4B	Z	3.56	3.56	0	%100
107	MP1C	X	2.055	2.055	0	%100
108	MP1C	Z	3.56	3.56	0	%100
109	MP2C	X	2.233	2.233	0	%100
110	MP2C	Z	3.868	3.868	0	%100
111	MP3C	X	2.055	2.055	0	%100
112	MP3C	Z	3.56	3.56	0	%100
113	MP4C	X	2.055	2.055	0	%100
114	MP4C	Z	3.56	3.56	0	%100

Member Distributed Loads (BLC 59 : Structure Wi (180 Deg))

	Member Label	Direction	Start Magnitude[lb/ft,...	End Magnitude[lb/ft,F...	Start Location[ft, %]	End Location[ft, %]
1	M1	X	0	0	0	%100
2	M1	Z	4.912	4.912	0	%100
3	M2	X	0	0	0	%100
4	M2	Z	1.228	1.228	0	%100
5	M3	X	0	0	0	%100
6	M3	Z	1.228	1.228	0	%100
7	M4	X	0	0	0	%100
8	M4	Z	0	0	0	%100
9	M5	X	0	0	0	%100
10	M5	Z	3.488	3.488	0	%100
11	M6	X	0	0	0	%100
12	M6	Z	3.488	3.488	0	%100
13	M7	X	0	0	0	%100
14	M7	Z	5.734	5.734	0	%100
15	M8	X	0	0	0	%100
16	M8	Z	1.499	1.499	0	%100
17	M9	X	0	0	0	%100
18	M9	Z	1.499	1.499	0	%100
19	M10	X	0	0	0	%100
20	M10	Z	1.434	1.434	0	%100
21	M11	X	0	0	0	%100
22	M11	Z	1.499	1.499	0	%100
23	M12	X	0	0	0	%100
24	M12	Z	5.995	5.995	0	%100
25	M13	X	0	0	0	%100
26	M13	Z	1.434	1.434	0	%100
27	M14	X	0	0	0	%100
28	M14	Z	5.995	5.995	0	%100
29	M15	X	0	0	0	%100
30	M15	Z	1.499	1.499	0	%100
31	M16	X	0	0	0	%100
32	M16	Z	3.817	3.817	0	%100
33	M17	X	0	0	0	%100
34	M17	Z	3.817	3.817	0	%100
35	M18	X	0	0	0	%100
36	M18	Z	.954	.954	0	%100
37	M19	X	0	0	0	%100
38	M19	Z	.954	.954	0	%100
39	M20	X	0	0	0	%100
40	M20	Z	.954	.954	0	%100

Member Distributed Loads (BLC 59 : Structure Wi (180 Deg)) (Continued)

	Member Label	Direction	Start Magnitude[lb/ft,...	End Magnitude[lb/ft,F...	Start Location[ft, %]	End Location[ft, %]
41	M21	X	0	0	0	%100
42	M21	Z	.954	.954	0	%100
43	M22	X	0	0	0	%100
44	M22	Z	1.082	1.082	0	%100
45	M23	X	0	0	0	%100
46	M23	Z	1.082	1.082	0	%100
47	M24	X	0	0	0	%100
48	M24	Z	1.082	1.082	0	%100
49	M25	X	0	0	0	%100
50	M25	Z	4.33	4.33	0	%100
51	M26	X	0	0	0	%100
52	M26	Z	4.33	4.33	0	%100
53	M27	X	0	0	0	%100
54	M27	Z	1.082	1.082	0	%100
55	M28	X	0	0	0	%100
56	M28	Z	0	0	0	%100
57	M29	X	0	0	0	%100
58	M29	Z	1.441	1.441	0	%100
59	M30	X	0	0	0	%100
60	M30	Z	0	0	0	%100
61	M31	X	0	0	0	%100
62	M31	Z	1.441	1.441	0	%100
63	M32	X	0	0	0	%100
64	M32	Z	4.262	4.262	0	%100
65	M33	X	0	0	0	%100
66	M33	Z	1.441	1.441	0	%100
67	M34	X	0	0	0	%100
68	M34	Z	4.262	4.262	0	%100
69	M35	X	0	0	0	%100
70	M35	Z	5.762	5.762	0	%100
71	M36	X	0	0	0	%100
72	M36	Z	4.262	4.262	0	%100
73	M37	X	0	0	0	%100
74	M37	Z	5.762	5.762	0	%100
75	M38	X	0	0	0	%100
76	M38	Z	4.262	4.262	0	%100
77	M39	X	0	0	0	%100
78	M39	Z	1.441	1.441	0	%100
79	M40	X	0	0	0	%100
80	M40	Z	4.111	4.111	0	%100
81	M41	X	0	0	0	%100
82	M41	Z	1.028	1.028	0	%100
83	M42	X	0	0	0	%100
84	M42	Z	1.028	1.028	0	%100
85	M43	X	0	0	0	%100
86	M43	Z	.867	.867	0	%100
87	M44	X	0	0	0	%100
88	M44	Z	3.47	3.47	0	%100
89	M45	X	0	0	0	%100
90	M45	Z	.867	.867	0	%100
91	MP1A	X	0	0	0	%100
92	MP1A	Z	4.111	4.111	0	%100
93	MP2A	X	0	0	0	%100
94	MP2A	Z	4.467	4.467	0	%100
95	MP3A	X	0	0	0	%100
96	MP3A	Z	4.111	4.111	0	%100
97	MP4A	X	0	0	0	%100
98	MP4A	Z	4.111	4.111	0	%100
99	MP1B	X	0	0	0	%100
100	MP1B	Z	4.111	4.111	0	%100
101	MP2B	X	0	0	0	%100

Member Distributed Loads (BLC 59 : Structure Wi (180 Deg)) (Continued)

	Member Label	Direction	Start Magnitude[lb/ft,...	End Magnitude[lb/ft,F...	Start Location[ft, %]	End Location[ft, %]
102	MP2B	Z	4.467	4.467	0	%100
103	MP3B	X	0	0	0	%100
104	MP3B	Z	4.111	4.111	0	%100
105	MP4B	X	0	0	0	%100
106	MP4B	Z	4.111	4.111	0	%100
107	MP1C	X	0	0	0	%100
108	MP1C	Z	4.111	4.111	0	%100
109	MP2C	X	0	0	0	%100
110	MP2C	Z	4.467	4.467	0	%100
111	MP3C	X	0	0	0	%100
112	MP3C	Z	4.111	4.111	0	%100
113	MP4C	X	0	0	0	%100
114	MP4C	Z	4.111	4.111	0	%100

Member Distributed Loads (BLC 60 : Structure Wi (210 Deg))

	Member Label	Direction	Start Magnitude[lb/ft,...	End Magnitude[lb/ft,F...	Start Location[ft, %]	End Location[ft, %]
1	M1	X	-1.842	-1.842	0	%100
2	M1	Z	3.19	3.19	0	%100
3	M2	X	-1.842	-1.842	0	%100
4	M2	Z	3.19	3.19	0	%100
5	M3	X	0	0	0	%100
6	M3	Z	0	0	0	%100
7	M4	X	-581	-581	0	%100
8	M4	Z	1.007	1.007	0	%100
9	M5	X	-581	-581	0	%100
10	M5	Z	1.007	1.007	0	%100
11	M6	X	-2.326	-2.326	0	%100
12	M6	Z	4.028	4.028	0	%100
13	M7	X	-2.15	-2.15	0	%100
14	M7	Z	3.725	3.725	0	%100
15	M8	X	-2.248	-2.248	0	%100
16	M8	Z	3.894	3.894	0	%100
17	M9	X	0	0	0	%100
18	M9	Z	0	0	0	%100
19	M10	X	-2.15	-2.15	0	%100
20	M10	Z	3.725	3.725	0	%100
21	M11	X	0	0	0	%100
22	M11	Z	0	0	0	%100
23	M12	X	-2.248	-2.248	0	%100
24	M12	Z	3.894	3.894	0	%100
25	M13	X	0	0	0	%100
26	M13	Z	0	0	0	%100
27	M14	X	-2.248	-2.248	0	%100
28	M14	Z	3.894	3.894	0	%100
29	M15	X	-2.248	-2.248	0	%100
30	M15	Z	3.894	3.894	0	%100
31	M16	X	-1.431	-1.431	0	%100
32	M16	Z	2.479	2.479	0	%100
33	M17	X	-1.431	-1.431	0	%100
34	M17	Z	2.479	2.479	0	%100
35	M18	X	-1.431	-1.431	0	%100
36	M18	Z	2.479	2.479	0	%100
37	M19	X	-1.431	-1.431	0	%100
38	M19	Z	2.479	2.479	0	%100
39	M20	X	0	0	0	%100
40	M20	Z	0	0	0	%100
41	M21	X	0	0	0	%100
42	M21	Z	0	0	0	%100
43	M22	X	-1.624	-1.624	0	%100
44	M22	Z	2.812	2.812	0	%100
45	M23	X	0	0	0	%100

Member Distributed Loads (BLC 60 : Structure Wi (210 Deg)) (Continued)

	Member Label	Direction	Start Magnitude[lb/ft,...	End Magnitude[lb/ft,F...	Start Location[ft, %]	End Location[ft, %]
46	M23	Z	0	0	0	%100
47	M24	X	0	0	0	%100
48	M24	Z	0	0	0	%100
49	M25	X	-1.624	-1.624	0	%100
50	M25	Z	2.812	2.812	0	%100
51	M26	X	-1.624	-1.624	0	%100
52	M26	Z	2.812	2.812	0	%100
53	M27	X	-1.624	-1.624	0	%100
54	M27	Z	2.812	2.812	0	%100
55	M28	X	-.71	-.71	0	%100
56	M28	Z	1.23	1.23	0	%100
57	M29	X	-2.161	-2.161	0	%100
58	M29	Z	3.743	3.743	0	%100
59	M30	X	-.71	-.71	0	%100
60	M30	Z	1.23	1.23	0	%100
61	M31	X	0	0	0	%100
62	M31	Z	0	0	0	%100
63	M32	X	-.71	-.71	0	%100
64	M32	Z	1.23	1.23	0	%100
65	M33	X	0	0	0	%100
66	M33	Z	0	0	0	%100
67	M34	X	-.71	-.71	0	%100
68	M34	Z	1.23	1.23	0	%100
69	M35	X	-2.161	-2.161	0	%100
70	M35	Z	3.743	3.743	0	%100
71	M36	X	-2.842	-2.842	0	%100
72	M36	Z	4.922	4.922	0	%100
73	M37	X	-2.161	-2.161	0	%100
74	M37	Z	3.743	3.743	0	%100
75	M38	X	-2.842	-2.842	0	%100
76	M38	Z	4.922	4.922	0	%100
77	M39	X	-2.161	-2.161	0	%100
78	M39	Z	3.743	3.743	0	%100
79	M40	X	-1.541	-1.541	0	%100
80	M40	Z	2.67	2.67	0	%100
81	M41	X	-1.541	-1.541	0	%100
82	M41	Z	2.67	2.67	0	%100
83	M42	X	0	0	0	%100
84	M42	Z	0	0	0	%100
85	M43	X	-1.301	-1.301	0	%100
86	M43	Z	2.254	2.254	0	%100
87	M44	X	-1.301	-1.301	0	%100
88	M44	Z	2.254	2.254	0	%100
89	M45	X	0	0	0	%100
90	M45	Z	0	0	0	%100
91	MP1A	X	-2.055	-2.055	0	%100
92	MP1A	Z	3.56	3.56	0	%100
93	MP2A	X	-2.233	-2.233	0	%100
94	MP2A	Z	3.868	3.868	0	%100
95	MP3A	X	-2.055	-2.055	0	%100
96	MP3A	Z	3.56	3.56	0	%100
97	MP4A	X	-2.055	-2.055	0	%100
98	MP4A	Z	3.56	3.56	0	%100
99	MP1B	X	-2.055	-2.055	0	%100
100	MP1B	Z	3.56	3.56	0	%100
101	MP2B	X	-2.233	-2.233	0	%100
102	MP2B	Z	3.868	3.868	0	%100
103	MP3B	X	-2.055	-2.055	0	%100
104	MP3B	Z	3.56	3.56	0	%100
105	MP4B	X	-2.055	-2.055	0	%100
106	MP4B	Z	3.56	3.56	0	%100

Member Distributed Loads (BLC 60 : Structure Wi (210 Deg)) (Continued)

	Member Label	Direction	Start Magnitude[lb/ft,...	End Magnitude[lb/ft,F...	Start Location[ft, %]	End Location[ft, %]
107	MP1C	X	-2.055	-2.055	0	%100
108	MP1C	Z	3.56	3.56	0	%100
109	MP2C	X	-2.233	-2.233	0	%100
110	MP2C	Z	3.868	3.868	0	%100
111	MP3C	X	-2.055	-2.055	0	%100
112	MP3C	Z	3.56	3.56	0	%100
113	MP4C	X	-2.055	-2.055	0	%100
114	MP4C	Z	3.56	3.56	0	%100

Member Distributed Loads (BLC 61 : Structure Wi (240 Deg))

	Member Label	Direction	Start Magnitude[lb/ft,...	End Magnitude[lb/ft,F...	Start Location[ft, %]	End Location[ft, %]
1	M1	X	-1.063	-1.063	0	%100
2	M1	Z	.614	.614	0	%100
3	M2	X	-4.254	-4.254	0	%100
4	M2	Z	2.456	2.456	0	%100
5	M3	X	-1.063	-1.063	0	%100
6	M3	Z	.614	.614	0	%100
7	M4	X	-3.021	-3.021	0	%100
8	M4	Z	1.744	1.744	0	%100
9	M5	X	0	0	0	%100
10	M5	Z	0	0	0	%100
11	M6	X	-3.021	-3.021	0	%100
12	M6	Z	1.744	1.744	0	%100
13	M7	X	-1.242	-1.242	0	%100
14	M7	Z	.717	.717	0	%100
15	M8	X	-5.192	-5.192	0	%100
16	M8	Z	2.998	2.998	0	%100
17	M9	X	-1.298	-1.298	0	%100
18	M9	Z	.749	.749	0	%100
19	M10	X	-4.966	-4.966	0	%100
20	M10	Z	2.867	2.867	0	%100
21	M11	X	-1.298	-1.298	0	%100
22	M11	Z	.749	.749	0	%100
23	M12	X	-1.298	-1.298	0	%100
24	M12	Z	.749	.749	0	%100
25	M13	X	-1.242	-1.242	0	%100
26	M13	Z	.717	.717	0	%100
27	M14	X	-1.298	-1.298	0	%100
28	M14	Z	.749	.749	0	%100
29	M15	X	-5.192	-5.192	0	%100
30	M15	Z	2.998	2.998	0	%100
31	M16	X	-.826	-.826	0	%100
32	M16	Z	.477	.477	0	%100
33	M17	X	-.826	-.826	0	%100
34	M17	Z	.477	.477	0	%100
35	M18	X	-3.305	-3.305	0	%100
36	M18	Z	1.908	1.908	0	%100
37	M19	X	-3.305	-3.305	0	%100
38	M19	Z	1.908	1.908	0	%100
39	M20	X	-.826	-.826	0	%100
40	M20	Z	.477	.477	0	%100
41	M21	X	-.826	-.826	0	%100
42	M21	Z	.477	.477	0	%100
43	M22	X	-3.75	-3.75	0	%100
44	M22	Z	2.165	2.165	0	%100
45	M23	X	-.937	-.937	0	%100
46	M23	Z	.541	.541	0	%100
47	M24	X	-.937	-.937	0	%100
48	M24	Z	.541	.541	0	%100
49	M25	X	-.937	-.937	0	%100
50	M25	Z	.541	.541	0	%100

Member Distributed Loads (BLC 61 : Structure Wi (240 Deg)) (Continued)

	Member Label	Direction	Start Magnitude[lb/ft,...	End Magnitude[lb/ft,F...	Start Location[ft, %]	End Location[ft, %]
51	M26	X	-.937	-.937	0	%100
52	M26	Z	.541	.541	0	%100
53	M27	X	-3.75	-3.75	0	%100
54	M27	Z	2.165	2.165	0	%100
55	M28	X	-3.691	-3.691	0	%100
56	M28	Z	2.131	2.131	0	%100
57	M29	X	-4.99	-4.99	0	%100
58	M29	Z	2.881	2.881	0	%100
59	M30	X	-3.691	-3.691	0	%100
60	M30	Z	2.131	2.131	0	%100
61	M31	X	-1.248	-1.248	0	%100
62	M31	Z	.72	.72	0	%100
63	M32	X	0	0	0	%100
64	M32	Z	0	0	0	%100
65	M33	X	-1.248	-1.248	0	%100
66	M33	Z	.72	.72	0	%100
67	M34	X	0	0	0	%100
68	M34	Z	0	0	0	%100
69	M35	X	-1.248	-1.248	0	%100
70	M35	Z	.72	.72	0	%100
71	M36	X	-3.691	-3.691	0	%100
72	M36	Z	2.131	2.131	0	%100
73	M37	X	-1.248	-1.248	0	%100
74	M37	Z	.72	.72	0	%100
75	M38	X	-3.691	-3.691	0	%100
76	M38	Z	2.131	2.131	0	%100
77	M39	X	-4.99	-4.99	0	%100
78	M39	Z	2.881	2.881	0	%100
79	M40	X	-.89	-.89	0	%100
80	M40	Z	.514	.514	0	%100
81	M41	X	-3.56	-3.56	0	%100
82	M41	Z	2.055	2.055	0	%100
83	M42	X	-.89	-.89	0	%100
84	M42	Z	.514	.514	0	%100
85	M43	X	-3.005	-3.005	0	%100
86	M43	Z	1.735	1.735	0	%100
87	M44	X	-.751	-.751	0	%100
88	M44	Z	.434	.434	0	%100
89	M45	X	-.751	-.751	0	%100
90	M45	Z	.434	.434	0	%100
91	MP1A	X	-3.56	-3.56	0	%100
92	MP1A	Z	2.055	2.055	0	%100
93	MP2A	X	-3.868	-3.868	0	%100
94	MP2A	Z	2.233	2.233	0	%100
95	MP3A	X	-3.56	-3.56	0	%100
96	MP3A	Z	2.055	2.055	0	%100
97	MP4A	X	-3.56	-3.56	0	%100
98	MP4A	Z	2.055	2.055	0	%100
99	MP1B	X	-3.56	-3.56	0	%100
100	MP1B	Z	2.055	2.055	0	%100
101	MP2B	X	-3.868	-3.868	0	%100
102	MP2B	Z	2.233	2.233	0	%100
103	MP3B	X	-3.56	-3.56	0	%100
104	MP3B	Z	2.055	2.055	0	%100
105	MP4B	X	-3.56	-3.56	0	%100
106	MP4B	Z	2.055	2.055	0	%100
107	MP1C	X	-3.56	-3.56	0	%100
108	MP1C	Z	2.055	2.055	0	%100
109	MP2C	X	-3.868	-3.868	0	%100
110	MP2C	Z	2.233	2.233	0	%100
111	MP3C	X	-3.56	-3.56	0	%100

Member Distributed Loads (BLC 61 : Structure Wi (240 Deg)) (Continued)

	Member Label	Direction	Start Magnitude[lb/ft,...	End Magnitude[lb/ft,F...	Start Location[ft, %]	End Location[ft, %]
112	MP3C	Z	2.055	2.055	0	%100
113	MP4C	X	-3.56	-3.56	0	%100
114	MP4C	Z	2.055	2.055	0	%100

Member Distributed Loads (BLC 62 : Structure Wi (270 Deg))

	Member Label	Direction	Start Magnitude[lb/ft,...	End Magnitude[lb/ft,F...	Start Location[ft, %]	End Location[ft, %]
1	M1	X	0	0	0	%100
2	M1	Z	0	0	0	%100
3	M2	X	-3.684	-3.684	0	%100
4	M2	Z	0	0	0	%100
5	M3	X	-3.684	-3.684	0	%100
6	M3	Z	0	0	0	%100
7	M4	X	-4.651	-4.651	0	%100
8	M4	Z	0	0	0	%100
9	M5	X	-1.163	-1.163	0	%100
10	M5	Z	0	0	0	%100
11	M6	X	-1.163	-1.163	0	%100
12	M6	Z	0	0	0	%100
13	M7	X	0	0	0	%100
14	M7	Z	0	0	0	%100
15	M8	X	-4.497	-4.497	0	%100
16	M8	Z	0	0	0	%100
17	M9	X	-4.497	-4.497	0	%100
18	M9	Z	0	0	0	%100
19	M10	X	-4.301	-4.301	0	%100
20	M10	Z	0	0	0	%100
21	M11	X	-4.497	-4.497	0	%100
22	M11	Z	0	0	0	%100
23	M12	X	0	0	0	%100
24	M12	Z	0	0	0	%100
25	M13	X	-4.301	-4.301	0	%100
26	M13	Z	0	0	0	%100
27	M14	X	0	0	0	%100
28	M14	Z	0	0	0	%100
29	M15	X	-4.497	-4.497	0	%100
30	M15	Z	0	0	0	%100
31	M16	X	0	0	0	%100
32	M16	Z	0	0	0	%100
33	M17	X	0	0	0	%100
34	M17	Z	0	0	0	%100
35	M18	X	-2.863	-2.863	0	%100
36	M18	Z	0	0	0	%100
37	M19	X	-2.863	-2.863	0	%100
38	M19	Z	0	0	0	%100
39	M20	X	-2.863	-2.863	0	%100
40	M20	Z	0	0	0	%100
41	M21	X	-2.863	-2.863	0	%100
42	M21	Z	0	0	0	%100
43	M22	X	-3.247	-3.247	0	%100
44	M22	Z	0	0	0	%100
45	M23	X	-3.247	-3.247	0	%100
46	M23	Z	0	0	0	%100
47	M24	X	-3.247	-3.247	0	%100
48	M24	Z	0	0	0	%100
49	M25	X	0	0	0	%100
50	M25	Z	0	0	0	%100
51	M26	X	0	0	0	%100
52	M26	Z	0	0	0	%100
53	M27	X	-3.247	-3.247	0	%100
54	M27	Z	0	0	0	%100
55	M28	X	-5.683	-5.683	0	%100

Member Distributed Loads (BLC 62 : Structure Wi (270 Deg)) (Continued)

	Member Label	Direction	Start Magnitude[lb/ft,...	End Magnitude[lb/ft,F...	Start Location[ft,%]	End Location[ft,%]
56	M28	Z	0	0	0	%100
57	M29	X	-4.322	-4.322	0	%100
58	M29	Z	0	0	0	%100
59	M30	X	-5.683	-5.683	0	%100
60	M30	Z	0	0	0	%100
61	M31	X	-4.322	-4.322	0	%100
62	M31	Z	0	0	0	%100
63	M32	X	-1.421	-1.421	0	%100
64	M32	Z	0	0	0	%100
65	M33	X	-4.322	-4.322	0	%100
66	M33	Z	0	0	0	%100
67	M34	X	-1.421	-1.421	0	%100
68	M34	Z	0	0	0	%100
69	M35	X	0	0	0	%100
70	M35	Z	0	0	0	%100
71	M36	X	-1.421	-1.421	0	%100
72	M36	Z	0	0	0	%100
73	M37	X	0	0	0	%100
74	M37	Z	0	0	0	%100
75	M38	X	-1.421	-1.421	0	%100
76	M38	Z	0	0	0	%100
77	M39	X	-4.322	-4.322	0	%100
78	M39	Z	0	0	0	%100
79	M40	X	0	0	0	%100
80	M40	Z	0	0	0	%100
81	M41	X	-3.083	-3.083	0	%100
82	M41	Z	0	0	0	%100
83	M42	X	-3.083	-3.083	0	%100
84	M42	Z	0	0	0	%100
85	M43	X	-2.602	-2.602	0	%100
86	M43	Z	0	0	0	%100
87	M44	X	0	0	0	%100
88	M44	Z	0	0	0	%100
89	M45	X	-2.602	-2.602	0	%100
90	M45	Z	0	0	0	%100
91	MP1A	X	-4.111	-4.111	0	%100
92	MP1A	Z	0	0	0	%100
93	MP2A	X	-4.467	-4.467	0	%100
94	MP2A	Z	0	0	0	%100
95	MP3A	X	-4.111	-4.111	0	%100
96	MP3A	Z	0	0	0	%100
97	MP4A	X	-4.111	-4.111	0	%100
98	MP4A	Z	0	0	0	%100
99	MP1B	X	-4.111	-4.111	0	%100
100	MP1B	Z	0	0	0	%100
101	MP2B	X	-4.467	-4.467	0	%100
102	MP2B	Z	0	0	0	%100
103	MP3B	X	-4.111	-4.111	0	%100
104	MP3B	Z	0	0	0	%100
105	MP4B	X	-4.111	-4.111	0	%100
106	MP4B	Z	0	0	0	%100
107	MP1C	X	-4.111	-4.111	0	%100
108	MP1C	Z	0	0	0	%100
109	MP2C	X	-4.467	-4.467	0	%100
110	MP2C	Z	0	0	0	%100
111	MP3C	X	-4.111	-4.111	0	%100
112	MP3C	Z	0	0	0	%100
113	MP4C	X	-4.111	-4.111	0	%100
114	MP4C	Z	0	0	0	%100

Member Distributed Loads (BLC 63 : Structure Wi (300 Deg))

	Member Label	Direction	Start Magnitude[lb/ft,...	End Magnitude[lb/ft,F...	Start Location[ft, %]	End Location[ft, %]
1	M1	X	-1.063	-1.063	0	%100
2	M1	Z	-.614	-.614	0	%100
3	M2	X	-1.063	-1.063	0	%100
4	M2	Z	-.614	-.614	0	%100
5	M3	X	-4.254	-4.254	0	%100
6	M3	Z	-2.456	-2.456	0	%100
7	M4	X	-3.021	-3.021	0	%100
8	M4	Z	-1.744	-1.744	0	%100
9	M5	X	-3.021	-3.021	0	%100
10	M5	Z	-1.744	-1.744	0	%100
11	M6	X	0	0	0	%100
12	M6	Z	0	0	0	%100
13	M7	X	-1.242	-1.242	0	%100
14	M7	Z	-.717	-.717	0	%100
15	M8	X	-1.298	-1.298	0	%100
16	M8	Z	-.749	-.749	0	%100
17	M9	X	-5.192	-5.192	0	%100
18	M9	Z	-2.998	-2.998	0	%100
19	M10	X	-1.242	-1.242	0	%100
20	M10	Z	-.717	-.717	0	%100
21	M11	X	-5.192	-5.192	0	%100
22	M11	Z	-2.998	-2.998	0	%100
23	M12	X	-1.298	-1.298	0	%100
24	M12	Z	-.749	-.749	0	%100
25	M13	X	-4.966	-4.966	0	%100
26	M13	Z	-2.867	-2.867	0	%100
27	M14	X	-1.298	-1.298	0	%100
28	M14	Z	-.749	-.749	0	%100
29	M15	X	-1.298	-1.298	0	%100
30	M15	Z	-.749	-.749	0	%100
31	M16	X	-.826	-.826	0	%100
32	M16	Z	-.477	-.477	0	%100
33	M17	X	-.826	-.826	0	%100
34	M17	Z	-.477	-.477	0	%100
35	M18	X	-.826	-.826	0	%100
36	M18	Z	-.477	-.477	0	%100
37	M19	X	-.826	-.826	0	%100
38	M19	Z	-.477	-.477	0	%100
39	M20	X	-3.305	-3.305	0	%100
40	M20	Z	-1.908	-1.908	0	%100
41	M21	X	-3.305	-3.305	0	%100
42	M21	Z	-1.908	-1.908	0	%100
43	M22	X	-.937	-.937	0	%100
44	M22	Z	-.541	-.541	0	%100
45	M23	X	-3.75	-3.75	0	%100
46	M23	Z	-2.165	-2.165	0	%100
47	M24	X	-3.75	-3.75	0	%100
48	M24	Z	-2.165	-2.165	0	%100
49	M25	X	-.937	-.937	0	%100
50	M25	Z	-.541	-.541	0	%100
51	M26	X	-.937	-.937	0	%100
52	M26	Z	-.541	-.541	0	%100
53	M27	X	-.937	-.937	0	%100
54	M27	Z	-.541	-.541	0	%100
55	M28	X	-3.691	-3.691	0	%100
56	M28	Z	-2.131	-2.131	0	%100
57	M29	X	-1.248	-1.248	0	%100
58	M29	Z	-.72	-.72	0	%100
59	M30	X	-3.691	-3.691	0	%100
60	M30	Z	-2.131	-2.131	0	%100
61	M31	X	-4.99	-4.99	0	%100

Member Distributed Loads (BLC 63 : Structure Wi (300 Deg)) (Continued)

	Member Label	Direction	Start Magnitude[lb/ft,...	End Magnitude[lb/ft,F...	Start Location[ft, %]	End Location[ft, %]
62	M31	Z	-2.881	-2.881	0	%100
63	M32	X	-3.691	-3.691	0	%100
64	M32	Z	-2.131	-2.131	0	%100
65	M33	X	-4.99	-4.99	0	%100
66	M33	Z	-2.881	-2.881	0	%100
67	M34	X	-3.691	-3.691	0	%100
68	M34	Z	-2.131	-2.131	0	%100
69	M35	X	-1.248	-1.248	0	%100
70	M35	Z	-.72	-.72	0	%100
71	M36	X	0	0	0	%100
72	M36	Z	0	0	0	%100
73	M37	X	-1.248	-1.248	0	%100
74	M37	Z	-.72	-.72	0	%100
75	M38	X	0	0	0	%100
76	M38	Z	0	0	0	%100
77	M39	X	-1.248	-1.248	0	%100
78	M39	Z	-.72	-.72	0	%100
79	M40	X	-.89	-.89	0	%100
80	M40	Z	-.514	-.514	0	%100
81	M41	X	-.89	-.89	0	%100
82	M41	Z	-.514	-.514	0	%100
83	M42	X	-3.56	-3.56	0	%100
84	M42	Z	-2.055	-2.055	0	%100
85	M43	X	-.751	-.751	0	%100
86	M43	Z	-.434	-.434	0	%100
87	M44	X	-.751	-.751	0	%100
88	M44	Z	-.434	-.434	0	%100
89	M45	X	-3.005	-3.005	0	%100
90	M45	Z	-1.735	-1.735	0	%100
91	MP1A	X	-3.56	-3.56	0	%100
92	MP1A	Z	-2.055	-2.055	0	%100
93	MP2A	X	-3.868	-3.868	0	%100
94	MP2A	Z	-2.233	-2.233	0	%100
95	MP3A	X	-3.56	-3.56	0	%100
96	MP3A	Z	-2.055	-2.055	0	%100
97	MP4A	X	-3.56	-3.56	0	%100
98	MP4A	Z	-2.055	-2.055	0	%100
99	MP1B	X	-3.56	-3.56	0	%100
100	MP1B	Z	-2.055	-2.055	0	%100
101	MP2B	X	-3.868	-3.868	0	%100
102	MP2B	Z	-2.233	-2.233	0	%100
103	MP3B	X	-3.56	-3.56	0	%100
104	MP3B	Z	-2.055	-2.055	0	%100
105	MP4B	X	-3.56	-3.56	0	%100
106	MP4B	Z	-2.055	-2.055	0	%100
107	MP1C	X	-3.56	-3.56	0	%100
108	MP1C	Z	-2.055	-2.055	0	%100
109	MP2C	X	-3.868	-3.868	0	%100
110	MP2C	Z	-2.233	-2.233	0	%100
111	MP3C	X	-3.56	-3.56	0	%100
112	MP3C	Z	-2.055	-2.055	0	%100
113	MP4C	X	-3.56	-3.56	0	%100
114	MP4C	Z	-2.055	-2.055	0	%100

Member Distributed Loads (BLC 64 : Structure Wi (330 Deg))

	Member Label	Direction	Start Magnitude[lb/ft,...	End Magnitude[lb/ft,F...	Start Location[ft, %]	End Location[ft, %]
1	M1	X	-1.842	-1.842	0	%100
2	M1	Z	-3.19	-3.19	0	%100
3	M2	X	0	0	0	%100
4	M2	Z	0	0	0	%100
5	M3	X	-1.842	-1.842	0	%100

Member Distributed Loads (BLC 64 : Structure Wi (330 Deg)) (Continued)

	Member Label	Direction	Start Magnitude[lb/ft,...	End Magnitude[lb/ft,F...	Start Location[ft, %]	End Location[ft, %]
6	M3	Z	-3.19	-3.19	0	%100
7	M4	X	-.581	-.581	0	%100
8	M4	Z	-1.007	-1.007	0	%100
9	M5	X	-2.326	-2.326	0	%100
10	M5	Z	-4.028	-4.028	0	%100
11	M6	X	-.581	-.581	0	%100
12	M6	Z	-1.007	-1.007	0	%100
13	M7	X	-2.15	-2.15	0	%100
14	M7	Z	-3.725	-3.725	0	%100
15	M8	X	0	0	0	%100
16	M8	Z	0	0	0	%100
17	M9	X	-2.248	-2.248	0	%100
18	M9	Z	-3.894	-3.894	0	%100
19	M10	X	0	0	0	%100
20	M10	Z	0	0	0	%100
21	M11	X	-2.248	-2.248	0	%100
22	M11	Z	-3.894	-3.894	0	%100
23	M12	X	-2.248	-2.248	0	%100
24	M12	Z	-3.894	-3.894	0	%100
25	M13	X	-2.15	-2.15	0	%100
26	M13	Z	-3.725	-3.725	0	%100
27	M14	X	-2.248	-2.248	0	%100
28	M14	Z	-3.894	-3.894	0	%100
29	M15	X	0	0	0	%100
30	M15	Z	0	0	0	%100
31	M16	X	-1.431	-1.431	0	%100
32	M16	Z	-2.479	-2.479	0	%100
33	M17	X	-1.431	-1.431	0	%100
34	M17	Z	-2.479	-2.479	0	%100
35	M18	X	0	0	0	%100
36	M18	Z	0	0	0	%100
37	M19	X	0	0	0	%100
38	M19	Z	0	0	0	%100
39	M20	X	-1.431	-1.431	0	%100
40	M20	Z	-2.479	-2.479	0	%100
41	M21	X	-1.431	-1.431	0	%100
42	M21	Z	-2.479	-2.479	0	%100
43	M22	X	0	0	0	%100
44	M22	Z	0	0	0	%100
45	M23	X	-1.624	-1.624	0	%100
46	M23	Z	-2.812	-2.812	0	%100
47	M24	X	-1.624	-1.624	0	%100
48	M24	Z	-2.812	-2.812	0	%100
49	M25	X	-1.624	-1.624	0	%100
50	M25	Z	-2.812	-2.812	0	%100
51	M26	X	-1.624	-1.624	0	%100
52	M26	Z	-2.812	-2.812	0	%100
53	M27	X	0	0	0	%100
54	M27	Z	0	0	0	%100
55	M28	X	-.71	-.71	0	%100
56	M28	Z	-1.23	-1.23	0	%100
57	M29	X	0	0	0	%100
58	M29	Z	0	0	0	%100
59	M30	X	-.71	-.71	0	%100
60	M30	Z	-1.23	-1.23	0	%100
61	M31	X	-2.161	-2.161	0	%100
62	M31	Z	-3.743	-3.743	0	%100
63	M32	X	-2.842	-2.842	0	%100
64	M32	Z	-4.922	-4.922	0	%100
65	M33	X	-2.161	-2.161	0	%100
66	M33	Z	-3.743	-3.743	0	%100

Member Distributed Loads (BLC 64 : Structure Wi (330 Deg)) (Continued)

	Member Label	Direction	Start Magnitude[lb/ft,...	End Magnitude[lb/ft,F...	Start Location[ft, %]	End Location[ft, %]
67	M34	X	-2.842	-2.842	0	%100
68	M34	Z	-4.922	-4.922	0	%100
69	M35	X	-2.161	-2.161	0	%100
70	M35	Z	-3.743	-3.743	0	%100
71	M36	X	-.71	-.71	0	%100
72	M36	Z	-1.23	-1.23	0	%100
73	M37	X	-2.161	-2.161	0	%100
74	M37	Z	-3.743	-3.743	0	%100
75	M38	X	-.71	-.71	0	%100
76	M38	Z	-1.23	-1.23	0	%100
77	M39	X	0	0	0	%100
78	M39	Z	0	0	0	%100
79	M40	X	-1.541	-1.541	0	%100
80	M40	Z	-2.67	-2.67	0	%100
81	M41	X	0	0	0	%100
82	M41	Z	0	0	0	%100
83	M42	X	-1.541	-1.541	0	%100
84	M42	Z	-2.67	-2.67	0	%100
85	M43	X	0	0	0	%100
86	M43	Z	0	0	0	%100
87	M44	X	-1.301	-1.301	0	%100
88	M44	Z	-2.254	-2.254	0	%100
89	M45	X	-1.301	-1.301	0	%100
90	M45	Z	-2.254	-2.254	0	%100
91	MP1A	X	-2.055	-2.055	0	%100
92	MP1A	Z	-3.56	-3.56	0	%100
93	MP2A	X	-2.233	-2.233	0	%100
94	MP2A	Z	-3.868	-3.868	0	%100
95	MP3A	X	-2.055	-2.055	0	%100
96	MP3A	Z	-3.56	-3.56	0	%100
97	MP4A	X	-2.055	-2.055	0	%100
98	MP4A	Z	-3.56	-3.56	0	%100
99	MP1B	X	-2.055	-2.055	0	%100
100	MP1B	Z	-3.56	-3.56	0	%100
101	MP2B	X	-2.233	-2.233	0	%100
102	MP2B	Z	-3.868	-3.868	0	%100
103	MP3B	X	-2.055	-2.055	0	%100
104	MP3B	Z	-3.56	-3.56	0	%100
105	MP4B	X	-2.055	-2.055	0	%100
106	MP4B	Z	-3.56	-3.56	0	%100
107	MP1C	X	-2.055	-2.055	0	%100
108	MP1C	Z	-3.56	-3.56	0	%100
109	MP2C	X	-2.233	-2.233	0	%100
110	MP2C	Z	-3.868	-3.868	0	%100
111	MP3C	X	-2.055	-2.055	0	%100
112	MP3C	Z	-3.56	-3.56	0	%100
113	MP4C	X	-2.055	-2.055	0	%100
114	MP4C	Z	-3.56	-3.56	0	%100

Member Distributed Loads (BLC 65 : Structure Wm (0 Deg))

	Member Label	Direction	Start Magnitude[lb/ft,...	End Magnitude[lb/ft,F...	Start Location[ft, %]	End Location[ft, %]
1	M1	X	0	0	0	%100
2	M1	Z	-.891	-.891	0	%100
3	M2	X	0	0	0	%100
4	M2	Z	-.223	-.223	0	%100
5	M3	X	0	0	0	%100
6	M3	Z	-.223	-.223	0	%100
7	M4	X	0	0	0	%100
8	M4	Z	0	0	0	%100
9	M5	X	0	0	0	%100
10	M5	Z	-.683	-.683	0	%100

Member Distributed Loads (BLC 65 : Structure Wm (0 Deg)) (Continued)

	Member Label	Direction	Start Magnitude[lb/ft,...	End Magnitude[lb/ft,F...	Start Location[ft, %]	End Location[ft, %]
11	M6	X	0	0	0	%100
12	M6	Z	-.683	-.683	0	%100
13	M7	X	0	0	0	%100
14	M7	Z	-1.538	-1.538	0	%100
15	M8	X	0	0	0	%100
16	M8	Z	-.412	-.412	0	%100
17	M9	X	0	0	0	%100
18	M9	Z	-.412	-.412	0	%100
19	M10	X	0	0	0	%100
20	M10	Z	-.384	-.384	0	%100
21	M11	X	0	0	0	%100
22	M11	Z	-.412	-.412	0	%100
23	M12	X	0	0	0	%100
24	M12	Z	-1.65	-1.65	0	%100
25	M13	X	0	0	0	%100
26	M13	Z	-.384	-.384	0	%100
27	M14	X	0	0	0	%100
28	M14	Z	-1.65	-1.65	0	%100
29	M15	X	0	0	0	%100
30	M15	Z	-.412	-.412	0	%100
31	M16	X	0	0	0	%100
32	M16	Z	-.771	-.771	0	%100
33	M17	X	0	0	0	%100
34	M17	Z	-.771	-.771	0	%100
35	M18	X	0	0	0	%100
36	M18	Z	-.193	-.193	0	%100
37	M19	X	0	0	0	%100
38	M19	Z	-.193	-.193	0	%100
39	M20	X	0	0	0	%100
40	M20	Z	-.193	-.193	0	%100
41	M21	X	0	0	0	%100
42	M21	Z	-.193	-.193	0	%100
43	M22	X	0	0	0	%100
44	M22	Z	-.213	-.213	0	%100
45	M23	X	0	0	0	%100
46	M23	Z	-.213	-.213	0	%100
47	M24	X	0	0	0	%100
48	M24	Z	-.213	-.213	0	%100
49	M25	X	0	0	0	%100
50	M25	Z	-.854	-.854	0	%100
51	M26	X	0	0	0	%100
52	M26	Z	-.854	-.854	0	%100
53	M27	X	0	0	0	%100
54	M27	Z	-.213	-.213	0	%100
55	M28	X	0	0	0	%100
56	M28	Z	0	0	0	%100
57	M29	X	0	0	0	%100
58	M29	Z	-.392	-.392	0	%100
59	M30	X	0	0	0	%100
60	M30	Z	0	0	0	%100
61	M31	X	0	0	0	%100
62	M31	Z	-.392	-.392	0	%100
63	M32	X	0	0	0	%100
64	M32	Z	-1.153	-1.153	0	%100
65	M33	X	0	0	0	%100
66	M33	Z	-.392	-.392	0	%100
67	M34	X	0	0	0	%100
68	M34	Z	-1.153	-1.153	0	%100
69	M35	X	0	0	0	%100
70	M35	Z	-1.566	-1.566	0	%100
71	M36	X	0	0	0	%100

Member Distributed Loads (BLC 65 : Structure Wm (0 Deg)) (Continued)

	Member Label	Direction	Start Magnitude[lb/ft,...	End Magnitude[lb/ft,F...	Start Location[ft, %]	End Location[ft, %]
72	M36	Z	-1.153	-1.153	0	%100
73	M37	X	0	0	0	%100
74	M37	Z	-1.566	-1.566	0	%100
75	M38	X	0	0	0	%100
76	M38	Z	-1.153	-1.153	0	%100
77	M39	X	0	0	0	%100
78	M39	Z	-.392	-.392	0	%100
79	M40	X	0	0	0	%100
80	M40	Z	-.609	-.609	0	%100
81	M41	X	0	0	0	%100
82	M41	Z	-.152	-.152	0	%100
83	M42	X	0	0	0	%100
84	M42	Z	-.152	-.152	0	%100
85	M43	X	0	0	0	%100
86	M43	Z	-.179	-.179	0	%100
87	M44	X	0	0	0	%100
88	M44	Z	-.715	-.715	0	%100
89	M45	X	0	0	0	%100
90	M45	Z	-.179	-.179	0	%100
91	MP1A	X	0	0	0	%100
92	MP1A	Z	-.609	-.609	0	%100
93	MP2A	X	0	0	0	%100
94	MP2A	Z	-.737	-.737	0	%100
95	MP3A	X	0	0	0	%100
96	MP3A	Z	-.609	-.609	0	%100
97	MP4A	X	0	0	0	%100
98	MP4A	Z	-.609	-.609	0	%100
99	MP1B	X	0	0	0	%100
100	MP1B	Z	-.609	-.609	0	%100
101	MP2B	X	0	0	0	%100
102	MP2B	Z	-.737	-.737	0	%100
103	MP3B	X	0	0	0	%100
104	MP3B	Z	-.609	-.609	0	%100
105	MP4B	X	0	0	0	%100
106	MP4B	Z	-.609	-.609	0	%100
107	MP1C	X	0	0	0	%100
108	MP1C	Z	-.609	-.609	0	%100
109	MP2C	X	0	0	0	%100
110	MP2C	Z	-.737	-.737	0	%100
111	MP3C	X	0	0	0	%100
112	MP3C	Z	-.609	-.609	0	%100
113	MP4C	X	0	0	0	%100
114	MP4C	Z	-.609	-.609	0	%100

Member Distributed Loads (BLC 66 : Structure Wm (30 Deg))

	Member Label	Direction	Start Magnitude[lb/ft,...	End Magnitude[lb/ft,F...	Start Location[ft, %]	End Location[ft, %]
1	M1	X	.334	.334	0	%100
2	M1	Z	-.579	-.579	0	%100
3	M2	X	.334	.334	0	%100
4	M2	Z	-.579	-.579	0	%100
5	M3	X	0	0	0	%100
6	M3	Z	0	0	0	%100
7	M4	X	.114	.114	0	%100
8	M4	Z	-.197	-.197	0	%100
9	M5	X	.114	.114	0	%100
10	M5	Z	-.197	-.197	0	%100
11	M6	X	.456	.456	0	%100
12	M6	Z	-.789	-.789	0	%100
13	M7	X	.577	.577	0	%100
14	M7	Z	-.999	-.999	0	%100
15	M8	X	.619	.619	0	%100

Member Distributed Loads (BLC 66 : Structure Wm (30 Deg)) (Continued)

	Member Label	Direction	Start Magnitude[lb/ft,...	End Magnitude[lb/ft,F...	Start Location[ft, %]	End Location[ft, %]
16	M8	Z	-1.072	-1.072	0	%100
17	M9	X	0	0	0	%100
18	M9	Z	0	0	0	%100
19	M10	X	.577	.577	0	%100
20	M10	Z	-.999	-.999	0	%100
21	M11	X	0	0	0	%100
22	M11	Z	0	0	0	%100
23	M12	X	.619	.619	0	%100
24	M12	Z	-1.072	-1.072	0	%100
25	M13	X	0	0	0	%100
26	M13	Z	0	0	0	%100
27	M14	X	.619	.619	0	%100
28	M14	Z	-1.072	-1.072	0	%100
29	M15	X	.619	.619	0	%100
30	M15	Z	-1.072	-1.072	0	%100
31	M16	X	.289	.289	0	%100
32	M16	Z	-.501	-.501	0	%100
33	M17	X	.289	.289	0	%100
34	M17	Z	-.501	-.501	0	%100
35	M18	X	.289	.289	0	%100
36	M18	Z	-.501	-.501	0	%100
37	M19	X	.289	.289	0	%100
38	M19	Z	-.501	-.501	0	%100
39	M20	X	0	0	0	%100
40	M20	Z	0	0	0	%100
41	M21	X	0	0	0	%100
42	M21	Z	0	0	0	%100
43	M22	X	.32	.32	0	%100
44	M22	Z	-.555	-.555	0	%100
45	M23	X	0	0	0	%100
46	M23	Z	0	0	0	%100
47	M24	X	0	0	0	%100
48	M24	Z	0	0	0	%100
49	M25	X	.32	.32	0	%100
50	M25	Z	-.555	-.555	0	%100
51	M26	X	.32	.32	0	%100
52	M26	Z	-.555	-.555	0	%100
53	M27	X	.32	.32	0	%100
54	M27	Z	-.555	-.555	0	%100
55	M28	X	.192	.192	0	%100
56	M28	Z	-.333	-.333	0	%100
57	M29	X	.587	.587	0	%100
58	M29	Z	-1.017	-1.017	0	%100
59	M30	X	.192	.192	0	%100
60	M30	Z	-.333	-.333	0	%100
61	M31	X	0	0	0	%100
62	M31	Z	0	0	0	%100
63	M32	X	.192	.192	0	%100
64	M32	Z	-.333	-.333	0	%100
65	M33	X	0	0	0	%100
66	M33	Z	0	0	0	%100
67	M34	X	.192	.192	0	%100
68	M34	Z	-.333	-.333	0	%100
69	M35	X	.587	.587	0	%100
70	M35	Z	-1.017	-1.017	0	%100
71	M36	X	.769	.769	0	%100
72	M36	Z	-1.332	-1.332	0	%100
73	M37	X	.587	.587	0	%100
74	M37	Z	-1.017	-1.017	0	%100
75	M38	X	.769	.769	0	%100
76	M38	Z	-1.332	-1.332	0	%100

Member Distributed Loads (BLC 66 : Structure Wm (30 Deg)) (Continued)

	Member Label	Direction	Start Magnitude[lb/ft,...	End Magnitude[lb/ft,F...	Start Location[ft, %]	End Location[ft, %]
77	M39	X	.587	.587	0	%100
78	M39	Z	-1.017	-1.017	0	%100
79	M40	X	.228	.228	0	%100
80	M40	Z	-.395	-.395	0	%100
81	M41	X	.228	.228	0	%100
82	M41	Z	-.395	-.395	0	%100
83	M42	X	0	0	0	%100
84	M42	Z	0	0	0	%100
85	M43	X	.268	.268	0	%100
86	M43	Z	-.464	-.464	0	%100
87	M44	X	.268	.268	0	%100
88	M44	Z	-.464	-.464	0	%100
89	M45	X	0	0	0	%100
90	M45	Z	0	0	0	%100
91	MP1A	X	.304	.304	0	%100
92	MP1A	Z	-.527	-.527	0	%100
93	MP2A	X	.368	.368	0	%100
94	MP2A	Z	-.638	-.638	0	%100
95	MP3A	X	.304	.304	0	%100
96	MP3A	Z	-.527	-.527	0	%100
97	MP4A	X	.304	.304	0	%100
98	MP4A	Z	-.527	-.527	0	%100
99	MP1B	X	.304	.304	0	%100
100	MP1B	Z	-.527	-.527	0	%100
101	MP2B	X	.368	.368	0	%100
102	MP2B	Z	-.638	-.638	0	%100
103	MP3B	X	.304	.304	0	%100
104	MP3B	Z	-.527	-.527	0	%100
105	MP4B	X	.304	.304	0	%100
106	MP4B	Z	-.527	-.527	0	%100
107	MP1C	X	.304	.304	0	%100
108	MP1C	Z	-.527	-.527	0	%100
109	MP2C	X	.368	.368	0	%100
110	MP2C	Z	-.638	-.638	0	%100
111	MP3C	X	.304	.304	0	%100
112	MP3C	Z	-.527	-.527	0	%100
113	MP4C	X	.304	.304	0	%100
114	MP4C	Z	-.527	-.527	0	%100

Member Distributed Loads (BLC 67 : Structure Wm (60 Deg))

	Member Label	Direction	Start Magnitude[lb/ft,...	End Magnitude[lb/ft,F...	Start Location[ft, %]	End Location[ft, %]
1	M1	X	.193	.193	0	%100
2	M1	Z	-.111	-.111	0	%100
3	M2	X	.772	.772	0	%100
4	M2	Z	-.446	-.446	0	%100
5	M3	X	.193	.193	0	%100
6	M3	Z	-.111	-.111	0	%100
7	M4	X	.592	.592	0	%100
8	M4	Z	-.342	-.342	0	%100
9	M5	X	0	0	0	%100
10	M5	Z	0	0	0	%100
11	M6	X	.592	.592	0	%100
12	M6	Z	-.342	-.342	0	%100
13	M7	X	.333	.333	0	%100
14	M7	Z	-.192	-.192	0	%100
15	M8	X	1.429	1.429	0	%100
16	M8	Z	-.825	-.825	0	%100
17	M9	X	.357	.357	0	%100
18	M9	Z	-.206	-.206	0	%100
19	M10	X	1.332	1.332	0	%100
20	M10	Z	-.769	-.769	0	%100

Member Distributed Loads (BLC 67 : Structure Wm (60 Deg)) (Continued)

	Member Label	Direction	Start Magnitude[lb/ft,...	End Magnitude[lb/ft,F...	Start Location[ft, %]	End Location[ft, %]
21	M11	X	.357	.357	0	%100
22	M11	Z	-.206	-.206	0	%100
23	M12	X	.357	.357	0	%100
24	M12	Z	-.206	-.206	0	%100
25	M13	X	.333	.333	0	%100
26	M13	Z	-.192	-.192	0	%100
27	M14	X	.357	.357	0	%100
28	M14	Z	-.206	-.206	0	%100
29	M15	X	1.429	1.429	0	%100
30	M15	Z	-.825	-.825	0	%100
31	M16	X	.167	.167	0	%100
32	M16	Z	-.096	-.096	0	%100
33	M17	X	.167	.167	0	%100
34	M17	Z	-.096	-.096	0	%100
35	M18	X	.668	.668	0	%100
36	M18	Z	-.385	-.385	0	%100
37	M19	X	.668	.668	0	%100
38	M19	Z	-.385	-.385	0	%100
39	M20	X	.167	.167	0	%100
40	M20	Z	-.096	-.096	0	%100
41	M21	X	.167	.167	0	%100
42	M21	Z	-.096	-.096	0	%100
43	M22	X	.739	.739	0	%100
44	M22	Z	-.427	-.427	0	%100
45	M23	X	.185	.185	0	%100
46	M23	Z	-.107	-.107	0	%100
47	M24	X	.185	.185	0	%100
48	M24	Z	-.107	-.107	0	%100
49	M25	X	.185	.185	0	%100
50	M25	Z	-.107	-.107	0	%100
51	M26	X	.185	.185	0	%100
52	M26	Z	-.107	-.107	0	%100
53	M27	X	.739	.739	0	%100
54	M27	Z	-.427	-.427	0	%100
55	M28	X	.999	.999	0	%100
56	M28	Z	-.577	-.577	0	%100
57	M29	X	1.356	1.356	0	%100
58	M29	Z	-.783	-.783	0	%100
59	M30	X	.999	.999	0	%100
60	M30	Z	-.577	-.577	0	%100
61	M31	X	.339	.339	0	%100
62	M31	Z	-.196	-.196	0	%100
63	M32	X	0	0	0	%100
64	M32	Z	0	0	0	%100
65	M33	X	.339	.339	0	%100
66	M33	Z	-.196	-.196	0	%100
67	M34	X	0	0	0	%100
68	M34	Z	0	0	0	%100
69	M35	X	.339	.339	0	%100
70	M35	Z	-.196	-.196	0	%100
71	M36	X	.999	.999	0	%100
72	M36	Z	-.577	-.577	0	%100
73	M37	X	.339	.339	0	%100
74	M37	Z	-.196	-.196	0	%100
75	M38	X	.999	.999	0	%100
76	M38	Z	-.577	-.577	0	%100
77	M39	X	1.356	1.356	0	%100
78	M39	Z	-.783	-.783	0	%100
79	M40	X	.132	.132	0	%100
80	M40	Z	-.076	-.076	0	%100
81	M41	X	.527	.527	0	%100

Member Distributed Loads (BLC 67 : Structure Wm (60 Deg)) (Continued)

	Member Label	Direction	Start Magnitude[lb/ft,...	End Magnitude[lb/ft,F...	Start Location[ft, %]	End Location[ft, %]
82	M41	Z	-.304	-.304	0	%100
83	M42	X	.132	.132	0	%100
84	M42	Z	-.076	-.076	0	%100
85	M43	X	.619	.619	0	%100
86	M43	Z	-.357	-.357	0	%100
87	M44	X	.155	.155	0	%100
88	M44	Z	-.089	-.089	0	%100
89	M45	X	.155	.155	0	%100
90	M45	Z	-.089	-.089	0	%100
91	MP1A	X	.527	.527	0	%100
92	MP1A	Z	-.304	-.304	0	%100
93	MP2A	X	.638	.638	0	%100
94	MP2A	Z	-.368	-.368	0	%100
95	MP3A	X	.527	.527	0	%100
96	MP3A	Z	-.304	-.304	0	%100
97	MP4A	X	.527	.527	0	%100
98	MP4A	Z	-.304	-.304	0	%100
99	MP1B	X	.527	.527	0	%100
100	MP1B	Z	-.304	-.304	0	%100
101	MP2B	X	.638	.638	0	%100
102	MP2B	Z	-.368	-.368	0	%100
103	MP3B	X	.527	.527	0	%100
104	MP3B	Z	-.304	-.304	0	%100
105	MP4B	X	.527	.527	0	%100
106	MP4B	Z	-.304	-.304	0	%100
107	MP1C	X	.527	.527	0	%100
108	MP1C	Z	-.304	-.304	0	%100
109	MP2C	X	.638	.638	0	%100
110	MP2C	Z	-.368	-.368	0	%100
111	MP3C	X	.527	.527	0	%100
112	MP3C	Z	-.304	-.304	0	%100
113	MP4C	X	.527	.527	0	%100
114	MP4C	Z	-.304	-.304	0	%100

Member Distributed Loads (BLC 68 : Structure Wm (90 Deg))

	Member Label	Direction	Start Magnitude[lb/ft,...	End Magnitude[lb/ft,F...	Start Location[ft, %]	End Location[ft, %]
1	M1	X	0	0	0	%100
2	M1	Z	0	0	0	%100
3	M2	X	.668	.668	0	%100
4	M2	Z	0	0	0	%100
5	M3	X	.668	.668	0	%100
6	M3	Z	0	0	0	%100
7	M4	X	.911	.911	0	%100
8	M4	Z	0	0	0	%100
9	M5	X	.228	.228	0	%100
10	M5	Z	0	0	0	%100
11	M6	X	.228	.228	0	%100
12	M6	Z	0	0	0	%100
13	M7	X	0	0	0	%100
14	M7	Z	0	0	0	%100
15	M8	X	1.237	1.237	0	%100
16	M8	Z	0	0	0	%100
17	M9	X	1.237	1.237	0	%100
18	M9	Z	0	0	0	%100
19	M10	X	1.153	1.153	0	%100
20	M10	Z	0	0	0	%100
21	M11	X	1.237	1.237	0	%100
22	M11	Z	0	0	0	%100
23	M12	X	0	0	0	%100
24	M12	Z	0	0	0	%100
25	M13	X	1.153	1.153	0	%100

Member Distributed Loads (BLC 68 : Structure Wm (90 Deg)) (Continued)

	Member Label	Direction	Start Magnitude[lb/ft,...	End Magnitude[lb/ft,F...	Start Location[ft,%]	End Location[ft,%]
26	M13	Z	0	0	0	%100
27	M14	X	0	0	0	%100
28	M14	Z	0	0	0	%100
29	M15	X	1.237	1.237	0	%100
30	M15	Z	0	0	0	%100
31	M16	X	0	0	0	%100
32	M16	Z	0	0	0	%100
33	M17	X	0	0	0	%100
34	M17	Z	0	0	0	%100
35	M18	X	.578	.578	0	%100
36	M18	Z	0	0	0	%100
37	M19	X	.578	.578	0	%100
38	M19	Z	0	0	0	%100
39	M20	X	.578	.578	0	%100
40	M20	Z	0	0	0	%100
41	M21	X	.578	.578	0	%100
42	M21	Z	0	0	0	%100
43	M22	X	.64	.64	0	%100
44	M22	Z	0	0	0	%100
45	M23	X	.64	.64	0	%100
46	M23	Z	0	0	0	%100
47	M24	X	.64	.64	0	%100
48	M24	Z	0	0	0	%100
49	M25	X	0	0	0	%100
50	M25	Z	0	0	0	%100
51	M26	X	0	0	0	%100
52	M26	Z	0	0	0	%100
53	M27	X	.64	.64	0	%100
54	M27	Z	0	0	0	%100
55	M28	X	1.538	1.538	0	%100
56	M28	Z	0	0	0	%100
57	M29	X	1.175	1.175	0	%100
58	M29	Z	0	0	0	%100
59	M30	X	1.538	1.538	0	%100
60	M30	Z	0	0	0	%100
61	M31	X	1.175	1.175	0	%100
62	M31	Z	0	0	0	%100
63	M32	X	.384	.384	0	%100
64	M32	Z	0	0	0	%100
65	M33	X	1.175	1.175	0	%100
66	M33	Z	0	0	0	%100
67	M34	X	.384	.384	0	%100
68	M34	Z	0	0	0	%100
69	M35	X	0	0	0	%100
70	M35	Z	0	0	0	%100
71	M36	X	.384	.384	0	%100
72	M36	Z	0	0	0	%100
73	M37	X	0	0	0	%100
74	M37	Z	0	0	0	%100
75	M38	X	.384	.384	0	%100
76	M38	Z	0	0	0	%100
77	M39	X	1.175	1.175	0	%100
78	M39	Z	0	0	0	%100
79	M40	X	0	0	0	%100
80	M40	Z	0	0	0	%100
81	M41	X	.457	.457	0	%100
82	M41	Z	0	0	0	%100
83	M42	X	.457	.457	0	%100
84	M42	Z	0	0	0	%100
85	M43	X	.536	.536	0	%100
86	M43	Z	0	0	0	%100

Member Distributed Loads (BLC 68 : Structure Wm (90 Deg)) (Continued)

	Member Label	Direction	Start Magnitude[lb/ft,...	End Magnitude[lb/ft,F...	Start Location[ft, %]	End Location[ft, %]
87	M44	X	0	0	0	%100
88	M44	Z	0	0	0	%100
89	M45	X	.536	.536	0	%100
90	M45	Z	0	0	0	%100
91	MP1A	X	.609	.609	0	%100
92	MP1A	Z	0	0	0	%100
93	MP2A	X	.737	.737	0	%100
94	MP2A	Z	0	0	0	%100
95	MP3A	X	.609	.609	0	%100
96	MP3A	Z	0	0	0	%100
97	MP4A	X	.609	.609	0	%100
98	MP4A	Z	0	0	0	%100
99	MP1B	X	.609	.609	0	%100
100	MP1B	Z	0	0	0	%100
101	MP2B	X	.737	.737	0	%100
102	MP2B	Z	0	0	0	%100
103	MP3B	X	.609	.609	0	%100
104	MP3B	Z	0	0	0	%100
105	MP4B	X	.609	.609	0	%100
106	MP4B	Z	0	0	0	%100
107	MP1C	X	.609	.609	0	%100
108	MP1C	Z	0	0	0	%100
109	MP2C	X	.737	.737	0	%100
110	MP2C	Z	0	0	0	%100
111	MP3C	X	.609	.609	0	%100
112	MP3C	Z	0	0	0	%100
113	MP4C	X	.609	.609	0	%100
114	MP4C	Z	0	0	0	%100

Member Distributed Loads (BLC 69 : Structure Wm (120 Deg))

	Member Label	Direction	Start Magnitude[lb/ft,...	End Magnitude[lb/ft,F...	Start Location[ft, %]	End Location[ft, %]
1	M1	X	.193	.193	0	%100
2	M1	Z	.111	.111	0	%100
3	M2	X	.193	.193	0	%100
4	M2	Z	.111	.111	0	%100
5	M3	X	.772	.772	0	%100
6	M3	Z	.446	.446	0	%100
7	M4	X	.592	.592	0	%100
8	M4	Z	.342	.342	0	%100
9	M5	X	.592	.592	0	%100
10	M5	Z	.342	.342	0	%100
11	M6	X	0	0	0	%100
12	M6	Z	0	0	0	%100
13	M7	X	.333	.333	0	%100
14	M7	Z	.192	.192	0	%100
15	M8	X	.357	.357	0	%100
16	M8	Z	.206	.206	0	%100
17	M9	X	1.429	1.429	0	%100
18	M9	Z	.825	.825	0	%100
19	M10	X	.333	.333	0	%100
20	M10	Z	.192	.192	0	%100
21	M11	X	1.429	1.429	0	%100
22	M11	Z	.825	.825	0	%100
23	M12	X	.357	.357	0	%100
24	M12	Z	.206	.206	0	%100
25	M13	X	1.332	1.332	0	%100
26	M13	Z	.769	.769	0	%100
27	M14	X	.357	.357	0	%100
28	M14	Z	.206	.206	0	%100
29	M15	X	.357	.357	0	%100
30	M15	Z	.206	.206	0	%100

Member Distributed Loads (BLC 69 : Structure Wm (120 Deg)) (Continued)

	Member Label	Direction	Start Magnitude[lb/ft,...	End Magnitude[lb/ft,F...	Start Location[ft, %]	End Location[ft, %]
31	M16	X	.167	.167	0	%100
32	M16	Z	.096	.096	0	%100
33	M17	X	.167	.167	0	%100
34	M17	Z	.096	.096	0	%100
35	M18	X	.167	.167	0	%100
36	M18	Z	.096	.096	0	%100
37	M19	X	.167	.167	0	%100
38	M19	Z	.096	.096	0	%100
39	M20	X	.668	.668	0	%100
40	M20	Z	.385	.385	0	%100
41	M21	X	.668	.668	0	%100
42	M21	Z	.385	.385	0	%100
43	M22	X	.185	.185	0	%100
44	M22	Z	.107	.107	0	%100
45	M23	X	.739	.739	0	%100
46	M23	Z	.427	.427	0	%100
47	M24	X	.739	.739	0	%100
48	M24	Z	.427	.427	0	%100
49	M25	X	.185	.185	0	%100
50	M25	Z	.107	.107	0	%100
51	M26	X	.185	.185	0	%100
52	M26	Z	.107	.107	0	%100
53	M27	X	.185	.185	0	%100
54	M27	Z	.107	.107	0	%100
55	M28	X	.999	.999	0	%100
56	M28	Z	.577	.577	0	%100
57	M29	X	.339	.339	0	%100
58	M29	Z	.196	.196	0	%100
59	M30	X	.999	.999	0	%100
60	M30	Z	.577	.577	0	%100
61	M31	X	1.356	1.356	0	%100
62	M31	Z	.783	.783	0	%100
63	M32	X	.999	.999	0	%100
64	M32	Z	.577	.577	0	%100
65	M33	X	1.356	1.356	0	%100
66	M33	Z	.783	.783	0	%100
67	M34	X	.999	.999	0	%100
68	M34	Z	.577	.577	0	%100
69	M35	X	.339	.339	0	%100
70	M35	Z	.196	.196	0	%100
71	M36	X	0	0	0	%100
72	M36	Z	0	0	0	%100
73	M37	X	.339	.339	0	%100
74	M37	Z	.196	.196	0	%100
75	M38	X	0	0	0	%100
76	M38	Z	0	0	0	%100
77	M39	X	.339	.339	0	%100
78	M39	Z	.196	.196	0	%100
79	M40	X	.132	.132	0	%100
80	M40	Z	.076	.076	0	%100
81	M41	X	.132	.132	0	%100
82	M41	Z	.076	.076	0	%100
83	M42	X	.527	.527	0	%100
84	M42	Z	.304	.304	0	%100
85	M43	X	.155	.155	0	%100
86	M43	Z	.089	.089	0	%100
87	M44	X	.155	.155	0	%100
88	M44	Z	.089	.089	0	%100
89	M45	X	.619	.619	0	%100
90	M45	Z	.357	.357	0	%100
91	MP1A	X	.527	.527	0	%100

Member Distributed Loads (BLC 69 : Structure Wm (120 Deg)) (Continued)

	Member Label	Direction	Start Magnitude[lb/ft,...	End Magnitude[lb/ft,F...	Start Location[ft, %]	End Location[ft, %]
92	MP1A	Z	.304	.304	0	%100
93	MP2A	X	.638	.638	0	%100
94	MP2A	Z	.368	.368	0	%100
95	MP3A	X	.527	.527	0	%100
96	MP3A	Z	.304	.304	0	%100
97	MP4A	X	.527	.527	0	%100
98	MP4A	Z	.304	.304	0	%100
99	MP1B	X	.527	.527	0	%100
100	MP1B	Z	.304	.304	0	%100
101	MP2B	X	.638	.638	0	%100
102	MP2B	Z	.368	.368	0	%100
103	MP3B	X	.527	.527	0	%100
104	MP3B	Z	.304	.304	0	%100
105	MP4B	X	.527	.527	0	%100
106	MP4B	Z	.304	.304	0	%100
107	MP1C	X	.527	.527	0	%100
108	MP1C	Z	.304	.304	0	%100
109	MP2C	X	.638	.638	0	%100
110	MP2C	Z	.368	.368	0	%100
111	MP3C	X	.527	.527	0	%100
112	MP3C	Z	.304	.304	0	%100
113	MP4C	X	.527	.527	0	%100
114	MP4C	Z	.304	.304	0	%100

Member Distributed Loads (BLC 70 : Structure Wm (150 Deg))

	Member Label	Direction	Start Magnitude[lb/ft,...	End Magnitude[lb/ft,F...	Start Location[ft, %]	End Location[ft, %]
1	M1	X	.334	.334	0	%100
2	M1	Z	.579	.579	0	%100
3	M2	X	0	0	0	%100
4	M2	Z	0	0	0	%100
5	M3	X	.334	.334	0	%100
6	M3	Z	.579	.579	0	%100
7	M4	X	.114	.114	0	%100
8	M4	Z	.197	.197	0	%100
9	M5	X	.456	.456	0	%100
10	M5	Z	.789	.789	0	%100
11	M6	X	.114	.114	0	%100
12	M6	Z	.197	.197	0	%100
13	M7	X	.577	.577	0	%100
14	M7	Z	.999	.999	0	%100
15	M8	X	0	0	0	%100
16	M8	Z	0	0	0	%100
17	M9	X	.619	.619	0	%100
18	M9	Z	1.072	1.072	0	%100
19	M10	X	0	0	0	%100
20	M10	Z	0	0	0	%100
21	M11	X	.619	.619	0	%100
22	M11	Z	1.072	1.072	0	%100
23	M12	X	.619	.619	0	%100
24	M12	Z	1.072	1.072	0	%100
25	M13	X	.577	.577	0	%100
26	M13	Z	.999	.999	0	%100
27	M14	X	.619	.619	0	%100
28	M14	Z	1.072	1.072	0	%100
29	M15	X	0	0	0	%100
30	M15	Z	0	0	0	%100
31	M16	X	.289	.289	0	%100
32	M16	Z	.501	.501	0	%100
33	M17	X	.289	.289	0	%100
34	M17	Z	.501	.501	0	%100
35	M18	X	0	0	0	%100

Member Distributed Loads (BLC 70 : Structure Wm (150 Deg)) (Continued)

	Member Label	Direction	Start Magnitude[lb/ft,...	End Magnitude[lb/ft,F...	Start Location[ft,%]	End Location[ft,%]
36	M18	Z	0	0	0	%100
37	M19	X	0	0	0	%100
38	M19	Z	0	0	0	%100
39	M20	X	.289	.289	0	%100
40	M20	Z	.501	.501	0	%100
41	M21	X	.289	.289	0	%100
42	M21	Z	.501	.501	0	%100
43	M22	X	0	0	0	%100
44	M22	Z	0	0	0	%100
45	M23	X	.32	.32	0	%100
46	M23	Z	.555	.555	0	%100
47	M24	X	.32	.32	0	%100
48	M24	Z	.555	.555	0	%100
49	M25	X	.32	.32	0	%100
50	M25	Z	.555	.555	0	%100
51	M26	X	.32	.32	0	%100
52	M26	Z	.555	.555	0	%100
53	M27	X	0	0	0	%100
54	M27	Z	0	0	0	%100
55	M28	X	.192	.192	0	%100
56	M28	Z	.333	.333	0	%100
57	M29	X	0	0	0	%100
58	M29	Z	0	0	0	%100
59	M30	X	.192	.192	0	%100
60	M30	Z	.333	.333	0	%100
61	M31	X	.587	.587	0	%100
62	M31	Z	1.017	1.017	0	%100
63	M32	X	.769	.769	0	%100
64	M32	Z	1.332	1.332	0	%100
65	M33	X	.587	.587	0	%100
66	M33	Z	1.017	1.017	0	%100
67	M34	X	.769	.769	0	%100
68	M34	Z	1.332	1.332	0	%100
69	M35	X	.587	.587	0	%100
70	M35	Z	1.017	1.017	0	%100
71	M36	X	.192	.192	0	%100
72	M36	Z	.333	.333	0	%100
73	M37	X	.587	.587	0	%100
74	M37	Z	1.017	1.017	0	%100
75	M38	X	.192	.192	0	%100
76	M38	Z	.333	.333	0	%100
77	M39	X	0	0	0	%100
78	M39	Z	0	0	0	%100
79	M40	X	.228	.228	0	%100
80	M40	Z	.395	.395	0	%100
81	M41	X	0	0	0	%100
82	M41	Z	0	0	0	%100
83	M42	X	.228	.228	0	%100
84	M42	Z	.395	.395	0	%100
85	M43	X	0	0	0	%100
86	M43	Z	0	0	0	%100
87	M44	X	.268	.268	0	%100
88	M44	Z	.464	.464	0	%100
89	M45	X	.268	.268	0	%100
90	M45	Z	.464	.464	0	%100
91	MP1A	X	.304	.304	0	%100
92	MP1A	Z	.527	.527	0	%100
93	MP2A	X	.368	.368	0	%100
94	MP2A	Z	.638	.638	0	%100
95	MP3A	X	.304	.304	0	%100
96	MP3A	Z	.527	.527	0	%100

Member Distributed Loads (BLC 70 : Structure Wm (150 Deg)) (Continued)

	Member Label	Direction	Start Magnitude[lb/ft,...	End Magnitude[lb/ft,F...	Start Location[ft, %]	End Location[ft, %]
97	MP4A	X	.304	.304	0	%100
98	MP4A	Z	.527	.527	0	%100
99	MP1B	X	.304	.304	0	%100
100	MP1B	Z	.527	.527	0	%100
101	MP2B	X	.368	.368	0	%100
102	MP2B	Z	.638	.638	0	%100
103	MP3B	X	.304	.304	0	%100
104	MP3B	Z	.527	.527	0	%100
105	MP4B	X	.304	.304	0	%100
106	MP4B	Z	.527	.527	0	%100
107	MP1C	X	.304	.304	0	%100
108	MP1C	Z	.527	.527	0	%100
109	MP2C	X	.368	.368	0	%100
110	MP2C	Z	.638	.638	0	%100
111	MP3C	X	.304	.304	0	%100
112	MP3C	Z	.527	.527	0	%100
113	MP4C	X	.304	.304	0	%100
114	MP4C	Z	.527	.527	0	%100

Member Distributed Loads (BLC 71 : Structure Wm (180 Deg))

	Member Label	Direction	Start Magnitude[lb/ft,...	End Magnitude[lb/ft,F...	Start Location[ft, %]	End Location[ft, %]
1	M1	X	0	0	0	%100
2	M1	Z	.891	.891	0	%100
3	M2	X	0	0	0	%100
4	M2	Z	.223	.223	0	%100
5	M3	X	0	0	0	%100
6	M3	Z	.223	.223	0	%100
7	M4	X	0	0	0	%100
8	M4	Z	0	0	0	%100
9	M5	X	0	0	0	%100
10	M5	Z	.683	.683	0	%100
11	M6	X	0	0	0	%100
12	M6	Z	.683	.683	0	%100
13	M7	X	0	0	0	%100
14	M7	Z	1.538	1.538	0	%100
15	M8	X	0	0	0	%100
16	M8	Z	.412	.412	0	%100
17	M9	X	0	0	0	%100
18	M9	Z	.412	.412	0	%100
19	M10	X	0	0	0	%100
20	M10	Z	.384	.384	0	%100
21	M11	X	0	0	0	%100
22	M11	Z	.412	.412	0	%100
23	M12	X	0	0	0	%100
24	M12	Z	1.65	1.65	0	%100
25	M13	X	0	0	0	%100
26	M13	Z	.384	.384	0	%100
27	M14	X	0	0	0	%100
28	M14	Z	1.65	1.65	0	%100
29	M15	X	0	0	0	%100
30	M15	Z	.412	.412	0	%100
31	M16	X	0	0	0	%100
32	M16	Z	.771	.771	0	%100
33	M17	X	0	0	0	%100
34	M17	Z	.771	.771	0	%100
35	M18	X	0	0	0	%100
36	M18	Z	.193	.193	0	%100
37	M19	X	0	0	0	%100
38	M19	Z	.193	.193	0	%100
39	M20	X	0	0	0	%100
40	M20	Z	.193	.193	0	%100

Member Distributed Loads (BLC 71 : Structure Wm (180 Deg)) (Continued)

	Member Label	Direction	Start Magnitude[lb/ft,...	End Magnitude[lb/ft,F...	Start Location[ft, %]	End Location[ft, %]
41	M21	X	0	0	0	%100
42	M21	Z	.193	.193	0	%100
43	M22	X	0	0	0	%100
44	M22	Z	.213	.213	0	%100
45	M23	X	0	0	0	%100
46	M23	Z	.213	.213	0	%100
47	M24	X	0	0	0	%100
48	M24	Z	.213	.213	0	%100
49	M25	X	0	0	0	%100
50	M25	Z	.854	.854	0	%100
51	M26	X	0	0	0	%100
52	M26	Z	.854	.854	0	%100
53	M27	X	0	0	0	%100
54	M27	Z	.213	.213	0	%100
55	M28	X	0	0	0	%100
56	M28	Z	0	0	0	%100
57	M29	X	0	0	0	%100
58	M29	Z	.392	.392	0	%100
59	M30	X	0	0	0	%100
60	M30	Z	0	0	0	%100
61	M31	X	0	0	0	%100
62	M31	Z	.392	.392	0	%100
63	M32	X	0	0	0	%100
64	M32	Z	1.153	1.153	0	%100
65	M33	X	0	0	0	%100
66	M33	Z	.392	.392	0	%100
67	M34	X	0	0	0	%100
68	M34	Z	1.153	1.153	0	%100
69	M35	X	0	0	0	%100
70	M35	Z	1.566	1.566	0	%100
71	M36	X	0	0	0	%100
72	M36	Z	1.153	1.153	0	%100
73	M37	X	0	0	0	%100
74	M37	Z	1.566	1.566	0	%100
75	M38	X	0	0	0	%100
76	M38	Z	1.153	1.153	0	%100
77	M39	X	0	0	0	%100
78	M39	Z	.392	.392	0	%100
79	M40	X	0	0	0	%100
80	M40	Z	.609	.609	0	%100
81	M41	X	0	0	0	%100
82	M41	Z	.152	.152	0	%100
83	M42	X	0	0	0	%100
84	M42	Z	.152	.152	0	%100
85	M43	X	0	0	0	%100
86	M43	Z	.179	.179	0	%100
87	M44	X	0	0	0	%100
88	M44	Z	.715	.715	0	%100
89	M45	X	0	0	0	%100
90	M45	Z	.179	.179	0	%100
91	MP1A	X	0	0	0	%100
92	MP1A	Z	.609	.609	0	%100
93	MP2A	X	0	0	0	%100
94	MP2A	Z	.737	.737	0	%100
95	MP3A	X	0	0	0	%100
96	MP3A	Z	.609	.609	0	%100
97	MP4A	X	0	0	0	%100
98	MP4A	Z	.609	.609	0	%100
99	MP1B	X	0	0	0	%100
100	MP1B	Z	.609	.609	0	%100
101	MP2B	X	0	0	0	%100

Member Distributed Loads (BLC 71 : Structure Wm (180 Deg)) (Continued)

	Member Label	Direction	Start Magnitude[lb/ft,...	End Magnitude[lb/ft,F...	Start Location[ft, %]	End Location[ft, %]
102	MP2B	Z	.737	.737	0	%100
103	MP3B	X	0	0	0	%100
104	MP3B	Z	.609	.609	0	%100
105	MP4B	X	0	0	0	%100
106	MP4B	Z	.609	.609	0	%100
107	MP1C	X	0	0	0	%100
108	MP1C	Z	.609	.609	0	%100
109	MP2C	X	0	0	0	%100
110	MP2C	Z	.737	.737	0	%100
111	MP3C	X	0	0	0	%100
112	MP3C	Z	.609	.609	0	%100
113	MP4C	X	0	0	0	%100
114	MP4C	Z	.609	.609	0	%100

Member Distributed Loads (BLC 72 : Structure Wm (210 Deg))

	Member Label	Direction	Start Magnitude[lb/ft,...	End Magnitude[lb/ft,F...	Start Location[ft, %]	End Location[ft, %]
1	M1	X	-.334	-.334	0	%100
2	M1	Z	.579	.579	0	%100
3	M2	X	-.334	-.334	0	%100
4	M2	Z	.579	.579	0	%100
5	M3	X	0	0	0	%100
6	M3	Z	0	0	0	%100
7	M4	X	-.114	-.114	0	%100
8	M4	Z	.197	.197	0	%100
9	M5	X	-.114	-.114	0	%100
10	M5	Z	.197	.197	0	%100
11	M6	X	-.456	-.456	0	%100
12	M6	Z	.789	.789	0	%100
13	M7	X	-.577	-.577	0	%100
14	M7	Z	.999	.999	0	%100
15	M8	X	-.619	-.619	0	%100
16	M8	Z	1.072	1.072	0	%100
17	M9	X	0	0	0	%100
18	M9	Z	0	0	0	%100
19	M10	X	-.577	-.577	0	%100
20	M10	Z	.999	.999	0	%100
21	M11	X	0	0	0	%100
22	M11	Z	0	0	0	%100
23	M12	X	-.619	-.619	0	%100
24	M12	Z	1.072	1.072	0	%100
25	M13	X	0	0	0	%100
26	M13	Z	0	0	0	%100
27	M14	X	-.619	-.619	0	%100
28	M14	Z	1.072	1.072	0	%100
29	M15	X	-.619	-.619	0	%100
30	M15	Z	1.072	1.072	0	%100
31	M16	X	-.289	-.289	0	%100
32	M16	Z	.501	.501	0	%100
33	M17	X	-.289	-.289	0	%100
34	M17	Z	.501	.501	0	%100
35	M18	X	-.289	-.289	0	%100
36	M18	Z	.501	.501	0	%100
37	M19	X	-.289	-.289	0	%100
38	M19	Z	.501	.501	0	%100
39	M20	X	0	0	0	%100
40	M20	Z	0	0	0	%100
41	M21	X	0	0	0	%100
42	M21	Z	0	0	0	%100
43	M22	X	-.32	-.32	0	%100
44	M22	Z	.555	.555	0	%100
45	M23	X	0	0	0	%100

Member Distributed Loads (BLC 72 : Structure Wm (210 Deg)) (Continued)

	Member Label	Direction	Start Magnitude[lb/ft,...	End Magnitude[lb/ft,F...	Start Location[ft,%]	End Location[ft,%]
46	M23	Z	0	0	0	%100
47	M24	X	0	0	0	%100
48	M24	Z	0	0	0	%100
49	M25	X	-.32	-.32	0	%100
50	M25	Z	.555	.555	0	%100
51	M26	X	-.32	-.32	0	%100
52	M26	Z	.555	.555	0	%100
53	M27	X	-.32	-.32	0	%100
54	M27	Z	.555	.555	0	%100
55	M28	X	-.192	-.192	0	%100
56	M28	Z	.333	.333	0	%100
57	M29	X	-.587	-.587	0	%100
58	M29	Z	1.017	1.017	0	%100
59	M30	X	-.192	-.192	0	%100
60	M30	Z	.333	.333	0	%100
61	M31	X	0	0	0	%100
62	M31	Z	0	0	0	%100
63	M32	X	-.192	-.192	0	%100
64	M32	Z	.333	.333	0	%100
65	M33	X	0	0	0	%100
66	M33	Z	0	0	0	%100
67	M34	X	-.192	-.192	0	%100
68	M34	Z	.333	.333	0	%100
69	M35	X	-.587	-.587	0	%100
70	M35	Z	1.017	1.017	0	%100
71	M36	X	-.769	-.769	0	%100
72	M36	Z	1.332	1.332	0	%100
73	M37	X	-.587	-.587	0	%100
74	M37	Z	1.017	1.017	0	%100
75	M38	X	-.769	-.769	0	%100
76	M38	Z	1.332	1.332	0	%100
77	M39	X	-.587	-.587	0	%100
78	M39	Z	1.017	1.017	0	%100
79	M40	X	-.228	-.228	0	%100
80	M40	Z	.395	.395	0	%100
81	M41	X	-.228	-.228	0	%100
82	M41	Z	.395	.395	0	%100
83	M42	X	0	0	0	%100
84	M42	Z	0	0	0	%100
85	M43	X	-.268	-.268	0	%100
86	M43	Z	.464	.464	0	%100
87	M44	X	-.268	-.268	0	%100
88	M44	Z	.464	.464	0	%100
89	M45	X	0	0	0	%100
90	M45	Z	0	0	0	%100
91	MP1A	X	-.304	-.304	0	%100
92	MP1A	Z	.527	.527	0	%100
93	MP2A	X	-.368	-.368	0	%100
94	MP2A	Z	.638	.638	0	%100
95	MP3A	X	-.304	-.304	0	%100
96	MP3A	Z	.527	.527	0	%100
97	MP4A	X	-.304	-.304	0	%100
98	MP4A	Z	.527	.527	0	%100
99	MP1B	X	-.304	-.304	0	%100
100	MP1B	Z	.527	.527	0	%100
101	MP2B	X	-.368	-.368	0	%100
102	MP2B	Z	.638	.638	0	%100
103	MP3B	X	-.304	-.304	0	%100
104	MP3B	Z	.527	.527	0	%100
105	MP4B	X	-.304	-.304	0	%100
106	MP4B	Z	.527	.527	0	%100

Member Distributed Loads (BLC 72 : Structure Wm (210 Deg)) (Continued)

	Member Label	Direction	Start Magnitude[lb/ft,...	End Magnitude[lb/ft,F...	Start Location[ft, %]	End Location[ft, %]
107	MP1C	X	-.304	-.304	0	%100
108	MP1C	Z	.527	.527	0	%100
109	MP2C	X	-.368	-.368	0	%100
110	MP2C	Z	.638	.638	0	%100
111	MP3C	X	-.304	-.304	0	%100
112	MP3C	Z	.527	.527	0	%100
113	MP4C	X	-.304	-.304	0	%100
114	MP4C	Z	.527	.527	0	%100

Member Distributed Loads (BLC 73 : Structure Wm (240 Deg))

	Member Label	Direction	Start Magnitude[lb/ft,...	End Magnitude[lb/ft,F...	Start Location[ft, %]	End Location[ft, %]
1	M1	X	-.193	-.193	0	%100
2	M1	Z	.111	.111	0	%100
3	M2	X	-.772	-.772	0	%100
4	M2	Z	.446	.446	0	%100
5	M3	X	-.193	-.193	0	%100
6	M3	Z	.111	.111	0	%100
7	M4	X	-.592	-.592	0	%100
8	M4	Z	.342	.342	0	%100
9	M5	X	0	0	0	%100
10	M5	Z	0	0	0	%100
11	M6	X	-.592	-.592	0	%100
12	M6	Z	.342	.342	0	%100
13	M7	X	-.333	-.333	0	%100
14	M7	Z	.192	.192	0	%100
15	M8	X	-1.429	-1.429	0	%100
16	M8	Z	.825	.825	0	%100
17	M9	X	-.357	-.357	0	%100
18	M9	Z	.206	.206	0	%100
19	M10	X	-1.332	-1.332	0	%100
20	M10	Z	.769	.769	0	%100
21	M11	X	-.357	-.357	0	%100
22	M11	Z	.206	.206	0	%100
23	M12	X	-.357	-.357	0	%100
24	M12	Z	.206	.206	0	%100
25	M13	X	-.333	-.333	0	%100
26	M13	Z	.192	.192	0	%100
27	M14	X	-.357	-.357	0	%100
28	M14	Z	.206	.206	0	%100
29	M15	X	-1.429	-1.429	0	%100
30	M15	Z	.825	.825	0	%100
31	M16	X	-.167	-.167	0	%100
32	M16	Z	.096	.096	0	%100
33	M17	X	-.167	-.167	0	%100
34	M17	Z	.096	.096	0	%100
35	M18	X	-.668	-.668	0	%100
36	M18	Z	.385	.385	0	%100
37	M19	X	-.668	-.668	0	%100
38	M19	Z	.385	.385	0	%100
39	M20	X	-.167	-.167	0	%100
40	M20	Z	.096	.096	0	%100
41	M21	X	-.167	-.167	0	%100
42	M21	Z	.096	.096	0	%100
43	M22	X	-.739	-.739	0	%100
44	M22	Z	.427	.427	0	%100
45	M23	X	-.185	-.185	0	%100
46	M23	Z	.107	.107	0	%100
47	M24	X	-.185	-.185	0	%100
48	M24	Z	.107	.107	0	%100
49	M25	X	-.185	-.185	0	%100
50	M25	Z	.107	.107	0	%100

Member Distributed Loads (BLC 73 : Structure Wm (240 Deg)) (Continued)

	Member Label	Direction	Start Magnitude[lb/ft,...	End Magnitude[lb/ft,F...	Start Location[ft, %]	End Location[ft, %]
51	M26	X	-.185	-.185	0	%100
52	M26	Z	.107	.107	0	%100
53	M27	X	-.739	-.739	0	%100
54	M27	Z	.427	.427	0	%100
55	M28	X	-.999	-.999	0	%100
56	M28	Z	.577	.577	0	%100
57	M29	X	-1.356	-1.356	0	%100
58	M29	Z	.783	.783	0	%100
59	M30	X	-.999	-.999	0	%100
60	M30	Z	.577	.577	0	%100
61	M31	X	-.339	-.339	0	%100
62	M31	Z	.196	.196	0	%100
63	M32	X	0	0	0	%100
64	M32	Z	0	0	0	%100
65	M33	X	-.339	-.339	0	%100
66	M33	Z	.196	.196	0	%100
67	M34	X	0	0	0	%100
68	M34	Z	0	0	0	%100
69	M35	X	-.339	-.339	0	%100
70	M35	Z	.196	.196	0	%100
71	M36	X	-.999	-.999	0	%100
72	M36	Z	.577	.577	0	%100
73	M37	X	-.339	-.339	0	%100
74	M37	Z	.196	.196	0	%100
75	M38	X	-.999	-.999	0	%100
76	M38	Z	.577	.577	0	%100
77	M39	X	-1.356	-1.356	0	%100
78	M39	Z	.783	.783	0	%100
79	M40	X	-.132	-.132	0	%100
80	M40	Z	.076	.076	0	%100
81	M41	X	-.527	-.527	0	%100
82	M41	Z	.304	.304	0	%100
83	M42	X	-.132	-.132	0	%100
84	M42	Z	.076	.076	0	%100
85	M43	X	-.619	-.619	0	%100
86	M43	Z	.357	.357	0	%100
87	M44	X	-.155	-.155	0	%100
88	M44	Z	.089	.089	0	%100
89	M45	X	-.155	-.155	0	%100
90	M45	Z	.089	.089	0	%100
91	MP1A	X	-.527	-.527	0	%100
92	MP1A	Z	.304	.304	0	%100
93	MP2A	X	-.638	-.638	0	%100
94	MP2A	Z	.368	.368	0	%100
95	MP3A	X	-.527	-.527	0	%100
96	MP3A	Z	.304	.304	0	%100
97	MP4A	X	-.527	-.527	0	%100
98	MP4A	Z	.304	.304	0	%100
99	MP1B	X	-.527	-.527	0	%100
100	MP1B	Z	.304	.304	0	%100
101	MP2B	X	-.638	-.638	0	%100
102	MP2B	Z	.368	.368	0	%100
103	MP3B	X	-.527	-.527	0	%100
104	MP3B	Z	.304	.304	0	%100
105	MP4B	X	-.527	-.527	0	%100
106	MP4B	Z	.304	.304	0	%100
107	MP1C	X	-.527	-.527	0	%100
108	MP1C	Z	.304	.304	0	%100
109	MP2C	X	-.638	-.638	0	%100
110	MP2C	Z	.368	.368	0	%100
111	MP3C	X	-.527	-.527	0	%100

Member Distributed Loads (BLC 73 : Structure Wm (240 Deg)) (Continued)

	Member Label	Direction	Start Magnitude[lb/ft,...	End Magnitude[lb/ft,F...	Start Location[ft, %]	End Location[ft, %]
112	MP3C	Z	.304	.304	0	%100
113	MP4C	X	-.527	-.527	0	%100
114	MP4C	Z	.304	.304	0	%100

Member Distributed Loads (BLC 74 : Structure Wm (270 Deg))

	Member Label	Direction	Start Magnitude[lb/ft,...	End Magnitude[lb/ft,F...	Start Location[ft, %]	End Location[ft, %]
1	M1	X	0	0	0	%100
2	M1	Z	0	0	0	%100
3	M2	X	-.668	-.668	0	%100
4	M2	Z	0	0	0	%100
5	M3	X	-.668	-.668	0	%100
6	M3	Z	0	0	0	%100
7	M4	X	-.911	-.911	0	%100
8	M4	Z	0	0	0	%100
9	M5	X	-.228	-.228	0	%100
10	M5	Z	0	0	0	%100
11	M6	X	-.228	-.228	0	%100
12	M6	Z	0	0	0	%100
13	M7	X	0	0	0	%100
14	M7	Z	0	0	0	%100
15	M8	X	-1.237	-1.237	0	%100
16	M8	Z	0	0	0	%100
17	M9	X	-1.237	-1.237	0	%100
18	M9	Z	0	0	0	%100
19	M10	X	-1.153	-1.153	0	%100
20	M10	Z	0	0	0	%100
21	M11	X	-1.237	-1.237	0	%100
22	M11	Z	0	0	0	%100
23	M12	X	0	0	0	%100
24	M12	Z	0	0	0	%100
25	M13	X	-1.153	-1.153	0	%100
26	M13	Z	0	0	0	%100
27	M14	X	0	0	0	%100
28	M14	Z	0	0	0	%100
29	M15	X	-1.237	-1.237	0	%100
30	M15	Z	0	0	0	%100
31	M16	X	0	0	0	%100
32	M16	Z	0	0	0	%100
33	M17	X	0	0	0	%100
34	M17	Z	0	0	0	%100
35	M18	X	-.578	-.578	0	%100
36	M18	Z	0	0	0	%100
37	M19	X	-.578	-.578	0	%100
38	M19	Z	0	0	0	%100
39	M20	X	-.578	-.578	0	%100
40	M20	Z	0	0	0	%100
41	M21	X	-.578	-.578	0	%100
42	M21	Z	0	0	0	%100
43	M22	X	-.64	-.64	0	%100
44	M22	Z	0	0	0	%100
45	M23	X	-.64	-.64	0	%100
46	M23	Z	0	0	0	%100
47	M24	X	-.64	-.64	0	%100
48	M24	Z	0	0	0	%100
49	M25	X	0	0	0	%100
50	M25	Z	0	0	0	%100
51	M26	X	0	0	0	%100
52	M26	Z	0	0	0	%100
53	M27	X	-.64	-.64	0	%100
54	M27	Z	0	0	0	%100
55	M28	X	-1.538	-1.538	0	%100

Member Distributed Loads (BLC 74 : Structure Wm (270 Deg)) (Continued)

	Member Label	Direction	Start Magnitude[lb/ft,...	End Magnitude[lb/ft,F...	Start Location[ft,%]	End Location[ft,%]
56	M28	Z	0	0	0	%100
57	M29	X	-1.175	-1.175	0	%100
58	M29	Z	0	0	0	%100
59	M30	X	-1.538	-1.538	0	%100
60	M30	Z	0	0	0	%100
61	M31	X	-1.175	-1.175	0	%100
62	M31	Z	0	0	0	%100
63	M32	X	-.384	-.384	0	%100
64	M32	Z	0	0	0	%100
65	M33	X	-1.175	-1.175	0	%100
66	M33	Z	0	0	0	%100
67	M34	X	-.384	-.384	0	%100
68	M34	Z	0	0	0	%100
69	M35	X	0	0	0	%100
70	M35	Z	0	0	0	%100
71	M36	X	-.384	-.384	0	%100
72	M36	Z	0	0	0	%100
73	M37	X	0	0	0	%100
74	M37	Z	0	0	0	%100
75	M38	X	-.384	-.384	0	%100
76	M38	Z	0	0	0	%100
77	M39	X	-1.175	-1.175	0	%100
78	M39	Z	0	0	0	%100
79	M40	X	0	0	0	%100
80	M40	Z	0	0	0	%100
81	M41	X	-.457	-.457	0	%100
82	M41	Z	0	0	0	%100
83	M42	X	-.457	-.457	0	%100
84	M42	Z	0	0	0	%100
85	M43	X	-.536	-.536	0	%100
86	M43	Z	0	0	0	%100
87	M44	X	0	0	0	%100
88	M44	Z	0	0	0	%100
89	M45	X	-.536	-.536	0	%100
90	M45	Z	0	0	0	%100
91	MP1A	X	-.609	-.609	0	%100
92	MP1A	Z	0	0	0	%100
93	MP2A	X	-.737	-.737	0	%100
94	MP2A	Z	0	0	0	%100
95	MP3A	X	-.609	-.609	0	%100
96	MP3A	Z	0	0	0	%100
97	MP4A	X	-.609	-.609	0	%100
98	MP4A	Z	0	0	0	%100
99	MP1B	X	-.609	-.609	0	%100
100	MP1B	Z	0	0	0	%100
101	MP2B	X	-.737	-.737	0	%100
102	MP2B	Z	0	0	0	%100
103	MP3B	X	-.609	-.609	0	%100
104	MP3B	Z	0	0	0	%100
105	MP4B	X	-.609	-.609	0	%100
106	MP4B	Z	0	0	0	%100
107	MP1C	X	-.609	-.609	0	%100
108	MP1C	Z	0	0	0	%100
109	MP2C	X	-.737	-.737	0	%100
110	MP2C	Z	0	0	0	%100
111	MP3C	X	-.609	-.609	0	%100
112	MP3C	Z	0	0	0	%100
113	MP4C	X	-.609	-.609	0	%100
114	MP4C	Z	0	0	0	%100

Member Distributed Loads (BLC 75 : Structure Wm (300 Deg))

	Member Label	Direction	Start Magnitude[lb/ft,...	End Magnitude[lb/ft,F...	Start Location[ft, %]	End Location[ft, %]
1	M1	X	-.193	-.193	0	%100
2	M1	Z	-.111	-.111	0	%100
3	M2	X	-.193	-.193	0	%100
4	M2	Z	-.111	-.111	0	%100
5	M3	X	-.772	-.772	0	%100
6	M3	Z	-.446	-.446	0	%100
7	M4	X	-.592	-.592	0	%100
8	M4	Z	-.342	-.342	0	%100
9	M5	X	-.592	-.592	0	%100
10	M5	Z	-.342	-.342	0	%100
11	M6	X	0	0	0	%100
12	M6	Z	0	0	0	%100
13	M7	X	-.333	-.333	0	%100
14	M7	Z	-.192	-.192	0	%100
15	M8	X	-.357	-.357	0	%100
16	M8	Z	-.206	-.206	0	%100
17	M9	X	-1.429	-1.429	0	%100
18	M9	Z	-.825	-.825	0	%100
19	M10	X	-.333	-.333	0	%100
20	M10	Z	-.192	-.192	0	%100
21	M11	X	-1.429	-1.429	0	%100
22	M11	Z	-.825	-.825	0	%100
23	M12	X	-.357	-.357	0	%100
24	M12	Z	-.206	-.206	0	%100
25	M13	X	-1.332	-1.332	0	%100
26	M13	Z	-.769	-.769	0	%100
27	M14	X	-.357	-.357	0	%100
28	M14	Z	-.206	-.206	0	%100
29	M15	X	-.357	-.357	0	%100
30	M15	Z	-.206	-.206	0	%100
31	M16	X	-.167	-.167	0	%100
32	M16	Z	-.096	-.096	0	%100
33	M17	X	-.167	-.167	0	%100
34	M17	Z	-.096	-.096	0	%100
35	M18	X	-.167	-.167	0	%100
36	M18	Z	-.096	-.096	0	%100
37	M19	X	-.167	-.167	0	%100
38	M19	Z	-.096	-.096	0	%100
39	M20	X	-.668	-.668	0	%100
40	M20	Z	-.385	-.385	0	%100
41	M21	X	-.668	-.668	0	%100
42	M21	Z	-.385	-.385	0	%100
43	M22	X	-.185	-.185	0	%100
44	M22	Z	-.107	-.107	0	%100
45	M23	X	-.739	-.739	0	%100
46	M23	Z	-.427	-.427	0	%100
47	M24	X	-.739	-.739	0	%100
48	M24	Z	-.427	-.427	0	%100
49	M25	X	-.185	-.185	0	%100
50	M25	Z	-.107	-.107	0	%100
51	M26	X	-.185	-.185	0	%100
52	M26	Z	-.107	-.107	0	%100
53	M27	X	-.185	-.185	0	%100
54	M27	Z	-.107	-.107	0	%100
55	M28	X	-.999	-.999	0	%100
56	M28	Z	-.577	-.577	0	%100
57	M29	X	-.339	-.339	0	%100
58	M29	Z	-.196	-.196	0	%100
59	M30	X	-.999	-.999	0	%100
60	M30	Z	-.577	-.577	0	%100
61	M31	X	-1.356	-1.356	0	%100

Member Distributed Loads (BLC 75 : Structure Wm (300 Deg)) (Continued)

	Member Label	Direction	Start Magnitude[lb/ft,...	End Magnitude[lb/ft,F...	Start Location[ft, %]	End Location[ft, %]
62	M31	Z	-0.783	-0.783	0	%100
63	M32	X	-0.999	-0.999	0	%100
64	M32	Z	-0.577	-0.577	0	%100
65	M33	X	-1.356	-1.356	0	%100
66	M33	Z	-0.783	-0.783	0	%100
67	M34	X	-0.999	-0.999	0	%100
68	M34	Z	-0.577	-0.577	0	%100
69	M35	X	-0.339	-0.339	0	%100
70	M35	Z	-0.196	-0.196	0	%100
71	M36	X	0	0	0	%100
72	M36	Z	0	0	0	%100
73	M37	X	-0.339	-0.339	0	%100
74	M37	Z	-0.196	-0.196	0	%100
75	M38	X	0	0	0	%100
76	M38	Z	0	0	0	%100
77	M39	X	-0.339	-0.339	0	%100
78	M39	Z	-0.196	-0.196	0	%100
79	M40	X	-0.132	-0.132	0	%100
80	M40	Z	-0.076	-0.076	0	%100
81	M41	X	-0.132	-0.132	0	%100
82	M41	Z	-0.076	-0.076	0	%100
83	M42	X	-0.527	-0.527	0	%100
84	M42	Z	-0.304	-0.304	0	%100
85	M43	X	-0.155	-0.155	0	%100
86	M43	Z	-0.089	-0.089	0	%100
87	M44	X	-0.155	-0.155	0	%100
88	M44	Z	-0.089	-0.089	0	%100
89	M45	X	-0.619	-0.619	0	%100
90	M45	Z	-0.357	-0.357	0	%100
91	MP1A	X	-0.527	-0.527	0	%100
92	MP1A	Z	-0.304	-0.304	0	%100
93	MP2A	X	-0.638	-0.638	0	%100
94	MP2A	Z	-0.368	-0.368	0	%100
95	MP3A	X	-0.527	-0.527	0	%100
96	MP3A	Z	-0.304	-0.304	0	%100
97	MP4A	X	-0.527	-0.527	0	%100
98	MP4A	Z	-0.304	-0.304	0	%100
99	MP1B	X	-0.527	-0.527	0	%100
100	MP1B	Z	-0.304	-0.304	0	%100
101	MP2B	X	-0.638	-0.638	0	%100
102	MP2B	Z	-0.368	-0.368	0	%100
103	MP3B	X	-0.527	-0.527	0	%100
104	MP3B	Z	-0.304	-0.304	0	%100
105	MP4B	X	-0.527	-0.527	0	%100
106	MP4B	Z	-0.304	-0.304	0	%100
107	MP1C	X	-0.527	-0.527	0	%100
108	MP1C	Z	-0.304	-0.304	0	%100
109	MP2C	X	-0.638	-0.638	0	%100
110	MP2C	Z	-0.368	-0.368	0	%100
111	MP3C	X	-0.527	-0.527	0	%100
112	MP3C	Z	-0.304	-0.304	0	%100
113	MP4C	X	-0.527	-0.527	0	%100
114	MP4C	Z	-0.304	-0.304	0	%100

Member Distributed Loads (BLC 76 : Structure Wm (330 Deg))

	Member Label	Direction	Start Magnitude[lb/ft,...	End Magnitude[lb/ft,F...	Start Location[ft, %]	End Location[ft, %]
1	M1	X	-0.334	-0.334	0	%100
2	M1	Z	-0.579	-0.579	0	%100
3	M2	X	0	0	0	%100
4	M2	Z	0	0	0	%100
5	M3	X	-0.334	-0.334	0	%100

Member Distributed Loads (BLC 76 : Structure Wm (330 Deg)) (Continued)

	Member Label	Direction	Start Magnitude[lb/ft,...	End Magnitude[lb/ft,F...	Start Location[ft,%]	End Location[ft,%]
6	M3	Z	-.579	-.579	0	%100
7	M4	X	-.114	-.114	0	%100
8	M4	Z	-.197	-.197	0	%100
9	M5	X	-.456	-.456	0	%100
10	M5	Z	-.789	-.789	0	%100
11	M6	X	-.114	-.114	0	%100
12	M6	Z	-.197	-.197	0	%100
13	M7	X	-.577	-.577	0	%100
14	M7	Z	-.999	-.999	0	%100
15	M8	X	0	0	0	%100
16	M8	Z	0	0	0	%100
17	M9	X	-.619	-.619	0	%100
18	M9	Z	-1.072	-1.072	0	%100
19	M10	X	0	0	0	%100
20	M10	Z	0	0	0	%100
21	M11	X	-.619	-.619	0	%100
22	M11	Z	-1.072	-1.072	0	%100
23	M12	X	-.619	-.619	0	%100
24	M12	Z	-1.072	-1.072	0	%100
25	M13	X	-.577	-.577	0	%100
26	M13	Z	-.999	-.999	0	%100
27	M14	X	-.619	-.619	0	%100
28	M14	Z	-1.072	-1.072	0	%100
29	M15	X	0	0	0	%100
30	M15	Z	0	0	0	%100
31	M16	X	-.289	-.289	0	%100
32	M16	Z	-.501	-.501	0	%100
33	M17	X	-.289	-.289	0	%100
34	M17	Z	-.501	-.501	0	%100
35	M18	X	0	0	0	%100
36	M18	Z	0	0	0	%100
37	M19	X	0	0	0	%100
38	M19	Z	0	0	0	%100
39	M20	X	-.289	-.289	0	%100
40	M20	Z	-.501	-.501	0	%100
41	M21	X	-.289	-.289	0	%100
42	M21	Z	-.501	-.501	0	%100
43	M22	X	0	0	0	%100
44	M22	Z	0	0	0	%100
45	M23	X	-.32	-.32	0	%100
46	M23	Z	-.555	-.555	0	%100
47	M24	X	-.32	-.32	0	%100
48	M24	Z	-.555	-.555	0	%100
49	M25	X	-.32	-.32	0	%100
50	M25	Z	-.555	-.555	0	%100
51	M26	X	-.32	-.32	0	%100
52	M26	Z	-.555	-.555	0	%100
53	M27	X	0	0	0	%100
54	M27	Z	0	0	0	%100
55	M28	X	-.192	-.192	0	%100
56	M28	Z	-.333	-.333	0	%100
57	M29	X	0	0	0	%100
58	M29	Z	0	0	0	%100
59	M30	X	-.192	-.192	0	%100
60	M30	Z	-.333	-.333	0	%100
61	M31	X	-.587	-.587	0	%100
62	M31	Z	-1.017	-1.017	0	%100
63	M32	X	-.769	-.769	0	%100
64	M32	Z	-1.332	-1.332	0	%100
65	M33	X	-.587	-.587	0	%100
66	M33	Z	-1.017	-1.017	0	%100

Member Distributed Loads (BLC 76 : Structure Wm (330 Deg)) (Continued)

	Member Label	Direction	Start Magnitude[lb/ft,...	End Magnitude[lb/ft,F...	Start Location[ft, %]	End Location[ft, %]
67	M34	X	-.769	-.769	0	%100
68	M34	Z	-1.332	-1.332	0	%100
69	M35	X	-.587	-.587	0	%100
70	M35	Z	-1.017	-1.017	0	%100
71	M36	X	-.192	-.192	0	%100
72	M36	Z	-.333	-.333	0	%100
73	M37	X	-.587	-.587	0	%100
74	M37	Z	-1.017	-1.017	0	%100
75	M38	X	-.192	-.192	0	%100
76	M38	Z	-.333	-.333	0	%100
77	M39	X	0	0	0	%100
78	M39	Z	0	0	0	%100
79	M40	X	-.228	-.228	0	%100
80	M40	Z	-.395	-.395	0	%100
81	M41	X	0	0	0	%100
82	M41	Z	0	0	0	%100
83	M42	X	-.228	-.228	0	%100
84	M42	Z	-.395	-.395	0	%100
85	M43	X	0	0	0	%100
86	M43	Z	0	0	0	%100
87	M44	X	-.268	-.268	0	%100
88	M44	Z	-.464	-.464	0	%100
89	M45	X	-.268	-.268	0	%100
90	M45	Z	-.464	-.464	0	%100
91	MP1A	X	-.304	-.304	0	%100
92	MP1A	Z	-.527	-.527	0	%100
93	MP2A	X	-.368	-.368	0	%100
94	MP2A	Z	-.638	-.638	0	%100
95	MP3A	X	-.304	-.304	0	%100
96	MP3A	Z	-.527	-.527	0	%100
97	MP4A	X	-.304	-.304	0	%100
98	MP4A	Z	-.527	-.527	0	%100
99	MP1B	X	-.304	-.304	0	%100
100	MP1B	Z	-.527	-.527	0	%100
101	MP2B	X	-.368	-.368	0	%100
102	MP2B	Z	-.638	-.638	0	%100
103	MP3B	X	-.304	-.304	0	%100
104	MP3B	Z	-.527	-.527	0	%100
105	MP4B	X	-.304	-.304	0	%100
106	MP4B	Z	-.527	-.527	0	%100
107	MP1C	X	-.304	-.304	0	%100
108	MP1C	Z	-.527	-.527	0	%100
109	MP2C	X	-.368	-.368	0	%100
110	MP2C	Z	-.638	-.638	0	%100
111	MP3C	X	-.304	-.304	0	%100
112	MP3C	Z	-.527	-.527	0	%100
113	MP4C	X	-.304	-.304	0	%100
114	MP4C	Z	-.527	-.527	0	%100

Member Distributed Loads (BLC 81 : BLC 39 Transient Area Loads)

	Member Label	Direction	Start Magnitude[lb/ft,...	End Magnitude[lb/ft,F...	Start Location[ft, %]	End Location[ft, %]
1	M22	Y	-1.597	-4.066	0	.832
2	M22	Y	-4.066	-6.636	.832	1.665
3	M22	Y	-6.636	-7.874	1.665	2.497
4	M22	Y	-7.874	-6.293	2.497	3.329
5	M22	Y	-6.293	-3.33	3.329	4.162
6	M23	Y	-3.329	-6.32	0	.832
7	M23	Y	-6.32	-7.943	.832	1.665
8	M23	Y	-7.943	-6.773	1.665	2.497
9	M23	Y	-6.773	-4.256	2.497	3.329
10	M23	Y	-4.256	-1.812	3.329	4.162

Member Distributed Loads (BLC 81 : BLC 39 Transient Area Loads) (Continued)

	Member Label	Direction	Start Magnitude[lb/ft,...	End Magnitude[lb/ft,F...	Start Location[ft, %]	End Location[ft, %]
11	M26	Y	-1.812	-4.256	0	.832
12	M26	Y	-4.256	-6.773	.832	1.665
13	M26	Y	-6.773	-7.943	1.665	2.497
14	M26	Y	-7.943	-6.32	2.497	3.329
15	M26	Y	-6.32	-3.329	3.329	4.162
16	M27	Y	-3.33	-6.293	0	.832
17	M27	Y	-6.293	-7.874	.832	1.665
18	M27	Y	-7.874	-6.636	1.665	2.497
19	M27	Y	-6.636	-4.066	2.497	3.329
20	M27	Y	-4.066	-1.597	3.329	4.162
21	M24	Y	-1.601	-4.064	0	.832
22	M24	Y	-4.064	-6.634	.832	1.665
23	M24	Y	-6.634	-7.874	1.665	2.497
24	M24	Y	-7.874	-6.293	2.497	3.329
25	M24	Y	-6.293	-3.33	3.329	4.162
26	M25	Y	-3.336	-6.325	0	.832
27	M25	Y	-6.325	-7.939	.832	1.665
28	M25	Y	-7.939	-6.771	1.665	2.497
29	M25	Y	-6.771	-4.258	2.497	3.329
30	M25	Y	-4.258	-1.807	3.329	4.162

Member Distributed Loads (BLC 82 : BLC 40 Transient Area Loads)

	Member Label	Direction	Start Magnitude[lb/ft,...	End Magnitude[lb/ft,F...	Start Location[ft, %]	End Location[ft, %]
1	M22	Y	-5.112	-13.01	0	.832
2	M22	Y	-13.01	-21.236	.832	1.665
3	M22	Y	-21.236	-25.196	1.665	2.497
4	M22	Y	-25.196	-20.137	2.497	3.329
5	M22	Y	-20.137	-10.656	3.329	4.162
6	M23	Y	-10.651	-20.225	0	.832
7	M23	Y	-20.225	-25.417	.832	1.665
8	M23	Y	-25.417	-21.675	1.665	2.497
9	M23	Y	-21.675	-13.619	2.497	3.329
10	M23	Y	-13.619	-5.798	3.329	4.162
11	M26	Y	-5.798	-13.619	0	.832
12	M26	Y	-13.619	-21.675	.832	1.665
13	M26	Y	-21.675	-25.417	1.665	2.497
14	M26	Y	-25.417	-20.225	2.497	3.329
15	M26	Y	-20.225	-10.651	3.329	4.162
16	M27	Y	-10.656	-20.137	0	.832
17	M27	Y	-20.137	-25.196	.832	1.665
18	M27	Y	-25.196	-21.236	1.665	2.497
19	M27	Y	-21.236	-13.01	2.497	3.329
20	M27	Y	-13.01	-5.112	3.329	4.162
21	M24	Y	-5.125	-13.006	0	.832
22	M24	Y	-13.006	-21.23	.832	1.665
23	M24	Y	-21.23	-25.196	1.665	2.497
24	M24	Y	-25.196	-20.137	2.497	3.329
25	M24	Y	-20.137	-10.655	3.329	4.162
26	M25	Y	-10.676	-20.24	0	.832
27	M25	Y	-20.24	-25.404	.832	1.665
28	M25	Y	-25.404	-21.667	1.665	2.497
29	M25	Y	-21.667	-13.625	2.497	3.329
30	M25	Y	-13.625	-5.783	3.329	4.162

Envelope Joint Reactions

Joint		X [lb]	LC	Y [lb]	LC	Z [lb]	LC	MX [k-ft]	LC	MY [k-ft]	LC	MZ [k-ft]	LC	
1	N2	max	585.462	10	3218.138	13	2695.25	1	8.188	1	1.054	4	.436	5
2		min	-610.953	4	-593.967	7	-2831.302	7	-3.82	7	-1.001	10	-.351	11
3	N3	max	2251.128	9	3389.951	21	1227.302	3	1.792	3	1.304	12	2.604	3

Envelope Joint Reactions (Continued)

Joint		X [lb]	LC	Y [lb]	LC	Z [lb]	LC	MX [k-ft]	LC	MY [k-ft]	LC	MZ [k-ft]	LC	
4		min	-2362.989	3	-406.931	3	-1192.404	9	-4.082	9	-1.311	6	-7.039	21
5	N4	max	2398.967	11	3173.437	17	1485.87	12	1.587	11	1.089	8	6.729	5
6		min	-2261.96	5	-533.812	11	-1380.472	6	-3.763	17	-1.091	2	-3.285	11
7	Totals:	max	4686.62	10	8421.341	19	5100.588	1						
8		min	-4686.626	4	3177.918	1	-5100.609	7						

Envelope AISC 15th(360-16): LRFD Steel Code Checks

Member	Shape	Code Check	Loc[ft]	LC	Shear ...	Loc[ft]	Dir	LC	phi*Pnc [...]	phi*Pnt [lb]	phi*Mn y...	phi*Mn z...	Cb	Eqn
1	M1	PIPE 3.0	.286	4.167	10	.152	4.167	7	28250.554	65205	5.749	5.749	3...	H1-1b
2	M2	PIPE 3.0	.289	4.167	6	.128	4.167	3	28250.554	65205	5.749	5.749	3...	H1-1b
3	M3	PIPE 3.0	.285	4.167	2	.138	4.167	11	28250.554	65205	5.749	5.749	3...	H1-1b
4	M4	HSS4X4X4	.521	0	1	.096	0	y 14	124657.7...	139518	16.181	16.181	2...	H1-1b
5	M5	HSS4X4X4	.501	0	21	.099	0	y 23	124657.7...	139518	16.181	16.181	2...	H1-1b
6	M6	HSS4X4X4	.500	0	5	.098	0	y 18	124657.7...	139518	16.181	16.181	2...	H1-1b
7	M7	PL1/2x6	.242	.516	1	.199	.516	y 10	66009.234	97200	1.012	12.15	1...	H1-1b
8	M8	PL1/2x6	.074	.112	7	.197	0	y 11	96757.507	97200	1.012	12.15	2...	H1-1b
9	M9	PL1/2x6	.086	.112	1	.159	.112	y 9	96757.507	97200	1.012	12.15	1...	H1-1b
10	M10	PL1/2x6	.231	.516	8	.210	.516	y 6	66009.234	97200	1.012	12.15	1...	H1-1b
11	M11	PL1/2x6	.074	.112	9	.208	0	y 7	96757.507	97200	1.012	12.15	1...	H1-1b
12	M12	PL1/2x6	.084	.112	8	.172	0	y 11	96757.507	97200	1.012	12.15	1...	H1-1b
13	M13	PL1/2x6	.222	.516	5	.203	1.031	y 8	66009.234	97200	1.012	12.15	1...	H1-1b
14	M14	PL1/2x6	.079	.112	5	.190	.112	y 9	96757.507	97200	1.012	12.15	1...	H1-1b
15	M15	PL1/2x6	.080	.112	5	.175	0	y 7	96757.507	97200	1.012	12.15	1...	H1-1b
16	M16	HSS4X4X4	.214	2.375	14	.071	2.375	y 13	136263.03	139518	16.181	16.181	1...	H1-1b
17	M17	HSS4X4X4	.217	0	24	.063	0	y 13	136263.03	139518	16.181	16.181	1...	H1-1b
18	M18	HSS4X4X4	.224	2.375	22	.075	2.375	y 21	136263.03	139518	16.181	16.181	1...	H1-1b
19	M19	HSS4X4X4	.228	0	20	.066	0	y 21	136263.03	139518	16.181	16.181	1...	H1-1b
20	M20	HSS4X4X4	.218	2.375	18	.072	2.375	y 17	136263.03	139518	16.181	16.181	1...	H1-1b
21	M21	HSS4X4X4	.211	0	16	.061	0	y 17	136263.03	139518	16.181	16.181	1...	H1-1b
22	M22	L2x2x3	.171	4.162	1	.015	4.162	y 17	9823.122	23392.8	.558	1.078	1...	H2-1
23	M23	L2x2x3	.153	0	1	.017	4.162	y 21	9823.122	23392.8	.558	1.078	1...	H2-1
24	M24	L2x2x3	.156	4.162	9	.016	4.162	y 13	9823.122	23392.8	.558	1.078	1...	H2-1
25	M25	L2x2x3	.151	0	9	.016	4.162	y 17	9823.122	23392.8	.558	1.078	1...	H2-1
26	M26	L2x2x3	.156	4.162	5	.016	0	y 21	9823.122	23392.8	.558	1.078	1...	H2-1
27	M27	L2x2x3	.161	0	6	.016	0	y 13	9823.122	23392.8	.558	1.077	1...	H2-1
28	M28	PL3/8x6	.193	0	4	.282	0	y 5	70647.064	72900	.57	9.113	1...	H1-1b
29	M29	PL3/8x6	.280	.167	7	.425	0	y 14	71583.569	72900	.57	9.113	1...	H1-1b
30	M30	PL3/8x6	.248	0	7	.356	0	y 20	70647.064	72900	.57	9.113	1...	H1-1b
31	M31	PL3/8x6	.279	.167	7	.418	0	y 24	71583.569	72900	.57	9.113	1...	H1-1b
32	M32	PL3/8x6	.241	0	12	.305	0	y 1	70647.064	72900	.57	9.113	1...	H1-1b
33	M33	PL3/8x6	.269	.167	3	.446	0	y 22	71583.569	72900	.57	9.113	1...	H1-1b
34	M34	PL3/8x6	.248	0	11	.338	0	y 17	70647.064	72900	.57	9.113	1...	H1-1b
35	M35	PL3/8x6	.257	.167	3	.435	0	y 20	71583.569	72900	.57	9.113	1...	H1-1b
36	M36	PL3/8x6	.215	0	8	.291	0	y 9	70647.064	72900	.57	9.113	1...	H1-1b
37	M37	PL3/8x6	.277	.167	11	.437	0	y 18	71583.569	72900	.57	9.113	1...	H1-1b
38	M38	PL3/8x6	.227	0	7	.343	0	y 13	70647.064	72900	.57	9.113	1...	H1-1b
39	M39	PL3/8x6	.272	.167	11	.408	0	y 17	71583.569	72900	.57	9.113	1...	H1-1b
40	M40	PIPE 2.0	.538	4.167	8	.227	.911	7	6295.422	32130	1.872	1.872	2...	H1-1b
41	M41	PIPE 2.0	.507	4.167	1	.197	.911	8	6295.422	32130	1.872	1.872	2...	H1-1b
42	M42	PIPE 2.0	.570	4.167	12	.210	.911	11	6295.422	32130	1.872	1.872	2...	H1-1b
43	M43	L2.5x2.5x4	.576	0	11	.123	0	z 12	36872.825	38556	1.114	2.537	2...	H2-1
44	M44	L2.5x2.5x4	.529	0	3	.112	0	z 10	36872.825	38556	1.114	2.537	2...	H2-1
45	M45	L2.5x2.5x4	.601	0	7	.118	.122	z 8	36872.825	38556	1.114	2.537	2...	H2-1
46	MP1A	PIPE 2.0	.405	7.161	9	.191	3.342	7	11706.364	32130	1.872	1.872	2...	H1-1b
47	MP2A	PIPE 2.5	.534	7.161	10	.193	7.161	11	25497.529	50715	3.596	3.596	2...	H1-1b
48	MP3A	PIPE 2.0	.657	7.161	5	.145	3.915	7	11706.364	32130	1.872	1.872	2...	H1-1b
49	MP4A	PIPE 2.0	.464	7.161	5	.192	3.342	6	11706.364	32130	1.872	1.872	2...	H1-1b
50	MP1B	PIPE 2.0	.424	7.161	1	.185	3.342	12	11706.364	32130	1.872	1.872	1...	H1-1b
51	MP2B	PIPE 2.5	.545	7.161	1	.149	7.161	7	25497.529	50715	3.596	3.596	1...	H1-1b
52	MP3B	PIPE 2.0	.681	7.161	8	.132	3.915	11	11706.364	32130	1.872	1.872	2...	H1-1b

Envelope AISC 15th(360-16): LRFD Steel Code Checks (Continued)

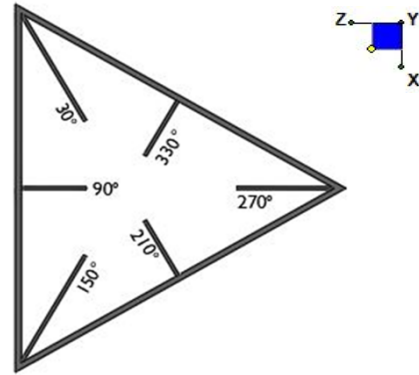
Member	Shape	Code Check	Loc[ft]	LC	Shear ...	Loc[ft]	Dir	LC	phi*Pnc [...]	phi*Pnt [lb]	phi*Mn y...	phi*Mn z...	Cb	Eqn
53	MP4B	PIPE 2.0	.473	7.161	9	.173	3.342	10	11706.364	32130	1.872	1.872	1...	H1-1b
54	MP1C	PIPE 2.0	.393	7.161	5	.162	3.342	3	11706.364	32130	1.872	1.872	2...	H1-1b
55	MP2C	PIPE 2.5	.544	7.161	6	.113	3.915	7	25497.529	50715	3.596	3.596	2...	H1-1b
56	MP3C	PIPE 2.0	.695	7.161	1	.128	7.161	10	11706.364	32130	1.872	1.872	1...	H1-1b
57	MP4C	PIPE 2.0	.493	7.161	1	.173	3.342	2	11706.364	32130	1.872	1.872	2...	H1-1b



I. Mount-to-Tower Connection Check

RISA Model Data

Nodes (labeled per RISA)	Orientation (per graphic of typical platform)
N2	270
N3	30
N4	150



TYPICAL PLATFORM

Tower Connection Bolt Checks

Any moment resistance?:

Bolt Quantity per Reaction:

d_x (in) (Delta X of typ. bolt config. sketch):

d_y (in) (Delta Y of typ. bolt config. sketch):

Bolt Type:

Bolt Diameter (in):

Required Tensile Strength (kips):

Required Shear Strength (kips):

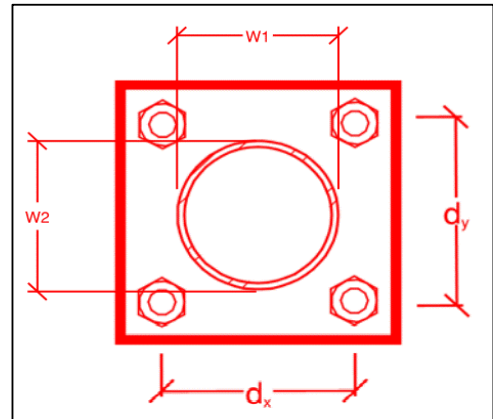
Tensile Strength / bolt (kips):

Shear Strength / bolt (kips):

Tensile Capacity Overall:

Shear Capacity Overall:

yes
4
6
6
A325N
0.625
35.4
4.6
20.7
12.4
42.8%*
9.3%



*Note: Tension reduction not required if tension or shear capacity < 30%

Tower Connection Plate and Weld Check

Connecting Standoff Member Shape:

Plate Width (in):

Plate Height (in):

W1 (in):

W2 (in):

Fy (ksi, plate):

t_{plate} (in):

Weld Size (1/16 in):

$\Phi * R_n$ (kip/in):

Required Weld Strength (kip/in):

Plate Bending Capacity:

Weld Capacity:

Rect
8
8
4
4
36
0.75
6
8.35
4.78
49.1%
57.2%

Max Plate Bending Strengths

Mu_{xx} (kip-in):	17.7
$\Phi * Mn_{xx}$ (kip-in):	36.5
Mu_{yy} (kip-in):	0.2
$\Phi * Mn_{yy}$ (kip-in):	36.5

Mount Desktop – Post Modification Inspection (PMI) Report Requirements

Documents & Photos Required from Contractor – **Passing Mount Analysis**

Purpose – to provide Maser Consulting Connecticut the proper documentation in order to complete the required Mount Desktop review of the Post Modification Inspection Report.

- Contractor is responsible for making certain the photos provided as noted below provide confirmation that the installation was completed in accordance with this Passing Mount Analysis.
- Contractor shall relay any data that can impact the performance of the mount, this includes safety issues.



Base Requirements:







- Any special photos outside of the standard requirements will be indicated on the passing MA
- Verification that loading is as communicated in the Passing Mount Analysis. NOTE If loading is different than what is conveyed contact Maser Consulting Connecticut immediately.
- Each photo should be time and date stamped
- Photos should be high resolution and submitted in a Zip File and should be organized in the file structure as depicted in Schedule A attached.
- Contractor shall ensure that the safety climb wire rope is supported and not adversely impacted by the install of the modification components. This may involve the install of wire rope guides, or other items to protect the wire rope.
- The photos in the file structure should be uploaded to <https://pmi.vzsmart.com> as depicted on the drawings








Photo Requirements:


- Base and “During Installation Photos”
 - Base pictures include
 - Photo of Gate Signs showing the tower owner, site name, and number
 - Photo of carrier shelter showing the carrier site name and number if available
 - Photos of the galvanizing compound and/or paint used (if applicable), clearly showing the label and name
 - “During Installation Photos if provided - must be placed only in this folder
- Photos taken at ground level
 - Overall tower structure before and after installation of the equipment modifications
 - Photos of the appropriate mount before and after installation of the modifications; if the mounts are at different rad elevations, pictures must be provided for all elevations that the modifications were installed
- Photos taken at Mount Elevation
 - Photos showing each individual sector before and also after installation of equipment.


Schedule A – Photo & Document File Structure

-  VzW Site Number / Name
 -  Base & “During Installation” Photos

 -  Pre-Installation Photos
 -  Alpha
 -  Beta
 -  Gamma
 -  Ground Level
 -  Tape Drop

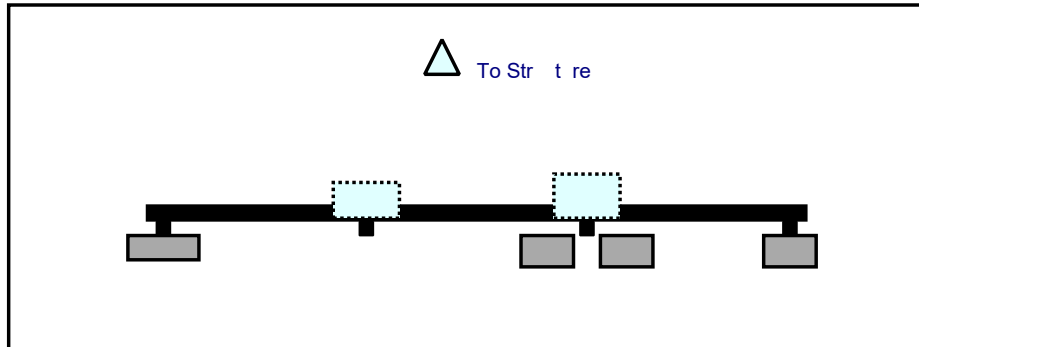
 -  Post-Installation Photos
 -  Alpha
 -  Beta
 -  Gamma
 -  Ground Level
 -  Tape Drop
 -  Photos of climbing facility and safety climb – If Present

-  Certifications – Submission of this document including certifications

-  Specific Required Additional Photos

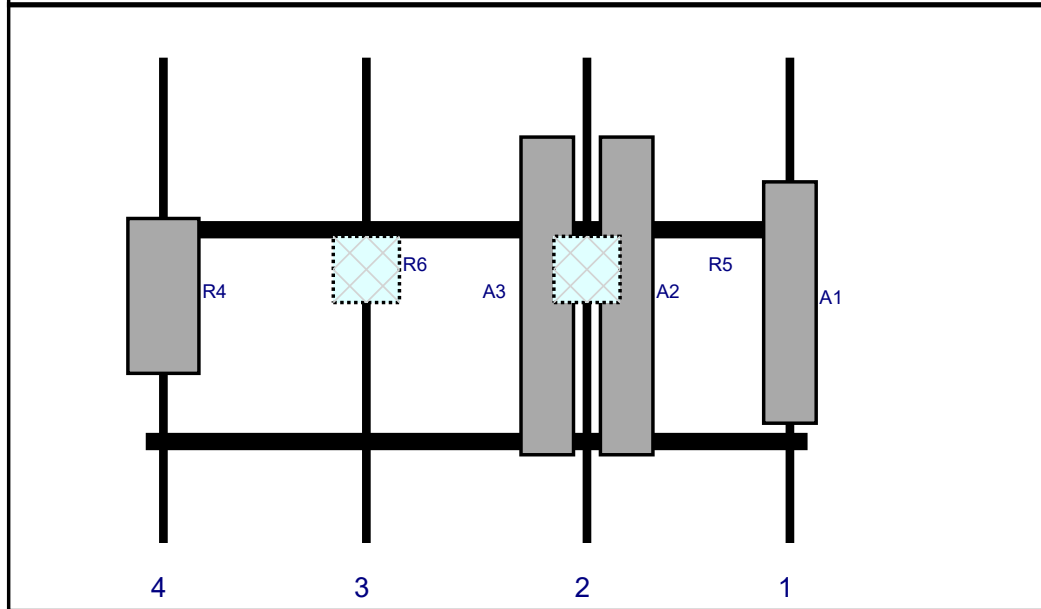


Plan View



Front View

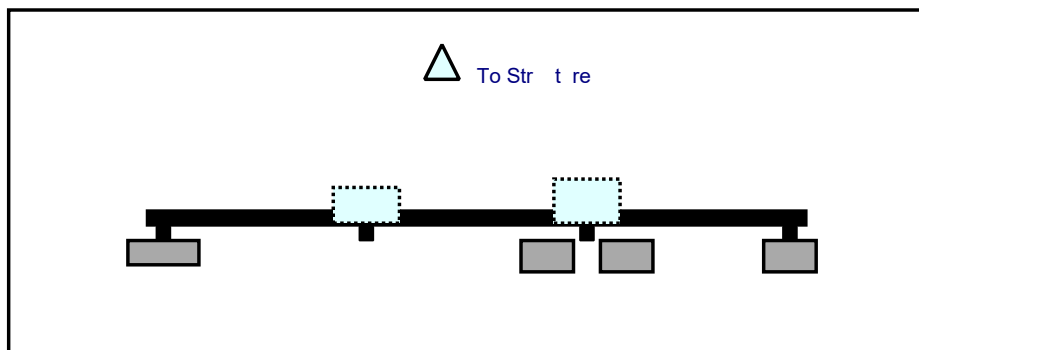
Looking at Structure



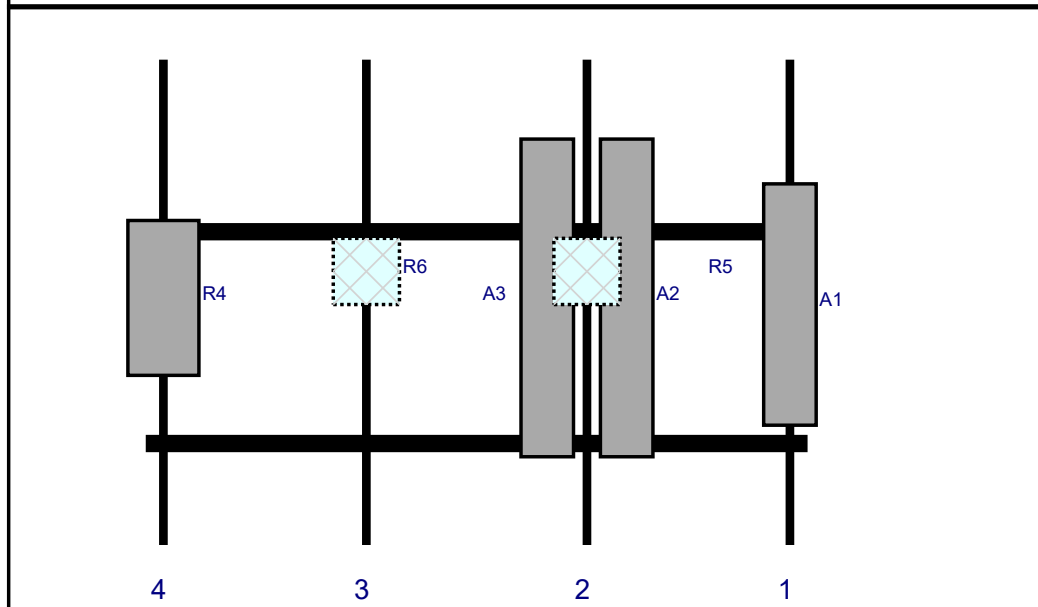
Re #	Model	Height (i)	Width (i)	H Dist Fr L.	Pipe #	Pipe Pos V	A t Pos	C. A t Fr T.	A t H O	St t s	V lid tio
A1	LNx-6513DS-A1M	54.7	11.9	146	1		Fro t	55.5	0	Added	
A2	NHH-65B-R2B	72	11.9	100	2		Fro t	54	9	Added	
A3	NHHSS-65B-R2BT0	72	11.9	100	2		Fro t	54	-9	Added	
R5	B2/B66A RRRH-BR049 (RFV01U-D1A)	15	15	100	2		Behi d	48	0	Added	
R6	B5/B13 RRRH-BR04C (RFV01U-D2A)	15	15	50	3		Behi d	48	0	Added	
R4	MT6407-77A	35.1	16.1	4	4		Fro t	54	0	Added	



Plan View

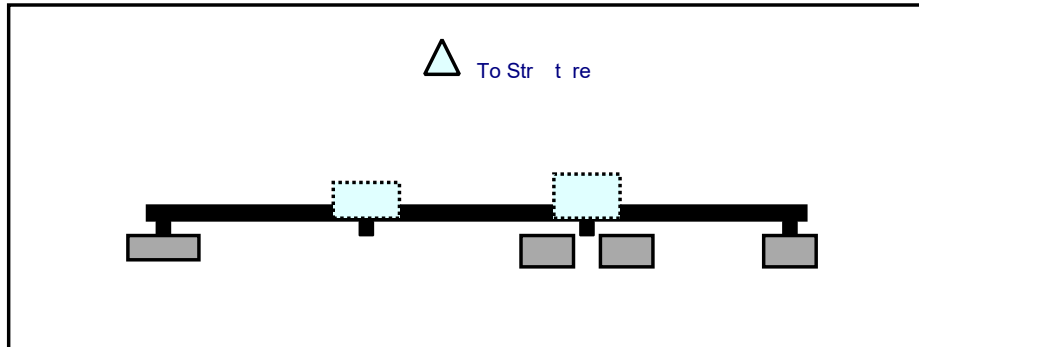


Front View
 Loo i g t Str t re



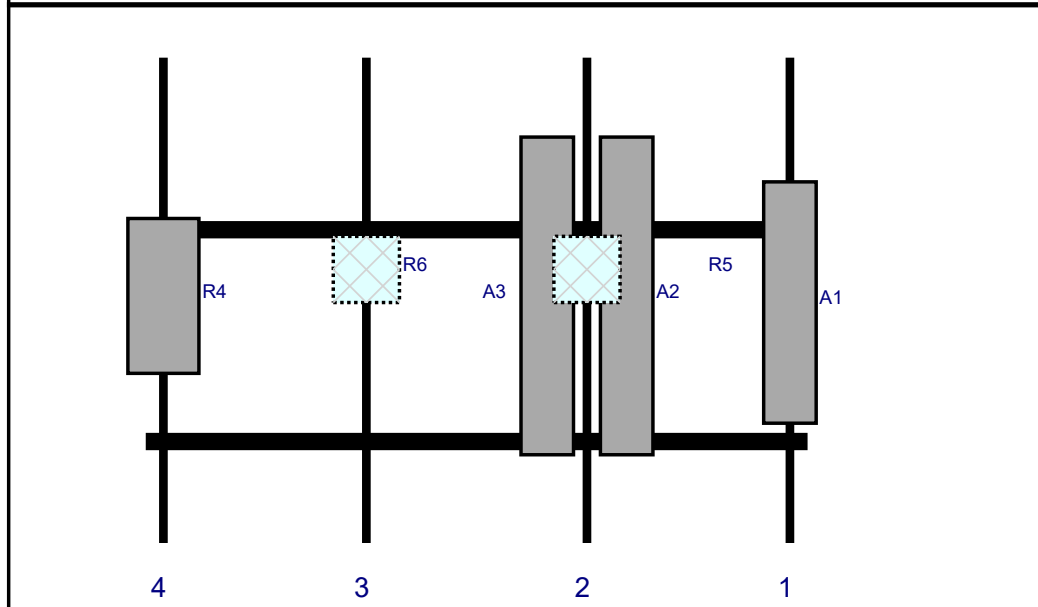
Re #	Model	Height (i)	Width (i)	H Dist Fr L.	Pipe #	Pipe Pos V	A t Pos	C. A t Fr T.	A t H O	St t s	V lid tio
A1	LNx-6513DS-A1M	54.7	11.9	146	1		Fro t	55.5	0	Added	
A2	NHH-65B-R2B	72	11.9	100	2		Fro t	54	9	Added	
A3	NHHSS-65B-R2BT0	72	11.9	100	2		Fro t	54	-9	Added	
R5	B2/B66A RRH-BR049 (RFV01U-D1A)	15	15	100	2		Behi d	48	0	Added	
R6	B5/B13 RRH-BR04C (RFV01U-D2A)	15	15	50	3		Behi d	48	0	Added	
R4	MT6407-77A	35.1	16.1	4	4		Fro t	54	0	Added	

Plan View



Front View

Lo o i g t Str t re



Re #	Model	Height (i)	Width (i)	H Dist Fr L.	Pipe #	Pipe Pos V	A t Pos	C. A t Fr T.	A t H O	St t s	V lid tio
A1	LNx-6513DS-A1M	54.7	11.9	146	1		Fro t	55.5	0	Added	
A2	NHH-65B-R2B	72	11.9	100	2		Fro t	54	9	Added	
A3	NHHSS-65B-R2BT0	72	11.9	100	2		Fro t	54	-9	Added	
R5	B2/B66A RRH-BR049 (RFV01U-D1A)	15	15	100	2		Behi d	48	0	Added	
R6	B5/B13 RRH-BR04C (RFV01U-D2A)	15	15	50	3		Behi d	48	0	Added	
R4	MT6407-77A	35.1	16.1	4	4		Fro t	54	0	Added	

Maser Consulting Connecticut

Subject

TIA-222-H Usage

Site Information

Site ID: 467627-VZW / E HARTFORD 3 CT
Site Name: E HARTFORD 3 CT
Carrier Name: Verizon Wireless
Address: 148 Roberts St
East Hartford, Connecticut 06108
Hartford County

Latitude: 41.773333°
Longitude: -72.613442°

Structure Information

Tower Type: Monopole
Mount Type: 12.50-ft Platform

To Whom It May Concern,

We respectfully submit the above referenced Antenna Mount Structural Analysis report in conformance with ANSI/TIA-222-H, Structural Standard for Antenna Supporting Structures and Antennas and Small Wind Turbine Support Structures.

The 2015 International Building Code states that, in Section 3108, telecommunication towers shall be designed and constructed in accordance with the provisions of TIA-222. The TIA-222-H is the latest revision of the TIA-222 Standard, effective as of January 01, 2018.

As with all ANSI standards and engineering best practice is to apply the most current revision of the standard. This ensures the engineer is applying all updates. As an example, the TIA-222-H standard includes updates to bring it in line with the latest AISC and ACI standards and it also incorporates the latest wind speed maps by ASCE 7 based on updated studies of the wind data.

The TIA-222-H standard clarifies these specific requirements for the antenna mount analysis such as modeling methods, seismic analysis, 30-degree increment wind directions and maintenance loading. Therefore, it is our opinion that TIA-222-H is the most appropriate standard for antenna mount structural analysis and is acceptable for use at this tower site to ensure the engineer is taking into account the most current engineering standard available.

Sincerely,



Petros Tsoukalas, PE
Geographic Discipline Leader

Site Name: **EAST HARTFORD 3 CT**
 Cumulative Power Density

Operator	Operating Frequency	Number of Trans.	ERP Per Trans.	Total ERP	Distance to Target	Calculated Power Density	Maximum Permissible Exposure*	Fraction of MPE
	(MHz)		(watts)	(watts)	(feet)	(mW/cm ²)	(mW/cm ²)	(%)
VZW 700	751	4	189	756	118	0.0020	0.5007	0.39%
VZW CDMA	869	2	402	804	118	0.0021	0.5793	0.36%
VZW Cellular	869	4	699	2796	118	0.0072	0.5793	1.25%
VZW PCS	1980	4	1496	5984	118	0.0155	1.0000	1.55%
VZW AWS	2125	4	1671	6684	118	0.0173	1.0000	1.73%
VZW CBAND	3730	4	6531	26124	118	0.0675	1.0000	6.75%
VZW CBRS	3625	4	12	48	118	0.0001	1.0000	0.01%
Total Percentage of Maximum Permissible Exposure								12.03%

*Guidelines adopted by the FCC on August 1, 1996, 47 CFR Part 1 based on NCRP Report 86, 1986 and generally on ANSI/IEEE C95.1-1992

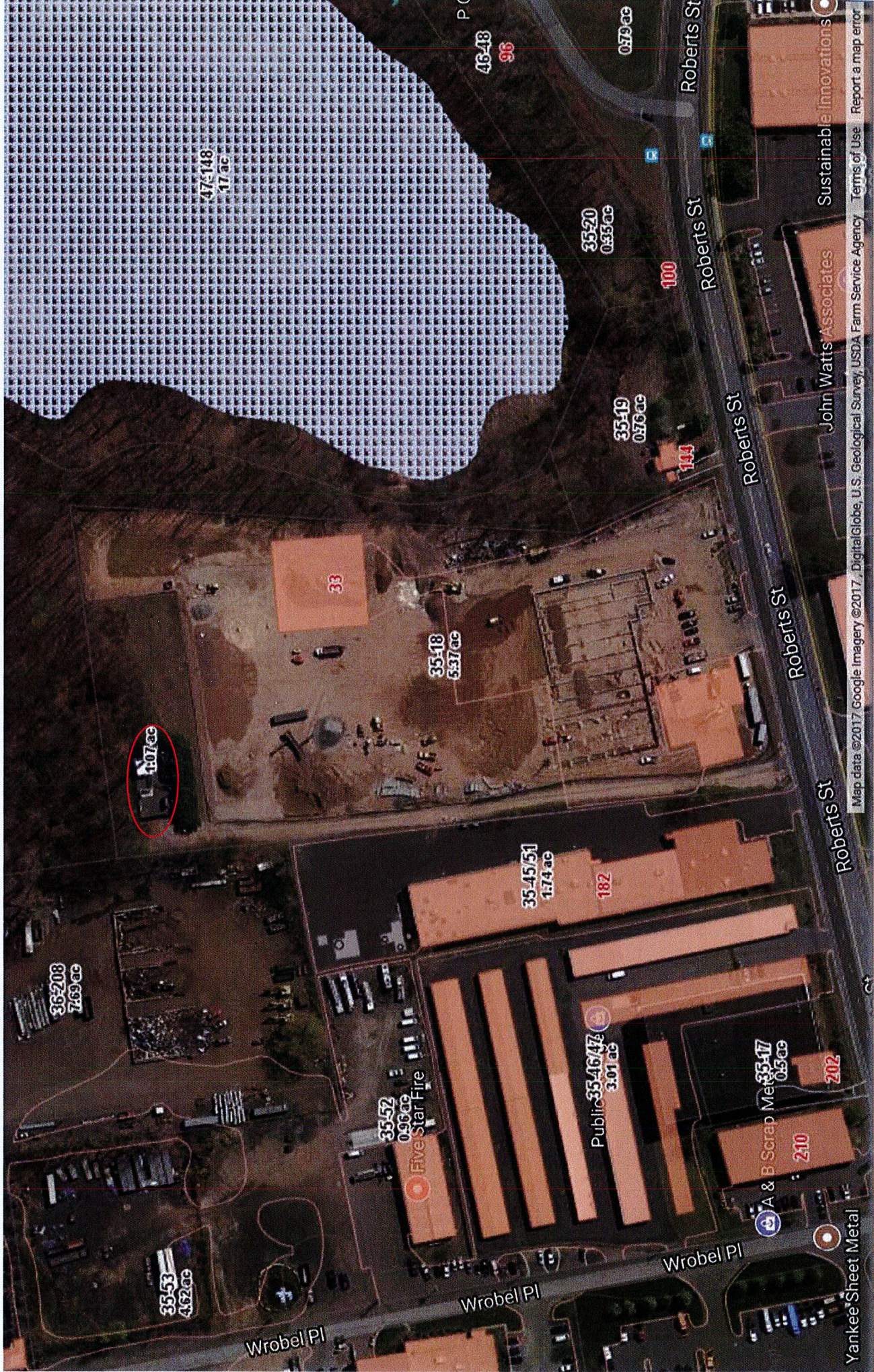
**Calculation includes a -10 dB Off Beam Antenna Pattern Adjustment pursuant to Attachments B and C of the Siting Council's November 10, 2015 Memorandum for Exempt Modification filings

MHz = Megahertz

mW/cm² = milliwatts per square centimeter

ERP = Effective Radiated Power

Absolute worst case maximum values used.



Map data ©2017 Google Imagery ©2017 DigitalGlobe, U.S. Geological Survey, USDA Farm Service Agency Terms of Use Report a map error

Sustainable Innovations

John Watts Associates

Yankee Sheet Metal

Town of East Hartford Property Summary Report

148 ROBERTS ST

MAP LOT:	35-18A	CAMA PID:	50278
LOCATION:	148 ROBERTS ST		
OWNER NAME:	CARO LLC / C/O PROPERTY TAX DEPT		

OWNER OF RECORD
CARO LLC C/O PROPERTY TAX DEPT P O BOX 723597 ATLANTA, GA 31139

LIVING AREA:		ZONING:		ACREAGE:	1.07
---------------------	--	----------------	--	-----------------	------

SALES HISTORY

OWNER	BOOK / PAGE	SALE DATE	SALE PRICE
CARO LLC C/O PROPERTY TAX DEPT	3560/0154	26-Sep-2015	\$0.00
DOUBLE E PROPERTIES OF MIDDLETOWN LLC C/O CARMINE	3442/0174	28-Dec-2013	\$0.00
DOUBLE E PROPERTIES OF EAST HARTFORD LLC C/O CARMINE	3205/0125	05-Oct-2010	\$0.00

CURRENT PARCEL ASSESSMENT

TOTAL:	\$91,520.00	IMPROVEMENTS:	\$2,790.00	LAND:	\$88,730.00
---------------	-------------	----------------------	------------	--------------	-------------

ASSESSING HISTORY

FISCAL YEAR	TOTAL VALUE	IMPROVEMENT VALUE	LAND VALUE
2019	\$91,520.00	\$2,790.00	\$88,730.00
2018	\$91,520.00	\$2,790.00	\$88,730.00
2017	\$91,520.00	\$2,790.00	\$88,730.00
2016	\$91,520.00	\$2,790.00	\$88,730.00
2015	\$91,510.00	\$2,780.00	\$88,730.00

Town of East Hartford Property Summary Report

148 ROBERTS ST

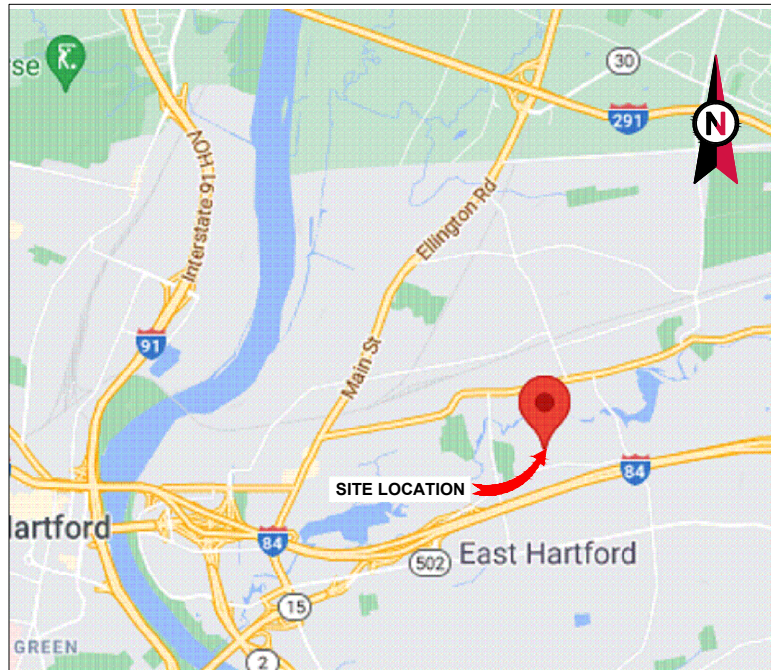
MAP LOT:	35-18A	CAMA PID:	50278
LOCATION:	148 ROBERTS ST		
OWNER NAME:	CARO LLC / C/O PROPERTY TAX DEPT		

BUILDING # 1

YEAR BUILT		EXT WALL 1	
STYLE		INT WALLS 1	
MODEL	Vacant	HEAT FUEL	
STORIES		HEAT TYPE	
OCCUPANCY	Comm w/ OB	AC TYPE	
ROOF		BEDROOMS	
ROOF COVER		FULL BATHS	
FLOOR COVER 1		HALF BATHS	
% BSMT	null	TOTAL ROOMS	
% FIN BSMT	null	% REC RM	null
% SEMI FIN		% ATTIC FINISH	null
BSMT GARAGE	null	FIREPLACES	null

EXTRA FEATURES

DESCRIPTION	CODE	UNITS
Fence-C/L	FN1	260.00 L.F.

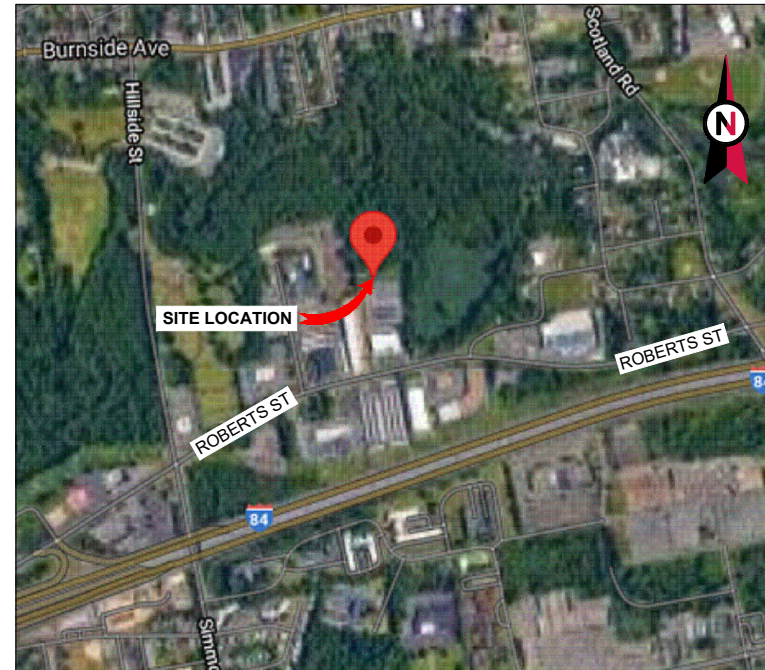


VICINITY MAP



AMERICAN TOWER®

ATC SITE NAME: EAST HARTFORD
 ATC SITE NUMBER: 370626
 VERIZON SITE NAME: EAST HARTFORD III
 VERIZON SITE NUMBER: 467627
 SITE ADDRESS: 148 ROBERTS ST.
 EAST HARTFORD, CT 06108



LOCATION MAP

**VERIZON
 5G L-SUB6 CARRIER ADD ANTENNA AMENDMENT DRAWINGS**

COMPLIANCE CODE	PROJECT SUMMARY	PROJECT DESCRIPTION	SHEET INDEX				
ALL WORK SHALL BE PERFORMED AND MATERIALS INSTALLED IN ACCORDANCE WITH THE CURRENT EDITIONS OF THE FOLLOWING CODES AS ADOPTED BY THE LOCAL GOVERNMENT AUTHORITIES. NOTHING IN THESE PLANS IS TO BE CONSTRUED TO PERMIT WORK NOT CONFORMING TO THESE CODES. 1. 2018 INTERNATIONAL RESIDENTIAL CODE 2. 2018 INTERNATIONAL BUILDING CODE 3. 2018 INTERNATIONAL PLUMBING CODE 4. 2018 INTERNATIONAL MECHANICAL CODE 5. 2018 INTERNATIONAL FUEL GAS CODE 6. 2018 INTERNATIONAL PROPERTY MAINTENANCE CODE 7. 2018 INTERNATIONAL SWIMMING POOL & SPA CODE 8. 2017 NATIONAL ELECTRIC CODE 9. 2015 INTERNATIONAL FIRE CODE 10. 2015 INTERNATIONAL ENERGY CONSERVATION CODE	<u>SITE ADDRESS:</u> 148 ROBERTS ST. EAST HARTFORD, CT 06108 COUNTY: HARTFORD <u>GEOGRAPHIC COORDINATES:</u> LATITUDE: 41.7733 LONGITUDE: -72.61341 GROUND ELEVATION: 49' AMSL	THE PROPOSED PROJECT INCLUDES MODIFYING GROUND BASED AND TOWER MOUNTED EQUIPMENT AS INDICATED PER BELOW: REMOVE (6) ANTENNA(S), AND (12) RRR(S) INSTALL (12) ANTENNA(S), (12) RRR(S), AND (2) 6X12 LI HYBRID CABLE(S) EXISTING (2) OVP(S), AND (6) 1-5/8" COAX CABLE(S) TO REMAIN	SHEET NO:	DESCRIPTION:	REV:	DATE:	BY:
	<u>PROJECT TEAM</u> <u>TOWER OWNER:</u> AMERICAN TOWER 10 PRESIDENTIAL WAY WOBURN, MA 01801 <u>ENGINEER:</u> DEWBERRY ENGINEERS, INC 99 SUMMER STREET, SUITE 700 BOSTON, MA 02110 <u>PROPERTY OWNER:</u> DOUBLE E PROPERTIES OF MIDDLETOWN LLC 148 ROBERTS ST. EAST HARTFORD, CT 06108	<u>PROJECT NOTES</u> 1. THE FACILITY IS UNMANNED. 2. A TECHNICIAN WILL VISIT THE SITE APPROXIMATELY ONCE A MONTH FOR ROUTINE INSPECTION AND MAINTENANCE. 3. THE PROJECT WILL NOT RESULT IN ANY SIGNIFICANT LAND DISTURBANCE OR EFFECT OF STORM WATER DRAINAGE. 4. NO SANITARY SEWER, POTABLE WATER OR TRASH DISPOSAL IS REQUIRED. 5. HANDICAP ACCESS IS NOT REQUIRED. 6. THE PROJECT DEPICTED IN THESE PLANS QUALIFIES AS AN ELIGIBLE FACILITIES REQUEST ENTITLED TO EXPEDITED REVIEW UNDER 47 U.S.C. § 1455(A) AS A MODIFICATION OF AN EXISTING WIRELESS TOWER THAT INVOLVES THE COLLOCATION, REMOVAL, AND/OR REPLACEMENT OF TRANSMISSION EQUIPMENT THAT IS NOT A SUBSTANTIAL CHANGE UNDER CFR § 1.61000 (B)(7).	G-001	TITLE SHEET	0	07/13/21	ZP
<u>UTILITY COMPANIES</u> POWER COMPANY: EVER SOURCE PHONE: (877) 659-6326 TELEPHONE COMPANY: FRONTIER COMMUNICATIONS PHONE: (800) 376-6843	<u>APPLICANT:</u> VERIZON WIRELESS 118 FLANDERS ROAD WESTBOROUGH, MA 01581	<u>PROJECT LOCATION DIRECTIONS</u> FROM HARTFORD CT NORTH ON MAIN STREET TURN RIGHT ON MORGAN STREET SOUTH / US 44 EAST. MERGE ONTO I-84 EAST / US 6 EAST. TAKE EXIT 58 ROBERTS STREET TOWARD SILVER LANE / BURNSIDE AVENUE. TURN LEFT ONTO ROBERTS STREET. SITE IS ON THE LEFT	G-002	GENERAL NOTES	0	07/13/21	ZP
811 Know what's below. Call before you dig.			C-101	DETAILED SITE PLAN	0	07/13/21	ZP
			C-201	TOWER ELEVATION	0	07/13/21	ZP
			C-401	ANTENNA INFORMATION & SCHEDULE	0	07/13/21	ZP
			C-501	CONSTRUCTION DETAILS	0	07/13/21	ZP
			E-501	GROUNDING DETAILS	0	07/13/21	ZP
			R-601	SUPPLEMENTAL			
			R-602	SUPPLEMENTAL			



Dewberry®
 Dewberry Engineers Inc.
 99 SUMMER STREET
 SUITE 700
 BOSTON, MA 02110
 PHONE: 617.531.0801
 FAX: 617.695.3310

REV.	DESCRIPTION	BY	DATE
A	PRELIM	JW	06/24/21
0	FINAL	ZP	07/13/21

ATC SITE NUMBER:
370626

ATC SITE NAME:
EAST HARTFORD

VERIZON SITE NAME:
EAST HARTFORD III

SITE ADDRESS:
148 ROBERTS ST.
EAST HARTFORD, CT 06108

SEAL:



DATE DRAWN:	06/24/21
ATC JOB NO:	13678644
CUSTOMER ID:	EAST HARTFORD III
CUSTOMER #:	467627

TITLE SHEET

SHEET NUMBER:	REVISION:
G-001	0

GENERAL CONSTRUCTION NOTES:

1. OWNER FURNISHED MATERIALS, VERIZON "THE COMPANY" WILL PROVIDE AND THE CONTRACTOR WILL INSTALL
 - A. BTS EQUIPMENT FRAME (PLATFORM) AND ICEBRIDGE SHELTER (GROUND BUILD/CO-LOCATE ONLY)
 - B. AC/TELCO INTERFACE BOX (PPC)
 - C. ICE BRIDGE (CABLE TRAY WITH COVER) (GROUND BUILD/CO-LOCATE ONLY, GC TO FURNISH AND INSTALL FOR ROOFTOP INSTALLATION)
 - D. TOWERS, MONOPOLES
 - E. TOWER LIGHTING
 - F. GENERATORS & LIQUID PROPANE TANK
 - G. ANTENNA STANDARD BRACKETS, FRAMES AND PIPES FOR MOUNTING
 - H. ANTENNAS (INSTALLED BY OTHERS)
 - I. TRANSMISSION LINE
 - J. TRANSMISSION LINE JUMPERS
 - K. TRANSMISSION LINE CONNECTORS WITH WEATHERPROOFING KITS
 - L. TRANSMISSION LINE GROUND KITS
 - M. HANGERS
 - N. HOISTING GRIPS
 - O. BTS EQUIPMENT
2. THE CONTRACTOR IS RESPONSIBLE TO PROVIDE ALL OTHER MATERIALS FOR THE COMPLETE INSTALLATION OF THE SITE INCLUDING, BUT NOT LIMITED TO, SUCH MATERIALS AS FENCING, STRUCTURAL STEEL SUPPORTING SUB-FRAME FOR PLATFORM, ROOFING LABOR AND MATERIALS, GROUNDING RINGS, GROUNDING WIRES, COPPER-CLAD OR XIT CHEMICAL GROUND ROD(S), BUSS BARS, TRANSFORMERS AND DISCONNECT SWITCHES WHERE APPLICABLE, TEMPORARY ELECTRICAL POWER, CONDUIT, LANDSCAPING COMPOUND STONE, CRANES, CORE DRILLING, SLEEPERS AND RUBBER MATTING, REBAR, CONCRETE CAISSONS, PADS AND/OR AUGER MOUNTS, MISCELLANEOUS FASTENERS, CABLE TRAYS, NON-STANDARD ANTENNA FRAMES AND ALL OTHER MATERIAL AND LABOR REQUIRED TO COMPLETE THE JOB ACCORDING TO THE DRAWINGS AND SPECIFICATIONS. IT IS THE POSITION OF VERIZON TO APPLY FOR PERMITTING AND CONTRACTOR RESPONSIBLE FOR PICKUP AND PAYMENT OF REQUIRED PERMITS.
3. ALL WORK SHALL CONFORM TO ALL CURRENT APPLICABLE FEDERAL, STATE, AND LOCAL CODES, INCLUDING ANSIEIA/ITIA-222, AND COMPLY WITH ATC CONSTRUCTION SPECIFICATIONS.
4. CONTRACTOR SHALL CONTACT LOCAL 811 FOR IDENTIFICATION OF UNDERGROUND UTILITIES PRIOR TO START OF CONSTRUCTION.
5. CONTRACTOR SHALL BE RESPONSIBLE FOR COORDINATING ALL REQUIRED INSPECTIONS.
6. ALL DIMENSIONS TO, OF, AND ON EXISTING BUILDINGS, DRAINAGE STRUCTURES, AND SITE IMPROVEMENTS SHALL BE VERIFIED IN FIELD BY CONTRACTOR WITH ALL DISCREPANCIES REPORTED TO THE ENGINEER.
7. DO NOT CHANGE SIZE OR SPACING OF STRUCTURAL ELEMENTS.
8. DETAILS SHOWN ARE TYPICAL; SIMILAR DETAILS APPLY TO SIMILAR CONDITIONS UNLESS OTHERWISE NOTED.
9. THESE DRAWINGS DO NOT INCLUDE NECESSARY COMPONENTS FOR CONSTRUCTION SAFETY WHICH SHALL BE THE SOLE RESPONSIBILITY OF THE CONTRACTOR.
10. CONTRACTOR SHALL BRACE STRUCTURES UNTIL ALL STRUCTURAL ELEMENTS NEEDED FOR STABILITY ARE INSTALLED. THESE ELEMENTS ARE AS FOLLOWS: LATERAL BRACING, ANCHOR BOLTS, ETC.
11. CONTRACTOR SHALL DETERMINE EXACT LOCATION OF EXISTING UTILITIES, GROUNDS DRAINS, DRAIN PIPES, VENTS, ETC. BEFORE COMMENCING WORK.
12. INCORRECTLY FABRICATED, DAMAGED, OR OTHERWISE MISFITTING OR NONCONFORMING MATERIALS OR CONDITIONS SHALL BE REPORTED TO THE VERIZON REP PRIOR TO REMEDIAL OR CORRECTIVE ACTION. ANY SUCH REMEDIAL ACTION SHALL REQUIRE WRITTEN APPROVAL BY THE VERIZON REP PRIOR TO PROCEEDING.
13. EACH CONTRACTOR SHALL COOPERATE WITH THE VERIZON REP, AND COORDINATE HIS WORK WITH THE WORK OF OTHERS.
14. CONTRACTOR SHALL REPAIR ANY DAMAGE CAUSED BY CONSTRUCTION OF THIS PROJECT TO MATCH EXISTING PRE-CONSTRUCTION CONDITIONS TO THE SATISFACTION OF THE VERIZON CONSTRUCTION MANAGER.
15. ALL CABLE/CONDUIT ENTRY/EXIT PORTS SHALL BE WEATHERPROOFED DURING INSTALLATION USING A SILICONE SEALANT.
16. WHERE EXISTING CONDITIONS DO NOT MATCH THOSE SHOWN IN THIS PLAN SET, CONTRACTOR SHALL NOTIFY THE VERIZON REP AND ENGINEER OF RECORD IMMEDIATELY.
17. CONTRACTOR SHALL ENSURE ALL SUBCONTRACTORS ARE PROVIDED WITH A COMPLETE AND CURRENT SET OF DRAWINGS AND SPECIFICATIONS FOR THIS PROJECT.
18. CONTRACTOR SHALL REMOVE ALL RUBBISH AND DEBRIS FROM THE SITE AT THE END OF EACH DAY.
19. CONTRACTOR SHALL COORDINATE WORK SCHEDULE WITH AMERICAN TOWER CORPORATION (ATC) AND TAKE PRECAUTIONS TO MINIMIZE IMPACT AND DISRUPTION OF OTHER OCCUPANTS OF THE FACILITY.
20. CONTRACTOR SHALL FURNISH VERIZON AND AMERICAN TOWER CORPORATION (ATC) WITH A PDF MARKED UP AS-BUILT SET OF DRAWINGS UPON COMPLETION OF WORK.
21. PRIOR TO SUBMISSION OF BID, CONTRACTOR SHALL COORDINATE WITH VERIZON REP TO DETERMINE WHAT, IF ANY, ITEMS WILL BE PROVIDED. ALL ITEMS NOT PROVIDED SHALL BE PROVIDED AND INSTALLED BY THE CONTRACTOR. CONTRACTOR WILL INSTALL ALL ITEMS PROVIDED.

22. PRIOR TO SUBMISSION OF BID, CONTRACTOR SHALL COORDINATE WITH VERIZON REP TO DETERMINE IF ANY PERMITS WILL BE OBTAINED BY CONTRACTOR. ALL REQUIRED PERMITS NOT OBTAINED BY VERIZON MUST BE OBTAINED, AND PAID FOR, BY THE CONTRACTOR.
23. CONTRACTOR SHALL INSTALL ALL SITE SIGNAGE IN ACCORDANCE WITH VERIZON SPECIFICATIONS AND REQUIREMENTS.
24. CONTRACTOR SHALL SUBMIT ALL SHOP DRAWINGS TO VERIZON FOR REVIEW AND APPROVAL PRIOR TO FABRICATION.
25. ALL EQUIPMENT SHALL BE INSTALLED ACCORDING TO MANUFACTURER'S SPECIFICATIONS AND LOCATED ACCORDING TO VERIZON SPECIFICATIONS, AND AS SHOWN IN THESE PLANS.
26. THE CONTRACTOR SHALL SUPERVISE AND DIRECT THE PROJECT DESCRIBED HEREIN. THE CONTRACTOR SHALL BE SOLELY RESPONSIBLE FOR ALL THE CONSTRUCTION MEANS, METHODS, TECHNIQUES, SEQUENCES AND PROCEDURES AND FOR COORDINATING ALL PORTIONS OF THE WORK UNDER THE CONTRACT.
27. CONTRACTOR SHALL NOTIFY VERIZON REP A MINIMUM OF 48 HOURS IN ADVANCE OF POURING CONCRETE OR BACKFILLING ANY UNDERGROUND UTILITIES, FOUNDATIONS OR SEALING ANY WALL, FLOOR OR ROOF PENETRATIONS FOR ENGINEERING REVIEW AND APPROVAL.
28. CONTRACTOR SHALL BE RESPONSIBLE FOR SITE SAFETY INCLUDING COMPLIANCE WITH ALL APPLICABLE OSHA STANDARDS AND RECOMMENDATIONS AND SHALL PROVIDE ALL NECESSARY SAFETY DEVICES INCLUDING PPE AND PPM AND CONSTRUCTION DEVICES SUCH AS WELDING AND FIRE PREVENTION, TEMPORARY SHORING, SCAFFOLDING, TRENCH BOXES/SLOPING, BARRIERS, ETC.
29. THE CONTRACTOR SHALL PROTECT AT HIS OWN EXPENSE, ALL EXISTING FACILITIES AND SUCH OF HIS NEW WORK LIABLE TO INJURY DURING THE CONSTRUCTION PERIOD. ANY DAMAGE CAUSED BY NEGLIGENCE ON THE PART OF THIS CONTRACTOR OR HIS REPRESENTATIVES, OR BY THE ELEMENTS DUE TO NEGLIGENCE ON THE PART OF THIS CONTRACTOR OR HIS REPRESENTATIVES, EITHER TO THE EXISTING WORK, OR TO HIS WORK OR THE WORK OF ANY OTHER CONTRACTOR, SHALL BE REPAIRED AT HIS EXPENSE TO THE OWNER'S SATISFACTION.
30. ALL WORK SHALL BE INSTALLED IN A FIRST CLASS, NEAT AND WORKMANLIKE MANNER BY MECHANICS SKILLED IN THE TRADE INVOLVED. THE QUALITY OF WORKMANSHIP SHALL BE SUBJECT TO THE APPROVAL OF THE VERIZON REP. ANY WORK FOUND BY THE VERIZON REP TO BE OF INFERIOR QUALITY AND/OR WORKMANSHIP SHALL BE REPLACED AND/OR REWORKED AT CONTRACTOR EXPENSE UNTIL APPROVAL IS OBTAINED.
31. IN ORDER TO ESTABLISH STANDARDS OF QUALITY AND PERFORMANCE, ALL TYPES OF MATERIALS LISTED HEREINAFTER BY MANUFACTURER'S NAMES AND/OR MANUFACTURER'S CATALOG NUMBER SHALL BE PROVIDED BY THESE MANUFACTURERS AS SPECIFIED.
32. VERIZON FURNISHED EQUIPMENT SHALL BE PICKED-UP AT THE VERIZON WAREHOUSE, NO LATER THAN 48HR AFTER BEING NOTIFIED INSURED, STORED, UNCRATE, PROTECTED AND INSTALLED BY THE CONTRACTOR WITH ALL APPURTENANCES REQUIRED TO PLACE THE EQUIPMENT IN OPERATION, READY FOR USE. THE CONTRACTOR SHALL BE RESPONSIBLE FOR THE EQUIPMENT AFTER PICKING IT UP.
33. VERIZON OR HIS ARCHITECT/ENGINEER RESERVES THE RIGHT TO REJECT ANY EQUIPMENT OR MATERIALS WHICH, IN HIS OWN OPINION ARE NOT IN COMPLIANCE WITH THE CONTRACT DOCUMENTS, EITHER BEFORE OR AFTER INSTALLATION AND THE EQUIPMENT SHALL BE REPLACED WITH EQUIPMENT CONFORMING TO THE REQUIREMENTS OF THE CONTRACT DOCUMENTS BY THE CONTRACTOR AT NO COST TO VERIZON OR THEIR ARCHITECT/ENGINEER.

SPECIAL CONSTRUCTION

ANTENNA INSTALLATION NOTES:

1. WORK INCLUDED:
 - A. ANTENNA AND COAXIAL CABLES ARE FURNISHED BY VERIZON UNDER A SEPARATE CONTRACT. THE CONTRACTOR SHALL ASSIST ANTENNA INSTALLATION CONTRACTOR IN TERMS OF COORDINATION AND SITE ACCESS. ERECTION SUBCONTRACTOR SHALL BE RESPONSIBLE FOR THE PROTECTION OF PERSONNEL AND
 - B. INSTALL ANTENNA AS INDICATE ON DRAWINGS AND VERIZON SPECIFICATIONS.
 - C. INSTALL GALVANIZED STEEL ANTENNA MOUNTS AS INDICATED ON DRAWINGS
 - D. INSTALL FURNISHED GALVANIZED STEEL OR ALUMINUM WAVEGUIDE.
 - E. CONTRACTOR SHALL PROVIDE FOUR (4) SETS OF SWEEP TESTS USING ANRITZU-PACKARD 8713B RF SCALAR NETWORK ANALYZER. SUBMIT FREQUENCY DOMAIN REFLECTOMETER(FDR) TESTS RESULTS TO THE PROJECT MANAGER. SWEEP TESTS SHALL BE AS PER ATTACHED RFS "MINIMUM FIELD TESTING RECOMMENDED FOR ANTENNA AND HELIAX COAXIAL CABLE SYSTEMS" DATED 10/5/93. TESTING SHALL BE PERFORMED BY AN INDEPENDENT TESTING SERVICE AND BE BOUND AND SUBMITTED WITHIN ONE WEEK OF WORK COMPLETION.
 - F. INSTALL COAXIAL CABLES AND TERMINATING BETWEEN ANTENNAS AND EQUIPMENT PER MANUFACTURER'S RECOMMENDATIONS. WEATHERPROOF ALL CONNECTIONS BETWEEN THE ANTENNA AND EQUIPMENT PER MANUFACTURER'S REQUIREMENTS. TERMINATE ALL COAXIAL CABLE THREE (3) FEET IN EXCESS OF ENTRY PORT LOCATION UNLESS OTHERWISE STATED.
 - G. ANTENNA AND COAXIAL CABLE GROUNDING:
2. ALL EXTERIOR #6 GREDDED GROUND WIRE "DAISY CHAIN" CONNECTIONS ARE TO BE WEATHER SEALED WITH RFS CONNECTORS/SPLICE WEATHERPROOFING KIT #221213 OR EQUAL.
3. ALL COAXIAL CABLE GROUNDING KITS ARE TO BE INSTALLED ON STRAIGHT RUNS OF COAXIAL CABLE (NOT WITHIN BENDS)

ALL DISCREPANCIES FROM WHAT IS SHOWN ON THESE CONSTRUCTION DRAWINGS SHALL BE COMMUNICATED TO ATC ENGINEERING IMMEDIATELY FOR CORRECTION OR RE-DESIGN. FAILURE TO COMMUNICATE DIRECTLY WITH ATC ENGINEERING OR ANY CHANGES FROM THE DESIGN CONDUCTED WITHOUT PRIOR APPROVAL FROM ATC ENGINEERING SHALL BE THE SOLE RESPONSIBILITY OF THE GENERAL CONTRACTOR.



Dewberry[®]
 Dewberry Engineers Inc.
 99 SUMMER STREET
 SUITE 700
 BOSTON, MA 02110
 PHONE: 617.531.0801
 FAX: 617.695.3310

REV.	DESCRIPTION	BY	DATE
A	PRELIM	JW	06/24/21
0	FINAL	ZP	07/13/21

ATC SITE NUMBER:
370626

ATC SITE NAME:
EAST HARTFORD

VERIZON SITE NAME:
EAST HARTFORD III

SITE ADDRESS:
 148 ROBERTS ST.
 EAST HARTFORD, CT 06108



verizon ✓

DATE DRAWN:	06/24/21
ATC JOB NO:	13678644
CUSTOMER ID:	EAST HARTFORD III
CUSTOMER #:	467627

GENERAL NOTES

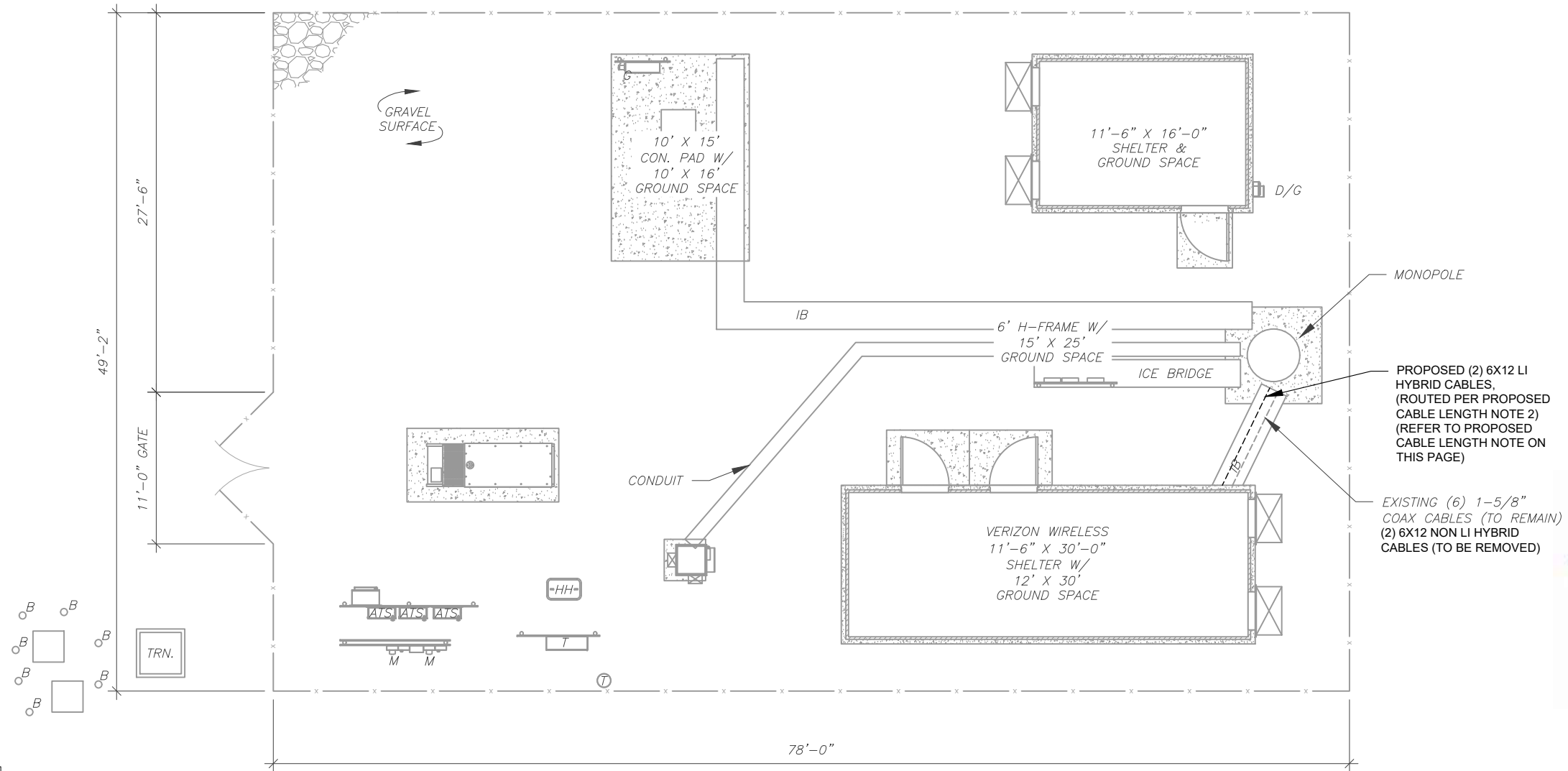
SHEET NUMBER: G-002	REVISION: 0
-------------------------------	-----------------------

Copyright © 2021 ATC IP LLC, All Rights Reserved.

SITE PLAN NOTES:

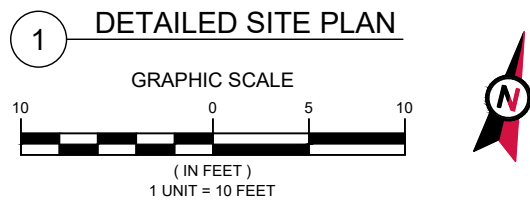
1. THIS SITE PLAN REPRESENTS THE BEST PRESENT KNOWLEDGE AVAILABLE TO THE ENGINEER AT THE TIME OF THIS DESIGN. THE CONTRACTOR SHALL VISIT THE SITE PRIOR TO CONSTRUCTION AND VERIFY ALL EXISTING CONDITIONS RELATED TO THE SCOPE OF WORK FOR THIS PROJECT.
2. ICE BRIDGE, CABLE LADDER, COAX PORT, AND COAX CABLE ARE SHOWN FOR REFERENCE ONLY. CONTRACTOR SHALL CONFIRM THE EXACT LOCATION OF ALL PROPOSED AND EXISTING EQUIPMENT AND STRUCTURES DEPICTED ON THIS PLAN. BEFORE UTILIZING EXISTING CABLE SUPPORTS, COAX PORTS, INSTALLING NEW PORTS OR ANY OTHER EQUIPMENT, CONTRACTOR SHALL VERIFY ALL ASPECTS OF THE COMPONENTS MEET THE ATC SPECIFICATIONS.
3. NO ELECTRICAL SCOPE IS INCLUDED IN THIS PROJECT.

LEGEND	
⊗	GROUNDING TEST WELL
ATS	AUTOMATIC TRANSFER SWITCH
B	BOLLARD
CSC	CELL SITE CABINET
D	DISCONNECT
E	ELECTRICAL
F	FIBER
GEN	GENERATOR
G	GENERATOR RECEPTACAL
HH, V	HAND HOLE, VAULT
IB	ICE BRIDGE
K	KENTROX BOX
LC	LIGHTING CONTROL
M	METER
PB	PULL BOX
PP	POWER POLE
T	TELCO
TRN	TRANSFORMER
x	CHAINLINK FENCE



PROPOSED CABLE LENGTH:

1. ESTIMATED LENGTH OF PROPOSED CABLE IS **148'**. ESTIMATED LENGTH OF CABLE WAS PROVIDED BY CUSTOMER OR CALCULATED BY ADDING THE RAD CENTER AND THE DISTANCE FROM THE SHELTER ENTRY PLATE TO THE TOWER (ALONG THE ICE BRIDGE) AND A SAFETY FACTOR MEASUREMENT OF 15% (OF THE TWO PREVIOUS VALUES). CDS DEFER TO GREATEST CABLE LENGTH.
2. ROUTE PROPOSED CABLES ALONG SAME PATH AS EXISTING CABLES AND IN ACCORDANCE WITH STRUCTURAL ANALYSIS. IF ADEQUATE SPACE EXISTS, ROUTE CABLES THROUGH ENTRY PORT HOLE, UP INSIDE OF MONOPOLE, AND THROUGH EXIT PORT HOLE. IF ROUTING OUTSIDE THE MONOPOLE, ATTACH CABLES USING STAND-OFF ADAPTERS MOUNTED TO TOWER USING STAINLESS STEEL BANDING. ADEQUATELY SECURE CABLES USING EITHER APPROPRIATELY SIZED STAINLESS STEEL SNAP-INS OR MOUNTING HARDWARE AND BRACKETS AS SPECIFIED BY CABLE MANUFACTURER.




AMERICAN TOWER®



Dewberry®
Dewberry Engineers Inc.
99 SUMMER STREET
SUITE 700
BOSTON, MA 02110
PHONE: 617.531.0801
FAX: 617.695.3310

REV.	DESCRIPTION	BY	DATE
A	PRELIM	JW	06/24/21
0	FINAL	ZP	07/13/21

ATC SITE NUMBER:
370626

ATC SITE NAME:
EAST HARTFORD

VERIZON SITE NAME:
EAST HARTFORD III

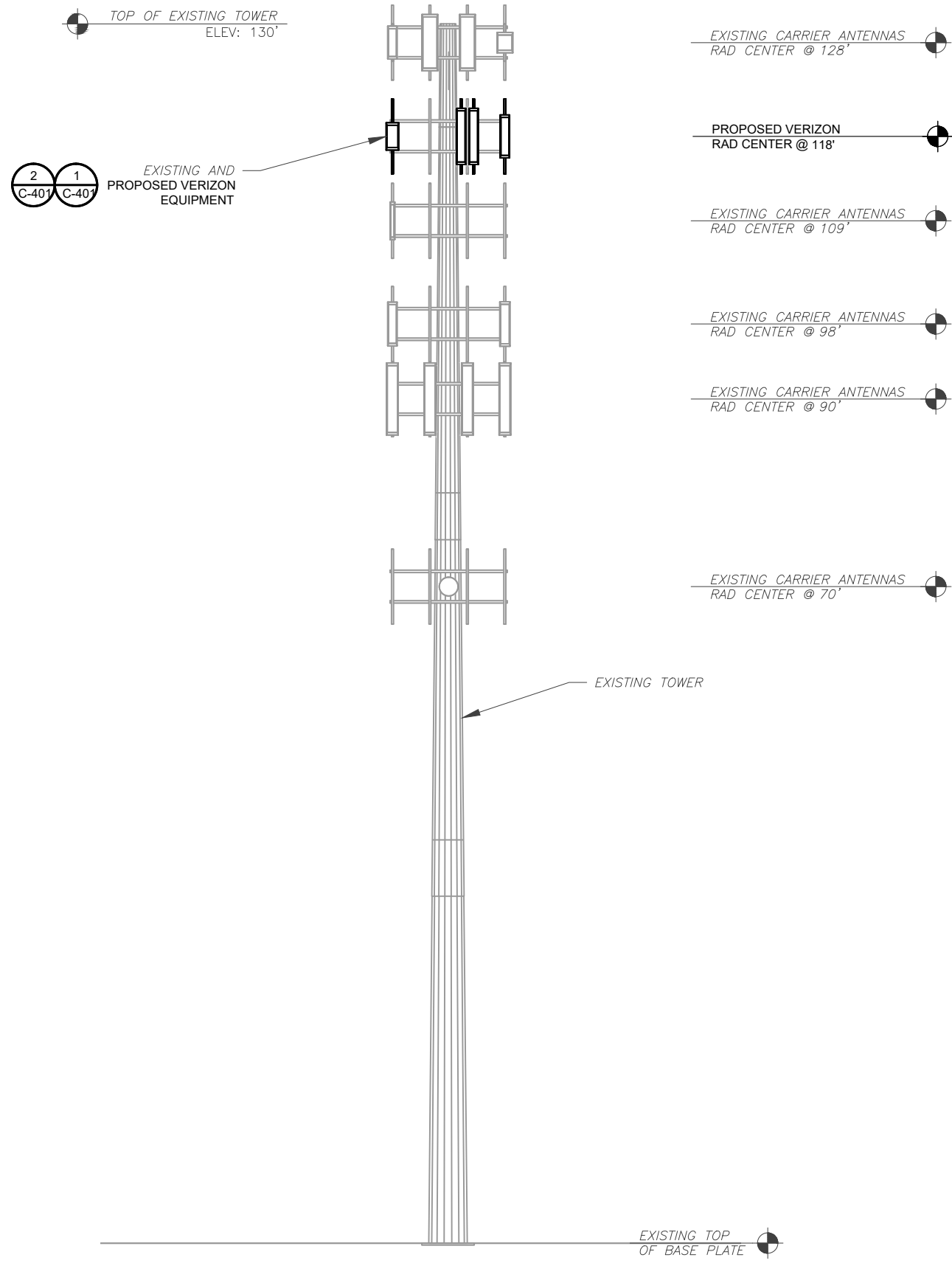
SITE ADDRESS:
148 ROBERTS ST.
EAST HARTFORD, CT 06108



DATE DRAWN:	06/24/21
ATC JOB NO:	13678644
CUSTOMER ID:	EAST HARTFORD III
CUSTOMER #:	467627

DETAILED SITE PLAN	
SHEET NUMBER: C-101	REVISION: 0

Copyright © 2021 ATC IP, LLC. All Rights Reserved.



PER MOUNT ANALYSIS COMPLETED BY MASER CONSULTING, DATED APRIL 22, 2021, THE EXISTING MOUNT CAN ADEQUATELY SUPPORT THE PROPOSED LOADING.

1 TOWER ELEVATION
SCALE: N.T.S.

- TOWER NOTE:**
- IT IS THE CONTRACTOR'S RESPONSIBILITY TO CONFIRM WITH THE PROJECT MANAGER THAT THEY HAVE THE MOST RECENT VERSION OF THE STRUCTURAL ANALYSIS BEFORE COMMENCING WORK. EXISTING AND PROPOSED TOWER APPURTENANCES, MOUNTS, AND ANTENNAS ARE SHOWN BASED ON THE STRUCTURAL ANALYSIS.
 - WHERE APPLICABLE, ALL NEW ANTENNAS, EQUIPMENT, MOUNTS, CABLING, ETC. SHALL BE PAINTED/SOCKED TO MATCH EXISTING EQUIPMENT IN ACCORDANCE WITH FAA, JURISDICTION, AND/OR OTHER LOCAL REQUIREMENTS.
 - ROUTE PROPOSED CABLES ALONG SAME PATH AS EXISTING CABLES AND IN ACCORDANCE WITH STRUCTURAL ANALYSIS. IF ADEQUATE SPACE EXISTS, ROUTE CABLES THROUGH ENTRY PORT HOLE, UP INSIDE OF MONOPOLE, AND THROUGH EXIT PORT HOLE. IF ROUTING OUTSIDE THE MONOPOLE, ATTACH CABLES USING STAND-OFF ADAPTERS MOUNTED TO TOWER USING STAINLESS STEEL BANDING. ADEQUATELY SECURE CABLES USING EITHER APPROPRIATELY SIZED STAINLESS STEEL SNAP-INS OR MOUNTING HARDWARE AND BRACKETS AS SPECIFIED BY CABLE MANUFACTURER.
 - TOWER ELEVATIONS ARE MEASURED FROM TOP OF BASE PLATE TO MATCH STRUCTURAL ANALYSIS. ELEVATIONS DO NOT REFLECT TRUE ABOVE GROUND LEVEL (A.G.L.)



Dewberry[®]
Dewberry Engineers Inc.
99 SUMMER STREET
SUITE 700
BOSTON, MA 02110
PHONE: 617.531.0801
FAX: 617.695.3310

REV.	DESCRIPTION	BY	DATE
A	PRELIM	JW	06/24/21
0	FINAL	ZP	07/13/21

ATC SITE NUMBER:
370626

ATC SITE NAME:
EAST HARTFORD

VERIZON SITE NAME:
EAST HARTFORD III

SITE ADDRESS:
148 ROBERTS ST.
EAST HARTFORD, CT 06108

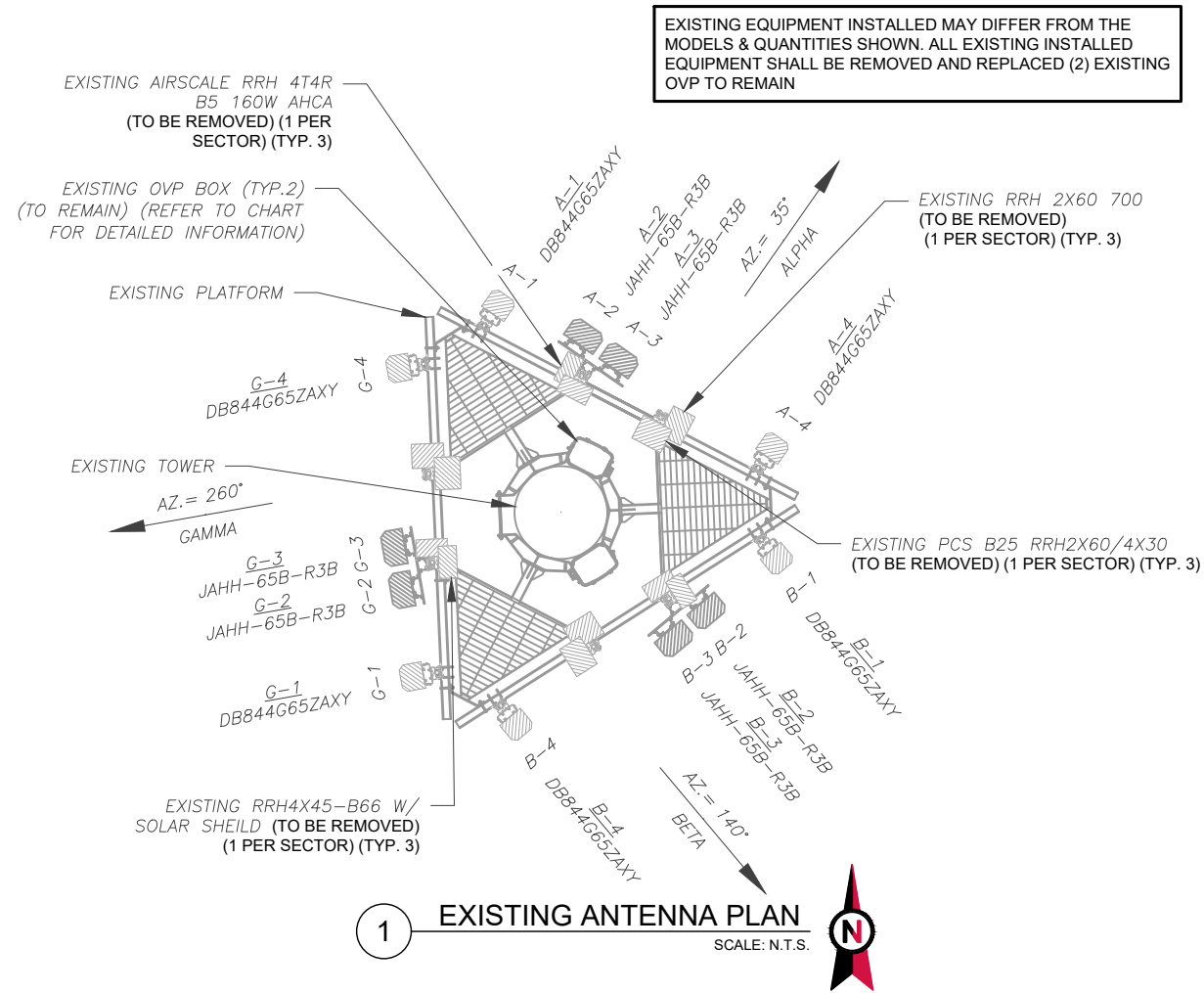


DATE DRAWN:	06/24/21
ATC JOB NO:	13678644
CUSTOMER ID:	EAST HARTFORD III
CUSTOMER #:	467627

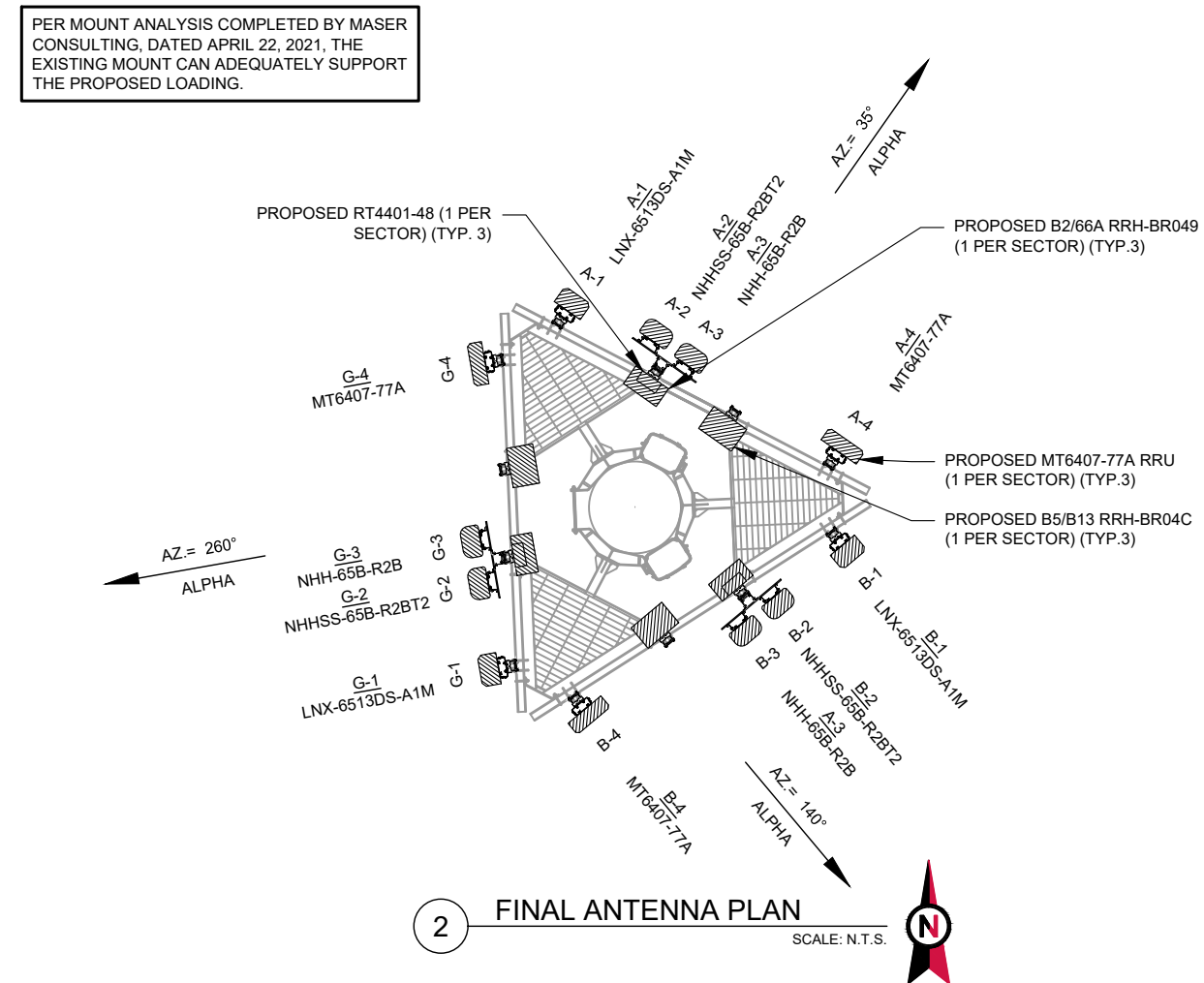
TOWER ELEVATION

SHEET NUMBER:	REVISION:
C-201	0

Copyright © 2021 ATC IP, LLC. All Rights Reserved.



1 EXISTING ANTENNA PLAN
SCALE: N.T.S.



2 FINAL ANTENNA PLAN
SCALE: N.T.S.

EXISTING EQUIPMENT INSTALLED MAY DIFFER FROM THE MODELS & QUANTITIES SHOWN. ALL EXISTING INSTALLED EQUIPMENT SHALL BE REMOVED AND REPLACED (2) EXISTING OVP TO REMAIN

PER MOUNT ANALYSIS COMPLETED BY MASER CONSULTING, DATED APRIL 22, 2021, THE EXISTING MOUNT CAN ADEQUATELY SUPPORT THE PROPOSED LOADING.

EXISTING ANTENNA SCHEDULE									
LOCATION			ANTENNA SUMMARY				NON ANTENNA SUMMARY		
SECTOR	RAD	AZ	POS	ANTENNA	BAND	MECH/ELEC D-TILT	STATUS	ADDITIONAL TOWER MOUNTED EQUIPMENT	STATUS
ALPHA	118'	35°	A1	DB844G65ZAXY	-	-	RMV	-	-
			A2	JAHH-65B-R3B	700/850/1900/AWS	0/2,2,2,2	RMV	AHCA AIRSCALE RRH 4T4R B5 160W	RMV
			A3	JAHH-65B-R3B	700/850/1900/AWS	0/2,2,2,2	RMV	RRH4X45-B66 W/ SOLAR SHEILD	RMV
			A4	DB844G65ZAXY	850 CDMA	0/0	RMV	RRH2X60 700	RMV
BETA	118'	140°	B1	DB844G65ZAXY	-	-	RMV	PCS B25 RRH2X60/4X30	RMV
			B2	JAHH-65B-R3B	700/850/1900/AWS	0/5,5,2,2	RMV	AHCA AIRSCALE RRH 4T4R B5 160W	RMV
			B3	JAHH-65B-R3B	700/850/1900/AWS	0/5,5,2,2	RMV	RRH4X45-B66 W/ SOLAR SHEILD	RMV
			B4	DB844G65ZAXY	850 CDMA	0/0	RMV	RRH2X60 700	RMV
GAMMA	118'	260°	C1	DB844G65ZAXY	-	-	RMV	PCS B25 RRH2X60/4X30	RMV
			C2	JAHH-65B-R3B	700/850/1900/AWS	0/10,10,2,2	RMV	AHCA AIRSCALE RRH 4T4R B5 160W	RMV
			C3	JAHH-65B-R3B	700/850/1900/AWS	0/10,10,2,2	RMV	RRH4X45-B66 W/ SOLAR SHEILD	RMV
			C4	DB844G65ZAXY	850 CDMA	0/0	RMV	RRH2X60 700	RMV

NOTES

- CONFIRM WITH VERIZON REP FOR APPLICABLE UPDATES/REVISIONS AND MOST RECENT RFDS FOR NSN CONFIGURATION (CONFIG). GC TO CAP ALL UNUSED PORTS.
- CONFIRM SPACING OF PROPOSED EQUIP DOES NOT CAUSE TOWER CONFLICTS NOR IMPEDE TOWER CLIMBING PEGS.

STATUS ABBREVIATIONS

RMV: TO BE REMOVED
RMN: TO REMAIN
REL: TO BE RELOCATED
ADD: TO BE ADDED

CABLE LENGTHS FOR JUMPERS

JUNCTION BOX TO RRU: 15'
RRU TO ANTENNA: 10'

FINAL ANTENNA SCHEDULE									
LOCATION			ANTENNA SUMMARY				NON ANTENNA SUMMARY		
SECTOR	RAD	AZ	POS	ANTENNA	BAND	MECH/ELEC D-TILT	STATUS	ADDITIONAL TOWER MOUNTED EQUIPMENT	STATUS
ALPHA	118'	35°	A1	LNX-6513DS-A1M	CDMA	0/0	ADD	-	-
			A2	NHHSS-65B-R2BT4	CBRS	0/0	ADD	RT4401-48A	ADD
			A3	NHH-65B-R2B	700/850/1900/AWS	0/2,2,2,2	ADD	B2/B66A RRH-BR049	ADD
			A4	MT6407-77A	L-SUB6	0/0	ADD	B5/B13 RRH-BR04C	ADD
BETA	118'	140°	B1	LNX-6513DS-A1M	CDMA	0/0	ADD	MT6407-77A	ADD
			B2	NHHSS-65B-R2BT4	CBRS	0/0	ADD	-	-
			B3	NHH-65B-R2B	700/850/1900/AWS	0/5,5,3,3	ADD	RT4401-48A	ADD
			B4	MT6407-77A	L-SUB6	0/0	ADD	B2/B66A RRH-BR049	ADD
GAMMA	118'	260°	C1	LNX-6513DS-A1M	CDMA	0/0	ADD	MT6407-77A	ADD
			C2	NHHSS-65B-R2BT4	CBRS	0/0	ADD	-	-
			C3	NHH-65B-R2B	700/850/1900/AWS	0/10,10,4,4	ADD	RT4401-48A	ADD
			C4	MT6407-77A	L-SUB6	0/0	ADD	B2/B66A RRH-BR049	ADD

EXISTING FIBER DISTRIBUTION/OVP BOX		EXISTING CABLING SUMMARY		
MODEL NUMBER	STATUS	COAX	HYBRID	STATUS
(2) DB-T1-6Z-8AB-OZ	RMN	(6) 1-5/8"	----	RMN
			(2) 6X12 NON LI	RMV

3 EQUIPMENT SCHEDULES

FINAL FIBER DISTRIBUTION / OVP BOX		FINAL CABLING SUMMARY		
MODEL NUMBER	STATUS	COAX	HYBRID	STATUS
(2) DB-T1-6Z-08-AB-OZ	RMN	(6) 1-5/8"	----	RMN
			(2) 6X12 LI	ADD

AMERICAN TOWER

Dewberry
Dewberry Engineers Inc.
99 SUMMER STREET
SUITE 700
BOSTON, MA 02110
PHONE: 617.531.0801
FAX: 617.695.3310

REV.	DESCRIPTION	BY	DATE
A	PRELIM	JW	06/24/21
O	FINAL	ZP	07/13/21

ATC SITE NUMBER:
370626

ATC SITE NAME:
EAST HARTFORD

VERIZON SITE NAME:
EAST HARTFORD III

SITE ADDRESS:
148 ROBERTS ST.
EAST HARTFORD, CT 06108



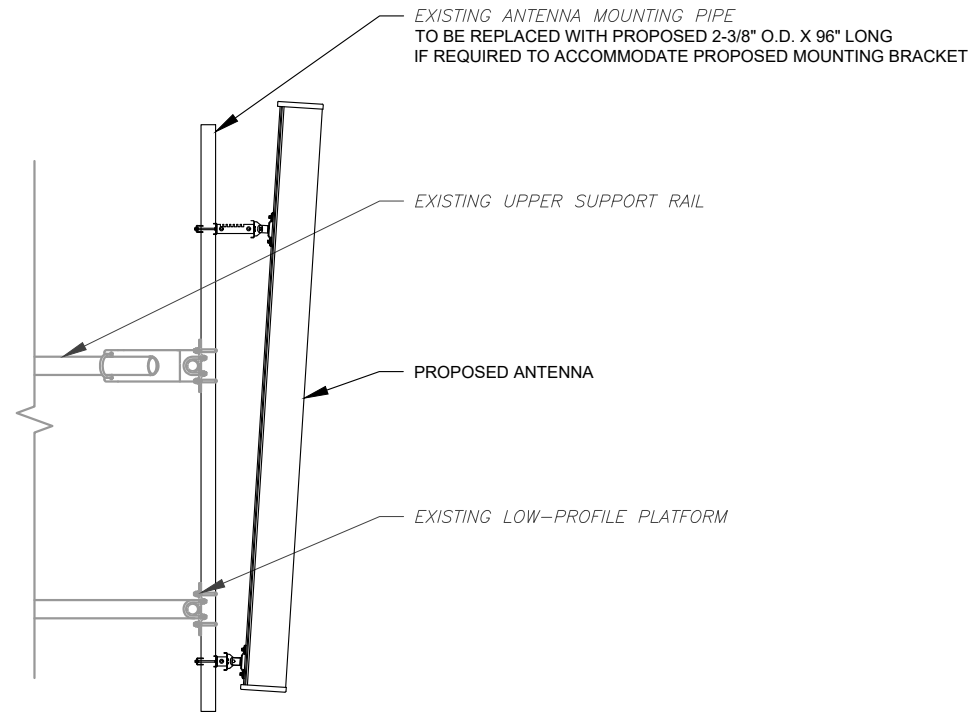
verizon

DATE DRAWN:	06/24/21
ATC JOB NO:	13678644
CUSTOMER ID:	EAST HARTFORD III
CUSTOMER #:	467627

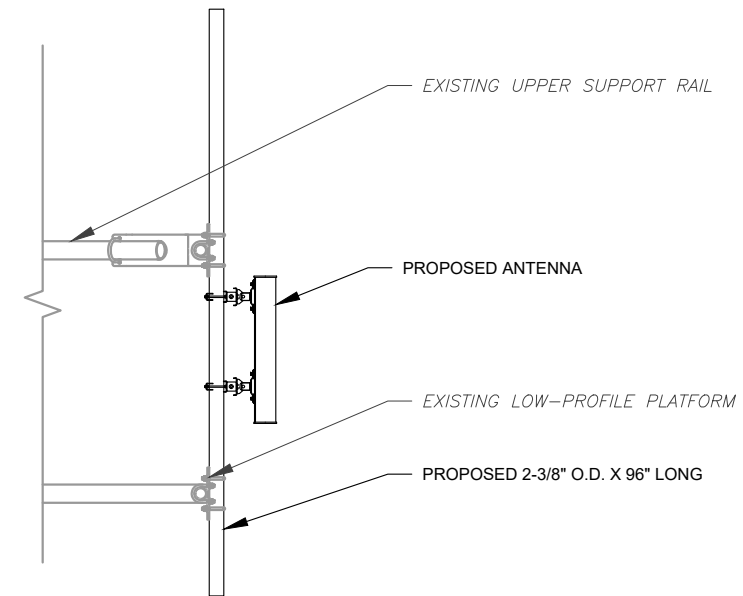
ANTENNA INFORMATION & SCHEDULE

SHEET NUMBER: C-401	REVISION: 0
-------------------------------	-----------------------

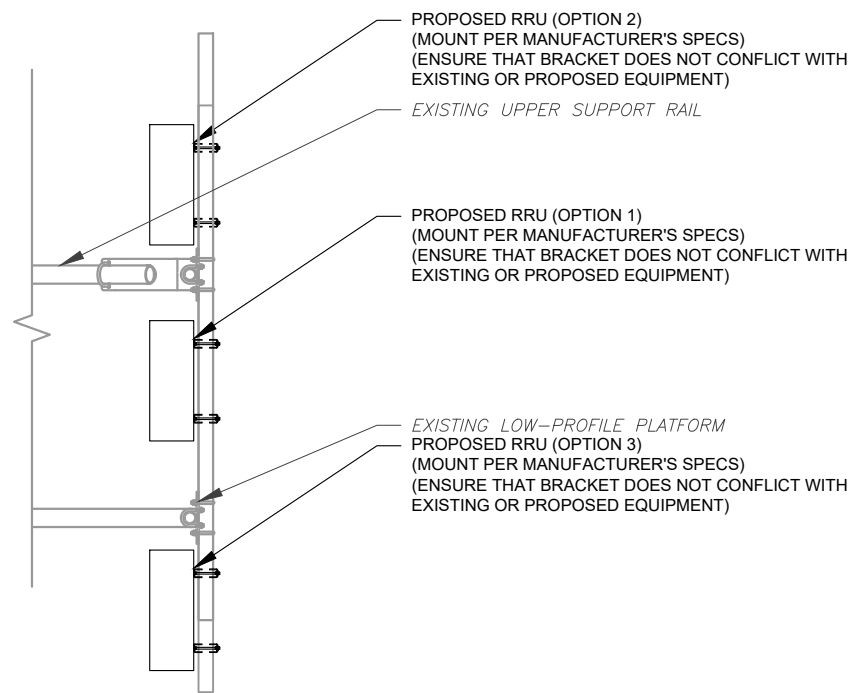
Copyright © 2021 ATC IP, LLC, All Rights Reserved.



1 PROPOSED ANTENNA MOUNTING DETAIL - TYPICAL
SCALE: NOT TO SCALE



2 PROPOSED 5G ANTENNA MOUNTING DETAIL - TYPICAL
SCALE: N.T.S.



3 PROPOSED RRU MOUNTING DETAIL - TYPICAL
SCALE: N.T.S.



Dewberry
Dewberry Engineers Inc.
99 SUMMER STREET
SUITE 700
BOSTON, MA 02110
PHONE: 617.531.0801
FAX: 617.695.3310

REV.	DESCRIPTION	BY	DATE
A	PRELIM	JW	06/24/21
0	FINAL	ZP	07/13/21

ATC SITE NUMBER:
370626

ATC SITE NAME:
EAST HARTFORD

VERIZON SITE NAME:
EAST HARTFORD III

SITE ADDRESS:
148 ROBERTS ST.
EAST HARTFORD, CT 06108

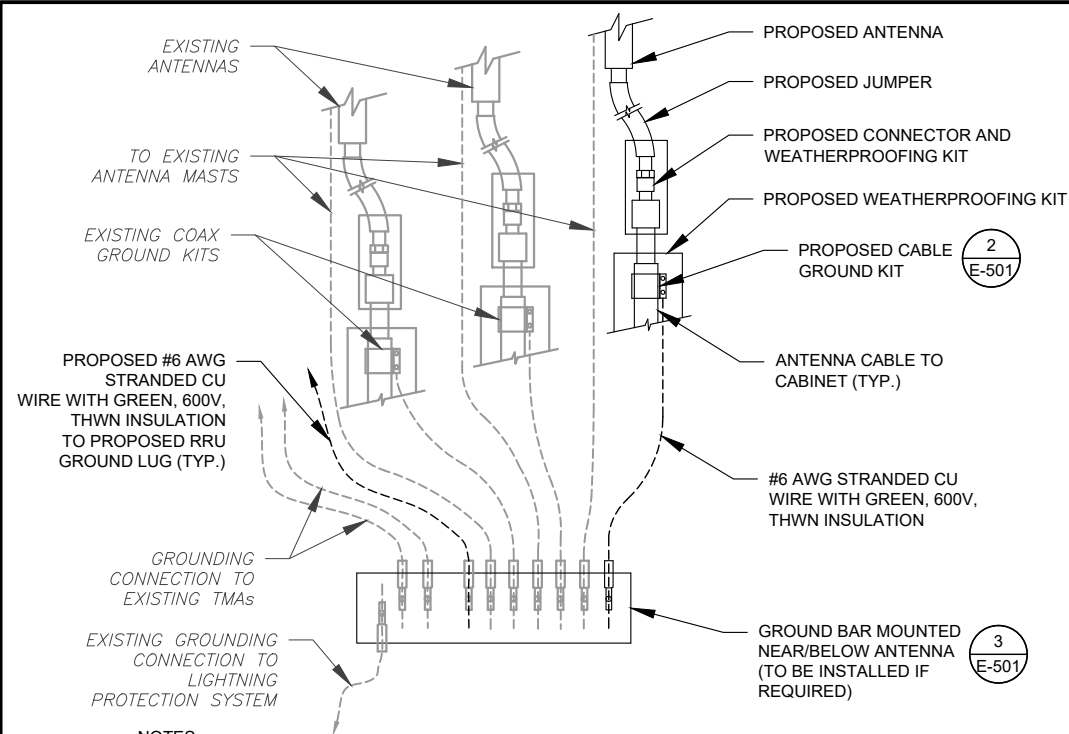
SEAL:



DATE DRAWN:	06/24/21
ATC JOB NO:	13678644
CUSTOMER ID:	EAST HARTFORD III
CUSTOMER #:	467627

CONSTRUCTION
DETAILS

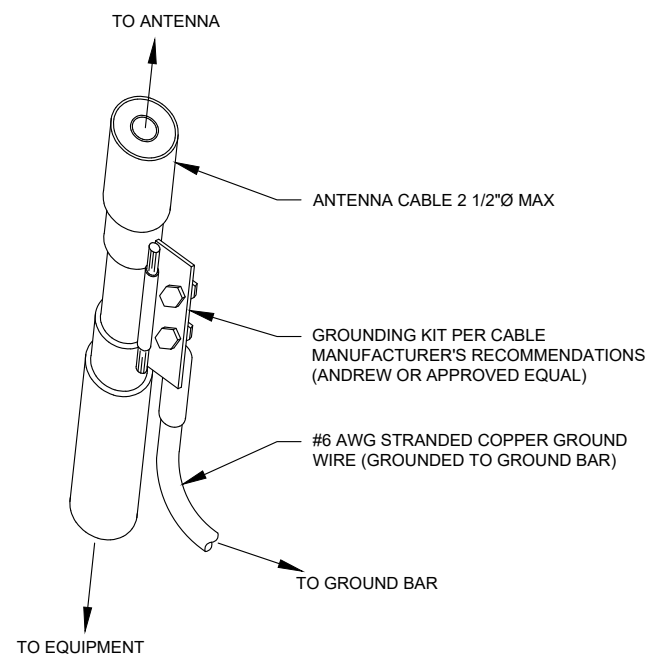
SHEET NUMBER:	REVISION:
C-501	0



NOTES:

1. THIS DETAIL IS INTENDED TO SHOW THE GENERAL GROUNDING REQUIREMENTS. SLIGHT ADJUSTMENTS MAY BE REQUIRED BASED ON EXISTING SITE CONDITIONS. THE CONTRACTOR SHALL MAKE FIELD ADJUSTMENTS AS NEEDED AND INFORM THE CONSTRUCTION MANAGER OF ANY CONFLICTS.
2. SITE GROUNDING SHALL COMPLY WITH VERIZON GROUNDING STANDARDS, LATEST EDITION, AND COMPLY WITH VERIZON GROUNDING CHECKLIST, LATEST VERSION. WHEN NATIONAL AND LOCAL GROUNDING CODES ARE MORE STRINGENT THEY SHALL GOVERN.

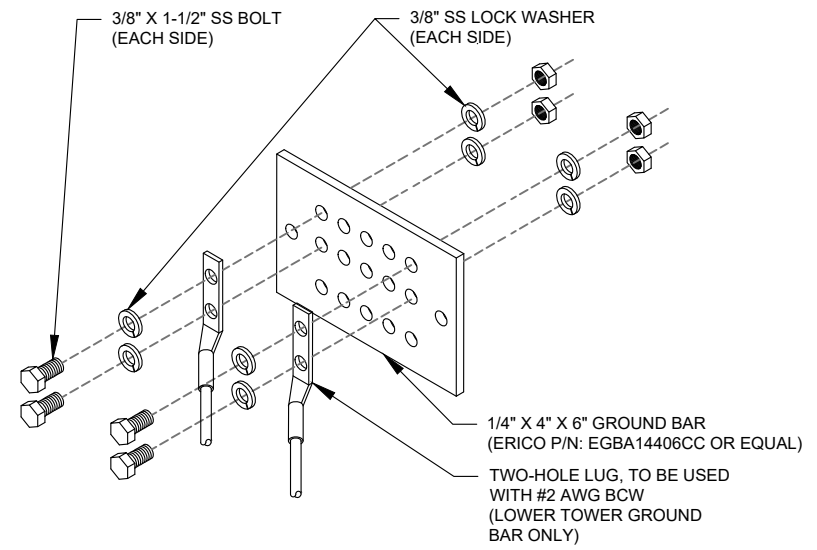
1 TYPICAL ANTENNA GROUNDING DIAGRAM
SCALE: N.T.S.



GROUND KIT NOTES:

1. DO NOT INSTALL CABLE GROUND KIT AT A BEND AND ALWAYS DIRECT GROUND WIRE DOWN TO GROUND BAR.
2. CONTRACTOR SHALL PROVIDE WEATHERPROOFING KIT (ANDREW PART NUMBER 221213) AND INSTALL/TAPE PER MANUFACTURER'S SPECIFICATIONS.

2 CABLE GROUND KIT CONNECTION DETAIL
SCALE: N.T.S.



GROUND BAR NOTES:

1. GROUND BAR KITS COME WITH ALL HARDWARE, NUTS, BOLTS, WASHERS, ETC. EXCEPT THE STRUCTURAL MOUNTING MEMBER(S).
2. GROUND BAR TO BE BONDED DIRECTLY TO TOWER.

3 TOWER GROUND BAR DETAIL
SCALE: N.T.S.



Dewberry
Dewberry Engineers Inc.
99 SUMMER STREET
SUITE 700
BOSTON, MA 02110
PHONE: 617.531.0801
FAX: 617.695.3310

REV.	DESCRIPTION	BY	DATE
A	PRELIM	JW	06/24/21
0	FINAL	ZP	07/13/21

ATC SITE NUMBER:
370626

ATC SITE NAME:
EAST HARTFORD

VERIZON SITE NAME:
EAST HARTFORD III

SITE ADDRESS:
148 ROBERTS ST.
EAST HARTFORD, CT 06108

SEAL:

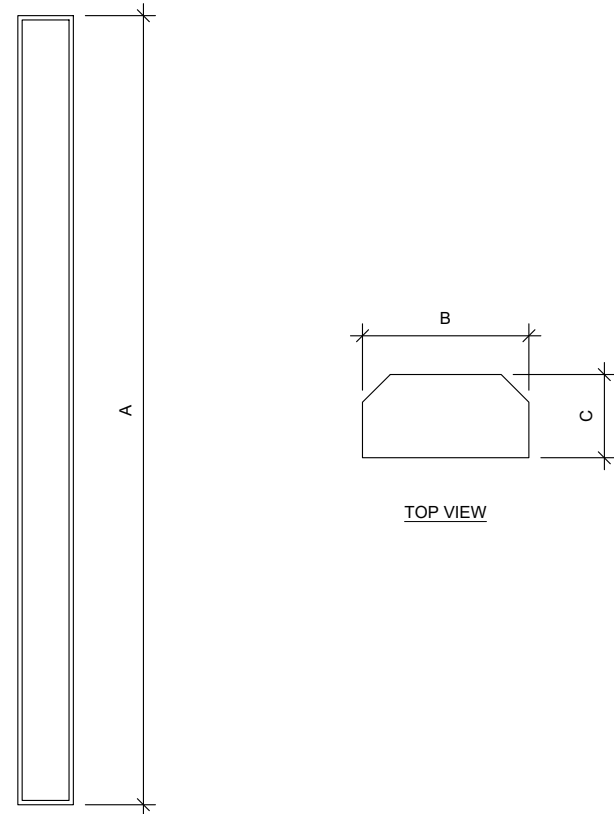


DATE DRAWN:	06/24/21
ATC JOB NO:	13678644
CUSTOMER ID:	EAST HARTFORD III
CUSTOMER #:	467627

GROUNDING DETAILS

SHEET NUMBER:	REVISION:
E-501	0

Copyright © 2021 ATC IP, LLC. All Rights Reserved.

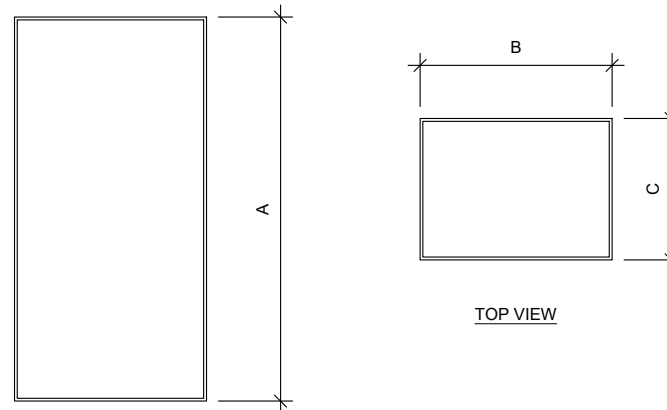


FRONT VIEW

TOP VIEW

1 ANTENNA SPECIFICATIONS
FOR ILLUSTRATIVE PURPOSES ONLY - NOT TO SCALE

ANTENNA SPECIFICATIONS				
ANTENNA MODEL	A	B	C	WEIGHT (LBS)
MT6407-77A	35.1"	16.1"	5.5"	81.6
LNx-6513DS-A1M	54.7"	11.9"	7.1"	32.6
NHH-65B-R2B	72"	11.9"	7.1"	47.3
NHHSS-65B-R2BT4	72.0"	11.9"	7.1"	51.0



FRONT VIEW

TOP VIEW

2 RRU SPECIFICATIONS
FOR ILLUSTRATIVE PURPOSES ONLY - NOT TO SCALE

RRU SPECIFICATIONS				
RRU MODEL	A	B	C	WEIGHT (LBS)
B2/B66A RRH-BR049	15.0"	15.0"	10.0"	84.4
B5/B13 RRH-BR04C	15"	15"	8.1"	70.3
RT4401-48A	13.9"	8.6"	4.2"	18.6
MT6407-77A	35.1"	16.1"	5.5"	81.6



Dewberry Engineers Inc.
99 SUMMER STREET
SUITE 700
BOSTON, MA 02110
PHONE: 617.531.0801
FAX: 617.695.3310

ATC SITE NUMBER:
370626

ATC SITE NAME:
EAST HARTFORD

VERIZON SITE NAME:
EAST HARTFORD III

SITE ADDRESS:
148 ROBERTS ST.
EAST HARTFORD, CT 06108



DATE DRAWN:	06/24/21
ATC JOB NO:	13678644
CUSTOMER ID:	EAST HARTFORD III
CUSTOMER #:	467627

SUPPLEMENTAL

SHEET NUMBER:
R-601



Maser Consulting Connecticut
2000 Midlantic Drive, Suite 100
Mt. Laurel, NJ 08054
(856) 797-0412
peter.albano@colliersengineering.com

Mount Structural Analysis Report
(1) 12.50-ft Platform

April 22, 2021
Site ID: 467627-VZW / E HARTFORD 3 CT
Page | 4



Dewberry[®]
Dewberry Engineers Inc.
99 SUMMER STREET
SUITE 700
BOSTON, MA 02110
PHONE: 617.531.0801
FAX: 617.695.3310

Antenna Mount Analysis Report and PMI Requirements

Mount Analysis

SMART Tool Project #: 10050365
Maser Consulting Connecticut Project #: 21777429A

April 22, 2021

Site Information

Site ID: 467627-VZW / E HARTFORD 3 CT
Site Name: E HARTFORD 3 CT
Carrier Name: Verizon Wireless
Address: 148 Roberts St
East Hartford, Connecticut 06108
Hartford County
Latitude: 41.773333°
Longitude: -72.613442°

Structure Information

Tower Type: Monopole
Mount Type: 12.50-ft Platform

FUZE ID # 16053192

Analysis Results

Platform: 69.5% Pass

***Contractor PMI Requirements:

Included at the end of this MA report

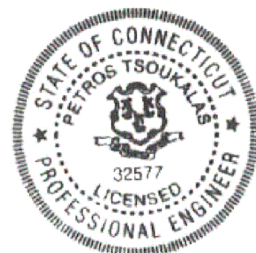
Available & Submitted via portal at <https://pmi.vzwsmart.com>

Contractor - Please Review Specific Site PMI Requirements Upon Award

Requirements also Noted on Mount Modification Drawings

Requirements may also be Noted on A & E drawings

Report Prepared By: Erin Towler



7. Structural Steel Grades have been assumed as follows, if applicable, unless otherwise noted in this analysis:

- o Channel, Solid Round, Angle, Plate ASTM A36 (Gr. 36)
- o HSS (Rectangular) ASTM 500 (Gr. B-46)
- o Pipe ASTM A53 (Gr. B-35)
- o Threaded Rod F1554 (Gr. 36)
- o Bolts ASTM A325

Discrepancies between in-field conditions and the assumptions listed above may render this analysis invalid unless explicitly approved by Maser Consulting Connecticut.

Analysis Results:

Component	Utilization %	Pass/Fail
Face Horizontal	28.9 %	Pass
Standoff Horizontal	52.1 %	Pass
Corner Plate	24.2 %	Pass
Crossmember	22.8 %	Pass
Grating Support	17.1 %	Pass
Cross Arm Plate	44.6 %	Pass
Support Rail	57.0 %	Pass
Support Rail Corner	60.1 %	Pass
Antenna Pipe	69.5 %	Pass
Mount Connection	57.2 %	Pass

Structure Rating – (Controlling Utilization of all Components) **69.5%**

Recommendation:

The existing mount is **SUFFICIENT** for the final loading configuration and do not require modifications.

ANSI/ASSP rigging plan review services compliant with the requirements of ANSI/TIA 322 are available for a Construction Class IV site or other, if required. Separate review fees will apply.

Attachments:

1. Mount Photos
2. Mount Mapping Report (for reference only)
3. Analysis Calculations
4. Contractor Required Post Installation Inspection (PMI) Report Deliverables
5. Antenna Placement Diagrams
6. TIA Adoption Windspeed Usage Letter

NOTE: THIS SHEET WAS CREATED BY OTHERS AND PROVIDED AT THE REQUEST OF THE CUSTOMER WITHOUT EDIT. PLEASE REFERENCE THE MOUNT ANALYSIS REPORT FOR COMPLETE MOUNT ANALYSIS CALCULATIONS AND DETAILS. SUPPLEMENTAL PAGES INCLUDED IN THE CONSTRUCTION DRAWINGS ARE FOR REFERENCE ONLY. GENERAL CONTRACTOR IS TO VERIFY THEY HAVE THE MOST RECENT MOUNT ANALYSIS PRIOR TO CONSTRUCTION.

ATC SITE NUMBER:
370626

ATC SITE NAME:
EAST HARTFORD

VERIZON SITE NAME:
EAST HARTFORD III

SITE ADDRESS:
148 ROBERTS ST.
EAST HARTFORD, CT 06108



DATE DRAWN:	06/24/21
ATC JOB NO:	13678644
CUSTOMER ID:	EAST HARTFORD III
CUSTOMER #:	467627

SUPPLEMENTAL

SHEET NUMBER:
R-602