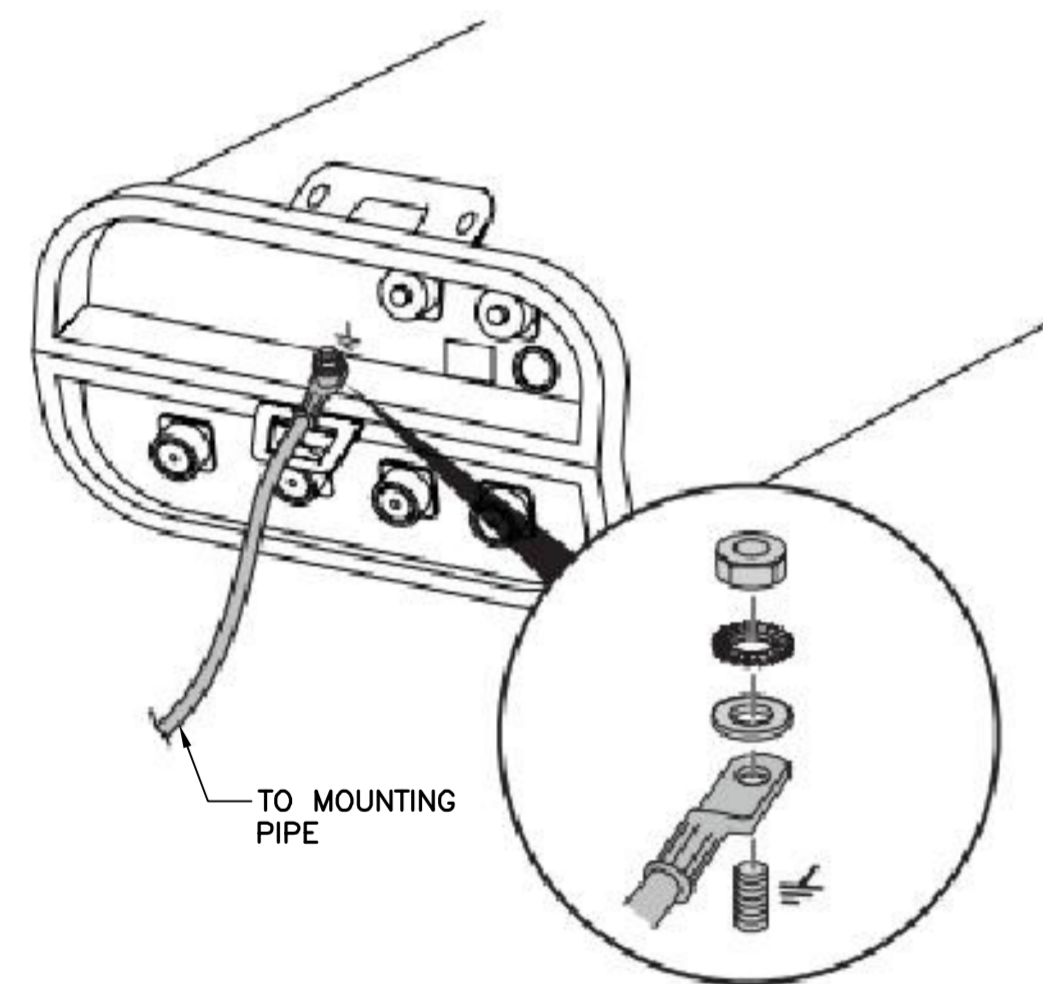


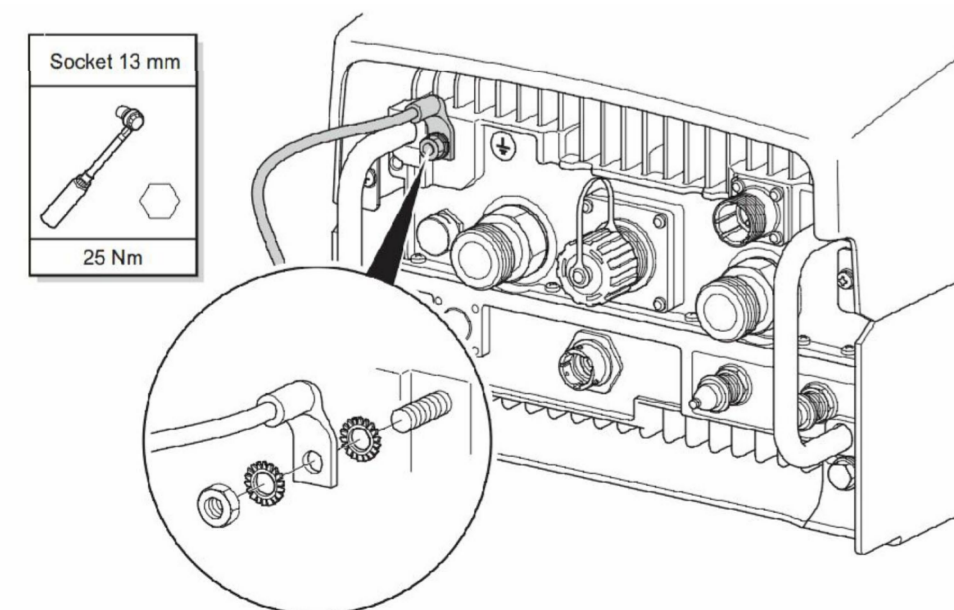
NOTES:

1. BOND COAXIAL CABLE GROUND KITS TO EACH OWNER'S GROUND BAR ALONG ENTIRE COAX RUN FROM ANTENNA TO SHELTER.
2. BOND ALL EQUIPMENT TO GROUND PER NEC AND MANUFACTURERS SPECIFICATIONS.
3. DETAIL IS TYPICAL FOR ALL ANTENNA SECTORS, INCLUDING GPS ANTENNA.

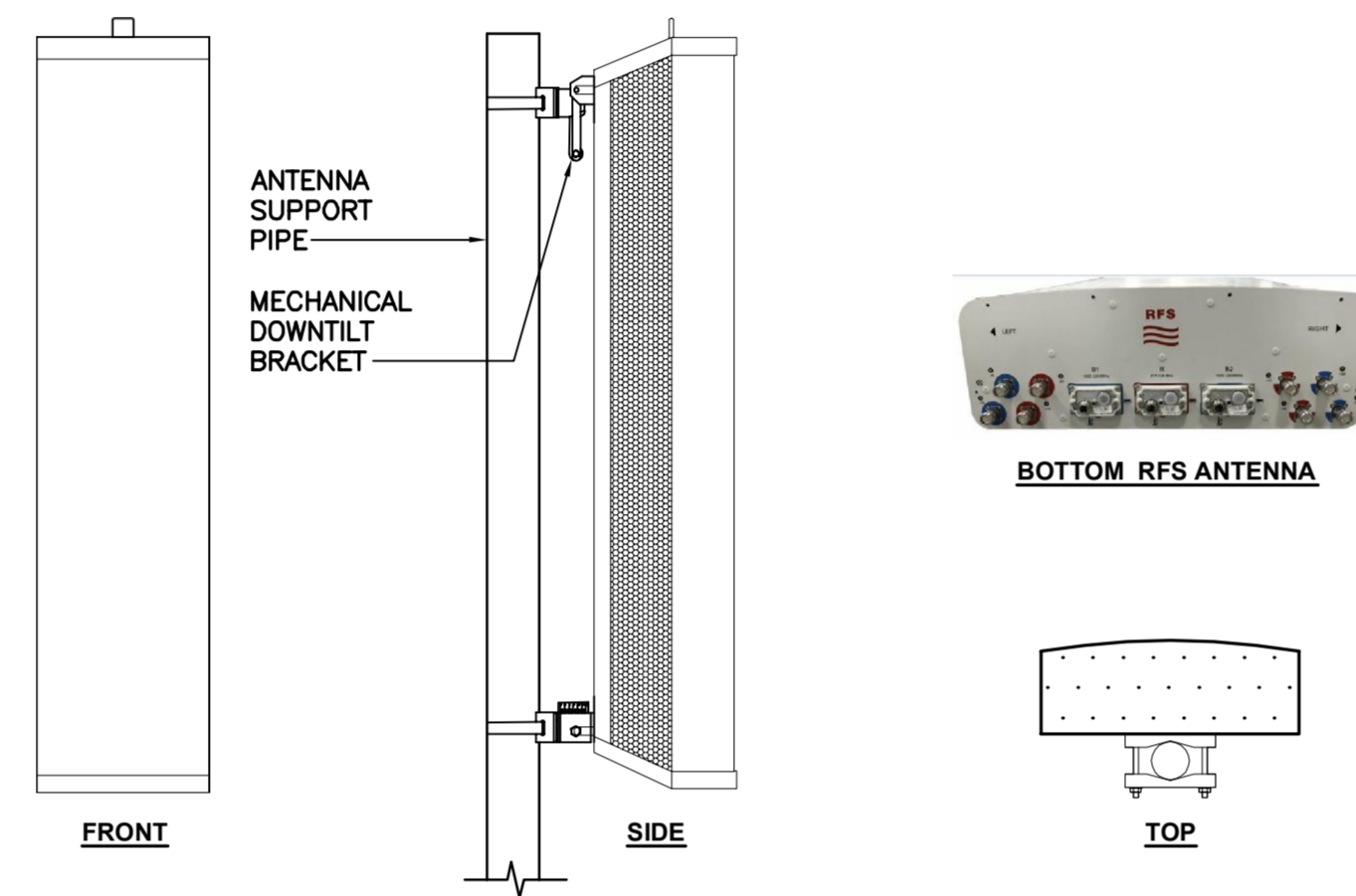
1 TYPICAL ANTENNA GROUNDING DETAIL
C-2 SCALE: NONE



AA TYPICAL ANTENNA GROUNDING DETAIL
C-2 SCALE: NONE



2 TYPICAL RRU GROUNDING DETAIL
C-2 NOT TO SCALE



ALPHA/BETA/GAMMA ANTENNA		
EQUIPMENT	DIMENSIONS	WEIGHT
MAKE: RFS MODEL: APXVAARR18_43-U-NA20	72"L x 24.0"W x 8.5"D	154 LBS.

3 PROPOSED ANTENNA DETAIL
C-2 SCALE: NONE

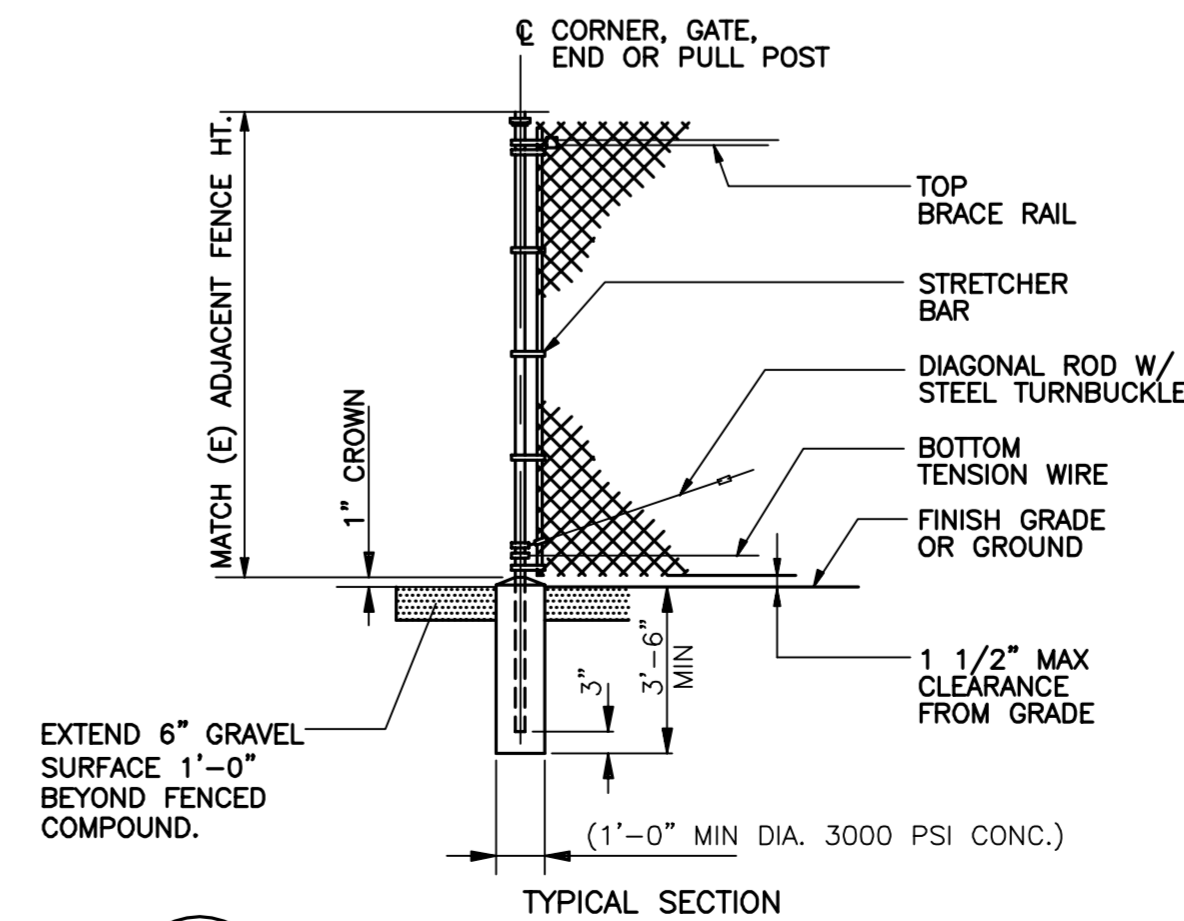


ISOMETRIC VIEW

RRU (REMOTE RADIO UNIT)			
EQUIPMENT	DIMENSIONS	WEIGHT	CLEARANCES
MAKE: ERICSSON MODEL: RADIO 4449 B71B12	14.9"L x 13.2"W x 10.4"D	74 LBS.	ABOVE: 16" MIN. BELOW: 12" MIN. FRONT: 36" MIN.

- NOTES:**
1. CONTRACTOR TO COORDINATE FINAL EQUIPMENT MODEL SELECTION WITH T-MOBILE CONSTRUCTION MANAGER PRIOR TO ORDERING.

4 PROPOSED RRU DETAIL
C-2 SCALE: NONE

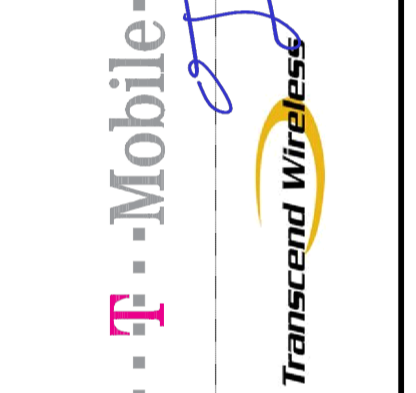
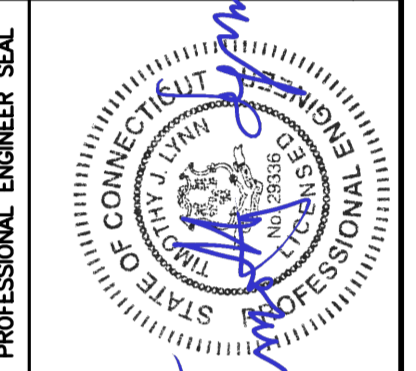


5 WOVEN WIRE FENCE DETAIL
C-2 NOT TO SCALE

WOVEN WIRE FENCE NOTES:

1. LINE POST: 2" SCHEDULE 40 PIPE PER ASTM-F1083.
2. GATE FRAME: 1 1/2" SCHEDULE 40 PIPE PER ASTM-F1083.
3. TOP RAIL & BRACE RAIL: 1 1/2" SCHEDULE 40 PIPE PER ASTM-F1083.
4. FABRIC: 12 GA. CORE WIRE SIZE 1 1/2" MESH, CONFORMING TO ASTM-A392.
5. TIE WIRE: MINIMUM 11 GA. GALVANIZED STEEL AT POSTS AND RAILS. A SINGLE WRAP OF FABRIC TIE AND TENSION WIRE BY HOG RINGS SPACED 24" INTERVALS.
6. TENSION WIRE: 7 GA. GALVANIZED STEEL.
7. LOCAL ORDINANCE OF BARBED WIRE REQUIREMENTS SHALL BE COMPLIED WITH IF APPLICABLE.
8. FENCE HEIGHT TO MATCH HEIGHT OF ADJACENT CHAINLINK FENCE.

REV.	DATE	DRAWN BY	CHK'D BY	DESCRIPTION
1	5/13/19	TJL	CAG	ISSUED FOR CONSTRUCTION - ADJUSTED FENCE EXTENSION LAYOUT
0	1/10/19	TJL	CAG	ISSUED FOR CONSTRUCTION



CENTEK engineering
Centered on Solutions
(203) 488-0380
(203) 488-3387 Fax
632 North Branford Road
Branford, CT 06405
www.CentekEng.com

T-MOBILE NORTHEAST LLC
WIRELESS COMMUNICATIONS FACILITY
DARIEN/ DTWN + RT-1
SITE ID: CT11290C
3 MECHANIC STREET
DARIEN, CT 06820

DATE: 10/1/18
SCALE: AS NOTED
JOB NO. 18058.58

TYPICAL DETAILS

