

TS-metroPCS-017-110815MA

Jacqueline A. Slaga
Tower Resource Management
30 Lyman Street, Suite 12
Westborough, MA01581
401-855-0824
jackieslaga@gmail.com

August 15, 2011

Ms. Linda Roberts, Executive Director
Connecticut Siting Council
10 Franklin Square
New Britain, CT 06051

RECEIVED
AUG 15 2011
CONNECTICUT
SITING COUNCIL

Re: MetroPCS application to allow the shared use of an existing telecommunications facility located at 985 Farmington Avenue in Bristol, CT

Dear Ms. Roberts:

On behalf of my client MetroPCS, I respectfully enclose an original and 24 copies of the above noted Applications, as well as a check, in the amount of 625.00, the filing fee.

Should you have any questions in this matter, please do not hesitate to contact me.

Very truly yours,


Jackie Slaga

*Jacqueline A. Slaga
Tower Resource Management
30 Lyman Street, Suite 12
Westborough, MA01581
401-855-0824
jackieslaga@gmail.com*

August 15, 2011

Farmington Avenue Professional LLC
985 Farmington Avenue
Bristol, CT 06010

Re: Proposed modification to existing telecommunications facility located at 985 Farmington Avenue.

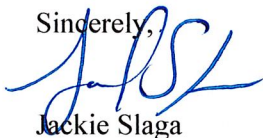
Dear Sirs:

I represent MetroPCS. On August 15, 2011, MetroPCS filed an Application for Tower Sharing with the Connecticut Siting Council, seeking Council authorization of a proposed modification to the existing telecommunications tower at 985 Farmington Avenue. The proposed installation will include the attachment of three (3) antennas on the existing 119 foot monopole/flagpole, at a centerline mounting height of 98 feet. Six (6) cables will connect the antennas to the ground equipment. All cables will be mounted inside the tower. There is insufficient space inside the monopole/flagpole at the lower mounting heights to mount the antennas inside the pole. Therefore, MetroPCS is proposing to flush-mount three (3) antennas to the outside of the pole and conceal them behind a stealth concealment cover designed and painted to match the existing flagpole

Additionally, MetroPCS plans to locate its equipment within a 7'x16' leased area on a concrete pad within the existing fenced compound. There will be no increase in height of the tower and there will be no other changes made to the site

If you have any questions regarding this proposal, please contact me.

Sincerely,



Jackie Slaga

Copy to:

Linda Roberts, Executive Director, Connecticut Siting Council
Kate Rugman, MetroPCS

CONNECTICUT SITING COI

In re:

Request of MetroPCS for the Approval :
Of the Shared Use of an Existing Facility :
Located at 985 Farmington Avenue, :
Bristol, Connecticut :

August 15, 2011

TS-METROPCS-017-110815MA
August 15, 2011
Siting Council

TOWER SHARING APPLICATION

MetroPCS proposes herein to share an existing monopole (the "Tower") located at 985 Farmington Avenue in Bristol, Connecticut (the "Facility"). Pursuant to Connecticut General Statutes Section 16-50aa (the "Statute"), MetroPCS requests a finding from the Connecticut Siting Council (the "Council") that the shared use of this Facility is technically, legally, environmentally, and economically feasible, will meet public safety concerns, will avoid unnecessary proliferation of towers and is in the public interest. MetroPCS further requests an order approving the shared use of this Facility.

The purpose of this request is to use an existing Facility to develop MetroPCS's wireless broadband network. MetroPCS is licensed by the Federal Communications Commission (FCC) to provide PCS Wireless telecommunications service in Connecticut, which includes the area to be served by the proposed installation. The shared use of this Facility avoids the construction of an additional tower in the area to be served.

A. The Facility

The Facility is located at 985 Farmington Avenue. The Tower is a 119 foot monopole-flagpole. The Facility is already occupied by 1 carrier that occupies the top two elevations. MetroPCS has determined that sufficient space and structural capacity exists to allow for the proposed collocation.

B. Proposed Project

MetroPCS will install 3 HBX-6516DS-VTM antennas and 3 ATM200-A20 Remote Electric Tilt (RET) applicators will be attached to the back of each antenna on the Tower. MetroPCS plans to mount its installation at a centerline of 98 feet.6_cables, 7/8" _in diameter, will run to the 3 new antennas and 1 3/8" cable will run to the RET system. The cables will run inside the existing monopole-flagpole. There is insufficient space inside the flagpole at the lower mounting heights to mount the antennas inside the

pole. Therefore MetroPCS is proposing to flush-mount three (3) antennas to the outside of the pole and conceal them behind a 58"x96" stealth concealment cover, which will be painted to match the existing pole. MetroPCS plans to locate its equipment within the existing fenced compound. MetroPCS plans to locate its equipment within its 7'x16' leased area on a concrete pad. MetroPCS also proposes to install an ice bridge to run from its equipment to the Tower. No upgrades to the access road, utilities or parking area will be necessary and no modifications are required to the existing fenced compound.

Photosimulations of the proposed antenna installation have been included with this application.

C. Technical Feasibility

Consistent with the requirements of the Statute, it is technically feasible for MetroPCS to collocate at this Facility. To analyze whether the Facility can support MetroPCS's proposed installation, T-Mobile, on behalf of MetroPCS, commissioned Glaus, Pyle, Schomer, Burns and DeHaven, Inc. dba GPD Group to perform a structural analysis of the Facility with MetroPCS's proposed installation. The structural analysis is attached. According to the Structural Analysis, date, July 28, 2011, the Facility is structurally acceptable to accommodate the proposed loading (Structural Analysis).

D. Legal Feasibility

The Council has the authority, pursuant to the Statute, to issue an order approving the shared use of this Facility. By issuing an order approving MetroPCS's use of the Facility, MetroPCS will be able to proceed with obtaining a building permit for its proposed installation on the Facility. Therefore, consistent with the Statute, MetroPCS's proposal is legally feasible. See attached Letter of Authorization from the Facility owner, allowing MetroPCS to proceed with the design and permitting of the proposed facility.

E. Economic Feasibility

MetroPCS is a wireless telecommunications provider licensed by the Federal Communications Commission to provide service in areas of Connecticut, including but not limited to Hartford County. MetroPCS will/has entered into an agreement with T-Mobile for the purpose of locating its installation at

the Facility so that it may provide wireless telecommunications service to this area of Bristol. Therefore, the shared use of this Facility is economically feasible.

F. Environmental Feasibility

Pursuant to the Statute, the proposal will be environmentally feasible for the following reasons:

- The overall impact on the City of Bristol will be decreased with the sharing of the single Facility versus the proliferation of new towers.
- The proposal will not increase the height of the Facility.
- There will be little or no increase in the visibility of the Facility with the addition of MetroPCS's communications facility
- The proposed installation has been designed to minimize visual impact to the area by utilizing an existing structure and by providing a stealth concealment system that will be identical to the existing pole.
- There will be no impact on any wetlands or water resources as a result of MetroPCS's installation.
- There will be no increased impact on air quality because no air pollutants will be generated during the normal operation of the Facility.
- There will only be brief, slight increase in noise pollution while the antennas are attached and the equipment cabinets are installed.
- During construction, the proposed project will generate a small amount of traffic as workers arrive and depart and materials are delivered. Upon completion, traffic will be limited to an average of one monthly maintenance/inspection visit.

G. Public Safety Concerns/Benefits

There will be no adverse impact to the health and safety of the surrounding community or the workers at the Facility due to the addition of MetroPCS's installation at the Facility. MetroPCS has performed an analysis of the radio frequency fields emanating from its proposed installation to ensure compliance with the National Council on Radiation Protection and Measurements' ("NCRP") standard for maximum permissible exposure (MPE) adopted by the Federal Communications Commission ("FCC"). The analysis performed in August 8, 2011, indicates that MetroPCS's antennas will emit 8.17% of the NCRP's standard for maximum permissible exposure. A cumulative power density analysis indicates that together, all of the antennas on the Facility will emit 14.97% of the NCRP's standard for maximum

permissible exposure. The power density analysis is attached. Therefore, the analysis demonstrates that the maximum level of radio-frequency energy emitted from the Facility will be well below the FCC's mandated radio frequency exposure limits.

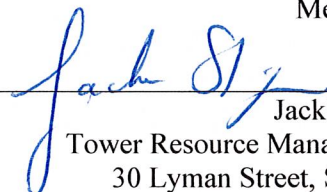
Moreover, MetroPCS expects to enhance safety in the Bristol area by improving wireless communications for local residents, businesses and travelers. MetroPCS is currently developing its wireless network in the State of Connecticut. In order to provide reliable coverage to residents, businesses and travelers in this area of Bristol and fulfill their coverage goals to comply with their FCC license, this site is a necessary part of MetroPCS's network development.

Specifically, this proposal is designed to provide reliable wireless service along Farmington Avenue. The installation will also provide reliable service for surrounding commercial and residential areas.

Conclusion

For the reasons stated above, the attachment of MetroPCS's antenna facility to the Facility would meet all the requirements set forth in the Statute. This proposal is technically, legally, environmentally and economically feasible and meets all public safety concerns. Therefore, MetroPCS respectfully requests that the Council approve this request for the shared use of the Facility located at 985 Farmington Avenue in Bristol, Connecticut.

MetroPCS

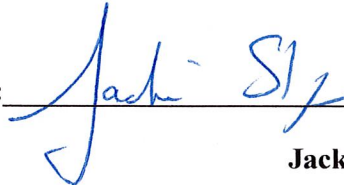
By:  Jackie Slaga
Tower Resource Management
30 Lyman Street, Suite 12
Westborough, MA 01581
Email: jackieslaga@gmail.com
Phone: (401) 855-0824
As Agent for MetroPCS

CC: Linda Roberts, Executive Director, Connecticut Siting Council
City of Bristol, Mayor Arthur J. Ward
Kate Rugman, MetroPCS

Certificate of Service

This is to certify that on this 15th day of August, 2011, the foregoing Tower Sharing Proposal was sent, via first class mail, to the following:

City of Bristol
Mayor Arthur J. Ward
Bristol City Hall
111 North Main Street
Bristol, CT 06010

By:  _____
Jackie Slaga



Federal Communications Commission
Wireless Telecommunications Bureau

RADIO STATION AUTHORIZATION

LICENSEE: METROPCS MASSACHUSETTS, LLC

ATTN: MARK A. STACHIW
METROPCS MASSACHUSETTS, LLC
2250 LAKESIDE BOULEVARD
RICHARDSON, TX 75082

Call Sign WQKF358	File Number 0004421015
Radio Service AW - AWS, 1710-1755/2110-2155 MHz bands	

FCC Registration Number (FRN): 0017970328

Grant Date 01-10-2009	Effective Date 12-06-2010	Expiration Date 11-29-2021	Print Date 02-16-2011
---------------------------------	-------------------------------------	--------------------------------------	---------------------------------

Market Number BEA010	Channel Block C	Sub-Market Designator 6
--------------------------------	---------------------------	-----------------------------------

Market Name New York-No. New Jer.-Long Isl
--

1st Build-Out Date	2nd Build-Out Date	3rd Build-Out Date	4th Build-Out Date
---------------------------	---------------------------	---------------------------	---------------------------

Waivers/Conditions:

This authorization is conditioned upon the licensee, prior to initiating operations from any base or fixed station, making reasonable efforts to coordinate frequency usage with known co-channel and adjacent channel incumbent federal users operating in the 1710-1755 MHz band whose facilities could be affected by the proposed operations. See, e.g., FCC and NTIA Coordination Procedures in the 1710-1755 MHz Band. Public Notice, FCC 06-50, WTB Docket No. 02-353, rel. April 20, 2006.

Conditions: Pursuant to §309(h) of the Communications Act of 1934, as amended, 47 U.S.C. §309(h), this license is subject to the following conditions: This license shall not vest in the licensee any right to operate the station nor any right in the use of the frequencies designated in the license beyond the term thereof nor in any other manner than authorized herein. Neither the license nor the right granted thereunder shall be assigned or otherwise transferred in violation of the Communications Act of 1934, as amended. See 47 U.S.C. § 310(d). This license is subject in terms to the right of use or control conferred by §706 of the Communications Act of 1934, as amended. See 47 U.S.C. §606.
--

This license may not authorize operation throughout the entire geographic area or spectrum identified on the hardcopy version. To view the specific geographic area and spectrum authorized by this license, refer to the Spectrum and Market Area information under the Market Tab of the license record in the Universal Licensing System (ULS). To view the license record, go to the ULS homepage at http://wireless.fcc.gov/uls/index.htm?job=home and select "License Search". Follow the instructions on how to search for license information.



National Development Team – Tower Asset Management
4 Sylvan Way, Parsippany, NJ 07054

July 27, 2011

RE: **Letter of Authorization** – Co-Location on T-Mobile tower.
Property address: 985 Farmington Avenue, Bristol, CT 06011
Latitude: 41° 41' 43.9" Longitude: 72° 54' 40.5"

To Whom It May Concern:

MetroPCS Massachusetts LLC ("MetroPCS") is currently in negotiations with T-Mobile Northeast LLC, a subsidiary of T-Mobile USA, Inc. ("T-Mobile"), to co-locate its communications equipment on the T-Mobile tower located at 985 Farmington Avenue, Bristol, CT 06011.

MetroPCS shall be required by the terms of the agreement to seek and obtain all necessary permits and approvals. As a duly authorized representative of T-Mobile, permission is hereby granted to MetroPCS, and agents thereof, for the purpose of consummating any applications necessary to gain the required approvals from the City of Bristol, County of Hartford, or State of Connecticut.

Any fees or charges associated with all applications or permits and any conditions placed on the applicant shall be the sole responsibility of MetroPCS.

Yours truly,

A handwritten signature in blue ink that reads "Marlin Castillo".

Marlin Castillo
Tower Asset Management, Northeast Region
T-Mobile USA, Inc.
(973) 898-8566
marlin.castillo34@t-mobile.com

[a copy of this document shall have the same effect as an original]

NO.	DATE	DESIGNED BY:	MFT	DRAWN BY:	SK	PPB
0	08/05/11	CT SITING COUNCIL	SK	MFT	PPB	
REVISIONS BY CHK/APP'D						
NOT TO SCALE						

APPROVALS

SITE OWNER	DATE
CONSTRUCTION MANAGER	DATE
RF ENGINEER	DATE
SITE ACQUISITION	DATE

CONNECTICUT SITING
COUNCIL PLANS

SITE NAME:
**HFC1511A
T-MOBILE
FARMINGTON AVE -
BRISTOL**

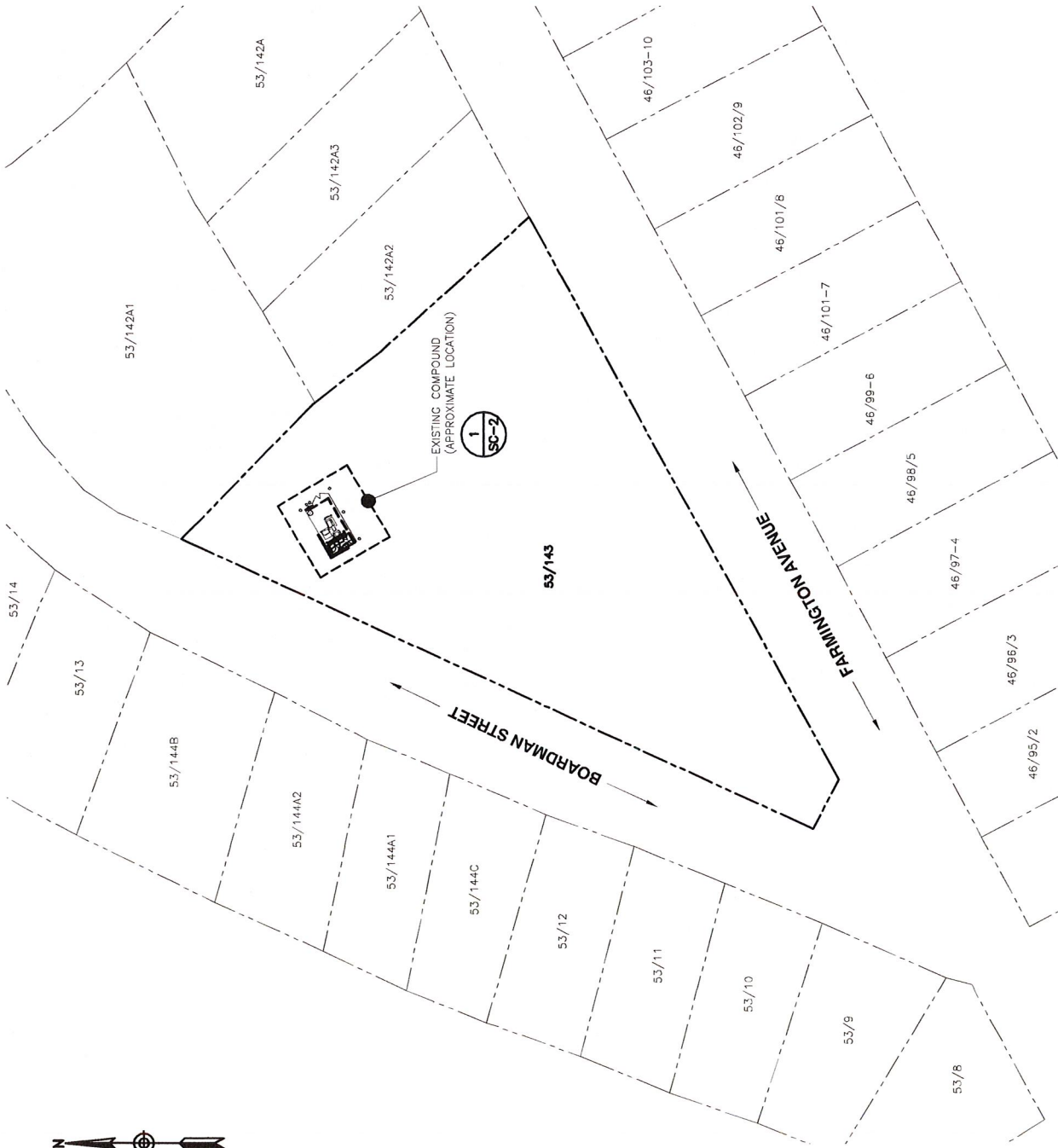
SITE ADDRESS:

**985 FARMINGTON AVENUE
BRISTOL, CT 06010**

METROPCS LEASE AREA

LEASE AREA: 7'-0"x16'-0" = 112± S.F.
TOTAL: = 112± S.F.

PROJECT NO.	DRAWING NAME	DATE	SHEET NO.	REV
90046010	SC-1	08/05/11	1	OF 4



LEGEND

- LOCUS PROPERTY LINE (APPROX.)
- - - EXISTING PROPERTY LINE
- XX/XX MAP/LOT

1

PLOT PLAN
SCALE: 1"=100'

- NOTES:**
- NORTH ARROW SHOWN AS APPROXIMATE.
 - SOME EXISTING AND PROPOSED CONDITIONS NOT SHOWN FOR CLARITY.
 - PROPERTY LINES, ARE BASED ON TAX MAP FOR THE CITY OF BRISTOL AND MAP/LOT INFORMATION BASED ON APPRAISAL VISION ON-LINE DATABASE. PLOT PLAN HAS NOT BEEN VERIFIED THROUGH A FIELD SURVEY.



NO.	DATE	CT SITING COUNCIL	SK	MFT	PPB
0	08/05/11				
REVISIONS BY [CHK/APP'D]					
NOT TO SCALE DESIGNED BY: MFT DRAWN BY: SK					

APPROVALS

SITE OWNER	DATE
CONSTRUCTION MANAGER	DATE
RF ENGINEER	DATE
SITE ACQUISITION	DATE

CONNECTICUT SITING
COUNCIL PLANS

SITE NAME:

HFC1511A
T-MOBILE
FARMINGTON AVE -
BRISTOL

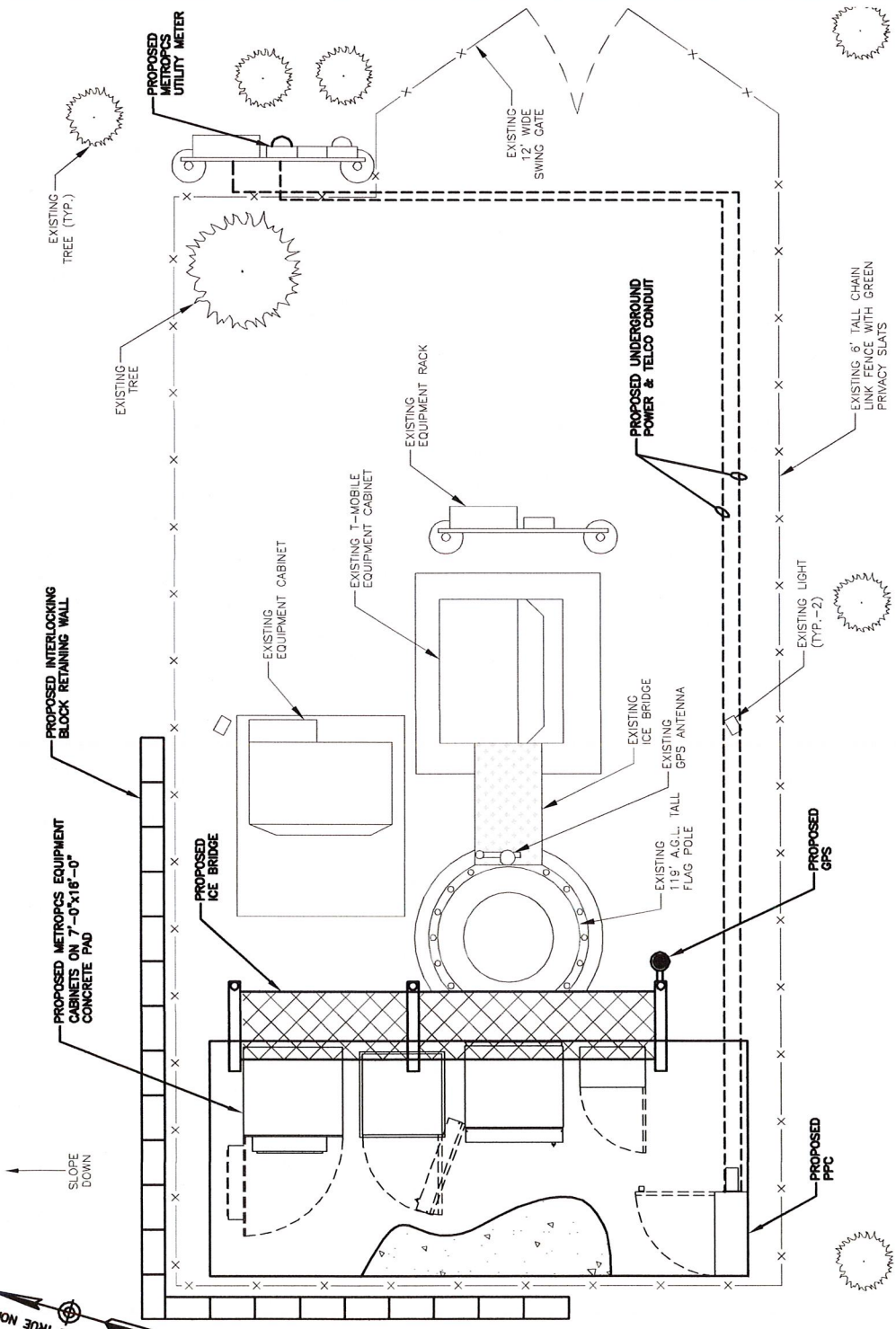
SITE ADDRESS:

985 FARMINGTON AVENUE
BRISTOL, CT 06010

METROPCS LEASE AREA

LEASE AREA: 7'-0"x16'-0" = 112± S.F.
TOTAL: = 112± S.F.

PROJECT NO.	DRAWING NAME	DATE	SHEET NO.	REV
50046010	SC-2	08/05/11	2	OF 4



1
DETAILED SITE PLAN
SCALE: 1"=5'



- NOTES:
1. NORTH ARROW SHOWN AS APPROXIMATE.
 2. SOME EXISTING AND PROPOSED CONDITIONS NOT SHOWN FOR CLARITY.



NO.	DATE	CT SITING COUNCIL	SK	MFT	PPB
0	08/05/11				
DESIGNED BY: MFT DRAWN BY: SK					
NOT TO SCALE					

APPROVALS

SITE OWNER	DATE
CONSTRUCTION MANAGER	DATE
RF ENGINEER	DATE
SITE ACQUISITION	DATE

CONNECTICUT SITING
COUNCIL PLANS

SITE NAME:

HFC1511A
T-MOBILE
FARMINGTON AVE -
BRISTOL

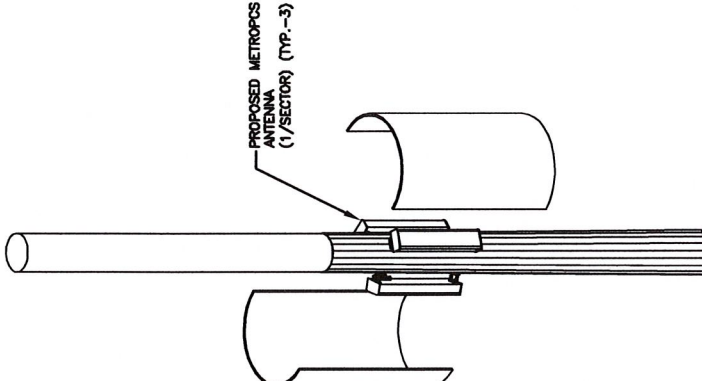
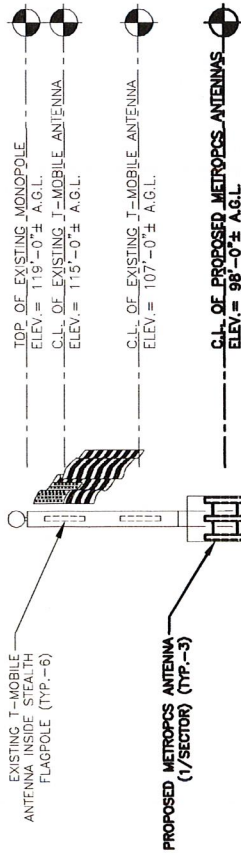
SITE ADDRESS:

985 FARMINGTON AVENUE
BRISTOL, CT 06010

METROPICS LEASE AREA

LEASE AREA: 7'-0"x16'-0" = 112± S.F.
TOTAL: = 112± S.F.

PROJECT NO./DRAWING NAME	DATE	SHEET NO./REV
50046010 SC-3	08/05/11	3 OF 4 0



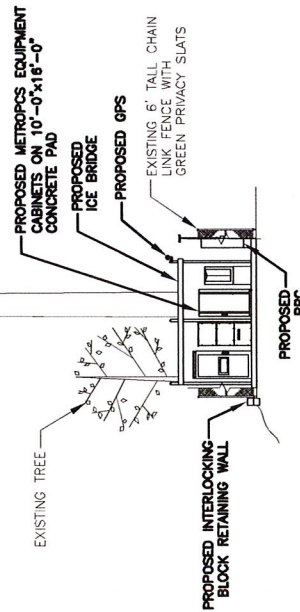
CANISTER ISOMETRIC

SCALE: N.T.S.

2

NOTES:

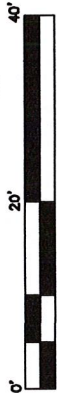
- SOME EXISTING AND PROPOSED CONDITIONS NOT SHOWN FOR CLARITY.
- A.G.L. - ABOVE GROUND LEVEL
C.L. - CENTERLINE
- ANTENNA, STEALTH CONCEALMENT & COAX TO BE INSTALLED PER STRUCTURAL ANALYSIS BY GPD GROUP FOR SITE# CT112720. PROJECT# 2011194.42 DATED 7/28/2011.



ELEVATION

SCALE: 1"=20'

1



NO.	DATE	CT SITING COUNCIL REVISIONS	SK MFT	PPB BY (CHK/APPD)
0	08/05/11			

NOT TO SCALE DESIGNED BY: MFT DRAWN BY: SK
APPROVALS

SITE OWNER _____ DATE _____

CONSTRUCTION MANAGER _____ DATE _____

RF ENGINEER _____ DATE _____

SITE ACQUISITION _____ DATE _____

CONNECTICUT SITING
COUNCIL PLANS

SITE NAME:

HFC1511A
T-MOBILE
FARMINGTON AVE -
BRISTOL

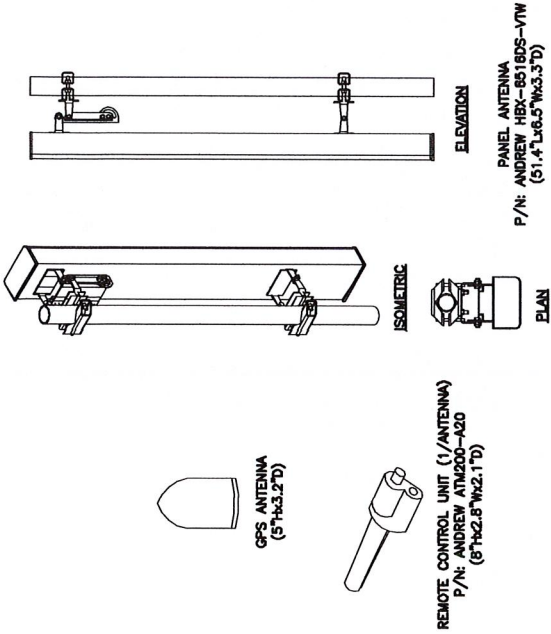
SITE ADDRESS:

985 FARMINGTON AVENUE
BRISTOL, CT 06010

METROPCS LEASE AREA

LEASE AREA: 7'-0"x16'-0" = 112± S.F.
TOTAL: = 112± S.F.

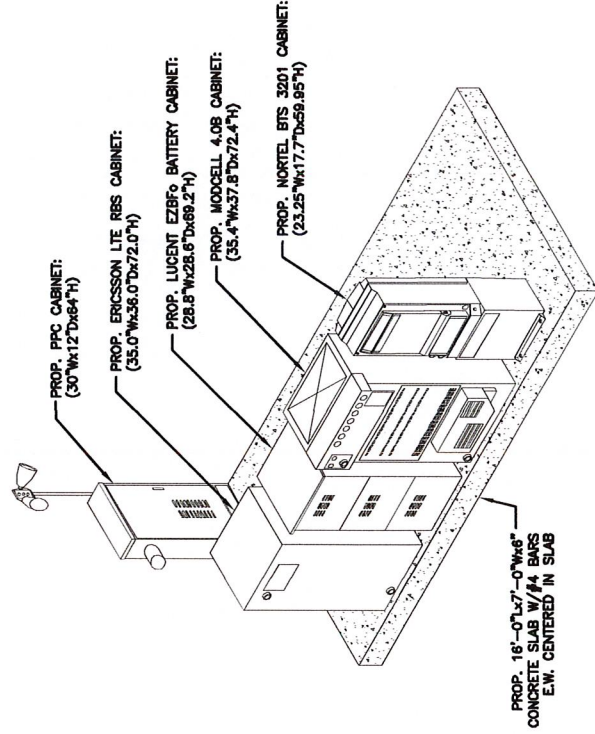
PROJECT NO.	DRAWING NAME	DATE	SHEET NO.	REV
90046010	SC-4	08/05/11	4	OF 4



ANTENNA & GPS DETAILS

SCALE: N.T.S.

1



EQUIPMENT DETAIL

SCALE: N.T.S.

2

FLAGPOLE MONOPOLE

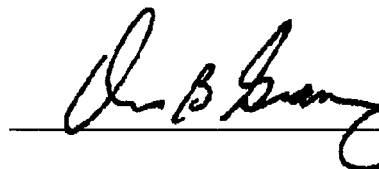
STRUCTURAL ANALYSIS REPORT

CT11272D FARMINGTON/RT. 6
985 Farmington Avenue
Bristol, CT 06010
GPD Project #: 2011194.42

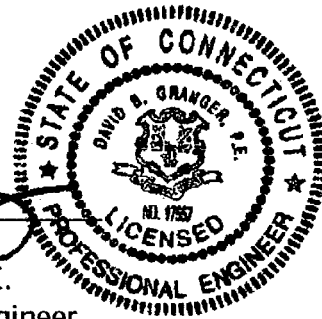
New Antenna Installation
Existing 119 ft. Flagpole Monopole

For:
T-Mobile USA
Bellevue, Washington

Prepared By:



David B. Granger, P.E.
Registered Professional Engineer
Connecticut # 17557



July 28, 2011

EXECUTIVE SUMMARY

The purpose of this analysis was to verify whether the design for the existing tower is structurally capable of carrying the new antenna and coax loads as specified by Metro PCS to T-Mobile, USA. This report was commissioned by Mr. Kenneth Fann of T-Mobile.

The design for the existing structure meets the requirements of TIA/EIA-222-F for a fastest mile wind speed of 80 mph with a 1/2" of radial ice (w/ 25% wind load reduction) for the proposed antenna configuration.

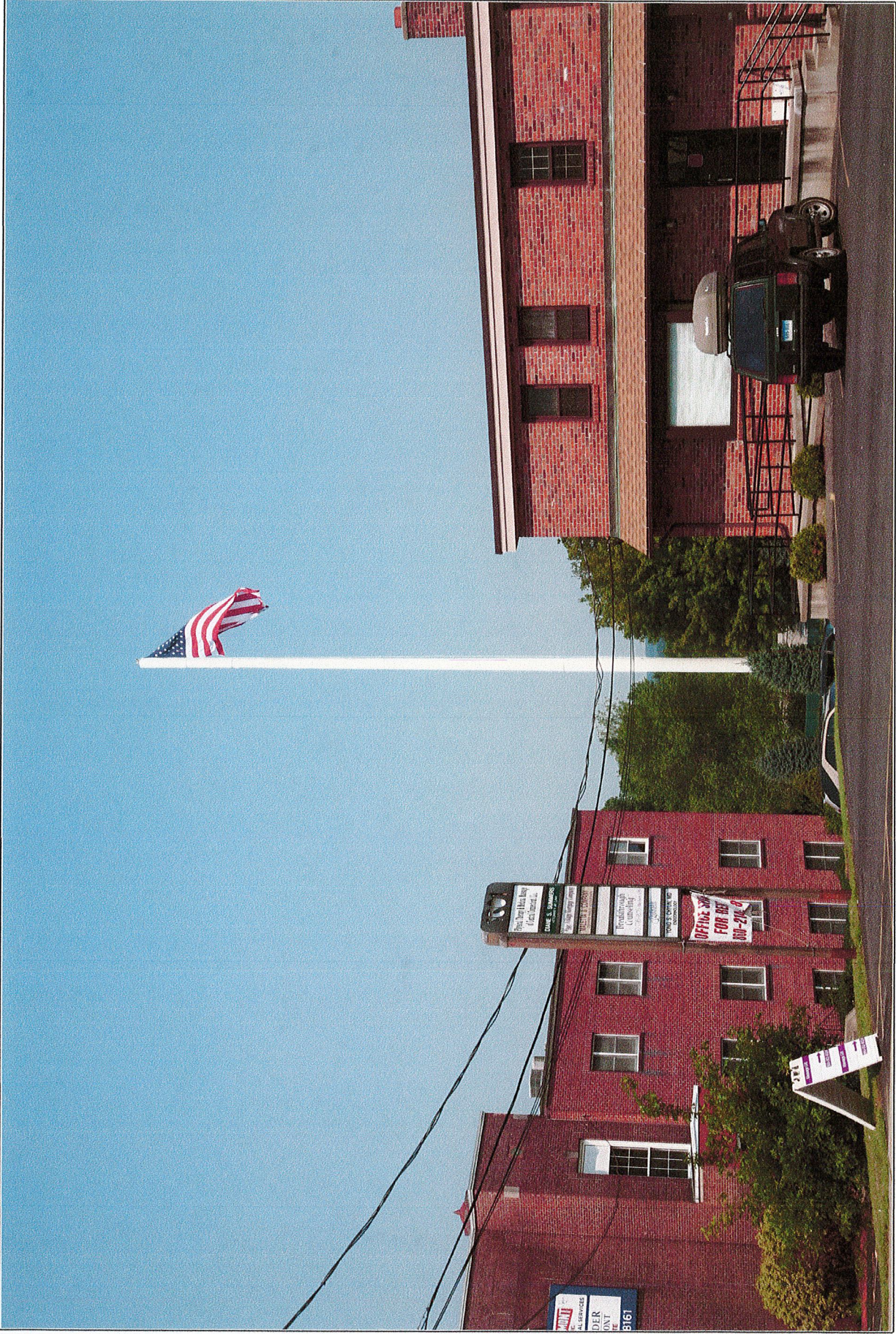
The foundation reactions, with the proposed loading configuration, were found to be less than the capacity of the existing foundation design. Therefore the existing foundation is adequate, assuming it was properly constructed according to original design.

Section Results

<u>Monopole</u>	<u>% Capacity</u>	<u>Result</u>
111' – 119'	22.9%	Pass
103' – 111'	54.9%	Pass
Flange Bolts @ 103'	37.5%	Pass
Flange Plate @ 103'	16.2%	Pass
76.3' – 103'	20.4%	Pass
45.5' – 76.3'	39.4%	Pass
0' – 45.5'	48.0%	Pass
Base Plate	93.6%	Pass
Anchor Rods	62.9%	Pass
<u>Foundation</u>	<u>% Capacity</u>	<u>Result</u>
Structure	26.4%	Pass
Soil Interaction	51.7%	Pass
Tower Rating:	93.6%	



Existing Conditions



For visual reference only. Actual visibility is dependent upon weather conditions, season, sunlight, and viewer location.

Based upon Rev. I. Lause Exhibit by Dewberry, Dated: 5/23/2011

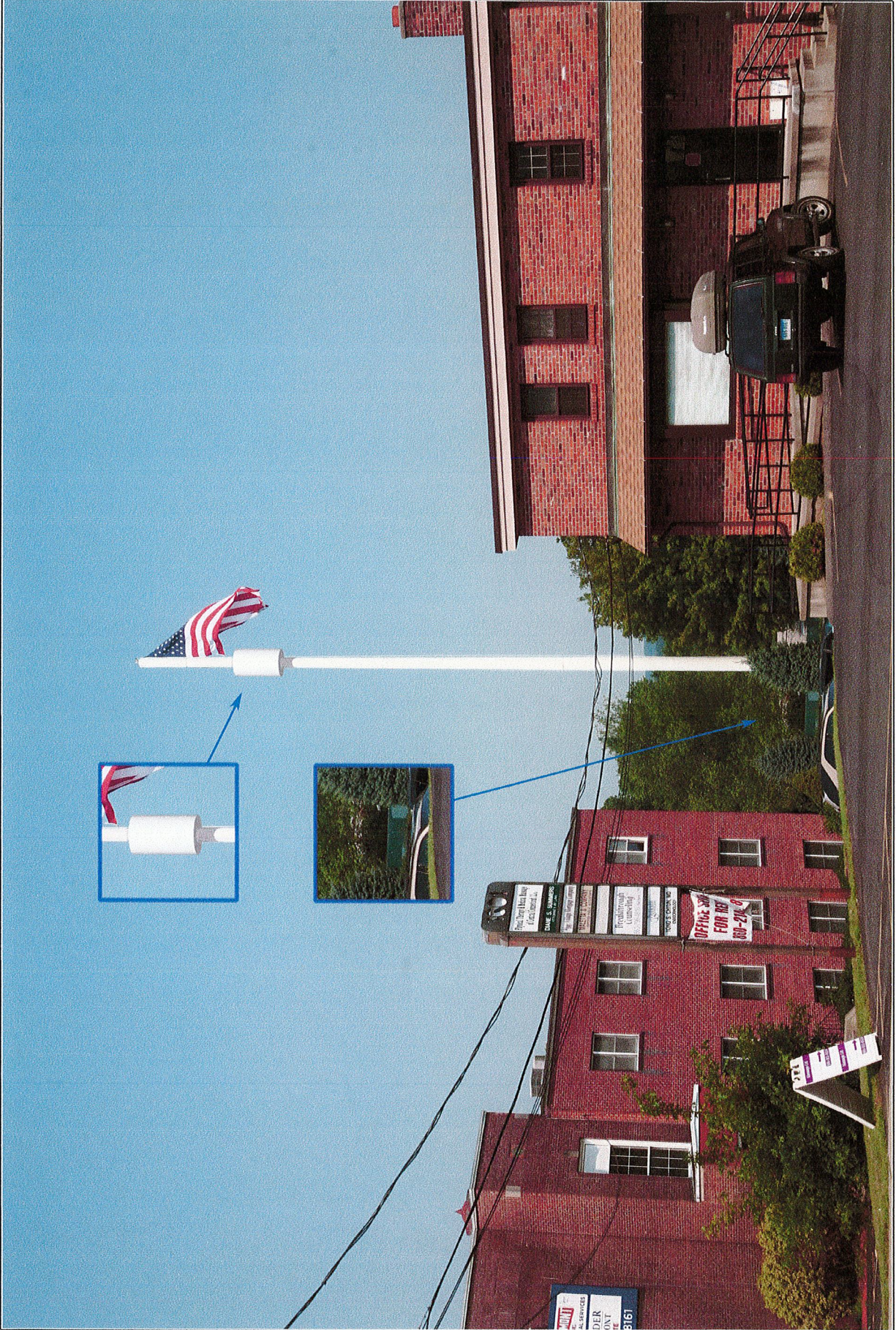
Farmington Ave - Bristol ~ HFC1511A

Photo Location B ~ 50mm ~ 314' +/- Away ~ 8/05/2011

Created By: Benjamin E. Caron
CAD Caron & Associates Design LLC
Tel: (978) 360-3671 info@cadsim.com



Proposed Conditions



Created By: Benjamin E. Caron
Caron & Associates Design LLC
Tel: (978) 360-3671 info@cadsim.com

Farmington Ave - Bristol ~ HFC1511A

Photo Location B ~ 50mm ~ 314'+/- Away ~ 8/05/2011

For visual reference only. Actual visibility is dependent upon weather conditions, season, sunlight, and viewer location.
Based upon Rev. 1 Lease Exhibit by Dewberry, Dated: 5/23/2011

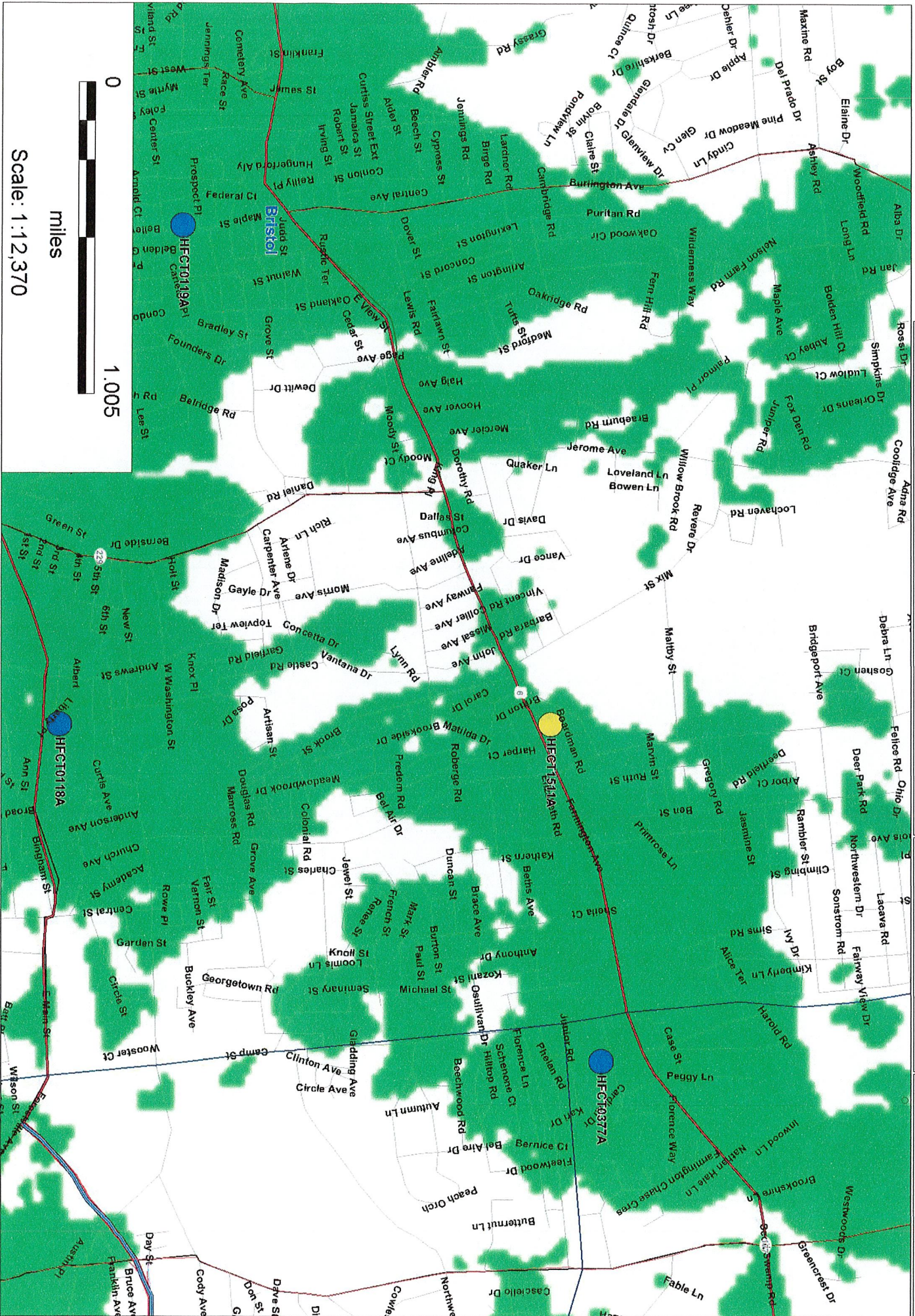
Power Density Calculations

Control Number	Site	Carrier	#Channels	ERP/Ch	Ant.Ht	Power Density (mW/cm2)	MHz	S	%MPE	Site Total
EM-T-Mobile-017-090429	Bristol - 985 Farmington Avenue	T-Mobile GSM	8	114	118	0.0236	1945	1.0000	2.36%	
EM-T-Mobile-017-090429	Bristol - 985 Farmington Avenue	T-Mobile UMTS	2	721	108	0.0445	2100	1.0000	4.45%	6.80%
	Bristol - 985 Farmington Avenue	metroPCS	3	727	98	0.0817	2140	1.0000	8.17%	14.97%

Bristol, CT Coverage from existing On-Air sites only

Signal Strength
-88 dbm

metropCS Site Status
● Existing On Air
● Proposed



metropCS

Bristol, CT Coverage from existing On-Air + proposed site HFC1511A

Signal Strength

-88 dbm

metropCS Site Status

- Existing On Air
- Proposed

