

NB&C, LLC  
100 Apollo Drive Suite 303  
Agent for American Tower Corporation  
**David Hoogasian**  
**508-344-3343**  
[dhoogasian@nbcllc.com](mailto:dhoogasian@nbcllc.com)

December 28, 2018

Melanie A. Bachman  
Acting Executive Director  
Connecticut Siting Council  
10 Franklin Square  
New Britain, CT 06051

**Notice of Exempt Modification**

**Facility Address: 1000 Trumbull Ave. Bridgeport, CT 06606**

**Facility Coordinates (N) 41.21960000**  
**(W) 73.20128611**

Dear Ms. Bachman:

American Tower Corporation, Inc (ATC) currently maintains an Existing Cellular Tower Facility (240' Self Support Tower) at 1000 Trumbull Ave. Bridgeport, CT 06606, Mblu 82/ 2778/ 61/B. The tower and property are owned by American Tower. American Tower Corporation, Inc (ATC) now intends to install an 80kw Generator within the leased, fenced ground space area of the facility. The purpose of the generator installation is to allow for a shared back up emergency power option for its current (and future) wireless carrier tenants.

Because this proposed generator is within the existing, approved compound space, and the applicant is NOT requesting expansion of ground space beyond the approved conditions, please accept this letter, as notification pursuant to Regulations of Connecticut State Agencies @16-50j-73, for construction that constitutes an exempt modification pursuant to R.C.S.A. @16-50j-72(b)(2). IN accordance with R.C.S.A. @16-50j-73, a copy of this letter is being sent to Mayor Joseph Ganim - City of Bridgeport, Dennis Buckley Zoning Administrator - City of Bridgeport, as well as the property owner and tower owner.

## ATTACHMENT A

The planned modifications to the facility fall squarely within those activities explicitly provided for in R.C.S.A @ 16-50j-72(b)(2).

1. The proposed modifications will not result in an increase in the height of the existing structure.
2. The proposed modifications will not require the extension of the site boundary
3. The proposed modifications will not increase noise levels at the facility by six decibels or more, or to levels that exceed state and local criteria.
4. The operation of the generator back up power facility will not increase radio frequency emissions at the facility to the level at or above the Federal Communications Commission safety standard.
5. The proposed modifications will not cause a change or alteration in the physical or environmental characteristics of the site.
6. The existing structure and its foundation can support the proposed loading if the tower will be re-enforced to support them. <<< NOTE – This condition is N/A. The proposed Generator is based on the ground, and not associated or loaded onto the tower or foundation.

For the foregoing reasons, American Tower Corporation (ATC) respectfully submits that the proposed modifications to the above referenced telecommunications facility constitute an exempt modification under R.C.S.A. @16-50j-72(b)(2).

Sincerely,

*David Hoogasian*

Attachments

Cc:

Mayor Joseph Ganim - Elected Official

Dennis Buckley -Zoning Administrator

American Tower Corporation (ATC) – Tower and property owner

# 1000 TRUMBULL AV

**Location** 1000 TRUMBULL AV

**Mblu** 82/ 2778/ 61/B /

**Acct#** RT-0049550

**Owner** GLOBAL TOWER ASSETS LLC

**Assessment** \$310,420

**Appraisal** \$443,440

**PID** 32253

**Building Count** 1

## Current Value

Appraisal			
Valuation Year	Improvements	Land	Total
2017	\$75,820	\$367,620	\$443,440

Assessment			
Valuation Year	Improvements	Land	Total
2017	\$53,090	\$257,330	\$310,420

## Owner of Record

**Owner** GLOBAL TOWER ASSETS LLC  
**Co-Owner**  
**Address** 10 PRESIDENTIAL WAY  
 WOBURN, MA 01801

**Sale Price** \$0  
**Certificate**  
**Book & Page** 9695/ 74  
**Sale Date** 09/13/2017  
**Instrument** 04

## Ownership History

Ownership History					
Owner	Sale Price	Certificate	Book & Page	Instrument	Sale Date
GLOBAL TOWER ASSETS LLC	\$0		9695/ 74	04	09/13/2017
GLOBAL TOWER ASSETS LLC	\$0		9500/ 294	03	09/14/2016
CELL TOWER LEASE ACQUISITION LLC	\$0		7342/ 302	03	01/23/2007
UNISON SITE MANAGEMENT LLC	\$1,925,000		7342/ 299	03	01/23/2007
TARTAGLIA REMO	\$700,000		3018/ 317		07/06/1992

## Building Information

### Building 1 : Section 1

**Year Built:**  
**Living Area:** 0  
**Replacement Cost:** \$0  
**Building Percent Good:**  
**Replacement Cost Less Depreciation:** \$0

### Building Photo

Building Attributes	
Field	Description
Style	Telephone Bldg
Model	
Grade:	
Stories:	
Occupancy:	
Exterior Wall 1:	
Exterior Wall 2:	
Roof Structure:	
Roof Cover:	
Interior Wall 1:	
Interior Wall 2:	
Interior Flr 1:	
Interior Flr 2	
Heat Fuel:	
Heat Type:	
AC Type:	
Total Bedrooms	
Total Full Baths	
Total Half Baths	
Total Xtra Fixtrs:	
Total Rooms	
Bath Style:	
Kitchen Style:	
Fireplaces	
Fin Bsmt Area	
Fin Bsmt Quality	
Bsmt Garages	
.	



(http://images.vgsi.com/photos2/BridgeportCTPhotos/0009\90/38.jpg)

**Building Layout**

 Building Layout

(http://images.vgsi.com/photos2/BridgeportCTPhotos/Sketches/)

Building Sub-Areas (sq ft)	Legend
No Data for Building Sub-Areas	

**Extra Features**

Extra Features	Legend
No Data for Extra Features	

**Land**

**Land Use**

<b>Use Code</b>	200V
<b>Description</b>	Commercial Lnd
<b>Zone</b>	RA
<b>Neighborhood</b>	2140
<b>Alt Land Appr</b>	No

**Land Line Valuation**

<b>Size (Acres)</b>	3.05
<b>Frontage</b>	0
<b>Depth</b>	0
<b>Assessed Value</b>	\$257,330
<b>Appraised Value</b>	\$367,620

**Category**

**Outbuildings**

<b>Outbuildings</b>						<b>Legend</b>
<b>Code</b>	<b>Description</b>	<b>Sub Code</b>	<b>Sub Description</b>	<b>Size</b>	<b>Value</b>	<b>Bldg #</b>
FN5	Fence 10'			616 LF	\$6,160	1
PAV2	Paving Conc			40 SF	\$110	1
TWR	Tower			240 LF	\$48,000	1
SHD1	Shed	MS	Masonry	1200 SF	\$12,240	1
SHD1	Shed	MS	Masonry	432 SF	\$4,410	1
SHD1	Shed	MS	Masonry	240 SF	\$2,450	1
SHD1	Shed	MS	Masonry	240 SF	\$2,450	1

**Valuation History**

<b>Appraisal</b>			
<b>Valuation Year</b>	<b>Improvements</b>	<b>Land</b>	<b>Total</b>
2017	\$75,820	\$367,620	\$443,440
2016	\$75,820	\$367,620	\$443,440
2015	\$75,820	\$367,620	\$443,440

<b>Assessment</b>			
<b>Valuation Year</b>	<b>Improvements</b>	<b>Land</b>	<b>Total</b>
2017	\$53,090	\$257,330	\$310,420
2016	\$53,090	\$257,330	\$310,420
2015	\$53,090	\$257,330	\$310,420

(c) 2016 Vision Government Solutions, Inc. All rights reserved.



I want to...

Site Address: 1000 TRUMBULL AV

~~CELL TOWER LEASE ACQUISITION LLC~~

[Field Case](#)

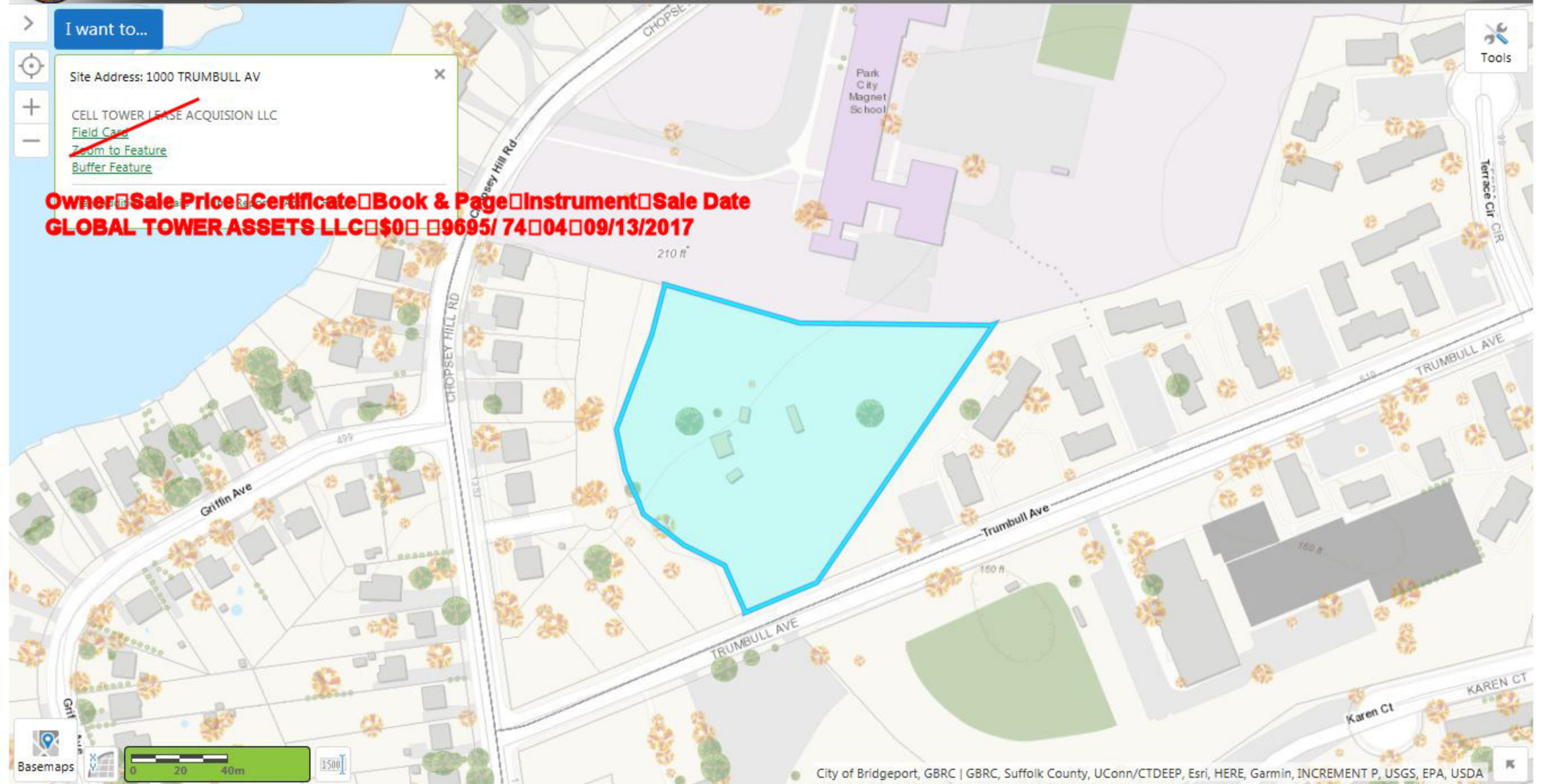
[Zoom to Feature](#)

[Buffer Feature](#)



**Owner**  **Sale Price**  **Certificate**  **Book & Page**  **Instrument**  **Sale Date**

**GLOBAL TOWER ASSETS LLC**  **\$0**  **9695/ 74**  **04**  **09/13/2017**





**Standby Power Rating**  
 50 kW, 63 kVA, 60 Hz

**Prime Power Rating\***  
 45 kW, 56 kVA, 60 Hz



Image used for illustration purposes only



\*EPA Certified Prime ratings are not available in the US or its Territories

## Codes and Standards

Generac products are designed to the following standards:

-   UL2200, UL508, UL489, UL142
-  CSA 22.2
-   BS5514 and DIN 6271
-  SAE J1349
-  NFPA 37, 70, 99, 110
-  NEC700, 701, 702, 708
-  ISO 3046, 7637, 8528, 9001
-  NEMA ICS10, MG1, 250, ICS6, AB1
-  ANSI C62.41
-   IBC 2009, CBC 2010, IBC 2012, ASCE 7-05, ASCE 7-10, ICC-ES AC-156 (2012)

## Powering Ahead

For over 50 years, Generac has provided innovative design and superior manufacturing.

Generac ensures superior quality by designing and manufacturing most of its generator components, including alternators, enclosures and base tanks, control systems and communications software.

Generac gensets utilize a wide variety of options, configurations and arrangements, allowing us to meet the standby power needs of practically every application.

Generac searched globally to ensure the most reliable engines power our generators. We choose only engines that have already been proven in heavy-duty industrial applications under adverse conditions.

Generac is committed to ensuring our customers' service support continues after their generator purchase.

**STANDARD FEATURES**

**ENGINE SYSTEM**

- Oil Drain Extension
- Air Cleaner
- Fan Guard
- Stainless Steel Flexible Exhaust Connection
- Factory Filled Oil and Coolant
- Radiator Duct Adapter (Open Set Only)
- Critical Exhaust Silencer (Enclosed Only)

**Fuel System**

- Fuel Lockoff Solenoid
- Primary Fuel Filter

**Cooling System**

- Closed Coolant Recovery System
- UV/Ozone Resistant Hoses
- Factory-Installed Radiator
- Radiator Drain Extension
- 50/50 Ethylene Glycol Antifreeze
- 120 VAC Coolant Heater

**Electrical System**

- Battery Charging Alternator
- Battery Cables
- Battery Tray
- Rubber-Booted Engine Electrical Connections
- Solenoid Activated Starter Motor

**ALTERNATOR SYSTEM**

- GENprotect™
- 12 Leads (3-Phase, Non 600V)
- Class H Insulation Material
- Vented Rotor
- 2/3 Pitch
- Skewed Stator
- Auxiliary Voltage Regulator Power Winding
- Brushless Excitation
- Sealed Bearing
- Automated Manufacturing (Winding, Insertion, Lacing, Varnishing)
- Rotor Dynamically Spin Balanced
- Amortisseur Winding
- Full Load Capacity Alternator
- Protective Thermal Switch

**GENERATOR SET**

- Internal Genset Vibration Isolation
- Separation of Circuits - High/Low Voltage
- Separation of Circuits - Multiple Breakers
- Wrapped Exhaust Piping
- Standard Factory Testing
- 2 Year Limited Warranty (Standby Rated Units)
- 1 Year Limited Warranty (Prime Rated Units)
- Silencer Mounted in the Discharge Hood (Enclosed Only)
- Silencer of Heat Shield

**ENCLOSURE (If Selected)**

- Rust-Proof Fasteners with Nylon Washers to Protect Finish
- High Performance Sound-Absorbing Material (Sound Attenuation Enclosures)
- Gasketed Doors
- Stamped Air-Intake Louvers
- Upward Facing Discharge Hoods (Radiator and Exhaust)
- Stainless Steel Lift Off Door Hinges
- Stainless Steel Lockable Handles
- RhinoCoat™ - Textured Polyester Powder Coat Paint

**TANKS (If Selected)**

- UL 142
- Double Wall Construction
- Vents
- Sloped Top
- Sloped Bottom
- Factory Pressure Tested - 2 psi (14 kPa)
- Rupture Basin Alarm
- Fuel Level
- Check Valve In Supply and Return Lines
- RhinoCoat™ - Textured Polyester Powder Coat Paint
- Stainless Steel Hardware

**CONTROL SYSTEM**



**Digital H Control Panel- Dual 4x20 Display**

**Program Functions**

- Programmable Crank Limiter
- 7-Day Programmable Exerciser
- Special Applications Programmable Logic Controller
- RS-232/485 Communications
- 3-Phase Sensing Digital Voltage Regulator
- 2-Wire Start Capability
- Date/Time Fault History (Event Log)
- Isochronous Governor Control
- Waterproof/Sealed Connectors

- Audible Alarms and Shutdowns
- Not in Auto (Flashing Light)
- Auto/Off/Manual Switch
- E-Stop (Red Mushroom-Type)
- NFPA110 Level I and II (Programmable)
- Customizable Alarms, Warnings, and Events
- Modbus® Protocol
- Predictive Maintenance Algorithm
- Sealed Boards
- Password Parameter Adjustment Protection
- Single Point Ground
- 16 Channel Remote Trending
- 0.2 msec High Speed Remote Trending
- Alarm Information Automatically Annunciated on the Display

**Full System Status Display**

- Power Output (kW)
- Power Factor
- kW Hours, Total, and Last Run
- Real/Reactive/Apparent Power
- All Phase AC Voltage
- All Phase Currents

- Oil Pressure
- Coolant Temperature
- Coolant Level
- Engine Speed
- Battery Voltage
- Frequency

**Alarms and Warnings**

- Oil Pressure
- Coolant Temperature
- Coolant Level
- Engine Overspeed
- Battery Voltage
- Alarms and Warnings Time and Date Stamped
- Snap Shots of Key Operation Parameters During Alarms and Warnings
- Alarms and Warnings Spelled Out (No Alarm Codes)



## CONFIGURABLE OPTIONS

### ENGINE SYSTEM

- Oil Make-Up System
- Oil Heater
- Industrial Exhaust Silencer (Open Set)

### FUEL SYSTEM

- Flexible Fuel Lines
- Primary Fuel Filter

### ELECTRICAL SYSTEM

- 10A UL Battery Charger
- 2.5A UL Battery Charger
- Battery Warmer

### ALTERNATOR SYSTEM

- Alternator Upsizing
- Anti-Condensation Heater
- Tropical Coating
- Permanent Magnet Excitation

### GENERATOR SET

- GenLink® Communications Software (English Only)
- 8 Position Load Center

### CIRCUIT BREAKER OPTIONS

- Main Line Circuit Breaker
- 2nd Main Line Circuit Breaker
- Shunt Trip and Auxiliary Contact
- Electronic Trip Breakers

### ENCLOSURE

- Weather Protected Enclosure
- Level 1 Sound Attenuation
- Level 2 Sound Attenuation
- Level 2 Sound Attenuation with Motorized Dampers
- Steel Enclosure
- Aluminum Enclosure
- Up to 200 MPH Wind Load Rating (Contact Factory for Availability)
- AC/DC Enclosure Lighting Kit
- Door Alarm Switch

### WARRANTY (Standby Gensets Only)

- 2 Year Extended Limited Warranty
- 5 Year Limited Warranty
- 5 Year Extended Limited Warranty
- 7 Year Extended Limited Warranty
- 10 Year Extended Limited Warranty

### CONTROL SYSTEM

- NFPA 110 Compliant 21-Light Remote Annunciator
- Remote Relay Assembly (8 or 16)
- Oil Temperature Sender with Alarm
- Remote E-Stop (Break Glass-Type, Surface Mount)
- Remote E-Stop (Red Mushroom-Type, Surface Mount)
- Remote E-Stop (Red Mushroom-Type, Flush Mount)
- Remote Communication - Modem
- 10A Run Relay
- Ground Fault Indication and Protection Functions

### TANKS (Size On Last Page)

- Electric Fuel Level
- Mechanical Fuel Level
- 8 in (203.2 mm) Fill Extension
- 13 in (330.2 mm) Fill Extension
- 19 in (482.6 mm) Fill Extension

## ENGINEERED OPTIONS

### ENGINE SYSTEM

- Coolant Heater Ball Valves
- Fluid Containment Pan
- Block Heaters

### CONTROL SYSTEM

- Spare Inputs (x4) / Outputs (x4)
- Battery Disconnect Switch

### ALTERNATOR SYSTEM

- 3rd Breaker System

### GENERATOR SET

- Special Testing
- IBC Seismic Certification

### ENCLOSURE

- Door Switch for Intrusion Alarm
- Enclosure Ambient Heaters

### TANKS

- Overfill Protection Valve
- UL2085 Tank
- ULC S-601 Tank
- Stainless Steel Tanks
- Special Fuel Tanks (MIDEQ and FL DEP/DERM, etc.)
- Vent Extensions

# SD050 | 3.4L | 50 kW

## INDUSTRIAL DIESEL GENERATOR SET

EPA Certified Stationary Emergency

### APPLICATION AND ENGINEERING DATA

#### ENGINE SPECIFICATIONS

##### General

Make	Generac
EPA Emissions Compliance	Stationary Emergency
EPA Emissions Reference	See Emission Data Sheet
Cylinder #	4
Type	In-Line
Displacement - in <sup>3</sup> (L)	207.48 (3.4)
Bore - in (mm)	3.86 (98)
Stroke - in (mm)	4.45 (113)
Compression Ratio	18.5:1
Intake Air Method	Turbocharged/Aftercooled
Cylinder Head	Cast Iron OHV
Piston Type	Aluminum
Crankshaft Type	Forged Steel

##### Engine Governing

Governor	Electronic Isochronous
Frequency Regulation (Steady State)	±0.25%

##### Lubrication System

Oil Pump Type	Gear
Oil Filter Type	Full Flow Cartridge
Crankcase Capacity - qt (L)	7.4 (7)

##### Cooling System

Cooling System Type	Closed Recovery
Water Pump Type	Pre-Lubed, Self Sealing
Fan Type	Pusher
Fan Speed - rpm	2,250
Fan Diameter - in (mm)	560 (22)

##### Fuel System

Fuel Type	Ultra Low Sulfur Diesel Fuel #2
Fuel Specifications	ASTM
Fuel Filtering (microns)	10
Fuel Inject Pump	Bosch (VE)
Fuel Pump Type	Engine Driven Gear
Injector Type	Pintel - 2,100 psi (14,479 kPa)
Fuel Supply Line - in (mm)	0.312 (7.92) NPT
Fuel Return Line - in (mm)	0.312 (7.92) NPT

##### Engine Electrical System

System Voltage	12 VDC
Battery Charger Alternator	Standard
Battery Size	See Battery Index 0161970SBY
Battery Voltage	12 VDC
Ground Polarity	Negative

#### ALTERNATOR SPECIFICATIONS

Standard Model	Generac 390 mm
Poles	4
Field Type	Revolving
Insulation Class - Rotor	H
Insulation Class - Stator	H
Total Harmonic Distortion	<5% (3-Phase)
Telephone Interference Factor (TIF)	< 50

Standard Excitation	Synchronous Brushless
Bearings	Single Sealed Cartridge
Coupling	Direct via Flexible Disc
Load Capacity - Standby	100%
Prototype Short Circuit Test	Yes
Voltage Regulator Type	Digital
Number of Sensed Phases	All
Regulation Accuracy (Steady State)	±0.25%

# SD050 | 3.4L | 50 kW

## INDUSTRIAL DIESEL GENERATOR SET

EPA Certified Stationary Emergency

### OPERATING DATA

#### POWER RATINGS

		Standby
Single-Phase 120/240 VAC @1.0pf	50 kW	Amps: 208
Three-Phase 120/208 VAC @0.8pf	50 kW	Amps: 173
Three-Phase 120/240 VAC @0.8pf	50 kW	Amps: 150
Three-Phase 277/480 VAC @0.8pf	50 kW	Amps: 75
Three-Phase 346/600 VAC @0.8pf	50 kW	Amps: 60

#### STARTING CAPABILITIES (sKVA)

##### sKVA vs. Voltage Dip

277/480 VAC								208/240 VAC							
Alternator	kW	10%	15%	20%	25%	30%	35%	Alternator	kW	10%	15%	20%	25%	30%	35%
Standard	50	34	52	69	86	103	120	Standard	50	26	39	52	65	77	90
Upsize 1	60	42	63	83	104	125	146	Upsize 1	60	32	47	62	78	94	110

#### FUEL CONSUMPTION RATES\*

Fuel Pump Lift - ft (m)		Diesel - gph (lph)	
		Percent Load	Standby
3 (1)		25%	1.3 (4.9)
		50%	2.3 (8.7)
Total Fuel Pump Flow (Combustion + Return) - gph (lph)		75%	3.3 (12.5)
3.57 (13.51)		100%	4.3 (16.4)

\* Fuel supply installation must accommodate fuel consumption rates at 100% load.

#### COOLING

		Standby
Coolant Flow	gpm (lpm)	12.2 (46)
Coolant System Capacity	gal (L)	2.5 (9.5)
Heat Rejection to Coolant	BTU/hr (kW)	135,900 (39.8)
Inlet Air	cfm (m <sup>3</sup> /hr)	7,500 (212)
Maximum Operating Ambient Temperature	°F (°C)	122 (50)
Maximum Ambient Temperature (Before Derate)	See Bulletin No. 0199280SSD	
Maximum Radiator Backpressure	in H <sub>2</sub> O (kPa)	0.5 (0.12)

#### COMBUSTION AIR REQUIREMENTS

	Standby
Flow at Rated Power cfm (m <sup>3</sup> /min)	166 (4.7)

#### ENGINE

		Standby
Rated Engine Speed	rpm	1,800
Horsepower at Rated kW**	hp	86
Piston Speed	ft/min (m/min)	1,335 (406.9)
BMEP	psi (kPa)	169 (1,165)

#### EXHAUST

		Standby
Exhaust Flow (Rated Output)	cfm (m <sup>3</sup> /min)	448 (12.7)
Max. Allowable Backpressure	inHg (kPa)	1.5 (5.1)
Exhaust Temp (Rated Output)	°F (°C)	1,044 (562)

\*\* Refer to "Emissions Data Sheet" for maximum bHP for EPA and SCAQMD permitting purposes.

Deration – Operational characteristics consider maximum ambient conditions. Derate factors may apply under atypical site conditions.

Please contact a Generac Power Systems Industrial Dealer for additional details. All performance ratings in accordance with ISO3046, BS5514, ISO8528, and DIN6271 standards.

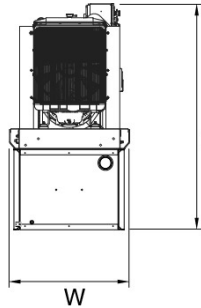
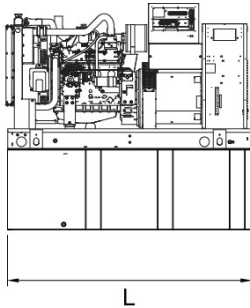
Standby - See Bulletin 0187500SSB

Prime - See Bulletin 0187510SSB

**SD050 | 3.4L | 50 kW**  
**INDUSTRIAL DIESEL GENERATOR SET**

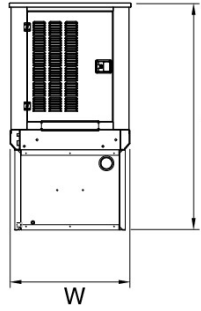
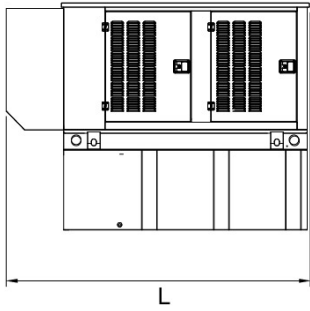
EPA Certified Stationary Emergency

**DIMENSIONS AND WEIGHTS\***



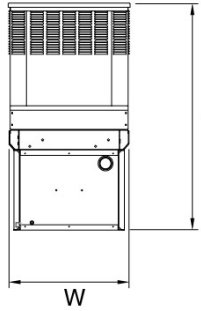
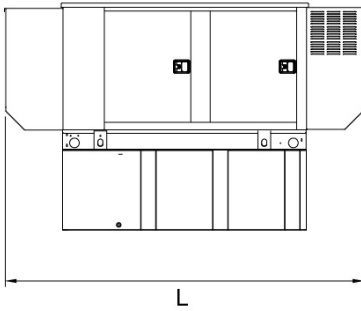
**OPEN SET (Includes Exhaust Flex)**

Run Time - Hours	Usable Capacity - gal (L)	L x W x H - in (mm)	Weight - lbs (kg)
No Tank	-	76.7 (1,948) x 37.4 (950) x 45.2 (1,147)	1,776 (806)
12	54 (204.4)	76.7 (1,948) x 37.4 (950) x 58.2 (1,477)	2,256 (1,024)
30	132 (499.7)	76.7 (1,948) x 37.4 (950) x 70.2 (1,782)	2,486 (1,128)
49	211 (798.7)	76.7 (1,948) x 37.4 (950) x 82.2 (2,087)	2,695 (1,223)
69	300 (1,135.6)	92.9 (2,360) x 37.4 (950) x 85.7 (2,176)	2,758 (1,251)



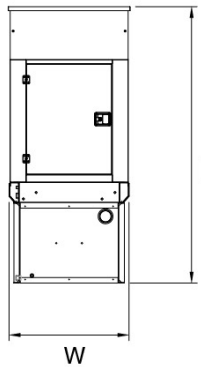
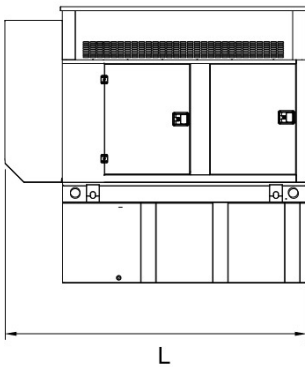
**STANDARD ENCLOSURE**

Run Time - Hours	Usable Capacity - gal (L)	L x W x H - in (mm)	Weight - lbs (kg) Enclosure Only	
			Steel	Aluminum
No Tank	-	94.8 (2,409) x 38.0 (965) x 49.5 (1,258)		
12	54 (204.4)	94.8 (2,409) x 38.0 (965) x 62.5 (1,588)	334 (152)	115 (52)
30	132 (499.7)	94.8 (2,409) x 38.0 (965) x 74.5 (1,893)		
49	211 (798.7)	94.8 (2,409) x 38.0 (965) x 86.5 (2,198)		
69	300 (1,135.6)	94.8 (2,409) x 38.0 (965) x 90.0 (2,287)		



**LEVEL 1 ACOUSTIC ENCLOSURE**

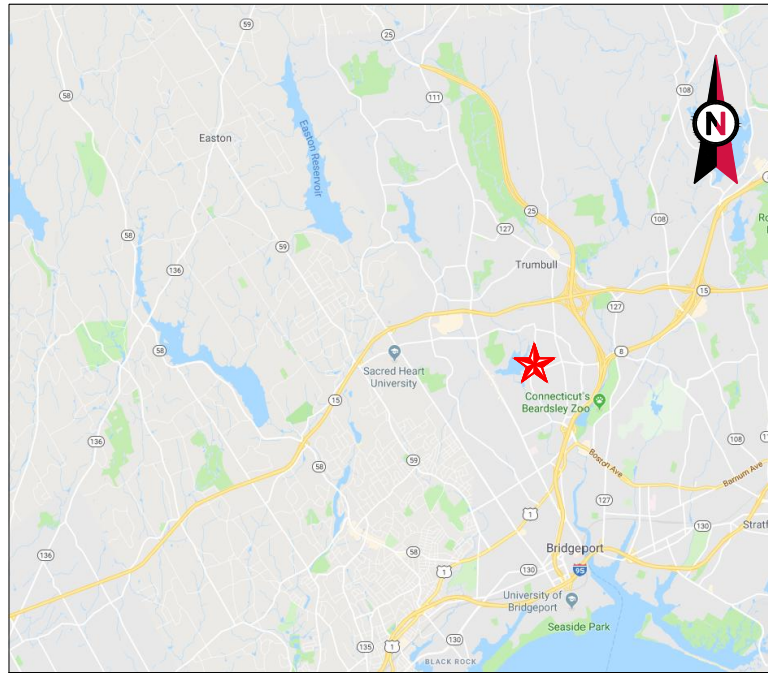
Run Time - Hours	Usable Capacity - gal (L)	L x W x H - in (mm)	Weight - lbs (kg) Enclosure Only	
			Steel	Aluminum
No Tank	-	112.5 (2,857) x 38.0 (965) x 49.5 (1,258)		
12	54 (204.4)	112.5 (2,857) x 38.0 (965) x 62.5 (1,588)	435 (198)	150 (68)
30	132 (499.7)	112.5 (2,857) x 38.0 (965) x 74.5 (1,893)		
49	211 (798.7)	112.5 (2,857) x 38.0 (965) x 86.5 (2,198)		
69	300 (1,135.6)	112.5 (2,857) x 38.0 (965) x 90.0 (2,287)		



**LEVEL 2 ACOUSTIC ENCLOSURE**

Run Time - Hours	Usable Capacity - gal (L)	L x W x H - in (mm)	Weight - lbs (kg) Enclosure Only	
			Steel	Aluminum
No Tank	-	94.8 (2,409) x 38.0 (965) x 61.9 (1,572)		
12	54 (204.4)	94.8 (2,409) x 38.0 (965) x 74.9 (1,902)	520 (236)	179 (81)
30	132 (499.7)	94.8 (2,409) x 38.0 (965) x 86.9 (2,207)		
49	211 (798.7)	94.8 (2,409) x 38.0 (965) x 98.9 (2,512)		
69	300 (1,135.6)	94.8 (2,409) x 38.0 (965) x 102.4 (2,601)		

\* All measurements are approximate and for estimation purposes only. Specification characteristics may change without notice. Please contact a Generac Power Systems Industrial Dealer for detailed installation drawings.



VICINITY MAP



**AMERICAN TOWER®**

ATC SITE NAME: TARTAGLIA  
 SITE NUMBER: 383598  
 SITE ADDRESS: 1000 TRUMBULL AVE  
 BRIDGEPORT, CT 06606



LOCATION MAP



**AMERICAN TOWER®**  
 A.T. ENGINEERING SERVICE, PLLC  
 3500 REGENCY PARKWAY  
 SUITE 100  
 CARY, NC 27518  
 PHONE: (919) 468-0112  
 COA: P-1177

THESE DRAWINGS AND/OR THE ACCOMPANYING SPECIFICATION AS INSTRUMENTS OR SERVICE ARE THE EXCLUSIVE PROPERTY OF AMERICAN TOWER. THEIR USE AND PUBLICATION SHALL BE RESTRICTED TO THE ORIGINAL SITE FOR WHICH THEY ARE PREPARED. ANY USE OR DISCLOSURE OTHER THAN THAT WHICH RELATES TO AMERICAN TOWER OR THE SPECIFIED CARRIER IS STRICTLY PROHIBITED. TITLE TO THESE DOCUMENTS SHALL REMAIN THE PROPERTY OF AMERICAN TOWER WHETHER OR NOT THE PROJECT IS EXECUTED. NEITHER THE ARCHITECT NOR THE ENGINEER WILL BE PROVIDING ON-SITE CONSTRUCTION REVIEW OF THIS PROJECT. CONTRACTOR(S) MUST VERIFY ALL DIMENSIONS AND ADVISE AMERICAN TOWER OF ANY DISCREPANCIES. ANY PRIORITY OF THIS DRAWING IS SUPERSEDED BY THE LATEST VERSION ON FILE WITH AMERICAN TOWER.

REV.	DESCRIPTION	BY	DATE
0	FOR CONSTRUCTION	TC	09/19/18
1	ADDRESS CHANGE	MG	12/04/18

ATC SITE NUMBER:  
**383598**  
 ATC SITE NAME:  
**TARTAGLIA**

SITE ADDRESS:  
 1000 TRUMBULL AVE  
 BRIDGEPORT, CT 06606

SEAL:



DRAWN BY:	TC
APPROVED BY:	PPB
DATE DRAWN:	09/19/18
ATC JOB NO:	12612228

TITLE SHEET

SHEET NUMBER:	REVISION:
<b>G-001</b>	<b>1</b>

SHARED GENERATOR PROGRAM  
 ANCHOR TENANT

COMPLIANCE CODE	PROJECT SUMMARY	PROJECT DESCRIPTION	SHEET INDEX				
ALL WORK SHALL BE PERFORMED AND MATERIALS INSTALLED IN ACCORDANCE WITH THE CURRENT EDITIONS OF THE FOLLOWING CODES AS ADOPTED BY THE LOCAL GOVERNMENT AUTHORITIES. NOTHING IN THESE PLANS IS TO BE CONSTRUED TO PERMIT WORK NOT CONFORMING TO THESE CODES.  1. INTERNATIONAL BUILDING CODE (IBC) 2. NATIONAL ELECTRIC CODE (NEC) 3. LOCAL BUILDING CODE 4. CITY/COUNTY ORDINANCES	<u>SITE ADDRESS:</u> 1000 TRUMBULL AVE BRIDGEPORT, CT 06606 COUNTY: FAIRFIELD  <u>GEOGRAPHIC COORDINATES:</u> LATITUDE: 41° 13' 10.56" N41.21960000 LONGITUDE: 73° 12' 4.63" W-73.20128611 GROUND ELEVATION: 175' AMSL	THE PROPOSED PROJECT INSTALLS AN OPTIONAL STANDBY GENERATOR SYSTEM, AUTOMATIC TRANSFER SWITCH, GENERATOR AUXILIARY POWER DISTRIBUTION, AND REMOTE MONITORING COMMUNICATIONS CIRCUITRY FOR A COMMUNICATION TOWER TENANT.	SHEET NO:	DESCRIPTION:	REV:	DATE:	BY:
	<u>PROJECT TEAM</u> <u>ATC REGIONAL NETWORK DEVELOPMENT PROJECT MANAGER:</u> GREG CSAPO (919) 749-6927  <u>ATC NETWORK OPERATIONS CENTER:</u> (877) 518-6937  <u>TOWER OWNER:</u> AMERICAN TOWER 10 PRESIDENTIAL WAY WOBURN, MA 01801 <u>PROPERTY OWNER:</u> GLOBAL TOWER ASSETS LLC 10 PRESIDENTIAL WAY WOBURN, MA 01801  <u>ENGINEERED BY:</u> ATC TOWER SERVICES 3500 REGENCY PARKWAY SUITE 100 CARY, NC 27518	<u>PROJECT NOTES</u> 1. THE FACILITY IS UNMANNED. 2. A TECHNICIAN WILL VISIT THE SITE APPROXIMATELY ONCE A MONTH FOR ROUTINE INSPECTION AND MAINTENANCE. 3. THE PROJECT WILL NOT RESULT IN ANY SIGNIFICANT LAND DISTURBANCE OR EFFECT OF STORM WATER DRAINAGE. 4. NO SANITARY SEWER, POTABLE WATER OR TRASH DISPOSAL IS REQUIRED. 5. HANDICAP ACCESS IS NOT REQUIRED.	G-001	TITLE SHEET	1	12/04/18	MG
<u>UTILITY COMPANIES</u>  POWER COMPANY: UNKNOWN PHONE: N/A  TELEPHONE COMPANY: UNKNOWN PHONE: N/A	<u>PROJECT LOCATION DIRECTIONS</u>  FROM BRIDGEPORT, CT:  TAKE CT-25 N/ CT-8 N AND CHOPSEY HILL RD TO YOUR DESTINATION. AFTER 3.8 MILES TURN LEFT. YOU WILL ARRIVE AT YOUR DESTINATION AFTER 82 FEET.	C-101	SITE PLAN	1	12/04/18	MG	
			C-501	CONCRETE PAD DETAILS	1	12/04/18	MG
			E-601	ELECTRICAL ONE-LINE AND WIRING DETAILS	1	12/04/18	MG

Copyright © 2018 ATC IP, LLC. All Rights Reserved.



**GENERAL CONSTRUCTION NOTES:**

1. ALL WORK SHALL CONFORM TO ALL CURRENT APPLICABLE FEDERAL, STATE, AND LOCAL CODES, INCLUDING ANSIEIA/TIA-222, AND COMPLY WITH ATC MASTER SPECIFICATIONS.
2. CONTRACTOR SHALL CONTACT LOCAL 811 FOR IDENTIFICATION OF UNDERGROUND UTILITIES PRIOR TO START OF CONSTRUCTION.
3. CONTRACTOR SHALL BE RESPONSIBLE FOR COORDINATING ALL REQUIRED INSPECTIONS.
4. ALL DIMENSIONS TO, OF, AND ON EXISTING BUILDINGS, DRAINAGE STRUCTURES, AND SITE IMPROVEMENTS SHALL BE VERIFIED IN FIELD BY CONTRACTOR WITH ALL DISCREPANCIES REPORTED TO THE ENGINEER.
5. DO NOT CHANGE SIZE OR SPACING OF STRUCTURAL ELEMENTS.
6. DETAILS SHOWN ARE TYPICAL; SIMILAR DETAILS APPLY TO SIMILAR CONDITIONS UNLESS OTHERWISE NOTED.
7. THESE DRAWINGS DO NOT INCLUDE NECESSARY COMPONENTS FOR CONSTRUCTION SAFETY WHICH SHALL BE THE SOLE RESPONSIBILITY OF THE CONTRACTOR.
8. CONTRACTOR SHALL BRACE STRUCTURES UNTIL ALL STRUCTURAL ELEMENTS NEEDED FOR STABILITY ARE INSTALLED. THESE ELEMENTS ARE AS FOLLOWS: LATERAL BRACING, ANCHOR BOLTS, ETC.
9. CONTRACTOR SHALL DETERMINE EXACT LOCATION OF EXISTING UTILITIES, GROUNDS DRAINS, DRAIN PIPES, VENTS, ETC. BEFORE COMMENCING WORK.
10. INCORRECTLY FABRICATED, DAMAGED, OR OTHERWISE MISFITTING OR NONCONFORMING MATERIALS OR CONDITIONS SHALL BE REPORTED TO THE ATC CM PRIOR TO REMEDIAL OR CORRECTIVE ACTION. ANY SUCH REMEDIAL ACTION SHALL REQUIRE WRITTEN APPROVAL BY THE ATC CM PRIOR TO PROCEEDING.
11. EACH CONTRACTOR SHALL COOPERATE WITH THE ATC CM, AND COORDINATE HIS WORK WITH THE WORK OF OTHERS.
12. CONTRACTOR SHALL REPAIR ANY DAMAGE CAUSED BY CONSTRUCTION OF THIS PROJECT TO MATCH EXISTING PRE-CONSTRUCTION CONDITIONS TO THE SATISFACTION OF THE ATC CONSTRUCTION MANAGER.
13. ALL CABLE/CONDUIT ENTRY/EXIT PORTS SHALL BE WEATHERPROOFED DURING INSTALLATION USING A SILICONE SEALANT.
14. WHERE EXISTING CONDITIONS DO NOT MATCH THOSE SHOWN IN THIS PLAN SET, CONTRACTOR SHALL NOTIFY THE ATC CONSTRUCTION MANAGER IMMEDIATELY.
15. CONTRACTOR SHALL ENSURE ALL SUBCONTRACTORS ARE PROVIDED WITH A COMPLETE AND CURRENT SET OF DRAWINGS AND SPECIFICATIONS FOR THIS PROJECT.
16. CONTRACTOR SHALL REMOVE ALL RUBBISH AND DEBRIS FROM THE SITE AT THE END OF EACH DAY.
17. CONTRACTOR SHALL COORDINATE WORK SCHEDULE WITH LANDLORD AND TAKE PRECAUTIONS TO MINIMIZE IMPACT AND DISRUPTION OF OTHER OCCUPANTS OF THE FACILITY.
18. CONTRACTOR SHALL FURNISH ATC WITH A PDF MARKED UP AS-BUILT SET OF DRAWINGS UPON COMPLETION OF WORK.
19. PRIOR TO SUBMISSION OF BID, CONTRACTOR SHALL COORDINATE WITH ATC CM TO DETERMINE WHAT, IF ANY, ITEMS WILL BE PROVIDED. ALL ITEMS NOT PROVIDED SHALL BE PROVIDED AND INSTALLED BY THE CONTRACTOR. CONTRACTOR WILL INSTALL ALL ITEMS PROVIDED.
20. PRIOR TO SUBMISSION OF BID, CONTRACTOR SHALL COORDINATE WITH ATC CONSTRUCTION MANAGER TO DETERMINE IF ANY PERMITS WILL BE OBTAINED BY ATC. ALL REQUIRED PERMITS NOT OBTAINED BY ATC MUST BE OBTAINED, AND PAID FOR, BY THE CONTRACTOR.
21. CONTRACTOR SHALL INSTALL ALL SITE SIGNAGE IN ACCORDANCE WITH ATC SPECIFICATIONS AND REQUIREMENTS.
22. CONTRACTOR SHALL SUBMIT ALL SHOP DRAWINGS TO ATC FOR REVIEW AND APPROVAL PRIOR TO FABRICATION.
23. ALL EQUIPMENT SHALL BE INSTALLED ACCORDING TO MANUFACTURER'S SPECIFICATIONS AND LOCATED ACCORDING TO ATC SPECIFICATIONS, AND AS SHOWN IN THESE PLANS.
24. THE CONTRACTOR SHALL SUPERVISE AND DIRECT THE PROJECT DESCRIBED HEREIN. THE CONTRACTOR SHALL BE SOLELY RESPONSIBLE FOR ALL THE CONSTRUCTION MEANS, METHODS, TECHNIQUES, SEQUENCES AND PROCEDURES AND FOR COORDINATING ALL PORTIONS OF THE WORK UNDER THE CONTRACT.
25. CONTRACTOR SHALL NOTIFY ATC CM A MINIMUM OF 48 HOURS IN ADVANCE OF POURING CONCRETE OR BACKFILLING ANY UNDERGROUND UTILITIES, FOUNDATIONS OR SEALING ANY WALL, FLOOR OR ROOF PENETRATIONS FOR ENGINEERING REVIEW AND APPROVAL.
26. CONTRACTOR SHALL BE RESPONSIBLE FOR SITE SAFETY INCLUDING COMPLIANCE WITH ALL APPLICABLE OSHA STANDARDS AND RECOMMENDATIONS AND SHALL PROVIDE ALL NECESSARY SAFETY DEVICES INCLUDING PPE AND PPM AND CONSTRUCTION DEVICES SUCH AS WELDING AND FIRE PREVENTION, TEMPORARY SHORING, SCAFFOLDING, TRENCH BOXES/SLOPING, BARRIERS, ETC.
27. THE CONTRACTOR SHALL PROTECT AT HIS OWN EXPENSE, ALL EXISTING FACILITIES AND SUCH OF HIS NEW WORK LIABLE TO INJURY DURING THE CONSTRUCTION PERIOD. ANY DAMAGE CAUSED BY NEGLIGENCE ON THE PART OF THIS CONTRACTOR OR HIS REPRESENTATIVES, OR BY THE ELEMENTS DUE TO NEGLIGENCE ON THE PART OF THIS CONTRACTOR OR HIS

REPRESENTATIVES, EITHER TO THE EXISTING WORK, OR TO HIS WORK OR THE WORK OF ANY OTHER CONTRACTOR, SHALL BE REPAIRED AT HIS EXPENSE TO THE OWNER'S SATISFACTION.

28. ALL WORK SHALL BE INSTALLED IN A FIRST CLASS, NEAT AND WORKMANLIKE MANNER BY MECHANICS SKILLED IN THE TRADE INVOLVED. THE QUALITY OF WORKMANSHIP SHALL BE SUBJECT TO THE APPROVAL OF THE ATC CM. ANY WORK FOUND BY THE ATC CM TO BE OF INFERIOR QUALITY AND/OR WORKMANSHIP SHALL BE REPLACED AND/OR REWORKED AT CONTRACTOR EXPENSE UNTIL APPROVAL IS OBTAINED.
29. IN ORDER TO ESTABLISH STANDARDS OF QUALITY AND PERFORMANCE, ALL TYPES OF MATERIALS LISTED HEREINAFTER BY MANUFACTURER'S NAMES AND/OR MANUFACTURER'S CATALOG NUMBER SHALL BE PROVIDED BY THESE MANUFACTURERS AS SPECIFIED.

**CONCRETE AND REINFORCING STEEL NOTES:**

1. DESIGN AND CONSTRUCTION OF ALL CONCRETE ELEMENTS SHALL CONFORM TO THE LATEST EDITIONS OF ALL APPLICABLE CODES INCLUDING: ACI 301 "SPECIFICATIONS FOR STRUCTURAL CONCRETE FOR BUILDINGS", ACI 117 "SPECIFICATIONS FOR TOLERANCES FOR CONCRETE CONSTRUCTION AND MATERIALS", AND ACI 318 "BUILDING CODE REQUIREMENTS FOR REINFORCED CONCRETE."
2. MIX DESIGN SHALL BE APPROVED BY ATC CM PRIOR TO PLACING CONCRETE.
3. CONCRETE SHALL BE NORMAL WEIGHT, 6 % AIR ENTRAINED (+/- 1.5%) WITH A SLUMP RANGE OF 3-5" AND HAVE A MINIMUM 28-DAY COMPRESSIVE STRENGTH OF 4000 PSI UNLESS OTHERWISE NOTED.
4. THE FOLLOWING MATERIALS SHALL BE USED:
  - PORTLAND CEMENT: ASTM C150, TYPE 2
  - REINFORCEMENT: ASTM A185, PLAIN STEEL WELDED WIRE FABRIC
  - REINFORCEMENT BARS: ASTM A615, GRADE 60, DEFORMED
  - NORMAL WEIGHT AGGREGATE: ASTM C33
  - WATER: ASTM C 94/C 94M
  - ADMIXTURES:
    - WATER-REDUCING AGENT: ASTM C 494/C 494M, TYPE A
    - AIR-ENTERING AGENT: ASTM C 260/C 260M
    - SUPERPLASTICIZER: ASTM C494, TYPE F OR TYPE G
    - RETARDING: ASTM C 494/C 494M, TYPE B
5. MINIMUM CONCRETE COVER FOR REINFORCING STEEL SHALL BE NO LESS THAN 3".
6. A 3/4" CHAMFER SHALL BE PROVIDED AT ALL EXPOSED EDGES OF CONCRETE IN ACCORDANCE WITH ACI 301 SECTION 4.2.4, UNLESS NOTED OTHERWISE.
7. INSTALLATION OF CONCRETE EXPANSION/WEDGE ANCHOR SHALL BE PER MANUFACTURER'S WRITTEN RECOMMENDED PROCEDURE. THE ANCHOR BOLT, DOWEL, OR ROD SHALL CONFORM TO MANUFACTURER'S RECOMMENDATION FOR EMBEDMENT DEPTH OR AS SHOWN ON THE DRAWINGS. NO REBAR SHALL BE CUT WITHOUT PRIOR ATC CM APPROVAL WHEN DRILLING HOLES IN CONCRETE.
8. ADMIXTURES SHALL CONFORM TO THE APPROPRIATE ASTM STANDARD AS REFERENCED IN "METHOD 1" OF ACI 301.
9. DO NOT WELD OR TACK WELD REINFORCING STEEL.
10. ALL DOWELS, ANCHOR BOLTS, EMBEDDED STEEL, ELECTRICAL CONDUITS, PIPE SLEEVES, GROUNDS AND ALL OTHER EMBEDDED ITEMS AND FORMED DETAILS SHALL BE IN PLACE BEFORE START OF CONCRETE PLACEMENT.
11. REINFORCEMENT SHALL BE COLD BENT WHENEVER BENDING IS REQUIRED.
12. DO NOT PLACE CONCRETE IN WATER, ICE, OR ON FROZEN GROUND.
13. DO NOT ALLOW REINFORCEMENT, CONCRETE OR SUBBASE TO FREEZE DURING CONCRETE CURING AND SETTING PERIOD, OR FOR A MINIMUM OF 3 DAYS AFTER PLACEMENT.
14. FOR COLD-WEATHER(ACI 306) AND HOT-WEATHER(ACI 301M) CONCRETE PLACEMENT, CONFORM TO APPLICABLE ACI CODES AND RECOMMENDATIONS. IN EITHER CASE, MATERIALS CONTAINING CHLORIDE, CALCIUM, SALTS, ETC. SHALL NOT BE USED. PROTECT FRESH CONCRETE FROM WEATHER FOR 7 DAYS, MINIMUM.
15. ALL CONCRETE SHALL HAVE A "SMOOTH FORM FINISH."
16. UNLESS OTHERWISE NOTED:
  - A. ALL REINFORCING STEEL SHALL BE DEFORMED BARS CONFORMING TO ASTM A615/A 615M/A-996, GRADE 60.
  - B. WELDED WIRE FABRIC SHALL CONFORM TO ASTM A185.
17. SPLICING OF REINFORCEMENT IS PERMITTED ONLY AT LOCATIONS SHOWN IN THE CONTRACT DRAWINGS OR AS ACCEPTED BY THE ENGINEER. UNLESS OTHERWISE SHOWN OR NOTED REINFORCING STEEL SHALL BE SPLICED TO DEVELOP ITS FULL TENSILE CAPACITY (CLASS A) IN ACCORDANCE WITH ACI 318.
18. REINFORCING BAR DEVELOPMENT LENGTHS, AS COMPUTED IN ACCORDANCE WITH ACI 318, FORM THE BASIS FOR BAR EMBEDMENT LENGTHS AND BAR SPLICED LENGTHS SHOWN IN THE

DRAWINGS. APPLY APPROPRIATE MODIFICATION FACTORS FOR TOP STEEL, BAR SPACING, COVER AND THE LIKE.

19. DETAILING OF REINFORCING STEEL SHALL CONFORM TO "ACI MANUAL OF STANDARD PRACTICE FOR DETAILING REINFORCED CONCRETE STRUCTURES" (ACI 315).
20. ALL SLAB CONSTRUCTION SHALL BE CAST MONOLITHICALLY WITHOUT HORIZONTAL CONSTRUCTION JOINTS, UNLESS SHOWN IN THE CONTRACT DRAWINGS.
21. LOCATION OF ALL CONSTRUCTION JOINTS ARE SUBJECT TO THE REQUIREMENTS OF THE CONTRACT DOCUMENTS, CONFORMANCE WITH ACI 318, AND ACCEPTANCE OF THE ENGINEER. DRAWINGS SHOWING LOCATION OF DETAILS OF THE PROPOSED CONSTRUCTION JOINTS SHALL BE SUBMITTED WITH REINFORCING STEEL PLACEMENT DRAWINGS.
22. SPLICES OF WWF, AT ALL SPLICED EDGES, SHALL BE SUCH THAT THE OVERLAP MEASURED BETWEEN OUTERMOST CROSS WIRES OF EACH FABRIC SHEET IS NOT LESS THAN THE SPACING OF THE CROSS WIRE PLUS 2 INCHES, NOR LESS THAN 6".
23. BAR SUPPORTS SHALL BE ALL-GALVINIZED METAL WITH PLASTIC TIPS.
24. ALL REINFORCEMENT SHALL BE SECURELY TIED IN PLACE TO PREVENT DISPLACEMENT BY CONSTRUCTION TRAFFIC OR CONCRETE. TIE WIRE SHALL BE OF SUFFICIENT STRENGTH FOR INTENDED PURPOSE, BUT NOT LESS THAN NO. 18 GAUGE.
25. SLAB ON GROUND:
  - A. COMPACT SUBGRADE AND ENSURE THERE IS PLACE 6" GRAVEL BENEATH SLAB.
  - B. PROVIDE VAPOR BARRIER BENEATH SLAB ON GROUND.

**STRUCTURAL STEEL NOTES:**

1. STRUCTURAL STEEL SHALL CONFORM TO THE LATEST EDITION OF THE AISC "SPECIFICATION FOR THE DESIGN, FABRICATION AND ERECTION OF STRUCTURAL STEEL FOR BUILDINGS."
2. STRUCTURAL STEEL ROLLED SHAPES, PLATES AND BARS SHALL CONFORM TO THE FOLLOWING ASTM DESIGNATIONS:
  - A. ASTM A-572, GRADE 50 - ALL W SHAPES, UNLESS NOTED OR A992 OTHERWISE
  - B. ASTM A-36 - ALL OTHER ROLLED SHAPES, PLATES AND BARS UNLESS NOTED OTHERWISE.
  - C. ASTM A-500, GRADE B - HSS SECTION (SQUARE, RECTANGULAR, AND ROUND)
  - D. ASTM A-325, TYPE SC OR N - ALL BOLTS FOR CONNECTING STRUCTURAL MEMBERS
  - E. ASTM F-1554 07 - ALL ANCHOR BOLTS, UNLESS NOTED OTHERWISE
3. ALL EXPOSED STRUCTURAL STEEL MEMBERS SHALL BE HOT-DIPPED GALVANIZED AFTER FABRICATION PER ASTM A123. EXPOSED STEEL HARDWARE AND ANCHOR BOLTS SHALL BE GALVANIZED PER ASTM A153 OR B695.
4. ALL FIELD CUT SURFACES, FIELD DRILLED HOLES AND GROUND SURFACES WHERE EXISTING PAINT OR GALVANIZATION REMOVAL WAS REQUIRED SHALL BE REPAIRED WITH (2) BRUSHED COATS OF ZRC GALVILITE COLD GALVANIZING COMPOUND PER ASTM A780 AND MANUFACTURER'S RECOMMENDATIONS.
5. DO NOT DRILL HOLES THROUGH STRUCTURAL STEEL MEMBERS EXCEPT AS SHOWN AND DETAILED ON STRUCTURAL DRAWINGS.
6. CONNECTIONS:
  - A. ALL WELDING TO BE PERFORMED BY AWS CERTIFIED WELDERS AND CONDUCTED IN ACCORDANCE WITH THE LATEST EDITION OF THE AWS WELDING CODE D1.1.
  - B. ALL WELDS SHALL BE INSPECTED VISUALLY. 25% OF WELDS SHALL BE INSPECTED WITH DYE PENETRANT OR MAGNETIC PARTICLE TO MEET THE ACCEPTANCE CRITERIA OF AWS D1.1. REPAIR ALL WELDS AS NECESSARY.
  - C. INSPECTION SHALL BE PERFORMED BY AN AWS CERTIFIED WELD INSPECTOR.
  - D. IT IS THE CONTRACTORS RESPONSIBILITY TO PROVIDE BURNING/WELDING PERMITS AS REQUIRED BY LOCAL GOVERNING AUTHORITY AND IF REQUIRED SHALL HAVE FIRE DEPARTMENT DETAIL FOR ANY WELDING ACTIVITY.
  - E. ALL ELECTRODES TO BE LOW HYDROGEN, MATCHING FILLER METAL, PER AWS D1.1, UNLESS NOTED OTHERWISE.
  - F. MINIMUM WELD SIZE TO BE 0.1875 INCH FILLET WELDS, UNLESS NOTED OTHERWISE.
  - G. PRIOR TO FIELD WELDING GALVANIZING MATERIAL, CONTRACTOR SHALL GRIND OFF GALVANIZING 1/2" BEYOND ALL FIELD WELD SURFACES. AFTER WELD AND WELD INSPECTION IS COMPLETE, REPAIR ALL GROUND AND WELDED SURFACES WITH ZRC GALVILITE COLD GALVANIZING COMPOUND PER ASTM A780 AND MANUFACTURERS RECOMMENDATIONS.



THESE DRAWINGS AND/OR THE ACCOMPANYING SPECIFICATION AS INSTRUMENTS OR SERVICE ARE THE EXCLUSIVE PROPERTY OF AMERICAN TOWER. THEIR USE AND PUBLICATION SHALL BE RESTRICTED TO THE ORIGINAL SITE FOR WHICH THEY ARE PREPARED. ANY USE OR DISCLOSURE OTHER THAN THAT WHICH RELATES TO AMERICAN TOWER OR THE SPECIFIED CARRIER IS STRICTLY PROHIBITED. TITLE TO THESE DOCUMENTS SHALL REMAIN THE PROPERTY OF AMERICAN TOWER WHETHER OR NOT THE PROJECT IS EXECUTED. NEITHER THE ARCHITECT NOR THE ENGINEER WILL BE PROVIDING ON-SITE CONSTRUCTION REVIEW OF THIS PROJECT. CONTRACTOR(S) MUST VERIFY ALL DIMENSIONS AND ADVISE AMERICAN TOWER OF ANY DISCREPANCIES. ANY PRIOR ISSUANCE OF THIS DRAWING IS SUPERSEDED BY THE LATEST VERSION ON FILE WITH AMERICAN TOWER.

REV.	DESCRIPTION	BY	DATE
0	FOR CONSTRUCTION	TC	09/19/18
1	ADDRESS CHANGE	MG	12/04/18

ATC SITE NUMBER:  
**383598**

ATC SITE NAME:  
**TARTAGLIA**

SITE ADDRESS:  
1000 TRUMBULL AVE  
BRIDGEPORT, CT 06606

SEAL:



DRAWN BY:	TC
APPROVED BY:	PPB
DATE DRAWN:	09/19/18
ATC JOB NO:	12612228

**GENERAL NOTES**

SHEET NUMBER: <b>G-002</b>	REVISION: <b>1</b>
-------------------------------	-----------------------

Copyright © 2018 ATC IP, LLC. All Rights Reserved.

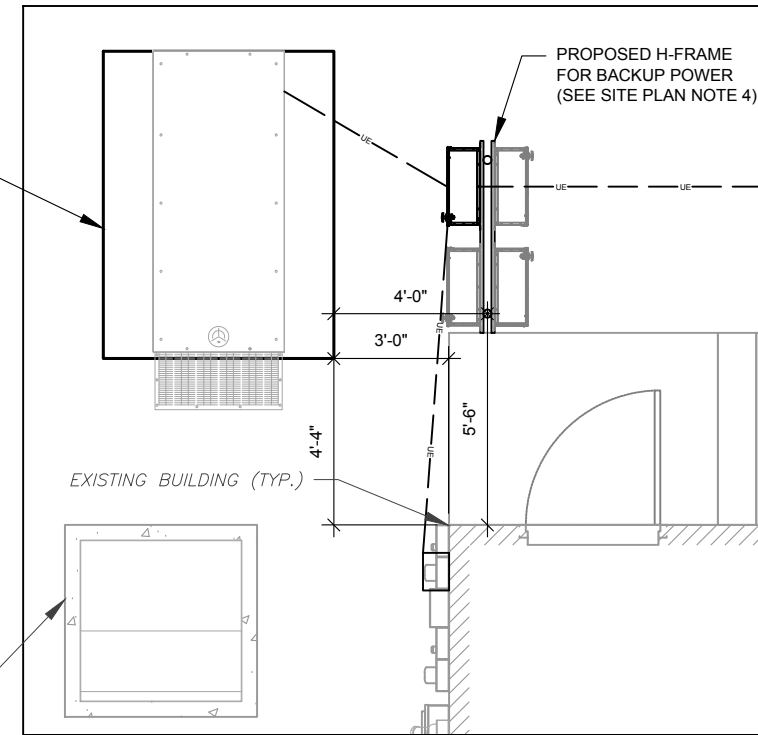
**SITE PLAN NOTES:**

- THIS SITE PLAN REPRESENTS THE BEST PRESENT KNOWLEDGE AVAILABLE TO THE ENGINEER AT THE TIME OF THIS DESIGN. THE CONTRACTOR SHALL VISIT THE SITE PRIOR TO CONSTRUCTION AND VERIFY ALL EXISTING CONDITIONS RELATED TO THE SCOPE OF WORK FOR THIS PROJECT.
- ICE BRIDGE, CABLE LADDER, COAX PORT, AND COAX CABLE ARE SHOWN FOR REFERENCE ONLY. CONTRACTOR SHALL CONFIRM THE EXACT LOCATION OF ALL PROPOSED AND EXISTING EQUIPMENT AND STRUCTURES DEPICTED ON THIS PLAN. BEFORE UTILIZING EXISTING CABLE SUPPORTS, COAX PORTS, INSTALLING NEW PORTS OR ANY OTHER EQUIPMENT, CONTRACTOR SHALL VERIFY ALL ASPECTS OF THE COMPONENTS MEET THE ATC SPECIFICATIONS.
- IT IS THE RESPONSIBILITY OF THE CONTRACTOR TO COORDINATE WITH THE ATC CONSTRUCTION MANAGER AND LOCAL UTILITY COMPANY FOR THE INSTALLATION OF CONDUITS, CONDUCTORS, BREAKERS, DISCONNECTS, OR ANY OTHER EQUIPMENT REQUIRED FOR ELECTRICAL SERVICE. ALL ELECTRICAL WORK SHALL BE PERFORMED IN ACCORDANCE WITH LATEST EDITION OF THE STATE AND NATIONAL CODES, ORDINANCES AND REGULATIONS APPLICABLE TO THIS PROJECT.
- CONTRACTOR SHALL INSURE THAT ALL WORKING SPACE REQUIREMENTS ARE MET PER APPLICABLE CODES AND MANUFACTURER SPECIFICATIONS.
- ABOVE GROUND CONDUITS NEED TO BE SUPPORTED/FASTENED PER NEC 344 AND PER ATC MASTER SPECIFICATIONS.
- THE FOLLOWING SIGNS SHALL BE INSTALLED AT TENANT SERVICE MAIN DISCONNECT PER NEC 702.7.
  - "CAUTION: TWO SOURCES OF SUPPLY STANDBY GENERATOR LOCATED OUTDOORS"
  - "WARNING: SHOCK HAZARD EXISTS IF GROUNDING ELECTRODE CONDUCTOR OR BONDING JUMPER CONNECTION IN THIS EQUIPMENT IS REMOVED WHILE ALTERNATE SOURCE IS ENERGIZED"

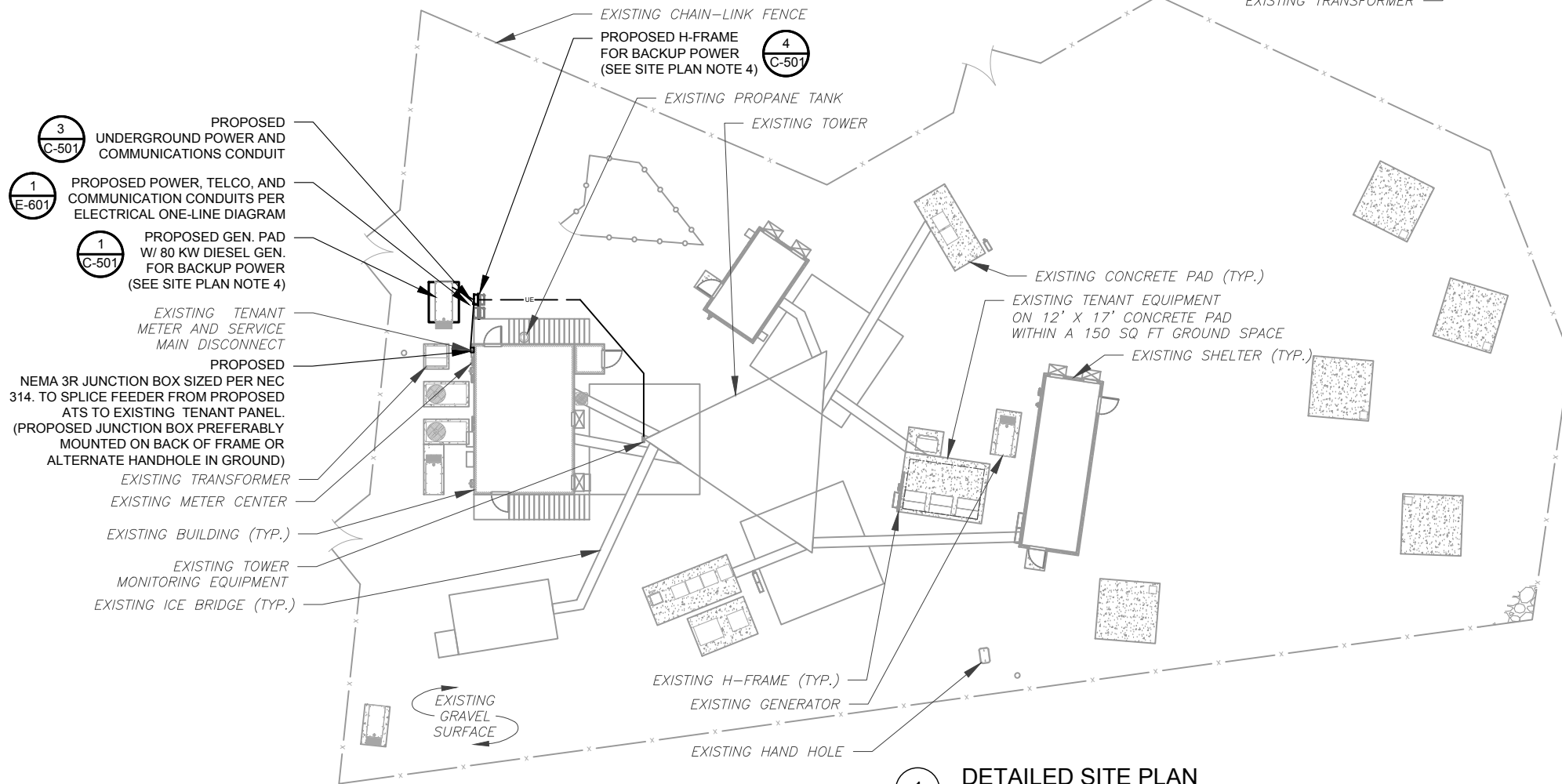
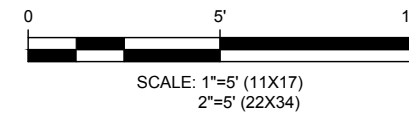
**RODENT CONTROL AROUND GENERATOR ENVELOPE:**

- INSTALL ALL PROVIDED SEALS, PLUGS, COVERS, ETC. IN GENERATOR AND FUEL TANK ENVELOPE. SEAL ALL REMAINING OPENINGS (EXCEPT NORMAL VENTING) WITH RODENT FOAM SEALANT. NO OPENING SHALL BE LARGER THAN 1/4 INCH ANY DIMENSION.
- SEAL ALL CONDUITS INCLUDING CONDUITS ENTERING GENERATOR EQUIPMENT, BOXES, ATTACHMENTS, ETC. WITH RODENT FOAM SEALANT.
- SEAL ALL CONDUIT ACCESS OPENINGS THROUGH CONCRETE PAD WITH CONCRETE.
- SLOPE GRAVEL BASE AT CONCRETE PAD PERIMETER FROM ABOVE PAD BASE TO EXISTING GRADE LEVEL TYPICAL ALL PERIMETER SIDES.

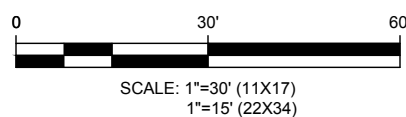
PROPOSED GEN. PAD W/ 80 KW DIESEL GEN. FOR BACKUP POWER (SEE SITE PLAN NOTE 4)



**2 PROPOSED PLACEMENT**  
SEE SITE PLAN NOTE 4



**1 DETAILED SITE PLAN**



APPROXIMATE TRENCH LENGTHS	
15'	JOINT ELECTRICAL AND COMMUNICATIONS TRENCH
40'	COMMUNICATIONS ONLY TRENCH

**AMERICAN TOWER®**  
**A.T. ENGINEERING SERVICE, PLLC**  
 3500 REGENCY PARKWAY  
 SUITE 100  
 CARY, NC 27518  
 PHONE: (919) 468-0112  
 COA: P-1177

THESE DRAWINGS AND/OR THE ACCOMPANYING SPECIFICATION AS INSTRUMENTS OR SERVICE ARE THE EXCLUSIVE PROPERTY OF AMERICAN TOWER. THEIR USE AND PUBLICATION SHALL BE RESTRICTED TO THE ORIGINAL SITE FOR WHICH THEY ARE PREPARED. ANY USE OR DISCLOSURE OTHER THAN THAT WHICH RELATES TO AMERICAN TOWER OR THE SPECIFIED CARRIER IS STRICTLY PROHIBITED. TITLE TO THESE DOCUMENTS SHALL REMAIN THE PROPERTY OF AMERICAN TOWER WHETHER OR NOT THE PROJECT IS EXECUTED. NEITHER THE ARCHITECT NOR THE ENGINEER WILL BE PROVIDING ON-SITE CONSTRUCTION REVIEW OF THIS PROJECT. CONTRACTOR(S) MUST VERIFY ALL DIMENSIONS AND ADVISE AMERICAN TOWER OF ANY DISCREPANCIES. ANY PRIOR ISSUANCE OF THIS DRAWING IS SUPERSEDED BY THE LATEST VERSION ON FILE WITH AMERICAN TOWER.

REV.	DESCRIPTION	BY	DATE
0	FOR CONSTRUCTION	TC	09/19/18
1	ADDRESS CHANGE	MG	12/04/18

ATC SITE NUMBER:  
**383598**

ATC SITE NAME:  
**TARTAGLIA**

SITE ADDRESS:  
1000 TRUMBULL AVE  
BRIDGEPORT, CT 06606

SEAL:



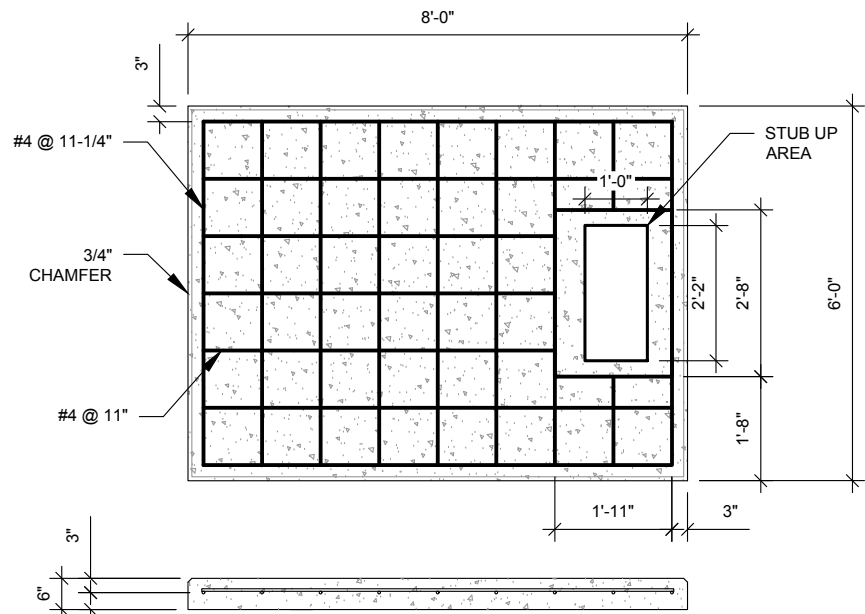
DRAWN BY:	TC
APPROVED BY:	PPB
DATE DRAWN:	09/19/18
ATC JOB NO:	12612228

**SITE PLAN**

SHEET NUMBER:  
**C-101**

REVISION:  
**1**

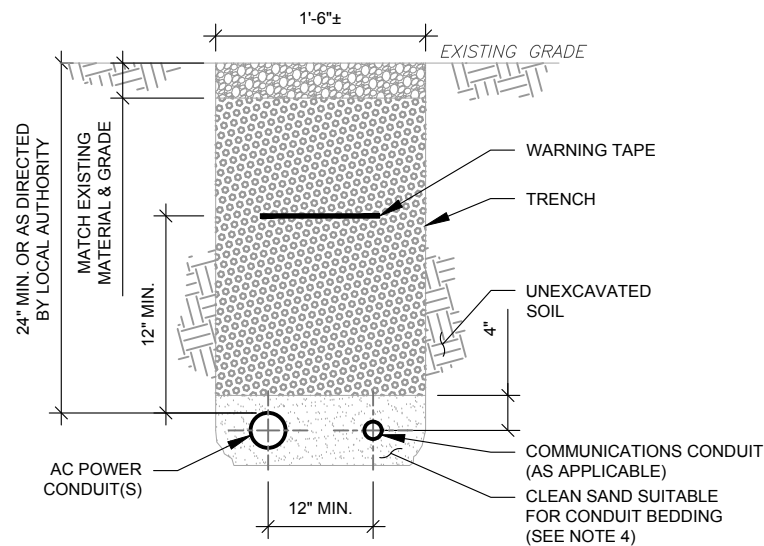
Copyright © 2018 ATC IP, LLC. All Rights Reserved.



**PAD NOTES:**

1. PADS SHALL BE PRE-CAST MATCHING THIS DESIGN WHERE ALLOWED BY LOCAL JURISDICTION.
2. PADS SHALL HAVE A MIN 28 DAY COMPRESSIVE STRENGTH OF 4000 PSI MIN.
3. REFER TO CONCRETE & REINFORCED STEEL NOTES ON SHEET G-002 & ATC SPEC 033000 FOR CAST-IN-PLACE PADS.
4. STUB UP AREA SHALL BE FILLED WITH QUIKRETE, OR APPROVED EQUAL, PRIOR TO FINAL SET OF GENERATOR ON PAD.
5. AFTER FINAL SET OF GENERATOR ON PAD, GROUT ALL EXTERIOR OPENINGS AT PAD INTERFACE SO THAT FINISHED MAXIMUM OPENING SHALL BE 1/4 INCH.
6. GROUT SHALL BE PER ATC MASTER SPECIFICATION DIVISION 03, CONCRETE.

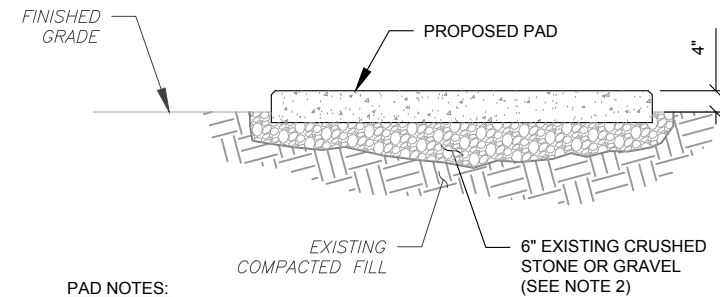
**1 REINFORCED PAD LAYOUT**  
SCALE: N.T.S.



**TRENCH NOTES:**

1. IF FREE OF ORGANIC OR OTHER DELETERIOUS MATERIAL, EXCAVATED MATERIAL MAY BE USED FOR BACKFILL. IF NOT, PROVIDE CLEAN, COMPACTIBLE MATERIAL.
2. COMPACT IN 8" LIFTS USING A MECHANICAL PLATE TAMPER, MIN 3 PASSES. REMOVE ANY LARGE ROCKS PRIOR TO BACKFILLING. CONTRACTOR TO VERIFY LOCATION OF EXISTING U/G UTILITIES PRIOR TO DIGGING. SEE ATC MASTER SPEC 312000 SECTION 3.15.
3. IF CURRENT AS-BUILT DRAWINGS ARE NOT AVAILABLE CONTRACTOR SHALL HAND DIG U/G TRENCHING.
4. CONFIRM SPACING AND DEPTH WITH NEC OR LOCAL CODE REQUIREMENTS

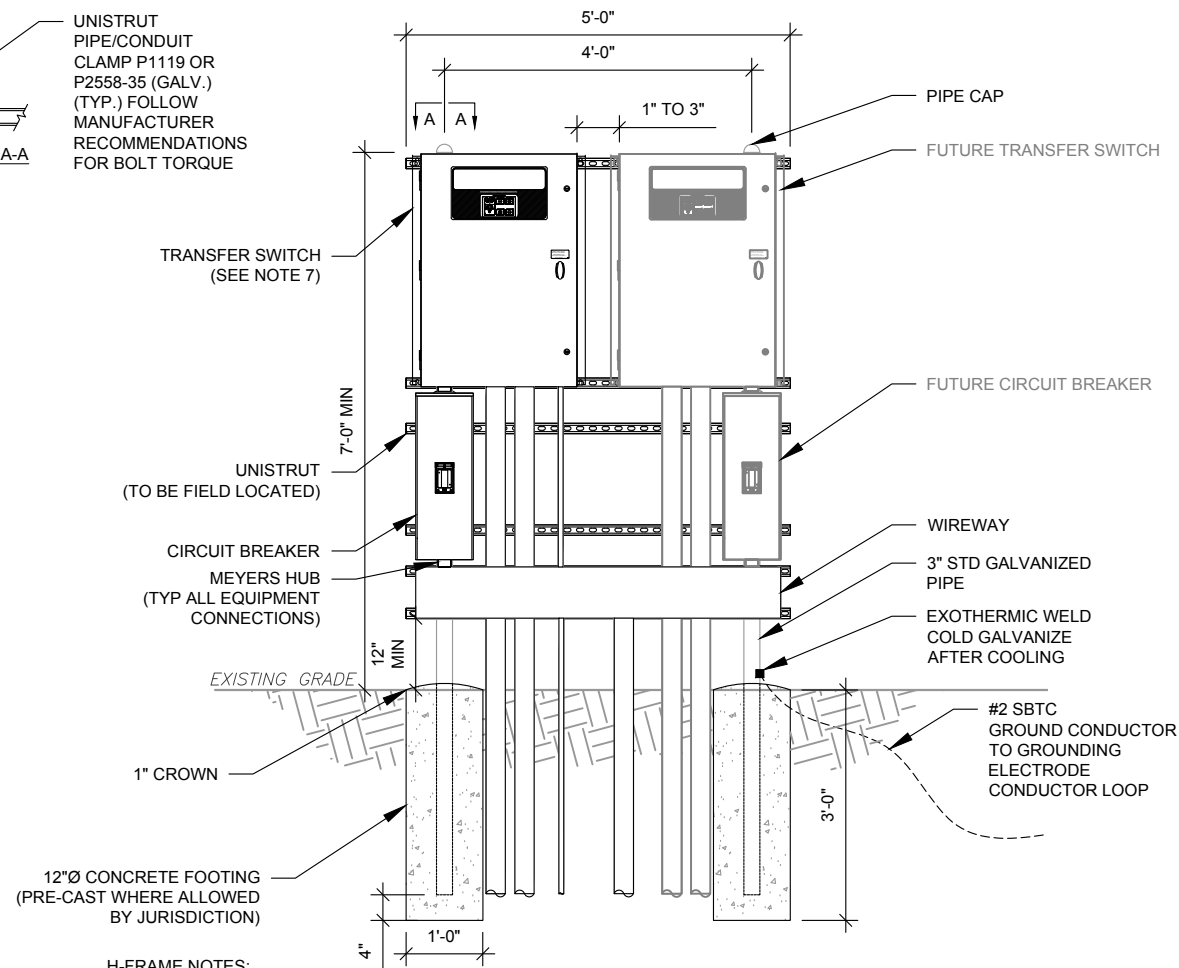
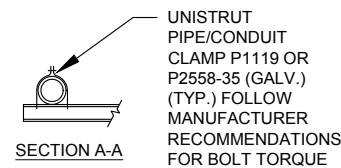
**3 CONDUIT TRENCH DETAILS**  
SCALE: N.T.S.



**PAD NOTES:**

1. SUBGRADE AND FILL SHALL CONSIST OF CLEAN SOIL. DELETRIOUS MATERIAL AND ORGANICS SHALL BE REMOVED.
2. MECHANICALLY COMPACT FOOTPRINT OF PAD PLUS 2' PERIMETER USING A MECHANICAL PLATE TAMPER, MIN 3 PASSES. SEE ATC MASTER SPEC 312000 ACCESS ROAD AND EARTH WORK.
3. USE GALVANIZED HILTI EXPANSION ANCHORS OR, APPROVED EQUAL, FOR EQUIPMENT ANCHORAGE.
4. FOR SIZE AND LOCATION OF ANCHORS AND OTHER REQUIREMENT, SEE EQUIPMENT VENDOR DRAWINGS.

**2 GRAVEL PREPARATION**  
SCALE: N.T.S.



**H-FRAME NOTES:**

1. IF IT IS NECESSARY TO EXTEND THE H-FRAME, AN ADDITIONAL POST SHALL BE REQUIRED.
2. PROPOSED UNISTRUTS TO BE FIELD CUT AND SHALL NOT EXTEND MORE THAN 6 INCHES BEYOND THE LAST POST.
3. SPRAY ENDS OF UNISTRUT WITH COLD GALVANIZING SPRAY PAINT, ALLOW TO DRY, THEN COVER WITH RUBBER PROTECTIVE CAPS FOR SAFETY.
4. UNISTRUT TO BE CUT FLUSH WITH NO SHARP OR JAGGED EDGES.
5. ALL PROPOSED HARDWARE TO BE MOUNTED AND GROUNDED PER MANUFACTURERS SPECS
6. ALL ITEMS ARE PROPOSED UNLESS OTHERWISE NOTED.
7. LAYOUT H-FRAME & PROPOSED EQUIPMENT EXACTLY AS SHOWN TO ALLOW FOR FUTURE EQUIPMENT. ANY DEVIATIONS MUST BE APPROVED BY ATC CM, IN WRITING, NO EXCEPTIONS.
8. FOOTINGS SHALL BE ONE OF THE FOLLOWING: USS POLECRETE STABILIZER SYSTEM, PRECAST CONCRETE (WHERE ALLOWED BY JURISDICTION) OR CAST IN PLACE. FOR PRECAST FOOTINGS, CONTRACTORS SHALL THOROUGHLY COMPACT THE PERIMETER (2' MIN) OF FOOTING WITH MECHANICAL PLATE TAMPER.

**4 H-FRAME**  
SCALE: N.T.S.

THESE DRAWINGS AND/OR THE ACCOMPANYING SPECIFICATION AS INSTRUMENTS OR SERVICE ARE THE EXCLUSIVE PROPERTY OF AMERICAN TOWER. THEIR USE AND PUBLICATION SHALL BE RESTRICTED TO THE ORIGINAL SITE FOR WHICH THEY ARE PREPARED. ANY USE OR DISCLOSURE OTHER THAN THAT WHICH RELATES TO AMERICAN TOWER OR THE SPECIFIED CARRIER IS STRICTLY PROHIBITED. TITLE TO THESE DOCUMENTS SHALL REMAIN THE PROPERTY OF AMERICAN TOWER WHETHER OR NOT THE PROJECT IS EXECUTED. NEITHER THE ARCHITECT NOR THE ENGINEER WILL BE PROVIDING ON-SITE CONSTRUCTION REVIEW OF THIS PROJECT. CONTRACTOR(S) MUST VERIFY ALL DIMENSIONS AND ADVISE AMERICAN TOWER OF ANY DISCREPANCIES. ANY PRIOR ISSUANCE OF THIS DRAWING IS SUPERSEDED BY THE LATEST VERSION ON FILE WITH AMERICAN TOWER.

REV.	DESCRIPTION	BY	DATE
0	FOR CONSTRUCTION	TC	09/19/18
1	ADDRESS CHANGE	MG	12/04/18

ATC SITE NUMBER:

**383598**

ATC SITE NAME:

**TARTAGLIA**

SITE ADDRESS:

1000 TRUMBULL AVE  
BRIDGEPORT, CT 06606

SEAL:



DRAWN BY:	TC
APPROVED BY:	PPB
DATE DRAWN:	09/19/18
ATC JOB NO:	12612228

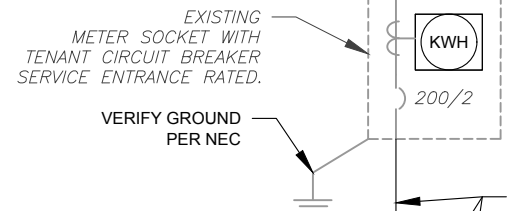
**CONCRETE PAD DETAILS**

SHEET NUMBER:	REVISION:
<b>C-501</b>	<b>1</b>

Copyright © 2018 ATC IP, LLC. All Rights Reserved.



THIS DESIGN ONLY APPLICABLE TO 240V 1 $\phi$  UTILITY SERVICE. FIELD VERIFY UTILITY SERVICE AND IF NOT 240V 1 $\phi$ , HALT CONSTRUCTION AND RE-PROCESS FOR RE-DESIGN



12"X12"X24" JUNCTION BOX. SPLICE OR FEED THROUGH AS REQUIRED (SEE NOTES 2 AND 3)

UN-TERMINATE EXISTING AT TENANT SERVICE MAIN, PULL BACK INTO PROPOSED JUNCTION BOX AND SPLICE AS SPECIFIED.

- TERMINATE 120/208V OR 120/240V 3-WIRE CIRCUIT ON GENERATOR WIRING TERMINAL STRIP. VERIFY OR INSTALL AS FOLLOWS:
- BATTERY CHARGER - PRE-WIRED ON ONE 120V LEG OF CIRCUIT.
  - WESTELL MONITOR - PLUG-IN TO PRE-INSTALLED 120V DUPLEX RECEPTACLE ON OTHER 120V LEG OF CIRCUIT.
  - 120V BLOCK HEATER - PLUG-IN 120V DUPLEX RECEPTACLE.
- OR
- 240V BLOCK HEATER - PLUG-IN TO PRE-INSTALLED 208/240V SIMPLEX RECEPTACLE.

125A, 2P, 240V NEMA 3R SERVICE ENTRANCE RATED CIRCUIT BREAKER (TYP)

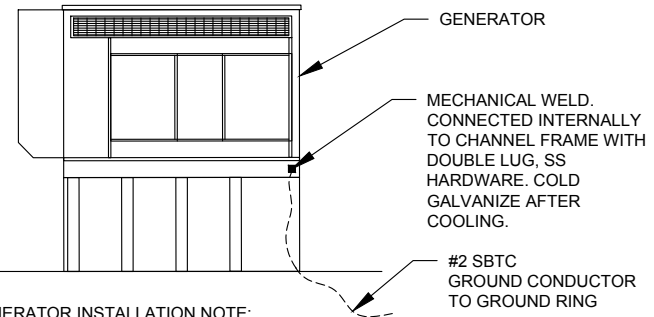
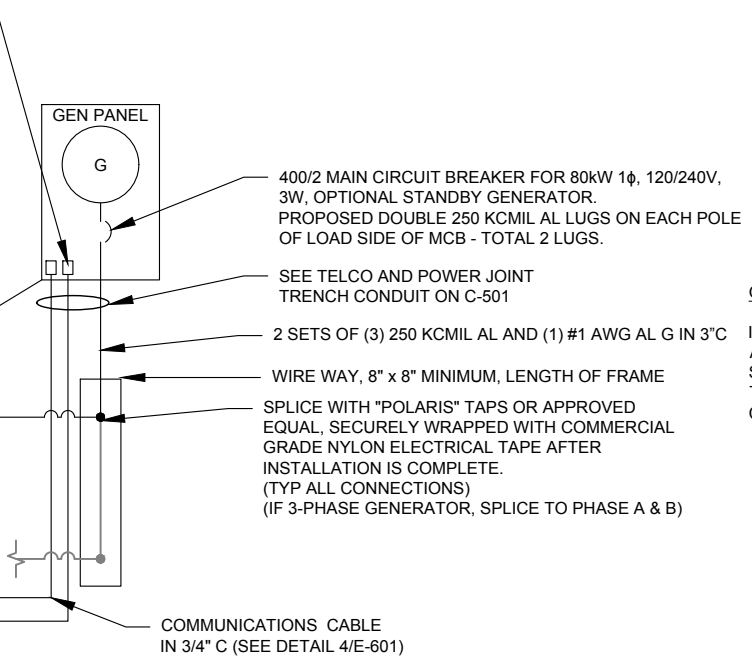
3-250 KCMIL AL, 1-#4 AL G, 3" C (TYP)

INSTALL EATON-CH FAZ-C20/2 CIRCUIT BREAKER OR APPROVED EQUAL ON DIN-RAIL IN AVAILABLE SPACE IN ATS.

**ONE-LINE NOTES:**

- CONNECT CT'S PER HTS OWNERS MANUAL-SECTION 3.11.2 INSTRUMENT PACKAGE
- SPLICE WITH "POLARIS" TAPS OR APPROVED EQUAL, SECURELY WRAPPED WITH COMMERCIAL GRADE NYLON ELECTRICAL TAPE AFTER INSTALLATION IS COMPLETE.
- UTILIZE EXISTING ENCLOSURES FOR SPLICING (PER NEC 312.8) OR INSTALL NEW JUNCTION BOX AS APPLICABLE PER SITE CONDITIONS AND CODES. SIZE JUNCTION BOX AS PER NEC 314.28
- IF TAPPING AT TENANT EQUIPMENT, NO TAPS MAY BE MADE WITHIN THEIR EXISTING EQUIPMENT, INCLUDING PPC.
- TAP GENERATOR PANEL CIRCUIT TO GENERAC LUGS #G0A9949 ON T-TERMINALS (LOAD SIDE) WITH AUXILIARY TAP SCREW GENERAC #GO26902 #8-32X1/4". TERMINATE #12 AWG CONDUCTOR ON EACH LUG WITH INSULATED RING TERMINAL PROPERLY SIZED.

**1 ELECTRICAL ONE-LINE DIAGRAM**  
SCALE: NOT TO SCALE



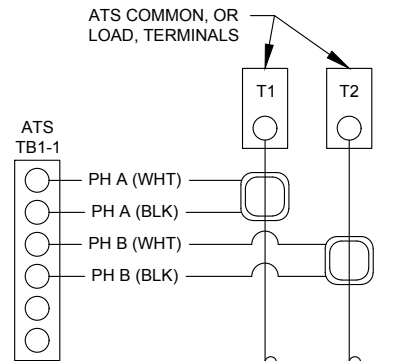
**2 GENERATOR GROUNDING**  
SCALE: NOT TO SCALE

INSTALL GENERATOR AND TRANSFER SWITCH WITH ALL SUPPLIED ACCESSORIES PER MANUFACTURER'S INSTALLATION INSTRUCTIONS AND SPECIFICATIONS. THIS INCLUDES, BUT IS NOT LIMITED TO, ACCESSORIES FOR THE EXHAUST SYSTEM, FUEL SYSTEM, ENCLOSURE INTEGRITY (CAPS, PLUGS, COVERS, ETC.), ELECTRICAL CONNECTIONS, AND GROUNDING CONNECTIONS.

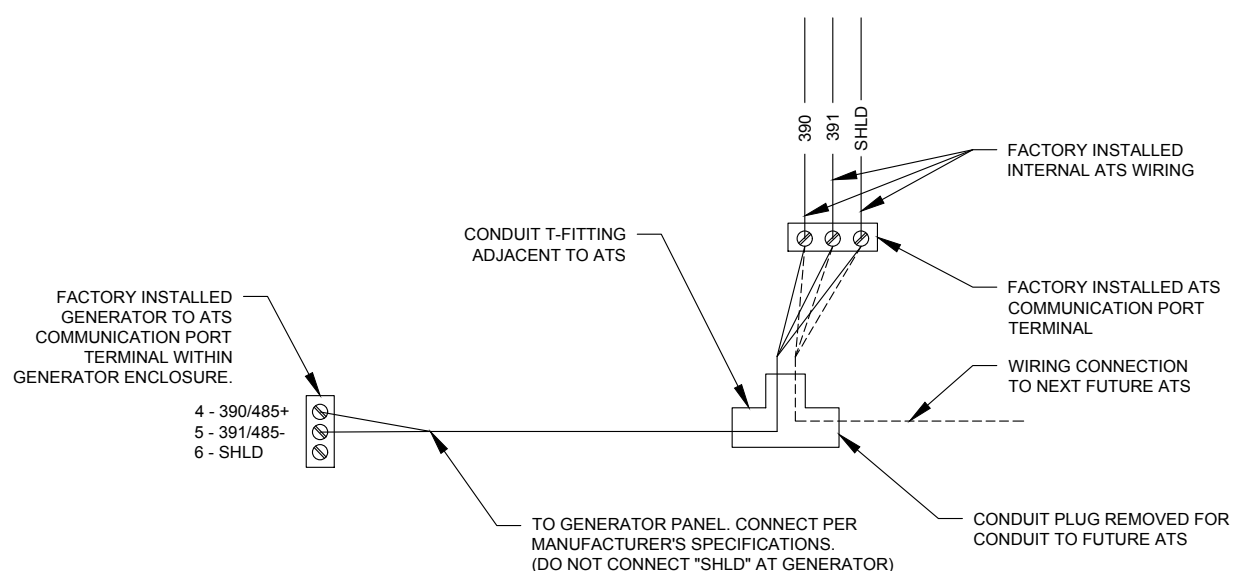
**DEMAND LOAD CALCULATION**

GENERATOR LOADS	2.5 KW
TENANT PANEL DEMAND LOADS	25.0 KW
TOTAL DEMAND LOADS (KW)	27.5 KW
TOTAL DEMAND CURRENT (A)	114.5 A

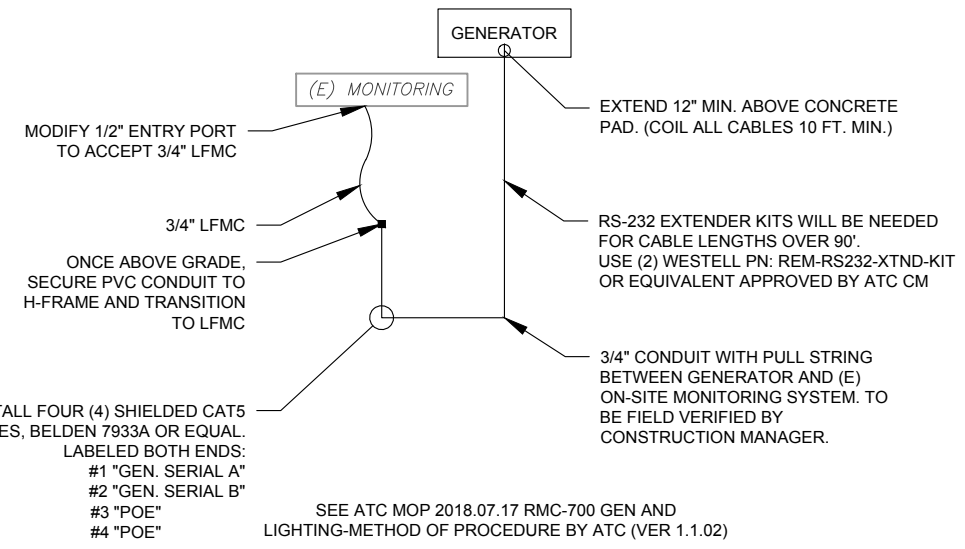
AT 120/240V, 1PH, 3W



**3 CT WIRING DIAGRAM**  
SCALE: NOT TO SCALE



**4 COMMUNICATIONS CABLE DETAIL**  
SCALE: NOT TO SCALE



**5 CONNECTING TO EXISTING MONITORING**  
SCALE: NOT TO SCALE

**NOTE:**  
TERMINATE BOTH ENDS OF ALL CABLES WITH SHIELDED RJ-45 CONNECTORS, BELDEN 0986 EMC-500 OR EQUAL USING INDUSTRY STANDARD 568-A WIRELESS SCHEME. TEST ALL CABLES AFTER INSTALLATION AND CORRECT AS NECESSARY. LEAVE CABLES UN-CONNECTED FOR COMMISSIONING TEAM. COIL ALL CABLES 3 FT. MINIMUM IN BOX.

THESE DRAWINGS AND/OR THE ACCOMPANYING SPECIFICATION AS INSTRUMENTS OR SERVICE ARE THE EXCLUSIVE PROPERTY OF AMERICAN TOWER. THEIR USE AND PUBLICATION SHALL BE RESTRICTED TO THE ORIGINAL SITE FOR WHICH THEY ARE PREPARED. ANY USE OR DISCLOSURE OTHER THAN THAT WHICH RELATES TO AMERICAN TOWER OR THE SPECIFIED CARRIER IS STRICTLY PROHIBITED. TITLE TO THESE DOCUMENTS SHALL REMAIN THE PROPERTY OF AMERICAN TOWER WHETHER OR NOT THE PROJECT IS EXECUTED. NEITHER THE ARCHITECT NOR THE ENGINEER WILL BE PROVIDING ON-SITE CONSTRUCTION REVIEW OF THIS PROJECT. CONTRACTOR(S) MUST VERIFY ALL DIMENSIONS AND ADVISE AMERICAN TOWER OF ANY DISCREPANCIES. ANY PRIOR ISSUANCE OF THIS DRAWING IS SUPERSEDED BY THE LATEST VERSION ON FILE WITH AMERICAN TOWER.

REV.	DESCRIPTION	BY	DATE
0	FOR CONSTRUCTION	TC	09/19/18
1	ADDRESS CHANGE	MG	12/04/18

ATC SITE NUMBER:  
**383598**

ATC SITE NAME:  
**TARTAGLIA**

SITE ADDRESS:  
1000 TRUMBULL AVE  
BRIDGEPORT, CT 06606

SEAL:



DRAWN BY:	TC
APPROVED BY:	PPB
DATE DRAWN:	09/19/18
ATC JOB NO:	12612228


**ELECTRICAL ONE-LINE AND WIRING DETAILS**

## Kailey Blanchette

**From:** TrackingUpdates@fedex.com  
**Sent:** Friday, January 4, 2019 9:58 AM  
**To:** Kailey Blanchette  
**Subject:** FedEx Shipment 774106521964 Delivered

# Your package has been delivered


Tracking # 774106521964

Ship date: <b>Thu, 1/3/2019</b>		Delivery date: <b>Fri, 1/4/2019 9:53 am</b>
<b>David Hoogasian</b> NB+C CHELMSFORD, MA 01824 US	<b>Delivered</b>	<b>Global Tower Assets</b> 10 Presidential Way WOBURN, MA 01801 US

## Shipment Facts

Our records indicate that the following package has been delivered.

<b>Tracking number:</b>	<a href="#">774106521964</a>
<b>Status:</b>	Delivered: 01/04/2019 09:53 AM Signed for By: O.ANCRI
<b>Reference:</b>	100510
<b>Signed for by:</b>	O.ANCRI
<b>Delivery location:</b>	WOBURN, MA
<b>Delivered to:</b>	Receptionist/Front Desk
<b>Service type:</b>	FedEx Standard Overnight®
<b>Packaging type:</b>	FedEx® Envelope
<b>Number of pieces:</b>	1
<b>Weight:</b>	0.50 lb.
<b>Special handling/Services:</b>	Adult Signature Required Deliver Weekday
<b>Standard transit:</b>	1/4/2019 by 3:00 pm

 Please do not respond to this message. This email was sent from an unattended mailbox. This report was generated at approximately 8:57 AM CST on 01/04/2019.

All weights are estimated.



## Kailey Blanchette

**From:** TrackingUpdates@fedex.com  
**Sent:** Friday, January 4, 2019 10:29 AM  
**To:** Kailey Blanchette  
**Subject:** FedEx Shipment 774106465880 Delivered

## Your package has been delivered

Tracking # 774106465880

Ship date:  
Thu, 1/3/2019

David Hoogasian  
NB+C  
CHELMSFORD, MA 01824  
US



Delivery date:  
Fri, 1/4/2019 10:21 am

Dennis Buckley, Zoning  
Admin  
45 Lyon Terrace  
BRIDGEPORT, CT 06604  
US



### Shipment Facts

Our records indicate that the following package has been delivered.

<b>Tracking number:</b>	<a href="#">774106465880</a>
<b>Status:</b>	Delivered: 01/04/2019 10:21 AM Signed for By: P.LORENZO
<b>Reference:</b>	100510
<b>Signed for by:</b>	P.LORENZO
<b>Delivery location:</b>	BRIDGEPORT, CT
<b>Delivered to:</b>	Mailroom
<b>Service type:</b>	FedEx Standard Overnight®
<b>Packaging type:</b>	FedEx® Envelope
<b>Number of pieces:</b>	1
<b>Weight:</b>	0.50 lb.
<b>Special handling/Services:</b>	Adult Signature Required Deliver Weekday
<b>Standard transit:</b>	1/4/2019 by 3:00 pm

## Kailey Blanchette

**From:** TrackingUpdates@fedex.com  
**Sent:** Friday, January 4, 2019 10:29 AM  
**To:** Kailey Blanchette  
**Subject:** FedEx Shipment 774106396670 Delivered

# Your package has been delivered


Tracking # 774106396670

Ship date: <b>Thu, 1/3/2019</b>		Delivery date: <b>Fri, 1/4/2019 10:21 am</b>
<b>David Hoogasian</b> NB+C CHELMSFORD, MA 01824 US	<b>Delivered</b>	<b>Mayor Joseph Ganim</b> 45 Lyon Terrace BRIDGEPORT, CT 06604 US

## Shipment Facts

Our records indicate that the following package has been delivered.

<b>Tracking number:</b>	<a href="#">774106396670</a>
<b>Status:</b>	Delivered: 01/04/2019 10:21 AM Signed for By: P.LORENZO
<b>Reference:</b>	100510
<b>Signed for by:</b>	P.LORENZO
<b>Delivery location:</b>	BRIDGEPORT, CT
<b>Delivered to:</b>	Mailroom
<b>Service type:</b>	FedEx Standard Overnight®
<b>Packaging type:</b>	FedEx® Envelope
<b>Number of pieces:</b>	1
<b>Weight:</b>	0.50 lb.
<b>Special handling/Services:</b>	Adult Signature Required Deliver Weekday
<b>Standard transit:</b>	1/4/2019 by 3:00 pm

 Please do not respond to this message. This email was sent from an unattended mailbox. This report was generated at approximately 9:28 AM CST on 01/04/2019.

## Kailey Blanchette

**From:** TrackingUpdates@fedex.com  
**Sent:** Friday, January 4, 2019 11:28 AM  
**To:** Kailey Blanchette  
**Subject:** FedEx Shipment 774105692908 Delivered

# Your package has been delivered

Tracking # 774105692908

Ship date:  
Thu, 1/3/2019

David Hoogasian  
NB+C  
CHELMSFORD, MA 01824  
US



Delivery date:  
Fri, 1/4/2019 11:16 am

American Tower Corporation  
American Tower Corporation  
10 Presidential Way  
WOBURN, MA 01801  
US



## Shipment Facts

Our records indicate that the following package has been delivered.

<b>Tracking number:</b>	<a href="#">774105692908</a>
<b>Status:</b>	Delivered: 01/04/2019 11:16 AM Signed for By: D.ANACI
<b>Reference:</b>	100510
<b>Signed for by:</b>	D.ANACI
<b>Delivery location:</b>	WOBURN, MA
<b>Delivered to:</b>	Receptionist/Front Desk
<b>Service type:</b>	FedEx Standard Overnight®
<b>Packaging type:</b>	FedEx® Envelope
<b>Number of pieces:</b>	1
<b>Weight:</b>	0.50 lb.
<b>Special handling/Services:</b>	Adult Signature Required Deliver Weekday
<b>Standard transit:</b>	1/4/2019 by 3:00 pm

Please do not respond to this message. This email was sent from an unattended mailbox. This report was generated at approximately 10:28 AM CST on 01/04/2019.