

# GDIT

March 25, 2023

VIA ELECTRONIC AND FEDERAL EXPRESS

Melanie A. Bachman, Executive Director  
Connecticut Siting Council  
10 Franklin Square  
New Britain, CT 06051

New Cingular Wireless PCS, LLC (“AT&T”)  
Notice of Exempt Modification  
Emergency Back-up Generator  
3 Polly Lane, Bozrah, CT 06334  
Lat.: 41.57424190; Long.: -072.20041610

Dear Ms. Bachman:

This letter and enclosures are respectfully submitted on behalf of New Cingular Wireless PCS, LLC (“AT&T”). AT&T currently maintains its wireless telecommunications facility on the existing tower located at 3 Polly Lane in the Town of Bozrah, Connecticut. The underlying property is owned by 17 Mile Real Estate LLC and the tower is owned by Everest Infrastructure Partners. AT&T submits this letter and enclosures to the Connecticut Siting Council (“Council”) to notify the Council of AT&T’s intent to perform modifications to the existing facility that do not have substantial adverse environmental effects and thus do not require a certificate pursuant to Section 16-50k of the Connecticut General Statutes.

AT&T intends to install one (1) new Generac 30kW Diesel Generator within the existing grade-level fenced equipment compound as demonstrated on the plans enclosed as Attachment 1. AT&T’s existing facility supports its FirstNet program which provides first responders with priority access to AT&T’s network to ensure adequate communication capabilities in the event of emergency. AT&T’s proposed generator will ensure that critical communication capability for first responders and the public are not lost in the event of a loss of power.

AT&T’s proposed generator will also advance the State’s goal of natural disaster and emergency preparedness. As discussed in the Council’s Docket 432 Findings and Report and Docket 440 proceedings and Findings of Fact (Nos. 76- 77), in response to two significant storm events in 2011, the State formed a Two Storm Panel (the “Panel”) that evaluated Connecticut’s approach to planning and mitigation of impacts associated with emergencies and natural disasters. The Panel found that “wireless telecommunications service providers were not prepared to serve residential and business customers during a power outage” because certain companies had limited backup generator capacity.

# GDIT

The Panel also noted that “[t]he failure of a large portion of Connecticut’s telecommunications system during the two storms is a life safety issue.” The Panel recommended that State regulatory bodies review “telecommunications services currently in place to verify that the vendors have sufficient generator and backhaul capacity to meet the emergency needs of consumers and businesses” and that the “Connecticut Siting Council should require continuity of service plans for any cellular tower to be erected.” The planned modifications will ensure continuity of services by reinforcing AT&T’s backup power and backhaul capacity to meet the emergency needs of first responders, consumers, and businesses in the event of a power outage.

The planned modifications to the facility fall squarely within the activities explicitly provided for in R.C.S.A. § 16-50j-72(b)(2) as the planned modifications:

- Will not result in an increase in the height of the existing structure;
- Will not require the extension of the site boundary;
- Will not increase noise levels at the facility by more than six decibels or more, or to levels that exceed state or local criteria since emergency backup generators are exempt from noise regulations as “noise created as a result of, or relating to, an emergency”;
- Will not increase radio frequency emission at the facility to a level at or above the Federal Communications Commission safety standards;
- Will not cause a change or alteration in the physical or environmental characteristics of the site; and
- Will not impair the structural integrity of the facility.

This modification complies with the aforementioned approval. AT&T’s proposed modification will maintain compliance with any relevant conditions these original approvals and any other subsequent approvals. The proposed modifications will have no impact on the existing tower structure itself or the radiofrequency emissions as the proposed modifications only consist of the addition of one new generator within the grade-level equipment compound. Thus, AT&T respectfully requests a waiver from submission of information relating to the existing tower structure or the radio-frequency emissions.

Please accept this letter as notification pursuant to R.C.S.A. § 16-50j-73 for construction that constitutes an exempt modification pursuant to R.C.S.A. § 16-50j-73. In accordance with R.C.S.A.

§ 16-50j-73, a copy of this letter and enclosure are being sent to Glenn Pianka, Town of Bozrah First Selectman, Jennifer Lindo, Zoning Enforcement Officer, and Property and Tower Owners as stated above. Certification of Service is enclosed as Attachment 3.

# GDIT

For the foregoing reasons, AT&T respectfully submits that the proposed modification to the above referenced wireless telecommunications facility constitutes an exempt modification under R.C.S.A. § 16-50j-72(b)(2).

Very truly yours

*Catherine Conklin*

Catherine Conklin, Site Acquisition Specialist  
General Dynamics Wireless Services  
2586 Industry Lane, Suite 100  
Norrstown, PA 19403  
(202) 568-0437  
[catherine.conklin@gdit.com](mailto:catherine.conklin@gdit.com)

**GENERAL DYNAMICS**  
Information Technology

CC:

Glenn Pianka, First Selectman  
Town Hall  
1 River Road  
Bozrah, CT 06334  
(860) 889-2689

Jennifer Lindo, Zoning Enforcement Officer  
Town Hall  
1 River Road  
Bozrah, CT 06334  
(860) 889-2689 x206

17 Mile Real Estate, LLC, Property Owner  
69 Harry Street  
Conshocken, PA 19428  
(866) 662-3557

Everest Infrastructure Partners, Tower Owner  
1435 Bedford Avenue  
Pittsburgh, PA 15219  
Attn: Michael Culbert  
(412) 482-3420

# ATTACHMENT 1



# at&t Mobility

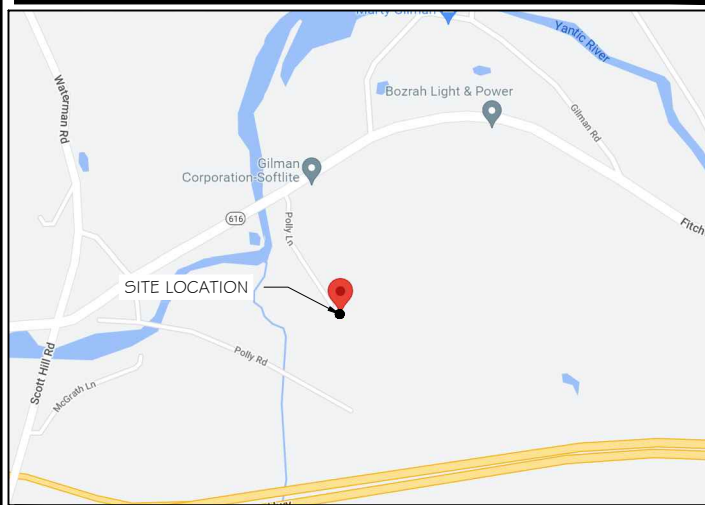
**SITE NAME: BOZRAH CDT TOWER**  
**FA LOCATION CODE: 10035235**

**GENERATOR PROJECT**  
**30KW GENERAC DIESEL GENERATOR**  
**200A GENERAC ATS**

**3 POLLY LANE**  
**BOZRAH, CT 06334**



**VICINITY MAP**



**SCOPE OF WORK**

ADD STANDBY GENERATOR, ASSOCIATED CONCRETE PAD, AND UTILITY EQUIPMENT TO EXISTING AT&T EQUIPMENT AREA. THERE WILL BE NO CHANGE IN THE SIZE OR HEIGHT OF THE TOWER OR ANTENNAS.

**APPLICABLE BUILDING CODE & STANDARDS**

ALL WORK AND MATERIALS SHALL BE PERFORMED AND INSTALLED IN ACCORDANCE WITH THE CURRENT EDITION OF THE FOLLOWING CODES AS ADOPTED BY THE GOVERNING LOCAL AUTHORITIES. NOTHING IN THESE PLANS ARE TO BE CONSTRUCTED TO PERMIT WORK NOT CONFORMING TO THESE CODES:

- INTERNATIONAL BUILDING CODE 2021
- NATIONAL ELECTRIC CODE 2020
- AMERICAN CONCRETE INSTITUTE (ACI) 318, BUILDING CODE REQUIREMENTS FOR STRUCTURAL CONCRETE
- AMERICAN INSTITUTE OF STEEL CONSTRUCTION (AISC), MANUAL OF STEEL CONSTRUCTION
- TELECOMMUNICATIONS INDUSTRY ASSOCIATION (TIA) 222-G, STRUCTURAL STANDARDS FOR STEEL TOWER AND ANTENNA SUPPORTING STRUCTURES
- TIA 607, COMMERCIAL BUILDING GROUNDING AND BONDING REQUIREMENTS FOR TELECOMMUNICATIONS

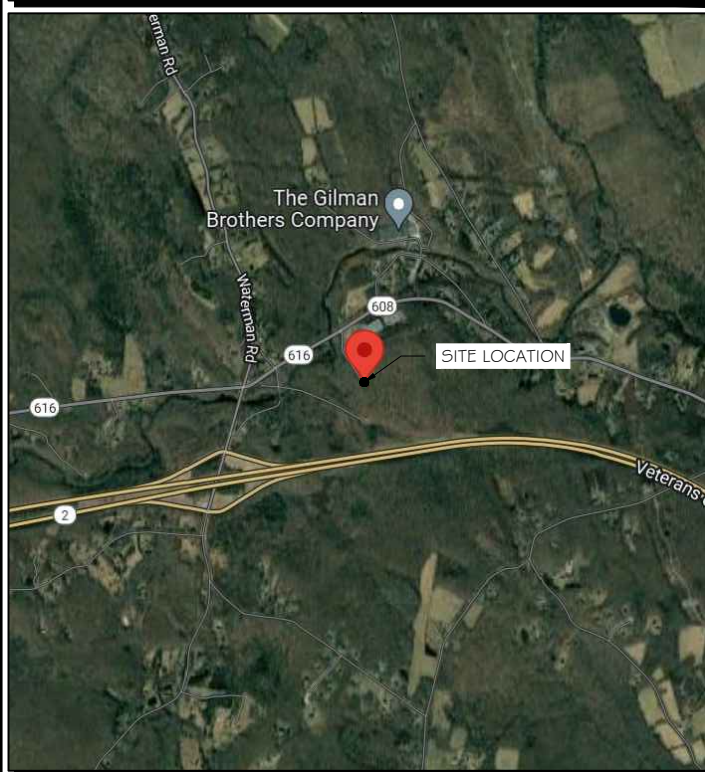


TO OBTAIN LOCATION OF PARTICIPANTS' UNDERGROUND FACILITIES BEFORE YOU DIG IN CONNECTICUT

**CALL BEFORE YOU DIG**  
**811 OR 1-800-922-4455**

CONNECTICUT PUBLIC ACT 87-71 REQUIRES MIN. 2 WORKING DAYS NOTICE BEFORE YOU EXCAVATE.

**AERIAL VIEW OF SITE**



**PROJECT INFORMATION**

**PROJECT MANAGER:**  
 MATTHEW HIGGINS  
 GENERAL DYNAMICS WIRELESS SERVICES  
 101 STATION DRIVE  
 WESTWOOD, MA 02090  
 EMAIL: Matthew.Higgins@GDIT.com

**ENGINEER:**  
 RAMAKER & ASSOCIATES, INC.  
 855 COMMUNITY DRIVE  
 SAUK CITY, WI 53583  
 PH.: (608) 643-4100  
 FAX: (608) 643-7999  
 CONTACT: TYLER BEATTY  
 EMAIL: tbeatty@ramaker.com

**APPLICANT INFORMATION:**  
 AT&T MOBILITY  
 7150 STANDARD DR  
 HANOVER, MD 21076

**SITE DATA:**  
 SITE NAME: BOZRAH CDT TOWER  
 FA NUMBER: 10035235

**PROPERTY OWNER:**  
 EVEREST INFRASTRUCTURE  
 TWO ALLEGHENY CENTER NOVA TOWER 2  
 STE 1002, PITTSBURGH, PA 15212

**ADDRESS:**  
 3 POLLY LANE  
 BOZRAH, CT 06334

**COUNTY:** NEW LONDON COUNTY

**LAT.:** 41.57424°  
**LONG.:** -72.20042°

**GROUND ELEVATION:** 317 FT AMSL

**DO NOT SCALE DRAWINGS:**  
 CONTRACTOR SHALL VERIFY ALL PLANS & EXISTING DIMENSIONS & CONDITIONS ON THE JOB SITE & SHALL IMMEDIATELY NOTIFY THE ENGINEER IN WRITING OF ANY DISCREPANCIES BEFORE PROCEEDING WITH THE WORK OR BE RESPONSIBLE FOR SAME.

THE INFORMATION CONTAINED IN THIS SET OF DOCUMENTS IS PROPRIETARY BY NATURE. ANY USE OR DISCLOSURE OTHER THAN THAT WHICH RELATES TO THE CLIENT IS STRICTLY PROHIBITED.

**SHEET INDEX**

**GENERAL:**  
 T-1 TITLE SHEET

**NOTES:**  
 N-1 GENERAL NOTES

**SITE:**  
 A-1 SITE PLAN & EQUIPMENT LAYOUT  
 S-1 FOUNDATION DETAILS

**ELECTRICAL & GROUNDING:**  
 E-1 WIRING DETAILS  
 E-2 PANEL AND PENETRATION DETAILS  
 E-3 ATS, CONDUIT & GROUND ROD DETAILS  
 E-4 GENERAC GENERATOR SPECIFICATIONS  
 E-4.1 GENERAC GENERATOR SPECIFICATIONS  
 E-4.2 GENERAC GENERATOR SPECIFICATIONS  
 E-5 GENERAC ATS SPECIFICATIONS  
 E-5.1 GENERAC ATS SPECIFICATIONS

**SIGNATURE BLOCK**

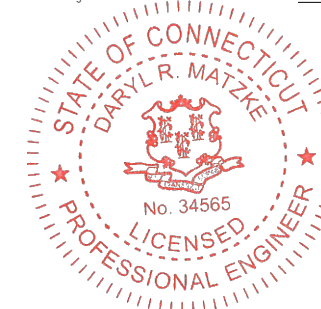
AT&T MGR. \_\_\_\_\_ DATE \_\_\_\_\_

GENERAL DYNAMICS CONSTRUCTION MGR. \_\_\_\_\_ DATE \_\_\_\_\_

SITE ACQUISITION \_\_\_\_\_ DATE \_\_\_\_\_

**CONSULTANT:**  
**GENERAL DYNAMICS**  
 Information Technology, Inc.  
 GENERAL DYNAMICS  
 101 STATION DR  
 WESTWOOD, MA 02090

Certification & Seal:  
 I hereby certify that this plan, specification, or report was prepared by me or under my direct supervision and that I am a duly Licensed Professional Engineer under the laws of the State of Connecticut.



Signature: \_\_\_\_\_ Date: 4/27/2023

MARK	DATE	DESCRIPTION
ISSUE PHASE	FINAL	DATE ISSUED 04/27/2023

**PROJECT TITLE:**  
**BOZRAH CDT TOWER**  
**FA ID # 10035235**

**PROJECT INFORMATION:**  
 3 POLLY LANE  
 BOZRAH, CT 06334

**SHEET TITLE:**  
 TITLE SHEET

**SCALE:** NONE

**PROJECT NUMBER:** 57078  
**SHEET NUMBER:** T-1

NOTES TO SUBCONTRACTOR:

1. THE GENERAL SUBCONTRACTOR MUST VERIFY ALL DIMENSIONS, CONDITIONS AND ELEVATIONS BEFORE PROCEEDING WITH THE WORK. ALL WORK SHALL BE PERFORMED IN A WORKMANLIKE MANNER IN ACCORDANCE WITH ACCEPTED CONSTRUCTION PRACTICES.
2. IT IS THE INTENTION OF THESE DRAWINGS TO SHOW THE COMPLETED INSTALLATION. THE SUBCONTRACTOR SHALL BE RESPONSIBLE FOR ALL TEMPORARY BRACING, SHORING, TIES, FORM WORK, ETC. IN ACCORDANCE WITH ALL NATIONAL, STATE, AND LOCAL ORDINANCES, TO SAFELY EXECUTE ALL WORK AND SHALL BE RESPONSIBLE FOR SAME. ALL WORK SHALL BE IN ACCORDANCE WITH LOCAL CODES.
3. THE SUBCONTRACTOR SHALL USE ADEQUATE NUMBER OF SKILLED WORKMAN WHO ARE THOROUGHLY TRAINED AND EXPERIENCED IN THE NECESSARY CRAFTS AND WHO ARE COMPLETELY FAMILIAR WITH THE SPECIFIED REQUIREMENTS AND METHOD NEEDED FOR PROPER PERFORMANCE OF THE WORK.
4. CONSTRUCTION SUBCONTRACTOR AGREES THAT IN ACCORDANCE WITH GENERALLY ACCEPTED CONSTRUCTION PRACTICES, CONSTRUCTION SUBCONTRACTOR WILL BE REQUIRED TO ASSUME SOLE AND COMPLETE RESPONSIBILITY FOR JOB SITE CONDITIONS DURING THE COURSE OF CONSTRUCTION OF THE PROJECT, INCLUDING THE SAFETY OF ALL PERSONS AND PROPERTY, THAT THIS REQUIREMENT SHALL BE MADE TO APPLY CONTINUOUSLY AND NOT BE LIMITED TO NORMAL WORKING HOURS AND CONSTRUCTION SUBCONTRACTOR FURTHER AGREES TO INDEMNIFY AND HOLD DESIGN ENGINEER HARMLESS FROM ANY AND ALL LIABILITY, REAL OR ALLEGED, IN CONNECTION WITH PERFORMANCE OF WORK ON THIS PROJECT.
5. SITE GROUNDING SHALL COMPLY WITH AT&T WIRELESS SERVICES TECHNICAL SPECIFICATIONS FOR FACILITY GROUNDING FOR CELL SITE STANDARDS, LATEST EDITION, AND COMPLY WITH AT&T TOWERS GROUNDING CHECKLIST, LATEST VERSION. WHEN NATIONAL AND LOCAL GROUNDING CODES ARE MORE STRINGENT THEY SHALL GOVERN. GROUNDING SHALL BE COMPLETED BEFORE ERECTION OF TOWER.
6. ALL WORK SHALL COMPLY WITH OSHA AND STATE SAFETY REQUIREMENTS. PROCEDURES FOR THE PROTECTION OF EXCAVATIONS, EXISTING CONSTRUCTION AND UTILITIES SHALL BE ESTABLISHED PRIOR TO FOUNDATION INSTALLATION. IF TEMPORARY LIGHTING AND MARKING IS REQUIRED BY THE FEDERAL AVIATION ADMINISTRATION (FAA), IT IS THE SUBCONTRACTOR'S RESPONSIBILITY TO MAINTAIN THE NECESSARY LIGHTS AND NOTIFY THE PROPER AUTHORITIES IN THE EVENT OF A PROBLEM.
7. ALL WORK SHALL BE ACCOMPLISHED IN ACCORDANCE WITH ALL LOCAL, STATE, AND FEDERAL CODES OR ORDINANCES. THE MOST STRINGENT CODE WILL APPLY IN THE CASE OF DISCREPANCIES OR DIFFERENCES IN THE CODE REQUIREMENTS.
8. ANY DAMAGE TO THE ADJACENT PROPERTIES WILL BE CORRECTED AT THE SUBCONTRACTOR'S EXPENSE TO THE SATISFACTION OF THE LANDOWNER AND THE ENGINEER.
9. THE COMPLETE BID PACKAGE INCLUDES THESE CONSTRUCTION DRAWINGS ALONG WITH THE SPECIFICATIONS. SUBCONTRACTOR IS RESPONSIBLE FOR REVIEW OF TOTAL BID PACKAGE PRIOR TO BID SUBMITTAL..
10. SUBCONTRACTOR SHALL VERIFY LOCATION OF ALL EXISTING UTILITIES WITHIN CONSTRUCTION LIMITS PRIOR TO CONSTRUCTION.
11. THE SUBCONTRACTOR IS RESPONSIBLE FOR MAINTAINING POSITIVE DRAINAGE ON THE SITE AT ALL TIMES. SILT AND EROSION CONTROL SHALL BE MAINTAINED ON THE DOWNSTREAM SIDE OF THE SITE AT ALL TIMES. ANY DAMAGE TO ADJACENT PROPERTIES WILL BE CORRECTED AT THE SUBCONTRACTOR'S EXPENSE.
12. CLEARING OF TREES AND VEGETATION ON THE SITE SHOULD BE HELD TO A MINIMUM. ONLY THE TREES NECESSARY FOR CONSTRUCTION OF THE FACILITIES SHALL BE REMOVED. ANY DAMAGE TO THE PROPERTY OUTSIDE THE LEASED PROPERTY SHALL BE REPAIRED BY THE SUBCONTRACTOR.
13. ALL SUITABLE BORROW MATERIAL FOR BACK FILL OF THE SITE SHALL BE INCLUDED IN THE BID. EXCESS TOPSOIL AND UNSUITABLE MATERIAL SHALL BE DISPOSED OF OFF SITE AT LOCATIONS APPROVED BY GOVERNING AGENCIES PRIOR TO DISPOSAL.
14. SEEDING AND MULCHING OF THE SITE WILL BE ACCOMPLISHED AS SOON AS POSSIBLE AFTER COMPLETION OF THE SITE DEVELOPMENT. THE SUBCONTRACTOR IS RESPONSIBLE FOR PROVIDING AND MAINTAIN AN ADEQUATE COVER OF VEGETATION OVER THE SITE FOR A ONE YEAR PERIOD.
15. PERMITS: THE SUBCONTRACTOR SHALL BE RESPONSIBLE FOR OBTAINING AND INCURRING THE COST OF ALL REQUIRED PERMITS, INSPECTIONS, CERTIFICATES, ETC.
16. RECORD DRAWINGS: MAINTAIN A RECORD OF ALL CHANGES, SUBSTITUTIONS BETWEEN WORK AS SPECIFIED AND INSTALLED. RECORD CHANGES ON A CLEAN SET OF CONTRACT DRAWINGS WHICH SHALL BE TURNED OVER TO THE CONSTRUCTION MANAGER UPON COMPLETION OF THE PROJECT.
17. THE PLANS SHOW SOME KNOWN SUBSURFACE STRUCTURES, ABOVE GROUND STRUCTURES AND/OR EXISTING UTILITIES BELIEVED TO BE IN THE WORKING AREA. IT IS THE RESPONSIBILITY OF THE SUBCONTRACTOR TO VERIFY ALL UTILITIES, PIPELINES AND OTHER STRUCTURES SHOWN OR NOT SHOWN ON THESE PLANS. THE SUBCONTRACTOR SHALL CONTACT THE LOCAL JURISDICTION'S DIGGER'S HOTLINE BEFORE DIGGING OR DRILLING. ANY DAMAGE TO EXISTING UTILITIES SHALL BE REPAIRED TO THE SATISFACTION OF THE OWNER AND ENGINEER AT THE SUBCONTRACTOR'S EXPENSE.

GENERAL NOTES:

1. THIS PROPOSAL IS FOR THE ADDITION OF A NEW GENERATOR ON A CONCRETE PAD TO AN EXISTING UNMANNED TELECOMMUNICATIONS FACILITY CONSISTING OF AN EQUIPMENT SHELTER AND TOWER.
2. THE PROPOSED FACILITY WILL BE UNMANNED AND DOES NOT REQUIRE POTABLE WATER OR SEWER SERVICE.
3. THE PROPOSED FACILITY IS UNMANNED AND IS NOT FOR HUMAN HABITAT. (NO HANDICAP

ACCESS IS REQUIRED)

4. OCCUPANCY IS LIMITED TO PERIODIC MAINTENANCE AND INSPECTION, APPROXIMATELY 2 TIMES PER MONTH BY AT&T TECHNICIANS.
5. OUTDOOR STORAGE AND SOLID WASTE CONTAINERS ARE NOT PROPOSED.
6. ALL MATERIAL SHALL BE FURNISHED AND WORK SHALL BE PERFORMED IN ACCORDANCE WITH THE PROJECT SPECIFICATIONS.
7. SUBCONTRACTOR SHALL BE RESPONSIBLE FOR REPAIRING ANY DAMAGE CAUSED BY THE CONSTRUCTION OPERATION.
8. SUBCONTRACTOR SHALL BE RESPONSIBLE FOR OBTAINING ALL PERMITS AND INSPECTION REQUIRED FOR CONSTRUCTION.
9. SUBCONTRACTOR SHALL REMOVE ALL TRASH AND DEBRIS FROM THE SITE ON A DAILY BASIS.

ELECTRICAL NOTES:

A. GENERAL

1. COORDINATE LOCATION AND POWER REQUIREMENTS OF ALL EQUIPMENT WITH AT&T AND EQUIPMENT SUPPLIER PRIOR TO INSTALLATION.
2. COORDINATE LOCATION AND REQUIREMENTS FOR ELECTRICAL AND TELEPHONE SERVICES WITH THE PROPERTY REPRESENTATIVE, AT&T AND UTILITY COMPANIES. ROUTING OF CONDUITS MAY BE MODIFIED TO MEET SITE REQUIREMENTS. EXACT CONDUIT ROUTING TO BE DETERMINED IN THE FIELD.
3. ALL WIRING AND EQUIPMENT SHOWN ON ELECTRICAL SHEETS SHALL BE FURNISHED AND INSTALLED UNDER ELECTRICAL PORTION OF CONTRACT UNLESS OTHERWISE NOTED
4. UNINTERRUPTED ELECTRICAL SERVICE FOR EXISTING EQUIPMENT SHALL BE MAINTAINED DURING THE INSTALLATION OF THE WORK DESCRIBED UNDER THESE DOCUMENTS. TEMPORARY EQUIPMENT, CABLES AND WHATEVER ELSE IS NECESSARY SHALL BE PROVIDED AS REQUIRED TO MAINTAIN ELECTRICAL SERVICE. TEMPORARY SERVICE FACILITIES, IF REQUIRED AT ANY TIME, SHALL NOT BE DISCONNECTED OR REMOVED UNTIL NEW SERVICE EQUIPMENT IS IN PROPER OPERATION. IF ANY SERVICE OR SYSTEM MUST BE INTERRUPTED, THE CONTRACTOR SHALL REQUEST PERMISSION IN WRITING STATING THE DATE, TIME, ETC. THE SERVICE WILL BE INTERRUPTED AND THE AREAS AFFECTED. THIS REQUEST SHALL BE MADE IN SUFFICIENT TIME FOR PROPER ARRANGEMENTS TO BE MADE. WRITTEN PERMISSION SHALL BE OBTAINED FROM THE OWNER BEFORE INTERRUPTING ELECTRICAL SERVICE.
5. COORDINATE NEW WORK WITH OTHER TRADES AND VERIFY EXISTING CONDITIONS TO AVOID INTERFERENCE. IN CASE OF INTERFERENCE, AT&T'S REPRESENTATIVE WILL DECIDE WHICH WORK IS TO BE RELOCATED, REGARDLESS OF WHICH WAS FIRST INSTALLED.
6. THE INSTALLATION MUST COMPLY WITH NEC AND ALL FEDERAL, STATE AND LOCAL RULES AND REGULATIONS.
7. THE DRAWINGS ARE DIAGRAMMATIC AND INDICATE THE GENERAL ARRANGEMENT OF SYSTEMS AND EQUIPMENT UNLESS OTHERWISE DEFINED BY DIMENSIONS OR DETAILS. EXACT EQUIPMENT LOCATIONS AND RACEWAY ROUTING SHALL BE GOVERNED BY ACTUAL FIELD CONDITIONS AND/OR DIRECTIONS FROM AT&T'S REPRESENTATIVE.
8. CONTRACTOR SHALL PAY ALL PERMITS AND FEES REQUIRED.
9. ALL MATERIALS SHALL BE FURNISHED AND WORK SHALL BE PERFORMED IN ACCORDANCE WITH THE APPLICABLE SECTIONS OF THE STANDARDS REFERENCED BELOW:
  - a. ANSI (AMERICAN NATIONAL STANDARDS INSTITUTE)
  - b. ASTM (AMERICAN SOCIETY FOR TESTING MATERIALS)
  - c. ETL (ELECTRICAL TESTING LABORATORY)
  - d. ICEA (INSULATED CABLE ENGINEERS ASSOCIATION)
  - e. IEEE (INSTITUTE OF ELECTRICAL AND ELECTRONIC ENGINEERS)
  - f. MBFU (NATIONAL BOARD OF FIRE UNDERWRITERS)
  - g. NESC (NATIONAL ELECTRICAL SAFETY CODE)
  - h. NEMA (NATIONAL ELECTRICAL MANUFACTURER'S ASSOCIATION)
  - i. NFPA (NATIONAL FIRE PROTECTION ASSOCIATION)
  - j. UL (UNDERWRITER'S LABORATORY)
10. CONTRACTOR SHALL REVIEW PLANS, DETAILS AND SPECIFICATIONS IN DETAIL AND ADJUST WORK TO CONFORM WITH ACTUAL SITE CONDITIONS SO THAT ELECTRICAL DEVICES AND EQUIPMENT WILL BE LOCATED AND READILY ACCESSIBLE. QUANTITIES LISTED IN MATERIAL LISTS ON THE DRAWINGS ARE FOR INFORMATION ONLY. THE CONTRACTOR SHALL PROVIDE HIS OWN TAKEOFF FOR MATERIAL QUANTITY AND TYPES BASED ON ACTUAL SITE CONDITIONS. IN ADDITION, CONTRACTOR SHALL PROVIDE ALL NECESSARY MATERIALS TO INSTALL EQUIPMENT FURNISHED BY AT&T OR ITS SUPPLIERS. ALL ITEMS NOT SPECIFICALLY MENTIONED HEREIN OR SHOWN ON THE DRAWINGS, BUT WHICH ARE OBVIOUSLY NECESSARY TO MAKE A COMPLETE WORKING INSTALLATION, SHALL BE INCLUDED.

1. THE CONTRACTOR OR BIDDER SHALL BEAR THE RESPONSIBILITY OF NOTIFYING (IN WRITING) AT&T'S REPRESENTATIVE OF ANY CONFLICTS PRIOR TO THE SUBMISSION OF CONTRACTOR'S PROPOSAL OR PERFORMANCE OF WORK, IN THE EVENT OF DISCREPANCIES THE CONTRACTOR SHALL PRICE THE MORE COSTLY OR EXTENSIVE WORK, UNLESS DIRECTED IN WRITING OTHERWISE.
2. ALL FLOORS WHERE PENETRATIONS ARE REQUIRED IN BUILDING ARE TO BE CORE DRILLED AND THEN FIREPROOFED.

B. WIRING/CONDUIT

1. PROVIDE PULL BOXES AND JUNCTION BOXES WHERE SHOWN OR AS REQUIRED BY CODE SUCH THAT NO MORE THAN THE EQUIVALENT OF FOUR QUARTER BENDS (380 DEGREES TOTAL) EXIST IN A CONDUIT RUN.
2. ALL POWER AND CONTROL/INDICATION WIRING SHALL BE TYPE THHN/THWN 800V RATED 75 DEGREES CELSIUS, UNLESS NOTED OTHERWISE.

3. SCHEDULE 80 PVC CONDUIT SHALL BE USED ABOVE GROUND, WHERE ABOVE GRADE IS DEFINED AS THE GROUND OF THE TURN-UP
4. BELL END OR TERMINAL ADAPTER MUST BE INSTALLED ON END OF PVC CONDUIT PER NEC 352.4G. 300.4 F. (3)
5. CONDUIT BENDS SHALL BE MADE IN ACCORDANCE WITH NEC TABLE 346-10. NO RIGHT ANGLE DEVICE OTHER THAN STANDARD CONDUIT ELBOWS WITH 1/2" MINIMUM INSIDE SWEEPS FOR ALL CONDUITS 2" OR LARGER.
6. POWER WIRING SIZE SHALL NOT BE SMALLER THAN #12 AWG.
7. ALL WIRING SHALL BE COPPER. ALUMINUM WILL NOT BE ACCEPTABLE ALL POWER CIRCUITS SHALL CONTAIN A GROUND WIRE.
8. PHASE MARKINGS TO BE USED AT POWER CONDUCTOR TERMINATIONS.
9. CONTRACTOR SHALL ENSURE INTEGRITY IS MAINTAINED WHEN INSTALLING CONDUIT AND WIRING.
10. INSTALL PULL STRING IN ALL CONDUIT.

1. FOR ROOFTOP INSTALLS AND BUILD-OUTS, CONDUITS INSIDE BUILDING AND ON ROOF SHALL BE RGS, UNLESS OTHERWISE NOTED. FOR RAW LAND SITES AND CO-LOCATES, PVC SCHEDULE 80 SHALL BE UTILIZED UNLESS NOTED OTHERWISE.
2. MAINTAIN MINIMUM 1'-0" VERTICAL AND 1'-0" HORIZONTAL SEPARATIONS FROM ANY MECHANICAL GAS PIPING.
3. ALL WIRING ROUTED IN PLENUM TO BE RATED OR IN METALLIC FLEX (LIQUIDITE) CONDUIT.

C. EQUIPMENT

1. EQUIPMENT/PARTS CONNECTED TO EXISTING PANELS, DUCTS, ETC. SHALL MATCH THE CHARACTERISTICS (A/C, V, A) OF THAT EQUIPMENT.
2. ALL ELECTRICAL EQUIPMENT OUTSIDE SHALL BE NEMA OR 3R RATED.

D. GROUNDING

1. ALL GROUND CONNECTIONS TO BUILDING SHALL BE MADE USING TWO-HOLE CONNECTORS. PROVIDE STAINLESS STEEL BOLTS AND LOCK WASHERS ON ALL MECHANICAL GROUND CONNECTIONS.
2. ALL EQUIPMENT SURFACES TO BE BONDED TO GROUNDING SYSTEM SHALL BE STRIPPED OF ALL PAINT AND DIRT. CONNECTIONS TO VARIOUS METALS SHALL BE OF A TYPE AS TO CAUSE A GALVANIC OR CORROSIVE REACTION. AREA SHALL BE REPAINTED FOLLOWING BONDING.
3. ANY METALLIC ITEM WITHIN 6' OF GROUND CONDUCTORS MUST BE CONNECTED TO THE GROUNDING SYSTEM.
4. EXTERIOR, ABOVE GRADE GROUND CONNECTIONS SHALL BE FURNISHED WITH A LIBERAL PROTECTIVE COATING OF ANTI-OXIDE COMPOUND.
5. ALL MATERIALS AND LABOR REQUIRED FOR THE GROUNDING SYSTEM AS INDICATED ON THE PLANS AND DETAILS, AND AS DESCRIBED HEREIN SHALL BE FURNISHED BY THIS CONTRACTOR UNLESS OTHERWISE NOTED.
6. EXACT LOCATION OF GROUND CONNECTION POINTS SHALL BE DETERMINED IN FIELD. ADJUST LOCATIONS INDICATED ON PLANS ACCORDING TO ACTUAL EQUIPMENT LOCATIONS TO KEEP THE GROUND CONNECTION CABLES AS SHORT AS PRACTICAL.
7. PROVIDE ALL ELECTRICAL SYSTEM AND EQUIPMENT GROUNDS AS REQUIRED BY THE CURRENT EDITION OF THE NATIONAL ELECTRIC CODE AND THE CURRENT EDITION OF THE NATIONAL ELECTRICAL SAFETY CODE. BONDING JUMPERS WITH APPROVED GROUND FITTINGS SHALL BE INSTALLED AT ALL RACEWAYS, EQUIPMENT ENCLOSURES, PULL BOXES, ETC. TO MAINTAIN GROUND CONTINUITY WHERE REQUIRED BY CODE.
8. ALL EQUIPMENT GROUND CONDUCTORS SHALL BE TIN COATED, #2 AWG COPPER UNLESS NOTED OTHERWISE ON THE DRAWINGS.
9. PROVIDE PRE AND POST GROUND TEST RESULTS, USING CLAMP-ON TESTER. TEST RESULTS SHALL BE PHOTOS WITH DIGITAL TIME AND GPS STAMPED/EMBEDDED.

E. INSPECTION/DOCUMENTATION

1. THE CONTRACTOR, UPON COMPLETION OF HIS WORK, SHALL PROVIDE AS-BUILT DRAWINGS. INFORMATION SHOULD BE GIVEN TO THE GENERAL CONTRACTOR FOR INCLUSION IN FINAL AS-BUILT SURVEY DOCUMENTS TO BE GIVEN TO THE OWNER.
2. CONTRACTOR SHALL SUPPLY DOCUMENTATION ATTESTING TO THE COMPLETE GROUND SYSTEM'S RECEPTIVITY (MAX. 5 OHMS).
3. AN ELECTRICAL INSPECTION SHALL BE MADE BY AND INSPECTING AGENCY APPROVED BY AT&T'S REPRESENTATIVE. CONTRACTOR SHALL COORDINATE ALL INSPECTIONS AND OBTAIN POWER COMPANY APPROVAL.
4. CONTRACTOR SHALL HAVE ATS AND GENERATOR RELAY INSTALLATION AND CONNECTIONS INSPECTED BY OTHERS TO ENSURE THAT UL LISTING FOR THAT EQUIPMENT IS NOT VOIDED.

**RAMAKER**  
employee-owned  
(608) 643-4100 www.ramaker.com

PREPARED FOR:

**at&t**  
Mobility

CONSULTANT:  
**GENERAL DYNAMICS**  
Information Technology, Inc.  
GENERAL DYNAMICS  
101 STATION DR  
WESTWOOD, MA 02090

Certification & Seal:  
I hereby certify that this plan, specification, or report was prepared by me or under my direct supervision and that I am a duly Licensed Professional Engineer under the laws of the State of Connecticut.



Signature: Date: 4/27/2023

MARK	DATE	DESCRIPTION

ISSUE PHASE	FINAL	DATE ISSUED	04/27/2023

PROJECT TITLE:  
**BOZRAH CDT TOWER**  
**FA ID # 10035235**

PROJECT INFORMATION:  
3 POLLY LANE  
BOZRAH, CT 06334

SHEET TITLE:  
**GENERAL NOTES**

SCALE: NONE

PROJECT NUMBER: 57078  
SHEET NUMBER: N-1



PREPARED FOR:

CONSULTANT:  
**GENERAL DYNAMICS**  
 Information Technology, Inc.  
 GENERAL DYNAMICS  
 101 STATION DR  
 WESTWOOD, MA 02090

Certification & Seal:  
 I hereby certify that this plan, specification, or report was prepared by me or under my direct supervision and that I am a duly Licensed Professional Engineer under the laws of the State of Connecticut.



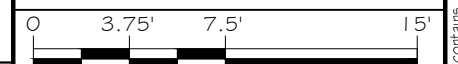
*[Signature]*  
 Date: 4/27/2023

MARK	DATE	DESCRIPTION
ISSUE PHASE	FINAL	DATE ISSUED 04/27/2023

PROJECT TITLE:  
**BOZRAH CDT TOWER**  
**FA ID # 10035235**

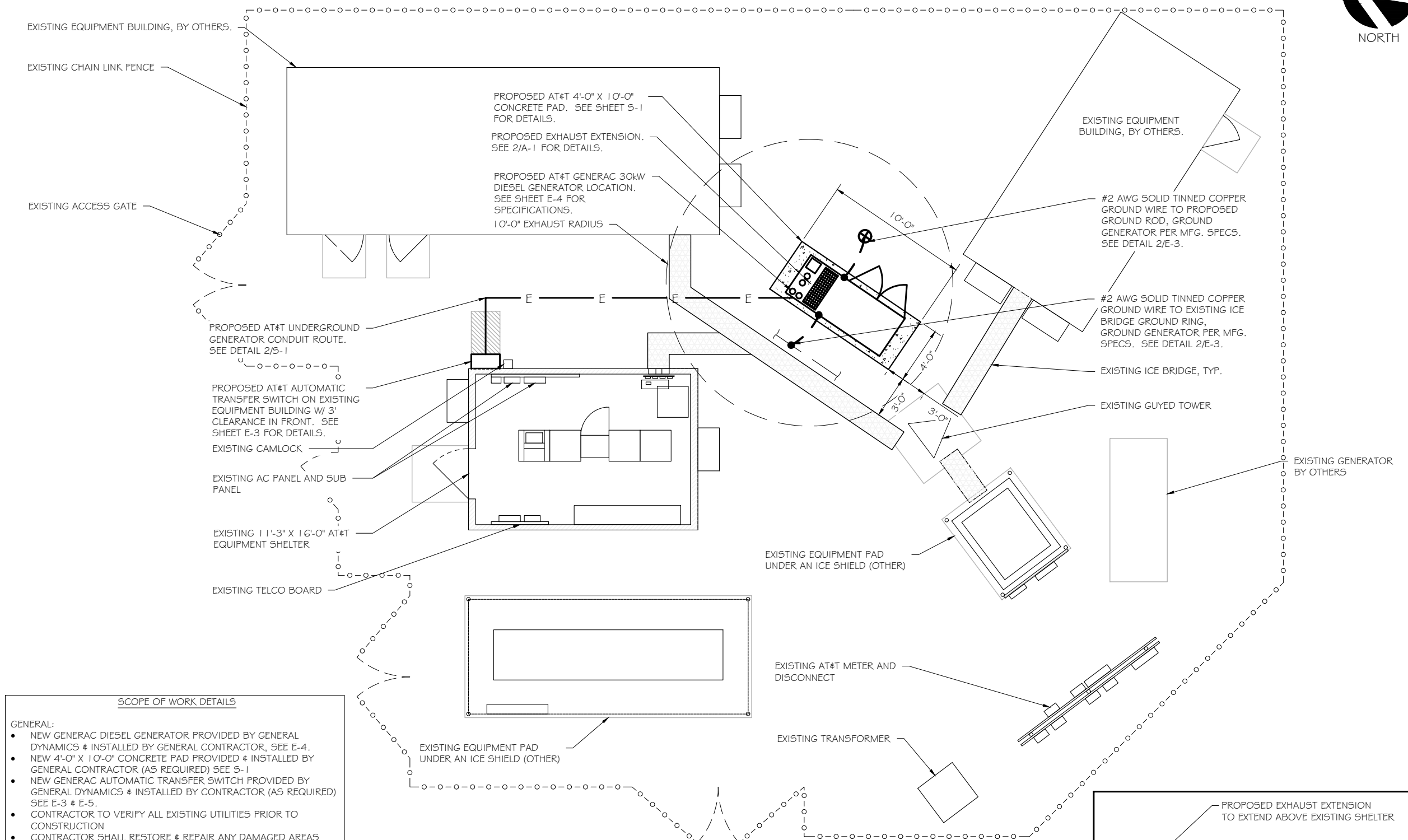
PROJECT INFORMATION:  
 3 POLLY LANE  
 BOZRAH, CT 06334

SHEET TITLE:  
**SITE PLAN & EQUIPMENT LAYOUT**



11" x 17" - 1" = 7.5'  
 22" x 34" - 1" = 3.75'

PROJECT NUMBER: 57078  
 SHEET NUMBER: A-1



**SCOPE OF WORK DETAILS**

**GENERAL:**

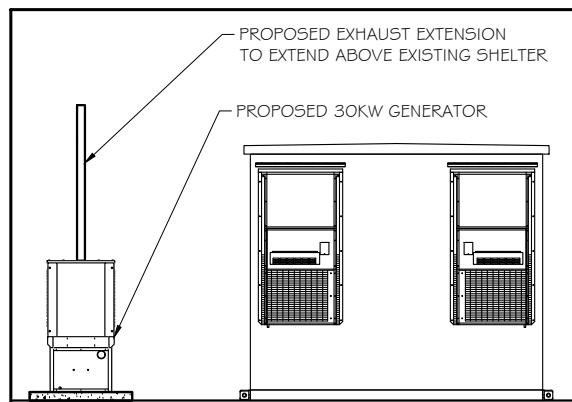
- NEW GENERAC DIESEL GENERATOR PROVIDED BY GENERAL DYNAMICS & INSTALLED BY GENERAL CONTRACTOR, SEE E-4.
- NEW 4'-0" X 10'-0" CONCRETE PAD PROVIDED & INSTALLED BY GENERAL CONTRACTOR (AS REQUIRED) SEE S-1
- NEW GENERAC AUTOMATIC TRANSFER SWITCH PROVIDED BY GENERAL DYNAMICS & INSTALLED BY CONTRACTOR (AS REQUIRED) SEE E-3 & E-5.
- CONTRACTOR TO VERIFY ALL EXISTING UTILITIES PRIOR TO CONSTRUCTION
- CONTRACTOR SHALL RESTORE & REPAIR ANY DAMAGED AREAS CAUSED BY CONSTRUCTION TO ORIGINAL OR BETTER CONDITION

**CONDUITS:**

- INSTALL PULL STRING IN EACH CONDUIT
- (1) NEW 2" AND (1) NEW 1" ELECTRICAL CONDUITS WITH CONDUCTORS TO RUN FROM NEW GENERATOR TO NEW ATS. CONDUIT PROVIDED AND INSTALLED BY GENERAL CONTRACTOR. SEE E-1, E-2 & E-3.
- (1) NEW 1" ELECTRICAL CONDUIT WITH CONDUCTORS TO RUN FROM NEW GENERATOR TO AC PANEL. CONDUIT PROVIDED & INSTALLED BY GENERAL CONTRACTOR. SEE E-1, E-2 & E-3.
- (1) NEW 1" ALARM CONDUIT & CABLING PROVIDED & INSTALLED BY GENERAL CONTRACTOR. SEE E-1, E-2 & E-3.

**GROUNDING:**

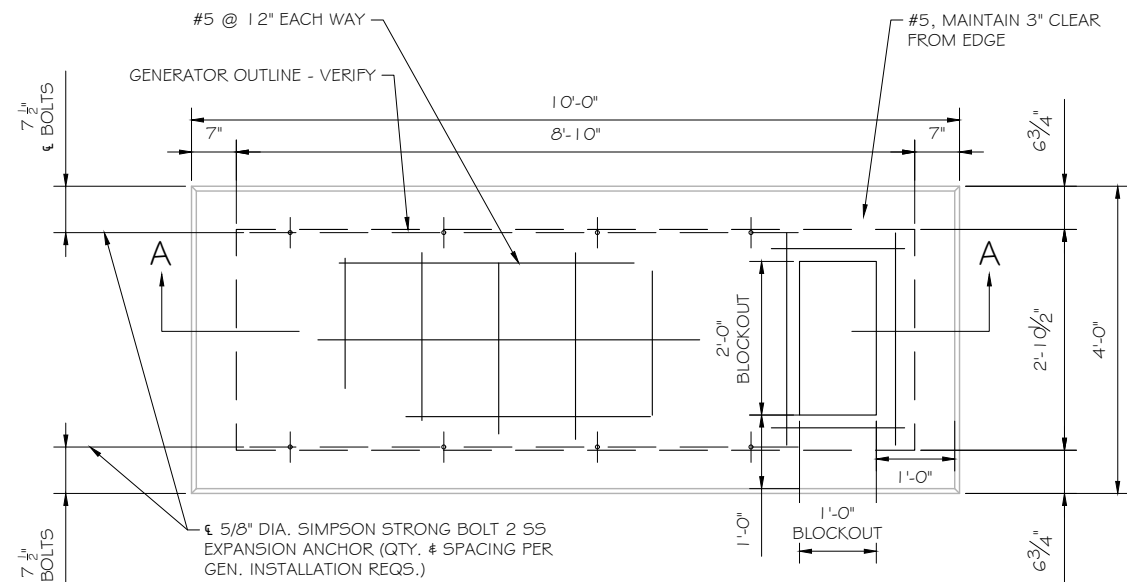
- NEW EXOTHERMIC CONNECTION FROM EXISTING GROUND RING TO NEW MECHANICAL CONNECTION AT GENERATOR CHASSIS. GENERAL CONTRACTOR TO VERIFY LOCATION IN FIELD. LOCATE GROUND RODS NO MORE THAN 8'-0" APART.



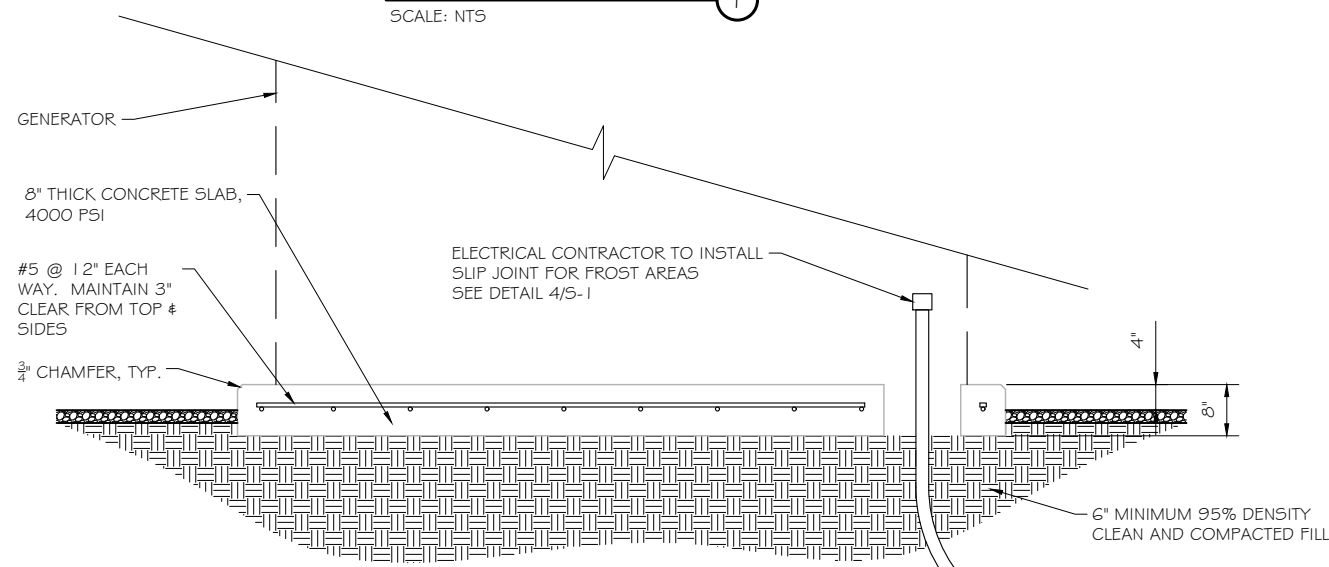
**EXHAUST EXTENSION DETAILS**  
 SCALE: N/A

**SITE PLAN**  
 SCALE: 1" = 7.5'

This document contains confidential or proprietary information of Ramaker & Associates, Inc. Neither this document nor the information herein is to be reproduced, distributed, used or disclosed either in whole or in part except as authorized by Ramaker and Associates, Inc.



**FOUNDATION PLAN**  
 SCALE: NTS



**SECTION A-A**  
 SCALE: NTS

**DOUBLE WALL FUEL TANK BASE SPECIFICATION**

REF: ATT GENERATOR PACKAGE  
 UL REGISTRATION NUMBER: MH18459  
 U.L. 142 DOUBLE WALL FUEL TANK BASE SPECIFICATION  
 FUEL TANK BASE CONSTRUCTION:

- BE CONSTRUCTED IN ACCORDANCE WITH UNDERWRITERS LABORATORIES STANDARD UL-142. BE CONSTRUCTED IN ACCORDANCE WITH FLAMMABLE & COMBUSTIBLE LIQUIDS CODE, NFPA 30; THE STANDARD FOR INSTALLATION & USE OF STATIONARY COMBUSTIBLE ENGINE & GAS TURBINES, NFPA 37; AND THE STANDARD FOR EMERGENCY & STANDBY POWER SYSTEMS, NFPA 110.
- ANCHORS MINIMUM (4) @ 5/8" FOR GEN-SET MOUNTING

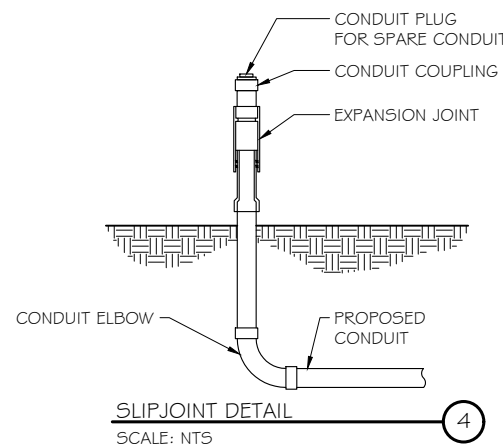
SUB BASE TANK TESTING: PRIMARY TANK & SECONDARY CONTAINMENT BASIN SECTIONS SHALL BE PRESSURIZED AT 3-5 PSI AND LEAK-CHECKED TO ENSURE INTEGRITY OF SUB BASE WELD SEAMS PER UL-142 STANDARDS

FUEL FILL: 5 GALLON SPILL CONTAINMENT WITH ALARM

- 40% REMAINING FOR ALARM
- 20% REMAINING FOR SHUT-DOWN

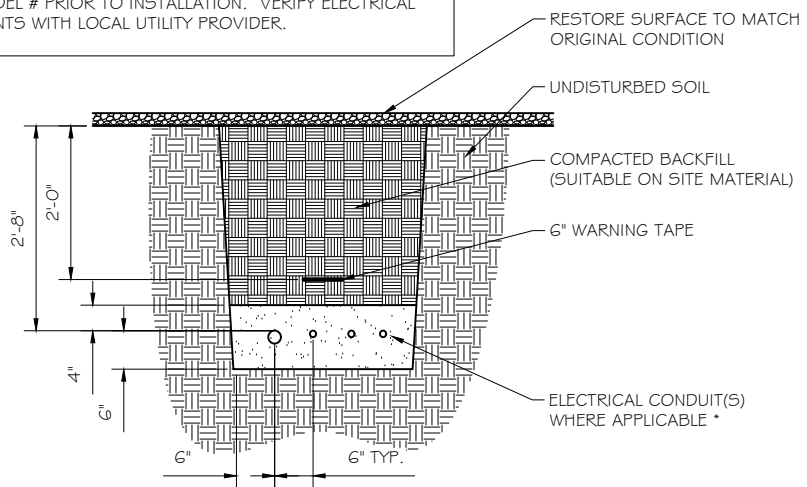
FACTORY PRE-SET AT 95% FULL FOR ALARM

FUEL CONTAINMENT BASIN: SUB BASE TANK SHALL INCLUDE A WELDED STEEL CONTAINMENT BASIN, SIZED AT A MINIMUM OF 110% OF THE TANK CAPACITY TO PREVENT ESCAPE OF FUEL INTO THE ENVIRONMENT IN THE EVENT OF A TANK RUPTURE. A FUEL CONTAINMENT BASIN LEAK DETECTOR SWITCH SHALL BE PROVIDED.



**SLIPJOINT DETAIL**  
 SCALE: NTS

NOTE:  
 VERIFY WIRE AND CONDUIT QUANTITY & SIZES WITH GENERATOR MAKE & MODEL # PRIOR TO INSTALLATION. VERIFY ELECTRICAL REQUIREMENTS WITH LOCAL UTILITY PROVIDER.



\* SEPARATION DIMENSION TO BE VERIFIED WITH LOCAL UTILITY COMPANY REQUIREMENTS

- NOTES:
- PROVIDE PVC CONDUIT BELOW GRADE EXCEPT AS NOTED BELOW.
  - PROVIDE RGS CONDUIT AND ELBOWS AT STUB UP LOCATIONS (I.E. SERVICE POLE, BTS EQUIPMENT, ETC.)
  - INSTALL UTILITY PULLBOXES PER NEC.

**UTILITY CONDUIT TRENCH**  
 SCALE: NTS

**STRUCTURAL GENERAL NOTES**

- GENERAL CONDITIONS
  - DESIGN & CONSTRUCTION OF ALL WORK SHALL CONFORM TO LOCAL BUILDING CODES, ACI 318-11. IN CASE OF CONFLICT BETWEEN THE CODES, STANDARDS, REGULATIONS, SPECIFICATIONS, GENERAL NOTES AND/OR MANUFACTURER'S REQUIREMENTS, USE THE MOST STRINGENT PROVISIONS.
  - IT IS THE EXPRESS INTENT OF PARTIES INVOLVED IN THIS PROJECT THAT THE CONTRACTOR OR SUBCONTRACTOR OR INDEPENDENT CONTRACTOR OR THE RESPECTIVE EMPLOYEES SHALL EXCULPATE THE ARCHITECT, THE ENGINEER, TECH. CONSTRUCTION MANAGER, THE OWNER, & THEIR AGENTS FROM ANY LIABILITY WHATSOEVER & HOLD THEM HARMLESS AGAINST LOSS, DAMAGES, LIABILITY OR ANY EXPENSE ARISING IN ANY MATTER FROM THE WRONGFUL OR NEGLIGENT ACT, OR FAILURE TO CARRY METHODS, TECHNIQUES OR PROCEDURES OR FAILURE TO CONFORM TO THE STATE SCAFFOLDING ACT IN CONNECTIONS WITH THE WORK.
  - DO NOT SCALE DRAWINGS
  - VERIFY ALL EQUIPMENT MOUNTING DIMENSIONS PER MANUFACTURER DRAWINGS
  - DESIGN LOADS ARE (GENERAC):
 

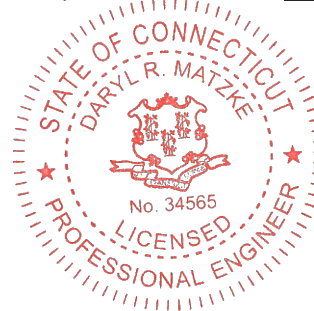
LIVE LOAD	: 100 PSF
EQUIPMENT SIZE	: 889.1" H, 106" W, 38" D
WEIGHT WITH WOODEN SHIPPING SKID	
ENCLOSED GENERATOR	: 3974 LBS
- FOR DESIGN & ANALYSIS OF THE FOUNDATION, THE MINIMUM NET SOIL BEARING CAPACITY SHALL BE ASSUMED TO BE 2000 PSF.
- CONCRETE
  - MEET OR EXCEED THE FOLLOWING CODES & STANDARDS:
 

DESIGN	: ACI 318-11
CONSTRUCTION	: ACI 301
DETAILING	: CRSI MANUAL OF STANDARD PRACTICE
REINF. STEEL	: ASTM A 615 GRADE 60, DEFORMED
MIXING	: ASTM C 94. READY MIX CONCRETE
AIR ENTRAINMENT	: ACI 318 AND ASTM C-260
AGGREGATE	: ASTM C 33 AND C 330 (FOR LIGHT WEIGHT)
  - CONCRETE STRENGTH AT 28 DAYS SHALL BE 4000 PSI MINIMUM
  - DO NOT FIELD BEND OR WELD TO GRADE 60 REINFORCED STEEL
  - PROVIDE AIR ENTRAINMENT CONCRETE WITH AIR CONTENT OF 5 TO 7% FOR ALL CONCRETE EXPOSED TO EARTH OR WEATHER.
  - MAXIMUM AGGREGATE SIZE: 3/4"
  - DO NOT USE IN ADMIXTURE, WATER OR OTHER CONSTITUENTS OF CONCRETE WHICH HAS CALCIUM CHLORIDE.
  - MINIMUM COVER FOR REINFORCING STEEL SHALL BE AS SHOWN ON PLAN.
  - FOUNDATION & EXCAVATION NOTES
    - SLAB SHALL BE CONSTRUCTED UPON UNDISTURBED, NATURAL SUBGRADE OR COMPACTED GRANULAR FILL WITH AN ASSUMED MINIMUM NET ALLOWABLE BEARING CAPACITY OF 1800 PSF.
    - ALL ORGANIC AND/OR OTHER UNSUITABLE MATERIAL SHALL BE REMOVED FROM FOUNDATION & SLAB SUBGRADE & BACKFILL AREAS, & THEN BACKFILLED WITH ACCEPTABLE GRANULAR FILL COMPACTED TO 95% OF MAXIMUM DENSITY AT OPTIMUM MOISTURE CONTENT (ASTM D 1557).
    - THE CONTRACTOR SHALL PROVIDE ALL NECESSARY MEASURES TO PREVENT ANY WATER, FROST, OR ICE FROM PENETRATING ANY FOOTING OR STRUCTURAL SUBGRADE BEFORE & AFTER PLACING OF CONCRETE, AND UNTIL SUCH CONCRETE HAS FULLY CURED.

PREPARED FOR:

CONSULTANT:  
**GENERAL DYNAMICS**  
 Information Technology, Inc.  
 GENERAL DYNAMICS  
 101 STATION DR  
 WESTWOOD, MA 02090

Certification & Seal:  
 I hereby certify that this plan, specification, or report was prepared by me or under my direct supervision and that I am a duly Licensed Professional Engineer under the laws of the State of Connecticut.



Signature: \_\_\_\_\_ Date: 4/27/2023

MARK	DATE	DESCRIPTION

ISSUE PHASE	FINAL	DATE ISSUED	04/27/2023

PROJECT TITLE:  
**BOZRAH CDT TOWER**  
**FA ID # 10035235**

PROJECT INFORMATION:  
 3 POLLY LANE  
 BOZRAH, CT 06334

SHEET TITLE:  
**FOUNDATION DETAILS**

SCALE: NONE

PROJECT NUMBER: 57078  
 SHEET NUMBER: S-1



DIAGRAM CIRCUIT SCHEDULE

NO.	FROM	TO	WIRES	GROUND	CONDUIT SIZE	FUNCTION
1	NORMAL POWER SOURCE	AUTOMATIC TRANSFER SWITCH	(3) 3/0	(1) #4	2"	NORMAL POWER FEEDER TO ATS (CUT BACK EXISTING)
2	AUTOMATIC TRANSFER SWITCH	LOAD CENTER	(3) 3/0	(1) #4	2"	POWER FEEDER FROM ATS TO PANEL
3	GENERATOR	AUTOMATIC TRANSFER SWITCH	(3) #1	(1) #6	1-1/2"	EMERGENCY POWER FEEDER TO ATS
4	AUTOMATIC TRANSFER SWITCH	GENERATOR	(2) #10	(1) #10	1"	START CIRCUIT
5	LOAD CENTER (DISTRIBUTION CENTER)	GENERATOR, ATS	(2) #12 (2) #12 (2) #12	(1) #12 (1) #12 (1) #12	1" 1" 1"	CIRCUIT FOR GENERATOR BLOCK HEATER & BATTERY HEATER CIRCUIT FOR BATTERY CHARGER CIRCUIT FOR ATS
6	GENERATOR	AUTOMATIC TRANSFER SWITCH	1 2-PAIR 24 AWG OR 2EA 6-PAIR CAT5	N/A	1"	ALARM CABLES (1) 12 PAIR 24 AWG. PROVIDE 24" OF SLACK CABLE. FINAL PUNCH DOWN IS BY AT&T TECH. LABEL ALL WIRES
7	AUTOMATIC TRANSFER SWITCH	ALARM BLOCK	1 2-PAIR 24 AWG OR 2EA 6-PAIR CAT5	N/A	1"	ALARM CABLES (1) 12 PAIR 24 AWG (RUN TO PURCELL CABINET & INTO ALARM BOX). PROVIDE 24" OF SLACK CABLE. FINAL PUNCH DOWN IS BY AT&T TECH. LABEL ALL WIRES

ALARM WIRE IDENTIFICATION CHART

WIRE	ALARM
BROWN BROWN / WHITE	GENERATOR RUNNING
GREEN GREEN / WHITE	CRITICAL FAULT
BLUE BLUE / WHITE	MINOR FAULT
ORANGE	LOW FUEL
ORANGE / WHITE	FUEL LEAK
BROWN *	
BROWN / WHITE *	

\*CAT5 CABLE ONLY, FROM 2ND CAT5 CABLE

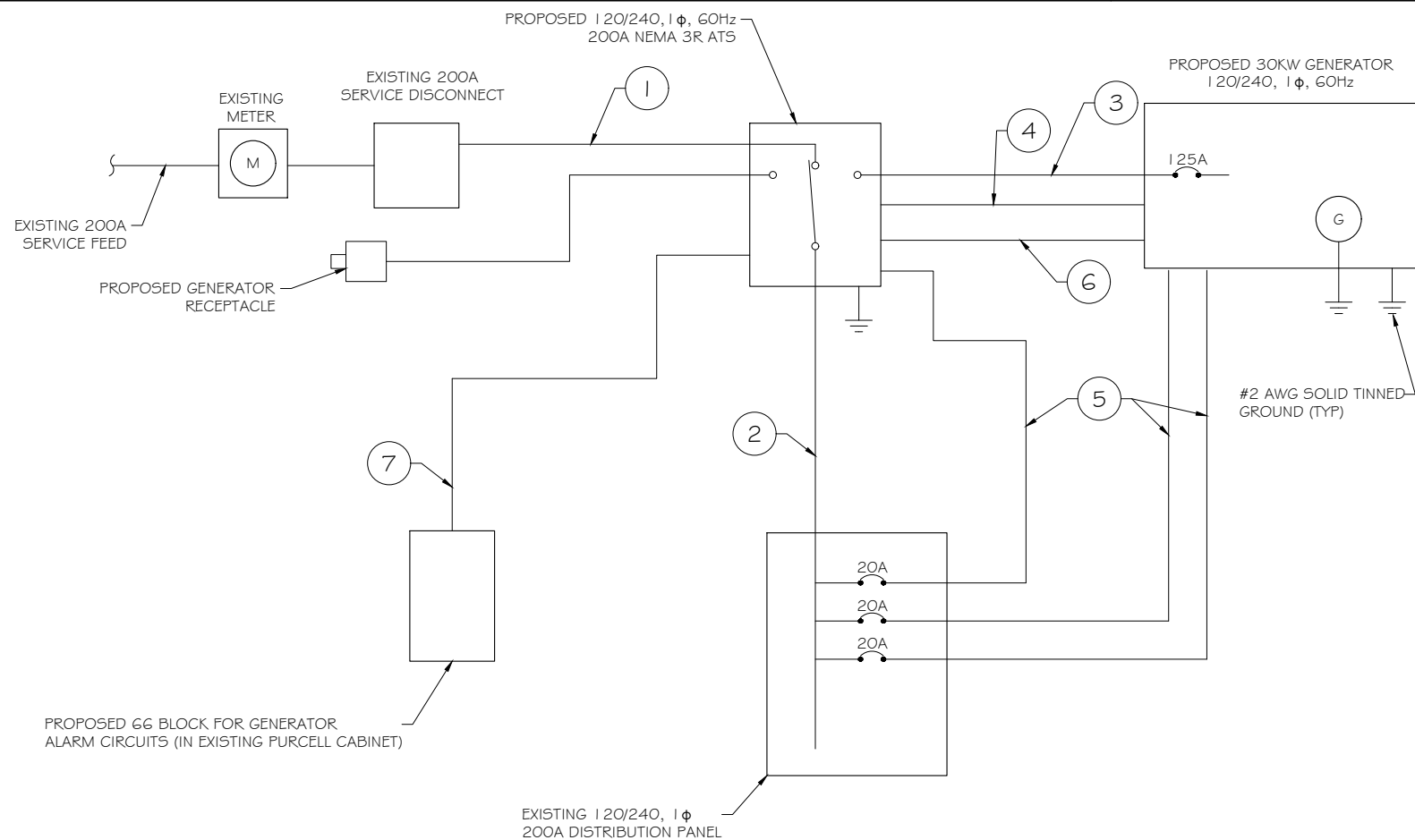
CIRCUIT DETAIL

SCALE: NTS



ALARM WIRING IDENTIFICATION CHART

SCALE: NTS



PROPOSED WIRING DIAGRAM

SCALE: NTS



PREPARED FOR:



CONSULTANT:  
**GENERAL DYNAMICS**  
 Information Technology, Inc.  
 GENERAL DYNAMICS  
 101 STATION DR  
 WESTWOOD, MA 02090

Certification & Seal:  
 I hereby certify that this plan, specification, or report was prepared by me or under my direct supervision and that I am a duly Licensed Professional Engineer under the laws of the State of Connecticut.



Signature: *[Signature]* Date: 4/27/2023

MARK	DATE	DESCRIPTION
ISSUE	FINAL	DATE ISSUED 04/27/2023

PROJECT TITLE:  
**BOZRAH CDT TOWER**  
**FA ID # 10035235**

PROJECT INFORMATION:  
 3 POLLY LANE  
 BOZRAH, CT 06334

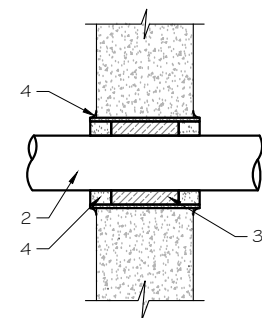
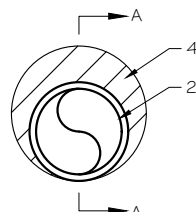
SHEET TITLE:  
**WIRING DETAILS**

SCALE: NONE

PROJECT NUMBER	57078
SHEET NUMBER	E-1

AC Distribution Panel - Layout Diagram									
Breaker Position	Breaker Type	On/Off	Size	Circuit Label	Breaker Position	Breaker Type	On/Off	Size	Circuit Label
1					2				
3	2P	ON	50	HVAC #1	4	2P	ON	50	HVAC #2
5	1P	ON	20	RECEPTACLE	6	1P	ON	15	INT. & EXT. LIGHTS
7	1P	ON	20	RECEPTACLE	8	1P	ON	20	EXT. RECEPTACLE
9	1P	ON	15	VENT SYSTEM	10	1P	ON	15	SMOKE DETECTOR
11	1P	ON	15	DEHUMIDIFIER	12	1P	ON	20	BATT. CHARG
13	1P	OFF	15	SPARE	14				
15	1P	ON	20	BATTERY CHARGER	16	2P	ON	100	SUB PANEL
17	1P	ON	20	BLOCK HEATER	18				
19	1P	ON	20	ATS	20				
21					22				
23					24				
25					26				
27					28				
29					30				
31					32				
33					34				
35					36				
37					38				
39					40				
41					42				

PROPOSED 20A BREAKERS FOR ATS, BLOCK HEATER AND BATTERY CHARGER ON NEW AT&T GENERATOR



NOTE:  
 1. IF EXISTING CONSTRUCTION VARIES FROM THIS DETAIL, AN EQUAL 3-HR U.L. PENETRATION APPROPRIATE FOR THE EXISTING WALL TYPE SHALL BE CONSTRUCTED  
 2. GC SHALL USE NON-SHRINKING CAULK TO WEATHERSEAL ALL PENETRATIONS INTO OR THRU SHELTER WALL.

U.L. SYSTEM NO. C-AJ-1150  
 CONDUIT THROUGH BEARING WALL SIMILAR TO U.L. DESIGN NO. U902  
 F RATING = 3 HR  
 T RATING = 0 HR

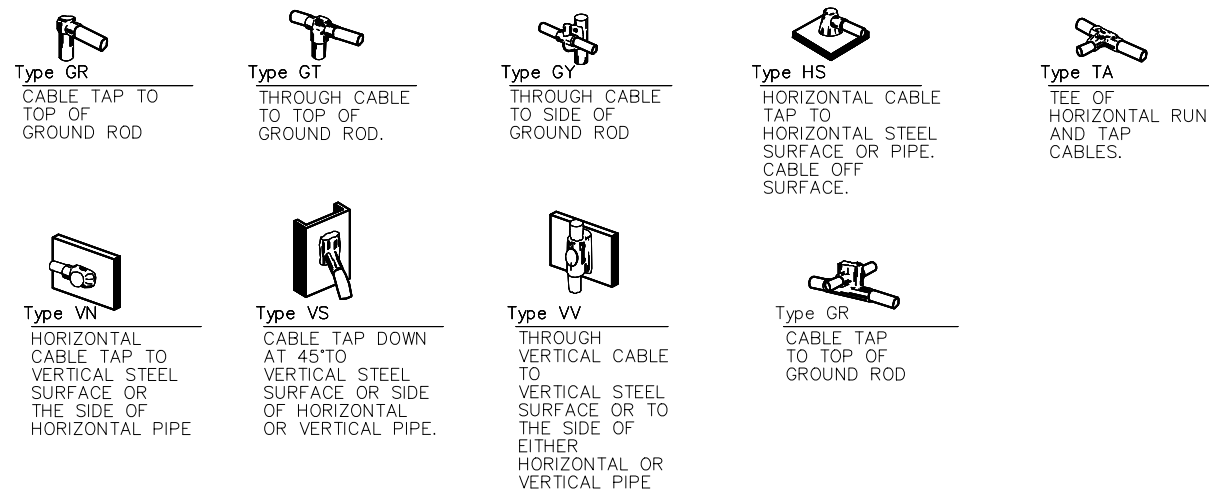
- FLOOR OR WALL ASSEMBLY : MINIMUM 4-1/2" THICK REINFORCED LIGHTWEIGHT OR NORMAL WEIGHT (100-150 PCF) CONCRETE. WALL MAY ALSO BE CONSTRUCTED OF ANY UL CLASSIFIED CONCRETE BLOCKS\*. MAX DIAMETER OF OPENING IS 4". SEE CONCRETE BLOCKS (9CATZ) CATEGORY IN THE FIRE RESISTANCE DIRECTORY FOR NAMES OF MANUFACTURERS.
- THROUGH PENETRATIONS : ONE METALLIC PIPE OR CONDUIT TO BE RIGIDLY SUPPORTED ON BOTH SIDES OF FLOOR OR WALL ASSEMBLY. THE ANNULAR SPACE SHALL BE MINIMUM 3/8". (POINT CONTACT) TO MAXIMUM 1-3/8". THE FOLLOWING TYPES AND SIZES OF METALLIC PIPES OR CONDUITS MAY BE USED:
  - STEEL PIPE-NOMINAL 6" DIAMETER (OR SMALLER) SCHEDULE 40 (OR HEAVIER) STEEL PIPE.
  - IRON PIPE-NOMINAL 6" DIAMETER (OR SMALLER) CAST OR DUCTILE IRON PIPE.
  - CONDUIT - NOMINAL 4" DIAMETER (OR SMALLER) STEEL ELECTRICAL METALLIC TUBING OR NOMINAL 3-1/2" DIAMETER (OR SMALLER) STEEL CONDUIT.
- PACKING MATERIAL: MINIMUM 6" THICKNESS OF MIN 4.0 PCF MINERAL WOOL BATTING INSULATION FIRMLY PACKED INTO OPENING AS A PERMANENT FORM. PACKING MATERIAL TO BE RECESSED FROM TOP SURFACE OF FLOOR OR FROM BOTH SURFACES OF WALL AS REQUIRED TO ACCOMMODATE THE REQUIRED THICKNESS OF FILL MATERIAL.
- FILL, VOID, OR CAVITY MATERIAL\*: SEALANT: MINIMUM 1/4" THICKNESS OF FILL MATERIAL APPLIED WITHIN THE ANNULUS, FLUSH WITH TOP SURFACE OF FLOOR AND WITH BOTH SURFACES OF WALL. AT THE POINT CONTACT LOCATION BETWEEN PIPE AND CONCRETE, A MINIMUM 1/2" DIAMETER BEAD OF FILL MATERIAL SHALL BE APPLIED AT THE CONCRETE/PIPE INTERFACE ON THE TOP SURFACE OF FLOOR AND ON BOTH SURFACES OF WALL. W RATING APPLIES ONLY WHEN CP6015 OR CP604 SEALANT IS USED.

HILTI CONSTRUCTION CHEMICALS, DIV OF HILTI INC. : CP6015, CP604, CP606, OR F5-ONE SEALANT.

\* BEARING THE UL CLASSIFICATION MARK.

OUTER WALL PENETRATION DETAIL (IF APPLICABLE) ②  
 SCALE: NTS

EXISTING PANEL SCHEDULE ①  
 SCALE: NTS



NOTE:  
 CONTRACTOR TO LABEL WIRES WITH P-TOUCH OR SIMILAR LABELS ONLY. ABSOLUTELY NO HANDWRITTEN LABELS.

\*CONTRACTOR TO UTILIZE NEXT AVAILABLE IN SEQUENCE SINGLE BREAKER POSITION FOR GENERATOR, BATTERY CHARGER, BATTERY HEATER AND BLOCK HEATER

CADWELD DETAILS ③  
 SCALE: NTS

PREPARED FOR:

CONSULTANT:  
**GENERAL DYNAMICS**  
 Information Technology, Inc.  
 GENERAL DYNAMICS  
 101 STATION DR  
 WESTWOOD, MA 02090

Certification & Seal:  
 I hereby certify that this plan, specification, or report was prepared by me or under my direct supervision and that I am a duly Licensed Professional Engineer under the laws of the State of Connecticut.



Signature: Date: 4/27/2023

MARK	DATE	DESCRIPTION
ISSUE PHASE	FINAL	DATE ISSUED 04/27/2023

PROJECT TITLE:  
**BOZRAH CDT TOWER**  
 FA ID # 10035235

PROJECT INFORMATION:  
 3 POLLY LANE  
 BOZRAH, CT 06334

SHEET TITLE:  
**PANEL AND PENETRATION DETAILS**

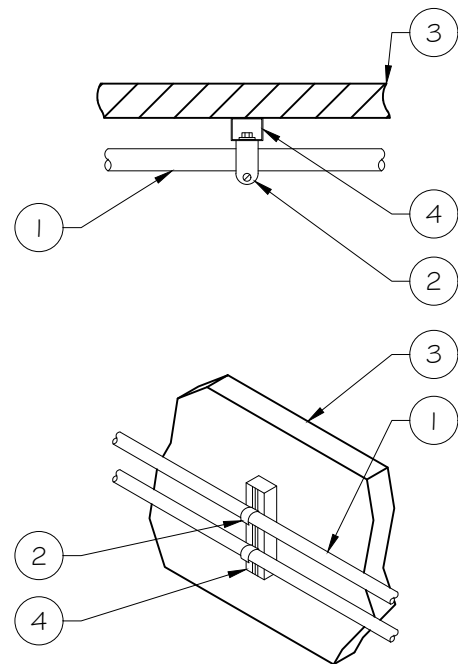
SCALE: NONE

PROJECT NUMBER: 57078  
 SHEET NUMBER: E-2

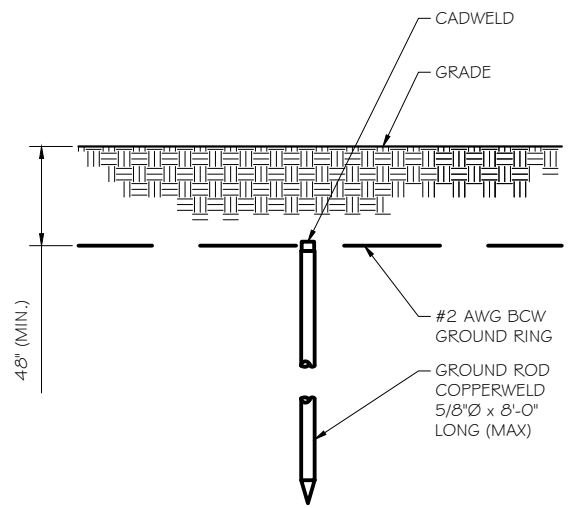
- 1 CONDUIT (TYP)
- 2 BUTTERFLY CLAMP AS REQUIRED
- 3 EXISTING WALL/CEILING
- 4 VERTICAL "UNISTRUT" P1000 T SERIES LENGTH BASED ON NUMBER OF CONDUIT TO BE MOUNTED

WALL CONSTRUCTION TYPE	USE
HOLLOW	3/8" DIA. TOGGLE BOLT
HOLLOW, AT STUD	3/8" DIA. LAG SCREW
CONCRETE BLOCK (HOLLOW)	3/8" DIA. HILTI HY-20 WITH SCREEN, MINIMUM EMBEDMENT 2-1/2"
CONCRETE (SOLID)	3/8" DIA. HILTI HY-150 WITH SCREEN, MINIMUM EMBEDMENT 2-1/2"

NOTE: USE GALVANIZED OR STAINLESS STEEL HARDWARE FOR WALL MOUNT & CONNECTIONS OF CHANNELS SPACE UNITS @ 5'-0" O.C. LENGTH OF RUN



CONDUIT WALL MOUNT  
 SCALE: NTS 1

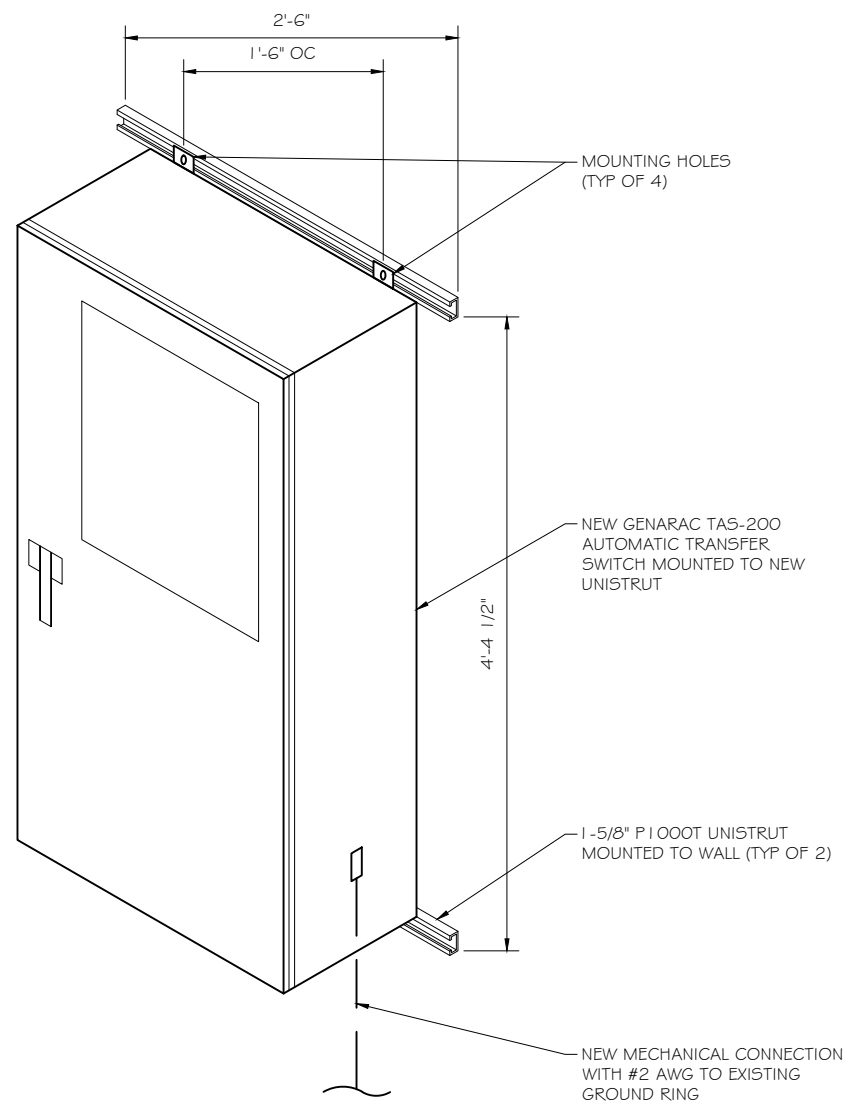


- NOTE:
- GROUND RODS MAY BE:
    - COPPER CLAD STEEL
    - SOLID COPPER
  - GROUND RODS SHALL HAVE A MAXIMUM SPACING TWICE THE LENGTH OF ROD
  - SEE RESISTIVITY REPORT FOR VERIFICATION AS AVAILABLE
  - A LARGER CONDUCTOR SHALL BE REQUIRED IN AREAS HIGHLY PRONE TO LIGHTNING AND/OR AREAS WITH HIGHLY ACIDIC SOIL
  - GROUND RODS INSTALLED WITHIN CLOSE PROXIMITY TO TOWER OR WHEN SOIL IS AT OR BELOW 2,000 OHM-CM, SHALL BE GALVANIZED TO PREVENT GALVANIC CORROSION OF TOWER, (SEE ANSI/TIA-EIA-222-G)
  - PROVIDE (1) GROUND LEAD TO EACH SIDE OF THE GENERATOR

GROUND ROD DETAIL  
 SCALE: NTS 2

WALL CONSTRUCTION TYPE	USE
HOLLOW	3/8" DIA. TOGGLE BOLT
HOLLOW, AT STUD	3/8" DIA. LAG SCREW
CONCRETE BLOCK (HOLLOW)	7/16" DIA. HILTI HY-20 WITH SCREEN MINIMUM EMBEDMENT 2-1/2"
CONCRETE (SOLID)	7/16" DIA. HILTI HY-150 WITH SCREEN MINIMUM EMBEDMENT 2-1/2"

- NOTE:
- USE GALVANIZED OR STAINLESS STEEL HARDWARE FOR WALL MOUNT AND CONNECTION OF CHANNELS
  - GC SHALL USE NON-SHRINKING CAULK TO WEATHER SEAL ALL PENETRATIONS INTO OR THROUGH SHELTER WALL



GENERAC ATS MOUNTING DETAIL  
 SCALE: NTS 3

RAMAKER  
 employee-owned  
 (608) 643-4100 www.ramaker.com

PREPARED FOR:

CONSULTANT:  
**GENERAL DYNAMICS**  
 Information Technology, Inc.  
 GENERAL DYNAMICS  
 101 STATION DR  
 WESTWOOD, MA 02090

Certification & Seal:  
 I hereby certify that this plan, specification, or report was prepared by me or under my direct supervision and that I am a duly Licensed Professional Engineer under the laws of the State of Connecticut.



Signature: *[Signature]* Date: 4/27/2023

MARK	DATE	DESCRIPTION

ISSUE PHASE	DATE ISSUED	DESCRIPTION
FINAL	04/27/2023	

PROJECT TITLE:  
**BOZRAH CDT TOWER**  
**FA ID # 10035235**

PROJECT INFORMATION:  
 3 POLLY LANE  
 BOZRAH, CT 06334

SHEET TITLE:  
**ATS, CONDUIT & GROUND ROD**  
**DETAILS**

SCALE: NONE

PROJECT NUMBER	57078
SHEET NUMBER	E-3

**SD030 | 2.2L | 30 kW**  
**INDUSTRIAL DIESEL GENERATOR SET**  
 EPA Certified Stationary Emergency



**Standby Power Rating**  
 30 kW, 38 kVA, 60 Hz

**Prime Power Rating\***  
 27 kW, 34 kVA, 60 Hz

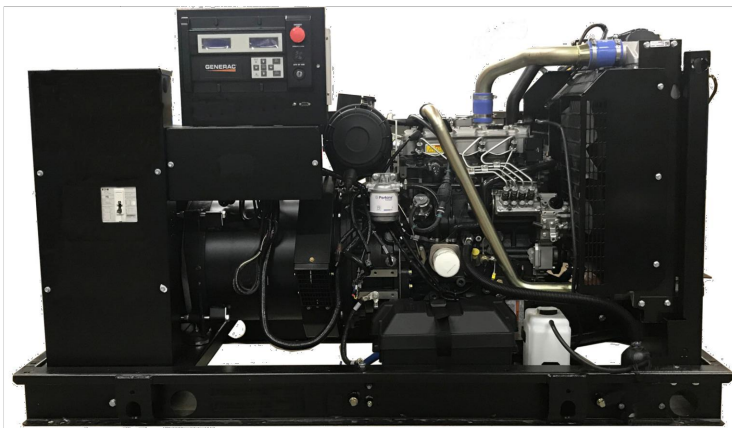


Image used for illustration purposes only



\*EPA Certified Prime ratings are not available in the US or its Territories

**Codes and Standards**

Not all codes and standards apply to all configurations. Contact factory for details.

- UL2200, UL508, UL489, UL142
- CSA C22.2
- BS5514 and DIN 6271
- SAE J1349
- NFPA 37, 70, 99, 110
- NEC700, 701, 702, 708
- ISO 3046, 7637, 8528, 9001
- NEMA ICS10, MG1, 250, ICS6, AB1
- ANSI C62.41

**Powering Ahead**

For over 50 years, Generac has provided innovative design and superior manufacturing.

Generac ensures superior quality by designing and manufacturing most of its generator components, including alternators, enclosures and base tanks, control systems and communications software.

Generac gensets utilize a wide variety of options, configurations and arrangements, allowing us to meet the standby power needs of practically every application.

Generac searched globally to ensure the most reliable engines power our generators. We choose only engines that have already been proven in heavy-duty industrial applications under adverse conditions.

Generac is committed to ensuring our customers' service support continues after their generator purchase.

**SD030 | 2.2L | 30 kW**  
**INDUSTRIAL DIESEL GENERATOR SET**  
 EPA Certified Stationary Emergency



**STANDARD FEATURES**

**ENGINE SYSTEM**

- Oil Drain Extension
- Air Cleaner
- Fan Guard
- Stainless Steel Flexible Exhaust Connection
- Factory Filled Oil and Coolant
- Radiator Duct Adapter (Open Set Only)
- Critical Silencer (Enclosed Unit Only)
- Engine Coolant Heater

**Fuel System**

- Fuel Lockoff Solenoid
- Primary Fuel Filter

**Cooling System**

- Closed Coolant Recovery System
- UV/Ozone Resistant Hoses
- Factory-Installed Radiator
- Radiator Drain Extension
- 50/50 Ethylene Glycol Antifreeze

**Electrical System**

- Battery Charging Alternator
- Battery Cables
- Battery Tray
- Rubber-Booted Engine Electrical Connections
- Solenoid Activated Starter Motor

**ALTERNATOR SYSTEM**

- UL2200 GENprotect™
- Class H Insulation Material
- 2/3 Pitch
- Skewed Stator
- Brushless Excitation
- Sealed Bearing
- Rotor Dynamically Spin Balanced
- Amortisseur Winding (3-Phase Only)
- Full Load Capacity Alternator
- Protective Thermal Switch

**GENERATOR SET**

- Internal Genset Vibration Isolation
- Separation of Circuits - High/Low Voltage
- Separation of Circuits - Multiple Breakers
- Wrapped Exhaust Piping
- Standard Factory Testing
- 2 Year Limited Warranty (Standby Rated Units)
- 1 Year Limited Warranty (Prime Rated Units)
- Silencer Mounted in the Discharge Hood (Enclosed Unit Only)

**ENCLOSURE (If Selected)**

- Rust-Proof Fasteners with Nylon Washers to Protect Finish
- High Performance Sound-Absorbing Material (Sound Attenuation Enclosures)
- Gasketed Doors
- Stamped Air-Intake Louvers
- Upward Facing Discharge Hoods (Radiator and Exhaust)
- Stainless Steel Lift Off Door Hinges
- Stainless Steel Lockable Handles
- RhinoCoat™ - Textured Polyester Powder Coat Paint

**FUEL TANKS (If Selected)**

- UL 142/UIC S601
- Double Wall
- Normal and Emergency Vents
- Sloped Top
- Sloped Bottom
- Factory Pressure Tested
- Rupture Basin Alarm
- Fuel Level
- Check Valve In Supply and Return Lines
- RhinoCoat™ - Textured Polyester Powder Coat Paint
- Stainless Steel Hardware

**CONTROL SYSTEM**



**Digital H Control Panel- Dual 4x20 Display**

**Program Functions**

- Programmable Crank Limiter
- 7-Day Programmable Exerciser
- Special Applications Programmable Logic Controller
- RS-232/485 Communications
- All Phase Sensing Digital Voltage Regulator
- 2-Wire Start Capability
- Data/Time Fault History (Event Log)
- Isochronous Governor Control
- Waterproof/Sealed Connectors

- Audible Alarms and Shutdowns
- Not in Auto (Flashing Light)
- Auto/Off/Manual Switch
- E-Stop (Red Mushroom-Type)
- NFPA110 Level I and II (Programmable)
- Customizable Alarms, Warnings, and Events
- Modbus® Protocol
- Predictive Maintenance Algorithm
- Sealed Boards
- Password Parameter Adjustment Protection
- Single Point Ground
- 16 Channel Remote Trending
- 0.2 msec High Speed Remote Trending
- Alarm Information Automatically Annunciated on the Display

**Full System Status Display**

- Power Output (kW)
- Power Factor
- kW Hours, Total, and Last Run
- Real/Reactive/Apparent Power
- All Phase AC Voltage
- All Phase Currents

- Oil Pressure
- Coolant Temperature
- Coolant Level
- Engine Speed
- Battery Voltage
- Frequency

**Alarms and Warnings**

- Oil Pressure
- Coolant Temperature
- Coolant Level
- Engine Overspeed
- Battery Voltage
- Alarms and Warnings Time and Date Stamped
- Snap Shots of Key Operation Parameters During Alarms and Warnings
- Alarms and Warnings Spelled Out (No Alarm Codes)

employee-owned  
 (608) 643-4100 www.ramaker.com

PREPARED FOR:

CONSULTANT:  
**GENERAL DYNAMICS**  
 Information Technology, Inc.  
 GENERAL DYNAMICS  
 101 STATION DR  
 WESTWOOD, MA 02090

Certification & Seal:  
 I hereby certify that this plan, specification, or report was prepared by me or under my direct supervision and that I am a duly Licensed Professional Engineer under the laws of the State of Connecticut.



Signature: \_\_\_\_\_ DATE: 4/27/2023

MARK	DATE	DESCRIPTION

ISSUE PHASE	FINAL	DATE ISSUED	04/27/2023
-------------	-------	-------------	------------

PROJECT TITLE:  
**BOZRAH CDT TOWER**  
**FA ID # 10035235**

PROJECT INFORMATION:  
 3 POLLY LANE  
 BOZRAH, CT 06334

SHEET TITLE:  
**GENERAC 30KW GENERATOR SPECIFICATIONS**

SCALE: NONE

PROJECT NUMBER: 57078  
 SHEET NUMBER: E-4

SPEC SHEET

1 of 6

SPEC SHEET

2 of 6

**SD030 | 2.2L | 30 kW**  
INDUSTRIAL DIESEL GENERATOR SET  
EPA Certified Stationary Emergency



**CONFIGURABLE OPTIONS**

**ENGINE SYSTEM**

- Oil Heater
- Critical Silencer (Open Set Only)
- Radiator Stone Guard
- Level 1 Fan and Belt Guards (Open Set Only)

**FUEL SYSTEM**

- NPT Flexible Fuel Line

**ELECTRICAL SYSTEM**

- 10A UL Listed Battery Charger
- Battery Warmer

**ALTERNATOR SYSTEM**

- Alternator Upsizing
- Anti-Condensation Heater
- Tropical Coating
- Permanent Magnet Excitation

**GENERATOR SET**

- Extended Factory Testing
- 8 Position Load Center
- Pad Vibration Isolation

**ENGINEERED OPTIONS**

**ENGINE SYSTEM**

- Coolant Heater Isolation Ball Valves
- Fluid Containment Pan

**CONTROL SYSTEM**

- Spare Inputs (x4) / Outputs (x4)
- Battery Disconnect Switch

**CIRCUIT BREAKER OPTIONS**

- Main Line Circuit Breaker
- 2nd Main Line Circuit Breaker
- Shunt Trip and Auxiliary Contact
- Electronic Trip Breakers

**ENCLOSURE**

- Weather Protected Enclosure
- Level 1 Sound Attenuation
- Level 2 Sound Attenuation
- Level 2 Sound Attenuation with Motorized Dampers
- Steel Enclosure
- Aluminum Enclosure
- Up to 200 MPH Wind Load Rating (Contact Factory for Availability)
- AC/DC Enclosure Lighting Kit
- Door Alarm Switch
- Enclosure Heater
- Damper Alarm Contacts

**WARRANTY (Standby Gensets Only)**

- 2 Year Extended Limited Warranty
- 5 Year Limited Warranty
- 5 Year Extended Limited Warranty
- 7 Year Extended Limited Warranty
- 10 Year Extended Limited Warranty

**ALTERNATOR SYSTEM**

- 3rd Breaker System

**GENERATOR SET**

- Special Testing

**CONTROL SYSTEM**

- NFPA 110 Compliant 21-Light Remote Annunciator
- Remote Relay Assembly (8 or 16)
- Oil Temperature Indication and Alarm
- Remote E-Stop (Break Glass-Type, Surface Mount)
- Remote E-Stop (Red Mushroom-Type, Surface Mount)
- Remote E-Stop (Red Mushroom-Type, Flush Mount)
- 100 dB Alarm Horn
- Ground Fault Annunciation
- 120V GFCI and 240V Outlets
- Remote Communication - Modem
- 10A Engine Run Relay

**FUEL TANKS (Size On Last Page)**

- 8 in (203.2 mm) Fill Extension
- 13 in (330.2 mm) Fill Extension
- 19 in (482.6 mm) Fill Extension
- Overfill Protection Valve
- 5 Gallon Spill Box Return Hose
- 5 Gallon Spill Box
- Tank Risers
- Fuel Level Switch and Alarm
- 12' Vent System
- Fire Rated Stainless Steel Fuel Hose

**FUEL TANKS**

- UL2085 Tank
- Stainless Steel Tanks
- Special Fuel Tanks
- Vent Extensions

**SD030 | 2.2L | 30 kW**  
INDUSTRIAL DIESEL GENERATOR SET  
EPA Certified Stationary Emergency



**APPLICATION AND ENGINEERING DATA**

**ENGINE SPECIFICATIONS**

General

Make	Perkins
EPA Emissions Compliance	Stationary Emergency
EPA Emissions Reference	See Emission Data Sheet
Cylinder #	4
Type	In-Line
Displacement - in <sup>3</sup> (L)	135 (2.22)
Bore - in (mm)	3.3 (84)
Stroke - in (mm)	3.9 (100)
Compression Ratio	23.3:1
Intake Air Method	Turbocharged
Cylinder Head	Cast Iron
Piston Type	Aluminum
Crankshaft Type	Forged Steel

Engine Governing

Governor	Electronic Isochronous
Frequency Regulation (Steady State)	±0.5%

Lubrication System

Oil Pump Type	Gear
Oil Filter Type	Full-Flow
Crankcase Capacity - qt (L)	11.2 (10.6)

Cooling System

Cooling System Type	Closed Recovery
Water Pump Type	Pre-Lubed, Self Sealing
Fan Type	Pusher
Fan Speed - RPM	1,980
Fan Diameter - in (mm)	18 (457)

Fuel System

Fuel Type	Ultra Low Sulfur Diesel Fuel #2
Fuel Specifications	ASTM
Fuel Filtering (Microns)	5
Fuel Inject Pump	Distribution Injection Pump
Fuel Pump Type	Engine Driven Gear
Injector Type	Mechanical
Fuel Supply Line - in (mm)	0.31 (7.9) ID
Fuel Return Line - in (mm)	0.2 (4.8) ID

Engine Electrical System

System Voltage	12 VDC
Battery Charger Alternator	Standard
Battery Size	See Battery Index 0161970SBY
Battery Voltage	12 VDC
Ground Polarity	Negative

**ALTERNATOR SPECIFICATIONS**

Standard Model	K0035124Y21
Poles	4
Field Type	Revolving
Insulation Class - Rotor	H
Insulation Class - Stator	H
Total Harmonic Distortion	<5% (3-Phase)
Telephone Interference Factor (TIF)	< 50

Standard Excitation	Brushless
Bearings	Single Sealed
Coupling	Direct via Flexible Disc
Load Capacity - Standby	100%
Prototype Short Circuit Test	Yes
Voltage Regulator Type	Digital
Number of Sensed Phases	All
Regulation Accuracy (Steady State)	±0.25%



PREPARED FOR:



CONSULTANT:

**GENERAL DYNAMICS**  
Information Technology, Inc.

GENERAL DYNAMICS  
101 STATION DR  
WESTWOOD, MA 02090

Certification & Seal:

I hereby certify that this plan, specification, or report was prepared by me or under my direct supervision and that I am a duly Licensed Professional Engineer under the laws of the State of Connecticut.



*[Signature]* 4/27/2023  
Date:


MARK	DATE	DESCRIPTION
ISSUE PHASE	FINAL	DATE ISSUED 04/27/2023

PROJECT TITLE:  
**BOZRAH CDT TOWER**  
**FA ID # 10035235**

PROJECT INFORMATION:  
3 POLLY LANE  
BOZRAH, CT 06334

SHEET TITLE:  
**GENERAC 30KW GENERATOR**  
**SPECIFICATIONS**

SCALE: NONE

PROJECT NUMBER: 57078  
SHEET NUMBER: E-4.1

SPEC SHEET

3 of 6

SPEC SHEET

4 of 6

**SD030 | 2.2L | 30 kW**  
INDUSTRIAL DIESEL GENERATOR SET  
EPA Certified Stationary Emergency



**OPERATING DATA**

**POWER RATINGS**

	Standby
Single-Phase 120/240 VAC @1.0pf	30 kW Amps: 125
Three-Phase 120/208 VAC @0.8pf	30 kW Amps: 104
Three-Phase 120/240 VAC @0.8pf	30 kW Amps: 90
Three-Phase 277/480 VAC @0.8pf	30 kW Amps: 45
Three-Phase 346/600 VAC @0.8pf	30 kW Amps: 36

**MOTOR STARTING CAPABILITIES (skVA)**

skVA vs. Voltage Dip			
277/480 VAC	30%	208/240 VAC	30%
K0035124Y21	61	K0035124Y21	46
K0040124Y21	76	K0040124Y21	58
K0050124Y21	98	K0050124Y21	75

**FUEL CONSUMPTION RATES\***

Fuel Pump Lift- ft (m)	Diesel - gph (Lph)	
	Percent Load	Standby
3 (1)	25%	1.0 (3.7)
	50%	1.4 (5.2)
	75%	2.0 (7.5)
	100%	2.8 (10.5)
Total Fuel Pump Flow (Combustion + Return) - gph (Lph)		
16.6 (63)		

\* Fuel supply installation must accommodate fuel consumption rates at 100% load.

**COOLING**

	Standby
Coolant Flow	gpm (Lpm) 14.9 (56.2)
Coolant System Capacity	gal (L) 2.5 (9.5)
Heat Rejection to Coolant	BTU/hr (kW) 128,638 (136)
Inlet Air	scfm (m³/hr) 2,800 (4,757)
Maximum Operating Ambient Temperature	°F (°C) 122 (50)
Maximum Operating Ambient Temperature (Before Derate)	See Bulletin No. 0199280SSD
Maximum Radiator Backpressure	in H <sub>2</sub> O (kPa) 0.5 (0.12)

**COMBUSTION AIR REQUIREMENTS**

Standby	
Flow at Rated Power scfm (m³/min)	88 (2.5)

**ENGINE**

	Standby
Rated Engine Speed	RPM 1,800
Horsepower at Rated kW**	hp 49
Piston Speed	ft/min (m/min) 1,181 (360)
BMEP	psi (kPa) 159 (1,096)

**EXHAUST**

	Standby
Exhaust Flow (Rated Output)	scfm (m³/min) 296.6 (8.4)
Max. Allowable Backpressure (Post Turbocharger)	inHg (kPa) 1.5 (5.1)
Exhaust Temp (Rated Output)	°F (°C) 892 (478)

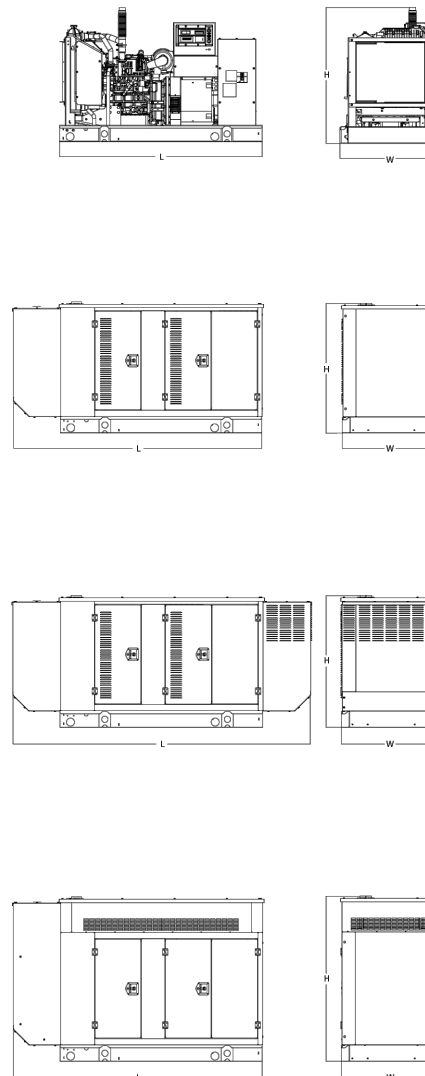
\*\* Refer to "Emissions Data Sheet" for maximum bHP for EPA and SCAQMD permitting purposes.

Deration - Operational characteristics consider maximum ambient conditions. Derate factors may apply under atypical site conditions. Please contact a Generac Power Systems Industrial Dealer for additional details. All performance ratings in accordance with ISO3046, BS5514, ISO8528, and DIN6271 standards. Standby - See Bulletin 0187500SSB Prime - See Bulletin 0187510SSB

**SD030 | 2.2L | 30 kW**  
INDUSTRIAL DIESEL GENERATOR SET  
EPA Certified Stationary Emergency



**DIMENSIONS AND WEIGHTS\***



**OPEN SET (Includes Exhaust Flex)**

Run Time - Hours	Usable Capacity - Gal (L)	L x W x H - in (mm)	Weight - lbs (kg)
No Tank	-	76.0 (1,930) x 37.4 (950) x 44.8 (1,138)	1,641 (745)
19	54 (204)	76.0 (1,930) x 37.4 (950) x 57.8 (1,468)	2,121 (963)
47	132 (501)	76.0 (1,930) x 37.4 (950) x 69.8 (1,773)	2,351 (1,067)
75	211 (799)	76.0 (1,930) x 37.4 (950) x 81.8 (2,078)	2,560 (1,162)
107	300 (1,136)	92.9 (2,360) x 37.4 (950) x 81.8 (2,078)	2,623 (1,190)

**WEATHER PROTECTED ENCLOSURE**

Run Time - Hours	Usable Capacity - Gal (L)	L x W x H - in (mm)	Weight - lbs (kg) Enclosure Only	
			Steel	Aluminum
No Tank	-	94.8 (2,409) x 38.0 (965) x 49.5 (1,258)		
19	54 (204)	94.8 (2,409) x 38.0 (965) x 62.5 (1,588)	372 (170)	241 (110)
47	132 (501)	94.8 (2,409) x 38.0 (965) x 74.5 (1,893)		
75	211 (799)	94.8 (2,409) x 38.0 (965) x 86.5 (2,198)		
107	300 (1,136)	94.8 (2,409) x 38.0 (965) x 86.5 (2,198)		

**LEVEL 1 ACOUSTIC ENCLOSURE**

Run Time - Hours	Usable Capacity - Gal (L)	L x W x H - in (mm)	Weight - lbs (kg) Enclosure Only	
			Steel	Aluminum
No Tank	-	112.5 (2,857) x 38.0 (965) x 49.5 (1,258)		
19	54 (204)	112.5 (2,857) x 38.0 (965) x 62.5 (1,582)		
47	132 (501)	112.5 (2,857) x 38.0 (965) x 74.5 (1,893)	505 (230)	338 (154)
75	211 (799)	112.5 (2,857) x 38.0 (965) x 86.5 (2,198)		
107	300 (1,136)	112.5 (2,857) x 38.0 (965) x 86.5 (2,198)		

**LEVEL 2 ACOUSTIC ENCLOSURE**

Run Time - Hours	Usable Capacity - Gal (L)	L x W x H - in (mm)	Weight - lbs (kg) Enclosure Only	
			Steel	Aluminum
No Tank	-	94.8 (2,407) x 38.0 (965) x 61.1 (1,551)		
19	54 (204)	94.8 (2,407) x 38.0 (965) x 74.1 (1,881)		
47	132 (501)	94.8 (2,407) x 38.0 (965) x 86.1 (2,186)	510 (232)	341 (155)
75	211 (799)	94.8 (2,407) x 38.0 (965) x 98.1 (2,491)		
107	300 (1,136)	94.8 (2,407) x 38.0 (965) x 98.1 (2,491)		

\* All measurements are approximate and for estimation purposes only. Specification characteristics may change without notice. Please contact a Generac Power Systems Industrial Dealer for detailed installation drawings.

Generac Power Systems, Inc. | P.O. Box 8 | Waukesha, WI 53189

P: (262) 544-4811 ©2018 Generac Power Systems, Inc. All rights reserved. All specifications are subject to change without notice.

Part No. 10000024842

Rev. B 08/27/18



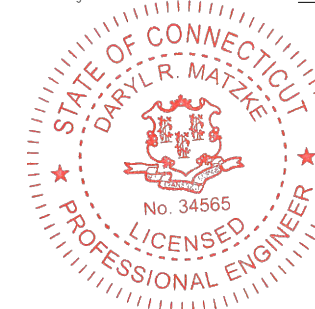
PREPARED FOR:



CONSULTANT:  
**GENERAL DYNAMICS**  
Information Technology, Inc.

GENERAL DYNAMICS  
101 STATION DR  
WESTWOOD, MA 02090

Certification & Seal:  
I hereby certify that this plan, specification, or report was prepared by me or under my direct supervision and that I am a duly Licensed Professional Engineer under the laws of the State of Connecticut.



Signature: [Signature] Date: 4/27/2023

MARK	DATE	DESCRIPTION
ISSUE PHASE	FINAL	DATE ISSUED 04/27/2023

PROJECT TITLE:  
**BOZRAH CDT TOWER**  
**FA ID # 10035235**

PROJECT INFORMATION:  
3 POLLY LANE  
BOZRAH, CT 06334

SHEET TITLE:  
**GENERAC 30KW GENERATOR SPECIFICATIONS**

SCALE: NONE

PROJECT NUMBER: 57078  
SHEET NUMBER: E-4.2

SPEC SHEET

5 of 6

SPEC SHEET

6 of 6

**TTS Series  
Switches**  
**200 Amps  
600 VAC**

**GENERAC** | **INDUSTRIAL  
POWER**

**TAS200**

**200A Automatic Transfer Switch**

**TAS200  
TAS200**

1 of 3 2 of 3



Image used for illustration purposes only.

**The Generac TAS200 Automatic Transfer Switch**

- Flexibility for multiple application installations
- Multiple generator support with 3 source panel
- Designed with a 6 inch touch screen controller for improved user interface
- Camlock functionality for mobile generator sources

**Features**

- **STEEL CONSTRUCTION**
- **NEMA 3R ENCLOSURE WITH HINGED "PADLOCKING" DOORS**
- **STAINLESS STEEL HARDWARE**
- **CAMLOCK "QUICK CONNECT" CAPABILITY**
- **OPERATIONAL STATUS VIEW VIA 6 INCH TOUCH SCREEN**
- **TEST FUNCTION - FAST TEST & NORMAL TEST**
- **UL1008 LISTED - FOR EMERGENCY SYSTEMS**

**Optional Features**

- **EXTENDED WARRANTY**
- **THREE-PHASE VOLTAGE CONFIGURATIONS**

**Codes and Standards**

Generac products are designed to the following standards:



UL1008,  
UL508,  
UL50,  
CSA C22.2 No. 178



NEC 700, 701 and 702



NEMA 250

**Application and Engineering Data**

Cabinet Specifications	
Dimensions	24"W x 12"D x 48"H
Weight	210 lbs.
Construction	Single Chamber with Main Door
	Steel
	UL Type / NEMA 3R Rated
	Powder Coat Finish for Corrosion Resistance
	C-UL-US Listed - Automatic Transfer Switch
Mounting Options	Stainless Steel Hardware
	3-Point Latching System with Pad-Lockable Handles
Installed	Wall
	H-frame
Installed	Pre-wired alarm terminal strip

Electrical Specifications	
Voltage/Phase/Amps	120/240 Single-Phase, 200A
	120/208 3-Phase, 200A
	120/240 3-Phase, 200A
Breaker	Eaton 200 amp Utility Breaker
	Eaton 200 amp Generator Breaker
Maximum RMS Symmetrical Fault Current - Amps	25k AIC Rated
Protective Device Continuous Rating (Max) Amp	200
Input to Generator	350MCM - #6 AWG
Output to Site	350MCM - #6 AWG
Generator Annunciator Connector	Deutsch DTM04-12PA-L012
Alarm Terminal Board	Generator Run Alarm
	Generator Fail - Shutdown Alarm
	Generator Fail - Non Shutdown Alarm
	Low Fuel Alarm
	Generator Theft Alarm
	AC Utility Fail Alarm

Camlock Component	
Camlock Component	Shipped loose for multiple installation options
Dimensions	9" W x 9.4" D x 24.25" H
200A Camlock Generator Connection	Single-Phase: Black L1, Red L2, White-Neutral, Green-Ground
	3-Phase: Black L1, Red L2, Blue L3, White-Neutral, Green-Ground
	Uses 4 CH E1016 Male Connectors
	Mating Connector - CH E1016 Female



  
**RAMAKER**  
employee-owned  
(608) 643-4100 www.ramaker.com

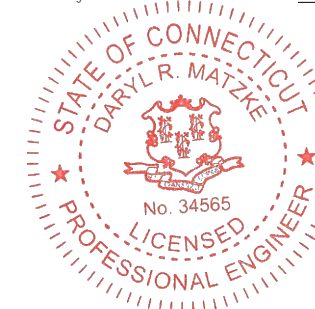
PREPARED FOR:



CONSULTANT:  
**GENERAL DYNAMICS**  
Information Technology, Inc.

GENERAL DYNAMICS  
101 STATION DR  
WESTWOOD, MA 02090

Certification & Seal:  
I hereby certify that this plan, specification, or report was prepared by me or under my direct supervision and that I am a duly Licensed Professional Engineer under the laws of the State of Connecticut.



 4/27/2023  
Signature: Date:

MARK	DATE	DESCRIPTION
ISSUE PHASE	FINAL	DATE ISSUED 04/27/2023

PROJECT TITLE:  
**BOZRAH CDT TOWER  
FA ID # 10035235**

PROJECT INFORMATION:  
3 POLLY LANE  
BOZRAH, CT 06334

SHEET TITLE:  
**GENERAC ATS SPECIFICATIONS**

SCALE: NONE

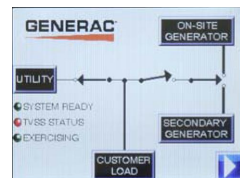
PROJECT NUMBER: 57078  
SHEET NUMBER: E-5

**TTS Control Systems**

TAS200

3 of 3

**Touch Screen Interface**



**INDICATORS AND BUTTONS**

- |   |   |
|---|---|
| <ul style="list-style-type: none"> <li>• System Ready indicator</li> <li>• Standby Operating indicator</li> <li>• Utility Available indicator</li> <li>• GEN/UTIL Switch Position indicator</li> <li>• TVSS status</li> </ul> | <ul style="list-style-type: none"> <li>• Normal Test button</li> <li>• Fast Test button</li> <li>• Return to Normal button</li> <li>• Reset button</li> <li>• Exercising indicator</li> </ul> |
|---|---|

**DETAILS SCREEN**

<p><b>System Settings:</b></p> <ul style="list-style-type: none"> <li>• System Voltage/Phases:                     <ul style="list-style-type: none"> <li>- 120/240V single phase (standard)</li> <li>- 120/208V three phase (optional)</li> <li>- 120/240V three phase (optional)</li> </ul> </li> <li>• Utility Fail Monitor:                     <ul style="list-style-type: none"> <li>- Under Voltage: 75-95% of nominal voltage</li> <li>- Over Voltage: 105%-125% of nominal voltage</li> <li>- Pickup (hysteresis): fixed at 5 volts</li> <li>- Delay time: 0-60s</li> </ul> </li> <li>• Utility Interrupt Delay: 0-60s</li> <li>• Return to Utility Timer: 1-30 minutes</li> <li>• Transfer:                     <ul style="list-style-type: none"> <li>- In-phase, or</li> <li>- Time-Delay-Neutral at 0.0-10.0s in 1 second increments</li> </ul> </li> </ul>	<p><b>Exercise Settings:</b></p> <ul style="list-style-type: none"> <li>• Time of day</li> <li>• Day of week</li> <li>• Exercise:                     <ul style="list-style-type: none"> <li>- Exercise with/without load</li> <li>- Exercise once every 1, 2, or 4 weeks.</li> <li>- Exercise time-of-day</li> <li>- Exercise day of week</li> <li>- Exercise duration: 15-30 minutes</li> </ul> </li> </ul>
	<p><b>Screen Settings:</b></p> <ul style="list-style-type: none"> <li>• Brightness &amp; Contrast button</li> <li>• Screen Calibration button</li> <li>• Startup/Clean screen</li> </ul>
	<p><b>Diagnostics:</b></p> <ul style="list-style-type: none"> <li>• Digital I/O bits status</li> <li>• Voltage A/D readings</li> </ul>
<p><b>Engine Settings:</b></p> <ul style="list-style-type: none"> <li>• Engine Warm-up timer: 0-20 minutes</li> <li>• Generator Load Accept:                     <ul style="list-style-type: none"> <li>- Time-Delay-Neutral at 0.0-10.0s in 1 second increments</li> <li>- Voltage: 85-95% of nominal</li> <li>- Frequency: 85-95% of nominal</li> </ul> </li> <li>• Engine Minimum Run Timer: 5-30 minutes</li> <li>• Engine Cooldown Timer: 0-20 minutes</li> </ul>	<p><b>Mimic Diagram:</b></p> <ul style="list-style-type: none"> <li>• System Ready</li> <li>• Transfer switch position</li> <li>• Utility available</li> <li>• Standby available</li> <li>• Maintenance/Auto switch position</li> <li>• Generator source TS position</li> <li>• TVSS status</li> </ul>

Generac Power Systems, Inc. • S45 W29290 HWY. 59, Waukesha, WI 53189 • generac.com  
 ©2013 Generac Power Systems, Inc. All rights reserved. All specifications are subject to change without notice. Bulletin 0195670SBY-B / Printed in U.S.A. 03/13/13

PREPARED FOR:



CONSULTANT:

**GENERAL DYNAMICS**  
 Information Technology, Inc.

GENERAL DYNAMICS  
 101 STATION DR  
 WESTWOOD, MA 02090

Certification & Seal:

I hereby certify that this plan, specification, or report was prepared by me or under my direct supervision and that I am a duly Licensed Professional Engineer under the laws of the State of Connecticut.



 4/27/2023  
 Signature: Date:


MARK	DATE	DESCRIPTION
ISSUE PHASE	FINAL	DATE ISSUED 04/27/2023

PROJECT TITLE:  
**BOZRAH CDT TOWER**  
**FA ID # 10035235**

PROJECT INFORMATION:  
 3 POLLY LANE  
 BOZRAH, CT 06334

SHEET TITLE:  
**GENERAC ATS SPECIFICATIONS**

SCALE: NONE

PROJECT NUMBER: 57078  
 SHEET NUMBER: E-5.1



# ATTACHMENT 2

All information is for assessment purposes only. Assessments are calculated at 70% of the estimated October 1, 2017 market value which was the date of the last revaluation as completed by eQuality Valuation Services, LLC.



Information on the Property Records for the Municipality of Bozrah was last updated on 5/11/2020.

### Parcel Information

Location:	3 POLLY LA	Property Use:	Vacant Land	Primary Use:	Commercial Vacant Land
Unique ID:	66666555	Map Block Lot:	02/039-A	Acres:	1.60
490 Acres:	0.00	Zone:	I-80	Volume / Page:	107 / 483
Developers Map / Lot:		Census:	7131		

### Value Information

	Appraised Value	Assessed Value
Land	200,000	140,000

	Appraised Value	Assessed Value
Buildings	0	0
Detached Outbuildings	5,969	4,180
Total	205,969	144,180

## Owner's Information

### Owner's Data

17 MILE REAL ESTATE LLC  
69 HARRY STREEET  
CONSHOCKEN PA 19428

## Detached Outbuildings

Type:	Year Built:	Length:	Width:	Area:
Cblk/Fr Shed	2001	20.00	12.00	240
Cblk/Fr Shed	0000	24.00	12.00	288

## Owner History - Sales

Owner Name	Volume	Page	Sale Date	Deed Type	Valid Sale	Sale Price
17 MILE REAL ESTATE LLC	107	483	01/02/2019	Warranty Deed	No	\$1,141,162
MAYNARD BARBARA A	104	81	10/06/2016	Certificate of Devise	No	\$0
MAYNARD LEONARD P	0084	0593	09/19/2006		No	\$0
MAYNARD ALICE	0021	0524	07/27/1998		No	\$0

## Building Permits

Permit Number	Permit Type	Date Opened	Date Closed	Permit Status	Reason
614-15		06/18/2015		Visit for Grand List	FACILITY MODIFICATIONS
602-14		06/05/2014		Visit for Grand List	REPLACE ANTENNAS
307-13		03/28/2013		Visit for Grand List	ADDING ANTENNAS ETC....
704-02		07/11/2002		Closed	AT&T ON EXISTING TOWER

Information Published With Permission From The Assessor



# STATE OF CONNECTICUT

## CONNECTICUT SITING COUNCIL

Ten Franklin Square, New Britain, CT 06051

Phone: (860) 827-2935 Fax: (860) 827-2950

E-Mail: [siting.council@po.state.ct.us](mailto:siting.council@po.state.ct.us)

Web Site: [www.state.ct.us/csc/index.htm](http://www.state.ct.us/csc/index.htm)

June 26, 2002

Christopher B. Fisher, Esq.  
Cuddy & Feder & Worby LLP  
90 Maple Avenue  
White Plains, NY 10601-5196

RE: **EM-AT&T-013-020607** - AT&T Wireless notice of intent to modify an existing telecommunications facility located at 3 Polly Lane, Bozrah, Connecticut.

Dear Attorney Fisher:


At a public meeting held on June 25, 2002, the Connecticut Siting Council (Council) acknowledged your notice to modify this existing telecommunications facility, pursuant to Section 16-50j-73 of the Regulations of Connecticut State Agencies.

The proposed modifications are to be implemented as specified here and in your notice received June 7, 2002. The modifications are in compliance with the exception criteria in Section 16-50j-72 (b) of the Regulations of Connecticut State Agencies as changes to an existing facility site that would not increase tower height, extend the boundaries of the tower site, increase noise levels at the tower site boundary by six decibels, and increase the total radio frequencies electromagnetic radiation power density measured at the tower site boundary to or above the standard adopted by the State Department of Environmental Protection pursuant to General Statutes § 22a-162. This facility has also been carefully modeled to ensure that radio frequency emissions are conservatively below State and federal standards applicable to the frequencies now used on this tower.

This decision is under the exclusive jurisdiction of the Council. Any additional change to this facility will require explicit notice to this agency pursuant to Regulations of Connecticut State Agencies Section 16-50j-73. Such notice shall include all relevant information regarding the proposed change with cumulative worst-case modeling of radio frequency exposure at the closest point of uncontrolled access to the tower base, consistent with Federal Communications Commission, Office of Engineering and Technology, Bulletin 65. Any deviation from this format may result in the Council implementing enforcement proceedings pursuant to General Statutes § 16-50u including, without limitation, imposition of expenses resulting from such failure and of civil penalties in an amount not less than one thousand dollars per day for each day of construction or operation in material violation.

Thank you for your attention and cooperation.

Very truly yours,

  
Mortimer A. Gelston  
Chairman

MAG/laf

- c: Honorable Keith J. Robbins, First Selectman, Town of Bozrah
- Seymour Adelman, Planning and Zoning Chairman, Town of Bozrah
- Robert Francis, Cordless Data Transfer, Inc.
- Stephen J. Humes, Esq., LeBoeuf, Lamb, Greene & MacRae
- Thomas F. Flynn III, Nextel Communications
- Julie M. Donaldson, Esq., Hurwitz & Sagarin LLC
- Sandy M. Carter, Verizon Wireless
- Michele G. Briggs, SNET Mobility LLC

# ATTACHMENT 3

ORIGIN ID:GAMA (301) 266-0258  
CATHERINE CONKLIN  
GENERAL DYNAMICS  
4603 KEMPER STREET  
ROCKVILLE, MD 20853  
UNITED STATES US

SHIP DATE: 24APR23  
ACTWGT: 2.00 LB  
CAD: 105486753/INET4610

BILL SENDER

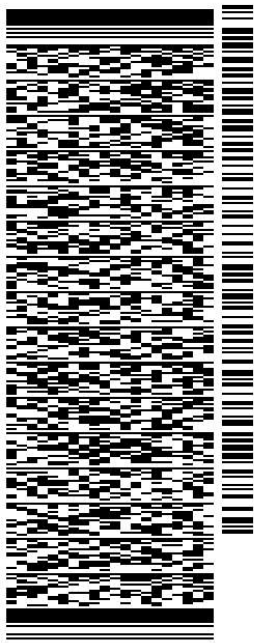
TO **MICHAEL CULBERT**  
**EVEREST INFRASTRUCTURE PARTNERS**  
**1435 BEDFORD AVENUE**

**PITTSBURGH PA 15219**

(412) 482-3420  
INV/

REF:

DEPT:



J232023040501uv

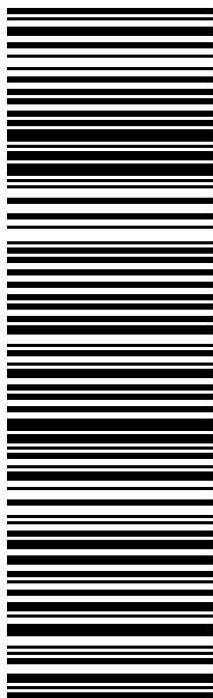
583J3/78CF/FE2D

TRK# 7719 3813 2822  
0201

TUE - 25 APR 10:30A  
PRIORITY OVERNIGHT

**XN BTPA**

15219  
PIT  
PA-US



**After printing this label:**

1. Use the 'Print' button on this page to print your label to your laser or inkjet printer.
2. Fold the printed page along the horizontal line.
3. Place label in shipping pouch and affix it to your shipment so that the barcode portion of the label can be read and scanned.

**Warning:** Use only the printed original label for shipping. Using a photocopy of this label for shipping purposes is fraudulent and could result in additional billing charges, along with the cancellation of your FedEx account number. Use of this system constitutes your agreement to the service conditions in the current FedEx Service Guide, available on fedex.com. FedEx will not be responsible for any claim in excess of \$100 per package, whether the result of loss, damage, delay, non-delivery, misdelivery, or misinformation, unless you declare a higher value, pay an additional charge, document your actual loss and file a timely claim. Limitations found in the current FedEx Service Guide apply. Your right to recover from FedEx for any loss, including intrinsic value of the package, loss of sales, income interest, profit, attorney's fees, costs, and other forms of damage whether direct, incidental, consequential, or special is limited to the greater of \$100 or the authorized declared value. Recovery cannot exceed actual documented loss. Maximum for items of extraordinary value is \$1,000, e.g. jewelry, precious metals, negotiable instruments and other items listed in our Service Guide. Written claims must be filed within strict time limits, see current FedEx Service Guide.



May 02, 2023

Dear Customer,

The following is the proof-of-delivery for tracking number: 771938132822

---

**Delivery Information:**

---

<b>Status:</b>	Delivered	<b>Delivered To:</b>	Receptionist/Front Desk
<b>Signed for by:</b>	D.JOHNSON	<b>Delivery Location:</b>	
<b>Service type:</b>	FedEx Priority Overnight		
<b>Special Handling:</b>	Deliver Weekday		PITTSBURGH, PA,
		<b>Delivery date:</b>	May 1, 2023 10:09

---

**Shipping Information:**

---

<b>Tracking number:</b>	771938132822	<b>Ship Date:</b>	Apr 28, 2023
		<b>Weight:</b>	2.0 LB/0.91 KG
<b>Recipient:</b>		<b>Shipper:</b>	
PITTSBURGH, PA, US,		ROCKVILLE, MD, US,	

Signature image is available. In order to view image and detailed information, the shipper or payor account number of the shipment must be provided.



ORIGIN ID:GAMA (301) 266-0258  
CATHERINE CONKLIN  
GENERAL DYNAMICS  
4603 KEMPER STREET  
ROCKVILLE, MD 20853  
UNITED STATES US

SHIP DATE: 24APR23  
ACT WGT: 2.00 LB  
CAD: 105486753/NET4610

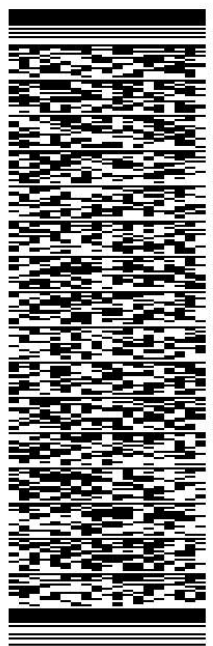
BILL SENDER

TO 17 MILE REA ESTATE LLC

69 HARRY STREET

CONSHOHOCKEN PA 19428

REF: (866) 662-3557  
INV/ PO: DEPT:

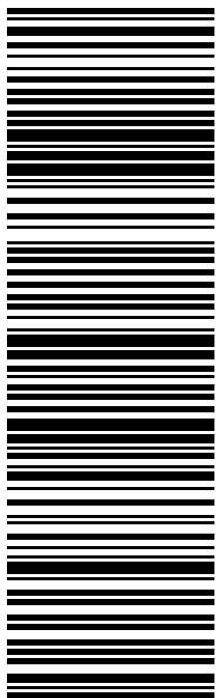


TRK# 0201 7719 3808 9531

TUE - 25 APR 10:30A  
PRIORITY OVERNIGHT

EE KPDA

PA-US 19428  
PHL



583J3/78CF/FE2D

**After printing this label:**

1. Use the 'Print' button on this page to print your label to your laser or inkjet printer.
2. Fold the printed page along the horizontal line.
3. Place label in shipping pouch and affix it to your shipment so that the barcode portion of the label can be read and scanned.

**Warning:** Use only the printed original label for shipping. Using a photocopy of this label for shipping purposes is fraudulent and could result in additional billing charges, along with the cancellation of your FedEx account number. Use of this system constitutes your agreement to the service conditions in the current FedEx Service Guide, available on [fedex.com](http://fedex.com). FedEx will not be responsible for any claim in excess of \$100 per package, whether the result of loss, damage, delay, non-delivery, misdelivery, or misinformation, unless you declare a higher value, pay an additional charge, document your actual loss and file a timely claim. Limitations found in the current FedEx Service Guide apply. Your right to recover from FedEx for any loss, including intrinsic value of the package, loss of sales, income interest, profit, attorney's fees, costs, and other forms of damage whether direct, incidental, consequential, or special is limited to the greater of \$100 or the authorized declared value. Recovery cannot exceed actual documented loss. Maximum for items of extraordinary value is \$1,000, e.g. jewelry, precious metals, negotiable instruments and other items listed in our Service Guide. Written claims must be filed within strict time limits, see current FedEx Service Guide.



May 02, 2023

Dear Customer,

The following is the proof-of-delivery for tracking number: 771938089531

---

**Delivery Information:**

---

<b>Status:</b>	Delivered	<b>Delivered To:</b>	Residence
<b>Signed for by:</b>	Signature not required	<b>Delivery Location:</b>	
<b>Service type:</b>	FedEx Priority Overnight		
<b>Special Handling:</b>	Deliver Weekday; Residential Delivery		CONSHOHOCKEN, PA,
		<b>Delivery date:</b>	May 1, 2023 10:49

---

**Shipping Information:**

---

<b>Tracking number:</b>	771938089531	<b>Ship Date:</b>	Apr 28, 2023
		<b>Weight:</b>	2.0 LB/0.91 KG
<b>Recipient:</b>		<b>Shipper:</b>	
CONSHOHOCKEN, PA, US,		ROCKVILLE, MD, US,	

Proof-of-delivery details appear below; however, no signature is available for this FedEx Express shipment because a signature was not required.

ORIGIN ID:GAMA (301) 266-0258  
CATHERINE CONKLIN  
GENERAL DYNAMICS  
4603 KEMPER STREET  
ROCKVILLE, MD 20853  
UNITED STATES US

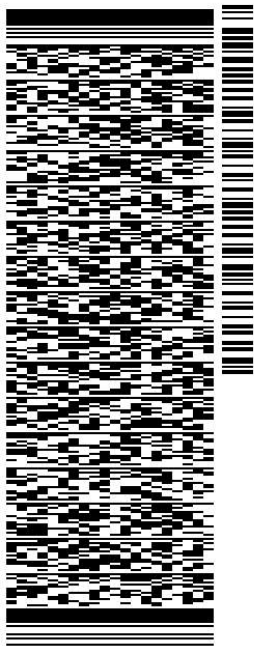
SHIP DATE: 24APR23  
ACTWGT: 2.00 LB  
CAD: 105486753/IN/ET4610

BILL SENDER

TO JENNIFER LINDO, ZEO  
TOWN OF BOZRAH  
1 RIVER ROAD

BOZRAH CT 06334

REF: (860) 889-2689 X40206  
INV/ PO: DEPT:



J232023040501uv

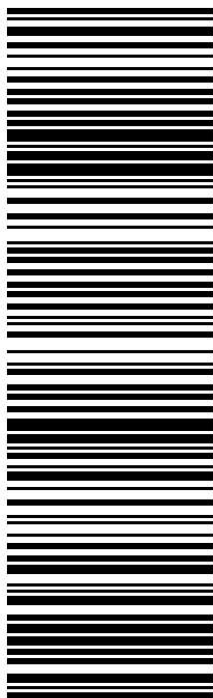
583J3/78CF/FE2D

TRK# 0201 7719 3805 5246

TUE - 25 APR 10:30A  
PRIORITY OVERNIGHT

EB SKKA

06334  
CT-US BDL



**After printing this label:**

1. Use the 'Print' button on this page to print your label to your laser or inkjet printer.
2. Fold the printed page along the horizontal line.
3. Place label in shipping pouch and affix it to your shipment so that the barcode portion of the label can be read and scanned.

**Warning:** Use only the printed original label for shipping. Using a photocopy of this label for shipping purposes is fraudulent and could result in additional billing charges, along with the cancellation of your FedEx account number. Use of this system constitutes your agreement to the service conditions in the current FedEx Service Guide, available on [fedex.com](http://fedex.com). FedEx will not be responsible for any claim in excess of \$100 per package, whether the result of loss, damage, delay, non-delivery, misdelivery, or misinformation, unless you declare a higher value, pay an additional charge, document your actual loss and file a timely claim. Limitations found in the current FedEx Service Guide apply. Your right to recover from FedEx for any loss, including intrinsic value of the package, loss of sales, income interest, profit, attorney's fees, costs, and other forms of damage whether direct, incidental, consequential, or special is limited to the greater of \$100 or the authorized declared value. Recovery cannot exceed actual documented loss. Maximum for items of extraordinary value is \$1,000, e.g. jewelry, precious metals, negotiable instruments and other items listed in our Service Guide. Written claims must be filed within strict time limits, see current FedEx Service Guide.



May 02, 2023

Dear Customer,

The following is the proof-of-delivery for tracking number: 771938055246

---

**Delivery Information:**

---

<b>Status:</b>	Delivered	<b>Delivered To:</b>	Receptionist/Front Desk
<b>Signed for by:</b>	S.VERVERAS	<b>Delivery Location:</b>	
<b>Service type:</b>	FedEx Priority Overnight		
<b>Special Handling:</b>	Deliver Weekday		BOZRAH, CT,
		<b>Delivery date:</b>	May 1, 2023 09:26

---

**Shipping Information:**

---

<b>Tracking number:</b>	771938055246	<b>Ship Date:</b>	Apr 28, 2023
		<b>Weight:</b>	2.0 LB/0.91 KG
<b>Recipient:</b>		<b>Shipper:</b>	
BOZRAH, CT, US,		ROCKVILLE, MD, US,	

Signature image is available. In order to view image and detailed information, the shipper or payor account number of the shipment must be provided.

ORIGIN ID:GAMA (301) 266-0258  
CATHERINE CONKLIN  
GENERAL DYNAMICS  
4603 KEMPER STREET

ROCKVILLE, MD 20853  
UNITED STATES US

SHIP DATE: 24APR23  
ACTWGT: 2.00 LB  
CAD: 105486753/NET4610

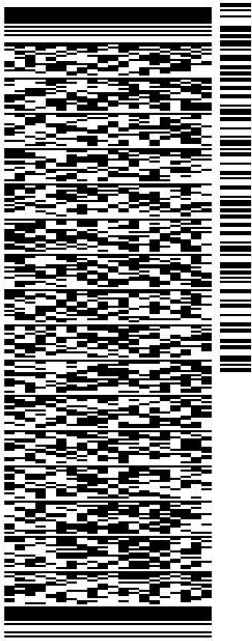
BILL SENDER

TO **GLENN PIANKA, FIRST SELECTMAN**  
**TOWN OF BOZRAH**  
**1 RIVER ROAD**

**BOZRAH CT 06334**

REF: (860) 889-2689  
INV/ PO: DEPT:

583J3/78CF/FE2D



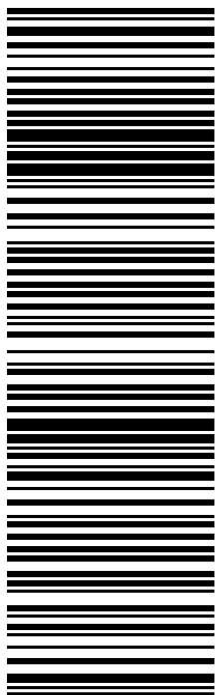
J232023040501uv

TRK# 0201  
**7719 3802 3273**

**TUE - 25 APR 10:30A**  
**PRIORITY OVERNIGHT**

**EB SKKA**

**06334**  
CT-US **BDL**



**After printing this label:**

1. Use the 'Print' button on this page to print your label to your laser or inkjet printer.
2. Fold the printed page along the horizontal line.
3. Place label in shipping pouch and affix it to your shipment so that the barcode portion of the label can be read and scanned.

**Warning:** Use only the printed original label for shipping. Using a photocopy of this label for shipping purposes is fraudulent and could result in additional billing charges, along with the cancellation of your FedEx account number. Use of this system constitutes your agreement to the service conditions in the current FedEx Service Guide, available on [fedex.com](http://fedex.com). FedEx will not be responsible for any claim in excess of \$100 per package, whether the result of loss, damage, delay, non-delivery, misdelivery, or misinformation, unless you declare a higher value, pay an additional charge, document your actual loss and file a timely claim. Limitations found in the current FedEx Service Guide apply. Your right to recover from FedEx for any loss, including intrinsic value of the package, loss of sales, income interest, profit, attorney's fees, costs, and other forms of damage whether direct, incidental, consequential, or special is limited to the greater of \$100 or the authorized declared value. Recovery cannot exceed actual documented loss. Maximum for items of extraordinary value is \$1,000, e.g. jewelry, precious metals, negotiable instruments and other items listed in our Service Guide. Written claims must be filed within strict time limits, see current FedEx Service Guide.



May 02, 2023

Dear Customer,

The following is the proof-of-delivery for tracking number: 771938023273

---

**Delivery Information:**

---

<b>Status:</b>	Delivered	<b>Delivered To:</b>	Receptionist/Front Desk
<b>Signed for by:</b>	S.VERVERAS	<b>Delivery Location:</b>	
<b>Service type:</b>	FedEx Priority Overnight		
<b>Special Handling:</b>	Deliver Weekday		BOZRAH, CT,
		<b>Delivery date:</b>	May 1, 2023 09:26

---

**Shipping Information:**

---

<b>Tracking number:</b>	771938023273	<b>Ship Date:</b>	Apr 28, 2023
		<b>Weight:</b>	2.0 LB/0.91 KG
<b>Recipient:</b>		<b>Shipper:</b>	
BOZRAH, CT, US,		ROCKVILLE, MD, US,	

Signature image is available. In order to view image and detailed information, the shipper or payor account number of the shipment must be provided.