

STATE OF CONNECTICUT

CONNECTICUT SITING COUNCIL

Ten Franklin Square, New Britain, CT 06051

Phone: (860) 827-2935 Fax: (860) 827-2950

E-Mail: siting.council@ct.gov

Internet: ct.gov/csc

Daniel F. Caruso
Chairman

February 3, 2009

Steven L. Levine
Real Estate Consultant
New Cingular Wireless PCS, LLC
500 Enterprise Drive
Rocky Hill, CT 06067-3900

RE: **EM-CING-012-081209** - New Cingular Wireless PCS, LLC notice of intent to modify an existing telecommunications facility located at 130 Vernon Road, Bolton, Connecticut.

Dear Mr. Levine:

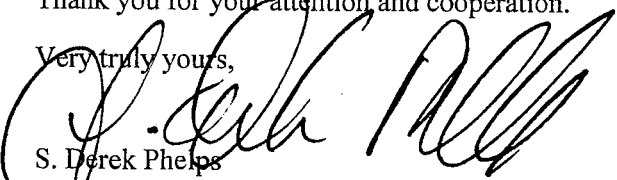
The Connecticut Siting Council (Council) hereby acknowledges your notice to modify this existing telecommunications facility, pursuant to Section 16-50j-73 of the Regulations of Connecticut State Agencies.

The proposed modifications are to be implemented as specified here and in your notice dated December 9, 2008, including the placement of all necessary equipment and shelters within the tower compound. The modifications are in compliance with the exception criteria in Section 16-50j-72 (b) of the Regulations of Connecticut State Agencies as changes to an existing facility site that would not increase tower height, extend the boundaries of the tower site, increase noise levels at the tower site boundary by six decibels, and increase the total radio frequencies electromagnetic radiation power density measured at the tower site boundary to or above the standard adopted by the State Department of Environmental Protection pursuant to General Statutes § 22a-162. This facility has also been carefully modeled to ensure that radio frequency emissions are conservatively below State and federal standards applicable to the frequencies now used on this tower.

This decision is under the exclusive jurisdiction of the Council. Please be advised that the validity of this action shall expire one year from the date of this letter. Any additional change to this facility will require explicit notice to this agency pursuant to Regulations of Connecticut State Agencies Section 16-50j-73. Such notice shall include all relevant information regarding the proposed change with cumulative worst-case modeling of radio frequency exposure at the closest point of uncontrolled access to the tower base, consistent with Federal Communications Commission, Office of Engineering and Technology, Bulletin 65. Any deviation from this format may result in the Council implementing enforcement proceedings pursuant to General Statutes § 16-50u including, without limitation, imposition of expenses resulting from such failure and of civil penalties in an amount not less than one thousand dollars per day for each day of construction or operation in material violation.

Thank you for your attention and cooperation.

Very truly yours,


S. Derek Phelps
Executive Director

SDP/MP/laf

c: The Honorable Bruno S. Simonetti, First Selectman, Town of Bolton
James Rupert, Zoning Enforcement Officer, Town of Bolton
Mountaintop Enterprises



STATE OF CONNECTICUT

CONNECTICUT SITING COUNCIL

Ten Franklin Square, New Britain, CT 06051

Phone: (860) 827-2935 Fax: (860) 827-2950

E-Mail: siting.council@ct.gov

www.ct.gov/csc

December 12, 2008

The Honorable Bruno S. Simonetti
First Selectman
Town of Bolton
222 Bolton Center Road
Bolton, CT 06043

RE: **EM-CING-012-081209** - New Cingular Wireless PCS, LLC notice of intent to modify an existing telecommunications facility located at 130 Vernon Road, Bolton, Connecticut.

Dear Mr. Simonetti:

The Connecticut Siting Council (Council) received this request to modify an existing telecommunications facility, pursuant to Regulations of Connecticut State Agencies Section 16-50j-72.

If you have any questions or comments regarding this proposal, please call me or inform the Council by December 26, 2008.

Thank you for your cooperation and consideration.

Very truly yours,

S. Derek Phelps
Executive Director

SDP/jb

Enclosure: Notice of Intent

c: Bob Grillo, Zoning Enforcement Officer, Town of Bolton



New Cingular Wireless PCS, LLC
500 Enterprise Drive
Rocky Hill, Connecticut 06067-3900
Phone: (860) 513-7636
Fax: (860) 513-7190

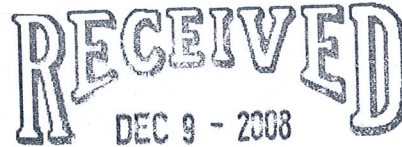
EM-CING-012-081209

Steven L. Levine
Real Estate Consultant

HAND DELIVERED

December 9, 2008

ORIGINAL



CONNECTICUT
SITING COUNCIL

Honorable Daniel F. Caruso, Chairman,
and Members of the Connecticut Siting Council
Connecticut Siting Council
10 Franklin Square
New Britain, Connecticut 06051

Re: New Cingular Wireless PCS, LLC notice of intent to modify an existing tele-communications facility located at 130 Vernon Road, Bolton (owner, Mountaintop Enterprises)

Dear Chairman Caruso and Members of the Council:

In order to accommodate technological changes, implement Uniform Mobile Telecommunications System ("UMTS") capability, and enhance system performance in the State of Connecticut, New Cingular Wireless PCS, LLC ("AT&T") plans to modify the equipment configurations at many of its existing cell sites. Please accept this letter and attachments as notification, pursuant to R.C.S.A. Section 16-50j-73, of construction which constitutes an exempt modification pursuant to R.C.S.A. Section 16-50j-72(b)(2). In compliance with R.C.S.A. Section 16-50j-73, a copy of this letter and attachments is being sent to the chief elected official of the municipality in which the affected cell site is located.

UMTS technology offers services to mobile computer and phone users anywhere in the world. Based on the Global System for Mobile (GSM) communication standard, UMTS is the planned worldwide standard for mobile users. UMTS, fully implemented, gives computer and phone users high-speed access to the Internet as they travel. They have the same capabilities even when they roam, through both terrestrial wireless and satellite transmissions.

Attached is a summary of the planned modifications, including power density calculations reflecting the change in AT&T's operations at the site. Also included is documentation of the structural sufficiency of the tower to accommodate the revised antenna configuration.

The changes to the facility do not constitute modifications as defined in Connecticut General Statutes ("C.G.S.") Section 16-50i(d) because the general physical characteristics of the facility will not be significantly changed or altered. Rather, the planned changes to the facility fall

squarely within those activities explicitly provided for in R.C.S.A. Section 16-50j-72(b)(2).

1. The height of the overall structure will be unaffected. Modifications to the existing site include all or some of the following as necessary to bring the site into conformance with the plan:

- Replacement of existing panel antennas with new antennas or, installation of additional antennas of a size required to accommodate UMTS.
- Installation of small tower mount amplifiers ("TMA's") and/or diplexers to the platform on which the panel antennas are mounted to enhance signal reception.
- Installation of additional or larger coaxial cables as required.
- Installation of an additional equipment cabinet in existing shelters, or on existing or enlarged concrete pads.
- Radome enlargement for flagpole and "stick" structures to accommodate larger antennas and additional associated equipment.

None of these modifications will extend the height of the tower.

2. The proposed changes will not extend the site boundaries. There will be no effect on the site compound other than some enlarged equipment pads as may be noted in the attachments.

3. The proposed changes will not increase the noise level at the existing facility by six decibels or more.

4. Radio frequency power density may increase due to use of one or more GSM channel for UMTS transmissions. However, the changes will not increase the calculated "worst case" power density for the combined operations at the site to a level at or above the applicable standard for uncontrolled environments as calculated for a mixed frequency site.

For the foregoing reasons, New Cingular Wireless respectfully submits that the proposed changes at the referenced site constitute exempt modifications under R.C.S.A. Section 16-50j-72(b)(2).

Please feel free to call me at (860) 513-7636 with questions concerning this matter. Thank you for your consideration.

Sincerely,



Steven L. Levine
Real Estate Consultant

Attachments

**NEW CINGULAR WIRELESS
Equipment Modification**

130 Vernon Road, Bolton
Site Number 1069
Exempt Modifications approved 7/91 and 10/02

Tower Owner/Manager: Mountaintop Enterprises

Equipment Configuration: Guyed Lattice Tower

Current and/or Approved: Nine CSS DUO-1417-8686 panel antennas @ 165 ft AGL
Six TMA's and three diplexers @ 165 ft
Nine runs 7/8 inch coax cable
Equipment Shelter

Planned Modifications: Remove all existing antennas, TMA's, diplexers, and coax
Install six Powerwave 7770 antennas (or equivalent) @ 165 ft
Install six TMA's and six diplexers @ 165 ft
Install twelve lines 1 5/8 inch coax

Power Density:

Worst-case calculations for existing wireless operations at the site indicate a radio frequency electromagnetic radiation power density, measured at ground level beside the tower, of approximately 52.1 % of the standard adopted by the FCC. As depicted in the second table below, the total radio frequency electromagnetic radiation power density following proposed modifications would be approximately 50.9 % of the standard.

Existing

Company	Centerline Ht (feet)	Frequency (MHz)	Number of Channels	Power Per Channel (Watts)	Power Density (mW/cm ²)	Standard Limits (mW/cm ²)	Percent of Limit
Other Users *							46.03
AT&T TDMA *	165	880 - 894	16	100	0.0211	0.5867	3.60
AT&T GSM *	165	1900 Band	2	427	0.0113	1.0000	1.13
AT&T GSM *	165	880 - 894	2	296	0.0078	0.5867	1.33
Total							52.1%

* Per CSC records

Proposed

Company	Centerline Ht (feet)	Frequency (MHz)	Number of Channels	Power Per Channel (Watts)	Power Density (mW/cm ²)	Standard Limits (mW/cm ²)	Percent of Limit
Other Users *							46.03
AT&T UMIS	165	880 - 894	1	500	0.0066	0.5867	1.13
AT&T GSM	165	1900 Band	2	427	0.0113	1.0000	1.13
AT&T GSM	165	880 - 894	4	296	0.0156	0.5867	2.67
Total							50.9%

* Per CSC records

Structural information:

The attached structural analysis demonstrates that the tower has adequate structural capacity to accommodate the proposed equipment modifications. (GPD Associates, 12/5/08)



New Cingular Wireless PCS, LLC
500 Enterprise Drive
Rocky Hill, Connecticut 06067-3900
Phone: (860) 513-7636
Fax: (860) 513-7190

Steven L. Levine
Real Estate Consultant

December 9, 2008

Bruno S. Simonetti, 1st Selectman
Town of Bolton
Town Hall 222 Bolton Center Rd.
Bolton, CT 06043

Re: Telecommunications Facility – 130 Vernon Road

Dear Mr. Simonetti:

In order to accommodate technological changes, implement Uniform Mobile Telecommunications System (“UMTS”) capability, and enhance system performance in the State of Connecticut, New Cingular Wireless PCS, LLC (“AT&T”) will be changing its equipment configuration at certain cell sites.

As required by Regulations of Connecticut State Agencies (“R.C.S.A.”) Section 16-50j-73, the Connecticut Siting Council has been notified of the changes and will review AT&T’s proposal. Please accept this letter as notification under Section 16-50j-73 of construction which constitutes an exempt modification pursuant to R.C.S.A. Section 16-50j-72(b)(2).

The accompanying letter to the Siting Council fully describes AT&T’s proposal for the referenced cell site. However, if you have any questions or require any further information on our plans or the Siting Council’s procedures, please call me at (860) 513-7636 or Mr. Derek Phelps, Executive Director, Connecticut Siting Council at (860) 827-2935.

Sincerely,

Steven L. Levine
Real Estate Consultant

Enclosure



Derek Creaser
 Hudson Design Group, LLC
 600 Osgood Street, Building 20 North, Suite 2-101
 North Andover, MA 01845
 (617) 306-3034



GPD ASSOCIATES
 Keir Joy
 520 South Main St., Suite 2531
 Akron, Ohio 44311
 (330) 572-2184
kjoy@gpdgroup.com

GPD# 2008147.24
 December 5, 2008

STRUCTURAL ANALYSIS REPORT

HDG DESIGNATION: Site Name: Bolton
 Site Number: CT1069

AT&T DESIGNATION: Site USID: 59361-A
 Site Name: Bolton-130 Vernon Rd.

ANALYSIS CRITERIA: Codes: TIA/EIA-222-F & 2003 IBC
 85-mph with 0" ice
 73.6-mph with 1/2" ice

SITE DATA: 130 Vernon Rd., Bolton, CT , 06043 Tolland County
 Latitude 41° 48' 9.3"N, Longitude 72° 26' 28.3"W
 280' Guyed Tower

Mr. Creaser,

GPD is pleased to submit this Structural Analysis Report to determine the structural integrity of the aforementioned tower. The purpose of the analysis is to determine the suitability of the tower with the addition of the following proposed loading configuration:

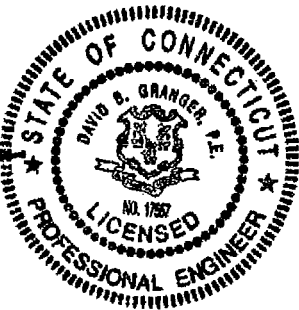
- Elev. 165'
- (6) Powerwave 7770.00 Antennas on an existing 12' T-Frame w/ (12) 1-5/8" coax.
 - (6) Powerwave LGP 21401 Tower Mounted Amplifiers mounted behind antennas on the same mount.
 - (6) Powerwave LGP 21901 Diplexers mounted behind antennas on the same mount.
 - (6) Powerwave 7020 RCU mounted below antennas on the same mount.

Based on our analysis we have determined the design of the tower is sufficient for the proposed, existing, and reserved loadings as referenced in Appendix A. However, the foundations could not be verified with the information provided.

We at GPD appreciate the opportunity of providing our continuing professional services to you and AT&T. If you have any questions please do not hesitate to call.

Respectfully submitted,

David B. Granger, P.E.
 Connecticut #: 17557



SUMMARY & RESULTS

The purpose of this analysis was to verify whether the existing structure is capable of carrying the proposed loading configuration as specified by AT&T to Hudson Design Group. This report was commissioned by Mr. Derek Creaser of Hudson Design Group.

No foundation information was available for this report. Therefore, the capacity of the existing foundation could not be verified. A foundation investigation and geotechnical report are required to verify the capacity of the existing foundation.

TOWER SUMMARY AND RESULTS

Member	Capacity	Results
Legs	78.6%	Pass
Diagonals	68.5%	Pass
Horizontals	10.9%	Pass
Guy Wires	87.9%	Pass
Torque Arms	18.6%	Pass
Guy Anchors	N/A	Not Verified
Foundation	N/A	Not Verified

ANALYSIS METHOD

RISA Tower (Version 5.3.0.1), a commercially available software program, was used to create a three-dimensional model of the tower and calculate primary member stresses for various dead, live, wind, and ice load cases. Selected output from the analysis is included in Appendix B. The following table details the information provided to complete this structural analysis. This analysis is solely based on this information and is being provided without the benefit of a site visit.

DOCUMENTS PROVIDED

Document	Remarks	Source
Previous Analysis	URS Corp., Project #: 36930618, dated 1/27/05	D. Creaser
AT&T Proposed Loading	CT1069_01, Dated 10/7/08	D. Creaser

ASSUMPTIONS

This structural analysis is based on the theoretical capacity of the members and is not a condition assessment of the monopole. This analysis is from information supplied, and therefore, its results are based on and are as accurate as that supplied data. GPD has made no independent determination, nor is it required to, of its accuracy. The following assumptions were made for this structural analysis.

1. The tower member sizes and shape are considered accurate as supplied. The material grade is as per data supplied and/or as assumed and as stated in the materials section.
2. The antenna configuration is as supplied and/or as modeled in the analysis. It is assumed to be complete and accurate. All antennas, mounts, coax and waveguides are assumed to be properly installed and supported as per manufacturer requirements
3. Some assumptions are made regarding antennas and mount sizes and their projected areas based on best interpretation of data supplied and of best knowledge of antenna type and industry practice.
4. All mounts, if applicable, are considered adequate to support the loading. No actual analysis of the mount(s) is performed. This analysis is limited to analyzing the tower only.
5. The soil parameters are as per data supplied or as assumed and stated in the calculations. If no data is available, the foundation system is not verified.
6. The tower and structures have been properly maintained in accordance with TIA Standards and/or with manufacturer's specifications.
7. All welds and connections are assumed to develop at least the member capacity, unless determined otherwise and explicitly stated in this report.
8. All tower mounted amplifiers are assumed to be mounted behind the antennas.
9. All existing loading was taken from a previous structural analysis by URS Corp., Project #: 36930618, dated 1/27/05, and proposed loading was obtained from the supplied RF configuration data sheet.
10. The locations of the coax are assumed from photos to be stacked and to be located on all three faces. If the coax layout differs in the field, contact the engineer immediately. See Appendix C for the coax layout.

If any of these assumptions are not valid or have been made in error, this analysis may be affected, and GPD Associates should be allowed to review any new information to determine its effect on the structural integrity of the tower.

DISCLAIMER OF WARRANTIES

GPD ASSOCIATES has not performed a site visit to the tower to verify the member sizes or antenna/coax loading. If the existing conditions are not as represented on the tower elevation contained in this report, we should be contacted immediately to evaluate the significance of the discrepancy. This is not a condition assessment of the tower or foundation. This report does not replace a full tower inspection. The tower and foundations are assumed to have been properly fabricated, erected, maintained, in good condition, twist free, and plumb.

The engineering services rendered by GPD ASSOCIATES in connection with this Structural Analysis are limited to a computer analysis of the tower structure and theoretical capacity of its main structural members. All tower components have been assumed to only resist dead loads when no other loads are applied. No allowance was made for any damaged, bent, missing, loose, or rusted members (above and below ground). No allowance was made for loose bolts or cracked welds.

GPD ASSOCIATES does not analyze the fabrication of the structure (including welding). It is not possible to have all the very detailed information needed to perform a thorough analysis of every structural sub-component and connection of an existing tower. GPD ASSOCIATES provides a limited scope of service in that we cannot verify the adequacy of every weld, plate connection detail, etc. The purpose of this report is to assess the feasibility of adding appurtenances usually accompanied by transmission lines to the structure.

It is the owner's responsibility to determine the amount of ice accumulation, if any, that should be considered in the structural analysis.

The attached sketches are a schematic representation of the analyzed tower. If any material is fabricated from these sketches, the contractor shall be responsible for field verifying the existing conditions, proper fit, and clearance in the field. Any mentions of structural modifications are reasonable estimates and should not be used as a precise construction document. Precise modification drawings are obtainable from GPD ASSOCIATES, but are beyond the scope of this report.

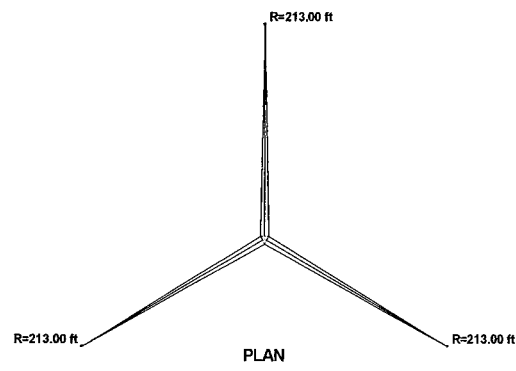
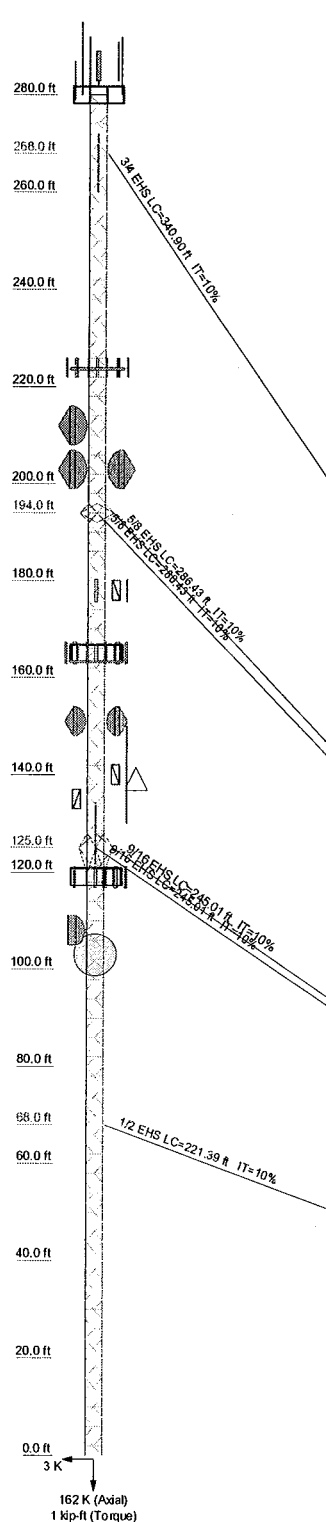
Miscellaneous items such as antenna mounts, etc., have not been designed or detailed as a part of our work. We recommend that material of adequate size and strength be purchased from a reputable tower manufacturer.

GPD ASSOCIATES makes no warranties, expressed and/or implied, in connection with this report and disclaims any liability arising from material, fabrication, and erection of this tower. GPD ASSOCIATES will not be responsible whatsoever for, or on account of, consequential or incidental damages sustained by any person, firm, or organization as a result of any data or conclusions contained in this report. The maximum liability of GPD ASSOCIATES pursuant to this report will be limited to the total fee received for preparation of this report.

APPENDIX A

Tower Analysis Summary Form

Section	T1	T2	T3	T4	T5	T6	T7	T8	T9	T10	T11	T12	T13	T14
Legs	SR 2													
Diagonals	A572-50													
Diagonal Grade	L3 1/2x3x1/4													
Top Girts	SR 7/8													
Sec. Horizontals	A36													
Top Guy Pull-Offs	L2 1/2x3/16													
Bot Guy Pull-Offs	L4x4x3/8													
Face Width (ft)	L4x4x3/8													
# Panels @ (ft)	4													
Weight (K)	70 @ 4													



DESIGNED APPURTENANCE LOADING

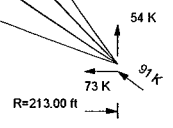
TYPE	ELEVATION	TYPE	ELEVATION
15' Omni	287.5	(2) 7770.00	165
8' Omni	287	(2) LGP21401	165
10' Omni	287	(2) LGP21401	165
12' Omni	286	(2) LGP21401	165
2-bay FM Antenna	286	(2) LGP21901	165
6 Whip	285	(2) LGP21901	165
8' Omni	283	(2) LGP21901	165
PIROD 12' Platform w/ handrails	280	(2) 7020 RET	165
12' Omni	266	(2) 7020 RET	165
Z'-0" - STANDOFF	266	(2) 7020 RET	165
ASP-3711	255	PIROD 12' T-Frame (GPD)	165
Z'-0" - STANDOFF	255	PIROD 12' T-Frame (GPD)	165
(3) DB844H90E-XY w/Mount Pipe	224	PIROD 12' T-Frame (GPD)	165
(3) DB844H90E-XY w/Mount Pipe	224	6 FT DISH	151
(3) DB844H90E-XY w/Mount Pipe	224	6 FT DISH	151
PIROD 10' Lightweight T-Frame (GPD)	224	PL6-59D	151
PIROD 10' Lightweight T-Frame (GPD)	224	20' Omni	140
PIROD 10' Lightweight T-Frame (GPD)	224	Pirod 6' Side Mount Standoff (1)	140
PIROD 10' Lightweight T-Frame (GPD)	224	Pirod 6' Side Mount Standoff (1)	135
8 FT DISH	212	ASP-3711	135
8 FT DISH	203	Z'-0" - STANDOFF	128
8 FT DISH	203	DB809T3-Y	128
Pirod 6' Side Mount Standoff (1)	178	(2) DB948F85T2E-M	119
RR90-17-00DP w/Mount Pipe	178	(3) 7120.16.33.00	119
Pirod 6' Side Mount Standoff (1)	178	(2) DB948F85T2E-M	119
RR90-17-00DP w/Mount Pipe	178	PIROD 12' T-Frame (GPD)	119
(2) 7770.00	165	PIROD 12' T-Frame (GPD)	119
(2) 7770.00	165	HP6-107	108
		10 FT DISH	103

MATERIAL STRENGTH

GRADE	Fy	Fu	GRADE	Fy	Fu
A572-50	50 ksi	65 ksi	A36	36 ksi	58 ksi

TOWER DESIGN NOTES

1. Tower is located in Tolland County, Connecticut.
2. Tower designed for a 85 mph basic wind in accordance with the TIA/EIA-222-F Standard.
3. Tower is also designed for a 74 mph basic wind with 0.50 in ice.
4. Deflections are based upon a 60 mph wind.
5. TOWER RATING: 87.9%



<p>GPD Associates 520 South Main St. Akron, OH 44310 Phone: (330) 572-2100 FAX: (330) 572-2102</p>	<p>Job: Bolton 1069</p>
	<p>Project: 2008147.24</p>
	<p>Client: Hudson Design Group Drawn by: kjoy App'd:</p>
	<p>Code: TIA/EIA-222-F Date: 12/05/08 Scale: NTS</p>
<p>Path: G:\Telecom\200814724\1RISA Model\Bolton.er</p>	<p>Dwg No: E-1</p>