



56 Prospect Street
P.O. Box 270
Hartford, CT 06141-0270

Deborah Denfeld
Team Lead – Transmission Siting
(860) 728-4654

February 28, 2024

Melanie Bachman, Esq.
Executive Director
Connecticut Siting Council
Ten Franklin Square
New Britain, CT 06051

RE: The Connecticut Light and Power Company's Notice of Exempt Modification Pursuant to RCSA § 16-50j-57(b) to Existing Energy Facility Site at 180 Cold Spring Road, Beacon Falls, Connecticut ("Notice of Exempt Modification")

Dear Attorney Bachman:

The Connecticut Light and Power Company dba Eversource Energy ("Eversource") hereby gives notice to the Connecticut Siting Council of its intent to undertake an exempt modification in accordance with Section 16-50j-57(b) of the Regulations of Connecticut State Agencies ("RCSA") for the modification to Eversource's Beacon Falls Substation described herein.

Proposed Modification

The proposed modification would take place within the existing fenced area at Eversource's Beacon Falls ("Substation"), located on Eversource-owned property at 180 Cold Spring Road, Beacon Falls. The Substation currently consists of two 46.7-megavolt ampere ("MVA"), bulk transformers that supply eight (8) 13.8-kilovolt ("kV") distribution lines.

Eversource proposes the following modifications to the Substation:

- Set up a temporary Circuit Switcher 98MX Mobile Transformer 77MX at the south side of the Substation within the fenced area (which temporary equipment will be removed upon completion of the transformer replacements).
- Remove the two existing 46.7-MVA, bulk 115- to 13.8-kV transformers (each 31.75 feet long, 18.2 feet wide, and 21.7 feet tall), circuit switches and their foundations.
- Install new foundations to accommodate the new equipment in the same location as the previous equipment and install relay/control cables.
- Install new 62.5-MVA, bulk 115- to 13.8-kV transformers (31.75 feet long, 18.2 feet wide, and 21.7 feet tall).

- Remove the existing 10 feet wide 32 feet long office trailer.
- Replace the existing 115-kV disconnect switches, i.e., 1X1-4 and 2X1-4, with new combination circuit switchers.
- Replace existing Transformers' electromechanical protection relays with new microprocessor-based relaying connected to the Mobile Transformer to support construction work during outages when existing transformers are taken out of service one after the other.

The existing Substation arrangement and the proposed modification is shown on Attachment A – Beacon Falls Substation – General Arrangement Plan and Sections (REV AV Removals and REV AV Additions).

The proposed modification will not have a substantial adverse environmental effect or cause a significant adverse change or alteration in the physical or environmental characteristics of the Substation because:

- The modification would be made within the Substation's existing fenced area and would not impair the structural integrity of the facility.
- The new equipment would be shorter than the tallest existing structure within the Substation and would not cause any significant adverse change in the physical or environmental characteristics of the Substation.
- The work would not affect wetlands or waterways. The Substation is not in a flood zone.
- Eversource's review of the Department of Energy and Environmental Protection's Natural Diversity Data Base ("NDDB") identified no state-listed endangered, threatened, or special concern species in the vicinity of the Substation.
- There would be no increase in television or radio interference resulting from the modification.
- Sound pressure levels at all points along the property line would continue to meet state regulations while using the temporary transformer and following completion of the modification.
- Electric and magnetic field levels at the Substation boundary would not change as a result of the modification.

Eversource proposes to commence construction in April 2024. Work is scheduled to be completed in April 2025.

Eversource is submitting this filing electronically and will be providing an original and two hard copies for the Council's records. Eversource is including a check for the requisite fee of \$625.00.

A notice of the exempt modification filing has been provided to the Beacon Falls Town Clerk, Len Greene . lgreene@beaconfallsct.org. and First Selectmen Gerry Smith gsmith@beaconfallsct.org.

Please do not hesitate to contact me if you have any questions regarding this Notice of Exempt Modification submittal.

By:  ___

Deborah Denfeld
Team Lead – Transmission Siting
deborah.denfeld@eversource.com

Cc – Leonard Green – Beacon Falls Town Clerk

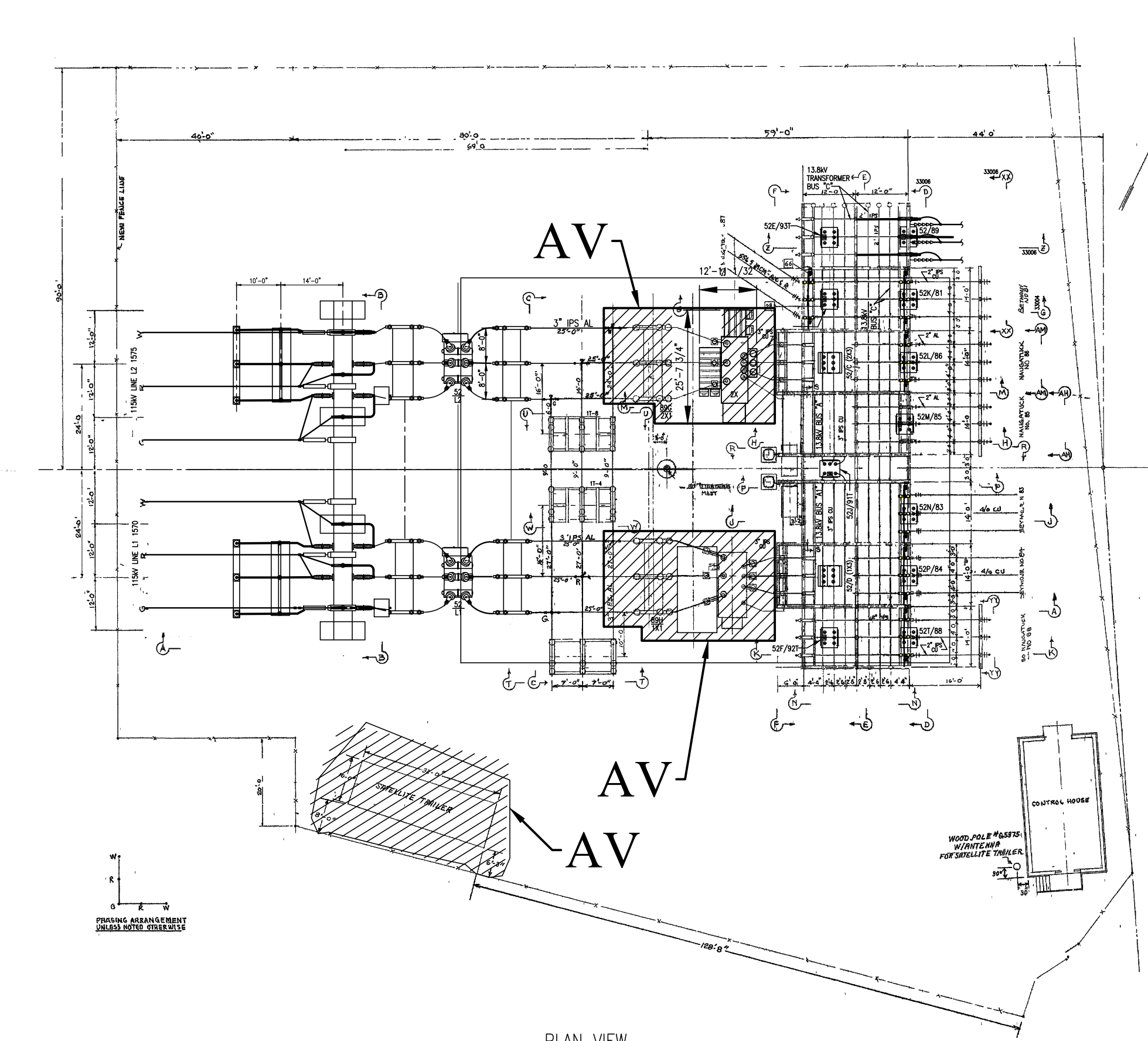
Attachment A – Beacon Falls Substation – General Arrangement – Plan and Sections
(REV AV Removals and REV AV Additions).

Attachment A

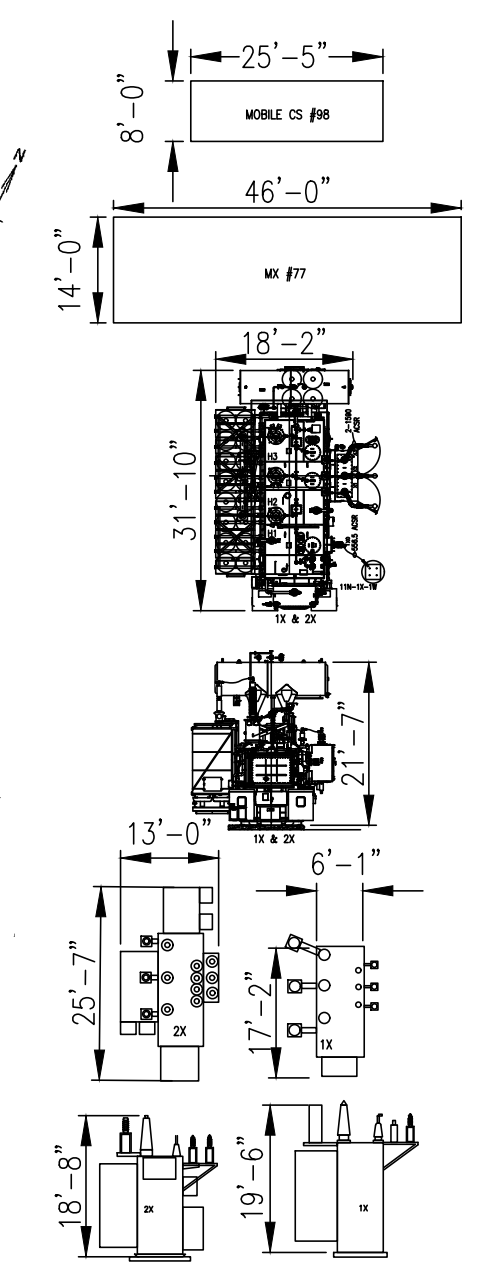
Beacon Falls Substation

General Arrangement - Plan and Sections
(REV AV Removals and REV AV Additions).

2/16/2024 7:55 AM - CHANGE - C:\Users\lcorbett\OneDrive - Eversource Energy\My Documents\Projects\BEACON FALLS\BEACON FALLS\REV AV\REV AV.dwg - REV AV.dwg
 11/14/2023 10:58 AM - CHANGE - C:\Users\lcorbett\OneDrive - Eversource Energy\My Documents\Projects\BEACON FALLS\BEACON FALLS\REV AV\REV AV.dwg - REV AV.dwg
 11/14/2023 10:58 AM - CHANGE - C:\Users\lcorbett\OneDrive - Eversource Energy\My Documents\Projects\BEACON FALLS\BEACON FALLS\REV AV\REV AV.dwg - REV AV.dwg

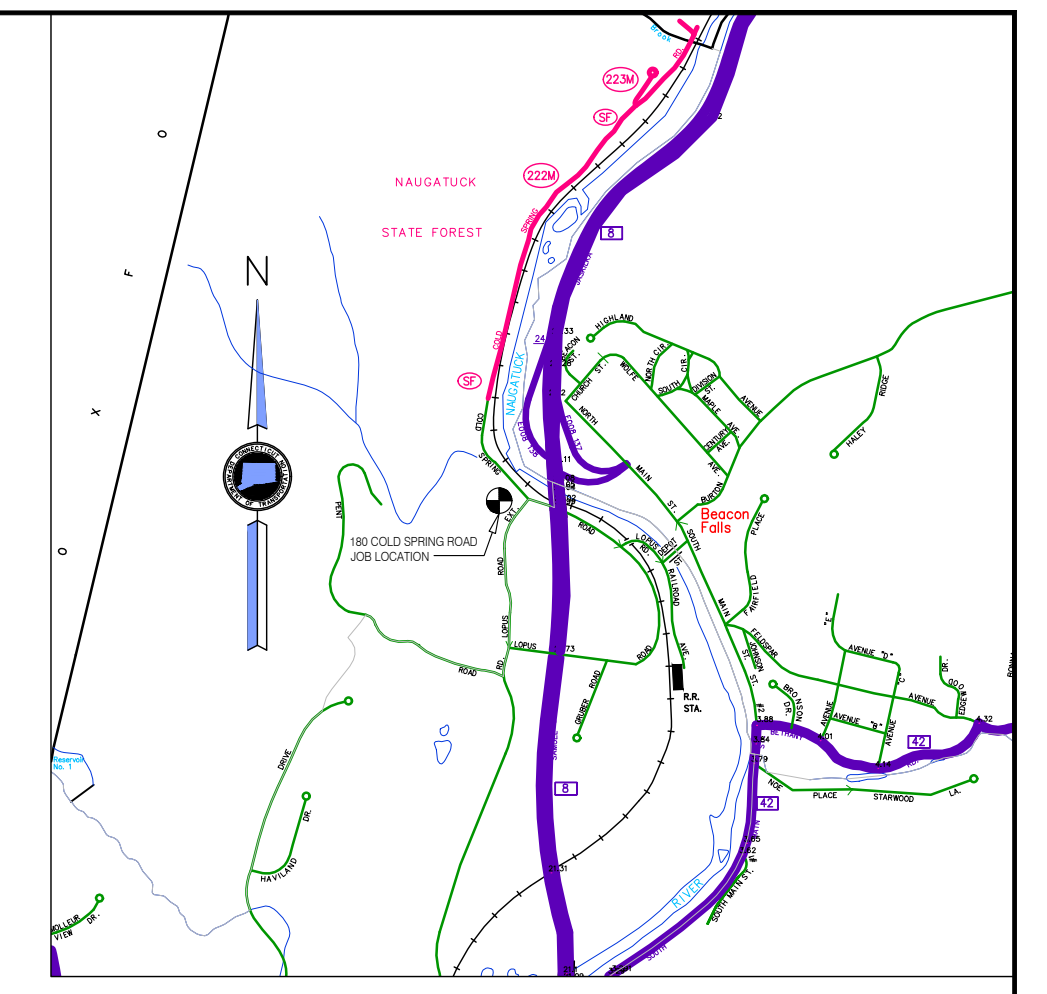


PLAN VIEW
SCALE: 1/16" = 1'-0"

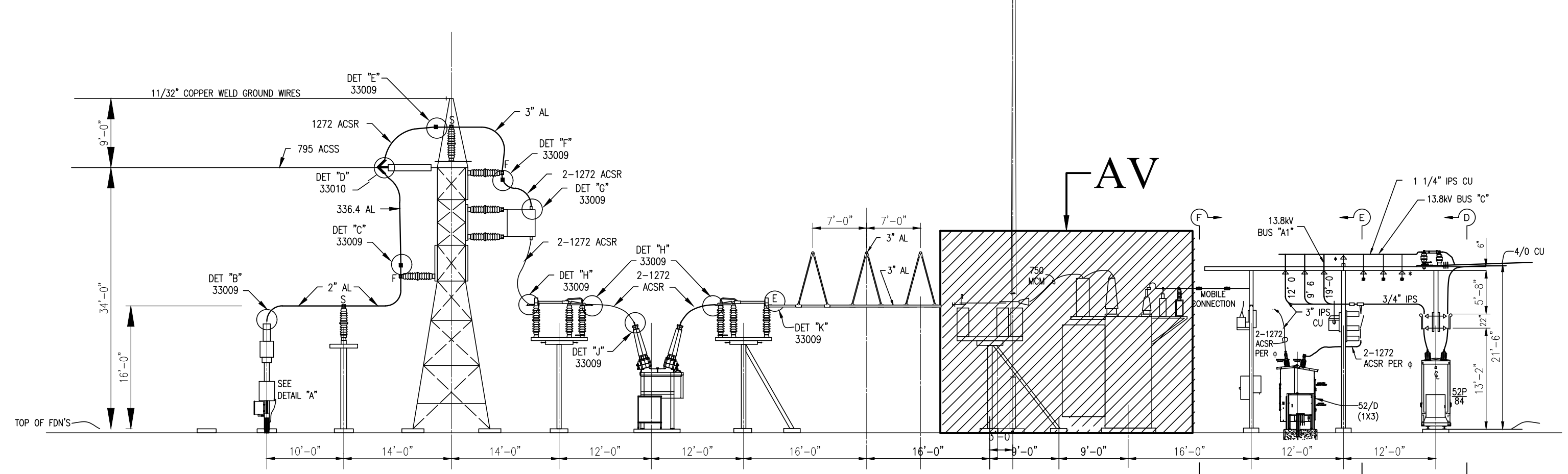


MOBILE CIRCUIT SWITCHER, MOBILE TRANSFORMER
EXISTING & REPLACEMENT TRANSFORMER 1X & 2X
TRANSFORMER DIMENSION

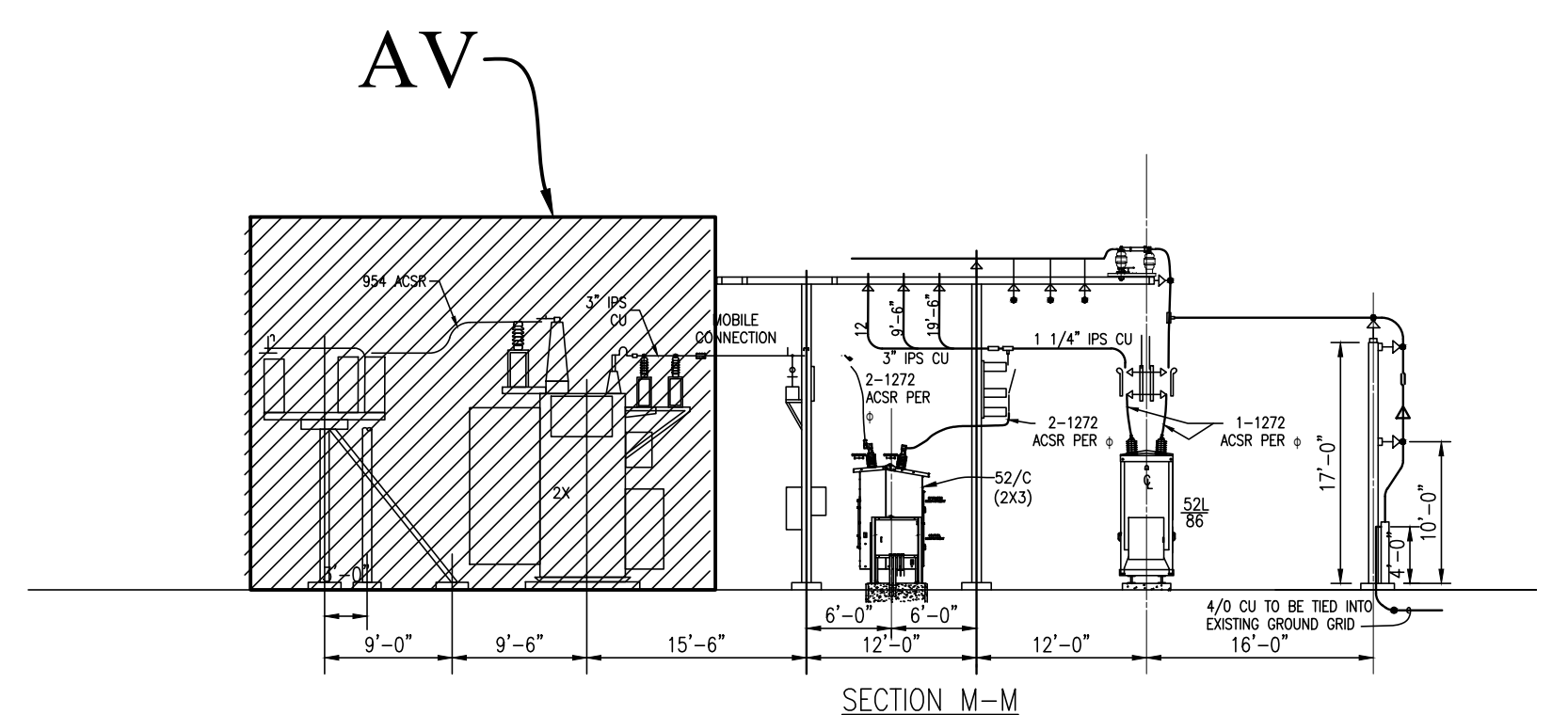
NOTES:
 1- FOR SECTIONS SEE DWG. 10601-92001-A
 2- DIMENSIONS IN SQUARE BRACKETS REFER TO ITEM IN ALL OF MATERIAL P. 3001
 3- DIMENSIONS IN CIRCLES REFER TO ITEM IN ALL OF MATERIAL P. 3001
 4- DIMENSIONS IN PARENTHESES REFER TO ITEM IN ALL OF MATERIAL P. 3001
 THIS DRAWING SUPERSEDES THE PLAN OF 10/20/23



LOCATION PLAN
SCALE - 1" = 100'



SECTION A-A
SCALE: 1/8" = 1'-0"



SECTION M-M
SCALE: 1/8" = 1'-0"

PROPOSED REMOVAL

PROPOSED ADDITION

REV AV REMOVALS

REVISIONS DURING CONSTRUCTION

NO.	DATE	AS BUILT REVISIONS	BY	CHK	APP

EVERSOURCE ENERGY

BEACON FALLS SUBSTATION
 GENERAL ARRANGEMENT - PLAN
 CONNECTICUT SITTING COUNCIL
 BEACON FALLS, CT

REV	NO.	DATE	BY	CHK	APP	PSN
1	9/27	9/27	9/27	9/27	9/27	9/27
2	AS NOTED					
3	AS NOTED					

10601-92001