

PROJECT SUMMARY

SCOPE OF WORK: ARX WIRELESS IS PROPOSING TO INSTALL THE FOLLOWING IMPROVEMENTS:
 115 FOOT TOWER AND FOUNDATION
 TOWER APPROXIMATELY 6500' FROM CLOSEST TOWN LINE
 50'x50' FENCED COMPOUND
 12' ACCESS DRIVE
 POWER AND TELCO UTILITIES
 AT&T EQUIPMENT CABINETS WITH GENERATOR ON 13'x8' CONCRETE PAD, SIX (6) AT&T ANTENNAS, AND TWELVE (12) RRHS WITH ASSOCIATED CABLING AND APPURTENANCES.

SITE ADDRESS: LOT N-4 SEQUIN DRIVE
 GLASTONBURY, CT 06033

LATITUDE: N41° 42' 51.27"
 LONGITUDE: W72° 34' 54.32"

PROPERTY OWNER: NEW LAND OF GLASTONBURY LLC
 734 HEBRON AVENUE
 GLASTONBURY, CT 06033

MAP/LOT/BLOCK: F5-6200-N0004

POWER COMPANY: EVERSOURCE

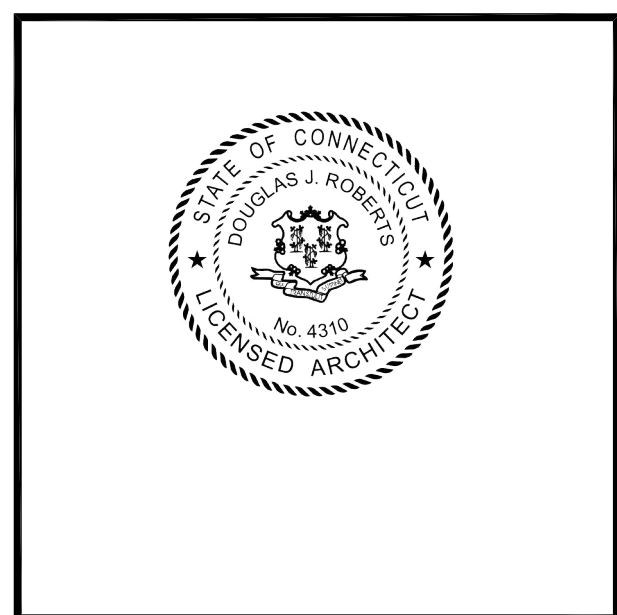
TELEPHONE COMPANY: FRONTIER COMMUNICATIONS

TOWER OWNER/APPLICANT: ARX WIRELESS INFRASTRUCTURE, LLC.
 KEITH COPPINS
 (203) 623-3287
 110 WASHINGTON AVENUE
 NORTH HAVEN, CT 06473



CONNECTICUT SITING COUNCIL DOCKET
SITE NUMBER: CT0114A
SITE NAME: GLASTONBURY

CONNECTICUT SITING COUNCIL DOCKET



CHECKED BY: DJR

APPROVED BY: DJR

DRAWING INDEX

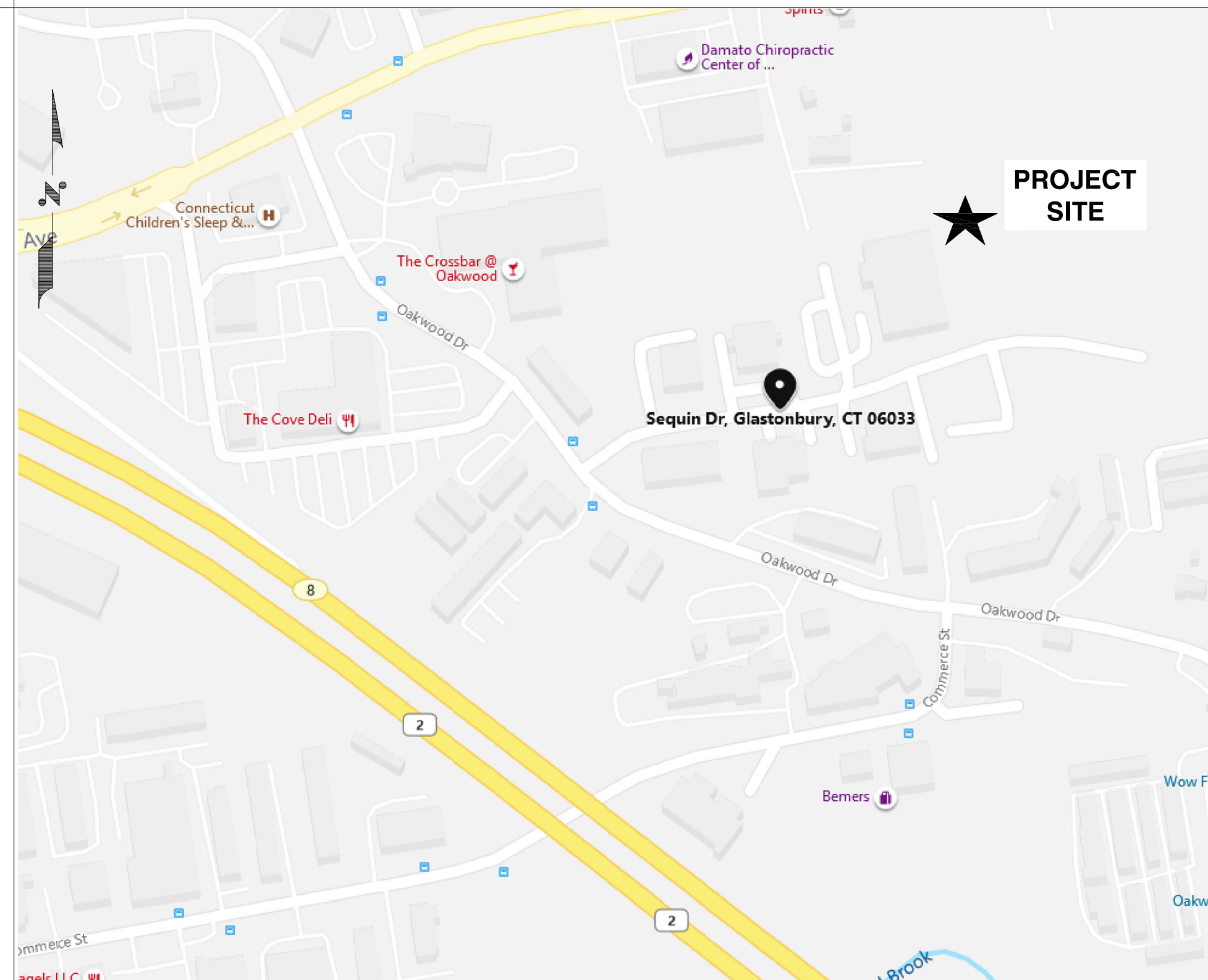
REV

VICINITY MAP

GENERAL NOTES

- T-1 TITLE SHEET
- SURVEY
- C-1 SITE PLAN
- C-2 COMPOUND PLAN AND ELEVATION
- C-3 SITE DETAILS

- 1
- 1
- 1
- 1



1. THIS DOCUMENT IS THE CREATION, DESIGN, PROPERTY AND COPYRIGHTED WORK OF ARX WIRELESS. ANY DUPLICATION OR USE WITHOUT EXPRESS WRITTEN CONSENT IS STRICTLY PROHIBITED. DUPLICATION AND USE BY GOVERNMENT AGENCIES FOR THE PURPOSES OF CONDUCTING THEIR LAWFULLY AUTHORIZED REGULATORY AND ADMINISTRATIVE FUNCTIONS IS SPECIFICALLY ALLOWED.
2. THE FACILITY IS AN UNMANNED PRIVATE AND SECURED EQUIPMENT INSTALLATION. IT IS ONLY ACCESSED BY TRAINED TECHNICIANS FOR PERIODIC ROUTINE MAINTENANCE AND THEREFORE DOES NOT REQUIRE ANY WATER OR SANITARY SEWER SERVICE. THE FACILITY IS NOT GOVERNED BY REGULATIONS REQUIRING PUBLIC ACCESS PER ADA REQUIREMENTS.

SUBMITTALS

REV.	DATE	DESCRIPTION	BY
0	08/05/2021	ISSUED FOR REVIEW	KAM

SITE NAME:

CT0114A
 GLASTONBURY

SITE ADDRESS:

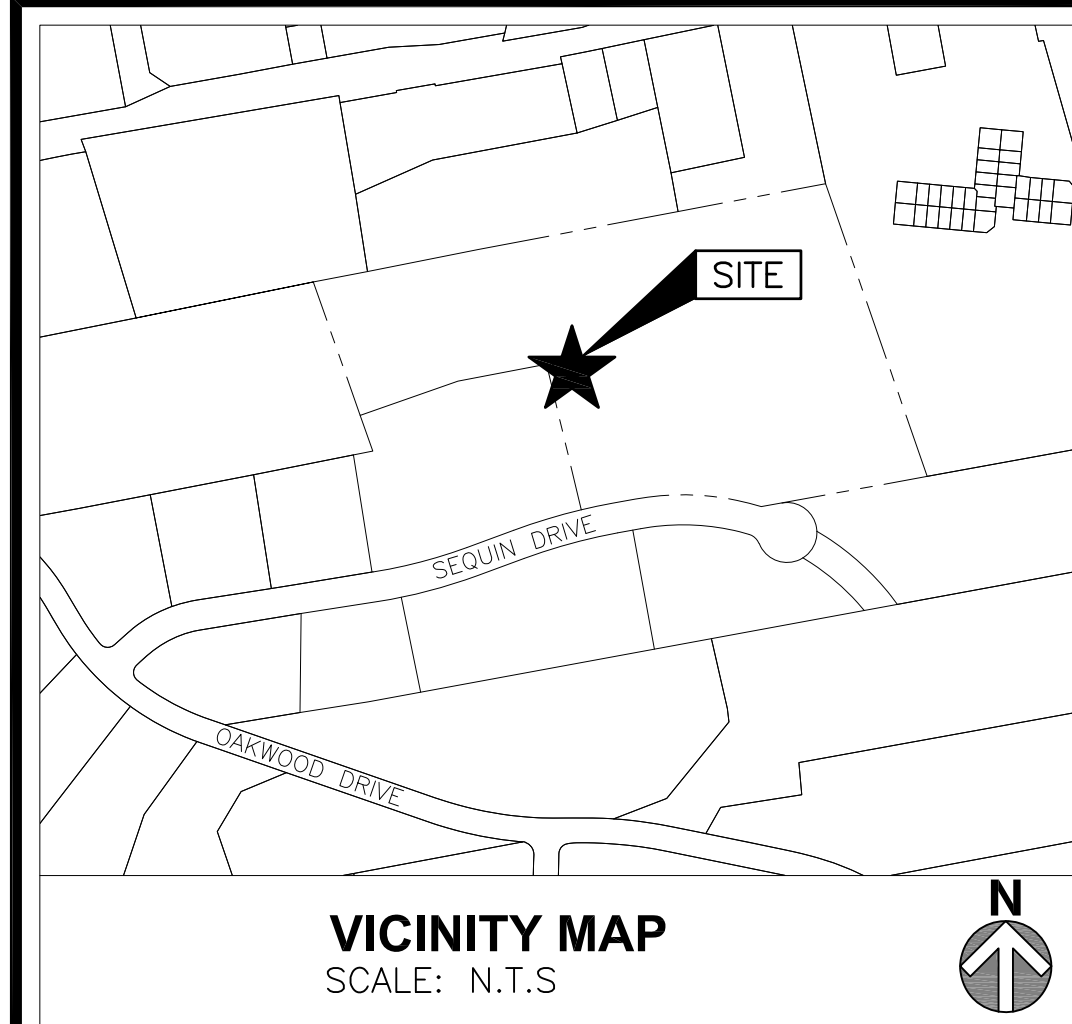
LOT N-4 SEQUIN DRIVE
 GLASTONBURY, CT 06033

SHEET TITLE

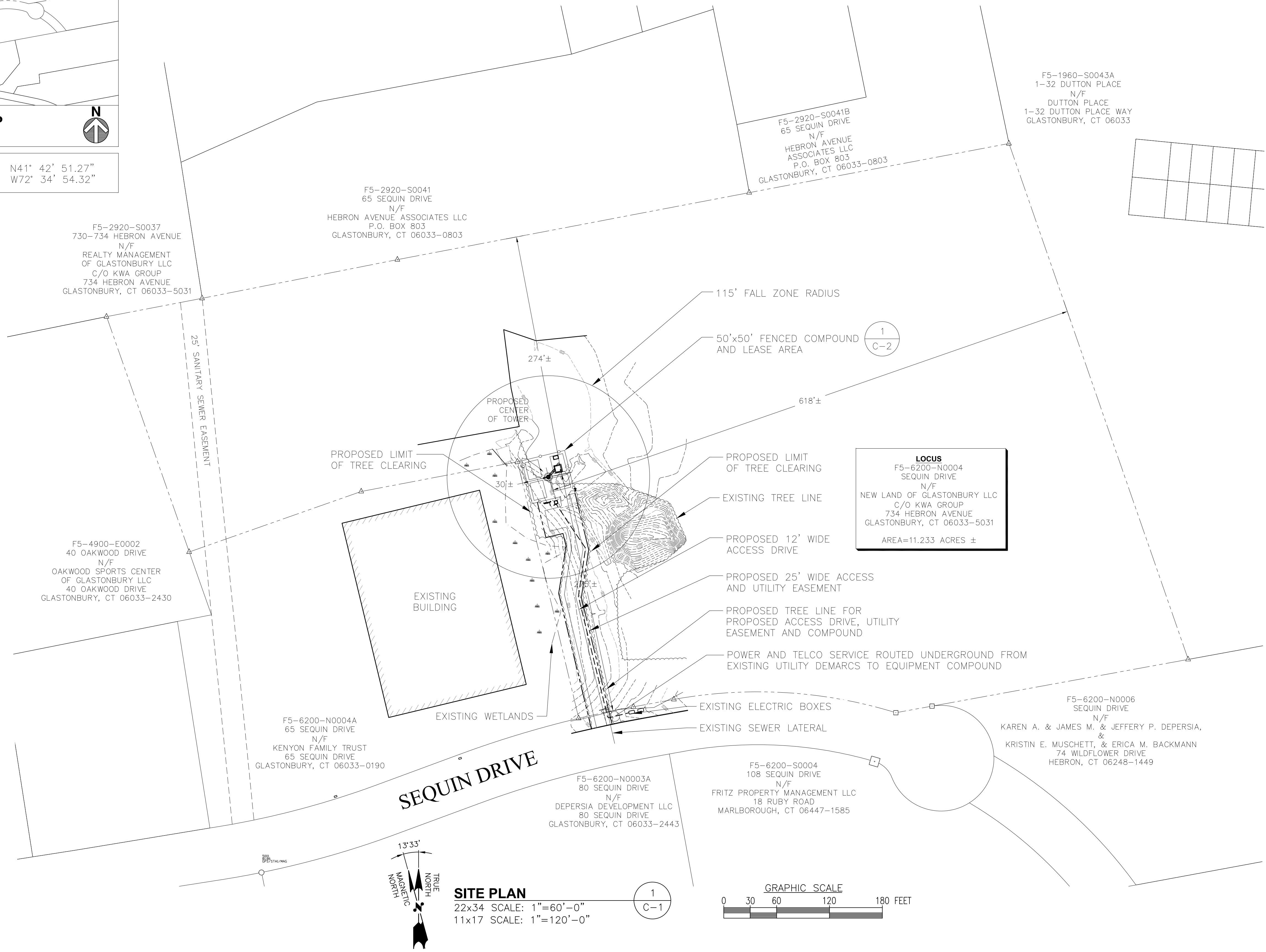
SITE PLAN

SHEET NUMBER

T-1



CENTER OF STRUCTURE LAT: N41° 42' 51.27"
COORDINATES: LONG: W72° 34' 54.32"



SITE PLAN
22x34 SCALE: 1"=60'-0"
11x17 SCALE: 1"=120'-0"

1
C-1

CONNECTICUT SITING COUNCIL DOCKET



AECOM
500 ENTERPRISE DRIVE
ROCKY HILL, CONNECTICUT
(860)-529-8882



CHECKED BY: DJR
APPROVED BY: DJR

SUBMITTALS

REV.	DATE	DESCRIPTION	BY
0	08/05/2021	ISSUED FOR REVIEW	KAM

SITE NAME:
CT0114A
GLASTONBURY

SITE ADDRESS:
LOT N-4 SEQUIN DRIVE
GLASTONBURY, CT 06033

SHEET TITLE
SITE PLAN

SHEET NUMBER
C-1



500 ENTERPRISE DRIVE
ROCKY HILL, CONNECTICUT
(860)-529-8882



CHECKED BY: DJR

APPROVED BY: DJR

SUBMITTALS

REV.	DATE	DESCRIPTION	BY
0	08/05/2021	ISSUED FOR REVIEW	KAM

SITE NAME:

CT0114A
GLASTONBURY

SITE ADDRESS:
LOT N-4 SEQUIN DRIVE
GLASTONBURY, CT 06033

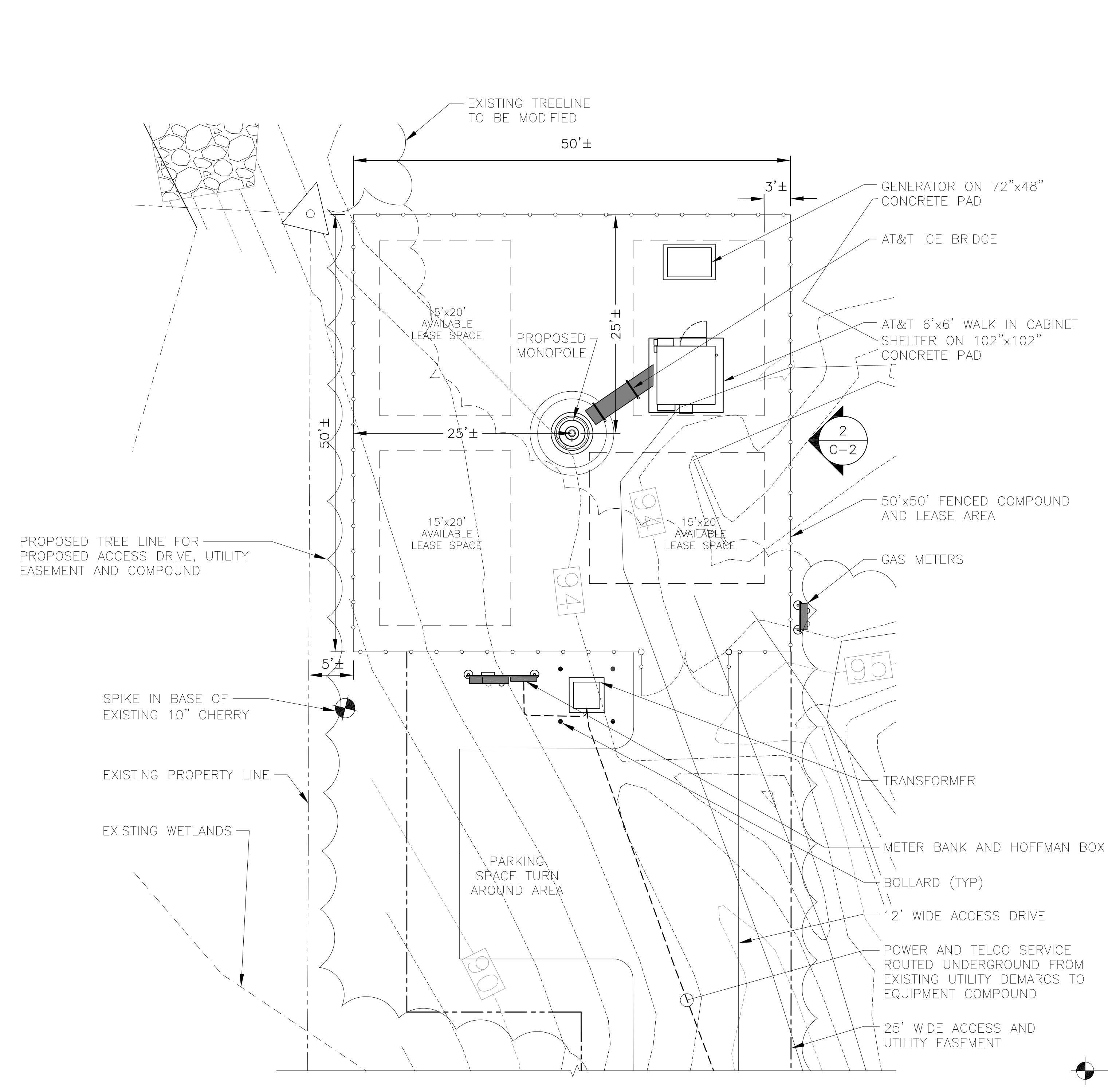
SHEET TITLE

COMPOUND PLAN
AND ELEVATION

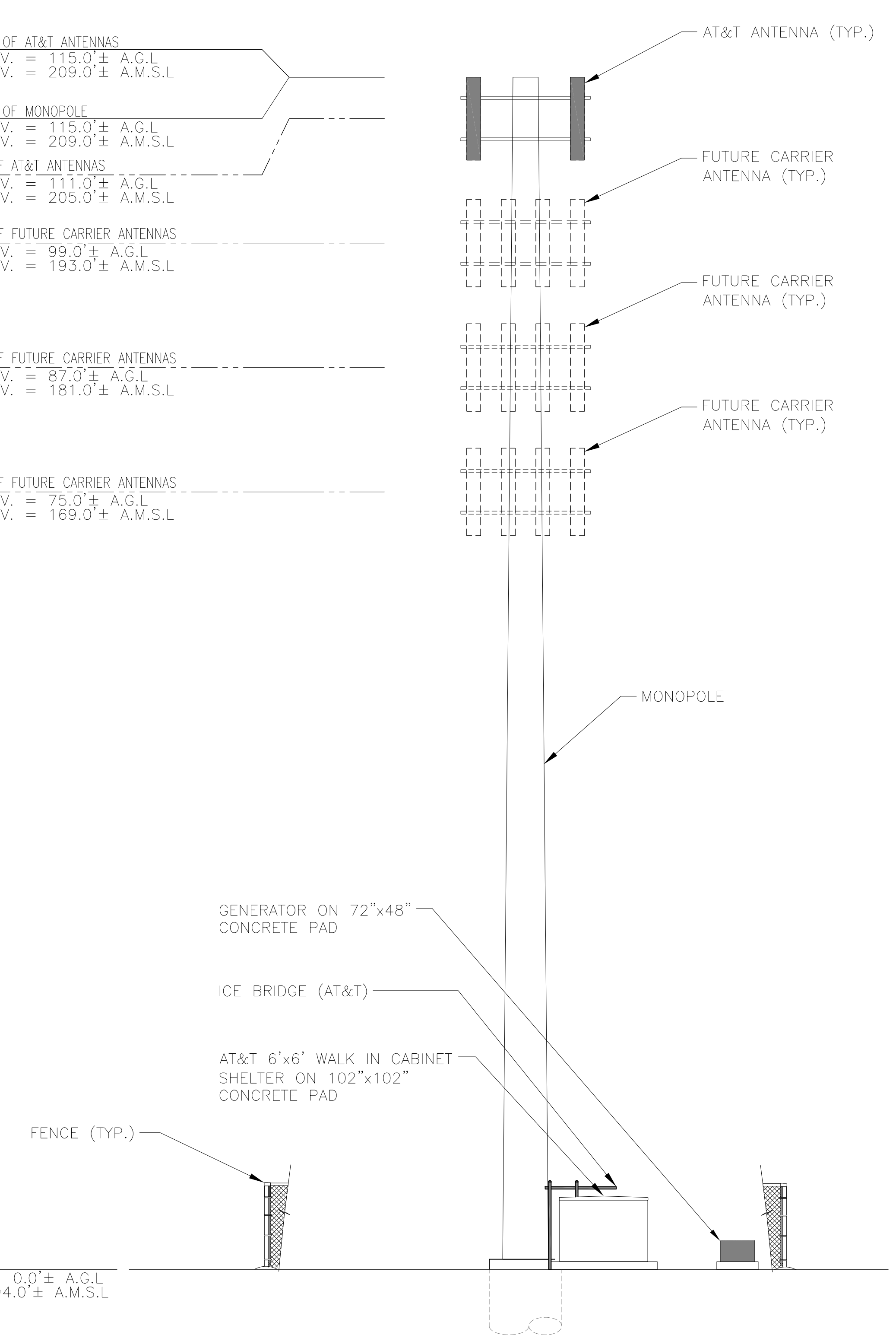
SHEET NUMBER

C-2

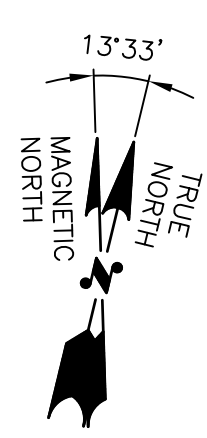
CONNECTICUT SITING COUNCIL DOCKET



- TOP OF AT&T ANTENNAS
ELEV. = 115.0'± A.G.L.
ELEV. = 209.0'± A.M.S.L.
- TOP OF MONOPOLE
ELEV. = 115.0'± A.G.L.
ELEV. = 209.0'± A.M.S.L.
- Q. OF AT&T ANTENNAS
ELEV. = 111.0'± A.G.L.
ELEV. = 205.0'± A.M.S.L.
- Q. OF FUTURE CARRIER ANTENNAS
ELEV. = 99.0'± A.G.L.
ELEV. = 193.0'± A.M.S.L.
- Q. OF FUTURE CARRIER ANTENNAS
ELEV. = 87.0'± A.G.L.
ELEV. = 181.0'± A.M.S.L.
- Q. OF FUTURE CARRIER ANTENNAS
ELEV. = 75.0'± A.G.L.
ELEV. = 169.0'± A.M.S.L.

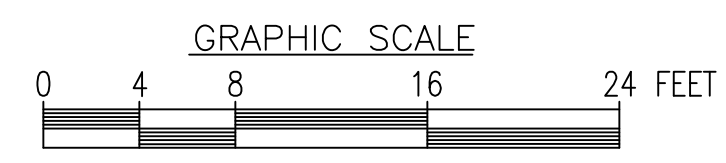


GRADE
ELEV. = 0.0'± A.G.L.
ELEV. = 94.0'± A.M.S.L.



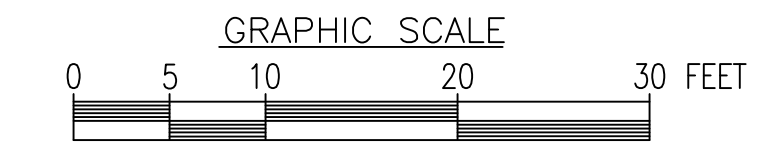
COMPOUND PLAN
22x34 SCALE: 1/8"=1'-0"
11x17 SCALE: 1/16"=1'-0"

1
C-2



EAST ELEVATION
22x34 SCALE: 1"=10'-0"
11x17 SCALE: 1"=20'-0"

2
C-2





CHECKED BY: DJR

APPROVED BY: DJR

SUBMITTALS

REV.	DATE	DESCRIPTION	BY
0	08/05/2021	ISSUED FOR REVIEW	KAM

SITE NAME:

CT0114A
GLASTONBURY

SITE ADDRESS:
LOT N-4 SEQUIN DRIVE
GLASTONBURY, CT 06033

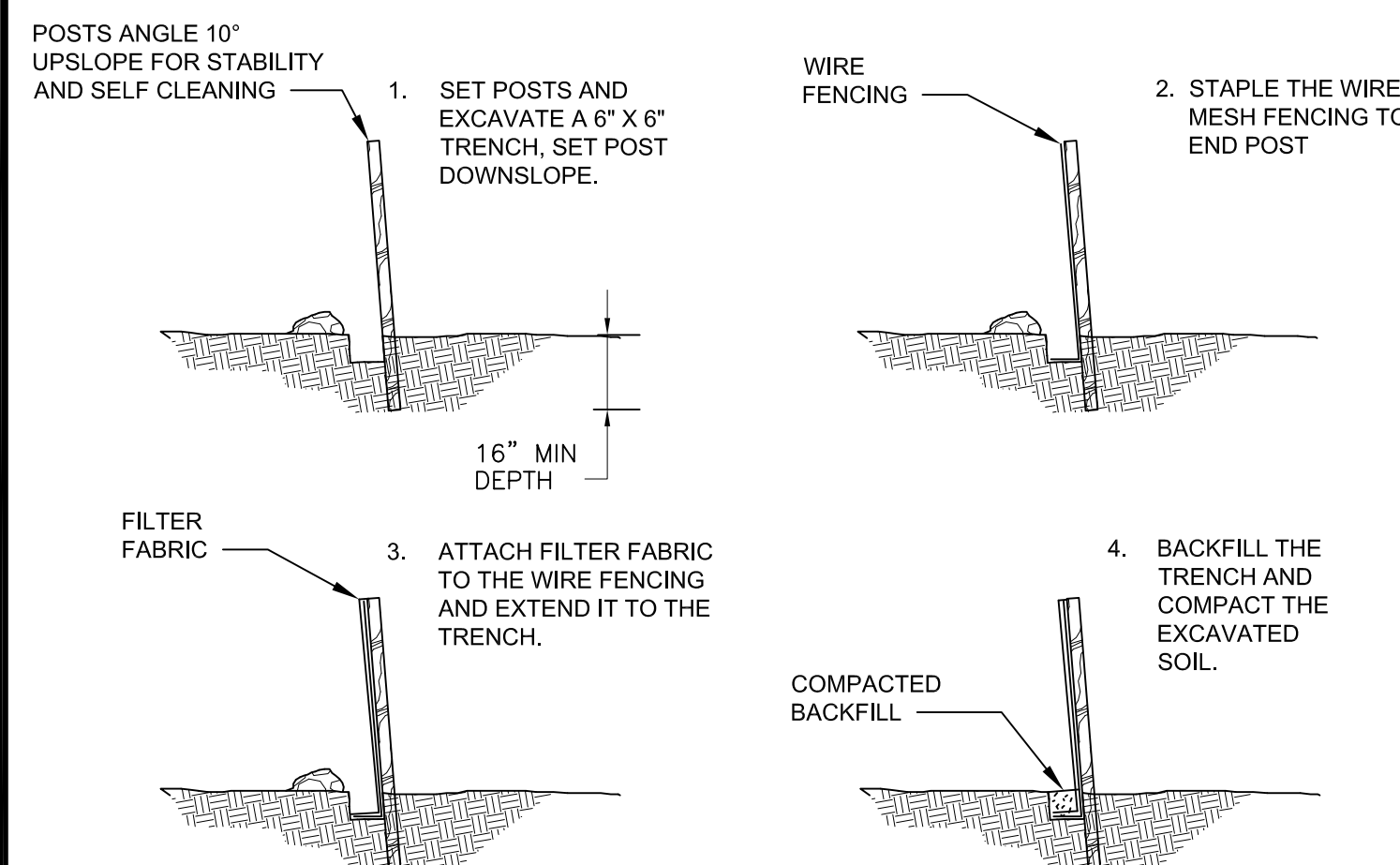
SHEET TITLE

SITE DETAILS

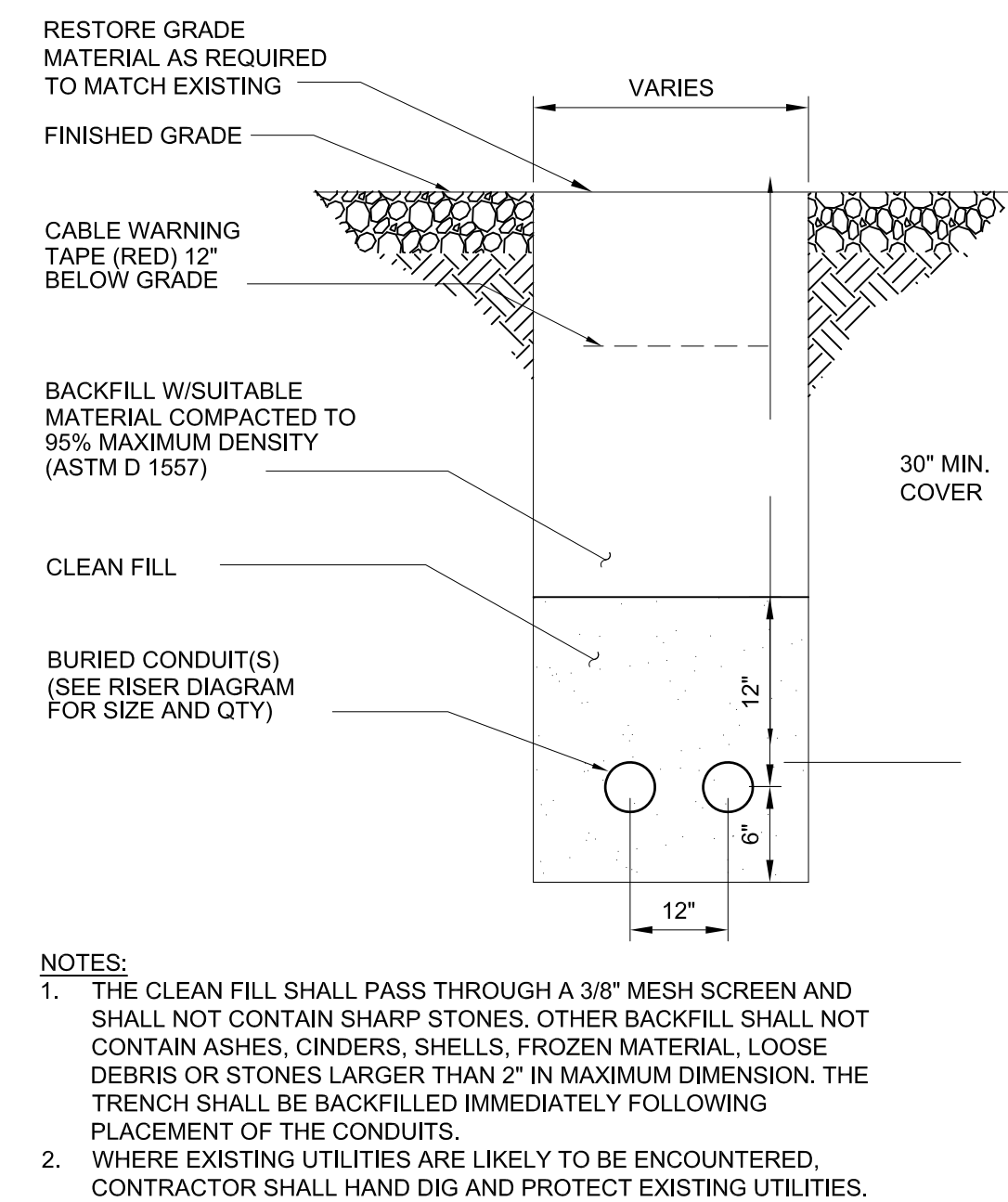
SHEET NUMBER

C-3

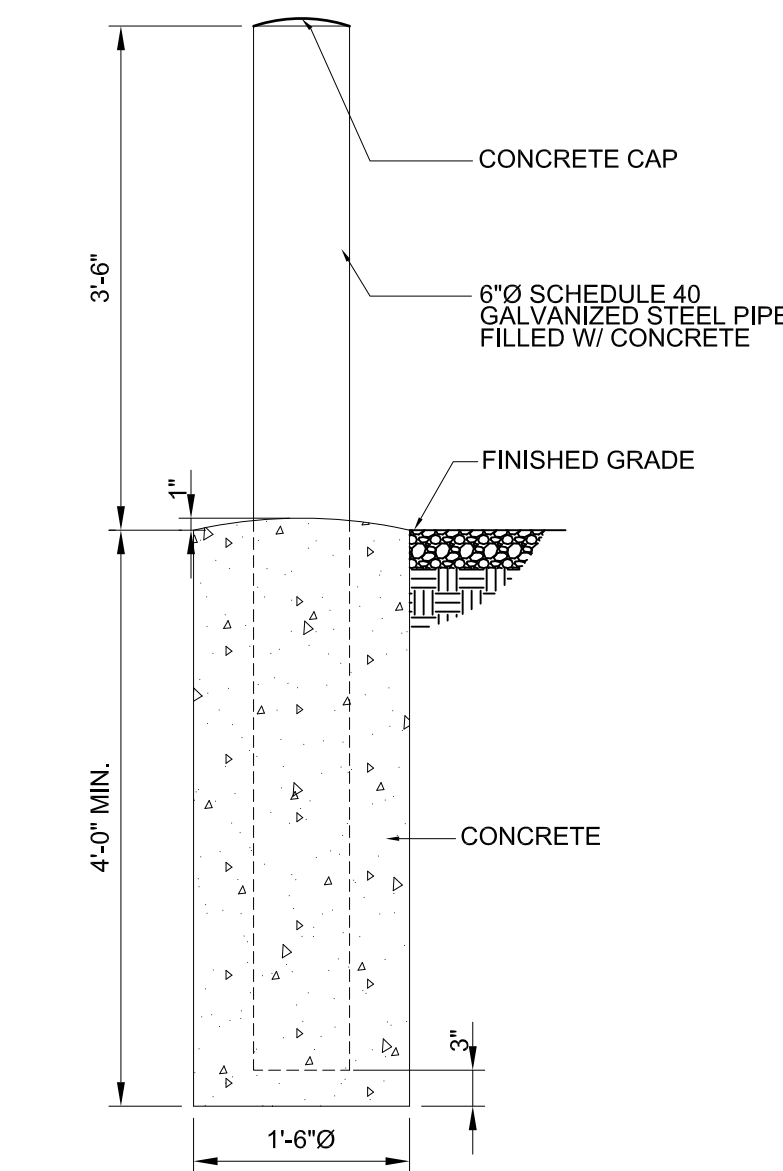
CONNECTICUT SITING COUNCIL DOCKET



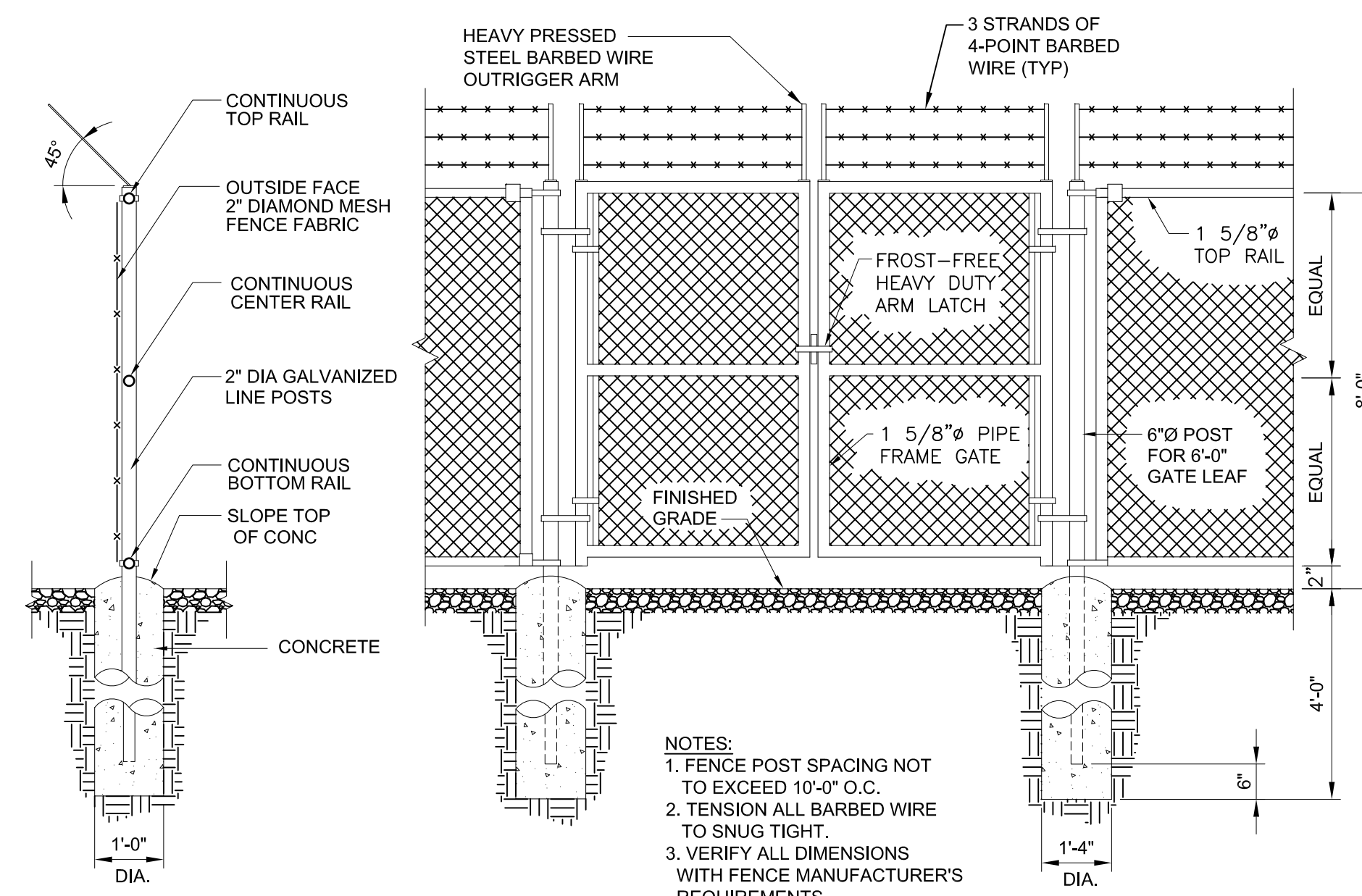
SEDIMENTATION CONTROL BARRIER 9
SCALE: N.T.S. C-3



UTILITY TRENCH 8
SCALE: N.T.S. C-3

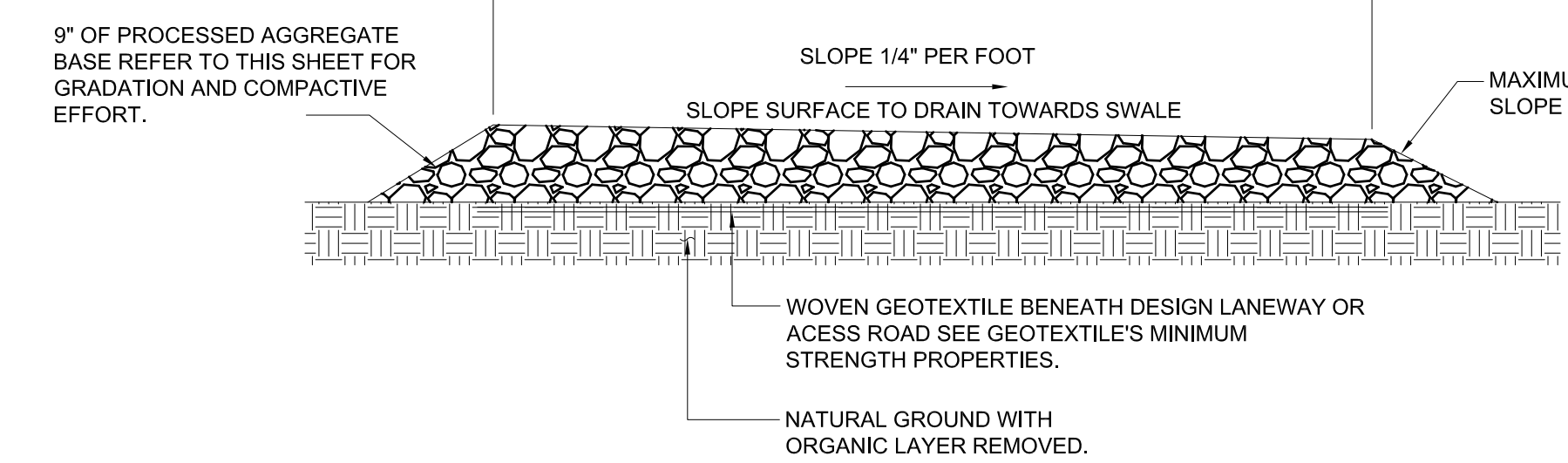


TYPICAL BOLLARD 7
22x34 SCALE: 3/4"=1'-0" C-3
11x17 SCALE: 3/8"=1'-0"

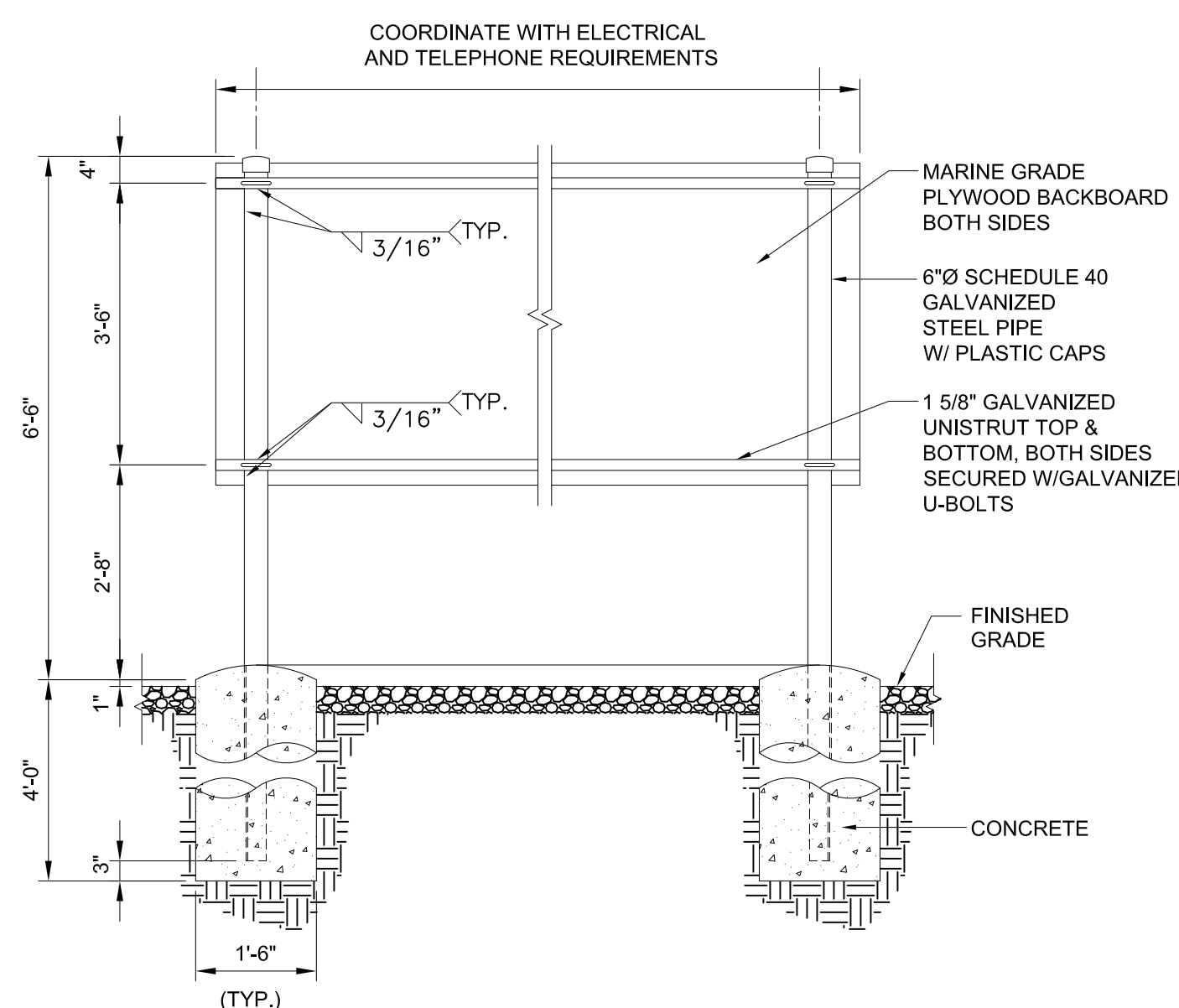


CHAIN LINK FENCE 6
SCALE: N.T.S. A-7

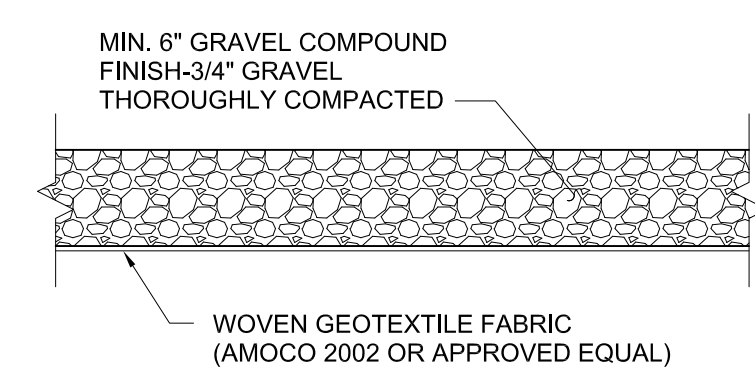
GEOTEXTILE NOTES:
GEOTEXTILE SHALL BE USED BENEATH DESIGN HEAVY USE AREA GRAVEL LAYER AS NOTED IN THE DRAWINGS, OR AS SPECIFIED BY THE NRCS PROJECT ENGINEER.
THIS MATERIAL MUST MEET "HIGH SURVIVABILITY CRITERIA"
- GRAB STRENGTH: ASTM D-1682 = 320 LBS. OR BETTER
- PUNCTURE STRENGTH: ASTM D-751-68 = 65 LBS. OR BETTER
- BURST STRENGTH: ASTM D-751-68 = 230 PSI OR BETTER
- TEAR STRENGTH: ASTM D-1117 = 55 LBS. OR BETTER



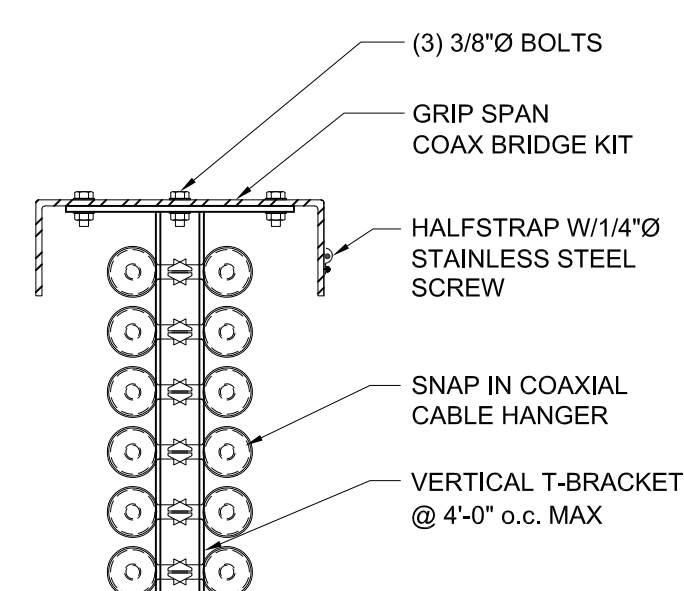
GRAVEL ACCESS DRIVE TYPICAL SECTION 1
SCALE: N.T.S. C-3



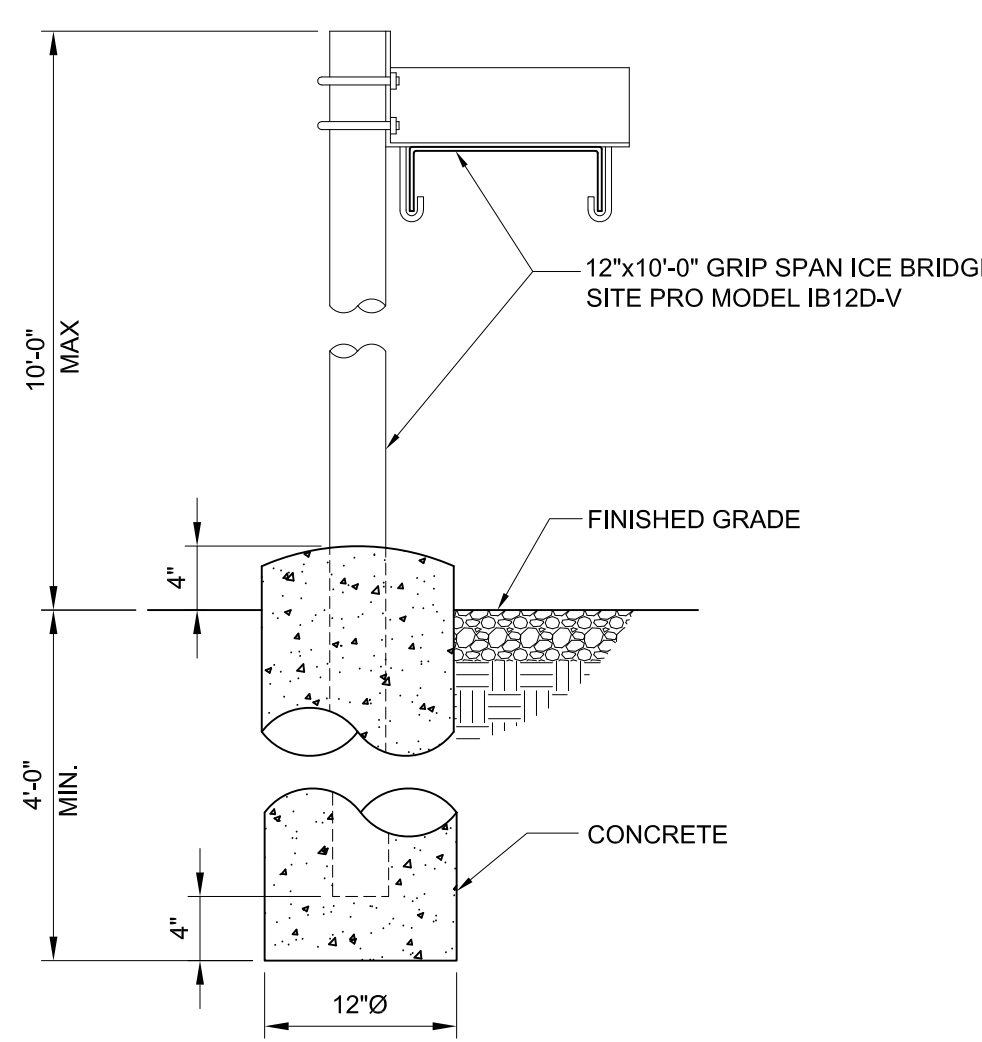
ELECTRIC-TELCO BACKBOARD 5
SCALE: N.T.S. C-3



GRAVEL COMPOUND DETAIL 4
22x34 SCALE: 1/2"=1'-0" C-3
11x17 SCALE: 1/4"=1'-0"



ICE BRIDGE DETAIL 3
22x34 SCALE: 1-1/2"=1'-0" C-3
11x17 SCALE: 3/4"=1'-0"



NOTE:
1. MAXIMUM 10' SPACING BETWEEN POST SUPPORTS

ICE BRIDGE DETAIL 2
22x34 SCALE: 1"=1'-0" C-3
11x17 SCALE: 1/2"=1'-0"