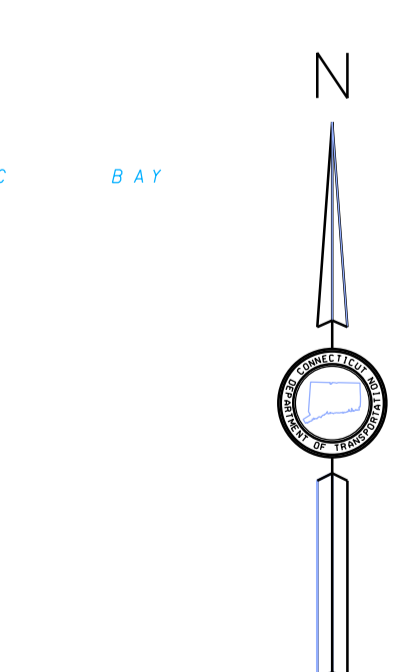
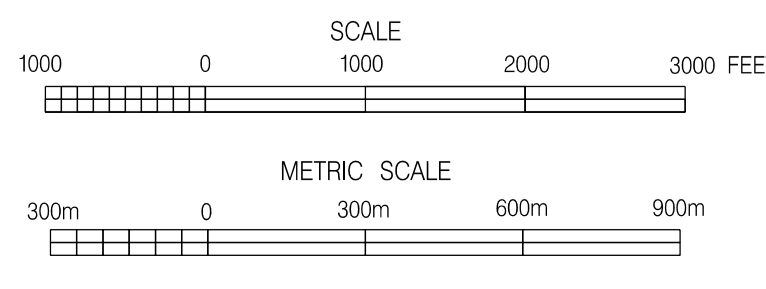


FUNCTIONAL CLASSIFICATION LEGEND	
URBANIZED AREA	
Principal Arterial	
- Interstate	Blue line
- Other Expy	Brown line
- Other	Red line
Minor Arterial	Green line
Collector	Purple line
Local	Black line
RURAL AREA	
Principal Arterial	
- Interstate	Blue line
- Other Expy	Brown line
- Other	Red line
Minor Arterial	Green line
Major Collector	Yellow line
Minor Collector	Light purple line
Local	Black line
UPDATED: 5/17/2019	



EAST LYME CONNECTICUT

PREPARED BY THE
CONNECTICUT DEPARTMENT OF TRANSPORTATION
IN COOPERATION WITH THE
U.S. DEPARTMENT OF TRANSPORTATION
FEDERAL HIGHWAY ADMINISTRATION



ACCEPTED AS OF DEC. 31, 2018

This map developed for internal
Connecticut use is a cartographic
rendering of DOT roadway records.
It should not be referenced or
incorporated in any manner in
any legal document or proceedings.

LONG ISLAND SOUND

NEHANTIC
STATE
FOREST

East Lyme
Flinders

Niantic

Crescent Beach

Attowon Beach

Giants Neck

Black Point

