

CONNECTICUT PUBLIC HEALTH CODE

Regulations and Technical Standards for Subsurface Sewage Disposal Systems

Section 19-13-B100 (Conversions, Changes in Use, Additions)
Effective October 25, 1976

Section 19-13-B103 (Discharges 5,000 Gallons Per Day or Less)
Effective August 16, 1982

Technical Standards (Pursuant to Section 19-13-B103)
Effective August 16, 1982

Revised January 1, 1986

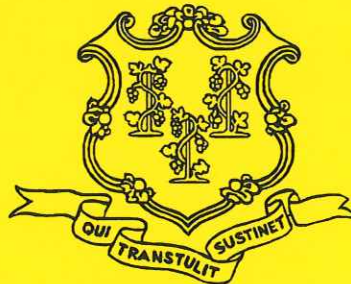
Revised January 1, 1989

Revised January 1, 1992

Revised January 1, 1994

Revised January 1, 1997

Section 19-13-B104 (Discharges Greater than 5,000 Gallons Per Day)
Effective August 16, 1982



State of Connecticut
Department of Public Health
410 Capitol Avenue - MS #51SEW
P.O. Box 340308
Hartford, Connecticut 06134

TABLE OF CONTENTS

<u>SECTION</u>		<u>PAGE</u>
19-13-B100	Building Conversion, Changes in Use, Additions.....	1
19-13-B103	DISCHARGES 5,000 GALLONS PER DAY OR LESS.....	2
19-13-B103a	Scope.....	2
19-13-B103b	Definitions.....	2
19-13-B103c	General Provisions.....	3
19-13-B103d	Minimum Requirements.....	4
19-13-B103e	Procedures and Conditions for the Issuance of Permits and Approvals.....	7
19-13-B103f	Non-discharging Sewage Disposal Systems.....	12
TECHNICAL STANDARDS		
I	Definitions.....	14
II	Location of Subsurface Sewage Disposal System.....	15
III	Piping.....	16
IV	Estimated Sewage Flows.....	25
V	Septic Tanks.....	26
VI	Distribution of Sewage Effluent.....	29
VII	Percolation Tests.....	31
VIII	Leaching Systems.....	32
IX	Groundwater, Roof, Cellar and Yard Drainage.....	42
X	Other Wastewater.....	42
XI	Non-discharging Sewage Disposal Systems.....	42
FORM #1	Application for Permit to Construct or Repair a Sewage Disposal System.....	44
FORM #2	Investigation for Sewage Disposal System.....	45

<u>SECTION</u>	<u>PAGE</u>
FORM #3	
Check List: Review of Plan/Inspection of Sewage Disposal System.....	47
APPENDIX A	
Minimum Leaching System Spread.....	48
APPENDIX B	
Approved Filter Fabric List.....	51
19-13-B104	
DISCHARGES GREATER THAN 5,000 GALLONS PER DAY.....	52
19-13-B104a	
Scope.....	52
19-13-B104b	
Definitions.....	52
19-13-B104c	
General Provisions.....	52
19-13-B104d	
Minimum Requirements.....	54

CONNECTICUT DEPARTMENT OF PUBLIC HEALTH

PUBLIC HEALTH CODE REGULATION

Sec. 19-13-B100. BUILDING CONVERSION. (a) If public sewers are not available, no building shall be converted so as to enable its use year round nor shall its use be changed unless after the said conversion or use change the lot satisfies all the current requirements of the Public Health Code for the installation of subsurface sewage disposal facilities except for the one hundred percent reserve area. (b) If public sewers are not available, no addition for any building which reduces the lot area available for subsurface sewage disposal shall be constructed unless after the said addition the lot satisfies all the current requirements of the Public Health Code for the installation of subsurface sewage disposal facilities except for the one hundred percent reserve area. If the lot does not satisfy all the current requirements except for the one hundred percent reserve area, an addition shall be permitted only if it adds only one room beyond the number of rooms existing at the time the subsurface sewage disposal system was installed and does not reduce the area of the lot available for said subsurface sewage disposal facilities.

Effective 10/25/76

SEC. 19-13-B103

The regulations of Connecticut State agencies are amended by adding Sections 19-13-B103a through 19-13-B103f, inclusive, as follows:

Sec. 19-13-B103a. Scope These regulations establish minimum requirements for household and small commercial subsurface sewage disposal systems with a capacity of 5,000 gallons per day or less, non-discharging toilet systems and procedures for the issuance of permits or approvals of such systems by the director of health or registered sanitarian, as required by Section 25-54i(g) of the General Statutes.

Sec. 19-13-B103b. Definitions. The following definitions shall apply for the purposes of Sections 19-13-B103c to 19-13-B103f, inclusive:

- (a) **Sewage** means domestic sewage consisting of water and human excretions or other waterborne wastes incidental to the occupancy of a residential building or a non-residential building, as may be detrimental to the public health or the environment, but not including manufacturing process water, cooling water, waste water from water softening equipment, blow down from heating or cooling equipment, water from cellar or floor drains or surface water from roofs, paved surface or yard drains.
- (b) **Septic tank** means a water-tight receptacle which is used for the treatment of sewage and is designed and constructed so as to permit the settling of solids, the digestion of organic matter by detention and the discharge of the liquid portion to a leaching system.
- (c) **Subsurface sewage disposal system** means a system consisting of a house sewer; a septic tank followed by a leaching system, any necessary pumps and siphons, and any groundwater control system on which the operation of the leaching system is dependent.
- (d) **Residential building** means any house, apartment, trailer or mobile home, or other structure occupied by individuals permanently or temporarily as a dwelling place but not including residential institutions.
- (e) **Residential institution** means any institutional or commercial building occupied by individuals permanently or temporarily as a dwelling, including dormitories, boarding houses, hospitals, nursing homes, jails, and residential hotels or motels.
- (f) **Nonresidential building** means any commercial, industrial, institutional, public or other building not occupied as a dwelling, including transient hotels and motels.
- (g) **Impervious soil** means soil that has a minimum percolation rate slower than one inch in sixty minutes when the groundwater level is at least eighteen inches below the bottom of the percolation test hole.
- (h) **Suitable soil** means soil having a minimum percolation rate of one inch in one to sixty minutes when the groundwater level is at least eighteen inches below the bottom of the percolation test hole.
- (i) **Maximum groundwater level** means the level to which groundwater rises for a duration of one month or longer during the wettest season of the year.

- (j) **Open watercourse** means a well defined surface channel, produced wholly or in part by a definite flow of water and through which water flows continuously or intermittently and includes any ditch, canal, aqueduct or other artificial channel for the conveyance of water to or away from a given place, but not including gutters for storm drainage formed as an integral part of a paved roadway; or any lake, pond, or other surface body of water, fresh or tidal; or other surface area intermittently or permanently covered with water.
- (k) **Local director of health** means the local director of health or his authorized agent.
- (l) **Technical Standards** means the standards established by the Commissioner of Public Health in the most recent revision of the publication entitled "Technical Standards for Subsurface Sewage Disposal Systems" available from the State Department of Public Health.
- (m) **Department** means the State Department of Public Health.
- (n) **Gray water** means domestic sewage containing no fecal material or toilet wastes.
- (o) **Drawdown area** means that area adjacent to a well in which the water table is lowered by withdrawal of water from the well by pumping at a rate not exceeding the recharge rate of the aquifer.

Sec. 19-13-B103c. General Provisions.

- (a) All sewage shall be disposed of by connection to public sewers, by subsurface sewage disposal systems, or by other methods approved by the Commissioner of Public Health, in accordance with the following requirements.
- (b) All sewers, subsurface sewage disposal systems, privies and toilet or sewage plumbing systems shall be kept in a sanitary condition at all times and be so constructed and maintained as to prevent the escape of odors and to exclude animals and insects.
- (c) The contents of a septic tank, subsurface sewage disposal system or privy vault shall only be disposed of in the following manner.
 - (1) If the contents are to be disposed of on the land of the owner, disposal shall be by burial or other method which does not present a health hazard or nuisance; or
 - (2) If the contents are to be disposed of on land of other than the owner;
 - (A) The contents shall be transferred and removed by a cleaner licensed pursuant to Connecticut General Statutes Chapter 393a, and
 - (B) Only on the application for and an issuance of a written permit from the local director of health in accordance with the provisions of this section;
 - (3) If the contents are to be dispersed on a public water supply watershed, only on the application and issuance of a written permit by the Commissioner of Public Health in accordance with the provisions of this section.

Each application for a permit under (c) (2) and (3) shall be in writing and designate where and in what manner the material shall be disposed of.

- (d) All material removed from any septic tank, privy, sewer, subsurface sewage disposal system, sewage holding tank, toilet or sewage plumbing system shall be transported in water-tight vehicles or containers in such a manner that no nuisance or public health hazard is presented. All vehicles used for the transportation of such material shall bear the name of the company or licensee and shall be maintained in a clean exterior condition at all times. No defective or leaking equipment shall be used in cleaning operations. All vehicles or equipment shall be stored in a clean condition when not in use. Water used for rinsing such vehicles or equipment shall be considered sewage and shall be disposed of in a sanitary manner approved by the local director of health.
- (e) Septic tanks shall be cleaned by first lowering the liquid level sufficiently below the outlet to prevent sludge or scum from overflowing to the leaching system where it could cause clogging and otherwise damage the system. Substantially all of the sludge and scum accumulation shall be removed whenever possible, and the inlet and outlet baffles shall be inspected for damage or clogging. Cleaners shall use all reasonable precaution to prevent damaging the sewage disposal system with their vehicle or equipment. Accidental spillages of sewage, sludge or scum shall be promptly removed or otherwise abated so as to prevent a nuisance or public health hazard.
- (f) No sewage shall be allowed to discharge or flow into any storm drain, gutter, street, roadway or public place, nor shall such material discharge onto any private property so as to create a nuisance or condition detrimental to health. Whenever it is brought to the attention of the local director of health that such a condition exists on any property, he shall investigate and cause the abatement of this condition.

Sec. 19-13-B103d. Minimum Requirements.

- (a) Each subsurface sewage disposal system shall be constructed, repaired, altered or extended pursuant to the requirements of this section unless an exception is granted in accordance with the following provisions:
 - (1) A local director of health may grant an exception, except with respect to the requirements of Section 19-13-B103d(d) and Technical Standard IIA, for the repair, alteration, or extension of an existing subsurface sewage disposal system where he determines the repair, alteration or extension cannot be effected in compliance with the requirements of this section and upon a finding that such an exception is unlikely to cause a nuisance or health hazard. All exceptions granted by the local director of health shall be submitted to the Commissioner of Public Health within thirty days after issuance on forms provided by the Department.
 - (2) The Commissioner of Public Health may grant an exception to the requirements of Section 19-13-B103d(d) upon written application and upon a finding that:
 - (A) A central subsurface sewage disposal system serving more than one building is technically preferable for reasons of site limitations, or to facilitate construction, maintenance or future connection to public sewers, or;
 - (B) A subsurface sewage disposal system not located on the same lot as the building served is located on an easement attached thereto. Such easement shall be properly recorded on the land records and shall be revocable only by agreement of both property owners and the Commissioner of Public Health.

- (3) The Commissioner of Public Health may grant an exception to the requirements of Technical Standard IIA, upon written application and upon a finding that such an exception is unlikely to pollute the well in such a manner as to cause a health hazard.

(b) **Technical Standards.**

Subsurface sewage disposal systems within the scope of this regulation shall be designed, installed and operated in accordance with the technical standards established in the "Technical Standards for Subsurface Sewage Disposal Systems" published by the Commissioner of Public Health. The Technical Standards shall be reviewed annually and changes to the Technical Standards shall be available on January 1st of each year.

(c) **Large Subsurface Disposal Systems.**

The Commissioner of Public Health shall approve plans for subsurface sewage disposal systems serving a building with a designed sewage flow of two thousand gallons per day or greater, and no such systems shall be constructed, repaired, altered or extended unless the plans for such systems are approved by the Commissioner in accordance with the following:

- (1) Plans for the system are submitted at least twenty days prior to approval to construct by the local director of health.
- (2) The plans are designed by a professional engineer registered in the State of Connecticut.
- (3) The plans submitted contain:
 - (A) The basis of design,
 - (B) Soil conditions and test pit locations,
 - (C) Maximum groundwater and ledge rock elevations,
 - (D) Original and finished surface contours and elevations,
 - (E) Property lines, and
 - (F) Locations of buildings, open watercourses, ground and surface water drains, nearby wells and water service lines.

(d) **Location.**

Each building shall be served by a separate subsurface sewage disposal system. Each such system shall be located on the same lot as the building served.

(e) **Disposal of Sewage in Areas of Special Concern.**

- (1) Disposal systems for areas of special concern shall merit particular investigation and special design, and meet the special requirements of this subsection. The following are determined to be areas of special concern:
 - (A) A minimum soil percolation rate faster than one inch per minute, or
 - (B) Slower than one inch in thirty minutes, or

- (C) Maximum groundwater less than three feet below ground surface, or
 - (D) Ledge rock less than five feet below ground surface, or
 - (E) Soils with slopes exceeding twenty-five per cent, or
 - (F) Consisting of soil types interpreted as having severe limitations for on-site sewage disposal by most recent edition of the National Cooperative Soil Survey of the Soil Conservation Service, or
 - (G) Designated as wetland under the provisions of Sections 22a-36 through 22a-45 of the Connecticut General Statutes, as amended, or
 - (H) Located within the drawdown area of an existing public water supply well with a withdrawal rate in excess of fifty gallons per minute, or within five hundred feet of land owned by a public water supply utility and approved for a future well site by the Commissioner of Public Health.
- (2) In such areas of special concern, the local director of health may require investigation for maximum groundwater level to be made between February 1 and May 31, or such other times when the groundwater level is determined by the Commissioner of Public Health to be near its maximum level.
- (3) (A) Plans for new subsurface systems in areas of special concern shall:
- i. Be prepared by a professional engineer registered in the State of Connecticut;
 - ii. Include all pertinent information as to the basis of design, and soil conditions, test pit locations, groundwater and ledge rock elevations, both original and finished surface contours and elevation, property lines, building locations, open watercourses, ground and surface water drains, nearby wells and water service lines;
 - iii. Demonstrate an ability to solve the particular difficulty or defect associated with the area of special concern and which caused its classification. The Commissioner or local director of health, as the case may be, may require a study of the capacity of the surrounding natural soil absorb or disperse the expected volume of sewage effluent without overflow, breakout, or detrimental effect on ground or surface waters if in their opinion such may occur.
- (B) The plans for new subsurface disposal systems in areas of special concern shall be submitted to the local director of health and the Commissioner of Public Health for a determination as to whether the requirements of the subsection have been met, except that such submission need not be made to the Commissioner of Public Health if the local director or authorized agent has been approved to review such plans by the Commissioner of Public Health in

accordance with Section B103e(b). All submissions to the Commissioner of Public Health shall be made at least 20 days prior to issuance of an approval to construct by the local director of health.

- (4) If application is made for the repair, alteration or extension of an existing subsurface disposal system in an area of special concern, the local director of health may require that the applicant comply with the requirement of Subdivision (3) if he determines that the contemplated repair, alteration or extension involves technical complexities which cannot reasonably be addressed by himself, his authorized agent or the system installer.
 - (5) While a sewage disposal system in an area of special concern is under construction, the local director of health may require that the construction be supervised by a professional engineer registered in the State of Connecticut, if in the opinion of the local director of health it is necessary to insure conformance to the plans approved or because of the difficulties likely to be encountered. The engineer shall make a record drawing of the sewage disposal system, as installed, which he shall submit to the local director of health prior to issuance of a discharge permit.
 - (6) In such areas of special concern, the Commissioner of Public Health or the local director of health who has been approved by the Commissioner to review engineering plans in areas of special concern pursuant to Section 19-13-B103e(b) may require a study of the capacity of the surrounding natural soil to absorb or disperse the expected volume of sewage effluent without overflow, breakout, or detrimental effect on ground or surface waters.
- (f) **Gray Water Systems.** Disposal systems for sinks, tubs, showers, laundries and other gray water from residential buildings, where no water flush toilet fixtures are connected, shall be constructed with a septic tank and leaching system at least one-half the capacity specified for the required residential sewage disposal system.

Sec. 19-13-B103e. Procedures and Conditions for the Issuance of Permits and

Approvals. No subsurface sewage disposal system shall be constructed, altered, repaired or extended without an approval to construct issued in accordance with this section. No discharge shall be initiated to a subsurface sewage disposal system without a discharge permit issued in accordance with this section. Such permits and approvals shall be issued and administered by the local director of health.

- (a) No permit or approval shall be issued:
 - (1) For any subsurface sewage disposal system which is designed to discharge or overflow any sewage or treated effluent to any watercourse;
 - (2) For any new subsurface sewage disposal system until it is demonstrated to the satisfaction of the local director of health that there is a public water supply available or a satisfactory location for a water supply well complying with Sections 19-13-B51a through 19-13-B51m of the Public Health Code;
 - (3) For any new subsurface sewage disposal system where the soil conditions in the area of the leaching system are unsuitable for sewage disposal purposes at the time of the site investigation made pursuant to this section. Unsuitable conditions occur where the existing

soil is impervious, or where there is less than four feet depth of suitable existing soil over ledge rock, two feet of which is naturally occurring soil, or where there is less than 18 inches depth of suitable existing soil over impervious soil, or where the groundwater level is less than 18 inches below the surface of the ground for a duration of one month or longer during the wettest season of the year;

- (4) For any new subsurface sewage disposal system where the surrounding naturally occurring soil cannot adequately absorb or disperse the expected volume of sewage effluent without overflow, breakout or detrimental effect on ground or surface water.

(b) **Approval of Agents by Commissioner of Public Health**

- (1) A local director of health shall authorize only persons approved by the Commissioner of Public Health to investigate, inspect and approve plans relating to subsurface sewage disposal systems.
- (2) The Commissioner of Public Health shall approve agents of the local director of health whose qualifications to investigate, inspect and approve plans relating to subsurface sewage disposal systems have been established by attending training courses and passing examinations given by the Department of Public Health, as follows:
 - (A) Agents who have attended training courses and passed examinations relative to Sections 19-13-B100, 19-13-B103 and 19-13-B104 of the Public Health Code and the Technical Standards shall be approved to investigate, inspect and approve all plans for subsurface sewage disposal systems except those prepared by a professional engineer registered in the State of Connecticut pursuant to Section 19-13-B103d(c) or (e).
 - (B) Agents who have attended training courses and passed examinations relative to the engineering design of subsurface sewage disposal systems shall be approved to investigate, inspect and approve plans for such systems prepared by a professional engineer registered in the State of Connecticut pursuant to Section 19-13-B103d(e).

(c) **Application for Permit or Approval.**

- (1) No investigation, inspection or approval of a subsurface sewage disposal system shall be made, or permit issued without an application by the owner in accordance with the following requirements.
- (2) Applications for permits shall:
 - (A) Be on forms identical to Form #1 in the Technical Standards; or
 - (B) Be on forms prepared by the local director of health and deemed by the Commissioner of Public Health as equivalent to Form #1 in the Technical Standards; and
 - (C) Have attached a plot plan of the lot, which shall be a surveyor's plan if available or one prepared from information on the deed or land records.
- (3) All the requested information shall be provided. If the information is not provided, it shall be indicated why it is not available or the application may be determined incomplete, and be rejected.

(d) **Site Investigation.**

- (1) The local director of health or a professional engineer registered in the State of Connecticut representing the applicant shall make an investigation of the site proposed for the subsurface sewage disposal system and report the findings and recommendations of the investigations on a form identical to Form #2 in the Technical Standards to include:
 - (A) A record of soil test location, measures and observations.
 - (B) Soil percolation results.
 - (C) Observations of groundwater and ledge rock.
 - (D) A conclusion as to the suitability of the site for subsurface sewage disposal.
 - (E) Special requirements for design of the system, or further testing which shall be in accordance with the most recent edition of the Technical Standards.
- (2) Prior to the site investigation, the applicant shall:
 - (A) Provide for the digging of a suitable number of percolation test holes and deep observation pits in the area of the proposed leaching system and extending at least four feet below the bottom of the proposed leaching system, at the direction of the local director of health;
 - (B) Provide water for performing the percolation tests;
 - (C) If required by the local director of health, locate by field stakes or markers the sewage disposal system, house, well or property lines.
- (3) The site investigation shall be made within ten working days of application unless otherwise required by subsection 19-13-B103d(e).
- (4) The local director of health shall:
 - (A) Assure the accuracy of the findings of soil tests and deep observation pits; and
 - (B) When the maximum groundwater level is in doubt the local director of health shall investigate pursuant to Section 19-13-B103d(e).
- (5) The size of the leaching system shall be based on the results of soil percolation tests made in the area of the proposed leaching system or on other methods of determining the soil absorption capacity in accordance with the Technical Standards.
- (6) In areas of special concern, or for leaching systems with a design sewage flow of 2,000 gallons per day or greater, the local director of health may require from the applicant whatever further testing or data necessary to assure that the sewage disposal system will function properly. Further testing may be required prior to or subsequent to issuance of the approval to construct. Such tests may include permeability tests, sieve analysis or compaction tests of natural soil or fill materials, and the installation of groundwater level monitoring wells, or pipes, as well as additional observation pits and soil percolation tests.

(e) **Submission of Plan.**

- (1) Every plan for a subsurface sewage disposal system shall be submitted to the local director of health.
- (2) Every plan for a subsurface sewage disposal system shall include all information necessary to assure compliance with the requirements of Section 19-13-B103d of these regulations, and contain as a minimum the following information: the location of the house sewer, the location and size of the septic tank, the location and description of the leaching system, property lines, building locations, watercourses, ground and surface water drains, nearby wells and water service lines.
- (3) Where required by the local director of health under subsections 19-13-B103d(c) and (e) of these regulations, the plan shall be prepared by a professional engineer, registered in the State of Connecticut, and shall be forwarded by the local director to the Commissioner of Public Health, together with his comments and recommendations.
- (4) No plan shall be submitted directly by the applicant or engineer to the Commissioner of Public Health, unless requested by the local director of health.

(f) **Approval to Construct.**

- (1) Upon determination that the subsurface sewage disposal system has been designed in compliance with the requirements of Section 19-13-B103d of these regulations, the local director of health shall issue an approval to construct. Approvals to construct shall be valid for a period of one year from the date of their issuance and shall terminate and expire upon a failure to start construction within that period. Approvals to construct may be renewed for an additional one year period by the local director of health upon a demonstration of reasonable cause for the failure to start construction within the one year period.
- (2) Each subsurface sewage disposal system shall be constructed by a person licensed pursuant to Chapter 393a of the General Statutes. Such person shall notify the local director of health at least twentyfour hours prior to commencement of construction.
- (3) The Commissioner of Public Health shall approve in accordance with Subsection 19-13-B103d(c) plans for a subsurface sewage disposal system to serve a building, the design sewage flow from which is two thousand gallons a day or greater prior to issuance of an approval to construct by the local director of health.
- (4) Approval to construct a subsurface sewage disposal system in an area of special concern shall not be issued until twenty days following submission of the plans to the Commissioner of Public Health in accordance with subsection 19-13-B103d(e), unless earlier approved by the Commissioner.

(g) **Inspection.**

- (1) The local director of health shall inspect all subsurface sewage disposal systems for compliance with Subsection 19-13-B103d and the approved plans for construction prior to covering and at such other times as deemed necessary.
- (2) After construction, and prior to covering, the subsurface sewage disposal system installer shall notify the local director of health the site is prepared for inspection. Such inspection shall take place as soon thereafter as feasible, but not later than two (2) working days after receipt of the request unless the owner agrees to an extension.

- (3) A final inspection report shall be prepared by the local director of health on forms deemed by the Commissioner of Public Health as equivalent to Form #3 in the Technical Standards.
- (4) A record plan of the sewage disposal system, as built, shall be required by the local director of health.

(h) **Permit to Discharge.**

- (1) Upon determination that the subsurface sewage disposal system has been installed in compliance with the requirements of Section 19-13-B103d of these regulations and the approved plans, the local director of health shall issue a permit to discharge. A copy of such permit shall be sent to the local building official. No permit to discharge shall be issued until all required forms are completed and an approved as-built plan or record drawing is received.
- (2) Any permit to discharge issued by the Commissioner of Public Health or a local director of health for a household or small commercial subsurface sewage disposal system with a capacity of five thousand gallons per day or less shall be deemed equivalent to a permit issued under Subsection 25-54i(b) of the Connecticut General Statutes. Such permits shall:
 - (A) Specify the manner, nature and volume of discharge;
 - (B) Require proper operation and maintenance of any pollution abatement facility required by such permit;
 - (C) Be subject to such other requirements and restrictions as the Commissioner deems necessary to comply fully with the purposes of this chapter and the Federal Water Pollution Control Act; and
 - (D) Be issued on forms approved by the Commissioner of Public Health.
- (3) The local director of health shall record the granting of an exception from any requirement of Section 19-13-B103d on the permit to discharge.

(i) **Enforcement.**

- (1) A permit to discharge to a subsurface sewage disposal system shall not be construed to permit any sewage overflow, nuisance, or similar condition or the maintenance thereof.
- (2) If such a condition is found to exist, the permit to discharge may be revoked, suspended, modified or otherwise limited and any such condition is subject to an order to abate the condition pursuant to Connecticut General Statutes Section 19-79.

(j) **Records.**

Copies of completed applications, investigation reports, review and inspection forms and as-built plans or record drawings of each sewage disposal system, certified as complying with this Section, shall be kept in the files of the town or health district for a minimum of ten years.

(k) **Rights of Applicant.**

- (1) All site investigations, inspections, review of plans and issuance of permits or approvals by the local director of health shall be made without unreasonable delay.

- (2) When requested in writing by the applicant, the local director of health shall designate in writing within 20 working days the requirement(s) of Section 19-13-B103d or 19-13-B103e of these regulations which prevents such investigation, inspection, review, permit or approval.
- (3) Any final decision of the local director of health made in regard to these sections shall be made in writing and sent to the applicant. Any decision adverse to the applicant or which limits the application shall set forth the facts and conclusions upon which the decision is based. Such written decision shall be deemed equivalent to an order, and may be appealed pursuant to Section 19-103 of the General Statutes.

Sec. 19-13-B103f. Non-discharging Sewage Disposal Systems

- (a) All non-discharging sewage disposal systems shall be designed, installed and operated in accordance with the Technical Standards and the requirements of this section, unless an exception is granted by the Commissioner upon a determination that system shall provide for the proper and complete disposal and treatment of toilet wastes or gray water.

(b) Composting Toilets.

- (1) The local director of health may approve the use of a large capacity composting toilet or a heat-assisted composting toilet for replacing an existing privy or failing subsurface sewage disposal system, or for any single-family residential building where application is made by the owner and occupant, and the lot on which the building will be located is tested by the local director of health and found suitable for a subsurface sewage disposal system meeting all the requirements of Section 19-13-B103d of these regulations.
- (2) All wastes removed from composting toilets shall be disposed of by burial or other methods approved by the local director of health.

(c) Incineration Toilets.

The local director of health may approve the use of incineration toilets for non-residential buildings or for existing single-family residential dwellings for the purpose of abating existing sewage problems or replacing the existing non-water carriage toilets.

(d) Chemical Flush Toilets and Chemical Privies.

- (1) The local director of health may approve chemical flush toilets or chemical privies for nonresidential use where they are located outside of buildings used for human habitation. Chemical flush toilets or chemical privies located inside human habitations shall be approved by the Commissioner of Public Health and the local director of health.
- (2) Liquid waste from chemical flush toilets or chemical privies shall be disposed of in a location and manner approved by the local director of health. Such liquid shall not be disposed of on a public water supply watershed or within five hundred feet of any water supply well unless approved by the Commissioner of Public Health.

(e) Dry Vault Privies.

- (1) The local director of health may approve dry vault privies for nonresidential use where they are located outside of buildings used as human habitation.
- (2) Wastes removed from dry privy vaults shall be disposed of by burial or other methods approved by the local director of health.

STATEMENT OF PURPOSE:

These regulations up-date existing Public Health Code requirements for the design of subsurface sewage disposal with design flows of 5,000 gallons per day or less and non-discharge toilet systems. Sewage disposal systems conforming to this regulation and designed in compliance with published Technical Standards will provide for the preservation and improvement of public health.

TECHNICAL STANDARDS FOR THE DESIGN AND CONSTRUCTION
OF SUBSURFACE SEWAGE DISPOSAL SYSTEMS
PURSUANT TO SECTION 19-13-B103

EFFECTIVE AUGUST 16, 1982
REVISED JANUARY 1, 1997

I. DEFINITIONS

- A. **Leaching trench** means a level excavation, not exceeding four feet in width, with vertical sides and flat bottoms partially filled with stone or gravel and equipped with a single distribution line running the entire length of the trench.
- B. **Leaching pit** means a hollow, covered pit constructed with a perforated lining surrounded by stone or gravel.
- C. **Leaching gallery** means a level hollow, covered structure(s), a minimum of four feet in width, constructed with a perforated lining surrounded by stone or gravel on the sides.
- D. **Leaching system** means a structure, excavation or other facility designed to allow settled sewage to percolate into the underlying soil without overflow and to mix with the groundwater.
- E. **Building sewer** means a sewer pipe extending from the building served to the septic tank as specified in Table No. 2 (page 17).
- F. **One-inch broken stone or one-inch screened gravel** means stone aggregate meeting Department Of Transportation Specification M.01.01 for 1 1/4" stone (100% passes 2" square mesh sieve down to less than 5% passing 1/2" sieve) and standard of hardness of three or greater , according to Moh's hardness scale, and free of silt, dirt or debris.
- G. **Tight pipe** means pipe which has no loose or open joints, perforations, slots or porous openings which would allow seepage to escape from, or water to enter the pipe.
- H. **Building served** means any portion of the habitable structure permanently attached to said structure, including but not limited to attached garages, enclosed porches, sun rooms and shall include projections, cantilevered extensions, footings, piers, posts and walls.
- I. **Accessory structure** means a permanent non-habitable structure used incidental to residential and non-residential buildings which is not served by a water supply, including but not limited to detached garages, open decks, tool and lawn equipment storage sheds, gazebos, barns, etc.
- J. **Select backfill material** used to backfill stoneless leaching units means clean uniform bank run sands or gravel having a gradation that allows no more than 5% of the material by weight to pass the No. 200 sieve.
- K. **Footing or foundation drains** means those drainage systems, consisting of stone or very permeable material with or without piping, which are installed to collect and redirect groundwater in order to protect below grade portions of a building.

II. LOCATION OF SUBSURFACE SEWAGE DISPOSAL SYSTEMS

The following minimum separating distances are required and shall be maintained between any part of a subsurface sewage disposal system which carries or treats sewage or septic tank effluent and the items listed below.

TABLE NO. 1

ITEM	SEPARATING DISTANCE	SPECIAL PROVISIONS
A. Well, spring or domestic water suction pipe. Required withdrawal rate under 10 gal. per minute 10 to 50 gal. per minute over 50 gal. per minute	75 feet 150 feet 200 feet	(1) Separation distance shall be doubled where the soil has a minimum percolation rate faster than one minute/inch and there is less than 8 feet between the bottom of the proposed leaching system and ledge rock. Doubling of the separation distance will be waived if a minimum of 4 feet of slower than one minute/inch naturally occurring soils are found between the bottom of the leaching system and ledge. (2) Separation distance shall be increased as necessary to protect the sanitary quality of a public water supply well
B. Human habitation on adjacent property	15 feet	Building shall have no footing drains
C. Building served	15 feet	Building shall have no footing drains
D. Open watercourse	50 feet	When not located on a public water supply watershed, this distance shall be reduced as necessary to not less than 25 feet on lots in existence prior to the effective date of this regulation and thereafter recorded as required by statute
E. Public water supply reservoir	100 feet	
F. Surface or groundwater drain constructed of tight pipe	25 feet	Drains constructed of cast iron pipe with rubber gasketed joints or accepted equal (see Table 2-C) are exempted from this requirement, except that no such drain shall be less than 10 feet from leaching system
G. Groundwater intercepting drains, footing or foundation drain located up gradient from sewage disposal system	25 feet	Solid pipes listed in Table 2-C are exempted from this requirement
H. Loose or open jointed, perforated, slotted or pervious pipe drain located down gradient from sewage disposal system	50 feet	(1) No such drain shall be constructed down gradient from the leaching system on the same property for the purpose of collecting sewage effluent no matter what the separating distance (2) The location of a septic tank/pump chamber/ grease trap may be reduced to a minimum of 25 feet if determined to be watertight (For concrete tanks in accordance with Sec. 9.2 of ASTM C-1227-95 Specifications)
I. Top of embankment	10 feet	Down gradient and all sides
J. Property line	10 feet	
K. Potable water line which flows under pressure	10 feet	
L. Below ground swimming pool	25 feet	
M. Above ground swimming pool	10 feet	Includes hot tubs
N. Accessory structure	10 feet	Structure shall have no footing drains

III. PIPING

A. House sewers

House sewers shall be not less than four inches in diameter. The grade shall be at least one-quarter inch per foot for four-inch sewers and shall be not less than one-eighth inch per foot for larger sizes. House sewers shall be laid with tight joints to a septic tank and in a straight line and on a uniform grade wherever possible. Accessible manholes or surface cleanouts shall be provided at changes of directions exceeding 45° (see Figure No. 1). Accessible manholes or surface cleanouts shall be provided for each 75 feet of length of house sewer from foundation wall to septic tank. Pipe for such sewers shall be of cast iron with rubber gasketed joints or accepted equal* to a point at least twenty-five feet beyond the foundation wall of any cellar or basement. Portions of house sewers within seventy-five feet of a well shall be of cast iron with rubber gasketed joints or accepted equal,* but no portion of such sewer, however constructed, shall be within twenty-five feet of a well. No sewer shall be located within twenty-five feet of a cellar drain or ground or surface water drain unless the pipe is of cast iron with rubber gasketed joints or accepted equal.* Long sewer lines shall be avoided to reduce the danger of ground water infiltration, and sewer blockages.

*See Table No. 2

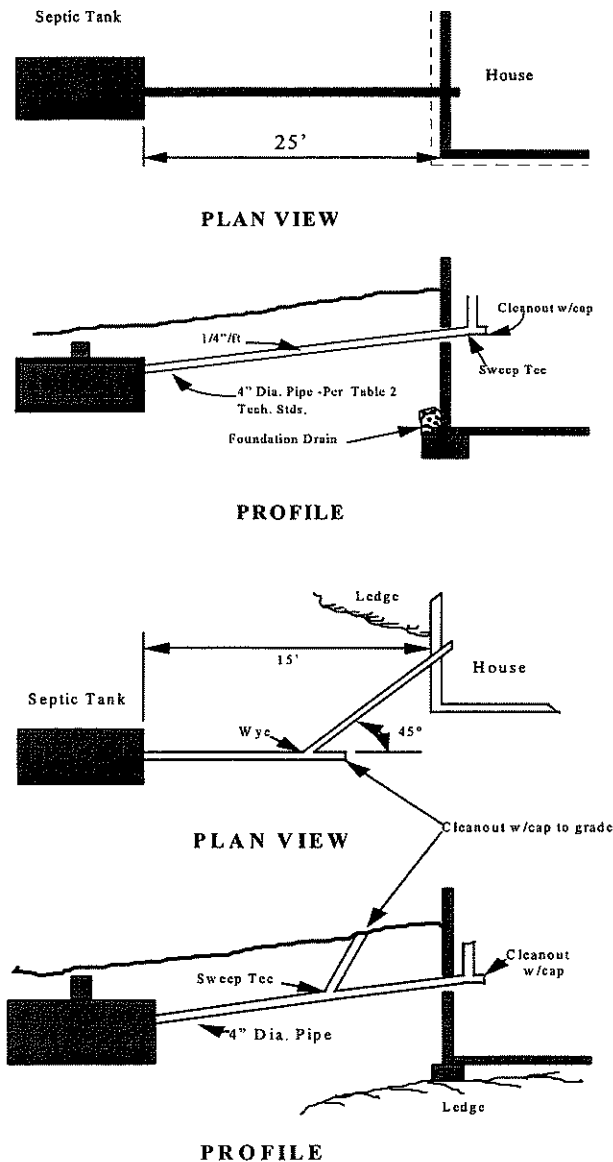


FIGURE NO 1 HOUSE SEWERS

TABLE NO. 2 - ACCEPTED SEWER PIPE FOR USE FROM FOUNDATION WALL TO SEPTIC TANK

NOTE: All sewer lines and joints shall be visually inspected by the Director of Health or his agent prior to covering

USE	PIPE DESCRIPTION	ACCEPTABLE JOINT	REMARKS
House sewer from foundation wall to septic tank within 25 feet of building served	Cast iron hubless ASTM A 74	Cast iron split sleeve bolted joint with rubber gasket, MG coupling or equal OR 3"-wide, heavy -duty, stainless steel banded coupling with rubber gasket; clamp-all, ANACO SD 4000, or equal	"O" - ring gaskets not acceptable if connection is within 25 feet of foundation wall. Pipe must be properly bedded, laid in straight line on uniform grade
	Cast iron bell and spigot ASTM. A 74	Rubber compression gaskets or leaded joints	
	PVC Schedule 40 ASTM D 1785 pressure water pipe	Rubber compression gasket couplings, Harco Mfg., ASTM D 3139 or equal* OR Solvent weld couplings/ fittings using proper two step PVC solvent solution procedure	*Use of 3"-wide approved stainless steel banded couplings on PVC Schedule 40 ASTM D 1785 is acceptable
	PVC ASTM. D 2241, SDR 21	Rubber compression gaskets	ABS Schedule 40 is not acceptable
	Ductile iron ANSI A 21.51	Rubber compression gaskets	Connection to cast iron building sewer must be made with compression gaskets.
	Extra Strength PVC pressure water pipe AWWA C-900 75-100 psi	Rubber compression gaskets	"O"-ring gasket is not acceptable

**TABLE 2-A
ACCEPTED SEWER PIPE FOR INSTALLING SEWER CONNECTIONS TO PUBLIC SEWERS WITHIN 75 FEET OF
PRIVATE WATER SUPPLY WELLS**

NOTE: All building sewer lines installed within 75 feet but no closer than 25 feet of a private well should be inspected and approved by the Director of Health or sewer inspector prior to back filling

USE	PIPE DESCRIPTION	ACCEPTABLE JOINT	REMARKS
Building sewer connection to public sewers or other sewer line within 75 feet of a private water supply well, spring, or water suction pipe serving a single-family dwelling. No sewer line shall be located within 25 feet of a private well.	Cast iron hubless ASTM A 74	Cast iron split sleeve bolted connector with rubber gasket, MG coupling or equal to 3" wide, heavy-duty stainless steel banded coupling with rubber gasket; Clamp-all, ANACO SD 4000, or equal	"O" - ring gaskets not acceptable if used within 75 feet of well. Pipe must be properly bedded in accordance with pipe manufacturer's specifications, laid in a straight line on a uniform grade
	Cast iron bell and spigot ASTM A 74	Rubber compression gaskets	
	Ductile iron ANSI 21.51	Rubber compression gasket	
	Extra strength PVC pressure water pipe AWWA C-900 75-100 psi	Rubber compression gasket	
Note: Greater separating distances are required for wells with withdrawal rates 10 GPM or greater (See Technical Standard IIA)	PVC Schedule 40 ASTM D 1785 pressure water pipe	Rubber compression gasketed couplings, Harco Mfg., ASTM D 3139 or equal OR Solvent weld couplings/ fittings using proper two step PVC solvent solution procedure	Use of 3" wide approved stainless steel banded couplings on PVC Schedule 40 ASTM D 1785 is acceptable ABS Schedule 40 is not acceptable
	PVC ASTM D 2241, SDR 26	Integral rubber compression gaskets or roll-on compression gaskets	Joints must meet ASTM D 3212-76 specifications Bedding in accordance with ASTM D 2321 for PVC pipe
	PVC ASTM D 3034, SDR 35 PVC ASTM F 789 PVC ASTM F 679		

**TABLE 2-B
ACCEPTED SEWER PIPE FOR USE IN CONSTRUCTING PUBLIC SEWER LINES WITHIN 75 FEET OF PRIVATE WATER
SUPPLY WELL**

NOTE: All public sewer lines installed within 75 feet but no closer than 25 feet of private wells serving single-family residences should be low pressure air tested in the presence of the design engineer who should submit a report of the test results to the local health department.

USE	PIPE DESCRIPTION	ACCEPTABLE JOINT	REMARKS	
Public sewer line within 75 feet of a private water supply well, spring or water suction pipe serving single-family residences but no closer than 25 feet. Note: Greater separating distances are required for wells with withdrawal rates 10 GPM or greater (See Technical Standard IIA)	Cast iron hubless pipe ASTM A 74	Cast iron split sleeve bolted connector with rubber gasket MG coupling or equal or 3"-wide heavy duty stainless steel banded coupling with rubber gasket; Clamp-All ANACO SD 4000 or equal	"O" - ring gaskets not acceptable if used within 75 feet of well. Pipe must be properly bedded, in accordance with pipe manufacturer's specifications, laid in a straight line on a uniform grade	
	Cast iron bell and spigot ASTM A 74	Rubber compression gaskets		
	Ductile iron ANSI A21.51	Rubber compression gaskets		
	Extra strength PVC pressure water pipe AWWA C-900 75-100 psi	Rubber compression gaskets		
	Reinforced concrete water pipe, steel cylinder type, prestressed AWWA C-301	Rubber compression gaskets		
	Reinforced concrete water pipe, steel cylinder type, not prestressed AWWA C-300	Rubber compression gaskets		
	PVC Schedule 40 ASTM D 1785 pressure water pipe	Rubber compression gasketed couplings, Harco Mfg., ASTM D3139 or equal* OR Solvent weld couplings/fittings using proper two step PVC solvent solution procedure		*Use 3"-wide stainless steel banded couplings on PVC Schedule 40 ASTM D 1785 is acceptable ABS Schedule 40 is not acceptable
	PVC ASTM D 2241, SDR 26	Rubber compression gaskets		Joints must meet ASTM D 3212-76 specifications. Bedding in accordance with ASTM D 2321 for PVC pipe
	PVC ASTM D 3034, SDR 35 PVC ASTM F 789 PVC ASTM F 679	Rubber compression gaskets OR Solvent weld couplings/ fittings using two step procedure		

**TABLE 2-C
ACCEPTED SEWER PIPE FOR USE WITHIN 25 FEET OF WATERCOURSE AND DRAINS OR CLEAN WATER DRAIN WITHIN 25
FEET OF SEWAGE DISPOSAL SYSTEMS**

USE	PIPE DESCRIPTION	ACCEPTABLE JOINT	REMARKS	
PRIVATE building sewer, house sewer or effluent distribution line within 25 ft. of any open watercourse, surface or groundwater drain, cellar, footing or foundation drain. and ground and surface water drainage pipes within 25 ft of a subsurface sewage disposal system	Cast iron hubless pipe ASTM A 74	Cast iron split sleeve bolted connector with rubber gasket MG coupling or 3"-wide, heavy duty stainless steel banded coupling with rubber gasket; Clamp-All ANACO SD 4000 or equal	"O"- ring gaskets not acceptable if used within 25 ft. of watercourse. Pipe must be properly bedded in accordance with manufacturer's specifications, laid in a straight line on a uniform grade *Use of 3"-wide approved stainless steel banded couplings on PVC Schedule 40 ASTM D 1785 is acceptable ABS Schedule 40 is not acceptable Joint must meet ASTM D 3212-76 specifications. Stone bedding is not allowed	
	Cast iron bell and spigot ASTM A 74	Rubber compression gaskets		
	Ductile iron ANSI A21.51	Rubber compression gaskets		
	Extra strength PVC pressure water pipe AWWA C-900 75-100 psi	Rubber compression gaskets		
	Reinforced Concrete Sewer Pipe ASTM C 76 - 94	Rubber compression gaskets		
	Reinforced concrete water pipe, steel cylinder type, AWWA C-300 or AWWA C-301	Rubber compression gaskets		
	PVC Schedule 40 ASTM D 1785 pressure water pipe	Rubber compression gasketed couplings, Harco Mfg., ASTM D3139 or equal*		
	PVC ASTM D 2241, SDR 26	OR Solvent weld couplings/fittings using proper two step PVC solvent solution procedure		
	PVC ASTM D 3034, SDR 35	Rubber compression gaskets		
	PVC ASTM F 789	OR		
PVC ASTM F 679	Solvent weld couplings/fittings using proper two step PVC solvent solution procedure			

TABLE 2-D
ACCEPTED SEWER PIPE FOR USE AS SEWER FORCE MAIN FROM PUMP STATION TO SEWAGE DISPOSAL SYSTEM WITHIN 75 FEET OF PRIVATE WATER SUPPLY WELL

USE	PIPE DESCRIPTION	ACCEPTABLE JOINT	REMARKS
Sewage force main within 75 ft. of a private water supply well, spring or water suction pipe (no sewer line shall be located within 25 ft. of private well)	PVC pressure pipe ASTM D 2241, SDR 21	Bell and spigot with compression rubber gaskets	
	PVC plastic pressure water pipe AWWA C-900, PC 200		
OR	PVC plastic rigid pressure pipe Schedule 40 ASTM D 1785	Solvent welded, threaded joints or gasketed couplings	
Sewage force main within 25 ft. of an open watercourse, surface or groundwater drain, cellar, footing or foundation drain	Polyethylene plastic flexible pressure pipe ASTM 2239	No joints within 75 ft. of well or 25 ft. of open watercourse, ground or surface water drains	Pipe available in 100-ft. and longer coiled lengths

B. Water pipe trenches

Whenever possible, water service and house sewer lines shall be located in separate trenches at least ten feet apart. Where laid in the same trench, the water pipe shall be laid on a bench at least eighteen inches above the top of the sewer pipe and at least twelve inches, and preferably eighteen inches, from the side of the sewer trench (see Figure No. 2). However, in no case shall house sewer pipes be located less than seventy-five feet from water suction pipes.

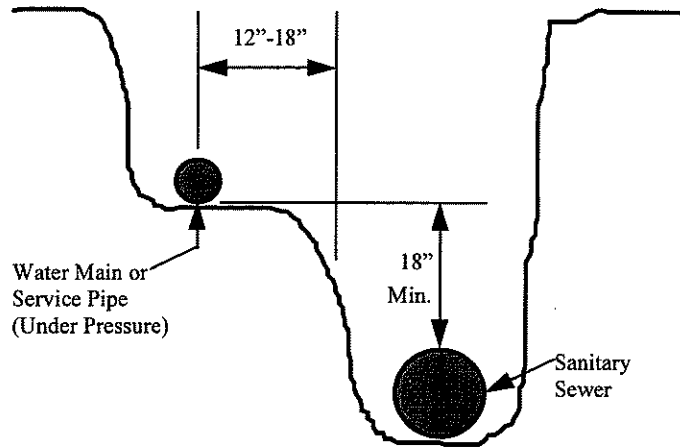


FIGURE NO. 2 WATER PIPE TRENCHES

C. Procedure for Air Pressure Testing of Sewer Pipe

1. Test is conducted between two (2) consecutive manholes, as directed by the engineer.
2. The test section of the sewer line is plugged at each end. One of the plugs used at the manhole must be tapped and equipped for the air inlet connection for filling the line from the air compressor.
3. All service laterals, stubs and fittings into the sewer test section should be properly capped or plugged, and carefully braced against the internal pressure to prevent air leakage by slippage and blowouts.
4. Connect air hose to tapped plug selected for the air inlet. Then connect the other end of the air hose to the portable air control equipment which consists of valves and pressure gages used to control:
 - a) the air entry rate to the sewer test section, and
 - b) to monitor the air pressure in the pipe line.

More specifically, the air control equipment includes a shut-off valve, pressure regulating valve, pressure reduction valve and a monitoring pressure gage having a pressure range from 0 to 5 psi. The gage should have minimum divisions of .10 psi and an accuracy of $\pm .04$ psi. Figure No. 3 illustrates diagrammatically a typical control equipment apparatus.

5. Connect another air hose between the air compressor (or other source of compressed air) and the air control equipment. This completes the test equipment set-up. Test operations may commence.
6. Supply air to the test section slowly, filling the pipe line until a constant pressure of 3.5 psig is maintained. The air pressure must be regulated to prevent the pressure inside the pipe from exceeding 5.0 psig.
7. When constant pressure of 3.5 psig is reached, throttle the air supply to maintain the internal pressure above 3.0 psig for at least 5 minutes. This time permits the temperature of the entering air to equalize with the temperature of the pipe wall. During this stabilization period, it is advisable to check all capped and plugged fittings with a soap solution to detect any leakage at these connections.

If leakage is detected at any cap or plug, release the pressure in the line and tighten all leaky caps and plugs. Then start the test operation again by supplying air. When it is necessary to bleed off the air to tighten or repair a faulty plug, a new 5-minute interval must be allowed after the pipe line has been refilled.

8. After the stabilization period, adjust the air pressure to 3.5 psig and shut off or disconnect the air supply. Observe the gage until the air pressure reaches 3.0 psig. At 3.0 psig, commence timing with a stop watch which is allowed to run until the line pressure drops to 2.5 psig at which time the stop watch is stopped. The time required, as shown on the stop watch, for a pressure loss of 0.5 psig is used to compute the air loss. Most authorities consider it unnecessary to determine the air temperature inside the pipe line and the barometric pressure at the time of the test.
9. If the time, in minutes and seconds, for the air pressure to drop from 3.0 to 2.5 psig is greater than that shown on Table No. 3 for the designated pipe size, the section undergoing test shall have passed and shall be presumed to be free of defects. The test may be discontinued at that time.
10. If the time, in minutes and seconds, for the 0.5 psig drop is less than that shown in Table No. 3 for the designated pipe size, the section of pipe shall not have passed the test; therefore, adequate repairs must be made and the line retested.

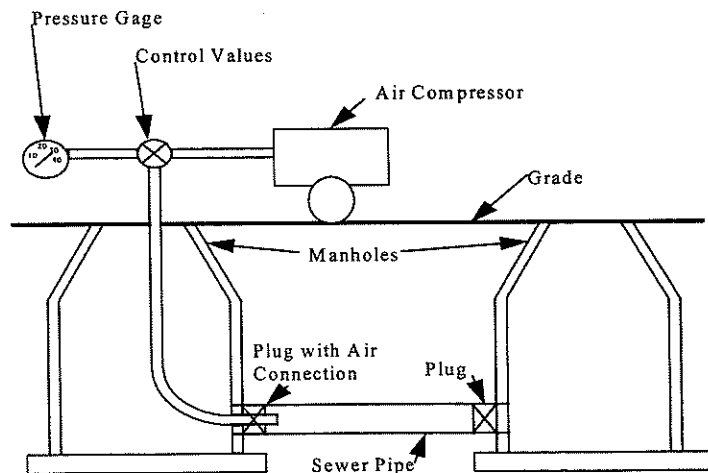


FIGURE NO. 3 TYPICAL AIR TEST EQUIPMENT LAYOUT

TIME REQUIREMENTS FOR AIR TESTING

PIPE SIZE (INCHES)	TIME	
	MIN.	SEC.
4	2	32
6	3	50
8	5	06
10	6	22
12	7	39
14	8	56
15	9	35
16	10	12
18	11	34
20	12	45
21	13	30

(For larger diameter pipe use the following: Minimum time in seconds = 462 X pipe diameter in ft)

TABLE NO. 3

10. (continued)

- a) Pipe sizes with their respective Recommended Minimum Times, in Minutes and Seconds, for Acceptance by the Air Test Method.
- b) For eight (8) inch and smaller pipe, only: if, during the 5-minute saturation period, pressure drops less than 0.5 psig after the initial pressurization and air is not added, the pipe section undergoing tests shall have passed.
- c) Multi Pipe Sizes: When the sewer line undergoing test is 8" or larger diameter pipe and includes 4" or 6" laterals, the figures in Table 3 for uniform sewer main sizes will not give reliable or accurate criteria for the test. Where multi-pipe sizes are to undergo the air test, the engineer can compute the "average" size in inches which is then multiplied by 38.2 seconds. The results will give the minimum time in seconds acceptable for a pressure drop of 0.5 psig for the "averaged" diameter pipe.

IV. ESTIMATED SEWAGE FLOWS

Table No. 4 shall be used for the estimated daily sewage flow from non-residential buildings and residential institutions unless specific water use data is available for the facility. A minimum 1.5 safety factor shall be applied to all metered average daily water use data.

Table No. 4 - Estimated Sewage Flow from Non-Residential Buildings and Residential Institutions:

<u>SCHOOLS, PER PUPIL</u>	<u>GALLONS PER DAY</u>
TOILET	12
KITCHEN	3
SHOWERS	3 to 5
RESIDENTIAL	100
KINDERGARTEN	10
DAY CARE CENTER (NO MEALS PREPARED)	10
<u>EMPLOYEES, PER EMPLOYEE</u>	
FACTORY	25
FACTORY (WITH SHOWERS)	35
OFFICE (AVERAGE 200 SQ.FT./PERSON-GROSS AREA)	20
SMALL RETAIL BUILDING-LESS THAN 2,000 SQ.FT.-GROSS AREA	20
LARGE RETAIL/COMMERCIAL BUILDING-SEE MISCELLANEOUS	
<u>CAMPS</u>	
WITH CENTRAL RESIDENTIAL CAMPS (SEMI PERMANENT), PER PERSON	50
CAMPGROUND SANITARY FACILITIES, PER PERSON	35
WITH FLUSH TOILETS (NO SHOWERS), PER PERSON	25
PER CAMP SPACE (WATER AND SEWER HOOK-UPS)	100
DAY CAMPS, PER PERSON	15
LUXURY CAMPS, PER PERSON	75
PICNIC PARKS (TOILET WASTES ONLY), PER PERSON	5
PICNIC PARKS WITH BATHHOUSES, SHOWERS, FLUSH TOILETS, PER PERSON	10
<u>HEALTH CARE FACILITIES</u>	
HOSPITALS, PER BED	250
REST HOMES, PER BED	150
CONVALESCENT HOMES, PER BED	150
INSTITUTIONS, PER RESIDENT	100
<u>RESTAURANTS</u>	
PER MEAL SERVED, WITH TOILETS	10
PER MEAL SERVED, WITHOUT TOILETS	5
BARS AND COCKTAIL LOUNGES (NO MEALS) PER PATRON	5
<u>RECREATIONAL FACILITIES</u>	
SWIMMING POOLS, PER BATHER	10
INDOOR TENNIS COURTS, PER COURT	400
OUTDOOR TENNIS COURTS, PER COURT	150
THEATERS, SPORTING EVENTS, PER SEAT	3.5
<u>CHURCHES</u>	
WORSHIP SERVICE ONLY, PER SEAT	1
SUNDAY SCHOOL, PER PUPIL	2
SOCIAL EVENTS (MEALS SERVED) PER PERSON	5
<u>MISCELLANEOUS</u>	
BEAUTY SALON, PER CHAIR	200
AUTO SERVICE STATIONS, PER CARS SERVICED	5
KENNEL DOG RUNS, PER RUN--ROOF MUST BE PROVIDED	25
LARGE RETAIL/COMMERCIAL BLDG., PER SQ. FT. OF GROSS AREA	.1
LAUNDROMATS, PER MACHINE	400
MOTELS, PER ROOM, (NO FOOD SERVICE OR WASHING MACHINES)	75
MARINAS (BATHHOUSE-SHOWERS PROVIDED), PER BOAT SLIP	20

SEPTIC TANKS

A. General

(1) All subsurface sewage disposal systems shall be provided with a septic tank. Such septic tank shall be made of concrete or other durable material, with watertight walls and bottom, with inlet baffled or submerged for a depth of twelve to eighteen inches and outlet baffled or submerged to a depth of at least twelve inches below the surface of liquid in the tank, but not more than half the liquid depth. The outlet invert shall be three inches lower than the inlet invert. All septic tanks shall have two compartments with adequate connection at mid-depth, and two-thirds of the required capacity shall be in the first compartment (see Figure No. 4). Baffles shall extend six inches above the liquid level and both the inlet and outlet baffles shall encompass not more than 48 square inches of liquid surface area. The outlet baffle shall be made of polyethylene or PVC and be equipped with a gas deflector installed below the bottom of the baffle. All septic tanks made of concrete shall be produced with a minimum 4,000 psi concrete per ASTM standards with 5 to 7 percent air entrainment. All tank inlet and outlet piping shall be sealed with a polyethylene gasket, Polylok or equal. All new septic tanks shall be manufactured with manhole covers which have been placarded with notification of its two compartment construction and the danger of entering the tank due to noxious gases, unless due to the configuration of the tank it is physically impossible for anyone to enter.

(2) Septic tank construction shall conform to ASTM C-1227-95 standards by July 1, 2000.

(3) A septic tank shall have a removable cover or manhole so as to provide access to the tank for the purposes of inspection and cleaning. Cleanout manholes and all baffled inspection manholes shall be located at a depth not greater than twelve inches below final grade level. Cleanouts shall be specifically sized and located to facilitate cleaning of both compartments. All covers shall be provided with handles consisting of 3/8 inch coated rebar or approved plastic handles. Handles will be required to provide a minimum of 50 grams (2 ounces) of steel adjacent to/or attached to each handle. On septic tanks of two thousand gallons or more, manholes shall extend to grade. At least two manholes shall be provided for a tank ten feet long and at least one manhole per compartment. A manhole shall be provided for each additional ten feet of length. If a manhole is not located over the inlet and outlet, inspection openings shall be provided at those points. No septic tank shall have a liquid capacity of less than one thousand gallons below the outlet invert. The minimum liquid depth of septic tanks shall be thirty-six inches, measured from the bottom of the tank to the outlet invert. There shall be a minimum of eight inches between the liquid level and the underside of the tank cover. Additional septic tank capacity over one thousand gallons may be obtained by joining two prefabricated tanks together. In no case may more than two septic tanks be placed in series. In any case, the overall length shall not be greater than four times either the width or the depth. When two septic tanks are placed in series, each tank shall be of single compartment design; the volume of the first tank shall be twice the volume of the second; mid-depth baffles shall be provided at the connection of the two tanks; a gas deflector shall be provided for the outlet baffle of the second tank. (see Figure No. 5). Whenever more than 25 percent of daily design flow from a building will be ejected into a septic tank via a pump, then the size of the tank shall be increased 50 percent beyond the minimum capacity specified in Section V.B of these Technical Standards.

(4) Abandonment of septic tanks, or other hollow leaching structures, shall be performed in such a manner as to eliminate the danger of the structure inadvertently collapsing in the future. The property owner shall take steps to empty the tank of all septage wastes and then, either have the chamber filled with medium to coarse sand, or crush the tank and backfill the area with clean soil.

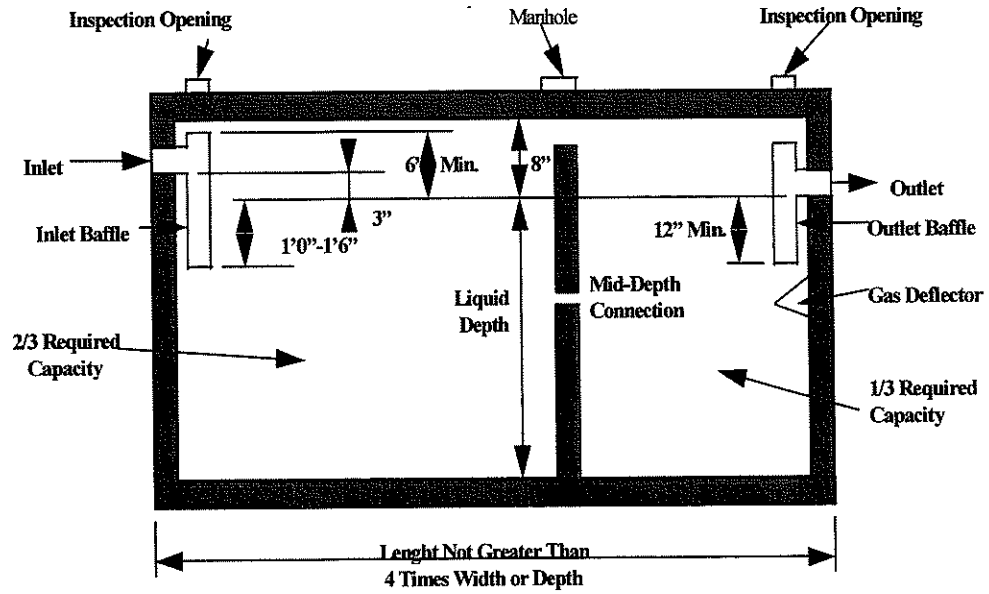


FIGURE NO. 4 TYPICAL SEPTIC TANK

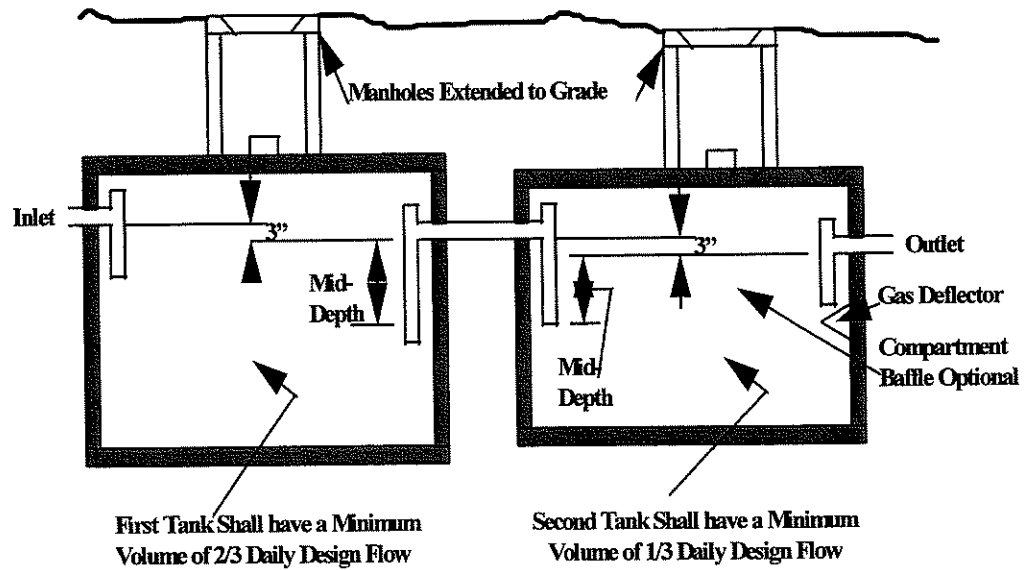


FIGURE NO. 5 SEPTIC TANKS IN SERIES

B. Septic tank capacities

(1) The minimum liquid capacity of septic tanks serving residential buildings shall be based on the number of bedrooms in the building. For three bedrooms or less, one thousand gallons; and another two hundred and fifty gallons per additional bedroom.

(2) The minimum liquid capacity of septic tanks serving non-residential buildings shall be equal to the twenty-four hour estimated sewage flow (see Table No. 4). In no case shall a septic tank be installed with a liquid capacity of less than one thousand gallons. In cases of non-residential buildings which are subject to high peak sewage flows, the liquid capacity of the septic tank shall be such as to provide a minimum detention time of 2 hours under peak flow conditions.

C. Grease traps

For all new construction, or repair/replacement of subsurface sewage disposal systems where feasible, serving restaurants and food service establishments with a design flow of 500 gallons per day or greater, an external grease trap, the capacity of which shall meet or surpass the 24 hour design flow, shall be provided on all kitchen waste lines for separation of grease (see Figure No. 6). For restaurants and food service establishments with design flows of 2,000 gallons per day or greater, two external grease traps, in series, shall be provided. Such external grease traps shall have a combined liquid volume meeting or surpassing the 24 hour design flow, and shall have inlet and outlet baffles submerged to a depth of twelve inches above the trap bottom. Effluent discharged from the grease trap shall be directed to the inlet end of the septic tank serving the establishment. All manholes and clean outs on external grease traps shall be extended to grade to facilitate cleaning. All new grease traps shall be provided with manhole covers which have been placarded with notification as to the danger of entering the chamber due to noxious gases.

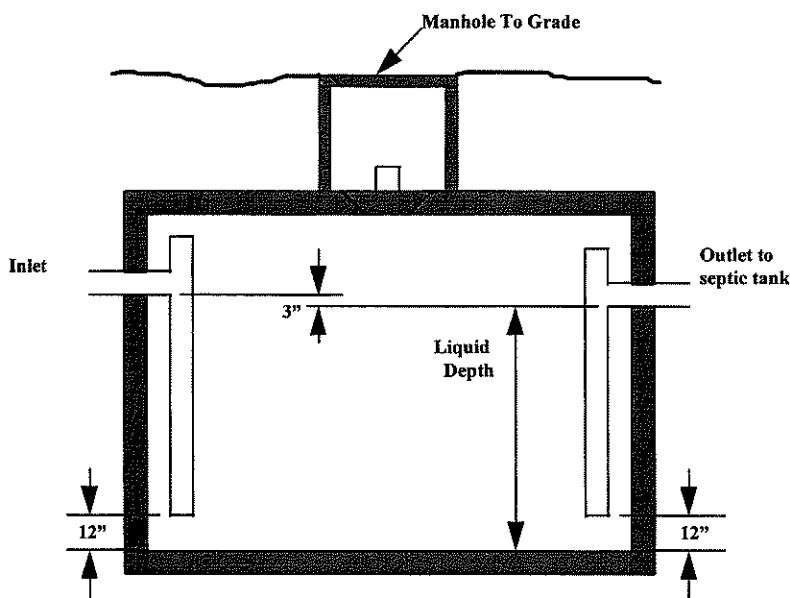


FIGURE NO. 6 EXTERNAL GREASE TRAP

VI. DISTRIBUTION OF SEWAGE EFFLUENT

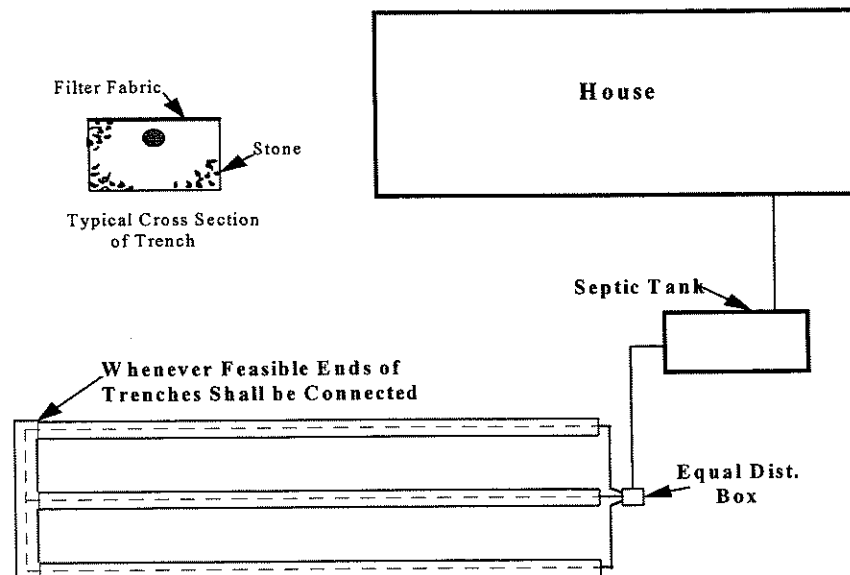
A. Flows under two thousand gallons per day and those systems over two thousand gallons per day with less than six hundred linear feet of leaching system.:

The septic tank effluent shall be distributed in such manner as to assure dosing all parts of the leaching system. Level leaching systems and leaching systems located on different elevations may be dosed by pump, siphon or a dosing distribution box to promote uniform application of effluent to various types of leaching systems. When uniform application to leaching systems on different elevations cannot be achieved by dosing, serial distribution with high level overflow shall be provided (see Figures Nos. 8, 9 and 10).

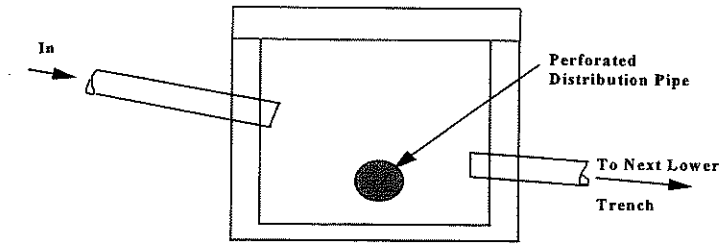
When leaching trenches are at the same elevation, ends of trenches shall be connected wherever feasible (see Figure No. 7). Where pumping is required, duplicate alternating pumps or single pump with emergency storage volume (above the alarm float level) in the pump chamber equal to at least the daily volume of sewage normally received shall be provided above the normal operating level. All pumps shall be equipped with high level alarms and access manholes to grade.

B. Flows of two thousand gallons per day or greater with six hundred linear feet or more of leaching system.

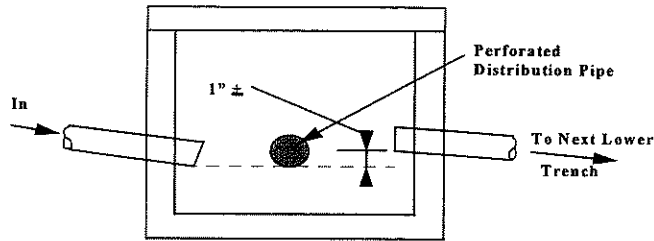
Intermittent dosing arrangements, using siphons or pumps, shall be used to assure distribution in cases where the total length of leaching system is six hundred feet or greater. Siphon or pump chambers shall be equipped with manholes extending to grade. Chambers shall be sized to discharge at least fifty per cent of the volume of the distributing pipes and/or to dose the leaching system at a frequency of three to six cycles per day. Alternating siphons shall not be used. Leaching systems at the same elevation shall have ends of trenches connected wherever feasible. Where pumping is required, duplicate alternating pumps with an alarm shall be provided.



**FIGURE NO. 7 CONNECTION OF ENDS
TRENCHES AT SAME ELEVATION**



High Level Overflow Dist. Box



Reversed Distribution Box

FIGURE NO. 8 SERIAL DISTRIBUTION BOXES

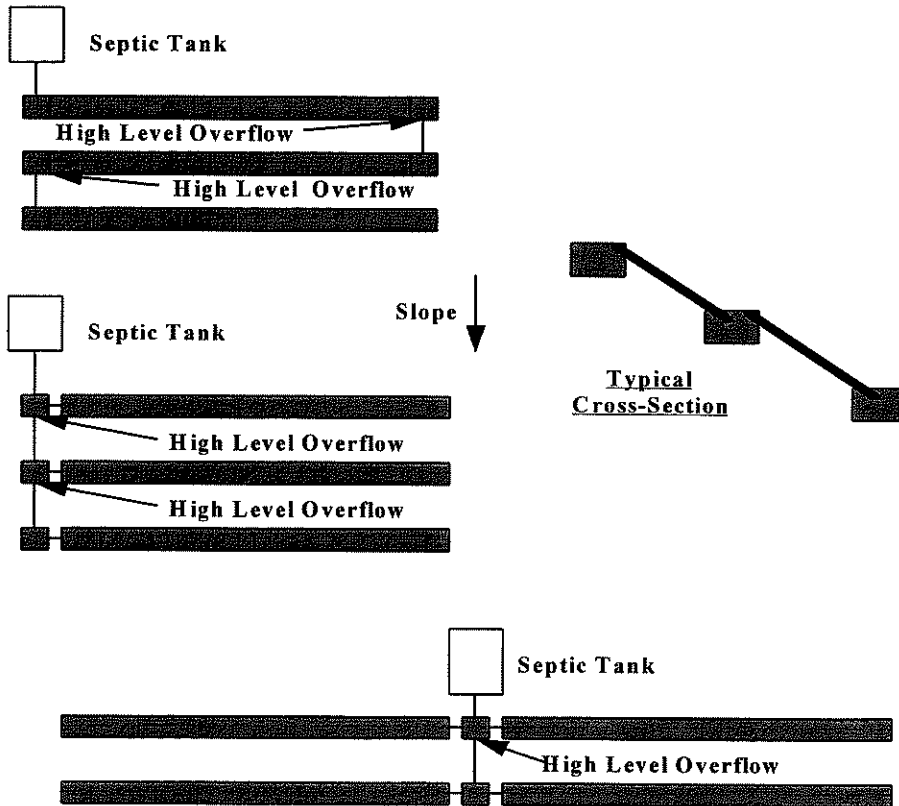


FIGURE NO. 9 SERIAL DISTRIBUTION SYSTEMS

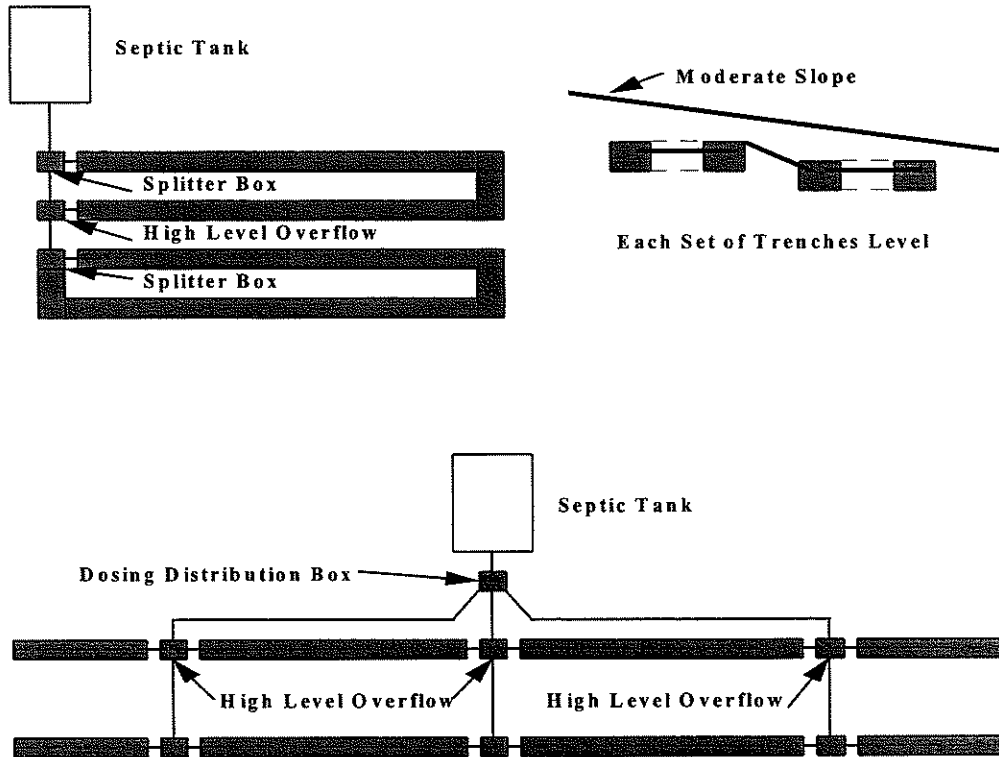


FIGURE NO. 10 ALTERNATIVE DISTRIBUTION SYSTEMS

VII. PERCOLATION TESTS

A percolation test consists of three steps: 1) presoaking the test hole, 2) refilling and allowing the hole to saturate for 30 to 60 minutes under certain conditions and 3) determining the minimum uniform percolation rate after saturation.

The purpose of the presoak is to allow sufficient soil-water contact time. During presoaking, swelling clays which may be present in the soil will expand thereby reducing the void space in the soil. Also, sufficient presoaking will allow the advancing capillary wetting front, which controls the rate of water flow in unsaturated soils, to move sufficiently far away from the test hole so that an apparent equilibrium flow rate is reached.

The required presoaking time will vary depending on the soil and its moisture content. All soils shall be presoaked by filling the test hole with 12 inches of water. If the water seeps away in less than 2 hours, the hole may be refilled to the 12-inch depth and the percolation test begun. If any water remains in the hole after 2 hours, it normally shall be refilled to the 12-inch depth and allowed to presoak for at least 2 additional hours before the percolation test is begun. However, such extended presoaking shall not be required where it is determined that the soil contains no significant amount of swelling clays. Any test hole which has continuously contained water for 4 hours or longer shall be considered adequately presoaked.

Once clay particles have become swollen, they will remain so for a period of time. Therefore, it is not necessary to perform the percolation test immediately, although tests performed at the end of the presoaking period yield the most accurate results. If tests cannot be performed immediately, test holes may be presoaked in the morning and tested in the afternoon, or presoaked on one day and tested the following day. If more than 30 hours have elapsed following initial presoaking, the test hole shall be presoaked once again.

Following presoaking, the hole shall be refilled and allowed to percolate for 30 to 60 minutes in order to fill the voids in the soil surrounding the test hole with water. Presoaking does not eliminate this requirement since the large voids surrounding the test hole will drain rapidly when the test hole goes dry. There is an initial rapid drop of the water level in the test hole as the water enters the voids in the soil. The rate of drop will diminish rapidly until after 30 to 60 minutes an apparent equilibrium rate will be attained. Only this minimum uniform rate following saturation shall be used in calculating the size of the leaching system. Readings taken prior to 30 to 60 minutes after refilling normally shall not be used in calculating the minimum percolation rate. However, if after presoaking the refilled hole goes dry before 30 minutes, the readings which have been taken may be used without a second refilling.

Percolation tests shall be made in a 6 to 12 inch diameter hole dug to the depth of the proposed leaching system. If leaching pits are used, the test holes shall normally be 6 to 12 feet below the existing grade. At locations where there appears to be 2 or more soil strata of different texture or structure, each strata shall be tested separately with holes of comparable depths. In calculating the required leaching area, only representative test results in the area and at the depth of the proposed leaching system shall be used, but all percolation tests and observation pits which were made on the site shall be reported. Whenever leaching systems are installed totally in fill material the size of the system shall be based on the percolation rate of the natural soils below or the fill material, whichever rate is slower, except when the underlying natural soil has a percolation rate slower than 30 minutes per inch, in that case the system can be sized at a 30 minute/inch rate, as long as, the fill material has a faster percolation rate. If the representative percolation rate in the reserve area is slower than that of the primary area, then the reserve area shall be sized according to the slower rate.

VIII. LEACHING SYSTEMS

A. General

No leaching system shall be constructed in areas where high groundwater, surface flooding or ledge rock will interfere with its effective operation. The bottom of any leaching system shall be at least eighteen inches above the maximum groundwater level and shall be at least four feet above ledge rock, except when the underlying natural soil has a percolation rate faster than one minute per inch, the bottom of any leaching system shall not be less than eight feet above ledge rock or distances shall be doubled from any well in accordance with Special Provisions of Table No. 1, Item A.

The applicant shall submit calculations to demonstrate compliance with the Minimum Leaching System Spread (MLSS) criteria using the procedure outlined in Appendix A of the Technical Standards. No sewage disposal system shall be denied based solely upon non-compliance with MLSS but may be denied if the applicant is unable to demonstrate compliance with Section 19-13-B103e(a)(4) of the Code.

Leaching systems constructed in areas where there is no definite schedule for the extension of public sewers within five years shall be laid out in such a manner that an acceptable reserve area of suitable soil, sized based on its representative percolation rate and have the feasibility to be constructed in conformance with all aspects of the Public Health Code and these Technical Standards, for the purpose

of enlargement or replacement of the leaching system in the event of failure, except that no reserve area shall be required for repairs, alterations or extensions of existing leaching systems. No single family residential dwelling shall be required to fill a reserve area at the time of construction of an approved system. Reserve areas for multi-family dwellings and commercial buildings without exceptions shall be prepared with necessary fill and all designated reserve areas, whether residential or commercial, shall be identified on a plan to be filed at the Local Health Authority and Building Authority.

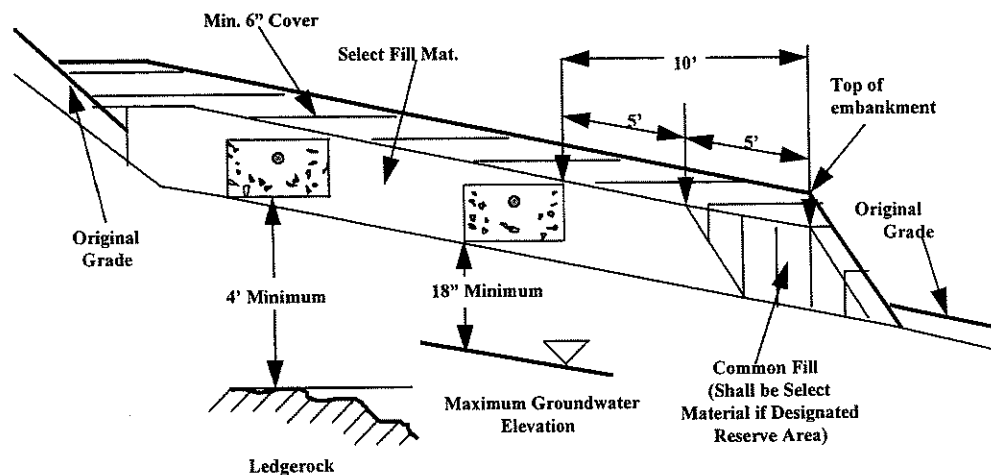
The ground surface over the entire subsurface sewage disposal system shall be graded and maintained to lead surface water away from the area. All leaching systems shall be protected from siltation or erosion during and after construction. Leaching systems shall be covered with a minimum of six inches of soil and finished in a condition which will prevent erosion over or adjacent to the leaching system. New technology systems shall be covered with additional soil in conformance with the manufacturer's installation specifications. The leaching system shall be properly covered within two (2) working days following the local health department's final inspection and approval.

No cast iron or ductile iron piping shall be allowed following the septic tank due to corrosive factors. Use of 3" diameter PVC, meeting ASTM D2729 specs or 4" diameter PVC, meeting ASTM D 3034 SDR 35 or equal, is required for all solid distribution piping (see Table No. 5).

The length of individual leaching trenches, gallery rows or new technology systems shall not exceed seventy-five (75) feet measured from the inlet, except that in installations where intermittent dosing exceeding twenty-five (25) gallons/cycle is used, a maximum length of one hundred feet may be utilized.

A layer of non-woven filter fabric shall be placed over all stone used in leaching system construction before backfilling. Minimum average roll values for fabric shall be 1.5 oz./yd² (per ASTM D-3776), a permittivity of 1.0 sec⁻¹ (per ASTM D-4491) and a trapezoid tear of 15 lbs. (per ASTM D-4533). All non-woven filter fabric used for all new technology leaching systems and for covering systems shall bear the appropriate manufacturer's label specifying the product's name and number. Labeling shall be affixed in such a manner to be readily visible to facilitate inspection. A list of approved filter fabrics shall be maintained by the Commissioner of Public Health and supplied upon request. (The approved list as of the date of this revision is supplied in Appendix B)

Whenever different type leaching units are utilized side-by-side the average of the two required center-to-center spacings shall be maintained.



MINIMUM SEPARATING DISTANCES ABOVE LEDGEROCK AND GROUNDWATER

B. Leaching trenches (See Figure No. 11)

All leaching trenches shall follow ground contours. Trench widths shall be either 18, 24, 30, 36, or 48 inches. No trench shall exceed 48 inches in width. The trenches shall contain a depth of at least twelve inches of one-inch broken stone or one-inch screened gravel. A distribution pipe shall be laid the entire length of the trench near the top layer of stone. Distribution pipes shall be of acceptable material with suitable perforations or open joints (see Table 5). Distribution pipes shall be laid level or on a grade not exceeding two to four inches per one hundred feet. The distribution pipes shall be covered with at least two inches of one-inch broken stone or one-inch screened gravel, and there shall be at least six inches (for 48" wide trenches) or twelve inches (for 36" or less wide trenches) of this material under the distribution pipe.

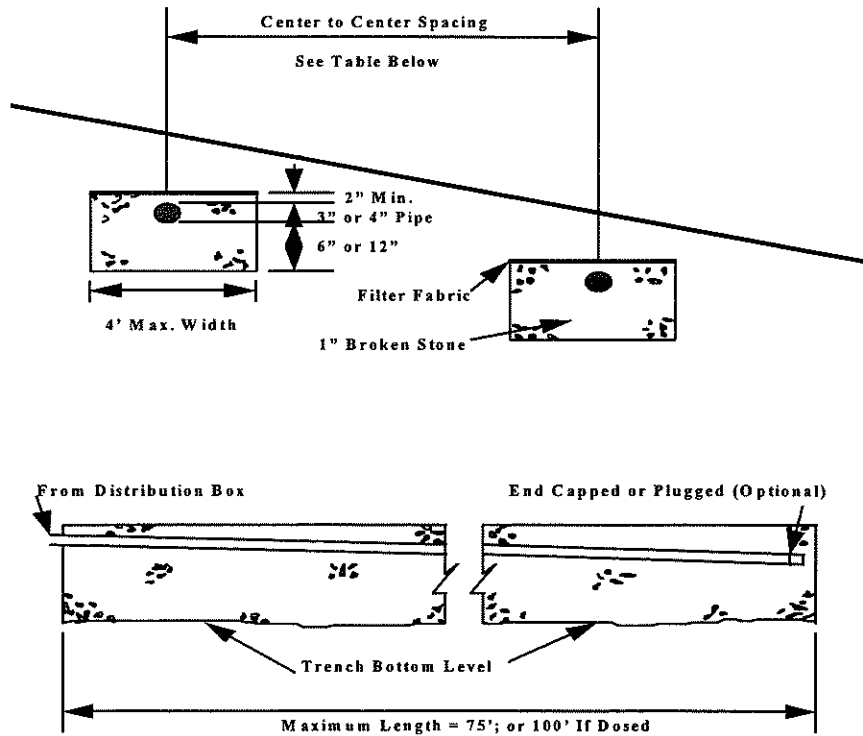


FIGURE NO. 11 LEACHING TRENCHES

For the purposes of Standard VIIF the effective leaching area of leaching trenches and corresponding center-to-center spacing between trenches shall be as follows:

<u>Trench Depth Inches</u>	<u>Trench Width Inches</u>	<u>Effective Leaching SF/LF</u>	<u>Center-to-Center Spacing - FT</u>
18	18	2.1	9
18	24	2.4	9
18	30	2.7	9
18	36	3.0	9
12	48	3.0	9

TABLE NO.5 - DISTRIBUTION PIPE

USE	PIPE DESCRIPTION	TYPE OF JOINT	REMARKS
Solid and perforated effluent distribution pipe used after the septic tank for leaching system	PVC ASTM D 3034, SDR 35 PVC ASTM F 789, PS-46 PVC ASTM F 891, PS-50	Rubber compression gasket or bell and spigot	Heavy duty plastic pipe for shallow pipe installation
(Also see Table 2D for sewage force main)	PVC ASTM D 2729:- only 3" diameter pipe (see remarks for use of 4" pipe)	Bell and spigot, no gaskets	4" diameter pipes can be used but must be bedded in 6" min. of 1" stone and covered with 2" min. of 1" stone or with other special bedding requirements to protect against crushing
	Polyethylene pipe ASTM F 810, SDR 38 ASTM D 3350:- only 3" diameter pipe (see remarks for use of 4" pipe)	Bell and spigot, no gaskets	4" diameter corrugated smooth interior wall polyethylene leaching pipe meeting ASTM D 3350 and performance specification ASTM F 405-89 may be used without bedding
	Polyethylene corrugated rigid pipe: ASTM 1248 (coil pipe not acceptable) - only 3" diameter pipe (see remarks for use of 4" pipe)	Sleeve joints	
	Polyethylene, corrugated smooth interior wall pipe N-12	Snap on sleeve joint	Gasket couplings for watertight installation are available

C. Leaching pits (See Figure No. 12)

Leaching pits shall be hollow structures with perforated or open-joint walls and tight covers. The side walls shall be surrounded by at least twelve inches, but not more than twenty-four inches, of one-inch broken stone or one-inch screened gravel and the hollow structure shall be no less than five feet in diameter nor greater than ten feet in diameter. The covers shall be equipped with a cleanout manhole. Center-to-center spacing of leaching pits shall be at least four times the diameter of the hollow structure. No more than two such leaching pits shall be connected in series. Leaching pits shall not be used where groundwater may interfere with their operation or where soil of better leaching quality is found at shallow depth. Leaching pits shall not be used where the minimum percolation rate is slower than one inch in twenty minutes. Leaching pits shall only be used when at least 50 per cent of the effective depth of the structure can be installed below original natural grade levels, unless MLSS criteria or in situ hydraulic analysis testing confirms the adequacy of the natural soils to absorb and disperse the expected volume of sewage.

For the purposes of Standard VIII F, the effective leaching area of leaching pits shall consist of only the side area of the stone-filled excavation, provided the top of the effective area is no higher than the outlet invert level of the septic tank or distribution box.

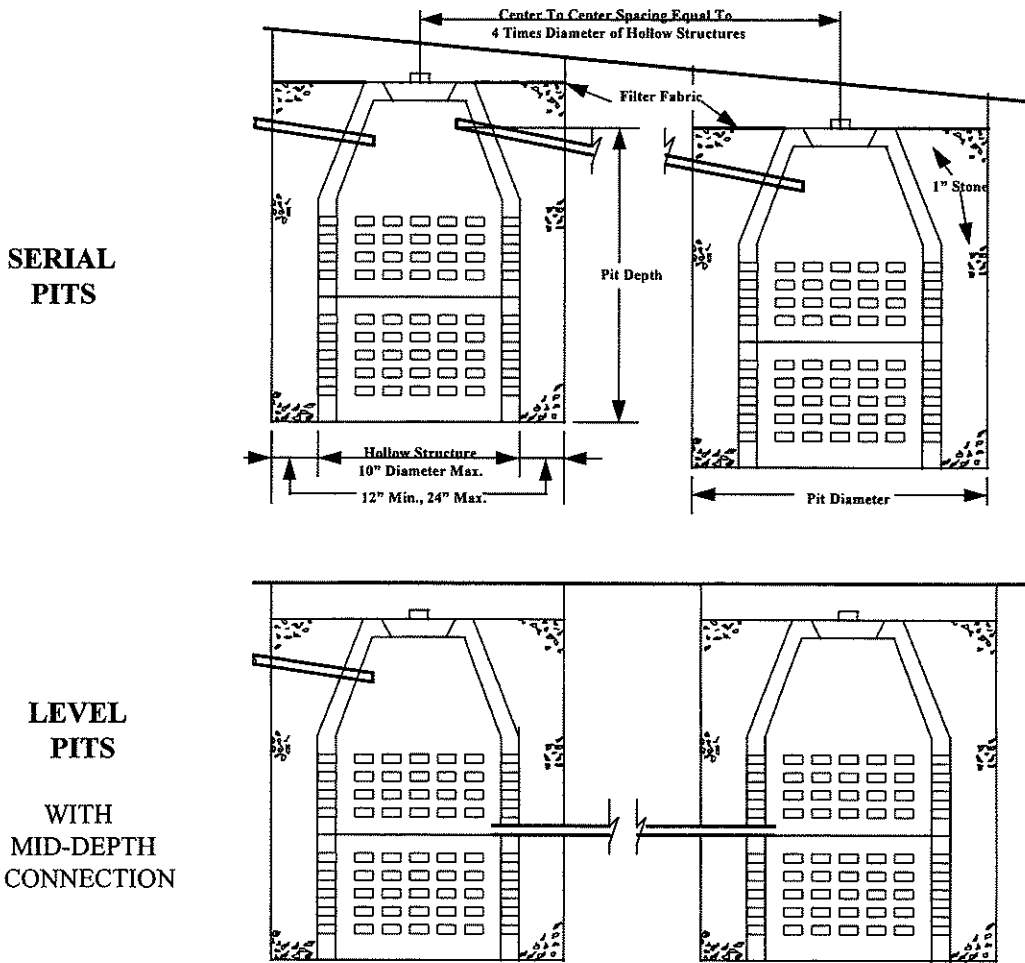


FIGURE NO. 12 LEACHING PITS

D. Leaching galleries (See Figures No. 13)

All leaching gallery rows shall follow ground contours. Leaching galleries shall be hollow structures, open at the bottom with perforated or open joint sides and tight covers. The side walls shall have minimum depth of twelve inches and a maximum depth of four feet, including up to six inches of one-inch stone or one-inch screened gravel above the top of the structure. The galleries shall be surrounded by at least twelve inches of one-inch broken stone or one-inch screened gravel. The width of the trench excavation shall not be less than six feet and the width of the hollow structure(s) shall be not less than four feet. The bottom of each leaching gallery shall be level. Leaching galleries with a depth of over thirty inches shall not be used where the minimum percolation rate is slower than twenty minutes per inch. Galleries greater than thirty inches in depth shall only be used when at least 50 per cent of the effective depth of the structure can be installed below original natural grade levels, unless MLSS criteria or in situ hydraulic testing confirms the adequacy of the natural soils to absorb and disperse the expected volume of sewage.

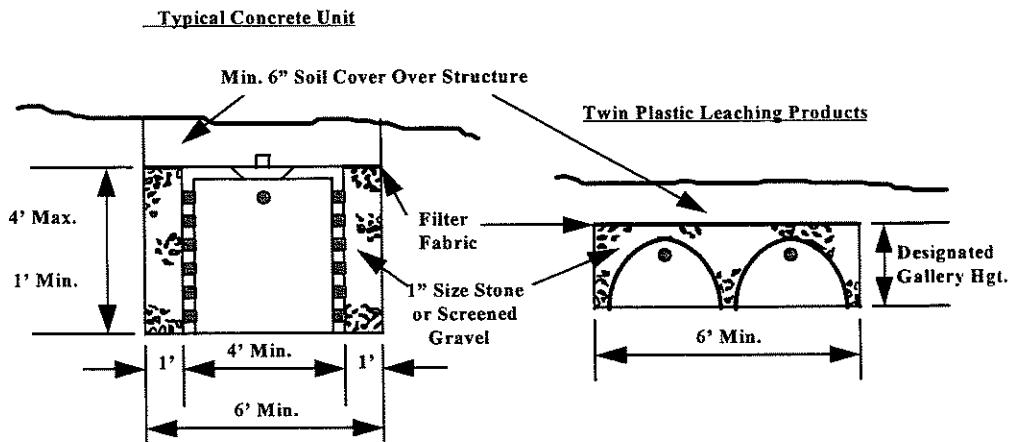
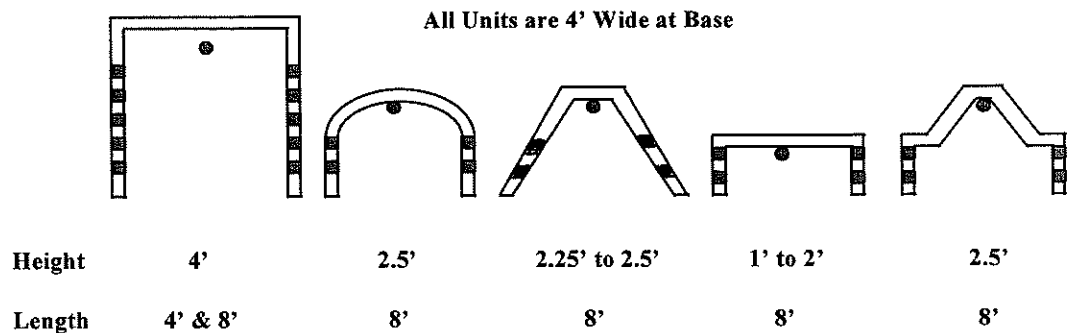


FIGURE NO. 13 TYPICAL LEACHING GALLERY STRUCTURES

For the purposes of Standards VIII F the effective leaching area of galley rows and corresponding center-to-center spacing between rows shall be as follows:

<u>GALLERY HEIGHT</u>	<u>EFFECTIVE LEACHING</u>	<u>CENTER-TO-CENTER SPACING-FT</u>
48" High	9.2 SF/LF	18
36" High	8.0 SF/LF	18
30" High	7.4 SF/LF	15
30" High Recharger 330	7.4 SF/LF	15
30" High Twin Maximizers	7.4 SF/LF	15
27" High	7.1 SF/LF	15
24" High	6.8 SF/LF	15
18" High	6.2 SF/LF	15
12" High	5.9 SF/LF	15

-Gallery height shall be determined from bottom of excavation to maximum level of utilization (determined by outlet invert of septic tank or distribution box).

-Only total length of excavated row shall be utilized to calculate effective area. End wall areas and interconnecting galley trench will not be credited. A 0.3 SF/LF reduction will be assessed to all gallery rows when the gallery units are placed on a bed of stone.

E. New Technology Systems

1. Plastic Leaching Trenches

All plastic leaching trenches shall follow ground contours. The trench bottom shall be installed level. Minimum depth of cover shall be per manufacturer's specifications. For the purpose of Standard VIII F the effective leaching area of the approved products listed below and corresponding center-to-center spacing shall be as follows:

<u>Product Name</u>	<u>Dimensions W X H</u>	<u>Effective Leaching SF/LF</u>	<u>Center-to-Center Spacing-Ft</u>
11" Bio-Diffuser	34" X 11"	3.6	9
14" Bio-Diffuser	34" X 13.5"	3.7	9
12" EnviroChamber- (Standard)	34" X 12"	3.6	9
18" EnviroChamber- (High Cap.)	34" X 17.5"	3.9	9
12" Infiltrator- (Standard)	34" X 12"	3.4	9
16" Infiltrator- (High Cap.)	34" X 16"	3.8	9
Equalizer 24	15" X 12"	2.3	9
Equalizer 36	22" X 12"	2.7	9
Standard Sidewinder	34" X 9"	3.7	9
High Cap. Sidewinder	34" X 12"	3.9	9

Units must be backfilled with select backfill material (as per Definition Section I) or one-inch broken stone or screened gravel. A 0.5 SF/LF reduction will be assessed if the trench is backfilled with native material not meeting the above criteria.

2. Eljen In-drain Leaching Units

All Eljen In-drains shall follow ground contours. The In-Drains shall be installed level. Distribution pipes running on top of these units shall conform to Table No. 5. Therefore, a 4" diameter perforated PVC pipe must meet ASTM D 3034 specification. The distribution pipe must be anchored to the In-Drain units. The units must be bedded on the bottom and sides with select backfill material, as per manufacturer's specifications. Minimum depth of cover shall be per manufacturer's specifications.

For the purpose of Standard VIII F the effective leaching area of the approved products listed below and corresponding center-to-center spacing shall be as follows:

<u>Eljen In-drain</u>	<u>Effective Leaching SF/LF</u>	<u>Center-to-Center Spacing Ft</u>
6" X 48" (sand filled) Unit	5.4	12
7" X 48" Type "B" Unit	5.6	15

3. Corrugated Leaching Systems Lined/Covered with Filter Fabric

All corrugated leaching units shall follow ground contours. The units shall be installed level. The units must be backfilled with select backfill material. Minimum depth of cover shall be per manufacturer's specifications. For the purposes of Standard VIII F the effective leaching area of the approved products listed below and corresponding center-to-center spacing shall be as follows:

<u>Product</u>	<u>Dimensions</u>	<u>Effective Leaching SF/LF</u>	<u>Center-to-Center Spacing-Ft</u>
GEO-FLOW (with geo-mesh fabric)	12" Diameter	2.3	9
ENVIRO-SEPTIC	12" Diameter	2.3	9
SB2 (with conventional fabric wrap)	10" Diameter	0.9	9
12" Contactor 75	26.5" X 12.4"	2.6	9
18" Contactor 125	26.5" X 18"	2.9	9
20" Recharger 180	36" X 20.5"	4.1	12
30" Recharger 330	52" X 30"	5.6	15
30" Maximizer	34" X 30"	4.6	12

F. Capacity of leaching systems

- (1) Leaching systems for residential buildings shall be designed on the basis of the number of bedrooms in accordance with Table 6:

TABLE 6 - RESIDENTIAL BUILDING

MINIMUM UNIFORM PERCOLATION RATE	SQUARE FEET OF EFFECTIVE AREA REQUIRED			
	2 BEDROOM HOUSE	3 BEDROOM HOUSE	4 BEDROOM HOUSE	FOR EACH BR ABOVE FOUR
MINUTES TO DROP ONE INCH				
LESS THAN 1 MINUTE	375	495	660	165 (area of spec. concern)
1.0-10 MINUTES	375	495	660	165
10.1-20 MINUTES	500	675	900	225
20.1-30 MINUTES	565	750	1000	250
30.1-45 MINUTES	675	900	1200	300 (area of spec. concern)
45.1-60 MINUTES	745	990	1320	330 (area of spec. concern)
LESS THAN 5 MINUTES *	300	375	500	125
OVER 60 MINUTES	unsuitable for leaching systems			
<p>Note: Increase septic tank and leaching area required when dwelling contains large capacity type bathtubs in accordance with the following:</p> <p>100 to 200 gallon tub - Add 250 gallons to capacity of the septic tank and increase the size of the leaching area the equivalent of one additional bedroom.</p> <p>Over 200 gallon tub - Add 500 gallons to capacity of the septic tank and increase the size of the leaching area the equivalent of two additional bedrooms.</p> <p>* Lots in existence prior to January 1, 1994, may use the less than 5 minute/inch rate if site conditions prohibit installations sized per above 1-10 minute/inch rates.</p>				

(2) Leaching system for restaurants, bakeries, laundromats, hairdressing salons and residential institutions shall be designed on the basis of estimated daily sewage flow in accordance with Table 7:

TABLE 7 - RESTAURANTS, LAUNDROMATS AND RESIDENTIAL INSTITUTIONS

MINIMUM UNIFORM PERCOLATION RATE Minutes to Drop One Inch	SEWAGE APPLICATION RATE Gallons per day to one square foot of Effective Leaching Area
Less than 1 minute 1 to 10 minutes 10.1 to 20 minutes 20.1 to 30 minutes 30.1 to 45 minutes 45.1 to 60 minutes over 60 minutes	0.8 Area of Special Concern 0.8 0.7 0.6 0.5 Area of Special Concern 0.4 Area of Special Concern unsuitable for leaching system

3) Leaching systems for nonresidential buildings other than those addressed by paragraph F.(2) shall be designed on the basis of estimated daily sewage flow in accordance with Table 8:

TABLE 8 - NON-RESIDENTIAL BUILDINGS

MINIMUM UNIFORM PERCOLATION RATE Minutes to Drop One Inch	SEWAGE APPLICATION RATE Gallons per day to one square foot of Effective Leaching Area
Less than 1 minute 1 to 10 minutes 10.1 to 20 minutes 20.1 to 30 minutes 30.1 to 45 minutes 45.1 to 60 minutes over 60 minutes	1.5 Area of Special Concern 1.5 1.2 0.9 0.7 Area of Special Concern 0.6 Area of Special Concern unsuitable for leaching system

IX. GROUNDWATER, ROOF, CELLAR AND YARD DRAINAGE

No ground water drainage or drainage from roofs, cellars, roads or yards shall discharge into or within twenty-five feet of any portion of a subsurface sewage disposal system. Separate facilities shall be provided for such drainage. The separating distance between such drains and subsurface sewage disposal systems shall be as designated in Table No. 1. Groundwater control drains or curtain drains, if used, shall be located on the uphill side of leaching systems and on the sides if necessary, and shall be separated from these systems as specified in Table No. 1. The depth of these drains shall be such as to lower the ground water at least two feet below the bottom of the entire leaching system. Each drain shall be equipped with a collection pipe located 6 to 12 inches above the bottom of the trench carrying collected ground water around and discharging below the leaching system (see Figure No. 14). This collection pipe shall have a minimum diameter of four inches and shall consist of open-joint tile, porous or perforated pipe. Collection pipe shall be surrounded by clean stone or gravel to a depth necessary to control groundwater or be otherwise designed by a professional engineer.

X. OTHER WASTEWATERS

No oils, greases, industrial or commercial wastes, toxic chemicals, waste from water treatment, or other liquids that will adversely affect the operation of the subsurface sewage disposal systems or which may pollute wells shall discharge to any subsurface disposal system. Large volumes of cooling or process water shall not be discharged to a subsurface sewage disposal system and separate facilities shall be provided for the disposal of such waste.

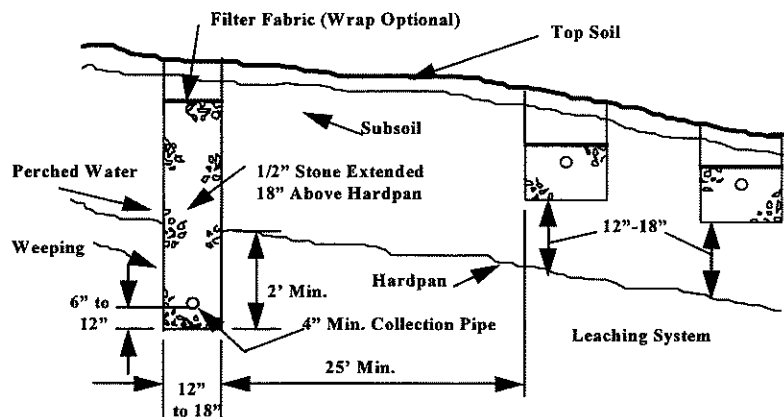


FIGURE NO. 14 TYPICAL CURTAIN DRAIN CONSTRUCTION

XI. NON DISCHARGING SEWAGE DISPOSAL SYSTEMS

A. Large Capacity Composting Toilets

Large capacity composting toilets shall have separate receiving, composting and storage compartments, arranged so that the contents are moved from one compartment to another without spillage, or escape of odors within the dwelling. No large capacity composting toilets shall have an interior volume of less than sixty-four cubic feet. All toilet waste shall be deposited in the receiving chamber, which shall be furnished with a tight self-closing toilet lid. Food waste or other materials necessary to the composting action shall be deposited in the composting compartment through a separate opening with a tight fitting lid. The final composting material shall be removed from the storage compartment through a cleanout

opening fitted with a tight door or lid. The cleanout shall not be located in a food storage or preparation area. The receiving and composting compartments shall be connected to the outside atmosphere by a screened vent. The vent shall be a minimum of six inches in diameter and shall extend at least twenty feet above the openings in the receiving and composting compartments, unless mechanical ventilation is provided. Air inlets shall be connected to the storage compartment only, and shall be screened.

B. Heat Assisted Composting Toilets

Heat assigned composting toilets shall have a single compartment furnished with a tight, self-closing toilet lid. The compartment shall be connected to the outside atmosphere by a screened vent. There shall be a mechanical ventilation fan arranged to control the humidity in the compartment and provide positive venting of odors to the outside atmosphere at all times. A heating unit shall be provided to maintain temperature in the optimum range for composting.

C. Incineration Toilets

Gas or oil fired or electrical incineration toilets shall meet applicable fire and building codes. No ignition or incineration shall occur unless the toilet lid is closed, and the blower shall operate continuously during incineration. A combustion temperature of 1,400°F or higher shall be maintained during incineration.

D. Chemical Flush Toilets

Chemical flush toilets shall have toilet bowls which may be flushed when required by chemicals or chemical solutions. The liquid shall be discharged to a holding tank for removal of solids by settlement or other means prior to recirculation. The toilet bowl shall be trapped or otherwise constructed to exclude odors, and the holding tank shall be vented to the outside atmosphere. The holding tank shall be emptied or additional chemicals added when odors or other objectionable conditions occur.

E. Dry Vault Privies

Dry vault privies shall be constructed with adequate storage space for excreta, and a fly-tight vault with a screened vent to the outside atmosphere. Self-closing, fly tight doors or self-closing seat covers shall be provided. Dry vault privies shall be constructed so as to permit ready cleaning. Separating distances shall comply with Table No. 1.

F. Chemical Privies

Chemical privies shall be constructed with a water-tight vault with a screened vent to the outside atmosphere. Separating distances shall comply with Table No. 1. Chemicals shall be added to the liquid in the pit through a covered opening outside the toilet building. The vault shall be emptied or additional chemicals added when odors or other objectionable conditions occur.

G. Holding Tanks

Installation of non discharging effluent holding tanks must be approved by the Commissioner of Public Health and the septage disposed by methods in accordance with Section 19-13-B103c(a) of the Public Health Code.

APPLICATION FOR PERMIT TO CONSTRUCT OR REPAIR A SEWAGE DISPOSAL SYSTEM

APPLICATION NO. _____

To the Director of Health Town Of: _____ Date: _____

Application is hereby made for permit to construct a sewage disposal system for a: _____
(Residence, Store, Restaurant, etc.)

Located at: _____
(Street Address, Lot Number, Subdivision Name, Map, Block, Lot, etc.)

New System _____ Addition _____ Repair _____ Other _____

Owner _____ Address _____ Tel.No. _____

Installer _____ Address _____ Tel.No. _____

Installer License No. _____

In accordance with detailed information stated below

Application fee paid _____ Signed _____
(Owner or duly authorized representative)

GENERAL INFORMATION

Subdivision Approval _____ Date _____ Lot size _____ sq.ft.

On Public Water Supply Watershed _____ On Designated Wetland _____

SCS Soil Classification _____ Public Sewer Scheduled _____
(Date)

If residential, number of bedrooms _____ Flood Zone _____

If non-residential, design criteria: _____
(Sanitary Facilities, No. of Employees, Meals Served, etc.)

Basement Fixtures _____ Foundation Drains _____ Special Equipment _____

ENGINEER'S PLAN REQUIRED	TEST DURING WET SEASON
--------------------------	------------------------

Water Supply _____ Type Well _____

Well Location Approved _____ Yield _____ Satisfactory Sample _____
(Date)

Well Driller's Name _____ Address _____

WATER SUPPLY APPROVED

INVESTIGATION FOR SEWAGE DISPOSAL SYSTEM

Owner _____ Location _____

PERCOLATION TESTS: (Record all Tests) _____ SOIL MOISTURE: _____
 (Date) (high, med., low, etc.)

TEST READINGS

HOLE		HOLE		HOLE		HOLE	
Time	Reading	Time	Reading	Time	Reading	Time	Reading

TABULATION OF TEST RESULTS

Hole	Location	Depth (Inches)	Presoak/Hours	Minimum Percolation Rate	Mins/Inch

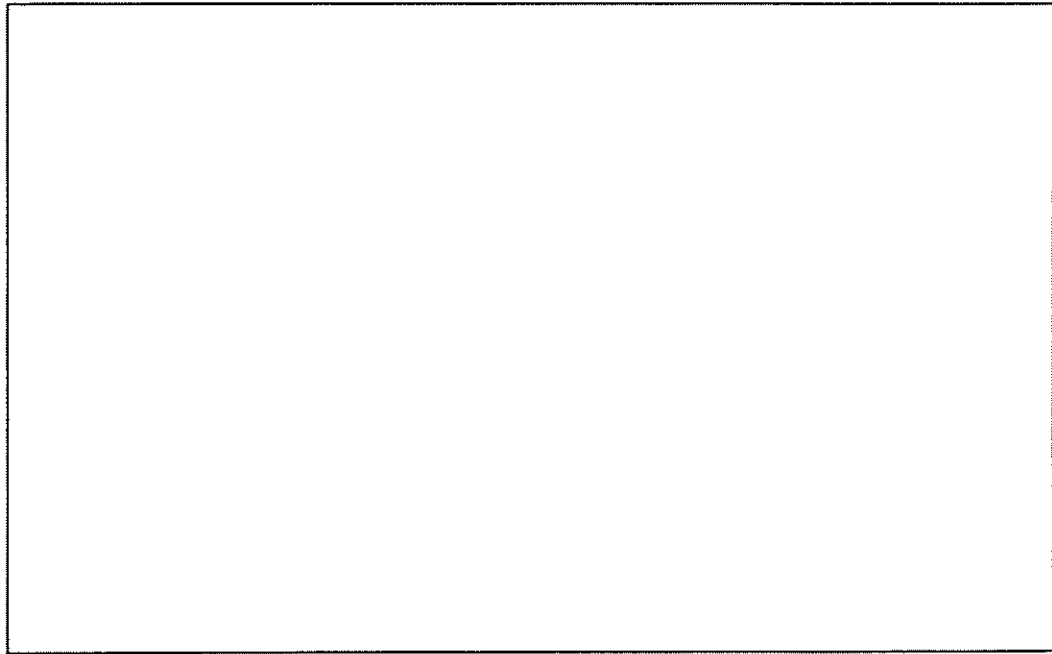
OBSERVATION PITS: (Record all pits) _____ Groundwater Table _____
 (Date) (Near max., Below max., etc.)

SOIL DESCRIPTIONS

PIT	PIT	PIT	PIT

TABULATION OF TEST RESULTS

Pit	Location	Depth	Ledge At	Ground Water At	Soil Mottling At



LOCATION DRAWING

SPECIAL CONDITIONS

System design larger than 2,000 g.p.d . _____
Water supply watershed _____
Possible seasonal high groundwater _____
Watercourse, marsh or pond _____
Possible seasonal flooding _____
Limited suitable area _____
Excessive Slope (over 25%) _____
Marginal soil (30-60mins/inch) _____
Shallow ledge (less than 5 ft.) _____
Underlying tight soil (less than 4 ft.) _____
Other _____

CONCLUSIONS

Suitable for sewage disposal _____
Unsuitable for sewage disposal _____
Additional investigation required _____
Retest during wet season _____
Monitor groundwater thru wet season _____
Engineer's plan required _____

DESIGN RECOMMENDATIONS

Investigated by _____ Title _____

Confirmed/witnessed by _____ Title _____

Comments:

CHECK LIST
REVIEW OF PLAN/INSPECTION OF SEWAGE DISPOSAL SYSTEM

Owner _____ Location _____ Date Rec'd _____

Plan prepared by _____ Title _____ Address _____

Site Investigation _____ Investigated by _____
(Date)

Bench mark location _____ Elevation _____

Design Percolation Rate _____ Mins./inch at hole(s) _____

If residential, number of bedrooms _____ If non-residential, estimated daily flow _____

HOUSE SEWER (INVERT LEVELS)

Depth at foundation wall _____ Depth at septic tank _____

SEPTIC TANK

Cleanout located _____ ft. from _____ and _____ ft. from _____

Manufacturer _____ Size _____ gals. Depth to cleanout _____

LEACHING SYSTEM

Description _____

Effective area _____ sq.ft. Required effective area _____ sq.ft.

Spacing between units _____ ft. 100 % reserve area provided _____

Bottom of leaching system 18 inches above maximum water table _____

Bottom of leaching system 4 feet above ledge rock _____

Bottom of leaching system _____ inches below final grade.

Pumping required _____ Curtain drain required _____

Serial distribution _____ Level system _____

SEPARATING DISTANCES

Well Located _____ ft. from _____ and _____ ft. from _____

Distance sewage system to well on property _____ ft. To water service _____ ft.

To well on adjacent property _____ ft. To property line _____ ft.

To house served _____ ft. To dwelling adjacent property _____ ft.

To nearest watercourse _____ ft.. To nearest ground or surface water drain _____ ft.

Reviewed/inspected by _____ Title _____

PLAN/INSTALLATION APPROVED _____ DATE _____

INSPECTION FEE PAID _____

APPENDIX A

MINIMUM LEACHING SYSTEM SPREAD (MLSS)

No permit or approval shall be issued for any new subsurface sewage disposal system where the surrounding naturally occurring soil cannot adequately absorb or disperse the expected volume of sewage effluent. The MLSS calculation shall be utilized for all subsurface sewage disposal systems as a precursor to possible further, more in-depth, hydraulic analysis. The MLSS criteria should be applied to the primary leaching area. Wherever feasible the reserve leaching area should provide additional hydraulic relief.

MLSS Formula

$$\text{MLSS (in feet)} = \text{HF} \times \text{FF} \times \text{PF}$$

HYDRAULIC FACTOR (HF) = Value based on relationship between the hydraulic gradient and the depth of restrictive layer within a proposed leaching area.

FLOW FACTOR (FF) = Value based on the daily design flow.

PERCOLATION FACTOR (PF) = Value based on the percolation rate of the receiving naturally occurring soil layer.

DEFINITIONS

Hydraulic Gradient:	Shall be deemed the percent of slope of the <u>naturally occurring</u> soil in the area of the leaching system. Actual slope of restrictive layer may be utilized if field verification can be made.
Restrictive Layer:	Shall be deemed the layer which impedes downward movement of flow within the proposed leaching area. This boundary will likely be the lesser of such conditions as: ledge; severely restrictive hardpan (slower than 30 minutes/inch); or seasonal high groundwater levels. If clear determination of maximum groundwater levels cannot be made during site testing then this level shall be determined by monitoring. The <u>average</u> of at least five (5) readings over a month or more during the wet season of the year shall be used as a basis.
Depth to Restrictive Layer:	Shall be deemed the depth in inches from the top of naturally occurring grades to the restrictive layer.
Leaching System Spread:	Shall be deemed the length in feet of sewage application parallel to the contours of the naturally occurring soils in the leaching area. Sewage shall be applied fairly uniformly over the entire length to be valid. If not, each section of the leaching system shall be analyzed independently in proportion to its daily discharge volume.

FACTOR TABLES

HYDRAULIC FACTOR (HF)

HYDRAULIC GRADIENT (% OF SLOPE)

		<1	1.1- 2.0	2.1- 3.0	3.1- 4.0	4.1- 6.0	6.1- 8.0	8.1- 10.0	10.1- 15.0	>15
L T A O Y D E R R E E S I P T N T I I C N H T C I H V E S	<17.9	SEE NOTE #1								
	18.0- 22	72	62	54	48	42	34	30	28	26
	22.1- 26	66	56	48	42	34	30	28	26	24
	26.1- 30	56	49	42	34	30	28	26	24	20
	30.1- 36	48	42	34	30	28	26	24	20	18
	36.1- 42	42	36	30	28	26	24	20	18	16
	42.1- 48	36	32	28	26	24	20	18	16	14
	48.1- 60	30	28	24	22	20	18	16	14	10
	>60	MLSS NEED NOT BE CONSIDERED								

#1 - Cannot Be Approved Unless Hydraulic Analysis Demonstrates Suitability.

FACTOR TABLES

FLOW FACTOR (F F)

Flow Factor = Design Flow/300	
Typical Uses	Flow Factor (FF)
<u>Residential:</u> Each Bedroom Has a Design Flow of 150 Gallons Per Day GPD)	
2 Bedroom Home = 300/300	1.0
3 Bedroom Home = 450/300	1.5
4 Bedroom Home = 600/300	2.0, etc.
<u>Non-Residential:</u> Design Flow (GPD) / 300	(F F)

PERCOLATION FACTOR (P F)

Percolation Rate	Percolation Factor (P F)
Up To 5 Minutes/Inch	1.0
5.1 To 10 Minutes/Inch	1.2
10.1 To 20 Minutes/Inch	1.5
20.1 To 30 Minutes/Inch	2.0
30.1 To 45 Minutes/Inch	3.0
45.1 To 60 Minutes/Inch	5.0

USE OF MLSS FORMULA

The resulting MLSS calculation for each design plan shall be compared to the system spread proposed. If the proposed spread is less than the results of the MLSS formula than the applicant may: 1) increase the system spread to meet minimum; 2) relocate the leaching system to a more favorable location on the property; 3) reduce the flow factor by eliminating bedrooms or by changing the intended usage of the proposed building; 4) have an in-depth hydraulic analysis performed in order to demonstrate site suitability and code compliancy.

APPENDIX B

**APPROVED FILTER FABRICS FOR PLACEMENT
OVER LEACHING SYSTEMS**

<u>MANUFACTURER</u>	<u>ITEM NUMBER</u>
CULTEC	410
MIRAFI	65304 (4' WIDE) 65303 (3' WIDE)
TERRA TEX	S01.5 P01.5
TYPAR	3151 3201

SEC. 19-13-B104

Section 1. The regulations of Connecticut State agencies are amended by adding Section 19-13-B104a through 19-13-B104d, inclusive:

Sec. 19-13-B104a - Scope These regulations set standards for domestic sewage disposal systems receiving flows greater than 5,000 gallons per day; community sewage systems as defined in Section 7-245, Connecticut General Statutes, which utilize land treatment and disposal, alternative on-site sewage treatment systems; and septage disposal systems which utilize land treatment and disposal.

Sec. 19-13-B104b - Definitions

- (a) **Alternative on-site sewage treatment systems** means a system serving one or more buildings on one property which utilizes a method of treatment other than a subsurface sewage disposal system and which involves a discharge to the waters of the state.
- (b) **Domestic sewage** means sewage that consists of water and human excretions or other waterborne wastes incidental to the occupancy of the residential buildings or a nonresidential building but not including manufacturing process water, cooling water, wastewater from water softening equipment, commercial laundry wastewater, blowdown from heating or cooling equipment, water from cellars or floor drains or surface water from roofs, paved surfaces or yard drains.
- (c) **House sewer** means a tight sewer pipe extending from the building served by a subsurface sewage disposal system.
- (d) **Land treatment and disposal** means a system which utilizes soil materials for the treatment of domestic sewage and disposes of the treated effluent by percolation into underlying soil and mixing with the groundwater.
- (e) **Local Director of Health** means the local director of health or his authorized agent.
- (f) **Person** means any individual, partnership, association, firm, corporation or other entity, except a municipality, and includes the federal government, the state or any instrumentality of the state and any officer or governing or managing body of any partnership, association, firm or corporation.
- (g) **Septage** means any water or material withdrawn from a septic tank used to treat domestic sewage.
- (h) **Subsurface sewage disposal system** means a system consisting of a house or collection sewer, a septic tank followed by a leaching system, any necessary pumps or siphons, and any groundwater control system on which the operation of the leaching system is dependent.

Sec. 19-13-B104c - General Provisions

- (a) All sewers, sewage disposal systems, toilets, or sewage plumbing systems shall be kept in a sanitary condition at all times and be so constructed and maintained as to prevent the escape of odors and to exclude animals and insects. All such systems shall adhere to the requirements set forth in Section 25-54i of the Connecticut General Statutes.

- (b) The contents of the septic tank, subsurface sewage disposal system or privy vault shall only be disposed of in the following manner.
 - (1) If the contents are to be disposed of on the land of the owner, disposal shall be by burial or other method which does not present a health hazard or nuisance; or
 - (2) If the contents are to be disposed of on land of other than the owner;
 - (A) The contents shall be transferred and removed by a cleaner licensed pursuant to Connecticut General Statutes Chapter 393a, and
 - (B) Only on the application for and an issuance of a written permit from the local director of health in accordance with the provisions of this section;
 - (3) If the contents are to be disposed of on a public water supply watershed, only on the application and issuance of a written permit by the Commissioner of Public Health in accordance with the provisions of this section.

Each application for a permit under subdivisions (2) and (3) of subsection (b) shall be in writing and designate where and in what manner the material shall be disposed of.

- (c) All material removed from any septic tank, privy, sewer, subsurface sewage disposal system, sewage holding tank, toilet or sewage plumbing system shall be transported in watertight vehicles or containers in such a manner that no nuisance or public health hazard is presented. All vehicles used for transportation of such material shall bear the name of the company or licensee and shall be maintained and clean exterior conditions at all times. No defective or leaking equipment shall be used in cleaning operations. All vehicles or equipment shall be stored in a clean condition when not in use. Water used for rinsing such vehicles or equipment shall be considered sewage and shall be disposed of in a sanitary manner approved by the local director of health.
- (d) Septic tanks shall be cleaned by first lowering the liquid level sufficiently below the outlet to prevent sludge or scum from overflowing to the leaching system where it could cause clogging or otherwise damage the system. Substantially all of the sludge or scum accumulation shall be removed whenever possible, and the inlet and outlet baffles shall be inspected for damage or clogging. Cleaners shall use all reasonable precautions to prevent damaging the sewage disposal system with vehicles or equipment. Accidental spillage of sewage, sludge, or scum be promptly removed or otherwise abated so as to prevent a nuisance or public health hazard.
- (e) No sewage shall be allowed to discharge or flow into any storm drain, gutter, street, roadway or public place, nor shall such material discharge onto any private property so as to create a nuisance or condition detrimental to health. Whenever it is brought to the attention of the local director of health that such a condition exists on any property, he shall investigate and cause the abatement of this condition.
- (f) Persons who intend to conduct site investigations for the purpose of designing or constructing any septage or sewage disposal system within the scope of these regulations shall notify the local director of health of the time and place of such site investigations. Notice shall be provided to the local director of health in a timely manner to allow attendance at such site investigations by the director of health.
- (g) Persons who propose sewage or septage disposal systems within the scope of this regulation shall submit plans for such systems to the Commissioner of Public Health and the local director of health. Plans shall be submitted in a timely manner to allow review and comment on such plans

to be directed to the Commissioner of Environmental Protection. Such plans shall be prepared by a professional engineer registered in the State of Connecticut and shall include a report of the findings of all site investigations, the basis of design, a preliminary or final design and other information necessary for the preservation and improvement of public health.

- (h) Persons who intend to construct sewage or septage disposal systems within the scope of these regulations shall file final construction plans with the local director of health at least two working days prior to the start of construction. All such systems shall be inspected during construction by the local director of health. Persons constructing such systems shall give prior notification to the local director of health of any changes which are proposed or required during construction. Persons constructing such systems shall provide the local director of health with a record drawing of the system, as-built, prior to utilizing the system.

Sec. 19-13-B104d - Minimum Requirements

- (a) All sewage or septage disposal systems under the scope of these regulations shall meet the following minimum requirements necessary for the preservation and improvement of public health, unless an exception is granted by the Commissioner of Public Health upon his determination that public health shall not be impaired by such exception.
- (b) All structures or facilities for the treatment or disposal of sewage or septage shall be located at least 50 feet from any open water source and 100 feet from any public supply reservoir, unless designed and constructed to prevent the leakage or overflow of raw or treated sewage to the ground or surface water.
- (c) All structures, facilities or locations containing sewage or septage which is exposed to the atmosphere shall be located at least 150 feet from any school, residential building or institution, and shall be fenced or otherwise made inaccessible to the public.
- (d) The following minimum separating distances shall be maintained between any discharge or overflow of raw or treated sewage or septage to the ground waters and any drinking water supply well or spring.

<u>Required Withdrawal Rate</u>	<u>Minimum Separating Distance</u>
Under 10 gal. per minute	75 feet
10 to 50 gal. per minute	150 feet
Over 50 gal. per minute	200 feet

- (e) The following minimum separating distances shall be maintained between any sewer, structure or facility for the conveyance or treatment of sewage or septage and any drinking water supply well or spring.

<u>Required Withdrawal Rate</u>	<u>Minimum Separating Distance</u>
Under 10 gal. per minute	25 feet
10 to 50 gal. per minute	75 feet
Over 50 gal. per minute	100 feet

Section 2. Sections are repealed, 19-13-B20a through 19-13-B20s, inclusive,

Statement of Purpose:

The regulations up date existing Public Health Code requirements for the design and installation of large subsurface sewage disposal systems, the design flow of which exceed 5,000 gallons per day. Sewage disposal systems conforming to this regulation and designed to include the latest state-of-the-art technology will provide for the preservation and improvement of public health.

